



US

Operator's manual

Please read the operator's manual carefully and make sure you understand the instructions before using the machine.

FR

Manuel d'utilisation

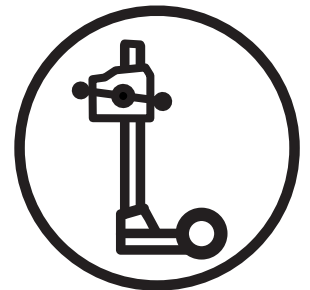
Lire attentivement et bien assimiler le manuel d'utilisation avant d'utiliser la machine.

ES

Manual de instrucciones

Lea detenidamente el manual de instrucciones y asegúrese de entender su contenido antes de utilizar la máquina.

DS 450



US FR ES

KEY TO SYMBOLS

Symbols on the machine:

WARNING! The machine can be a dangerous tool if used incorrectly or carelessly, which can cause serious or fatal injury to the operator or others.



Please read the operator's manual carefully and make sure you understand the instructions before using the machine.



Always wear:

- Approved protective helmet
- Approved hearing protection
- Protective goggles or a visor
- Breathing mask



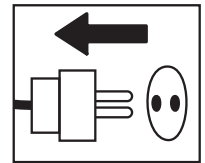
When drilling roofs, always use a water collector that is approved for your drill motor, or use a hydraulic drill motor. There is a risk that the drilling machine and the stand become live if water leaks into the machine.



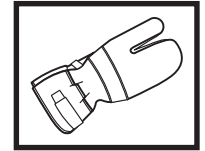
Other symbols/decals on the machine refer to special certification requirements for certain markets.

Symbols in the operator's manual:

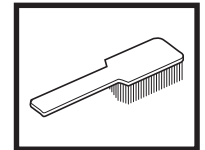
Inspection and/or maintenance should be carried out with the motor switched off and the plug disconnected.



Always wear approved protective gloves.



Regular cleaning is required.



Visual check.



Protective goggles or a visor must be worn.



CONTENTS

Contents

KEY TO SYMBOLS

Symbols on the machine:	2
Symbols in the operator's manual:	2

CONTENTS

Contents	3
----------------	---

PRESENTATION

Stand DS 450	4
--------------------	---

WHAT IS WHAT?

What is what on the stand?	5
----------------------------------	---

SAFETY INSTRUCTIONS

Steps before using a new stand	6
Personal protective equipment	6
General safety precautions	7

ASSEMBLING AND ADJUSTMENTS

Secure the stand	8
Assembly of drill motor	9
Adjust the column tilt	9
Before drilling	9
Transport wheels	10
Change drill column	10

MAINTENANCE

Stand maintenance	11
-------------------------	----

TECHNICAL DATA

US WARRANTY STATEMENT

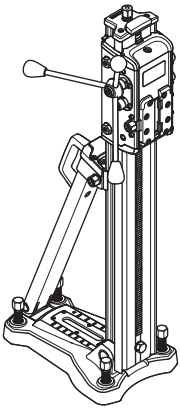
WARRANTY POLICY	13
EQUIPMENT	13

Stand DS 450

It is our wish that you will be satisfied with your product and that it will be your companion for a long time. Think of this operator's manual as a valuable document. By following its' content (using, service, maintenance etc) the life span and the second-hand value of the machine can be extended. If you ever lend or sell this machine, make sure that the borrower or buyer gets the operator's manual, so they will also know how to properly maintain and use it.

A purchase of one of our products gives you access to professional help with repairs and services. If the retailer who sells your machine is not one of our authorised dealers, ask him for the address of your nearest service workshop.

Husqvarna Construction Products has a policy of continuous product development. Husqvarna reserves the right to modify the design and appearance of products without prior notice and without further obligation introduce design modifications.

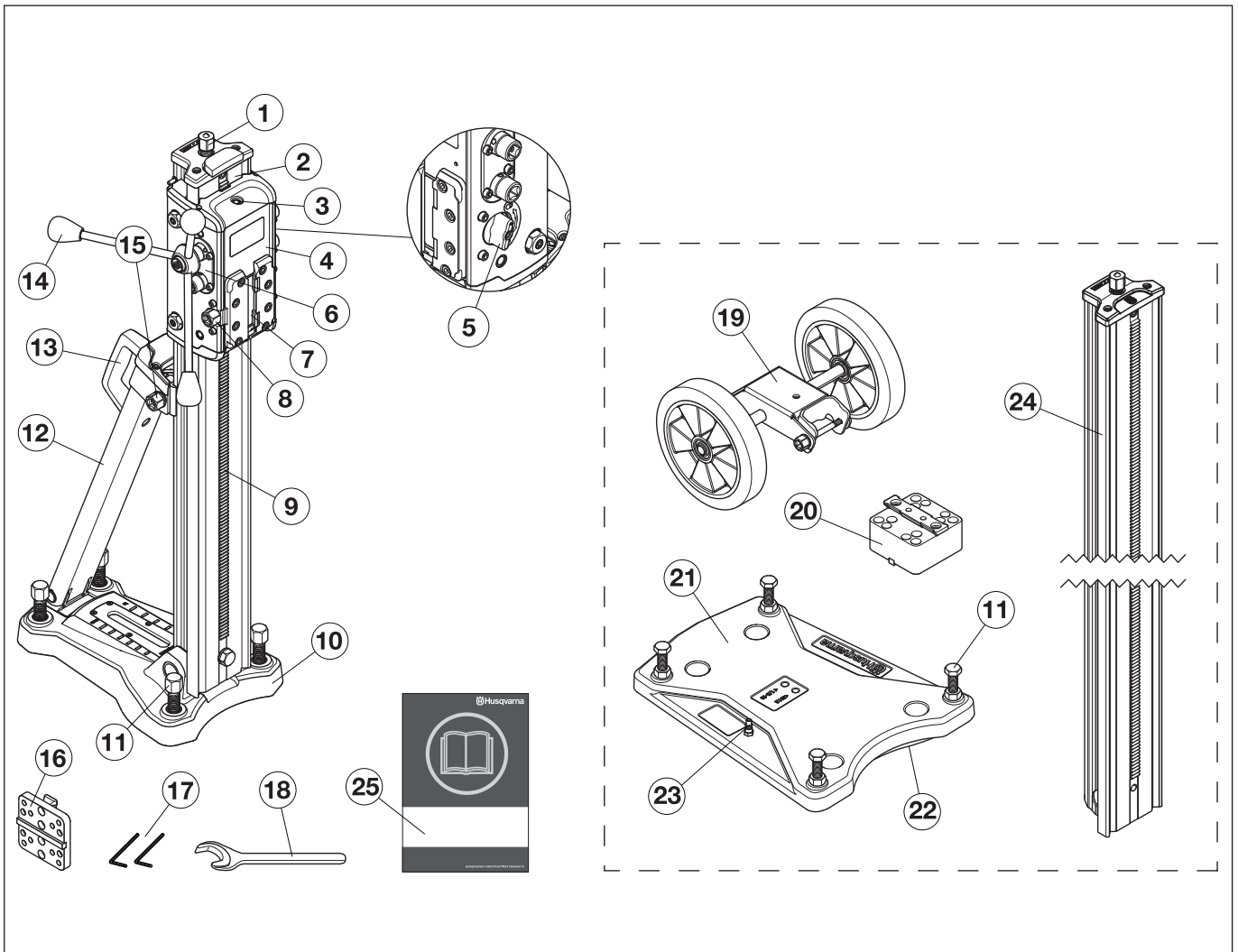


- The stand is for drilling in roofs, walls and floors.
- The base plate is made of aluminium and is therefore very light weight.
- The column can be tilted 0-60°.
- The drill stand is equipped with a quick connection plate for the drillmotor.
- The feeder housing has two feeding speeds: 4.4:1 for large drills and 1:1 for small drills.
- The feed lever can be used to set the column tilt and to lock the quick mounting.

Accessories

- Drill column, 2 m
- Transport wheels
- Vacuum plate
- Vacuum pump
- Drill motor spacer block
- Switch box (USA only)

WHAT IS WHAT?



What is what on the stand?

- | | |
|------------------------------------|---|
| 1 Jacking screw | 14 Feeder handle |
| 2 Drill column | 15 Locking screw, column tilt |
| 3 Lever indicator | 16 Quick mounting |
| 4 Carriage | 17 Allen key (5 mm, 6 mm) |
| 5 Carriage lock | 18 Open-ended spanner, NV 24 |
| 6 Gear box | 19 Transport wheels (accessory) |
| 7 Locking clamp for quick mounting | 20 Drill motor spacer block (accessory) |
| 8 Locking screw, locking clamp | 21 Vacuum plate (accessory) |
| 9 Gear rack | 22 Gasket, base vacuum suction |
| 10 Base plate | 23 Connection, quick connection for vacuum pump |
| 11 Leveling adjustment screws | 24 Drill column, 2 m (accessory) |
| 12 Stabilizer | 25 Operator's manual |
| 13 Carrying handle | |

SAFETY INSTRUCTIONS

Steps before using a new stand

- Please read the operator's manual carefully and make sure you understand the instructions before using the machine.
- This machine is designed for and intended for drilling concrete, brick and different stone materials. All other use is improper.
- The machine is intended for use in industrial applications by experienced operators.
- Keep the workplace tidy. Disorder leads to accident risks.
- Also read the operating manual enclosed with the drill motor and check that its performance is compatible with the stand.

Always use common sense

It is not possible to cover every conceivable situation you can face. Always exercise care and use your common sense. Avoid all situations which you consider to be beyond your capability. If you still feel uncertain about operating procedures after reading these instructions, you should consult an expert before continuing.

Do not hesitate to contact your dealer if you have any more questions about the use of the machine. We will willingly be of service and provide you with advice as well as help you to use your machine both efficiently and safely.

Let your Husqvarna dealer regularly check the machine and make essential adjustments and repairs.

All information and all data in the Operator's Manual were applicable at the time the Operator's Manual was sent to print.



WARNING! Under no circumstances should you modify the original design of the machine without approval from the manufacturer. Always use original spare parts. Unauthorized modifications and/or accessories may lead to serious injury or death to the user or others.

Personal protective equipment

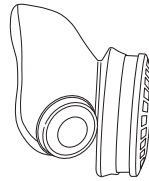


WARNING! You must use approved personal protective equipment whenever you use the machine. Personal protective equipment cannot eliminate the risk of injury but it will reduce the degree of injury if an accident does happen. Ask your dealer for help in choosing the right equipment.

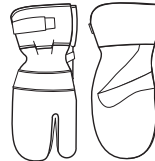
- Protective helmet
- Hearing protection
- Protective goggles or a visor



- Breathing mask



- Heavy-duty, firm grip gloves.



- Tight-fitting, heavy-duty and comfortable clothing that permits full freedom of movement.



- Boots with steel toe-caps and non-slip sole



- Always have a first aid kit nearby.



SAFETY INSTRUCTIONS

General safety precautions



WARNING! Read all safety warnings and all instructions. Neglecting to follow the warnings and instructions can lead to serious injury or death for the operator or others.

Work area safety

- Keep work area clean and well lit. Cluttered or dark areas invite accidents.
- People and animals can distract you causing you to lose control of the machine. For this reason, always remain concentrated and focused on the task.
- Do not use the machine in bad weather, such as dense fog, heavy rain, strong wind, intense cold, etc. Working in bad weather is tiring and can lead to dangerous conditions, e.g. slippery surfaces.
- Never start to work with the machine before the working area is clear and you have a firm foothold. Look out for any obstacles with unexpected movement. Ensure that no material can become loose and fall, causing injury when operating the machine.
- Always check the rear side of the surface where the drill bit will emerge when drilling right through. Secure and cordon off the area and make sure that no one can be injured or material damaged.

Personal safety



WARNING! There is always a risk of crush injuries when working with products containing moving parts. Always wear protective gloves.

- Wear personal protective equipment. See instructions under the heading "Personal protective equipment".
- Never use the machine if you are tired, if you have drunk alcohol, or if you are taking medication that could affect your vision, your judgement or your co-ordination.
- Never allow anyone else to use the machine without first ensuring that they have understood the contents of the operator's manual.
- Be careful as clothing, long hair, and jewellery can get caught in moving parts.
- Never work alone, always ensure there is another person close at hand. Apart from being able to receive help to assemble the machine, you can also get help if an accident should occur.

Use and care

- Never use a machine that is faulty. Carry out the checks, maintenance and service instructions described in this manual. Some maintenance and service measures must be carried out by trained and qualified specialists. See instructions under the heading Maintenance.
- Never use a machine that has been modified in any way from its original specification.
- Keep all parts in good working order and ensure that all fixtures are properly tightened.

Transport and storage

- Store the equipment in a lockable area so that it is out of reach of children and unauthorized persons.
- Store the drilling machine and stand in dry and frost free conditions.

ASSEMBLING AND ADJUSTMENTS

Secure the stand

There are three methods for fixing the stand.

- Securing with vacuum plate (accessory)
- Fixing with expander or anchor
- Fixing with threaded rod, washer and lock nut

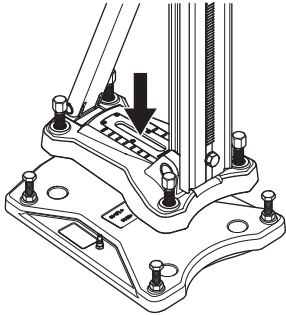
Securing with vacuum plate (accessory)



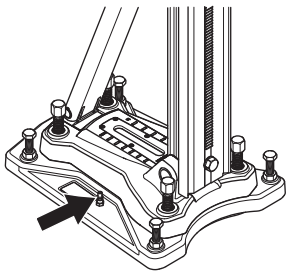
WARNING! The vacuum plate must never be used for ceiling or wall drilling. Careless or incorrect use can result in serious, even fatal injury.

If the vacuum plate is used, make sure the support surface is not porous and can loosen from the floor or the wall. Make sure that the vacuum pump has sufficient power to secure the vacuum plate.

- Fasten the vacuum plate with the bolt.



- Loosen the leveling screws so that they are above the bottom of the vacuum plate.
- Connect the vacuum hose and turn on the pump.



- A minimum pressure of 0.85 bars must be reached in order for the base plate to seal tightly against the surface.
- Tighten the leveling screws slightly until you can feel pressure on the screw.

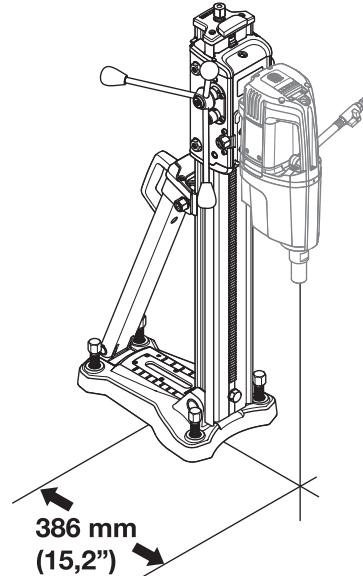
IMPORTANT! Make sure the leveling screws are in contact with the surface when using the vacuum plate to reduce the risk of the vacuum plate coming loose.

Fixing with expander or anchor

IMPORTANT! When drilling roofs and walls, only expander or anchor suitable for surfaces exposed to tensile forces should be used.

Use only expander or anchor which is approved for current application.

- Drill a hole for the expander/anchor at a distance of 386 mm (15,2") from the center of the hole. (The measurement applies for use together with DM 330.)



- Bolt down the base plate. Check carefully that the expander is secured correctly.
- The bottom plate can be adjusted to the surface by using the leveling adjustment screws. Use the feed handle.

Fixing with threaded rod, washer and lock nut

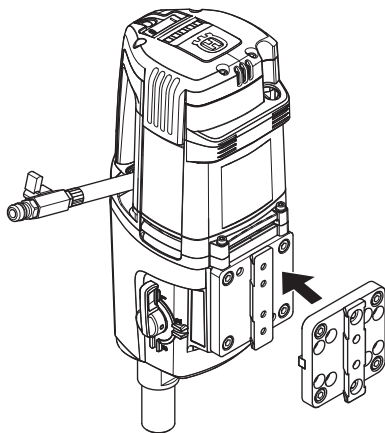
If the mounting surface is inadequate for drilling in roofs or walls, the base plate can be fixed using a threaded rod, which is mounted on the backside with a washer and lock nut.

ASSEMBLING AND ADJUSTMENTS

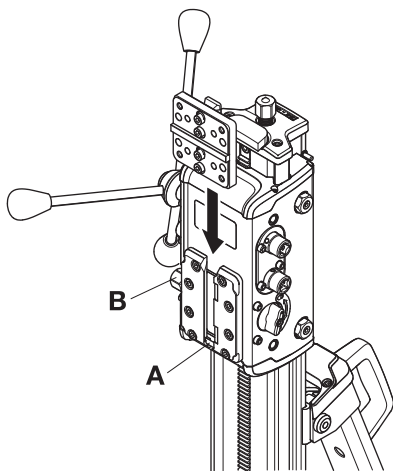
Assembly of drill motor

IMPORTANT! Always pull out the plug from the outlet socket before cleaning, maintenance or assembly.

- Always remove the drill bit before the motor is mounted or dismantled.
- Lock the feed housing lock.
- Mount the quick mounting on the drill motor.

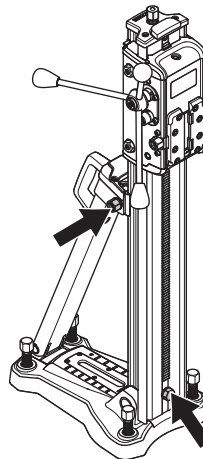


- Mount the quick mounting and drilling machine in the track on the locking clamp. Make sure that the quick-mount is pushed all the way to the bottom (A) of the rail on the locking clip.



- Fasten the locking clamp with the locking screw (B).

Adjust the column tilt



The column can be tilted 0-60°.

- Loosen the locking screws for column tilt and set the desired drill angle. Tighten the locking screws.
- The angle indicator can be used for approximate adjustment. If higher precision is required, alternative measuring methods should be used.

Before drilling



WARNING! Before drilling, check that all locking screws are tightened well.

Serious accidents can occur if the concrete core remains in the drill when backing out the drill motor/drill from the floor, wall or ceiling.

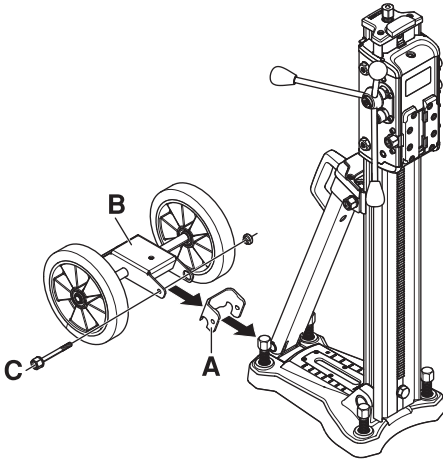


WARNING! When drilling roofs, always use a water collector that is approved for your drill motor, or use a hydraulic drill motor. There is a risk that the drilling machine and the stand become live if water leaks into the machine.

ASSEMBLING AND ADJUSTMENTS

Transport wheels (accessory)

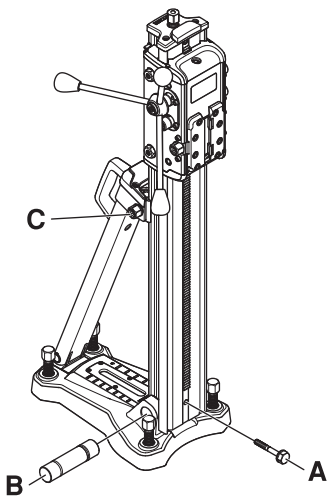
- Push the aluminium bail (A) towards to the mounting on the stand.



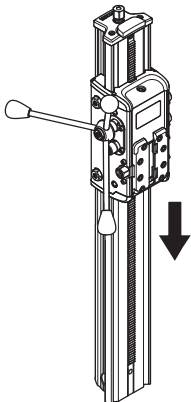
- Place the wheel set (B) over the aluminium bail.
- Insert the bolt (C) and fit the nut. Screw the bolt tight.

Change drill column (accessory)

- Remove the bolt (A).



- Gently knock away the axle (B).
- Loosen the locking screw (C).
- Remove the drill column from the stabiliser.
- Unlock the feeder housing. Remove the feeder housing from the column.



Assemble the parts in the reverse order.

MAINTENANCE

Stand maintenance



WARNING! Inspection and/or maintenance should be carried out with the motor switched off and the plug disconnected.

The lifetime of your machine can be extended considerably if it is used, cared for and maintained in the proper manner.

Cleaning and lubrication

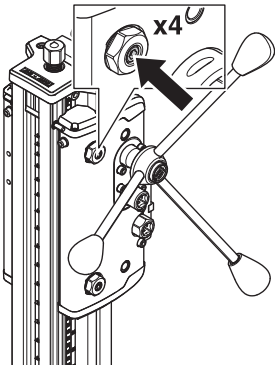
IMPORTANT! Remove the drill motor.

- It is important that the drill stand is kept clean for functionality to be maintained.
- Clean the stand using a high pressure washer and then wipe dry.
- Lubricate the moving parts on the stand. Apply grease to counteract corrosion on the contact surfaces.

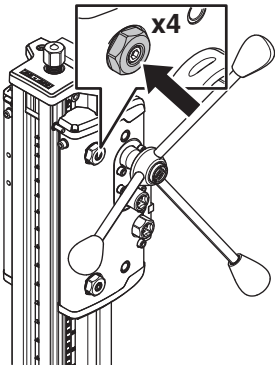
Adjusting the feed housing

If there is play between the column and the feed housing, the play must be adjusted.

- Loosen set screws holding guide roller shafts.

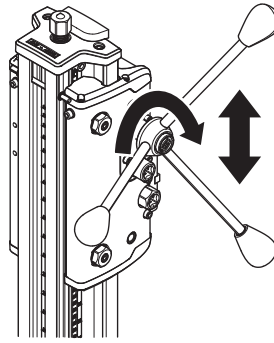


- Start adjustment with top roller on either side. Use a fixed spanner (NV 24). The rollers should have contact with the flat surface of the column and the tapered rollers should be in contact with the front of the column.



- Tighten set screw to lock the guide roller shaft.
- Adjust the lower roller on the opposite side in the same manner. Repeat on the other two rollers.

- Use the feed handle to see if the feed housing moves smoothly on the column. If not, adjust the rollers again.



Repairs

IMPORTANT! All types of repairs may only be carried out by authorised repairmen. This is so that the operators are not exposed to great risks.

Daily maintenance

- 1 Check that nuts and screws are tight.
- 2 Clean the outside of the machine.
- 3 Check that the feed crank can be moved without resistance.
- 4 Check that the gearing moves easily and does not cause any noise.
- 5 Check for any wear or damage on the column.
- 6 Check that the feed housing can be moved easily and does not backlash against the stand column.

TECHNICAL DATA

DS 450

Dimensions

Height, mm/inches	1095/43,1
Width, mm/inches	295/11,6
Depth, mm/inches	632/24,9

Weight, kg/lbs	22/48
----------------	-------

Travel length, mm/inch	648/25,5
------------------------	----------

Max. drill bit diameter, mm/inches

With spacer	400/16
Without spacer	350/14

The column's angling	0-60°
----------------------	-------

US WARRANTY STATEMENT

WARRANTY POLICY

All warranty claims will be determined after inspection at a designated facility. A Returned Goods Authorization is required for all warranty claims. Contact Husqvarna Customer Service Department at 800-845-1312 for an RGA. The customer must prepay the freight and absorb any labor expense required to return or replace a product submitted for warranty consideration. Husqvarna will pay return shipping expenses for repaired or approved replacement products.

EQUIPMENT

Equipment manufactured by Husqvarna is warranted to be free from manufacturing defects in normal service for a period of two (2) years from date of purchase by the original consumer purchaser. **Component manufacturers offer separate warranty periods. Call Technical Services at 800-288-5040 for complete information.**

Our obligation under this warranty is expressly limited to the replacement or repair at Husqvarna Construction Products North America, Olathe, Kansas 66061, or at a service facility designated by us, of such part or parts as inspection shall disclose to have been defective.

This warranty does not apply to defects caused by damage, unreasonable use, faulty repairs made by others than an approved Husqvarna servicing dealer, or defects caused by failure to provide reasonable maintenance, while in the possession of the consumer. Further, the warranty is void if the product, or any of its components, are altered or modified by the consumer purchaser, or if the product is used in an inappropriate manner or with tools not recommended by the manufacturer.

Exceptions: Drill motors - 3 months, Wall saws - 1 year, Power cutters - 3 months, DM230 - 1 year, DM225 - 3 months, Gyro systems - 1 year, CD40 system - 1 year, DS160 C - 1 year, Smart box - 1 year, CS2515 - 1 year, PP455 E - 1 year, PP345 E - 1 year, HP40 - 1 year.

Wear items: Filters, spark plugs, bearings*, belts, wheels** and wear pads.

*Except IntelliSeal™ system. **Except delamination.

EXPLICATION DES SYMBOLES

Symboles sur la machine:

AVERTISSEMENT! La machine utilisée de manière imprudente ou inadéquate peut devenir un outil dangereux, pouvant causer des blessures graves voire mortelles à l'utilisateur et aux autres personnes présentes.



Lire attentivement et bien assimiler le manuel d'utilisation avant d'utiliser la machine.



Toujours utiliser:

- Casque de protection homologué
- Protecteurs d'oreilles homologués
- Lunettes protectrices ou visière
- Masque respiratoire



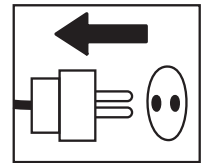
Pour le forage de plafonds, utilisez toujours un collecteur d'eau compatible avec votre moteur de forage ; ou utilisez un moteur de forage hydraulique. La perceuse et le bâti risquent d'être sous tension si de l'eau fuit dans la machine.



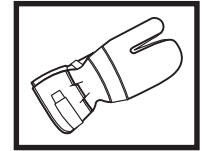
Les autres symboles/autocollants présents sur la machine concernent des exigences de certification spécifiques à certains marchés.

Symboles dans le manuel:

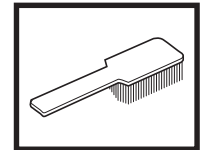
Les contrôles et/ou les entretiens doivent être effectués avec le moteur à l'arrêt et la prise électrique débranchée.



Toujours porter des gants de protection homologués.



Un nettoyage régulier est indispensable.



Examen visuel.



Porter des lunettes protectrices ou une visière.



SOMMAIRE

Sommaire

EXPLICATION DES SYMBOLES

Symboles sur la machine: 14

Symboles dans le manuel: 14

SOMMAIRE

Sommaire 15

PRÉSENTATION

Support DS 450 16

QUELS SONT LES COMPOSANTS?

Quels sont les composants du support? 17

INSTRUCTIONS DE SÉCURITÉ

Mesures avant utilisation d'un nouveau support 18

Équipement de protection personnelle 18

Instructions générales de sécurité 19

MONTAGE ET RÉGLAGES

Sécuriser le bâti 20

Montage du moteur de forage 21

Régler l'inclinaison de la colonne 21

Avant le forage 21

Roues de transport 22

Changement de la colonne de forage 22

ENTRETIEN

Entretien du support 23

CARACTÉRISTIQUES TECHNIQUES

DECLARATION DE GARANTIE ETATS-UNIS

POLITIQUE DE GARANTIE 25

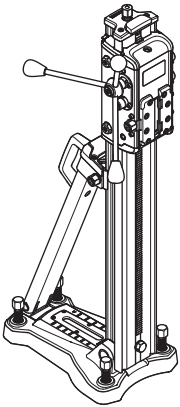
EQUIPEMENT 25

Support DS 450

Nous espérons que cette machine vous donnera toute satisfaction et qu'elle vous accompagnera pendant de longues années. N'oubliez pas que ce manuel d'utilisation est important. En suivant les instructions qu'il contient (utilisation, révision, entretien, etc.), il est possible d'allonger considérablement la durée de vie de la machine et d'augmenter sa valeur sur le marché de l'occasion. En cas de vente de la machine, ne pas oublier de remettre le manuel d'utilisation au nouveau propriétaire.

L'achat de l'un des nos produits garantit une assistance professionnelle pour l'entretien et les réparations. Si la machine n'a pas été achetée chez l'un de nos revendeurs autorisés, demandez l'adresse de l'atelier d'entretien le plus proche.

Husqvarna Construction Products travaille constamment à améliorer la construction de ses produits. Husqvarna se réserve donc le droit de procéder à des modifications de construction sans avis préalable et sans autres engagements.

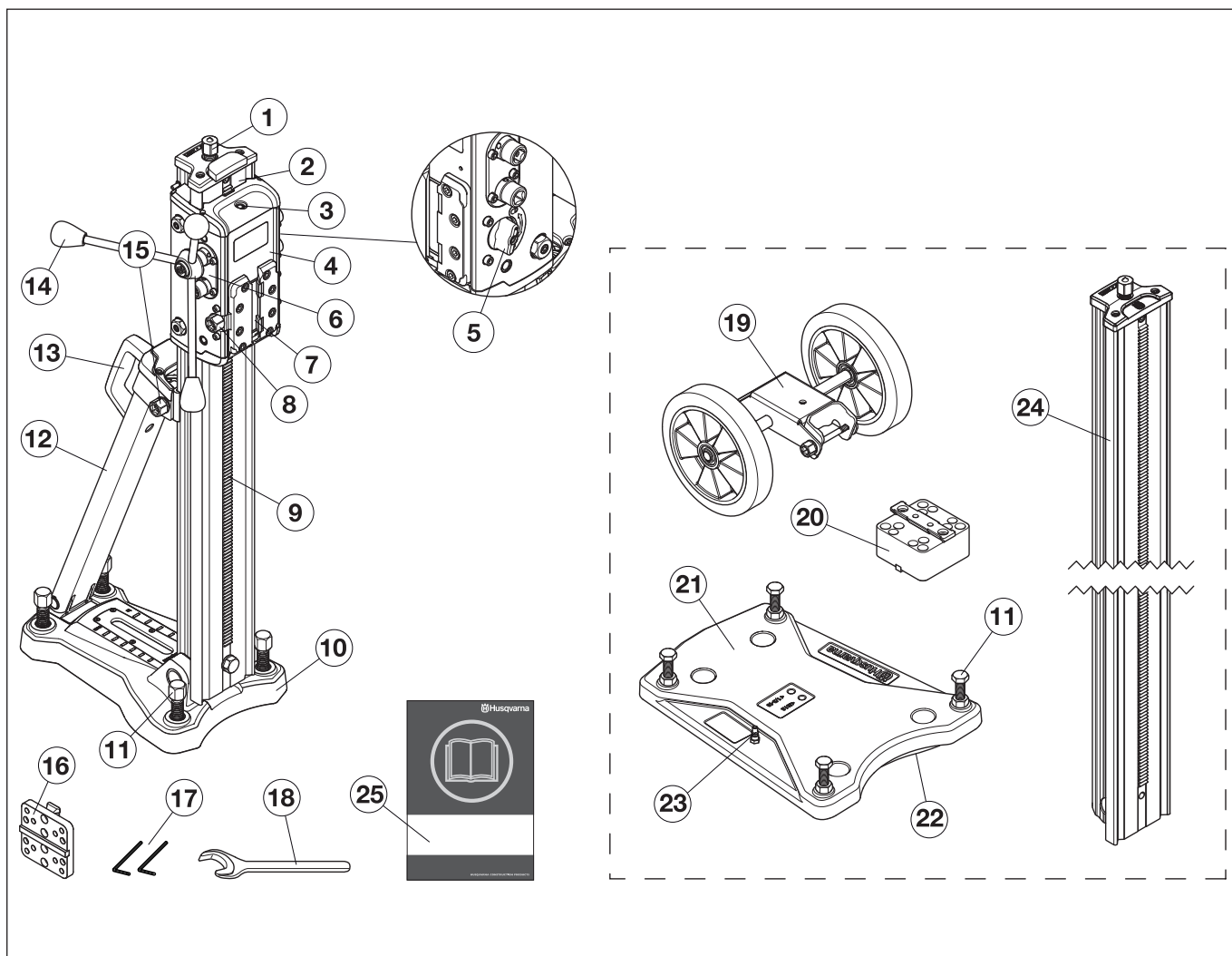


- Ce support est destiné au forage dans les plafonds, les murs et les sols.
- La plaque du socle est en aluminium et est donc extrêmement légère.
- La colonne peut être inclinée de 0 à 60°.
- Le bâti de forage est équipé d'une plaque à raccordement rapide pour le moteur de forage.
- Le boîtier d'alimentation compte deux vitesses d'alimentation : 4.4:1 pour des grands forets et 1:1 pour des petits forets.
- Le levier d'alimentation peut être utilisé pour ajuster l'inclinaison souhaitée de la colonne et verrouiller le support rapide.

Accessoires

- Pilier de forage, 2 m
- Roues de transport
- Plaque de sous-pression
- Pompe à vide
- Séparation moteur de forage
- Boîte de commutation (États-Unis uniquement)

QUELS SONT LES COMPOSANTS?



Quels sont les composants du support?

- | | | | |
|----|------------------------------------|----|--|
| 1 | Vis de calage | 14 | Poignée d'avance |
| 2 | Pilier de forage | 15 | Vis de fixation, orientation du pilier de forage |
| 3 | Indicateur de manette | 16 | Fixation rapide |
| 4 | Carter d'alimentation | 17 | Clé à six pans (5 mm, 6 mm) |
| 5 | Verrouillage carter d'alimentation | 18 | Clé plate, NV 24 |
| 6 | Boîte d'engrenages | 19 | Roues de transport (accessoire) |
| 7 | Attache pour fixation rapide | 20 | Séparation moteur de forage (accessoire) |
| 8 | Vis de fixation, attache | 21 | Plaque de sous-pression (accessoire) |
| 9 | Crémaillère | 22 | Joint, aspiration de mise sous vide |
| 10 | Piètement | 23 | Raccordement, raccordement rapide pour la pompe à vide |
| 11 | Vis de réglage | 24 | Pilier de forage, 2 m (accessoire) |
| 12 | Stabilisateur | 25 | Manuel d'utilisation |
| 13 | Poignée pour le transport | | |

INSTRUCTIONS DE SÉCURITÉ

Mesures avant utilisation d'un nouveau support

- Lire attentivement et bien assimiler le manuel d'utilisation avant d'utiliser la machine.
- Cette machine est conçue pour le perçage du béton, des briques et de différents types de pierres. Toute autre utilisation est incorrecte.
- La machine est conçue pour des applications industrielles et destinée à des opérateurs expérimentés.
- Assurez-vous que le poste de travail est bien rangé. Le désordre augmente les risques d'accident.
- Veuillez également parcourir le mode d'emploi fourni avec le moteur de forage et vérifier que les performances de ce dernier sont compatibles avec le support.

Utilisez toujours votre bon sens

Il est impossible de mentionner toutes les situations auxquelles vous pouvez être confronté. Soyez toujours vigilant et utilisez l'appareil avec bon sens. Évitez toutes les situations pour lesquelles vous ne vous estimez pas suffisamment qualifié. Si, après avoir lu ces instructions, vous ne vous sentez toujours pas à l'aise quant à la manière de procéder, il convient de consulter un expert avant de poursuivre.

N'hésitez pas à prendre contact avec votre revendeur si vous avez des questions sur l'utilisation de la machine. Nous sommes à votre disposition et vous conseillons avec plaisir pour vous aider à utiliser votre machine en toute sécurité et de façon efficace.

Faites régulièrement contrôler la machine par votre revendeur Husqvarna afin qu'il procède aux installations et réparations adéquates.

Toutes les informations et toutes les données indiquées dans ce manuel d'utilisation étaient valables à la date à laquelle ce manuel a été porté à l'impression.



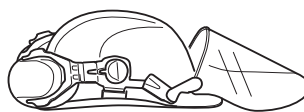
AVERTISSEMENT! Ne jamais modifier, sous aucun prétexte, la construction initiale de la machine sans l'autorisation du fabricant. N'utiliser que des accessoires et des pièces d'origine. Toute modification non autorisée et/ou tout emploi d'accessoires non homologués peuvent provoquer des accidents graves voire mortels pour l'utilisateur et les autres.

Équipement de protection personnelle

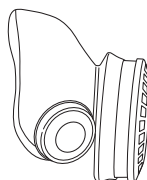


AVERTISSEMENT! Un équipement de protection personnelle homologué doit impérativement être utilisé lors de tout travail avec la machine. L'équipement de protection personnelle n'élimine pas les risques mais réduit la gravité des blessures en cas d'accident. Demander conseil au concessionnaire afin de choisir un équipement adéquat.

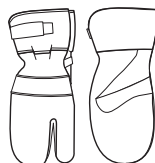
- Casque de protection
- Protecteur d'oreilles
- Lunettes protectrices ou visière



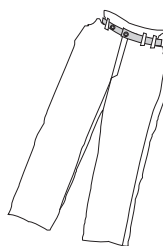
- Masque respiratoire



- Gants solides permettant une prise sûre.



- Vêtements confortables, robustes et serrés qui permettent une liberté totale de mouvement.



- Bottes avec coquille en acier et semelle antidérapante



- Une trousse de premiers secours doit toujours être disponible.



INSTRUCTIONS DE SÉCURITÉ

Instructions générales de sécurité



AVERTISSEMENT! Lire toutes les consignes et instructions de sécurité. Le non-respect des instructions et avertissements suivants peut provoquer des accidents graves voire mortels, à l'utilisateur ou à d'autres personnes.

Sécurité dans l'espace de travail

- Maintenir un espace de travail propre et bien éclairé. Les espaces encombrés ou sombres exposent à des accidents.
- Des personnes ou des animaux peuvent détourner l'attention de l'opérateur et l'amener à perdre le contrôle de la machine. C'est pourquoi l'opérateur doit toujours être attentif et concentré sur son travail.
- Ne pas travailler par mauvais temps: brouillard épais, pluie diluvienne, vent violent, grand froid, etc. Travailler par mauvais temps est fatiguant et peut créer des conditions de travail dangereuses telles que le verglas.
- Ne jamais commencer à travailler avec la machine sans avoir le champ libre et les pieds bien d'aplomb. Identifier les obstacles éventuels dans le cas de déplacement inattendu. S'assurer qu'aucun matériau ne risque de tomber et de provoquer des blessures ou des dommages lors de travail avec la machine.
- Contrôlez toujours la partie arrière de la surface traversée par le trépan. Délimitez la zone de travail et vérifiez que personne ne peut être blessé ni aucun matériau endommagé.

Sécurité du personnel



AVERTISSEMENT! Le risque de coincement est toujours présent lors de travail avec des produits comportant des éléments mobiles. Toujours utiliser des gants de protection.

- Utiliser les équipements de protection personnelle. Voir au chapitre "Équipement de protection personnelle".
- Éviter d'utiliser la machine en cas de fatigue, d'absorption d'alcool ou de prise de médicaments susceptibles d'affecter l'acuité visuelle, le jugement ou la maîtrise du corps.
- Ne jamais laisser d'autres personnes utiliser la machine sans s'être assuré au préalable que ces personnes ont bien compris le contenu du mode d'emploi.
- Attention! Les habits, les cheveux longs et les bijoux peuvent se coincer dans les parties en mouvement.
- Ne travaillez jamais seul, mais toujours avec une personne à proximité. Cette personne peut aider à monter la machine, mais aussi intervenir en cas d'accident.

Utilisation et entretien

- Ne jamais utiliser une machine qui n'est pas en parfait état de marche. Suivre dans ce manuel d'utilisation les instructions de maintenance, de contrôle et d'entretien. Certaines mesures de maintenance et d'entretien doivent être confiées à un spécialiste dûment formé et qualifié. Voir au chapitre Entretien.
- Ne jamais utiliser une machine qui a été modifiée au point de ne plus être conforme au modèle original.
- Assurez-vous que toutes les pièces sont en état de fonctionnement et que tous les éléments de fixation sont correctement serrés.

Transport et rangement

- Stockez l'équipement dans un endroit verrouillé afin de le maintenir hors de portée des enfants et de toute personne incompétente.
- Stockez la perceuse et le support dans un endroit sec et à l'abri du gel.

MONTAGE ET RÉGLAGES

Sécuriser le bâti

Il y a trois méthodes de fixation du bâti.

- Sécurisation avec plaque à vide (accessoire)
- Fixation avec mandrin expansible ou ancrage
- Fixation avec tige filetée, rondelle et contre-écrou

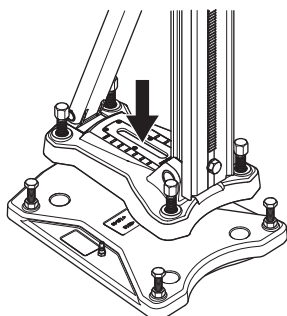
Sécurisation avec plaque à vide (accessoire)



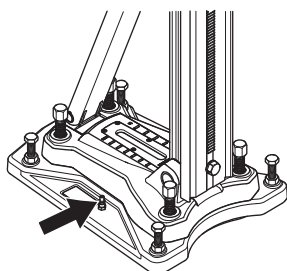
AVERTISSEMENT! Il convient de ne jamais utiliser la plaque à vide pour le forage dans un plafond ou dans un mur. Une utilisation imprudente ou incorrecte peut résulter en des blessures graves voire mortelles.

Si la plaque de sous-pression est utilisée, vérifiez que la base n'est pas poreuse et ne risque pas de se détacher du sol ou du mur. Vérifiez que la pompe à vide possède la capacité nécessitée par la plaque de sous-pression.

- Fixer la plaque à vide avec le boulon.



- Desserrer les vis de mise à niveau de façon à ce qu'elles soient au-dessus du fond de la plaque à vide.
- Raccorder le flexible à vide et allumer la pompe.



- Une pression minimum de 0,85 bars doit être atteinte de façon à ce que la plaque du socle adhère fermement à la surface.
- Serrer légèrement les vis de mise à niveau jusqu'à ce que vous ressentiez de la pression sur les vis.

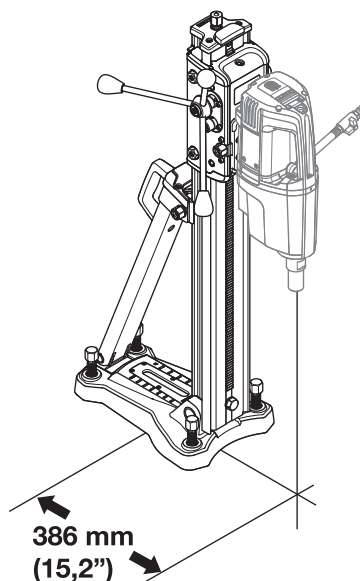
IMPORTANT! Veiller à ce que les vis de mise à niveau soient en contact avec la surface lorsque vous utilisez la plaque à vide afin de réduire le risque que la plaque à vide se desserre.

Fixation avec mandrin expansible ou ancrage

IMPORTANT! Pour le forage de plafonds et de murs, il convient de n'utiliser qu'un mandrin expansible ou un ancrage adapté aux surfaces exposées à des forces de traction.

N'utiliser qu'un mandrin expansible ou un ancrage approuvé pour la présente application.

- Percer un trou pour le mandrin expansible/ancrage à une distance de 386 mm (15,2") du centre du trou. (Cette mesure s'applique pour une utilisation avec le DM 330.)



- Vissez le piétement. Contrôlez soigneusement que la vis d'expansion est bien ancrée.
- La plaque du socle peut être ajustée à la surface à l'aide des vis de réglage. Utiliser le levier d'alimentation.

Fixation avec tige filetée, rondelle et contre-écrou

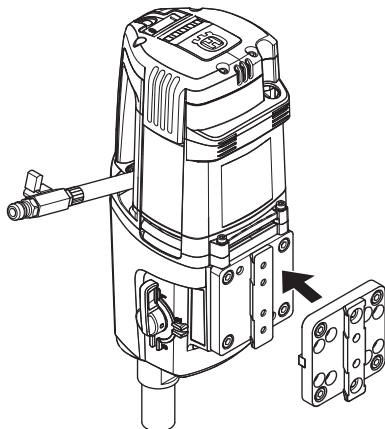
Si la surface de montage n'est pas adéquate pour le forage dans des plafonds ou des murs, la plaque du socle peut être fixée à l'aide d'une tige filetée montée à l'arrière avec une rondelle et un contre-écrou.

MONTAGE ET RÉGLAGES

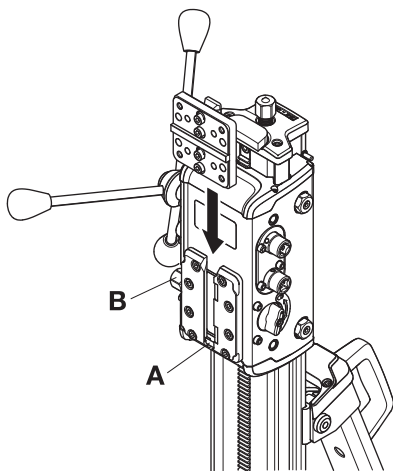
Montage du moteur de forage

IMPORTANT! Toujours débrancher la prise avant le nettoyage, l'entretien et le montage.

- Retirez toujours le trépan avant de monter ou de déposer le moteur.
- Enclenchez le dispositif de blocage du boîtier de commande.
- Montez le support rapide sur le moteur de forage.

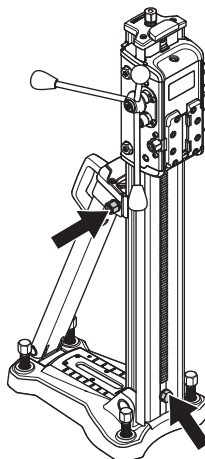


- Montez la fixation rapide et la foreuse dans le sillon de l'attache. Veillez à ce que le support rapide soit bien inséré jusqu'en bas (A) du rail sur le clip de blocage.



- Serrez l'attache à l'aide de la vis de fixation (B).

Régler l'inclinaison de la colonne



La colonne peut être inclinée de 0 à 60°.

- Desserrer les vis de blocage pour l'inclinaison de la colonne et régler l'angle de forage souhaité. Serrer les vis de blocage.
- L'indicateur d'angle peut être utilisé pour un réglage approximatif. Si une précision supérieure est nécessaire, il convient d'utiliser des méthodes de mesure alternatives.

Avant le forage



AVERTISSEMENT! Contrôlez, avant de commencer à percer, que toutes les vis de fixation sont bien serrées.

Des accidents graves risquent de se produire si le bloc en béton reste sur le foret quand il est retiré du sol, du mur ou du plafond.

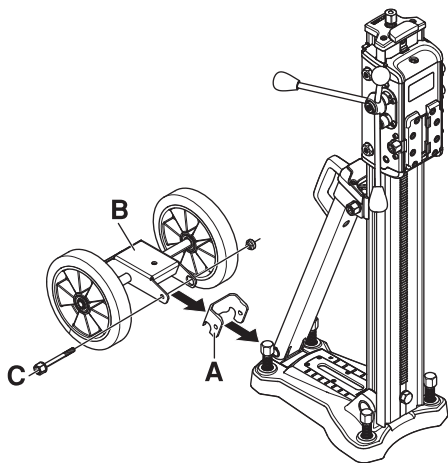


AVERTISSEMENT! Pour le forage de plafonds, utilisez toujours un collecteur d'eau compatible avec votre moteur de forage ; ou utilisez un moteur de forage hydraulique. La perceuse et le bâti risquent d'être sous tension si de l'eau fuit dans la machine.

MONTAGE ET RÉGLAGES

Roues de transport (accessoire)

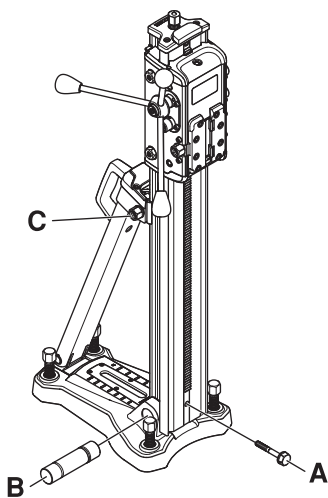
- Poussez la manette en aluminium (A) vers le support du bâti.



- Placez la crémaillère (B) au-dessus de la manette en aluminium.
- Insérez le boulon (C) et placez l'écrou. Serrez fortement le boulon.

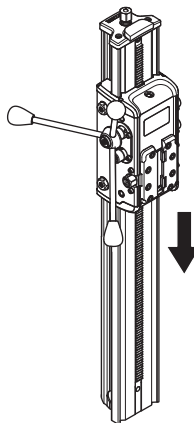
Changement de la colonne de forage (accessoire)

- Retirer le boulon (A).



- Ôtez délicatement l'axe (B).
- Desserrez les vis de blocage (C).
- Retirez la colonne de forage du stabilisateur.

- Déverrouillez le carter d'alimentation. Séparez le carter d'alimentation du pilier de forage.



Le montage s'effectue dans l'ordre inverse.

ENTRETIEN

Entretien du support



AVERTISSEMENT! Les contrôles et/ou les entretiens doivent être effectués avec le moteur à l'arrêt et la prise électrique débranchée.

Une utilisation, un entretien et une maintenance corrects de la machine permettent de prolonger considérablement sa durée de vie.

Nettoyage et graissage

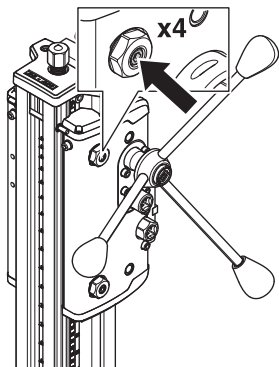
IMPORTANT! Retirez le moteur de forage.

- Pour qu'il continue à fonctionner correctement, il est essentiel que le support de forage soit toujours propre.
- Le support doit être nettoyé avec de l'air comprimé, puis séché.
- Graissez les éléments mobiles du support. Utilisez une graisse afin d'éliminer tout risque de corrosion sur les surfaces de contact.

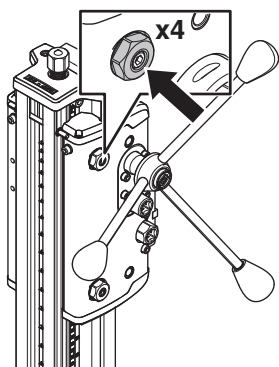
Réglage du boîtier de commande

S'il y a du jeu entre la colonne et le boîtier de commande, il convient de l'ajuster.

- Desserrer le jeu de vis fixant les axes du rouleau de guidage.

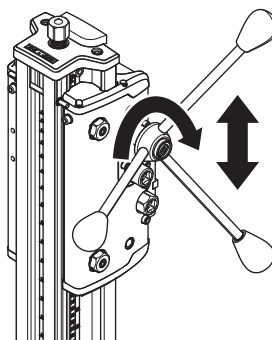


- Commencer le réglage avec le rouleau supérieur des deux côtés. Utilisez une clé (NV 24). Les rouleaux doivent être en contact avec la surface plate de la colonne et les rouleaux coniques doivent être en contact avec la face avant de la colonne.



- Serrer le jeu de vis pour fixer le rouleau de guidage.

- Régler le rouleau inférieur sur le côté opposé de la même façon. Répéter l'opération sur les deux autres rouleaux.
- Utiliser le levier de commande pour voir si le boîtier bouge en douceur le long de la colonne. Dans le cas contraire, régler de nouveau les galets.



Réparations

IMPORTANT! Toutes les réparations doivent être effectuées par des réparateurs agréés. Ceci permet d'éviter que les opérateurs ne soient exposés à des risques importants.

Entretien quotidien

- 1 S'assurer que toutes les vis et tous les écrous sont bien serrés.
- 2 Nettoyer l'extérieur de la machine.
- 3 Vérifier que le bras de manivelle peut être déplacé sans résistance.
- 4 Vérifier que l'embrayage bouge facilement et n'émet aucun bruit.
- 5 Vérifier que la colonne ne présente aucune usure ou n'est pas endommagée.
- 6 Vérifier que le boîtier de commande peut être bougé facilement et ne saccade pas le long de la colonne de bâti.

CARACTÉRISTIQUES TECHNIQUES

DS 450

Dimensions

Hauteur, mm/pouces	1095/43,1
Largeur, mm/pouces	295/11,6
Profondeur, mm/pouces	632/24,9

Poids, kg/lbs	22/48
---------------	-------

Course, mm/pouces	648/25,5
-------------------	----------

Diamètre max. de forage, mm/pouces

Avec entretoise	400/16
Sans entretoise	350/14

Angle du pilier de forage	0-60°
---------------------------	-------

DECLARATION DE GARANTIE ETATS-UNIS

POLITIQUE DE GARANTIE

Toute réclamation au titre de la garantie sera résolue après inspection dans un établissement désigné. Une autorisation de retour de marchandise est nécessaire en cas de réclamation au titre de la garantie. Pour obtenir cette autorisation, veuillez contacter le département du Service Clients d'Husqvarna au 800-845-1312. Le client doit prépayer le transport et prendre en charge tous les frais de main d'oeuvre nécessaires au retour ou au remplacement d'un produit soumis à des fins de garantie. Husqvarna remboursera les frais de transport encourus pour les produits réparés ou les produits de remplacement homologués.

EQUIPEMENT

L'équipement fabriqué par Husqvarna est garanti pour être exempt de tout défaut de fabrication en fonctionnement normal pour une période de deux (2) ans à partir de la date de l'achat par l'acquéreur et utilisateur initial. **Les fabricants des pièces proposent des délais de garantie individuels. Pour davantage d'informations, veuillez contacter les Services techniques au 800-288-5040.**

Sous cette garantie, notre obligation est expressément limitée au remplacement ou à la réparation chez Husqvarna Construction Products North America, Olathe, Kansas 66061, ou à un atelier de réparation désigné par nos soins, de pièces que l'inspection aura déterminées comme défectueuses.

Cette garantie ne s'applique pas en cas de défauts occasionnés par des détériorations, une utilisation abusive, des réparations inadéquates opérées par des personnes autres qu'un réparateur Husqvarna homologué, ni en cas de défauts engendrés par un manque d'entretien minimum, une fois l'appareil en possession de l'utilisateur. Par ailleurs, la garantie est nulle si le produit, ou l'un de ses composants, est modifié par l'acheteur lui-même ou si le produit est utilisé d'une façon inappropriée ou avec des outils qui ne sont pas recommandés par le fabricant.

Exceptions : Moteurs de forage - 3 mois, Scies murales - 1 an, Découpeuses - 3 mois, DM 230 - 1 an, DM 225 - 3 mois, Système Gyro - 1 an, Système CD 40 - 1 an, DS 160 C - 1 an, Smart box - 1 an, CS 2515 - 1 an, PP 455 E - 1 an, PP 345 E - 1 an, HP 40 - 1 an.

Articles d'usure : Filtres, bougies d'allumage, roulements*, courroies, roues** et plaques d'usure.

*Système Except IntelliSeal™. **Sauf délaminage.

ACLARACION DE LOS SIMBOLOS

Símbolos en la máquina:

¡ATENCIÓN! La máquina, si se utiliza de forma errónea o descuidada, puede ser una herramienta peligrosa que puede causar daños graves e incluso la muerte al usuario y a otras personas.



Lea detenidamente el manual de instrucciones y asegúrese de entender su contenido antes de utilizar la máquina.



Utilice siempre:

- Casco protector homologado
- Protectores auriculares homologados
- Gafas protectoras o visor
- Máscara respiratoria



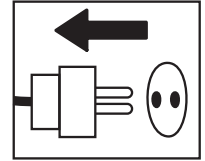
Cuando taladre en techos, utilice siempre un colector de agua homologado para el motor de la perforadora o use un motor de perforadora hidráulica. Existe el riesgo de que el taladro y la base se carguen con electricidad si la máquina gotea.



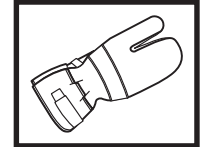
Los demás símbolos/etiquetas que aparecen en la máquina corresponden a requisitos de homologación específicos en determinados mercados.

Símbolos en el manual de instrucciones:

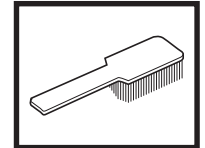
El control y/o mantenimiento de la máquina debe hacerse con el motor parado y el enchufe desenchufado.



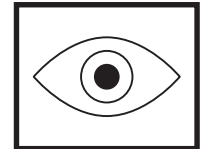
Utilice siempre guantes protectores homologados.



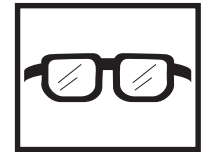
La máquina debe limpiarse regularmente.



Control visual.



Debe utilizarse gafas protectoras o visor.



INDICE

Índice

ACLARACION DE LOS SIMBOLOS

Símbolos en la máquina: 26

Símbolos en el manual de instrucciones: 26

INDICE

Índice 27

PRESENTACIÓN

Soporte DS 450 28

¿QUE ES QUE?

Componentes del soporte 29

INSTRUCCIONES DE SEGURIDAD

Pasos previos al uso de un soporte nuevo 30

Equipo de protección personal 30

Instrucciones generales de seguridad 31

MONTAJE Y AJUSTES

Sujeción de la base 32

Montaje del motor de la perforadora 33

Ajuste de la inclinación de la columna 33

Antes de perforar 33

Ruedas de transporte 34

Sustitución de la columna de perforación 34

MANTENIMIENTO

Mantenimiento del soporte 35

DATOS TECNICOS

DECLARACIÓN DE GARANTÍA PARA EE. UU.

POLÍTICA DE GARANTÍA 37

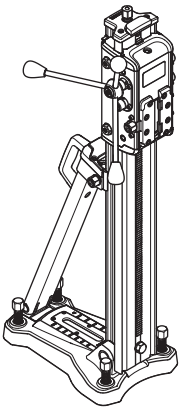
EQUIPO 37

Soporte DS 450

Esperamos que su máquina le proporcione plena satisfacción y le sirva de ayuda por mucho tiempo en adelante. Tenga en cuenta que este manual de instrucciones es un documento de valor. Siguiendo sus instrucciones (de uso, servicio, mantenimiento, etcétera) puede alargar considerablemente la vida útil de la máquina e incrementar su valor de reventa. Si vende su máquina, entregue el manual de instrucciones al nuevo propietario.

La adquisición de alguno de nuestros productos da acceso a asistencia profesional con reparaciones y servicio. Si la máquina no fue adquirida en un distribuidor oficial, preguntar en la tienda de compra la dirección del taller de servicio más cercano.

Husqvarna Construction Products se esfuerza constantemente por mejorar la construcción de sus productos. Por consiguiente, Husqvarna se reserva el derecho a introducir modificaciones de diseño sin previo aviso y sin compromisos ulteriores.

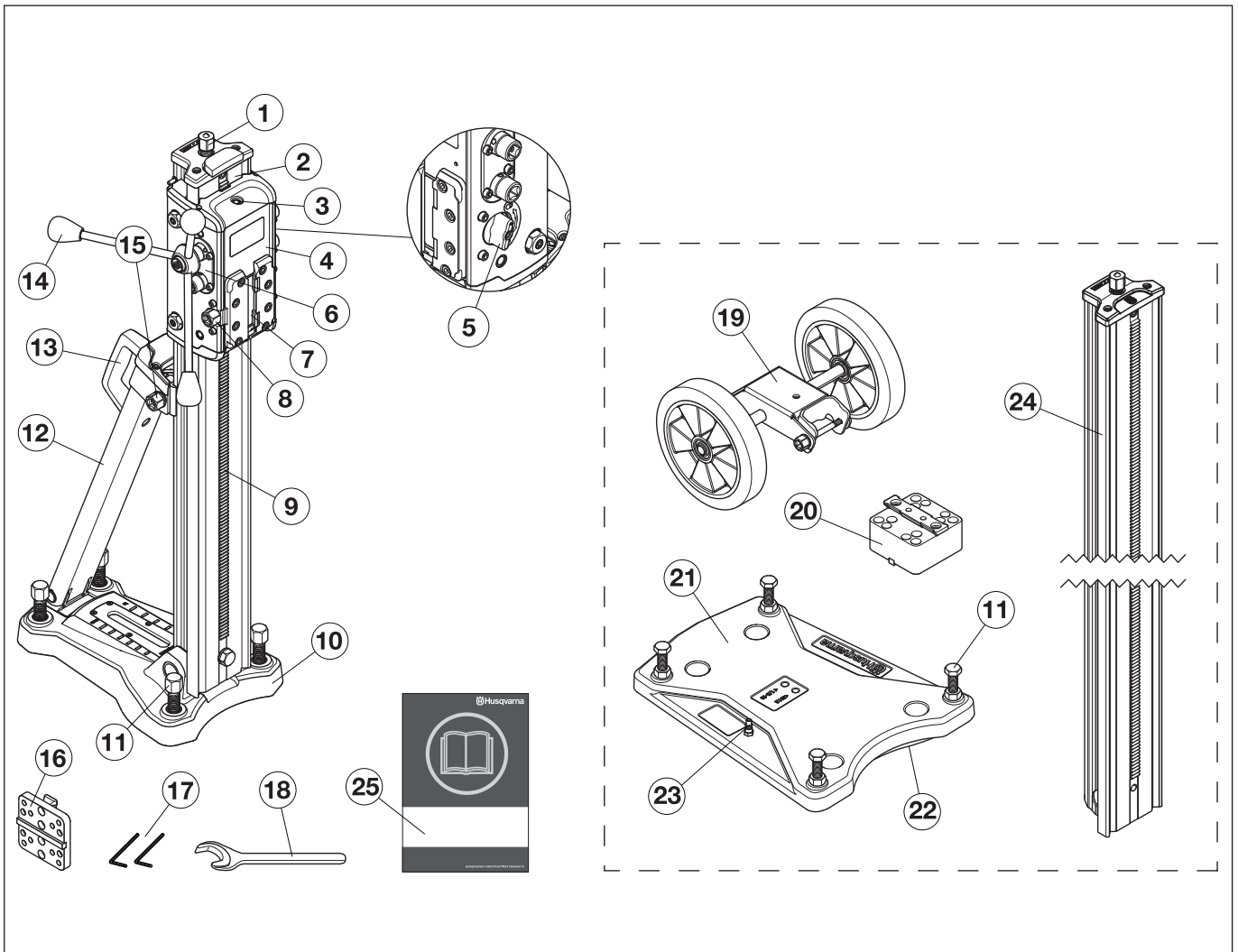


- La base sirve para utilizar el taladro en tejados, paredes y suelos.
- La placa base es de aluminio y, por tanto, muy ligera.
- La columna puede inclinarse 0-60°.
- La base del taladro está equipada con una placa de conexión rápida para el motor del taladro.
- La caja de alimentación tiene dos velocidades de alimentación: 4.4:1 para taladros grandes y 1:1 para taladros pequeños.
- La palanca de alimentación puede utilizarse para ajustar la inclinación de la columna y bloquear el montaje rápido.

Accesorios

- Columna de perforación, 2 m
- Ruedas de transporte
- Placa de vacío
- Bomba de vacío
- Bloque separador del motor de la perforadora
- Caja del interruptor (sólo EE.UU.)

¿QUE ES QUE?



Componentes del soporte

- | | |
|--|---|
| 1 Tornillo de compresión | 14 Empuñadura de alimentador |
| 2 Columna de perforación | 15 Tornillo de fijación, columna de perforación inclinada |
| 3 Indicador de nivel | 16 Montaje rápido |
| 4 Caja de alimentación | 17 Llave Allen (5 mm, 6 mm) |
| 5 Bloqueo de la caja de alimentación | 18 Llave de tuercas, NV 24 |
| 6 Caja de engranajes | 19 Ruedas de transporte (accesorio) |
| 7 Abrazadera de bloqueo para el montaje rápido | 20 Bloque separador del motor de la perforadora (accesorio) |
| 8 Tornillo de fijación, abrazadera de fijación | 21 Placa de vacío (accesorio) |
| 9 Cremallera | 22 Junta, succión de vacío |
| 10 Placa base | 23 Conexión, conexión rápida para la bomba de vacío |
| 11 Tornillos de ajuste | 24 Columna de perforación, 2 m (accesorio) |
| 12 Estabilizador | 25 Manual de instrucciones |
| 13 Mango de transporte | |

INSTRUCCIONES DE SEGURIDAD

Pasos previos al uso de un soporte nuevo

- Lea detenidamente el manual de instrucciones y asegúrese de entender su contenido antes de utilizar la máquina.
- Esta máquina está diseñada para y destinada a la perforación de hormigón, ladrillo y diferentes materiales pedregosos. Cualquier otra aplicación es errónea.
- La máquina está destinada al uso por operadores experimentados, en aplicaciones industriales.
- Mantener bien ordenado el lugar de trabajo. El desorden comporta riesgo de accidentes.
- Lea también el manual de instrucciones entregado junto con el motor de la perforadora y verifique que es compatible con este soporte.

Emplee siempre el sentido común

Es imposible abarcar todas las situaciones imaginables que se pueden producir al utilizar una taladradora. Proceder siempre con cuidado y emplear el sentido común. El usuario debe evitar usar la máquina en aplicaciones para las que no se considere suficientemente calificado. Si después de leer estas instrucciones todavía hay inseguridad en cuanto al procedimiento de uso, consultar con un experto antes de proseguir.

No dude en ponerse en contacto con su distribuidor si tiene preguntas acerca del uso de la máquina. Estaremos encantados de poder aconsejarle y ayudarle a utilizar la máquina de manera eficaz y segura.

Encargue al distribuidor de Husqvarna la revisión regular de la cortadora y los ajustes y reparaciones necesarios.

Toda la información y todos los datos contenidos en este manual de instrucciones son vigentes en la fecha de impresión del manual.



¡ATENCIÓN! No está permitido modificar el diseño original de la máquina, por ningún motivo, sin la autorización del fabricante. Utilice siempre accesorios originales. Las modificaciones y/o el uso de accesorios no autorizados comportan riesgo de daños personales graves y peligro de muerte para el usuario y otras personas.

Equipo de protección personal

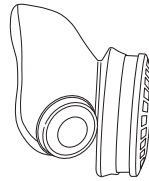


¡ATENCIÓN! Para trabajar con la máquina debe utilizarse un equipo de protección personal homologado. El equipo de protección personal no elimina el riesgo de lesiones, pero reduce su efecto en caso de accidente. Pida a su distribuidor que le asesore en la elección del equipo.

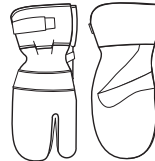
- Casco protector
- Protectores auriculares
- Gafas protectoras o visor



- Máscara respiratoria



- Guantes resistentes de agarre seguro.



- Prendas de vestir ceñidas, resistentes y cómodas que permitan una libertad de movimientos total.



- Botas con puntera de acero y suela antideslizante.



- Tenga siempre a mano el equipo de primeros auxilios.



INSTRUCCIONES DE SEGURIDAD

Instrucciones generales de seguridad



¡ATENCIÓN! Lea todas las advertencias e instrucciones de seguridad. Si se hace caso omiso de las advertencias e instrucciones pueden provocarse accidentes graves o incluso la muerte del operario o de terceros.

Seguridad en el área de trabajo

- Mantenga el área de trabajo limpia y bien iluminada. Las zonas abarrotadas de cosas u oscuras favorecen los accidentes.
- Las personas y los animales pueden distraer y hacer perder el control de la máquina. Por consiguiente, el operador debe estar siempre concentrado en su trabajo.
- No trabaje en condiciones atmosféricas desfavorables como niebla, lluvia intensa, tempestad, frío intenso, etc. Trabajar con mal tiempo es cansador y puede crear condiciones peligrosas, por ejemplo suelo resbaladizo.
- Antes de comenzar a trabajar con la máquina, controle siempre que el lugar esté libre y que los pies estén bien afirmados al terreno. Controle posibles obstáculos en caso de movimientos repentinos. Asegúrese de que no haya elementos que puedan caer y provocar daños al trabajar con la máquina.
- Controlar siempre la parte posterior de la superficie en la que sale la broca al penetrar. Impedir el acceso cercando la zona de trabajo y procurar que no haya riesgo de daños personales o materiales.

Seguridad personal



¡ATENCIÓN! Existe siempre riesgo de accidentes por apriete al trabajar con aparatos con piezas móviles. Use siempre guantes protectores.

- Utilice el equipo de protección personal. Vea las instrucciones bajo el título "Equipo de protección personal".
- Nunca utilice la máquina si está cansado, si ha ingerido alcohol o si toma medicamentos que puedan afectarle la vista, su capacidad de discernimiento o el control del cuerpo.
- Nunca deje que terceros utilicen la máquina sin asegurarse primero de que hayan entendido el contenido de este manual de instrucciones.
- Tener en cuenta que las ropas, el pelo largo y las joyas pueden atascarse en piezas móviles.
- Un operador nunca debe trabajar solo; siempre debe haber otra(s) persona(s) cerca. Así, además de tener ayuda para montar la máquina, también puede recibirse asistencia en caso de accidente.

Uso y cuidado

- No utilice nunca una máquina defectuosa. Siga las instrucciones de mantenimiento, control y servicio de este manual. Algunas medidas de mantenimiento y servicio deben ser efectuadas por especialistas formados y cualificados. Vea las instrucciones bajo el título Mantenimiento.
- No utilice nunca una máquina que haya sido modificada de modo que ya no coincida con la configuración original.
- Mantener todas las piezas en perfecto estado y comprobar que todos los elementos de fijación estén bien apretados.

Transporte y almacenamiento

- Almacene la cortadora en lugar seguro fuera del alcance de los niños y personas no calificadas para su uso.
- Guardar la taladradora y el soporte en un lugar seco y con temperatura sobre cero.

MONTAJE Y AJUSTES

Sujeción de la base

Hay tres maneras de sujetar la base:

- Sujetarla con la placa de vacío (accesorio)
- Sujetarla con un extensor o un anclaje
- Sujetarla con una varilla roscada, una arandela y una tuerca de seguridad

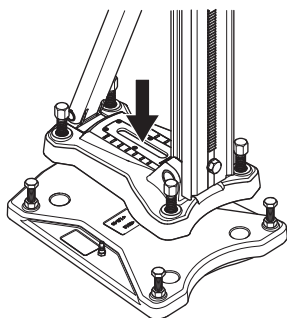
Sujetarla con la placa de vacío (accesorio)



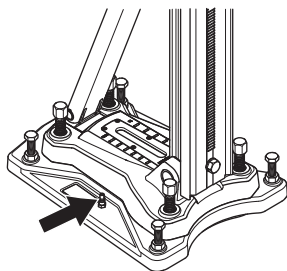
¡ATENCIÓN! La placa de vacío no se debe utilizar para taladrar techos o paredes. El uso incorrecto o negligente puede ocasionar daños graves, e incluso mortales.

Si se utiliza la placa de vacío, comprobar que la base no sea porosa y pueda soltarse del suelo o la pared. Comprobar que la bomba de vacío tiene capacidad para fijar por aspiración la placa de vacío.

- Sujete la placa de vacío con el perno.



- Afloje los tornillos niveladores a fin de que se sitúen encima del fondo de la placa de vacío.
- Conecte la manguera de vacío y encienda la bomba.



- Deberá alcanzarse una presión mínima de 0,85 bar para sellar adecuadamente la placa base sobre la superficie.
- Apriete ligeramente los tornillos niveladores hasta que se note la presión en el tornillo.

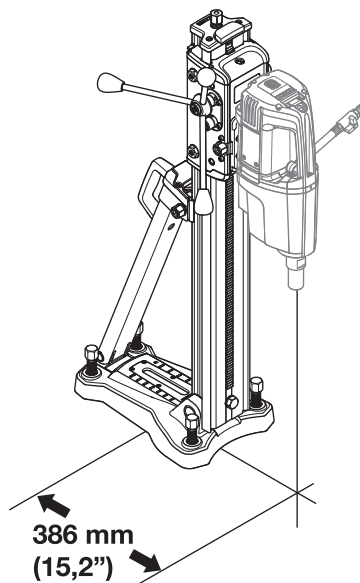
¡IMPORTANTE! Asegúrese de que los tornillos niveladores están en contacto con la superficie al utilizar la placa de vacío para reducir el riesgo de aflojamiento de la misma.

Sujetarla con un extensor o un anclaje

¡IMPORTANTE! Cuando se trabaje con el taladro en un tejado o pared, debe utilizarse únicamente un extensor o anclaje adecuados para superficies expuestas a la fuerza de tracción.

Utilice únicamente un extensor o anclaje adecuado para la aplicación actual.

- Realice un orificio para el extensor / anclaje a una distancia de 386 mm (15,2") del centro del orificio. (Las medidas se aplican para su uso conjuntamente con el DM 330.)



- Fijar la placa base. Comprobar cuidadosamente que el expansor está bien fijado.
- La placa inferior puede ajustarse a la superficie mediante los tornillos de ajuste. Utilice la palanca de alimentación.

Sujetarla con una varilla roscada, una arandela y una tuerca de seguridad

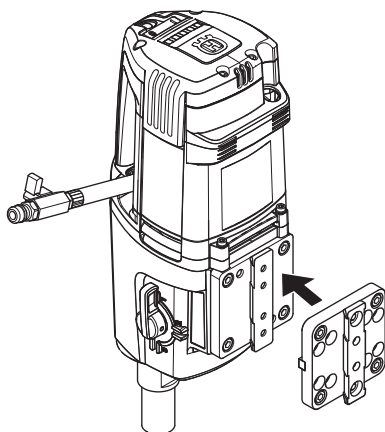
Si la superficie de montaje no es adecuada para utilizar el taladro en tejados o paredes, la placa base puede sujetarse mediante una varilla roscada, que se montará en la parte posterior con una arandela y una tuerca de seguridad.

MONTAJE Y AJUSTES

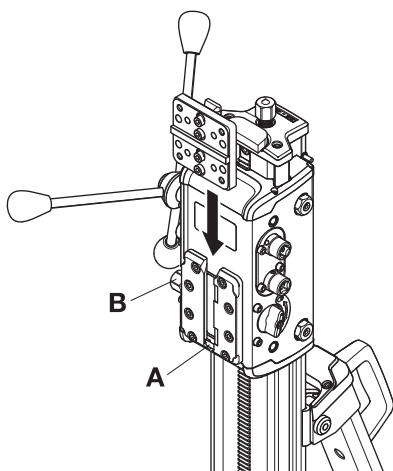
Montaje del motor de la perforadora

¡IMPORTANTE! Desenchufe siempre el enchufe antes de efectuar trabajos de limpieza, mantenimiento o montaje de la máquina.

- Retire siempre la broca antes de montar o desmontar el motor.
- Cierre el bloqueo de la caja de alimentación.
- Instale el montaje rápido en el motor de la perforadora.

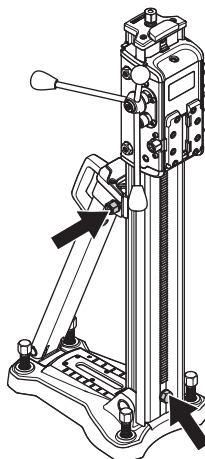


- Monte el montaje rápido y la perforadora en el surco de la abrazadera de fijación. Asegúrese de presionar el soporte rápido hasta la parte inferior (A) del raíl en el enganche de cierre.



- Sujete la abrazadera de fijación con el tornillo de fijación (B).

Ajuste de la inclinación de la columna



La columna puede inclinarse 0-60°.

- Afloje los tornillos de seguridad de la inclinación de la columna y ajuste como desee el ángulo de inclinación del taladro. Apriete los tornillos de seguridad.
- El indicador de ángulo permite un ajuste aproximado. Si necesita una mayor precisión, deberá utilizar métodos de medición alternativos.

Antes de perforar



¡ATENCIÓN! Antes iniciar la perforación, comprobar que todos los tornillos de fijación están bien apretados.

Hay riesgo de accidentes graves si el núcleo de perforación de hormigón permanece en la broca al sacar el motor de taladradora / la broca del suelo, la pared o el techo.

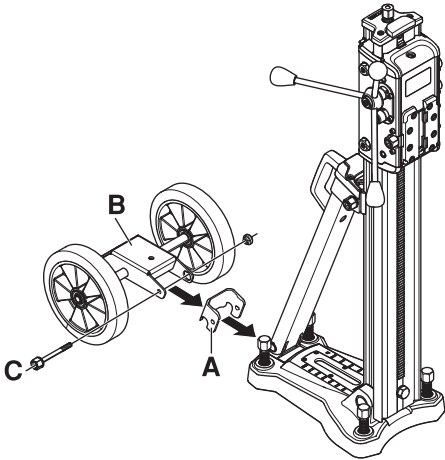


¡ATENCIÓN! Cuando taladre en techos, utilice siempre un colector de agua homologado para el motor de la perforadora o use un motor de perforadora hidráulica. Existe el riesgo de que el taladro y la base se carguen con electricidad si la máquina gotea.

MONTAJE Y AJUSTES

Ruedas de transporte (accesorio)

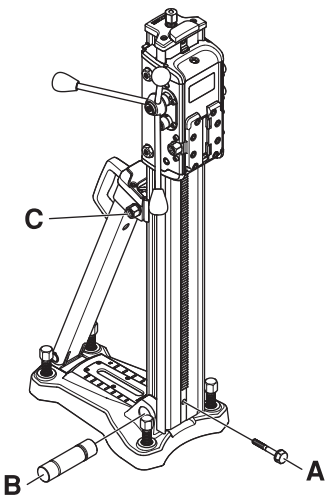
- Empuje el mango de aluminio (A) hacia el montaje de la base.



- Coloque el conjunto de eje con ruedas (B) sobre el mango de aluminio.
- Inserte el perno (C) y monte la tuerca. Atornille bien el perno.

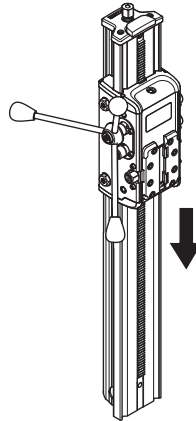
Sustitución de la columna de perforación (accesorio)

- Desmonte el perno (A).



- Golpee suavemente el eje para extraerlo (B).
- Afloje el tornillo de fijación (C).
- Retire la columna de perforación del estabilizador.

- Desbloquee la caja de alimentación. Retire la caja de alimentación de la columna.



El montaje se hace en orden inverso al desmontaje.

MANTENIMIENTO

Mantenimiento del soporte



¡ATENCIÓN! El control y/o mantenimiento de la máquina debe hacerse con el motor parado y el enchufe desenchufado.

La vida útil de la máquina se alarga considerablemente si se utiliza, cuida y mantiene correctamente.

Limpieza y lubricación

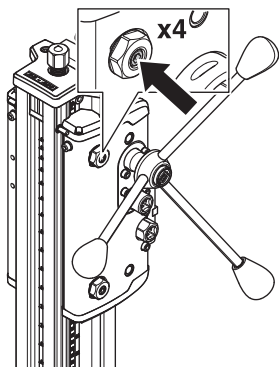
¡IMPORTANTE! Desmontar el motor de taladradora.

- Para obtener un funcionamiento óptimo es muy importante mantener el soporte limpio y en orden.
- Se recomienda limpiar el soporte con lavado a alta presión y secarlo.
- Aceitar todas las piezas móviles del soporte. Usar grasa para prevenir la corrosión de las superficies de contacto.

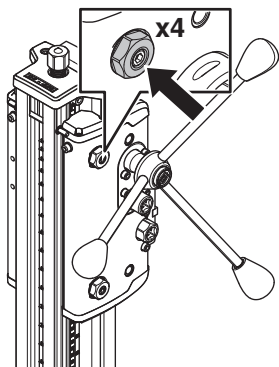
Ajuste de la caja de alimentación

Si queda un espacio entre la columna y la caja de alimentación, deberá ajustar la caja.

- Afloje los tornillos de ajuste que sujetan los ejes del rodillo guía.

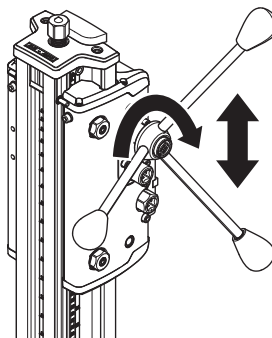


- Comience por el ajuste con el rodillo superior en cualquiera de los lados. Utilice una llave fija (NV 24). Los rodillos deben estar en contacto con la superficie plana de la columna y los rodillos cónicos, con la parte anterior de la columna.



- Apriete el tornillo de ajuste que bloquea el rodillo guía.
- Ajuste el rodillo inferior en el lado opuesto del mismo modo. Repita la operación con los otros dos rodillos.

- Utilice la palanca de la caja de alimentación para comprobar si esta se mueve suavemente por la columna. Si no es así, vuelva a ajustar los rodillos.



Reparaciones

¡IMPORTANTE! Las reparaciones de todo tipo deben ser efectuadas por técnicos autorizados, únicamente. De este modo se evita someter a los operadores a grandes riesgos.

Mantenimiento diario

- 1 Compruebe que los tornillos y las tuercas estén apretados.
- 2 Limpie la parte exterior de la máquina.
- 3 Compruebe que el cigüeñal de la caja de alimentación se mueve sin ofrecer resistencia.
- 4 Compruebe que los engranajes se mueven fácilmente y sin hacer ruido.
- 5 Compruebe que la columna no está dañada ni gastada.
- 6 Compruebe que la caja de alimentación se mueve fácilmente y no rebota en la columna de la base.

DATOS TECNICOS

DS 450

Dimensiones

Altura, mm/pulgadas	1095/43,1
Anchura, mm/pulgadas	295/11,6
Profundidad, mm / in	632/24,9

Peso, kg/lbs	22/48
--------------	-------

Carrera, mm/pulgadas	648/25,5
----------------------	----------

Diámetro máximo de perforación, mm/pulgadas

Con separador	400/16
Sin separador	350/14

Inclinación de la columna	0-60°
---------------------------	-------

DECLARACIÓN DE GARANTÍA PARA EE. UU.

POLÍTICA DE GARANTÍA

Todas las solicitudes de garantía se determinarán tras una inspección de las instalaciones correspondientes. Para toda reclamación de garantía se requerirá una autorización de devolución de productos (RGA). Póngase en contacto con el Departamento de servicio al cliente de Husqvarna llamando al 800-845-1312 para solicitar dicha autorización. El cliente deberá pagar los portes previamente y asumir cualquier gasto de mano de obra necesario para devolver o sustituir un producto para el que se ha solicitado una evaluación de garantía. Husqvarna pagará los gastos de envío de los productos reparados o nuevos aprobados.

EQUIPO

El equipo fabricado por Husqvarna está garantizado frente a defectos de fabricación para el uso normal durante un periodo de dos (2) años desde la fecha de compra por parte del cliente original. **Los fabricantes de componentes ofrecen periodos de garantía específicos. Llame al servicio técnico (800-288-5040) para obtener más información.**

Nuestras obligaciones en virtud de la presente garantía quedan expresamente limitadas a la sustitución o reparación, en Husqvarna Construction Products North America (Olathe, Kansas 66061) o en el servicio técnico que designemos, de las piezas que se consideren defectuosas tras su inspección.

Esta garantía no es aplicable a los defectos causados por daños, uso no razonable o reparaciones defectuosas no realizadas por el personal del servicio técnico autorizado por Husqvarna, o defectos causados por no haber realizado un mantenimiento razonable cuando el equipo estaba en posesión del cliente. Además, la garantía quedará anulada si el producto o cualquiera de sus componentes ha sido alterado o modificado por el cliente, así como si ha sido usado de manera inadecuada o con herramientas que no hayan sido recomendadas por el fabricante.

Excepciones: Perforadoras: 3 meses. Sierras de pared: 1 año. Cortadoras: 3 meses. DM 230: 1 año. DM 225: 3 meses. Sistemas Gyro: 1 año. Sistema CD 40: 1 año. DS 160 C: 1 año. Smart box: 1 año. CS 2515: 1 año. pp 455 E: 1 año. PP 345 E: 1 año. HP 40: 1 año.

Materiales fungibles: Filtros, bujías, cojinetes*, correas, ruedas** y almohadillas de desgaste.

*Excepto en el sistema IntelliSeal™. **Excepto en el deslaminado.





www.husqvarnacp.com

1151408-95

2009-11-03

