

GB

Operator's manual

Please read the operator's manual carefully and make sure you understand the instructions before using the machine.

ES

Manual de instrucciones

Lea detenidamente el manual de instrucciones y asegúrese de entender su contenido antes de utilizar la máquina.

DE

Bedienungsanweisung

Lesen Sie die Bedienungsanweisung sorgfältig durch und machen Sie sich mit dem Inhalt vertraut, bevor Sie das Gerät benutzen.

FR

Manuel d'utilisation

Lire attentivement et bien assimiler le manuel d'utilisation avant d'utiliser la machine.

PP 325 E



GB ES DE FR

KEY TO SYMBOLS

Symbols on the machine:

WARNING! The machine can be a dangerous tool if used incorrectly or carelessly, which can cause serious or fatal injury to the operator or others.



Please read the operator's manual carefully and make sure you understand the instructions before using the machine.



Always wear:

- Approved protective helmet
- Approved hearing protection
- Protective goggles or a visor
- Breathing mask



This product is in accordance with applicable EC directives.



WARNING! High current.



Environmental marking.

Symbols on the product or its packaging indicate that this product cannot be handled as domestic waste. It must instead be submitted to an appropriate recycling station for the recovery of electrical and electronic equipment.

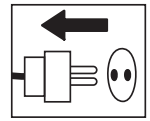


By ensuring that this product is taken care of correctly, you can help to counteract the potential negative impact on the environment and people that can otherwise result through the incorrect waste management of this product.

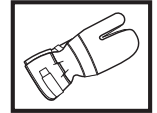
For more detailed information about recycling this product, contact your municipality, your domestic waste service or the shop from where you purchased the product.

Symbols in the operator's manual:

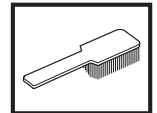
Inspection and/or maintenance should be carried out with the motor switched off and the plug disconnected.



Always wear approved protective gloves.



Regular cleaning is required.



Visual check.



Protective goggles or a visor must be worn.



CONTENTS

Contents

KEY TO SYMBOLS

Symbols on the machine:	2
Symbols in the operator's manual:	2

CONTENTS

Contents	3
----------------	---

WHAT IS WHAT?

What is what on the hydraulic unit?	4
-------------------------------------------	---

SAFETY INSTRUCTIONS

Steps before using a new hydraulic unit	5
Personal protective equipment	5
Machine's safety equipment	6
General safety precautions	6
General working instructions	7

ASSEMBLING AND ADJUSTMENTS

Check the oil level	8
Check the air pressure in the tyres	8
Connect the hydraulic hoses.	8
Connect the water cooling	8
Connect a power source	9

STARTING AND STOPPING

Before starting	10
Starting	10
Stopping	10
After work is completed	10

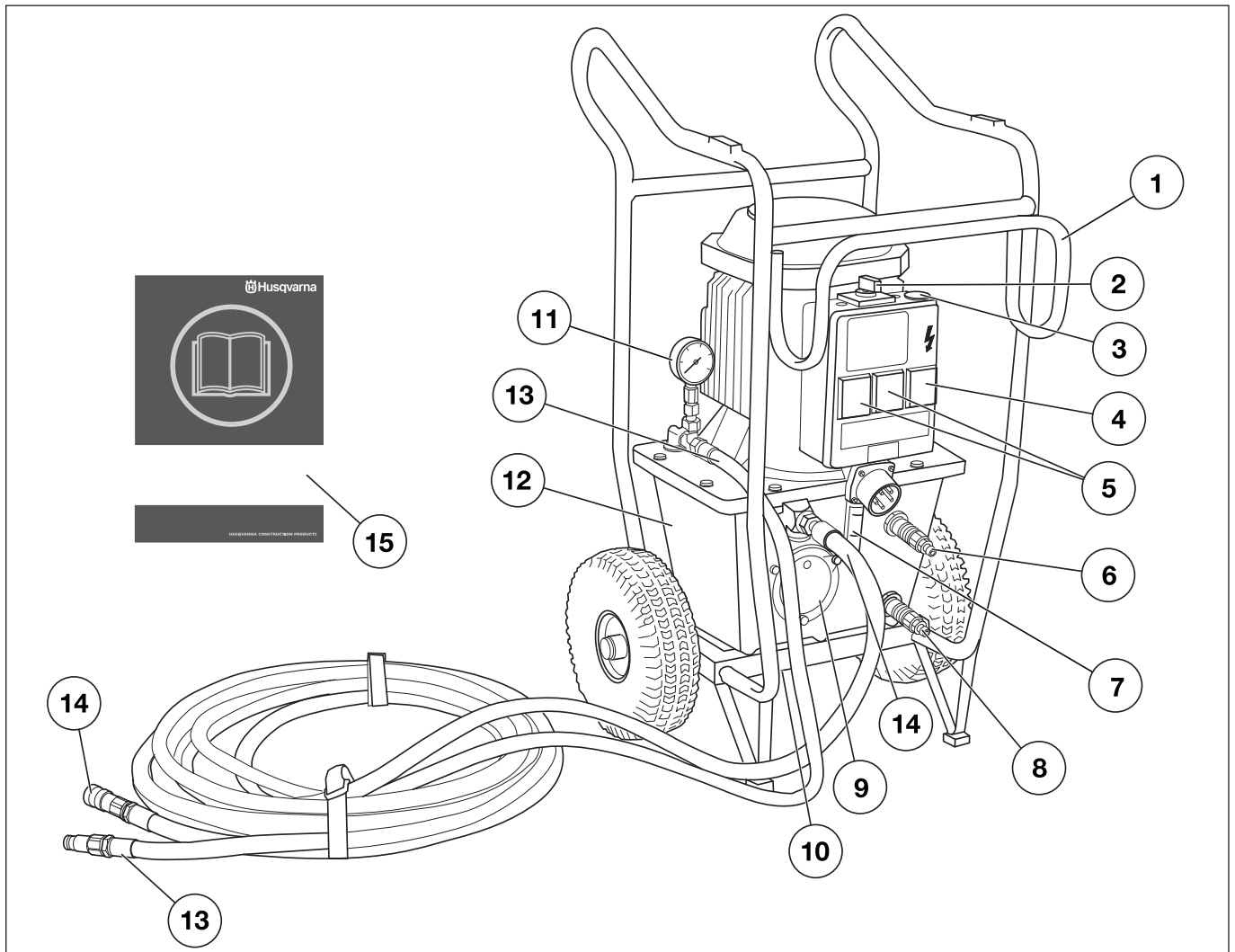
MAINTENANCE

Service	11
Maintenance	11

TECHNICAL DATA

PP 325 E	13
EC-declaration of conformity	14

WHAT IS WHAT?



What is what on the hydraulic unit?

- | | | | |
|---|----------------------------------------------------------------------------------------|----|---------------------------------------|
| 1 | Frame for hydraulic hose | 8 | Connection for incoming cooling water |
| 2 | Switch | 9 | Hydraulic oil filter |
| 3 | Emergency stop | 10 | Drain plug |
| 4 | Residual Current Circuit Breaker with Overcurrent Protection (Only on 5-pin machines.) | 11 | Hydraulic pressure gauge |
| 5 | Wall socket 2x230 V (Only on 5-pin machines.) | 12 | Hydraulic oil tank |
| 6 | Connection for outgoing cooling water | 13 | Hydraulic hose, pressure OUT |
| 7 | Sight gauge | 14 | Hydraulic hose, return IN |
| | | 15 | Operator's manual |

SAFETY INSTRUCTIONS

Steps before using a new hydraulic unit

- Please read the operator's manual carefully and make sure you understand the instructions before using the machine.
- This machine is primarily intended for WS 325, DM 406 H, HS 170 and HH 170, but is also highly suitable as power source for other equipment, e.g. Husqvarna ring saw.
- Read through the manual supplied with the hydraulic tool before starting to use the machine.
- The machine can cause serious personal injury. Read the safety instructions carefully. Learn how to use the machine.

Always use common sense

It is not possible to cover every conceivable situation you can face. Always exercise care and use your common sense. Avoid all situations which you consider to be beyond your capability. If you still feel uncertain about operating procedures after reading these instructions, you should consult an expert before continuing.

Do not hesitate to contact your dealer if you have any more questions about the use of the machine. We will willingly be of service and provide you with advice as well as help you to use your machine both efficiently and safely.

Let your Husqvarna dealer regularly check the machine and make essential adjustments and repairs.

All information and all data in the Operator's Manual were applicable at the time the Operator's Manual was sent to print.



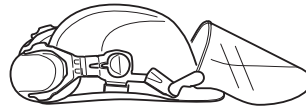
WARNING! Under no circumstances should you modify the original design of the machine without approval from the manufacturer. Always use original spare parts. Unauthorized modifications and/or accessories may lead to serious injury or death to the user or others.

Personal protective equipment

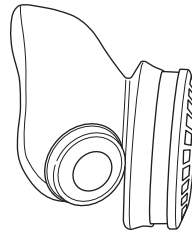


WARNING! You must use approved personal protective equipment whenever you use the machine. Personal protective equipment cannot eliminate the risk of injury but it will reduce the degree of injury if an accident does happen. Ask your dealer for help in choosing the right equipment.

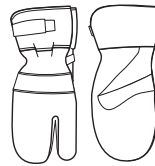
- Protective helmet
- Hearing protection
- Protective goggles or a visor



- Breathing mask



- Heavy-duty, firm grip gloves.



- Tight-fitting, heavy-duty and comfortable clothing that permits full freedom of movement.



- Boots with steel toe-caps and non-slip sole.



- Always have a first aid kit nearby.



SAFETY INSTRUCTIONS

Machine's safety equipment



This section describes the machine's safety equipment, its purpose, and how checks and maintenance should be carried out to ensure that it operates correctly. See the "What is what?" section to locate where this equipment is positioned on your machine.



WARNING! Never use a machine that has faulty safety equipment!

All servicing and repair work on the machine requires special training. This is especially true of the machine's safety equipment. If your machine fails any of the checks described below you must contact your service agent. When you buy any of our products we guarantee the availability of professional repairs and service. If the retailer who sells your machine is not a servicing dealer, ask him for the address of your nearest service agent.

Emergency stop

The emergency stop at the machine breaks the mains power supply.

Testing the emergency stop

- Make sure that the hydraulic hoses are connected to each other.
- Start the machine.
- Press the emergency stop and check that the engine stops.

General safety precautions

Do not use the machine without first reading and understanding the contents of this Operator's Manual.



WARNING! There is always a risk of shocks from electrically powered machines. Avoid unfavourable weather conditions and body contact with lightning conductors and metal objects. Always follow the instructions in the Operator's manual to avoid damage.

- Never use the machine if you are tired, if you have drunk alcohol, or if you are taking medication that could affect your vision, your judgement or your co-ordination.
- Wear personal protective equipment. See instructions under the heading "Personal protective equipment".
- Never pull out the plug by pulling the cord.
- Keep all cords and extension cords away from water, oil and sharp edges. Make sure the cord is not pinched in doors, fences or the like. Otherwise it can cause the object to become live.

- Check that the cord and extension cord are intact and in good condition.
- Never use the machine if the cord is damaged, hand it in to an authorized service workshop for repair.
- Do not use an extension cord while it is rolled up to avoid overheating.
- The machine should be connected to an earthed outlet socket.
- Check that the mains voltage corresponds with that stated on the rating plate on the machine.
- Always switch off the power to the hydraulic unit and pull out the electric cable before moving the equipment.
- Keep all parts in good working order and ensure that all fixtures are properly tightened.
- Never use a machine that is faulty. Carry out the checks, maintenance and service instructions described in this manual. Some maintenance and service measures must be carried out by trained and qualified specialists. See instructions under the heading Maintenance.
- Do not modify safety equipment. Check regularly that they function as they should. The machine must not be run with defective or disassembled safety equipment.
- Never allow anyone else to use the machine without first ensuring that they have understood the contents of the operator's manual.
- People and animals can distract you causing you to lose control of the machine. For this reason, always remain concentrated and focused on the task.
- Make sure no unauthorised persons are in the working area, otherwise there is a risk of serious personal injury.
- Be careful as clothing, long hair, and jewellery can get caught in moving parts.
- Observe care when lifting. You are handling heavy parts, which implies the risk of pinch injuries or other injuries.

Transport and storage

- Always switch off the power to the hydraulic unit and pull out the electric cable before moving the equipment.
- If there is a risk of freezing, the machine must be drained of any remaining water coolant.
- The power unit is constructed as a wheeled cart with the possibility of hanging hydraulic hoses for simple transportation at the workplace.
- For transportation between workplaces, the power unit should be stored in vertical position with the distribution box facing upwards.
- Store the equipment in a lockable area so that it is out of reach of children and unauthorized persons.

SAFETY INSTRUCTIONS

General working instructions



WARNING! This section describes basic safety directions for using the machine. This information is never a substitute for professional skills and experience. If you get into a situation where you feel unsafe, stop and seek expert advice. Contact your dealer, service agent or an experienced user. Do not attempt any task that you feel unsure of!

- All operators shall be trained in the use of the machine. The owner is responsible for ensuring that the operators receive training.
- Check that all couplings, connections and hydraulic hoses are in full working order.
- Keep the hydraulic hoses and couplings free from dirt.
- Do not misuse hoses.
- Do not use hoses that are distorted, worn or damaged.
- Make sure that all hoses and electrical cables are connected to the machine correctly before you start the machine.
- Check that the hoses are connected correctly to the machine and that the hydraulic couplings lock as intended before pressurising the hydraulic system. The couplings are locked by turning the outer sleeve on the female coupling so that the slot moves away from the ball.

The pressure hoses in the system must always be connected to the tool's intake. The return hoses in the system must always go to the tool's outlet. Confusing the connections can cause the tool to work in reverse, which can result in personal injury.
- Never use the hydraulic hoses to lift the machine.
- Check the machine, couplings and hydraulic hoses daily for leakage. A rupture or leak can cause a "hydraulic fluid injection" in the body or result in other serious physical injury.
- Never disconnect the hydraulic hoses without first shutting off and disconnecting the hydraulic unit and ensuring the motors have stopped completely.
- If an emergency situation should arise anyway, push the red emergency stop button on the power unit.
- Do not exceed the specified hydraulic fluid flow or pressure for the tool being used. Excessive pressure or flow can result in rupturing.
- Do not check for leakage with your hands. Contact with the leak can result in serious personal injury caused by the high pressure in the hydraulic system.
- Check the power supply and the power cables and make sure that they are not damaged.
- Working close to power lines:

Hoses that are marked and approved as electrically non conductive must be used when using hydraulic tools on or in the vicinity of electrical cables. The use of other types of hoses can result in serious physical injury or even death.

When replacing hoses, hoses marked 'non-conducting dielectric' must be used. The hoses must be regularly checked for their electrical conductive insulation in accordance with special instructions.

- Working close to gas conduits:

Always check and mark out where gas pipes are routed. Cutting close to gas pipes always entails danger. Make sure that sparks are not caused when cutting in view of the risk of explosion. Remain concentrated and focused on the task. Carelessness can result in serious personal injury or death.
- Run the hydraulic system until it reaches its operation temperature of 30°C before starting to saw, to reduce return pressure and other wear.
- Never leave the machine unsupervised with the motor running.
- Always saw in a manner that permits easy access to the emergency stop.
- Make sure that there is always another person close at hand when you use the machines, so that you can call for help if an accident should occur.
- People that need to be in close proximity of the machine must wear hearing protection as the sound level when cutting exceeds 85 dB(A).
- Do not use the machine in bad weather, such as dense fog, rain, strong wind, intense cold, etc. Working in bad weather is tiring and can lead to dangerous conditions, e.g. slippery surfaces.
- Ensure that the working area is sufficiently illuminated to create a safe working environment.
- Always ensure you have a safe and stable working position.
- Observe care when lifting. You are handling heavy parts, which implies the risk of pinch injuries or other injuries.

ASSEMBLING AND ADJUSTMENTS

Check the oil level

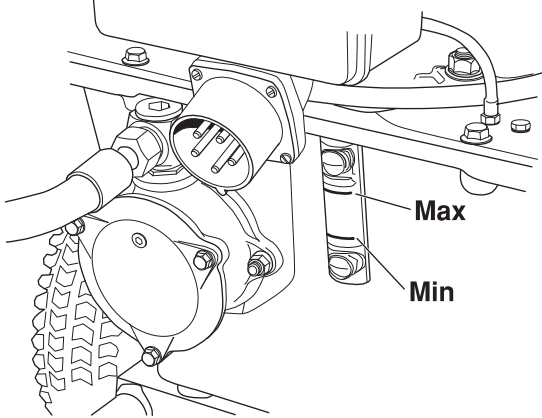
The power pack is supplied with 12 litres of hydraulic oil 466 cSt HSH of a well-known brand. The oil is an environmentally adapted and SP approved ester oil that will drastically reduce the risk of allergic reaction or skin irritation upon contact. In addition, the oil is quickly degradable in case of unintentional release.

- Check the hydraulic fluid level in the power unit. This is checked with the level indicator.

Min. level = red line

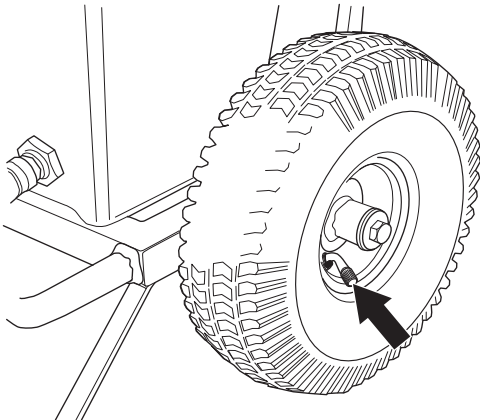
Max. level = black line

Do not exceed the max. level when filling the tank with hydraulic fluid. The hydraulic fluid expands when it gets hot and can overflow if the level is too high. Tank volume 12 l (3.2 US gallons).



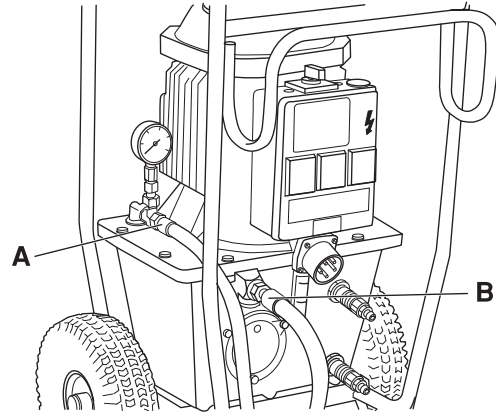
Check the air pressure in the tyres

- Check the air pressure in the tyres. This should be 2 bar.



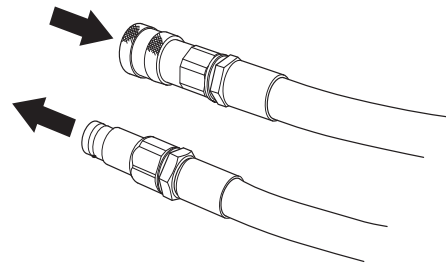
Connect the hydraulic hoses.

- The couplings should be wiped clean to reduce the risk of leakage before the hoses are fitted.
- The couplings are locked by turning the outer sleeve on the female coupling so that the slot moves away from the ball.



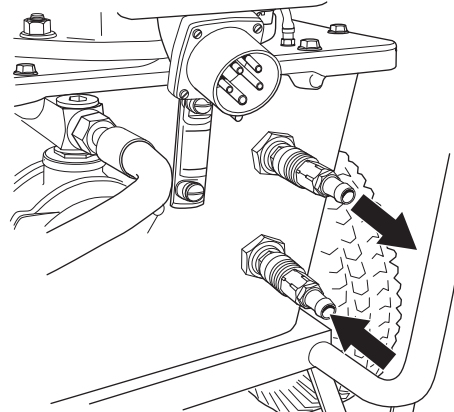
Hydraulic hose, return IN (B)

Hydraulic hose, pressure OUT (A)



Connect the water cooling

- Connect a water hose between the upper cooling connection on the hydraulic oil tank and the working tool, and also a hose from the closest hydrant via a tap to the lower cooling connection on the tank.



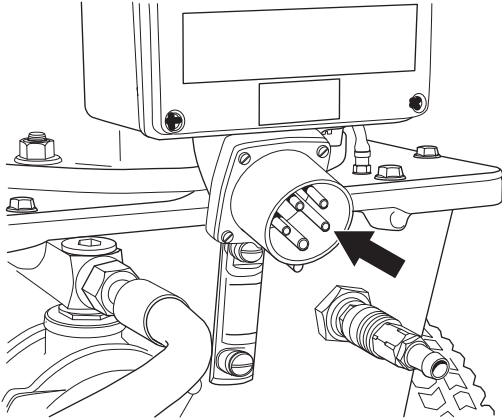
- If no tool requiring water is used, just let the cooling water flow to the closest floor drain.

ASSEMBLING AND ADJUSTMENTS

Connect a power source

IMPORTANT! Check that the mains voltage corresponds with that stated on the rating plate on the machine.

- Connect the incoming power cable. The cable must have three phases and grounding. Neutral should also be available as the single phase sockets on the distribution box will not work otherwise. (Only on 5-pin machines.)



- The single phase sockets are protected with a 16 A residual current circuit breaker with overcurrent protection (C type). Following the connection on incoming current, the single phase sockets can be used for e.g. a drilling machine, water suction apparatus, etc.

STARTING AND STOPPING

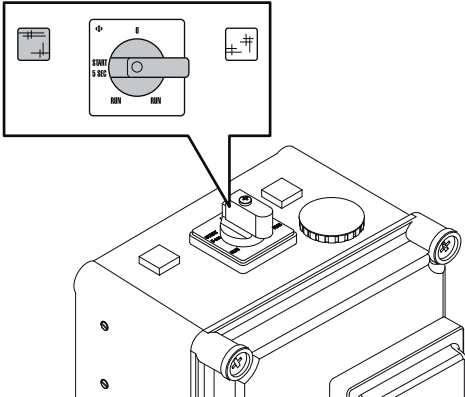
Before starting

Make sure that:

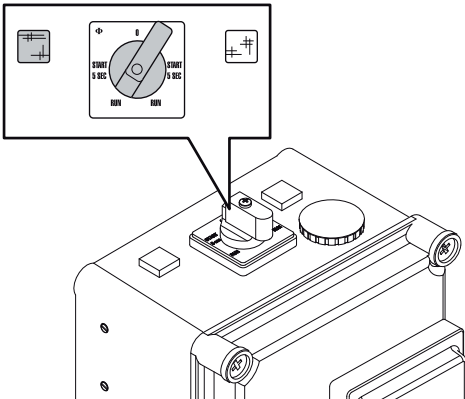
- The machine is correctly connected to a suitable power supply and correctly fused.
- The hoses have been connected to a device.

Starting

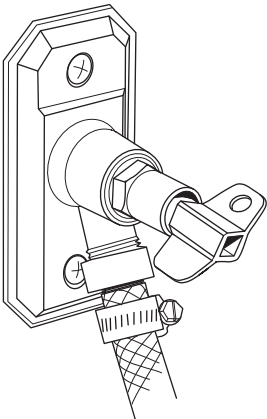
- Turn the switch to "START 5 SEC" in the direction indicated by the lit lamp. The direction of rotation of the engine will then be correct.



- Turn the switch to "RUN" after a few seconds.



- Open the tap to suitable water flow for the tool in question.



If the tool does not require water, cooling water should still flow through the radiator, and then to the closest floor drain.

Stopping

Switch off by turning the switch to "0".

After work is completed

- Disconnect the hydraulic hoses.
- If there is a risk of freezing, the machine must be drained of any remaining water coolant. Disconnect incoming and outgoing water hoses and tilt the machine forwards.

MAINTENANCE

Service



IMPORTANT! All types of repairs may only be carried out by authorised repairmen. This is so that the operators are not exposed to great risks.

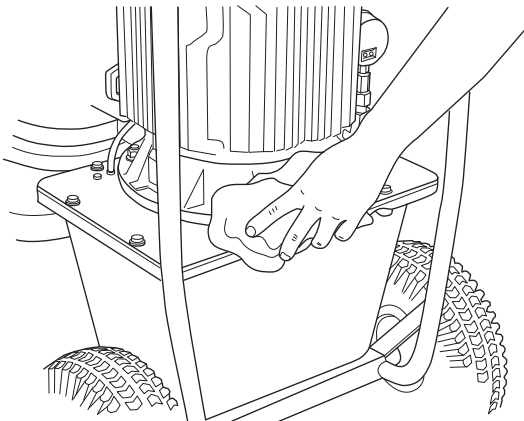
Maintenance



IMPORTANT! Inspection and/or maintenance should be carried out with the motor switched off and the plug disconnected.

Cleaning

Make sure to keep the connectors and pins clean. Clean with a rag or brush.



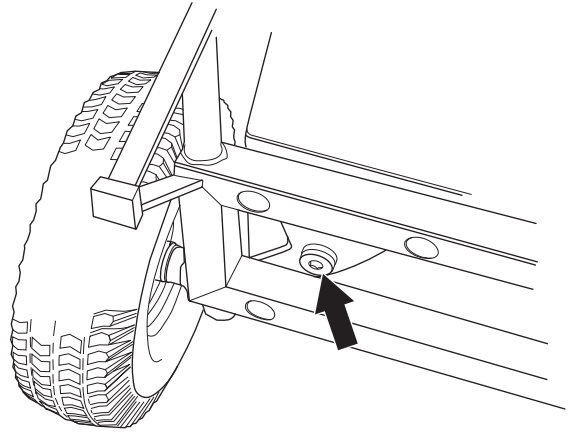
NB! Do not use a high pressure washer to clean the power unit. Do not wash the machine with water, as water can enter the electrical system or the engine and cause damage to the machine or short circuit.

Hydraulic oil

IMPORTANT! Changing liquids and filters must be done in such a way that the machine's hydraulic system and the surrounding environment are not damaged. Dispose of residual products according to local laws.

The hydraulic oil should be replaced when needed or once a year.

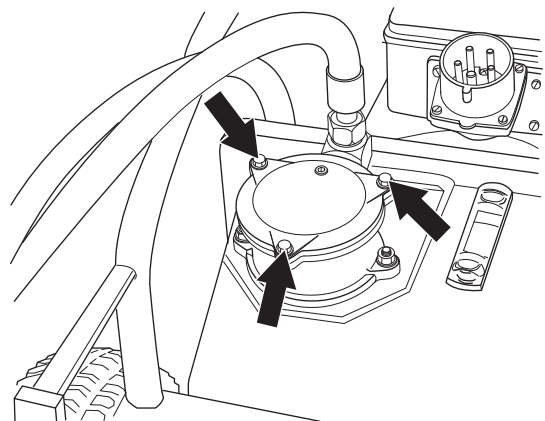
- Place a collecting vessel under the tank's drain plug and open the plug.



- Screw on the drain plug when all the liquid has drained out.

Hydraulic oil is refilled through the filter on the front of the tank.

- Lay the power pack down with the filter housing facing upwards.
- Remove the cover of the filter housing by removing the three screws.



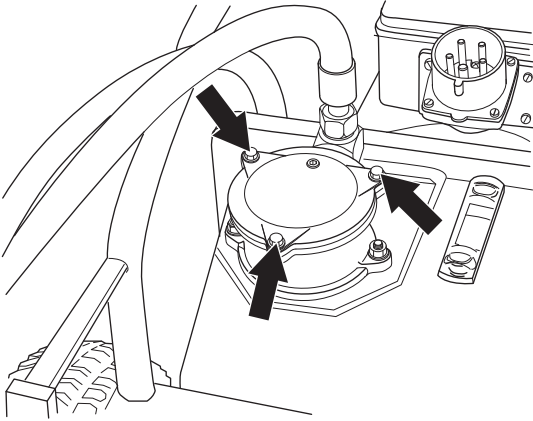
- Refill hydraulic oil through the filter element.
- Mount the filter housing cover.
- If also the oil filter is replaced, 12 l new hydraulic oil should be filled.

MAINTENANCE

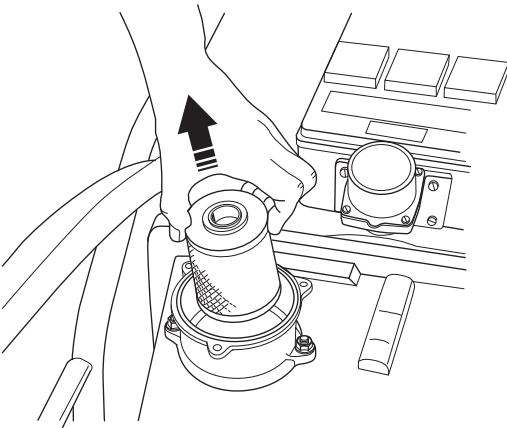
Hydraulic oil filter

The filter should be replaced twice a year.

- Lay the power pack down with the filter housing facing upwards.
- Remove the cover of the filter housing by removing the three screws.



- Lift up the filter element.



- Push the new filter in place over the sleeve coupling in the bottom of the filter housing.
- Mount the filter housing cover.

Tightening torque

When performing repair and maintenance work that include demounting and subsequent mounting and tightening of screws, the following torque should be used:

- M6: 10 Nm
- M8: 25 Nm
- M10: 50 Nm

Daily maintenance

Regularly check:

- The hydraulic fluid level in the hydraulic power unit, to make sure it lies between the marks on the level glass.
- Check the tyre pressures.
- Any abnormal noises.

TECHNICAL DATA

PP 325 E

Specified hydraulic output, kW/hp	9,3/12,6
Hydraulic oil flow, l/min / gpm	40/8,8
Hydraulic oil tank, l/gal	12/2,6
Cooling	Water cooling
Size, (LxWxH), mm/inch	575x1040x780/22,6x40,9x30,7
Weight, kg/lbs	93/205
Max. working pressure, bar / psi	140/2031
Hose length (1/2" hose), mm/inch	8/315 (When hoses are extended beyond standard length, 5/8" hose is recommended.)
Power supply	
Check that the mains voltage corresponds with that stated on the rating plate on the machine.	
200 V	50 Hz
200 V	60 Hz
230/400 V	50 Hz
230 V	60 Hz
400 V	50 Hz
440 V	50 Hz
575 V	60 Hz
Wall socket	2x230 V (Only on 5-pin machines.)
Noise emissions (see note 1)	
Sound power level, measured dB(A)	94
Sound power level, guaranteed L _{WA} dB(A)	99
Sound levels (see note 2)	
Sound pressure level at the operators ear, dB(A)	83

Note 1: Noise emissions in the environment measured as sound power (L_{WA}) in conformity with EC directive 2000/14/EC.

Note 2: Noise pressure level according to EN ISO 11201. Reported data for noise pressure level has a typical statistical dispersion (standard deviation) of 1.0 dB(A).

TECHNICAL DATA

EC-declaration of conformity

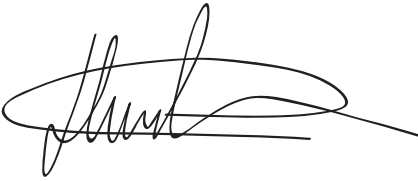
(Applies to Europe only)

Husqvarna AB, SE-433 81 Göteborg, Sweden, tel: +46-31-949000, declares under sole responsibility that the hydraulic unit **Husqvarna PP 325 E** from 2010's serial numbers and onwards (the year is clearly stated in plain text on the type plate with subsequent serial number) is in conformity with the requirements of the COUNCIL'S DIRECTIVES:

- of May 17, 2006 "relating to machinery" **2006/42/EC**
- of December 12, 2006 "relating to electrical equipment" **2006/95/EC**.
- of December 15, 2004 "relating to electromagnetic compatibility" **2004/108/EC**.
- of May 8, 2000 "relating to the noise emissions in the environment" **2000/14/EC**.

The following standards have been applied: EN ISO 12100:2003, EN 55014-1:2006, EN 55014-2/A1:2001, EN 61000-3-11:2000, EN 982/A1:2008, EN 60204-1:2006.

Husqvarna December 29, 2009



Henric Andersson

Vice President, Head of Power Cutters and Construction Equipment

Husqvarna AB

(Authorized representative for Husqvarna AB and responsible for technical documentation.)

ACLARACIÓN DE LOS SÍMBOLOS

Símbolos en la máquina:

¡ATENCIÓN! La máquina, si se utiliza de forma errónea o descuidada, puede ser una herramienta peligrosa que puede causar daños graves e incluso la muerte al usuario y a otras personas.



Lea detenidamente el manual de instrucciones y asegúrese de entender su contenido antes de utilizar la máquina.



Utilice siempre:

- Casco protector homologado
- Protectores auriculares homologados
- Gafas protectoras o visor
- Máscara respiratoria



Este producto cumple con la directiva CE vigente.



¡ATENCIÓN! Corriente intensa.



Etiquetado ecológico.

El símbolo en el producto o en su envase indica que no se puede tratar este producto como desperdicio doméstico. Deberá por lo tanto depositarse en un centro de recogida adecuado para el reciclado de equipos eléctricos y electrónicos.

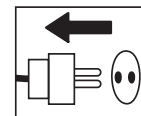


Haciendo que este producto sea manipulado adecuadamente, se ayuda a evitar consecuencias negativas potenciales para el medio ambiente y las personas, lo que puede ocurrir con la manipulación inadecuada como residuos del producto.

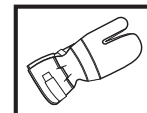
Para obtener información más detallada sobre el reciclado de este producto, contacte con la oficina municipal local, con el servicio de eliminación de desperdicios domésticos o con la tienda donde compró el producto.

Símbolos en el manual de instrucciones:

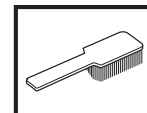
El control y/o mantenimiento de la máquina debe hacerse con el motor parado y el enchufe desenchufado.



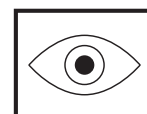
Utilice siempre guantes protectores homologados.



La máquina debe limpiarse regularmente.



Control visual.



Debe utilizarse gafas protectoras o visor.



ÍNDICE

Índice

ACLARACIÓN DE LOS SÍMBOLOS

Símbolos en la máquina: 15

Símbolos en el manual de instrucciones: 15

ÍNDICE

Índice 16

¿QUÉ ES QUÉ?

¿Qué es qué en la unidad hidráulica? 17

INSTRUCCIONES DE SEGURIDAD

Antes de utilizar una nueva unidad hidráulica 18

Equipo de protección personal 18

Equipo de seguridad de la máquina 19

Instrucciones generales de seguridad 19

Instrucciones generales de trabajo 20

MONTAJE Y AJUSTES

Controle el nivel de aceite 21

Comprobación de la presión de aire de los neumáticos 21

Conexión de las mangueras hidráulicas 21

Conexión de la refrigeración por agua 21

Conexión de una fuente de alimentación 22

ARRANQUE Y PARADA

Antes del arranque 23

Arranque 23

Parada 23

Después de terminar el trabajo 23

MANTENIMIENTO

Servicio 24

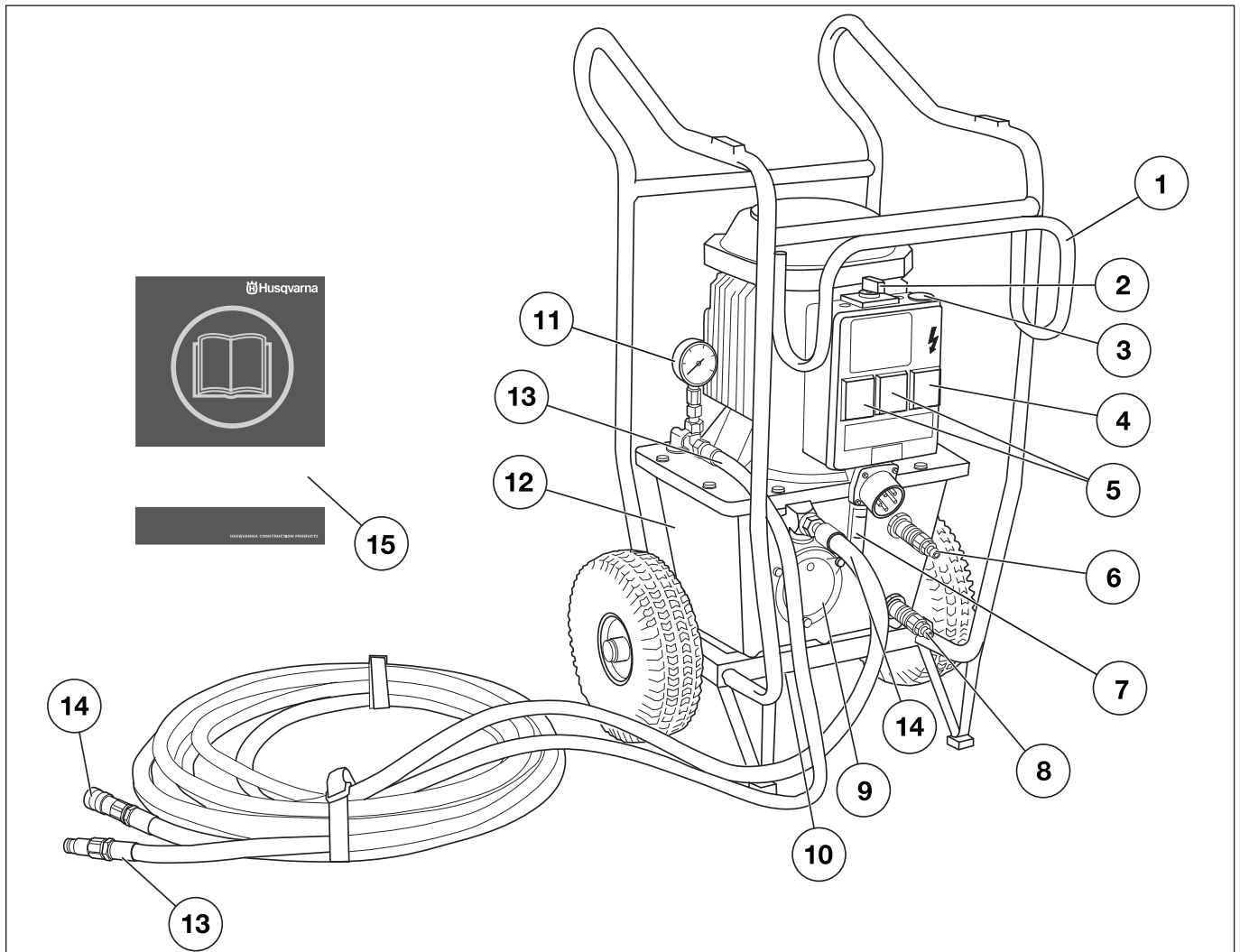
Mantenimiento 24

DATOS TÉCNICOS

PP 325 E 26

Declaración CE de conformidad 27

¿QUÉ ES QUÉ?



¿Qué es qué en la unidad hidráulica?

- | | |
|------------------------------------------------------------------------------------------------------------|------------------------------------------------|
| 1 Soporte para manguera hidráulica | 8 Conexión para agua de refrigeración entrante |
| 2 Interruptor | 9 Filtro de aceite hidráulico |
| 3 Parada de emergencia | 10 Tapón de vaciado |
| 4 Disyuntor de corriente residual con protección contra sobrecorriente (solo para dispositivos de 5 pines) | 11 Manómetro hidráulico |
| 5 Toma de corriente de pared 2 de 230 V (solo para dispositivos de 5 pines) | 12 Depósito de aceite hidráulico |
| 6 Conexión para agua de refrigeración saliente | 13 Manguera hidráulica, salida de presión |
| 7 Calibrador visual | 14 Manguera hidráulica, entrada de retorno |
| | 15 Manual de instrucciones |

INSTRUCCIONES DE SEGURIDAD

Antes de utilizar una nueva unidad hidráulica

- Lea detenidamente el manual de instrucciones y asegúrese de entender su contenido antes de utilizar la máquina.
- Esta máquina está destinada principalmente para los modelos WS 325, DM 406 H, HS 170 y HH 170, pero también está muy recomendada como fuente de alimentación para otros equipos, como la sierra de disco de Husqvarna.
- Lea el manual de instrucciones suministrado con la unidad hidráulica antes de utilizar la máquina.
- La máquina puede ocasionar lesiones graves. Lea atentamente las instrucciones de seguridad. Aprenda a utilizar la máquina.

Emplee siempre el sentido común

Es imposible abarcar todas las situaciones en las que puede encontrarse. Utilice siempre el equipo con cuidado y sentido común. Evite todas aquellas situaciones que considere que sobrepasan sus capacidades. Si, después de leer estas instrucciones, no está seguro del procedimiento que debe seguir, consulte a un experto antes de utilizar el equipo.

No dude en ponerse en contacto con su distribuidor si tiene preguntas acerca del uso de la máquina. Estaremos encantados de poder aconsejarle y ayudarle a utilizar la máquina de manera eficaz y segura.

Diríjase a su distribuidor de Husqvarna para que revise la máquina regularmente y para que realice ajustes y reparaciones básicas.

Toda la información y todos los datos contenidos en este manual de instrucciones son vigentes en la fecha de impresión del manual.



¡ATENCIÓN! No está permitido modificar el diseño original de la máquina, por ningún motivo, sin la autorización del fabricante. Utilice siempre accesorios originales. Las modificaciones y/o el uso de accesorios no autorizados comportan riesgo de daños personales graves y peligro de muerte para el usuario y otras personas.

Equipo de protección personal

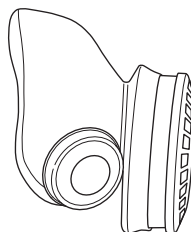


¡ATENCIÓN! Para trabajar con la máquina debe utilizarse un equipo de protección personal homologado. El equipo de protección personal no elimina el riesgo de lesiones, pero reduce su efecto en caso de accidente. Pida a su distribuidor que le asesore en la elección del equipo.

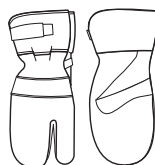
- Casco protector
- Protectores auriculares
- Gafas protectoras o visor



- Máscara respiratoria



- Guantes resistentes de agarre seguro.



- Prendas de vestir ceñidas, resistentes y cómodas que permitan una libertad de movimientos total.



- Botas con puntera de acero y suela antideslizante.



- Tenga siempre a mano el equipo de primeros auxilios.



INSTRUCCIONES DE SEGURIDAD

Equipo de seguridad de la máquina



En este capítulo se describen los componentes de seguridad de la máquina, su función y el modo de efectuar el control y el mantenimiento para garantizar un funcionamiento óptimo. En cuanto a la ubicación de estos componentes en su máquina, vea el capítulo Qué es qué.



¡ATENCIÓN! Nunca utilice una máquina con componentes de seguridad defectuosos.

Todos los trabajos de servicio y reparación de la máquina requieren una formación especial. Esto es especialmente importante para el equipo de seguridad de la máquina. Si la máquina no pasa alguno de los controles indicados a continuación, acuda a su taller de servicio local. La compra de alguno de nuestros productos le garantiza que puede recibir un mantenimiento y servicio profesional. Si no ha adquirido la máquina en una de nuestras tiendas especializadas con servicio, solicite información sobre el taller de servicio más cercano.

Parada de emergencia

La parada de emergencia de la máquina corta el suministro eléctrico.

Comprobación de la parada de emergencia

- Asegúrese de que las mangueras hidráulicas están conectadas entre sí.
- Arranque la máquina.
- Pulse la parada de emergencia y compruebe que el motor se detiene.

Instrucciones generales de seguridad

No utilice la máquina sin haber leído y comprendido el contenido de este manual de instrucciones.



¡ATENCIÓN! Existe siempre riesgo de sacudidas eléctricas al usar máquinas eléctricas. No usar la máquina en condiciones climáticas desfavorables y evitar el contacto del cuerpo con pararrayos y objetos metálicos. Seguir siempre las instrucciones del manual para evitar daños.

- Nunca utilice la máquina si está cansado, si ha ingerido alcohol o si toma medicamentos que puedan afectarle la vista, su capacidad de discernimiento o el control del cuerpo.
- Utilice el equipo de protección personal. Vea las instrucciones bajo el título "Equipo de protección personal".

- No desconecte nunca el enchufe tirando del cable.
- Mantenga todos los cables y cables de empalme apartados de agua, aceite y cantos agudos. Proceda con cuidado para evitar que el cable se apriete en puertas, vallas o similares. Hay riesgo de cargar objetos con electricidad.
- Compruebe que el cable y el cable de empalme está intacto.
- Si se daña el cable, no utilice la máquina. Llévela a un taller de servicio oficial para reparar.
- Un cable de alargue no debe usarse enrollado porque hay riesgo de sobrecalentamiento.
- La máquina se debe enchufar a un enchufe con masa.
- Compruebe que la tensión de red concuerda con la que se indica en la placa de características de la máquina.
- Desconecte siempre la unidad hidráulica de la alimentación y desenchufe el cable eléctrico antes de mover el equipo.
- Mantener todas las piezas en perfecto estado y comprobar que todos los elementos de fijación estén bien apretados.
- No utilice nunca una máquina defectuosa. Siga las instrucciones de mantenimiento, control y servicio de este manual. Algunas medidas de mantenimiento y servicio deben ser efectuadas por especialistas formados y cualificados. Vea las instrucciones bajo el título Mantenimiento.
- No modificar nunca los dispositivos de seguridad. Comprobar regularmente que funcionan como es debido. La máquina no se debe operar con dispositivos de seguridad defectuosos o ausentes.
- Nunca deje que terceros utilicen la máquina sin asegurarse primero de que hayan entendido el contenido de este manual de instrucciones.
- Las personas y los animales pueden distraer y hacer perder el control de la máquina. Por consiguiente, el operador debe estar siempre concentrado en su trabajo.
- Asegúrese de que no haya personas desautorizadas en la zona de trabajo, de lo contrario se corre el riesgo de ocasionar graves daños personales.
- Tener en cuenta que las ropas, el pelo largo y las joyas pueden atascarse en piezas móviles.
- Proceda con cuidado en las elevaciones. Las piezas son pesadas, por lo que hay riesgo de daños por apriete y daños personales de otro tipo.

Transporte y almacenamiento

- Desconecte siempre la unidad hidráulica de la alimentación y desenchufe el cable eléctrico antes de mover el equipo.
- Si existe riesgo de congelación, drene el agua refrigeradora restante del dispositivo.
- La unidad de alimentación está diseñada como un carro con ruedas que permite colgar las mangueras hidráulicas para facilitar su transporte en el lugar de trabajo.
- Para transportarla de un lugar a otro, es necesario guardar la unidad de alimentación en posición vertical con la caja de distribución hacia arriba.
- Guarde el equipo en un lugar seguro fuera del alcance de los niños y las personas no autorizadas.

INSTRUCCIONES DE SEGURIDAD

Instrucciones generales de trabajo



¡ATENCIÓN! Este apartado trata las normas de seguridad básicas para trabajar con el dispositivo. Esta información no sustituye en ningún caso los conocimientos y la experiencia de un profesional. Si se encuentra en alguna situación que le haga sentirse inseguro, deténgase y consulte con un experto. Consulte a su distribuidor, al taller de servicio técnico o a un usuario experimentado. No emplee la máquina en aplicaciones para las que no se considere plenamente cualificado.

- Todos los operadores deben ser formados en el empleo de la máquina. El propietario es responsable de la formación de los operadores.
- Compruebe que todos los acoplamientos y conexiones, y las mangueras hidráulicas están intactos.
- Mantenga limpias de suciedad las mangueras y conexiones hidráulicas.
- No maltrate las mangueras.
- No utilice mangueras torcidas, gastadas o defectuosas.
- Asegúrese de que todas las mangueras y cables eléctricos están correctamente conectados en la máquina antes de ponerla en marcha.
- Compruebe que las mangueras estén conectadas adecuadamente en la herramienta y que las conexiones hidráulicas cierren como es debido antes de presurizar el sistema hidráulico. Las conexiones se fijan girando el manguito exterior del acoplamiento hembra para apartar la ranura de la bola.

Las mangueras de presión del sistema deben conectarse siempre en la entrada de la herramienta. Las mangueras de retorno del sistema deben conectarse siempre en la salida de la herramienta. Si se confunden las conexiones, la herramienta funcionará en sentido inverso, con el riesgo consiguiente de daños personales.
- No utilice nunca las mangueras hidráulicas para levantar la máquina.
- Revise a diario la máquina, los acoplamientos y las mangueras hidráulicas para ver si hay fugas. Una grieta o rotura puede producir una 'inyección de aceite' en el cuerpo o daños personales graves de otro tipo.
- No desacople nunca mangueras hidráulicas sin antes haber desactivado el equipo hidráulico y parado totalmente el motor.
- En caso de emergencia, pulse el botón rojo de parada de emergencia de la unidad.
- No se debe sobrepasar el caudal ni la presión de aceite especificados para las herramientas que se utilizan. Un caudal o presión demasiado altos pueden causar fugas o explosión.
- No hacer la búsqueda de fugas con la mano. El contacto con una fuga puede comportar daños personales graves causados por la presión alta del sistema hidráulico.
- Compruebe el suministro eléctrico y los cables de alimentación para asegurarse de que no están dañados.

- Trabajo cerca de cables eléctricos:

Para usar herramientas hidráulicas en o cerca de cables eléctricos deben usarse mangueras marcadas y homologadas como 'no conductoras de electricidad'. El uso de mangueras de otro tipo comporta peligro de muerte o daños personales graves.

Al cambiar mangueras deben usarse mangueras 'no conductoras de electricidad'. Las mangueras deben revisarse regularmente por lo que respecta al aislamiento de conducción eléctrica, según instrucciones especiales.

- Trabajo cerca de tuberías de gas:

Averigüe y marque siempre la ubicación del trazado de las tuberías de gas. El corte cerca de las tuberías de gas siempre es peligroso. Procure que no se generen chispas al cortar, debido al riesgo de explosión. Trabaje concentrado en su tarea. La negligencia comporta riesgo de daños personales graves y peligro de muerte.

- Antes de arrancar la sierra, deje el sistema hidráulico funcionando hasta que alcance la temperatura de funcionamiento (30°C). De este modo, se reduce la presión de retorno y el desgaste en general.
- Mantenga bajo vigilancia la máquina siempre que el motor esté en marcha.
- No haga nunca trabajos de corte de forma tal que no pueda acceder fácilmente a la parada de emergencia.
- Al trabajar con las máquinas, procure siempre que haya alguien cerca, que pueda prestar ayuda en caso de accidente.
- Las personas que deban permanecer cerca deben usar protectores auriculares porque el nivel sonoro al cortar es superior a 85 dB(A).
- No usar en condiciones climáticas desfavorables. Por ejemplo, niebla densa, lluvia, viento fuerte, frío intenso, etc. Trabajar con mal tiempo es cansador y puede crear condiciones peligrosas, por ejemplo suelo resbaladizo.
- Controle que la zona de trabajo esté bien iluminada para lograr un entorno seguro.
- Cerciórese siempre de tener una posición de trabajo segura y firme.
- Proceda con cuidado en las elevaciones. Las piezas son pesadas, por lo que hay riesgo de daños por apriete y daños personales de otro tipo.

MONTAJE Y AJUSTES

Controle el nivel de aceite

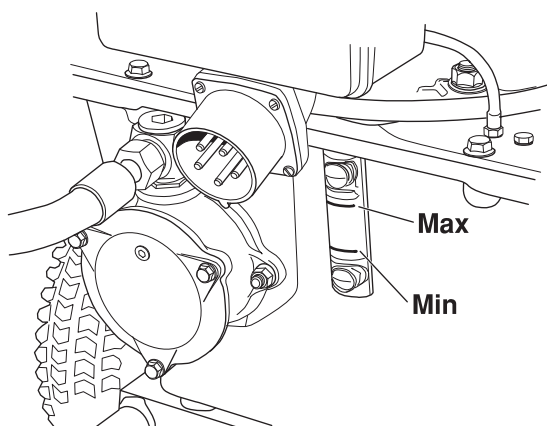
La unidad de alimentación incluye 12 litros de aceite hidráulico 466 cSt HSH de una marca conocida. El aceite usado es un aceite de éster respetuoso con el medio ambiente y aprobado para los procedimientos habituales que reduce radicalmente el riesgo de reacción alérgica o de irritación de la piel en caso de contacto. Además, el aceite se degrada rápidamente en caso de escape accidental.

- Controlar el nivel de aceite en el equipo energético. El control se hace en el indicador de nivel.

Nivel mínimo = línea roja

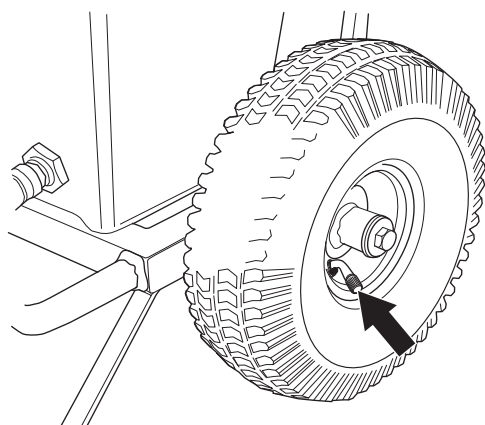
Nivel máximo = línea negra

No se debe sobrepasar el nivel máximo al poner aceite en el depósito. El aceite se expande al calentarse y puede rebosar si el nivel es excesivo. Capacidad del depósito, 12 l (3,2 US gal).



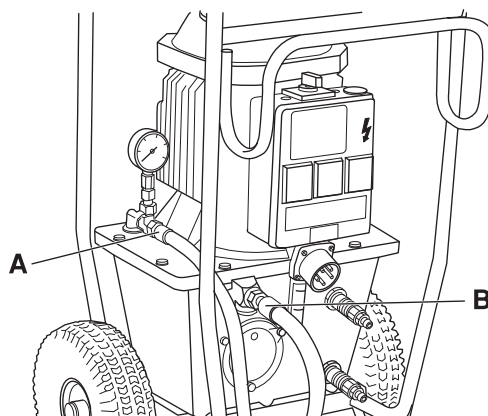
Comprobación de la presión de aire de los neumáticos

- Compruebe la presión de aire de los neumáticos. Debe ser de 2 bar.



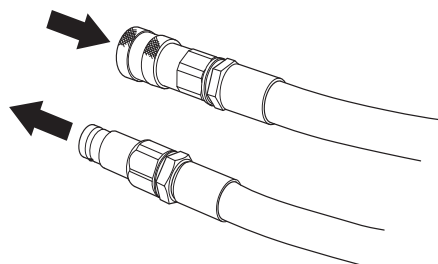
Conexión de las mangueras hidráulicas

- Antes de montar las mangueras hay que limpiar los acoplamientos para reducir el riesgo de fugas.
- Las conexiones se fijan girando el manguito exterior del acoplamiento hembra para apartar la ranura de la bola.



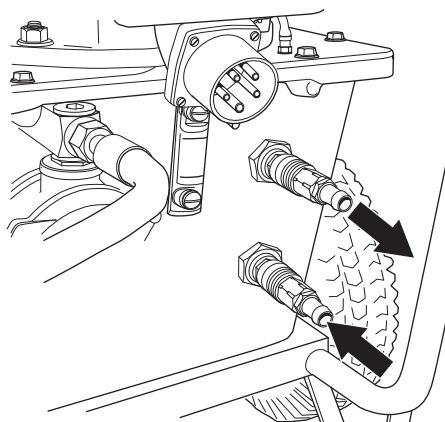
Manguera hidráulica, entrada de retorno (B)

Manguera hidráulica, salida de presión (A)



Conexión de la refrigeración por agua

- Conecte una manguera de agua entre la conexión de refrigeración superior del depósito de aceite hidráulico y la herramienta de trabajo, y otra manguera desde la toma de agua más cercana, a través de un grifo, hasta la conexión de refrigeración inferior en el depósito.

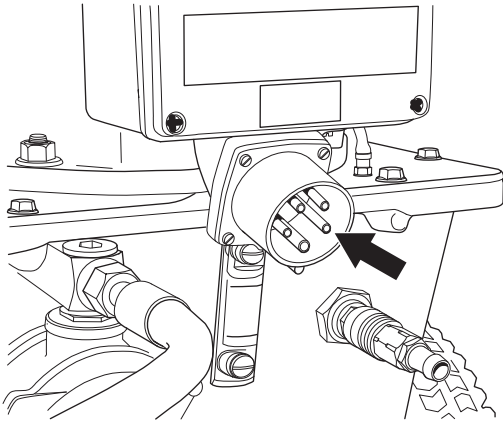


- Si se utiliza una herramienta que no necesita agua, deje que el agua de refrigeración se vacíe por el desagüe de suelo más cercano.

Conexión de una fuente de alimentación

¡IMPORTANTE! Compruebe que la tensión de red concuerda con la que se indica en la placa de características de la máquina.

- Conecte el cable de alimentación de entrada. El cable debe tener tres fases y toma de tierra. La opción neutra también debe estar disponible; de lo contrario, las tomas monofásicas de la caja de distribución no funcionarán. (solo para dispositivos de 5 pines)



- Las tomas monofásicas están protegidas con un disyuntor de corriente residual de 16 A con protección contra sobrecorriente (tipo C). Una vez conectada la corriente de entrada, las tomas monofásicas pueden utilizarse para un taladro, un equipo de aspiración de agua, etcétera.

ARRANQUE Y PARADA

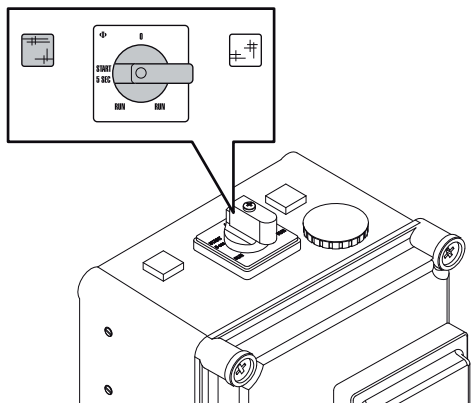
Antes del arranque

Comprobar que:

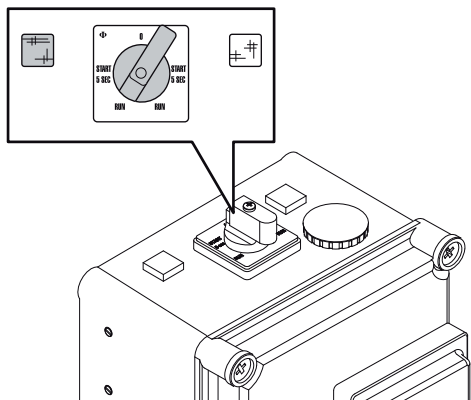
- Los fusibles y la conexión al suministro de energía adecuado de la máquina son correctos.
- Las mangueras están conectadas a un consumidor.

Arranque

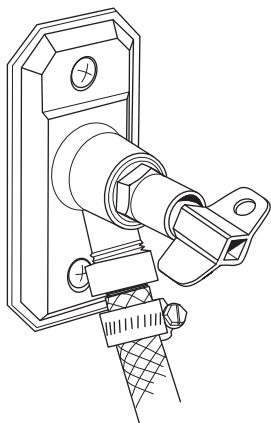
- Gire el interruptor hasta «START 5 SEC» en la dirección indicada por la luz encendida. A partir de entonces, la dirección de rotación del motor será la correcta.



- Gire el interruptor hasta «RUN» después de unos segundos.



- Abra el grifo hasta alcanzar un flujo de agua adaptado para la herramienta en cuestión.



Si la herramienta no necesita agua, el agua de refrigeración seguirá fluyendo por el radiador y se vaciará por el desagüe de suelo más cercano.

Parada

Apague la máquina girando el interruptor hasta «0».

Después de terminar el trabajo

- Desacoplar las mangueras hidráulicas.
- Si existe riesgo de congelación, drene el agua refrigeradora restante del dispositivo. Desconecte las mangueras de agua de entrada y salida e incline la máquina hacia delante.

MANTENIMIENTO

Servicio



¡IMPORTANTE! Las reparaciones de todo tipo deben ser efectuadas por técnicos autorizados, únicamente. De este modo se evita someter a los operadores a grandes riesgos.

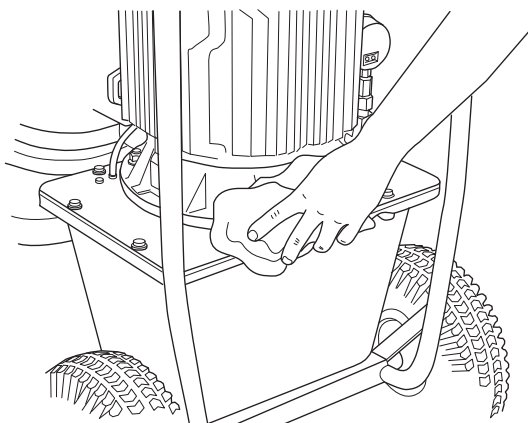
Mantenimiento



¡IMPORTANTE! El control y/o mantenimiento de la máquina debe hacerse con el motor parado y el enchufe desenchufado.

Limpieza

Asegúrese de que los conectores y los pines están limpios. Límpielos con un trapo o un cepillo.



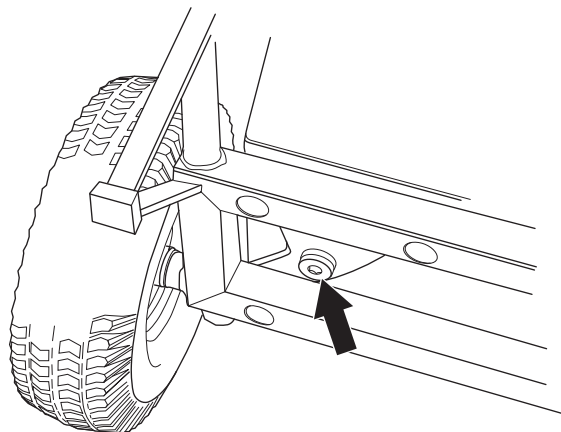
¡NOTA! No utilice un equipo de limpieza a alta presión para limpiar la unidad. No lave la máquina con agua, ya que puede penetrar en el sistema eléctrico o en el motor y causar daños en la máquina o un cortocircuito.

Aceite hidráulico

¡IMPORTANTE! El cambio de los líquidos y de los filtros debe llevarse a cabo de manera que no perjudique al sistema hidráulico de la máquina ni al medio ambiente. Respete la normativa local cuando elimine los residuos.

El aceite hidráulico debe cambiarse cuando sea necesario o una vez al año.

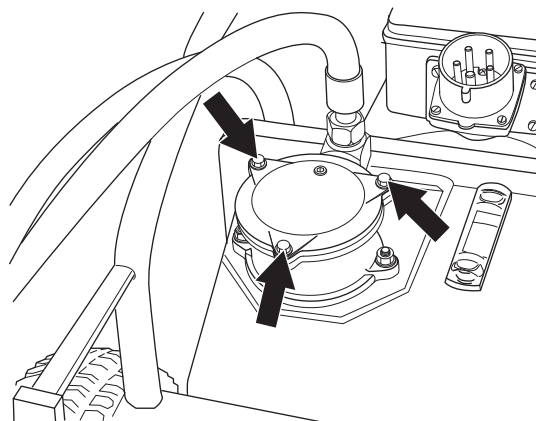
- Coloque un recipiente bajo el tapón de vaciado del depósito y ábralo.



- Enrosque el tapón de vaciado cuando ya no quede nada de líquido.

El aceite hidráulico se rellena a través del filtro situado en la parte frontal del depósito.

- Coloque la unidad de alimentación con la caja del filtro hacia arriba.
- Retire la tapa de la caja del filtro quitando los tres tornillos.

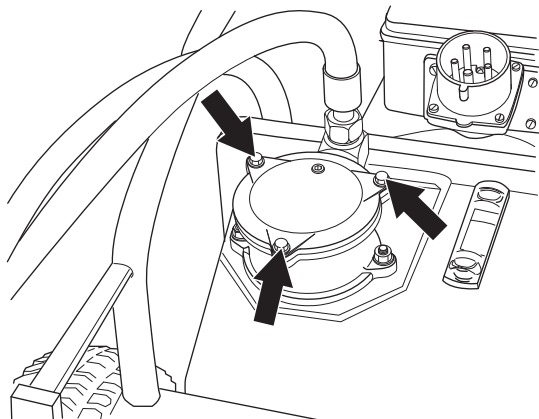


- Vierta aceite hidráulico a través del elemento filtrante.
- Coloque la tapa de la caja del filtro.
- Si también se cambia el filtro de aceite, es necesario llenarlo con 12 l de aceite hidráulico nuevo.

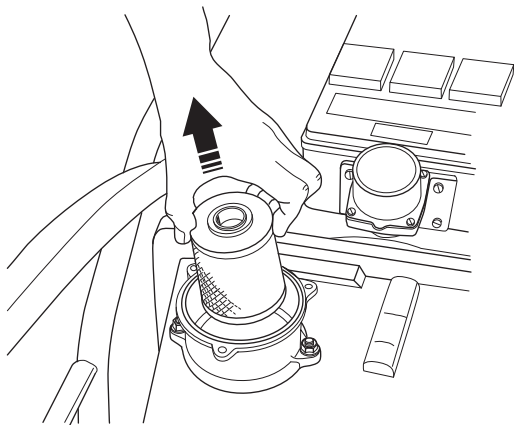
Filtro de aceite hidráulico

El filtro debe cambiarse dos veces al año.

- Coloque la unidad de alimentación con la caja del filtro hacia arriba.
- Retire la tapa de la caja del filtro quitando los tres tornillos.



- Levante el elemento filtrante.



- Presione el nuevo filtro en su lugar sobre la junta de manguito situada en la parte inferior de la caja del filtro.
- Coloque la tapa de la caja del filtro.

Par de apriete

Cuando lleve a cabo tareas de reparación y mantenimiento que incluyan el desmontaje, con el posterior montaje y apriete de tornillos, debe respetar el siguiente par:

- M6: 10 Nm
- M8: 25 Nm
- M10: 50 Nm

Mantenimiento diario

Controlar rutinariamente:

- Que el nivel de aceite del equipo hidráulico esté dentro de las marcas de la mirilla de nivel.
- Controle la presión de los neumáticos.
- Si hay ruidos anormales.

DATOS TECNICOS

PP 325 E

Potencia hidráulica indicada, kW/CV	9,3/12,6
Caudal de aceite hidráulico, l/min / gpm	40/8,8
Depósito de aceite hidráulico, l / gal	12/2,6
Refrigeración	Refrigeración por agua
Tamaño (A x L x C), mm / in	575x1040x780/22,6x40,9x30,7
Peso, kg/lb	93/205
Presión de trabajo máxima, bar / psi	140/2031
Longitud de la manguera (manguera de 1/2 in), mm / in	8 / 315 (Cuando las mangueras se alargan y superan la longitud estándar, se recomienda una manguera de 5/8 in.)
Conexión eléctrica	
Compruebe que la tensión de red concuerda con la que se indica en la placa de características de la máquina.	
200 V	50 Hz
200 V	60 Hz
230/400 V	50 Hz
230 V	60 Hz
400 V	50 Hz
440 V	50 Hz
575 V	60 Hz
Toma de corriente de pared	2 de 230 V (solo para dispositivos de 5 pines)
Emisiones de ruido (vea la nota 1)	
Nivel de potencia acústica medido dB(A)	94
Nivel de potencia acústica garantizado L_{WA} dB(A)	99
Niveles acústicos (vea la nota 2)	
Nivel de presión acústica en el oído del usuario, dB(A)	83

Nota 1: Emisiones sonoras en el entorno medidas como potencia acústica (L_{WA}) según la directiva CE 2000/14/CE.

Nota 2: Nivel de presión sonora conforme a EN ISO 11201. Los datos referidos del nivel de presión sonora tienen una dispersión estadística habitual (desviación típica) de 1,0 dB (A).

DATOS TECNICOS

Declaración CE de conformidad

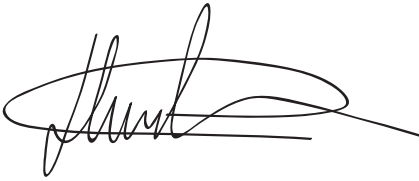
(Rige sólo para Europa)

Husqvarna AB, SE-433 81 Göteborg, Suecia, teléfono: +46-31-949000, declara bajo su exclusiva responsabilidad que el equipo hidráulico **Husqvarna PP 325 E**, a partir de los números de serie del año 2010 (el año se indica claramente en texto plano en la placa de modelo, junto con el número de serie), cumple con las disposiciones de las Directivas del Consejo:

- **2006/42/CE** «relativa a máquinas» del 17 de mayo de 2006.
- **2006/95/CE** del 12 de diciembre de 2006 relativa a equipos eléctricos.
- **2004/108/CEE**, "referente a compatibilidad electromagnética", del 15 de diciembre de 2004.
- **2000/14/CE**, "sobre emisiones sonoras en el entorno" del 8 de mayo de 2000.

Se han aplicado las siguientes normas: EN ISO 12100:2003, EN 55014-1:2006, EN 55014-2/A1:2001, EN 61000-3-11:2000, EN 982/A1:2008, EN 60204-1:2006.

Husqvarna, 29 de diciembre de 2009



Henric Andersson

Vicepresidente, jefe de la sección de cortadoras y maquinaria para la construcción

Husqvarna AB

(Presentante autorizado de Husqvarna AB y responsable de la documentación técnica.)

SYMBOLERKLÄRUNG

Symbole am Gerät:

WARNUNG! Das Gerät kann falsch oder nachlässig angewendet gefährlich sein und zu schweren oder gar lebensgefährlichen Verletzungen des Benutzers oder anderer Personen führen.



Lesen Sie die Bedienungsanleitung sorgfältig durch und machen Sie sich mit dem Inhalt vertraut, bevor Sie das Gerät benutzen.



Benutzen Sie immer:

- Einen zugelassenen Schutzhelm
- Einen zugelassenen Gehörschutz
- Schutzbrille oder Visier
- Atemschutzmaske



Dieses Produkt stimmt mit den geltenden CE-Richtlinien überein.



WARNUNG! Hoher Strom.



Umweltkennzeichnung.

Das Symbol auf dem Produkt oder der Verpackung gibt an, dass dieses Produkt nicht im Hausmüll entsorgt werden darf. Zur Entsorgung ist es stattdessen an eine entsprechende Recyclinganlage für elektrische und elektronische Geräte zu übergeben.

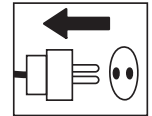


Durch eine korrekte Entsorgung dieses Produkts tragen Sie dazu bei, mögliche negative Auswirkungen auf Ihre Umwelt und Mitmenschen zu verhindern. Durch eine unsachgemäße Entsorgung dieses Produkts können Schäden entstehen.

Ausführliche Recyclinginformationen zu diesem Produkt erhalten Sie von Ihrer Kommune, Entsorgungsunternehmen für Hausmüll oder dem Geschäft, in dem Sie das Produkt erworben haben.

Symbole in der Bedienungsanleitung:

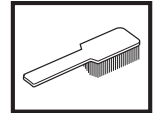
Kontrollen und/oder Wartungsarbeiten sind bei abgeschaltetem Motor und abgezogenem Stecker durchzuführen.



Stets zugelassene Schutzhandschuhe tragen.



Regelmäßige Reinigung ist notwendig.



Visuelle Kontrolle.



Schutzbrille oder Gesichtsschutz müssen benutzt werden.



INHALT

Inhalt

SYMBOLERKLÄRUNG

Symbole am Gerät:	28
Symbole in der Bedienungsanweisung:	28

INHALT

Inhalt	29
--------------	----

WAS IST WAS?

Bezeichnungen der Hydraulikkomponenten	30
----------------------------------------------	----

SICHERHEITSVORSCHRIFTEN

Maßnahmen vor dem Einsatz einer neuen Hydraulikeinheit	31
Persönliche Schutzausrüstung	31
Sicherheitsausrüstung des Gerätes	32
Allgemeine Sicherheitsvorschriften	32
Allgemeine Arbeitsvorschriften	33

MONTAGE UND EINSTELLUNGEN

Ölstand prüfen	34
Luftdruck in Reifen prüfen	34
Hydraulikschläuche anschließen.	34
Wasserkühlung anschließen	34
Aggregat anschließen	35

STARTEN UND STOPPEN

Vor dem Start	36
Starten	36
Stoppen	36
Nach Abschluss der Arbeiten	36

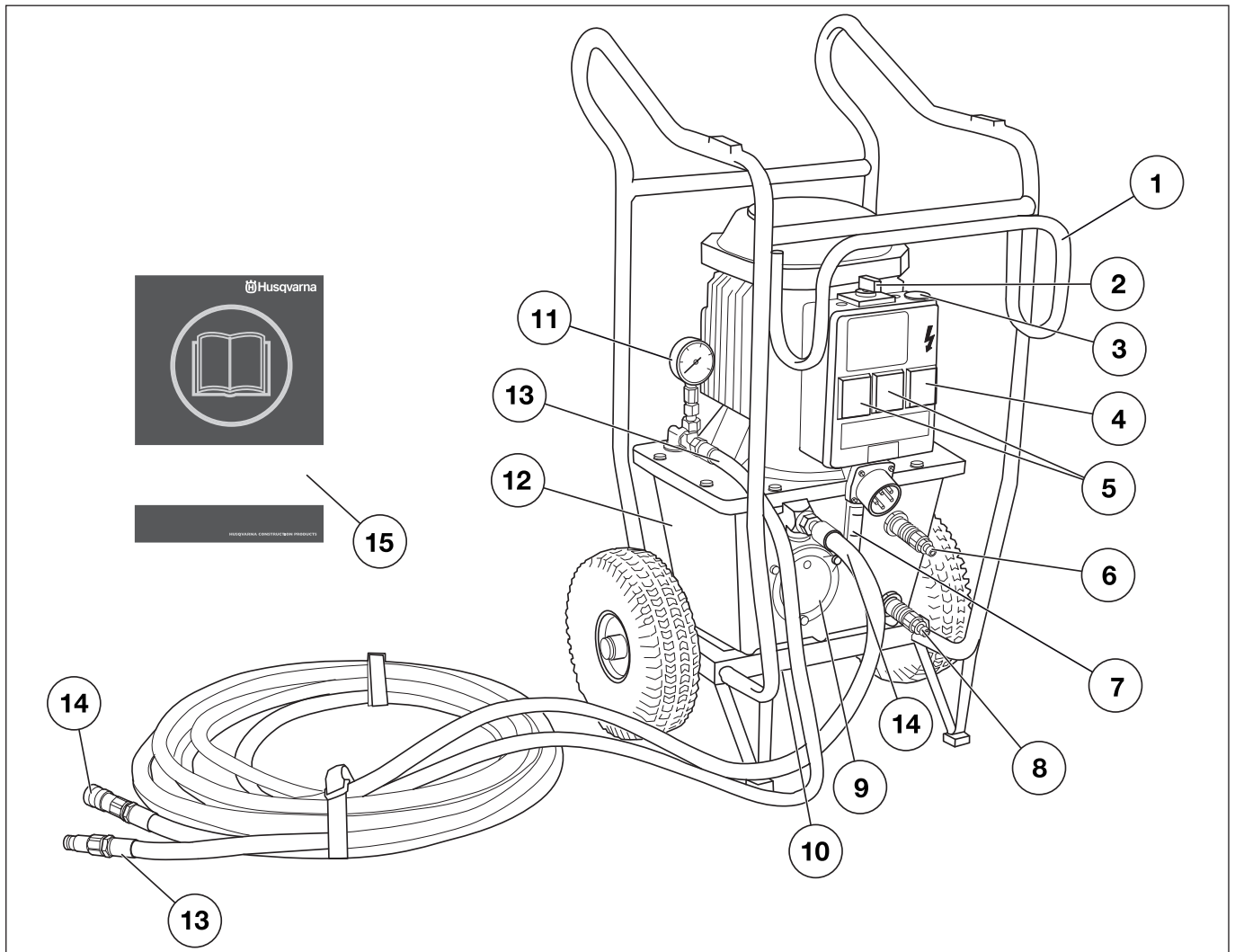
WARTUNG

Service	37
Wartung	37

TECHNISCHE DATEN

PP 325 E	39
EG-Konformitätserklärung	40

WAS IST WAS?



Bezeichnungen der Hydraulikkomponenten

- | | |
|------------------------------------------------------------------------------|----------------------------------------|
| 1 Rahmen für Hydraulikschlauch | 8 Anschluss für eingehendes Kühlwasser |
| 2 Schalter | 9 Hydraulikölfilter |
| 3 Nothalt | 10 Ablassschraube |
| 4 Fehlerstrom-Schutzschalter mit Überstromsicherung (Nur 5-polige Maschinen) | 11 Hydraulisches Druckmessgerät |
| 5 Steckdose 2x230 V (nur bei 5-poligen Maschinen) | 12 Hydrauliköltank |
| 6 Anschluss für ausgehendes Kühlwasser | 13 Hydraulikschlauch, Druckausleitung |
| 7 Messgerät | 14 Hydraulikschlauch, Rückführung |
| | 15 Bedienungsanweisung |

SICHERHEITSVORSCHRIFTEN

Maßnahmen vor dem Einsatz einer neuen Hydraulikeinheit

- Lesen Sie die Bedienungsanweisung sorgfältig durch und machen Sie sich mit dem Inhalt vertraut, bevor Sie das Gerät benutzen.
- Diese Maschine ist vorrangig für WS 325, DM 406 H, HS 170 und HH 170 konzipiert, sie eignet sich jedoch auch als Stromquelle für andere Geräte, z. B. Husqvarna Ringsäge.
- Das Handbuch der Hydraulikeinheit lesen, ehe Sie mit der Nutzung des Geräts beginnen.
- Das Gerät kann schwere Verletzungen verursachen. Die Sicherheitsvorschriften gründlich durchlesen. Lernen Sie, wie das Gerät anzuwenden ist.

Stets mit gesundem Menschenverstand arbeiten!

Es ist unmöglich, alle denkbaren Situationen abzudecken, die beim Gebrauch des Geräts auftreten könnten. Gehen Sie stets mit Vorsicht und Vernunft vor. Vermeiden Sie Situationen, für die Sie sich nicht ausreichend qualifiziert fühlen. Falls Sie sich auch nach dem Lesen dieser Anweisungen nicht über die richtige Vorgehensweise im Klaren sind, sollten Sie einen Fachmann zu Rate ziehen, bevor Sie fortfahren.

Sie können sich jederzeit an Ihren Händler wenden, wenn Sie Fragen zur Verwendung der Maschine haben. Wir beraten Sie gerne dabei, wie Sie Ihre Maschine besser und sicherer einsetzen können.

Lassen Sie die Maschine regelmäßig von Ihrem Husqvarna-Händler überprüfen und notwendige Einstellungen und Reparaturen vornehmen.

Alle Informationen und Daten dieser Bedienungsanleitung galten zum Zeitpunkt der Drucklegung.



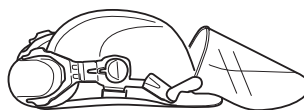
WARNUNG! Ohne Genehmigung des Herstellers dürfen an der Maschine unter keinen Umständen Konstruktionsänderungen vorgenommen werden. Stets Originalzubehör verwenden. Unzulässige Änderungen und/oder Zubehörteile können zu schweren Verletzungen oder tödlichen Unfällen von Anwendern oder anderen Personen führen.

Persönliche Schutzausrüstung

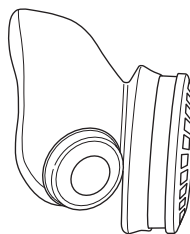


WARNUNG! Bei der Benutzung des Gerätes muss die vorgeschriebene persönliche Schutzausrüstung angewendet werden. Die persönliche Schutzausrüstung beseitigt nicht die Unfallgefahr, begrenzt aber den Umfang der Verletzungen und Schäden. Bei der Wahl der Schutzausrüstung einen Fachhändler um Rat fragen.

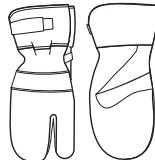
- Schutzhelm
- Gehörschutz
- Schutzbrille oder Visier



- Atemschutzmaske



- Feste, griffsichere Handschuhe.



- Eng anliegende, kräftige und bequeme Kleidung tragen, die volle Bewegungsfreiheit gewährt.



- Stiefel mit Stahlkappe und rutschfester Sohle.



- Ein Erste-Hilfe-Set soll immer griffbereit sein.



SICHERHEITSVORSCHRIFTEN

Sicherheitsausrüstung des Gerätes



In diesem Abschnitt werden einzelnen Teile der Sicherheitsausrüstung des Gerätes beschrieben, welche Funktion sie haben und wie ihre Kontrolle und Wartung ausgeführt werden sollen, um sicherzustellen, dass sie funktionsfähig sind. (Siehe Kapitel Was ist was? um herauszufinden, wo die Sicherheitsdetails an Ihrem Gerät zu finden sind).



WARNUNG! Benutzen Sie nie ein Gerät mit defekter Sicherheitsausrüstung.

Service und Reparatur des Gerätes erfordern eine Spezialausbildung. Dies gilt besonders für die Sicherheitsausrüstung des Gerätes. Wenn Ihr Gerät den unten aufgeführten Kontrollanforderungen nicht entspricht, müssen Sie Ihre Servicewerkstatt aufsuchen. Beim Kauf eines unserer Produkte wird gewährleistet, dass Reparatur- oder Servicearbeiten fachmännisch ausgeführt werden. Sollte der Verkäufer Ihres Gerätes nicht an unser Fachhändler-Service-Netz angeschlossen sein, fragen Sie nach unserer nächstgelegenen Servicewerkstatt.

Nothalt

Mit dem Notschalter der Maschine können Sie die Stromzufuhr zur Maschine unterbrechen.

Testen des Notschalters

- Stellen Sie sicher, dass die Hydraulikschläuche miteinander verbunden sind.
- Starten Sie das Gerät.
- Betätigen Sie den Notschalter und prüfen Sie, ob der Motor ausgeht.

Allgemeine Sicherheitsvorschriften

Lesen Sie vor der Inbetriebnahme der Maschine diese Bedienungsanleitung aufmerksam durch und machen Sie sich mit dem Inhalt vertraut.



WARNUNG! An elektrisch betriebenen Geräten besteht stets die Gefahr von elektrischen Schlägen. Ungünstige Witterungsbedingungen sowie einen Körperkontakt mit Blitzableiter und metallischen Gegenständen vermeiden. Stets die Vorgaben in der Bedienungsanleitung befolgen, um Schäden auszuschließen.

- Arbeiten Sie niemals mit dem Gerät, wenn Sie müde sind, Alkohol getrunken oder Medikamente eingenommen haben, da hierdurch Sehkraft, Urteilsvermögen oder Körperkontrolle beeinträchtigt werden können.
- Tragen Sie persönliche Schutzausrüstung. Siehe die Anweisungen unter der Überschrift "Persönliche Schutzausrüstung".
- Ziehen Sie niemals den Stecker am Kabel aus der Steckdose.

- Achten Sie darauf, dass Kabel und Verlängerungskabel nicht mit Wasser, Öl oder scharfen Kanten in Berührung kommen. Darauf achten, dass die Kabel nicht in Türen, Zäunen o. ä. eingeklemmt werden. Es besteht sonst die Gefahr, dass Gegenstände unter Strom gestellt werden.
- Kontrollieren, ob Kabel und Verlängerungskabel intakt und in gutem Zustand sind.
- Das Gerät nicht benutzen, wenn das Kabel beschädigt ist, sondern zur Reparatur in eine autorisierte Servicewerkstatt geben.
- Keine zusammengerollte Verlängerungsschnur nutzen, um eine Überhitzungsgefahr zu vermeiden.
- Das Gerät muss an ein geerdete Steckdose angeschlossen werden.
- Kontrollieren, ob die Netzspannung mit der auf dem Geräteschild angegebenen übereinstimmt.
- Vor dem Bewegen des Geräts stets den Hauptschalter der Hydraulikeinheit ausschalten und das Stromkabel herausziehen.
- Alle Teile in funktionstauglichem Zustand halten und dafür sorgen, dass alle Befestigungsteile sorgfältig festgezogen sind.
- Niemals mit einem defekten Gerät arbeiten. Die Wartungs-, Kontroll- und Serviceanweisungen in dieser Bedienungsanleitung sind sorgfältig zu befolgen. Gewisse Wartungs- und Servicemaßnahmen sind von geschulten, qualifizierten Fachleuten auszuführen. Siehe die Anweisungen unter der Überschrift **Wartung**.
- Nehmen Sie keinerlei Änderungen an den Sicherheitsvorrichtungen vor. Kontrollieren Sie regelmäßig deren einwandfreie Funktionsweise. Die Maschine darf nicht mit defekten Schutzvorrichtungen bzw. ohne eingebaute Schutzvorrichtungen betrieben werden.
- Lassen Sie niemals jemand anderen das Gerät benutzen, ohne sich zu vergewissern, dass die Person den Inhalt der Bedienungsanleitung verstanden hat.
- Menschen und Tiere können zu einer Ablenkung und damit zum Verlust der Kontrolle über das Gerät führen. Konzentration und Fokussierung auf die Aufgabe sind daher stets erforderlich.
- Sorgen Sie dafür, dass sich innerhalb des Arbeitsbereichs keine unbefugten Personen aufhalten, andernfalls besteht die Gefahr von schweren Verletzungen.
- Bedenken, dass Kleidung, langes Haar und Schmuck in beweglichen Teilen hängen bleiben können.
- Vorsicht beim Heben. Schweres Gerät bedeutet Klemmgefahr und Gefahr für andere Verletzungen.

Transport und Aufbewahrung

- Vor dem Bewegen des Geräts stets den Hauptschalter der Hydraulikeinheit ausschalten und das Stromkabel herausziehen.
- Falls Frostgefahr besteht, muss restliches Kühlwasser aus dem Gerät abgelassen werden.
- Die Versorgungseinheit besteht aus einem Wagen mit Rädern. Es besteht die Möglichkeit zum Aufhängen von Hydraulikschläuchen für einen einfachen Transport am Einsatzort.
- Beim Transport zwischen Einsatzorten sollte die Versorgungseinheit vertikal gelagert werden, sodass der Verteilerkasten nach oben zeigt.
- Bewahren Sie das Gerät für Kinder und Unbefugte unzugänglich in einem abschließbaren Raum auf.

SICHERHEITSVORSCHRIFTEN

Allgemeine Arbeitsvorschriften



WARNUNG! In diesem Abschnitt werden grundlegende Sicherheitsregeln vorgestellt. Die folgenden Informationen sind kein Ersatz für das Wissen, das ein professioneller Anwender durch seine Ausbildung und praktische Erfahrung erworben hat. Lassen Sie sich bei Unsicherheiten von einer Fachkraft beraten. Fragen Sie Ihren Fachhändler, Ihre Servicewerkstatt oder einen erfahrenen Anwender. Führen Sie keine Arbeiten aus, wenn Unsicherheiten bezüglich der richtigen Vorgehensweise bestehen.

- Sämtliche Bediener müssen für die Benutzung der Maschine ausgebildet sein. Die Verantwortung für die erforderliche Ausbildung liegt beim Eigentümer.
- Sicherstellen, dass alle Verbindungen, Anschlüsse und Hydraulikschläuche unbeschädigt sind.
- Hydraulikschläuche und Verbindungen sauberhalten.
- Stets auf die Unversehrtheit der verwendeten Schläuche achten.
- Verwenden Sie keine deformierten, verschlissenen oder beschädigten Schläuche.
- Vor der Inbetriebnahme sicherstellen, dass alle Schläuche und Stromkabel korrekt an der Maschine angeschlossen sind.
- Sicherstellen, dass die Schläuche korrekt an die Maschine angeschlossen sind und die Hydraulikkupplungen ordnungsgemäß verriegelt wurden, bevor das Hydrauliksystem unter Druck gesetzt wird. Um die Kupplungen zu verriegeln, die Außenhülse der Buchsenkupplung drehen, wodurch sich die Nut von der Kugel entfernt.

Die Druckschläuche des Systems sind stets an den Werkzeugeinlass anzuschließen. Die Rücklaufschläuche des Systems sind stets an den Werkzeugauslass anzuschließen. Durch eine Verwechslung der Anschlüsse kann das Werkzeug rückwärts arbeiten und damit Personenschäden verursachen.
- Die Maschine nicht mit den Hydraulikschläuchen anheben.
- Täglich die Maschine, alle Verbindungen und Hydraulikschläuche auf Undichtigkeiten überprüfen. Lecks oder Explosionen können zu einem Eindringen von Öl in den Körper oder anderen schweren Verletzungen führen.
- Hydraulikschläuche dürfen erst abgenommen werden, nachdem das Hydraulikaggregat abgeschaltet wurde und der Motor zum Stillstand gekommen ist.
- Falls dennoch eine Notsituation auftreten sollte, drücken Sie die rote Not-Aus-Taste am Aggregat.
- Die für das jeweilige Werkzeug angegebenen Werte für den Öldurchfluss oder Öldruck nicht überschreiten. Ein zu hoher Durchfluss oder Druck kann zu Explosionen führen.

- Suchen Sie nicht mit der Hand nach Undichtigkeiten. Bei Kontakt mit einem Leck können durch den hohen Druck im Hydrauliksystem schwere Personenschäden entstehen.
- Überprüfen Sie die Stromversorgung und die Stromkabel auf Beschädigungen.
- Bei Arbeiten in der Nähe elektrischer Leitungen:

Beim Einsatz von Hydraulikwerkzeugen an oder bei elektrischen Leitungen sind Schläuche zu verwenden, die als „nicht elektrisch leitend“ eingestuft und gekennzeichnet wurden. Die Verwendung anderer Schläuche kann zu schweren Verletzungen und sogar zum Tod führen.

Beim Schlauchwechsel sind Schläuche mit der Kennzeichnung „nicht elektrisch leitend“ zu benutzen. Die Schläuche sind regelmäßig auf ihre elektrische Isolierfähigkeit zu überprüfen. Dafür gelten gesonderte Anweisungen.
- Bei Arbeiten in der Nähe von Gasleitungen:

Den Arbeitsbereich stets auf das Vorhandensein von Gasleitungen überprüfen und deren Verlauf kennzeichnen. Das Schneiden in der Nähe von Gasleitungen stellt eine potenzielle Gefahrensituation dar. Funkenbildung beim Schneiden vermeiden, andernfalls besteht Explosionsgefahr. Konzentrieren Sie sich voll auf Ihre Arbeitsaufgabe. Unachtsamkeit kann zu schweren Verletzungen bis hin zum Tod führen.
- Vor dem Sägen das Hydrauliksystem auf die Betriebstemperatur von 30°C vorwärmen lassen, um den Rücklaufdruck und andere Belastungen zu reduzieren.
- Niemals die Maschine unbeaufsichtigt mit laufendem Motor stehen lassen.
- Stets so arbeiten, dass der Nothalt schnell und einfach zu erreichen ist.
- Beim Arbeiten mit den Maschinen muss stets eine weitere Person anwesend sein, die bei Unfällen Hilfestellung leisten kann.
- Personen, die sich in der Umgebung aufhalten, müssen einen Gehörschutz tragen, da der Geräuschpegel beim Schneiden 85 dB(A) überschreitet.
- Vermeiden Sie es, das Gerät bei schlechtem Wetter zu benutzen. Z.B. bei dichtem Nebel, Regen oder Wind, großer Kälte usw. Das Arbeiten bei schlechtem Wetter ist sehr ermüdend und kann gefährliche Umstände herbeiführen, z. B. Rutschgefahr.
- Sorgen Sie dafür, daß der Arbeitsbereich ausreichend beleuchtet ist, damit Sie sicher arbeiten können.
- Sorgen Sie immer dafür, dass Sie bei der Arbeit fest und sicher stehen.
- Vorsicht beim Heben. Schweres Gerät bedeutet Klemmgefahr und Gefahr für andere Verletzungen.

MONTAGE UND EINSTELLUNGEN

Ölstand prüfen

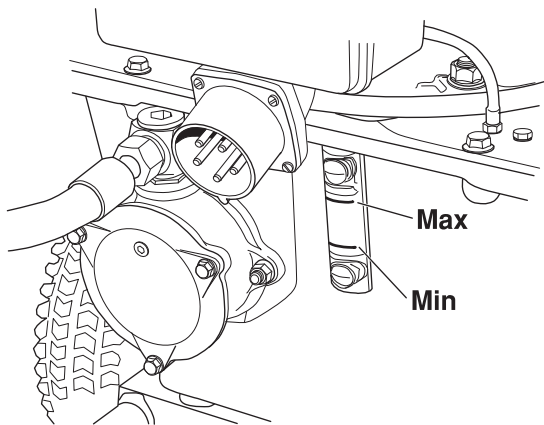
Das Netzteil wird mit 12 Litern Hydrauliköl 466 cSt HSH oder einer bekannten Marke geliefert. Es handelt sich um umweltgerechtes, vom schwedischen Prüfinstitut (SP) genehmigtes Esteröl, welches das Risiko einer allergischen Reaktion oder Hautreizung bei Kontakt drastisch vermindert. Ferner wird das Öl im Falle eines unbeabsichtigten Ölaustritts schnell abgebaut.

- Kontrollera oljenivån på kraftaggregatet. Detta kontrolleras på nivåmätaren.

Min. Füllstand = rote Linie

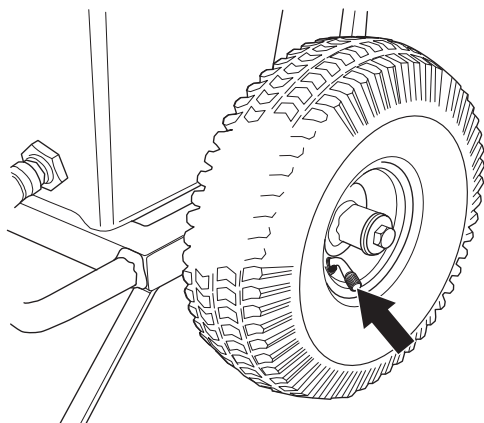
Max. Füllstand = schwarze Linie

Überschreiten Sie beim Befüllen des Tanks nicht den maximalen Füllstand. Bei Wärme breitet sich das Öl aus und kann bei übermäßiger Befüllung austreten. Das Tankvolumen beträgt 12 l.



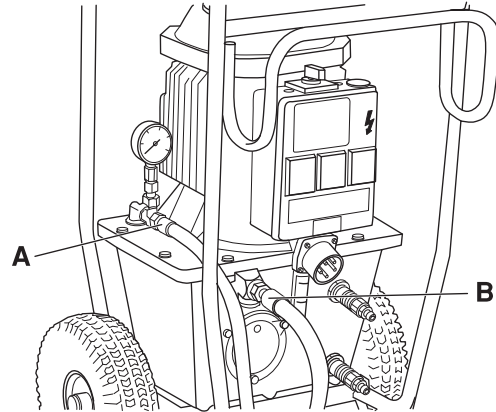
Luftdruck in Reifen prüfen

- Luftdruck in Reifen prüfen. Der Luftdruck sollte 2 bar betragen.



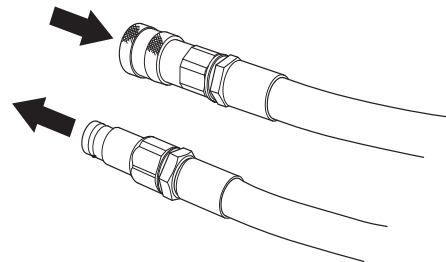
Hydraulikschläuche anschließen.

- Vor dem Anbringen der Schläuche sind die Kupplungen abzuwischen, um die Gefahr der Leckage zu reduzieren.
- Um die Kupplungen zu verriegeln, die Außenhülse der Buchsenkupplung drehen, wodurch sich die Nut von der Kugel entfernt.



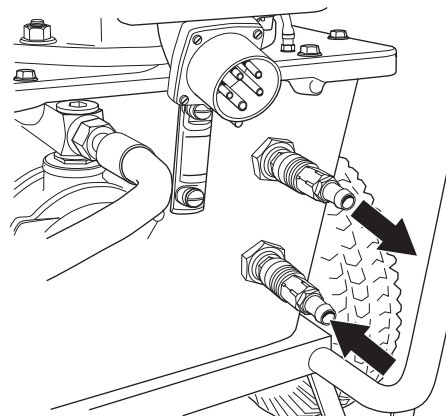
Hydraulikschlauch, Rückführung (B)

Hydraulikschlauch, Druckausleitung (A)



Wasserkühlung anschließen

- Einen Wasserschlauch zwischen dem oberen Kühlungsanschluss am Hydrauliköltank und dem Arbeitswerkzeug anschließen, sowie einen Schlauch vom am nächsten gelegenen Hydranten über einen Hahn an den unteren Kühlungsanschluss des Tanks.

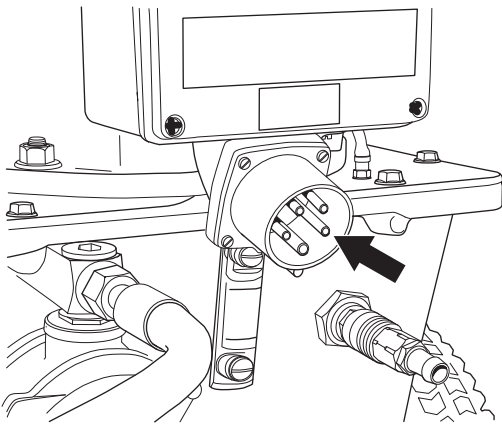


- Wenn kein Werkzeug verwendet wird, bei dem Wasser erforderlich ist, das Kühlwasser zum nächsten Bodenablauf fließen lassen.

Aggregat anschließen

WICHTIG! Kontrollieren, ob die Netzspannung mit der auf dem Geräteschild angegebenen übereinstimmt.

- Eingehendes Netzkabel anschließen. Das Kabel muss ein dreiphasiges Erdungskabel sein. Der Nullleiter muss ebenfalls verfügbar sein, da die einphasigen Steckdosen am Verteilerkasten sonst nicht funktionieren. (Nur 5-polige Maschinen)



- Die einphasigen Steckdosen sind durch einen Fehlerstrom-Schutzschalter (16A) mit Überstromsicherung (Typ C) geschützt. Nach dem Anschluss des Eingangsstroms können die einphasigen Steckdosen für z. B. eine Bohrmaschine, ein Wasseraugerät usw. verwendet werden.

STARTEN UND STOPPEN

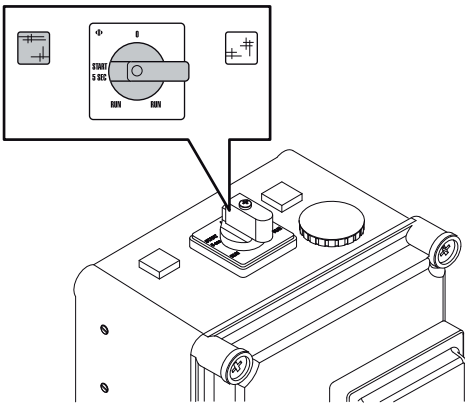
Vor dem Start

Folgendes sicherstellen:

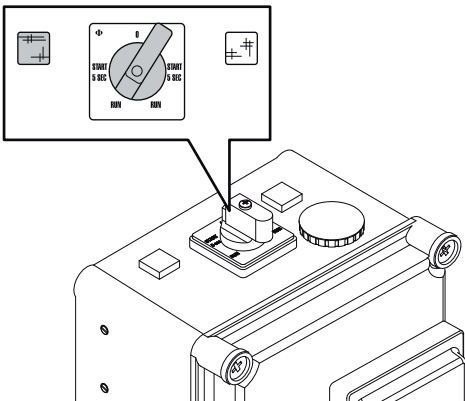
- Die Maschine ist ordnungsgemäß an ein Stromversorgungskabel angeschlossen und elektrisch gesichert.
- Die Schläuche sind an eine Einheit angeschlossen.

Starten

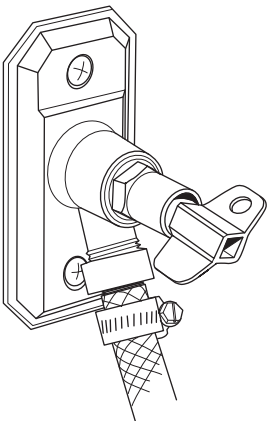
- Schalter auf „START 5 SEC“ (START 5 SEK) in die durch die erleuchtete Lampe angegebene Richtung drehen. Die Drehrichtung des Motors ist dann korrekt.



- Schalter nach einigen Sekunden auf „RUN“ (EIN) drehen.



- Hahn des entsprechenden Wasseranschlusses für das fragliche Werkzeug öffnen.



Wenn das Werkzeug kein Wasser benötigt, muss das Kühlwasser dennoch durch den Radiator und dann zum nächstgelegenen Bodenablauf fließen.

Stoppen

Schalter zum Ausschalten auf „0“ setzen.

Nach Abschluss der Arbeiten

- Lösen Sie die Hydraulikschläuche.
- Falls Frostgefahr besteht, muss restliches Kühlwasser aus dem Gerät abgelassen werden. Ein- und ausgehende Wasserschläuche abtrennen und Maschine nach vorne kippen.

Service



WICHTIG! Sämtliche Reparaturen dürfen nur von autorisiertem Reparaturpersonal ausgeführt werden. Diese Vorschrift soll verhindern, dass der Bediener großen Gefahren ausgesetzt wird.

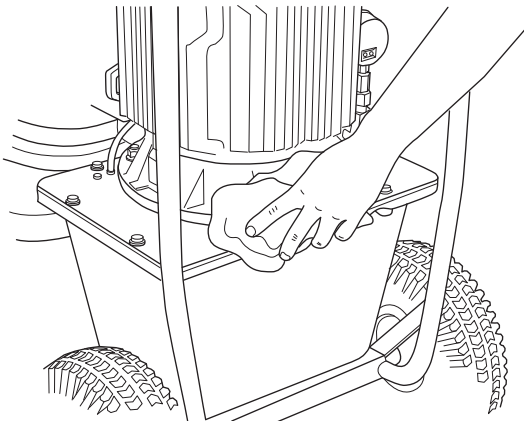
Wartung



WICHTIG! Kontrollen und/oder Wartungsarbeiten sind bei abgeschaltetem Motor und abgezogenem Stecker durchzuführen.

Reinigung

Darauf achten, die Anschlüsse und Kontakte sauber zu halten. Mit einem Lappen oder Pinsel reinigen.



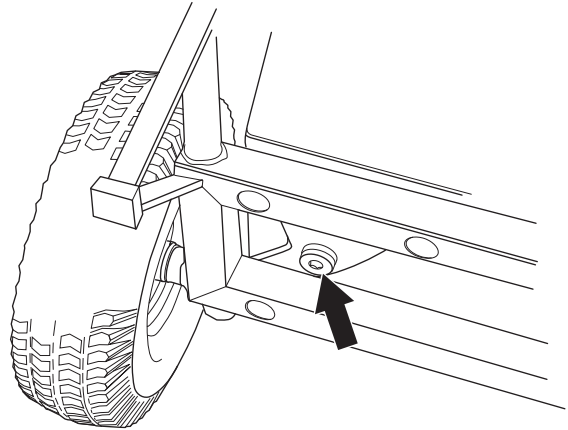
ACHTUNG! Das Aggregat nicht mit einem Hochdruckreiniger reinigen. Die Maschine nicht mit Wasser reinigen, da dies in das elektrische System oder den Motor eindringen und so Maschinenschäden oder einen Kurzschluss auslösen kann.

Hydrauliköl

WICHTIG! Der Austausch von Flüssigkeiten und Filtern sollte so ausgeführt werden, dass das Hydrauliksystem der Maschine sowie die Umwelt keine Schäden nimmt. Entsorgen Sie Restprodukte entsprechend der gesetzlichen Bestimmungen.

Das Hydrauliköl bei Bedarf oder einmal pro Jahr auswechseln.

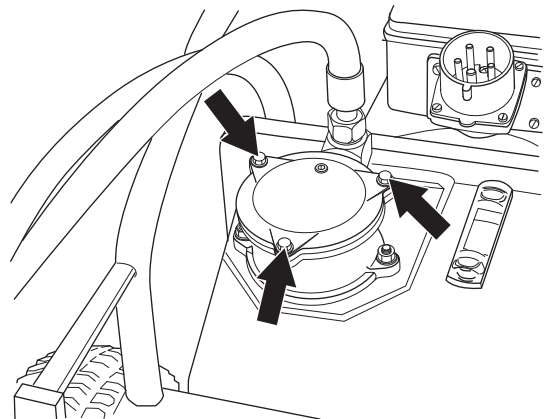
- Platzieren Sie einen Behälter unter dem Ablasshahn des Tanks und öffnen Sie den Hahn.



- Verschließen Sie den Ablasshahn sobald die gesamte Flüssigkeit entleert wurde.

Das Hydrauliköl wird durch den Filter vorne am Tank aufgefüllt.

- Das Netzteil mit dem Filtergehäuse nach oben zeigend ablegen.
- Abdeckung des Filtergehäuses durch Lösen der drei Schrauben entfernen.

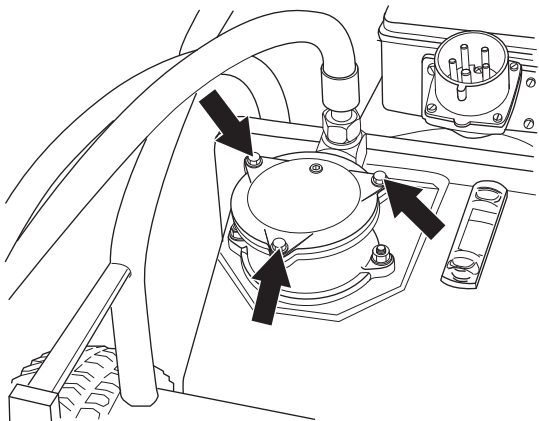


- Hydrauliköl durch das Filterelement auffüllen.
- Abdeckung des Filtergehäuses anbringen.
- Wenn der Ölfilter ebenfalls ausgetauscht wird, 12 l frisches Hydrauliköl nachfüllen.

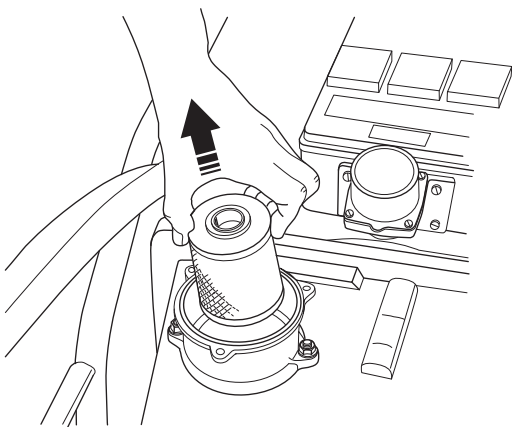
Hydraulikölfilter

Den Filter zweimal pro Jahr auswechseln.

- Das Netzteil mit dem Filtergehäuse nach oben zeigend ablegen.
- Abdeckung des Filtergehäuses durch Lösen der drei Schrauben entfernen.



- Filterelement anheben.



- Den neuen Filter über die Hülsenkupplung unten im Filtergehäuse schieben.
- Abdeckung des Filtergehäuses anbringen.

Anziehmoment

Bei der Durchführung von Reparatur- und Wartungsarbeiten, bei denen Demontage und anschließende Montage und das Anziehen von Schrauben erforderlich sind, folgendes Drehmoment verwenden:

- M6: 10 Nm
- M8: 25 Nm
- M10: 50 Nm

Tägliche Wartung

Folgende Punkte sind routinemäßig zu kontrollieren:

- Liegt der Ölstand des Hydraulikaggregats zwischen den Markierungen am Schauglas?
- Luftdruck der Reifen prüfen.
- Treten ungewöhnliche Geräusche auf?

TECHNISCHE DATEN

PP 325 E

Hydraulikausgangsleistung, kW/PS	9,3/12,6
Hydraulikölfluss, l/min / gpm	40/8,8
Hydrauliköltank, l/gal	12/2,6
Kühlung	Wasserkühlung
Abmessung, (LxBxH), mm/Zoll	575x1040x780/22,6x40,9x30,7
Gewicht, kg/lbs	93/205
Max. Betriebsdruck, bar / psi	140/2031
Schlauchlänge (1/2" Schlauch), mm/Zoll	8/315 (Wenn Schläuche über die Standardlänge hinaus verlängert werden, wird 5/8" Schlauch empfohlen.)
Stromanschluss	
Kontrollieren, ob die Netzspannung mit der auf dem Geräteschild angegebenen übereinstimmt.	
200 V	50 Hz
200 V	60 Hz
230/400 V	50 Hz
230 V	60 Hz
400 V	50 Hz
440 V	50 Hz
575 V	60 Hz
Steckdose	2x230 V (nur bei 5-poligen Maschinen)
Geräuschemissionen (siehe Anmerkung 1)	
Gemessene Schallleistung dB(A)	94
Garantierte Schallleistung L_{WA} dB(A)	99
Lautstärke (siehe Anmerkung 2)	
Schalldruckpegel am Ohr des Benutzers, dB(A)	83

Anmerkung 1: Umweltbelastende Geräuschemission gemessen als Schallleistung (L_{WA}) gemäß EG-Richtlinie 2000/14/EG.

Anmerkung 2: Schalldruckpegel gemäß EN ISO 11201. Berichten zufolge liegt der Schalldruckpegel normalerweise bei einer Ausbreitungsklasse (standardmäßige Ausbreitung) von 1,0 dB (A).

TECHNISCHE DATEN

EG-Konformitätserklärung

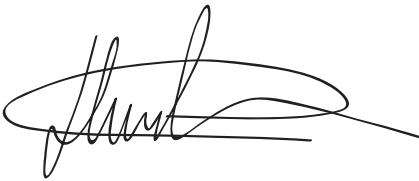
(nur für Europa)

Husqvarna AB, SE-433 81 Göteborg, Schweden, Tel.: +46 31 949000, erklären hiermit unsere alleinige Haftung dafür, dass das Hydraulikaggregats Modell **Husqvarna PP 325 E**, auf das sich diese Erklärung bezieht, ab Seriennummern des Baujahrs 2010 (die Jahreszahl wird im Klartext auf dem Typenschild angegeben, mitsamt einer nachfolgenden Seriennummer) den Vorschriften folgender RICHTLINIE DES RATES entspricht:

- vom 17. Mai 2006 „Maschinen-Richtlinie' **2006/42/EG**
- vom 12. Dezember 2006 „betreffend elektrische Betriebsmittel' **2006/95/EG**.
- vom 15. Dezember 2004 "über elektromagnetische Verträglichkeit" **2004/108/EWG**.
- vom 8. Mai 2000 "über umweltbelastende Geräuschemissionen von zur Verwendung im Freien vorgesehenen Geräten und Maschinen" **2000/14/EG**.

Folgende Normen wurden angewendet: EN ISO 12100:2003, EN 55014-1:2006, EN 55014-2/A1:2001, EN 61000-3-11:2000, EN 982/A1:2008, EN 60204-1:2006.

Husqvarna, den 29. Dezember 2009



Henric Andersson

Vice President, Head of Power Cutters and Construction Equipment

Husqvarna AB

(Bevollmächtigter Vertreter für Husqvarna AB, verantwortlich für die technische Dokumentation.)

EXPLICATION DES SYMBOLES

Symboles sur la machine:

AVERTISSEMENT! La machine utilisée de manière imprudente ou inadéquate peut devenir un outil dangereux, pouvant causer des blessures graves voire mortelles à l'utilisateur et aux autres personnes présentes.



Lire attentivement et bien assimiler le manuel d'utilisation avant d'utiliser la machine.



Toujours utiliser:

- Casque de protection homologué
- Protecteurs d'oreilles homologués
- Lunettes protectrices ou visière
- Masque respiratoire



Ce produit est conforme aux directives CE en vigueur.



AVERTISSEMENT! Courant élevé.



Marquage environnemental.

Ce symbole figurant sur le produit ou sur son emballage indique que ce produit ne peut pas être traité comme déchet ménager. Il doit être collecté et amené à une installation de récupération appropriée de déchets d'équipements électriques et électroniques.

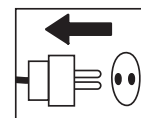


En veillant à ce que ce produit soit correctement éliminé, vous pouvez contribuer à prévenir les conséquences négatives potentielles sur l'environnement et les hommes, qui pourraient sinon être le résultat d'un traitement incorrect des déchets de ce produit.

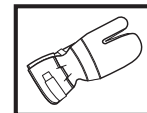
Pour des informations plus détaillées sur le recyclage de ce produit, contactez votre commune ou le magasin où vous avez acheté le produit.

Symboles dans le manuel:

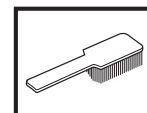
Les contrôles et/ou les entretiens doivent être effectués avec le moteur à l'arrêt et la prise électrique débranchée.



Toujours porter des gants de protection homologués.



Un nettoyage régulier est indispensable.



Examen visuel.



Porter des lunettes protectrices ou une visière.



SOMMAIRE

Sommaire

EXPLICATION DES SYMBOLES

Symboles sur la machine: 41

Symboles dans le manuel: 41

SOMMAIRE

Sommaire 42

QUELS SONT LES COMPOSANTS?

Les composantes d'un groupe hydraulique 43

INSTRUCTIONS DE SÉCURITÉ

Avant d'utiliser un nouveau groupe hydraulique 44

Équipement de protection personnelle 44

Équipement de sécurité de la machine 45

Instructions générales de sécurité 45

Méthodes de travail 46

MONTAGE ET RÉGLAGES

Contrôler le niveau d'huile 47

Vérifiez la pression d'air dans les pneus. 47

Branchez les tuyaux hydrauliques. 47

Raccordez l'eau de refroidissement 47

Branchez une source électrique 48

DÉMARRAGE ET ARRÊT

Avant le démarrage 49

Démarrage 49

Arrêt 49

Après le travail 49

ENTRETIEN

Service 50

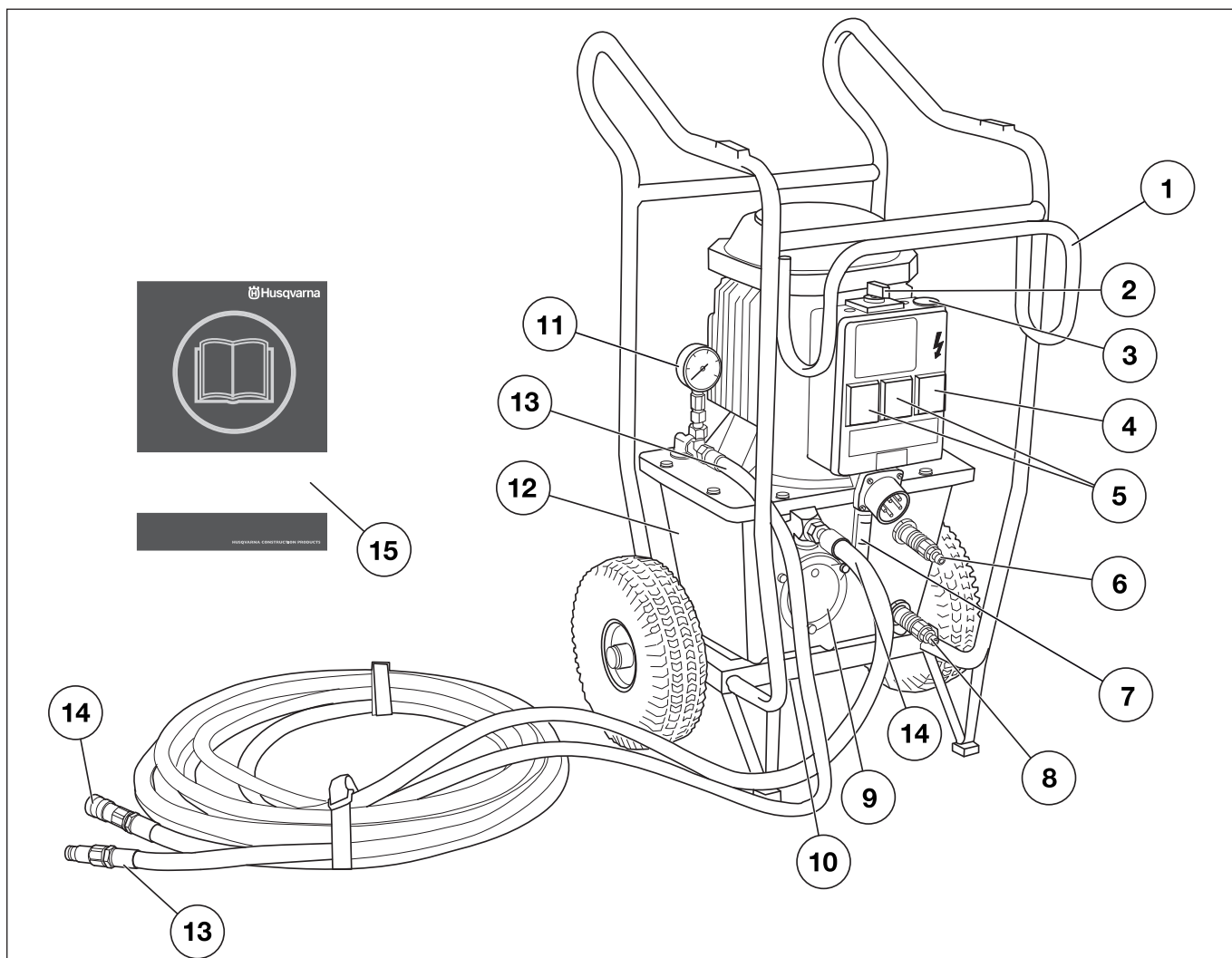
Entretien 50

CARACTÉRISTIQUES TECHNIQUES

PP 325 E 52

Assurance de conformité UE 53

QUELS SONT LES COMPOSANTS?



Les composantes d'un groupe hydraulique

- | | |
|--------------------------------------------------------------------------------------------------------------|-----------------------------------------------------|
| 1 Cadre pour tuyau hydraulique | 8 Raccordement pour entrée d'eau de refroidissement |
| 2 Interrupteur | 9 Filtre d'huile hydraulique |
| 3 Arrêt d'urgence | 10 Bouchon de vidange |
| 4 Coupe-circuit de courant résiduel avec protection de surintensité (Uniquement sur les machines 5 broches.) | 11 Jauge de pression hydraulique |
| 5 Prise de courant murale 2x230 V (Uniquement sur les machines 5 broches.) | 12 Réservoir à essence hydraulique |
| 6 Raccordement pour sortie d'eau de refroidissement | 13 Tuyau hydraulique, SORTIE de pression |
| 7 Jauge visuelle | 14 Tuyau hydraulique, RETOUR de pression |
| | 15 Manuel d'utilisation |

INSTRUCTIONS DE SÉCURITÉ

Avant d'utiliser un nouveau groupe hydraulique

- Lire attentivement et bien assimiler le manuel d'utilisation avant d'utiliser la machine.
- La machine est principalement destinée aux WS 325, DM 406 H, HS 170 et HH 170, mais convient également très bien comme source électrique pour d'autres équipements, tels que la scie circulaire Husqvarna.
- Il convient de parcourir le manuel fourni avec le groupe hydraulique avant de commencer à utiliser la machine.
- La machine peut provoquer des blessures personnelles graves. Lire attentivement les consignes de sécurité. Apprendre à bien utiliser la machine.

Utilisez toujours votre bon sens

Il est impossible de mentionner toutes les situations auxquelles vous pouvez être confronté. Soyez toujours vigilant et utilisez l'appareil avec bon sens. Évitez toutes les situations pour lesquelles vous ne vous estimez pas suffisamment qualifié. Si, après avoir lu ces instructions, vous ne vous sentez toujours pas à l'aise quant à la manière de procéder, il convient de consulter un expert avant de poursuivre.

N'hésitez pas à prendre contact avec votre revendeur si vous avez des questions sur l'utilisation de la machine. Nous sommes à votre disposition et vous conseillerons avec plaisir pour vous aider à utiliser votre machine en toute sécurité et de façon efficace.

Faites régulièrement contrôler la machine par votre revendeur Husqvarna afin qu'il procède aux installations et réparations adéquates.

Toutes les informations et toutes les données indiquées dans ce manuel d'utilisation étaient valables à la date à laquelle ce manuel a été porté à l'impression.



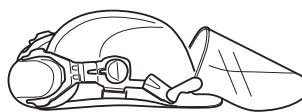
AVERTISSEMENT! Ne jamais modifier, sous aucun prétexte, la construction initiale de la machine sans l'autorisation du fabricant. N'utiliser que des accessoires et des pièces d'origine. Toute modification non autorisée et/ou tout emploi d'accessoires non homologués peuvent provoquer des accidents graves voire mortels pour l'utilisateur et les autres.

Équipement de protection personnelle

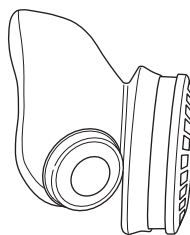


AVERTISSEMENT! Un équipement de protection personnelle homologué doit impérativement être utilisé lors de tout travail avec la machine. L'équipement de protection personnelle n'élimine pas les risques mais réduit la gravité des blessures en cas d'accident. Demander conseil au concessionnaire afin de choisir un équipement adéquat.

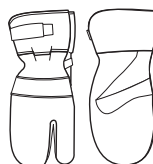
- Casque de protection
- Protecteur d'oreilles
- Lunettes protectrices ou visière



- Masque respiratoire



- Gants solides permettant une prise sûre.



- Vêtements confortables, robustes et serrés qui permettent une liberté totale de mouvement.



- Bottes avec coquille en acier et semelle antidérapante.



- Une trousse de premiers secours doit toujours être disponible.



INSTRUCTIONS DE SÉCURITÉ

Équipement de sécurité de la machine



Ce chapitre présente les équipements de sécurité de la machine, leur fonction, comment les utiliser et les maintenir en bon état. Voir au chapitre Quels sont les composants? pour trouver leur emplacement sur la machine.



AVERTISSEMENT! Ne jamais utiliser une machine dont les équipements de sécurité sont défectueux.

L'entretien et la réparation de la machine exigent une formation spéciale. Ceci concerne particulièrement l'équipement de sécurité de la machine. Si les contrôles suivants ne donnent pas un résultat positif, s'adresser à un atelier spécialisé. L'achat de l'un de nos produits offre à l'acheteur la garantie d'un service et de réparations qualifiés. Si le point de vente n'assure pas ce service, s'adresser à l'atelier spécialisé le plus proche.

Arrêt d'urgence

L'arrêt d'urgence de la machine coupe l'alimentation électrique principale.

Test de l'arrêt d'urgence

- Assurez-vous que les tuyaux hydrauliques sont raccordés l'un à l'autre.
- Démarrer la machine.
- Appuyez sur l'arrêt d'urgence et vérifiez que le moteur s'arrête.

Instructions générales de sécurité

Ne pas utiliser la machine sans avoir lu et compris préalablement le présent manuel d'utilisation.



AVERTISSEMENT! Il existe toujours un risque de choc avec les machines électriques. Évitez de travailler par mauvais temps ainsi que tout contact du corps avec du métal/un parafoudre. Suivez toujours les instructions du manuel d'utilisation pour éviter tout dommage.

- Éviter d'utiliser la machine en cas de fatigue, d'absorption d'alcool ou de prise de médicaments susceptibles d'affecter l'acuité visuelle, le jugement ou la maîtrise du corps.
- Utiliser les équipements de protection personnelle. Voir au chapitre "Équipement de protection personnelle".
- Ne débranchez jamais en tirant sur le fil.

- Conserver tous les câbles et toutes les rallonges loin de l'eau, de l'huile et des bords tranchants. Veiller à ce que le câble ne soit pas coincé dans des portes, des clôtures ou d'autres équipements similaires. Des objets pourraient alors être sous tension.
- Contrôler que le câble et la rallonge sont entiers et en bon état.
- Ne pas utiliser la machine si le câble est endommagé, la confier à un atelier d'entretien agréé pour réparation.
- N'utilisez pas la rallonge lorsqu'elle est enroulée afin d'éviter toute surchauffe.
- La machine doit être branchée à une prise de terre.
- Contrôler que la tension secteur est conforme aux indications sur la plaque de la machine.
- Toujours éteindre le groupe hydraulique et débrancher le câble électrique avant de déplacer l'équipement.
- Assurez-vous que toutes les pièces sont en état de fonctionnement et que tous les éléments de fixation sont correctement serrés.
- Ne jamais utiliser une machine qui n'est pas en parfait état de marche. Suivre dans ce manuel d'utilisation les instructions de maintenance, de contrôle et d'entretien. Certaines mesures de maintenance et d'entretien doivent être confiées à un spécialiste dûment formé et qualifié. Voir au chapitre Entretien.
- Ne modifiez jamais les dispositifs de sécurité. Contrôlez régulièrement qu'ils fonctionnent correctement. La machine ne doit pas être utilisée si les dispositifs de sécurité sont défectueux ou ne sont pas montés.
- Ne jamais laisser d'autres personnes utiliser la machine sans s'être assuré au préalable que ces personnes ont bien compris le contenu du mode d'emploi.
- Des personnes ou des animaux peuvent détourner l'attention de l'opérateur et l'amener à perdre le contrôle de la machine. C'est pourquoi l'opérateur doit toujours être attentif et concentré sur son travail.
- Veiller à ce qu'aucune personne non autorisée ne se trouve dans la zone de travail pour éviter le risque de blessures graves.
- Attention! Les habits, les cheveux longs et les bijoux peuvent se coincer dans les parties en mouvement.
- Faites preuve de prudence en cas de levage. Le maniement de pièces lourdes implique un risque de coincage ou autre blessure.

Transport et rangement

- Toujours éteindre le groupe hydraulique et débrancher le câble électrique avant de déplacer l'équipement.
- S'il y a un risque de gel, la machine doit être vidangée de toute eau de refroidissement restante.
- L'unité électrique est construite comme un chariot à roulettes permettant d'accrocher des tuyaux hydrauliques pour les transporter facilement sur le lieu de travail.
- En cas de transport d'un lieu à l'autre, l'unité électrique doit être rangée en position verticale, la boîte de distribution tournée vers le haut.
- Stockez l'équipement dans un endroit verrouillé afin de le maintenir hors de portée des enfants et de toute personne incompétente.

INSTRUCTIONS DE SÉCURITÉ

Méthodes de travail



AVERTISSEMENT! Le présent chapitre décrit les consignes de sécurité de base relatives à l'utilisation de la machine. Aucune de ces informations ne peut remplacer l'expérience et le savoir-faire d'un professionnel. Si vous êtes confronté à une situation où vous pensez ne pas être en sécurité, arrêtez immédiatement et consultez un spécialiste. Veuillez contacter votre revendeur, votre atelier de réparation ou un utilisateur expérimenté. Il convient d'éviter tous les travaux pour lesquels vous ne vous sentez pas suffisamment qualifié !

- Tous les opérateurs doivent recevoir une formation sur l'utilisation de la machine. Il incombe au propriétaire de garantir que les opérateurs reçoivent une formation.
- Contrôlez que tous les raccords, connexions et flexibles hydrauliques sont intacts.
- Maintenez les flexibles hydrauliques et les raccords propres.
- Ne maltraitez pas les flexibles.
- Ne pas utiliser de tuyaux tordus, usés ou endommagés.
- Vérifiez que tous les flexibles et les câbles électriques sont correctement connectés à la machine avant de la démarrer.
- Contrôlez que les flexibles sont raccordés correctement à la machine et que les raccords hydrauliques se verrouillent comme prévu avant de mettre le système hydraulique sous pression. Pour verrouiller les raccords, tournez la douille extérieure du raccord femelle afin que la rainure s'éloigne de la boule.

Les tuyaux de pression du système doivent toujours être connectés à l'entrée de l'outil. Les tuyaux de retour du système doivent toujours être connectés à la sortie de l'outil. Si les raccords sont inversés, l'outil travaille à l'envers et risque ainsi de blesser les personnes.
- Ne jamais soulever la machine par les flexibles hydrauliques.
- Contrôlez tous les jours que la machine, les raccords et les flexibles hydrauliques ne présentent pas de fuites. Toute fissure ou fuite risque d'entraîner une « injection d'huile » dans le corps ou de causer une blessure corporelle grave.
- Ne débranchez jamais les flexibles hydrauliques avant d'avoir arrêté l'unité hydraulique et avant que le moteur ne se soit complètement arrêté.
- Si vous êtes confronté à une situation d'urgence, appuyez sur le bouton d'arrêt d'urgence rouge sur le groupe moteur.
- Ne dépassez pas le débit et la pression d'huile recommandés pour l'outil utilisé. Un débit ou une pression trop élevés peut causer des fissures.
- Ne jamais essayer de localiser une fuite avec la main. Le contact avec une fuite peut causer des blessures personnelles graves en raison de la pression élevée du système hydraulique.

- Vérifier l'alimentation électrique et les câbles en s'assurant qu'ils ne sont pas endommagés.
- Travail à proximité de lignes électriques :

Quand des outils hydrauliques sont utilisés sur ou près de lignes électriques, utilisez des flexibles marqués et agréés comme « non conducteurs d'électricité ». L'utilisation d'autres flexibles peut résulter en des blessures personnelles graves voire mortelles.

Si les flexibles doivent être changés, veillez à les remplacer par des flexibles de type « non conducteur d'électricité ». Contrôlez régulièrement l'isolation électrique des conducteurs des flexibles selon les instructions spécifiques.
- Travail à proximité de conduites de gaz :

Contrôlez toujours et marquez les emplacements des conduites de gaz. Scier près d'une conduite de gaz est toujours synonyme de danger. Veillez à éviter la formation d'étincelles lors du sciage en raison d'un certain risque d'explosion. L'opérateur doit toujours être attentif et concentré sur son travail. La négligence peut causer des blessures personnelles graves voire mortelles.
- Avant de commencer l'opération de sciage, faire tourner le système hydraulique jusqu'à ce qu'il atteigne sa température de fonctionnement de 30°C, pour réduire la pression de retour et les usures.
- Ne laissez jamais la machine sans surveillance avec le moteur en marche.
- Ne sciez jamais d'une manière vous empêchant l'accès au bouton d'arrêt d'urgence.
- Lors de l'utilisation des machines, prévoyez toujours une personne à proximité afin de pouvoir obtenir de l'aide en cas d'accident.
- Les personnes devant se tenir à proximité doivent porter des protecteurs d'oreilles car le niveau sonore lors du sciage dépasse 85 dB(A).
- Ne pas travailler par mauvais temps: par exemple en cas de brouillard épais, de pluie, de vent violent, de froid intense, etc. Travailler par mauvais temps est fatiguant et peut créer des conditions de travail dangereuses telles que le verglas.
- S'assurer que l'éclairage de la zone de travail est suffisant pour que l'environnement de travail soit de toute sécurité.
- Toujours adopter une position de travail sûre et stable.
- Faites preuve de prudence en cas de levage. Le maniement de pièces lourdes implique un risque de coincement ou autre blessure.

MONTAGE ET RÉGLAGES

Contrôler le niveau d'huile

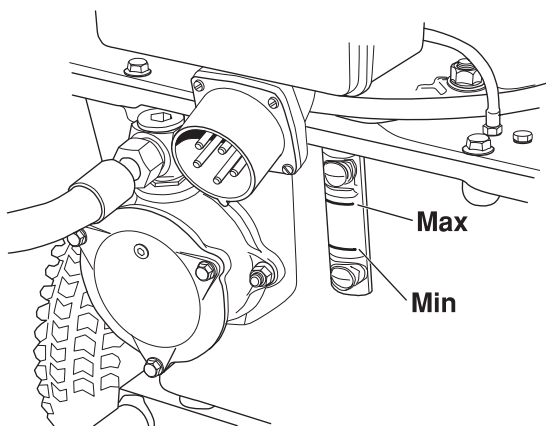
Le bloc d'alimentation est fourni avec 12 litres d'huile hydraulique 466 cSt HSH d'une marque bien connue. Il s'agit d'une huile d'ester écologique homologuée SP qui réduira considérablement les risques de réaction allergique ou d'irritation en cas de contact avec la peau. De plus, l'huile est rapidement dégradable en cas de rejet accidentel dans la nature.

- Contrôler le niveau d'huile dans le groupe d'alimentation. Pour ce faire, contrôler le niveau sur la jauge.

Niveau min. = ligne rouge

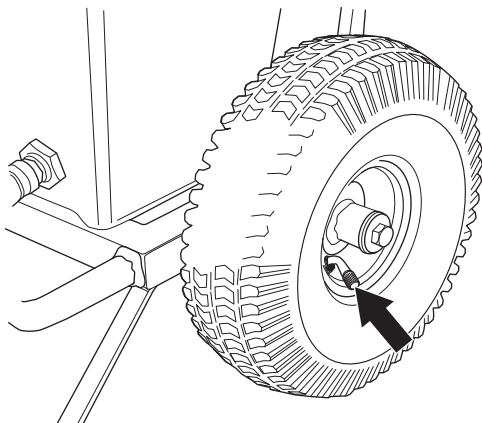
Niveau max. = ligne noire

Ne pas dépasser le niveau maximal lors du remplissage d'huile. L'huile se dilate quand elle est chaude et risque de déborder si le niveau est trop élevé. Volume du réservoir 12 l.



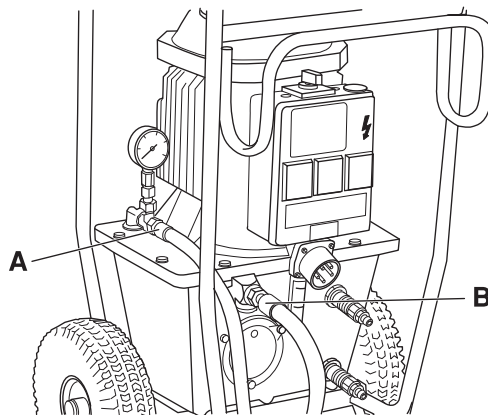
Vérifiez la pression d'air dans les pneus.

- Vérifiez la pression d'air dans les pneus. Elle doit être de 2 bars.



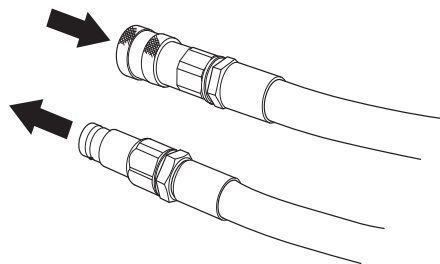
Branchez les tuyaux hydrauliques.

- Avant de monter les flexibles, essuyez les raccords pour réduire le risque de fuite.
- Pour verrouiller les raccords, tournez la douille extérieure du raccord femelle afin que la rainure s'éloigne de la boule.



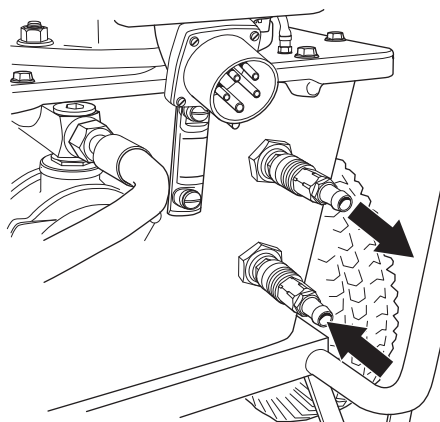
Tuyau hydraulique, RETOUR de pression (B)

Tuyau hydraulique, SORTIE de pression (A)



Raccordez l'eau de refroidissement

- Raccordez un tuyau à eau entre le raccordement de refroidissement supérieur sur le réservoir à essence hydraulique et l'outil de travail, ainsi qu'un tuyau entre la bouche d'incendie la plus proche (via un robinet) et le raccordement de refroidissement inférieur sur le réservoir.

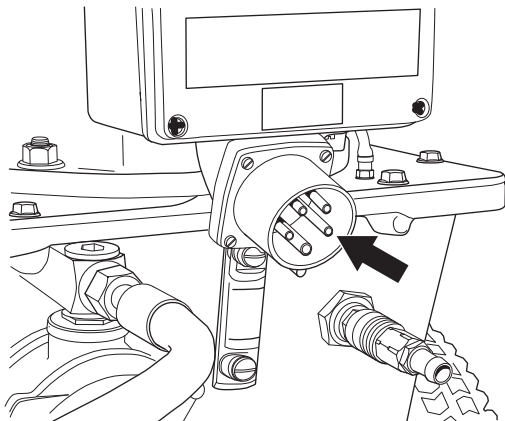


- Si aucun outil ne nécessite d'eau, laissez simplement l'eau de refroidissement couler vers la bouche d'évacuation la plus proche.

Branchez une source électrique

IMPORTANT! Contrôler que la tension secteur est conforme aux indications sur la plaque de la machine.

- Branchez le câble d'alimentation électrique. Le câble doit posséder trois phases et une mise à la terre. Le neutre doit également être disponible pour que la prise monophasée sur la boîte de distribution fonctionne. (Uniquement sur les machines 5 broches.)



- Les prises monophasées sont protégées par un coupe-circuit de courant résiduel de 16 A avec protection de surintensité (de type C). Suivant le raccordement sur le courant entrant, les prises monophasées peuvent être utilisées par exemple pour une perceuse ou encore un aspirateur d'eau.

DÉMARRAGE ET ARRÊT

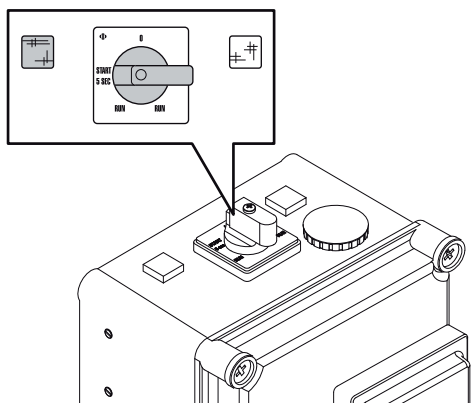
Avant le démarrage

Effectuez les contrôles suivants:

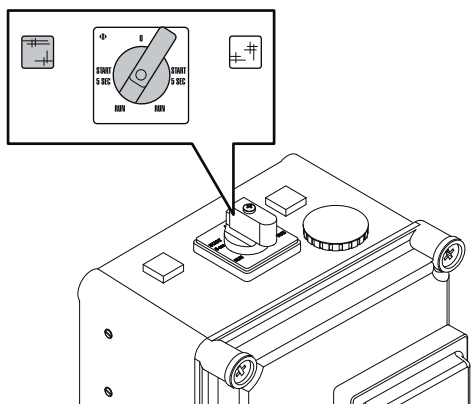
- Que la machine est correctement branchée à une alimentation électrique appropriée et possède les bons fusibles.
- les flexibles ont été connectés à un équipement.

Démarrage

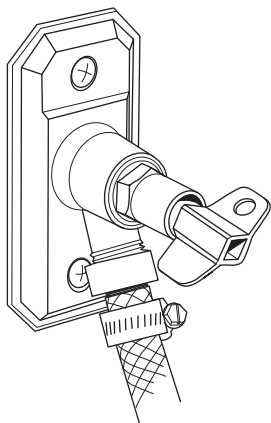
- Tournez l'interrupteur en position « START 5 SEC » dans la direction indiquée par la lampe allumée. Le sens de rotation du moteur sera ainsi correct.



- Tournez l'interrupteur en position « RUN » après quelques secondes.



- Ouvrez le robinet avec un débit d'eau adapté pour l'outil en question.



Si l'outil ne nécessite pas d'eau, l'eau de refroidissement doit quand même passer par le radiateur, puis s'écouler vers la bouche d'évacuation la plus proche.

Arrêt

Éteignez en tournant l'interrupteur en position « 0 ».

Après le travail

- Débrancher les flexibles hydrauliques.
- S'il y a un risque de gel, la machine doit être vidangée de toute eau de refroidissement restante. Débranchez les tuyaux d'entrée et de sortie d'eau et inclinez la machine vers l'avant.

ENTRETIEN

Service



IMPORTANT! Toutes les réparations doivent être effectuées par des réparateurs agréés. Ceci permet d'éviter que les opérateurs ne soient exposés à des risques importants.

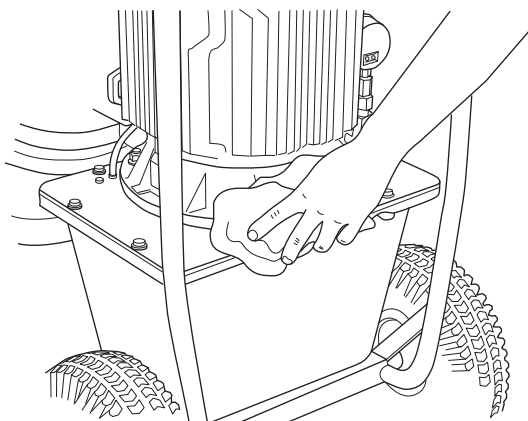
Entretien



IMPORTANT! Les contrôles et/ou les entretiens doivent être effectués avec le moteur à l'arrêt et la prise électrique débranchée.

Nettoyage

Veiller à garder les connecteurs et les broches propres. Nettoyer à l'aide d'un chiffon ou d'une brosse.



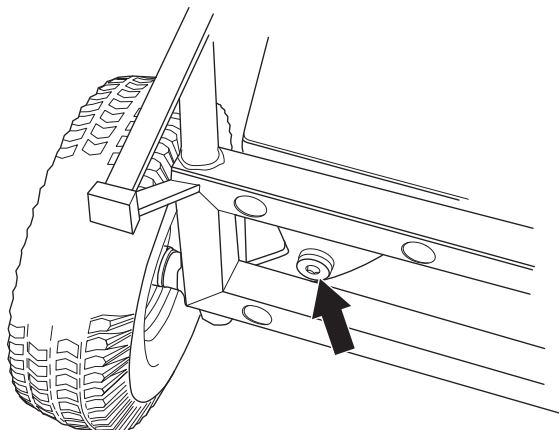
REMARQUE! Ne pas utiliser de nettoyeur haute pression pour le nettoyage du groupe moteur. Ne lavez pas la machine avec de l'eau. Elle peut en effet s'infiltrer dans le système électrique ou le moteur et ainsi endommager la machine ou provoquer un court-circuit.

Huile hydraulique

IMPORTANT! Le changement des liquides et des filtres doit être effectué de telle manière que ni le système hydraulique ni les environs de la machine ne soient endommagés. Débarrassez-vous des résidus conformément aux lois locales.

L'huile hydraulique doit être changée lorsque nécessaire ou une fois par an.

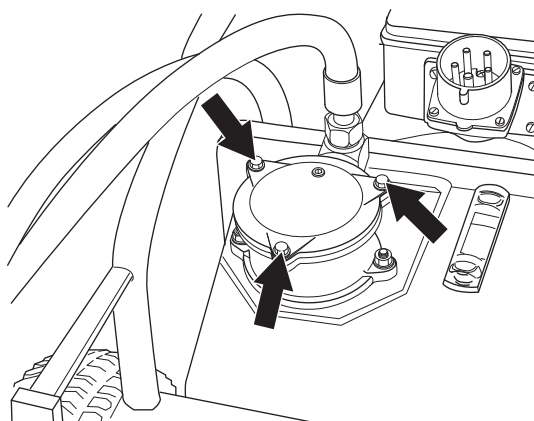
- Placez un récipient de collecte sous le bouchon de vidange du réservoir et ouvrez le bouchon.



- Revissez le bouchon de vidange une fois que tout le liquide a été vidangé.

Le remplissage d'huile hydraulique s'effectue via le filtre sur l'avant du réservoir.

- Reposez le bloc d'alimentation, avec le boîtier du filtre tourné vers le haut.
- Enlevez le couvercle du boîtier du filtre en retirant les trois vis.

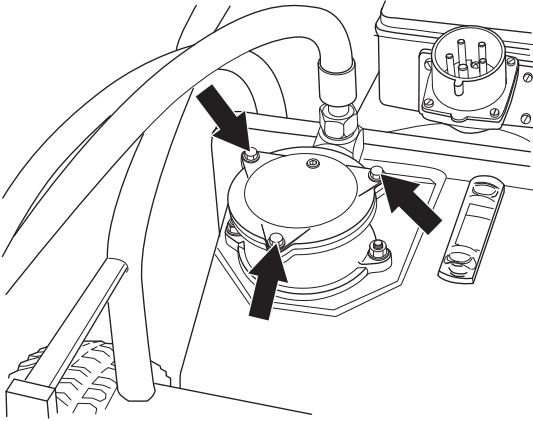


- Remplissez d'huile hydraulique via l'élément filtre.
- Montez le couvercle du boîtier du filtre.
- Si le filtre à huile est également remplacé, remplissez avec 12 litres d'huile hydraulique neuve.

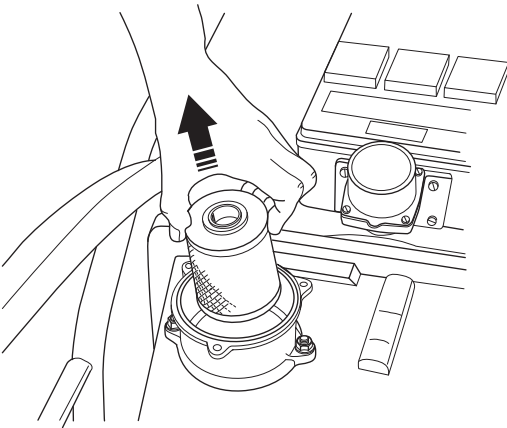
Filtre d'huile hydraulique

Remplacez le filtre deux fois par an.

- Reposez le bloc d'alimentation, avec le boîtier du filtre tourné vers le haut.
- Enlevez le couvercle du boîtier du filtre en retirant les trois vis.



- Soulevez l'élément filtre.



- Mettez le nouveau filtre en place sur le manchon au fond du boîtier du filtre.
- Montez le couvercle du boîtier du filtre.

Couple de serrage

Lors de réparations ou d'opérations de maintenance impliquant le démontage, puis le montage et le serrage de vis, utilisez le couple suivant :

- M6: 10 Nm
- M8: 25 Nm
- M10: 50 Nm

Entretien quotidien

Contrôler régulièrement :

- Le niveau d'huile dans le groupe hydraulique afin qu'il soit toujours entre les repères du tube d'observation.
- Contrôler la pression des pneus.
- La présence de bruits anormaux.

CARACTÉRISTIQUES TECHNIQUES

PP 325 E

Puissance hydraulique nominale, kW/cv	9,3/12,6
Débit d'huile hydraulique, l/min / gpm	40/8,8
Réservoir à essence hydraulique, l/gal	12/2,6
Refroidissement	Refroidissement par eau
Taille, (Lo x La x H), mm/pouce	575x1040x780/22,6x40,9x30,7
Poids, kg/lbs	93/205
Pression de travail max., bar / psi	140/2031
Longueur de tuyau (tuyau 1/2"), mm/pouce	8/315 (Lorsque les tuyaux sont étirés au-delà de la longueur standard, un tuyau 5/8" est recommandé.)
Ligação eléctrica	
Contrôler que la tension secteur est conforme aux indications sur la plaque de la machine.	
200 V	50 Hz
200 V	60 Hz
230/400 V	50 Hz
230 V	60 Hz
400 V	50 Hz
440 V	50 Hz
575 V	60 Hz
Prise de courant murale	2x230 V (Uniquement sur les machines 5 broches.)
Émissions sonores (voir remarque 1)	
Niveau de puissance sonore mesuré dB(A)	94
Niveau de puissance sonore garanti L_{WA} dB(A)	99
Niveaux sonores (voir remarque 2)	
Niveau de pression acoustique au niveau des oreilles de l'utilisateur, dB(A)	83

Remarque 1: Émission sonore dans l'environnement mesurée comme puissance acoustique (L_{WA}) selon la directive UE 2000/14/CE.

Remarque 2: Niveau de pression sonore conformément à EN ISO 11201. Les données reportées pour le niveau de pression sonore montrent une dispersion statistique typique (déviation standard) de 1,0 dB (A).

CARACTÉRISTIQUES TECHNIQUES

Assurance de conformité UE

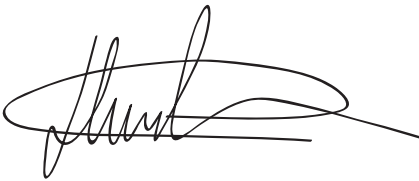
(Concerne seulement l'Europe)

Husqvarna AB, SE-433 81 Göteborg, Suède, tél.: +46-31-949000, déclarons, sous notre seule responsabilité, que le groupe hydraulique **Husqvarna PP 325 E** à partir des numéros de série de l'année de fabrication 2010 (l'année est indiquée en texte clair sur la plaque d'identification et suivie d'un numéro de série) est conforme aux dispositions établies dans les DIRECTIVES DU CONSEIL :

- du 17 mai 2006 "directive machines" **2006/42/CE**
- du 12 décembre, 2006 "relatives aux équipements électriques" **2006/95/CE**.
- du 15 décembre 2004 "compatibilité électromagnétique" **2004/108/CEE**.
- du 8 mai 2000 "émissions sonores dans l'environnement" **2000/14/CE**.

Les normes harmonisées suivantes ont été appliquées: EN ISO 12100:2003, EN 55014-1:2006, EN 55014-2/A1:2001, EN 61000-3-11:2000, EN 982/A1:2008, EN 60204-1:2006.

Husqvarna, le 29 décembre 2009



Henric Andersson

Vice-président, responsable des découpeuses et équipements de construction

Husqvarna AB

(Représentant autorisé d'Husqvarna AB et responsable de la documentation technique.)



**GB - Original instructions, ES - Instrucciones originales
DE - Originalanweisungen, FR - Instructions d'origine**

1153424-20



2010-02-12