

**Operator's manual Manual de instrucciones  
Instruções para o uso Οδηγίες χρήσεως**

**DM 220**



**GB ES PT GR**

Please read the operator's manual carefully and make sure you understand the instructions before using the machine.

Lea detenidamente el manual de instrucciones y asegúrese de entender su contenido antes de utilizar la máquina.

Leia as instruções para o uso com toda a atenção e compreenda o seu conteúdo antes de fazer uso da máquina.

Διαβάστε προσεκτικά τις Οδηγίες χρήσεως και κατανοήστε το περιεχόμενο πριν χρησιμοποιήσετε το μηχάνημα.

# KEY TO SYMBOLS

## Symbols on the machine

**WARNING!** The machine can be a dangerous tool if used incorrectly or carelessly, which can cause serious or fatal injury to the operator or others.

Please read the operator's manual carefully and make sure you understand the instructions before using the machine.

Wear personal protective equipment. See instructions under the "Personal protective equipment" heading.

This product is in accordance with applicable EC directives.

**Environmental marking.** Symbols on the product or its packaging indicate that this product cannot be handled as domestic waste. It must instead be submitted to an appropriate recycling station for the recovery of electrical and electronic equipment.

By ensuring that this product is taken care of correctly, you can help to counteract the potential negative impact on the environment and people that can otherwise result through the incorrect waste management of this product.

For more detailed information about recycling this product, contact your municipality, your domestic waste service or the shop from where you purchased the product.

Ensure that water cannot leak into the machine when drilling in the ceiling. Use an appropriate water collector.

**Other symbols/decals on the machine refer to special certification requirements for certain markets.**



## Explanation of warning levels

The warnings are graded in three levels.

### WARNING!



**WARNING!** Used if there is a risk of serious injury or death for the operator or damage to the surroundings if the instructions in the manual are not followed.

### CAUTION!



**CAUTION!** Used if there is a risk of injury to the operator or damage to the surroundings if the instructions in the manual are not followed.

### NOTICE!

**NOTICE!** Used if there is a risk of damage to materials or the machine if the instructions in the manual are not followed.

---

# CONTENTS

---

## Contents

### KEY TO SYMBOLS

Symbols on the machine .....	2
Explanation of warning levels .....	2

### CONTENTS

Contents .....	3
----------------	---

### PRESENTATION

Dear Customer, .....	4
Design and features .....	4
Features .....	4

### WHAT IS WHAT?

What is what on the drilling machine? .....	5
---	---

### MACHINE'S SAFETY EQUIPMENT

General .....	6
---------------	---

### GENERAL SAFETY PRECAUTIONS

General safety precautions .....	7
Drill motor safety precautions .....	8

### ASSEMBLING AND ADJUSTMENTS

Assembly .....	10
----------------	----

### OPERATING

Protective equipment .....	11
Basic working techniques .....	11
Transport and storage .....	12

### STARTING AND STOPPING

Before starting .....	13
Starting .....	13
Stopping .....	13

### MAINTENANCE

General .....	14
Daily maintenance .....	14
Cleaning .....	14
Water tap .....	14
Electrical Feed .....	14
Changing the gearbox oil .....	14
Replacing the carbon brushes .....	15

### TECHNICAL DATA

Drill speed and drill sizes .....	16
-----------------------------------	----

### EC DECLARATION OF CONFORMITY

EC Declaration of Conformity .....	17
------------------------------------	----

### WIRING DIAGRAM

230 V .....	18
110 V .....	18

---

# PRESENTATION

---

## Dear Customer,

Thank you for choosing a Husqvarna product!

It is our wish that you will be satisfied with your product and that it will be your companion for a long time. A purchase of one of our products gives you access to professional help with repairs and services. If the retailer who sells your machine is not one of our authorised dealers, ask him for the address of your nearest service workshop.

This operator's manual is a valuable document. Make sure it is always at hand at the work place. By following its content (using, service, maintenance etc.) the life span and the second-hand value of the machine can be extended. If you will sell this machine, make sure that the buyer will get the operator's manual.

## More than 300 years of innovation

Husqvarna AB is a Swedish company based on a tradition that dates back to 1689, when the Swedish King Charles XI ordered the construction of a factory for production of muskets. At that time, the foundation was already laid for the engineering skills behind the development of some of the world's leading products in areas such as hunting weapons, bicycles, motorcycles, domestic appliances, sewing machines and outdoor products.

Husqvarna is the global leader in outdoor power products for forestry, park maintenance and lawn and garden care, as well as cutting equipment and diamond tools for the construction and stone industries.

## Owner responsibility

It is the owner's/employer's responsibility that the operator has sufficient knowledge about how to use the machine safely. Supervisors and operators must have read and understood the Operator's Manual. They must be aware of:

- The machine's safety instructions.
- The machine's range of applications and limitations.
- How the machine is to be used and maintained.

National legislation could regulate the use of this machine. Find out what legislation is applicable in the place where you work before you start using the machine.

## The manufacturer's reservation

Subsequent to publishing this manual Husqvarna may issue additional information for safe operation of this product. It is the owner's obligation to keep up with the safest methods of operation.

Husqvarna AB has a policy of continuous product development and therefore reserves the right to modify the design and appearance of products without prior notice.

For customer information and assistance, contact us at our website: [www.husqvarna.com](http://www.husqvarna.com)

## Design and features

Values such as high performance, reliability, innovative technology, advanced technical solutions and environmental considerations distinguish Husqvarna's products. Safe operation of this product requires the operator to read this manual carefully. Ask your dealer or Husqvarna should you need more information.

Some of the unique features of your product are described below.

## Features

Values such as high performance, reliability, innovative technology, advanced technical solutions and environmental considerations distinguish Husqvarna's products.

Some of the unique features of your product are described below.

### Softstart™

Softstart™ is an electronic current limiter which provides a softer start.

### Smart Start®

The machine runs at a lower speed when the Smart Start function is activated. This makes it easier to start drilling the material.

### Elgard™

Elgard™ is an electronic overload protection that protects the motor. The protection spares the machine and extends its service life. With the help of Elgard™, the machine indicates when it approaches maximum load.

### Level guiding system

The machine's Level guiding system works like an electronic level and helps the user to drill in the required position. By reading the LED indicator on the top of the machine and adjust it accordingly, it makes drilling easier for the operator and offers better precision.

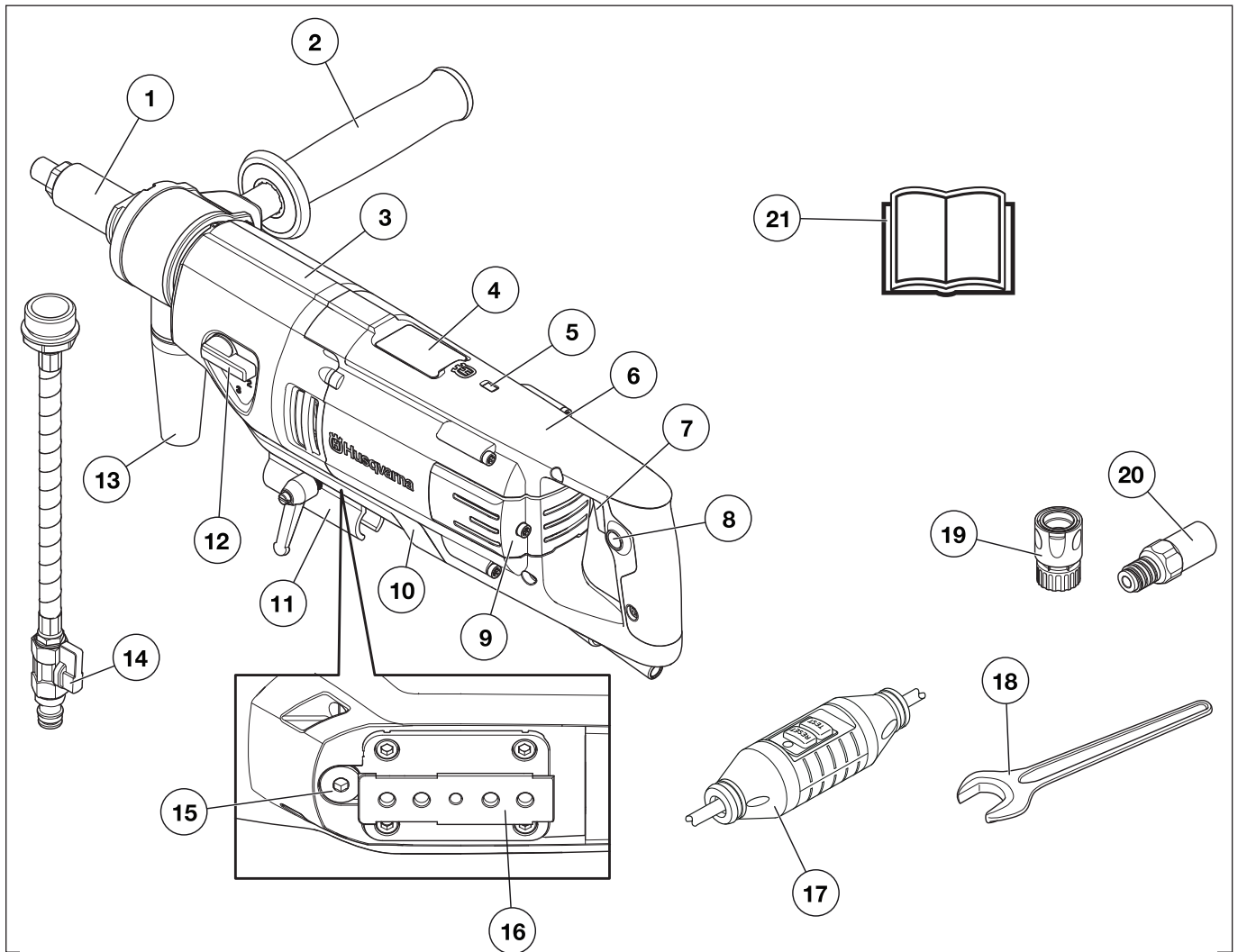
### Twistable handle

The handle can be fully pivoted around the spindle shaft and can be locked in any position.

### Twistable water/dust nozzle

The nozzle can be turned freely around the spindle shaft and be locked in any position. The nozzle is connected to a water source when wet drilling and to a vacuum cleaner when dry drilling.

# WHAT IS WHAT?



## What is what on the drilling machine?

- |                                  |                                  |
|----------------------------------|----------------------------------|
| 1 Drill spindle                  | 12 Gear knob                     |
| 2 Twistable handle               | 13 Connection for vacuum cleaner |
| 3 Gear box                       | 14 Water connector               |
| 4 Electronic level indicator     | 15 Oil plug                      |
| 5 Power indicator                | 16 Stand fixing                  |
| 6 Motor                          | 17 Residual-current device       |
| 7 Power switch with Smart Start® | 18 Spanners                      |
| 8 Lock-on button, power switch   | 19 Water connector               |
| 9 Inspection cover               | 20 Adapter (USA only)            |
| 10 Protective cover              | 21 Operator's manual             |
| 11 Bracket for "Starthelper"     |                                  |

# MACHINE'S SAFETY EQUIPMENT

## General

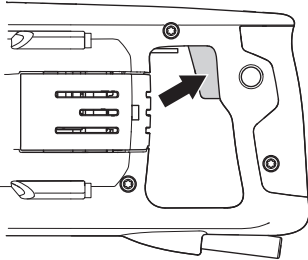


**WARNING! Never use a machine that has faulty safety equipment! If your machine fails any checks contact your service agent to get it repaired.**

This section describes the machine's safety equipment, its purpose, and how checks and maintenance should be carried out to ensure that it operates correctly.

## Power switch

The power switch should be used to start and stop the machine.



## Checking the power switch

- Start the machine, release the power switch and check that the motor and the drill bit stop.
- A defective power switch should be replaced by an authorized service workshop.

## Residual-current device

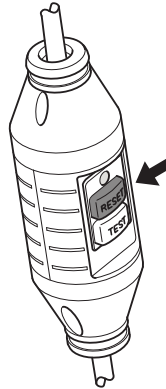
Ground fault circuit interrupters are for protection in case an electrical fault should occur.

The LED indicates that the ground fault circuit interrupter is on and that the machine can be switched on. If the LED is not on, push the RESET button (green).

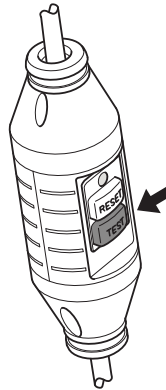


## Check the residual-current device

- Connect the machine to the socket. Push the RESET button (green) and the red LED lights up.



- Start the machine by pressing the power switch.
- Push the TEST button (blue).



- The ground fault circuit interrupter should trip and the machine switch off instantly. If not, contact your dealer.
- Reset with the RESET button (green).

# GENERAL SAFETY PRECAUTIONS

## General safety precautions



**WARNING!** Read all safety warnings and all instructions. Failure to follow the warnings and instructions may result in electric shock, fire and/or serious injury.

**IMPORTANT!** Save all warnings and instructions for future reference. The term "power tool" in the warnings refers to your mains-operated (corded) power tool or battery-operated (cordless) power tool.

## Work area safety

- **Keep work area clean and well lit.** Cluttered or dark areas invite accidents.
- **Do not operate power tools in explosive atmospheres, such as in the presence of flammable liquids, gases or dust.** Power tools create sparks which may ignite the dust or fumes.
- **Keep children and bystanders away while operating a power tool.** Distractions can cause you to lose control.

## Electrical safety

- **Power tool plugs must match the outlet. Never modify the plug in any way. Do not use any adapter plugs with earthed (grounded) power tools.** Unmodified plugs and matching outlets will reduce the risk of electric shock.
- **Avoid body contact with earthed or grounded surfaces, such as pipes, radiators, ranges and refrigerators.** There is an increased risk of electric shock if your body is earthed or grounded.
- **Do not expose power tools to rain or wet conditions.** Water entering a power tool will increase the risk of electric shock.
- **Do not abuse the cord. Never use the cord for carrying, pulling or unplugging the power tool. Keep cord away from heat, oil, sharp edges or moving parts.** Damaged or entangled cords increase the risk of electric shock.
- **When operating a power tool outdoors, use an extension cord suitable for outdoor use.** Use of a cord suitable for outdoor use reduces the risk of electric shock.
- **If operating a power tool in a damp location is unavoidable, use a residual current device (RCD) protected supply.** Use of an RCD reduces the risk of electric shock.

## Personal safety

- **Stay alert, watch what you are doing and use common sense when operating a power tool. Do not use a power tool while you are tired or under the influence of drugs, alcohol or medication.** A moment of inattention while operating power tools may result in serious personal injury.

- **Use personal protective equipment. Always wear eye protection.** Protective equipment such as dust mask, non-skid safety shoes, hard hat, or hearing protection used for appropriate conditions will reduce personal injuries.
- **Prevent unintentional starting. Ensure the switch is in the OFF-position before connecting to power source and/or battery pack, picking up or carrying the tool.** Carrying power tools with your finger on the switch or energising power tools that have the switch on invites accidents.
- **Remove any adjusting key or wrench before turning the power tool on.** A wrench or a key left attached to a rotating part of the power tool may result in personal injury.
- **Do not overreach. Keep proper footing and balance at all times.** This enables better control of the power tool in unexpected situations.
- **Dress properly. Do not wear loose clothing or jewellery. Keep your hair, clothing and gloves away from moving parts.** Loose clothes, jewellery or long hair can be caught in moving parts.
- **If devices are provided for the connection of dust extraction and collection facilities, ensure these are connected and properly used.** Use of dust collection can reduce dust-related hazards.

## Power tool use and care

- **Do not force the power tool. Use the correct power tool for your application.** The correct power tool will do the job better and safer at the rate for which it was designed.
- **Do not use the power tool if the switch does not turn it on and off.** Any power tool that cannot be controlled with the switch is dangerous and must be repaired.
- **Disconnect the plug from the power source and/or the battery pack from the power tool before making any adjustments, changing accessories, or storing power tools.** Such preventive safety measures reduce the risk of starting the power tool accidentally.
- **Store idle power tools out of the reach of children and do not allow persons unfamiliar with the power tool or these instructions to operate the power tool.** Power tools are dangerous in the hands of untrained users.
- **Maintain power tools. Check for misalignment or binding of moving parts, breakage of parts and any other condition that may affect the power tool's operation. If damaged, have the power tool repaired before use.** Many accidents are caused by poorly maintained power tools.
- **Keep cutting tools sharp and clean.** Properly maintained cutting tools with sharp cutting edges are less likely to bind and are easier to control.
- **Use the power tool, accessories and tool bits etc. in accordance with these instructions, taking into account the working conditions and the work to be performed.** Use of the power tool for operations different from those intended could result in a hazardous situation.

# GENERAL SAFETY PRECAUTIONS

## Service

- **Have your power tool serviced by a qualified repair person using only identical replacement parts.** This will ensure that the safety of the power tool is maintained.

## Always use common sense

It is not possible to cover every conceivable situation you can face. Always exercise care and use your common sense. If you get into a situation where you feel unsafe, stop and seek expert advice. Contact your dealer, service agent or an experienced user. Do not attempt any task that you feel unsure of!

## Drill motor safety precautions

This section describes basic safety directions for using the machine. This information is never a substitute for professional skills and experience.

- Please read the operator's manual carefully and make sure you understand the instructions before using the machine.
- Keep in mind that the operator is responsible for accidents or hazards occurring to other people or their property.
- All operators shall be trained in the use of the machine. The owner is responsible for ensuring that the operators receive training.
- The machine must be kept clean. Signs and stickers must be fully legible.



**WARNING! The machine can be a dangerous tool if used incorrectly or carelessly, which can cause serious or fatal injury to the operator or others.**

**Never allow children or other persons not trained in the use of the machine to use or service it. Never allow anyone else to use the machine without first ensuring that they have read and understood the contents of the operator's manual.**

**Never use the machine if you are fatigued, while under the influence of alcohol or drugs, medication or anything that could affect your vision, alertness, coordination or judgement.**



**WARNING! Unauthorized modifications and/or accessories may lead to serious injury or death to the user or others.**

**Do not modify this product or use it if it appears to have been modified by others.**

**Never use a machine that is faulty. Carry out the safety checks, maintenance and service instructions described in this manual. Some maintenance and service measures must be carried out by trained and qualified specialists. See instructions under the Maintenance heading.**

**Always use genuine accessories.**

## Work safety

- Do not use the machine in bad weather, such as dense fog, heavy rain, strong wind, intense cold, etc. Working in bad weather is tiring and can lead to dangerous conditions, e.g. slippery surfaces.
- Never start to work with the machine before the working area is clear and you have a firm foothold. Look out for any obstacles with unexpected movement. Ensure that no material can become loose and fall, causing injury when operating the machine.
- Always check the rear side of the surface where the drill bit will emerge when drilling right through. Secure and cordon off the area and make sure that no one can be injured or material damaged.

## Electrical safety



**WARNING! There is always a risk of shocks from electrically powered machines. Avoid unfavourable weather conditions and body contact with lightning conductors and metal objects. Always follow the instructions in the Operator's manual to avoid damage.**



**WARNING! Do not wash the machine with water, as water can enter the electrical system or the engine and cause damage to the machine or short circuit.**

- Never use the tool without the ground fault circuit interrupter delivered with the tool.
- The machine should be connected to an earthed outlet socket.
- Check that the mains voltage corresponds with that stated on the rating plate on the machine.
- Check that the cord and extension cord are intact and in good condition. Never use the machine if any cable or plug is damaged, but hand it in to an authorized service workshop for repair.
- To avoid overheating do not use the extension cord while it is rolled up.
- Do not expose the power tool to rain. Water entering a power tool will increase the risk of electric shock.
- The power tool should not be exposed to more moisture than what is provided by the water system. The water system cools the drill bit with clean water. Make sure that no drill slurry enters the machine.
- Ensure the cord is behind you when you start to use the machine so that the cord will not be damaged.
- Always unplug the machine during longer work breaks.

## Drilling outdoors

- Always use extension cables that are approved for outdoor use.



# GENERAL SAFETY PRECAUTIONS

## Personal safety

- Never allow anyone else to use the machine without first ensuring that they have read and understood the contents of the operator's manual.
- Remain at a distance from the drill bit when the motor is running. A rotating drill bit can entail a risk of serious injury.
- Make sure that no pipes or electrical cables are routed in the area to be drilled.
- Never leave the machine unsupervised with the motor running.
- Always unplug the machine during longer work breaks.
- Never work alone, always ensure there is another person close at hand. Apart from being able to receive help to assemble the machine, you can also get help if an accident should occur.
- Use auxiliary handles supplied with the tool. Loss of control can cause personal injury.

## Use and care

- This machine is ideal for drilling holes in concrete, bricks and various stone materials. It can be used both as a hand-held drill or fitted to a drill stand.
- The machine is intended for use in industrial applications by experienced operators.
- Inspection and/or maintenance should be carried out with the motor switched off and the plug disconnected.
- The machine has a very high torque. This demands good concentration during work, as serious personal injuries can occur if the drill bit suddenly jams.
- Remain at a distance from the drill bit when the motor is running.
- Do not overload the machine. Overloading can damage the machine.
- Keep all parts in good working order and ensure that all fixtures are properly tightened.
- Always switch off the machine before you move it.
- Hold the power tool by insulated gripping surfaces, when performing an operation where the cutting accessory may contact hidden wiring or its own cord. Cutting accessory contacting a "live" wire may make exposed metal parts of the power tool live and could give the operator an electric shock.

## Dry drilling



**CAUTION! Dust forms when drilling, which can cause injuries if inhaled. Use an approved breathing mask. Connected the machine to a vacuum cleaner for effective dust management when dry drilling.**

## Drilling in the ceiling

**NOTICE! The air intake must not be covered.**

Use a water collector to avoid water penetrating into the machine.

## Elgard™

**NOTICE! Do not repeatedly overload the machine. This can damage the machine.**

If the motor is overloaded, the overload protection pulses the motor. Reduce the load and the motor returns to its normal speed.

The overload protection disconnects the power, if the machine is subjected to heavy loads or if the drill bit jams. Reset the machine by switching it off and then on again.

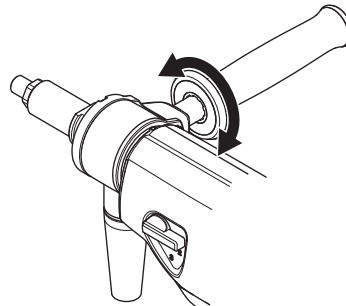
If the drill bit jams, the mechanical slip clutch protects the gearbox before the overload protection disconnects the power.

## Handheld drilling



**WARNING! Do not perform handheld drilling in first gear as the machine has a powerful torque that can result in personal injuries should the drill bit jam.**

- Always use a drill bit with a max. diameter of 80 mm with handheld drilling. The larger the drill bit the greater the reaction if the drill jams.
- Lock the front pivoting handle firmly in place prior to drilling.



- Never perform handheld drilling from a ladder. Handheld drilling in these situations is full of risks, as the risk of falling is very high if the drill bit jams.



## Stand drilling

- Always use a drilling stand if drilling is to be performed from a ladder or scaffold.
- Make sure that the stand is secured correctly.
- Make sure that the drilling machine is secured correctly in the stand.

# ASSEMBLING AND ADJUSTMENTS

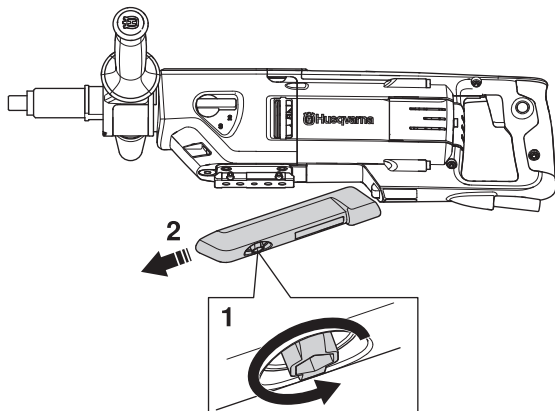
## Assembly



**WARNING!** The machine should be switched off with the power cable disconnected from the outlet.

### Assembling on stand

- Loosen the screw. Remove the protective cover.



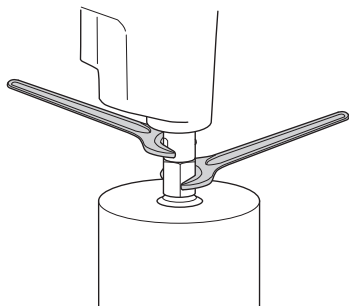
- See instructions in the operator's manual for the stand in question.

### Fitting/changing the drill bit



**CAUTION!** The drill bit and the surrounding area is very hot after use. Leave machine to cool off before removing the drill bit. Use protective gloves.

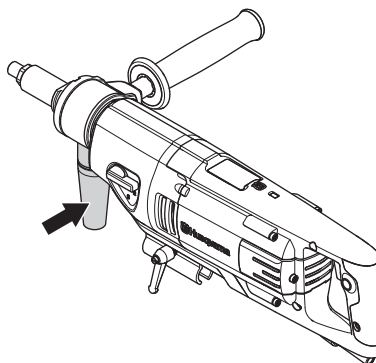
- Apply water-resistant grease to the thread of the drill bit.
- Attach the drill bit using the open-ended spanners.



- Before the machine is started, carefully check that the new bit is firmly attached.

## Connect the vacuum cleaner

- Connected the machine to a vacuum cleaner for effective dust management when dry drilling.



# OPERATING

## Protective equipment

### General

Do not use the machine unless you are able to call for help in the event of an accident.

### Personal protective equipment

You must use approved personal protective equipment whenever you use the machine. Personal protective equipment cannot eliminate the risk of injury but it will reduce the degree of injury if an accident does happen. Ask your dealer for help in choosing the right equipment.



**WARNING!** The use of products such as cutters, grinders, drills, that sand or form material can generate dust and vapours which may contain hazardous chemicals. Check the nature of the material you intend to process and use an appropriate breathing mask.



**WARNING!** Long-term exposure to noise can result in permanent hearing impairment. So always use approved hearing protection. Listen out for warning signals or shouts when you are wearing hearing protection. Always remove your hearing protection as soon as the engine stops.



**WARNING!** There is always a risk of crush injuries when working with products containing moving parts. Wear protective gloves to avoid body injuries.

Always wear:

- Protective helmet
- Hearing protection
- Protective goggles or a visor
- Breathing mask
- Heavy-duty, firm grip gloves.
- Tight-fitting, heavy-duty and comfortable clothing that permits full freedom of movement.
- Boots with steel toe-caps and non-slip sole.

Be careful as clothing, long hair, and jewellery can get caught in moving parts.

### Other protective equipment



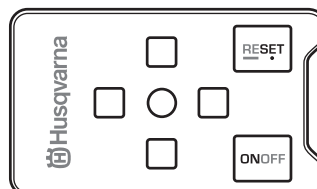
**WARNING!** Sparks may appear and start a fire when you work with the machine. Always keep fire fighting equipment handy.

- Fire fighting equipment
- Always have a first aid kit nearby.

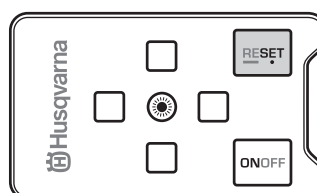
## Basic working techniques

### Level guiding system

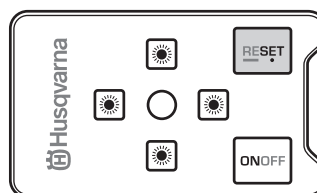
The machine's Level guiding system works like an electronic level and helps the user to drill in the required position. By reading the LED indicator on the top of the machine and adjust it accordingly, it makes drilling easier for the operator and offers better precision.



The central green LED is lit as long as the machine is in the required position.

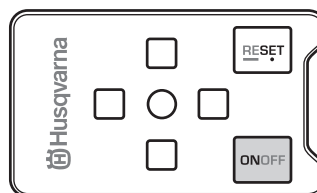


The surrounding red LEDs indicate which direction the machine must be angled to achieve the required position.



### Activate the system

- Press the ON/OFF button to activate the system.



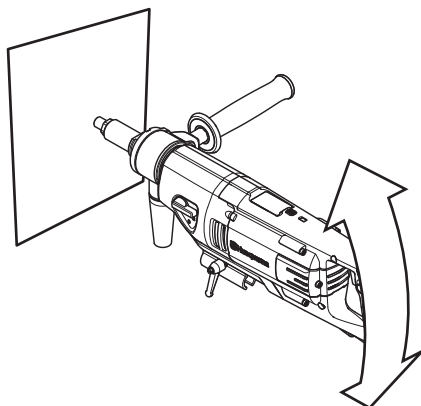
- This function senses how the machine is angled and alters it accordingly.

# OPERATING

## Horizontal position

The central green LED lights up when the machine is aligned horizontally.

The system senses the machine's deviation from the horizontal plane.

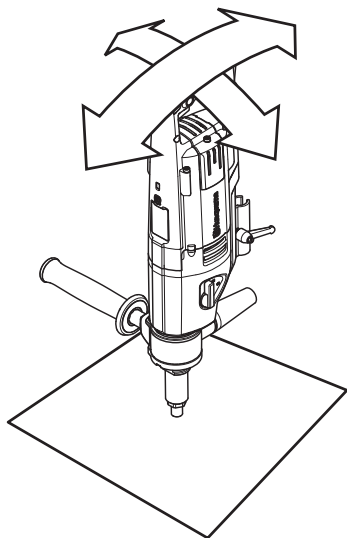


If the back of the machine is tilted downwards, the central green LED goes out and the front red LED lights up. If the back end of the machine is tilted up, the back red LED lights up.

## Vertical position

The central green LED lights up when the machine is aligned vertically.

The system senses deviations in two planes.



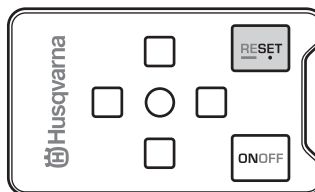
If the back of the machine is tilted downwards, the central green LED goes out and the front red LED lights up. If the back end of the machine is tilted up, the back red LED lights up.

If the back end of the machine is tilted to the right, the central green LED goes out and the left red LED lights up. If the back end of the machine is tilted to the left, the right hand red LED lights up.

## Customised angle setting

The Level guiding system in the machine can be configured to set a customised drill angle.

- Hold the machine at the required angle and press the Reset button.



- Zero the angle setting by keeping the Reset button pressed in for about 3 seconds.

The setting is also zeroed if the machine is disconnected from the mains supply for a long time.

## Deactivate the system

The system can be deactivated temporarily by pressing the ON/OFF button. Deactivation is set to zero if the ON/OFF button is pressed again or when the power is disconnected.

The system is deactivated for the time being by pressing the ON/OFF button for approx. 3 seconds. Press the ON/OFF button to activate the system again.

## Transport and storage

- Do not store or transport the drilling machine with the drill bit fitted in order to protect your drilling machine and drill bits from damage.
- Secure the equipment during transportation in order to avoid transport damage and accidents.
- Store the equipment in a lockable area so that it is out of reach of children and unauthorized persons.
- Store the machine and its equipment in a dry and frost proof place.

# STARTING AND STOPPING

## Before starting



**WARNING!** Please read the operator's manual carefully and make sure you understand the instructions before using the machine.

**Wear personal protective equipment. See instructions under the "Personal protective equipment" heading.**

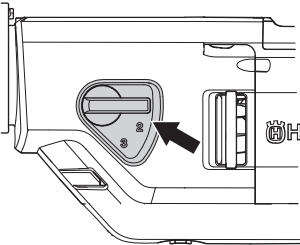
**Make sure no unauthorised persons are in the working area, otherwise there is a risk of serious personal injury.**

- Check that the machine is assembled correctly and do not show any signs of damage. See instructions in the section "Assembling and adjustments".
- Perform daily maintenance. See instructions in the section "Maintenance".

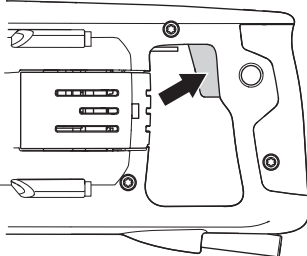
## Starting

**NOTICE!** Changing gear may only be done when the machine is switched off. Otherwise there is a risk of damaging the gearbox.

- Set the working speed by turning the drill spindle and at the same time move the gear knob to the required position.



- Turn on the water cooling (wet drilling) or switch on the vacuum cleaner (dry drilling).
- Press down the power switch halfway to activate Smart Start and all the way for full drilling speed.



## Stopping



**CAUTION!** The drill bit continues to rotate for a while after the motor has been switched off. Make sure that the drill bit can rotate freely until it is completely stopped. Carelessness can result in serious personal injury.

- Run the machine unloaded for a minute or two to cool the motor.
- Stop the motor by releasing the power switch.

# MAINTENANCE

## General



**WARNING! The user must only carry out the maintenance and service work described in this Operator's Manual. More extensive work must be carried out by an authorized service workshop.**

**Shut down the machine and disconnect the power plug.**

**Wear personal protective equipment. See instructions under the "Personal protective equipment" heading.**

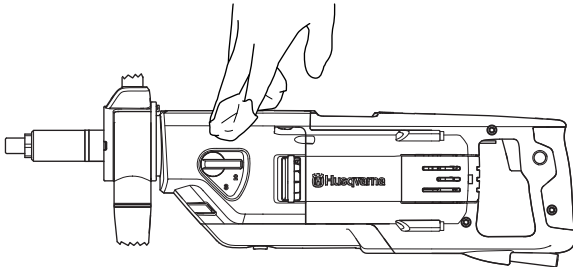
The life span of the machine can be reduced and the risk of accidents can increase if machine maintenance is not carried out correctly and if service and/or repairs are not carried out professionally. If you need further information please contact your nearest service workshop.

## Daily maintenance

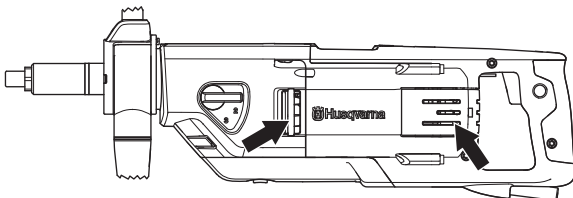
- Check that the machine's safety equipment is undamaged. See instructions in the section "Machine's safety equipment".
- Check that the cord and extension cord are intact and in good condition.
- Clean the outside of the machine.

## Cleaning

- Keep the machine and drill bit clean in order for drilling to be carried out safely.



- Keep the handle dry and free of grease and oil.
- In order for the machine to always be cooled sufficiently the cooling air openings must be kept clear and clean. Blow down the machine regularly with compressed air.



- Use compressed air to periodically clean the motor. Remove the inspection cover and clean the cover.

## Water tap

Check that the water tap functions. Do not use hoses that are distorted, worn or damaged.

## Electrical Feed



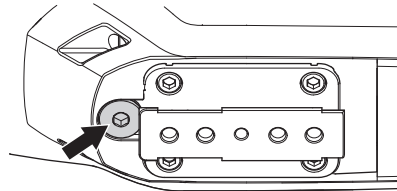
**WARNING! Never use damaged cables. They can cause serious, even fatal, personal injuries.**

Check that the cord and extension cord are intact and in good condition. Never use the machine if the cord is damaged, hand it in to an authorized service workshop for repair.

## Changing the gearbox oil

The oil in the gearbox must be changed after every 400 hours of operation.

- Unscrew the oil plug.



- Empty the oil into a container. Handle oil carefully of environmental considerations. Follow local recycling requirements.  
If necessary contact your dealer to clean the gearbox.
- Pour the new oil into the gearbox, about 0.25 litres. Refer to Technical Data for recommendations on which oil type to use.
- The oil plug is fitted with a magnet that captures metal particles. Wipe the oil plug clean and screw it back.

## Replacing the carbon brushes

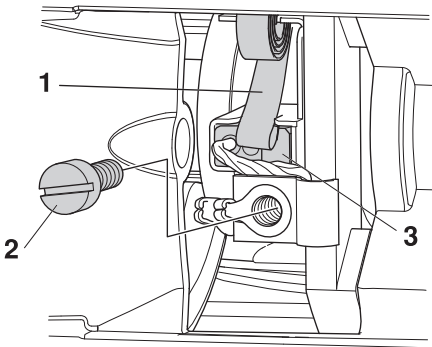


**WARNING! Shut down the machine and disconnect the power plug.**

The carbon brushes must be removed and checked regularly. Weekly if the machine is used daily or at longer intervals if the machine is used more seldom. The area of wear should be even and undamaged.

Both carbon brushes must always be replaced as a pair, but one at a time.

- Remove the inspection cover.
- Lift the brush retainer spring to one side (1).



- Loosen the screw (2).
- Pull out the carbon brush connector.
- Pull out the coal brush from the holder (3).
- Clean the brush holder with compressed air or a brush. Replace the brush if worn.
- Fit the new carbon brushes and, at the same time, check that they slide easily in the brush retainers.
- Put the brush holder spring back into place.
- Insert the carbon brush connection under the screw.
- Repeat the procedure with the other carbon brush.
- Screw the inspection cover back in place.
- Let the machine idle for 10 minutes to run in the new carbon brushes.

# TECHNICAL DATA

## DM 220

Electric motor	Single-phase
Rated voltage, V	220-240/100-120
Rated output, W	1850
<b>Rated current, A</b>	
220-240	8 A
100-120 V	13 A
Weight, kg	7
Volume gear box oil, dl	0,25
Gear box oil, type	AP GL-5 SAE 75W-90 or similar

## Diameter drill bit, mm

Max. diameter of the drill bit, with stand	150 mm (5,9")
Max. diameter for the drill bit, handheld	80 mm (3.14")

Spindle thread	G 1/2"	G 1 1/4"
Water connector	G 1/4"	
Water pressure - max, bar	8	

## Noise emissions (see note 1)

Sound power level, measured dB (A)	107
Sound power level, guaranteed dB(A)	108

## Sound levels (see note 2)

Sound pressure level at the operators ear, dB(A)	93
--	----

## Vibration levels, $a_{HV}$ (see note 3)

Front handle, $m/s^2$	2,8
Rear handle, $m/s^2$	2,6

Note 1: Noise emissions in the environment measured as sound power ( $L_{WA}$ ) in conformity with EN 60745-2-1.

Note 2: Noise pressure level according to EN 60745-2-1. Reported data for noise pressure level has a typical statistical dispersion (standard deviation) of 1.0 dB(A).

Note 3: Vibration level according to EN 60745-2-1. Reported data for vibration level has a typical statistical dispersion (standard deviation) of 1  $m/s^2$ .

## Drill speed and drill sizes

Gear	Drill bit speed with load, rpm	Drill bit load without load, rpm	Handheld drilling		Stand drilling	
			Recommended drill bit size, mm	Recommended drill bit size, inch	Recommended drill bit size, mm	Recommended drill bit size, inch
1	580	730	Not recommended	Not recommended	100-150	4-6
2	1400	1700	40-80	2-4	40-80	2-4
3	2900	3600	0-40	0-2	0-40	0-2



---

# EC DECLARATION OF CONFORMITY

---

## EC Declaration of Conformity

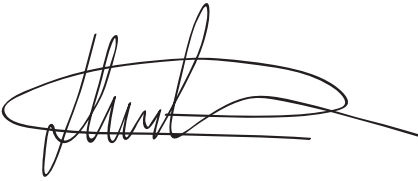
**Husqvarna AB**, SE-561 82 Huskvarna, Sweden, tel: +46-36-146500, declares under sole responsibility that the **Husqvarna DM 220**, from 2010's serial numbers and onwards (the year is clearly stated in plain text on the rating plate with subsequent serial number), conforms with the requirements of the COUNCIL'S DIRECTIVE:

- of May 17, 2006 "relating to machinery" **2006/42/EC**.
- of December 15, 2004 "relating to electromagnetic compatibility" **2004/108/EC**.
- of December 12, 2006 "relating to electrical equipment" **2006/95/EC**.
- of June 08, 2011 on the 'restriction of use of certain hazardous substances' **2011/65/EU**

The following standards have been applied:

EN ISO 12100:2010, EN 55014-1:2006, EN 55014-2/A1:2001, EN 61000-3-2:2006, EN 61000-3-3/A1/A2:2005, EN 60745-2-1:2007.

Gothenburg 3 February 2015



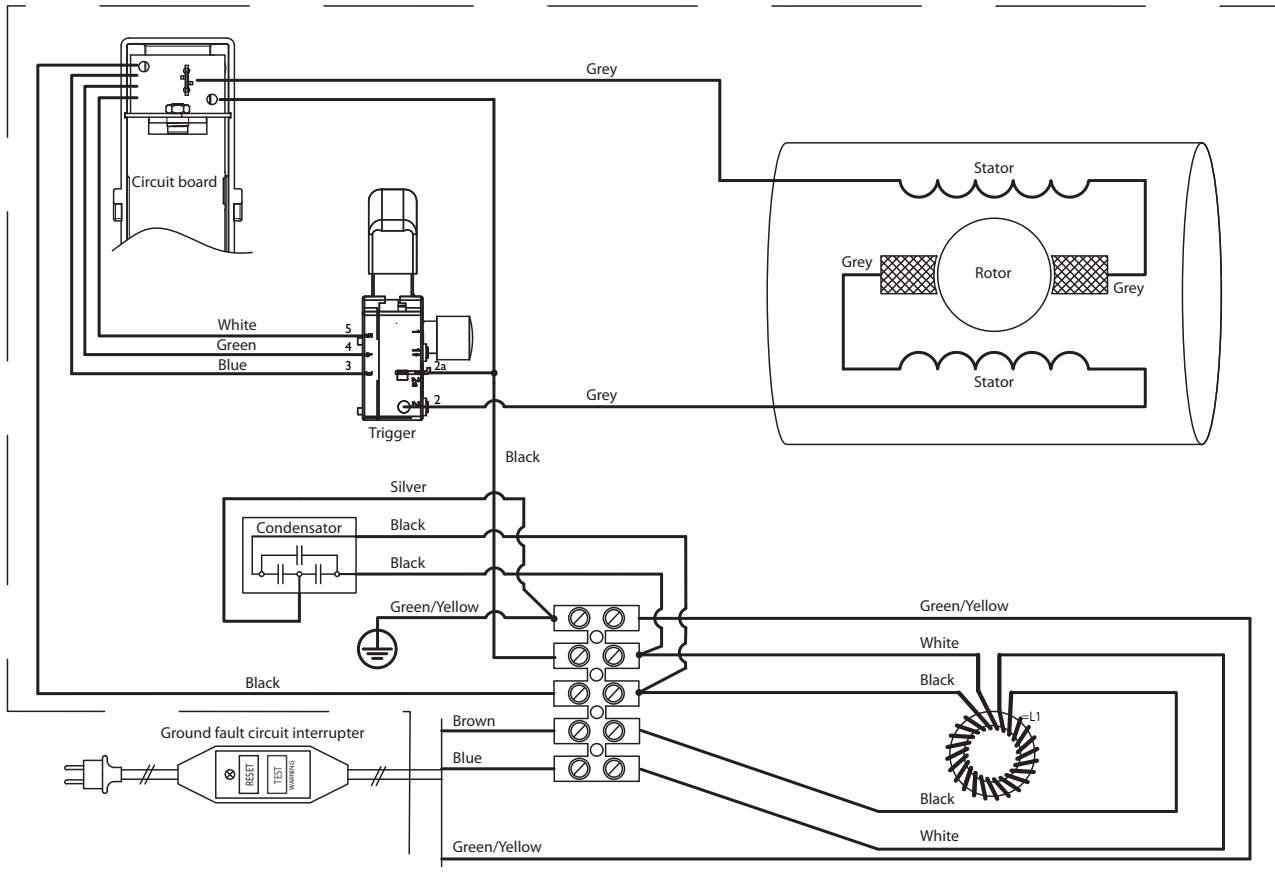
Helena Grubb

Vice President, Head of Power Cutters and Construction Equipment

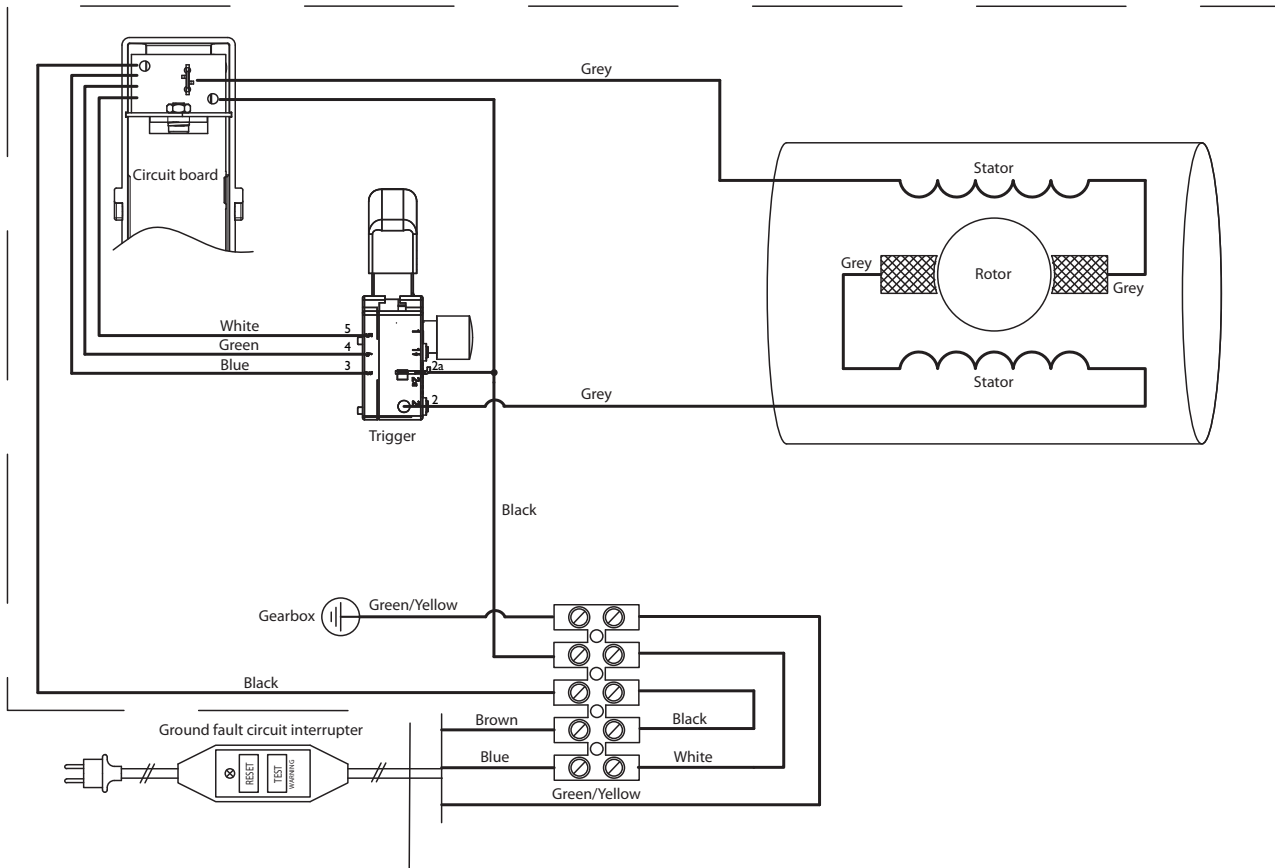
(Authorized representative for Husqvarna AB and responsible for technical documentation.)

# WIRING DIAGRAM

## 230 V



## 110 V



# ACLARACIÓN DE LOS SÍMBOLOS

## Símbolos en la máquina

¡ATENCIÓN! La máquina, si se utiliza de forma errónea o descuidada, puede ser una herramienta peligrosa que puede causar daños graves e incluso la muerte al usuario y a otras personas.



Lea detenidamente el manual de instrucciones y asegúrese de entender su contenido antes de utilizar la máquina.



Utilice el equipo de protección personal. Vea las instrucciones bajo el título "Equipo de protección personal".



Este producto cumple con la directiva CE vigente.



**Etiquetado ecológico.** El símbolo en el producto o en su envase indica que no se puede tratar este producto como desperdicio doméstico. Deberá por lo tanto depositarse en un centro de recogida adecuado para el reciclado de equipos eléctricos y electrónicos.



Haciendo que este producto sea manipulado adecuadamente, se ayuda a evitar consecuencias negativas potenciales para el medio ambiente y las personas, lo que puede ocurrir con la manipulación inadecuada como residuos del producto.

Para obtener información más detallada sobre el reciclado de este producto, contacte con la oficina municipal local, con el servicio de eliminación de desperdicios domésticos o con la tienda donde compró el producto.

Al perforar en techo, comprobar que no puede entrar agua en la máquina. Utilice un colector de agua adecuado.



**Los demás símbolos/etiquetas que aparecen en la máquina corresponden a requisitos de homologación específicos en determinados mercados.**

## Explicación de los niveles de advertencia

Las advertencias se clasifican en tres niveles.

### ¡ATENCIÓN!



**¡ATENCIÓN!** Indica un riesgo de daños graves para el usuario o incluso muerte, o bien daños al entorno, si no se siguen las instrucciones del manual.

### ¡NOTA!



**¡NOTA!** Indica un riesgo de lesiones para el usuario o daños al entorno si no se siguen las instrucciones del manual.

### AVISO

**AVISO** Indica un riesgo de daños en los materiales o en la máquina si no se siguen las instrucciones del manual.

---

# ÍNDICE

---

## Índice

### ACLARACIÓN DE LOS SÍMBOLOS

Símbolos en la máquina .....	19
Explicación de los niveles de advertencia .....	19

### ÍNDICE

Índice .....	20
--------------	----

### PRESENTACIÓN

Apreciado cliente: .....	21
Diseño y funciones .....	21
Características .....	21

### ¿QUÉ ES QUÉ?

Componentes de la taladradora .....	22
-------------------------------------	----

### EQUIPO DE SEGURIDAD DE LA MÁQUINA

Generalidades .....	23
---------------------	----

### INSTRUCCIONES GENERALES DE SEGURIDAD

Instrucciones generales de seguridad .....	24
Instrucciones de seguridad del motor de la perforadora .....	25

### MONTAJE Y AJUSTES

Montaje .....	28
---------------	----

### FUNCIONAMIENTO

Equipo de protección .....	29
Técnica básica de trabajo .....	29
Transporte y almacenamiento .....	30

### ARRANQUE Y PARADA

Antes del arranque .....	31
Arranque .....	31
Parada .....	31

### MANTENIMIENTO

Generalidades .....	32
Mantenimiento diario .....	32
Limpieza .....	32
Grifo de agua .....	32
Suministro eléctrico .....	32
Cambio del aceite de la caja de cambios .....	32
Cambio de escobillas de carbón .....	33

### DATOS TÉCNICOS

Velocidad de taladrado y tamaños de taladro .....	34
---	----

### DECLARACIÓN CE DE CONFORMIDAD

Declaración CE de conformidad .....	35
-------------------------------------	----

### ESQUEMA DE CONEXIONES ELÉCTRICAS

230 V .....	36
110 V .....	36

# PRESENTACIÓN

## Apreciado cliente:

Gracias por elegir un producto Husqvarna.

Esperamos que su máquina le proporcione plena satisfacción y le sirva de ayuda por mucho tiempo en adelante. La adquisición de alguno de nuestros productos da acceso a asistencia profesional con reparaciones y servicio. Si la máquina no fue adquirida en un distribuidor oficial, preguntar en la tienda de compra la dirección del taller de servicio más cercano.

Este manual de instrucciones es un documento importante. Procure tenerlo siempre a mano en el lugar de trabajo. Siguiendo sus instrucciones (de uso, servicio, mantenimiento etcétera) puede alargar considerablemente la vida útil de la máquina e incrementar su valor de reventa. Si vende su máquina, entregue el manual de instrucciones al nuevo propietario.

## Más de 300 años de innovación

La fundación de la empresa sueca Husqvarna AB data del año 1689, cuando el Rey Karl XI encargó la construcción de una fábrica para la fabricación de mosquetes. En ese momento se establecieron los cimientos de la experiencia tecnológica en la que se basan muchos de los productos punteros en el mundo en el sector de las armas de caza, bicicletas, motocicletas, electrodomésticos, máquinas de coser y productos para exteriores.

Husqvarna es líder internacional en productos motorizados para exteriores destinados a la silvicultura, el mantenimiento de parques y el cuidado del césped y del jardín, así como equipos de corte y herramientas de diamante para el sector de la construcción y la piedra.

## Responsabilidad del propietario

El propietario / empresario es el responsable de asegurarse de que el usuario tiene los conocimientos necesarios para utilizar la máquina con seguridad. Los supervisores y los usuarios deben haber leído y entendido el manual de instrucciones. Deben tener conocimiento de lo siguiente:

- Las instrucciones de seguridad de la máquina.
- Las aplicaciones y las limitaciones de la máquina.
- El modo de uso y de mantenimiento de la máquina.

La utilización de esta máquina podría estar regulada por la legislación nacional vigente. Infórmese sobre la legislación vigente en el lugar donde trabaja antes de empezar a utilizar la máquina.

## Los derechos que se reserva el fabricante.

Tras la publicación de este manual, Husqvarna podría publicar información adicional para el funcionamiento seguro de este producto. Es responsabilidad del propietario mantenerse informado de los métodos de funcionamiento más seguros.

Husqvarna AB trabaja constantemente para perfeccionar sus productos y se reserva, por lo tanto, el derecho a introducir modificaciones en la construcción y el diseño sin previo aviso.

Para recibir información y atención como cliente, póngase en contacto con nosotros a través de nuestro sitio web: [www.husqvarna.com](http://www.husqvarna.com)

## Diseño y funciones

El alto rendimiento, la fiabilidad, la tecnología innovadora, las soluciones técnicas avanzadas y el respeto medioambiental son los valores que caracterizan a los productos de Husqvarna. El usuario debe leer este manual detenidamente para garantizar un funcionamiento seguro del producto. Póngase en contacto con su concesionario o con Husqvarna si necesita más información.

A continuación se describen algunas de las características únicas de su producto.

## Características

El alto rendimiento, la fiabilidad, la tecnología innovadora, las soluciones técnicas avanzadas y el respeto medioambiental son los valores que caracterizan a los productos de Husqvarna.

A continuación se describen algunas de las características únicas de su producto.

## Softstart™

Softstart™ es un limitador de sobreintensidad electrónico que permite un arranque más suave.

## Smart Start®

La máquina funciona a una velocidad inferior si está activada la función Smart Start. Esto facilita el taladrado del material.

## Elgard™

Elgard™ es una protección contra sobrecarga electrónica que protege el motor. Dicha protección protege la máquina y amplía su vida útil. Gracias a Elgard™, la máquina indica cuándo se aproxima a la carga máxima.

## Level guiding system

El Level guiding system de la máquina funciona como un nivel electrónico y ayuda al usuario a taladrar en la ubicación deseada. El operario solo tiene que leer el indicador LED situado en la parte superior de la máquina y ajustarlo debidamente. De esta forma, la perforación resulta más sencilla y se consigue una mayor precisión.

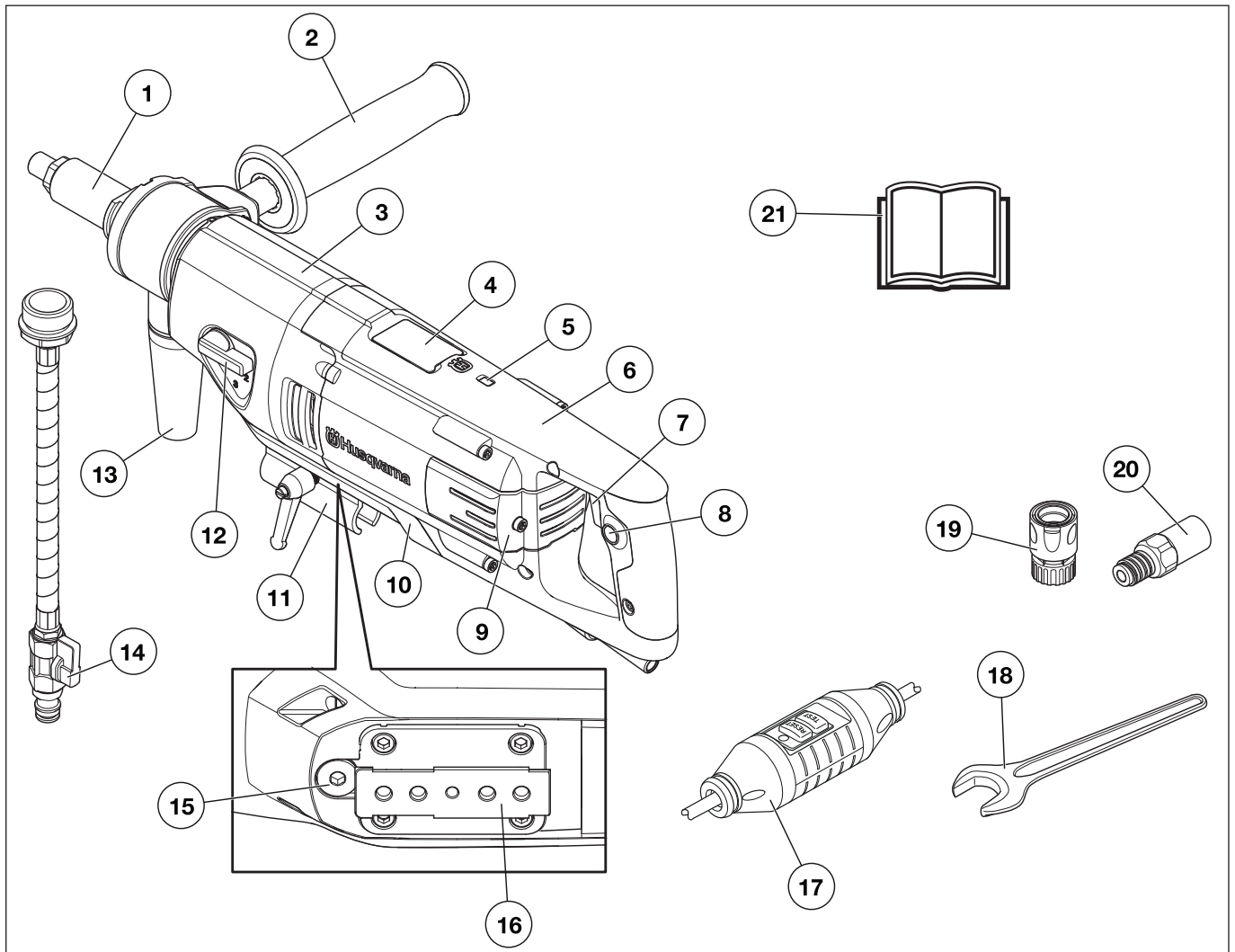
## Empuñadura girable

La empuñadura puede pivotar completamente alrededor del eje y bloquearse en cualquier posición.

## Boquilla de agua / polvo girable

La boquilla puede girarse libremente alrededor del eje y bloquearse en cualquier posición. La boquilla está conectada a una fuente de agua al taladrar en húmedo y a un aspirador al taladrar en seco.

# ¿QUÉ ES QUÉ?



## Componentes de la taladradora

- |   |  |
|---|--|
| 1 Husillo de taladradora                      | 12 Manija de cambio                            |
| 2 Empuñadura girable                          | 13 Conexión para la aspiradora                 |
| 3 Caja de engranajes                          | 14 Conexión de agua                            |
| 4 Indicador de nivel electrónico              | 15 Tapón del aceite                            |
| 5 Indicador de potencia                       | 16 Fijación del soporte                        |
| 6 Motor                                       | 17 Interruptor de circuito de pérdida a tierra |
| 7 Bloqueador de interruptor con Smart Start®  | 18 Llaves                                      |
| 8 Botón de bloqueo, bloqueador de interruptor | 19 Conexión de agua                            |
| 9 Tapa de inspección                          | 20 Adaptador (sólo EE.UU.)                     |
| 10 Cubierta protectora                        | 21 Manual de instrucciones                     |
| 11 Soporte para «Starthelper»                 |  |

# EQUIPO DE SEGURIDAD DE LA MÁQUINA

## Generalidades

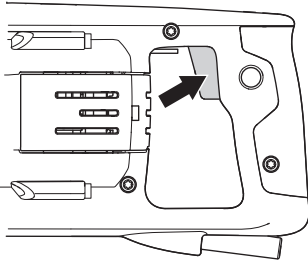


**¡ATENCIÓN! Nunca utilice una máquina con componentes de seguridad defectuosos. Si su máquina no pasa todos los controles, entréguela a un taller de servicio para su reparación.**

En este capítulo se describen los componentes de seguridad de la máquina, su función y el modo de efectuar el control y el mantenimiento para garantizar un funcionamiento óptimo.

## Interruptor

El interruptor se usa para arrancar y parar la máquina.



### Control del interruptor

- Arrancar la máquina, soltar el interruptor y controlar que se para el motor y la broca.
- Un interruptor defectuoso debe ser cambiado por un taller de servicio oficial.

## Interruptor de circuito de pérdida a tierra

Los interruptores de circuito de pérdida a tierra aportan protección en caso de que se produzca un fallo eléctrico.

El LED indica que el interruptor de circuito de pérdida a tierra está encendido y que la máquina puede encenderse. Si el LED no está encendido, pulse el botón RESET (Reinicio) (verde).



## Compruebe el interruptor de circuito de pérdida a tierra

- Conecte la máquina a la toma. Pulse el botón RESET (verde) y el LED rojo se encenderá.



- Arrancar la máquina pulsando el interruptor.
- Pulse el botón TEST (Prueba) (azul).



- El interruptor de circuito de pérdida a tierra se activará y la máquina se apagará inmediatamente. En caso contrario, póngase en contacto con su distribuidor.
- Reinicielo pulsando el botón RESET (verde).

# INSTRUCCIONES GENERALES DE SEGURIDAD

## Instrucciones generales de seguridad



¡ATENCIÓN! Lea todas las advertencias e instrucciones de seguridad. No atender a estas advertencias e instrucciones puede provocar descargas eléctricas, incendios y lesiones graves.

¡IMPORTANTE! Conserve todas las advertencias e instrucciones para su consulta. El término «herramienta eléctrica» empleado en las advertencias hace referencia a una herramienta eléctrica que funciona con conexión a la red de suministro (con cable) o a una herramienta que funciona con batería (sin cable).

## Seguridad en el área de trabajo

- **Mantenga el área de trabajo limpia y bien iluminada.** Las zonas abarrotadas de cosas u oscuras favorecen los accidentes.
- **No maneje herramientas eléctricas en ambientes explosivos como aquellos en los que hay líquidos, gases o polvo inflamables.** Las herramientas eléctricas producen chispas que pueden inflamar el polvo o los vapores.
- **Mantenga alejados a los niños y a otras personas mientras trabaje con una herramienta eléctrica.** Las distracciones pueden hacer que pierda el control de esta.

## Seguridad eléctrica

- **Los enchufes de las herramientas eléctricas deben corresponder a la toma de corriente utilizada. No modifique nunca el enchufe de modo alguno. No utilice adaptadores para las herramientas eléctricas con conexión a tierra.** No modificar los enchufes y usar las tomas de corriente que se adapten a estos reducirán el riesgo de descarga eléctrica.
- **Evite el contacto de su cuerpo con superficies puestas a tierra como tuberías, radiadores, cocinas y neveras.** Si su cuerpo está en contacto con el suelo, existe un mayor riesgo de descarga eléctrica.
- **No exponga las herramientas eléctricas a la lluvia o a ambientes húmedos.** El riesgo de recibir descargas eléctricas aumentará si penetra agua en la herramienta eléctrica.
- **Maneje el cable con cuidado. No lo utilice nunca para transportar, tirar o desenchufar la herramienta eléctrica.** Manténgalo alejado de fuentes de calor, aceite, aristas vivas o piezas móviles. Los cables dañados o enredados incrementan el riesgo de descarga eléctrica.
- **Cuando trabaje con una herramienta eléctrica en exteriores, utilice un alargador indicado para este uso.** Utilizar un cable adecuado para su uso en exteriores reduce el riesgo de descarga eléctrica.
- **Si es necesario utilizar una herramienta eléctrica en un lugar húmedo, utilice suministro eléctrico protegido con un interruptor diferencial.** La utilización de un interruptor diferencial reduce el riesgo de descargas eléctricas.

## Seguridad personal

- **Esté siempre atento, fíjese en lo que está haciendo y utilice el sentido común cuando maneje una herramienta eléctrica. No utilice herramientas eléctricas si está cansado o bajo los efectos de estupefacientes, alcohol o medicamentos.** Un momento de descuido, mientras se trabaja con herramientas eléctricas, puede causar lesiones graves.
- **Utilice el equipo de protección individual. Utilice siempre protección para los ojos.** El equipo de protección, como la mascarilla antipolvo, los zapatos de seguridad antideslizantes, el casco o los protectores auditivos, utilizados en función de las condiciones de trabajo, reducirán el riesgo de lesiones.
- **Evite el encendido accidental de la herramienta. Asegúrese de que el interruptor está en la posición de apagado antes de conectar la máquina a la fuente de alimentación y/o la batería, cogerla o transportarla.** Transportar herramientas eléctricas con el dedo puesto sobre el interruptor o encenderlas con el interruptor en la posición de encendido puede provocar accidentes.
- **Quite todas las clavijas de ajuste o llaves de tuercas antes de encender la herramienta eléctrica.** Una llave de tuercas o clavija de ajuste que se ha dejado colocada en una pieza giratoria de la herramienta eléctrica puede causar lesiones.
- **No se estire demasiado. Mantenga una posición correcta y el equilibrio en todo momento.** Esto le permitirá controlar mejor la herramienta eléctrica en situaciones imprevistas.
- **Utilice la ropa adecuada. No utilice nunca ropa amplia ni joyas. Mantenga el pelo, la ropa y los guantes alejados de las piezas móviles.** La ropa amplia, las joyas o el pelo largo pueden quedar atrapados en las piezas móviles.
- **Si se suministran equipos de aspiración o captación de polvo, asegúrese de que estén conectados y se utilicen correctamente.** El uso de estos equipos puede reducir los riesgos derivados del polvo.

## Uso y cuidado de la herramienta eléctrica

- **No sobrecargue la herramienta eléctrica. Utilice la herramienta eléctrica adecuada para el trabajo que debe realizar.** Con la herramienta eléctrica apropiada hará el trabajo mejor y con mayor seguridad a la potencia para la que fue diseñada.
- **No utilice la herramienta eléctrica si el interruptor no funciona.** Las herramientas que no se puedan controlar con el interruptor son peligrosas y deben repararse.
- **Desconecte el enchufe de la fuente de alimentación y/o la batería de la herramienta eléctrica antes de realizar cualquier ajuste, cambiar accesorios o guardarla.** Estas medidas de seguridad preventivas reducen el riesgo de encendido accidental de la herramienta eléctrica.
- **Guarde las herramientas eléctricas que no se utilicen fuera del alcance de los niños y no permita que personas no familiarizadas con su uso o con estas instrucciones las manejen.** Las herramientas eléctricas resultan peligrosas en manos de usuarios no cualificados.



# INSTRUCCIONES GENERALES DE SEGURIDAD

- **Cuide las herramientas.** Compruebe que no haya partes móviles mal alineadas o trabadas, piezas rotas o cualquier otra circunstancia que pueda afectar al funcionamiento de la herramienta eléctrica. Si detecta daños, haga reparar la herramienta eléctrica antes de utilizarla. Muchos accidentes se deben al uso de herramientas eléctricas que carecen de un mantenimiento adecuado.
- **Mantenga las herramientas de corte afiladas y limpias.** Las herramientas de corte con aristas afiladas y un mantenimiento adecuado tienen menos probabilidades de trabarse y son más fáciles de controlar.
- **Utilice la herramienta eléctrica, los accesorios, útiles, etc. según se indica en estas instrucciones, teniendo en cuenta las condiciones de trabajo y la tarea que debe realizar.** El uso de la herramienta eléctrica para trabajos distintos a aquellos para los que fue diseñada podría dar lugar a situaciones peligrosas.

## Servicio

- **Solicite que su herramienta eléctrica sea reparada por personal cualificado y utilizando únicamente piezas de repuesto originales.** Esto garantizará la seguridad de la herramienta.

## Emplee siempre el sentido común

Es imposible abarcar todas las situaciones en las que puede encontrarse. Utilice siempre el equipo con cuidado y sentido común. Si se encuentra en alguna situación que le haga sentirse inseguro, deténgase y consulte con un experto. Consulte a su distribuidor, al taller de servicio técnico o a un usuario experimentado. No emplee la máquina en aplicaciones para las que no se considere plenamente cualificado.

## Instrucciones de seguridad del motor de la perforadora

Este apartado trata las normas de seguridad básicas para trabajar con el dispositivo. Esta información no sustituye en ningún caso los conocimientos y la experiencia de un profesional.

- Lea detenidamente el manual de instrucciones y asegúrese de entender su contenido antes de utilizar la máquina.
- Debe tenerse en cuenta que el operador es responsable de los accidentes o riesgos que ocurran a otras personas o a su propiedad.
- Todos los operadores deben ser formados en el empleo de la máquina. El propietario es responsable de la formación de los operadores.
- La máquina debe mantenerse limpia. Los letreros y las pegatinas deben ser legibles en su totalidad.



**¡ATENCIÓN!** La máquina, si se utiliza de forma errónea o descuidada, puede ser una herramienta peligrosa que puede causar daños graves e incluso la muerte al usuario y a otras personas.

No permita bajo ningún concepto el empleo o mantenimiento de la máquina por los niños u otras personas no instruidas en el manejo de la misma. Nunca deje que terceros utilicen la máquina sin asegurarse primero de que hayan entendido el contenido de este manual de instrucciones.

Nunca utilice la máquina si está cansado, si ha ingerido alcohol o si toma medicamentos que puedan afectar la vista, su capacidad de discernimiento o el control del cuerpo.



**¡ATENCIÓN!** Las modificaciones y/o el uso de accesorios no autorizados comportan riesgo de daños personales graves y peligro de muerte para el usuario y otras personas.

No modifique nunca esta máquina de forma que se desvíe de la versión original, y no la utilice si parece haber sido modificada por otras personas.

No utilice nunca una máquina defectuosa. Lleve a cabo las comprobaciones de seguridad y siga las instrucciones de mantenimiento y servicio de este manual. Algunas medidas de mantenimiento y servicio deben ser efectuadas por especialistas formados y cualificados. Consulte las instrucciones del apartado Mantenimiento.

Utilizar siempre recambios originales.

## Seguridad en el trabajo

- No trabaje en condiciones atmosféricas desfavorables como niebla, lluvia intensa, tempestad, frío intenso, etc. Trabajar con mal tiempo es cansador y puede crear condiciones peligrosas, por ejemplo suelo resbaladizo.
- Antes de comenzar a trabajar con la máquina, controle siempre que el lugar esté libre y que los pies estén bien afirmados al terreno. Controle posibles obstáculos en caso de movimientos repentinos. Asegúrese de que no haya elementos que puedan caer y provocar daños al trabajar con la máquina.
- Controlar siempre la parte posterior de la superficie en la que sale la broca al penetrar. Impedir el acceso cercando la zona de trabajo y procurar que no haya riesgo de daños personales o materiales.

# INSTRUCCIONES GENERALES DE SEGURIDAD

## Seguridad eléctrica



**¡ATENCIÓN! Existe siempre riesgo de sacudidas eléctricas al usar máquinas eléctricas. No usar la máquina en condiciones climáticas desfavorables y evitar el contacto del cuerpo con pararrayos y objetos metálicos. Seguir siempre las instrucciones del manual para evitar daños.**



**¡ATENCIÓN! No lave la máquina con agua, ya que puede penetrar en el sistema eléctrico o en el motor y causar daños en la máquina o un cortocircuito.**

- No utilice nunca la herramienta sin el diferencial que se entrega con ella.
- La máquina se debe enchufar a un enchufe con masa.
- Compruebe que la tensión de red concuerda con la que se indica en la placa de características de la máquina.
- Compruebe que el cable y el cable de empalme está intacto. Si se daña un cable, no utilice la máquina. Llévela a reparar a un taller de servicio oficial.
- Un cable de alargue no debe usarse enrollado porque hay riesgo de sobrecalentamiento.
- No exponga la herramienta eléctrica a la lluvia. El riesgo de recibir descargas eléctricas aumentará si penetra agua en la herramienta eléctrica.
- No exponga la herramienta eléctrica a una humedad mayor que la del sistema hidráulico. El sistema de agua refrigera la broca del taladro con agua limpia. Debe asegurarse de que no entra lechada en la máquina.
- Al emplear la máquina, hágalo con el cable detrás suyo para evitar dañarlo.
- Desenchufar siempre el contacto para paradas prolongadas del trabajo.

## Perforación a la intemperie

- Usar siempre cables de empalme homologados para uso en intemperie.

## Seguridad personal

- Nunca deje que terceros utilicen la máquina sin asegurarse primero de que hayan entendido el contenido de este manual de instrucciones.
- Mantenerse apartado de la broca cuando el motor está en marcha. Las brocas rotativas comportan riesgo de accidentes graves.
- Comprobar que en la zona que se va a perforar no haya tuberías ni cables eléctricos instalados.
- No abandonar nunca la máquina sin vigilar, con el motor en marcha.
- Desenchufar siempre el contacto para paradas prolongadas del trabajo.
- Un operador nunca debe trabajar solo; siempre debe haber otra(s) persona(s) cerca. Así, además de tener ayuda para montar la máquina, también puede recibirse asistencia en caso de accidente.
- Utilice los mangos auxiliares suministrados con la herramienta. La pérdida de control puede causar lesiones.

## Uso y cuidado

- Esta máquina es idónea para perforar hormigón, ladrillo y varios tipos de piedra. Puede utilizarse como taladro manual o fijado a un soporte de taladro.
- La máquina está destinada al uso por operadores experimentados, en aplicaciones industriales.
- El control y/o mantenimiento de la máquina debe hacerse con el motor parado y el enchufe desenchufado.
- La máquina tiene un par torsor muy alto. Esto requiere una gran concentración durante el trabajo debido al riesgo de daños personales graves si la broca se bloquea súbitamente.
- Mantenerse apartado de la broca cuando el motor está en marcha.
- No sobrecargar la máquina. La sobrecarga puede dañar la máquina.
- Mantener todas las piezas en perfecto estado y comprobar que todos los elementos de fijación estén bien apretados.
- Parar siempre la máquina antes de trasladarla.
- Sujete la herramienta por las superficies de sujeción aisladas al realizar una operación en la que el accesorio de corte puede entrar en contacto con algún cable oculto o con el suyo propio. Si el accesorio de corte entra en contacto con un cable con tensión, es posible que las piezas metálicas expuestas de la herramienta eléctrica conduzcan la corriente y pueden producir al usuario una sacudida eléctrica.

# INSTRUCCIONES GENERALES DE SEGURIDAD

## Perforaciones en seco



¡NOTA! Al taladrar se genera polvo que puede causar daños por inhalación. Utilizar una máscara respiratoria homologada. Conecte el dispositivo a una aspiradora para un tratamiento efectivo del polvo durante la realización de perforaciones en seco.

## Perforación en techos

**AVISO** No se debe tapar la boca de entrada de aire.

Utilizar un colector de agua para impedir que entre agua en la máquina.

## Elgard™

**AVISO** No sobrecargue la máquina de forma reiterada. Ello puede ocasionar averías en la máquina.

Si el motor se sobrecarga, la protección hace que el motor pulse. Cuando la carga se reduce, el motor recupera la velocidad normal.

Si la máquina es sometida a una carga grande o si la broca se atasca, la protección contra sobrecarga corta la corriente. Reinicie la máquina apagándola y encendiéndola de nuevo.

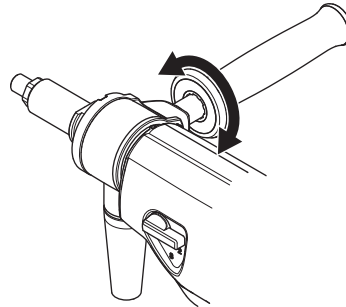
Si se atasca la broca, el acoplamiento deslizante mecánico protege la caja de cambios antes de que la protección contra sobrecarga corte la corriente.

## Perforación a mano



¡ATENCIÓN! Para la perforación a mano no debe usarse la primera marcha debido a que la máquina tiene un par torsor muy fuerte que puede causar daños personales si se atasca la broca.

- Utilizar siempre brocas de como máximo 80 mm de diámetro para la perforación a mano. Cuanto más grande es la broca, mayor es la reacción si se atasca.
- Bloquee firmemente la empuñadura pivotante delantera antes de taladrar.



- No taladrar nunca a mano desde escaleras. La perforación a mano en estas situaciones es arriesgada debido a que el riesgo de caída si se atasca la broca es muy grande.



## Perforación con soporte

- Usar siempre el soporte para perforar desde una escalera o un andamio.
- Comprobar que el soporte está bien anclado.
- Comprobar que la taladradora está bien fijada en el soporte.

# MONTAJE Y AJUSTES

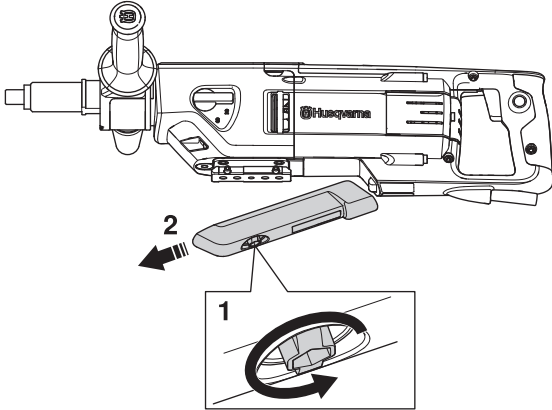
## Montaje



**¡ATENCIÓN!** Cuando apague la máquina, debe desconectar el cable de alimentación de la toma de corriente.

## Montaje en soporte

- Aflojar el tornillo. Desmonte la cubierta protectora.



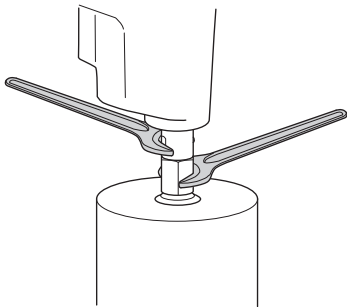
- Consulte las instrucciones del manual de usuario del soporte en cuestión.

## Ajuste o cambio de la broca del taladro



**¡NOTA!** La broca y la zona adyacente registran temperaturas muy altas tras su uso. Deje que la máquina se enfríe antes de extraer la broca. Utilice guantes protectores.

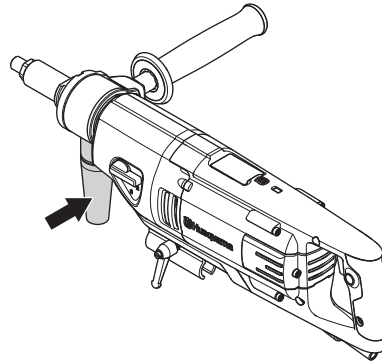
- Aplicar grasa hidrófuga en la rosca de la broca.
- Montar la broca con las llaves fijas.



- Antes de arrancar la máquina, comprobar que la broca nueva esté bien fijada.

## Conexión de la aspiradora

- Conecte el dispositivo a una aspiradora para un tratamiento efectivo del polvo durante la realización de perforaciones en seco.



# FUNCIONAMIENTO

## Equipo de protección

### Generalidades

No use nunca una máquina si no tiene posibilidad de pedir auxilio si se produce un accidente.

### Equipo de protección personal

Para trabajar con la máquina debe utilizarse un equipo de protección personal homologado. El equipo de protección personal no elimina el riesgo de lesiones, pero reduce su efecto en caso de accidente. Pida a su distribuidor que le asesore en la elección del equipo.



**¡ATENCIÓN! El uso de productos que cortan, pulen, taladran, alisan o forman materiales puede generar polvo y vapores que pueden contener sustancias químicas dañinas. Averiguar la composición del material con que se trabaja y usar una máscara respiratoria adecuada.**



**¡ATENCIÓN! La exposición prolongada al ruido puede causar daños crónicos en el oído. Por consiguiente, use siempre protectores auriculares homologados. Cuando use protección auditiva preste siempre atención a las señales o llamados de advertencia. Sáquese siempre la protección auditiva inmediatamente después de parar el motor.**



**¡ATENCIÓN! Existe siempre riesgo de accidentes por apriete al trabajar con aparatos con piezas móviles. Usar guantes protectores para evitar lesiones.**

Utilice siempre:

- Casco protector
- Protectores auriculares
- Gafas protectoras o visor
- Máscara respiratoria
- Guantes resistentes de agarre seguro.
- Prendas de vestir ceñidas, resistentes y cómodas que permitan una libertad de movimientos total.
- Botas con puntera de acero y suela antideslizante.

Tener en cuenta que las ropas, el pelo largo y las joyas pueden atascarse en piezas móviles.

### Otros equipos de protección



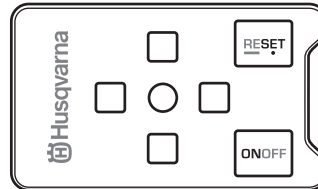
**¡ATENCIÓN! Mientras trabaja con la máquina, pueden producirse chispas que podrían ocasionar un incendio. Tenga siempre a mano herramientas para la extinción de incendios.**

- Herramientas para la extinción de incendios
- Tenga siempre a mano el equipo de primeros auxilios.

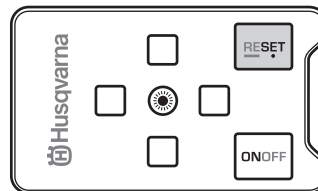
## Técnica básica de trabajo

### Level guiding system

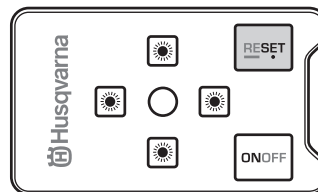
El Level guiding system de la máquina funciona como un nivel electrónico y ayuda al usuario a taladrar en la ubicación deseada. El operario solo tiene que leer el indicador LED situado en la parte superior de la máquina y ajustarlo debidamente. De esta forma, la perforación resulta más sencilla y se consigue una mayor precisión.



El LED verde situado en la parte central se enciende mientras que la máquina está en la posición correcta.

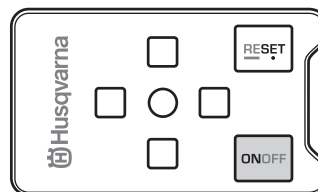


Los LED rojos circundantes indican en qué dirección debe inclinarse la máquina para conseguir la posición correcta.



### Activación del sistema

- Pulse el botón de encendido / apagado para activar el sistema.



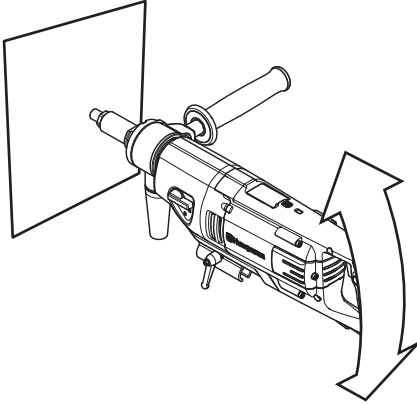
- Esta función detecta la inclinación de la máquina y la modifica debidamente.

# FUNCIONAMIENTO

## Posición horizontal

El LED verde de la parte central se enciende cuando la máquina está alineada horizontalmente.

El sistema detecta la desviación de la máquina respecto del plano horizontal.

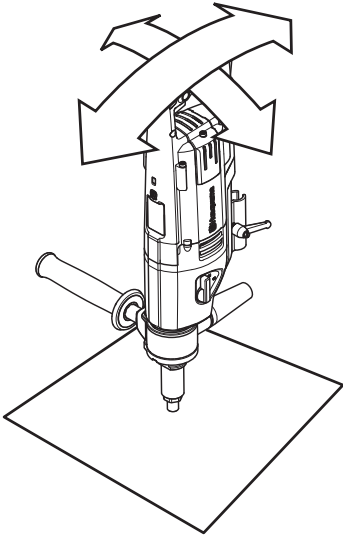


Si la parte posterior de la máquina se inclina hacia abajo, el LED verde de la parte central se apaga y el LED rojo de la parte delantera se enciende. Si el extremo posterior de la máquina se inclina hacia arriba, el LED rojo de la parte trasera se enciende.

## Posición vertical

El LED verde de la parte central se enciende cuando la máquina está alineada verticalmente.

El sistema detecta las desviaciones en dos planos.



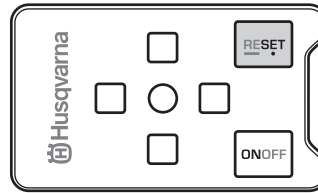
Si la parte posterior de la máquina se inclina hacia abajo, el LED verde de la parte central se apaga y el LED rojo de la parte delantera se enciende. Si el extremo posterior de la máquina se inclina hacia arriba, el LED rojo de la parte trasera se enciende.

Si la parte posterior de la máquina se inclina a la derecha, el LED verde de la parte central se apaga y el LED rojo de la parte izquierda se enciende. Si el extremo posterior de la máquina se inclina a la izquierda, el LED rojo de la parte derecha se enciende.

## Ajuste personalizado de la inclinación

El Level guiding system de la máquina puede configurarse con un ángulo de perforación personalizado.

- Sostenga la máquina en el ángulo deseado y pulse el botón de reinicio.



- Ponga a cero el ajuste del ángulo manteniendo pulsado el botón de reinicio durante unos 3 segundos.

Este ajuste también se pone a cero, si la máquina se desconecta de la alimentación eléctrica durante mucho tiempo.

## Desactivación del sistema

El sistema puede desactivarse temporalmente pulsando el botón de encendido / apagado. La desactivación se ajusta a cero si se vuelve a pulsar el botón de encendido / apagado o si se desconecta la alimentación.

El sistema se desactiva al pulsar el botón de encendido / apagado durante unos 3 segundos. Pulse el botón de encendido / apagado para volver a activar el sistema.

## Transporte y almacenamiento

- Para proteger la taladradora y las brocas contra daños, no almacene ni transporte la taladradora con la broca montada.
- Sujete bien el equipo durante el transporte para evitar daños y accidentes.
- Guarde el equipo en un lugar seguro fuera del alcance de los niños y las personas no autorizadas.
- Guarde la máquina y el equipo en un lugar seco y protegido de la escarcha.

# ARRANQUE Y PARADA

## Antes del arranque



**¡ATENCIÓN!** Lea detenidamente el manual de instrucciones y asegúrese de entender su contenido antes de utilizar la máquina.

Utilice el equipo de protección personal. Vea las instrucciones bajo el título "Equipo de protección personal".

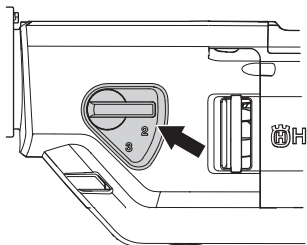
Asegúrese de que no haya personas desautorizadas en la zona de trabajo, de lo contrario se corre el riesgo de ocasionar graves daños personales.

- Controle que la máquina esté correctamente montada y que no esté dañada. Consulte las instrucciones bajo el título «Montaje y ajustes».
- Realice el mantenimiento diario. Consulte las instrucciones bajo el título «Mantenimiento».

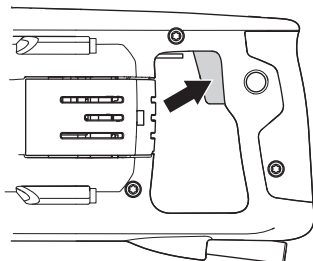
## Arranque

**AVISO** El cambio de marchas sólo debe hacerse con la máquina parada. De lo contrario hay riesgo de averiar la caja de cambios.

- Ajustar la velocidad de trabajo, girando el husillo de taladradora y, al mismo tiempo, poniendo la manija de cambio en la posición deseada.



- Activar la refrigeración por agua (perforación húmeda) o la aspiradora (perforación en seco).
- Presione el bloqueador de interruptor hasta la mitad para activar Smart Start y completamente para alcanzar la velocidad máxima de taladrado.



## Parada



**¡NOTA!** La broca continúa girando unos instantes después de parar el motor. Asegúrese de que la broca pueda girar libremente hasta que se detenga por completo. La utilización del equipo sin el debido cuidado puede causar lesiones graves.

- Hacer funcionar la máquina sin carga durante unos minutos para enfriar el motor.
- El motor se para al soltar el interruptor.

# MANTENIMIENTO

## Generalidades



**¡ATENCIÓN! El usuario sólo puede efectuar los trabajos de mantenimiento y servicio descritos en este manual. Los trabajos de mayor envergadura debe efectuarlos un taller de servicio oficial.**

**Apague la máquina y desconecte el enchufe.**

**Utilice el equipo de protección personal. Vea las instrucciones bajo el título "Equipo de protección personal".**

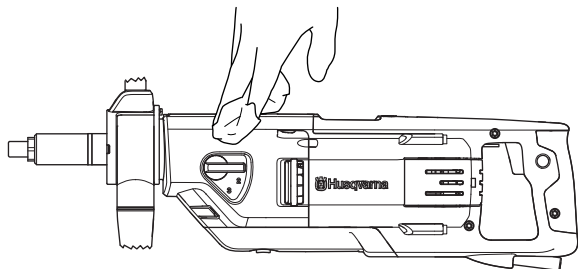
La vida útil de la máquina puede acortarse y el riesgo de accidentes puede aumentar si el mantenimiento de la máquina no se hace de forma adecuada y si los trabajos de servicio y/o reparación no se efectúan de forma profesional. Para más información, consulte con el taller de servicio oficial más cercano.

## Mantenimiento diario

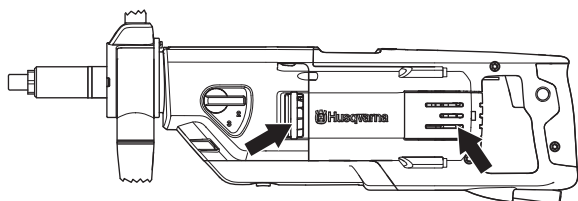
- Compruebe que el equipo de seguridad de la máquina está intacto. Consulte las instrucciones del apartado «Equipo de seguridad de la máquina».
- Compruebe que el cable y el cable de empalme está intacto.
- Limpie la parte exterior de la máquina.

## Limpieza

- Mantener limpia la máquina y la broca para que la perforación se pueda hacer de forma segura.



- Mantener la empuñadura seca y limpia de grasa y aceite.
- Para que la máquina tenga siempre una buena refrigeración, las aberturas de paso del aire refrigerante deben mantenerse libres y limpias. Limpie regularmente la máquina con aire comprimido.



- Limpiar el motor con aire comprimido a intervalos regulares. Quitar la tapa de inspección y limpiarla.

## Grifo de agua

Compruebe que el grifo de agua funciona. No utilice mangueras torcidas, gastadas o defectuosas.

## Suministro eléctrico



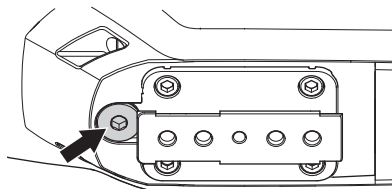
**¡ATENCIÓN! No usar nunca cables dañados, puesto que pueden causar daños personales graves e incluso mortales.**

Compruebe que el cable y el cable de empalme está intacto. Si se daña el cable, no utilice la máquina. Llévela a un taller de servicio oficial para reparar.

## Cambio del aceite de la caja de cambios

El aceite de la caja de cambios debe cambiarse cada 400 horas de trabajo.

- Desenrosque el tapón de aceite.



- Vacíe el aceite en un contenedor. Manipule el aceite acatando la normativa medioambiental. Cumpla los requisitos de reciclaje locales.

En caso necesario, contactar con el distribuidor para la limpieza de la caja de cambios.

- Poner aceite nuevo en la caja de cambios; aproximadamente 0,25 litros. Consulte los datos técnicos para saber qué tipo de aceite es más recomendable.
- El tapón de aceite se fija con un imán que capta las partículas de metal. Limpie el tapón de aceite y vuelva a enroscarlo.



## Cambio de escobillas de carbón

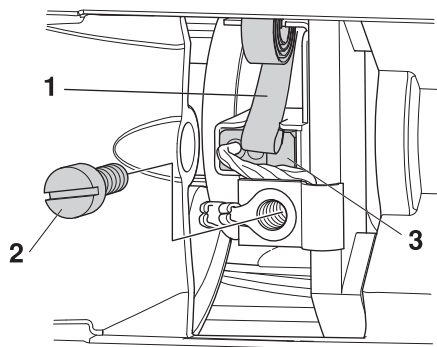


**¡ATENCIÓN! Apague la máquina y desconecte el enchufe.**

Las escobillas deben desmontarse y revisarse regularmente. Cada semana si la máquina se utiliza a diario, o a intervalos más largos si se utiliza con menor frecuencia. La superficie de desgaste debe estar regular e intacta.

Ambas escobillas deben cambiarse siempre en la misma oportunidad, pero de una en una.

- Retire la cubierta de inspección.
- Levante el muelle retenedor del cepillo hacia un lado (1).



- Afloje el tornillo (2).
- Sacar la conexión de escobilla.
- Extraiga el cepillo de carbón del soporte (3).
- Limpie el portaescobillas con aire comprimido o con un cepillo. Reemplace la escobilla si está gastada.
- Monte las escobillas nuevas y compruebe que se deslizan con facilidad en los portaescobillas.
- Colocar el muelle del portaescobilla.
- Insertar la conexión de escobilla debajo del tornillo.
- Repetir el procedimiento con la otra escobilla.
- Atornille la cubierta de inspección en su sitio.
- Dejar la máquina funcionando en ralentí durante 10 minutos para hacer el rodaje de las escobillas nuevas.

# DATOS TECNICOS

## DM 220

Motor eléctrico	Monofásico
Tensión nominal, V	220-240/100-120
Potencia nominal, W	1850
<b>Amperaje nominal, A</b>	
220-240	8 A
100-120 V	13 A
Peso, kg	7
Volumen de aceite de la caja de engranajes en dl	0,25
Tipo de aceite de la caja de engranajes	AP GL-5 SAE 75W-90 o similar

### Diámetro de broca, mm

Diámetro máximo de broca, con soporte	150 mm (5,9")
Diámetro máximo de broca, de mano	80 mm (3.14")

Rosca de husillo	G 1/2"	G 1 1/4"
Conexión de agua	G 1/4'	
Presión del agua - máx, bar	8	

### Emisiones de ruido (vea la nota 1)

Nivel de potencia acústica medido dB(A)	107
Nivel de potencia acústica garantizado dB(A)	108

### Niveles acústicos (vea la nota 2)

Nivel de presión acústica en el oído del usuario, dB(A)	93
---	----

### Niveles de vibraciones, $a_{hv}$ (vea la nota 3)

Mango delantero, $m/s^2$	2,8
Mango trasero, $m/s^2$	2,6

Nota 1: Emisiones sonoras en el entorno medidas como potencia sonora ( $L_{WA}$ ) según la norma EN 60745-2-1.

Nota 2: Nivel de presión sonora conforme a EN 60745-2-1. Los datos referidos del nivel de presión sonora tienen una dispersión estadística habitual (desviación estándar) de 1,0 dB(A).

Nota 3: Nivel de vibración conforme a EN 60745-2-1. Los datos referidos del nivel de vibración poseen una dispersión estadística habitual (desviación típica) de  $1 m/s^2$ .

## Velocidad de taladrado y tamaños de taladro

Engranaje	Velocidad de la broca con carga, r.p.m	Velocidad de la broca sin carga, r.p.m.	Perforación a mano		Perforación con soporte	
			Tamaño de broca recomendado, mm	Tamaño de broca recomendado, pulgadas	Tamaño de broca recomendado, mm	Tamaño de broca recomendado, pulgadas
1	580	730	No se recomienda	No se recomienda	100-150	4-6
2	1400	1700	40-80	2-4	40-80	2-4
3	2900	3600	0-40	0-2	0-40	0-2

---

# DECLARACIÓN CE DE CONFORMIDAD

---

## Declaración CE de conformidad

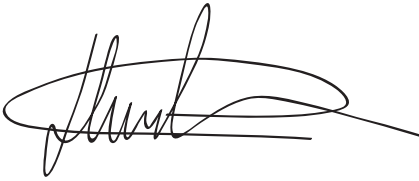
**Husqvarna AB**, SE-561 82 Huskvarna, Suecia, teléfono: +46-36-146500, declara por la presente que la taladradora **Husqvarna DM 220**, a partir del número de serie del año 2010 en adelante (el año se indica textualmente en la placa de identificación, seguido del número de serie), cumple con las siguientes disposiciones de la DIRECTIVA DEL CONSEJO:

- **2006/42/CE** «relativa a máquinas» del 17 de mayo de 2006.
- **2004/108/CEE**, "referente a compatibilidad electromagnética", del 15 de diciembre de 2004.
- **2006/95/CE** del 12 de diciembre de 2006 relativa a equipos eléctricos.
- del 8 de junio de 2011 «sobre restricciones a la utilización de determinadas sustancias peligrosas» **(2011/65/UE)**

Se han aplicado las siguientes normas:

EN ISO 12100:2010, EN 55014-1:2006, EN 55014-2/A1:2001, EN 61000-3-2:2006, EN 61000-3-3/A1/A2:2005, EN 60745-2-1:2007.

Gotemburgo, 3 de febrero de 2015



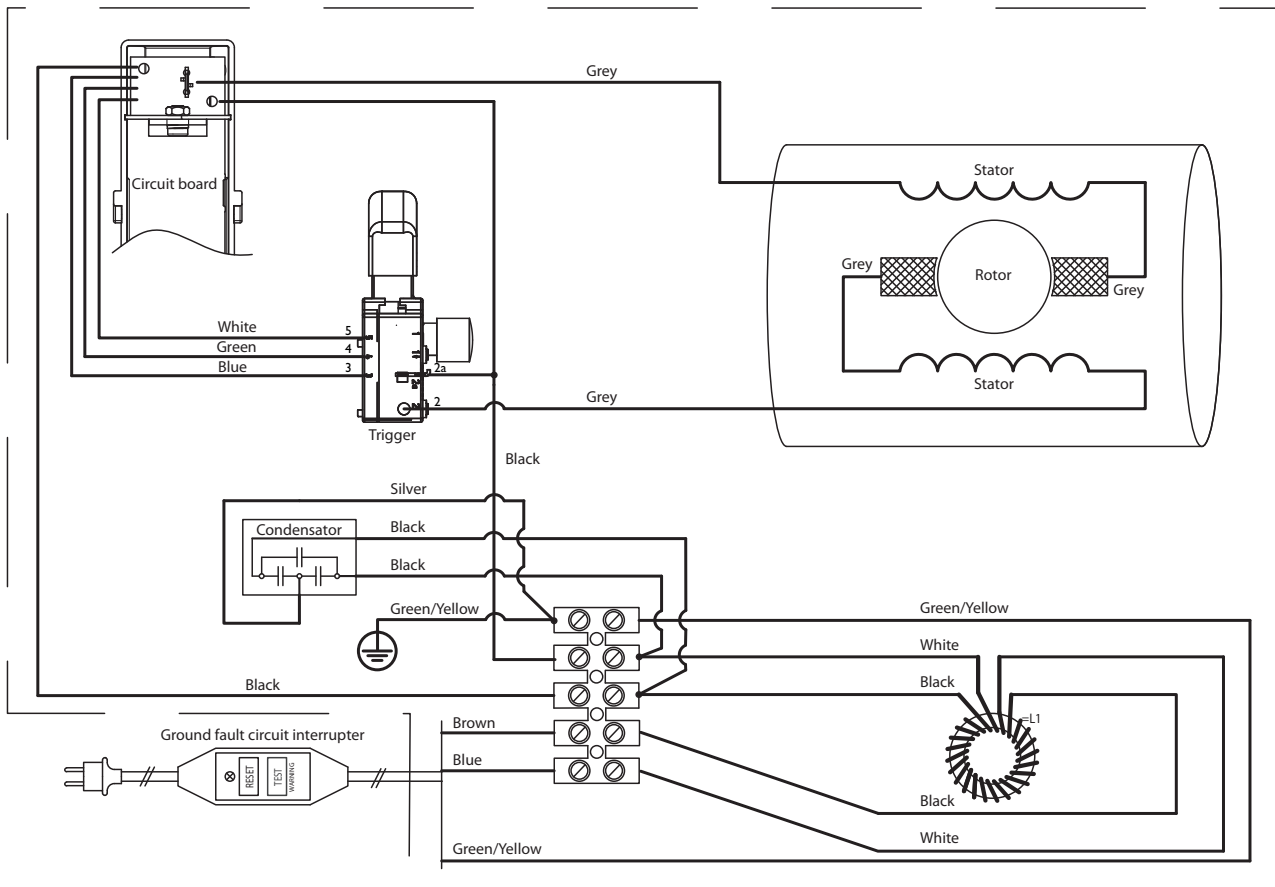
Helena Grubb

Vicepresidente, jefe de la sección de cortadoras y maquinaria para la construcción

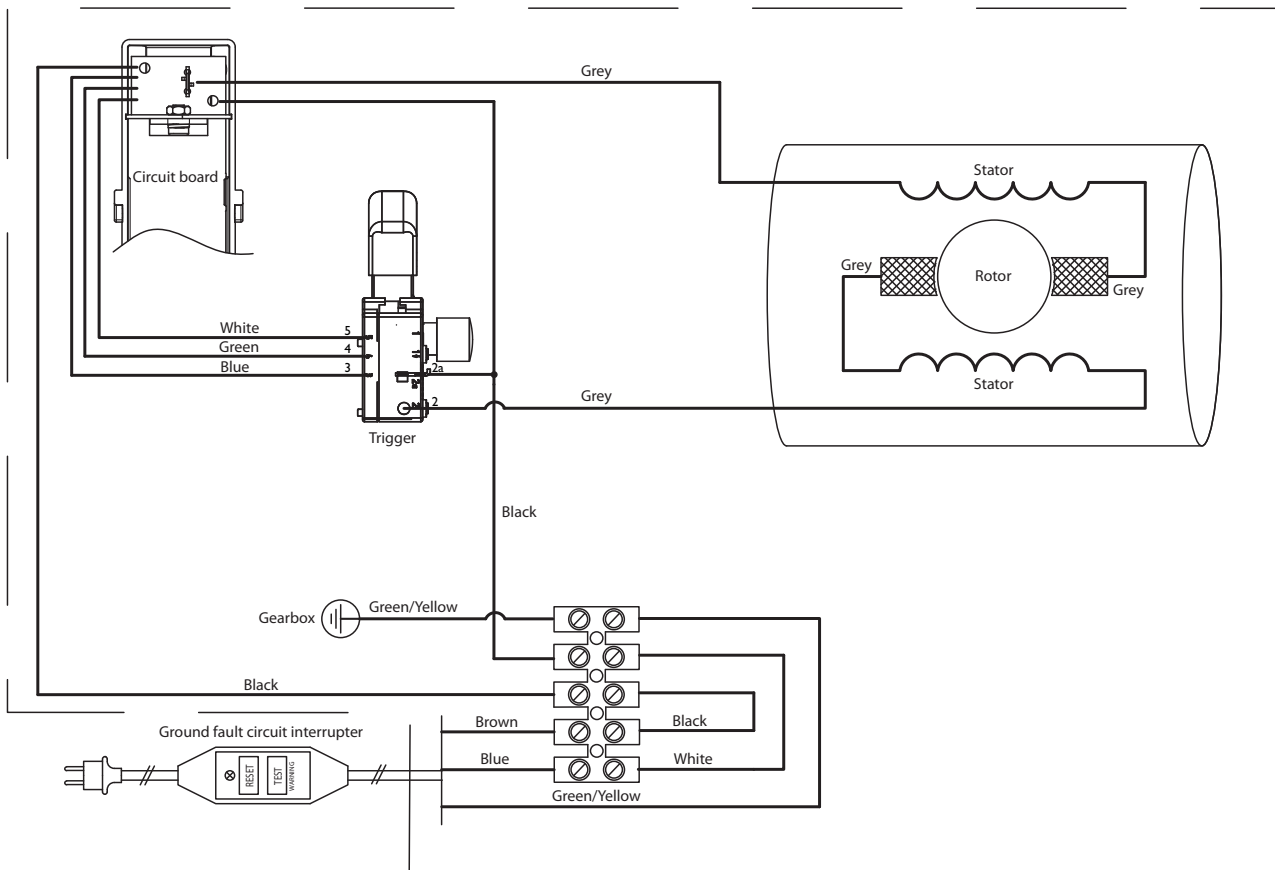
(Presentante autorizado de Husqvarna AB y responsable de la documentación técnica.)

# ESQUEMA DE CONEXIONES ELÉCTRICAS

230 V



110 V



# EXPLICAÇÃO DOS SÍMBOLOS

## Símbolos na máquina

**ATENÇÃO!** A máquina, se for usada de forma indevida ou incorrecta, pode ser perigosa, causando sérios ferimentos ou mesmo a morte do utente ou outras pessoas.



Leia as instruções para o uso com toda a atenção e compreenda o seu conteúdo antes de fazer uso da máquina.



Use equipamento de protecção pessoal. Ver as instruções na secção "Equipamento de protecção pessoal".



Este produto está conforme as directivas em validade da CE.



**Marca ambiental.** O símbolo no produto ou respectiva embalagem indica que este produto não pode ser processado como detritos domésticos. O produto deve então ser entregue a uma estação de reciclagem adequada para reciclagem de equipamento eléctrico e electrónico.



Providenciando para que este produto seja processado de forma correcta, você pode contribuir para contrariar potenciais consequências negativas para o meio ambiente e pessoas, que caso contrário, podem ser provocadas pela gestão inadequada dos resíduos deste produto.

Para mais informação sobre a reciclagem deste produto, contacte os serviços competentes da sua autarquia, o serviço de recolha de resíduos domésticos ou o estabelecimento onde adquiriu o produto.

Na perfuração de tectos, certifique-se de que não pode penetrar água na máquina. Utilize um colector de água apropriado.



**Os restantes símbolos e autocolantes existentes na máquina dizem respeito a exigências específicas para homologação em alguns países.**

## Explicação dos níveis de advertência

As advertências são classificadas em três níveis.

### ATENÇÃO!



**ATENÇÃO!** Utilizado no caso de existir risco de ferimento grave ou morte para o operador ou de danos nas zonas envolventes, se não forem seguidas as instruções do manual.

### CUIDADO!



**CUIDADO!** Utilizado no caso de existir risco de ferimento para o operador ou de danos nas proximidades, se não forem seguidas as instruções do manual.

### ATENÇÃO!

**ATENÇÃO!** Utilizado se existir risco de danos para os materiais ou para a máquina, se não forem seguidas as instruções do manual.

## Índice

### EXPLICAÇÃO DOS SÍMBOLOS

Símbolos na máquina .....	37
Explicação dos níveis de advertência .....	37

### ÍNDICE

Índice .....	38
--------------	----

### APRESENTAÇÃO

Prezado cliente! .....	39
Design e características .....	39
Características .....	39

### COMO SE CHAMA?

Como se chama na perfuradora? .....	40
-------------------------------------	----

### EQUIPAMENTO DE SEGURANÇA DA MÁQUINA

Noções gerais .....	41
---------------------	----

### INSTRUÇÕES GERAIS DE SEGURANÇA

Instruções gerais de segurança .....	42
Instruções de segurança para utilização do motor da broca .....	43

### MONTAGEM E AJUSTAMENTOS

Montagem .....	46
----------------	----

### OPERAÇÃO

Equipamento de protecção .....	47
Técnicas básicas de trabalho .....	47
Transporte e armazenagem .....	48

### ARRANQUE E PARAGEM

Antes de ligar .....	49
Arranque .....	49
Paragem .....	49

### MANUTENÇÃO

Noções gerais .....	50
Controle diário .....	50
Limpeza .....	50
Torneira da água .....	50
Alimentação eléctrica .....	50
Mudança de óleo da caixa de velocidades .....	50
Substituir escovas de carvão .....	51

### ESPECIFICAÇÕES TÉCNICAS

Velocidade de perfuração e tamanhos das brocas .....	52
--	----

### CERTIFICADO CE DE CONFORMIDADE

Certificado CE de conformidade .....	53
--------------------------------------	----

### ESQUEMA ELÉCTRICO

230 V .....	54
110 V .....	54

# APRESENTAÇÃO

## Prezado cliente!

Muito obrigado por escolher um produto Husqvarna!

Esperamos que ficará satisfeito com a sua nova máquina e que ela o acompanhará durante muito tempo. A compra de qualquer dos nossos produtos dá-lhe acesso a ajuda profissional, incluindo reparações e assistência técnica. Se não tiver adquirido a sua máquina num dos nossos revendedores autorizados, pergunte onde fica a oficina especializada mais próxima.

Este manual tem um grande valor. Certifique-se de que este manual se encontra sempre à mão no local de trabalho. Seguindo o seu conteúdo (utilização, assistência técnica, manutenção, etc) aumentará consideravelmente a vida útil da máquina bem como o preço de venda em segunda mão da mesma. Se vender a sua máquina, entregue as instruções de utilização ao novo proprietário.

## Mais de 300 anos de inovação

A Husqvarna, empresa baseada na Suécia, tem como base uma tradição que remonta a 1689, quando o rei sueco Karl XI mandou construir uma fábrica para fabricar mosquetes. Na época, estabeleceram-se as fundações para o desenvolvimento de capacidades relacionadas com a engenharia que se encontra por detrás de alguns dos produtos mais conhecidos do mundo, tais como armas de caça, bicicletas, motociclos, aparelhos domésticos, máquinas de costura e ferramentas para uso em exteriores.

A Husqvarna é a líder global em ferramentas motorizadas para uso em exteriores, tais como em silvicultura, manutenção de jardins e parques, cuidados da relva, bem como na área do equipamento de corte e ferramentas de diamante para a construção e a indústria de extracção e transformação de pedra.

## Responsabilidade do proprietário

É da responsabilidade do proprietário/entidade empregadora que o operador tenha conhecimento suficiente sobre como utilizar a máquina em segurança. Os supervisores e os operadores devem ter lido e compreendido o Manual do Operador. Devem conhecer:

- As instruções de segurança da máquina.
- As diversas aplicações da máquina e as suas limitações.
- O modo como a máquina deve ser utilizada e mantida.

A legislação nacional poderá regular a utilização desta máquina. Informe-se da legislação aplicável no seu local de trabalho antes de utilizar esta máquina.

## Ressalvas do fabricante

No seguimento da publicação deste manual, a Husqvarna poderá emitir informações adicionais para garantir uma operação segura deste produto. O proprietário tem o dever de se manter actualizado quanto aos métodos de operação mais seguros.

Husqvarna AB efectua o desenvolvimento contínuo dos seus produtos, reservando-se o direito de introduzir modificações referentes, entre outros, ao aspecto e forma dos mesmos sem aviso prévio.

Para obter informação e assistência, contacte-nos através do nosso website: [www.usa.husqvarna.com](http://www.usa.husqvarna.com)

## Design e características

Os nossos valores, tais como a elevada performance, fiabilidade, tecnologia inovadora, soluções técnicas avançadas e o cuidado do ambiente, distinguem os produtos Husqvarna. Para garantir uma operação segura deste produto, o operador deverá ler atentamente este manual. Consulte o seu concessionário ou contacte a Husqvarna, caso necessite de informações adicionais.

Algumas das características únicas dos nossos produtos encontram-se descritas em baixo.

## Características

Os nossos valores, tais como a elevada performance, fiabilidade, tecnologia inovadora, soluções técnicas avançadas e o cuidado do ambiente, distinguem os produtos Husqvarna.

Algumas das características únicas dos nossos produtos encontram-se descritas em baixo.

## Softstart™

Softstart™ é um limitador de corrente electrónico que proporciona um arranque mais suave.

## Smart Start®

A máquina funciona a uma velocidade mais lenta quando a função Smart Start (arranque inteligente) é activada. Esta função torna mais fácil começar a perfurar o material.

## Elgard™

Elgard™ é uma protecção contra sobrecargas electrónica, que protege o motor. A protecção poupa a máquina e aumenta o seu tempo de vida útil. Com a ajuda de Elgard™, a máquina indica quando se aproxima da carga máxima.

## Level guiding system

O Level guiding system da máquina funciona como um nível electrónico e ajuda o utilizador a perfurar na posição requerida. Por meio da consulta do LED indicador no cimo da máquina, e procedendo aos ajustes em conformidade, o operador perfura mais facilmente e numa melhor posição.

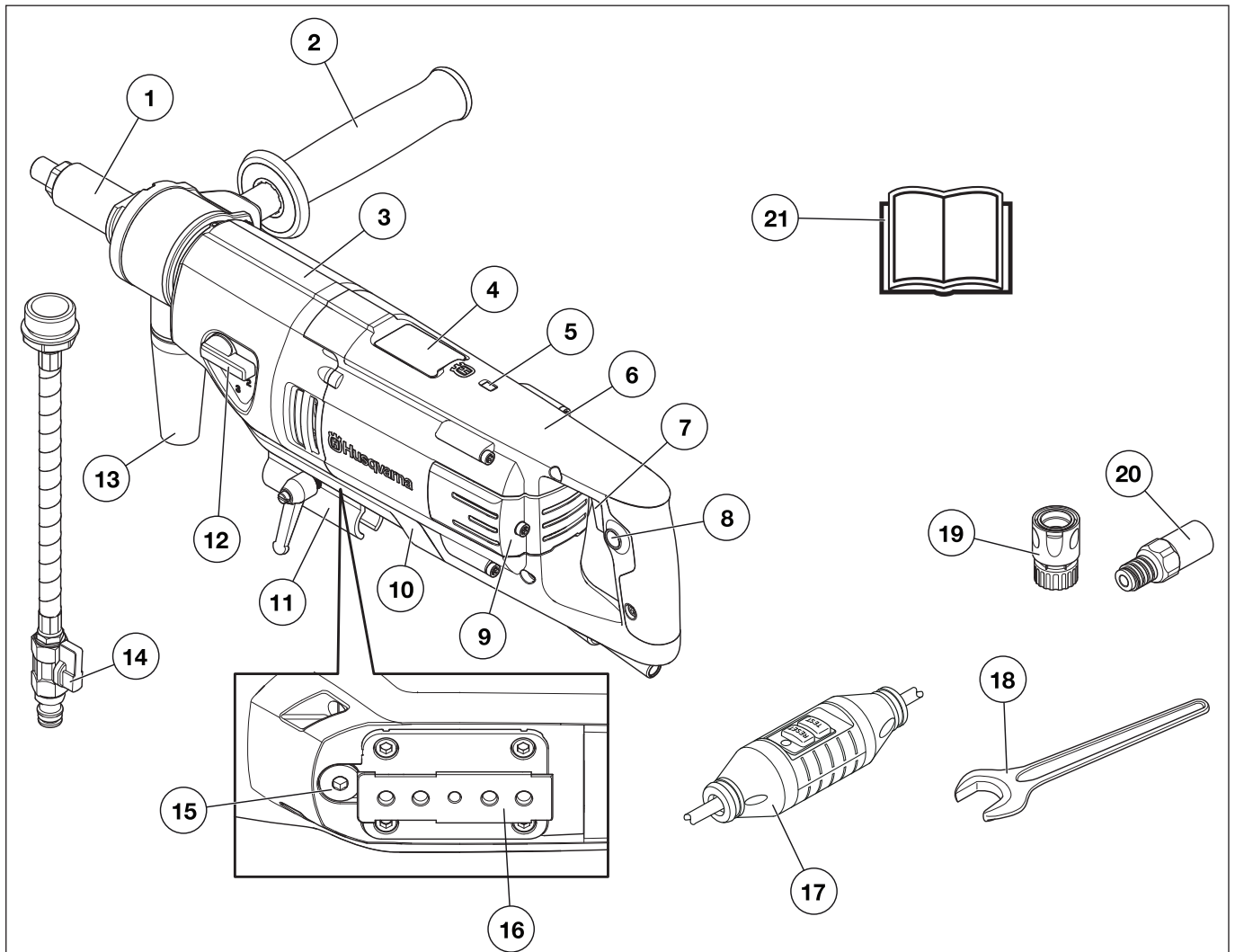
## Punho rotativo

O punho pode ser completamente rodado em torno do eixo do fuso e pode ser fixo em qualquer posição.

## Bocal água/pó rotativo

O bocal pode ser rodado livremente em torno do eixo do fuso e ser fixo em qualquer posição. O bocal é ligado a uma fonte de água para uma perfuração com injeção de água e a um aspirador para uma perfuração seca.

# COMO SE CHAMA?



## Como se chama na perfuradora?

- |                                  |   |
|----------------------------------|---|
| 1 Bucha de fixação da broca      | 12 Manípulo de velocidades                              |
| 2 Punho rotativo                 | 13 Ligação a aspirador                                  |
| 3 Caixa da engrenagem            | 14 Ligação da água                                      |
| 4 Indicador de nível electrónico | 15 Tampão do óleo                                       |
| 5 Indicador de potência          | 16 Fixação para suporte                                 |
| 6 Motor                          | 17 Interruptor corta-circuito em caso de falha na terra |
| 7 Interruptor com Smart Start®   | 18 Chaves   |
| 8 Botão de bloqueio, interruptor | 19 Ligação da água                                      |
| 9 Tampa de inspecção             | 20 Adaptador (apenas EUA)                               |
| 10 Cobertura de protecção        | 21 Instruções para o uso                                |
| 11 Suporte para "Starthelper"    |   |



# EQUIPAMENTO DE SEGURANÇA DA MÁQUINA

## Noções gerais

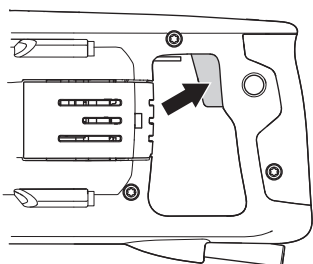


**ATENÇÃO! Nunca use uma máquina com peças de segurança defeituosas. Se a sua máquina não satisfizer a algum desses controlos, deverá ser enviada a uma oficina autorizada para reparação.**

Nesta secção esclarecem-se quais são as peças de segurança da máquina, que função desempenham e ainda como efectuar o controlo e a manutenção para se certificar da sua operacionalidade.

## Interruptor

O interruptor é usado para pôr a máquina a funcionar e para desligá-la.



### Verificar o interruptor

- Ponha a máquina a funcionar, solte o interruptor e verifique se o motor e o trépano param.
- Um interruptor defeituoso tem que ser mudado numa oficina autorizada.

## Interruptor corta-circuito em caso de falha na terra

Os interruptores corta-circuito em caso de falha de terra destinam-se à protecção em caso de falha eléctrica.

O LED indica que o interruptor corta-circuito em caso de falha de terra está ligado e que a máquina pode ser ligada. Caso o LED não esteja aceso, prima o botão REINICIAR (verde).



## Verifique o interruptor corta-circuito em caso de falha de terra

- Ligue a máquina à tomada. Prima o botão REINICIAR (verde) e o LED vermelho acende-se.



- Ligue a máquina carregando no interruptor.
- Prima o botão de TESTE (azul).



- O interruptor corta-circuito em caso de falha de terra deve disparar e a máquina desliga-se instantaneamente. Caso isto não aconteça, contacte o seu fornecedor.
- Reinicie a máquina com o botão REINICIAR (verde).

# INSTRUÇÕES GERAIS DE SEGURANÇA

## Instruções gerais de segurança



**ATENÇÃO!** Leia todos os avisos de segurança e todas as instruções. A inobservância dos avisos e instruções pode resultar em choques eléctricos, incêndio e/ou lesões graves.

**IMPORTANTE!** Guarde todos os avisos e instruções para referência futura. O termo "ferramenta eléctrica" nos avisos refere-se a ferramentas (com fio) ligadas à corrente eléctrica ou a ferramentas (sem fio) de funcionamento a bateria.

## Segurança no local de trabalho

- **Mantenha a área de trabalho limpa e bem iluminada.** Áreas desarrumadas ou escuras convidam ao acidente.
- **Não maneje ferramentas eléctricas em ambientes explosivos, tal como na presença de líquidos inflamáveis, gases ou poeiras.** As ferramentas eléctricas criam faíscas que podem poeiras ou gases.
- **Mantenha as crianças e restantes pessoas afastadas enquanto maneja uma ferramenta eléctrica.** As distrações podem fazê-lo perder o controlo.

## Segurança no manejo de electricidade

- **As fichas das ferramentas eléctricas têm de corresponder à tomada eléctrica. Nunca modifique a ficha de qualquer forma. Não use quaisquer fichas adaptadoras com ferramentas eléctricas ligadas à terra.** As fichas não modificadas e tomadas eléctricas correspondentes reduzirão o risco de choque eléctrico.
- **Evite o contacto corporal com superfícies ligadas à terra, tais como tubos, radiadores, fogões e frigoríficos.** Existe um risco acrescido de choque eléctrico se o seu corpo estiver ligado à terra.
- **Não exponha ferramentas eléctricas a chuva ou condições de elevada humidade.** Se a água entrar numa ferramenta eléctrica irá aumentar o risco de choque eléctrico.
- **Não danifique o fio eléctrico. Nunca use o fio eléctrico para transportar, puxar ou desligar a ferramenta eléctrica da tomada. Mantenha o fio eléctrico fora do alcance de calor, óleo, arestas cortantes ou peças em movimento.** Fios eléctricos danificados ou emaranhados aumentam o risco de choque eléctrico.
- **Ao manejar uma ferramenta eléctrica no exterior, use uma extensão eléctrica adequada para utilização em exteriores.** A utilização de uma extensão eléctrica adequada para utilização em exteriores reduz o risco de choque eléctrico.
- **Caso a operação da ferramenta eléctrica num local húmido seja inevitável, utilize uma fonte de alimentação com corta-circuito em caso de falha de terra.** A utilização de um corta circuito em caso de falha de terra reduz o risco de choques eléctricos.

## Segurança pessoal

- **Mantenha-se alerta, tenha atenção às suas acções e use o bom senso ao manejar uma ferramenta eléctrica. Não use uma ferramenta eléctrica se estiver cansado ou sob a influência de drogas, álcool ou medicação.** Um momento de desatenção durante o manejo de ferramentas eléctricas pode resultar em lesões pessoais graves.
- **Use equipamento de protecção pessoal. Use sempre protecção ocular.** O equipamento de protecção como máscara respiratória, calçado de segurança antiderrapante, capacete de segurança ou protecção dos ouvidos, usados para as condições adequadas, reduzirão as lesões pessoais.
- **Evite o arranque não intencional. Assegure-se de que o interruptor está na posição OFF (desligado) antes de ligar a uma fonte de alimentação eléctrica e/ou baterias, antes de pegar ou transportar a ferramenta.** Transportar ferramentas eléctricas com o dedo no interruptor ou ligar ferramentas eléctricas à corrente eléctrica com o interruptor ligado é um convite aos acidentes.
- **Remova qualquer chave de ajuste ou chave de porcas antes de ligar a ferramenta à corrente eléctrica.** Uma chave de porcas ou uma chave ligada a uma peça em rotação da ferramenta eléctrica pode resultar em lesões pessoais.
- **Não se debruce. Mantenha o equilíbrio e os pés sempre bem assentes.** Isto permite um melhor controlo da ferramenta eléctrica em situações inesperadas.
- **Vista-se adequadamente. Não use peças de roupa soltas ou jóias. Mantenha o cabelo, roupas e luvas longe de quaisquer peças em movimento. Roupas soltas, jóias ou cabelo comprido podem ser apanhados nas peças em movimento.**
- **Se forem fornecidos dispositivos para a ligação a equipamentos de extracção e de recolha de poeiras, certifique-se de que os mesmos estão ligados e são usados adequadamente.** A utilização de um equipamento de recolha de poeiras pode reduzir os riscos relacionados com poeiras.

## Utilização e manutenção de ferramentas eléctricas

- **Não force a ferramenta eléctrica. Use a ferramenta eléctrica correcta para a sua aplicação.** A ferramenta eléctrica correcta fará um trabalho melhor e mais seguro ao ritmo para o qual foi desenhada.
- **Não use a ferramenta eléctrica se o interruptor não ligar ou desligar.** Qualquer ferramenta eléctrica que não possa ser controlada com o interruptor é perigosa e tem de ser reparada.
- **Desligue a ficha da fonte de alimentação eléctrica e/ou baterias da ferramenta eléctrica antes de fazer qualquer ajuste, mudar acessórios ou guardar ferramentas eléctricas.** Estas medidas de prevenção reduzem o risco de ligar a ferramenta eléctrica acidentalmente.

# INSTRUÇÕES GERAIS DE SEGURANÇA

- **Guarde ferramentas eléctricas que não estão a ser utilizadas fora do alcance das crianças e não permita que qualquer pessoa não familiarizada com a ferramenta eléctrica ou com as suas instruções maneje a ferramenta eléctrica.** As ferramentas eléctricas são perigosas nas mãos de utilizadores inexperientes.
- **Faça a manutenção às ferramentas eléctricas. Verifique quanto a desalinhamentos ou bloqueio de peças móveis, danos de peças e qualquer outra condição que possa afectar o funcionamento da ferramenta eléctrica. Se estiver danificada, repare a ferramenta eléctrica antes de a usar.** Muitos acidentes são causados por ferramentas eléctricas com má manutenção.
- **Mantenha as ferramentas de corte afiadas e limpas.** Ferramentas de corte com as zonas de corte afiadas e bem mantidas têm menos probabilidades de bloquear e são mais fáceis de controlar.
- **Use a ferramenta eléctrica, acessórios e brocas, etc. de acordo com estas instruções, tomando em consideração as condições de funcionamento e o trabalho a ser executado.** A utilização da ferramenta eléctrica para operações diferentes das previstas pode resultar em situações perigosas.

## Assistência

- **Em caso de necessidade de assistência, leve a sua ferramenta eléctrica a um técnico de reparações qualificado e que utilize apenas peças de substituição idênticas.** Isto irá assegurar que a segurança das ferramentas eléctricas é mantida.

## Use sempre o seu bom senso

Não é possível cobrir todas as situações possíveis que poderá enfrentar. Actue sempre com precaução e use de senso comum. Caso se encontre numa situação em que se sinta inseguro, interrompa o trabalho e consulte um especialista. Contacte o seu revendedor, a sua oficina de serviço ou um utilizador experiente. Evite toda a utilização para a qual não se sinta suficientemente habilitado!

## Instruções de segurança para utilização do motor da broca

Esta secção descreve as regras básicas de segurança para o trabalho com a máquina. A informação apresentada nunca substitui os conhecimentos, capacidades e a experiência de um profissional.

- Leia as instruções para o uso com toda a atenção e compreenda o seu conteúdo antes de fazer uso da máquina.
- Esteja consciente de que o operador é responsável por acidentes e situações que possam representar perigo de danos pessoais ou materiais a terceiros.
- Todos os operadores deverão ser instruídos sobre como usar a máquina. É da responsabilidade do proprietário que os operadores recebam instrução.
- A máquina deve ser mantida limpa. As sinalizações e os autocolantes deverão estar totalmente legíveis.



**ATENÇÃO!** A máquina, se for usada de forma indevida ou incorrecta, pode ser perigosa, causando sérios ferimentos ou mesmo a morte do utente ou outras pessoas.

Nunca deixar crianças ou outras pessoas utilizar a máquina ou efectuar a manutenção que não estejam devidamente formadas no seu manuseamento. Nunca permita que outra pessoa utilize a máquina sem estar certo de que a mesma entendeu o conteúdo do manual de instruções.

Nunca use a máquina quando estiver cansado, tiver bebido álcool ou tomado remédios que possam afectar a sua vista, a sua capacidade de discernimento ou o seu controlo físico.



**ATENÇÃO!** Modificações e/ou acessórios não autorizados podem provocar sérias lesões ou perigo de vida para o utilizador ou outros.

Não modifique nunca esta máquina de forma a deixar de corresponder à versão original e não a use caso pareça ter sido modificada por outros.

Nunca use uma máquina defeituosa. Efectue as verificações de segurança e cumpra as instruções de manutenção e assistência técnica contidas neste manual. Alguns serviços de manutenção e de assistência técnica deverão ser executados por especialistas qualificados. Consulte as instruções na secção Manutenção.

**Devem usar-se sempre acessórios originais.**

## Segurança do trabalho

- Evite o uso em condições meteorológicas desfavoráveis. Por exemplo, em denso nevoeiro, chuva e vento fortes, frio intenso, etc. Trabalhar com mau tempo é cansativo e pode levar a situações perigosas, tais como ir para terreno escorregadio.
- Nunca inicie o trabalho com a máquina antes de certificar-se que o local de trabalho está desimpedido e que tenha um apoio seguro para os seus pés. Observe se há eventuais obstáculos caso necessite de deslocar-se inesperadamente. Assegure-se que não possa cair nenhum material, causando danos, enquanto estiver a trabalhar com a máquina.
- Inspeccione sempre o lado contrário da superfície aonde o trépano vai sair ao efectuar a perfuração. Vede e impeça o acesso à zona de trabalho e certifique-se de que não possam ocorrer acidentes pessoais nem danos materiais.

# INSTRUÇÕES GERAIS DE SEGURANÇA

## Segurança no manejo de electricidade



**ATENÇÃO!** Há sempre o risco de choques eléctricos ao trabalhar com máquinas eléctricas. Evite trabalhar com condições atmosféricas desfavoráveis e em contacto físico com pára-raios e objectos metálicos. Para evitar acidentes, siga sempre as instruções do manual de instruções.



**ATENÇÃO!** Não lave a máquina com água, pois esta pode penetrar no sistema eléctrico e causar danos ou curto-circuitos.

- Nunca utilize a ferramenta sem o corta-circuito em caso de falha de terra entregue com a ferramenta.
- A máquina deve ser ligada a uma tomada com ligação à terra.
- Verifique se a tensão de rede coincide com a indicada na placa que se encontra na máquina.
- Verifique se o fio e a extensão estão intactos e em bom estado. Se algum cabo da máquina ou ficha estiverem danificados, não use a máquina e leve-a a uma oficina de reparações autorizada para ser reparada.
- Não use uma extensão enquanto enrolada, para evitar sobreaquecimento.
- Não exponha a ferramenta eléctrica à chuva. A entrada de água numa ferramenta eléctrica aumenta o risco de choque eléctrico.
- A ferramenta eléctrica não deve ser exposta a mais humidade que aquela que é proporcionada pelo sistema de água. O sistema de água arrefece a ponta da broca com água limpa. Assegure-se de que as lamas da perfuração não entram na máquina.
- Quando começar a usar a máquina, certifique-se de que o fio se encontra atrás de si de modo ao fio não sofrer danos.
- Desligue sempre a ficha de ligação durante intervalos grandes no trabalho.

## Perfuração ao ar livre

- Use sempre extensões eléctricas aprovadas para uso ao ar livre.

## Segurança pessoal

- Nunca permita que outra pessoa utilize a máquina sem estar certo de que a mesma entendeu o conteúdo do manual de instruções.
- Mantenha-se afastado do trépano quando o motor está a funcionar. Os trépanos em rotação implicam o risco de ferimentos graves.
- Certifique-se de não haver canalização e cabos eléctricos na zona de perfuração.
- Não deixe nunca a máquina sem vigilância com o motor a trabalhar.
- Desligue sempre a ficha de ligação durante intervalos grandes no trabalho.
- Nunca trabalhe sozinho; trate sempre de ter alguém perto. Além de poder ter ajuda para montar a máquina, poderá ser socorrido na ocorrência de um acidente.
- Utilize as pegas auxiliares fornecidas com a ferramenta. A perda de controlo pode causar ferimentos nas pessoas.

## Utilização e manutenção

- Esta máquina é ideal para perfurar betão, tijolos e outros materiais de pedra. Pode ser utilizada como broca manual ou montada num suporte.
- A máquina destina-se a ser usada por operadores experientes em aplicações industriais.
- A inspecção e/ou manutenção é efectuada com o motor desligado e com a ficha de retirada da tomada de corrente.
- A máquina tem um binário de rotação muito alto. Isso requer alta concentração no trabalho, dado que podem ocorrer graves acidentes se a broca repentinamente ficar encravada.
- Mantenha-se afastado do trépano quando o motor está a funcionar.
- Não sobrecarregue a máquina. A sobrecarga pode danificar a máquina.
- Mantenha todas as peças em bom estado de funcionamento e certifique-se de que todos os elementos de fixação estão bem apertados.
- Desligue sempre a máquina antes de deslocar.
- Segure a ferramenta eléctrica pelas superfícies de agarre isoladas quando realizar trabalhos em que o acessório de corte pode entrar em contacto com cablagem oculta ou com o próprio cabo. O contacto do acessório de corte com um fio com tensão pode energizar as peças metálicas expostas da ferramenta eléctrica e, por conseguinte, provocar um choque eléctrico no operador.

## Perfuração a seco



**CUIDADO!** Durante a perfuração produz-se poeira que, se respirada, pode causar lesões. Use protecção respiratória aprovada. Liga-se a máquina a um aspirador para uma gestão eficaz de poeiras durante trabalhos de perfuração a seco.

## Perfuração em tectos

**ATENÇÃO!** Não tapar a entrada de ar.

Use colector de água para impedir a entrada de água na máquina.

# INSTRUÇÕES GERAIS DE SEGURANÇA

Elgard™

**ATENÇÃO!** Não sobrecarregue repetidamente a máquina. Esta prática pode danificar a máquina.

Se o motor for sobrecarregado, a protecção contra sobrecarga faz com que o motor pulse. Se então se reduzir o esforço, o motor retorna à rotação normal.

Se a máquina for submetida a grande esforço, ou se a broca ficar encravada, a protecção contra sobrecargas corta a corrente eléctrica. Reponha as definições iniciais da máquina desligando-a e ligando-a outra vez.

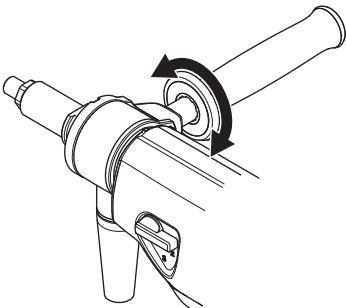
Se a broca ficar encravada, a embraiagem deslizante mecânica protege a caixa de velocidades antes da protecção contra sobrecargas cortar a corrente.

## Perfuração manualmente

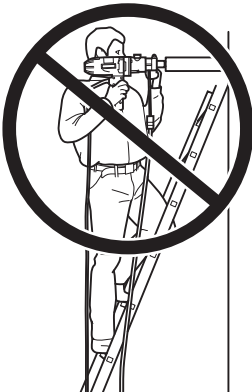


**ATENÇÃO!** Em operações de perfuração com a máquina sujeita manualmente, não use a primeira velocidade, pois o alto binário da máquina pode causar acidentes se a broca ficar encravada.

- Em operações de perfuração com a máquina sujeita manualmente, use sempre brocas com um diâmetro máximo de 80 mm. Quanto maior a broca, mais forte será a reacção se a broca encravar.
- Prenda firmemente o punho rotativo no lugar antes de começar a perfurar.



- Não efectue nunca operações de perfuração manualmente desde uma escada. Perfuração com a máquina sujeita manualmente é em certos casos perigosa, uma vez que o risco de queda é muito grande se a broca encravar.



## Perfuração com suporte

- Caso a perfuração vá ser efectuada desde uma escada ou andaime, usar sempre suporte de perfuração.
- Certifique-se de que o suporte está bem ancorado.
- Certifique-se de que a perfuradora está correctamente presa ao suporte.

# MONTAGEM E AJUSTAMENTOS

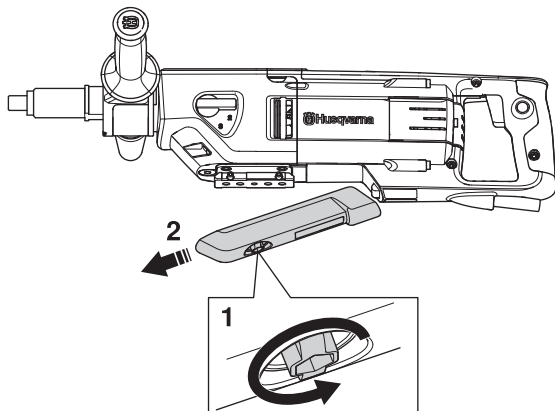
## Montagem



**ATENÇÃO!** A máquina deve ser desligada com o cabo de alimentação desconectado da tomada.

## Montagem no suporte

- Desaperte o parafuso. Retire a cobertura de protecção.



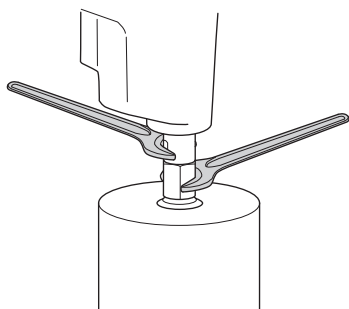
- Ver instruções no manual do operador do suporte em questão.

## Colocação/substituição da broca



**CUIDADO!** A broca e a área circundante encontram-se extremamente quentes após a utilização. Espere que a máquina arrefeça antes de remover a broca. Utilize luvas de protecção.

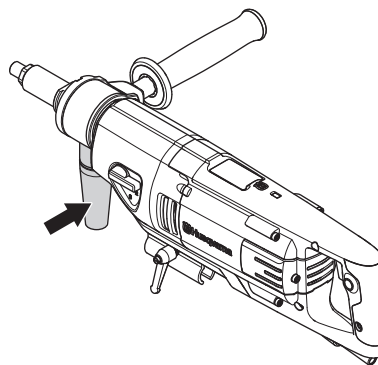
- Aplique massa lubrificante resistente a água na roscagem da broca.
- Monte a broca usando as chaves fixas.



- Antes de ligar a máquina, certifique-se cuidadosamente de que a nova broca está bem presa.

## Ligue o aspirador

- Liga-se a máquina a um aspirador para uma gestão eficaz de poeiras durante trabalhos de perfuração a seco.



# OPERAÇÃO

## Equipamento de protecção

### Noções gerais

Nunca use uma máquina sem que possa pedir ajuda em caso de acidente.

### Equipamento de protecção pessoal

Em quaisquer circunstâncias de utilização da máquina deve ser utilizado equipamento de protecção pessoal aprovado. O equipamento de protecção pessoal não elimina o risco de lesão mas reduz os seus efeitos em caso de acidente. Consulte o seu concessionário na escolha do equipamento.



**ATENÇÃO!** A utilização de produtos de corte, esmerilhamento, perfuração, polimento ou configuração de material, podem criar poeiras e vapores contendo químicos prejudiciais para a saúde. Informe-se sobre a composição do material com que trabalha e use uma máscara respiratória adequada.



**ATENÇÃO!** A exposição prolongada a ruídos pode provocar danos auditivos permanentes. Por isso, use sempre protectores acústicos aprovados. Esteja sempre atento a sinais de alarme ou avisos de viva voz quando usar protectores acústicos. Retire os protectores acústicos logo que o motor tenha parado.



**ATENÇÃO!** Ao trabalhar com produtos com peças móveis, há sempre o risco de esmagamento. Use luvas de trabalho para evitar ferimentos.

Use sempre:

- Capacete de protecção
- Protectores acústicos
- Óculos ou viseira de protecção
- Máscara respiratória
- Luvas fortes e de agarre seguro.
- Vestuário justo, forte e confortável que permita total liberdade de movimentos.
- Botas com biqueiras de aço e solas antidesslizantes.

Tenha cuidado com peças de vestuário, cabelos compridos e adornos, dado que podem prender-se em componentes móveis.

### Outro equipamento de protecção



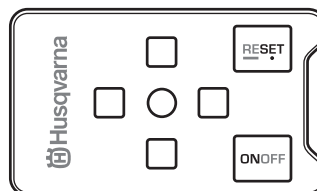
**ATENÇÃO!** Podem originar-se faíscas que podem causar um incêndio, ao trabalhar com a máquina. Tenha sempre à mão utensílios para extinção de incêndios.

- Equipamento de combate a incêndios
- Os primeiros socorros devem sempre estar à mão.

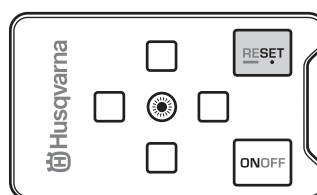
## Técnicas básicas de trabalho

### Level guiding system

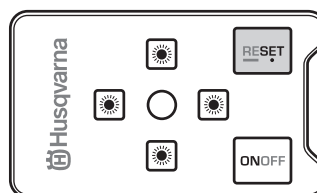
O Level guiding system da máquina funciona como um nível electrónico e ajuda o utilizador a perfurar na posição requerida. Por meio da consulta do LED indicador no cimo da máquina, e procedendo aos ajustes em conformidade, o operador perfura mais facilmente e numa melhor posição.



O LED verde central permanece iluminado desde que a máquina esteja na posição requerida.

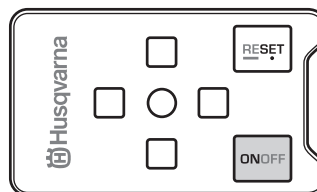


Os LED vermelhos em volta indicam em que direcção a máquina deve ser inclinada para atingir a posição requerida.



### Activar o sistema

- Prima o o botão ON/OFF (ligar /desligar) para activar o sistema.



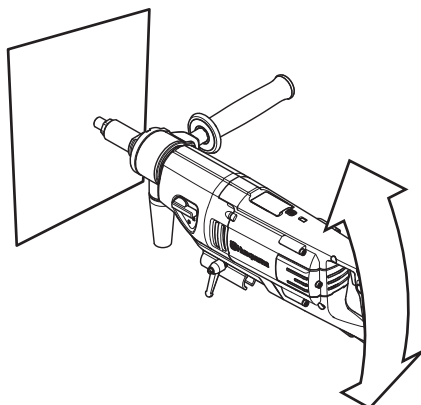
- Esta função determina o ângulo da máquina, permitindo alterá-lo em conformidade.

# OPERAÇÃO

## Posição horizontal

O LED verde central ilumina-se quando a máquina se encontra alinhada horizontalmente.

O sistema detecta o desvio da máquina do plano horizontal.

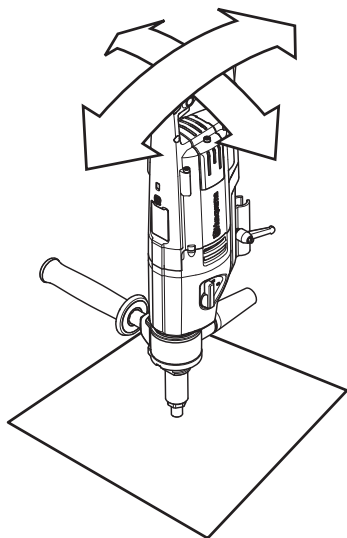


Se a parte de trás da máquina for inclinada para baixo, o LED verde central apaga-se e o LED vermelho da frente acende-se. Se a parte de trás da máquina for inclinada para cima, o LED vermelho da parte de trás acende-se.

## Posição vertical

O LED verde central ilumina-se quando a máquina se encontra alinhada verticalmente.

O sistema detecta desvios em dois planos.



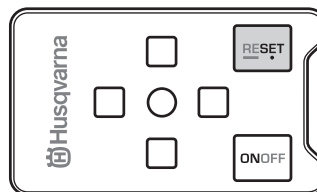
Se a parte de trás da máquina for inclinada para baixo, o LED verde central apaga-se e o LED vermelho da frente acende-se. Se a parte de trás da máquina for inclinada para cima, o LED vermelho da parte de trás acende-se.

Caso a parte de trás da máquina for inclinada para a direita, o LED verde central apaga-se e o LED vermelho da esquerda ilumina-se. Caso a parte de trás da máquina for inclinada para a esquerda, o LED vermelho do lado direito ilumina-se.

## Definição do ângulo por parte do operador

O Level guiding system na máquina pode ser configurado de modo a definir um ângulo de perfuração específico.

- Segure na máquina no ângulo pretendido e prima o botão RESET (reposição).



- Defina o ângulo a zeros mantendo o botão RESET premido durante cerca de 3 segundos.

O ângulo também é resposto a zeros quando a máquina é desligada da fonte de alimentação durante bastante tempo.

## Desactivar o sistema

O sistema pode ser desactivado temporariamente premindo o botão ON/OFF. Desactivação é reposta a zeros se o botão ON/OFF for premido novamente ou quando a máquina é desligada da corrente.

O sistema é desactivado temporariamente premindo o botão ON/OFF durante aproximadamente 3 segundos. Prima o botão ON/OFF para activar novamente o sistema.

## Transporte e armazenagem

- Para proteger a sua perfuradora e broca contra danos, não guarde nem transporte a perfuradora com o trépano montado.
- Fixe o equipamento para transportá-lo, de modo a evitar danos e acidentes durante o transporte.
- Armazene o equipamento numa área que seja possível de trancar, de modo a mantê-lo fora do alcance de crianças e pessoas não autorizadas.
- Armazene a máquina e o respectivo equipamento num local seco e à prova de geada.



# ARRANQUE E PARAGEM

## Antes de ligar



**ATENÇÃO!** Leia as instruções para o uso com toda a atenção e compreenda o seu conteúdo antes de fazer uso da máquina.

Use equipamento de protecção pessoal. Ver as instruções na secção "Equipamento de protecção pessoal".

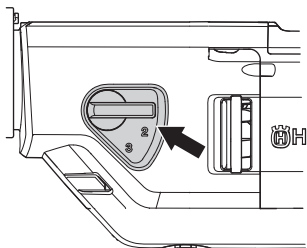
Não permita a presença de pessoas estranhas na área de trabalho, sob risco de danos pessoais sérios.

- Verifique que a máquina se encontra correctamente montada e não apresenta sinais de danos. Ver instruções na secção "Montagem e ajustamentos".
- Execute uma manutenção diária. Ver as instruções na secção "Manutenção".

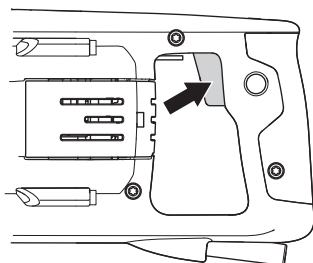
## Arranque

**ATENÇÃO!** A mudança de velocidade só deve ser efectuada com a máquina desligada. Caso contrário há o perigo de danificar a caixa de velocidades.

- Ajustar a rotação de trabalho rodando a bucha de fixação da broca e deslocando simultaneamente o manípulo das velocidades para a posição desejada.



- Abra a água de arrefecimento (perfuração húmida) ou ligue o aspirador (perfuração a seco).
- Prima o interruptor até meio para activar a função Smart Start e até ao fundo para perfurar à velocidade máxima.



## Paragem



**CUIDADO!** O trépano continua a girar por um período curto após o motor ser desligado. Assegure-se que a broca pode rodar livremente até ter parado completamente. A falta de cuidado pode causar ferimentos graves.

- Faça funcionar a máquina sem carga uns minutos para arrefecer o motor.
- Para fazer parar o motor, solta-se o interruptor.

## Noções gerais



**ATENÇÃO!** O utente só pode efectuar trabalhos de manutenção e assistência do tipo descrito nestas instruções. Intervenções maiores devem ser efectuadas por uma oficina autorizada.

Desligue a máquina e retire a tomada da parede.

Use equipamento de protecção pessoal. Ver as instruções na secção "Equipamento de protecção pessoal".

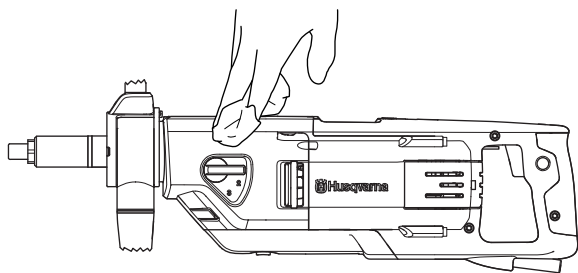
A duração da máquina pode ser afectada e o perigo de acidentes pode aumentar se a manutenção da máquina não for correcta e se as revisões e reparações não forem executadas de forma profissional. Se necessitar de mais esclarecimentos, entre em contacto com uma oficina autorizada.

## Controle diário

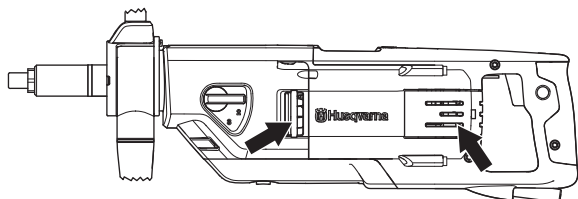
- Verificar se o equipamento de segurança da máquina não se encontra danificado. Ver instruções na secção "Equipamento de segurança da máquina".
- Verifique se o fio e a extensão estão intactos e em bom estado.
- Limpe a máquina externamente.

## Limpeza

- Mantenha a máquina e a broca limpas para que a perfuração possa ser executada com segurança.



- Mantenha o punho seco e limpo de massa e óleo.
- As aberturas do ar de arrefecimento têm que estar sempre desobstruídas e limpas para o arrefecimento da máquina poder funcionar sempre de modo satisfatório. Limpe regularmente a máquina com ar comprimido.



- Use ar comprimido para limpar o motor regularmente. Desmonte a tampa de inspecção e limpe-a.

## Torneira da água

Verifique se a torneira da água funciona. Não use mangueiras distorcidas, gastas ou danificadas.

## Alimentação eléctrica



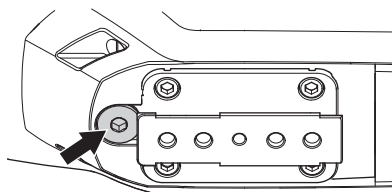
**ATENÇÃO!** Nunca use cabos danificados, pois podem causar acidentes graves e até mesmo mortais.

Verifique se o fio e a extensão estão intactos e em bom estado. Se o fio da máquina estiver danificado, não use a máquina e entregue-a a uma oficina de reparações autorizada para ser reparada.

## Mudança de óleo da caixa de velocidades

O óleo da caixa de velocidades é mudado a intervalos de 400 horas de trabalho.

- Desaparafuse o tampão do óleo.



- Esvazie o óleo para um recipiente. Manuseie o óleo com cuidado por motivos de protecção do ambiente. Siga os requisitos locais de reciclagem.

Para informação sobre a limpeza da caixa de velocidades, consulte o seu revendedor.

- Meta óleo novo na caixa de velocidades, cerca de 1/4 de litro. Consulte as Especificações Técnicas para recomendações quanto ao tipo de óleo a utilizar.
- O tampão do óleo possui um magneto que captura partículas de metal. Limpe o tampão do óleo e volte a apertá-lo.

## Substituir escovas de carvão

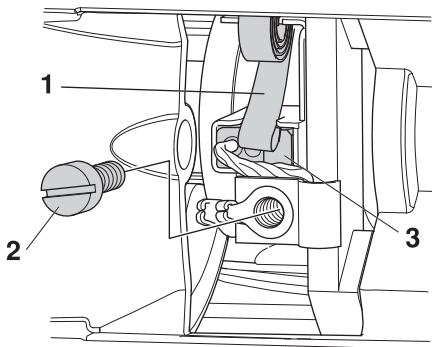


**ATENÇÃO!** Desligue a máquina e retire a tomada da parede.

As escovas de carvão devem ser desmontadas e inspeccionadas regularmente. Semanalmente se a máquina é usada diariamente ou com um intervalo maior se a máquina é usada com menos frequência. A superfície de desgaste deve estar lisa e sem riscos.

As duas escovas de carvão devem ser substituídas na mesma ocasião, mas uma de cada vez.

- Retire a cobertura de inspeção.
- Afaste a mola de retenção do porta-escovas para um lado (1).



- Solte o parafuso (2).
- Puxe para fora a ligação da escova.
- Retire a escova de carvão do suporte (3).
- Limpe o porta-escovas com ar comprimido ou um pincel. Substitua a escova caso esteja gasta.
- Monte as escovas novas e verifique simultaneamente se deslizam facilmente nos porta-escovas.
- Coloque a mola do porta-escovas no lugar.
- Meta a ligação da escova por baixo do parafuso.
- Proceda da mesma forma com a outra escova.
- Volte a colocar a cobertura de inspeção.
- Deixe a máquina funcionar em marcha lenta durante 10 minutos para adequar as escovas de carvão novas.

# ESPECIFICAÇÕES TÉCNICAS

## DM 220

Motor eléctrico	Monofásico
Tensão nominal, V	220-240/100-120
Potência nominal, W	1850
<b>Corrente nominal, A</b>	
220-240	8 A
100-120 V	13 A
Peso, kg	7
Volume de óleo para caixas de engrenagem, dl	0,25
Óleo para caixas de engrenagem, tipo	AP GL-5 SAE 75W-90 ou semelhante

## Diâmetro de trépano, mm

Diâmetro máximo de trépano, com suporte	150 mm (5,9")
Diâmetro máximo de trépano, sujeita manualmente	80 mm (3.14")

Rosca do veio	G 1/2"	G 1 1/4"
Ligação da água	G 1/4"	
Pressão hidráulica - máx, bar	8	

## Emissões de ruído (ver nota 1)

Nível de potência sonora, medido em dB(A)	107
Nível de potência sonora, garantido dB(A)	108

## Níveis acústicos (ver nota 2)

Nível de pressão acústica junto ao ouvido do utilizador, dB(A)	93
--	----

## Níveis de vibração, $a_{hv}$ (ver nota 3)

Punho dianteiro, $m/s^2$	2,8
Punho traseiro, $m/s^2$	2,6

Nota 1: Emissões sonoras para as imediações, medidas sob forma de potência sonora ( $L_{WA}$ ) conforme a EN 60745-2-1.

Nota 2: Nível de ruído em conformidade a EN 60745-2-1. Os dados comunicados relativamente ao nível de pressão de ruído tem uma dispersão estatística típica (desvio padrão) de 1,0 dB(A).

Nota 3: Nível de vibração em conformidade com a EN 60745-2-1. Os dados comunicados relativamente ao nível de vibração têm uma dispersão estatística típica (desvio padrão) de 1  $m/s^2$ .

## Velocidade de perfuração e tamanhos das brocas

Engrenagem	Perfuração manualmente		Perfuração com suporte			
	Velocidade da broca com carga, rpm	Velocidade da broca sem carga, rpm	Dimensão de broca recomendado, mm	Dimensão de broca recomendado, polegadas	Dimensão de broca recomendado, mm	Dimensão de broca recomendado, polegadas
1	580	730	Não recomendável	Não recomendável	100-150	4-6
2	1400	1700	40-80	2-4	40-80	2-4
3	2900	3600	0-40	0-2	0-40	0-2

---

# CERTIFICADO CE DE CONFORMIDADE

---

## Certificado CE de conformidade

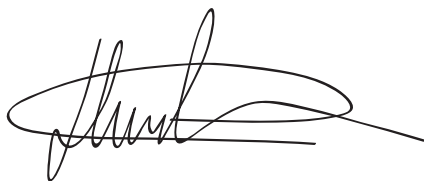
**Husqvarna AB**, SE-561 82 Huskvarna, Suécia, tel: +46-36-146500, declaramos sob nossa inteira responsabilidade que a perfuradora **Husqvarna DM 220** com números de série de 2010 e mais recentes (o ano é indicado por extenso na placa de tipo, seguido de um número de série), cumpre as disposições constantes na DIRECTIVA do CONSELHO:

- de 17 de Maio de 2006 "referente a máquinas" **2006/42/CE**.
- de 15 de Dezembro de 2004 "referente a compatibilidade electromagnética" **2004/108/CEE**.
- de 12 de Dezembro de 2006 "referentes a equipamento eléctrico" **2006/95/CE**.
- de 8 de junho de 2011 "relativa à restrição do uso de determinadas substâncias perigosas" **2011/65/UE**

Foram respeitadas as normas seguintes:

EN ISO 12100:2010, EN 55014-1:2006, EN 55014-2/A1:2001, EN 61000-3-2:2006, EN 61000-3-3/A1/A2:2005, EN 60745-2-1:2007.

Gotemburgo, 3 de Fevereiro de 2015



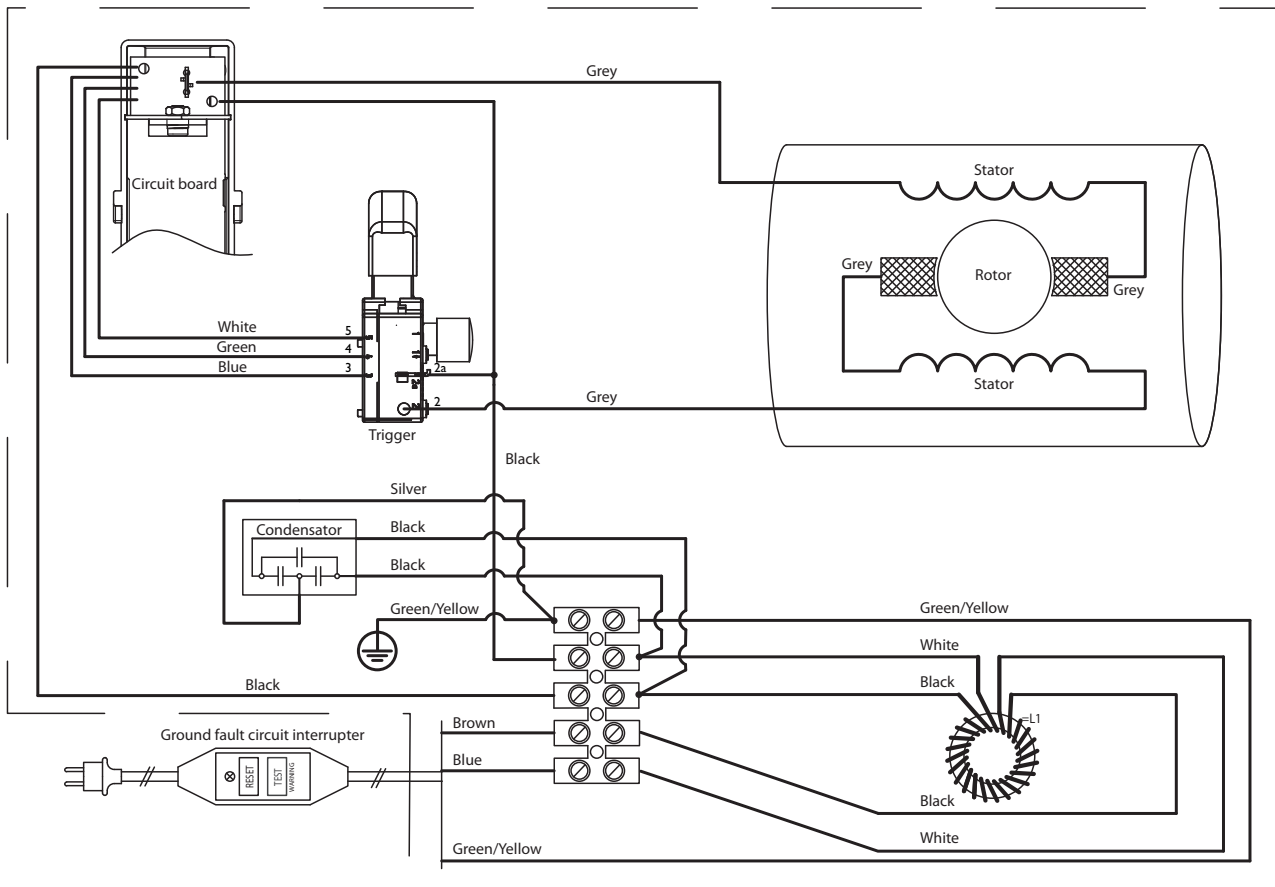
Helena Grubb

Vice-presidente, Chefe da divisão de máquinas de corte mecânicas e equipamento de construção

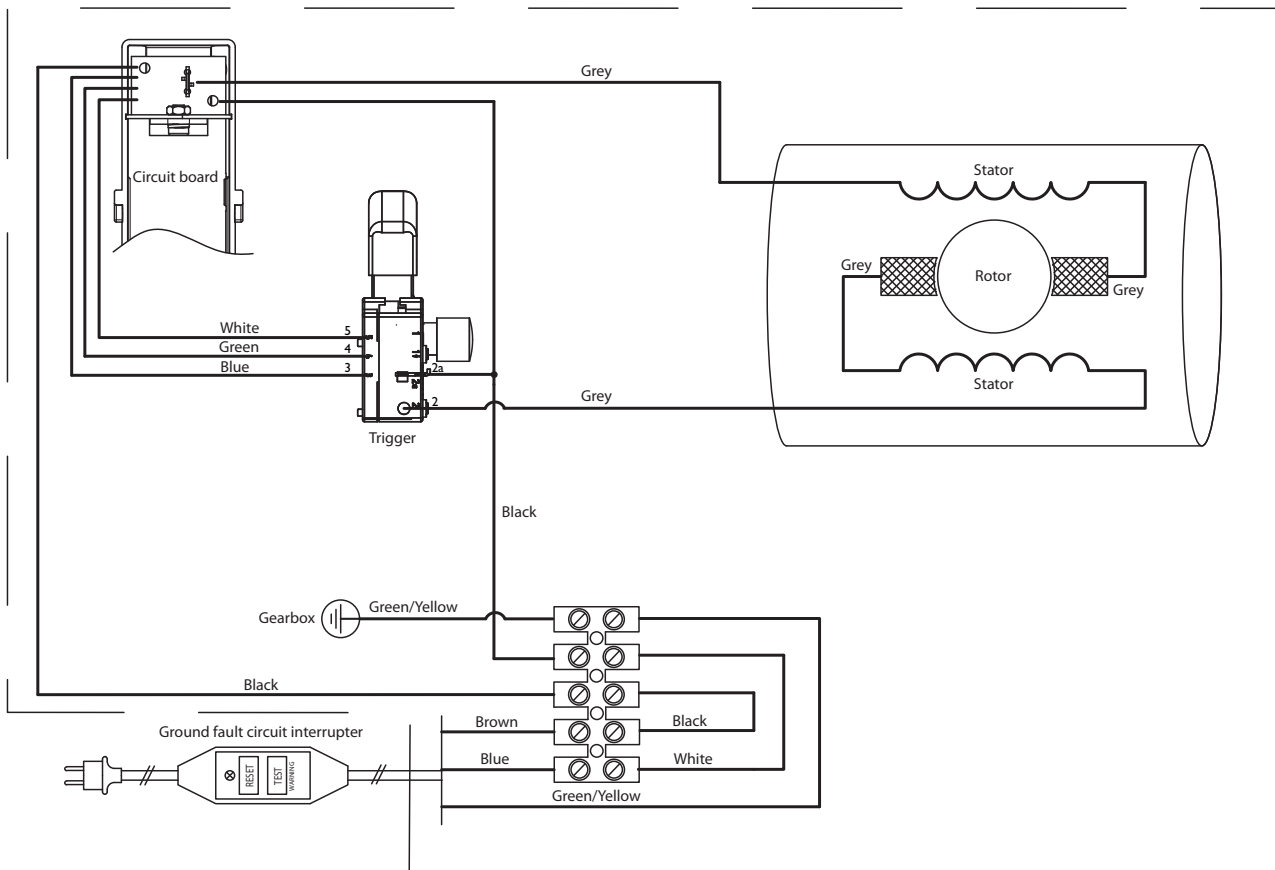
(Representante autorizado da Husqvarna AB e responsável pela documentação técnica.)

# ESQUEMA ELÉCTRICO

230 V



110 V



# ΕΠΕΞΗΓΗΣΗ ΣΥΜΒΟΛΩΝ

## Σύμβολα πάνω στο μηχανήμα

**ΠΡΟΕΙΔΟΠΟΙΗΣΗ!** Το μηχάνημα μπορεί να γίνει επικίνδυνο. Η απρόσεκτη ή λανθασμένη χρήση μπορεί να έχει ως αποτέλεσμα σοβαρό ή θανάσιμο τραυματισμό του χειριστή ή άλλων ατόμων.



Διαβάστε προσεκτικά τις Οδηγίες χρήσεως και κατανοήστε το περιεχόμενο πριν χρησιμοποιήσετε το μηχάνημα.



Χρησιμοποιείτε ατομικό προστατευτικό εξοπλισμό. Βλ. τις οδηγίες στο κεφάλαιο "Ατομικός προστατευτικός εξοπλισμός"



Αυτό το προϊόν είναι σύμφωνο με τις ισχύουσες οδηγίες της ΕΚ.



**Περιβαλλοντική σήμανση.** Το σύμβολο στο προϊόν ή στη συσκευασία του υποδηλώνει ότι η απόρριψη αυτού του προϊόντος δεν μπορεί να γίνει όπως με τα οικιακά απορρίμματα. Θα πρέπει να μεταφερθεί σε κατάλληλο σταθμό ανακύκλωσης για ανακύκλωση των ηλεκτρικών και ηλεκτρονικών εξαρτημάτων του.



Φροντίζοντας για τη σωστή απόρριψη αυτού του προϊόντος μπορείτε να συμβάλετε στην αντιμετώπιση τυχόν αρνητικών επιπτώσεων στο περιβάλλον και στους ανθρώπους, οι οποίες μπορεί να προκληθούν από την εσφαλμένη μεταχείριση των απορριμάτων αυτού του προϊόντος.

Για πιο αναλυτικές πληροφορίες σχετικά με την ανακύκλωση αυτού του προϊόντος, επικοινωνήστε με τη δημοτική σας αρχή, με την υπηρεσία διαχείρισης απορριμάτων ή με το κατάστημα στο οποίο έγινε η αγορά του.

Κατά τη διάτρεσε σε οροφή βεβαιωθείτε ότι δεν εισχωρεί νερό μέσα στο μηχανήμα. Χρησιμοποιήστε κατάλληλο συλλέκτη νερού.



**Τα υπόλοιπα σύμβολα/επιγραφές του μηχανήματος αναφέρονται σε ειδικές απαιτήσεις για εκπλήρωση προδιαγραφών έγκρισης σε ορισμένες αγορές.**

## Επεξήγηση επιπέδων προειδοποίησης

Οι προειδοποιήσεις διακρίνονται σε τρία επίπεδα.

### ΠΡΟΕΙΔΟΠΟΙΗΣΗ!



**ΠΡΟΕΙΔΟΠΟΙΗΣΗ!** Χρησιμοποιείται όταν υπάρχει κίνδυνος σοβαρού τραυματισμού ή θανάτου του χειριστή ή πρόκλησης ζημίας στον εξοπλισμό και τον περιβάλλοντα χώρο, εάν δεν τηρούνται οι οδηγίες που παρέχονται στο εγχειρίδιο.

### ΠΡΟΣΟΧΗ!



**ΠΡΟΣΟΧΗ!** Χρησιμοποιείται όταν υπάρχει κίνδυνος τραυματισμού του χειριστή ή πρόκλησης ζημίας στον εξοπλισμό και τον περιβάλλοντα χώρο, εάν δεν τηρούνται οι οδηγίες που παρέχονται στο εγχειρίδιο.

### ΣΗΜΕΙΩΣΗ!



**ΣΗΜΕΙΩΣΗ!** Χρησιμοποιείται όταν υπάρχει κίνδυνος βλάβης στα υλικά ή το μηχάνημα, εάν δεν τηρούνται οι οδηγίες που παρέχονται στο εγχειρίδιο.

---

# ΠΕΡΙΕΧΟΜΕΝΑ

---

## Περιεχόμενα

### ΕΠΕΞΗΓΗΣΗ ΣΥΜΒΟΛΩΝ

Σύμβολα πάνω στο μέχάνημα ..... 55

Επεξήγηση επιπέδων προειδοποίησης ..... 55

### ΠΕΡΙΕΧΟΜΕΝΑ

Περιεχόμενα ..... 56

### ΠΑΡΟΥΣΙΑΣΗ

Αγαπητέ πελάτη! ..... 57

Σχεδιασμός και λειτουργίες ..... 57

Χαρακτηριστικά ..... 57

### ΤΙ ΕΙΝΑΙ ΤΙ;

Τι είναι τι στο δρέπανο; ..... 58

### ΕΞΟΠΛΙΣΜΟΣ ΑΣΦΑΛΕΙΑΣ ΤΟΥ ΜΗΧΑΝΗΜΑΤΟΣ

Γενικά ..... 59

### ΓΕΝΙΚΕΣ ΟΔΗΓΙΕΣ ΑΣΦΑΛΕΙΑΣ

Γενικές οδηγίες ασφάλειας ..... 60

Προφυλάξεις ασφάλειας μοτέρ τρυπανιού ..... 61

### ΣΥΝΑΡΜΟΛΟΓΗΣΗ ΚΑΙ ΡΥΘΜΙΣΕΙΣ

Συναρμολόγηση ..... 64

### ΛΕΙΤΟΥΡΓΙΑ

Προστατευτικός εξοπλισμός ..... 65

Βασικές τεχνικές εργασίας ..... 65

Μεταφορά και αποθήκευση ..... 66

### ΞΕΚΙΝΗΜΑ ΚΑΙ ΣΤΑΜΑΤΗΜΑ

Προτού ξεκινήσετε ..... 67

Εκκίνηση ..... 67

Σταμάτημα ..... 67

### ΣΥΝΤΗΡΗΣΗ

Γενικά ..... 68

Καθημερινή φροντίδα ..... 68

Καθαρισμός ..... 68

Κρουσός νερού ..... 68

Παροχή ηλεκτρικού ρεύματος ..... 68

Αλλαγή λαδιού κιβωτίου ταχυτήτων ..... 68

Αλλαγή στα καρβουνάκια ..... 69

### ΤΕΧΝΙΚΑ ΣΤΟΙΧΕΙΑ

Ταχύτητα διάνοιξης και μεγέθη τρυπανιών ..... 70

### ΔΗΛΩΣΗ ΣΥΜΜΟΡΦΩΣΗΣ ΕΚ

ΕΚ–Βεβαίωση συμφωνίας ..... 71

### ΣΧΔΙΟ ΚΑΛΩΔΙΩΣΕΣ

230 V ..... 72

110 V ..... 72



## Αγαπητέ πελάτη!

Σας ευχαριστούμε που επιλέξατε ένα προϊόν της Husqvarna!

Ελπίζουμε να μείνετε ικανοποιημένοι από το μεχάνεμά σας και ότι θα γίνει ο βοεθός σας που θα σας συνοδεύει για μεγάλο χρονικό διάστημα. Ε αγορά ενός από τα προϊόντα μας σας παρέχει πάντα πρόσβαση σε επαγγελματική βοήθεια με επιδιορθώσεις και σέρβις. Εάν αντιπροσωπεία που αγοράσατε το μεχάνημα δεν έχει εξουσιοδοτημένο συνεργείο, τότε ρωτήστε τους για το πλησιέστερο συνεργείο εξυπερέτεσης.

Ελπίζουμε αυτό το εγχειρίδιο χρήσης να σας φανεί ιδιαίτερα χρήσιμο. Βεβαιωθείτε ότι το εγχειρίδιο είναι πάντα διαθέσιμο στο χώρο εργασίας. Τερώνοντας όσα αναφέρονται σε αυτό (χρήση, επισκευή, συντήρηση, κλπ.) μπορείτε αισθητά να επιμηκύνετε τη ζωή του καθώς και τον μεταπωλητική του αξία. Αν πουλήσετε το μεχάνεμά σας, φροντίστε να δώσετε στον νέο κάτοχο και το εγχειρίδιο οδεγιών.

## Πάνω από 300 χρόνια καινοτομίας

Η Husqvarna AB είναι μία Σουηδική με παράδοση που ανάγεται στο 1689, όταν ο Σουηδός Βασιλιάς Κάρολος XI διέταξε την κατασκευή ενός εργοστασίου για την παραγωγή μουσκέτων. Την εποχή εκείνη, είχαν ήδη μπει τα θεμέλια για τις μηχανολογικές ικανότητες πίσω από την ανάπτυξη κάποιων από τα κορυφαία προϊόντα του κόσμου, σε τομείς όπως τα κυνηγετικά όπλα, τα ποδήλατα, τις μοτοσικλέτες, τις οικιακές συσκευές, τις ραπτομηχανές και άλλα προϊόντα εξωτερικών δραστηριοτήτων.

Η Husqvarna αποτελεί τον παγκόσμιο ηγέτη στον τομέα του εξωτερικού εξοπλισμού ισχύος για τη δασοκομία, τη συντήρηση πάρκων και τη φροντίδα γρασιδιού και κήπων, καθώς επίσης και τον τομέα του εξοπλισμού κοπής και των αδμαντοφόρων εργαλείων τόννευσης για τις βιομηχανίες κατασκευών και κατεργασίας λίθων.

## Ευθύνη του ιδιοκτήτη

Αποτελεί ευθύνη του ιδιοκτήτη/εργοδότη να διασφαλίσει ότι ο χειριστής διαθέτει επαρκή γνώση σχετικά με τον ασφαλή τρόπο χρήσης της μηχανής. Οι επόπτες και οι χειριστές οφείλουν να έχουν αναγνώσει και κατανοήσει το Εγχειρίδιο Χρήσης. Θα πρέπει να γνωρίζουν:

- Τις οδηγίες ασφαλείας του μηχανήματος.
- Το εύρος εφαρμογών και περιορισμών του μηχανήματος.
- Τον τρόπο χρήσης και συντήρησης του μηχανήματος.

Η χρήση του παρόντος μηχανήματος είναι πιθανό να υπόκειται σε εθνική νομοθεσία. Μάθετε τι ορίζει η νομοθεσία στη περιοχή στην οποία εργάζεστε πριν αρχίσετε να χρησιμοποιείτε το μηχάνημα.

## Τις επιφυλάξεις του κατασκευαστή

Μετά τη δημοσίευση του παρόντος εγχειριδίου, η Husqvarna μπορεί να εκδώσει συμπληρωματικές πληροφορίες σχετικά με την ασφαλή λειτουργία αυτού του προϊόντος. Εναπόκειται στην ευθύνη του ιδιοκτήτη να είναι ενημερωμένος σχετικά με τισ ασφαλέστερες μεθόδους λειτουργίας.

Η Husqvarna AB αναπτύσσει συνεχώς τα προϊόντα της και για το λόγο αυτό επιφυλάσσει στον εαυτό της το δικαίωμα τροποποιήσεων πχ. ως προς το σχεδιασμό και την εμφάνιση, χωρίς προειδοποίηση.

Για πληροφορίες και βοήθεια των πελατών, επικοινωνήστε μαζί μας στο δικτυακό μας τόπο: [www.husqvarna.com](http://www.husqvarna.com)

## Σχεδιασμός και λειτουργίες

Αξίες όπως η άριστη απόδοση, η αξιοπιστία, η καινοτόμος τεχνολογία, οι προηγμένες τεχνολογικές λύσεις και ο σεβασμός του περιβάλλοντος διακρίνουν τα προϊόντα της Husqvarna. Ο χειριστής πρέπει να διαβάσει προσεκτικά το παρόν εγχειρίδιο, προκειμένου να διασφαλιστεί η ασφαλή λειτουργία αυτού του προϊόντος. Εάν χρειάζεστε περισσότερες πληροφορίες, απευθυνθείτε στον αντιπρόσωπό σας ή στην Husqvarna.

Παρακάτω περιγράφονται ορισμένα από τα μοναδικά χαρακτηριστικά του προϊόντος σας.

## Χαρακτηριστικά

Αξίες όπως η άριστη απόδοση, η αξιοπιστία, η καινοτόμος τεχνολογία, οι προηγμένες τεχνολογικές λύσεις και ο σεβασμός του περιβάλλοντος διακρίνουν τα προϊόντα της Husqvarna.

Παρακάτω περιγράφονται ορισμένα από τα μοναδικά χαρακτηριστικά του προϊόντος σας.

## SoftstartΣ

Το SoftstartΣ είναι ένας ηλεκτρονικός περιοριστής ρεύματος που παρέχει μια επιότερη εκκίνηση.

## Smart Start®

Το μηχάνημα λειτουργεί με χαμηλότερη ταχύτητα, όταν η λειτουργία Έξυπνης Εκκίνησης είναι ενεργοποιημένη. Αυτό διευκολύνει τη διάτρηση του υλικού.

## ElgardΣ

Το ElgardΣ είναι μια ηλεκτρονική προστασία υπερφόρτωσης που προστατεύει τον κινητήρα. Η προστασία προφυλάσσει το μηχάνημα και επεκτείνει τη διάρκεια λειτουργικής ζωής του. Με τη βοήθεια του ElgardΣ, το μηχάνημα υποδεικνύει τότε προσεγγίζει το μέγιστο φορτίο.

## Level guiding system

Το Level guiding system της συσκευής λειτουργεί σαν ηλεκτρονικό αλφάδι και βοηθά τον χρήστη να τρυπήσει στην απαιτούμενη θέση. Διαβάζοντας την ένδειξη των LED στην κορυφή της συσκευής και κάνοντας τις ανάλογες ρυθμίσεις, το τρύπημα γίνεται ευκολότερο για το χρήστη και αποκτά μεγαλύτερη ακρίβεια.

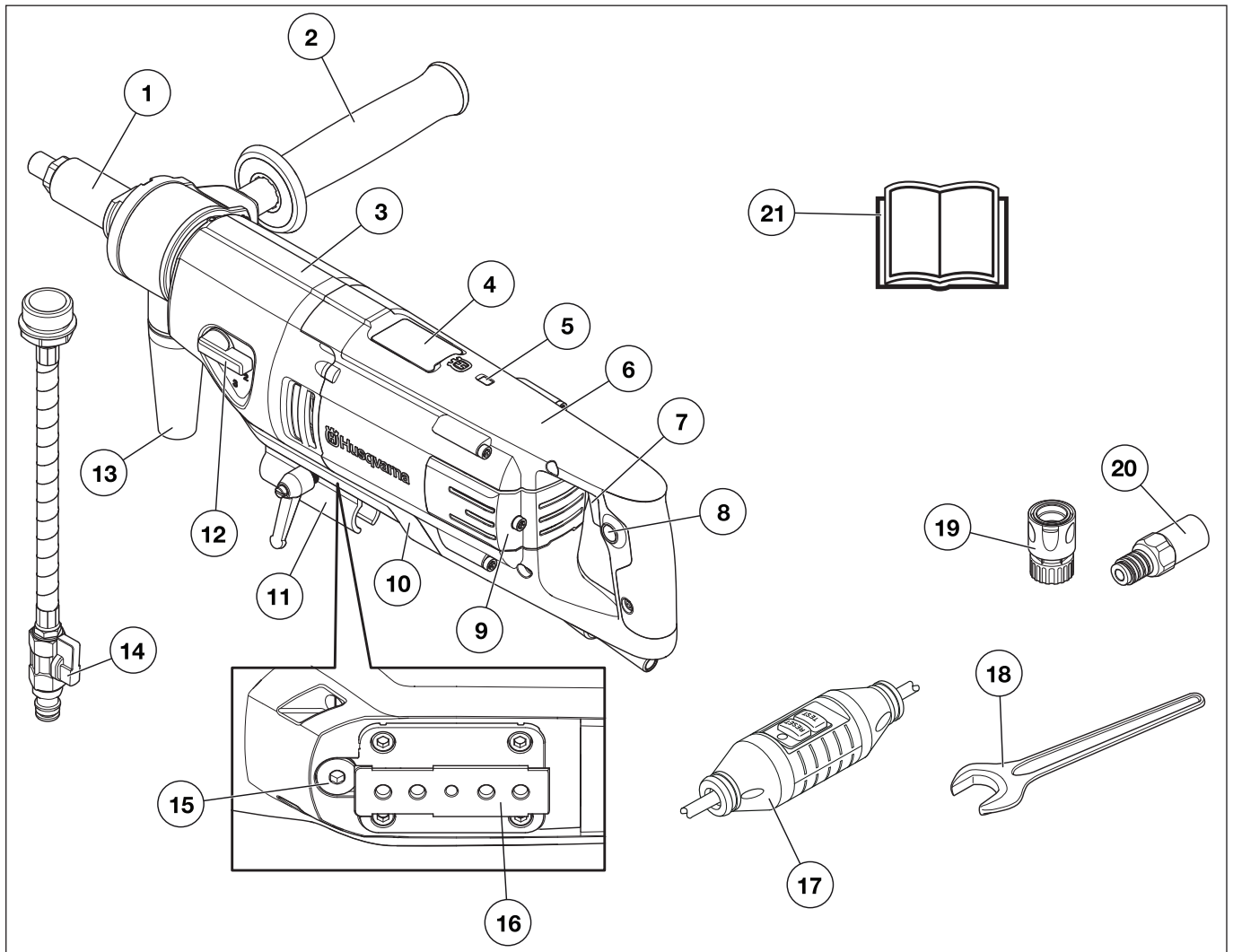
## Περιστρεφόμενη λαβή

Η λαβή μπορεί να περιστραφεί πλήρως γύρω από τον άξονα περιστροφής και μπορεί να ασφαλίσει σε οποιαδήποτε θέση.

## Περιστρεφόμενο στόμιο νερού/σκόνης

Το στόμιο μπορεί να περιστραφεί ελεύθερα γύρω από τον άξονα περιστροφής και να ασφαλίσει σε οποιαδήποτε θέση. Το στόμιο συνδέεται σε παροχή νερού κατά την υγρή διάνοιξη και σε ηλεκτρική σκούπα κατά την ξηρή διάνοιξη.

# ΤΙ ΕΙΝΑΙ ΤΙ;



## Τι είναι τι στο δράπανο;

- |                                      |  |
|--------------------------------------|--|
| 1 Άξονας τρυπανιού                   | 12 Μοχλός ταχυτήτων                    |
| 2 Περιστρεφόμενη λαβή                | 13 Σύνδεση για ηλεκτρική σκούπα        |
| 3 Κιβώτιο ταχυτήτων                  | 14 Σύνδεσμος νερού                     |
| 4 Ηλεκτρονική ένδειξη στάθμης        | 15 Βύσμα λιπαντικού                    |
| 5 Ένδειξη ισχύος                     | 16 Στήριγμα βάσης                      |
| 6 Κινητήρας                          | 17 Διακόπτες κυκλώματος βλάβες γείωσης |
| 7 Διακόπτης ισχύος με Smart Start®   | 18 Κλειδιά                             |
| 8 Κουμπί ασφάλισης, διακόπτης ισχύος | 19 Σύνδεσμος νερού                     |
| 9 Κάλυμα επιθεώρησης                 | 20 Προσαρμογέας (μόνο ΕΠΑ)             |
| 10 Προστατευτικό κάλυμμα             | 21 Οδηγίες χρήσεως                     |
| 11 Βραχίονας για το "Starthelper"    |  |

# ΕΞΟΠΛΙΣΜΟΣ ΑΣΦΑΛΕΙΑΣ ΤΟΥ ΜΗΧΑΝΗΜΑΤΟΣ

## Γενικά

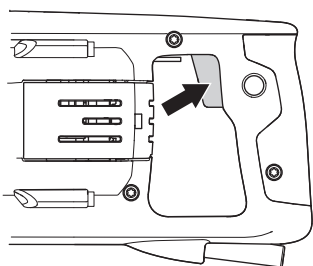


**ΠΡΟΕΙΔΟΠΟΙΗΣΗ!** Ποτέ μην χρησιμοποιείτε ένα μηχάνημα με ελαττωματικά εξαρτήματα ασφάλειας. Εάν το μηχανήμα σας δεν πλερεί τους απαιτούμενους ελέγχους, απευθυνθείτε στον αντιπρόσωπο του σέρβις για επιδιόρθωση.

Στο μέρος αυτό παρουσιάζονται τα εξαρτήματα ασφάλειας του μηχανήματος, η αποστολή τους καθώς και ο τρόπος ελέγχου και συντήρησης για την ασφαλή λειτουργία τους.

## Διακόπτης ρεύματος

Ο διακόπτης ρεύματος χρησιμοποιείται για την εκκίνηση και το σταμάτημα του μηχανήματος.



## Ελεγχος διακόπτη ρεύματος

- Βάλτε μπρος το μηχάνημα, αφήστε το διακόπτη ανάφλεξης και ελέγξτε ότι σταματούν ο κινητήρας και η κεφαλή τρυπανιού.
- Ένας ελαττωματικός διακόπτης ρεύματος θα πρέπει να αντικαθίσταται σε εξουσιοδοτημένο συνεργείο επισκευών.

## Διακόπτες κυκλώματος βλάβης γείωσης

Οι διακόπτες κυκλώματος βλάβης γείωσης χρησιμοποιούνται για την προστασία σε περίπτωση εμφάνισης ηλεκτρικής βλάβης.

Η ενδεικτική λυχνία υποδεικνύει ότι ο διακόπτης κυκλώματος βλάβης γείωσης είναι ενεργοποιημένος και ότι το μηχάνημα μπορεί να ενεργοποιηθεί. Εάν η ενδεικτική λυχνία δεν ανάβει, πατήστε το κουμπί RESET (πράσινο).



## Ελέγξτε το διακόπτε κυκλώματος βλάβης γείωσης

- Συνδέστε το μηχάνημα στην πρίζα. Πατήστε το κουμπί RESET (πράσινο). Θα ανάψει η κόκκινη ενδεικτική λυχνία.



- Θέστε το μηχάνημα σε λειτουργία πατώντας το διακόπτη ανάφλεξης.
- Πατήστε το κουμπί TEST (μπλε).



- Ο διακόπτης κυκλώματος βλάβης γείωσης θα κλείσει και το μηχάνημα θα απενεργοποιηθεί αμέσως. Εάν δεν συμβεί αυτό, απευθυνθείτε στον τοπικό αντιπρόσωπο.
- Πραγματοποιήστε επαναφορά πατώντας το κουμπί RESET (πράσινο).

## Γενικές οδηγίες ασφαλείας



**ΠΡΟΕΙΔΟΠΟΙΗΣΗ!** Διαβάστε όλες τις προειδοποιήσεις ασφαλείας και όλες τις οδηγίες. Σε περίπτωση με τήρεςες των προειδοποιήσεων και των οδηγιών, υπάρχει κίνδυνος ηλεκτροπληξίας, πυρκαγιάς ή/και σοβαρού τραυματισμού.

**ΣΗΜΑΝΤΙΚΟ!** Φυλάσσετε τις προειδοποιήσεις και τις οδηγίες ώστε να ανατρέχετε αργότερα σε αυτές. Ο όρος "ηλεκτρικό εργαλείο" που χρησιμοποιείται στις προειδοποιήσεις αναφέρεται σε εργαλείο που τροφοδοτείται από το δίκτυο ρεύματος (με καλώδιο) ή σε εργαλείο που τροφοδοτείται από μπαταρία (χωρίς καλώδιο).

## Ασφάλεια στο χώρο εργασίας

- Διατερείτε το χώρο εργασίας καθαρό και με καλό φωτισμό. Οι ακατάστατοι ή σκοτεινοί χώροι ενέχουν τον κίνδυνο ατυχημάτων.
- Μην χειρίζεστε ηλεκτρικά εργαλεία σε εκρηκτικές ατμόσφαιρες, π.χ. παρουσία εύψλεκτων υγρών, αερίων ή σωματιδίων σκόνης. Τα ηλεκτρικά εργαλεία δημιουργούν σπινθήρες, οι οποίοι ενδέχεται να προκαλέσουν την ανάφλεξη των σωματιδίων ή των καπνών.
- Κατά το χειρισμό ενός ηλεκτρικού εργαλείου, δεν πρέπει να βρίσκονται κοντά παιδιά ή άλλοι παρευρισκόμενοι. Ενδέχεται να αποσπάσουν την προσοχή σας, με αποτέλεσμα να χάσετε τον έλεγχο.

## Ασφάλεια με το ηλεκτρικό ρεύμα

- Το βύσμα του ηλεκτρικού εργαλείου πρέπει να είναι κατάλληλο για την πρίζα. Μην τροποποιείτε ποτέ, με κανέναν τρόπο, το βύσμα. Μην χρησιμοποιείτε προσαρμογείς με γειωμένα ηλεκτρικά εργαλεία. Τα με τροποποιημένα βύσματα και οι κατάλληλες πρίζες μειώνουν τον κίνδυνο ηλεκτροπληξίας.
- Αποφεύγετε την επαφή του σώματος με γειωμένες επιψάνειες, όπως σωλήνες, καλοριφέρ, κουζίνες και ψυγεία. Υπάρχει αυξημένος κίνδυνος ηλεκτροπληξίας, εάν το σώμα σας έρθει σε επαφή με γείωση.
- Μην εκθέτετε ηλεκτρικά εργαλεία σε βροχή ή σε συνθήκες υγρασίας. Σε περίπτωση εισχώρησης νερού σε ηλεκτρικό εργαλείο, αυξάνεται ο κίνδυνος ηλεκτροπληξίας.
- Μην προκαλείτε ψθора στο καλώδιο. Μην χρησιμοποιείτε ποτέ το καλώδιο για τη μεταφορά, το τράβηγμα ή την αποσύνδεση του ηλεκτρικού εργαλείου. Διατερείτε το καλώδιο μακριά από θερμότητα, λάδια, αιχμηρές άκρες ή κινούμενα μέρη. Εάν το καλώδιο καταστραφεί ή εμπλακεί, αυξάνεται ο κίνδυνος ηλεκτροπληξίας.
- Όταν χρησιμοποιείτε ένα ηλεκτρικό εργαλείο σε εξωτερικό χώρο, χρησιμοποιήστε καλώδιο επέκτασης για χρήση σε εξωτερικό χώρο. Η χρήση καλωδίου κατάλληλου για χρήση σε εξωτερικό χώρο, μειώνει τον κίνδυνο ηλεκτροπληξίας.
- Εάν λειτουργεί ένας μηχανικός εργαλείο σε μια υγρή τοποθεσία είναι αναπόφευκτο, χρησιμοποιήστε εξοπλισμό με διακόπτη κυκλώματος βλάβης γείωσης (GFCI). Η χρήση ενός GFCI μειώνει τον κίνδυνο ηλεκτροπληξίας.

## Προσωπική ασφάλεια

- Να είστε προσεκτικοί, να παρακολουθείτε αυτό που κάνετε και να χρησιμοποιείτε την κοινή λογική όταν χρησιμοποιείτε ένα ηλεκτρικό εργαλείο. Μην χρησιμοποιείτε ηλεκτρικά εργαλεία όταν είστε κουρασμένοι ή υπό την επήρεια ναρκωτικών, αλκοόλ ή φαρμάκων. Μια στιγμή απροσεξίας, κατά το χειρισμό ηλεκτρικών εργαλείων, μπορεί να οδηγήσει σε σοβαρό τραυματισμό.
- Χρησιμοποιείτε ατομικό προστατευτικό εξοπλισμό. Χρησιμοποιείτε πάντα προστασία για τα μάτια. Ο προστατευτικός εξοπλισμός, όπως μάσκα για τη σκόνη, αντιολισθητικά παπούτσια ασφαλείας, κράνος ή προστασία ακοής σε κατάλληλες συνθήκες, μειώνει τον κίνδυνο σοβαρών τραυματισμών.
- Φροντίστε ώστε να μην είναι εφικτή η ακούσια εκκίνηση. Βεβαιωθείτε ότι ο διακόπτης βρίσκεται στη θέση OFF πριν συνδέσετε το εργαλείο στην πρίζα ή/και στην μπαταρία, πριν πιάσετε ή μεταφέρετε το εργαλείο. Ε μεταφορά των ηλεκτρικών εργαλείων, ενώ έχετε το χέρι σας στο διακόπτη ή ε σύνδεσε σε πρίζα των ηλεκτρικών εργαλείων με διακόπτη ενέχει τον κίνδυνο ατυχήματος.
- Αφαιρέστε τυχόν κλειδιά προσαρμογής ή σύσφιξης, πριν ενεργοποιήσετε το ηλεκτρικό εργαλείο. Ένα κλειδί σύσφιξης ή προσαρμογής που παραμένει προσαρτημένο σε κινούμενο μέρος του ηλεκτρικού εργαλείου, μπορεί να οδηγήσει σε τραυματισμό.
- Μην υπερεκτιμάτε τις δυνατότητές σας. Να πατάτε καλά τα πόδια σας και να διατερείτε την ισορροπία σας συνέχεια. Έτσι επιτυγχάνεται καλύτερος έλεγχος του ηλεκτρικού εργαλείου, σε τυχόν απρόβλεπτες καταστάσεις.
- Να φοράτε κατάλληλα ρούχα. Μην φοράτε ψαρδιά ρούχα ή κοσμήματα. Φροντίστε ώστε τα μαλλιά, τα ρούχα και τα γάντια σας να βρίσκονται μακριά από τα κινούμενα μέρη. Τα ψαρδιά ρούχα, τα κοσμήματα ή τα μακριά μαλλιά ενδέχεται να πιαστούν σε κινούμενα μέρη.
- Εάν παρέχονται διατάξεις για τη σύνδεση συστημάτων συλλογής και απομάκρυνσης σκόνης, βεβαιωθείτε ότι αυτές έχουν συνδεθεί και χρησιμοποιούνται σωστά. Χρησιμοποιείτε σύστημα συλλογής σκόνης για να μειώσετε τους κινδύνους που σχετίζονται με τη σκόνη.

## Χρήση και φροντίδα των ηλεκτρικών εργαλείων

- Μην ασκείτε μεγάλη δύναμη στο ηλεκτρικό εργαλείο. Χρησιμοποιείτε το κατάλληλο ηλεκτρικό εργαλείο για την εφαρμογή σας. Το κατάλληλο ηλεκτρικό εργαλείο θα έχει καλύτερα αποτελέσματα για την εργασία σας και θα είναι ασφαλέστερο, στο βαθμό για τον οποίο είναι σχεδιασμένο.
- Μην χρησιμοποιείτε το ηλεκτρικό εργαλείο, εάν δεν μπορεί να ενεργοποιηθεί και να απενεργοποιηθεί με το διακόπτη. Ένα ηλεκτρικό εργαλείο που δεν μπορεί να ελεγχθεί από το διακόπτη είναι επικίνδυνο και πρέπει να επισκευαστεί.
- Αποσυνδέστε το βύσμα από την πρίζα τροφοδοσίας ή/και αφαιρέστε τη μπαταρία από το ηλεκτρικό εργαλείο, πριν πραγματοποιήσετε ρυθμίσεις, πριν αλλάξετε εξαρτήματα ή αποθηκεύσετε το εργαλείο. Αυτά τα προληπτικά μέτρα ασφαλείας μειώνουν τον κίνδυνο ακούσιας εκκίνησης του ηλεκτρικού εργαλείου.

# ΓΕΝΙΚΕΣ ΟΔΗΓΙΕΣ ΑΣΦΑΛΕΙΑΣ

- Φυλάσσετε τα ηλεκτρικά εργαλεία που βρίσκονται σε αδράνεια, μακριά από παιδιά και μην επιτρέπετε σε άτομα που δεν είναι εξοικειωμένα με αυτά ή με τις οδηγίες να χρησιμοποιούν το ηλεκτρικό εργαλείο. Τα ηλεκτρικά εργαλεία είναι επικίνδυνα στα χέρια με εκπαιδευμένων χρηστών.
- Φροντίζετε για τη συντήρηση των ηλεκτρικών εργαλείων. Ελέγχετε για τυχόν με ευθυγραμμισμένα ή μπλοκαρισμένα κινούμενα μέρη, ρωγμές στα διάφορα μέρη και κάθε άλλη κατάσταση που μπορεί να επηρεάζει τη λειτουργία του ηλεκτρικού εργαλείου. Σε περίπτωση ζημιάς, φροντίστε για την επισκευή του ηλεκτρικού εργαλείου πριν το χρησιμοποιήσετε. Πολλά ατυχήματα προκαλούνται από ηλεκτρικά εργαλεία που δεν συντηρούνται σωστά.
- Διατερείτε τα εργαλεία κοπής αιχμερά και καθαρά. Εάν τα εργαλεία κοπής συντηρούνται σωστά, με αιχμερές άκρες κοπής, είναι λιγότερο πιθανή η εμπλοκή τους και πιο εύκολος ο έλεγχός τους.
- Χρησιμοποιείτε το ηλεκτρικό εργαλείο, τα εξαρτήματα και τα τρυπάνια σύμφωνα με τις οδηγίες αυτές, λαμβάνοντας υπόψη τις συνθήκες εργασίας και την εργασία που πρέπει να εκτελεστεί. Η χρήση του ηλεκτρικού εργαλείου για εργασίες διαφορετικές από τις προβλεπόμενες, μπορεί να οδηγήσει σε επικίνδυνες καταστάσεις.

## Σέρβις

- Φροντίστε για το σέρβις του ηλεκτρικού εργαλείου από εξειδικευμένο άτομο. Χρησιμοποιείτε μόνο πανομοιότυπα ανταλλακτικά. Έτσι θα διασφαλιστεί η διατήρηση της ασφάλειας του ηλεκτρικού εργαλείου.

## Χρησιμοποιείτε πάντοτε κοινή λογική

Δεν είναι δυνατό να καλυφθούν όλες οι περιπτώσεις που ενδέχεται να συναντήσετε. Να είστε πάντα προσεκτικοί και να χρησιμοποιείτε την κοινή λογική. Αν βρεθείτε σε συνθήκες που δεν αισθάνεστε ασφαλείς, διακόψτε τη λειτουργία και αναζητήστε τη συμβουλή κάποιου ειδικού. Επικοινωνήστε με τον αντιπρόσωπο, τον υπεύθυνο σέρβις ή έναν πεπειραμένο χρήστη. Μην επιχειρήσετε να εκτελέσετε κάποια εργασία για την οποία δεν είστε βέβαιοι!

## Προφυλάξεις ασφάλειας μοτέρ τρυπανιού

Αυτή η ενότητα περιγράφει τις βασικές κατευθύνσεις ασφαλείας για τη χρήση του μηχανήματος. Αυτές οι πληροφορίες δεν υποκαθιστούν σε καμία περίπτωση τις επαγγελματικές ικανότητες και την εμπειρία.

- Διαβάστε προσεκτικά τις Οδηγίες χρήσεως και κατανοήστε το περιεχόμενο πριν χρησιμοποιήσετε το μηχανήμα.
- Λάβετε υπόψη ότι ο χειριστής είναι υπεύθυνος για ατυχήματα που συμβαίνουν σε ή για κινδύνους στους οποίους εκτίθενται άλλα άτομα ή οι ιδιοκτησίες αυτών.
- Όλοι οι χειριστές πρέπει να εκπαιδευτούν στη χρήση του μηχανήματος. Ο κάτοχος είναι υπεύθυνος για την εκπαίδευση των χειριστών.
- Το μηχανήμα θα πρέπει να διατηρείται καθαρό. Οποιαδήποτε επιγραφή και ετικέτα θα πρέπει να είναι πλήρως αναγνώσιμη.



**ΠΡΟΕΙΔΟΠΟΙΗΣΗ!** Το μηχανήμα μπορεί να γίνει επικίνδυνο. Η απρόσεκτη ή λανθασμένη χρήση μπορεί να έχει ως αποτέλεσμα σοβαρό ή θανάσιμο τραυματισμό του χειριστή ή άλλων ατόμων.

Ποτέ μην επιτρέπετε σε παιδιά ή άλλα μη εκπαιδευμένα σχετικά με τη χρήση του μηχανήματος άτομα να χρησιμοποιούν ή να πραγματοποιούν εργασίες συντήρησης σε αυτό. Μην επιτρέπετε σε κανέναν άλλον να χρησιμοποιήσει το μηχανήμα αν δεν έχετε βεβαιωθεί ότι γνωρίζει το περιεχόμενο των οδηγιών χρήσης.

Ποτέ μην δουλεύετε το πριόνι όταν είστε κουρασμένος, έχετε πει αλκοόλ ή παίρνετε φάρμακα που επηρεάζουν την όρασή σας, την κρίση σας ή τον έλεγχο του σώματός σας.



**ΠΡΟΕΙΔΟΠΟΙΗΣΗ!** Οι μετατροπές ή/και τα εξαρτήματα που δεν φέρουν καμία εξουσιοδότηση μπορεί να προκαλέσουν σοβαρό τραυματισμό ή θάνατο στο χρήστη ή τρίτα πρόσωπα.

Μην κάνετε ποτέ μετατροπές σε αυτό το μηχανήμα έτσι ώστε να διαφέρει από την αρχική του έκδοση, και μην το χρησιμοποιήσετε αν φαίνεται να έχει υποστεί μετατροπές από τρίτους.

Μην χρησιμοποιείτε ποτέ το μηχανήμα εάν παρουσιάζει πρόβλημα. Εκτελείτε όλους τους ελέγχους ασφαλείας και τηρείτε τις οδηγίες συντήρησης και επισκευής που αναφέρονται στο παρόν εγχειρίδιο. Μερικά μέτρα συντήρησης και επισκευής πρέπει να εκτελούνται από εκπαιδευμένο και ειδικευμένο προσωπικό. Δείτε τις οδηγίες στην ενότητα με τίτλο Συντήρηση.

Χρησιμοποιείτε πάντοτε γνήσια ανταλλακτικά.

## Εργαστείτε με ασφάλεια

- Αποφεύγετε χρήση όταν οι καιρικές συνθήκες είναι ακατάλληλες, όταν για παράδειγμα επικρατεί πυκνή ομίχλη, δυνατή βροχή, ισχυρός άνεμος, μεγάλη παγωνιά κλπ. Η εργασία με κακές καιρικές συνθήκες είναι κουραστική και μπορεί να οδηγήσει σε επικίνδυνες καταστάσεις, πχ. ολισθηρές επιφάνειες.
- Ποτέ μην αρχίζετε τη δουλειά με το μηχανήμα, εάν ο τόπος εργασίας δεν είναι ελεύθερος και δεν έχετε εξασφαλίσει σταθερή στάση. Κοιτάξτε αν υπάρχουν εμπόδια για την περίπτωση που μετακινηθείτε ξαφνικά. Βεβαιωθείτε όταν εργάζεστε με το μηχανήμα ότι δεν υπάρχει υλικό που μπορεί να πέσει κάτω και να προκαλέσει τραυματισμό.
- Να ελέγχετε πάντα την πίσω πλευρά της επιφάνειας από την οποία θα εξέλθει η κεφαλή τρυπανιού. Ασφαλίστε και αποκλείστε το χώρο και φροντίστε να μην προκληθούν ζημιές σε αντικείμενα και τραυματισμοί σε ανθρώπους.

# ΓΕΝΙΚΕΣ ΟΔΗΓΙΕΣ ΑΣΦΑΛΕΙΑΣ

## Ασφάλεια με το ηλεκτρικό ρεύμα



**ΠΡΟΕΙΔΟΠΟΙΗΣΗ!** Πάντα υπάρχει κίνδυνος ηλεκτροπληξίας στα ηλεκτρικά μηχανήματα. Να αποφεύγετε αντίξοες καιρικές συνθήκες και σωματική επαφή με καλούς αγωγούς και μεταλλικά αντικείμενα. Να ακολουθείτε πάντα τις οδηγίες του εγχειριδίου χρήσης, έτσι ώστε να αποφύγετε τους τραυματισμούς.



**ΠΡΟΕΙΔΟΠΟΙΗΣΗ!** Μην πλένετε το μηχάνημα με νερό, καθώς το νερό μπορεί να εισέλθει στο ηλεκτρικό σύστημα ή στον κινητήρα και να προκαλέσει ζημιά στο μηχάνημα ή βραχυκύκλωμα.

- Μην χρησιμοποιείτε ποτέ το εργαλείο χωρίς τον αποζεύκτη σφάλματος προς γη που συνοδεύει το εργαλείο.
- Το μηχάνημα πρέπει να συνδέεται σε πρίζα με γείωση.
- Ελέγξτε ότι η ηλεκτρική τάση είναι ίδια με αυτή που αναγράφεται στη πινακίδα που βρίσκεται πάνω στο μηχάνημα.
- Ελέγξτε ότι το καλώδιο και το καλώδιο μπαλαντέζας είναι ακέραια και σε καλή κατάσταση. Μην χρησιμοποιείτε ποτέ το μηχάνημα εάν κάποιο καλώδιο ή βύσμα είναι καταστραμμένο και αναθέστε άμεσα την επισκευή του σε εξουσιοδοτημένο συνεργείο σέρβις.
- Μην χρησιμοποιείτε καλώδια επέκτασης που είναι τυλιγμένα, έτσι ώστε να αποφύγετε την υπερθέρμανσή του.
- Μην εκθέτετε το ηλεκτρικό εργαλείο σε βροχή. Σε περίπτωση εισχώρησης νερού σε ηλεκτρικό εργαλείο, αυξάνεται ο κίνδυνος ηλεκτροπληξίας.
- Το ηλεκτρικό εργαλείο δεν πρέπει να εκτίθεται σε υγρασία περισσότερη από αυτήν που παρέχεται από το σύστημα νερού. Το σύστημα νερού ψύχει το εξάρτημα τρυπανιού με καθαρό νερό. Βεβαιωθείτε ότι δεν θα εισέλθει λάσπη από το τρυπάνι στο μηχάνημα.
- Φροντίστε να έχετε το καλώδιο πίσω σας όταν χρησιμοποιείτε το μηχάνημα για να μην του προκαλέσετε φθορά.
- Να το βγάζετε πάντα από την πρίζα σε μεγάλες διακοπές εργασίας.

## Διάρθρωση σε εξωτερικό χώρο

- Να χρησιμοποιείτε πάντα εγκεκριμένα καλώδια επέκτασης για χρήση σε εξωτερικό χώρο.

## Προσωπική ασφάλεια

- Μην επιτρέπετε σε κανέναν άλλον να χρησιμοποιήσει το μηχάνημα αν δεν έχετε βεβαιωθεί ότι γνωρίζει το περιεχόμενο των οδηγιών χρήσης.
- Να κρατάτε απόσταση από την κεφαλή τρυπανιού όταν είναι σε λειτουργία ο κινητήρας. Η περιστρεφόμενη κεφαλή του τρυπανιού μπορεί να προκαλέσει σοβαρό τραυματισμό.
- Βεβαιωθείτε ότι δεν υπάρχουν τραβηγμένοι σωλήνες ή ηλεκτρικά καλώδια στο χώρο της διάτρησης.
- Ποτέ μην αφήνετε το μηχάνημα χωρίς επιτήρηση με τον κινητήρα σε λειτουργία.
- Να το βγάζετε πάντα από την πρίζα σε μεγάλες διακοπές εργασίας.
- Ποτέ να μην εργάζεστε μόνοι σας, αλλά να έχετε πάντα κάποιο άλλο άτομο κοντά σας. Εκτός από τη βοήθεια που θα έχετε για τη συναρμολόγηση του μηχανήματος, θα μπορέσει να σας βοηθήσει και σε περίπτωση ατυχήματος.
- Χρησιμοποιήστε τις βοηθητικές χειρολαβές που παρέχονται με το εργαλείο. Η απώλεια του ελέγχου μπορεί να οδηγήσει σε τραυματισμό.

## Χρήση και ψφοντίδα

- Αυτό το μηχάνημα είναι ιδανικό για τη διάνοιξη οπών σε σκυρόδεμα, τούβλα και διάφορα υλικά από πέτρα. Μπορεί να χρησιμοποιηθεί και ως δράπανο χειρός και τοποθετημένο σε στήριγμα.
- Το μηχάνημα προορίζεται για χρήση σε βιομηχανικές εφαρμογές από έμπειρους χειριστές.
- Ο έλεγχος και/ή η συντήρηση πρέπει να γίνεται με τον κινητήρα σταματημένο, με το βύσμα βγαλμένο από τη πρίζα.
- Το μηχάνημα έχει πολύ υψηλή ροπή. Αυτό απαιτεί υψηλή συγκέντρωση κατά τη διάρκεια της εργασίας, καθώς μπορεί να προκληθεί σοβαρός τραυματισμός του χειριστή σε περίπτωση που κολλήσει το τρυπάνι.
- Να κρατάτε απόσταση από την κεφαλή τρυπανιού όταν είναι σε λειτουργία ο κινητήρας.
- Μην υπερφορτώνετε το μηχάνημα. Η υπερφόρτωση μπορεί να προκαλέσει φθορές.
- Διατηρήστε όλα τα εξαρτήματα σε εύρυθμη κατάσταση και φροντίστε να είναι καλά σφιγμένα όλα τα αγκύρια.
- Να κλείνετε πάντα το μηχάνημα πριν το μετακινήσετε.
- Κρατάτε το ηλεκτρικό εργαλείο από τις μονωμένες επιφάνειες λαβής, όταν εκτελείτε λειτουργίες κατά τις οποίες το αξεσουάρ κοπής μπορεί να έλθει σε επαφή με κρυμμένη καλωδίωση ή με το δικό του καλώδιο. Εάν το αξεσουάρ κοπής έλθει σε επαφή με ένα καλώδιο 'υπό τάση' μπορεί να θέσει τα εκτεθειμένα μεταλλικά μέρη του ηλεκτρικού εργαλείου υπό τάση και να προκαλέσουν ηλεκτροπληξία στο χειριστή.

# ΓΕΝΙΚΕΣ ΟΔΗΓΙΕΣ ΑΣΦΑΛΕΙΑΣ

## Στεγνή διάτρηση



**ΠΡΟΣΟΧΗ!** Κατά τη κοπή δημιουργούνται σωματίδια σκόνης, η εισπνοή των οποίων μπορεί να προκαλέσει σωματική βλάβη. Χρησιμοποιήστε εγκεκριμένη αναπνευστική μάσκα. Συνδέστε το μηχάνημα σε ηλεκτρική σκούπα για την αποτελεσματική διαχείριση σκόνης κατά τη στεγνή διάτρηση.

## Διάτρηση οροφής

**ΣΗΜΕΙΩΣΗ!** Δεν πρέπει να καλύπτεται ο αεραγωγός εισαγωγής.

Χρησιμοποιήστε ένα συλλέκτη νερού για να εμποδίσετε την εισροή νερού στο μηχάνημα.

## ElgardΣ

**ΣΗΜΕΙΩΣΗ!** Μην υπερφορτώνετε επαναλαμβανόμενα το μηχάνημα. Αυτό μπορεί να κάνει ζημιά στο μηχανάκι.

Αν υπερφορτωθεί ο κινητήρας, η προστασία υπερφόρτωσης προκαλεί παλμικές δονήσεις στον κινητήρα. Μειώνοντας το φορτίο ο κινητήρας επανέρχεται σε φυσιολογικό αριθμό στροφών.

Αν το μηχάνημα υποστεί μεγάλη φόρτιση, ή αν κολλήσει το τρυπάνι, η προστασία υπερφόρτωσης θα κόψει το ρεύμα. Εκτελέστε επαναφορά του μηχανήματος απενεργοποιώντας το και έπειτα ενεργοποιώντας το ξανά.

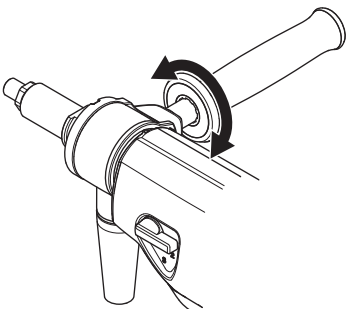
Αν κολλήσει το τρυπάνι, ο μηχανικός συμπλέκτης ολίσθησης προστατεύει το κιβώτιο ταχυτήτων πριν η προστασία υπερφόρτωσης κόψει το ρεύμα.

## Φορητή διάτρηση



**ΠΡΟΕΙΔΟΠΟΙΗΣΗ!** Μην πραγματοποιείτε φορητή διάτρηση με την πρώτη ταχύτητα καθώς το μηχάνημα έχει μεγάλη ροπή που μπορεί να προκαλέσει τραυματισμό του χειριστή αν κολλήσει το τρυπάνι.

- Χρησιμοποιείτε πάντα τρυπάνι με μέγιστο διάμετρο 80 mm κατά τη φορητή διάτρηση. Όσο μεγαλύτερο είναι το τρυπάνι, τόσο μεγαλύτερη θα είναι η αντίδραση αν κολλήσει το τρυπάνι.
- Ασφαλίστε την μπροστινή περιστρεφόμενη λαβή σταθερά στη θέση της, πριν τη διάνοιξη οπών.



- Ποτέ μη λειτουργείτε το φορητό δρέπανο πάνω σε κινητή σκάλα. Η φορητή διάτρηση σε αυτές τις καταστάσεις είναι πάντα επικίνδυνη, καθώς είναι πολύ μεγάλος ο κίνδυνος πτώσης αν κολλήσει το τρυπάνι.



## Διάτρηση με βάση

- Να χρησιμοποιείτε πάντα βάση διάτρησης αν θα πραγματοποιηθεί διάτρηση από σκάλα ή από σκαλωσιά.
- Βεβαιωθείτε ότι η βάση είναι καλά αγκυρωμένη.
- Βεβαιωθείτε ότι το δρέπανο είναι καλά στερεωμένο στη βάση.

# ΣΥΝΑΡΜΟΛΟΓΗΣΗ ΚΑΙ ΡΥΘΜΙΣΕΙΣ

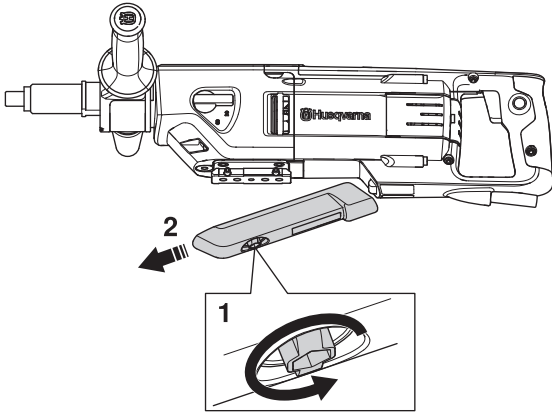
## Συναρμολόγηση



**ΠΡΟΕΙΔΟΠΟΙΗΣΗ!** Το μηχάνημα θα πρέπει να απενεργοποιείται με το καλώδιο τροφοδοσίας αποσυνδεδεμένο από την έξοδο.

### Συναρμολόγηση σε στήριγμα

- Ξεσφίξτε τη βίδα. Αφαιρέστε το προστατευτικό κάλυμμα.



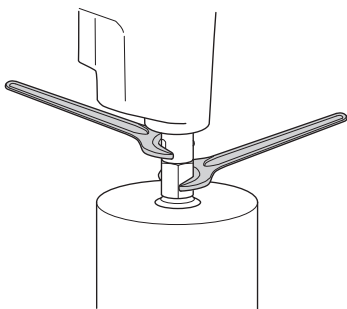
- Συμβουλευθείτε τις οδηγίες που περιέχονται στο εγχειρίδιο χρήσης για τη συγκεκριμένη βάση.

### Τοποθέτηση/αλλαγή του εξαρτήματος τρυπανιού



**ΠΡΟΣΟΧΗ!** Το τρυπάνι και η γειτονική περιοχή του είναι πολύ θερμά μετά τη χρήση. Αφήστε το μηχάνημα να κρυώσει, πριν αφαιρέσετε το εξάρτημα του τρυπανιού. Χρησιμοποιείτε προστατευτικά γάντια.

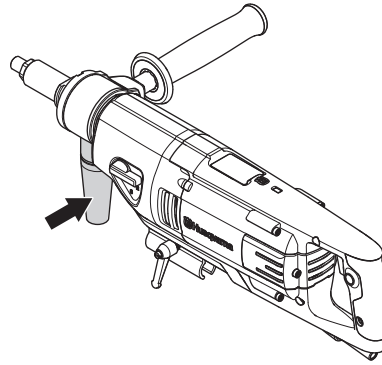
- Εφαρμόστε αδιάβροχο γράσο στο νήμα του εξαρτήματος τρυπανιού.
- Τοποθετήστε το τρυπάνι με τη βοήθεια των κλειδιών



- Πριν βάλετε σε λειτουργία το μηχάνημα, ελέγξτε προσεκτικά ότι το καινούριο τρυπάνι είναι καλά στερεωμένο.

## Σύνδεση ηλεκτρικής σκούπας

- Συνδέστε το μηχάνημα σε ηλεκτρική σκούπα για την αποτελεσματική διαχείριση σκόνης κατά τη στεγνή διάτρηση.





## Προστατευτικός εξοπλισμός

### Γενικά

Μην χρησιμοποιείτε το μηχάνημα παρά μόνο εφόσον έχετε τη δυνατότητα να καλέσετε βοήθεια σε περίπτωση ατυχήματος.

### Ατομικός προστατευτικός εξοπλισμός

Σε οποιαδήποτε χρήση του μηχανήματος πρέπει να χρησιμοποιείτε εγκεκριμένο ατομικό προστατευτικό εξοπλισμό. Ο ατομικός προστατευτικός εξοπλισμός δεν εξουδετερώνει τον κίνδυνο τραυματισμού, παρά μειώνει τα αποτελέσματα ενός τραύματος σε περίπτωση ατυχήματος. Ζητήστε από τον έμπορο να σας βοηθήσει στην εκλογή προστατευτικού εξοπλισμού.



**ΠΡΟΕΙΔΟΠΟΙΗΣΗ!** Η χρήση προϊόντων που κόβουν, τροχίζουν, τρυπούν, λειαίνουν ή διαμορφώνουν υλικά μπορεί να παράγουν σκόνη και υδρατμούς που ενδέχεται να περιέχουν επιβλαβή χημικά. Γνωρίστε τις ιδιότητες του υλικού το οποίο επεξεργάζεστε και χρησιμοποιήστε κατάλληλες αναπνευστικές μάσκες.



**ΠΡΟΕΙΔΟΠΟΙΗΣΗ!** Η μακρόχρονη έκθεση σε θόρυβο μπορεί να προκαλέσει μόνιμη βλάβη στην ακοή. Θα πρέπει πάντα να λαμβάνετε μέτρα προστασίας της ακοής σας. Όταν φοράτε ωτασπίδες έχετε το νου σας ώστε να ακούσετε τυχόν προειδοποιητικά σήματα ή φωνές. Πάντα να βγάζετε τις ωτασπίδες μόλις σβήσει ο κινητήρας.



**ΠΡΟΕΙΔΟΠΟΙΗΣΗ!** Υπάρχει πάντοτε κίνδυνος σύνθλιψης κατά την εργασία με μηχανήματα που έχουν κινητά εξαρτήματα. Να χρησιμοποιείτε προστατευτικά γάντια για να αποφύγετε σωματικούς τραυματισμούς.

Χρησιμοποιείτε πάντοτε:

- Προστατευτικό κράνος
- Προστασία ακοής
- Προστατευτικά γυαλιά ή δικτυωτή μάσκα
- Αναπνευστική μάσκα
- Γερά γάντια με καλό κράτημα.
- Εφαρμοστή, ανθεκτική και άνετη επένδυση που επιτρέπει πλήρη ελευθερία κινήσεων.
- Αντιολισθητικές μπότες με χαλύβδινα ψίδια.

Να έχετε υπόψη σας ότι τα ρούχα, μακριά μαλλιά και κοσμήματα μπορεί να μπλεχτούν στα κινητά μέρη.

## Άλλος εξοπλισμός προστασίας



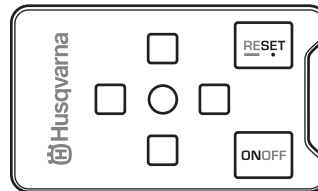
**ΠΡΟΕΙΔΟΠΟΙΗΣΗ!** Ενώ εργάζεστε με το μηχάνημα, ενδέχεται να εμφανιστούν σπίθες και να ξεσπάσει φωτιά. Διατηρείτε πάντα έναν πυροσβεστήρα σε κοντινή απόσταση από τον τόπο εργασίας.

- Εξοπλισμός πυρόσβεσης
- Έχετε πάντοτε μαζί σας κιβώτιο πρώτων βοηθειών.

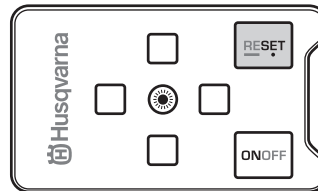
## Βασικές τεχνικές εργασίας

### Level guiding system

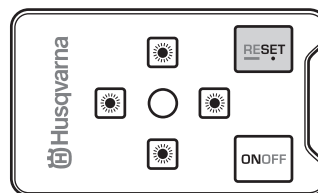
Το Level guiding system της συσκευής λειτουργεί σαν ηλεκτρονικό αλφάδι και βοηθά τον χρήστη να τρυπήσει στην απαιτούμενη θέση. Διαβάζοντας την ένδειξη των LED στην κορυφή της συσκευής και κάνοντας τις ανάλογες ρυθμίσεις, το τρύπημα γίνεται ευκολότερο για το χρήστη και αποκτά μεγαλύτερη ακρίβεια.



Το κεντρικό πράσινο LED ανάβει όσο η συσκευή είναι στην απαιτούμενη θέση.

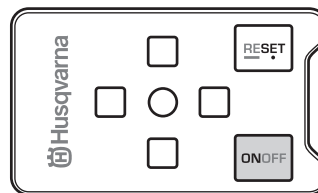


Τα γύρω κόκκινα LED δείχνουν την κατεύθυνση στην οποία πρέπει να μετακινηθεί η συσκευή για να επιτευχθεί η απαιτούμενη θέση.



### Ενεργοποίηση του συστήματος

- Πατήστε το κουμπί ON/OFF για να ενεργοποιήσετε το σύστημα.



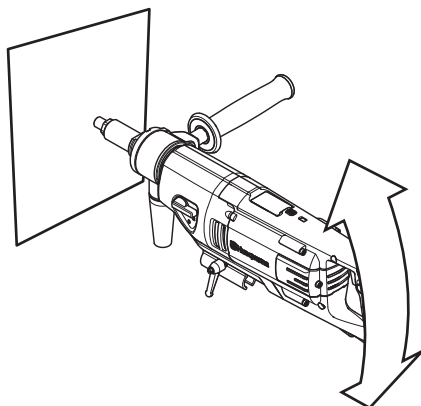
- Αυτή η λειτουργία ανιχνεύει τη γωνία που είναι τοποθετημένη η συσκευή και την τροποποιεί ανάλογα.

# ΛΕΙΤΟΥΡΓΙΑ

## Οριζόντια θέση

Το κεντρικό πράσινο LED ανάβει όταν η συσκευή έχει τοποθετηθεί οριζόντια.

Το σύστημα ανιχνεύει την απόκλιση της συσκευής από την οριζόντια θέση.

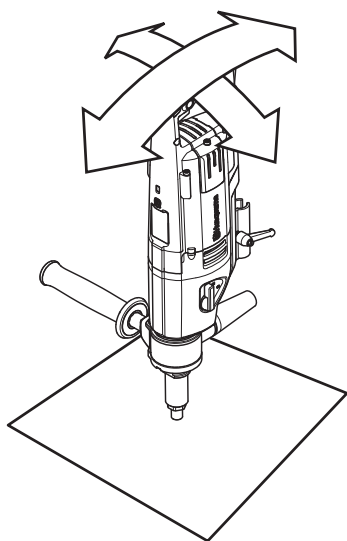


Αν η πίσω πλευρά της συσκευής στραφεί προς τα κάτω, το πράσινο LED σβήνει και ανάβει το μπροστινό κόκκινο LED. Αν η πίσω πλευρά της συσκευής στραφεί προς τα πάνω, ανάβει το πίσω κόκκινο LED.

## Κάθετη θέση

Το κεντρικό πράσινο LED ανάβει όταν η συσκευή τοποθετηθεί κάθετα.

Το σύστημα ανιχνεύει αποκλίσεις από δύο επίπεδα.



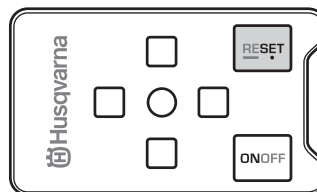
Αν η πίσω πλευρά της συσκευής στραφεί προς τα κάτω, το πράσινο LED σβήνει και ανάβει το μπροστινό κόκκινο LED. Αν η πίσω πλευρά της συσκευής στραφεί προς τα πάνω, ανάβει το πίσω κόκκινο LED.

Αν η πίσω πλευρά της συσκευής είναι στραμμένη προς τα δεξιά, το κεντρικό πράσινο LED σβήνει και ανάβει το αριστερό κόκκινο LED. Αν η πίσω πλευρά της συσκευής είναι στραμμένη προς τα αριστερά, ανάβει το δεξιό κόκκινο LED.

## Προσαρμοσμένη ρύθμιση γωνίας

Το Level guiding system της συσκευής μπορεί να ρυθμιστεί ώστε να ορίζεται μία καθορισμένη γωνία τρυπανιού.

- Κρατήστε τη συσκευή στην απαιτούμενη γωνία και πατήστε το κουμπί της Επαναφοράς (Reset).



- Μηδενίστε τη ρύθμιση της γωνίας κρατώντας πατημένο το κουμπί της Επαναφοράς για περίπου 3 δευτερόλεπτα.

Επίσης η ρύθμιση μηδενίζεται αν αποσυνδεθεί η τροφοδοσία ρεύματος από τη συσκευή για μεγάλο χρονικό διάστημα.

## Απενεργοποίηση του συστήματος

Το σύστημα μπορεί να απενεργοποιηθεί προσωρινά πατώντας το κουμπί ON/OFF. Η απενεργοποίηση μηδενίζεται αν πατηθεί πάλι το κουμπί ON/OFF ή όταν αποσυνδεθεί η τροφοδοσία.

Το σύστημα απενεργοποιείται προσωρινά πατώντας το κουμπί ON/OFF για περίπου 3 δευτερόλεπτα. Πατήστε το κουμπί ON/OFF για να ενεργοποιήσετε ξανά το σύστημα.

## Μεταφορά και αποθήκευση

- Για να προστατέψετε το δράπανο και το τρυπάνι σας από φθορές, μην αποθηκεύετε ή μεταφέρετε το δράπανο με τοποθετημένη την κεφαλή τρυπανιού.
- Ασφαλίστε τον εξοπλισμό κατά τη διάρκεια οποιασδήποτε μεταφοράς, ώστε να αποφύγετε τυχόν βλάβες και ατυχήματα.
- Να αποθηκεύετε τον εξοπλισμό σε κλειδωμένο χώρο, ώστε να μην είναι προσβάσιμος σε παιδιά και μη εξουσιοδοτημένα άτομα.
- Αποθηκεύετε το μηχάνημα και τον εξοπλισμό του σε ένα στεγνό μέρος, ανθεκτικό στο ψύχος.

# ΞΕΚΙΝΗΜΑ ΚΑΙ ΣΤΑΜΑΤΗΜΑ

## Προτού ξεκινήσετε



**ΠΡΟΕΙΔΟΠΟΙΗΣΗ!** Διαβάστε προσεκτικά τις Οδηγίες χρήσεως και κατανοήστε το περιεχόμενο πριν χρησιμοποιήσετε το μηχάνημα.

Χρησιμοποιείτε ατομικό προστατευτικό εξοπλισμό. Βλ. τις οδηγίες στο κεφάλαιο "Ατομικός προστατευτικός εξοπλισμός"

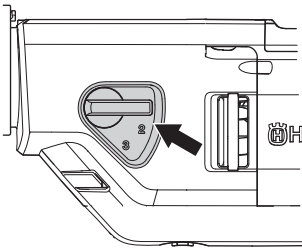
Βεβαιωθείτε ότι δεν υπάρχουν άσχετα πρόσωπα στην περιοχή εργασίας, διαφορετικά υπάρχει κίνδυνος σοβαρών τραυματισμών.

- Βεβαιωθείτε ότι το μηχάνημα είναι σωστά συναρμολογημένο και δεν φέρει καμία ένδειξη ζημιάς. Συμβουλευθείτε τις οδηγίες που παρατίθενται στην ενότητα "Συναρμολόγηση και προσαρμογές".
- Εκτελείτε ημερήσια συντήρηση. Ανατρέξτε στις οδηγίες της ενότητας με τίτλο "Συντήρηση".

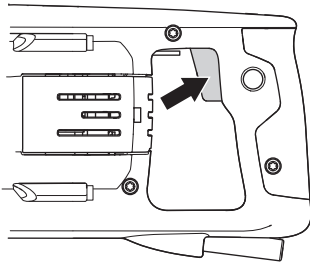
## Εκκίνηση

**ΣΗΜΕΙΩΣΗ!** Αλλαγή ταχύτητας επιτρέπεται μόνο όταν το μηχάνημα είναι εκτός λειτουργίας. Ειδικά υπάρχει κίνδυνος πρόκλησης ζημιάς στο κιβώτιο ταχυτήτων.

- Ρυθμίστε τον αριθμό στροφών γυρίζοντας τον άξονα ενώ ταυτόχρονα φέρνετε το μοχλό ταχυτήτων στην επιθυμητή θέση.



- Ανοίξτε την υδρόψυξη (υγρή κοπή) ή βάλτε σε λειτουργία τον συλλέκτη σκόνης (ξηρή κοπή).
- Πιέστε προς τα κάτω το διακόπτη ισχύος μέχρι τη μέση, για να ενεργοποιήσετε το Smart Start και τελειώστε για πλήρη ταχύτητα διάνοιξης οπής.



## Σταμάτημα



**ΠΡΟΣΟΧΗ!** Η κεφαλή του τρυπανιού συνεχίζει να περιστρέφεται για λίγο μετά το κλείσιμο του κινητήρα. Βεβαιωθείτε ότι το τρυπάνι περιστρέφεται ελεύθερα μέχρι να σταματήσει εντελώς. Ε απροσεξία μπορεί να οδηγήσει σε σοβαρό τραυματισμό.

- Λειτουργήστε το μηχάνημα χωρίς φορτίο για περίπου ένα λεπτό μέχρι να κρυώσει ο κινητήρας.
- Ο κινητήρας σταματάει με το άφημα του διακόπτη ρεύματος.

## Γενικά



**ΠΡΟΕΙΔΟΠΟΙΗΣΗ!** Ο χρήστης επιτρέπεται να κάνει μόνο όσες εργασίες επισκευής και συντήρησης περιγράφονται σε αυτό το εγχειρίδιο χρήσης. Περαιτέρω εργασίες πρέπει να εκτελούνται μόνο από εξουσιοδοτημένο συνεργείο επισκευών.

Απενεργοποιείτε το μηχάνημα και αποσυνδέετε το θύσμα ρεύματος.

Χρησιμοποιείτε ατομικό προστατευτικό εξοπλισμό. Βλ. τις οδηγίες στο κεφάλαιο "Ατομικός προστατευτικός εξοπλισμός"

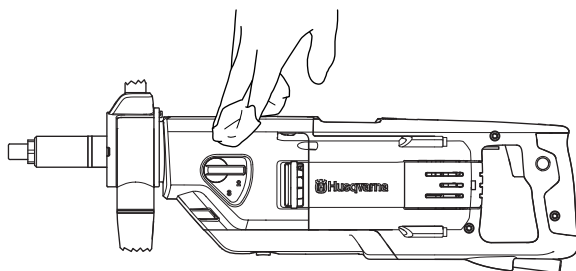
Η διάρκεια ζωής της μηχανής μπορεί να μειωθεί ενώ και ο κίνδυνος για ατυχήματα είναι μεγαλύτερος στην περίπτωση που δεν πραγματοποιείται η σωστή συντήρηση της μηχανής καθώς και εάν η επισκευή δε γίνεται με επαγγελματικό τρόπο. Εάν θέλετε περισσότερες πληροφορίες, επικοινωνήστε με το πλησιέστερο συνεργείο.

## Καθημερινή φροντίδα

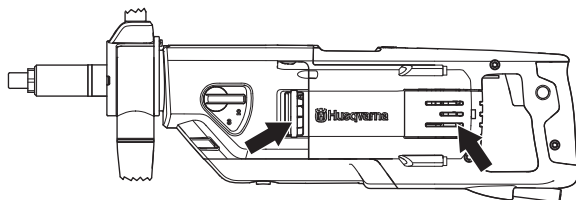
- Βεβαιωθείτε ότι ο εξοπλισμός ασφαλείας του μηχανήματος δεν έχει υποστεί οποιαδήποτε βλάβη. Συμβουλευθείτε τις οδηγίες που παρατίθενται στην ενότητα "Εξοπλισμός ασφαλείας του μηχανήματος".
- Ελέγξτε ότι το καλώδιο και το καλώδιο μπαλαντζέας είναι αkéραια και σε καλή κατάσταση.
- Καθαρίστε εξωτερικά το μηχάνημα.

## Καθαρισμός

- Διατηρήστε καθαρά το μηχάνημα και το τρυπάνι για να γίνεται η διάτρηση με ασφάλεια



- Διατηρήστε τη χειρολαβή στεγνή και καθαρή από γράσο και λάδια.
- Για να έχει πάντοτε το μηχάνημα επαρκή ψύξη θα πρέπει τα ανοίγματα των αεραγωγών να είναι πάντα ελεύθερα και καθαρά. Να καθαρίζετε τακτικά το μηχάνημα με πεπιεσμένο αέρα.



- Να χρησιμοποιείτε πεπιεσμένο αέρα για να καθαρίζετε ανά τακτά χρονικά διαστήματα τον κινητήρα. Αφαιρέστε και καθαρίστε το κάλυμα επιθεώρησης.

## Κρουνός νερού

Ελέγξτε ότι λειτουργεί ο κρουνός νερού. Μην χρησιμοποιείτε σωλήνες που έχουν παραμορφωθεί, φθαρεί ή καταστραφεί.

## Παροχή ηλεκτρικού ρεύματος



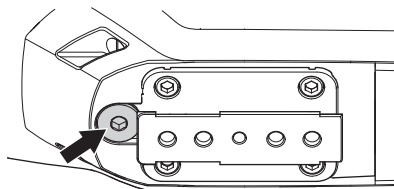
**ΠΡΟΕΙΔΟΠΟΙΗΣΗ!** Ποτέ με χρησιμοποιείτε φθαρμένα καλώδια. Μπορούν να προκαλέσουν σοβαρό τραυματισμό, ακόμη και θάνατεφόρο.

Ελέγξτε ότι το καλώδιο και το καλώδιο μπαλαντζέας είναι ακέραια και σε καλή κατάσταση. Μην χρησιμοποιείτε το μηχάνημα αν το καλώδιο είναι φθαρμένο, αλλά αφήστε το σε ένα εξουσιοδοτημένο συνεργείο για επισκευή.

## Αλλαγή λαδιού κιβωτίου ταχυτήτων

Το λάδι στο κιβώτιο ταχυτήτων θα πρέπει να αλλαχτεί μετά από 400 ώρες λειτουργίας.

- Ξεβιδώστε την τάπα λαδιού.



- Αδειάστε το λάδι σε ένα δοχείο. Χειριστείτε το λάδι λαμβάνοντας υπόψη τις περιβαλλοντικές οδηγίες. Ακολουθήστε τις τοπικές απαιτήσεις ανακύκλωσης.

Αν παραστεί ανάγκη επικοινωνήστε με τον αντιπρόσωπό σας για καθαρισμό του κιβωτίου ταχυτήτων.

- Συμπληρώστε καινούργιο λάδι στο κιβώτιο ταχυτήτων, περίπου 0,25 λίτρα. Ανατρέξτε στα Τεχνικά στοιχεία για συστάσεις σχετικά με τον τύπο λαδιού που πρέπει να χρησιμοποιήσετε.
- Η τάπα λαδιού είναι εφοδιασμένη με μαγνήτη, ο οποίος συλλαμβάνει τα μεταλλικά σωματίδια. Καθαρίστε την τάπα λαδιού και βιδώστε τη στη θέση της.

## Αλλαγή στα καρβουνάκια

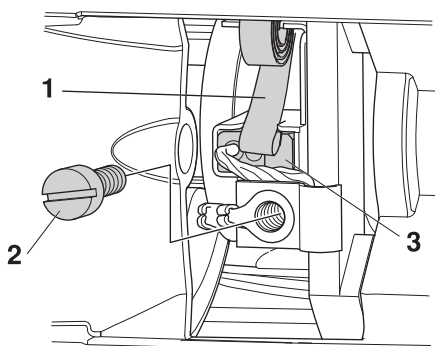


**ΠΡΟΕΙΔΟΠΟΙΗΣΗ!** Απενεργοποιείτε το μηχάνημα και αποσυνδέετε το θύσμα ρεύματος.

Τα καρβουνάκια να αφαιρούνται και να ελέγχονται τακτικά. Σε εβδομαδιαία βάση αν γίνεται καθημερινή χρήση του μηχανήματος ή σε μεγαλύτερα χρονικά διαστήματα αν γίνεται πιο αραιή χρήση του. Η επιφάνεια τριβής τους πρέπει να είναι λεία και χωρίς φθορές.

Πρέπει να αλλάζονται ταυτόχρονα και τα δύο καρβουνάκια, αλλά ένα κάθε φορά.

- Αφαιρέστε το κάλυμμα επιθεώρησης.
- Ανασηκώστε το ελατήριο συγκράτησης της ψήκτρας στη μία πλευρά (1).



- Χαλαρώστε τη βίδα (2).
- Τραβήξτε έξω τη σύνδεση για τα καρβουνάκια.
- Αφαιρέστε την ψήκτρα άνθρακα από την υποδοχή (3).
- Καθαρίστε τη θήκη με πεπιεσμένο αέρα ή με μια βούρτσα. Αλλάξτε το καρβουνάκι αν είναι φθαρμένο.
- Τοποθετήστε τα καινούργια καρβουνάκια και ελέγξτε ταυτόχρονα ότι γλιστράνε εύκολα μέσα στις θήκες τους.
- Βάλτε στη θέση του το ελατήριο της θήκης με τα καρβουνάκια.
- Φέρτε κάτω από το κατσαβίδι τη σύνδεση για τα καρβουνάκια.
- Επαναλάβετε τη διαδικασία και στο άλλο καρβουνάκι.
- Βιδώστε το κάλυμμα επιθεώρησης στη θέση του.
- Αφήστε το μηχάνημα να δουλέψει στο ρελαντί για 10 λεπτά για να στρώσουν τα καρβουνάκια.

# ΤΕΧΝΙΚΑ ΣΤΟΙΧΕΙΑ

## DM 220

Ηλεκτρικός κινητήρας	Μονοφασικός
Μέγιστη επιτρεπτή τάση, V	220-240/100-120
Μέγιστη δυνατή ισχύς, W	1850
<b>Ονομαστικό ρεύμα, A</b>	
220-240	8 A
100-120 V	13 A
Βαρος,kg	7
Όγκος λαδιού κιβωτίου ταχυτήτων, dl	0,25
Λάδι για κιβώτιο ταχυτήτων, τύπος	AP GL-5 SAE 75W-90 ή παρόμοιο

## Διάμετρος κεφαλής τρυπανιού, mm

Μέγ. διάμετρος κεφαλής τρυπανιού, με βάση	150 mm (5,9")
Μέγιστη διάμετρος κεφαλής διάτρησης, χειροκίνητη	80 mm (3.14")

Σπείρωμα άξονα	G 1/2"	G 1 1/4"
Σύνδεσμος νερού	G 1/4"	
Πίεση νερού - μέγιστη, bar	8	

## Εκπομπές θορύβου (βλ.σεμ. 1)

Μετρημένη ηχητική στάθμη σε dB(A)	107
Εγγυημένη εχετική στάθμη dB(A)	108

## Στάθμες θορύβου (βλ. σεμ. 2)

Ισοδύναμη εχετική πίεση στο αυτί του χειριστή, dB(A)	93
--	----

## Στάθμες κραδασμών, $a_{hv}$ (βλ. σεμ. 3)

Μπροστινή χειρολαβή, $m/s^2$	2,8
Πίσω χειρολαβή, $m/s^2$	2,6

Σεμείωση 1: Οι εκπομπές θορύβου στο περιβάλλον ελέγχονται ως εχετική ισχύς (LWA) σύμφωνα με το πρότυπο EN 60745-2-1.

Σεμείωση 2: Επίπεδο θορύβου σύμφωνα με το πρότυπο EN 60745-2-1. Τα καταγεγραμμένα στοιχεία για τη στάθμη πίεσης θορύβου έχουν μία τυπική στατιστική διασπορά (τυπική απόκλιση) της τάξης του 1.0 dB(A).

Σεμείωση 3: Επίπεδο κραδασμών σύμφωνα με το πρότυπο EN 60745-2-1. Τα καταγεγραμμένα στοιχεία για τη στάθμη κραδασμών έχουν μία τυπική στατιστική διασπορά (τυπική απόκλιση) της τάξης του 1  $m/s^2$ .

## Ταχύτητα διάνοιξης και μεγέθη τρυπανιών

Κιβώτιο ταχυτήτων	Ταχύτητα διάτρεςες με φορτίο, σ.α.λ.	Ταχύτητα διάτρεςες χωρίς φορτίο, σ.α.λ.	Φορητή διάτρηση		Διάτρηση με βάση	
			Συνιστώμενο μέγεθος τρυπανιού, χιλ.	Συνιστώμενο μέγεθος τρυπανιού, ίντσες	Συνιστώμενο μέγεθος τρυπανιού, χιλ.	Συνιστώμενο μέγεθος τρυπανιού, ίντσες
1	580	730	Δεν συνιστάται	Δεν συνιστάται	100-150	4-6
2	1400	1700	40-80	2-4	40-80	2-4
3	2900	3600	0-40	0-2	0-40	0-2

---

# ΔΗΛΩΣΗ ΣΥΜΜΟΡΦΩΣΗΣ ΕΚ

---

## ΕΚ–Βεβαίωση συμφωνίας

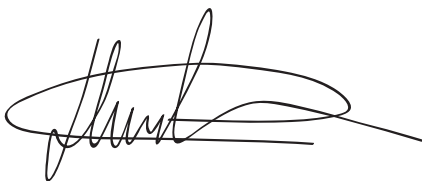
**Husqvarna AB**, SE-561 82 Huskvarna, Σουεδία, τελ.: +46-36-146500, βεβαιώνει ότι το δρόπανο **Husqvarna DM 220** σειράς κατασκευής 2010 και εμπρός (το έτος αναγράφεται ολόκληρο στον πινακίδα τύπου και ακολουθείται από τον αριθμό σειράς), ανταποκρίνεται στις προδιαγραφές της ΟΔΕΓΙΑΣ ΤΟΥ ΣΥΜΒΟΥΛΙΟΥ:

- μη ημερομηνία 17 Μαΐου 2006 "σχητικά μη τα μηχανήματα" **2006/42/ΕΚ**.
- της 15ης Δεκεμβρίου 2004 "σχετικά με ηλεκτρομαγνητική συμβατότητα" **2004/108/ΕΚ**.
- με εμερομηνία 12 Δεκεμβρίου 2006 "σχετικά με τον ηλεκτρικό εξοπλισμό" **2006/95/ΕΚ**.
- της 8ης Ιουνίου 2011 "αναφορικά με τον περιορισμό συγκεκριμένων επικίνδυνων ουσιών" **2011/65/EU**

Εφαρμόστηκαν τα εξής πρότυπα:

EN ISO 12100:2010, EN 55014-1:2006, EN 55014-2/A1:2001, EN 61000-3-2:2006, EN 61000-3-3/A1/A2:2005, EN 60745-2-1:2007.

Γκέτεμποργκ, 3 Φεβρουάριος 2015



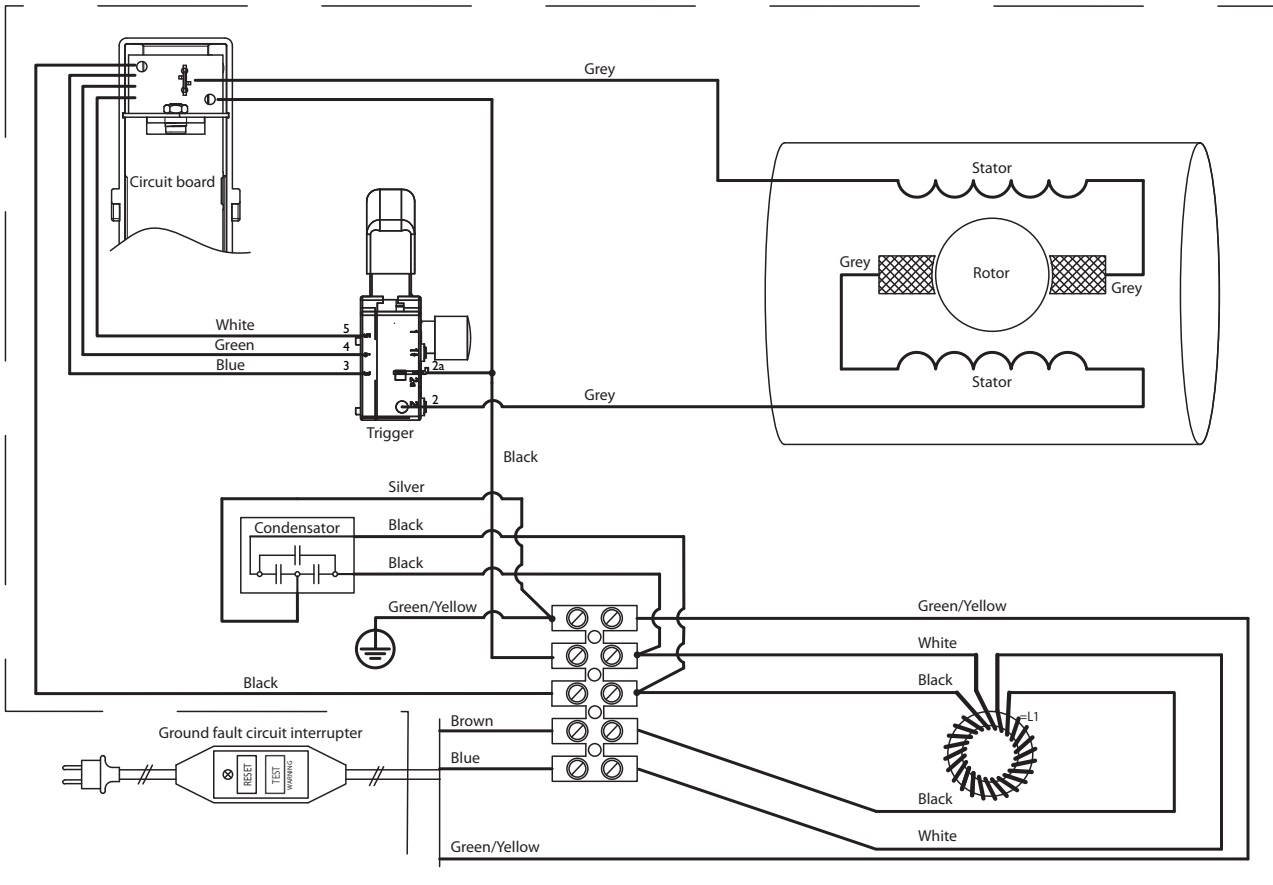
Helena Grubb

Αντιπρόεδρος, Προϊστάμενος Τμήματος Δισκοπρίονων και Εξοπλισμού Κατασκευών

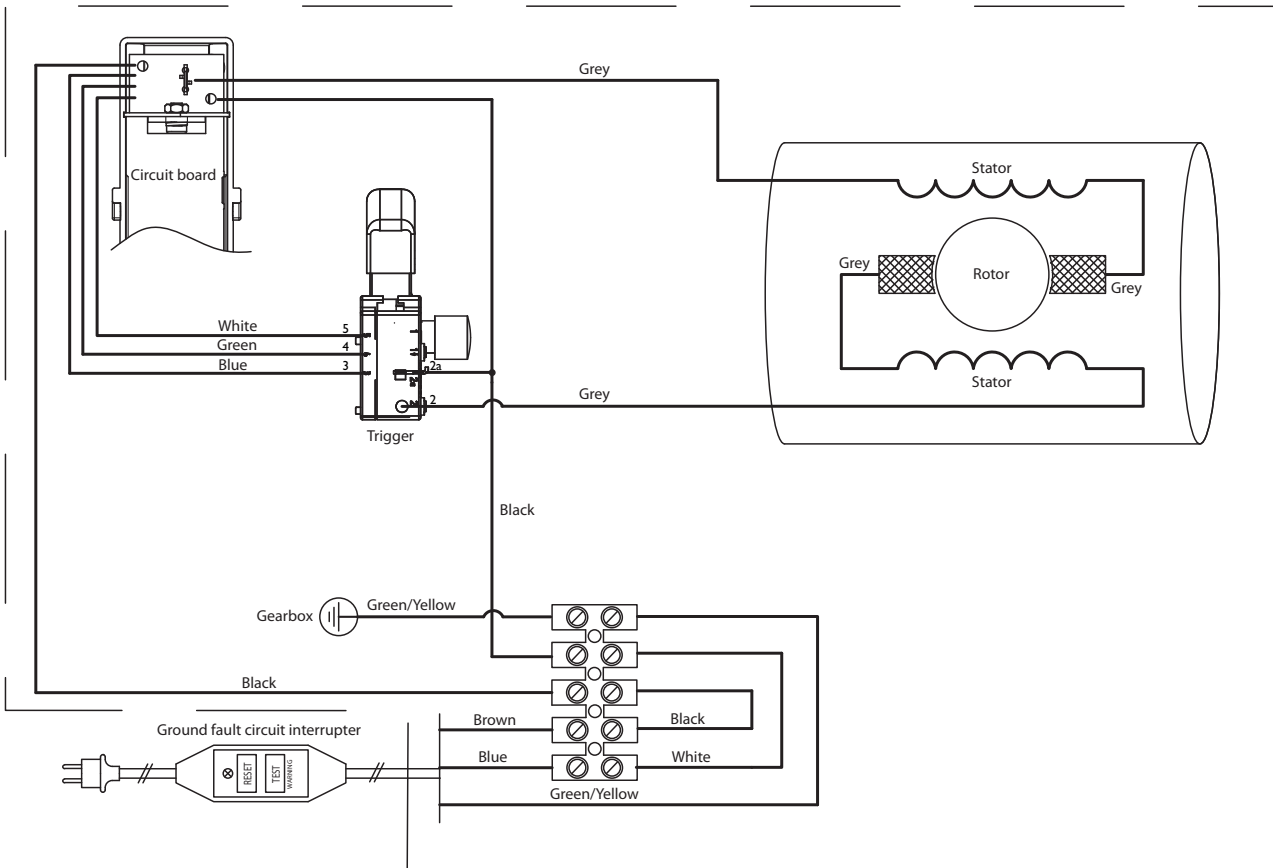
(Εξουσιοδοτημένος αντιπρόσωπος της Husqvarna AB και υπεύθυνος για την τεχνική τεκμηρίωση.)

# ΣΧΔΙΟ ΚΑΛΩΔΙΩΣΕΣ

230 V



110 V











**GB - Original instructions, ES - Instrucciones originales,  
PT - Instruções originais, GR - Αρχικές οδηγίες**



**1153606-30**

**2015-02-17 Rev.2**