



GB

Operator's manual

Please read the operator's manual carefully and make sure you understand the instructions before using the machine.

ES

Manual de instrucciones

Lea detenidamente el manual de instrucciones y asegúrese de entender su contenido antes de utilizar la máquina.

DE

Bedienungsanweisung

Lesen Sie die Bedienungsanweisung sorgfältig durch und machen Sie sich mit dem Inhalt vertraut, bevor Sie das Gerät benutzen.

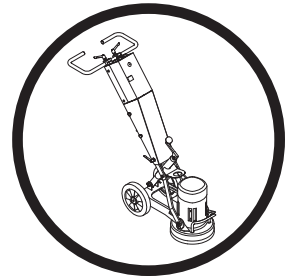
FR

Manuel d'utilisation

Lire attentivement et bien assimiler le manuel d'utilisation avant d'utiliser la machine.

PG 400

PG 280



GB ES DE FR

KEY TO SYMBOLS

Symbols on the machine:

WARNING! The machine can be a dangerous tool if used incorrectly or carelessly, which can cause serious or fatal injury to the operator or others.



Please read the operator's manual carefully and make sure you understand the instructions before using the machine.



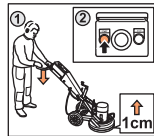
Wear personal protective equipment. See instructions under the heading "Personal protective equipment".



WARNING! Dust forms when grinding, which can cause injuries if inhaled. Use an approved breathing mask. Always provide for good ventilation.



Starting: Reduce the pressure between grinding disc and floor by pushing down on the handle without raising the grinding unit off the ground.



This product is in accordance with applicable EC directives.



Environmental marking. Symbols on the product or its packaging indicate that this product cannot be handled as domestic waste.



By ensuring that this product is taken care of correctly, you can help to counteract the potential negative impact on the environment and people that can otherwise result through the incorrect waste management of this product.

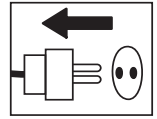


For more detailed information about recycling this product, contact your municipality, your domestic waste service or the shop from where you purchased the product.

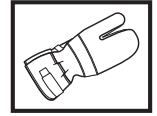
Other symbols/decals on the machine refer to special certification requirements for certain markets.

Symbols in the operator's manual:

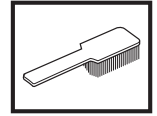
Inspection and/or maintenance should be carried out with the motor switched off and the plug disconnected.



Always wear approved protective gloves.



Regular cleaning is required.



Visual check.



Protective goggles or a visor must be worn.



CONTENTS

Contents

KEY TO SYMBOLS

Symbols on the machine:	2
Symbols in the operator's manual:	2

CONTENTS

Contents	3
----------------	---

WHAT IS WHAT?

What is what on the grinder?	4
------------------------------------	---

SAFETY INSTRUCTIONS

Before using a new grinder	5
Personal protective equipment	5
General safety precautions	6

ASSEMBLY

Fit the handle	8
Changing the diamonds	8
Connect the vacuum cleaner	9
Transport	9

GRINDING GUIDE

Diamonds	10
Determining the hardness of concrete	10
Diamond selection	11
The motor's direction of rotation	13

STARTING AND STOPPING

Before starting	14
Starting	14
Stopping	14

MAINTENANCE

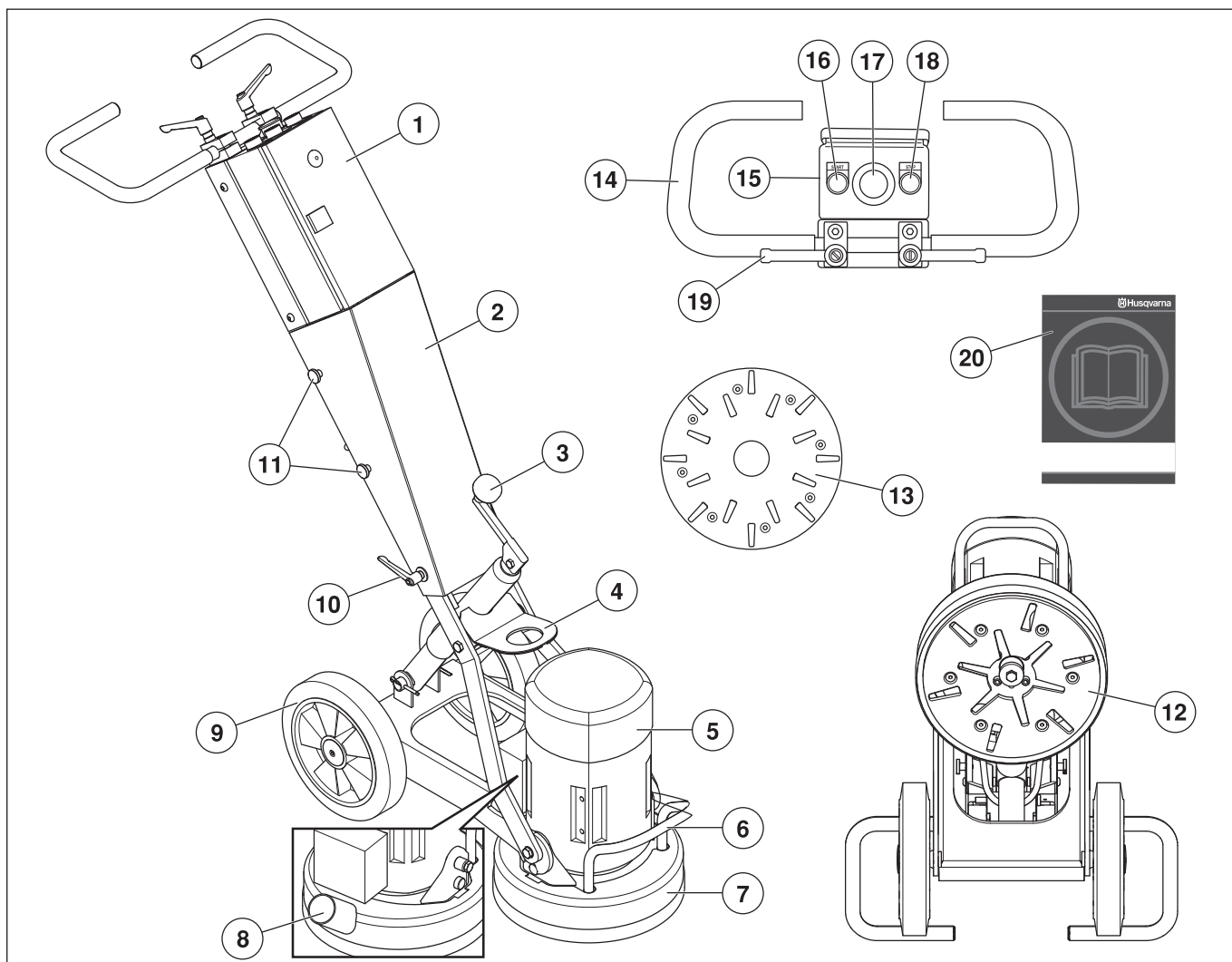
Faults and trouble shooting	15
Maintenance	15
Service	15

TECHNICAL DATA

Technical data	16
EC-declaration of conformity	17

WIRING DIAGRAM

WHAT IS WHAT?



What is what on the grinder?

- | | |
|---|--|
| 1 Electric box | 11 Screws, cover |
| 2 Cover | 12 Grinding unit - PG 280 |
| 3 Crank for adjusting grinding pressure | 13 Grinding unit - PG 400 |
| 4 Lifting eye | 14 Handle / handlebar |
| 5 Electric motor | 15 Control Panel |
| 6 Lifting handle | 16 Start button |
| 7 Skirt | 17 Emergency stop |
| 8 Connection for vacuum cleaner | 18 Stop button |
| 9 Wheel set | 19 Locking knob for handlebar adjustment |
| 10 Cover locking knob | 20 Operator's manual |

SAFETY INSTRUCTIONS

Before using a new grinder

- Please read the operator's manual carefully and make sure you understand the instructions before using the machine.
- Grinders PG 400 and PG 280 are designed for surface removal of glue/adhesive residues, putty and the like from concrete floors and grinding and flattening out concrete floors.
- The machine can cause serious personal injury. Read the safety instructions carefully. Learn how to use the machine.
- Only staff that have received the necessary education, both practically and theoretically concerning their usage should operate the machinery.

Always use common sense

It is not possible to cover every conceivable situation you can face. Always exercise care and use your common sense. Avoid all situations which you consider to be beyond your capability. If you still feel uncertain about operating procedures after reading these instructions, you should consult an expert before continuing.

Do not hesitate to contact your dealer if you have any more questions about the use of the machine. We will willingly be of service and provide you with advice as well as help you to use your machine both efficiently and safely.

Let your Husqvarna dealer regularly check the machine and make essential adjustments and repairs.

All information and all data in the Operator's Manual were applicable at the time the Operator's Manual was sent to print.



WARNING! Under no circumstances should you modify the original design of the machine without approval from the manufacturer. Always use original spare parts. Unauthorized modifications and/or accessories may lead to serious injury or death to the user or others.



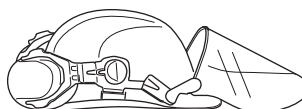
WARNING! Use of products which cut, grind, drill, sand or shape material can generate dust and vapors which may contain harmful chemicals. Know the nature of the material being worked on and wear appropriate dust mask or respirator protection.

Personal protective equipment

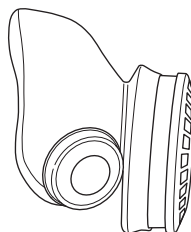


WARNING! You must use approved personal protective equipment whenever you use the machine. Personal protective equipment cannot eliminate the risk of injury but it will reduce the degree of injury if an accident does happen. Ask your dealer for help in choosing the right equipment.

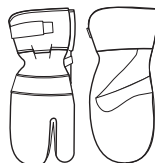
- Protective helmet
- Hearing protection
- Protective goggles or a visor



- Breathing mask



- Heavy-duty, firm grip gloves.



- Tight-fitting, heavy-duty and comfortable clothing that permits full freedom of movement.



- Boots with steel toe-caps and non-slip sole.



- Always have a first aid kit nearby.



SAFETY INSTRUCTIONS

General safety precautions



WARNING! This section describes basic safety directions for using the machine. This information is never a substitute for professional skills and experience. If you get into a situation where you feel unsafe, stop and seek expert advice. Contact your dealer, service agent or an experienced user. Do not attempt any task that you feel unsure of!

- Do not use the machine without first reading and understanding the contents of this Operator's Manual.

Work area safety

- Do not use the machine in bad weather, such as dense fog, rain, strong wind, intense cold, etc.
- Keep work area clean and well lit. Cluttered or dark areas invite accidents.
- The machine should not be used in areas where potential for fire or explosions exist.

Electrical safety



WARNING! There is always a risk of shocks from electrically powered machines. Avoid unfavourable weather conditions and body contact with lightning conductors and metal objects. Always follow the instructions in the Operator's manual to avoid damage.

- Never drag the machine by means of the cord and never pull out the plug by pulling the cord.
- Keep all cables away of water, oil and sharp edges. Make sure the cable is not pinched in doors, fences or the like. It can cause the object to become live.
- Check that the cables are intact and in good condition. Use cable intended for outdoor use.
- Never use the machine if any cable is damaged, but hand it in to an authorized service workshop for repair.
- The machine should be connected to an earthed outlet socket.
- Check that the mains voltage corresponds with that stated on the rating plate on the machine.
- Be on your guard for electrical shocks. Avoid having body contact with lightning-conductors/metal in the ground.
- To avoid overheating do not use the extension cord while it is rolled up.
- Ensure the cord is behind you when you start to use the machine so that the cord will not be damaged.

Personal safety



WARNING! Overexposure to vibration can lead to circulatory damage or nerve damage in people who have impaired circulation. Contact your doctor if you experience symptoms of overexposure to vibration. Such symptoms include numbness, loss of feeling, tingling, pricking, pain, loss of strength, changes in skin colour or condition. These symptoms normally appear in the fingers, hands or wrists. These symptoms may be increased in cold temperatures.

- Wear personal protective equipment. See instructions under the heading "Personal protective equipment".
- Never use the machine if you are tired, if you have drunk alcohol, or if you are taking medication that could affect your vision, your judgement or your co-ordination.
- Never allow anyone else to use the machine without first ensuring that they have understood the contents of the operator's manual.
- All operators shall be trained in the use of the machine. The owner is responsible for ensuring that the operators receive training.
- People and animals can distract you causing you to lose control of the machine. For this reason, always remain concentrated and focused on the task.
- Be careful as clothing, long hair, and jewellery can get caught in moving parts.
- Never leave the machine unsupervised with the motor running.
- Make sure that there is always another person close at hand when you use the machines, so that you can call for help if an accident should occur.
- Always ensure you have a safe and stable working position.

SAFETY INSTRUCTIONS

Use and care

- Only use the machine for the purpose it was intended for.
- Keep all parts in good working order and ensure that all fixtures are properly tightened.
- Never use a machine that is faulty. Carry out the checks, maintenance and service instructions described in this manual. Some maintenance and service measures must be carried out by trained and qualified specialists. See instructions under the heading Maintenance.
- Do not modify safety equipment. Check regularly that they function as they should. The machine must not be run with defective or disassembled safety equipment.
- Never use a machine that has been modified in any way from its original specification.
- Machinery should only be started when grinding heads are resting on the ground unless carrying out a testing procedure as outlined in this manual.
- The machine should not be started without the rubber dust skirt attached. It is essential a good seal between machine and floor be established for safety, especially when operating in dry grinding applications.
- During grinding, the machine must be connected to a vacuum cleaner to sucking off the dust.
- When changing the grinding discs ensure power supply to the unit is OFF by engaging the Emergency Stop button and the power-plug disconnected.
- After each grinding/polishing operation always remove the diamond tools.
- Make sure that the rubber skirt is intact and clean and that it seals tightly against the floor. Damaged rubber skirt should always be replaced.
- The grinding disc continues to rotate for some time after the motor has stopped. Maintain grinding action until the fan has come to a complete stop. Make sure the grinding head has stopped rotating before raising the machine.
- When removing glue, asphalt, paint etc. always raise the machine from the surface after use to prevent it from sticking to the floor due to the heat. Make sure the grinding head has stopped rotating before raising the machine.
- Diamond tools may be very hot after use. Leave machine to cool off before removing the diamond segments. Use protective gloves.
- Always use the machine mounted lifting eye when lifting.
- Always carry the machine by the carrying handle and the handle.

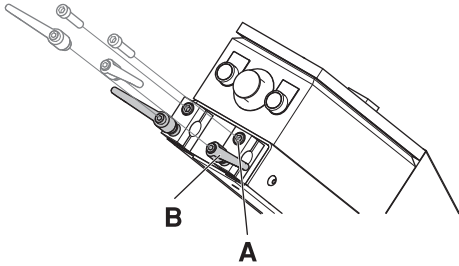
Transport and storage

- The machine should be transported under cover where possible, limiting the exposed to natural elements – in particular rain and snow.
- Store the equipment in a lockable area so that it is out of reach of children and unauthorized persons.
- The machine should always be stored in a dry place when not in use.

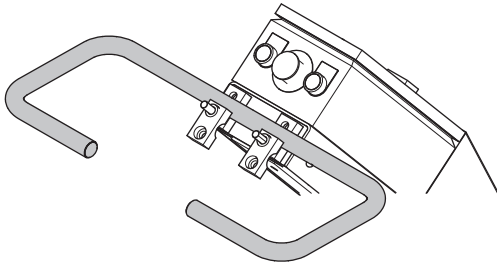
ASSEMBLY

Fit the handle

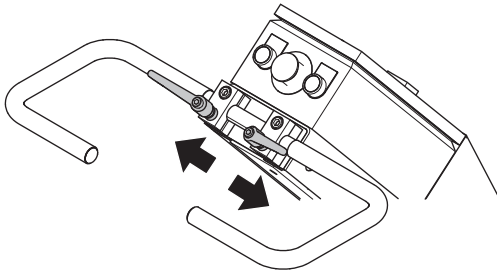
- Remove the screws (A).



- Remove the locking knobs (B).
- Fit the handle in the handle stand-off on the machine.



- Refit screws (A) and locking knobs (B).
- The locking knobs should be positioned in-line with the handlebar to reduce the risk of damaging the knobs when laying down the machine when changing tools.

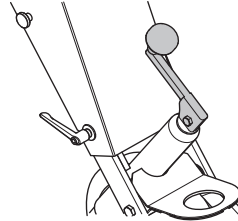


Changing the diamonds

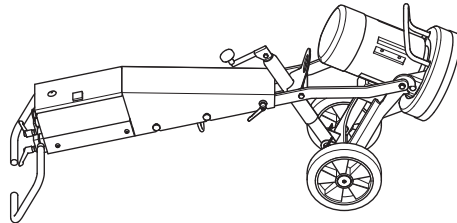


Shut down the machine and disconnect the power plug.
Have a set of gloves ready, as diamond tools can get very hot.

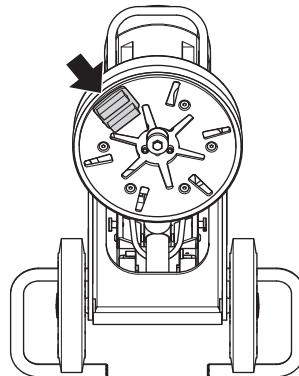
- Crank up the handlebar to the highest position.



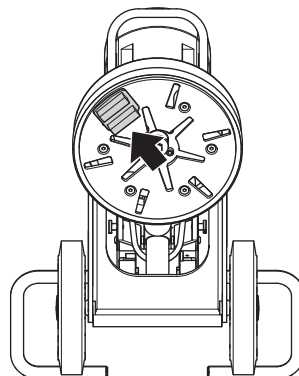
- Pull back on handle to lift grinding head off the ground.
- Lay machine back on the ground.



- Put on gloves.
- Use a hammer to remove the diamond segments.



- Affix new diamond segments on the grinding disc.

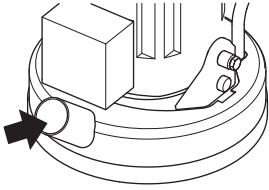


- Once new diamond segments have been attached, reverse procedure to lower machine to ground.

ASSEMBLY

Connect the vacuum cleaner

Connect the vacuum cleaner to the machine. Use a 50 mm (2 inch) hose.

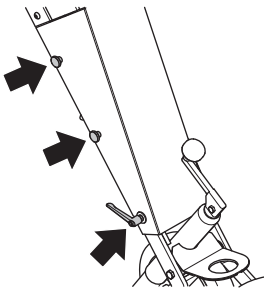


- Use a Husqvarna dust extraction system for complete dust control.
- Make sure that the filters in the vacuum cleaner are intact and clean. Pay attention to dust during operation.
- Adjust the rubber skirt to be in contact with the floor to ensure efficient dust collection.

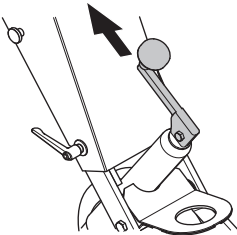
Transport

The machine can be folded to minimize space needed for transport.

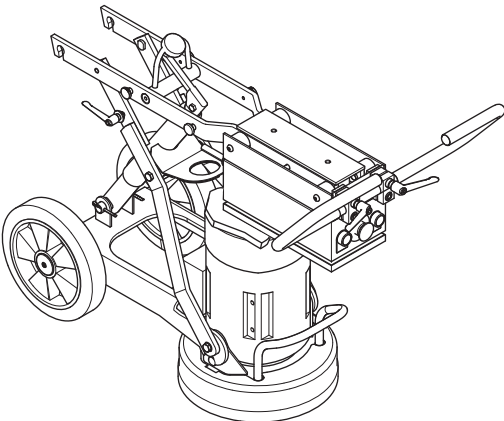
- Loosen the screws and the lock handle that hold the cover in place.



- Remove the cover.
- Place the crank with the handle pointing straight upwards.



- Carefully fold the machine forward. Put padding between the motor and the electric box to prevent damage to the machine.



- The cover can be attached to the side of the machine.

GRINDING GUIDE

Diamonds

Background

Diamond abrasives usually consist of 2 components:

- Diamond powder (also known as diamond crystals or grit). By changing the size of the diamond powder or grit, we can change how coarse or fine the scratches will be that are left behind from the grinding process.
- A binding agent (metal or resin). Diamond powder is mixed and suspended in either a metal or resin binding agent. When suspended in a metal binding agent, the finished product is referred to as a Metal Bond or Sintered diamond segment. When suspended in a resin binding agent, the finished product is referred to as a Resin Bond diamond segment or pad. By changing the hardness of the binding agent, we can change how fast or slow the diamond abrasive will wear.

General Principles

The following are general rules regarding diamond segments in grinding applications. As with all general rules there are exceptions or cases when it is not the case.

Diamond grit size

Changing the size of the diamond grit to a smaller particle/grit size will effect the performance of the diamond tool in the following ways:

- Create a finer scratch pattern.
- Increase life of diamond tool.

The opposite will occur when changing to a larger particle/grit size.

Binding agent

Increasing hardness of bond will:

- Create a finer scratch pattern.
- Increase life of diamond tool.
- Decrease production rate.

The opposite will occur when making the metal or resin bond softer.

Number of diamond segments under the machine

Increasing the number of segments under the machine will:

- Reduce pressure on each individual diamond segment - reduce wear rate on diamond segments.
- Reduce load on the machine and cause the grinder to draw less current.
- Create a smoother scratch pattern (particularly on soft floors).

The opposite will occur when decreasing the number of segments under the machine.

Summary of diamond principles

Diamond segments need to wear in order to achieve productivity. Diamond segment wear can be influenced by the following factors:

- Pressure.
- Hardness of bond.
- Diamond grit size.
- Number of segments under the machine.
- Adding an additional abrasive (e.g. sand, silicone carbide) on the floor will increase wear.

Generally, the faster a diamond segment wears, the faster the productivity will be. By varying the above factors, changes can also be made to effect the following:

- Scratch pattern.
- Current draw of machine.
- Flatness of floor (see next section).
- Ease of operation.

Determining the hardness of concrete

All concretes are measured by their compressive strength and depending on which part of the world you are from, different compressive strength indices (e.g. PSI & MPa) are used. Generally, the higher the compressive strength rating, the harder the concrete and therefore, the harder it will be to grind.

However, other factors beside compressive strength ratings determine how hard the floor will be, and therefore, the correct diamond selection. Since grinding normally only deals with the surface of the concrete (top 5mm or 1/4 inch), often the way the concrete floor has been finished or the condition of the surface will have a greater bearing on what type of diamond to select, rather than the compressive strength rating of the concrete.

Surface factors to consider when making a diamond selection

Generally, if a concrete surface is very smooth (i.e. Most likely it has been heavily trowelled/helicoptered), the concrete will behave as if it has a high compressive strength and therefore, require a soft bond segment.

Accordingly, if a concrete surface is coarse/aggressive (e.g. rain-damaged, shot blasted, scarified, exposed aggregate e.t.c.), the concrete will behave as if it has a low compressive strength and therefore, require a hard bond segment.

Surface coatings/contaminants (e.g. Epoxy coatings, ceramic tile adhesives, levelling compounds/screeds) will often have a larger bearing on what diamond to select, than will the compressive strength of the concrete.

As a general rule, when grinding a concrete slab for the first time and you are unsure about its hardness, always begin with harder bond diamonds under the machine. This will ensure the least amount of wear on the diamond segments. If a hard diamond segment is not suited to the application, all it has cost is a little amount of time without wearing out the diamonds.

If performed the other way around (i.e. a soft segment is used to begin with) and the concrete is soft or possesses an abrasive surface or surface contaminant, it is quite possible to wear-out a considerable amount of diamond in very short period of time.

GRINDING GUIDE

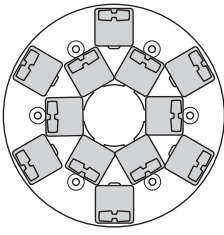
Diamond selection

The way diamond segments are set-up on the grinding unit will greatly influence the performance of the machine, the productivity levels and also the finished floor quality.

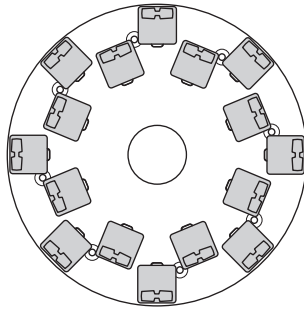
There are a number of different diamond configurations that can be achieved on both the PG 400 and PG 280.

Metal bond diamonds

Full set - inner and outer row

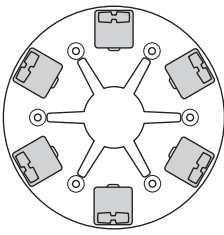


PG 280

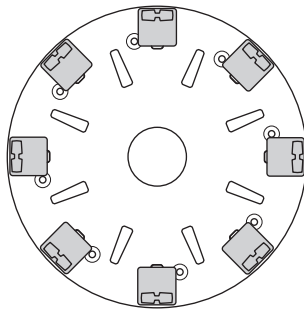


PG 400

Full set - outer row

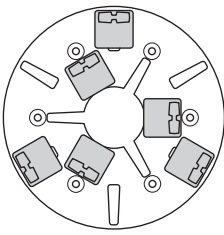


PG 280

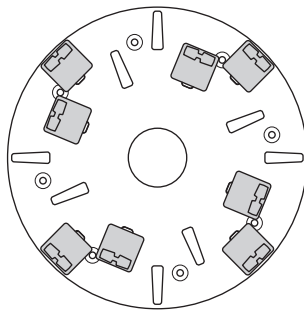


PG 400

Half set - inner and outer row

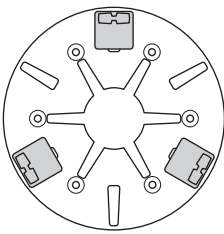


PG 280

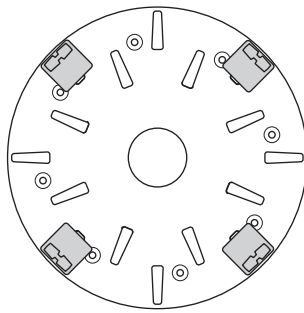


PG 400

Half set - outer row



PG 280



PG 400

GRINDING GUIDE

Select the correct metal bond diamonds for your application

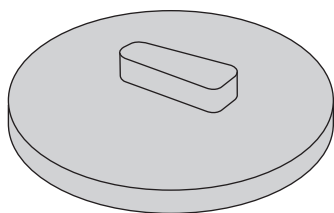
The following suggestion cover the basic configurations for metal bonded diamond tools.

Applications	Metal bond	Grit size	Full set - inner and outer row	Full set - outer row	Half set - inner and outer row	Half set - outer row
Flatten floor - Hard concrete	Soft	16 or 30	X			
Flatten floor - Medium concrete	Medium	16 or 30	X			
Flatten floor - Soft concrete	Hard	16 or 30	X			
Ceramic tile adhesive removal	Medium	PIRANHA™ or 16-30	X			
Vinyl or Carpet glue removal - Hard concrete	Soft	PIRANHA™ or 16-30			X	X
Vinyl or Carpet glue removal - Medium concrete	Medium	PIRANHA™ or 16-30			X	X
Vinyl or Carpet glue removal - Soft concrete	Hard	PIRANHA™ or 16-30			X	X
Epoxy paint removal - Hard concrete	Soft	PIRANHA™ or 16-30		X	X	
Epoxy paint removal - Medium concrete	Medium	PIRANHA™ or 16-30		X		
Epoxy paint removal - Soft concrete	Hard	PIRANHA™ or 16-30		X		
Rain damaged concrete	Hard	16-30	X		X	
Smoothen exposed aggregate	Hard	16-30	X		X	
Lippage removal in terrazzo/stone tiles	Soft	30 or 60	X			
Surface polishing of concrete floors - Hard concrete	Soft	60			X	X
Surface polishing of concrete floors - Medium concrete	Medium	60			X	X
Surface polishing of concrete floors - Soft concrete	Hard	60			X	X
Grinding to exposed aggregate in concrete - Hard concrete	Soft	16-30	X	X	X	
Grinding to exposed aggregate in concrete - Medium concrete	Medium	16-30	X	X	X	
Grinding to exposed aggregate in concrete - Soft concrete	Hard	16-30	X		X	
Flatten undulation in concrete floors - Hard concrete	Soft	16 or 30	X	X	X	
Flatten undulation in concrete floors - Medium concrete	Medium	16 or 30	X		X	
Flatten undulation in concrete floors - Soft concrete	Hard	16 or 30	X		X	

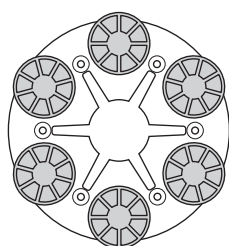
GRINDING GUIDE

Resin bond diamonds

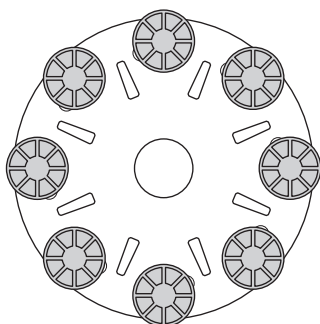
Redi Lock resin attachment adaptor



Full set - outer row

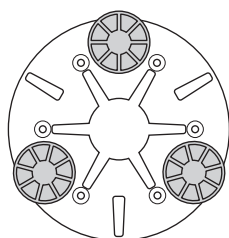


PG 280

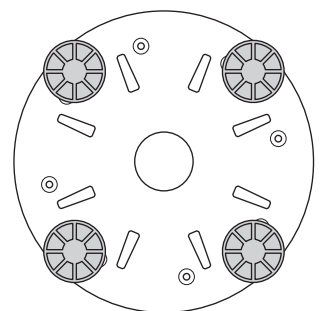


PG 400

Half set - outer row



PG 280



PG 400

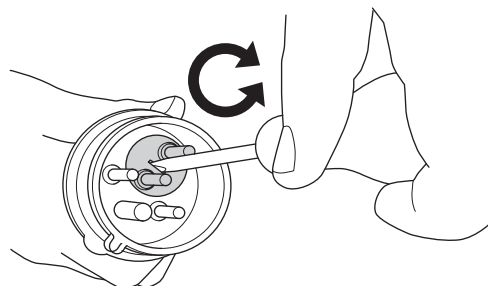
Selecting the correct resin bond diamond configuration for your application

Applications	Full set - outer row	Half set - outer row
Polishing terrazzo/stone tiles	X	
Resurfacing terrazzo/stone tiles		X
Surface polishing of concrete floors - Hard concrete		X
Surface polishing of concrete floors - Medium concrete		X
Surface polishing of concrete floors - Soft concrete		X

The motor's direction of rotation (3 phase)

The motor's direction can be changed by reversing the poles in the power plug.

NOTE! The Piranha/PCD tools are designed to run in only one direction.

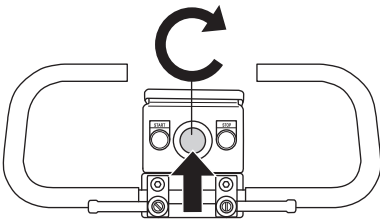


STARTING AND STOPPING

Before starting



- Position grinder on the working area.
- Make sure there are diamonds beneath the machine and that they are firmly attached.
- Connect the vacuum cleaner to the machine.
- Use locking knobs for handlebar adjustment to set most comfortable working height.
- Plug power supply to machine.
- Check that the emergency stop button is not pressed by turning it clockwise.

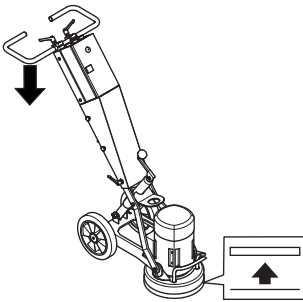


- Check the motor's direction of rotation

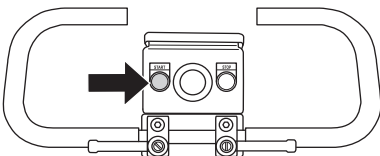
Starting



- Reduce the pressure between grinding disc and floor by pushing down on the handle without raising the grinding unit off the ground.



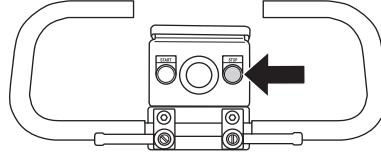
- Press the start button and keep it pressed a few seconds to start the machine.



Stopping



- Use the stop button to shut down the machine.



- Keep grinding segments in contact with the floor when stopping. This will help bring the machine to a complete stop quickly. Do not lift the grinding head off the floor when stopping as this can create a significant amount of dust in the air.

MAINTENANCE

Faults and trouble shooting

The machine will not run

- Check the power supply and the power cables and make sure that they are not damaged.
- Check that the emergency stop button is not pressed by turning it clockwise.

Machine is hard to hold onto

- Not enough diamonds under the machine (if grinding thick glue or soft floors, too few diamonds under the machine will greatly increase the load on grinder and operator). Usually also accompanied by high current draw by motor.

Increase number of diamonds under machine to reduce load on grinder and operator.

Machine is jumping around

- Rubber shock absorber pads in grinding unit may be worn out or damaged. Check and change if necessary.
- Diamonds may not be fitted correctly or have different heights. Check to ensure all diamonds are fitted correctly and are the same height.

The machine stops after just a while

- The machine is overloaded and the overload protection has been released. Reduce load. The machine will reboot after about a minute when the motor has cooled off.

The machine stops during start-up

- The electric motor has been overloaded or a phase is missing. Allow the machine one or two minutes to reset and try again. When this does not help, contact an authorised service workshop.

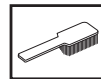
Maintenance



IMPORTANT! Inspection and/or maintenance should be carried out with the motor switched off and the plug disconnected.

Used correctly, the machine is an extremely low-maintenance and reliable product.

Cleaning



Always pull out the plug from the outlet socket before cleaning, maintenance or assembly.

Always clean all the equipment at the end of the working day. Do not use a high pressure washer to clean the machine.

In order for the machine to always be cooled sufficiently the cooling air openings must be kept clear and clean.

Rubber shock absorber pads

Check the rubber shock absorbing pads every month. Replace if necessary.

Electrical Feed



WARNING! Never use damaged cables. They can cause serious, even fatal, personal injuries.

Check that the cord and extension cord are intact and in good condition.

Never use the machine if the cord is damaged, hand it in to an authorized service workshop for repair.

Skirt

Make sure that the rubber skirt is intact and clean and that it seals tightly against the floor. Damaged rubber skirt should always be replaced.

Service



IMPORTANT! All types of repairs may only be carried out by authorised repairmen. This is so that the operators are not exposed to great risks.

TECHNICAL DATA

Technical data

	PG 400 (3-fase, 400 V)	PG 280 (3 phase, 400 V)	PG 280 (Single-phase, 230 V)	PG 280 (Single-phase, 110 V)
Motor Power, kW/hp	4/5,4	3/4	2,2/3,0	1,5/2,0
Rated current, A	16	16	12,9	18
Rated voltage, V	400	400	230	110
Weight, kg/lbs	115/254	70/154	70/154	70/154
Grinding width, mm/ inch	400/16	280/11	280/11	280/11
Grinding pressure, kg/ lbs	65/143	35/77	35/77	35/77
Speed, rpm	1400	2800	1400	1160
Noise emissions (see note 1)				
Sound power level, measured dB(A)	107	107	107	107
Sound power level, guaranteed L _{WA} dB(A)	108	108	108	108
Sound levels (see note 2)				
Sound pressure level at the operators ear, dB(A)	89	89	89	89
Vibration levels (see note 3)				
Handle right, m/s ²	3,4	3,4	3,4	3,4
Handle left, m/s ²	3,4	3,4	3,4	3,4

Note 1: Noise emissions in the environment measured as sound power (L_{WA}) in conformity with EN 61029-1.

Note 2: Noise pressure level according to EN 61029-1. Reported data for noise pressure level has a typical statistical dispersion (standard deviation) of 1.0 dB(A).

Note 3: Vibration level according to EN 61029-1. Reported data for vibration level has a typical statistical dispersion (standard deviation) of 1 m/s².

TECHNICAL DATA

EC-declaration of conformity

(Applies to Europe only)

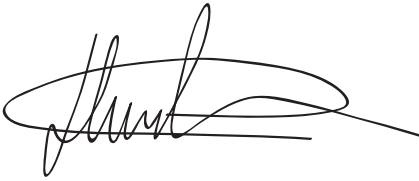
Husqvarna AB, SE-433 81 Göteborg, Sweden, tel: +46-31-949000, declares under sole responsibility that the **Husqvarna PG 400, Husqvarna PG 280** dating from 2010 serial numbers and onwards (the year is clearly stated on the rating plate, followed by the serial number), complies with the requirements of the COUNCIL'S DIRECTIVE:

- of May 17, 2006 "relating to machinery" **2006/42/EC**
- of December 15, 2004 "relating to electromagnetic compatibility" **2004/108/EC**.
- of December 12, 2006 "relating to electrical equipment" **2006/95/EC**.

The following standards have been applied: EN ISO 12100:2003, EN 55014-1:2006, EN 55015-2/A1:2001, EN 61000-3-2:2006, EN 61000-3-3/A1/A2:2005, EN 13862/A1:2009.

The supplied machine conforms to the example that underwent EC type examination.

Gothenburg December 29, 2009



Henric Andersson

Vice President, Head of Power Cutters and Construction Equipment

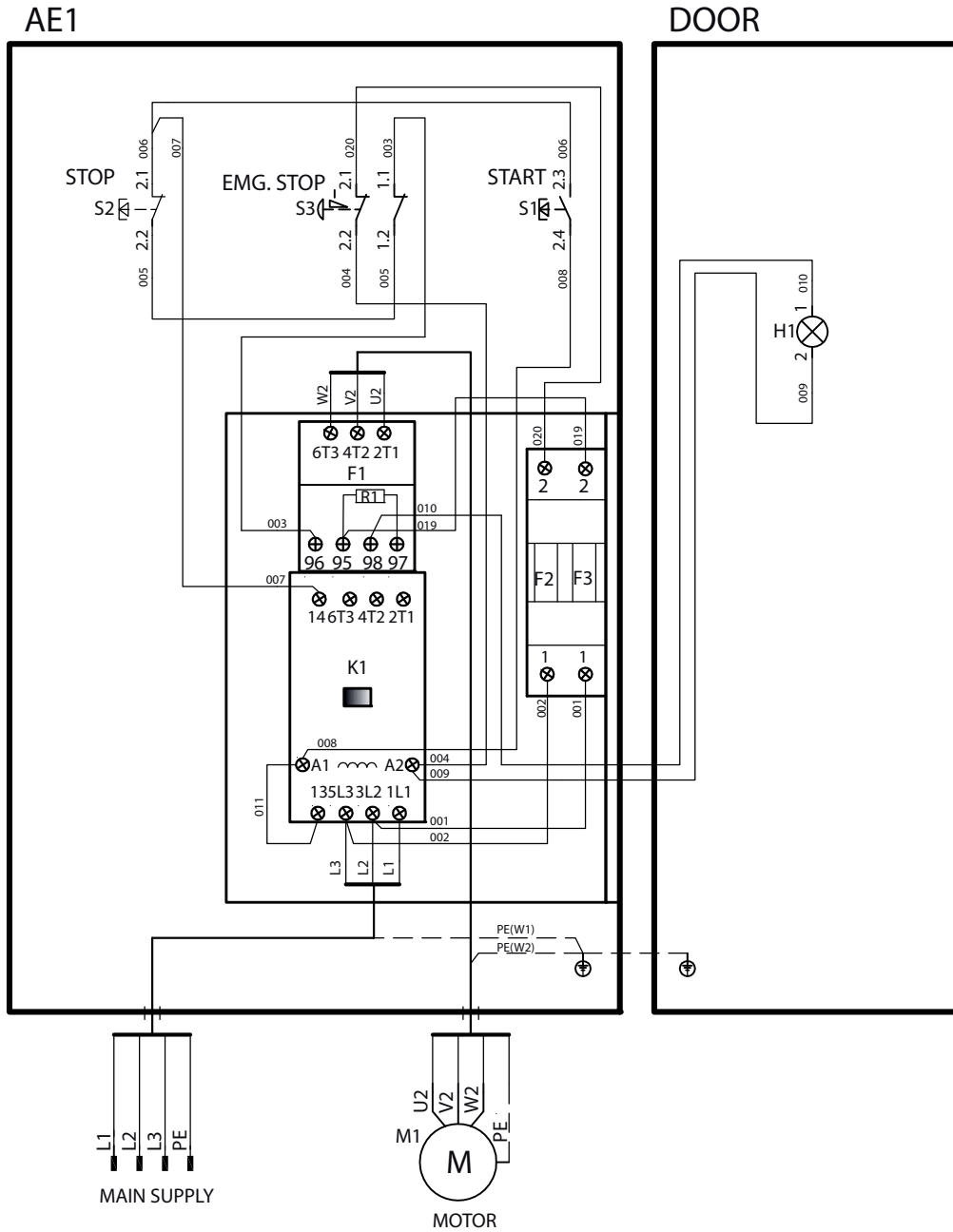
Husqvarna AB

(Authorized representative for Husqvarna AB and responsible for technical documentation.)

WIRING DIAGRAM

PG 280 3-phase, 400 V

PG 400 3-phase, 400 V

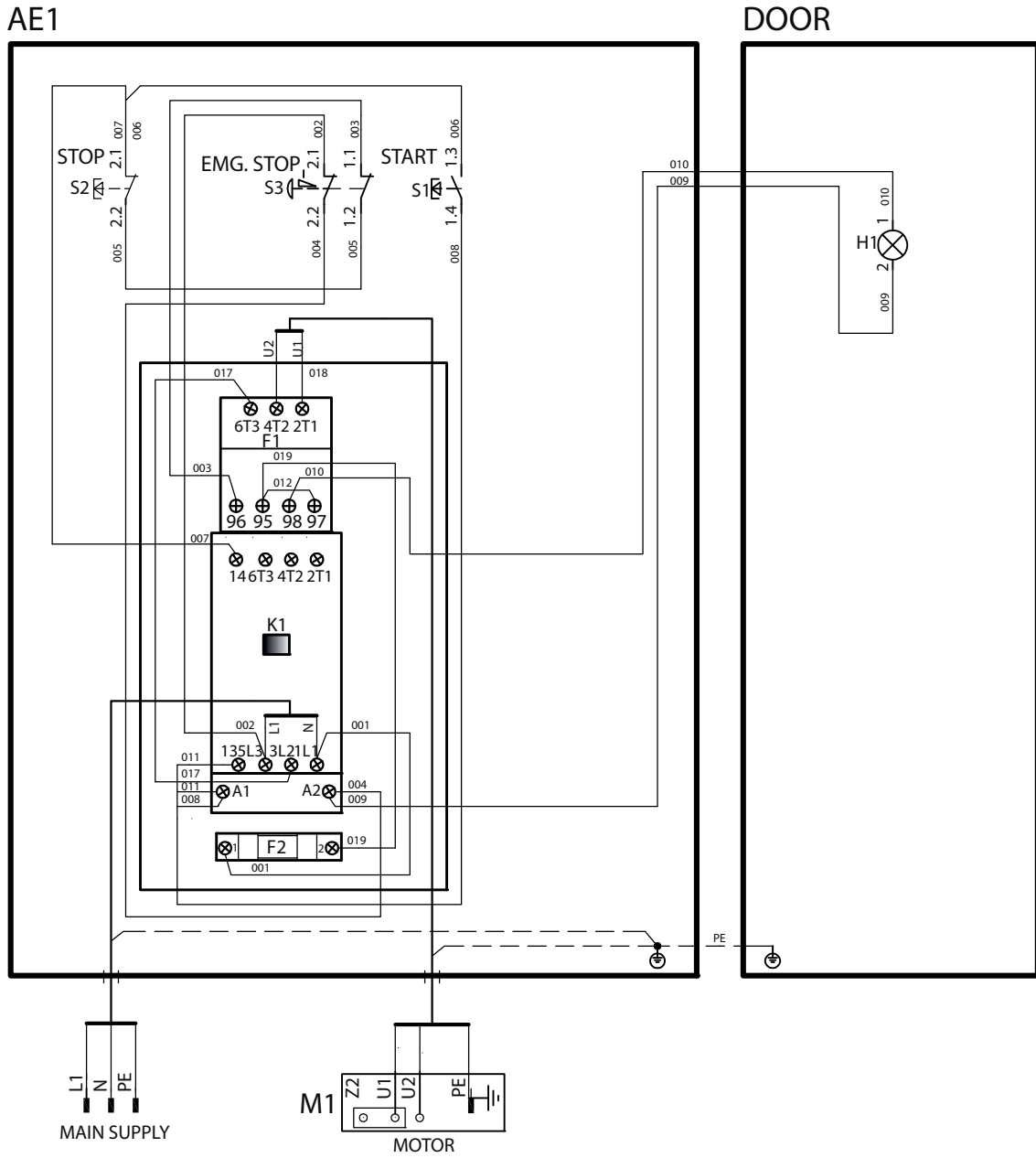


U2	V2	W2	PE
L1	L2	L3	PE
Variant 1	Black	Red	White
Variant 2	Brown	Black	Grey
			Ye/Gn

WIRING DIAGRAM

PG 280 single-phase, 230 V

PG 280 single-phase, 110 V



	U1	U2	PE
	L1	N	PE
Variant 1	Black	White	Green
Variant 2	Brown	Blue	Ye/Gn

ACLARACIÓN DE LOS SÍMBOLOS

Símbolos en la máquina:

¡ATENCIÓN! La máquina, si se utiliza de forma errónea o descuidada, puede ser una herramienta peligrosa que puede causar daños graves e incluso la muerte al usuario y a otras personas.



Lea detenidamente el manual de instrucciones y asegúrese de entender su contenido antes de utilizar la máquina.



Utilice el equipo de protección personal. Vea las instrucciones bajo el título "Equipo de protección personal".



¡ATENCIÓN! Al amolar se genera polvo que puede causar daños por inhalación. Utilice una máscara respiratoria homologada. Procure que haya buena ventilación.



Arranque: Reduzca la presión entre el disco de amolado y el suelo empujando hacia abajo la empuñadura sin levantar la unidad de amolado del suelo.



Este producto cumple con la directiva CE vigente.



Etiquetado ecológico. El símbolo en el producto o en su envase indica que no se puede tratar este producto como desperdicio doméstico.



Haciendo que este producto sea manipulado adecuadamente, se ayuda a evitar consecuencias negativas potenciales para el medio ambiente y las personas, lo que puede ocurrir con la manipulación inadecuada como residuos del producto.

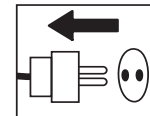


Para obtener información más detallada sobre el reciclado de este producto, contacte con la oficina municipal local, con el servicio de eliminación de desperdicios domésticos o con la tienda donde compró el producto.

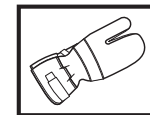
Los demás símbolos/etiquetas que aparecen en la máquina corresponden a requisitos de homologación específicos en determinados mercados.

Símbolos en el manual de instrucciones:

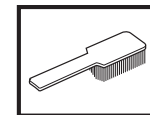
El control y/o mantenimiento de la máquina debe hacerse con el motor parado y el enchufe desenchufado.



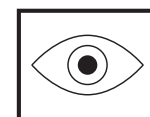
Utilice siempre guantes protectores homologados.



La máquina debe limpiarse regularmente.



Control visual.



Debe utilizarse gafas protectoras o visor.



Índice

ACLARACIÓN DE LOS SÍMBOLOS

Símbolos en la máquina: 20

Símbolos en el manual de instrucciones: 20

ÍNDICE

Índice 21

¿QUÉ ES QUÉ?

Elementos de la amoladora 22

INSTRUCCIONES DE SEGURIDAD

Antes de utilizar una amoladora nueva 23

Equipo de protección personal 23

Instrucciones generales de seguridad 24

MONTAJE

Ajuste la empuñadura. 26

Cambio de los diamantes 26

Conexión de la aspiradora 26

Transporte 27

GUÍA PARA EL AMOLADO

Diamantes 28

Determinación de la dureza del hormigón 29

Selección de diamantes 29

Sentido de rotación del motor 31

ARRANQUE Y PARADA

Antes de arrancar 32

Arranque 32

Parada 32

MANTENIMIENTO

Fallos y localización de fallos 33

Mantenimiento 33

Servicio 33

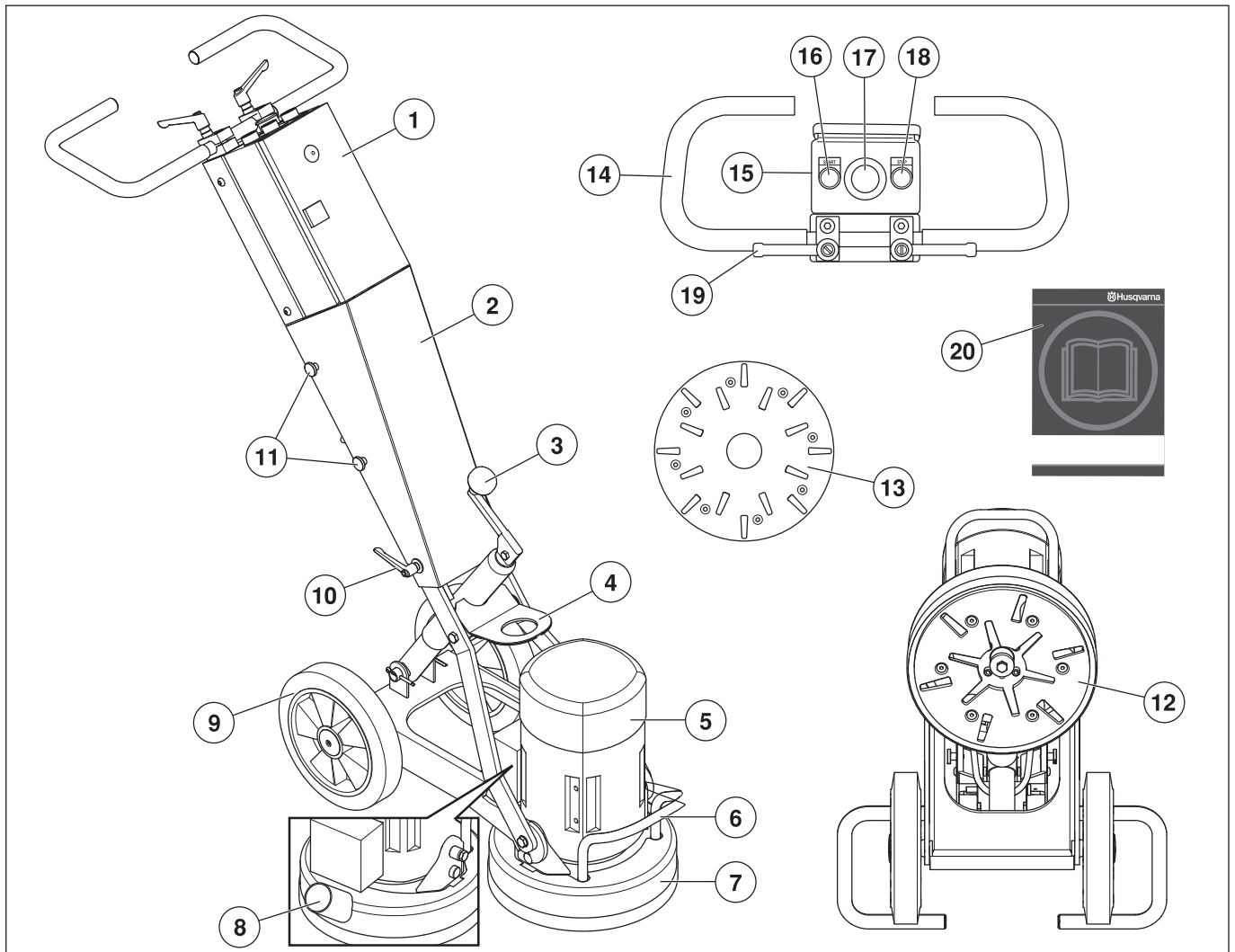
DATOS TÉCNICOS

Datos técnicos 34

Declaración CE de conformidad 35

ESQUEMA DE CONEXIONES ELÉCTRICAS

¿QUÉ ES QUÉ?



Elementos de la amoladora

- | | | | |
|----|---|----|--|
| 1 | Caja eléctrica | 11 | Tornillos de la cubierta |
| 2 | Cubierta | 12 | Unidad de amolado - PG 280 |
| 3 | Cigüeñal para ajustar la presión de amolado | 13 | Unidad de amolado - PG 400 |
| 4 | Cáncamo de elevación | 14 | Empuñadura / manillar |
| 5 | Motor eléctrico | 15 | Panel de control |
| 6 | Asa de levantar | 16 | Botón de arranque |
| 7 | Faldón | 17 | Parada de emergencia |
| 8 | Conexión para la aspiradora | 18 | Botón de parada |
| 9 | Conjunto de eje con ruedas | 19 | Manija de cierre para el ajuste del manillar |
| 10 | Manija de cierre de la cubierta | 20 | Manual de instrucciones |

INSTRUCCIONES DE SEGURIDAD

Antes de utilizar una amoladora nueva

- Lea detenidamente el manual de instrucciones y asegúrese de entender su contenido antes de utilizar la máquina.
- Las amoladoras PG 400 y PG 280 están diseñadas para eliminar los residuos superficiales de cola / adhesivo, masilla y productos semejantes en suelos de hormigón, así como para amolar y alisar suelos de hormigón.
- La máquina puede ocasionar lesiones graves. Lea atentamente las instrucciones de seguridad. Aprenda a utilizar la máquina.
- Sólo deberá manejar la maquinaria aquel personal que haya recibido la formación necesaria, tanto práctica como teórica acerca de su uso.

Emplee siempre el sentido común

Es imposible abarcar todas las situaciones en las que puede encontrarse. Utilice siempre el equipo con cuidado y sentido común. Evite todas aquellas situaciones que considere que sobrepasan sus capacidades. Si, después de leer estas instrucciones, no está seguro del procedimiento que debe seguir, consulte a un experto antes de utilizar el equipo.

No dude en ponerse en contacto con su distribuidor si tiene preguntas acerca del uso de la máquina. Estaremos encantados de poder aconsejarle y ayudarle a utilizar la máquina de manera eficaz y segura.

Diríjase a su distribuidor de Husqvarna para que revise la máquina regularmente y para que realice ajustes y reparaciones básicas.

Toda la información y todos los datos contenidos en este manual de instrucciones son vigentes en la fecha de impresión del manual.



¡ATENCIÓN! No está permitido modificar el diseño original de la máquina, por ningún motivo, sin la autorización del fabricante. Utilice siempre accesorios originales. Las modificaciones y/o el uso de accesorios no autorizados comportan riesgo de daños personales graves y peligro de muerte para el usuario y otras personas.



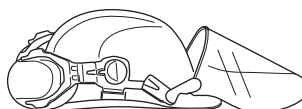
¡ATENCIÓN! El uso de productos de corte, amolado, taladrado, lijado o formación de materiales puede generar polvo y vapores que pueden contener productos químicos perniciosos. Averigüe la índole del material de trabajo y utilice una máscara contra polvo o respiratoria adecuada.

Equipo de protección personal

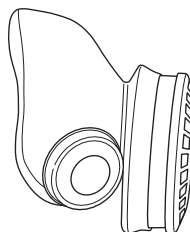


¡ATENCIÓN! Para trabajar con la máquina debe utilizarse un equipo de protección personal homologado. El equipo de protección personal no elimina el riesgo de lesiones, pero reduce su efecto en caso de accidente. Pida a su distribuidor que le asesore en la elección del equipo.

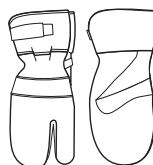
- Casco protector
- Protectores auriculares
- Gafas protectoras o visor



- Máscara respiratoria



- Guantes resistentes de agarre seguro.



- Prendas de vestir ceñidas, resistentes y cómodas que permitan una libertad de movimientos total.



- Botas con puntera de acero y suela antideslizante.



- Tenga siempre a mano el equipo de primeros auxilios.



INSTRUCCIONES DE SEGURIDAD

Instrucciones generales de seguridad



¡ATENCIÓN! Este apartado trata las normas de seguridad básicas para trabajar con el dispositivo. Esta información no sustituye en ningún caso los conocimientos y la experiencia de un profesional. Si se encuentra en alguna situación que le haga sentirse inseguro, deténgase y consulte con un experto. Consulte a su distribuidor, al taller de servicio técnico o a un usuario experimentado. No emplee la máquina en aplicaciones para las que no se considere plenamente cualificado.

- No utilice la máquina sin haber leído y comprendido el contenido de este manual de instrucciones.

Seguridad en el área de trabajo

- No usar en condiciones climáticas desfavorables. Por ejemplo, niebla densa, lluvia, viento fuerte, frío intenso, etc.
- Mantenga el área de trabajo limpia y bien iluminada. Las zonas abarrotadas de cosas u oscuras favorecen los accidentes.
- La máquina no se usará en áreas donde haya posibilidad de incendios o explosiones.

Seguridad eléctrica



¡ATENCIÓN! Existe siempre riesgo de sacudidas eléctricas al usar máquinas eléctricas. No usar la máquina en condiciones climáticas desfavorables y evitar el contacto del cuerpo con pararrayos y objetos metálicos. Seguir siempre las instrucciones del manual para evitar daños.

- No arrastre la máquina nunca por el cordón y no quite nunca el enchufe tirando del cordón.
- Mantenga todos los cables apartados del agua, el aceite y los bordes agudos. Proceda con cuidado para evitar que el cable se enganche en puertas, vallas o similares. Hay riesgo de cargar objetos con electricidad.
- Compruebe que los cables están intactos y en buen estado. Utilice el cable proporcionado para el uso externo.
- Si se daña un cable, no utilice la máquina. Llévela a reparar a un taller de servicio oficial.
- La máquina se debe enchufar a un enchufe con masa.
- Compruebe que la tensión de red concuerda con la que se indica en la placa de características de la máquina.
- Tenga cuidado con los choques eléctricos. Evite el contacto corporal con pararrayos o metales en el suelo.
- Un cable de alargue no debe usarse enrollado porque hay riesgo de sobrecalentamiento.
- Al emplear la máquina, hágalo con el cable detrás suyo para evitar dañarlo.

Seguridad personal



¡ATENCIÓN! La sobreexposición a las vibraciones puede provocar problemas circulatorios y dolencias de carácter nervioso, especialmente en personas con patologías circulatorias. Acuda a un médico si nota síntomas corporales que puedan relacionarse con la sobreexposición a las vibraciones. Son ejemplos de tales síntomas la pérdida de sensibilidad, el 'cosquilleo', las 'punzadas', el dolor, la pérdida o reducción de la fuerza normal o los cambios en el color y la superficie de la piel. Estos síntomas se presentan normalmente en dedos, manos y muñecas. Los síntomas pueden aumentar en temperaturas frías.

- Utilice el equipo de protección personal. Vea las instrucciones bajo el título "Equipo de protección personal".
- Nunca utilice la máquina si está cansado, si ha ingerido alcohol o si toma medicamentos que puedan afectar la vista, su capacidad de discernimiento o el control del cuerpo.
- Nunca deje que terceros utilicen la máquina sin asegurarse primero de que hayan entendido el contenido de este manual de instrucciones.
- Todos los operadores deben ser formados en el empleo de la máquina. El propietario es responsable de la formación de los operadores.
- Las personas y los animales pueden distraer y hacer perder el control de la máquina. Por consiguiente, el operador debe estar siempre concentrado en su trabajo.
- Tener en cuenta que las ropas, el pelo largo y las joyas pueden atascarse en piezas móviles.
- Mantenga bajo vigilancia la máquina siempre que el motor esté en marcha.
- Al trabajar con las máquinas, procure siempre que haya alguien cerca, que pueda prestar ayuda en caso de accidente.
- Cerciórese siempre de tener una posición de trabajo segura y firme.

INSTRUCCIONES DE SEGURIDAD

Uso y cuidado

- Utilice la máquina solamente para el uso al que está destinada.
- Mantener todas las piezas en perfecto estado y comprobar que todos los elementos de fijación estén bien apretados.
- No utilice nunca una máquina defectuosa. Siga las instrucciones de mantenimiento, control y servicio de este manual. Algunas medidas de mantenimiento y servicio deben ser efectuadas por especialistas formados y cualificados. Vea las instrucciones bajo el título Mantenimiento.
- No modificar nunca los dispositivos de seguridad. Comprobar regularmente que funcionan como es debido. La máquina no se debe operar con dispositivos de seguridad defectuosos o ausentes.
- No utilice nunca una máquina que haya sido modificada de modo que ya no coincida con la configuración original.
- La máquina sólo se deberá arrancar cuando los cabezales desbastadores estén descansando en el suelo, a no ser que se esté efectuando un procedimiento de prueba tal y como se indica en este manual.
- La máquina no deberá ponerse en marcha sin el faldón de goma para el polvo. Es fundamental que se establezca una buena hermeticidad entre la máquina y el suelo, sobre todo cuando se trabaje en una aplicación de desbastado en seco.
- Durante el amolado, la máquina debe estar conectada a una aspiradora que succione el polvo.
- Cuando se cambien los discos desbastadores, asegúrese de que está desconectada la toma de corriente de la unidad pulsando el botón de parada de emergencia y desenchufando el cable de alimentación.
- Después de cada operación de amolado / pulimentación, extraiga siempre los útiles de diamante.
- Asegúrese de que el reborde de goma está intacto y limpio y de que queda colocado herméticamente contra el suelo. Si el reborde de goma está dañado, reemplácelo inmediatamente.
- El disco amoladora sigue girando durante un tiempo después de detener el motor. Continúe el amolado hasta que el ventilador se detenga por completo. Asegúrese de que el cabezal de amolado ha dejado de rotar antes de levantar la máquina.
- Cuando elimine cola, asfalto, pintura, etc., levante siempre la máquina y sepárela de la superficie después de utilizarla para que no se quede pegada al suelo debido al calor. Asegúrese de que el cabezal de amolado ha dejado de rotar antes de levantar la máquina.
- Los útiles de diamante pueden estar calientes después de utilizar la máquina. Deje que la máquina se enfríe antes de extraer los segmentos de diamante. Utilice guantes protectores.
- Utilice siempre la argolla de izada montada en la máquina para levantarla.
- Transporte siempre la máquina usando el mango de transporte y el manillar.

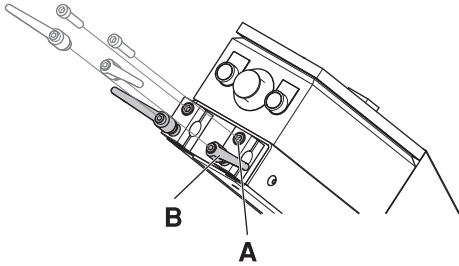
Transporte y almacenamiento

- Transporte la máquina cubierta siempre que sea posible para reducir la exposición a la intemperie, especialmente a la lluvia y la nieve.
- Guarde el equipo en un lugar seguro fuera del alcance de los niños y las personas no autorizadas.
- La máquina deberá guardarse en un lugar seco, cuando no esté en uso.

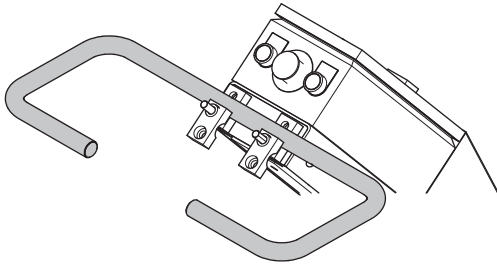
MONTAJE

Ajuste la empuñadura.

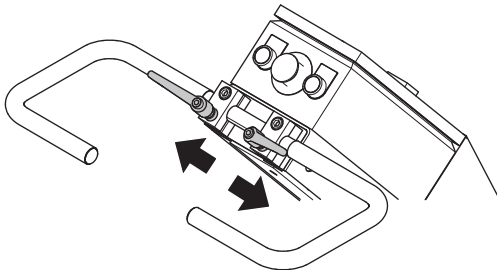
- Quite los tornillos (A).



- Retire las manijas de cierre (B).
- Coloque la empuñadura en el soporte para la empuñadura de la máquina.



- Monte los tornillos (A) y las manijas de cierre (B).
- Las manijas de cierre deberán estar situadas al lado del manillar para reducir el riesgo de deterioro de las mismas cuando la máquina esté en posición horizontal al cambiar las herramientas.



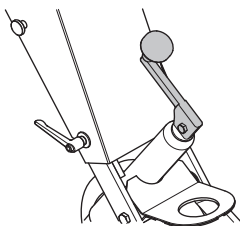
Cambio de los diamantes



Apague la máquina y desconecte el enchufe.

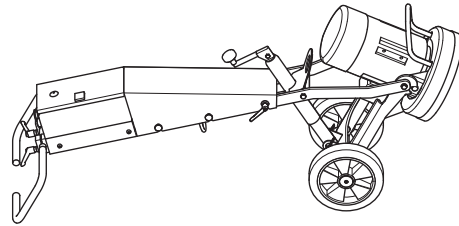
Póngase unos guantes protectores, ya que los útiles de diamante pueden estar muy calientes.

- Gire el manillar hasta que alcance la posición más alta.

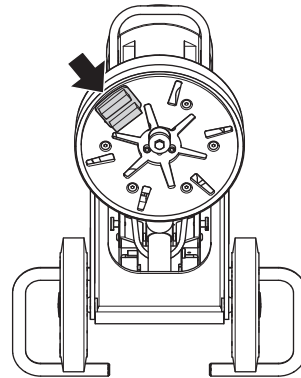


- Tire hacia atrás de la empuñadura para levantar el cabezal desbastador del suelo.

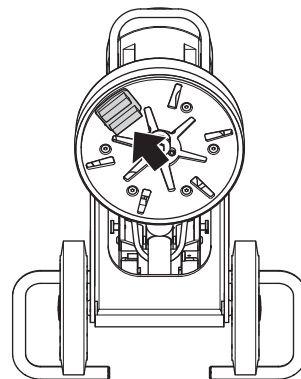
- Vuelva a poner la máquina en el suelo.



- Póngase los guantes.
- Utilice un martillo para retirar los segmentos de diamante.



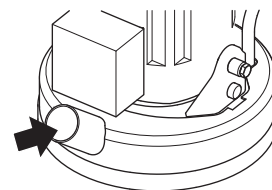
- Fije los nuevos segmentos de diamante al disco amoladora.



- Una vez que se hayan fijado los nuevos diamantes, lleve a cabo el procedimiento inverso para bajar la máquina al suelo.

Conexión de la aspiradora

Conecte la aspiradora a la máquina. Utilice una manguera de 50 mm (2 pulgadas).

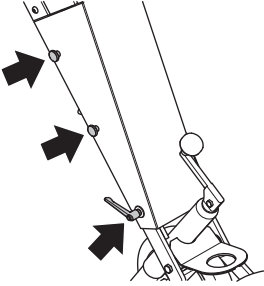


- Utilice un sistema de extracción de polvo de Husqvarna para eliminar todo el polvo.
- Asegúrese de que los filtros de la aspiradora están intactos y limpios. Tenga cuidado con el polvo durante la utilización de la máquina.
- Ajuste el reborde de goma para que esté en contacto con el suelo y capte el polvo de forma eficaz.

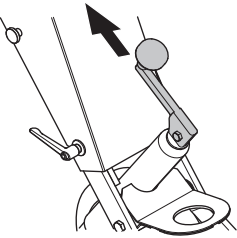
Transporte

La máquina puede plegarse para minimizar el espacio necesario para el transporte.

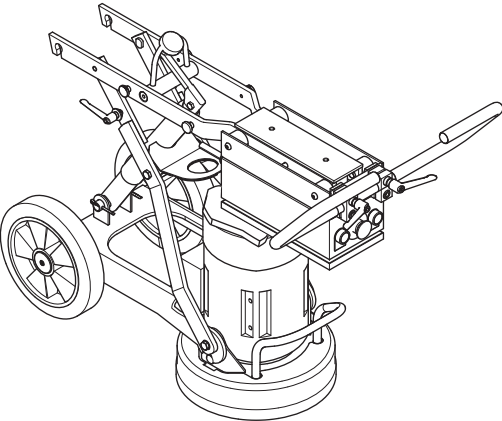
- Afloje los tornillos y la manija de cierre que mantienen la cubierta en su sitio.



- Quite la cubierta.
- Coloque el cigüeñal con la empuñadura orientada hacia arriba.



- Doble cuidadosamente la máquina hacia delante. Coloque un relleno entre el motor y la caja eléctrica para evitar dañar la máquina.



- La cubierta puede acoplarse a un lado de la máquina.

Diamantes

Antecedentes

Los abrasivos de diamantes suelen constar de dos componentes:

- Polvo de diamante (también conocido como cristales de diamante o arenilla). Al cambiar el grano del polvo de diamante o arenilla, podemos cambiar cómo van a ser de gruesos o finos los rasguños que se queden después del proceso de desbastado.
- Un aglutinante (metal o resina). El polvo de diamante se mezcla y se deja suspendido en un aglutinante de metal o resina. Cuando se deje suspendido en un aglutinante de metal, se llamará al producto final ligamento metálico o segmento de diamante sinterizado. Cuando esté suspendido en un aglutinante de resina, el producto final se denominará segmento de diamante de ligamento de resina o almohadilla. Al cambiar la dureza del aglutinante, podemos cambiar lo rápido o lento que se gastará el abrasivo de diamante.

Principios generales

Lo que sigue son reglas generales acerca de los segmentos de diamante en aplicaciones de desbastado. Como en todas las reglas generales, hay excepciones o casos en los que no es el caso.

Tamaño del polvo de diamante

El cambio de tamaño del polvo de diamante a una partícula/tamaño de polvo más pequeño afectará a las prestaciones de la herramienta de diamantes de las siguientes formas:

- Creará una pauta de rasguños más fina.
- Se aumentará la vida de la herramienta de diamantes.

Ocurrirá lo contrario si se cambia a una partícula/tamaño de polvo más grande.

Aglutinante

Al aumentar la dureza del ligamento:

- Creará una pauta de rasguños más fina.
- Se aumentará la vida de la herramienta de diamantes.
- Decrecerá la tasa de producción.

Ocurrirá lo contrario cuando se haga un ligamento metálico o de resina más suave).

Número de segmentos de diamante

Si se aumenta el número de segmentos debajo de la máquina:

- Se reducirá la presión en cada segmento de diamantes individual. – Se reducirá el ritmo de desgaste en los segmentos de diamantes.
- Se reducirá la carga sobre la máquina y provocará que la desbastadora absorba menos corriente.
- Creará una pauta de rasguños más suave (sobre todo en suelos blandos).

Ocurrirá lo contrario cuando se reduzca el número de segmentos debajo de la máquina.

Resumen de principios del diamante

Los segmentos de diamantes necesitan desgastarse para lograr productividad. El desgaste del segmento de diamantes puede depender de los siguientes factores:

- Presión.
- Dureza del ligamento.
- Tamaño del polvo de diamante.
- Número de segmentos debajo de la máquina.
- Si se añade un abrasivo adicional (p.ej. arena, carburo de silicona) en el suelo se aumentará el desgaste.

En general, cuanto más deprisa se desgaste un segmento de diamantes, mayor será la productividad. Al variar los citados factores, también se podrán hacer cambios para influir sobre lo siguiente:

- Pauta de rasguños.
- Absorción de corriente de la máquina.
- Grado de allanado del suelo (véase sección siguiente).
- Facilidad de manejo.

Determinación de la dureza del hormigón

Todo hormigón se mide por su resistencia a la compresión y, dependiendo de qué zona del mundo sea cada uno, se medirá por diferentes índices de resistencia a la compresión (p.ej. PSI y MPa). En general, cuanto mayor sea el grado de resistencia a la compresión, más duro será el hormigón y, por lo tanto, más difícil será de desbastar.

Sin embargo, además del grado de resistencia a la compresión hay otros factores que determinan cómo es de duro un suelo y, por lo tanto, la selección correcta de diamantes. Como el desbastado normalmente sólo se aplica a la superficie de hormigón (parte superior 5mm o 1/4 pulgada), a menudo la manera en la que se ha acabado el suelo de hormigón o el estado de la superficie tendrá un mayor peso sobre qué tipo de diamante seleccionar que el grado de resistencia a la compresión del hormigón.

Factores de la superficie a considerar al seleccionar un diamante

En general, si una superficie de hormigón es muy suave (es decir, probablemente se haya allanado/pulido enormemente), el hormigón se comportará como si tuviera una elevada resistencia a la compresión y, por tanto, necesita un segmento de ligamento blando.

Conforme a ello, si una superficie es basta/agresiva (p.ej. dañada por la lluvia, rota por disparos, escarifi - cada, conglomerado expuesto, etc.), el hormigón se comportará como si tuviera una baja resistencia a la compresión y, por tanto, necesita un segmento de ligamento duro.

Los revestimientos/contaminantes de la superficie (p.ej. revestimientos epoxi, adhesivos de baldosas de cerámica, nivelación de compuestos/capas de mortero) tendrán a menudo un mayor peso en la selección del diamante que la resistencia a la compresión del hormigón.

Por regla general, cuando se desbaste un bloque de hormigón por primera vez y no esté seguro de su dureza, empiece siempre con diamantes de ligamento más duro debajo de la máquina. Esto garantizará la menor cantidad de desgaste de los segmentos de diamantes. Si un segmento de diamantes duros no es adecuado para la aplicación, todo lo que habrá supuesto habrá sido un poco de tiempo, sin desgastar los diamantes.

Si se hace de la forma contraria (es decir, se usa un segmento blando para empezar) y el hormigón es blando o posee una superficie abrasiva o un contaminante de superficie, es muy posible que desgaste una cantidad considerable de diamante en un período muy corto de tiempo.

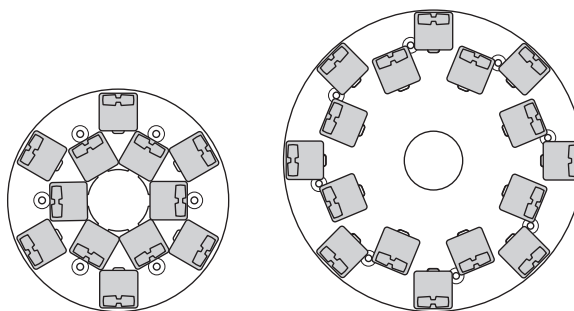
Selección de diamantes

La forma en la que los segmentos de diamante están configurados en la unidad de amolado influirá enormemente en el rendimiento de la máquina y los niveles de productividad, así como en la calidad del acabado del suelo.

Existen diferentes configuraciones de diamante posibles con los modelos PG 400 y PG 280.

Discos diamantados con ligante de metal

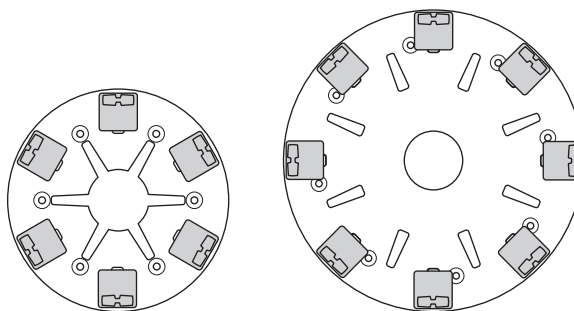
Juego completo: fila interior y exterior



PG 280

PG 400

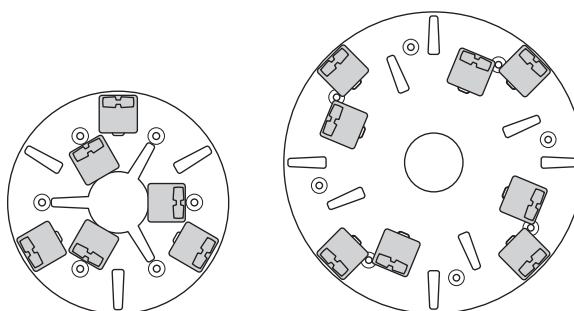
Juego completo: fila exterior



PG 280

PG 400

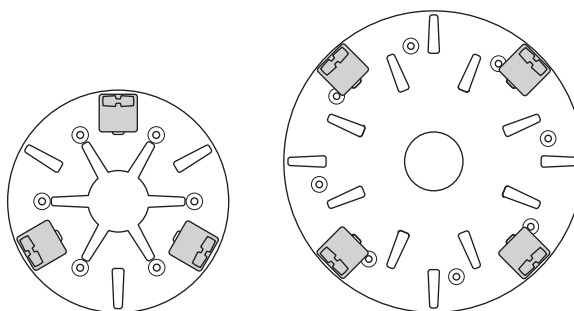
Medio juego: fila interior y exterior



PG 280

PG 400

Medio juego: fila exterior



PG 280

PG 400

GUÍA PARA EL AMOLADO

Seleccione los discos diamantados con ligante de metal adecuados para la aplicación concreta.

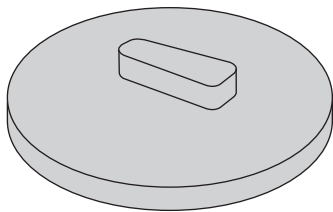
A continuación, le ofrecemos algunas sugerencias para las configuraciones básicas de los discos diamantados con ligante de metal.

Campo de aplicación	Ligamento metálico	Tamaño de polvo	Juego completo: fila interior y exterior	Juego completo: fila exterior	Medio juego: fila interior y exterior	Medio juego: fila exterior
Allanamiento suelo – Hormigón duro	Blando	16 o 30	X			
Allanamiento suelo – Hormigón medio	Medio	16 o 30	X			
Allanamiento suelo – Hormigón blando	Duro	16 o 30	X			
Extracción de adhesivo de baldosa de cerámica	Medio	PIRANHA™ o 16-30	X			
Extracción de pegamento de moqueta o vinilo – Hormigón duro	Blando	PIRANHA™ o 16-30			X	X
Extracción de pegamento de moqueta o vinilo – Hormigón medio	Medio	PIRANHA™ o 16-30			X	X
Extracción de pegamento de moqueta o vinilo – Hormigón blando	Duro	PIRANHA™ o 16-30			X	X
Extracción de pintura epoxi – Hormigón duro	Blando	PIRANHA™ o 16-30		X	X	
Extracción de pintura epoxi – Hormigón medio	Medio	PIRANHA™ o 16-30		X		
Extracción de pintura epoxi – Hormigón blando	Duro	PIRANHA™ o 16-30		X		
Hormigón dañado por la lluvia	Duro	16-30	X		X	
Alisado conglomerado expuesto	Duro	16-30	X		X	
Extracción de irregularidades en baldosas de terrazo / piedra	Blando	30 o 60	X			
Pulido de superficie de suelos de hormigón – Hormigón duro	Blando	60			X	X
Pulido de superficie de suelos de hormigón – Hormigón medio	Medio	60			X	X
Pulido de superficie de suelos de hormigón – Hormigón blando	Duro	60			X	X
Desbastado de conglomerado expuesto en hormigón – Hormigón duro	Blando	16-30	X	X	X	
Desbastado de conglomerado expuesto en hormigón – Hormigón medio	Medio	16-30	X	X	X	
Desbastado de conglomerado expuesto en hormigón – Hormigón blando	Duro	16-30	X		X	
Allanamiento de ondulación en suelos de hormigón – Hormigón duro	Blando	16 o 30	X	X	X	
Allanamiento de ondulación en suelos de hormigón – Hormigón medio	Medio	16 o 30	X		X	
Allanamiento de ondulación en suelos de hormigón – Hormigón blando	Duro	16 o 30	X		X	

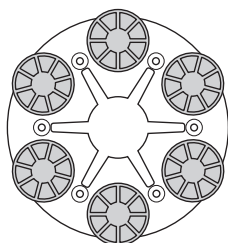
GUÍA PARA EL AMOLADO

Discos diamantados con ligante de resina

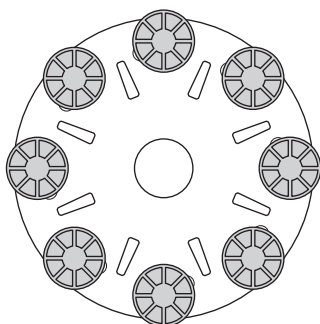
Adaptador para la adherencia con resina Redi Lock



Juego completo: fila exterior

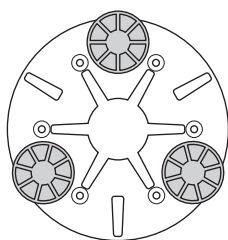


PG 280

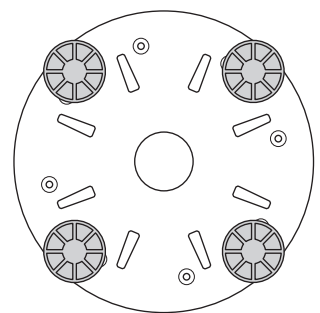


PG 400

Medio juego: fila exterior



PG 280



PG 400

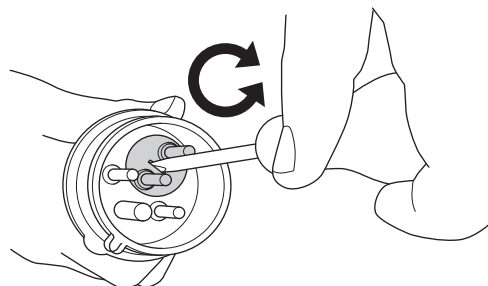
Seleccione la configuración de disco diamantado con ligante de resina adecuada para la aplicación concreta.

Campo de aplicación	Juego completo: fila exterior	Medio juego: fila exterior
Pulimentación de baldosas de terrazo / piedra	X	
Repavimentación de baldosas de terrazo / piedra		X
Pulido de superficie de suelos de hormigón – Hormigón duro		X
Pulido de superficie de suelos de hormigón – Hormigón medio		X
Pulido de superficie de suelos de hormigón – Hormigón blando		X

Sentido de rotación del motor (Trifásica)

Podrá modificarse el sentido de rotación del motor invirtiendo los polos del enchufe.

¡ATENCIÓN! Las herramientas Piranha / PCD están diseñadas para funcionar en una única dirección.

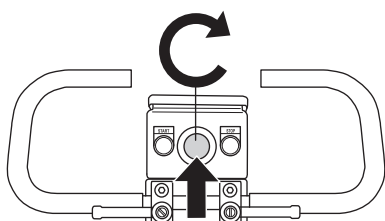


ARRANQUE Y PARADA

Antes de arrancar



- Coloque la desbastadora en la zona de trabajo.
- Asegúrese de que hay diamantes en la parte inferior de la máquina y de que están firmemente ajustados.
- Conecte la aspiradora a la máquina.
- Utilice manijas de cierre para el ajuste del manillar haciendo así más cómoda la altura de trabajo.
- Enchufe la toma de corriente a la máquina.
- Compruebe que el botón de parada de emergencia no está pulsado girándolo en el sentido de las agujas del reloj.

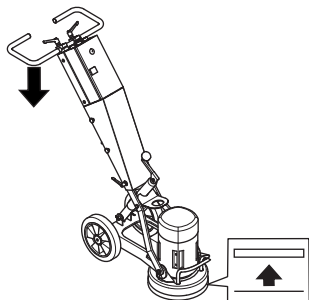


- Compruebe el sentido de rotación del motor.

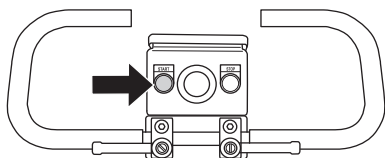
Arranque



- Reduzca la presión entre el disco de amolado y el suelo empujando hacia abajo la empuñadura sin levantar la unidad de amolado del suelo.



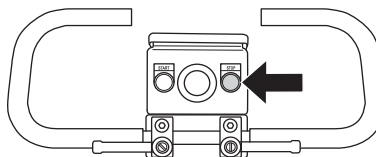
- Mantenga pulsado el botón de arranque durante unos segundos para arrancar la máquina.



Parada



- Utilice el botón de parada para apagar la máquina.



- Mantenga los segmentos de amolado en contacto con el suelo al parar la máquina. Ello ayudará a que la máquina se pare completamente de forma rápida. No levante el cabezal de amolado del suelo al parar la máquina, ya que puede crear una cantidad considerable de polvo en el aire.

Fallos y localización de fallos

La máquina no funciona

- Compruebe el suministro eléctrico y los cables de alimentación para asegurarse de que no están dañados.
- Compruebe que el botón de parada de emergencia no está pulsado girándolo en el sentido de las agujas del reloj.

Es difícil sujetar la máquina

- No hay suficientes diamantes debajo de la máquina (si hay una capa espesa de cola de desbastado o suelos blandos, una cantidad insuficiente de diamantes debajo de la máquina incrementará enormemente la carga sobre la desbastadora y el operador). Esto suele ir acompañado de un alto consumo de corriente por parte del motor.

Aumente el número de diamantes debajo de la máquina para reducir la carga sobre la desbastadora y el operador.

La máquina está dando saltos

- Las almohadillas amortiguadoras de caucho de la unidad de amolado pueden desgastarse o deteriorarse. Compruebe su estado y cámbielas si es necesario.
- Los diamantes pueden estar instalados incorrectamente o a diferentes alturas. Compruebe y asegúrese de que todos los diamantes están ajustados correctamente y son de la misma altura.

La máquina se detiene después de funcionar brevemente

- La máquina está sobrecargada y se ha activado la protección contra sobrecarga. Reduzca la carga. La máquina se reactivará después de aproximadamente un minuto cuando el motor se haya enfriado.

La máquina se detiene al arrancar

- El motor eléctrico está sobrecargado o falta una fase. Deje que la máquina se reinicie durante uno o dos minutos e inténtelo de nuevo. Si esto no ayuda, acuda a un taller de servicio oficial.

Mantenimiento



¡IMPORTANTE! El control y/o mantenimiento de la máquina debe hacerse con el motor parado y el enchufe desenchufado.

Usada correctamente, la máquina tiene un mantenimiento extremadamente bajo y gran fiabilidad.

Limpieza



Desenchufe siempre el enchufe antes de efectuar trabajos de limpieza, mantenimiento o montaje de la máquina.

Limpiar siempre todo el equipo después de cada turno de trabajo. No utilice un equipo de limpieza a alta presión para limpiar la máquina.

Para que la máquina tenga siempre una buena refrigeración, las aberturas de paso del aire refrigerante deben mantenerse libres y limpias.

Almohadillas amortiguadoras de caucho.

Verifique las almohadillas amortiguadoras de caucho todos los meses. Cámbielas si es necesario.

Suministro eléctrico



¡ATENCIÓN! No usar nunca cables dañados, puesto que pueden causar daños personales graves e incluso mortales.

Compruebe que el cable y el cable de empalme está intacto.

Si se daña el cable, no utilice la máquina. Llévela a un taller de servicio oficial para reparar.

Faldón

Asegúrese de que el reborde de goma está intacto y limpio y de que queda colocado herméticamente contra el suelo. Si el reborde de goma está dañado, reemplácelo inmediatamente.

Servicio



¡IMPORTANTE! Las reparaciones de todo tipo deben ser efectuadas por técnicos autorizados, únicamente. De este modo se evita someter a los operadores a grandes riesgos.

DATOS TECNICOS

Datos técnicos

	PG 400 (Trifásica, 400 V)	PG 280 (Trifásica, 400 V)	PG 280 (Monofásico, 230 V)	PG 280 (Monofásico, 110 V)
Potencia del motor, kW/CV	4/5,4	3/4	2,2/3,0	1,5/2,0
Amperaje nominal, A	16	16	12,9	18
Tensión nominal, V	400	400	230	110
Peso, kg/lb	115/254	70/154	70/154	70/154
Anchura de desbastado, mm/pulgadas	400/16	280/11	280/11	280/11
Presión de desbastado, kg/lbs	65/143	35/77	35/77	35/77
Velocidad, r/min	1400	2800	1400	1160
Emisiones de ruido (vea la nota 1)				
Nivel de potencia acústica medido dB(A)	107	107	107	107
Nivel de potencia acústica garantizado L_{WA} dB(A)	108	108	108	108
Niveles acústicos (vea la nota 2)				
Nivel de presión acústica en el oído del usuario, dB(A)	89	89	89	89
Niveles de vibraciones (vea la nota 3)				
Empuñadura derecha, m/s^2	3,4	3,4	3,4	3,4
Empuñadura izquierda, m/s^2	3,4	3,4	3,4	3,4

Nota 1: Emisiones sonoras en el entorno medidas como potencia sonora (L_{WA}) según la norma EN 61029-1.

Nota 2: Nivel de presión sonora conforme a EN 61029-1. Los datos referidos del nivel de presión sonora tienen una dispersión estadística habitual (desviación típica) de 1,0 dB (A).

Nota 3: Nivel de vibración conforme a EN 61029-1. Los datos referidos del nivel de vibración poseen una dispersión estadística habitual (desviación típica) de 1 m/s^2 .

DATOS TECNICOS

Declaración CE de conformidad

(Rige sólo para Europa)

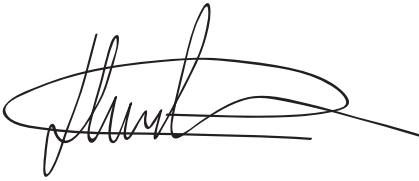
Husqvarna AB, SE-433 81 Göteborg, Suecia, teléfono: +46-31-949000, declaramos que las **Husqvarna PG 400, Husqvarna PG 280** a partir del número de serie del año 2010 en adelante (el año se indica claramente en la placa de identificación, seguido del número de serie), cumplen con las siguientes disposiciones de la DIRECTIVA DEL CONSEJO:

- **2006/42/CE** «relativa a máquinas» del 17 de mayo de 2006.
- **2004/108/CEE**, "referente a compatibilidad electromagnética", del 15 de diciembre de 2004.
- **2006/95/CE** del 12 de diciembre de 2006 relativa a equipos eléctricos.

Se han aplicado las siguientes normas: EN ISO 12100:2003, EN 55014-1:2006, EN 55015-2/A1:2001, EN 61000-3-2:2006, EN 61000-3-3/A1/A2:2005, EN 13862/A1:2009.

Se han aplicado las siguientes normas: EN 55014-1, EN55014-2, EN61000-3-2, EN61000-3-3.

Gothenburg, 29 de diciembre de 2009



Henric Andersson

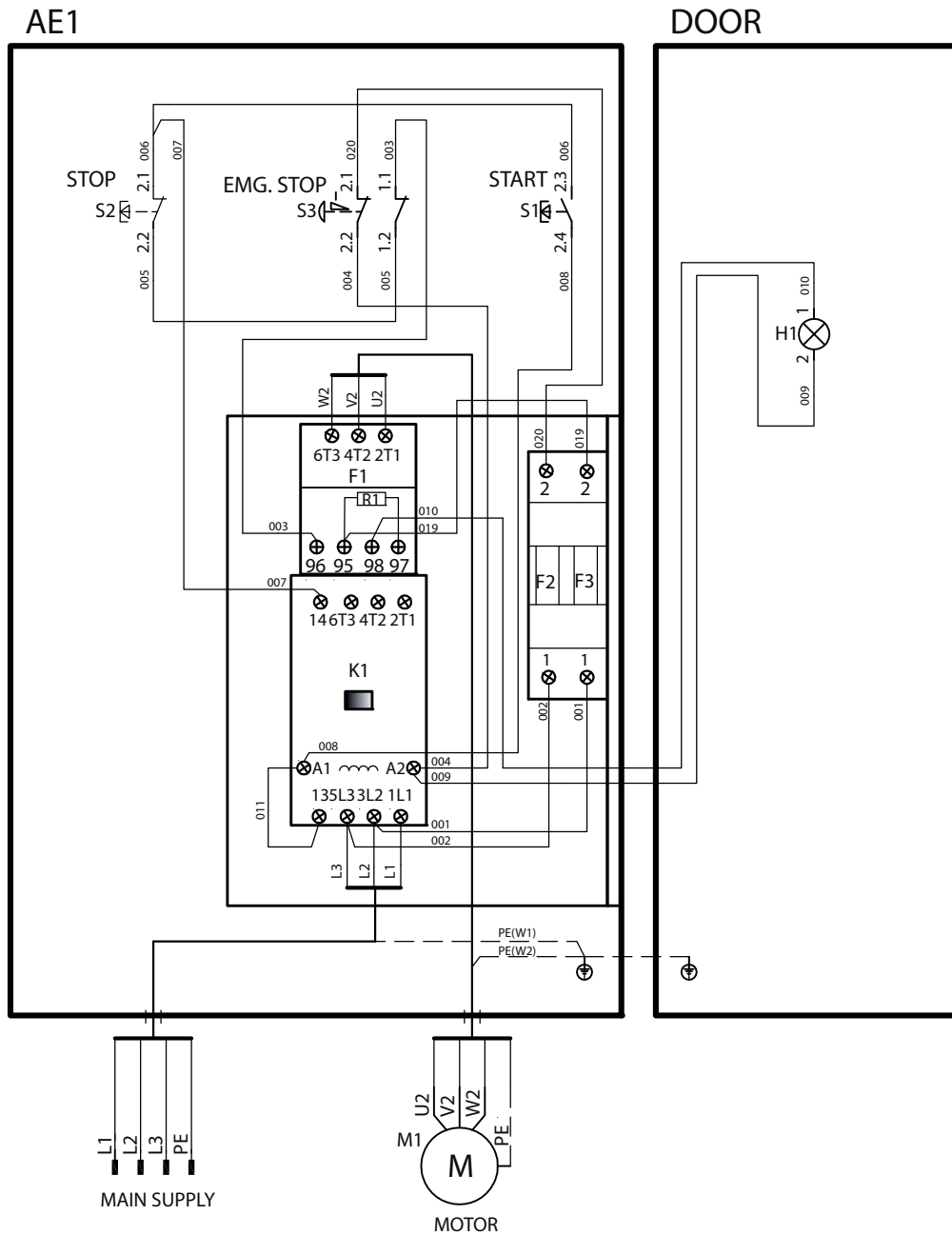
Vicepresidente, jefe de la sección de cortadoras y maquinaria para la construcción

Husqvarna AB

(Presentante autorizado de Husqvarna AB y responsable de la documentación técnica.)

ESQUEMA DE CONEXIONES ELÉCTRICAS

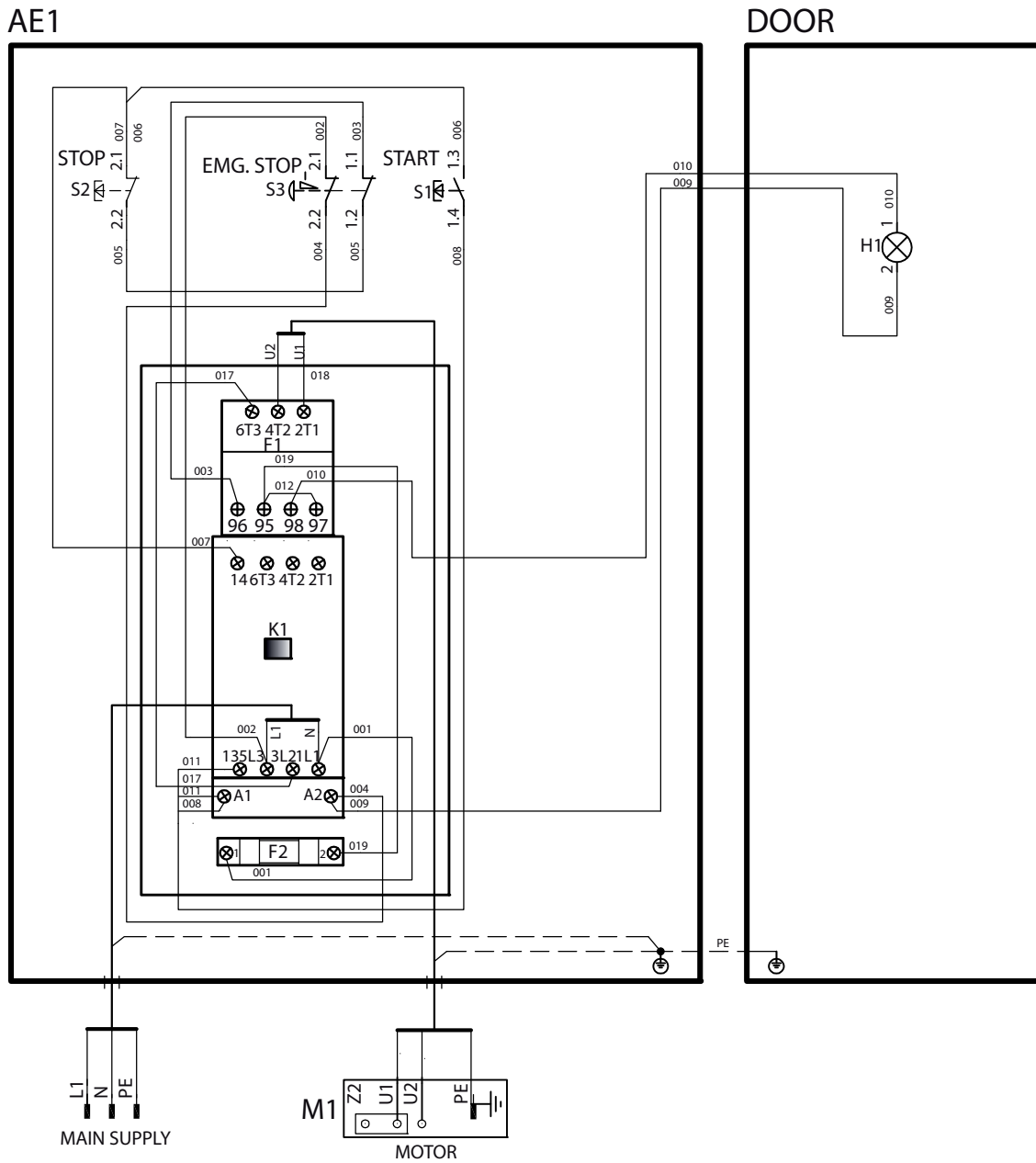
PG 280 3-phase, 400 V
PG 400 3-phase, 400 V



	U2	V2	W2	PE
	L1	L2	L3	PE
Variant 1	Black	Red	White	Green
Variant 2	Brown	Black	Grey	Ye/Gn

ESQUEMA DE CONEXIONES ELÉCTRICAS

PG 280 single-phase, 230 V
 PG 280 single-phase, 110 V



	U1	U2	PE
	L1	N	PE
Variant 1	Black	White	Green
Variant 2	Brown	Blue	Ye/Gn

SYMBOLERKLÄRUNG

Symbole am Gerät:

WARNUNG! Das Gerät kann falsch oder nachlässig angewendet gefährlich sein und zu schweren oder gar lebensgefährlichen Verletzungen des Benutzers oder anderer Personen führen.



Lesen Sie die Bedienungsanleitung sorgfältig durch und machen Sie sich mit dem Inhalt vertraut, bevor Sie das Gerät benutzen.



Tragen Sie persönliche Schutzausrüstung. Siehe die Anweisungen unter der Überschrift "Persönliche Schutzausrüstung".



WARNUNG! Bei der Arbeit mit dem Schleifer bildet sich Staub, der beim Einatmen gesundheitsschädlich sein kann. Verwenden Sie einen zugelassenen Atemschutz. Sorgen Sie stets für gute Belüftung.



Startvorrichtung: Den Druck zwischen der Schleifscheibe und dem Boden durch Herunterdrücken des Griffs senken, ohne dass das Schleifgerät vom Boden angehoben wird.



Dieses Produkt stimmt mit den geltenden CE-Richtlinien überein.



Umweltkennzeichnung. Das Symbol auf dem Produkt oder der Verpackung gibt an, dass dieses Produkt nicht im Hausmüll entsorgt werden darf.



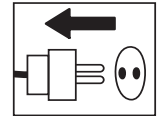
Durch eine korrekte Entsorgung dieses Produkts tragen Sie dazu bei, mögliche negative Auswirkungen auf Ihre Umwelt und Mitmenschen zu verhindern. Durch eine unsachgemäße Entsorgung dieses Produkts können Schäden entstehen.

Ausführliche Recyclinginformationen zu diesem Produkt erhalten Sie von Ihrer Kommune, Entsorgungsunternehmen für Hausmüll oder dem Geschäft, in dem Sie das Produkt erworben haben.

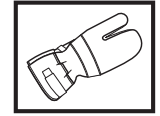
Sonstige Symbole/Aufkleber am Gerät beziehen sich auf spezielle Zertifizierungsanforderungen, die in bestimmten Ländern gelten.

Symbole in der Bedienungsanleitung:

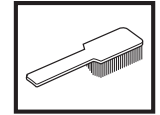
Kontrollen und/oder Wartungsarbeiten sind bei abgeschaltetem Motor und abgezogenem Stecker durchzuführen.



Stets zugelassene Schutzhandschuhe tragen.



Regelmäßige Reinigung ist notwendig.



Visuelle Kontrolle.



Schutzbrille oder Gesichtsschutz müssen benutzt werden.



INHALT

Inhalt

SYMBOLERKLÄRUNG

Symbole am Gerät: 38

Symbole in der Bedienungsanweisung: 38

INHALT

Inhalt 39

WAS IST WAS?

Was ist was am Schleifer? 40

SICHERHEITSVORSCHRIFTEN

Maßnahmen vor der Benutzung eines neuen Schleifers 41

Persönliche Schutzausrüstung 41

Allgemeine Sicherheitsvorschriften 42

MONTAGE

Befestigen des Griffs 44

Auswechseln der Diamanten 44

Anschließen des Unterdrucksaugers 44

Transport 45

ANLEITUNG ZUM SCHLEIFEN

Diamanten 46

Bestimmung des Härtegrads von Beton 47

Auswahl der Diamanten 47

Motordrehrichtung 49

STARTEN UND STOPPEN

Vor dem Start 50

Starten 50

Stoppen 50

WARTUNG

Störungsbeseitigung 51

Wartung 51

Service 51

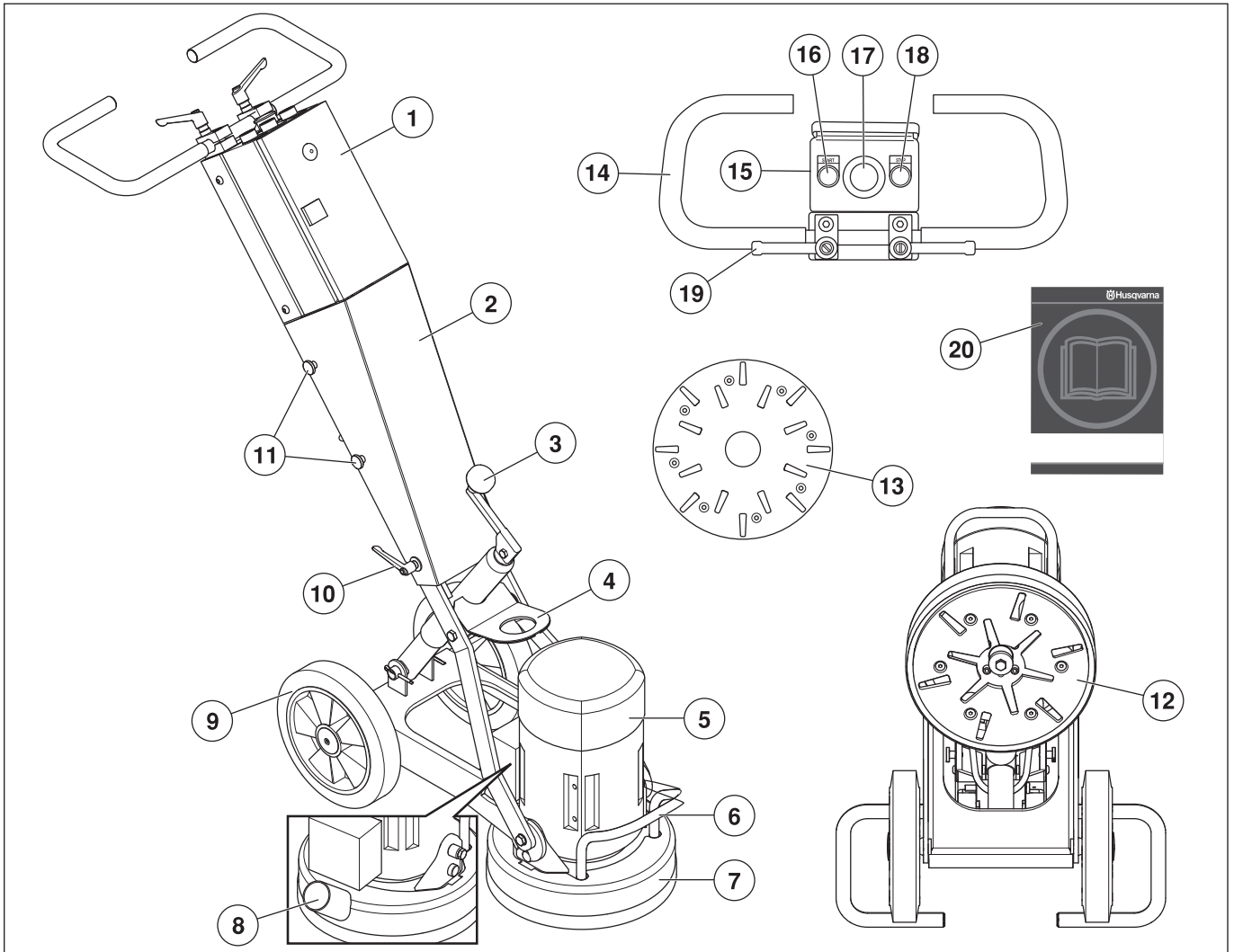
TECHNISCHE DATEN

Technische Daten 52

EG-Konformitätserklärung 53

SCHALTPLAN

WAS IST WAS?



Was ist was am Schleifer?

- | | |
|---|---|
| 1 Steuereinheit | 11 Schrauben Abdeckung |
| 2 Deckplatte | 12 Schleifvorrichtung - PG 280 |
| 3 Kurbel zum Einstellen des Schleifdrucks | 13 Schleifvorrichtung - PG 400 |
| 4 Lifting eye | 14 Griff/Führungsholm |
| 5 Elektromotor | 15 Steuerkasten |
| 6 Hebegriff | 16 Startknopf |
| 7 Schürze | 17 Nothalt |
| 8 Unterdrucksauger-Anschluss | 18 Stopp-Taste |
| 9 Radsatz | 19 Verriegelungshebel für die Griffleisteneinstellung |
| 10 Verriegelungshebel Abdeckung | 20 Bedienungsanweisung |

SICHERHEITSVORSCHRIFTEN

Maßnahmen vor der Benutzung eines neuen Schleifers

- Lesen Sie die Bedienungsanweisung sorgfältig durch und machen Sie sich mit dem Inhalt vertraut, bevor Sie das Gerät benutzen.
- Die Schleifer der Typen PG 400 und PG 280 wurden zum Entfernen von Haftmittel-/Klebstoffrückständen, Spachtelmasse und ähnlichen Werkstoffrückständen von Betonböden sowie zum Schleifen und Ebnen von Betonböden konstruiert.
- Das Gerät kann schwere Verletzungen verursachen. Die Sicherheitsvorschriften gründlich durchlesen. Lernen Sie, wie das Gerät anzuwenden ist.
- Die Maschine darf nur von Personal bedient werden, das theoretisch und praktisch an der Maschine unterwiesen wurde.

Stets mit gesundem Menschenverstand arbeiten!

Es ist unmöglich, alle denkbaren Situationen abzudecken, die beim Gebrauch des Geräts auftreten könnten. Gehen Sie stets mit Vorsicht und Vernunft vor. Vermeiden Sie Situationen, für die Sie sich nicht ausreichend qualifiziert fühlen. Falls Sie sich auch nach dem Lesen dieser Anweisungen nicht über die richtige Vorgehensweise im Klaren sind, sollten Sie einen Fachmann zu Rate ziehen, bevor Sie fortfahren.

Sie können sich jederzeit an Ihren Händler wenden, wenn Sie Fragen zur Verwendung der Maschine haben. Wir beraten Sie gerne dabei, wie Sie Ihre Maschine besser und sicherer einsetzen können.

Lassen Sie die Maschine regelmäßig von Ihrem Husqvarna-Händler überprüfen und notwendige Einstellungen und Reparaturen vornehmen.

Alle Informationen und Daten dieser Bedienungsanleitung galten zum Zeitpunkt der Drucklegung.



WARNUNG! Ohne Genehmigung des Herstellers dürfen an der Maschine unter keinen Umständen Konstruktionsänderungen vorgenommen werden. Stets Originalzubehör verwenden. Unzulässige Änderungen und/oder Zubehörteile können zu schweren Verletzungen oder tödlichen Unfällen von Anwendern oder anderen Personen führen.



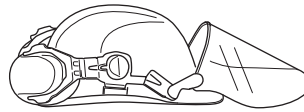
WARNUNG! Beim Schneiden, Mahlen, Bohren, Schmirgeln oder Formen können Staubpartikel oder Dämpfe freigesetzt werden, die gesundheitsschädliche Stoffe enthalten können. Sie sollten daher das Material, das bearbeitet werden soll, genau kennen und die entsprechende Staub- oder Atemschutzmaske tragen.

Persönliche Schutzausrüstung

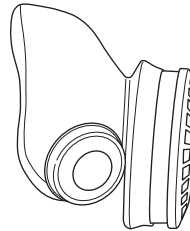


WARNUNG! Bei der Benutzung des Gerätes muss die vorgeschriebene persönliche Schutzausrüstung angewendet werden. Die persönliche Schutzausrüstung beseitigt nicht die Unfallgefahr, begrenzt aber den Umfang der Verletzungen und Schäden. Bei der Wahl der Schutzausrüstung einen Fachhändler um Rat fragen.

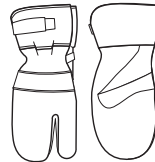
- Schutzhelm
- Gehörschutz
- Schutzbrille oder Visier



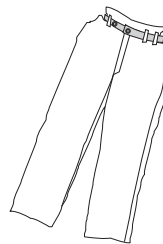
- Atemschutzmaske



- Feste, griffsichere Handschuhe.



- Eng anliegende, kräftige und bequeme Kleidung tragen, die volle Bewegungsfreiheit gewährt.



- Stiefel mit Stahlkappe und rutschfester Sohle.



- Ein Erste-Hilfe-Set soll immer griffbereit sein.



SICHERHEITSVORSCHRIFTEN

Allgemeine Sicherheitsvorschriften



WARNUNG! In diesem Abschnitt werden grundlegende Sicherheitsregeln vorgestellt. Die folgenden Informationen sind kein Ersatz für das Wissen, das ein professioneller Anwender durch seine Ausbildung und praktische Erfahrung erworben hat. Lassen Sie sich bei Unsicherheiten von einer Fachkraft beraten. Fragen Sie Ihren Fachhändler, Ihre Servicewerkstatt oder einen erfahrenen Anwender. Führen Sie keine Arbeiten aus, wenn Unsicherheiten bezüglich der richtigen Vorgehensweise bestehen.

- Lesen Sie vor der Inbetriebnahme der Maschine diese Bedienungsanleitung aufmerksam durch und machen Sie sich mit dem Inhalt vertraut.

Sicherheit im Arbeitsbereich

- Vermeiden Sie es, das Gerät bei schlechtem Wetter zu benutzen. Z.B. bei dichtem Nebel, Regen oder Wind, großer Kälte usw.
- Sorgen Sie für einen sauberen und gut ausgeleuchteten Arbeitsbereich. Durch zugestellte oder dunkle Arbeitsbereiche steigt die Unfallgefahr stark an.
- Kein Betrieb der Maschine in feuer- und explosionsgefährdeten Bereichen.

Elektrische Sicherheit



WARNUNG! An elektrisch betriebenen Geräten besteht stets die Gefahr von elektrischen Schlägen. Ungünstige Witterungsbedingungen sowie einen Körperkontakt mit Blitzableiter und metallischen Gegenständen vermeiden. Stets die Vorgaben in der Bedienungsanleitung befolgen, um Schäden auszuschließen.

- Maschine nicht am Netzkabel ziehen und Stecker nicht am Kabel aus der Steckdose ziehen.
- Darauf achten, dass die Kabel nicht mit Wasser, Öl oder scharfen Kanten in Berührung kommen. Darauf achten, dass die Kabel nicht in Türen, Zäunen o. ä. eingeklemmt werden. Es besteht sonst die Gefahr, dass Gegenstände unter Strom gestellt werden.
- Kontrollieren, ob die Kabel intakt und in gutem Zustand sind. Ein für die Außennutzung geeignetes Kabel verwenden.
- Das Gerät nicht benutzen, wenn ein Kabel beschädigt ist, sondern zur Reparatur in eine autorisierte Servicewerkstatt geben.
- Das Gerät muss an ein geerdete Steckdose angeschlossen werden.
- Kontrollieren, ob die Netzspannung mit der auf dem Geräteschild angegebenen übereinstimmt.

- Nehmen Sie sich vor elektrischen Schlägen in Acht. Vermeiden Sie jegliche Berührung mit Blitzableitern/ Metall im Boden.
- Keine zusammengerollte Verlängerungsschnur nutzen, um eine Überhitzungsgefahr zu vermeiden.
- Darauf achten, dass das Kabel bei der Arbeit hinter Ihnen liegt, damit es nicht beschädigt werden kann.

Persönliche Sicherheit



WARNUNG! Personen mit Blutkreislaufstörungen, die zu oft Vibrationen ausgesetzt werden, laufen Gefahr, Schäden an den Blutgefäßen oder am Nervensystem davonzutragen. Gehen Sie zum Arzt, wenn Sie an Ihrem Körper Symptome feststellen, die darauf hinweisen, dass Sie übermäßigen Vibrationen ausgesetzt waren. Beispiele für solche Symptome sind: Einschlafen von Körperteilen, Gefühlsverlust, Jucken, Stechen, Schmerzen, Verlust oder Beeinträchtigung der normalen Körperkraft, Veränderungen der Hautfarbe oder der Haut. Diese Symptome treten üblicherweise in Fingern, Händen und Handgelenken auf. Bei niedrigen Temperaturen können sich diese Symptome verstärken.

- Tragen Sie persönliche Schutzausrüstung. Siehe die Anweisungen unter der Überschrift "Persönliche Schutzausrüstung".
- Arbeiten Sie niemals mit dem Gerät, wenn Sie müde sind, Alkohol getrunken oder Medikamente eingenommen haben, da hierdurch Sehkraft, Urteilsvermögen oder Körperkontrolle beeinträchtigt werden können.
- Lassen Sie niemals jemand anderen das Gerät benutzen, ohne sich zu vergewissern, dass die Person den Inhalt der Bedienungsanleitung verstanden hat.
- Sämtliche Bediener müssen für die Benutzung der Maschine ausgebildet sein. Die Verantwortung für die erforderliche Ausbildung liegt beim Eigentümer.
- Menschen und Tiere können zu einer Ablenkung und damit zum Verlust der Kontrolle über das Gerät führen. Konzentration und Fokussierung auf die Aufgabe sind daher stets erforderlich.
- Bedenken, dass Kleidung, langes Haar und Schmuck in beweglichen Teilen hängen bleiben können.
- Niemals die Maschine unbeaufsichtigt mit laufendem Motor stehen lassen.
- Beim Arbeiten mit den Maschinen muss stets eine weitere Person anwesend sein, die bei Unfällen Hilfestellung leisten kann.
- Sorgen Sie immer dafür, dass Sie bei der Arbeit fest und sicher stehen.

SICHERHEITSVORSCHRIFTEN

Verwendung und Pflege

- Benutzen Sie das Gerät nur für solche Arbeiten, für die es vorgesehen ist.
- Alle Teile in funktionstauglichem Zustand halten und dafür sorgen, dass alle Befestigungsteile sorgfältig festgezogen sind.
- Niemals mit einem defekten Gerät arbeiten. Die Wartungs-, Kontroll- und Serviceanweisungen in dieser Bedienungsanleitung sind sorgfältig zu befolgen. Gewisse Wartungs- und Servicemaßnahmen sind von geschulten, qualifizierten Fachleuten auszuführen. Siehe die Anweisungen unter der Überschrift **Wartung**.
- Nehmen Sie keinerlei Änderungen an den Sicherheitsvorrichtungen vor. Kontrollieren Sie regelmäßig deren einwandfreie Funktionsweise. Die Maschine darf nicht mit defekten Schutzvorrichtungen bzw. ohne eingebaute Schutzvorrichtungen betrieben werden.
- Niemals mit einem Gerät arbeiten, das ohne Zustimmung des Herstellers modifiziert wurde und nicht länger mit der Originalausführung übereinstimmt.
- Die Maschine sollte erst eingeschaltet werden, wenn die Schleifköpfe auf dem Boden aufliegen. Eine Ausnahme ist lediglich bei dem Funktionstest zulässig, der in diesem Handbuch wird.
- Kein Betrieb der Maschine ohne Staubschutzschürze. Aus Sicherheitsgründen darf es insbesondere beim Trockenschleifen keinen Spalt zwischen Schleifeinheit und Boden geben.
- Während des Schleifens muss das Gerät an einen Unterdrucksauger angeschlossen sein, damit der entstehende Staub abgesaugt wird.
- Vor dem Auswechseln der Schleifscheiben den Not-Aus-Taster betätigen und den Netzstecker ziehen.
- Nach jedem Schleif-/Poliergang müssen die Diamantwerkzeuge abmontiert werden.
- Stellen Sie sicher, dass die Gummischürze intakt und sauber ist und dass sie dicht am Boden anliegt. Beschädigte Gummischürzen sind grundsätzlich auszutauschen.
- Nach dem Anhalten des Motors kann es einige Zeit dauern, bis die Trennscheibe zum Stillstand kommt. Behalten Sie die Trennposition bei, bis der Lüfter zum Stillstand gekommen ist. Stellen Sie von dem Anheben des Geräts sicher, dass der Schleifkopf nicht mehr rotiert.
- Wenn Klebstoffe, Asphaltreste, Farbe usw. entfernt wird, muss das Gerät nach dem Gebrauch stets von der Bodenoberfläche angehoben werden, damit es aufgrund der entstehenden Hitze nicht am Boden kleben bleibt. Stellen Sie von dem Anheben des Geräts sicher, dass der Schleifkopf nicht mehr rotiert.
- Diamantwerkzeuge können unmittelbar nach dem Gebrauch sehr heiß sein. Lassen Sie das Gerät abkühlen, bevor Sie die Diamantsegmente abmontieren. Tragen Sie stets Schutzhandschuhe.
- Verwenden Sie zum Anheben des Geräts immer die dafür vorgesehene Hebeöse.
- Tragen Sie das Gerät immer am Hebegriff und an der Griffleiste.

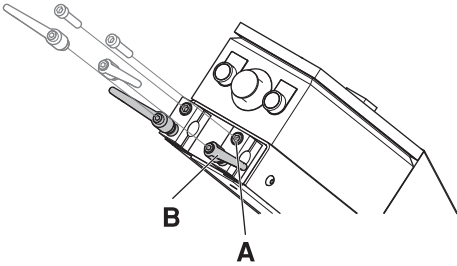
Transport und Aufbewahrung

- Die Maschine sollte nach Möglichkeit abgedeckt transportiert werden, um die Einflüsse der Naturgewalten (vor allem Regen und Schnee) zu begrenzen.
- Bewahren Sie das Gerät für Kinder und Unbefugte unzugänglich in einem abschließbaren Raum auf.
- Die Maschine ist an einem trockenen Ort zu lagern.

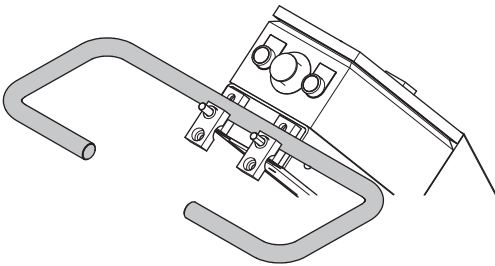
MONTAGE

Befestigen des Griffs

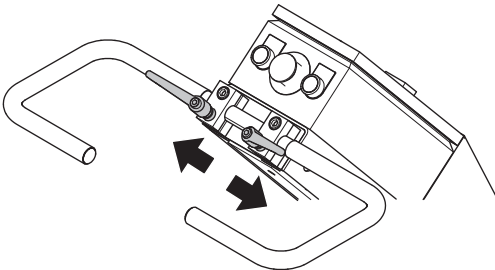
- Schrauben entfernen (A).



- Feststellknöpfe entfernen (B).
- Handgriff am Handgriffabstandhalter am Gerät befestigen.



- Der Schrauben (A) und Feststellknöpfe (B) wieder anbringen.
- Die Feststellknöpfe sollten entlang des Lenkers positioniert werden, um die Gefahr von Beschädigungen, die beim Ablegen der Maschine zum Wechseln der Werkzeuge verursacht werden können, zu verringern.



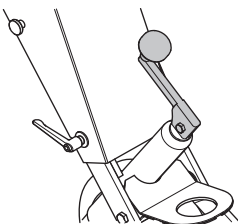
Auswechseln der Diamanten



Schalten Sie das Gerät aus, und ziehen Sie den Netzstecker aus der Steckdose.

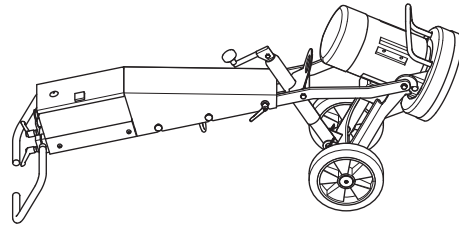
Schutzhandschuhe bereithalten, da die Diamanten sehr heiß werden können.

- Kurbeln Sie die Griffleiste in die höchste Position.

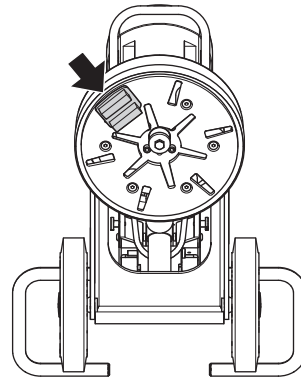


- Griff zurückziehen, um den Schleifkopf anzuheben.

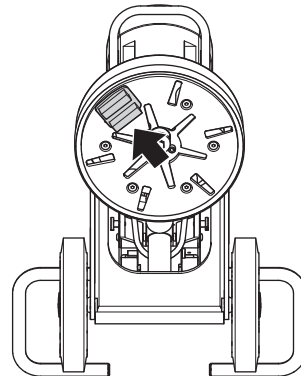
- Maschine auf den Boden legen.



- Schutzhandschuhe anziehen.
- Die Diamantsegmente mit einem Hammer entfernen.



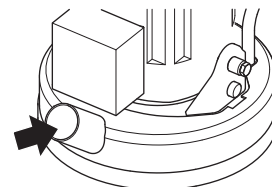
- Befestigen Sie neue Diamantsegmente an der Schleifscheibe.



- Maschine wieder aufrecht stellen.

Anschließen des Unterdrucksaugers

Schließen Sie den Unterdrucksauger an das Gerät an. Einen 50 mm-Schlauch verwenden.

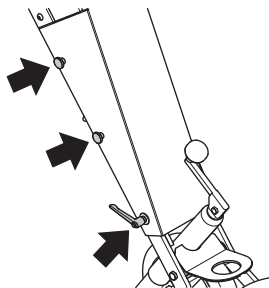


- Verwenden Sie ein Husqvarna Staubabzugssystem, um den Staub unter Kontrolle zu halten.
- Stellen Sie sicher, dass die Filter des Unterdrucksaugers intakt und sauber sind. Achten Sie während des Betriebs auf die Staubentwicklung.
- Den Gummiring zum effizienten Auffangen des Staubs so ausrichten, dass er in Kontakt mit dem Boden ist.

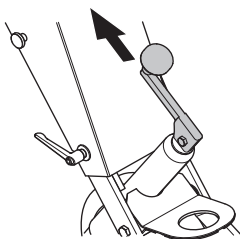
Transport

Um die Transportgröße zu verringern, kann das Gerät zusammengeklappt werden.

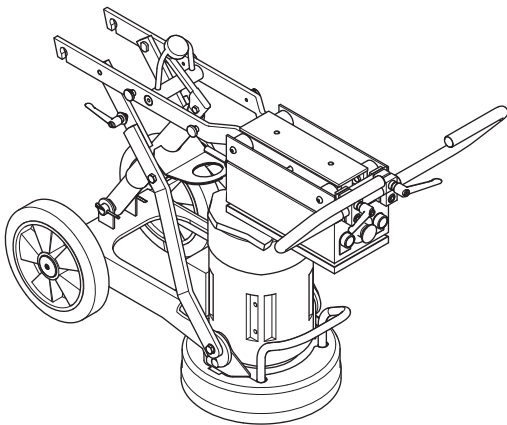
- Lösen Sie die Schrauben und den Verriegelungshebel der Abdeckung.



- Nehmen Sie die Abdeckung ab.
- Bewegen Sie den Hebelgriff in eine senkrechte Position, sodass dieser nach oben zeigt.



- Klappen Sie das Gerät vorsichtig nach vorn. Eine Polsterung zwischen dem Motor und dem Elektrikkasten platzieren, um Beschädigungen der Maschine zu vermeiden.



- Die Abdeckung kann an der Seite des Geräts befestigt werden.

ANLEITUNG ZUM SCHLEIFEN

Diamanten

Hintergrund

Diamantschleifmittel besteht meist aus 2 Komponenten:

- Dem Diamantpulver, auch bekannt als Bortgranulat. Durch die Körnung wird die Feinheit des Schliffs festgelegt.
- Dem Bindemittel (Metall oder Harz). Das Diamantpulver wird auf ein Bindemittel auf Metall- oder Harzbasis aufgetragen. Bei Verwendung von Metall als Trägermaterial wird die Schleifscheibe auch als Sinterdiamant bezeichnet. Bei Verwendung von Harz als Trägermaterial wird von Harzbindung gesprochen. Durch den Härtegrad des Bindemittels wird festgelegt, wie schnell das Diamantschleifmittel verschleißt.

Wirkungsweise

Die Grundlagen des Schleifens mit Diamantschleifkörpern werden nachstehend beschrieben. Die Beschreibungen sind allgemeiner Natur; Ausnahmen sind möglich.

Körnung

Die Körnung wirkt sich wie folgt auf die Schleifleistung aus:

- Je höher die Körnung, desto feiner der Schliff.
- Die Gebrauchsdauer des Schleifkörpers verlängert sich.

Umgekehrt gilt: Je grober die Körnung, desto grober der Schliff und desto kürzer die Gebrauchsdauer des Schleifkörpers.

Bindemittel

Durch einen höheren Härtegrad des Trägermaterials wird folgende Wirkung erreicht:

- Je höher die Körnung, desto feiner der Schliff.
- Die Gebrauchsdauer des Schleifkörpers verlängert sich.
- Die Schleifleistung nimmt ab.

Die entgegengesetzte Wirkung wird durch einen niedrigeren Härtegrad erreicht.

Anzahl der Diamantschleifkörper

Durch Erhöhung der Anzahl der Schleifkörper wird folgende Wirkung erreicht:

- Geringerer Druck auf den einzelnen Diamantschleifkörper und damit eine niedrigere Verschleißrate.
- Geringere Belastung der Maschine und damit niedrigere Stromaufnahme.
- Gleichmäßiger Schliff, insbesondere bei weichen Böden.

Eine Verringerung der Schleifkörperzahl hat den gegenteiligen Effekt.

Zusammenfassung

Eine gute Schleifleistung hängt vom schnellen Verschleiß der Diamantschleifkörper ab. Der Verschleiß der Diamantschleifkörper ist abhängig von folgenden Faktoren:

- Druck.
- Härtegrad des Bindemittels.
- Körnung
- Anzahl der Schleifkörper
- Das Aufbringen zusätzlichen Schleifmittels auf den Boden (Sand, Karborund) erhöht den Verschleiß zusätzlich.

Je schneller der Diamantschleifkörper verschleißt, desto effektiver das Schleifen. Durch Ändern der vorstehenden Faktoren lassen sich folgende Eigenschaften bzw. Umstände ändern:

- Schleiftiefe.
- Stromaufnahme.
- Ebenheit des Bodens (vgl. nächsten Abschnitt).
- Bedienkomfort der Maschine.

ANLEITUNG ZUM SCHLEIFEN

Bestimmung des Härtegrads von Beton

Der Härtegrad wird auch als Druckfestigkeit bezeichnet und in Newton pro Quadratmillimeter angegeben. Je höher die Druckfestigkeit, desto härter der Beton und desto aufwändiger das Schleifen.

Neben der Druckfestigkeit bestimmen weitere Faktoren die Bodenhärte, die bei der Auswahl des Schleifkörpers ebenfalls berücksichtigt werden müssen. Da beim Schleifen normalerweise nur die obersten 5 mm des Betonbodens wichtig sind, ist für die Auswahl häufig das Finish bzw. der Zustand der Fläche wichtiger als die Druckfestigkeit.

Wichtige Bodenkriterien bei der Auswahl des Schleifkörpers

Bei sehr glatten (mit der Kelle geglätteten) Betonflächen verhält sich der Boden wie Beton mit hoher Druckfestigkeit und macht eine weiche Bindung erforderlich.

Bei rauen bzw. unebenen Flächen (Regenschäden, überstehende Zuschlagsstoffe, Bode abgestrahlt oder aufgerissen usw.) verhält sich der Boden wie Beton mit niedriger Druckfestigkeit und verlangt nach einer harten Bindung.

Bei Beschichtungen und Verunreinigungen (Epoxid, Fliesenkleber, Ausgleichspachtelmasse, Estrich) sind bei der Schleifmittelwahl häufig neben der Druckfestigkeit weitere Kriterien zu berücksichtigen.

Faustregel: Wenn die Druckfestigkeit des Betons unbekannt ist, sollte das Schleifen mit einer harten Bindung begonnen werden. Dadurch stellt der Bediener sicher, dass die Diamantschleifkörper möglichst wenig verschleifen. Sollte sich der Diamantschleifkörper als ungeeignet erweisen, war die Arbeitsproduktivität zwar etwas geringer als möglich, aber es kam nicht zu unnötigem Materialverschleiß.

Bei einer anderen Vorgehensweise (d.h. Beginn der Schleifarbeiten mit weichem Trägermaterial) und weichem Beton oder abrasiver bzw. verunreinigter Bodenfläche kann es bereits nach sehr kurzer Zeit zu einem beträchtlichen Materialverschleiß kommen.

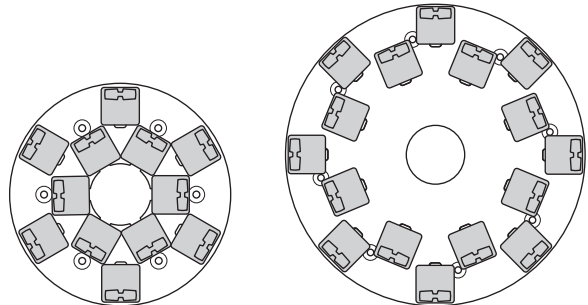
Auswahl der Diamanten

Die Anordnung der Diamantschleifkörper in den Schleifköpfen hat großen Einfluss auf Maschinenleistung, Arbeitsproduktivität und Schleifqualität.

Sowohl bei PG 400 als auch bei PG 280 können mehrere Schleifkörper-Anordnungen eingestellt werden.

Metallbindung

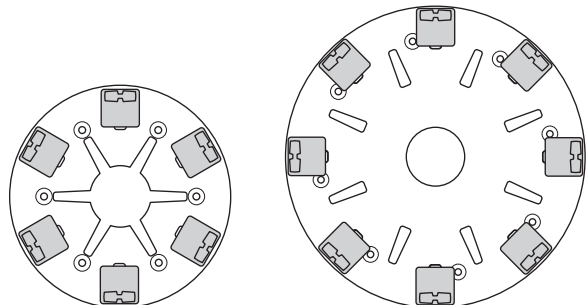
Komplettsatz - innere und äußere Reihe



PG 280

PG 400

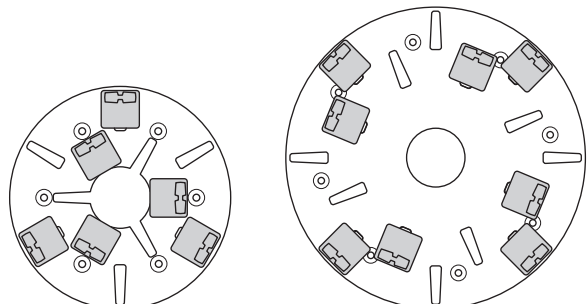
Komplettsatz - äußere Reihe



PG 280

PG 400

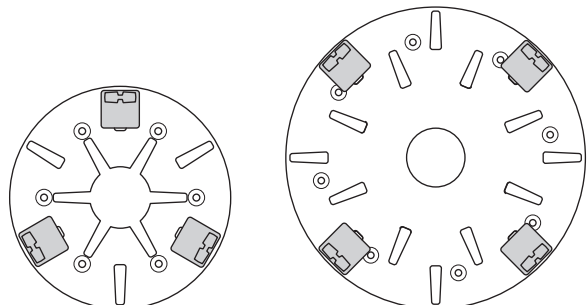
Halbsatz - innere und äußere Reihe



PG 280

PG 400

Halbsatz - äußere Reihe



PG 280

PG 400

ANLEITUNG ZUM SCHLEIFEN

Auswählen der für Ihre Anwendung geeigneten Sinterdiamanten

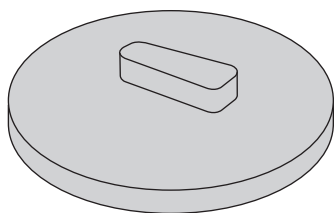
Nachstehend werden die grundlegenden Anordnungen für Sinterdiamant-Werkzeuge beschrieben.

Einsatzbereich	Metallbindung	Körnung	Komplettsatz - innere und äußere Reihe	Komplettsat z - äußere Reihe	Halbsatz - innere und äußere Reihe	Halbsatz - äußere Reihe
Planieren von Hartbeton	Weich	16 oder 30	X			
Planieren von mittelharterm Beton	Mittel	16 oder 30	X			
Planieren von Weichbeton	Hart	16 oder 30	X			
Entfernen von Klebstoff auf Keramikfliesen	Mittel	PIRANHA™ oder 16-30	X			
Abschleifen von Vinyl- oder Teppichkleber (Hartbeton)	Weich	PIRANHA™ oder 16-30			X	X
Abschleifen von Vinyl- oder Teppichkleber (mittelharter Beton)	Mittel	PIRANHA™ oder 16-30			X	X
Abschleifen von Vinyl- oder Teppichkleber (Weichbeton)	Hart	PIRANHA™ oder 16-30			X	X
Abschleifen von Epoxidharzfarbe (Hartbeton)	Weich	PIRANHA™ oder 16-30		X	X	
Abschleifen von Epoxidharzfarbe (mittelharter Beton)	Mittel	PIRANHA™ oder 16-30		X		
Abschleifen von Epoxidharzfarbe (Weichbeton)	Hart	PIRANHA™ oder 16-30		X		
Ausbessern von Regenschäden auf Beton	Hart	16-30	X		X	
Glätten überstehender Zuschläge	Hart	16-30	X		X	
Nivellieren von Terrazzo- und Steinfliesen	Weich	30 oder 60	X			
Polieren von Betonböden (Hartbeton)	Weich	60			X	X
Polieren von Betonböden (mittelharter Beton)	Mittel	60			X	X
Polieren von Betonböden (Weichbeton)	Hart	60			X	X
Abschleifen überstehender Betonzuschläge (Hartbeton)	Weich	16-30	X	X	X	
Abschleifen überstehender Betonzuschläge (mittelharter Beton)	Mittel	16-30	X	X	X	
Abschleifen überstehender Betonzuschläge (Weichbeton)	Hart	16-30	X		X	
Planieren von Betonböden (Hartbeton)	Weich	16 oder 30	X	X	X	
Planieren von Betonböden (mittelharter Beton)	Mittel	16 oder 30	X		X	
Planieren von Betonböden (Weichbeton)	Hart	16 oder 30	X		X	

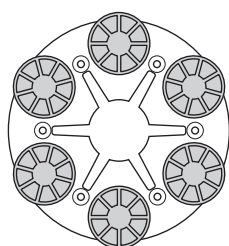
ANLEITUNG ZUM SCHLEIFEN

Harzbindung

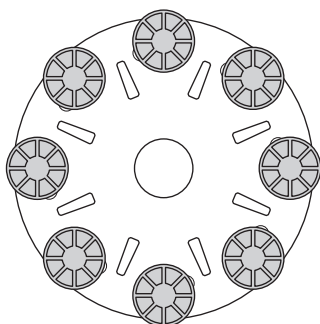
Adapter für harzgebundene Redi Lock-Aufsätze



Komplettsatz - äußere Reihe

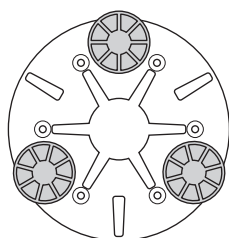


PG 280

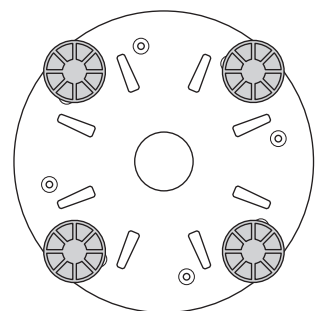


PG 400

Halbsatz - äußere Reihe



PG 280



PG 400

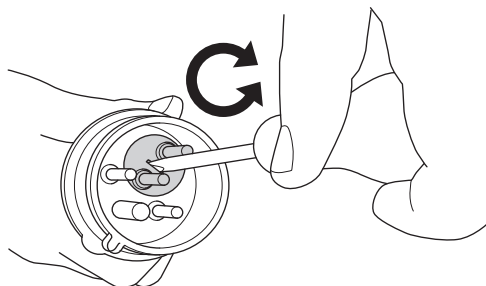
Auswählen der für Ihre Anwendung geeigneten Diamantenanordnung auf Harzbasis

Einsatzbereich	Komplettsatz - äußere Reihe	Halbsatz - äußere Reihe
Polieren von Terrazzo-/Steinplatten	X	
Ausbesserung von Terrazzo-/Steinplatten		X
Polieren von Betonböden (Hartbeton)		X
Polieren von Betonböden (mittelharter Beton)		X
Polieren von Betonböden (Weichbeton)		X

Motordrehrichtung (3 Phasen)

Die Motordrehrichtung kann durch Umkehr der Polung im Netzstecker geändert werden.

ACHTUNG! Die Piranha/PCD-Werkzeuge wurden dazu konzipiert, nur in eine Richtung zu laufen.

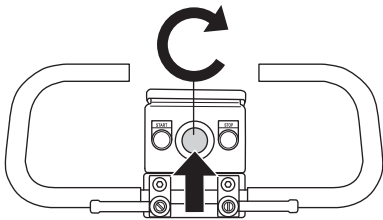


STARTEN UND STOPPEN

Vor dem Start



- Schleifmaschine im Arbeitsbereich aufstellen.
- Stellen Sie sicher, dass sich unter dem Gerät Diamanten befinden und dass diese gut befestigt sind.
- Schließen Sie den Unterdrucksauger an das Gerät an.
- Zur Einstellung des Lenkers auf eine komfortable Arbeitshöhe die Feststellknöpfe verwenden.
- Netzkabel anschließen.
- Stellen Sie sicher, dass die Not-Aus-Taste nicht betätigt wird, indem Sie sie im Uhrzeigersinn drehen.

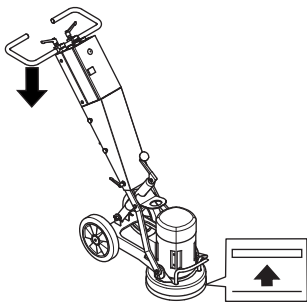


- Prüfen der Motordrehrichtung

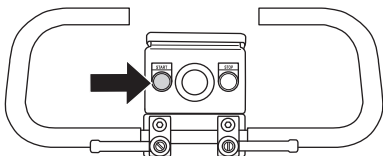
Starten



- Den Druck zwischen der Schleifscheibe und dem Boden durch Herunterdrücken des Griffs senken, ohne dass das Schleifgerät vom Boden angehoben wird.



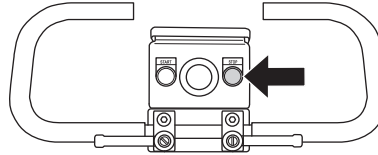
- Betätigen Sie den Startknopf, und halten Sie ihn einige Sekunden lang gedrückt, bis das Gerät startet.



Stoppen



- Schalten Sie das Gerät mit dem Knopf „Stop“ aus.



- Darauf achten, dass Schleifsegmente beim Anhalten in Kontakt mit dem Boden bleiben. Hierdurch kann die Maschine schnell vollständig angehalten werden. Den Schleifkopf beim Anhalten nicht vom Boden heben, da hierdurch in erheblichem Maße Staub aufgewirbelt wird.

Störungsbeseitigung

Maschine läuft nicht

- Überprüfen Sie die Stromversorgung und die Stromkabel auf Beschädigungen.
- Stellen Sie sicher, dass die Not-Aus-Taste nicht betätigt wird, indem Sie sie im Uhrzeigersinn drehen.

Schleifmaschine nur schwer beherrschbar

- Nicht ausreichend Diamanten in den Schleifköpfen. Beim Beschleifen dicker Klebstoffschichten oder weicher Böden erhöht sich die Belastung des Bedieners deutlich, wenn nicht ausreichend Diamanten verwendet werden. Gewöhnlich wird dies von einer erhöhten Stromaufnahme durch den Motor begleitet.

Anzahl der Diamanten erhöhen, um die Belastung für Schleifmaschine und Bediener zu verringern.

Maschine springt

- Gummistoßkissen im Schleifgerät könnten verschleifen oder beschädigt werden. Überprüfen und bei Bedarf austauschen.
- Die Diamanteinsätze sind möglicherweise nicht richtig eingepasst oder sind unterschiedlich hoch. Sitz und Höhe aller Diamanten kontrollieren.

Das Gerät hält bereits nach kurzer Zeit

- Das Gerät ist überlastet, und der Überlastschutz wurde ausgelöst. Verringern Sie die Last. Das Gerät startet nach etwa einer Minute neu (sobald der Motor abgekühlt hat).

Das Gerät hält unmittelbar nach dem Starten

- Der Elektromotor wurde überlastet oder eine Phase ist nicht vorhanden. Warten Sie 1 bis 2 Minuten, bis sich die Maschine zurückgesetzt hat und versuchen Sie es anschließend erneut. Wenn dies nicht hilft, ist eine autorisierte Servicewerkstatt zu kontaktieren.

Wartung



WICHTIG! Kontrollen und/oder Wartungsarbeiten sind bei abgeschaltetem Motor und abgezogenem Stecker durchzuführen.

Bei sachgemäßer Bedienung funktioniert die Maschine zuverlässig und erfordert nur einen geringen Wartungsaufwand.

Reinigung



Vor Reinigung, Wartung oder Montage immer den Stecker aus der Steckdose ziehen.

Reinigen Sie die gesamte Ausrüstung am Ende eines Arbeitstags. Reinigen Sie das Gerät nicht mit einem Hochdruckreiniger.

Damit das Gerät immer ausreichend gekühlt wird, müssen die Kühlluftöffnungen frei und sauber gehalten werden.

Gummistoßkissen

Überprüfen Sie die Gummistoßkissen einmal pro Monat. Bei Bedarf austauschen.

Stromversorgung



WARNUNG! Niemals beschädigte Kabel verwenden. Diese können schwere Verletzungen bis hin zur Todesfolge verursachen.

Kontrollieren, ob Kabel und Verlängerungskabel intakt und in gutem Zustand sind.

Das Gerät nicht benutzen, wenn das Kabel beschädigt ist, sondern zur Reparatur in eine autorisierte Servicewerkstatt geben.

Schürze

Stellen Sie sicher, dass die Gummischürze intakt und sauber ist und dass sie dicht am Boden anliegt. Beschädigte Gummischürzen sind grundsätzlich auszutauschen.

Service



WICHTIG! Sämtliche Reparaturen dürfen nur von autorisiertem Reparaturpersonal ausgeführt werden. Diese Vorschrift soll verhindern, dass der Bediener großen Gefahren ausgesetzt wird.

TECHNISCHE DATEN

Technische Daten

	PG 400 (3 Phasen, 400 V)	PG 280 (3 Phasen, 400 V)	PG 280 (1-phasig, 230 V)	PG 280 (1-phasig, 110 V)
Motorleistung, kW/PS	4/5,4	3/4	2,2/3,0	1,5/2,0
Nennstrom, A	16	16	12,9	18
Nennspannung, V	400	400	230	110
Gewicht, kg/lbs	115/254	70/154	70/154	70/154
Schleifbahnbreite, mm/Zoll	400/16	280/11	280/11	280/11
Schleifdruck, kg/lbs	65/143	35/77	35/77	35/77
Drehzahl, U/min	1400	2800	1400	1160
Geräuschemissionen (siehe Anmerkung 1)				
Gemessene Schalleistung dB(A)	107	107	107	107
Garantierte Schalleistung L_{WA} dB(A)	108	108	108	108
Lautstärke (siehe Anmerkung 2)				
Schalldruckpegel am Ohr des Benutzers, dB(A)	89	89	89	89
Vibrationspegel (siehe Anmerkung 3)				
Handgriff rechts, m/s^2	3,4	3,4	3,4	3,4
Handgriff links, m/s^2	3,4	3,4	3,4	3,4

Anmerkung 1: Umweltbelastende Geräuschemission gemessen als Schalleistung (L_{WA}) gemäß EN 61029-1.

Anmerkung 2: Schalldruckpegel gemäß EN 61029-1. Berichten zufolge liegt der Schalldruckpegel normalerweise bei einer Ausbreitungsklasse (standardmäßige Ausbreitung) von 1,0 dB (A).

Anmerkung 3: Vibrationspegel gemäß EN 61029-1. Berichten zufolge liegt der Vibrationspegel normalerweise bei einer Ausbreitungsklasse (Standardabweichung) von 1 m/s^2 .

EG-Konformitätserklärung

(nur für Europa)

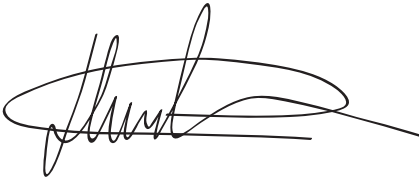
Husqvarna AB, SE-433 81 Göteborg, Schweden, Tel.: +46 31 949000, versichert hiermit, dass die **Husqvarna PG 400**, **Husqvarna PG 280** von den Seriennummern des Baujahrs 2010 an (die Jahreszahl wird im Klartext auf dem Typenschild angegeben, mitsamt der nachfolgenden Seriennummer) den Vorschriften folgender RICHTLINIEN DES RATES entsprechen:

- vom 17. Mai 2006 „Maschinen-Richtlinie' **2006/42/EG**
- vom 15. Dezember 2004 "über elektromagnetische Verträglichkeit" **2004/108/EWG**.
- vom 12. Dezember 2006 „betreffend elektrische Betriebsmittel' **2006/95/EG**.

Folgende Normen wurden angewendet: EN ISO 12100:2003, EN 55014-1:2006, EN 55015-2/A1:2001, EN 61000-3-2:2006, EN 61000-3-3/A1/A2:2005, EN 13862/A1:2009.

Die gelieferte Maschine entspricht dem Exemplar, das der EU-Typenprüfung unterzogen wurde.

Gothenburg, den 29. Dezember 2009



Henric Andersson

Vice President, Head of Power Cutters and Construction Equipment

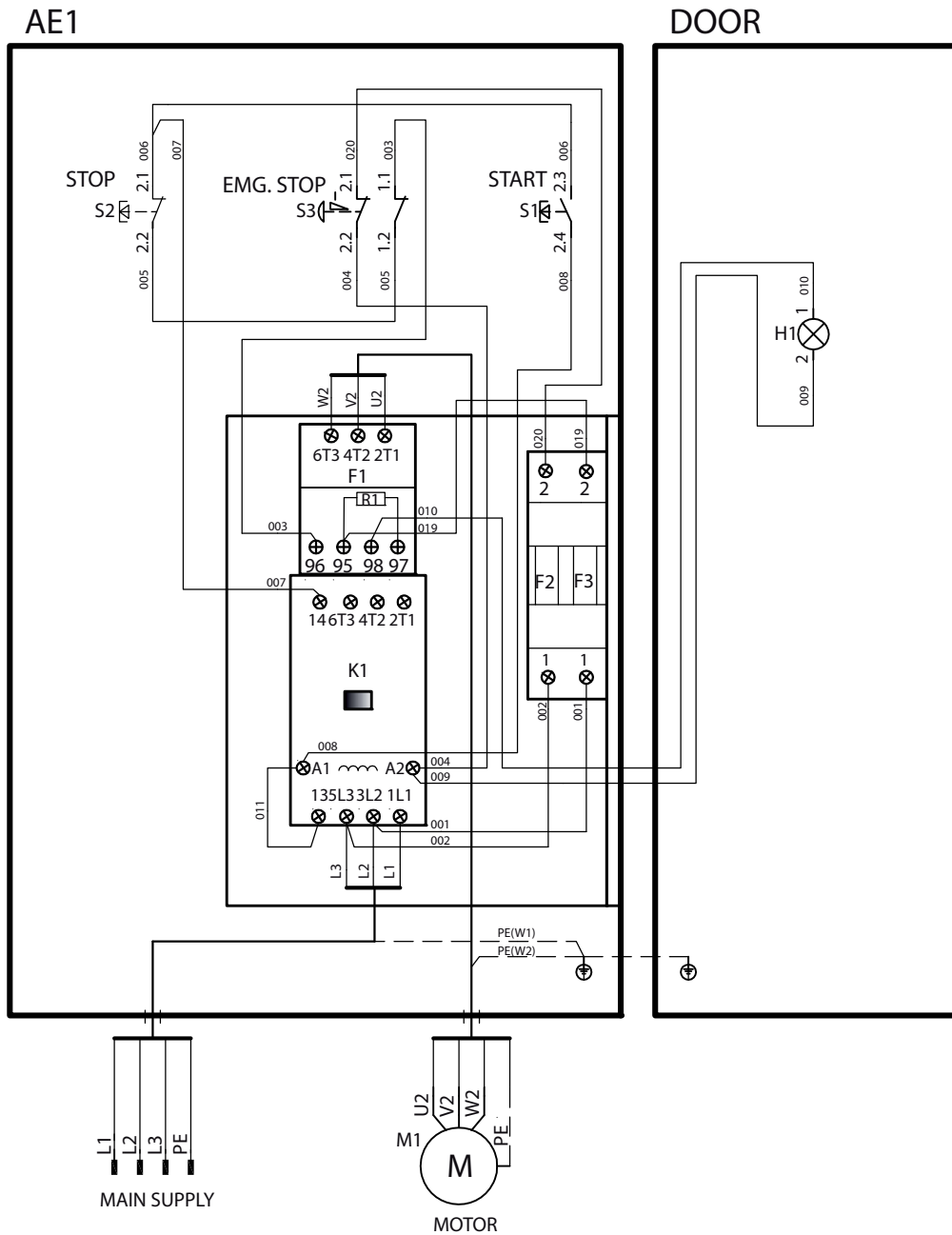
Husqvarna AB

(Bevollmächtigter Vertreter für Husqvarna AB, verantwortlich für die technische Dokumentation.)

SCHALTPLAN

PG 280 3-phase, 400 V

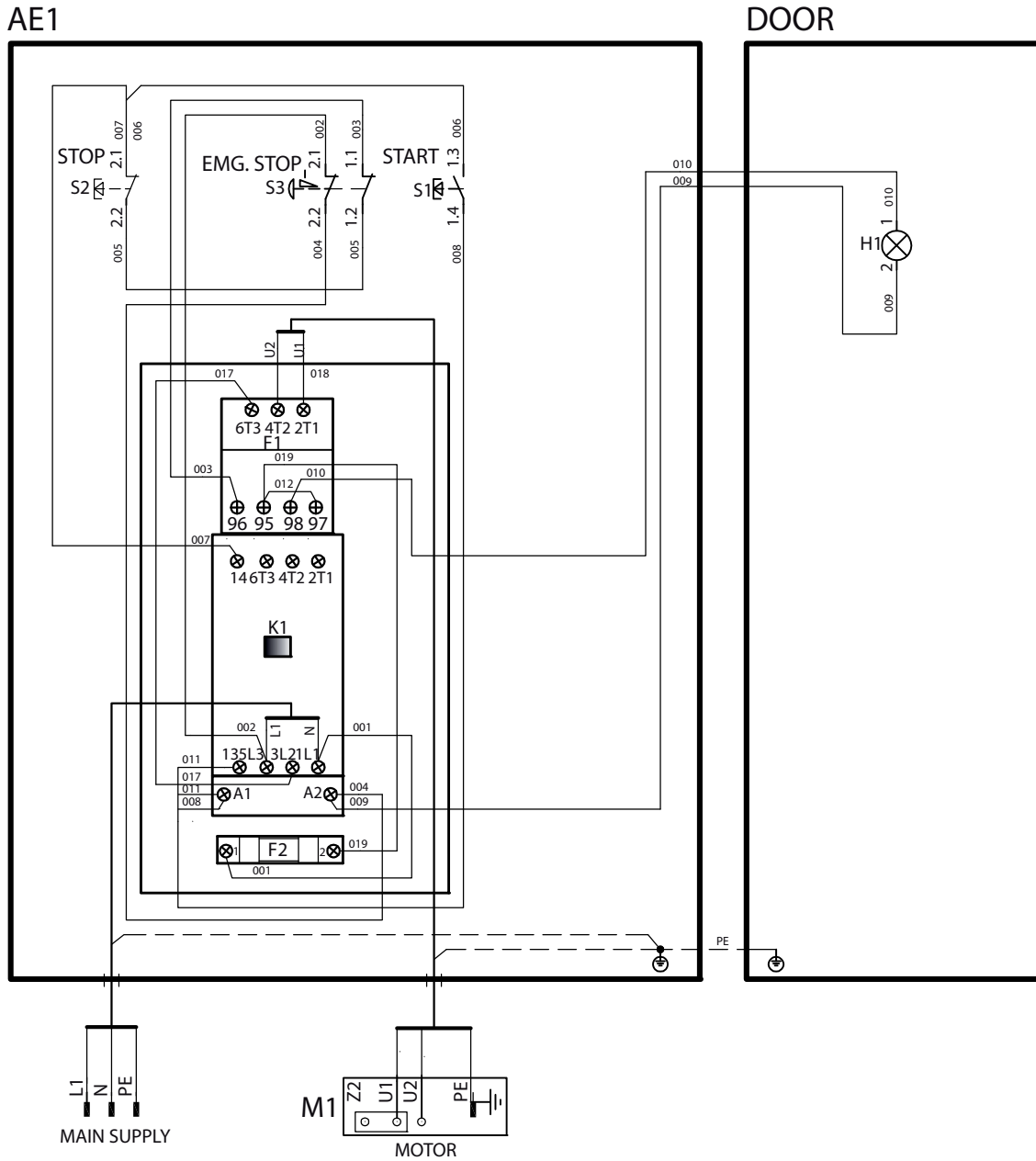
PG 400 3-phase, 400 V



	U2	V2	W2	PE
	L1	L2	L3	PE
Variant 1	Black	Red	White	Green
Variant 2	Brown	Black	Grey	Ye/Gn

SCHALTPLAN

PG 280 single-phase, 230 V
PG 280 single-phase, 110 V



	U1	U2	PE
	L1	N	PE
Variant 1	Black	White	Green
Variant 2	Brown	Blue	Ye/Gn

EXPLICATION DES SYMBOLES

Symboles sur la machine:

AVERTISSEMENT! La machine utilisée de manière imprudente ou inadéquate peut devenir un outil dangereux, pouvant causer des blessures graves voire mortelles à l'utilisateur et aux autres personnes présentes.



Lire attentivement et bien assimiler le manuel d'utilisation avant d'utiliser la machine.



Utiliser les équipements de protection personnelle. Voir au chapitre "Équipement de protection personnelle".



AVERTISSEMENT! La poussière générée par le meulage peut occasionner des lésions si elle est inhalée. Il convient d'utiliser un masque filtrant homologué. Veiller à toujours disposer d'une bonne ventilation.



Démarrage: Réduisez la pression entre le disque de meulage et le sol en appuyant sur la poignée sans que l'unité de meulage ne quitte le sol.



Ce produit est conforme aux directives CE en vigueur.



Marquage environnemental. Ce symbole figurant sur le produit ou sur son emballage indique que ce produit ne peut pas être traité comme déchet ménager.



En veillant à ce que ce produit soit correctement éliminé, vous pouvez contribuer à prévenir les conséquences négatives potentielles sur l'environnement et les hommes, qui pourraient sinon être le résultat d'un traitement incorrect des déchets de ce produit.

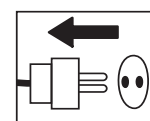


Pour des informations plus détaillées sur le recyclage de ce produit, contactez votre commune ou le magasin où vous avez acheté le produit.

Les autres symboles/autocollants présents sur la machine concernent des exigences de certification spécifiques à certains marchés.

Symboles dans le manuel:

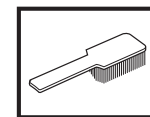
Les contrôles et/ou les entretiens doivent être effectués avec le moteur à l'arrêt et la prise électrique débranchée.



Toujours porter des gants de protection homologués.



Un nettoyage régulier est indispensable.



Examen visuel.



Porter des lunettes protectrices ou une visière.



SOMMAIRE

Sommaire

EXPLICATION DES SYMBOLES

Symboles sur la machine: 56

Symboles dans le manuel: 56

SOMMAIRE

Sommaire 57

QUELS SONT LES COMPOSANTS?

Composants de la meule 58

INSTRUCTIONS DE SÉCURITÉ

Mesures à prendre avant d'utiliser une nouvelle
meuleuse 59

Équipement de protection personnelle 59

Instructions générales de sécurité 60

MONTAGE

Positionnez la poignée 62

Remplacement des diamants 62

Brancher l'aspirateur. 62

Transport 63

GUIDE DE MEULAGE

Diamants 64

Déterminer la dureté du ciment 64

Sélection des diamants 65

Sens de rotation du moteur 67

DÉMARRAGE ET ARRÊT

Avant de démarrer la machine 68

Démarrage 68

Arrêt 68

ENTRETIEN

Recherche de pannes et d'erreurs 69

Entretien 69

Service 69

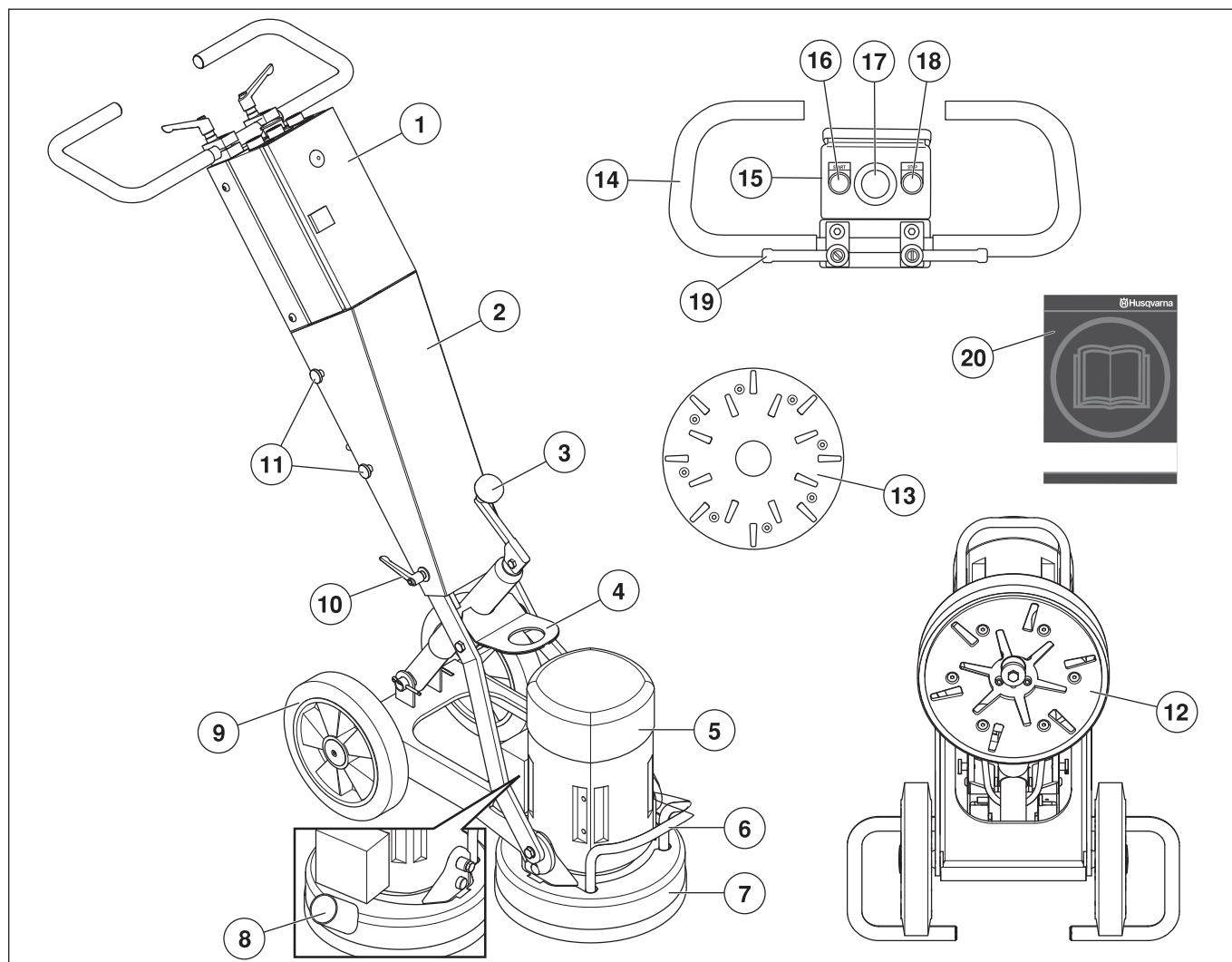
CARACTÉRISTIQUES TECHNIQUES

Caractéristiques techniques 70

Assurance de conformité UE 71

SCHÉMA ÉLECTRIQUE

QUELS SONT LES COMPOSANTS?



Composants de la meule

- | | |
|--|---|
| 1 Boîtier électrique | 11 Vis, capot |
| 2 Capot | 12 Unité de meulage - PG 280 |
| 3 Manivelle de réglage de la pression de meulage | 13 Unité de meulage - PG 400 |
| 4 Œillet de levage | 14 Poignée / guidon |
| 5 Moteur électrique | 15 Panneau de commande |
| 6 Poignée | 16 Bouton de démarrage |
| 7 Pare-poussière | 17 Arrêt d'urgence |
| 8 Raccordement pour aspirateur | 18 Bouton d'arrêt |
| 9 Train de roues | 19 Bouton de verrouillage pour le réglage du guidon |
| 10 Couvercle du bouton de verrouillage | 20 Manuel d'utilisation |

INSTRUCTIONS DE SÉCURITÉ

Mesures à prendre avant d'utiliser une nouvelle meuleuse

- Lire attentivement et bien assimiler le manuel d'utilisation avant d'utiliser la machine.
- Les meuleuses PG 400 et PG 280 sont conçues pour ôter des résidus de colle/adhésif, de mastic et autre de sols en béton et pour le meulage et l'aplanissement de sols en béton.
- La machine peut provoquer des blessures personnelles graves. Lire attentivement les consignes de sécurité. Apprendre à bien utiliser la machine.
- Seul le personnel ayant reçu la formation pratique et théorique nécessaire à l'utilisation des machines est autorisé à utiliser ces machines.

Utilisez toujours votre bon sens

Il est impossible de mentionner toutes les situations auxquelles vous pouvez être confronté. Soyez toujours vigilant et utilisez l'appareil avec bon sens. Évitez toutes les situations pour lesquelles vous ne vous estimez pas suffisamment qualifié. Si, après avoir lu ces instructions, vous ne vous sentez toujours pas à l'aise quant à la manière de procéder, il convient de consulter un expert avant de poursuivre.

N'hésitez pas à prendre contact avec votre revendeur si vous avez des questions sur l'utilisation de la machine. Nous sommes à votre disposition et vous conseillerons avec plaisir pour vous aider à utiliser votre machine en toute sécurité et de façon efficace.

Faites régulièrement contrôler la machine par votre revendeur Husqvarna afin qu'il procède aux installations et réparations adéquates.

Toutes les informations et toutes les données indiquées dans ce manuel d'utilisation étaient valables à la date à laquelle ce manuel a été porté à l'impression.



AVERTISSEMENT! Ne jamais modifier, sous aucun prétexte, la construction initiale de la machine sans l'autorisation du fabricant. N'utiliser que des accessoires et des pièces d'origine. Toute modification non autorisée et/ou tout emploi d'accessoires non homologués peuvent provoquer des accidents graves voire mortels pour l'utilisateur et les autres.



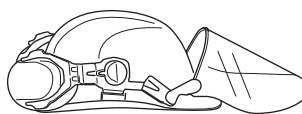
AVERTISSEMENT! L'utilisation de découpeuses, rectifieuses, perceuses, ponceuses ou raboteuses entraîne la formation de poussières et vapeurs pouvant contenir des produits chimiques dangereux. C'est pourquoi il est essentiel de connaître le matériau travaillé et de porter un masque à poussière ou respiratoire approprié.

Équipement de protection personnelle

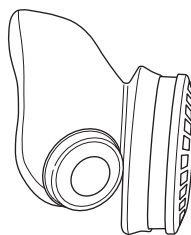


AVERTISSEMENT! Un équipement de protection personnelle homologué doit impérativement être utilisé lors de tout travail avec la machine. L'équipement de protection personnelle n'élimine pas les risques mais réduit la gravité des blessures en cas d'accident. Demander conseil au concessionnaire afin de choisir un équipement adéquat.

- Casque de protection
- Protecteur d'oreilles
- Lunettes protectrices ou visière



- Masque respiratoire



- Gants solides permettant une prise sûre.



- Vêtements confortables, robustes et serrés qui permettent une liberté totale de mouvement.



- Bottes avec coquille en acier et semelle antidérapante.



- Une trousse de premiers secours doit toujours être disponible.



INSTRUCTIONS DE SÉCURITÉ

Instructions générales de sécurité



AVERTISSEMENT! Le présent chapitre décrit les consignes de sécurité de base relatives à l'utilisation de la machine. Aucune de ces informations ne peut remplacer l'expérience et le savoir-faire d'un professionnel. Si vous êtes confronté à une situation où vous pensez ne pas être en sécurité, arrêtez immédiatement et consultez un spécialiste. Veuillez contacter votre revendeur, votre atelier de réparation ou un utilisateur expérimenté. Il convient d'éviter tous les travaux pour lesquels vous ne vous sentez pas suffisamment qualifié !

- Ne pas utiliser la machine sans avoir lu et compris préalablement le présent manuel d'utilisation.

Sécurité dans l'espace de travail

- Ne pas travailler par mauvais temps: par exemple en cas de brouillard épais, de pluie, de vent violent, de froid intense, etc.
- Maintenir un espace de travail propre et bien éclairé. Les espaces encombrés ou sombres exposent à des accidents.
- La machine ne doit pas être utilisée dans des zones à risque d'incendie ou d'explosion.

Sécurité électrique



AVERTISSEMENT! Il existe toujours un risque de choc avec les machines électriques. Évitez de travailler par mauvais temps ainsi que tout contact du corps avec du métal/un parafoudre. Suivez toujours les instructions du manuel d'utilisation pour éviter tout dommage.

- Ne tirez jamais la machine par le câble d'alimentation et ne la débranchez jamais en tirant sur le câble.
- Tenez à l'écart et protégez tous les câbles de l'eau, de l'huile et de bords tranchants. Veillez à ce que le câble ne soit pas coincé dans des portes, des clôtures ou tout autre équipement similaire. Des objets pourraient alors être sous tension.
- Contrôlez que les câbles sont intacts et en bon état. Utilisez le câble destiné à un usage externe.
- Ne pas utiliser la machine si le câble est endommagé. Il convient dès lors de la confier à un atelier de réparation agréé.
- La machine doit être branchée à une prise de terre.
- Contrôler que la tension secteur est conforme aux indications sur la plaque de la machine.
- Faire attention aux décharges électriques. Éviter tout contact du corps avec du métal/un parafoudre dans le sol.
- N'utilisez pas la rallonge lorsqu'elle est enroulée afin d'éviter toute surchauffe.
- Veiller à avoir le câble derrière soi lors de l'utilisation de la machine pour ne pas risquer de l'abîmer.

Sécurité du personnel



AVERTISSEMENT! Une exposition excessive aux vibrations peut entraîner des troubles circulatoires ou nerveux chez les personnes sujettes à des troubles cardio-vasculaires. Consultez un médecin en cas de symptômes liés à une exposition excessive aux vibrations. De tels symptômes peuvent être: engourdissement, perte de sensibilité, chatouillements, picotements, douleur, faiblesse musculaire, décoloration ou modification épidermique. Ces symptômes affectent généralement les doigts, les mains ou les poignets. Ces symptômes peuvent être accentués par le froid.

- Utiliser les équipements de protection personnelle. Voir au chapitre "Équipement de protection personnelle".
- Éviter d'utiliser la machine en cas de fatigue, d'absorption d'alcool ou de prise de médicaments susceptibles d'affecter l'acuité visuelle, le jugement ou la maîtrise du corps.
- Ne jamais laisser d'autres personnes utiliser la machine sans s'être assuré au préalable que ces personnes ont bien compris le contenu du mode d'emploi.
- Tous les opérateurs doivent recevoir une formation sur l'utilisation de la machine. Il incombe au propriétaire de garantir que les opérateurs reçoivent une formation.
- Des personnes ou des animaux peuvent détourner l'attention de l'opérateur et l'amener à perdre le contrôle de la machine. C'est pourquoi l'opérateur doit toujours être attentif et concentré sur son travail.
- Attention! Les habits, les cheveux longs et les bijoux peuvent se coincer dans les parties en mouvement.
- Ne laissez jamais la machine sans surveillance avec le moteur en marche.
- Lors de l'utilisation des machines, prévoyez toujours une personne à proximité afin de pouvoir obtenir de l'aide en cas d'accident.
- Toujours adopter une position de travail sûre et stable.

INSTRUCTIONS DE SÉCURITÉ

Utilisation et entretien

- Utiliser la machine uniquement pour les travaux auxquels elle est destinée.
- Assurez-vous que toutes les pièces sont en état de fonctionnement et que tous les éléments de fixation sont correctement serrés.
- Ne jamais utiliser une machine qui n'est pas en parfait état de marche. Suivre dans ce manuel d'utilisation les instructions de maintenance, de contrôle et d'entretien. Certaines mesures de maintenance et d'entretien doivent être confiées à un spécialiste dûment formé et qualifié. Voir au chapitre Entretien.
- Ne modifiez jamais les dispositifs de sécurité. Contrôlez régulièrement qu'ils fonctionnent correctement. La machine ne doit pas être utilisée si les dispositifs de sécurité sont défectueux ou ne sont pas montés.
- Ne jamais utiliser une machine qui a été modifiée au point de ne plus être conforme au modèle original.
- La machine ne doit être démarrée que lorsque les têtes de meulage reposent sur le sol sauf pour effectuer certains tests indiqués dans ce manuel.
- La machine ne doit pas être démarrée tant que le pare-poussière en caoutchouc n'est pas en place. Une bonne étanchéité est essentielle entre la machine et le sol pour des raisons de sécurité, particulièrement pour des applications de meulage à sec.
- Pendant le meulage, il convient de raccorder la machine à un aspirateur pour l'évacuation de la poussière.
- Lors du remplacement des disques de meulage, vérifiez que l'alimentation en courant de l'unité a été coupée (sur OFF) en actionnant le bouton d'arrêt d'urgence et en débranchant la prise.
- Après chaque opération de meulage/polissage, il convient de toujours retirer les éléments en diamant.
- Il convient de s'assurer que la jupe de caoutchouc est intacte et propre, et qu'elle est posée correctement sur le sol. Il convient de remplacer la jupe de caoutchouc si elle est endommagée.
- Le disque à meuler continue de tourner quelque temps après l'arrêt du moteur. Maintenez l'action de meulage tant que le ventilateur n'est pas complètement arrêté. Il convient d'attendre que la tête de meulage s'immobilise avant de soulever la machine.
- Après avoir utilisé la machine pour retirer de la colle, de l'asphalte, de la peinture, etc., il convient de toujours la soulever du sol afin d'éviter qu'elle adhère au sol à cause de la chaleur émise. Il convient d'attendre que la tête de meulage s'immobilise avant de soulever la machine.
- Après utilisation, les éléments diamant peuvent être très chauds. Laisser la machine refroidir avant d'ôter les éléments diamant. Utiliser des gants de protection.
- Pour soulever la machine, toujours utiliser l'œilleton de levage dont elle est munie.
- Toujours porter la machine par les poignées.

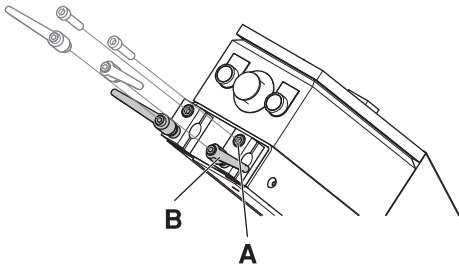
Transport et rangement

- Il convient de transporter la machine sous capot dans la mesure du possible afin de limiter l'exposition aux éléments naturels, en particulier à la pluie et à la neige.
- Stockez l'équipement dans un endroit verrouillé afin de le maintenir hors de portée des enfants et de toute personne incompétente.
- La machine doit toujours être remise dans un endroit sec quand elle n'est pas utilisée.

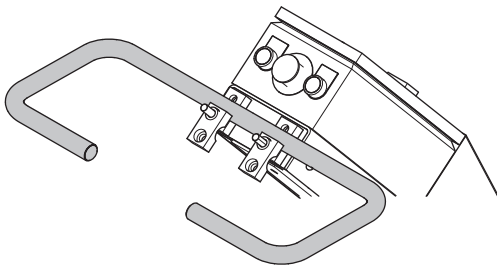
MONTAGE

Positionnez la poignée

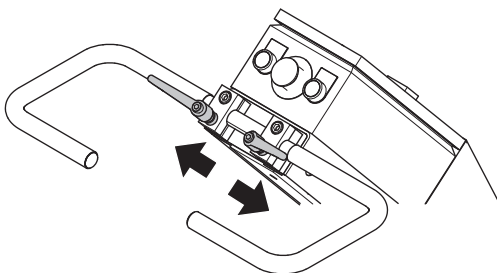
- Retirez les vis (A).



- Retirez les boutons de verrouillage (B).
- Placer la poignée dans son support sur la machine.



- Remonter les vis (A) et les boutons de verrouillage (B).
- Les boutons de verrouillage doivent être positionnés le long du guidon afin de réduire les risques qu'ils soient endommagés lorsque la machine est posée pour un changement d'outils.



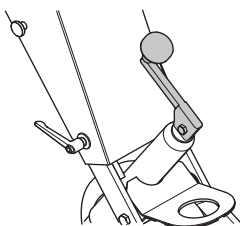
Remplacement des diamants



Éteindre la machine et débrancher la prise d'alimentation.

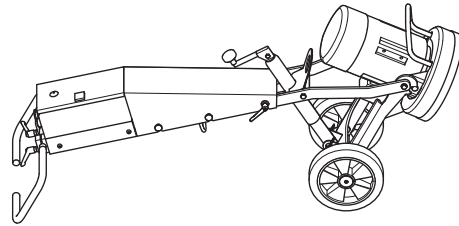
Veiller à avoir une paire de gants à disposition. Les éléments diamant peuvent en effet être très chauds.

- Lever le guidon sur la position la plus élevée.

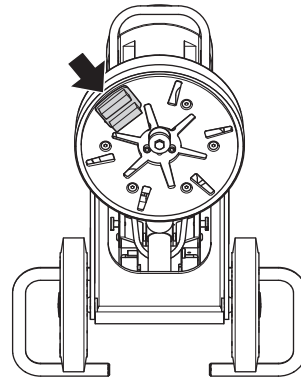


- Tirez la poignée pour lever la tête de surfacage afin qu'elle ne repose plus sur sol.

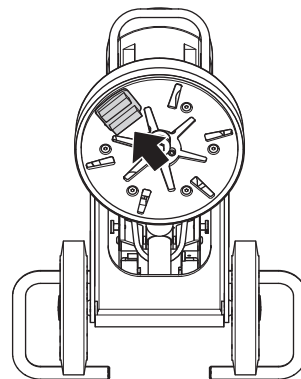
- Rabaissez la machine sur le sol.



- Mettez les gants.
- Utilisez un marteau pour retirer les segments en diamant.



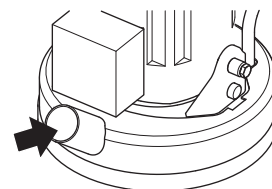
- Fixer de nouveaux segments diamant sur le disque de meulage.



- Une fois les nouveaux diamants en place, procédez inversement pour abaisser la machine sur le sol.

Brancher l'aspirateur.

Raccorder l'aspirateur à la machine. Utilisez une buse de 50 mm.



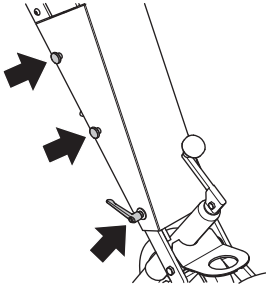
- Pour une maîtrise complète des poussières, utilisez un système d'extraction Husqvarna.
- Veiller à ce que les filtres de l'aspirateur soient en bon état et propres. Faire attention à la poussière au cours de l'opération.
- Ajustez la jupe de caoutchouc afin que la machine soit en contact avec le sol pour un ramassage efficace de la poussière.

MONTAGE

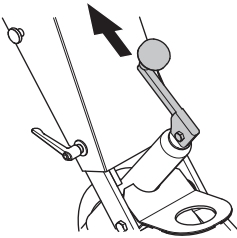
Transport

La machine peut être repliée pour réduire l'encombrement lors du transport.

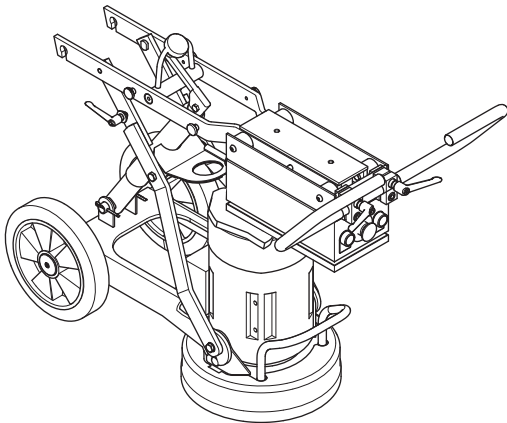
- Desserrer les vis et la poignée de verrouillage qui maintiennent le capot en place.



- Déposer le capot.
- Placer la manivelle, levier pointant vers le haut.



- Plier délicatement la machine vers l'avant. Placez un rembourrage entre le moteur et le boîtier électrique pour éviter d'endommager la machine.



- Le capot peut être attaché sur le côté de la machine.

Diamants

Historique

Les diamants sont composés de deux éléments abrasifs:

- La poudre de diamant (auss appelée cristaux de diamant ou grains) Changer la taille de la poudre diamant ou des grains permet de déterminer la taille des rainures – fines ou grossières – laissées par le processus de surfaçage.
- Un agent de liage (métal ou résine). La poudre de diamant est mélangée et suspendue dans un agent de liage en métal ou en résine. En cas de suspension dans un agent de liage en métal, le produit fini est appelé alliage métallique ou segment diamanté fritté. En cas de suspension dans un agent de liage en résine, le produit fini est appelé segment ou coussinet diamanté à alliage résineux. Modifier la dureté de l'agent de liage permet de changer la vitesse d'usure de l'élément abrasif du diamant.

Principes généraux

Les règles générales suivantes concernent les segments diamantés dans les applications de surfaçage. Comme toutes les règles générales, celles-ci comportent des exceptions.

Taille des grains de diamant

Réduire la taille des grains affecte les performances de l'outil des manières suivantes:

- Création d'un agencement de rayures fines.
- Augmenter la durée de vie de l'outil diamanté.

Le contraire se produit si vous passez à des particules/grains plus gros.

Agent de liage

Une augmentation de la dureté de l'alliage va:

- Création d'un agencement de rayures fines.
- Augmenter la durée de vie de l'outil diamanté.
- Réduire le taux de production.

Le contraire se produit quand l'alliage en métal ou en résine est plus mou.

Nombre de segments en diamant sous la machine

L'augmentation du nombre de segments sous la machine va:

- Réduire la pression sur chaque segment diamanté. – Réduire le taux d'usure des segments diamantés.
- Réduire la charge sur la machine qui meule utilise moins de courant.
- Créer un agencement plus régulier des rayures (particulièrement sur les sols doux).

Le contraire se produit si vous réduisez le nombre de segments sous la machine.

Résumé des principes des diamants

Les segments diamantés doivent s'user pour garantir la productivité. L'usure des segments diamantés est affectée par les facteurs suivants :

- Pression.
- Dureté de l'alliage.
- Taille des grains de diamant.
- Nombre de segments sous la machine.
- L'addition d'un agent abrasif sur le sol (par ex. du sable ou du carbure de silicone) augmentera l'usure.

De manière générale, plus un segmenté diamanté s'utilise rapidement et plus la productivité est élevée. En variant les facteurs ci-dessus, des modifications peuvent aussi être effectuées affectant les points suivants:

- Agencement des rayures.
- Consommation de courant de la machine.
- Planéité du sol (voir la section suivante).
- Facilité d'utilisation.

Déterminer la dureté du ciment

Tous les ciments sont mesurés par leur résistance à la compression et les unités d'évaluation de cette résistance sont différentes en fonction de la partie du monde dans laquelle vous vivez (ex. P.Si & MPa). De manière générale, plus la résistance à la compression est élevée, plus le ciment est dur et plus il sera dur à meuler.

Cependant, des facteurs autres que la résistance à la compression déterminent la dureté du sol et donc la sélection du diamant approprié. Dans la mesure où le meulage ne concerne que la surface du ciment (au plus 5 mm soit 1/4 de pouce), la manière dont la finition du sol a été effectuée ou l'état de la surface sera souvent plus importants que la résistance à la compression du ciment pour sélectionner le type de diamant à utiliser.

Facteurs de la surface à considérer lors de la sélection du diamant

Généralement, si une surface en ciment est très lisse (c.-à-d. qu'elle a probablement été finie à la truelle), le ciment se comporte comme s'il était d'une résistance élevée à la compression nécessitant donc un segment à alliage doux.

Ainsi, si une surface en ciment est grossière/agressive (c.-à-d. abîmée par la pluie, décapée au sable, scarifiée, etc.), le ciment se comporte comme si sa résistance à la compression était faible et il nécessite donc un segment en alliage dur.

Les revêtements de surface (tels que les revêtements epoxy, les colles pour dalles en céramique, les enduits de lissage/chappes) sont souvent plus importants que la résistance à la compression du ciment pour le choix du diamant approprié.

Généralement, quand vous polissez un bloc de ciment pour la première fois sans bien connaître son degré de dureté, commencez toujours avec des diamants d'un alliage dur. Ceci limite au minimum l'usure des segments diamantés. Si un segment diamanté dur ne convient pas à l'application, vous avez certes perdu un peu de temps mais vous n'avez pas usé les diamants.

Si vous aviez, au contraire, commencé par utiliser un segment doux sur un ciment doux ou recouvert d'une surface abrasive, il est quasiment certain que vous auriez usé une quantité considérable de diamant en très peu de temps.

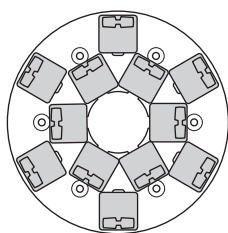
Sélection des diamants

La façon dont les segments à diamant sont placés sur l'unité de meulage influencera considérablement les performances de la machine, les niveaux de productivité ainsi que la qualité du sol fini.

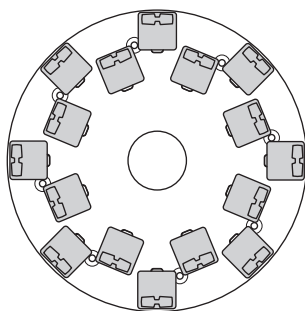
Il existe plusieurs configurations différentes que l'on peut utiliser à la fois pour la PG 400 et la PG 280.

Diamants à liant métallique

Insertion complète - rangée intérieure et extérieure

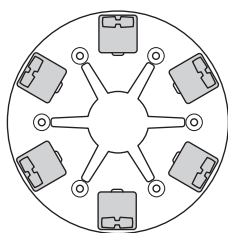


PG 280

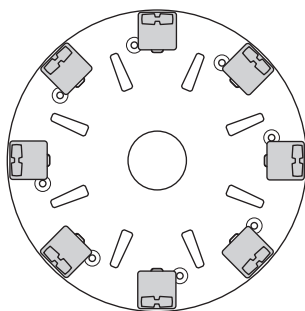


PG 400

Insertion complète - rangée extérieure

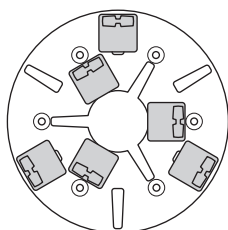


PG 280

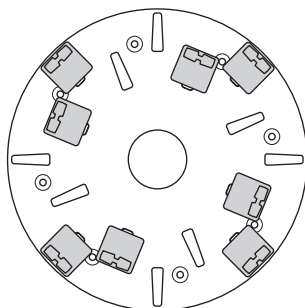


PG 400

Insertion à moitié - rangée intérieure et extérieure

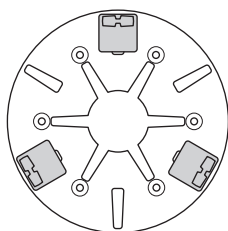


PG 280

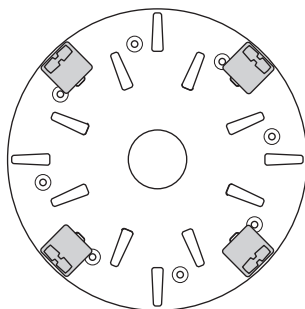


PG 400

Insertion à moitié - rangée extérieure



PG 280



PG 400

GUIDE DE MEULAGE

Sélectionnez les diamants à liant métallique adéquats pour votre application.

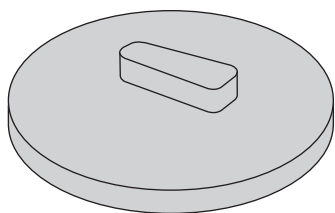
La suggestion suivante couvre les configurations de base pour des outils diamant à liant métallique.

Domaines d'utilisation	Alliage métallique	Taille des grains	Insertion complète - rangée intérieure et extérieure	Insertion complète - rangée extérieure	Insertion à moitié - rangée intérieure et extérieure	Insertion à moitié - rangée extérieure
Sol aplani – Ciment dur	Doux	16 ou 30	X			
Sol aplani – Ciment moyen	Moyen	16 ou 30	X			
Sol aplani – Ciment doux	Dur	16 ou 30	X			
Élimination des restes de colle sur les dalles en céramique	Moyen	PIRANHA™ ou 16-30	X			
Vinyl ou retrait de colle sur un tapis – Ciment dur	Doux	PIRANHA™ ou 16-30			X	X
Vinyl ou retrait de colle sur un tapis – Ciment moyen	Moyen	PIRANHA™ ou 16-30			X	X
Vinyl ou retrait de colle sur un tapis – Ciment doux	Dur	PIRANHA™ ou 16-30			X	X
Retrait de peinture epoxy – Ciment dur	Doux	PIRANHA™ ou 16-30		X	X	
Retrait de peinture epoxy – Ciment moyen	Moyen	PIRANHA™ ou 16-30		X		
Retrait de peinture epoxy – Ciment doux	Dur	PIRANHA™ ou 16-30		X		
Ciment endommagé par la pluie	Dur	16-30	X		X	
Lissage de béton exposé	Dur	16-30	X		X	
Polissage des irrégularités des dalles en terrazzo / pierre	Doux	30 ou 60	X			
Polissage de la surface des sols en ciment – Ciment dur	Doux	60			X	X
Polissage de la surface des sols en ciment – Ciment moyen	Moyen	60			X	X
Polissage de la surface des sols en ciment – Ciment doux	Dur	60			X	X
Surfaçage pour exposer le béton dans le ciment – Ciment dur	Doux	16-30	X	X	X	
Surfaçage pour exposer le béton dans le ciment – Ciment moyen	Moyen	16-30	X	X	X	
Surfaçage pour exposer le béton dans le ciment – Ciment doux	Dur	16-30	X		X	
Aplanissement des sinuosités des sols en ciment – Ciment dur	Doux	16 ou 30	X	X	X	
Aplanissement des sinuosités des sols en ciment – Ciment moyen	Moyen	16 ou 30	X		X	
Aplanissement des sinuosités des sols en ciment – Ciment doux	Dur	16 ou 30	X		X	

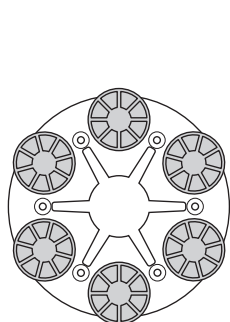
GUIDE DE MEULAGE

Diamants à liant résinoïde

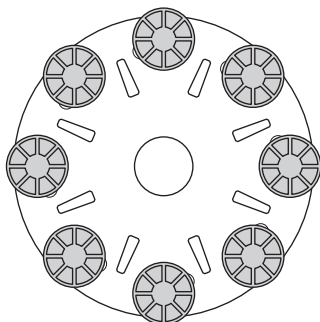
Adaptateur liant résinoïde Redi Lock



Insertion complète - rangée extérieure

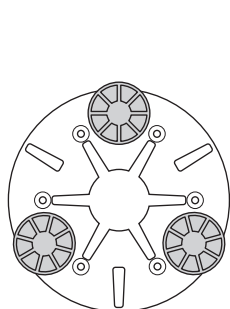


PG 280

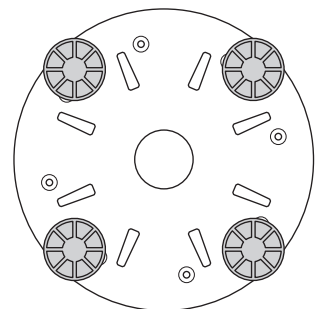


PG 400

Insertion à moitié - rangée extérieure



PG 280



PG 400

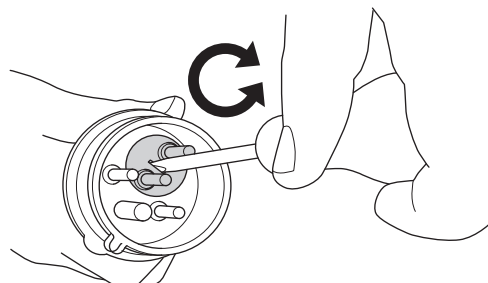
Sélectionnez la configuration diamants à liant résinoïde adéquate pour votre application.

Domaines d'utilisation	Insertion complète - rangée extérieure	Insertion à moitié - rangée extérieure
Polissage terrazzos/tuiles en pierre	X	
Rectification terrazzos/tuiles en pierre		X
Polissage de la surface des sols en ciment – Ciment dur		X
Polissage de la surface des sols en ciment – Ciment moyen		X
Polissage de la surface des sols en ciment – Ciment doux		X

Sens de rotation du moteur (3 phases)

Le sens du moteur peut être modifié en inversant les pôles de la fiche d'alimentation électrique.

REMARQUE! Les outils Piranha/PCD sont conçus pour ne fonctionner que dans un sens.

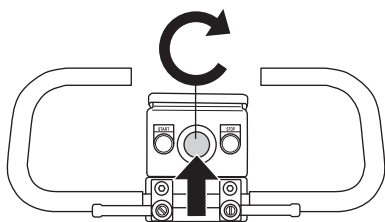


DÉMARRAGE ET ARRÊT

Avant de démarrer la machine



- Positionnez la machine sur la surface de travail.
- S'assurer qu'il y a des diamants sous la machine et qu'ils sont fixés solidement.
- Raccorder l'aspirateur à la machine.
- Utilisez les boutons de verrouillage pour régler le guidon à une hauteur de travail plus confortable.
- Branchez l'alimentation électrique de la machine.
- Veiller à ne pas appuyer sur le bouton d'arrêt d'urgence en le tournant dans le sens des aiguilles d'une montre.

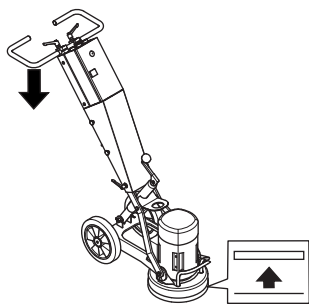


- Vérifier le sens de rotation du moteur.

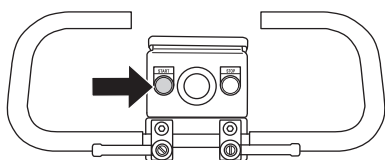
Démarrage



- Réduisez la pression entre le disque de meulage et le sol en appuyant sur la poignée sans que l'unité de meulage ne quitte le sol.



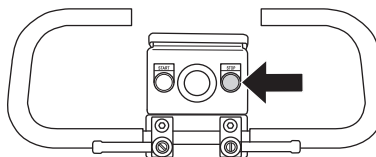
- Appuyer sur le bouton de démarrage et maintenir la pression pendant quelques secondes pour démarrer la machine.



Arrêt



- Utiliser le bouton d'arrêt et éteindre la machine.



- Laissez les segments de meulage en contact avec le sol lors de l'arrêt de la machine. Cela aidera la machine à s'arrêter complètement rapidement. Ne levez pas la tête de meulage du sol lors de l'arrêt de la machine. Cela pourrait générer une grande quantité de poussières dans l'air.

Recherche de pannes et d'erreurs

La machine ne tourne pas

- Vérifier l'alimentation électrique et les câbles en s'assurant qu'ils ne sont pas endommagés.
- Veiller à ne pas appuyer sur le bouton d'arrêt d'urgence en le tournant dans le sens des aiguilles d'une montre.

La machine est difficile à tenir

- Pas assez de diamants sous la machine (en cas d'élimination de colle épaisse sur des sols doux, la charge sur la machine et l'opérateur augmente considérablement s'il y a trop peu de diamants sous la machine). L'appareil est généralement équipé d'un moteur haute tension.

Augmentez le nombre de diamants sous la machine pour réduire la charge sur la machine et l'opérateur.

La machine sursaute

- Les plaques en caoutchouc pour l'absorption des chocs dans l'unité de meulage peuvent s'user ou s'endommager. Contrôlez-les et remplacez-les si nécessaire.
- Il se peut que les diamants ne soient pas placés correctement ou qu'ils aient des hauteurs différentes. Vérifiez que tous les diamants sont installés correctement et qu'ils sont de la même hauteur.

La machine s'arrête après un court instant

- La machine est surchargée et la protection contre les surcharges s'est enclenchée. Réduire la charge. La machine redémarrera après une minute environ, dès que le moteur aura refroidi.

La machine s'arrête au démarrage

- Le moteur électrique est surchargé ou une phase manque. Laissez une ou deux minutes à la machine pour se réinitialiser, puis réessayez. Si le problème demeure, contacter un atelier de réparation autorisé.

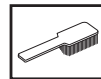
Entretien



IMPORTANT! Les contrôles et/ou les entretiens doivent être effectués avec le moteur à l'arrêt et la prise électrique débranchée.

Utilisée correctement, la machine est d'une grande fiabilité et ne nécessite que très peu de maintenance.

Nettoyage



Toujours débrancher la prise avant le nettoyage, l'entretien et le montage.

Toujours nettoyer l'équipement complet à la fin de la journée de travail. Ne pas utiliser de nettoyeur haute pression pour le nettoyage de la machine.

Pour que le refroidissement de la machine fonctionne correctement, les ouvertures de l'air de refroidissement doivent être propres et ne pas être bouchées.

Plaques en caoutchouc pour l'absorption des chocs

Vérifiez tous les mois les plaques en caoutchouc pour l'absorption des chocs. Remplacez-les si nécessaire.

Alimentation électrique



AVERTISSEMENT! N'utilisez jamais de câbles endommagés car ils peuvent entraîner des blessures graves, voire mortelles.

Contrôler que le câble et la rallonge sont entiers et en bon état.

Ne pas utiliser la machine si le câble est endommagé, la confier à un atelier d'entretien agréé pour réparation.

Pare-poussière

Il convient de s'assurer que la jupe de caoutchouc est intacte et propre, et qu'elle est posée correctement sur le sol. Il convient de remplacer la jupe de caoutchouc si elle est endommagée.

Service



IMPORTANT! Toutes les réparations doivent être effectuées par des réparateurs agréés. Ceci permet d'éviter que les opérateurs ne soient exposés à des risques importants.

CARACTÉRISTIQUES TECHNIQUES

Caractéristiques techniques

	PG 400 (3 phases, 400 V)	PG 280 (3 phases, 400 V)	PG 280 (Monophasé, 230 V)	PG 280 (Monophasé, 110 V)
Puissance du moteur, kW/hp	4/5,4	3/4	2,2/3,0	1,5/2,0
Courant nominal, A	16	16	12,9	18
Tension nominale, V	400	400	230	110
Poids, kg/lbs	115/254	70/154	70/154	70/154
Largeur de surfaçage, mm/pouces	400/16	280/11	280/11	280/11
Pression de surfaçage, kg/lbs	65/143	35/77	35/77	35/77
Vitesse, tr/min.	1400	2800	1400	1160
Émissions sonores (voir remarque 1)				
Niveau de puissance sonore mesuré dB(A)	107	107	107	107
Niveau de puissance sonore garanti L_{WA} dB(A)	108	108	108	108
Niveaux sonores (voir remarque 2)				
Niveau de pression acoustique au niveau des oreilles de l'utilisateur, dB(A)	89	89	89	89
Niveaux de vibrations (voir remarque 3)				
Poignée droite, m/s^2	3,4	3,4	3,4	3,4
Poignée gauche, m/s^2	3,4	3,4	3,4	3,4

Remarque 1: Émission sonore dans l'environnement mesurée comme puissance acoustique (L_{WA}) selon EN 61029-1.

Remarque 2: Niveau de pression sonore conformément à EN 61029-1. Les données reportées pour le niveau de pression sonore montrent une dispersion statistique typique (déviatoin standard) de 1,0 dB (A).

Remarque 3: Niveau de vibrations conformément à EN 61029-1. Les données reportées pour le niveau de vibrations montrent une dispersion statistique typique (déviatoin standard) de 1 m/s^2 .

CARACTÉRISTIQUES TECHNIQUES

Assurance de conformité UE

(Concerne seulement l'Europe)

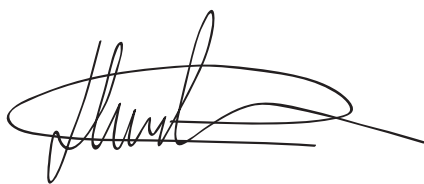
Husqvarna AB, SE-433 81 Göteborg, Suède, tél.: +46-31-949000, déclarons sous notre seule responsabilité que la **Husqvarna PG 400, Husqvarna PG 280** à partir des numéros de série de l'année 2010 (l'année est indiquée clairement sur la plaque signalétique suivie d'un numéro de série) auquel se réfère ce document est conforme aux dispositions des DIRECTIVES DU CONSEIL:

- du 17 mai 2006 "directive machines" **2006/42/CE**
- du 15 décembre 2004 "compatibilité électromagnétique" **2004/108/CEE**.
- du 12 décembre, 2006 "relatives aux équipements électriques" **2006/95/CE**.

Les normes harmonisées suivantes ont été appliquées: EN ISO 12100:2003, EN 55014-1:2006, EN 55015-2/A1:2001, EN 61000-3-2:2006, EN 61000-3-3/A1/A2:2005, EN 13862/A1:2009.

La machine livrée correspond à l'exemplaire soumis au contrôle de conformité communautaire.

Gothenburg, le 29 décembre 2009



Henric Andersson

Vice-président, responsable des découpeuses et équipements de construction

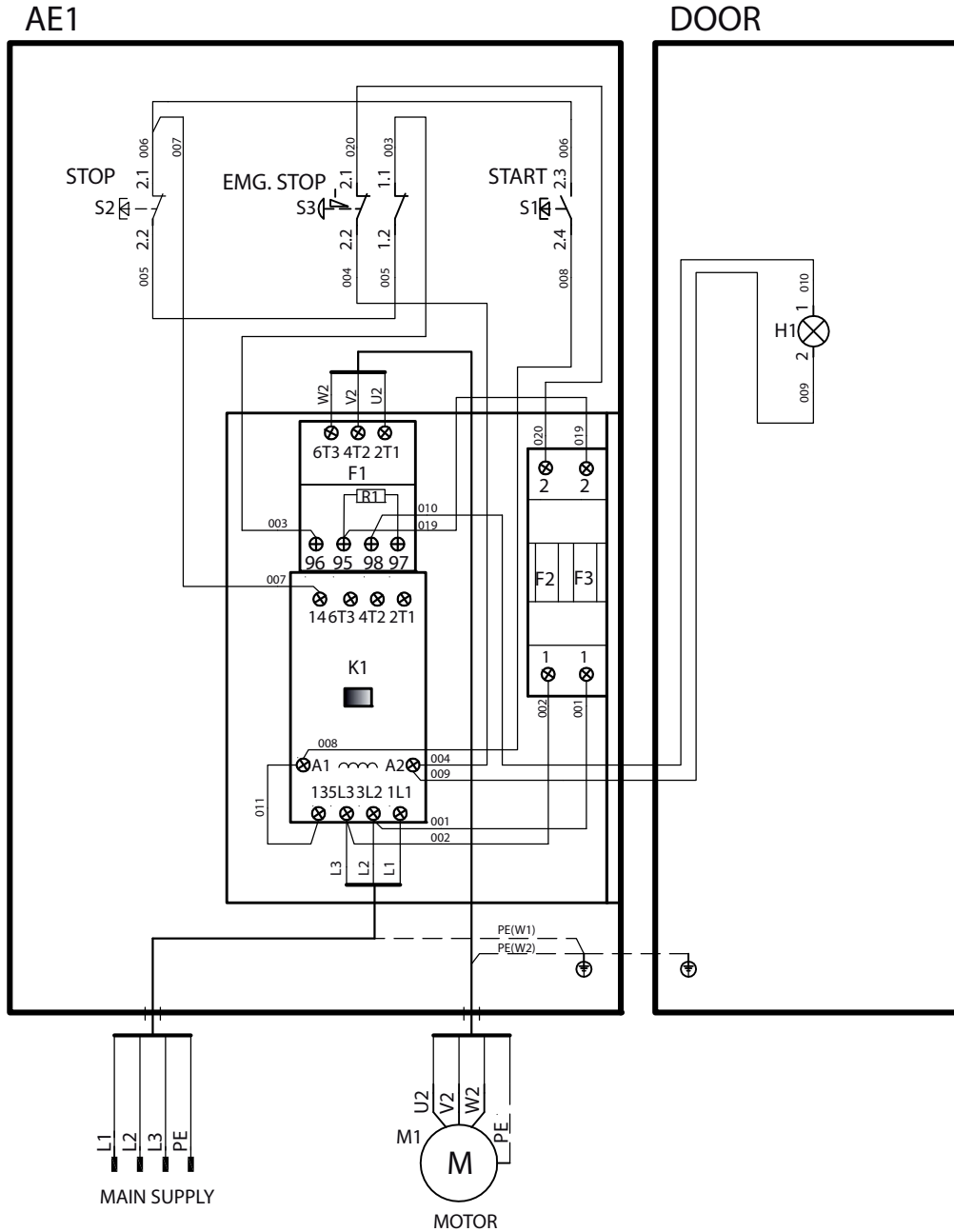
Husqvarna AB

(Représentant autorisé d'Husqvarna AB et responsable de la documentation technique.)

SCHÉMA ÉLECTRIQUE

PG 280 3-phase, 400 V

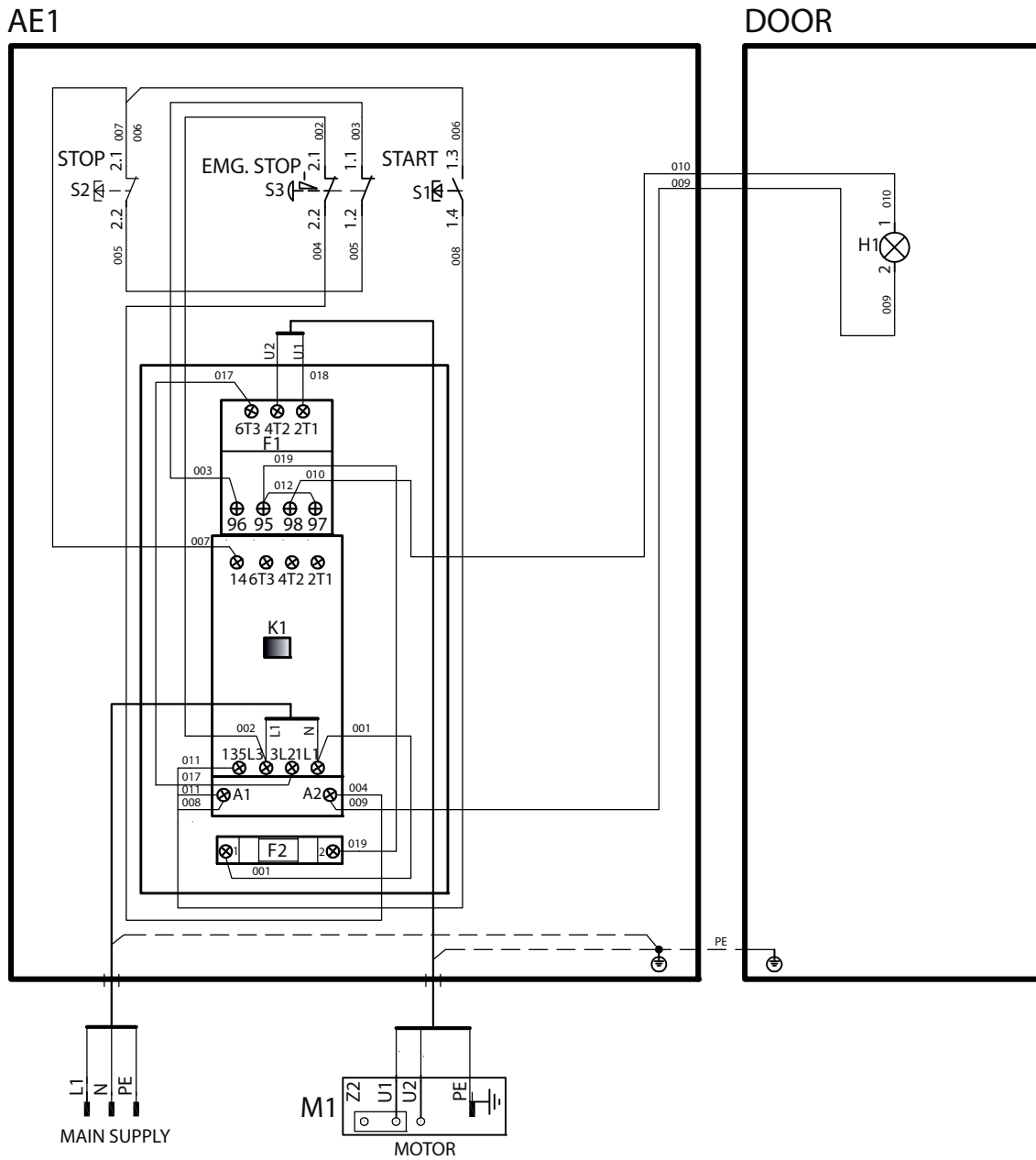
PG 400 3-phase, 400 V



	U2	V2	W2	PE
	L1	L2	L3	PE
Variant 1	Black	Red	White	Green
Variant 2	Brown	Black	Grey	Ye/Gn

SCHÉMA ÉLECTRIQUE

PG 280 single-phase, 230 V
 PG 280 single-phase, 110 V



	U1	U2	PE
	L1	N	PE
Variant 1	Black	White	Green
Variant 2	Brown	Blue	Ye/Gn

GB - Original instructions, **ES** - Instrucciones originales, **DE** - Originalanweisungen, **FR** - Instructions d'origine



www.husqvarnacp.com

1154163-20

2010-12-27

