

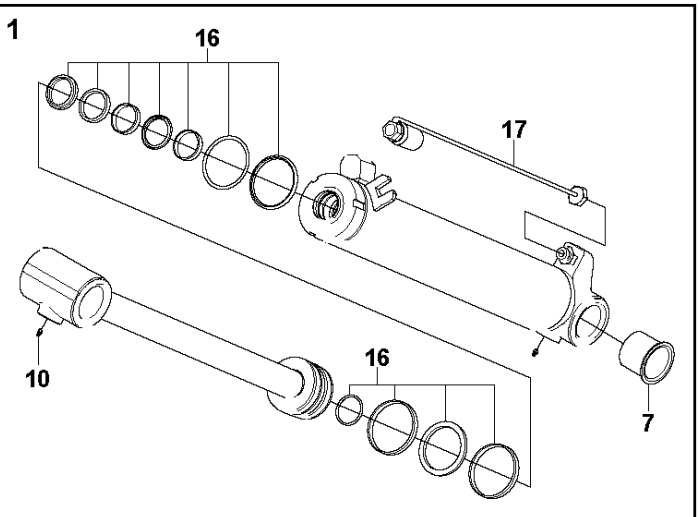
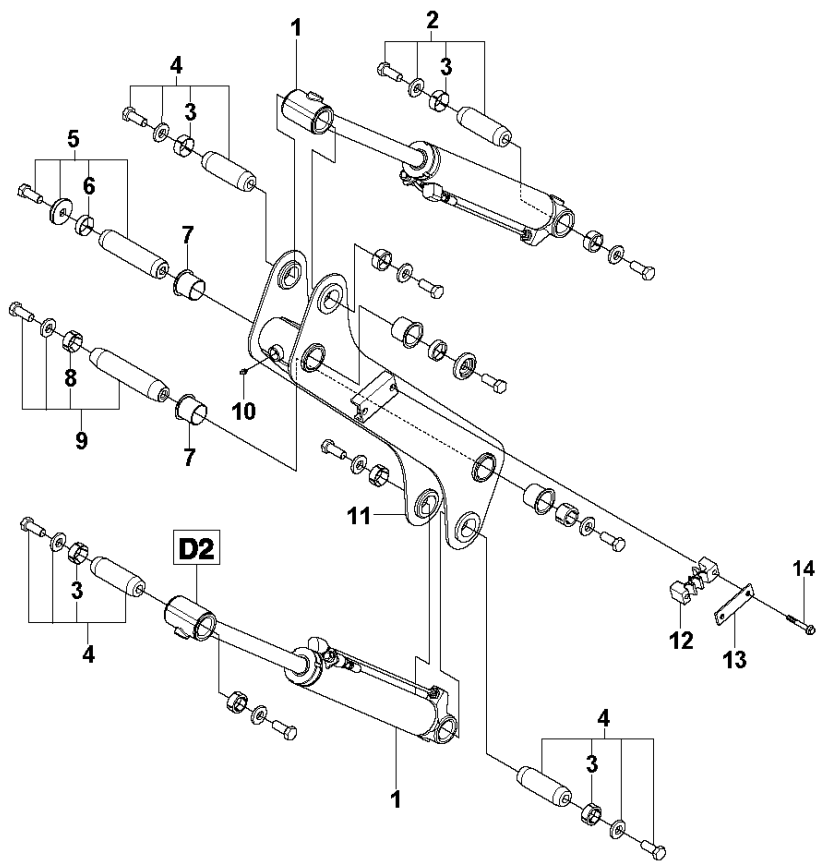
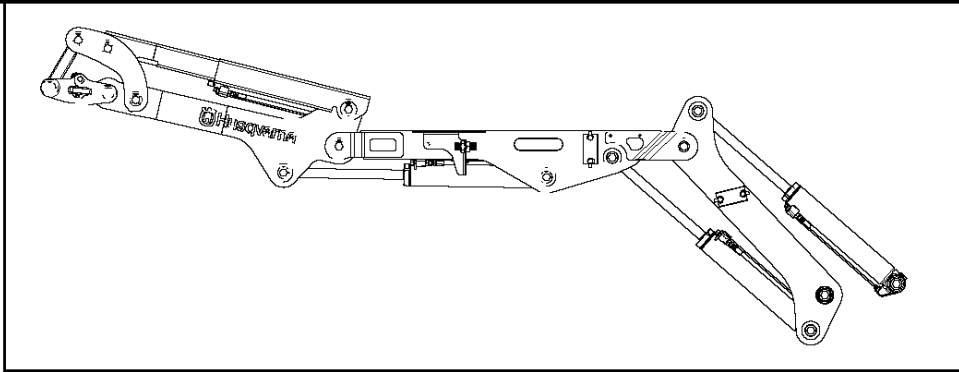


# SPARE PARTS LIST

## DEMOLITION ROBOTS

DXR140, Valid for machine 1 and forward,  
2013-08

**D1** DXR 140

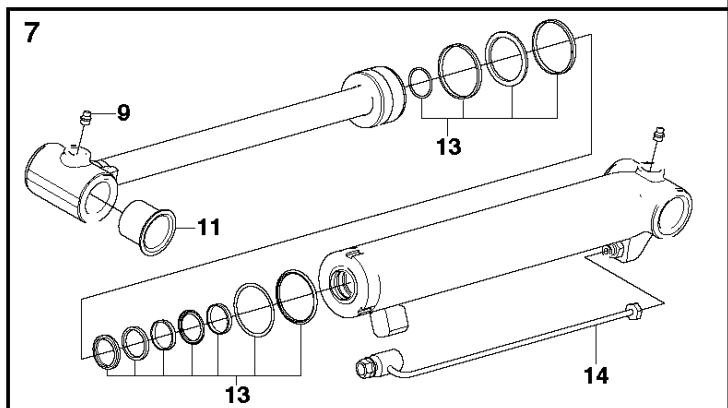
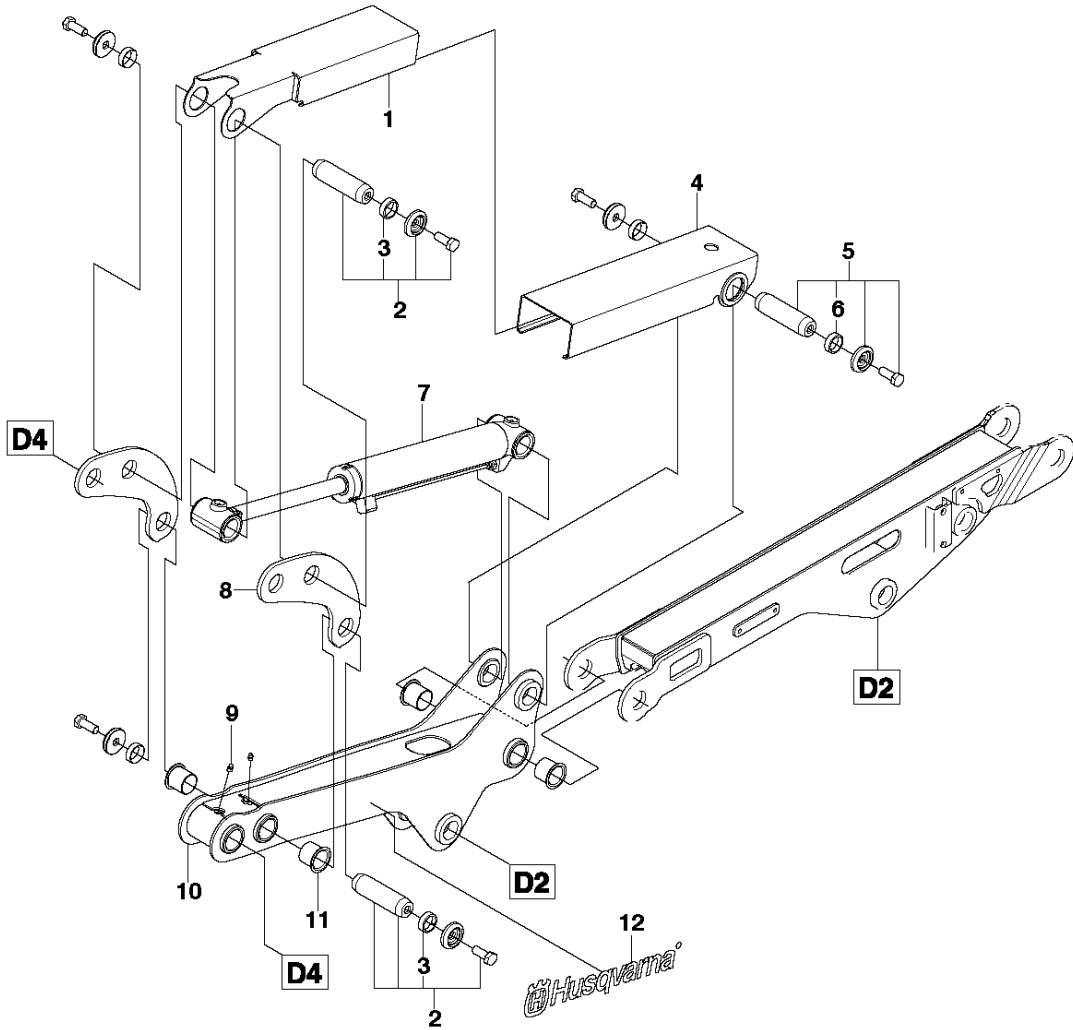
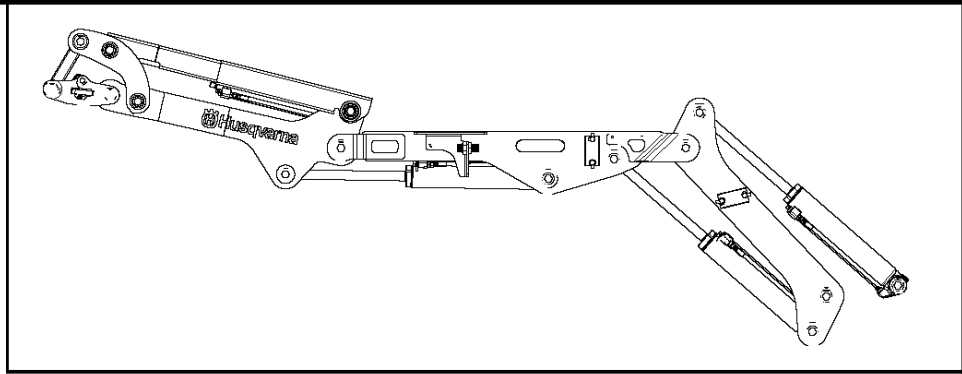


## ARM ONE

DXR140, Valid for machine 1 and forward, 2013-08

Ref	Part No	Description	Remark	QTY	KIT
1	525 57 13-01	CYLINDER		2	
2	525 76 32-01	SHAFT		1	
3	522 84 12-01	SLEEVE		6	2,4
4	525 76 22-01	SHAFT		3	
5	525 76 06-01	SHAFT		1	
6	522 84 11-01	SLEEVE		2	5
7	505 25 08-01	BEARING BUSH		12	1,11
8	522 84 15-01	SLEEVE		4	9
9	525 76 39-01	SHAFT		1	
10	504 89 53-01	LUBRICATION NIPPLE		6	1,11
11	525 43 03-01	ARM		1	
12	588 89 95-01	HOSE CLAMP		2	
13	588 90 10-01	PLATE		2	
14	725 25 03-55	SCREW EHHM		4	
16	576 45 42-01	SEAL		2	1
17	576 45 43-01	HYDRAULIC PIPE		2	1

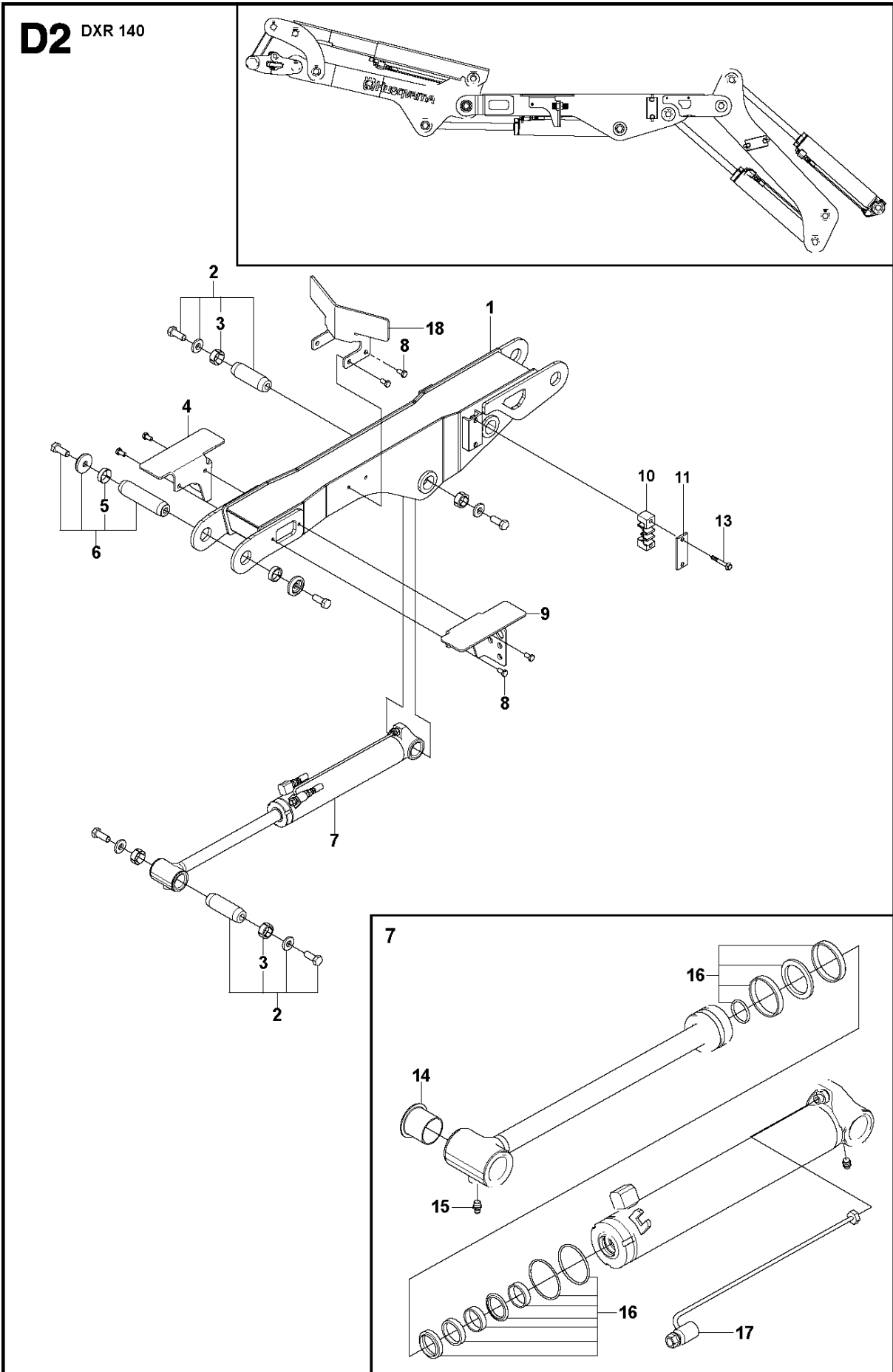
**D3** DXR 140



## ARM THREE

DXR140, Valid for machine 1 and forward, 2013-08

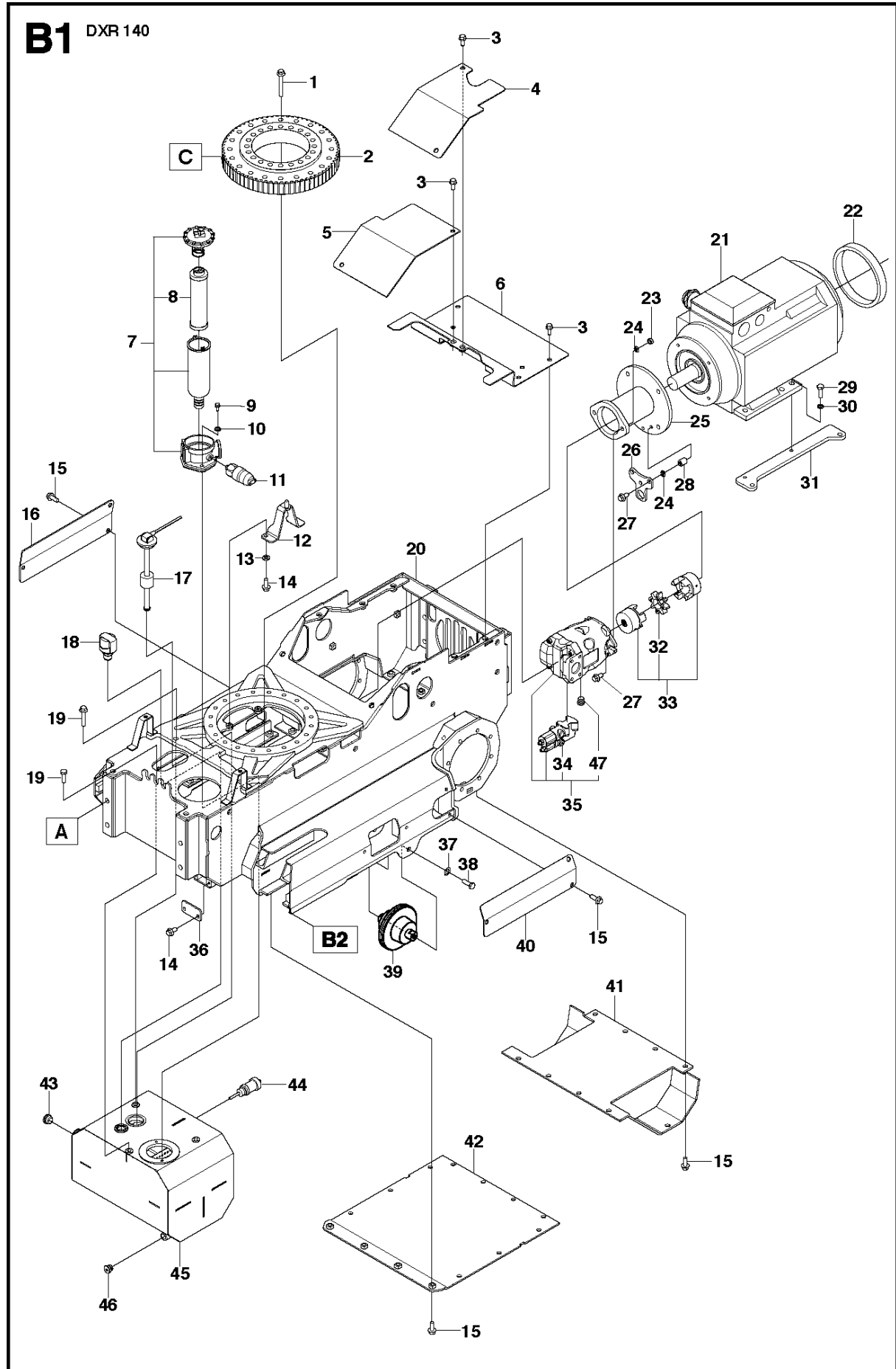
Ref	Part No	Description	Remark	QTY	KIT
1	582 65 28-01	PROTECTION		1	
2	525 76 27-01	SHAFT		2	
3	522 84 11-01	SLEEVE		4	2
4	582 65 30-01	PROTECTION		1	
5	525 75 98-01	SHAFT		1	
6	522 84 13-01	SLEEVE		2	5
7	525 57 13-01	CYLINDER		1	
8	525 47 66-01	PLATE		2	
9	504 89 53-01	LUBRICATION NIPPLE		5	
10	525 45 74-01	ARM		1	
11	505 25 08-01	BEARING BUSH		8	10
12	525 75 39-02	STICKER		1	
13	576 45 42-01	SEAL		1	7
14	576 45 43-01	HYDRAULIC PIPE		1	7



## ARM TWO

DXR140, Valid for machine 1 and forward, 2013-08

Ref	Part No	Description	Remark	QTY	KIT
1	525 44 08-01	ARM		1	
2	525 76 22-01	SHAFT		2	
3	522 84 12-01	SLEEVE		4	2
4	580 28 39-01	COVER		1	
5	522 84 11-01	SLEEVE		2	6
6	525 76 06-01	SHAFT		1	
7	525 57 13-01	CYLINDER		1	
8	574 25 89-01	SCREW EHHFM		4	
9	580 28 38-01	COVER		1	
10	588 89 95-01	HOSE CLAMP		2	
11	588 90 10-01	PLATE		2	
13	725 25 03-55	SCREW EHHM		4	
14	505 25 08-01	BEARING BUSH		4	7
15	504 89 53-01	LUBRICATION NIPPLE		2	7
16	576 45 42-01	SEAL		1	7
17	576 45 43-01	HYDRAULIC PIPE		1	7
18	581 87 88-01	PLATE		1	

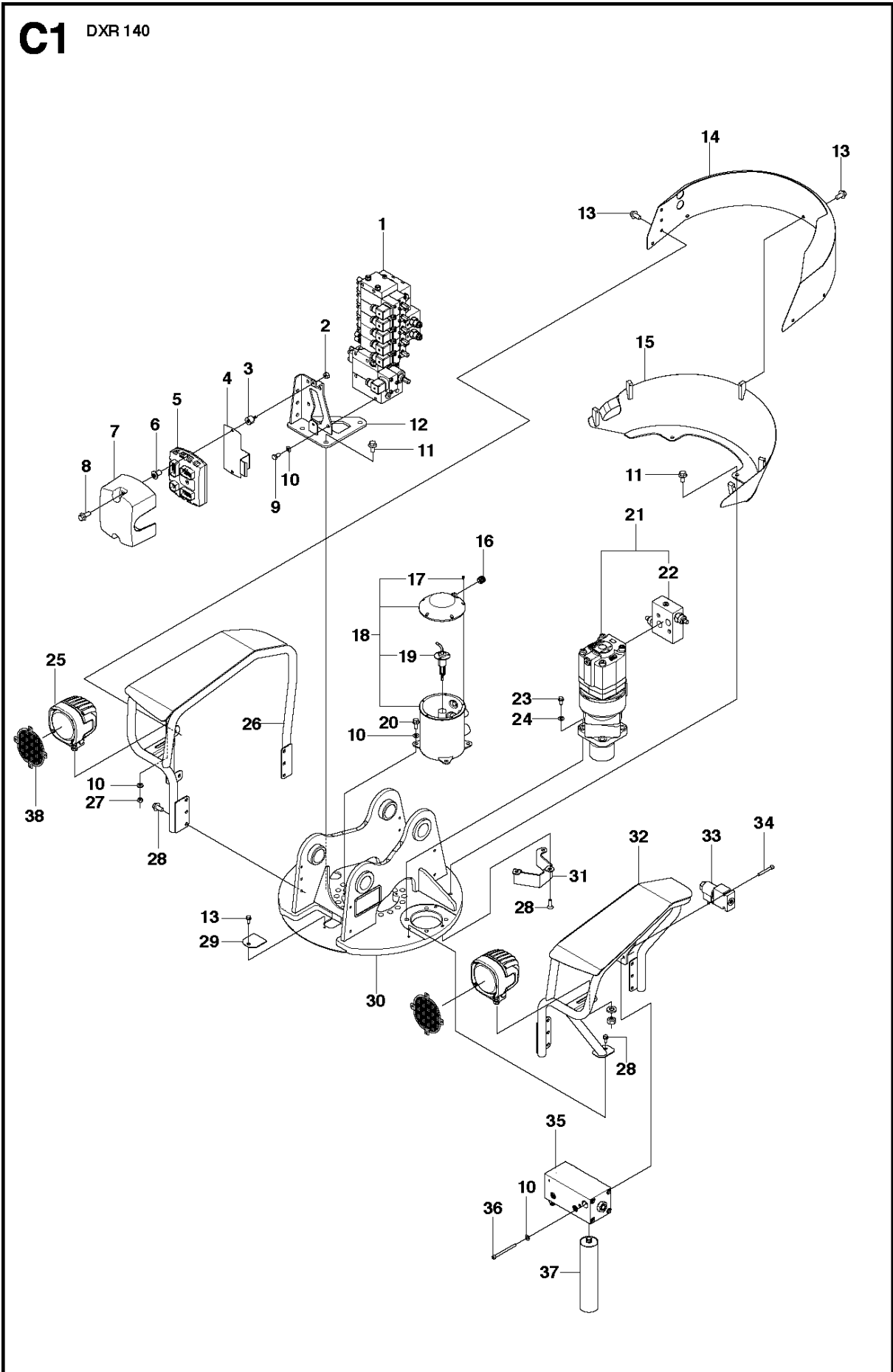




BASE PLATE

DXR140, Valid for machine 1 and forward, 2013-08

Ref	Part No	Description	Remark	QTY	KIT
1	575 28 66-01	SCREW EHHM		20	
2	525 75 61-01	BEARING		1	
3	574 25 89-01	SCREW EHHFM		6	
4	529 29 22-01	COVER		1	
5	574 62 31-01	COVER		1	
6	529 29 15-01	COVER		1	
7	576 38 86-01	KIT		1	
8	573 95 16-01	FILTER		1	
9	725 54 53-01	SCREW IHSCM		2	
10	502 40 71-03	WASHER		2	
11	510 14 17-01	SWITCH		1	
12	529 27 80-01	BRACKET		1	
13	576 74 41-01	WASHER		2	
14	522 66 87-01	SCREW EHHFM		2	
15	522 70 66-01	SCREW EHHFM		14	
16	575 43 69-01	COVER		1	
17	573 95 18-01	LEVEL GLASS		1	
18	505 29 06-01	AIR FILTER		1	
19	575 65 09-01	SCREW EHHFM		3	
20	583 96 43-01	MAIN BODY	Valid for machine S/N 1-254	1	
20	579 67 34-01	MAIN BODY	Valid for machine S/N 255-forward	1	
21	587 97 78-01	MOTOR	15 kW	1	
22	575 85 05-02	SEALING STRIP		1	
23	522 66 95-01	LOCK NUT		2	
24	522 67 17-01	WASHER		4	
25	574 71 34-01	BRACKET		1	
26	574 71 71-01	BRACKET		1	
27	574 25 11-01	SCREW EHHFM		9	
28	522 51 65-01	SLEEVE		2	
29	725 24 95-76	SCREW EHHM		4	
30	522 44 98-01	WASHER		4	
31	529 31 72-01	BRACKET		2	
32	525 75 50-01	COUPLING		1	
33	525 75 41-01	COUPLING		1	
34	576 37 89-01	REGULATOR		1	
35	525 75 53-01	HYDRAULIC PUMP		1	
36	575 84 94-01	COVER		1	
37	510 24 36-01	WASHER		4	
38	574 25 59-01	SCREW EHHM		4	
39	525 80 08-01	SUPPORT ROLLER	Valid for machine S/N 1-128	1	
39	505 26 86-01	SUPPORT ROLLER	Valid for machine S/N 129-forward	1	
40	575 42 63-01	COVER	Valid for machine S/N 1-128	1	
40	583 95 83-01	COVER	Valid for machine S/N 129-forward	1	
41	529 28 64-01	PLATE		1	
42	529 28 99-01	PLATE		1	
43	574 71 40-01	INDICATOR		1	
44	510 19 58-02	GAUGE		1	
45	525 51 19-01	HYDRAULIC TANK		1	
46	589 02 17-01	PLUG		1	
47	578 39 18-01	PLUG	60 Hz	1	35

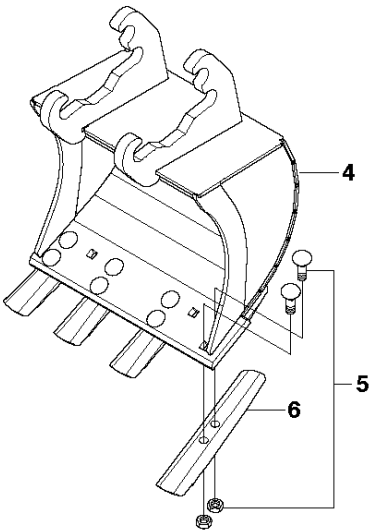


## BASE PLATE

DXR140, Valid for machine 1 and forward, 2013-08

Ref	Part No	Description	Remark	QTY KIT
1	585 45 09-01	BLOCK		1
2	576 15 67-01	NUT		2
3	575 72 78-01	DAMPER		2
4	574 70 14-01	BRACKET		1
5	576 73 75-02	ELECTRONIC BOX		1
6	574 70 15-01	SCREW		2
7	574 66 49-01	PROTECTION		1
8	522 66 86-01	SCREW EHHFM		2
9	522 66 78-01	SCREW EHHM		2
10	734 11 63-01	WASHER		10
11	522 70 66-01	SCREW EHHFM		5
12	525 85 98-01	CONSOLE		1
13	522 66 84-01	SCREW EHHFM		1
14	576 34 29-01	COVER		1
15	576 34 42-01	COVER		1
16	576 67 61-01	CABLE		1
17	576 67 60-01	SCREW IHSCM		5
18	579 65 31-01	SWIVEL		1
19	576 67 59-01	SWIVEL		1
20	725 54 53-01	SCREW IHSCM		4
21	579 42 83-01	SLEWING DRIVE		1
22	576 37 93-01	VALVE		1
23	510 24 12-01	SCREW IHSCM		4
24	510 24 36-01	WASHER		4
25	588 12 61-01	LIGHT		2
25	573 96 49-01	HEADLIGHT		1
26	588 11 04-01	FRAME		1
27	522 66 94-01	LOCK NUT		2
28	522 70 71-02	SCREW EHHFM		13
29	576 43 49-01	COVER		1
30	525 84 61-01	BASEPLATE		1
31	575 81 45-01	PROTECTION		1
32	588 15 98-01	FRAME		1
33	522 74 00-01	CONTROL VALVE		1
34	503 20 00-33	SCREW EHHFM		2
35	505 27 78-01	PUMP		1
36	576 15 49-01	SCREW		2
37	521 91 77-01	GREASE		1
38	588 90 38-01	LENS	For old work light, 573 96 49-01	1
38	588 90 36-01	LENS	For new work light, 588 12 61-01	1

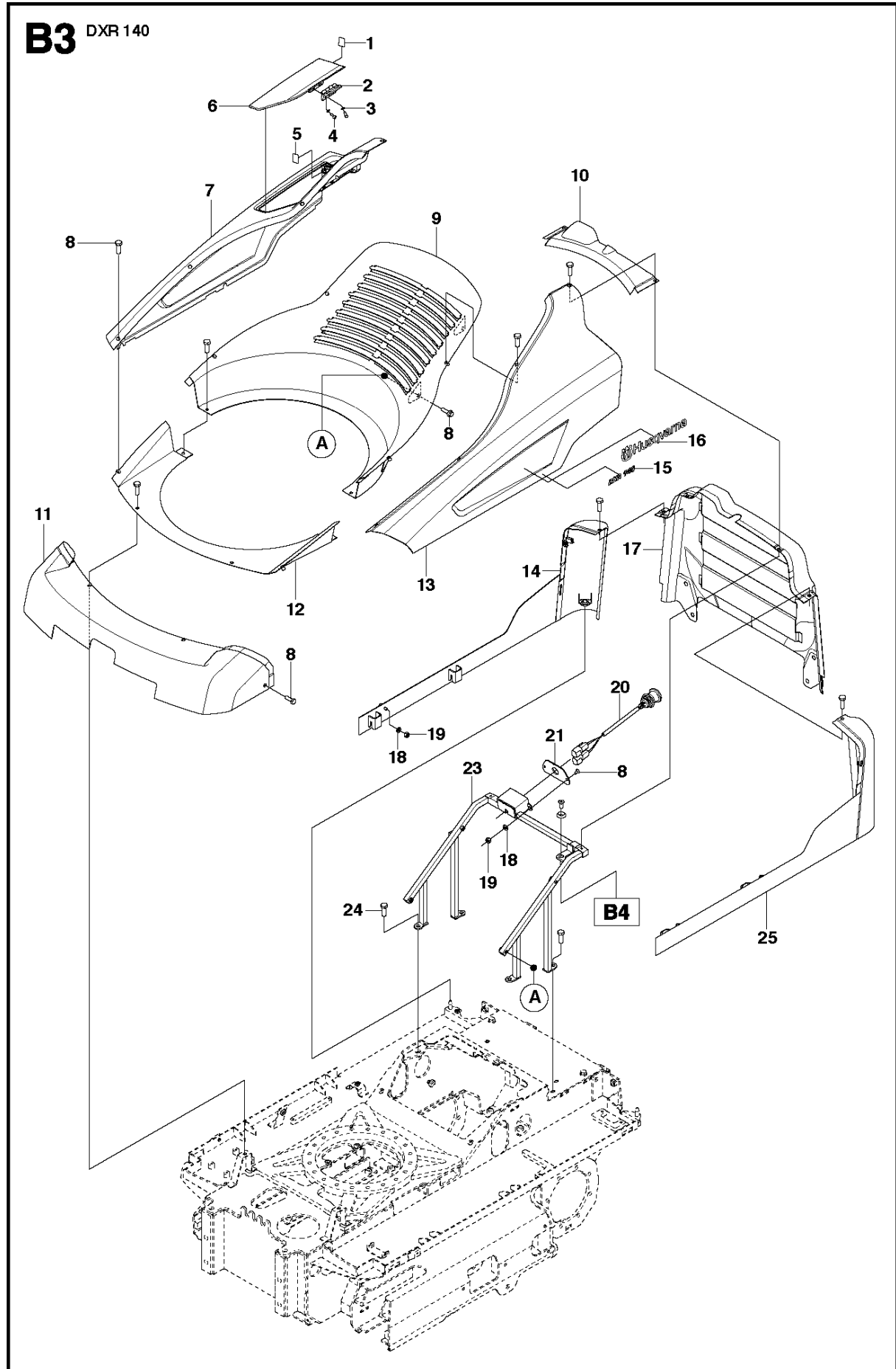
**H** DXR 140



CHISELS & BUCKET

DXR140, Valid for machine 1 and forward, 2013-08

Ref	Part No	Description	Remark	QTY KIT
4	575 35 83-01	TOOL		1
5	576 70 34-01	KIT		2
6	576 70 33-01	TOOTH		1

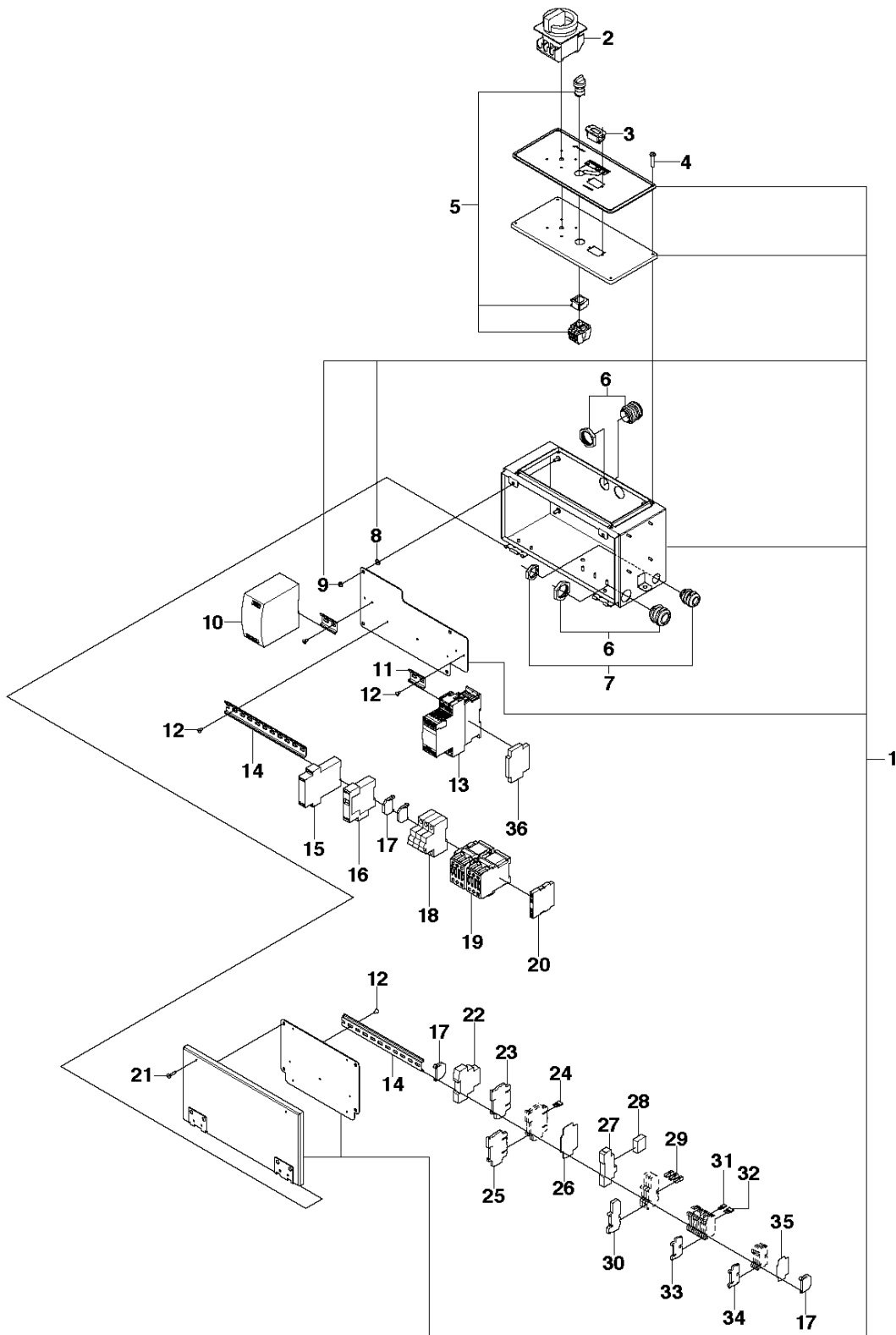


## COVER

DXR140, Valid for machine 1 and forward, 2013-08

Ref	Part No	Description	Remark	QTY KIT
1	575 78 31-01	LATCH		1
2	510 36 21-01	HINGE		1
3	576 41 78-01	WASHER		4
4	725 53 27-01	SCREW IHSCM		4
5	574 71 62-01	MAGNET		1
6	574 62 63-01	COVER		1
7	574 52 49-01	COVER		1
8	522 66 86-01	SCREW EHHFM		14
9	577 02 80-01	COVER		1
10	574 52 90-01	COVER		1
11	574 53 15-01	COVER		1
12	577 01 74-01	COVER		1
13	574 56 28-01	COVER		1
14	574 52 35-01	COVER		1
15	575 34 82-01	STICKER		1
16	525 75 39-03	STICKER		1
17	574 52 91-01	COVER		1
18	522 67 15-01	WASHER		8
19	522 66 93-02	LOCK NUT		10
20	584 85 16-01	SWITCH		1
21	574 68 37-01	LID		1
23	574 65 12-01	BRACKET		1
24	574 25 11-01	SCREW EHHFM		4
25	574 56 24-01	COVER		1

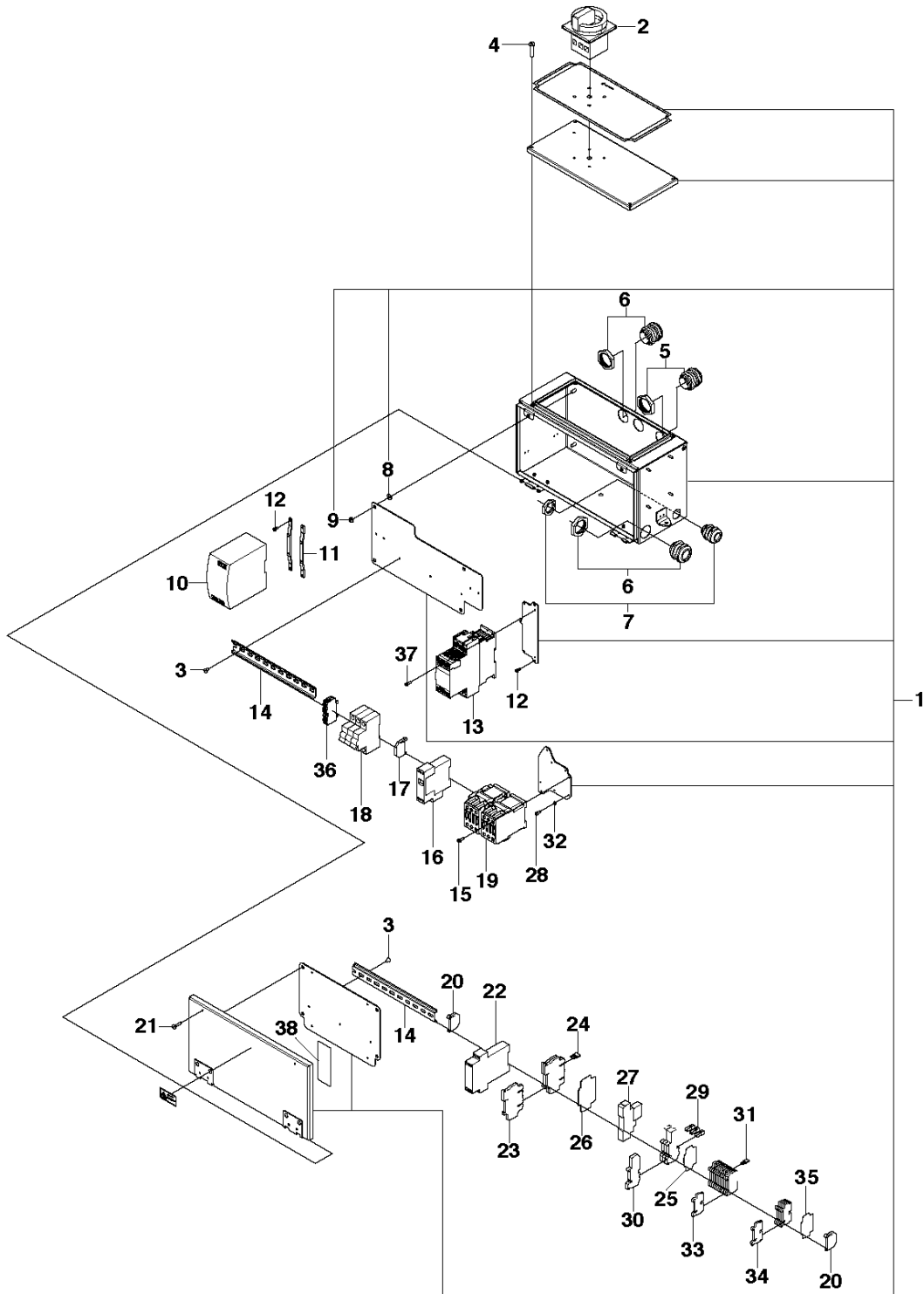
**F1** DXR 140





Ref	Part No	Description	Remark	QTY	KIT
1	576 29 46-01	BOX		1	
2	522 87 14-01	MAIN SWITCH		1	1
3	510 28 49-01	HOUR METER		1	1
4	725 23 33-51	SCREW EHHM		4	1
5	575 88 81-01	SWITCH		1	1
6	523 05 74-01	CABLE		3	1
7	523 05 75-01	CABLE		1	1
8	576 29 40-01	WASHER		8	1
9	576 29 36-01	NUT		8	1
10	505 52 74-01	TRANSFORMER	T1	1	1
11	523 05 53-04	RAIL		2	1
12	576 29 32-01	SCREW IHSCM		10	1
13	525 51 31-01	STARTER	T2	1	1
14	523 05 53-05	RAIL		2	1
15	522 91 16-01	RELAY	B1, Safety relay	1	1
16	522 86 92-01	RELAY	K1, Phase sequence relay	1	1
17	522 92 21-01	STOP		4	1
18	522 91 18-01	FUSE		1	1
19	525 51 30-01	CONTACTOR		1	1
20	576 71 61-01	RELAY	Auxiliary relay	1	1
21	725 23 29-71	SCREW EHHM		2	1
22	575 46 49-02	CONTROL	T3, Fan control relay	1	1
23	522 92 25-01	RELAY		1	1
24	575 89 44-01	BAR		1	1
25	575 88 78-01	RELAY	K2, K3, K4, K5, K7	3	1
26	575 89 49-01	PLATE		1	1
27	575 88 91-01	RELAY	K6, Start relay	1	1
28	575 88 90-01	RELAY		1	1
29	575 89 42-01	JUMPER BAR		3	1
30	522 92 18-01	FUSE HOLDER		4	1
31	575 89 45-01	JUMPER BAR		1	1
32	575 89 46-01	JUMPER BAR		1	1
33	575 88 79-01	TERMINAL BLOCK		9	1
34	575 88 80-01	TERMINAL BLOCK		5	1
35	522 92 65-01	TERMINAL BLOCK		5	1
36	577 97 80-01	RELAY	Auxiliary relay	1	

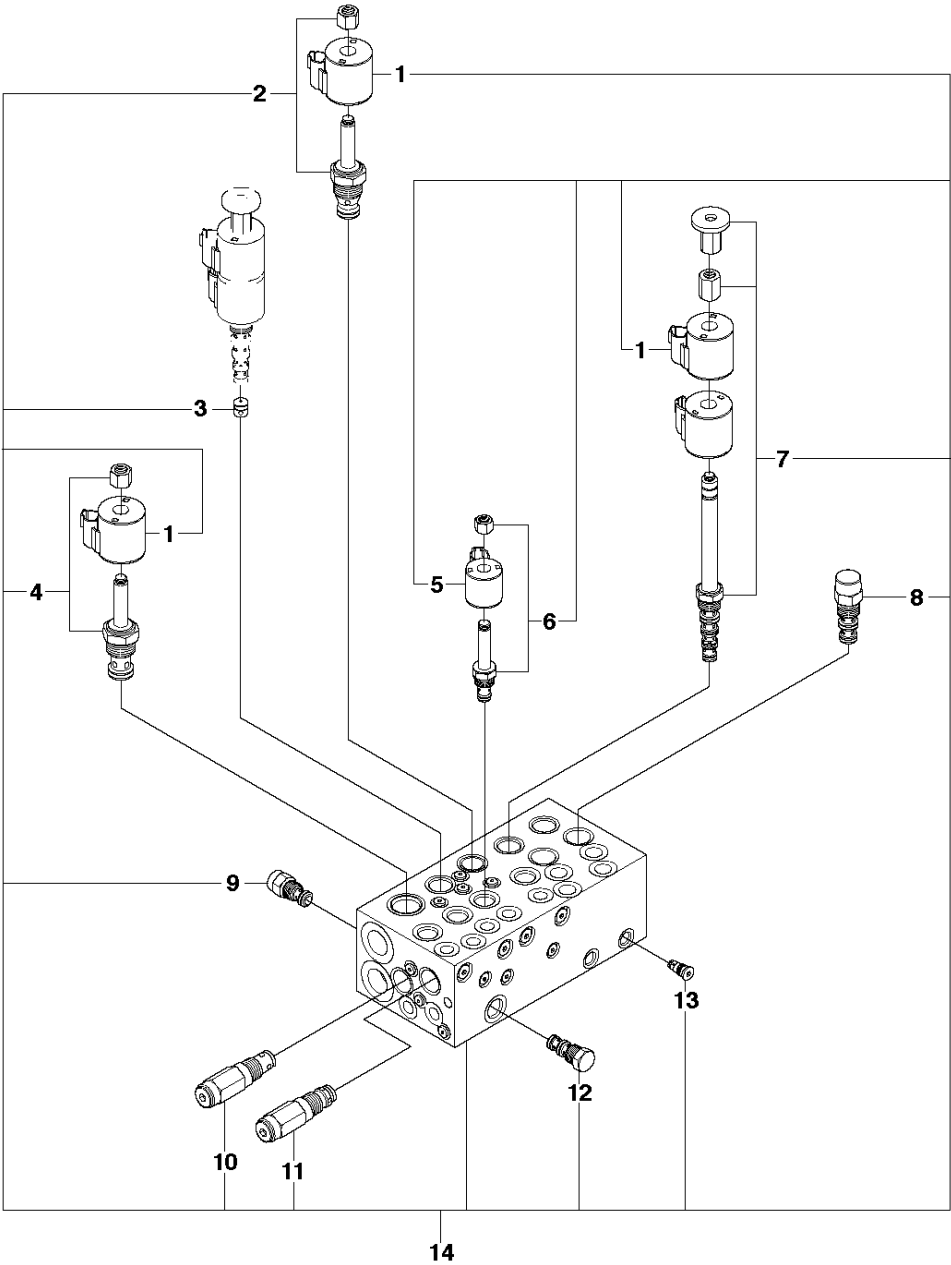
**F1** DXR 140



## ELECTRICAL, Valid for machine 122 and forward DXR140, Valid for machine 1 and forward, 2013-08

Ref	Part No	Description	Remark	QTY KIT
1	584 81 04-01	ELECTRONIC BOX		1
2	522 87 14-01	MAIN SWITCH		1
3	581 31 05-01	SCREW IHANM		11
4	725 23 33-51	SCREW EHHM		4
5	523 05 73-01	CABLE		2
6	523 05 74-01	CABLE		3
7	523 05 75-01	CABLE		1
8	576 29 40-01	WASHER		8
9	576 29 36-01	NUT		8
10	505 52 74-01	TRANSFORMER	T1	1
11	581 28 66-01	BRACKET		2
12	725 52 87-01	SCREW IHSCM		4
13	577 97 79-01	STARTER		1
14	523 05 53-05	RAIL	250mm	1
14	523 05 53-08	RAIL	100mm	1
15	585 27 89-01	SCREW IHSCFM		4
16	522 86 92-01	RELAY	K1, Phase sequence relay	1
17	522 92 21-01	STOP		1
18	522 91 18-01	FUSE		1
19	584 80 52-01	CONTACTOR		1
20	584 82 16-01	TERMINAL BLOCK		2
21	725 23 29-71	SCREW EHHM		2
22	584 82 54-01	RELAY	B1, Safety relay	1
23	522 92 25-01	RELAY	K2, K3, K4, K5	4
24	575 89 44-01	BAR		1
25	584 82 12-01	TERMINAL BLOCK		1
26	575 89 49-01	PLATE		1
27	575 88 88-01	RELAY	K6, Start relay	1
28	725 52 89-01	SCREW IHSCM		4
29	584 81 95-01	TERMINAL BLOCK		2
30	584 80 60-01	FUSE HOLDER		7
31	584 81 00-01	TERMINAL BLOCK		1
32	585 27 84-01	WASHER		4
33	584 80 57-01	TERMINAL BLOCK		7
34	584 85 32-01	TERMINAL BLOCK		2
35	584 85 35-01	TERMINAL BLOCK		1
36	579 70 53-01	TERMINAL BLOCK		2
37	725 52 91-01	SCREW IHSCM		4
38	580 36 71-01	STICKER		1

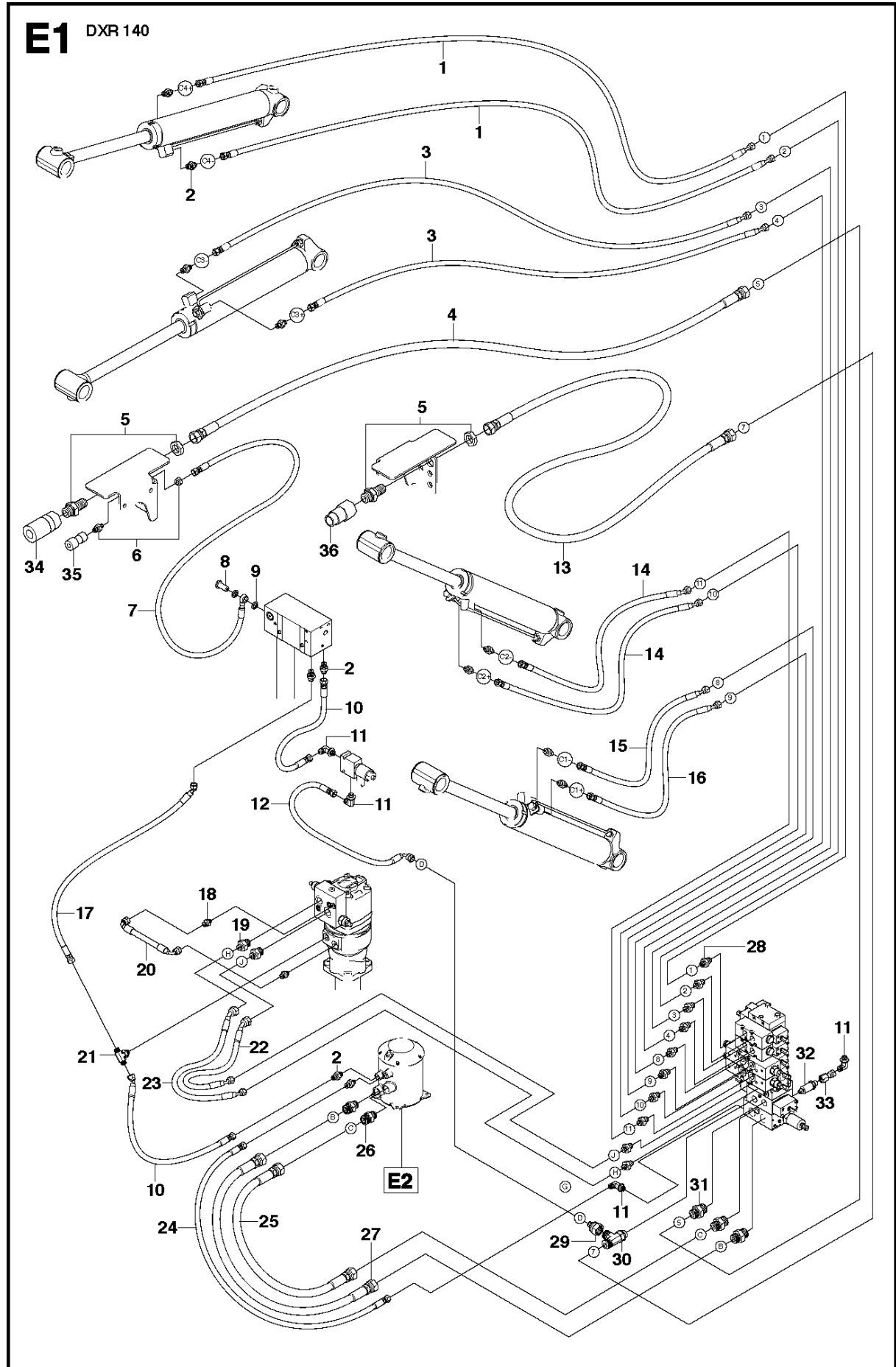
**C3** DXR 140



## HYDRAULIC BLOCK

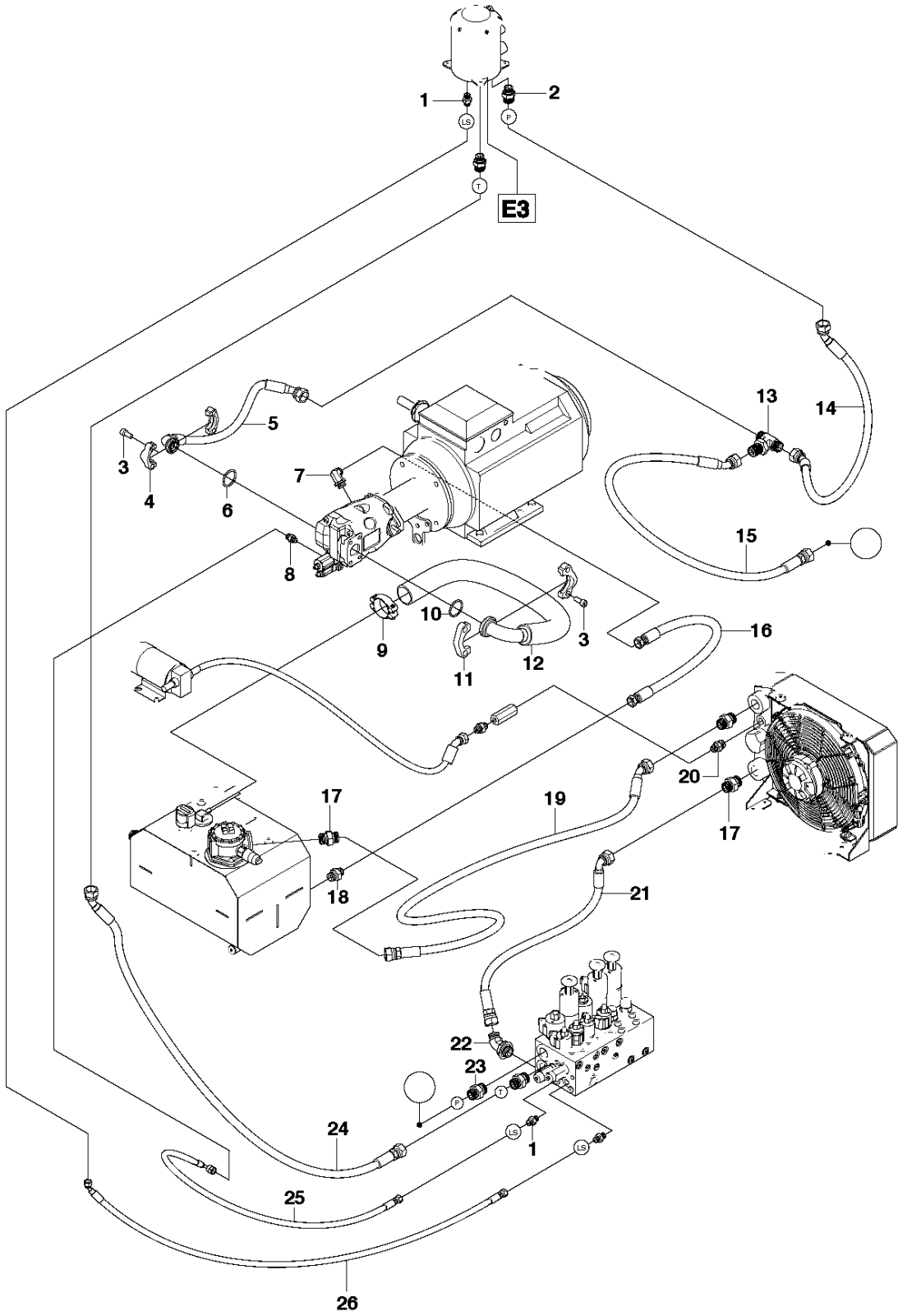
DXR140, Valid for machine 1 and forward, 2013-08

Ref	Part No	Description	Remark	QTY	KIT
1	576 33 90-01	SOLENOID		9	14
2	576 34 75-01	VALVE		1	14
3	576 34 67-01	VALVE		1	14
4	576 33 88-01	VALVE		1	14
5	576 34 70-01	SOLENOID		4	14
6	576 34 69-01	VALVE		4	14
7	576 33 89-01	VALVE		3	14
8	576 34 68-01	VALVE		2	14
9	576 34 76-01	VALVE		1	14
10	576 34 72-01	VALVE		1	14
11	576 34 71-01	VALVE		1	14
12	576 34 74-01	VALVE		1	14
13	576 34 73-01	VALVE		2	14
14	573 96 47-01	VALVE ASSY		1	



Ref	Part No	Description	Remark	QTY KIT
1	510 23 48-13	HOSE ASSY		2
2	510 24 57-01	ADAPTER		12
3	510 23 48-08	HOSE ASSY		2
4	574 24 57-04	HOSE ASSY		1
5	574 68 73-01	ADAPTER		2
6	510 25 79-01	ADAPTER		1
7	576 54 40-01	HOSE ASSY		1
8	576 48 51-01	ADAPTER		1
9	574 66 42-01	WASHER		2
10	510 25 18-12	HOSE ASSY		1
11	510 26 54-01	ADAPTER		2
12	522 67 25-17	HOSE ASSY		1
13	574 24 32-05	HOSE ASSY		1
14	510 23 48-07	HOSE ASSY		2
15	510 23 48-12	HOSE ASSY		1
16	510 23 48-11	HOSE ASSY		1
17	522 67 25-08	HOSE ASSY		1
18	514 37 34-01	ADAPTER		2
19	510 25 90-01	ADAPTER		2
20	574 45 33-01	HOSE ASSY		1
21	574 75 36-01	ADAPTER		1
22	574 79 45-01	HOSE ASSY		1
23	574 79 45-02	HOSE ASSY		1
24	510 25 18-13	HOSE ASSY		1
25	574 24 57-01	HOSE ASSY		1
26	574 24 60-01	ADAPTER		3
27	574 24 57-02	HOSE ASSY		1
28	522 73 00-01	ADAPTER		10
29	522 83 74-01	ADAPTER		1
30	522 61 36-01	ADAPTER		1
31	574 24 61-01	ADAPTER		3
32	522 49 53-02	SENSOR		1
33	510 40 87-01	ADAPTER		1
34	510 26 81-01	QUICK COUPLING		1
35	510 26 79-01	QUICK COUPLING		1
36	510 26 80-01	QUICK COUPLING		1

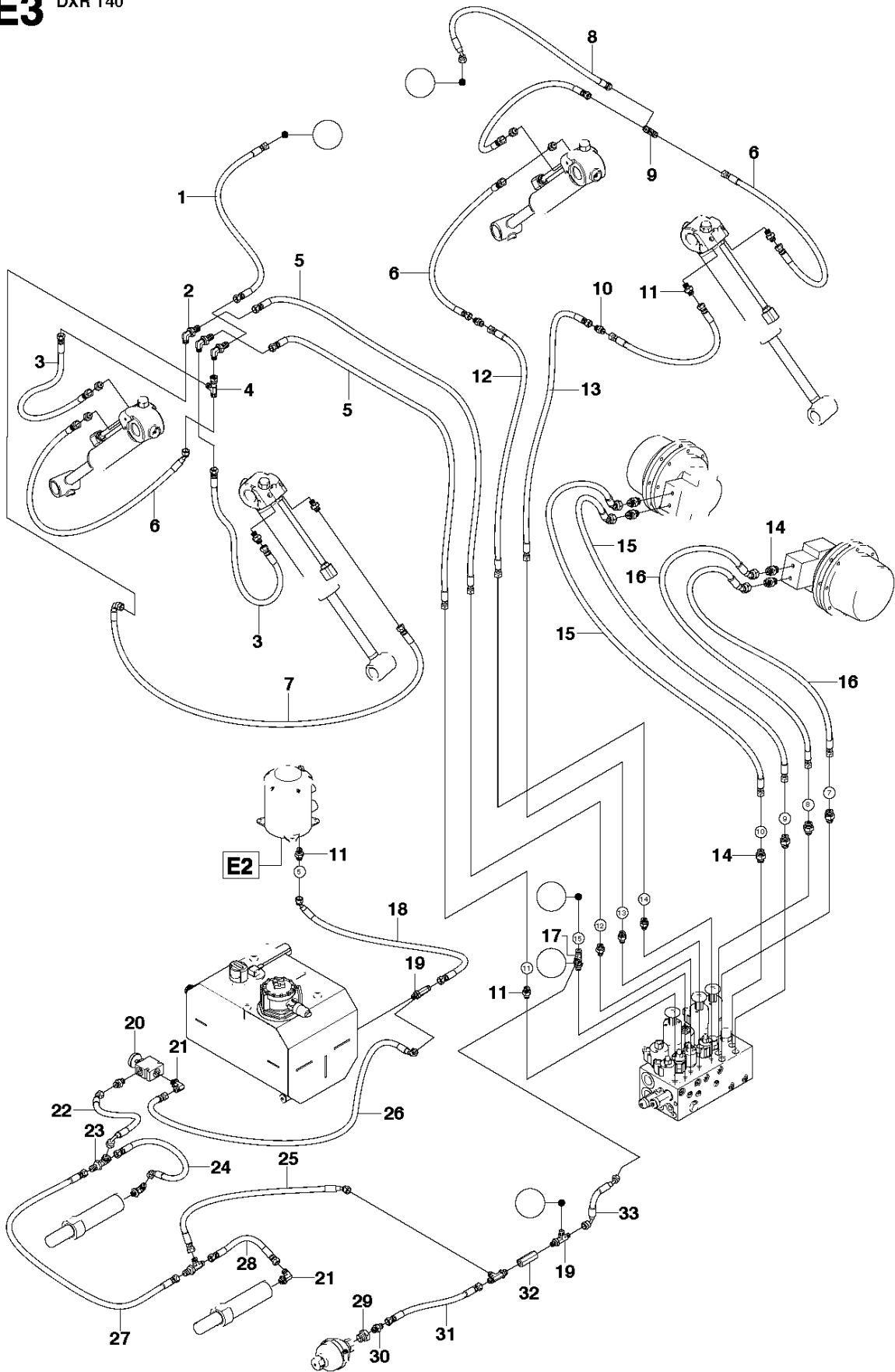
**E2** DXR 140





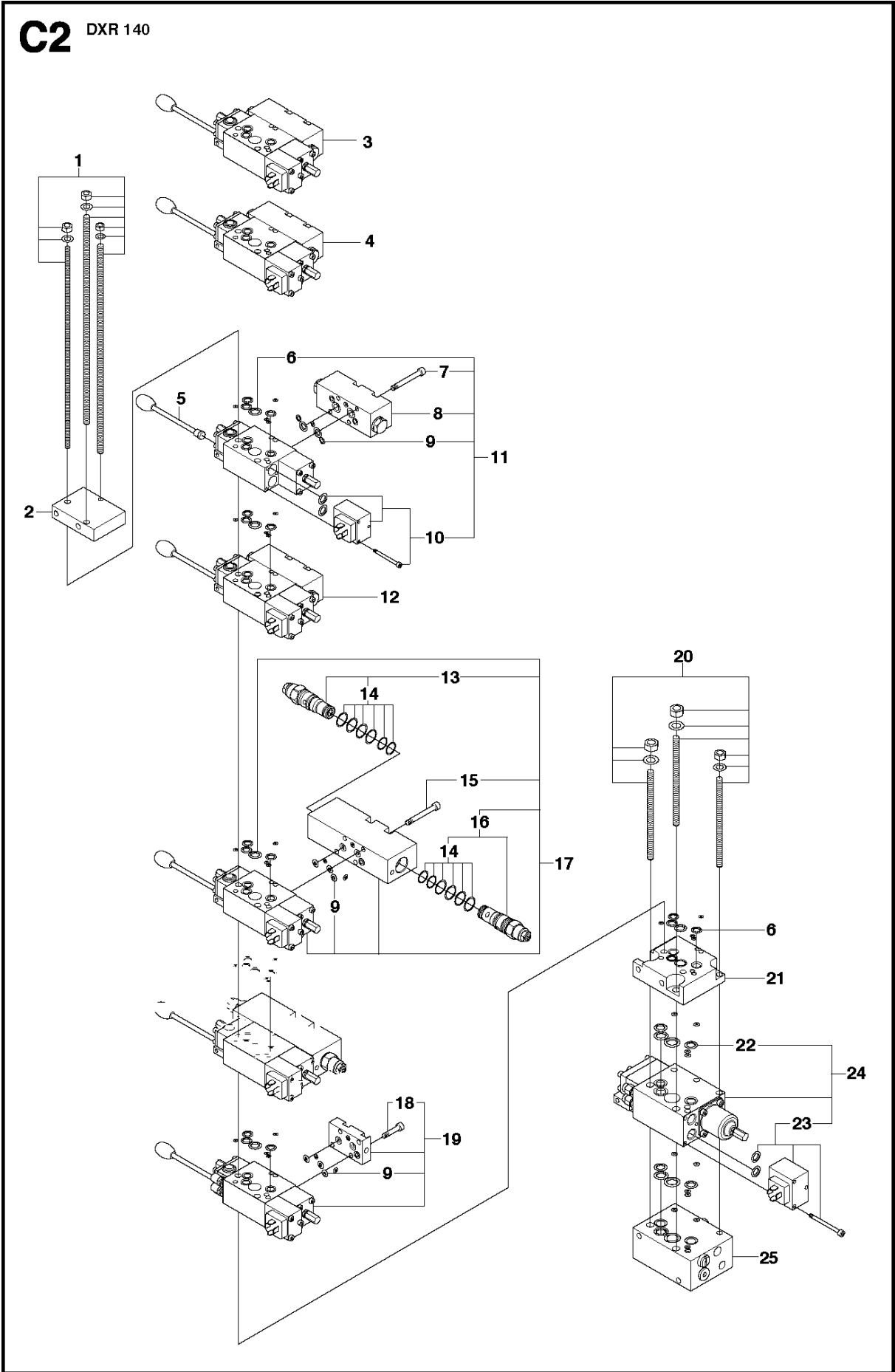
Ref	Part No	Description	Remark	QTY KIT
1	510 24 57-01	ADAPTER		19
2	574 24 60-01	ADAPTER		2
3	725 24 95-76	SCREW EHHM		8
4	574 24 12-01	FLANGE		2
5	576 03 42-01	HOSE ASSY		1
6	510 36 31-04	O-RING		1
7	574 89 08-01	ADAPTER		1
8	510 26 47-01	ADAPTER		1
9	510 36 32-02	HOSE CLAMP		1
10	510 36 31-03	O-RING		1
11	574 24 11-01	FLANGE		2
12	574 24 55-03	HOSE ASSY		1
13	574 68 74-01	ADAPTER		1
14	574 24 30-01	HOSE ASSY		1
15	574 24 32-04	HOSE ASSY		1
16	576 03 54-01	HOSE ASSY		1
17	510 26 46-01	ADAPTER		4
18	510 25 85-01	ADAPTER		1
19	510 19 53-03	HOSE ASSY		1
20	510 26 11-01	ADAPTER		1
21	576 03 53-01	HOSE ASSY		1
22	576 12 56-01	ADAPTER		1
23	574 24 61-01	ADAPTER		1
24	576 03 52-01	HOSE ASSY		1
25	522 67 25-11	HOSE ASSY		1
26	510 23 48-16	HOSE ASSY		1

**E3** DXR 140



HYDRAULIC HOSES TRACKS & SUPPORT LEGS DXR140, Valid for machine 1 and forward, 2013-08

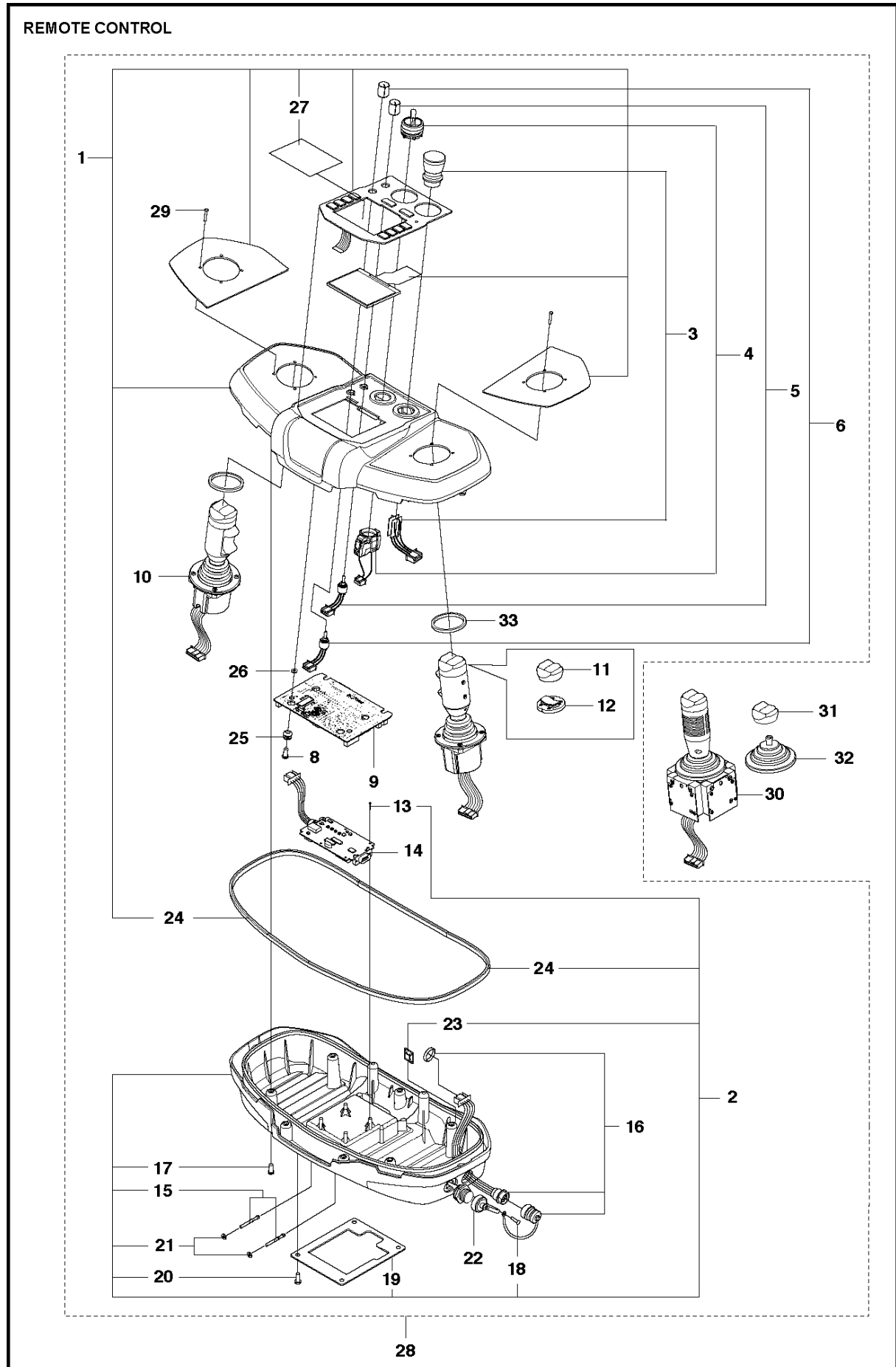
Ref	Part No	Description	Remark	QTY KIT
1	522 67 25-16	HOSE ASSY		1
2	574 68 75-01	ADAPTER		3
3	510 25 18-23	HOSE ASSY		2
4	514 37 35-01	ADAPTER		1
5	510 25 18-22	HOSE ASSY		1
6	510 23 48-14	HOSE ASSY		1
7	522 67 25-17	HOSE ASSY		1
8	510 23 48-06	HOSE ASSY		1
9	510 24 73-01	ADAPTER		2
10	576 12 55-01	ADAPTER		4
11	510 24 57-01	ADAPTER		19
12	510 25 18-01	HOSE ASSY		1
13	510 25 18-20	HOSE ASSY		1
14	510 24 58-01	ADAPTER		4
15	510 16 97-03	HOSE ASSY		2
16	510 16 97-02	HOSE ASSY		2
17	575 30 03-01	ADAPTER		1
18	510 23 48-15	HOSE ASSY		1
19	510 24 57-01	ADAPTER		1
19	575 30 03-01	ADAPTER	Hydraulic Tension	1
20	575 59 66-01	CONTROL VALVE		4
21	510 26 54-01	ADAPTER		1
22	574 24 34-03	HOSE ASSY		1
23	575 59 54-01	ADAPTER		2
24	575 64 99-04	HOSE ASSY		1
25	575 64 99-02	HOSE ASSY		1
26	575 64 99-03	HOSE ASSY		1
27	510 25 18-14	HOSE ASSY		1
28	510 25 18-26	HOSE ASSY		1
29	575 59 57-01	PLUG		1
30	510 24 57-01	ADAPTER		2
31	510 25 18-25	HOSE ASSY		1
32	575 59 62-01	CHECK VALVE		1
33	574 24 34-01	HOSE ASSY		1



## HYDRAULIC STACK

DXR140, Valid for machine 1 and forward, 2013-08

Ref	Part No	Description	Remark	QTY	KIT
1	522 96 34-01	TAP	5 sections	1	
1	523 06 20-01	TAP	Extra hydraulic function 1 (6 sections)	1	
1	523 06 24-01	TAP	Extra hydraulic function 2 (7 sections)	1	
2	522 80 04-01	VALVE		1	
3	576 38 72-01	VALVE		1	
4	576 38 72-01	VALVE		1	
5	576 70 11-01	HANDLE		7	
6	522 96 14-01	O-RING		1	11
7	725 53 78-51	SCREW IHSCM		8	11
8	522 96 25-01	VALVE		2	11
9	522 96 16-01	O-RING		1	11,19
10	522 96 13-01	SOLENOID		1	11
11	576 30 36-01	VALVE		1	
12	576 30 15-01	VALVE		1	
13	522 96 23-01	VALVE		1	17
14	522 96 24-01	O-RING		2	13,17
15	725 53 80-51	SCREW IHSCM		8	17
16	522 96 22-01	VALVE		1	17
17	576 29 70-01	VALVE		2	
18	725 53 68-01	SCREW IHSCM		1	19
19	576 30 61-01	VALVE		1	
20	522 96 33-01	TAP		1	
21	522 79 98-01	VALVE		1	
22	522 96 19-01	O-RING		1	24
23	522 96 18-01	SOLENOID		1	24
24	576 31 14-01	VALVE		1	
25	576 31 23-01	VALVE		1	



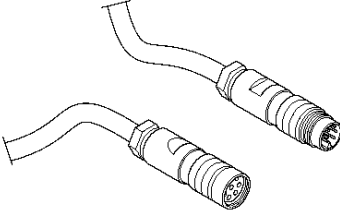
REMOTE CONTROL

DXR140, Valid for machine 1 and forward, 2013-08

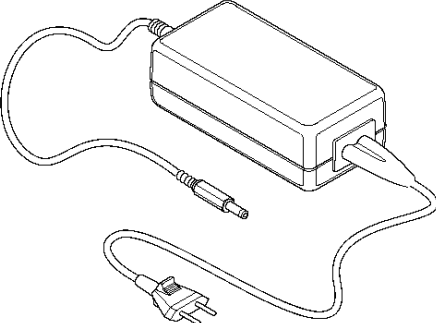
Ref	Part No	Description	Remark	QTY	KIT
1	587 36 11-01	COVER KIT		1	28
2	587 36 61-01	COVER KIT		1	28
3	510 36 33-01	SWITCH	Machine stop	1	28
4	510 36 35-01	SWITCH	Main switch, ON/OFF	1	28
5	522 96 65-01	POTENTIOMETER	Tool	1	28
6	522 96 66-01	POTENTIOMETER	Machine	1	28
8	522 66 89-01	SCREW CRPANT		4	28
9	510 21 73-07	CONTROL BOARD	No firmware installed	1	28
10	582 45 09-01	JOYSTICK		1	28
11	582 42 18-01	PROTECTION		1	10
12	582 42 10-01	BUTTON KIT		1	10
13	522 79 66-01	SCREW CCRPANT		4	2,28
14	510 21 78-01	CONTROL BOARD	Bluetooth	1	28
15	510 22 26-01	SPRING PIN		2	2,28
16	522 96 67-01	CONNECTION	Communication cable	1	28
17	503 21 74-16	SCREW IHCT		9	2,28
18	523 00 50-01	SCREW CRPANT		1	2,28
19	510 10 85-01	PLATE		1	2,28
20	586 18 79-01	SCREW CRPANT		4	2,28
21	734 11 24-01	WASHER		1	2,28
22	586 14 66-01	CONTACT	USB	1	28
23	577 96 36-01	CABLE HOLDER		1	2,28
24	576 88 80-05	SEALING STRIP		1	1,2,28
25	510 21 76-01	BUSHING		1	28
26	734 11 36-60	WASHER		1	28
27	585 30 68-01	PROTECTION		1	1,28
28	585 16 11-01	REMOTE CONTROL		1	
29	582 42 06-02	SCREW		1	28
30	510 21 40-01	JOYSTICK	LEFT	1	
30	510 21 40-02	JOYSTICK	RIGHT	1	
31	576 63 31-01	SEAL		2	30
32	576 63 32-01	SEAL		2	30
33	589 75 28-01	WASHER		1	28

# F2 REMOTE CONTROL ACCESSORIES

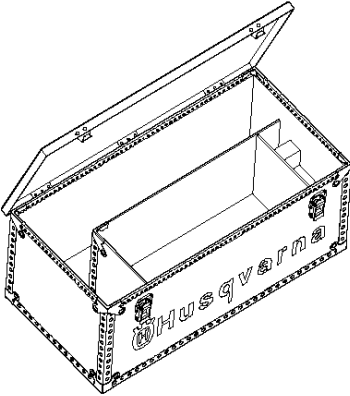
3



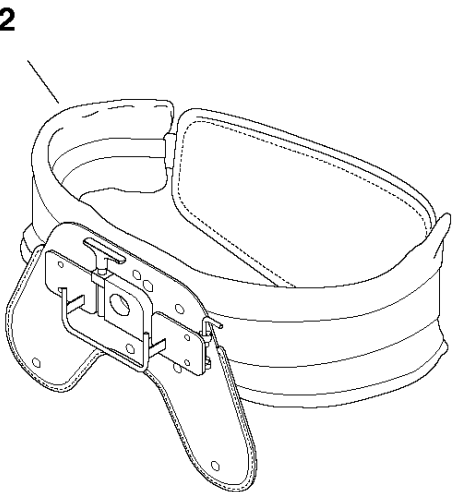
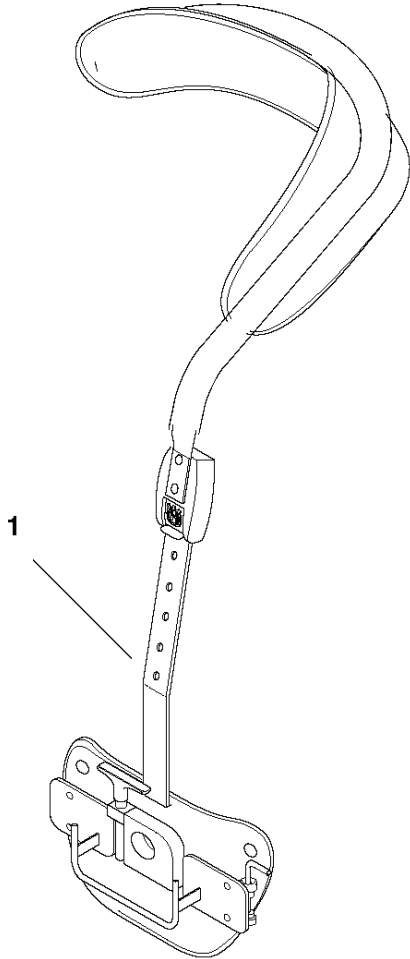
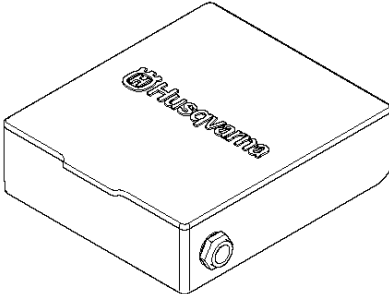
4



5



6

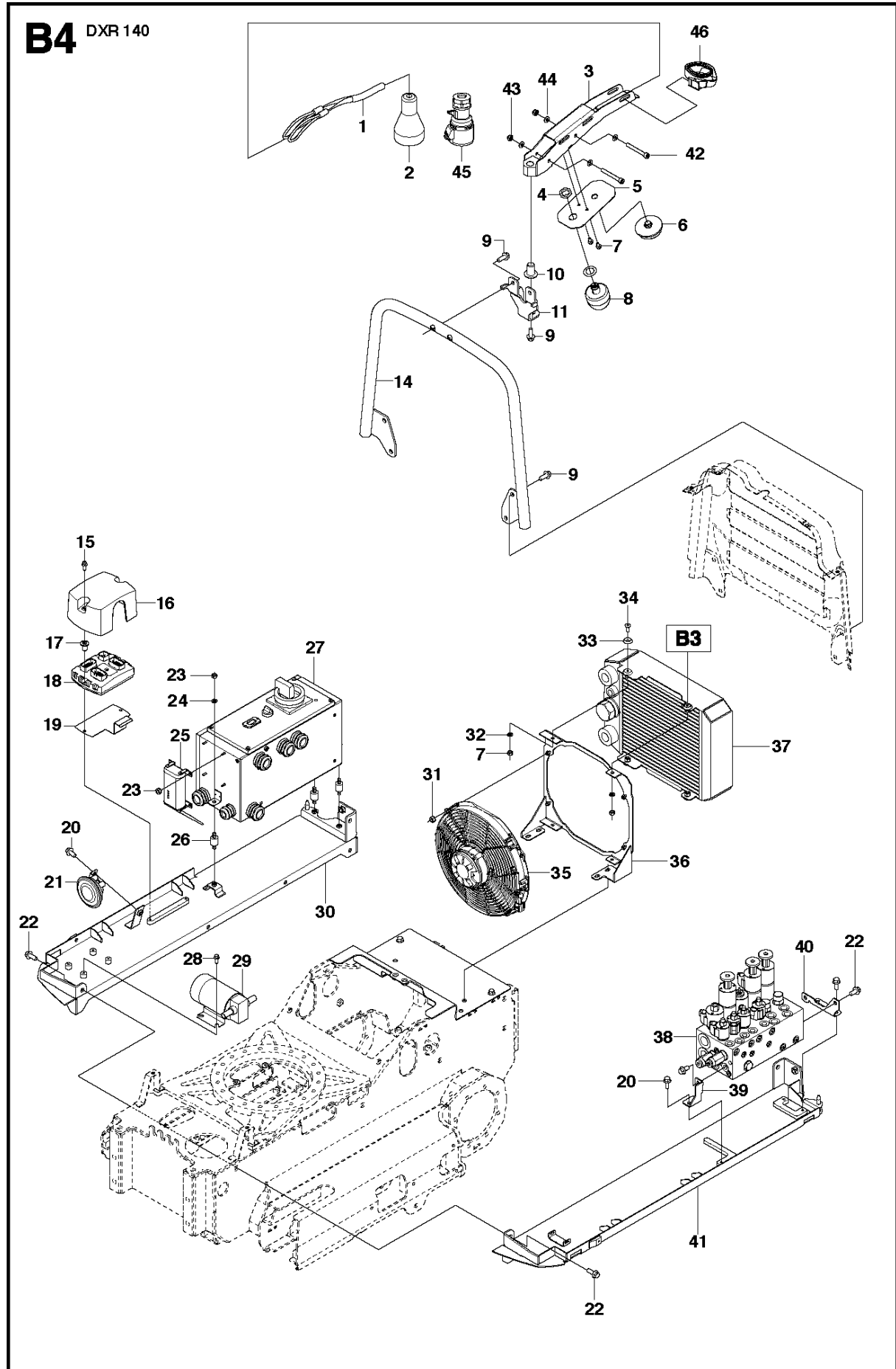




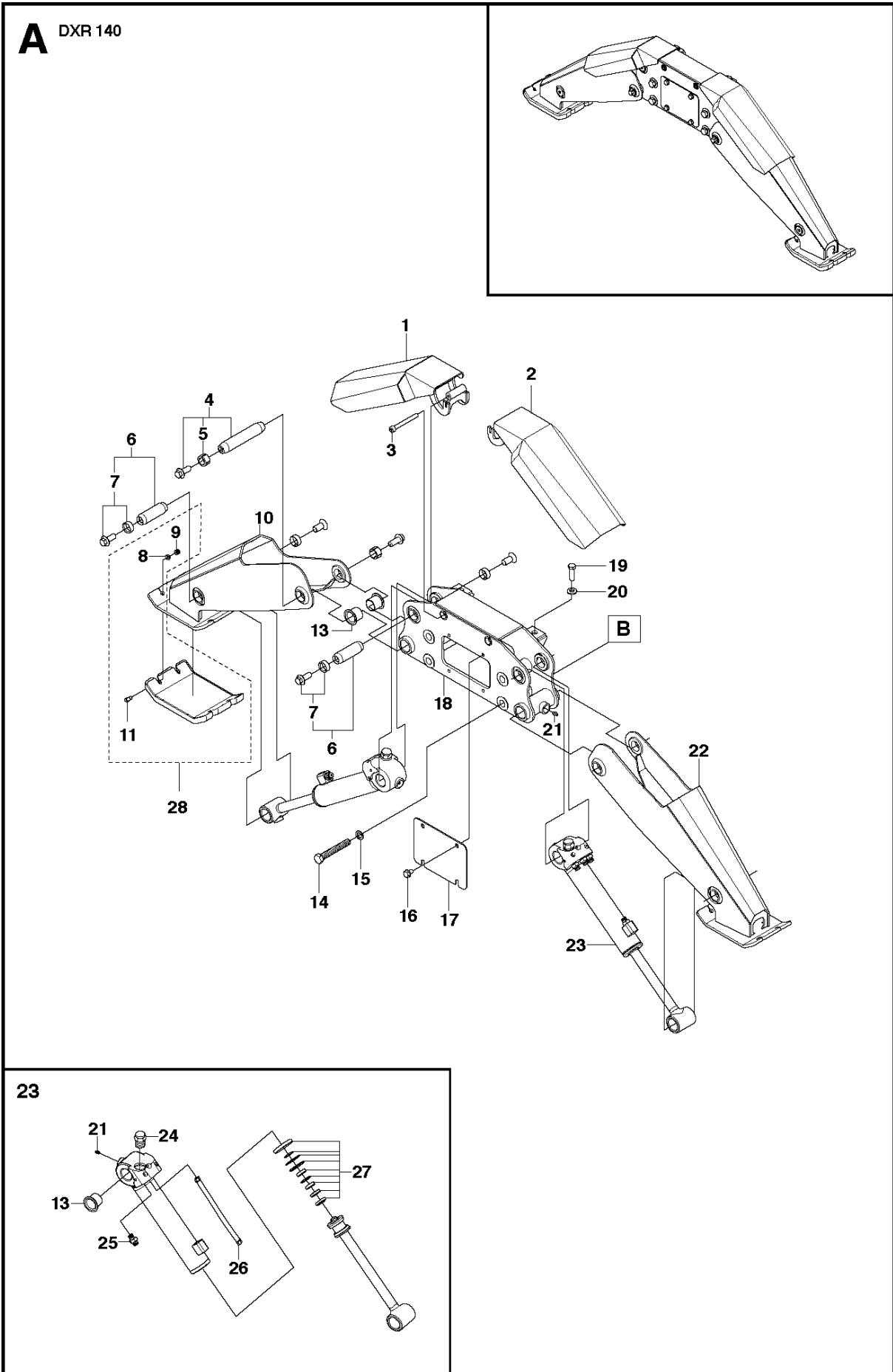
REMOTE CONTROL ACCESSORIES

DXR140, Valid for machine 1 and forward, 2013-08

Ref	Part No	Description	Remark	QTY KIT
1	501 79 30-01	HARNESS		1
2	501 79 31-01	HARNESS		1
3	510 28 20-01	CABLE		1
4	510 28 50-03	CHARGER		1
5	525 74 75-01	PACKING		1
6	587 31 16-01	BATTERY		1



Ref	Part No	Description	Remark	QTY KIT
1	574 66 78-01	CABLE CLAMP		1
2	510 27 77-02	CABLE		1
3	581 56 63-01	ARM		1
4	581 48 08-01	NUT		1
5	581 59 08-01	BRACKET		1
6	580 28 92-01	ANTENNA		1
7	522 66 94-01	LOCK NUT		2
8	581 10 35-01	LIGHT		1
9	574 25 89-01	SCREW EHHFM		3
10	574 71 30-01	PIN		1
11	581 59 15-01	BRACKET		1
14	576 56 64-01	PROTECTOR BAR		1
15	522 66 86-01	SCREW EHHFM		2
16	574 66 49-01	PROTECTION		1
17	574 70 15-01	SCREW		2
18	576 73 75-01	ELECTRONIC BOX		1
19	574 70 14-01	BRACKET		1
20	725 24 47-51	SCREW		4
21	510 12 60-01	HORN		1
22	522 70 66-01	SCREW EHHFM		10
23	732 25 12-01	HEXAGON LOCKING NUT		7
24	522 67 15-01	WASHER		3
25	505 27 45-01	ELECTRIC BOX		1
26	575 72 77-01	DAMPER		3
27	584 81 03-01	ELECTRONIC BOX		1
28	522 66 84-01	SCREW EHHFM		4
29	588 83 87-01	OIL PUMP	Valid for machine S/N 255- forward	1
29	589 38 14-01	OIL PUMP	Valid for machine S/N 1- 254	1
30	573 97 24-01	BOX		1
31	522 66 93-01	LOCK NUT		4
32	522 67 16-01	WASHER		4
33	523 04 24-01	WASHER		4
34	725 64 51-01	SCREW IHCSFM		4
35	523 03 20-01	FAN		1
36	574 71 07-01	BRACKET		1
37	523 03 21-01	OIL COOLER		1
38	573 96 47-01	VALVE ASSY	Valid for machine S/N 1- 254	1
38	590 21 76-01	VALVE ASSY	Valid for machine S/N 255- forward	1
39	574 69 25-01	BRACKET		1
40	574 69 26-01	BRACKET		1
41	573 97 23-01	BOX		1
42	587 15 87-01	SCREW EHHM		2
43	522 66 94-01	LOCK NUT		2
44	522 67 16-01	WASHER		4
45	531 11 71-31	SOCKET		1
46	522 73 36-01	STRAP		1

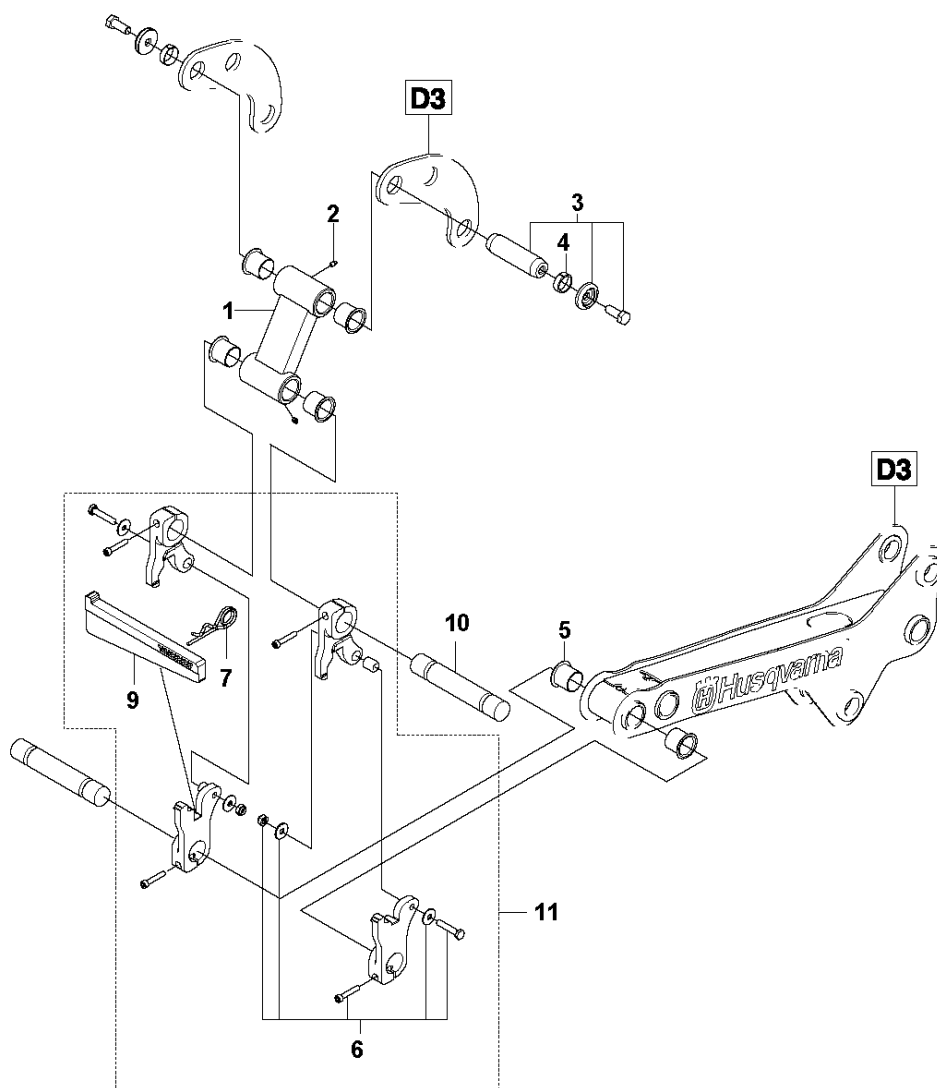
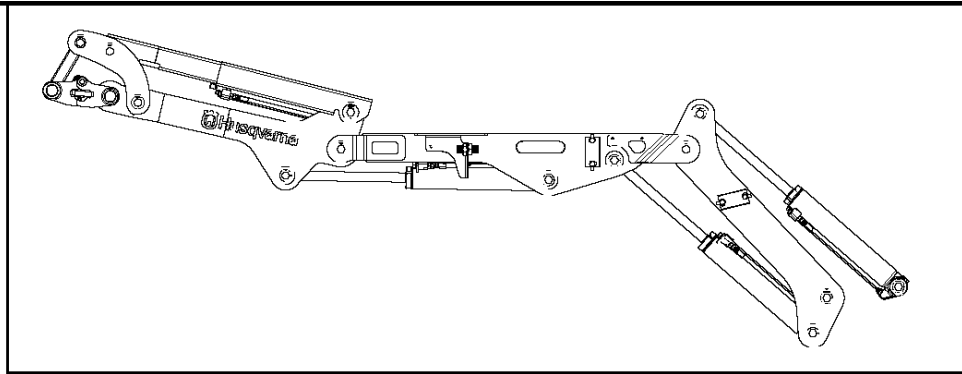


## SUPPORT LEGS

DXR140, Valid for machine 1 and forward, 2013-08

Ref	Part No	Description	Remark	QTY	KIT
1	575 43 35-01	COVER		2	
2	575 43 36-01	COVER		2	
3	725 55 09-55	SCREW IHSCM		4	
4	525 80 38-01	SHAFT		4	
5	529 29 92-01	SLEEVE		8	4
6	586 11 98-01	SHAFT		4	
7	586 16 33-01	LOOSE PARTS KIT		8	6
8	522 67 17-01	WASHER		16	
9	522 66 95-01	LOCK NUT		16	
10	529 27 36-01	SUPPORT LEG		2	
11	522 66 72-02	SCREW IHSCM		16	
13	525 80 24-01	BEARING BUSH		8	
14	575 29 32-01	SCREW EHHM		8	
15	522 67 19-01	WASHER		8	
16	575 65 97-01	SCREW EHHFM		4	
17	575 65 98-01	PLATE		1	
18	575 48 77-01	BRACKET	REAR	1	
18	575 48 75-01	BRACKET	FRONT	1	
19	574 25 75-01	SCREW EHHM		2	
20	525 39 55-01	WASHER		2	
21	504 89 53-01	LUBRICATION NIPPLE		2	
22	529 27 35-01	SUPPORT LEG		2	
23	525 57 14-03	CYLINDER		4	
24	576 37 88-01	VALVE		4	23
25	510 24 57-01	ADAPTER		6	23
26	510 25 18-10	HOSE ASSY		4	23
27	575 76 20-01	SEAL		4	23
28	587 18 63-02	FOOTPLATE		1	8,9,11,1 2

**D4** DXR 140



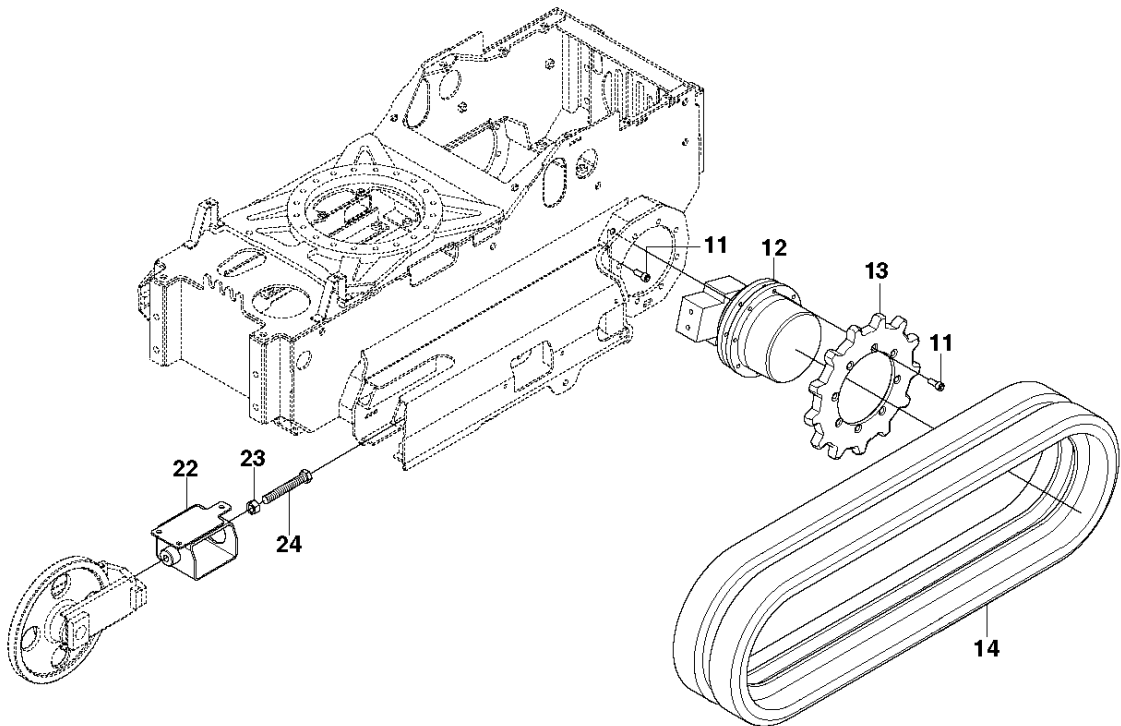
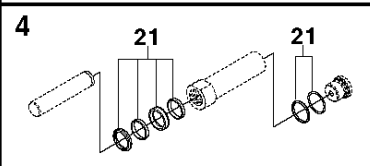
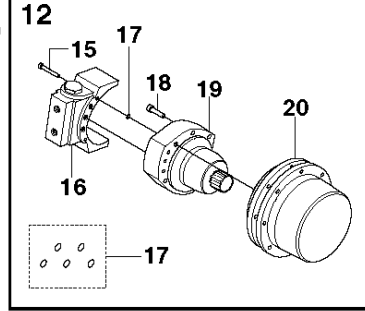
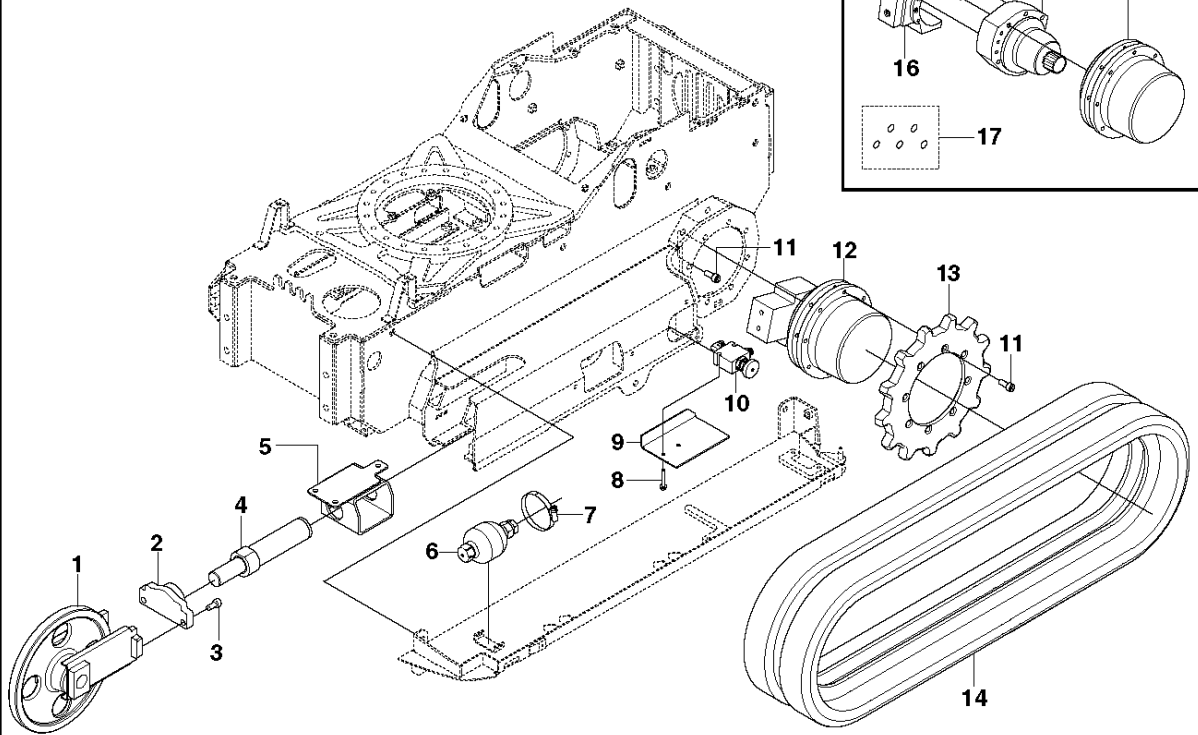
## TOOLS

DXR140, Valid for machine 1 and forward, 2013-08

Ref	Part No	Description	Remark	QTY	KIT
1	525 47 67-01	ARM		1	
2	504 89 53-01	LUBRICATION NIPPLE		2	
3	525 76 27-01	SHAFT		1	
4	522 84 11-01	SLEEVE		2	3
5	505 25 08-01	BEARING BUSH		6	1
6	582 60 61-01	LOOSE PARTS KIT		1	11
6	576 45 62-01	KIT	valid for old tool hitch	1	11
7	588 93 82-01	COTTER		1	11
7	505 32 30-01	CLIP	valid for old tool hitch	1	11
	522 70 65-01	SCREW IHSETM	valid for old tool hitch	4	11
9	586 37 71-01	WEDGE		1	11
9	505 32 26-01	WEDGE	valid for old tool hitch	1	11
10	579 67 82-01	SHAFT		1	
10	525 84 51-01	SHAFT	valid for old tool hitch	2	
11	588 97 89-01	HITCH		1	
11	575 88 44-01	HITCH	valid for old tool hitch	1	

# B2 Hydraulic track tension

DXR 140





## TRACK SYSTEM

DXR140, Valid for machine 1 and forward, 2013-08

Ref	Part No	Description	Remark	QTY	KIT
1	525 80 09-01	TENSION ROLLER		2	
2	579 31 77-01	PLATE		2	
3	725 54 95-01	SCREW IHSCM		4	
4	505 26 74-01	CYLINDER		2	
5	575 38 91-01	TUBE		1	
5	575 38 96-01	TUBE		1	
6	575 59 56-01	ACCUMULATOR		1	
7	575 61 14-01	HOSE CLAMP		1	
8	522 70 70-01	SCREW EHHFM		2	
9	575 39 13-01	PROTECTION		1	
10	575 59 66-01	CONTROL VALVE		1	
11	501 06 21-01	SCREW IHSCM		16	
12	574 70 11-01	DRIVE MOTOR		2	
13	525 79 75-01	SPROCKET		2	
14	579 32 84-01	RUBBER TRACKS		2	
15	725 54 67-51	SCREW IHSCM		4	
16	522 96 49-01	VALVE KIT		2	
17	522 96 50-01	SEAL		2	10
18	725 54 61-51	SCREW IHSCM		14	
18	725 54 57-51	SCREW IHSCM		8	
19	576 29 52-01	HYDRAULIC MOTOR		2	
20	522 96 48-01	GEARBOX		2	
21	522 85 76-01	SEAL		2	
22	574 71 77-01	TUBE	LH	1	
22	574 71 79-01	TUBE	RH	1	
23	575 29 29-01	NUT		2	
24	575 29 31-01	SCREW EHHM		2	