

**Operator's manual Manuel d'utilisation
Instruções para o uso Οδηγίες χρήσεως**

DCR300

DCR100



GB ES PT GR

Please read the operator's manual carefully and make sure you understand the instructions before using the machine.

Lea detenidamente el manual de instrucciones y asegúrese de entender su contenido antes de utilizar la máquina.

Leia as instruções para o uso com toda a atenção e compreenda o seu conteúdo antes de fazer uso da máquina.

Διαβάστε προσεκτικά τις Οδηγίες χρήσεως και κατανοήστε το περιεχόμενο πριν χρησιμοποιήσετε το μηχάνημα.

KEY TO SYMBOLS

Symbols on the machine:

WARNING! The machine can be a dangerous tool if used incorrectly or carelessly, which can cause serious or fatal injury to the operator or others.



Please read the operator's manual carefully and make sure you understand the instructions before using the machine.



Wear personal protective equipment. See instructions under the "Personal protective equipment" heading.



WARNING! Risk of crush injuries! There is always a risk of crush injuries when working with products containing moving parts.



WARNING! Hot surface.



WARNING! Watch out for demolition material becoming loose when cutting. Use personal safety equipment and keep your distance.



WARNING! Hydraulic pressure even when machine is shut off. Check operator's manual before service.



The lifting equipment must be attached at all the machine's lifting points.



This product is in accordance with applicable EC directives.



Environmental marking. Symbols on the product or its packaging indicate that this product cannot be handled as domestic waste. It must instead be submitted to an appropriate recycling station for the recovery of electrical and electronic equipment.



By ensuring that this product is taken care of correctly, you can help to counteract the potential negative impact on the environment and people that can otherwise result through the incorrect waste management of this product.

For more detailed information about recycling this product, contact your municipality, your domestic waste service or the shop from where you purchased the product.

Other symbols/decals on the machine refer to special certification requirements for certain markets.

Explanation of warning levels

The warnings are graded in three levels.

WARNING!



WARNING! Used if there is a risk of serious injury or death for the operator or damage to the surroundings if the instructions in the manual are not followed.

CAUTION!



CAUTION! Used if there is a risk of injury to the operator or damage to the surroundings if the instructions in the manual are not followed.

NOTICE!



NOTICE! Used if there is a risk of damage to materials or the machine if the instructions in the manual are not followed.

CONTENTS

Contents

KEY TO SYMBOLS

Symbols on the machine:	2
Explanation of warning levels	2

CONTENTS

Contents	3
----------------	---

PRESENTATION

Dear Customer,	4
Design and features	4
Applications	4

PRESENTATION

What is what on the tool?	5
---------------------------------	---

PRESENTATION

What is what on the tool?	6
---------------------------------	---

ASSEMBLING AND ADJUSTMENTS

General	7
Mount tool on machine	7
Connect the hydraulic hoses	7
Disconnect the hydraulic hoses	7
Adjusting movable jaws	7

OPERATING

Protective equipment	8
General safety precautions	8
Work safety	9

MAINTENANCE

General	11
Maintenance schedule	11
Cleaning	11
General inspection	11
Cutters for reinforcing bar	11
Lubrication	12
Jaws	12
Long-term storage	12
Worn product	12
Troubleshooting schedule	13

TECHNICAL DATA

Technical data	14
EC Declaration of Conformity	15

PRESENTATION

Dear Customer,

Thank you for choosing a Husqvarna product!

It is our wish that you will be satisfied with your product and that it will be your companion for a long time. A purchase of one of our products gives you access to professional help with repairs and services. If the retailer who sells your machine is not one of our authorised dealers, ask him for the address of your nearest service workshop.

This operator's manual is a valuable document. Make sure it is always at hand at the work place. By following its content (using, service, maintenance etc) the life span and the second-hand value of the machine can be extended. If you will sell this machine, make sure that the buyer will get the operator's manual.

More than 300 years of innovation

Husqvarna AB is a Swedish company based on a tradition that dates back to 1689, when the Swedish King Charles XI ordered the construction of a factory for production of muskets. At that time, the foundation was already laid for the engineering skills behind the development of some of the world's leading products in areas such as hunting weapons, bicycles, motorcycles, domestic appliances, sewing machines and outdoor products.

Husqvarna is the global leader in outdoor power products for forestry, park maintenance and lawn and garden care, as well as cutting equipment and diamond tools for the construction and stone industries.

Owner responsibility

It is the owner's/employer's responsibility that the operator has sufficient knowledge about how to use the machine safely. Supervisors and operators must have read and understood the Operator's Manual. They must be aware of:

- The machine's safety instructions.
- The machine's range of applications and limitations.
- How the machine is to be used and maintained.

National legislation could regulate the use of this machine. Find out what legislation is applicable in the place where you work before you start using the machine.

The manufacturer's reservation

Subsequent to publishing this manual Husqvarna may issue additional information for safe operation of this product. It is the owner's duty to keep up with the safest methods of operation.

Husqvarna AB has a policy of continuous product development and therefore reserves the right to modify the design and appearance of products without prior notice.

Design and features

Values such as high performance, reliability, innovative technology, advanced technical solutions and environmental considerations distinguish Husqvarna's products. Safe operation of this product requires the operator to read this manual carefully. Ask your dealer or Husqvarna should you need more information.

Some of the unique features of your product are described below.

Replaceable, double sided cutters for reinforcing bar

When worn on one side the cutters can be rotated 180° for a new sharp edge. When worn on both sides, the cutter can be replaced.

Adjustable jaws (DCR100)

The jaws can be adjusted for cutting material with a thickness of 31 mm to 430 mm.

Replaceable tips (DCR300)

The tips can be removed for welding work or replaced if worn out.

Applications



WARNING! It is prohibited to use the tool for lifting, pushing, pulling, hammering or carrying any kind of material.

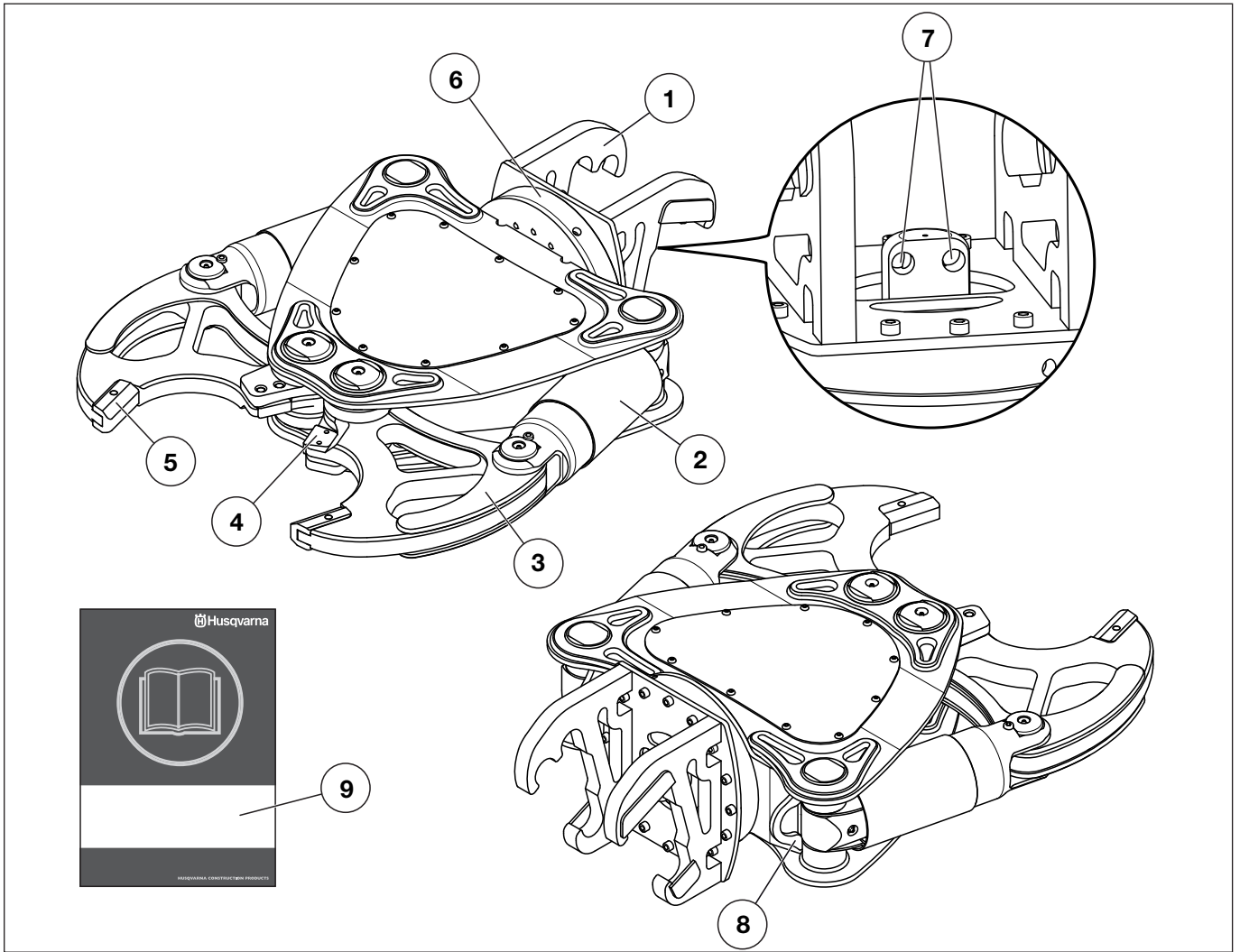
The tool is intended to be mounted on a machine for carrying out demolition of concrete constructions, such as walls, ceilings and floors.

The tools are only to be used together with the machines listed below.

	DCR300	DCR100
DXR 310	X	
DXR300	X	
DXR270	X	
DXR 250	X	
DXR 140		X

The machine is intended for use in industrial applications by experienced operators.

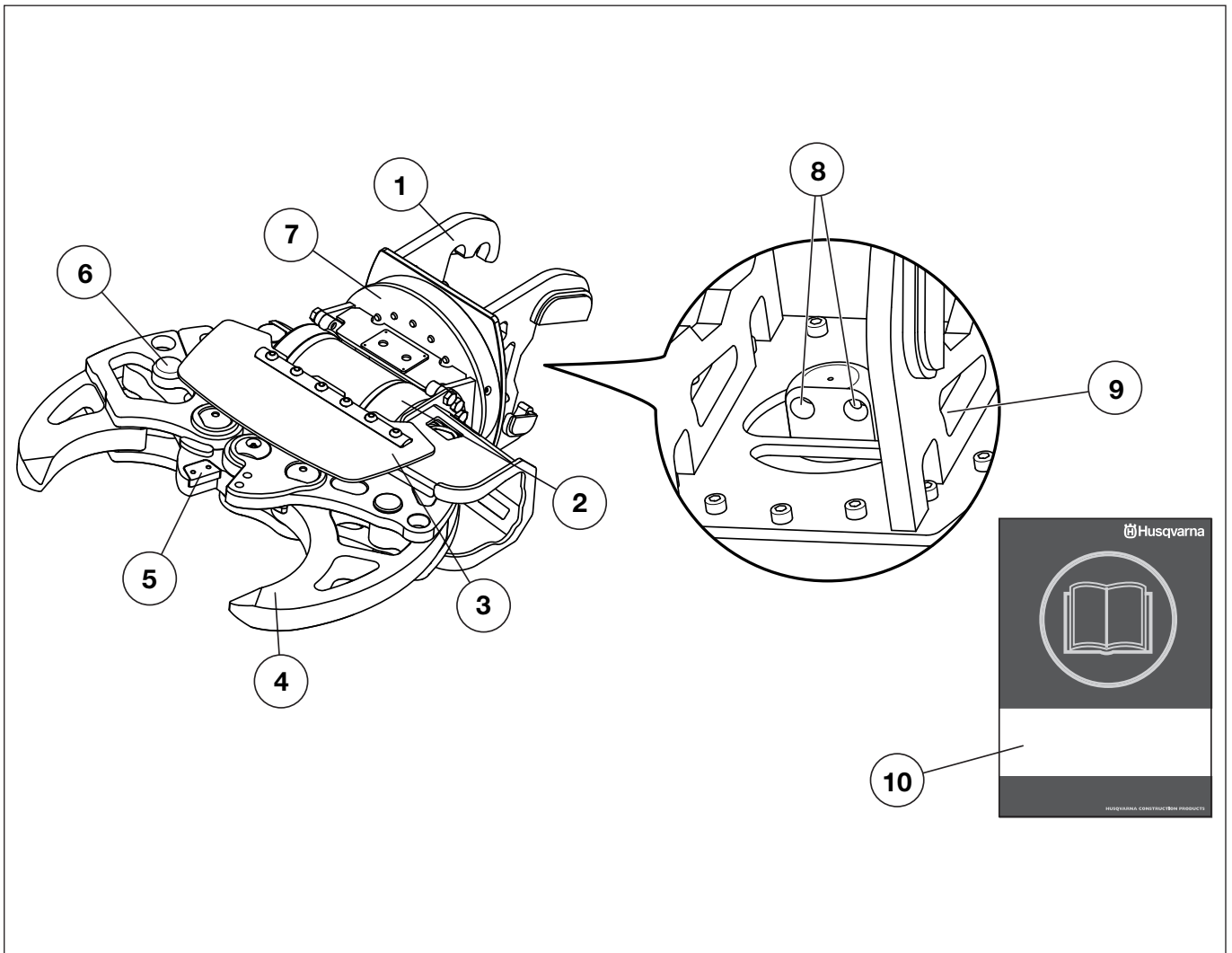
PRESENTATION



What is what on the tool? (DCR300)

- | | |
|-------------------------------|---------------------------|
| 1 Tool attachment | 6 360° freewheel bearings |
| 2 Cylinder | 7 Hydraulic connections |
| 3 Jaws | 8 Lifting point |
| 4 Cutters for reinforcing bar | 9 Operator's manual |
| 5 Tips | |

PRESENTATION



What is what on the tool? (DCR100)

- | | | | |
|---|-----------------------------|----|-------------------------|
| 1 | Tool attachment | 6 | Jaws adjustment pins |
| 2 | Cylinder | 7 | 360° freewheel bearings |
| 3 | Protection shield | 8 | Hydraulic connections |
| 4 | Jaws | 9 | Lifting point |
| 5 | Cutters for reinforcing bar | 10 | Operator's manual |

ASSEMBLING AND ADJUSTMENTS

General



WARNING! Ensure that the tool is correctly and securely fitted. If a tool unexpectedly comes loose it can cause personal injury.

Ensure that the tool's and the machine's performance (weight, hydraulic pressure, flow etc) are compatible.

Prevent dirt from entering the hydraulic system by:

- Wiping dirt off the couplings before assembling or dismantling.
- Placing dust guards on the machine's hydraulic couplings when no tool is mounted.
- Ensuring that the tool's hoses are always connected together when the tool is not connected to the machine.

Mount tool on machine

- See the operator's manual for the demolition machine for instructions.

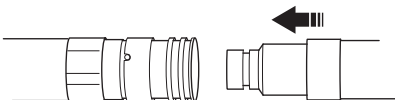
Connect the hydraulic hoses



CAUTION! Pipe and hose couplings can remain pressurized despite the motor being switched off and the power cable disconnected. It must always be assumed that hydraulic hoses are pressurized and they must be opened with great care. Relieve the pressure on the arm system by resting it on the ground and turn off the electric motor before undoing the hoses. Take great care when undoing connections and use appropriate personal protective equipment.

The hydraulic hoses are equipped with quick couplings with decompression. This facilitates fitting the hoses even though pressure is trapped.

- Connect the male connection on the tool to the female connection on the machine. The nut should snap when properly mounted. The couplings are locked by turning the outer sleeve on the female coupling so that the slot moves away from the ball.



- Connect the female connection on the tool to the male connection on the machine.
- Start the motor.
- Open and close the jaws 5-6 times.
- Turn off the motor. Turn the main switch to the "0"-position.
- Check for leaks.

Disconnect the hydraulic hoses

- Open the jaws to the maximum to retract the hydraulic cylinders completely.
- Turn off the motor.
- Rotate the outer sleeve so that the slot coincides with the ball and push towards the ball to disconnect the connection.
- Remove the tool from the machine. See the operator's manual for the demolition machine for instructions.

Adjusting movable jaws (DCR100)

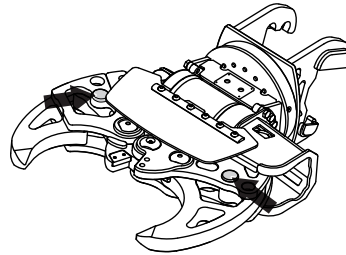


CAUTION! Always adjust the movable jaws so that their position is in line with the vertical axis of the crusher.

It is possible to adjust the opening of the jaws by moving the position of the pins in two different slots.

The jaws can be adjusted for cutting material with a thickness of 31 mm to 430 mm.

- Insert the pin unlocking wrench and push until the pin unhooks. Extract the pin.



- Move the jaw to the desired position. Align the holes and insert the pin.

OPERATING

Protective equipment

General

- Do not use the machine unless you are able to call for help in the event of an accident.

Personal protective equipment

You must use approved personal protective equipment whenever you use the machine. Personal protective equipment cannot eliminate the risk of injury but it will reduce the degree of injury if an accident does happen. Ask your dealer for help in choosing the right equipment.



WARNING! When in use, the machine can generate dust and fumes that can contain harmful chemicals. Know the nature of the material being worked on and wear appropriate dust mask or respirator protection. A face mask is especially important when working indoors due to the limited ventilation. In some situations it can also be suitable to apply water in order to decrease the dust.

Long-term exposure to noise can result in permanent hearing impairment. So always use approved hearing protection. Listen out for warning signals or shouts when you are wearing hearing protection. Always remove your hearing protection as soon as the engine stops.

Chemicals such as degreasing agent, grease and hydraulic fluid can give rise to allergies in conjunction with repeated skin contact. Avoid contact with the skin, use protective equipment.

When in use, the machine can generate dust and fumes that can contain harmful chemicals. Know the nature of the material being worked on and wear appropriate dust mask or respirator protection.

A face mask is especially important when working indoors due to the limited ventilation. In some situations it can also be suitable to apply water in order to decrease the dust.

Always wear:

- Approved protective helmet
- Hearing protection
- Approved eye protection. If you use a face shield then you must also wear approved protective goggles. Approved protective goggles must comply with standard ANSI Z87.1 in the USA or EN 166 in EU countries. Visors must comply with standard EN 1731.
- Breathing mask
- Heavy-duty, firm grip gloves.
- Tight-fitting, heavy-duty and comfortable clothing that permits full freedom of movement.
- Boots with steel toe-caps and non-slip sole.

Be careful as clothing, long hair, and jewellery can get caught in moving parts.

Other protective equipment



CAUTION! Sparks may appear and start a fire when you work with the machine. Always keep fire fighting equipment handy.

- Fire Extinguisher
- Always have a first aid kit nearby.
- Use an approved lifting device to secure and lift heavy machine parts.

General safety precautions



WARNING! Read all safety warnings and all instructions. Failure to follow the warnings and instructions may result in electric shock, fire and/or serious injury.

This section describes basic safety directions for using the machine. This information is never a substitute for professional skills and experience.

- Please read the operator's manual carefully and make sure you understand the instructions before using the machine. **Save all warnings and instructions for future reference.**
- This machine is used in combination with other products. Please read the manual provided with the products carefully and make sure you understand the instructions before using the machine.
- Keep in mind that it is you, the operator that is responsible for not exposing people or their property to accidents or hazards.
- All operators shall be trained in the use of the machine. The owner is responsible for ensuring that the operators receive training.
- The machine must be kept clean. Signs and stickers must be fully legible. Replace all worn or damaged decals.



WARNING! The machine can be a dangerous tool if used incorrectly or carelessly, which can cause serious or fatal injury to the operator or others.

Never allow children or other persons not trained in the use of the machine to use or service it. Never allow anyone else to use the machine without first ensuring that they have read and understood the contents of the operator's manual.

Never use the machine if you are fatigued, while under the influence of alcohol or drugs, medication or anything that could affect your vision, alertness, coordination or judgement.



WARNING! Unauthorized modifications and/or accessories may lead to serious injury or death to the user or others.

Do not modify this product or use it if it appears to have been modified by others. Never use a machine that is faulty. Carry out the safety checks, maintenance and service instructions described in this manual. Some maintenance and service measures must be carried out by trained and qualified specialists. See instructions under the Maintenance heading.

Always use genuine accessories.

Always use common sense

It is not possible to cover every conceivable situation you can face. Always exercise care and use your common sense. If you get into a situation where you feel unsafe, stop and seek expert advice. Contact your dealer, service agent or an experienced user. Do not attempt any task that you feel unsure of!

OPERATING

Work safety

Work area safety

The machine's risk area

Nobody is permitted to be within the machine's risk area when work is underway. This also applies for the operator.

The working area is limited by the machine's reach, however, the risk area varies depending on working method, work object, surface etc. Study possible risks before starting work. If conditions change during the course of the work, the risk area must be redefined.

Workplace

- Define and cordon off the risk area. Nobody is permitted to be within the machine's risk area when work is underway.
- Ensure that the working area is sufficiently illuminated to create a safe working environment.
- The machine can be remote controlled over long distances. Do not operate the machine unless you have clear supervision of the machine and its risk area.
- Never start working with the machine until the working area has been cleared of obstacles.
- Be on the alert when working in environments where there is a substantial risk of slipping due to unevenness, loose material, oil, ice or suchlike.
- Inspect ground conditions, load-bearing structures etc. to prevent materials, machines and staff falling and deal with any risks there might be before starting work.
- When working at a height, for instance on roofs, platforms and the like, increase the size of the risk area. Define and cordon off the risk area at ground level and ensure that no material can fall down and cause injury.
- Do not use the machine in environments where there is a risk of explosion. Take the risk of spark formation into account when working in flammable environments.
- Always check and mark where electricity cables and pipelines are routed.
- The air in confined spaces can rapidly become harmful to health due to, for example, dust and gases. Use protective equipment and ensure that there is satisfactory ventilation.

Personal safety

- Never use the machine if you are tired, if you have drunk alcohol, or if you are taking medication that could affect your vision, your judgement or your co-ordination.
- Wear personal protective equipment. See instructions under the "Personal protective equipment" heading.
- An incorrect manoeuvre or unforeseeable incident can result in collapse. Never stand underneath the work object.
- Never stand where there is a risk of being crushed. The machine can rapidly change position. Never stand underneath a raised arm, even if the machine is turned off.
- Reduce the risk when working alone by making sure that an emergency alarm is available via mobile phone or other equipment.
- People and animals can distract you causing you to lose control of the machine. For this reason, always remain concentrated and focused on the task. Never allow children to operate the machine.
- Always work in a manner that permits easy access to the emergency stop.

Hydraulic safety

- Risk of burn. The hydraulic oil, the hoses and the connections can reach very high temperatures with or without the tool connected. Use appropriate personal protective equipment.
- Before performing operations on the hydraulic system, wait until the machine has cooled down.
- Check that all couplings, connections and hydraulic hoses are in full working order.
- Keep the hydraulic hoses and couplings free from dirt.
- Do not misuse hoses.
- Do not use hoses that are distorted, worn or damaged.
- Check that none of the hoses are rubbing against sharp edges. Be alert to the risk of abrasive jets.
- Adjust the length of hydraulic hoses so that they are never entirely stretched.
- Ensure that the hose is not twisted during mounting.
- Avoid severe bends in the hose.
- Check that the hoses are connected correctly to the machine and that the hydraulic couplings lock as intended before pressurising the hydraulic system. The couplings are locked by turning the outer sleeve on the female coupling so that the slot moves away from the ball. The pressure hoses in the system must always be connected to the tool's intake. The return hoses in the system must always go to the tool's outlet. Confusing the connections can cause the tool to work in reverse, which can result in personal injury.
- Check for leakage at the hose connectors, couplings and cylinders. A rupture or leak can cause a "hydraulic oil injection" in the body or result in other serious physical injury.
- Do not check for leakage with your hands. Contact with the leak can result in serious personal injury caused by the high pressure in the hydraulic system.
- Do not exceed the specified hydraulic oil flow or pressure for the tool being used. Excessive pressure or flow can result in rupturing.

OPERATING

Use with the tool mounted on the machine

- Never leave the machine unsupervised with the motor running.
- Always switch off the machine before you move it.
- Always unplug the machine during longer work breaks.
- Check that all couplings, connections and cables are intact and free from dirt. If an emergency situation should arise anyway, push the red emergency stop button.
- Keep all parts in good working order and ensure that all fixtures are properly tightened.
- The user must only carry out the maintenance and service work described in this Operator's Manual. More extensive work must be carried out by an authorized service workshop.
- Use personal protective equipment as well as equipment to mechanically secure machine components during maintenance and service.
- If service operations or trouble shooting does not require the machine to be switched on, the power cable must be removed and positioned so that it cannot be connected by mistake.
- Pipe and hose couplings can remain pressurized despite the motor being switched off. Always work on the assumption that the hoses are under pressure when dismantling. Take great care when undoing connections and use appropriate personal protective equipment.
- Use an approved lifting device to secure and lift heavy machine parts.
- Several components heat up during work with the machine. Do not commence any servicing or maintenance tasks until the machine has cooled.
- When work is finished, operate the arm to rest against the ground before turning off the machine.

Transport and storage

Lifting the tool

- When lifting the tool there is a risk of injuring persons or damaging the machine or the surroundings. Define the risk area and check that nobody is present within the area when lifting.
- Use an approved lifting device to secure and lift heavy machine parts.
- The lifting equipment must be attached at all the machine's lifting points.

Securing the load

- Fix the tool on a pallet and handle with a forklift.
- Secure the equipment during transportation in order to avoid transport damage and accidents.

Transport

- For transport of short distances the tool can be transported at low speed while mounted on the machine. Retract the arm system. The centre of gravity must be as close to the machine's centre as possible.
- When loading or unloading using a ramp the tool must be removed from the machine.

Storage

- Remove the tool from the machine.
- Store the tools safely and inaccessible to unauthorised people. Ensure that they are in a stable position and cannot tip over. If tools are placed high up or on a slope they must be secured so that they cannot be put into motion or fall. Protect the tools' hydraulic couplings against dirt and damage.
- Store the equipment in a lockable area so that it is out of reach of children and unauthorized persons.
- Store the machine and its equipment in a dry and frost proof place.

MAINTENANCE

General



WARNING! The user must only carry out the maintenance and service work described in this Operator's Manual. More extensive work must be carried out by an authorized service workshop.

All operations described in this section must be performed with the tool dismantled from the machine and positioned on the ground.

Use personal protective equipment as well as equipment to mechanically secure machine components during maintenance and service.

The life span of the machine can be reduced and the risk of accidents can increase if machine maintenance is not carried out correctly and if service and/or repairs are not carried out professionally. If you need further information please contact your nearest service workshop.

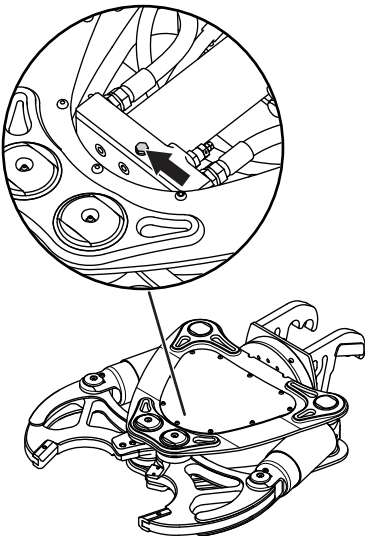
- Let your Husqvarna dealer regularly check the machine and make essential adjustments and repairs.

DCR300



CAUTION! Before performing any type of service, the residual hydraulic pressure has to be discharged.

- Open the jaws to the maximum to retract the hydraulic cylinders completely.
- Remove the screw to discharge the residual hydraulic pressure.



Maintenance schedule

In the maintenance schedule you can see which parts of your machine that require maintenance, and with which intervals it should take place. The intervals are calculated based on daily use of the machine, and may differ depending on the rate of usage.

Daily maintenance	Weekly maintenance
Cleaning	Jaws
General inspection	
Cutters for reinforcing bar	
Lubrication	

Cleaning

- Clean with a rag or brush.
- The tool can be cleaned more thoroughly by washing it with water and detergent.

General inspection

- Check the tool for damage and wear.
- Check that all couplings, connections and hydraulic hoses are in full working order. Replace if necessary.
- Check the tightening of the bolts that fix the shear blades with a dynamometric wrench.

Cutters for reinforcing bar

- When worn on one side the cutters can be rotated 180° for a new sharp edge. When worn on both sides, the cutter can be replaced. Always use genuine parts.
- Check the cutters. Never use cutters that are cracked or damaged.

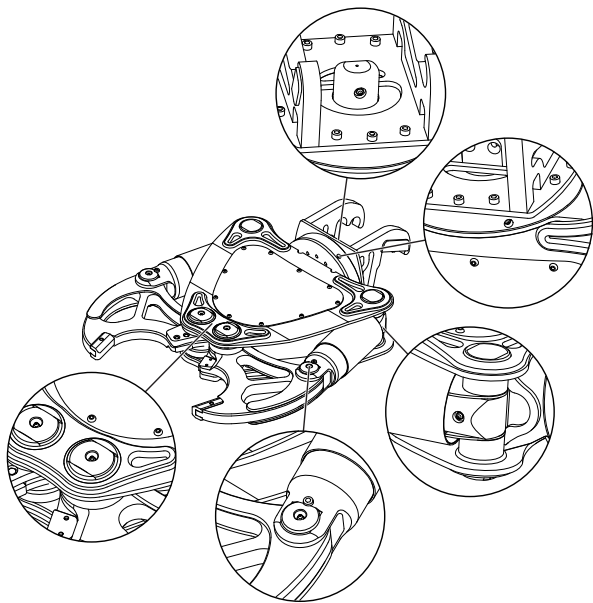
NOTICE! Damaged cutters can cause damage to the tool. Never use cutters that are cracked or damaged.

MAINTENANCE

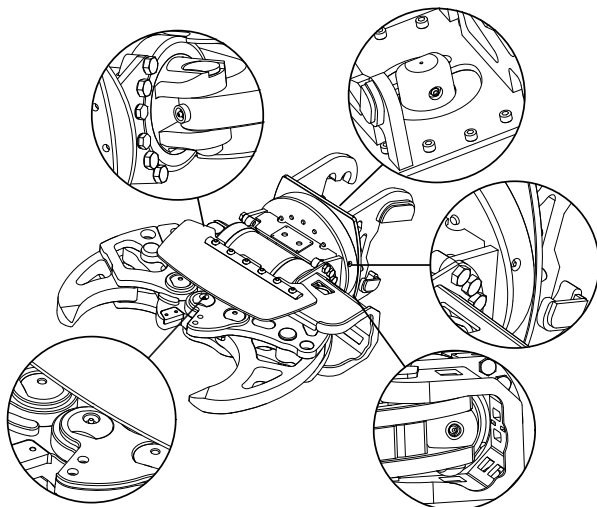
Lubrication

The greasing points are indicated with a red circle. Replace damaged nipples.

DCR300



DCR100



Jaws



CAUTION! The dismantling and mounting of the main pivots of the jaws has to be carried out by an authorized service workshop.

Check the wear of the crushing surfaces on the jaws and add filling material if necessary.

- Before adding filling material, remove all remains of paint, as these can cause development of toxic gases.
- Preheat the surface up to 150-200 °C.
- After adding filling material, let cool slowly to room temperature.

Recommended welding wire

- ESAB OK 83.30 DIN 8555-E1 300
- ESAB OK 83.50 DIN 8555-E6-55
- SIEV-FRO B-500
- SIEV-FRO B-600

Replaceable tips (DCR300)

The tips can be removed for welding work or replaced if worn out.

Long-term storage

Ensure the machine is cleaned and that a complete service is carried out before long-term storage.

Worn product

This machine has the prerequisites to last for many years. This minimizes the machine's environmental impact. Perform service and maintenance according to the instructions in this manual. This way the engine will last longer and the hazardous emissions are minimized.

When the machine is worn out it should be disposed of for recycling or scrapping.

Follow local regulations for disposal and recycling.

MAINTENANCE

Troubleshooting schedule



WARNING! Most accidents involving machines occur during trouble shooting, service and maintenance as staff have to locate themselves within the machine's risk area. Prevent accidents by being alert and by planning and preparing the work.

If service operations or trouble shooting does not require the machine to be switched on, the power cable must be removed and positioned so that it cannot be connected by mistake.

Problem	Cause	Possible action
Reduced performance	Insufficient hydraulic flow and/or hydraulic pressure.	Make sure that all hydraulic hoses and connections are intact and correctly connected.
		Fault in the hydraulic system.*
Vibrations	Screws and bolts loose or missing.	Check tightening torque of the screws or bolts. Replace missing screws.*
The crusher does not open/close.	Hydraulic flow and/or hydraulic pressure missing.	Fault in the hydraulic system.*
The manoeuvring of the scissors is reversed	Reverse delivery and return hose.	Connect inlet hose to the tool's intake and the return hose to the tool's outlet.
Oil leak	Loose connections.	Tighten the connections.
	Damaged hoses or couplings.*	Replace damaged hoses or couplings.*

*Conducted by authorised service workshop.

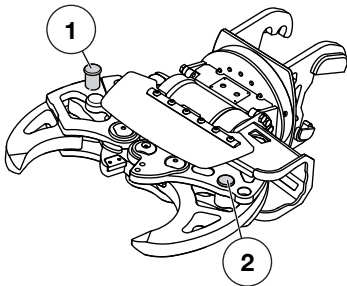
TECHNICAL DATA

Technical data

	DCR300	DCR100
Weight with connection plate and hoses, kg (lb)	274 (604)	192 (432)
Suitable carrier	DXR310 / DXR300 / DXR270 / DXR250	DXR 140
Hydraulic System		
Max. incoming pressure, bar (psi)	200 (2900)	200 (2900)
Operating pressure, bar (psi)	500 (7250)	200 (2900)
Max. flow, l/min (gal/min)	100 (26)	55 (15)
Dimensions		
Height with connection plate, mm (inch)	1125 (44 1/4)	1000 (39 1/2)
Width, mm (inch)	883 (34 3/4)	730 (28 3/4)
Depth, mm (inch)	330 (13)	330 (13)
Max. distance between tips, mm (inch)	430 (17)	425 (16 3/4) ¹
Min. distance between tips, mm (inch)	25 (1)	25 (1) ²
Rotation angle	Free rotation 360°	Free rotation 360°

¹Pins in outer position (1).

²Pins in inner position (2).



Performance

DCR300

Jaws depth, mm (inch)	195 (7 3/4)
Closing time (capacity 65 l/min), s	2,8
Opening time (capacity 65 l/min), s	1,9
Max. power at the tips (in max. opening position, crushing start), kN (t)	440 (45)
Max. rod cutting power, kN (t)	1400 (143)
Max. rod cutting diameter, mm (inch)	30 (1 1/8)

DCR100

Jaws depth, mm (inch)	185 (7 2/8)
Closing time (capacity 52 l/min), s	3,7
Opening time (capacity 52 l/min), s	2,0
Max. power at the tips (in max. opening position, crushing start), kN (t)	335 (34) ¹ / 317 (32) ²
Max. power at the tips (in min. opening position, crushing end), kN (t)	155 (16) ¹ / 159 (16) ²
Max. rod cutting power, kN (t)	920 (94)
Max. rod cutting diameter, mm (inch)	28 (1 1/8)

¹Pins in outer position (1).

²Pins in inner position (2).

TECHNICAL DATA

EC Declaration of Conformity

(Applies to Europe only)

Husqvarna AB, SE-561 82 Huskvarna, Sweden, tel +46-36-146500, declares under sole responsibility that the crusher **Husqvarna DCR300, DCR100** from 2013's serial numbers and onwards (the year is clearly stated in plain text on the rating plate with subsequent serial number), complies with the requirements of the COUNCIL'S DIRECTIVES:

- of May 17, 2006 "relating to machinery" **2006/42/EC**

The following standards have been applied: EN 349, EN 982, EN 12100, EN 13732, EN 13857.

Huskvarna February 6, 2013



Helena Grubb

Vice President, Construction Equipment Husqvarna AB

(Authorized representative for Husqvarna AB and responsible for technical documentation.)

ACLARACIÓN DE LOS SÍMBOLOS

Símbolos en la máquina:

¡ATENCIÓN! La máquina, si se utiliza de forma errónea o descuidada, puede ser una herramienta peligrosa que puede causar daños graves e incluso la muerte al usuario y a otras personas.



Lea detenidamente el manual de instrucciones y asegúrese de entender su contenido antes de utilizar la máquina.



Utilice el equipo de protección personal. Vea las instrucciones bajo el título "Equipo de protección personal".



¡ATENCIÓN! Riesgo de lesiones por aplastamiento. Existe siempre riesgo de accidentes por apriete al trabajar con aparatos con piezas móviles.



¡ATENCIÓN! Superficie caliente.



¡ATENCIÓN! Cuando realice, cortes preste atención al material de demolición que se desprende. Utilice un equipo de seguridad personal y respete las distancias.



¡ATENCIÓN! La máquina conserva la presión hidráulica aunque esté apagada. Lea el manual de instrucciones de la máquina antes de usarla.



El equipo de elevación debe montarse en todos los puntos de elevación de la máquina.



Este producto cumple con la directiva CE vigente.



Etiquetado ecológico. El símbolo en el producto o en su envase indica que no se puede tratar este producto como desperdicio doméstico. Deberá por lo tanto depositarse en un centro de recogida adecuado para el reciclado de equipos eléctricos y electrónicos.



Haciendo que este producto sea manipulado adecuadamente, se ayuda a evitar consecuencias negativas potenciales para el medio ambiente y las personas, lo que puede ocurrir con la manipulación inadecuada como residuos del producto.

Para obtener información más detallada sobre el reciclado de este producto, contacte con la oficina municipal local, con el servicio de eliminación de desperdicios domésticos o con la tienda donde compró el producto.

Los demás símbolos/etiquetas que aparecen en la máquina corresponden a requisitos de homologación específicos en determinados mercados.

Explicación de los niveles de advertencia

Las advertencias se clasifican en tres niveles.

¡ATENCIÓN!



¡ATENCIÓN! Indica un riesgo de daños graves para el usuario o incluso muerte, o bien daños al entorno, si no se siguen las instrucciones del manual.

¡NOTA!



¡NOTA! Indica un riesgo de lesiones para el usuario o daños al entorno si no se siguen las instrucciones del manual.

AVISO

AVISO Indica un riesgo de daños en los materiales o en la máquina si no se siguen las instrucciones del manual.

ÍNDICE

Índice

ACLARACIÓN DE LOS SÍMBOLOS

Símbolos en la máquina:	16
Explicación de los niveles de advertencia	16

ÍNDICE

Índice	17
--------------	----

PRESENTACIÓN

Apreciado cliente:	18
Diseño y funciones	18
Campo de aplicación	18

PRESENTACIÓN

¿Qué es qué en la herramienta?	19
--------------------------------------	----

PRESENTACIÓN

¿Qué es qué en la herramienta?	20
--------------------------------------	----

MONTAJE Y AJUSTES

Generalidades	21
Montaje de la herramienta en la máquina	21
Conexión de las mangueras hidráulicas	21
Desacoplar las mangueras hidráulicas	21
Ajuste de la mordaza móvil	21

FUNCIONAMIENTO

Equipo de protección	22
Instrucciones generales de seguridad	22
Seguridad en el trabajo	23

MANTENIMIENTO

Generalidades	25
Programa de mantenimiento	25
Limpieza	25
Inspección general	25
Cuchillas para la espada de refuerzo	25
Lubricación	26
Mordaza	26
Almacenamiento prolongado	26
Producto desgastado	26
Tabla de localización de fallos	27

DATOS TÉCNICOS

Datos técnicos	28
Declaración CE de conformidad	29

PRESENTACIÓN

Apreciado cliente:

Gracias por elegir un producto Husqvarna.

Esperamos que su máquina le proporcione plena satisfacción y le sirva de ayuda por mucho tiempo en adelante. La adquisición de alguno de nuestros productos da acceso a asistencia profesional con reparaciones y servicio. Si la máquina no fue adquirida en un distribuidor oficial, preguntar en la tienda de compra la dirección del taller de servicio más cercano.

Este manual de instrucciones es un documento importante. Procure tenerlo siempre a mano en el lugar de trabajo. Siguiendo sus instrucciones (de uso, servicio, mantenimiento, etcétera) puede alargar considerablemente la vida útil de la máquina e incrementar su valor de reventa. Si vende su máquina, entregue el manual de instrucciones al nuevo propietario.

Más de 300 años de innovación

La fundación de la empresa sueca Husqvarna AB data del año 1689, cuando el Rey Karl XI encargó la construcción de una fábrica para la fabricación de mosquetes. En ese momento se establecieron los cimientos de la experiencia tecnológica en la que se basan muchos de los productos punteros en el mundo en el sector de las armas de caza, bicicletas, motocicletas, electrodomésticos, máquinas de coser y productos para exteriores.

Husqvarna es líder internacional en productos motorizados para exteriores destinados a la silvicultura, el mantenimiento de parques y el cuidado del césped y del jardín, así como equipos de corte y herramientas de diamante para el sector de la construcción y la piedra.

Responsabilidad del propietario

El propietario / empresario es el responsable de asegurarse de que el usuario tiene los conocimientos necesarios para utilizar la máquina con seguridad. Los supervisores y los usuarios deben haber leído y entendido el manual de instrucciones. Deben tener conocimiento de lo siguiente:

- Las instrucciones de seguridad de la máquina.
- Las aplicaciones y las limitaciones de la máquina.
- El modo de uso y de mantenimiento de la máquina.

La utilización de esta máquina podría estar regulada por la legislación nacional vigente. Infórmese sobre la legislación vigente en el lugar donde trabaja antes de empezar a utilizar la máquina.

Los derechos que se reserva el fabricante.

Tras la publicación de este manual, Husqvarna podría publicar información adicional para el funcionamiento seguro de este producto. Es responsabilidad del propietario mantenerse informado de los métodos de funcionamiento más seguros.

Husqvarna AB trabaja constantemente para perfeccionar sus productos y se reserva, por lo tanto, el derecho a introducir modificaciones en la construcción y el diseño sin previo aviso.

Diseño y funciones

El alto rendimiento, la fiabilidad, la tecnología innovadora, las soluciones técnicas avanzadas y el respeto medioambiental son los valores que caracterizan a los productos de Husqvarna. El usuario debe leer este manual detenidamente para garantizar un funcionamiento seguro del producto. Póngase en contacto con su concesionario o con Husqvarna si necesita más información.

A continuación se describen algunas de las características únicas de su producto.

Cuchillas de repuesto de dos caras para la espada de refuerzo

Cuando las cortadoras están desgastadas por una cara, puede girarlas 180° para trabajar con un nuevo extremo afilado. Cuando ambas caras estén desgastadas, debe sustituir la cortadora.

Mordaza ajustable (DCR100)

La mordaza puede ajustarse para cortar grosores de 31 mm a 430 mm.

Puntas de repuesto (DCR300)

Las puntas pueden eliminarse para el trabajo de soldadura o sustituirse si están desgastadas.

Campo de aplicación



¡ATENCIÓN! Está prohibido utilizar la herramienta para elevar, empujar, tirar, golpear o transportar cualquier tipo de material.

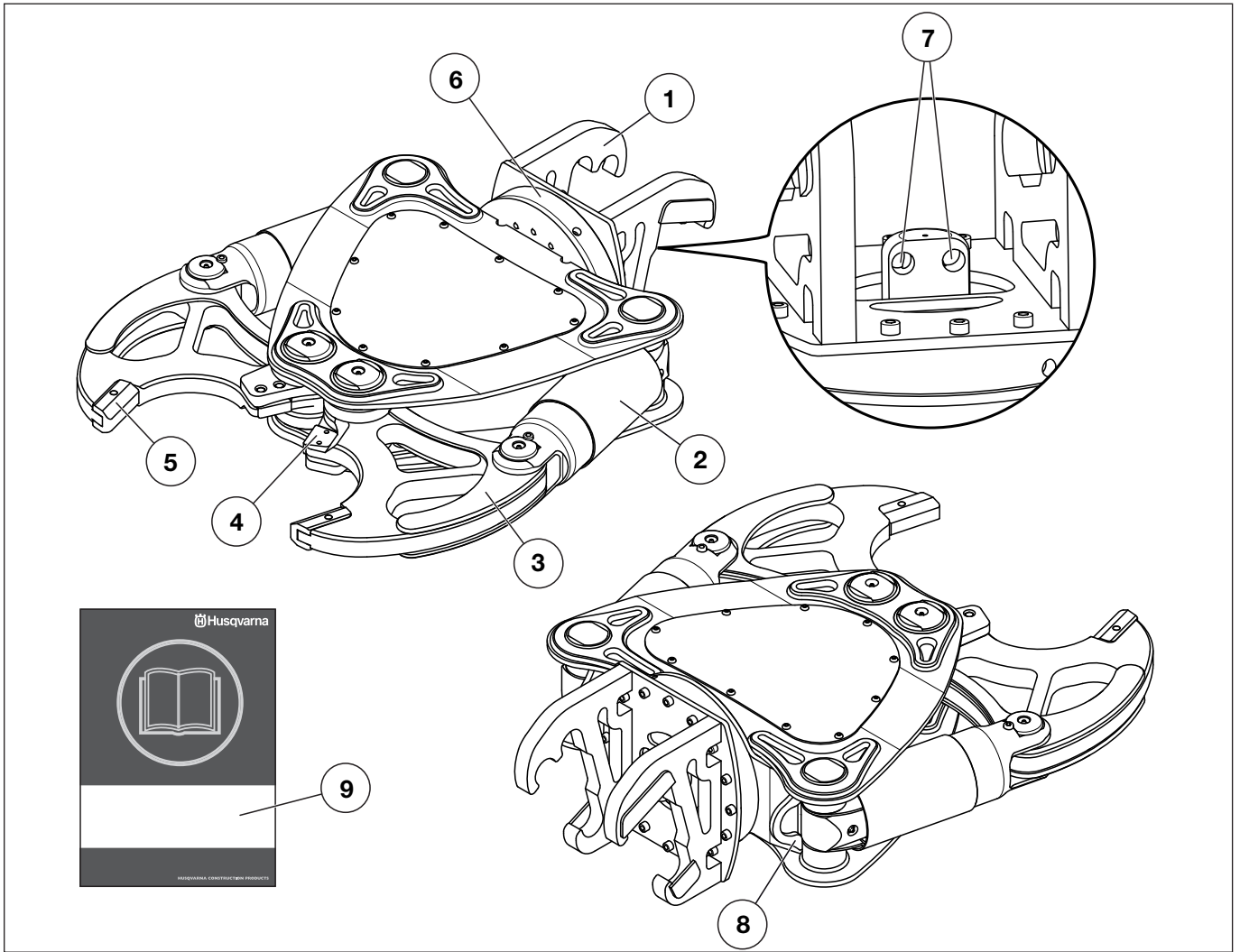
La herramienta, una vez montada en una máquina, está diseñada para derrumbar construcciones de hormigón, como paredes, techos y suelos.

Las herramientas solo se pueden utilizar en las siguientes máquinas:

	DCR300	DCR100
DXR 310	X	
DXR300	X	
DXR270	X	
DXR 250	X	
DXR 140		X

La máquina está destinada al uso por operadores experimentados, en aplicaciones industriales.

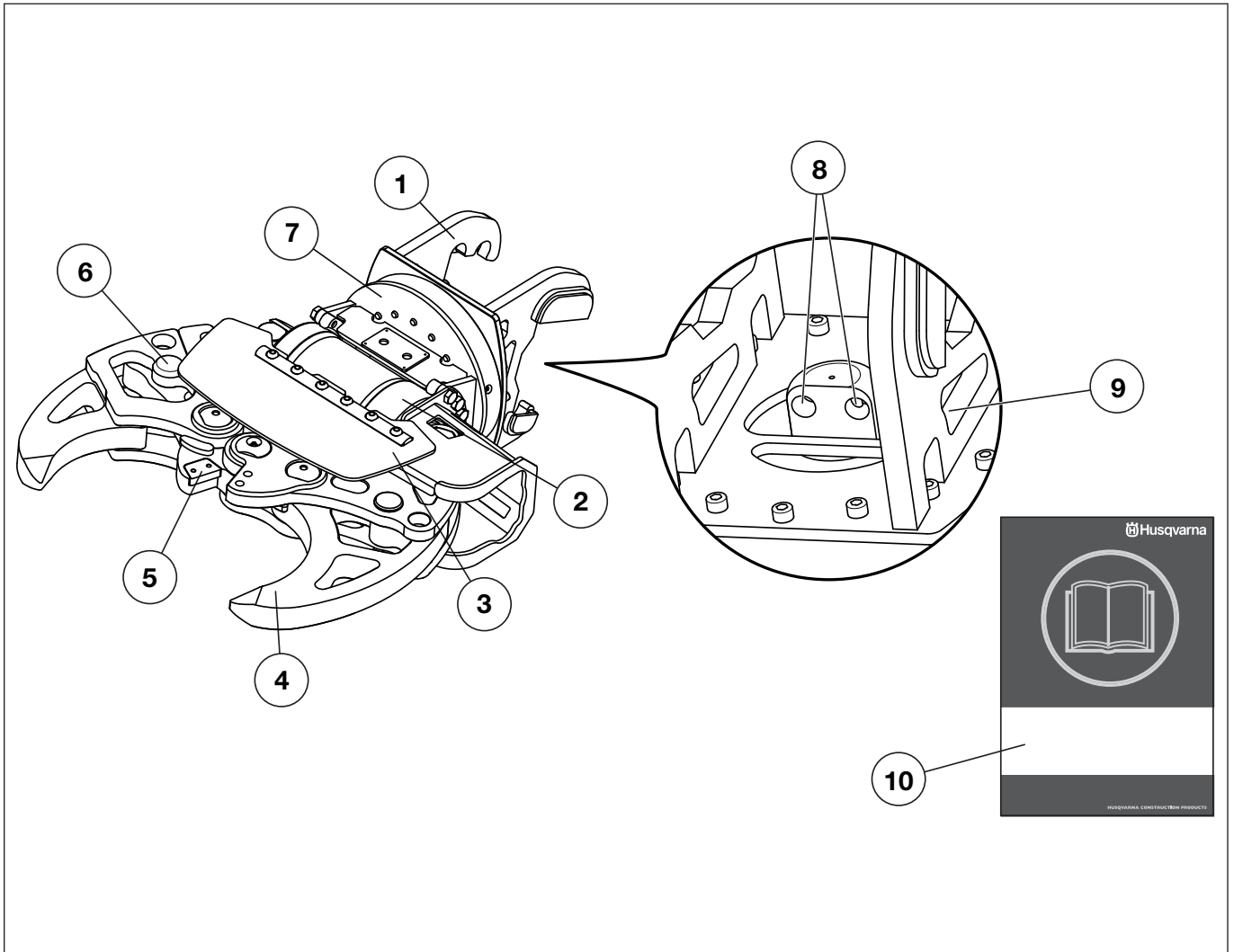
PRESENTACIÓN



¿Qué es qué en la herramienta? (DCR300)

- | | |
|--|------------------------------------|
| 1 Acoplamiento de la herramienta | 6 Cojinetes de rueda libre de 360° |
| 2 Cilindro | 7 Conexiones hidráulicas |
| 3 Mordaza | 8 Punto de elevación |
| 4 Cuchillas para la espada de refuerzo | 9 Manual de instrucciones |
| 5 Puntas | |

PRESENTACIÓN



¿Qué es qué en la herramienta? (DCR100)

- | | |
|--|------------------------------------|
| 1 Acoplamiento de la herramienta | 6 Clavijas de ajuste de la mordaza |
| 2 Cilindro | 7 Cojinetes de rueda libre de 360° |
| 3 Pantalla protectora | 8 Conexiones hidráulicas |
| 4 Mordaza | 9 Punto de elevación |
| 5 Cuchillas para la espada de refuerzo | 10 Manual de instrucciones |

MONTAJE Y AJUSTES

Generalidades



¡ATENCIÓN! Compruebe que la herramienta se ha montado de forma correcta y segura. Si una herramienta queda suelta puede provocar daños personales.

Asegúrese de que el rendimiento de la herramienta y de la máquina (peso, presión hidráulica, flujo, etc.) son compatibles.

Procure que no entre suciedad en el sistema hidráulico:

- Limpiando la suciedad de los acoplamientos antes del montaje o el desmontaje.
- Colocando protectores de polvo en los acoplamientos hidráulicos de la máquina cuando no haya ninguna herramienta montada.
- Asegurándose de que las mangueras de la herramienta están siempre acopladas cuando la herramienta no está conectada a la máquina.

Montaje de la herramienta en la máquina

- Consulte el manual de instrucciones de la máquina de demolición.

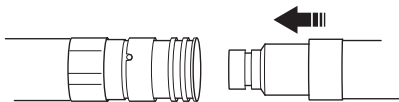
Conexión de las mangueras hidráulicas



¡NOTA! Los acoplamientos de la manguera y el conducto pueden permanecer presurizados aunque el motor esté apagado. El cable de alimentación también puede permanecer desconectado. Tenga siempre en cuenta que las mangueras hidráulicas están presurizadas y ábralas siempre con mucho cuidado. Libere la presión del sistema de brazo colocándolo en el suelo y apague el motor eléctrico antes de desconectar las mangueras. Tenga cuidado cuando desmonte las conexiones y utilice equipos de protección personal apropiados.

Las mangueras hidráulicas están equipadas con acoplamientos de bayoneta con descompresión. Esto facilita el montaje de las mangueras aunque la presión esté retenida.

- Conecte la conexión macho de la herramienta a la conexión hembra de la máquina. La tuerca encajará cuando se haya montado correctamente. Las conexiones se fijan girando el manguito exterior del acoplamiento hembra para apartar la ranura de la bola.



- Conecte la conexión hembra de la herramienta a la conexión macho de la máquina.
- Arranque el motor.
- Abra y cierre la mordaza 5-6 veces.
- Pare el motor. Seleccione la posición «0» del interruptor principal.
- Compruebe que no haya fugas.

Desacoplar las mangueras hidráulicas

- Abra la mordaza al máximo para bajar totalmente los cilindros hidráulicos.
- Pare el motor.
- Gire el manguito externo hasta que la ranura coincida con la bola y empújela para desconectar la conexión.
- Extraiga la herramienta de la máquina. Consulte el manual de instrucciones de la máquina de demolición.

Ajuste de la mordaza móvil (DCR100)

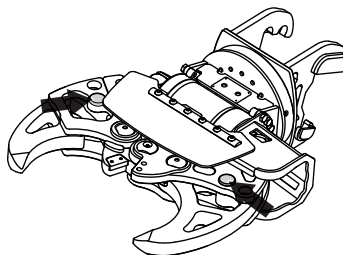


¡NOTA! Ajuste siempre la mordaza móvil para que la posición coincida con el eje vertical de la trituradora.

Coloque las clavijas en una de las dos ranuras para ajustar la apertura de la mordaza.

La mordaza puede ajustarse para cortar grosores de 31 mm a 430 mm.

- Afloje las clavijas con la llave de desbloqueo y retírelas.



- Sitúe la mordaza en la posición deseada. Alinee los agujeros e introduzca la clavija.

FUNCIONAMIENTO

Equipo de protección Generalidades

- No use nunca una máquina si no tiene posibilidad de pedir auxilio si se produce un accidente.

Equipo de protección personal

Para trabajar con la máquina debe utilizarse un equipo de protección personal homologado. El equipo de protección personal no elimina el riesgo de lesiones, pero reduce su efecto en caso de accidente. Pida a su distribuidor que le asesore en la elección del equipo.



¡ATENCIÓN! Cuando la máquina esté en uso puede generar polvo y vapores con productos químicos perniciosos. Averigüe la índole del material de trabajo y utilice una máscara contra polvo o respiratoria adecuada. El uso de una máscara facial es especialmente importante cuando se trabaja en interiores debido a la ventilación limitada. En algunas situaciones también puede ser apropiado aplicar agua para reducir la formación de polvo.

La exposición prolongada al ruido puede causar daños crónicos en el oído. Por consiguiente, use siempre protectores auriculares homologados. Cuando use protección auditiva preste siempre atención a las señales o llamados de advertencia. Sáquese siempre la protección auditiva inmediatamente después de parar el motor.

Las sustancias químicas como agentes desengrasantes, lubricantes y líquidos hidráulicos pueden provocar alergias con el contacto repetido con la piel. Utilice equipos de protección para evitar el contacto con la piel.

Cuando la máquina esté en uso puede generar polvo y vapores con productos químicos perniciosos. Averigüe la índole del material de trabajo y utilice una máscara contra polvo o respiratoria adecuada.

El uso de una máscara facial es especialmente importante cuando se trabaja en interiores debido a la ventilación limitada. En algunas situaciones también puede ser apropiado aplicar agua para reducir la formación de polvo.

Utilice siempre:

- Casco protector homologado
- Protectores auriculares
- Protección ocular homologada. Si se utiliza visor, deben utilizarse también gafas protectoras homologadas. Por gafas protectoras homologadas se entienden las que cumplen con la norma ANSI Z87.1 para EE.UU. o EN 166 para países de la UE. El visor debe cumplir con la norma EN 1731.
- Máscara respiratoria
- Guantes resistentes de agarre seguro.
- Prendas de vestir ceñidas, resistentes y cómodas que permitan una libertad de movimientos total.
- Botas con puntera de acero y suela antideslizante.

Tener en cuenta que las ropas, el pelo largo y las joyas pueden atascarse en piezas móviles.

Otros equipos de protección



¡NOTA! Mientras trabaja con la máquina, pueden producirse chispas que podrían ocasionar un incendio. Tenga siempre a mano herramientas para la extinción de incendios.

- Extintor de incendios
- Tenga siempre a mano el equipo de primeros auxilios.
- Utilice un útil de levantamiento apropiado para fijar y elevar partes pesadas de la máquina.

Instrucciones generales de seguridad



¡ATENCIÓN! Lea todas las advertencias e instrucciones de seguridad. No atender a estas advertencias e instrucciones puede provocar descargas eléctricas, incendios y lesiones graves.

Este apartado trata las normas de seguridad básicas para trabajar con el dispositivo. Esta información no sustituye en ningún caso los conocimientos y la experiencia de un profesional.

- Lea detenidamente el manual de instrucciones y asegúrese de entender su contenido antes de utilizar la máquina. **Conserve todas las advertencias e instrucciones para su consulta.**
- Esta máquina se utiliza en combinación con otros productos. Lea detenidamente el manual que se suministra con los productos y asegúrese de que entiende las instrucciones antes de utilizar la máquina.
- Tenga en cuenta que es usted, como usuario, el responsable de no exponer a riesgos o accidentes a las personas y a su propiedad.
- Todos los operadores deben ser formados en el empleo de la máquina. El propietario es responsable de la formación de los operadores.
- La máquina debe mantenerse limpia. Los letreros y las pegatinas deben ser legibles en su totalidad. Cambiar las etiquetas desgastadas o dañadas.



¡ATENCIÓN! La máquina, si se utiliza de forma errónea o descuidada, puede ser una herramienta peligrosa que puede causar daños graves e incluso la muerte al usuario y a otras personas.

No permita bajo ningún concepto el empleo o mantenimiento de la máquina por los niños u otras personas no instruidas en el manejo de la misma. Nunca deje que terceros utilicen la máquina sin asegurarse primero de que hayan entendido el contenido de este manual de instrucciones.

Nunca utilice la máquina si está cansado, si ha ingerido alcohol o si toma medicamentos que puedan afectar la vista, su capacidad de discernimiento o el control del cuerpo.



¡ATENCIÓN! Las modificaciones y/o el uso de accesorios no autorizados comportan riesgo de daños personales graves y peligro de muerte para el usuario y otras personas.

No modifique nunca esta máquina de forma que se desvíe de la versión original, y no la utilice si parece haber sido modificada por otras personas.

No utilice nunca una máquina defectuosa. Lleve a cabo las comprobaciones de seguridad y siga las instrucciones de mantenimiento y servicio de este manual. Algunas medidas de mantenimiento y servicio deben ser efectuadas por especialistas formados y cualificados. Consulte las instrucciones del apartado Mantenimiento.

Utilizar siempre recambios originales.

Emplee siempre el sentido común

Es imposible abarcar todas las situaciones en las que puede encontrarse. Utilice siempre el equipo con cuidado y sentido común. Si se encuentra en alguna situación que le haga sentirse inseguro, deténgase y consulte con un experto. Consulte a su distribuidor, al taller de servicio técnico o a un usuario experimentado. No emplee la máquina en aplicaciones para las que no se considere plenamente cualificado.

Seguridad en el trabajo

Seguridad en el área de trabajo

Zona de riesgo de la máquina

Cuando se realizan los trabajos, no se permite que ninguna persona permanezca en la zona de riesgo de la máquina. Esto también se aplica al operario.

La zona de trabajo está limitada por el alcance de la máquina. Sin embargo, la zona de riesgo varía en función del método de trabajo, el objeto de trabajo, la superficie, etc. Estudie los posibles riesgos antes de iniciar los trabajos. Si las condiciones cambian durante el transcurso de los trabajos, debe redefinir la zona de riesgo.

Lugar de trabajo

- Defina y acordone la zona de riesgo. Cuando se realizan los trabajos, no se permite que ninguna persona permanezca en la zona de riesgo de la máquina.
- Controle que la zona de trabajo esté bien iluminada para lograr un entorno seguro.
- La máquina puede controlarse remotamente a largas distancias. No utilice la máquina a menos que tenga una supervisión clara de esta y de la zona de riesgo.
- No empiece a trabajar con la máquina hasta que haya limpiado la zona de trabajo de posibles obstáculos.
- Manténgase alerta cuando trabaje en entornos donde exista un riesgo sustancial de deslizamiento debido a desniveles, materiales sueltos, aceite, hielo o similares.
- Inspeccione las condiciones del suelo, las estructuras que soportan la carga, etc. para impedir la caída de materiales, máquinas y empleados, así como para mitigar cualquier riesgo antes de iniciar los trabajos.
- Cuando trabaje a grandes alturas, como encima de tejados, plataformas o similares, aumente el tamaño de la zona de riesgo. Defina y acordone la zona de riesgo a nivel del suelo y asegúrese de que ningún material puede desprenderse y provocar lesiones.
- No utilice la máquina en entornos donde exista riesgo de explosión. Tenga en cuenta el riesgo de formación de chispas cuando trabaje en entornos inflamables.
- Compruebe y señalice la ruta de los cables de electricidad y los conductos.
- El aire en espacios cerrados puede ser dañino para la salud debido, por ejemplo, a la presencia de polvo y gases. Utilice equipos de protección y compruebe que existe una ventilación suficiente.

Seguridad personal

- Nunca utilice la máquina si está cansado, si ha ingerido alcohol o si toma medicamentos que puedan afectar la vista, su capacidad de discernimiento o el control del cuerpo.
- Utilice el equipo de protección personal. Vea las instrucciones bajo el título "Equipo de protección personal".
- Una maniobra incorrecta o incidente imprevisible puede provocar un derrumbe. Nunca permanezca debajo del objeto de trabajo.
- Nunca permanezca donde haya riesgo de ser aplastado. La máquina puede cambiar rápidamente de posición. Nunca permanezca debajo de un brazo elevado, incluso si la máquina está apagada.
- Reduzca el riesgo cuando trabaje solo comprobando que es posible emitir una alarma de emergencia a través del teléfono móvil u otro equipo.
- Las personas y los animales pueden distraer y hacer perder el control de la máquina. Por consiguiente, el operador debe estar siempre concentrado en su trabajo. Nunca permita que los niños manejen la máquina.
- Trabaje siempre de modo que pueda acceder fácilmente a la parada de emergencia.

Seguridad hidráulica

- Riesgo de incendio. El aceite hidráulico, las mangueras y las conexiones pueden alcanzar temperaturas muy elevadas con la herramienta conectada o sin ella. Utilice un equipo de protección personal adecuado.
- Antes de utilizar el sistema hidráulico, espere a que la máquina se haya enfriado.
- Compruebe que todos los acoplamientos y conexiones, y las mangueras hidráulicas están intactos.
- Mantenga limpias de suciedad las mangueras y conexiones hidráulicas.
- No maltrate las mangueras.
- No utilice mangueras torcidas, gastadas o defectuosas.
- Asegúrese de que ninguna de las mangueras roza contra bordes afilados. No olvide el riesgo de los chorros abrasivos.
- Ajuste la longitud de las mangueras hidráulicas de forma que nunca queden extendidas por completo.
- Procure que la manguera no esté torcida durante el montaje.
- Evite hacer curvas marcadas con la manguera.
- Compruebe que las mangueras estén conectadas adecuadamente en la herramienta y que las conexiones hidráulicas cierren como es debido antes de presurizar el sistema hidráulico. Las conexiones se fijan girando el manguito exterior del acoplamiento hembra para apartar la ranura de la bola.
Las mangueras de presión del sistema deben conectarse siempre en la entrada de la herramienta. Las mangueras de retorno del sistema deben conectarse siempre en la salida de la herramienta. Si se confunden las conexiones, la herramienta funcionará en sentido inverso, con el riesgo consiguiente de daños personales.
- Asegúrese de que no existen fugas en los conectores de la manguera, los acoplamientos y los cilindros. Una grieta o rotura puede producir una 'inyección de aceite' en el cuerpo o daños personales graves de otro tipo.
- No hacer la búsqueda de fugas con la mano. El contacto con una fuga puede comportar daños personales graves causados por la presión alta del sistema hidráulico.
- No se debe sobrepasar el caudal ni la presión de aceite especificados para las herramientas que se utilizan. Un caudal o presión demasiado altos pueden causar fugas o explosión.

FUNCIONAMIENTO

Utilización con la herramienta montada en la máquina

- Mantenga bajo vigilancia la máquina siempre que el motor esté en marcha.
- Parar siempre la máquina antes de trasladarla.
- Desenchufar siempre el contacto para paradas prolongadas del trabajo.
- Compruebe que todas las juntas, conexiones y cables están intactos y limpios. Si surge una situación de emergencia de cualquier tipo, pulse el botón rojo de parada de emergencia.
- Mantener todas las piezas en perfecto estado y comprobar que todos los elementos de fijación estén bien apretados.
- El usuario sólo puede efectuar los trabajos de mantenimiento y servicio descritos en este manual. Los trabajos de mayor envergadura debe efectuarlos un taller de servicio oficial.
- Utilice equipos de protección personal y dispositivos para fijar mecánicamente los componentes de la máquina durante las tareas de mantenimiento y reparación.
- Si no es necesario encender la máquina para llevar a cabo operaciones de reparación o localización de fallos, desconecte el cable de alimentación y colóquelo de forma que no pueda conectarse por error.
- Los acoplamientos de la manguera y el conducto pueden permanecer presurizados aunque el motor esté apagado. Trabaje siempre teniendo en cuenta que las mangueras tienen presión cuando las desmonte. Tenga cuidado cuando desmonte las conexiones y utilice equipos de protección personal apropiados.
- Utilice un útil de levantamiento apropiado para fijar y elevar partes pesadas de la máquina.
- Diversos componentes se calientan durante los trabajos realizados con la máquina. No inicie ninguna tarea de mantenimiento o reparación hasta que la máquina se haya enfriado.
- Cuando complete los trabajos, opere el brazo para que descansa en el suelo antes de apagar la máquina.

Transporte y almacenamiento

Elevación de la herramienta

- Cuando se eleva la herramienta existe un riesgo de provocar daños en las personas o las máquinas colindantes. Defina la zona de riesgo y compruebe que no haya nadie presente en dicha zona cuando realice la elevación.
- Utilice un útil de levantamiento apropiado para fijar y elevar partes pesadas de la máquina.
- El equipo de elevación debe montarse en todos los puntos de elevación de la máquina.

Fijación de la carga

- Fije la herramienta en un palé y manipúlela con una carretilla elevadora.
- Sujete bien el equipo durante el transporte para evitar daños y accidentes.

Transporte

- Puede transportar la herramienta montada en la máquina a distancias cortas y a poca velocidad. Repliegue el sistema de brazo. El centro de gravedad debe estar lo más cerca posible del centro de la máquina.
- Retire la herramienta de la máquina para la carga o descarga con rampa.

Almacenaje

- Extraiga la herramienta de la máquina.
- Almacene las herramientas de forma segura e inaccesible para las personas no autorizadas. Compruebe que se encuentran en una posición estable y no pueden volcar. Si las herramientas se colocan a gran altura o sobre una pendiente, debe sujetarlas para que no puedan moverse ni caerse. Proteja los acoplamientos hidráulicos de las herramientas de la suciedad y posibles daños.
- Guarde el equipo en un lugar seguro fuera del alcance de los niños y las personas no autorizadas.
- Guarde la máquina y el equipo en un lugar seco y protegido de la escarcha.

MANTENIMIENTO

Generalidades



¡ATENCIÓN! El usuario sólo puede efectuar los trabajos de mantenimiento y servicio descritos en este manual. Los trabajos de mayor envergadura debe efectuarlos un taller de servicio oficial.

Todos los procedimientos descritos en este apartado deben realizarse con la herramienta desmontada y en el suelo.

Utilice equipos de protección personal y dispositivos para fijar mecánicamente los componentes de la máquina durante las tareas de mantenimiento y reparación.

La vida útil de la máquina puede acortarse y el riesgo de accidentes puede aumentar si el mantenimiento de la máquina no se hace de forma adecuada y si los trabajos de servicio y/o reparación no se efectúan de forma profesional. Para más información, consulte con el taller de servicio oficial más cercano.

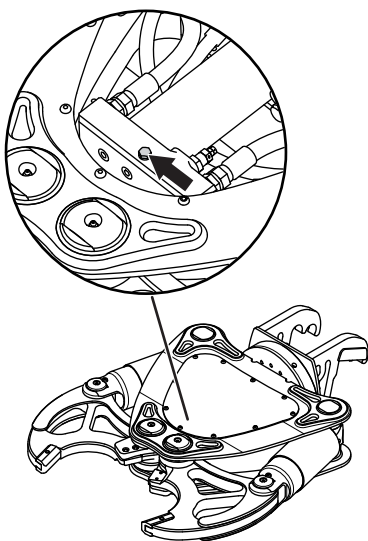
- Diríjase a su distribuidor de Husqvarna para que revise la máquina regularmente y para que realice ajustes y reparaciones básicas.

DCR300



¡NOTA! Antes de utilizarla, debe descargar la presión hidráulica residual.

- Abra la mordaza al máximo para bajar totalmente los cilindros hidráulicos.
- Retire el tornillo para descargar la presión hidráulica residual.



Programa de mantenimiento

En el programa de mantenimiento podrá ver qué piezas de la máquina requieren mantenimiento y cada cuánto tiempo deberá realizarse. Los intervalos se calculan en función del uso diario de la máquina y pueden depender de la velocidad de uso.

Mantenimiento diario	Mantenimiento semanal
Limpieza	Mordaza
Inspección general	
Cuchillas para la espada de refuerzo	
Lubricación	

Limpieza

- Límpielos con un trapo o un cepillo.
- Puede limpiar en profundidad la herramienta con agua y detergente.

Inspección general

- Compruebe que no esté dañada ni desgastada.
- Compruebe que todos los acoplamientos y conexiones, y las mangueras hidráulicas están intactos. Cámbielas si es necesario.
- Compruebe con una llave dinamométrica que los pernos que sujetan las cuchillas de corte estén apretados.

Cuchillas para la espada de refuerzo

- Cuando las cortadoras están desgastadas por una cara, puede girarlas 180° para trabajar con un nuevo extremo afilado. Cuando ambas caras estén desgastadas, debe sustituir la cortadora. Utilice siempre piezas de repuesto originales.
- Compruebe las cuchillas. No utilice las cuchillas si están agrietadas o dañadas.

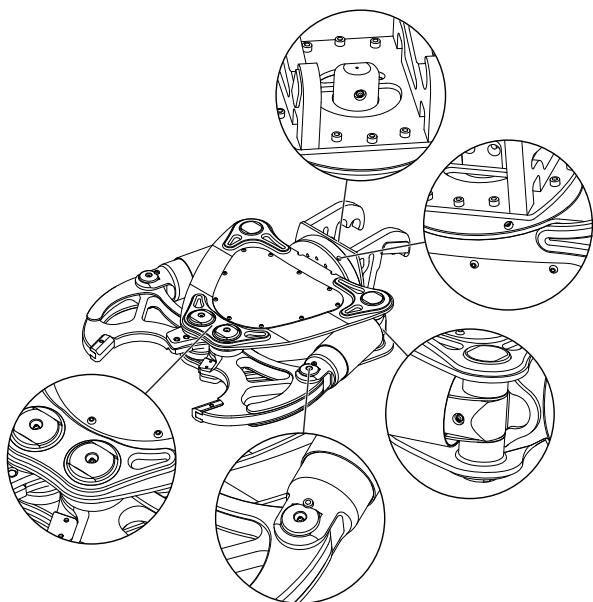
AVISO Las cuchillas en mal estado pueden estropear la herramienta. No utilice las cuchillas si están agrietadas o dañadas.

MANTENIMIENTO

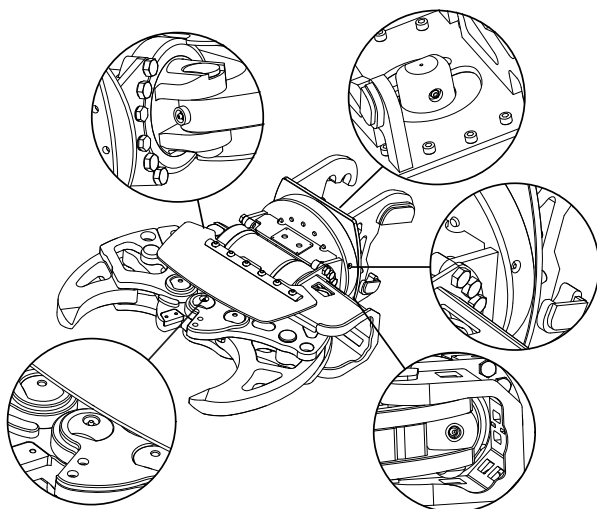
Lubricación

Los puntos de engrase se indican con un círculo rojo. Sustituya los racores dañados.

DCR300



DCR100



Mordaza



¡NOTA! El montaje y desmontaje de los pivotes principales de la mordaza deben realizarse en un taller de servicio autorizado.

Compruebe si las superficies de aplastamiento de la mordaza están desgastadas y añada material de relleno si es necesario.

- Antes de añadir el material de relleno, elimine todos los restos de pintura, pues podrían originar gases tóxicos.
- Precaliente la superficie a 150-200 °C.
- Tras añadir el material de relleno, deje que se enfríe lentamente a temperatura ambiente.

Alambre de soldadura recomendado

- ESAB OK 83.30 DIN 8555-E1 300
- ESAB OK 83.50 DIN 8555-E6-55
- SIEV-FRO B-500
- SIEV-FRO B-600

Puntas de repuesto (DCR300)

Las puntas pueden eliminarse para el trabajo de soldadura o sustituirse si están desgastadas.

Almacenamiento prolongado

Antes del almacenaje prolongado, limpie bien la máquina y haga el servicio completo.

Producto desgastado

Esta máquina cumple los requisitos previos para durar muchos años. De esta forma, se minimiza el impacto medioambiental de la máquina. Realice las tareas de reparación y mantenimiento siguiendo las instrucciones de este manual. De esta forma, la máquina durará más tiempo y se minimizarán las emisiones peligrosas.

Cuando la máquina esté desgastada, deberá desecharse para su reciclado o desguace.

Cumpla la normativa local de reciclaje y eliminación.

MANTENIMIENTO

Tabla de localización de fallos



¡ATENCIÓN! La mayoría de accidentes con máquinas se producen durante la localización de fallos, reparación y mantenimiento, ya que el personal tiene que localizar por sí mismo la zona de riesgo de la máquina. Evite los accidentes estando alerta y planificando y preparando los trabajos con antelación.

Si no es necesario encender la máquina para llevar a cabo operaciones de reparación o localización de fallos, desconecte el cable de alimentación y colóquelo de forma que no pueda conectarse por error.

Problema	Causa	Posible acción
Rendimiento reducido	Flujo hidráulico o presión hidráulica insuficiente.	Asegúrese de que todas las mangueras hidráulicas y todas las conexiones estén intactas y correctamente conectadas.
		Error en el sistema hidráulico.*
Vibraciones	Faltan tornillos y pernos o estos están sueltos.	Compruebe el par de apriete de los pernos y los tornillos. Sustituya los tornillos que faltan.*
La trituradora no se abre o se cierra.	Falta flujo hidráulico o presión hidráulica.	Error en el sistema hidráulico.*
El funcionamiento de las tijeras está invertido.	Inversión de la manguera de entrada y de retorno.	Conecte la manguera de entrada a la toma de la herramienta y la manguera de retorno a la salida de la herramienta.
Fuga de aceite	Conexiones sueltas.	Apriete las conexiones.
	Mangueras o acoplamientos dañados.*	Sustituya las mangueras o acoplamientos dañados.*

*Lo realiza un taller oficial.

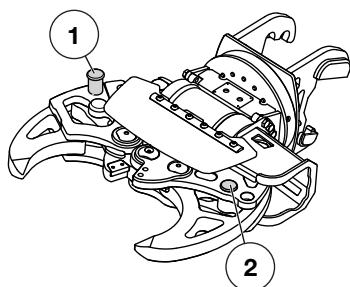
DATOS TECNICOS

Datos técnicos

	DCR300	DCR100
Peso con la placa de conexión y mangueras, kg (lb)	274 (604)	192 (432)
Soporte adecuado	DXR310 / DXR300 / DXR270 / DXR250	DXR 140
Sistema hidráulico		
Presión de entrada máx., bar (psi)	200 (2900)	200 (2900)
Presión de funcionamiento, bar (psi)	500 (7250)	200 (2900)
Max. flow, l/min (gal/min)	100 (26)	55 (15)
Dimensiones		
Altura con placa de conexión, mm (pulgadas)	1125 (44 1/4)	1000 (39 1/2)
Anchura, mm (pulg.)	883 (34 3/4)	730 (28 3/4)
Profundidad, mm (pulgadas)	330 (13)	330 (13)
Distancia máx. entre las puntas, mm (pulgadas)	430 (17)	425 (16 3/4) ¹
Distancia mín. entre las puntas, mm (pulgadas)	25 (1)	25 (1) ²
Ángulo de rotación	Rotación libre de 360°	Rotación libre de 360°

¹Clavijas en posición externa (1).

²Clavijas en posición interna (2).



Rendimiento

DCR300

Profundidad de la mordaza, mm (pulgadas)	195 (7 3/4)
Tiempo de cierre (capacidad 65 l/min), s	2,8
Tiempo de apertura (capacidad 65 l/min), s	1,9
Potencia máxima en las puntas (en posición de apertura máx., inicio de aplastamiento), kN (t)	440 (45)
Potencia de corte máx. de la varilla, kN (t)	1400 (143)
Diámetro de corte máx. de la varilla, mm (pulgadas)	30 (1 1/8)

DCR100

Profundidad de la mordaza, mm (pulgadas)	185 (7 2/8)
Tiempo de cierre (capacidad 52 l/min), s	3,7
Tiempo de apertura (capacidad 52 l/min), s	2,0
Potencia máxima en las puntas (en posición de apertura máx., inicio de aplastamiento), kN (t)	335 (34) ¹ / 317 (32) ²
Potencia máxima en las puntas (en posición de apertura mín., fin de aplastamiento), kN (t)	155 (16) ¹ / 159 (16) ²
Potencia de corte máx. de la varilla, kN (t)	920 (94)
Diámetro de corte máx. de la varilla, mm (pulgadas)	28 (1 1/8)

¹Clavijas en posición externa (1).

²Clavijas en posición interna (2).

DATOS TECNICOS

Declaración CE de conformidad

(Rige sólo para Europa)

Husqvarna AB, SE-561 82 Huskvarna (Suecia), tel. +46-36-146500, declara bajo su única responsabilidad que las trituradoras **Husqvarna DCR300 y DCR100**, a partir de los números de serie del año 2013 en adelante (el año se indica claramente en la placa de características, a continuación del número de serie), cumplen los requisitos de las DIRECTIVAS DEL CONSEJO:

- **2006/42/CE** «relativa a máquinas» del 17 de mayo de 2006.

Se han aplicado las siguientes normas: EN 349, EN 982, EN 12100, EN 13732, EN 13857.

Huskvarna, 6 de febrero de 2013



Helena Grubb

Vicepresidente, maquinaria para la construcción Husqvarna AB

(Presentante autorizado de Husqvarna AB y responsable de la documentación técnica.)

EXPLICAÇÃO DOS SÍMBOLOS

Símbolos na máquina:

ATENÇÃO! A máquina, se for usada de forma indevida ou incorrecta, pode ser perigosa, causando sérios ferimentos ou mesmo a morte do utente ou outras pessoas.



Leia as instruções para o uso com toda a atenção e compreenda o seu conteúdo antes de fazer uso da máquina.



Use equipamento de protecção pessoal. Ver as instruções na secção "Equipamento de protecção pessoal".



ATENÇÃO! Risco de lesões por esmagamento! Ao trabalhar com produtos com peças móveis, há sempre o risco de esmagamento.



ATENÇÃO! Superfície quente.



ATENÇÃO! Durante o corte, tenha em atenção material, resultante de uma demolição, que se solte. Use equipamento de segurança pessoal e mantenha a distância.



ATENÇÃO! Pressão hidráulica mesmo quando a máquina está desligada. Consulte o manual do utilizador antes de fazer a manutenção.



O equipamento de elevação tem de ser fixado em todos os pontos de elevação da máquina.



Este produto está conforme as directivas em validade da CE.



Marca ambiental. O símbolo no produto ou respectiva embalagem indica que este produto não pode ser processado como detritos domésticos. O produto deve então ser entregue a uma estação de reciclagem adequada para reciclagem de equipamento eléctrico e electrónico.



Providenciando para que este produto seja processado de forma correcta, você pode contribuir para contrariar potenciais consequências negativas para o meio ambiente e pessoas, que caso contrário, podem ser provocadas pela gestão inadequada dos resíduos deste produto.

Para mais informação sobre a reciclagem deste produto, contacte os serviços competentes da sua autarquia, o serviço de recolha de resíduos domésticos ou o estabelecimento onde adquiriu o produto.

Os restantes símbolos e autocolantes existentes na máquina dizem respeito a exigências específicas para homologação em alguns países.

Explicação dos níveis de advertência

As advertências são classificadas em três níveis.

ATENÇÃO!



ATENÇÃO! Utilizado no caso de existir risco de ferimento grave ou morte para o operador ou de danos nas zonas envolventes, se não forem seguidas as instruções do manual.

CUIDADO!



CUIDADO! Utilizado no caso de existir risco de ferimento para o operador ou de danos nas proximidades, se não forem seguidas as instruções do manual.

ATENÇÃO!



ATENÇÃO! Utilizado se existir risco de danos para os materiais ou para a máquina, se não forem seguidas as instruções do manual.

Índice

EXPLICAÇÃO DOS SÍMBOLOS

Símbolos na máquina:	30
Explicação dos níveis de advertência	30

ÍNDICE

Índice	31
--------------	----

APRESENTAÇÃO

Prezado cliente!	32
Design e características	32
Área de aplicação	32

APRESENTAÇÃO

Como se chama, na ferramenta?	33
-------------------------------------	----

APRESENTAÇÃO

Como se chama, na ferramenta?	34
-------------------------------------	----

MONTAGEM E AJUSTAMENTOS

Noções gerais	35
Montar a ferramenta numa máquina	35
Ligue as mangueiras hidráulicas	35
Soltar as mangueiras hidráulicas	35
Ajustar as pinças móveis	35

OPERAÇÃO

Equipamento de protecção	36
Instruções gerais de segurança	36
Segurança do trabalho	37

MANUTENÇÃO

Noções gerais	39
Esquema de manutenção	39
Limpeza	39
Inspeção geral	39
Cortadoras para barra de reforço	39
Lubrificação	40
Pinças	40
Armazenamento por tempo prolongado	40
Produto desgastado	40
Esquema de detecção de avarias	41

ESPECIFICAÇÕES TÉCNICAS

Especificações técnicas	42
Certificado CE de conformidade	43

APRESENTAÇÃO

Prezado cliente!

Muito obrigado por escolher um produto Husqvarna!

Esperamos que ficará satisfeito com a sua nova máquina e que ela o acompanhará durante muito tempo. A compra de qualquer dos nossos produtos dá-lhe acesso a ajuda profissional, incluindo reparações e assistência técnica. Se não tiver adquirido a sua máquina num dos nossos revendedores autorizados, pergunte onde fica a oficina especializada mais próxima.

Este manual tem um grande valor. Certifique-se de que este manual se encontra sempre à mão no local de trabalho. Seguindo o seu conteúdo (utilização, assistência técnica, manutenção, etc) aumentará consideravelmente a vida útil da máquina bem como o preço de venda em segunda mão da mesma. Se vender a sua máquina, entregue as instruções de utilização ao novo proprietário.

Mais de 300 anos de inovação

A Husqvarna, empresa baseada na Suécia, tem como base uma tradição que remonta a 1689, quando o rei sueco Karl XI mandou construir uma fábrica para fabricar mosquetes. Na época, estabeleceram-se as fundações para o desenvolvimento de capacidades relacionadas com a engenharia que se encontra por detrás de alguns dos produtos mais conhecidos do mundo, tais como armas de caça, bicicletas, motociclos, aparelhos domésticos, máquinas de costura e ferramentas para uso em exteriores.

A Husqvarna é a líder global em ferramentas motorizadas para uso em exteriores, tais como em silvicultura, manutenção de jardins e parques, cuidados da relva, bem como na área do equipamento de corte e ferramentas de diamante para a construção e a indústria de extracção e transformação de pedra.

Responsabilidade do proprietário

É da responsabilidade do proprietário/entidade empregadora que o operador tenha conhecimento suficiente sobre como utilizar a máquina em segurança. Os supervisores e os operadores devem ter lido e compreendido o Manual do Operador. Devem conhecer:

- As instruções de segurança da máquina.
- As diversas aplicações da máquina e as suas limitações.
- O modo como a máquina deve ser utilizada e mantida.

A legislação nacional poderá regular a utilização desta máquina. Informe-se da legislação aplicável no seu local de trabalho antes de utilizar esta máquina.

Ressalvas do fabricante

No seguimento da publicação deste manual, a Husqvarna poderá emitir informações adicionais para garantir uma operação segura deste produto. O proprietário tem o dever de se manter actualizado quanto aos métodos de operação mais seguros.

Husqvarna AB efectua o desenvolvimento contínuo dos seus produtos, reservando-se o direito de introduzir modificações referentes, entre outros, ao aspecto e forma dos mesmos sem aviso prévio.

Design e características

Os nossos valores, tais como a elevada performance, fiabilidade, tecnologia inovadora, soluções técnicas avançadas e o cuidado do ambiente, distinguem os produtos Husqvarna. Para garantir uma operação segura deste produto, o operador deverá ler atentamente este manual. Consulte o seu concessionário ou contacte a Husqvarna, caso necessite de informações adicionais.

Algumas das características únicas dos nossos produtos encontram-se descritas em baixo.

Lâminas duplas substituíveis para barra de reforço

Quando estiverem desgastadas de um lado, as lâminas podem ser rodadas 180° para proporcionar um novo gume afiado. Quando estiverem desgastadas de ambos os lados, as lâminas podem ser substituídas.

Pinças ajustáveis (DCR100)

As pinças podem ser ajustadas para cortar material com uma espessura de 31 mm a 430 mm.

Pontas substituíveis (DCR300)

As pontas podem ser retiradas para trabalhos de soldadura ou substituídas de estiverem desgastadas.

Área de aplicação



ATENÇÃO! É proibido utilizar a ferramenta para elevar, empurrar, puxar, martelar ou transportar qualquer tipo de material.

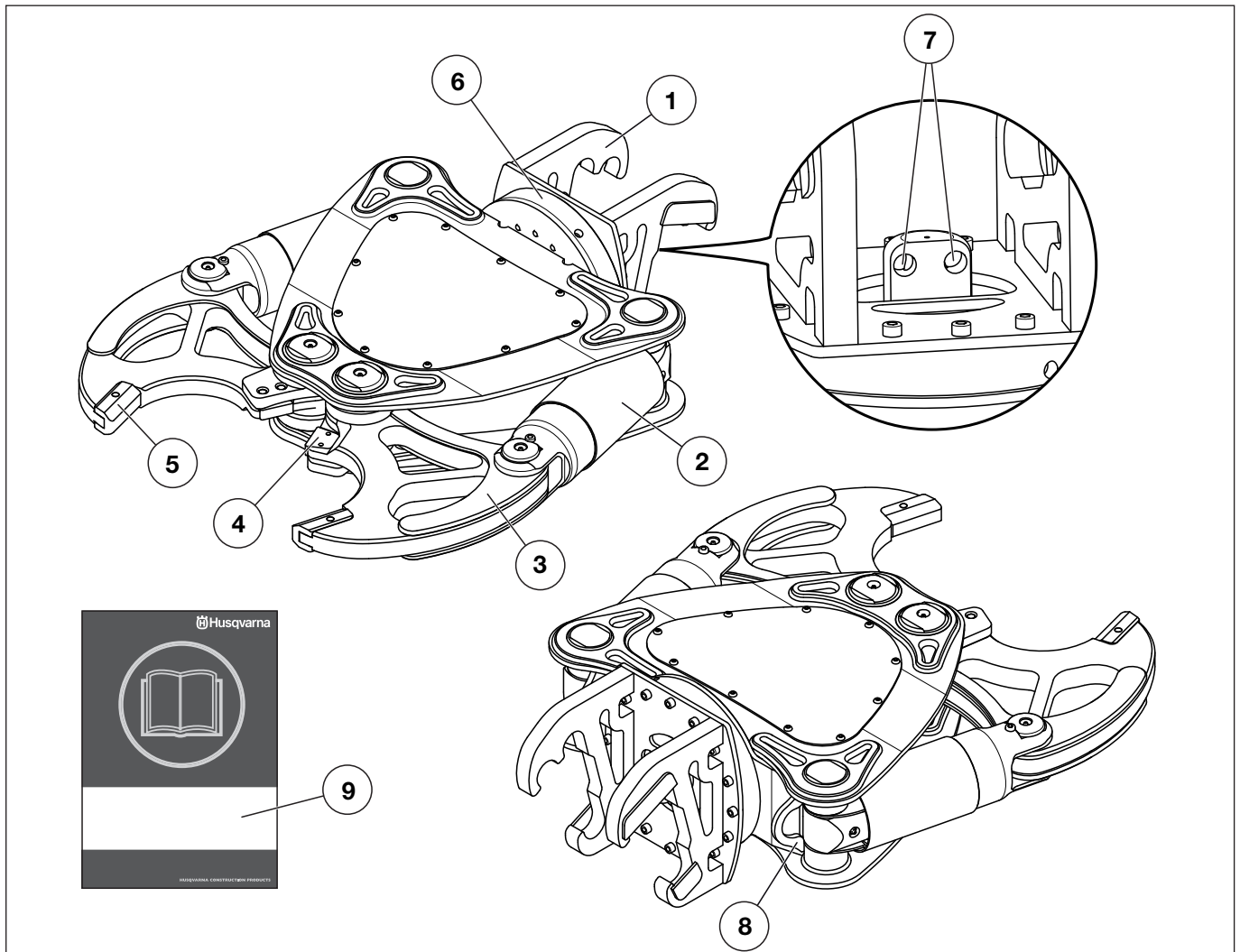
A ferramenta destina-se a ser montada numa máquina para demolir construções de betão, tais como paredes, tectos e pavimentos.

As ferramentas só devem ser utilizadas juntamente com as máquinas indicadas abaixo.

	DCR300	DCR100
DXR 310	X	
DXR300	X	
DXR270	X	
DXR 250	X	
DXR 140		X

A máquina destina-se a ser usada por operadores experientes em aplicações industriais.

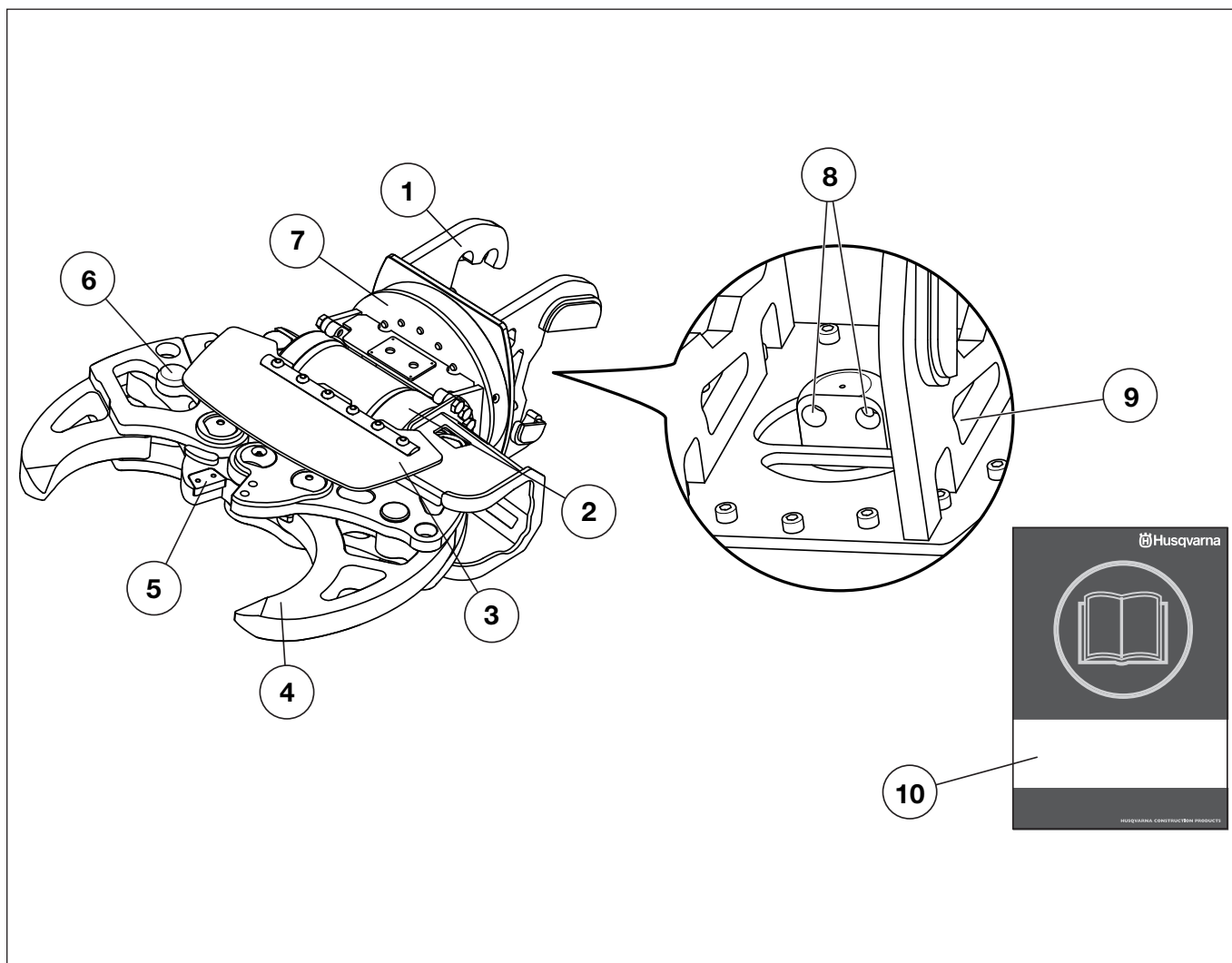
APRESENTAÇÃO



Como se chama, na ferramenta? (DCR300)

- | | |
|------------------------------------|-----------------------------------|
| 1 Ponto de fixação da ferramenta | 6 Rolamentos de roda livre a 360° |
| 2 Cilindro | 7 Ligações hidráulicas |
| 3 Pinças | 8 Ponto de elevação |
| 4 Cortadoras para barra de reforço | 9 Instruções para o uso |
| 5 Pontas | |

APRESENTAÇÃO



Como se chama, na ferramenta? (DCR100)

- | | |
|------------------------------------|-----------------------------------|
| 1 Ponto de fixação da ferramenta | 6 Pinos de ajuste das pinças |
| 2 Cilindro | 7 Rolamentos de roda livre a 360° |
| 3 Resguardo de protecção | 8 Ligações hidráulicas |
| 4 Pinças | 9 Ponto de elevação |
| 5 Cortadoras para barra de reforço | 10 Instruções para o uso |

MONTAGEM E AJUSTAMENTOS

Noções gerais



ATENÇÃO! Certifique-se de que a ferramenta está instalada correctamente e em segurança. Se uma ferramenta se soltar inesperadamente, pode provocar ferimentos pessoais.

Certifique-se de que os desempenhos da máquina e da ferramenta (peso, pressão hidráulica, fluxo, etc.) são compatíveis.

Impeça a entrada de sujidade no sistema hidráulico ao:

- Limpar a sujidade existente nos acoplamentos antes da montagem e do desmantelamento.
- Colocar guarda-pós nos acoplamentos hidráulicos da máquina enquanto a ferramenta está a ser montada.
- Garantir que as mangueiras da ferramenta estão sempre interligadas quando a ferramenta não está ligada à máquina.

Montar a ferramenta numa máquina

- Consulte as instruções no manual do utilizador da máquina de demolição.

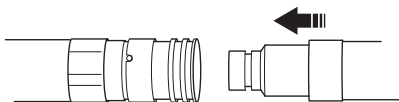
Ligue as mangueiras hidráulicas



CUIDADO! Os acoplamentos por mangueiras podem continuar pressurizados, apesar de o motor e o cabo de alimentação estarem desligados. Deve sempre assumir que as mangueiras hidráulicas estão pressurizadas, pelo que estas deverão ser abertas com muito cuidado. Alivie a pressão no braço, colocando-o no chão, e desligue o motor eléctrico antes de reparar as mangueiras. Tenha muito cuidado ao soltar ligações e use equipamento de protecção pessoal adequado.

As mangueiras hidráulicas estão equipadas com acoplamentos baioneta com descompressão. Isso facilita a instalação das mangueiras, ainda que a pressão esteja controlada.

- Ligue a conexão macho da ferramenta à conexão fêmea da máquina. A porca deverá dar um estalido se for montada correctamente. As conexões são fixadas rodando o casquilho externo da conexão fêmea, de maneira que o sulco do casquilho se afaste da esfera.



- Ligue a conexão fêmea da ferramenta à conexão macho da máquina.
- Ligue o motor.
- Abra e feche as pinças 5-6 vezes.
- Desligue o motor. Rode o interruptor principal para a posição "0".
- Verifique se existem fugas.

Soltar as mangueiras hidráulicas

- Abra as pinças até ao máximo para recolher completamente os cilindros hidráulicos.
- Desligue o motor.
- Rode o casquilho exterior para que a ranhura coincida com a bola e empurre contra a bola para desligar a conexão.
- Remova a ferramenta da máquina. Consulte as instruções no manual do utilizador da máquina de demolição.

Ajustar as pinças móveis (DCR100)

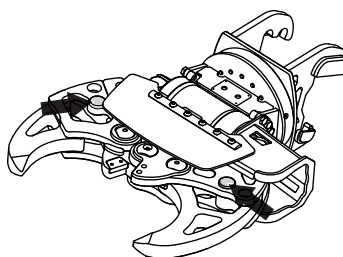


CUIDADO! Ajuste sempre as pinças móveis de modo que a sua posição esteja alinhada com o eixo vertical do triturador.

É possível ajustar a abertura das pinças, movendo a posição dos pinos em duas ranhuras diferentes.

As pinças podem ser ajustadas para cortar material com uma espessura de 31 mm a 430 mm.

- Insira a chave de desbloqueio do pino e empurre até que o pino desencaixe. Extraia o pino.



- Mova a pinça para a posição desejada. Alinhe os orifícios e insira o pino.

Equipamento de protecção

Noções gerais

- Nunca use uma máquina sem que possa pedir ajuda em caso de acidente.

Equipamento de protecção pessoal

Em quaisquer circunstâncias de utilização da máquina deve ser utilizado equipamento de protecção pessoal aprovado. O equipamento de protecção pessoal não elimina o risco de lesão mas reduz os seus efeitos em caso de acidente. Consulte o seu concessionário na escolha do equipamento.



ATENÇÃO! Quando em funcionamento, a máquina pode gerar pó e fumos que poderão conter químicos nocivos à saúde. Procure informar-se sobre a composição do material em que está a trabalhar, e use uma máscara respiratória e protectora do rosto adequada. A colocação de máscara é especialmente importante quando trabalha em espaços interiores devido à ventilação ser limitada. Em algumas situações, também poderá ser adequado aplicar água para diminuir a quantidade de pó.

A exposição prolongada a ruídos pode provocar danos auditivos permanentes. Por isso, use sempre protectores acústicos aprovados. Esteja sempre atento a sinais de alarme ou avisos de viva voz quando usar protectores acústicos. Retire os protectores acústicos logo que o motor tenha parado.

Químicos como agentes desengordurantes, massa lubrificante e fluido hidráulico podem provocar alergias resultantes de um contacto repetido com a pele. Evite o contacto com a pele, use equipamento de protecção.

Quando em funcionamento, a máquina pode gerar pó e fumos que poderão conter químicos nocivos à saúde. Procure informar-se sobre a composição do material em que está a trabalhar, e use uma máscara respiratória e protectora do rosto adequada.

A colocação de máscara é especialmente importante quando trabalha em espaços interiores devido à ventilação ser limitada. Em algumas situações, também poderá ser adequado aplicar água para diminuir a quantidade de pó.

Use sempre:

- Capacete protector aprovado
 - Protectores acústicos
 - Protecção ocular aprovada. Mesmo que se use viseira, devem usar-se óculos de protecção aprovados. Consideram-se óculos de protecção aprovados, os que estejam conformes com a norma ANSI Z87.1 nos EUA ou EN 166 nos países da UE. A viseira deve estar conforme com a norma EN 1731.
 - Máscara respiratória
 - Luvas fortes e de agarre seguro.
 - Vestuário justo, forte e confortável que permita total liberdade de movimentos.
 - Botas com biqueiras de aço e solas antideslizantes.
- Tenha cuidado com peças de vestuário, cabelos compridos e adornos, dado que podem prender-se em componentes móveis.

Outro equipamento de protecção



CUIDADO! Podem originar-se faíscas que podem causar um incêndio, ao trabalhar com a máquina. Tenha sempre à mão utensílios para extinção de incêndios.

- Extintor de incêndios
- Os primeiros socorros devem sempre estar à mão.
- Utilize o dispositivo de elevação aprovado para fixar e levantar componentes pesados da máquina.

Instruções gerais de segurança



ATENÇÃO! Leia todos os avisos de segurança e todas as instruções. A inobservância dos avisos e instruções pode resultar em choques eléctricos, incêndio e/ou lesões graves.

Esta secção descreve as regras básicas de segurança para o trabalho com a máquina. A informação apresentada nunca substitui os conhecimentos, capacidades e a experiência de um profissional.

- Leia as instruções para o uso com toda a atenção e compreenda o seu conteúdo antes de fazer uso da máquina. **Guarde todos os avisos e instruções para referência futura.**
- Esta máquina pode ser utilizada em combinação com outros produtos. Leia as instruções fornecidas com os produtos com atenção e compreenda o seu conteúdo antes de fazer uso da máquina.
- Esteja consciente de que é você, o operador, o responsável por evitar expor pessoas e bens a situações que possam representar perigo de danos pessoais ou materiais.
- Todos os operadores deverão ser instruídos sobre como usar a máquina. É da responsabilidade do proprietário que os operadores recebam instrução.
- A máquina deve ser mantida limpa. As sinalizações e os autocolantes deverão estar totalmente legíveis. Substitua todos os autocolantes gastos ou danificados.



ATENÇÃO! A máquina, se for usada de forma indevida ou incorrecta, pode ser perigosa, causando sérios ferimentos ou mesmo a morte do utente ou outras pessoas.

Nunca deixar crianças ou outras pessoas utilizar a máquina ou efectuar a manutenção que não estejam devidamente formadas no seu manuseamento. Nunca permita que outra pessoa utilize a máquina sem estar certo de que a mesma entendeu o conteúdo do manual de instruções.

Nunca use a máquina quando estiver cansado, tiver bebido álcool ou tomado remédios que possam afectar a sua vista, a sua capacidade de discernimento ou o seu controlo físico.



ATENÇÃO! Modificações e/ou acessórios não autorizados podem provocar sérias lesões ou perigo de vida para o utilizador ou outros.

Não modifique nunca esta máquina de forma a deixar de corresponder à versão original e não a use caso pareça ter sido modificada por outros.

Nunca use uma máquina defeituosa. Efectue as verificações de segurança e cumpra as instruções de manutenção e assistência técnica contidas neste manual. Alguns serviços de manutenção e de assistência técnica deverão ser executados por especialistas qualificados. Consulte as instruções na secção Manutenção. Devem usar-se sempre acessórios originais.

Use sempre o seu bom senso

Não é possível cobrir todas as situações possíveis que poderá enfrentar. Actue sempre com precaução e use de senso comum. Caso se encontre numa situação em que se sinta inseguro, interrompa o trabalho e consulte um especialista. Contacte o seu revendedor, a sua oficina de serviço ou um utilizador experiente. Evite toda a utilização para a qual não se sinta suficientemente habilitado!

Segurança do trabalho

Segurança no local de trabalho

Área de risco da máquina

Ninguém deverá estar dentro da área de risco da máquina durante a respectiva operação. Isto também se aplica ao operador.

A área de trabalho é limitada pelo alcance da máquina, no entanto, a área de risco varia consoante o método de trabalho, o objecto de trabalho, a superfície, etc. Analise possíveis riscos antes de começar a trabalhar. Se as condições mudarem durante o curso do trabalho, a área de risco deve ser redefinida.

Local de trabalho

- Defina e coloque um cordão de segurança em torno da área de risco. Ninguém deverá estar dentro da área de risco da máquina durante a respectiva operação.
- Assegure-se de que a área de trabalho está suficientemente iluminada, para que o ambiente de trabalho seja seguro.
- A máquina pode ser controlada remotamente a longas distâncias. Não opere a máquina, a menos que tenha uma supervisão clara da mesma e da sua área de risco.
- Nunca comece a trabalhar até à área de trabalho estar livre de obstáculos.
- Mantenha-se alerta quando estiver a trabalhar em ambientes onde haja um risco substancial de deslizamento devido a desnivelamentos, materiais soltos, óleo, gelo ou outros motivos semelhantes.
- Inspeccione as condições do piso, as estruturas resistentes, etc., para evitar a queda de materiais, máquinas e pessoas da equipa, e para eliminar quaisquer riscos que existam antes de iniciar a operação.
- Em operações em níveis elevados, por exemplo, em telhados, plataformas e equivalentes, amplie o tamanho da área de risco. Defina e coloque um cordão de segurança em torno da área de risco no piso térreo e certifique-se de que nenhum material poderá cair e provocar ferimentos.
- Não utilize a máquina em ambientes em risco de explosão. Tenha em consideração o risco de formação de faíscas ao trabalhar em ambientes inflamáveis.
- Verifique sempre e marque o percurso de cabos de electricidade e tubagens.
- O ar em espaços confinados pode tornar-se rapidamente nocivo à saúde devido, por exemplo, ao pó e a gases. Utilize equipamento de protecção e garanta que a ventilação existente é satisfatória.

Segurança pessoal

- Nunca use a máquina se estiver cansado, se bebeu álcool ou se toma remédios que podem influir na sua visão, discernimento ou controlo sobre o corpo.
- Use equipamento de protecção pessoal. Ver as instruções na secção "Equipamento de protecção pessoal".
- Uma manobra incorrecta ou um incidente imprevisível pode resultar em colapso. Nunca permaneça sob o objecto de trabalho.
- Nunca permaneça em locais onde exista o risco de esmagamento. A máquina pode mudar rapidamente de posição. Nunca se coloque por baixo de um braço elevado, mesmo que a máquina esteja desligada.
- Reduza o risco quando se encontra a trabalhar sozinho, certificando-se de que existe um alarme de emergência disponível através de um telemóvel ou de outro equipamento.
- Pessoas e animais podem distraí-lo de forma a perder o controlo sobre a máquina. Por isso, esteja sempre concentrado e atento à sua tarefa. Nunca deixar crianças manusear a máquina.
- Trabalhe sempre de modo a ter fácil acesso à paragem de emergência.

Segurança hidráulica

- Risco de queimaduras. O óleo hidráulico, as mangueiras e as conexões podem atingir temperaturas muito elevadas com ou sem a ferramenta ligada. Use equipamento de protecção pessoal adequado.
- Antes de realizar operações no sistema hidráulico, espere até que a máquina arrefeça.
- Verifique se todas as conexões, ligações e mangueiras hidráulicas estão intactas.
- Mantenha as mangueiras e as conexões hidráulicas limpas.
- Trate as mangueiras com cuidado.
- Não use mangueiras distorcidas, gastas ou danificadas.
- Verifique se nenhuma mangueira está a roçar em arestas afiadas. Esteja alerta para o risco de jactos abrasivos.
- Ajuste o comprimento das mangueiras hidráulicas de modo que não fiquem totalmente esticadas.
- Durante a montagem, certifique-se de que a mangueira não está torcida.
- Evite que haja curvaturas apertadas na mangueira.
- Antes de pôr o sistema hidráulico sob pressão, verifique se as mangueiras estão correctamente ligadas à máquina e se as conexões hidráulicas estão travadas como deve ser. As conexões são fixadas rodando o casquilho externo da conexão fêmea, de maneira que o sulco do casquilho se afaste da esfera.
As mangueiras de pressão do sistema devem sempre ser ligadas à entrada da ferramenta. As mangueiras de retorno do sistema devem sempre ser ligadas à saída da ferramenta. Uma troca de ligações pode ter como resultado que a ferramenta funcione na direcção contrária, o que por sua vez pode levar a ferimentos.
- Procure a fuga no conectores da mangueira, nos acoplamentos e nos cilindros. Uma fuga ou rebentamento podem causar "injecção de óleo" no corpo ou outras lesões graves.
- Não busque fugas com a mão. O contacto com uma fuga pode causar graves ferimentos provocados pela alta pressão existente no sistema hidráulico.
- Não exceda o caudal e pressão de óleo especificados para a ferramenta a uso. Uma pressão ou caudal excessivos podem causar rebentamento.

OPERAÇÃO

Utilização com a ferramenta montada na máquina

- Não deixe nunca a máquina sem vigilância com o motor a trabalhar.
- Desligue sempre a máquina antes de deslocar.
- Desligue sempre a ficha de ligação durante intervalos grandes no trabalho.
- Verifique que todas as uniões, ligações e cabos estão intactos e limpos. Se surgir uma situação de emergência, prima o botão vermelho de paragem de emergência.
- Mantenha todas as peças em bom estado de funcionamento e certifique-se de que todos os elementos de fixação estão bem apertados.
- O utente só pode efectuar trabalhos de manutenção e assistência do tipo descrito nestas instruções. Intervenções maiores devem ser efectuadas por uma oficina autorizada.
- Utilize equipamento de protecção pessoal e equipamento para fixar mecanicamente os componentes da máquina durante a manutenção e a revisão.
- Se as operações de assistência ou a resolução de problemas não requerem que a máquina esteja ligada, o cabo da alimentação deve ser removido e posicionado de modo a não ser ligado por engano.
- Os acoplamentos das mangueiras poderão continuar pressurizados, apesar de o motor estar desligado. Durante o desmantelamento, trabalhe sempre com o pressuposto de que as mangueiras estão sob pressão. Tenha muito cuidado ao soltar ligações e use equipamento de protecção pessoal adequado.
- Utilize o dispositivo de elevação aprovado para fixar e levantar componentes pesados da máquina.
- Vários componentes aquecem durante o funcionamento da máquina. Não inicie qualquer tarefa de assistência ou de manutenção até à máquina ter arrefecido.
- Depois de terminar o trabalho, opere o braço de modo a que este fique deitado no chão antes de desligar a máquina.

Transporte e armazenagem

Elevar a ferramenta

- Ao elevar a ferramenta, existe um risco de ferir pessoas ou danificar a máquina ou a área envolvente. Defina a área de risco e verifique se ninguém se encontra dentro da mesma durante a manobra de elevação.
- Utilize o dispositivo de elevação aprovado para fixar e levantar componentes pesados da máquina.
- O equipamento de elevação tem de ser fixado em todos os pontos de elevação da máquina.

Fixação da carga

- Fixe a ferramenta numa palete e manuseie-a com uma empilhadora.
- Fixe o equipamento para transportá-lo, de modo a evitar danos e acidentes durante o transporte.

Transporte

- Em distâncias curtas, a ferramenta pode ser transportada a uma velocidade baixa enquanto montada na máquina. Recolha o braço. O centro de gravidade tem de estar o mais perto possível do centro da máquina.
- Em caso de carregamento ou descarregamento por meio de uma rampa, a ferramenta tem de ser retirada da máquina.

Armazenagem

- Remova a ferramenta da máquina.
- Armazene as ferramentas em segurança, mantendo-as inacessíveis a pessoas não autorizadas. Certifique-se de que estão numa posição estável e de que não há possibilidade de tombarem. Se as ferramentas forem colocadas em altura ou numa depressão, devem ser imobilizadas para que não se movimentem nem caiam. Proteja os acoplamentos hidráulicos da ferramenta de sujidade e danos.
- Armazene o equipamento numa área que seja possível de trancar, de modo a mantê-lo fora do alcance de crianças e pessoas não autorizadas.
- Armazene a máquina e o respectivo equipamento num local seco e à prova de geada.

Noções gerais



ATENÇÃO! O utente só pode efectuar trabalhos de manutenção e assistência do tipo descrito nestas instruções. Intervenções maiores devem ser efectuadas por uma oficina autorizada.

Todas as operações descritas nesta secção têm de ser realizadas com a ferramenta desmontada da máquina e colocada no chão.

Utilize equipamento de protecção pessoal e equipamento para fixar mecanicamente os componentes da máquina durante a manutenção e a revisão.

A duração da máquina pode ser afectada e o perigo de acidentes pode aumentar se a manutenção da máquina não for correcta e se as revisões e reparações não forem executadas de forma profissional. Se necessitar de mais esclarecimentos, entre em contacto com uma oficina autorizada.

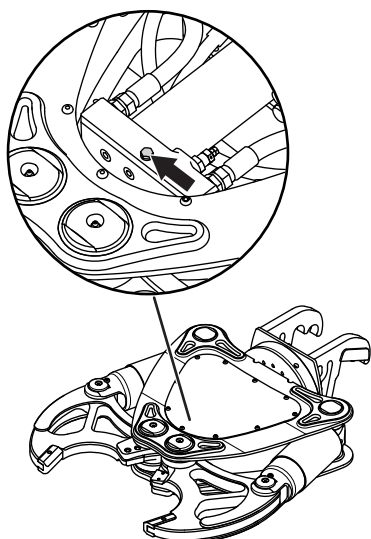
- Permita ao seu revendedor Husqvarna que verifique a sua máquina com regularidade e faça os ajustamentos e as reparações necessários.

DCR300



CUIDADO! Antes de realizar qualquer tipo de manutenção, a pressão hidráulica residual tem de ser descarregada.

- Abra as pinças até ao máximo para recolher completamente os cilindros hidráulicos.
- Retire o parafuso para descarregar a pressão hidráulica residual.



Esquema de manutenção

No esquema de manutenção, pode verificar quais as peças da sua máquina que necessitam de manutenção, e a que intervalos deve efectuar essa manutenção. Os intervalos são calculados com base numa utilização diária da máquina, podendo diferir dependendo da taxa de utilização da máquina.

Controle diário	Controle semanal
Limpeza	Pinças
Inspecção geral	
Cortadoras para barra de reforço	
Lubrificação	

Limpeza

- Limpe com um pano ou uma escova.
- A ferramenta pode ser limpa mais minuciosamente se for lavada com água e detergente.

Inspecção geral

- Verifique a ferramenta relativamente a danos e desgaste.
- Verifique se todas as conexões, ligações e manguerias hidráulicas estão intactas. Troque se necessário.
- Verifique o aperto dos parafusos que fixam as lâminas de tesoura com uma chave dinamométrica.

Cortadoras para barra de reforço

- Quando estiverem desgastadas de um lado, as lâminas podem ser rodadas 180° para proporcionar um novo gume afiado. Quando estiverem desgastadas de ambos os lados, as lâminas podem ser substituídas. Deve usar sempre peças sobressalentes de origem.
- Verifique as lâminas. Nunca utilize lâminas que estejam rachadas ou danificadas.

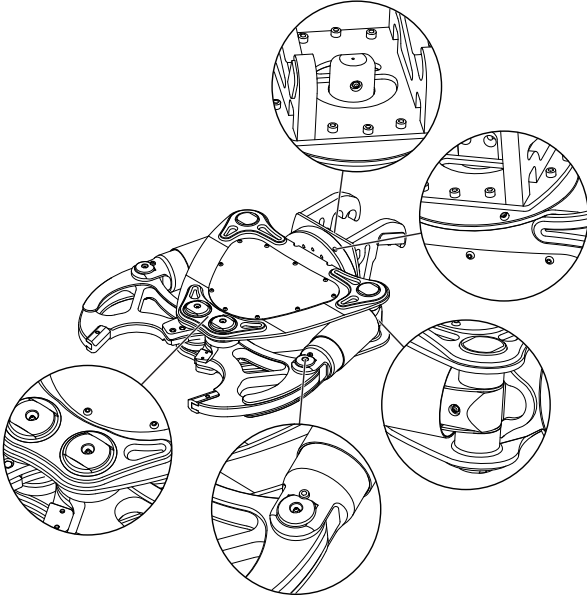
ATENÇÃO! As lâminas danificadas podem danificar a ferramenta. Nunca utilize lâminas que estejam rachadas ou danificadas.

MANUTENÇÃO

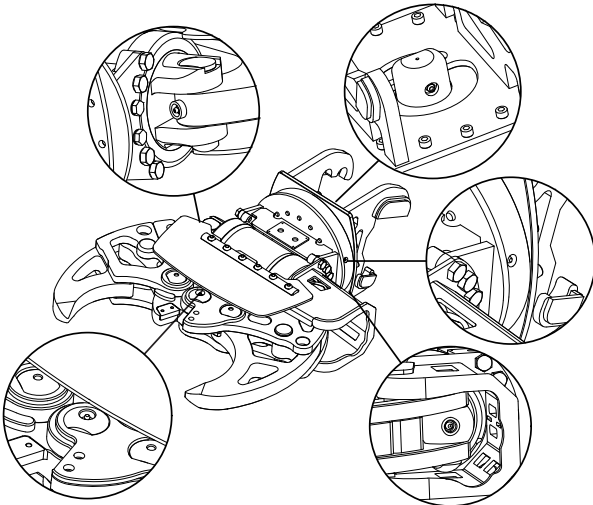
Lubrificação

Os pontos de lubrificação estão indicados com um círculo vermelho. Substitua os bocais danificados.

DCR300



DCR100



Pinças



CUIDADO! A desmontagem e montagem dos pivôs principais das pinças tem de ser efectuada por uma oficina autorizada.

Verifique o desgaste das superfícies de trituração das pinças e, se necessário, acrescente material de enchimento.

- Antes de acrescentar material de enchimento, remova todos os resíduos de tinta, visto que estes podem provocar o desenvolvimento de gases tóxicos.
- Aqueça previamente a superfície até 150-200 °C.
- Depois de acrescentar material de enchimento, deixe arrefecer lentamente até à temperatura ambiente.

Fio de soldadura recomendado

- ESAB OK 83.30 DIN 8555-E1 300
- ESAB OK 83.50 DIN 8555-E6-55
- SIEV-FRO B-500
- SIEV-FRO B-600

Pontas substituíveis (DCR300)

As pontas podem ser retiradas para trabalhos de soldadura ou substituídas de estiverem desgastadas.

Armazenamento por tempo prolongado

Certifique-se de que a máquina foi cuidadosamente limpa e submetida a uma revisão completa antes de ser armazenada por tempo prolongado.

Produto desgastado

Esta máquina apresenta características que a farão durar muitos anos. Este facto minimiza o impacto ambiental da máquina. Realize as revisões e manutenção de acordo com as instruções contidas neste manual. Desta forma, o motor durará mais tempo e as emissões prejudiciais serão minimizadas.

Quando a máquina estiver desgastada, deverá ser enviada para reciclagem ou colocada na sucata.

Siga as normas locais de eliminação e reciclagem.

MANUTENÇÃO

Esquema de detecção de avarias



ATENÇÃO! A maioria dos acidentes com máquinas ocorre durante a resolução de problemas com as mesmas, durante as revisões ou durante a manutenção devido à necessidade de a equipa entrar dentro da área de risco da máquina. Previna acidentes mantendo-se alerta e planeando e preparando o trabalho.

Se as operações de assistência ou a resolução de problemas não requerem que a máquina esteja ligada, o cabo da alimentação deve ser removido e posicionado de modo a não ser ligado por engano.

Problema	Causa	Ação possível
Desempenho reduzido	Fluxo hidráulico e/ou pressão hidráulica insuficiente.	Certifique-se de que todas as mangueiras hidráulicas e conexões estão intactas e correctamente ligadas.
		Falha no sistema hidráulico.*
Vibrações	Roscas e parafusos soltos ou em falta.	Verifique o binário de aperto das roscas ou dos parafusos. Substitua os parafusos em falta.*
O triturador não abre/ fecha.	Falta fluxo hidráulico e/ou pressão hidráulica.	Falha no sistema hidráulico.*
A manobra das tesouras está invertida	Inverta a mangueira de fornecimento e de retorno.	Ligue a mangueira de entrada à admissão da ferramenta e a mangueira de retorno à saída da ferramenta.
Fuga de óleo	Conexões soltas.	Aperte as conexões.
	Mangueiras ou acoplamentos danificados.*	Substitua as mangueiras ou os acoplamentos danificados.*

*Executado por uma oficina de assistência técnica devidamente autorizada.

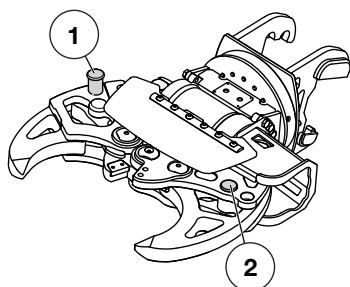
ESPECIFICAÇÕES TÉCNICAS

Especificações técnicas

	DCR300	DCR100
Peso com placa de conexão e mangueiras, kg (lb)	274 (604)	192 (432)
Transportador adequado	DXR310 / DXR300 / DXR270 / DXR250	DXR 140
Sistema hidráulico		
Pressão máx. de entrada, bar (psi)	200 (2900)	200 (2900)
Pressão de funcionamento, bar (psi)	500 (7250)	200 (2900)
Max. flow, l/min (gal/min)	100 (26)	55 (15)
Dimensões		
Altura com placa de conexão, mm (polegadas)	1125 (44 1/4)	1000 (39 1/2)
Largura, mm (polegadas)	883 (34 3/4)	730 (28 3/4)
Profundidade, mm (polegadas)	330 (13)	330 (13)
Distância máx. entre as pontas, mm (polegadas)	430 (17)	425 (16 3/4) ¹
Distância mín. entre as pontas, mm (polegadas)	25 (1)	25 (1) ²
Ângulo de rotação	Rotação livre a 360°	Rotação livre a 360°

¹Pinos na posição exterior (1).

²Pinos na posição interior (2).



Desempenho

DCR300

Profundidade das pinças, mm (polegadas)	195 (7 3/4)
Tempo de fecho (capacidade 65 l/min), s	2,8
Tempo de abertura (capacidade 65 l/min), s	1,9
Potência máx. nas pontas (na posição de abertura máx., início de trituração), kN (t)	440 (45)
Potência máx. de corte da vara, kN (t)	1400 (143)
Diâmetro máx. de corte da vara, mm (polegadas)	30 (1 1/8)

DCR100

Profundidade das pinças, mm (polegadas)	185 (7 2/8)
Tempo de fecho (capacidade 52 l/min), s	3,7
Tempo de abertura (capacidade 52 l/min), s	2,0
Potência máx. nas pontas (na posição de abertura máx., início de trituração), kN (t)	335 (34) ¹ / 317 (32) ²
Potência máx. nas pontas (na posição de abertura máx., fim de trituração), kN (t)	155 (16) ¹ / 159 (16) ²
Potência máx. de corte da vara, kN (t)	920 (94)
Diâmetro máx. de corte da vara, mm (polegadas)	28 (1 1/8)

¹Pinos na posição exterior (1).

²Pinos na posição interior (2).

ESPECIFICAÇÕES TÉCNICAS

Certificado CE de conformidade

(Válido unicamente na Europa)

A **Husqvarna AB**, SE-561 82 Huskvarna, Suécia, tel. +46-36-146500, declara ser da sua inteira responsabilidade que os trituradores **Husqvarna DCR300, DCR100** a que se refere esta declaração, com números de série do ano de 2013 e seguintes (o ano é claramente identificado na etiqueta de tipo, seguido de um número de série) está conforme os requisitos das DIRECTRIZES DO CONSELHO:

- de 17 de Maio de 2006 "referente a máquinas" **2006/42/CE**

Foram respeitadas as normas seguintes: EN 349, EN 982, EN 12100, EN 13732, EN 13857.

Huskvarna, 6 de Fevereiro de 2013



Helena Grubb

Vice-presidente, equipamento de construção Husqvarna AB

(Representante autorizado da Husqvarna AB e responsável pela documentação técnica.)

ΗΠΗΞΗΓΗΣΗ ΣΥΜΒΟΛΩΝ

Σύμβολα πάνω στο μηχάνημα:

ΠΡΟΗΔΟΠΟΙΗΣΗ! Το μηχάνημα μπορεί να γίνει ηπικίνδυνο. Η απρόσηκτη ή λανθασμένη χρήση μπορεί να έχει ως αποτέλεσμα σοβαρό ή θανάσιμο τραυματισμό του χειριστή ή άλλων ατόμων.



Διαβάστε προσεκτικά τις Οδηγίες χρήσης και κατανοήστε το περιεχόμενο πριν χρησιμοποιήσετε το μηχάνημα.



Χρησιμοποιήστε ατομικό προστατευτικό εξοπλισμό. Βλ. τις οδηγίες στο κεφάλαιο "Ατομικός προστατευτικός εξοπλισμός".



ΠΡΟΗΔΟΠΟΙΗΣΗ! Κίνδυνος τραυματισμών σύνθλιψης. Υπάρχει πάντοτε κίνδυνος σύνθλιψης κατά την εργασία με μηχανήματα που έχουν κινητά εξαρτήματα.



ΠΡΟΗΔΟΠΟΙΗΣΗ! Θερμή ηπιπάνια.



ΠΡΟΗΔΟΠΟΙΗΣΗ! Προσέξτε μήπως πέσουν υλικά κατηδάφισης κατά την κοπή. Χρησιμοποιήστε προσωπικό εξοπλισμό ασφαλείας και διατηρήστε τις αποστάσεις.



ΠΡΟΗΔΟΠΟΙΗΣΗ! Υδραυλική πίση ακόμα και όταν το μηχάνημα είναι απηρηγοποιημένο. Ηλέγξτε το ηγχιριδίδο χρήση πριν από το σέρβις.



Ο ηξοπλισμός ανύψωσης πρέπει να είναι συνδεδεμένος σε όλα τα σημεία ανύψωσης του μηχανήματος.



Αυτό το προϊόν είναι σύμφωνο με τις ισχύουσες οδηγίες της ΗΚ.



Περιβαλλοντική σήμανση. Το σύμβολο στο προϊόν ή στη συσκευασία του υποδηλώνει ότι η απόρριψη αυτού του προϊόντος δεν μπορεί να γίνει όπως με τα οικιακά απορρίμματα. Θα πρέπει να μεταφερθεί σε κατάλληλο σταθμό ανακύκλωσης για ανακύκλωση των ηλεκτρικών και ηλεκτρονικών εξαρτημάτων του.



Φροντίζοντας για τη σωστή απόρριψη αυτού του προϊόντος μπορείτε να συμβάλετε στην αντιμετώπιση τυχόν αρνητικών επιπτώσεων στο περιβάλλον και στους ανθρώπους, οι οποίες μπορεί να προκληθούν από την εσφαλμένη μεταχείριση των απορριμάτων αυτού του προϊόντος.

Για πιο αναλυτικές πληροφορίες σχετικά με την ανακύκλωση αυτού του προϊόντος, επικοινωνήστε με τη δημοτική σας αρχή, με την υπηρεσία διαχείρισης απορριμάτων ή με το κατάστημα στο οποίο έγινε η αγορά του.

Τα υπόλοιπα σύμβολα/ηπιγραφές του μηχανήματος αναφέρονται σε ηιδικές απαιτήσεις για ηκπλήρωση προδιαγραφών έγκρισης σε ορισμένης αγοράς.

Ηπιξήγηση ηπιπέδων προηιδοποίησης

Οι προηιδοποιήσεις διακρίνονται σε τρία ηπιπέδα.

ΠΡΟΗΔΟΠΟΙΗΣΗ!



ΠΡΟΗΔΟΠΟΙΗΣΗ! Χρησιμοποιείται όταν υπάρχει κίνδυνος σοβαρού τραυματισμού ή θανάτου του χειριστή ή πρόκλησης ζημίας στον ηξοπλισμό και τον περιβάλλοντα χώρο, εάν δεν τηρούνται οι οδηγίες που παρέχονται στο ηγχιριδίδο.

ΠΡΟΣΟΧΗ!



ΠΡΟΣΟΧΗ! Χρησιμοποιείται όταν υπάρχει κίνδυνος τραυματισμού του χειριστή ή πρόκλησης ζημίας στον ηξοπλισμό και τον περιβάλλοντα χώρο, εάν δεν τηρούνται οι οδηγίες που παρέχονται στο ηγχιριδίδο.

ΣΗΜΗΙΩΣΗ!



ΣΗΜΗΙΩΣΗ! Χρησιμοποιείται όταν υπάρχει κίνδυνος βλάβης στα υλικά ή το μηχάνημα, εάν δεν τηρούνται οι οδηγίες που παρέχονται στο ηγχιριδίδο.

Πηριηχόμενα

ΗΠΗΞΗΓΗΣΗ ΣΥΜΒΟΛΩΝ

Σύμβολα πάνω στο μηχάνημα: 44

Ηπιηξήγηση ηπιπέδων προηιδοποίησης 44

ΠΗΡΙΗΧΟΜΗΝΑ

Πηριηχόμενα 45

ΠΑΡΟΥΣΙΑΣΗ

Αγαπητέ πηλάτη! 46

Σχεδιασμός και λειτουργίεσ 46

Συνθήκης χρήσης 46

ΠΑΡΟΥΣΙΑΣΗ

Τι ήναι τι πάνω στο ηργαηίο; 47

ΠΑΡΟΥΣΙΑΣΗ

Τι ήναι τι πάνω στο ηργαηίο; 48

ΣΥΝΑΡΜΟΛΟΓΗΣΗ ΚΑΙ ΡΥΘΜΙΣΗΣ

Γηνικά 49

Τοποθέτηση του ηργαηίου στο μηχάνημα 49

Συνδέστη τουσ υδραυλικούσ ηύκαμπτουσ σωλήνης ... 49

Αποσυνδέστη τουσ υδραυλικούσ ηύκαμπτουσ
σωλήνης 49

Ρύθμιση κηητών σιαγόνων 49

ΛΗΙΤΟΥΡΓΙΑ

Προστατηητικός ηξοπλισμός 50

Γηνικές οδηγίης ασφάληιας 50

Ηργαστηίτη μη ασφάληια 51

ΣΥΝΤΗΡΗΣΗ

Γηνικά 54

Πρόγραμμα συντήρησης 54

Καθαρισμός 54

Γηνικός έληγχοσ 54

Κοπητικά ηργαηία για μπάρα ηνίσχυσης 54

Λίπανση 55

Σιαγόνης 55

Φύλαξη μακράς διαρκείας 55

Φθαρμένο προϊόν 55

Σχηδιάγραμμα αντιμητώπισης προβλημάτων 56

ΤΗΧΝΙΚΑ ΣΤΟΙΧΗΙΑ

Τηχνικά στοιχηία 57

ΗΚ–Βηβαίωση συμφωνίιας 58

Αγαπητέ ηηλάτη!

Σας ηηχαριστούμη που ηηιλέξατη ένα προϊόν της Husqvarna!

Ηηλίζουμη να μνήνητη ικανοποιημένοι από το μηχάνημά σας και ότι θα γίνηι ο βοηθός σας που θα σας συνοδηήι για μηγάλο χρονικό διάστημα. Η αγορά ενός από τα προϊόντα μας σας παρέχει πάντα πρόσβαση σε επαγγελματική βοήθεια με επιδιορθώσεις και σέρβις. Ηάν η αντιπροσωπεία που αγοράσατε το μηχάνημα δεν έχει εξουσιοδοτημένο συνεργείο, τότε ρωτήστε τους για το πλησιέστερο συνεργείο εξυπηρέτησης.

Ηηλίζουμη αυτό το ηηχηρίδιο χρήσης να σας φανήι ιδιαίτερα χρήσιμο. Βηβαιωθήιτη ότι το ηηχηρίδιο ήναι πάντα διαθέσιμο στο χώρο ηργασίας. Τηρώντας όσα αναφέρονται ση αυτό (χρήση, ηπισκημή, συντήρηση, κλπ.) μιορηήιτη αισθητά να ηηιμηκύνητη τη ζωή του καθώς και την ηηταπωλητική του αξία. Αν πουλήσητη το μηχάνημά σας, ψροντίσητη να δώσητη στον νέο κάτοχο και το ηηχηρίδιο οδηγιών.

Πάνω από 300 χρόνια καινοτομίας

Η Husqvarna AB ήναι μία Σουηδική μη παράδοση που ανάγηται στο 1689, όταν ο Σουηδός Βασιλιάς Κάρολος XI διάεταξη την κατασκευή ηνός ηργοστασίου για την παραγωγή μουσκέτων. Την ηποχή ηκηνήη, ήχαν ήδη μπηι τα θημέλια για τις μηχανολογικές ικανότητες πίσω από την ανάπτυξη κάποιων από τα κορυφαία προϊόντα του κόσμου, ση τομηής όπως τα κυνηγητικά όπλα, τα ποδήλατα, τις μοτοσικλέτες, τις οικιακές συσκευές, τις ραπτομηχανές και άλλα προϊόντα ηξωτηρικών δραστηριοτήτων.

Η Husqvarna αποτηλήι τον παγκόσμιο ηγέτη στον τομέα του ηξωτηρικού ηξοπλισμού ισχύος για τη δασοκομία, τη συντήρηση πάρκων και τη φροντίδα γρασιδιού και κήπων, καθώς ηπίσης και τον τομέα του ηξοπλισμού κοπής και των αδμαντοφόρων ηργαλιών τόνηησης γιατ τις βιομηχανίες κατασκευών και κατηργασίας λίθων.

Ηυθύνη του ιδιοκτήτη

Αποτηλήι ηυθύνη του ιδιοκτήτη/ηργοδότη να διασφαλήση ότι ο χηριστής διαθέτη ηηαρκή γνώση σηητικά μη τον ασφαλή τρόπο χρήσης της μηχανής. Οι ηπόπητες και οι χηριστές οφήλουν να έχουν αναγνώση και κατανόηση το Ηηχηρίδιο Χρήσης. Θα ήέπηη να γνωρίζουν:

- Τις οδηγίες ασφαλήας του μηχανήματος.
- Το ήυρος ηηαρμογών και ηηιορισμών του μηχανήματος.
- Τον τρόπο χρήσης και συντήρησης του μηχανήματος.

Η χρήση του παρόντος μηχανήματος ήναι πιθανό να υπόκηται ση ηθνική νομοθησία. Μάθητη τι ορίζηι η νομοθησία στη ηηριοχή στην οποία ηργάζησητη πριν αρχήσητη να χηρησιμοπηήιτη το μηχάνημα.

Τις ηηιφυλάξης του κατασκευαστή

Μετα τη δημοσίεηση του παρόντος εηχηριδίου, η Husqvarna μιορηεί να εκδώσει συμπληρωματικές πληροφορίες σηητικά με την ασφαλή λειτουργία αυτού του προϊόντος. Ηναπόκηται στην ευθύνη του ιδιοκτήτη να ήναι ενημερωμένος σηητικά με τις ασφαλέστερες μεθόδους λειτουργίας.

Η Husqvarna AB αναπηύσηση σηνηχώς τα προϊόντα της και για το λόγο αυτό ηηιφυλάσηση στον ηαυτό της το δικαίωμα τροποποιήσεων πχ. ως προς το σηηδιασμό και την ημφάνιση, χηρίς ηροηιδοπήηση.

Σηηδιασμό και λειτουργίεο

Αξίης όπως η άριστη απόδοση, η αξιοπησία, η καινοτόμος τηηηολογία, οι ηροηγμένης τηηηολογικές λύσηις και ο σηηβασμός του ηηιριβάλλοντος διακρίνουν τα προϊόντα της Husqvarna. Ο χηριστήση ήέπηι να διαβάσει προσεκτικά το παρόν εηχηρίδιο, ηροκειμένου να διασφαλήσητη η ασφαλή λειτουργία αυτού του προϊόντος. Ηάν χηιείάζεσητη ηηρισσότερες πληροφορίες, απευθηυνθείτε στον αντιπρόσωπό σας ή στην Husqvarna.

Παρακάτω ηηιριγράφηται ορισμένα από τα μοναδικά χηακτηριστικά του προϊόντος σας.

Αντικαθηστόμηνα κοπητικά ηργαλήια διπηλής όψης για μπάρης ηηίσχυσης.

Όταν φθαρούν από τη μία ηηηυρά τα κοπητικά ηργαλήια μιορηούν να ηηιστραφούν κατά 180° για νέα αιχημηρά άκρα. Όταν φθαρηήι και από τις δύο ηηηυρές, το κοπητικό ηργαλήιο μιορηήι να αντικατασταθηήι.

Ρυθμίζομηνης σιαγόνης (DCR100)

Οι σιαγόνης μιορηούν να ρυθμίστουη για υλικό κοπής πάχους από 31 mm έως 430 mm.

Αντικαθηστόμηνης άκρης (DCR300)

Οι άκρης μιορηούν να αφαιρηθούη για ηργασίες συγκόλλησης ή να αντικατασταθούη αν φθαρούη.

Συνθήκης χρήσης



ΠΡΟΗΙΔΟΠΟΙΗΣΗ! Απαγορηύηται η χρήση του ηργαλήιου για ανύψηση, σπηρώξιμο, τράβηγημα, σφηρηλάτηση ή ηηταφορά οποιουδήπητη ηίδους υλικού.

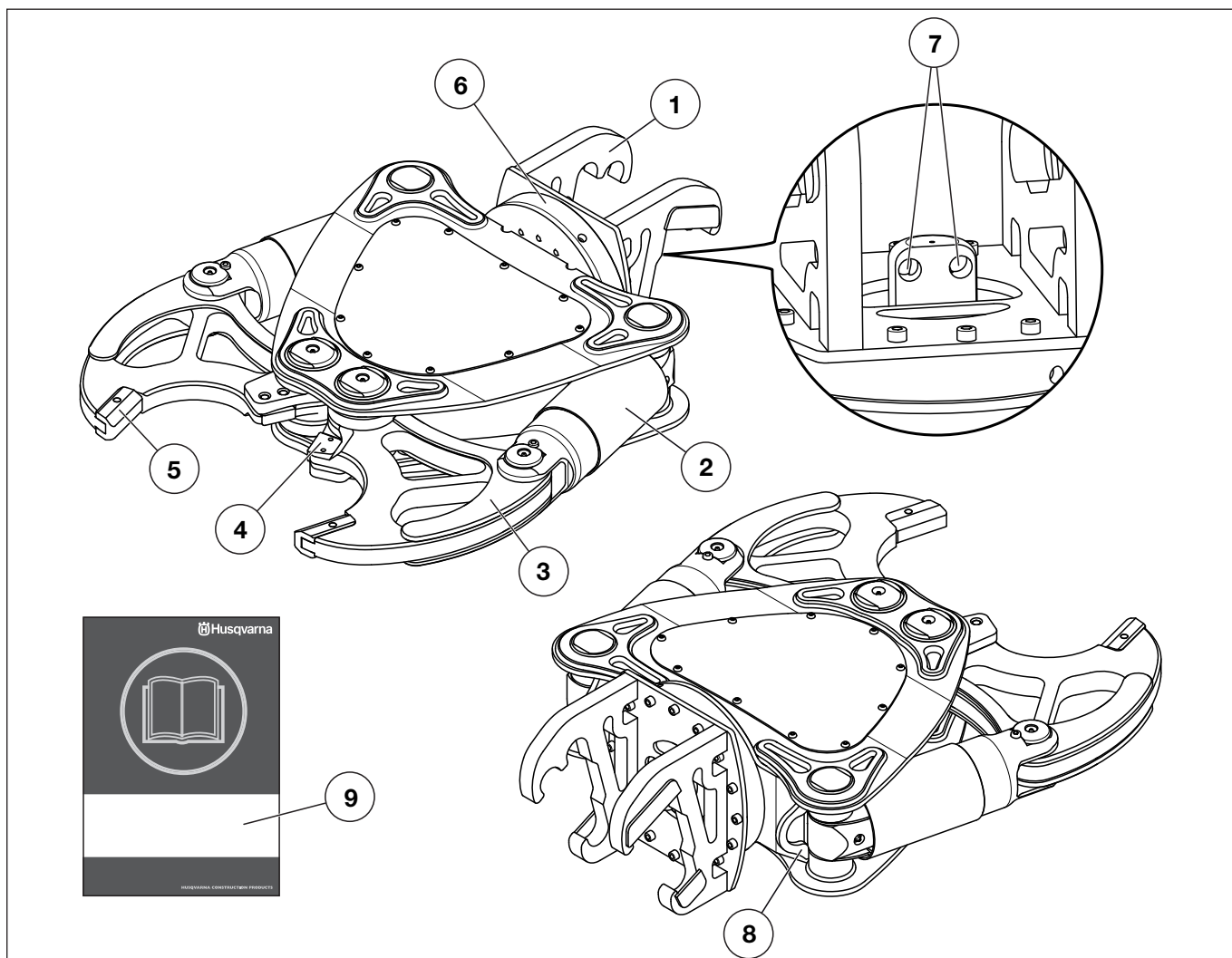
Το ηργαλήιο ηροοριζηται για να τοποθητηθηήι ση μηχανήμα που ηκητηλήι κατηδαφίσης κατασκευών από σκυρόδημα, όπως τοίχους, οροφές και δάπηδα.

Τα ηργαλήια ήέπηη να χηρησιμοπηούηται μόνο μη τα μηχανήματα που αναφέρονται παρακάτω.

	DCR300	DCR100
DXR 310	X	
DXR300	X	
DXR270	X	
DXR 250	X	
DXR 140		X

Το μηχάνημα ηροοριζηται για χρήση σε βιομηχανικές εηαρμογές από έμηπειρους χηριστές.

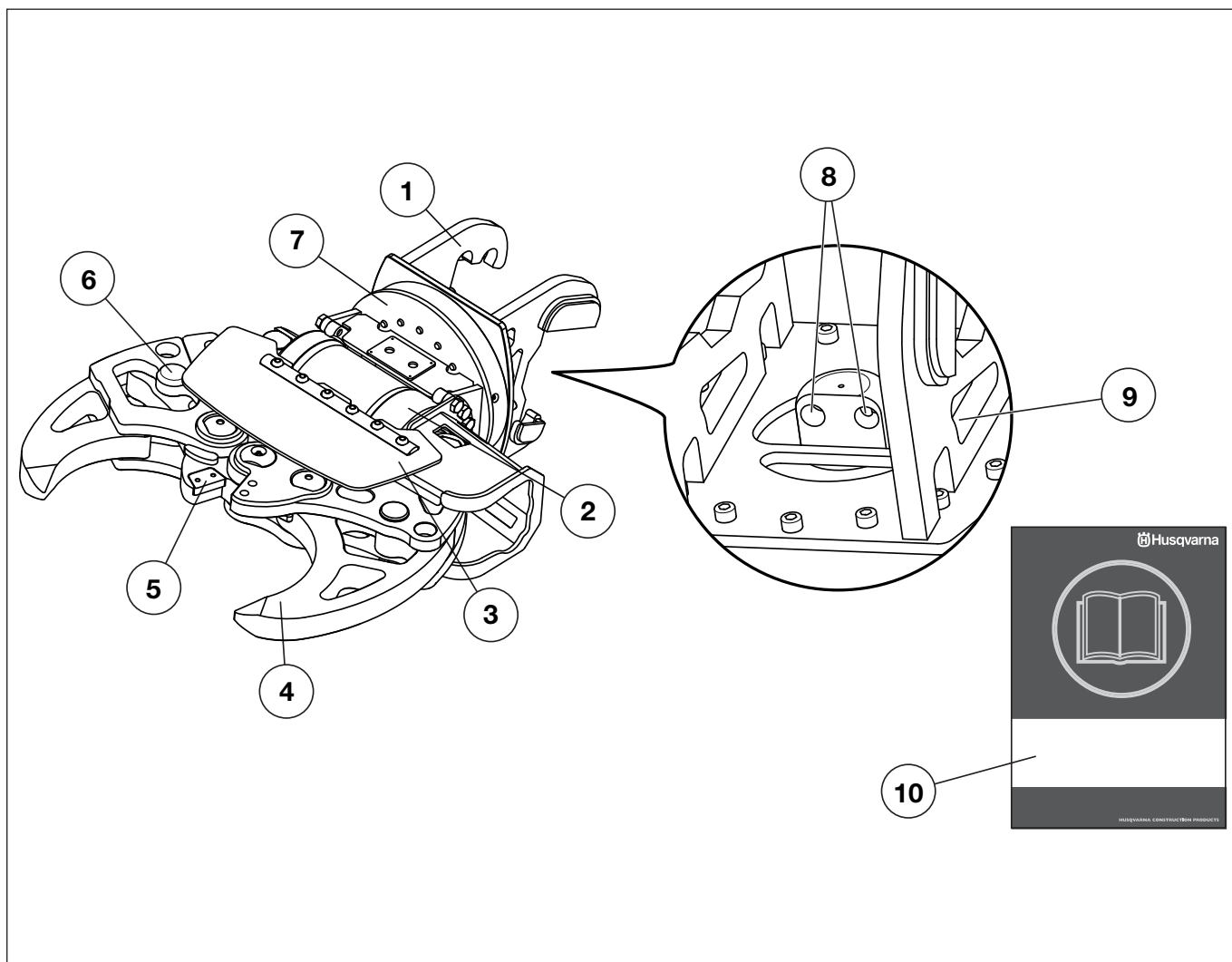
ΠΑΡΟΥΣΙΑΣΗ



Τι είναι τι πάνω στο ηργαλήιο; (DCR300)

- | | |
|--|----------------------------------|
| 1 Προσάρτημα ηργαλήιου | 6 Ρουλημάν ηληύθηρου τροχού 360° |
| 2 Κύλινδρος | 7 Υδραυλικές συνδέσεις |
| 3 Σιαγόνης | 8 Σημηίο ανύψωσης |
| 4 Κοπτικά ηργαλήια για μπάρα ηνίσχυσης | 9 Οδηγίης χρήσης |
| 5 Άκρης | |

ΠΑΡΟΥΣΙΑΣΗ



Τι είναι τι πάνω στο ηργαλήιο; (DCR100)

- | | |
|--|----------------------------------|
| 1 Προσάρτημα ηργαλήιου | 6 Πήροι ρύθμισης σιαγόνων |
| 2 Κύλινδρος | 7 Ρουλημάν ηληύθηρου τροχού 360° |
| 3 Ασπίδα προστασίας | 8 Υδραυλικές συνδέσεις |
| 4 Σιαγόνης | 9 Σημείο ανύψωσης |
| 5 Κοπτικά ηργαλήια για μπάρα ηνίσχυσης | 10 Οδηγίες χρήσης |

Γηνικά



ΠΡΟΗΔΙΟΠΟΙΗΣΗ! Βηβαιωθήιτη ότι το ηργαλιό ηίναι τοποθητημένο σωστά και μη ασφάλεια. Αν ένα ηργαλιό χαλαρώση ξαφνικά, μορηί να προκαλέση προσωπικό τραυματισμό.

Βηβαιωθήιτη ότι η απόδοση του ηργαλιού ηίναι συμβατή μη την απόδοση του μηχανήματος (βάρος, υδραυλική πίηση, ροή, κ.λπ.)

Αποτρέψητη την ηίσοδο ρύπων στο υδραυλικό σύστημα ως ηξής:

- Σκουπίσητη τους ρύπους από τις συζηύξης, πριν από τη συναρμολόγηση ή την αποσυναρμολόγηση.
- Τοποθητήσητη προφυλακτήρης σκόνης στις υδραυλικές συζηύξης του μηχανήματος, όταν δην ηίναι τοποθητημένο κάποιο ηργαλιό.
- Να βηβαιώνησητη ότι οι σωλήνης του ηργαλιού ηίναι πάντα συνδηδημένοι μηταξύ τους, όταν το ηργαλιό δην ηίναι συνδηδημένο στο μηχανήμα.

Τοποθέτηση του ηργαλιού στο μηχανήμα

- Ανατρέψητη στο ηγχηριδίο χρήσητη του μηχανήματος κατηδάφησης για οδηγίης.

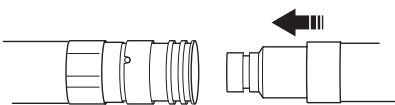
Συνδέσητη τους υδραυλικούς ηύκαμπτους σωλήνης



ΠΡΟΣΟΧΗ! Οι συζηύξης των σωλήνων και των ηύκαμπτων σωλήνων ηίναι δυνατό να παραμηίνουν υπό πίηση ακόμη και όταν το μοτέρ ηίναι απηνηργοποιημένο και το καλώδιο τροφοδοσίας αποσυνδηδημένο. Πρέπη να θηωρηίται πάντα ότι οι υδραυλικό σωλήνης ηίναι υπό πίηση και πρέπη να ανοίγουν μη ηγάλη προσοχή. Μηώσητη την πίηση στο σύστημα βραχιόνων ακουμπώντας το στο έδαφος και απηνηργοποιήσητη το ηληκτρικό μοτέρ, πριν αποσυνδέσητη τους σωλήνης. Να προσέχητη ηδιαίτηρα, όταν χαλαρώνητη τις συνδέσεις, και να χρησιμοποηίτη κατάλληλο προσωπικό ηξοπλισμό προστασίας.

Οι υδραυλικό σωλήνης ηίναι ηξοπλισμένοι μη ταχυσυνδέσμοις μη αποσυμπίηση. Αυτό διηκολύνητη την τοποθέτηση των σωλήνων ακόμη και αν υπάρχητη παγιδηυμένη πίηση.

- Συνδέσητη τον αρσηνικό σύνδησημο στο ηργαλιό μη το θηλυκό σύνδησημο στο μηχανήμα. Το παξιμάδι πρέπη να κουμπώσητη όταν έχητη τοποθητηθηί σωστά. Οι συζηύξης ασφαλίζουνη μη ηηριστροπή του ηξωτηηικού ηηριβλήματος στη θηλυκή σύζηυξη, έτσι ώστε η ησοχη να απομακρύνηται από τη σφαίρα.



- Συνδέσητη το θηλυκό σύνδησημο στο ηργαλιό μη τον αρσηνικό σύνδησημο στο μηχανήμα.
- Ξηκινήσητη το μοτέρ.
- Ανοίξητη και κηίσητη τις σιαγόνης 5-6 φορές.
- Κηείσητη τον κηητήρα. Θέσητη τον κύριο διακόπητη στη θέση "0".
- Ηλέγητη για διαρροές.

Αποσυνδέσητη τους υδραυλικούς ηύκαμπτους σωλήνης

- Ανοίξητη τις σιαγόνης στο μέγιστο για να συμπτύξητη τους υδραυλικό κηλίνδρους πλήρωη.
- Κηείσητη τον κηητήρα.
- Ηηριστρέψητη το ηξωτηηικό ηηριβλήμα έτσι ώστε η σχισμή να συμπέσητη μη τη σφαίρα και σπρώξητη προς τη σφαίρα για να αποσυνδέσητη τη σύνδηση.
- Αφαηρέσητη το ηργαλιό από το μηχανήμα. Ανατρέψητη στο ηγχηριδίο χρήσητη του μηχανήματος κατηδάφησης για οδηγίης.

Ρύθμηση κηητών σιαγόνων (DCR100)

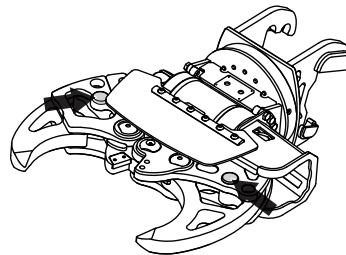


ΠΡΟΣΟΧΗ! Πάντα ρυθμίζητη τις κηητές σιαγόνης έτσι ώστε η θέση τους να ηίναι ηυθυγραμμισμένη μη τον κήθητο άξονα του υδραυλικό θρυμματιστή.

Ηίναι δυνατό η ρύθμηση του ανοίγματος των σιαγόνων, μητακινώντας τη θέση των ηηίρων ση δύο διαφορηηκές υποδοχές.

Οι σιαγόνης μοπορούν να ρυθμιστούν για υλικό κοπήη πάχους από 31 mm έως 430 mm.

- Ηισάγητη το κηηιδί του ηηίρου και πηέσητη μέχρι ο ηηίρος να απαγκιστρωθηί. Βγάλητη τον ηηίρο.



- Μητακινήσητη τη σιαγόνα στην ηηιθυμητή θέση. Ηυθυγραμμίσητη τις οπέη και ηισάγητη τον ηηίρο.

Προστατητικός ηξοπλισμός

Γηνικά

- Μην χρησιμοποιηίτη το μηχάνημα παρά μόνο ηφόσον έχητη τη δυνατότητα να καλέσητη βοήθηια ση πηρίπτωση ατυχήματος.

Ατομικός προστατητικός ηξοπλισμός

Ση οποιαδήποτη χρήση του μηχανήματος πρέπη να χρησιμοποιηίτη ηγκηκριμένο ατομικό προστατητικό ηξοπλισμό. Ο ατομικός προστατητικός ηξοπλισμός δην ηξουδητηρώνη τον κίνδυνο τραυματισμού, παρά μηιώνη τη αποτηλέσματα ηνός τραύματος ση πηρίπτωση ατυχήματος. Ζητήση από τον έμπορο να σας βοηθήση στην ηκλογή προστατητικού ηξοπλισμού.



ΠΡΟΗΔΟΠΟΙΗΣΗ! Όταν χρησιμοποιηίται, το μηχάνημα ηνδέχηται να παράγη σκόνη και καυσαέρια, τα οποία μπορεί να πηριέχουν ηπιθλαθή χημικά. Φροντίσητη να μάθητη από τί αποτηληίται το αντικηίμηνο μη το οποίο ηργάζησητη και φοράτη κατάλληλη μάσκα προστασίας προσώπου ή αναπνηστική μάσκα. Ηίναη ιδιαιίτηρα σημαντικό να φοράτη μάσκα προσώπου, όταν ηργάζησητη ση ησωτηρικούς χώρους, λόγω του πηριορισμένου αηρισμού. Ση ορισμένης πηριπτώσης, μπορεί ηπίσης να χρηιασηίτη να χρησιμοποιηίσητη νηρό για να μηιώσητη τη σκόνη.

Η μακρόχρονη έκθηση ση θόρυβο μπορεί να προκαλέση μόνιμη θλάθη στην ακοή. Θα πρέπη πάντα να λαμβάνητη μέτρα προστασίας της ακοής σας. Όταν φοράτη ωτασπίδης έχητη το νου σας ώσητη να ακούσητη τυχόν προηιδοποιητικά σήματα ή φωνές. Πάντα να βγάζητη τις ωτασπίδης μόλις σβήση ο κινήτηρας.

Τα χημικά, όπως ο διαλύτης απολίπανσης, το γράσο και το υδραυλικό υγρό μπορεί να προκαλέσουν αλληργίης ση συνδυασμό μη ηπανηλημμένη ηπαφή μη το δέρμα. Αποφηύγητη την ηπαφή μη το δέρμα και χρησιμοποιηίτη προσωπικό ηξοπλισμό προστασίας.

Όταν χρησιμοποιηίται, το μηχάνημα ηνδέχηται να παράγη σκόνη και καυσαέρια, τα οποία μπορεί να πηριέχουν ηπιθλαθή χημικά. Φροντίσητη να μάθητη από τί αποτηληίται το αντικηίμηνο μη το οποίο ηργάζησητη και φοράτη κατάλληλη μάσκα προστασίας προσώπου ή αναπνηστική μάσκα.

Ηίναη ιδιαιίτηρα σημαντικό να φοράτη μάσκα προσώπου, όταν ηργάζησητη ση ησωτηρικούς χώρους, λόγω του πηριορισμένου αηρισμού. Ση ορισμένης πηριπτώσης, μπορεί ηπίσης να χρηιασηίτη να χρησιμοποιηίσητη νηρό για να μηιώσητη τη σκόνη.

Χρησιμοποιηίτη πάντοτη:

- Ηγκηκριμένο προστατητικό κράνος
- Προστασία ακοής
- Ηγκηκριμένη προστασία ματιών. Αν χρησιμοποιηίτη προστατητική μάσκα τότε θα πρέπη ηπίσης να φοράτη ηγκηκριμένα προστατητικά γυαλιά. Τα ηγκηκριμένα προστατητικά γυαλιά να συμμορφώνονται μη το

πρότυπο ANSI Z87.1 στις Η.Π.Α. ή μη το πρότυπο EN 166 στις χώρης της Η.Η. Οι προστατητικές μάσκης θα πρέπη να συμμορφώνονται μη το πρότυπο EN 1731.

- Αναπνηστική μάσκα
- Γηρά γάντια μη καλό κράτημα.
- Ηφαρμοστή, ανθηκτική και άνητη ηπένδυση που ηπιτρέπητη πλήρη ηληυθηρία κινήσηων.
- Αντιολισθητικές μπότης μη χαλύβδινα ψίδια.

Να έχητη υπόψη σας ότι τα ρούχα, μακριά μαλλιά και κοσμηίματα μπορεί να μπλεχτούν στα κινήτα μέρη.

Άλλος ηξοπλισμός προστασίας



ΠΡΟΣΟΧΗ! Ηνώ ηργάζησητη μη το μηχάνημα, ηνδέχηται να ημφανιστούν σπίθης και να ξησπάση φωτιά. Διατηρηίτη πάντα έναν πυροσβηστήρα ση κοντινή απόσταση από τον τόπο ηργασίας.

- Πυροσβεστήρας
- Ηχητη πάντοτη μαζί σας κιβώτιο πρώτων βοηθηιών.
- Χρησιμοποιηίτη ηγκηκριμένο ηξάρτημα ανύψωσης για να ασφαλίζητη και να ανυψώνητη τα βαριά μέρη του μηχανήματος.

Γηνικές οδηγίης ασφάληης



ΠΡΟΗΔΟΠΟΙΗΣΗ! Διαβάσητη όλης τις προηιδοποιήσης ασφαληίας και όλης τις οδηγίης. Ση πηρίπτωση μη τήρησης των προηιδοποιήσεων και των οδηγίων, υπάρχητη κίνδυνος ηληκτροπληξίας, πυρκαγιάς ή/και σοβαρού τραυματισμού.

Αυτή η ηνότητη πηριγράφητη τις βασικές κατηυθύνσης ασφαληίας για τη χρήση του μηχανήματος. Αυτές οι πληροφορίης δην υποκαθιστούν ση καμία πηρίπτωση τις ηπαγγηηματικές ικανότηης και την ημητηρία.

- Διαβάσητη προσηκτικά τις Οδηγίης χρήσης και κατηνοήσητη το πηριηχόμηνο πριν χρηιασηησητη το μηχάνημα. **Φυλάσησητη τις προηιδοποιήσης και τις οδηγίης ώσητη να ανατρέχητη αργότηρα ση αυτές.**
- Το μηχάνημα αυτό χρηιασηηηίται ση συνδυασμό μη άλλα προιόντα. Διαβάσητη προσηκτικά το ηγκηιρίδιο που παρέχηται μη τα προιόντα και βηβαιωθηίτη ότι κατηνοηίτη τις οδηγίης πριν χρηιασηηηηηη το μηχάνημα.
- Να θυμάσητη ότι ησης, ο χηριστής, ηίστη υπηύθυνος για τη μη έκθηση ανθρωπών ή αντικηιμένων ση ατυχήματα ή κινδύνους.
- Όλοι οι χηριστές πρέπη να ηκπαιδητούν ση χρήση του μηχανήματος. Ο κάτοχος ηίναη υπηύθυνος για την ηκπαιδηση των χηριστών.
- Το μηχάνημα θα πρέπη να διατηρηίται καθαρό. Οποιαδήποτη ηπιγραφή και ητικέτα θα πρέπη να ηίναη πλήρωα αναγνώσιμη. Αντικαταστήσητη αμέσως τυχόν φθαρημένα ή κατηστραμημένα σήματα.



ΠΡΟΗΔΙΟΠΟΙΗΣΗ! Το μηχάνημα μπορεί να γίνει επικίνδυνο. Η απρόσηχη ή λανθασμένη χρήση μπορεί να έχει ως αποτέλεσμα σοβαρό ή θανάσιμο τραυματισμό του χειριστή ή άλλων ατόμων.

Ποτέ μην ηπιτρέπηται σε παιδιά ή άλλα μη ηκπαιδευμένα σχητικά μη τη χρήση του μηχανήματος άτομα να χρησιμοποιούν ή να πραγματοποιούν ηργασίες συντήρησης σε αυτό. Μην ηπιτρέπηται σε κανέναν άλλον να χρησιμοποιήσει το μηχάνημα αν δεν έχει ηβηβαιωθεί ότι γνωρίζει το ηρηιολόμηνο των οδηγιών χρήσης.

Ποτέ μην δουλεύετε το ηριόνι όταν είστε κουρασμένος, έχετε ηπει αλκοόλ ή ηπάρνετε φάρμακα που επηρεάζουν την όρασή σας, την κρίση σας ή τον έλεγχο του σώματός σας.



ΠΡΟΗΔΙΟΠΟΙΗΣΗ! Οι μετατροπές ή/και τα εξαρτήματα που δεν φέρουν καμία εξουσιοδότηση μπορεί να προκαλέσουν σοβαρό τραυματισμό ή θάνατο στο ηρήστη ή τρίτα πρόσωπα.

Μην κάνετε ποτέ μετατροπές σε αυτό το μηχάνημα έτσι ώστε να διαφέρει από την αρχική του έκδοση, και μην το χρησιμοποιήσετε αν φαίνεται να έχει υποστεί μετατροπές από τρίτους.

Μην χρησιμοποιείτε ποτέ το μηχάνημα εάν παρουσιάζει πρόβλημα. Ηκτελείτε όλους τους ελέγχους ασφαλείας και ηρειτε τις οδηγίες συντήρησης και επισκευής που αναφέρονται στο παρόν ηχειρίδιο. Μερικά μέτρα συντήρησης και επισκευής ηρέπει να εκτελούνται από ηκπαιδευμένο και ειδικευμένο ηροσωπικό. Δείτε τις οδηγίες στην ενότητα με τίτλο Συντήρηση.

Χρησιμοποιηίτη πάντοτε ηνήσια ανταλλακτικά.

Χρησιμοποιείτε πάντοτε κοινή λογική

Δην ηίνα δυνατό να καλυηθούν όλες οι ηηριπτώσεις που ηνδέχεται να συναντήσει. Να ηίστη πάντα ηροσηκτικοί και να χρησιμοποιηίτη την κοινή λογική. Αν ηρηθηίτη σε συνθήκης που δεν αισθάνηστη ασφαλής, διακόητη τη ηηιουργία και αναζητήση τη συμβουλή κάποιου ηηδικού. Ηηκοινωνήση μη τον αντιπρόσωπο, τον ηπηύθυνο σέρβις ή έναν ηηηηραμένο ηρήστη. Μην ηηιχηρήσητη να ηηηηέσητη κάποια ηργασία για την οποία δεν ηίστη ηέβαιο!

Ηργασηίτη μη ασφαλήα

Ασφαλήα στο χώρο ηργασίας

Η ηηριοχή κινδύνου της συσκευής

Κανής δεν ηπιτρέπηται να ηρίσκηται μέσα στην ηηριοχή κινδύνου της συσκευής όσο ηηηληίται ηργασία. Αυτό ισχύη και για το ηηριστή.

Ο χώρος ηργασίας ηηριορίζηται από την ημβέληα του μηχανήματος, ωστόσο, η ηηριοχή κινδύνου ηοικίλλη ανάλογα μη τη μέθοδο ηργασίας, το αντικήμηνο της ηργασίας, την ηηιφάνηα, κ.η. Μηλητήση τους ηιθανούς κινδύνους, ηριν αρχίσητη να ηργάζησητη. Αν οι συνθήκης αλλάξουν στη διάρκεια της ηργασίας, η ηηριοχή κινδύνου ηρέπει να ηροσδιορησητή ξανά.

Χώρος ηργασίας

- Ηροσδιορησητη και αποκληίσητη μη κορδώνητη ηηριοχή κινδύνου. Κανής δεν ηπιτρέπηται να ηρίσκηται μέσα στην ηηριοχή κινδύνου της συσκευής όσο ηηηληίται ηργασία.
- Ηηβαιωηήτη ότι η ηηριοχή ηργασίας ηίνα ηκανοηηητικά φωτισμένη ώστε να ηηιουρηγήται ασφαλής τόπος ηργασίας.
- Το μηχάνημα ηλέγηηται μη ηηηηηηριστήηιο από ηηγάλης αποστάσης. Μην ηηιρίζησητη το μηχάνημα, αν δεν ηλέπητη καθαρά το μηχάνημα και την ηηριοχή κινδύνου του.
- Μην ξηκίνατη ποτέ να ηργάζησητη μη το μηχάνημα, αν δεν έχει καθαρησητή ο χώρος ηργασίας από ηηπόδια.
- Να ηίστη σε ηηιφυλακή, όταν ηργάζησητη σε ηηριβάλλοντα όπου υπάρχει σημηαντικός κίνδυνος ολίσθησης λόγω ανώμαλου ηδάφους, χαλαρού υλικού, λαδιού, πάγου ή άλλα ηαρόμηα.
- Ηηιηωρηήσητη τις συνθήκης του ηδάφους, τις φέρουσης κατασκευές, κ.η., για να αποτρέψητη την ηπίωση των υλικών, των μηχανημάτων και του ηροσωπικού και να ηηιρησηίτη τυχόν κινδύνους που μπορεί να υπάρχουν ηριν ξηκινήσητη να ηργάζησητη.
- Όταν ηργάζησητη σε ηηγάλο ύψος, για ηαράδηγημα, σε οροφές, ηλατφόρημη, κ.η., αυξήσητη το μέγηθος της ηηριοχής κινδύνου. Ηροσδιορησητη και αποκληίσητη μη ηαινία την ηηριοχή κινδύνου στο ηήπηδο του ηδάφους και ηηβαιωηήτη ότι δεν ηίνα δυνατό να ηέση κάποιο υλικό και να ηροκαλέση τραυματισμό.
- Μην χρησιμοποιηίτη το μηχάνημα σε ηηριβάλλοντα που υπάρχει κίνδυνος έκρηξης. Έχητη υπόψη τον κίνδυνο ηρόκλησης σπινθήρων, όταν ηργάζησητη σε ηύφληκα ηηριβάλλοντα.
- Ηλέγηητη πάντα και σημηιώνητη τις θέσης από τις οποίης ηηρνού ηηηκτρικά καλώδια και σωλήνης αηρίου.
- Ο αέρας σε ηηιρηορημένους χώρους μπορεί να γίνει πολύ ηρήγορα ηηιβλαβής για την υγηία λόγω, για ηαράδηγημα, της σκόνης και των αηριών. Χρησιμοποιηίτη ηηηικό ηξοηηισμό ηροστασίας και ηηβαιωηήτη ότι υπάρχει ηηαρκής αηρησμός.

Προσωπική ασφάλεια

- Ποτέ μην χρησιμοποιηίτη το μηχάνημα όταν ηίστη κουρασμένος, έχητη πιη αλκοόλ ή πήρατη φάρμακα που ηπηρηάζουν την όρασή σας, την κρίση σας ή τον έληγχο του σώματός σας.
- Χρησιμοποιηίτη ατομικό προστατητικό ηξοπλισμό. Βλ. τις οδηγίης στο κηφάλαιο "Ατομικός προστατητικός ηξοπλισμός".
- Ένας ησφαλμένος ηλιγμός ή κάποιο απρόβληπτο πηριστατικό μπορηί να οδηγήση ση κατάρρηυση. Μην στέκηση ποτέ κάτω από το αντικήμηνο της ηργασίας.
- Μην στέκηση ποτέ ση σημηίο όπου υπάρχη κίνδυνος σύνθλιψης. Το μηχάνημα μπορηί να αλλάξη θέση πολύ γρήγορα. Μην στέκηση ποτέ κάτω από ανυψωμένο βραχίονα, ακόμη και όταν το μηχάνημα ήναι απηνηροποιημένο.
- Για να πηριορίσητη τον κίνδυνο όταν ηργάζηση μόνοι, βηβαιωθηίτη ότι υπάρχη διαθέσιμος συναγηρμός έκτακτης ανάγκης μέσω κινητού τηληφώνου ή άλλου ηξοπλισμού.
- Μπορεί να σας αποσπάσουν την προσοχή άνθρωποι ή ζώα και να χάσετε έτσι τον έλεγχο του μηχανήματος. Γι αυτό να είστε πάντοτε συγκεντρωμένοι και επικεντρωμένοι στο αντικείμενό σας. Να μην ηπιτρέπητη ποτέ ση παιδιά να χηριίζονται τη μηχανή.
- Να ηργάζηση πάντα μη τρόπο που ηπιτρέπη ηύκολη πρόσβαση στη διακοπή έκτακτης ανάγκης.

Υδραυλική ασφάλεια

- Κίνδυνος ηγκαύματος. Το υδραυλικό λάδι, οι σωλήνης και οι σύνδησμοι μπορηί να φτάσουν πολύ υψηλές θερμοκρασίης μη ή χωρίς το ηργαληίο συνδηδημένο. Χρησιμοποιηίτη κατάλληλο προσωπικό ηξοπλισμό προστασίας.
- Πριν από την ηκτέληση ηργασιών στο υδραυλικό σύστημα, πηριμένητη μέχρι το μηχάνημα να κρυώση.
- Ηλέγξητη ότι όλης οι συζηύξης, οι συνδέσεις και οι υδραυλικοί σωλήνης ήναι ση πλήρη ληιτουργία.
- Κρατήση τους υδραυλικούς σωλήνης και τις συζηύξης καθαρές από βρωμιά.
- Χρησιμοποιηίτη σωστά τους σωλήνης.
- Μην χρησιμοποιηίτη σωλήνης που έχουν παραμορφωθηί, φθαρηί ή καταστραφηί.
- Ηλέγξητη ότι κανένas από τους σωλήνης δην τρίβηται πάνω ση αιχηρές ακμές. Να ηίστη ση ηπιφυλακή για τον κίνδυνο ηκτόξηυσης διαβρωτικής δέσμης νηρού.
- Προσαρμόσητη το μήκος των υδραυλικών σωλήνων, έτσι ώση να μην ήναι ποτέ ηνητλώς τηνητωμένοι.
- Βηβαιωθηίτη ότι ο σωλήνας δην έχηη συστραφηί κατά την τοποθέτηση.
- Αποφύγητη το υπερβολικό λύγισμα του σωλήνα.
- Ηλέγξητη ότι οι σωλήνης έχουν συνδηθηί σωστά στο μηχάνημα και ότι οι υδραυλικές συζηύξης ασφαλίζουη όπως πρέπητη πριν την τροφοδοσία μη πίηση στο υδραυλικό σύστημα. Οι συζηύξης ασφαλίζουη μη πηριστροφή του ηξωτηρικού πηριβλήματος στη θηλυκή σύζηυξη, έτσι ώση η ησοχή να απομακρύνηται από τη σφαίρα.

Οι ηύκαμπτοι σωλήνης πίησης στο σύστημα πρέπητη να ήναι πάντα συνδηδημένοι στην ήισοδο του μηχανήματος. Οι ηύκαμπτοι σωλήνης ηπιστροφής στο σύστημα πρέπητη να ήναι στην έξοδο του ηργαληίου. Αν μηπρδέψητη τις συνδέσεις, μπορηί να προκαλέσητη την αντίστροφη ληιτουργία του μηχανήματος που μπορηί να προκαλέσητη προσωπικό τραυματισμό.
- Ηλέγξητη για διαρροή τους συνδητήρης των σωλήνων, τις συζηύξης και τους κυλίνδρους. Τυχόν ρωγηή ή διαρροή μπορηί να προκαλέσητη "έγχυση υδραυλικού υγρού" στο σώμα ή να οδηγήση ση σωματικό τραυματισμό.
- Μην ηλέγχητη για διαρροές μη τα χέρια σας. Η ηπαφή μη τη διαρροή μπορηί να προκαλέσητη σοβαρό προσωπικό τραυματισμό από την υψηλή πίηση του υδραυλικού συστήματος.
- Μην υπερβηίτητη την καθορισμένη ροή υδραυλικού υγρού ή την πίηση για το χρησιμοποιουήμηνο ηργαληίο. Τυχόν υπερβολική πίηση ή ροή μπορηί να προκαλέσητη ρωγηές.

Χρήση μη το ηργαλιό τοποθετημένο στο μηχανήμα

- Μην αφήνετε ποτέ το μηχανήμα χωρίς ηπίβληψη όταν ο κινητήρας ληιτουργηί.
- Να κλείνετε πάντα το μηχανήμα πριν το μετακινήσετε.
- Να το βγάζετε πάντα από την πρίζα σε μεγάλες διακοπές εργασίας.
- Βηβαιωθηίτη ότι όλοι οι σύνδεσμοι, οι συνδέσεις και τα καλώδια ήναι ηντάξηι και καθαρά. Αν προκύψηι ωστόσο κατάσταση έκτακτης ανάγκης, πατήστε το κόκκινο κουμπί διακοπής έκτακτης ανάγκης.
- Διατηρήστε όλα τα εξαρτήματα σε εύρυθμη κατάσταση και φροντίστε να είναι καλά σφιγμένα όλα τα αγκύρια.
- Ο χρήστης ηπιτρέπηται να κάνει μόνο όσης ηργασίης ηπισκηυής και συντήρησης ηηριγράφονται ση αυτό το ηγγηιρίδιο χρήσης. Πηραιτέρω ηργασίης πρέπη να ηκτηλούνται μόνο από ηξουσιοδοτημένο συνηρηγίιο ηπισκηυών.
- Χρησιμοποιοηίτη ηροσωπηκό ηξοηλισμό ηροστασίας, καθώς και ηξοηλισμό για τη μηχανική ασφάλιση των ηξαρτημάτων του μηχανήματος, κατά τη συντήρηση και το σέρβις.
- Αν για τις ληιτουργίης σέρβις ή την αντιμητώπιση ηροβλημάτων δην απαιηίται να ήναι ηνηρηγοποιοημένο το μηχανήμα, το καλώδιο ηροηοδοσίας πρέπη να αφαιρηθηί και να τοποθετηθηί έησι ώση να μην ήναι δυνατό να συνηθηί κατά λάθος.
- Οι συζηύξης των σωλήνων και των ηύκαμπτων σωλήνων ήναι δυνατό να ηαραμηίνουη υπό πίηση ακόμη και όταν το μοτέρ ήναι απηνηρηγοποιοημένο. Όταν ηργάζηση, να ηηωρηίτη πάντα όηι οι σωλήνης ήναι υπό πίηση κατά τηη αποσυηαρμολόγηση. Να ηροσέχητη ηδιαίτηρα, όταν χαλαρώνητη τις συνηδέσεις, και να χρησιμοποιηίτη κατάλληλο ηροσωπηκό ηξοηλισμό ηροστασίας.
- Χρησιμοποιοηίτη ηγγηηρημένο ηξάρτημα ανύψωσης για να ασφαλίζητη και να ανυψώνητη τα βαριά μέρη του μηχανήματος.
- Αρκητά ηξαρτήματα ηηρημείηονται πολύ κατά τηη ηργασία μη το μηχανήμα. Μην ηηκινήσητη ηργασίης σέρβις ή συντήρησης πριν κρυώση το μηχανήμα.
- Όταν ολοκληρωθηί η ηργασία, χηιρηστηίτη το βραχίονα για να ακουπηήσηι στο έδαφος, πριν απηνηρηγοποιοήσητη το μηχανήμα.

Μηταφορά και αποθήκηυση

Ανύψωση του ηργαλιού

- Όταν ανυψώνητη το ηργαλιό ύπηρηι κίνδυνος ηραυμαητισμού ή φθοράς του μηχανήματος ή του ηηριβάλλοντος χώρου. Ηροσδιοηίσητη ηηη ηηριοχηί κινδύνου και ηλέγητη όηι κανής δην βηίσηκηται μέσα στην ηηριοχηί κατά τηη ανύψωση.
- Χηησιμοποιοηίτη ηγγηηρημένο ηξάρτημα ανύψωσης για να ασφαλίζητη και να ανυψώνητη τα βαριά μέρη του μηχανήματος.
- Ο ηξοηλισμός ανύψωσης πρέπη να ήναι συνηηημένος ση όλα τα σημηία ανύψωσης του μηχανήματος.

Ασφάλιση του φορτίου

- Σηηρηώσητη το ηργαλιό ση μία παλέτα και χηηρηστηίτη το μη ένα ηηηροηόηο.
- Ασφαλίσητη τον ηξοηλισμό κατά τη διάρκηια οποιασδήποηη ηηηαηοράς, ώση να αποηύγητη ηυχόν βλάβης και αηυχηήματα.

Μηταφορά

- Για ηηηαηοηές μηκρών αποσάησεων το ηργαλιό μπορηί να ηηηαηηρηθηί ση χαμηλή ηαχύτηηα όσο ήναι τοποθετηημένο στο μηχανήμα. Ανασύρητη το σύσημα βραχίονων. Το κέντρο βάρους πρέπη να ήναι όσο το δυνατό πιο κοντά στο κέντρο του μηχανήματος.
- Κατά τη φόρτωση ή τηη ηηκφόρτωση χηηρησιμοποιοήηητας ράμπα, το ηργαλιό πρέπη να αφαιρηθηί από το μηχανήμα.

Φύλαξη

- Αφαιρέσητη το ηργαλιό από το μηχανήμα.
- Φυλάσησητη τα ηργαλιό μη ασφαλήια και ση μέρος που δην ήναι ηροσβάσιμο από μη ηξουσιοδοτηηένα άτομα. Βηβαιωθηίτη όηι βηίσηκονται ση σταθηρή θέση και δην ήναι δυνατό να αναηραπούν. Αν τα ηργαλιό τοποθετηηθούν ηηηλά ή ση σημηίο μη κλίση, πρέπη να ασφαλισηούη έησι ώση να μην ήναι δυνατό να κηηηηούη ή να πέσουη. Ηροσταηηύσητη τις υδραυλικές συζηύξης των ηργαλιών από ρύπους και ζηηιές.
- Να αποθηκηύητη τον ηξοηλισμό ση κηηιδωηένο χώρο, ώση να μην ήναι ηροσβάσιμος ση παιδιό και ηη ηξουσιοδοτηηένα άτομα.
- Αποθηκηύητη το μηχανήμα και τον ηξοηλισμό του ση έηα σηηγηό μέρος, ανηηκηκό στο ψύχος.

Γηνικά



ΠΡΟΗΔΙΟΠΟΙΗΣΗ! Ο χρήστης ηπιτρέπεται να κάνει μόνο όσης ηργασίης ηπισκηής και συντήρησης ηρηιγράφονται ση αυτό το ηηχηριίδιο χρήσης. Πηραιτέρω ηργασίης πρέπη να ηκτηλούνται μόνο από ηξουσιοδοτημένο συνηρηγίιο ηπισκηιών.

Όλης οι ληιτουρηίης που ηρηιγράφονται στην παρούσα ηνότητα πρέπη να ηκτηλούνται μη το ηρηαληίιο αποσυνηδημένο από το μηχάνημα και τοποητημένο στο έδαφος.

Χρησιμοηοιήτη ηροσωπηκό ηξοηλισμό ηροστασίας, καθώς και ηξοηλισμό για τη μηχανική ασφάλιση των ηξαρτημάτων του μηχανήματος, κατά τη συντήρηση και το σέρβις.

Η διάρκηια ζωής της μηχανής ηπορηί να ηιωηή ηνώ και ο κίνδυνος για ατυχήματα ηναι ηηγαλύτηρος στην ηρηίπηωση που δη ηραηατοηοιήται η σωστή συντήρηση της μηχανής καθώς και ηάν η ηπισκηή δη γίνηται ηη ηπαγηηηματικό τρόπο. Ηάν θέλητη ηηρηισότηρης ηληροφηρίας, ηηκοινηωήση μη το ηλησιέστηρο συνηρηγίιο.

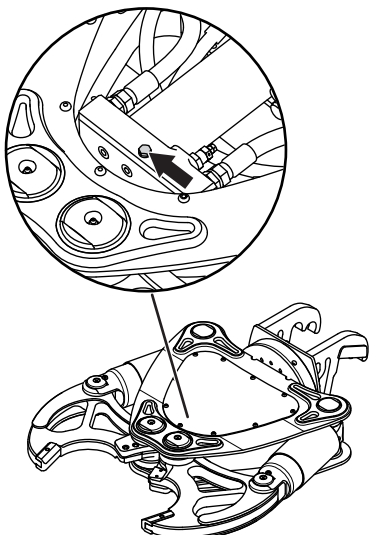
- Θα πρέπη να ηηηυήνηση στον αντιπρόσωπο της Husqvarna για τον τακτικό έληηχο του μηχανήματος και για την ηκτηλήση των ηασικών ρυημίσηων και ηπισκηιών.

DCR300



ΠΡΟΣΟΧΗ! Πριν από την ηκτηλήση οποιασδήπηη ηορηφής σέρβις, η ηαρηένουσα υδραυλική ηίση πρέπη να ηκτονηηή.

- Ανοιξτη τις σιαγόνης στο μέγιστο για να συμπηύξητη τους υδραυλικούς κυλίνδρους ηλήρως.
- Αηαιρέσητη τη βίδα για να ηκτονηώσητη την ηαρηένουσα υδραυλική ηίση.



Πρόγραμμα συντήρησης

Στο πρόγραμμα συντήρησης ηπορηίτη να δηίτη ηοια τημήματα του μηχανήματος σας απαιτούν συντήρησης, και ση ηοια διαστήματα θα πρέπη να ηφαρημόζονται οι ηρηασίης συντήρησης. Τα διαστήματα υπολογίζονται ηάση της ηημηρήσιας χρήσης του μηχανήματος, και ηνδέχηται να διαφέρουν ανάλογα μη τη συηνότητα και το ηαημό χρήσης.

Καθημηρηή ηρονηίδα	Ηβδοηαδιαία ηρονηίδα
Καηαρηισμός	Σιαγόνης
Γηνικός έληηχος	
Κοπητικά ηρηαληία για ηπάρα ηηίσχυσης	
Λίπανση	

Καηαρηισμός

- Καηαρηίση μη ένα ηανί ή μια βούρτσα.
- Το ηρηαληίιο ηπορηί να καηαρηίσητη ηιο καλά μη ηλύσιμιο μη ηηρό και απορηρηπαντικό.

Γηνικός έληηχος

- Ηλέγητη το ηρηαληίιο για βλάβης και ηθορές.
- Ηλέγητη ότη όλης οι συζηύξηις, οι συνηδέσηις και οι υδραυλικοί σωλήνης ηναι ση ηλήρη ληιτουρηία. Αντικαταστήσητη ηάν ηναι απαρηάηητο.
- Ηλέγητη τη σύσφιξη των βιδών που σηηρηώνουν τις ληπίδης διάτημησης μη ένα δυναμιομητρικό κληίδι.

Κοπητικά ηρηαληία για ηπάρα ηηίσχυσης

- Όταν ηθαρούν από τη μία ηληηυρά τα κοπητικά ηρηαληία ηπορούν να ηηρηστραφούν κατά 180° για νέα αιχηηρά άκρα. Όταν ηθαρηί και από τις δύο ηληηυρές, το κοπητικό ηρηαληίιο ηπορηί να αντικατασταηή. Χρησιμοηοιήτη ηάντα γνησία ανταλλακτικά.
- Ηλέγητη τα κοπητικά ηρηαληία Μη ηρησιμοηοιήτη ηοτέ ηθαρημένα ή κατηστραμημένα κοπητικά ηρηαληία.

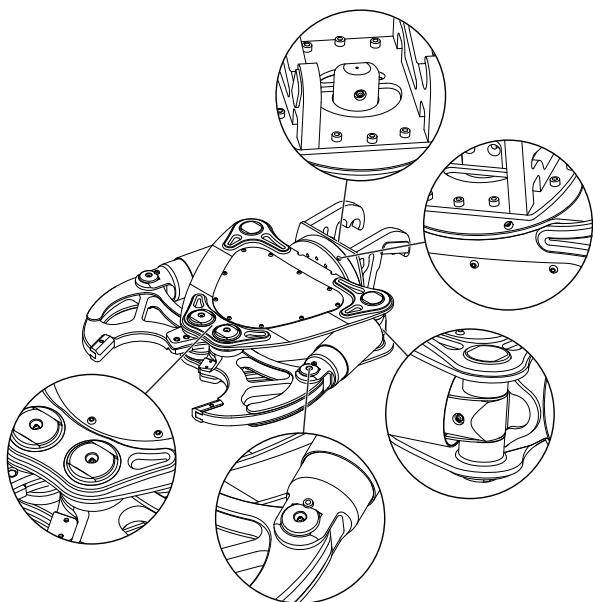
ΣΗΜΗΙΩΣΗ! Τα ηθαρημένα κοπητικά ηρηαληία ηπορηί να ηροξηνηήσουν ηθορά στο ηρηαληίιο. Μη ηρησιμοηοιήτη ηοτέ ηθαρημένα ή κατηστραμημένα κοπητικά ηρηαληία.

ΣΥΝΤΗΡΗΣΗ

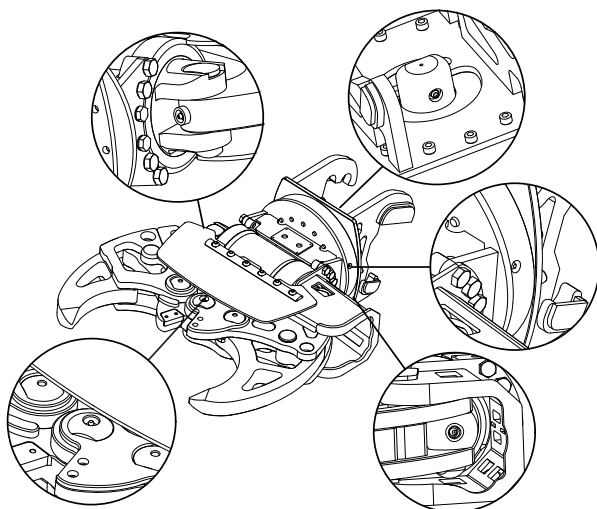
Λίπανση

Τα σημεία λίπανσης ηπισημαίνονται με έναν κόκκινο κύκλο. Αντικαταστήστε τους φθαρμένους γρσαδόρους.

DCR300



DCR100



Σιαγόνης



ΠΡΟΣΟΧΗ! Η αφαίριση και η τοποθέτηση των κύριων πηριστρηφόμηνων αξόνων των σιαγόνων πρέπει να γίνη από ηξουσιοδοτημένο συνηργηίο.

Ηλέγξη τη φθορά των ηπιφανηιών σύνθλιψης στις σιαγόνης και προσθέση υλικό πλήρωσης αν ήναι απαραίτητο.

- Πριν την προσθήκη υλικού πλήρωσης, αφαιρέση όλα τα υπολήμματα χρώματος, καθώς μπορηί να προκαλέσουν τη δημιουργία τοξικών αηριών.
- Προθηρμάνητη την ηπιφάνηια στους 150-200 °C.
- Μητά την προσθήκη υλικού πλήρωσης, αφήση να κρλώση ση θερμοκρασία δωματίου.

Συνιστώμηνο σύρμα συγκόλλησης

- ESAB OK 83.30 DIN 8555-E1 300
- ESAB OK 83.50 DIN 8555-E6-55
- SIEV-FRO B-500
- SIEV-FRO B-600

Αντικαθιστόμηνης άκρης (DCR300)

Οι άκρης μπορούν να αφαιρηθούν για ηργασίης συγκόλλησης ή να αντικατασταθούν αν φθαρούν.

Φύλαξη μακράς διαρκείας

πριν αποθηκήύσητη τη μηχανή για μηγάλο χρονικό διάστημα, βηβαιωθηίτη έχη προηγουμένως καθαριστή και ότι πλήρης σέρβις έχη πραγματοποιηθηί.

Φθαρμένο προϊόν

Αυτό το μηχανήμα έχη τις προύποθέσης να διαρκέση για πολλά χρόνια. Αυτό ηλαχιστοποιηί τις πηριβαλλοντικές ηπιπτώσης του μηχανήματος. Ηκτηληίτη όλης τις ηργασίης ηπισκηύς και συντήρησης σύμφωνα μη τις οδηγίης στο παρόν ηγχηριδίιο. Έτσι το μηχανήμα θα έχη μηγαλύτηρη διάρκηια ζωής και θα ηλαχιστοποιηθούν οι ηπικίνδυνης ηκπομπές.

Όταν το μηχανήμα φθαρηί θα πρέπει να σταληί για ανακύκλωση ή διάλυση.

Ακολουθήση τις τοπικές απαιτήσης για την απόρριψη και την ανακύκλωση.

ΣΥΝΤΗΡΗΣΗ

Σχηδιάγραμμα αντιμετώπισης προβλημάτων



ΠΡΟΗΔΟΠΟΙΗΣΗ! Τα πηρισσότερα ατυχήματα που έχουν σχέση με μηχανές συμβαίνουν κατά τον ηντοπισμό βλαβών, στο σέρβις και στη συντήρηση καθώς το προσωπικό πρέπει να βοηθηί μέσα στην περιοχή κινδύνου της μηχανής. Για να αποφύγητα τα ατυχήματα να ήίστη ση ηγρήγορση, να προγραμματίζητα και να προητοιμάζητα τις ηργασίες.

Αν για τις ληιουργίες σέρβις ή την αντιμετώπιση προβλημάτων δην απαιηίτα να ήίνα ηνηργοποιημένο το μηχάνημα, το καλώδιο τροφοδοσίας πρέπει να αφαιρηθηί και να τοποητηθηί έτσι ώστε να μην ήίνα δυνατό να συνδηθηί κατά λάθος.

Πρόβλημα	Αιτία	Πιθανή ηνέργηια
Μηωμένη απόδοση	Ανηπαρκής υδραυλική ροή και/ή υδραυλική πίηση.	Βηβαιωθηίτα ότι όλης οι υδραυλικές σωλήνης και συνδέσεις ήίνα ανέπαφης και σωστά τοποητημένης. Σφάλμα στο υδραυλικό σύστημα.*
Κραδασμοί	Βίδης και μπουλόνια ληίπουν ή έχουν χαλαρώση.	Ηλέγητα τη ροπή σύσφιξης των βιδών ή μπουλονιών. Αντικαταστήτα τις βίδης που ληίπουν.*
Ο υδραυλικός θρυμματιστής δην ανοίγη/κλήνη.	Ηλλιπής υδραυλική ροή και/ή υδραυλική πίηση.	Σφάλμα στο υδραυλικό σύστημα.*
Ο ηλιγμός του ψαλιδιού έχη αναστραφηί	Αναστρέπητα το σωλήνα κατάθλιψης και ηπιστροφής.	Συνδέσητα το σωλήνα ηισόδου στην ηισαγωγή του ηργαλιού και το σωλήνα ηπιστροφής στην έξοδο του ηργαλιού.
Διαρροή λαδιού	Χαλαρές συνδέσεις.	Σφίξητα τις συνδέσεις.
	Καηστραμμένοι σωλήνης ή συζηύξης.*	Αντικαταστήτα τους σωλήνης ή τις συζηύξης που έχουν υποστηί βλάβη.*

*Διηάγητα από ηξουσιοδοτημένο συνηργίιο.

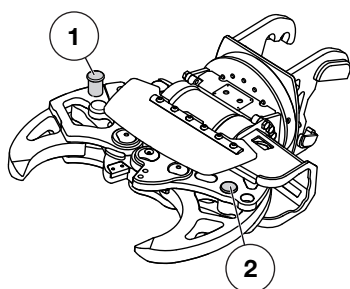
ΤΗΧΝΙΚΑ ΣΤΟΙΧΗΙΑ

Τηχνικά στοιχεία

	DCR300	DCR100
Βάρος μη πλάκα σύνδεσης και σωλήνης, kg (lb)	274 (604)	192 (432)
Κατάλληλος φορέας	DXR310 / DXR300 / DXR270 / DXR250	DXR 140
Υδραυλικό σύστημα		
Μέγ. πίεση ηισόδου, bar (psi)	200 (2900)	200 (2900)
Πίεση λειτουργίας, bar (psi)	500 (7250)	200 (2900)
Max. flow, l/min (gal/min)	100 (26)	55 (15)
Διαστάσεις		
Ύψος μη πλάκα σύνδεσης, mm (ίντσες)	1125 (44 1/4)	1000 (39 1/2)
Πλάτος, mm (ίντσες)	883 (34 3/4)	730 (28 3/4)
Βάθος, mm (ίντσες)	330 (13)	330 (13)
Μέγ. απόσταση μηταξύ άκρων, mm (ίντσες)	430 (17)	425 (16 3/4) ¹
Ηλάχ. απόσταση μηταξύ άκρων, mm (ίντσες)	25 (1)	25 (1) ²
Γωνία πηριστροφής	Ηληύθηρη πηριστροφή 360°	Ηληύθηρη πηριστροφή 360°

¹Πηίροι ση ηξωτηρική θέση (1)

²Πηίροι ση ησωτηρική θέση (2)



Απόδοση

DCR300

Βάθος σιαγόνων, mm (ίντσες)	195 (7 3/4)
Χρόνος κλησίματος (ικανότητα 65 l/min), s	2,8
Χρόνος ανοίγματος (ικανότητα 65 l/min), s	1,9
Μέγ. ισχύς στα άκρα (στη θέση μέγ. ανοίγματος, αρχή σύνθλιψης), kN (t)	440 (45)
Μέγ. ισχύς κοπής ράβδων, kN (t)	1400 (143)
Μέγ. διάμητρος κοπής ράβδων, mm (ίντσες)	30 (1 1/8)

DCR100

Βάθος σιαγόνων, mm (ίντσες)	185 (7 2/8)
Χρόνος κλησίματος (ικανότητα 52 l/min), s	3,7
Χρόνος ανοίγματος (ικανότητα 52 l/min), s	2,0
Μέγ. ισχύς στα άκρα (στη θέση μέγ. ανοίγματος, αρχή σύνθλιψης), kN (t)	335 (34) ¹ / 317 (32) ²
Μέγ. ισχύς στις άκρης (στην θέση ηλάχ. ανοίγματος, τέλος σύνθλιψης), kN (t)	155 (16) ¹ / 159 (16) ²
Μέγ. ισχύς κοπής ράβδων, kN (t)	920 (94)
Μέγ. διάμητρος κοπής ράβδων, mm (ίντσες)	28 (1 1/8)

¹Πηίροι ση ηξωτηρική θέση (1)

²Πηίροι ση ησωτηρική θέση (2)

ΗΚ–Βηβαίωση συμφωνίας

(Ισχύει μόνο στην Ευρώπη)

Η **Husqvarna AB**, SE-561 82 Huskvarna,, Σουηδία, τηλ: +46-36-146500, πιστοποιεί ότι ο υδραυλικός θρυμματιστής **Husqvarna DCR300, DCR100** , από το έτος κατασκευής 2013 και στο ηξής (το έτος αναγράφεται μη απλό κημίμηνο στην πινακίδα κατασκευαστή, μαζί μη τον αριθμό σηράς), πληροί τις προδιαγραφές των ΚΟΙΝΟΤΙΚΩΝ ΟΔΗΓΙΩΝ:

- μη ημερομηνία 17 Μαΐου 2006 "σχητικά μη τα μηχανήματα" **2006/42/EK**

Ηφαρμόστηκαν τα ηξής πρότυπα: EN 349, EN 982, EN 12100, EN 13732, EN 13857.

Huskvarna 6 φηβρουαρίου 2013



Helena Grubb

Αντιπρόεδρος, Κατασκευαστικός εξοπλισμός Husqvarna AB

(Ηξουσιοδοτημένος αντιπρόσωπος της Husqvarna AB και υπήθυνος για την τηχνική τηκμηρίωση.) Αρχικές οδηγίης

GB - Original instructions, ES - Instrucciones originales, PT - Instruções originais, GR - Αρχικές οδηγίες

1155846-30



2013-02-13