



Husqvarna®



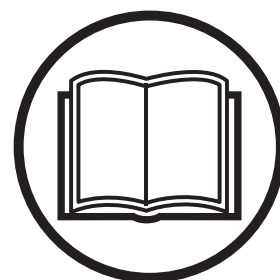
Operator's manual Bedienungsanweisung Manuel d'utilisation Gebruiksaanwijzing

TS60

Please read the operator's manual carefully and make sure you understand the instructions before using the machine.
Lesen Sie die Bedienungsanweisung sorgfältig durch und machen Sie sich mit dem Inhalt vertraut, bevor Sie das Gerät benutzen.

Lire attentivement et bien assimiler le manuel d'utilisation avant d'utiliser la machine.

Neem de gebruiksaanwijzing grondig door en gebruik de machine niet voor u alles duidelijk heeft begrepen..



GB DE FR NL

KEY TO SYMBOLS

Symbols on the machine

WARNING! The machine can be a dangerous tool if used incorrectly or carelessly, which can cause serious or fatal injury to the operator or others.

Please read the operator's manual carefully and make sure you understand the instructions before using the machine.



Always wear:

- Hearing protection
- Protective goggles or a visor
- Breathing mask



Warning! Never cut without using the blade guard.



Warning! Keep your hands and feet away from the blade.



Warning! High voltage. Risk of an electric shock.



This product is in accordance with applicable EC directives.



Environmental marking. Symbols on the product or its packaging indicate that this product cannot be handled as domestic waste. It must instead be submitted to an appropriate recycling station for the recovery of electrical and electronic equipment.



By ensuring that this product is taken care of correctly, you can help to counteract the potential negative impact on the environment and people that can otherwise result through the incorrect waste management of this product.

For more detailed information about recycling this product, contact your municipality, your domestic waste service or the shop from where you purchased the product.

Other symbols/decals on the machine refer to special certification requirements for certain markets.



Explanation of warning levels

The warnings are graded in three levels.

WARNING!



WARNING! Used if there is a risk of serious injury or death for the operator or damage to the surroundings if the instructions in the manual are not followed.

CAUTION!



CAUTION! Used if there is a risk of injury to the operator or damage to the surroundings if the instructions in the manual are not followed.

NOTICE!



NOTICE! Used if there is a risk of damage to materials or the machine if the instructions in the manual are not followed.

CONTENTS

Contents22

KEY TO SYMBOLS

Symbols on the machine	2
Explanation of warning levels	2

CONTENTS

Contents	3
----------------	---

PRESENTATION

Dear Customer,	4
Design and features	4
TS60	4

WHAT IS WHAT?

What is what on the machine?	5
------------------------------------	---

MACHINE'S SAFETY EQUIPMENT

General	6
---------------	---

BLADES

General	7
Transport and storage	7

ASSEMBLING AND ADJUSTMENTS

General	8
Depth stop adjustment	10
Level the saw	10
Guide rollers	10
Fit the blade	11

OPERATING

Protective equipment	12
General safety precautions	12
Electrical safety	13
Work safety	13
Basic working techniques	15
Transport and storage	15

STARTING AND STOPPING

Before starting	16
Starting	16
Stopping	16

MAINTENANCE

General	17
Daily maintenance	17
Replacing the carbon brushes	17
Water pump	17
Water drain	17
Repairs	17

TECHNICAL DATA

Technical data	18
Recommended cable dimensions	18
EC Declaration of Conformity	19

WIRING DIAGRAM

Wiring diagram	20
----------------------	----

PRESENTATION

Dear Customer,

Thank you for choosing a Husqvarna product!

It is our wish that you will be satisfied with your product and that it will be your companion for a long time. A purchase of one of our products gives you access to professional help with repairs and services. If the retailer who sells your machine is not one of our authorised dealers, ask him for the address of your nearest service workshop.

This operator's manual is a valuable document. Make sure it is always at hand at the work place. By following its content (using, service, maintenance etc.) the life span and the second-hand value of the machine can be extended. If you will sell this machine, make sure that the buyer will get the operator's manual.

More than 300 years of innovation

Husqvarna AB is a Swedish company based on a tradition that dates back to 1689, when the Swedish King Charles XI ordered the construction of a factory for production of muskets. At that time, the foundation was already laid for the engineering skills behind the development of some of the world's leading products in areas such as hunting weapons, bicycles, motorcycles, domestic appliances, sewing machines and outdoor products.

Husqvarna is the global leader in outdoor power products for forestry, park maintenance and lawn and garden care, as well as cutting equipment and diamond tools for the construction and stone industries.

Owner responsibility

It is the owner's/employer's responsibility that the operator has sufficient knowledge about how to use the machine safely. Supervisors and operators must have read and understood the Operator's Manual. They must be aware of:

- The machine's safety instructions.
- The machine's range of applications and limitations.
- How the machine is to be used and maintained.

National legislation could regulate the use of this machine. Find out what legislation is applicable in the place where you work before you start using the machine.

The manufacturer's reservation

Subsequent to publishing this manual Husqvarna may issue additional information for safe operation of this product. It is the owner's obligation to keep up with the safest methods of operation.

Husqvarna AB has a policy of continuous product development and therefore reserves the right to modify the design and appearance of products without prior notice.

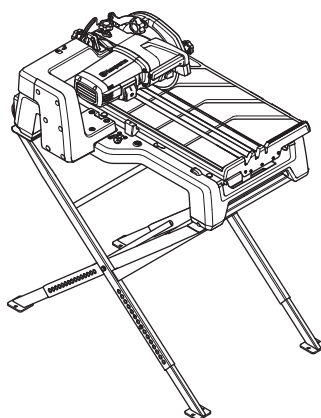
For customer information and assistance, contact us at our website: www.husqvarna.com

Design and features

Values such as high performance, reliability, innovative technology, advanced technical solutions and environmental considerations distinguish Husqvarna's products. Safe operation of this product requires the operator to read this manual carefully. Ask your dealer or Husqvarna should you need more information.

Some of the unique features of your product are described below.

TS60



Softstart™

Softstart™ is an electronic current limiter which provides a softer start.

Elgard™

Elgard™ is an electronic overload protection that protects the motor. The protection spares the machine and extends its service life. With the help of Elgard™, the machine indicates when it approaches maximum load.

Lightweight and mobile design

The machine is lightweight and compact. The carry handles on the frame and transportation wheels make the machine easy to carry and move. The integrated wheels allow the saw frame to be pulled like a roller bag.

The stand is foldable and height adjustable.

Jet stream containment system with slurry protection

The patented Jet stream system provides the conveyor cart and the blade with water in a closed system.

The slurry sinks to the bottom and only surface water reaches the pump, which is placed in a protected compartment of the water tray.

The conveyor cart is continuously supplied with water. The water supply to the blade is adjustable.

Flexible cutting

Flexible plunge cutting and miter cutting up to 45°.

Enables cutting of 500x500 mm (20"x20") tile diagonally giving a cutting length of 718 mm (28").

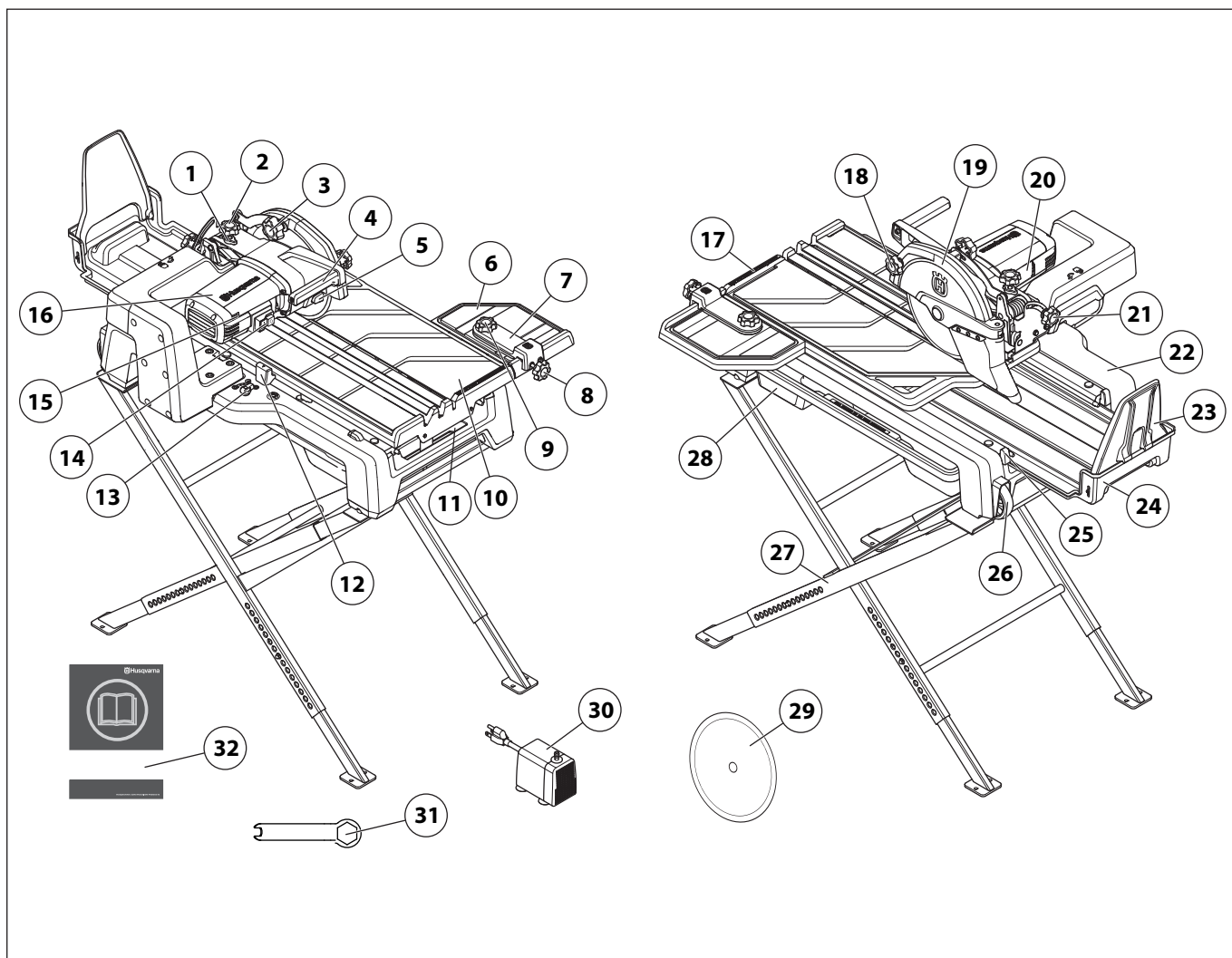
Functional conveyor cart and side table

The conveyor cart is extra long for better support when cutting. The side table is removable.

Large blade flange

The large size blade flange Ø 82 mm (3") provides a large and good support surface for the blade.

WHAT IS WHAT?



What is what on the machine?

- | | |
|--|--------------------------------------|
| 1 Locking nut, depth stop adjustment | 17 Adjustable ruler |
| 2 Knob, depth stop adjustment | 18 Locking knob, blade guard |
| 3 Locking knob, depth adjustment | 19 Blade guard |
| 4 Handle, cutting arm | 20 Product and type plate |
| 5 Button, locking blade shaft | 21 Locking knob, miter cutting |
| 6 Side table | 22 Frame |
| 7 Cutting guide | 23 Splash guard |
| 8 Locking knob, cutting guide | 24 Slurry collector tray |
| 9 Locking knob, angle adjustment cutting guide | 25 Cart stop |
| 10 Conveyor cart | 26 Transport wheels |
| 11 Water recovery tray | 27 Folding stand legs |
| 12 Locking knob, conveyor cart | 28 Water tray |
| 13 Water knob, water to blade ON/OFF | 29 Blade - Husqvarna GS2 S (Ø250 mm) |
| 14 Power switch | 30 Water pump |
| 15 Load indicator, Elgard™ | 31 Spanner |
| 16 Electric motor | 32 Operator's manual |

MACHINE'S SAFETY EQUIPMENT

General



WARNING! Never use a machine that has faulty safety equipment!

WARNING! If your machine fails any checks contact your service agent to get it repaired.

This section describes the machine's safety equipment, its purpose, and how checks and maintenance should be carried out to ensure that it operates correctly.

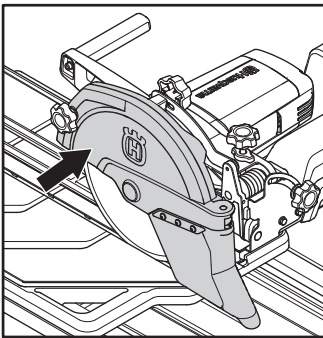
Blade guard



WARNING! Never use the machine without a guard nor with a defective guard. Always check that the guard is correctly fitted before starting the machine.

It is not permitted to expose the blade more than 180 degrees without protection.

The blade guard is designed to prevent parts of the blade or cutting fragments from being thrown towards the user.



Checking the blade guard

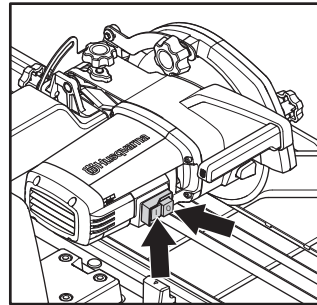


WARNING! Shut down the machine and disconnect the power plug.

- Check that the guard over the blade is not cracked or damaged in any other way. Replace when damaged.

Power switch

The power switch should be used to start and stop the machine.



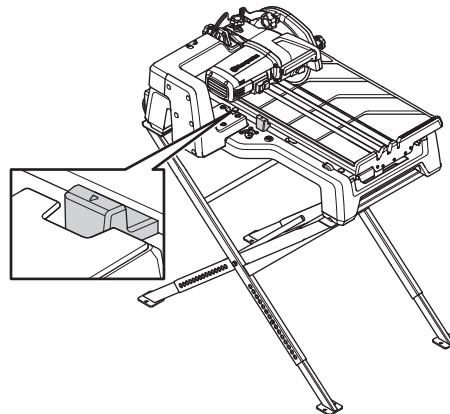
Checking the power switch

- Push the green button marked "I" to start the machine.
- Push the red button marked "O" to stop the machine. Check that the motor and the blade stop. Make sure that the cutting blade can rotate freely until it is completely stopped.

A defective power switch should be replaced by an authorized service workshop.

Locking knob, conveyor cart

The locking knob is used to lock the conveyor cart in place when in transit.



Water pump



WARNING! Submersible water pump. Do not run dry. For household use only. Must maintain grounding properly. Risk of electric shock. This pump has not been investigated for use in swimming pool areas.

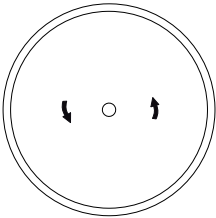
BLADES

General



WARNING! Blades can break and cause serious injuries to the user. Diamond blades become very hot when used. An overheated blade is a result of improper use, and may cause deformation of the blade, resulting in damage and injuries.

- Do not use an overheated blade.
- Make sure that the correct bushing is used for the cutting blade to be fitted on the machine. See the instructions under the heading Assembling the cutting blade.
- The blades should be marked with the same or a higher speed than that stated on the machine's rating plate. Never use a blade with a lower speed rating than that of the machine.
- When using diamond blades make sure that it rotates in the direction indicated by the arrow on the blade.



- Diamond blades consist of a steel core provided with segments or a continuous rim containing industrial diamonds.

Suitable blades

- Ø250 x 25,4 mm or Ø230 x 24,5 mm continuous rim blade.

Blades for different materials



WARNING! Never use a blade for any other materials than that it was intended for.

Cutting plastics with a diamond blade can cause kickback when the material melts due to the heat produced when cutting and sticks to the blade. Never cut plastic materials with a diamond blade!

- Blade selection should be made according to the material being cut. Ask your dealer for help in choosing the right product.

Blade vibrations

- The blade can become out of round and vibrate if a too high feed pressure is used.
- A lower feed pressure can stop the vibration. Otherwise replace the blade.

Sharpening diamond blades

- Always use a sharp diamond blade.
- Diamond blades can become dull when the wrong feeding pressure is used or when cutting certain materials such as heavily reinforced concrete. Working with a dull diamond blade causes overheating, which can result in the diamond segments coming loose.
- Sharpen the blade by cutting in a soft material such as sandstone or brick.

Transport and storage

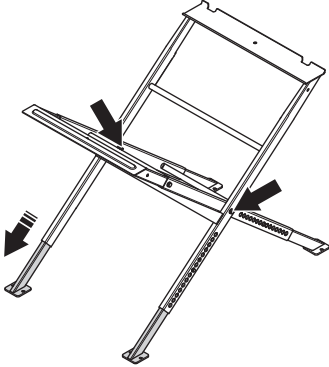
- Remove the blade before transportation or storage of the machine.
- Store the blade in a dry place.
- Inspect new blades for transport or storage damage.

ASSEMBLING AND ADJUSTMENTS

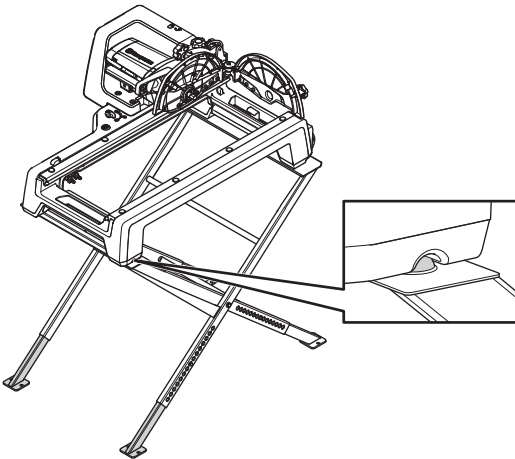
General

Place the TS60 on a flat, horizontal and stable surface to prevent the equipment from tipping over, sliding or walking on the surface.

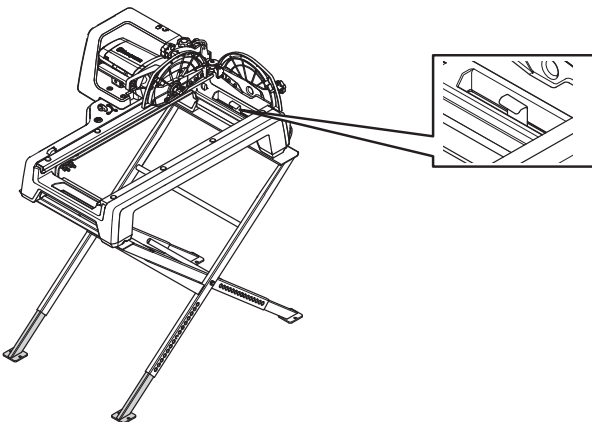
- Mount the frame legs together using the bolts. The legs can be folded together for easier transport.



- Adjust the working height by releasing the spring loaded quick connector and slide the inner tube to wished height.
- Lift the saw on the stand. The slot on the saw must be aligned with the groove on the stand.

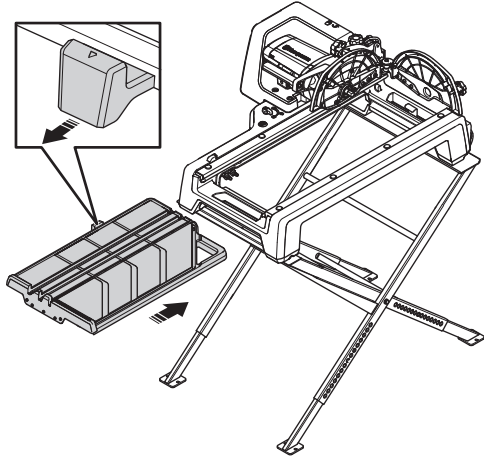


- Use the two clamps, one on each side, to fasten the frame on to the stand.

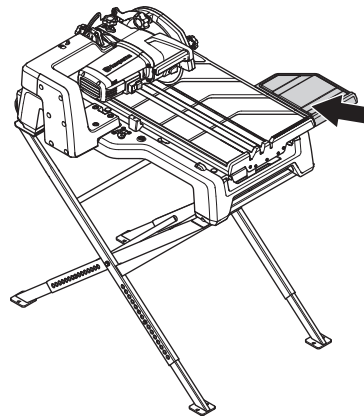


- The machine can also be used without frame legs or placed on a workbench.

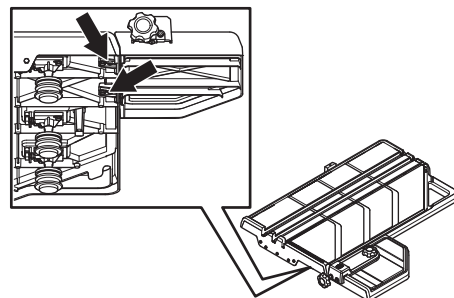
- Pull out the locking knob on the conveyor cart.



- Slide the conveyor cart onto the frame. Make sure that the support rollers sit correctly in the slot.
- When the locking knob past the lug on the frame, push the locking knob in to allow the conveyor cart to slide all the way in.
- Fit the side table using the supplied screws.

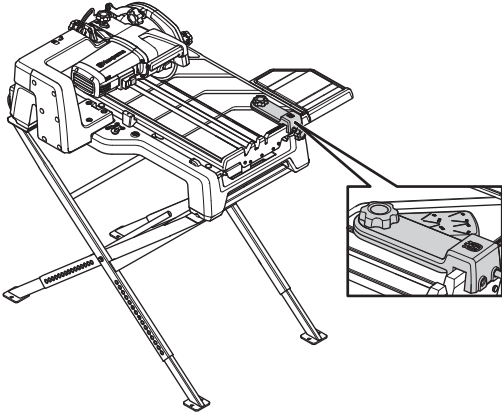


If the side table is not in level with the conveyor cart it may need adjustment. Adjust using the screws.

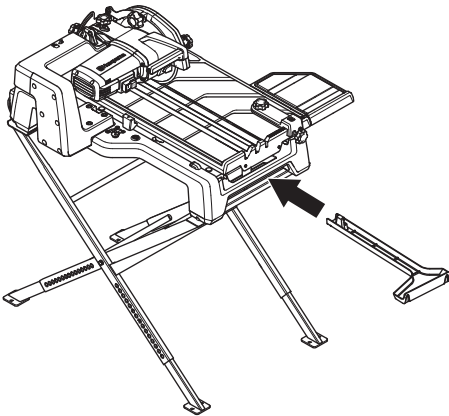


ASSEMBLING AND ADJUSTMENTS

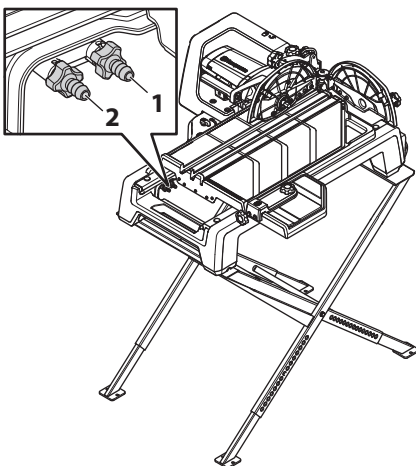
- Screw the cutting guide onto the conveyor cart. The guide can be folded outwards for angled cuts. Use the angle markings on the cutting guide to set the correct angle.



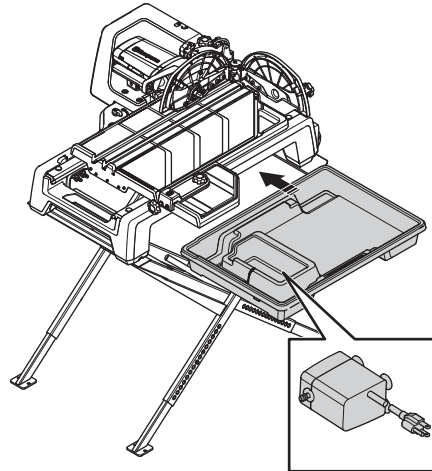
- Assemble the water recovery tray. Make sure that the plastic hook grips the metal bar under the cart.



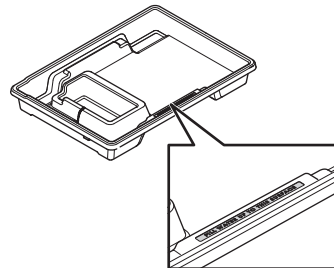
- Connect the water hose (2) and the water pump (1) to the connectors on the frame.



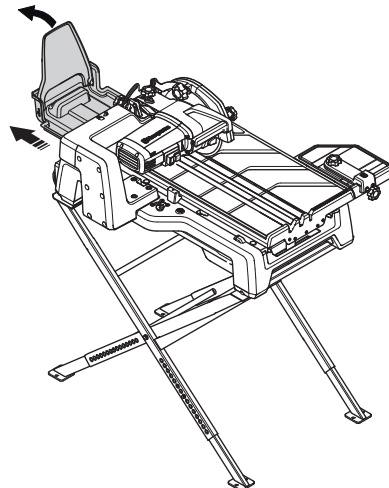
- Place the water pump in the water tray. The pump compartment should face towards the working position. Slide in the water tray.



- Fill the water tray with water up to the marked level.



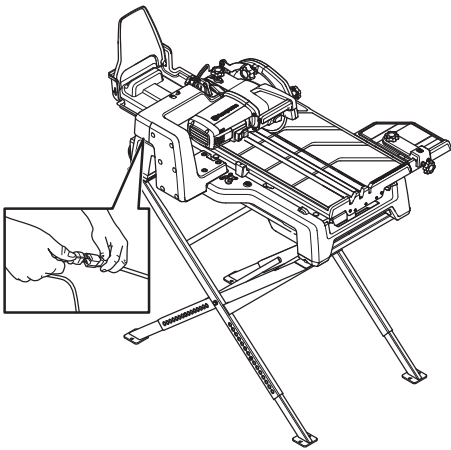
- Slide out the slurry collector tray and flip up the slurry collector tray extension.



- With a push, the slurry collector tray can be locked in its inner position.

ASSEMBLING AND ADJUSTMENTS

- Connect the power cable for the water pump to the plug on the machine.



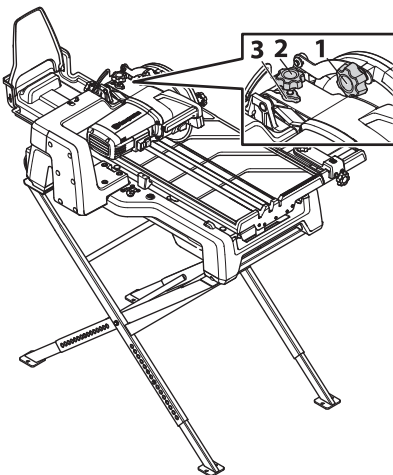
- Make sure the water level is maintained at this level when cutting.

Depth stop adjustment

Set the depth stop so that the blade gets maximum cutting depth without cutting into the cart. This allows the stream of water in the cart to be picked up by the blade and distributed as the working piece is cut.

The depth stop should be adjusted when switching to other blade sizes.

- Loosen the locking knob for depth setting (1) and lower the cutting arm.



- Loosen the lock nut (3).
- Loosen the depth stop adjustment knob (2).
- Push down the cutting arm until the blade hits the bottom of the slot in the cart.
- Hold down the cutting arm in this position.
- Screw the depth stop adjustment knob (2) down until it touches the bracket underneath to set the depth of the blade. Turn another turn to raise the head from the cart slightly.
- Tighten the locking nut (3).
- Tighten the locking knob for depth adjustment (1) with the cutting arm still pushed down to its lowest position.
- Check the position of the blade by moving the conveyor cart to its forward and rear end position. The blade should never hit the cart.

Level the saw

For the water system to perform as intended the machine is not allowed to tilt more than 1,5° length wise and 3° side to side.

- Position the machine on flat ground. Adjust the frame legs and use shimming material if needed to level the machine. Use the bubble to check the inclination.

Guide rollers

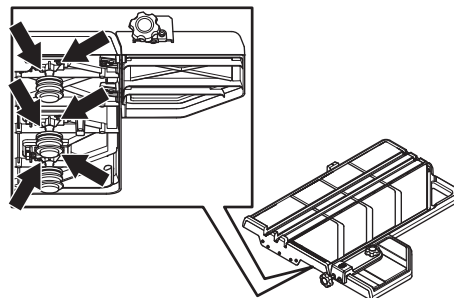
General

If the conveyor cart doesn't run smoothly or if the cart is rocking the rollers may need to be adjusted.

- Check that wheels and guides are clean.
- Check that the roller shafts are properly tightened.

Adjusting the guide rollers

- Place the cart in its middle position and lock it in place with the locking knob.
- Rotate the rollers by hand and check that all rollers can rotate freely using the same force. If not, the rollers may need to be realigned.
- Loose all adjustable brackets.

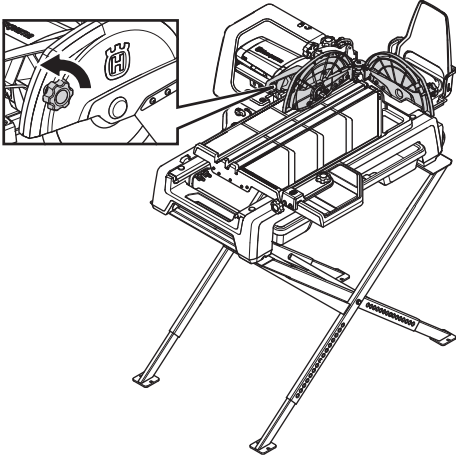


- Rock the cart back and forth to make sure that all brackets are loose. Let the force of the springs push all rollers towards the guides.
- Lock all rollers by tightening the screws on the roller brackets.

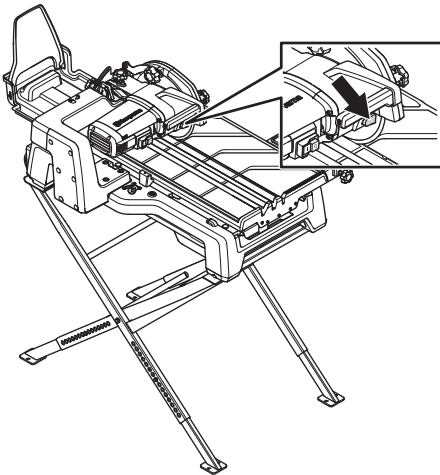
ASSEMBLING AND ADJUSTMENTS

Fit the blade

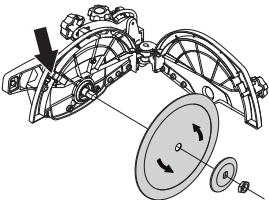
- Loosen the lock knob. Open the blade guard.



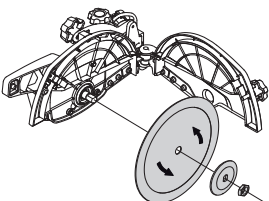
- Hold down the button for locking the blade shaft.



- Remove the nut. Remove the blade flange.
- Check that the blade, blade flange and blade shaft are undamaged. Clean the contact surfaces of the blade and the blade flange.
- Make sure that the blade will rotate in the direction indicated by the arrow on the blade.
- When mounting the blade pull out the spray nozzle and move it from or towards the centre axle depending on the size of the blade ($\text{Ø}250$ or $\text{Ø}230$ mm).



- Fit the blade, blade flange and nut.



- Close the blade guard. Tighten the locking knob.

OPERATING

Protective equipment

General

Do not use the machine unless you are able to call for help in the event of an accident.

Personal protective equipment

You must use approved personal protective equipment whenever you use the machine. Personal protective equipment cannot eliminate the risk of injury but it will reduce the degree of injury if an accident does happen. Ask your dealer for help in choosing the right equipment.



WARNING! The use of products such as cutters, grinders, drills, that sand or form material can generate dust and vapours which may contain hazardous chemicals. Check the nature of the material you intend to process and use an appropriate breathing mask.



WARNING! Long-term exposure to noise can result in permanent hearing impairment. So always use approved hearing protection.

Listen out for warning signals or shouts when you are wearing hearing protection. Always remove your hearing protection as soon as the motor stops.



WARNING! There is always a risk of crush injuries when working with products containing moving parts. Wear protective gloves to avoid body injuries.

Always wear:

- Hearing protection
- Approved eye protection. If you use a face shield then you must also wear approved protective goggles. Approved protective goggles must comply with standard ANSI Z87.1 in the USA or EN 166 in EU countries. Visors must comply with standard EN 1731.
- Breathing mask
- Protective gloves.
- Hair covering to contain long hair.

Generally clothes should be close-fitting without restricting your freedom of movement. Be careful as clothing, long hair, and jewellery can get caught in moving parts.

Other protective equipment



WARNING! Sparks may appear and start a fire when you work with the machine. Always keep fire fighting equipment handy.

- Fire fighting equipment
- Always have a first aid kit nearby.

General safety precautions

This section describes basic safety directions for using the machine. This information is never a substitute for professional skills and experience.

- Please read the operator's manual carefully and make sure you understand the instructions before using the machine. Save all warnings and instructions for future reference.
- Keep in mind that the operator is responsible for accidents or hazards occurring to other people or their property.
- All operators shall be trained in the use of the machine. The owner is responsible for ensuring that the operators receive training.
- The machine must be kept clean. Signs and stickers must be fully legible.



WARNING! The machine can be a dangerous tool if used incorrectly or carelessly, which can cause serious or fatal injury to the operator or others.

Never allow children or other persons not trained in the use of the machine to use or service it. Never allow anyone else to use the machine without first ensuring that they have read and understood the contents of the operator's manual.

Never use the machine if you are fatigued, while under the influence of alcohol or drugs, medication or anything that could affect your vision, alertness, coordination or judgement.



WARNING! Unauthorized modifications and/or accessories may lead to serious injury or death to the user or others.

Do not modify this product or use it if it appears to have been modified by others.

Never use a machine that is faulty. Carry out the safety checks, maintenance and service instructions described in this manual. Some maintenance and service measures must be carried out by trained and qualified specialists. See instructions under the Maintenance heading.

Always use genuine accessories. Contact your dealer for more information.

Always use common sense

It is not possible to cover every conceivable situation you can face. Always exercise care and use your common sense. If you get into a situation where you feel unsafe, stop and seek expert advice. Contact your dealer, service agent or an experienced user. Do not attempt any task that you feel unsure of!

OPERATING

Electrical safety



WARNING! There is always a risk of shocks from electrically powered machines. Avoid unfavourable weather conditions and body contact with lightning conductors and metal objects. Always follow the instructions in the Operator's manual to avoid damage.

Never connect the machine to a outlet if plug or cord is damaged.



WARNING! When cleaning the machine, make sure to avoid water entering the electrical system and the motor unit. Water can cause damage to the machine or short circuit.

- Check that the mains voltage corresponds with that stated on the rating plate on the machine.
- Inspection and/or maintenance should be carried out with the motor switched off and the plug disconnected.
- Always shut down the machine before disconnecting the power plug.
- Never drag the machine by means of the cord and never pull out the plug by pulling the cord. Hold the plug to disconnect the power cord.
- Never use the machine if any cable or plug is damaged, but hand it in to an authorized service workshop for repair.
- Always connect the machine through an ground fault circuit interrupter with personal protection, i.e. an ground fault circuit interrupter that trips at an ground fault of 30 mA.

Grounding instructions



WARNING! Improper connection can result in the risk of electric shock. Contact a qualified electrician if in doubt as to whether the appliance is properly grounded.

Do not modify the plug. If it will not fit the outlet have a proper outlet installed by a qualified electrician. Make sure local regulations and ordinances are followed.

If the grounding instructions are not fully understood contact a qualified electrician.

- The machine is equipped with a grounded cord and plug and should always be connected to a grounded outlet. This reduces the risk of electric shock in the event of malfunction.

Extension cords and cables

- The marking on the extension cable must be the same or higher than the value stated on the machine's rating plate.
- Use grounded extension cables.
- **When operating a power tool outdoors, use an extension cord suitable for outdoor use.** Use of a cord suitable for outdoor use reduces the risk of electric shock.
- Keep the connection to the extension cord dry and off the ground.
- Keep cable away from heat, oil, sharp edges or moving parts. Damaged or entangled cable increase the risk of electric shock.
- Check that the cord and extension cord are intact and in good condition. Never use the machine if any cable or plug is damaged, but hand it in to an authorized service workshop for repair.
- To avoid overheating do not use the extension cord while it is rolled up.
- When using an extension cable, use only certified extension cables with sufficient reach. For more information, see "Recommended cable dimensions" in the "Technical data" section.

Work safety

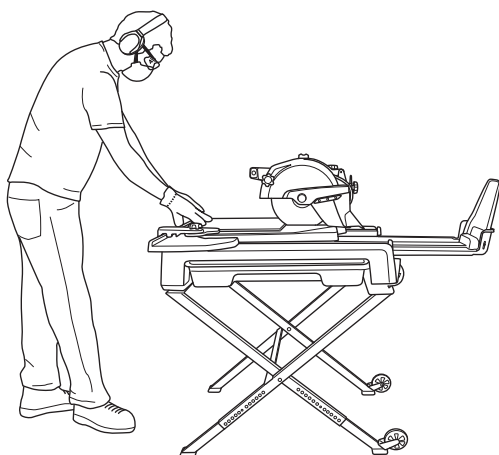
Work area safety

- **Keep work area clean and well lit.** Cluttered or dark areas invite accidents.
- People and animals can distract you causing you to lose control of the machine. For this reason, always remain concentrated and focused on the task.
- Do not use the machine in bad weather, such as dense fog, heavy rain, strong wind, intense cold, etc.
- Never start to work with the machine before the working area is clear and you have a firm foothold.
- **Do not operate power tools in explosive atmospheres, such as in the presence of flammable liquids, gases or dust.** Power tools create sparks which may ignite the dust or fumes.

OPERATING

Personal safety

- Never use the machine if you are fatigued, while under the influence of alcohol or drugs, medication or anything that could affect your vision, alertness, coordination or judgement.
- Check that no tools or other objects have been left lying on the machine.
- Never allow anyone else to use the machine without proper training.
- Always shut off the machine during longer work breaks.
- Never work alone, always ensure there is another person close at hand.
- Learn how to use the machine and its controls safely and learn to how to stop quickly. Also learn to recognize the safety decals.
- Keep handles dry, clean and free from oil and grease.
- Do not overreach. Keep proper footing and balance at all times.
- Never stand on the machine.
- Stand upright. Keep distance between your face and the cutting blade. Place both hands on the work piece as far away from the cutting blade as possible. If plunge function is used is one hand placed on the cutting handle.

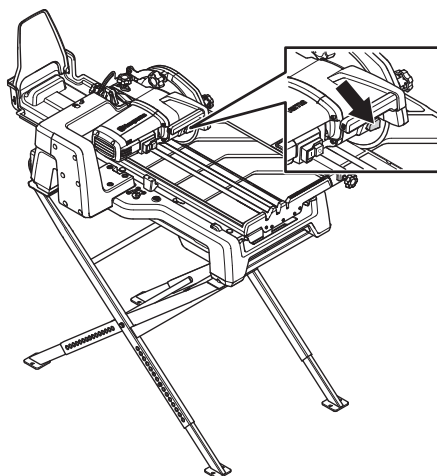


Use and care

- This machine is designed and intended for cutting tile and stone. All other use is improper.
- Experience is very important when running the machine. A skilled worker is highly recommended.
- The machine is intended for use in industrial applications by experienced operators.
- Check that the machine is assembled correctly and do not show any signs of damage.
- Always perform daily maintenance before starting the engine. See instructions in the section "Maintenance".
- Do not overload the machine. Overloading can damage the machine.
- The blade shall be intended for the material to be cut.
- If you are uncertain of what blade to use contact your local service dealer.
- Keep tools sharp and clean in order to enable safer work.
- Keep all parts in good working order and ensure that all fixtures are properly tightened. Replace all worn or damaged decals.
- Never leave the machine unsupervised with the motor running.
- Feed the work piece against the rotation of the blade only!
- Observe care when lifting. You are handling heavy parts, which imply the risk of pinch injuries or other injuries.

Water cooling to the blade

- Water cooling through the blade guard should always be used when miter cutting and when diagonal cutting 500 mm (20") tile. The cut is longer than the cart and at the start of the cut, the blade will not pick up any water from the slot in the cart.
- Turn the water knob slightly to redirect water to the blade.
- When reaching the slot in the cart, the water to the blade can be shut off in order to keep the area as clean as possible.



Basic working techniques

Mitre cutting

The cutting arm can pivot up to 45° degrees. There is a marking at 22.5°.

- Loosen the lock knob for miter cutting and set the required angle.
- Lock the knob.

Plunge cutting

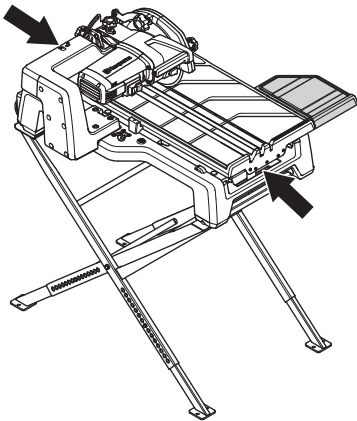
The cutting arm is spring loaded and adjustable up and down.

- Loosen the lock knob for the depth adjustment. With the handle on the cutting arm the cutting blade can adjust up and down and create a plunge cut in the work piece.

Transport and storage

Stop the motor and disconnect the power cable before lifting or moving the machine.

- Secure the equipment during transportation in order to avoid transport damage and accidents.
- Ensure that the conveyor cart is locked and that the extension slide is locked in its inner position.
- Store the equipment in a lockable area so that it is out of reach of children and unauthorized persons.
- For transport and storage of Blades, see the section "Blades".
- Lift the machine at the short ends.



STARTING AND STOPPING

Before starting



WARNING! Please read the operator's manual carefully and make sure you understand the instructions before using the machine.

Wear personal protective equipment. See instructions under the "Personal protective equipment" heading.

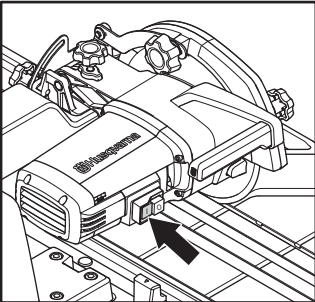
Make sure no unauthorised persons are in the working area, otherwise there is a risk of serious personal injury.

Prevent unintentional starting of the motor. Ensure the power switch is in the OFF-position before connecting the machine to a power source.

- Check that the machine is assembled correctly and do not show any signs of damage. See instructions in the section "Assembling and adjustments".
- Perform daily maintenance. See instructions in the section "Maintenance".

Starting

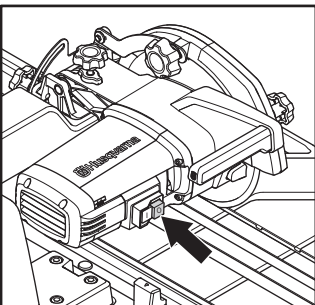
- Push the green button marked "I" to start the machine.



- The water pump starts automatically when the machine is started.
- Wait a few seconds for the water slots in the cart to be filled with water before starting to cut.

Stopping

- Push the red button marked "O" to stop the machine.



- Make sure that the cutting blade can rotate freely until it is completely stopped.

MAINTENANCE

General



WARNING! The user must only carry out the maintenance and service work described in this Operator's Manual. More extensive work must be carried out by an authorized service workshop.

To prevent accidental starting, the steps described in this chapter must be performed with the motor off and the power cable removed from the socket, if not otherwise stated.

Wear personal protective equipment. See instructions under the "Personal protective equipment" heading.

The life span of the machine can be reduced and the risk of accidents can increase if machine maintenance is not carried out correctly and if service and/or repairs are not carried out professionally. If you need further information please contact your nearest service workshop.

Daily maintenance

- Check that the machine's safety equipment is undamaged. See instructions in the section "Machine's safety equipment".
- Clean the outside of the machine. Do not use a high pressure washer to clean the saw.
- Open the blade guard. Clean both the inside and outside, and close the blade guard.



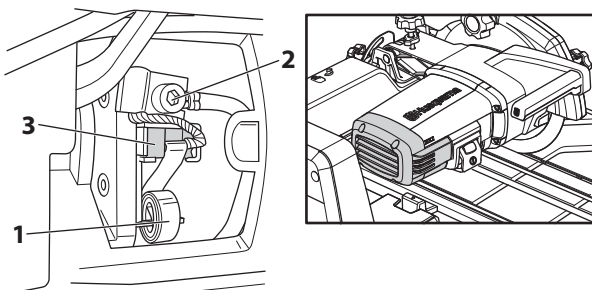
WARNING! Never clean motor and electric parts with water.

NOTICE! Clean the machine properly to prevent debris and small pieces of tile to enter and cause damage to the water system. If any back flushing water from the cart is flooding over the collector tray under the cart, remove the collector tray and clean it out. Reattach the collector tray.

Replacing the carbon brushes

The carbon brushes must be removed and checked regularly. Weekly if the machine is used daily or at longer intervals if the machine is used more seldom.

- Loosen the bolts holding the protective hood and then lift off the cover.
- Loosen the screw (2).
- Lift the brush retainer spring to one side (1).
- Pull out the coal brush from the holder (3).



- Fit the new carbon brush. Make sure to fit the carbon brush the right way and that it slides easily into the brush holder. If the carbon brush is fitted the wrong way, it can get stuck.
- Put the brush holder spring back into place.
- Insert the carbon brush connection under the screw.
- Repeat the procedure with the other carbon brush.
- Assemble the protective cover.

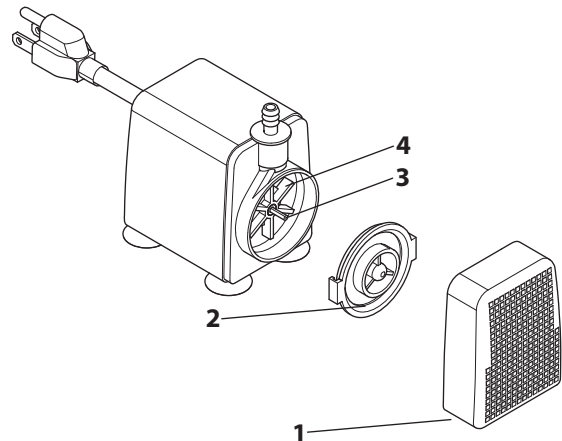
Water pump

Do the following if the water pump stops pumping water.

- Stop cutting.
- Shut down the machine and disconnect the power plug.
- Remove the water pump.

Clean the water pump

- Remove the water intake lid (1).
- Twist the impeller cover (2) and pull out.
- Pull out the impeller (4) and shaft (3) and clean the parts including the housing.



A cloth may be used to remove iron particles that might adhere to the magnetic rotor shaft.

Water drain

Clean the water recovery tray after every use.

- Stop the cutting.
- Lift the water recovery tray and pull to release the back of the water recovery tray.
- Lift up and release the plastic hook from under the cart.
- Clean the water recovery tray and put it back.

Repairs

All types of repairs may only be carried out by authorised repairmen. This is so that the operators are not exposed to great risks.

TECHNICAL DATA

Technical data

	TS60, 230V
Motor	
Power, kW	1,8
Voltage, V	220-240
Phases	1
Frequency, Hz	50
Speed, rpm	3600
Water cooling	
Water pump, V	220-240
Water pump, frequency, Hz	50
Water pump, A	0,12
Water pump Hmax, m	2,3
Water pump Qmax, l/h	1350
Water tank, l	12,4
Cutting equipment	
Blade size - max, mm	254
Saw depth - max, mm	78
Cutting depth at 45° - max, mm	45
Cutting length - max, mm	726
Arbor size mm	25,4
Angle cutting	45°, 22,5°
Dimensions	
Weight, kg	36
Weight - loaded, kg	60
Size (LxWxH), mm	932x700x468
Dimensions - loaded (Lx W x H), mm	1007x565x745
Noise emissions (see note 1)	
Sound power level, measured L _w (dB(A))	97,3
Sound power level, guaranteed L _w (dB(A))	98,3
Sound levels (see note 2)	
Sound pressure level at the operators ear, L _p (dB(A))	91,5
Vibration levels (see note 3)	
Handle, m/s ²	2,0
Conveyor cart, m/s ²	0,9

Note 1: Noise emissions in the environment measured as sound power (L_{WA}) in conformity with EN 12418.

Note 2: Noise pressure level according to EN 12418. Reported data for noise pressure level has a typical statistical dispersion (standard deviation) of 1.0 dB(A).

Note 3: Vibration level according to EN 12418. Reported data for vibration level has a typical statistical dispersion (standard deviation) of 1 m/s².

Recommended cable dimensions

NOTICE! Good motor performance depends on proper voltage. Extension cables that are too long and/or which have a gage that is too small, reduce power to the motor under load, resulting in reduced output or malfunctions.

TECHNICAL DATA

EC Declaration of Conformity

Husqvarna AB, SE-561 82 Huskvarna, Sweden, tel +46-36-146500, declares under sole responsibility that the tile saw **Husqvarna TS60** from 2014's serial numbers and onwards (the year is clearly stated in plain text on the rating plate with subsequent serial number), complies with the requirements of the COUNCIL'S DIRECTIVES:

- of May 17, 2006 "relating to machinery" **2006/42/EC**.
- of December 15, 2004 "relating to electromagnetic compatibility" **2004/108/EC**.
- of December 12, 2006 "relating to electrical equipment" **2006/95/EC**.
- of June 08, 2011 on the 'restriction of use of certain hazardous substances' **2011/65/EU**

The following standards have been applied:

EN ISO 12100:2010, EN 55014-1:2006, EN 55015-2/A1:2001, EN 61000-3-2:2006, EN 61000-3-3:2008, EN 12418+A1:2009

Gothenburg 6 February 2014



Helena Grubb

Vice President, Construction Equipment Husqvarna AB

(Authorized representative for Husqvarna AB and responsible for technical documentation.)

SYMBOLERKLÄRUNG

Symbole am Gerät

WARNUNG! Das Gerät kann falsch oder nachlässig angewendet gefährlich sein und zu schweren oder gar lebensgefährlichen Verletzungen des Benutzers oder anderer Personen führen.



Lesen Sie die Bedienungsanweisung sorgfältig durch und machen Sie sich mit dem Inhalt vertraut, bevor Sie das Gerät benutzen.



Benutzen Sie immer:

- Gehörschutz
- Schutzbrille oder Visier
- Atemschutzmaske



Warnung! Schneidvorgänge niemals ohne den Trennscheibenschutz durchf



Warnung! Halten Sie Hände und Füße von der Trennscheibe fern.



Warnung! Hochspannung. Es besteht die Gefahr von elektrischen Schlägen.



Dieses Produkt stimmt mit den geltenden CE-Richtlinien überein.



Umweltkennzeichnung. Das Symbol auf dem Produkt oder der Verpackung gibt an, dass dieses Produkt nicht im Hausmüll entsorgt werden darf. Zur Entsorgung ist es stattdessen an eine entsprechende Recyclinganlage für elektrische und elektronische Geräte zu übergeben.



Durch eine korrekte Entsorgung dieses Produkts tragen Sie dazu bei, mögliche negative Auswirkungen auf Ihre Umwelt und Mitmenschen zu verhindern. Durch eine unsachgemäße Entsorgung dieses Produkts können Schäden entstehen.

Ausführliche Recyclinginformationen zu diesem Produkt erhalten Sie von Ihrer Kommune, Entsorgungsunternehmen für Hausmüll oder dem Geschäft, in dem Sie das Produkt erworben haben.

Sonstige Symbole/Aufkleber am Gerät beziehen sich auf spezielle Zertifizierungsanforderungen, die in bestimmten Ländern gelten.



Erläuterung der Warnstufen

Es bestehen drei unterschiedliche Warnstufen.

WARNUNG!



WARNUNG! Nichtbeachtung der Anweisungen in diesem Handbuch kann zu Verletzungen bzw. zum Tod des Bedieners oder zu Beschädigungen in der Umgebung führen.

ACHTUNG!



ACHTUNG! Nichtbeachtung der Anweisungen in diesem Handbuch kann zur Verletzung des Bedieners bzw. zu Beschädigungen in der Umgebung führen.

HINWEIS!

HINWEIS! Nichtbeachtung der Anweisungen in diesem Handbuch kann zu Beschädigungen der Umgebung bzw. der Maschine führen.

INHALT

Inhalt

SYMBOLERKLÄRUNG

Symbole am Gerät	21
Erläuterung der Warnstufen	21

INHALT

Inhalt	22
--------------	----

VORSTELLUNG

Sehr geehrter Kunde!	23
Konstruktion und Funktionen	23
TS60	23

WAS IST WAS?

Was ist was an der Gerät?	24
---------------------------------	----

SICHERHEITSAUSRÜSTUNG DES GERÄTES

Allgemeines	25
-------------------	----

KLINGEN

Allgemeines	26
Transport und Aufbewahrung	26

MONTAGE UND EINSTELLUNGEN

Allgemeines	27
Anschlagseinstellung	29
Ausrichten der Säge	29
Führungsrollen	29
Klinge montieren	30

BETRIEB

Schutzausrüstung	31
Allgemeine Sicherheitsvorschriften	31
Elektrische Sicherheit	32
Arbeitssicherheit	33
Grundlegende Arbeitstechnik	34
Transport und Aufbewahrung	34

STARTEN UND STOPPEN

Vor dem Start	35
Starten	35
Stoppen	35

WARTUNG

Allgemeines	36
Tägliche Wartung	36
Austausch der Kohlebürsten	36
Wasserpumpe	36
Wasserablauf	36
Reparaturen	36

TECHNISCHE DATEN

Technische Daten	37
Empfohlene Maßangaben der Kabel	37
EG-Konformitätserklärung	38

SCHALTPLAN

Schaltplan	39
------------------	----

VORSTELLUNG

Sehr geehrter Kunde!

Vielen Dank, dass Sie sich für ein Produkt von Husqvarna entschieden haben.

Wir hoffen, dass Sie mit Ihrer Maschine über lange Jahre zufrieden sein werden. Mit dem Erwerb unserer Produkte erhalten Sie professionelle Hilfe bei Reparaturen und Service. Haben Sie das Gerät nicht bei einem unserer Vertragshändler gekauft, fragen Sie dort nach der nächsten Servicewerkstatt.

Diese Bedienungsanweisung ist ein wertvolles Dokument. Halten Sie die Bedienungsanweisung stets griffbereit. Die genaue Befolgung ihres Inhalts (Verwendung, Service, Wartung usw.) verlängert die Lebensdauer der Maschine erheblich und erhöht zudem ihren Wiederverkaufswert. Sollten Sie Ihre Maschine verkaufen, händigen Sie dem neuen Besitzer bitte auch die Bedienungsanleitung aus.

Über 300 Jahre Innovationsgeschichte

Husqvarna ist ein schwedisches Unternehmen, dessen Geschichte bis ins Jahr 1689 zurückreicht, als König Karl XI eine Fabrik errichten ließ, in der Musketen gefertigt werden sollten. Damit wurden die Grundlagen einer erfolgreichen Firmengeschichte gelegt, in deren Verlauf bahnbrechende technische Neuerungen in Bereichen wie Waffensysteme, Fahr- und Motorräder, Haushaltsgeräte, Nähmaschinen und Gartenprodukte auf den Markt gebracht werden konnten.

Husqvarna gilt als führender Anbieter von Geräten zur Garten- und Waldpflege sowie von Schneidausrüstungen und Diamantwerkzeugen für die Bau- und Steinindustrie.

Pflichten des Betreibers

Der Betreiber ist verpflichtet, nur entsprechend ausgebildete Personen mit der Bedienung der Maschine zu betrauen. Aufsichtspersonen und Bediener haben sämtliche Anweisungen in diesem Handbuch zur Kenntnis zu nehmen. Insbesondere ist auf Folgendes zu achten:

- Sicherheitshinweise
- Vorgesehene Anwendungsbereiche
- Nutzungs- und Wartungshinweise

Die Benutzung dieser Maschine könnte durch ein nationales Gesetz geregelt sein. Finden Sie heraus, welche Gesetze Anwendung finden, bevor Sie mit der Benutzung der Maschine beginnen.

Vorbehaltsbestimmungen des Herstellers

Es ist möglich, dass Husqvarna nach der Veröffentlichung dieses Handbuchs weitere Informationen zum sicheren Betrieb dieses Produkts herausgibt. Der Betreiber ist verpflichtet, stets über die sichersten Betriebsverfahren informiert zu sein.

Die Husqvarna AB arbeitet ständig an der Weiterentwicklung ihrer Produkte und behält sich daher das Recht auf Änderungen ohne vorherige Ankündigung, z. B. von Form und Aussehen, vor.

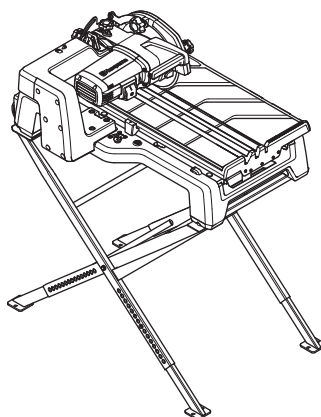
Informationen und Hilfe für unsere Kunden bietet unsere Website: www.husqvarna.com

Konstruktion und Funktionen

Die Entwicklung von zuverlässigen und innovativen Hochleistungstechnologien und eine umweltfreundliche Produktfertigung sind die erklärten Ziele von Husqvarna. Ein sicherer Betrieb dieses Produkts setzt voraus, dass der Betreiber dieses Handbuch aufmerksam durchliest. Weitere Informationen erhalten Sie von Ihrem Händler oder Husqvarna.

Hier werden einige der Funktionen aufgeführt, die unseren Produkten das entscheidende Plus an Qualität verleihen.

TS60



Softstart™

Softstart™ ist ein elektronischer Strombegrenzer, der für ein sanfteres Anlaufen sorgt.

Elgard™

Elgard™ ist ein elektronischer Überlastungsschutz zur Vorbeugung von Motorschäden. Damit wird die Maschine geschont und ihre Lebensdauer verlängert. Mit der Funktion Elgard™ wird vor möglichen Überlastungen gewarnt.

Leichte und mobile Konstruktion

Das Gerät ist leicht und kompakt. Griffe am Rahmen sowie Transportrollen erleichtern ein Tragen und Bewegen des Gerätes. Durch die integrierten Rollen kann der Sägerahmen wie ein Rollkoffer gezogen werden.

Der Ständer ist klappbar und höhenverstellbar.

Düsen-Behältersystem mit Schlammenschutz

Das patentierte Düsensystem versorgt den Bandwagen sowie die Trennscheibe in einem geschlossenen System mit Wasser.

Der Schlamm sinkt zum Boden des Behälters und nur das Wasser von der Oberfläche erreicht die Pumpe, die sich in einem geschützten Fach des Wasserbehälters befindet.

Der Bandwagen wird durchgehend mit Wasser versorgt. Die Wasserzufuhr zur Trennscheibe ist einstellbar.

Flexibles Schneiden

Flexible Einstech- und Gehrungsschnitte bis 45°.

Ermöglicht das diagonale Schneiden von Fliesen mit einer Größe von 500 x 500 mm (20' x 20') und damit eine Schnittlänge von 718 mm (28').

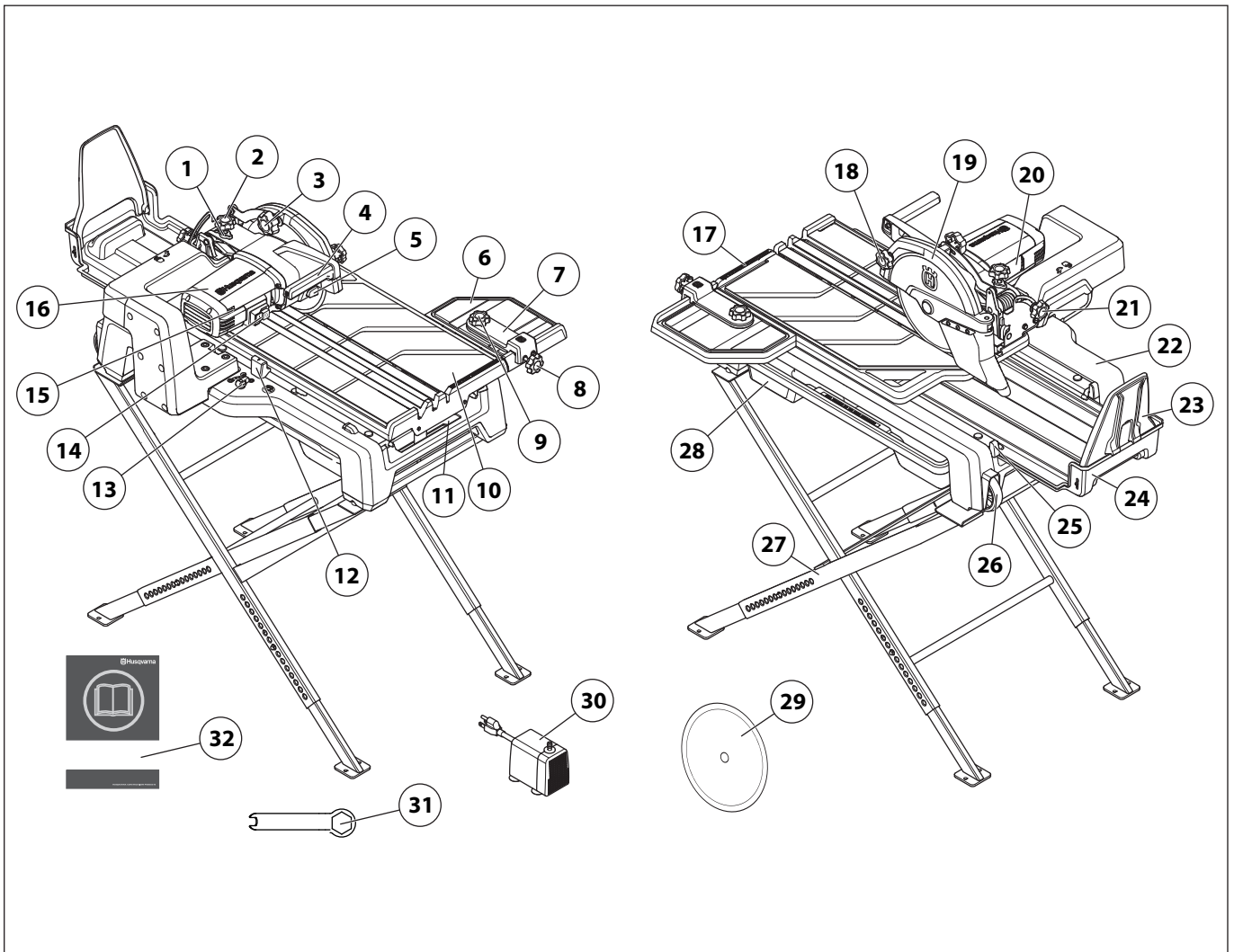
Funktioneller Bandwagen und Seitentisch

Für zusätzliche Unterstützung beim Schneiden ist der Bandwagen besonders lang. Der Seitentisch ist abnehmbar.

Großer Trennscheibenflansch

Der große Trennscheibenflansch (Ø 82 mm (3')) bietet eine breite und ausreichende Stützfläche für die Trennscheibe.

WAS IST WAS?



Was ist was an der Gerät?

- | | |
|--|---------------------------------------|
| 1 Gegenmutter, Anschlagseinstellung | 17 Einstellbares Lineal |
| 2 Knauf, Anschlagseinstellung | 18 Feststellknopf, Klingenschutz |
| 3 Feststellknopf, Anschlagseinstellung | 19 Trennscheibenschutz |
| 4 Griff, Trennarm | 20 Produkt- und Typenschild |
| 5 Taste, Verriegeln der Klingenwelle | 21 Feststellknopf, Gehrungsschnitte |
| 6 Seitentisch | 22 Rahmen |
| 7 Schneidführung | 23 Spritzschutz |
| 8 Feststellknopf, Schneidführung | 24 Wassersammelbehälter |
| 9 Feststellknopf, Schneidführung mit Winkeleinstellung | 25 Bandwagenanschlag |
| 10 Bandwagen | 26 Transporträder |
| 11 Wasserrücklaufbehälter | 27 Klappbare Stützen |
| 12 Feststellknopf, Bandwagen | 28 Wasserbehälter |
| 13 EIN-/AUS-Schalter für Wasserzufuhr zur Trennscheibe | 29 Klinge - Husqvarna GS2 S (Ø250 mm) |
| 14 Hauptschalter | 30 Wasserpumpe |
| 15 Lastanzeige, Elgard™ | 31 Schlüssel |
| 16 Elektromotor | 32 Bedienungsanweisung |

SICHERHEITSAUSRÜSTUNG DES GERÄTES

Allgemeines



WARNUNG! Benutzen Sie nie ein Gerät mit defekter Sicherheitsausrüstung.

WARNUNG! Wenn Ihr Gerät den Kontrollanforderungen nicht entspricht, muss eine Servicewerkstatt aufgesucht werden.

In diesem Abschnitt werden einzelnen Teile der Sicherheitsausrüstung des Gerätes beschrieben, welche Funktion sie haben und wie ihre Kontrolle und Wartung ausgeführt werden sollen, um sicherzustellen, dass sie funktionsfähig sind.

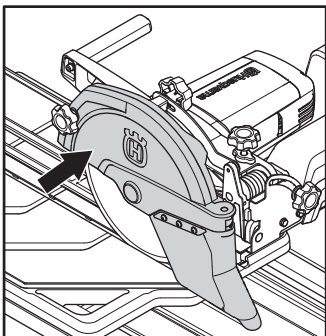
Klingenschutz



WARNUNG! Das Gerät niemals ohne Schutz oder mit defektem Schutz benutzen. Vor dem Starten der Maschine stets prüfen, dass der Schutz korrekt montiert ist.

Ohne Klingenschutz darf die Trennscheibe nicht mehr als 180 Grad freigelegt werden.

Der Klingenschutz soll verhindern, dass Teile der Klinge oder des geschnittenen Materials gegen den Bediener geschleudert werden.



Kontrolle des Schutzes für die Trennscheibe

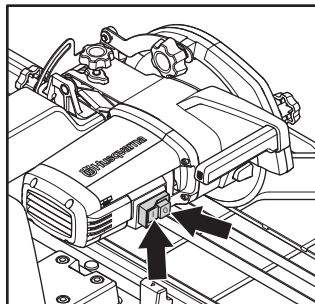


WARNUNG! Schalten Sie das Gerät aus, und ziehen Sie den Netzstecker aus der Steckdose.

- Klingenschutz über der Klinge auf Risse oder andere Schäden untersuchen. Bei Beschädigungen austauschen.

Hauptschalter

Der Schalter ist zum Starten und Abstellen des Gerätes zu benutzen.



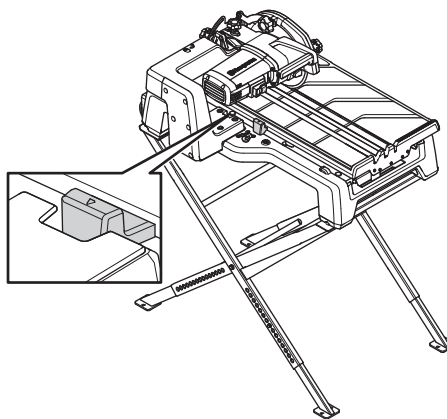
Kontrolle des Schalters

- Drücken Sie zum Starten des Gerätes die grüne Taste mit dem Zeichen "I".
- Drücken Sie zum Stoppen des Gerätes die rote Taste mit dem Zeichen "O". Stellen Sie sicher, dass Motor und Trennscheibe anhalten. Achten Sie dabei darauf, dass sich die Trennscheibe störungsfrei drehen kann, bis die Drehbewegung endgültig aufhört.

Defekte Schalter sind von einer autorisierten Servicewerkstatt auszutauschen.

Feststellknopf, Bandwagen

Der Feststellknopf dient zur Verriegelung des Bandwagens beim Transport.



Wasserpumpe



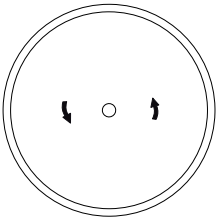
WARNUNG! Wassertauchpumpe Nicht trocken laufen lassen. Für die Verwendung im Haushalt. Eine ordnungsgemäße Erdung muss sichergestellt werden. Es besteht die Gefahr von elektrischen Schlägen. Diese Pumpe ist nicht für die Verwendung in Schwimmbadbereichen vorgesehen.

Allgemeines



WARNUNG! Klingen können brechen und schwere Verletzungen beim Anwender verursachen. Während des Einsatzes können Diamantscheiben sehr heiß werden. Überhitzung an der Klinge entsteht als Folge unsachgemäßer Verwendung und kann zu Verformungen der Trennscheibe und damit zu Sach- und Personenschäden führen.

- Verwenden Sie keine überhitzten Trennscheiben.
- Achten Sie darauf, dass für die Trennscheibe jeweils die richtige Buchse montiert wird. Siehe Anweisungen unter „Montage der Trennscheibe“.
- Die Klingen müssen dieselbe oder eine höhere Drehzahl als auf dem Kennschild der Maschine aufweisen. Niemals Klingen verwenden, deren Drehzahl unter dem Wert für die Maschine liegt.
- Bei Anwendung einer Diamantscheibe dafür sorgen, dass diese in die Richtung rotiert, die der Pfeil auf der Scheibe angibt.



- Diamantklingen bestehen aus einem Stahlkern mit Segmenten oder einem geschlossenen Rand mit Industriediamanten.

Geeignete Trennscheiben

- Trennscheibe mit geschlossenem Rand und $\varnothing 250 \times 25,4$ mm oder $\varnothing 230 \times 24,5$ mm.

Trennscheiben für diverse Werkstoffe



WARNUNG! Trennscheiben sind ausschließlich für das vorgesehene Material zu verwenden.

Beim Schneiden von Kunststoffen mit einer Diamantklinge kann es zu Rückschlägen kommen, wenn das Material aufgrund der hohen Hitzeentwicklung beim Schneidprozess schmilzt und an der Klinge festklebt. Kunststoffe dürfen niemals mit Diamantklingen geschnitten werden.

- Die Auswahl der Trennscheibe sollte sich nach dem zu schneidenden Werkstoff richten. Bei der Wahl des richtigen Produkts einen Fachhändler um Rat fragen.

Vibrationen in den Klingen

- Die Klinge kann unrund werden und vibrieren, wenn ein zu hoher Druck ausgeübt wird.
- Ein niedrigerer ausgeübter Druck kann die Vibration mindern. Andernfalls die Klinge austauschen.

Schärfen von Diamantscheiben

- Immer eine scharfe Diamantscheibe benutzen.
- Diamantscheiben können stumpf werden, wenn der falsche Druck ausgeübt oder wenn damit bestimmtes Material wie beispielsweise stark armerter Beton geschnitten wird. Die Arbeit mit einer stumpfen Diamantklinge führt zu Überhitzung, die dazu führen kann, dass sich Diamantsegmente lösen.
- Die Klinge durch Schneiden in einem weichen Material wie Sand- oder Ziegelstein schleifen.

Transport und Aufbewahrung

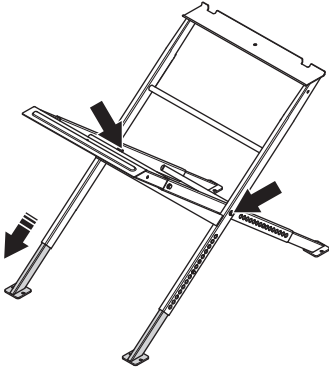
- Zerlegen Sie die Trennscheibe vor dem Transportieren oder Lagern der Maschine.
- Klinge trocken aufbewahren.
- Untersuchen Sie neue Klingen auf Transport- oder Lagerungsschäden.

MONTAGE UND EINSTELLUNGEN

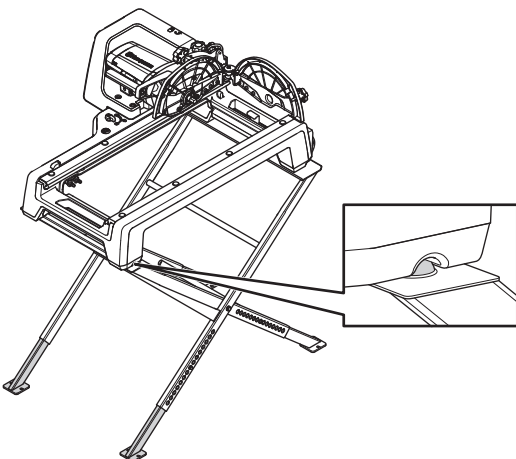
Allgemeines

Stellen Sie die TS60 auf eine flache, waagerechte und stabile Oberfläche, um ein Umkippen oder Verschieben des Gerätes oder ein Treten auf die Fläche zu verhindern.

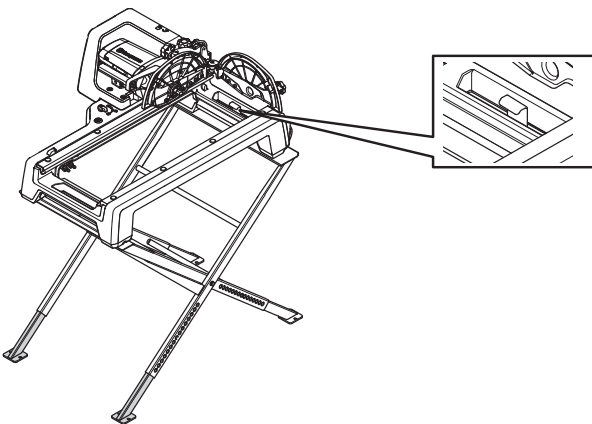
- Montieren Sie die Rahmenstützen mit den Schrauben. Zum leichteren Transport können die Stützen eingeklappt werden.



- Stellen Sie die Arbeitshöhe durch Lösen des Federschnellverbinders und Schieben des Innenrohrs auf die gewünschte Höhe ein.
- Heben Sie die Säge auf das Gestell. Der Schlitz an der Säge muss mit der Nut am Gestell übereinstimmen.

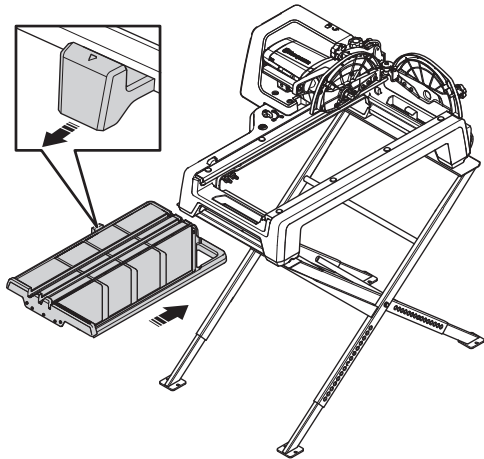


- Befestigen Sie den Rahmen mit den beiden Klemmen am Gestell, eine Klemme auf jeder Seite.

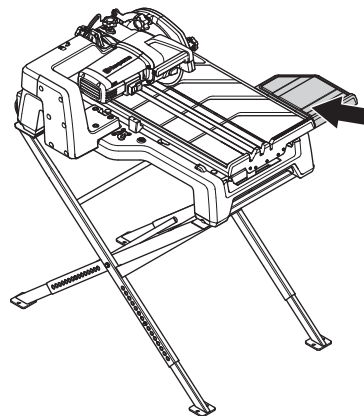


- Das Gerät kann auch ohne die Rahmenstützen oder auf einer Werkbank verwendet werden.

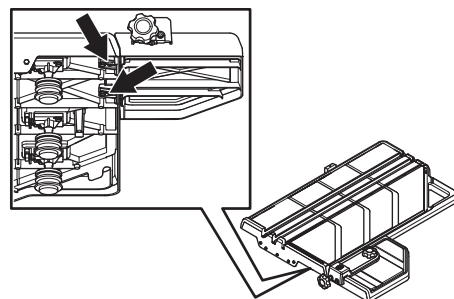
- Ziehen Sie den Feststellknopf am Bandwagen heraus.



- Schieben Sie den Bandwagen auf den Rahmen. Stellen Sie sicher, dass die Stützrollen ordnungsgemäß in der Nut sitzen.
- Wenn der Feststellknopf hinter der Verriegelung am Rahmen liegt, drücken Sie den Feststellknopf nach innen, damit der Bandwagen vollständig hineingeschoben werden kann.
- Montieren Sie den Seitentisch mit den mitgelieferten Schrauben.

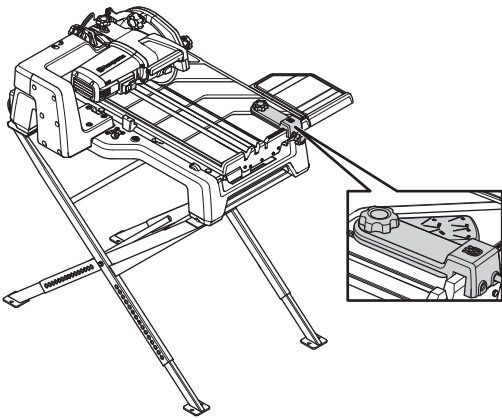


Wenn der Seitentisch nicht bündig mit dem Bandwagen ausgerichtet ist, muss er unter Umständen eingestellt werden. Die Einstellung kann über die Schrauben erfolgen.

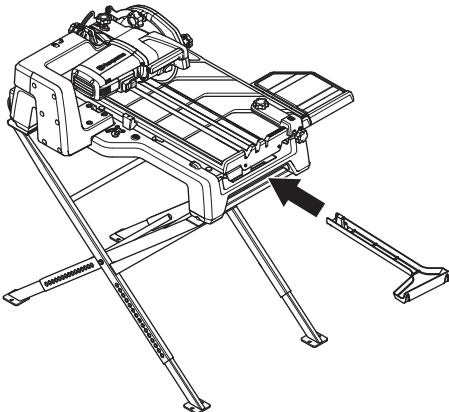


MONTAGE UND EINSTELLUNGEN

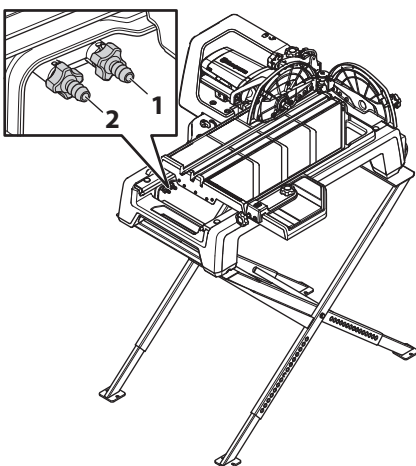
- Schrauben Sie die Schneidführung auf den Bandwagen. Die Schneidführung lässt sich für Winkelschnitte nach außen klappen. Die Winkelmarkierungen an der Schneidführung dienen zur Einstellung des richtigen Winkels.



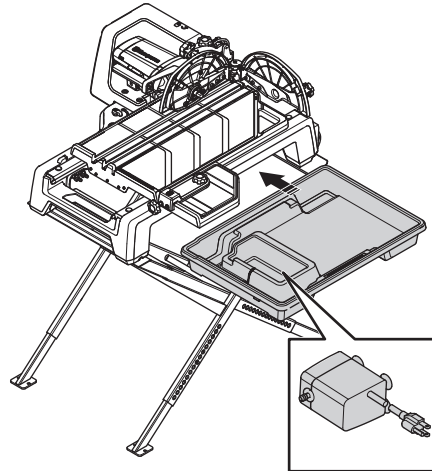
- Montieren Sie den Wasserrücklaufbehälter. Stellen Sie sicher, dass der Kunststoffhaken in die Metallschiene unter dem Bandwagen einhakt.



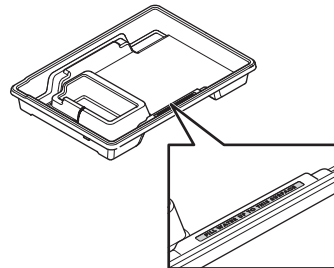
- Schließen Sie den Wasserschlauch (2) und die Wasserpumpe (1) an die Anschlüsse am Rahmen an.



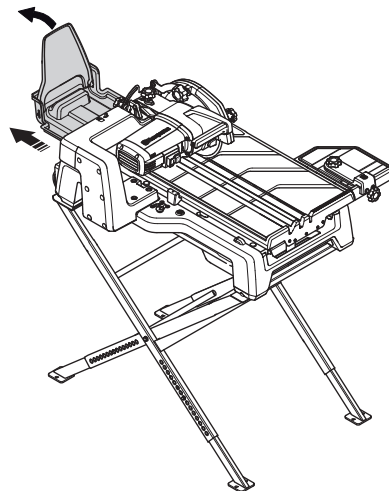
- Setzen Sie die Wasserpumpe in den Wasserbehälter. Das Pumpenfach sollte in Richtung der Arbeitsposition zeigen. Schieben Sie den Wasserbehälter hinein.



- Füllen Sie den Wasserbehälter bis zur Markierung mit Wasser.



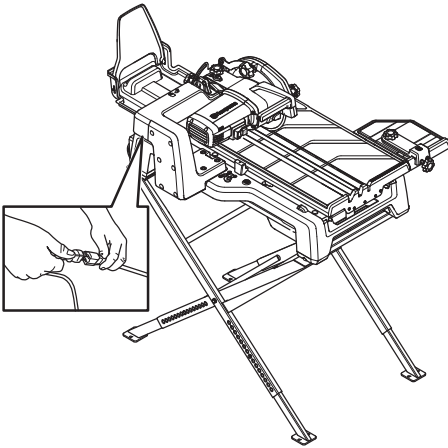
- Schieben Sie den Wassersammelbehälter heraus und klappen Sie die Verlängerung des Wassersammelbehälters aus.



- Auf Druck rastet der Wassersammelbehälter in seiner inneren Position ein.

MONTAGE UND EINSTELLUNGEN

- Stecken Sie das Netzkabel der Wasserpumpe in den Stecker am Gerät ein.



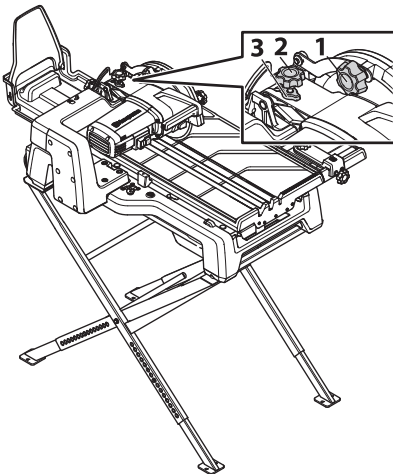
- Stellen Sie sicher, dass der Wasserstand beim Schneiden aufrechterhalten wird.

Anschlagseinstellung

Stellen Sie den Anschlag so ein, dass die Trennscheibe eine maximale Schnitttiefe erreicht, ohne in den Bandwagen zu schneiden. So kann der Wasserstrahl im Bandwagen von der Trennscheibe aufgenommen und beim Schneiden des Werkstücks verteilt werden.

Bei einem Wechsel der Trennscheibengröße muss der Anschlag neu eingestellt werden.

- Lösen Sie den Feststellknopf für die Tiefeneinstellung (1) und senken Sie den Trennarm ab.



- Die Kontermutter lösen (3).
- Lösen Sie den Tiefenjustierknopf für die Anschlagseinstellung (2).
- Drücken Sie den Trennarm herunter, bis die Trennscheibe den Boden der Nut im Wagen berührt.
- Halten Sie den Trennarm in dieser Position.
- Schrauben Sie den Tiefenjustierknopf für die Anschlagseinstellung (2) nach unten, bis er den darunterliegenden Halter berührt, um die Tiefe der Trennscheibe einzustellen. Drehen Sie ihn noch eine weitere Umdrehung, um den Kopf leicht vom Wagen abzuheben.
- Ziehen Sie die Gegenmutter (3) an.

- Ziehen Sie den Feststellknopf für die Tiefeneinstellung (1) an, während der Trennarm noch in die niedrigste Position gedrückt wird.
- Überprüfen Sie die Position der Trennscheibe durch Vor- und Zurückfahren des Bandwagens bis zum vorderen und hinteren Anschlag. Die Trennscheibe darf nie den Wagen berühren.

Ausrichten der Säge

Damit das Wassersystem wie vorgesehen arbeiten kann, darf das Gerät nicht mehr als 1,5° in Längsrichtung und 3° in seitlicher Richtung geneigt werden.

- Stellen Sie die Maschine auf einem flachen Untergrund auf. Stellen Sie die Rahmenstützen ein und verwenden Sie bei Bedarf Unterlegmaterial zum Ausrichten des Geräts. Überprüfen Sie die Neigung anhand der Luftblase.

Führungsrollen

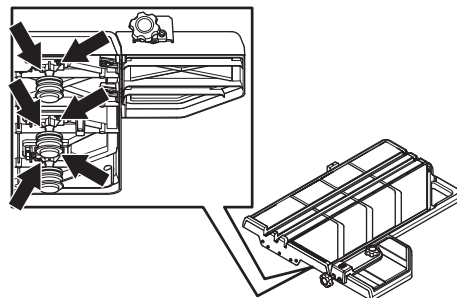
Allgemeines

Wenn der Bandwagen nicht reibungslos läuft oder wackelt, müssen unter Umständen die Rollen eingestellt werden.

- Stellen Sie sicher, dass die Rollen und Führungen sauber sind.
- Stellen Sie sicher, dass die Rollenwellen ordnungsgemäß angezogen sind.

Justieren der Führungsrollen

- Bringen Sie den Bandwagen in die mittlere Position und verriegeln Sie ihn mit dem Feststellknopf.
- Drehen Sie die Rollen von Hand und prüfen Sie, ob sich alle Rollen mit gleichem Kraftaufwand frei drehen lassen. Andernfalls müssen die Rollen unter Umständen neu ausgerichtet werden.
- Lösen Sie alle einstellbaren Halterungen.

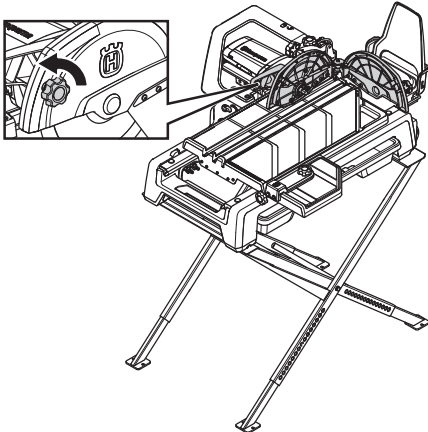


- Kippen Sie den Bandwagen vor und zurück, um sicherzustellen, dass alle Halter gelöst sind. Lassen Sie die Federkraft alle Rollen in Richtung der Führung drücken.
- Verriegeln Sie alle Rollen durch Anziehen der Schrauben an den Rollenhaltern.

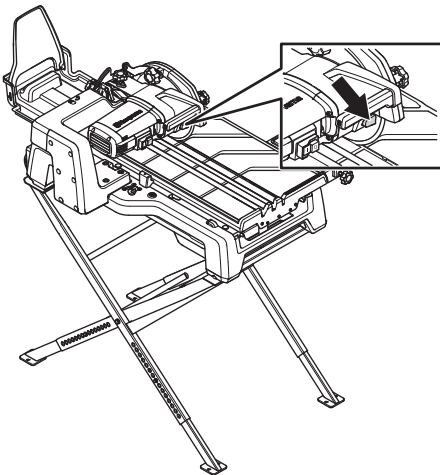
MONTAGE UND EINSTELLUNGEN

Klinge montieren

- Lösen Sie den Feststellknopf. Klappen Sie den Klingenschutz nach oben.

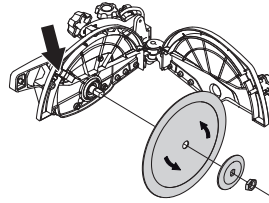


- Zum Verriegeln der Klingenswelle Taste nach unten drücken.

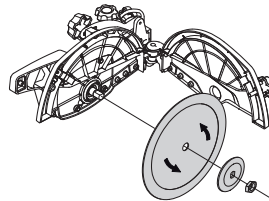


- Mutter entfernen. Entfernen Sie den Trennscheibenflansch.
- Stellen Sie sicher, dass die Trennscheibe, der Trennscheibenflansch und die Klingenswelle keine Schäden aufweisen. Reinigen Sie die Kontaktflächen an Trennscheibe und Trennscheibenflansch.
- Stellen Sie sicher, dass sich die Trennscheibe in der durch den Pfeil auf der Trennscheibe angezeigten Richtung dreht.

- Ziehen Sie bei der Montage der Trennscheibe die Sprühdüse heraus und bewegen Sie sie auf die Mittelachse zu oder davon weg, je nach Trennscheibendurchmesser (\varnothing 250 oder \varnothing 230 mm).



- Montieren Sie Trennscheibe, Trennscheibenflansch und Mutter.



- Klappen Sie den Klingenschutz nach unten. Feststellknopf anziehen.

Schutzausrüstung

Allgemeines

Das Gerät niemals benutzen, wenn nicht die Möglichkeit besteht, im Falle eines Unfalls Hilfe herbeizurufen.

Persönliche Schutzausrüstung

Bei der Benutzung des Gerätes muss die vorgeschriebene persönliche Schutzausrüstung angewendet werden. Die persönliche Schutzausrüstung beseitigt nicht die Unfallgefahr, begrenzt aber den Umfang der Verletzungen und Schäden. Bei der Wahl der Schutzausrüstung einen Fachhändler um Rat fragen.



WARNUNG! Bei der Nutzung von Produkten, die schneiden, schleifen, bohren, feine Schleifvorgänge ausführen oder Material formen kann es zu einer Bildung von Staub und Dämpfen kommen, die schädliche chemische Substanzen enthalten. Informieren Sie sich über die Beschaffenheit des Materials, mit dem Sie arbeiten und tragen Sie einen geeigneten Atemschutz.



WARNUNG! Eine längerfristige Beschallung mit Lärm kann zu bleibenden Gehörschäden führen. Daher stets einen zugelassenen Gehörschutz tragen.

Achten Sie immer genau auf Warnsignale oder Rufe, wenn Sie den Gehörschutz tragen. Nehmen Sie den Gehörschutz immer ab, sobald der Motor abgestellt ist.



WARNUNG! Bei Arbeiten an Produkten mit beweglichen Teilen herrscht stets Klemmgefahr. Schutzhandschuhe tragen, um Verletzungen zu vermeiden.

Benutzen Sie immer:

- Gehörschutz
- Zugelassener Augenschutz. Bei der Benutzung eines Visiers ist auch eine zugelassene Schutzbrille zu tragen. Zugelassene Schutzbrillen sind in diesem Falle diejenigen, die die Normen ANSI Z87.1 für die USA bzw. EN 166 für EU-Länder erfüllen. Visiere müssen der Norm EN 1731 entsprechen.
- Atemschutzmaske
- Schutzhandschuhe.
- Tragen Sie eine Kopfbedeckung zum Zurückhalten langer Haare.

Die übrige Arbeitskleidung sollte dicht anliegen, ohne die Bewegungsfreiheit zu begrenzen. Bedenken, dass Kleidung, langes Haar und Schmuck in beweglichen Teilen hängen bleiben können.

Weitere Schutzmaßnahmen



WARNUNG! Beim Betrieb des Gerätes können Funken einen Brand verursachen. Deshalb soll die Feuerlöschhausrüstung stets in Reichweite aufbewahrt werden.

- Feuerlöschhausrüstung
- Ein Erste-Hilfe-Set soll immer griffbereit sein.

Allgemeine Sicherheitsvorschriften

In diesem Abschnitt werden grundlegende Sicherheitsregeln vorgestellt. Die folgenden Informationen sind kein Ersatz für das Wissen, das ein professioneller Anwender durch seine Ausbildung und praktische Erfahrung erworben hat.

- Lesen Sie die Bedienungsanweisung sorgfältig durch und machen Sie sich mit dem Inhalt vertraut, bevor Sie das Gerät benutzen. Bewahren Sie alle Warnhinweise und Anweisungen für spätere Referenzzwecke auf.
- Daran denken, dass der Bediener für Unfälle oder Gefahrensituationen verantwortlich ist, die anderen Personen oder deren Eigentum widerfahren.
- Sämtliche Bediener müssen für die Benutzung der Maschine ausgebildet sein. Die Verantwortung für die erforderliche Ausbildung liegt beim Eigentümer.
- Die Maschine ist sauber zu halten. Die Lesbarkeit aller Schilder und Aufkleber muss gewährleistet werden.



WARNUNG! Das Gerät kann falsch oder nachlässig angewendet gefährlich sein und zu schweren oder gar lebensgefährlichen Verletzungen des Benutzers oder anderer Personen führen.

Niemals Kinder oder andere Personen, die nicht mit der Handhabung der Maschine vertraut sind, die Maschine bedienen oder warten lassen. Lassen Sie niemals jemand anderen das Gerät benutzen, ohne sich zu vergewissern, dass die Person den Inhalt der Bedienungsanweisung verstanden hat.

Niemals das Gerät verwenden, wenn Sie müde sind, Alkohol getrunken oder Medikamente eingenommen haben, die Ihre Sehkraft, Urteilsvermögen oder Körperkontrolle beeinträchtigen können.

BETRIEB



WARNUNG! Unzulässige Änderungen und/oder Zubehörteile können zu schweren Verletzungen oder tödlichen Unfällen von Anwendern oder anderen Personen führen.

Das Gerät nicht so modifizieren, dass es nicht länger mit der Originalausführung übereinstimmt, und nicht benutzen, wenn es scheinbar von anderen modifiziert wurde.

Niemals mit einem defekten Gerät arbeiten. Die Kontroll-, Wartungs- und Serviceanweisungen in dieser Bedienungsanleitung sind genau zu befolgen. Gewisse Wartungs- und Servicemaßnahmen sind von geschulten, qualifizierten Fachleuten auszuführen. Siehe Anweisungen unter dem Titel **Wartung**.

Es ist immer Originalzubehör zu verwenden. Ihr Händler steht Ihnen gerne für weitere Informationen zur Verfügung.

Stets mit gesundem Menschenverstand arbeiten!

Es ist unmöglich, alle denkbaren Situationen abzudecken, die beim Gebrauch des Geräts auftreten könnten. Gehen Sie stets mit Vorsicht und Vernunft vor. Lassen Sie sich bei Unsicherheiten von einer Fachkraft beraten. Fragen Sie Ihren Fachhändler, Ihre Servicewerkstatt oder einen erfahrenen Anwender. Führen Sie keine Arbeiten aus, wenn Unsicherheiten bezüglich der richtigen Vorgehensweise bestehen.

Elektrische Sicherheit



WARNUNG! An elektrisch betriebenen Geräten besteht stets die Gefahr von elektrischen Schlägen. Ungünstige Witterungsbedingungen sowie einen Körperkontakt mit Blitzableiter und metallischen Gegenständen vermeiden. Stets die Vorgaben in der Bedienungsanleitung befolgen, um Schäden auszuschließen.

Schließen Sie das Gerät niemals an eine Steckdose an, wenn Stecker oder Kabel beschädigt sind.



WARNUNG! Bei der Reinigung des Gerätes ist sicherzustellen, dass kein Wasser in das elektrische System oder den Motor eindringt. Wasser kann zu Schäden am Gerät oder zu Kurzschlüssen führen.

- Kontrollieren, ob die Netzspannung mit der auf dem Geräteschild angegebenen übereinstimmt.
- Kontrollen und/oder Wartungsarbeiten sind bei abgeschaltetem Motor und abgezogenem Stecker durchzuführen.
- Schalten sie das Gerät aus, bevor Sie den Stromstecker ziehen.
- Maschine nicht am Netzkabel ziehen und Stecker nicht am Kabel aus der Steckdose ziehen. Ziehen Sie direkt am Stecker, nicht am Kabel.

- Das Gerät nicht benutzen, wenn ein Kabel oder Stecker beschädigt ist, sondern zur Reparatur in eine autorisierte Servicewerkstatt geben.
- Gerät immer durch einen Fehlerstromschutzschalter mit Personenschutz anschließen, d. h. ein Fehlerstromschutzschalter, der bei einem Erdschluss von 30 mA abschaltet.

Erdungsanweisungen



WARNUNG! Bei unsachgemäßem Anschluss besteht die Gefahr eines elektrischen Schlags. Wenden Sie sich an einen qualifizierten Elektriker, wenn Sie sich nicht sicher sind, ob das Gerät richtig geerdet ist.

Der Stecker darf nicht verändert werden. Sollte der Stecker nicht in die Steckdose passen, muss eine geeignete Steckdose durch einen qualifizierten Elektriker installiert werden. Stellen Sie sicher, dass örtliche Bestimmungen und Verordnungen eingehalten werden.

Wenden Sie sich an einen qualifizierten Elektriker, wenn Sie die Erdungsanweisungen nicht vollständig verstanden haben.

- Das Gerät verfügt über ein Schukokabel sowie einen Schukostecker und darf nur an eine entsprechende Schukosteckdose angeschlossen werden. Dadurch verringert sich bei einer Fehlfunktion die Gefahr eines elektrischen Schlags.

Verlängerungskabel

- Das Verlängerungskabel muss für den gleichen oder einen höheren Wert zugelassen sein als auf dem Typenschild des Geräts angegeben.
- Verwenden Sie Schukoverlängerungskabel.
- **Wenn Sie ein Elektrowerkzeug im Freien benutzen, verwenden Sie ein für den Außeneinsatz geeignetes Verlängerungskabel.** Ein für den Außeneinsatz geeignetes Kabel vermindert das Stromschlagrisiko.
- Achten Sie darauf, dass die Verbindung mit dem Verlängerungskabel trocken ist und keinen Bodenkontakt hat.
- Halten Sie das Anschlusskabel von Hitzequellen, Öl, scharfen Kanten und beweglichen Teilen fern. Beschädigte oder verdrehte Anschlusskabel erhöhen das Stromschlagrisiko.
- Kontrollieren, ob Kabel und Verlängerungskabel intakt und in gutem Zustand sind. Das Gerät nicht benutzen, wenn ein Kabel oder Stecker beschädigt ist, sondern zur Reparatur in eine autorisierte Servicewerkstatt geben.
- Keine zusammengerollte Verlängerungsschnur nutzen, um eine Überhitzungsgefahr zu vermeiden.
- Bei der Verwendung eines Verlängerungskabels darauf achten, dass nur ein geprüftes Kabel mit ausreichender Reichweite verwendet wird. Weitere Informationen finden Sie unter „Empfohlene Maßangaben für Kabel“ im Abschnitt „Technische Daten“.

Arbeitssicherheit

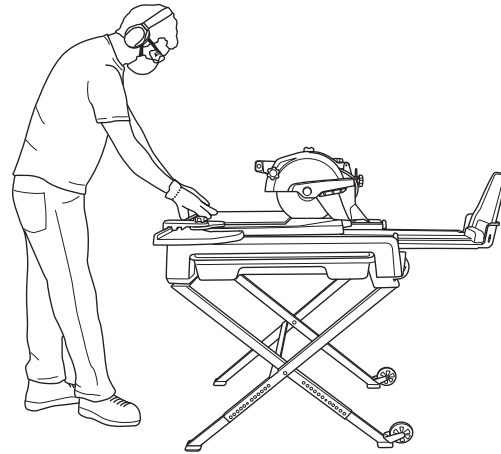
Sicherheit im Arbeitsbereich

- **Sorgen Sie für einen sauberen und gut ausgeleuchteten Arbeitsbereich.** Durch zugestellte oder dunkle Arbeitsbereiche steigt die Unfallgefahr stark an.
- Menschen und Tiere können zu einer Ablenkung und damit zum Verlust der Kontrolle über das Gerät führen. Konzentration und Fokussierung auf die Aufgabe sind daher stets erforderlich.
- Vermeiden Sie es, das Gerät bei schlechtem Wetter zu benutzen. Z.B. bei dichtem Nebel, starkem Regen oder Wind, großer Kälte usw.
- Beginnen Sie niemals mit der Arbeit, bevor der Arbeitsbereich frei ist und Sie einen sicheren Stand haben.
- **Betreiben Sie Elektrowerkzeuge niemals an Orten, an denen Explosionsgefahr besteht, z. B. in der Nähe von leicht entflammaren Flüssigkeiten, Gasen oder Stäuben.** Bei der Arbeit mit Elektrowerkzeugen kann es zu Funkenbildung kommen, wodurch sich Stäube oder Dämpfe entzünden können.

Persönliche Sicherheit

- Niemals das Gerät verwenden, wenn Sie müde sind, Alkohol getrunken oder Medikamente eingenommen haben, die Ihre Sehkraft, Urteilsvermögen oder Körperkontrolle beeinträchtigen können.
- Überprüfen Sie, ob keine Werkzeuge oder andere Objekte auf der Maschine liegengelassen wurden.
- Lassen Sie nicht zu, dass die Maschine von Personen verwendet wird, die nicht ausreichend geschult wurden.
- Schalten Sie die Maschine bei längeren Arbeitspausen stets aus.
- Niemals allein arbeiten. Es muss sich stets eine weitere Person in der Nähe befinden.
- Machen Sie sich mit der sicheren Anwendung der Maschine und Bedienelemente sowie mit dem schnellen Anhalten vertraut. Prägen Sie sich auch die Sicherheitsaufkleber gut ein.
- Halten Sie die Griffe trocken, sauber und frei von Öl und Fett.
- Sorgen Sie für einen festen Stand. Achten Sie jederzeit darauf, sicher zu stehen und das Gleichgewicht zu bewahren.
- Stellen Sie sich niemals auf die Maschine.
- Stehen Sie aufrecht. Halten Sie Ihr Gesicht von der Trennscheibe fern. Legen Sie beide Hände an das Werkstück, aber so weit wie möglich von der

Trennscheibe entfernt. Bei Verwendung der Einstechfunktion muss eine Hand auf dem Schneidgriff liegen.

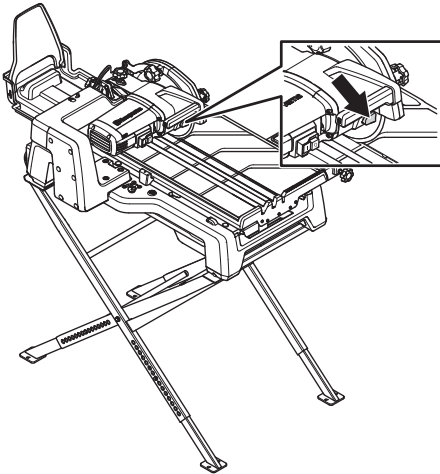


Verwendung und Pflege

- Diese Maschine ist für das Schneiden von Beton, Ziegeln und unterschiedlichen Steinmaterialien vorgesehen. Jede andere Verwendung ist nicht zulässig.
- Erfahrung ist für den Betrieb der Maschine von grundlegender Bedeutung. Ein Facharbeiter wird empfohlen.
- Das Gerät ist für industrielle Anwendungen und die Benutzung durch erfahrene Bediener ausgelegt.
- Überprüfen Sie, dass die Maschine korrekt montiert ist und keine Schäden aufweist.
- Führen Sie vor dem Starten stets die tägliche Wartung durch. Siehe die Anweisungen im Abschnitt "Wartung".
- Das Gerät darf nicht überlastet werden. Eine Überlastung kann Schäden am Gerät verursachen.
- Die für das jeweilige Material vorgesehene Klinge verwenden.
- Wenn Sie nicht sicher sind, welche Trennscheibe die richtige ist, wenden Sie sich an Ihren lokalen Händler.
- Scharfes und sauberes Werkzeug ist die Voraussetzung für sicheres Arbeiten.
- Achten Sie auf die ständige Funktionstüchtigkeit aller Komponenten. Überprüfen Sie, dass alle Befestigungen korrekt angezogen sind. Ersetzen Sie alle abgenutzten oder beschädigten Maschinenschilder.
- Niemals die Maschine unbeaufsichtigt mit laufendem Motor stehen lassen.
- Führen Sie das Werkstück nur gegen die Drehrichtung der Trennscheibe.
- Vorsicht beim Heben. Schweres Gerät bedeutet Klemmgefahr und Gefahr für andere Verletzungen.

Wasserkühlung der Trennscheibe

- Bei Gehrungsschnitten und Diagonalschnitten von Fliesen einer Größe von 500 mm (20") sollte immer die Wasserkühlung durch den Klingenschutz verwendet werden. Die Schnittlänge geht über den Bandwagen hinaus und am Anfang des Schnittes nimmt die Trennscheibe kein Wasser aus der Nut des Bandwagens auf.
- Drehen Sie den Wasserknopf leicht, um das Wasser zur Trennscheibe umzuleiten.
- Beim Erreichen der Nut im Bandwagen kann die Wasserzufuhr zur Trennscheibe unterbrochen werden, um den Bereich so sauber wie möglich zu halten.



Grundlegende Arbeitstechnik

Gehrungsschnitte

Der Trennarm lässt sich um bis zu 45° schwenken. Das Gerät verfügt über eine Markierung bei 22,5°.

- Lösen Sie den Feststellknopf für Gehrungsschnitte und stellen Sie den gewünschten Winkel ein.
- Verriegeln Sie den Knopf.

Einstechnitte

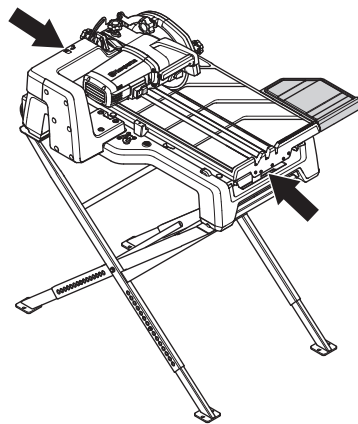
Der Trennarm ist federbelastet und nach oben und unten einstellbar.

- Lösen Sie den Feststellknopf für die Tiefeneinstellung. Über den Griff am Trennarm lässt sich die Trennscheibe nach oben und unten einstellen und kann so einen Einstechnitt im Werkstück ausführen.

Transport und Aufbewahrung

Schalten Sie den Motor ab und trennen Sie die Verbindung zum Stromversorgungskabel, bevor Sie die Maschine bewegen oder anheben.

- Achten Sie beim Transport der Schneidausrüstung darauf, dass diese nicht beschädigt wird.
- Stellen Sie sicher, dass der Bandwagen verriegelt ist und dass der Verlängerungsschieber in der inneren Position verriegelt ist.
- Bewahren Sie das Gerät für Kinder und Unbefugte unzugänglich in einem abschließbaren Raum auf.
- Anweisungen zum Transport und zur Lagerung von Klingen finden Sie im Abschnitt „Klingen“.
- Heben Sie das Gerät an den kurzen Enden an.



STARTEN UND STOPPEN

Vor dem Start



WARNUNG! Lesen Sie die Bedienungsanweisung sorgfältig durch und machen Sie sich mit dem Inhalt vertraut, bevor Sie das Gerät benutzen.

Tragen Sie persönliche Schutzausrüstung. Siehe die Anweisungen unter der Überschrift "Persönliche Schutzausrüstung".

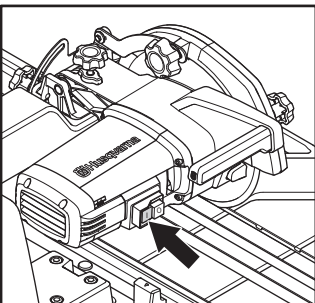
Sorgen Sie dafür, dass sich innerhalb des Arbeitsbereichs keine unbefugten Personen aufhalten, andernfalls besteht die Gefahr von schweren Verletzungen.

Verhindern Sie ein unbeabsichtigtes Starten des Motors. Achten Sie darauf, dass sich der Schalter in der Aus-Stellung (OFF) befindet, bevor Sie das Gerät an das Netz anschließen.

- Überprüfen Sie, dass die Maschine korrekt montiert ist und keine Schäden aufweist. Siehe Anweisungen im Abschnitt „Montage und Einstellungen“.
- Warten Sie das Gerät täglich. Siehe die Anweisungen im Abschnitt "Wartung".

Starten

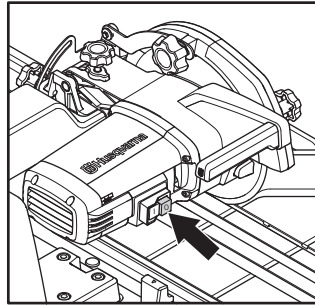
- Drücken Sie zum Starten des Geräts die grüne Taste mit dem Zeichen I“.



- Die Wasserpumpe startet automatisch beim Einschalten des Geräts.
- Warten Sie einige Sekunden, bis sich die Nuten im Bandwagen mit Wasser gefüllt haben, bevor Sie mit dem Schneiden beginnen.

Stoppen

- Drücken Sie zum Stoppen des Geräts die rote Taste mit dem Zeichen O“.



- Achten Sie dabei darauf, dass sich die Trennscheibe störungsfrei drehen kann, bis die Drehbewegung endgültig aufhört.

Allgemeines



WARNUNG! Der Bediener darf nur die **Wartungs- und Servicearbeiten ausführen, die in dieser Bedienungsanleitung beschrieben sind. Größere Eingriffe sind von einer autorisierten Servicewerkstatt auszuführen.**

Sofern nicht anders angegeben, müssen zur Vermeidung eines unbeabsichtigten Startens die in diesem Kapitel beschriebenen Schritte bei ausgeschaltetem Motor und ausgestecktem Kabel durchgeführt werden.

Tragen Sie persönliche Schutzausrüstung. Siehe die Anweisungen unter der Überschrift "Persönliche Schutzausrüstung".

Die Lebensdauer der Maschine kann verkürzt werden und die Unfallgefahr kann steigen, wenn die Wartung der Maschine nicht ordnungsgemäß und Service und/oder Reparaturen nicht fachmännisch ausgeführt werden. Weitere Informationen erteilt Ihnen gerne die nächste Servicewerkstatt.

Tägliche Wartung

- Überprüfen Sie, ob die Sicherheitsausrüstung der Maschine intakt ist. Siehe Anweisungen im Abschnitt "Sicherheitsausrüstung des Gerätes".
- Das Gerät äußerlich reinigen. Die Schneideinheit nicht mit einem Hochdruckreiniger reinigen.
- Klappen Sie den Klingenschutz nach oben. Reinigen Sie das Gerät von innen und außen und klappen Sie den Klingenschutz nach unten.



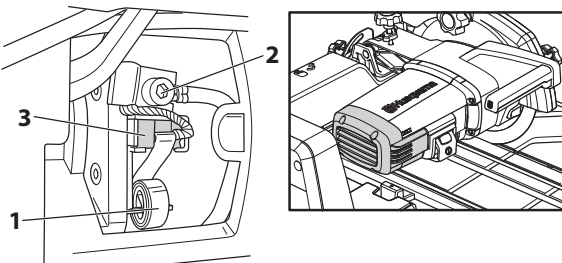
WARNUNG! Reinigen Sie den Motor sowie elektrische Teile niemals mit Wasser.

HINWEIS! Reinigen Sie das Gerät ordnungsgemäß, um ein Eindringen von Ablagerungen und kleinen Teilen zu verhindern, was zu Schäden am Wassersystem führen kann. Falls zurückgespültes Wasser aus dem Bandwagen aus dem Sammelbehälter unter dem Bandwagen überläuft, entfernen Sie den Sammelbehälter und reinigen Sie ihn. Befestigen Sie den Sammelbehälter wieder.

Austausch der Kohlebürsten

Kohlebürsten regelmäßig herausnehmen und kontrollieren. Wenn das Gerät täglich benutzt wird, sind die Kohlebürsten einmal pro Woche zu kontrollieren. Durch geringere Nutzung verlängern sich die Kontrollintervalle.

- Die Schrauben lösen, mit der die Schutzhaube befestigt ist, und die Haube abnehmen.
- Lösen Sie die Schraube (2).
- Heben Sie die Haltefeder zur Seite (1).
- Ziehen Sie die Kohlebürste aus dem Halter (3).



- Setzen Sie die neue Kohlebürste ein. Stellen Sie sicher, dass die neue Kohlebürste richtig herum eingesetzt wird und dass sie leicht in den Bürstenhalter gleitet. Falls die Kohlebürste falsch eingesetzt wird, könnte sie eingeklemmt werden.
- Halterungsfeder wieder anbringen.
- Kohlebürstenanschluss unter der Schraube hindurchführen.
- Zum Auswechseln der zweiten Kohlebürste den gesamten Vorgang wiederholen.
- Schutzabdeckung montieren.

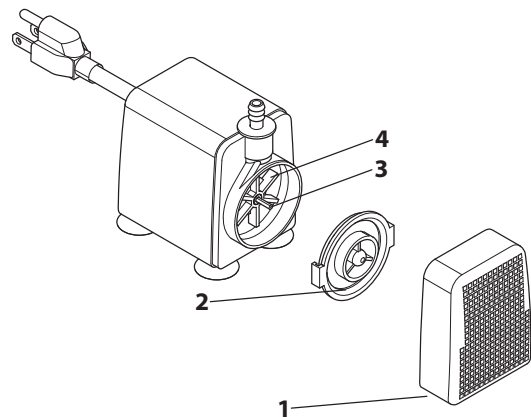
Wasserpumpe

Gehen Sie folgendermaßen vor, falls die Wasserpumpe kein Wasser mehr pumpt.

- Beenden Sie den Schneidvorgang.
- Schalten Sie das Gerät aus, und ziehen Sie den Netzstecker aus der Steckdose.
- Bauen Sie die Wasserpumpe aus.

Reinigung der Wasserpumpe

- Entfernen Sie die Abdeckung am Wasserzulauf (1).
- Drehen Sie die Lüfterradabdeckung (2) und ziehen Sie sie heraus.
- Ziehen Sie das Lüfterrad (4) und die Welle (3) heraus und reinigen Sie die Teile sowie das Gehäuse.



Eventuell an der magnetischen Rotorwelle haftende Eisenpartikel können mit einem Lappen abgewischt werden.

Wasserablauf

Reinigen Sie den Wasserrücklaufbehälter nach jeder Verwendung.

- Stoppen die Säge
- Heben Sie den Wasserrücklaufbehälter an und ziehen Sie ihn nach oben, um die Rückseite des Wasserrücklaufbehälters zu lösen.
- Heben Sie den Behälter heraus und lösen Sie den Kunststoffhaken unter dem Bandwagen.
- Reinigen Sie den Wasserrücklaufbehälter und setzen Sie ihn wieder ein.

Reparaturen

Sämtliche Reparaturen dürfen nur von autorisiertem Reparaturpersonal ausgeführt werden. Diese Vorschrift soll verhindern, dass der Bediener großen Gefahren ausgesetzt wird.

TECHNISCHE DATEN

Technische Daten

	TS60, 230V
Motor	
Leistung, kW	1,8
Spannung, V	220-240
Phasen	1
Frequenz, Hz	50
Drehzahl, rpm	3600
Wasserkühlung	
Wasserpumpe, V	220-240
Wasserpumpe, Frequenz, Hz	50
Wasserpumpe, A	0,12
Wasserpumpe, max. Höhe, m	2,3
Wasserpumpe, max. Füllmenge, l/h	1350
Wassertank, l	12,4
Schneidausrüstung	
Trennscheibengröße - max, mm	254
Schnitttiefe - max., mm	78
Schnitttiefe bei 45° \angle max., mm	45
Schnitttiefe – max., mm	726
Aufnahmebohrung, mm	25,4
Winkelschneiden	45°, 22,5°
Abmessungen	
Gewicht, kg	36
Gewicht – belastet, kg	60
Abmessung, (LxBxH), mm	932x700x468
Maße – belastet (L x B x H), mm	1007x565x745
Geräuschemissionen (siehe Anmerkung 1)	
Gemessene Schalleistung L _w (dB(A))	97,3
Garantierte Schalleistung L _w (dB(A))	98,3
Lautstärke (siehe Anmerkung 2)	
Schalldruckpegel am Ohr des Benutzers, L _p (dB(A))	91,5
Vibrationspegel (siehe Anmerkung 3)	
Handgriff, m/s ²	2,0
Bandwagen, m/s ²	0,9

Anmerkung 1: Umweltbelastende Geräuschemission gemessen als Schalleistung (L_{WA}) gemäß EN 12418.

Anmerkung 2: Schalldruckpegel gemäß EN 12418. Berichten zufolge liegt der Schalldruckpegel normalerweise bei einer Ausbreitungsklasse (standardmäßige Ausbreitung) von 1,0 dB (A).

Anmerkung 3: Vibrationspegel gemäß EN 12418. Berichten zufolge liegt der Vibrationspegel normalerweise bei einer Ausbreitungsklasse (Standardabweichung) von 1 m/s².

Empfohlene Maßangaben der Kabel

HINWEIS! Eine gute Motorleistung hängt von der richtigen Spannung ab. Verlängerungskabel, die zu lang sind und/oder einen zu geringen Querschnitt aufweisen, reduzieren die Leistung des Motors bei Belastung, was zu einer Minderleistung oder Störungen führen kann.

EG-Konformitätserklärung

Husqvarna AB, SE-561 82 Huskvarna, Schweden, Tel.: +46 36 146500, erklärt unter alleiniger Verantwortung, dass die Fliesensäge **Husqvarna TS60** einschließlich aller Geräte mit 2014er-Seriennummern oder folgenden (das Jahr und die Seriennummer sind deutlich auf dem Typenschild jeder Maschine erkennbar) den Anforderungen der folgenden COUNCIL'S DIRECTIVES (offizielle Richtlinien) entspricht:

- vom 17. Mai 2006 „Maschinen-Richtlinie **2006/42/EG**.
- vom 15. Dezember 2004 "über elektromagnetische Verträglichkeit" **2004/108/EWG**.
- vom 12. Dezember 2006 „betreffend elektrische Betriebsmittel **2006/95/EG**.
- vom 8. Juni 2011 "zur Beschränkung der Verwendung bestimmter gefährlicher Stoffe" **2011/65/EU**

Folgende Normen wurden angewendet:

EN ISO 12100:2010, EN 55014-1:2006, EN 55015-2/A1:2001, EN 61000-3-2:2006, EN 61000-3-3:2008, EN 12418+A1:2009

Göteborg, den 6. Februar 2014



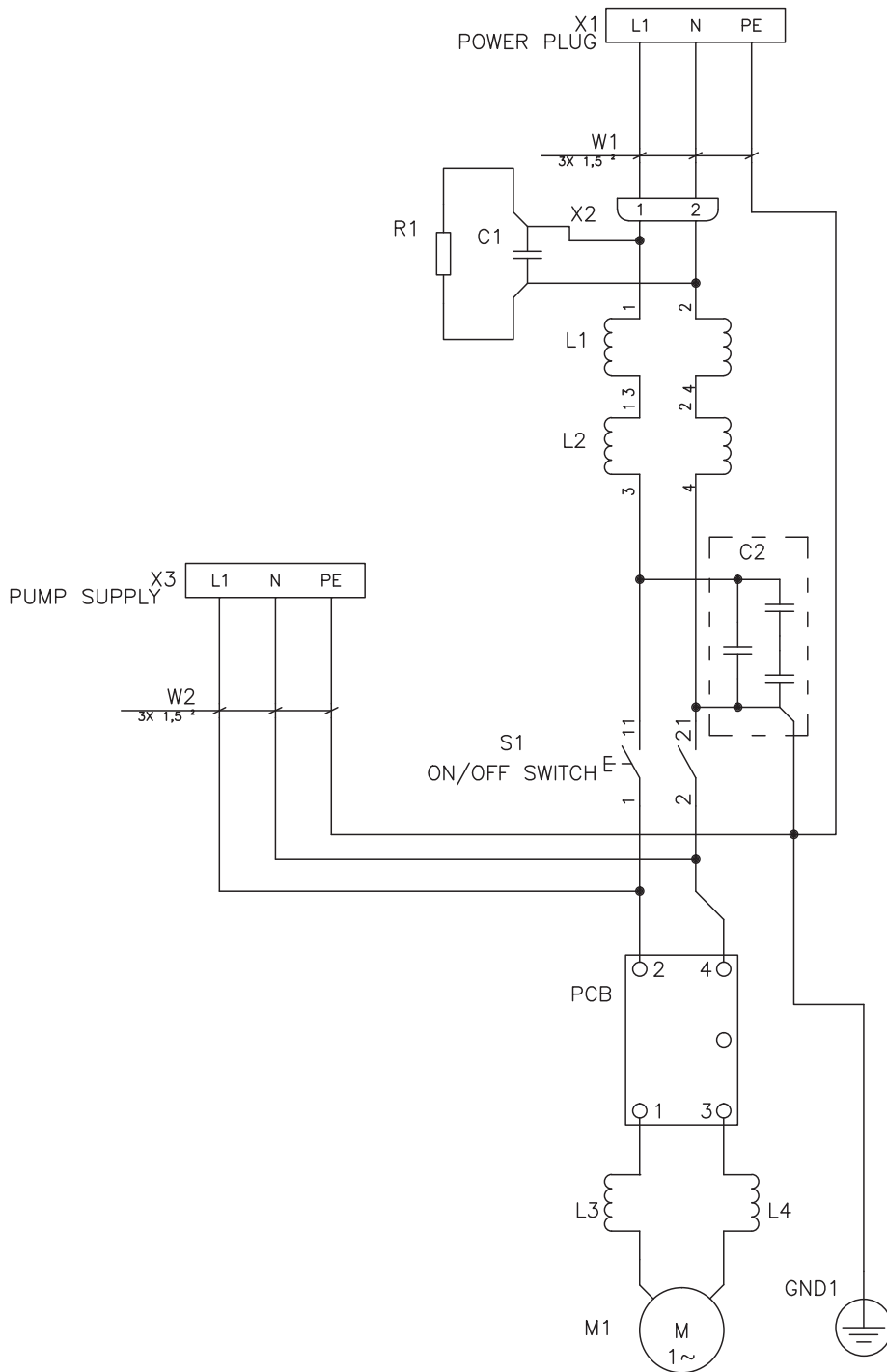
Helena Grubb

Vice President, Construction Equipment Husqvarna AB

(Bevollmächtigter Vertreter für Husqvarna AB, verantwortlich für die technische Dokumentation.)

SCHALTPLAN

Schaltplan 230 V



EXPLICATION DES SYMBOLES

Symboles sur la machine

AVERTISSEMENT! La machine utilisée de manière imprudente ou inadéquate peut devenir un outil dangereux, pouvant causer des blessures graves voire mortelles à l'utilisateur et aux autres personnes présentes.



Lire attentivement et bien assimiler le manuel d'utilisation avant d'utiliser la machine.



Toujours utiliser:

- Protecteur d'oreilles
- Lunettes protectrices ou visière
- Masque respiratoire



Avertissement ! Ne procédez jamais à une découpe sans utiliser le protège-lame.



Avertissement ! Maintenir les mains et les pieds à distance de la lame.



Avertissement ! Haute tension. Risque de choc électrique.



Ce produit est conforme aux directives CE en vigueur.



Marquage environnemental. Ce symbole figurant sur le produit ou sur son emballage indique que ce produit ne peut pas être traité comme déchet ménager. Il doit être collecté et amené à une installation de récupération appropriée de déchets d'équipements électriques et électroniques.



En veillant à ce que ce produit soit correctement éliminé, vous pouvez contribuer à prévenir les conséquences négatives potentielles sur l'environnement et les hommes, qui pourraient sinon être le résultat d'un traitement incorrect des déchets de ce produit.

Pour des informations plus détaillées sur le recyclage de ce produit, contactez votre commune ou le magasin où vous avez acheté le produit.

Les autres symboles/autocollants présents sur la machine concernent des exigences de certification spécifiques à certains marchés.



Explication des niveaux d'avertissement

Il existe trois niveaux d'avertissement.

AVERTISSEMENT!



AVERTISSEMENT! Symbole utilisé en cas de risque de blessures très graves ou de mort pour l'utilisateur ou de dommages pour les environs si les instructions du manuel ne sont pas suivies.

REMARQUE !



REMARQUE ! Symbole utilisé en cas de risque de blessures pour l'utilisateur ou de dommages pour les environs si les instructions du manuel ne sont pas suivies.

ATTENTION !

ATTENTION ! Symbole utilisé en cas de risque de dommages pour les matériaux ou la machine si les instructions du manuel ne sont pas suivies.

SOMMAIRE

Sommaire

EXPLICATION DES SYMBOLES

Symboles sur la machine	40
Explication des niveaux d'avertissement	40

SOMMAIRE

Sommaire	41
----------------	----

PRÉSENTATION

Cher client,	42
Conception et propriétés	42
TS60	42

QUELS SONT LES COMPOSANTS?

Quels sont les composants de la machine ?	43
---	----

ÉQUIPEMENT DE SÉCURITÉ DE LA MACHINE

Généralités	44
-------------------	----

LAMES

Généralités	45
Transport et rangement	45

MONTAGE ET RÉGLAGES

Généralités	46
Réglage de la butée de profondeur	48
Mise à niveau de la scie	48
Rouleaux de guidage	48
Monter la lame	49

COMMANDE

Équipement de protection	50
Instructions générales de sécurité	50
Sécurité électrique	51
Sécurité du travail	52
Techniques de travail de base	53
Transport et rangement	53

DÉMARRAGE ET ARRÊT

Avant le démarrage	54
Démarrage	54
Arrêt	54

ENTRETIEN

Généralités	55
Entretien quotidien	55
Remplacement des balais de charbon	55
Pompe à eau	55
Vidange d'eau	55
Réparations	55

CARACTÉRISTIQUES TECHNIQUES

Caractéristiques techniques	56
Dimensions recommandées des câbles	56
Déclaration CE de conformité	57

SCHÉMA ÉLECTRIQUE

Schéma électrique	58
-------------------------	----

PRÉSENTATION

Cher client,

Nous vous remercions d'avoir choisi un produit Husqvarna !

Nous espérons que cette machine vous donnera toute satisfaction et qu'elle vous accompagnera pendant de longues années. L'achat de l'un des nos produits garantit une assistance professionnelle pour l'entretien et les réparations. Si la machine n'a pas été achetée chez l'un de nos revendeurs autorisés, demandez l'adresse de l'atelier d'entretien le plus proche.

Ce mode d'emploi est précieux. Veillez à ce qu'il soit toujours à portée de main sur le lieu de travail. En suivant les instructions qu'il contient (utilisation, révision, entretien etc.), il est possible d'allonger considérablement la durée de vie de la machine et d'augmenter sa valeur sur le marché de l'occasion. En cas de vente de la machine, ne pas oublier de remettre le manuel d'utilisation au nouveau propriétaire.

Plus de 300 ans d'innovation

Husqvarna AB est une entreprise suédoise qui a vu le jour en 1689 lorsque le roi Karl XI décida de construire un arsenal pour la fabrication des mousquets. À l'époque, les compétences en ingénierie à la base du développement de certains des produits leaders du marché mondial dans des domaines tels que les armes de chasse, les vélos, les motocycles, l'électroménager, les machines à coudre et les produits d'extérieur, étaient déjà solides.

Husqvarna est le premier fournisseur mondial de produits motorisés pour utilisation en extérieur dans la foresterie, l'entretien de parcs, de pelouses et de jardins, ainsi que d'équipements de coupe et d'outils diamant destinés aux industries de la construction et de la pierre.

Responsabilité du propriétaire

Il est de la responsabilité du propriétaire/de l'employeur de s'assurer que l'utilisateur possède les connaissances nécessaires pour manipuler la machine en toute sécurité. Les responsables et les utilisateurs doivent avoir lu et compris le Manuel d'utilisation. Ils doivent avoir conscience :

- Des instructions de sécurité de la machine.
- Des diverses applications de la machine et de ses limites.
- De la façon dont la machine doit être utilisée et entretenue.

La législation nationale peut réglementer l'utilisation de cette machine. Recherchez la législation applicable dans le lieu où vous travaillez avant d'utiliser la machine.

Droit de réserve du fabricant

Husqvarna peut éditer des informations complémentaires concernant l'utilisation de ce produit en toute sécurité après la publication du présent manuel. Il incombe au propriétaire de se tenir informé des méthodes d'utilisation les plus sûres.

Husqvarna AB travaille continuellement au développement de ses produits et se réserve le droit d'en modifier, entre autres, la conception et l'aspect sans préavis.

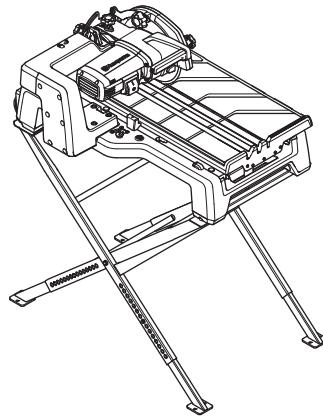
Pour obtenir des informations et une assistance client, contactez-nous via notre site Web : www.husqvarna.com

Conception et propriétés

Les produits Husqvarna se distinguent par des valeurs telles que la haute performance, la fiabilité, la technologie innovante, les solutions techniques de pointe et les considérations environnementales. Pour utiliser ce produit en toute sécurité, l'utilisateur doit lire le manuel avec attention. Contactez votre revendeur Husqvarna pour obtenir de plus amples informations.

Certaines des caractéristiques uniques de votre produit sont décrites ci-dessous.

TS60



Softstart™

Softstart™ est un limiteur de courant électronique permettant un démarrage en douceur.

Elgard™

Elgard™ est un système électronique de protection du moteur contre la surcharge. Cette protection évite de trop solliciter la machine et allonge sa durée de vie. Grâce à Elgard™, la machine indique lorsque sa charge se rapproche du maximum.

Poids réduit et mobilité

La machine est légère et compacte. Les poignées du cadre et les roues facilitent le transport et le déplacement de la machine. Les roues intégrées permettent de tirer le cadre de la scie comme une valise à roulettes.

Le socle peut se plier et se régler en hauteur.

Système de confinement de jet d'eau avec pare-boue

Le système de confinement de jet d'eau breveté envoie de l'eau en système fermé dans le chariot et sur la lame.

La boue se dépose dans le fond et seule l'eau superficielle atteint la pompe située dans un compartiment protégé du bac à eau.

Le chariot est constamment alimenté en eau. L'alimentation en eau de la lame est réglable.

Coupe flexible

Coupe en plongée flexible et coupe en biseau jusqu'à 45°.

Permet la coupe en diagonale de carreaux de 500 x 500 mm (20" x 20") sur une longueur de coupe de 718 mm (28").

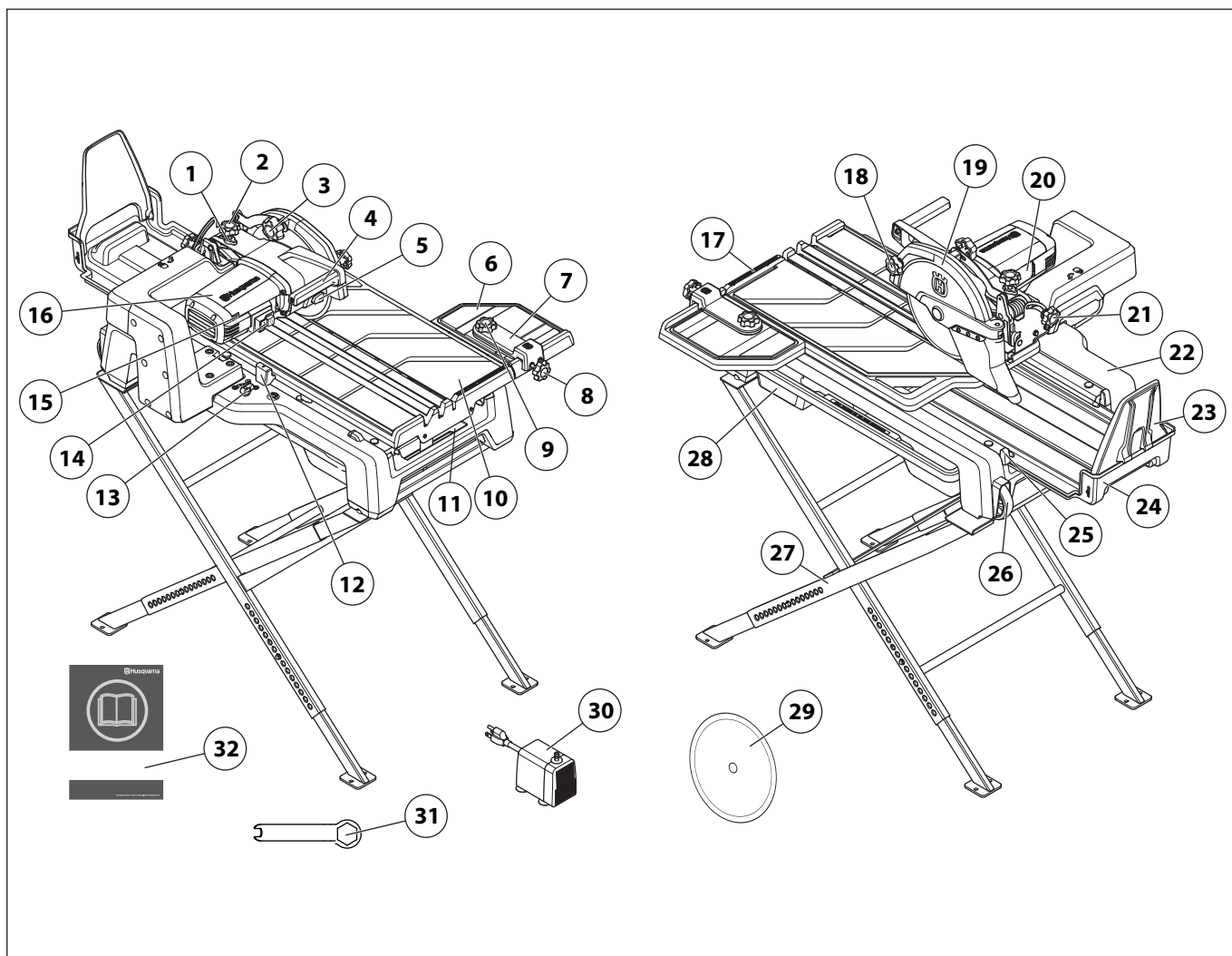
Chariot pratique et rallonge latérale

Le chariot est encore plus long pour offrir un meilleur soutien lors de la coupe. La rallonge latérale est amovible.

Large bride de lame

La large bride de lame de 82 mm (3") de diamètre fournit à la lame une surface de support étendue et adaptée.

QUELS SONT LES COMPOSANTS?



Quels sont les composants de la machine ?

- | | |
|---|--|
| 1 Contre-écrou, réglage de la butée de profondeur | 17 Règle ajustable |
| 2 Bouton, réglage de la butée de profondeur | 18 Bouton de verrouillage, protège-lame |
| 3 Bouton de verrouillage, réglage de la profondeur | 19 Protège-lame |
| 4 Poignée, bras de coupe | 20 Plaque d'identification du produit |
| 5 Bouton de verrouillage de l'axe de lame | 21 Bouton de verrouillage, coupe en biseau |
| 6 Rallonge latérale | 22 Cadre |
| 7 Guide de coupe | 23 Protection anti-éclaboussures |
| 8 Bouton de verrouillage, guide de coupe | 24 Bac collecteur de boue |
| 9 Bouton de verrouillage, guide de coupe oblique | 25 Butée du chariot |
| 10 Chariot | 26 Roues de transport |
| 11 Bac de récupération d'eau | 27 Pieds de support repliables |
| 12 Bouton de verrouillage, chariot | 28 Bac à eau |
| 13 Bouton d'alimentation en eau, MARCHE/ARRÊT de l'alimentation en eau de la lame | 29 Lame - Husqvarna GS2 S (Ø250 mm) |
| 14 Interrupteur | 30 Pompe à eau |
| 15 Indicateur de charge, Elgard™ | 31 Clé |
| 16 Moteur électrique | 32 Manuel d'utilisation |

ÉQUIPEMENT DE SÉCURITÉ DE LA MACHINE

Généralités



AVERTISSEMENT! Ne jamais utiliser une machine dont les équipements de sécurité sont défectueux.

AVERTISSEMENT! Si les contrôles ne donnent pas de résultat positif, confier la machine à un atelier spécialisé.

Ce chapitre présente les équipements de sécurité de la machine, leur fonction, comment les utiliser et les maintenir en bon état.

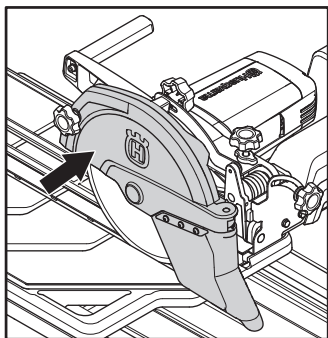
Protecteur de la lame



AVERTISSEMENT! Ne jamais utiliser la machine sans protection ou avec une protection défectueuse. Toujours contrôler que la protection est montée correctement avant de démarrer la machine.

Il est interdit d'exposer plus de 180° du disque sans protection.

Le protège-lame a pour fonction d'empêcher que des éclats du disque ou du matériau découpé ne soient projetés en direction de l'utilisateur.



Contrôle de la protection de lame

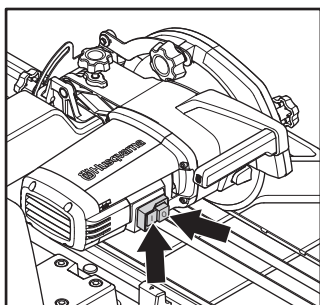


AVERTISSEMENT! Éteindre la machine et débrancher la prise d'alimentation.

- Contrôlez que le protège-lame au-dessus de la lame ne présente pas de fissures ou d'autres dommages. Remplacez-le s'il est endommagé.

Interrupteur

L'interrupteur est utilisé pour démarrer et arrêter la machine.



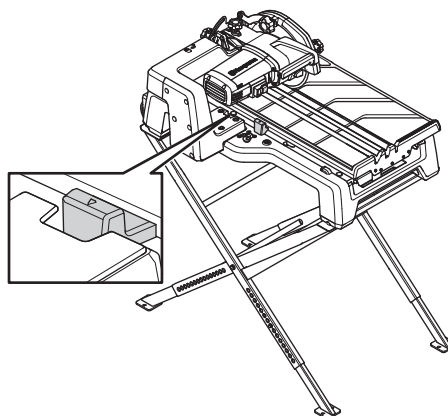
Contrôle de l'interrupteur

- Appuyez sur le bouton vert marqué « I » pour démarrer la machine.
- Appuyez sur le bouton rouge marqué « O » pour arrêter la machine. Vérifier que le moteur et le disque s'arrêtent. Assurez-vous que le disque découpeur peut tourner librement jusqu'à son arrêt complet.

Un interrupteur défectueux doit être remplacé par un atelier d'entretien agréé.

Bouton de verrouillage, chariot

Le bouton de verrouillage sert à verrouiller la position du chariot lors de tout déplacement.



Pompe à eau



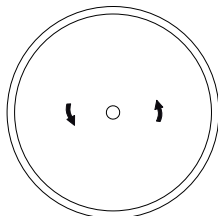
AVERTISSEMENT! Pompe à eau immergée. Ne pas faire fonctionner à sec. À usage domestique uniquement. La mise à la terre doit être correctement maintenue. Risque de choc é Cette pompe n'a pas été étudiée pour être utilisée dans des piscines.

Généralités



AVERTISSEMENT! Les lames peuvent se briser et causer des blessures graves à l'utilisateur. Lors de leur utilisation, les lames diamant deviennent très chaudes. Une lame surchauffée est le résultat d'une mauvaise utilisation et peut entraîner une déformation du disque qui causerait des dommages et des blessures.

- Ne pas utiliser une lame surchauffée.
- Veiller à utiliser le coussinet correspondant au disque découpeur monté sur la machine. Voir les instructions au chapitre Montage du disque découpeur.
- Les lames doivent être marquées d'un régime similaire ou supérieur à celui indiqué sur la plaque signalétique de la machine. Ne jamais utiliser des lames dont le régime indiqué est inférieur à celui de la découpeuse.
- En cas d'utilisation d'une lame diamant, veiller à ce qu'elle tourne dans la direction des flèches sur la lame.



- Les lames diamant se composent d'un cœur en acier et de segments ou d'un anneau continu contenant des diamants industriels.

Lames adaptées

- Jante continue de Ø250 x 25,4 mm ou Ø230 x 24,5 mm.

Lames pour divers matériaux



AVERTISSEMENT! N'utilisez jamais une lame pour tout autre matériau que celui pour lequel elle est destinée.

La découpe de plastique avec une lame diamant peut provoquer des rebonds quand le matériau fond sous la chaleur produite lors de la coupe et colle à la lame. Ne découpez jamais de matériaux plastiques avec une lame diamant !

- Le choix de la lame doit se faire en fonction du matériau à couper. Demander conseil au concessionnaire pour choisir le bon produit.

Vibrations dans les lames

- La lame peut ne plus être ronde et vibrer si une pression d'avance trop élevée est appliquée.
- Une pression d'avance inférieure peut faire disparaître les vibrations. Dans le cas contraire, changer la lame.

Affûtage des lames diamant

- Toujours utiliser une lame diamant acérée.
- Les lames diamant peuvent sémousser en cas de pression d'avance incorrecte ou de découpe de certains matériaux comme du béton fortement armé. Le travail avec un disque diamant émoussé comporte un risque de surchauffe pouvant provoquer la chute des segments en diamant.
- Affûter le disque en coupant un matériau tendre tel que du grès ou de la brique.

Transport et rangement

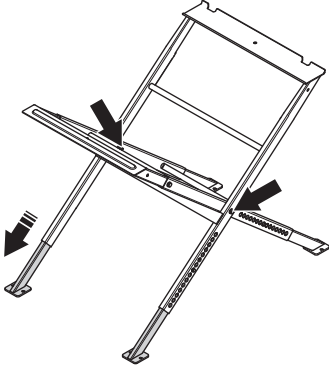
- Démontez la lame avant de transporter ou de remiser la machine.
- Conserver la lame dans un endroit sec.
- Inspecter les nouvelles lames pour détecter tout dommage dû au transport ou à l'entreposage.

MONTAGE ET RÉGLAGES

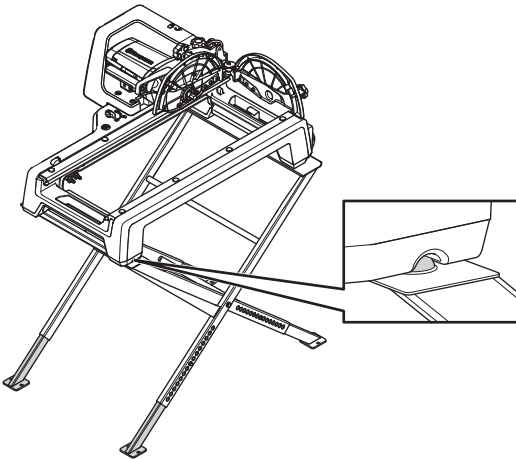
Généralités

Placez la TS60 sur une surface plane, horizontale et stable afin d'éviter le basculement, le glissement ou le déplacement de l'équipement sur le sol.

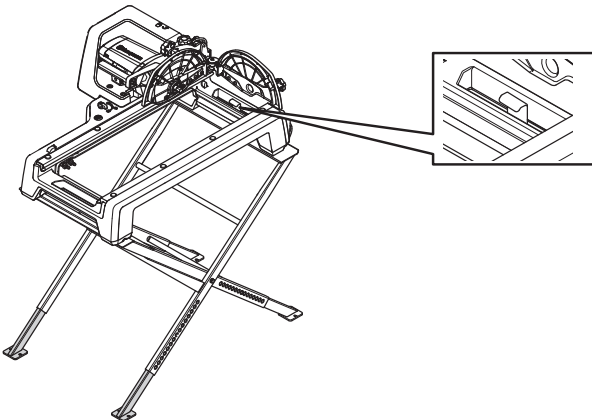
- Assembler les pieds du cadre à l'aide des boulons. Les pieds peuvent se replier pour faciliter le transport.



- Régler la hauteur de travail en desserrant le raccord rapide à ressort et glisser le tube intérieur jusqu'à la hauteur souhaitée.
- Placer la scie sur le socle. La fente de la scie doit être alignée sur la rainure du socle.

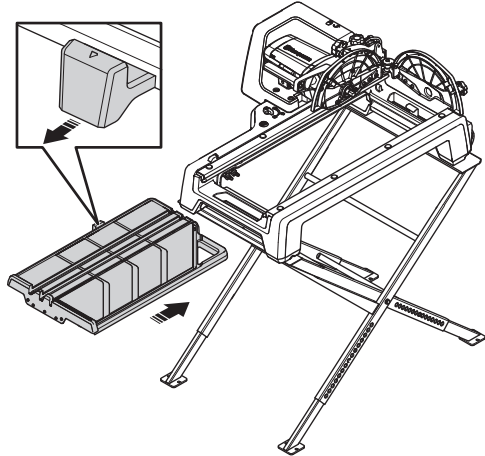


- Utiliser les deux brides placées de chaque côté pour fixer le cadre sur le socle.

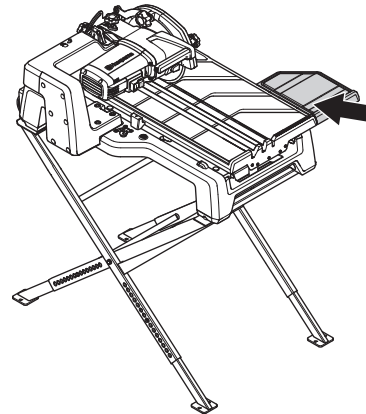


- La machine peut aussi être utilisée sans pieds de châssis ou placée sur un établi.

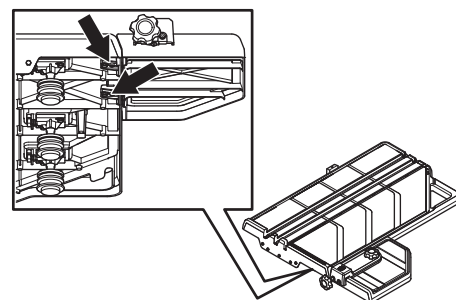
- Tirer le bouton de verrouillage situé sur le chariot.



- Glisser le chariot sur le cadre. S'assurer que les rouleaux d'appui s'insèrent correctement dans la fente.
- Une fois que le bouton de verrouillage atteint le cadre, l'enfoncer pour faire glisser le chariot jusqu'au bout.
- Fixer la rallonge latérale à l'aide des vis fournies.

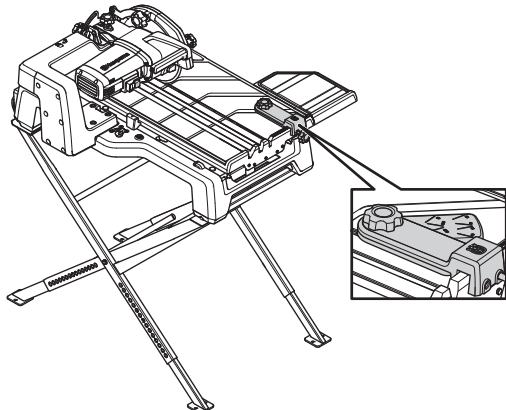


Si la rallonge latérale n'est pas au même niveau que le chariot, il faut procéder à un réglage. Pour cela, utiliser les vis.

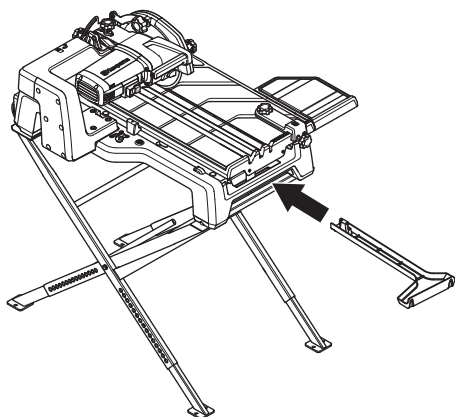


MONTAGE ET RÉGLAGES

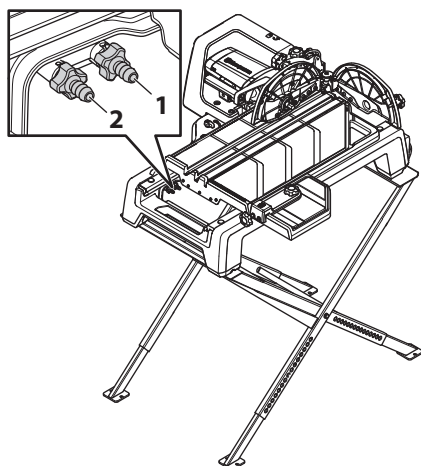
- Visser le guide de coupe sur le chariot. Le guide peut être rabattu vers l'extérieur pour les coupes en biseau. Utiliser les repères obliques sur le guide de coupe pour régler l'angle adéquat.



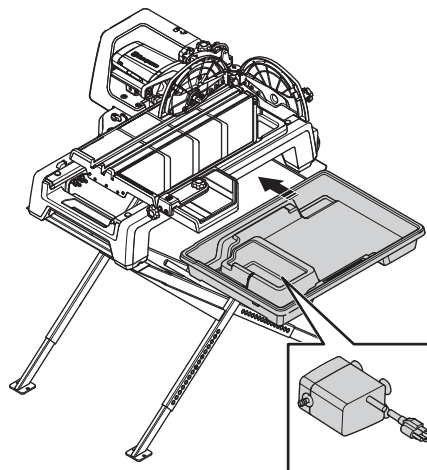
- Monter le bac de récupération d'eau. S'assurer que le crochet en plastique s'accroche sur la barre métallique située sous le chariot.



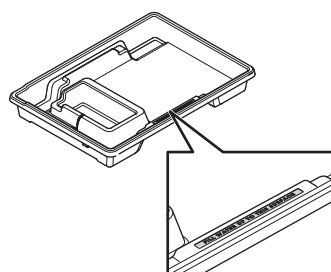
- Connecter le tuyau d'eau (2) et la pompe à eau (1) aux raccords sur le cadre.



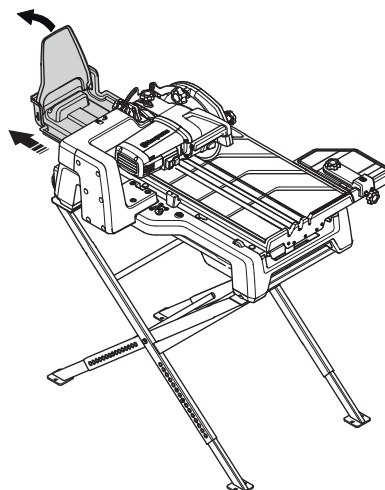
- Placer la pompe à eau dans le bac à eau. Le compartiment de la pompe doit être face à la position de travail. Insérer le bac à eau en le faisant glisser.



- Le remplir d'eau jusqu'au repère indiqué.



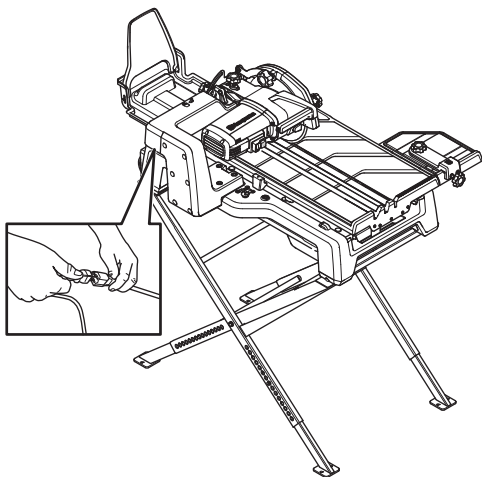
- Sortir le bac collecteur de boue en le faisant glisser et déplier vers le haut l'extension du bac collecteur de boue.



- Le bac collecteur de boue peut être verrouillé en position intérieure par une simple poussée.

MONTAGE ET RÉGLAGES

- Brancher le câble d'alimentation de la pompe à eau sur la prise située sur la machine.



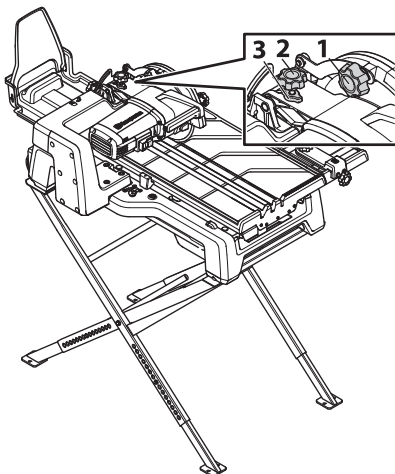
- S'assurer que le niveau d'eau ne bouge pas lors de la coupe.

Réglage de la butée de profondeur

Régler la butée de profondeur afin que la lame atteigne la profondeur de coupe maximale sans entamer le chariot. Ainsi le jet d'eau dans le chariot peut atteindre la lame et s'étaler lors de la coupe de la pièce travaillée.

La butée de profondeur doit être réglée dès que l'on change de taille de lame.

- Desserrer le bouton de verrouillage du réglage de la profondeur (1) et abaisser le bras de coupe.



- Desserrer le contre-écrou (3).
- Desserrer le bouton de réglage de la butée de profondeur (2).
- Abaisser le bras de coupe jusqu'à ce qu'il atteigne le fond de la fente du chariot.
- Maintenir le bras de coupe dans cette position.
- Pour régler la profondeur de la lame, visser le bouton de réglage de la butée de profondeur (2) jusqu'à ce qu'il touche le support situé en dessous. Tourner une nouvelle fois pour que la tête du bouton dépasse légèrement du chariot.
- Serrer le contre-écrou (3).

- Serrer le bouton de verrouillage du réglage de la profondeur (1), le bras de coupe restant appuyé dans sa position la plus basse.
- Vérifier la position de la lame en déplaçant le chariot jusqu'au fond. La lame ne doit jamais entamer le chariot.

Mise à niveau de la scie

Pour que le système d'eau offre les performances attendues, la machine ne doit pas être inclinée de plus de 1,5° longitudinalement et de plus de 3° latéralement.

- Placer la machine sur un sol plat. Régler les pieds du cadre et si nécessaire, utiliser une cale pour stabiliser la machine. Utiliser un niveau à bulles pour vérifier l'inclinaison.

Rouleaux de guidage

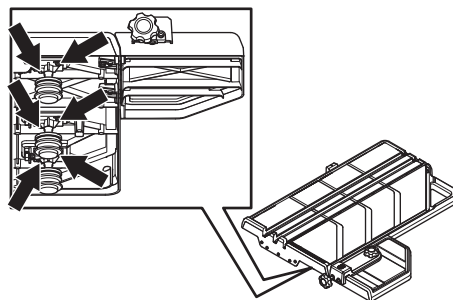
Généralités

Si le chariot fonctionne avec des à-coups ou s'il balance, il faut peut-être ajuster les rouleaux.

- Vérifier que les roues et les guides sont propres.
- Vérifier que les arbres des rouleaux sont correctement serrés.

Réglage des rouleaux de guidage

- Placer le chariot en position centrale et verrouiller cette position à l'aide du bouton de verrouillage.
- Tourner les rouleaux à la main et en utilisant la même force, vérifier que tous les rouleaux tournent librement. Dans le cas contraire, il faut peut-être les réaligner.
- Desserrer tous les supports réglables.

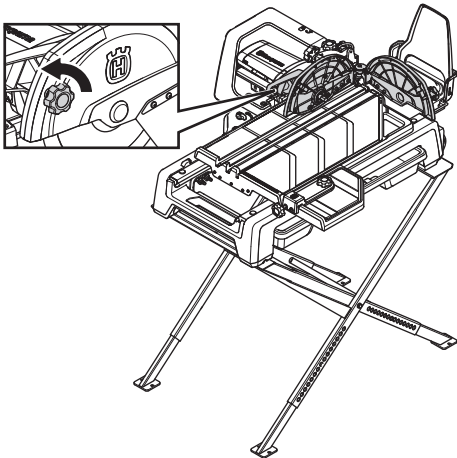


- Faire basculer le chariot d'avant en arrière pour s'assurer que tous les supports sont lâches. Laisser la force des ressorts pousser tous les rouleaux vers les guides.
- Verrouiller tous les rouleaux en serrant les vis situées sur les supports des rouleaux.

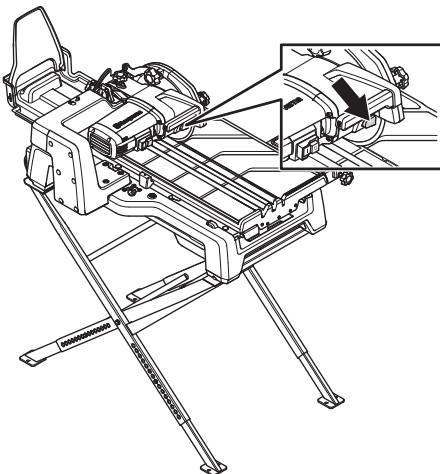
MONTAGE ET RÉGLAGES

Monter la lame

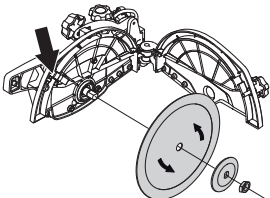
- Desserrer le bouton de verrouillage. Ouvrir le protège-lame.



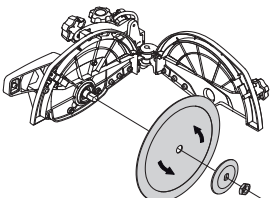
- Gardez le bouton enfoncé pour verrouiller l'axe de lame.



- Retirer l'écrou. Retirer la bride de lame.
- Vérifier que la lame, la bride de lame et l'axe de la lame ne sont pas endommagés. Nettoyer les surfaces de contact de la lame et de la bride de lame.
- S'assurer que la lame tourne dans le sens indiqué par la flèche sur la lame.
- Lors du montage de la lame, sortir la buse et l'éloigner ou la rapprocher de l'axe central en fonction de la taille de la lame (lames de Ø250 ou de Ø230 mm).



- Fixer la lame, la bride de lame et l'écrou.



- Fermer le protège-lame. Serrez le bouton de verrouillage.

Équipement de protection

Généralités

Ne jamais utiliser une machine s'il n'est pas possible d'appeler au secours en cas d'accident.

Équipement de protection personnelle

Un équipement de protection personnelle homologué doit impérativement être utilisé lors de tout travail avec la machine. L'équipement de protection personnelle n'élimine pas les risques mais réduit la gravité des blessures en cas d'accident. Demander conseil au concessionnaire afin de choisir un équipement adéquat.



AVERTISSEMENT! L'utilisation de produits tels que des ciseaux, des disques, des forets, des disques fins ou des formes peut générer de la poussière et des vapeurs pouvant contenir des substances chimiques toxiques. Vérifiez la composition du matériel avec lequel vous travaillez et portez un masque respiratoire adapté.



AVERTISSEMENT! Une exposition prolongée au bruit risque de causer des lésions auditives permanentes. Toujours utiliser des protecteurs d'oreille agréés.

Rester attentif aux signaux d'alerte ou aux appels en cas de port de protecteurs d'oreille. Toujours les enlever dès que le moteur s'arrête.



AVERTISSEMENT! Le risque de coincement est toujours présent lors de travail avec des produits comportant des éléments mobiles. Utiliser des gants de protection pour éviter les blessures personnelles.

Toujours utiliser:

- Protecteur d'oreilles
- Des protège-yeux homologués. L'usage d'une visière doit toujours s'accompagner du port de lunettes de protection homologuées. Par lunettes de protection homologuées, on entend celles qui sont en conformité avec les normes ANSI Z87.1 (États-Unis) ou EN 166 (pays de l'UE). La visière doit être conforme à la norme EN 1731.
- Masque respiratoire
- Gants de protection.
- Portez une coiffe de protection pour retenir les cheveux longs.

Porter des vêtements près du corps et ne risquant pas de gêner les mouvements. Attention! Les habits, les cheveux longs et les bijoux peuvent se coincer dans les parties en mouvement.

Autre équipement de protection



AVERTISSEMENT! Lorsque vous travaillez avec la machine, des étincelles peuvent se former et mettre le feu. Gardez toujours à portée de main les outils nécessaires à l'extinction d'un feu.

- Matériel de protection contre le feu
- Une trousse de premiers secours doit toujours être disponible.

Instructions générales de sécurité

Le présent chapitre décrit les consignes de sécurité de base relatives à l'utilisation de la machine. Aucune de ces informations ne peut remplacer l'expérience et le savoir-faire d'un professionnel.

- Lire attentivement et bien assimiler le manuel d'utilisation avant d'utiliser la machine. Conserver toutes ces consignes et instructions pour toute consultation ultérieure.
- N'oubliez pas que l'opérateur est responsable des accidents ou dangers aux tiers et à leurs biens.
- Tous les opérateurs doivent recevoir une formation sur l'utilisation de la machine. Il incombe au propriétaire de garantir que les opérateurs reçoivent une formation.
- La machine doit rester propre. Les signes et autocollants doivent être parfaitement lisibles.



AVERTISSEMENT! La machine utilisée de manière imprudente ou inadéquate peut devenir un outil dangereux, pouvant causer des blessures graves voire mortelles à l'utilisateur et aux autres personnes présentes.

Ne jamais permettre à des enfants ou à des personnes ne possédant pas la formation nécessaire d'utiliser ou d'entretenir la machine. Ne jamais laisser d'autres personnes utiliser la machine sans s'être assuré au préalable que ces personnes ont bien compris le contenu du mode d'emploi.

N'utilisez jamais la machine si vous êtes fatigué, avez bu de l'alcool ou pris des médicaments susceptibles d'affecter votre vue, votre jugement ou la maîtrise de votre corps.

COMMANDE



AVERTISSEMENT! Toute modification non autorisée et/ou tout emploi d'accessoires non homologués peuvent provoquer des accidents graves voire mortels pour l'utilisateur et les autres.

Ne modifiez jamais cette machine de façon à ce qu'elle ne soit plus conforme au modèle d'origine et n'utilisez jamais une machine qui semble avoir été modifiée.

Ne jamais utiliser une machine qui n'est pas en parfait état de marche. Appliquer les instructions de maintenance et d'entretien ainsi que les contrôles de sécurité indiqués dans ce manuel d'utilisation. Certaines mesures de maintenance et d'entretien doivent être confiées à un spécialiste dûment formé et qualifié. Voir les instructions à la section Maintenance.

N'utiliser que des accessoires et des pièces d'origine. Contactez votre revendeur pour de plus amples informations.

Utilisez toujours votre bon sens

Il est impossible de mentionner toutes les situations auxquelles vous pouvez être confronté. Soyez toujours vigilant et utilisez l'appareil avec bon sens. Si vous êtes confronté à une situation où vous pensez ne pas être en sécurité, arrêtez immédiatement et consultez un spécialiste. Veuillez contacter votre revendeur, votre atelier de réparation ou un utilisateur expérimenté. Il convient d'éviter tous les travaux pour lesquels vous ne vous sentez pas suffisamment qualifié !

Sécurité électrique



AVERTISSEMENT! Il existe toujours un risque de choc avec les machines électriques. Évitez de travailler par mauvais temps ainsi que tout contact du corps avec du métal/un parafoudre. Suivez toujours les instructions du manuel d'utilisation pour éviter tout dommage.

Ne branchez jamais la machine à une prise si la fiche ou le câble est endommagé.



AVERTISSEMENT! Lors du nettoyage de la machine, veiller à ne pas faire entrer d'eau dans le système électrique et dans le moteur. L'eau peut endommager la machine ou entraîner un court-circuit.

- Contrôler que la tension secteur est conforme aux indications sur la plaque de la machine.
- Les contrôles et/ou les entretiens doivent être effectués avec le moteur à l'arrêt et la prise électrique débranchée.
- Éteignez toujours la machine avant de débrancher la fiche d'alimentation.

- Ne tirez jamais la machine par le câble d'alimentation et ne la débranchez jamais en tirant sur le câble. Tenez la fiche pour débrancher le câble d'alimentation.
- Ne jamais utiliser la machine si tout câble ou bouchon est endommagé. Il convient dès lors de la confier à un atelier d'entretien agréé.
- Toujours brancher la machine via un disjoncteur de fuite à la terre avec protection personnelle, par exemple un disjoncteur de fuite à la terre qui s'enclenche à un défaut à la terre de 30 mA.

Instructions de mise à la terre



AVERTISSEMENT! Un mauvais branchement risque de provoquer un choc électrique. Contactez un électricien diplômé si vous n'êtes pas sûr que l'équipement soit correctement mis à la terre.

Ne modifiez pas la fiche. Si elle n'est pas compatible avec la prise, demandez à un électricien diplômé d'installer une prise qui convienne. Assurez-vous de respecter les réglementations et ordonnances en vigueur.

Si vous ne comprenez pas parfaitement les instructions de mise à la terre, contactez un électricien diplômé.

- La machine est équipée d'un câble et d'une fiche mis à la terre et doit toujours être branchée à une prise mise à la terre. Ceci réduit le risque de choc électrique en cas de dysfonctionnement.

Câbles de rallonge

- Le marquage sur le câble de rallonge doit être identique ou supérieur à la valeur indiquée sur la plaque signalétique de la machine.
- Utilisez des câbles de rallonge mis à la terre.
- **Lorsqu'une machine à usiner est utilisée à l'extérieur, installer une rallonge adaptée à un usage extérieur.** L'utilisation d'un cordon adapté à un usage extérieur réduit le risque d'électrocution.
- Maintenez le branchement au câble de rallonge sec et au-dessus du sol.
- Tenir le cordon éloigné de toute source de chaleur, de l'huile, des bords tranchants ou des pièces mobiles. Les cordons endommagés ou emmêlés augmentent le risque d'électrocution.
- Contrôler que le câble et la rallonge sont entiers et en bon état. Ne jamais utiliser la machine si tout câble ou bouchon est endommagé. Il convient dès lors de la confier à un atelier d'entretien agréé.
- N'utilisez pas la rallonge lorsqu'elle est enroulée afin d'éviter toute surchauffe.
- Lorsque vous devez utiliser un câble de rallonge, n'utilisez que des câbles agréés d'une portée suffisante. Pour davantage d'informations, consultez la rubrique « Dimensions de câble recommandées » du chapitre « Caractéristiques techniques ».

Sécurité du travail

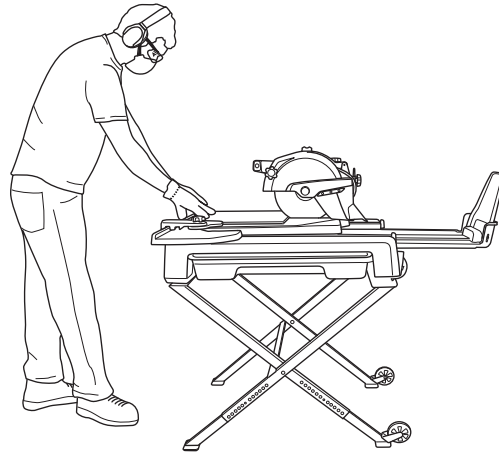
Sécurité dans l'espace de travail

- **Maintenir un espace de travail propre et bien éclairé.**
Les espaces encombrés ou sombres exposent à des accidents.
- Des personnes ou des animaux peuvent détourner l'attention de l'opérateur et l'amener à perdre le contrôle de la machine. C'est pourquoi l'opérateur doit toujours être attentif et concentré sur son travail.
- Ne pas travailler par mauvais temps: brouillard épais, pluie diluvienne, vent violent, grand froid, etc.
- Ne jamais commencer à travailler avec la machine sans avoir le champ libre et les pieds bien d'aplomb.
- **Ne pas utiliser de machines à usiner dans des atmosphères explosives, en présence de liquides, de gaz ou de poussières inflammables par exemple.** Les machines à usiner provoquent des étincelles qui peuvent enflammer la poussière ou les vapeurs.

Sécurité du personnel

- N'utilisez jamais la machine si vous êtes fatigué, avez bu de l'alcool ou pris des médicaments susceptibles d'affecter votre vue, votre jugement ou la maîtrise de votre corps.
- Vérifiez qu'aucun outil ou autre objet n'a été posé sur la machine.
- Ne laissez jamais quelqu'un utiliser la machine sans avoir reçu la formation adéquate.
- Éteignez toujours la machine lors de pauses prolongées.
- Ne travaillez jamais seul, mais toujours avec une personne à proximité.
- Apprendre à utiliser la machine et ses commandes de manière sûre et apprendre à arrêter rapidement la machine. Apprendre également à reconnaître les autocollants de sécurité.
- Les poignées doivent toujours être propres, sèches et sans traces d'huile ni de graisse.
- Ne vous éloignez pas trop. Restez toujours en équilibre et sur vos appuis.
- Ne vous mettez jamais debout sur la machine.

- Tenez-vous debout. Éloignez votre visage du disque découpeur. Placez les mains sur la pièce à travailler, le plus loin possible du disque découpeur. Si la fonction de plongée est utilisée, placez une main sur la poignée de coupe.



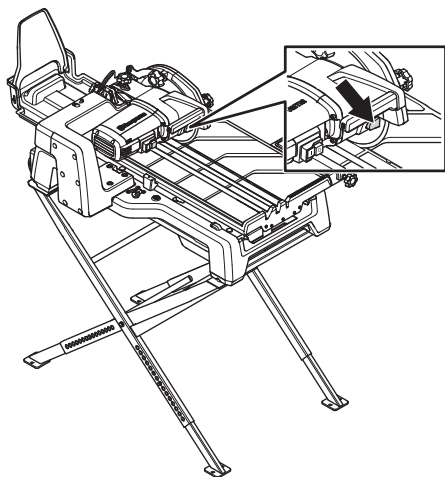
Utilisation et entretien

- Cette machine est conçue pour la découpe de carreaux et de pierres. Elle n'est destinée à aucune autre utilisation.
- L'expérience est primordiale lors de l'utilisation de la machine. Une personne qualifiée est grandement recommandée.
- La machine est conçue pour des applications industrielles et destinée à des opérateurs expérimentés.
- Vérifiez que la machine est correctement montée et ne présente aucun dommage.
- Procédez toujours à la maintenance quotidienne avant de démarrer le moteur. Voir les instructions au chapitre « Entretien ».
- Ne sollicitez pas la machine excessivement. Une surcharge peut endommager la machine.
- La lame doit être adaptée au matériau à découper.
- En cas de doute sur la lame à utiliser, contactez votre service après-vente.
- Utilisez toujours des outils aiguisés et propres pour augmenter la sécurité pendant le travail.
- Assurez-vous que toutes les pièces sont en état de fonctionnement et que tous les éléments de fixation sont correctement serrés. Remplacez les autocollants usés ou abîmés.
- Ne laissez jamais la machine sans surveillance avec le moteur en marche.
- Ne faire avancer la pièce travaillée que dans le sens contraire de la rotation de la lame !
- Faites preuve de prudence en cas de levage. Le maniement de pièces lourdes implique un risque de coincage ou autre blessure.

COMMANDE

Refroidissement par eau de la lame

- Il faut toujours utiliser le refroidissement par eau à travers le protège-lame lors de coupes en biseau et de coupes diagonales de carreaux de 500 mm (20") de côté. La coupe est plus longue que le chariot et au début de la coupe, la lame n'entraîne pas l'eau située dans la fente du chariot.
- Tourner légèrement le bouton d'alimentation en eau pour rediriger l'eau vers la lame.
- Lorsque la lame atteint la fente du chariot, l'arrosage de la lame peut être arrêté afin de conserver la surface aussi propre que possible.



Techniques de travail de base

Coupe en biseau

Le bras de coupe peut pivoter jusqu'à 45°. Un repère indique les 22,5°.

- Desserrer le bouton de verrouillage de coupe en biseau et définir l'angle souhaité.
- Verrouiller le bouton.

Coupe en plongée

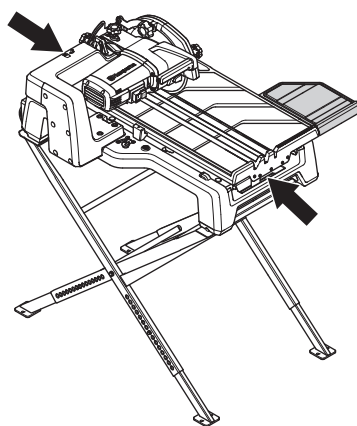
Le bras de coupe est monté sur ressort et réglable en hauteur.

- Desserrez le bouton de verrouillage de l'ajustement de la profondeur. Avec la poignée sur le bras de coupe, le disque découpeur peut se régler en hauteur et effectuer une coupe en plongée dans la pièce à travailler.

Transport et rangement

Arrêter le moteur et débrancher le câble d'alimentation avant de soulever ou de déplacer la machine.

- Sécurisez l'équipement lors du transport afin d'éviter tout dommage ou accident.
- S'assurer que le chariot est verrouillé et que l'extension du bac est verrouillée en position intérieure.
- Stockez l'équipement dans un endroit verrouillé afin de le maintenir hors de portée des enfants et de toute personne incompétente.
- Pour le transport et le rangement des lames, voir la rubrique « Lames ».
- Soulever la machine en saisissant les côtés les plus courts.



DÉMARRAGE ET ARRÊT

Avant le démarrage



AVERTISSEMENT! Lire attentivement et bien assimiler le manuel d'utilisation avant d'utiliser la machine.

Utiliser les équipements de protection personnelle. Voir au chapitre "Équipement de protection personnelle".

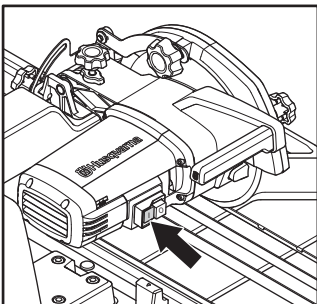
Veiller à ce qu'aucune personne non autorisée ne se trouve dans la zone de travail pour éviter le risque de blessures graves.

Éviter tout démarrage imprévu du moteur. Vérifier que l'interrupteur est en position **ARRÊT** avant de brancher la machine à la source de courant.

- Vérifiez que la machine est correctement montée et ne présente aucun dommage. Voir les instructions à la rubrique « Assemblage et réglages ».
- Effectuez un entretien quotidien. Voir les instructions au chapitre « Entretien ».

Démarrage

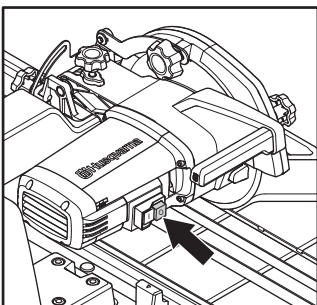
- Appuyez sur le bouton vert marqué « I » pour démarrer la machine.



- La pompe à eau démarre automatiquement lors du démarrage de la machine.
- Attendre quelques secondes que l'eau remplisse les fentes du chariot avant de commencer à couper.

Arrêt

- Appuyez sur le bouton rouge marqué « O » pour arrêter la machine.



- Assurez-vous que le disque découpeur peut tourner librement jusqu'à son arrêt complet.

ENTRETIEN

Généralités



AVERTISSEMENT! L'utilisateur ne peut effectuer que les travaux d'entretien et de révision décrits dans ce manuel d'utilisation. Les mesures plus importantes doivent être effectuées dans un atelier d'entretien agréé.

Pour éviter tout démarrage accidentel, il convient de suivre les étapes décrites dans le présent chapitre avec le moteur éteint et le câble d'alimentation débranché de la prise, sauf mention contraire.

Utiliser les équipements de protection personnelle. Voir au chapitre "Équipement de protection personnelle".

La durée de vie de la machine risque d'être écourtée et le risque d'accidents accru si la maintenance de la machine n'est pas effectuée correctement et si les mesures d'entretien et/ou de réparation ne sont pas effectuées de manière professionnelle. Pour obtenir de plus amples informations, contacter l'atelier de réparation le plus proche.

Entretien quotidien

- Vérifiez que l'équipement de sécurité de la machine est en parfait état. Voir instructions à la rubrique « Équipement de sécurité de la machine ».
- Nettoyer l'extérieur de la machine. N'utilisez pas de nettoyeur haute pression pour le nettoyage de la scie.
- Ouvrir le protège-lame. Nettoyez l'intérieur et l'extérieur et fermez le protège-lame.



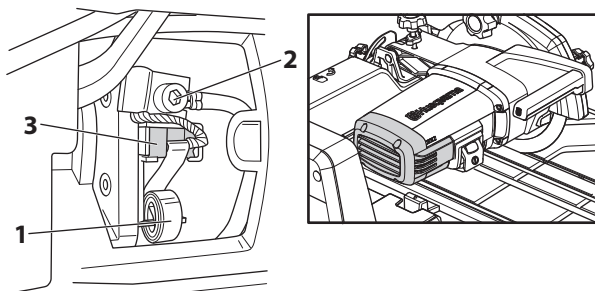
AVERTISSEMENT! Ne jamais nettoyer le moteur et les éléments électriques avec de l'eau.

ATTENTION ! Nettoyer la machine correctement pour éviter que des débris et des petits morceaux de carreau n'entre dans le système et n'endommage le circuit d'eau. Si le bac collecteur situé sous le chariot déborde à cause de rejet d'eau par le chariot, retirer le bac collecteur et le nettoyer. Réinstaller le bac collecteur.

Remplacement des balais de charbon

Les balais de charbon doivent être démontés et contrôlés régulièrement. Chaque semaine en cas d'utilisation quotidienne de la machine ou à intervalle plus long si la machine est utilisée moins souvent.

- Desserrer les deux vis qui maintiennent le capot de protection et retirer celui-ci.
- Desserrez la vis (2).
- Soulevez le ressort de retenue du balai d'un côté (1).
- Sortez le balai de charbon du support (3).



- Placer le nouveau balai de carbone. Veiller à fixer le balai de carbone dans le bon sens et à ce qu'il glisse facilement dans le support. Si le balai de carbone est placé dans le mauvais sens, il peut se coincer.
- Installez le ressort de maintien du charbon.
- Glissez le raccord du charbon sous la vis.
- Répétez cette procédure pour l'autre charbon.
- Montez le capot de protection.

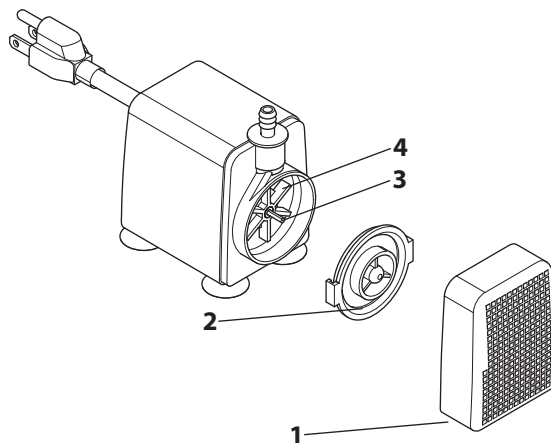
Pompe à eau

Suivre les instructions suivantes si la pompe à eau ne pompe plus l'eau.

- Arrêter de couper.
- Éteindre la machine et débrancher la prise d'alimentation.
- Retirer la pompe à eau.

Nettoyer la pompe.

- Retirer le couvercle de la prise
- Tourner le cache de la roue à ailette (2) et le sortir.
- Sortir la roue à ailette (4) et l'arbre (3) et nettoyer les différents éléments, boîtier inclus.



Il est possible d'utiliser un chiffon pour retirer les particules de fer susceptibles de s'être fixées sur l'arbre du rotor magnétique.

Vidange d'eau

Nettoyer le bac de récupération d'eau après chaque utilisation.

- Arrêter la coupe.
- Soulever le bac de récupération d'eau et tirer pour libérer l'arrière du bac.
- Soulever et détacher le crochet en plastique du chariot.
- Nettoyer le bac de récupération d'eau et le remettre en place.

Réparations

Toutes les réparations doivent être effectuées par des réparateurs agréés. Ceci permet d'éviter que les opérateurs ne soient exposés à des risques importants.

CARACTÉRISTIQUES TECHNIQUES

Caractéristiques techniques

	TS60, 230V
Moteur	
Puissance, kW	1,8
Tension, V	220-240
Phases	1
Fréquence, Hz	50
Régime, rpm	3600
Refroidissement par eau	
Pompe à eau, V	220-240
Pompe à eau, Fréquence Hz	50
Pompe à eau, A	0,12
Pompe à eau, Hmax, m	2,3
Pompe à eau, Qmax, l/h	1350
Reservoir d'eau, l	12,4
Équipement de découpe	
Dimension max. de lame, mm	254
Profondeur max. de la scie, mm	78
Profondeur de coupe max. à 45°, mm	45
Longueur de coupe max., mm	726
Taille de l'arbre, mm	25,4
Coupe oblique	45°, 22,5°
Dimensions	
Poids, kg	36
Poids - chargé, kg	60
Taille, (Lo x La x H), mm	932x700x468
Dimensions - chargé (l x L x H), mm	1007x565x745
Émissions sonores (voir remarque 1)	
Niveau de puissance sonore mesuré Lw (dB(A))	97,3
Niveau de puissance sonore garanti Lw (dB(A))	98,3
Niveaux sonores (voir remarque 2)	
Niveau de pression acoustique au niveau des oreilles de l'utilisateur, Lp (dB(A))	91,5
Niveaux de vibrations (voir remarque 3)	
Poignée, m/s ²	2,0
Chariot, m/s ²	0,9

Remarque 1: Émission sonore dans l'environnement mesurée comme puissance acoustique (L_{WA}) selon EN 12418.

Remarque 2: Niveau de pression sonore conformément à EN 12418. Les données reportées pour le niveau de pression sonore montrent une dispersion statistique typique (déviat ion standard) de 1,0 dB (A).

Remarque 3: Niveau de vibrations conformément à EN 12418. Les données reportées pour le niveau de vibrations montrent une dispersion statistique typique (déviat ion standard) de 1 m/s².

Dimensions recommandées des câbles

ATTENTION ! Pour que le moteur offre de bonnes performances, la tension doit être appropriée. Des rallonges trop longues et/ou dotées d'un calibre trop petit réduisent la puissance du moteur en charge et limitent la capacité du système ou entraînent des dysfonctionnements.

CARACTÉRISTIQUES TECHNIQUES

Déclaration CE de conformité

Nous, **Husqvarna AB**, SE-561 82 Huskvarna, Suède, tél : +46-36-146500, déclarons par la présente que la scie à maçonnerie **Husqvarna TS60** à partir des numéros de série de 2014 (l'année est clairement indiquée sur la plaque signalétique, suivie du numéro de série) est conforme à la DIRECTIVE DU CONSEIL :

- du 17 mai 2006 "directive machines" **2006/42/CE**.
- du 15 décembre 2004 "compatibilité électromagnétique" **2004/108/CE**.
- du 12 décembre, 2006 "relatives aux équipements électriques" **2006/95/CE**.
- Directive **2011/65/UE** du 8 juin 2011 « relative à la limitation de l'utilisation de certaines substances dangereuses »

Les normes harmonisées suivantes ont été appliquées:

EN ISO 12100:2010, EN 55014-1:2006, EN 55015-2/A1:2001, EN 61000-3-2:2006, EN 61000-3-3:2008, EN 12418+A1:2009

Gothenburg, le 6 février 2014



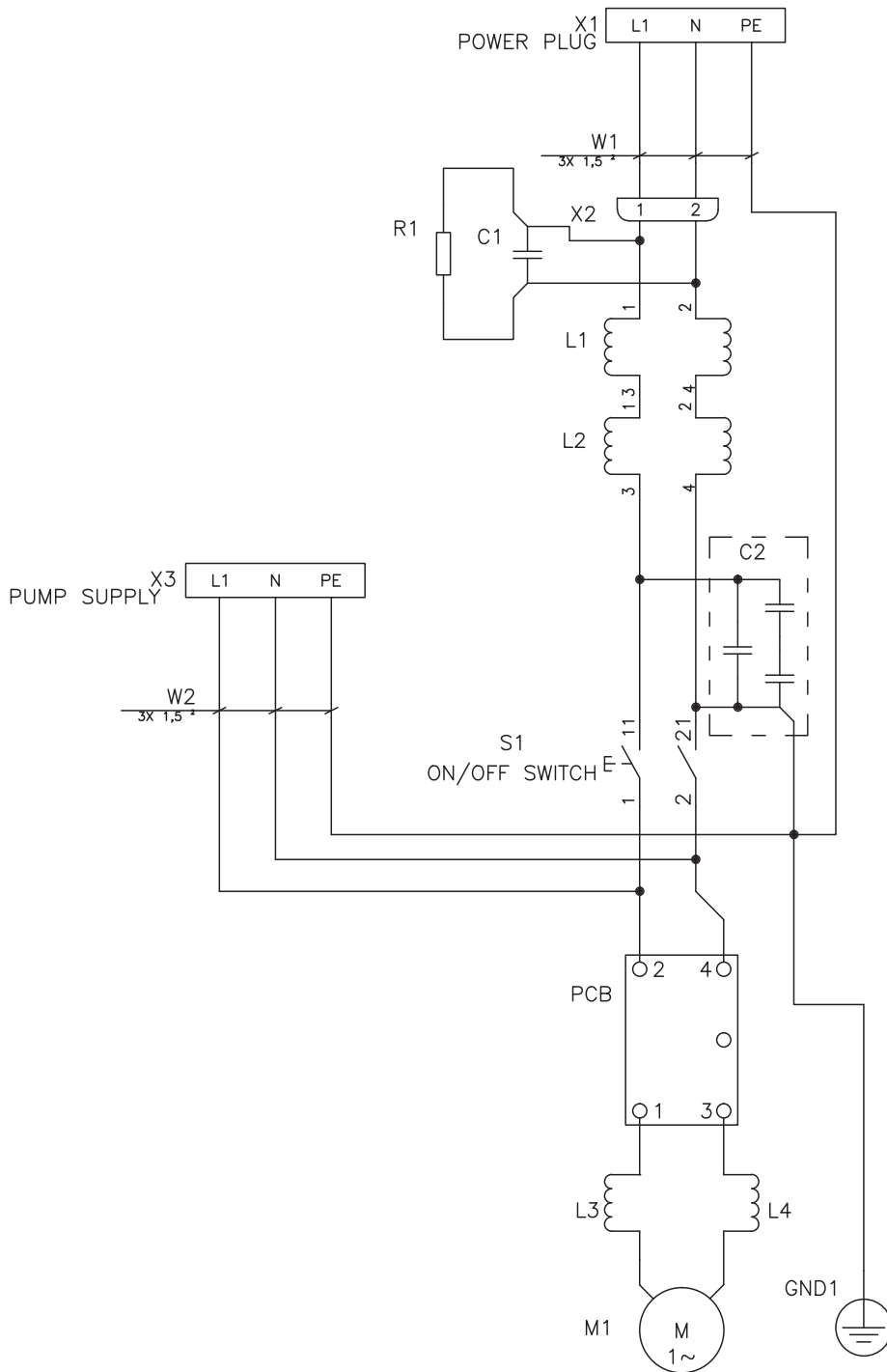
Helena Grubb

Vice-président, équipements de construction Husqvarna AB

(Représentant autorisé d'Husqvarna AB et responsable de la documentation technique.)

SCHÉMA ÉLECTRIQUE

Schéma électrique 230 V



VERKLARING VAN DE SYMBOLEN

Symbolen op de machine

WAARSCHUWING! Wanneer de machine onjuist of slordig wordt gebruikt, kan het een gevaarlijk gereedschap zijn, dat ernstig letsel of overlijden van de gebruiker of anderen kan veroorzaken.



Neem de gebruiksaanwijzing grondig door en gebruik de machine niet voor u alles duidelijk heeft begrepen.



Draag altijd:

- Gehoorbeschermers
- Veiligheidsbril of vizier
- Stofmasker



Waarschuwing! Zaag nooit zonder gebruik van de schijf



Waarschuwing! Houd uw handen en voeten uit de buurt van het zaagblad.



Waarschuwing! Hoogspanning. Risico van een elektrische schok.



Dit product voldoet aan de geldende CE-richtlijnen.



Milieuetikettering. Dit symbool op het product of de verpakking geeft aan dat het product niet mag worden behandeld als huishoudelijk afval. Het moet in plaats daarvan ingeleverd worden bij een geschikt recyclagestation voor de recycling van elektrische en elektronische apparatuur.



Door ervoor te zorgen dat dit product goed wordt verwerkt, kunt u meehelpen aan het voorkomen van potentiële negatieve effecten voor milieu en mensen, die anders veroorzaakt kunnen worden door een niet juiste afvalverwerking van dit product.

Voor meer gedetailleerde informatie over recycling van dit product kunt u contact opnemen met uw gemeente, uw vuilophaalcentrale of de winkel waar u het product hebt gekocht.

Overige op de machine aangegeven symbolen/plaatjes verwijzen naar specifieke eisen aan certificering op bepaalde markten.



Toelichting op de waarschuwningsniveaus

De waarschuwingen zijn onderverdeeld in drie niveaus.

WAARSCHUWING!



WAARSCHUWING! Wordt gebruikt indien er een risico bestaat op ernstig of fataal letsel voor de gebruiker of schade aan de omgeving wanneer de instructies in de handleiding niet worden gevolgd.

VOORZICHTIG!



VOORZICHTIG! Wordt gebruikt indien er een risico bestaat op letsel voor de gebruiker of schade aan de omgeving wanneer de instructies in de handleiding niet worden gevolgd.

LET OP!



LET OP! Wordt gebruikt indien er een risico bestaat op schade aan materialen of de machine wanneer de instructies in de handleiding niet worden gevolgd.

INHOUD

Inhoud

VERKLARING VAN DE SYMBOLEN

Symbolen op de machine	59
Toelichting op de waarschuwingsniveaus	59

INHOUD

Inhoud	60
--------------	----

PRESENTATIE

Beste klant!	61
Ontwerp en eigenschappen	61
TS60	61

WAT IS WAT?

Wat is wat op de machine?	62
---------------------------------	----

VEILIGHEIDSUITRUSTING VOOR DE MACHINE

Algemeen	63
----------------	----

SLIJPSCHIJVEN

Algemeen	64
Transport en opbergen	64

MONTAGE EN AFSTELLINGEN

Algemeen	65
Instelbare dieptestop	67
Zaag nivelleren	67
Geleiderollen	67
Monteer het zaagblad	68

BEDIENING

Veiligheidsuitrusting	69
Algemene veiligheidsinstructies	69
Elektrische veiligheid	70
Werkveiligheid	71
Basistechniek	72
Transport en opbergen	72

STARTEN EN STOPPEN

Voor de start	73
Starten	73
Stoppen	73

ONDERHOUD

Algemeen	74
Dagelijks onderhoud	74
Koolborstels vervangen	74
Waterpomp	74
Watertap	74
Reparaties	74

TECHNISCHE GEGEVENS

Technische gegevens	75
Aanbevolen kabelmaten	75
EG-verklaring van overeenstemming	76

BEDRADINGSSHEMA

Bedradingsschema	77
------------------------	----

PRESENTATIE

Beste klant!

Hartelijk dank dat u voor een Husqvarna-product hebt gekozen!

Wij hopen dat u tevreden zult zijn met uw machine en dat deze u gedurende lange tijd zal vergezellen. Met de aankoop van een van onze producten krijgt u de beschikking over professionele hulp voor reparaties en service. Als u uw machine niet hebt gekocht bij één van onze erkende dealers, vraag hen dan waar de dichtstbijzijnde erkende werkplaats is.

Deze gebruiksaanwijzing is een waardevol document. Zorg dat u hem altijd bij de hand hebt op de werkplek. Door de inhoud (gebruik, service, onderhoud enz.) te volgen kunt u de levensduur van uw machine én de tweedehands waarde aanzienlijk verlengen. Mocht u uw machine verkopen moet u ervoor zorgen de gebruiksaanwijzing aan de nieuwe eigenaar over te dragen.

Meer dan 300 jaar innovatie

Husqvarna AB is een Zweeds bedrijf met een geschiedenis die teruggaat tot 1689, toen de Zweedse koning Karl XI een fabriek liet bouwen voor de productie van musketten. Op dat moment was de basis al gelegd voor de constructievaardigheden die ten grondslag liggen aan de ontwikkeling van een aantal producten die wereldwijd toonaangevend zijn, zoals jachtwapens, fietsen, motorfietsen, huishoudelijke apparatuur, naaimachines en buitenproducten.

Husqvarna is wereldleider op het gebied van elektrische buitenproducten voor bosbouw, park-, gazon- en tuinonderhoud, alsmede zaagapparatuur en diamantgereedschap voor de bouw- en steenindustrie.

Verantwoordelijkheid van eigenaar

Het is de verantwoordelijkheid van de eigenaar/gebruiker om ervoor te zorgen dat de gebruiker voldoende weet over een veilig gebruik van de machine. Leidinggevend en gebruikers moeten de gebruiksaanwijzing hebben gelezen en begrepen. Ze moeten op de hoogte zijn van:

- De veiligheidsinstructies voor de machine.
- De mogelijke toepassingen en de beperkingen van de machine.
- De manier waarop de machine moet worden gebruikt en onderhouden.

Mogelijk zijn er nationale wettelijke voorschriften van toepassing op het gebruik van deze machine. Onderzoek welke wetgeving van toepassing is op de plaats waar u werkt voordat u de machine in gebruik neemt.

Specifieke bepalingen van de fabrikant.

Na publicatie van deze gebruiksaanwijzing verstrekt Husqvarna mogelijk aanvullende informatie voor veilig gebruik van dit product. Het is de verantwoordelijkheid van de eigenaar om op de hoogte blijven van de veiligste gebruiksmethoden.

Husqvarna AB werkt voortdurend aan het verder ontwikkelen van haar producten en houdt zich dan ook het recht voor om zonder aankondiging vooraf wijzigingen in o.a. vorm en uiterlijk door te voeren.

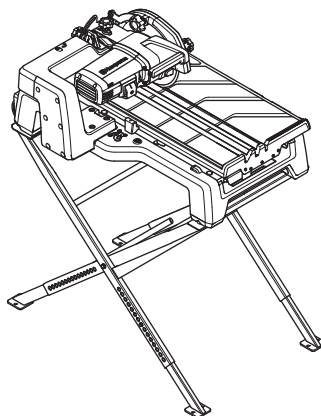
Voor meer informatie en assistentie kunt u contact opnemen via onze website: www.husqvarna.com

Ontwerp en eigenschappen

De producten van Husqvarna onderscheiden zich door waarden zoals hoge prestaties, betrouwbaarheid, innovatieve technologie, geavanceerde technische oplossingen en milieuvriendelijkheid. Voor een veilig gebruik van dit product dient de gebruiker deze gebruiksaanwijzing grondig te lezen. Neem contact op met uw dealer of Husqvarna wanneer u meer informatie nodig hebt.

Hieronder worden enkele unieke kenmerken van uw product beschreven.

TS60



Softstart™

Softstart™ is een elektronische stroombegrenzer die zorgt voor een gelijkmatiger start.

Elgard™

Elgard™ is een elektronische overbelastingsbeveiliging voor het beschermen van de motor. Deze beveiliging beschermt de machine en verlengt de levensduur. Elgard™ zorgt ervoor dat de machine aangeeft wanneer de maximale belasting bijna is bereikt.

Licht en handzaam ontwerp

De machine is licht en compact. Door de draaghendels op het frame en de wieltjes kan de machine gemakkelijk worden opgetild en verplaatst. Met de geïntegreerde wieltjes kan het zaagframe als een rolkoffer worden getrokken.

De standaard is inklapbaar en in hoogte verstelbaar.

Gesloten Jet stream-systeem met slijbbescherming

Het gepatenteerde Jet stream-systeem verzorgt de wagen en het blad met water in een gesloten systeem.

Het slijb zakt naar de bodem en alleen het oppervlaktewater bereikt de pomp, die in een beschermd compartiment van de waterbak is gemonteerd.

De wagen wordt continu voorzien van water. De watertoevoer naar het blad is instelbaar.

Flexibel zagen

Flexibel insteekzagen en verstekzagen tot 45°.

Maakt het diagonaal zagen van tegels van 500x500 mm (20"x20") mogelijk met een snijlengte van 718 mm (28").

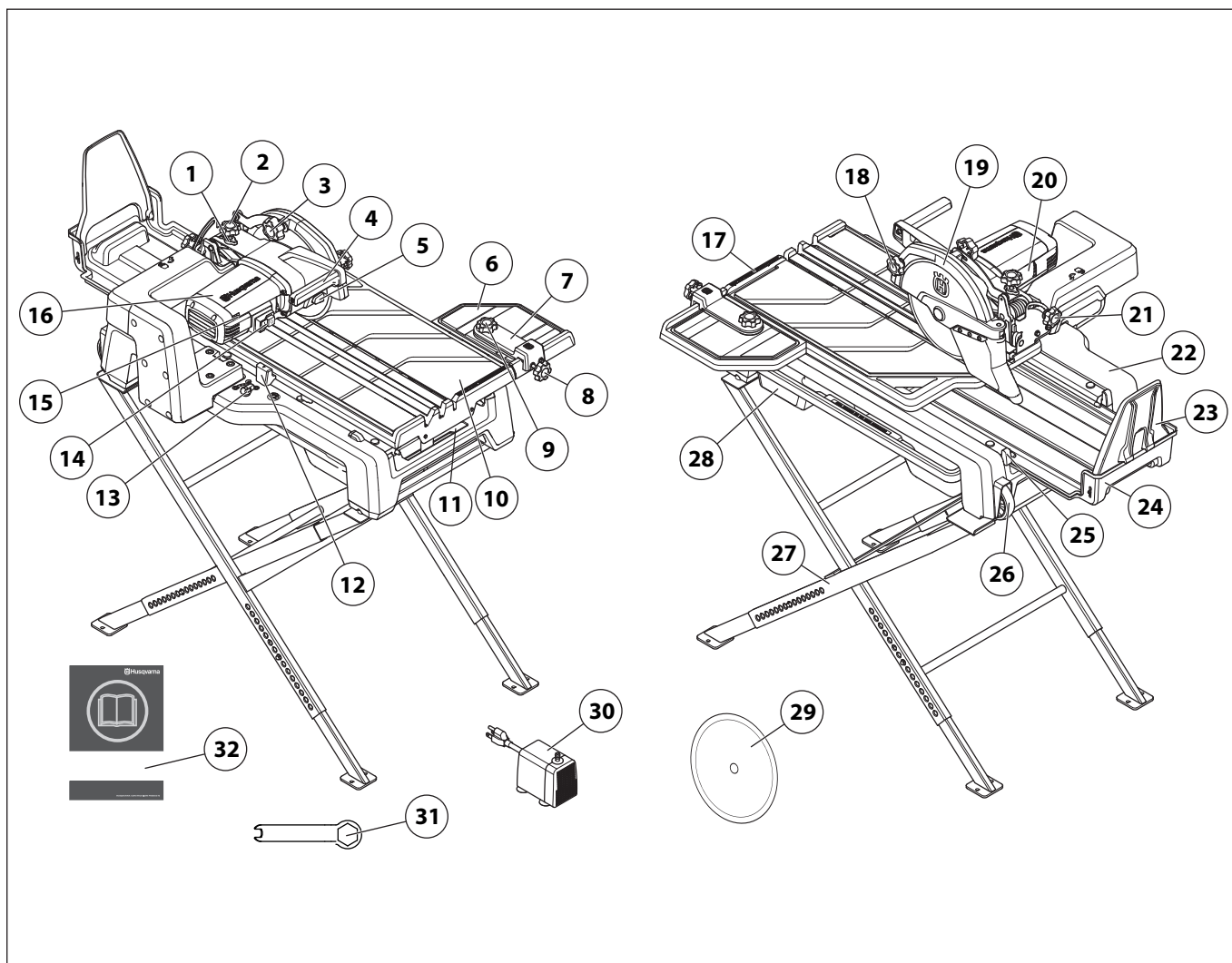
Functionele wagen en zijtafel

De wagen is extra lang voor een betere ondersteuning tijdens het zagen. De zijtafel is afneembaar.

Grote bladflens

De grote bladflens Ø 82 mm (3") zorgt voor een groot en goed steunvlak voor het blad.

WAT IS WAT?



Wat is wat op de machine?

- | | |
|--|-------------------------------------|
| 1 Borgmoer, zaagdiepte-instelling | 17 Instelbare liniaal |
| 2 Knop, zaagdiepte-instelling | 18 Vergrendelknop, bladbeschermer |
| 3 Vergrendelknop, diepte-instelling | 19 Schijfbeschermer |
| 4 Hendel, zaagarm | 20 Product- en productplaatje |
| 5 Knop, zet bladas vast | 21 Vergrendelknop, verstekzagen |
| 6 Zijtafel | 22 Frame |
| 7 Slijpgeleider | 23 Spatbescherming |
| 8 Vergrendelknop, zaaggeleider | 24 Slibopvangbak |
| 9 Vergrendelknop, hoekinstelling van de zaaggeleider | 25 Wagenstop |
| 10 Wagentje | 26 Transportwielen |
| 11 Wateropvangbak | 27 Inklapbare poten |
| 12 Vergrendelknop, wagentje | 28 Waterbak |
| 13 Waterknop, water voor blad AAN/UIT | 29 Blad - Husqvarna GS2 S (Ø250 mm) |
| 14 Schakelaar | 30 Waterpomp |
| 15 Belastingindicator, Elgard™ | 31 Sleutel |
| 16 Elektromotor | 32 Gebruiksaanwijzing |

VEILIGHEIDSUITRUSTING VOOR DE MACHINE

Algemeen



WAARSCHUWING! Gebruik nooit een machine als de veiligheidsonderdelen kapot zijn.

WAARSCHUWING! Als uw machine niet door alle controles komt, moet u ermee naar uw servicewerkplaats voor reparatie.

In dit hoofdstuk wordt verklaard wat de veiligheidsonderdelen van de machine zijn, welke functie ze hebben en hoe de controle en het onderhoud moeten uitgevoerd worden om hun goede werking veilig te stellen.

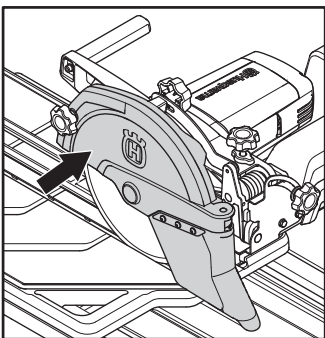
Beschermkap voor het zaagblad



WAARSCHUWING! Gebruik de machine nooit zonder beschermkap of een defecte beschermkap. Controleer altijd of de beschermkap juist is aangebracht voor u de machine start.

Het is niet toegestaan om het blad zonder bescherming bij meer dan 180 graden te gebruiken.

De bladbeschermkap is zo geconstrueerd dat wordt verhinderd dat delen van de schijf of het doorgezaagde materiaal naar de gebruiker worden geslingerd.



Beschermkap van het zaagblad controleren

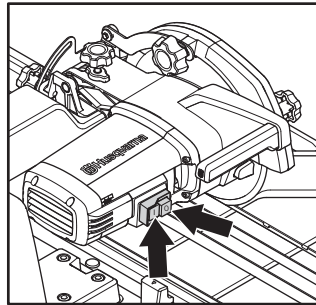


WAARSCHUWING! Schakel de machine uit en haal de stekker uit het stopcontact.

- Controleer de beschermkap over het blad op barsten of andere beschadigingen. Vervang de kap wanneer hij beschadigd is.

Schakelaar

De schakelaar wordt gebruikt om de machine te starten en te stoppen.



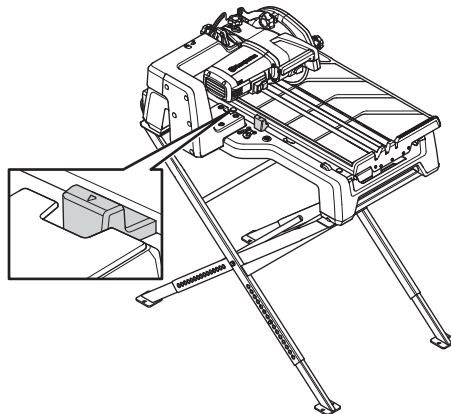
Schakelaar controleren

- Druk op de groene knop 'I' om de machine te starten.
- Druk op de rode knop 'O' om de machine te stoppen. Controleer of de motor en het blad stoppen. Zorg ervoor dat het zaagblad vrij kan draaien totdat het volledig tot stilstand is gekomen.

Een defecte schakelaar dient te worden vervangen door een erkende servicewerkplaats.

Vergrendelknop, wagentje

De vergrendelknop wordt gebruikt om de wagen tijdens transport te vergrendelen.



Waterpomp



WAARSCHUWING! Dompelpomp. Niet droog laten draaien. Uitsluitend voor huishoudelijk gebruik. Goede aarding is noodzakelijk. Risico van elektrische schok. Deze pomp is niet getest voor gebruik in zwembaden.

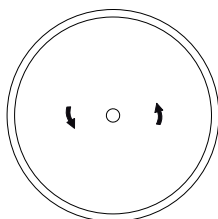
SLIJPSCHIJVEN

Algemeen



WAARSCHUWING! De slijpschijven kunnen kapot gaan en ernstige letsel bij de gebruiker veroorzaken. Diamantslijpschijven worden zeer heet tijdens het gebruik. Een oververhit zaagblad is het gevolg van een onjuist gebruik en kan vervorming van de schijf veroorzaken, wat weer kan leiden tot schade en letsel.

- Gebruik nooit een oververhit blad.
- Zorg ervoor dat de juiste lagerbus wordt gebruikt om het zaagblad op de machine te monteren. Zie de instructies in het hoofdstuk Zaagblad monteren.
- De slijpschijven dienen gemerkt te zijn met hetzelfde of een hoger toerental dan op het typeplaatje van de machine staat. Gebruik nooit slijpschijven met een lagere toerenmarkering dan die van de doorslijpmachine.
- Let bij het gebruik van een diamantzaag op, dat deze in de richting van de pijl op het blad draait.



- Diamantzaagbladen bestaan uit een stalen kern met een gesegmenteerde of een doorlopende rand met industriële diamanten.

Geschikte bladen

- Zaagblad van Ø250 x 25,4 mm of Ø230 x 24,5 mm met doorlopende rand.

Bladen voor verschillende materialen



WAARSCHUWING! Gebruik een schijf nooit voor ander materiaal dan waarvoor hij is bedoeld.

Het doorzagen van plastic met een diamantslijpschijf kan leiden tot terugslag wanneer het materiaal smelt vanwege de hitte die vrijkomt bij het zagen en aan het zaagblad kleeft. Zaag kunststofmaterialen nooit met een diamantzaagblad!

- De keuze van het zaagblad is afhankelijk van het te zagen materiaal. Vraag uw leverancier om advies bij het kiezen van het juiste product.

Trillingen in slijpschijven

- Het zaagblad kan zijn rondheid verliezen en trillen wanneer te veel invoerdruk wordt gebruikt.
- Een lagere invoerdruk kan het trillen opheffen. Vervang anders het zaagblad.

Scherpen van diamantzagen.

- Gebruik altijd een scherpe diamantzaag.
- Diamantzagen kunnen bot worden bij een verkeerde voedingsdruk of het zagen van bepaalde materialen, zoals zwaar gewapend beton. Werken met een bot diamantzaagblad leidt tot oververhitting wat ertoe kan leiden dat diamantsegmenten losraken.
- Scherp het zaagblad door in zacht materiaal zoals zandsteen of baksteen te zagen.

Transport en opbergen

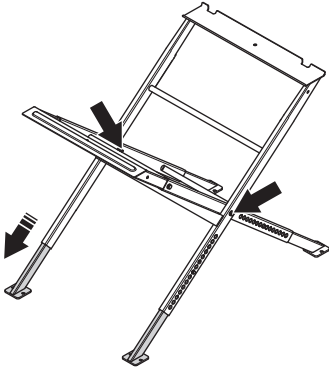
- Demonteer het blad voordat u de machine vervoert of opslaat.
- Bewaar het zaagblad droog.
- Kijk nieuwe slijpschijven na op transport- of opslagschade.

MONTAGE EN AFSTELLINGEN

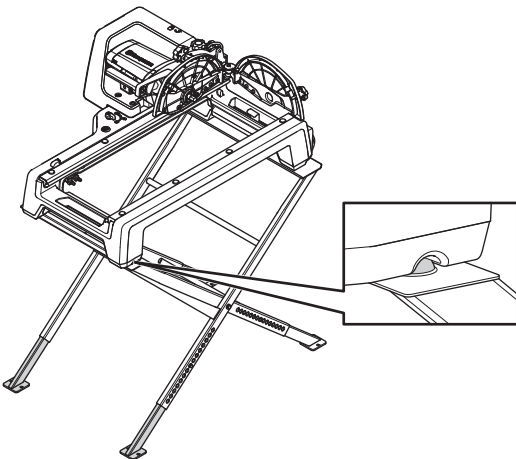
Algemeen

Plaats de TS60 op een vlak, horizontaal en stabiel oppervlak om kantelen, verschuiven en bewegen over de ondergrond te voorkomen.

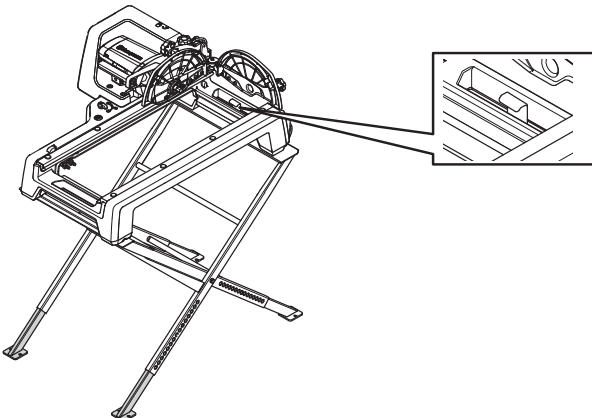
- Monteer de poten met de bouten. De poten zijn inklapbaar om het transporteren te vergemakkelijken.



- Stel de werkhoogte af door de veerbelaste snelsluis te openen en de binnenbuis op de gewenste hoogte te zetten.
- Plaats de zaag op de standaard. De gleuf op de zaag moet zijn uitgelijnd met de groef op de standaard.

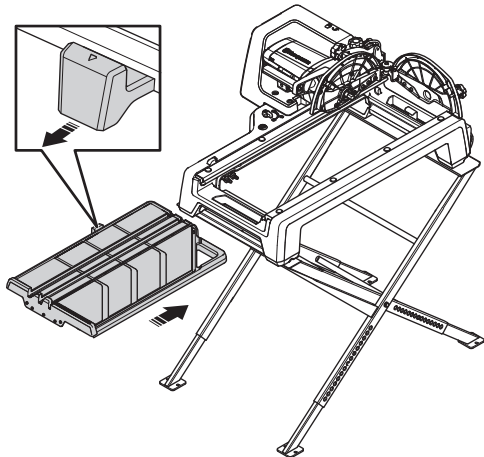


- Gebruik de twee klemmen, aan elke zijde één, om het frame op de standaard te bevestigen.

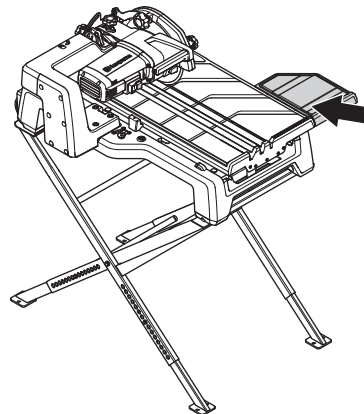


- De machine kan ook zonder poten op een werkbank worden gebruikt.

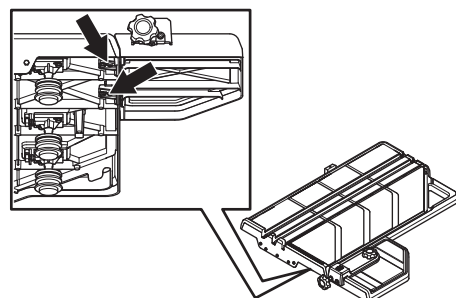
- Trek de vergrendelknop op de wagen uit.



- Schuif de wagen op het frame. Zorg ervoor dat de steunrollen goed in de gleuf zitten.
- Druk de vergrendelknop in als deze voorbij de lug op de poten is, zodat de wagen helemaal ingeschoven kan worden.
- Monteer de zijtafel met de meegeleverde schroeven.

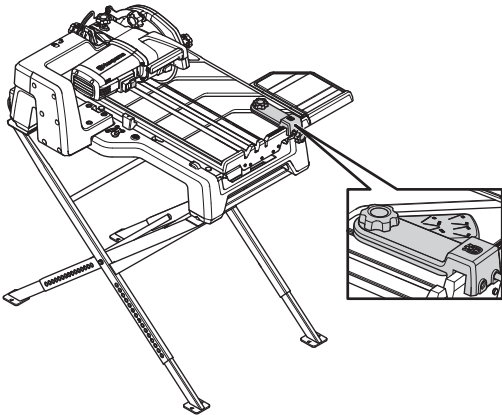


Als de zijtafel niet gelijk staat met de wagen, dan moet de tafel worden bijgesteld. Gebruik hiervoor de stelschroeven.

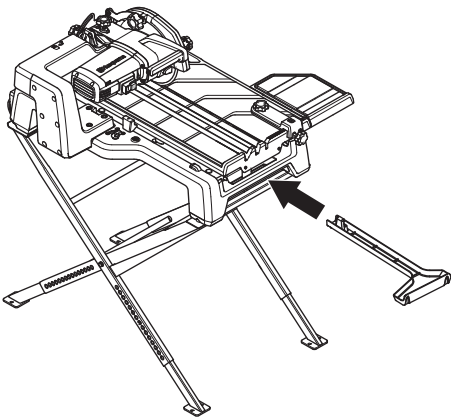


MONTAGE EN AFSTELLINGEN

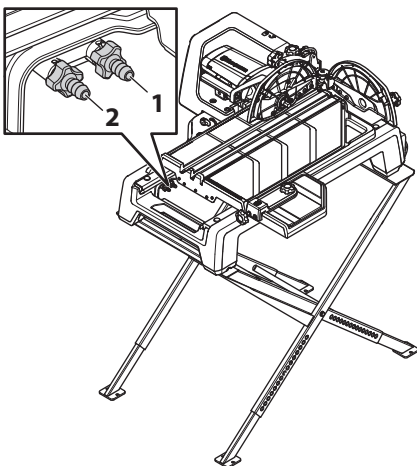
- Schroef de zaaggeleider op de wagen. De geleider kan voor verstekzagen naar buiten worden geklapt. Gebruik de markeringen op de zaaggeleider om de juiste hoek in te stellen.



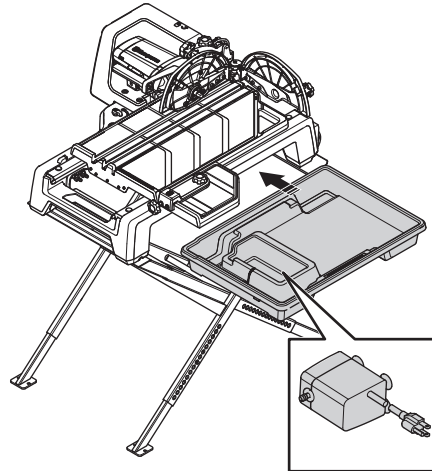
- Monteer de wateropvangbak. Zorg ervoor dat de kunststoffen haak de metalen stang onder de wagen grijpt.



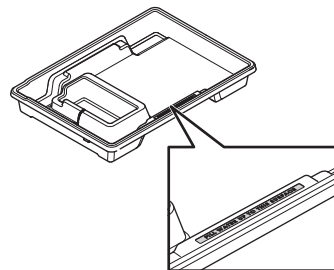
- Sluit de waterslang (2) en de waterpomp (1) aan op de aansluitingen van het frame.



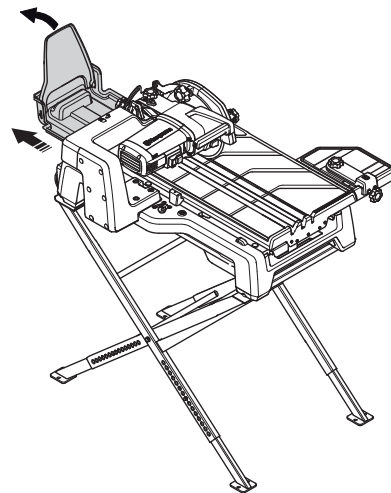
- Plaats de waterpomp in de waterbak. Het pompcompartiment moet naar de werkpositie wijzen. Schuif de waterbak in.



- Vul de waterbak tot aan de markering met water.



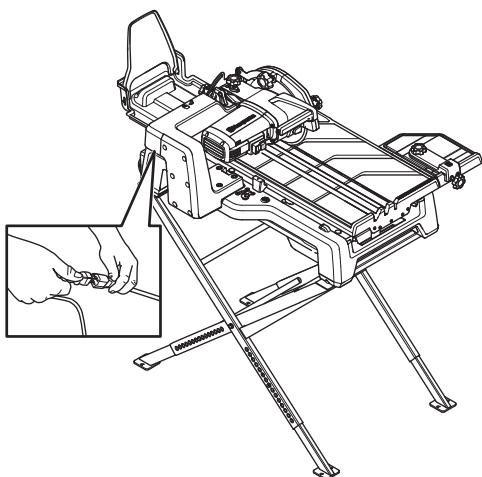
- Schuif de slibbak uit en klap het verlengstuk omhoog.



- Door te drukken kan de slibbak in de binnenste positie worden vergrendeld.

MONTAGE EN AFSTELLINGEN

- Sluit de stroomkabel van de waterpomp aan op het stopcontact van de machine.



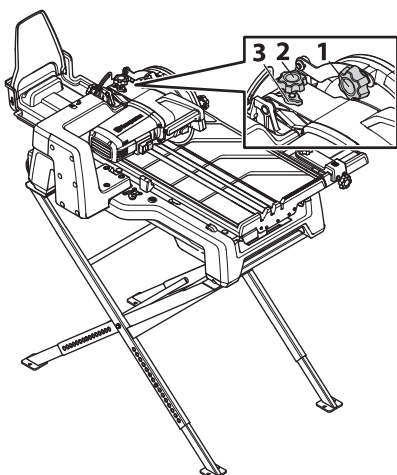
- Zorg ervoor dat het water tijdens het zagen op dit peil blijft.

Instelbare dieptestop

Stel de dieptestop zodanig in dat het zaagblad de maximale snijdiepte kan benutten zonder in de wagen te zagen. Zo kan het zaagblad het water in de wagen oppikken en verdelen terwijl het werkstuk wordt gezaagd.

De dieptestop moet worden bijgesteld als van bladgrootte wordt veranderd.

- Draai de vergrendelknop voor de ingestelde diepte (1) los en laat de zaagarm zakken.



- Draai de borgmoer los (3).
- Draai de diepteknop (2) los.
- Druk de zaagarm omlaag totdat het zaagblad de bodem van de sleuf in de wagen raakt.
- Houd de zaagarm in deze positie.
- Om de zaagbladdiepte in te stellen schroeft u de diepteknop (2) omlaag totdat deze de onderliggende steun raakt. Draai een extra slag zodat de kop iets uit de wagen omhoogkomt.
- Draai de borgmoer (3) vast.
- Draai de vergrendelknop voor de diepteafstelling (1) vast terwijl u de zaagarm omlaagdrukt in de laagste positie.

- Controleer de positie van het zaagblad door de wagen in de voorste en achterste eindposities te zetten. Het zaagblad mag de wagen niet raken.

Zaag nivelleren

Het watersysteem werkt alleen zoals het is bedoeld als de machine in de lengterichting niet meer dan 1,5° en in de dwarsrichting niet meer dan 3° gekanteld staat.

- Plaats de machine op een vlakke ondergrond. Stel de poten af en gebruik zo nodig opvulmateriaal om de machine waterpas te zetten. Gebruik ter controle een waterpas.

Geleiderollen

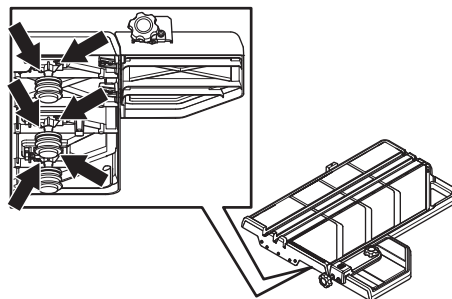
Algemeen

Als de wagen niet soepel loopt of trilt, moeten de rollen worden bijgesteld.

- Controleer of de wielen en geleiders schoon zijn.
- Controleer of de assen van de rollen goed vastzitten.

De geleiderollen afstellen

- Plaats de wagen in de middenpositie en vergrendel de wagen in deze positie met de vergrendelknop.
- Verdraai de rollen handmatig en controleer of alle rollen vrij kunnen draaien en er evenveel kracht voor nodig is. Is dat niet het geval, dan moeten de rollen opnieuw worden uitgelijnd.
- Maak alle verstelbare steunen los.

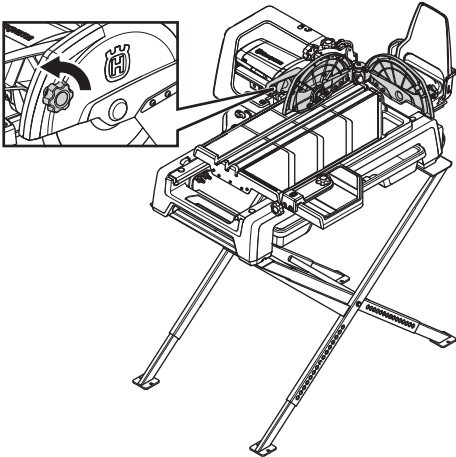


- Schommel de wagen voor- en achteruit om te controleren of alle steunen zijn losgemaakt. Laat de veerkracht de rollen naar de geleiders drukken.
- Vergrendel alle rollen met de schroeven op de steunen van de rollen.

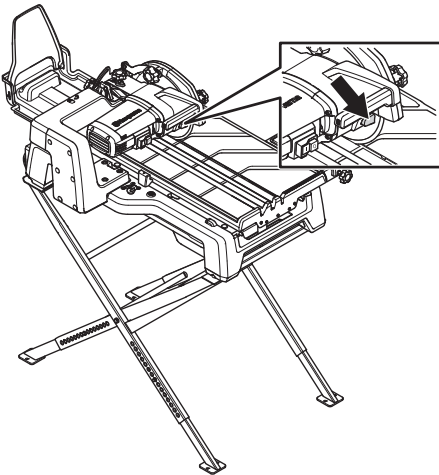
MONTAGE EN AFSTELLINGEN

Monteer het zaagblad

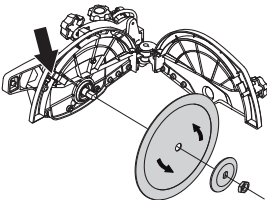
- Draai de vergrendelknop los. Open de bladbeschermkap.



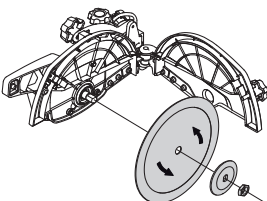
- Houd de knop om de bladas vast te zetten ingedrukt.



- Verwijder de moer. Verwijder de bladflens.
- Controleer of het zaagblad, de bladflens en de bladas onbeschadigd zijn. Reinig de contactvlakken van het zaagblad en de bladflens.
- Zorg ervoor dat het zaagblad in de richting van de pijl op het zaagblad draait.
- Trek bij het monteren van het zaagblad de spuitmond uit en verplaats deze van of naar de middenas, afhankelijk van de bladgrootte (Ø250 of Ø230 mm).



- Monteer het zaagblad, de bladflens en de moer.



- Sluit de bladbeschermkap. Draai de vergrendelknop vast.

BEDIENING

Veiligheidsuitrusting

Algemeen

Gebruik de machine nooit zonder de mogelijkheid hulp in te roepen in geval van nood.

Persoonlijke veiligheidsuitrusting

Bij al het gebruik van de machine moet goedgekeurde persoonlijke beschermingsuitrusting gebruikt worden. Persoonlijke beschermingsuitrusting elimineert de risico's niet, maar vermindert het schadelijk effect in geval van een ongeval. Vraag uw dealer om raad wanneer u uw uitrusting koopt.



WAARSCHUWING! Het gebruik van producten die materiaal snijden, schuren, boren, polijsten of vormen, kan stof en dampen genereren die schadelijke chemicaliën kunnen bevatten. Zoek uit hoe het materiaal waarmee u werkt is samengesteld en draag een geschikt stofmasker.



WAARSCHUWING! Langdurige blootstelling aan lawaai kan leiden tot permanente gehoorbeschadiging. Gebruik daarom altijd goedgekeurde gehoorbescherming.

Let als u gehoorbescherming draagt op waarschuwingssignalen of geschreeuw. Doe de gehoorbescherming altijd af zodra de motor is gestopt.



WAARSCHUWING! Het risico van beknelling is altijd aanwezig bij het werken met producten met beweegbare onderdelen. Gebruik veiligheidshandschoenen om lichamelijk letsel te voorkomen.

Draag altijd:

- Gehoorbeschermers
- Een goedgekeurde oogbescherming. Wanneer u een vizier gebruikt moet u ook een goedgekeurde veiligheidsbril gebruiken. Met een goedgekeurde veiligheidsbril wordt een bril bedoeld die voldoet aan norm ANSI Z87.1 voor de VS en EN 166 voor de EU-landen. Een vizier moet voldoen aan norm EN 1731.
- Stofmasker
- Beschermhandschoenen.
- Lange haren altijd bedekken.

Verder moet de kleding goed aansluiten zonder u in uw bewegingen te belemmeren. Let erop dat kleding, lang haar en sieraden in de bewegende delen vast kunnen raken.

Andere beschermingsuitrusting



WAARSCHUWING! Tijdens het werken met de machine kunnen vonken ontstaan en brand veroorzaken. Houd daarom altijd brandblusapparatuur bij de hand.

- Brandblusapparatuur
- U moet altijd een EHBO-kit bij de hand hebben.

Algemene veiligheidsinstructies

In dit hoofdstuk worden de basisveiligheidsregels voor het gebruik van de machine behandeld. De gegeven informatie kan nooit de kennis vervangen die een vakman via opleidingen en praktische ervaring heeft verworven.

- Neem de gebruiksaanwijzing grondig door en gebruik de machine niet voor u alles duidelijk heeft begrepen. Bewaar alle waarschuwingen en instructies voor later gebruik.
- Denk erom dat de operator verantwoordelijk is voor ongelukken of beschadigingen van andere mensen of hun eigendommen.
- Alle operators moeten worden opgeleid in het gebruik van de machine. De eigenaar is ervoor verantwoordelijk dat de operators een opleiding krijgen.
- Houd de machine schoon. Aanduidingen en stickers moeten volledig leesbaar zijn.



WAARSCHUWING! Wanneer de machine onjuist of slordig wordt gebruikt, kan het een gevaarlijk gereedschap zijn, dat ernstig letsel of overlijden van de gebruiker of anderen kan veroorzaken.

Laat kinderen of andere personen die niet zijn opgeleid om met de machine om te gaan, deze nooit gebruiken of onderhouden. Laat nooit een ander de machine gebruiken zonder u ervan te verzekeren dat ze de inhoud van de gebruiksaanwijzing hebben begrepen.

Gebruik de machine nooit als u moe bent, alcohol heeft gedronken of medicijnen heeft ingenomen, die uw gezichtsvermogen, beoordelingsvermogen of coördinatievermogen kunnen beïnvloeden.

BEDIENING



WAARSCHUWING! Niet goedgekeurde wijzigingen en/of niet-originele onderdelen kunnen tot ernstige verwondingen of het overlijden van zowel gebruiker of anderen leiden.

Wijzig deze machine nooit zo dat hij niet langer overeenstemt met de originele uitvoering, en gebruik de machine niet als u denkt dat anderen hem hebben gewijzigd.

Gebruik nooit een machine die defect is. Voer de in deze handleiding beschreven veiligheidscontroles en de onderhouds- en service-instructies uit. Bepaalde onderhouds- en servicemaatregelen moeten door opgeleide en gekwalificeerde specialisten worden uitgevoerd. Zie de instructies in het hoofdstuk Onderhoud.

Men moet altijd originele onderdelen gebruiken. Neem contact op met uw leverancier voor meer informatie.

Gebruik altijd uw gezond verstand

Het is niet mogelijk om elke mogelijke situatie te vermelden. Wees altijd voorzichtig en gebruik uw gezond verstand. Als u in een situatie belandt waarin u zich niet veilig voelt, dient u een expert te raadplegen. Wend u tot uw dealer, uw servicewerkplaats of een ervaren gebruiker. Onderneem geen werkzaamheden waarvoor u zich onvoldoende gekwalificeerd acht!

Elektrische veiligheid



WAARSCHUWING! Bij elektrische machines bestaat altijd het risico dat u een schok krijgt. Voorkom ongunstige weersomstandigheden en lichamelijk contact met een bliksemafleider of metalen voorwerpen. Volg altijd de instructies in deze gebruiksaanwijzing om letsel te voorkomen.

Sluit de machine nooit aan op een stopcontact als de stekker of het snoer beschadigd is.



WAARSCHUWING! Zorg er tijdens het reinigen van de machine voor dat er geen water in het elektrisch systeem en de motoreenheid dringt. Water kan de machine beschadigen of kortsluiting veroorzaken.

- Controleer of de netspanning overeenkomt met de spanning die is aangegeven op het typeplaatje op de machine.
- Controle en/of onderhoud dient te worden uitgevoerd met uitgeschakelde motor en de stekker uit het stopcontact.
- Schakel de machine altijd uit voordat u de stekker uit het stopcontact haalt.

- Sleep de machine nooit voort bij het snoer of haal de stekker nooit uit het stopcontact door aan het snoer te trekken. Houd de stekker vast als u de voedingskabel loshaalt.
- Gebruik de machine nooit als een kabel of stekker is beschadigd, maar breng hem in dat geval voor reparatie naar een erkende servicewerkplaats.
- Sluit de machine altijd aan door middel van een aardlekschakelaar voor persoonsbeveiliging, d.w.z. een aardlekschakelaar die uitschakelt bij een aardlekstroom van 30 mA.

Aardingsinstructies



WAARSCHUWING! Bij een verkeerde aansluiting bestaat de kans op een elektrische schok. Neem contact op met een erkende elektromonteur als u twijfelt of het apparaat goed is geaard.

Pas de stekker niet aan. Als de stekker niet in het stopcontact past, moet u een goed stopcontact door een erkende elektromonteur laten installeren. Zorg dat u zich aan de plaatselijke voorschriften en bepalingen houdt.

Als u de aardingsinstructies niet volledig begrijpt, neem contact op met een erkende elektromonteur.

- De machine is voorzien van een geaard snoer en een geaarde stekker, en moet altijd op een geaard stopcontact worden aangesloten. Zo beperkt u de kans op een elektrische schok bij storingen.

Verlengsnoeren en -kabels

- De markering op de verlengkabel moet hetzelfde of hoger zijn dan de waarde op het productplaatje van de machine.
- Gebruik geaarde verlengkabels.
- **Gebruik een verlengsnoer dat geschikt is voor gebruik buitenshuis wanneer u buiten werkt met elektrisch gereedschap.** Het gebruik van een snoer dat geschikt is voor gebruik buitenshuis verlaagt het risico op elektrische schokken.
- Houd de aansluiting op de verlengkabel droog en van de grond.
- Houd het snoer uit de buurt van warmtebronnen, olie, scherpe randen of bewegende delen. Beschadigde of verwarde snoeren verhogen het risico op elektrische schokken.
- Controleer of de kabel en het verlengsnoer heel en in goede staat zijn. Gebruik de machine nooit als een kabel of stekker is beschadigd, maar breng hem in dat geval voor reparatie naar een erkende servicewerkplaats.
- Gebruik geen verlengsnoer, dat nog is opgerold, om oververhitting te voorkomen.
- Let erop dat u bij gebruik van een verlengkabel uitsluitend goedgekeurde verlengkabels met voldoende lengte gebruikt. Zie "Aanbevolen kabelmaten" in de sectie "Technische gegevens" voor meer informatie.

Werkveiligheid

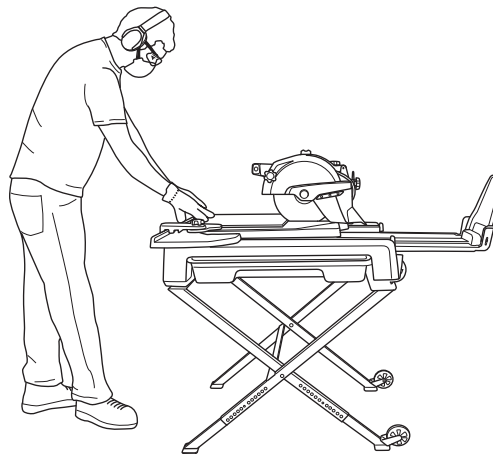
Veiligheid op de werkplek

- **Zorg ervoor dat de werkplek schoon en goed verlicht is.** Rommelige of donkere werkplekken werken ongelukken in de hand.
- Mensen en dieren kunnen u afleiden waardoor u de controle over de machine verliest. Wees daarom altijd geconcentreerd en op uw taak gericht.
- Gebruik de motorkettingzaag niet in ongunstige weersomstandigheden. B.v. bij dichte mist, hevige regen, harde wind, hevige koude enz.
- Begin nooit met de machine te werken voordat het werkterrein ontruimd is en u stevig staat.
- **Gebruik elektrisch gereedschap niet in een omgeving waar ontploffingsgevaar bestaat, zoals in de buurt van brandbare vloeistoffen, gassen of stof.** Elektrische gereedschappen geven vonken af die ontbranding van het stof of de dampen kunnen veroorzaken.

Persoonlijke veiligheid

- Gebruik de machine nooit als u moe bent, alcohol heeft gedronken of medicijnen heeft ingenomen, die uw gezichtsvermogen, beoordelingsvermogen of coördinatievermogen kunnen beïnvloeden.
- Controleer of er geen gereedschap of andere voorwerpen op de machine zijn blijven liggen.
- Laat de machine nooit gebruiken door andere personen zonder de juiste training.
- Schakel de machine altijd uit tijdens langere werkonderbrekingen.
- Werk nooit alleen, maar zorg dat er iemand in de buurt is.
- Leer hoe u de machine en de hendels op een veilige manier kunt gebruiken en leer hoe u snel kunt stoppen. Leer ook alle veiligheidsplaatjes herkennen.
- Houd de handgrepen droog, schoon en vrij van olie en vet.
- Voorkom overstrekken. Zorg dat u altijd stevig en in balans staat.
- Ga nooit op de machine staan.

- Sta rechtop. Houd afstand tussen uw gezicht en het zaagblad. Zet beide handen zo ver mogelijk van het zaagblad af op het werkstuk. Bij insteekzagen moet u één hand op de zaaghendel plaatsen.



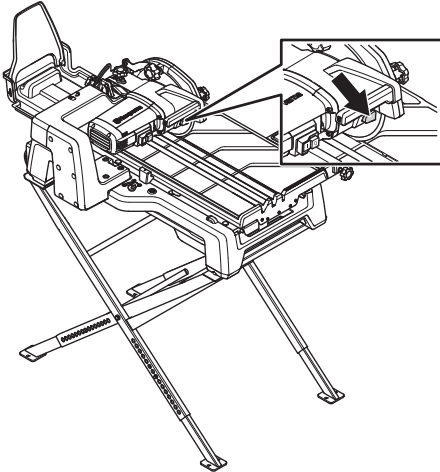
Gebruik en onderhoud

- Deze machine is ontworpen en bestemd voor het zagen van beton, baksteen en andere steensoorten. Elk ander gebruik is incorrect.
- Ervaring is erg belangrijk als u met deze machine werkt. Een geschoolde arbeidskracht wordt ten zeerste aangeraden.
- De machine is bedoeld voor gebruik in industriële toepassingen door ervaren operators.
- Controleer of de machine correct is gemonteerd en er geen zichtbare beschadigingen zijn.
- Voer altijd dagelijks onderhoud uit voordat u de motor start. Zie de instructies in het hoofdstuk "Onderhoud".
- Overbelast de machine niet. Overbelasting kan beschadiging van de machine veroorzaken.
- Het zaagblad moet bedoeld zijn voor het materiaal dat moet worden doorgezaagd.
- Neem contact op met uw plaatselijke servicedealer als u niet zeker weet welk type blad u moet gebruiken.
- Hou het gereedschap scherp en schoon om veiliger te kunnen werken.
- Hou alle delen in werkzame staat en zorg ervoor dat alle bevestigingen goed zijn vastgedraaid. Vervang alle versleten of beschadigde plaatjes.
- Laat de machine nooit zonder toezicht achter met draaiende motor.
- Druk het werkstuk alleen tegen de draairichting van het blad in!
- Wees voorzichtig met tillen. U gaat om met zware delen, wat risico van beknelling en ander letsel inhoudt.

BEDIENING

Waterkoeling voor het zaagblad

- Waterkoeling door de bladbeschermkap moet altijd worden gebruikt bij het verstekzagen en bij het diagonaal zagen van een tegel van 500 mm (20"). De snede is langer dan de wagen en bij het begin van de snede neemt het zaagblad geen water op uit de gleuf in de wagen.
- Draai lichtjes aan de waterknop om het water naar het zaagblad te leiden.
- Als de gleuf in de wagen wordt bereikt, kan de watertoevoer naar het zaagblad worden uitgeschakeld om de zone zo schoon mogelijk te houden.



Basistechniek

Verstekzagen

De zaagarm is 45° draaibaar. Bij 22,5° staat er een markering.

- Draai de vergrendelknop voor het verstekzagen los en stel de benodigde hoek in.
- Vergrendel de knop.

Steekzagen

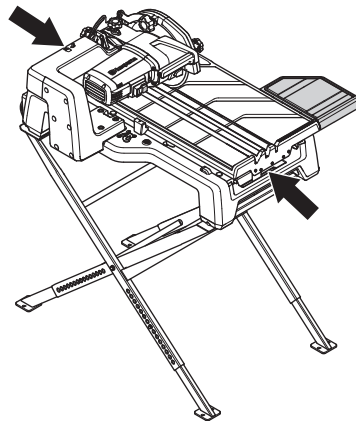
De zaagarm staat onder veerspanning en is in hoogte verstelbaar.

- Draai de vergrendelknop los om de diepte in te stellen. Met de hendel op de zaagarm kan het zaagblad in de hoogte worden versteld waardoor een steekzaagsnede gemaakt kan worden in het werkstuk.

Transport en opbergen

Stop de motor en koppel de stroomkabel los voordat u de machine optilt of verplaatst.

- Zet de apparatuur tijdens vervoer goed vast om transportschade en ongelukken te voorkomen.
- Zorg ervoor dat de wagen vergrendeld is en dat de uitbreidingsschuif volledig is ingeschoven.
- Sla de apparatuur op in een afsluitbare ruimte zodat het buiten het bereik is van kinderen en onbevoegde personen.
- Zie het hoofdstuk "Zaagbladen" voor informatie over het vervoeren en opbergen van zaagbladen.
- Til de machine aan de korte uiteinden op.



STARTEN EN STOPPEN

Voor de start



WAARSCHUWING! Neem de gebruiksaanwijzing grondig door en gebruik de machine niet voor u alles duidelijk heeft begrepen.

Draag altijd persoonlijke veiligheidsuitrusting. Zie instructies in het hoofdstuk "Persoonlijke veiligheidsuitrusting".

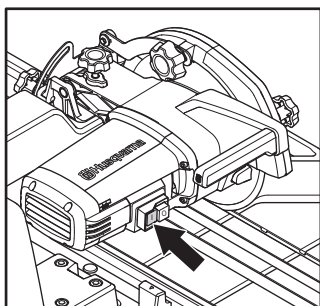
Zorg ervoor dat zich geen onbevoegden binnen het werkgebied bevinden, anders bestaat er risico voor ernstige verwondingen.

Voorkom dat de motor onbedoeld kan worden gestart. Zorg dat de schakelaar in de stand OFF staat voordat u de machine aansluit op een stroombron.

- Controleer of de machine correct is gemonteerd en er geen zichtbare beschadigingen zijn. Zie de instructies in het hoofdstuk "Montage en afstellingen".
- Voer dagelijks onderhoud uit. Zie de instructies in het hoofdstuk "Onderhoud".

Starten

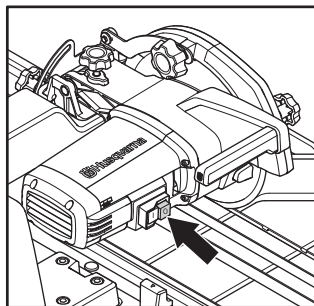
- Druk op de groene knop 'I' om de machine te starten.



- De waterpomp start automatisch als de machine start.
- Wacht een paar seconden met snijden tot er water in de gleuf staat.

Stoppen

- Druk op de rode knop 'O' om de machine te stoppen.



- Zorg ervoor dat het zaagblad vrij kan draaien totdat het volledig tot stilstand is gekomen.

ONDERHOUD

Algemeen



WAARSCHUWING! De gebruiker mag alleen die onderhouds- en servicewerkzaamheden uitvoeren die in deze gebruiksaanwijzing worden beschreven. Meer ingrijpende maatregelen moeten door een erkende servicewerkplaats worden uitgevoerd.

Voer de stappen in dit hoofdstuk uit met de motor uitgeschakeld en de voedingskabel uit het contact verwijderd, tenzij anders wordt vermeld, om onbedoeld starten te voorkomen.

Draag altijd persoonlijke veiligheidsuitrusting. Zie instructies in het hoofdstuk "Persoonlijke veiligheidsuitrusting".

De levensduur van de machine kan worden verkort en het risico van ongelukken kan toenemen wanneer het onderhoud aan de machine niet op de juiste manier wordt uitgevoerd en wanneer service en/of reparaties niet vakkundig worden gedaan. Indien u meer informatie nodig heeft, verzoeken wij u contact op te nemen met de dichtstbijzijnde servicewerkplaats.

Dagelijks onderhoud

- Controleer of de veiligheidsuitrusting van de machine intact is. Zie de instructies in het hoofdstuk "Veiligheidsuitrusting voor de machine".
- Maak de machine uitwendig schoon. Gebruik geen hogedrukspuit om de zaag te reinigen.
- Open de bladbeschermkap. Reinig zowel de binnen- als de buitenzijde en sluit de bladbeschermkap.



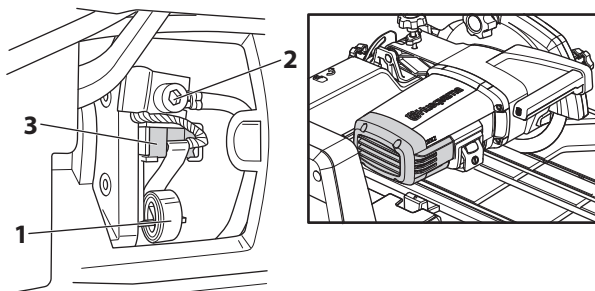
WAARSCHUWING! Reinig de motor en de elektrische onderdelen nooit met water.

LET OP! Reinig de machine grondig zodat er geen afval en kleine stukjes tegel in de machine dringen en het watersysteem beschadigen. Als water terugstroomt van de wagen en de opvangbak onder de wagen volloopt, moet u de bak verwijderen en legen. Plaats de opvangbak daarna terug.

Koolborstels vervangen

De koolborstels moeten regelmatig worden verwijderd en gecontroleerd. Wekelijks als de machine dagelijks wordt gebruikt of met langere intervallen als de machine minder vaak wordt gebruikt.

- Maak de twee bouten los die de beschermkap op zijn plaats houden en verwijder de kap.
- Draai de schroef los (2).
- Trek de borgveer van de borstel omhoog en opzij (1).
- Trek de koolborstel uit de houder (3).



- Plaats de nieuwe koolborstel. Plaats de koolborstel onmiddellijk en controleer of deze gemakkelijk in de houder schuift. Als de koolborstel verkeerd om is geplaatst, kan deze vast komen te zitten.
- Leg de borsthouderveer op zijn plaats.
- Breng de koolborstelaansluiting onder de bout aan.
- Herhaal de procedure voor de andere koolborstel.
- Monteer de beschermkap.

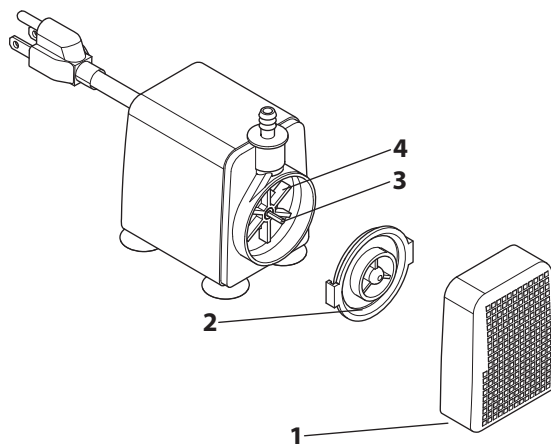
Waterpomp

Doe het volgende als de waterpomp geen water meer verpompt.

- Stop met zagen.
- Schakel de machine uit en haal de stekker uit het stopcontact.
- Verwijder de waterpomp.

De waterpomp reinigen

- Verwijder de waterinlaatklep (1).
- Verdraai de rotorklep (2) en trek die uit.
- Trek de rotor (4) en de as (3) uit en reinig deze onderdelen en het huis.



Gebruik eventueel een doek om de ijzerdeeltjes te verwijderen die aan de magnetische rotoras kleven.

Watertap

Reinig de wateropvangbak na elk gebruik.

- Stop het zagen
- Til de wateropvangbak op en trek eraan om de achterkant van de bak te ontgrendelen.
- Til op en ontgrendel de kunststoffen haak onder de wagen.
- Reinig de wateropvangbak en plaats de bak terug.

Reparaties

Alle soorten reparaties mogen alleen worden uitgevoerd door erkende reparateurs. Dit om de operators niet aan grote risico's bloot te stellen.

TECHNISCHE GEGEVENS

Technische gegevens

	TS60, 230V
Motor	
Vermogen, kW	1,8
Spanning, V	220-240
Fasen	1
Frequentie, Hz	50
Toerental, rpm	3600
Waterkoeling	
Waterpomp, V	220-240
Waterpomp, frequentie, Hz	50
Waterpomp, A	0,12
Waterpomp Hmax, m	2,3
Waterpomp Qmax, l/h	1350
Watertank, l	12,4
Slijpuitrusting	
Bladformaat – max., mm	254
Zaagdiepte - max., mm	78
Zaagdiepte bij 45° - max, mm	45
Zaaglengte - max, mm	726
Opsteekdoornhoogte mm	25,4
Verstekzagen	45°, 22,5°
Afmetingen	
Gewicht, in kg	36
Gewicht - beladen, kg	60
Afmetingen (lxbxh), mm	932x700x468
Afmetingen - beladen (LxBxH), mm	1007x565x745
Lawaai-emissie (zie opm. 1)	
Geluidsvermogen, gemeten L _w (dB(A))	97,3
Geluidsvermogen, gegarandeerd L _w (dB(A))	98,3
Geluidsniveau (zie opm. 2)	
Niveau geluidsdruk bij het oor van de gebruiker, L _p (dB(A))	91,5
Trillingsniveau (zie opm. 3)	
Handvat, m/s ²	2,0
Wagen, m/s ²	0,9

Opm. 1: Emissie van geluid naar de omgeving gemeten als geluidsvermogen (L_{WA}) volgens EN 12418.

Opm. 2: Geluidsdruk niveau volgens EN 12418. De gerapporteerde gegevens voor het geluidsdruk niveau vertonen een typische statistische spreiding (standaardafwijking) van 1,0 dB (A).

Opm. 3: Trillingsniveau volgens EN 12418. De gerapporteerde gegevens voor het trillingsniveau vertonen een typische statistische spreiding (standaardafwijking) van 1 m/s².

Aanbevolen kabelmaten

LET OP! Goede prestaties van de motor hangen af van de feitelijke spanning. Verlengkabels die te lang of te dun zijn, verminderen de stroom naar de motor onder belasting, wat leidt tot lagere output of storingen.

TECHNISCHE GEGEVENS

EG-verklaring van overeenstemming

Husqvarna AB, SE-561 82 Huskvarna, Zweden, tel. +46-36-146500, verklaart onder alleenverantwoordelijkheid dat de tegelzaag **Husqvarna TS60** met serienummers van 2014 en later (het jaartal staat duidelijk op het productplaatje vermeld, gevolgd door het serienummer), voldoet aan de eisen die in de RICHTLIJNEN VAN DE RAAD zijn opgenomen:

- van 17 mei 2006 "betreffende machines" **2006/42/EG**.
- van 15 december 2004 "betreffende elektromagnetische compatibiliteit" **2004/108/EEC**.
- van 12 december 2006 'inzake elektrisch materiaal', **2006/95/EG**.
- **2011/65/EU** van 8 juni 2011 betreffende beperking van het gebruik van bepaalde gevaarlijke stoffen in elektrische en elektronische apparatuur

De volgende normen zijn van toepassing:

EN ISO 12100:2010, EN 55014-1:2006, EN 55015-2/A1:2001, EN 61000-3-2:2006, EN 61000-3-3:2008, EN 12418+A1:2009

Göteborg 6 februari 2014



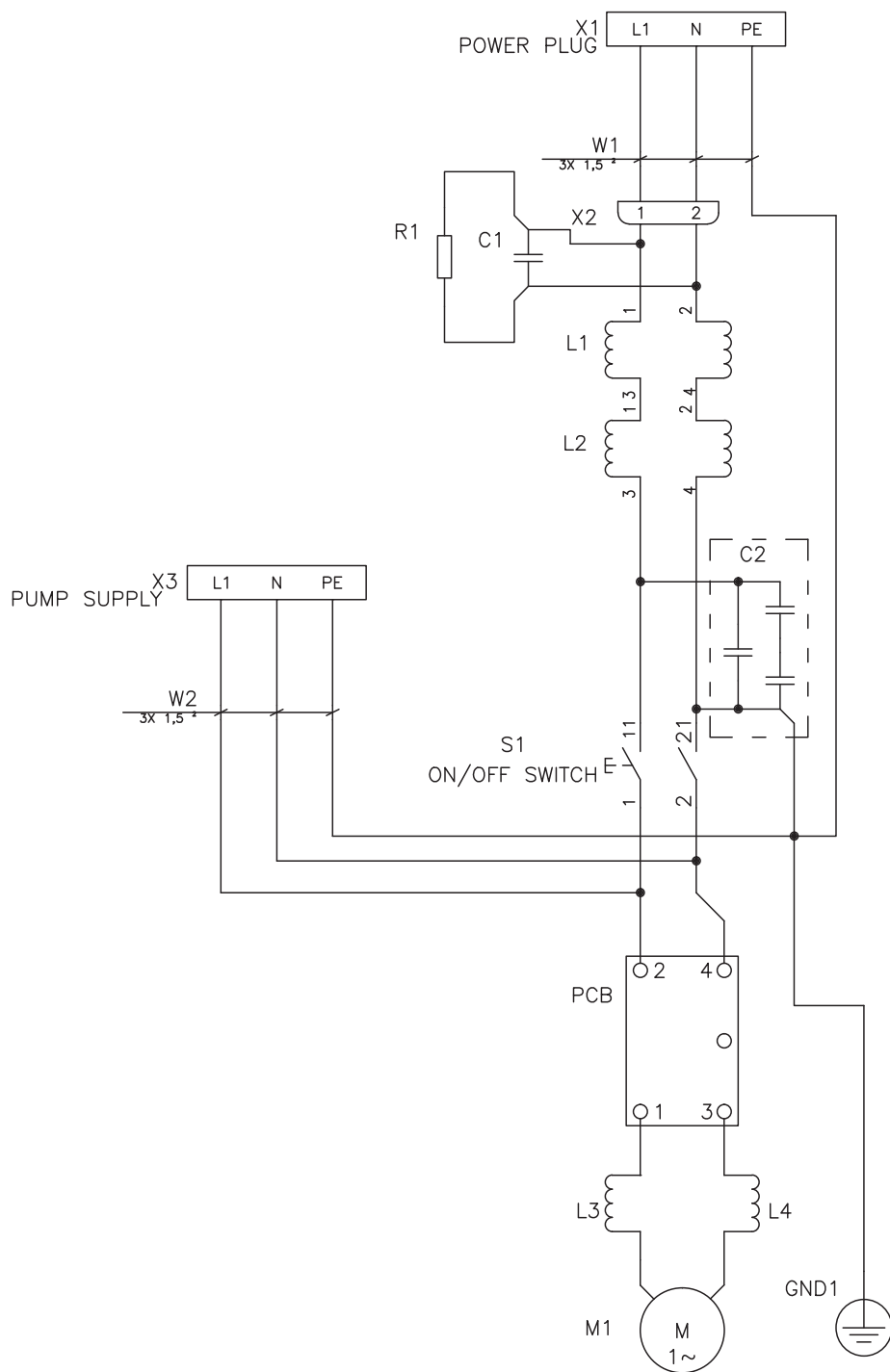
Helena Grubb

Vice-president, bouwmaterieel Husqvarna AB

(erkende vertegenwoordiger voor Husqvarna AB en verantwoordelijk voor technische documentatie.)

BEDRADINGSSHEMA

Bedradingschema 230 V





www.husqvarnacp.com

GB - Original instructions, DE - Originalanweisungen
FR - Instructions d'origine, NL - Originele instructies

1155065-20



2014-10-14