

Operator's manual Manual de instrucciones
Instruções para o uso
PP220

Please read the operator's manual carefully and make sure you understand the instructions before using the machine.
Lea detenidamente el manual de instrucciones y asegúrese de entender su contenido antes de utilizar la máquina.
Leia as instruções para o uso com toda a atenção e compreenda o seu conteúdo antes de fazer uso da máquina..



GB ES PT

KEY TO SYMBOLS

Symbols on the machine

WARNING! The machine can be a dangerous tool if used incorrectly or carelessly, which can cause serious or fatal injury to the operator or others.

Please read the operator's manual carefully and make sure you understand the instructions before using the machine.

Always wear:

- Approved protective helmet
- Approved hearing protection
- Protective goggles or a visor

Inspection and/or maintenance should be carried out with the motor switched off and the plug disconnected.

This product is in accordance with applicable EC directives.

Environmental marking. Symbols on the product or its packaging indicate that this product cannot be handled as domestic waste. It must instead be submitted to an appropriate recycling station for the recovery of electrical and electronic equipment.

By ensuring that this product is taken care of correctly, you can help to counteract the potential negative impact on the environment and people that can otherwise result through the incorrect waste management of this product.

For more detailed information about recycling this product, contact your municipality, your domestic waste service or the shop from where you purchased the product.

Other symbols/decals on the machine refer to special certification requirements for certain markets.



Explanation of warning levels

The warnings are graded in three levels.

WARNING!



WARNING! Used if there is a risk of serious injury or death for the operator or damage to the surroundings if the instructions in the manual are not followed.

CAUTION!



CAUTION! Used if there is a risk of injury to the operator or damage to the surroundings if the instructions in the manual are not followed.

NOTICE!

NOTICE! Used if there is a risk of damage to materials or the machine if the instructions in the manual are not followed.

CONTENTS

Contents

KEY TO SYMBOLS

Symbols on the machine	2
Explanation of warning levels	2

CONTENTS

Contents	3
----------------	---

PRESENTATION

Dear Customer,	4
Design and features	4
PP220	4

WHAT IS WHAT?

What is what on the power pack?	5
---------------------------------------	---

MACHINE'S SAFETY EQUIPMENT

General	6
---------------	---

ASSEMBLING AND ADJUSTMENTS

Install the power unit	7
Connecting the units	7
Connect the cooling water	7
Connect a power source	7

OPERATING

General safety precautions	8
Protective equipment	9
Power pack safety precautions	9
Work safety	10
Transport and storage	10

MENU SYSTEM

Power unit menu system	11
Menu overview	12
Menu system explanation	13

MENU SYSTEM

Remote control	14
Software settings, remote control	14
Remote control meny system	15
Menu overview	15
Menu system explanation	16
Battery	17

STARTING AND STOPPING

Before starting	18
Starting	18
Stopping	18

MAINTENANCE

General	19
Daily maintenance	19
Service	19
Error messages	20

TECHNICAL DATA

Technical data	21
Recommended cable dimensions	21
EC Declaration of Conformity	22

PRESENTATION

Dear Customer,

Thank you for choosing a Husqvarna product!

It is our wish that you will be satisfied with your product and that it will be your companion for a long time. A purchase of one of our products gives you access to professional help with repairs and services. If the retailer who sells your machine is not one of our authorised dealers, ask him for the address of your nearest service workshop.

This operator's manual is a valuable document. Make sure it is always at hand at the work place. By following its content (using, service, maintenance etc) the life span and the second-hand value of the machine can be extended. If you will sell this machine, make sure that the buyer will get the operator's manual.

More than 300 years of innovation

Husqvarna AB is a Swedish company based on a tradition that dates back to 1689, when the Swedish King Charles XI ordered the construction of a factory for production of muskets. At that time, the foundation was already laid for the engineering skills behind the development of some of the world's leading products in areas such as hunting weapons, bicycles, motorcycles, domestic appliances, sewing machines and outdoor products.

Husqvarna is the global leader in outdoor power products for forestry, park maintenance and lawn and garden care, as well as cutting equipment and diamond tools for the construction and stone industries.

Owner responsibility

It is the owner's/employer's responsibility that the operator has sufficient knowledge about how to use the machine safely. Supervisors and operators must have read and understood the Operator's Manual. They must be aware of:

- The machine's safety instructions.
- The machine's range of applications and limitations.
- How the machine is to be used and maintained.

National legislation could regulate the use of this machine. Find out what legislation is applicable in the place where you work before you start using the machine.

The manufacturer's reservation

Subsequent to publishing this manual Husqvarna may issue additional information for safe operation of this product. It is the owner's duty to keep up with the safest methods of operation.

Husqvarna AB has a policy of continuous product development and therefore reserves the right to modify the design and appearance of products without prior notice.

For customer information and assistance, contact us at our website: www.husqvarnacp.com

Design and features

This is a product included in a range of high frequency powered equipment for cutting, drilling and wall sawing. They are designed to cut hard materials like masonry and reinforced concrete and should not be used for any purpose not described in this manual.

Values such as high performance, reliability, innovative technology, advanced technical solutions and environmental considerations distinguish Husqvarna's products. Safe operation of this product requires the operator to read this manual carefully. Ask your dealer or Husqvarna should you need more information.

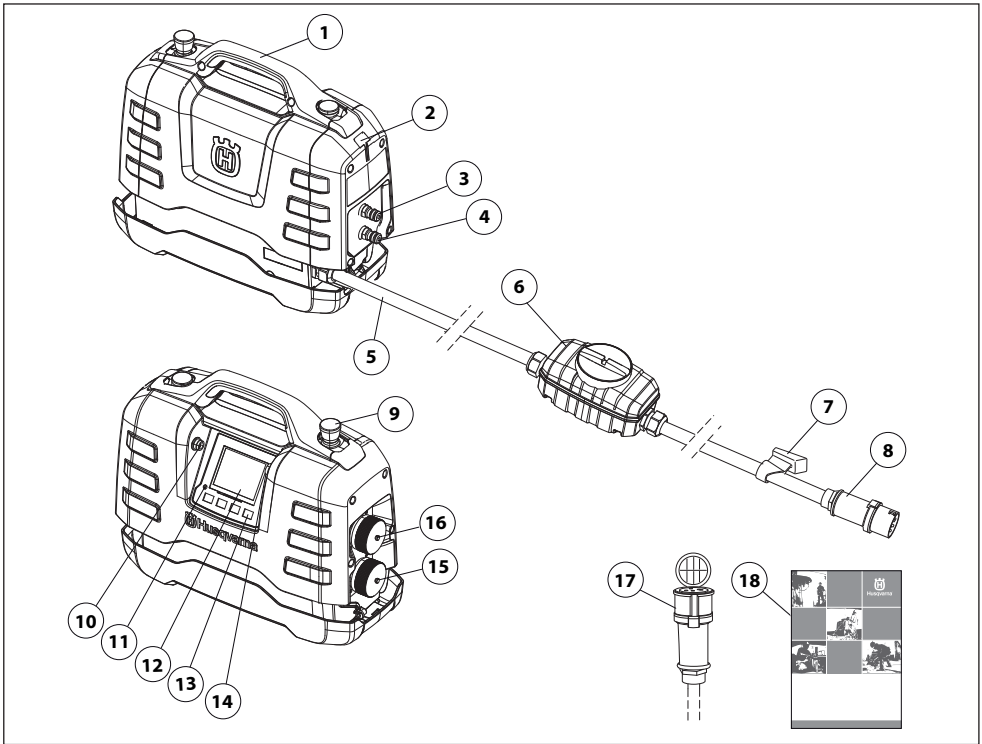
Some of the unique features of your product are described below.

PP220

The power unit is especially designed to drive designated Husqvarna tools with a high frequency motor.

- The unit gives high power output and can use both 1- and 3-phase input, which makes it flexible and usable.
- The operator can easily make adjustments and monitor system information via the digital display on the unit.
- A wireless remote control is used to control the wall saw; the remote control is only included with purchases of wall saw equipment WS220.
- The remote control gives the operator freedom of movement and an uninterrupted view of the work. It is easy to control, even when wearing gloves. Setting changes and operation are performed using just a few buttons. The remote control has a 3.5 inch digital color display.
- The design is lightweight, compact and ergonomic which makes the unit easy to transport.
- The unit is water cooled

WHAT IS WHAT?



What is what on the power pack?

- | | |
|---------------------------|---|
| 1 Handle | 10 USB connection |
| 2 Place for cable holder | 11 Overvoltage indicator |
| 3 Water connection in/out | 12 Display |
| 4 Water connection in/out | 13 Option keys |
| 5 Power cord | 14 CAN connection |
| 6 Residual-current device | 15 Connector for drill and power cutter |
| 7 Cable holder | 16 Connector for wall saw |
| 8 Connector | 17 Adapter cable |
| 9 Emergency stop | 18 Operator's manual |

MACHINE'S SAFETY EQUIPMENT

General



WARNING! Never use a machine that has faulty safety equipment! If your machine fails any checks contact your service agent to get it repaired.

This section describes the machine's safety equipment, its purpose, and how checks and maintenance should be carried out to ensure that it operates correctly.

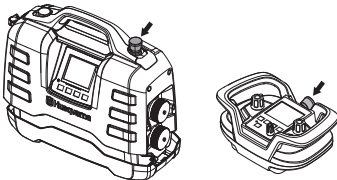
This machine is used in combination with other products. Please read the manual provided with the products carefully and make sure you understand the instructions before using the machine.

Check safety equipment daily.

Also check the safety equipment on the power tool that is to be connected to the power unit, see the operator's manual for the respective power tool to check the safety equipment.

Emergency stop and stop button

The emergency stops on the unit and on the remote control slow the connected tool and disconnect it from the power supply.

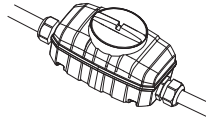


Testing the emergency stop

- Check that the emergency stop button is not pressed by turning it clockwise.
- Start the connected tool.
- Press the emergency stop and check that the connected tool stops.
- When using the wall saw, the stop button should be controlled in the same way.

Residual-current device

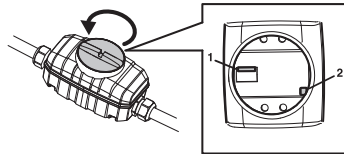
A residual-current device is fitted to protect operators in case an electrical fault should occur.



Check the residual-current device

Checking of the residual-current device must be done with the power unit connected to a 3-phase socket outlet.

- Connect the power unit to a grounded 3-phase outlet.
- Open the cover on the residual-current device to access the switch (1) and test button (2).



- Set the control in the residual-current device in position 1.
- Press the test button. The residual-current device must trigger to disconnect the unit from the power supply.
- Reset the residual-current device by first setting the switch to 0 and then to 1.
- Refit and tighten the cover.

The residual-current device must be tested every two weeks with the test button.

ASSEMBLING AND ADJUSTMENTS

Install the power unit

Place the power unit on the workplace, making sure that it is standing on a stable surface and that it is protected from water spray.

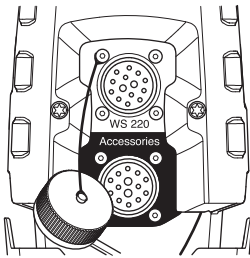
If the power unit was purchased together with wall saw equipment WS220, it can easily be stored in the designated place in the accompanying transport trolley during operation.

For maximum performance, the power pack must be connected to a 3-phase outlet.

Connecting the units

The power unit PP220 shall only be used with designated Husqvarna products.

Connect the power tool to the designated power take-off, note that there are two different power take-offs. The upper power take-off with a silver colored cover is used for wall saw WS220. The bottom power take-off with a black cover is used for power cutters and drilling machines. For more information, see the "Technical data" section.



Connect the cooling water

- Connect cooling water to the power unit with a Gardena water connector to one of the two water connections. Remember to use clean cooling water to avoid dirt clogging up the water system.

For more information, see the "Technical data" section.

The other water connection should be connected to the power tool, the power tool has various regulating taps for regulating the flow of cooling water to the tool. See the operator's manual for the respective power tools.

Connect a power source

For maximum performance, the power unit should be connected to an earthed 3-phase socket outlet with continuous voltage. For more information, see the "Technical data" section.

At lower voltage there is a linear reduction in available output down to 80%.

If a 3-phase electrical connection is not available, the power unit can also be connected to a 1-phase socket outlet.

Use the supplied adapter cable for 1-phase connection.

The output at 1-phase operation is substantially lower than at 3-phase operation.

For more information, see the "Technical data" section.

- During operation, fit together the covers for the cable and the power unit to avoid dirt entering the covers which could damage the connector.

A gasoline or diesel driven generator can be used as a power source if sufficiently powerful. See typical generator operation cases in Technical Data. The generator must be grounded to safeguard the function of the power unit.

NOTICE! A generator which on some occasion generates an input voltage outside the voltage range specified in the technical data can damage the power unit.

OPERATING

General safety precautions



WARNING! Read all safety warnings and all instructions. Failure to follow the warnings and instructions may result in electric shock, fire and/or serious injury.

IMPORTANT! Save all warnings and instructions for future reference. The term "power tool" in the warnings refers to your mains-operated (corded) power tool or battery-operated (cordless) power tool.

Work area safety

- **Keep work area clean and well lit.** Cluttered or dark areas invite accidents.
- **Do not operate power tools in explosive atmospheres, such as in the presence of flammable liquids, gases or dust.** Power tools create sparks which may ignite the dust or fumes.
- **Keep children and bystanders away while operating a power tool.** Distractions can cause you to lose control.

Electrical safety

- **Power tool plugs must match the outlet. Never modify the plug in any way.** Unmodified plugs and matching outlets will reduce the risk of electric shock.
- **Avoid body contact with earthed or grounded surfaces, such as pipes, radiators, ranges and refrigerators.** There is an increased risk of electric shock if your body is earthed or grounded.
- **Do not expose power tools to rain or wet conditions.** Water entering a power tool will increase the risk of electric shock.
- **Do not misuse the cable. Do not use the cable to carry or pull the power tool, or to disconnect the power tool from the power take-off. Keep the cable away from heat, oil, sharp edges and moving parts.** Damaged or tangled cables increase the risk of electric shock and must therefore be replaced at a service workshop.
- **When operating a power tool outdoors, use an extension cord suitable for outdoor use.** Use of a cord suitable for outdoor use reduces the risk of electric shock.

Personal safety

- **Stay alert, watch what you are doing and use common sense when operating a power tool. Do not use a power tool while you are tired or under the influence of drugs, alcohol or medication.** A moment of inattention while operating power tools may result in serious personal injury.
- **Use personal protective equipment. Always wear eye protection.** Protective equipment such as dust mask, non-skid safety shoes, hard hat, or hearing protection used for appropriate conditions will reduce personal injuries.
- **Prevent unintentional starting. Ensure the switch is in the OFF-position before connecting to power source and/or battery pack, picking up or carrying the tool.** Carrying power tools with your finger on the switch or energising power tools that have the switch on invites accidents.

- **Remove any adjusting key or wrench before turning the power tool on.** A wrench or a key left attached to a rotating part of the power tool may result in personal injury.
- **Do not overreach. Keep proper footing and balance at all times.** This enables better control of the power tool in unexpected situations.
- **Dress properly. Do not wear loose clothing or jewellery. Keep your hair, clothing and gloves away from moving parts.** Loose clothes, jewellery or long hair can be caught in moving parts.
- **If devices are provided for the connection of dust extraction and collection facilities, ensure these are connected and properly used.** Use of dust collection can reduce dust-related hazards.

Power tool use and care

- **Do not force the power tool. Use the correct power tool for your application.** The correct power tool will do the job better and safer at the rate for which it was designed.
- **Do not use the power tool if the designated on/off function for each power tool does not turn it on and off.** Any power tool that cannot be controlled correctly is dangerous and must be repaired.
- **Disconnect the plug from the power source and/or the battery pack from the power tool before making any adjustments, changing accessories, or storing power tools.** Such preventive safety measures reduce the risk of starting the power tool accidentally.
- **Store idle power tools out of the reach of children and do not allow persons unfamiliar with the power tool or these instructions to operate the power tool.** Power tools are dangerous in the hands of untrained users.
- **Maintain power tools. Check for misalignment or binding of moving parts, breakage of parts and any other condition that may affect the power tool's operation. If damaged, have the power tool repaired before use.** Many accidents are caused by poorly maintained power tools.
- **Keep cutting tools sharp and clean.** Properly maintained cutting tools with sharp cutting edges are less likely to bind and are easier to control.
- **Use the power tool, accessories and tool bits etc. in accordance with these instructions, taking into account the working conditions and the work to be performed.** Use of the power tool for operations different from those intended could result in a hazardous situation.

Service

- **Have your power tool serviced by a qualified repair person using only identical replacement parts.** This will ensure that the safety of the power tool is maintained.

Always use common sense

It is not possible to cover every conceivable situation you can face. Always exercise care and use your common sense. If you get into a situation where you feel unsafe, stop and seek expert advice. Contact your dealer, service agent or an experienced user. Do not attempt any task that you feel unsure of!

OPERATING

Protective equipment

General

Do not use the machine unless you are able to call for help in the event of an accident.

Personal protective equipment

You must use approved personal protective equipment whenever you use the machine. Personal protective equipment cannot eliminate the risk of injury but it will reduce the degree of injury if an accident does happen. Ask your dealer for help in choosing the right equipment.



WARNING! The use of products such as cutters, grinders, drills, that sand or form material can generate dust and vapours which may contain hazardous chemicals. Check the nature of the material you intend to process and use an appropriate breathing mask.



WARNING! Long-term exposure to noise can result in permanent hearing impairment. So always use approved hearing protection. Listen out for warning signals or shouts when you are wearing hearing protection. Always remove your hearing protection as soon as the engine stops.



WARNING! There is always a risk of crush injuries when working with products containing moving parts. Wear protective gloves to avoid body injuries.

Always wear:

- Protective helmet
- Hearing protection
- Protective goggles or a visor
- Breathing mask
- Heavy-duty, firm grip gloves.
- Tight-fitting, heavy-duty and comfortable clothing that permits full freedom of movement.
- Boots with steel toe-caps and non-slip sole.

Be careful as clothing, long hair, and jewellery can get caught in moving parts.

Other protective equipment



WARNING! Sparks may appear and start a fire when you work with the machine. Always keep fire fighting equipment handy.

- Fire fighting equipment
- Always have a first aid kit nearby.

Power pack safety precautions



WARNING! Read all safety warnings and all instructions. Failure to follow the warnings and instructions may result in electric shock, fire and/or serious injury.

This section describes basic safety directions for using the machine. This information is never a substitute for professional skills and experience.

- Please read the operator's manual carefully and make sure you understand the instructions before using the machine.
- Keep in mind that the operator is responsible for accidents or hazards occurring to other people or their property.
- All operators shall be trained in the use of the machine. The owner is responsible for ensuring that the operators receive training.
- The machine must be kept clean. Signs and stickers must be fully legible.



WARNING! The machine can be a dangerous tool if used incorrectly or carelessly, which can cause serious or fatal injury to the operator or others.

Never allow children or other persons not trained in the use of the machine to use or service it. Never allow anyone else to use the machine without first ensuring that they have read and understood the contents of the operator's manual.

Never use the machine if you are fatigued, while under the influence of alcohol or drugs, medication or anything that could affect your vision, alertness, coordination or judgement.



WARNING! Unauthorized modifications and/or accessories may lead to serious injury or death to the user or others.

Do not modify this product or use it if it appears to have been modified by others.

Never use a machine that is faulty. Carry out the safety checks, maintenance and service instructions described in this manual. Some maintenance and service measures must be carried out by trained and qualified specialists. See instructions under the Maintenance heading.

Always use genuine accessories.

OPERATING

Work safety

Work area safety

- Always check and mark out where gas pipes are routed. Cutting close to gas pipes always entails danger. Make sure that sparks are not caused when cutting in view of the risk of explosion. Remain concentrated and focused on the task. Carelessness can result in serious personal injury or death.
- Make sure that no pipes or electrical wires are routed in the work piece or in the working area.
- Make sure that electrical cables within the working area are not live.
- Never start to work with the machine before the working area is clear and you have a firm foothold.
- Do not use the machine in bad weather, such as dense fog, heavy rain, strong wind, intense cold, etc. Working in bad weather is tiring and can lead to dangerous conditions, e.g. slippery surfaces.

Electrical safety



WARNING! There is always a risk of shocks from electrically powered machines. Avoid unfavourable weather conditions and body contact with lightning conductors and metal objects. Always follow the instructions in the Operator's manual to avoid damage.



WARNING! Do not wash the machine with water, as water can enter the electrical system or the engine and cause damage to the machine or short circuit.

- Never use the tool without the ground fault circuit interrupter delivered with the tool.
- The machine should be connected to an earthed outlet socket.
- Check that the mains voltage corresponds with that stated on the rating plate on the machine.
- Check that the cord and extension cord are intact and in good condition.
- Never use the machine if any cable or plug is damaged, but hand it in to an authorized service workshop for repair.
- To avoid overheating do not use the extension cord while it is rolled up.

Personal safety

- Never leave the machine unsupervised with the motor running.
- Always unplug the power supply to the power pack for longer work breaks.
- Never work alone, always ensure there is another person close at hand. Apart from being able to receive help to assemble the machine, you can also get help if an accident should occur.
- People and animals can distract you causing you to lose control of the machine. For this reason, always remain concentrated and focused on the task.
- People that need to be in close proximity of the machine must wear hearing protection as the sound level when cutting exceeds 85 dB(A).
- Always work in a manner that permits easy access to the emergency stop. If an emergency situation should arise anyway, push the red emergency stop button on the power pack or the stop button on the remote control.

Use and care

This machine is only intended for use together with the intended Husqvarna products. All other use is forbidden.

- The machine is intended for use in industrial applications by experienced operators.
- Inspection and/or maintenance should be carried out with the motor switched off and the plug disconnected.
- Place the power unit on the workplace, making sure that it is standing on a stable surface and that it is protected from water spray. Always disconnect the plug for the power unit before moving it.
- Observe care when lifting. You are handling heavy parts, which implies the risk of pinch injuries or other injuries.
- Never pull out the power cable without first switching off the power pack and waiting for the engine to come to a complete halt.
- Check that all couplings, connections and cables are intact and free from dirt.
- Read through the manual supplied with the tool being connected before starting to use the machine.

Transport and storage

- Always switch off the power pack and pull out the electric cable before moving the equipment.
- Secure the equipment during transportation in order to avoid transport damage and accidents. If the power unit was purchased together with wall saw equipment WS220, it can easily be stored in the designated place in the accompanying transport trolley.
- Store the equipment in a lockable area so that it is out of reach of children and unauthorized persons.
- Store the machine and its equipment in a dry and frost proof place.
- Do not expose the unit to temperatures below -30 °C or over 50 °C or to direct sunlight.

MENU SYSTEM

Power unit menu system

General

Display texts are illustrated in English in the manual but will appear in the chosen language on the product display.

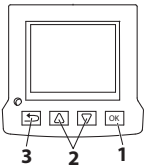
For more information on FreeRTOS, please see www.freertos.org

When K6500 or DM650 are connected to the power pack PP220, the display on the power pack unit is used.

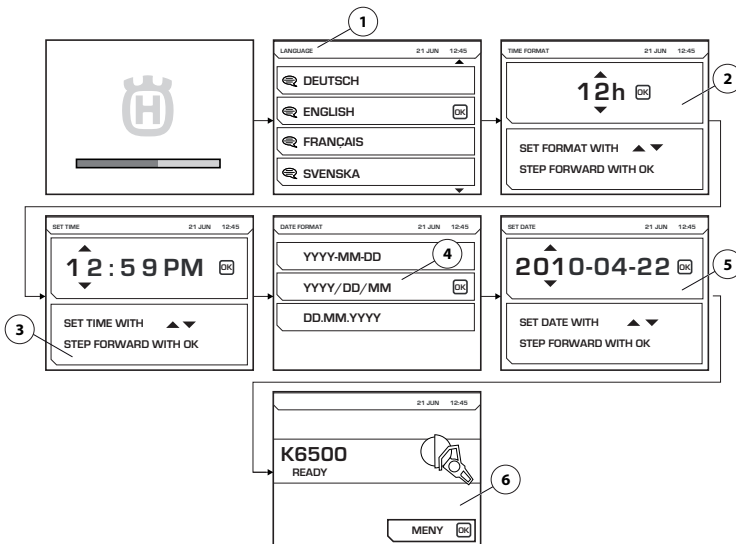
When K6500 is running the display will turn off on the power pack.

When WS220 is connected to the power pack PP220, the display on the remote control is used. The display on the power pack will then be extinguished.

Use the arrow keys (2) to scroll in the menus and the "OK" button (1) to confirm the selection. Use the "back" button (3) to go back in the menus.



First start-up



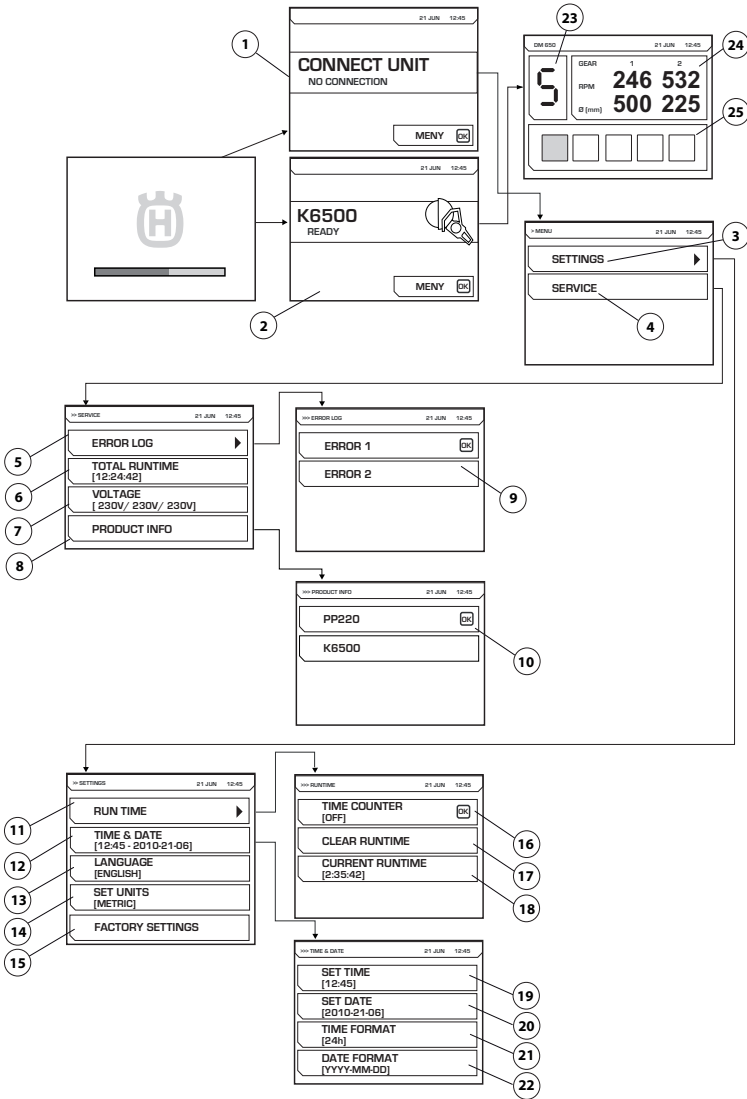
At the first start-up of the power pack the following settings must be made:

- LANGUAGE (1) Select the required display language.
- TIME FORMAT (2) Select the required time format.
- SET TIME (3) State the current time.
- DATE FORMAT (4) Select the required date format.
- SET DATE (5) State the current date.

When these settings have been made the main display is shown with information about the connected tool (6). Please observe, the illustration shows an example.

MENU SYSTEM

Menu overview



See following page for an explanation of each menu.

MENU SYSTEM

Menu system explanation

CONNECT UNIT (1)

This image is shown if the power unit is not connected to any tool. Connect the intended tool. When the intended tool is connected, the start screen (2) is displayed. Press the menu button to start the settings (3) and service (4) menus.

Image (1) will be displayed if the WS220 is connected to the unit but the accompanying remote control has not yet been connected.

Electronic gear

An illustration will be displayed when operating the DM650 showing the selected electronic gear (23), current rpm for mechanical gears 1 and 2, and recommended bore diameter for these gears (24). The current feeder load (25) of the drill will also be shown.

SETTINGS (4)

The "Settings" menu consists of sub-menus, which in turn consist of a number of part menus.

RUN TIME (11)

Run time

TIME COUNTER (16)

On activation, a stop-watch is started to count the time the tool is active.

CLEAR RUNTIME (17)

Used to reset the stop-watch.

CURRENT RUN TIME (18)

Current running time.

TIME AND DATE (12)

Set time and date.

SET TIME (19)

State the current time.

SET DATE (20)

State the current date.

TIME FORMAT (21)

Select the required time format. Choose from between the following options:

- 12 h
- 24 h

DATE FORMAT (22)

Select the required date format. Choose from between the following options:

- YYYY-MM-DD
- YYYY/DD/MM
- DD/MM/YYYY

LANGUAGE (13)

Select the required display language.

FACTORY SETTINGS (15)

Resetting to factory defaults:

SERVICE (4)

SERVICE

ERROR LOG (5)

List of errors (9)

TOTAL RUNTIME (6)

The machine's total operating time is displayed.

VOLTAGE (7)

Connected input voltage of the machine.

PRODUCT INFO (8)

Information about the unit and the connected tool is shown (10).

MENU SYSTEM

Remote control

General

When the power unit is used together with WS220, a remote control should be connected to the power unit to control the wall saw. The remote control is included with purchases of the wall saw equipment and is kept in a storage box together with associated accessories.

The wall saw is controlled wirelessly with the remote control via radio communication between the remote control and the power unit, or alternatively via the CAN cable between the remote control and the power unit.

The first time the remote control is to be used together with the power unit, the remote control has to be paired with the power unit in order for the radio communication to work. This may already have been done if the power unit was purchased together with the wall saw equipment. If pairing has not been performed, the remote control will not be able to connect to the power unit via radio communication and the display will show that it is looking for units and will try to connect, however without success. First check, however, that the power unit is active with the power cable connected and that the emergency stop has not been pressed down, when carrying out a check to see if pairing has been performed.

Follow the instructions under Software settings, remote control below for instructions on how to pair the remote control with the power unit.

Software settings, remote control

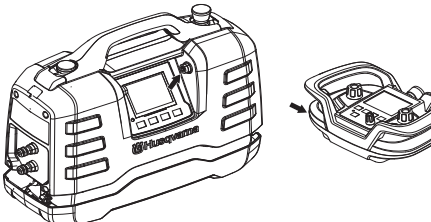
Pair the remote control with the power unit

For radio communication between the remote control and the power unit to work, the relevant remote control must be paired with the relevant power unit.

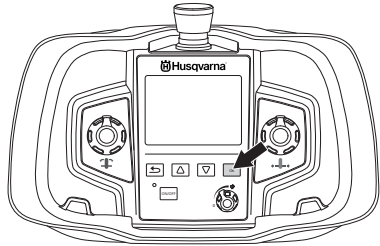
This is a safety measure to guarantee that the power unit can only be controlled by one remote control. Radio communication does not work until this measure has been carried out.

If the accompanying remote control is exchanged or if it is necessary to swap remote controls between two units, the remote control must be rematched with the unit.

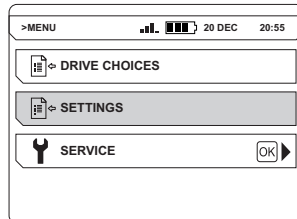
- Connect the remote control using the supplied CAN-cable. Tighten the cable connector screws by hand.



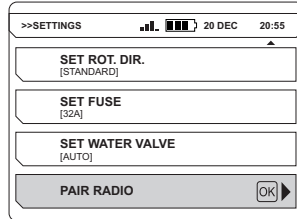
- Allow the remote control to fully charge and await the home screen.
- Press the "OK" button to access the menu.



- Go to "SETTINGS". Browse with the arrow keys and confirm with "OK".



- Go to "PAIR RADIO". Browse with the arrow keys and confirm with "OK".



A message is displayed on the screen to indicate if the pairing was successful or not. Try again if the pairing fails.

Read through the operator's manual for the wall saw for instructions on how to control the saw with the remote control.

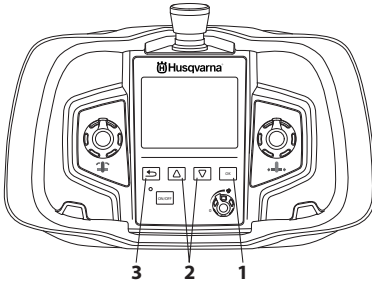
When the remote control is active the display on the power unit switches off.

NOTICE! The remote control for the PP220 is also compatible with the PP480 HF and the PP440 HF units. The remote control menu system therefore has sub-menus that are not appropriate for the PP220.

MENU SYSTEM

Remote control meny system

Use the arrow keys (2) to scroll in the menus and the "OK" button (1) to confirm the selection. Use the "back" button (3) to go back in the menus.



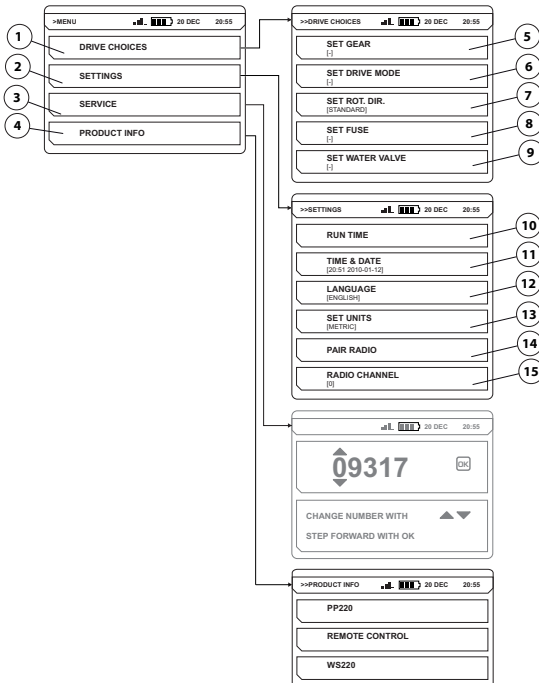
The menu system for the remote control can be accessed by pressing the "OK" button.

The menu system comprises the following submenus:

- DRIVE CHOICES
- SETTINGS
- SERVICE

The service menu is password protected. Service personnel only have access to the settings in this menu to perform servicing.

Menu overview



See following page for an explanation of each menu.

MENU SYSTEM

Menu system explanation

DRIVE CHOICES (1)

DRIVE CHOICES

SET GEAR (5)

SELECT GEAR

Not applicable for PP220.

SET DRIVE MODE (6)

SELECT RUN POSITION

Not applicable for PP220.

SET ROT. DIR. (7)

Select the required direction of rotation.

The direction of rotation can only be altered when the blade/wire is not moving. Choose from between the following options:

- STANDARD
- REVERSE

SET FUSE (8)

SET FUSE

Not applicable for PP220.

SET WATER VALVE (9)

Regulate the water valve.

Not applicable for PP220.

SETTINGS (2)

SETTINGS

RUN TIME (10)

RUN TIME

TIME COUNTER (10)

On activation, a stop-watch is started to count the time the blade/wire rotates and at least one feed is active.

CLEAR RUNTIME

Used to reset the stop-watch.

TIME AND DATE (11)

Set time and date.

SET TIME

State the current time.

SET DATE

State the current date.

TIME FORMAT

Select the required time format. Choose from between the following options:

- 12 h
- 24 h

DATE FORMAT

Select the required date format. Choose from between the following options:

- YYYY-MM-DD
- YYYY/DD/MM
- DD/MM/YYYY

LANGUAGE (12)

Select the required display language.

SET UNITS (13)

Select the required units. Choose from between the following options:

- AMERICAN
- METRIC

PAIR RADIO (14)

Pair remote control with machine.

RADIO CHANNEL (15)

RADIO CHANNEL

The radio channel must be changed when the operator experiences disturbance or loss of communication.

The remote control must be connected to machine with a CAN cable.

Select the required radio channel. Choose from between the following options:

- 0 (2.410 GHz)
- 1 (2.415 GHz)
- ...
- 11 (2.465 GHz)

PRODUCT INFO (4)

Information about the unit and the connected tool is shown.

Battery

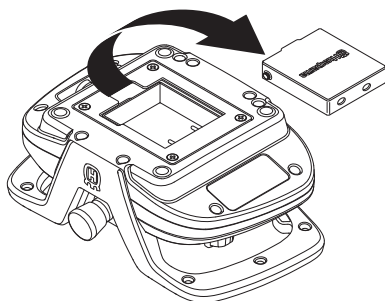
The battery is a Li-ion type. Operating time is about 8-10 hours per charge. Extreme cold impairs the battery's capacity and operating time. Operating time is also affected by the extent to which the display has been active.

Use only original batteries for this product. Contact your dealer for more information.

An exhausted battery must not be disposed of as household garbage! Leave it at your nearest service agent or collection point.

Insert / remove battery

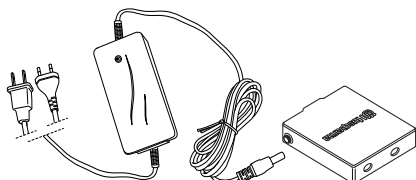
- Insert / remove the battery.



Charge the battery

Before using the remote control for the first time the battery has to be charged.

To charge with the battery charger



Charging time for a flat battery is approx. 2-3 hours. The diode is orange when charging starts and becomes green when the battery is fully charged. When the battery is fully charged the charger supplies the battery with maintenance current until the battery is removed from the charger.

Keep the battery charger dry and protected against temperature fluctuations.

To charge with the CAN cable

The charging efficiency with the CAN cable is less than with the battery charger and it therefore takes a bit longer to charge the battery. The remote control works as normal during charging, however.

STARTING AND STOPPING

Before starting



WARNING! Please read the operator's manual carefully and make sure you understand the instructions before using the machine.

Wear personal protective equipment. See instructions under the "Personal protective equipment" heading.

Make sure no unauthorised persons are in the working area, otherwise there is a risk of serious personal injury.

Check that the machine is assembled correctly and do not show any signs of damage. See instructions in the section "Assembling and adjustments".

- Perform daily maintenance. See instructions in the section "Maintenance".
- Connect a power source
- Connect the cooling water

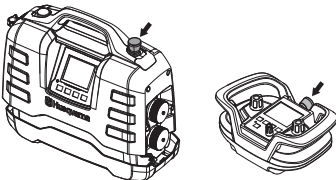
See instructions in the section "Assembling and adjustments".

A gasoline or diesel driven generator can be used as a power source if sufficiently powerful. See typical generator operation cases in Technical Data. The generator must be grounded to safeguard the function of the power unit.

NOTICE! A generator which on some occasion generates an input voltage outside the voltage range specified in the technical data can damage the power unit.

Starting

- Start the water supply to the power unit
- Check that the emergency stop button on the power unit and the stop button on the remote control are not pushed in by turning them clockwise.



- The connected tool is activated and this is shown by the information shown in the display.

Follow the instructions in the manual supplied with the connected tool.

Stopping

Follow the instructions in the manual supplied with the connected tool.

- Press down the power unit emergency stop.
- Shut off the water supply to the power unit.

MAINTENANCE

General



WARNING! The user must only carry out the maintenance and service work described in this Operator's Manual. More extensive work must be carried out by an authorized service workshop.

The life span of the machine can be reduced and the risk of accidents can increase if machine maintenance is not carried out correctly and if service and/or repairs are not carried out professionally. If you need further information please contact your nearest service workshop.

Daily maintenance

- Check that the machine's safety equipment is undamaged. See instructions in the section "Machine's safety equipment".
- Check that the cord and extension cord are intact and in good condition.
- Always clean all the equipment at the end of the working day. Use a heavy-duty hand-held brush or a large paint brush.
- Make sure to keep the connectors and pins clean. Clean with a rag or brush.

NOTICE! Do not use a high pressure washer to clean the machine. The high pressure jet can damage seals and lead to water and dirt permeating into the machine, resulting in serious damage.

Service

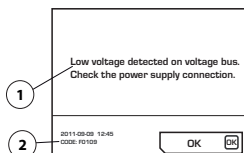


WARNING! All types of repairs may only be carried out by authorised repairmen. This is so that the operators are not exposed to great risks.

MAINTENANCE

Error messages

In case of any faults, a fault message (1) and a fault code (2) appears on the display. Please observe, the illustration shows an example.



Measures for acknowledging fault messages:

- Press 'OK' on the display or activate the trigger on the connected tool. No further action is required if the fault message is deleted.

If the system freezes and an acknowledgment can not be made: Pull out the connector from the earthed socket outlet, reconnect the power source. See instructions in the section "Assembling and adjustments".

If the fault persists, follow the instructions given in the troubleshooting guide or get in touch with an authorized dealer. The power unit software can be updated. Contact your service agent for further information.

Troubleshooting schedule

Fault Code	Error messages	Cause	Steps
F0101	Overcurrent detected	Active tool current too high	Contact your service workshop if the problem remains.
F0103	Fault detected in hardware	Hardware fault	Contact your service workshop if the problem remains.
F0104	Error detected on the voltage bus	Tool voltage error	Check the power supply
F0105	High voltage detected on voltage bus. Check the power supply connection.	Brakes applied too hard	Contact your service workshop if the problem remains.
F0106	Temperature in the IGBT module too high	Power pack overheated	Increase the flow of water coolant. Ensure clean water is used so as not to clog up the water channels. See Technical data for specifications for water flow, temperature and pressure.
F0107	Emergency stop switch pressed	The emergency stop is pressed in.	Reset the emergency stop
FXX08*	High motor temperature detected	Tool motor temperature is too high	Increase the flow of water coolant. Ensure clean water is used so as not to clog up the water channels. See Technical data for specifications for water flow, temperature and pressure.
F0109	Low voltage detected on voltage bus. Check the power supply connection.	Internal power pack failure	Check input power or contact service
F0110	Cooling fan fault detected. Check the cooling fan	Fan does not work	Check the fan. Replace as necessary.
F0111	The clock has stopped, please correct it if necessary.	Clock stopped	Contact your service agent for a battery change.
F0112	Low input voltage detected	Input voltage too low	Check minimum input power in manual
F0113	High input voltage detected	Input voltage too high	Check maximum input power in manual
FXX14*	Tool temperature sensor error detected	Interruption or short circuit in the temperature sensor.	Contact your service agent.
FXX15*	Fault detected in hardware	Hardware fault	Contact your service workshop if the problem remains.
FXX16*	Fault detected in hardware	Hardware fault	Contact your service workshop if the problem remains.
F0117	Fault detected in hardware	Hardware fault	Contact your service workshop if the problem remains.
F0118	Fault detected in hardware	Hardware fault	Contact your service workshop if the problem remains.
F0119	Temperature in the PP too high	Power pack overheated	Increase the flow of water coolant. Ensure clean water is used so as not to clog up the water channels. See Technical data for specifications for water flow, temperature and pressure.

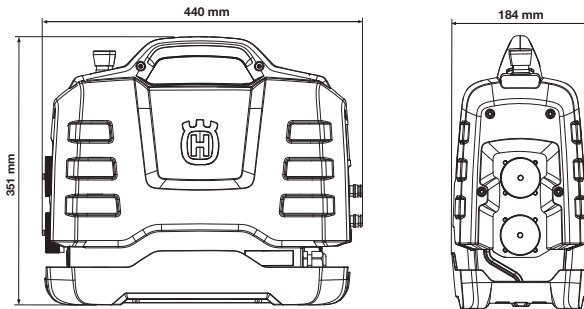
* XX different numbers depending on the tool that is connected to the power unit.

TECHNICAL DATA

Technical data

Engine	PP220
Max. output, kW	6,5
Rated current 3-phase at 400V, A	12
Rated current 1-phase, A	16
3-phase voltage in, V	200-480
1-phase voltage in, V	220-240
Power supply	
3 phase	L1+L2+L3+N+PE/L1+L2+L3+PE
Single-phase	L+N+PE
Effect generator - min., kWA	
400V, 16A	12
Weight, kg	
Power pack	10,8
Water cooling	
Water pressure - max, bar	7
Water coolant flow min., l/min	3,5
Max cooling water temperature at 3,5 l/min, °C	25
Control system	
Control type	Remote control
Signal transmission	Wireless/cable

Dimensions



Typical generator operation cases

	PP220, power output	Generator output voltage (V)	Minimum recommended generator output (kVA)
3 phase	Full power	3x400, 3x416, 3x440, 3x480	10
	Decreased power	3x208, 3x220, 3x240	
Single-phase	Decreased power	220-240	5

Recommended cable dimensions

NOTICE! Good motor performance depends on proper voltage. Extension cables that are too long and/or which have a gage that is too small, reduce power to the motor under load, resulting in reduced output or malfunctions.

TECHNICAL DATA

EC Declaration of Conformity

(Applies to Europe only)

Husqvarna AB, SE-561 82 Huskvarna, Sweden, tel: +46-36-146500, declares under sole responsibility that the power pack **Husqvarna PP220** from 2013's serial numbers and onwards (the year is clearly stated in plain text on the type plate with subsequent serial number) is in conformity with the requirements of the COUNCIL'S DIRECTIVES:

- of May 17, 2006 "relating to machinery" **2006/42/EC**
- of December 15, 2004 "relating to electromagnetic compatibility" **2004/108/EC**.
- of December 12, 2006 "relating to electrical equipment" **2006/95/EC**.
- Of March 9, 1999 relating to "Radio Equipment and Telecommunications Terminal Equipment" **1999/5/EG**.
- of June 08, 2011 on the 'restriction of use of certain hazardous substances' **2011/65/EU**

The following standards have been applied:

EN ISO 12100:2010, EN 55014-1:2006, EN 55014-2/A1:2001, EN 61000-3-2:2006, EN 61000-3-3:2008, EN 60745-1:2009.

Göteborg 19 September 2013



Helena Grubb

Vice President, Construction Equipment Husqvarna AB

(Authorized representative for Husqvarna AB and responsible for technical documentation.)

ACLARACIÓN DE LOS SÍMBOLOS

Símbolos en la máquina

¡ATENCIÓN! La máquina, si se utiliza de forma errónea o descuidada, puede ser una herramienta peligrosa que puede causar daños graves e incluso la muerte al usuario y a otras personas.

Lea detenidamente el manual de instrucciones y asegúrese de entender su contenido antes de utilizar la máquina.

Utilice siempre:

- Casco protector homologado
- Protectores auriculares homologados
- Gafas protectoras o visor

El control y/o mantenimiento de la máquina debe hacerse con el motor parado y el enchufe desenchufado.

Este producto cumple con la directiva CE vigente.

Etiquetado ecológico. El símbolo en el producto o en su envase indica que no se puede tratar este producto como desperdicio doméstico. Deberá por lo tanto depositarse en un centro de recogida adecuado para el reciclado de equipos eléctricos y electrónicos.

Haciendo que este producto sea manipulado adecuadamente, se ayuda a evitar consecuencias negativas potenciales para el medio ambiente y las personas, lo que puede ocurrir con la manipulación inadecuada como residuos del producto.

Para obtener información más detallada sobre el reciclado de este producto, contacte con la oficina municipal local, con el servicio de eliminación de desperdicios domésticos o con la tienda donde compró el producto.

Los demás símbolos/etiquetas que aparecen en la máquina corresponden a requisitos de homologación específicos en determinados mercados.



Explicación de los niveles de advertencia

Las advertencias se clasifican en tres niveles.

¡ATENCIÓN!



¡ATENCIÓN! Indica un riesgo de daños graves para el usuario o incluso muerte, o bien daños al entorno, si no se siguen las instrucciones del manual.

¡NOTA!



¡NOTA! Indica un riesgo de lesiones para el usuario o daños al entorno si no se siguen las instrucciones del manual.

AVISO

AVISO Indica un riesgo de daños en los materiales o en la máquina si no se siguen las instrucciones del manual.

ÍNDICE

Índice

ACLARACIÓN DE LOS SÍMBOLOS

Símbolos en la máquina	23
Explicación de los niveles de advertencia	23

ÍNDICE

Índice	24
--------------	----

PRESENTACIÓN

Apreciado cliente:	25
Diseño y funciones	25
PP220	25

¿QUÉ ES QUÉ?

Piezas de la unidad eléctrica	26
-------------------------------------	----

EQUIPO DE SEGURIDAD DE LA MÁQUINA

Generalidades	27
---------------------	----

MONTAJE Y AJUSTES

Instalación de la unidad de alimentación	28
Conexión de las unidades	28
Conexión de la refrigeración por agua	28
Conexión de una fuente de alimentación	28

FUNCIONAMIENTO

Instrucciones generales de seguridad	29
Equipo de protección	30
Precauciones de seguridad de la unidad de alimentación	31
Seguridad en el trabajo	31
Transporte y almacenamiento	32

SISTEMA DE MENÚ

Sistema de menús de la unidad de alimentación .	33
Vista general del menú	34
Explicación del sistema de menús	35

SISTEMA DE MENÚ

Mando a distancia	36
Configuración del software del control remoto	36
Sistema del menú de control remoto	37
Vista general del menú	37
Explicación del sistema de menús	38
Batería	39

ARRANQUE Y PARADA

Antes del arranque	40
Arranque	40
Parada	40

MANTENIMIENTO

Generalidades	41
Mantenimiento diario	41
Servicio	41
Mensajes de fallo	42

DATOS TÉCNICOS

Datos técnicos	44
Dimensiones de cable recomendadas	45
Declaración CE de conformidad	45

Apreciado cliente:

Gracias por elegir un producto Husqvarna. Esperamos que su máquina le proporcione plena satisfacción y le sirva de ayuda por mucho tiempo en adelante. La adquisición de alguno de nuestros productos da acceso a asistencia profesional con reparaciones y servicio. Si la máquina no fue adquirida en un distribuidor oficial, preguntar en la tienda de compra la dirección del taller de servicio más cercano.

Este manual de instrucciones es un documento importante. Procure tenerlo siempre a mano en el lugar de trabajo. Siguiendo sus instrucciones (de uso, servicio, mantenimiento, etcétera) puede alargar considerablemente la vida útil de la máquina e incrementar su valor de reventa. Si vende su máquina, entregue el manual de instrucciones al nuevo propietario.

Más de 300 años de innovación

La fundación de la empresa sueca Husqvarna AB data del año 1689, cuando el Rey Karl XI encargó la construcción de una fábrica para la fabricación de mosquetes. En ese momento se establecieron los cimientos de la experiencia tecnológica en la que se basan muchos de los productos punteros en el mundo en el sector de las armas de caza, bicicletas, motocicletas, electrodomésticos, máquinas de coser y productos para exteriores.

Husqvarna es líder internacional en productos motorizados para exteriores destinados a la silvicultura, el mantenimiento de parques y el cuidado del césped y del jardín, así como equipos de corte y herramientas de diamante para el sector de la construcción y la piedra.

Responsabilidad del propietario

El propietario / empresario es el responsable de asegurarse de que el usuario tiene los conocimientos necesarios para utilizar la máquina con seguridad. Los supervisores y los usuarios deben haber leído y entendido el manual de instrucciones. Deben tener conocimiento de lo siguiente:

- Las instrucciones de seguridad de la máquina.
- Las aplicaciones y las limitaciones de la máquina.
- El modo de uso y de mantenimiento de la máquina.

La utilización de esta máquina podría estar regulada por la legislación nacional vigente. Infórmese sobre la legislación vigente en el lugar donde trabaja antes de empezar a utilizar la máquina.

Los derechos que se reserva el fabricante.

Tras la publicación de este manual, Husqvarna podrá publicar información adicional para el funcionamiento seguro de este producto. Es responsabilidad del propietario mantenerse informado de los métodos de funcionamiento más seguros.

Husqvarna AB trabaja constantemente para perfeccionar sus productos y se reserva, por lo tanto, el derecho a introducir modificaciones en la construcción y el diseño sin previo aviso.

Para recibir información y atención como cliente, póngase en contacto con nosotros a través de nuestro sitio web: www.husqvarnacp.com

Diseño y funciones

Este producto está incluido en una gama de equipos de alta frecuencia para cortar, taladrar y realizar cortes en muros. Están diseñados para cortar materiales duros como el hormigón armado y otros materiales de albañilería y no deben utilizarse para funciones distintas a las descritas en este manual.

El alto rendimiento, la fiabilidad, la tecnología innovadora, las soluciones técnicas avanzadas y el respeto medioambiental son los valores que caracterizan a los productos de Husqvarna. El usuario debe leer este manual detenidamente para garantizar un funcionamiento seguro del producto. Póngase en contacto con su concesionario o con Husqvarna si necesita más información.

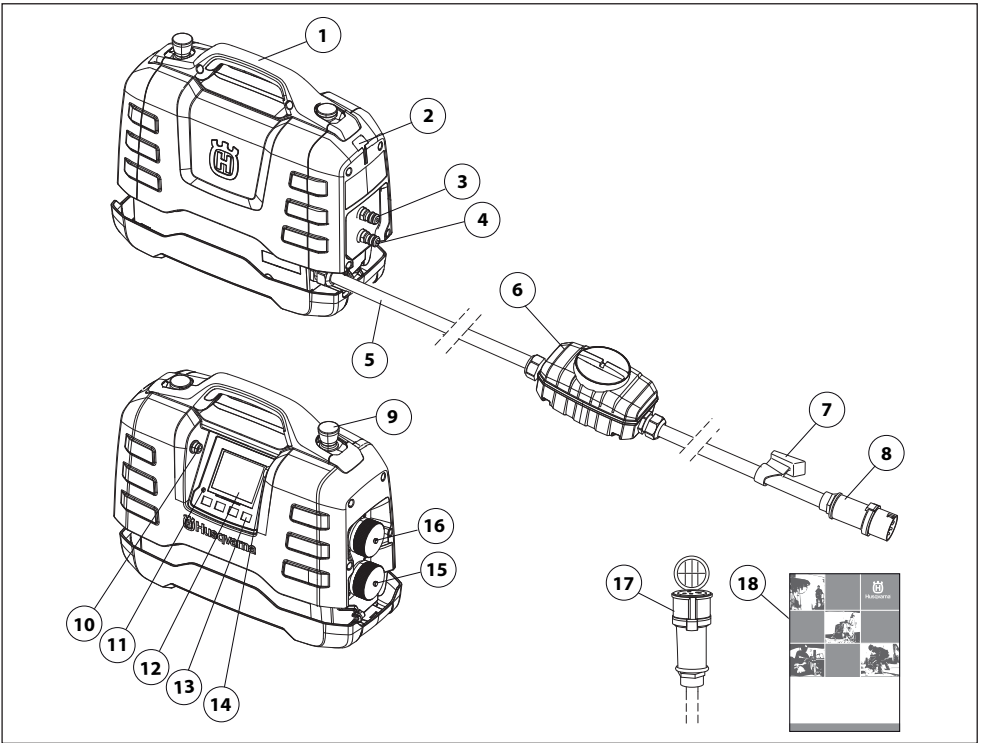
A continuación se describen algunas de las características únicas de su producto.

PP220

La unidad de alimentación está especialmente diseñada para impulsar las herramientas Husqvarna con un motor de alta frecuencia.

- La unidad proporciona una salida de gran potencia y puede utilizar entradas monofásicas o trifásicas, lo que la convierte en un dispositivo flexible y útil.
- El usuario puede efectuar ajustes de una manera sencilla y controlar la información del sistema gracias a la pantalla digital de la unidad.
- El control remoto sin cables sirve para manejar las cortadoras de muros. El control remoto sólo viene incluido con las cortadoras de muros WS220.
- Con el control remoto, el usuario puede moverse y ver la zona de trabajo sin limitaciones. Es muy fácil de manejar, incluso con guantes. Con sólo unos cuantos botones, se pueden cambiar los ajustes y manejar las herramientas. El control remoto incorpora una pantalla digital en color de 3,5".
- El diseño es ergonómico, compacto y ligero, lo que permite un transporte sencillo de la unidad.
- La unidad se refrigera con agua.

¿QUÉ ES QUÉ?



Piezas de la unidad eléctrica

- | | |
|---|--|
| 1 Mango | 10 Conexión USB |
| 2 Enganche del soporte del cable | 11 Indicador de sobretensión |
| 3 Conexión de entrada/salida de agua | 12 Display |
| 4 Conexión de entrada/salida de agua | 13 Teclas de selección |
| 5 Cable eléctrico | 14 Conexión CAN |
| 6 Interruptor de circuito de pérdida a tierra | 15 Conector para taladros y cortadoras |
| 7 Soporte del cable | 16 Conector para cortadoras de muros |
| 8 Conector | 17 Cable adaptador |
| 9 Parada de emergencia | 18 Manual de instrucciones |

EQUIPO DE SEGURIDAD DE LA MÁQUINA

Generalidades



¡ATENCIÓN! Nunca utilice una máquina con componentes de seguridad defectuosos. Si su máquina no pasa todos los controles, entréguela a un taller de servicio para su reparación.

En este capítulo se describen los componentes de seguridad de la máquina, su función y el modo de efectuar el control y el mantenimiento para garantizar un funcionamiento óptimo.

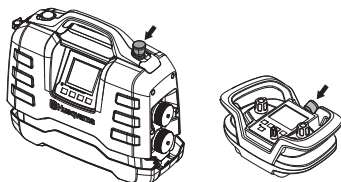
Esta máquina se utiliza en combinación con otros productos. Lea detenidamente el manual que se suministra con los productos y asegúrese de que entiende las instrucciones antes de utilizar la máquina.

Compruebe el equipo de seguridad a diario.

Compruebe igualmente el equipo de seguridad de la herramienta eléctrica conectada a la unidad de alimentación. Consulte el manual de usuario de la herramienta correspondiente para verificar el equipo de seguridad.

Parada de emergencia y botón de parada

Los sistemas de parada de emergencia de la unidad y del control remoto ralentizan la herramienta conectada e interrumpen la alimentación.

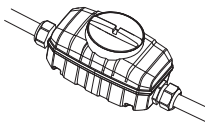


Comprobación de la parada de emergencia

- Compruebe que el botón de parada de emergencia no está pulsado girándolo en el sentido de las agujas del reloj.
- Arranque la herramienta conectada.
- Active la parada de emergencia y compruebe que la herramienta conectada se detiene.
- Al usar una cortadora de muros, el botón de parada debe controlarse del mismo modo.

Interruptor de circuito de pérdida a tierra

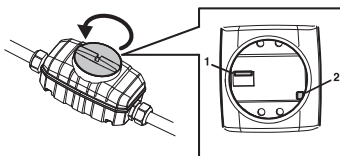
Se ha incorporado un dispositivo de corriente residual para proteger al usuario en caso de fallo eléctrico.



Compruebe el interruptor de circuito de pérdida a tierra

Para comprobar el dispositivo de corriente residual, se debe conectar la unidad de alimentación a un enchufe trifásico.

- Conecte la unidad de alimentación a un enchufe trifásico con toma de tierra.
- Abra la tapa del dispositivo de corriente residual para acceder al interruptor (1) y al botón de prueba (2).



- Coloque el control del dispositivo de corriente residual en la posición 1.
- Pulse el botón de prueba. Debe activarse el dispositivo de corriente residual para desconectar la unidad de la alimentación.
- Reinicie el dispositivo de corriente residual poniendo primero el interruptor en 0 y luego en 1.
- Coloque y apriete la tapa.

El dispositivo de corriente residual debe comprobarse cada dos semanas con el botón de prueba.

Instalación de la unidad de alimentación

Coloque la unidad de alimentación en la zona de trabajo sobre una superficie estable y lejos de posibles salpicaduras de agua.

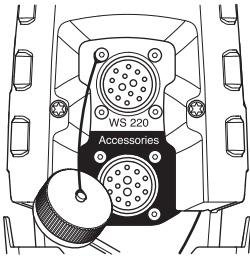
Si la unidad de alimentación se adquirió junto con la cortadora de muros WS220, puede guardarse en el carrito de transporte suministrado durante el funcionamiento.

Para obtener el máximo rendimiento, la unidad de alimentación debe conectarse a un enchufe trifásico.

Conexión de las unidades

La unidad de alimentación PP220 sólo puede utilizarse con determinados productos Husqvarna.

Conecte la herramienta eléctrica al conector correspondiente (tenga en cuenta que hay dos). El conector superior con una tapa plateada se utiliza para la cortadora de muros WS220. El conector inferior con una tapa negra se utiliza para cortadoras y taladros. Si desea obtener más información, consulte el apartado de «Datos técnicos».



Conexión de la refrigeración por agua

- Con un conector Gardena, conecte la refrigeración por agua a una de las dos conexiones de la unidad de alimentación. Utilice agua limpia para evitar que se atasque el sistema con la suciedad.

Si desea obtener más información, consulte el apartado de «Datos técnicos».

La otra conexión debe conectarse a la herramienta eléctrica, que dispone de varias llaves de paso para regular el caudal de agua que recibe. Consulte el manual de usuario de la herramienta eléctrica correspondiente.

Conexión de una fuente de alimentación

Para obtener el máximo rendimiento, la unidad de alimentación debe conectarse a un enchufe trifásico con toma a tierra que reciba tensión continua. Si desea obtener más información, consulte el apartado de «Datos técnicos».

Si la tensión no es suficiente, el rendimiento se reducirá al 80%.

Si no hay disponible ningún enchufe trifásico, la unidad de alimentación también se puede conectar a un enchufe monofásico.

Use el cable adaptador suministrado para enchufes monofásicos.

El rendimiento que se consigue con un enchufe monofásico es sustancialmente inferior al que ofrece un enchufe trifásico.

Si desea obtener más información, consulte el apartado de «Datos técnicos».

- Durante el funcionamiento, encaje bien las cubiertas del cable y la unidad de alimentación para evitar que entre suciedad y se dañe el conector.

Siempre que sea lo suficientemente potente, se puede conectar un generador de gasolina o diésel como fuente de alimentación. Consulte los casos de uso de un generador en los datos técnicos. El generador debe conectarse a tierra para proteger el funcionamiento de la unidad de alimentación.

AVISO Los generadores pueden generar en ciertas ocasiones una tensión superior o inferior a lo indicado en los datos técnicos, lo que podría dañar la unidad de alimentación.

Instrucciones generales de seguridad



¡ATENCIÓN! Lea todas las advertencias e instrucciones de seguridad. No atender a estas advertencias e instrucciones puede provocar descargas eléctricas, incendios y lesiones graves.

¡IMPORTANTE! Conserve todas las advertencias e instrucciones para su consulta. El término «herramienta eléctrica» empleado en las advertencias hace referencia a una herramienta eléctrica que funciona con conexión a la red de suministro (con cable) o a una herramienta que funciona con batería (sin cable).

Seguridad en el área de trabajo

- **Mantenga el área de trabajo limpia y bien iluminada.** Las zonas abarrotadas de cosas u oscuras favorecen los accidentes.
- **No maneje herramientas eléctricas en ambientes explosivos como aquellos en los que hay líquidos, gases o polvo inflamables.** Las herramientas eléctricas producen chispas que pueden inflamar el polvo o los vapores.
- **Mantenga alejados a los niños y a otras personas mientras trabaje con una herramienta eléctrica.** Las distracciones pueden hacer que pierda el control de esta.

Seguridad eléctrica

- **Los enchufes de las herramientas eléctricas deben corresponder a la toma de corriente utilizada. Nunca modifique el enchufe.** No modifique los enchufes y use las tomas de corriente que se adaptan a estos para reducir el riesgo de descarga eléctrica.
- **Evite el contacto de su cuerpo con superficies puestas a tierra como tuberías, radiadores, cocinas y neveras.** Si su cuerpo está en contacto con el suelo, existe un mayor riesgo de descarga eléctrica.
- **No exponga las herramientas eléctricas a la lluvia o a ambientes húmedos.** El riesgo de recibir descargas eléctricas aumentará si penetra agua en la herramienta eléctrica.
- **No utilice el cable incorrectamente. No use el cable para transportar la herramienta, ni para tirar de ella, ni para desconectarla del conector. Mantenga el cable alejado del calor, el aceite, los bordes afilados y las piezas en movimiento.** Si los cables están dañados o enredados, existe un gran riesgo de que se produzcan descargas eléctricas y, por tanto, deben repararse en un taller de servicio.
- **Cuando trabaje con una herramienta eléctrica en exteriores, utilice un alargador indicado para este uso.** Utilizar un cable adecuado para su uso en exteriores reduce el riesgo de descarga eléctrica.

Seguridad personal

- **Esté siempre atento, fíjese en lo que está haciendo y utilice el sentido común cuando maneje una herramienta eléctrica. No utilice herramientas eléctricas si está cansado o bajo los efectos de estupefacientes, alcohol o medicamentos.** Un momento de descuido, mientras se trabaja con herramientas eléctricas, puede causar lesiones graves.
- **Utilice el equipo de protección individual. Utilice siempre protección para los ojos.** El equipo de protección, como la mascarilla antipolvo, los zapatos de seguridad antideslizantes, el casco o los protectores auditivos, utilizados en función de las condiciones de trabajo, reducirán el riesgo de lesiones.
- **Evite el encendido accidental de la herramienta. Asegúrese de que el interruptor está en la posición de apagado antes de conectar la máquina a la fuente de alimentación y/o la batería, cogerla o transportarla.** Transportar herramientas eléctricas con el dedo puesto sobre el interruptor o encenderlas con el interruptor en la posición de encendido puede provocar accidentes.
- **Quite todas las clavijas de ajuste o llaves de tuercas antes de encender la herramienta eléctrica.** Una llave de tuercas o clavija de ajuste que se ha dejado colocada en una pieza giratoria de la herramienta eléctrica puede causar lesiones.
- **No se estire demasiado. Mantenga una posición correcta y el equilibrio en todo momento.** Esto le permitirá controlar mejor la herramienta eléctrica en situaciones imprevistas.
- **Utilice la ropa adecuada. No utilice nunca ropa amplia ni joyas. Mantenga el pelo, la ropa y los guantes alejados de las piezas móviles.** La ropa amplia, las joyas o el pelo largo pueden quedar atrapados en las piezas móviles.
- **Si se suministran equipos de aspiración o captación de polvo, asegúrese de que estén conectados y se utilicen correctamente.** El uso de estos equipos puede reducir los riesgos derivados del polvo.

Uso y cuidado de la herramienta eléctrica

- **No sobrecargue la herramienta eléctrica. Utilice la herramienta eléctrica adecuada para el trabajo que debe realizar.** Con la herramienta eléctrica apropiada hará el trabajo mejor y con mayor seguridad a la potencia para la que fue diseñada.
- **No utilice la herramienta eléctrica si no funciona la función de conexión/desconexión.** Toda herramienta eléctrica que no pueda controlarse es peligrosa y debe repararse.
- **Desconecte el enchufe de la fuente de alimentación y/o la batería de la herramienta eléctrica antes de realizar cualquier ajuste,**

FUNCIONAMIENTO

cambiar accesorios o guardarla. Estas medidas de seguridad preventivas reducen el riesgo de encendido accidental de la herramienta eléctrica.

- **Guarde las herramientas eléctricas que no se utilicen fuera del alcance de los niños y no permita que personas no familiarizadas con su uso o con estas instrucciones las manejen.** Las herramientas eléctricas resultan peligrosas en manos de usuarios no cualificados.
- **Cuide las herramientas. Compruebe que no haya partes móviles mal alineadas o trabadas, piezas rotas o cualquier otra circunstancia que pueda afectar al funcionamiento de la herramienta eléctrica. Si detecta daños, haga reparar la herramienta eléctrica antes de utilizarla.** Muchos accidentes se deben al uso de herramientas eléctricas que carecen de un mantenimiento adecuado.
- **Mantenga las herramientas de corte afiladas y limpias.** Las herramientas de corte con aristas afiladas y un mantenimiento adecuado tienen menos probabilidades de trabarse y son más fáciles de controlar.
- **Utilice la herramienta eléctrica, los accesorios, útiles, etc. según se indica en estas instrucciones, teniendo en cuenta las condiciones de trabajo y la tarea que debe realizar.** El uso de la herramienta eléctrica para trabajos distintos a aquellos para los que fue diseñada podría dar lugar a situaciones peligrosas.

Servicio

- **Solicite que su herramienta eléctrica sea reparada por personal cualificado y utilizando únicamente piezas de repuesto originales.** Esto garantizará la seguridad de la herramienta.

Emplee siempre el sentido común

Es imposible abarcar todas las situaciones en las que puede encontrarse. Utilice siempre el equipo con cuidado y sentido común. Si se encuentra en alguna situación que le haga sentirse inseguro, deténgase y consulte con un experto. Consulte a su distribuidor, al taller de servicio técnico o a un usuario experimentado. No emplee la máquina en aplicaciones para las que no se considere plenamente cualificado.

Equipo de protección

Generalidades

No use nunca una máquina si no tiene posibilidad de pedir auxilio si se produce un accidente.

Equipo de protección personal

Para trabajar con la máquina debe utilizarse un equipo de protección personal homologado. El equipo de protección personal no elimina el riesgo de lesiones, pero reduce su efecto en caso de accidente. Pida a su distribuidor que le asesore en la elección del equipo.



¡ATENCIÓN! El uso de productos que cortan, pulen, taladran, alisan o forman materiales puede generar polvo y vapores que pueden contener sustancias químicas dañinas. Averiguar la composición del material con que se trabaja y usar una máscara respiratoria adecuada.



¡ATENCIÓN! La exposición prolongada al ruido puede causar daños crónicos en el oído. Por consiguiente, use siempre protectores auriculares homologados. Cuando use protección auditiva preste siempre atención a las señales o llamados de advertencia. Sáquese siempre la protección auditiva inmediatamente después de parar el motor.



¡ATENCIÓN! Existe siempre riesgo de accidentes por apriete al trabajar con aparatos con piezas móviles. Usar guantes protectores para evitar lesiones.

Utilice siempre:

- Casco protector
- Protectores auriculares
- Gafas protectoras o visor
- Máscara respiratoria
- Guantes resistentes de agarre seguro.
- Prendas de vestir ceñidas, resistentes y cómodas que permitan una libertad de movimientos total.
- Botas con puntera de acero y suela antideslizante.

Tener en cuenta que las ropas, el pelo largo y las joyas pueden atascarse en piezas móviles.

Otros equipos de protección



¡ATENCIÓN! Mientras trabaja con la máquina, pueden producirse chispas que podrían ocasionar un incendio. Tenga siempre a mano herramientas para la extinción de incendios.

- Herramientas para la extinción de incendios
- Tenga siempre a mano el equipo de primeros auxilios.

FUNCIONAMIENTO

Precauciones de seguridad de la unidad de alimentación



¡ATENCIÓN! Lea todas las advertencias e instrucciones de seguridad. No atender a estas advertencias e instrucciones puede provocar descargas eléctricas, incendios y lesiones graves.

Este apartado trata las normas de seguridad básicas para trabajar con el dispositivo. Esta información no sustituye en ningún caso los conocimientos y la experiencia de un profesional.

- Lea detenidamente el manual de instrucciones y asegúrese de entender su contenido antes de utilizar la máquina.
- Debe tenerse en cuenta que el operador es responsable de los accidentes o riesgos que ocurran a otras personas o a su propiedad.
- Todos los operadores deben ser formados en el empleo de la máquina. El propietario es responsable de la formación de los operadores.
- La máquina debe mantenerse limpia. Los letreros y las pegatinas deben ser legibles en su totalidad.



¡ATENCIÓN! La máquina, si se utiliza de forma errónea o descuidada, puede ser una herramienta peligrosa que puede causar daños graves e incluso la muerte al usuario y a otras personas.

No permita bajo ningún concepto el empleo o mantenimiento de la máquina por los niños u otras personas no instruidas en el manejo de la misma. Nunca deje que terceros utilicen la máquina sin asegurarse primero de que hayan entendido el contenido de este manual de instrucciones.

Nunca utilice la máquina si está cansado, si ha ingerido alcohol o si toma medicamentos que puedan afectarle la vista, su capacidad de discernimiento o el control del cuerpo.



¡ATENCIÓN! Las modificaciones y/o el uso de accesorios no autorizados comportan riesgo de daños personales graves y peligro de muerte para el usuario y otras personas.

No modifique nunca esta máquina de forma que se desvíe de la versión original, y no la utilice si parece haber sido modificada por otras personas.

No utilice nunca una máquina defectuosa. Lleve a cabo las comprobaciones de seguridad y siga las instrucciones de mantenimiento y servicio de este manual. Algunas medidas de mantenimiento y servicio deben ser efectuadas por especialistas formados y cualificados. Consulte las instrucciones del apartado Mantenimiento.

Utilizar siempre recambios originales.

Seguridad en el trabajo

Seguridad en el área de trabajo

- Averigüe y marque siempre la ubicación del trazado de las tuberías de gas. El corte cerca de las tuberías de gas siempre es peligroso. Procure que no se generen chispas al cortar, debido al riesgo de explosión. Trabaje concentrado en su tarea. La negligencia comporta riesgo de daños personales graves y peligro de muerte.
- Asegúrese de que no haya tuberías o cables eléctricos en la zona de trabajo o en la pieza en la que vaya a trabajar.
- Compruebe que los cables eléctricos que haya en el área de trabajo no tengan tensión.
- Antes de comenzar a trabajar con la máquina, controle siempre que el lugar esté libre y que los pies estén bien afirmados al terreno.
- No trabaje en condiciones atmosféricas desfavorables como niebla, lluvia intensa, tempestad, frío intenso, etc. Trabajar con mal tiempo es cansador y puede crear condiciones peligrosas, por ejemplo suelo resbaladizo.

FUNCIONAMIENTO

Seguridad eléctrica



¡ATENCIÓN! Existe siempre riesgo de sacudidas eléctricas al usar máquinas eléctricas. No usar la máquina en condiciones climáticas desfavorables y evitar el contacto del cuerpo con pararrayos y objetos metálicos. Seguir siempre las instrucciones del manual para evitar daños.



¡ATENCIÓN! No lave la máquina con agua, ya que puede penetrar en el sistema eléctrico o en el motor y causar daños en la máquina o un cortocircuito.

- No utilice nunca la herramienta sin el diferencial que se entrega con ella.
- La máquina se debe enchufar a un enchufe con masa.
- Compruebe que la tensión de red concuerda con la que se indica en la placa de características de la máquina.
- Compruebe que el cable y el cable de empalme está intacto.
- Si se daña un cable, no utilice la máquina. Llévela a reparar a un taller de servicio oficial.
- Un cable de alargue no debe usarse enrollado porque hay riesgo de sobrecalentamiento.

Seguridad personal

- No abandonar nunca la máquina sin vigilar, con el motor en marcha.
- Desenchufe siempre la unidad de alimentación del suministro eléctrico durante periodos de inactividad prolongados.
- Un operador nunca debe trabajar solo; siempre debe haber otra(s) persona(s) cerca. Así, además de tener ayuda para montar la máquina, también puede recibirse asistencia en caso de accidente.
- Las personas y los animales pueden distraer y hacer perder el control de la máquina. Por consiguiente, el operador debe estar siempre concentrado en su trabajo.
- Las personas que deban permanecer cerca deben usar protectores auriculares porque el nivel sonoro al cortar es superior a 85 dB(A).
- Trabaje siempre de modo que pueda acceder fácilmente a la parada de emergencia. En caso de emergencia, pulse el botón rojo de parada de emergencia de la unidad o el botón de parada del control remoto.

Uso y cuidado

Esta máquina está diseñada para utilizarse en combinación con los productos compatibles de Husqvarna. Está prohibido utilizarla de cualquier otra forma.

- La máquina está destinada al uso por operadores experimentados, en aplicaciones industriales.
- El control y/o mantenimiento de la máquina debe hacerse con el motor parado y el enchufe desenchufado.
- Coloque la unidad de alimentación en la zona de trabajo sobre una superficie estable y lejos de posibles salpicaduras de agua. Desconecte siempre la unidad de alimentación antes de moverla.
- Proceda con cuidado en las elevaciones. Las piezas son pesadas, por lo que hay riesgo de daños por apriete y daños personales de otro tipo.
- Nunca desconecte el cable sin desconectar antes la unidad eléctrica y esperar a que la máquina se detenga por completo.
- Compruebe que todas las juntas, conexiones y cables están intactos y limpios.
- Lea el manual de instrucciones suministrado con la herramienta antes de utilizar la máquina.

Transporte y almacenamiento

- Desconecte siempre la unidad eléctrica y el cable eléctrico antes de mover el equipo.
- Sujete bien el equipo durante el transporte para evitar daños y accidentes. Si la unidad de alimentación se adquirió junto con la cortadora de muros WS220, puede guardarse en el carrito de transporte suministrado.
- Guarde el equipo en un lugar seguro fuera del alcance de los niños y las personas no autorizadas.
- Guarde la máquina y el equipo en un lugar seco y protegido de la escarcha.
- No exponga la unidad a temperaturas inferiores a $-30\text{ }^{\circ}\text{C}$ o superiores a $50\text{ }^{\circ}\text{C}$ ni a la luz solar directa.

SISTEMA DE MENÚ

Sistema de menús de la unidad de alimentación

Generalidades

Los textos de la pantalla aparecen en inglés en el manual, pero en la pantalla del producto estarán en el idioma que corresponda.

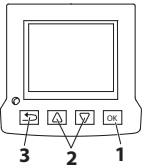
Para más información sobre FreeRTOS, visite www.freertos.org

Al conectar las herramientas K6500 o DM650 a la unidad de alimentación PP220, se utiliza la pantalla de la unidad de alimentación.

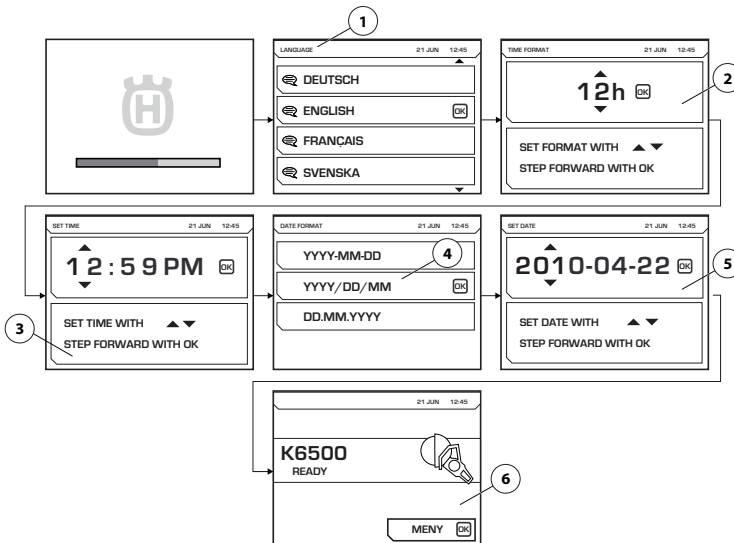
Si la K6500 está en marcha, la pantalla de la unidad de alimentación se apagará.

Al conectar la herramienta WS220 a la unidad de alimentación PP220, se utiliza la pantalla del control remoto. La pantalla de la unidad de alimentación permanecerá apagada.

Utilice los botones de flechas (2) para desplazarse por los menús y el botón «ACEPTAR» (1) para confirmar la selección. Utilice el botón de retroceso (3) para volver atrás en los menús.



Primer arranque



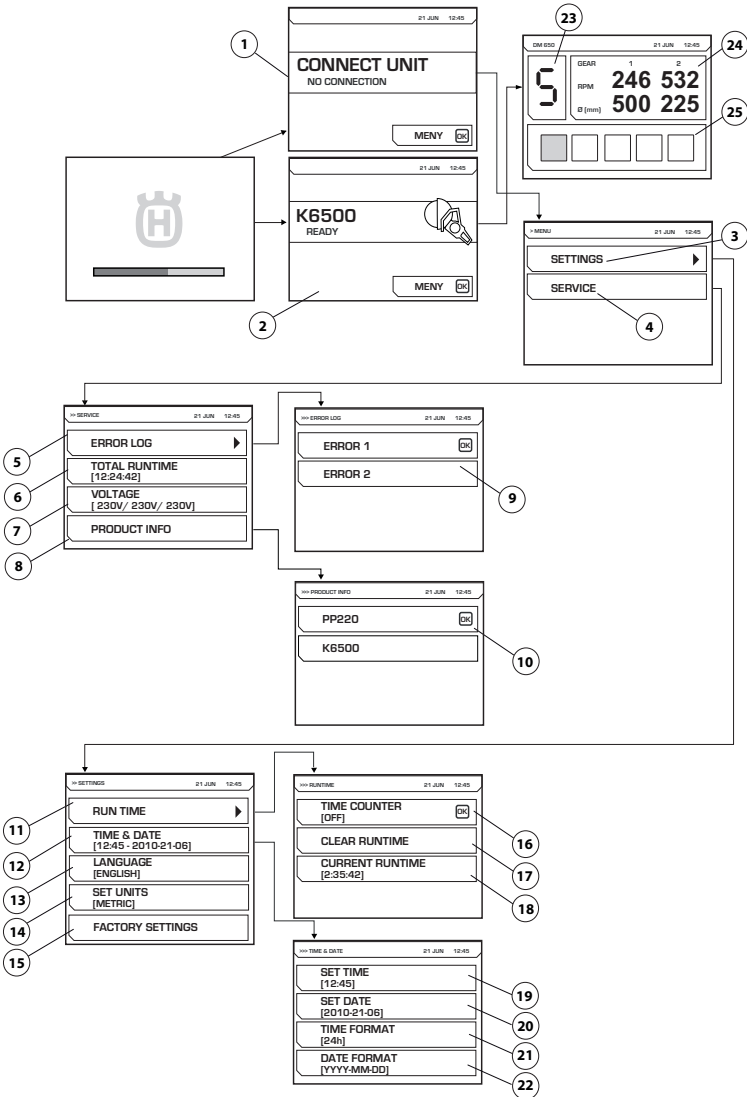
Deben efectuarse los siguientes ajustes durante el primer arranque de la unidad de alimentación:

- LANGUAGE (1) Selección del idioma de pantalla deseado.
- TIME FORMAT (2) Seleccione el formato de hora deseado.
- SET TIME (3) Indique la hora.
- DATE FORMAT (4) Seleccione el formato de fecha deseado.
- SET DATE (5) Indique la fecha.

Una vez realizados, en la pantalla principal aparecerá información sobre la herramienta conectada (6). La imagen es únicamente ilustrativa.

SISTEMA DE MENÚ

Vista general del menú



Consulte la siguiente página si desea obtener una explicación detallada de cada menú.

SISTEMA DE MENÚ

Explicación del sistema de menús

CONNECT UNIT (1)

Esta imagen aparece si la unidad de alimentación no está conectada a ninguna otra herramienta. Conecte la herramienta. Una vez conectada la herramienta, se mostrará la pantalla de inicio (2). Pulse el botón de menú para iniciar los menús de ajustes (3) y servicio (4).

La imagen (1) aparecerá si la herramienta WS220 está conectada a la unidad, pero el control remoto no se ha conectado todavía.

Marcha electrónica

Mientras acciona el DM650, aparecerá una imagen en la pantalla que muestra la marcha electrónica seleccionada (23), las rpm actuales de las marchas mecánicas 1 y 2, así como el diámetro de perforación recomendado para trabajar con estas marchas (24). La carga actual del alimentador (25) del taladro también aparece.

SETTINGS (4)

El menú «Ajustes» está compuesto por submenús que, a su vez, se dividen en varios apartados.

RUN TIME (11)

Tiempo de funcionamiento

TIME COUNTER (16)

En la activación, se inicia un cronómetro que registra el tiempo durante el que la herramienta está activada.

CLEAR RUNTIME (17)

Se utiliza para restaurar el cronómetro.

CURRENT RUN TIME (18)

Tiempo de funcionamiento actual.

TIME AND DATE (12)

Ajuste de hora y fecha.

SET TIME (19)

Indique la hora.

SET DATE (20)

Indique la fecha.

TIME FORMAT (21)

Seleccione el formato de hora deseado. Puede elegir entre las siguientes opciones:

- 12 h
- 24 h

DATE FORMAT (22)

Seleccione el formato de fecha deseado. Puede elegir entre las siguientes opciones:

- YYYY-MM-DD
- YYYY/DD/MM
- DD/MM/YYYY

LANGUAGE (13)

Selección del idioma de pantalla deseado.

FACTORY SETTINGS (15)

Restablecer los ajustes de fábrica:

SERVICIO (4)

MANTEN.

ERROR LOG (5)

Lista de errores (9)

TOTAL RUNTIME (6)

Se muestra el tiempo de funcionamiento total de la máquina.

VOLTAGE (7)

Tensión que recibe la máquina.

PRODUCT INFO (8)

Se muestra información sobre la unidad y la herramienta conectada (10).

Mando a distancia

Generalidades

Cuando se utiliza la unidad de alimentación con la herramienta WS220, puede conectarse un control remoto a la unidad de alimentación para controlar la cortadora de muros. El control remoto viene incluido en el equipamiento de la cortadora de muros, guardado en una caja junto a los demás accesorios.

La cortadora de muros se controla sin cables con el control remoto, que establece comunicación con la unidad de alimentación mediante la radio o mediante el cable CAN.

Para usar por primera vez el control remoto con la unidad de alimentación, deben emparejarse para que funcione la comunicación por radio. Si la unidad de alimentación se adquirió junto con la cortadora de muros, puede que ya estén emparejadas. Si no, el control remoto no podrá conectarse a la unidad de alimentación a través de la radio y en la pantalla se indicará que se están buscando unidades pero no llegará a producirse ninguna conexión. No obstante, para comprobar si están emparejadas, se debe verificar en primer lugar que la unidad de alimentación está activa, con el cable conectado y con la parada de emergencia inactiva.

Siga las instrucciones de configuración del software del control remoto que se ofrecen a continuación para aprender a emparejarlo con la unidad de alimentación.

Configuración del software del control remoto

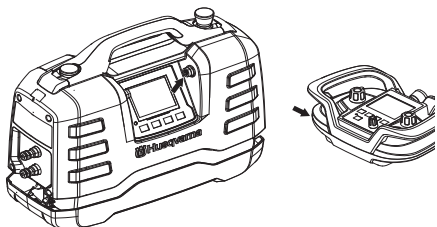
Emparejamiento del control remoto con la unidad de alimentación

Para poder establecer comunicación por radio entre el control remoto y la unidad de alimentación, estos dos dispositivos deben emparejarse.

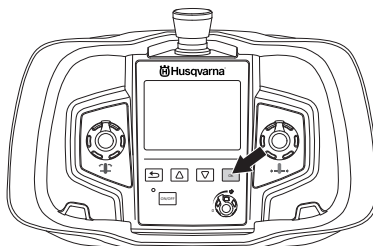
Se trata de una medida de seguridad para garantizar que solo un control remoto dirige la unidad de alimentación. Hasta que no se lleve a cabo esta acción, la comunicación por radio no funcionará.

Si se cambia el control remoto de una unidad de alimentación a otra, será necesario volver a emparejar estos dispositivos.

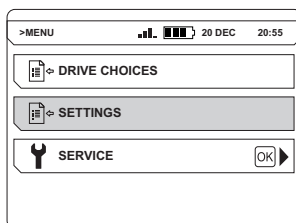
- Conectar el mando a distancia con el cable de CAN incluido en la entrega. Fijar el contacto de cable enroscándolo a mano.



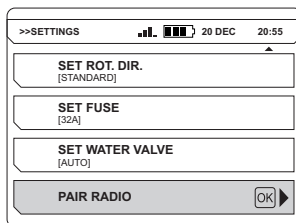
- Deje que el control remoto se cargue por completo y espere a que aparezca la pantalla principal.
- Pulse el botón «ACEPTAR» para acceder al menú.



- Vaya a «AJUSTES». Desplácese con las flechas de dirección y confirme con «OK».



- Vaya a «EMP. RADIO». Desplácese con las flechas de dirección y confirme con «OK».



Se muestra un mensaje en la pantalla para indicar si se ha realizado o no el emparejamiento. Inténtelo de nuevo si el emparejamiento ha fallado.

Consulte el manual de usuario de la cortadora de muros para obtener instrucciones sobre cómo manejar la cortadora con el control remoto.

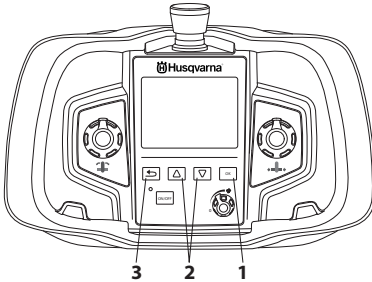
Cuando el control remoto está activo, la pantalla de la unidad de alimentación se apaga.

AVISO El control remoto de PP220 es compatible también con las unidades PP480 HF y PP440 HF. Por ello, el sistema de menús del control remoto incluye submenús que no se corresponden con PP220.

SISTEMA DE MENÚ

Sistema del menú de control remoto

Utilice los botones de flechas (2) para desplazarse por los menús y el botón «ACEPTAR» (1) para confirmar la selección. Utilice el botón de retroceso (3) para volver atrás en los menús.



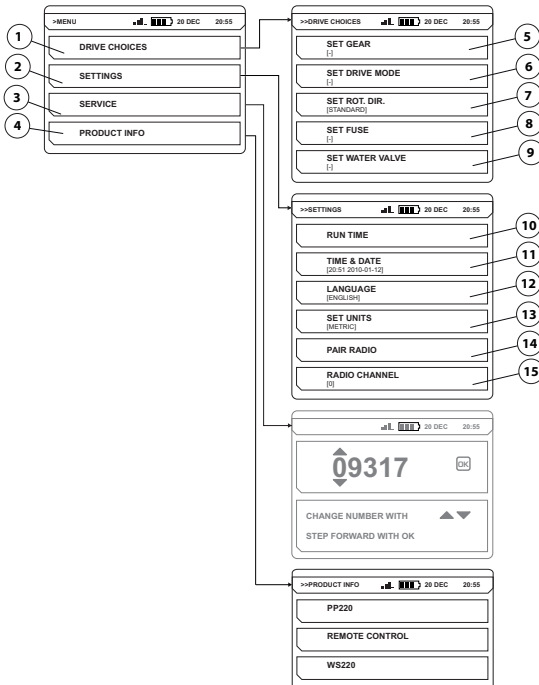
Se puede acceder al sistema de menús del control remoto pulsando el botón «ACEPTAR».

El sistema de menús incluye los siguientes menús:

- OPC. DE CORREA
- AJUSTES
- MANTEN.

El menú de mantenimiento está protegido con una contraseña. Solamente el personal autorizado podrá acceder a los ajustes de este menú para realizar el mantenimiento.

Vista general del menú



SISTEMA DE MENÚ

Consulte la siguiente página si desea obtener una explicación detallada de cada menú.

Explicación del sistema de menús

DRIVE CHOICES (1)

OPC. DE CORREA

SET GEAR (5)

SELECCIONE ENGRANAJE

No aplicable a PP220.

SET DRIVE MODE (6)

SELECCIÓN DE LA POSICIÓN DE FUNCIONAMIENTO

No aplicable a PP220.

SET ROT. DIR. (7)

Seleccione la dirección de rotación deseada.

Solo se podrá modificar la dirección de rotación cuando el disco o cable no estén en movimiento. Puede elegir entre las siguientes opciones:

- ESTÁNDAR
- MARCHA ATRÁS

SET FUSE (8)

AJ. FUSIBLE

No aplicable a PP220.

SET WATER VALVE (9)

Regulación de la válvula de agua.

No aplicable a PP220.

SETTINGS (2)

AJUSTES

RUN TIME (10)

TIEMPO FUNC.

TIME COUNTER (10)

En la activación, se inicia un cronómetro que mide el tiempo durante el que gira el disco o cable y, al menos, una alimentación está activa.

CLEAR RUNTIME

Se utiliza para restaurar el cronómetro.

TIME AND DATE (11)

Ajuste de hora y fecha.

SET TIME

Indique la hora.

SET DATE

Indique la fecha.

TIME FORMAT

Seleccione el formato de hora deseado. Puede elegir entre las siguientes opciones:

- 12 h
- 24 h

DATE FORMAT

Seleccione el formato de fecha deseado. Puede elegir entre las siguientes opciones:

- YYYY-MM-DD
- YYYY/DD/MM
- DD/MM/YYYY

LANGUAGE (12)

Selección del idioma de pantalla deseado.

SET UNITS (13)

Selección de las unidades deseadas. Puede elegir entre las siguientes opciones:

- AMERICANAS
- MÉTRICAS

PAIR RADIO (14)

Empareja el control remoto con la máquina.

RADIO CHANNEL (15)

RADIO CHANNEL (Canal de radio)

El canal de radio debe cambiarse si el usuario experimenta interferencias o una pérdida de comunicación.

El control remoto debe conectarse a la máquina con un cable CAN.

Seleccione el canal de radio que desee. Puede elegir entre las siguientes opciones:

- 0 (2.410 GHz)
- 1 (2.415 GHz)
- ...
- 11 (2.465 GHz)

PRODUCT INFO (4)

Se muestra información sobre la unidad y la herramienta conectada .

Batería

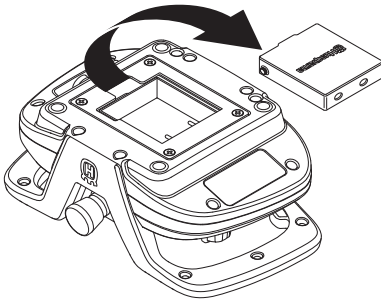
La batería es de ion-litio. Su tiempo de funcionamiento es de 8-10 horas por carga. El frío extremo reduce la capacidad de la batería y el tiempo de funcionamiento. El tiempo de funcionamiento también se ve afectado por el tiempo de actividad de la pantalla.

Utilice solo baterías originales para este producto. Póngase en contacto con su distribuidor para obtener más información.

Las baterías gastadas no deben desecharse junto con la basura doméstica. Llévelas a su taller de servicio más cercano o a un punto de recogida.

Montaje / desmontaje de la batería

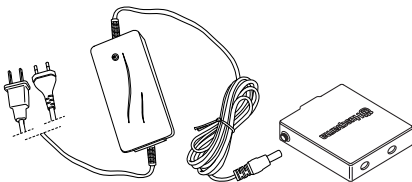
- Monte / desmonte la batería.



Cargar la batería

Antes de usar el control remoto por primera vez, es necesario cargar la batería.

Carga con el cargador de baterías



El tiempo de carga para una batería agotada es de aproximadamente 2-3 horas. El diodo se enciende de color naranja cuando la carga empieza y pasa a color verde cuando la batería se ha cargado por completo. Cuando la batería se ha cargado por completo, el cargador suministra a la batería corriente de mantenimiento hasta que se extraiga del cargador.

Mantenga seco el cargador de batería y protegido de las fluctuaciones de temperatura.

Carga con el cable CAN

El cable CAN no tiene tanta capacidad de carga como el cargador de la batería, por lo que la batería tardará más en cargarse. Sin embargo, el control remoto funciona con normalidad mientras se carga.

ARRANQUE Y PARADA

Antes del arranque



¡ATENCIÓN! Lea detenidamente el manual de instrucciones y asegúrese de entender su contenido antes de utilizar la máquina.

Utilice el equipo de protección personal. Vea las instrucciones bajo el título "Equipo de protección personal".

Asegúrese de que no haya personas desautorizadas en la zona de trabajo, de lo contrario se corre el riesgo de ocasionar graves daños personales.

Controle que la máquina esté correctamente montada y que no esté dañada. Consulte las instrucciones bajo el título «Montaje y ajustes».

- Realice el mantenimiento diario. Consulte las instrucciones bajo el título «Mantenimiento».
- Conexión de una fuente de alimentación
- Conexión de la refrigeración por agua

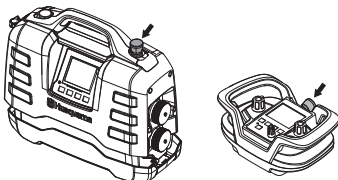
Consulte las instrucciones bajo el título «Montaje y ajustes».

Siempre que sea lo suficientemente potente, se puede conectar un generador de gasolina o diésel como fuente de alimentación. Consulte los casos de uso de un generador en los datos técnicos. El generador debe conectarse a tierra para proteger el funcionamiento de la unidad de alimentación.

AVISO Los generadores pueden generar en ciertas ocasiones una tensión superior o inferior a lo indicado en los datos técnicos, lo que podría dañar la unidad de alimentación.

Arranque

- Inicie el suministro de agua a la unidad de la alimentación.
- Compruebe que ni el botón de parada de emergencia de la unidad de alimentación ni el botón de parada del control remoto están pulsados girándolos en el sentido de las agujas del reloj.



- Se activará la herramienta conectada y se aparecerá la información en la pantalla.

Siga las instrucciones del manual correspondiente a la herramienta conectada.

Parada

Siga las instrucciones del manual correspondiente a la herramienta conectada.

- Pulse el botón de parada de emergencia de la unidad de alimentación.
- Pare el suministro de agua a la unidad de la alimentación.

Generalidades



¡ATENCIÓN! El usuario sólo puede efectuar los trabajos de mantenimiento y servicio descritos en este manual. Los trabajos de mayor envergadura debe efectuarlos un taller de servicio oficial.

La vida útil de la máquina puede acortarse y el riesgo de accidentes puede aumentar si el mantenimiento de la máquina no se hace de forma adecuada y si los trabajos de servicio y/o reparación no se efectúan de forma profesional. Para más información, consulte con el taller de servicio oficial más cercano.

Mantenimiento diario

- Compruebe que el equipo de seguridad de la máquina está intacto. Consulte las instrucciones del apartado «Equipo de seguridad de la máquina».
- Compruebe que el cable y el cable de empalme está intacto.
- Limpiar siempre todo el equipo después de cada turno de trabajo. Utilice un cepillo manual extrafuerte o una brocha grande.
- Asegúrese de que los conectores y los pines están limpios. Límpielos con un trapo o un cepillo.

AVISO No utilice un equipo de limpieza a alta presión para limpiar la máquina. El chorro de alta presión puede dañar las juntas y hacer que se introduzca agua y suciedad en el interior de la máquina, provocando daños graves.

Servicio

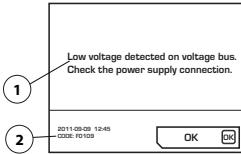


¡ATENCIÓN! Las reparaciones de todo tipo deben ser efectuadas por técnicos autorizados, únicamente. De este modo se evita someter a los operadores a grandes riesgos.

MANTENIMIENTO

Mensajes de fallo

En caso de error, se muestran en la pantalla un mensaje de error (1) y un código de error (2). La imagen es únicamente ilustrativa.



Cómo proceder con los mensajes de error:

- Pulse 'OK' en la pantalla o active el acelerador de la herramienta conectada. Si el mensaje de error desaparece, no es necesario realizar ninguna otra acción.

Si el sistema se congela y no se puede proceder: Desconecte el conector del enchufe con toma de tierra y vuelva a conectar la fuente de alimentación. Consulte las instrucciones bajo el título «Montaje y ajustes».

Si el error persiste, siga las instrucciones de la guía para la resolución de problemas o póngase en contacto con un distribuidor autorizado.

El software de la unidad de alimentación puede actualizarse. Póngase en contacto con su taller de servicio para obtener más información.

Tabla de localización de fallos

Código de fallo	Mensajes de fallo	Causa	Medida
F0101	Corriente en amperios interna muy alta	Corriente herram. muy alta	Póngase en contacto con el taller de servicio si el problema persiste.
F0103	Error en Hardware Interno	Error hardware	Póngase en contacto con el taller de servicio si el problema persiste.
F0104	Error en el voltaje BUS	Err. tens. herram.	Compruebe aliment.

MANTENIMIENTO

F0105	Voltaje BUS alto. Comprobar la connexion	Frenado demasiado agresivo	Póngase en contacto con el taller de servicio si el problema persiste.
F0106	Temperatura modulo IGBT alta	Unidad de alimentación sobrecalentada	Aumente el caudal de agua refrigerante. Utilice siempre agua limpia para que no se atasquen los canales de agua. Consulte los Datos técnicos para conocer las especificaciones de caudal, temperatura y presión del agua.
F0107	La seta de emergencia esta conectada	Parada de emergencia pulsada.	Reinicie bot. emergen.
FXX08*	Temperatura del motor demasiado alta	Temperatura motor demasiado alta	Aumente el caudal de agua refrigerante. Utilice siempre agua limpia para que no se atasquen los canales de agua. Consulte los Datos técnicos para conocer las especificaciones de caudal, temperatura y presión del agua.
F0109	Voltaje BUS bajo. Comprobar la connexion	Fallo alimentación interna	Compr pot entr o contacte serv. téc.
F0110	Error en ventil. refriger. Compruebe ventil. refriger.	Ventil. defect.	Compruebe y cambie vent.
F0111	El reloj interno de la maquina esta desconectado	El reloj se ha parado	Contacte serv. para cambio batería
F0112	Tension de entrada muy bajo	Tensión entrada baja	Compruebe manual tensión entr. mín
F0113	Tension de entrada muy alto	Tensión entrada alta	Compruebe manual tensión entr. máx
FXX14*	Alerta de sensor de temperatura	Interrupción o cortocircuito del sensor de temperatura	Contacte con su taller de servicio.
FXX15*	Error en Hardware Interno	Error hardware	Póngase en contacto con el taller de servicio si el problema persiste.
FXX16*	Error en Hardware Interno	Error hardware	Póngase en contacto con el taller de servicio si el problema persiste.
F0117	Error en Hardware Interno	Error hardware	Póngase en contacto con el taller de servicio si el problema persiste.
F0118	Error en Hardware Interno	Error hardware	Póngase en contacto con el taller de servicio si el problema persiste.
F0119	Alerta de sensor de temperatura	Unidad de alimentación sobrecalentada	Aumente el caudal de agua refrigerante. Utilice siempre agua limpia para que no se atasquen los canales de agua. Consulte los Datos técnicos para conocer las especificaciones de caudal, temperatura y presión del agua.

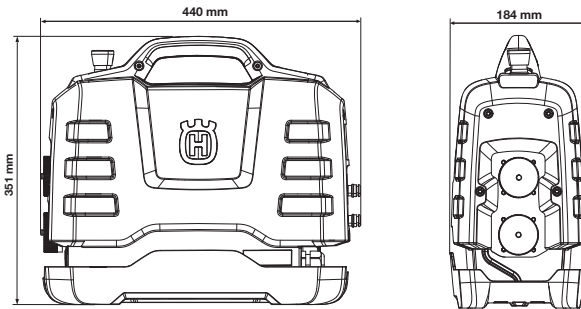
* XX = números diferentes según la herramienta conectada a la unidad de alimentación.

DATOS TECNICOS

Datos técnicos

Motor	PP220
Salida máx., kW	6,5
Corriente nominal trifásica a 400V, A	12
Corriente nominal monofásica, A	16
Corriente recibida trifásica, V	200-480
Corriente recibida monofásica, V	220-240
Conexión eléctrica	
Trifásica	L1+L2+L3+N+PE/L1+L2+L3+PE
Monofásico	L+N+PE
Resultado del generador: en min y kVA.	
400V, 16A	12
Peso, kg	
Unidad eléctrica	10,8
Refrigeración por agua	
Presión del agua - máx, bar	7
Caudal mínimo de agua refrigeradora, l/min	3,5
Temperatura máx. de la refrigeración hidráulica a 3,5 l/min, °C	25
Sistema de control	
Tipo de control	Mando a distancia
Transmisión de la señal	Inalámbrico / cable

Dimensiones



Casos de uso de un generador

	Potencia de PP220	Tensión generada por el generador (V)	Tensión mínima recomendada que debe generar el generador (kVA)
Trifásica	Potencia total	3x400, 3x416, 3x440, 3x480	10
	Potencia reducida	3x208, 3x220, 3x240	
Monofásico	Potencia reducida	220-240	5

Dimensiones de cable recomendadas

AVISO Un buen funcionamiento del motor depende de la tensión adecuada. Si la alargadera es demasiado larga o poco gruesa, se reducirá la potencia cuando el motor esté cargado, lo que derivará en problemas de rendimiento o funcionamiento.

Declaración CE de conformidad

(Rige sólo para Europa)

Husqvarna AB, SE-561 82 Huskvarna, Suecia, teléfono +46-36-146500, declara bajo su exclusiva responsabilidad que la unidad eléctrica **Husqvarna PP220**, a partir de los números de serie del año 2013 (el año se indica claramente en texto plano en la placa de modelo, junto con el número de serie), cumple con las disposiciones de las Directivas del Consejo:

- **2006/42/CE** «relativa a máquinas» del 17 de mayo de 2006.
- **2004/108/CEE**, "referente a compatibilidad electromagnética", del 15 de diciembre de 2004.
- **2006/95/CE** del 12 de diciembre de 2006 relativa a equipos eléctricos.
- Del 9 de marzo de 1999 sobre equipos radioeléctricos y equipos terminales de telecomunicación (**1999/5/EG**).
- del 8 de junio de 2011 «sobre restricciones a la utilización de determinadas sustancias peligrosas» (**2011/65/UE**)

Se han aplicado las siguientes normas:

EN ISO 12100:2010, EN 55014-1:2006, EN 55014-2/A1:2001, EN 61000-3-2:2006, EN 61000-3-3:2008, EN 60745-1:2009.

Gotemburgo, 19 de septiembre de 2013



Helena Grubb

Vicepresidente, maquinaria para la construcción Husqvarna AB

(Presentante autorizado de Husqvarna AB y responsable de la documentación técnica.)

EXPLICAÇÃO DOS SÍMBOLOS

Símbolos na máquina

ATENÇÃO! A máquina, se for usada de forma indevida ou incorrecta, pode ser perigosa, causando sérios ferimentos ou mesmo a morte do utente ou outras pessoas.

Leia as instruções para o uso com toda a atenção e compreenda o seu conteúdo antes de fazer uso da máquina.

Use sempre:

- Capacete protector aprovado
- Protectores acústicos aprovados
- Óculos ou viseira de protecção

A inspecção e/ou manutenção é efectuada com o motor desligado e com a ficha de retirada da tomada de corrente.

Este produto está conforme as directivas em validade da CE.

Marca ambiental. O símbolo no produto ou respectiva embalagem indica que este produto não pode ser processado como detritos domésticos. O produto deve então ser entregue a uma estação de reciclagem adequada para reciclagem de equipamento eléctrico e electrónico.

Providenciando para que este produto seja processado de forma correcta, você pode contribuir para contrariar potenciais consequências negativas para o meio ambiente e pessoas, que caso contrário, podem ser provocadas pela gestão inadequada dos resíduos deste produto.

Para mais informação sobre a reciclagem deste produto, contacte os serviços competentes da sua autarquia, o serviço de recolha de resíduos domésticos ou o estabelecimento onde adquiriu o produto.

Os restantes símbolos e autocolantes existentes na máquina dizem respeito a exigências específicas para homologação em alguns países.



Explicação dos níveis de advertência

As advertências são classificadas em três níveis.

ATENÇÃO!



ATENÇÃO! Utilizado no caso de existir risco de ferimento grave ou morte para o operador ou de danos nas zonas envolventes, se não forem seguidas as instruções do manual.

CUIDADO!



CUIDADO! Utilizado no caso de existir risco de ferimento para o operador ou de danos nas proximidades, se não forem seguidas as instruções do manual.

ATENÇÃO!

ATENÇÃO! Utilizado se existir risco de danos para os materiais ou para a máquina, se não forem seguidas as instruções do manual.

ÍNDICE

Índice

EXPLICAÇÃO DOS SÍMBOLOS

Símbolos na máquina	46
Explicação dos níveis de advertência	46

ÍNDICE

Índice	47
--------------	----

APRESENTAÇÃO

Prezado cliente!	48
Design e características	48
PP220	48

COMO SE CHAMA?

O que é o quê na unidade de alimentação?	49
--	----

EQUIPAMENTO DE SEGURANÇA DA MÁQUINA

Noções gerais	50
---------------------	----

MONTAGEM E AJUSTAMENTOS

Instale a unidade de alimentação	51
Ligar as unidades	51
Ligar a água de arrefecimento	51
Ligue uma fonte de alimentação	51

OPERAÇÃO

Instruções gerais de segurança	52
Equipamento de protecção	53
Precauções de segurança da unidade de alimentação	54
Segurança do trabalho	54
Transporte e armazenagem	55

SISTEMA DE MENU

Sistema de menu da unidade de alimentação	56
Visão geral do menu	57
Explicação do sistema de menu	58

SISTEMA DE MENU

Controlo remoto	59
Definições de software, controlo remoto	59
Sistema de menu do controlo remoto	60
Visão geral do menu	60
Explicação do sistema de menu	61
Bateria	62

ARRANQUE E PARAGEM

Antes de ligar	63
Arranque	63
Paragem	63

MANUTENÇÃO

Noções gerais	64
Controle diário	64
Assistência	64
Mensagens de erro	65

ESPECIFICAÇÕES TÉCNICAS

Especificações técnicas	66
Dimensões de cabo recomendadas	66
Certificado CE de conformidade	67

APRESENTAÇÃO

Prezado cliente!

Muito obrigado por escolher um produto Husqvarna! Esperamos que ficará satisfeito com a sua nova máquina e que ela o acompanhará durante muito tempo. A compra de qualquer dos nossos produtos dá-lhe acesso a ajuda profissional, incluindo reparações e assistência técnica. Se não tiver adquirido a sua máquina num dos nossos revendedores autorizados, pergunte onde fica a oficina especializada mais próxima.

Este manual tem um grande valor. Certifique-se de que este manual se encontra sempre à mão no local de trabalho. Seguindo o seu conteúdo (utilização, assistência técnica, manutenção, etc) aumentará consideravelmente a vida útil da máquina bem como o preço de venda em segunda mão da mesma. Se vender a sua máquina, entregue as instruções de utilização ao novo proprietário.

Mais de 300 anos de inovação

A Husqvarna, empresa baseada na Suécia, tem como base uma tradição que remonta a 1689, quando o rei sueco Karl XI mandou construir uma fábrica para fabricar mosquetes. Na época, estabeleceram-se as fundações para o desenvolvimento de capacidades relacionadas com a engenharia que se encontra por detrás de alguns dos produtos mais conhecidos do mundo, tais como armas de caça, bicicletas, motociclos, aparelhos domésticos, máquinas de costura e ferramentas para uso em exteriores.

A Husqvarna é a líder global em ferramentas motorizadas para uso em exteriores, tais como em silvicultura, manutenção de jardins e parques, cuidados da relva, bem como na área do equipamento de corte e ferramentas de diamante para a construção e a indústria de extracção e transformação de pedra.

Responsabilidade do proprietário

É da responsabilidade do proprietário/entidade empregadora que o operador tenha conhecimento suficiente sobre como utilizar a máquina em segurança. Os supervisores e os operadores devem ter lido e compreendido o Manual do Operador. Devem conhecer:

- As instruções de segurança da máquina.
- As diversas aplicações da máquina e as suas limitações.
- O modo como a máquina deve ser utilizada e mantida.

A legislação nacional poderá regular a utilização desta máquina. Informe-se da legislação aplicável no seu local de trabalho antes de utilizar esta máquina.

Ressalvas do fabricante

No seguimento da publicação deste manual, a Husqvarna poderá emitir informações adicionais para garantir uma operação segura deste produto. O proprietário tem o dever de se manter actualizado quanto aos métodos de operação mais seguros.

Husqvarna AB efectua o desenvolvimento contínuo dos seus produtos, reservando-se o direito de introduzir modificações referentes, entre outros, ao aspecto e forma dos mesmos sem aviso prévio.

Para obter informação e assistência, contacte-nos através do nosso website: www.usa.husqvarnacp.com
48 – Portuguese

Design e características

Trata-se de um produto incluído na gama de equipamento que utiliza energia de alta frequência para corte, perfuração e serragem de paredes. Estes são concebidos para cortar materiais rígidos, como alvenaria e betão armado, não devendo ser utilizados para fins não descritos no presente manual.

Os nossos valores, tais como a elevada performance, fiabilidade, tecnologia inovadora, soluções técnicas avançadas e o cuidado do ambiente, distinguem os produtos Husqvarna. Para garantir uma operação segura deste produto, o operador deverá ler atentamente este manual. Consulte o seu concessionário ou contacte a Husqvarna, caso necessite de informações adicionais.

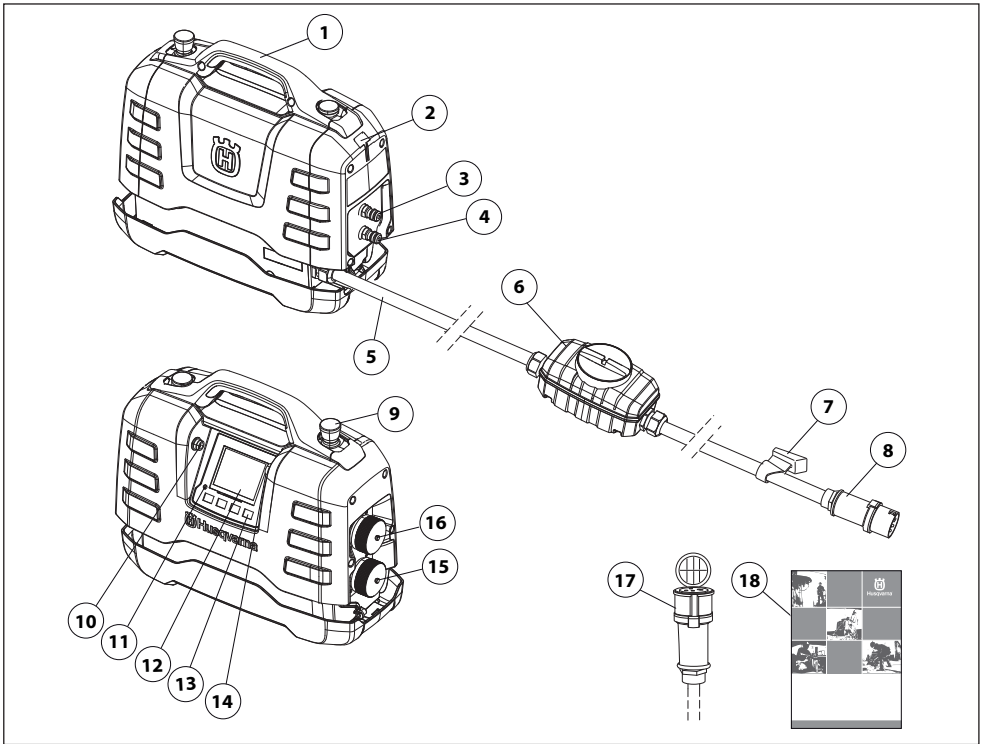
Algumas das características únicas dos nossos produtos encontram-se descritas em baixo.

PP220

A unidade de alimentação foi concebida especialmente para o accionamento de ferramentas Husqvarna com um motor de alta frequência.

- A unidade proporciona uma saída de elevada potência e pode utilizar uma entrada monofásica ou trifásica, o que a torna flexível e prática.
- O operador pode facilmente fazer ajustes e monitorizar a informação do sistema por meio do visor digital na unidade.
- É utilizado um controlo remoto sem fios para controlar a serra de parede; o controlo remoto está apenas incluído aquando da aquisição de equipamento de serra de parede WS220.
- O controlo remoto proporciona ao operador liberdade de movimento e uma visão sem obstáculos da tarefa em execução. É fácil de controlar, mesmo utilizando luvas. A alteração de definições e a operação são efectuadas através de apenas alguns botões. O controlo remoto possui um visor digital a cores de 3,5 polegadas.
- O design é ligeiro, compacto e ergonómico, o que faz com que a unidade seja muito fácil de transportar.
- A unidade é arrefecida a água

COMO SE CHAMA?



O que é o quê na unidade de alimentação?

- | | |
|--|--|
| 1 Punho | 10 Ligação USB |
| 2 Espaço para o suporte para cabo | 11 Indicador de sobretensão |
| 3 Ligação de entrada/saída de água | 12 Display |
| 4 Ligação de entrada/saída de água | 13 Teclas de selecção |
| 5 Cabo de alimentação | 14 Ligação CAN |
| 6 Interruptor corta-circuito em caso de falha na terra | 15 Conector para broca e cortador de disco |
| 7 Suporte para cabo | 16 Conector para serra de parede |
| 8 Conector | 17 Cabo adaptador |
| 9 Paragem de emergência | 18 Instruções para o uso |

EQUIPAMENTO DE SEGURANÇA DA MÁQUINA

Noções gerais



ATENÇÃO! Nunca use uma máquina com peças de segurança defeituosas. Se a sua máquina não satisfizer a algum desses controlos, deverá ser enviada a uma oficina autorizada para reparação.

Nesta secção esclarecem-se quais são as peças de segurança da máquina, que função desempenham e ainda como efectuar o controlo e a manutenção para se certificar da sua operacionalidade.

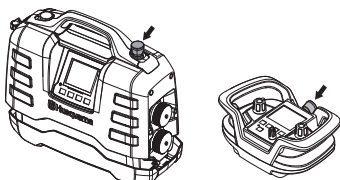
Esta máquina pode ser utilizada em combinação com outros produtos. Leia as instruções fornecidas com os produtos com atenção e compreenda o seu conteúdo antes de fazer uso da máquina.

Verifique o equipamento de segurança diariamente.

Verifique também o equipamento de segurança da ferramenta eléctrica que será ligada à unidade de alimentação, consulte o manual do utilizador da ferramenta eléctrica correspondente para verificar o equipamento de segurança.

Paragem de emergência e botão de paragem

As paragens de emergência existentes na unidade e no controlo remoto diminuem a velocidade da ferramenta ligada e desligam-na da fonte de alimentação.

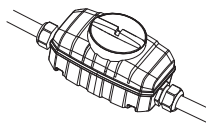


Testar a paragem de emergência

- Verifique se o botão de paragem de emergência não está premido, fazendo-o girar a direcção dos ponteiros do relógio.
- Inicie a ferramenta ligada.
- Prima o botão de paragem de emergência e certifique-se de que a ferramenta ligada pára.
- Ao utilizar a serra de parede, o botão de paragem deverá ser controlado da mesma forma.

Interruptor corta-circuito em caso de falha na terra

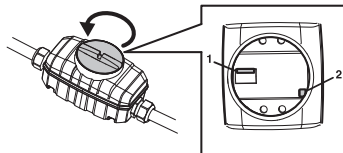
Encontra-se instalado um dispositivo diferencial para proteger os operadores em caso de falha eléctrica.



Verifique o interruptor corta-circuito em caso de falha de terra

A verificação do dispositivo diferencial tem de ser efectuada com a unidade de alimentação ligada a uma tomada trifásica.

- Ligue a unidade de alimentação a uma tomada trifásica com ligação à terra.
- Abra a tampa do dispositivo diferencial para aceder ao interruptor (1) e ao botão de teste (2).



- Regule o controlo do dispositivo diferencial para a posição 1.
- Prima o botão de teste. O dispositivo diferencial tem de disparar para desligar a unidade da fonte de alimentação.
- Reinicie o dispositivo diferencial, colocando o interruptor na posição 0 e, em seguida, na posição 1.
- Volte a colocar a tampa e aperte-a.

O dispositivo diferencial tem de ser testado a cada duas semanas com o botão de teste.

MONTAGEM E AJUSTAMENTOS

Instale a unidade de alimentação

Coloque a unidade de alimentação no local de trabalho, certificando-se de que se encontra numa superfície estável e protegida de qualquer spray de água.

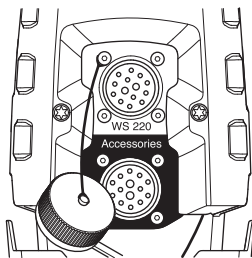
Se a unidade de alimentação tiver sido adquirida juntamente com o equipamento de serra de parede WS220, durante a operação pode ser facilmente armazenada no local indicado, dentro do carrinho de transporte fornecido.

Para um desempenho máximo, a unidade de alimentação tem de ser ligada a uma tomada trifásica.

Ligar as unidades

A unidade de alimentação PP220 deverá ser utilizada apenas com os produtos Husqvarna identificados.

Ligue a ferramenta eléctrica à tomada de alimentação indicada, note que existem duas tomadas de alimentação distintas. A tomada de alimentação superior, de tampa prateada, é utilizada para a serra de parede WS220. A tomada de alimentação inferior, com uma tampa preta, é utilizada para cortadores de disco e máquinas de perfuração. Para mais informações, ver a secção de "Especificações Técnicas".



Ligar a água de arrefecimento

- Ligue a água de arrefecimento à unidade de alimentação com um conector de água Gardena através de uma das duas ligações da água. Não se esqueça de utilizar água de arrefecimento limpa para evitar que a sujidade entupa o sistema de água.

Para mais informações, ver a secção de "Especificações Técnicas".

A outra ligação da água deve ser ligada à ferramenta eléctrica, a qual possui várias torneiras reguladoras para controlar o fluxo da água de arrefecimento. Consulte o manual do utilizador da ferramenta eléctrica em questão.

Ligue uma fonte de alimentação

Para um máximo desempenho, a unidade de alimentação deve estar ligada a uma tomada trifásica com ligação à terra e tensão contínua. Para mais informações, ver a secção de "Especificações Técnicas".

A uma tensão inferior, dá-se uma redução linear na potência útil disponível até aos 80%.

Se não estiver disponível uma ligação eléctrica trifásica, a unidade de alimentação pode também ser ligada a uma tomada monofásica.

Utilize o cabo adaptador fornecido para a ligação monofásica.

A potência útil para funcionamento com ligação monofásica é significativamente inferior ao funcionamento com ligação trifásica.

Para mais informações, ver a secção de "Especificações Técnicas".

- Durante o funcionamento, instale as tampas do cabo e da unidade de alimentação para evitar a entrada de sujidade nas mesmas, o que pode danificar o conector.

É possível utilizar um gerador a gasolina ou a diesel como fonte de alimentação, se este tiver potência suficiente. Consulte os casos típicos de funcionamento do gerador nas especificações técnicas. O gerador tem de estar sempre ligado à terra para protecção do funcionamento da unidade de alimentação.

ATENÇÃO! A presença de um gerador que, em determinadas situações, gera uma tensão de entrada fora do intervalo de tensão especificado na ficha de especificações técnicas pode danificar a unidade de alimentação.

OPERAÇÃO

Instruções gerais de segurança



ATENÇÃO! Leia todos os avisos de segurança e todas as instruções. A inobservância dos avisos e instruções pode resultar em choques eléctricos, incêndio e/ou lesões graves.

IMPORTANTE! Guarde todos os avisos e instruções para referência futura. O termo "ferramenta eléctrica" nos avisos refere-se a ferramentas (com fio) ligadas à corrente eléctrica ou a ferramentas (sem fio) de funcionamento a bateria.

Segurança no local de trabalho

- **Mantenha a área de trabalho limpa e bem iluminada.** Áreas desarrumadas ou escuras convidam ao acidente.
- **Não maneje ferramentas eléctricas em ambientes explosivos, tal como na presença de líquidos inflamáveis, gases ou poeiras.** As ferramentas eléctricas criam faíscas que podem poeiras ou gases.
- **Mantenha as crianças e restantes pessoas afastadas enquanto maneja uma ferramenta eléctrica.** As distrações podem fazê-lo perder o controlo.

Segurança no manejo de electricidade

- **As fichas das ferramentas eléctricas têm de corresponder à tomada eléctrica. Nunca modifique a ficha de qualquer forma.** As fichas não modificadas e tomadas eléctricas correspondentes reduzirão o risco de choque eléctrico.
- **Evite o contacto corporal com superfícies ligadas à terra, tais como tubos, radiadores, fogões e frigoríficos.** Existe um risco acrescido de choque eléctrico se o seu corpo estiver ligado à terra.
- **Não exponha ferramentas eléctricas a chuva ou condições de elevada humidade.** Se a água entrar numa ferramenta eléctrica irá aumentar o risco de choque eléctrico.
- **Não utilize o cabo de forma incorrecta. Não utilize o cabo para transportar ou puxar a ferramenta eléctrica nem para a desligar da tomada de alimentação. Mantenha o cabo afastado de fontes de calor, óleo, arestas afiadas e peças em movimento.** Os cabos danificados ou enredados aumentam o risco de choque eléctrico e têm, por esse motivo, de ser substituídos numa oficina.
- **Ao manejar uma ferramenta eléctrica no exterior, use uma extensão eléctrica adequada para utilização em exteriores.** A utilização de uma extensão eléctrica adequada para utilização em exteriores reduz o risco de choque eléctrico.

Segurança pessoal

- **Mantenha-se alerta, tenha atenção às suas acções e use o bom senso ao manejar uma ferramenta eléctrica. Não use uma ferramenta eléctrica se estiver cansado ou sob a influência de drogas, álcool ou medicação.** Um momento de desatenção durante o manejo de ferramentas eléctricas pode resultar em lesões pessoais graves.
- **Use equipamento de protecção pessoal. Use sempre protecção ocular.** O equipamento de protecção como máscara respiratória, calçado de segurança antiderrapante, capacete de segurança ou protecção dos ouvidos, usados para as condições adequadas, reduzirão as lesões pessoais.
- **Evite o arranque não intencional. Assegure-se de que o interruptor está na posição OFF (desligado) antes de ligar a uma fonte de alimentação eléctrica e/ou baterias, antes de pegar ou transportar a ferramenta.** Transportar ferramentas eléctricas com o dedo no interruptor ou ligar ferramentas eléctricas à corrente eléctrica com o interruptor ligado é um convite aos acidentes.
- **Remova qualquer chave de ajuste ou chave de porcas antes de ligar a ferramenta à corrente eléctrica.** Uma chave de porcas ou uma chave ligada a uma peça em rotação da ferramenta eléctrica pode resultar em lesões pessoais.
- **Não se debruce. Mantenha o equilíbrio e os pés sempre bem assentes.** Isto permite um melhor controlo da ferramenta eléctrica em situações inesperadas.
- **Vista-se adequadamente. Não use peças de roupa soltas ou jóias. Mantenha o cabelo, roupas e luvas longe de quaisquer peças em movimento. Roupas soltas, jóias ou cabelo comprido podem ser apanhados nas peças em movimento.**
- **Se forem fornecidos dispositivos para a ligação a equipamentos de extracção e de recolha de poeiras, certifique-se de que os mesmos estão ligados e são usados adequadamente.** A utilização de um equipamento de recolha de poeiras pode reduzir os riscos relacionados com poeiras.

OPERAÇÃO

Utilização e manutenção de ferramentas eléctricas

- **Não force a ferramenta eléctrica.** Use a ferramenta eléctrica correcta para a sua aplicação. A ferramenta eléctrica correcta fará um trabalho melhor e mais seguro ao ritmo para o qual foi desenhada.
- **Não use a ferramenta eléctrica se a função de ligar/desligar designada de cada ferramenta eléctrica não a ligar ou desligar.** Qualquer ferramenta eléctrica que não possa ser controlada correctamente é perigosa e tem de ser reparada.
- **Desligue a ficha da fonte de alimentação eléctrica e/ou baterias da ferramenta eléctrica antes de fazer qualquer ajuste, mudar acessórios ou guardar ferramentas eléctricas.** Estas medidas de prevenção reduzem o risco de ligar a ferramenta eléctrica acidentalmente.
- **Guarde ferramentas eléctricas que não estão na ser utilizadas fora do alcance das crianças e não permita que qualquer pessoa não familiarizada com a ferramenta eléctrica ou com as suas instruções manje a ferramenta eléctrica.** As ferramentas eléctricas são perigosas nas mãos de utilizadores inexperientes.
- **Faça a manutenção às ferramentas eléctricas. Verifique quanto a desalinhamentos ou bloqueio de peças móveis, danos de peças e qualquer outra condição que possa afectar o funcionamento da ferramenta eléctrica. Se estiver danificada, repare a ferramenta eléctrica antes de a usar.** Muitos acidentes são causados por ferramentas eléctricas com má manutenção.
- **Mantenha as ferramentas de corte afiadas e limpas.** Ferramentas de corte com as zonas de corte afiadas e bem mantidas têm menos probabilidades de bloquear e são mais fáceis de controlar.
- **Use a ferramenta eléctrica, acessórios e brocas, etc. de acordo com estas instruções, tomando em consideração as condições de funcionamento e o trabalho a ser executado.** A utilização da ferramenta eléctrica para operações diferentes das previstas pode resultar em situações perigosas.

Assistência

- **Em caso de necessidade de assistência, leve a sua ferramenta eléctrica a um técnico de reparações qualificado e que utilize apenas peças de substituição idênticas.** Isto irá assegurar que a segurança das ferramentas eléctricas é mantida.

Use sempre o seu bom senso

Não é possível cobrir todas as situações possíveis que poderá enfrentar. Actue sempre com precaução e use de senso comum. Caso se encontre numa situação em que se sinta inseguro, interrompa o trabalho e consulte um especialista. Contacte o seu revendedor, a sua oficina de serviço ou um utilizador experiente. Evite toda a utilização para a qual não se sinta suficientemente habilitado!

Equipamento de protecção

Noções gerais

Nunca use uma máquina sem que possa pedir ajuda em caso de acidente.

Equipamento de protecção pessoal

Em quaisquer circunstâncias de utilização da máquina deve ser utilizado equipamento de protecção pessoal aprovado. O equipamento de protecção pessoal não elimina o risco de lesão mas reduz os seus efeitos em caso de acidente. Consulte o seu concessionário na escolha do equipamento.



ATENÇÃO! A utilização de produtos de corte, esmerilhamento, perfuração, polimento ou configuração de material, podem criar poeiras e vapores contendo químicos prejudiciais para a saúde. Informe-se sobre a composição do material com que trabalha e use uma máscara respiratória adequada.



ATENÇÃO! A exposição prolongada a ruídos pode provocar danos auditivos permanentes. Por isso, use sempre protectores acústicos aprovados. Esteja sempre atento a sinais de alarme ou avisos de viva voz quando usar protectores acústicos. Retire os protectores acústicos logo que o motor tenha parado.



ATENÇÃO! Ao trabalhar com produtos com peças móveis, há sempre o risco de esmagamento. Use luvas de trabalho para evitar ferimentos.

Use sempre:

- Capacete de protecção
- Protectores acústicos
- Óculos ou viseira de protecção
- Máscara respiratória
- Luvas fortes e de agarre seguro.
- Vestuário justo, forte e confortável que permita total liberdade de movimentos.
- Botas com biqueiras de aço e solas antideslizantes.

Tenha cuidado com peças de vestuário, cabelos compridos e adornos, dado que podem prender-se em componentes móveis.

Outro equipamento de protecção



ATENÇÃO! Podem originar-se faíscas que podem causar um incêndio, ao trabalhar com a máquina. Tenha sempre à mão utensílios para extinção de incêndios.

- Equipamento de combate a incêndios
- Os primeiros socorros devem sempre estar à mão.

OPERAÇÃO

Precauções de segurança da unidade de alimentação



ATENÇÃO! Leia todos os avisos de segurança e todas as instruções. A inobservância dos avisos e instruções pode resultar em choques eléctricos, incêndio e/ou lesões graves.

Esta secção descreve as regras básicas de segurança para o trabalho com a máquina. A informação apresentada nunca substitui os conhecimentos, capacidades e a experiência de um profissional.

- Leia as instruções para o uso com toda a atenção e compreenda o seu conteúdo antes de fazer uso da máquina.
- Esteja consciente de que o operador é responsável por acidentes e situações que possam representar perigo de danos pessoais ou materiais a terceiros.
- Todos os operadores deverão ser instruídos sobre como usar a máquina. É da responsabilidade do proprietário que os operadores recebam instrução.
- A máquina deve ser mantida limpa. As sinalizações e os autocolantes deverão estar totalmente legíveis.



ATENÇÃO! A máquina, se for usada de forma indevida ou incorrecta, pode ser perigosa, causando sérios ferimentos ou mesmo a morte do utente ou outras pessoas.

Nunca deixar crianças ou outras pessoas utilizar a máquina ou efectuar a manutenção que não estejam devidamente formadas no seu manuseamento. Nunca permita que outra pessoa utilize a máquina sem estar certo de que a mesma entendeu o conteúdo do manual de instruções.

Nunca use a máquina quando estiver cansado, tiver bebido álcool ou tomado remédios que possam afectar a sua vista, a sua capacidade de discernimento ou o seu controlo físico.



ATENÇÃO! Modificações e/ou acessórios não autorizados podem provocar sérias lesões ou perigo de vida para o utilizador ou outros.

Não modifique nunca esta máquina de forma a deixar de corresponder à versão original e não a use caso pareça ter sido modificada por outros.

Nunca use uma máquina defeituosa. Efectue as verificações de segurança e cumpra as instruções de manutenção e assistência técnica contidas neste manual. Alguns serviços de manutenção e de assistência técnica deverão ser executados por especialistas qualificados. Consulte as instruções na secção Manutenção.

Devem usar-se sempre acessórios originais.

Segurança do trabalho

Segurança no local de trabalho

- Verifique sempre e marque o trajecto dos canos de gás. Serrar perto de canos de gás implica sempre grande perigo. Ao serrar, proceder de forma a não produzir chispas, dado haver um certo perigo de explosão. Esteja concentrado e atento à sua tarefa. Os descuidados podem resultar em ferimentos graves ou morte.
- Assegure-se de que não existem canalizações ou cabos eléctricos no interior da peça a trabalhar ou na área de trabalho.
- Certifique-se de que os cabos eléctricos existentes dentro da área de trabalho não estão sob tensão.
- Nunca inicie o trabalho com a máquina antes de certificar-se que o local de trabalho está desimpedido e que tenha um apoio seguro para os seus pés.
- Evite o uso em condições meteorológicas desfavoráveis. Por exemplo, em denso nevoeiro, chuva e vento fortes, frio intenso, etc. Trabalhar com mau tempo é cansativo e pode levar a situações perigosas, tais como ir para terreno escorregadio.

OPERAÇÃO

Segurança no manejo de electricidade



ATENÇÃO! Há sempre o risco de choques eléctricos ao trabalhar com máquinas eléctricas. Evite trabalhar com condições atmosféricas desfavoráveis e em contacto físico com pára-raios e objectos metálicos. Para evitar acidentes, siga sempre as instruções do manual de instruções.



ATENÇÃO! Não lave a máquina com água, pois esta pode penetrar no sistema eléctrico e causar danos ou curto-circuitos.

- Nunca utilize a ferramenta sem o corta-circuito em caso de falha de terra entregue com a ferramenta.
- A máquina deve ser ligada a uma tomada com ligação à terra.
- Verifique se a tensão de rede coincide com a indicada na placa que se encontra na máquina.
- Verifique se o fio e a extensão estão intactos e em bom estado.
- Se algum cabo da máquina ou ficha estiverem danificados, não use a máquina e leve-a a uma oficina de reparações autorizada para ser reparada.
- Não use uma extensão enquanto enrolada, para evitar sobreaquecimento.

Segurança pessoal

- Não deixe nunca a máquina sem vigilância com o motor a trabalhar.
- Desligue sempre a alimentação da unidade durante pausas de trabalho mais prolongadas.
- Nunca trabalhe sozinho; trate sempre de ter alguém perto. Além de poder ter ajuda para montar a máquina, poderá ser socorrido na ocorrência de um acidente.
- Pessoas e animais podem distraí-lo de forma a perder o controlo sobre a máquina. Por isso, esteja sempre concentrado e atento à sua tarefa.
- Devido ao nível sonoro ao serrar exceder 85 dB(A), as pessoas que forem obrigadas a permanecer perto da máquina, devem usar protecção auricular.
- Trabalhe sempre de modo a ter fácil acesso à paragem de emergência. Se surgir uma situação de emergência, prima o botão vermelho de paragem de emergência na unidade de alimentação ou o botão de paragem no controlo remoto.

Utilização e manutenção

Esta máquina destina-se a ser utilizada em conjunto com os produtos Husqvarna relacionados. Todos os outros usos são interditos.

- A máquina destina-se a ser usada por operadores experientes em aplicações industriais.
- A inspeção e/ou manutenção é efectuada com o motor desligado e com a ficha de retirada da tomada de corrente.
- Coloque a unidade de alimentação no local de trabalho, certificando-se de que se encontra numa superfície estável e protegida de qualquer spray de água. Desligue sempre a ficha da unidade de alimentação antes de a deslocar.
- Tenha cuidado ao levantar pesos. As peças com que trabalha são pesadas, o que implica, entre outros, perigo de esmagamento.
- Nunca retire o cabo de alimentação eléctrica antes de desligar a unidade de alimentação e esperar que o motor pare completamente.
- Verifique que todas as uniões, ligações e cabos estão intactos e limpos.
- Leia atentamente o manual de instruções fornecido com a ferramenta a ser ligada antes de fazer uso da máquina.

Transporte e armazenagem

- Desligue sempre a unidade de alimentação e retire o cabo de alimentação eléctrica antes de deslocar o equipamento.
- Fixe o equipamento para transportá-lo, de modo a evitar danos e acidentes durante o transporte. Se a unidade de alimentação tiver sido adquirida juntamente com o equipamento de serra de parede WS220, pode ser facilmente armazenada no local indicado, dentro do carrinho de transporte fornecido.
- Armazene o equipamento numa área que seja possível de trançar, de modo a mantê-lo fora do alcance de crianças e pessoas não autorizadas.
- Armazene a máquina e o respectivo equipamento num local seco e à prova de geada.
- Não exponha a máquina a temperaturas inferiores a -30 °C ou superiores a 50°C, nem à luz solar directa.

SISTEMA DE MENU

Sistema de menu da unidade de alimentação

Noções gerais

Neste manual, os textos do visor são apresentados em inglês. No entanto, no visor do produto, serão apresentados no idioma seleccionado.

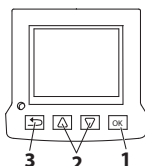
Para obter mais informações sobre o FreeRTOS, aceda a www.freertos.org

Quando a K6500 ou a DM650 estão ligadas à unidade de alimentação PP220, é utilizado o visor na unidade de alimentação.

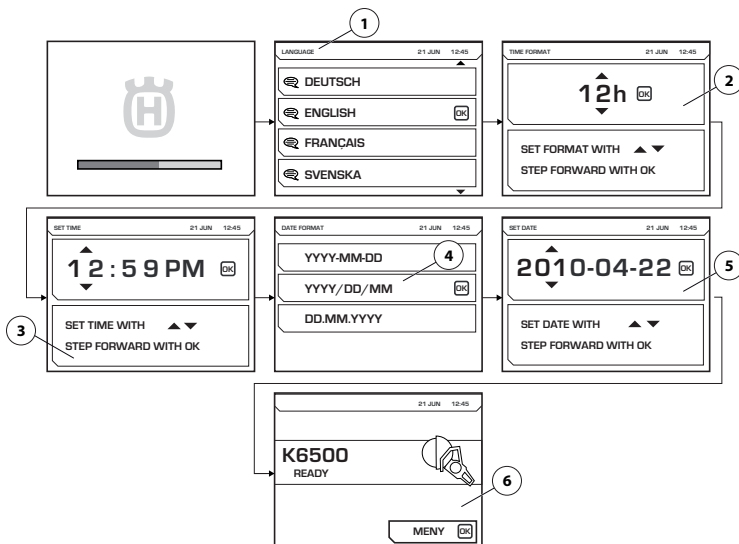
Quando o K6500 está em funcionamento, o visor desliga-se na unidade de alimentação.

Quando a WS220 está ligada à unidade de alimentação PP220, é utilizado o visor do controlo remoto. O visor na unidade de alimentação será, então, apagado.

Utilize os botões de seta (2) para percorrer os menus e o botão "OK" (1) para confirmar a selecção. Utilize o botão "retroceder" (3) para retroceder nos menus.



Colocação em funcionamento



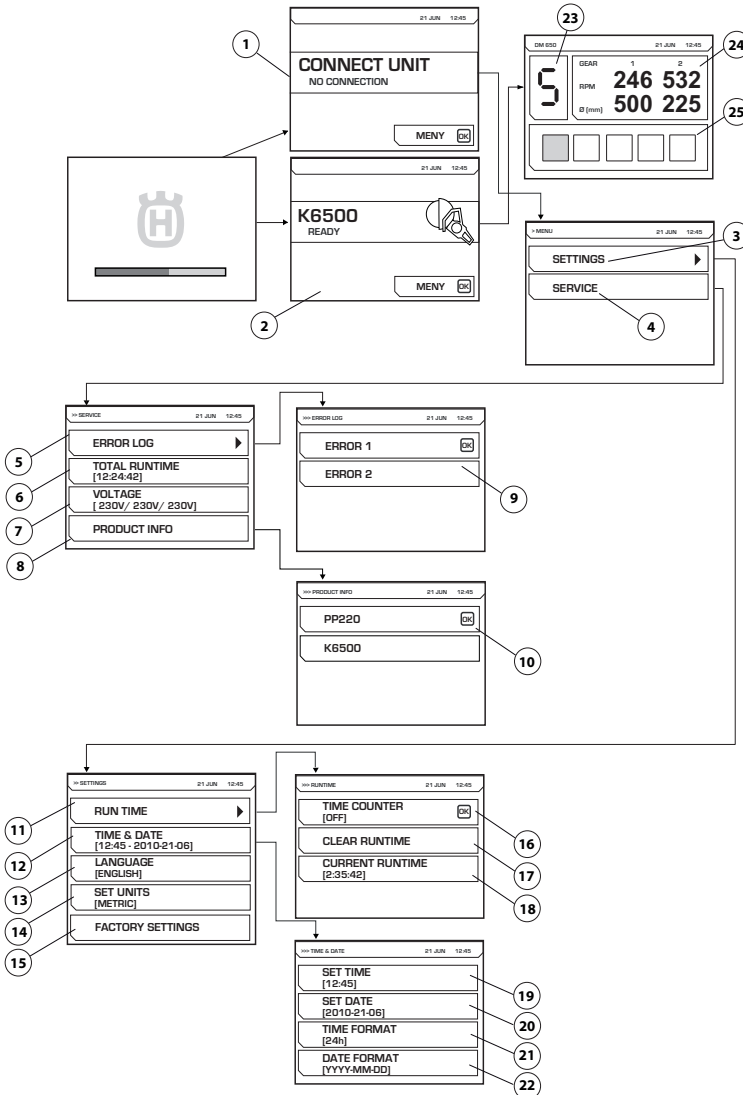
Na colocação em funcionamento da unidade de alimentação, devem ser efectuadas as seguintes configurações:

- LANGUAGE (1) Escolher o idioma de visualização pretendido.
- TIME FORMAT (2) Seleccione o formato de hora pretendido.
- SET TIME (3) Defina a hora actual.
- DATE FORMAT (4) Seleccione o formato de data pretendido.
- SET DATE (5) Defina a data actual.

Depois de feitas estas configurações, o ecrã principal é apresentado com informações sobre a ferramenta ligada (6). Note que as ilustrações mostram um exemplo.

SISTEMA DE MENU

Visão geral do menu



Veja na página seguinte uma explicação de cada menu.

SISTEMA DE MENU

Explicação do sistema de menu

CONNECT UNIT (1)

Esta imagem é apresentada se a unidade de alimentação não estiver ligada a nenhuma ferramenta. Ligue a ferramenta. Quando a ferramenta for ligada, é apresentado o ecrã inicial (2). Prima o botão de menu para ir para os menus de configuração (3) e de manutenção (4).

A imagem (1) será apresentada se a WS220 estiver ligada à unidade mas o controlo remoto fornecido não tiver sido ainda ligado.

Mudança electrónica

Durante o funcionamento da perfuradora DM650, será apresentada uma imagem que indica a mudança electrónica seleccionada (23), as rpm actuais das mudanças mecânicas 1 e 2, e, por último, o diâmetro de perfuração recomendado para estas mudanças (24). A carga actual do alimentador (25) da perfuradora também será apresentada.

SETTINGS (4)

O menu "Configuração" é composto por vários sub-menus, que por sua vez são constituídos por vários menus de peça.

RUN TIME (11)

Tempo de funcionamento

TIME COUNTER (16)

Quando activado, um cronómetro regista o tempo em que a ferramenta se encontra activada.

CLEAR RUNTIME (17)

Utilizado para repôr o cronómetro a zeros.

CURRENT RUN TIME (18)

Tempo de funcionamento actual.

TIME AND DATE (12)

Configurar hora e data.

SET TIME (19)

Defina a hora actual.

SET DATE (20)

Defina a data actual.

TIME FORMAT (21)

Selecione o formato de hora pretendido. Escolha de entre as seguintes opções:

- 12 h
- 24 h

DATE FORMAT (22)

Selecione o formato de data pretendido. Escolha de entre as seguintes opções:

- YYYY-MM-DD
- YYYY/DD/MM
- DD/MM/YYYY

LANGUAGE (13)

Escolher o idioma de visualização pretendido.

FACTORY SETTINGS (15)

Repôr para os valores de fábrica:

MANUTENÇÃO (4)

REVISÃO

ERROR LOG (5)

Lista de erros (9)

TOTAL RUNTIME (6)

É apresentado o tempo de operação total da máquina.

VOLTAGE (7)

Tensão de entrada da máquina ligada.

PRODUCT INFO (8)

É apresentada informação sobre a unidade e a ferramenta ligada (10).

Controlo remoto

Noções gerais

Quando a unidade de alimentação é utilizada juntamente com a WS220, deve ligar-se um controlo remoto à unidade de alimentação para controlar a serra de parede. O controlo remoto está incluído na aquisição do equipamento de serra de parede e é fornecido numa caixa de armazenamento, juntamente com acessórios associados.

A serra de parede é controlada através de comunicação sem fios por rádio entre o controlo remoto e a unidade de alimentação ou, em alternativa, através do cabo CAN entre o controlo remoto e a unidade de alimentação.

Aquando da primeira utilização, é necessário sincronizar o controlo remoto com a unidade de alimentação para garantir o funcionamento da comunicação por rádio. Esta acção poderá já ter sido efectuada caso a unidade de alimentação tenha sido adquirida juntamente com o equipamento de serra de parede. Se a sincronização não tiver sido efectuada, o controlo remoto não conseguirá ligar-se à unidade de alimentação através da comunicação por rádio e o visor mostrará que está à procura de unidades e tentará ligar-se, mesmo sem sucesso. No entanto, ao verificar se a sincronização foi efectuada, verifique primeiro que a unidade de alimentação está activa com o cabo de alimentação ligado e que a paragem de emergência não foi accionada.

Siga as instruções em Definições de software, controlo remoto, em baixo, para saber como sincronizar o controlo remoto com a unidade de alimentação.

Definições de software, controlo remoto

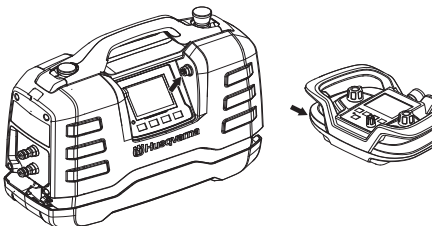
Emparelhar o controlo remoto e a unidade de alimentação

Para que a comunicação por rádio entre o controlo remoto e a unidade de alimentação funcione, é necessário sincronizar o controlo remoto com a unidade de alimentação em causa.

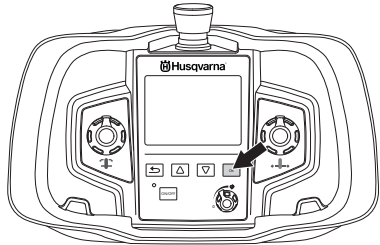
Trata-se de uma medida de segurança que garante que a unidade de alimentação apenas pode ser controlada por um único controlo remoto. A comunicação por rádio não funciona até que esta medida seja efectuada.

Se o controlo remoto fornecido for substituído ou se for necessário alternar um controlo remoto entre duas unidades, o controlo remoto tem de ser novamente sincronizado com a unidade.

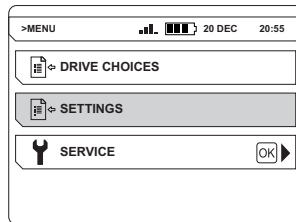
- Ligue o controlo remoto com o cabo de CAN. Fixe a ficha do cabo enroscando-a manualmente.



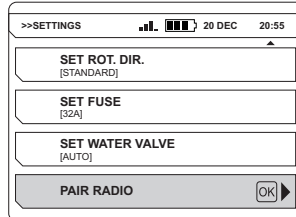
- Espere que o controlo remoto carregue completamente e aguarde que o ecrã inicial seja apresentado.
- Prima o botão "OK" para aceder ao menu.



- Avance para "DEFINIÇÕES". Navegue com as teclas de seta e confirme com "OK".



- Vá para "EMPARELH RÁDIO". Navegue com as teclas de seta e confirme com "OK".



É apresentada uma mensagem no ecrã que indica se o emparelhamento foi bem sucedido ou não. Se o emparelhamento falhou, tente novamente.

Leia atentamente o manual do utilizador da serra de parede para obter instruções sobre como controlar a serra utilizando o controlo remoto.

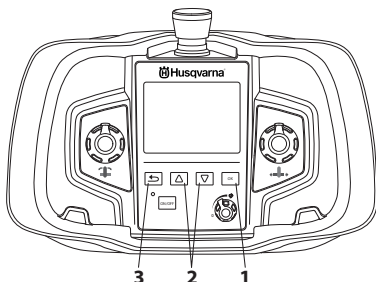
Quando o controlo remoto está activo, o visor na unidade de alimentação desliga-se.

ATENÇÃO! O controlo remoto da PP220 é igualmente compatível com as unidades PP480 HF e PP440 HF. Consequentemente, o sistema de menu do controlo remoto possui submenus que não são adequados para a PP220.

SISTEMA DE MENU

Sistema de menu do controlo remoto

Utilize os botões de seta (2) para percorrer os menus e o botão "OK" (1) para confirmar a selecção. Utilize o botão "retroceder" (3) para retroceder nos menus.



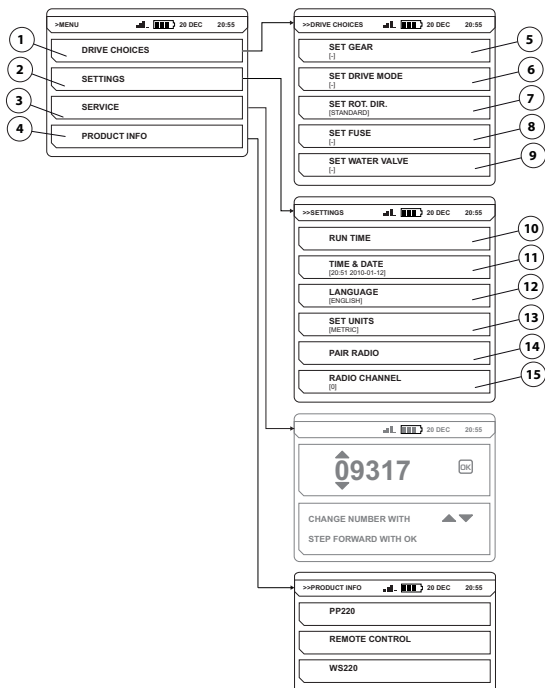
O sistema de menu do controlo remoto pode ser acedido premindo o botão "OK".

O sistema de menu inclui os seguintes submenus:

- ESCOLH CONDUÇÃO
- DEFINIÇÕES
- REVISÃO

O menu de revisão encontra-se protegido por palavra-passe. Apenas o pessoal de manutenção tem acesso aos itens deste menu, para executar a revisão.

Visão geral do menu



Veja na página seguinte uma explicação de cada menu.

SISTEMA DE MENU

Explicação do sistema de menu

DRIVE CHOICES (1)

ESCOLH CONDUÇÃO

SET GEAR (5)

SELECCIONAR MUDANÇA

Não aplicável à PP220.

SET DRIVE MODE (6)

SELECCIONAR POSIÇÃO DE FUNCIONAMENTO

Não aplicável à PP220.

SET ROT. DIR. (7)

Selecione o sentido de rotação pretendido.

O sentido de rotação só pode ser alterado quando a lâmina/fio não se encontram em movimento. Escolha de entre as seguintes opções:

- STANDARD
- INVERSA

SET FUSE (8)

DEF FUSÍVEL

Não aplicável à PP220.

SET WATER VALVE (9)

Regular a válvula de água.

Não aplicável à PP220.

SETTINGS (2)

DEFINIÇÕES

RUN TIME (10)

TEMPO FUNC.

TIME COUNTER (10)

Quando activado, um cronómetro regista o tempo em que a lâmina/fio se encontram em rotação e pelo menos um modo de alimentação se encontra activado.

CLEAR RUNTIME

Utilizado para repôr o cronómetro a zeros.

TIME AND DATE (11)

Configurar hora e data.

SET TIME

Defina a hora actual.

SET DATE

Defina a data actual.

TIME FORMAT

Selecione o formato de hora pretendido. Escolha de entre as seguintes opções:

- 12 h
- 24 h

DATE FORMAT

Selecione o formato de data pretendido. Escolha de entre as seguintes opções:

- YYYY-MM-DD
- YYYY/DD/MM
- DD/MM/YYYY

LANGUAGE (12)

Escolher o idioma de visualização pretendido.

SET UNITS (13)

Selecione as unidades pretendidas. Escolha de entre as seguintes opções:

- AMERICANAS
- SIST MÉTRICO

PAIR RADIO (14)

Emparelhar o controlo remoto com a máquina.

RADIO CHANNEL (15)

RADIO CHANNEL (canal de rádio)

O canal de rádio tem de ser alterado quando o operador experienciar distúrbios ou falta de comunicação.

O controlo remoto tem de ser ligado à máquina com um cabo CAN.

Selecione o canal de rádio pretendido. Escolha de entre as seguintes opções:

- 0 (2.410 GHz)
- 1 (2.415 GHz)
- ...
- 11 (2.465 GHz)

PRODUCT INFO (4)

É apresentada informação sobre a unidade e a ferramenta ligada.

Bateria

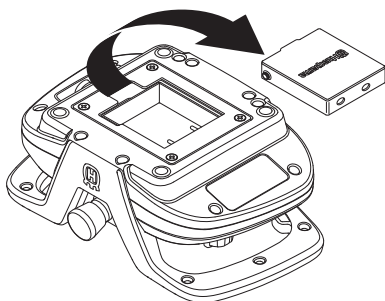
A bateria é de íão lítio. A autonomia está estimada em cerca de 8 a 10 horas por carregamento. O frio intenso tem um impacto negativo na capacidade da bateria e na autonomia. A autonomia também é afectada pelo período de tempo em que o monitor está activo.

Use apenas baterias originais neste produto. Contacte o seu revendedor para mais informações.

Uma bateria gasta não deve ser eliminada juntamente com o lixo doméstico! Deixe-a na oficina autorizada ou no ponto de recolha mais próximo.

Inserir / retirar bateria

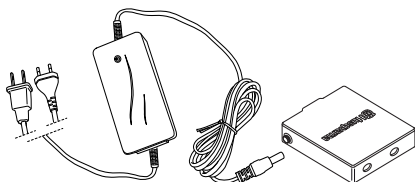
- Inserir / retirar a bateria.



Carregar bateria

Antes de utilizar o controlo remoto pela primeira vez, é necessário carregar a bateria.

Carregar com carregador de bateria



O tempo de carregamento de uma bateria descarregada é de aproximadamente 2-3 horas. O diodo encontra-se cor-de-laranja quando o carregamento é iniciado e fica verde quando a bateria está totalmente carregada.

Quando a bateria está totalmente carregada, o carregador fornece corrente de manutenção à bateria até esta ser removida do carregador.

Mantenha o carregador da bateria seco e protegido de variações térmicas.

Para carregar com o cabo CAN

A eficiência de carregamento com o cabo CAN é inferior à do carregador da bateria, o que prolonga o tempo de carregamento. No entanto, o controlo remoto funciona normalmente durante o carregamento.

ARRANQUE E PARAGEM

Antes de ligar



ATENÇÃO! Leia as instruções para o uso com toda a atenção e compreenda o seu conteúdo antes de fazer uso da máquina.

Use equipamento de protecção pessoal. Ver as instruções na secção "Equipamento de protecção pessoal".

Não permita a presença de pessoas estranhas na área de trabalho, sob risco de danos pessoais sérios.

Verifique que a máquina se encontra correctamente montada e não apresenta sinais de danos. Ver instruções na secção "Montagem e ajustamentos".

- Execute uma manutenção diária. Ver as instruções na secção "Manutenção".
- Ligue uma fonte de alimentação
- Ligar a água de arrefecimento

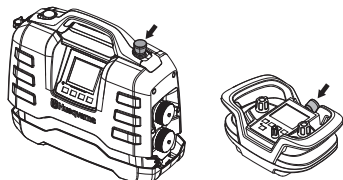
Ver instruções na secção "Montagem e ajustamentos".

É possível utilizar um gerador a gasolina ou a diesel como fonte de alimentação, se este tiver potência suficiente. Consulte os casos típicos de funcionamento do gerador nas especificações técnicas. O gerador tem de estar sempre ligado à terra para protecção do funcionamento da unidade de alimentação.

ATENÇÃO! A presença de um gerador que, em determinadas situações, gera uma tensão de entrada fora do intervalo de tensão especificado na ficha de especificações técnicas pode danificar a unidade de alimentação.

Arranque

- Inicie o fornecimento de água para a unidade de alimentação
- Verifique se o botão de paragem de emergência na unidade de alimentação e o botão de paragem no controlo remoto não estão premidos rodando-os no sentido dos ponteiros do relógio.



- A ferramenta ligada activa-se, sendo essa informação indicada no visor.

Siga as instruções no manual fornecido com a ferramenta ligada.

Paragem

Siga as instruções no manual fornecido com a ferramenta ligada.

- Prima a paragem de emergência da unidade de alimentação.
- Feche o fornecimento de água à unidade de alimentação.

Noções gerais



ATENÇÃO! O utente só pode efectuar trabalhos de manutenção e assistência do tipo descrito nestas instruções. Intervenções maiores devem ser efectuadas por uma oficina autorizada.

A duração da máquina pode ser afectada e o perigo de acidentes pode aumentar se a manutenção da máquina não for correcta e se as revisões e reparações não forem executadas de forma profissional. Se necessitar de mais esclarecimentos, entre em contacto com uma oficina autorizada.

Controle diário

- Verificar se o equipamento de segurança da máquina não se encontra danificado. Ver instruções na secção "Equipamento de segurança da máquina".
- Verifique se o fio e a extensão estão intactos e em bom estado.
- Limpar sempre todo o equipamento no final do dia de trabalho. Utilize uma escova resistente ou um pincel grande.
- Certifique-se de que os conectores e os pinos estão limpos. Limpe com um pano ou uma escova.

ATENÇÃO! Não utilize lavagem a alta pressão para limpar a máquina. O jacto de alta pressão pode danificar as juntas, fazendo com que a água e a sujidade entrem na máquina, o que provoca danos graves.

Assistência

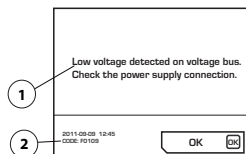


ATENÇÃO! Todos os tipos de reparações só devem ser efectuados por reparadores autorizados. Isso é fundamental para evitar que os operadores sejam expostos a situações de grande risco.

MANUTENÇÃO

Mensagens de erro

Em caso de avarias, é apresentada uma mensagem de erro (1) e um código de erro (2) no visor. Note que as ilustrações mostram um exemplo.



Medidas de confirmação de mensagens de avaria:

- Prima 'OK' no visor ou active o acelerador da ferramenta ligada. Se a mensagem de avaria for eliminada, isto significa que não é necessária mais nenhuma acção.

Se o sistema bloquear e não for possível proceder à confirmação: Puxe o conector da tomada com ligação à terra, volte a ligar a fonte de alimentação. Ver instruções na secção "Montagem e ajustamentos".

Se a avaria persistir, siga as instruções fornecidas no guia de resolução de problemas ou entre em contacto com um concessionário autorizado.

É possível actualizar o software da unidade de alimentação. Para mais informações, entre em contacto com a sua oficina autorizada.

Esquema de detecção de avarias

Código de Falha	Mensagens de erro	Causa	Passos
F0101	Corrente interna em amperios alta	Corrente para a ferramenta activa demasiado elevada	Contacte a oficina de assistência caso o problema persista.
F0103	Error en el hardware interno	Erro de hardware	Contacte a oficina de assistência caso o problema persista.
F0104	Error em el tensão BUS	Erro de tensão na ferramenta	Verifique a alimentação eléctrica
F0105	Tensão BUS alto. Comprobar a ligação	Travões utilizados de forma demasiado agressiva	Contacte a oficina de assistência caso o problema persista.
F0106	Temperatura modulo IGBT alta	Sobreaquecimento da unidade de alimentação	Aumente o fluxo da água de arrefecimento. Certifique-se de que utiliza água limpa para não entupir os canais de água. Consulte as Especificações técnicas para obter especificações sobre o fluxo, temperatura e pressão da água.
F0107	O botão de emergência esta conectado	O botão de paragem de emergência está premido.	Reponha o botão de paragem de emergência
FXX08*	Temperatura do motor muito alta	A temperatura do motor da ferramenta está demasiado elevada	Aumente o fluxo da água de arrefecimento. Certifique-se de que utiliza água limpa para não entupir os canais de água. Consulte as Especificações técnicas para obter especificações sobre o fluxo, temperatura e pressão da água.
F0109	Tensão BUS baixo. Comprobar a ligação	Falha interna da unidade de alimentação	Verifique a potência de entrada ou contacte a assistência
F0110	Detectado erro no ventilador. Verifique o ventilador de arrefecimento.	Defeito no ventilador	Verifique e substitua o ventilador, se necessário
F0111	O relógio interno da maquina esta deligado	O relógio parou	Contacte a assistência para trocar a bateria
F0112	Tensão de entrada muito baixa	Tensão de entrada demasiado baixa	Verifique a potência de entrada mínima no manual
F0113	Tensão de entrada muito alta	Tensão de entrada demasiado elevada	Verifique a potência de entrada máxima no manual
FXX14*	Alerta do sensor de temperatura	Interrupção ou curto-circuito no sensor de temperatura.	Contacte o sua oficina autorizada.
FXX15*	Error en el hardware interno	Erro de hardware	Contacte a oficina de assistência caso o problema persista.
FXX16*	Error en el hardware interno	Erro de hardware	Contacte a oficina de assistência caso o problema persista.
F0117	Error en el hardware interno	Erro de hardware	Contacte a oficina de assistência caso o problema persista.
F0118	Error en el hardware interno	Erro de hardware	Contacte a oficina de assistência caso o problema persista.
F0119	Alerta do sensor de temperatura	Sobreaquecimento da unidade de alimentação	Aumente o fluxo da água de arrefecimento. Certifique-se de que utiliza água limpa para não entupir os canais de água. Consulte as Especificações técnicas para obter especificações sobre o fluxo, temperatura e pressão da água.

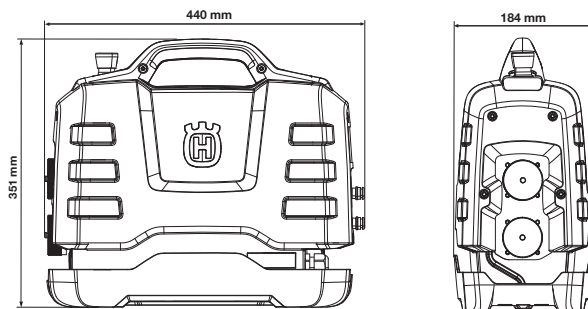
* XX números diferentes em função da ferramenta ligada à unidade de alimentação.

ESPECIFICAÇÕES TÉCNICAS

Especificações técnicas

Motor	PP220
Potência máxima, kW	6,5
Corrente nominal trifásica a 400 V, A	12
Corrente nominal monofásica, A	16
Entrada de tensão trifásica, V	200-480
Entrada de tensão monofásica, V	220-240
Ligação eléctrica	
Trifásico	L1+L2+L3+N+PE/L1+L2+L3+PE
Monofásico	L+N+PE
Efeito gerador - min., kVA	
400V, 16A	12
Peso, kg	
Unidade de alimentação	10,8
Refrigeração a água	
Pressão hidráulica - máx, bar	7
Fluxo mínimo da água de arrefecimento, l/min	3,5
Temperatura máxima da água de arrefecimento a 3,5 l/min, °C	25
Sistema de controlo	
Tipo de controlo	Controlo remoto
Transmissão de sinais	Sem fios/cabo

Dimensões



Casos típicos de funcionamento do gerador

	PP220, potência útil	Tensão de saída do gerador (V)	Potência mínima recomendada do gerador (kVA)
Trifásico	Potência total	3x400, 3x416, 3x440, 3x480	10
	Potência reduzida	3x208, 3x220, 3x240	
Monofásico	Potência reduzida	220-240	5

Dimensões de cabo recomendadas

ATENÇÃO! O bom desempenho do motor depende da utilização de uma tensão adequada. Os cabos de extensão demasiado longos e/ou com um calibrador demasiado pequeno reduzem a potência do motor sob carga, o que, por sua vez, leva à redução da potência ou à ocorrência de anomalias.

ESPECIFICAÇÕES TÉCNICAS

Certificado CE de conformidade

(Válido unicamente na Europa)

A **Husqvarna AB**, SE-561 82 Huskvarna, Suécia, tel. +46-36-146500, declara, sob a sua inteira responsabilidade, que a unidade de alimentação **Husqvarna PP220**, com números de série de 201 e mais recentes (ano está claramente indicado em texto simples na placa de tipo, em conjunto com o número de série subsequente), cumprem as disposições constantes na DIRECTIVA DO CONSELHO:

- de 17 de Maio de 2006 "referente a máquinas" **2006/42/CE**
- de 15 de Dezembro de 2004 "referente a compatibilidade electromagnética" **2004/108/CEE**.
- de 12 de Dezembro de 2006 "referentes a equipamento eléctrico" **2006/95/CE**.
- De 9 de Março de 1999, relacionado com "Equipamento Terminal de Radiocomunicações e Telecomunicações " **1999/5/CE**.
- de 8 de junho de 2011 "relativa à restrição do uso de determinadas substâncias perigosas" **2011/65/UE**

Foram respeitadas as normas seguintes:

EN ISO 12100:2010, EN 55014-1:2006, EN 55014-2/A1:2001, EN 61000-3-2:2006, EN 61000-3-3:2008, EN 60745-1:2009.

Göteborg, 19 de Setembro de 2013



Helena Grubb

Vice-presidente, equipamento de construção Husqvarna AB

(Representante autorizado da Husqvarna AB e responsável pela documentação técnica.)

GB - Original instructions, ES - Instrucciones originales, PT - Instruções originais
1154307-30



2013-10-01