



  
Husqvarna®



**US**

**Operator's manual**

Please read the operator's manual carefully and make sure you understand the instructions before using the machine.

**ES**

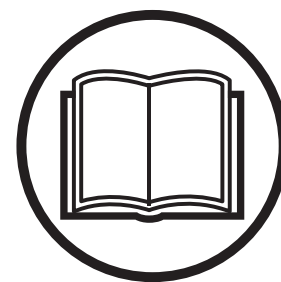
**Manual de instrucciones**

Lea detenidamente el manual de instrucciones y asegúrese de entender su contenido antes de utilizar la máquina.

**CA**

**Manuel d'utilisation**

Lire attentivement et bien assimiler le manuel d'utilisation avant d'utiliser la machine.



**FS 4800 D**

---

## GB - EC DECLARATION OF CONFORMITY

---

**Husqvarna AB**, SE-433 81 Göteborg, Sweden, tel: +46-31-949000, declares under sole responsibility that the **Husqvarna FS 4800 D** dating from 2010 serial numbers and onwards (the year is clearly stated on the rating plate, followed by the serial number), complies with the requirements of the COUNCIL'S DIRECTIVE:

- of May 17, 2006 "relating to machinery" 2006/42/EC
- of December 15, 2004 "relating to electromagnetic compatibility" 2004/108/EC.
- of May 8, 2000 "relating to the noise emissions in the environment" 2000/14/EC.

The following standards have been applied: EN ISO 12100:2003, EN 55014-1:2006, EN 55014-2/A1:2001, EN 61000-3-2:2006, EN 61000-3-3/A1/A2:2005, EN 13862/A1:2009.

Husqvarna December 29, 2009



Henric Andersson

Vice President, Head of Power Cutters and Construction Equipment  
(Authorized representative for Husqvarna AB and responsible for technical documentation.)

---

## ES - DECLARACIÓN CE DE CONFORMIDAD

---

**Husqvarna AB**, SE-433 81 Göteborg, Suecia, teléfono: +46-31-949000, declaramos que las **Husqvarna FS 4800 D** a partir del número de serie del año 2010 en adelante (el año se indica claramente en la placa de identificación, seguido del número de serie), cumplen con las siguientes disposiciones de la DIRECTIVA DEL CONSEJO:

- 2006/42/CE «relativa a máquinas» del 17 de mayo de 2006.
- 2004/108/CEE, "referente a compatibilidad electromagnética", del 15 de diciembre de 2004.
- 2000/14/CE, "sobre emisiones sonoras en el entorno" del 8 de mayo de 2000.

Se han aplicado las siguientes normas: EN ISO 12100:2003, EN 55014-1:2006, EN 55014-2/A1:2001, EN 61000-3-2:2006, EN 61000-3-3/A1/A2:2005, EN 13862/A1:2009.

Husqvarna, 29 de diciembre de 2009



Henric Andersson

Vicepresidente, jefe de la sección de cortadoras y maquinaria para la construcción  
(Presentante autorizado de Husqvarna AB y responsable de la documentación técnica.)

---

## FR - ASSURANCE DE CONFORMITÉ UE

---

**Husqvarna AB**, SE-433 81 Göteborg, Suède, tél.: +46-31-949000, déclarons sous notre seule responsabilité que la **Husqvarna FS 4800 D** à partir des numéros de série de l'année 2010 (l'année est indiquée clairement sur la plaque signalétique suivie d'un numéro de série) auquel se réfère ce document est conforme aux dispositions des DIRECTIVES DU CONSEIL:

- du 17 mai 2006 "directive machines" 2006/42/CE
- du 15 décembre 2004 "compatibilité électromagnétique" 2004/108/CEE.
- du 8 mai 2000 "émissions sonores dans l'environnement" 2000/14/CE.

Les normes harmonisées suivantes ont été appliquées: EN ISO 12100:2003, EN 55014-1:2006, EN 55014-2/A1:2001, EN 61000-3-2:2006, EN 61000-3-3/A1/A2:2005, EN 13862/A1:2009.

Husqvarna, le 29 décembre 2009



Henric Andersson

Vice-président, responsable des découpeuses et équipements de construction  
(Représentant autorisé d'Husqvarna AB et responsable de la documentation technique.)

**Reference Information:**

**Model No.:** \_\_\_\_\_

**Serial No.:** \_\_\_\_\_

**Engine Serial No.:** \_\_\_\_\_

**Date Purchased:** \_\_\_\_\_

**Información de referencia:**

**N° de modelo:** \_\_\_\_\_

**N° de serie:** \_\_\_\_\_

**N° de serie del motor:** \_\_\_\_\_

**Fecha de compra:** \_\_\_\_\_

**Informations de référence :** \_\_\_\_\_

**N° du modèle :** \_\_\_\_\_

**N° de série :** \_\_\_\_\_

**N° de série du moteur :** \_\_\_\_\_

**Date d'achat :** \_\_\_\_\_

**NOTES:  
NOTAS:  
REMARQUE :**



**EVERY MACHINE IS THOROUGHLY TESTED BEFORE LEAVING THE FACTORY. EACH MACHINE IS SUPPLIED WITH A COPY OF THIS MANUAL. OPERATORS OF THIS EQUIPMENT MUST READ AND BE FAMILIAR WITH THE SAFETY WARNINGS. FAILURE TO OBEY WARNINGS MAY RESULT IN INJURY OR DEATH. FOLLOW INSTRUCTIONS STRICTLY TO ENSURE LONG SERVICE IN NORMAL OPERATION.**

## Table of Contents

DESCRIPTION .....	PAGE NO.
Declaration of Conformity With The “Machines” Directive .....	2
Warnings, Do’s and Do Not’s .....	8, 9
Symbol Definitions .....	14 - 21
Warning, Poison Exhaust Gas, Hearing Hazard .....	22
Warning, Dust .....	23
Technical Data - Sound Level, EMC, and HAV .....	24
Decals .....	32 - 35
FS4800 Diesel Specifications Standard & CE .....	36
FS4800 Diesel Specifications Standard & CE .....	37
Special Instructions For Changing Blade Speed On Concrete / Asphals Saws .....	42
Engine Speed / Blade Size .....	42
Engine Information / Yanmar Warranty Registration .....	43
Pre Operation Checklist .....	44
Scheduled Maintenance Quick Reference .....	44
 REFERENCE FIGURES	
Figure 1 .....	45
Figure 2 .....	46
Figure 3-1 & Figure 3-2 .....	47
Figure 4 .....	48
Figure 5 .....	48
Figure 6 & Figure 7 .....	49
 INSTRUCTIONS	
1. Uses .....	50
2. Moving The Machine .....	50
3. Transport (Blade Removed) .....	51
4. Check Before Starting .....	51
5. Fitting The Blade .....	52
6. Starting The Saw .....	52
7. Stopping The Saw .....	54
8. Incidents During Sawing .....	54
9. Adjustments: Straight Line Sawing .....	54
10. Maintenance .....	55
11. Blade Shaft V-Belt Tension .....	56
12. Hydraulic System .....	56
13. Important Advice .....	56
14. Engine Speed Adjustment .....	57
15. Accessories .....	58
16. Repairs .....	58
17. Spare Parts .....	58
 Blade Size Conversion: Husqvarna FS 4800, 1 Speed Gearbox Models .....	 95
Blade Size Conversion: Husqvarna FS 4800, 3 Speed Gearbox Models .....	96
 Diagram 1, Wiring Diagram - FS4800 Diesel-Front Pivot, Instrument and Control Box .....	 101
Diagram 2, Wiring Diagram - FS4800 Diesel-Rear Pivot, Instrument and Control Box .....	102
Diagram 3, Wiring Diagram - FS4800 Diesel, Engine Wiring .....	103
Diagram 4, Wiring Diagram - FS4800 Diesel-Front Pivot, Cowl Wiring .....	104
Diagram 5, Wiring Diagram - FS4800 Diesel-Rear Pivot, Cowl Wiring .....	105
Diagram 6, Ladder Diagram - FS4800 Diesel-Front Pivot .....	106-107
Diagram 7, Ladder Diagram - FS4800 Diesel-Rear Pivot .....	108-109
Diagram 8, Hydraulic Schematic – FS4800 .....	110





**TODAS LAS MÁQUINAS SON SOMETIDAS A UNA PRUEBA EXHAUSTIVA ANTES DE SALIR DE FÁBRICA. CADA MÁQUINA SE SUMINISTRA CON UN EJEMPLAR DE ESTE MANUAL. LOS OPERADORES DE ESTE EQUIPO DEBEN LEER Y FAMILIARIZARSE CON LOS MENSAJES DE ADVERTENCIA DE SEGURIDAD. LA INOBSERVANCIA DE TALES ADVERTENCIAS PODRÍA RESULTAR EN LESIONES O MUERTE. SEGUIR LAS INSTRUCCIONES RIGUROSAMENTE PARA ASEGURAR UNA LARGA VIDA ÚTIL EN CONDICIONES DE OPERACIÓN NORMALES.**

## ÍNDICE

DESCRIPCIÓN .....	N° DE PÁGINA
Declaración de conformidad con la directiva relativa a "Máquinas" .....	2
Advertencias, Lo que debe hacer y lo que no debe hacer .....	10, 11
Definición de los símbolos.....	14 - 21
Advertencia, gas de escape venenoso, peligro para la Audición .....	25
Advertencia, polvo.....	26
Datos técnicos - Nivel sonoro, EMC y HAV .....	27
Etiquetas.....	32 - 35
Especificaciones, normales y CE del diesel FS6600 .....	38
Especificaciones, normales y CE, del diesel FS8400 .....	39
Instrucciones especiales para cambiar la velocidad de la hoja en sierras para hormigón/asfalto .....	42
Velocidad del motor/Tamaño de la hoja.....	42
Información del motor / Registro de la garantía de Yanmar .....	43
Lista de comprobación preliminar.....	59
Referencia rápida para el mantenimiento programado .....	59
<b>FIGURAS DE REFERENCIA</b>	
Figura 1 .....	60
Figura 2 .....	62
Figura 3 .....	62 - 63
Figura 4 .....	64
Figura 5 .....	64
Figura 6 & Figura 7 .....	65
<b>INSTRUCCIONES</b>	
1. Usos .....	66
2. Traslado de la máquina .....	66
3. Transporte (sin la hoja).....	67
4. Revisión antes del arranque.....	68
5. Colocación de la hoja .....	68
6. Arranque de la sierra .....	69
7. Parada de la sierra .....	71
8. Incidentes durante el corte con sierra .....	71
9. Ajustes: Aserrado en línea recta.....	71
10. Mantenimiento .....	72
11. Tensión de la correa trapezoidal del eje de la hoja.....	73
12. Sistema hidráulico .....	73
13. Consejo importante .....	73
14. Ajuste de la velocidad del motor.....	74
15. Accesorios .....	75
16. Reparaciones .....	75
17. Piezas de repuesto.....	75
Conversión de tamaños de hojas: Modelos Husqvarna FS 4800 de caja de marchas de 1 velocidad.....	97
Conversión de tamaños de hojas: Modelos Husqvarna FS 4800 con caja de marchas de 3 velocidades .....	98
<b>DIAGRAMAS ESQUEMÁTICOS</b>	
Diagrama esquemático 1: Diagrama esquemático de alambrado-Caja de control e instrumentos FS4800-Modelo anterior de Pivote.....	101
Diagrama esquemático 2: Diagrama esquemático de alambrado-Caja de control e instrumentos FS4800 - Modelo trasero de Pivotee.....	102
Diagrama esquemático 3: Diagrama esquemático de alambrado-Alambrado del motor FS4800 .....	103
Diagrama esquemático 4: Diagrama esquemático de alambrado-Alambrado de la cubierta del motor FS4800 - Modelo anterior de Pivote..	104
Diagrama esquemático 5: Diagrama esquemático de alambrado-Alambrado de la cubierta del motor FS4800 - Modelo trasero de Pivote...	105
Diagrama esquemático 6: Diagrama esquemático escalonado-Eléctrico FS4800 - Modelo anterior de Pivotee .....	106-107
Diagrama esquemático 7: Diagrama esquemático escalonado-Eléctrico F4800 - Modelo trasero de Pivote.....	108-109
Diagrama 8: Hidráulico Esquemático-FS4800.....	110



**CHAQUE MACHINE A ÉTÉ ENTIÈREMENT TESTÉE AVANT DE QUITTER L'USINE. CHAQUE MACHINE EST FOURNIE AVEC UN EXEMPLAIRE DE CE MANUEL. LES OPÉRATEURS DE CE MATÉRIEL DOIVENT LIRE LES CONSIGNES DE SÉCURITÉ ET BIEN LES CONNAÎTRE. LE NON-RESPECT DES CONSIGNES DE SÉCURITÉ RISQUE D'ENTRAÎNER DES BLESSURES GRAVES OU MORTELLES. SUIVRE EXACTEMENT LES INSTRUCTIONS POUR OBTENIR UNE LONGUE DURÉE DE SERVICE LORS DE L'UTILISATION NORMALE.**

## Table des matières

DESCRIPTION .....	N° PAGE
Déclaration de conformité à la directive « Machines » .....	2
Consignes de sécurité, à faire et à ne pas faire .....	12, 13
Explications des symboles .....	14 - 21
Avertissement, gaz d'échappement toxiques, danger pour l'ouïe .....	28
Avertissement, poussière .....	29
Données techniques – niveau sonore, CEM et VMB .....	30
Autocollants .....	32 - 35
Spécifications FS4800 diesel standard & CE .....	40 - 41
Instructions spéciales pour le changement de la vitesse du disque sur les scies à béton/asphalte .....	42
Régime moteur/taille de disque .....	42
Information sur le moteur/enregistrement de garantie Yanmar .....	43
Liste de vérifications avant utilisation .....	76
Guide rapide du calendrier d'entretien .....	76
<b>FIGURES DE RÉFÉRENCE</b>	
Figure 1 .....	77
Figure 2 .....	79
Figure 3-1 & Figure 3-2 .....	79 - 80
Figure 4 & Figure 5 .....	81
Figure 6 .....	82
Figure 7 .....	83
<b>INSTRUCTIONS</b>	
1. Utilisations .....	84
2. Déplacement de la machine .....	84
3. Transport (disque retiré) .....	85
4. À vérifier avant de démarrer .....	86
5. Mise en place du disque .....	86
6. Démarrage de la scie .....	87
7. Arrêt de la scie .....	89
8. Incidents pouvant se produire durant le sciage .....	89
9. Réglages : Sciage en ligne droite .....	90
10. Entretien .....	90
11. Tension des courroies trapézoïdales de l'axe du disque .....	91
12. Circuit hydraulique .....	92
13. Conseil important .....	92
14. Moteur / Axe de disque / Réglage du régime de la boîte de transmission .....	92
15. Accessoires .....	94
16. Réparations .....	94
17. Pièces détachées .....	94
Conversion des tailles de disques : Husqvarna FS 4800, boîte de transmission à 1 vitesse .....	99
Conversion des tailles de disques : Husqvarna FS 4800, boîte de transmission à 3 vitesses .....	100
<b>SCHÉMAS</b>	
Schéma 1: Schéma de câblage–Instruments et boîtier de commande FS4800-Le Modèle de Pivot de devant .....	101
Schéma 2 : Schéma de câblage – Instruments et boîtier de commande FS4800-Le Modèle postérieur de Pivot ..	102
Schéma 3 : Schéma de câblage – Câblage du moteur FS4800 .....	103
Schéma 4 : Schéma de câblage – Câblage du capot FS4800-Le Modèle de Pivot de devant .....	104
Schéma 5 : Schéma de câblage – Câblage du capot FS4800-Le Modèle postérieur de Pivot .....	105
Schéma 6 : Schéma échelle – Circuit électrique FS4800 - Le Modèle de Pivot de devant .....	106-107
Schéma 7 : Schéma échelle – Circuit électrique FS4800 - Le Modèle postérieur de Pivot .....	108-109
Schéma 8: Hydraulique Schématique – FS4800 .....	110

**NOTES:**  
**NOTAS:**  
**REMARQUE :**

# SAFETY FIRST!



**WARNING: FAILURE TO COMPLY WITH THESE WARNINGS AND OPERATING INSTRUCTIONS COULD RESULT IN DEATH OR SERIOUS BODILY INJURY.**

## DO

- DO** Read this entire operator's manual before operating this machine. Understand all warnings, instructions, and controls.
- DO** keep all guards in place and in good condition.
- DO** wear safety approved hearing, eye, head and respiratory protection.
- DO** read and understand all warnings and instructions on the machine.
- DO** read and understand the symbol definitions contained in this manual.
- DO** keep all parts of your body away from the blade and all other moving parts.
- DO** know how to stop the machine quickly in case of emergency.
- DO** shut off the engine and allow it to cool before refueling or doing maintenance.
- DO** inspect the blade, flanges and shafts for damage before installing the blade.
- DO** use the blade flange size shown for each blade size.
- DO** use only steel center diamond blades manufactured for use on concrete saws.
- DO** use only the blade flanges supplied with the saw. Never use damaged or worn blade flanges.
- DO** use only blades marked with a maximum operating speed greater than the blade shaft speed. Verify speed by checking blade shaft rpm and pulley diameters and blade flange diameters.
- DO** verify saw drive configuration by checking blade shaft RPM, pulley diameters, and blade flange diameter.
- DO** read all safety materials and instructions that accompany any blade used with this machine.
- DO** inspect each blade carefully before using it. If there are any signs of damage or unusual wear, **DO NOT USE THE BLADE.**
- DO** mount the blade solidly and firmly, Wrench tighten the arbor nut.
- DO** make sure the blade and flanges are clean and free of dirt and debris before mounting the blade on the saw.
- DO** use the correct blade for the type of work being done. Check with blade manufacturer if you do not know if blade is correct.
- DO** use caution and follow the instructions when loading and unloading the machine.
- DO** operate this machine only in well ventilated areas. Breathing Poison Exhaust Gas could result in death.
- DO** instruct bystanders on where to stand while the machine is in operation.
- DO** establish a training program for all operators of this machine.
- DO** clear the work area of unnecessary people. Never allow anyone to stand in front of or behind the blade while the engine is running.
- DO** make sure the blade is not contacting anything before starting the engine.
- DO** use caution when lifting and transporting this machine.
- DO** always tie down the machine when transporting.
- DO** use caution and follow instructions when setting up or transporting the machine.
- DO** have all service performed by competent service personnel
- DO** verify the blade arbor hole matches the machine spindle before mounting the blade.
- DO** always check for buried electrical cables before sawing. If unsure, contact the local utilities.
- DO** move the machine at least 10 feet (3 meters) from the fueling point before starting the engine and make sure the fuel cap is on the machine and properly tightened.
- DO** lift only from the lift bail.
- DO** clean the machine after each day's use.
- DO** use the proper blade flange size for each blade size. Never use damaged or worn blade flanges.
- DO** use caution when handling fuel.
- DO** only cut in a straight line.
- DO** only saw as deep as the job specifications require.
- DO** always give a copy of this manual to the equipment user. If you need extra copies, call TOLL FREE 1-800-288-5040 in USA, or for International, call +1-913-928-1300.

# SAFETY FIRST!



**WARNING: FAILURE TO COMPLY WITH THESE WARNINGS AND OPERATING INSTRUCTIONS COULD RESULT IN DEATH OR SERIOUS BODILY INJURY.**

## DO NOT

- DO NOT** operate this machine unless you have read and understood this operator's manual.
- DO NOT** operate this machine without the blade guard, or other protective guards in place.
- DO NOT** stand behind or in front of the blade path while the engine is running.
- DO NOT** leave this machine unattended while the engine is running.
- DO NOT** work on this machine while the engine is running.
- DO NOT** operate this machine when you are tired or fatigued.
- DO NOT** use a wet blade without adequate water supply to the blade.
- DO NOT** exceed maximum blade speed shown for each blade size. Excessive speed could result in blade breakage.
- DO NOT** operate the machine if you are uncertain of how to run the machine.
- DO NOT** use damaged equipment or blades.
- DO NOT** touch or try to stop a moving blade with your hand.
- DO NOT** cock, jam, wedge or twist the blade in a cut.
- DO NOT** transport a cutting machine with the blade mounted on the machine.
- DO NOT** use a blade that has been dropped or damaged.
- DO NOT** use carbide tipped blades.
- DO NOT** touch a dry cutting diamond blade immediately after use. These blades require several minutes to cool after each cut.
- DO NOT** use damaged or worn blade flanges.
- DO NOT** allow other persons to be near the machine when starting, refueling, or when the machine is in operation.
- DO NOT** operate this machine in an enclosed area. Breathing Poison Exhaust Gas could result in death.
- DO NOT** operate this machine in the vicinity of anything that is flammable. Sparks could cause a fire or an explosion.
- DO NOT** allow blade exposure from the guard to be more than 180 degrees.
- DO NOT** operate this machine with the belt guards or blade guard removed.
- DO NOT** operate this machine unless you are specifically trained to do so.
- DO NOT** use a blade that has been over heated (Core has a bluish color).
- DO NOT** jam material into the blade.
- DO NOT** grind on the side of the blade.
- DO NOT** tow this machine behind a vehicle.
- DO NOT** use the tie down brackets for lifting this machine.
- DO NOT** operate this machine with the any guards or shields removed.
- DO NOT** cut deeper than 1" per pass with a dry blade. Step cut to achieve deeper cuts.
- DO NOT** operate this machine while under the influence of drugs or alcohol.

\*\*\*\*\*

**This saw was designed for certain applications only. DO NOT modify this saw or use for any application other than for which it was designed. If you have any questions relative to its application, DO NOT use the saw until you have written Husqvarna Construction Products and we have advised you.**

**Husqvarna Construction Products North America  
17400 West 119th Street  
Olathe, Kansas 66061  
USA**



# ¡SEGURIDAD ANTE TODO!



## ADVERTENCIAS

### LO QUE DEBE HACER Y LO QUE NO DEBE HACER



**ADVERTENCIA: LA INOBSERVANCIA DE ESTOS MENSAJES DE ADVERTENCIA E INSTRUCCIONES DE INSTALACIÓN PODRÍA RESULTAR EN LESIONES GRAVES O MUERTE.**

#### SÍ

- SÍ Lea todo este manual del operador antes de manejar esta máquina. Comprenda bien todas las advertencias, instrucciones y controles (mandos).
- SÍ Mantenga todos los protectores en su lugar y en buenas condiciones
- SÍ Use equipo de seguridad aprobado para los oídos, ojos, cabeza y vías respiratorias
- SÍ Lea y comprenda todos los mensajes de advertencia y las instrucciones en esta máquina.
- SÍ Lea y comprenda las definiciones de los símbolos que figuran en este manual.
- SÍ Mantenga todas las partes de su cuerpo lejos de la hoja y de todas las piezas en movimiento.
- SÍ Sepa cómo detener la máquina rápidamente en caso de emergencia.
- SÍ Apague el motor y deje que se enfríe antes de reabastecer de combustible o hacer trabajos de mantenimiento.
- SÍ Antes de instalar la hoja, inspeccione la hoja, las bridas y los ejes para ver si hay daño.
- SÍ Use el tamaño de brida de la hoja que se muestra para cada tamaño de hoja.
- SÍ Use solamente hojas de diamante con centro de acero fabricadas para usar en sierras para hormigón.
- SÍ Use solamente las bridas suministradas con la sierra. Nunca use bridas de hoja dañadas o desgastadas.
- SÍ Use solamente hojas marcadas con una velocidad máxima de funcionamiento mayor que la velocidad del eje de la hoja. Verifique la velocidad comprobando la velocidad (rpm) del eje de la hoja y los diámetros de las poleas y de la brida de la hoja.
- SÍ Verifique la configuración de accionamiento de la sierra comprobando la velocidad (rpm) del eje de la hoja, los diámetros de las poleas y el diámetro de la brida de la hoja.
- SÍ Lea todas las hojas de seguridad de materiales y las instrucciones incluidas con las hojas utilizadas en esta máquina.
- SÍ Inspeccione cuidadosamente cada hoja antes de usarla. Si encuentra cualquier evidencia de daño o desgaste fuera de lo común, **NO USE LA HOJA.**
- SÍ Instale la hoja bien sujeta y firme. Apriete con una llave la tuerca del eje.
- SÍ Cerciórese de que la hoja y las bridas estén limpias y libres de tierra y basura antes de instalar la hoja en la sierra.
- SÍ Use la hoja correcta para el tipo de trabajo a realizar. Ante cualquier duda, consulte con el fabricante de la hoja.
- SÍ Sea precavido y siga las instrucciones cuando suba y baje la máquina del vehículo de transporte.
- SÍ Maneje esta máquina solamente en lugares con buena ventilación. El respirar gases de escape venenosos podría causar la muerte.
- SÍ Indique a los circunstantes dónde situarse mientras la máquina está funcionando.
- SÍ Establezca un programa de capacitación para todos los operadores de esta máquina.
- SÍ Despeje el lugar de trabajo de personas no involucradas en el trabajo. Nunca deje que nadie se sitúe delante o detrás de la hoja mientras el motor está funcionando.
- SÍ Asegúrese de que la hoja no haga contacto con ninguna cosa antes de arrancar el motor.
- SÍ Tenga cuidado cuando levante y transporte esta máquina.
- SÍ Siempre amarre la máquina para transportarla.
- SÍ Tenga cuidado y siga las instrucciones cuando prepare o transporte la máquina.
- SÍ Encargue todos los trabajos de servicio a mecánicos competentes.
- SÍ Verifique que el orificio de la hoja para el eje coincida con el eje de la máquina antes de instalar la hoja.
- SÍ Siempre averigüe si hay cables eléctricos enterrados antes de cortar con la sierra. Ante cualquier duda, comuníquese con las empresas de servicios públicos locales.
- SÍ Aleje la máquina por lo menos 10 pies (3 metros) del punto de reabastecimiento de combustible antes de arrancar el motor, y asegúrese de que la tapa de combustible esté puesta en la máquina y bien apretada.
- SÍ Levante la máquina solamente del gancho de izada.
- SÍ Limpie la máquina después de cada jornada.
- SÍ Use el tamaño de brida de la hoja apropiado para cada tamaño de hoja. Nunca use bridas de hoja dañadas o desgastadas.
- SÍ Sea precavido cuando maneje el combustible.
- SÍ Corte solamente en línea recta.
- SÍ Corte solamente hasta la profundidad requerida en las especificaciones de la obra.
- SÍ Siempre entregue un ejemplar de este manual al usuario del equipo. Si necesita más ejemplares, llama GRATIS al 1-800-288-5040 (EEUU) o +1-913-928-1300 (internacional).

# ¡SEGURIDAD ANTE TODO!



## ADVERTENCIAS



### LO QUE DEBE HACER Y LO QUE NO DEBE HACER

**ADVERTENCIA: LA INOBSERVANCIA DE ESTOS MENSAJES DE ADVERTENCIA E INSTRUCCIONES DE INSTALACIÓN PODRÍA RESULTAR EN LESIONES GRAVES O MUERTE.**

#### NO

- NO maneje esta máquina sin antes haber leído y comprendido este manual del operador.
- NO maneje esta máquina sin el protector de la hoja, u otros escudos protectores en su lugar.
- NO se sitúe detrás o delante de paso de la hoja mientras el motor está funcionando.
- NO deje la máquina desatendida mientras el motor está funcionando.
- NO trabaje en esta máquina mientras el motor está funcionando.
- NO maneje esta máquina cuando esté cansado o fatigado.
- NO use una hoja de corte en húmedo sin tener conectado el suministro adecuado de agua a la hoja.
- NO sobrepase la velocidad máxima de la hoja indicada para cada tamaño de hoja. La velocidad excesiva podría causar la rotura de la hoja.
- NO maneje la máquina si no está seguro de cómo hacerlo.
- NO use ningún equipo u hoja que esté dañado.
- NO toque ni intente parar con la mano una hoja en movimiento.
- NO incline, atasque, acuñe o tuerza una hoja durante un corte.
- NO transporte una máquina de corte con la hoja instalada.
- NO use una hoja que se ha dejado caer o dañado
- NO use hojas con puntas de carburo.
- NO toque una hoja de diamante de corte en seco inmediatamente después de usarla. Estas hojas requieren varios minutos para enfriarse después de cada corte.
- NO use bridas de hoja dañadas o desgastadas.
- NO permita a otras personas cerca de la máquina durante el arranque, reabastecimiento de combustible o cuando la máquina está funcionando.
- NO maneje esta máquina en un lugar encerrado. El respirar gases de escape venenosos podría causar la muerte.
- NO maneje esta máquina cerca de cualquier cosa inflamable. Las chispas podrían causar un incendio o una explosión.
- NO permita que la hoja esté fuera del protector más de 180 grados (82.2°C).
- NO maneje esta máquina sin los protectores de las correas o el protector de la hoja.
- NO maneje esta máquina sin tener la capacitación especial para hacerlo.
- NO use una hoja que se ha sobrecalentado (el núcleo está de color azulino).
- NO apiñe material contra la hoja.
- NO frote en el costado de la hoja.
- NO remolque esta máquina con un vehículo.
- NO use los soportes de anclaje para levantar esta máquina.
- NO maneje esta máquina sin los protectores o escudos.
- NO corte más profundo de 1 pulgada por pasada con una hoja de corte en seco. Corte gradualmente para lograr cortes más profundos.
- NO maneje esta máquina mientras está bajo los efectos de drogas o alcohol.
- NO embrague la hoja cuando la velocidad del motor es mayor que 1200 rpm.

\*\*\*\*\*

**Esta sierra fue diseñada para ciertas aplicaciones solamente. NO modifique esta sierra ni la utilice para ninguna otra aplicación aparte de aquellas para las cuales fue diseñada. Ante cualquier duda respecto a su aplicación, NO utilice la sierra hasta haber escrito a Husqvarna Construction Products y nosotros le hayamos dado la información necesaria.**

Husqvarna Construction Products North America  
17400 West 119th Street  
Olathe, Kansas 66061  
USA

# SÉCURITÉ D'ABORD !



**AVERTISSEMENT : LE NON-RESPECT DE CES CONSIGNES DE SÉCURITÉ ET DES INSTRUCTIONS D'UTILISATION RISQUE D'ENTRAÎNER DES BLESSURES GRAVES OU MORTELLES.**

## A FAIRE

- A FAIRE** Lire ce manuel d'utilisation en entier avant d'utiliser cette machine. Bien comprendre tous les avertissements, toutes les instructions et le fonctionnement des commandes.
- A FAIRE** Laisser toutes les protections à leur place et en bon état.
- A FAIRE** Porter les dispositifs de protection des oreilles, des yeux, de la tête et des voies respiratoires qui sont homologués pour la sécurité.
- A FAIRE** Lire tous les avertissements et toutes les instructions figurant sur la machine et bien les comprendre.
- A FAIRE** Lire et comprendre les explications des symboles contenues dans ce manuel.
- A FAIRE** N'approcher aucune partie du corps du disque et des autres pièces mobiles.
- A FAIRE** Savoir comment arrêter rapidement la machine en cas d'urgence.
- A FAIRE** Arrêter le moteur et le laisser refroidir avant d'effectuer le plein de carburant ou une opération d'entretien.
- A FAIRE** Inspecter le disque, les flasques et les axes pour vérifier qu'ils ne sont pas endommagés avant d'installer le disque.
- A FAIRE** Utiliser la taille de flasque de disque spécifiée pour chaque taille de disque.
- A FAIRE** Utiliser uniquement des disques en diamant à centre en acier fabriqués spécialement pour utilisation sur les scies à béton.
- A FAIRE** Utiliser uniquement les flasques de disque fournis avec la scie. Ne jamais utiliser de flasques de disque endommagés ou usés.
- A FAIRE** Utiliser uniquement des disques marqués avec une vitesse maximale de fonctionnement supérieure à la vitesse de l'axe du disque. Vérifier la vitesse en vérifiant la vitesse de rotation de l'axe du disque, le diamètre des poulies et le diamètre des flasques de disque.
- A FAIRE** Vérifier la configuration de l'entraînement de scie en vérifiant la vitesse de l'axe de disque, le diamètre des poulies et le diamètre des flasques de disque.
- A FAIRE** Lire toutes les consignes de sécurité et instructions accompagnant tout disque utilisé avec cette machine.
- A FAIRE** Inspecter soigneusement chaque disque avant de l'utiliser. S'il paraît endommagé ou présente une usure inhabituelle, **NE PAS UTILISER LE DISQUE.**
- A FAIRE** Monter le disque solidement et fermement ; serrer l'écrou du mandrin avec une clé.
- A FAIRE** S'assurer que le disque et les flasques sont propres et exempts de saleté et de débris avant de monter le disque sur la scie.
- A FAIRE** Utiliser le disque approprié au type de travail à faire. En cas de doute sur le disque à utiliser, demander conseil au fabricant de disques.
- A FAIRE** Rester prudent et suivre les instructions pour charger et décharger la machine.
- A FAIRE** N'utiliser cette machine que dans des endroits bien aérés. L'inhalation des gaz d'échappement toxiques pourrait provoquer la mort.
- A FAIRE** Indiquer aux personnes présentes l'endroit où elles doivent se tenir lorsque la machine est en marche.
- A FAIRE** Établir un programme de formation pour tous les opérateurs de cette machine.
- A FAIRE** Demander aux personnes qui ne sont pas indispensables de s'éloigner du chantier. Ne jamais autoriser qui que ce soit à se tenir devant ou derrière le disque lors du fonctionnement du moteur.
- A FAIRE** Vérifier que le disque ne touche rien avant de faire démarrer le moteur.
- A FAIRE** Rester prudent lors du levage et du transport de cette machine.
- A FAIRE** Toujours bien arrimer la machine avant de la transporter.
- A FAIRE** Rester prudent et suivre les instructions pour mettre en place et transporter la machine.
- A FAIRE** Toutes les opérations d'entretien/réparation doivent être effectuées par un personnel compétent.
- A FAIRE** Vérifier que le trou de mandrin du disque correspond à la broche de la machine avant de monter le disque.
- A FAIRE** Toujours vérifier qu'il n'y a pas de câbles électriques enfouis, avant d'effectuer un sciage. En cas de doute, contacter les services locaux appropriés.
- A FAIRE** Éloigner la machine d'au moins 3 mètres (10 pieds) du point du plein de carburant, avant de faire démarrer le moteur et vérifier que le bouchon du réservoir de carburant est bien refermé et serré.
- A FAIRE** Ne lever la machine que par l'anse de levage.
- A FAIRE** Nettoyer la machine après chaque journée d'utilisation.
- A FAIRE** Utiliser la taille de flasque de disque spécifiée pour chaque taille de disque. Ne jamais utiliser de flasques de disque endommagés ou usés.
- A FAIRE** Faire très attention lors de la manipulation du carburant.
- A FAIRE** Ne scier qu'en ligne droite.
- A FAIRE** Ne pas scier plus profondément qu'il n'est nécessaire pour le travail.
- A FAIRE** Toujours donner un exemplaire de ce manuel à l'utilisateur du matériel. Pour obtenir des exemplaires supplémentaires, téléphoner au 1-800-288-5040 aux Etats Unis ou +1-913-928-1300, international.

# SÉCURITÉ D'ABORD !



## CONSIGNES DE SÉCURITÉ À FAIRE ET À NE PAS FAIRE



**AVERTISSEMENT : LE NON-RESPECT DE CES CONSIGNES DE SÉCURITÉ ET DES INSTRUCTIONS D'UTILISATION RISQUE D'ENTRAÎNER DES BLESSURES GRAVES OU MORTELLES.**

### A NE PAS FAIRE

- NE PAS** utiliser cette machine avant d'avoir lu le manuel d'utilisation et compris ses instructions.
- NE PAS** utiliser cette machine si la protection de disque et les autres dispositifs de protection ne sont pas à leur place.
- NE PAS** se tenir derrière ni devant le disque lors du fonctionnement du moteur.
- NE PAS** laisser cette machine sans surveillance lors du fonctionnement du moteur.
- NE PAS** travailler sur cette machine lors du fonctionnement du moteur.
- NE PAS** utiliser cette machine quand on est fatigué ou las.
- NE PAS** utiliser de disque pour sciage à l'eau sans une alimentation en eau adéquate au disque.
- NE PAS** faire tourner le disque à une vitesse supérieure à la vitesse maximum spécifiée pour chaque taille de disque. Une vitesse excessive pourrait faire casser le disque.
- NE PAS** utiliser la machine si l'on a des doutes sur son mode d'emploi.
- NE PAS** utiliser du matériel ni des disques endommagés.
- NE PAS** toucher ni essayer d'arrêter un disque en mouvement avec la main.
- NE PAS** enrayer, coincer, bloquer ni tordre le disque dans une entaille.
- NE PAS** transporter une scie lorsque le disque y est monté.
- NE PAS** utiliser de disque qui est tombé ou a été endommagé.
- NE PAS** utiliser de disques à pointes en carbure.
- NE PAS** toucher de disque en diamant pour sciage à sec immédiatement après son utilisation. Ces disques mettent plusieurs minutes à refroidir après chaque sciage.
- NE PAS** utiliser de flasques de disque endommagés ou usés.
- NE PAS** autoriser d'autres personnes à se tenir près de la machine lors du démarrage, du plein de carburant ni de son fonctionnement.
- NE PAS** utiliser cette machine dans un endroit clos. L'inhalation des gaz d'échappement toxiques pourrait provoquer la mort.
- NE PAS** utiliser cette machine à proximité de matières inflammables. Des étincelles pourraient provoquer un feu ou une explosion.
- NE PAS** laisser le disque exposé hors de la protection de plus de 180 degrés (82.2°C).
- NE PAS** utiliser cette machine lorsque la (ou les) protection(s) de courroie est (sont) retirée(s).
- NE PAS** utiliser cette machine si l'on n'a pas été spécialement formé pour cela.
- NE PAS** utiliser de disque qui a surchauffé (le centre a une couleur bleuâtre).
- NE PAS** coincer des matériaux dans le disque.
- NE PAS** meuler sur le côté du disque.
- NE PAS** remorquer cette machine derrière un véhicule.
- NE PAS** utiliser les supports d'amarrage pour soulever cette machine.
- NE PAS** utiliser cette machine lorsque les protections ou carters sont retirés.
- NE PAS** effectuer d'entaille de plus de 2,5 cm (1 po) de profondeur par passage, avec un disque pour sciage à sec. Procéder par étapes pour effectuer des entailles plus profondes.
- NE PAS** utiliser cette machine lorsque l'on se trouve sous l'influence de drogues ou d'alcool.
- NE PAS** engager l'embrayage du disque lorsque le régime moteur est supérieur à 1 200 tr/min.

\*\*\*\*\*

Cette scie n'a été conçue que pour certaines applications. **NE PAS** la modifier et ne pas l'utiliser dans une application pour laquelle elle n'a pas été conçue. Pour toute question relative aux applications, **NE PAS** utiliser la scie avant d'avoir écrit à Husqvarna Construction Products ni avant d'avoir reçu l'approbation.

Husqvarna Construction Products North America  
17400 West 119th Street  
Olathe, Kansas 66061  
USA

# Symbol Definitions

## Definición de los símbolos

## Explications des symboles

---



- This symbol indicates that the machine is in conformance with the applicable European directive.
- Este símbolo indica que la máquina es de conformidad con la directiva europea aplicable.
- Ce symbole indique que la machine est conforme à la directive européenne applicable.



- Please read the instructions for use prior to operating the machine for the first time.
- Por favor lea las instrucciones de uso antes de manejar la máquina por primera vez.
- Ne pas oublier de lire les instructions d'utilisation avant d'utiliser la machine pour la première fois.



- Mandatory
- Obligatorio
- Obligatoire



- Indication
- Indicación
- Indication



- Prohibition
- Prohibición
- Interdiction



- Warning Triangle
- Triángulo de advertencia
- Triangle d'avertissement



- Wear Eye Protection
- Use protección para los ojos
- Porter une protection des yeux





- Wear Breathing Protection
- Use protección para las vías respiratorias
- Porter une protection des voies respiratoires



- The use of ear protection is mandatory
- El uso de protección de los oídos es obligatorio
- L'utilisation d'une protection des oreilles est obligatoire



- Wear Head Protection
- Use protección para la cabeza
- Porter une protection de la tête



- Wear Safety Shoes
- Use zapatos de seguridad
- Porter des chaussures de sécurité



- Wear Appropriate Clothing
- Use vestimenta apropiada
- Porter des vêtements appropriés



- Remove the blade prior to Hoisting, Loading, Unloading and Transporting the Machine.
- Quite la hoja antes de subir, cargar, descargar y transportar la máquina.
- Retirer le disque avant de lever, charger, décharger et transporter la machine.



- Emergency Shutdown, Transmission Stop
- Parada de emergencia, parada de la transmisión
- Arrêt d'urgence, débrayage de la transmission



- Use In Well Ventilated Area
- Use en un lugar con buena ventilación
- Utiliser dans un endroit bien aéré



- Do Not Use In Flammable Areas
- No usar en lugares inflamables
- Ne pas utiliser dans des lieux où se trouvent des matières inflammables



- Machinery Hazard, Keep hands and Feet Clear.
- Peligro de maquinaria, mantenga las manos y pies alejados.
- Risques présentés par la machine ; garder les mains et les pieds éloignés.



- Muffler Hot. May Cause Burns and / or Ignition of Material. Avoid Contact.
- Silenciador caliente. Puede causar quemaduras y/o inflamación de materiales. Evitar el contacto.
- Silencieux brûlant. Risque de brûlures et/ou d'inflammation de matières. Éviter le contact.



- Danger, Poison Exhaust Gas
- Peligro, gases de escape venenosos
- Danger, gaz d'échappement toxiques



- No Non-working Personnel In Area
- No se permite personal extraño en la obra
- Pas de spectateurs à proximité



- No Smoking
- No fumar
- Ne pas fumer



- Do Not Operate Without Blade Guard in Place
- No manejar sin el protector de la hoja instalado
- Ne pas utiliser si la protection de disque n'est pas en place



- Always Keep All Guards In Place
- Siempre mantenga todos los protectores en su lugar
- Toujours laisser toutes les protections à leur place



- Water Supply On
- Suministro de agua conectado
- Alimentation en eau ouverte



- Water Supply Off
- Suministro de agua desconectado
- Alimentation en eau fermée



- Water Supply
- Suministro de agua
- Alimentation en eau



- Blade Water Safety Switch
- Interruptor de seguridad del agua de la hoja
- Interrupteur de sécurité de l'eau du disque



- Engine Coolant Temperature
- Temperatura del refrigerante del motor
- Température du liquide de refroidissement du moteur



- Keep Work Area Clean/Well Lit, Remove All Safety Hazards
- Mantenga el lugar de trabajo limpio/bien iluminado, quite todos los objetos peligrosos
- Maintenir la zone de travail propre et bien éclairée ; retirer tout ce qui constitue un risque.



- Dangerously High Noise Level
- Nivel sonoro peligrosamente alto
- Niveau de bruit élevé, dangereux



- Pay Extreme Attention to The Care And Protection Of The Machine Before Starting Up
- Preste suma atención al cuidado y protección de la máquina antes de ponerla en marcha
- Faire très attention à l'entretien et aux protections de la machine avant de la mettre en marche.



- Remove Tools From Area and Machine
- Quite todas las herramientas del lugar y la máquina
- Retirer les outils de la zone de travail et de la machine.



- Engine Oil Pressure
- Presión de aceite del motor
- Pression d'huile moteur



- Oil Required
- Requiere aceite
- Huile nécessaire



- Dipstick, Maintain Proper Oil Level
- Varilla de medición, mantenga el nivel de aceite correcto
- Jauge de niveau ; maintenir le niveau d'huile correct.



- Lubrication Point
- Punto de lubricación
- Point de lubrification



- High Range Travel Speed
- Velocidad alta de transporte
- Vitesse de déplacement, gamme haute



- Low Range Travel Speed
- Velocidad baja de transporte
- Vitesse de déplacement, gamme basse



- Electrical Switch-Off
- Interruptor eléctrico - apagado
- Commutateur électrique - Arrêt



- Electrical Switch-On
- Interruptor eléctrico - encendido
- Commutateur électrique - Marche



- Electrical Switch-Start
- Interruptor eléctrico - arranque
- Commutateur électrique - Démarrage



- Repairs Are To Be Done By An Authorized Dealer Only
- Las reparaciones debe hacerla un concesionario autorizado solamente
- Les réparations ne doivent être effectuées que par un concessionnaire agréé.



- Headlight
- Luz delantera
- Phare



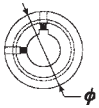
- Diamond Blade
- Hoja de diamante
- Disque en diamant



- Blade Diameter
- Diámetro de la hoja
- Diamètre du disque



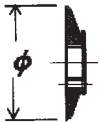
- Blade Engagement
- Engrane de la hoja
- Embrayage du disque



- Pulley diameter
- Diámetro de la polea
- Diamètre de poulie



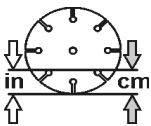
- Number of Revolutions Per Minute, Rotational Speed
- Número de revoluciones por minuto, velocidad rotacional
- Nombre de tours par minute, vitesse de rotation



- Blade Flange Diameter
- Diámetro de la brida de la hoja
- Diamètre du flasque de disque



- Blade Depth Stop
- Tope de profundidad de la hoja
- Butée de profondeur du disque



- Cutting Depth Indicator – Depth of Cut
- Indicador de profundidad de corte – Profundidad de corte
- Indicateur de profondeur de sciage – profondeur d'entaille



- Parking Brake
- Freno de estacionamiento
- Frein de stationnement





- Parking Brake Applied
- Freno de estacionamiento aplicado
- Frein de stationnement serré



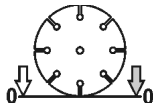
- Parking Brake Released
- Freno de estacionamiento desaplicado
- Frein de stationnement desserré



- Machine Mass (Kilograms)
- Peso de la máquina (kilogramos)
- Masse de la machine (kilos)



- Positive Battery Terminal
- Borne positivo de la batería
- Borne positive de batterie



- Blade Depth Indicator – Zero
- Indicador de profundidad de la hoja – cero
- Indicateur de profondeur de disque – zéro



- Electric Motor
- Motor eléctrico
- Moteur électrique



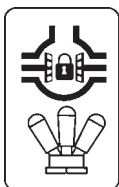
- Engine
- Motor de combustión
- Moteur



- Engine Speed Revolutions/Minute
- Revoluciones por minuto, velocidad del motor
- Régime moteur, tours/minute



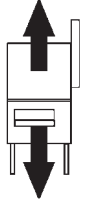
- Engine Start
- Arranque del motor
- Démarrage du moteur



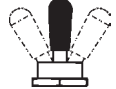
- Differential Switch
- Interruptor de diferencial
- Commutateur différentiel



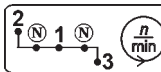
- Differential Switch: Pivot Position = Left
- Interruptor de diferencial: Posición de pivote = Izquierda
- Commutateur différentiel : Position du pivot = à gauche



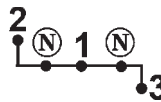
- Differential Switch: Lock Position = Center
- Interruptor de diferencial: Posición de bloqueo = Centro.
- Commutateur différentiel : Position verrouillée = au centre



- Differential Switch: Neutral Position = Right. + Hold Switch + Engine key switch OFF.
- Interruptor de diferencial: Posición neutral = Derecha + pulsar interruptor + llave de encendido en la posición de apagado.
- Commutateur différentiel : Position neutre = à droite + Maintenir le commutateur + Interrupteur du moteur à OFF (Arrêt)



- Gearbox Range - Three-Speed Gearbox•
- Intervalo de la caja de marcha – Caja de marchas de tres velocidades
- Boîte de transmission à trois vitesses



- Gear: Select 1, 2, 3, or Neutral as shown on proper Blade Speed Chart.
- Marcha: Seleccione 1, 2, 3 o neutral según se muestra en la Tabla de velocidades de la hoja.
- Vitesses : Sélectionner 1, 2, 3 ou point mort (N) comme le montre le Tableau de vitesse spécifiée du disque.



- Tank Full
- Tanque lleno
- Réservoir plein



- Tank One-Half Full
- Tanque \_ lleno
- Réservoir à moitié plein



- Tank Empty.
- Tanque vacío
- Réservoir vide



- Lowering Speed Control Valve: Slow Lowering Speed.
- Válvula de control de disminución de velocidad: Disminución lenta de la velocidad
- Bouton de commande de vitesse d'abaissement : lente



**WARNING  
POISON EXHAUST GAS**



**THIS SAW IS SHIPPED FROM THE FACTORY *WITHOUT A CATALYTIC CONVERTER.*** THE DIESEL ENGINE PRODUCES CARBON MONOXIDE EXHAUST EMISSIONS AND IS ***NOT SAFE*** FOR USE IN ENCLOSED AREAS. USE OF A CATALYTIC CONVERTER REDUCES THE CARBON MONOXIDE EXHAUST EMISSIONS, BUT STILL IS ***NOT SAFE*** FOR USE IN ENCLOSED AREAS.

USE ONLY IN WELL-VENTILATED AREAS. WORKSITE AIR QUALITY MUST COMPLY WITH OSHA 29 CFR 1910.1000 PER TABLE Z-1, LIMITS FOR AIR CONTAMINANTS.

MONITOR WORKSPACE AIR QUALITY TO INSURE COMPLIANCE. FAILURE TO COMPLY WILL RESULT IN DANGER TO LIFE AND CAUSE PERMANENT INJURY OR DEATH.

**General Information**

Carbon monoxide (CO) has the distinction of being one of the few commonly encountered industrial gasses that is both highly toxic (poison) and odorless. When inhaled, CO acts as a chemical asphyxiant by preferentially combining with hemoglobin in the blood stream. As a result, the hemoglobin is not able to transport its normal amount of oxygen, which results in under-oxygenation of tissues. Symptoms of low-level CO exposure include headaches, dizziness, confusion, and nausea. **However, loss of consciousness, permanent injury and death may result from continued or more intense exposure.** Because of the health hazards associated with CO inhalation, the Occupational Safety and Health Administration (OSHA) have imposed personal exposure limits. The OSHA exposure limits, which are specified in the 29 CFR 1910.1000 (1998 Revision), allow for a 200 PPM Ceiling Limit and a TWA of 35 PPM per 8-hour shift/40-hr workweek. It is strongly recommended that the OSHA 29 CFR 1910.1000 (Code of Federal Regulations) be consulted for more information on exposure limits for various hazardous materials. If CO Poisoning is suspected immediately remove the victim to fresh air and obtain emergency medical attention.

**Proper Ventilation:**

**THIS SAW IS SHIPPED FROM THE FACTORY *WITHOUT A CATALYTIC CONVERTER.*** It is important to be aware that saws with catalytic converters reduce CO and hydrocarbon (HC) emissions. The exhaust still contains CO. If the workspace is too confined or under-ventilated, CO may accumulate until it eventually exceeds OSHA limits. When this happens, action must be taken to remove workers from areas of high concentration. Operators and work area supervisors should take precautions to insure adequate ventilation of the workspace at all times. Carbon monoxide detection monitors should be used to determine that adequate ventilation exists.



**WARNING  
HEARING HAZARD**

DURING NORMAL USE OF THIS MACHINE, OPERATOR MAY BE EXPOSED TO A NOISE LEVEL EQUAL TO **85 dB (A)** OR GREATER. TEMPORARY AND/OR PERMANENT DAMAGE TO HEARING MAY RESULT. HEARING PROTECTION REQUIRED.



## DUST WARNING



**Cutting, especially when DRY cutting, generates dust that comes from the material being cut, which frequently contains silica.** Silica is a basic component of sand, quartz, brick clay, granite and numerous other minerals and rocks. Exposure to excessive amount of such dust can cause:

- Respiratory diseases (affecting your ability to breath), including chronic bronchitis, silicosis and pulmonary fibrosis from exposure to silica. These diseases may be fatal;
  - Skin irritation and rash; and
  - Cancer according to NTP\* and IARC\*
- \* National Toxicology Program, International Agency for Research on Cancer

Take precautionary steps

- Avoid inhalation of and skin contact with dust, mist and fumes;
- Wet cut when feasible, to minimize dust;
- Wear and ensure that all bystanders wear appropriate respiratory protection such as dust masks designed to filter out microscopic particles. (See OSHA 29 CFR Part 1910.1200)

### **California Prop 65 Warning:**

Use of this product can cause exposure to materials known to the State of California to cause cancer and/or birth defects or other reproductive harm.

# TECHNICAL DATA - Sound Level and HAV

## FS 4800 D

Noise emissions (see note 1)	
Sound power level, measured dB(A)	115
Sound power level, guaranteed dB(A)	116
Sound levels (see note 2)	
Sound pressure level at the operators ear, dB(A)	98
Vibration levels, $a_{hv}$ (see note 3)	
Handle right, $m/s^2$	2,4
Handle left, $m/s^2$	2,6

Note 1: Noise emissions in the environment measured as sound power ( $L_{WA}$ ) in conformity with EC directive 2000/14/EC.

Note 2: Noise pressure level according to EN 13862. Reported data for noise pressure level has a typical statistical dispersion (standard deviation) of 1.0 dB(A).

Note 3: Vibration level according to EN 13862. Reported data for vibration level has a typical statistical dispersion (standard deviation) of 1  $m/s^2$ .





**ADVERTENCIA  
GASES DE ESCAPE VENENOSOS**



**ESTA SIERRA SALE DE FÁBRICA SIN UN CONVERTIDOR CATALÍTICO.**  
EL MOTOR DIESEL PRODUCE EMISIONES DE ESCAPE DE MONÓXIDO DE CARBONO  
Y **NO ES** SEGURO PARA UTILIZARSE EN LUGARES CERRADOS. EL USO DE UN  
CONVERTIDOR CATALÍTICO REDUCE LAS EMISIONES DE ESCAPE DE MONÓXIDO  
DE CARBONO, PERO AÚN ASÍ **NO ES SEGURO** PARA USAR EN LUGARES CERRADOS.

USAR SOLAMENTE EN LUGARES CON BUENA VENTILACIÓN. LA CALIDAD DEL AIRE  
DEL LUGAR DE TRABAJO DEBE CUMPLIR CON LA NORMA OSHA 29 CFR 1910.1000  
SEGÚN LA TABLA Z-1, LÍMITES EN CUANTO A CONTAMINANTES DEL AIRE.

VIGILE LA CALIDAD DEL AIRE DEL LUGAR DE TRABAJO PARA ASEGURAR  
EL CUMPLIMIENTO. EL INCUMPLIMIENTO DE DICHA NORMA RESULTARÁ EN PELIGRO  
PARA LA VIDA Y CAUSARÁ LESIONES PERMANENTES O LA MUERTE.

**Información general**

El monóxido de carbono (CO) se distingue por ser uno de los pocos gases industriales más comunes que es tanto hipertóxico (veneno) como inodoro. Al inhalarlo, el CO actúa como un asfixiante químico, combinándose preferentemente con la hemoglobina en el torrente sanguíneo. Como resultado, la hemoglobina no es capaz de transportar su cantidad normal de oxígeno, dando por resultado una oxigenación deficiente de los tejidos. Los síntomas de una exposición a un nivel bajo de CO incluye dolor de cabeza, mareos, confusión y náuseas. **Sin embargo, puede ocurrir la pérdida del conocimiento, lesiones permanentes y la muerte cuando la exposición es continua y más intensa.** Debido a los peligros para la salud asociados con la inhalación de CO, la Administración para la Salud y Seguridad Ocupacional (OSHA) ha impuesto límites de exposición personal. Los límites de exposición estipulados por OSHA, los cuales son especificados en la norma 29 CFR 1910.1000 (Revisión 1998), permiten un límite máximo de 200 ppm y un promedio ponderado en el tiempo (TWA) de 35 ppm por jornada de 8 horas/40 hrs de semana laboral. Se recomienda consultar las reglamentaciones de OSHA 29 CFR 1910.1000 (código de reglamentaciones federales) para ampliar la información sobre límites de exposición de diversos materiales peligrosos. Si se sospecha un envenenamiento por CO, trasladar inmediatamente a la víctima al aire fresco y pedir atención médica de urgencia.

**Ventilación adecuada:**

**ESTA SIERRA SALE DE FÁBRICA SIN UN CONVERTIDOR CATALÍTICO.** Es importante ser consciente de que las sierras con convertidores catalíticos reducen las emisiones de CO y de hidrocarburo (HC). El gas de escape todavía contiene CO. Si el lugar de trabajo es demasiado confinado o insuficientemente ventilado, es posible que se acumule CO hasta finalmente superar los límites de la OSHA. Cuando esto sucede, deben tomarse medidas para retirar a los obreros de las zonas de concentración alta. Los operarios y los supervisores deben tomar medidas de precaución para asegurar una ventilación adecuada en el lugar de trabajo en todo momento. Se deben utilizar monitores de detección de monóxido de carbono para determinar que existe ventilación adecuada.



**ADVERTENCIA  
PELIGRO PARA LA AUDICIÓN**

DURANTE EL USO NORMAL DE ESTA MÁQUINA, EL OPERADOR PUEDE ESTAR EXPUESTO  
A UN NIVEL SONORO IGUAL A **85 dB (A)** O MAYOR. ES POSIBLE QUE OCURRA DAÑO TEMPORAL  
Y/O PERMANENTE DE LA AUDICIÓN. SE REQUIERE PROTECCIÓN DE LOS OÍDOS.



## ADVERTENCIA RELATIVA AL POLVO



**El corte, especialmente cuando se corta en seco, genera polvo proveniente del material que se está cortando, el que frecuentemente contiene sílice.** La sílice es un componente básico de la arena, cuarzo, arcilla de ladrillos, granito y varios otros minerales y rocas. La exposición a una cantidad excesiva de dicho polvo puede causar:

- Enfermedades respiratorias (que afectan la capacidad para respirar), incluyendo la bronquitis crónica, silicosis y fibrosis pulmonar debido a exposición a la sílice. Estas enfermedades pueden ser mortales.
- Irritación y enrojecimiento de la piel; y
- Cáncer de acuerdo a NTP\* e IARC\*

\* National Toxicology Program (Programa Nacional de Toxicología), Agencia Internacional para Investigación del Cáncer (International Agency for Research on Cancer)

Tome medidas de precaución

- Evite la inhalación del polvo, niebla y vapores como también su contacto con la piel;
- Corte en húmedo cuando sea posible, para reducir el polvo;
- Use, tanto usted como el personal en la obra, protección respiratoria apropiada tal como máscaras contra polvo diseñadas para filtrar las partículas microscópicas. (Consulte la reglamentación OSHA 29 CFR Parte 1910.1200)

### **Advertencia de la Proposición 65 del Estado de California**

El uso de este producto puede causar exposición a materiales conocidos en el Estado de California como causantes de cáncer y/o defectos congénitos u otros daños reproductivos.

# DATOS TÉCNICOS - Nivel sonoro y HAV

## FS 4800 D

<b>Emisiones de ruido (vea la nota 1)</b>	
Nivel de potencia acústica medido dB(A)	115
Nivel de potencia acústica garantizado dB(A)	116
<b>Niveles acústicos (vea la nota 2)</b>	
Nivel de presión acústica en el oído del usuario, dB(A)	98
<b>Niveles de vibraciones, <math>a_{hv}</math> (vea la nota 3)</b>	
Empuñadura derecha, $m/s^2$	2,4
Empuñadura izquierda, $m/s^2$	2,6

Nota 1: Emisiones sonoras en el entorno medidas como potencia acústica ( $L_{WA}$ ) según la directiva CE 2000/14/CE.

Nota 2: Nivel de presión sonora conforme a EN 13862. Los datos referidos del nivel de presión sonora tienen una dispersión estadística habitual (desviación típica) de 1,0 dB(A).

Nota 3: Nivel de vibración conforme a EN 13862. Los datos referidos del nivel de vibración poseen una dispersión estadística habitual (desviación típica) de 1  $m/s^2$ .



## AVERTISSEMENT GAZ D'ÉCHAPPEMENT TOXIQUES



**CETTE SCIE EST EXPÉDIÉE DE L'USINE SANS CONVERTISSEUR CATALYTIQUE.**  
CE MOTEUR DIESEL DÉGAGE DES GAZ D'ÉCHAPPEMENT CONTENANT DE L'OXYDE DE CARBONE ET IL EST DONC **DANGEREUX** DE L'UTILISER DANS DES ENDROITS CLOS. L'UTILISATION D'UN CONVERTISSEUR CATALYTIQUE RÉDUIT LES GAZ D'ÉCHAPPEMENT CONTENANT DE L'OXYDE DE CARBONE, MAIS IL EST TOUJOURS **DANGEREUX** DE L'UTILISER DANS DES ENDROITS CLOS.

NE L'UTILISER QUE DANS DES ENDROITS BIEN AÉRÉS. LA QUALITÉ DE L'AIR DU CHANTIER DOIT ÊTRE CONFORME À LA RÉGLEMENTATION 29 CFR 1910.1000 DE L'OSHA, SELON LE TABLEAU Z-1, LIMITES DES CONTAMINANTS DE L'AIR.

SURVEILLER LA QUALITÉ DE L'AIR DU CHANTIER POUR VÉRIFIER LA CONFORMITÉ.  
LE NON-RESPECT DES LIMITES ADMISES CONSTITUERA UNE MENACE POUR LA VIE ET PROVOQUERA DES LÉSIONS IRRÉVERSIBLES GRAVES OU MORTELLES.

### Information générale

L'oxyde de carbone (CO) se distingue par sa nature : il est l'un des quelques gaz industriels fréquemment rencontrés qui est à la fois fortement toxique (poison) et sans odeur. Lorsqu'il est inhalé, l'oxyde de carbone devient un asphyxiant chimique car il se combine de manière préférentielle à l'hémoglobine dans le sang. L'hémoglobine ne peut alors plus transporter la quantité normale d'oxygène et les tissus sont ainsi privés d'oxygène. Parmi les symptômes d'une exposition à une faible dose d'oxyde de carbone, on note des maux de tête, des vertiges, une confusion et des nausées. **Il faut toutefois une exposition continue ou plus intense pour provoquer une perte de conscience, des lésions irréversibles et la mort.** En raison des dangers pour la santé associés à l'inhalation d'oxyde de carbone, l'Occupational Safety and Health Administration (OSHA) (É.-U.) (direction de la sécurité et de l'hygiène du travail) a imposé des limites d'exposition personnelles. Ces limites d'exposition de l'OSHA spécifiées dans 29 CFR 1910.1000 (révision 1998) autorisent une valeur maximale de 200 ppm et une valeur limite d'exposition pondérée dans le temps de 35 ppm par quart de 8 heures pour une semaine de travail de 40 heures. Il est fortement recommandé de consulter le règlement 29 CFR 1910.1000 de l'OSHA (Code de réglementations fédérales), ou l'organisme local approprié, pour plus d'informations sur les limites d'exposition aux diverses substances dangereuses. Si l'on soupçonne une intoxication à l'oxyde de carbone, mettre immédiatement la victime à l'air frais et demander une assistance médicale d'urgence.

### Aération correcte :

**CETTE SCIE EST EXPÉDIÉE DE L'USINE SANS CONVERTISSEUR CATALYTIQUE.** Il est important de savoir que les scies équipées de convertisseurs catalytiques ont des émissions d'oxyde de carbone et d'hydrocarbure réduites. Mais les gaz d'échappement contiennent toujours de l'oxyde de carbone. Si l'espace de travail est trop confiné ou manque d'aération, l'oxyde de carbone risque de s'accumuler et de dépasser les limites admises. Dans ce cas, le personnel doit s'éloigner des zones de forte concentration. Les opérateurs et le personnel de supervision doivent prendre des précautions pour garantir en permanence une aération adéquate de l'espace de travail. Des détecteurs d'oxyde de carbone doivent être utilisés pour s'assurer de la présence d'une aération adéquate.



## AVERTISSEMENT DANGER POUR L'OUÏE

DURANT L'UTILISATION NORMALE DE CETTE MACHINE, L'OPÉRATEUR RISQUE D'ÊTRE EXPOSÉ À UN NIVEAU DE BRUIT ÉGAL À **85 dB (a)** OU SUPÉRIEUR. IL PEUT EN RÉSULTER DES DOMMAGES TEMPORAIRES ET/OU IRRÉVERSIBLES. DISPOSITIF DE PROTECTION ANTIBRUIT REQUIS.



## AVERTISSEMENT RELATIF À LA POUSSIÈRE



**Le sciage et surtout le sciage À SEC produisent de la poussière qui provient du matériau taillé qui contient fréquemment de la silice.** La silice est un élément de base du sable, du quartz, de la terre argileuse, du granit et de nombreux autres minéraux et roches. L'exposition à une quantité excessive d'une telle poussière peut causer :

- des maladies respiratoires (affectant la capacité de respirer), parmi lesquelles la bronchite chronique, la silicose et la fibrose pulmonaire résultant de l'exposition à la silice. Ces maladies peuvent être mortelles.
  - Irritation de la peau, rougeurs et
  - le cancer selon NTP\* et IARC\*
- \* National Toxicology Program (programme national de toxicologie), International Agency for Research on Cancer (Centre international de recherche sur le cancer).

Prendre des mesures de précaution

- Éviter l'inhalation de poussière, vapeurs et émanations ainsi que leur contact avec la peau ;
- Afin de minimiser la production de poussière, scier à l'eau autant que possible ;
- Porter et s'assurer que toutes les personnes présentes portent une protection des voies respiratoires appropriée telle qu'un respirateur antipoussières conçu pour filtrer les particules microscopiques. (Se reporter à la réglementation 29 CFR Part 1910.1200 de l'OSHA).

### **Proposition 65 de Californie – Avertissement :**

L'utilisation de ce produit peut provoquer une exposition à des substances reconnues, par l'état de Californie, comme pouvant causer le cancer et/ou des malformations congénitales ou d'autres effets néfastes sur l'appareil reproducteur.

# DONNÉES TECHNIQUES - niveau sonore et VMB

## FS 4800 D

Émissions sonores (voir remarque 1)	
Niveau de puissance sonore mesuré dB(A)	115
Niveau de puissance sonore garanti dB(A)	116
Niveaux sonores (voir remarque 2)	
Niveau de pression acoustique au niveau des oreilles de l'utilisateur, dB(A)	98
Niveaux de vibrations, $a_{hv}$ (voir remarque 3)	
Poignée droite, m/s <sup>2</sup>	2,4
Poignée gauche, m/s <sup>2</sup>	2,6

Remarque 1: Émission sonore dans l'environnement mesurée comme puissance acoustique ( $L_{WA}$ ) selon la directive UE 2000/14/CE.

Remarque 2: Niveau de pression sonore conformément à EN 13862. Les données reportées pour le niveau de pression sonore montrent une dispersion statistique typique (déviatoin standard) de 1,0 dB (A).

Remarque 3: Niveau de vibrations conformément à EN 13862. Les données reportées pour le niveau de vibrations montrent une dispersion statistique typique (déviatoin standard) de 1 m/s<sup>2</sup>.

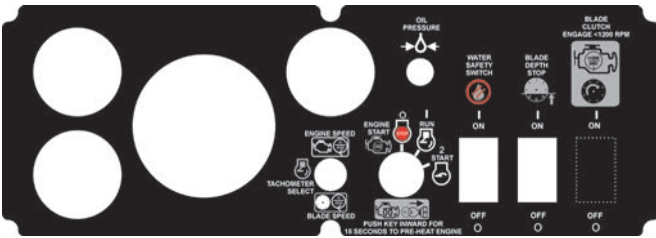
**NOTES:**  
**NOTAS:**  
**REMARQUE :**



# DECALS & LOCATIONS ETIQUETAS Y SU UBICACIÓN AUTOCOLLANTS ET LEURS EMPLACEMENTS



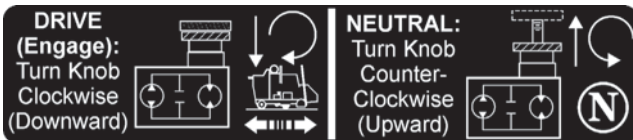
**OPERATING INSTRUCTIONS**  
TOP OF COWL  
542 20 61-29 Standard  
542 19 06-19 CE version



**OPERATING INSTRUCTIONS**  
INSTRUMENT PANEL  
542 20 64-77



**THROTTLE, DIESEL**  
LEFT OF INSTRUMENT PANEL  
542 18 37-69\*



**TRANSMISSION BYPASS VALVE**  
RIGHT FRAME BASE NEAR VALVE  
542 19 06-28



**DIESEL FUEL DECAL**  
TOP LEFT OF COWL  
542 18 10-59\*



**WARNING: GUARDS IN PLACE**

- 1) Top of Frame at Rear of Machine.
- 2) Both Sides of Engine by Lift Bail Mount
- 3) Top of Frame at Front of Machine - Below Right Angle Gear Box.

542 17 62-23\* (4X)



**DEPTH INDICATOR**

542 20 61-95 (Inch - USA)  
542 19 06-18 (CM for CE)



**CRUSH HAZARD**

LEFT & RIGHT LOWER COWL (2X),  
REAR PIVOT MODEL ONLY  
542 19 05-94\*



**SOUND LEVEL - CE**  
TOP OF BLADE GUARD  
542 19 60-29\*



**MUFFLER HOT,**

Top Surface of Lift Bail, Near Muffler  
542 16 90-65\*

# DECALS & LOCATIONS ETIQUETAS Y SU UBICACIÓN AUTOCOLLANTS ET LEURS EMPLACEMENTS



## FS 4800 D

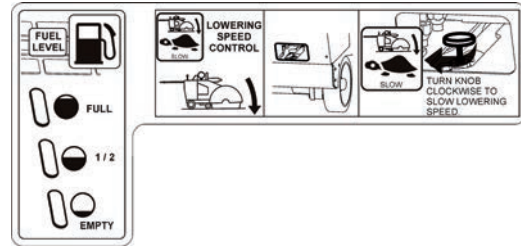
**DECAL, HUSQVARNA FS4800D**  
SIDES OF COWL  
542 19 07-03 (x2)



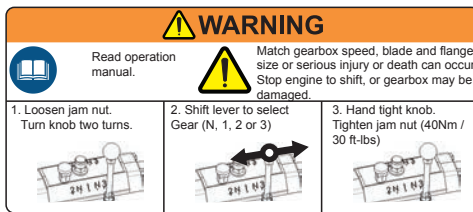
**DECAL, 3" HSQ CROWN**  
FRONT OF HOOD  
542 19 07-35



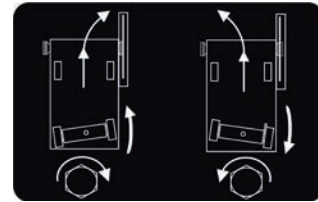
**DECAL, HUSQVARNA, 9.5" LG**  
REAR OF COWL  
542 19 07-33



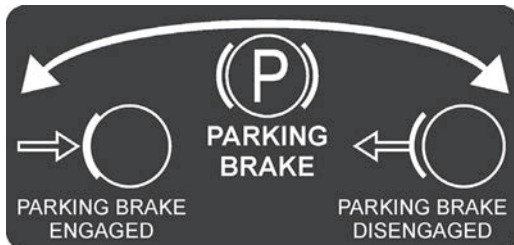
**LOWERING SPEED / FUEL LEVEL**  
REAR OF COWL  
542 19 06-16



**GEARBOX OPERATION**  
FRONT OF ENGINE HOOD NEAR GEARBOX  
3 Speed Gearbox Models Only  
587 20 11-01



**MANUAL AXLE ADJUSTMENT**  
REAR OF COWL  
542 19 94-35



**PARKING BRAKE**  
LH COWL SIDE - NEAR PARKING BRAKE HANDLE  
(REAR PIVOT MODEL ONLY)  
542 19 06-32



**BLADE ROTATION DIRECTION**  
TOP OF BLADE GUARD  
542 16 72-89\*



**BLADE GUARD WARNING,**  
TOP OF BLADE GUARD  
542 04 61-28\*

\* NOTE: Part No's. in the manual that have an ASTRISK (\*) suffix may not be active 9-digit numbers. The '542' prefix has been added temporarily to current 6-digit part numbers and '0' to 8-digit part numbers.

# DECALS & LOCATIONS ETIQUETAS Y SU UBICACIÓN AUTOCOLLANTS ET LEURS EMPLACEMENTS

**⚠ WARNING ⚠**



DO NOT Use A Larger Size Blade Guard Without Changing To The Correct Belt Drive!

Benutzen Sie keinen abweichenden Trennscheiben-Durchmesser ohne Überprüfung der korrekten Schneidwellendrehzahl!

Ne pas travailler avec de grands diamètres de disques sans changer correctement les rapports de courroies!

E pericoloso lavorare con grandi diametri di dischi senza cambiare correttamente i rapporti di pullegge!

No utilizar discos de gran diametro sin antes cambiar la relacion de las correas!

Gebruik geen zaag-kappen van grotere afmetingen zonder een juiste afstelling aan de riemaandrijving!







**BLADE GUARD WARNING,  
TOP OF BLADE GUARD**  
542 16 72-98\*

Covered By One Or More  
Of The Following  
U.S. Patents:

4333685, 4333686, 4744604,  
4827559, 4921308, 4968099,  
4986604, 5241946, 5381780,  
5477844, 5680854, 5690391,  
5743247, 5809985, 5810448,  
D337037, D346104, D369816,  
D371373, D379094, 6986344

Other U.S. And Foreign  
Patents Pending

**PATENTS**  
542 18 04-27\*

BLADE RPM & SIZE					
BLADE SIZE	FLANGE SIZE	BLADE		ENGINE	
		RPM	PULLEY DIA	PULLEY DIA	RPM
					
14" / 350 mm	4.50" / 114 mm	3200	4.12" / 105 mm	6.00" / 152 mm	3250 (Maximum)
18" / 450 mm	4.50" / 114 mm	2500	4.12" / 105 mm	4.75" / 120 mm	
26" - 30" 650-750 mm	5.00" 127 mm	1600	4.75" 120 mm	3.50" 89 mm	3000 (Loaded)
36" 900 mm	6.00" 152 mm	1390	5.60" 142 mm	3.50" 89 mm	

**BLADE RPM & SIZE**  
TOP OF INSTRUMENT PANEL,  
1 Speed Gearbox Model  
542 19 05-99\*

GEARBOX RANGE / BLADE RPM						
FLANGE SIZE	BLADE SIZE	GEARBOX RANGE		BLADE RPM		ENGINE RPM
		GEAR	PULLEY	RPM	PULLEY	
4.50" 114 mm	14" - 16" 350-400 mm	3	4.50" 114 mm	3100	4.12" 105 mm	3250 (Maximum) 3000 (Loaded)
	18" - 20" 450-500 mm	2		2180		
	26" / 650 mm	1		1870		

**GEARBOX RANGE / BLADE RPM (14-20)**  
TOP OF INSTRUMENT PANEL,  
3 Speed Gearbox Models With  
4.5" (114mm) Diameter Flanges  
542 19 05-96\*

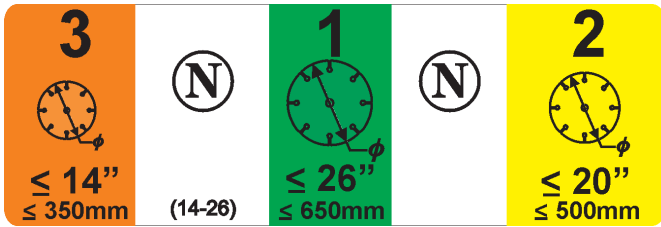
GEARBOX RANGE / BLADE RPM						
FLANGE SIZE	BLADE SIZE	GEARBOX RANGE		BLADE RPM		ENGINE RPM
		GEAR	PULLEY	RPM	PULLEY	
5.00" 127 mm	14" - 18" 350-450 mm	3	4.12" 105 mm	2600	4.50" 114 mm	3250 (Maximum) 3000 (Loaded)
	20" - 26" 500-650 mm	2		1800		
	30" / 750 mm	1		1570		

**GEARBOX RANGE / BLADE RPM (18-30)**  
TOP OF INSTRUMENT PANEL,  
3 Speed Gearbox Models With  
5.0" (114mm) Diameter Flanges  
542 19 05-98\*

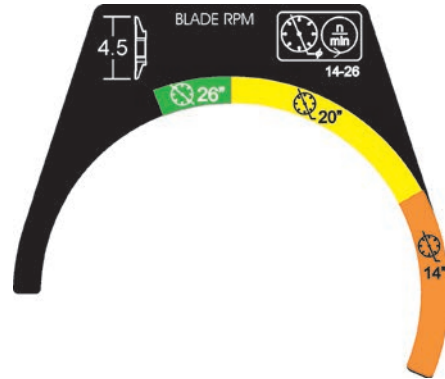
GEARBOX RANGE / BLADE RPM						
FLANGE SIZE	BLADE SIZE	GEARBOX RANGE		BLADE RPM		ENGINE RPM
		GEAR	PULLEY	RPM	PULLEY	
6.00" 152 mm	16" - 20" 400-500 mm	3	4.12" 105 mm	2260	5.20" 132 mm	3250 (Maximum) 3000 (Loaded)
	26" - 30" 650-750 mm	2		1580		
	36" / 900 mm	1		1360		

**GEARBOX RANGE / BLADE RPM (20-36)**  
TOP OF INSTRUMENT PANEL,  
3 Speed Gearbox Models With  
6.0" (114mm) Diameter Flanges  
542 19 06-00\*

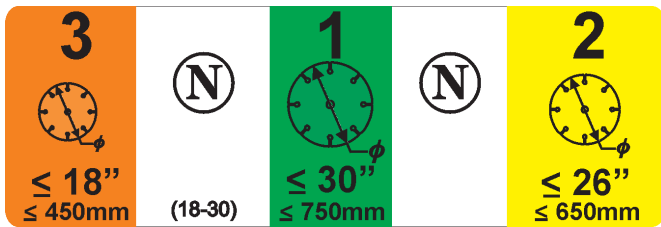
# DECALS & LOCATIONS ETIQUETAS Y SU UBICACIÓN AUTOCOLLANTS ET LEURS EMPLACEMENTS



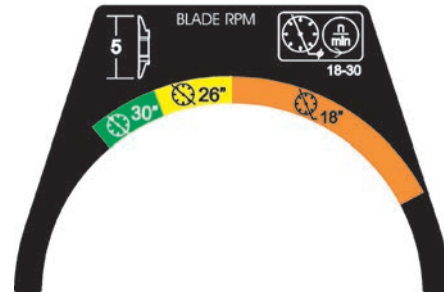
**SHIFT LEVER POSITION-4.5" FLANGE**  
TOP OF ENGINE HOOD - NEAR SHIFT LEVER  
542 20 65-44



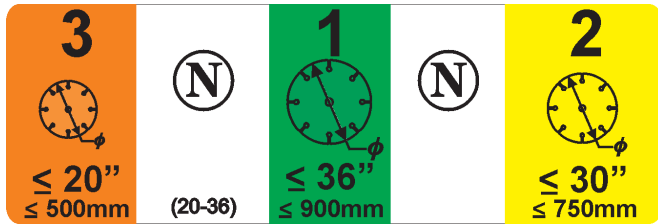
**TACHOMETER / BLADE RPM-4.5" FLANGE**  
TOP OF ENGINE HOOD - NEAR SHIFT LEVER  
542 20 65-47



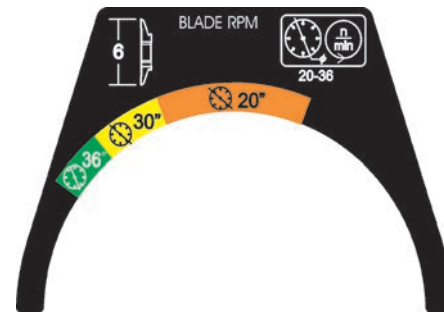
**SHIFT LEVER POSITION-5.0" FLANGE**  
TOP OF ENGINE HOOD - NEAR SHIFT LEVER  
542 20 65-45



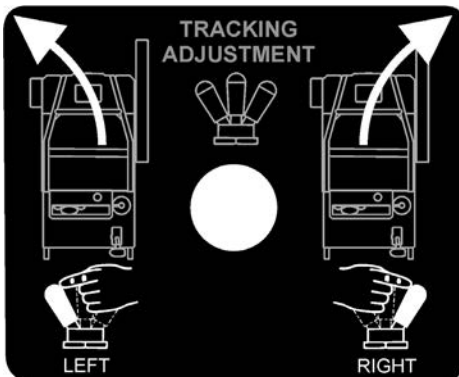
**TACHOMETER / BLADE RPM-5.0" FLANGE**  
TOP OF ENGINE HOOD - NEAR SHIFT LEVER  
542 20 65-48



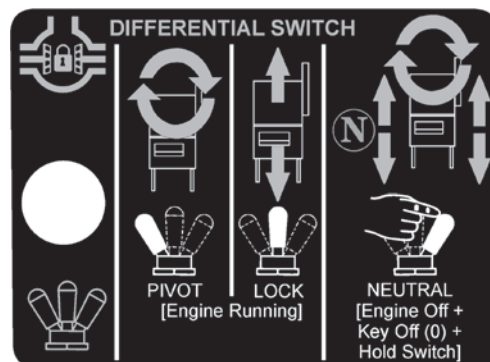
**SHIFT LEVER POSITION-6.0" FLANGE**  
TOP OF ENGINE HOOD - NEAR SHIFT LEVER  
542 20 65-46



**TACHOMETER / BLADE RPM-6.0" FLANGE**  
TOP OF ENGINE HOOD - NEAR SHIFT LEVER  
542 20 65-49



**ELECTRIC TRACKING**  
TOP OF INSTRUMENT PANEL,  
Front Pivot Models Only  
542 19 94-33



**DIFFERENTIAL SWITCH**  
TOP OF INSTRUMENT PANEL (Rear Pivot Only)  
542 19 06-07

\* NOTE: Part No's. in the manual that have an ASTRISK (\*) suffix may not be active 9-digit numbers. The '542' prefix has been added temporarily to current 6-digit part numbers and '0' to 8-digit part numbers.



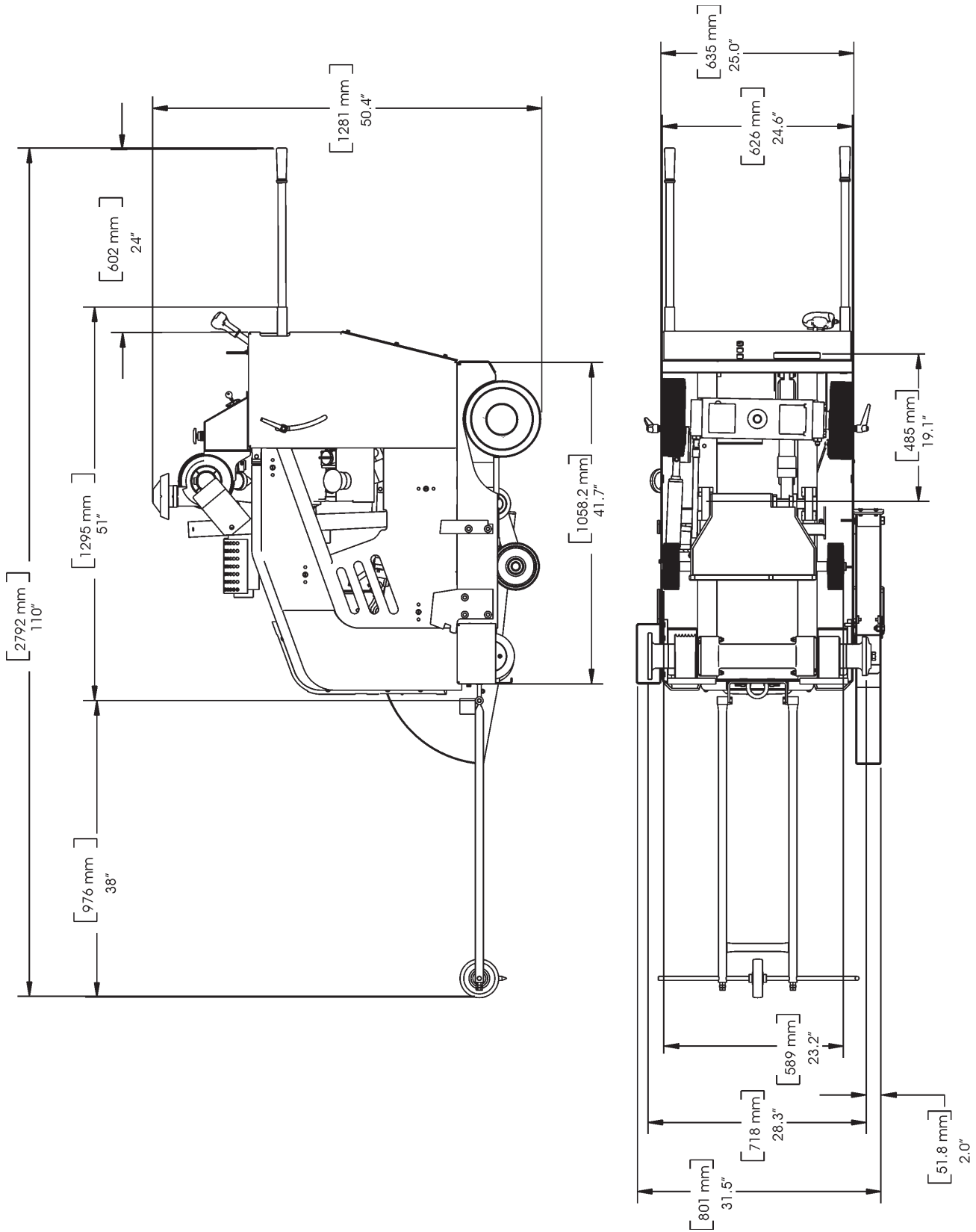
# FS 4800 D DIESEL SPECIFICATIONS

## Standard & CE Models

FS 4800 DIESEL MODEL	FS 4800 D 14	FS 4800 D 18	FS 4800 D 26	FS 4800 D 30	FS 4800 D 36
Saw (Standard)	--	--	--	--	--
Saw with Electric Track	--	--	--	--	--
Saw with Electric Track & Clutch	--	--	--	--	--
<b>STANDARD FEATURES:</b>					
Blade Guard Capacity - in. (mm)	14 (355)	18 (457)	26 (660)	30 (762)	36 (914)
Max. Depth of Cut - in. (mm)	4.50 (114)	6.50 (165)	10.50 (267)	12.00 (305)	15 (381)
Blade Shaft RPM (Single speed gearbox model only)	2,900	2,400	1,800	1,600	1,350
Approximate Blade Shaft Power	42 HP (31.3 KW)				
Arbor Size - in. (mm)	1" (25.4) with single drive pin				
Blade Shaft Diameter - in. (mm)	2" (51)				
Quick Disconnect Blade Flange Diameter - in. (mm)	4.50 (114)	5.00 (127)	5.00 (127)	5.00 (127)	6.00 (152)
IntelliSeal™ Blade Shaft System	500-hour service interval				
Blade Shaft Bearings	2 radial ball bearing cartridges				
Blade Shaft Drive	12 belts ( 4 each 3 band 3VX V-belts)				
Blade Guard Attachment	Slip-on				
Blade Control	Electro-hydraulic pump raises blade; switch controlled raise/lower on speed control handle; Automatic blade depth control switch built into depth indicator – depth can be set with auto stop function on depth indicator. Optional electric clutch - blade drive disengagement system;				
Axle Front / Rear – in (mm)	1.25" (38.1mm) diameter / 4-bolt hub mount				
Wheels Front / Rear inch (mm)	6" x 2" x 1" (203mm x 51mm x 25.4mm) / 10" x 3" (254mm x 76mm)				
Handlebars / Adjustment (Patent Pending)	Multiple positioning between -4 degrees and +30 degrees, with 15 inches (381 mm) total height adjustment.				
Transmission (All Models)	Balanced dual motor hydraulic drive system.				
Transmission (Rear Pivot Model)	Electrically controlled hydraulic differential system locks rear wheels for positive traction to prevent slipping.				
Control	Single linear control on console; forward, reverse, dynamic braking, neutral stop.				
Max. Ground Speed – Front Pivot Model	Infinite speeds: 0 – 200 feet per minute (61 meters / minute) forward and reverse.				
Max. Ground Speed – Rear Pivot Model	Infinite speeds: 0 – 200 feet per minute (61 meters / minute) forward and reverse – differential locked. Infinite speeds: 0 – 100 feet per minute (61 meters / minute) forward and reverse – differential unlocked.				
Electric Tracking - Optional	Full time adjustable tracking operated with electric switch. (Front Pivot Model Only)				
Blade Clutch - Optional	Allows engine to run without blade rotation. Operated with electric switch.				
Chassis	Welded box section construction				
Weight – lb. (Kg) – Uncrated	1,360 (617)	1,370 (621)	1,380 (626)	1,400 (635)	1,420 (644)
<b>POWER SOURCE:</b>					
Engine	Diesel				
Model	Yanmar				
Specification	4TNV88				
Max. Horsepower	48 @ 3000 RPM				
Displacement (cu. in.)	133.6 cu. in. (2.19 liter)				
Bore – in. (mm)	3.46 (88)				
Stroke – in. (mm)	3.54 (90)				
Cylinders	4				
Fuel Capacity – US gallon (l)	7.8 (29.5)				
Oil Capacity – quart (l)	7.8 (7.4) with filter				
Air Filter	Dual Element Radial Seal with restriction indicator				
Starter	Electric				
Engine Coolant	Liquid (50/50 Water/Ethyl Glycol Mix) and Air				

# FS 4800 D DIESEL SPECIFICATIONS

## Standard & CE Models



# ESPECIFICACIONES DE DIESEL FS 4800 D

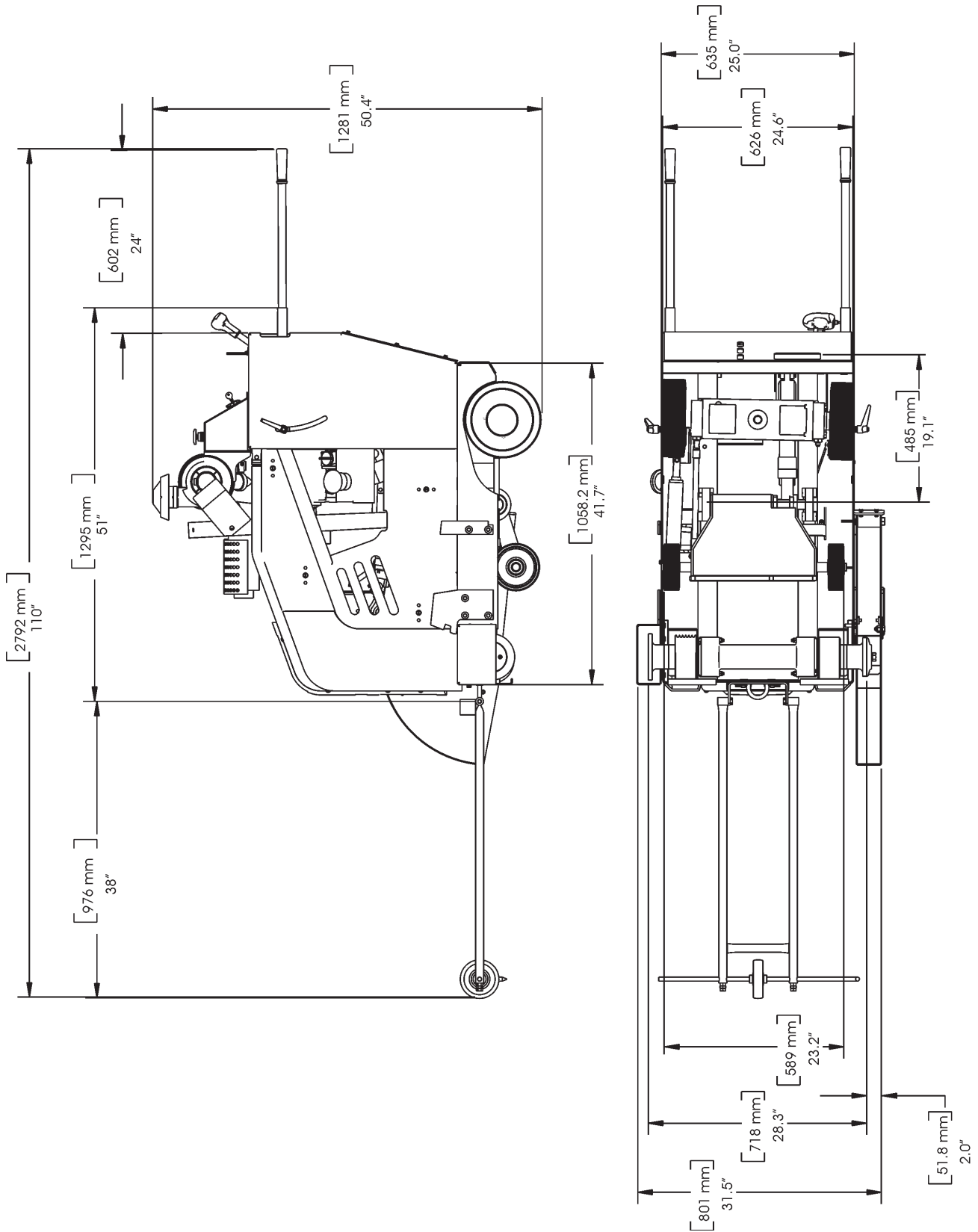
## Modelos estándar y CE

MODELO DIESEL FS 4800	FS 4800 D 14	FS 4800 D 18	FS 4800 D 26	FS 4800 D 30	FS 4800 D 36
Sierra (estándar)	--	--	--	--	--
Sierra con seguimiento eléctrico	--	--	--	--	--
Sierra con seguimiento eléctrico y embrague	--	--	--	--	--
<b>CARACTERÍSTICAS ESTÁNDAR:</b>					
Capacidad de protección de la hoja – pulg (mm)	14 (355)	18 (457)	26 (660)	30 (762)	36 (914)
Profundidad máx. de corte – pulg (mm)	4,50 (114)	6,50 (165)	10,50 (267)	12,00 (305)	15 (381)
Eje de la hoja en rpm (Modelo de caja de engranajes de una sola velocidad solamente)	2.900	2.400	1.800	1.600	1.350
Potencia aproximada del eje de la hoja	42 HP (31,3 KW)				
Tamaño del árbol – pulg (mm)	1 (25,4) con un solo pasador de mando				
Diámetro del eje de la hoja – pulg (mm)	2 (51)				
Diámetro de la pestaña de la hoja de desconexión rápida – pulg (mm)	4,50 (114)	5,00 (127)	5,00 (127)	5,00 (127)	6,00 (152)
Sistema de eje de la hoja IntelliSeal™	Intervalo de servicio de 500 horas.				
Cojinetes del eje de la hoja	2 cartuchos de cojinetes de bolas radiales.				
Mando del eje de la hoja	12 correas (correas trapeciales 3VX de 3 bandas, 4 cada uno).				
Accesorio de protección de la hoja	Deslizante.				
Control de la hoja	La hoja sube por medio de una bomba electrohidráulica; función de subida/bajada controlada por un interruptor en la palanca de control de velocidad; interruptor de control automático de profundidad de la hoja integrado en el indicador de profundidad – la profundidad puede fijarse con una función de parada automática en el indicador de profundidad. Embrague eléctrico opcional – sistema de desactivación del mando de la hoja.				
Eje delantero / trasero – pulg (mm)	Diámetro de 1,25" (38,1mm) / montaje de cubo con 4 pernos				
Ruedas delanteras / traseras – pulg (mm)	6" x 2" x 1" (203 x 51 x 25,4 mm) / 10" x 3" (254 x 76 mm)				
Ajuste de los manillares / (pendiente de patente)	Posiciones múltiples entre -4 y +30 grados, con un ajuste de altura total de 15 pulgadas (381 mm).				
Transmisión (todos los modelos)	Sistema de impulsión hidráulico equilibrado de motor doble.				
Transmisión (modelo de pivote trasero)	Sistema de diferencial hidráulico controlado eléctricamente que bloquea las ruedas traseras para lograr una tracción firme e impedir el patinaje.				
Control	Control lineal individual en la consola; avance, retroceso, frenado dinámico, parada neutral.				
Velocidad máx. sobre el terreno – Modelo de pivote delantero	Velocidades infinitas: 0 – 200 pies por minuto (61 metros / minuto) en avance y retroceso.				
Velocidad máx. sobre el terreno – Modelo pivote trasero	Velocidades Infinitas: 0 – 200 pies por minuto (61 metros / minuto) avance y retroceso – diferencial bloqueado. Velocidades infinitas: 0 – 100 pies por minuto (61 metros / minuto) avance y retroceso – diferencial desbloqueado.				
Carril eléctrico – Opcional	Seguimiento ajustable de tiempo completo operado con interruptor eléctrico.				
Embrague de la hoja – Opcional	Permite hacer funcionar el motor sin rotación de la hoja. Operado con un interruptor eléctrico.				
Chasis	Construcción soldada de sección rectangular				
Peso – lb (Kg) – Sin embalar	1.360 (617)	1.370 (621)	1.380 (626)	1.400 (635)	1.420 (644)
<b>FUENTE DE ALIMENTACIÓN:</b>					
Motor	Diesel				
Modelo	Yanmar				
Especificación	4TNV88				
Potencia máxima	48 a 3.000 rpm				
Cilindrada (pulg <sup>3</sup> )	133,6 pulg <sup>3</sup> (2,19 litros)				
Calibre – pulg (mm)	3,46 (88)				
Carrera – pulg (mm)	3,54 (90)				
Cilindros	4				
Capacidad de combustible – galones de EE.UU. (l)	7,8 (29,5)				
Capacidad de aceite – cuarto de galón (l)	7.8 (7.4) con filtro				
Filtro de aire	Elemento doble, sello radial con indicador de restricción				
Motor de arranque	Eléctrico				
Refrigerante del motor	Líquido (mezcla 50/50 de agua/glicol etílico) y aire				



# ESPECIFICACIONES DE DIESEL FS 4800 D

## Modelos estándar y CE



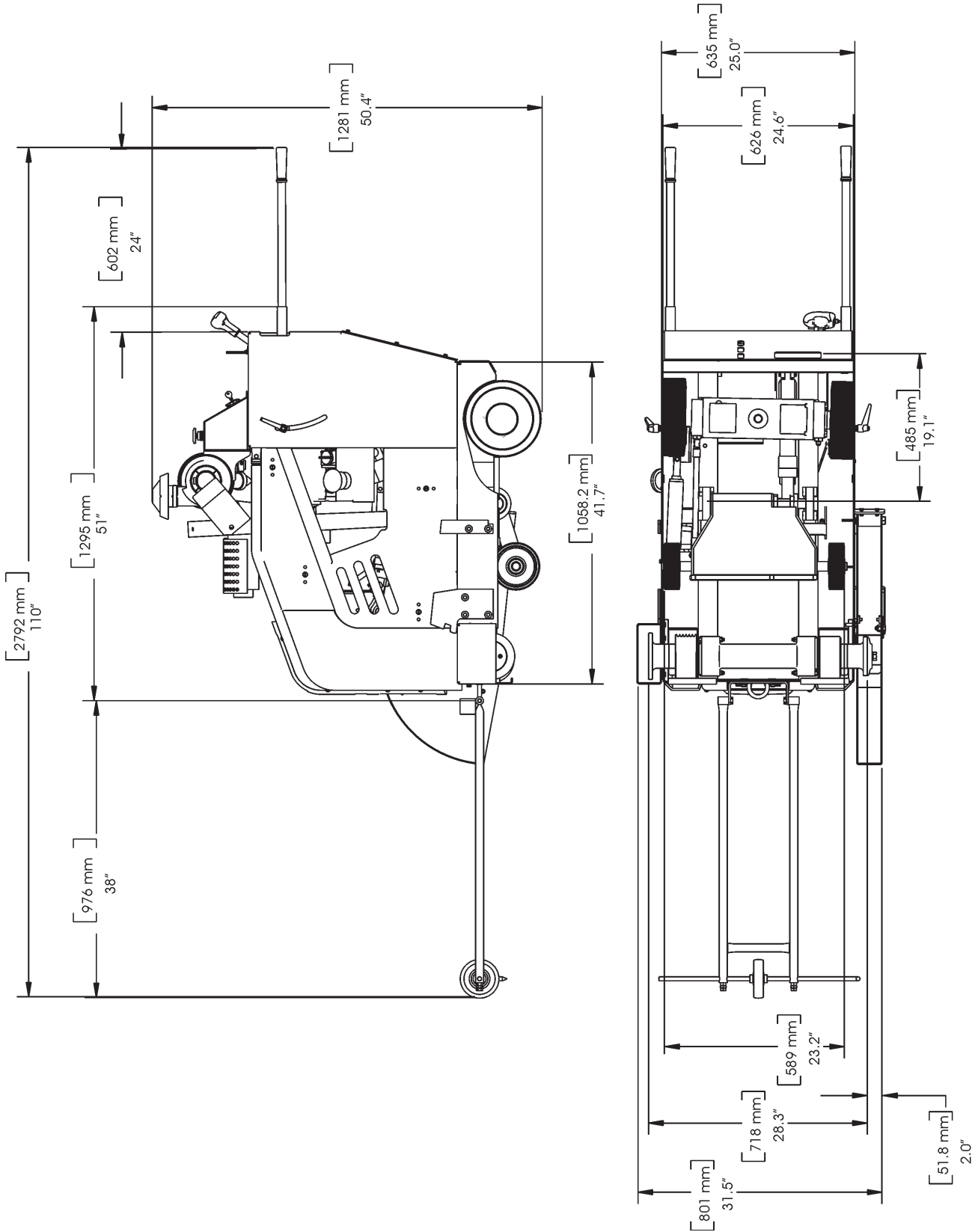
# SPÉCIFICATIONS DU FS 4800 D DIESEL

## Modèles standards et CE

FS 4800 MODÈLE DIESEL	FS 4800 D 14	FS 4800 D 18	FS 4800 D 26	FS 4800 D 30	FS 4800 D 36
Scie (standard)	--	--	--	--	--
Scie avec poursuite électrique	--	--	--	--	--
Scie avec poursuite électrique et embrayage	--	--	--	--	--
<b>CARACTÉRISTIQUES STANDARDS :</b>					
Capacité de la protection de disque en po (mm)	14 (355)	18 (457)	26 (660)	30 (762)	36 (914)
Prof. d'entaille max. en po (mm)	4,50 (114)	6,50 (165)	10,50 (267)	12,00 (305)	15 (381)
Régime de l'axe de disque (modèle doté d'une boîte de transmission à une vitesse uniquement)	2 900	2 400	1 800	1 600	1 350
Puissance approx. axe de disque	42 ch (31,3 kW)				
Taille du mandrin en po (mm)	1 po (25,4) avec goupille d'entraînement à un seul tambour				
Diam. axe de disque en po (mm)	2 po (51)				
Diamètre du flasque de disque à déconnexion rapide en po (mm)	4,50 (114)	5,00 (127)	5,00 (127)	5,00 (127)	6,00 (152)
Sys. d'axe disque IntelliSeal™	Périodicité d'entretien de 500 heures				
Roulements d'axe du disque	2 cartouches de roulement radial				
Entraînement de l'axe de disque	12 courroies (4 courroies trapézoïdales 3VX de 3 bandes chacune)				
Accessoire protection du disque	Amovible				
Commande du disque	Une pompe hydraulique et électrique relève le disque; le bouton de commande d'élévation ou d'abaissement de la lame se trouve sur le levier de commande de vitesse; la commande automatique de profondeur de sciage est intégrée à l'indicateur de profondeur du disque (la profondeur de sciage peut être réglée à l'aide de la fonction d'arrêt automatique située sur l'indicateur de profondeur). Embrayage électrique en option – système de débrayage de l'entraînement du disque				
Essieu avant / arrière en po (mm)	Diamètre de 1,25 po (38,1 mm) / montage du moyeu à 4 boulons				
Roues avant / arrières en po (mm)	6 po x 2 po x 1 po (203 mm x 51 mm x 25,4 mm) / 10 po x 3 po (254 mm x 76 mm)				
Guidons / Réglage (brevet en instance)	Réglages multiples, entre -4 degrés et +30 degrés, avec réglage de la hauteur total à 15 po (381 mm)				
Transmission (tous les modèles)	Système double d'entraînement hydraulique équilibré du moteur				
Transmission (modèle à pivot arrière)	Le système différentiel hydraulique à commande électrique bloque les roues arrières et exerce une traction hyperadhérente et antidérapante.				
Commande	Une seule commande linéaire sur la console; marche avant, marche arrière, intensificateur de freinage, arrêt au point mort				
Vitesse maximale d'avancement – Modèle à pivot avant	Vitesses continues : De 0 à 61 mètres / minute (200 pieds / minute), marche avant ou marche arrière.				
Vitesse maximale d'avancement – Modèle à pivot arrière	Vitesses continues : De 0 à 61 m / minute (200 pi / minute), marche avant ou marche arrière – différentiel bloqué Vitesses continues : De 0 à 30,5 m / min. (100 pi / min.), marche avant ou marche arrière – différentiel non bloqué				
Système optionnel de poursuite électrique	Poursuite réglable en prise permanente avec commande électrique				
Embrayage disque – en option	Permet le fonctionnement du moteur sans rotation du disque. Commande électrique				
Châssis	Section rectangulaire soudée				
Poids en lb (kg) – décaissé	1 360 (617)	1 370 (621)	1 380 (626)	1 400 (635)	1 420 (644)
<b>SOURCE D'ALIMENTATION :</b>					
Moteur	Diésel				
Modèle	Yanmar				
Spécification	4TNV88				
Cheval-puissance maximale	48 @ 3000 tours / minute				
Volume d'encombrement en po <sup>3</sup>	133,6 po <sup>3</sup> (2,19 litres)				
Alésage – en po (mm)	3,46 (88)				
Mouvement – en po (mm)	3,54 (90)				
Cylindres	4				
Contenance du réservoir à carburant – en gallons US (l)	7,8 (29,5)				
Contenance du réservoir à huile – en chopines (l)	7.8 (7.4) avec le filtre				
Filtre à air	Élément double, joint radial avec indicateur de colmatage				
Démarrreur	Électrique				
Refroidissement du moteur	Liquide (mélange 50/50 eau/glycol éthylique) et air				

# SPÉCIFICATIONS DU FS 4800 D DIESEL

## Modèles standards et CE



## SPECIAL INSTRUCTIONS FOR CHANGING BLADE SPEED ON CONCRETE / ASPHALT SAWS



**WARNING:**

Do not exceed blade shaft speed shown for each blade size. Excessive blade speed could result in blade breakage and serious personal injury.

**NOTE:**

As shown on the chart, some blade guards accept more than one size blade.

### INSTRUCCIONES ESPECIALES

#### PARA CAMBIAR LA VELOCIDAD EN LAS SIERRAS PARA HORMIGÓN / ASFALTO



**ADVERTENCIA:**

No sobrepase la velocidad del eje de la hoja indicada para cada tamaño de hoja. La velocidad excesiva de la hoja podría causar la rotura de la hoja y graves lesiones personales.

**NOTA:**

Tal como se indica en la tabla, algunos protectores de hojas aceptan más de una hoja de un tamaño.

### INSTRUCTIONS SPÉCIALES

#### POUR LE CHANGEMENT DE LA VITESSE DU DISQUE SUR LES SCIES À BÉTON/ASPHALTE



**AVERTISSEMENT :**

Ne pas faire tourner l'axe du disque à une vitesse supérieure à celle spécifiée pour chaque taille de disque. Une vitesse excessive pourrait faire casser le disque et provoquer des blessures graves.

**REMARQUE :**

Comme indiqué sur le tableau, certaines protections de disque conviennent à plusieurs tailles de disques.

### Engine Speed / Blade Size Velocidad del motor / Tamaño de la hoja Régime moteur/taille de disque

<b>GEARBOX RANGE / BLADE RPM</b>							<b>GEARBOX RANGE / BLADE RPM</b>										
FLANGE SIZE	BLADE SIZE	GEARBOX RANGE		BLADE RPM		ENGINE RPM	FLANGE SIZE	BLADE SIZE	GEARBOX RANGE		BLADE RPM		ENGINE RPM				
		GEAR	PULLEY	RPM	PULLEY				GEAR	PULLEY	RPM	PULLEY					
 4.50" 114 mm	14" - 16" 350-400 mm	3	 4.50" 114 mm	3100	 4.12" 105 mm	 3250 (Maximum) 3000 (Loaded)	 6.00" 152 mm	16" - 20" 400-500 mm	3	 4.12" 105 mm	2260	 5.20" 132 mm	 3250 (Maximum) 3000 (Loaded)				
	18" - 20" 450-500 mm	2		2180				1580									
	26" / 650 mm	1		1870				1360									
 5.00" 127 mm	14" - 18" 350-450 mm	3	 4.12" 105 mm	2600	 4.50" 114 mm	 3250 (Maximum) 3000 (Loaded)	 14" / 350 mm	4.50" / 114 mm	3200	4.12" / 105 mm	6.00" / 152 mm	 3250 (Maximum) 3000 (Loaded)					
	20" - 26" 500-650 mm	2		1800				4.75"	120 mm	3.50"	89 mm						
	30" / 750 mm	1		1570				5.60"	142 mm	3.50"	89 mm						
	26" - 30" 650-750 mm	2		1600				4.75"	120 mm	3.50"	89 mm						
 14" / 350 mm	 4.50" / 114 mm	 RPM		 PULLEY DIA		 RPM		 18" / 450 mm	 4.50" / 114 mm	 RPM		 PULLEY DIA		 RPM			
		3200		4.12" / 105 mm		3250				4.75" / 120 mm		2500		4.12" / 105 mm		3000	
		1600		4.75"		89 mm				1600		4.75"		120 mm		89 mm	
		1390		142 mm		89 mm				1390		142 mm		89 mm		89 mm	

## **ENGINE INFORMATION**

The saw is equipped with a Yanmar Diesel Engine. Yanmar strongly recommends that you register your engine as soon as possible after purchase in order to facilitate any future warranty matters. You can register on-line at [www.yanmar.co.jp](http://www.yanmar.co.jp). See the Yanmar engine manual included with the saw for more details.

## **INFORMACIÓN DEL MOTOR**

La sierra está equipada con un motor diesel Yanmar. Yanmar le recomienda encarecidamente que registre el motor tan pronto como sea posible después de la compra con el fin de facilitar cualquier asunto relacionado con la garantía en el futuro. Puede registrarlo on-line en [www.yanmar.co.jp](http://www.yanmar.co.jp). Para más detalles, consulte el manual del motor Yanmar que se incluye con el motor.

## **INFORMATION SUR LE MOTEUR**

Cette scie est dotée d'un moteur diesel Yanmar. Yanmar recommande fortement d'enregistrer ce moteur aussitôt que possible après l'achat afin de faciliter le règlement de toute question future concernant la garantie. Pour l'enregistrer, se rendre au site : [www.yanmar.co.jp](http://www.yanmar.co.jp). Pour de plus amples détails, consulter le manuel du moteur Yanmar fourni avec la scie.

## PRE OPERATION CHECKLIST



***Before leaving our factory, every machine is thoroughly tested. Follow our instructions strictly and your machine will give you long service in normal operating conditions.***



***Before starting up the machine, make sure you read these entire Operating Instructions and are familiar with the operation of the machine.***

### MACHINE SET-UP:



**ALWAYS park machine on a level surface with the engine “OFF” and the ignition switch set in the “0” (OFF) position before performing any maintenance. Let the machine cool down!!**

1. Check engine oil. Fill to the full mark on dip stick with 15W40 oil.
2. Connect battery cables.

### 1 - 2 HOUR OPERATION CHECK LIST:



**ALWAYS park machine on a level surface with the engine “OFF” and the ignition switch set in the “0” (OFF) position before performing any maintenance. Let the machine cool down!!**

1. Check the engine air cleaner hose clamps. Tighten as required.
2. Tension the blade drive V-belts. DO NOT over tension!!

## SCHEDULED MAINTENANCE QUICK REFERENCE



**Before performing any maintenance, ALWAYS park the machine on a level surface with the engine “OFF” and the ignition switch set in the “OFF” position. Let the machine cool down!!**

### SERVICE DAILY:

1. Check engine oil level.
2. Check blade guard for damage.
3. Check hoses and clamps for damage or looseness. Tighten or replace as necessary.
4. Check air cleaner AIR RESTRICTION INDICATOR (1N). Replace primary air filter if indicator is red.
5. Make sure all safety guards are in place and in good condition.
6. Drain Water from ENGINE GEARBOX (3-1A, 3-2A) using WATER DRAIN VALVE (3-1C, 3-2C).

### SERVICE EVERY 50 HOURS:

1. Inspect Radiator Air Filter and clean as necessary.
2. Check blade drive V-belt tension. Tension both sides evenly. DO NOT over tension!!!
3. Lubricate front wheel bearings.
4. Replace Hydraulic System Filter. (First 50 hours only.)

### SERVICE EVERY 100 HOURS:

1. Replace engine oil and filter.
2. Lubricate front axle pivot bearings.
3. Check wheels for wear or damage.
4. Check rear wheel hubs and wheels for looseness.
5. Check engine air cleaner hose and clamps.
6. Check hydraulic system fluid level.

### SERVICE EVERY 250 HOURS:

1. Replace Hydraulic System Filter
2. Grease Blade Shaft 2 pumps each end.

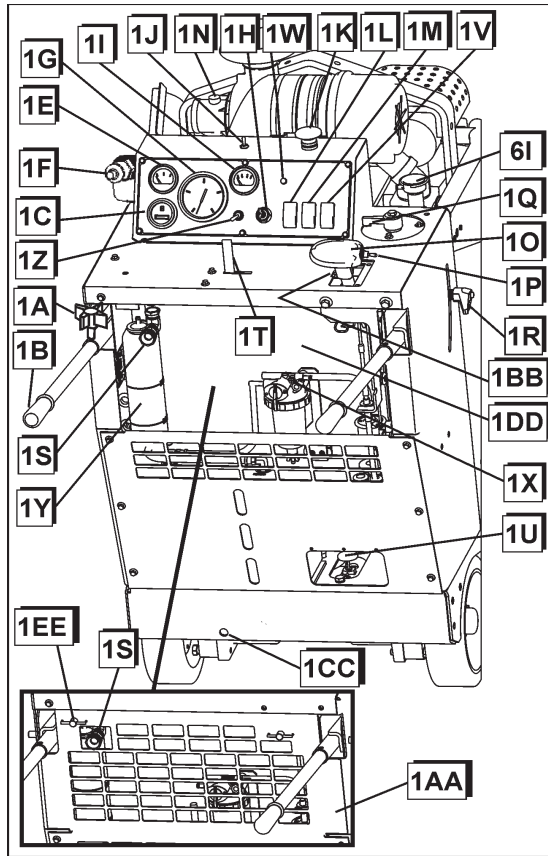
### SERVICE EVERY 500 HOURS:

1. Replace Engine gearbox fluid.
2. Replace hydraulic system fluid.
3. Replace engine fuel filter (spin-on type).

### SERVICE YEARLY:

1. Replace air filter primary and safety element.

**FIGURE 1**



- 1A. KNOB:** Use to tighten operator grip handles.
- 1B. HANDLE BARS:** For operator gripping. DO NOT use to lift the saw. (Same as 6G)
- 1C. HOUR METER:** Records engine hours of operation.
- 1D. ---**
- 1E. WATER TEMPERATURE GAUGE:** Water/Glycol is the coolant. Monitors the engine coolant temperature. Maximum Safe temperature is 220° F.
- 1F. ENGINE THROTTLE:** Controls Engine RPM. Push Red Button to unlock. Push in to decrease RPM. Pull out to increase RPM. Or Turn Clockwise to increase RPM. Turn counterclockwise to decrease RPM.
- 1G. TACHOMETER:** Displays engine speed (RPM, n/min), or blade shaft speed (RPM, n/min) if equipped with TACHOMETER SELECT SWITCH (1Z), else displays only engine speed (RPM, n/min). Select TACHOMETER display by moving TACHOMETER SELECT SWITCH (1Z) to desired position (If equipped). Three-speed gearbox models have color bands (green, yellow, and orange), displayed around outside of tachometer, that relate GEARBOX SHIFT LEVER (3-20) position (1, 2, or 3) and maximum blade diameter (inches only). Rotational speed (RPM, n/min) of DIAMOND BLADE (2E) should remain in the proper color band during operation.



**WARNING: Take Notice of TACHOMETER SELECT SWITCH (1Z) position! Tachometer can indicate Blade Speed or Engine Speed.**

Serious injury can occur to the operator or people in the work area if the rotational speed (n/min) of the DIAMOND BLADE (2E) exceeds the maximum speed (n/min) marked on the DIAMOND BLADE (2E).

- 1H. ENGINE START SWITCH:** Start and stop the engine using this switch. Also preheats engine when pressed inward.
- 1I. VOLTAGE GAUGE:** Shows the voltage of the electrical system.
- 1J. AXLE ADJUSTMENT SWITCH or DIFFERENTIAL SWITCH:** AXLE ADJUSTMENT SWITCH (Front Pivot Model Only): Toggle switch to adjust rear drive axle. Push switch right to make saw drive to the right. Left to make saw drive to the left. DIFFERENTIAL SWITCH (Rear Pivot Model Only): Three Positions to control Pivot or Straight or Neutral Mode. Toggle switch to LEFT for Pivot Mode. Allows saw to be pivoted on its rear wheels. Toggle switch to CENTER for Straight Mode. Allows saw movement in a straight line. Toggle switch to RIGHT position (Must be held in position). Saw must have engine OFF, and ENGINE START SWITCH (1H) in the OFF ("0") position. Puts saw in "Neutral" and allows pushing the machine.
- 1K. RED PALM SWITCH:** For EMERGENCY STOP of the saw. Stops all systems except lights, pull OUT to reset. Do not use for routine stopping.
- 1L. WATER SAFETY SWITCH:** Stops engine if water supply to blade is interrupted. Set to activate switch.
- 1M. BLADE DEPTH STOP SWITCH:** Activates or overrides depth stop for repetitive cuts at same depth.
- 1N. AIR RESTRICTION INDICATOR:** Service air filter elements when indicator shows a red mark. Reset before starting engine.
- 1O. SPEED CONTROL LEVER:** Controls forward and reverse directions, stop, and speed of saw.
- 1P. RAISE/LOWER TOGGLE SWITCH:** Located on speed control lever. Use to raise and lower saw. Push up to raise saw upward. Push down to lower saw.
- 1Q. BLADE DEPTH INDICATOR:** Displays cutting depth. Sets cutting depth for BLADE DEPTH STOP SWITCH (1M).
- 1R. HANDLE ADJUSTMENT LOCK:** Turn Clockwise to lock handle bar in position. Turn Counterclockwise to unlock and reposition handlebar.
- 1S. WATER INLET:** Connects to 3/4" garden hose for fresh water supply.
- 1T. WATER VALVE:** Controls water flow rate to cool the blade.
- 1U. SAW LOWERING SPEED CONTROL KNOB:** Turn knob clockwise to slow lowering speed. Turn knob counterclockwise to increase lowering speed. Access Knob through rear of machine.
- 1V. BLADE CLUTCH SWITCH (If Equipped):** Engages Blades Drive. Engage only with engine RPM at



1200 RPM or less. Blade drive is engaged when the BLADE CLUTCH SWITCH (1V) is in the "1" (ON) position. To disengage the blade drive, put the BLADE CLUTCH SWITCH (1V) in the "0" (OFF) position.

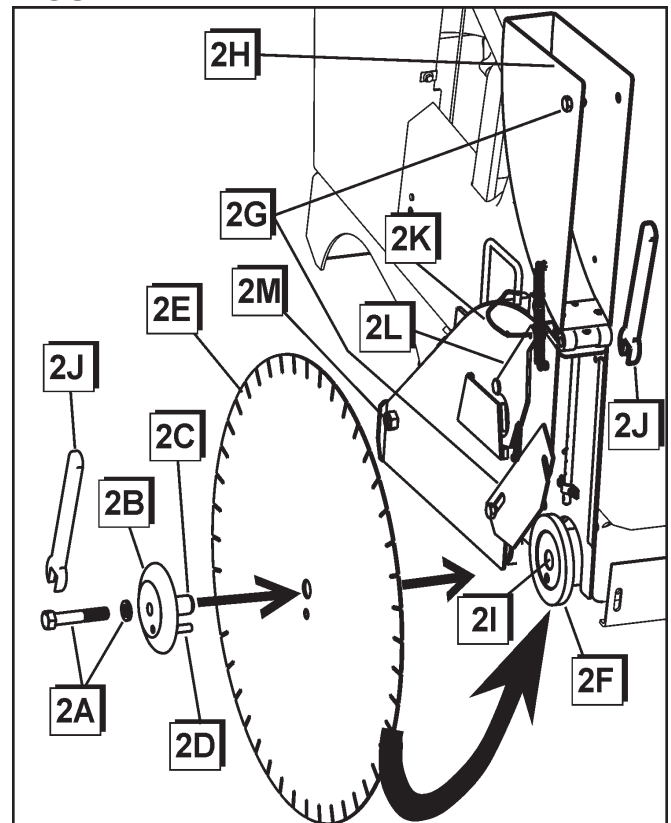
- 1W. **OIL PRESSURE LIGHT:** Lights up when engine oil pressure is low & when key is on with engine off.
- 1X. **AIR BLEED BOLT:** Located on Oil / Water Separator. Used to remove air from fuel lines. See Yanmar Engine Operation Manual for details about the AIR BLEED BOLT, and the OIL / WATER SEPARATOR.
- 1Y. **RADIATOR COOLANT OVERFLOW BOTTLE:** Recovers radiator coolant when engine is hot. Should be 1/4 full when engine is off and cool.
- 1Z. **TACHOMETER SELECT SWITCH:** Can be set to indicate either engine speed (RPM, n/min), or blade shaft speed (RPM, n/min). Set to upper position to indicate engine speed, lower position to indicate blade shaft speed. Standard equipment on machines equipped with three-speed gearbox, optional for all others.



**WARNING:** Take Notice of TACHOMETER SELECT SWITCH (1Z) position! Tachometer can indicate Blade Speed or Engine Speed. Serious injury can occur to the operator or people in the work area if the rotational speed (n/min) of the DIAMOND BLADE (2E) exceeds the maximum speed (n/min) marked on the DIAMOND BLADE (2E).

- 1AA. **REAR COVER:** Remove only for service of machine. To remove, rotate GUARD LATCHES (1EE) 270 degrees in a Counter-Clock-Wise direction. Replace before starting engine. Is not a safety guard, but controls air flow through machine for proper engine performance.
- 1BB. **STOP POSITION:** The saw will stop travel movement when speed control lever (1O) is in this position. Engine will not start unless Speed Control Lever (1O) is in STOP position.
- 1CC. **MANUAL AXLE ADJUSTMENT** (Front Pivot-Manual Tracking Model Only): Turn bolt to adjust rear drive axle. Rotating it to the right (CW) makes saw drive to the right. Left (CCW) makes saw drive to the left.
- 1DD. **RADIATOR AIR FILTER ELEMENT:** Must be in place or engine damage will occur. Clean Filter as required, or every 50 hours.
- 1EE. **GUARD LATCH:** Used to secure Guards, Shields, and REAR COVER (1AA) in position. To remove REAR COVER (1AA), rotate the latches 270 degrees in a Counter-Clock-Wise direction. A slotted model of this latch is used to secure the side guards (4 latches per side), to remove side guards, use a tool, such as a screw driver, to rotate latches 270 degrees.

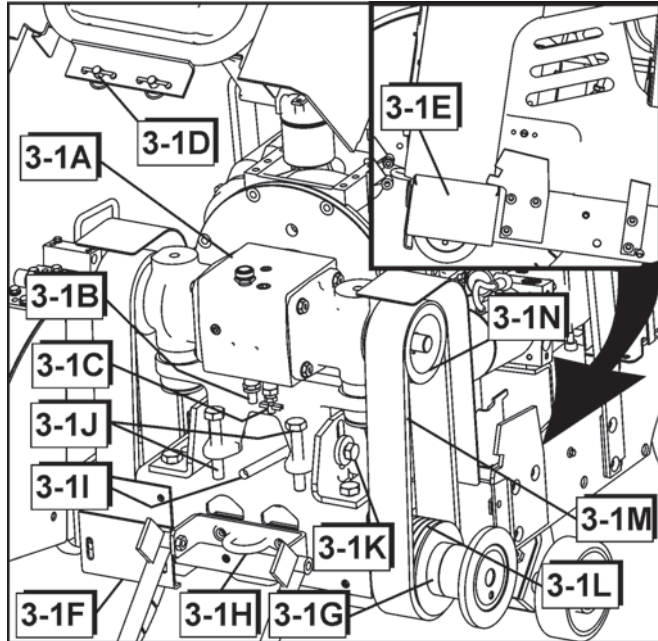
**FIGURE 2**



- 2A. **BLADE SHAFT BOLT:** Use to clamp DIAMOND BLADE (2E) between the inner and outer flange. Right side of saw has left hand threads. Left side of saw has right hand threads.
- 2B. **OUTER FLANGE:** Used to hold DIAMOND BLADE (2E) in position.
- 2C. **OUTER FLANGE ARBOR:** Use to support the DIAMOND BLADE (2E).
- 2D. **LOCKING PIN:** Use to prevent the diamond blade from rotating on the shaft during operation.
- 2E. **DIAMOND BLADE:** Used as the cutting tool for concrete and asphalt surfaces.
- 2F. **INNER FLANGE:** Inside support used to hold DIAMOND BLADE (2E) in position.
- 2G. **BLADE GUARD NOSE LATCH:** Use to latch the front part of blade guard down.
- 2H. **BLADE GUARD FRONT:** Front part of the blade guard.
- 2I. **BLADE SHAFT:** Supports Blade Flanges and blade.
- 2J. **BLADE SHAFT WRENCH:** Used to remove BLADE SHAFT BOLT (2A). For a 36" (900mm) blade guard the BLADE SHAFT WRENCH is used to pivot the BLADE GUARD SPADE LATCH (2L) to the open position, then the blade guard is removed.
- 2K. **WIRE LANYARD:** Pull wire so blade guard latch pivots to allow removal of blade guard (Not available for CE marked European models with a 36", or 900mm Blade Guard).

- 2L. BLADE GUARD SPADE LATCH:** Used to hold the blade guard in position. To remove the blade guard, use the WIRE LANYARD (2K) to pivot the inner BLADE GUARD SPADE LATCH to the open position, and then lift the blade guard up and off of the machine.
- 2M. REAR BOLT:** Retains Blade Guard In position (except 36" and 900mm). REAR BOLT must be removed before removing BLADE GUARD. Always install REAR BOLT in blade guard before operating machine.

**FIGURE 3-1**



- 3-1A. ENGINE GEARBOX:** Single Speed Model.
- 3-1B. WATER CONNECTION:** Circulates freshwater through gearbox to cool it. Water then flows to the bladeguard.
- 3-1C. WATER DRAIN VALVE:** To drain water from gearbox: Turn Counterclockwise to open, Clockwise to close. Drain daily to prevent corrosion or damage due to freezing temperatures.
- 3-1D. HOOD LATCH:** Two latches, located on the front frame of the machine secure the ENGINE HOOD (6E) in the lowered position. Rotate each latch 180 degrees, Counter-Clockwise, and the ENGINE HOOD (6E) can be lifted. For European CE models, the latch is a slotted design, and a tool, such as a screw driver must be used to open the latch.
- 3-1E. FLANGE COVER:** Guards against FLANGE contact during operation. Always keep in place!
- 3-1F. BELT PROTECTOR SHIELD:** Keep in place.
- 3-1G. BLADESHAFT TUBE ASSY:** Sealed unit contains bladeshaft, bearings and shaft seals.
- 3-1H. TIEDOWN LUGS:** Used to tie the saw down while transporting by vehicle. Not to be used to lift the saw.
- 3-1I. ENGINE OIL DRAIN VALVE:** Drains engine oil without use of tools.
- 3-1J. BELT TENSIONING BOLTS:**

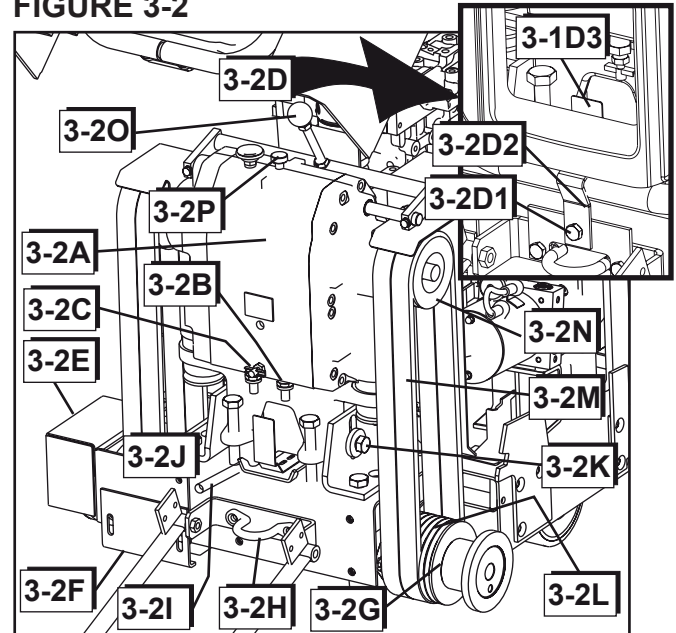
**3-1K. HORIZONTAL CLAMPING BOLTS:**

**3-1L. BLADE SHAFT PULLEY:**

**3-1M. V-BELTS:** Set of 4, 3 Groove

**3-1N. GEARBOX PULLEY:**

**FIGURE 3-2**



**3-2A. ENGINE GEARBOX:** Three Speed Model.

**3-2B. WATER CONNECTION:** Circulates freshwater through gearbox to cool it. Water then flows to the bladeguard.

**3-2C. WATER DRAIN VALVE:** To drain water from gearbox: Turn Counterclockwise to open, Clockwise to close. Drain daily to prevent corrosion or damage due to freezing temperatures.

**3-2D. HOOD LATCH:** Two latches, located on the front frame of the machine secure the ENGINE HOOD (6E) in the lowered position. Rotate each latch 180 degrees, Counter-Clockwise, and the ENGINE HOOD (6E) can be lifted. For European CE models, the latch is a slotted design, and a tool, such as a screw driver must be used to open the latch.

**3-2E. FLANGE COVER:** Guards against FLANGE contact during operation. Always keep in place!

**3-2F. BELT PROTECTOR SHIELD:** Keep in place.

**3-2G. BLADESHAFT TUBE ASSY:** Sealed unit contains bladeshaft, bearings and shaft seals.

**3-2H. TIEDOWN LUGS:** Used to tie the saw down while transporting by vehicle. Not to be used to lift the saw.

**3-2I. ENGINE OIL DRAIN VALVE:** Drains engine oil without use of tools.

**3-2J. BELT TENSIONING BOLTS:**

**3-2K. HORIZONTAL CLAMPING BOLTS:**

**3-2L. BLADE SHAFT PULLEY:**

**3-2M. V-BELTS: Set of 4, 3 Groove**

**3-2N. GEARBOX PULLEY:**

**3-2O. GEARBOX SHIFT LEVER:** Use to change output speed of the ENGINE GEARBOX (3-2A). Three-Speeds and two Neutral positions are available. GEARBOX SHIFT LEVER positions (1, 2, and 3) are color coded to match, among others, Gearbox Range / Blade RPM decal. GEARBOX SHIFT LEVER Operation:

- 1) Turn ENGINE START SWITCH (1H) to OFF ("0") position. Always turn Engine OFF before shifting gearbox!
- 2) Verify that pulley size, flange size, and blade shaft speed are correct for the blade size being mounted.

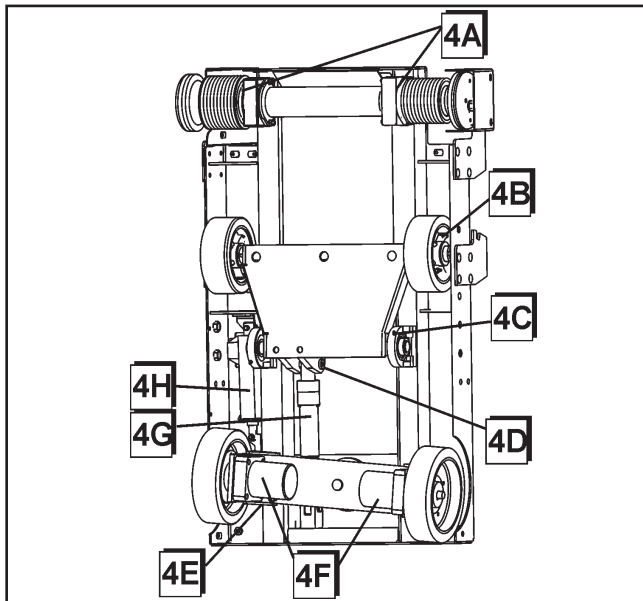


**WARNING:** Serious injury can occur to the operator or people in the work area if the rotational speed (n/min) of the DIAMOND BLADE (2E) exceeds the maximum speed (n/min) marked on the DIAMOND BLADE (2E).

- 3) Loosen jam nut. Turn KNOB (3-2P) two turns.
- 4) Move GEARBOX SHIFT LEVER (3-2O) to required gear. A slight "rocking motion" of the gearbox output shaft (or BLADE SHAFT) may improve shifting.
- 5) Hand tight KNOB (3-2P). Tighten jam nut (40 Nm / 30 ft-lbs).

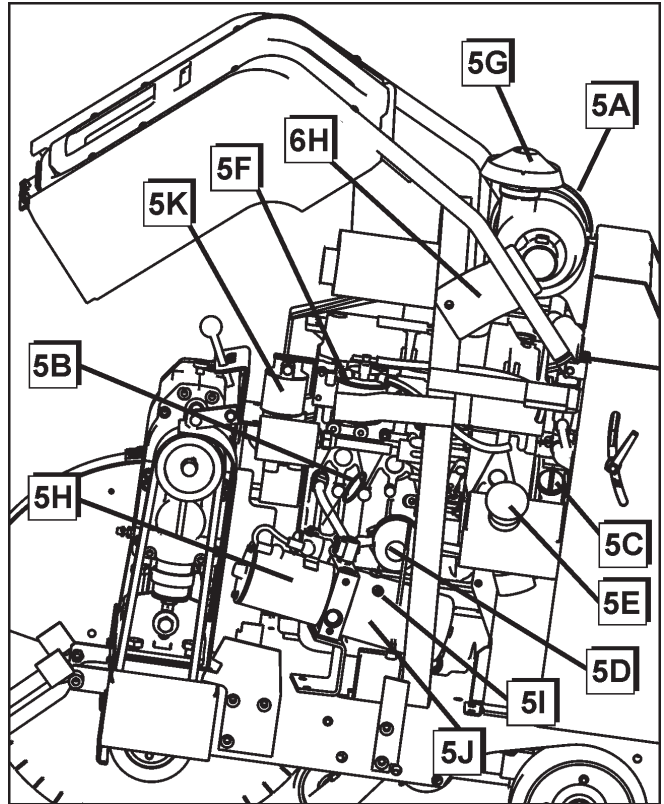
**3-2P. GEARBOX DETENT KNOB:** Locks GEARBOX SHIFT LEVER (3-2O) in position. See GEARBOX SHIFT LEVER (3-2O) for operation.

**FIGURE 4**



- 4A. BLADESHAFT BEARING SEALS
- 4B. FRONT WHEEL BEARINGS
- 4C. FRONT AXLE PIVOT BEARINGS
- 4D. HYDRAULIC CYLINDER PIVOT PIN
- 4E. REAR AXLE
- 4F. HYDRAULIC WHEEL MOTOR
- 4G. RAISE LOWER CYLINDER
- 4H. LINEAR ACTUATOR

**FIGURE 5**



**5A. AIR FILTER ASSEMBLY:** Includes

- a) Housing
- b) Cover
- c) **Primary Outer Element:** Clean or replace when AIR RESTRICTION INDICATOR (1N) shows the RED warning.
- d) **Inner Safety Element:** DO NOT CLEAN this filter element. Replace 1 time per year or if it becomes damaged.

**5B. ENGINE OIL DIPSTICK:** Check Engine Oil Level Here. Dipstick indicates oil level. See engine operation manual for more information.

**5C. ENGINE OIL FILL:** Fill engine with recommended oil at this location. Use SAE 15W40 API Class CF, CF-4, CG-4, or CI-4 engine oil. See engine operation manual for more information.

**5D. ENGINE OIL FILTER:** See engine operation manual for more information.

**5E. FUEL TANK FILL:** Fill the fuel tank at this location.

**5F. FUEL FILTER:**

**5G. AIR FILTER RAIN CAP**

**5H. D.C. (direct current) LIFT PUMP:** Raises and lowers the saw.

**5I. HYDRAULIC RESERVOIR FILL:** Fill and check hydraulic system fluid here.

**5J. HYDRAULIC OIL RESERVOIR:** 1.5 Quart Capacity (1.42 Liter)

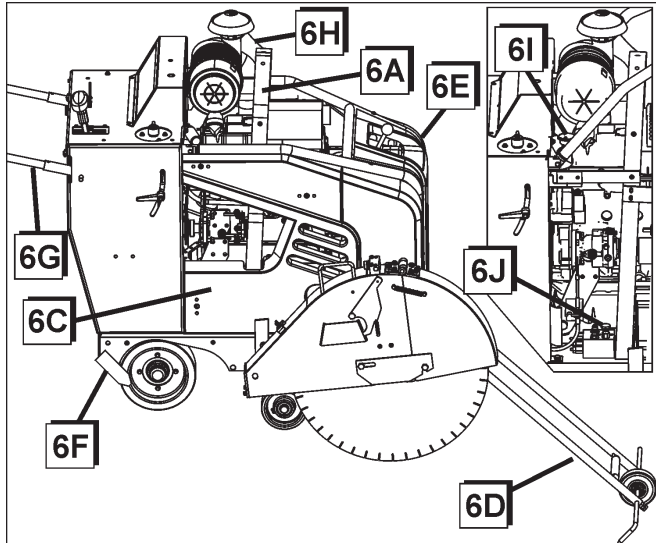
**5K. HYDRAULIC FILTER:** Filters hydraulic system fluid.

**5L. ---**



- 5M. ----
- 5N. ----
- 5O. ----
- 5P. ----

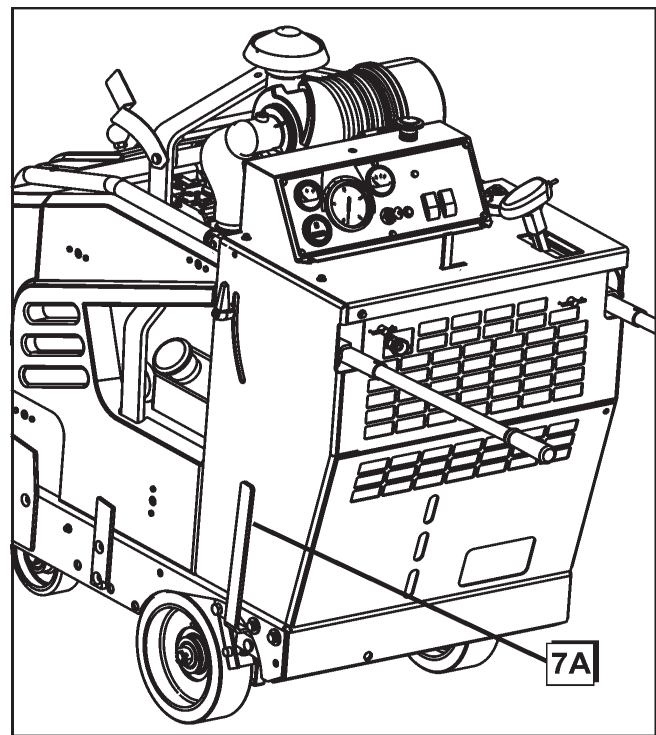
**FIGURE 6**



- 6A. LIFTING BAIL:** The saw can be lifted only from this point. Do NOT lift the saw from any other location.
  - 6B. ----
  - 6C. BELT GUARDS AND SHIELDS:** Protects engine, guards, drives, and cooling fan. Do not remove during operation, or when engine is running!
- DO NOT OPERATE ENGINE WITH SHIELDS OR GUARDS REMOVED!**
- 6D. FRONT GUIDE:** Use to locate the path of the diamond blade on the cutting line.
  - 6E. ENGINE HOOD:** Protects engine, cooling fan, beltdrives and pulleys. The ENGINE HOOD is a guard, and must be latched in the lowered position before starting engine and operating saw. Open ENGINE HOOD by rotating the two HOOD LATCHES (3-1D, 3-2D) Counter-Clockwise 180 degrees. Swing upward and secure using HOOD SUPPORT (6H).
  - 6F. REAR GUIDE:** Use to locate the path of the diamond blade on the cutting line.
  - 6G. HANDLEBARS:** Used to maneuver the saw. Not to be used to lift the saw. (Same as 1B)
  - 6H. HOOD SUPPORT:** Latch to secure the hood in the open position. Always lower and secure the hood before starting the engine or operating the machine.

- 6I. RADIATOR COOLANT FILL:** Fill radiator from this point. Warning: Avoid injury! Built-up pressure may cause explosive release of coolant when the radiator cap is removed. Shut off the engine and allow to cool. Do not remove the cap unless the radiator and the engine are cool enough to touch with bare hands. Slowly loosen the cap to the first stop to release all pressure. Then remove the cap. Replace cap if damaged.
- 6J. TRANSMISSION BYPASS VALVE (Front Pivot Model Only):** Turn counter clockwise to open. Turn clockwise to close. Open to allow pushing of concrete saw.
- 6K. HYDROSTATIC TRANSMISSION PUMP.**
- 6L. ALTERNATOR:** See Yanmar for replacements.
- 6M. ALTERNATOR / WATERPUMP BELT:** Self Tensioning. See Yanmar for replacements.

**FIGURE 7**



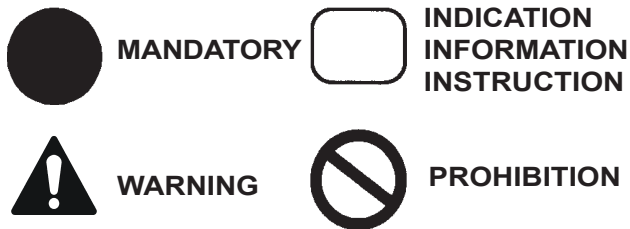
- 7A. PARKING BRAKE (CE Models or Rear Pivot models-If Equipped):** Holds machine in parked position on a slope of 10 degrees or less. PARKING BRAKE (7A) located on left hand side of machine, at rear wheel (See FIG 7).

Operation:

- 1) Stop machine, turn off engine.
- 2) To apply: Stand behind machine, push PARKING BRAKE LEVER (7A) forward (Toward front of machine).
- 3) To disengage: Stand behind machine, pull PARKING BRAKE LEVER (7A) backwards toward rear of machine.



**CAUTION: Disengage PARKING BRAKE LEVER (7A) before fully engaging SPEED CONTROL LEVER (7B), else machine could be damaged.**



These signs will give advice for your safety

**Before leaving our factory every machine is thoroughly tested.**

**Follow our instructions strictly and your machine will give you long service in normal operating conditions.**

## 1. Uses

**Use:** Wet sawing of old and new concrete and asphalt. Dry sawing only with blade manufacturers approval of specific application.

**Tools:** Diamond blades — water cooled, Ø: 14” (350mm), 18” (450mm), 20” (500mm), 24” (600mm), 26” (650mm), 30” (750mm), and 36” (900mm) with Arbor Ø - 1”.  
(For information, contact your supplier.)

### Depths of Cut (Maximum):

Blade	Depth	Blade	Depth
14”	4.5”	350mm	110mm
18”	6.5”	450mm	160mm
20”	7.5”	500mm	175mm
24”	9.5”	600mm	225mm
26”	10.5”	650mm	260mm
30”	12.5”	750mm	310mm
36”	15.0”	900mm	375mm

**Before starting up the machine, make sure you read this entire manual and are familiar with the operation of this machine.**

**The working area must be completely clear, well lit and all safety hazards removed.**

**The operator must wear protective clothing appropriate to the work he is doing.**

**Any persons not involved in the work should leave the area.**

**Use only blades marked with a maximum operating speed greater than the blade shaft speed.**

## 2. Moving The Machine

(See Figures 1, 2 and 5)

### Set The Handles To The Desired Length:

- Loosen Knob (1A), pull the Handle Bar (1B) in or out to desired length, then tighten the Knob (1A) to adjust Handle Bar height, Turn Handle Bar Adjustment Lock (1R) counterclockwise to unlock. Adjust Handle Bar (1B) to the desired height. Turn HANDLE ADJUSTMENT LOCK (1R), clockwise to lock in place.

**Front Pivot Model** (with Electric Tracking System – If equipped)

### Moving The Saw With The Engine Off:

- Turn ENGINE START SWITCH (1H) to the “1” (RUN) position.
- Raise the saw by pressing up on the TOGGLE SWITCH (1P) on SPEED CONTROL LEVER (1O) until the DIAMOND BLADE (2E) (if installed) clears the pavement surface.
- Put SPEED CONTROL LEVER (1O) into the STOP POSITION (1BB).
- Set TRANSMISSION BYPASS VALVE (6J) counterclockwise to the up (NEUTRAL) position.
- The saw can now be moved by standing behind it and pushing [while holding the Handle Bars (1B)].

**DO NOT attempt to push the saw while it is in NEUTRAL on a grade (or hill). The saw operator could lose control of the saw and cause injury to himself or other persons in the area.**

### Moving The Saw With Engine On:

- Raise the saw by pressing up on the TOGGLE SWITCH (1P) on SPEED CONTROL LEVER (1O) until DIAMOND BLADE (2E) (if installed) clears the pavement surface.
- Set WATER SAFETY SWITCH (1L) button to the “0” (OFF) position.
- SPEED CONTROL LEVER (1O) must be in the STOP POSITION (1BB) to start the saw. The engine WILL NOT start unless SPEED CONTROL LEVER (1O) is in the STOP POSITION (1BB).
- Check that TRANSMISSION BYPASS VALVE (6J) is turned clockwise (DOWN) to the closed position. Do NOT start the engine if the valve (6J) is in the Neutral (OPEN) position.
- Turn ENGINE THROTTLE (1F) to a low speed setting.
- Set BLADE CLUTCH SWITCH (1V) (if equipped) to “0” (OFF).
- \* In cold conditions (below 32° F (0° C)) push in on the ENGINE START SWITCH (1H) for 15 seconds. This preheats the engine for cold weather starting.
- Turn the ENGINE START SWITCH (1H) to the “2” (START) position until the engine starts, then release the switch. It will return to RUN position. If the engine does not start, repeat these steps.



- Push the SPEED CONTROL LEVER (10) forward for FORWARD saw movement, or to the rear for REVERSE saw movement. The further you push the lever the faster the speed.



**DO NOT OPEN the TRANSMISSION BYPASS VALVE (6J) to neutral while the saw is parked on a grade (or hill), The Operator will lose control and injury or damage could occur.**

#### Rear Pivot Model (with Differential System—If equipped)

##### Moving The Saw With The Engine Off:

- Turn ENGINE START SWITCH (1H) to the “1” (RUN) position.
- Raise the saw by pressing up on the TOGGLE SWITCH (1P) on the SPEED CONTROL LEVER (10) until the DIAMOND BLADE (2E) (if installed) clears the pavement surface.
- Turn ENGINE START SWITCH (1H) to the “0” (STOP) position.
- Put the SPEED CONTROL LEVER (10) into the STOP POSITION (1BB).
- Press and hold the Differential Switch (1J) to the Right.
- Hold one Handle Bar (1B), and Press and hold the Differential Switch (1J) to the Right. The saw can now be moved by standing behind it and pushing. If the Differential Switch (1J) is released, the saw can not be moved with the engine off.



**DO NOT attempt to push the saw while it is in NEUTRAL on a grade (or hill). The saw operator could lose control of the saw and cause injury to himself or other persons in the area.**

##### Moving The Saw With Engine On:

- Raise the saw by pressing up on the TOGGLE SWITCH (1P) on SPEED CONTROL LEVER (10) until DIAMOND BLADE (2E) (if installed) clears the pavement surface.
- Set the WATER SAFETY SWITCH (1L) button to the “0” (OFF) position.
- SPEED CONTROL LEVER (10) must be in the STOP POSITION (1BB) to start the saw. The engine WILL NOT start unless the SPEED CONTROL LEVER (10) is in the STOP (1BB) position.
- Turn the ENGINE THROTTLE (1F) to a low speed setting.
- Set the BLADE CLUTCH SWITCH (1V) (if equipped) to “0” (OFF).
- \* In cold conditions (below 32° F (0° C)) push in on the ENGINE START SWITCH (1H) for 15 seconds. This preheats the engine for cold weather starting.
- Turn the ENGINE START SWITCH (1H) to the “2” (START) position until the engine starts, then release the switch. It will return to RUN position. If the engine does not start, repeat these steps.



- Push the SPEED CONTROL LEVER (10) forward for FORWARD saw movement, or to rear for REVERSE saw movement. The further you push the lever the faster the speed.

## 3 Transport (Blade Removed)

(See Figures 1, 2, and 5)



**Turn engine off. Set SPEED CONTROL LEVER (10) to STOP POSITION (1BB). Remove DIAMOND BLADE (2E) before transport.**

When moving the saw up and down ramps, with engine on, use extreme caution.

- To go UP a ramp, drive the saw FORWARD slowly.
- To go DOWN a ramp, always REVERSE the saw slowly and stay clear of the machine path.

**Rear Pivot Model:** Machine must have DIFFERENTIAL SWITCH (1J) in the center “Lock” position if moving saw up or down ramps! DO NOT shift DIFFERENTIAL SWITCH (1J) to the Left “Pivot” position if moving the saw up or down ramps!



**For steep ramps, always use a winch. Never stand below the machine.**

**Lifting the Saw:** The saw can only be lifted by the factory installed Lifting Bail (6A).

##### To Transport By Vehicle:

- Set ENGINE START SWITCH (1H) in the OFF position.
- Set SPEED CONTROL LEVER (10) in the STOP POSITION (1BB).
- Push Handle Bars (1B) inward and tighten Knobs (1A).



**Block the saw in place or secure it into place using the factory installed TIE DOWN LUGS (3-1H, 3-2H), front and rear to prevent movement during transport.**

## 4 Check Before Starting



**Take into account the working conditions from health and safety point of view.**

- **Fuel** (Check the engine maintenance manual.) Use No. 2 Diesel Fuel for normal conditions. Fill tank at FUEL TANK FILL (5E) location.
- Check that the engine oil level is correct. Because the engine often operates at an angle, check the oil level (with engine horizontal) frequently to ensure that the oil level never falls below the lower mark on the ENGINE OIL DIPSTICK (5B). SAE 15W40 CF, CF-4, CG-4, or CI-4 engine oil is recommended.
- For start up, refer to the Yanmar engine manual.

- Verify that machine is set up correctly for the DIAMOND BLADE (2E) diameter required for the job. Check that the correct Engine GEARBOX PULLEY (3-1N, 3-2N), BLADE SHAFT PULLEY (3-1L, 3-2L), BLADE FLANGE (2B & 2F), and BLADE GUARD (2H) are installed. For machines equipped with the three-speed ENGINE GEARBOX (3-2A), also check that the GEARBOX SHIFT LEVER (3-2P) is in the correct gear. See SECTION 14, “Engine / Blade Shaft / Gearbox Speed Adjustment”, for more details.

## 5 Fitting The Blade

(See Figures 1 and 2)

- Set ENGINE START SWITCH (1H) to “1” position.
- Raise Machine to a high position using the TOGGLE SWITCH (1P) on the SPEED CONTROL LEVER (1O).
- Set the ENGINE START SWITCH (1H) to the “0” (OFF) position.
- Loosen Bolt on BLADE GUARD NOSE LATCH (2G).
- Raise Front Half of BLADE GUARD (2H).
- Loosen Bladeshaft Bolt (2A) Remove OUTER FLANGE (2B).
- Fit DIAMOND BLADE (2E) to OUTER FLANGE ARBOR (2C).
- Install OUTER FLANGE (2B) into the BLADE SHAFT (2I) making sure that the LOCKING PIN (2D) passes through the DIAMOND BLADE (2E) and into the INNER FLANGE (2F).



**Note the direction of rotation of the blade. The direction of rotation is shown by an arrow on both the DIAMOND BLADE (2E) and the BLADE GUARD (2H). Make sure that the contact surfaces on the DIAMOND BLADE (2E), INNER & OUTER FLANGES (2B & 2F) and OUTER FLANGE ARBOR (2C) are clean.**

- Rotate OUTER FLANGE (2B) and DIAMOND BLADE (2E) in the opposite direction of blade rotation to remove backlash.
- Install and tighten Blade Shaft Bolt (2A) while firmly holding the DIAMOND BLADE (2E). Tighten using the BLADE SHAFT WRENCH (2J) provided.
- Lower front half of BLADE GUARD (2H) and tighten the Bolt on the BLADE GUARD NOSE LATCH (2G).



**The Blade Shaft Bolt (2A) on the Right Hand side has Left Hand threads. The Blade Shaft Bolt (2A) on the Left Hand side has Right Hand threads.**



**Slip-On blade guards are provided with a safety BLADE GUARD SPADE LATCH (2L) which engages the support spade and a REAR BOLT (2M) [18”-30” (450-700mm) Blade Guards], to retain the rear of the guard.**



**Do not operate this saw without the GUARD SPADE LATCH (2L) engaged and the bolt [18”-30” (450-700mm) Blade Guards] installed. Inspect blade guards and latches frequently. Do not use if damaged.**

### To Remove A SLIP-ON GUARD:

- Using the BLADE SHAFT WRENCH (2J) remove the rear retaining bolt [18”-30” (450-700mm) Blade Guards].
- For 14-30” (350-700mm) Blade Guards: Use the WIRE LANYARD (2K) to open the BLADE GUARD SPADE LATCH (2L).
- For 36” (900mm) Blade Guards: BLADE SHAFT WRENCH (2J) is used to pivot the BLADE GUARD SPADE LATCH (2L) to the open position.
- Lift guard off spade.

### To Install A SLIP-ON GUARD:

- Lower guard onto spade until BLADE GUARD SPADE LATCH (2L) engages.
- Install REAR BOLT (2M) [14”-30” (350-700mm) Blade Guards] in rear of guard using the BLADE SHAFT WRENCH (2J).

## 6 Starting The Saw

(See Figures 1, 2 and 5)



**Always pay extreme care and attention to the preparation of the machine before starting.**



**Remove all wrenches and tools from the floor and the machine.**



**Always keep blade guard, belt guards and fan guards in place.**

- Follow all operating instructions and warnings in this manual and on the machine.
- Close the WATER VALVE (1T).
- Mark the surface to be cut by drawing a line where the cut is to be made.
- Pull out Handle Bars (1B) to desired length and tighten Knobs (1A).
- Lower the Front Guide (6D) and align the Front Guide (6D), Rear Guide (6F) and DIAMOND BLADE (2E) with the line on the surface.
- To start the saw when no water pressure is present, set the WATER SAFETY SWITCH (1L) to “0” (OFF).
- Set SPEED CONTROL LEVER (1O) to the STOP POSITION (1BB). Saw will not start unless the SPEED CONTROL LEVER (1O) is in the STOP POSITION (1BB). Check to be certain the TRANSMISSION BYPASS VALVE (6J, Front Pivot Models Only) is closed in the down position.
- Set the BLADE CLUTCH SWITCH (1V) (if equipped) to “0” (OFF).



- Start the engine using the ENGINE START SWITCH (1H). Follow the procedure in the engine manual. In Cold conditions, pre-heat the engine by holding in the ENGINE START SWITCH (1H) for 15 seconds.
- Let the engine warm up for several minutes with ENGINE THROTTLE (1F) at the low speed setting.
- When ready, open the WATER VALVE (1T).
- Set WATER SAFETY SWITCH (1L) to “1” (ON).



**Test for adequate water supply. (2.5 - 5.0 GPM) (10 - 20 Liters per Minute) Low water flow will cause damage to diamond blades.**

- For Machines without the Optional BLADE CLUTCH SWITCH (1V): Pull ENGINE THROTTLE (1F) out to set engine RPM at 3200, as shown on the ENGINE TACHOMETER (1G).

**See chart for the appropriate blade shaft and engine speeds for specific blade sizes.**

- Move the saw forward or reverse (Standard and Front Pivot Models) slowly by pushing or pulling on the Speed Control Lever (1O). Move the saw slowly to prevent stalling the blade. Make sure the Front Guide (6D), Rear Guide (6F) and DIAMOND BLADE (2E) stay on the line.

Rear Pivot Model Only: For the Rear Pivot Model, aligning to the cutting line can be made using the pivot feature on the machine. Simply move the DIFFERENTIAL SWITCH (1J) to the Left position (Pivot), and then use both hands to push down on the HANDLEBARS (6G), and the machine can be pivoted from side to side to align with the cutting line. After the saw is properly aligned to the cutting line, toggle the DIFFERENTIAL SWITCH (1J) to the Center (Lock) position.

- Set the BLADE CLUTCH SWITCH (1V) (if equipped) to “1” (ON) to engage the Blade Drive when engine is at IDLE SPEED (1200 RPM or less)! When clutch engages and blade is at idle speed, pull out ENGINE THROTTLE (1F) and set engine RPM at 3200.
- Lower the saw by pressing the TOGGLE SWITCH (1P) on the SPEED CONTROL LEVER (1O) downward until the DIAMOND BLADE (2E) is at the desired cutting depth (See “Blade Cutting Depth Information”).



**Be certain that water flow is abundant for wet sawing.**

### Blade Cutting Depth Information:

The saw is equipped with a BLADE DEPTH INDICATOR (1Q) which has two number ranges. The Orange and White number ranges are used for two different purposes:

- 1) The “Depth” number range, indicated by the Orange color, shows the current Cutting Depth of the DIAMOND BLADE (2E). As the saw is lowered, the BLADE DEPTH INDICATOR (1Q) needle travels through these numbers in increasing order. Or

- 2) The “SMD” or “Set Maximum Depth” number range, indicated by the White color, is the uncut depth of the DIAMOND BLADE (2E). The desired maximum cutting depth is pre-set using the BLADE DEPTH INDICATOR (1Q). It can be used with or without the BLADE DEPTH STOP SWITCH (1M) feature. As the saw is lowered, the BLADE DEPTH INDICATOR (1Q) needle travels through the White color number range in decreasing order, indicating the unfinished depth of cut. When the BLADE DEPTH INDICATOR (1Q) needle reaches “0” position, the desired maximum cutting depth is reached. If the BLADE DEPTH STOP SWITCH (1M) feature is used (“1” or “ON” position), the lowering process stops automatically.

### Using the BLADE DEPTH INDICATOR (1Q):

“Depth” Mode (Orange colored numbers show current cutting depth):

- Turn ENGINE START SWITCH (1H) to “0” (OFF) position to STOP engine (If running).
- Turn ENGINE START SWITCH (1H) to “1” (RUN) position to power electrical system.
- Turn BLADE DEPTH STOP SWITCH (1M) to “0” (OFF) position.
- Lower DIAMOND BLADE (2E) by pushing the TOGGLE SWITCH (1P) on the SPEED CONTROL LEVER (1O) downward until the DIAMOND BLADE (2E) touches the surface to be cut.
- Rotate the BLADE DEPTH INDICATOR (1Q) needle to align to the “0” depth.
- As DIAMOND BLADE (2E) is lowered into the cutting surface, the current cutting depth will now be indicated by the Orange text number range on BLADE DEPTH INDICATOR (1Q) needle.

SMD or “Set Maximum Depth” Mode without BLADE DEPTH STOP (White colored numbers show uncut depth):

- Turn ENGINE START SWITCH (1H) to “0” (OFF) position to STOP engine (If running).
- Turn ENGINE START SWITCH (1H) to “1” (RUN) position to power electrical system.
- Lower DIAMOND BLADE (2E) by pushing TOGGLE SWITCH (1P) on the SPEED CONTROL LEVER (1O) downward until DIAMOND BLADE (2E) touches the surface to be cut.
- Rotate the BLADE DEPTH INDICATOR (1Q) needle to align with the desired maximum cutting depth on White colored number range. The uncut depth will now be indicated on the White colored number range. When the BLADE DEPTH INDICATOR (1Q) needle gets to the “0” position, the saw is cutting at the desired maximum cutting depth.
- Raise the blade by pushing the TOGGLE SWITCH (1P) on the SPEED CONTROL LEVER (1O) upward until the DIAMOND BLADE (2E) is off of the cutting surface.
- Turn the ENGINE START SWITCH (1H) to the “0” (OFF) position to turn off power to electrical system.



SMD or “Set Maximum Depth” Mode using BLADE DEPTH STOP SWITCH (1M) (White colored numbers show uncut depth):

- Turn ENGINE START SWITCH (1H) to “0” (OFF) position to STOP engine (If running).
- Set the BLADE DEPTH STOP SWITCH (1M) to the “0” (OFF) position to override the depth stop setting. Saw will raise and lower over its full range without stopping.
- Turn ENGINE START SWITCH (1H) to “1” (RUN) position to power electrical system.
- Lower DIAMOND BLADE (2E) by pushing TOGGLE SWITCH (1P) on the SPEED CONTROL LEVER (1O) downward until DIAMOND BLADE (2E) touches the surface to be cut.
- Rotate the BLADE DEPTH INDICATOR (1Q) needle to align with the desired maximum cutting depth on White colored number range.
- Set the BLADE DEPTH STOP SWITCH (1M) to “1” (ON) position.
- Raise the blade by pushing the TOGGLE SWITCH (1P) on the SPEED CONTROL LEVER (1O) upward until the DIAMOND BLADE (2E) is off of the cutting surface.
- Turn the ENGINE START SWITCH (1H) to the “0” (OFF) position to turn off power to electrical system.
- Now the maximum cutting depth is set. If the saw is raised out of the cut surface for any reason it can now be lowered to “Set Max. Depth” by lowering the blade until the saw lowering movement stops.



**The saw WILL NOT lower to any depth greater than the position set on the BLADE DEPTH STOP SWITCH (1Q). If a deeper cut is required, the BLADE DEPTH INDICATOR (1Q) MUST be turned to the new depth position. Or push the BLADE DEPTH STOP SWITCH (1M) to “0” (OFF) position to override the Depth Stop Feature.**

---

## 7 Stopping The Saw

---

(See Figures 1-2)



**For EMERGENCY STOP, press down on the RED PALM SWITCH (1K) on the cowl. This will stop the engine and disconnect power to all electrical items except lights. Reset the RED PALM SWITCH (1K) by pulling out until it pops up, then restart engine.**

- Move the SPEED CONTROL LEVER (1O) to the STOP POSITION (1BB).
- Raise the DIAMOND BLADE (2E) out of the cut by pressing the TOGGLE SWITCH (1P) on the SPEED CONTROL LEVER (1O) upward until the DIAMOND BLADE (2E) clears the surface.
- Disengage the BLADE CLUTCH SWITCH (1V) (if equipped).
- Turn the ENGINE THROTTLE (1F) to the LOW IDLE position.

- Turn off the WATER VALVE (1T).
- Let the Engine run at idle for a few minutes before shutting off.
- STOP the engine by turning the ENGINE START SWITCH (1H) to the “0” (OFF) position.

---

## 8 Incidents During Sawing

---

(See Figures 1-2)

If **ENGINE STOPS** during sawing, check the following:

- Engine out of fuel — Check Fuel Level at FUEL TANK FILL (5E) or at fuel level gauge at rear of machine.
- Lack of water signals the WATER SAFETY SWITCH (1L) to stop the engine. Set WATER SAFETY SWITCH (1L) to “0” (OFF) and then restart the engine.
- Excessively fast cutting speed will stall engine.
- RED PALM SWITCH (1K) has been pressed down. Reset by pulling switch until it pops upward.
- CIRCUIT BREAKER (1Z) is tripped. Push to Reset

If the **DIAMOND BLADE (2E) STOPS** during sawing, check:

- Drive belt tension is inadequate.
- The BLADE CLUTCH SWITCH (1V) has been pushed to “0” OFF
- The BLADE CLUTCH (1V) (if equipped) has an electrical failure or blown fuse.

### SAW LOWERS TOO FAST:

- The lowering rate of the saw can be adjusted using the SAW LOWERING SPEED CONTROL KNOB (1U) at the rear of the saw. If the saw falls too quickly, turn the knob on the SAW LOWERING SPEED CONTROL KNOB (1U) CLOCKWISE until an adequate lowering rate is set.

If the ENGINE or BLADE STALLS, for any reason, raise the blade completely from the cut, inspect the machine thoroughly before restarting the engine. When lowering the blade into a partial cut, align the blade exactly with the cut to prevent damage to the blade.



**Entrust all repairs to your authorized dealer only.**

---

## 9 Adjustments: Straight Line Sawing

---

(See Figures 1 and 4)

While cutting, the saw may steer to the right from the required straight line marked on the cutting surface (if the DIAMOND BLADE (2E) is installed on the right hand side). If this occurs, the Rear Axle (4E) of the saw can be pivoted to compensate for this situation.

**Front Pivot Model** (Saw with Electric Tracking option):

- Push AXLE ADJUSTMENT SWITCH (1J) to the LEFT. Small short adjustments make large changes.

- Adjustments can be made while sawing or not sawing.
- Visually confirm the axle movement and direction.

#### Standard Model Saw with Manual Axle Adjustment

- The axle (4E) is adjusted by turning the M12 MANUAL AXLE ADJUSTMENT BOLT (1CC) located at the rear lower left of saw frame.
- If the saw steers to the RIGHT while sawing, turn the MANUAL AXLE ADJUSTMENT BOLT (1CC) COUNTERCLOCKWISE.
- If the saw steers to the LEFT while sawing, turn the MANUAL AXLE ADJUSTMENT BOLT (1CC) CLOCKWISE.

#### Rear Pivot Model (Saw with Differential Pivot option):

- Simply bear against the HANDLEBARS (6G) to hold the saw on the cutting line. DO NOT shift the DIFFERENTIAL SWITCH (1J) from the Center “Lock” position. The Left, “Pivot”, position of the DIFFERENTIAL SWITCH (1J) is NOT for adjusting the straight line sawing of the saw.

## 10 Maintenance

(See Figures 1-6)



**Before performing any maintenance, ALWAYS park the machine on a level surface with the Engine OFF and the ENGINE START SWITCH (1H) in the “0” (OFF) position.**

After each use CLEAN the machine.



#### LUBRICATION:

**ENGINE OIL:** Check daily (5B). Change Engine Oil and ENGINE OIL FILTER (5D) after every 100 HOURS of operation. See engine manual for recommended oil. SAE 15W40 API Class CF, CF-4, CG-4, or CI-4 engine oil is generally recommended. Capacity is 7.8 quarts (7.4 liters) with ENGINE OIL FILTER (5D). Align oil level with upper mark on ENGINE OIL DIPSTICK (5B). Use ENGINE OIL DRAIN VALVE (3-1I, 3-2I) to drain engine oil:

- Remove DIAMOND BLADE (2E), and then lower saw to a horizontal position.
- Raise and secure ENGINE HOOD (6E).
- Put a container, large enough to contain the engine oil capacity, near the end of the oil drain hose. Open ENGINE OIL DRAIN VALVE (3-1I, 3-2I) and allow contents to drain into the container. Dispose of the used engine oil in an environmentally safe manner. Securely close ENGINE OIL DRAIN VALVE (3-1I, 3-2I). Fill with recommended oil until oil level aligns with the upper mark on ENGINE OIL DIPSTICK (5B).

#### LUBRICATE EVERY 100 HOURS:

- Front Axle Pivot Bearings (4C)

#### LUBRICATE EVERY 250 HOURS:

- Bladeshaft Seals and Bearings (4A) 2 Pumps only

#### HYDRAULIC SYSTEM:

Refer to Section 12 -“Hydraulic System”

#### ENGINE GEARBOX (3-1A, 3-2A):

- Change oil after every 500 hours of operation. Use SAE 75W90 synthetic gear lubricant.  
DO NOT OVERFILL! Fill only to “Check Port” or excess will overflow.

**Single Speed ENGINE GEARBOX (3-1A):** Oil Capacity is 32 oz. (USA) (0.946 Liter)

**Three Speed ENGINE GEARBOX (3-2A):** Oil Capacity is 60 oz. (USA) (1.77 Liter)

- Drain cooling water from Water Drain Valve (3-1C, 3-2C) to prevent rust and freeze damage (Every Day).

#### COOLING SYSTEM:

The engine cooling fluid is 50/50 anti freeze/water mixture. See engine manual for recommendations.

- Clean the RADIATOR AIR FILTER ELEMENT (1DD) every 50 hours or when required, replace if damaged. Always keep RADIATOR AIR FILTER ELEMENT (1DD) in place.
- Check hoses and hose clamps for damage and looseness. Tighten or replace as required.
- Check Coolant Freeze Protection yearly.
- Flush and Clean radiator and cooling system every 500 hours.
- Maintain at least 1/4 full coolant level in RADIATOR COOLANT OVERFLOW BOTTLE (1Y) when engine is cool.

#### AIR FILTER:

- Clean the Air Filter Outer Element (5A) when the AIR RESTRICTION INDICATOR (1N) Red Signal appears. DO NOT clean the Inner Safety Element (5A)!

To change or clean the air filter element:

- Remove the Air Filter Housing (5A) by opening the two (2) Air Filter Housing Clamps, and pulling the housing off.
- Pull the Air Filter Outer Element out of the filter housing and replace, or clean by using low pressure compressed air [2.75 bars (40 psi) - MAXIMUM] from the inside out. DO NOT clean the filter element by tapping it on the ground or other objects, this will damage the filter element!
- Install the new or cleaned Air Filter Outer Element by pushing it into the housing.
- Install the Air Filter Housing (5A) and close the two (2) Air Filter Housing Clamps (5A).



**The two (2) Air Filter Housing Clamps (5A) can NOT be closed unless the Air Filter Outer Element is properly installed.**

- Replace the Inner Safety Element once per year or if it becomes damaged.
- Replace any damaged filters or gaskets.
- Check air hose and clamps for damage or looseness. Tighten or replace as required.

#### **WHEELS and HUBS:**

- Check for excess wear and looseness. Tighten or replace as required.

#### **FUEL FILTER:**

- Replace Spin-On Fuel Filter (5F) every 500 hours.

---

## **11 Blade Shaft V-Belt Tension**

---

(See Figures 1-3)

This saw is equipped with high tension banded V-belts. The belts are properly tensioned at the factory but after a few hours of operation they will stretch and become loose. Re-tension belts as described below.

#### **To Tension V-Belts:**

- Turn ENGINE START SWITCH (1H) to the "0" (OFF) position.
- Open ENGINE HOOD (6E) by turning each of the two (2) HOOD LATCHES (3-1D, 3-2D) counter clockwise for 180 degrees. For European CE models, a tool, such as a screw driver must be used to open these latches. Rotate the ENGINE HOOD (6E) upward, and secure it in the open position using the HOOD SUPPORT (6H).
- Using the BLADE SHAFT WRENCH (2J), loosen the horizontal clamping bolts (3K) at the front of the machine.
- Turn each of the two (2) vertical BELT TENSIONING BOLTS (3-1J, 3-2J) [at the front of machine, below the ENGINE GEARBOX (3-1A, 3-2A)] CLOCKWISE until the V-BELTS (3-1M, 3-2M) are tight.
- Replace V-BELTS (3-1M, 3-2M) in complete sets only.
- For optimum V-Belt tension use Goodyear TensionRite™ Strips, P/N 542 19 13-68. TensionRite™ strips are supplied with belts purchased from your dealer.
- Never tension V-BELTS (3-1M, 3-2M) beyond the original factory tension. Loose V-Belts result in poor saw performance and short belt life.



**Replace all shields and guards. Never run Saw with out all shields and guards in place.**

---

## **12 Hydraulic System**

---

(See Figures 1-6)

The hydraulic system on this saw is used to RAISE / LOWER the DIAMOND BLADE (2E), and to propel the saw FORWARD and REVERSE. The hydraulic system consists of a HYDROSTATIC TRANSMISSION PUMP (6K), (2) HYDRAULIC WHEEL MOTORS (4F), HYDRAULIC FILTER (5K), DC LIFT PUMP (5H), HYDRAULIC OIL RESERVOIR (5J), SAW LOWERING SPEED CONTROL KNOB (1U), and HYDRAULIC LIFT CYLINDER (4G).

- HYDRAULIC FILTER (5K) should be changed after the first 50 hours of operation, then every 250 hours of operation. Fill a new HYDRAULIC FILTER (5K) with SAE 10W30 motor oil before installation.
- Check HYDRAULIC OIL RESERVOIR (5J) fluid level periodically. Maintain oil level with SAE 10W30 motor oil. DO NOT OVERFILL, check oil level when saw is level. Fill oil to bottom of HYDRAULIC RESERVOIR FILL (5I) port.
- Change hydraulic fluid every 500 hours of operation. Fill HYDRAULIC OIL RESERVOIR (5I, 5J) with approximately 2.5 quarts of SAE 10W30 motor oil. DO NOT OVERFILL! Check oil level when saw is level. Fill oil to bottom of HYDRAULIC RESERVOIR FILL (5I) port.
- The lowering rate of the saw can be adjusted using the SAW LOWERING SPEED CONTROL KNOB (1U) at the rear of the saw. If the saw falls too quickly, turn the knob on the SAW LOWERING SPEED CONTROL KNOB (1U) CLOCKWISE until an adequate lowering rate is set.

---

## **13 Important Advice**

---

(See Figures 2-3)

- Tighten loose nuts and bolts regularly, particularly after several hours of operation.
- Check V-BELTS (3-1M, 3-2M) tension regularly. Re-tighten V-BELTS (3-1M, 3-2M) as necessary.
- Remove the DIAMOND BLADE (2E) for storage. Store it carefully.
- Check the water spray over the DIAMOND BLADE (2E) periodically.
- Tighten the DIAMOND BLADE (2E) firmly on the OUTER FLANGE ARBOR (2C).
- Make sure the contact faces of FLANGES (2B & 2F), DIAMOND BLADE (2E), and BLADE SHAFT (2I) are clean.



**Store in a safe place out of reach of children. Remove all adjustment tools and wrenches. Store diamond tool in a safe place so it**



## 14 Engine / Blade Shaft / Gearbox Speed Adjustment

(See Figures 1-6)



**WARNING: Serious injury can occur to the operator or people in the work area if the rotational speed (n/min) of the DIAMOND BLADE (2E) exceeds the maximum speed (n/min) marked on the DIAMOND BLADE (2E).**

### ENGINE SPEED:

The engine speed on this machine does not need to be changed from the factory set speed. The maximum engine RPM should be 3250, no load.

### BLADE SHAFT SPEED:

The blade shaft speed on this machine should be checked before fitting the DIAMOND BLADE (2E) to the machine. Never install a DIAMOND BLADE (2E) if the blade shaft rotational speed (n/min) of the machine is greater than the maximum speed (n/min) marked on the DIAMOND BLADE (2E)! The BLADE SHAFT PULLEY (3-1N, 3-2N) and BLADE SHAFT FLANGE (2B & 2F) may need to be changed if the diameter of the Diamond Blade is changed!

### SINGLE SPEED GEARBOX MODEL:

Each saw model, as delivered from the factory, is designed to operate with a specified range of blade sizes inside the blade guard installed on the machine. If a blade size outside the specified range of sizes for your model must be used, then the saw drive configuration must be changed.

If changing from a small to a very large DIAMOND BLADE (2E) on a machine with a single speed gearbox, the Blade Shaft Pulleys (3-1L), Gearbox Pulleys (3-1N), the BLADE SHAFT FLANGES (2B & 2F), and the Blade Guard must be changed.

**For example**, to change a single speed gearbox model from a 14" (350mm) drive to a 36" (900mm) drive:

1. Change Engine Gearbox Pulley from 6.00" (152mm) diameter to 3.50" (88.9mm) diameter.
2. Change Blade Shaft Pulley from 4.12" (114.3mm) diameter to 5.60" (142.2mm) diameter.
3. Change Blade Flanges from 4.50" (114.3mm) diameter to 6" (152mm) diameter.
4. Change BLADE GUARD (2H) from 14" (350mm) to 36" (900mm).
5. Engine Speed does not change.

See Blade Size Conversion charts for specific information.

### THREE SPEED GEARBOX MODEL (14-26, 18-30, 20-36):



**CAUTION: Never shift the Gearbox (3-2A) with engine running! Only shift the Gearbox (3-2A) with engine OFF! Gearbox damage could occur.**

See "GEARBOX SHIFT LEVER (3-2O)" for details about operating shift lever.

A machine factory equipped with a Three Speed ENGINE GEARBOX (3-2A), while designed to minimize adjustments required for blade size changes, will require some adjustments. The machine is designed to operate with a specified range of blade sizes inside the factory installed blade guard. Color coded information on machine, and information in operation manual, shows allowable blade sizes for current machine drive configuration. There are three (3) machine drive configurations: a) 14-26 for 14" to 26" (350 to 650 mm) blades, b) 18-30, for 18" to 30" (450 to 750 mm) blades, c) 20-36, for 20" to 36" (500 to 900 mm) blades. For example, to change the blade size on a machine drive configuration 18-30 within these range, 18" to 30" (450 to 750 mm), requires only that GEARBOX SHIFT LEVER (3-2O) be moved into the correct position (1, 2, or 3). If the required blade size is outside of the machine drive configuration range [below 18" (450mm) or above 30" (750 mm) for this example], then the machine drive configuration must be changed. This may require shifting the GEARBOX SHIFT LEVER (3-2O), changing BLADE SHAFT PULLEYS (3-2L), GEARBOX PULLEYS (3-2N) and BLADE SHAFT FLANGES (2B & 2F).

Example: To change a three-speed gearbox model from a 20" (500mm) drive to a 36" (900mm) drive, first determine the machine drive configuration (14-26, 18-30, or 20-36). This should correspond to the BLADE SHAFT FLANGE (2B & 2F) diameter installed on the saw.

If the machine drive configuration is a 20-36, the FLANGE (2B & 2F) diameter is should be 6.00" (152mm):

- a) Verify proper pulley diameters are installed (See Blade Size Conversion charts for specific information).
- b) Shift the GEARBOX SHIFT LEVER (3-2O) from 3 to 1.
- c) Verify that machine drive configuration and blade shaft speed corresponds with information in operation manual, and gearbox range decal (542 19 06-00).

If the machine drive configuration is an 18-30, the FLANGE (2B & 2F) diameter should be 5.00" (127mm):

- a) Change the BLADE SHAFT PULLEY from 4.50" (114.3 mm) diameter to 5.20" (132mm).
- b) Change the BLADE SHAFT FLANGE from 5.00" (127mm) diameter to 6.00" (152mm).
- c) Shift the GEARBOX SHIFT LEVER (3-2O) from 2 to 1.
- d) Verify that machine drive configuration and blade shaft speed corresponds with 20-36 drive configuration information in operation manual.
- e) Install the 20-36 drive configuration decals (Decals 542 19 06-00, 542 20 65-46, 542 20 65-49 are required). See the "Decals and Locations" page of this manual for more information.

If the machine drive configuration is a 14-26, the FLANGE (2B & 2F) diameter should be 4.50" (114.3mm):

- a) Change the BLADE SHAFT PULLEY from 4.12" (105mm) diameter to 5.20" (132mm).
- b) Change the BLADE SHAFT FLANGE from 4.50" (114.3mm) diameter to 6.00" (152mm).

- c) Change the ENGINE GEARBOX PULLEY from 4.50" (114.3mm) diameter to 4.12" (105mm).
- d) Shift the GEARBOX SHIFT LEVER (3-2O) from 2 to 1.
- e) Verify that machine drive configuration and blade shaft speed corresponds with 20-36 drive configuration information in operation manual.
- f) Install the 20-36 drive configuration decals (Decals 542 19 06-00, 542 20 65-46, 542 20 65-49 are required). See the "Decals and Locations" page of this manual for more information.

See Blade Size Conversion charts for specific information.



**WARNING: Serious injury can occur to the operator or people in the work area if the rotational speed (n/min) of the DIAMOND BLADE (2E) exceeds the maximum speed (n/min) marked on the DIAMOND BLADE (2E).**



**WARNING: After Shifting Gearbox, hand tight KNOB and tighten jam nut (3-2P) or three-speed ENGINE GEARBOX (3-2A) could be damaged!**

If gearbox seems hard to shift, a slight movement of the blade shaft may ease movement of GEARBOX SHIFT LEVER (3-2O) into proper gear. Never shift the Gearbox (3-2A) with engine running!

Two Neutral positions are available in the Three Speed ENGINE GEARBOX (3-2A). This gearbox can be shifted into neutral if the blade rotation needs to be eliminated while the engine is running. If the machine is equipped with the optional BLADE CLUTCH (1V), the BLADE CLUTCH SWITCH (1V) can be moved to the "0" (OFF) position to eliminate blade rotation while the engine is running.

---

## 15 Accessories

---

### BLADE GUARD CONVERSION KITS:

Use the proper size blade guard for the particular diamond blade size being operated. The following blade guards are available for these diamond blade sizes:

Guard	Blade Sizes
36" (900mm)	24" - 36" (600 - 900mm)
30" (750mm)	18" - 30" (450 - 750mm)
26" (600mm)	14" - 26" (350 - 650mm)
18" (450mm)	14" - 18" (350 - 450mm)
14" (350mm)	14" (350mm)

See Blade Size Conversion charts for specific information.

OPTIONAL KITS:  
542 18 11-17\* Dual Light Kit

---

## 16 Repairs

---

We carry out all repairs in the shortest possible time and at the most economical prices. (See back page for our address and phone numbers.) Contact you authorized dealer concerning maintenance and repairs.

---

## 17 Spare Parts

---

For quick supply of spare parts and to avoid any lost time, it is essential to quote the data on the manufacturers plate fixed to the machine and the part number(s) and description(s) to be replaced with every order.

Please reference Parts Lists manual (542 20 10-83):  
(If you do not have a Parts List Manual, please call TOLL FREE 1-800-288-5040 in USA, or for International, call +1-913-928-1300.)

*The instructions for use and spare parts found in this document are for information only and are not binding. As part of our product quality improvement policy, we reserve the right to make any and all technical modifications without prior notice.*



**The manufacturer accepts no responsibility caused by unsuitable use or modifications.**

## LISTA DE COMPROBACIÓN PRELIMINAR



**Antes de salir de fábrica, todas las máquinas son probadas exhaustivamente. Siga nuestras instrucciones rigurosamente y su máquina le dará una larga vida útil en condiciones de operación normales**



**Antes de poner en marcha la máquina, asegúrese de leer todas las Instrucciones de operación y familiarícese con el manejo de la máquina.**

### PREPARACIÓN DE LA MÁQUINA:



**SIEMPRE estacione la máquina en una superficie plana con el motor “APAGADO” y el interruptor de encendido puesto en la posición “0” (APAGADO) antes de hacer cualquier trabajo de mantenimiento. ¡Deje que la máquina se enfríe!**

1. Revise el aceite del motor. Llene hasta la marca “full” en la varilla de medición con aceite clase CE o CD 15W40.
2. Conecte los cables de la batería.

### LISTA DE COMPROBACIÓN DESPUÉS DE 1 A 2 HORAS DE FUNCIONAMIENTO:



**SIEMPRE estacione la máquina en una superficie plana con el motor “APAGADO” y el interruptor de encendido puesto en la posición “0” (APAGADO) antes de hacer cualquier trabajo de mantenimiento. ¡Deje que la máquina se enfríe!**

1. Revise las abrazaderas de las mangueras del filtro de aire del motor. Apriételas según sea necesario.
2. Apriete las correas trapezoidales de accionamiento de la hoja. ¡NO las apriete en exceso!

## REFERENCIA RÁPIDA PARA MANTENIMIENTO PROGRAMADO



**Antes de hacer cualquier trabajo de mantenimiento, SIEMPRE estacione la máquina en una superficie plana con el motor “APAGADO” y el interruptor de encendido puesto en la posición “0” (APAGADO). ¡Deje que la máquina se enfríe!**

### SERVICIO DIARIO:

1. Revise el nivel de aceite del motor.
2. Revise protector de la hora para ver si hay daño.
3. Revise las mangueras y abrazaderas para ver si están dañadas o flojas. Apriete o reemplace según sea necesario.
4. Revise el INDICADOR DE RESTRICCIÓN del filtro de aire. Cambie el filtro de aire primario si el indicador está rojo.
5. Cerciórese de que todos los protectores de seguridad están en su lugar y en buenas condiciones.
6. Drene el agua de la CAJA DE ENGRANAJES DEL MOTOR (3-1<sup>a</sup>, 3-2<sup>a</sup>) usando la VÁLVULA DE DRENAJE DEL AGUA (3-1C, 3-2C).

### SERVICIO CADA 50 HORAS:

1. Inspeccione el filtro de aire del radiador y limpie según sea necesario.
2. Compruebe la tensión de la correa trapezoidal de accionamiento de la hoja. Ajuste la tensión de ambos lados uniformemente. ¡NO las apriete en exceso!
3. Lubrique los cojinetes de las ruedas delanteras.
4. Cambie el filtro del sistema hidráulico. (Primeras 50 horas solamente.)

### SERVICIO CADA 100 HORAS:

1. Cambie el filtro y aceite del motor.
2. Lubrique los cojinetes de pivote del eje delantero.
3. Revise las ruedas para ver si están desgastadas o dañadas.
4. Revise los cubos y las ruedas traseras para ver si están flojos.
5. Revise las abrazaderas de las mangueras del filtro de aire del motor.
6. Revise el nivel de fluido del sistema hidráulico.

### SERVICIO CADA 250 HORAS:

1. Cambie el filtro del sistema hidráulico.
2. Aplique 2 disparos de grasa a cada extremo del eje de la hoja.

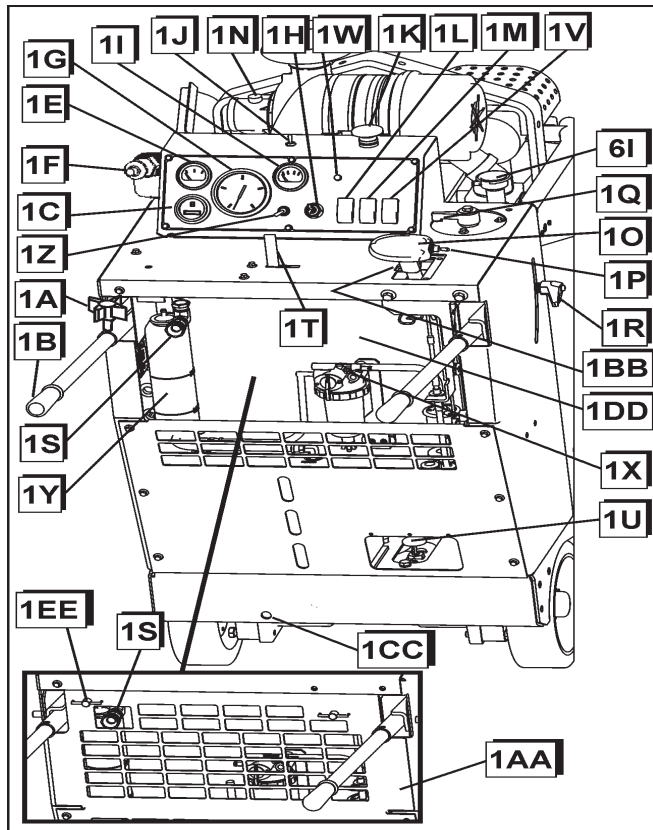
### SERVICIO CADA 500 HORAS:

1. Cambie el fluido de la caja de engranajes del motor.
2. Cambie el fluido del sistema hidráulico.
3. Cambie el filtro de combustible del motor (tipo atornillable)

### SERVICIO ANUAL:

1. Cambie el elemento primario y de seguridad del filtro de aire.

**FIGURA 1:**



- 1A. PERILLA:** Utilícela para apretar las empuñadura de los manillares. (Igual que 6G)
- 1B. MANILLARES:** Para que el operador se sujete. NO se debe usar para levantar la sierra. (Igual que en 6G)
- 1C. HORÓMETRO:** Registra las horas de funcionamiento del motor.
- 1D. ---**
- 1E. TERMÓMETRO DEL AGUA:** El refrigerante es agua/glicol. Monitorea la temperatura del refrigerante del motor. La temperatura máxima segura es 220°F (104.4°C).
- 1F. ACELERADOR DEL MOTOR:** Controla la velocidad (rpm) del motor. Oprima el botón rojo para desbloquear. Empuje hacia dentro para disminuir la velocidad (rpm). Tire del botón para aumentar la velocidad (rpm). O, gírelo en sentido horario para aumentar la velocidad (rpm). Gírelo en sentido contrahorario para disminuir la velocidad (rpm).
- 1G. TACÓMETRO:** Muestra la velocidad del motor (RPM, n/min) o la velocidad del eje de la hoja (RPM, n/min) si está equipado con el INTERRUPTOR SELECTOR DEL TACÓMETRO (1Z), ya que de lo contrario muestra solamente la velocidad del motor (RPM, n/min). Seleccione la pantalla del TACÓMETRO moviendo el INTERRUPTOR SELECTOR DEL TACÓMETRO (1Z) a la posición deseada (si lo tiene). Los modelos de caja de engranajes de tres velocidades tienen bandas de color (verde, amarilla y anaranjada), mostradas alrededor del exterior del tacómetro, que relacionan la posición de la PALANCA DE CAMBIOS DE LA

CAJA DE ENGRANAJES (3-20) (1, 2 ó 3) y el diámetro máximo de la hoja (pulgadas solamente). La velocidad de rotación (RPM, n/min) de la HOJA DE DIAMANTE (2E) debe permanecer en la banda de color apropiada durante la operación.



**ADVERTENCIA:** ¡Observe la posición del INTERRUPTOR SELECTOR DEL TACÓMETRO (1Z)! El tacómetro puede indicar la velocidad de la hoja o la velocidad del motor. El operador o las personas del área de trabajo pueden sufrir lesiones graves si la velocidad de giro (n/min) de la HOJA DE DIAMANTE (2E) excede la velocidad máxima (n/min) indicada en la HOJA DE DIAMANTE (2E).

- 1H. INTERRUPTOR DE ARRANQUE DEL MOTOR:** Use este interruptor para arrancar y parar el motor. También precalienta el motor cuando se presiona hacia adentro.
- 1I. MEDIDOR DE VOLTAJE:** Indica el voltaje del sistema eléctrico.
- 1J. INTERRUPTOR DE AJUSTE DEL EJE o INTERRUPTOR DIFERENCIAL:** INTERRUPTOR DE AJUSTE DEL EJE (Sólo para el modelo de pivote frontal): Mueva el interruptor para ajustar el eje impulsor trasero. Empuje el interruptor hacia la derecha para que la sierra avance hacia la derecha. Hacia la izquierda para que avance hacia la izquierda. INTERRUPTOR DIFERENCIAL (Sólo para el modelo de pivote trasero): Tres posiciones para controlar las modalidades de Pivote, Recto o Neutra. Mueva el interruptor a la IZQUIERDA para la modalidad Pivote. Permite que la sierra se pueda pivotar sobre sus ruedas traseras. Mueva el interruptor al CENTRO para la modalidad Recto. Permite que la sierra se mueva en línea recta. Mueva el interruptor a la posición DERECHA (tiene que mantenerse la posición). El motor de la sierra tiene que estar APAGADO y el INTERRUPTOR DE ARRANQUE DEL MOTOR (1H) en la posición de APAGADO ("0"). Pone la sierra en "Neutro" y permite empujar la máquina.
- 1K. BOTÓN PULSADOR ROJO:** Para **PARADA DE EMERGENCIA** de la sierra. Su función es interrumpir el suministro de energía a todos los sistemas excepto las luces, **TIRE** del botón para desenclavarlo. No lo utilice para paradas de rutina.
- 1L. INTERRUPTOR DE SEGURIDAD DEL AGUA:** Apaga el motor si se interrumpe el suministro de agua a la hoja. Ajústelo para activar el interruptor.
- 1M. INTERRUPTOR DEL TOPE DE PROFUNDIDAD DE LA HOJA:** Activa o anula el tope de velocidad para cortes repetitivos a la misma profundidad.
- 1N. INDICADOR DE RESTRICCIÓN DE AIRE:** Limpiar los elementos del filtro de aire cuando el indicador muestra una marca roja. Reactívalo antes de arrancar el motor.



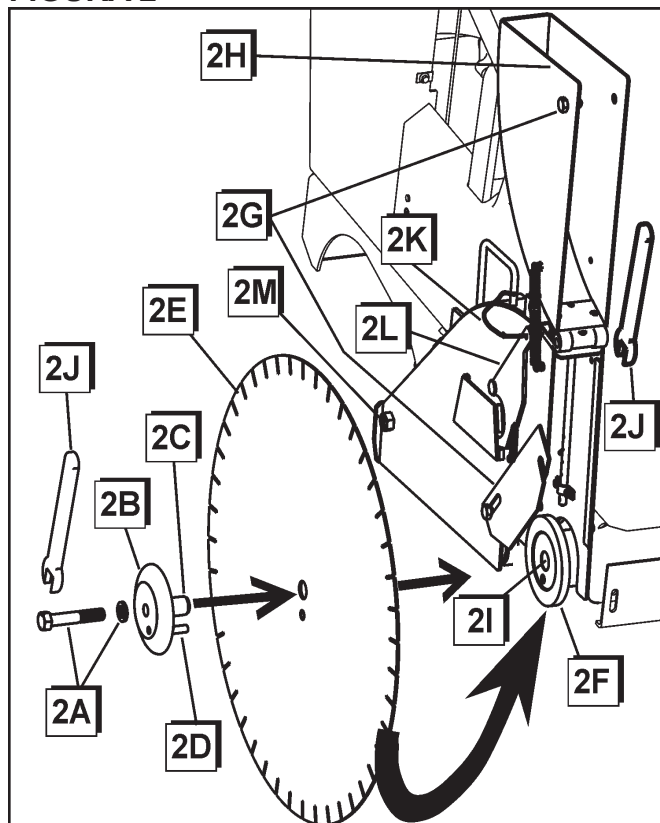
- 10. PALANCA DE CONTROL DE VELOCIDAD:** Controla la marcha adelante y marcha atrás, parada y velocidad de la sierra.
- 1P. INTERRUPTOR BASCULANTE DE ELEVAR/BAJAR:** Ubicado en la PALANCA DE CONTROL DE VELOCIDAD. Utilícelo para elevar y bajar la sierra. Empuje hacia arriba para elevar la sierra. Empuje hacia abajo para bajar la sierra.
- 1Q. INDICADOR DE PROFUNDIDAD DE LA HOJA:** Indica la profundidad de corte. Establece la profundidad de corte para el TOPE DE PROFUNDIDAD DE LA HOJA.
- 1R. BLOQUEO DE AJUSTE DEL MANILLAR:** Gírelo en sentido horario para bloquear el manillar en posición. Gírelo en sentido contrahorario para desbloquear el manillar y repositarlo.
- 1S. ENTRADA DE AGUA:** Se conecta a una manguera de jardín de 3/4 pulgada para suministro de agua dulce.
- 1T. VÁLVULA DE AGUA:** Controla el caudal de agua para enfriar la hoja.
- 1U. PERILLA DE CONTROL DE VELOCIDAD DE BAJADA DE LA SIERRA:** Gire la perilla en sentido horario para reducir la velocidad de bajada. Gire la perilla a la izquierda para aumentar la velocidad de bajada. Acceda a la perilla por la parte trasera de la máquina.
- 1V. INTERRUPTOR DE EMBRAGUE DE LA HOJA** (si lo tuviera). Engrana el accionamiento de la hoja. Embrague solamente con el motor a 1200 rpm o menos. El accionamiento de la cuchilla se engrana cuando el INTERRUPTOR DE EMBRAGUE DE LA HOJA está en la posición "1" (CONECTADA). Para desengranar la cuchilla, ponga el INTERRUPTOR DE EMBRAGUE DE LA HOJA en la posición "0" (DESCONECTADA).
- 1W. LUZ INDICADORA DE PRESIÓN DE ACEITE:** Se enciende cuando la presión de aceite del motor está baja y cuando la llave de contacto está en la posición de encendido con el motor apagado.
- 1X. PERNO DE PURGA DEL AIRE:** Está ubicado en el Separador de aceite/agua. Se usa para eliminar el aire de los tubos de alimentación de combustible. Para más detalles, consultar el Manual de funcionamiento del motor Yanmar sobre el PERNO DE PURGA DEL AIRE y el SEPARADOR DE ACEITE/AGUA.
- 1Y. FRASCO DE REBOSE DE REFRIGERANTE DEL RADIADOR:** Recupera el refrigerante del radiador cuando el motor está caliente. Debe estar a 1/4 de su capacidad cuando el motor está apagado y frío.
- 1Z. INTERRUPTOR SELECTOR DEL TACÓMETRO:** Puede fijarse para indicar la velocidad del motor (RPM, n/min) o la velocidad del eje de la hoja (RPM, n/min). Fije en la posición superior para indicar la velocidad del motor y en la posición inferior para indicar la velocidad del eje de la hoja. Los equipos estándar de las máquinas están equipados con una caja de engranajes de tres velocidades, opcional para los demás.



**ADVERTENCIA:** ¡Observe la posición del INTERRUPTOR SELECTOR DEL TACÓMETRO (1Z)! El tacómetro puede indicar la velocidad de la hoja o la velocidad del motor. El operador o las personas del área de trabajo pueden sufrir lesiones graves si la velocidad de giro (n/min) de la HOJA DE DIAMANTE (2E) excede la velocidad máxima (n/min) indicada en la HOJA DE DIAMANTE (2E).

- 1AA. CUBIERTA TRASERA:** Sólo se debe quitar para dar servicio a la máquina. Para quitarla, gire los PESTILLOS DEL PROTECTOR (1EE) 270 grados hacia la izquierda. Vuelva a ponerla antes de poner el motor en marcha. No es un protector de seguridad, pero controla el caudal de aire que pasa por la máquina para un rendimiento apropiado del motor.
- 1BB. POSICIÓN DE PARO:** La sierra interrumpirá el movimiento de avance cuando la PALANCA DE CONTROL DE VELOCIDAD (10) está en esta posición. El motor no arrancará a menos que la PALANCA DE CONTROL DE VELOCIDAD (10) esté en la posición de PARO.
- 1CC. PERNO DE AJUSTE MANUAL DEL EJE** (Sólo en el modelo de pivote frontal- seguimiento eléctrico) : Gire el perno para ajustar el eje impulsor trasero. Si lo gira a la derecha (sentido horario) la sierra se dirige hacia la derecha. Hacia la izquierda (sentido contrahorario) la sierra se dirige hacia la izquierda.
- 1DD. ELEMENTO DEL FILTRO DE AIRE DEL RADIADOR:** Tiene que estar en su lugar o el motor resultará dañado. Limpie el filtro según sea necesario, o cada 50 horas.
- 1EE. PESTILLO DEL PROTECTOR:** Se usa para asegurar los protectores y los escudos y la CUBIERTA TRASERA (1AA) en su posición. Para quitar la CUBIERTA TRASERA (1AA), gire los pestillos 270 grados hacia la izquierda. El modelo ranurado de este pestillo se usa para asegurar los protectores laterales (4 pestillos por lado). Para quitar los protectores laterales, use una herramienta como un destornillador para girar los pestillos 270 grados.

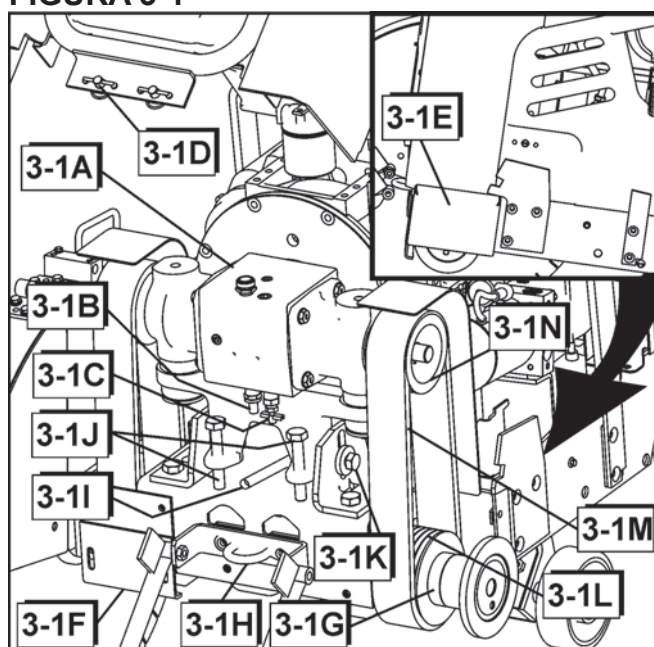


**FIGURA 2**

- 2A. PERNO DEL EJE DE LA HOJA:** Utilícelo para fijar la hoja de diamante entre la brida interna y externa. El lado derecho de la sierra tiene rosca a izquierda. El lado izquierdo de la sierra tiene rosca a derecha.
- 2B. BRIDA EXTERNA:** Se usa para sujetar la hoja de diamante en posición.
- 2C. EJE DE BRIDA EXTERNA:** Se usa para soportar la hoja de diamante.
- 2D. PASADOR DE SEGURIDAD:** Se usa para evitar que la hoja de diamante gire en el eje durante el funcionamiento.
- 2E. HOJA DE DIAMANTE:** Se usa como herramienta de corte para superficies de hormigón y asfalto.
- 2F. BRIDA INTERNA:** Soporte interior utilizado para sujetar la hoja de diamante en posición.
- 2G. PESTILLO DELANTERO DEL PROTECTOR DE LA HOJA:** Se usa para enganchar la parte delantera del protector de la hoja.
- 2H. FRENTE DEL PROTECTOR DE LA HOJA:** Parte frontal del protector de la hoja.
- 2I. EJE DE LA HOJA:** Soporta las bridas de la hoja y la hoja.
- 2J. LLAVE PARA EL EJE DE LA HOJA:** Se usa para quitar el PERNO DEL EJE DE LA HOJA (2A). Para un protector de hoja de 900 mm (36"), se usa la LLAVE PARA EJE DE LA HOJA para pivotar el PESTILLO DE PALA DEL PROTECTOR DE LA HOJA (92L) hasta la posición abierta y luego se quita el protector de la hoja.
- 2K. HILO DE METAL:** Tire del cable de forma que el pestillo del protector de la hoja pivote para permitir

que se quite el protector de la hoja (No se encuentra disponible para los modelos europeos con la marca CE con un protector de hoja de 900 mm, o 36").

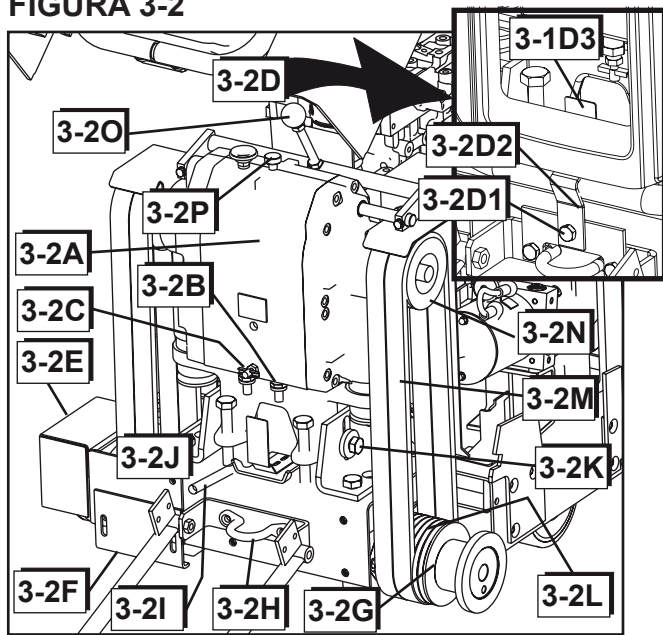
- 2L. PESTILLO DE PALA DEL PROTECTOR DE LA HOJA:** Se usa para mantener la hoja en su posición. Para quitar el protector de la hoja, use el HILO DE METAL (2K) paara pivotar el PESTILLO DE PALA DEL PROTECTOR DE LA HOJA interno, hasta la posición abierta, y luego levantar el protector de la hoja hacia arriba y hacia fuera de la máquina.
- 2M. PERNO TRASERO:** Mantiene el protector de la hoja en su posición (excepto en el modelo de 900 mm, 36"). El PERNO TRASERO tiene que quitarse antes de quitar el PROTECTOR DE LA HOJA. Instale siempre el PERNO TRASERO en el protector de la hoja antes de operar la máquina.

**FIGURA 3-1**

- 3-1A. CAJA DE ENGRANAJES DEL MOTOR:** Modelo de una velocidad.
- 3-1B. CONEXIÓN PARA AGUA:** Hace circular agua dulce por la caja de engranajes para enfriarla. Desde allí el agua fluye al protector de la hoja.
- 3-1C. VÁLVULA DE VACIADO DE AGUA:** Para vaciar el agua de la caja de engranajes: gírela a la izquierda para abrir y a la derecha para cerrar. Vacíe diariamente para evitar la corrosión o daño debido a temperaturas bajo cero.
- 3-1D. PESTILLO DE TAPA DE MOTOR:** Dos pestillos, ubicados en el bastidor delantero de de la máquina, aseguran la TAPA DEL MOTOR (6E) en posición bajada. Gire cada pestillo 180 grados a la izquierda, y la TAPA DEL MOTOR (6E), se podrá levantar. En los modelos europeos CE, el pestillo tiene un diseño ranurado y se tiene que usar una herramienta, como un destornillador, para abrir el pestillo.
- 3-1E. CUBIERTA DE LA BRIDA:** Protege del contacto contra la BRIDA durante la operación. Debe matenerse siempre en su lugar.

- 3-1F. ESCUDO PROTECTOR DE LA CORREA:** Mantenga en su lugar.
- 3-1G. CONJUNTO DE TUBO DEL EJE DE LA HOJA:** Unidad sellada contiene el eje de la hoja, los cojinetes y sellos del eje.
- 3-1H. ASAS DE AMARRE:** Utilizadas para amarrar la sierra durante el transporte en vehículo. No se utilizan para izar la sierra.
- 3-1I. VÁLVULA DE VACIADO DE ACEITE DEL MOTOR:** Para vaciar el aceite del motor sin usar herramientas.
- 3-1J. PERNOS PARA TENSAR LA CORREA:**
- 3-1K. PERNO DE FIJACIÓN HORIZONTAL:**
- 3-1L. POLEA DEL EJE DE LA HOJA:**
- 3-1M. CORREAS TRAPEZOIDALES:** Juego de 4.
- 3-1N. POLEA DE LA CAJA DE ENGRANAJES:**

**FIGURA 3-2**



- 3-2A. CAJA DE ENGRANAJES DEL MOTOR:** Modelo de tres velocidades.
- 3-2B. CONEXIÓN PARA AGUA:** Hace circular agua dulce por la caja de engranajes para enfriarla. Desde allí el agua fluye al protector de la hoja.
- 3-2C. VÁLVULA DE VACIADO DE AGUA:** Para vaciar el agua de la caja de engranajes: gírela a la izquierda para abrir y a la derecha para cerrar. Vacíe diariamente para evitar la corrosión o el daño debido a temperaturas bajo cero.
- 3-2D. PESTILLO DE TAPA DE MOTOR:** Dos pestillos, ubicados en el bastidor delantero de la máquina, aseguran la TAPA DEL MOTOR (6E) en posición bajada. Gire cada pestillo 180 grados a la izquierda, y la TAPA DEL MOTOR (6E), se podrá levantar. En los modelos europeos CE, el pestillo tiene un diseño ranurado y se tiene que usar una herramienta, como un destornillador, para abrir el pestillo.

- 3-2E. CUBIERTA DE LA BRIDA:** Protege del contacto contra la BRIDA durante la operación. Debe mantenerse siempre en su lugar.
- 3-2F. ESCUDO PROTECTOR DE LA CORREA:** Mantener en su lugar.
- 3-2G. CONJUNTO DE TUBO DEL EJE DE LA HOJA:** Unidad sellada contiene el eje de la hoja, los cojinetes y sellos del eje.
- 3-2H. ASAS DE AMARRE:** Utilizadas para amarrar la sierra durante el transporte en vehículo. No se debe utilizar para izar la sierra.
- 3-2I. VÁLVULA DE VACIADO DE ACEITE DEL MOTOR:** Para vaciar el aceite del motor sin usar herramientas.
- 3-2J. PERNOS PARA TENSAR LA CORREA:**
- 3-2K. PERNO DE FIJACIÓN HORIZONTAL:**
- 3-2L. POLEA DEL EJE DE LA HOJA:**
- 3-2M. CORREAS TRAPEZOIDALES:** Juego de 4, 3 ranuras
- 3-2N. POLEA DE LA CAJA DE ENGRANAJES:**
- 3-2O. PALANCA DE CAMBIOS DE LA CAJA DE ENGRANAJES:** Úsela para cambiar la velocidad de salida de la CAJA DE ENGRANAJES DEL MOTOR (3-2A). Se dispone de tres velocidades y dos posiciones neutrales. Las posiciones de la PALANCA DE CAMBIOS DE LA CAJA DE ENGRANAJES (1, 2 y 3) están codificadas por colores para adaptarse entre otras cosas a la calcomanía de la gama de la caja de engranajes / RPM de la hoja. Operación de la PALANCA DE CAMBIOS DE LA CAJA DE ENGRANAJES:
  - 1) Gire el INTERRUPTOR DE ARRANQUE DEL MOTOR (1H) a la posición de APAGADO ("0"). ¡Gire siempre el motor a la posición de APAGADO antes de efectuar un cambio en la caja de engranajes!
  - 2) Verifique que el tamaño de la polea, tamaño de la brida y velocidad del eje de la hoja sean correctos para el tamaño de la hoja que se vaya a montar.

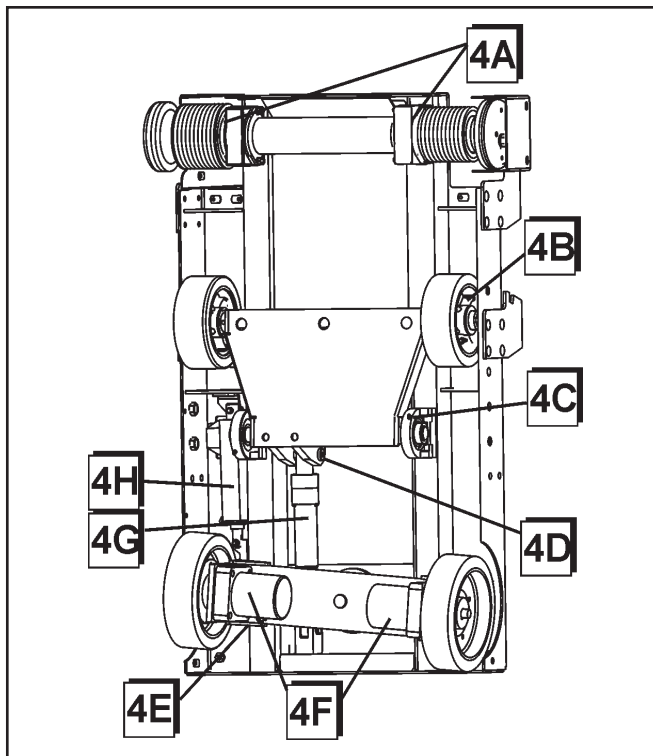


**ADVERTENCIA:** El operador o las personas del área de trabajo pueden sufrir lesiones graves si la velocidad de giro (n/min) de la HOJA DE DIAMANTE (2E) excede la velocidad máxima (n/min) indicada en la HOJA DE DIAMANTE (2E).

- 3) Afloje la tuerca de inmovilización. Gire el MANDO (3-2P) dos vueltas.
- 4) Mueva la PALANCA DE CAMBIOS DE LA CAJA DE ENGRANAJES (3-2O) a la marcha requerida. Un ligero "movimiento de oscilación" del eje de salida de la caja de engranajes (o EJE DE LA HOJA) puede mejorar los cambios.
- 5) Apriete el MANDO (3-2P). Apriete la tuerca de inmovilización (40 Nm / 30 ft-lbs)

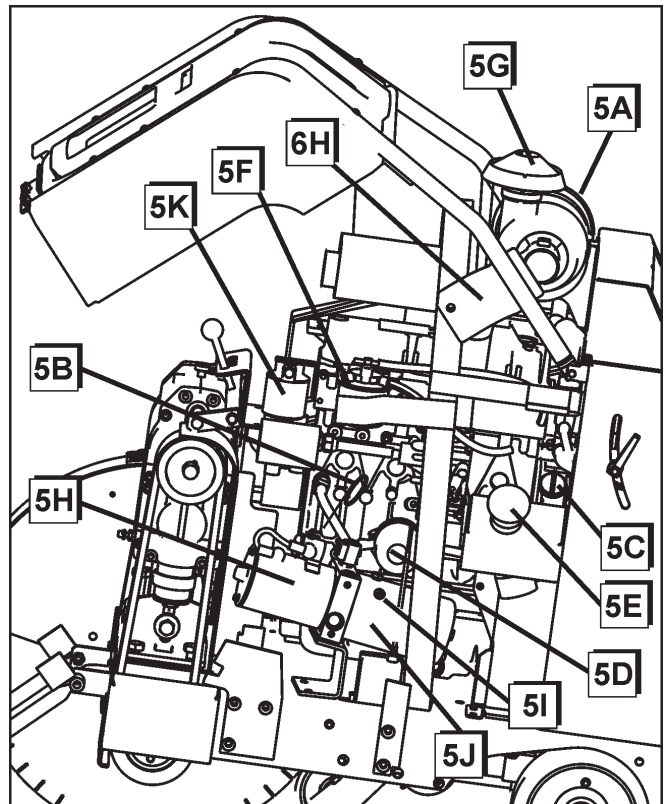
**3-2P. PERILLA DE RETENCIÓN DE LA CAJA DE ENGRANAJES:** Fija la PALANCA DE CAMBIOS DE LA CAJA DE ENGRANAJES (3-2O) en su posición. Consulte la PALANCA DE CAMBIOS DE LA CAJA DE ENGRANAJES (3-2O) para ver cómo funciona.

**FIGURA 4**



- 4A. SELLOS DE COJINETES DEL EJE DE LA HOJA
- 4B. COJINETES DE LAS RUEDAS DELANTERAS
- 4C. COJINETES DE PIVOTE DEL EJE DELANTERO
- 4D. PASADOR DE PIVOTE DEL CILINDRO HIDRÁULICO
- 4E. EJE TRASERO
- 4F. MOTOR HIDRÁULICO DE LAS RUEDAS
- 4G. CILINDRO DE ELEVAR Y BAJAR
- 4H. ACCIONADOR LINEAL

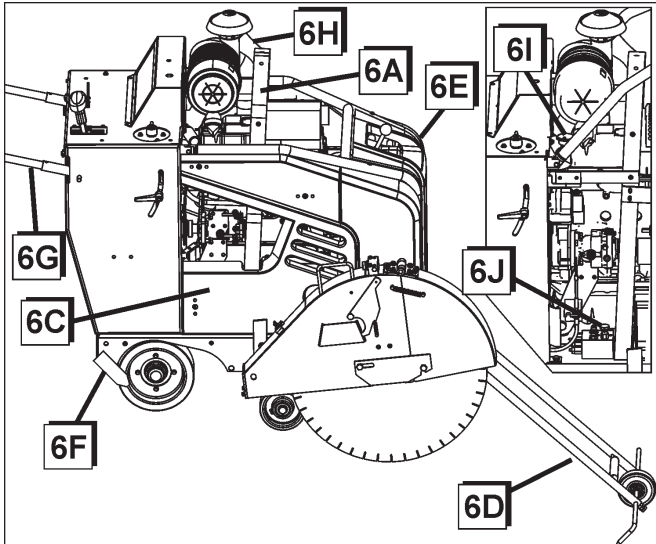
**FIGURA 5**



- 5A. **CONJUNTO DEL FILTRO DE AIRE:** Incluye:
  - a) Caja
  - b) Cubierta
  - c) **Elemento primario externo:** Limpiar o cambiar cuando el INDICADOR DE RESTRICCIÓN DEL AIRE muestra una advertencia ROJA.
  - d) **Elemento de seguridad interno:** NO limpie este elemento del filtro. Cámbielo 1 vez por año o si se daña.
- 5B. **VARILLA DE NIVEL DE ACEITE DEL MOTOR:** Compruebe aquí el nivel de aceite del motor. La varilla indica el nivel de aceite. Para más información, consulte el manual de funcionamiento del motor.
- 5C. **LLENADO DE ACEITE DEL MOTOR:** Llene el motor con el aceite recomendado en este punto. Use aceite para motor SAE 15W40, API Clase CF, CF-4, CG-4 o CI-4. Para más información, consulte el manual de funcionamiento del motor.
- 5D. **FILTRO DE ACEITE DEL MOTOR:** Para más información, consulte el manual de funcionamiento del motor.
- 5E. **LLENADO DEL TANQUE DE COMBUSTIBLE:** Llene el tanque de combustible por aquí.
- 5F. **Abastezca de combustible el Filtro**
- 5G. **Tapa de Lluvia de filtro de aire**
- 5H. **BOMBA DE ELEVACIÓN C.C (corriente continua):** Eleva y baja la sierra.
- 5I. **LLENADO DEL DEPÓSITO HIDRÁULICO:** Llene y revise el fluido del sistema hidráulico aquí.
- 5J. **DEPÓSITO HIDRÁULICO:** 1.5 cuartos (1.42 litros) de capacidad.

- 5K. **FILTRO HIDRÁULICO:** Filtra el fluido del sistema hidráulico.
- 5L. ----
- 5M. ----
- 5N. ----
- 5O. ----
- 5P. ----

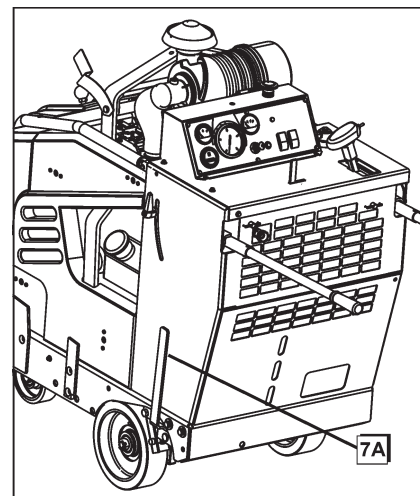
**FIGURA 6**



- 6A. **GANCHO PARA SUBIR:** La sierra sólo se puede subir desde este punto. NO levante la sierra desde otro punto que no sea éste.
  - 6B. ----
  - 6C. **PROTECTORES Y ESCUDOS DE LAS CORREAS:** Protegen el motor, los accionamientos y el ventilador de enfriamiento. No quitarlos durante el funcionamiento o cuando el motor esté en marcha.
- ¡NO OPERAR EL MOTOR CON LOS PROTECTORES O LOS ESCUDOS QUITADOS!**
- 6D. **GUÍA DELANTERA:** Se usa para localizar la trayectoria de la hoja de diamante en la línea de corte.
  - 6E. **TAPA DEL MOTOR:** Protegen el motor, ventilador de refrigeración, correas y poleas. La TAPA DEL MOTOR es una protección y tiene que estar cerrada en posición bajada antes de arrancar el motor y operar la sierra. La TAPA DEL MOTOR se abre girando los dos PESTILLOS DE LA TAPA (3-1D, 3-2D) a la izquierda 180 grados. Girar hacia arriba y asegurar con los dos SOPORTES DE TAPA (6H).
  - 6F. **GUÍA TRASERA:** Se usa para localizar la trayectoria de la hoja de diamante en la línea de corte.
  - 6G. **MANILLARES:** Se usan para maniobrar la sierra. No se deben utilizar para subir la sierra. (Igual que 1B).
  - 6H. **SOPORTE DE TAPA:** Cerrar paraa asegurar la tapa en posición abierta. Baje y asegure siempre la tapa antes de arrancar el motor y operar la máquina.

- 6I. **LLENADO DEL LÍQUIDO REFRIGERANTE DEL RADIADOR:** Llene el radiador desde este punto. Advertencia: ¡Evite las lesiones! La presión acumulada puede causar una salida explosiva del líquido refrigerante cuando se quita la tapa del radiador. Apague el motor y deje que se enfríe. No quite la tapa a menos que el radiador y el motor estén lo suficientemente fríos al tacto con las manos sin guantes. Afloje la tapa con cuidado hasta el primer tope para soltar toda la presión. Entonces puede quitar la tapa. Sustituya la tapa si está dañada.
- 6J. **VÁLVULA DE DERIVACIÓN DE LA TRANSMISIÓN (Sólo en los modelos de pivote frontal):** Girar a la izquierda para abrir. Girar a la derecha para cerrar. Abrir para poder empujar la sierra de hormigón.
- 6K. **BOMBA DE TRANSMISIÓN HIDROSTÁTICA.**
- 6L. **ALTERNADOR:** Consultar a Yanmar para repuestos.
- 6M. **ALTERNADOR / CORREA DE LA BOMBA DE AGUA:** Autotensante. Consultar a Yanmar para repuestos.

**FIGURA 7**



- 7A. **FRENO DE ESTACIONAMIENTO** (modelos CE o modelos de pivote trasero – si lo tienen): Mantiene la máquina en la posición de estacionamiento en una pendiente de 10 grados o menos. El FRENO DE ESTACIONAMIENTO (7A) está ubicado en el lado izquierdo de la máquina, en la rueda trasera (Vea la FIG 7).
- Operación:**
- 1) Pare la máquina, apague el motor.
  - 2) Para conectar: Póngase detrás de la máquina, empuje la PALANCA DEL FRENO DE ESTACIONAMIENTO (7A) hacia adelante (hacia la parte delantera de la máquina).
  - 3) Para desconectar: Póngase detrás de la máquina, tire de la PALANCA DEL FRENO DE ESTACIONAMIENTO (7A) hacia atrás, hacia la parte trasera de la máquina.



**PRECAUCIÓN:** Desconecte la PALANCA DEL FRENO DE ESTACIONAMIENTO (7A) antes de conectar completamente la PALANCA DE CONTROL DE VELOCIDAD (7B), ya que de lo contrario se dañará la máquina.





OBLIGATORIO



INDICACIÓN  
INFORMACIÓN  
INSTRUCCIONES



ADVERTENCIA



PROHIBICIÓN

Estos avisos le dan  
consejos por su seguridad

Antes de salir de fábrica, todas las máquinas son probadas exhaustivamente.



Siga nuestras instrucciones rigurosamente y su máquina le dará una larga vida útil en condiciones de operación normales.

## 1. Usos

**Uso:** Aserrado en húmedo de hormigón y asfalto viejos y nuevos. Aserrado en seco solamente con la aprobación del fabricante de la hoja para aplicaciones específicas.

**Herramientas:** Hojas de diamante — enfriadas por agua, Ø: 14 pulgadas (350 mm), 18 pulgadas (450 mm), 20 pulgadas (500 mm), 24 pulgadas (600 mm), 26 pulgadas (650 mm), 30 pulgadas (750 mm) y 36 pulgadas (900 mm) con eje de 1 pulgada de Ø.

(Para ampliar la información, póngase en contacto con su proveedor.)

### Profundidades de corte (máxima):

Hoja	Profundidad	Hoja	Profundidad
14"	4.5"	350mm	110mm
18"	6.5"	450mm	160mm
20"	7.5"	500mm	175mm
24"	9.5"	600mm	225mm
26"	10.5"	650mm	260mm
30"	12.5"	750mm	310mm
36"	15.0"	900mm	375mm



Antes de poner en marcha la máquina, asegúrese de leer todo este manual y familiarícese con el manejo de la máquina.



La zona de trabajo debe estar totalmente despejada, bien iluminada y todos los peligros para la seguridad retirados.



El operador debe usar vestimenta protectora apropiada para el trabajo que está realizando.



Toda persona no involucrada en el trabajo debe retirarse del lugar.



Use solamente hojas marcadas con una velocidad máxima de funcionamiento mayor que la velocidad del eje de la hoja.

## 2. Traslado de la máquina

(Vea las figuras 1, 2 y 5)

### Ajuste de los manillares al largo que se desea:

- Afloje la perilla (1A), tire del manillar (1B) hacia dentro o fuera al largo que desea, y después apriete la perilla (1A). Para ajustar la altura del manillar, gire el bloqueo (1R) de ajuste en sentido contra horario para desbloquear. Ajuste el manillar (1B) a la altura que desea. Gire el MANILLAR DE BLOQUEO DE AJUSTE (1R) a la derecha para bloquearlo en su lugar.

**Modelo de Pivote Frontal** (con Sistema de Seguimiento Eléctrico - Si lo tuviera)

### Traslado de la sierra con el motor apagado:

- Ponga el INTERRUPTOR DE ARRANQUE DEL MOTOR (1H) en la posición "1" (MARCHA).
- Eleve la sierra empujando hacia arriba el INTERRUPTOR BASCULANTE (1P) en la PALANCA DE CONTROL DE VELOCIDAD (1O) hasta que la HOJA DE DIAMANTE (2E) (si está instalada) se aleje de la superficie de pavimento.
- Ponga la PALANCA DE CONTROL DE VELOCIDAD (1O) en posición de PARO (1BB).
- Ajuste la VÁLVULA DE DERIVACIÓN DE LA TRANSMISIÓN (6J) en sentido contra horario a la posición arriba (NEUTRO).
- Ahora, puede mover la sierra situándose detrás de ella y empujando [mientras se sujeta de los manillares (1B)].



**NO intente empujar la sierra mientras está en NEUTRO en una pendiente (o colina). El operador podría perder el control de la sierra y causar lesiones a el mismo u otras personas en el lugar.**

### Traslado de la sierra con el motor encendido:

- Eleve la sierra empujando hacia arriba el INTERRUPTOR BASCULANTE (1P) en la PALANCA DE CONTROL DE VELOCIDAD (1O) hasta que la HOJA DE DIAMANTE (2E) (si está instalada) se aleja de la superficie de pavimento.
- Ponga el INTERRUPTOR DE SEGURIDAD DEL AGUA (1L) en posición "0" (APAGADO).
- La PALANCA DE CONTROL DE VELOCIDAD (1O) debe estar en posición de PARO (1BB) para poner en marcha la sierra. El motor NO arrancará a menos que la PALANCA DE CONTROL DE VELOCIDAD (1O) esté en la posición de PARO (1BB).
- Verifique que la VÁLVULA DE DERIVACIÓN DE LA TRANSMISIÓN (6J) esté girada en sentido horario (ABAJO) en la posición cerrada. NO arranque el motor si la válvula (6J) está en posición neutro (ABIERTA).

- Gire el ACELERADOR DEL MOTOR (1F) a una posición de velocidad baja.
- Ponga el INTERRUPTOR DE EMBRAGUE (si está instalado) (1V) de la hoja en "0" (APAGADO).
- \* En condiciones de frío (bajo 32°F (0°C)) empuje hacia dentro el INTERRUPTOR DE ARRANQUE DEL MOTOR (1H) por 15 segundos. Esto precalienta el motor para facilitar el arranque en clima frío.
- Ponga el INTERRUPTOR DE ARRANQUE DEL MOTOR (1H) en la posición "2" (MARCHA) hasta que el motor arranque, después suelte el interruptor. Regresará a la posición MARCHA. Si el motor no arranca, repita estos pasos.



- Empuje la PALANCA DE CONTROL DE VELOCIDAD (1O) hacia adelante para mover la sierra HACIA ADELANTE, o empújela hacia atrás para moverla HACIAATRÁS. Cuanto más empuje la palanca más rápida será la velocidad.



**NO ABRA la VÁLVULA DE DERIVACIÓN DE LA TRANSMISIÓN (6J) a neutro mientras la sierra está estacionada en una pendiente (o colina), el operador podría perder el control y causar lesiones o daños.**

**Modelo de pivote trasero (con sistema diferencial – si está instalado)**

**Traslado de la sierra con el motor apagado:**

- Ponga el INTERRUPTOR DE ARRANQUE DEL MOTOR (1H) en la posición "1" (MARCHA).
- Eleve la sierra empujando hacia arriba el INTERRUPTOR BASCULANTE (1P) en la PALANCA DE CONTROL DE VELOCIDAD (1O) hasta que la HOJA DE DIAMANTE (2E) (si está instalada) se aleje de la superficie de pavimento.
- Ponga el INTERRUPTOR DE ARRANQUE DEL MOTOR (1H) en la posición "0" de (PARO).
- Ponga la PALANCA DE CONTROL DE VELOCIDAD (1O) en POSICIÓN DE PARO (1BB).
- Pulse y mantenga pulsado el Interruptor Diferencial (1J) a la derecha.
- Sujete un Manillar (1B), y mantenga pulsado el Interruptor Diferencial (1J) a la derecha. Ahora puede mover la sierra situándose detrás de ella y empujando. Si se suelta el Interruptor Diferencial, la sierra no se puede mover con el motor apagado.



**NO intente empujar la sierra mientras está en NEUTRO en una pendiente (o colina). El operador podría perder el control de la sierra y causar lesiones a el mismo u otras personas en el lugar.**

**Traslado de la sierra con el motor encendido:**

- Eleve la sierra empujando hacia arriba el INTERRUPTOR BASCULANTE (1P) en la PALANCA DE CONTROL DE VELOCIDAD (1O) hasta que la HOJA DE DIAMANTE (2E) (si está instalada) se aleje de la superficie de pavimento.

- Ponga el INTERRUPTOR DE SEGURIDAD DEL AGUA (1L) en posición "0" (APAGADO).
- La PALANCA DE CONTROL DE VELOCIDAD (1O) debe estar en posición de PARO (1BB) para poner la sierra en marcha. El motor NO arrancará a menos que la PALANCA DE CONTROL DE VELOCIDAD (1O) esté en la posición de PARO (1BB).
- Gire el ACELERADOR DEL MOTOR (1F) a una posición de velocidad baja.
- Ponga el INTERRUPTOR DE EMBRAGUE DE LA HOA (si está instalado) (1V) en "0" (APAGADO).
- \* En condiciones de frío (bajo 32°F (0°C)) empuje hacia dentro el INTERRUPTOR DE ARRANQUE DEL MOTOR (1H) por 15 segundos. Esto precalienta el motor para facilitar el arranque en clima frío.
- Ponga el INTERRUPTOR DE ARRANQUE DEL MOTOR (1H) en la posición "2" (MARCHA) hasta que el motor arranque, después suelte el interruptor. Regresará a la posición MARCHA. Si el motor no arranca, repita estos pasos.



- Empuje la PALANCA DE CONTROL DE VELOCIDAD (1O) hacia adelante para mover la sierra HACIA ADELANTE, o empújela hacia atrás para moverla HACIAATRÁS. Cuanto más empuje la palanca más rápida será a velocidad.

### 3 Transporte (sin la hoja)

(Vea las figuras 1, 2 y 5)



**Apague el motor. Ponga la PALANCA DE CONTROL DE VELOCIDAD (1O) en posición de PARO (1BB). Quite la HOJA DE DIAMANTE (2E) antes de transportar la sierra.**

Tenga sumo cuidado cuando suba y baje rampas con la sierra, con el motor funcionando.

- Para ir rampa **ARRIBA**, dirija la cortadora hacia **DELANTE** lentamente.
- Para ir rampa **ABAJO**, dirija siempre la cortadora hacia **ATRÁS** lentamente y apártese de la ruta de la máquina.

**Modelo de pivote trasero:** La máquina tiene que tener un INTERRUPTOR DIFERENCIAL (1J) en la posición de "Bloqueo" central si la sierra se mueve subiendo o bajando una rampa. NO cambie el INTERRUPTOR DIFERENCIAL (1J) a la posición de "Pivote" izquierdo cuando mueva la sierra subiendo o bajando una rampa.



**Para rampas empinadas, siempre use una cuña. No se sitúe jamás más abajo de la máquina.**

**Subida de la sierra.** La sierra puede subirse solamente del gancho de subida (6A) instalado en fábrica.

**Para transporte en vehículo:**

- Ponga el INTERRUPTOR DE ARRANQUE DEL MOTOR (1H) en posición de APAGADO.

- Ponga la PALANCA DE CONTROL DE VELOCIDAD (1O) en POSICIÓN DE PARO (1BB).
- Empuje el manillar (1B) hacia adentro y apriete las perillas (1A).



**Bloquee la sierra en posición o sujétela utilizando las ASAS DE AMARRE (3-1H, 3-2H) instaladas en fábrica, adelante y atrás para impedir que la máquina se mueva durante el transporte.**

## 4 Revisiones antes del arranque



**Tome en cuenta las condiciones de trabajo desde el punto de vista de la salud y seguridad.**

- **Combustible** (Consulte el manual de mantenimiento del motor.) Use combustible diesel N°2 para condiciones normales. Llene el tanque por el LLENADO DEL TANQUE DE COMBUSTIBLE (5E).
- Verifique que el nivel de aceite del motor está correcto. Debido a que el motor a menudo funciona en un ángulo, revise frecuentemente el nivel de aceite (con el motor horizontal) para asegurarse de que el nivel nunca baje por debajo de la marca inferior en la VARILLA DE MEDICIÓN DE ACEITE (5B). Se recomienda usar aceite para motor CD o CE SAE15W40 CF, CF-4, CG-4 O CI-4. (6B)
- Para el arranque, consulte el manual del motor Yanmar.
- Verifique si la máquina está preparada correctamente para el diámetro de la HOJA DE DIAMANTE (2E) que se requiere para el trabajo. Compruebe si se ha instalado la POLEA DE CAJAA DE ENGRANAJES (3-1N, 3-2N), POLEA DEL EJE DE LA HOJA 93-1L, 3-2L), BRIDA DE LA HOJA (2B Y 2F) y el PROTECTOR DE HOJA (2H) correctos. En las máquinas equipadas con la CAJA DE ENGRANAJES DE MOTOR (3-2A) de 3 velocidades, comprobar también si la PALANCA DE CAMBIOS DE LA CAJA DE ENGRANAJES (3-2P) está en el engranaje correcto. Para más detalles, consulte la SECCIÓN 14, "Ajuste de la velocidad del motor, eje de la hoja y caja de engranajes".

## 5 Colocación de la hoja

(Vea las figuras 1 y 2)

- Ponga el INTERRUPTOR DE ARRANQUE DEL MOTOR (1H) en la posición "1".
- Eleve la máquina a una posición alta utilizando el INTERRUPTOR BASCULANTE (1P) en la PALANCA DE CONTROL DE VELOCIDAD (1O).
- Ponga el INTERRUPTOR DE ARRANQUE DEL MOTOR (1H) en posición de APAGADO.
- Afloje el perno del PESTILLO FRONTAL DEL PROTECTOR DE LA HOJA (2G).

- Levante la mitad delantera del PROTECTOR DE LA HOJA (2H).
- Afloje el perno (2A) del eje de la hoja. Retire la BRIDA EXTERNA (2B).
- Inserte la HOJA DE DIAMANTE (2E) en el EJE DE LA BRIDA EXTERNA (2C).
- Instale la BRIDA EXTERNA (2B) en el eje (2I) de la hoja asegurándose de que el PASADOR DE FIJACIÓN (2D) atraviese la HOJA DE DIAMANTE (2E) y la BRIDA INTERNA (2F).



**Observe la dirección de rotación de la hoja. La dirección está indicada por una flecha en la HOJA DE DIAMANTE (2E) y en el PROTECTOR (2H) DE LA HOJA. Asegúrese de que las superficies de contacto de la HOJA DE DIAMANTE (2E), LAS BRIDAS INTERNA Y EXTERNA (2B y 2F) y el EJE (2C) DE LA HOJA estén limpias.**

- Para eliminar el contragolpe, haga girar la BRIDA EXTERNA (2B) y la HOJA DE DIAMANTE (2E) en sentido contrario a la rotación de la hoja.
- Mientras sujeta firmemente la HOJA DE DIAMANTE (2E), instale y apriete el perno (2A) del eje de la hoja utilizando la LLAVE DEL EJE DE LA HOJA (2J) que se entrega.
- Baje la mitad delantera del PROTECTOR DE LA HOJA (2H) y apriete el perno (2G) del pestillo (2G) del protector de la hoja.



**El perno (2A) del eje de la hoja en el lado derecho tiene rosca a izquierda. El perno (2A) del eje de la hoja en el lado izquierdo tiene rosca a derecha.**



**Los protectores deslizantes de la hoja están provistos de un PESTILLO DE PALA DEL PROTECTOR DE LA HOJA (2L) de seguridad que engancha la pala de soporte y un PERNO TRASERO (2M) [Protectores de hoja de 18"-30"(450-700 mm)] para retener la parte trasera del protector.**



**No maneje la sierra sin el PESTILLO DE PALA DE PROTECTOR enganchado y el perno [18"-30"(450-700 mm)] instalado. Inspeccione los protectores de la hoja y los pestillos frecuentemente. No use la sierra si están dañados.**

### Para quitar un PROTECTOR DESLIZANTE:

- Utilizando la LLAVE PARA EL EJE DE LA HOJA, retire el perno de retención trasero [18"-30"(450-700 mm)] de los protectores de hoja.
- Para los protectores de hoja de 14"-30"(350-700 mm): Use el HILO DE METAL (2K) para abrir el PESTILLO DE PALA DEL PROTECTOR DE LA HOJA (2L).
- Para los protectores de hoja de 36" (900 mm): Use la LLAVE DE EJE DE HOJA (2J) para pivotar el PESTILLO DE PALA DE PROTECTOR DE HOJA (2L) a la posición abierta



- Levante el protector de la pala de soporte.

### Para instalar un PROTECTOR DESLIZANTE:

- Baje el protector sobre la pala de soporte hasta que se enganche el PESTILLO DE PALA DEL PROTECTOR DE HOJA (2L).
- Instale los protectores de hoja [14"-30"(350-700 mm)] del PERNO TRASERO en la parte trasera del protector utilizando la LLAVE PARA EJE DE LA HOJA (2J).

## 6 Arranque de la sierra

(Vea las figuras 1, 2 y 5)



**Siempre preste mucho cuidado y atención a la preparación de la máquina antes del arranque.**



**Retire todas las llaves y herramientas del suelo y de la máquina.**



**Siempre mantenga todos los protectores de la hoja, correa y ventilador en su lugar.**

- Respete todas las instrucciones de operación y las advertencias incluidas en este manual y en la máquina.
- Cierre la VÁLVULA DE AGUA (1T).
- Marque la superficie que va a cortar, trazando una línea donde hará el corte.
- Tire del manillar (1B) hasta el largo que desea y apriete las perillas (1A).
- Baje la guía delantera (6D) y alinee la guía delantera (6D), la guía trasera (6F) y la HOJA DE DIAMANTE (2E) con la línea trazada en la superficie.
- Para poner en marcha la sierra cuando no hay presión de agua, ponga el INTERRUPTOR DE SEGURIDAD DEL AGUA (1L) en posición "0" (APAGADO).
- Ponga la PALANCA DE CONTROL DE VELOCIDAD (1O) en posición de PARADA (1BB). El motor de la sierra no arrancará a menos que la PALANCA DE CONTROL DE VELOCIDAD (1O) esté en la posición de PARADA (1BB). Verifique que la VÁLVULA DE DERIVACIÓN DE LA TRANSMISIÓN (5M) está cerrada en la posición abajo.
- Ponga el INTERRUPTOR DE EMBRAGUE (1V) de la hoja en "0" (APAGADO) (si lo hubiera).
- Arranque el motor utilizando el INTERRUPTOR DE ARRANQUE DEL MOTOR (1H). Ejecute el procedimiento descrito en el manual del motor. En condiciones de frío, precaliente el motor manteniendo oprimido el INTERRUPTOR DE ARRANQUE DEL MOTOR (1H) por 15 segundos.
- Deje que el motor se caliente por varios minutos con el ACELERADOR DEL MOTOR (1F) en posición de velocidad baja.
- Cuando esté listo, abra la VÁLVULA DE AGUA (1T).
- Ponga el INTERRUPTOR DE SEGURIDAD DEL AGUA (1L) de agua en posición "1" (ENCENDIDO).



**Pruebe si el suministro de agua es adecuado. (2.5 - 5.0 gal/min) (10 - 20 litros/min) Un caudal de agua bajo dañaría las hojas de diamante.**

- En las máquinas sin INTERRUPTOR DE EMBRAGUE DE HOJA (1V) opcional: Tire del ACELERADOR DEL MOTOR (1F) para ajustar el motor a 3200 rpm, como se muestra en el TACÓMETRO DEL MOTOR (1G).

**Consulte la tabla para determinar las velocidades apropiadas del eje de la hoja y del motor para los tamaños de hoja específicos.**

- Mueva la sierra hacia adelante o hacia atrás (en los modelos estándar y de pivote frontal) empujando o tirando la PALANCA DE CONTROL DE VELOCIDAD (1O). Mueva la sierra lentamente para evitar que la hoja se pare. Asegúrese de que la guía delantera (6D), guía trasera (6F) y la HOJA DE DIAMANTE (2E) se mantengan en la línea.

Sólo en el modelo de pivote trasero: En el modelo de pivote trasero, el alineamiento con la línea de corte se puede hacer usando la función de pivote de la máquina. Sólo hay que mover el INTERRUPTOR DIFERENCIAL (1J) a la posición izquierda (pivote) y luego usar ambas manos para empujar sobre los MANILLARES (6G), y la máquina se puede pivotar de lado a lado para alinearla con la línea de corte. Después de alinear debidamente la máquina con la línea de corte, bascule el INTERRUPTOR DIFERENCIAL (1J) hasta la posición central (Bloqueo).

- Ponga el INTERRUPTOR DE EMBRAGUE DE LA HOJA (1V) (si lo tuviera) en "1" (ENCENDIDO) para embragar el accionador de la hoja cuando el motor está SOLAMENTE CON EL MOTOR EN MARCHA LENTA (1200 RPM o menos). Cuando se engrana el embrague y la hoja está a marcha lenta, tire del ACELERADOR DEL MOTOR (1F) y ponga el motor a 3200 RPM.
- Baje la sierra pulsando el INTERRUPTOR BASCULANTE (1P) en la PALANCA DE CONTROL DE VELOCIDAD (1O) hasta que la HOJA DE DIAMANTE (2E) esté a la profundidad de corte deseada (vea la "Información sobre la profundidad de corte de la hoja").



**Cerciórese que el caudal de agua sea abundante para cortar en húmedo.**

### Información sobre la profundidad de corte de la hoja:

La sierra está equipada con un INDICADOR DE PROFUNDIDAD DE LA HOJA (1Q), que tiene dos escalas numéricas. Se usan escalas numéricas naranjas y blancas con dos finalidades diferentes:

- 1) La escala numérica de "Profundidad", indicada por el color Naranja, muestra la Profundidad de corte actual de la HOJA DE DIAMANTE (2E). A medida que se baja a sierra, la aguja del INDICADOR DE PROFUNDIDAD DE LA HOJA (1Q) se desplaza por estos números por orden ascendente. O bien,
- 2) La escala numérica de la Profundidad máxima fijada (SMD, en inglés), indicada por el color Blanco, es la profundidad sin cortar de la HOJA DE DIAMANTE (2E). La profundidad de corte máxima deseada se

prefija usando el INDICADOR DE PROFUNDIDAD DE LA HOJA (1Q). Puede usarse con o sin el INTERRUPTOR DE TOPE DE PROFUNDIDAD DE LA HOJA (1M), a medida que se baja la hoja, la aguja del INDICADOR DE PROFUNDIDAD DE LA HOJA (1Q) se desplaza por la escala numérica de color Blanco por orden descendente, indicando la profundidad de corte sin terminar. Cuando la aguja del INDICADOR DE PROFUNDIDAD DE LA HOJA (1Q) alcanza la posición "0", se logra la profundidad de corte máxima deseada. Si se usa la función del INTERRUPTOR DE TOPE DE PROFUNDIDAD DE LA HOJA (1M) [posición "1" o "ON"], el proceso de bajada se detiene automáticamente.

### Uso del INDICADOR DE PROFUNDIDAD DE LA HOJA (1Q):

Modalidad de "Profundidad" (Los números de color Naranja muestran la profundidad de corte actual)

- Ponga el INTERRUPTOR DE ARRANQUE DEL MOTOR (1H) en posición "0" (APAGADO) para PARAR el motor (si está funcionando).
- Ponga el INTERRUPTOR DE ARRANQUE DEL MOTOR (1H) en posición "1" (MARCHA) para suministrar energía al sistema eléctrico.
- Gire el INTERRUPTOR DE TOPE DE PROFUNDIDAD DE LA HOJA (1M) a la posición "0" (APAGADO).
- Baje la HOJA DE DIAMANTE (2E) empujando hacia abajo el INTERRUPTOR BASCULANTE (1P) en la PALANCA DE CONTROL DE VELOCIDAD (1O) hasta que la HOJA DE DIAMANTE (2E) toque la superficie que se va a cortar.
- Eleve la hoja empujando hacia arriba el INTERRUPTOR BASCULANTE (1P) en la PALANCA DE CONTROL DE VELOCIDAD (1O) hasta que la HOJA DE DIAMANTE (2E) se aleja de la superficie a cortar.
- Gire la aguja del INDICADOR DE PROFUNDIDAD DE LA HOJA (1Q) para alinearla con la profundidad "0".
- A medida que se baja la HOJA DE DIAMANTE (2E) hasta la superficie de corte, la profundidad de corte actual vendrá indicada ahora por la escala numérica de texto naranja en la aguja del INDICADOR DE PROFUNDIDAD DE LA HOJA (1Q).

SMD o modalidad de Profundidad máxima fijada sin PARADA DE PROFUNDIDAD DE LA HOJA (números de color blanco que muestran la profundidad sin cortar)

- Ponga el INTERRUPTOR DE ARRANQUE DEL MOTOR (1H) en posición "0" (APAGADO) para PARAR el motor (si está funcionando).
- Ponga el INTERRUPTOR DE ARRANQUE DEL MOTOR (1H) en posición "1" (MARCHA) para suministrar energía al sistema eléctrico.
- Baje la HOJA DE DIAMANTE (2E) empujando hacia abajo el INTERRUPTOR BASCULANTE (1P) en la PALANCA DE CONTROL DE VELOCIDAD (1O) hasta que la HOJA DE DIAMANTE (2E) toque la superficie que se va a cortar.
- Gire la aguja del INTERRUPTOR DE PROFUNDIDAD DE LA HOJA (1Q) para alinearla con la profundidad de corte máximo deseado en la escala numérica de color

blanco. La profundidad sin cortar vendrá indicada ahora en la escala numérica de color blanco. Cuando la aguja del INDICADOR DE PROFUNDIDAD DE LA HOJA (1Q) está en la posición "0", la sierra está cortando a la profundidad de corte máximo deseado.

- Eleve la hoja empujando hacia arriba el INTERRUPTOR BASCULANTE (1P) en la PALANCA DE CONTROL DE VELOCIDAD (1O) hasta que la HOJA DE DIAMANTE (2E) se aleja de la superficie a cortar.
- Gire el INTERRUPTOR DE ARRANQUE DEL MOTOR (1H) a la posición "0" (APAGADO) para desconectar el sistema eléctrico.

SMD o modalidad de Profundidad máxima fijada usando el INTERRUPTOR DE TOPE DE PROFUNDIDAD DE LA HOJA (números de color blanco que muestran la profundidad sin cortar)

- Ponga el INTERRUPTOR DE ARRANQUE DEL MOTOR (1H) en posición "0" (APAGADO) para PARAR el motor (si está funcionando).
- Ponga el INTERRUPTOR DE PARADA DE PROFUNDIDAD DEL MOTOR (1M) en la posición "0" (APAGADO) para invalidar la tope de profundidad marcada. La sierra se elevará y bajará sobre su gama completa sin detenerse.
- Ponga el INTERRUPTOR DE ARRANQUE DEL MOTOR (1H) en posición "1" (MARCHA) para suministrar energía al sistema eléctrico.
- Baje la HOJA DE DIAMANTE (2E) empujando hacia abajo el INTERRUPTOR BASCULANTE (1P) en la PALANCA DE CONTROL DE VELOCIDAD (1O) hasta que la HOJA DE DIAMANTE (2E) toque la superficie que se va a cortar.
- Gire la aguja del INTERRUPTOR DE PROFUNDIDAD DE LA HOJA (1Q) para alinearla con la profundidad de corte máximo deseado en la escala numérica de color blanco.
- Ponga el INTERRUPTOR DE TOPE DE PROFUNDIDAD DE LA HOJA (1M) en la posición "1" (ENCENDIDO).
- Eleve la hoja empujando hacia arriba el INTERRUPTOR BASCULANTE (1P) en la PALANCA DE CONTROL DE VELOCIDAD (1O) hasta que la HOJA DE DIAMANTE (2E) se aleja de la superficie a cortar.
- Gire el INTERRUPTOR DE ARRANQUE DEL MOTOR (1H) a la posición "0" (APAGADO) para desconectar el sistema eléctrico.
- Ahora está fijada la profundidad de corte máxima. Si la sierra se levanta fuera de la superficie de corte por cualquier razón, se puede bajar ahora a la "Profundidad máx. fijada" bajando la hoja hasta que se detiene el movimiento de bajada de la sierra.



**La sierra NO se bajará a una profundidad mayor que la posición fijada en el INTERRUPTOR DE TOPE DE PROFUNDIDAD DE LA HOJA (1Q). Si se requiere un corte más profundo, tendrá que fijar el INDICADOR DE PROFUNDIDAD DE LA HOJA (1Q) en la nueva posición de profundidad, o empujar el INTERRUPTOR DE TOPE DE PROFUNDIDAD DE LA HOJA (1M) a la posición "0" (APAGADA) para invalidar la función de tope de profundidad.**

---

## 7 Parada de la sierra

---

(Vea las figuras 1 y 2)



Para una **PARADA DE EMERGENCIA**, oprima el **BOTÓN PULSADOR ROJO (1K)** en la cubierta del motor. Esta acción parará el motor e interrumpirá el suministro de energía a todos los componentes eléctricos excepto las luces. Para desenchavar (volver a poner en servicio) el **INTERRUPTOR PULSADOR ROJO (1K)**, tírelo hasta que salte, después vuelva a arrancar el motor.

- Ponga la **PALANCA DE CONTROL DE VELOCIDAD (1O)** en **POSICIÓN DE PARO (1BB)**.
- Levante la **HOJA DE DIAMANTE (2E)** apartándola del corte oprimiendo el **INTERRUPTOR BASCULANTE (1P)** de la **PALANCA DE CONTROL DE VELOCIDAD (1O)** hacia arriba hasta que la **HOJA DE DIAMANTE (2E)** se aleje de la superficie.
- Desengrane el **INTERRUPTOR DEL EMBRAGUE DE LA HOJA (1V)**, (si lo tuviera).
- Gire el **ACELERADOR DEL MOTOR (1F)** a la posición de **MARCHA LENTA**.
- Cierre la **VÁLVULA DE AGUA (1T)**.
- Deje que el motor funcione en marcha lenta unos cuantos minutos antes de apagarlo.
- **PARE** el motor poniendo el **INTERRUPTOR DE ARRANQUE DEL MOTOR (1H)** en la posición "0" (**APAGADO**).

---

## 8 Incidentes durante el corte con sierra

---

(Vea las figuras 1 y 2)

Si el **MOTOR SE PARA** durante el corte, revise lo siguiente:

- Al motor se le agotó el combustible — Revise el nivel de combustible en el **LLENADO DEL TANQUE DE COMBUSTIBLE (5E)** o en el indicador de nivel de combustible en la parte trasera de la máquina.
- La falta de agua le avisa al **INTERRUPTOR DE SEGURIDAD DEL AGUA (1K)** que pare el motor. Ponga el **INTERRUPTOR DE SEGURIDAD DEL AGUA (1L)** en "0" (**APAGADO**) y después arranque el motor nuevamente.
- Una velocidad de corte excesivamente alta parará el motor.
- Se oprimió el **PULSADOR DE PARADA DE EMERGENCIA (1K)**. Reposicionar tirando del interruptor hasta que salte.
- Saltó el **DISYUNTOR DE CIRCUITO (1Z)**. Oprímalo para reposicionarlo.

Si la **HOJA DE DIAMANTE (2E)** se **PARA** durante el corte, compruebe si:

- La tensión de la correa impulsora es inadecuada.
- El **INTERRUPTOR DE EMBRAGUE DE LA HOJA (1V)** está en la posición "0" **APAGADO**.

- El **EMBRAGUE DE LA HOJA (1V)** tiene una falla eléctrica o un fusible quemado.

### LA SIERRA DESCENDE DEMASIADO RÁPIDO:

- La velocidad de descenso de la sierra puede ajustarse utilizando la **PERILLA DE CONTROL DE DESCENSO DE LA SIERRA (1U)** ubicada en la parte trasera de la sierra. Si la sierra baja muy rápidamente, gire la **PERILLA DE CONTROL DE DESCENSO DE LA SIERRA (1U)** en **SENTIDO HORARIO** hasta fijar la velocidad de descenso adecuada.

Si por cualquier motivo el **MOTOR** o la **HOJA SE PARA**, levante la hoja completamente fuera del corte, inspeccione minuciosamente la máquina antes de volver a arrancar el motor. Cuando baje la hoja a un corte parcial, alínene la exactamente con el corte para evitar dañar la hoja.



**Encargue todas las reparaciones a su concesionario autorizado solamente.**

---

## 9 Ajustes: Corte en línea recta

---

(Vea las figuras 1 y 4)

Durante el corte, la sierra puede desviarse hacia la derecha de la línea recta trazada en la superficie que se está cortando (si la **HOJA DE DIAMANTE (2E)** está instalada en el lado derecho). Si esto ocurre, se puede pivotar el eje trasero (4E) de la sierra para compensar la situación.

**Modelo de pivote frontal** (Sierras con la opción de seguimiento eléctrico).

- Empuje el **INTERRUPTOR DE AJUSTE DEL EJE (1J)** hacia la **IZQUIERDA**. Los ajustes en incrementos cortos hacen cambios grandes.
- Los ajustes se pueden hacer durante el corte o sin estar cortando.
- Confirme visualmente el movimiento y la dirección del eje.

Sierras **modelo estándar** con ajuste manual del eje

- El eje (4E) se ajusta girando el **PERNO DE AJUSTE MANUAL M12 (1CC)** ubicado en el lado inferior izquierdo del bastidor de la sierra.
- Si la sierra se desvía hacia la **DERECHA** mientras está cortando, gire el **PERNO DE AJUSTE MANUAL (1CC)** en **SENTIDO CONTRAHORARIO**.
- Si la sierra se desvía hacia la **IZQUIERDA** mientras está cortando, gire el **PERNO DE AJUSTE MANUAL** en **SENTIDO HORARIO**.

**Modelo de pivote trasero** (Sierra con la opción de pivote diferencial):

- Sólo hay que empujar contra los **MANILLARES (6G)** para mantener a sierra en la línea de corte. **NO** cambiar el **INTERRUPTOR DIFERENCIAL (1J)** de la posición central de "Bloqueo". La posición izquierda de "pivote" del **INTERRUPTOR DIFERENCIAL (1J)** **NO** es para ajustar la línea recta de serrado de la sierra.



## 10 Mantenimiento

(Vea las figuras 1 y 6)



Antes de hacer cualquier trabajo de mantenimiento, **SIEMPRE** estacione la máquina en una superficie plana con el motor “APAGADO” y el INTERRUPTOR DE ARRANQUE DEL MOTOR (1H) en la posición “0” (APAGADO).

Después de cada uso LIMPIE la máquina.



### LUBRICACIÓN:

**ACEITE DEL MOTOR:** Revise diariamente (5B). Cambie el aceite y FILTRO DE ACEITE DEL MOTOR (5D) después de cada 100 HORAS de funcionamiento. Consulte el manual del motor para el tipo de aceite a usar. Generalmente se recomienda usar aceite de la Clase API de 15W40 CF, CF-4, CG-4 o CI-4. La capacidad es 7.8 cuartos (7.4 litros) con FILTRO DE ACEITE DEL MOTOR (5B). Alinee el nivel de aceite con la marca superior en la VARILLA DE NIVEL DEL ACEITE (5B). Use la VÁLVULA DE DRENAJE DEL ACEITE DEL MOTOR (3-1I, 3-2I) para drenar el aceite.

- Quite la HOJA DE DIAMANTE (2E) y luego baje la sierra a una posición horizontal.
- Levante y asegure la TAPA DEL MOTOR (6E).
- Ponga un recipiente, lo suficientemente grande para la capacidad de aceite del motor, cerca del extremo del tubo de drenaje del aceite. Abra la VÁLVULA DE DRENAJE DEL ACEITE DEL MOTOR (3-1I, 3-2I) y deje que todo el contenido se drene sobre el recipiente. Disponga del aceite usado de una forma segura para el medio ambiente. Cierre con seguridad la VÁLVULA DE DRENAJE DEL ACEITE DEL MOTOR (3-1I, 3-2I). Llene con aceite recomendado hasta que el nivel del aceite se alinee con la marca superior de la VARILLA DE NIVEL DEL ACEITE DEL MOTOR (5B).

### LUBRICAR CADA 100 HORAS:

- Cojinetes (4C) de pivote del eje delantero

### LUBRICAR CADA 250 HORAS:

- Sellos y cojinetes (4A) del eje de la hoja, 2 disparos solamente

### SISTEMA HIDRÁULICO:

Referirse a la Sección 12 - “Sistema Hidráulico”

### CAJA DE ENGRANAJES DEL MOTOR (3-1A, 3-2A):

- Cambie el aceite después de cada 500 horas de funcionamiento. Use lubricante sintético para engranajes SAE 75W90.

NO LLENAR EN EXCESO. Llenar solamente hasta el “punto de comprobación” o saldrá el exceso.

**CAJA DE ENGRANAJES DEL MOTOR (3-1A) de una velocidad:** capacidad de 32 onzas de EE.UU. (0.946 litros).

**CAJA DE ENGRANAJES DEL MOTOR (3-2A) de tres velocidades:** capacidad de 60 onzas de EE.UU. (1.77 litros).

- Para evitar la oxidación y el daño por congelación, vacíe el agua de enfriamiento utilizando la válvula de vaciado de agua (3-1C, 3-2C) todos los días.

### SISTEMA DE ENFRIAMIENTO:

El líquido de enfriamiento del motor es una mezcla de 50/50 anticongelante/agua. Consulte el manual del motor para ver las recomendaciones.

- Limpie el ELEMENTO DEL FILTRO DE AIRE DEL RADIADOR (1DD) cada 50 horas o cuando se requiera. Reemplácelo si está dañado. Mantenga siempre el ELEMENTO DEL FILTRO DE AIRE DEL RADIADOR en su lugar.
- Revise las mangueras y abrazaderas para ver si están dañadas o flojas. Apriete o reemplace según sea necesario.
- Anualmente, revise la protección anticongelante del refrigerante.
- Lave y limpie el radiador y el sistema de enfriamiento cada 500 horas.
- Mantenga el nivel de refrigerante por lo menos a 1/4 de su capacidad en el FRASCO DE RECUPERACIÓN DEL REFRIGERANTE DEL RADIADOR (1Y) cuando el motor está frío.

### FILTRO DE AIRE:

- Limpie el elemento externo (5A) del filtro de aire cuando aparezca la señal roja en el INDICADOR DE RESTRICCIÓN DEL AIRE (1N). ¡NO limpie el elemento de seguridad interno (5A)!

Para cambiar o limpiar el elemento del filtro de aire:

- Quite la caja del filtro de aire (5A), abriendo las dos (2) abrazaderas de la caja del filtro y extraiga la caja.
- Extraiga de la caja el elemento externo del filtro de aire y reemplácelo o límpielo con aire comprimido a baja presión [2.75 bars (40 psi - MÁXIMO)], soplando de adentro hacia fuera. ¡NO limpie el elemento del filtro golpéandolo contra el suelo u otros objetos, ya que se dañaría!
- Instale el elemento externo del filtro de aire nuevo o limpiado empujándolo dentro de la caja.
- Instale la caja del filtro de aire (5A) y cierre las dos (2) abrazaderas de la caja del filtro de aire (5A).



**Las dos (2) abrazaderas de la caja del filtro de aire (5A) NO se pueden cerrar si el elemento externo del filtro no está bien instalado.**

- Cambie el elemento de seguridad interno una vez por año o si se daña.
- Cambie los filtros o juntas que estén dañados.
- Revise las mangueras de aire y abrazaderas para ver si están dañadas o flojas. Apriete o reemplace según sea necesario.

#### **RUEDAS Y CUBOS:**

- Revise para ver si hay exceso de desgaste o flojedad. Apriete o reemplace según sea necesario.

#### **FILTRO DE COMBUSTIBLE:**

- Cambie el filtro de combustible atornillable (5F) cada 500 horas.

---

## **11 Tensión de la correa trapezoidal del eje de la hoja**

---

(Vea las figuras 1 y 3)

Esta sierra está provista de correas trapezoidales de alta tensión. Las correas son tensadas correctamente en la fábrica, pero después de algunas horas de funcionamiento se estiran y aflojan.

#### **Para ajustar la tensión de las correas trapezoidales:**

- Ponga el INTERRUPTOR DE ARRANQUE DEL MOTOR (1H) en posición "0" (APAGADO).
- Abra la TAPA DEL MOTOR (6E) girando cada uno de los dos (2) PESTILLOS DE TAPA DE MOTOR (3-1D, 3-2D) a la izquierda, 180 grados. En los modelos CE europeos, se tiene que usar una herramienta, como un destornillador, para abrir estos pestillos. Gire la TAPA DEL MOTOR (6E) hacia arriba y asegúrela en la posición abierta usando el SOPORTE DE TAPA DE MOTOR (6H).
- Con una LLAVE PARA EL EJE DE LA HOJA (2J), afloje los pernos de fijación horizontal (3K) en la parte delantera de la máquina.
- Gire cada uno de los dos (2) PERNOS TENSORES VERTICALES (3J) [en la parte delantera de la máquina, debajo de la CAJA DE ENGRANAJES (3-1A, 3-2A)] en SENTIDO HORARIO hasta que las CORREAS TRAPEZOIDALES (3-1M, 3-2M) estén apretadas.
- Cambie las CORREAS TRAPEZOIDALES (3-1M, 3-2M) en juegos completos solamente.
- Para obtener una tensión óptima de la correa trapezoidal, use tiras TensionRite™ Goodyear, N° de pza. 542 19 13-68. Las tiras TensionRite™ se suministran con las correas que se compran en el distribuidor.
- Nunca ajuste la tensión de las CORREAS TRAPEZOIDALES (3-1M, 3-2M) más allá de la tensión original de fábrica. Las correas trapezoidales flojas reducen el rendimiento de la sierra y acortan su vida útil.



**Cambie todos los escudos y protectores. Nunca haga funcionar la sierra si no tiene instalados todos los escudos.**

---

## **12 Sistema hidráulico**

---

(Vea las figuras 1 y 6)

El sistema hidráulico en la sierra se usa para ELEVAR/BAJAR la HOJA DE DIAMANTE (2E) y para propulsar la sierra HACIAADELANTE y HACIAATRÁS. El sistema hidráulico consta de una BOMBA DE TRANSMISIÓN HIDROSTÁTICA (6K), (2) MOTORES DE RUEDAS HIDRÁULICAS (4F), FILTRO HIDRÁULICO (5K), BOMBA DE ELEVACIÓN CC (5H), DEPÓSITO DE ACEITE HIDRÁULICO (5J), PERILLAS DE CONTROL DEL DESCENSO DE LA SIERRA (1U) y CILINDRO DE ELEVACIÓN HIDRÁULICO (4G).

- El FILTRO HIDRÁULICO (5K) debe cambiarse después de las primeras 50 horas de funcionamiento y de allí en adelante cada 250 horas de funcionamiento. Llene el FILTRO HIDRÁULICO (5K) con aceite para motor SAE 10W30 antes de la instalación.
- Revise el nivel de fluido del DEPÓSITO HIDRÁULICO (5J) periódicamente. Mantenga el nivel de aceite con aceite para motor SAE 10W30 SAE. NO LLENE EN EXCESO. Revise el nivel de aceite con la sierra sobre suelo nivelado. Llene de aceite hasta el fondo del orificio de LLENADO DEL DEPÓSITO HIDRÁULICO (5I).
- Cambie el fluido hidráulico cada 500 horas de funcionamiento. Llene el DEPÓSITO HIDRÁULICO (5I, 5J) con aproximadamente 2.5 cuartos (2.37 litros) de aceite para motor SAE 10W30. ¡NO LLENE EN EXCESO! Revise el nivel de aceite con la sierra sobre suelo nivelado.
- La velocidad de descenso de la sierra puede ajustarse utilizando la PERILLA DE CONTROL DE DESCENSO DE LA SIERRA (1U) ubicada en la parte trasera de la sierra. Si la sierra baja muy rápidamente, gire la PERILLA DE CONTROL DE DESCENSO DE LA SIERRA (1U) en SENTIDO HORARIO hasta fijar la velocidad de descenso adecuada.

---

## **13 Consejo importante**

---

(Vea las figuras 2 y 3)

- Apriete las tuercas y pernos flojos regularmente, especialmente después de varias horas de funcionamiento.
- Revise la tensión de las CORREAS TRAPEZOIDALES (3-1M, 3-2M) regularmente. Vuelva a apretar las CORREAS TRAPEZOIDALES (3-1M, 3-2M) según sea necesario.
- Retire la HOJA DE DIAMANTE (2E) para guardarla. Guárdela cuidadosamente.
- Revise el rociado de agua de la HOJA DE DIAMANTE (2E) periódicamente.
- Apriete la HOJA DE DIAMANTE (2E) firmemente en el EJE DE LA BRIDA EXTERNA (2C).

- Asegúrese de que las caras de contacto de las BRIDAS (2B y 2F), la HOJA DE DIAMANTE (2E) y el EJE DE LA HOJA (2I) estén limpios.



**Guárdela en un lugar seguro lejos del alcance de los niños. Retire todas las llaves y herramientas de ajuste. Guarde la HOJA DE DIAMANTE en un lugar seguro para que no se dañe.**

## 14 Ajuste de la velocidad del motor, eje de la hoja y caja de engranajes

(Vea las figuras 1 y 6)



**Podrían ocurrir graves lesiones al operador o a personas en el lugar de trabajo si la velocidad rotacional (n/min) de la HOJA DE DIAMANTE (2E) sobrepasa la velocidad máxima (n/min) marcada en la HOJA DE DIAMANTE (2E).**

### VELOCIDAD DEL MOTOR:

La velocidad del motor de esta máquina no es necesario cambiarla con respecto a la velocidad fijada en la fábrica. Las RPM máximas del motor deben ser de 3250, sin carga.

### VELOCIDAD DEL EJE DE LA HOJA:

Debe comprobarse la velocidad del eje de la hoja de esta máquina antes de instalar la HOJA DE DIAMANTE (2E) en la máquina. No instale nunca una HOJA DE DIAMANTE (2E) si la velocidad rotativa del eje de la hoja (n/min) de la máquina es mayor que la velocidad máxima (n/min) marcada en la HOJA DE DIAMANTE (2E). Puede que haya que cambiar la POLEA DEL EJE DE LA HOJA (3-1N, 3-2N) y la BRIDA DEL EJE DE LA HOJA (2B y 2F) si se cambia el diámetro de la hoja de diamante.

### MODELO DE CAJA DE ENGRANAJES DE UNA VELOCIDAD

Cada modelo de sierra, como sale de fábrica, está diseñado para funcionar con una gama especificada de tamaños de hoja dentro del protector de hoja instalado en la máquina. Si llegara a tener que usar un tamaño de hoja fuera de la gama especificada para su modelo, entonces tendría que cambiar la configuración de accionamiento de la sierra. [Por ejemplo: Si cambia de una HOJA DE DIAMANTE (2E) pequeña a una muy larga, en una máquina con una caja de engranajes de una velocidad, entonces deberá cambiar las poleas del eje de la hoja (3-1L), las poleas de la caja de engranajes (3-1N), las BRIDAS DEL EJE DE LA HOJA (2B y 2F) y deberá cambiar el protector de hoja.

**Por ejemplo:** Para cambiar un accionamiento de un modelo de caja de engranajes de una velocidad de 14 pulgadas (350 mm) a una de 36 pulgadas (900 mm):

1. Cambie la polea de la caja de engranajes del motor 6 pulgadas (152 mm) de diámetro a 3.50 pulgadas (88.9 mm) de diámetro.
2. Cambie la polea del eje de la hoja de 4.12 pulgadas (114.3 mm) de diámetro a 5.60 pulgadas (142.2 mm) de diámetro.

3. Cambie las bridas de la hoja de 4.50 pulgadas de diámetro a 6 pulgadas (152 mm) de diámetro.
4. Cambie el PROTECTOR DE HOJA (2H) de 14 pulgadas (350 mm) a 36 pulgadas (900 mm).
5. La velocidad del motor no cambia.

Para obtener la información específica, vea las tablas de conversiones de tamaños de la hoja.

### MODELO DE CAJA DE ENGRANAJES DE TRES VELOCIDADES (14-26, 18-30, 20-36):



**PRECAUCIÓN: ¡No efectúe nunca un cambio en la caja de engranajes (3-2A) con el motor en marcha! ¡Efectúe solamente un cambio en la caja de engranajes (3-2A) con el motor APAGADO! Se pueden producir daños en la caja de engranajes.**

Vea “PALANCA DE CAMBIOS DE LA CAJA DE ENGRANAJES (3-2O)” para obtener detalles sobre la palanca de cambios de operación.

Una máquina equipada en fábrica con una CAJA DE ENGRANAJES DE MOTOR (3-2A) de tres velocidades, aunque está diseñada para reducir al mínimo los ajustes requeridos para efectuar cambios de tamaños de hojas, requerirá algunos ajustes. La máquina está diseñada para operar con una gama especificada de tamaños de hojas dentro del protector de hoja instalado en fábrica. La información de codificación de colores de la máquina, y la información del manual de operación, muestra tamaños de hojas permisibles para la configuración actual del mando de la máquina. Hay tres (3) configuraciones de mando de la máquina: a) 14-26 para hojas de 14” a 26” (350 a 650 mm), b) 18-30 para hojas de 18” a 30” (450 a 750 mm), c) 20-36 para hojas de 20” a 36” (500 a 900 mm). Por ejemplo, para cambiar el tamaño de la hoja de una configuración de mando de la máquina 18-30 dentro de esta gama, 18” a 30” (450 a 750 mm), requiere solamente que se mueva la PALANCA DE CAMBIOS DE LA CAJA DE ENGRANAJES (3-2O) a la posición correcta (1, 2 ó 3). Si el tamaño requerido de la hoja está fuera de la gama de configuraciones de mando de la máquina [menor que 18” (450 mm) o mayor que 30” (750 mm) para este ejemplo], entonces se debe cambiar la configuración de mando de la máquina. Esto puede requerir cambios en la PALANCA DE CAMBIOS DE LA CAJA DE ENGRANAJES (3-2O), cambios de las POLEAS DEL EJE DE LA HOJA (3-2L), POLEAS DE LA CAJA DE ENGRANAJES (3-2N) y BRIDAS DEL EJE DE LA HOJA (2B y 2F).

**Ejemplo:** Para cambiar un modelo de caja de engranajes de tres velocidades de un mando de 20” (500 mm) a un mando de 36” (900 mm), determine primero la configuración del mando de la máquina (14-26, 18-30 ó 20-36). Esto debe corresponder al diámetro de la BRIDA DEL EJE DE LA HOJA (2B y 2F) instalada en la sierra.

**Si la configuración de mando de la máquina es 20-36, el diámetro de la BRIDA (2B y 2F) debe ser de 6,00” (152 mm):**

- a) Verifique que estén instaladas poleas de diámetros apropiados (Vea las tablas de Conversión de tamaños de hojas para obtener información específica).
- b) Efectúe un cambio con la PALANCA DE CAMBIOS DE LA CAJA DE ENGRANAJES (3-2O) de 3 a 1.



c) Verifique que la configuración de mando de la máquina y la velocidad del eje de la hoja corresponda con la información del manual de operación y la calcomanía de la gama de la caja de engranajes (542 19 06-00).

**Si la configuración de mando de la máquina es 18-30, el diámetro de la BRIDA (2B y 2F) debe ser de 5,00" (127 mm):**

a) Cambie la POLEA DEL EJE DE LA HOJA de un diámetro de 4,50" (114,3 mm) a 5,20" (132 mm).

b) Cambie la BRIDA DEL EJE DE LA HOJA de un diámetro de 5,00" (127 mm) a 6,00" (152 mm).

c) Efectúe un cambio con la PALANCA DE CAMBIOS DE LA CAJA DE ENGRANAJES (3-2O) de 2 a 1.

d) Verifique que la configuración de mando de la máquina y la velocidad del eje de la hoja corresponda con la información de la configuración de mando 20-36 en el manual de operación.

e) Instale las calcomanías de la configuración de mando 20-36 (se requieren las calcomanías 542 19 06-00, 542 20 65-46, 542 20 65-49). Vea la página de "Calcomanías y ubicaciones" de este manual para obtener información adicional.

**Si la configuración de mando de la máquina es 14-26, el diámetro de la BRIDA (2B y 2F) debe ser de 4,50" (114,3 mm):**

a) Cambie la POLEA DEL EJE DE LA HOJA de un diámetro de 4,12" (105 mm) a 5,20" (132 mm).

b) Cambie la BRIDA DEL EJE DE LA HOJA de un diámetro de 4,50" (114,3 mm) a 6,00" (152 mm).

c) Cambie la POLEA DE LA CAJA DE ENGRANAJES DEL MOTOR de un diámetro de 4,50" (114,3 mm) a 4,12" (105 mm).

d) Efectúe un cambio de la PALANCA DE CAMBIOS DE LA CAJA DE ENGRANAJES (3-2O) de 2 a 1.

e) Verifique que la configuración de mando de la máquina y la velocidad del eje de la hoja corresponda con la información de configuración de mando 20-36 en el manual de operación.

f) Instale las calcomanías de configuración de mando 20-36 (se requieren las calcomanías 542 19 06-00, 542 20 65-46, 542 20 65-49). Vea la página de "Calcomanías y ubicaciones" de este manual para obtener información adicional.

Vea las tablas de Conversión de tamaños de hojas para obtener información específica.



**ADVERTENCIA: El operador o las personas del área de trabajo pueden sufrir lesiones graves si la velocidad de giro (n/min) de la HOJA DE DIAMANTE (2E) excede la velocidad máxima (n/min) indicada en la HOJA DE DIAMANTE (2E).**



**ADVERTENCIA: Después de cambiar la marcha, apriete a mano el MANDO y la tuerca de inmovilización (3-2P) o la CAJA DE CAMBIOS DEL MOTOR de tres velocidades (3-2A) podría resultar dañada.**

Si parece que es difícil cambiar en la caja de engranajes, puede que un ligero movimiento en el eje de la hoja facilite el movimiento de la PALANCA DE CAMBIO DE LA CAJA DE ENGRANAJES (3-2O) al engranaje apropiado. No haga nunca un cambio en la Caja de engranajes (3-2A) con el motor en marcha!

Se dispone de dos posiciones de Punto Muerto en la CAJA DE ENGRANAJES DEL MOTOR (3-2A) de tres velocidades. Esta caja de engranajes se puede cambiar a punto muerto si tiene que eliminarse la rotación de la hoja mientras el motor está en marcha. Si la máquina está equipada con el EMBRAGUE DE HOJA (1V) optativo, el INTERRUPTOR DEL EMBRAGUE DE LA HOJA (1V) puede moverse a la posición "0" (DESCONECTADA) para eliminar la rotación de la hoja mientras el motor está en marcha.

---

## 15 Accesorios

---

### CONJUNTOS DE CONVERSIÓN DE LOS PROTECTORES DE LA HOJA

Use el protector apropiado para el tamaño de HOJA DE DIAMANTE en particular en uso. Los protectores siguientes se encuentran disponibles para estos tamaños de hojas de diamante.

Protector	Tamaños de hoja
36" (900mm)	24" - 36" (600 - 900mm)
30" (750mm)	18" - 30" (450 - 750mm)
26" (600mm)	14" - 26" (350 - 650mm)
18" (450mm)	14" - 18" (350 - 450mm)
14" (350mm)	14" (350mm)

**Para obtener la información específica, vea las tablas de conversiones de tamaños de la hoja.**

CONJUNTOS OPCIONALES:

Conjunto de luces dobles 542 18 11-17\*

---

## 16 Reparaciones

---

Nosotros hacemos las reparaciones en el tiempo más corto posible y a los precios más económicos. (Vea nuestra dirección y números de teléfono en la última página.) Póngase en contacto con su concesionario autorizado respecto al mantenimiento y reparaciones de la sierra.

---

## 17 Piezas de repuesto

---

Para el suministro rápido de piezas de repuesto y evitar la pérdida de tiempo, es esencial con cada pedido proporcionar los datos que figuran en la placa del fabricante adosada a la máquina y el número (números) de pieza y la descripción de la pieza a ser reemplazada. Consulte el manual de listas de piezas (542 20 10-83): (Si no tiene un manual de listas de piezas, sírvase llamar GRATIS al 1-800-288-5040 [EE.UU.] +1-913-928-1300 [internacional].)

*Las instrucciones para el uso y las piezas de repuesto encontradas en este documento son para información solamente y no son requisitos obligatorios. Dado que es norma de la empresa mejorar la calidad de nuestros productos, nos reservamos el derecho de hacer cualquier modificación técnica sin previo aviso.*



**El fabricante no acepta ninguna responsabilidad causada por el uso o modificaciones inadecuadas.**



## LISTE DE VÉRIFICATION AVANT UTILISATION



*Chaque machine a été entièrement testée avant de quitter l'usine. Suivre exactement les instructions pour obtenir une longue durée de service de la machine, en conditions normales d'utilisation.*



*Avant de faire démarrer la machine, veiller à lire toutes les instructions d'utilisation et à bien connaître l'utilisation de la machine.*

### MISE EN PLACE DE LA MACHINE :



**TOUJOURS** garer la machine sur une surface horizontale, avec le moteur **À L'ARRÊT** et la clé de contact à la position « 0 » (ARRÊT), avant d'effectuer une opération d'entretien. Laisser la machine refroidir !

1. Vérifier le niveau de l'huile moteur. Remplir jusqu'au repère « plein » (« full ») de la jauge, avec de l'huile 15W40, classe CE ou CD.
2. Brancher les câbles de batterie.

### LISTE DE VÉRIFICATIONS TOUTES LES 1 À 2 HEURES D'UTILISATION :



**TOUJOURS** garer la machine sur une surface horizontale, avec le moteur **À L'ARRÊT** et la clé de contact à la position « 0 » (ARRÊT), avant d'effectuer une opération d'entretien. Laisser la machine refroidir !

1. Vérifier les colliers de flexible du filtre à air du moteur. Les serrer selon le besoin.
2. Tendrer les courroies trapézoïdales d'entraînement du disque. **NE PAS TROP LES TENDRE !**

## GUIDE RAPIDE DU CALENDRIER D'ENTRETIEN



**TOUJOURS** garer la machine sur une surface horizontale, avec le moteur **À L'ARRÊT** et la clé de contact à la position « 0 » (ARRÊT), avant d'effectuer une opération d'entretien. Laisser la machine refroidir !

### À FAIRE CHAQUE JOUR :

1. Vérifier le niveau de l'huile moteur.
2. Vérifier que la protection du disque n'est pas endommagée.
3. Vérifier que les flexibles ne sont pas endommagés et que les colliers sont serrés. Les serrer ou les remplacer selon le besoin.
4. Vérifier L'INDICATEUR DE COLMATAGE du filtre à air (1N). Si l'indicateur est rouge, remplacer le filtre à air principal.
5. Vérifier que toutes les protections sont à leur place et en bon état.
6. Vidanger l'eau de la BOÎTE DE TRANSMISSION DU MOTEUR (3-1A, 3-2A) à l'aide du ROBINET DE VIDANGE D'EAU (3-1C, 3-2C).

### À FAIRE TOUTES LES 50 HEURES :

1. Inspecter le filtre à air du radiateur et le nettoyer selon le besoin.
2. Vérifier la tension des courroies trapézoïdales d'entraînement du disque. Tendrer les deux côtés de manière égale. **NE PAS trop les tendre !**
3. Lubrifier les roulements de roue avant.
4. Remplacer le filtre du circuit hydraulique. (50 premières heures uniquement.)

### À FAIRE TOUTES LES 100 HEURES :

1. Remplacer l'huile moteur et le filtre à huile.
2. Lubrifier les crapaudines d'essieu avant.
3. Vérifier que les roues ne sont ni usées ni endommagées.
4. Vérifier que les moyeux et roues arrière ne sont pas desserrés.
5. Vérifier les colliers et le flexible du filtre à air du moteur.
6. Vérifier le niveau du fluide du circuit hydraulique.

### À FAIRE TOUTES LES 250 HEURES :

1. Remplacer le filtre du circuit hydraulique.
2. Mettre 2 coups de pompe de graisse à chaque extrémité de l'axe du disque.

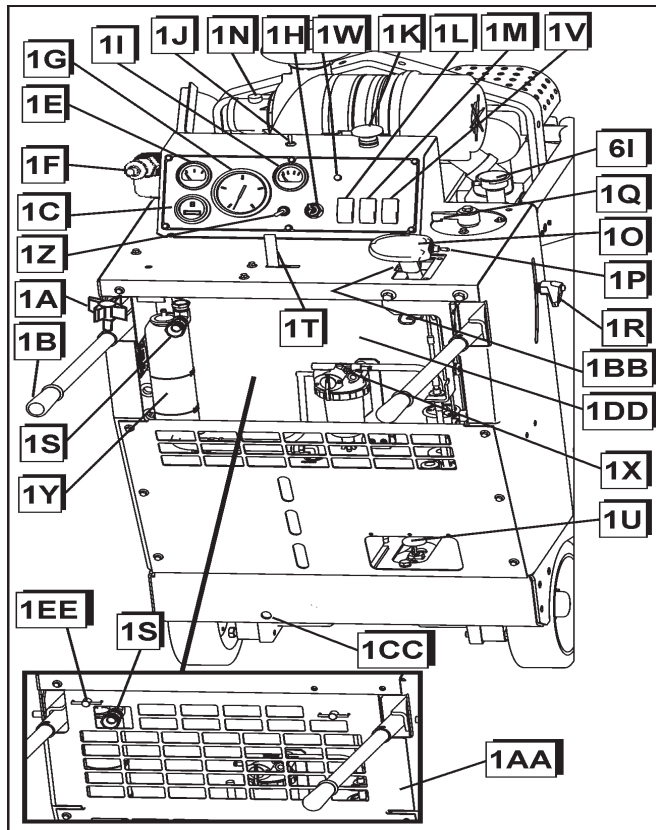
### À FAIRE TOUTES LES 500 HEURES :

1. Remplacer le fluide de la boîte de transmission du moteur.
2. Remplacer le fluide du circuit hydraulique.
3. Remplacer le filtre à carburant du moteur (type vissable).

### À FAIRE UNE FOIS PAR AN :

1. Remplacer l'élément principal et l'élément de sécurité du filtre à air.

**FIGURE 1**



- 1A. BOUTON :** Sert à serrer les poignées tenues par l'opérateur.
- 1B. GUIDON :** L'opérateur le tient. NE PAS SOULEVER la scie par le guidon. (Voir 6G)
- 1C. COMPTEUR HORAIRE :** Enregistre le nombre d'heures de fonctionnement du moteur.
- 1D. ---**
- 1E. THERMOMÈTRE DU LIQUIDE DE REFROIDISSEMENT :** Le liquide de refroidissement est un mélange eau/glycol. Ce thermomètre indique la température du liquide de refroidissement du moteur. La température maximum d'utilisation sans danger est de 105 °C (220 °F).
- 1F. ACCÉLÉRATEUR DU MOTEUR :** Commande le régime moteur. Pousser le bouton rouge pour déverrouiller. L'enfoncer pour diminuer le régime. Tirer pour augmenter le régime. Ou tourner dans le sens des aiguilles d'une montre pour augmenter le régime. Tourner dans le sens inverse des aiguilles d'une montre pour diminuer le régime.
- 1G. TACHYMÈTRE:** Indique le régime du moteur (tr/min), ou la vitesse de l'axe de disque (tr/min) si équipé d'un SÉLECTEUR DE TACHYMÈTRE (1Z), sinon, indique uniquement le régime du moteur (tr/min). Sélectionner l'affichage du TACHYMÈTRE en amenant le SÉLECTEUR (1Z) à la position désirée (le cas échéant). Sur les modèles dotés d'une boîte de transmission à trois vitesses, les bandes de couleur (vertes, jaunes, et orange) se trouvant sur le pourtour extérieur du tachymètre indiquent la position (1, 2 ou 3) du LEVIER DE VITESSE DE LA BOÎTE DE TRANSMISSION (3-20) ainsi que le diamètre maximum du disque

(en pouces uniquement). La **vitesse de rotation (tr/min) du DISQUE EN DIAMANT (2E)** doit rester dans la bande de couleur correcte durant le fonctionnement.



**AVERTISSEMENT :** Noter la position du **SÉLECTEUR DU TACHYMÈTRE (1Z) !** Le tachymètre peut indiquer soit la vitesse du disque, soit le régime du moteur. L'opérateur et les personnes se trouvant dans la zone de travail risquent de subir de graves blessures si la vitesse de rotation (tr/min) du **DISQUE EN DIAMANT (2E)** dépasse la vitesse maximum (tr/min) marquée sur le **DISQUE EN DIAMANT (2E)**.

- 1H. CONTACTEUR DE DÉMARRAGE DU MOTEUR :** Démarrer et arrêter le moteur à l'aide de ce contacteur. Sert aussi à préchauffer le moteur lorsqu'il est pressé vers l'intérieur.
- 1I. VOLTMÈTRE :** Indique la tension du circuit électrique.
- 1J. COMMUTATEUR DE RÉGLAGE D'ESSIEU ou COMMUTATEUR DIFFÉRENTIEL :** COMMUTATEUR DE RÉGLAGE D'ESSIEU (modèle à pivot avant seulement) : Commutateur à bascule pour régler l'essieu moteur arrière. Pousser le commutateur à droite pour diriger la scie vers la droite. Le pousser à gauche pour diriger la scie vers la gauche. COMMUTATEUR DIFFÉRENTIEL (modèle à pivot arrière seulement) : Trois positions pour commander les modes à pivot, en ligne ou au point mort. Pousser le commutateur à GAUCHE pour le mode pivot. Permet de faire pivoter la scie sur ses roues arrière. Pousser le commutateur vers le CENTRE pour le mode en ligne. Permet de diriger la scie en ligne droite. Pousser le commutateur à bascule à DROITE (le commutateur doit être maintenu en position). Le moteur de la scie doit être À L'ARRÊT et la CLÉ DE CONTACT (1H) à la position « 0 » (ARRÊT). Cette position met la scie « point mort » et permet de la déplacer.
- 1K. INTERRUPTEUR À PRÉHENSION ROUGE :** Pour l'ARRÊT D'URGENCE de la scie. Coupe tous les circuits, sauf l'éclairage ; tirer VERS L'EXTÉRIEUR pour réarmer. Ne pas l'utiliser pour l'arrêt normal.
- 1L. INTERRUPTEUR DE SÉCURITÉ DE L'EAU :** Arrête le moteur en cas d'interruption de l'alimentation en eau du disque. Régler pour activer l'interrupteur.
- 1M. INTERRUPTEUR DE BUTÉE DE PROFONDEUR DU DISQUE :** Active ou contourne la butée de profondeur pour des entailles répétées à la même profondeur.
- 1N. INDICATEUR DE COLMATAGE DU FILTRE À AIR :** Faire l'entretien des éléments du filtre à air lorsqu'une marque rouge paraît à l'indicateur. Le réarmer avant de faire démarrer le moteur.
- 1O. LEVIER DE COMMANDE DE VITESSE :** Commande le sens de marche vers l'avant, vers l'arrière, l'arrêt et la vitesse de la scie.

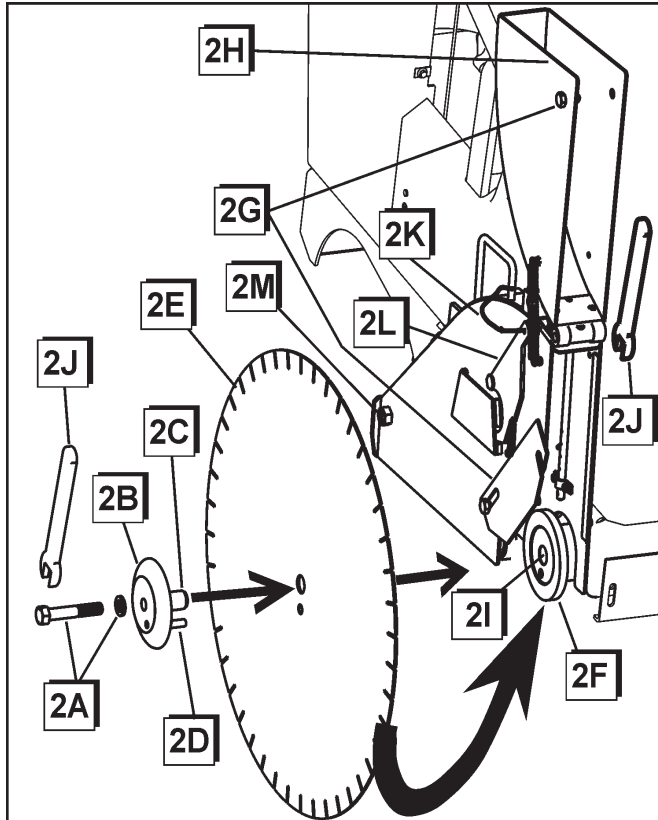
- 1P. **COMMUTATEUR À BASCULE DE RELEVAGE / ABAISSEMENT** : Situé sur le levier de commande de vitesse. Sert à relever et abaisser la scie. Pousser vers le haut pour relever la scie. Pousser vers le bas pour abaisser la scie.
- 1Q. **INDICATEUR DE PROFONDEUR DU DISQUE** : Affiche la profondeur de sciage. Règle la profondeur de sciage pour l'INTERRUPTEUR DE BUTÉE DE PROFONDEUR DU DISQUE (1M).
- 1R. **VERROU DE RÉGLAGE DU GUIDON** : Tourner dans le sens des aiguilles d'une montre pour verrouiller le guidon à une position. Tourner dans le sens contraire pour déverrouiller et repositionner le guidon.
- 1S. **ARRIVÉE D'EAU** : Brancher un tuyau flexible de 2 cm (3/4 po) pour l'alimentation en eau douce.
- 1T. **ROBINET D'EAU** : Contrôle le débit d'eau qui refroidit le disque.
- 1U. **BOUTON DE COMMANDE DE LA VITESSE D'ABAISSEMENT DE LA SCIE** : Tourner le bouton dans le sens des aiguilles d'une montre pour réduire la vitesse d'abaissement. Tourner le bouton dans le sens contraire pour augmenter la vitesse d'abaissement. On accède au bouton par l'arrière de la machine.
- 1V. **COMMUTATEUR D'EMBAYAGE DU DISQUE** : (s'il est installé) : Engage l'entraînement du disque. N'engager l'embrayage que lorsque le régime moteur est 1 200 tr/min ou inférieur. L'entraînement du disque est engagé lorsque le COMMUTATEUR D'EMBAYAGE DU DISQUE (1V) est en position « 1 » (MARCHE). Pour désengager l'entraînement du disque, mettre le COMMUTATEUR D'EMBAYAGE DU DISQUE (1V) en position « 0 » (ARRÊT).
- 1W. **VOYANT DE PRESSION D'HUILE** : Le voyant s'allume lorsque la pression de l'huile moteur est basse et lorsque la clé de contact est sur marche alors que le moteur est arrêté.
- 1X. **BOULON DE PURGE D'AIR** : Situé sur le séparateur Eau / Huile. S'utilise pour retirer l'air des conduits de carburant. Pour de plus amples détails sur le BOULON DE PURGE D'AIR et sur le SÉPARATEUR HUILE / EAU, veuillez consulter le manuel du moteur Yanmar.
- 1Y. **BOUTEILLE DE TROP-PLEIN DU LIQUIDE DE REFROIDISSEMENT DU RADIATEUR** : Recueille le liquide de refroidissement du radiateur quand le moteur est chaud. Elle doit être à 1/4 pleine quand le moteur est arrêté et refroidi.
- 1Z. **SÉLECTEUR DU TACHYMÈTRE** : Peut être réglé de manière à indiquer soit le régime du moteur (tr/min), soit la vitesse de l'axe de disque (tr/min). Régler en position supérieure pour indiquer le régime du moteur, et en position inférieure pour indiquer la vitesse de l'axe de disque. En standard sur les machines dotées d'une boîte de transmission à trois vitesses, en option sur toutes les autres machines.



**AVERTISSEMENT** : Noter la position du **SÉLECTEUR DU TACHYMÈTRE (1Z)** ! Le tachymètre peut indiquer soit la vitesse du disque soit le régime du moteur. L'opérateur et les personnes se trouvant dans la zone de travail risquent de subir de graves blessures si la vitesse de rotation (tr/min) du **DISQUE EN DIAMANT (2E)** dépasse la vitesse maximum (tr/min) marquée sur le **DISQUE EN DIAMANT (2E)**.

- 1AA **PANNEAU ARRIÈRE** : Ne le retirer que pour réparer la machine. Pour le retirer, faire pivoter les LOQUETS DE PROTECTION (1EE) de 270 degrés dans le sens inverse des aiguilles d'une montre. Le replacer avant de faire démarrer le moteur. Ce panneau n'est pas un panneau de protection ; il ne fait que contrôler la circulation de l'air dans la machine afin d'assurer le bon rendement du moteur.
- 1BB. **POSITION ARRÊT (STOP)** : La scie arrête son déplacement lorsque le LEVIER DE COMMANDE DE VITESSE (1O) est dans cette position. Le moteur ne peut démarrer que si le LEVIER DE COMMANDE DE VITESSE (1O) est à la position ARRÊT (STOP).
- 1CC. **BOULON DE RÉGLAGE MANUEL DE L'ESSIEU (modèle standard seulement)** : Tourner le boulon pour régler l'essieu moteur arrière. Tourner le bouton à droite (CW) pour diriger la scie vers la droite. Le pousser à gauche (CCW) pour diriger la scie vers la gauche.
- 1DD. **ÉLÉMENT DU FILTRE À AIR DU RADIATEUR** : (modèle à pivot avant – poursuite manuelle uniquement) Il doit être en position sinon le moteur risque de subir des dégâts. Nettoyer le filtre selon le besoin ou toutes les 50 heures.
- 1EE. **LOQUET DE PROTECTION** : S'utilise pour garder en place les protections, les écrans protecteurs et le PANNEAU ARRIÈRE (1AA). Pour retirer le PANNEAU ARRIÈRE (1AA), faire pivoter les loquets de 270 degrés dans le sens inverse des aiguilles d'une montre. Pour poser les protections latérales (4 loquets par côté), se servir d'un modèle à fentes de ce loquet ; pour retirer les protections latérales, utiliser un tournevis ou autre outil et faire pivoter les loquets de 270 degrés.

**FIGURE 2**



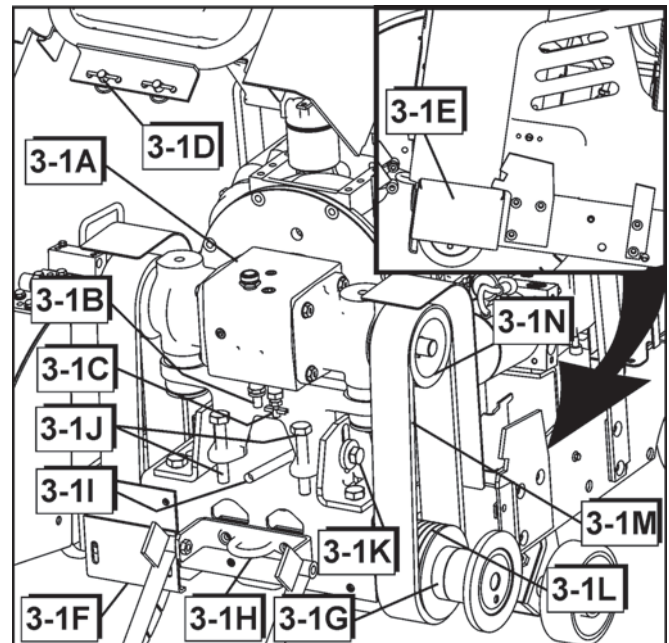
- 2A. BOULON D'AXE DE DISQUE :** Sert à serrer le disque en diamant entre le flasque intérieur et le flasque extérieur. Le côté droit de la scie a un filetage à gauche. Le côté gauche de la scie a un filetage à droite.
- 2B. FLASQUE EXTÉRIEUR :** Sert à maintenir le disque en diamant à sa position.
- 2C. MANDRIN DU FLASQUE EXTÉRIEUR :** Sert à maintenir le disque en diamant.
- 2D. GOUPILLE DE VERROUILLAGE :** Sert à empêcher le disque en diamant de tourner sur l'axe durant le fonctionnement.
- 2E. DISQUE EN DIAMANT :** C'est l'outil de sciage des surfaces en béton et en asphalte.
- 2F. FLASQUE INTÉRIEUR :** Support intérieur qui sert à maintenir le disque en diamant à sa position.
- 2G. LOQUET DE NEZ DE PROTECTION DE DISQUE :** Sert à verrouiller la partie avant de la protection du disque en position abaissée.
- 2H. AVANT DE LA PROTECTION DE DISQUE :** La partie avant de la protection du disque.
- 2I. AXE DU DISQUE :** Soutient le disque et ses flasques.
- 2J. CLÉ D'AXE DE DISQUE :** Sert à retirer le BOULON D'AXE DE DISQUE (2A). Pour une protection de disque de 900 mm (36 po), utiliser la CLÉ D'AXE DE DISQUE pour faire pivoter le LOQUET DE PROTECTION DE LA BRIDE DU DISQUE (2L) en position ouverte, puis retirer la protection de disque.

**2K. CÂBLE D'AMARRAGE :** Tirer le câble de façon que le loquet de la protection de disque pivote et vous permette de retirer la protection de disque (non compris sur les modèles européens CE munis d'une protection de disque de 900 mm (36 po).

**2L. LOQUET DE LA BRIDE DE PROTECTION DE DISQUE :** Sert à maintenir la protection du disque à sa position. Pour retirer la protection de disque, utiliser le CÂBLE D'AMARRAGE (2K) et faire pivoter le LOQUET INTÉRIEUR DE LA BRIDE DE PROTECTION DE DISQUE en position ouverte, puis soulever la protection de disque et la retirer de la machine.

**2M. BOULON ARRIÈRE :** Maintient la protection de disque à sa position (sauf à 900 mm [36 po]). Enlever le BOULON ARRIÈRE avant de retirer la PROTECTION DE DISQUE. Toujours installer le BOULON ARRIÈRE dans la protection du disque avant de faire démarrer la machine.

**FIGURE 3-1**



**3-1A. BOÎTE DE TRANSMISSION DU MOTEUR :** Modèle à une seule vitesse.

**3-1B. RACCORD D'EAU :** Fait circuler l'eau douce dans la boîte de transmission pour la refroidir. L'eau s'écoule ensuite vers la protection du disque.

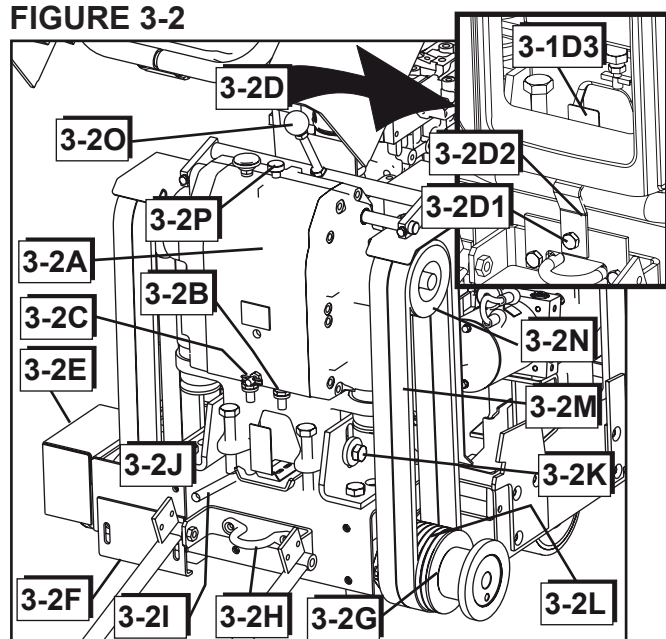
**3-1C. ROBINET DE VIDANGE D'EAU :** Pour vidanger l'eau de la boîte de transmission : tourner dans le sens des aiguilles d'une montre pour ouvrir, et dans le sens inverse des aiguilles d'une montre pour fermer. Vidanger chaque jour pour éviter la corrosion et les dégâts dus au gel.

**3-1D. LOQUET DU CAPOT :** Deux loquets, situés sur le bâti avant de la machine, maintiennent le CAPOT DE LA MACHINE (6E) en position abaissée. Faire pivoter chaque loquet de 180 degrés dans le sens inverse des aiguilles d'une montre pour soulever le CAPOT DE LA MACHINE (6E). Sur les modèles CE européens, ce loquet est pourvu de fentes, et un tournevis ou autre outil doit être utilisé pour ouvrir le loquet.



- 3-1E. COUVRE-FLASQUE :** Protège de tout contact avec le FLASQUE durant le fonctionnement de la machine. Toujours les maintenir à leur place !
- 3-1F. ÉCRAN PROTECTEUR DE COURROIE :** Les maintenir à leur place.
- 3-1G. ENSEMBLE DE TUBE D'AXE DE DISQUE :** Ensemble étanche contenant l'axe du disque, les roulements et les joints d'étanchéité d'axe.
- 3-1H. PATTES D'ARRIMAGE :** Servent à arrimer la scie lors de son transport sur un véhicule. Ne pas s'en servir pour lever la scie.
- 3-1I. ROBINET DE VIDANGE D'HUILE MOTEUR :** Permet de vidanger l'huile moteur sans outils.
- 3-1J. BOULONS DE TENSION DE COURROIE :**
- 3-1K. BOULONS DE SERRAGE HORIZONTAL :**
- 3-1L. POULIE D'AXE DU DISQUE :**
- 3-1M. COURROIES TRAPÉZOÏDALES :** Jeu de 4; 3 rainures.
- 3-1N. POULIE DE BOÎTE DE TRANSMISSION :**

**FIGURE 3-2**



- 3-2A. BOÎTE DE TRANSMISSION DU MOTEUR :** Modèle à trois vitesses.
- 3-2B. RACCORD D'EAU :** Fait circuler l'eau douce dans la boîte de transmission pour la refroidir. L'eau s'écoule ensuite vers la protection du disque.
- 3-2C. ROBINET DE VIDANGE D'EAU :** Pour vidanger l'eau de la boîte de transmission : tourner dans le sens des aiguilles d'une montre pour ouvrir et dans le sens inverse des aiguilles d'une montre pour fermer. Vidanger chaque jour pour éviter la corrosion et les dégâts dus au gel.
- 3-2D. LOQUET DU CAPOT :** Deux loquets, situés sur le bâti avant de la machine, maintiennent le CAPOT DE LA MACHINE (6E) en position abaissée. Faire

pivoter chaque loquet de 180 degrés dans le sens inverse des aiguilles d'une montre pour soulever le CAPOT DE LA MACHINE (6E). Sur les modèles CE européens, ce loquet est pourvu de fentes, et un tournevis ou autre outil doit être utilisé pour ouvrir le loquet.

- 3-2E. COUVRE-FLASQUE :** Protège de tout contact avec le FLASQUE durant le fonctionnement de la machine. Toujours les maintenir à leur place !
- 3-2F. ÉCRAN PROTECTEUR DE COURROIE :** Les maintenir à leur place.
- 3-2G. ENSEMBLE DE TUBE D'AXE DE DISQUE :** Ensemble étanche contenant l'axe du disque, les roulements et les joints d'étanchéité d'axe.
- 3-2H. PATTES D'ARRIMAGE :** Servent à arrimer la scie lors de son transport sur un véhicule. Ne pas s'en servir pour lever la scie.
- 3-2I. ROBINET DE VIDANGE D'HUILE MOTEUR :** Permet de vidanger l'huile moteur sans outils.
- 3-2J. BOULONS DE TENSION DE COURROIE :**
- 3-2K. BOULONS DE SERRAGE HORIZONTAL :**
- 3-2L. POULIE D'AXE DU DISQUE :**
- 3-2M. COURROIES TRAPÉZOÏDALES :** Jeu de 4; 3 rainures.
- 3-2N. POULIE DE BOÎTE DE TRANSMISSION :**
- 3-2O. LEVIER DE VITESSE DE LA BOÎTE DE TRANSMISSION :** Sert à changer le régime de sortie de la BOÎTE DE TRANSMISSION DU MOTEUR (3-2A). Trois vitesses et deux positions au point mort sont offertes. Les positions (1, 2 et 3) du LEVIER DE VITESSE DE LA BOÎTE DE TRANSMISSION sont codées couleur afin de correspondre, entre autres, à l'autocollant « Plage de la boîte de transmission / vitesse du disque ». Fonctionnement du LEVIER DE VITESSE DE LA BOÎTE DE TRANSMISSION :

1) Mettre la CLÉ DE CONTACT (1H) sur la position OFF (« 0 » / ARRÊT). Toujours mettre l'interrupteur du moteur sur « OFF » avant de changer de vitesse !

2) Vérifier que la taille des poulies, des flasques et la vitesse de l'axe de disque correspondent à la taille du disque qui va être monté.



**AVERTISSEMENT :** L'opérateur et les personnes se trouvant dans la zone de travail risquent de subir de graves blessures si la vitesse de rotation (tr/min) du DISQUE EN DIAMANT (2E) dépasse la vitesse maximum (tr/min) marquée sur le DISQUE EN DIAMANT (2E).

3) Desserrez l'écrou de blocage. Tournez le BOUTON (3-2P) de deux tours.

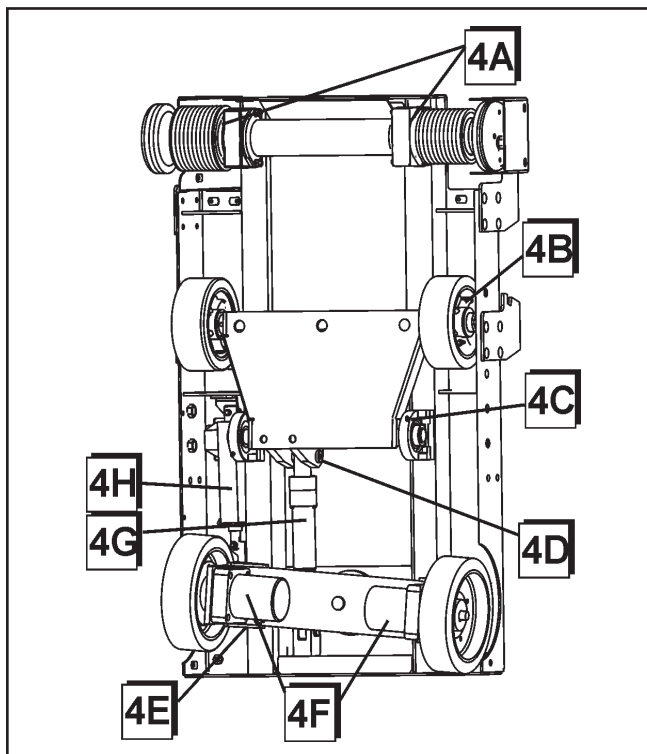
4) Amener le LEVIER DE VITESSE DE LA BOÎTE DE TRANSMISSION (3-2O) à la vitesse requise. Un léger mouvement de « va-et-vient » de l'axe de sortie (ou de l'AXE DE DISQUE) de la boîte de transmission peut faciliter le changement de vitesse.

5) Serrez manuellement le BOUTON (3-2P). Serrez l'écrou de blocage (40 Nm/30 lb.pi).



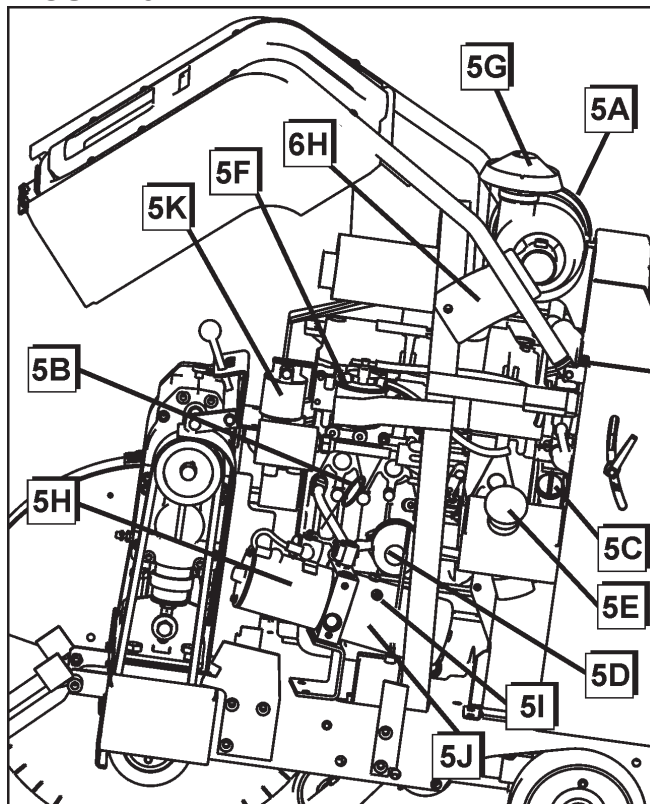
**3-2P. BOUTON DE CRAN DE LA BOÎTE DE TRANSMISSION :** Verrouille le LEVIER DE VITESSE DE LA BOÎTE DE TRANSMISSION (3-20). Pour consulter son fonctionnement, voir LEVIER DE VITESSE DE LA BOÎTE DE TRANSMISSION (3-20).

**FIGURE 4**



- 4A. JOINTS D'ÉTANCHÉITÉ DE ROULEMENT D'AXE DU DISQUE
- 4B. ROUEMENTS DE ROUE AVANT
- 4C. CRAPAUDINES D'ESSIEU AVANT
- 4D. AXE DE PIVOTEMENT DU VÉRIN HYDRAULIQUE
- 4E. ESSIEU ARRIÈRE
- 4F. MOTEUR DE ROUE HYDRAULIQUE
- 4G. VÉRIN DE RELEVAGE/ABAISSEMENT
- 4H. ACTIONNEUR LINÉAIRE

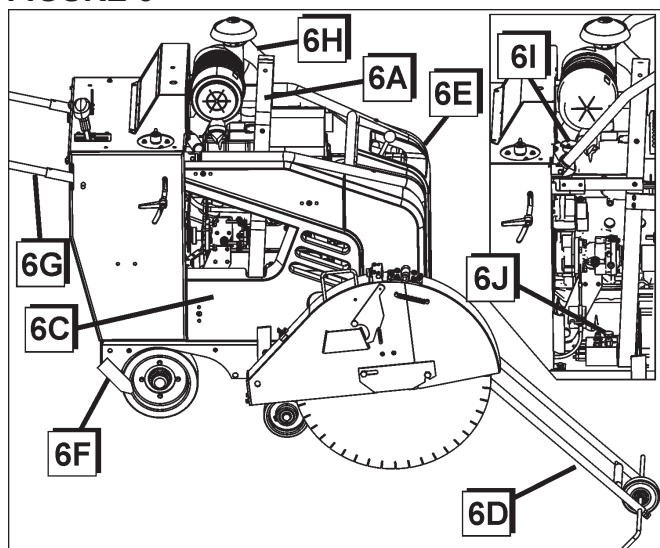
**FIGURE 5**



- 5A. **ENSEMBLE DU FILTRE À AIR :** L'ensemble comprend :
  - a) Boîtier
  - b) Couvercle
  - c) **Élément extérieur principal :** Le nettoyer ou le remplacer quand l'INDICATEUR DE COLMATAGE (1N) DU FILTRE À AIR fait apparaître l'avertissement ROUGE.
  - d) **Élément intérieur de sécurité :** NE PAS NETTOYER cet élément filtrant. Le remplacer 1 fois par an ou s'il se détériore.
- 5B. **JAUGE D'HUILE MOTEUR :** Vérifier ici le niveau de l'huile moteur. La jauge indique le niveau d'huile. Pour de plus amples renseignements, veuillez consulter le manuel du moteur.
- 5C. **REPLISSAGE D'HUILE MOTEUR :** Remplir le moteur d'huile recommandée à cet endroit. Utiliser de l'huile moteur SAE 15W40 API Classe CF, CF-4, CG-4 ou CI-4. Pour de plus amples renseignements, veuillez consulter le manuel du moteur.
- 5D. **FILTRE À HUILE MOTEUR :** Pour de plus amples renseignements, veuillez consulter le manuel du moteur.
- 5E. **REPLISSAGE DU RÉSERVOIR DE CARBURANT :** Remplir le réservoir de carburant à cet endroit.
- 5F. **Alimenter le Filtre**
- 5G. **Aérer la Casquette de Pluie de Filtre**

- 5H. **POMPE DE RELEVAGE C.C. (courant continu) :**  
Relève et abaisse la scie.
- 5I. **REPLISSAGE DU RÉSERVOIR HYDRAULIQUE :**  
Remplir et vérifier le niveau du fluide hydraulique ici.
- 5J. **RÉSERVOIR D'HUILE HYDRAULIQUE :** Capacité :  
(1,42 litre) (1,5 quarts U.S.)
- 5K. **FILTRE À FLUIDE HYDRAULIQUE :** Filtre le fluide  
du circuit hydraulique.
- 5L. ----
- 5M. ----
- 5N. ----
- 5O. ----
- 5P. ----

**FIGURE 6**



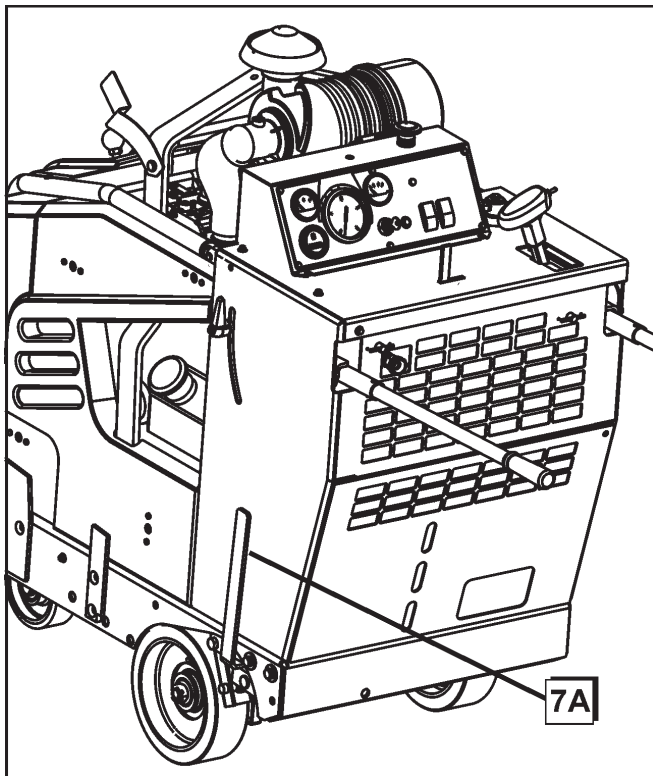
- 6A. **ANSE DE LEVAGE :** La scie ne peut être soulevée  
que par ce point. **NE PAS SOULEVER** la scie par  
un autre point.
- 6B. ----
- 6C. **PROTECTIONS ET ÉCRANS DE COURROIE :**  
Protègent le moteur, les courroies, les entraînements  
et le ventilateur de refroidissement. Ne pas les  
retirer durant le fonctionnement de la machine ou  
lorsque le moteur est en marche !

**NE PAS FAIRE FONCTIONNER LE MOTEUR  
LORSQUE LES PROTECTIONS OU LES ÉCRANS  
SONT RETIRÉS !**

- 6D. **GUIDE AVANT :** Sert à repérer la trajectoire du  
disque en diamant sur la ligne de sciage.

- 6E. **CAPOT DU MOTEUR :** Protège le moteur, le  
ventilateur de refroidissement, les entraînements  
de courroie et les poulies. Le **CAPOT DU MOTEUR**  
est une protection ; il doit être maintenu en position  
abaissée avant de faire démarrer le moteur et  
d'utiliser la scie. Ouvrir le **CAPOT DU MOTEUR**  
en faisant pivoter les deux **LOQUETS DU CAPOT**  
(3-1D, 3-2D) de 180 degrés dans le sens inverse  
des aiguilles d'une montre. Soulever le capot et  
le maintenir en position à l'aide du **SUPPORT DU**  
**CAPOT (6H)**.
- 6F. **GUIDE ARRIÈRE :** Sert à repérer la trajectoire du  
disque en diamant sur la ligne de sciage.
- 6G. **GUIDON :** Sert à manœuvrer la scie. Ne pas s'en  
servir pour lever la scie. (Voir 1B)
- 6H. **SUPPORT DU CAPOT :** Fermer le loquet pour  
maintenir le capot en position ouverte. Toujours  
abaissier et verrouiller le capot avant de  
faire démarrer le moteur ou de faire fonctionner  
la machine.
- 6I. **REPLISSAGE DU LIQUIDE DE  
REFROIDISSEMENT DU RADIATEUR :** Remplir  
le radiateur à cet endroit. Avertissement : Éviter  
les blessures ! La pression accumulée risque de  
libérer brusquement du liquide de refroidissement  
au moment où le bouchon du radiateur est enlevé.  
Arrêter le moteur et le laisser refroidir. Ne pas  
enlever le bouchon du radiateur à moins  
que celui-ci et le moteur soient suffisamment  
refroidis pour être touchés à mains nues. Desserrer  
lentement le bouchon jusqu'au premier cran pour  
libérer toute pression. Enlever ensuite le bouchon.  
Remplacer le bouchon s'il est détérioré.
- 6J. **ROBINET DE DÉRIVATION DE LA TRANSMISSION:**  
(modèle à pivot avant seulement) : Tourner dans  
le sens inverse des aiguilles d'une montre pour  
ouvrir. Tourner dans le sens des aiguilles d'une  
montre pour fermer. Ouvrir ce robinet pour pousser  
la scie à béton.
- 6K. **POMPE DE TRANSMISSION HYDROSTATIQUE**
- 6L. **ALTERNATEUR :** Adressez-vous à Yanmar pour  
obtenir une pièce de rechange.
- 6M. **COURROIE D'ALTERNATEUR/POMPE À EAU :**  
À tension automatique. Adressez-vous à Yanmar  
pour obtenir une pièce de rechange.

**FIGURE 7**



**7A. FREIN D'IMMOBILISATION (Modèles CE ou à pivot arrière, le cas échéant):** Maintient la machine immobile sur une pente de 10 degrés ou moins. Le FREIN D'IMMOBILISATION (7A) est situé sur le côté gauche de la machine, au niveau de la roue arrière (voir FIGURE 7).

Fonctionnement :

- 1) Immobiliser la machine, arrêter le moteur.
- 2) Pour serrer le frein : Se tenir derrière la machine, pousser vers l'avant (l'avant de la machine) le LEVIER DU FREIN D'IMMOBILISATION (7A).
- 3) Pour desserrer le frein : Se tenir derrière la machine, tirer en arrière, vers l'arrière de la machine le LEVIER DU FREIN D'IMMOBILISATION (7A).



**ATTENTION : Desserrer le LEVIER DU FREIN D'IMMOBILISATION (7A) avant d'engager complètement le LEVIER DE COMMANDE DE VITESSE (7B), sinon la machine risque d'être endommagée.**



OBLIGATOIRE



INDICATION  
INFORMATION  
INSTRUCTION



AVERTISSEMENT



INTERDICTION

Ces signes donnent des conseils  
pour la sécurité.

Chaque machine a été entièrement testée avant de quitter l'usine.



Suivre exactement les instructions pour obtenir une longue durée de service de la machine, en conditions normales d'utilisation.

## 1. Utilisations

**Utilisation :** Sciage à l'eau de béton et d'asphalte anciens et récents. Sciage à sec uniquement avec l'autorisation du fabricant du disque pour une application spécifique.

**Outils :** Disques en diamant — refroidis à l'eau, Ø : 350 mm (14 po), 450 mm (18 po), 500 mm (20 po), 600 mm (24 po), 650 mm (26 po), 750 mm (30 po) et 900 mm (36 po) avec mandrin Ø - 25 mm (1 po).  
(Pour plus d'informations, contacter votre fournisseur).

### Profondeurs d'entaille (maximum) :

Disque	Profondeur	Disque	Profondeur
14 po	4,5 po	350 mm	110 mm
18 po	6,5 po	450 mm	160 mm
20 po	7,5 po	500 mm	175 mm
24 po	9,5 po	600 mm	225 mm
26 po	10,5 po	650 mm	260 mm
30 po	12,5 po	750 mm	310 mm
36 po	15,0 po	900 mm	375 mm



Avant de faire démarrer la machine, veiller à lire tout ce manuel et à bien connaître l'utilisation de la machine.



La zone de travail doit être complètement dégagée, bien éclairée et tous les obstacles à la sécurité doivent avoir été retirés.



L'opérateur doit porter des vêtements protecteurs appropriés au travail à effectuer.



Toute personne qui n'est pas directement concernée par le travail doit s'éloigner.



Utiliser uniquement des disques marqués avec une vitesse maximale de fonctionnement supérieure à la vitesse de l'axe du disque.

## 2. Déplacement de la machine

(Voir les figures 1, 2 et 5)

### Régler les poignées à la longueur souhaitée :

- Desserrer le bouton (1A) ; tirer le guidon (1B) vers l'intérieur ou l'extérieur à la longueur souhaitée puis resserrer le bouton (1A). Pour régler la hauteur du guidon, tourner le verrou de réglage (1R) du guidon dans le sens contraire des aiguilles d'une montre pour déverrouiller. Régler le guidon (1B) à la hauteur souhaitée. Tourner le VERROU DE RÉGLAGE (1R) du guidon dans le sens des aiguilles d'une montre pour verrouiller le guidon à sa place.

**Modèle à pivot avant** (avec système de poursuite électrique – sil est installé)

### Déplacement de la scie avec le moteur arrêté :

- Tourner le CONTACTEUR DE DÉMARRAGE DU MOTEUR (1H) à la position « 1 » (MARCHE).
- Lever la scie en appuyant vers le haut sur le COMMUTATEUR À BASCULE (1P) du LEVIER DE COMMANDE DE VITESSE (1O) jusqu'à ce que le DISQUE EN DIAMANT (2E) (s'il est installé) soit au-dessus du sol.
- Mettre le LEVIER DE COMMANDE DE VITESSE (1O) à la POSITION STOP (1BB).
- Tourner le ROBINET DE DÉRIVATION DE LA TRANSMISSION (6J) dans le sens contraire des aiguilles d'une montre, jusqu'à la position du haut (POINT MORT).
- La scie peut maintenant être déplacée en se tenant derrière et en poussant [tout en maintenant le guidon (1B)].



**NE PAS essayer de pousser la scie quand elle est au POINT MORT sur une pente (ou un talus). L'opérateur pourrait perdre le contrôle de la scie, se blesser et blesser d'autres personnes se trouvant à proximité.**

### Déplacement de la scie avec le moteur en marche :

- Lever la scie en appuyant vers le haut sur le COMMUTATEUR À BASCULE (1P) du LEVIER DE COMMANDE DE VITESSE (1O) jusqu'à ce que le DISQUE EN DIAMANT (2E) (s'il est installé) soit au-dessus du sol.
- Mettre L'INTERRUPTEUR DE SÉCURITÉ DE L'EAU (1L) à la position « 0 » (ARRÊT).
- Le LEVIER DE COMMANDE DE VITESSE (1O) doit être à la POSITION STOP (1BB) pour que la scie puisse démarrer. Le moteur NE PEUT DÉMARRER que si le LEVIER DE COMMANDE DE VITESSE (1O) est à la POSITION ARRÊT (STOP).
- Vérifier que le ROBINET DE DÉRIVATION DE LA TRANSMISSION (6J) est tourné dans le sens des aiguilles d'une montre (EN BAS), à la position fermée. NE PAS faire démarrer le moteur si le robinet (6J) est à la position Point mort (OUVERT).

- Tourner L'ACCÉLÉRATEUR DU MOTEUR (1F) à un réglage de bas régime.
- Régler le COMMUTATEUR D'EMBRAYAGE DU DISQUE (1V) (s'il est installé) sur « 0 » (ARRÊT).
- \* Par temps froid (en dessous de 0 °C [32 °F]), appuyer sur le CONTACTEUR DE DÉMARRAGE DU MOTEUR (1H) pendant 15 secondes. Ceci préchauffe le moteur pour le démarrage par temps froid.
- Mettre la CLÉ DE CONTACT (1H) à la position « 2 » (DÉMARRAGE) jusqu'à ce que le moteur démarre puis le relâcher. Il doit revenir à la position de MARCHÉ. Si le moteur ne démarre pas, refaire ces opérations.



- Pousser le LEVIER DE COMMANDE DE VITESSE (1O) vers l'avant pour le mouvement de la scie en MARCHÉ AVANT ou le pousser vers l'arrière pour le mouvement de la scie en MARCHÉ ARRIÈRE. Plus on pousse le levier, plus la vitesse augmente.



**NE PAS OUVRIR le ROBINET DE DÉRIVATION (6J) au point mort lorsque la scie est stationnée sur une pente (ou un talus), car l'opérateur perdrait le contrôle, entraînant des risques de blessures ou de dégâts.**

**Modèle avec pivot arrière (avec système différentiel – s'il est installé)**

**Déplacement de la scie avec le moteur arrêté :**

- Tourner le CONTACTEUR DE DÉMARRAGE DU MOTEUR (1H) à la position « 1 » (MARCHÉ).
- Lever la scie en appuyant vers le haut sur le COMMUTATEUR À BASCULE (1P) du LEVIER DE COMMANDE DE VITESSE (1O) jusqu'à ce que le DISQUE EN DIAMANT (2E) (s'il est installé) soit au-dessus du sol.
- Tourner le CONTACTEUR DE DÉMARRAGE DU MOTEUR (1H) à la position « 0 » (ARRÊT).
- Mettre le LEVIER DE COMMANDE DE VITESSE (1O) à la POSITION STOP (1BB).
- Appuyer sur le COMMUTATEUR DIFFÉRENTIEL (1J) vers la droite et le maintenir enfoncé.
- Maintenir l'un des guidons (1B), et appuyer sur le commutateur différentiel (1J) vers la droite et le maintenir enfoncé. La scie peut maintenant être déplacée en se tenant derrière et en poussant. Si le commutateur différentiel (1J) est relâché, la scie ne peut pas être déplacée avec le moteur arrêté.



**NE PAS essayer de pousser la scie quand elle est au POINT MORT sur une pente (ou un talus). L'opérateur pourrait perdre le contrôle de la scie, se blesser et blesser d'autres personnes se trouvant à proximité.**

**Déplacement de la scie avec le moteur en marche :**

- Lever la scie en appuyant vers le haut sur le COMMUTATEUR À BASCULE (1P) du LEVIER DE COMMANDE DE VITESSE (1O) jusqu'à ce que le DISQUE EN DIAMANT (2E) (s'il est installé) soit au-dessus du sol.

- Mettre L'INTERRUPTEUR DE SÉCURITÉ DE L'EAU (1L) à la position « 0 » (ARRÊT).
- Le LEVIER DE COMMANDE DE VITESSE (1O) doit être à la POSITION STOP (1BB) pour que la scie puisse démarrer. Le moteur NE PEUT démarrer QUE si le LEVIER DE COMMANDE DE VITESSE (1O) est à la POSITION STOP (1BB).
- Tourner L'ACCÉLÉRATEUR DU MOTEUR (1F) à un réglage de bas régime.
- Régler le COMMUTATEUR D'EMBRAYAGE DU DISQUE (1V) (s'il est installé) sur « 0 » (ARRÊT).
- \* Par temps froid (en dessous de 0 °C [32 °F]), appuyer sur le CONTACTEUR DE DÉMARRAGE DU MOTEUR (1H) pendant 15 secondes. Ceci préchauffe le moteur pour le démarrage par temps froid.
- Mettre la CLÉ DE CONTACT (1H) à la position « 2 » (DÉMARRAGE) jusqu'à ce que le moteur démarre puis le relâcher. Il doit revenir à la position de MARCHÉ. Si le moteur ne démarre pas, refaire ces opérations.



- Pousser le LEVIER DE COMMANDE DE VITESSE (1O) vers l'avant pour le mouvement de la scie en MARCHÉ AVANT ou le pousser vers l'arrière pour le mouvement de la scie en MARCHÉ ARRIÈRE. Plus on pousse le levier, plus la vitesse augmente.

### 3 Transport (disque retiré)

(Voir les figures 1, 2 et 5)



**Arrêter le moteur. Mettre le LEVIER DE COMMANDE DE VITESSE (1O) à la POSITION STOP (1BB). Retirer le DISQUE EN DIAMANT (2E) avant le transport.**

Pour faire monter ou descendre la scie sur des rampes avec le moteur en marche, faire extrêmement attention.

- Pour **REMONTÉ** une rampe, déplacez la tronçonneuse lentement **VERS L'AVANT**.
- Pour **DESCENDRE** une rampe, passez toujours la tronçonneuse en **MARCHÉ ARRIÈRE** et tenez-vous à distance du passage de la machine.

**Modèle avec pivot arrière :** Le COMMUTATEUR DIFFÉRENTIEL (1J) de la machine doit être à la position centrale verrouillée (Lock) pour faire monter ou descendre la scie sur des rampes ! **NE PAS METTRE LE COMMUTATEUR DIFFÉRENTIEL (1J) à la position « Pivot » (à gauche) pour faire monter ou descendre la scie sur des rampes !**



**Pour des rampes très inclinées, toujours utiliser un treuil. Ne jamais se tenir en dessous de la machine.**

**Levage de la scie.** La scie ne doit être levée que par l'anse de levage installée en usine (6A).



## Transport de la machine sur un véhicule :

- Mettre le CONTACTEUR DE DÉMARRAGE DU MOTEUR (1H) à la position d'ARRÊT.
- Mettre le LEVIER DE COMMANDE DE VITESSE (1O) à la POSITION STOP (1BB).
- Pousser le guidon (1B) vers l'intérieur et serrer les boutons (1A).



**Caler la scie à sa place et l'immobiliser à l'aide des PATTES D'ARRIMAGE installées en usine (3-1H, 3-2H), à l'avant et à l'arrière, pour empêcher tout mouvement durant le transport.**

## 4 À vérifier avant de démarrer



**Considérer les conditions de travail du point de vue de la santé et de la sécurité.**

- **Carburant** (Vérifier le manuel d'entretien du moteur). Utiliser du carburant diesel n° 2 pour les conditions normales. Remplir le réservoir de carburant à l'endroit marqué REMPLISSAGE DU RÉSERVOIR DE CARBURANT (FUEL TANK FILL) (5E).
- Vérifier que le niveau d'huile moteur est correct. Étant donné que le moteur fonctionne souvent en position inclinée, vérifier le niveau d'huile (avec le moteur horizontal) fréquemment pour s'assurer qu'il ne descend jamais en dessous du repère inférieur de la JAUGE D'HUILE MOTEUR (5B). Il est recommandé d'utiliser de l'huile moteur SAE 15W40 CF, CF-4, CG-4 ou CI-4.
- Pour le démarrage, se reporter au manuel du moteur Yanmar.
- Veiller à ce que la machine soit réglée en fonction du diamètre du DISQUE EN DIAMANT (2E) requis pour effectuer le travail. Veiller à ce que la POULIE DE BOÎTE DE TRANSMISSION (3-1N, 3-2N), la POULIE D'AXE DU DISQUE (3-1L, 3-2L), le FLASQUE DE DISQUE (2B & 2F) et la PROTECTION DE DISQUE (2H) corrects soient installés. Dans le cas des machines pourvues d'une BOÎTE DE TRANSMISSION DU MOTEUR à trois vitesses (3-2A), veiller également à ce que le LEVIER DE VITESSE DE LA BOÎTE DE TRANSMISSION (3-2P) soit à la vitesse correcte. Pour de plus amples détails à ce sujet, voir la SECTION 14, « Moteur / Axe de disque / Réglage du régime de la boîte de transmission ».

## 5 Mise en place du disque

(Voir les figures 1 et 2)

- Mettre le CONTACTEUR DE DÉMARRAGE DU MOTEUR (1H) à la position « 1 ».
- Lever la machine à une position haute en utilisant le COMMUTATEUR DE RELEVAGE/ABAISSMENT (1P) situé sur le LEVIER DE COMMANDE DE VITESSE (1O).
- Mettre le CONTACTEUR DE DÉMARRAGE DU MOTEUR (1H) à la position d'ARRÊT « 0 ».
- Desserrer le boulon sur le LOQUET DE NEZ DE PROTECTION DU DISQUE (2G).
- Relever la partie avant de la PROTECTION DU DISQUE (2H).
- Desserrer le boulon (2A) de l'axe du disque et retirer le FLASQUE EXTÉRIEUR (2B).
- Poser le DISQUE EN DIAMANT (2E) sur le MANDRIN DU FLASQUE EXTÉRIEUR (2C).
- Installer le FLASQUE EXTÉRIEUR (2B) dans l'AXE DU DISQUE (2I), en veillant à ce que la GOUPILLE DE VERROUILLAGE (2D) passe à travers le DISQUE EN DIAMANT (2E) et dans le FLASQUE INTÉRIEUR (2F).



**Noter le sens de rotation du disque. Le sens de rotation est indiqué par une flèche sur le DISQUE EN DIAMANT (2E) et sur la PROTECTION DU DISQUE (2H). Vérifier que les surfaces de contact du DISQUE EN DIAMANT (2E), des FLASQUES INTÉRIEUR ET EXTÉRIEUR (2B & 2F) et du MANDRIN DU FLASQUE EXTÉRIEUR (2C) sont propres.**

- Tourner le FLASQUE EXTÉRIEUR (2B) et le DISQUE EN DIAMANT (2E) dans le sens opposé à celui de la rotation du disque pour éliminer le jeu.
- Poser et serrer le boulon (2A) d'axe du disque tout en maintenant fermement le DISQUE EN DIAMANT (2E). Serrer le boulon à l'aide de la CLÉ D'AXE DU DISQUE (2J) fournie.
- Abaisser la partie avant de la PROTECTION DE DISQUE (2H) et serrer le boulon du LOQUET DE NEZ DE PROTECTION DE DISQUE (2G).



**Le boulon d'axe de disque (2A) du côté droit a un filetage à gauche. Le boulon d'axe de disque (2A) du côté gauche a un filetage à droite.**



**Les protections de disque amovibles sont fournies avec un LOQUET DE BRIDE DE PROTECTION DE DISQUE (2L) qui s'engage dans la bride de support et un BOULON ARRIÈRE (2M) [protections de disque de 450 à 700 mm (18 po à 30 po)] qui retient l'arrière de la protection.**



**Ne pas utiliser la scie si le LOQUET DE BRIDE DE PROTECTION (2L) n'est pas engagé et si le boulon [protections de disque de 450 à 700 mm (18 po à 30 po)] n'est pas en place. Inspecter fréquemment les protections de disque et les loquets. Ne pas utiliser la scie s'ils sont endommagés.**

#### **Pour retirer une PROTECTION AMOVIBLE :**

- Retirer le boulon de retenue arrière avec la CLÉ D'AXE DU DISQUE (2J) [protections de disque de 450 à 700 mm (18 po à 30 po)].
- Pour des protections de disque de 450 à 700 mm (18 po à 30 po) : Utiliser le CÂBLE D'AMARRAGE (2K) pour ouvrir le LOQUET DE LA BRIDE DE PROTECTION DE DISQUE (2L).
- Pour des protections de disque de 900 mm (36 po) : Utiliser la CLÉ D'AXE DE DISQUE (2J) pour faire pivoter le LOQUET DE LA BRIDE DE PROTECTION DU DISQUE (2L) en position ouverte.
- Lever la protection pour la sortir de la bride.

#### **Pour installer une PROTECTION AMOVIBLE :**

- Abaisser la protection sur la bride jusqu'à ce que le LOQUET DE LA BRIDE DE PROTECTION DE DISQUE (2L) s'engage.
- Installer le BOULON ARRIÈRE (2M) [protections de disque de 350 à 700 mm (14 po à 30 po)] dans la partie arrière de la protection à l'aide de la CLÉ D'AXE DE DISQUE (2J).

## **6 Démarrage de la scie**

(Voir les figures 1, 2 et 5)



**Toujours faire extrêmement attention et observer les opérations de préparation de la machine avant de la mettre en marche.**



**Retirer toutes les clés et tous les outils se trouvant au sol et sur la machine.**



**Toujours laisser à leur place les protections du disque, des courroies et du ventilateur.**

- Observer toutes les instructions d'utilisation et les avertissements de ce manuel et de la machine.
- Fermer le ROBINET D'EAU (1T).
- Marquer la surface à entailler en traçant une ligne là où le sciage doit être fait.
- Tirer le guidon (1B) vers l'extérieur, à la longueur souhaitée et serrer les boutons (1A).
- Abaisser le guide avant (6D) puis aligner le guide avant (6D), le guide arrière (6F) et le DISQUE EN DIAMANT (2E) sur la ligne tracée au sol.
- Pour faire démarrer la scie en l'absence de pression d'eau, mettre l'INTERRUPTEUR DE SÉCURITÉ DE L'EAU (1L) sur « 0 » (ARRÊT).

- Mettre le LEVIER DE COMMANDE DE VITESSE (1O) à la POSITION STOP (1BB). Le moteur de la scie ne peut démarrer que si le LEVIER DE COMMANDE DE VITESSE (1O) est à la POSITION STOP (1BB). Vérifier que le robinet de dérivation de la transmission (6J, modèles à pivot avant seulement) est fermé à la position basse.
- Régler le COMMUTATEUR D'EMBAYAGE DU DISQUE (1V) (s'il est installé) sur « 0 » (ARRÊT).
- Faire démarrer le moteur en utilisant le CONTACTEUR DE DÉMARRAGE DU MOTEUR (1H). Suivre la procédure décrite dans le manuel du moteur. Par temps froid, préchauffer le moteur en maintenant le CONTACTEUR DE DÉMARRAGE DU MOTEUR (1H) pendant 15 secondes.
- Laisser le moteur chauffer quelques minutes avec l'ACCÉLÉRATEUR DU MOTEUR (1F) à bas régime.
- Une fois prêt, ouvrir le ROBINET D'EAU (1T).
- Mettre l'INTERRUPTEUR DE SÉCURITÉ DE L'EAU (1L) sur « 1 » (MARCHE).



**Vérifier que l'alimentation en eau est adéquate. (10 à 20 litres/minute) (2,5 à 5,0 gallons US/minute). Un débit d'eau insuffisant provoquera des dommages aux disques en diamant.**

- Pour les machines sans le COMMUTATEUR D'EMBAYAGE DU DISQUE (1V) facultatif : Tirer l'accélérateur du moteur (1F) jusqu'à ce que le TACHYMÈTRE DU MOTEUR (1G) indique un régime de 3 200 tr/min.

**Consulter le tableau pour les vitesses d'axe de disque et régimes moteur appropriés aux diverses tailles de disque.**

- Faire avancer ou reculer la scie lentement (modèles standard et à pivot) en poussant ou en tirant le levier de commande de vitesse (1O). Déplacer la scie lentement pour éviter de faire caler le disque. S'assurer que le guide avant (6D), le guide arrière (6F) et le DISQUE EN DIAMANT (2E) restent sur la ligne.

Modèle à pivot arrière seulement : Sur le modèle à pivot arrière, l'alignement avec la ligne de sciage peut se faire à l'aide du dispositif de pivotage de la machine. Déplacer simplement le COMMUTATEUR DIFFÉRENTIEL (1J) vers la gauche (Pivot) puis, avec les deux mains, pousser le GUIDON (6G) vers le bas, la machine pourra ainsi pivoter à gauche ou à droite afin de s'aligner sur la ligne de sciage. Lorsque la scie est bien alignée sur la ligne de sciage, mettre le COMMUTATEUR DIFFÉRENTIEL (1J) à la position centrale verrouillée (Lock).

- Régler le COMMUTATEUR D'EMBAYAGE DU DISQUE (1V) (s'il est installé) sur « 1 » (MARCHE) pour embrayer le disque lorsque le moteur est AU RALENTI (1 200 tr/min. ou moins) ! Lorsque l'embrayage est engagé et que le disque est au ralenti, tirer l'ACCÉLÉRATEUR DU MOTEUR (1F) et régler le régime à 3 200 tr/min.

- Abaisser la scie en appuyant vers le bas sur le COMMUTATEUR À BASCULE (1P) du LEVIER DE COMMANDE DE VITESSE (1O) jusqu'à ce que le DISQUE EN DIAMANT (2E) soit à la profondeur de sciage souhaitée (Voir « Information sur la profondeur de sciage du disque »).



**Vérifier que le débit d'eau est abondant pour le sciage à l'eau.**

#### **Information sur la profondeur de sciage du disque :**

Cette scie possède un INDICATEUR DE PROFONDEUR DU DISQUE (1Q) doté de deux plages de chiffres. Les plages de chiffres orangés et blancs servent à deux fins distinctes :

- 1) La plage de chiffres relative à la profondeur (Depth), indiquée par la couleur orange, représente la profondeur actuelle de sciage du DISQUE EN DIAMANT (2E). À mesure que la scie est abaissée, l'aiguille de l'INDICATEUR DE PROFONDEUR DU DISQUE (1Q) balaie ces chiffres selon un ordre croissant.
- 2) La plage de chiffres « SMD » (Set Maximum Depth/Réglage de la profondeur de sciage maximum), indiquée par la couleur blanche, représente la profondeur restant à entailler par le DISQUE EN DIAMANT (2E). La profondeur de sciage maximum souhaitée est prédéfinie à l'aide de l'INDICATEUR DE PROFONDEUR DU DISQUE (1Q). Il peut s'utiliser avec ou sans l'INTERRUPTEUR DE BUTÉE DE PROFONDEUR DU DISQUE (1M). À mesure que la scie est abaissée, l'aiguille de l'INDICATEUR DE PROFONDEUR DU DISQUE (1Q) balaie les chiffres de la plage blanche selon un ordre décroissant, indiquant une profondeur d'entaille incomplète. Lorsque l'INDICATEUR DE PROFONDEUR DU DISQUE (1Q) indique la position 0, la profondeur de sciage maximum souhaitée est atteinte. Si l'INTERRUPTEUR DE BUTÉE DE PROFONDEUR DU DISQUE (1M) est actionné (position « 1 » ou « MARCHE »), l'abaissement du disque s'arrête automatiquement.

#### **Utilisation de l'INDICATEUR DE PROFONDEUR DU DISQUE (1Q) :**

Mode « Profondeur » (les chiffres orangés représentent la profondeur actuelle de sciage) :

- Mettre le CONTACTEUR DE DÉMARRAGE DU MOTEUR (1H) à la position d'ARRÊT « 0 » pour ARRÊTER le moteur (s'il est en marche).
- Tourner le CONTACTEUR DE DÉMARRAGE DU MOTEUR (1H) à la position « 1 » (MARCHE) pour mettre le circuit électrique sous tension.
- Mettre l'INTERRUPTEUR DE BUTÉE DE PROFONDEUR DE DISQUE (1M) à la position « 0 » (Arrêt).
- Abaisser le DISQUE EN DIAMANT (2E) en appuyant vers le bas sur le COMMUTATEUR À BASCULE (1P) du LEVIER DE COMMANDE DE VITESSE (1O) jusqu'à ce que le DISQUE EN DIAMANT (2E) touche la surface à entailler.

- Tourner l'aiguille de l'INDICATEUR DE PROFONDEUR DU DISQUE (1Q) jusqu'à ce qu'elle s'aligne sur la profondeur « 0 ».
- Lorsque le DISQUE EN DIAMANT (2E) est abaissé sur la surface à entailler, la profondeur actuelle de sciage est alors représentée par la plage de chiffres orangés de l'aiguille de l'INDICATEUR DE PROFONDEUR DU DISQUE (1Q).

Mode « SMD » (Set Maximum Depth/Réglage de la profondeur de sciage maximum) sans BUTÉE DE PROFONDEUR DU DISQUE (les chiffres en blanc représentent la profondeur restant à entailler) :

- Mettre le CONTACTEUR DE DÉMARRAGE DU MOTEUR (1H) à la position d'ARRÊT « 0 » pour ARRÊTER le moteur (s'il est en marche).
- Tourner le CONTACTEUR DE DÉMARRAGE DU MOTEUR (1H) à la position « 1 » (MARCHE) pour mettre le circuit électrique sous tension.
- Abaisser le DISQUE EN DIAMANT (2E) en appuyant vers le bas sur le COMMUTATEUR À BASCULE (1P) du LEVIER DE COMMANDE DE VITESSE (1O) jusqu'à ce que le DISQUE EN DIAMANT (2E) touche la surface à entailler.
- Tourner l'aiguille de l'INDICATEUR DE PROFONDEUR DU DISQUE (1Q) jusqu'à ce qu'elle s'aligne sur la profondeur de sciage maximum souhaitée de la plage de chiffres en blanc. La profondeur restant à entailler est maintenant indiquée sur la plage de chiffres en blanc. Lorsque l'aiguille de l'INDICATEUR DE PROFONDEUR DU DISQUE (1Q) atteint la position « 0 », la scie coupe la surface à la profondeur de sciage maximum souhaitée.
- Lever le disque en appuyant vers le haut sur le COMMUTATEUR À BASCULE (1P) du LEVIER DE COMMANDE DE VITESSE (1O) jusqu'à ce que le DISQUE EN DIAMANT (2E) soit au-dessus de la surface à entailler.

- Mettre le CONTACTEUR DE DÉMARRAGE DU MOTEUR (1H) à la position « 0 » (ARRÊT) pour mettre le circuit électrique hors tension.

Mode « SMD » (Set Maximum Depth/Réglage de la profondeur de sciage maximum) avec INTERRUPTEUR DE BUTÉE DE PROFONDEUR DU DISQUE (1M) (les chiffres en blanc représentent la profondeur restant à entailler) :

- Mettre le CONTACTEUR DE DÉMARRAGE DU MOTEUR (1H) à la position d'ARRÊT « 0 » pour ARRÊTER le moteur (s'il est en marche).
- Mettre l'INTERRUPTEUR DE BUTÉE DE PROFONDEUR DE DISQUE (1M) à la position « 0 » (ARRÊT) pour contourner le réglage de butée de profondeur. La scie peut alors se relever et s'abaisser sur toute la plage sans s'arrêter.
- Tourner le CONTACTEUR DE DÉMARRAGE DU MOTEUR (1H) à la position « 1 » (MARCHE) pour mettre le circuit électrique sous tension.
- Abaisser le DISQUE EN DIAMANT (2E) en appuyant vers le bas sur le COMMUTATEUR À BASCULE (1P) du LEVIER DE COMMANDE DE VITESSE (1O) jusqu'à ce que le DISQUE EN DIAMANT (2E) touche la surface à entailler.



- Tourner l'aiguille de l'INDICATEUR DE PROFONDEUR DU DISQUE (1Q) jusqu'à ce qu'elle s'aligne sur la profondeur de sciage maximum souhaitée de la plage de chiffres en blanc.
- Mettre l'INTERRUPTEUR DE BUTÉE DE PROFONDEUR DE DISQUE (1M) à la position « 1 » (MARCHE).
- Lever le disque en appuyant vers le haut sur le COMMUTATEUR À BASCULE (1P) du LEVIER DE COMMANDE DE VITESSE (1O) jusqu'à ce que le DISQUE EN DIAMANT (2E) soit au-dessus de la surface à entailler.
- Mettre le CONTACTEUR DE DÉMARRAGE DU MOTEUR (1H) à la position « 0 » (ARRÊT) pour mettre le circuit électrique hors tension.
- La profondeur de sciage maximum est maintenant réglée. Si la scie, pour quelque raison que ce soit, est relevée hors de la surface entaillée, elle peut désormais être rabaissée à cette profondeur spécifiée, en abaissant le disque dans la surface entaillée jusqu'à ce que le mouvement d'abaissement de la scie s'arrête.



**La scie NE S'ABAISSERA PAS à une profondeur supérieure à celle réglée par la BUTÉE DE PROFONDEUR DE DISQUE (1Q). Par conséquent, si une entaille plus profonde est nécessaire, l'INDICATEUR DE PROFONDEUR DE DISQUE (1Q) DOIT être tourné à la nouvelle profondeur souhaitée. Ou mettre l'INTERRUPTEUR DE BUTÉE DE PROFONDEUR DE DISQUE (1M) à la position « 0 » (ARRÊT) pour contourner le réglage de butée de profondeur.**

## 7 Arrêt de la scie

(Voir les figures 1 et 2)



**Pour un ARRÊT D'URGENCE, appuyer sur l'INTERRUPTEUR À PRÉHENSION ROUGE (1K) sur le capot. Cela arrêtera le moteur et coupera l'alimentation de toutes les pièces électriques, sauf l'éclairage. Réarmer l'INTERRUPTEUR À PRÉHENSION ROUGE (1K) en le tirant jusqu'à ce qu'il ressorte puis faire redémarrer le moteur.**

- Mettre le LEVIER DE COMMANDE DE VITESSE (1O) à la POSITION D'ARRÊT (STOP) (1BB).
- Sortir le DISQUE EN DIAMANT (2E) de l'entaille en appuyant vers le haut sur le COMMUTATEUR À BASCULE (1P) du LEVIER DE COMMANDE (1O) jusqu'à ce que le DISQUE EN DIAMANT (2E) soit dégagé de la surface.
- Désengager le COMMUTATEUR D'EMBRAYAGE DU DISQUE (1V) (s'il est installé).
- Tourner L'ACCÉLÉRATEUR DU MOTEUR (1F) à la position de RALENTI.
- Fermer le ROBINET D'EAU (1T).
- Laisser le moteur tourner au ralenti quelques minutes avant de l'arrêter.

- ARRÊTER le moteur en tournant le CONTACTEUR DE DÉMARRAGE DU MOTEUR (1H) à la position d'ARRÊT « 0 ».

## 8 Incidents pouvant se produire durant le sciage

(Voir les figures 1 et 2)

Si **LE MOTEUR S'ARRÊTE** durant le sciage, vérifier les points suivants :

- Manque de carburant dans le moteur—Vérifier le niveau de carburant à l'endroit marqué REMPLISSAGE DU RÉSERVOIR DE CARBURANT (FUEL TANK FILL) (5E), ou sur la jauge de carburant située à l'arrière de la machine.
- Un manque d'eau signale à l'INTERRUPTEUR DE SÉCURITÉ D'EAU (1L) d'arrêter le moteur. Mettre l'INTERRUPTEUR DE SÉCURITÉ D'EAU (1L) sur « 0 » (ARRÊT) puis faire redémarrer le moteur.
- Une vitesse de sciage excessive fait caler le moteur.
- L'INTERRUPTEUR DE PRÉHENSION ROUGE (1K) a été enfoncé. Le réarmer en le tirant jusqu'à ce qu'il ressorte.
- Le COUPE-CIRCUIT (1Z) est déclenché. Pousser pour réarmer.

Si le **DISQUE EN DIAMANT (2E) S'ARRÊTE** durant le sciage, vérifier les points suivants :

- La tension de la courroie d'entraînement est inadéquate.
- Le COMMUTATEUR D'EMBRAYAGE DU DISQUE (1V) a été poussé sur « 0 » ARRÊT.
- L'EMBRAYAGE DU DISQUE (1V) (s'il est installé) a une panne électrique ou un fusible grillé.

### LA SCIE S'ABAISSÉ TROP RAPIDEMENT :

- La vitesse d'abaissement de la scie peut être réglée à l'aide du BOUTON DE COMMANDE DE LA VITESSE D'ABAISSÉMENT DE LA SCIE (1U) situé à l'arrière de la scie. Si la scie descend trop rapidement, tourner le BOUTON DE COMMANDE DE LA VITESSE D'ABAISSÉMENT DE LA SCIE (1U) DANS LE SENS DES AIGUILLES D'UNE MONTRE, jusqu'à ce que la vitesse adéquate soit obtenue.

Si, pour quelque raison que ce soit, le MOTEUR ou le DISQUE CALE, relever le disque complètement hors de l'entaille et inspecter entièrement la machine avant de faire redémarrer le moteur. Lors de l'abaissement du disque dans une entaille partielle, aligner le disque exactement sur l'entaille pour éviter d'endommager le disque.



**Confier toutes les réparations uniquement au concessionnaire agréé.**

## 9 Réglages : Sciage en ligne droite

(Voir les figures 1 et 4)

Durant le sciage, il est possible que la scie dévie vers la droite de la ligne droite requise, marquée sur la surface (si le DISQUE EN DIAMANT [2E] est installé du côté droit). Si cela se produit, l'essieu arrière (4E) de la scie peut être pivoté pour compenser.

**Modèle à pivot avant** (avec système optionnel de poursuite électrique) :

- Pousser le COMMUTATEUR DE RÉGLAGE D'ESSIEU (1J) vers la GAUCHE. De petits réglages produisent de grands changements.
- Les réglages peuvent être effectués durant le sciage ou non.
- Vérifier visuellement le mouvement et la direction de l'essieu.

**Scie standard** avec réglage manuel de l'essieu

- L'essieu (4E) se règle en tournant le BOULON DE RÉGLAGE MANUEL DE L'ESSIEU M12 (1CC) situé à la partie inférieure gauche arrière du châssis de la scie.
- Si la scie dévie vers la DROITE durant le sciage, tourner le BOULON DE RÉGLAGE MANUEL DE L'ESSIEU (1CC) DANS LE SENS INVERSE DES AIGUILLES D'UNE MONTRE.
- Si la scie dévie vers la GAUCHE durant le sciage, tourner le BOULON DE RÉGLAGE MANUEL DE L'ESSIEU (1CC) DANS LE SENS DES AIGUILLES D'UNE MONTRE.

**Modèle à pivot arrière** (scie avec pivot différentiel optionnel) :

- Appuyer simplement sur le GUIDON (6G) pour maintenir la scie sur la ligne de sciage. NE PAS DÉPLACER LE COMMUTATEUR DIFFÉRENTIEL (1J) de sa position centrale verrouillée (LOCK). La position « pivot », à gauche du COMMUTATEUR DIFFÉRENTIEL (1J) ne DOIT PAS SERVIR à régler le sciage en ligne droite de la scie.

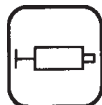
## 10 Entretien

(Voir les figures 1 à 6)



**TOUJOURS garer la machine sur une surface horizontale, avec le moteur À L'ARRÊT (OFF) et le CONTACTEUR DE DÉMARRAGE DU MOTEUR (1H) à la position « 0 » (ARRÊT), avant d'effectuer une opération d'entretien.**

Après chaque utilisation, NETTOYER la machine.



## LUBRIFICATION :

**HUILE MOTEUR** : Vérifier chaque jour (5B). Changer l'huile moteur et le FILTRE À HUILE MOTEUR (5D) toutes les 100 HEURES d'utilisation. Consulter le manuel du moteur pour connaître le type d'huile recommandée. Il est recommandé d'utiliser de l'huile moteur SAE 15W40 API Classe CF, CF-4, CG-4 ou CI-4. Capacité : 7.4 litres (7.8 quarts U.S.) avec FILTRE À HUILE MOTEUR (5D). Aligner le niveau d'huile sur le repère supérieur de la JAUGE D'HUILE MOTEUR (5B). Se servir du ROBINET DE VIDANGE D'HUILE MOTEUR (3-11, 3-21) pour vidanger l'huile moteur. Procéder comme suit:

- Retirer le DISQUE EN DIAMANT (2E), puis abaisser la scie jusqu'en position horizontale.
- Ouvrir et maintenir en place le CAPOT DU MOTEUR (6E).
- Placer un contenant, assez grand pour contenir toute l'huile usée, près de l'extrémité du flexible de vidange. Ouvrir le ROBINET DE VIDANGE D'HUILE MOTEUR (3-11, 3-21) et laisser l'huile usée s'écouler dans le contenant. Mettre au rebut de façon écologique l'huile à moteur usée. Bien fermer le ROBINET DE VIDANGE D'HUILE MOTEUR (3-11, 3-21). Remplir le moteur d'huile recommandée jusqu'à ce que le niveau d'huile atteigne le repère supérieur de la JAUGE D'HUILE MOTEUR (5B).

## LUBRIFIER TOUTES LES 100 HEURES :

- Crapaudines d'essieu avant (4C)

## LUBRIFIER TOUTES LES 250 HEURES :

- Joints d'étanchéité et roulements (4A) d'axe du disque, 2 coups de pompe seulement

## CIRCUIT HYDRAULIQUE :

Consulter la section 12 « Circuit hydraulique ».

## BOÎTE DE TRANSMISSION DU MOTEUR (3-1A, 3-2A):

- Changer l'huile toutes les 500 heures de fonctionnement. Utiliser le lubrifiant synthétique SAE 75W90 pour engrenages.

NE PAS TROP REMPLIR ! Ne remplir que jusqu'au « port de contrôle », afin d'éviter un débordement.

**BOÎTE DE TRANSMISSION DU MOTEUR à une seule vitesse (3-1A)** : Capacité : 0,946 litre (32 oz US) d'huile.

**BOÎTE DE TRANSMISSION DU MOTEUR à trois vitesses (3-2A)** : Capacité : 1,77 litre (60 oz US) d'huile

- Vidanger l'eau de refroidissement par le robinet de vidange d'eau (3-1C, 3-2C) afin d'éviter la rouille et les dégâts dus au gel (tous les jours).

## CIRCUIT DE REFROIDISSEMENT :

Le liquide de refroidissement du moteur est un mélange à volumes égaux (50/50) d'eau et d'antigel. Consulter le manuel du moteur pour connaître le type de liquide de refroidissement recommandé.



- Nettoyer l'ÉLÉMENT DU FILTRE À AIR DU RADIATEUR (1DD) toutes les 50 heures ou lorsque nécessaire ; le remplacer s'il est endommagé. Toujours laisser l'ÉLÉMENT DU FILTRE À AIR DU RADIATEUR (1DD) à sa place.
- Vérifier que les flexibles ne sont pas endommagés et que les colliers sont serrés. Serrer ou remplacer selon le besoin.
- Vérifier chaque année la protection contre le gel du liquide de refroidissement.
- Rincer et nettoyer le radiateur et le circuit de refroidissement toutes les 500 heures.
- Maintenir le niveau du liquide de refroidissement à au moins 1/4 de la BOUTEILLE DE TROP-PLEIN DU RADIATEUR (1Y) lorsque le moteur est frais.

#### FILTRE À AIR :

- Nettoyer l'élément extérieur (5A) du filtre à air lorsque le signal rouge de l'INDICATEUR DE COLMATAGE DU FILTRE À AIR (1N) apparaît. NE PAS nettoyer l'élément intérieur de sécurité (5A) !

Pour changer ou nettoyer l'élément du filtre à air :

- Sortir le boîtier du filtre à air (5A) en ouvrant les deux (2) colliers de serrage du boîtier du filtre, et en tirant sur le boîtier.
- Sortir l'élément extérieur du boîtier du filtre à air et le remplacer ou le nettoyer à l'air comprimé à basse pression (2,75 barres [40 psi] – MAXIMUM), en soufflant l'air de l'intérieur vers l'extérieur. NE PAS nettoyer l'élément du filtre en le tapant sur le sol ou sur d'autres objets car cela l'endommagerait !
- Installer l'élément extérieur nettoyé, ou un nouvel élément extérieur, en le poussant dans le boîtier du filtre.
- Remettre le boîtier du filtre à air (5A) en place et fermer les deux (2) colliers de serrage (5A) du boîtier.



**Les deux (2) colliers de serrage (5A) du boîtier du filtre NE PEUVENT se fermer que si l'élément extérieur est installé correctement.**

- Remplacer l'élément intérieur de sécurité une fois par an ou s'il est endommagé.
- Remplacer tout filtre ou tout joint endommagé.
- Vérifier que les flexibles ne sont pas endommagés et que les colliers sont serrés. Serrer ou remplacer selon le besoin.

#### ROUES ET MOYEURS :

- Vérifier que l'usure n'est pas excessive et qu'ils ne sont pas desserrés. Serrer ou remplacer selon le besoin.

#### FILTRE À CARBURANT :

- Remplacer le filtre à carburant vissable (5F) toutes les 500 heures.

## 11 Tension des courroies trapézoïdales de l'axe du disque

(Voir les figures 1 à 3)

Cette scie est équipée de courroies trapézoïdales en bande à forte tension. Elles sont correctement tendues en usine, mais après quelques heures de fonctionnement, elles se détendent et deviennent lâches. Retendre les courroies comme indiqué ci-dessous.

#### Pour tendre les courroies trapézoïdales :

- Tourner le CONTACTEUR DE DÉMARRAGE DU MOTEUR (1H) à la position « 0 » (ARRÊT).
- Ouvrir le CAPOT DU MOTEUR (6E) en faisant pivoter les deux (2) LOQUETS DU CAPOT (3-1D, 3-2D) de 180 degrés dans le sens inverse des aiguilles d'une montre. Sur les modèles CE européens, un tournevis ou autre outil doit être utilisé pour ouvrir ces loquets. Soulever le CAPOT DU MOTEUR (6E) et le maintenir en position à l'aide du SUPPORT DU CAPOT (6H).
- À l'aide de la CLÉ D'AXE DE DISQUE (2J), desserrer les boulons de serrage horizontaux (3K), à l'avant de la machine.
- Tourner DANS LE SENS DES AIGUILLES D'UNE MONTRE chacun des deux (2) BOULONS DE TENSION DE COURROIE verticaux (3-1J, 3-2J), (à l'avant de la machine, sous la BOÎTE DE TRANSMISSION DU MOTEUR [3-1A, 3-2A]), jusqu'à ce que les COURROIES TRAPÉZOÏDALES (3-1M, 3-2M) soient tendues.
- Remplacer les COURROIES TRAPÉZOÏDALES (3-1M, 3-2M) par jeux complets seulement.
- Pour une tension optimale des courroies trapézoïdales, utiliser les bandes Goodyear TensionRite™, numéro de pièce 542 19 13-68. Ces bandes TensionRite™ sont fournies avec les courroies achetées chez votre concessionnaire.
- Ne jamais tendre les COURROIES TRAPÉZOÏDALES (3-1M, 3-2M) à une tension supérieure à celle d'origine de l'usine. Conséquence de courroies détendues : une durée de vie écourtée et de médiocres performances de la scie.



**Remplacer et garder à leur place toutes les protections et tous les écrans. Ne jamais faire fonctionner la scie sans les protections et les écrans en place.**

---

## 12 Circuit hydraulique

---

(Voir les figures 1 à 6)

Le circuit hydraulique de cette scie sert à RELEVER/ ABAISSER le DISQUE EN DIAMANT (2E) et à propulser la machine VERS L'AVANT et VERS L'ARRIÈRE. Le circuit hydraulique comprend : la POMPE DE TRANSMISSION HYDROSTATIQUE (6K), deux (2) MOTEURS HYDRAULIQUES DE ROUES (4F), le FILTRE À FLUIDE HYDRAULIQUE (5K), la POMPE DE RELEVAGE C.C. (5H), le RÉSERVOIR D'HUILE HYDRAULIQUE (5J), le BOUTON DE COMMANDE DE VITESSE D'ABAISSEMENT DE LA SCIE (1U) et le VÉRIN DE RELEVAGE HYDRAULIQUE (4G).

- Le FILTRE HYDRAULIQUE (5K) doit être changé après les 50 premières heures de fonctionnement, puis toutes les 250 heures. Remplir le FILTRE HYDRAULIQUE (5K) neuf d'huile moteur SAE 10W30 avant l'installation.
- Vérifier régulièrement le niveau d'HUILE HYDRAULIQUE DANS LE RÉSERVOIR (5J). Maintenir le niveau et utiliser de l'huile moteur SAE 10W30. NE PAS TROP REMPLIR ; vérifier le niveau quand la scie est horizontale. Remplir le réservoir jusqu'à la partie inférieure du port du RÉSERVOIR HYDRAULIQUE (5I).
- Changer le fluide hydraulique toutes les 500 heures de fonctionnement. Remplir le RÉSERVOIR D'HUILE HYDRAULIQUE (5I, 5J) avec environ 2,36 litres (2,5 quarts U.S.) d'huile SAE 10W30. NE PAS TROP REMPLIR ! Vérifier le niveau quand la scie est horizontale. Remplir le réservoir jusqu'à la partie inférieure du port du RÉSERVOIR HYDRAULIQUE (5I).
- La vitesse d'abaissement de la scie peut être réglée à l'aide du BOUTON DE COMMANDE DE LA VITESSE D'ABAISSEMENT DE LA SCIE (1U) situé à l'arrière de la scie. Si la scie descend trop rapidement, tourner le BOUTON DE COMMANDE DE LA VITESSE D'ABAISSEMENT DE LA SCIE (1U) DANS LE SENS DES AIGUILLES D'UNE MONTRE, jusqu'à ce que la vitesse adéquate soit obtenue.

---

## 13 Conseil important

---

(Voir les figures 2 et 3)

- Serrer régulièrement les écrous et boulons desserrés, surtout après quelques heures de fonctionnement.
- Vérifier régulièrement la tension des courroies trapézoïdales (3-1M, 3-2M). Retendre les COURROIES TRAPÉZOÏDALES (3-1M, 3-2M) selon le besoin.
- Retirer le DISQUE EN DIAMANT (2E) pour l'entreposer. Le ranger avec précaution.
- Vérifier périodiquement la pulvérisation d'eau sur le DISQUE EN DIAMANT (2E).
- Serrer le DISQUE EN DIAMANT (2E) fermement sur le MANDRIN DU FLASQUE EXTÉRIEUR (2C).

- Vérifier que les faces de contact des FLASQUES (2B & 2F), du DISQUE EN DIAMANT (2E) et d'AXE DU DISQUE (2I) sont propres.



**Entreposer le matériel dans un lieu sûr, hors de la portée des enfants. Retirer tous les outils et clés de réglage. Ranger l'outil en diamant dans un lieu sûr pour qu'il ne soit pas abîmé.**

---

## 14 Moteur / Axe de disque / Réglage du régime de la boîte de transmission

---

(Voir les figures 1 à 6)



**L'opérateur et les personnes se trouvant dans la zone de travail risquent de subir de graves blessures si la vitesse de rotation (tr/min) du DISQUE EN DIAMANT (2E) dépasse la vitesse maximum (tr/min) marquée sur le DISQUE EN DIAMANT.**

### RÉGIME MOTEUR :

Le régime moteur de cette machine a été établi en usine et n'a pas besoin d'être modifié. Le régime moteur maximum doit être de 3 250 tr/min, sans charge.

### VITESSE DE L'AXE DU DISQUE :

Bien vérifier la vitesse de l'axe du disque de cette machine avant d'y installer le DISQUE EN DIAMANT (2E). Ne jamais installer un DISQUE EN DIAMANT (2E) si la vitesse de rotation de l'axe du disque (tr/min) de la machine est supérieure à la vitesse maximum (tr/min) indiquée sur le DISQUE EN DIAMANT (2E) ! Il peut être nécessaire de changer la POULIE D'AXE DU DISQUE (3-1N, 3-2N) et le FLASQUE D'AXE DU DISQUE (2B & 2F) si le diamètre du disque en diamant est changé !

### BOÎTE DE TRANSMISSION À UNE SEULE VITESSE :

Chaque modèle de scie tel que livré d'usine est conçu pour utiliser une plage spécifique de tailles de disques en le tirant jusqu'à. Si une taille de disque hors de la plage spécifiée pour le modèle doit être utilisée, la configuration de l'entraînement de la scie doit être changée. Par exemple : Si l'on passe d'une petite taille de DISQUE EN DIAMANT (2E) à une très grande taille sur une machine munie d'une boîte de transmission à une seule vitesse, les poulies (3-1L) d'axe de disque, les poulies (3-1N) de boîte de transmission et les FLASQUES D'AXE DE DISQUE (2B & 2F) et les protections de disque doivent être changés).

**Par exemple**, pour passer d'un entraînement de 350 mm (14 po) à un entraînement de 900 mm (36 po) sur une boîte de transmission à une seule vitesse :

1. Changer la poulie de boîte de transmission du moteur d'un diamètre de 152 mm (6 po) à 88,9 mm (3,50 po).
2. Changer la poulie d'axe de disque d'un diamètre de 114,3 mm (4,12 po) à 142,2 mm (5,60 po).
3. Changer les flasques de disque d'un diamètre de 114,3 mm (4,50 po) à 152 mm (6 po).

4. Changer la PROTECTION DE DISQUE (2H) de 350 mm (14 po) à 900 mm (36 po).

5. Le régime moteur ne change pas.

Consulter les informations spécifiques des tableaux de conversion des tailles de disque.

#### **MODÈLE DOTÉ D'UNE BOÎTE DE TRANSMISSION À TROIS VITESSES (14-26, 18-30, 20-36):**



**ATTENTION : Ne jamais changer de vitesse (3-2A) lorsque le moteur tourne ! Ne changer de vitesse (3-2A) que lorsque le moteur est ARRÊTÉ ! La boîte de transmission pourrait être endommagée.**

Voir à la rubrique « LEVIER DE VITESSE DE LA BOÎTE DE TRANSMISSION (3-2O) les détails du fonctionnement du levier de vitesse.

Bien qu'elle ait été conçue pour minimiser les réglages requis par les changements de taille de disque, une machine dotée d'une BOÎTE DE TRANSMISSION À TROIS VITESSES (3-2A) installée en usine peut nécessiter certains réglages. La machine est conçue pour fonctionner dans la plage spécifiée pour les tailles des disques se trouvant à l'intérieur de la protection installée en usine. Les informations codées couleur se trouvant sur la machine et celles du manuel indiquent les tailles de disque permises en fonction de la configuration actuelle de l'entraînement de la machine. Il existe trois (3) configurations d'entraînement de la machine :

- a) 14-26 pour les disques de 350 à 650 mm (14 à 26 po),
- b) 18-30 pour les disques de 450 à 750 mm (18 à 30 po),
- c) 20-36 pour les disques de 500 à 900 mm (20 à 36 po).

Par exemple, pour installer un disque de taille différente sur l'entraînement d'une machine de configuration 18-30 dans la plage 450 à 750 mm (18 à 30 po), il suffit d'amener le LEVIER DE VITESSE DE LA BOÎTE DE TRANSMISSION (3-2O) à la position correcte (1, 2 ou 3). Si la taille de disque requise est hors de la plage de configuration de l'entraînement de la machine [dans cet exemple, en dessous de 450 mm (18 po) ou au-dessus de 750 mm (30 po)], la configuration doit être modifiée. Pour cela, il peut être nécessaire de déplacer le LEVIER DE VITESSE DE LA BOÎTE DE TRANSMISSION (3-2O), de changer LES POULIES DE L'AXE DE DISQUE (3-2L), les POULIES DE LA BOÎTE DE TRANSMISSION (3-2N) et les FLASQUES DE L'ARBRE DE DISQUE (2B et 2F).

**Exemple:** Pour passer d'un entraînement de 500 mm (20 po) à un entraînement de 900 mm (36 po) sur une boîte de transmission à trois vitesses, déterminer d'abord la configuration de l'entraînement de la machine (14-26, 18-30 ou 20-36). Elle devrait correspondre au diamètre du FLASQUE DE L'AXE DE DISQUE (2B et 2F) installé sur la scie.

**Si la configuration de l'entraînement de la machine est 20-36, le diamètre du FLASQUE (2B et 2F) devrait être de 152 mm (6 po) :**

a) Vérifier que des poulies de diamètre approprié sont installées (Consulter les informations spécifiques des tableaux de conversion des tailles de disque).

b) Faire passer le LEVIER DE VITESSE DE LA BOÎTE DE TRANSMISSION (3-2O) de 3 à 1.

c) Vérifier que la configuration de l'entraînement de la machine et la vitesse de l'axe du disque sont conformes aux informations contenues dans le manuel et sur l'autocollant « Plage de la boîte de transmission ».

**Si la configuration de l'entraînement de la machine est 18-30, le diamètre du FLASQUE (2B et 2F) devrait être de 127 mm (5,00 po) :**

a) Changer le diamètre de la POULIE DE L'AXE DE DISQUE de 114,3 mm (4,50 po) à 132 mm (5,20 po).

b) Changer le diamètre du FLASQUE DE L'AXE DE DISQUE de 127 mm (5 po) à 152 mm (6 po).

c) Faire passer le LEVIER DE VITESSE DE LA BOÎTE DE TRANSMISSION (3-2O) de 2 à 1.

d) Vérifier que la configuration de l'entraînement de la machine et la vitesse de l'axe de disque sont conformes aux informations sur la configuration de l'entraînement 20-36 figurant dans le manuel.

e) Installer les autocollants de configuration d'entraînement 20-36 (autocollants 542 19 06-00, 542 20 65-46, 542 20 65-49 requis) De plus amples informations se trouvent à la page « Autocollants et emplacements » de ce manuel.

**Si la configuration de l'entraînement de la machine est 14-26, le diamètre du FLASQUE (2B et 2F) devrait être de 114,3 mm (4,50 po) :**

a) Changer le diamètre de la POULIE DE L'AXE DE DISQUE de 105 mm (4,12 po) à 132 mm (5,20 po).

b) Changer le diamètre du FLASQUE DE L'AXE DE DISQUE de 114,3 mm (4,50 po) à 152 mm (6 po).

c) Changer le diamètre de la POULIE DE LA BOÎTE DE TRANSMISSION DU MOTEUR de 114,3 mm (4,50 po) à 105 mm (4,12 po).

d) Faire passer le LEVIER DE VITESSE DE LA BOÎTE DE TRANSMISSION (3-2O) de 2 à 1.

e) Vérifier que la configuration de l'entraînement de la machine et la vitesse de l'axe de disque sont conformes aux informations sur la configuration de l'entraînement 20-36 figurant dans le manuel.

f) Installer les autocollants de configuration d'entraînement 20-36 (autocollants 542 19 06-00, 542 20 65-46, 542 20 65-49 requis) De plus amples informations se trouvent à la page "Autocollants et emplacements" de ce manuel.

Consulter les informations spécifiques des tableaux de conversion des tailles de disque.



**AVERTISSEMENT : L'opérateur et les personnes se trouvant dans la zone de travail risquent de subir de graves blessures si la vitesse de rotation (tr/min) du DISQUE EN DIAMANT (2E) dépasse la vitesse maximum (tr/min) marquée sur le DISQUE EN DIAMANT (2E).**



**AVERTISSEMENT : Après le changement de vitesse, serrez manuellement le BOUTON et serrez l'écrou de blocage (3-2P) pour éviter d'endommager la BOÎTE DE VITESSES DU MOTEUR à trois vitesses (3-2A) !**

En cas de difficulté à passer les vitesses, un léger mouvement de l'axe du disque peut faciliter le mouvement du LEVIER DE LA BOÎTE DE TRANSMISSION (3-2O) VERS la position correcte. Ne jamais passer une vitesse sur la boîte de transmission (3-2A) lorsque le moteur tourne !

LA BOÎTE DE TRANSMISSION DU MOTEUR à trois vitesses (3-2A) est dotée de deux positions au point mort. Cette boîte de vitesse peut être mise au point mort s'il faut arrêter la rotation du disque lors du fonctionnement du moteur. Si la machine est dotée de l'EMBRAYAGE DE DISQUE (1V) en option, le COMMUTATEUR D'EMBRAYAGE DE DISQUE (1V) peut être déplacé à la position « 0 » (ARRÊT) pour stopper la rotation du disque lors du fonctionnement du moteur.

## 15 Accessoires

### KITS DE CONVERSION DES PROTECTIONS DE DISQUE :

Utiliser la protection de la taille appropriée à la taille de disque en diamant utilisée. Les protections de disque suivantes sont disponibles pour ces tailles de disque en diamant :

Protection	Tailles de disque
36 po (900 mm)	24 po - 36 po (600 - 900 mm)
30 po (750 mm)	18 po - 30 po (450 - 750 mm)
26 po (600 mm)	14 po - 26 po (350 - 650 mm)
18 po (450 mm)	14 po - 18 po (350 - 450 mm)
14 po (350 mm)	14 po (350 mm)

**Consulter les informations spécifiques des tableaux de conversion des tailles de disque.**

KITS OPTIONNELS :

542 18 11-17\* Kit d'éclairage double

## 16 Réparations

Nous effectuons toutes les réparations dans les délais les plus courts possibles, aux tarifs les plus économiques. (Se reporter à la page de dos pour les adresses et numéros de téléphone). Contacter votre concessionnaire agréé pour tout besoin d'entretien et de réparations.

## 17 Pièces détachées

Pour obtenir rapidement des pièces détachées et éviter toute perte de temps, il est essentiel de fournir, pour chaque commande, les données se trouvant sur la plaque du fabricant fixée sur la machine, ainsi que le(s) numéro(s) de pièce et la (les) description(s) des composants à remplacer.

Veillez vous reporter au manuel des listes de pièces (542 20 10-83) :

(Si vous n'avez pas de manuel de listes de pièces, veuillez téléphoner au 1 800 288-5040 aux États Unis ou +1-913-928-1300, international).

*Les instructions d'utilisation et les pièces détachées mentionnées dans ce document figurent uniquement à titre informatif et ne doivent pas être considérées comme un engagement. De par notre politique d'amélioration de la qualité des produits, nous nous réservons le droit d'effectuer des modifications techniques sans avis préalable.*



**Le fabricant n'accepte aucune responsabilité pour les événements résultant d'une utilisation inappropriée ou de modifications.**



# FS4800 D DIESEL - BLADE SIZE CONVERSION CHART

Blade Size Conversion: Husqvarna FS 4800, 1 Speed Gearbox Models					
	Convert To Size				
Convert From	14" (350 mm)	18" (450 mm)	26" (600 mm)	30" (800 mm)	36" (900 mm)
<b>14" (350mm)</b>	No Conversion Required; configured: - Blade Guard 3" Wide Slip-On – 14" - (1) Spade & Spacer - (2) Blad shaft Pulley 6G3VX4.12" OD - (2) Engine Pulley, 6G3VX6.0" OD - Flanges, 4.50" OD - (4) V-Belt 3VX450 3-Band	542198163 Blade Grd 2" Wide S/O-US 542198778 Blade Grd 3" Wide S/O-EU 541207150 (2) G-box Pulley, 6G4.75 542190416 (4) V-Belt 3VX425 4-Band	542198164 Blade Guard 3" Wide S/O-EU 541207148 (2) G-box Pulley, 6G3.5 542190416 (4) V-Belt 3VX425 4-Band 542206339 Blad shaft Assy 26"/30"	542198165 Blade Guard 3" Wide S/O-EU 541207148 (2) G-box Pulley, 6G3.5 542190416 (4) V-Belt 3VX425 4-Band 542206339 Blad shaft Assy 26"/30"	542198166 Blade Grd 3" Wide S/O-EU 541207148 (2) G-box Pulley, 6G3.5 542206301 (4) V-Belt 3VX430 4-Band 542206340 Blad shaft Assy 36" 542206176 Attach. Grp. Blade Gd 36"
<b>18" (450mm)</b>	541208366 Blade Guard 14" 542206342 (2) Eng Pulley 6G6.0 OD 542186048 (4) V-Belt 3VX450 4-Band	No Conversion Required; configured: - Blade Guard 3" Wide Slip-On – 18" - (1) Spade & Spacer - (2) Blad shaft Pulley 6G3V4.12" OD - (2) Engine Pulley, 6G3VX4.75" OD - Flanges, 4.50" OD - (4) V-Belt 3VX425 3-Band	542198164 Blade Guard 3" Wide S/O-EU 541207148 (2) G-box Pulley, 6G3.5 542206339 Blad shaft Assy 26"/30"	542198165 Blade Guard 3" Wide S/O-EU 541207148 (2) G-box Pulley, 6G3.5 542206339 Blad shaft Assy 26"/30"	542198166 Blade Grd 3" Wide S/O-EU 541207148 (2) G-box Pulley, 6G3.5 542206301 (4) V-Belt 3VX430 4-Band 542206340 Blad shaft Assy 36" 542206176 Attach. Grp. Blade Gd 36"
<b>26" (600mm)</b>	541208366 Blade Guard 14" 542206342 (2) Eng Pulley 6G6.0 OD 542186048 (4) V-Belt 3VX450 4-Band 542206338 Blad shaft Assy 14"/18"	542198163 Blade Grd 2" Wide S/O-US 542198778 Blade Grd 3" Wide S/O-EU 541207150 (2) G-box Pulley, 6G4.75" 542206338 Blad shaft Assy 14"/18"	No Conversion Required; configured: - Blade Guard 3" Wide Slip-On – 26" - (1) Spade & Spacer - (2) Blad shaft Pulley 6G3V4.75" OD - (2) Engine Pulley, 6G3VX3.50" OD - Flanges, 5.0" OD - (4) V-Belt 3VX425 3-Band	542198165 Blade Guard 3" Wide S/O-EU	542198166 Blade Guard 3" Wide S/O-EU 542206301 (4) V-Belt 3VX430 4-Band 542206340 Blad shaft Assy 36" 542206176 Attach. Grp. Blade Gd 36"
<b>30" (800mm)</b>	541208366 Blade Guard 14" 542206342 (2) Eng Pulley 6G6.0 OD 542186048 (4) V-Belt 3VX450 4-Band 542206338 Blad shaft Assy 14"	542198163 Blade Grd 2" Wide S/O-US 542198778 Blade Grd 3" Wide S/O-EU 541207150 (2) G-box Pulley, 6G4.75 542206338 Blad shaft Assy 14"/18"	542198164 Blade Guard 3" Wide S/O-EU	No Conversion Required; configured: - Blade Guard 3" Wide Slip-On – 30" - (1) Spade & Spacer - (2) Blad shaft Pulley 6G3V4.75" OD - (2) Engine Pulley, 6G3V3.5" OD - Flanges, 5.0" OD - (4) V-Belt 3VX425 3-Band	542198166 Blade Grd 3" Wide S/O-EU 542206301 (4) V-Belt 3VX430 4-Band 542206340 Blad shaft Assy 36" 542206176 Attach. Grp. Blade Gd 36"
<b>36" (900mm)</b>	541208366 Blade Guard 14" 542206342 (2) Eng Pulley 6G6.0 OD 542186048 (4) V-Belt 3VX450 4-Band 542206338 Blad shaft Assy 14" Remove Narrow Rear Spade	542198163 Blade Grd 2" Wide S/O-US 542198778 Blade Grd 3" Wide S/O-EU 541207150 (2) G-box Pulley, 6G4.75 542206338 Blad shaft Assy 14"/18" 542190416 (4) V-Belt 3VX425 4-Band Remove Narrow Rear Spade	542198164 Blade Guard 3" Wide S/O-EU 541207148 (2) G-box Pulley, 6G3.5 542190416 (4) V-Belt 3VX425 4-Band 542206339 Blad shaft Assy 26"/30" Remove Narrow Rear Spade	542198165 Blade Guard 3" Wide S/O-EU 542190416 (4) V-Belt 3VX425 4-Band 542206339 Blad shaft Assy 26"/30" Remove Narrow Rear Spade	No Conversion Required; configured: - Blade Guard 3" Wide Slip-On – 36" - (2) Spade & Spacer - (2) Blad shaft Pulley 6G3V5.6" OD - (2) Engine Pulley, 6G3V3.5" OD - Flanges, 6.0" OD - (4) V-Belt 3VX430 3-Band



# FS4800 D DIESEL - BLADE SIZE CONVERSION CHART

Blade Size Conversion: Husqvarna FS 4800, 3 Speed Gearbox Models			
	Convert To Size		
Convert From	14-26" (350-650mm) 4 1/2" (115mm) Flange	14-30" (350-850mm) 5" (125mm) Flange	18-36" (450-900mm) 6" (150mm) Flange
<b>14-26"</b> <b>(350-650mm)</b>  <b>4 1/2"</b> <b>(115mm)</b> <b>Flange</b>	No Conversion Required; configured: - Blade Guard 3" Wide Slip-On – 26" - (1) Spade & Spacer - (2) Blad shaft Pulley 6G3VX4.12" OD - (2) Engine Pulley, 6G3VX4.5" OD - Flanges, 4.50" OD - (4) V-Belt 3VX520 3-Band	542198165 Blade Guard 3" Wide S/O- 541207146 (2) G-box Pulley, 6G4.12 542206379 Blad shaft Assy 5" Flange	542198166 Blade Guard 3" Wide S/O- 541207146 (2) G-box Pulley, 6G4.12 541200848 (4) V-Belt 3VX530 3-Band 542206380 Blad shaft Assy 6" Flange 542206176 Attach. Grp. Blade Gd 36"
<b>14-30"</b> <b>(350-850mm)</b>  <b>5"</b> <b>(125mm)</b> <b>Flange</b>	542198164 Blade Guard 3" Wide S/O-EU 542207149 (2) Eng Pulley 6G4.5 OD 542206382 Blad shaft Assy 4.5" Flange	No Conversion Required; configured: - Blade Guard 3" Wide Slip-On – 30" - (1) Spade & Spacer - (2) Blad shaft Pulley 6G3V4.50" OD - (2) Engine Pulley, 6G3VX4.12" OD - Flanges, 5.0" OD - (4) V-Belt 3VX520 3-Band	542198166 Blade Guard 3" Wide S/O 542206380 Blad shaft Assy 6" Flange 541200848 (4) V-Belt 3VX530 3-Band 542206176 Attach. Grp. Blade Gd 36"
<b>18-36"</b> <b>(450-900mm)</b>  <b>6"</b> <b>(150mm)</b> <b>Flange</b>	542198164 Blade Guard 14" 542207149 (2) Eng Pulley 6G4.5 OD 542186048 (4) V-Belt 3VX520 3-Band 542206382 Blad shaft Assy 4.5" Flange	542198165 Blade Guard 3" Wide S/O- 542206379 Blad shaft Assy 5" Flange 542186048 (4) V-Belt 3VX520 3-Band	No Conversion Required; configured: - Blade Guard 3" Wide Slip-On – 36" - (1) Spade & Spacer - (2) Blad shaft Pulley 6G3V5.20" OD - (2) Engine Pulley, 6G3VX4.12" OD - Flanges, 6.0" OD - (4) V-Belt 3VX530 3-Band

# FS4800 D DIESEL - TABLA DE CONVERSIONES DE TAMAÑOS DE LA

<b>Conversión de tamaños de hojas: Modelos Husqvarna FS 4800 de caja de marchas de 1 velocidad</b>					
	<b>Convertir al tamaño</b>				
<b>Convertir de</b>	<b>14" (350 mm)</b>	<b>18" (450 mm)</b>	<b>26" (600 mm)</b>	<b>30" (800 mm)</b>	<b>36" (900 mm)</b>
<b>14" (350mm)</b>	No requiere conversión; configurada con: - Protector de hoja de 3" de ancho – 14" - (1) Pala y espaciador - (2) Polea de eje de hoja 6G3VX4.12" de DE - (2) Polea de motor, 6G3VX6.0" de DE - Bridas de 4.50" de DE - (4) Correa trapecial de 3 bandas 3VX450	Protector de hoja deslizando de 2" de ancho para EE.UU. 542198163 Protector de hoja deslizando de 3" de ancho para la UE 542198778 (2) Polea de caja de marchas 541207150, 6G4.75 (4) Correa trapecial 3VX425 de 4 bandas 542190416	Protector de hoja deslizando de 3" de ancho para la UE 542198164 (2) Polea de caja de marchas 6G3.5 541207148 (4) Correa trapecial de 4 bandas 3VX425 542190416 Conj. de eje de hoja de 26"/30" 542206339	Protector de hoja deslizando de 3" de ancho para la UE 542198165 (2) Polea de caja de marchas 6G3.5 541207148 (4) Correa trapecial de 4 bandas 3VX425 542190416 Conj. de eje de hoja de 26"/30" 542206339	Protector de hoja deslizando de 3" de ancho para la UE 542198166 (2) Polea de caja de marchas 6G3.5 541207148 (4) Correa trapecial de 4 bandas 3VX430 542206301 Conj. de eje de hoja de 36" 542206340 Grupo accesorio para protector de hoja de 36" 542206176
<b>18" (450mm)</b>	Protector de hoja 541208366 de 14" (2) Polea de motor 6G6.0 de DE 542206342 (4) Correa trapecial de 4 bandas 542186048	No requiere conversión; configurada con: - Protector de hoja deslizando de 3" de ancho – 18" - (1) Pala y espaciador - (2) Polea de eje de hoja 6G3V4.12" de DE - (2) Polea de motor 6G3VX4.75" de DE - Bridas de 4.50" de DE - (4) Correa trapecial de 3 bandas 3VX425	Protector de hoja deslizando de 3" de ancho para la UE 542198164 (2) Polea de caja de marchas 6G3.5 541207148 Conj. de eje de hoja de 26"/30" 542206339	Protector de hoja deslizando de 3" de ancho para la UE 542198165 (2) Polea de caja de marchas 6G3.5 541207148 Conj. de eje de hoja de 26"/30" 542206339	Protector de hoja deslizando de 3" de ancho para la UE 542198166 (2) Polea de caja de marchas 6G3.5 541207148 (4) Correa trapecial de 4 bandas 3VX430 542206301 Conj. de eje de hoja de 36" 542206340 Grupo accesorio de protector de hoja de 36" 542206176
<b>26" (600mm)</b>	Protector de hoja de 14" 541208366 (2) Polea de motor 6G6.0 de DE 542206342 (4) Correa trapecial de 4 bandas 3VX450 542186048 Conj. de eje de hoja de 14"/18" 542206338	Protector de hoja deslizando de 2" de ancho para EE.UU. 542198163 Protector de hoja deslizando de 3" de ancho para la UE 542198778 (2) Polea de caja de marchas 6G4.75" 541207150 Conj. de eje de hoja de 14"/18" 542206338	No requiere conversión; configurada con: - Protector de hoja deslizando de 3" de ancho – 26" - (1) Pala y espaciador - (2) Polea de eje de hoja 6G3V4.75" de DE - (2) Polea de motor 6G3VX3.50" de DE - Bridas de 5.0" de DE - (4) Correa trapecial de 3 bandas 3VX425	Protector de hoja deslizando de 3" de ancho para la UE 542198165	Protector de hoja deslizando de 3" de ancho para la UE 542198166 (4) Correa trapecial de 4 bandas 3VX430 542206301 Conj. de eje de hoja de 36" 542206340 Grupo accesorio para protector de hoja de 36" 542206176
<b>30" (800mm)</b>	Protector de hoja de 14" 541208366 (2) Polea de motor 6G6.0 de DE 542206342 (4) Correa trapecial de 4 bandas 3VX450 542186048 Conj. de eje de hoja de 14" 542206338	Protector de hoja deslizando de 2" de ancho para EE.UU. 542198163 Protector de hoja deslizando de 3" de ancho para la UE 542198778 (2) Polea de caja de marcha 6G4.75 541207150 Conj. de eje de hoja de 14"/18" 542206338	Protector de hoja deslizando de 3" de ancho para la UE 542198164	No se necesita conversión; configurada con: - Protector de hoja deslizando de 3" ancho – 30" - (1) Pala y espaciador - (2) Polea de eje de hoja 6G3V4.75" de DE - (2) Polea de motor 6G3V3.5" de DE - Bridas de 5.0" de DE - (4) Correa trapecial de 3 bandas 3VX425	Protector de hoja deslizando de 3" de ancho para la UE 542198166 (4) Correa trapecial de 4 bandas 3VX430 542206301 Conj. de eje de hoja de 36" 542206340 Grupo accesorio de protector de hoja de 36" 542206176
<b>36" (900mm)</b>	Protector de hoja 541208366 de 14" Polea de motor (2) 542206342 6G6.0 de DE (4) Correa trapecial de 4 bandas 3VX450 542186048 Conj. de eje de hoja de 14" 542206338 Quite pala trasera estrecha	Protector de hoja deslizando de 2" de ancho para EE.UU. 542198163 Protector de hoja deslizando de 3" de ancho para la UE 542198778 (2) Polea de caja de marchas 6G4.75 541207150 Conj. de eje de hoja de 14"/18" 542206338 (4) Correa trapecial de 4 bandas 3VX425 542190416 Quite pala trasera estrecha	Protector de hoja deslizando de 3" de ancho para la UE 542198164 (2) Polea de caja de marchas 6G3.5 541207148 (4) Correa trapecial de 4 bandas 3VX425 542190416 Conj. de eje de hoja de 26"/30" 542206339 Quite pala trasera estrecha	Protector de hoja deslizando de 3" de ancho para la UE 542198165 (4) Correa trapecial de 4 bandas 3VX425 542190416 Conj. de eje de hoja de 26"/30" 542206339 Quite pala trasera estrecha	No se necesita conversión; configurada con: - Protector de hoja deslizando de 3" de ancho – 36" - (2) Pala y espaciador - (2) Polea de eje de hoja 6G3V5.6" de DE - (2) Polea de motor 6G3V3.5" de DE - Bridas de 6.0" de DE - (4) Correa trapecial de 3 bandas 3VX430

# FS4800 D DIESEL - TABLA DE CONVERSIONES DE TAMAÑOS DE LA

<b>Conversión de tamaños de hojas: Modelos Husqvarna FS 4800 con caja de marchas de 3 velocidades</b>			
	<b>Convertir al tamaño</b>		
<b>Convertir de</b>	<b>14-26" (350-650 mm) Brida de 4 ½" (115 mm)</b>	<b>14-30" (350-850 mm) Brida de 5" (125 mm)</b>	<b>18-36" (450-900 mm) Brida de 6" (150 mm)</b>
<b>14-26" (350-650 mm)  Brida de 4 ½" (115 mm)</b>	No se necesita conversión; configurada con: - Protector de hoja deslizante de 3" de ancho - 26" - (1) Pala y espaciador - (2) Polea de eje de hoja 6G3VX4.12" de DE - (2) Polea de motor , 6G3VX4.5" de DE - Bridas de 4.50" de DE - (4) Correa trapecial de 3 bandas 3VX520	Protector de hoja deslizante de 3" de ancho 542198165 (2) Polea de caja de marchas 6G4.12 541207146 Brida de 5" de conj. de eje de hoja 542206379	Protector de hoja deslizante de 3" de ancho 542198166 (2) Polea de caja de marchas 6G4.12 541207146 (4) Correa trapecial de 3 bandas 3VX530 541200848 Brida de 6" de conj. de eje de hoja 542206380 Grupo accesorio de protector de hoja de 36" 542206176
<b>14-30" (350-850 mm)  Brida de 5" (125 mm)</b>	Protector de hoja deslizante de 3" de ancho para la UE 542198164 (2) Polea de motor 6G4.5 de DE 542207149 Brida de 4,5" de conj. de eje de hoja 542206382	No se necesita conversión; configurada con: - Protector de hoja deslizante de 3" de ancho - 30" - (1) Pala y espaciador - (2) Polea del eje de la hoja 6G3V4.50" de DE - (2) Polea del motor 6G3VX4.12" de DE - Bridas de 5,0" de DE - (4) Correa trapecial de 3 bandas 3VX520	Protector de hoja deslizante de 3" de ancho 542198166 Brida de 6" de conj. de eje de hoja 542206380 (4) Correa trapecial 3VX530 de 3 bandas 541200848 Grupo accesorio de protector de hoja de 36" 542206176
<b>18-36" (450-900 mm)  Brida de 6" (150 mm)</b>	Protector de hoja de 14" 542198164 (2) Polea de motor 6G4.5 de DE 542207149 542186048 (4) Correa trapecial de 3 bandas 3VX520 Brida de 4,5" de conj. de eje de hoja 542206382	Protector de hoja deslizante de 3" de ancho 542198165 Brida de 5" del conj. de eje de hoja 542206379 (4) Correa trapecial de 3 bandas 3VX520 542186048	No se necesita conversión; configurada con: - Protector de hoja deslizante de 3" de ancho - 36" - (1) Pala y espaciador - (2) Polea de eje de hoja 6G3V5.20" de DE - (2) Polea de motor 6G3VX4.12" de DE - Bridas de 6.0" de DE - (4) Correa trapecial de 3 bandas 3VX530

# FS4800 D DIESEL – TABLEAU DE CONVERSION DE TAILLE DE DISQUE

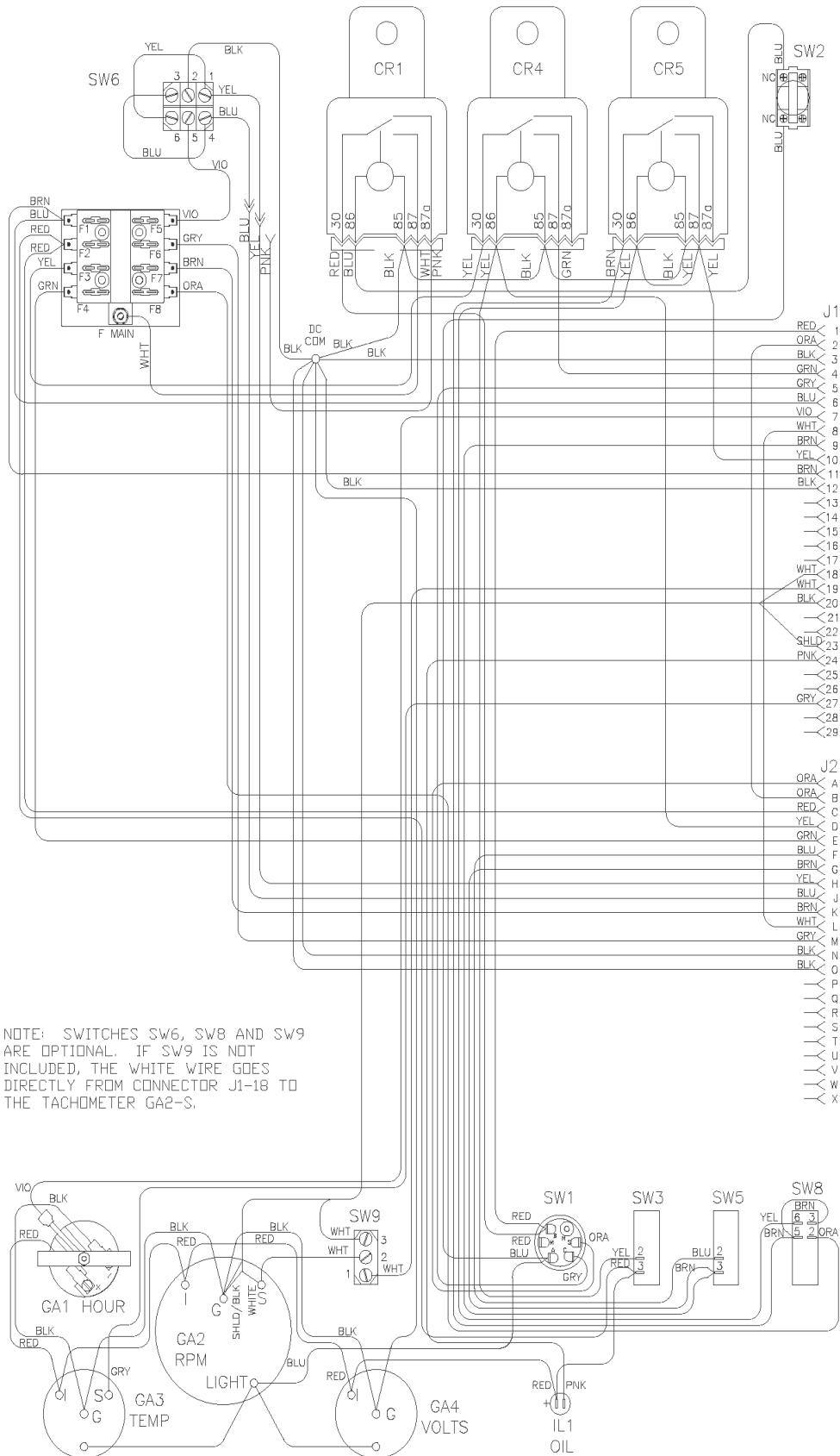
Conversion des tailles de disques : Husqvarna FS 4800, boîte de transmission à 1 vitesse					
jusqu'à la taille:					
Depuis la taille	350mm (14po)	450mm (18po)	600mm (26po)	800mm (30po)	900mm (36po)
<b>350mm (14po)</b>	Aucune conversion requise; configuration : - Protection de disque, amovible 76mm (3po) : 350mm (14po) - (1) bride & entretoise - (2) poulie de l'axe de disque 6G3VX4.12 (DE:105mm) - (2) poulie du moteur, 6G3VX6.0 (DE :150mm) - Flasques DE :115mm (4,5po) - (4) courroie trapézoïdale 3VX450 3 bandes	542198163 Protection de disque 50mm (2po) de large, amovible-US 542198778 Protection de disque 76mm (3po) de large, amovible-UE 541207150 (2) Poulie de boîte de transm., 6G4.75 (120mm) 542190416 (4) courroie trapézoïdale 3VX425 4 bandes	542198164 Protection de disque 76mm (3po) de large, amovible-UE 541207148 (2) Poulie de boîte de transm., 6G3.5 542190416 (4) courroie trapézoïdale 3VX425 4 bandes 542206339 Axe de disque 600mm/800mm (26po/30po)	542198165 Protection de disque 76mm (3po) de large, amovible-UE 541207148 (2) Poulie de boîte de transm., 6G3.5 542190416 (4) courroie trapézoïdale 3VX425 4 bandes 542206339 Axe de disque 600mm/800mm (26po/30po)	542198166 Protection de disque 76mm (3po) de large, amovible-UE 541207148 (2) Poulie de boîte de transm., 6G3.5 542206301 (4) courroie trapézoïdale 3VX430 4 bandes 542206340 Axe de disque 900mm (36po) 542206176 Protection de disque, groupe accessoires 900mm (36po)
<b>450 mm (18 po)</b>	541208366 Protection de disque 350mm (14po) 542206342 (2) Poulie du moteur 6G6.0 DE 542186048 (4) courroie trapézoïdale 3VX450 4 bandes	Aucune conversion requise; configuration : - Protection de disque amovible 76mm (3po) de large : 450mm (18po) - (1) bride & entretoise - (2) poulie de l'axe de disque 6G3V4.12po (DE:105mm) - (2) poulie du moteur, 6G3VX4,75po (DE:120mm) - Flasques, DE:115mm (4,5po) - (4) courroie trapézoïdale 3VX425 3 bandes	542198164 Protection de disque 76mm (3po) de large, amovible-UE 541207148 (2) Poulie de boîte de transm., 6G3.5 542206339 Axe de disque 600mm/800mm (26po/30po)	542198165 Protection de disque 76mm (3po) de large, amovible-UE 541207148 (2) Poulie de boîte de transm., 6G3.5 542206339 Axe de disque 600mm/800mm (26po/30po)	542198166 Protection de disque 76mm (3po) de large, amovible-UE 541207148 (2) Poulie de boîte de transm., 6G3.5 542206301 (4) courroie trapézoïdale 3VX430 4 bandes 542206340 Axe de disque 900mm (36po) 542206176 Protection de disque, groupe accessoires 900mm (36po)
<b>600 mm (26 po)</b>	541208366 Protection de disque 350mm (14po) 542206342 (2) Poulie du moteur 6G6.0 DE 542186048 (4) courroie trapézoïdale 3VX425 4 bandes 542206338 Axe de disque 350mm/450mm (14po/18po)	542198163 Protection de disque 50mm (2po) de large, amovible-US 542198778 Protection de disque 76mm (3po) de large, amovible-UE 541207150 (2) Poulie de boîte de transm., 6G4.75 (120mm) 542206338 Axe de disque 350mm/450mm (14po/18po)	Aucune conversion requise; configuration : - Protection de disque amovible 76mm (3po) : 600mm (26po) - (1) bride & entretoise - (2) poulie de l'axe de disque 6G3V4.75 (DE : 120mm ) - (2) poulie du moteur, 6G3VX3.50 (DE:90mm) - Flasques, DE:125mm (5po) - (4) courroie trapézoïdale 3VX425 3 bandes	542198165 Protection de disque 76mm (3po) de large, amovible-UE	542198166 Protection de disque 76mm (3po) de large, amovible-UE 542206301 (4) courroie trapézoïdale 3VX430 4 bandes 542206340 Axe de disque 900mm (36po) 542206176 Protection de disque, groupe accessoires 900mm (36po)
<b>800 mm (30 po)</b>	541208366 Protection de disque 350mm (14po) 542206342 (2) Poulie du moteur 6G6.0 DE 542186048 (4) courroie trapézoïdale 3VX425 4 bandes 542206338 Axe de disque 350mm (14po)	542198163 Protection de disque 50mm (2po) de large, amovible-US 542198778 Protection de disque 76mm (3po) de large, amovible-UE 541207150 (2) Poulie de boîte de transm., 6G4.75 (120mm) 542206338 Axe de disque 350mm/450mm (14po/18po)	542198164 Protection de disque 76mm (3po) de large, amovible-UE	Aucune conversion requise; configuration : - Protection de disque amovible 76mm (3po) : 800mm (30po) - (1) bride & entretoise - (2) poulie de l'axe de disque 6G3V4.75 (DE : 120mm ) - (2) poulie du moteur, 6G3VX3.5 (DE:90mm) - Flasques, DE:125mm (5po) - (4) courroie trapézoïdale 3VX425 3 bandes	542198166 Protection de disque 76mm (3po) de large, amovible-UE 542206301 (4) courroie trapézoïdale 3VX430 4 bandes 542206340 Axe de disque 900mm (36po) 542206176 Protection de disque, groupe accessoires 900mm (36po)
<b>900 mm (36 po)</b>	541208366 Protection de disque 350mm (14po) 542206342 (2) Poulie du moteur 6G6.0 DE:150mm 542186048 (4) Courroie trapézoïdale 3VX450 4 bandes 542206338 Axe de disque 350mm (14po). Retirer la bride étroite arrière	542198163 Protection de disque 50mm (2po) de large, amovible-US 542198778 Protection de disque 76mm (3po) de large, amovible-UE 541207150 (2) Poulie de boîte de transm., 6G4.75 (120mm) 542206338 Axe de disque 350mm/46c, (14po/18po) 542190416 (4) courroie trapézoïdale 3VX425 4 bandes. Retirer la bride étroite arrière	542198164 Protection de disque 76mm (3po) de large, amovible-UE 541207148 (2) Poulie de boîte de transm., 6G3.5 542190416 (4) courroie trapézoïdale 3VX425 4 bandes 542206339 Axe de disque 600mm/800mm (26po/30po). Retirer la bride étroite arrière	542198165 Protection de disque 76mm (3po) de large, amovible-UE 542190416 (4) courroie trapézoïdale 3VX425 4 bandes 542206339 Axe de disque 600mm/800mm (26po/30po). Retirer la bride étroite arrière	Aucune conversion requise; configuration : - Protection de disque amovible 76mm (3po) : 900mm (36po) - (2) bride & entretoise - (2) poulie de l'axe de disque 6G3V5.6 (DE:142mm) - (2) poulie du moteur, 6G3V3.5 (DE:90mm) - Flasques, DE:150mm (6po) - (4) courroie trapézoïdale 3VX430 3 bandes

# FS4800 D DIESEL – TABLEAU DE CONVERSION DE TAILLE DE DISQUE

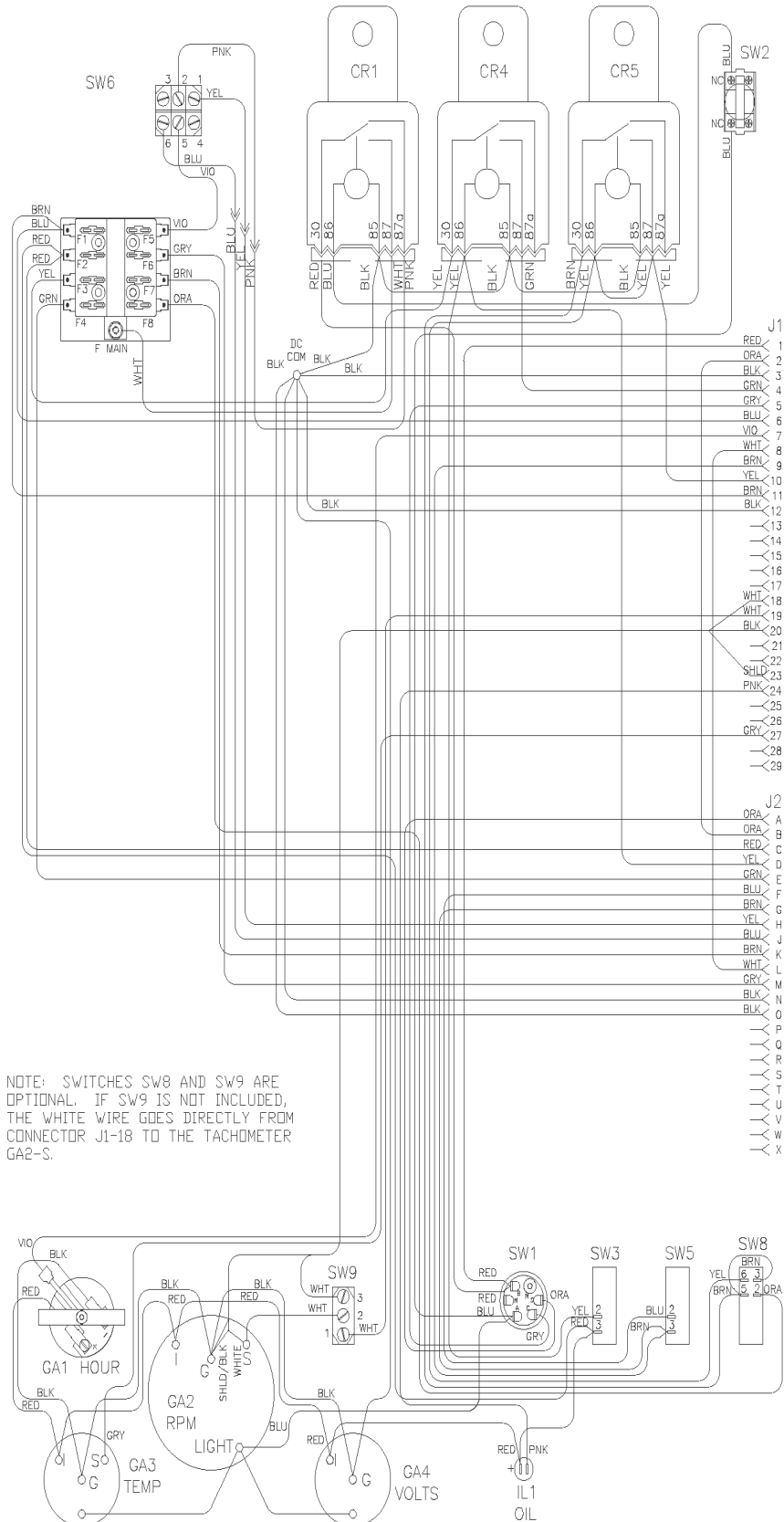
Conversion des tailles de disques : Husqvarna FS 4800, boîte de transmission à 3 vitesses			
jusqu'à la taille:			
Depuis la taille	14-26po (350-650mm) Flasque 4 ½po (115mm)	14-30po (350-850mm) Flasque 5po (125mm)	18-36po (450-900mm) Flasque 6po (150mm)
<b>14-26po (350-650mm)</b>  <b>Flasque 4 ½po (115mm)</b>	Aucune conversion requise; configuration : - Protection de disque amovible 76mm (3po) : 650mm (26po) - (1) bride & entretoise - (2) poulie de l'axe de disque 6G3VX4.12 (DE:105mm) - (2) poulie du moteur, 6G3VX4.5 (DE:115mm) - Flasques 115mm (DE:4,5po) - (4) courroie trapézoïdale 3VX520 3 bandes	542198165 Protection de disque 76mm (3po) de large, amovible 541207146 (2) Poulie de boîte de transm., 6G4.12 (105mm) 542206379 Axe de disque, flasque 125mm (5po)	542198166 Protection de disque 76mm (3po) de large, amovible- 541207146 (2) Poulie de boîte de transm., 6G4.12 541200848 (4) courroie trapézoïdale 3VX530 3 bandes 542206380 Axe de disque, flasque 150mm (6po) 542206176 Protection de disque, groupe accessoires 900mm (36po)
<b>14-30po (350-850mm)</b>  <b>Flasque 5po (125mm)</b>	542198164 Protection de disque 76mm (3po) de large amovible-UE 542207149 (2) Poulie du moteur 6G4.5 DE :115mm 542206382 Axe de disque, flasque 115mm (4,5po)	Aucune conversion requise; configuration : - Protection de disque amovible 76mm (3po) : 800mm (30po) - (1) bride & entretoise - (2) poulie de l'axe de disque 6G3V4.50 (DE:115mm ) - (2) poulie du moteur, 6G3VX4.12 (DE:105mm) - Flasques, DE:125mm (5po) - (4) courroie trapézoïdale 3VX520 3 bandes	542198166 Protection de disque 76mm (3po) de large, amovible 542206380 Axe de disque 150mm (6po) flasque 541200848 (4) courroie trapézoïdale 3VX530 3 bandes 542206176 Protection de disque, groupe accessoires 900mm (36po)
<b>18-36po (450-900mm)</b>  <b>Flasque 6po (150mm)</b>	542198164 Protection de disque 350mm (14po) 542207149 (2) Poulie du moteur 6G4.5 DE :115mm 542186048 (4) courroie trapézoïdale 3VX520 3 bandes 542206382 Axe de disque, flasque 115mm (4,5po)	542198165 Protection de disque 76mm (3po) de large, amovible 542206379 Axe de disque 125mm (5po) flasque 542186048 (4) courroie trapézoïdale 3VX520 3 bandes	Aucune conversion requise; configuration : - Protection de disque amovible 76mm (3po) : 900mm (36po) - (1) bride & entretoise - (2) poulie de l'axe de disque 6G3V5.20 (DE:132mm) - (2) poulie du moteur, 6G3VX4.12 (DE:105mm) - Flasques, DE:150mm (6po) - (4) courroie trapézoïdale 3VX530 3 bandes



**Diagram 1: Wiring Diagram - FS4800 D Diesel-Front Pivot-Instr & Control Box**  
**Diagrama esquemático 1: Diagrama esquemático de alambrado - Caja de control e instrumentos FS4800 D - Modelo anterior de Pivote**  
**Schéma 1 : Schéma de câblage – Instruments et boîtier de commande FS4800 D - Le Modèle de Pivot de devant**



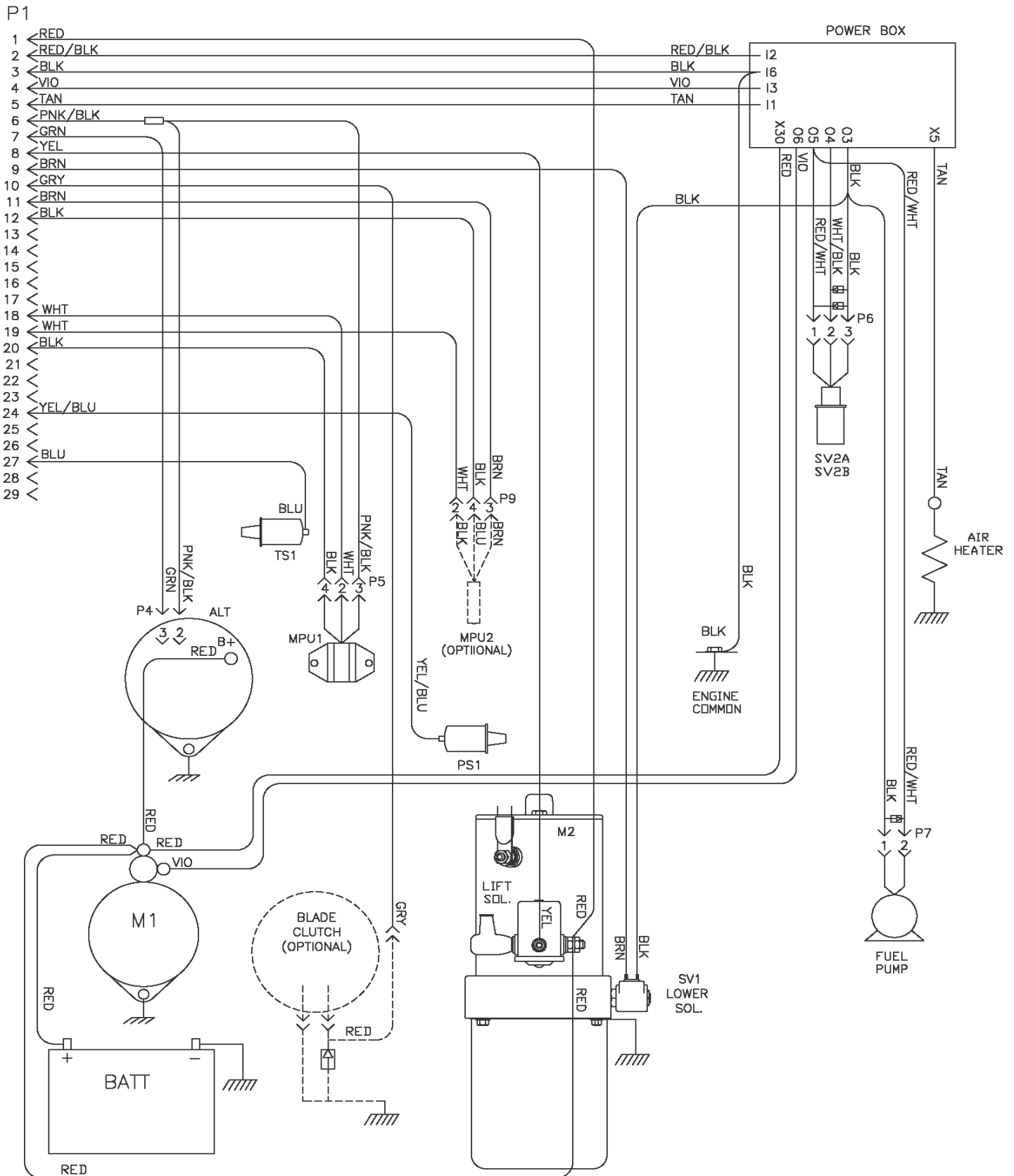
**Diagram 2: Wiring Diagram - FS4800 D Diesel-Rear Pivot Instr & Control Box**  
**Diagrama esquemático 2: Diagrama esquemático de alambrado - Caja de control e instrumentos FS4800 D-Modelo trasero de Pivote**  
**Schéma 2 : Schéma de câblage – Instruments et boîtier de commande FS4800 D - Le Modèle postérieur de Pivot**



**Diagram 3: Wiring Diagram - FS4800 D Engine Wiring**

**Diagrama esquemático 3: Diagrama esquemático de alambrado - Alambrado del motor FS4800 D**

**Schéma 3 : Schéma de câblage – Câblage du moteur FS4800 D**





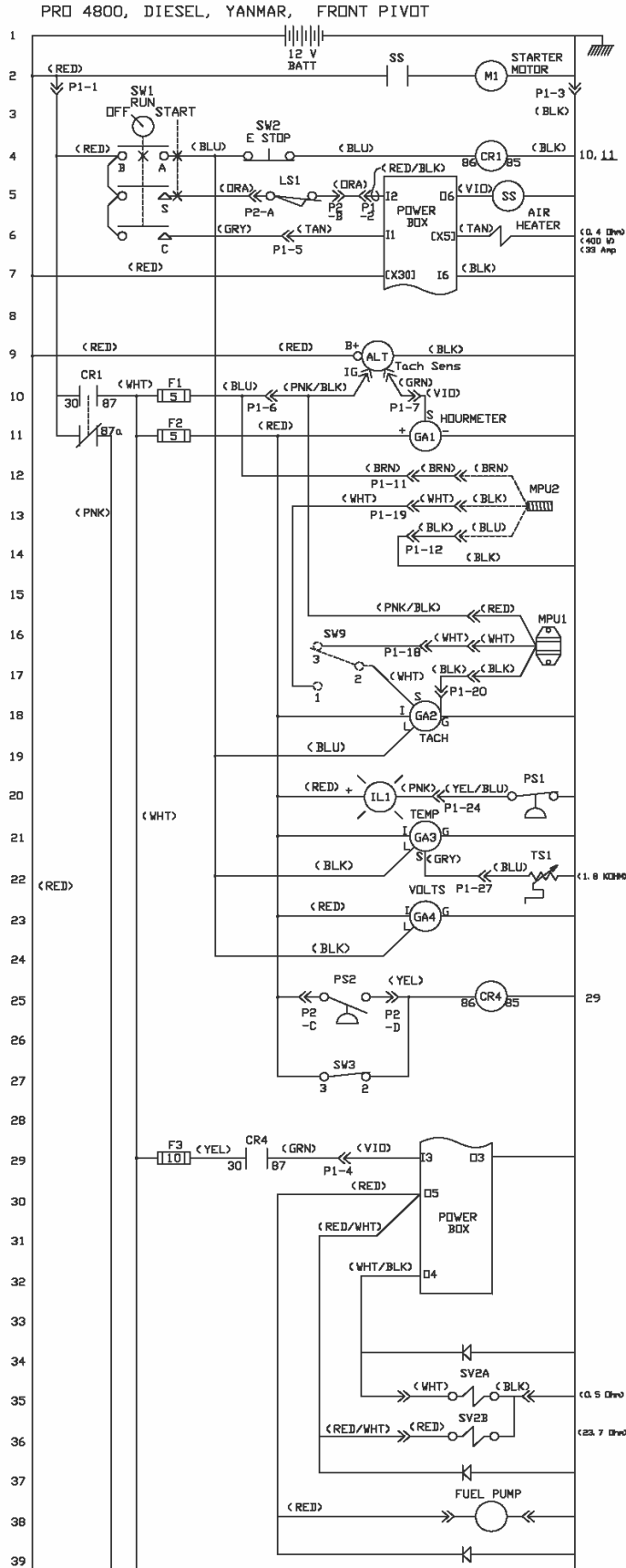




# Diagram 6: Ladder Diagram - FS4800 D Diesel - Front Pivot - Electrical

Diagrama esquemático 6: Diagrama esquemático escalonado - Eléctrico FS4800 D - Modelo anterior de Pivote

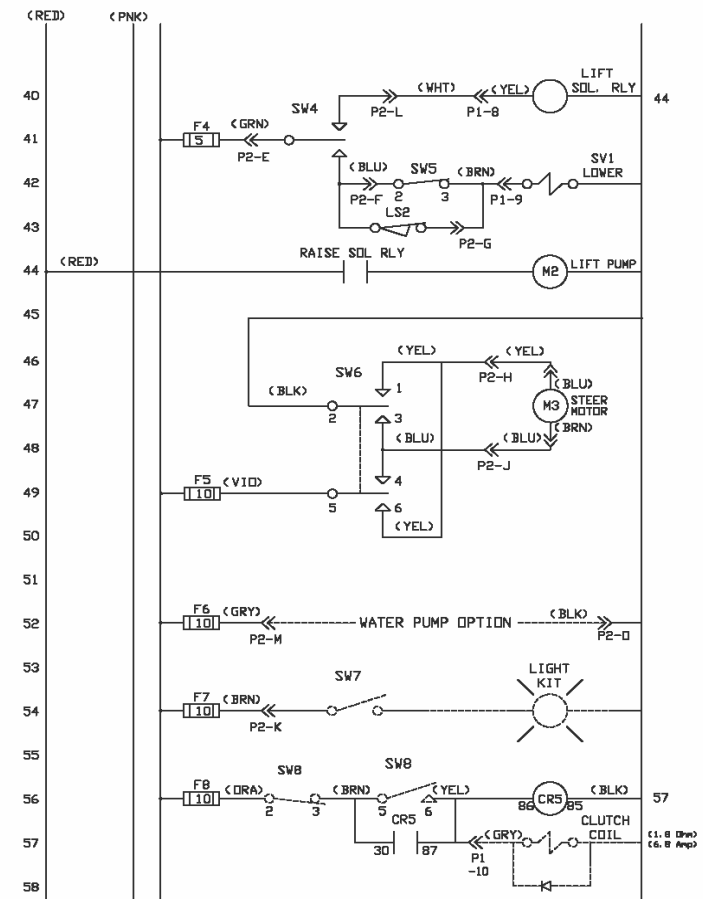
Schéma 6 : Schéma échelle – Circuit électrique FS4800 D - Le Modèle de Pivot de devant



**COMPONENT DESIGNATORS FOR PRO 48, FRONT PIVOT**

DESIGN	DEVICE	FUNCTION	PART NO
ALT	ALTERNATOR	BATTERY CHARGING	SEE YANMAR
CR1	CONTROL RELAY	POWER TO FUSE BLOCK	186708
CR2	CONTROL RELAY	ENGINE START	186708
CR4	CONTROL RELAY	ENGINE FUEL SOLENOID	186708
CR5	CONTROL RELAY	BLADE SHAFT CLUTCH	186708
F1	FUSE, 5A	ALTERNATOR EXCITATION	186857
F2	FUSE, 5A	ENGINE GAUGES	186857
F3	FUSE, 5A	FUEL SOLENOID	186857
F4	FUSE, 5A	RAISE-LOWER CIRCUIT	186857
F5	FUSE, 10A	AXLE STEER (OPTIONAL)	186855
F6	FUSE, 10A	WATER PUMP (OPTIONAL)	186855
F7	FUSE, 10A	LIGHT KIT (OPTIONAL)	186855
F8	FUSE, 10A	CLUTCH (OPTIONAL)	186855
GA1	GAUGE	HOURMETER	186221
GA2	GAUGE	ENGINE TACHOMETER	542182218
GA3	GAUGE	ENGINE COOLANT TEMPERATURE	186359
GA4	GAUGE	BATTERY VOLTMETER	186438
IL1	ILLUMINATOR LAMP	LOW OIL PRESSURE	186438
LS1	LIMIT SWITCH	NEUTRAL START	54204052
LS2	LIMIT SWITCH	DEPTH STOP	539301153
M1	MOTOR	ENGINE STARTER	542198658
M2	MOTOR	HYDRAULIC LIFT PUMP	542198096
M3	MOTOR	REAR AXLE TRACK ADJUSTMENT	
MPU1	MAG PICKUP SENSOR	ENGINE RPM	542205120
MPU2	MAG PICKUP SENSOR	BLADESHAFT RPM (OPTIONAL)	542208385
P1	CONNECTOR	INSTRUMENT ENCL. TO ENGINE HARNESS	
P2	CONNECTOR	INSTRUMENT ENCL. TO COMB. CONTROLS	
PS1	PRESSURE SWITCH	ENGINE OIL PRESSURE	SEE YANMAR
PS2	PRESSURE SWITCH	BLADE WATER PRESSURE	178724
SS	SOLENOID RELAY	ENGINE START SOLENOID	SEE YANMAR
SV1	SOLENOID VALVE	LOWER SAW	186594
SV2A	FUEL SOLENOID (PULL)		SEE YANMAR
SV2B	FUEL SOLENOID (HOLD)		SEE YANMAR
SW1	SWITCH (KEY)	ENGINE, OFF-RUN-START	186707
SW2	SWITCH (PUSH-PULL)	EMERGENCY STOP	176383
SW3	SWITCH (ROCKER)	WATER SWITCH OFF	542182219
SW4	SWITCH (TOGGLE)	LIFT SWITCH, RAISE-OFF-LOWER	182102
SW5	SWITCH (ROCKER)	DEPTH STOP SWITCH, ON-OFF	542182219
SW6	SWITCH (TOGGLE)	ETRAK/STEER, LEFT-OFF-RIGHT	542015193
SW7	SWITCH (TOGGLE)	LIGHT SWITCH, ON/OFF (OPTIONAL)	186863
SW8	SWITCH (ROCKER)	CLUTCH SWITCH, ON-OFF (OPTIONAL)	542182220
SW8	SWITCH (TOGGLE)	ENGINE - BLADESHAFT RPM (OPTIONAL)	183382
TS1	TEMP SENDER	ENGINE COOLANT TEMPERATURE	542208127

NOTE: SWITCHES SW6, SW7, SW8, AND SW9 ARE OPTIONAL. IF SW9 IS NOT INCLUDED, THE WHITE WIRE GOES DIRECTLY FROM CONNECTOR J1-18 TO THE TACHOMETER GA2-S.



542182285

**Diagram 6: Ladder Diagram - FS4800 D Diesel - Front Pivot - Electrical**  
**Diagrama esquemático 6: Diagrama esquemático escalonado - Eléctrico**  
**FS4800 D - Modelo anterior de Pivote**

**Schéma 6 : Schéma échelle – Circuit électrique FS4800 D - Le Modèle de Pivot de devant**

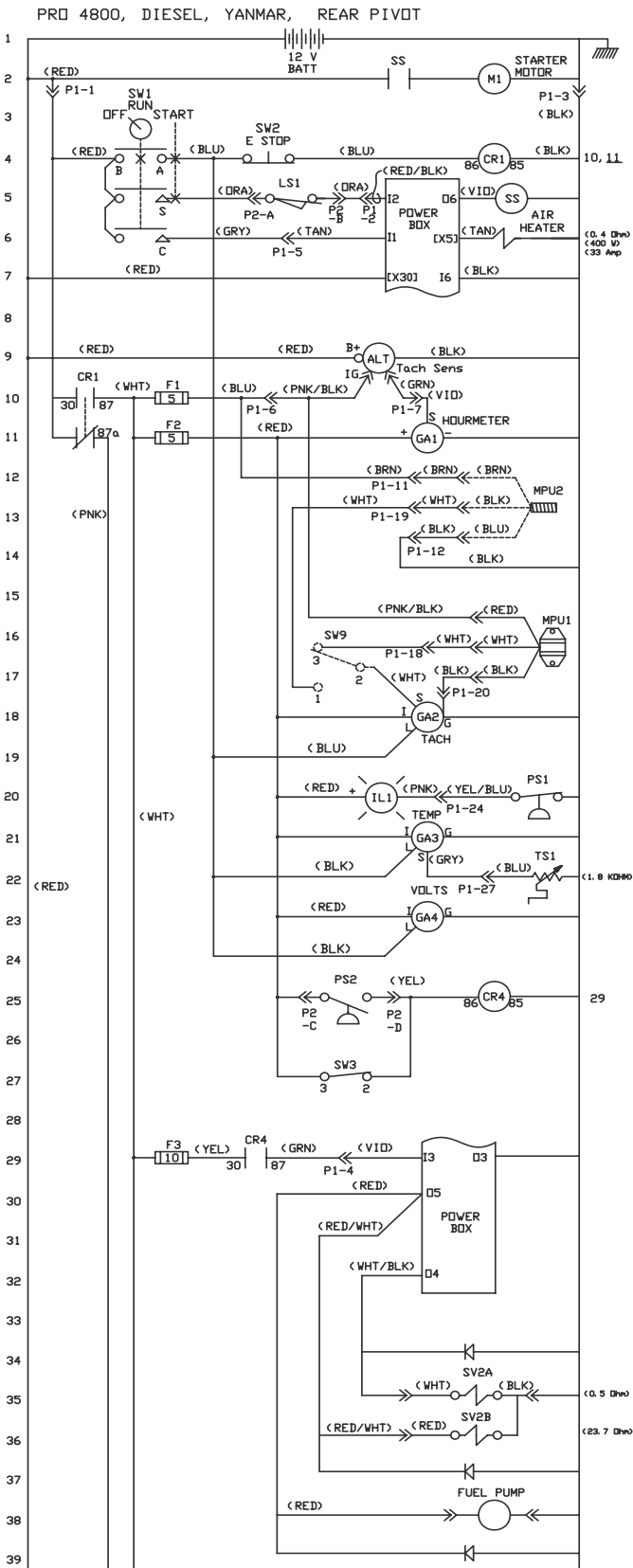
**COMPONENT DESIGNATORS FOR FS4800**  
**INDICADORES DE COMPONENTES PARA FS4800**  
**CODES DE COMPOSANTS POUR FS4800**

<b>DESIG</b>	<b>DEVICE</b>	<b>FUNCTION</b>	<b>PART NO</b>
ALT	ALTERNATOR	BATTERY CHARGING	SEE YANMAR
CR1	CONTROL RELAY	POWER TO FUSE BLOCK	166708
CR2	CONTROL RELAY	ENGINE START	166708
CR4	CONTROL RELAY	ENGINE FUEL SOLENOID	166708
CR5	CONTROL RELAY	BLADE SHAFT CLUTCH	166708
F1	FUSE, 5A	ALTERNATOR EXCITATION	166857
F2	FUSE, 5A	ENGINE GAUGES	166857
F3	FUSE, 5A	FUEL SOLENOID	166857
F4	FUSE, 5A	RAISE-LOWER CIRCUIT	166857
F5	FUSE, 10A	AXLE STEER (OPTIONAL)	166855
F6	FUSE, 10A	WATER PUMP (OPTIONAL)	166855
F7	FUSE, 10A	LIGHT KIT (OPTIONAL)	166855
F8	FUSE, 10A	CLUTCH (OPTIONAL)	166855
GA1	GAUGE	HOURLY METER	166221
GA2	GAUGE	ENGINE TACHOMETER	542182218
GA3	GAUGE	ENGINE COOLANT TEMPERATURE	166359
GA4	GAUGE	BATTERY VOLTMETER	166438
IL1	INDICATOR LAMP	LOW OIL PRESSURE	188436
LS1	LIMIT SWITCH	NEUTRAL START	542204052
LS2	LIMIT SWITCH	DEPTH STOP	539301153
M1	MOTOR	ENGINE STARTER	542199656
M2	MOTOR	HYDRAULIC LIFT PUMP	542199096
M3	MOTOR	REAR AXLE TRACK ADJUSTMENT	
MPU1	MAG PICKUP SENSOR	ENGINE RPM	542205120
MPU2	MAG PICKUP SENSOR	BLADESHAFT RPM (OPTIONAL)	542206395
P1	CONNECTOR	INSTRUMENT ENCL. TO ENGINE HARNESS	
P2	CONNECTOR	INSTRUMENT ENCL. TO COWL CONTROLS	
PS1	PRESSURE SWITCH	ENGINE OIL PRESSURE	SEE YANMAR
PS2	PRESSURE SWITCH	BLADE WATER PRESSURE	178724
SS	SOLENOID RELAY	ENGINE START SOLENOID	SEE YANMAR
SV1	SOLENOID VALVE	LOWER SAW	166594
SV2A	FUEL SOLENOID (PULL)		SEE YANMAR
SV2B	FUEL SOLENOID (HOLD)		SEE YANMAR
SW1	SWITCH (KEY)	ENGINE, OFF-RUN-START	166707
SW2	SWITCH (PUSH-PULL)	EMERGENCY STOP	176383
SW3	SWITCH (ROCKER)	WATER SWITCH OFF	542182219
SW4	SWITCH (TOGGLE)	LIFT SWITCH, RAISE-OFF-LOWER	182102
SW5	SWITCH (ROCKER)	DEPTH STOP SWITCH, ON-OFF	542182219
SW6	SWITCH (TOGGLE)	ETRAK STEER, LEFT-OFF-RIGHT	542201593
SW7	SWITCH (TOGGLE)	LIGHT SWITCH, ON-OFF (OPTIONAL)	166603
SW8	SWITCH (ROCKER)	CLUTCH SWITCH, ON-OFF (OPTIONAL)	542182220
SW9	SWITCH (TOGGLE)	ENGINE – BLADESHAFT RPM (OPTIONAL)	183382
TS1	TEMP SENDER	ENGINE COOLANT TEMPERATURE	542206127

\* NOTE: Part No's. in the manual that have an ASTRISK (\*) suffix may not be active 9-digit numbers. The '542' prefix has been added temporarily to current 6-digit part numbers and '0' to 8-digit part numbers.

**Diagram 7: Ladder Diagram - FS4800 D Diesel - Rear Pivot - Electrical**  
**Diagrama esquemático 7: Diagrama esquemático escalonado - Eléctrico**  
**F4800 D - Modelo trasero de Pivote**

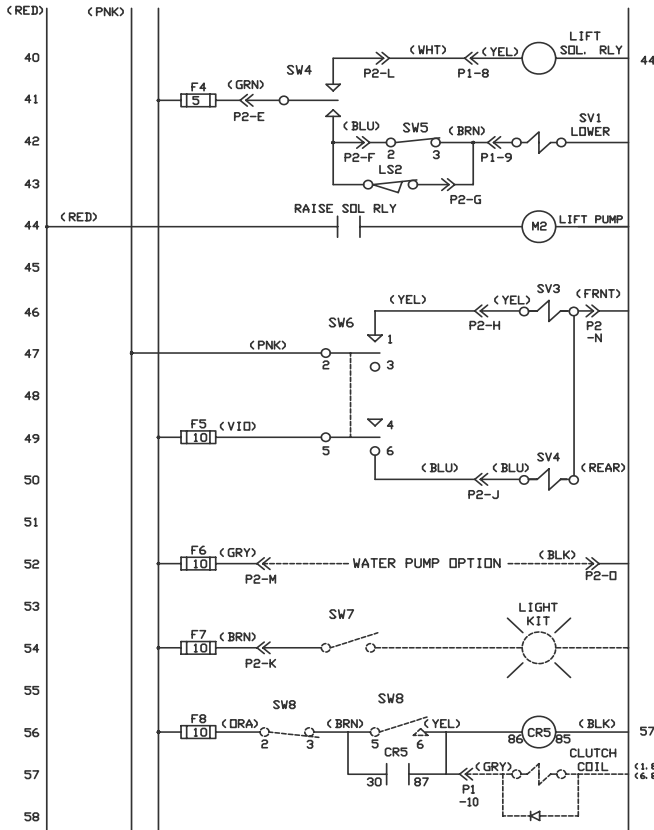
**Schéma 7 : Schéma échelle – Circuit électrique FS4800 D-Le Modèle postérieur de Pivot**



**COMPONENT DESIGNATORS FOR PRO 48, REAR PIVOT**

DESIG	DEVICE	FUNCTION	PART NO
ALT	ALTERNATOR	BATTERY CHARGING	SEE YANMAR
CB1	CIRCUIT BREAKER	MAIN CONTROL BREAKER	541201661
CR1	CONTROL RELAY	POWER TO FUSE BLOCK	166708
CR2	CONTROL RELAY	ENGINE START	166708
CR4	CONTROL RELAY	ENGINE FUEL SOLENOID	166708
CR5	CONTROL RELAY	BLADE SHAFT CLUTCH	166708
F1	FUSE, 5A	ALTERNATOR EXCITATION	166857
F2	FUSE, 5A	ENGINE GAUGES	166857
F3	FUSE, 5A	FUEL SOLENOID	166857
F4	FUSE, 5A	RAISE-LOWER CIRCUIT	166857
F5	FUSE, 10A	AXLE STEER (OPTIONAL)	166855
F6	FUSE, 10A	WATER PUMP (OPTIONAL)	166855
F7	FUSE, 10A	LIGHT KIT (OPTIONAL)	166855
F8	FUSE, 10A	CLUTCH (OPTIONAL)	166855
GA1	GAUGE	HOURLY METER	166221
GA2	GAUGE	ENGINE TACHOMETER	542182218
GA3	GAUGE	ENGINE COOLANT TEMPERATURE	166359
GA4	GAUGE	BATTERY VOLTMETER	166438
IL1	INDICATOR LAMP	LOW OIL PRESSURE	184436
LS1	LIMIT SWITCH	NEUTRAL START	542204052
LS2	LIMIT SWITCH	DEPTH STOP	539011153
M1	MOTOR	ENGINE STARTER	542199656
M2	MOTOR	HYDRAULIC LIFT PUMP	542199096
MPU1	MAG PICKUP SENSOR	ENGINE RPM	542205120
MPU2	MAG PICKUP SENSOR	BLADESHAFT RPM (OPTIONAL)	542206395
P1	CONNECTOR	INSTRUMENT ENCL. TO ENGINE HARNESS	
P2	CONNECTOR	INSTRUMENT ENCL. TO COWL CONTROLS	
PS1	PRESSURE SWITCH	ENGINE OIL PRESSURE	SEE YANMAR
PS2	PRESSURE SWITCH	BLADE WATER PRESSURE	178724
SS	SOLENOID RELAY	ENGINE START SOLENOID	SEE YANMAR
SV1	SOLENOID VALVE	LOWER SAW	166594
SV2A	FUEL SOLENOID (PULL)		SEE YANMAR
SV2B	FUEL SOLENOID (HOLD)		SEE YANMAR
SV3	SOLENOID VALVE	DIFF-LOCK ONE	
SV4	SOLENOID VALVE	DIFF-LOCK TWO	
SW1	SWITCH (KEY)	ENGINE, OFF-RUN-START	166707
SW2	SWITCH (PUSH-PULL)	EMERGENCY STOP	176383
SW3	SWITCH (ROCKER)	WATER SWITCH OFF	542182219
SW4	SWITCH (TOGGLE)	LIFT SWITCH, RAISE-OFF-LOWER	182102
SW5	SWITCH (ROCKER)	DEPTH STOP SWITCH, ON-OFF	542182219
SW6	SWITCH (TOGGLE)	DIFFERENTIAL LOCK SWITCH	542206214
SW7	SWITCH (TOGGLE)	LIGHT SWITCH, ON-OFF (OPTIONAL)	166603
SW8	SWITCH (ROCKER)	CLUTCH SWITCH, ON-OFF (OPTIONAL)	542182220
SW9	SWITCH (TOGGLE)	ENGINE - BLADESHAFT RPM (OPTIONAL)	183382
TS1	TEMP SENDER	ENGINE COOLANT TEMPERATURE	542206127

NOTE: SWITCHES SW7, SW8, AND SW9 ARE OPTIONAL. IF SW9 IS NOT INCLUDED, THE WHITE WIRE GOES DIRECTLY FROM CONNECTOR J1-18 TO THE TACHOMETER GA2-S.



**Diagram 7: Ladder Diagram - FS4800 D Diesel - Rear Pivot - Electrical**  
**Diagrama esquemático 7: Diagrama esquemático escalonado - Eléctrico**  
**FS4800 D - Modelo trasero de Pivote**

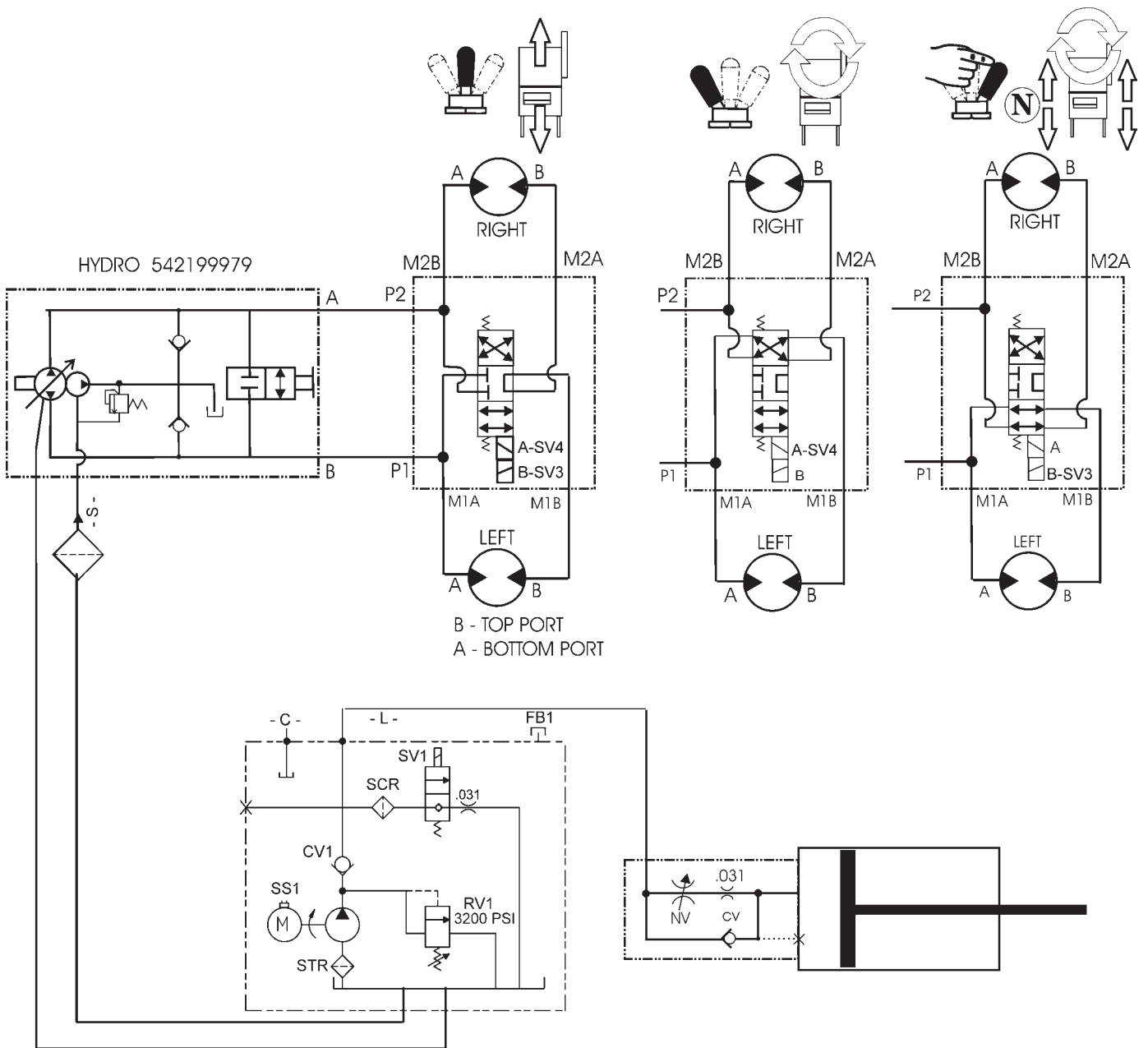
**Schéma 7 : Schéma échelle – Circuit électrique FS4800 D-Le Modèle postérieur de Pivot**

**COMPONENT DESIGNATORS FOR FS4800**  
**INDICADORES DE COMPONENTES PARA FS4800**  
**CODES DE COMPOSANTS POUR FS4800**

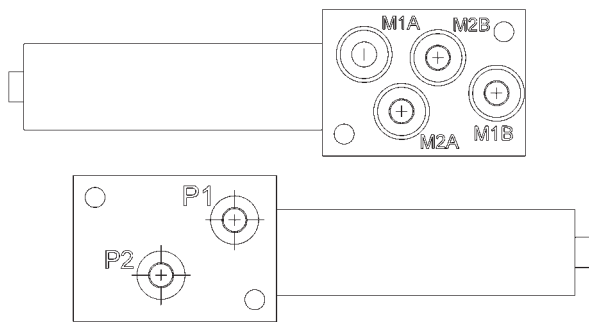
DESIG	DEVICE	FUNCTION	PART NO
ALT	ALTERNATOR	BATTERY CHARGING	SEE YANMAR
CB1	CIRCUIT BREAKER	MAIN CONTROL BREAKER	541201661
CR1	CONTROL RELAY	POWER TO FUSE BLOCK	166708
CR2	CONTROL RELAY	ENGINE START	166708
CR4	CONTROL RELAY	ENGINE FUEL SOLENOID	166708
CR5	CONTROL RELAY	BLADE SHAFT CLUTCH	166708
F1	FUSE, 5A	ALTERNATOR EXCITATION	166857
F2	FUSE, 5A	ENGINE GAUGES	166857
F3	FUSE, 5A	FUEL SOLENOID	166857
F4	FUSE, 5A	RAISE-LOWER CIRCUIT	166857
F5	FUSE, 10A	AXLE STEER (OPTIONAL)	166855
F6	FUSE, 10A	WATER PUMP (OPTIONAL)	166855
F7	FUSE, 10A	LIGHT KIT (OPTIONAL)	166855
F8	FUSE, 10A	CLUTCH (OPTIONAL)	166855
GA1	GAUGE	HOURLY METER	166221
GA2	GAUGE	ENGINE TACHOMETER	542182218
GA3	GAUGE	ENGINE COOLANT TEMPERATURE	166359
GA4	GAUGE	BATTERY VOLTMETER	166438
IL1	INDICATOR LAMP	LOW OIL PRESSURE	188436
LS1	LIMIT SWITCH	NEUTRAL START	542204052
LS2	LIMIT SWITCH	DEPTH STOP	539301153
M1	MOTOR	ENGINE STARTER	542199656
M2	MOTOR	HYDRAULIC LIFT PUMP	542199096
MPU1	MAG PICKUP SENSOR	ENGINE RPM	542205120
MPU2	MAG PICKUP SENSOR	BLADESHAFT RPM (OPTIONAL)	542206395
P1	CONNECTOR	INSTRUMENT ENCL. TO ENGINE HARNESS	
P2	CONNECTOR	INSTRUMENT ENCL. TO COWL CONTROLS	
PS1	PRESSURE SWITCH	ENGINE OIL PRESSURE	SEE YANMAR
PS2	PRESSURE SWITCH	BLADE WATER PRESSURE	178724
SS	SOLENOID RELAY	ENGINE START SOLENOID	SEE YANMAR
SV1	SOLENOID VALVE	LOWER SAW	166594
SV2A	FUEL SOLENOID (PULL)		SEE YANMAR
SV2B	FUEL SOLENOID (HOLD)		SEE YANMAR
SV3	SOLENOID VALVE	DIFF-LOCK ONE	
SV4	SOLENOID VALVE	DIFF-LOCK TWO	
SW1	SWITCH (KEY)	ENGINE, OFF-RUN-START	166707
SW2	SWITCH (PUSH-PULL)	EMERGENCY STOP	176383
SW3	SWITCH (ROCKER)	WATER SWITCH OFF	542182219
SW4	SWITCH (TOGGLE)	LIFT SWITCH, RAISE-OFF-LOWER	182102
SW5	SWITCH (ROCKER)	DEPTH STOP SWITCH, ON-OFF	542182219
SW6	SWITCH (TOGGLE)	DIFFERENTIAL LOCK SWITCH	542206214
SW7	SWITCH (TOGGLE)	LIGHT SWITCH, ON-OFF (OPTIONAL)	166603
SW8	SWITCH (ROCKER)	CLUTCH SWITCH, ON-OFF (OPTIONAL)	542182220
SW9	SWITCH (TOGGLE)	ENGINE – BLADESHAFT RPM (OPTIONAL)	183382
TS1	TEMP SENDER	ENGINE COOLANT TEMPERATURE	542206127

\* NOTE: Part No's. in the manual that have an ASTRISK (\*) suffix may not be active 9-digit numbers. The '542' prefix has been added temporarily to current 6-digit part numbers and '0' to 8-digit part numbers.

**Diagram 8: Hydraulic Schematic – FS4800 D**  
**Diagrama 8: Hidráulico Esquemático – FS4800 D**  
**Schéma 8: Hydraulique Schématique – FS4800 D**



B - TOP PORT  
A - BOTTOM PORT





### **Husqvarna Corporate Office**

17400 West 119th Street  
Olathe, Kansas 66061

Customer Service: 800-288-5040  
Customer Serv. Fax: 800-825-0028  
Corporate Office: 913-928-1000  
Corp. Office Fax: 913-438-7951

### **Husqvarna South Carolina**

Customer Service: 800-845-1312  
Customer Serv. Fax: 800-257-9284

### **Husqvarna Canada**

Customer Service: 800-461-9589  
Customer Serv. Fax: 800-728-1907

### **Husqvarna International**

Customer Service: 913-928-1300  
Customer Serv. Fax: 913-438-7938



### **DUST WARNING**



**Cutting, especially when DRY cutting, generates dust that comes from the material being cut, which frequently contains silica.** Silica is a basic component of sand, quartz, brick clay, granite and numerous other minerals and rocks. Exposure to excessive amount of such dust can cause:

- Respiratory diseases (affecting your ability to breath), including chronic bronchitis, silicosis and pulmonary fibrosis from exposure to silica. These diseases may be fatal;
- Skin irritation and rash; and
- Cancer according to NTP\* and IARC\*

\* National Toxicology Program, International Agency for Research on Cancer

Take precautionary steps

- Avoid inhalation of and skin contact with dust, mist and fumes;
- Wet cut when feasible, to minimize dust;
- Wear and ensure that all bystanders wear appropriate respiratory protection such as dust masks designed to filter out microscopic particles. (See OSHA 29 CFR Part 1910.1200)

#### **California Prop 65 Warning:**

Use of this product can cause exposure to materials known to the State of California to cause cancer and/or birth defects or other reproductive harm.



[www.husqvarnacp.com](http://www.husqvarnacp.com)

**US** - Original instructions, **ES** - Instrucciones originales, **CA** - Instructions d'origine

1156927-49

2014-08-25