

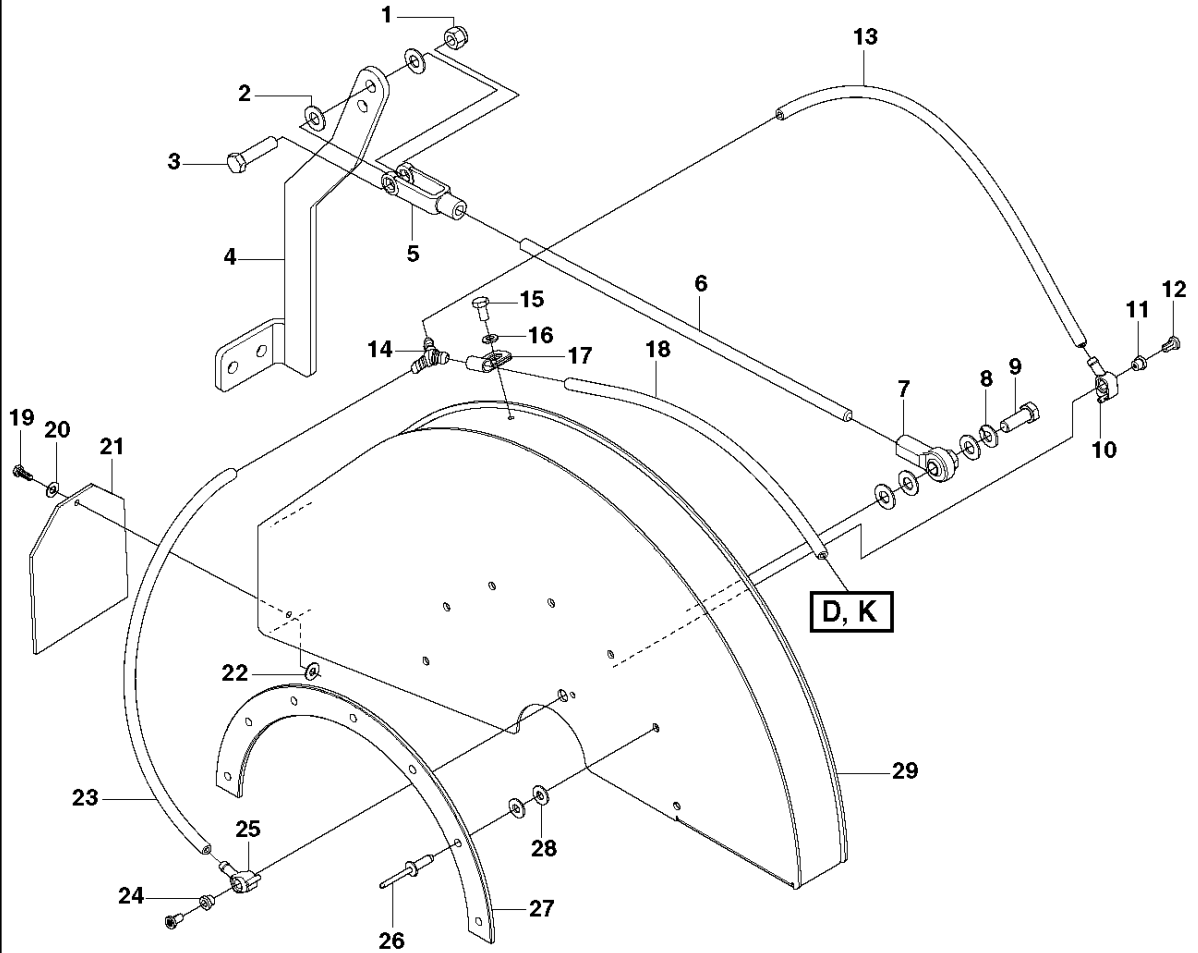


SPARE PARTS LIST

TILE SAWS

MS510, MS510 G, 2015-10

O Blade Guards



Read and understand the entire operators manual before using this machine.

⚠️ If you DO NOT have an Operators Manual, Call Toll Free 1-800-298-5040

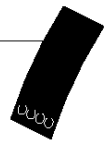
⚠️ Machinery Hazard
- Always keep all guards in place.
- Always keep all parts of your body away from all moving parts.

⚠️ Always use only in well ventilated areas.

⚠️ DO NOT operate near combustible material.

Always wear approved equipment.

30



31

⚠️ WARNING ⚠️

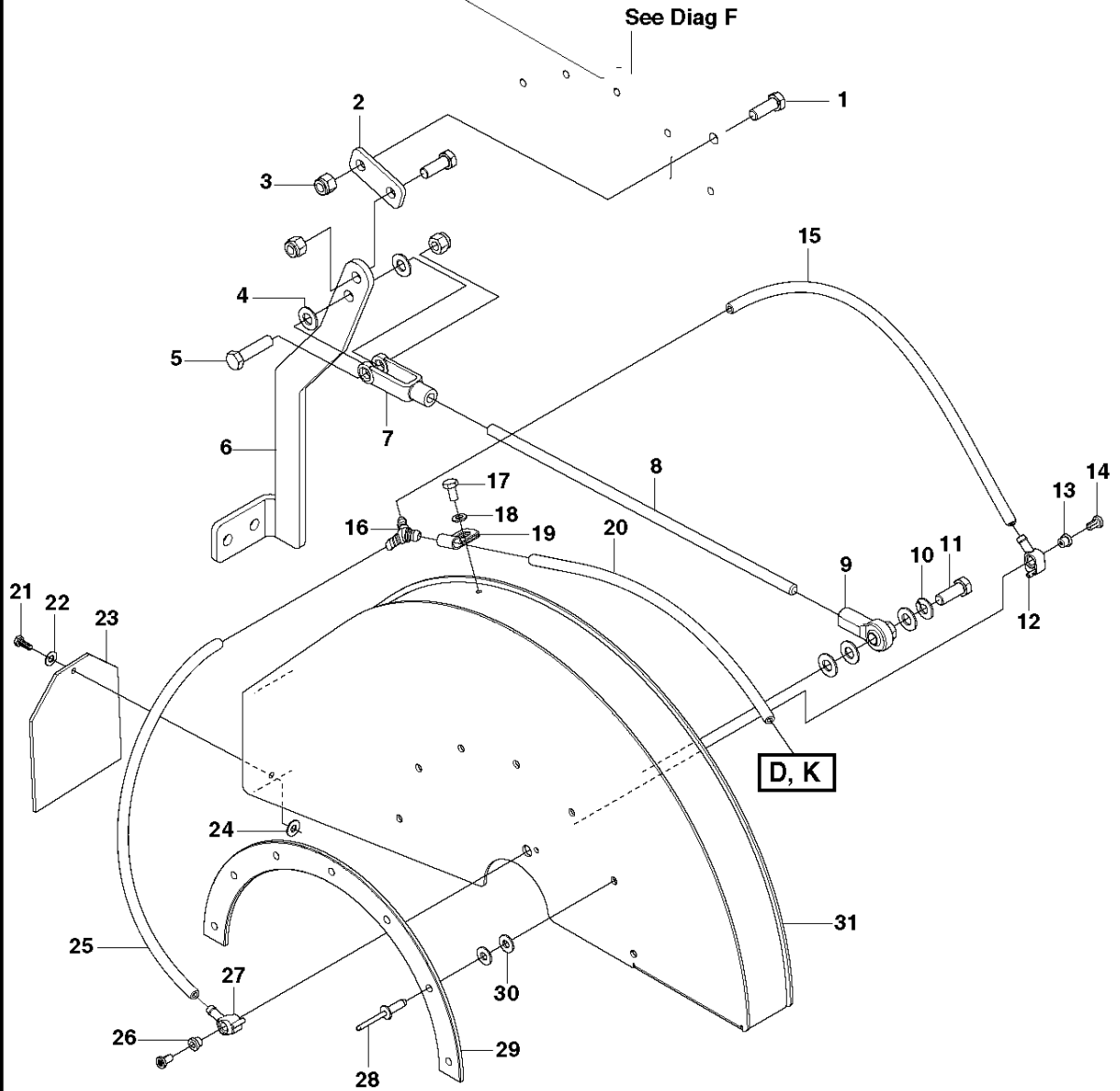
EQUIPMENT IS FURNISHED WITH A 3 WIRE GROUNDING PLUG. BE CERTAIN EQUIPMENT IS CONNECTED TO A GROUNDING CIRCUIT. FAILURE TO COMPLY COULD RESULT IN DEATH OR SERIOUS BODILY INJURY. SEE OPERATOR'S MANUAL FOR INSTRUCTIONS. IF YOU DO NOT HAVE AN OPERATOR'S MANUAL, CALL TOLL FREE 1-800-298-5040

BLADE GUARD

MS510, MS510 G, 2015-10

Ref	Part No	Description	Remark	QTY KIT
1	539 97 69-79	NUT		3
2	539 99 01-22	WASHER		5
3	542 02 03-77	SCREW		1
4	510 17 96-04	BRACKET		1
5	542 06 04-60	BIELETTE/		1
6	510 17 94-01	LINK		1
7	510 17 93-01	ROD END		1
8	539 99 01-18	WASHER		1
9	539 97 69-41	SCREW		1
10	504 63 45-01	HOUSING		2
11	510 19 07-01	FITTING		2
12	504 63 46-01	SCREW ITXSCM		2
13	523 12 03-04	HOSE		1
14	506 32 87-01	Y-TUBE		1
15	539 99 00-71	BOLT		1
16	539 99 00-52	WASHER		1
17	542 16 66-72	KLAMMER 1/4 X 5/16		1
18	522 98 18-03	HOSE		1
19	542 18 60-73	SCREW		1
20	542 02 07-39	WASHER		1
21	542 16 93-65	SPLASH GUARD		1
22	505 63 04-01	NYLOC NUT #10-24 CAD.PL.		1
23	522 98 18-09	HOSE		2
24	504 63 42-01	NIPPLE		1
25	504 63 45-01	HOUSING		1
26	542 02 07-01	RIVET		7
27	505 40 77-02	RING		1
28	539 99 00-55	WASHER		14
29	510 25 93-10	GUIDE BAR		1
30	542 17 75-88	DECAL		1
31	542 04 61-28	DECAL		1

P Blade Guards



Read and understand the entire operators manual before using this machine.

If you DO NOT have an Operators Manual, Call Toll Free 1-800-298-5040

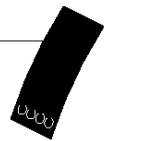
Machinery Hazard
- Always keep all guards in place.
- Always keep all parts of your body away from all moving parts.

Always use only in well ventilated areas.

DO NOT operate near combustible material.

Always wear approved equipment.

32



33

WARNING

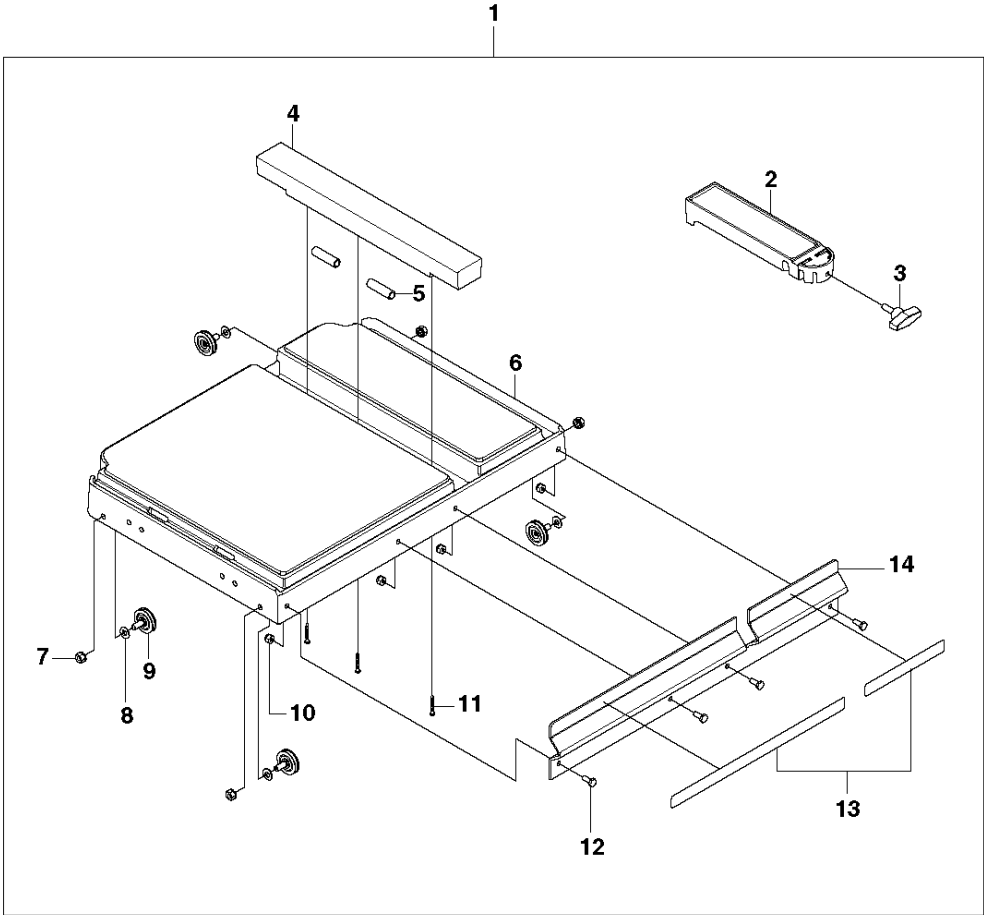
EQUIPMENT IS FURNISHED WITH A 3 WIRE GROUNDING PLUG. BE CERTAIN EQUIPMENT IS CONNECTED TO A GROUNDING CIRCUIT. FAILURE TO COMPLY COULD RESULT IN DEATH OR SERIOUS BODILY INJURY. SEE OPERATOR'S MANUAL FOR INSTRUCTIONS. IF YOU DO NOT HAVE AN OPERATOR'S MANUAL, CALL TOLL FREE 1-800-298-5040

BLADE GUARD

MS510, MS510 G, 2015-10

Ref	Part No	Description	Remark	QTY KIT
1	539 99 05-63	BOLT		2
2	510 17 95-01	LINK		3
3	539 97 69-79	NUT		3
4	539 99 01-22	WASHER		5
5	542 02 03-77	SCREW		1
6	510 17 96-04	BRACKET		1
7	542 06 04-60	BIELETTE/		1
8	510 17 94-01	LINK		1
9	510 17 93-01	ROD END		1
10	539 99 01-18	WASHER		1
11	539 97 69-41	SCREW		1
12	504 63 45-01	HOUSING		2
13	510 19 07-01	FITTING		2
14	504 63 46-01	SCREW ITXSCM		2
15	523 12 03-04	HOSE		1
16	506 32 87-01	Y-TUBE		1
17	539 99 00-71	BOLT		1
18	539 99 00-52	WASHER		1
19	542 16 66-72	KLAMMER 1/4 X 5/16		1
20	522 98 18-03	HOSE		1
21	542 18 60-73	SCREW		1
22	542 02 07-39	WASHER		1
23	542 16 93-65	SPLASH GUARD		1
24	505 63 04-01	NYLOC NUT #10-24 CAD.PL.		1
25	522 98 18-09	HOSE		2
26	504 63 42-01	NIPPLE		1
27	504 63 45-01	HOUSING		1
28	542 02 07-01	RIVET		7
29	505 40 77-02	RING		1
30	539 99 00-55	WASHER		14
31	510 25 93-10	GUIDE BAR		1
32	542 17 75-88	DECAL		1
33	542 04 61-28	DECAL		1

E Conveyor Cart

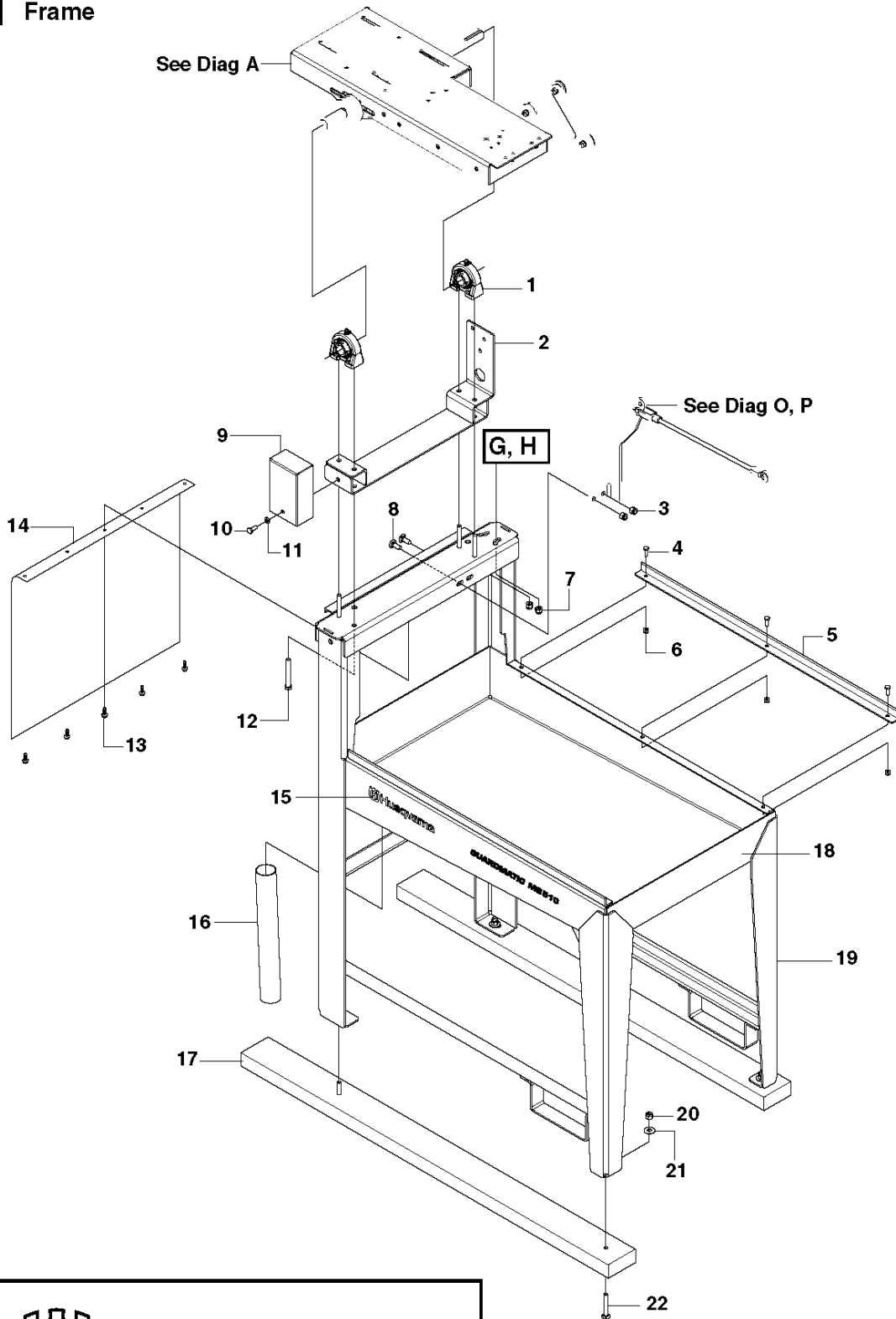


CONVEYOR CART

MS510, MS510 G, 2015-10

Ref	Part No	Description	Remark	QTY	KIT
1	542 19 04-19	CONVEYOR CART BENCH ASSY, GM		1	1
2	542 03 03-55	GUIDE		1	1
3	542 18 09-87	KNOB		1	1
4	542 17 78-94	INSERT		1	1
5	542 17 00-38	TUBE		2	1
6	510 41 75-05	STOP		1	1
7	542 03 23-66	FS900T SCREW NUT/		4	1
8	539 99 01-88	WASHER		4	1
9	523 07 52-01	BEARING		4	1
10	539 97 69-78	NUT		4	1
11	542 17 79-04	SCREW		3	1
12	542 02 03-01	CAP SCREW ITEM 40 020301/		4	1
13	542 17 79-76	SPRING		1	1
14	542 18 60-57	CART		1	1

M Frame



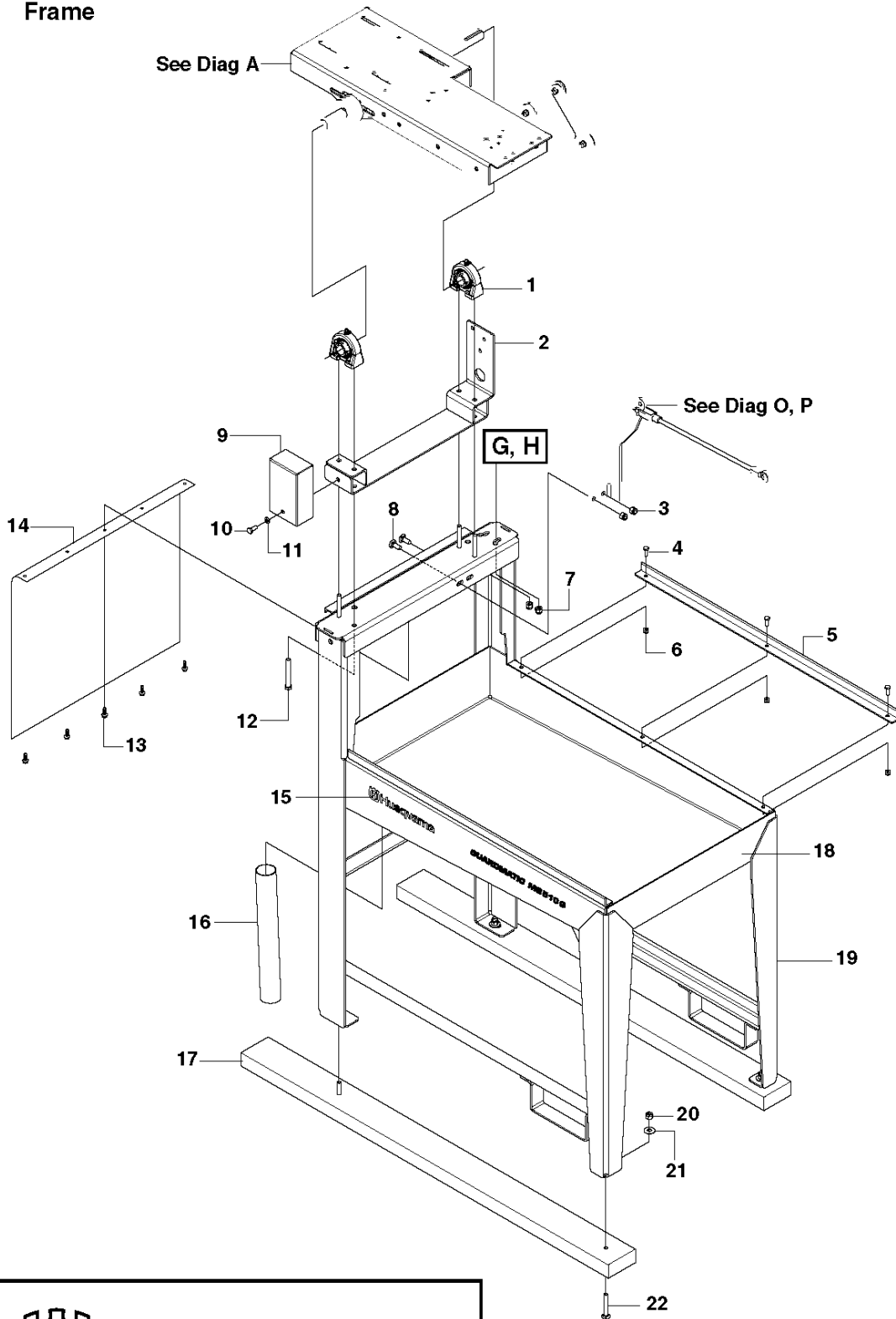
GUARDMATIC MS510

FRAME

MS510, MS510 G, 2015-10

Ref	Part No	Description	Remark	QTY KIT
1	542 04 52-41	FS700/702T PALIER 1"/"		2
2	510 17 90-11	PIVOT		1
3	539 97 69-79	NUT		2
4	539 99 05-80	SCREW		6
5	510 14 08-02	RAIL		2
6	539 97 69-78	NUT		6
7	539 97 69-79	NUT	Honda GX390 11HP Only	2
8	542 17 01-50	BOLT		2
9	510 17 91-08	GUARD		1
10	539 97 69-34	SCREW		1
11	539 99 01-87	WASHER		1
12	542 02 03-29	SCREW		4
13	542 02 04-89	HWHSTS, .25-20 X.75 /TYPE F		5
14	521 95 09-02	GUIDE BAR		1
15	522 85 20-04	DECAL		2
16	542 03 23-42	HOSE		1
17	542 03 08-84	SUPPORT		2
18	542 19 07-33	DECAL		2
19	510 15 48-13	FRAME		1
20	539 99 01-30	NUT		4
21	539 99 05-17	WASHER		4
22	542 02 00-22	BOLT		4

L Frame



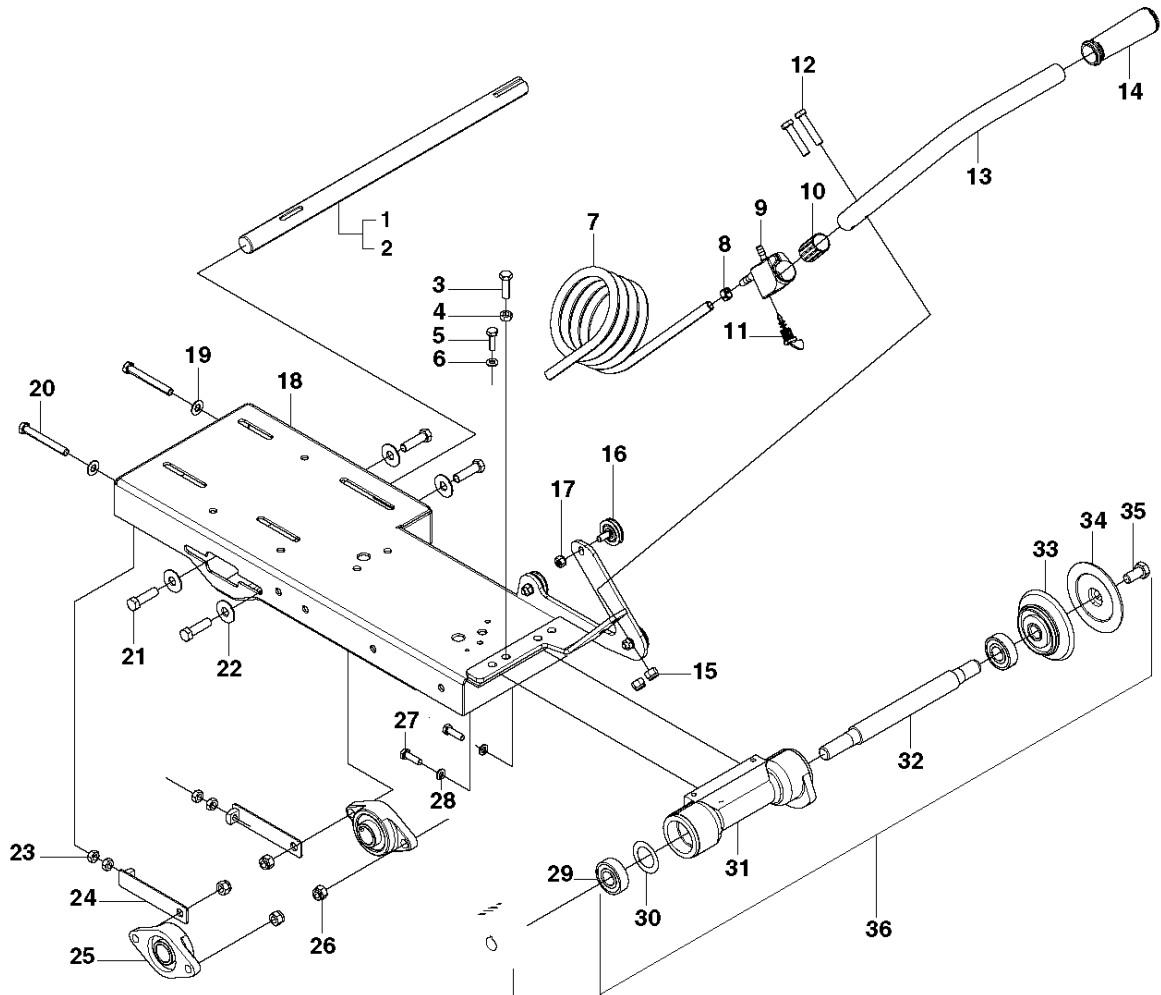
GUARDMATIC MS510G

FRAME

MS510, MS510 G, 2015-10

Ref	Part No	Description	Remark	QTY KIT
1	542 04 52-41	FS700/702T PALIER 1"/"		2
2	510 17 90-11	PIVOT		1
3	539 97 69-79	NUT		2
4	539 99 05-80	SCREW		6
5	510 14 08-02	RAIL		2
6	539 97 69-78	NUT		6
7	539 97 69-79	NUT	Honda GX390 11HP Only	2
8	542 17 01-50	BOLT		2
9	510 17 91-08	GUARD		1
10	539 97 69-34	SCREW		1
11	539 99 01-87	WASHER		1
12	542 02 03-29	SCREW		4
13	542 02 04-89	HWHSTS, .25-20 X.75 /TYPE F		5
14	521 95 09-02	GUIDE BAR		1
15	542 19 07-33	DECAL		2
16	542 03 23-42	HOSE		1
17	542 03 08-84	SUPPORT		2
18	542 19 07-33	DECAL		2
19	510 15 48-13	FRAME		1
20	539 99 01-30	NUT		4
21	539 99 05-17	WASHER		4
22	542 02 00-22	BOLT		4

A Head Platform



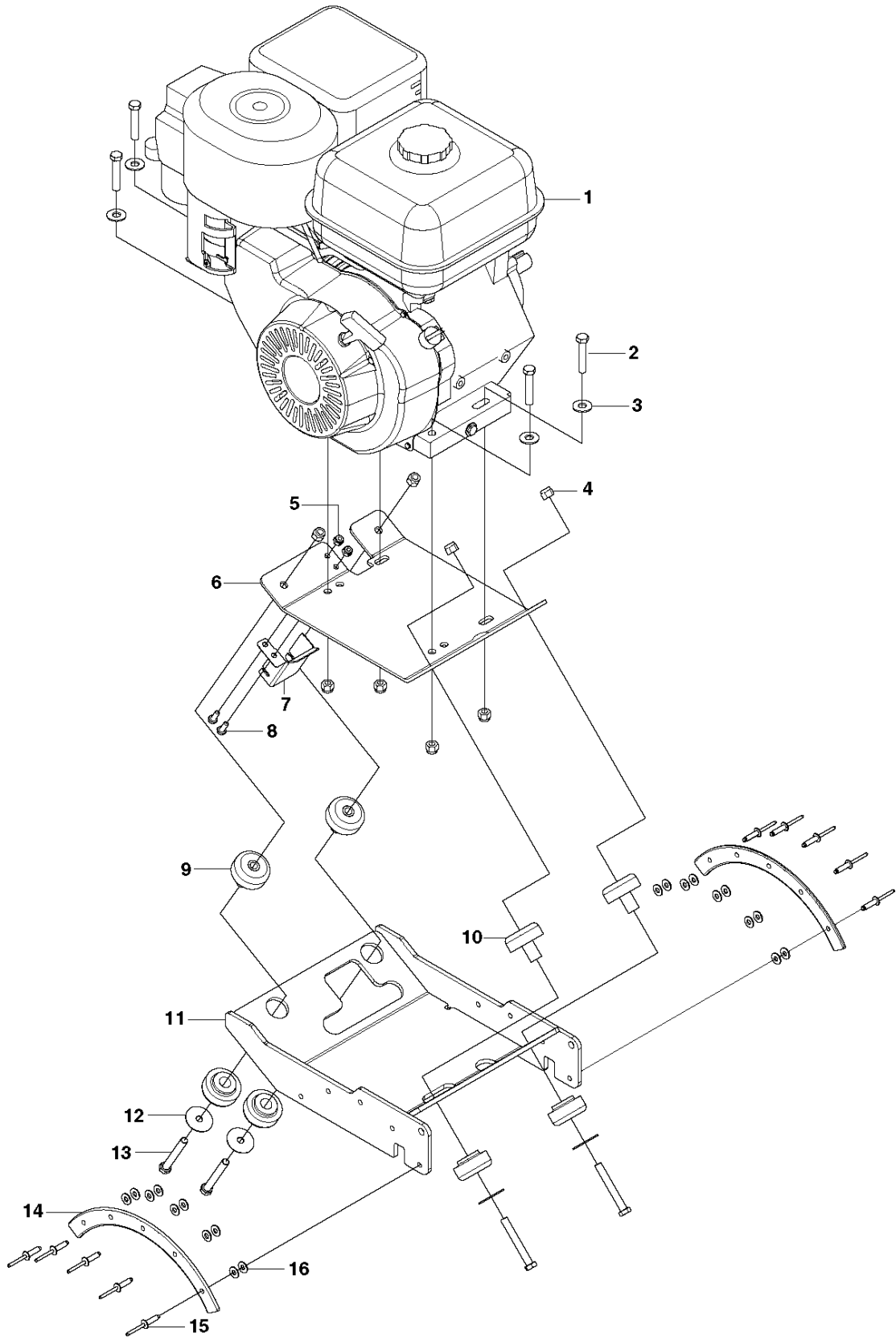
See Diags B, C, J

HEAD PLATFORM

MS510, MS510 G, 2015-10

Ref	Part No	Description	Remark	QTY	KIT
1	510 16 60-01	SHAFT	MS510 Electrical	1	
2	510 16 60-02	SHAFT	MS510 Gas	1	
3	542 16 52-98	SCREW		2	
4	542 02 01-71	MUTTER/		2	
5	541 20 51-97	BOLT		2	
6	539 99 01-87	WASHER		4	
7	523 12 03-04	HOSE		1	
8	541 20 04-67	CLAMP		1	
9	506 38 60-12	VALVE ASSY		1	
10	537 20 42-01	CONDUIT		1	
11	506 38 60-12	VALVE ASSY		1	
12	539 99 07-30	BOLT		2	
13	510 26 03-01	HANDLE		1	
14	542 13 95-68	FS902T GRIP/		1	
15	539 97 69-79	NUT		2	
16	542 03 08-22	FS700/2/900/2 WHEEL SUR/BEARIN		3	
17	542 03 23-66	FS900T SCREW NUT/		3	
18	510 16 19-07	BASE		1	
19	539 99 01-22	WASHER		2	
20	539 30 07-66	BOLT		2	
21	541 20 49-69	BOLT		4	
22	505 73 15-01	WASHER		4	
23	539 99 01-30	NUT		4	
24	574 24 42-01	BRACKET		2	
25	510 26 21-01	BEARING		2	
26	541 20 57-26	NUT		4	
27	541 20 51-97	BOLT		2	
28	539 99 01-88	WASHER		1	
29	542 13 92-73	BALL BEARING		2	36
30	542 03 00-04	SPRING WASHER		1	36
31	542 20 53-42	HOUSING		1	36
32	542 19 50-17	BLADE SHAFT		1	36
33	542 17 79-73	COLLAR		1	36
34	542 03 09-51	FLANGE, OUTER		1	36
35	542 02 03-78	SCREW		1	36
36	542 20 54-37	BLADE SHAFT		1	

F Motor

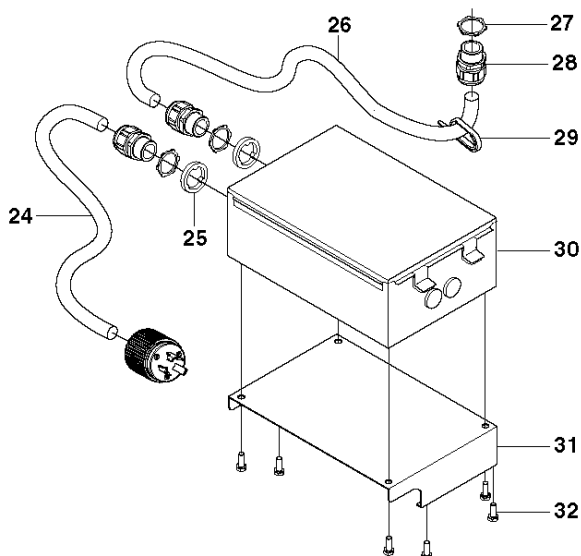
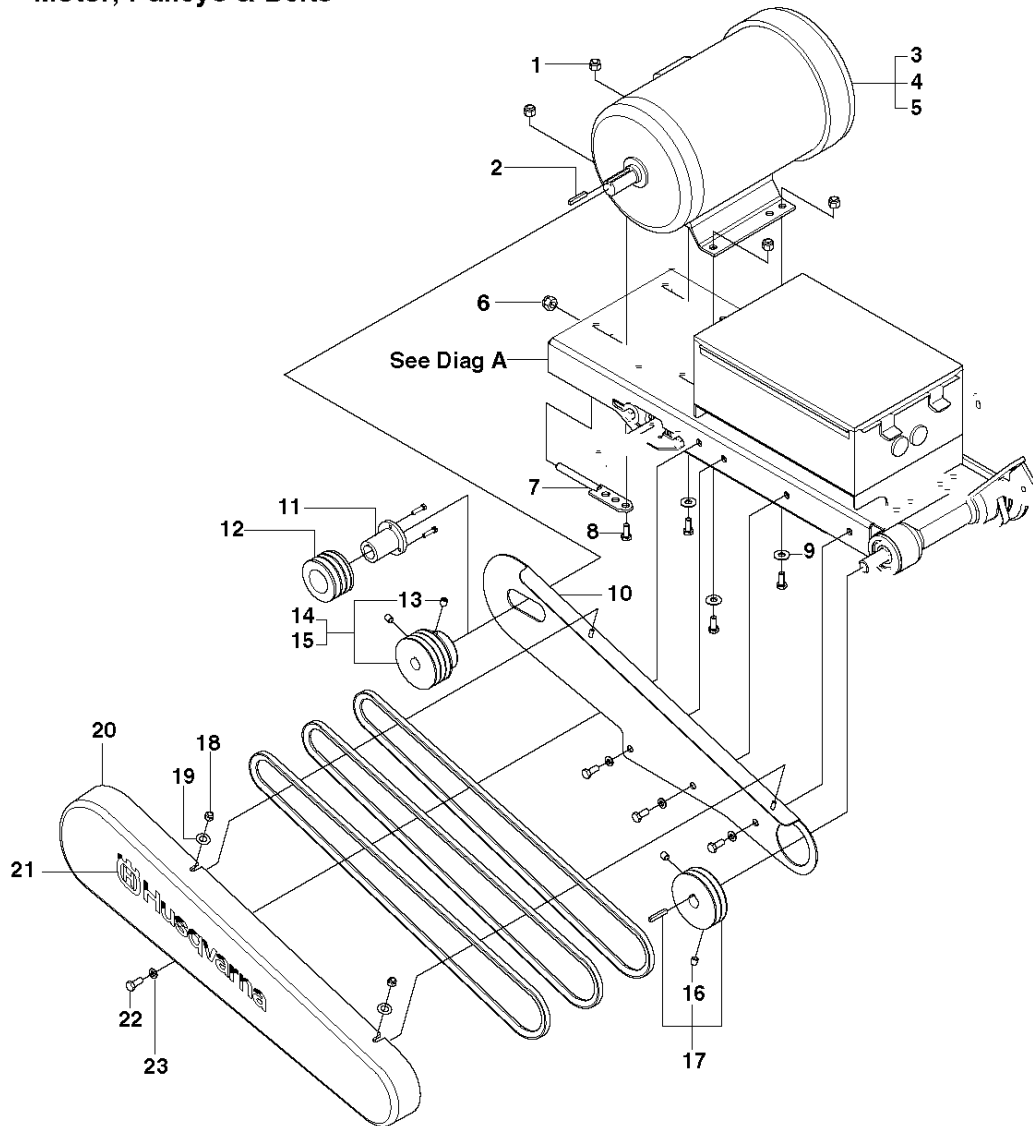


MOTOR

MS510, MS510 G, 2015-10

Ref	Part No	Description	Remark	QTY KIT
1	577 96 12-01	ENGINE		1
2	539 99 05-88	SCREW		4
3	539 99 05-17	WASHER		4
4	539 97 69-79	NUT		8
5	539 97 69-78	NUT		2
6	510 17 11-05	MOUNT		1
7	510 18 32-01	BRACKET		1
8	542 02 03-01	CAP SCREW ITEM 40 020301/		2
9	542 16 11-96	ISOLATOR		2
10	542 16 11-97	ISOLATOR		2
11	510 17 11-04	MOUNT		1
12	539 99 05-17	WASHER		4
13	542 02 03-29	SCREW		4
14	510 17 10-01	RAIL		2
15	523 11 30-01	FASTENER		10
16	539 99 00-55	WASHER		20

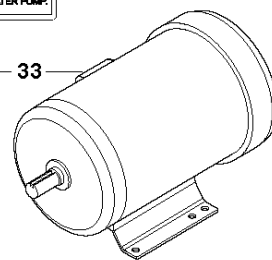
C Motor, Pulleys & Belts



21



OUTLET IS NOT FOR
GENERAL PURPOSE USE.
USE ONLY FOR VENDOR
APPROVED WATER PUMP.

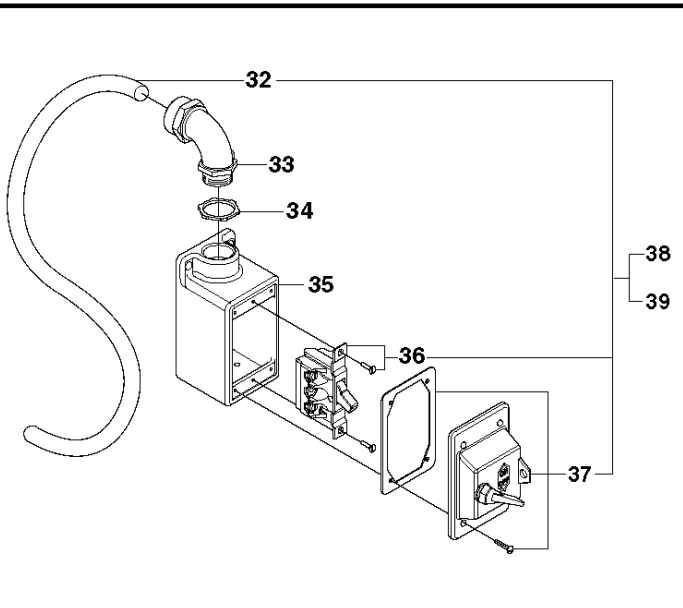
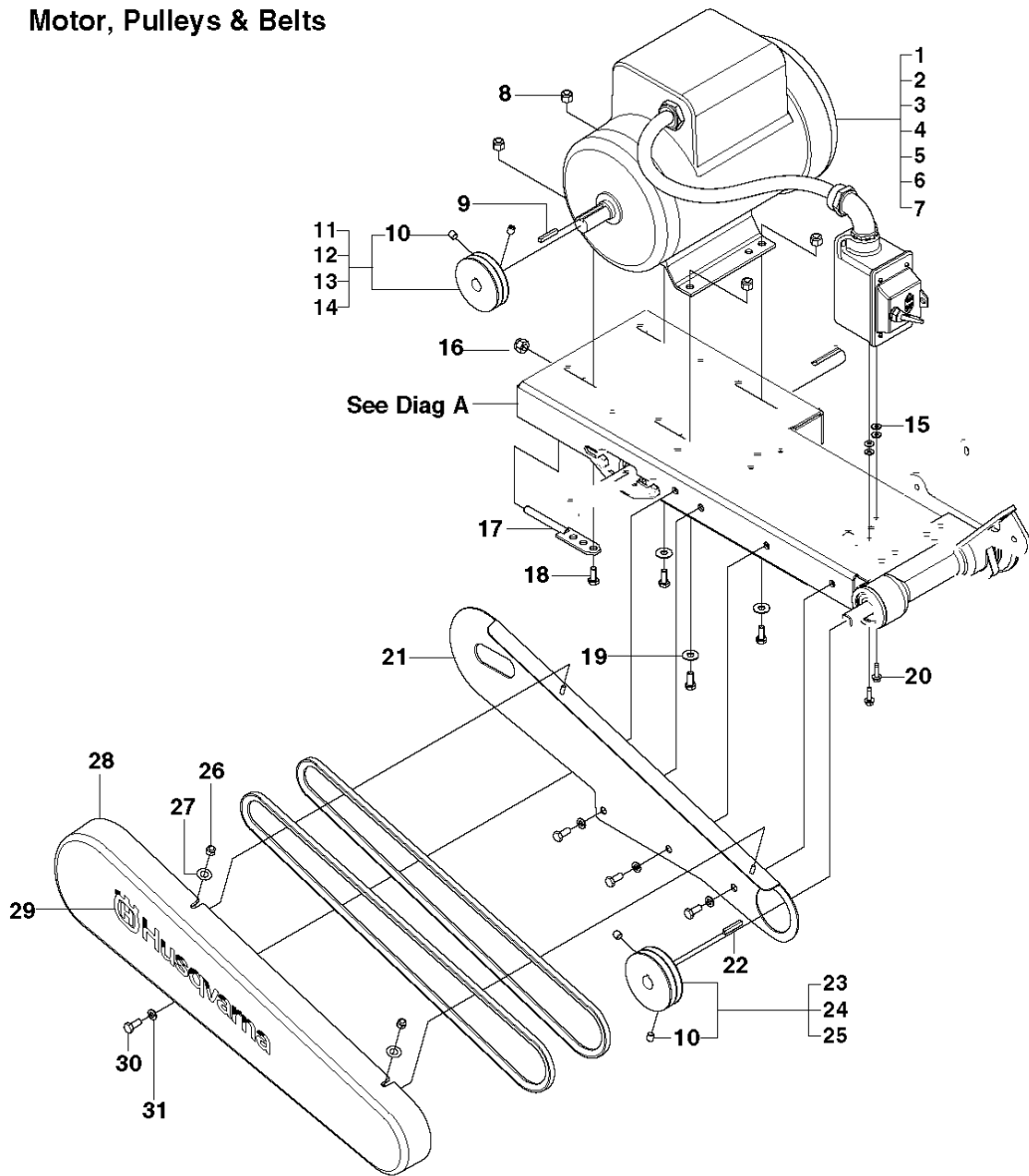


MOTOR, PULLEYS & BELTS

MS510, MS510 G, 2015-10

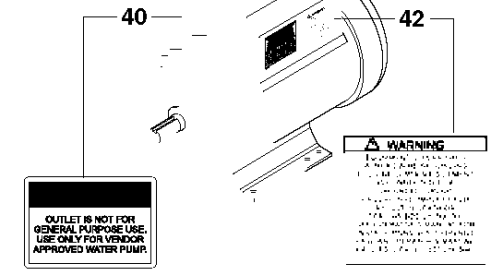
Ref	Part No	Description	Remark	QTY	KIT
1	539 97 69-79	NUT		4	
2	542 02 00-62	FS450T CLAVETTE/		1	
3	542 00 12-65	MOTOR	230/460V 60Hz	1	
4	542 00 12-57	MOTOR	575V 60Hz	1	
5	542 00 12-70	MOTOR	220/380V 50Hz	1	
6	539 97 69-79	NUT		1	
7	542 17 76-96	BOLT		1	
8	539 99 05-63	BOLT		3	
9	539 99 05-17	WASHER		4	
10	510 15 43-01	MANIFOLD		1	
11	542 16 20-53	HUB	"20"" -50Hz"	1	
12	542 13 92-59	PULLEY	"20"" -50Hz"	1	
13	542 02 05-50	SETSCREW, SOCKET HD., /5/16"-18		2	14, 15
14	542 03 09-16	PULLEY	"14""	1	14
15	542 03 09-19	PULLEY	"20"" -60Hz"	1	15
16	542 02 05-41	SHSS, .25-20 X.375 CUP HK/CONCR		2	17
17	542 19 52-36	PULLEY		1	17
18	539 97 69-78	NUT		2	
19	541 20 57-64	FLATWASHER. 1/4" ZP		2	
20	542 20 53-80	BELT GUARD		1	
21	542 19 07-33	DECAL		1	
22	539 97 69-34	SCREW		4	
23	539 99 01-87	WASHER		4	
24	542 18 20-18	CORD	3.5'	1	
25	542 17 69-33	SEALING RING		2	
26	542 18 20-18	CORD	3.17'	1	
27	542 17 69-53	LOCK NUT		3	
28	542 18 20-24	CONNECTOR		3	
29	542 19 71-01	CABLE		1	
30	502 47 26-01	BOX		1	
31	504 10 40-02	BRACKET		1	
32	539 99 05-80	SCREW		8	
33	542 18 92-47	DECAL		1	

B Motor, Pulleys & Belts



WOOD MOTOR PERFORMANCE DEPENDS ON PROPER VOLTAGE. OVERVOLTAGE CAN BE DANGEROUS TO THE MOTOR. ALWAYS CHECK VOLTAGE TO MOTOR UNDER LOAD. USE EXTENSION CORDS NO SMALLER THAN INDICATED BELOW.

MODEL	115V	230V	230V	230V
MS510	10	10	10	10
MS510 G	10	10	10	10



OUTLET IS NOT FOR GENERAL PURPOSE USE. USE ONLY FOR VENDOR APPROVED WATER PUMP.

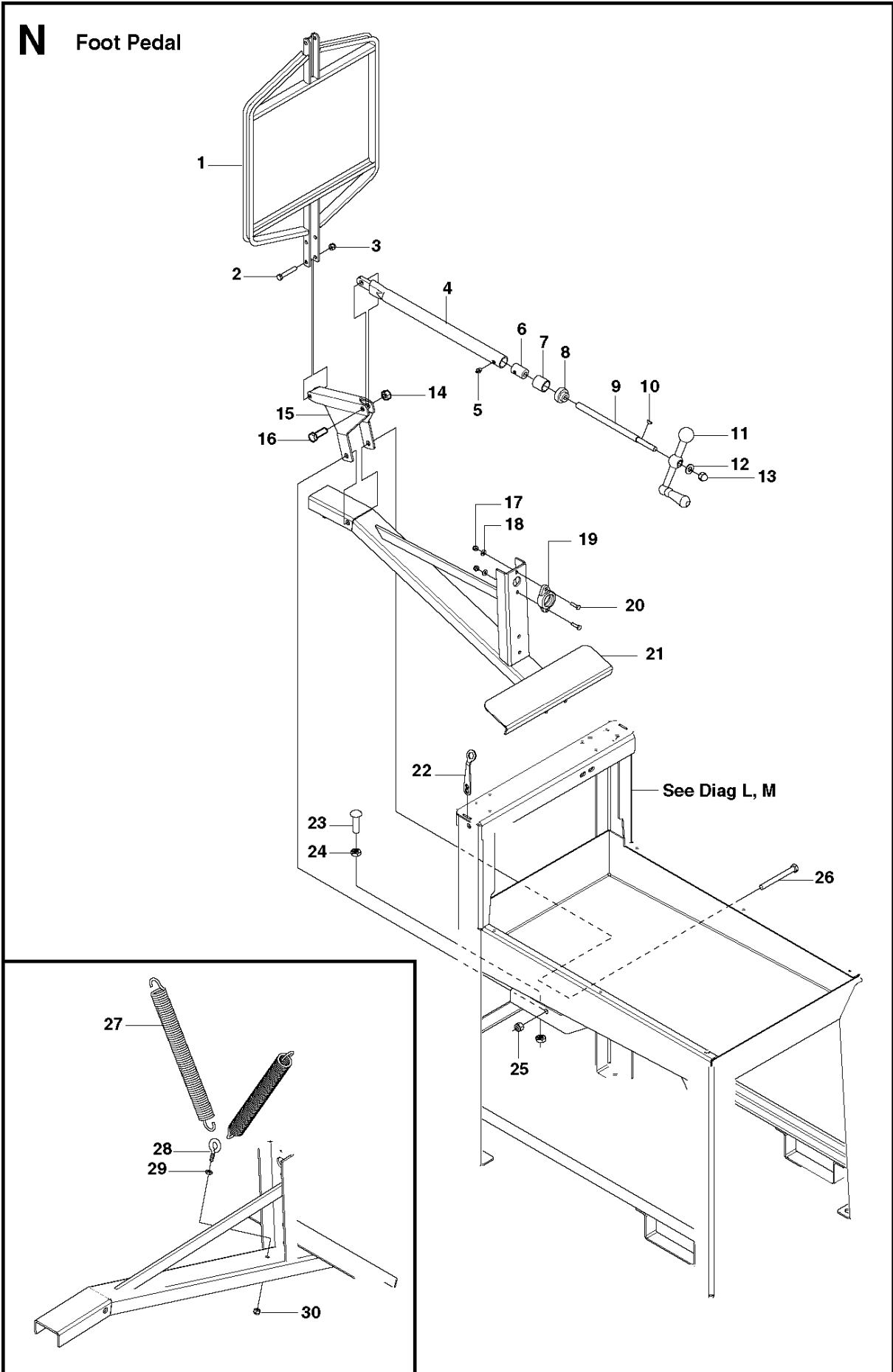
WARNING
 This outlet is not for general purpose use. Use only for vendor approved water pump.

MOTOR, PULLEYS & BELTS

MS510, MS510 G, 2015-10

Ref	Part No	Description	Remark	QTY	KIT
1	542 16 96-56	MOTOR	3HP 60Hz-1Ph	1	
2	542 16 96-22	MOTOR	5HP 60Hz-1Ph	1	
3	542 00 08-06	MOTOR	3HP 60Hz-3Ph	1	
4	542 00 09-23	MOTOR	5HP 60Hz-3Ph	1	
5	542 00 09-25	MOTOR	5HP 60Hz-3Ph 575V	1	
6	542 16 20-42	MOTOR	5HP 50Hz-1Ph	1	
7	542 17 03-10	MOTOR	5HP 50Hz-3Ph	1	
8	539 97 69-79	NUT		4	
9	542 02 00-62	FS450T CLAVETTE/		1	
10	542 02 05-50	SETSCREW, SOCKET HD., /5/16"-18		4	11, 12, 13, 14, 22, 23, 24
11	542 03 09-06	PULLEY 2G3V2.25 - .875 w/SS	"20"" -60Hz"	1	11
12	542 06 01-39	PULLEY	"20"" -50Hz"	1	12
13	542 03 09-31	PULLEY 2G3V3.0 - .875 w/SS	"14"" -60Hz"	1	13
14	542 03 09-02	PULLEY	"14"" -50Hz 2-Piece Pulley"	1	14
15	541 20 57-64	FLATWASHER. 1/4" ZP		4	
16	539 97 69-79	NUT		1	
17	542 17 76-96	BOLT		1	
18	539 99 05-63	BOLT		3	
19	539 99 05-17	WASHER		4	
20	539 99 05-80	SCREW		2	
21	510 15 43-01	MANIFOLD		1	
22	542 02 00-62	FS450T CLAVETTE/		2	
23	542 03 09-21	PULLEY 2G3V3.35 - .75 w/SS	"14-20"" -60Hz"	1	23
24	542 06 01-06	PULLEY	"20"" -50Hz"	1	24
25	542 06 01-05	PULLEY	"14"" -50Hz 2-Piece Pulley"	1	25
26	539 97 69-78	NUT		2	
27	541 20 57-64	FLATWASHER. 1/4" ZP		2	
28	542 20 53-80	BELT GUARD		1	
29	542 19 07-33	DECAL		1	
30	539 97 69-34	SCREW		4	
31	539 99 01-87	WASHER		4	
32	542 18 08-09	CABLE		1	38, 39
33	542 18 08-15	CONNECTOR		1	38, 39
34	542 17 69-53	LOCK NUT		1	38, 39
35	542 18 08-14	SWITCH		1	38, 39
36	542 16 15-81	SWITCH	1-Phase Only	1	38
37	542 03 25-41	COVER		1	38, 39
38	542 18 08-10	SWITCH	Compl (1-Phase)	1	38
39	542 03 00-71	SWITCH, ASSY DUST PROOF W/WIRE	Compl (3-Phase)	1	39
40	542 18 92-47	DECAL		1	
41	542 04 63-27	DECAL		1	
42	542 04 63-26	DECAL		1	

N Foot Pedal

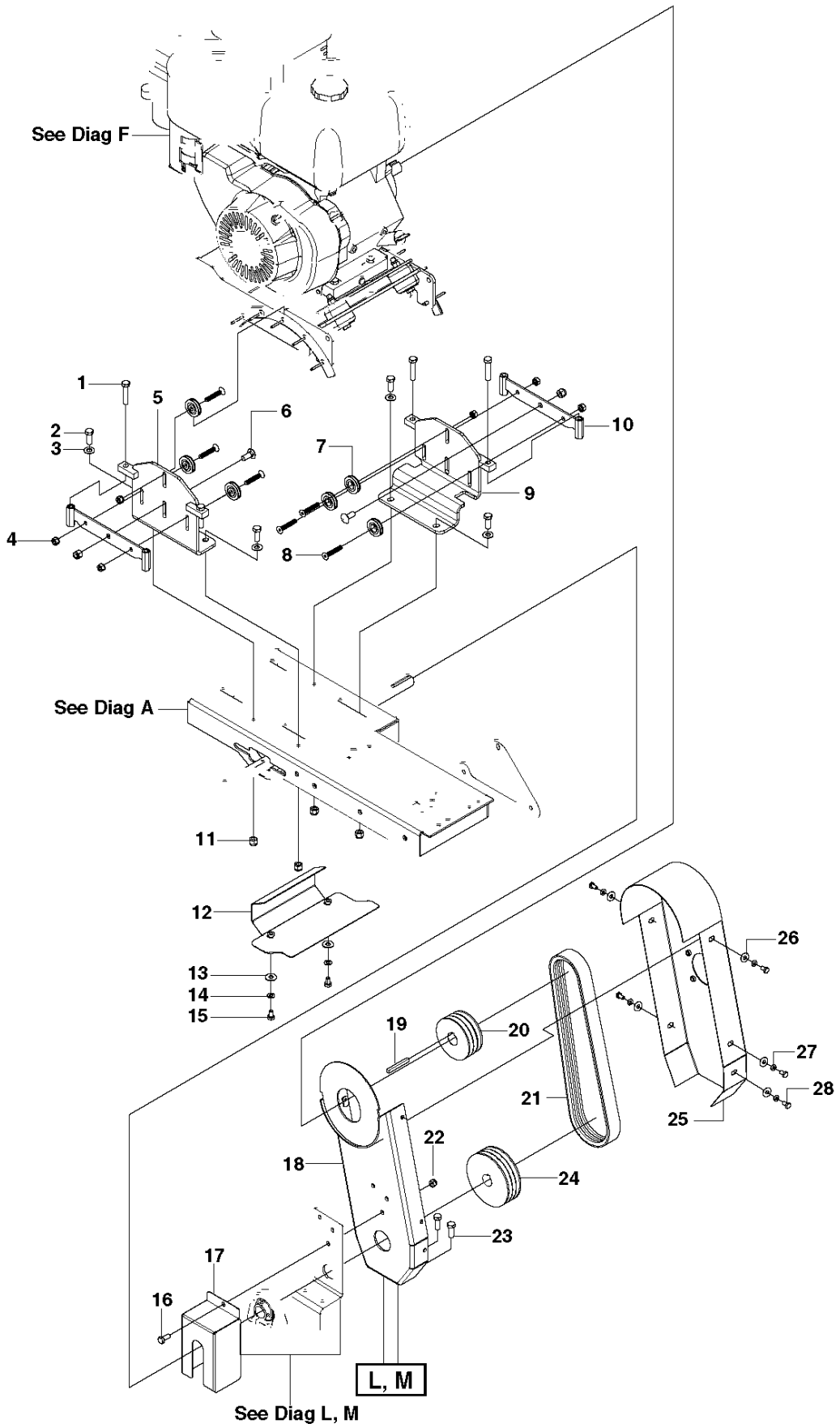


PEDALS

MS510, MS510 G, 2015-10

Ref	Part No	Description	Remark	QTY KIT
1	542 19 52-74	FRAME		1
2	542 02 03-65	SCREW		1
3	539 97 69-79	NUT		1
4	510 19 02-01	WELDMENT		1
5	542 04 01-39	FITTING		1
6	510 19 02-01	WELDMENT		1
7	542 04 33-12	BOOT		1
8	504 53 87-01	BEARING		1
9	5420325-70	TBD		1
10	539 30 00-92	WOODRUFF KEY		1
11	542 20 53-62	HANDLE		1
12	539 99 02-50	WASHER		1
13	5420202-11	TBD		1
14	539 10 13-31	NUT		1
15	510 19 06-01	YOKE		1
16	541 20 46-44	BOLT		1
17	542 02 01-95	LOCK NUT		1
18	542 02 07-62	FS900T RINGS/WASHER,1/4 PLAIN		2
19	542 19 04-34	BEARING		4
20	542 02 00-12	CB, .25-20 x 1 Z/P		1
21	542 20 53-52	PEDAL		1
22	542 17 73-83	WRENCH		1
23	542 02 00-24	BOLT		1
24	541 20 51-29	NUT		2
25	539 10 13-31	NUT		1
26	510 15 48-06	FRAME		2
27	542 13 95-81	FEDER-POS.28-HOEHENVERST/FS350		2
28	542 06 03-05	EYE BOLT		1
29	539 99 01-96	NUT		3
30	539 99 07-17	NUT		1

H Pulleys & Belts

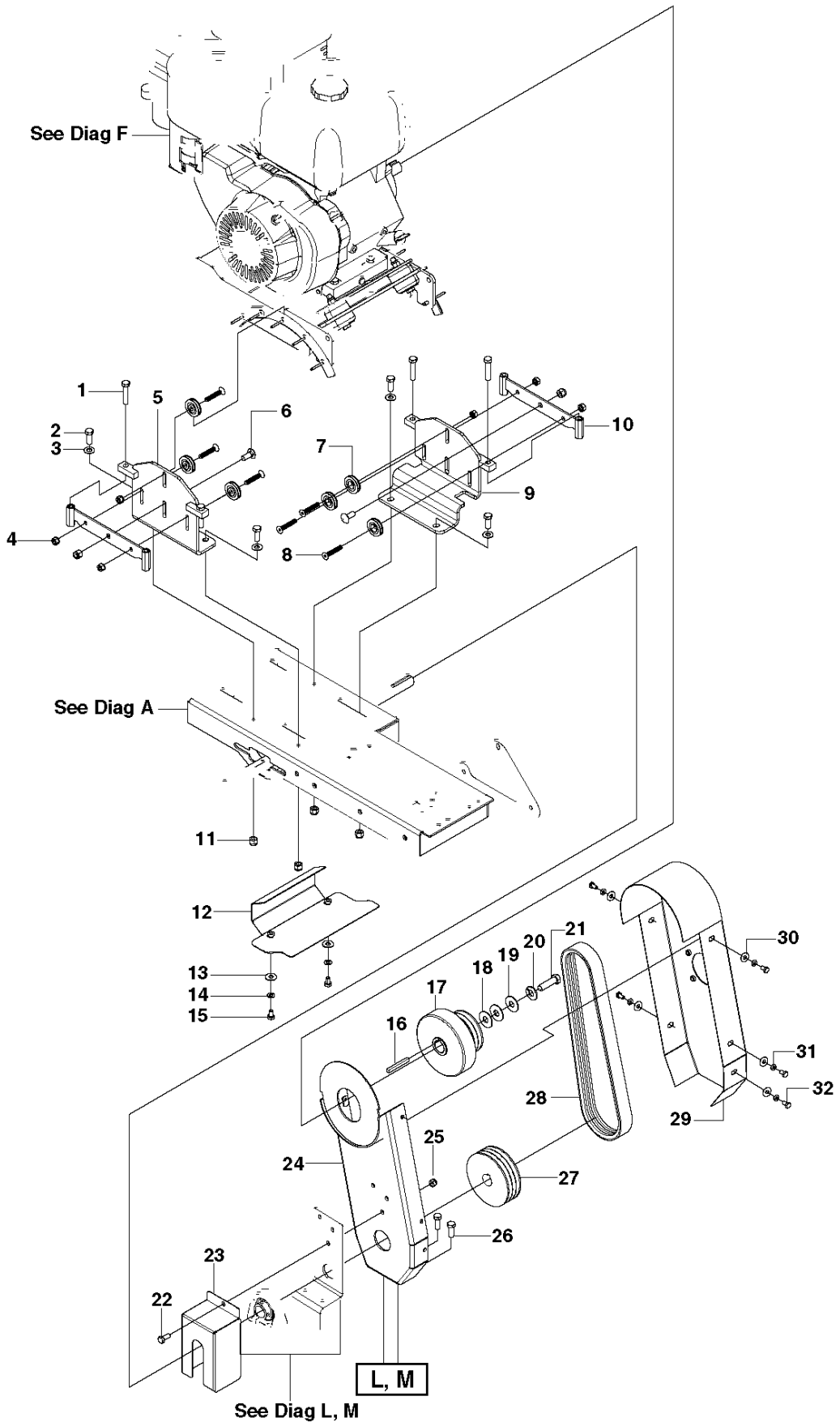


PULLEYS & BELTS

MS510, MS510 G, 2015-10

Ref	Part No	Description	Remark	QTY KIT
1	539 99 07-30	BOLT		4
2	539 99 05-63	BOLT		4
3	539 99 01-22	WASHER		4
4	542 03 23-66	FS900T SCREW NUT/		6
5	510 16 61-06	BRACKET		1
6	542 17 01-50	BOLT		2
7	523 07 52-01	BEARING		6
8	522 67 64-02	SCREW		6
9	510 16 61-07	BRACKET		1
10	510 16 84-04	WELDMENT		2
11	539 97 69-79	NUT		6
12	574 24 43-01	GUIDE BAR		1
13	541 20 47-80	WASHER		2
14	539 99 01-87	WASHER		2
15	539 97 69-34	SCREW		2
16	539 97 69-34	SCREW		1
17	510 17 91-08	GUARD		1
18	510 17 14-06	GUIDE BAR		1
19	523 23 39-01	KEY		1
20	542 19 52-80	PULLEY		1
21	525 31 10-01	BELT		1
22	539 99 07-17	NUT		1
23	542 19 54-06	PULLEY		1
24	539 99 05-63	BOLT		2
25	510 17 80-04	BELT GUARD		1
26	541 20 57-64	FLATWASHER. 1/4" ZP		5
27	539 99 00-52	WASHER		5
28	539 99 00-71	BOLT		5

G Pulleys & Belts

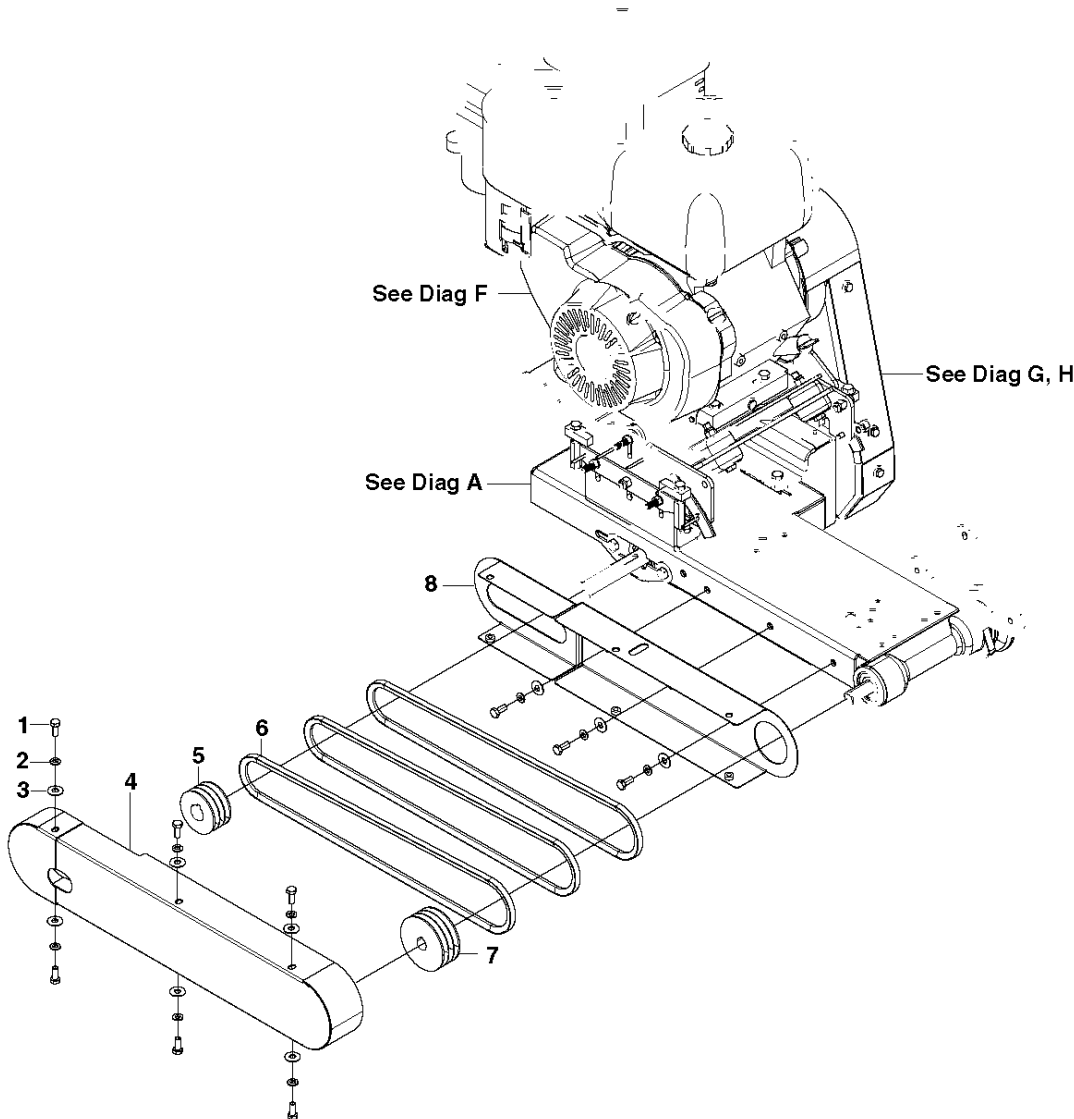


PULLEYS & BELTS

MS510, MS510 G, 2015-10

Ref	Part No	Description	Remark	QTY KIT
1	539 99 07-30	BOLT		4
2	539 99 05-63	BOLT		4
3	539 99 01-22	WASHER		4
4	542 03 23-66	FS900T SCREW NUT/		6
5	510 16 61-06	BRACKET		1
6	542 17 01-50	BOLT		2
7	523 07 52-01	BEARING		6
8	522 67 64-02	SCREW		6
9	510 16 61-07	BRACKET		1
10	510 16 84-04	WELDMENT		2
11	539 97 69-79	NUT		6
12	574 24 43-01	GUIDE BAR		1
13	541 20 47-80	WASHER		2
14	539 99 01-87	WASHER		2
15	539 97 69-34	SCREW		2
16	523 23 39-01	KEY		1
17	542 19 52-55	CLUTCH		1
18	542 16 31-87	WASHER		3
19	539 99 05-17	WASHER		1
20	539 99 01-18	WASHER		1
21	542 18 11-43	CAPSCREW,3/8-24X1 1/2"		1
22	539 97 69-34	SCREW		1
23	510 17 91-08	GUARD		1
24	510 17 14-06	GUIDE BAR		1
25	539 99 07-17	NUT		1
26	539 99 05-63	BOLT		2
27	542 19 54-06	PULLEY		1
28	525 31 10-01	BELT		1
29	510 17 80-04	BELT GUARD		1
30	541 20 57-64	FLATWASHER. 1/4" ZP		5
31	539 99 00-52	WASHER		5
32	539 99 00-71	BOLT		5

J Pulleys & Belts

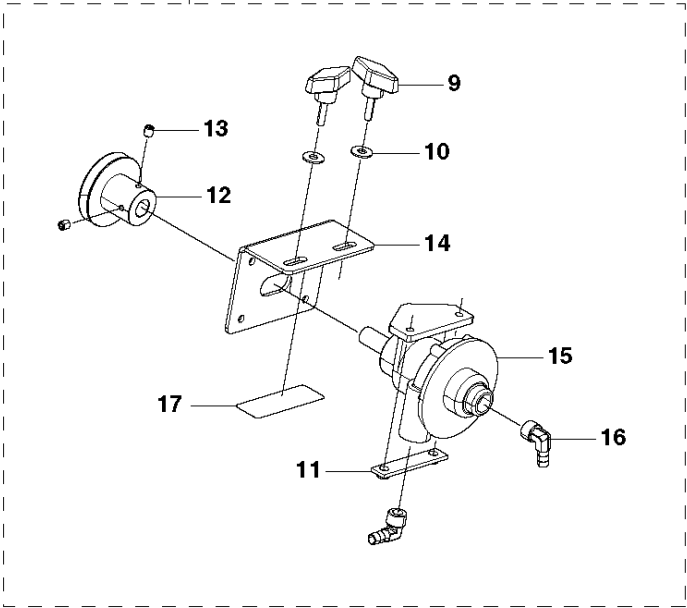
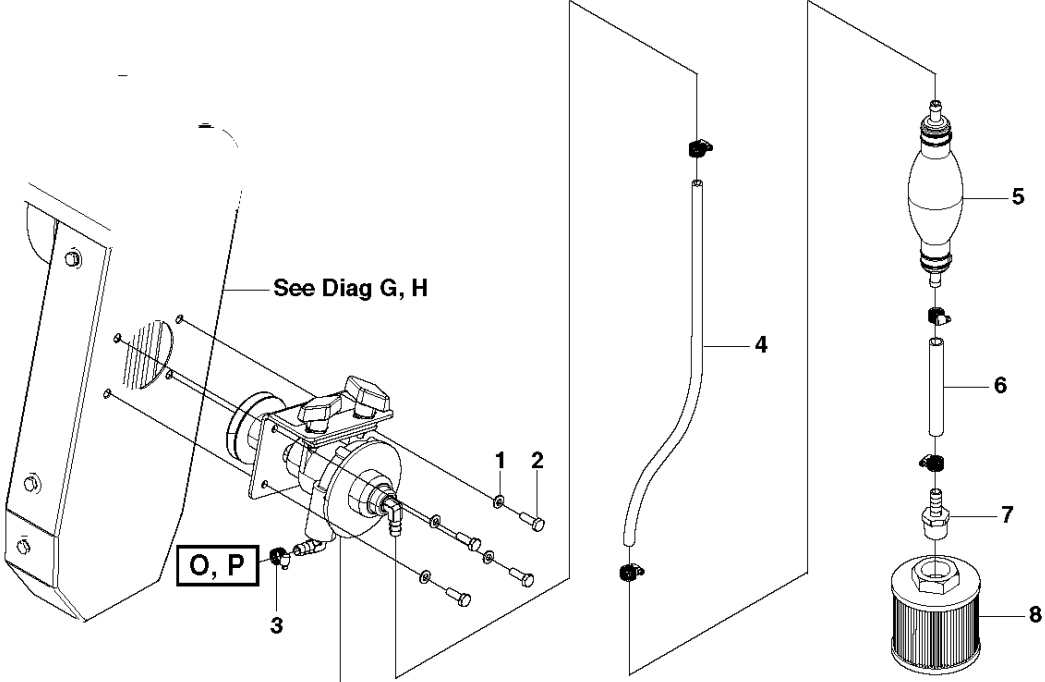


PULLEYS & BELTS

MS510, MS510 G, 2015-10

Ref	Part No	Description	Remark	QTY KIT
1	542 02 03-12	HHCS, .3125-18 X .5 /GR 5 Z/		9
2	539 99 01-87	WASHER		9
3	539 99 01-88	WASHER		9
4	510 16 58-14	BELT GUARD		1
5	542 13 96-82	PULLEY		1
6	542 04 53-98	FS902T V-BELT/		3
7	542 19 52-35	PULLEY		1
8	510 16 58-08	BELT GUARD		1

K Water Pump

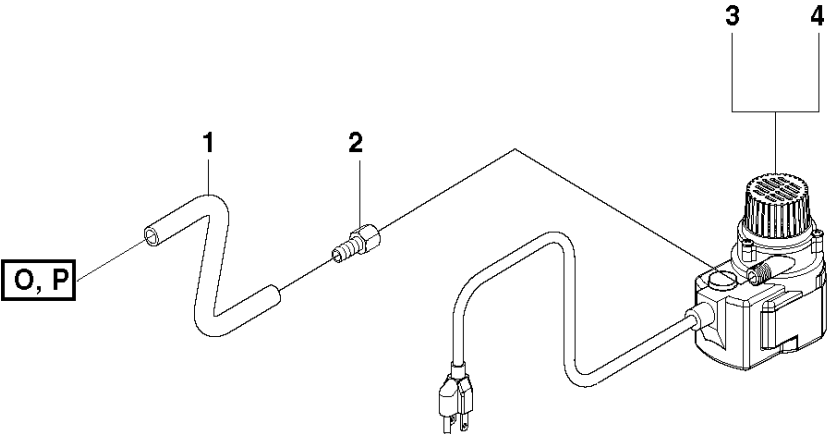


WATER PUMP

MS510, MS510 G, 2015-10

Ref	Part No	Description	Remark	QTY KIT
1	539 99 00-52	WASHER		4
2	542 02 00-49	HOSE CLAMP		5
3	539 99 05-80	SCREW		4
4	542 19 04-12	TUBING		1
5	523 19 72-01	PRIMER BULB		1
6	542 19 04-11	TUBING		1
7	542 17 70-17	FITTING		1
8	542 16 11-59	STRAINER		1
9	542 17 21-41	T-KNOB, 1/4-20 x 1		2
10	542 02 07-41	WASHER		2
11	504 80 86-02	PLATE		1
12	523 06 21-01	PULLEY		1
13	542 02 05-41	SHSS,.25-20 X.375 CUP HK/CONCR		2
14	504 80 85-02	BRACKET		1
15	510 43 73-46	BILL OF MATERIAL		1
16	542 18 60-97	TBD		1
17	505441401	DECAL		1

D Water Pump

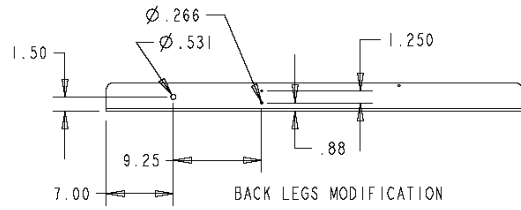
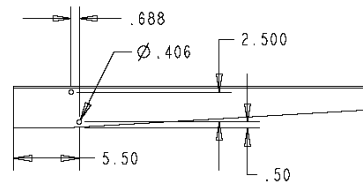
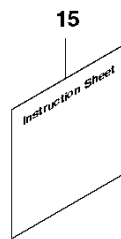
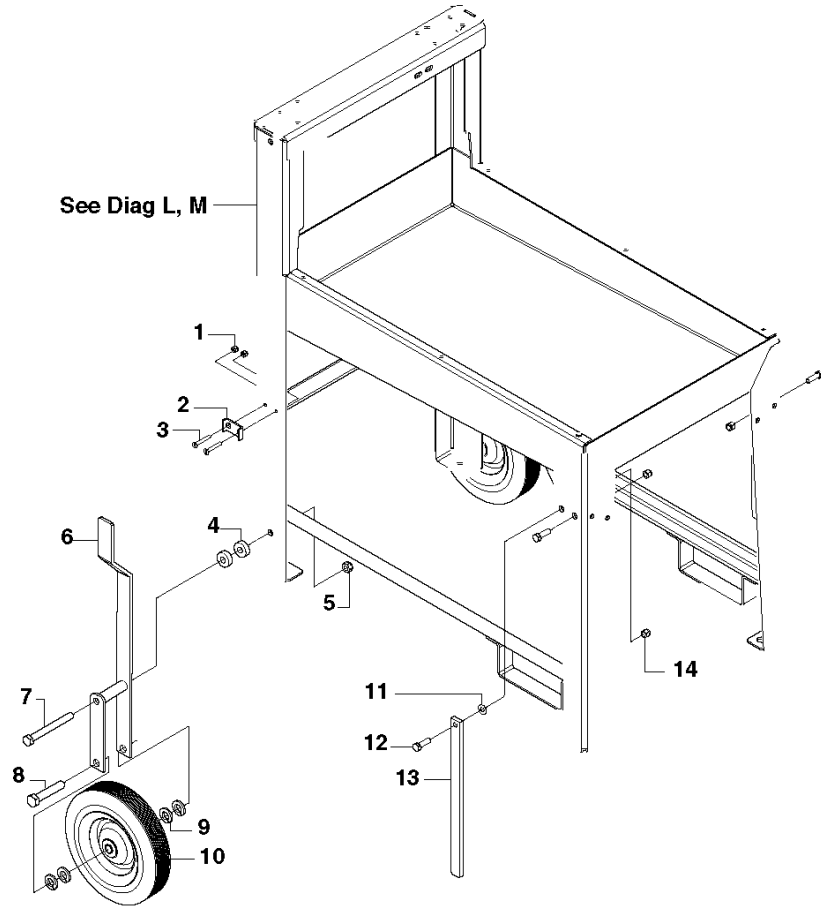


WATER PUMP

MS510, MS510 G, 2015-10

Ref	Part No	Description	Remark	QTY KIT
1	542 16 17-76	TUBE		1
2	542 03 06-54	INSERT		1
3	542 03 20-88	WATER PUMP 115V G-300	115V/50-60Hz	1
4	502 62 13-03	PUMP	230V/50-60Hz	1

Q Wheel-Around Kit



WHEEL-AROUND KIT

MS510, MS510 G, 2015-10

Ref	Part No	Description	Remark	QTY KIT
1	539 97 69-78	NUT		4
2	542 20 54-33	PLATE		2
3	542 16 26-85	SCREW		4
4	539 30 00-74	SET COLLAR, 1/2" PLTD		4
5	539 10 13-31	NUT		2
6	542 20 54-31	LEVER		2
7	541 20 49-38	BOLT		2
8	542 02 03-61	SCREW		2
9	539 97 69-82	WASHER		8
10	542 03 40-02	WHEEL		2
11	539 99 01-22	WASHER		4
12	539 97 69-41	SCREW		4
13	542 20 54-32	LEVER		2
14	539 97 69-79	NUT		2
15	588 58 80-01	INSTRUCTION		1