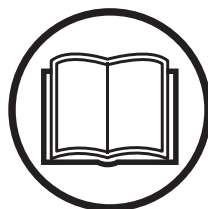


**Operator's manual Manuel d'utilisation**  
**Manual de instrucciones**  
**PP490**



Please read the operator's manual carefully and make sure you understand the instructions before using the machine.  
Lire attentivement et bien assimiler le manuel d'utilisation avant d'utiliser la machine.  
Lea detenidamente el manual de instrucciones y asegúrese de entender su contenido antes de utilizar la máquina.

**US CA ES**

# KEY TO SYMBOLS

## Symbols on the machine

**WARNING!** The machine can be a dangerous tool if used incorrectly or carelessly, which can cause serious or fatal injury to the operator or others.

Please read the operator's manual carefully and make sure you understand the instructions before using the machine.

Always wear:

- Approved protective helmet
- Approved hearing protection
- Protective goggles or a visor

Inspection and/or maintenance should be carried out with the motor switched off and the plug disconnected.

**WARNING!** Live parts.

**Environmental marking.** Symbols on the product or its packaging indicate that this product cannot be handled as domestic waste. It must instead be submitted to an appropriate recycling station for the recovery of electrical and electronic equipment.

By ensuring that this product is taken care of correctly, you can help to counteract the potential negative impact on the environment and people that can otherwise result through the incorrect waste management of this product.

For more detailed information about recycling this product, contact your municipality, your domestic waste service or the shop from where you purchased the product.

**Other symbols/decals on the machine refer to special certification requirements for certain markets.**



## Explanation of warning levels

The warnings are graded in three levels.

### WARNING!



**WARNING!** Used if there is a risk of serious injury or death for the operator or damage to the surroundings if the instructions in the manual are not followed.

### CAUTION!



**CAUTION!** Used if there is a risk of injury to the operator or damage to the surroundings if the instructions in the manual are not followed.

### NOTICE!

**NOTICE!** Used if there is a risk of damage to materials or the machine if the instructions in the manual are not followed.

# CONTENTS

## Contents

<b>KEY TO SYMBOLS</b>	
Symbols on the machine .....	2
Explanation of warning levels .....	2
<b>CONTENTS</b>	
Contents .....	3
Note the following before starting: .....	3
<b>PRESENTATION</b>	
Dear customer! .....	4
Design and features .....	4
PP490 .....	4
<b>WHAT IS WHAT?</b>	
What is what on the power pack? .....	5
<b>MACHINE'S SAFETY EQUIPMENT</b>	
General .....	6
<b>ASSEMBLING AND ADJUSTMENTS</b>	
Install the power unit .....	7
Connecting the units .....	7
Connect the cooling water .....	7
Connect a power source .....	8
Battery .....	8
Pair the remote control with the power unit .....	9
<b>OPERATING</b>	
General safety precautions .....	10
Protective equipment .....	11
Power pack safety precautions .....	11
Work safety .....	12
<b>MENU SYSTEM</b>	
Remote control .....	13
Remote control menu system .....	13
Menu overview .....	13
Menu system explanation .....	14
Basic working techniques .....	15
Transport and storage .....	15
<b>STARTING AND STOPPING</b>	
Before starting .....	16
Starting .....	16
Stopping .....	16
<b>MAINTENANCE</b>	
General .....	17
Daily Maintenance .....	17
Service .....	17
Trouble shooting .....	18
<b>TECHNICAL DATA</b>	
PP490 .....	21
<b>US WARRANTY STATEMENT</b>	
WARRANTY POLICY .....	22
EQUIPMENT .....	22

## Note the following before starting:



**WARNING!** Cutting, especially when DRY cutting, generates dust that comes from the material being cut, which frequently contains silica. Silica is a basic component of sand, quartz, brick clay, granite and numerous other minerals and rocks. Exposure to excessive amount of such dust can cause:

Respiratory disease (affecting your ability to breath), including chronic bronchitis, silicosis and pulmonary fibrosis from exposure to silica. These diseases may be fatal;

Skin irritation and rash.

Cancer according to NTP\* and IARC\* \*/ National Toxicology Program, International Agency for Research on Cancer

Take precautionary steps:

Avoid inhalation of and skin contact with dust, mist and fumes.

Wear and ensure that all bystanders wear appropriate respiratory protection such as dust masks designed to filter out microscopic particles. (See OSHA 29 CFR Part 1910.1200)

Wet cut when feasible, to minimize dust.

---

# PRESENTATION

---

## Dear customer!

Thank you for choosing a Husqvarna product!

It is our wish that you will be satisfied with your product and that it will be your companion for a long time. A purchase of one of our products gives you access to professional help with repairs and services. If the retailer who sells your machine is not one of our authorised dealers, ask him for the address of your nearest service workshop.

This operator's manual is a valuable document. Make sure it is always at hand at the work place. By following its content (using, service, maintenance etc.) the life span and the second-hand value of the machine can be extended. If you ever lend or sell this machine, make sure that the borrower or buyer gets the operator's manual, so they will also know how to properly maintain and use it.

## More than 300 years of innovation

Husqvarna AB is a Swedish company based on a tradition that dates back to 1689, when the Swedish King Charles XI ordered the construction of a factory for production of muskets. At that time, the foundation was already laid for the engineering skills behind the development of some of the world's leading products in areas such as hunting weapons, bicycles, motorcycles, domestic appliances, sewing machines and outdoor products.

Husqvarna is the global leader in outdoor power products for forestry, park maintenance and lawn and garden care, as well as cutting equipment and diamond tools for the construction and stone industries.

## Owner responsibility

It is the owner's/employer's responsibility that the operator has sufficient knowledge about how to use the machine safely. Supervisors and operators must have read and understood the Operator's Manual. They must be aware of:

- The machine's safety instructions.
- The machine's range of applications and limitations.
- How the machine is to be used and maintained.

Local regulations could restrict the use of this machine. Find out what regulations are applicable where you work before you start using the machine.

## The manufacturer's reservation

Subsequent to publishing this manual Husqvarna may issue additional information for safe operation of this product. It is the owner's obligation to keep up with the safest methods of operation.

Husqvarna AB has a policy of continuous product development and therefore reserves the right to modify the design and appearance of products without prior notice.

For customer information and assistance, contact us at our website: [www.husqvarna.com](http://www.husqvarna.com)

## Design and features

This is a product included in a range of high frequency powered equipment for cutting, drilling and wall sawing. They are designed to cut hard materials like masonry and reinforced concrete and should not be used for any purpose not described in this manual.

Values such as high performance, reliability, innovative technology, advanced technical solutions and environmental considerations distinguish Husqvarna's products. Safe operation of this product requires the operator to read this manual carefully. Ask your dealer or Husqvarna should you need more information.

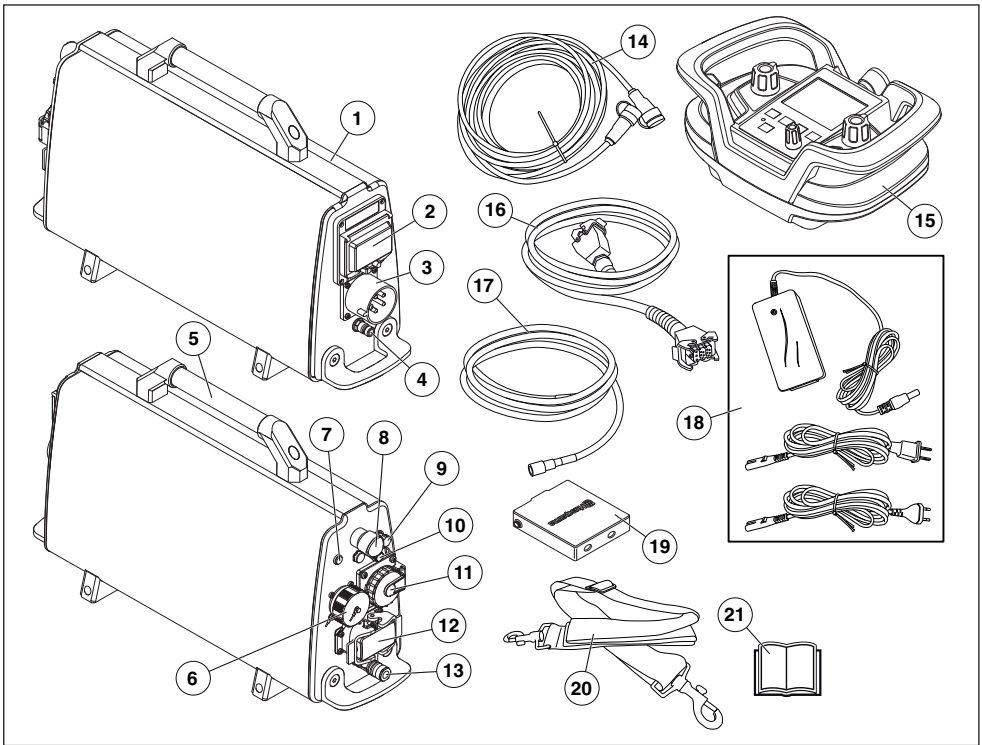
Some of the unique features of your product are described below.

## PP490

The power unit is especially designed to drive designated Husqvarna tools with a high frequency motor.

- The unit has two power outlets and can be used with both wallsaws and handheld PRIME™ products.
- A wireless remote control is used to control the connected units.
- The remote control gives the operator freedom of movement and an uninterrupted view of the work. It is easy to control, even when wearing gloves. Setting changes and operation are performed using just a few buttons. The remote control has a 3.5 inch digital color display.
- The design is lightweight, compact and ergonomic which makes the unit easy to transport.
- The unit is water cooled and equipped with an electric water valve which is controlled from the remote control.
- Use 32 A for a 400 V system for full power.

# WHAT IS WHAT?



## What is what on the power pack?

- |   |                            |
|---|----------------------------|
| 1 Power pack                                    | 12 WS connector (wall saw) |
| 2 Ground fault circuit interrupter              | 13 Water connector, out    |
| 3 Electrical socket                             | 14 CAN cable               |
| 4 Water connector, in                           | 15 Remote control          |
| 5 Handle  | 16 Power cable             |
| 6 PRIME™ connector                              | 17 Water hose              |
| 7 Power indicator                               | 18 Battery charger         |
| 8 Emergency stop                                | 19 Battery (2)             |
| 9 CAN port                                      | 20 Adjustable carry strap  |
| 10 Automatic fuse, 16A (Only on 5-pin machines) | 21 Operator's manual       |
| 11 Single phase socket - Only 5-pin machines    |                            |

# MACHINE'S SAFETY EQUIPMENT

## General



**WARNING! Never use a machine that has faulty safety equipment! If your machine fails any checks contact your service agent to get it repaired.**

This section describes the machine's safety equipment, its purpose, and how checks and maintenance should be carried out to ensure that it operates correctly.

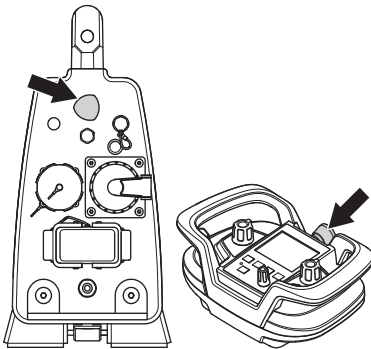
This machine is used in combination with other products. Please read the manual provided with the products carefully and make sure you understand the instructions before using the machine.

Check safety equipment daily.

Also check the safety equipment on the power tool that is to be connected to the power unit, see the operator's manual for the respective power tool to check the safety equipment.

## Emergency stop and stop button

The emergency stops on the unit and on the remote control slow the connected tool and disconnect it from the power supply.



### Testing the emergency stop

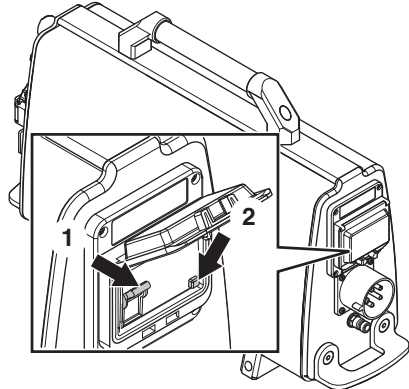
- Check that the emergency stop button is not pressed by turning it clockwise.
- Start the connected tool.
- Press the emergency stop and check that the connected tool stops. Make sure that the power indicator on the power pack goes out a few seconds after the connected tool has stopped.
- When using the wall saw, the stop button should be controlled in the same way.

## Ground fault circuit interrupter (RCD)

The power pack is fitted with a residual-current device. A residual-current device is fitted to protect operators in case an electrical fault should occur.

### Check the ground fault circuit interrupter

- Connect the power unit to a grounded 3-phase outlet.
- Open the cover on the residual-current device to access the switch (1) and test button (2).



- Set the control in the residual-current device in position 1.
- Press the test button. The residual-current device must trigger to disconnect the unit from the power supply.
- Reset the residual-current device by first setting the switch to 0 and then to 1.
- Refit and tighten the cover.

The residual-current device must be tested every two weeks with the test button.

# ASSEMBLING AND ADJUSTMENTS

## Install the power unit



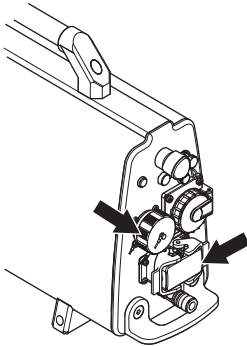
**WARNING!** Place the power unit on the workplace, making sure that it is standing on a stable surface and that it is protected from water spray.

Connect the power unit to a grounded 3-phase outlet.

Always connect the machine through an ground fault circuit interrupter with personal protection, i.e. an ground fault circuit interrupter that trips at an ground fault of 30 mA.

## Connecting the units

Connect the power tool to the designated power take-off, note that there are two different power take-offs. The upper power take-off is used for the PRIME™ family products. The bottom power take-off is used for wall saws (WS). For more information, see the "Technical data" section.



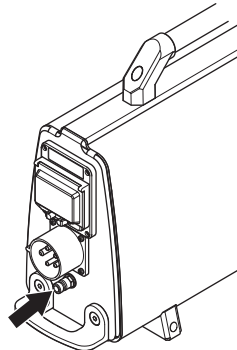
## Connect the cooling water

**NOTICE!** The cooling water will not turn off during a power failure.

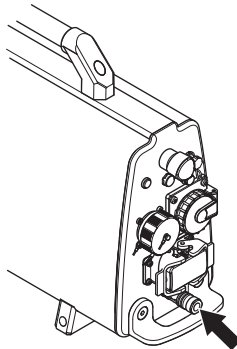
- Connect the water hose to the incoming water connector. Remember to use clean cooling water to avoid dirt clogging up the water system.

The power pack is equipped with an electric water valve, which is closed when the power pack is activated. When the power pack is without electricity, the valve is open to be able to drain water coolant if there is a risk of freezing.

For more information, see the "Technical data" section.



The other water connection should be connected to the power tool, the power tool has various regulating taps for regulating the flow of cooling water to the tool. See the operator's manual for the respective power tools.

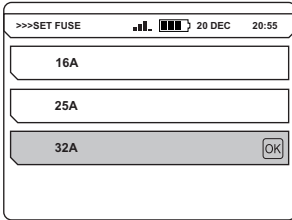


# ASSEMBLING AND ADJUSTMENTS

## Connect a power source

- Connect the incoming power cable (380-480 V, 32 A). Power packs equipped with a single phase socket (230 V) must also have a neutral wire in order for the socket to work. The power pack functions even if there is no neutral wire present.

To be able to use full power output, the power unit must be connected to a 32 A fuse. With a 16 A or 25 A fuse the power output is lower so as not to overload the fuse. This is selected in the menu under drive selection.



At lower voltage there is a linear reduction in available output down to 80%.

For more information, see the "Technical data" section.

- During operation, fit together the covers for the cable and the power unit to avoid dirt entering the covers which could damage the connector.

A gasoline or diesel driven generator can be used as a power source if sufficiently powerful. See typical generator operation cases in Technical Data. The generator must be grounded to safeguard the function of the power unit.

**NOTICE!** A generator which on some occasion generates an input voltage outside the voltage range specified in the technical data can damage the power unit.

## Battery

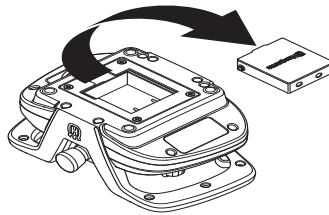
The remote control battery is a Li-ion type. Operating time is about 8-10 hours per charge. Extreme cold impairs the battery's capacity and operating time. Operating time is also affected by the extent to which the display has been active.

Use only original batteries for this product. Contact your dealer for more information.

An exhausted battery must not be disposed of as household garbage! Leave it at your nearest service agent or collection point.

### Insert / remove battery

- Insert / remove the battery.



### Charge the battery.

Before using the remote control for the first time the battery has to be charged.

### To charge with the battery charger



Charging time for a flat battery is approx. 2-3 hours. The diode is orange when charging starts and becomes green when the battery is fully charged. When the battery is fully charged the charger supplies the battery with maintenance current until the battery is removed from the charger.

Keep the battery charger dry and protected against temperature fluctuations.

### To charge with the CAN cable

The charging efficiency with the CAN cable is less than with the battery charger and it therefore takes a bit longer to charge the battery.

If the battery is removed while the remote control is connected to the CAN cable, the battery symbol in the remote control will be stricken through to indicate that there is not battery available.



# ASSEMBLING AND ADJUSTMENTS

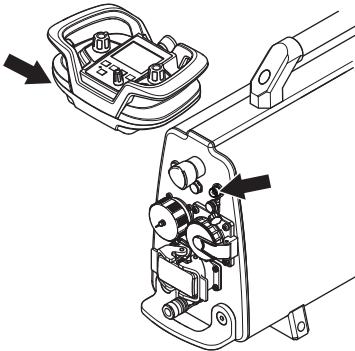
## Pair the remote control with the power unit

For radio communication between the remote control and the power unit to work, the relevant remote control must be paired with the relevant power unit.

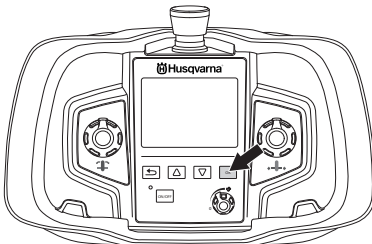
This is a safety measure to guarantee that the power unit can only be controlled by one remote control. Radio communication does not work until this measure has been carried out.

If the accompanying remote control is exchanged or if it is necessary to swap remote controls between two units, the remote control must be rematched with the unit.

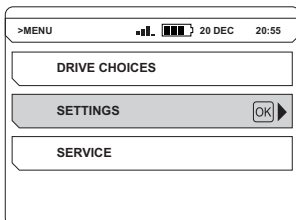
- Connect the remote control using the supplied CAN-cable. Tighten the cable connector screws by hand.



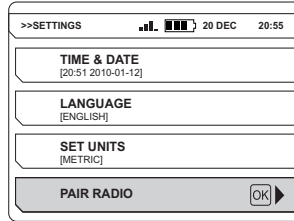
- Allow the remote control to fully charge and await the home screen. Press the "OK" button to access the menu.



- Go to "SETTINGS". Browse with the arrow keys and confirm with "OK".



- Go to "PAIR RADIO". Browse with the arrow keys and confirm with "OK".



A message is displayed on the screen to indicate if the pairing was successful or not.

## Other software settings

A number of further settings should be made before the power unit is commissioned. See instructions in the "Menu system" section for additional information.

- Set time and date. (SETTINGS>TIME & DATE)
- Select the required display language. (SETTINGS>LANGUAGE)
- Select the required units. (SETTINGS>SET UNITS)

# OPERATING

## General safety precautions



**WARNING!** Read all safety warnings and all instructions. Failure to follow the warnings and instructions may result in electric shock, fire and/or serious injury.

**IMPORTANT!** Save all warnings and instructions for future reference. The term "power tool" in the warnings refers to your mains-operated (corded) power tool or battery-operated (cordless) power tool.

### Work area safety

- **Keep work area clean and well lit.** Cluttered or dark areas invite accidents.
- **Do not operate power tools in explosive atmospheres, such as in the presence of flammable liquids, gases or dust.** Power tools create sparks which may ignite the dust or fumes.
- **Keep children and bystanders away while operating a power tool.** Distractions can cause you to lose control.

### Electrical safety

- **Power tool plugs must match the outlet. Never modify the plug in any way.** Unmodified plugs and matching outlets will reduce the risk of electric shock.
- **Avoid body contact with earthed or grounded surfaces, such as pipes, radiators, ranges and refrigerators.** There is an increased risk of electric shock if your body is earthed or grounded.
- **Do not expose power tools to rain or wet conditions.** Water entering a power tool will increase the risk of electric shock.
- **Do not misuse the cable. Do not use the cable to carry or pull the power tool, or to disconnect the power tool from the power take-off. Keep the cable away from heat, oil, sharp edges and moving parts.** Damaged or tangled cables increase the risk of electric shock and must therefore be replaced at a service workshop.
- **When operating a power tool outdoors, use an extension cord suitable for outdoor use.** Use of a cord suitable for outdoor use reduces the risk of electric shock.

### Personal safety

- **Stay alert, watch what you are doing and use common sense when operating a power tool. Do not use a power tool while you are tired or under the influence of drugs, alcohol or medication.** A moment of inattention while operating power tools may result in serious personal injury.
- **Use personal protective equipment. Always wear eye protection.** Protective equipment such as dust mask, non-skid safety shoes, hard hat, or hearing protection used for appropriate conditions will reduce personal injuries.
- **Remove any adjusting key or wrench before turning the power tool on.** A wrench or a key left attached to a rotating part of the power tool may result in personal injury.

- **Do not overreach. Keep proper footing and balance at all times.** This enables better control of the power tool in unexpected situations.
- **Dress properly. Do not wear loose clothing or jewellery. Keep your hair, clothing and gloves away from moving parts.** Loose clothes, jewellery or long hair can be caught in moving parts.
- **If devices are provided for the connection of dust extraction and collection facilities, ensure that these are connected and properly used.** Use of dust collection can reduce dust-related hazards.

### Power tool use and care

- **Do not force the power tool. Use the correct power tool for your application.** The correct power tool will do the job better and safer at the rate for which it was designed.
- **Do not use the power tool if the designated on/off function for each power tool does not turn it on and off.** Any power tool that cannot be controlled correctly is dangerous and must be repaired.
- **Disconnect the plug from the power source and/or the battery pack from the power tool before making any adjustments, changing accessories, or storing power tools.** Such preventive safety measures reduce the risk of starting the power tool accidentally.
- **Store idle power tools out of the reach of children and do not allow persons unfamiliar with the power tool or these instructions to operate the power tool.** Power tools are dangerous in the hands of untrained users.
- **Maintain power tools. Check for misalignment or binding of moving parts, breakage of parts and any other condition that may affect the power tool's operation. If damaged, have the power tool repaired before use.** Many accidents are caused by poorly maintained power tools.
- **Keep cutting tools sharp and clean.** Properly maintained cutting tools with sharp cutting edges are less likely to bind and are easier to control.
- **Use the power tool, accessories and tool bits etc. in accordance with these instructions, taking into account the working conditions and the work to be performed.** Use of the power tool for operations different from those intended could result in hazardous situations.

### Service

- **Have your power tool serviced by a qualified repair person using only identical replacement parts.** This will ensure that the safety of the power tool is maintained.

### Always use common sense

It is not possible to cover every conceivable situation you can face. Always exercise care and use your common sense. If you get into a situation where you feel unsafe, stop and seek expert advice. Contact your dealer, service agent or an experienced user. Do not attempt any task that you feel unsure of!

# OPERATING

## Protective equipment

### General

Do not use the machine unless you are able to call for help in the event of an accident.

### Personal protective equipment

You must use approved personal protective equipment whenever you use the machine. Personal protective equipment cannot eliminate the risk of injury but it will reduce the degree of injury if an accident does happen. Ask your dealer for help in choosing the right equipment.



**WARNING!** The use of products such as cutters, grinders, drills, that sand or form material can generate dust and vapors which may contain hazardous chemicals. Check the nature of the material you intend to process and use an appropriate breathing mask.



**WARNING!** Long-term exposure to noise can result in permanent hearing impairment. So always use approved hearing protection. Listen out for warning signals or shouts when you are wearing hearing protection. Always remove your hearing protection as soon as the engine stops.



**WARNING!** There is always a risk of crush injuries when working with products containing moving parts. Wear protective gloves to avoid body injuries.

Always wear:

- Protective helmet
- Hearing protection
- Protective goggles or a visor
- Breathing mask
- Heavy-duty, firm grip gloves.
- Tight-fitting, heavy-duty and comfortable clothing that permits full freedom of movement.
- Boots with steel toe-caps and non-slip sole

Be careful as clothing, long hair, and jewellery can get caught in moving parts.

### Other protective equipment



**WARNING!** Sparks may appear and start a fire when you work with the machine. Always keep fire fighting equipment handy.

- Fire fighting equipment
- Always have a first aid kit nearby.

## Power pack safety precautions



**WARNING!** Read all safety warnings and all instructions. Failure to follow the warnings and instructions may result in electric shock, fire and/or serious injury.

This section describes basic safety directions for using the machine. This information is never a substitute for professional skills and experience.

- Please read the operator's manual carefully and make sure you understand the instructions before using the machine.
- Keep in mind that the operator is responsible for accidents or hazards occurring to other people or their property.
- All operators shall be trained in the use of the machine. The owner is responsible for ensuring that the operators receive training.
- The machine must be kept clean. Signs and stickers must be fully legible.



**WARNING!** The machine can be a dangerous tool if used incorrectly or carelessly, which can cause serious or fatal injury to the operator or others.

Never allow children or other persons not trained in the use of the machine to use or service it. Never allow anyone else to use the machine without first ensuring that they have read and understood the contents of the operator's manual.

Never use the machine if you are fatigued, while under the influence of alcohol or drugs, medication or anything that could affect your vision, alertness, coordination or judgement.



**WARNING!** Unauthorized modifications and/or accessories may lead to serious injury or death to the user or others.

Do not modify this product or use it if it appears to have been modified by others.

Never use a machine that is faulty. Carry out the safety checks, maintenance and service instructions described in this manual. Some maintenance and service measures must be carried out by trained and qualified specialists. See instructions under the heading Maintenance.

Always use genuine accessories.

# OPERATING

## Work safety

### Work area safety

- Always check and mark out where gas pipes are routed. Cutting close to gas pipes always entails danger. Make sure that sparks are not caused when cutting in view of the risk of explosion. Remain concentrated and focused on the task. Carelessness can result in serious personal injury or death.
- Make sure that no pipes or electrical wires are routed in the work piece or in the working area.
- Make sure that electrical cables within the working area are not live.
- Never start to work with the machine before the working area is clear and you have a firm foothold.
- Do not use the machine in bad weather, such as dense fog, heavy rain, strong wind, intense cold, etc. Working in bad weather is tiring and can lead to dangerous conditions, e.g. slippery surfaces.
- Keep water clear of electrical parts of the tool and away from persons in the working area.

### Electrical safety



**WARNING! There is always a risk of shocks from electrically powered machines. Avoid unfavourable weather conditions and body contact with lightning conductors and metal objects. Always follow the instructions in the Operator's manual to avoid damage.**



**WARNING! Do not wash the machine with water, as water can enter the electrical system or the engine and cause damage to the machine or short circuit.**

- Never use the tool without the ground fault circuit interrupter delivered with the tool.
- The machine should be connected to an earthed outlet socket.
- Check that the mains voltage corresponds with that stated on the rating plate on the machine.
- Check that the cord and extension cord are intact and in good condition.
- Never use the machine if any cable or plug is damaged, but hand it in to an authorized service workshop for repair.
- To avoid overheating do not use the extension cord while it is rolled up.

## Personal safety

- Never leave the machine unsupervised with the motor running.
- Always unplug the power supply to the power pack for longer work breaks.
- Never work alone, always ensure there is another person close at hand. Apart from being able to receive help to assemble the machine, you can also get help if an accident should occur.
- People and animals can distract you causing you to lose control of the machine. For this reason, always remain concentrated and focused on the task.
- People that need to be in close proximity of the machine must wear hearing protection as the sound level when cutting exceeds 85 dB(A).
- Always work in a manner that permits easy access to the emergency stop. If an emergency situation should arise anyway, push the red emergency stop button on the power pack or the stop button on the remote control.

## Use and care

This machine is only intended for use together with the intended Husqvarna products. All other use is forbidden.

- The machine is intended for use in industrial applications by experienced operators.
- Inspection and/or maintenance should be carried out with the motor switched off and the plug disconnected.
- Place the power unit on the workplace, making sure that it is standing on a stable surface and that it is protected from water spray. Always disconnect the plug for the power unit before moving it.
- Observe care when lifting. You are handling heavy parts, which imply the risk of pinch injuries or other injuries.
- Never pull out the power cable without first switching off the motor and waiting for the motor to come to a complete halt.
- Check that all couplings, connections and cables are intact and free from dirt.
- Read through the manual supplied with the tool being connected before starting to use the machine.

# MENU SYSTEM

## Remote control

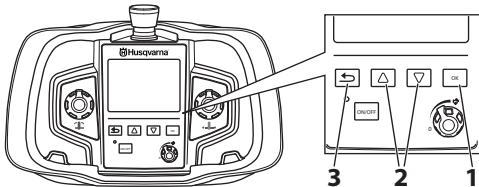
### General

The first time the remote control is to be used together with the power unit, the remote control has to be paired with the power unit in order for the radio communication to work. This may already have been done if the power unit was purchased together with the wall saw equipment. If pairing has not been performed, the remote control will not be able to connect to the power unit via radio communication and the display will show that it is looking for units and will try to connect, however without success. First check, however, that the power unit is active with the power cable connected and that the emergency stop has not been pressed down, when carrying out a check to see if pairing has been performed.

Follow the instructions under section "Assembling and adjustments" for instructions on how to pair the remote control with the power unit.

### Remote control menu system

Use the arrow keys (2) to scroll in the menus and the "OK" button (1) to confirm the selection. Use the "back" button (3) to go back in the menus.

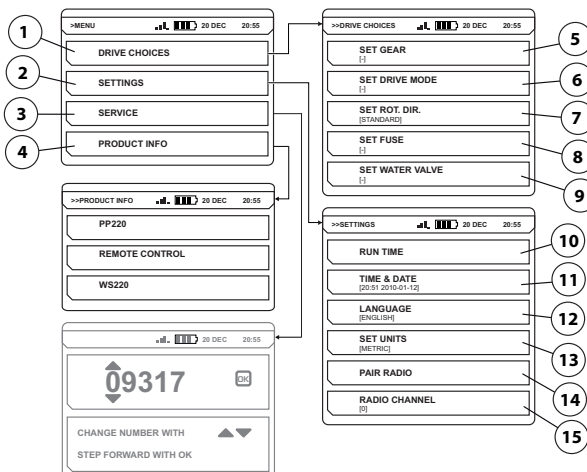


The menu system for the remote control can be accessed by pressing the "OK" button. The menu system comprises the following submenus:

- DRIVE CHOICES
- SETTINGS
- SERVICE
- PRODUCT INFO.

The service menu is password protected. Service personnel only have access to the settings in this menu to perform servicing.

### Menu overview



See following page for an explanation of each menu.

# MENU SYSTEM

## Menu system explanation

### DRIVE CHOICES (1)

#### SET GEAR (5)

WS 482 HF is fitted with two mechanical gears. State which gear is set.

- Select gear. (WS 482 HF)
  - 1. (600-900 rpm)
  - 2. (800-1200 rpm)

#### SET DRIVE MODE (6)

Set the required drive mode depending on if the power unit will be used for wall sawing or wire cutting.

- Select drive mode. (WS 482 HF)
  - BLADE (wall sawing)
  - WIRE (wire cutting)

#### SET ROT. DIR. (7)

The direction of rotation can only be altered when the blade/wire is not moving.

- Select the required direction of rotation.
  - STANDARD
  - REVERSE

#### SET FUSE (8)

To be able to use full power output, the power unit must be connected to a 32 A fuse. With a 16 A or 25 A fuse the power output is lower so as not to overload the fuse.

- State which fuse the power unit is connected to.
  - 16A
  - 25A
  - 32A

#### SET WATER VALVE (9)

The water flow is adjusted with the ball valve at the incoming water connector on the power pack.

- Select type of water regulation.
  - "ON" - The water valve is always open.
  - "AUTO" - The water valve opens when the rotation control is turned up from its zero setting. Otherwise the water valve is closed.

### SETTINGS (2)

#### RUN TIME (10)

Settings for run time.

#### TIME COUNTER

On activation, a stop-watch is started to count the time the blade/wire rotates and at least one feed is active.

#### CLEAR RUN TIME

Resets the stop watch.

#### CURRENT RUN TIME

Shows current run time.

### TIME AND DATE (11)

Set time and date.

#### SET TIME

- State the current time.

#### SET DATE

- State the current date.

#### TIME FORMAT

Select the required time format.

- 12 h
- 24 h

#### DATE FORMAT

- Select the required date format.
  - YYYY-MM-DD
  - YYYY/DD/MM
  - DD/MM/YYYY

### LANGUAGE (12)

Setting of language on the display in the remote control.

- Select the required display language.

### SET UNITS (13)

Setting of units in the remote control.

- Select the required units.
  - AMERICAN
  - METRIC

### PAIR RADIO (14)

Pair the remote control with machine.

Pair the remote control with machine.

### RADIO CHANNEL (15)

Setting the radio channel between remote control and the power pack. The radio channel must be changed when the operator experiences disturbance or loss of communication. The remote control must be connected to machine with a CAN cable.

- Select the required radio channel.
  - 0 (2.410 GHz)
  - 1 (2.415 GHz)
  - ...
  - 11 (2.465 GHz)

### SERVICE (3)

### PRODUCT INFO (4)

Information about the unit and the connected tool is shown.

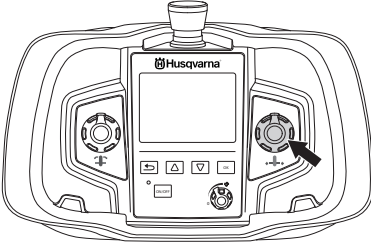
# MENU SYSTEM

## Basic working techniques

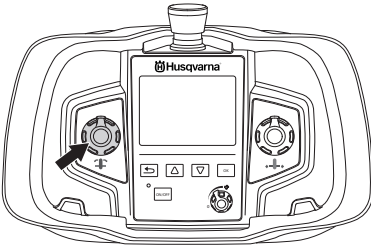
### Wall saws (blade/wire)

The following can be operated using the control levers on the remote control:

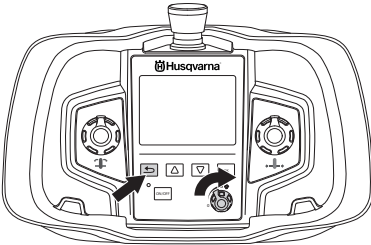
- Longitudinal feed, the dial guides the saw unit's movement along the rail.



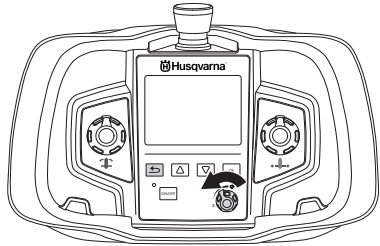
- Arm feeding, the dial guides the pivot arm's movement for changing of the cutting depth.



- Rotation of the blade/wire, controls the blade/wire speed. Back arrow button, is used as a double command when starting the blade's rotation. Start the rotation of the blade/wire by holding the "back" button in while turning the rotation control clockwise. The rotation speed is controlled with a potentiometer.



- To switch off the blade/wire rotation, turn the blade rotation control anti-clockwise back to its zero position.



- Read through the manual supplied with the wall saw for further instructions in sawing technique.

## Transport and storage

- Always switch off the power pack and pull out the electric cable before moving the equipment.
- Secure the equipment during transportation in order to avoid transport damage and accidents.
- Store the equipment in a lockable area so that it is out of reach of children and unauthorized persons.
- Store the machine and its equipment in a dry and frost proof place.
- Do not expose the unit to temperatures below -77 °F or over 122 °F or to direct sunlight.

# STARTING AND STOPPING

## Before starting



**WARNING!** Please read the operator's manual carefully and make sure you understand the instructions before using the machine.

Wear personal protective equipment. See instructions under the heading "Personal protective equipment".

Make sure no unauthorised persons are in the working area, otherwise there is a risk of serious personal injury.

Check that the machine is assembled correctly and do not show any signs of damage. See instructions in the section "Assembling and adjustments".

Always connect the machine through an ground fault circuit interrupter with personal protection, i.e. an ground fault circuit interrupter that trips at an ground fault of 30 mA.

- Perform daily maintenance. See instructions in the section "Maintenance".
- Connect the power unit to a grounded 3-phase outlet.
- Check that the residual-current device is active.
- Connect the cooling water

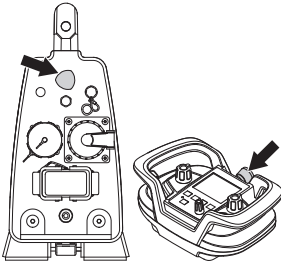
See instructions in the section "Assembling and adjustments".

A gasoline or diesel driven generator can be used as a power source if sufficiently powerful. See typical generator operation cases in Technical Data. The generator must be grounded to safeguard the function of the power unit.

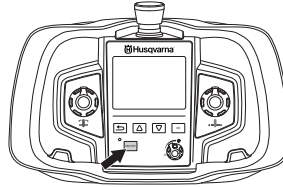
**NOTICE!** A generator which on some occasion generates an input voltage outside the voltage range specified in the technical data can damage the power unit.

## Starting

- Start the water supply to the power unit
- Check that the emergency stop button on the power unit and the stop button on the remote control are not pushed in by turning them clockwise.



- Activate the remote control by pressing the "ON/OFF" button.

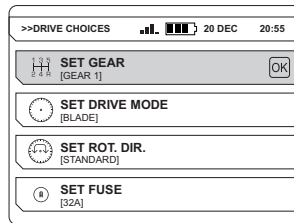


- The connected tool is activated and this is shown by the information shown in the display.

Follow the instructions in the manual supplied with the connected tool.

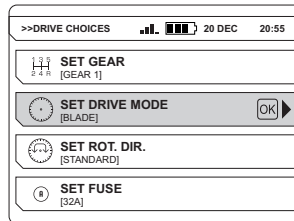
### WS 482 HF:

WS 482 HF is fitted with two mechanical gears. State which gear is set. For more information on recommended blades and speeds, see "Recommended blade speeds" in the "Technical data" section.



**CAUTION!** A higher speed than the recommended speed can result in personal injury and damage to the equipment.

- Set the required drive mode depending on if the power unit will be used for wall sawing or wire cutting. (DRIVE CHOICES>SET DRIVE CHOICES)



## Stopping



**CAUTION!** Always shut off the water supply to the power pack when it is without electricity.

Follow the instructions in the manual supplied with the connected tool.

- Press down the power unit emergency stop.
- Shut off the water supply to the power unit.



---

# MAINTENANCE

---

## General



**WARNING! The user must only carry out the maintenance and service work described in this manual. More extensive work must be carried out by an authorized service workshop.**

The life span of the machine can be reduced and the risk of accidents can increase if machine maintenance is not carried out correctly and if service and/or repairs are not carried out professionally. If you need further information please contact your nearest servicing dealer.

## Daily Maintenance



**WARNING! Unplug the power pack and wait at least 5 min before starting the maintenance and services.**

- Check that the machine's safety equipment is undamaged. See instructions in the section "Machine's safety equipment".
- Check that the cord and extension cord are intact and in good condition.
- Always clean all the equipment at the end of the working day. Use a heavy-duty hand-held brush or a large paint brush.
- Make sure to keep the connectors and pins clean. Clean with a rag or brush.

**NOTICE! Do not use a high pressure washer to clean the machine. The high pressure jet can damage seals and lead to water and dirt permeating into the machine, resulting in serious damage.**

## Service



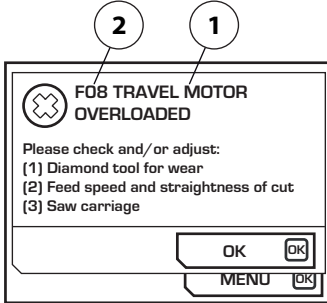
**WARNING! All types of repairs may only be carried out by authorised repairmen. This is so that the operators are not exposed to great risks.**

## Trouble shooting

### Error messages - WS (wall saw)

In case of any defects, an error message (1) and a fault code (2) appears on the display in the remote control. Follow the directions supplied or contact an authorized dealer. Error messages are illustrated in the language you have chosen on the product alternatively in English.

Please observe, the illustration shows an example.



Measures for acknowledging fault messages:

- Press "OK" on the display. No further action is required if the fault message is deleted.

If the fault persists, follow the instructions given in the troubleshooting guide or get in touch with an authorized dealer. The power unit software can be updated. Contact your service agent for further information.

# MAINTENANCE

<b>Fault Code</b>	<b>Error message</b>	<b>Cause</b>	<b>Steps</b>
F01	MOTOR OVERHEATED	Water coolant lacking/ insufficient to saw motor.	Check that the water coolant flows to the saw motor and that it is max. 25 °C and min 3.5 l/min.
F02	POWER PACK OVERHEATED	Water coolant lacking/ insufficient to power pack.	Check that the water coolant flows to the power pack and that it is max 25°C and min 3.5 l/min. If the message pops up when the blade rotation is started - go to the operations menu and "Water coolant" and select "ON". Let the water coolant circulate the power pack for a minute before you turn the blade rotation on again.
F03	LOW VOLTAGE	Low voltage supply to the power pack.	Check the voltage during operation. Check that all three phases exist. Check that incoming cables have sufficient cross-sectional area.
F04	HIGH VOLTAGE	High voltage supply to the power pack.	Check the voltage during operation. This message is shown mainly when using a generator as power source.
F05	OVER CURRENT	Over current to saw motor	Check that the power lead is fitted correctly and that it is not damaged. The message can appear in case of a loose contact.
F06	NO HALLSENSOR LENGTH	Fault on HALL-sensor card for travel feed	Take the equipment to an authorized service shop.
F07	NO HALLSENSOR ARM	Fault on HALL-sensor card for depth feeding	Take the equipment to an authorized service shop.
F08	TRAVEL MOTOR OVERLOADED	Travel motor overloaded.	Turn the lever to the 0 position to reset. If the fault message recurs, it may be because the diamond tool is not sharp enough or because the saw carriage is not adjusted correctly. Grease also the feeder gears and clean the rails. If these measures do not help, hand in the equipment to an authorized Husqvarna service workshop.
F09	DEPTH MOTOR OVERLOADED	Depth motor overloaded.	Turn the lever to the 0 position to reset. If the fault message recurs, it may be because the diamond tool is not sharp enough or because the saw carriage is not adjusted correctly. Grease also the feeder gears and clean the rails. If these measures do not help, hand in the equipment to an authorized Husqvarna service workshop.
F10	BLADE JAM	Blade can not rotate.	Remove the blade from the cut and start the blade rotation.
F11	GROUND FAULT OR NO SAW HEAD	Incorrect earthing of power pack/saw or no saw unit connected to the power pack.	Check the incoming electrical connection to the power pack and that the saw unit is connected to the power pack. If this does not help, hand in the equipment to an authorized Husqvarna service workshop.
F12	NON-COMPATIBLE SAW UNIT	Incorrect saw unit connected to the power pack.	Connect a compatible saw unit to the power pack.
F13	NO CONTACT CHECK CAN-CABLE	No contact between power pack and remote control	Replace the CAN-cable.
F14	NO RADIO CONTACT	No radio contact between remote control and power pack.	Check that the power pack is activated and that the green indicator light is on. If this does not help, hand in the equipment to a Husqvarna service workshop. The machine can be used with the CAN cable between the power pack and remote control.
F15	NO DSP RESPONSE	Internal error in the power unit.	Take the equipment to an authorized service shop.

# MAINTENANCE

## Error messages (LED indicator) - PRIME™ tools

In case of any error, the error code will flash on the PRIME™ tool according to the table.

Measures for acknowledging fault messages:

- Activate the trigger on the connected tool. No further action is required if the flashing stops.

If the fault persists, follow the instructions given in the troubleshooting guide or get in touch with an authorized dealer. The power unit software can be updated. Contact your service agent for further information.

- 1 Red
- 2 Yellow
- 3 Green
- 4 Green
- 5 Green

	Solid light
	Flashing light

<b>1</b>								
<b>2</b>								
<b>3</b>								
<b>4</b>								
<b>5</b>								
	<b>F0101</b>	<b>FXX08*</b>	<b>F0112</b>	<b>F0113</b>	<b>FXX14*</b>	<b>F0118</b>	<b>F0119</b>	<b>F0130</b>

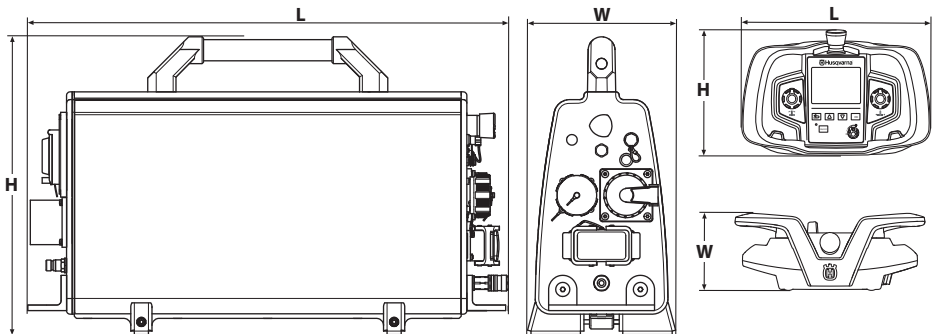
Fault Code	Error messages	Cause	Steps
F0101	Overcurrent detected	Active tool current too high	Contact your service workshop if the problem remains.
FXX08*	High motor temperature detected	Tool motor temperature is too high	Increase the flow of water coolant. Ensure clean water is used so as not to clog up the water channels. See Technical data for specifications for water flow, temperature and pressure.
F0112	Low input voltage detected	Input voltage too low	Check minimum input power in manual
F0113	High input voltage detected	Input voltage too high	Check maximum input power in manual
FXX14*	Tool temperature sensor error detected	Interruption or short circuit in the temperature sensor.	Contact your service agent.
F0118	Fault detected in hardware	Hardware fault	Contact your service workshop if the problem remains.
F0119	Temperature in the PP too high	Power pack overheated	Increase the flow of water coolant. Ensure clean water is used so as not to clog up the water channels. See Technical data for specifications for water flow, temperature and pressure.
F0130	Generic error	Jammed blade	

\* XX different numbers depending on the tool that is connected to the power unit.

# TECHNICAL DATA

## PP490

	<b>PP490</b>
	<b>(380-480V, 4-pin)</b>
Max. output, kW	20
Rated current, A	16/25/32
Input voltage, V	380-480 V, 50-60 Hz
Output voltage, V	340 V, 0-500 Hz
Sec. output voltage, V	24 V, 0-1500 Hz
Power supply	3P+PE
1x230V one phase outlet	-
<b>Recommended cable area</b>	<b>32 A</b>
Length, feet	Cable area, AWG
0-100	10
100-200	8
200-300	6
<b>Effect generator - min., kVA</b>	
400V, 16A	12
400V, 25A	20
400V, 32A	25
Weight, lb/kg	51/23
Remote control, with battery, without carry strap	2,4/1,1
Max cooling water temperature at 0.92 Gallon/min, F	77
Max cooling water pressure, bar	7
<b>Control system</b>	
Control type	Remote control
Signal transmission	Wireless/cable
<b>Dimensions</b>	
Power pack (LxHxW), inch/mm	680x422x205
Remote control (LxHxW), inch/mm	285x191x124



---

# US WARRANTY STATEMENT

---

## WARRANTY POLICY

All warranty claims will be determined after inspection at a designated facility. A Returned Goods Authorization is required for all warranty claims. Contact Husqvarna Customer Service Department at 800-845-1312 for an RGA. The customer must prepay the freight and absorb any labor expense required to return or replace a product submitted for warranty consideration. Husqvarna will pay return shipping expenses for repaired or approved replacement products.

## EQUIPMENT

Equipment manufactured by Husqvarna is warranted to be free from manufacturing defects in normal service for a period of two (2) years from date of purchase by the original consumer purchaser. **Component manufacturers offer separate warranty periods. Call Technical Services at 800-288-5040 for complete information.**

Our obligation under this warranty is expressly limited to the replacement or repair at Husqvarna Construction Products North America, Olathe, Kansas 66061, or at a service facility designated by us, of such part or parts as inspection shall disclose to have been defective.

This warranty does not apply to defects caused by damage, unreasonable use, faulty repairs made by others than an approved Husqvarna servicing dealer, or defects caused by failure to provide reasonable maintenance, while in the possession of the consumer. Further, the warranty is void if the product, or any of its components, are altered or modified by the consumer purchaser, or if the product is used in an inappropriate manner or with tools not recommended by the manufacturer.

**Exceptions:** Drill motors - 3 months, Wall saws - 1 year, Power cutters - 3 months, DM230 - 1 year, DM225 - 3 months, Gyro systems - 1 year, CD40 system - 1 year, DS160 C - 1 year, Smart box - 1 year, CS2515 - 1 year, PP455 E - 1 year, PP345 E - 1 year, HP40 - 1 year.

**Wear items:** Filters, spark plugs, bearings\*, belts, wheels\*\* and wear pads.

\*Except IntelliSeal™ system. \*\*Except delamination.

# EXPLICATION DES SYMBOLES

## Symboles sur la machine

**AVERTISSEMENT!** La machine utilisée de manière imprudente ou inadéquate peut devenir un outil dangereux, pouvant causer des blessures graves voire mortelles à l'utilisateur et aux autres personnes présentes.



Lire attentivement et bien assimiler le manuel d'utilisation avant d'utiliser la machine.



Toujours utiliser :

- Casque de protection homologué
- Protecteurs d'oreilles homologués
- Lunettes protectrices ou visière



Les contrôles et/ou les entretiens doivent être effectués avec le moteur à l'arrêt et la prise électrique débranchée.



**AVERTISSEMENT!** Courant élevé.



**Marquage environnemental.** Ce symbole figurant sur le produit ou sur son emballage indique que ce produit ne peut pas être traité comme déchet ménager. Il doit être collecté et amené à une installation de récupération appropriée de déchets d'équipements électriques et électroniques.



En veillant à ce que ce produit soit correctement éliminé, vous pouvez contribuer à prévenir les conséquences négatives potentielles sur l'environnement et les hommes, qui pourraient sinon être le résultat d'un traitement incorrect des déchets de ce produit.

Pour des informations plus détaillées sur le recyclage de ce produit, contactez votre commune ou le magasin où vous avez acheté le produit.

**Les autres symboles/autocollants présents sur la machine concernent des exigences de certification spécifiques à certains marchés.**

## Explication des niveaux d'avertissement

Il existe trois niveaux d'avertissement.

### AVERTISSEMENT!



**AVERTISSEMENT!** Symbole utilisé en cas de risque de blessures très graves ou de mort pour l'utilisateur ou de dommages pour les environs si les instructions du manuel ne sont pas suivies.

### REMARQUE !



**REMARQUE !** Symbole utilisé en cas de risque de blessures pour l'utilisateur ou de dommages pour les environs si les instructions du manuel ne sont pas suivies.

### ATTENTION !

**ATTENTION !** Symbole utilisé en cas de risque de dommages pour les matériaux ou la machine si les instructions du manuel ne sont pas suivies.

# SOMMAIRE

## Sommaire

<b>EXPLICATION DES SYMBOLES</b>	
Symboles sur la machine .....	23
Explication des niveaux d'avertissement .....	23
<b>SOMMAIRE</b>	
Sommaire .....	24
Contrôler les points suivants avant la mise en marche: .....	24
<b>PRÉSENTATION</b>	
Cher client, .....	25
Conception et propriétés .....	25
PP490 .....	25
<b>QUELS SONT LES COMPOSANTS?</b>	
Quoi est quoi dans le groupe moteur ? .....	26
<b>ÉQUIPEMENT DE SÉCURITÉ DE LA MACHINE</b>	
Généralités .....	27
<b>MONTAGE ET RÉGLAGES</b>	
Installation de l'unité électrique .....	28
Connexion des appareils .....	28
Raccordement de l'eau de refroidissement .....	28
Branchez une source électrique .....	29
Batterie .....	29
Appariez la télécommande avec l'unité électrique .....	30
<b>COMMANDE</b>	
Instructions générales de sécurité .....	31
Équipement de protection .....	32
Consignes de sécurité relatives au bloc d'alimentation .....	32
Sécurité du travail .....	33
<b>SYSTÈME DE MENUS</b>	
Commande à distance .....	35
Système de menu de la télécommande .....	35
Vue d'ensemble des menus .....	35
Présentation du système de menus .....	36
Techniques de travail de base .....	37
Transport et rangement .....	37
<b>DÉMARRAGE ET ARRÊT</b>	
Avant le démarrage .....	38
Démarrage .....	38
Arrêt .....	38
<b>ENTRETIEN</b>	
Généralités .....	39
Entretien Quotidien .....	39
Service .....	39
Recherche de pannes .....	40
<b>CARACTÉRISTIQUES TECHNIQUES</b>	
PP490 .....	43
<b>DECLARATION DE GARANTIE ETATS-UNIS</b>	
POLITIQUE DE GARANTIE .....	44
EQUIPEMENT .....	44

## Contrôler les points suivants avant la mise en marche:



**AVERTISSEMENT!** La découpe, particulièrement la découpe à SEC soulève la poussière générée par le matériau coupé qui contient souvent de la silice. La silice est composée de sable, de quarts d'argile, de granit et de nombreuses autres substances minérales et rocheuses. L'exposition à une quantité excessive d'une telle poussière peut causer:

Des maladies respiratoires (altérant les facultés respiratoires), y compris bronchites chroniques, silicose et fibrose pulmonaire dues à une exposition à la silice. Ces maladies peuvent être fatales;

Irritation cutanée et démangeaisons.

Des cancers selon NTP\* et IARC\* \*/  
National Toxicology Program,  
International Agency for Research on Cancer

Prendre des mesures préventives:

Éviter l'inhalation et le contact avec la peau de la poussière, des vapeurs et des fumées.

L'utilisateur et les personnes présentes sur le site doivent porter des protections respiratoires appropriées telles que des masques spécialement prévus pour filtrer les particules microscopiques. (Voir OSHA 29 CFR Partie 1910.1200)

Couper si possible en utilisant le jet d'eau afin de réduire la poussière dispersée.



# PRÉSENTATION

## Cher client,

Nous vous remercions d'avoir choisi un produit Husqvarna !

Nous espérons que cette machine vous donnera toute satisfaction et qu'elle vous accompagnera pendant de longues années. L'achat de l'un des nos produits garantit une assistance professionnelle pour l'entretien et les réparations. Si la machine n'a pas été achetée chez l'un de nos revendeurs autorisés, demandez l'adresse de l'atelier d'entretien le plus proche.

Ce mode d'emploi est précieux. Veillez à ce qu'il soit toujours à portée de main sur le lieu de travail. En suivant les instructions qu'il contient (utilisation, révision, entretien etc.), il est possible d'allonger considérablement la durée de vie de la machine et d'augmenter sa valeur sur le marché de l'occasion. En cas de vente de la machine, ne pas oublier de remettre le manuel d'utilisation au nouveau propriétaire.

## Plus de 300 ans d'innovation

Husqvarna AB est une entreprise suédoise qui a vu le jour en 1689 lorsque le roi Karl XI décida de construire un arsenal pour la fabrication des mousquets. À l'époque, les compétences en ingénierie à la base du développement de certains des produits leaders du marché mondial dans des domaines tels que les armes de chasse, les vélos, les motocycles, l'électroménager, les machines à coudre et les produits d'extérieur, étaient déjà solides.

Husqvarna est le premier fournisseur mondial de produits motorisés pour utilisation en extérieur dans la foresterie, l'entretien de parcs, de pelouses et de jardins, ainsi que d'équipements de coupe et d'outils diamant destinés aux industries de la construction et de la pierre.

## Responsabilité du propriétaire

Il est de la responsabilité du propriétaire/de l'employeur de s'assurer que l'utilisateur possède les connaissances nécessaires pour manipuler la machine en toute sécurité. Les responsables et les utilisateurs doivent avoir lu et compris le Manuel d'utilisation. Ils doivent avoir conscience :

- Des instructions de sécurité de la machine.
- Des diverses applications de la machine et de ses limites.
- De la façon dont la machine doit être utilisée et entretenue.

Les législations locales peuvent limiter l'utilisation de cette machine. Recherchez les législations applicables pour le lieu où vous travaillez avant d'utiliser la machine.

## Droit de réserve du fabricant

Husqvarna peut éditer des informations complémentaires concernant l'utilisation de ce produit en toute sécurité après la publication du présent manuel. Il incombe au propriétaire de se tenir informé des méthodes d'utilisation les plus sûres.

Husqvarna AB travaille continuellement au développement de ses produits et se réserve le droit d'en modifier, entre autres, la conception et l'aspect sans préavis.

Pour obtenir des informations et une assistance client, contactez-nous via notre site Web : [www.husqvarna.com](http://www.husqvarna.com)

## Conception et propriétés

Ce produit appartient à une gamme d'équipements motorisés haute fréquence destinés à la découpe, au perçage et au sciage des parois. Ces machines ont été conçues pour découper des matériaux durs comme la maçonnerie ou le béton armé, et elles ne doivent pas être utilisées pour les applications non décrites dans le présent manuel.

Les produits Husqvarna se distinguent par des valeurs telles que la haute performance, la fiabilité, la technologie innovante, les solutions techniques de pointe et les considérations environnementales. Pour utiliser ce produit en toute sécurité, l'utilisateur doit lire le manuel avec attention. Contactez votre revendeur Husqvarna pour obtenir de plus amples informations.

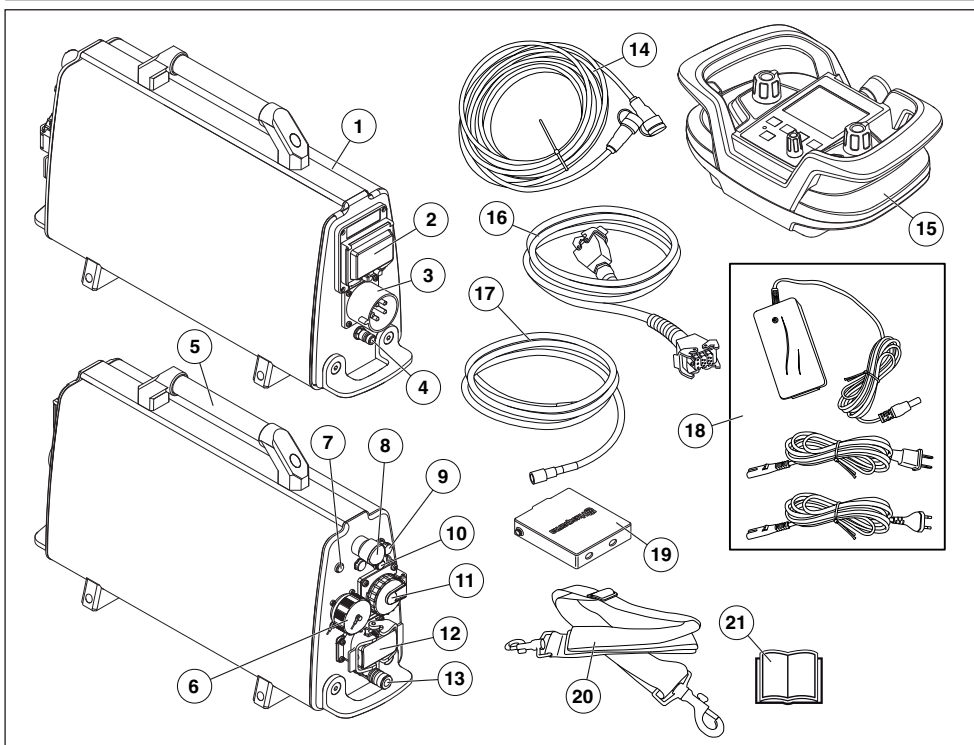
Certaines des caractéristiques uniques de votre produit sont décrites ci-dessous.

## PP490

L'unité électrique a été spécialement conçue pour entraîner les outils Husqvarna désignés avec un moteur hautes fréquences.

- L'unité comporte deux prises de courant et peut être utilisée avec des scies murales et des produits à main PRIME™.
- Une télécommande sans fil est utilisée pour commander les unités connectées.
- La télécommande offre à l'opérateur une totale liberté de mouvement, tout en lui permettant de garder constamment un œil sur son travail. Elle est facile à utiliser, même avec des gants. Quelques boutons suffisent pour modifier les paramètres et commander la machine. La télécommande intègre un écran couleur numérique 3,5 pouces.
- Grâce à sa conception compacte, légère et ergonomique, le bloc se transporte aisément.
- L'unité est refroidie par eau et équipée d'un robinet d'eau électrique commandé depuis la télécommande.
- Pour une pleine puissance, il convient d'utiliser 32 A pour un système 400 V.

## QUELS SONT LES COMPOSANTS?



### Quoi est quoi dans le groupe moteur ?

- |  |   |
|--|---|
| 1 Groupe moteur  | 11 Prise monophasée - Uniquement machines 5 broches |
| 2 Disjoncteur de fuite à la terre                                    | 12 Connecteur WS (scie murale)                      |
| 3 Prise électrique   | 13 Raccord de l'eau, sortie                         |
| 4 Raccord de l'eau, entrée   | 14 Câble CAN  |
| 5 Poignée  | 15 Commande à distance                              |
| 6 Connecteur PRIME™  | 16 Câble électrique                                 |
| 7 Indicateur de courant  | 17 Flexible à eau                                   |
| 8 Arrêt d'urgence  | 18 Chargeur de batterie                             |
| 9 Port CAN   | 19 Batterie (2)                                     |
| 10 Fusible automatique, 16 A (Uniquement sur les machines 5 broches) | 20 Courroie de transport ajustable                  |
|  | 21 Manuel d'utilisation                             |

# ÉQUIPEMENT DE SÉCURITÉ DE LA MACHINE

## Généralités



**AVERTISSEMENT! Ne jamais utiliser une machine dont les équipements de sécurité sont défectueux. Si les contrôles ne donnent pas de résultat positif, confier la machine à un atelier spécialisé.**

Ce chapitre présente les équipements de sécurité de la machine, leur fonction, comment les utiliser et les maintenir en bon état.

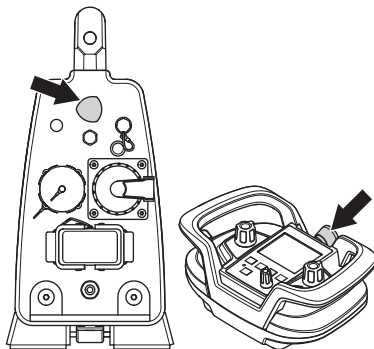
Cette machine s'utilise avec d'autres produits. Lisez attentivement le manuel fourni avec les produits et assimilez-le bien avant toute utilisation.

Vérifier chaque jour les équipements de sécurité.

Vérifier également les équipements de sécurité de l'outil électrique qui doit être raccordé à l'unité électrique. Se référer au manuel de l'opérateur de l'outil concerné pour obtenir la procédure de contrôle des équipements de sécurité.

## Arrêt d'urgence et bouton d'arrêt

Les boutons d'arrêt d'urgence de l'unité et de la télécommande ralentissent l'outil raccordé et le déconnectent de l'alimentation électrique.



### Test de l'arrêt d'urgence

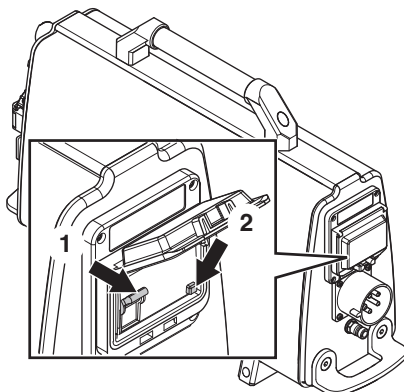
- Veiller à ne pas appuyer sur le bouton d'arrêt d'urgence en le tournant dans le sens des aiguilles d'une montre.
- Mettre l'outil raccordé en marche.
- Appuyez sur l'arrêt d'urgence et vérifiez que l'outil branché s'arrête. Assurez-vous que le témoin d'alimentation sur le bloc d'alimentation s'éteint quelques secondes après l'arrêt de l'outil branché.
- Lors de l'utilisation de la scie murale, le bouton d'arrêt devrait être contrôlé de la même manière.

## Disjoncteur différentiel (RCD)

Le bloc d'alimentation est équipé d'un disjoncteur différentiel. Un disjoncteur différentiel est prévu pour protéger les utilisateurs en cas de défaut électrique.

### Vérifiez le disjoncteur de fuite à la terre

- Branchez l'unité électrique à une prise triphasée mise à la terre.
- Ouvrez le couvercle sur le disjoncteur différentiel pour accéder à l'interrupteur (1) et au bouton de test (2).



- Régler la commande du disjoncteur différentiel en position 1.
- Appuyer sur le bouton d'essai. Le disjoncteur différentiel doit se déclencher de façon à déconnecter l'outil de l'alimentation électrique.
- Réinitialisez le disjoncteur différentiel en commençant par régler l'interrupteur sur 0, puis sur 1.
- Remettez en place et serrez le capot.

Le disjoncteur différentiel doit être testé toutes les deux semaines à l'aide du bouton de test.

# MONTAGE ET RÉGLAGES

## Installation de l'unité électrique



**AVERTISSEMENT!** Placer l'unité électrique dans la zone de travail, sur une surface plane et à l'abri de toute projection d'eau.

Brancher l'unité électrique à une prise triphasée mise à la terre.

Toujours brancher la machine via un disjoncteur de fuite à la terre avec protection personnelle, par exemple un disjoncteur de fuite à la terre qui s'enclenche à un défaut à la terre de 30 mA.

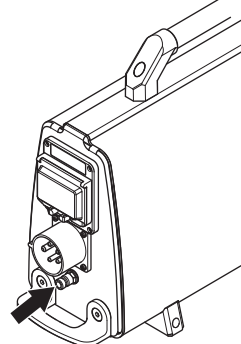
## Raccordement de l'eau de refroidissement

**ATTENTION !** L'eau de refroidissement ne s'arrête pas en cas de panne de courant.

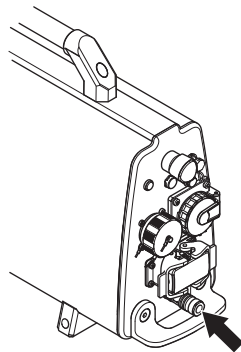
- Raccorder le flexible à eau au connecteur d'arrivée d'eau. Penser à utiliser de l'eau de refroidissement propre afin d'empêcher la saleté de s'accumuler et d'encrasser le circuit d'eau.

Le groupe moteur est équipé d'une valve d'eau électrique, qui se ferme lorsque le groupe moteur est activé. Quand le groupe moteur n'a pas d'électricité, la valve s'ouvre pour permettre la vidange d'eau de refroidissement afin d'éviter tout risque de gel.

Pour de plus amples informations, consultez la rubrique « Caractéristiques techniques ».

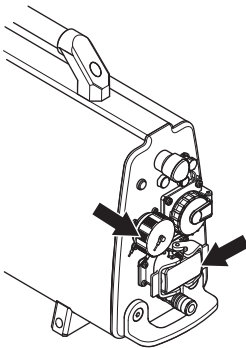


L'autre point d'alimentation en eau doit être relié à l'outil électrique, lequel dispose de plusieurs robinets permettant de réguler le débit d'eau de refroidissement au niveau de l'outil. Consulter le manuel de l'opérateur correspondant aux outils électriques utilisés.



## Connexion des appareils

Brancher l'outil électrique à la prise de force désignée (noter la présence de deux prises de force distinctes). La prise de force supérieure est utilisée pour les produits de la famille PRIME™. La prise de force inférieure est utilisée pour les scies murales (WS). Pour de plus amples informations, consultez la rubrique « Caractéristiques techniques ».

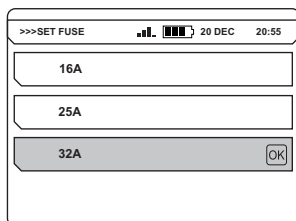


# MONTAGE ET RÉGLAGES

## Branchez une source électrique

- Brancher le câble d'alimentation électrique (380-480 V, 32 A). Les groupes moteurs équipés d'une prise monophasée (230 V) doivent également disposer d'un fil neutre afin que la prise puisse fonctionner. Le bloc d'alimentation fonctionne même s'il n'y a pas de fil neutre.

Pour pouvoir utiliser la pleine puissance de sortie du groupe moteur, il convient de le raccorder à un fusible 32 A. En cas de fusible 16 A ou 25 A, la puissance est inférieure de façon à ne pas surcharger le fusible. Ce réglage peut être sélectionné dans le menu sous la sélection d'entraînement.



Une tension plus faible produit une réduction linéaire au niveau de la puissance disponible pouvant aller jusqu'à 80 %.

Pour de plus amples informations, consultez la rubrique « Caractéristiques techniques ».

- En cours de fonctionnement, ajuster les protections du câble et de l'unité électrique afin d'empêcher la poussière de pénétrer et d'endommager le connecteur.

Un générateur diesel ou à essence peut être utilisé comme source d'alimentation, s'il est suffisamment puissant. Référez-vous aux cas d'utilisation d'un générateur dans les caractéristiques techniques. Le générateur doit être mis à la terre pour protéger le fonctionnement de l'unité électrique.

**ATTENTION !** Un générateur produisant parfois une tension d'entrée en dehors de la plage de tension spécifiée dans les caractéristiques techniques peut endommager l'unité électrique.

## Batterie

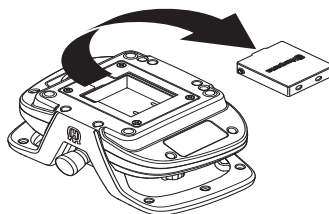
La pile de la télécommande est de type Li-ion. La durée de fonctionnement est d'environ 8-10 heures par charge. Le froid extrême amoindrit la capacité et la durée de fonctionnement de la batterie. La durée de fonctionnement diminue également à mesure que l'écran est actif.

Utilisez uniquement des batteries d'origine pour ce produit. Contactez votre revendeur pour de plus amples informations.

Une batterie usée ne doit pas être jetée comme un déchet domestique ! Déposez-la dans l'atelier spécialisé ou le point de collecte le plus proche de chez vous.

## Insérez / retirez la batterie

- Insérez / retirez la batterie.



## Charge de la batterie.

Il faut charger la batterie avant de pouvoir utiliser la commande à distance pour la première fois.

## Charge avec le chargeur de batterie



Le temps de chargement d'une batterie à plat est d'environ 2-3 heures. La diode est orange lorsque le chargement démarre et devient verte lorsque la batterie est pleine. Lorsque la batterie est pleine, le chargeur envoie à la batterie un courant de service jusqu'à ce qu'il soit débranché.

Gardez le chargeur de la batterie au sec et à l'abri des variations de température.

## À charger avec le câble CAN

La charge est moins efficace avec le câble LAN qu'avec le chargeur de batterie. Il faut donc un peu plus de temps pour charger la batterie.

Si la batterie est retirée pendant que la télécommande est reliée au câble CAN, le symbole de batterie sur la télécommande sera barré pour indiquer qu'aucune batterie n'est disponible.

# MONTAGE ET RÉGLAGES

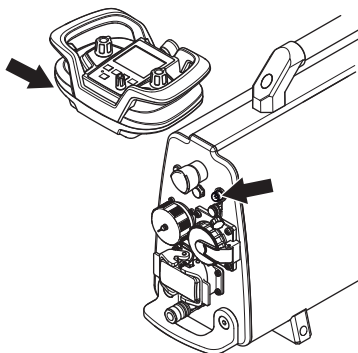
## Appariez la télécommande avec l'unité électrique

Pour établir une communication radio entre la télécommande et l'unité électrique, la télécommande doit être appariée à l'unité électrique correspondante.

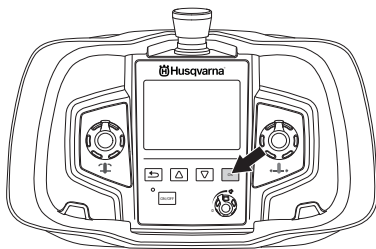
Il s'agit d'une mesure de sécurité visant à garantir que l'unité électrique ne puisse être contrôlée que par une seule télécommande. La communication radio ne fonctionne que si cette mesure a été mise en œuvre.

Si la télécommande fournie est remplacée, ou s'il est nécessaire d'intervenir les télécommandes de deux unités, la télécommande doit être à nouveau adaptée à l'unité.

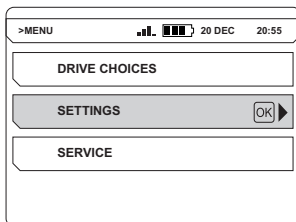
- Connecter la commande à distance à l'aide du câble CAN joint à la livraison. Visser le contact du câble à la main.



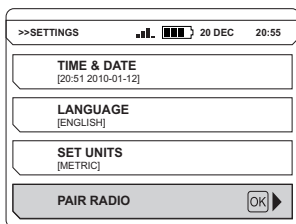
- Laissez la télécommande se charger complètement et attendez que l'écran d'accueil s'affiche. Appuyez sur le bouton « OK » pour accéder au menu.



- Allez dans « PARAMÈTRES ». Utiliser les flèches et confirmer avec "OK".



- Allez dans « APPARIER RADIO ». Utiliser les flèches et confirmer avec "OK".



Un message s'affiche à l'écran pour indiquer si l'appariement a été réalisé avec succès ou non.

## Autres paramètres de logiciel

Il convient d'effectuer certains réglages supplémentaires avant de mettre l'unité électrique en service. Voir les instructions de la rubrique « Système de menus » pour de plus amples informations.

- Réglage de l'heure et de la date. (PARAMÈTRES>HEURE & DATE)
- Sélection de la langue d'affichage requise. (PARAMÈTRES>LANGUE)
- Sélection des unités requises. (PARAMÈTRES>RÉGLER UNITÉS)

# COMMANDE

## Instructions générales de sécurité



**AVERTISSEMENT!** Lire toutes les consignes et instructions de sécurité. Le non-respect des consignes et instructions peut provoquer une électrocution, un incendie et/ou des blessures graves.

**IMPORTANT!** Conserver toutes ces consignes et instructions pour toute consultation ultérieure. Le terme "machine à usiner" utilisé dans les consignes fait référence à la machine branchée sur secteur ou à la machine alimentée par batterie (sans fil).

## Sécurité dans l'espace de travail

- **Maintenir un espace de travail propre et bien éclairé.** Les espaces encombrés ou sombres exposent à des accidents.
- **Ne pas utiliser de machines à usiner dans des atmosphères explosives, en présence de liquides, de gaz ou de poussières inflammables par exemple.** Les machines à usiner provoquent des étincelles qui peuvent enflammer la poussière ou les vapeurs.
- **Tenir les enfants et les spectateurs à distance lorsque la machine à usiner est en marche.** Un moment d'inattention peut vous faire perdre le contrôle.

## Sécurité électrique

- **Les fiches des machines à usiner doivent être adaptées à la prise. N'apportez jamais de modifications à la fiche.** Les fiches non modifiées et les prises adaptées permettent de réduire le risque d'électrocution.
- **Éviter tout contact physique avec les surfaces mises à la terre telles que les tuyaux, les radiateurs, les cuisinières et les réfrigérateurs.** Le risque d'électrocution est plus important si le corps est relié à la terre.
- **Ne pas exposer les outils électriques à la pluie ou à l'humidité.** L'infiltration d'eau dans une machine à usiner augmente le risque d'électrocution.
- **Utiliser correctement le câble. Ne pas utiliser le câble pour porter ou tirer l'outil électrique, ou pour débrancher l'outil électrique de la prise de force. Maintenir le câble à l'écart de la chaleur, d'huile, de bords tranchants ou de pièces en mouvement.** Des câbles endommagés ou enchevêtrés augmentent le risque de choc électrique et doivent par conséquent être envoyés à l'atelier d'entretien en vue de leur remplacement.
- **Lorsqu'une machine à usiner est utilisée à l'extérieur, installer une rallonge adaptée à un usage extérieur.** L'utilisation d'un cordon adapté à un usage extérieur réduit le risque d'électrocution.

## Sécurité du personnel

- **Restez attentif, regardez ce que vous faites et ayez recours à votre bon sens lorsque vous utilisez une machine à usiner. N'utilisez pas de machine à usiner si vous êtes fatigué ou si vous êtes sous l'emprise de drogues, de l'alcool ou de médicaments.** Un moment d'inattention pendant l'utilisation des machines à usiner peut entraîner des blessures corporelles graves.
- **Utilisez un équipement de protection personnelle. Travaillez toujours avec des lunettes de protection.** Les équipements de protection tels que les masques antipoussières, les chaussures de sécurité antidérapantes, le casque ou le protecteur d'oreilles utilisés dans les conditions qui conviennent réduisent les blessures corporelles.
- **Retirez toute clé ou clavette de calage avant de mettre la machine à usiner sous tension.** Une clé ou une clavette reliée à une pièce mobile de la machine à usiner peut entraîner des blessures corporelles.
- **Ne vous éloignez pas trop. Restez toujours en équilibre et sur vos appuis.** Cela favorise le contrôle de la machine à usiner dans les situations inattendues.
- **Habillez-vous correctement. Ne portez jamais de vêtements amples ou de bijoux. Éloignez vos cheveux, vêtements et gants des pièces mobiles.** Les vêtements amples, les bijoux et les cheveux longs peuvent rester coincés dans les pièces mobiles.
- **Si des dispositifs sont fournis pour raccorder des systèmes de collecte et d'extraction de la poussière, vérifiez qu'ils sont correctement branchés et utilisés.** L'utilisation de dépoussiéreurs peut réduire les risques associés à la poussière.

## Utilisation et entretien de la machine à usiner

- **Ne pas forcer sur la machine à usiner. Utiliser la machine à usiner qui convient à l'application.** La machine qui convient réalisera mieux son travail et de façon plus sûre, à la vitesse pour laquelle elle a été conçue.
- **Ne pas utiliser l'outil électrique si sa fonction marche/arrêt ne permet pas la mise sous tension ou l'arrêt de l'outil.** Tout outil électrique impossible à contrôler est dangereux et doit être réparé.
- **Débrancher la fiche de la prise et/ou du bloc d'alimentation avant de procéder aux réglages, de changer les accessoires ou de stocker la machine.** Ces mesures de sécurité préventive réduisent le risque de mise sous tension accidentelle de la machine à usiner.
- **Ranger les machines à usiner hors de la portée des enfants et ne pas laisser des personnes qui ne connaissent pas la machine ou ces consignes utiliser l'appareil.** Les machines à usiner sont dangereuses si elles sont entre les mains d'utilisateurs non formés.

# COMMANDE

- **Entretien des machines à usiner.** Vérifier le mauvais alignement ou la fixation des pièces mobiles, l'éventuelle rupture des pièces ou toute autre condition susceptible d'altérer le fonctionnement de la machine. Si elle est endommagée, la machine à usiner doit être réparée avant toute réutilisation. De nombreux accidents sont dus à des machines mal entretenues.
- **Maintenir les outils tranchants aiguisés et propres.** Des outils tranchants correctement entretenus avec des bords aiguisés sont moins susceptibles de se coincer et sont plus faciles à contrôler.
- **Utiliser la machine à usiner, les accessoires, les grains, etc. en suivant ces consignes et en tenant compte des conditions de travail et de la tâche à réaliser.** L'utilisation de la machine à usiner pour des opérations autres que celles pour lesquelles elle a été prévue peut entraîner des situations dangereuses.

## Service

- **Confier la réparation de la machine à usiner à un réparateur qualifié utilisant uniquement des pièces de rechange identiques.** Cela permet de garantir la sécurité de la machine.

## Utilisez toujours votre bon sens

Il est impossible de mentionner toutes les situations auxquelles vous pouvez être confronté. Soyez toujours vigilant et utilisez l'appareil avec bon sens. Si vous êtes confronté à une situation où vous pensez ne pas être en sécurité, arrêtez immédiatement et consultez un spécialiste. Veuillez contacter votre revendeur, votre atelier de réparation ou un utilisateur expérimenté. Il convient d'éviter tous les travaux pour lesquels vous ne vous sentez pas suffisamment qualifié !

## Équipement de protection

### Généralités

Ne jamais utiliser une machine s'il n'est pas possible d'appeler au secours en cas d'accident.

### Équipement de protection personnelle

Un équipement de protection personnelle homologué doit impérativement être utilisé lors de tout travail avec la machine. L'équipement de protection personnelle n'élimine pas les risques mais réduit la gravité des blessures en cas d'accident. Demander conseil au concessionnaire afin de choisir un équipement adéquat.



**AVERTISSEMENT!** L'utilisation de produits tels que des ciseaux, des disques, des forets, des disques fins ou des formes peut générer de la poussière et des vapeurs pouvant contenir des substances chimiques toxiques. Vérifiez la composition du matériel avec lequel vous travaillez et portez un masque respiratoire adapté.



**AVERTISSEMENT!** Une exposition prolongée au bruit risque de causer des lésions auditives permanentes. Toujours utiliser des protecteurs d'oreille agréés. Soyez toujours attentifs aux signaux d'alerte ou aux appels en portant des protège-oreilles. Enlevez-les sitôt le moteur arrêté.



**AVERTISSEMENT!** Le risque de coincement est toujours présent lors de travail avec des produits comportant des éléments mobiles. Utiliser des gants de protection pour éviter les blessures personnelles.

Toujours utiliser:

- Casque de protection
- Protecteur d'oreilles
- Lunettes protectrices ou visière
- Masque respiratoire
- Gants solides permettant une prise sûre.
- Vêtements confortables, robustes et serrés qui permettent une liberté totale de mouvement.
- Bottes avec coquille en acier et semelle antidérapante

Attention! Les habits, les cheveux longs et les bijoux peuvent se coincer dans les parties en mouvement.

### Autre équipement de protection



**AVERTISSEMENT!** Lorsque vous travaillez avec la machine, des étincelles peuvent se former et mettre le feu. Gardez toujours à portée de main les outils nécessaires à l'extinction d'un feu.

- Matériel de protection contre le feu
- Une trousse de premiers secours doit toujours être disponible.

## Consignes de sécurité relatives au bloc d'alimentation



**AVERTISSEMENT!** Lire toutes les consignes et instructions de sécurité. Le non-respect des consignes et instructions peut provoquer une électrocution, un incendie et/ou des blessures graves.

Le présent chapitre décrit les consignes de sécurité de base relatives à l'utilisation de la machine. Aucune de ces informations ne peut remplacer l'expérience et le savoir-faire d'un professionnel.

- Lire attentivement et bien assimiler le manuel d'utilisation avant d'utiliser la machine.



# COMMANDE

- N'oubliez pas que l'opérateur est responsable des accidents ou dangers aux tiers et à leurs biens.
- Tous les opérateurs doivent recevoir une formation sur l'utilisation de la machine. Il incombe au propriétaire de garantir que les opérateurs reçoivent une formation.
- La machine doit rester propre. Les signes et autocollants doivent être parfaitement lisibles.



**AVERTISSEMENT! La machine utilisée de manière imprudente ou inadéquate peut devenir un outil dangereux, pouvant causer des blessures graves voire mortelles à l'utilisateur et aux autres personnes présentes.**

**Ne jamais permettre à des enfants ou à des personnes ne possédant pas la formation nécessaire d'utiliser ou d'entretenir la machine. Ne jamais laisser d'autres personnes utiliser la machine sans s'être assuré au préalable que ces personnes ont bien compris le contenu du mode d'emploi.**

**N'utilisez jamais la machine si vous êtes fatigué, avez bu de l'alcool ou pris des médicaments susceptibles d'affecter votre vue, votre jugement ou la maîtrise de votre corps.**



**AVERTISSEMENT! Toute modification non autorisée et/ou tout emploi d'accessoires non homologués peuvent provoquer des accidents graves voire mortels pour l'utilisateur et les autres.**

**Ne modifiez jamais cette machine de façon à ce qu'elle ne soit plus conforme au modèle d'origine et n'utilisez jamais une machine qui semble avoir été modifiée.**

**Ne jamais utiliser une machine qui n'est pas en parfait état de marche. Appliquer les instructions de maintenance et d'entretien ainsi que les contrôles de sécurité indiqués dans ce manuel d'utilisation. Certaines mesures de maintenance et d'entretien doivent être confiées à un spécialiste dûment formé et qualifié. Voir les instructions à la section Maintenance.**

**N'utiliser que des accessoires et des pièces d'origine.**

## Sécurité du travail

### Sécurité dans l'espace de travail

- Contrôlez toujours et marquez les emplacements des conduites de gaz. Scier près d'une conduite de gaz est toujours synonyme de danger. Veillez à éviter la formation d'étincelles lors du sciage en raison d'un certain risque d'explosion. L'opérateur doit toujours être attentif et concentré sur son travail. La négligence peut causer des blessures personnelles graves voire mortelles.
- Assurez-vous qu'aucun tuyau ou câble électrique ne passe dans le matériau à découper ou par la zone de travail.
- Contrôlez que les câbles électriques présents dans la zone de travail ne sont pas sous tension.
- Ne jamais commencer à travailler avec la machine sans avoir le champ libre et les pieds bien daplomb.
- Ne pas travailler par mauvais temps: brouillard épais, pluie diluvienne, vent violent, grand froid, etc. Travailler par mauvais temps est fatiguant et peut créer des conditions de travail dangereuses telles que le verglas.
- Maintenez l'eau à l'écart des pièces électriques de l'outil et des personnes présentes dans la zone de travail.

### Sécurité électrique



**AVERTISSEMENT! Il existe toujours un risque de choc avec les machines électriques. Évitez de travailler par mauvais temps ainsi que tout contact du corps avec du métal/un parafoudre. Suivez toujours les instructions du manuel d'utilisation pour éviter tout dommage.**



**AVERTISSEMENT! Ne lavez pas la machine avec de l'eau. Elle peut en effet s'infiltrer dans le système électrique ou le moteur et ainsi endommager la machine ou provoquer un court-circuit.**

- Ne jamais utiliser l'outil sans le disjoncteur de fuite à la terre livré avec l'outil.
- La machine doit être branchée à une prise de terre.
- Contrôler que la tension secteur est conforme aux indications sur la plaque de la machine.
- Contrôler que le câble et la rallonge sont entiers et en bon état.
- Ne jamais utiliser la machine si tout câble ou bouchon est endommagé. Il convient dès lors de la confier à un atelier d'entretien agréé.
- N'utilisez pas la rallonge lorsqu'elle est enroulée afin d'éviter toute surchauffe.

## Sécurité du personnel

- Ne laissez jamais la machine sans surveillance avec le moteur en marche.
- Débrancher toujours l'alimentation électrique du bloc d'alimentation pendant les interruptions de travail prolongées.
- Ne travaillez jamais seul, mais toujours avec une personne à proximité. Cette personne peut aider à monter la machine, mais aussi intervenir en cas d'accident.
- Des personnes ou des animaux peuvent détourner l'attention de l'opérateur et l'amener à perdre le contrôle de la machine. C'est pourquoi l'opérateur doit toujours être attentif et concentré sur son travail.
- Les personnes devant se tenir à proximité doivent porter des protecteurs d'oreilles car le niveau sonore lors du sciage dépasse 85 dB(A).
- Travaillez toujours de telle sorte que vous puissiez accéder facilement à l'arrêt d'urgence. Si vous êtes confronté à une situation d'urgence, appuyez sur le bouton d'arrêt d'urgence rouge sur le groupe moteur ou sur le bouton d'arrêt de la commande à distance.

## Utilisation et entretien

Cette machine est destinée à servir exclusivement avec les produits Husqvarna spécialement conçus à cet effet. Toute autre utilisation est interdite.

- La machine est conçue pour des applications industrielles et destinée à des opérateurs expérimentés.
- Les contrôles et/ou les entretiens doivent être effectués avec le moteur à l'arrêt et la prise électrique débranchée.
- Placer l'unité électrique dans la zone de travail, sur une surface plane et à l'abri de toute projection d'eau. Toujours débrancher la fiche avant de déplacer l'unité électrique.
- Faites preuve de prudence en cas de levage. Le maniement de pièces lourdes implique un risque de coinçage ou autre blessure.
- Ne débranchez jamais le câble d'alimentation électrique sans avoir préalablement éteint le moteur et attendu que le moteur s'arrête complètement.
- Vérifiez que tous les couplages, raccordements et câbles sont intacts et qu'ils sont propres.
- Il convient de parcourir le manuel fourni avec l'outil raccordé avant de commencer à utiliser la machine.

# SYSTÈME DE MENUS

## Commande à distance

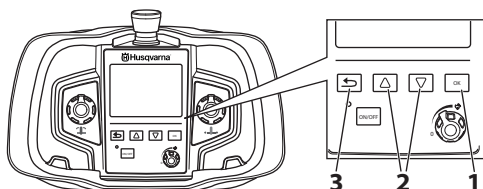
### Généralités

Lors de la première utilisation de la télécommande avec l'unité électrique, la télécommande doit être couplée à l'unité électrique afin de permettre l'établissement de la communication radio. Cette procédure a peut-être déjà été effectuée si l'unité électrique a été achetée en même temps que la scie murale. Si cette procédure n'a pas été effectuée, la télécommande ne pourra pas se connecter à l'unité électrique via la communication radio et l'écran indiquera qu'une recherche est en cours et tentera en vain de se connecter. Avant de vérifier si une procédure d'appariement a bien été effectuée, commencer par vérifier que l'unité électrique est active, que le câble d'alimentation est branché et que le bouton d'arrêt d'urgence n'a pas été actionné.

Suivez les instructions dans la section « Montage et réglages » pour obtenir les instructions sur l'appariement de la télécommande avec l'unité électrique.

### Système de menu de la télécommande

Utilisez les flèches (2) pour faire défiler les menus et le bouton « OK » (1) pour confirmer la sélection. Utilisez le bouton « retour » (3) pour retourner aux menus.

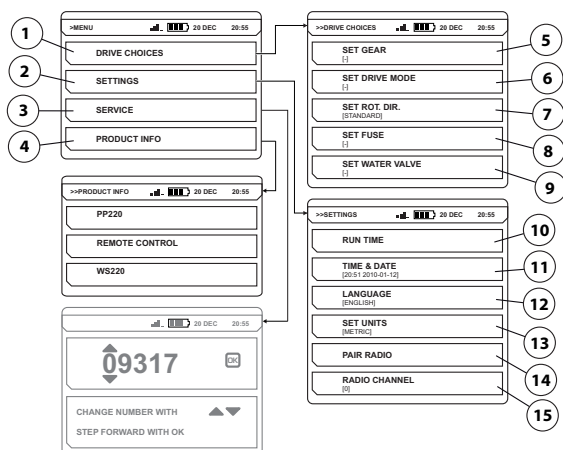


Le système de menus de la télécommande est accessible via le bouton « OK ». Le système de menus comprend les sous-menus suivants :

- CHOIX ENTRAINMT
- PARAMÈTRES
- SERVICE
- INFOS PRODUIT

Le menu de service est protégé par mot de passe. Le personnel de service a uniquement accès aux paramètres de ce menu afin d'effectuer l'entretien de la machine.

### Vue d'ensemble des menus



Une présentation de chaque menu se trouve à la page suivante.

# SYSTÈME DE MENUS

## Présentation du système de menus

### DRIVE CHOICES (1)

#### SET GEAR (5)

WS 482 HF est équipé de deux vitesses mécaniques. Indiquez la vitesse réglée.

- Sélectionnez le rapport. (WS 482 HF)
  - 1. (600-900 rpm)
  - 2. (800-1200 rpm)

#### SET DRIVE MODE (6)

Réglez le mode d'entraînement requis en fonction de l'unité électrique utilisée pour le sciage mural ou la découpe au câble.

- Sélectionnez le mode d'entraînement. (WS 482 HF)
  - BLADE (sciage mural)
  - WIRE (découpe au câble)

#### SET ROT. DIR. (7)

Le sens de rotation ne peut être modifié que lorsque la lame ou le câble sont à l'arrêt.

- Sélectionnez le sens de rotation requis.
  - STANDARD
  - REVERSE

#### SET FUSE (8)

Pour pouvoir utiliser la pleine puissance de sortie du groupe moteur, il convient de le raccorder à un fusible 32 A. En cas de fusible 16 A ou 25 A, la puissance est inférieure de façon à ne pas surcharger le fusible.

- Indiquez à quel fusible l'unité électrique est connectée.
  - 16A
  - 25A
  - 32A

#### SET WATER VALVE (9)

Le débit d'eau est réglable à l'aide du robinet à bille placé au niveau du connecteur d'arrivée d'eau sur le groupe moteur.

- Sélectionnez le type de réglage du débit d'eau.
  - « ON » - La valve d'eau est toujours ouverte.
  - « AUTO » - La valve d'eau s'ouvre lorsque la commande de rotation est allumée à partir de sa mise à zéro. Sinon, la valve d'eau est fermée.

#### SETTINGS (2)

##### RUN TIME (10)

Paramètres de durée de fonctionnement.

##### TIME COUNTER

Au moment de l'activation, un chronomètre se met en route et enregistre la durée de rotation de la lame/du câble et d'activation d'au moins une alimentation.

##### CLEAR RUN TIME

Réinitialise le chronomètre.

##### CURRENT RUN TIME

Affiche la durée de fonctionnement actuelle.

##### TIME AND DATE (11)

Réglage de l'heure et de la date.

##### SET TIME

- Indique l'heure actuelle.

##### SET DATE

- Indique la date du jour.

##### TIME FORMAT

Sélection du format d'heure requis.

- 12 h
- 24 h

##### DATE FORMAT

- Sélection du format de date requis.
  - YYYY-MM-DD
  - YYYY/DD/MM
  - DD/MM/YYYY

##### LANGUAGE (12)

Réglage de langue sur l'affichage de la télécommande.

- Sélection de la langue d'affichage requise.

##### SET UNITS (13)

Réglage des unités de la télécommande.

- Sélection des unités requises.
  - AMÉRICAIN
  - MÉTRIQUE

##### PAIR RADIO (14)

Apparier la télécommande à la machine.

Apparier la télécommande à la machine.

##### RADIO CHANNEL (15)

Réglage du canal radio entre la télécommande et le bloc d'alimentation. Le canal radio doit être remplacé lorsque l'opérateur remarque un défaut ou une perte de communication. La télécommande doit être branchée à la machine via un câble CAN.

- Sélectionnez le canal radio requis.
  - 0 (2.410 GHz)
  - 1 (2.415 GHz)
  - ...
  - 11 (2.465 GHz)

##### SERVICE (3)

##### PRODUCT INFO (4)

Des informations relatives au bloc et à l'outil branché s'affichent.

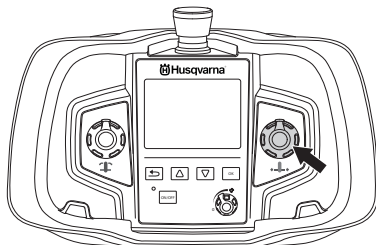
# SYSTÈME DE MENUS

## Techniques de travail de base

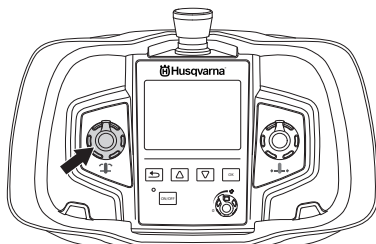
### Scies murales (lame/câble)

Les opérations suivantes peuvent être effectuées à l'aide des leviers de commande de la télécommande :

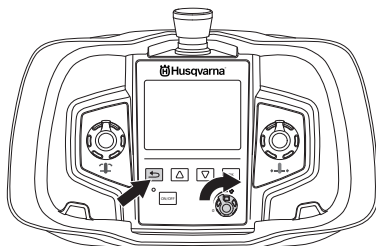
- Déplacement longitudinal. Le cadran permet de guider le déplacement de l'unité de sciage le long du rail.



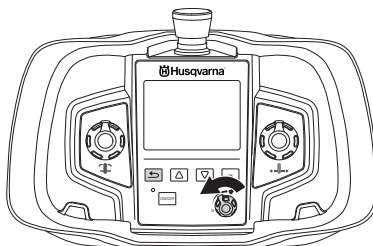
- Déplacement du bras. Le cadran permet de guider le déplacement du bras de pivot pour modifier la profondeur de coupe.



- Rotation de la lame/du câble, commande la vitesse de la lame/du câble. Le bouton à flèche de déplacement arrière sert de commande double lors du démarrage de la rotation de la lame. Démarrez la rotation de la lame / du câble en appuyant un certain temps sur le bouton « retour » tout en tournant la commande du sens de rotation dans le sens des aiguilles d'une montre. Un potentiomètre permet de contrôler la vitesse de rotation.



- Pour arrêter la rotation de la lame/du câble, tournez la commande correspondante dans le sens inverse des aiguilles d'une montre, jusqu'à la position zéro.



- Parcourir le manuel fourni avec la scie murale pour davantage d'instructions relatives aux techniques de sciage.

## Transport et rangement

- Veillez à toujours éteindre le groupe moteur et à débrancher le câble électrique avant de déplacer l'équipement.
- Sécurisez l'équipement lors du transport afin d'éviter tout dommage ou accident.
- Stockez l'équipement dans un endroit verrouillé afin de le maintenir hors de portée des enfants et de toute personne incompétente.
- Rangez la machine et ses équipements dans un endroit sec et à l'abri du gel.
- Ne pas exposer le bloc à des températures inférieures à -77 °F ou supérieures à 122 °F, ni aux rayons directs du soleil.

# DÉMARRAGE ET ARRÊT

## Avant le démarrage



**AVERTISSEMENT!** Lire attentivement et bien assimiler le manuel d'utilisation avant d'utiliser la machine.

Utiliser les équipements de protection personnelle. Voir au chapitre "Équipement de protection personnelle".

Veiller à ce qu'aucune personne non autorisée ne se trouve dans la zone de travail pour éviter le risque de blessures graves.

Vérifiez que la machine est correctement montée et ne présente aucun dommage. Voir les instructions à la rubrique « Assemblage et réglages ».

Toujours brancher la machine via un disjoncteur de fuite à la terre avec protection personnelle, par exemple un disjoncteur de fuite à la terre qui s'enclenche à un défaut à la terre de 30 mA.

- Effectuez un entretien quotidien. Voir les instructions au chapitre « Entretien ».
- Branchez l'unité électrique à une prise triphasée mise à la terre.
- Vérifiez que le disjoncteur différentiel est actif.
- Raccordement de l'eau de refroidissement

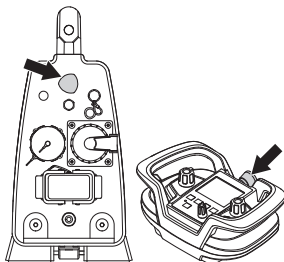
Voir les instructions à la rubrique « Assemblage et réglages ».

Un générateur diesel ou à essence peut être utilisé comme source d'alimentation, s'il est suffisamment puissant. Référez-vous aux cas d'utilisation d'un générateur dans les caractéristiques techniques. Le générateur doit être mis à la terre pour protéger le fonctionnement de l'unité électrique.

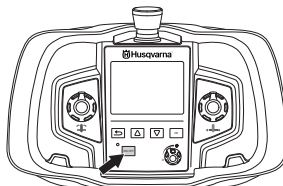
**ATTENTION !** Un générateur produisant parfois une tension d'entrée en dehors de la plage de tension spécifiée dans les caractéristiques techniques peut endommager l'unité électrique.

## Démarrage

- Ouvrir l'alimentation en eau de l'unité électrique.
- Veiller à ne pas appuyer sur le bouton d'arrêt d'urgence de l'unité électrique ni sur le bouton d'arrêt de la télécommande en les tournant dans le sens des aiguilles d'une montre.



- Activez la télécommande en appuyant sur le bouton « marche/arrêt ».

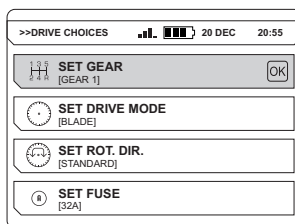


- L'outil raccordé est activé, comme le confirmer les informations qui s'affichent.

Suivre les instructions du manuel accompagnant l'outil branché.

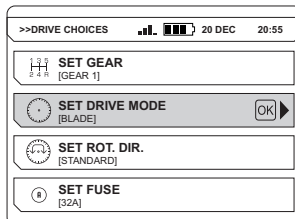
### WS 482 HF:

WS 482 HF est équipé de deux vitesses mécaniques. Indiquez la vitesse réglée. Pour davantage d'informations sur les lames et vitesses recommandées, consultez la rubrique « Vitesses de lame recommandées » du chapitre « Caractéristiques techniques ».



**REMARQUE !** Une vitesse plus élevée que celle recommandée risque de causer des blessures ou dommages.

- Réglez le mode d'entraînement requis en fonction de l'unité électrique utilisée pour le sciage mural ou la découpe au câble. (CHOIX ENTRAINMT>RÉGLER CHOIX ENTRAINMT)



## Arrêt



**REMARQUE !** Coupez toujours l'alimentation en eau vers le bloc d'alimentation lorsqu'il n'y a pas d'électricité.

Suivre les instructions du manuel accompagnant l'outil branché.

- Enfoncer le bouton d'arrêt d'urgence de l'unité électrique.
- Couper l'alimentation en eau de l'unité électrique.

## Généralités



**AVERTISSEMENT!** L'utilisateur ne peut effectuer que les travaux d'entretien et de révision décrits dans ce manuel d'utilisation. Les mesures plus importantes doivent être effectuées dans un atelier d'entretien agréé.

La durée de vie de la machine risque d'être écourtée et le risque d'accidents accru si la maintenance de la machine n'est pas effectuée correctement et si les mesures d'entretien et/ou de réparation ne sont pas effectuées de manière professionnelle. Pour obtenir de plus amples informations, contacter l'atelier de réparation le plus proche.

## Entretien Quotidien



**AVERTISSEMENT!** Débranchez le bloc d'alimentation et attendez au moins 5 minutes avant de commencer l'entretien et la maintenance.

- Vérifiez que l'équipement de sécurité de la machine est en parfait état. Voir instructions à la rubrique « Équipement de sécurité de la machine ».
- Contrôler que le câble et la rallonge sont entiers et en bon état.
- Toujours nettoyer l'équipement complet à la fin de la journée de travail. Utilisez une brosse manuelle résistante ou un pinceau large.
- Veiller à garder les connecteurs et les broches propres. Nettoyer à l'aide d'un chiffon ou d'une brosse.

**ATTENTION !** Ne pas utiliser de nettoyeur haute pression pour le nettoyage de la machine. Le jet à haute pression peut endommager les joints et ainsi laisser de l'eau ou de la poussière pénétrer dans la machine, ce qui cause de graves dommages.

## Service



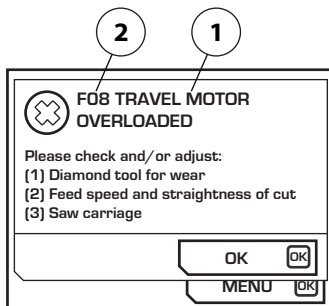
**AVERTISSEMENT!** Toutes les réparations doivent être effectuées par des réparateurs agréés. Ceci permet d'éviter que les opérateurs ne soient exposés à des risques importants.

## Recherche de pannes

### Messages d'erreur - WS (scie murale)

En cas de dysfonctionnement, un message d'erreur (1) et un code d'erreur (2) s'affichent sur l'affichage de la télécommande. Suivez les instructions fournies ou contactez un revendeur agréé. Les messages d'erreur s'affichent en anglais et dans la langue choisie pour le produit.

L'illustration ci-jointe en montre un exemple.



Procédure d'acceptation des messages d'erreur :

- Appuyez sur « OK » sur l'affichage. Aucune autre action n'est nécessaire si le message d'erreur est supprimé.

Si le problème persiste, suivez les instructions du guide de recherche de panne ou contactez un concessionnaire habilité. Le logiciel de l'unité électrique peut être mis à jour. Contacter l'atelier spécialisé local pour de plus amples informations.



# ENTRETIEN

Code d'erreur	Message d'erreur	Origine	Mesure
F01	SURCH. MOTEUR	Fuite d'eau de refroidissement / quantité insuffisante pour le moteur de la scie.	Vérifier que l'eau de refroidissement arrive jusqu'au moteur de la scie, qu'elle soit de 25 °C max. et que le débit soit au moins de 3,5 l/min.
F02	SURCHAUFFE BLOC D'ALIMENTATION	Fuite d'eau de refroidissement / quantité insuffisante pour le groupe moteur.	Vérifier que l'eau de refroidissement arrive jusqu'au groupe moteur, qu'elle est de 25 °C max. et que son débit est d'au moins 3,5 l/min. Si le message apparaît lorsque la lame se met à tourner, allez dans le menu des opérations puis "Refroidissement eau". Sélectionnez ensuite "ON". Laissez l'eau de refroidissement circuler dans le groupe moteur pendant une minute avant d'activer la lame de nouveau.
F03	TENSION FAIBLE	Faible tension au niveau du groupe moteur.	Vérifier la tension au cours de l'utilisation. Vérifier que les trois phases se produisent. Vérifier que les câbles d'arrivée ont une zone transversale suffisante.
F04	TENSION ELEVEE	Tension élevée au niveau du groupe moteur.	Vérifier la tension au cours de l'utilisation. Ce message s'affiche principalement lorsque l'on utilise un générateur comme source électrique.
F05	SURINTENSITE	Surintensité au niveau du moteur de la scie	Contrôler que le câble électrique est correctement branché et qu'il n'est pas endommagé. Le message peut apparaître en cas de contact lâche.
F06	NO HALLSENSOR LENGTH (PAS DE DÉTECTEUR HALL. MOTEUR D'ALIMENTATION)	Erreur au niveau de la carte du capteur HALL pour l'alimentation en longueur	Faire examiner l'appareil par un atelier de réparation agréé.
F07	NO HALLSENSOR ARM (PAS DE DÉTECTEUR HALL. MOTEUR D'ALIMENTATION EN PROFONDEUR)	Erreur au niveau de la carte du capteur HALL pour l'alimentation intérieure.	Faire examiner l'appareil par un atelier de réparation agréé.
F08	TRAVEL MOTOR OVERLOADED (MOTEUR D'ALIMENTATION SURCHARGÉ)	Moteur d'alimentation surchargé.	Tournez le levier en position 0 pour réinitialiser. Si le message d'erreur réapparaît, c'est peut-être que l'outil diamanté n'est pas assez aiguisé ou que le chariot de scie n'est pas réglé correctement. Lubrifiez également l'embrayage du dispositif d'alimentation et nettoyez les rails. Si le problème persiste, apportez la machine à un atelier d'entretien agréé par Husqvarna.
F09	DEPTH MOTOR OVERLOADED (MOTEUR D'ALIMENTATION EN PROFONDEUR SURCHARGÉ)	Moteur d'alimentation en profondeur surchargé.	Tournez le levier en position 0 pour réinitialiser. Si le message d'erreur réapparaît, c'est peut-être que l'outil diamanté n'est pas assez aiguisé ou que le chariot de scie n'est pas réglé correctement. Lubrifiez également l'embrayage du dispositif d'alimentation et nettoyez les rails. Si le problème persiste, apportez la machine à un atelier d'entretien agréé par Husqvarna.
F10	BLADE JAM (LAME BLOQUÉE)	La lame ne tourne pas.	Retirer la lame du dispositif de découpe et lancer la rotation de la lame.
F11	GROUND FAULT OR NO SAW HEAD (DEFAUT DE MISE À LA TERRE OU PAS DE TÊTE DE SCIE)	Mauvais conducteur de terre du bloc d'alimentation/de la scie ou pas d'unité de sciage connectée au bloc d'alimentation.	Vérifier le branchement électrique d'arrivée au bloc d'alimentation et s'assurer que l'unité de sciage est reliée au bloc d'alimentation. Si le problème persiste, apporter la machine à un atelier d'entretien agréé par Husqvarna.
F12	NON-COMPATIBLE SAW UNIT (UNITÉ DE SCIAGE NON COMPATIBLE)	Mauvaise unité de sciage branchée au bloc d'alimentation.	Brancher une unité de sciage compatible au bloc d'alimentation.
F13	NO CONTACT CHECK CAN-CABLE (PAS DE CONTACT VERIF. CABLE CAN)	Aucun contact entre le groupe moteur et la commande à distance.	Remplacer le câble CAN.
F14	NO RADIO CONTACT (PAS DE CONTACT RADIO)	Pas de contact radio entre la commande à distance et l'unité électrique.	Vérifier que le bloc d'alimentation est activé et que l'indicateur vert est allumé. Si le problème persiste, apporter la machine à un atelier d'entretien Husqvarna. La machine peut être utilisée avec le câble CAN entre le bloc d'alimentation et la commande à distance.
F15	NO DSP RESPONSE	Erreur interne dans l'unité électrique.	Faire examiner l'appareil par un atelier de réparation agréé.

# ENTRETIEN

## Messages d'erreur (voyant LED) - Outils PRIME™

En cas d'erreur, le code d'erreur clignote sur l'outil PRIME™ conformément au tableau.

Procédure d'acceptation des messages d'erreur :

- Actionnez la gâchette sur l'outil branché. Aucune autre action n'est requise si le clignotement cesse.

Si le problème persiste, suivez les instructions du guide de recherche de panne ou contactez un concessionnaire habilité. Le logiciel de l'unité électrique peut être mis à jour. Contacter l'atelier spécialisé local pour de plus amples informations.

- 1 Rouge
- 2 Jaune
- 3 Vert
- 4 Vert
- 5 Vert

	Voyant fixe
	Voyant clignotant

<b>1</b>								
<b>2</b>								
<b>3</b>								
<b>4</b>								
<b>5</b>								
	<b>F0101</b>	<b>FX08*</b>	<b>F0112</b>	<b>F0113</b>	<b>FX014*</b>	<b>F0118</b>	<b>F0119</b>	<b>F0130</b>

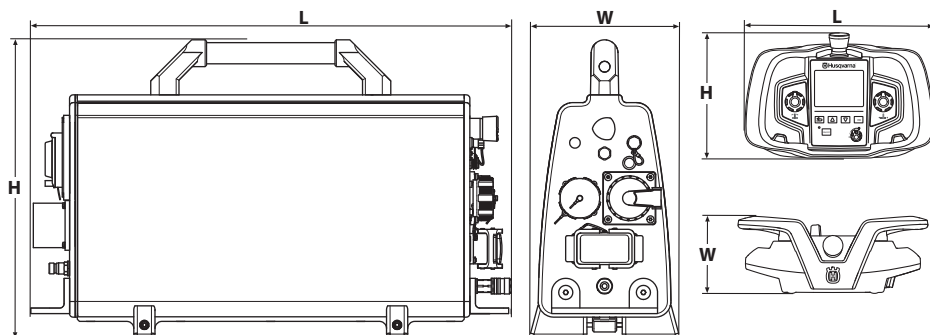
Code d'erreur	Messages d'erreur	Origine	Mesure
F0101	Surintensité détectée	Courant outil actif trop élevé	Contactez votre atelier d'entretien si le problème persiste.
FX08*	Température moteur élevée détectée	Température du moteur d'outil trop élevée	Augmentez le débit d'eau de refroidissement. Veiller à utiliser de l'eau propre pour ne pas boucher les canalisations d'eau. Consulter les données techniques pour obtenir les valeurs de débit, de température et de pression d'eau spécifiées.
F0112	Faible tension d'entrée détectée	Tension d'entrée trop faible	Contrôler la puissance d'entrée minimum en manuel.
F0113	Tension d'entrée élevée détectée	Tension d'entrée trop élevée	Contrôler la puissance d'entrée maximum en manuel.
FX014*	Erreur capteur température outil détectée	Interruption ou court-circuit au niveau du capteur de température	Contactez votre atelier spécialisé.
F0118	Faute détectée dans le Hardware	Erreur matérielle	Contactez votre atelier d'entretien si le problème persiste.
F0119	Température dans la PP trop élevée	Surchauffe bloc d'alimentation	Augmentez le débit d'eau de refroidissement. Veiller à utiliser de l'eau propre pour ne pas boucher les canalisations d'eau. Consulter les données techniques pour obtenir les valeurs de débit, de température et de pression d'eau spécifiées.
F0130	Erreur générique	Lame bloquée	

\* XX correspond à des numéros différents en fonction de l'outil branché à l'unité électrique.

# CARACTÉRISTIQUES TECHNIQUES

## PP490

	<b>PP490</b>
	<b>(380-480V, 4-pin)</b>
Puissance de sortie max., kW	20
Courant nominal, A	16/25/32
Tension d'entrée, V	380-480 V, 50-60 Hz
Tension de sortie, V	340 V, 0-500 Hz
Tension de sortie sec., V	24 V, 0-1500 Hz
Ligação eléctrica	3P+PE
Sortie monophasée 1x230V	–
<b>Zone de câble recommandée</b>	<b>32 A</b>
Longueur, pieds	Zone de câble, AWG
0-100	10
100-200	8
200-300	6
<b>Générateur à effet - min., kVA</b>	
400V, 16A	12
400V, 25A	20
400V, 32A	25
Poids, lb/kg	51/23
Télécommande, avec batterie, sans courroie de transport	2,4/1,1
Température max. de l'eau de refroidissement à 0.92 gal/min., F	77
Pression max. de l'eau de refroidissement, bar	7
<b>Système de contrôle</b>	
Type de contrôle	Commande à distance
Transmission de signaux	Sans fil/avec câble
<b>Dimensions</b>	
Groupe moteur (LxHxW), mm/pouces	680x422x205
Commande à distance (LxHxW), mm/pouces	285x191x124



---

# DECLARATION DE GARANTIE ETATS-UNIS

---

## POLITIQUE DE GARANTIE

Toute réclamation au titre de la garantie sera résolue après inspection dans un établissement désigné. Une autorisation de retour de marchandise est nécessaire en cas de réclamation au titre de la garantie. Pour obtenir cette autorisation, veuillez contacter le département du Service Clients d'Husqvarna au 800-845-1312. Le client doit prépayer le transport et prendre en charge tous les frais de main d'oeuvre nécessaires au retour ou au remplacement d'un produit soumis à des fins de garantie. Husqvarna remboursera les frais de transport encourus pour les produits réparés ou les produits de remplacement homologués.

## EQUIPEMENT

L'équipement fabriqué par Husqvarna est garanti pour être exempt de tout défaut de fabrication en fonctionnement normal pour une période de deux (2) ans à partir de la date de l'achat par l'acquéreur et utilisateur initial. **Les fabricants des pièces proposent des délais de garantie individuels. Pour davantage d'informations, veuillez contacter les Services techniques au 800-288-5040.**

Sous cette garantie, notre obligation est expressément limitée au remplacement ou à la réparation chez Husqvarna Construction Products North America, Olathe, Kansas 66061, ou à un atelier de réparation désigné par nos soins, de pièces que l'inspection aura déterminées comme défectueuses.

Cette garantie ne s'applique pas en cas de défauts occasionnés par des détériorations, une utilisation abusive, des réparations inadéquates opérées par des personnes autres qu'un réparateur Husqvarna homologué, ni en cas de défauts engendrés par un manque d'entretien minimum, une fois l'appareil en possession de l'utilisateur. Par ailleurs, la garantie est nulle si le produit, ou l'un de ses composants, est modifié par l'acheteur lui-même ou si le produit est utilisé d'une façon inappropriée ou avec des outils qui ne sont pas recommandés par le fabricant.

**Exceptions :** Moteurs de forage - 3 mois, Scies murales - 1 an, Découpeuses - 3 mois, DM 230 - 1 an, DM 225 - 3 mois, Système Gyro - 1 an, Système CD 40 - 1 an, DS 160 C - 1 an, Smart box - 1 an, CS 2515 - 1 an, PP 455 E - 1 an, PP 345 E - 1 an, HP 40 - 1 an.

**Articles d'usure :** Filtres, bougies d'allumage, roulements\*, courroies, roues\*\* et plaques d'usure.

\*Système Except IntelliSeal™. \*\*Sauf délaminage.

# ACLARACION DE LOS SIMBOLOS

## Símbolos en la máquina

¡ATENCIÓN! La máquina, si se utiliza de forma errónea o descuidada, puede ser una herramienta peligrosa que puede causar daños graves e incluso la muerte al usuario y a otras personas.



Lea detenidamente el manual de instrucciones y asegúrese de entender su contenido antes de utilizar la máquina.



Utilice siempre:

- Casco protector homologado
- Protectores auriculares homologados
- Gafas protectoras o visor



El control y/o mantenimiento de la máquina debe hacerse con el motor parado y el enchufe desenchufado.



¡ATENCIÓN! Corriente intensa.



**Etiquetado ecológico.** El símbolo en el producto o en su envase indica que no se puede tratar este producto como desperdicio doméstico. Deberá por lo tanto depositarse en un centro de recogida adecuado para el reciclado de equipos eléctricos y electrónicos.



Haciendo que este producto sea manipulado adecuadamente, se ayuda a evitar consecuencias negativas potenciales para el medio ambiente y las personas, lo que puede ocurrir con la manipulación inadecuada como residuos del producto.

Para obtener información más detallada sobre el reciclado de este producto, contacte con la oficina municipal local, con el servicio de eliminación de desperdicios domésticos o con la tienda donde compró el producto.

**Los demás símbolos/etiquetas que aparecen en la máquina corresponden a requisitos de homologación específicos en determinados mercados.**

## Explicación de los niveles de advertencia

Las advertencias se clasifican en tres niveles.

### ¡ATENCIÓN!



**¡ATENCIÓN!** Indica un riesgo de daños graves para el usuario o incluso muerte, o bien daños al entorno, si no se siguen las instrucciones del manual.

### ¡NOTA!



**¡NOTA!** Indica un riesgo de lesiones para el usuario o daños al entorno si no se siguen las instrucciones del manual.

### AVISO

**AVISO** Indica un riesgo de daños en los materiales o en la máquina si no se siguen las instrucciones del manual.

## Índice

<b>ACLARACION DE LOS SIMBOLOS</b>	
Símbolos en la máquina .....	45
Explicación de los niveles de advertencia .....	45
<b>INDICE</b>	
Índice .....	46
Antes de arrancar, observe lo siguiente: .....	46
<b>PRESENTACIÓN</b>	
Apreciado cliente: .....	47
Diseño y funciones .....	47
PP490 .....	47
<b>¿QUE ES QUE?</b>	
Piezas de la unidad eléctrica .....	48
<b>EQUIPO DE SEGURIDAD DE LA MÁQUINA</b>	
Generalidades .....	49
<b>MONTAJE Y AJUSTES</b>	
Instalación de la unidad de alimentación .....	50
Conexión de las unidades .....	50
Conexión de la refrigeración por agua .....	50
Conexión de una fuente de alimentación .....	51
Batería .....	51
Emparejamiento del control remoto con la unidad de alimentación .....	52
<b>FUNCIONAMIENTO</b>	
Instrucciones generales de seguridad .....	53
Equipo de protección .....	54
Precauciones de seguridad de la unidad de alimentación .....	55
Seguridad en el trabajo .....	55
<b>SISTEMA DE MENÚ</b>	
Mando a distancia .....	57
Sistema del menú de control remoto .....	57
Vista general del menú .....	57
Explicación del sistema de menús .....	58
Técnica básica de trabajo .....	59
Transporte y almacenamiento .....	59
<b>ARRANQUE Y PARADA</b>	
Antes del arranque .....	60
Arranque .....	60
Parada .....	60
<b>MANTENIMIENTO</b>	
Generalidades .....	61
Mantenimiento Diario .....	61
Servicio .....	61
Localización de averías .....	61
<b>DATOS TECNICOS</b>	
PP490 .....	64
<b>DECLARACIÓN DE GARANTÍA PARA EE. UU.</b>	
POLÍTICA DE GARANTÍA .....	65

## Antes de arrancar, observe lo siguiente:



**¡ATENCIÓN!** El material que se corta a menudo contiene sílice y, al cortarlo en SECO particularmente, desprende polvo. La sílice es un componente básico de la arena, la arcilla para ladrillos, del cuarzo, del granito, y de varios otros minerales y rocas. La exposición a una cantidad excesiva de polvo de sílice puede causar:

Enfermedades respiratorias (que afectan su habilidad para respirar) como bronquitis crónicas, silicosis y fibrosis pulmonares por exposición a la sílice. Estas enfermedades pueden ser mortales.

Irritación y erupción de la piel.

Cáncer, según el Programa Nacional de Toxicología (NTP) y el Centro Internacional de Investigaciones sobre el Cáncer (IARC).

Tome medidas de precaución:

Evite el contacto de la piel con el polvo, vapor y humo, y su inhalación.

Use, y asegúrese de que quienes lo rodean usen, indumentaria de protección del aparato respiratorio como las mascarillas antipolvo diseñadas para filtrar partículas microscópicas. (Consulte las normas de la OSHA: 29 CFR Parte 1910.1200.)

Corte en húmedo, en la medida de lo posible, para minimizar la cantidad de polvo.

# PRESENTACIÓN

## Apreciado cliente:

Gracias por elegir un producto Husqvarna.

Esperamos que su máquina le proporcione plena satisfacción y le sirva de ayuda por mucho tiempo en adelante. La adquisición de alguno de nuestros productos da acceso a asistencia profesional con reparaciones y servicio. Si la máquina no fue adquirida en un distribuidor oficial, preguntar en la tienda de compra la dirección del taller de servicio más cercano.

Este manual de instrucciones es un documento importante. Procure tenerlo siempre a mano en el lugar de trabajo. Siguiendo sus instrucciones (de uso, servicio, mantenimiento etcétera) puede alargar considerablemente la vida útil de la máquina e incrementar su valor de reventa. Si vende su máquina, entregue el manual de instrucciones al nuevo propietario.

## Más de 300 años de innovación

La fundación de la empresa sueca Husqvarna AB data del año 1689, cuando el Rey Karl XI encargó la construcción de una fábrica para la fabricación de mosquetes. En ese momento se establecieron los cimientos de la experiencia tecnológica en la que se basan muchos de los productos punteros en el mundo en el sector de las armas de caza, bicicletas, motocicletas, electrodomésticos, máquinas de coser y productos para exteriores.

Husqvarna es líder internacional en productos motorizados para exteriores destinados a la silvicultura, el mantenimiento de parques y el cuidado del césped y del jardín, así como equipos de corte y herramientas de diamante para el sector de la construcción y la piedra.

## Responsabilidad del propietario

El propietario / empresario es el responsable de asegurarse de que el usuario tiene los conocimientos necesarios para utilizar la máquina con seguridad. Los supervisores y los usuarios deben haber leído y entendido el manual de instrucciones. Deben tener conocimiento de lo siguiente:

- Las instrucciones de seguridad de la máquina.
- Las aplicaciones y las limitaciones de la máquina.
- El modo de uso y de mantenimiento de la máquina.

La utilización de esta máquina podría estar restringida por regulaciones locales. Infórmese sobre las regulaciones vigentes en el lugar donde trabaja antes de empezar a utilizar la máquina.

## Los derechos que se reserva el fabricante.

Tras la publicación de este manual, Husqvarna podría publicar información adicional para el funcionamiento seguro de este producto. Es responsabilidad del propietario mantenerse informado de los métodos de funcionamiento más seguros.

Husqvarna AB trabaja constantemente para perfeccionar sus productos y se reserva, por lo tanto, el derecho a introducir modificaciones en la construcción y el diseño sin previo aviso.

Para recibir información y atención como cliente, póngase en contacto con nosotros a través de nuestro sitio web: [www.husqvarna.com](http://www.husqvarna.com)

## Diseño y funciones

Este producto está incluido en una gama de equipos de alta frecuencia para cortar, taladrar y realizar cortes en muros. Están diseñados para cortar materiales duros como el hormigón armado y otros materiales de albañilería y no deben utilizarse para funciones distintas a las descritas en este manual.

El alto rendimiento, la fiabilidad, la tecnología innovadora, las soluciones técnicas avanzadas y el respeto medioambiental son los valores que caracterizan a los productos de Husqvarna. El usuario debe leer este manual detenidamente para garantizar un funcionamiento seguro del producto. Póngase en contacto con su concesionario o con Husqvarna si necesita más información.

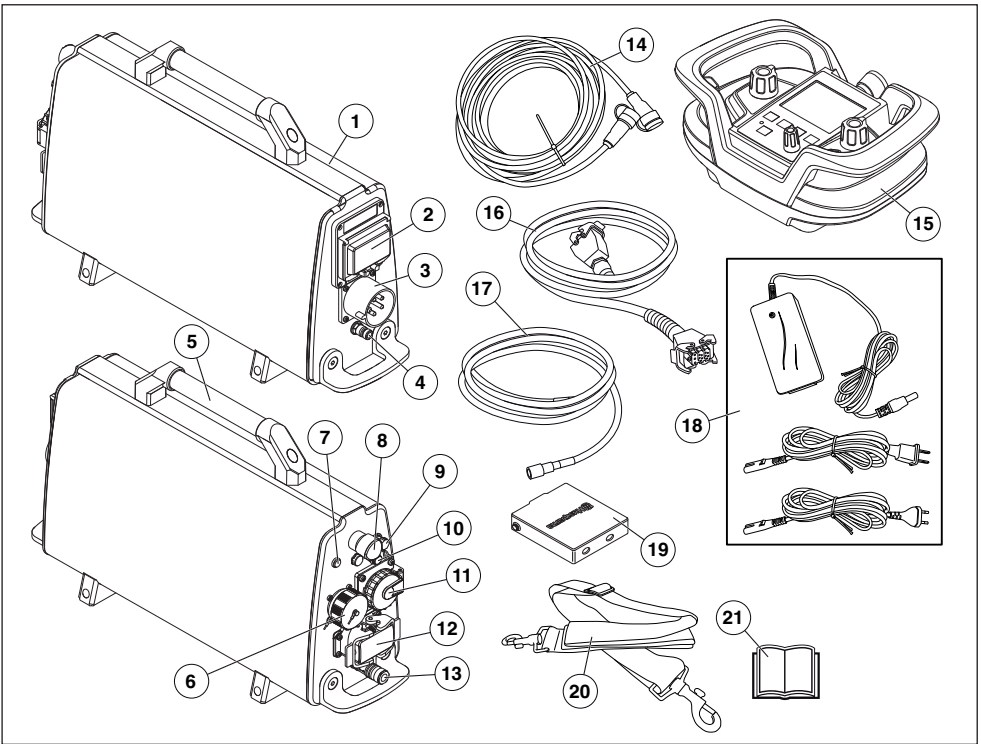
A continuación se describen algunas de las características únicas de su producto.

## PP490

La unidad de alimentación está especialmente diseñada para impulsar las herramientas Husqvarna con un motor de alta frecuencia.

- La unidad tiene dos tomas de corriente y se puede utilizar tanto con las cortadoras de muros como los productos de mano PRIME™.
- Para controlar las unidades conectadas, se utiliza un control remoto inalámbrico.
- Con el control remoto, el usuario puede moverse y ver la zona de trabajo sin limitaciones. Es muy fácil de manejar, incluso con guantes. Con sólo unos cuantos botones, se pueden cambiar los ajustes y manejar las herramientas. El control remoto incorpora una pantalla digital en color de 3,5".
- El diseño es ergonómico, compacto y ligero, lo que permite un transporte sencillo de la unidad.
- La unidad está refrigerada por agua y está equipada con una válvula de agua eléctrica que se acciona mediante el control remoto.
- A pleno funcionamiento, utiliza 32 A en sistemas de 400 V.

## ¿QUE ES QUE?



### Piezas de la unidad eléctrica

- |    |  |    |  |
|----|--|----|--|
| 1  | Unidad eléctrica   | 11 | Toma monofásica (solo para dispositivos con 5 pines) |
| 2  | Interruptor de circuito de pérdida a tierra                  | 12 | Conector para cortadora de muros                     |
| 3  | Toma eléctrica   | 13 | Conexión de salida de agua                           |
| 4  | Conexión de entrada de agua                                  | 14 | Cable CAN  |
| 5  | Mango  | 15 | Mando a distancia                                    |
| 6  | Conector PRIME™  | 16 | Conductor de alimentación                            |
| 7  | Indicador de corriente                                       | 17 | Manguera de agua                                     |
| 8  | Parada de emergencia   | 18 | Cargador de batería                                  |
| 9  | Puerto CAN   | 19 | Batería (2)  |
| 10 | Fusible automático, 16 A (solo para dispositivos de 5 pines) | 20 | Correa de transporte ajustable                       |
|    |  | 21 | Manual de instrucciones                              |



# EQUIPO DE SEGURIDAD DE LA MÁQUINA

## Generalidades



**¡ATENCIÓN! Nunca utilice una máquina con componentes de seguridad defectuosos. Si su máquina no pasa todos los controles, entréguela a un taller de servicio para su reparación.**

En este capítulo se describen los componentes de seguridad de la máquina, su función y el modo de efectuar el control y el mantenimiento para garantizar un funcionamiento óptimo.

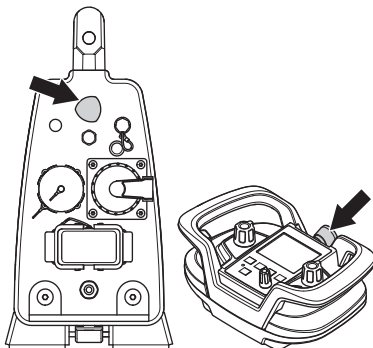
Esta máquina se utiliza en combinación con otros productos. Lea detenidamente el manual que se suministra con los productos y asegúrese de que entiende las instrucciones antes de utilizar la máquina.

Compruebe el equipo de seguridad a diario.

Compruebe igualmente el equipo de seguridad de la herramienta eléctrica conectada a la unidad de alimentación. Consulte el manual de usuario de la herramienta correspondiente para verificar el equipo de seguridad.

## Parada de emergencia y botón de parada

Los sistemas de parada de emergencia de la unidad y del control remoto ralentizan la herramienta conectada e interrumpen la alimentación.



### Comprobación de la parada de emergencia

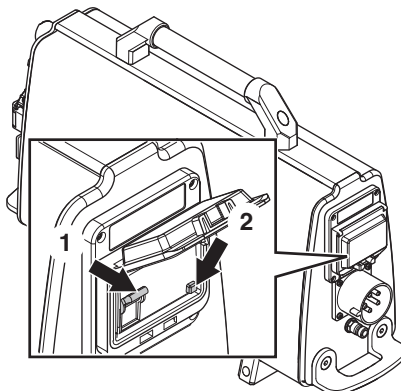
- Compruebe que el botón de parada de emergencia no está pulsado girándolo en el sentido de las agujas del reloj.
- Arranque la herramienta conectada.
- Active la parada de emergencia y compruebe que la herramienta conectada se detiene. Asegúrese de que el indicador de alimentación de la unidad de alimentación se apaga unos segundos después de que la herramienta conectada se haya detenido.
- Al usar una cortadora de muros, el botón de parada debe controlarse del mismo modo.

## Dispositivo de corriente residual (RCD)

La unidad de alimentación está equipada con un dispositivo de corriente residual. Se ha incorporado un dispositivo de corriente residual para proteger al usuario en caso de fallo eléctrico.

### Compruebe el interruptor de circuito de pérdida a tierra

- Conecte la unidad de alimentación a un enchufe trifásico con toma de tierra.
- Abra la tapa del dispositivo de corriente residual para acceder al interruptor (1) y al botón de prueba (2).



- Coloque el control del dispositivo de corriente residual en la posición 1.
- Pulse el botón de prueba. Debe activarse el dispositivo de corriente residual para desconectar la unidad de la alimentación.
- Reinicie el dispositivo de corriente residual poniendo primero el interruptor en 0 y luego en 1.
- Coloque y apriete la tapa.

El dispositivo de corriente residual debe comprobarse cada dos semanas con el botón de prueba.

## MONTAJE Y AJUSTES

### Instalación de la unidad de alimentación



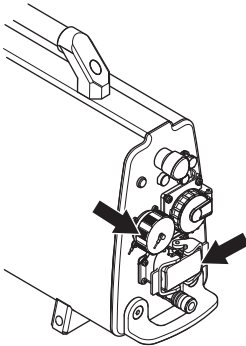
**¡ATENCIÓN!** Coloque la unidad de alimentación en la zona de trabajo sobre una superficie estable y lejos de posibles salpicaduras de agua.

Conecte la unidad de alimentación a un enchufe trifásico con toma de tierra.

Conecte siempre la máquina mediante un interruptor de fuga a tierra con protección personal, como un disyuntor de fuga a tierra que se active a 30 mA.

### Conexión de las unidades

Conecte la herramienta eléctrica al conector correspondiente (tenga en cuenta que hay dos). La toma de fuerza superior se utiliza para los productos de la gama PRIME™. La toma de fuerza inferior se utiliza para las cortadoras de muros. Si desea obtener más información, consulte el apartado de «Datos técnicos».



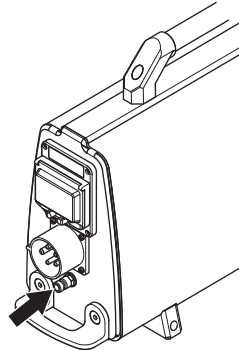
### Conexión de la refrigeración por agua

**AVISO** El agua de refrigeración no se apaga durante un fallo de alimentación.

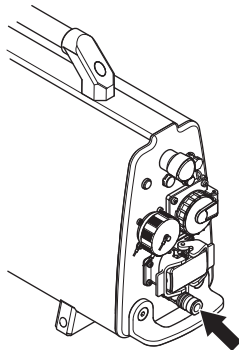
- Conecte la manguera de agua a la conexión de entrada de agua. Utilice agua limpia para evitar que se atasque el sistema con la suciedad.

La unidad incorpora una electroválvula hidráulica, que permanece cerrada mientras el bloque de alimentación está activado. Cuando el bloque no recibe corriente, la válvula se abre para drenar el agua refrigeradora si hay riesgo de congelación.

Si desea obtener más información, consulte el apartado de «Datos técnicos».



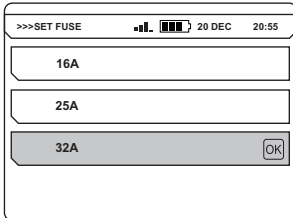
La otra conexión debe conectarse a la herramienta eléctrica, que dispone de varias llaves de paso para regular el caudal de agua que recibe. Consulte el manual de usuario de la herramienta eléctrica correspondiente.



## Conexión de una fuente de alimentación

- Conectar el cable eléctrico entrante (380-480 V, 32 A). Las unidades de alimentación con toma monofásica (230 V) deben tener también un cable neutro para que la toma funcione. La unidad de alimentación funciona incluso sin el cable neutro.

Para utilizar toda la potencia de salida, debe conectar la unidad a un fusible de 32 A. Con un fusible de 16 A o de 25 A, la potencia de salida es inferior para no sobrecargar el fusible. Se selecciona en el menú Opciones de correa.



Si la tensión no es suficiente, el rendimiento se reducirá al 80%.

Si desea obtener más información, consulte el apartado de «Datos técnicos».

- Durante el funcionamiento, encaje bien las cubiertas del cable y la unidad de alimentación para evitar que entre suciedad y se dañe el conector.

Siempre que sea lo suficientemente potente, se puede conectar un generador de gasolina o diésel como fuente de alimentación. Consulte los casos de uso de un generador en los datos técnicos. El generador debe conectarse a tierra para proteger el funcionamiento de la unidad de alimentación.

**AVISO** Los generadores pueden generar en ciertas ocasiones una tensión superior o inferior a lo indicado en los datos técnicos, lo que podría dañar la unidad de alimentación.

## Batería

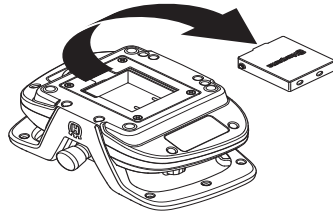
La batería del control remoto es del tipo ion-litio. Su tiempo de funcionamiento es de 8 a 10 horas por carga. El frío extremo reduce la capacidad de la batería y el tiempo de funcionamiento. El tiempo de funcionamiento también se ve afectado por el tiempo de actividad de la pantalla.

Utilice solo baterías originales para este producto. Póngase en contacto con su distribuidor para obtener más información.

Las baterías gastadas no deben desecharse junto con la basura doméstica. Lívelas a su taller de servicio más cercano o a un punto de recogida.

## Montaje / desmontaje de la batería

- Monte / desmonte la batería.



## Cargar la batería.

Antes de usar el control remoto por primera vez, es necesario cargar la batería.

## Carga con el cargador de baterías



El tiempo de carga para una batería agotada es de aproximadamente 2-3 horas. El diodo se enciende de color naranja cuando la carga empieza y pasa a color verde cuando la batería se ha cargado por completo. Cuando la batería se ha cargado por completo, el cargador suministra a la batería corriente de mantenimiento hasta que se extraiga del cargador.

Mantenga seco el cargador de batería y protegido de las fluctuaciones de temperatura.

## Carga con el cable CAN

El cable CAN no tiene tanta capacidad de carga como el cargador de la batería, por lo que la batería tardará más en cargarse.

Si se desmonta la batería mientras el control remoto está conectado al cable CAN, el símbolo de batería del control remoto aparecerá tachado para indicar que no hay batería.

# MONTAJE Y AJUSTES

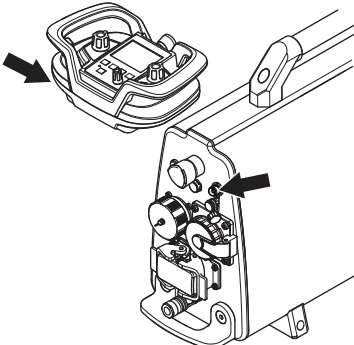
## Emparejamiento del control remoto con la unidad de alimentación

Para poder establecer comunicación por radio entre el control remoto y la unidad de alimentación, estos dos dispositivos deben emparejarse.

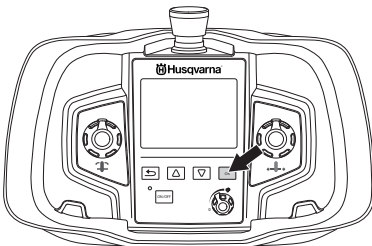
Se trata de una medida de seguridad para garantizar que solo un control remoto dirige la unidad de alimentación. Hasta que no se lleve a cabo esta acción, la comunicación por radio no funcionará.

Si se cambia el control remoto de una unidad de alimentación a otra, será necesario volver a emparejar estos dispositivos.

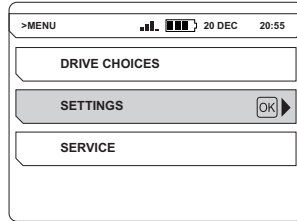
- Conectar el mando a distancia con el cable de CAN incluido en la entrega. Fijar el contacto de cable enroscándolo a mano.



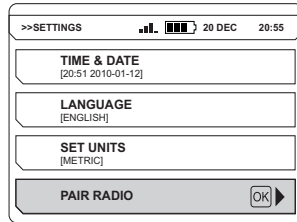
- Deje que el control remoto se cargue por completo y espere a que aparezca la pantalla principal. Pulse el botón «ACEPTAR» para acceder al menú.



- Vaya a «AJUSTES». Desplácese con las flechas de dirección y confirme con «OK».



- Vaya a «EMP. RADIO». Desplácese con las flechas de dirección y confirme con «OK».



Se muestra un mensaje en la pantalla para indicar si se ha realizado o no el emparejamiento.

## Otros ajustes de software

Se pueden realizar más ajustes antes de poner en marcha la unidad de alimentación. Consulte las instrucciones del apartado «Sistema de menús» para obtener información adicional.

- Ajuste de hora y fecha. (AJUSTES>HORA Y FECHA)
- Selección del idioma de pantalla deseado. (SETTINGS>LANGUAGE) [Configuración > Idioma]
- Selección de las unidades deseadas. (AJUSTES>AJ. UDS.)

# FUNCIONAMIENTO

## Instrucciones generales de seguridad



**¡ATENCIÓN!** Lea todas las advertencias e instrucciones de seguridad. No atender a estas advertencias e instrucciones puede provocar descargas eléctricas, incendios y lesiones graves.

**¡IMPORTANTE!** Conserve todas las advertencias e instrucciones para su consulta. El término «herramienta eléctrica» empleado en las advertencias hace referencia a una herramienta eléctrica que funciona con conexión a la red de suministro (con cable) o a una herramienta que funciona con batería (sin cable).

### Seguridad en el área de trabajo

- **Mantenga el área de trabajo limpia y bien iluminada.** Las zonas abarrotadas de cosas u oscuras favorecen los accidentes.
- **No maneje herramientas eléctricas en ambientes explosivos como aquellos en los que hay líquidos, gases o polvo inflamables.** Las herramientas eléctricas producen chispas que pueden inflamar el polvo o los vapores.
- **Mantenga alejados a los niños y a otras personas mientras trabaje con una herramienta eléctrica.** Las distracciones pueden hacer que pierda el control de esta.

### Seguridad eléctrica

- **Los enchufes de las herramientas eléctricas deben corresponder a la toma de corriente utilizada. Nunca modifique el enchufe.** No modifique los enchufes y use las tomas de corriente que se adapten a estos para reducir el riesgo de descarga eléctrica.
- **Evite el contacto de su cuerpo con superficies puestas a tierra como tuberías, radiadores, cocinas y neveras.** Si su cuerpo está en contacto con el suelo, existe un mayor riesgo de descarga eléctrica.
- **No exponga las herramientas eléctricas a la lluvia o a ambientes húmedos.** El riesgo de recibir descargas eléctricas aumentará si penetra agua en la herramienta eléctrica.
- **No utilice el cable incorrectamente. No use el cable para transportar la herramienta, ni para tirar de ella, ni para desconectarla del conector. Mantenga el cable alejado del calor, el aceite, los bordes afilados y las piezas en movimiento.** Si los cables están dañados o enredados, existe un gran riesgo de que se produzcan descargas eléctricas y, por tanto, deben repararse en un taller de servicio.

- **Cuando trabaje con una herramienta eléctrica en exteriores, utilice un alargador indicado para este uso.** Utilizar un cable adecuado para su uso en exteriores reduce el riesgo de descarga eléctrica.

### Seguridad personal

- **Esté siempre atento, fíjese en lo que está haciendo y utilice el sentido común cuando maneje una herramienta eléctrica. No utilice herramientas eléctricas si está cansado o bajo los efectos de estupefacientes, alcohol o medicamentos.** Un momento de descuido, mientras se trabaja con herramientas eléctricas, puede causar lesiones graves.
- **Utilice el equipo de protección individual. Utilice siempre protección para los ojos.** El equipo de protección, como la mascarilla antipolvo, los zapatos de seguridad antideslizantes, el casco o los protectores auditivos, utilizados en función de las condiciones de trabajo, reducirán el riesgo de lesiones.
- **Quite todas las clavijas de ajuste o llaves de tuercas antes de encender la herramienta eléctrica.** Una llave de tuercas o clavija de ajuste que se ha dejado colocada en una pieza giratoria de la herramienta eléctrica puede causar lesiones.
- **No se estire demasiado. Mantenga una posición correcta y el equilibrio en todo momento.** Esto le permitirá controlar mejor la herramienta eléctrica en situaciones imprevistas.
- **Utilice la ropa adecuada. No utilice nunca ropa amplia ni joyas. Mantenga el pelo, la ropa y los guantes alejados de las piezas móviles.** La ropa amplia, las joyas o el pelo largo pueden quedar atrapados en las piezas móviles.
- **Si se suministran equipos de aspiración o captación de polvo, asegúrese de que estén conectados y se utilicen correctamente.** El uso de estos equipos puede reducir los riesgos derivados del polvo.

### Uso y cuidado de la herramienta eléctrica

- **No sobrecargue la herramienta eléctrica. Utilice la herramienta eléctrica adecuada para el trabajo que debe realizar.** Con la herramienta eléctrica apropiada hará el trabajo mejor y con mayor seguridad a la potencia para la que fue diseñada.
- **No utilice la herramienta eléctrica si no funciona la función de conexión/desconexión.** Toda herramienta eléctrica que no pueda controlarse es peligrosa y debe repararse.
- **Desconecte el enchufe de la fuente de alimentación y/o la batería de la herramienta eléctrica antes de realizar cualquier ajuste, cambiar accesorios o guardarla.** Estas medidas de seguridad preventivas reducen el riesgo de encendido accidental de la herramienta eléctrica.

# FUNCIONAMIENTO

- **Guarde las herramientas eléctricas que no se utilicen fuera del alcance de los niños y no permita que personas no familiarizadas con su uso o con estas instrucciones las manejen.** Las herramientas eléctricas resultan peligrosas en manos de usuarios no cualificados.
- **Cuide las herramientas. Compruebe que no haya partes móviles mal alineadas o trabadas, piezas rotas o cualquier otra circunstancia que pueda afectar al funcionamiento de la herramienta eléctrica. Si detecta daños, haga reparar la herramienta eléctrica antes de utilizarla.** Muchos accidentes se deben al uso de herramientas eléctricas que carecen de un mantenimiento adecuado.
- **Mantenga las herramientas de corte afiladas y limpias.** Las herramientas de corte con aristas afiladas y un mantenimiento adecuado tienen menos probabilidades de trabarse y son más fáciles de controlar.
- **Utilice la herramienta eléctrica, los accesorios, útiles, etc. según se indica en estas instrucciones, teniendo en cuenta las condiciones de trabajo y la tarea que debe realizar.** El uso de la herramienta eléctrica para trabajos distintos a aquellos para los que fue diseñada podría dar lugar a situaciones peligrosas.

## Servicio

- **Solicite que su herramienta eléctrica sea reparada por personal cualificado y utilizando únicamente piezas de repuesto originales.** Esto garantizará la seguridad de la herramienta.

## Emplee siempre el sentido común

Es imposible abarcar todas las situaciones imaginables que se pueden producir al utilizar una taladradora. Proceder siempre con cuidado y emplear el sentido común. Si se encuentra en alguna situación que le haga sentirse inseguro, deténgase y consulte con un experto. Consulte a su distribuidor, al taller de servicio técnico o a un usuario experimentado. No emplee la máquina en aplicaciones para las que no se considere plenamente cualificado.

## Equipo de protección

### Generalidades

No use nunca una máquina si no tiene posibilidad de pedir auxilio si se produce un accidente.

### Equipo de protección personal

Para trabajar con la máquina debe utilizarse un equipo de protección personal homologado. El equipo de protección personal no elimina el riesgo de lesiones, pero reduce su

efecto en caso de accidente. Pida a su distribuidor que le asesore en la elección del equipo.



**¡ATENCIÓN! El uso de productos que cortan, pulen, taladran, alisan o forman materiales puede generar polvo y vapores que pueden contener sustancias químicas dañinas. Averiguar la composición del material con que se trabaja y usar una máscara respiratoria adecuada.**



**¡ATENCIÓN! La exposición prolongada al ruido puede causar daños crónicos en el oído. Por consiguiente, use siempre protectores auriculares homologados. Cuando use protección auditiva preste siempre atención a las señales o llamados de advertencia. Sáquese siempre la protección auditiva inmediatamente después de parar el motor.**



**¡ATENCIÓN! Existe siempre riesgo de accidentes por apriete al trabajar con aparatos con piezas móviles. Usar guantes protectores para evitar lesiones.**

Utilice siempre:

- Casco protector
  - Protectores auriculares
  - Gafas protectoras o visor
  - Máscara respiratoria
  - Guantes resistentes de agarre seguro.
  - Prendas de vestir ceñidas, resistentes y cómodas que permitan una libertad de movimientos total.
  - Botas con puntera de acero y suela antideslizante.
- Tener en cuenta que las ropas, el pelo largo y las joyas pueden atascarse en piezas móviles.

## Otros equipos de protección



**¡ATENCIÓN! Mientras trabaja con la máquina, pueden producirse chispas que podrían ocasionar un incendio. Tenga siempre a mano herramientas para la extinción de incendios.**

- Herramientas para la extinción de incendios
- Tenga siempre a mano el equipo de primeros auxilios.

# FUNCIONAMIENTO

## Precauciones de seguridad de la unidad de alimentación



**¡ATENCIÓN! Lea todas las advertencias e instrucciones de seguridad. No atender a estas advertencias e instrucciones puede provocar descargas eléctricas, incendios y lesiones graves.**

Este apartado trata las normas de seguridad básicas para trabajar con el dispositivo. Esta información no sustituye en ningún caso los conocimientos y la experiencia de un profesional.

- Lea detenidamente el manual de instrucciones y asegúrese de entender su contenido antes de utilizar la máquina.
- Debe tenerse en cuenta que el operador es responsable de los accidentes o riesgos que ocurran a otras personas o a su propiedad.
- Todos los operadores deben ser formados en el empleo de la máquina. El propietario es responsable de la formación de los operadores.
- La máquina debe mantenerse limpia. Los letreros y las pegatinas deben ser legibles en su totalidad.



**¡ATENCIÓN! La máquina, si se utiliza de forma errónea o descuidada, puede ser una herramienta peligrosa que puede causar daños graves e incluso la muerte al usuario y a otras personas.**

**No permita bajo ningún concepto el empleo o mantenimiento de la máquina por los niños u otras personas no instruidas en el manejo de la misma. Nunca deje que terceros utilicen la máquina sin asegurarse primero de que hayan entendido el contenido de este manual de instrucciones.**

**Nunca utilice la máquina si está cansado, si ha ingerido alcohol o si toma medicamentos que puedan afectarle la vista, su capacidad de discernimiento o el control del cuerpo.**



**¡ATENCIÓN! Las modificaciones y/o el uso de accesorios no autorizados comportan riesgo de daños personales graves y peligro de muerte para el usuario y otras personas.**

**No modifique nunca esta máquina de forma que se desvíe de la versión original, y no la utilice si parece haber sido modificada por otras personas.**

**No utilice nunca una máquina defectuosa. Lleve a cabo las comprobaciones de seguridad y siga las instrucciones de mantenimiento y servicio de este manual. Algunas medidas de mantenimiento y servicio deben ser efectuadas por especialistas formados y cualificados. Consulte las instrucciones del apartado Mantenimiento.**

**Utilizar siempre recambios originales.**

## Seguridad en el trabajo

### Seguridad en el área de trabajo

- Averigüe y marque siempre la ubicación del trazado de las tuberías de gas. El corte cerca de las tuberías de gas siempre es peligroso. Procure que no se generen chispas al cortar, debido al riesgo de explosión. Trabaje concentrado en su tarea. La negligencia comporta riesgo de daños personales graves y peligro de muerte.
- Asegúrese de que no haya tuberías o cables eléctricos en la zona de trabajo o en la pieza en la que vaya a trabajar.
- Compruebe que los cables eléctricos que haya en el área de trabajo no tengan tensión.
- Antes de comenzar a trabajar con la máquina, controle siempre que el lugar esté libre y que los pies estén bien afirmados al terreno.
- No trabaje en condiciones atmosféricas desfavorables como niebla, lluvia intensa, tempestad, frío intenso, etc. Trabajar con mal tiempo es cansador y puede crear condiciones peligrosas, por ejemplo suelo resbaladizo.
- Mantenga el agua alejada de las piezas eléctricas de la herramienta y lejos de las personas en la zona de trabajo.

# FUNCIONAMIENTO

## Seguridad eléctrica



**¡ATENCIÓN! Existe siempre riesgo de sacudidas eléctricas al usar máquinas eléctricas. No usar la máquina en condiciones climáticas desfavorables y evitar el contacto del cuerpo con pararrayos y objetos metálicos. Seguir siempre las instrucciones del manual para evitar daños.**



**¡ATENCIÓN! No lave la máquina con agua, ya que puede penetrar en el sistema eléctrico o en el motor y causar daños en la máquina o un cortocircuito.**

- No utilice nunca la herramienta sin el diferencial que se entrega con ella.
- La máquina se debe enchufar a un enchufe con masa.
- Compruebe que la tensión de red concuerda con la que se indica en la placa de características de la máquina.
- Compruebe que el cable y el cable de empalme está intacto.
- Si se daña un cable, no utilice la máquina. Llévela a reparar a un taller de servicio oficial.
- Un cable de alargue no debe usarse enrollado porque hay riesgo de sobrecalentamiento.

## Seguridad personal

- No abandonar nunca la máquina sin vigilar, con el motor en marcha.
- Desenchufe siempre la unidad de alimentación del suministro eléctrico durante periodos de inactividad prolongados.
- Un operador nunca debe trabajar solo; siempre debe haber otra(s) persona(s) cerca. Así, además de tener ayuda para montar la máquina, también puede recibirse asistencia en caso de accidente.
- Las personas y los animales pueden distraer y hacer perder el control de la máquina. Por consiguiente, el operador debe estar siempre concentrado en su trabajo.
- Las personas que deban permanecer cerca deben usar protectores auriculares porque el nivel sonoro al cortar es superior a 85 dB(A).
- Trabaje siempre de modo que pueda acceder fácilmente a la parada de emergencia. En caso de emergencia, pulse el botón rojo de parada de emergencia de la unidad o el botón de parada del control remoto.

## Uso y cuidado

Esta máquina está diseñada para utilizarse en combinación con los productos compatibles de Husqvarna. Está prohibido utilizarla de cualquier otra forma.

- La máquina está destinada al uso por operadores experimentados, en aplicaciones industriales.
- El control y/o mantenimiento de la máquina debe hacerse con el motor parado y el enchufe desenchufado.
- Coloque la unidad de alimentación en la zona de trabajo sobre una superficie estable y lejos de posibles salpicaduras de agua. Desconecte siempre la unidad de alimentación antes de moverla.
- Proceda con cuidado en las elevaciones. Las piezas son pesadas, por lo que hay riesgo de daños por apriete y daños personales de otro tipo.
- Nunca desconecte el cable sin apagar el motor y esperar a que este se detenga por completo.
- Compruebe que todas las juntas, conexiones y cables están intactos y limpios.
- Lea el manual de instrucciones suministrado con la herramienta antes de utilizar la máquina.



# SISTEMA DE MENÚ

## Mando a distancia

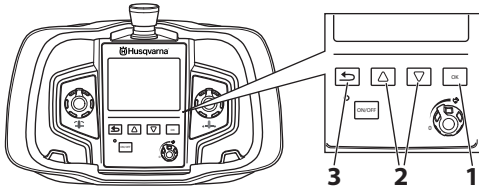
### Generalidades

Para usar por primera vez el control remoto con la unidad de alimentación, deben emparejarse para que funcione la comunicación por radio. Si la unidad de alimentación se adquirió junto con la cortadora de muros, puede que ya estén emparejadas. Si no, el control remoto no podrá conectarse a la unidad de alimentación a través de la radio y en la pantalla se indicará que se están buscando unidades pero no llegará a producirse ninguna conexión. No obstante, para comprobar si están emparejadas, se debe verificar en primer lugar que la unidad de alimentación está activa, con el cable conectado y con la parada de emergencia inactiva.

Siga las instrucciones de la sección 'Montaje y ajustes' para obtener instrucciones sobre cómo emparejar el control remoto con la unidad de alimentación.

### Sistema del menú de control remoto

Utilice los botones de flechas (2) para desplazarse por los menús y el botón «ACEPTAR» (1) para confirmar la selección. Utilice el botón de retroceso (3) para volver atrás en los menús.

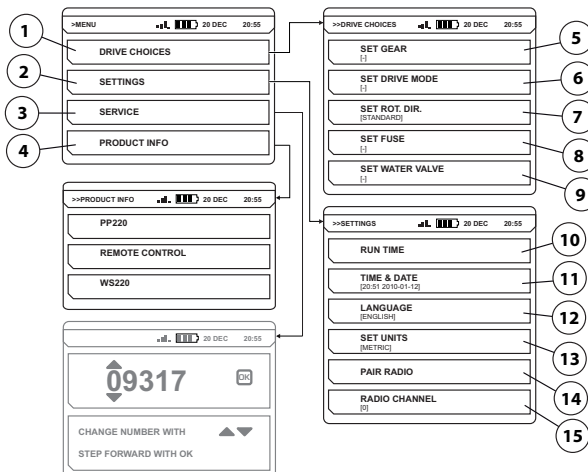


Se puede acceder al sistema de menús del control remoto pulsando el botón «ACEPTAR». El sistema de menús incluye los siguientes menús:

- OPC. DE CORREA
- AJUSTES
- MANTEN.
- PRODUCT INFO. (Información del producto)

El menú de mantenimiento está protegido con una contraseña. Solamente el personal autorizado podrá acceder a los ajustes de este menú para realizar el mantenimiento.

### Vista general del menú



Consulte la siguiente página si desea obtener una explicación detallada de cada menú.

# SISTEMA DE MENÚ

## Explicación del sistema de menús

### DRIVE CHOICES (1)

#### SET GEAR (5)

WS 482 HF cuenta con dos engranajes mecánicos. Indique qué engranaje quiere ajustar.

- Seleccione la marcha. (WS 482 HF)
  - 1. (600-900 rpm)
  - 2. (800-1200 rpm)

#### SET DRIVE MODE (6)

Ajuste el modo de correa deseado en función de la unidad de alimentación que se utilizará en el corte de muros o de cables.

- Seleccione el modo de funcionamiento. (WS 482 HF)
  - BLADE (corte de muros)
  - WIRE (corte de cables)

#### SET ROT. DIR. (7)

Solo se podrá modificar la dirección de rotación cuando el disco o cable no estén en movimiento.

- Seleccione la dirección de rotación deseada.
  - ESTÁNDAR
  - REVERSE

#### SET FUSE (8)

Para utilizar toda la potencia de salida, debe conectar la unidad a un fusible de 32 A. Con un fusible de 16 A o de 25 A, la potencia de salida es inferior para no sobrecargar el fusible.

- Indique a qué fusible está conectada la unidad de alimentación.
  - 16A
  - 25A
  - 32A

#### SET WATER VALVE (9)

El flujo de agua se ajusta con la válvula esférica de la conexión de entrada de agua de la unidad.

- Seleccione el tipo de regulación de agua.
  - «ON»: la válvula de agua estará siempre abierta.
  - «AUTO»: la válvula de agua se abrirá cuando se cambie el ajuste cero del control de rotación. De lo contrario, la válvula de agua se cerrará.

#### SETTINGS (2)

#### RUN TIME (10)

Configuración del tiempo de funcionamiento.

#### TIME COUNTER

En la activación, se inicia un cronómetro que mide el tiempo durante el que gira el disco o cable y, al menos, una alimentación está activa.

#### CLEAR RUN TIME

Restablece el cronómetro.

#### CURRENT RUN TIME

Muestra el tiempo de funcionamiento actual.

#### TIME AND DATE (11)

Ajuste de hora y fecha.

#### SET TIME

- Indique la hora.

#### SET DATE

- Indique la fecha.

#### TIME FORMAT

Seleccione el formato de hora deseado.

- 12 h
- 24 h

#### DATE FORMAT

- Seleccione el formato de fecha deseado.
  - YYYY-MM-DD
  - YYYY/DD/MM
  - DD/MM/YYYY

#### LANGUAGE (12)

Configuración del idioma de la pantalla del control remoto.

- Selección del idioma de pantalla deseado.

#### SET UNITS (13)

Configuración de las unidades del control remoto.

- Selección de las unidades deseadas.
  - AMERICANAS
  - MÉTRICAS

#### PAIR RADIO (14)

Empareja el control remoto con la máquina.

Empareja el control remoto con la máquina.

#### RADIO CHANNEL (15)

Ajuste del canal de radio entre el control remoto y la unidad de alimentación. El canal de radio debe cambiarse si el usuario experimenta interferencias o una pérdida de comunicación. El control remoto debe conectarse a la máquina con un cable CAN.

- Seleccione el canal de radio que desee.
  - 0 (2.410 GHz)
  - 1 (2.415 GHz)
  - ...
  - 11 (2.465 GHz)

#### SERVICE (3)

#### PRODUCT INFO (4)

Se muestra información sobre la unidad y la herramienta conectada.

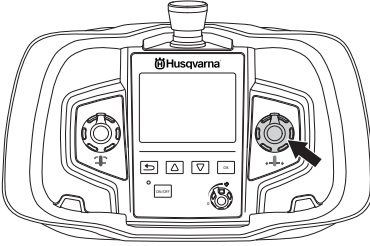
# SISTEMA DE MENÚ

## Técnica básica de trabajo

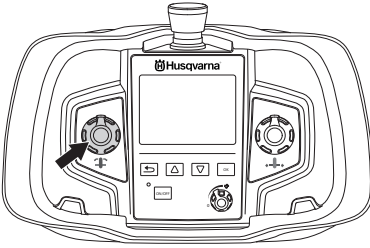
### Cortadoras de muro (disco o hilo)

Con las palancas de control del control remoto, se pueden realizar las siguientes operaciones:

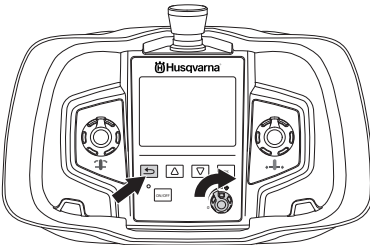
- Alimentación longitudinal, el dial guía la unidad de corte a lo largo del riel.



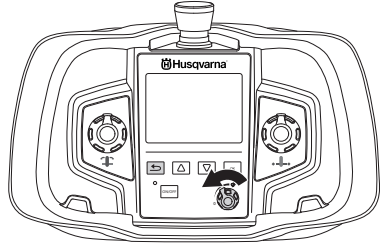
- Alimentación del brazo, el dial guía el brazo pivotante para cambiar la profundidad de corte.



- Rotación del disco o hilo, controla la velocidad del disco/hilo. Botón de flecha hacia atrás, se utiliza como comando doble para iniciar la rotación de la cuchilla. Active la rotación del disco o cable manteniendo pulsado el botón de retroceso mientras gira el control de rotación en el sentido de las agujas del reloj. La velocidad de rotación se controla mediante un potenciómetro.



- Para desactivar la rotación del disco o del hilo, gire el control de rotación en sentido contrario a las agujas del reloj, hasta alcanzar la posición '0'.



- Para más información sobre la técnica de serrado, lea detenidamente el manual facilitado con la sierra de pared.

## Transporte y almacenamiento

- Desconecte siempre la unidad eléctrica y el cable eléctrico antes de mover el equipo.
- Sujete bien el equipo durante el transporte para evitar daños y accidentes.
- Almacene la cortadora en lugar seguro fuera del alcance de los niños y personas no calificadas para su uso.
- Guarde la máquina y el equipo en un lugar seco y protegido de la escarcha.
- No exponga la unidad a temperaturas inferiores a  $-77^{\circ}\text{F}$  o superiores a  $122^{\circ}\text{F}$  ni a la luz solar directa.

# ARRANQUE Y PARADA

## Antes del arranque



**¡ATENCIÓN!** Lea detenidamente el manual de instrucciones y asegúrese de entender su contenido antes de utilizar la máquina.

Utilice el equipo de protección personal. Vea las instrucciones bajo el título "Equipo de protección personal".

Asegúrese de que no haya personas desautorizadas en la zona de trabajo, de lo contrario, se corre el riesgo de ocasionar graves daños personales.

Controle que la máquina esté correctamente montada y que no esté dañada. Consulte las instrucciones bajo el título «Montaje y ajustes».

Conecte siempre la máquina mediante un interruptor de fuga a tierra con protección personal, como un disyuntor de fuga a tierra que se active a 30 mA.

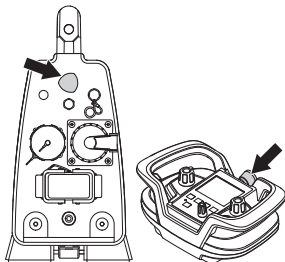
- Realice el mantenimiento diario. Consulte las instrucciones bajo el título «Mantenimiento».
- Conecte la unidad de alimentación a un enchufe trifásico con toma de tierra.
- Compruebe que el dispositivo de corriente residual está activo.
- Conexión de la refrigeración por agua

Consulte las instrucciones bajo el título «Montaje y ajustes». Siempre que sea lo suficientemente potente, se puede conectar un generador de gasolina o diésel como fuente de alimentación. Consulte los casos de uso de un generador en los datos técnicos. El generador debe conectarse a tierra para proteger el funcionamiento de la unidad de alimentación.

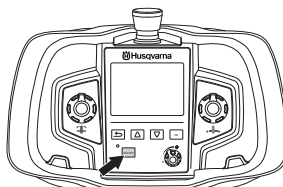
**AVISO** Los generadores pueden generar en ciertas ocasiones una tensión superior o inferior a lo indicado en los datos técnicos, lo que podría dañar la unidad de alimentación.

## Arranque

- Inicie el suministro de agua a la unidad de la alimentación.
- Compruebe que ni el botón de parada de emergencia de la unidad de alimentación ni el botón de parada del control remoto están pulsados girándolos en el sentido de las agujas del reloj.



- Active el control remoto pulsando el botón de encendido / apagado.

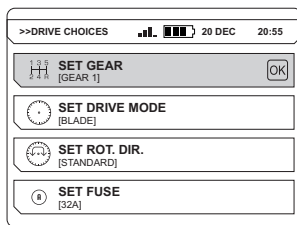


- Se activará la herramienta conectada y se aparecerá la información en la pantalla.

Siga las instrucciones del manual correspondiente a la herramienta conectada.

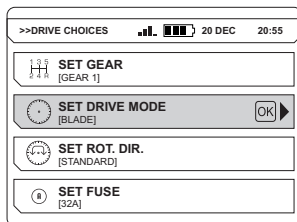
### WS 482 HF:

WS 482 HF cuenta con dos engranajes mecánicos. Indique qué engranaje quiere ajustar. Encontrará más información sobre los discos y la velocidad recomendados en el apartado «Velocidad de disco recomendada» del capítulo «Datos técnicos».



**¡NOTA!** Una velocidad más alta que la recomendada comporta riesgo de daños personales y del equipo.

- Ajuste el modo de correa deseado en función de la unidad de alimentación que se utilizará en el corte de muros o de cables. (OPC. DE CORREA>AJ. OPC. DE CORREA)



## Parada



**¡NOTA!** Apague siempre el suministro de agua a la unidad de alimentación cuando no esté conectada a la corriente eléctrica.

Siga las instrucciones del manual correspondiente a la herramienta conectada.

- Pulse el botón de parada de emergencia de la unidad de alimentación.
- Pare el suministro de agua a la unidad de la alimentación.

# MANTENIMIENTO

## Generalidades



**¡ATENCIÓN! El usuario sólo puede efectuar los trabajos de mantenimiento y servicio descritos en este manual. Los trabajos de mayor envergadura debe efectuarlos un taller de servicio oficial.**

La vida útil de la máquina puede acortarse y el riesgo de accidentes puede aumentar si el mantenimiento de la máquina no se hace de forma adecuada y si los trabajos de servicio y/o reparación no se efectúan de forma profesional. Para más información, consulte con el taller de servicio oficial más cercano.

## Mantenimiento Diario



**¡ATENCIÓN! Desenchufe la unidad de alimentación y espere al menos 5 minutos antes de iniciar cualquier operación de mantenimiento o servicio.**

- Compruebe que el equipo de seguridad de la máquina está intacto. Consulte las instrucciones del apartado «Equipo de seguridad de la máquina».
- Compruebe que el cable y el cable de empalme está intacto.
- Limpiar siempre todo el equipo después de cada turno de trabajo. Utilice un cepillo manual extrafuerte o una brocha grande.
- Asegúrese de que los conectores y los pines están limpios. Límpielos con un trapo o un cepillo.

**AVISO** No utilice un equipo de limpieza a alta presión para limpiar la máquina. El chorro de alta presión puede dañar las juntas y hacer que se introduzca agua y suciedad en el interior de la máquina, provocando daños graves.

## Servicio



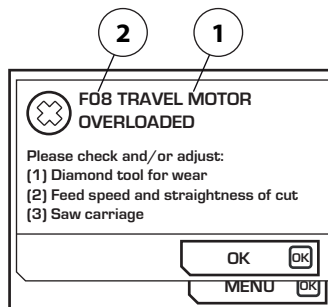
**¡ATENCIÓN! Las reparaciones de todo tipo deben ser efectuadas por técnicos autorizados, únicamente. De este modo se evita someter a los operadores a grandes riesgos.**

## Localización de averías

### Mensajes de error - Cortadora de muros

En caso de cualquier fallo, aparece un mensaje de error (1) y un código de error (2) en la pantalla del control remoto. Siga las instrucciones o póngase en contacto con un distribuidor autorizado. Los mensajes de error se muestran en el idioma que ha seleccionado en el producto, o inglés como alternativa.

La imagen es únicamente ilustrativa.



Cómo proceder con los mensajes de error:

- Pulse 'OK' (Aceptar) en la pantalla. Si el mensaje de error desaparece, no es necesario realizar ninguna otra acción.

Si el error persiste, siga las instrucciones de la guía para la resolución de problemas o póngase en contacto con un distribuidor autorizado. El software de la unidad de alimentación puede actualizarse. Póngase en contacto con su taller de servicio para obtener más información.

# MANTENIMIENTO

Código de fallo	Mensaje de error	Causa	Medida
F01	MOTOR SOBREALENT.	Falta agua refrigeradora o es insuficiente para el motor de la sierra.	Verifique que el agua refrigeradora llega al motor de la sierra a un máximo de 25 °C y a 3,5 l/min como mínimo.
F02	UNIDAD DE ALIMENTACIÓN SOBREALENT.	Falta agua refrigeradora o es insuficiente para la unidad.	Verifique que el agua refrigeradora llega a la unidad a un máximo de 25 °C y a 3,5 l/min como mínimo. Si aparece un mensaje al iniciar la rotación de la hoja, vaya al menú de funcionamiento y seleccione «ON» en «Water coolant» (agua refrigeradora). Deje que el agua refrigeradora circule por la unidad de alimentación durante un minuto antes de volver a iniciar la rotación de la hoja.
F03	TENSIÓN BAJA	Tensión eléctrica baja para la unidad.	Controle la tensión durante el funcionamiento. Compruebe que existen las tres fases. Verifique que los cables de entrada tienen una sección suficiente.
F04	TENSIÓN ALTA	Tensión alta en la unidad.	Controle la tensión durante el funcionamiento. Este mensaje se muestra normalmente cuando se utiliza un generador como fuente de alimentación.
F05	SOBREENTENSIDAD	Sobreenintensidad en el motor de la sierra.	Compruebe que el conductor de alimentación está bien colocado y que no tiene ningún daño. Este mensaje puede mostrarse si hay algún contacto flojo.
F06	NO HALLSENSOR LENGTH (MOTOR DE AVANCE SIN SENSOR HALL)	Avería en la tarjeta del sensor HALL para el avance.	Lleve el equipo a un taller de reparación autorizado.
F07	NO HALLSENSOR ARM (MOTOR DE ENTRADA SIN SENSOR HALL)	Avería en la tarjeta del sensor HALL para la entrada.	Lleve el equipo a un taller de reparación autorizado.
F08	TRAVEL MOTOR OVERLOADED (MOTOR DE AVANCE SOBRECARGADO)	Motor de avance sobrecargado.	Lleve la palanca hasta la posición 0 para reiniciar. Si aparece un mensaje de error, las causas pueden ser que el útil de diamante no esté bien afilado o que el soporte de sierra no esté bien ajustado. Lubrique los engranajes de entrada y limpie los rieles. Si estas medidas no eliminan el fallo, lleve el equipo a un taller de servicio autorizado Husqvarna.
F09	DEPTH MOTOR OVERLOADED (MOTOR DE ENTRADA SOBRECARGADO)	Motor de entrada sobrecargado.	Lleve la palanca hasta la posición 0 para reiniciar. Si aparece un mensaje de error, las causas pueden ser que el útil de diamante no esté bien afilado o que el soporte de sierra no esté bien ajustado. Lubrique los engranajes de entrada y limpie los rieles. Si estas medidas no eliminan el fallo, lleve el equipo a un taller de servicio autorizado Husqvarna.
F10	BLADE JAM (HOJA ATASCADA)	La hoja no puede girar.	Retire la hoja del lugar de corte y accione el giro de la hoja.
F11	GROUND FAULT OR NO SAW HEAD (FUGA O TIERRA O AUSENCIA DE CABEZAL DE SIERRA)	La conexión a tierra de la unidad de alimentación / sierra es incorrecta o no hay ninguna sierra conectada a la unidad de alimentación.	Compruebe la conexión eléctrica de entrada de la unidad de alimentación y verifique que la sierra está conectada a la unidad de alimentación. Si esto no ayuda, lleve el equipo a un taller de servicio autorizado Husqvarna.
F12	NON-COMPATIBLE SAW UNIT (SIERRA INCOMPATIBLE)	Se ha conectado una sierra incorrecta a la unidad de alimentación.	Conecte una sierra compatible con la unidad de alimentación.
F13	NO CONTACT CHECK CAN-CABLE (NO HAY CONTACTO, COMPROBAR CABLE CAN)	No hay contacto entre la unidad eléctrica y el control remoto.	Sustituya el cable CAN.
F14	NO RADIO CONTACT (NO HAY CONTACTO POR RADIO)	No hay contacto por radio entre el control remoto y la unidad de alimentación.	Compruebe que la unidad de alimentación está activada y que la luz indicadora verde está encendida. Si esto no ayuda, lleve el equipo a un taller de servicio de Husqvarna. La máquina puede utilizarse con el cable CAN entre la unidad de alimentación y el control remoto.
F15	NO DSP RESPONSE	Error interno de la unidad de alimentación.	Lleve el equipo a un taller de reparación autorizado.

# MANTENIMIENTO

## Mensajes de error (indicador LED) - Herramientas PRIME™

En caso de cualquier error, el código de error parpadeará en la herramienta PRIME™ conforme a la tabla.

Cómo proceder con los mensajes de error:

- Activar el acelerador de la herramienta conectada. No es necesario realizar ninguna otra acción si el parpadeo se detiene.

Si el error persiste, siga las instrucciones de la guía para la resolución de problemas o póngase en contacto con un distribuidor autorizado. El software de la unidad de alimentación puede actualizarse. Póngase en contacto con su taller de servicio para obtener más información.

- 1 Rojo
- 2 Amarillo
- 3 Verde
- 4 Verde
- 5 Verde

	Luz fija
	Luz intermitente

1								
2								
3								
4								
5								
	<b>F0101</b>	<b>FX08*</b>	<b>F0112</b>	<b>F0113</b>	<b>FX14*</b>	<b>F0118</b>	<b>F0119</b>	<b>F0130</b>

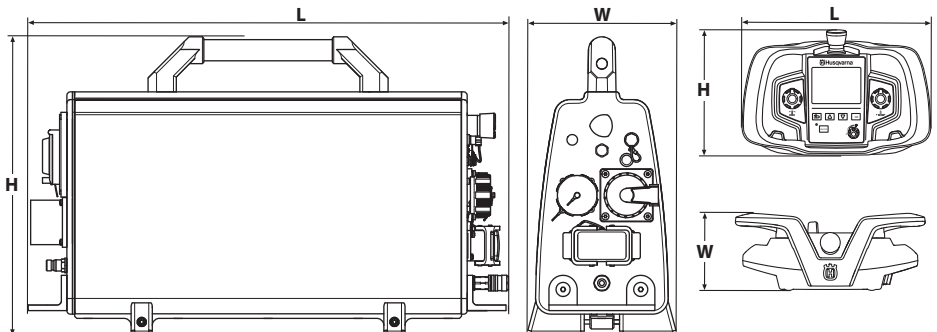
Código de fallo	Mensajes de fallo	Causa	Medida
F0101	Corriente en amperios interna muy alta	Corriente herram. muy alta	Póngase en contacto con el taller de servicio si el problema persiste.
FX08*	Temperatura del motor demasiado alta	Temperatura motor demasiado alta	Aumente el caudal de agua refrigerante. Utilice siempre agua limpia para que no se atasquen los canales de agua. Consulte los Datos técnicos para conocer las especificaciones de caudal, temperatura y presión del agua.
F0112	Tension de entrada muy bajo	Tensión entrada baja	Compruebe manual tensión entr. mín
F0113	Tension de entrada muy alto	Tensión entrada alta	Compruebe manual tensión entr. máx
FX14*	Alerta de sensor de temperatura	Interrupción o cortocircuito del sensor de temperatura	Contacte con su taller de servicio.
F0118	Error en Hardware Interno	Error hardware	Póngase en contacto con el taller de servicio si el problema persiste.
F0119	Alerta de sensor de temperatura	Unidad de alimentación sobrecalentada	Aumente el caudal de agua refrigerante. Utilice siempre agua limpia para que no se atasquen los canales de agua. Consulte los Datos técnicos para conocer las especificaciones de caudal, temperatura y presión del agua.
F0130	Error genérico	Atasco de la cuchilla	

\* XX = números diferentes según la herramienta conectada a la unidad de alimentación.

# DATOS TECNICOS

## PP490

	<b>PP490</b>
	<b>(380-480V, 4-pin)</b>
Salida máx., kW	20
Amperaje nominal, A	16/25/32
Tensión de entrada, V	380-480 V, 50-60 Hz
Tensión de salida, V	340 V, 0-500 Hz
Seg. tensión de salida, V	24 V, 0-1500 Hz
Conexión eléctrica	3P+PE
1 toma monofásica de 230 V	–
<b>Zona de cableado recomendada</b>	<b>32 A</b>
Longitud, ft	Zona de cableado, AWG
0-100	10
100-200	8
200-300	6
<b>Resultado del generador: en min y kVA.</b>	
400V, 16A	12
400V, 25A	20
400V, 32A	25
Peso, lb/kg	51/23
Control remoto, con batería, sin correa de transporte	2,4/1,1
Temperatura máx. de la refrigeración hidráulica a 0.92 gal/min, F	77
Presión máx. de la refrigeración hidráulica, bar	7
<b>Sistema de control</b>	
Tipo de control	Mando a distancia
Transmisión de la señal	Inalámbrico / cable
<b>Dimensiones</b>	
Unidad eléctrica (LxHxW), mm/pulgadas	680x422x205
Mando a distancia (LxHxW), mm/pulgadas	285x191x124





---

# DECLARACIÓN DE GARANTÍA PARA EE. UU.

---

## POLÍTICA DE GARANTÍA

Todas las solicitudes de garantía se determinarán tras una inspección de las instalaciones correspondientes. Para toda reclamación de garantía se requerirá una autorización de devolución de productos (RGA). Póngase en contacto con el Departamento de servicio al cliente de Husqvarna llamando al 800-845-1312 para solicitar dicha autorización. El cliente deberá pagar los portes previamente y asumir cualquier gasto de mano de obra necesario para devolver o sustituir un producto para el que se ha solicitado una evaluación de garantía. Husqvarna pagará los gastos de envío de los productos reparados o nuevos aprobados.

## EQUIPO

El equipo fabricado por Husqvarna está garantizado frente a defectos de fabricación para el uso normal durante un periodo de dos (2) años desde la fecha de compra por parte del cliente original. **Los fabricantes de componentes ofrecen periodos de garantía específicos. Llame al servicio técnico (800-288-5040) para obtener más información.**

Nuestras obligaciones en virtud de la presente garantía quedan expresamente limitadas a la sustitución o reparación, en Husqvarna Construction Products North America (Olathe, Kansas 66061) o en el servicio técnico que designemos, de las piezas que se consideren defectuosas tras su inspección.

Esta garantía no es aplicable a los defectos causados por daños, uso no razonable o reparaciones defectuosas no realizadas por el personal del servicio técnico autorizado por Husqvarna, o defectos causados por no haber realizado un mantenimiento razonable cuando el equipo estaba en posesión del cliente. Además, la garantía quedará anulada si el producto o cualquiera de sus componentes ha sido alterado o modificado por el cliente, así como si ha sido usado de manera inadecuada o con herramientas que no hayan sido recomendadas por el fabricante.

**Excepciones:** Perforadoras: 3 meses. Sierras de pared: 1 año. Cortadoras: 3 meses. DM 230: 1 año. DM 225: 3 meses. Sistemas Gyro: 1 año. Sistema CD 40: 1 año. DS 160 C: 1 año. Smart box: 1 año. CS 2515: 1 año. pp 455 E: 1 año. PP 345 E: 1 año. HP 40: 1 año.

**Materiales fungibles:** Filtros, bujías, cojinetes\*, correas, ruedas\*\* y almohadillas de desgaste.

\*Excepto en el sistema IntelliSeal™. \*\*Excepto en el deslaminado.





**US - Original instructions, CA - Instructions d'origine  
ES - Instrucciones originales**

**1157389-49**



**2016-01-26**