

Operator's manual Manual de instrucciones
Instruções para o uso Οδηγίες χρήσεως

AD 10



GB ES PT GR

Please read the operator's manual carefully and make sure you understand the instructions before using the machine.

Lea detenidamente el manual de instrucciones y asegúrese de entender su contenido antes de utilizar la máquina.

Leia as instruções para o uso com toda a atenção e compreenda o seu conteúdo antes de fazer uso da máquina.

Διαβάστε προσεκτικά τις Οδηγίες χρήσεως και κατανοήστε το περιεχόμενο πριν χρησιμοποιήσετε το μηχάνημα.

KEY TO SYMBOLS

Symbols on the machine

WARNING! The machine can be a dangerous tool if used incorrectly or carelessly, which can cause serious or fatal injury to the operator or others.

Please read the operator's manual carefully and make sure you understand the instructions before using the machine.

Wear personal protective equipment. See instructions under the "Personal protective equipment" heading.

This product is in accordance with applicable EC directives.

WARNING! High current

Environmental marking. Symbols on the product or its packaging indicate that this product cannot be handled as domestic waste. It must instead be submitted to an appropriate recycling station for the recovery of electrical and electronic equipment.

By ensuring that this product is taken care of correctly, you can help to counteract the potential negative impact on the environment and people that can otherwise result through the incorrect waste management of this product.

For more detailed information about recycling this product, contact your municipality, your domestic waste service or the shop from where you purchased the product.

Other symbols/decals on the machine refer to special certification requirements for certain markets.



Explanation of warning levels

The warnings are graded in three levels.

WARNING!



WARNING! Used if there is a risk of serious injury or death for the operator or damage to the surroundings if the instructions in the manual are not followed.

CAUTION!



CAUTION! Used if there is a risk of injury to the operator or damage to the surroundings if the instructions in the manual are not followed.

NOTICE!



NOTICE! Used if there is a risk of damage to materials or the machine if the instructions in the manual are not followed.

CONTENTS

Contents

KEY TO SYMBOLS

Symbols on the machine	2
Explanation of warning levels	2

CONTENTS

Contents	3
----------------	---

PRESENTATION

Dear Customer,	4
Design and features	4
Applications	4

PRESENTATION

What is what on the machine?	5
------------------------------------	---

MACHINE'S SAFETY EQUIPMENT

General	6
---------------	---

ASSEMBLING AND ADJUSTMENTS

Assembly	7
----------------	---

OPERATING

Protective equipment	9
General safety precautions	9
Basic working techniques	10
Starting and stopping	11
Transport and storage	11

MAINTENANCE

Maintenance	12
-------------------	----

TECHNICAL DATA

Technical data	13
EC Declaration of Conformity	14

WIRING DIAGRAM

PRESENTATION

Dear Customer,

Thank you for choosing a Husqvarna product!

It is our wish that you will be satisfied with your product and that it will be your companion for a long time. A purchase of one of our products gives you access to professional help with repairs and services. If the retailer who sells your machine is not one of our authorised dealers, ask him for the address of your nearest service workshop.

This operator's manual is a valuable document. Make sure it is always at hand at the work place. By following its content (using, service, maintenance etc.) the life span and the second-hand value of the machine can be extended. If you will sell this machine, make sure that the buyer will get the operator's manual.

More than 300 years of innovation

Husqvarna AB is a Swedish company based on a tradition that dates back to 1689, when the Swedish King Charles XI ordered the construction of a factory for production of muskets. At that time, the foundation was already laid for the engineering skills behind the development of some of the world's leading products in areas such as hunting weapons, bicycles, motorcycles, domestic appliances, sewing machines and outdoor products.

Husqvarna is the global leader in outdoor power products for forestry, park maintenance and lawn and garden care, as well as cutting equipment and diamond tools for the construction and stone industries.

Owner responsibility

It is the owner's/employer's responsibility that the operator has sufficient knowledge about how to use the machine safely. Supervisors and operators must have read and understood the Operator's Manual. They must be aware of:

- The machine's safety instructions.
- The machine's range of applications and limitations.
- How the machine is to be used and maintained.

National legislation could regulate the use of this machine. Find out what legislation is applicable in the place where you work before you start using the machine.

The manufacturer's reservation

Subsequent to publishing this manual Husqvarna may issue additional information for safe operation of this product. It is the owner's obligation to keep up with the safest methods of operation.

Husqvarna AB has a policy of continuous product development and therefore reserves the right to modify the design and appearance of products without prior notice.

For customer information and assistance, contact us at our website: www.husqvarna.com

Design and features

Values such as high performance, reliability, innovative technology, advanced technical solutions and environmental considerations distinguish Husqvarna's products. Safe operation of this product requires the operator to read this manual carefully. Ask your dealer or Husqvarna should you need more information.

Some of the unique features of your product are described below.

Automatic detection of drill motor

The function can sense which of Husqvarna's drill motors that has been connected and will optimize the work depending on the drill motor used, without overloading it.

Easy and quick automatic feeding

Feeding direction, speed and power of the motor can easily be controlled with only one knob.

Max. feeding speed both down and up is 3.2 m/min (gyro stand).

GORE-TEX® valve

The GORE-TEX® valve protects the electronic components against condensation and moisture.

Easy assembling

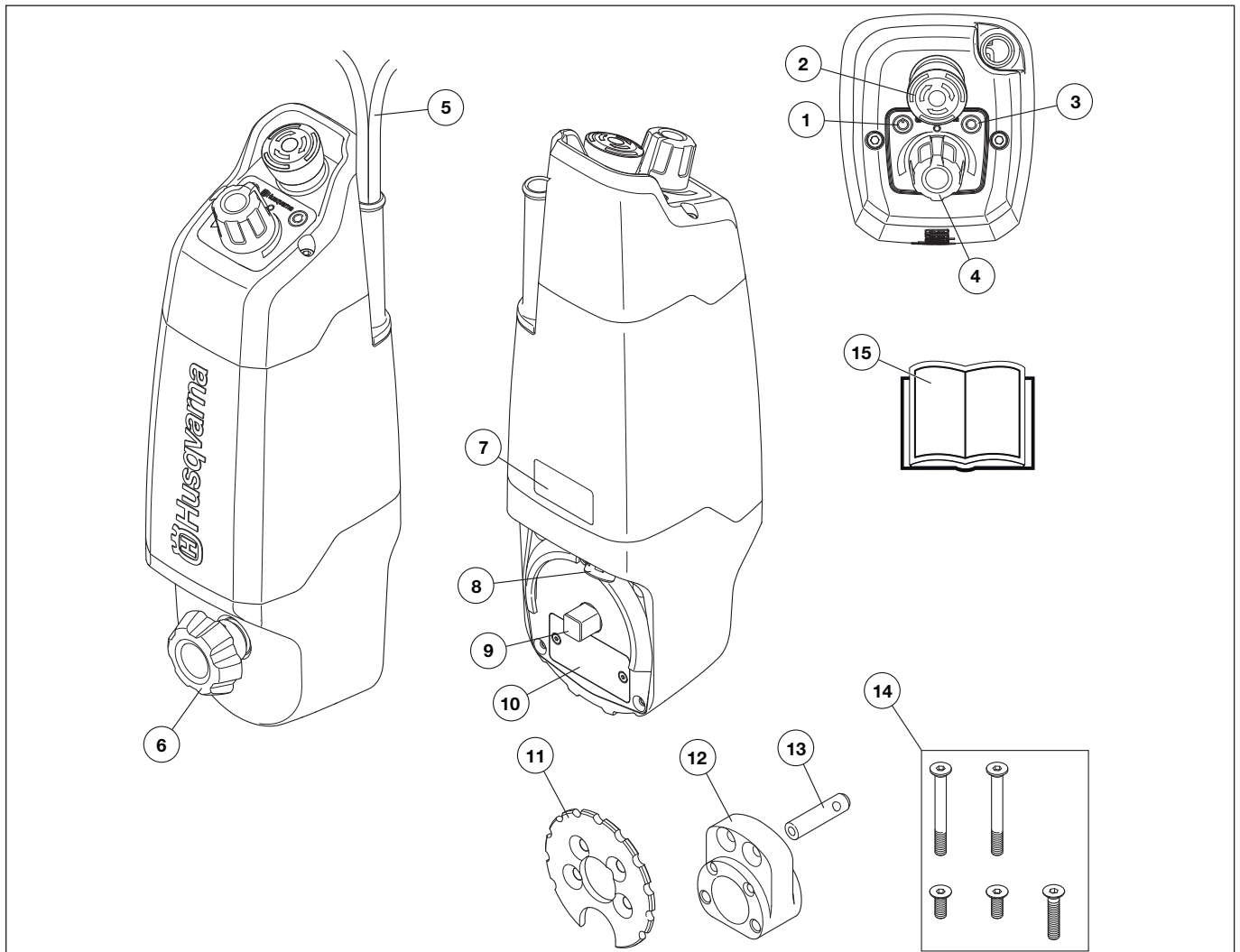
Easy to assemble on the gearbox of the stand by using the spacer and the quick mounting.

Applications

The machine is tested and approved only with the equipment originally provided or recommended by the manufacturer.

The unit may be used only with Husqvarna DS 50, DS 70, DS 450, DM 220, DM 230, DM 280 och DM 340.

PRESENTATION



What is what on the machine?

- | | |
|---|--------------------------------------|
| 1 Power button (ON/OFF) | 8 GORE-TEX® valve |
| 2 Emergency stop | 9 Assembly shaft |
| 3 LED (ON/OFF) | 10 Machine plate |
| 4 Potentiometer | 11 Quick mounting |
| 5 Y-branched power cable (incoming power cable and power cable for the drill motor) | 12 Spacer |
| 6 Knob, assembling | 13 Pin, spacer (for use with DS 450) |
| 7 Warning decal | 14 Screws |
| | 15 Operator's manual |

MACHINE'S SAFETY EQUIPMENT

General



WARNING! Never use a machine that has faulty safety equipment! If your machine fails any checks contact your service agent to get it repaired.

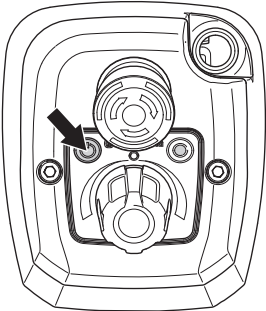
This section describes the machine's safety equipment, its purpose, and how checks and maintenance should be carried out to ensure that it operates correctly.

Power button (ON/OFF)

The power switch button should be used to start and stop the feed unit.

Checking the power button (ON/OFF)

- Push the power button. The LED lights up, indicating that the feed unit is running.



- Press the power switch button to stop the feed unit.

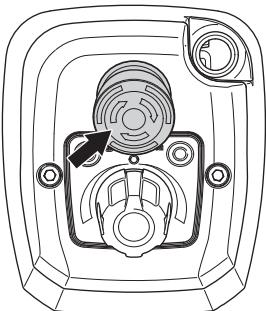
A defective power button should be replaced by an authorized service workshop.

Emergency stop

The emergency stop is used to quickly switch off the feed unit and the drill motor.

Testing the emergency stop

- Assemble the drill motor and the feed unit on the stand. See instructions in the section "Assembling and adjustments".
- Connect the drill motor to the feed unit.
- Start the feed unit and the drill motor. See instructions in the section "Operation".
- Press the emergency stop and check that the feed unit and the drill motor stops.



- Disengage Emergency Stop button (twist clockwise).

ASSEMBLING AND ADJUSTMENTS

Assembly



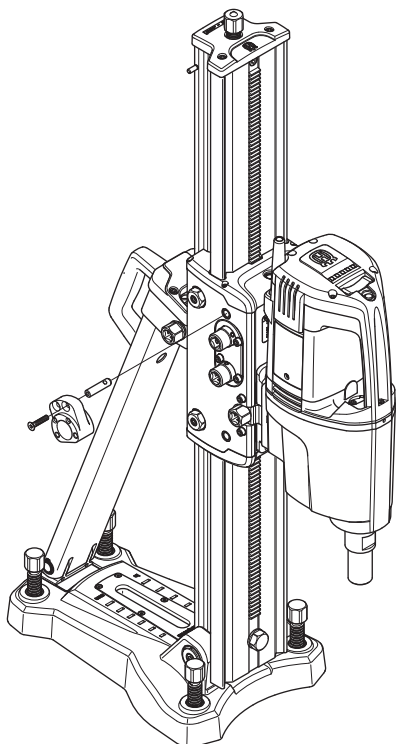
WARNING! The machine should be switched off with the power cable disconnected from the outlet.



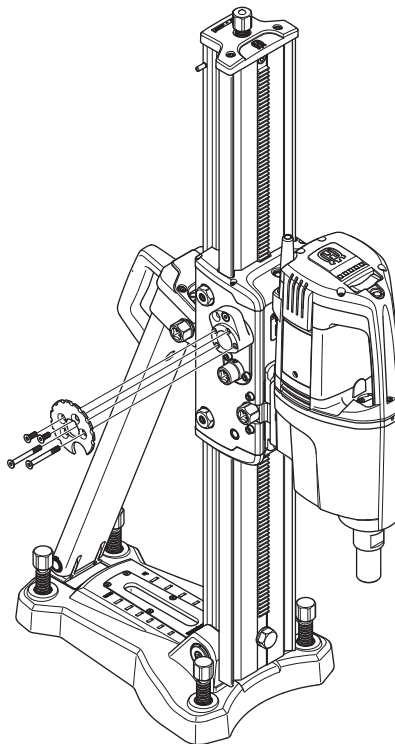
CAUTION! Remove the crank from the gear housing when the feed unit is mounted on the stand. Carelessness can result in serious personal injury.

Always lock the feeder housing before loosening the feed unit to prevent the drilling machine and the drill bit falling towards the end stop. Carelessness can result in serious personal injury.

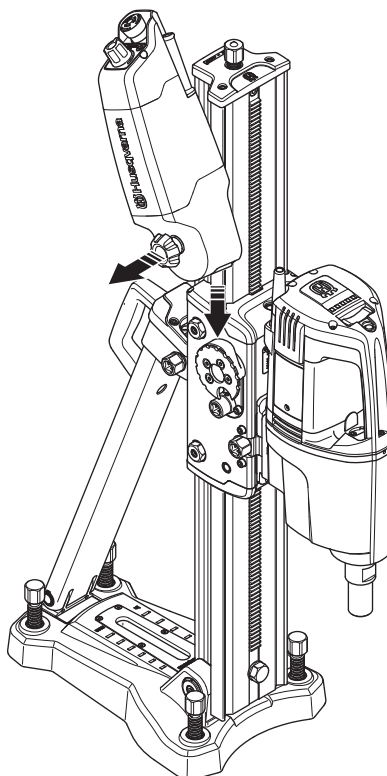
- Lock the feed housing lock. See instructions in the operator's manual for the stand in question.
- The feed unit can be assembled on both sides of the stand.
- Assemble the spacer.



- Assemble the quick mounting.

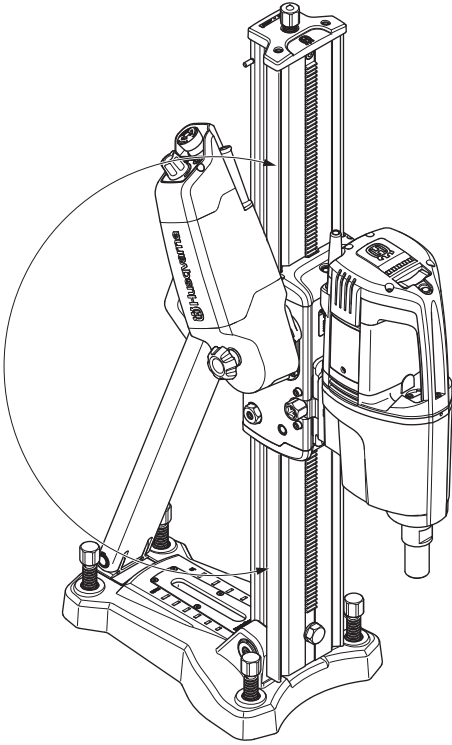


- Pull out the knob for assembling and guide the feed unit over the quick mounting.



ASSEMBLING AND ADJUSTMENTS

- Release the knob and turn it until the feed unit is in the correct position.
- The feed unit can be assembled in any angle.



- Connect the drill motor to the feed unit and the incoming power cable to the outlet.

OPERATING

Protective equipment

General

- Do not use the machine unless you are able to call for help in the event of an accident.

Personal protective equipment

You must use approved personal protective equipment whenever you use the machine. Personal protective equipment cannot eliminate the risk of injury but it will reduce the degree of injury if an accident does happen. Ask your dealer for help in choosing the right equipment.



WARNING! The use of products such as cutters, grinders, drills, that sand or form material can generate dust and vapours which may contain hazardous chemicals. Check the nature of the material you intend to process and use an appropriate breathing mask.

Long-term exposure to noise can result in permanent hearing impairment. So always use approved hearing protection. Listen out for warning signals or shouts when you are wearing hearing protection. Always remove your hearing protection as soon as the engine stops.

Always wear:

- Approved protective helmet
- Hearing protection
- Approved eye protection. If you use a face shield then you must also wear approved protective goggles. Approved protective goggles must comply with standard ANSI Z87.1 in the USA or EN 166 in EU countries. Visors must comply with standard EN 1731.
- Breathing mask
- Heavy-duty, firm grip gloves.
- Tight-fitting, heavy-duty and comfortable clothing that permits full freedom of movement.
- Boots with steel toe-caps and non-slip sole.

Be careful as clothing, long hair, and jewellery can get caught in moving parts.

Other protective equipment



CAUTION! Sparks may appear and start a fire when you work with the machine. Always keep fire fighting equipment handy.

- Fire Extinguisher
- Always have a first aid kit nearby.

General safety precautions



WARNING! Read all safety warnings and all instructions. Failure to follow the warnings and instructions may result in electric shock, fire and/or serious injury.

This section describes basic safety directions for using the machine. This information is never a substitute for professional skills and experience.

- Please read the operator's manual carefully and make sure you understand the instructions before using the machine.
- This machine is used in combination with other products. Please read the manual provided with the products carefully and make sure you understand the instructions before using the machine.
- Keep in mind that it is you, the operator that is responsible for not exposing people or their property to accidents or hazards.
- All operators shall be trained in the use of the machine. The owner is responsible for ensuring that the operators receive training.
- The machine must be kept clean. Signs and stickers must be fully legible.



WARNING! The machine can be a dangerous tool if used incorrectly or carelessly, which can cause serious or fatal injury to the operator or others.

Never allow children or other persons not trained in the use of the machine to use or service it. Never allow anyone else to use the machine without first ensuring that they have read and understood the contents of the operator's manual.

Never use the machine if you are fatigued, while under the influence of alcohol or drugs, medication or anything that could affect your vision, alertness, coordination or judgement.



WARNING! Unauthorized modifications and/or accessories may lead to serious injury or death to the user or others.

Do not modify this product or use it if it appears to have been modified by others.

Never use a machine that is faulty. Carry out the safety checks, maintenance and service instructions described in this manual. Some maintenance and service measures must be carried out by trained and qualified specialists. See instructions under the Maintenance heading.

Always use genuine accessories.

OPERATING

Always use common sense

It is not possible to cover every conceivable situation you can face. Always exercise care and use your common sense. If you get into a situation where you feel unsafe, stop and seek expert advice. Contact your dealer, service agent or an experienced user. Do not attempt any task that you feel unsure of!

Work area safety

- **Keep work area clean and well lit.** Cluttered or dark areas invite accidents.
- Observe your surroundings to ensure that nothing can affect your control of the machine.
- Do not use the machine in bad weather, such as dense fog, heavy rain, strong wind, intense cold, etc. Working in bad weather is tiring and can lead to dangerous conditions, e.g. slippery surfaces.
- Never start to work with the machine before the working area is clear and you have a firm foothold.
- Ensure that the working area is sufficiently illuminated to create a safe working environment.
- Make sure that no pipes or electrical wires are routed in the work piece or in the working area.
- Always check the rear side of the surface where the drill bit will emerge when drilling right through. Secure and cordon off the area and make sure that no one can be injured or material damaged.

Electrical safety



WARNING! There is always a risk of shocks from electrically powered machines. Avoid unfavourable weather conditions and body contact with lightning conductors and metal objects. Always follow the instructions in the Operator's manual to avoid damage.



WARNING! Do not wash the machine with water, as water can enter the electrical system or the engine and cause damage to the machine or short circuit.

- Always connect the machine through an ground fault circuit interrupter with personal protection, i.e. an ground fault circuit interrupter that trips at an ground fault of 30 mA.
- The machine should be connected to an earthed outlet socket.
- Check that the mains voltage corresponds with that stated on the rating plate on the machine.
- Check that the cord and extension cord are intact and in good condition. Always use extension cables that are approved for outdoor use.
- Never use the machine if any cable or plug is damaged, but hand it in to an authorized service workshop for repair.
- To avoid overheating do not use the extension cord while it is rolled up.
- Never drag the machine by means of the cord and never pull out the plug by pulling the cord.

- Keep all cables and extension leads away from water, oil and sharp edges. Make sure the cable is not jammed in doors, fences or the like. Otherwise it can cause the charger to become live.

Personal safety

- Never use the machine if you are tired, if you have drunk alcohol, or if you are taking medication that could affect your vision, your judgement or your co-ordination.
- Never leave the machine unsupervised with the motor running.
- Always unplug the machine during longer work breaks.
- Never work alone, always ensure there is another person close at hand. Apart from being able to receive help to assemble the machine, you can also get help if an accident should occur.
- People and animals can distract you causing you to lose control of the machine. For this reason, always remain concentrated and focused on the task.
- Always work in a manner that permits easy access to the emergency stop.

Use and care

- The machine is intended for use in industrial applications by experienced operators.
- Inspection and/or maintenance should be carried out with the motor switched off and the plug disconnected.
- Always lock the feeder housing before loosening the feed unit to prevent the drilling machine and the drill bit falling towards the end stop.
- Do not overload the machine. Overloading can damage the machine.
- Always switch off the machine before you move it.
- Check that all couplings, connections and cables are intact and free from dirt.
- Check that all cables and the water supply are correctly connected to the machine before starting it.
- Never pull out the power cable without first switching off the power pack and waiting for the engine to come to a complete halt. If an emergency situation should arise anyway, push the red emergency stop button.
- Keep all parts in good working order and ensure that all fixtures are properly tightened.

Basic working techniques

Potentiometer function

- The unit is fed up and down along the column by turning the potentiometer in one direction or the other.
- If the potentiometer is not in its zero position when the unit is switched on, the feeding will not start until the knob has passed the zero position.
- Set the load by turning the potentiometer. It is adjustable between 1-18 A for the 230V version and 1-28 A for the 110V version.

OPERATING

Protective mechanisms and self-regulation

When a deviation from normal operation takes place the LED will start blinking very frequently to attract the operator's attention. This can occur e.g. if the motor temperature is too high, if overload occurs or when the drill motor has gone through the work piece and the unit stops feeding.

When the LED flashes at a high rate the drill motor cannot be used. The feed capability can be activated by turning the potentiometer to its zero position. The LED then flashes at a lower rate. Press the power switch button once again to stop the feed unit. The unit must be shut down entirely to return to the normal mode.

- The feed unit can read values from the Elgard™ motor protection (Husqvarna's drill motors) When used together with machines equipped with this motor protection, the feed unit optimizes the work depending on the drill motor used, without overloading it.

If the power to the drill motor is too high, the unit goes into regulation mode. In this mode the unit will stop feeding down and might back up a little before it continues feeding down.

If Elgard™ trips the feed unit will read the value. This new value will correspond to 100% on the potentiometer, which means the operator can keep working without overloading the motor. The new max. value remains until the feed unit is switched off. The potentiometer then goes back to normal mode.

If the drill motor is overloaded and Elgard™ is not triggered, the feed unit stops feeding down and switches off the drill motor to protect it. If the overload protection is repeatedly triggered there may be a fault in the drill motor's Elgard™. Contact your service agent.

- When the drill has gone through the concrete, the power goes down. When the power has been below a certain value for a certain time period, the unit will automatically stop feeding down and switch the drill motor off.
- If the power to the unit's feed motor is too high and is about to become overloaded, the feed unit will shut down. This can occur when drilling using drill bits with a diameter less than 100 mm, when drilling in very soft concrete, in the case of incorrect assembly or if the feeder housing is too rough on the column. Modify the feeding speed and do not put excess load on the drill motor!

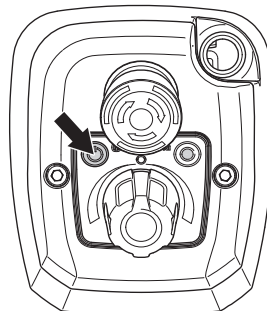
Starting and stopping

Before starting

- Check that the machine is assembled correctly and do not show any signs of damage. See instructions in the section "Assembling and adjustments".
- Check that the emergency stop button is not pressed by turning it clockwise.
- Check that the potentiometer is in the zero position.

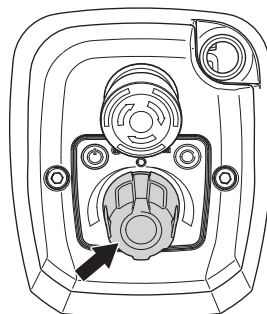
Starting

- Push the power button. The LED is continually lit and indicates that there is voltage to the outlet on the unit.



Note! This applies to drilling machines fitted with a ground fault circuit interrupter. If the ground fault circuit interrupter on the machine is triggered, it is at this point that the ground fault circuit interrupter can be reset.

- Start the drill motor. See instructions in the operator's manual for the drill motor used.
- Turn the potentiometer to the desired position to start the feeding.



- If the drill motor is equipped with an overload indicator, this can be used as a visual aid to set the right feeding speed.
- To optimize use, you should let the machine work on its own once the right feeding speed is obtained.

Stopping

- Press the power switch button to stop the feed unit.

Transport and storage

- Always switch off the feed unit and pull out the electric cable before moving the equipment.
- Use the cases provided to store the equipment.
- Secure the equipment during transportation in order to avoid transport damage and accidents.
- Store the equipment in a lockable area so that it is out of reach of children and unauthorized persons.
- Store the machine and its equipment in a dry and frost proof place.
- Do not expose the machine to temperatures exceeding 45°C or to direct sunlight.

Maintenance



WARNING! The user must only carry out the maintenance and service work described in this Operator's Manual. More extensive work must be carried out by an authorized service workshop.

Wear personal protective equipment. See instructions under the "Personal protective equipment" heading.

The life span of the machine can be reduced and the risk of accidents can increase if machine maintenance is not carried out correctly and if service and/or repairs are not carried out professionally. If you need further information please contact your nearest service workshop.

General

- Check the machine's safety functions regularly. See instructions in the section "Machine's safety equipment".

Cleaning

- Clean the outside of the machine. Clean with a rag or brush.
- Do not use a high pressure washer to clean the machine.

TECHNICAL DATA

Technical data

Rated voltage, V	230 (50/60 Hz)
	110 (50/60 Hz)
Rated output, W	80
Rated current, A	
230 V	0,6
110 V	1,25
Degree of protection	IP65
Weight, kg/lbs	3,6/7.9
Max. drill diameter, mm/inches	450
Feeding speed – max., m/min	3,2
Noise levels	
Sound pressure level at the operators ear, dB(A)	78

Noise pressure level according to EN 12348. Reported data for noise pressure level has a typical statistical dispersion (standard deviation) of 1.0 dB(A).

TECHNICAL DATA

EC Declaration of Conformity

(Applies to Europe only)

Husqvarna AB, SE-561 82 Huskvarna, Sweden, tel: +46-36-146500, hereby declares that the automatic control and drill unit for drill stand **Husqvarna AD 10** from 2010's serial numbers and onwards (the year is clearly stated in plain text on the rating plate with subsequent serial number), complies with the requirements of the COUNCIL'S DIRECTIVE:

- of May 17, 2006 "relating to machinery" **2006/42/EC**.
- of December 15, 2004 "relating to electromagnetic compatibility" **2004/108/EC**.
- of December 12, 2006 "relating to electrical equipment" **2006/95/EC**.
- of June 08, 2011 on the 'restriction of use of certain hazardous substances' **2011/65/EU**

The following standards have been applied:

EN ISO 12100:2010, EN 61000-3-2:2006, EN 61000-3-3/A1/A2:2006, EN 61000-6-2:2005, EN 61000-6-4:2007, EN 12348/A1:2009.

Gothenburg, 12 April 2015

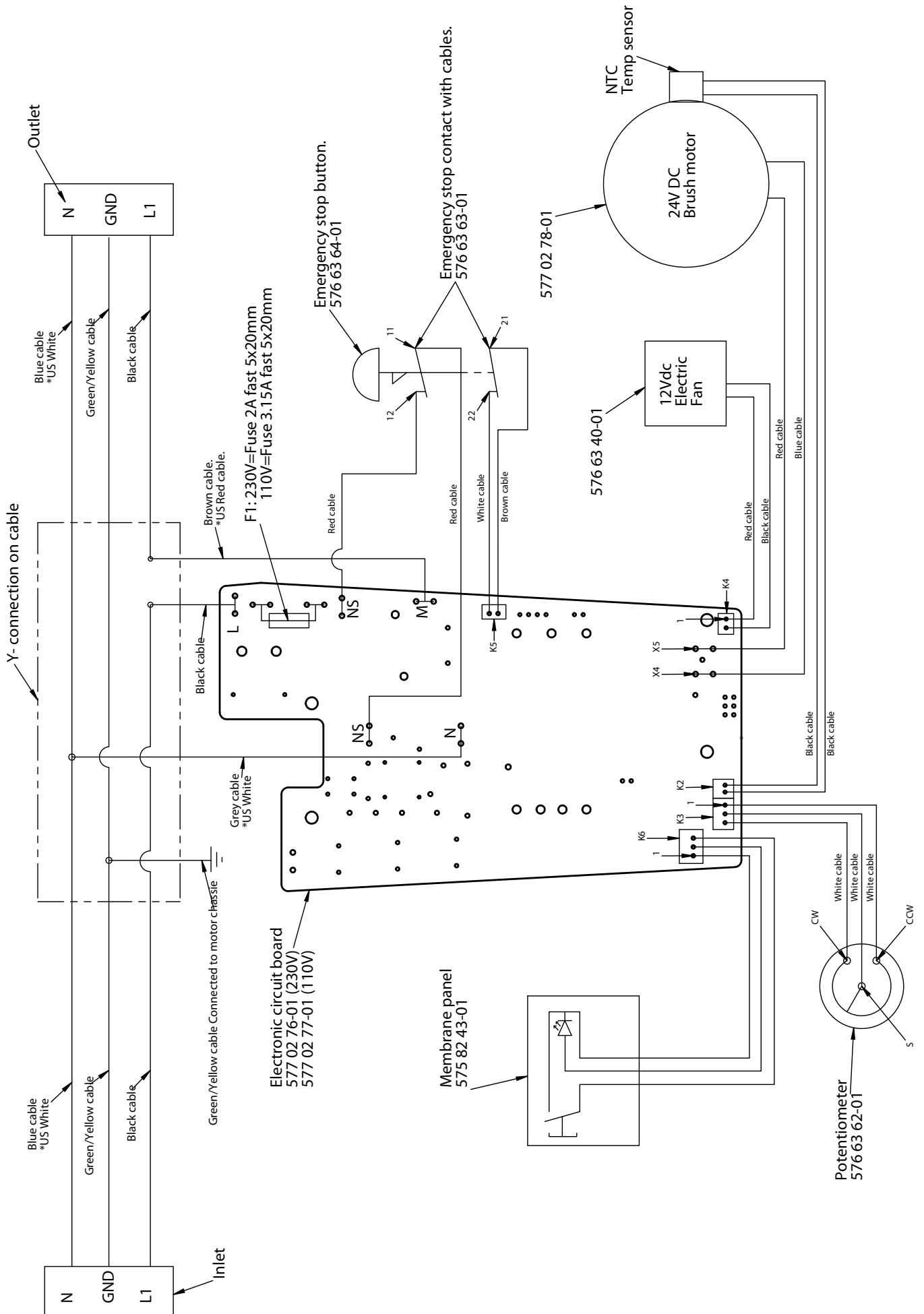


Helena Grubb

Vice President, Construction Equipment Husqvarna AB

(Authorized representative for Husqvarna AB and responsible for technical documentation.)

WIRING DIAGRAM



ACLARACIÓN DE LOS SÍMBOLOS

Símbolos en la máquina

¡ATENCIÓN! La máquina, si se utiliza de forma errónea o descuidada, puede ser una herramienta peligrosa que puede causar daños graves e incluso la muerte al usuario y a otras personas.



Lea detenidamente el manual de instrucciones y asegúrese de entender su contenido antes de utilizar la máquina.



Utilice el equipo de protección personal. Vea las instrucciones bajo el título "Equipo de protección personal".



Este producto cumple con la directiva CE vigente.



¡ATENCIÓN! Corriente intensa



Etiquetado ecológico. El símbolo en el producto o en su envase indica que no se puede tratar este producto como desperdicio doméstico. Deberá por lo tanto depositarse en un centro de recogida adecuado para el reciclado de equipos eléctricos y electrónicos.



Haciendo que este producto sea manipulado adecuadamente, se ayuda a evitar consecuencias negativas potenciales para el medio ambiente y las personas, lo que puede ocurrir con la manipulación inadecuada como residuos del producto.



Para obtener información más detallada sobre el reciclado de este producto, contacte con la oficina municipal local, con el servicio de eliminación de desperdicios domésticos o con la tienda donde compró el producto.

Los demás símbolos/etiquetas que aparecen en la máquina corresponden a requisitos de homologación específicos en determinados mercados.

Explicación de los niveles de advertencia

Las advertencias se clasifican en tres niveles.

¡ATENCIÓN!



¡ATENCIÓN! Indica un riesgo de daños graves para el usuario o incluso muerte, o bien daños al entorno, si no se siguen las instrucciones del manual.

¡NOTA!



¡NOTA! Indica un riesgo de lesiones para el usuario o daños al entorno si no se siguen las instrucciones del manual.

AVISO

AVISO Indica un riesgo de daños en los materiales o en la máquina si no se siguen las instrucciones del manual.

ÍNDICE

Índice

ACLARACIÓN DE LOS SÍMBOLOS

Símbolos en la máquina	16
Explicación de los niveles de advertencia	16

ÍNDICE

Índice	17
--------------	----

PRESENTACIÓN

Apreciado cliente:	18
Diseño y funciones	18
Campo de aplicación	18

PRESENTACIÓN

¿Qué es qué en la máquina?	19
----------------------------------	----

EQUIPO DE SEGURIDAD DE LA MÁQUINA

Generalidades	20
---------------------	----

MONTAJE Y AJUSTES

Montaje	21
---------------	----

FUNCIONAMIENTO

Equipo de protección	23
Instrucciones generales de seguridad	23
Técnica básica de trabajo	24
Arranque y parada	25
Transporte y almacenamiento	25

MANTENIMIENTO

Mantenimiento	26
---------------------	----

DATOS TÉCNICOS

Datos técnicos	27
Declaración CE de conformidad	28

ESQUEMA DE CONEXIONES ELÉCTRICAS

PRESENTACIÓN

Apreciado cliente:

Gracias por elegir un producto Husqvarna.

Esperamos que su máquina le proporcione plena satisfacción y le sirva de ayuda por mucho tiempo en adelante. La adquisición de alguno de nuestros productos da acceso a asistencia profesional con reparaciones y servicio. Si la máquina no fue adquirida en un distribuidor oficial, preguntar en la tienda de compra la dirección del taller de servicio más cercano.

Este manual de instrucciones es un documento importante. Procure tenerlo siempre a mano en el lugar de trabajo. Siguiendo sus instrucciones (de uso, servicio, mantenimiento etcétera) puede alargar considerablemente la vida útil de la máquina e incrementar su valor de reventa. Si vende su máquina, entregue el manual de instrucciones al nuevo propietario.

Más de 300 años de innovación

La fundación de la empresa sueca Husqvarna AB data del año 1689, cuando el Rey Karl XI encargó la construcción de una fábrica para la fabricación de mosquetes. En ese momento se establecieron los cimientos de la experiencia tecnológica en la que se basan muchos de los productos punteros en el mundo en el sector de las armas de caza, bicicletas, motocicletas, electrodomésticos, máquinas de coser y productos para exteriores.

Husqvarna es líder internacional en productos motorizados para exteriores destinados a la silvicultura, el mantenimiento de parques y el cuidado del césped y del jardín, así como equipos de corte y herramientas de diamante para el sector de la construcción y la piedra.

Responsabilidad del propietario

El propietario / empresario es el responsable de asegurarse de que el usuario tiene los conocimientos necesarios para utilizar la máquina con seguridad. Los supervisores y los usuarios deben haber leído y entendido el manual de instrucciones. Deben tener conocimiento de lo siguiente:

- Las instrucciones de seguridad de la máquina.
- Las aplicaciones y las limitaciones de la máquina.
- El modo de uso y de mantenimiento de la máquina.

La utilización de esta máquina podría estar regulada por la legislación nacional vigente. Infórmese sobre la legislación vigente en el lugar donde trabaja antes de empezar a utilizar la máquina.

Los derechos que se reserva el fabricante.

Tras la publicación de este manual, Husqvarna podría publicar información adicional para el funcionamiento seguro de este producto. Es responsabilidad del propietario mantenerse informado de los métodos de funcionamiento más seguros.

Husqvarna AB trabaja constantemente para perfeccionar sus productos y se reserva, por lo tanto, el derecho a introducir modificaciones en la construcción y el diseño sin previo aviso.

Para recibir información y atención como cliente, póngase en contacto con nosotros a través de nuestro sitio web: www.husqvarna.com

Diseño y funciones

El alto rendimiento, la fiabilidad, la tecnología innovadora, las soluciones técnicas avanzadas y el respeto medioambiental son los valores que caracterizan a los productos de Husqvarna. El usuario debe leer este manual detenidamente para garantizar un funcionamiento seguro del producto. Póngase en contacto con su concesionario o con Husqvarna si necesita más información.

A continuación se describen algunas de las características únicas de su producto.

Detección automática del motor de la perforadora

La función puede detectar qué motor de la perforadora de Husqvarna se ha conectado y optimizar el trabajo en función del motor de la perforadora utilizado, sin sobrecargarlo.

Avance automático fácil y rápido

El sentido, la velocidad y la potencia de avance del motor pueden controlarse fácilmente con un solo mando.

La velocidad de avance máxima hacia arriba y hacia abajo es de 3,2 m/min (soporte giroscópico).

Válvula de GORE-TEX®

La válvula de GORE-TEX® protege los componentes electrónicos contra la condensación y la humedad.

Montaje fácil

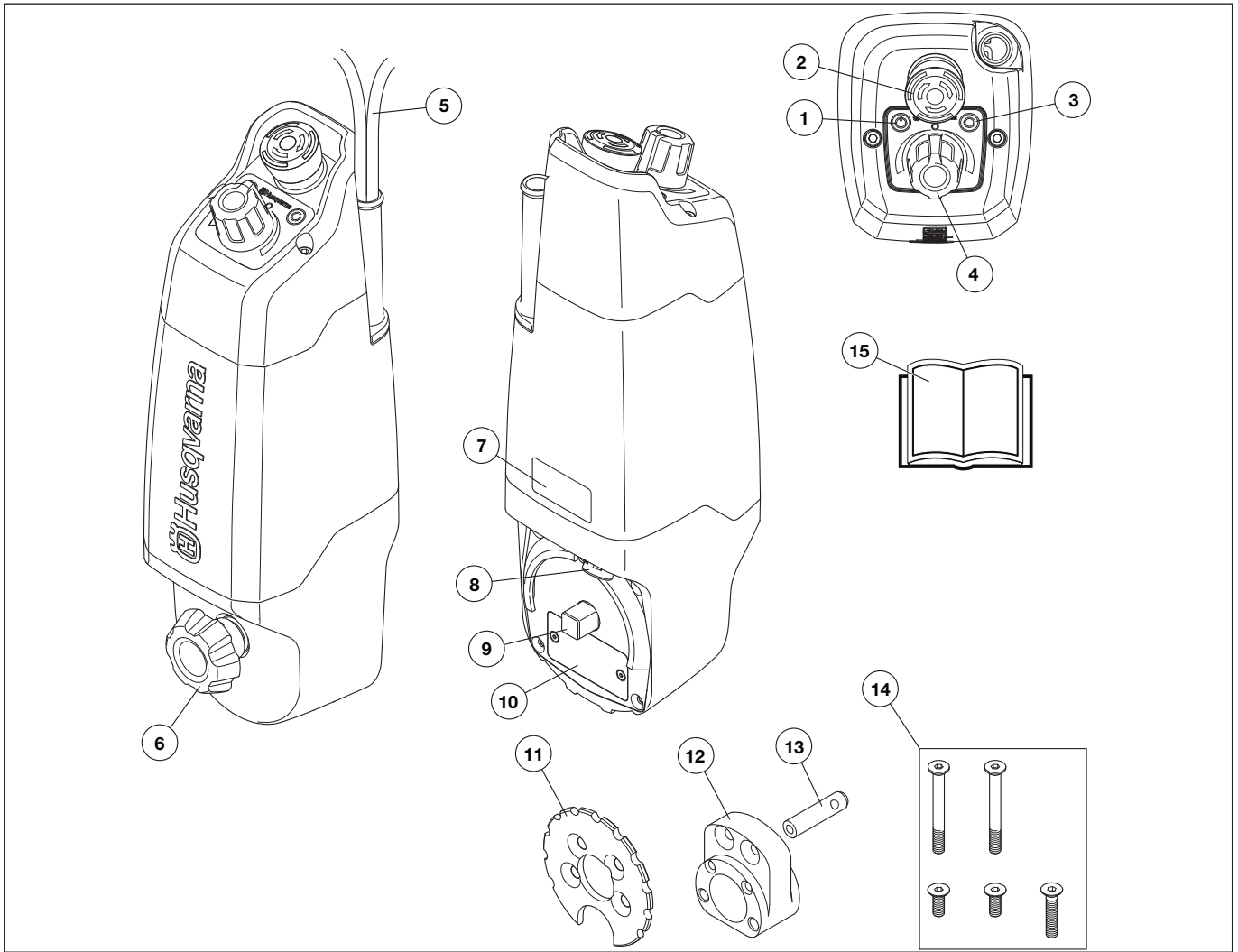
Fácil de montar en la caja de cambios del soporte mediante el separador y la pieza de montaje rápido.

Campo de aplicación

La máquina ha sido probada y aprobada únicamente con el equipamiento suministrado o recomendado por el fabricante.

La unidad solo se puede usar con Husqvarna DS 50, DS 70, DS 450, DM 220, DM 230, DM 280 y DM 340.

PRESENTACIÓN



¿Qué es qué en la máquina?

- | | |
|--|--|
| 1 Botón de encendido (ON / OFF) | 8 Válvula de GORE-TEX® |
| 2 Parada de emergencia | 9 Eje de montaje |
| 3 LED (ON / OFF) | 10 Placa de la máquina |
| 4 Potenciómetro | 11 Montaje rápido |
| 5 Cable de alimentación bifurcado (cable de alimentación de entrada y cable de alimentación para el motor de la perforadora) | 12 Distancia |
| 6 Mando, conjunto | 13 Pasador, separador (para su uso con DS 450) |
| 7 Rótulo de advertencia | 14 Tornillos |
| | 15 Manual de instrucciones |

EQUIPO DE SEGURIDAD DE LA MÁQUINA

Generalidades



¡ATENCIÓN! Nunca utilice una máquina con componentes de seguridad defectuosos. Si su máquina no pasa todos los controles, entréguela a un taller de servicio para su reparación.

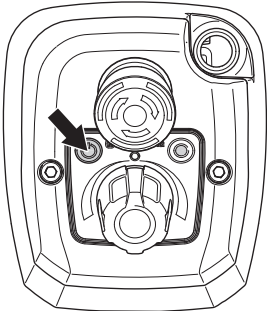
En este capítulo se describen los componentes de seguridad de la máquina, su función y el modo de efectuar el control y el mantenimiento para garantizar un funcionamiento óptimo.

Botón de encendido (ON / OFF)

El bloqueador de interruptor se usa para arrancar y parar el alimentador.

Comprobación del interruptor de encendido (ON / OFF)

- Pulse el interruptor de encendido. El LED se enciende, lo que indica que el alimentador está funcionando.



- Pulse el bloqueador de interruptor para detener el alimentador.

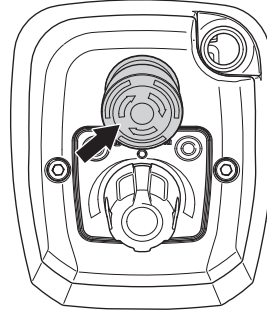
Un interruptor defectuoso debe ser cambiado por un taller de servicio oficial.

Parada de emergencia

El botón de emergencia se utiliza para apagar rápidamente el alimentador y el motor de la perforadora.

Comprobación de la parada de emergencia

- Monte el motor de la perforadora y el alimentador sobre el soporte. Consulte las instrucciones bajo el título «Montaje y ajustes».
- Conecte el motor de la perforadora al alimentador.
- Encienda el alimentador y el motor de la perforadora. Consulte las instrucciones bajo el título «Funcionamiento».
- Pulse la parada de emergencia y compruebe que el alimentador y el motor de la perforadora se detienen.



- Desacople el botón de parada de emergencia (gire a la derecha).

MONTAJE Y AJUSTES

Montaje



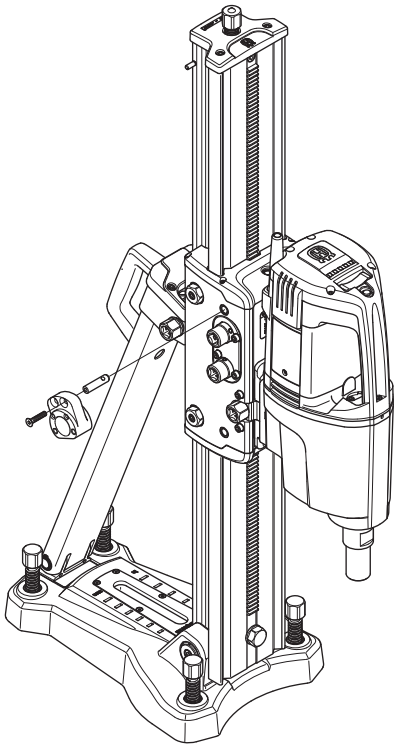
¡ATENCIÓN! Cuando apague la máquina, debe desconectar el cable de alimentación de la toma de corriente.



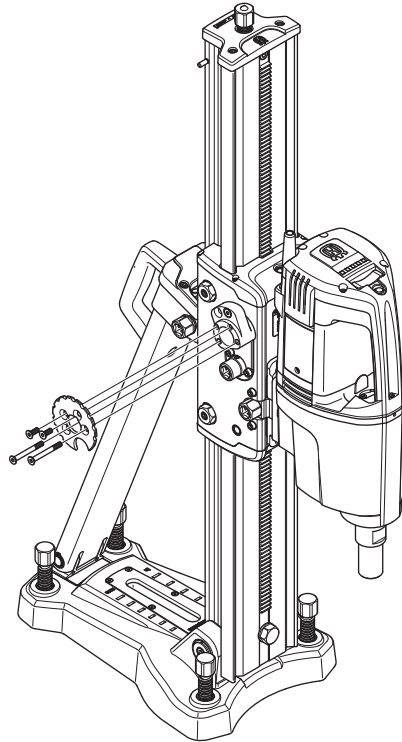
¡NOTA! Retire el cigüeñal de la caja de engranajes cuando el alimentador esté montado en el soporte. La utilización del equipo sin el debido cuidado puede causar lesiones graves.

Bloquee siempre la caja de alimentación antes de aflojarlo, para evitar que el taladro y la broca caigan hasta el final del recorrido. La utilización del equipo sin el debido cuidado puede causar lesiones graves.

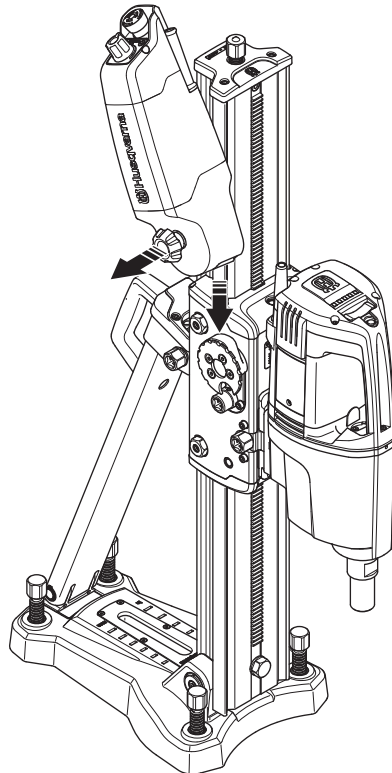
- Cierre el bloqueo de la caja de alimentación. Consulte las instrucciones del manual de usuario del soporte en cuestión.
- Este alimentador se puede montar a ambos lados del soporte.
- Monte el separador.



- Monte la pieza de montaje rápido.

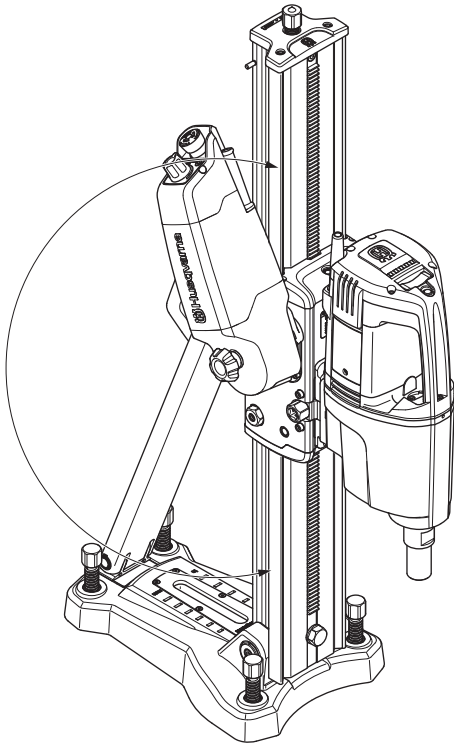


- Extraiga el mando para el montaje y guíe el alimentador sobre la pieza de montaje rápido.



MONTAJE Y AJUSTES

- Suelte el mando y gírelo hasta que el alimentador esté en la posición correcta.
- El alimentador puede montarse en cualquier ángulo.



- Conecte el motor de la perforadora al alimentador y el cable de alimentación de entrada a la toma de corriente.

FUNCIONAMIENTO

Equipo de protección

Generalidades

- No use nunca una máquina si no tiene posibilidad de pedir auxilio si se produce un accidente.

Equipo de protección personal

Para trabajar con la máquina debe utilizarse un equipo de protección personal homologado. El equipo de protección personal no elimina el riesgo de lesiones, pero reduce su efecto en caso de accidente. Pida a su distribuidor que le asesore en la elección del equipo.



¡ATENCIÓN! El uso de productos que cortan, pulen, taladran, alisan o forman materiales puede generar polvo y vapores que pueden contener sustancias químicas dañinas. Averiguar la composición del material con que se trabaja y usar una máscara respiratoria adecuada.

La exposición prolongada al ruido puede causar daños crónicos en el oído. Por consiguiente, use siempre protectores auriculares homologados. Cuando use protección auditiva preste siempre atención a las señales o llamados de advertencia. Sáquese siempre la protección auditiva inmediatamente después de parar el motor.

Utilice siempre:

- Casco protector homologado
- Protectores auriculares
- Protección ocular homologada. Si se utiliza visor, deben utilizarse también gafas protectoras homologadas. Por gafas protectoras homologadas se entienden las que cumplen con la norma ANSI Z87.1 para EE.UU. o EN 166 para países de la UE. El visor debe cumplir con la norma EN 1731.
- Máscara respiratoria
- Guantes resistentes de agarre seguro.
- Prendas de vestir ceñidas, resistentes y cómodas que permitan una libertad de movimientos total.
- Botas con puntera de acero y suela antideslizante.

Tener en cuenta que las ropas, el pelo largo y las joyas pueden atascarse en piezas móviles.

Otros equipos de protección



¡NOTA! Mientras trabaja con la máquina, pueden producirse chispas que podrían ocasionar un incendio. Tenga siempre a mano herramientas para la extinción de incendios.

- Extintor de incendios
- Tenga siempre a mano el equipo de primeros auxilios.

Instrucciones generales de seguridad



¡ATENCIÓN! Lea todas las advertencias e instrucciones de seguridad. No atender a estas advertencias e instrucciones puede provocar descargas eléctricas, incendios y lesiones graves.

Este apartado trata las normas de seguridad básicas para trabajar con el dispositivo. Esta información no sustituye en ningún caso los conocimientos y la experiencia de un profesional.

- Lea detenidamente el manual de instrucciones y asegúrese de entender su contenido antes de utilizar la máquina.
- Esta máquina se utiliza en combinación con otros productos. Lea detenidamente el manual que se suministra con los productos y asegúrese de que entiende las instrucciones antes de utilizar la máquina.
- Tenga en cuenta que es usted, como usuario, el responsable de no exponer a riesgos o accidentes a las personas y a su propiedad.
- Todos los operadores deben ser formados en el empleo de la máquina. El propietario es responsable de la formación de los operadores.
- La máquina debe mantenerse limpia. Los letreros y las pegatinas deben ser legibles en su totalidad.



¡ATENCIÓN! La máquina, si se utiliza de forma errónea o descuidada, puede ser una herramienta peligrosa que puede causar daños graves e incluso la muerte al usuario y a otras personas.

No permita bajo ningún concepto el empleo o mantenimiento de la máquina por los niños u otras personas no instruidas en el manejo de la misma. Nunca deje que terceros utilicen la máquina sin asegurarse primero de que hayan entendido el contenido de este manual de instrucciones.

Nunca utilice la máquina si está cansado, si ha ingerido alcohol o si toma medicamentos que puedan afectarle la vista, su capacidad de discernimiento o el control del cuerpo.



¡ATENCIÓN! Las modificaciones y/o el uso de accesorios no autorizados comportan riesgo de daños personales graves y peligro de muerte para el usuario y otras personas.

No modifique nunca esta máquina de forma que se desvíe de la versión original, y no la utilice si parece haber sido modificada por otras personas.

No utilice nunca una máquina defectuosa. Lleve a cabo las comprobaciones de seguridad y siga las instrucciones de mantenimiento y servicio de este manual. Algunas medidas de mantenimiento y servicio deben ser efectuadas por especialistas formados y cualificados. Consulte las instrucciones del apartado Mantenimiento.

Utilizar siempre recambios originales.

FUNCIONAMIENTO

Emplee siempre el sentido común

Es imposible abarcar todas las situaciones en las que puede encontrarse. Utilice siempre el equipo con cuidado y sentido común. Si se encuentra en alguna situación que le haga sentirse inseguro, deténgase y consulte con un experto. Consulte a su distribuidor, al taller de servicio técnico o a un usuario experimentado. No emplee la máquina en aplicaciones para las que no se considere plenamente cualificado.

Seguridad en el área de trabajo

- **Mantenga el área de trabajo limpia y bien iluminada.** Las zonas abarrotadas de cosas u oscuras favorecen los accidentes.
- Compruebe el entorno para asegurarse de que nada pueda influir en su control de la máquina.
- No trabaje en condiciones atmosféricas desfavorables como niebla, lluvia intensa, tempestad, frío intenso, etc. Trabajar con mal tiempo es cansador y puede crear condiciones peligrosas, por ejemplo suelo resbaladizo.
- Antes de comenzar a trabajar con la máquina, controle siempre que el lugar esté libre y que los pies estén bien afirmados al terreno.
- Controle que la zona de trabajo esté bien iluminada para lograr un entorno seguro.
- Asegúrese de que no haya tuberías o cables eléctricos en la zona de trabajo o en la pieza en la que vaya a trabajar.
- Controlar siempre la parte posterior de la superficie en la que sale la broca al penetrar. Impedir el acceso cercando la zona de trabajo y procurar que no haya riesgo de daños personales o materiales.

Seguridad eléctrica



¡ATENCIÓN! Existe siempre riesgo de sacudidas eléctricas al usar máquinas eléctricas. No usar la máquina en condiciones climáticas desfavorables y evitar el contacto del cuerpo con pararrayos y objetos metálicos. Seguir siempre las instrucciones del manual para evitar daños.



¡ATENCIÓN! No lave la máquina con agua, ya que puede penetrar en el sistema eléctrico o en el motor y causar daños en la máquina o un cortocircuito.

- Conecte siempre la máquina mediante un interruptor de fuga a tierra con protección personal, como un disyuntor de fuga a tierra que se active a 30 mA.
- La máquina se debe enchufar a un enchufe con masa.
- Compruebe que la tensión de red concuerda con la que se indica en la placa de características de la máquina.
- Compruebe que el cable y el cable de empalme está intacto. Usar siempre cables de empalme homologados para uso en intemperie.
- Si se daña un cable, no utilice la máquina. Lívela a reparar a un taller de servicio oficial.
- Un cable de alargue no debe usarse enrollado porque hay riesgo de sobrecalentamiento.
- No arrastre la máquina nunca por el cordón y no quite nunca el enchufe tirando del cordón.

- Mantenga todos los cables y cables de empalme apartados de agua, aceite y cantos agudos. Proceda con cuidado para evitar que el cable se apriete en puertas, vallas o similares. Hay riesgo de cargar objetos con electricidad.

Seguridad personal

- Nunca utilice la máquina si está cansado, si ha ingerido alcohol o si toma medicamentos que puedan afectar la vista, su capacidad de discernimiento o el control del cuerpo.
- Mantenga bajo vigilancia la máquina siempre que el motor esté en marcha.
- Desenchufar siempre el contacto para paradas prolongadas del trabajo.
- Un operador nunca debe trabajar solo; siempre debe haber otra(s) persona(s) cerca. Así, además de tener ayuda para montar la máquina, también puede recibirse asistencia en caso de accidente.
- Las personas y los animales pueden distraer y hacer perder el control de la máquina. Por consiguiente, el operador debe estar siempre concentrado en su trabajo.
- Trabaje siempre de modo que pueda acceder fácilmente a la parada de emergencia.

Uso y cuidado

- La máquina está destinada al uso por operadores experimentados, en aplicaciones industriales.
- El control y/o mantenimiento de la máquina debe hacerse con el motor parado y el enchufe desenchufado.
- Bloquee siempre la caja de alimentación antes de aflojarlo, para evitar que el taladro y la broca caigan hasta el final del recorrido.
- No sobrecargar la máquina. La sobrecarga puede dañar la máquina.
- Parar siempre la máquina antes de trasladarla.
- Compruebe que todas las juntas, conexiones y cables están intactos y limpios.
- Compruebe que todos los cables y el suministro de agua están correctamente conectados a la máquina antes de arrancarla.
- Nunca desconecte el cable sin desconectar antes la unidad eléctrica y esperar a que la máquina se detenga por completo. Si surge una situación de emergencia de cualquier tipo, pulse el botón rojo de parada de emergencia.
- Mantener todas las piezas en perfecto estado y comprobar que todos los elementos de fijación estén bien apretados.

Técnica básica de trabajo

Función de potenciómetro

- La unidad avanza hacia arriba y hacia abajo a lo largo de la columna cuando se gira el potenciómetro en un sentido o en el otro.
- Si el potenciómetro no está en la posición cero al encender la unidad, no comenzará a avanzar hasta que el mando haya superado la posición cero.
- Configure la carga girando el potenciómetro. Puede ajustarse entre 1-18 A para la versión de 230 V y entre 1-28 A para la versión de 110 V.

FUNCIONAMIENTO

Mecanismos de protección y autorregulación

Cuando se produce una desviación con respecto al funcionamiento normal, el LED empezará a parpadear con mucha frecuencia para captar la atención del usuario. Esto puede suceder si la temperatura del motor es demasiado elevada, si se produce una sobrecarga o si el motor de la perforadora ha atravesado la pieza en la que se está trabajando y la unidad deja de avanzar.

Si el LED parpadea a gran velocidad, no se puede usar el motor de la perforadora. Para activar la función de alimentación, gire el potenciómetro a la posición de cero. El LED parpadeará más lentamente. Pulse el botón del bloqueador de interruptor una vez más para detener el alimentador. La unidad se debe apagar totalmente para volver al modo normal.

- El alimentador puede leer los valores de la protección del motor Elgard™ (motores de la perforadora de Husqvarna). Si se utiliza con máquinas equipadas con dicha protección del motor, el alimentador optimiza el trabajo en función del motor de la perforadora utilizado, sin sobrecargarlo.

Si la potencia que llega al motor de la perforadora es demasiado elevada, la unidad entrará en modo de regulación. En este modo, la unidad dejará de avanzar hacia abajo y podría retroceder un poco antes de seguir avanzando hacia abajo.

Si Elgard™ se activa, el alimentador leerá el valor. Este nuevo valor se corresponderá con el 100 % del potenciómetro, lo que significa que el usuario puede seguir trabajando sin sobrecargar el motor. El nuevo valor máximo seguirá vigente hasta que se apague el alimentador. El potenciómetro regresará entonces al modo normal.

Si el motor de la perforadora está sobrecargado y no está activado Elgard™, el alimentador dejará de funcionar y apagará el motor de la perforadora para protegerlo. Si se activa varias veces la protección contra sobrecarga, es posible que haya algún fallo en el Elgard™ del motor de la perforadora. Contacte con su taller de servicio.

- Cuando el taladro atraviese el cemento, la potencia se reducirá. Si la potencia se ha mantenido por debajo de determinado valor durante un cierto tiempo, la unidad dejará de avanzar hacia abajo automáticamente y apagará el motor de la perforadora.
- Si la alimentación del motor del alimentador es demasiado alta y está a punto de sobrecargarse, el alimentador se apagará. Puede ocurrir al taladrar con brocas de diámetro menor de 100 mm, al taladrar hormigón muy blando, si el montaje es incorrecto o si la caja de alimentación es demasiado basta en la columna. Modifique la velocidad de alimentación y no ponga demasiada carga en el motor de la perforadora.

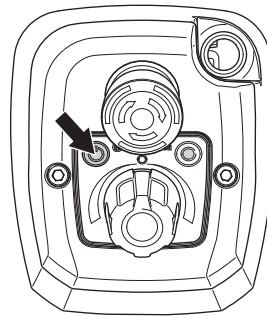
Arranque y parada

Antes de arrancar

- Controle que la máquina esté correctamente montada y que no esté dañada. Consulte las instrucciones bajo el título «Montaje y ajustes».
- Compruebe que el botón de parada de emergencia no está pulsado girándolo en el sentido de las agujas del reloj.
- Compruebe que el potenciómetro se encuentre en la posición cero.

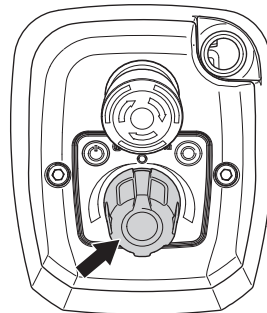
Arranque

- Pulse el interruptor de encendido. El LED está encendido de forma continua e indica que hay tensión en la salida de la unidad.



Aclaración! Esto se aplica a los taladros con interruptor de circuito de fallos de conexión a tierra. Si se activa el interruptor de circuito de fallos de conexión a tierra de la máquina, en ese momento, este último se puede restablecer.

- Arranque el motor de la perforadora. Consulte las instrucciones del manual de usuario del motor de la perforadora que utilice.
- Coloque el potenciómetro en la posición deseada para empezar a avanzar.



- Si el motor de la perforadora está equipado con un indicador de sobrecarga, puede utilizarlo como ayuda visual para configurar la velocidad de avance adecuada.
- Para optimizar su uso, deje que la máquina trabaje sola en cuanto haya alcanzado la velocidad de avance adecuada.

Parada

- Pulse el bloqueador de interruptor para detener el alimentador.

Transporte y almacenamiento

- Apague siempre el alimentador y extraiga el cable eléctrico antes de mover el equipo.
- Utilice las cajas suministradas para guardar el equipo.
- Sujete bien el equipo durante el transporte para evitar daños y accidentes.
- Guarde el equipo en un lugar seguro fuera del alcance de los niños y las personas no autorizadas.
- Guarde la máquina y el equipo en un lugar seco y protegido de la escarcha.
- No exponga la máquina a temperaturas que excedan los 45 °C ni a la luz directa del sol.

Mantenimiento



¡ATENCIÓN! El usuario sólo puede efectuar los trabajos de mantenimiento y servicio descritos en este manual. Los trabajos de mayor envergadura debe efectuarlos un taller de servicio oficial.

Utilice el equipo de protección personal. Vea las instrucciones bajo el título "Equipo de protección personal".

La vida útil de la máquina puede acortarse y el riesgo de accidentes puede aumentar si el mantenimiento de la máquina no se hace de forma adecuada y si los trabajos de servicio y/o reparación no se efectúan de forma profesional. Para más información, consulte con el taller de servicio oficial más cercano.

Generalidades

- Compruebe las funciones de seguridad de la máquina con frecuencia. Consulte las instrucciones del apartado «Equipo de seguridad de la máquina».

Limpieza

- Limpie la parte exterior de la máquina. Límpielos con un trapo o un cepillo.
- No utilice un equipo de limpieza a alta presión para limpiar la máquina.

DATOS TECNICOS

Datos técnicos

Tensión nominal, V	230 (50/60 Hz)
	110 (50/60 Hz)
Potencia nominal, W	80
Amperaje nominal, A	
230 V	0,6
110 V	1,25
Grado de protección	IP65
Peso, kg/lb	3,6/7.9
Diámetro máximo de perforación, mm/pulgadas	450
Velocidad de avance máx., m/min	3,2
Niveles acústicos	
Nivel de presión acústica en el oído del usuario, dB(A)	78

Nivel de presión sonora conforme a EN 12348. Los datos referidos del nivel de presión sonora tienen una dispersión estadística habitual (desviación estándar) de 1,0 dB(A).

DATOS TECNICOS

Declaración CE de conformidad

(Rige sólo para Europa)

Husqvarna AB, SE-561 82 Huskvarna (Suecia), tel. +46-36-146500, garantiza por la presente que el control automático y el taladro para el soporte de taladro **Husqvarna AD 10** a partir del número de serie de 2010 (el año se indica con texto en la placa de características seguido de un número de serie) cumple las disposiciones de la DIRECTIVA DEL CONSEJO:

- **2006/42/CE** «relativa a máquinas» del 17 de mayo de 2006.
- **2004/108/CEE**, "referente a compatibilidad electromagnética", del 15 de diciembre de 2004.
- **2006/95/CE** del 12 de diciembre de 2006 relativa a equipos eléctricos.
- del 8 de junio de 2011 «sobre restricciones a la utilización de determinadas sustancias peligrosas» (**2011/65/UE**)

Se han aplicado las siguientes normas:

EN ISO 12100:2010, EN 61000-3-2:2006, EN 61000-3-3/A1/A2:2006, EN 61000-6-2:2005, EN 61000-6-4:2007, EN 12348/A1:2009.

Göteborg, 12 de abril de 2015

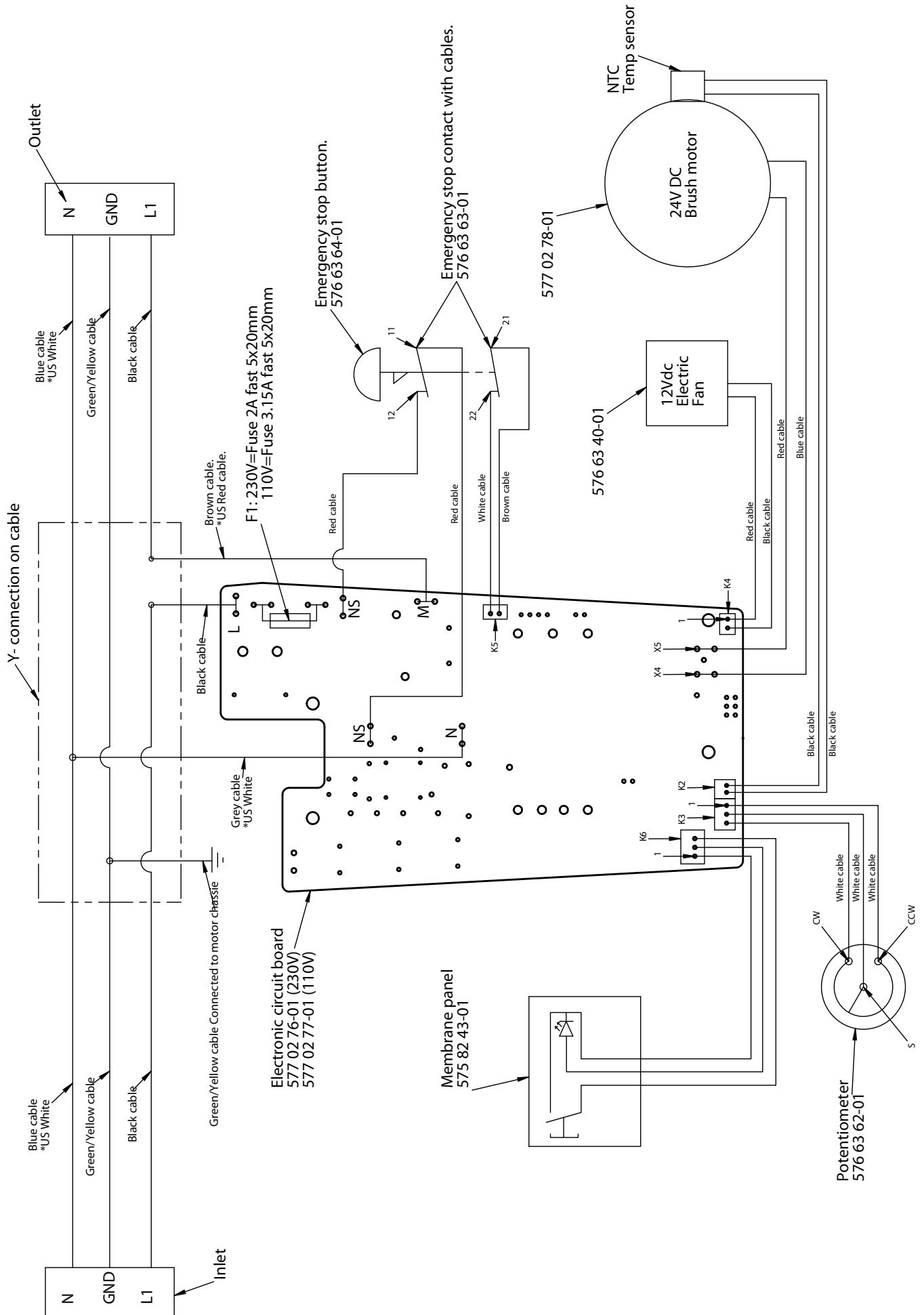


Helena Grubb

Vicepresidente, maquinaria para la construcción Husqvarna AB

(Presentante autorizado de Husqvarna AB y responsable de la documentación técnica.)

ESQUEMA DE CONEXIONES ELÉCTRICAS



EXPLICAÇÃO DOS SÍMBOLOS

Símbolos na máquina

ATENÇÃO! A máquina, se for usada de forma indevida ou incorrecta, pode ser perigosa, causando sérios ferimentos ou mesmo a morte do utente ou outras pessoas.



Leia as instruções para o uso com toda a atenção e compreenda o seu conteúdo antes de fazer uso da máquina.



Use equipamento de protecção pessoal. Ver as instruções na secção "Equipamento de protecção pessoal".



Este produto está conforme as directivas em validade da CE.



ATENÇÃO! Corrente elevada



Marca ambiental. O símbolo no produto ou respectiva embalagem indica que este produto não pode ser processado como detritos domésticos. O produto deve então ser entregue a uma estação de reciclagem adequada para reciclagem de equipamento eléctrico e electrónico.



Providenciando para que este produto seja processado de forma correcta, você pode contribuir para contrariar potenciais consequências negativas para o meio ambiente e pessoas, que caso contrário, podem ser provocadas pela gestão inadequada dos resíduos deste produto.

Para mais informação sobre a reciclagem deste produto, contacte os serviços competentes da sua autarquia, o serviço de recolha de resíduos domésticos ou o estabelecimento onde adquiriu o produto.

Os restantes símbolos e autocolantes existentes na máquina dizem respeito a exigências específicas para homologação em alguns países.

Explicação dos níveis de advertência

As advertências são classificadas em três níveis.

ATENÇÃO!



ATENÇÃO! Utilizado no caso de existir risco de ferimento grave ou morte para o operador ou de danos nas zonas envolventes, se não forem seguidas as instruções do manual.

CUIDADO!



CUIDADO! Utilizado no caso de existir risco de ferimento para o operador ou de danos nas proximidades, se não forem seguidas as instruções do manual.

ATENÇÃO!

ATENÇÃO! Utilizado se existir risco de danos para os materiais ou para a máquina, se não forem seguidas as instruções do manual.

ÍNDICE

Índice

EXPLICAÇÃO DOS SÍMBOLOS

Símbolos na máquina	30
Explicação dos níveis de advertência	30

ÍNDICE

Índice	31
--------------	----

APRESENTAÇÃO

Prezado cliente!	32
Design e características	32
Área de aplicação	32

APRESENTAÇÃO

Como se chama na máquina?	33
---------------------------------	----

EQUIPAMENTO DE SEGURANÇA DA MÁQUINA

Noções gerais	34
---------------------	----

MONTAGEM E AJUSTAMENTOS

Montagem	35
----------------	----

OPERAÇÃO

Equipamento de protecção	37
Instruções gerais de segurança	37
Técnicas básicas de trabalho	38
Arranque e paragem	39
Transporte e armazenagem	39

MANUTENÇÃO

Manutenção	40
------------------	----

ESPECIFICAÇÕES TÉCNICAS

Especificações técnicas	41
Certificado CE de conformidade	42

ESQUEMA ELÉCTRICO

APRESENTAÇÃO

Prezado cliente!

Muito obrigado por escolher um produto Husqvarna!

Esperamos que ficará satisfeito com a sua nova máquina e que ela o acompanhará durante muito tempo. A compra de qualquer dos nossos produtos dá-lhe acesso a ajuda profissional, incluindo reparações e assistência técnica. Se não tiver adquirido a sua máquina num dos nossos revendedores autorizados, pergunte onde fica a oficina especializada mais próxima.

Este manual tem um grande valor. Certifique-se de que este manual se encontra sempre à mão no local de trabalho. Seguindo o seu conteúdo (utilização, assistência técnica, manutenção, etc) aumentará consideravelmente a vida útil da máquina bem como o preço de venda em segunda mão da mesma. Se vender a sua máquina, entregue as instruções de utilização ao novo proprietário.

Mais de 300 anos de inovação

A Husqvarna, empresa baseada na Suécia, tem como base uma tradição que remonta a 1689, quando o rei sueco Karl XI mandou construir uma fábrica para fabricar mosquetes. Na época, estabeleceram-se as fundações para o desenvolvimento de capacidades relacionadas com a engenharia que se encontra por detrás de alguns dos produtos mais conhecidos do mundo, tais como armas de caça, bicicletas, motociclos, aparelhos domésticos, máquinas de costura e ferramentas para uso em exteriores.

A Husqvarna é a líder global em ferramentas motorizadas para uso em exteriores, tais como em silvicultura, manutenção de jardins e parques, cuidados da relva, bem como na área do equipamento de corte e ferramentas de diamante para a construção e a indústria de extracção e transformação de pedra.

Responsabilidade do proprietário

É da responsabilidade do proprietário/entidade empregadora que o operador tenha conhecimento suficiente sobre como utilizar a máquina em segurança. Os supervisores e os operadores devem ter lido e compreendido o Manual do Operador. Devem conhecer:

- As instruções de segurança da máquina.
- As diversas aplicações da máquina e as suas limitações.
- O modo como a máquina deve ser utilizada e mantida.

A legislação nacional poderá regular a utilização desta máquina. Informe-se da legislação aplicável no seu local de trabalho antes de utilizar esta máquina.

Ressalvas do fabricante

No seguimento da publicação deste manual, a Husqvarna poderá emitir informações adicionais para garantir uma operação segura deste produto. O proprietário tem o dever de se manter actualizado quanto aos métodos de operação mais seguros.

Husqvarna AB efectua o desenvolvimento contínuo dos seus produtos, reservando-se o direito de introduzir modificações referentes, entre outros, ao aspecto e forma dos mesmos sem aviso prévio.

Para obter informação e assistência, contacte-nos através do nosso website: www.usa.husqvarna.com

Design e características

Os nossos valores, tais como a elevada performance, fiabilidade, tecnologia inovadora, soluções técnicas avançadas e o cuidado do ambiente, distinguem os produtos Husqvarna. Para garantir uma operação segura deste produto, o operador deverá ler atentamente este manual. Consulte o seu concessionário ou contacte a Husqvarna, caso necessite de informações adicionais.

Algumas das características únicas dos nossos produtos encontram-se descritas em baixo.

Deteção automática de motor de perfuração

A função detecta qual dos motores de perfuração Husqvarna se encontra ligado e irá otimizar o trabalho, dependendo do motor utilizado, sem sobrecarregar o motor.

Alimentação automática rápida e fácil

A direcção de alimentação, a velocidade e a potência do motor podem ser facilmente controladas com um único botão.

A velocidade de alimentação máx., tanto para baixo como para cima, é de 3,2 m/min (suporte com giroscópio).

Válvula de GORE-TEX®

A válvula de GORE-TEX® protege os componentes electrónicos contra a condensação e a humidade.

Montagem fácil

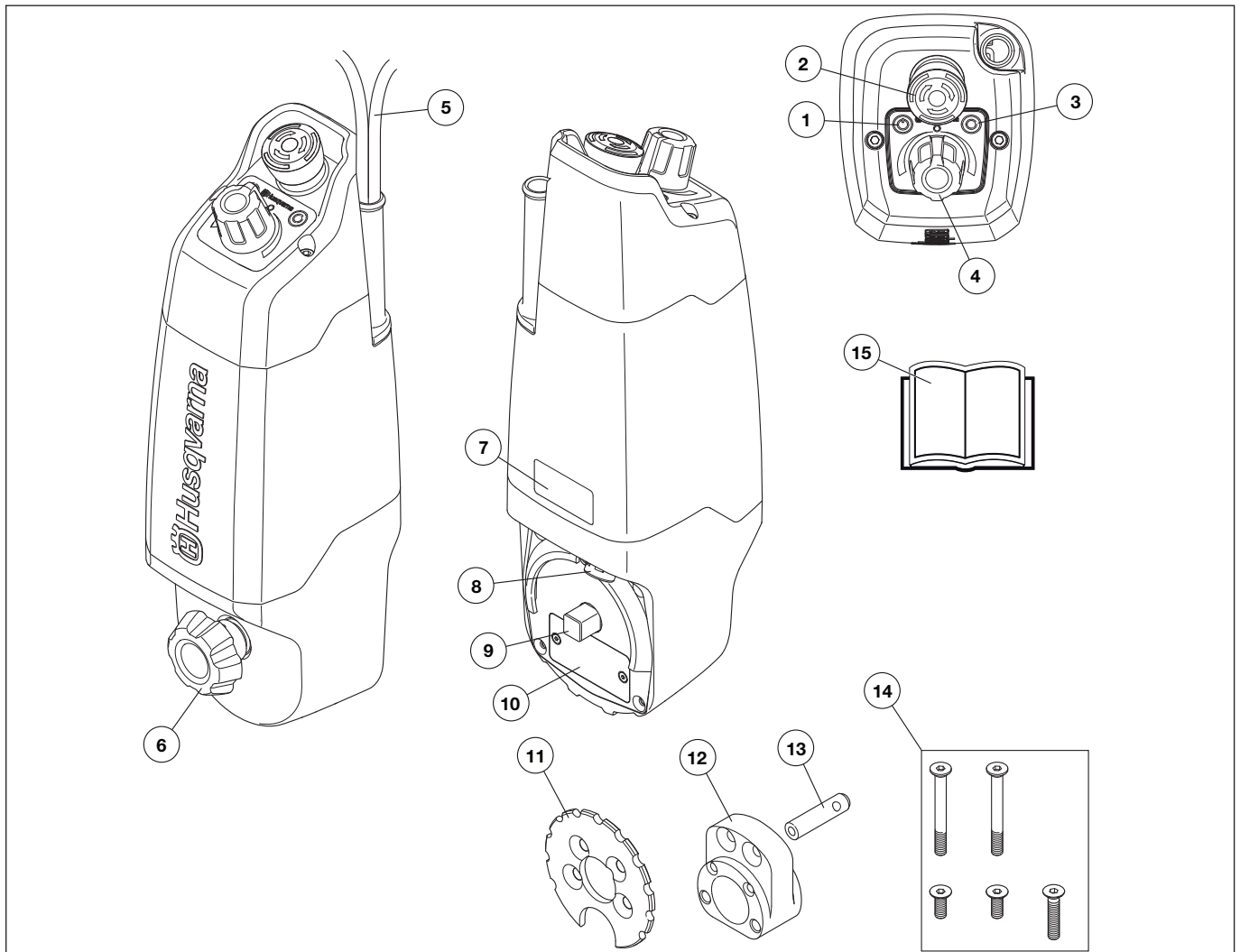
Fácil de montar na caixa de transmissão do suporte, utilizando o espaçador e a unidade de montagem rápida.

Área de aplicação

A máquina é testada e aprovada apenas com equipamento entregue ou recomendado pelo fornecedor.

A unidade só pode ser utilizada com os modelos Husqvarna DS 50, DS 70, DS 450, DM 220, DM 230, DM 280 e DM 340.

APRESENTAÇÃO



Como se chama na máquina?

- | | |
|---|---|
| 1 Interruptor (LIGADO/DESLIGADO) | 8 Válvula de GORE-TEX® |
| 2 Paragem de emergência | 9 Eixo para montagem |
| 3 LED (LIGADO/DESLIGADO) | 10 Placa da máquina |
| 4 Potenciômetro | 11 Montagem rápida |
| 5 Cabo de alimentação em Y (cabo de entrada de alimentação e cabo de alimentação para o motor da broca) | 12 Distância |
| 6 Botão, montagem | 13 Pino, espaçador (para utilização com DS 450) |
| 7 Autocolante de aviso | 14 Parafusos |
| | 15 Instruções para o uso |

EQUIPAMENTO DE SEGURANÇA DA MÁQUINA

Noções gerais



ATENÇÃO! Nunca use uma máquina com peças de segurança defeituosas. Se a sua máquina não satisfizer a algum desses controlos, deverá ser enviada a uma oficina autorizada para reparação.

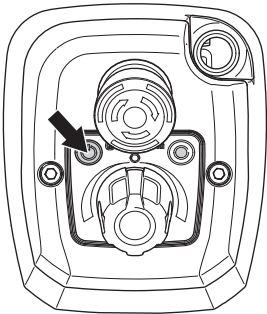
Nesta secção esclarecem-se quais são as peças de segurança da máquina, que função desempenham e ainda como efectuar o controlo e a manutenção para se certificar da sua operacionalidade.

Interruptor (LIGADO/DESLIGADO)

O interruptor deve ser usado para iniciar e parar a unidade de alimentação.

Verificação do interruptor (LIGADO/DESLIGADO)

- Prima o interruptor. O LED ilumina-se, indicando que a unidade de alimentação está ligada.



- Prima o interruptor para parar a unidade de alimentação.

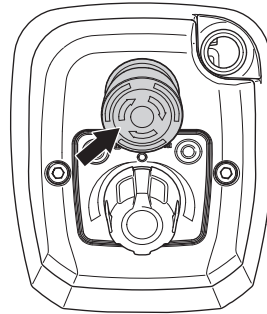
Um interruptor defeituoso deve ser substituído por uma oficina autorizada.

Paragem de emergência

A paragem de emergência é utilizada para desligar rapidamente a unidade de alimentação e o motor da broca.

Testar a paragem de emergência

- Monte o motor da broca e a unidade de alimentação no suporte. Ver instruções na secção "Montagem e ajustamentos".
- Ligue o motor da broca à unidade de alimentação.
- Ligue a unidade de alimentação e o motor da broca. Ver as instruções na secção "Operação".
- Prima o botão de paragem de emergência e verifique que a unidade de alimentação e o motor da broca param.



- Liberte o botão Emergency Stop (Paragem de Emergência) (rode no sentido dos ponteiros do relógio).

MONTAGEM E AJUSTAMENTOS

Montagem



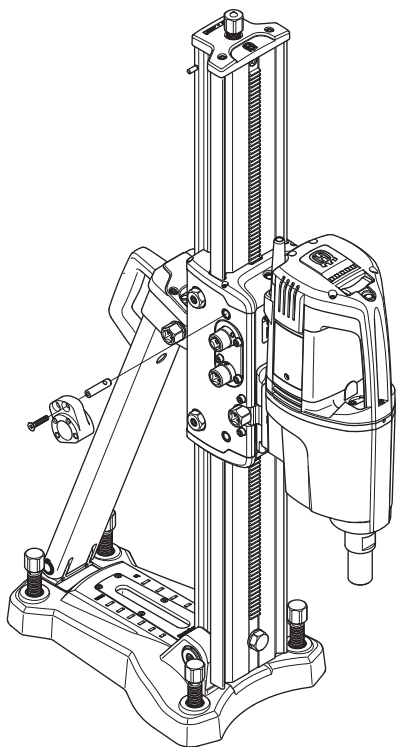
ATENÇÃO! A máquina deve ser desligada com o cabo de alimentação desconectado da tomada.



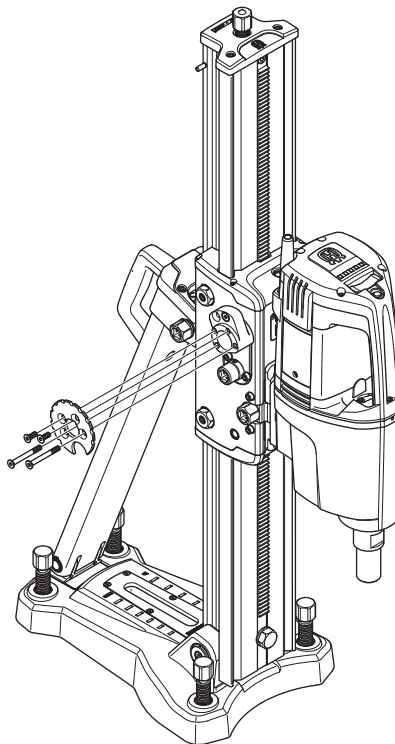
CUIDADO! Retire a manivela da caixa de engrenagem quando a unidade de alimentação está montada no suporte. A falta de cuidado pode causar ferimentos graves.

Trave sempre a caixa do alimentador antes de despertar a unidade de alimentação para evitar que a máquina de perfurar e a broca tombem para cima do batente. A falta de cuidado pode causar ferimentos graves.

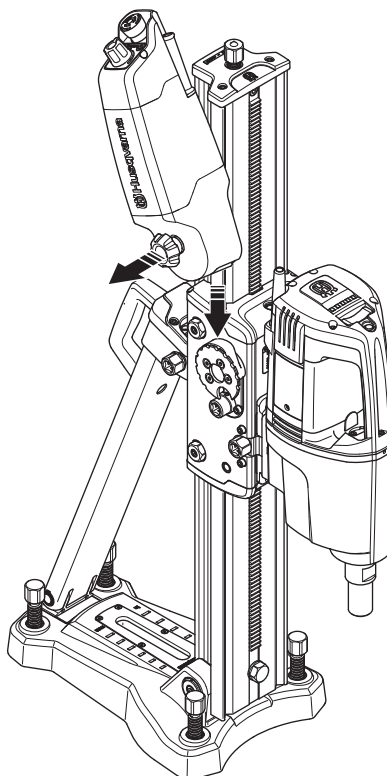
- Bloquee o fecho da caixa de avanço. Ver instruções no manual do operador do suporte em questão.
- A unidade de alimentação pode ser montada de ambos os lados do suporte.
- Instale o espaçador.



- Instale a unidade de montagem rápida.

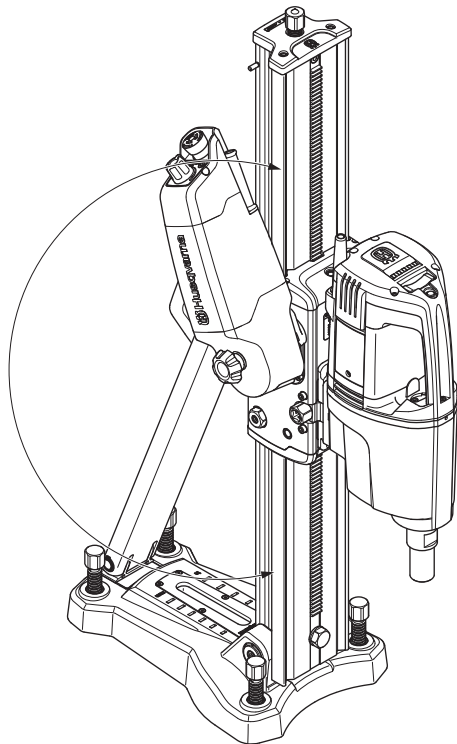


- Puxe o botão para fora para montar e faça deslizar a unidade de alimentação sobre a unidade de montagem rápida.



MONTAGEM E AJUSTAMENTOS

- Solte o botão e rode-o até que a unidade de alimentação se encontre na posição correcta.
- A unidade de alimentação pode ser instalada em qualquer ângulo.



- Ligue o motor da broca à unidade de alimentação e o cabo de alimentação à tomada de corrente.

OPERAÇÃO

Equipamento de protecção

Noções gerais

- Nunca use uma máquina sem que possa pedir ajuda em caso de acidente.

Equipamento de protecção pessoal

Em quaisquer circunstâncias de utilização da máquina deve ser utilizado equipamento de protecção pessoal aprovado. O equipamento de protecção pessoal não elimina o risco de lesão mas reduz os seus efeitos em caso de acidente. Consulte o seu concessionário na escolha do equipamento.



ATENÇÃO! A utilização de produtos de corte, esmerilhamento, perfuração, polimento ou configuração de material, podem criar poeiras e vapores contendo químicos prejudiciais para a saúde. Informe-se sobre a composição do material com que trabalha e use uma máscara respiratória adequada.

A exposição prolongada a ruídos pode provocar danos auditivos permanentes. Por isso, use sempre protectores acústicos aprovados. Esteja sempre atento a sinais de alarme ou avisos de viva voz quando usar protectores acústicos. Retire os protectores acústicos logo que o motor tenha parado.

Use sempre:

- Capacete protector aprovado
- Protectores acústicos
- Protecção ocular aprovada. Mesmo que se use viseira, devem usar-se óculos de protecção aprovados. Consideram-se óculos de protecção aprovados, os que estejam conformes com a norma ANSI Z87.1 nos EUA ou EN 166 nos países da UE. A viseira deve estar conforme com a norma EN 1731.
- Máscara respiratória
- Luvas fortes e de agarre seguro.
- Vestuário justo, forte e confortável que permita total liberdade de movimentos.
- Botas com biqueiras de aço e solas antideslizantes.

Tenha cuidado com peças de vestuário, cabelos compridos e adornos, dado que podem prender-se em componentes móveis.

Outro equipamento de protecção



CUIDADO! Podem originar-se faíscas que podem causar um incêndio, ao trabalhar com a máquina. Tenha sempre à mão utensílios para extinção de incêndios.

- Extintor de incêndios
- Os primeiros socorros devem sempre estar à mão.

Instruções gerais de segurança



ATENÇÃO! Leia todos os avisos de segurança e todas as instruções. A inobservância dos avisos e instruções pode resultar em choques eléctricos, incêndio e/ou lesões graves.

Esta secção descreve as regras básicas de segurança para o trabalho com a máquina. A informação apresentada nunca substitui os conhecimentos, capacidades e a experiência de um profissional.

- Leia as instruções para o uso com toda a atenção e compreenda o seu conteúdo antes de fazer uso da máquina.
- Esta máquina pode ser utilizada em combinação com outros produtos. Leia as instruções fornecidas com os produtos com atenção e compreenda o seu conteúdo antes de fazer uso da máquina.
- Esteja consciente de que é você, o operador, o responsável por evitar expor pessoas e bens a situações que possam representar perigo de danos pessoais ou materiais.
- Todos os operadores deverão ser instruídos sobre como usar a máquina. É da responsabilidade do proprietário que os operadores recebam instrução.
- A máquina deve ser mantida limpa. As sinalizações e os autocolantes deverão estar totalmente legíveis.



ATENÇÃO! A máquina, se for usada de forma indevida ou incorrecta, pode ser perigosa, causando sérios ferimentos ou mesmo a morte do utente ou outras pessoas.

Nunca deixar crianças ou outras pessoas utilizar a máquina ou efectuar a manutenção que não estejam devidamente formadas no seu manuseamento. Nunca permita que outra pessoa utilize a máquina sem estar certo de que a mesma entendeu o conteúdo do manual de instruções.

Nunca use a máquina quando estiver cansado, tiver bebido álcool ou tomado remédios que possam afectar a sua vista, a sua capacidade de discernimento ou o seu controlo físico.



ATENÇÃO! Modificações e/ou acessórios não autorizados podem provocar sérias lesões ou perigo de vida para o utilizador ou outros.

Não modifique nunca esta máquina de forma a deixar de corresponder à versão original e não a use caso pareça ter sido modificada por outros.

Nunca use uma máquina defeituosa. Efectue as verificações de segurança e cumpra as instruções de manutenção e assistência técnica contidas neste manual. Alguns serviços de manutenção e de assistência técnica deverão ser executados por especialistas qualificados. Consulte as instruções na secção Manutenção.

Devem usar-se sempre acessórios originais.

OPERAÇÃO

Use sempre o seu bom senso

Não é possível cobrir todas as situações possíveis que poderá enfrentar. Actue sempre com precaução e use de senso comum. Caso se encontre numa situação em que se sinta inseguro, interrompa o trabalho e consulte um especialista. Contacte o seu revendedor, a sua oficina de serviço ou um utilizador experiente. Evite toda a utilização para a qual não se sinta suficientemente habilitado!

Segurança no local de trabalho

- **Mantenha a área de trabalho limpa e bem iluminada.** Áreas desarrumadas ou escuras convidam ao acidente.
- Observe a zona de modo a assegurar-se de que nada irá afectar o seu controlo sobre a máquina.
- Evite o uso em condições meteorológicas desfavoráveis. Por exemplo, em denso nevoeiro, chuva e vento fortes, frio intenso, etc. Trabalhar com mau tempo é cansativo e pode levar a situações perigosas, tais como ir para terreno escorregadio.
- Nunca inicie o trabalho com a máquina antes de certificar-se que o local de trabalho está desimpedido e que tenha um apoio seguro para os seus pés.
- Assegure-se de que a área de trabalho está suficientemente iluminada, para que o ambiente de trabalho seja seguro.
- Assegure-se de que não existem canalizações ou cabos eléctricos no interior da peça a trabalhar ou na área de trabalho.
- Inspeccione sempre o lado contrário da superfície aonde o trépano vai sair ao efectuar a perfuração. Vede e impeça o acesso à zona de trabalho e certifique-se de que não possam ocorrer acidentes pessoais nem danos materiais.

Segurança no manejo de electricidade



ATENÇÃO! Há sempre o risco de choques eléctricos ao trabalhar com máquinas eléctricas. Evite trabalhar com condições atmosféricas desfavoráveis e em contacto físico com pára-raios e objectos metálicos. Para evitar acidentes, siga sempre as instruções do manual de instruções.



ATENÇÃO! Não lave a máquina com água, pois esta pode penetrar no sistema eléctrico e causar danos ou curto-circuitos.

- Ligue sempre a máquina através de um corta-circuito em caso de falha de terra com protecção pessoal, i.e. um corta-circuito que dispara com uma falha de terra de 30 mA.
- A máquina deve ser ligada a uma tomada com ligação à terra.
- Verifique se a tensão de rede coincide com a indicada na placa que se encontra na máquina.
- Verifique se o fio e a extensão estão intactos e em bom estado. Use sempre extensões eléctricas aprovadas para uso ao ar livre.
- Se algum cabo da máquina ou ficha estiverem danificados, não use a máquina e leve-a a uma oficina de reparações autorizada para ser reparada.
- Não use uma extensão enquanto enrolada, para evitar sobreaquecimento.

- Nunca arraste a máquina pelo cabo e nunca retire a ficha puxando pelo cabo.
- Mantenha todos os fios e extensões longe de água, de óleo e de arestas vivas. Certifique-se de que o fio não fica entalado em portas, cercas e similares. Se isso acontecer podem objectos tornar-se condutores.

Segurança pessoal

- Nunca use a máquina se estiver cansado, se bebeu álcool ou se toma remédios que podem influir na sua visão, discernimento ou controlo sobre o corpo.
- Não deixe nunca a máquina sem vigilância com o motor a trabalhar.
- Desligue sempre a ficha de ligação durante intervalos grandes no trabalho.
- Nunca trabalhe sozinho; trate sempre de ter alguém perto. Além de poder ter ajuda para montar a máquina, poderá ser socorrido na ocorrência de um acidente.
- Pessoas e animais podem distraí-lo de forma a perder o controlo sobre a máquina. Por isso, esteja sempre concentrado e atento à sua tarefa.
- Trabalhe sempre de modo a ter fácil acesso à paragem de emergência.

Utilização e manutenção

- A máquina destina-se a ser usada por operadores experientes em aplicações industriais.
- A inspecção e/ou manutenção é efectuada com o motor desligado e com a ficha de retirada da tomada de corrente.
- Trave sempre a caixa do alimentador antes de desapertar a unidade de alimentação para evitar que a máquina de perfurar e a broca tombem para cima do batente.
- Não sobrecarregue a máquina. A sobrecarga pode danificar a máquina.
- Desligue sempre a máquina antes de deslocar.
- Verifique que todas as uniões, ligações e cabos estão intactos e limpos.
- Verifique se todos os cabos e o fornecimento de água estão ligados correctamente à máquina antes de colocar em funcionamento.
- Nunca retire o cabo de alimentação eléctrica antes de desligar a unidade de alimentação e esperar que o motor pare completamente. Se surgir uma situação de emergência, prima o botão vermelho de paragem de emergência.
- Mantenha todas as peças em bom estado de funcionamento e certifique-se de que todos os elementos de fixação estão bem apertados.

Técnicas básicas de trabalho

Função do potenciómetro

- A unidade é alimentada para cima e para baixo, ao longo da coluna, fazendo rodar o potenciómetro numa ou noutra direcção.
- Caso o potenciómetro não se encontre na posição zero quando a unidade é ligada, o movimento não se iniciará até que o botão tenha passado a posição zero.
- Configure a carga rodando o potenciómetro. Este pode ser ajustado entre 1-18 A na versão de 230V e entre 1-28 A na versão de 110V.

OPERAÇÃO

Mecanismos de protecção e auto-regulação

Quando ocorre um desvio da operação normal, o LED começa a piscar muito rapidamente, de modo a atrair a atenção do operador. Isto pode ocorrer, por exemplo, quando a temperatura do motor for demasiado elevada, ou quando o motor da broca atravessou a peça a trabalhar e a unidade de alimentação pára de avançar com broca.

Quando o LED pisca rapidamente, o motor da broca não pode ser usado. A capacidade de alimentação pode ser activada rodando o potenciómetro para a posição zero. O LED passa a piscar mais devagar. Prima o interruptor outra vez para parar a unidade de alimentação. A unidade tem de ser parada completamente para regressar ao modo normal.

- A unidade de alimentação pode ler os valores enviados pela protecção do motor Elgard™ (motores de broca Husqvarna). Quando utilizada com máquinas que possuem este tipo de protecção, a unidade de alimentação otimiza o trabalho com base no motor da broca em utilização, sem o sobrecarregar.

Caso a potência de alimentação do motor da broca seja demasiado elevada, a unidade entra em modo de regulação. Neste modo, a unidade interrompe o avanço e poderá, inclusivamente, recuar um pouco antes de continuar a avançar.

Caso a protecção Elgard™ dispare, a unidade de alimentação recebe o valor. Este novo valor irá corresponder a 100% no potenciómetro, significando que o operador pode continuar a trabalhar sem sobrecarregar o motor. O novo valor máx. será mantido até que a unidade de alimentação seja desligada. Nessa altura, o potenciómetro é reposto no modo normal.

Se o motor da broca for sobrecarregado e o Elgard™ não for accionado, a unidade de alimentação interrompe a alimentação e desliga-se do motor da broca para o proteger. Se a protecção contra sobrecarga for accionada repetidamente, poderá existir uma falha no Elgard™ do motor da broca. Contacte o sua oficina autorizada.

- Quando a broca atravessa o betão, a potência é reduzida. Quando a potência for inferior a um determinado valor durante um certo período de tempo, a unidade de alimentação interrompe automaticamente o avanço e desliga o motor da broca.
- Se a potência transmitida ao motor da unidade de alimentação for demasiado elevada e este estiver prestes a ficar sobrecarregado, a unidade de alimentação será desligada. Isso pode acontecer ao perfurar com brocas com diâmetro inferior a 100 mm, ao perfurar betão muito mole, no caso da montagem incorrecta da caixa do alimentador ou no caso de a caixa do alimentador estar demasiado encostada à coluna. Altere a vlocidade de alimentação e não sobrecarregue o motor da broca!

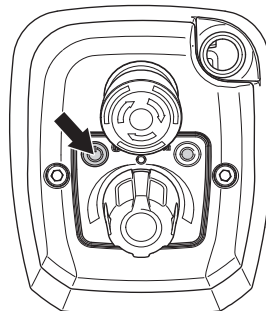
Arranque e paragem

Antes de começar

- Verifique que a máquina se encontra correctamente montada e não apresenta sinais de danos. Ver instruções na secção "Montagem e ajustamentos".
- Verifique se o botão de paragem de emergência não está premido, fazendo-o girar a direcção dos ponteiros do relógio.
- Verifique que o potenciómetro se encontra na posição zero.

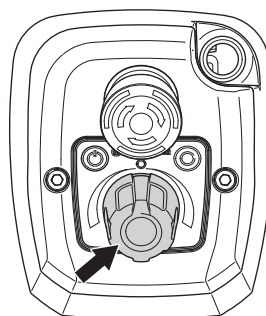
Arranque

- Prima o interruptor. O LED ilumina-se continuamente e indica que existe tensão na saída da unidade.



Observe! Isto aplica-se a máquinas de perfurar equipadas com um corta-circuito em caso de falha de terra. Se o corta-circuito em caso de falha de terra da máquina disparar, esse é o momento em que o corta-circuito em caso de falha de terra pode ser reposto.

- Ligue o motor da broca. Consulte as instruções no manual do operador do motor da broca utilizado.
- Rode o potenciómetro para a posição pretendida para iniciar a alimentação.



- Caso o motor da broca se encontre equipado com um indicador de sobrecarga, este pode ser utilizado como auxiliar visual para determinar a velocidade de alimentação correcta.
- Para otimizar a utilização, deverá deixar que a máquina opere sozinha logo que a velocidade de alimentação seja determinada.

Paragem

- Prima o interruptor para parar a unidade de alimentação.

Transporte e armazenagem

- Desligue sempre a unidade de alimentação e retire o cabo de alimentação eléctrica antes de deslocar o equipamento.
- Utilize as malas fornecidas para guardar o equipamento.
- Fixe o equipamento para transportá-lo, de modo a evitar danos e acidentes durante o transporte.
- Armazene o equipamento numa área que seja possível de trancar, de modo a mantê-lo fora do alcance de crianças e pessoas não autorizadas.
- Armazene a máquina e o respectivo equipamento num local seco e à prova de geada.
- Não exponha a máquina a temperaturas superiores a 45°C ou à luz solar directa.

Manutenção



ATENÇÃO! O utente só pode efectuar trabalhos de manutenção e assistência do tipo descrito nestas instruções. Intervenções maiores devem ser efectuadas por uma oficina autorizada.

Use equipamento de protecção pessoal. Ver as instruções na secção "Equipamento de protecção pessoal".

A duração da máquina pode ser afectada e o perigo de acidentes pode aumentar se a manutenção da máquina não for correcta e se as revisões e reparações não forem executadas de forma profissional. Se necessitar de mais esclarecimentos, entre em contacto com uma oficina autorizada.

Noções gerais

- Verifique regularmente as funções de segurança da máquina. Ver instruções na secção "Equipamento de segurança da máquina".

Limpeza

- Limpe a máquina externamente. Limpe com um pano ou uma escova.
- Não utilize lavagem a alta pressão para limpar a máquina.

ESPECIFICAÇÕES TÉCNICAS

Especificações técnicas

Tensão nominal, V	230 (50/60 Hz)
	110 (50/60 Hz)
Potência nominal, W	80
Corrente nominal, A	
230 V	0,6
110 V	1,25
Grau de protecção	IP65
Peso, kg/lbs	3,6/7.9
Diâmetro máximo de perfuração, mm/polegadas	450
Velocidade de alimentação – máx., m/min	3,2
Níveis sonoros	
Nível de pressão acústica junto ao ouvido do utilizador, dB(A)	78

Nível de ruído em conformidade a EN 12348. Os dados comunicados relativamente ao nível de pressão de ruído tem uma dispersão estatística típica (desvio padrão) de 1,0 dB(A).

ESPECIFICAÇÕES TÉCNICAS

Certificado CE de conformidade

(Válido unicamente na Europa)

A **Husqvarna AB**, SE-561 82 Huskvarna, Suécia, tel: +46-36-146500, garante por este meio que o controlo automático e a unidade de perfuração para o suporte **Husqvarna AD 10**, com número de série do ano 2010 e posteriores (o ano é indicado na placa de tipo, seguido de um número de série) está em conformidade com o estipulado na DIRECTIVA DO CONSELHO:

- de 17 de Maio de 2006 "referente a máquinas" **2006/42/CE**.
- de 15 de Dezembro de 2004 "referente a compatibilidade electromagnética" **2004/108/CEE**.
- de 12 de Dezembro de 2006 "referentes a equipamento eléctrico" **2006/95/CE**.
- de 8 de junho de 2011 "relativa à restrição do uso de determinadas substâncias perigosas" **2011/65/UE**

Foram respeitadas as normas seguintes:

EN ISO 12100:2010, EN 61000-3-2:2006, EN 61000-3-3/A1/A2:2006, EN 61000-6-2:2005, EN 61000-6-4:2007, EN 12348/A1:2009.

Göteborg, 12 de Abril de 2015

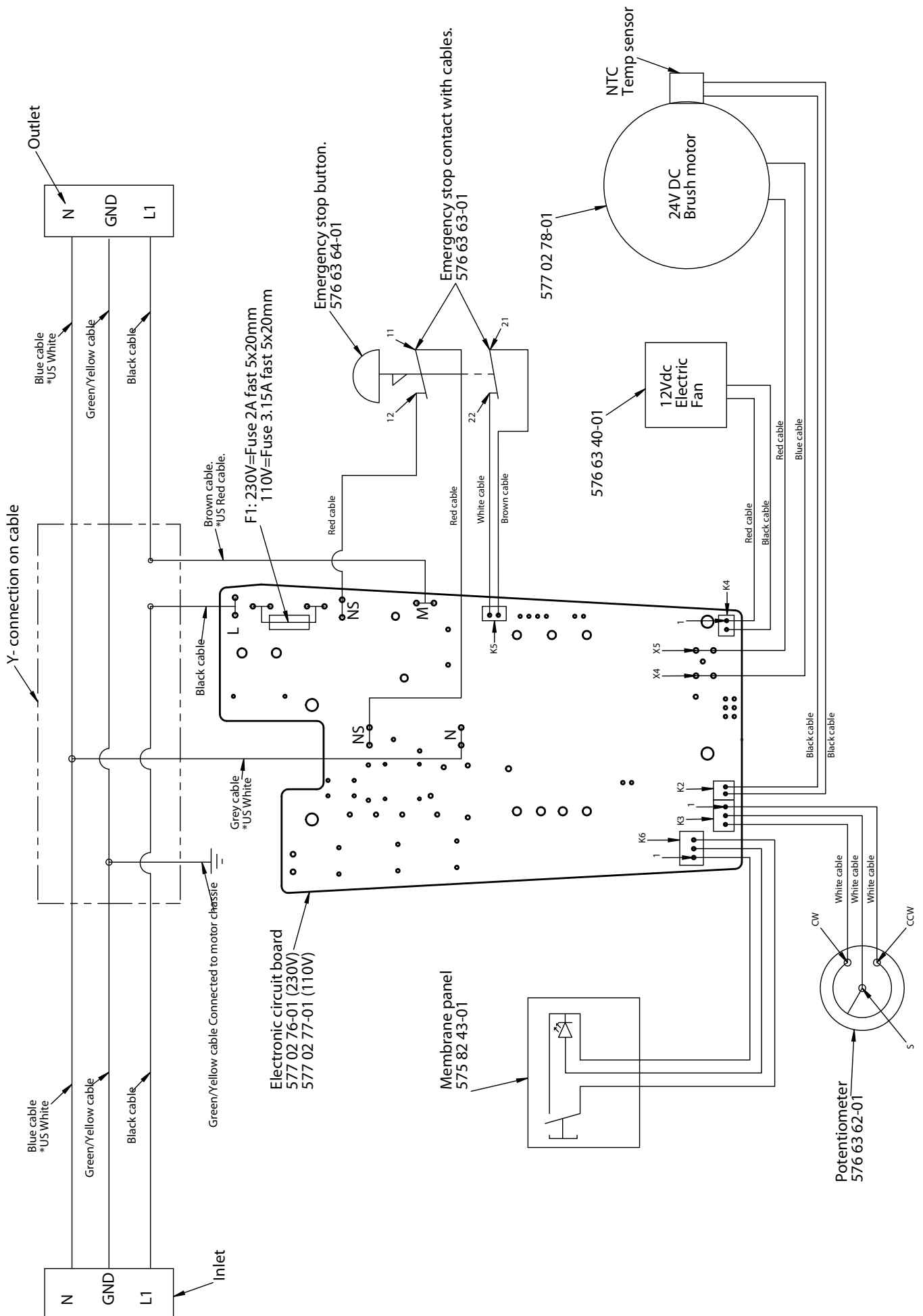


Helena Grubb

Vice-presidente, equipamento de construção Husqvarna AB

(Representante autorizado da Husqvarna AB e responsável pela documentação técnica.)

ESQUEMA ELÉCTRICO



ΕΠΕΞΗΓΗΣΗ ΣΥΜΒΟΛΩΝ

Σύμβολα πάνω στο μηχανήμα

ΠΡΟΕΙΔΟΠΟΙΗΣΗ! Το μηχάνημα μπορεί να γίνει επικίνδυνο. Η απρόσεκτη ή λανθασμένη χρήση μπορεί να έχει ως αποτέλεσμα σοβαρό ή θανάσιμο τραυματισμό του χειριστή ή άλλων ατόμων.



Διαβάστε προσεκτικά τις Οδηγίες χρήσεως και κατανοήστε το περιεχόμενο πριν χρησιμοποιήσετε το μηχάνημα.



Χρησιμοποιείτε ατομικό προστατευτικό εξοπλισμό. Βλ. τις οδηγίες στο κεφάλαιο "Ατομικός προστατευτικός εξοπλισμός"



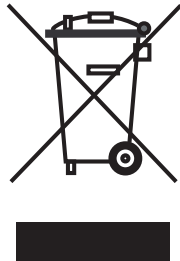
Αυτό το προϊόν είναι σύμφωνο με τις ισχύουσες οδηγίες της ΕΚ.



ΠΡΟΕΙΔΟΠΟΙΗΣΗ! Υψηλό ρεύμα



Περιβαλλοντική σήμανση. Το σύμβολο στο προϊόν ή στη συσκευασία του υποδηλώνει ότι η απόρριψη αυτού του προϊόντος δεν μπορεί να γίνει όπως με τα οικιακά απορρίμματα. Θα πρέπει να μεταφερθεί σε κατάλληλο σταθμό ανακύκλωσης για ανακύκλωση των ηλεκτρικών και ηλεκτρονικών εξαρτημάτων του.



Φροντίζοντας για τη σωστή απόρριψη αυτού του προϊόντος μπορείτε να συμβάλετε στην αντιμετώπιση τυχόν αρνητικών επιπτώσεων στο περιβάλλον και στους ανθρώπους, οι οποίες μπορεί να προκληθούν από την εσφαλμένη μεταχείριση των απορριμάτων αυτού του προϊόντος.

Για πιο αναλυτικές πληροφορίες σχετικά με την ανακύκλωση αυτού του προϊόντος, επικοινωνήστε με τη δημοτική σας αρχή, με την υπηρεσία διαχείρισης απορριμάτων ή με το κατάστημα στο οποίο έγινε η αγορά του.

Τα υπόλοιπα σύμβολα/επιγραφές του μηχανήματος αναφέρονται σε ειδικές απαιτήσεις για εκπλήρωση προδιαγραφών έγκρισης σε ορισμένες αγορές.

Επεξήγηση επιπέδων προειδοποίησης

Οι προειδοποιήσεις διακρίνονται σε τρία επίπεδα.

ΠΡΟΕΙΔΟΠΟΙΗΣΗ!



ΠΡΟΕΙΔΟΠΟΙΗΣΗ! Χρησιμοποιείται όταν υπάρχει κίνδυνος σοβαρού τραυματισμού ή θανάτου του χειριστή ή πρόκλησης ζημίας στον εξοπλισμό και τον περιβάλλοντα χώρο, εάν δεν τηρούνται οι οδηγίες που παρέχονται στο εγχειρίδιο.

ΠΡΟΣΟΧΗ!



ΠΡΟΣΟΧΗ! Χρησιμοποιείται όταν υπάρχει κίνδυνος τραυματισμού του χειριστή ή πρόκλησης ζημίας στον εξοπλισμό και τον περιβάλλοντα χώρο, εάν δεν τηρούνται οι οδηγίες που παρέχονται στο εγχειρίδιο.

ΣΗΜΕΙΩΣΗ!



ΣΗΜΕΙΩΣΗ! Χρησιμοποιείται όταν υπάρχει κίνδυνος βλάβης στα υλικά ή το μηχάνημα, εάν δεν τηρούνται οι οδηγίες που παρέχονται στο εγχειρίδιο.

ΠΕΡΙΕΧΟΜΕΝΑ

Περιεχόμενα

ΕΠΕΞΗΓΗΣΗ ΣΥΜΒΟΛΩΝ

Σύμβολα πάνω στο μεχάνημα 44

Επεξήγηση επιπέδων προειδοποίησης 44

ΠΕΡΙΕΧΟΜΕΝΑ

Περιεχόμενα 45

ΠΑΡΟΥΣΙΑΣΗ

Αγαπητέ πελάτη! 46

Σχεδιασμός και λειτουργίεσ 46

Συνθήκες χρήσης 46

ΠΑΡΟΥΣΙΑΣΗ

Τι είναι τι στο μεχάνημα; 47

ΕΞΟΠΛΙΣΜΟΣ ΑΣΦΑΛΕΙΑΣ ΤΟΥ ΜΗΧΑΝΗΜΑΤΟΣ

Γενικά 48

ΣΥΝΑΡΜΟΛΟΓΗΣΗ ΚΑΙ ΡΥΘΜΙΣΕΙΣ

Συναρμολόγηση 49

ΛΕΙΤΟΥΡΓΙΑ

Προστατευτικός εξοπλισμός 51

Γενικές οδηγίεσ ασφάλειασ 51

Βασικέσ τεχνικέσ εργασίασ 53

Ξεκίνημα και σταμάτημα 53

Μεταφορά και αποθήκευση 54

ΣΥΝΤΗΡΗΣΗ

Συντήρηση 55

ΤΕΧΝΙΚΑ ΣΤΟΙΧΕΙΑ

Τεχνικά στοιχεία 56

ΕΚ–Βεβαίωση συμφωνίασ 57

ΣΧΔΙΟ ΚΑΛΩΔΙΩΣΕΣ

Αγαπητέ πελάτη!

Σας ευχαριστούμε που επιλέξατε ένα προϊόν της Husqvarna! Ελπίζουμε να μείνετε ικανοποιημένοι από το μεχάνεμά σας και ότι θα γίνει ο βοεθός σας που θα σας συνοδεύει για μεγάλο χρονικό διάστημα. Ε αγορά ενός από τα προϊόντα μας σας παρέχει πάντα πρόσβαση σε επαγγελματική βοήθεια με επιδιορθώσεις και σέρβις. Εάν ε αντιπροσωπεία που αγοράσατε το μεχάνεμα δεν έχει εξουσιοδοτημένο συνεργείο, τότε ρωτήστε τους για το πλεσιότερο συνεργείο εξυπερέτεςες.

Ελπίζουμε αυτό το εγχειρίδιο χρήσης να σας φανεί ιδιαίτερα χρήσιμο. Βεβαιωθείτε ότι το εγχειρίδιο είναι πάντα διαθέσιμο στο χώρο εργασίας. Τερώντας όσα αναφέρονται σε αυτό (χρήση, επισκευή, συντήρηση, κλπ.) μπορείτε αισθετά να επιμεκύνετε τε ζωή του καθώς και τεν μεταπωλετική του αξία. Αν πουλήσετε το μεχάνεμά σας, φροντίστε να δώσετε στον νέο κάτοχο και το εγχειρίδιο οδεγιών.

Πάνω από 300 χρόνια καινοτομίας

H Husqvarna AB είναι μία Σουηδική με παράδοση που ανάγεται στο 1689, όταν ο Σουηδός Βασιλιάς Κάρολος XI διάταξε την κατασκευή ενός εργοστασίου για την παραγωγή μουσκέτων. Την εποχή εκείνη, είχαν ήδη μπει τα θεμέλια για τις μηχανολογικές ικανότητες πίσω από την ανάπτυξη κάποιων από τα κορυφαία προϊόντα του κόσμου, σε τομείς όπως τα κυνηγετικά όπλα, τα ποδήλατα, τις μοτοσικλέτες, τις οικιακές συσκευές, τις ραπτομηχανές και άλλα προϊόντα εξωτερικών δραστηριοτήτων.

H Husqvarna αποτελεί τον παγκόσμιο ηγέτη στον τομέα του εξωτερικού εξοπλισμού ισχύος για τη δασοκομία, τη συντήρηση πάρκων και τη φροντίδα γρασιδιού και κήπων, καθώς επίσης και τον τομέα του εξοπλισμού κοπής και των αδμαντοφόρων εργαλείων τόννευσης για τις βιομηχανίες κατασκευών και κατεργασίας λίθων.

Ευθύνη του ιδιοκτήτη

Αποτελεί ευθύνη του ιδιοκτήτη/εργοδότη να διασφαλίσει ότι ο χειριστής διαθέτει επαρκή γνώση σχετικά με τον ασφαλή τρόπο χρήσης της μηχανής. Οι επόπτες και οι χειριστές οφείλουν να έχουν αναγνώσει και κατανοήσει το Εγχειρίδιο Χρήσης. Θα πρέπει να γνωρίζουν:

- Τις οδηγίες ασφαλείας του μηχανήματος.
- Το εύρος εφαρμογών και περιορισμών του μηχανήματος.
- Τον τρόπο χρήσης και συντήρησης του μηχανήματος.

H χρήση του παρόντος μηχανήματος είναι πιθανό να υπόκειται σε εθνική νομοθεσία. Μάθετε τι ορίζει η νομοθεσία στη περιοχή στην οποία εργάζεστε πριν αρχίσετε να χρησιμοποιείτε το μηχάνημα.

Τις επιφυλάξεις του κατασκευαστή

Μετά τη δημοσίευση του παρόντος εγχειριδίου, η Husqvarna μπορεί να εκδώσει συμπληρωματικέσ πληροφορίες σχετικά με την ασφαλή λειτουργία αυτού του προϊόντος. Εναπόκειται στην ευθύνη του ιδιοκτήτη να είναι ενημερωμένοσ σχετικά με τις ασφαλέστερες μεθόδους λειτουργίας.

H Husqvarna AB αναπτύσσει συνεχώς τα προϊόντα της και για το λόγο αυτό επιφυλάσσει στον εαυτό της το δικαίωμα τροποποιήσεων πχ. ως προς το σχεδιασμό και την εμφάνιση, χωρίς προειδοποίηση.

Για πληροφορίες και βοήθεια των πελατών, επικοινωνήστε μαζί μας στο δικτυακό μας τόπο: www.husqvarna.com

Σχεδιασμός και λειτουργίεσ

Αξίες όπως η άριστη απόδοση, η αξιοπιστία, η καινοτόμος τεχνολογία, οι προηγμένες τεχνολογικές λύσεις και ο σεβασμός του περιβάλλοντος διακρίνουν τα προϊόντα της Husqvarna. Ο χειριστής πρέπει να διαβάσει προσεκτικά το παρόν εγχειρίδιο, προκειμένου να διασφαλιστεί η ασφαλή λειτουργία αυτού του προϊόντος. Εάν χρειάζεστε περισσότερες πληροφορίες, απευθυνθείτε στον αντιπρόσωπό σας ή στην Husqvarna.

Παρακάτω περιγράφονται ορισμένα από τα μοναδικά χαρακτηριστικά του προϊόντος σας.

Αυτόματη ανίχνευση μοτέρ τρυπανιού

H λειτουργία αυτή ανιχνεύει τα συνδεδεμένα μοτέρ τρυπανιού της Husqvarna και βελτιστοποιεί τις εκτελούμενες εργασίες ανάλογα με το μοτέρ τρυπανιού που χρησιμοποιείται, χωρίς να το υπερφορτώνει.

Εύκολη και γρήγορη αυτόματη τροφοδότηση

H κατεύθυνση τροφοδότησης, η ταχύτητα και η ισχύς του κινητήρα μπορούν πλέον να ελέγχονται εύκολα, απλά με τη χρήση ενός κουμπιού.

H μέγιστη ταχύτητα τροφοδοσίας (πάνω και κάτω) ισούται με 3,2 m/min (γυροσκοπική βάση).

Βαλβίδα GORE-TEX®

H βαλβίδα GORE-TEX® προστατεύει τα ηλεκτρονικά εξαρτήματα έναντι της επιδρωσης και της υγρασίας.

Εύκολη συναρμολόγηση

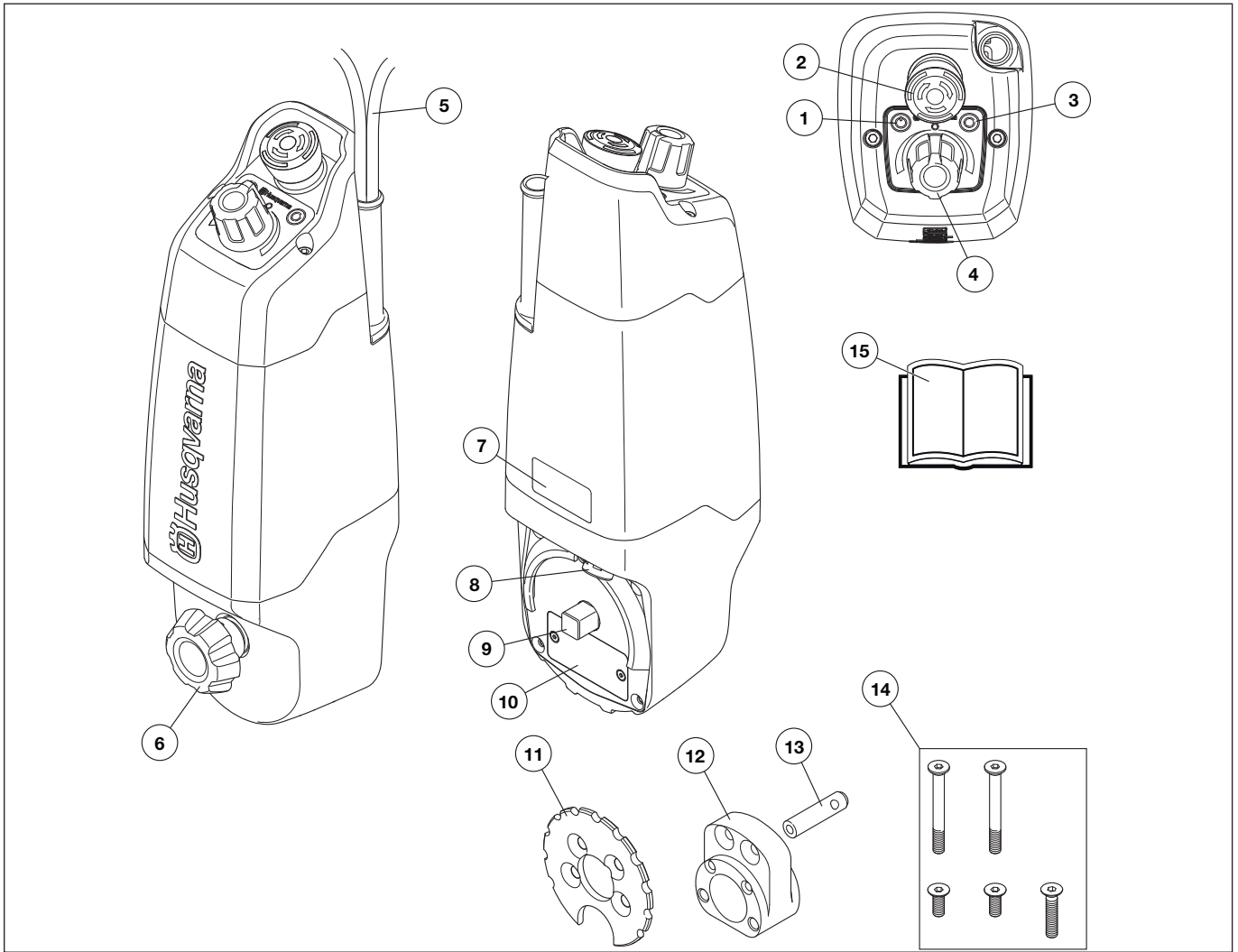
Εύκολη συναρμολόγηση στο κιβώτιο ταχυτήτων της βάσης, χρησιμοποιώντας το διαχωριστικό και τον ταχυσύνδεσμο.

Συνθήκες χρήσης

Το μηχάνημα έχει δοκιμαστεί και έχει εγκριθεί μόνο με τον αυθεντικό εξοπλισμό που παρέχεται με αυτό ή που συνιστάται από τον κατασκευαστή.

H μονάδα μπορεί να χρησιμοποιηθεί μόνο με τα Husqvarna DS 50, DS 70, DS 450, DM 220, DM 230, DM 280 och DM 340.

ΠΑΡΟΥΣΙΑΣΗ



Τι είναι τι στο μηχανήμα;

- | | |
|--|---|
| 1 Διακόπτης ισχύος (ON/OFF) | 8 Βαλβίδα GORE-TEX® |
| 2 Διακοπή έκτακτης ανάγκης | 9 Άξονας συναρμολόγησης |
| 3 LED (ON/OFF) | 10 Πλάκα μηχανήματος |
| 4 Ποτενσιόμετρο | 11 Ταχυσύνδεσμος |
| 5 Καλώδιο τροφοδοσίας διακλαδωμένο σε σχήμα Y
(καλώδιο εισερχόμενης ισχύος και καλώδιο
τροφοδοσίας για το μοτέρ τρυπανιού) | 12 Απόσταση |
| 6 Κουμπί, συναρμολόγηση | 13 Ακίδα, διαχωριστικό (για χρήση με το DS 450) |
| 7 Προειδοποιητικό αυτοκόλλητο | 14 Βίδες |
| | 15 Οδηγίες χρήσεως |

ΕΞΟΠΛΙΣΜΟΣ ΑΣΦΑΛΕΙΑΣ ΤΟΥ ΜΗΧΑΝΗΜΑΤΟΣ

Γενικά



ΠΡΟΕΙΔΟΠΟΙΗΣΗ! Ποτέ μην χρησιμοποιείτε ένα μηχάνημα με ελαττωματικά εξαρτήματα ασφάλειας. Εάν το μηχανήμα σας δεν πληρεί τους απαιτούμενους ελέγχους, απευθυνθείτε στον αντιπρόσωπο του σέρβις για επιδιόρθωση.

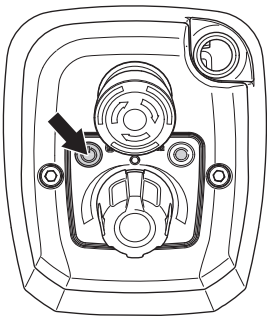
Στο μέρος αυτό παρουσιάζονται τα εξαρτήματα ασφάλειας του μηχανήματος, η αποστολή τους καθώς και ο τρόπος ελέγχου και συντήρησης για την ασφαλή λειτουργία τους.

Διακόπτης ισχύος (ON/OFF)

Ο διακόπτης ισχύος θα πρέπει να χρησιμοποιείται για την ενεργοποίηση και την απενεργοποίηση της μονάδας τροφοδοσίας.

Έλεγχος του διακόπτη ισχύος (ON/OFF)

- Πατήστε τον διακόπτη ισχύος. Οι λυχνίες LED ανάβουν, υποδεικνύοντας ότι η μονάδα τροφοδοσίας βρίσκεται σε λειτουργία.



- Πατήστε τον διακόπτη ισχύος, για να διακόψετε τη μονάδα τροφοδοσίας.

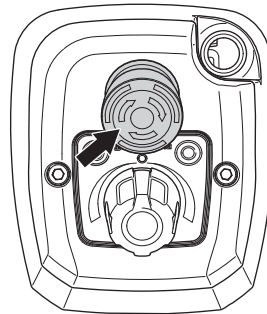
Τυχόν ελαττωματικός διακόπτης ισχύος θα πρέπει να αντικαθίσταται από το προσωπικό εξουσιοδοτημένου συνεργείου.

Διακοπή έκτακτης ανάγκης

Ο διακόπτης ασφαλείας χρησιμοποιείται για την ταχεία απενεργοποίηση της μονάδας τροφοδοσίας και του μοτέρ τρυπανιού.

Έλεγχος της διακοπής έκτακτης ανάγκης

- Συναρμολογήστε το μοτέρ τρυπανιού και τη μονάδα τροφοδοσίας στη βάση. Συμβουλευθείτε τις οδηγίες που παρατίθενται στην ενότητα "Συναρμολόγηση και προσαρμογές".
- Συνδέστε το μοτέρ τρυπανιού στη μονάδα τροφοδοσίας.
- Πραγματοποιήστε εκκίνηση της μονάδας τροφοδοσίας και του μοτέρ τρυπανιού. Ανατρέξτε στις οδηγίες της ενότητας με τίτλο "Λειτουργία".
- Πατήστε τον διακόπτη ασφαλείας και βεβαιωθείτε ότι η λειτουργία της μονάδας τροφοδοσίας και του μοτέρ τρυπανιού διακόπτεται.



- Απελευθερώστε το κουμπί EMERGENCY STOP (στρέψτε το δεξιόστροφα).

ΣΥΝΑΡΜΟΛΟΓΗΣΗ ΚΑΙ ΡΥΘΜΙΣΕΙΣ

Συναρμολόγηση



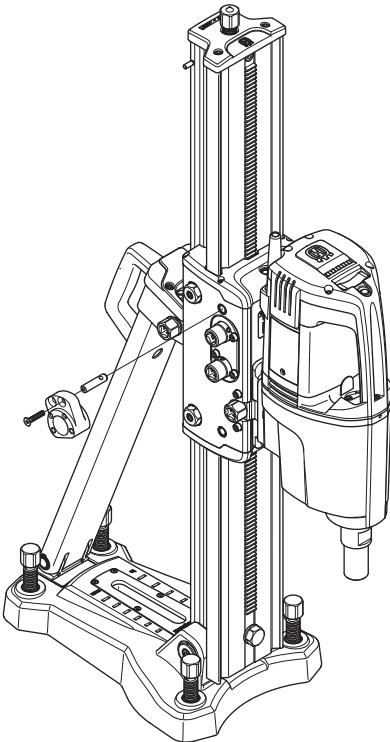
ΠΡΟΕΙΔΟΠΟΙΗΣΗ! Το μηχάνημα θα πρέπει να απενεργοποιείται με το καλώδιο τροφοδοσίας αποσυνδεδεμένο από την έξοδο.



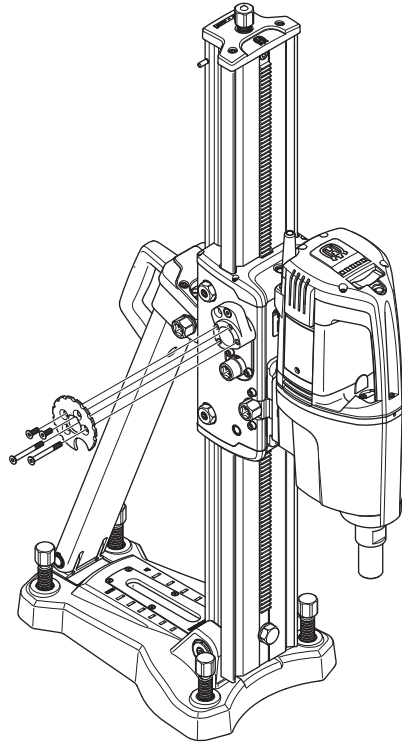
ΠΡΟΣΟΧΗ! Αφαιρέστε το στρόφαλο από το περίβλημα γναζιών, όταν η μονάδα τροφοδοσίας τοποθετηθεί στη βάση. Ε απροσεξία μπορεί να οδεγήσει σε σοβαρό τραυματισμό.

Ασφαλίστε πάντα το περίβλημα τροφοδοσίας προτού χαλαρώσετε τη μονάδα τροφοδοσίας, για να αποτρέψετε πτώση του μηχανήματος και του εξαρτήματος τρυπανιού προς το στοπ τερματισμού. Ε απροσεξία μπορεί να οδεγήσει σε σοβαρό τραυματισμό.

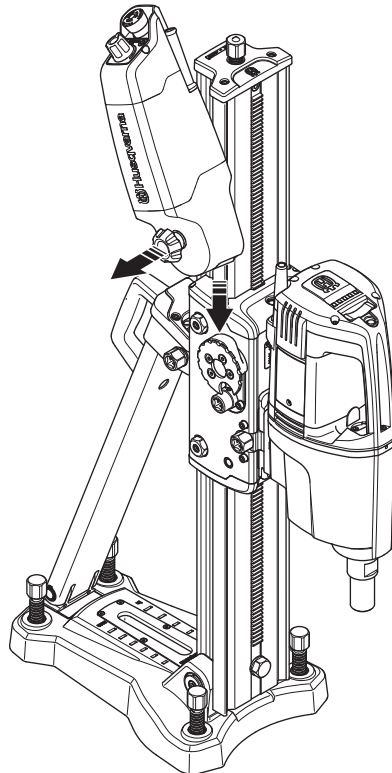
- Κλειδώστε την ασφάλεια μηχανισμού τροφοδότησης. Συμβουλευθείτε τις οδηγίες που περιέχονται στο εγχειρίδιο χρήσης για τη συγκεκριμένη βάση.
- Η μονάδα τροφοδοσίας μπορεί να βρίσκεται και στις δύο πλευρές του πλαισίου ανάρτησης.
- Συναρμολογήστε το διαχωριστικό.



- Συναρμολογήστε τον ταχυσύνδεσμο.

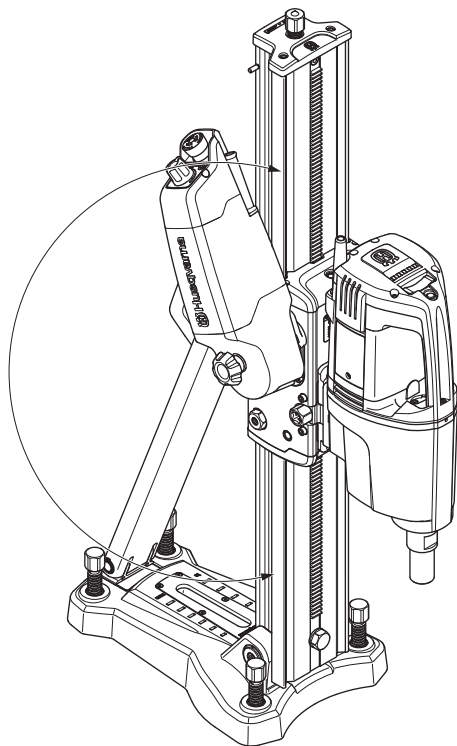


- Τραβήξτε το κουμπί για συναρμολόγηση και περάστε τη μονάδα τροφοδοσίας πάνω από τον ταχυσύνδεσμο.



ΣΥΝΑΡΜΟΛΟΓΗΣΗ ΚΑΙ ΡΥΘΜΙΣΕΙΣ

- Απελευθερώστε το κουμπί και στρέψτε το, μέχρι η μονάδα τροφοδοσίας να βρεθεί σε σωστή θέση.
- Η μονάδα τροφοδοσίας μπορεί να συναρμολογηθεί σε οποιαδήποτε γωνία.



- Συνδέστε το μοτέρ τρυπανιού στη μονάδα τροφοδοσίας και το καλώδιο εισερχόμενης ισχύος στην έξοδο.

Προστατευτικός εξοπλισμός

Γενικά

- Μην χρησιμοποιείτε το μηχάνημα παρά μόνο εφόσον έχετε τη δυνατότητα να καλέσετε βοήθεια σε περίπτωση ατυχήματος.

Ατομικός προστατευτικός εξοπλισμός

Σε οποιαδήποτε χρήση του μηχανήματος πρέπει να χρησιμοποιείτε εγκεκριμένο ατομικό προστατευτικό εξοπλισμό. Ο ατομικός προστατευτικός εξοπλισμός δεν εξουδετερώνει τον κίνδυνο τραυματισμού, παρά μειώνει τα αποτελέσματα ενός τραύματος σε περίπτωση ατυχήματος. Ζητήστε από τον έμπορο να σας βοηθήσει στην εκλογή προστατευτικού εξοπλισμού.



ΠΡΟΕΙΔΟΠΟΙΗΣΗ! Η χρήση προϊόντων που κόβουν, τροχίζουν, τρυπούν, λειαίνουν ή διαμορφώνουν υλικά μπορεί να παράγουν σκόνη και υδρατμούς που ενδέχεται να περιέχουν επιβλαβή χημικά. Γνωρίστε τις ιδιότητες του υλικού το οποίο επεξεργάζεστε και χρησιμοποιήστε κατάλληλες αναπνευστικές μάσκες.

Η μακρόχρονη έκθεση σε θόρυβο μπορεί να προκαλέσει μόνιμη θλάβη στην ακοή. Θα πρέπει πάντα να λαμβάνετε μέτρα προστασίας της ακοής σας. Όταν φοράτε ωτασπίδες έχετε το νου σας ώστε να ακούσετε τυχόν προειδοποιητικά σήματα ή φωνές. Πάντα να βγάζετε τις ωτασπίδες μόλις σβήσει ο κινητήρας.

Χρησιμοποιείτε πάντοτε:

- Εγκεκριμένο προστατευτικό κράνος
- Προστασία ακοής
- Εγκεκριμένη προστασία ματιών. Αν χρησιμοποιείτε προστατευτική μάσκα τότε θα πρέπει επίσης να φοράτε εγκεκριμένα προστατευτικά γυαλιά. Τα εγκεκριμένα προστατευτικά γυαλιά να συμμορφώνονται με το πρότυπο ANSI Z87.1 στις Ε.Π.Α. ή με το πρότυπο EN 166 στις χώρες της Ε.Ε. Οι προστατευτικές μάσκες θα πρέπει να συμμορφώνονται με το πρότυπο EN 1731.
- Αναπνευστική μάσκα
- Γερά γάντια με καλό κράτημα.
- Εφαρμοστή, ανθεκτική και άνετη επένδυση που επιτρέπει πλήρη ελευθερία κινήσεων.
- Αντιολισθητικές μπότες με χαλύβδινα ψίδια.

Να έχετε υπόψη σας ότι τα ρούχα, μακριά μαλλιά και κοσμήματα μπορεί να μπλεχτούν στα κινητά μέρη.

Άλλος εξοπλισμός προστασίας



ΠΡΟΣΟΧΗ! Ενώ εργάζεστε με το μηχάνημα, ενδέχεται να εμφανιστούν σπίθες και να ξεσπάσει φωτιά. Διατηρείτε πάντα έναν πυροσβεστήρα σε κοντινή απόσταση από τον τόπο εργασίας.

- Πυροσβεστήρας
- Έχετε πάντοτε μαζί σας κιβώτιο πρώτων βοηθειών.

Γενικές οδηγίες ασφάλειας



ΠΡΟΕΙΔΟΠΟΙΗΣΗ! Διαβάστε όλες τις προειδοποιήσεις ασφαλείας και όλες τις οδηγίες. Σε περίπτωση με τήρησης των προειδοποιήσεων και των οδηγιών, υπάρχει κίνδυνος ηλεκτροπληξίας, πυρκαγιάς ή/και σοβαρού τραυματισμού.

Αυτή ε ενότητα περιγράφει τις βασικές κατευθύνσεις ασφαλείας για τη χρήση του μηχανήματος. Αυτές οι πληροφορίες δεν υποκαθιστούν σε καμία περίπτωση τις επαγγελματικές ικανότητες και την εμπειρία.

- Διαβάστε προσεκτικά τις Οδηγίες χρήσεως και κατανοήστε το περιεχόμενο πριν χρησιμοποιήσετε το μηχάνημα.
- Το μηχάνημα αυτό χρησιμοποιείται σε συνδυασμό με άλλα προϊόντα. Διαβάστε προσεκτικά το εγχειρίδιο που παρέχεται με τα προϊόντα και βεβαιωθείτε ότι κατανοείτε τις οδηγίες πριν χρησιμοποιήσετε το μηχάνημα.
- Να θυμάστε ότι εσείς, ο χειριστής, είστε υπεύθυνος για τη μη έκθεση ανθρώπων ή αντικειμένων σε ατυχήματα ή κινδύνους.
- Όλοι οι χειριστές πρέπει να εκπαιδευτούν στη χρήση του μηχανήματος. Ο κάτοχος είναι υπεύθυνος για την εκπαίδευση των χειριστών.
- Το μηχάνημα θα πρέπει να διατηρείται καθαρό. Οποιαδήποτε επιγραφή και ετικέτα θα πρέπει να είναι πλήρως αναγνώσιμη.



ΠΡΟΕΙΔΟΠΟΙΗΣΗ! Το μηχάνημα μπορεί να γίνει επικίνδυνο. Η απρόσεκτη ή λανθασμένη χρήση μπορεί να έχει ως αποτέλεσμα σοβαρό ή θανάσιμο τραυματισμό του χειριστή ή άλλων ατόμων.

Ποτέ μην επιτρέπετε σε παιδιά ή άλλα μη εκπαιδευμένα σχετικά με τη χρήση του μηχανήματος άτομα να χρησιμοποιούν ή να πραγματοποιούν εργασίες συντήρησης σε αυτό. Μην επιτρέπετε σε κανέναν άλλον να χρησιμοποιήσει το μηχάνημα αν δεν έχετε βεβαιωθεί ότι γνωρίζει το περιεχόμενο των οδηγιών χρήσης.

Ποτέ μην δουλεύετε το πριόνι όταν είστε κουρασμένος, έχετε πει αλκοόλ ή παίρνετε φάρμακα που επηρεάζουν την όρασή σας, την κρίση σας ή τον έλεγχο του σώματός σας.



ΠΡΟΕΙΔΟΠΟΙΗΣΗ! Οι μετατροπές ή/και τα εξαρτήματα που δεν φέρουν καμία εξουσιοδότηση μπορεί να προκαλέσουν σοβαρό τραυματισμό ή θάνατο στο χρήστε ή τρίτα πρόσωπα.

Μην κάνετε ποτέ μετατροπές σε αυτό το μηχάνημα έτσι ώστε να διαφέρει από την αρχική του έκδοση, και μην το χρησιμοποιήσετε αν φαίνεται να έχει υποστεί μετατροπές από τρίτους.

Μην χρησιμοποιείτε ποτέ το μηχάνημα εάν παρουσιάζει πρόβλημα. Εκτελείτε όλους τους ελέγχους ασφαλείας και τηρείτε τις οδηγίες συντήρησης και επισκευής που αναφέρονται στο παρόν εγχειρίδιο. Μερικά μέτρα συντήρησης και επισκευής πρέπει να εκτελούνται από εκπαιδευμένο και ειδικευμένο προσωπικό. Δείτε τις οδηγίες στην ενότητα με τίτλο Συντήρηση.

Χρησιμοποιείτε πάντοτε γνήσια ανταλλακτικά.

Χρησιμοποιείτε πάντοτε κοινή λογική

Δεν είναι δυνατό να καλυφθούν όλες οι περιπτώσεις που ενδέχεται να συναντήσετε. Να είστε πάντα προσεκτικοί και να χρησιμοποιείτε την κοινή λογική. Αν βρεθείτε σε συνθήκες που δεν αισθάνεστε ασφαλής, διακόψτε τη λειτουργία και αναζητήστε τη συμβουλή κάποιου ειδικού. Επικοινωνήστε με τον αντιπρόσωπο, τον υπεύθυνο σέρβις ή έναν πεπειραμένο χρήστε. Μην επιχειρήσετε να εκτελέσετε κάποια εργασία για την οποία δεν είστε βέβαιοι!

Ασφάλεια στο χώρο εργασίας

- **Διατερείτε το χώρο εργασίας καθαρό και με καλό φωτισμό.** Οι ακατάστατοι ή σκοτεινοί χώροι ενέχουν τον κίνδυνο ατυχημάτων.
- Ελέγχετε τον περιβάλλοντα χώρο, ώστε να διασφαλίσετε ότι τίποτα δεν μπορεί να αποσπάσει την προσοχή σας και να σας αφαιρέσει τον έλεγχο του μηχανήματος.
- Αποφεύγετε χρήση όταν οι καιρικές συνθήκες είναι ακατάλληλες, όταν για παράδειγμα επικρατεί πυκνή ομίχλη, δυνατή βροχή, ισχυρός άνεμος, μεγάλη παγωνιά κλπ. Η εργασία με κακές καιρικές συνθήκες είναι κουραστική και μπορεί να οδηγήσει σε επικίνδυνες καταστάσεις, πχ. ολισθηρές επιφάνειες.
- Ποτέ μην αρχίζετε τη δουλειά με το μηχανήμα, εάν ο τόπος εργασίας δεν είναι ελεύθερος και δεν έχετε εξασφαλίσει σταθερή στάση.
- Βεβαιωθείτε ότι η περιοχή εργασίας είναι ικανοποιητικά φωτισμένη ώστε να δημιουργείται ασφαλής τόπος εργασίας.
- Βεβαιωθείτε ότι κανένας αγωγός ή ηλεκτρικό καλώδιο δεν διασχίζει το χώρο εργασίας ή το υλικό με το οποίο εργάζεστε.
- Να ελέγχετε πάντα την πίσω πλευρά της επιφάνειας από την οποία θα εξέλθει η κεφαλή τρυπανιού. Ασφαλίστε και αποκλείστε το χώρο και φροντίστε να μην προκληθούν ζημιές σε αντικείμενα και τραυματισμοί σε ανθρώπους.

Ασφάλεια με το ηλεκτρικό ρεύμα



ΠΡΟΕΙΔΟΠΟΙΗΣΗ! Πάντα υπάρχει κίνδυνος ηλεκτροπληξίας στα ηλεκτρικά μηχανήματα. Να αποφεύγετε αντίξοες καιρικές συνθήκες και σωματική επαφή με καλούς αγωγούς και μεταλλικά αντικείμενα. Να ακολουθείτε πάντα τις οδηγίες του εγχειριδίου χρήσης, έτσι ώστε να αποφύγετε τους τραυματισμούς.



ΠΡΟΕΙΔΟΠΟΙΗΣΗ! Μην πλένετε το μηχάνημα με νερό, καθώς το νερό μπορεί να εισέλθει στο ηλεκτρικό σύστημα ή στον κινητήρα και να προκαλέσει ζημιά στο μηχάνημα ή βραχυκύκλωμα.

- Συνδέετε πάντα το μηχάνημα μέσω ενός αποζεύκτη σφάλματος προς γη με προσωπική προστασία, δηλαδή ενός αποζεύκτη σφάλματος προς γη που εκδηλώνει σφάλμα προς γη στα 30 mA.
- Το μηχάνημα πρέπει να συνδέεται σε πρίζα με γείωση.
- Ελέγξτε ότι η ηλεκτρική τάση είναι ίδια με αυτή που αναγράφεται στη πινακίδα που βρίσκεται πάνω στο μηχάνημα.
- Ελέγξτε ότι το καλώδιο και το καλώδιο μπαλαντέζας είναι ακεράια και σε καλή κατάσταση. Να χρησιμοποιείτε πάντα εγκεκριμένα καλώδια επέκτασης για χρήση σε εξωτερικό χώρο.
- Μην χρησιμοποιείτε ποτέ το μηχάνημα εάν κάποιο καλώδιο ή βύσμα είναι καταστραμμένο και αναθέστε άμεσα την επισκευή του σε εξουσιοδοτημένο συνεργείο σέρβις.
- Μην χρησιμοποιείτε καλώδια επέκτασης που είναι τυλιγμένα, έτσι ώστε να αποφύγετε την υπερθέρμανσή του.
- Ποτέ μην σέρνετε το μηχανήμα από το καλώδιο και ποτέ μην βγάζετε το φις από την πρίζα τραβώντας το καλώδιο.
- Κρατήστε όλα τα καλώδια και πρίζες μακριά από νερό, λάδι και κοφτερές άκρες. Προσέχετε ώστε το καλώδιο να μην μαγκώνει σε πόρτες, φράχτες ή σε παρόμοια αντικείμενα. Μπορεί διαφορετικά να καταστήσει τα αντικείμενα ηλεκτροφόρα.

Προσωπική ασφάλεια

- Ποτέ μην χρησιμοποιείτε το μηχάνημα όταν είστε κουρασμένος, έχετε πει αλκοόλ ή πήρατε φάρμακα που επηρεάζουν την όρασή σας, την κρίση σας ή τον έλεγχο του σώματός σας.
- Μην αφήνετε ποτέ το μηχανήμα χωρίς επίβλεψη όταν ο κινητήρας λειτουργεί.
- Να το βγάζετε πάντα από την πρίζα σε μεγάλες διακοπές εργασίας.
- Ποτέ να μην εργάζεστε μόνοι σας, αλλά να έχετε πάντα κάποιο άλλο άτομο κοντά σας. Εκτός από τη βοήθεια που θα έχετε για τη συναρμολόγηση του μηχανήματος, θα μπορέσει να σας βοηθήσει και σε περίπτωση ατυχήματος.
- Μπορεί να σας αποσπάσουν την προσοχή άνθρωποι ή ζώα και να χάσετε έτσι τον έλεγχο του μηχανήματος. Γι αυτό να είστε πάντοτε συγκεντρωμένοι και επικεντρωμένοι στο αντικείμενό σας.
- Να εργάζεστε πάντα με τρόπο που επιτρέπει εύκολη πρόσβαση στη διακοπή έκτακτης ανάγκης.

Χρήσε και ψροντίδα

- Το μηχάνημα προορίζεται για χρήση σε βιομηχανικές εφαρμογές από έμπειρους χειριστές.
- Ο έλεγχος και/ή η συντήρηση πρέπει να γίνεται με τον κινητήρα σταματημένο, με το βύσμα βγαλμένο από τη πρίζα.
- Ασφαλιζετε πάντα το περίβλημα τροφοδοσίας προτού χαλαρώσετε τη μονάδα τροφοδοσίας, για να αποτρέψετε πτώση του μηχανήματος και του εξαρτήματος τρυπανιού προς το στοπ τερματισμού.
- Μην υπερφορτώνετε το μηχάνημα. Η υπερφόρτωση μπορεί να προκαλέσει φθορές.
- Να κλείνετε πάντα το μηχάνημα πριν το μετακινήσετε.
- Βεβαιωθείτε ότι όλοι οι σύνδεσμοι, οι συνδέσεις και τα καλώδια είναι εντάξει και καθαρά.
- Βεβαιωθείτε ότι όλα τα καλώδια και η τροφοδοσία νερού είναι σωστά συνδεδεμένα στο μηχάνημα προτού ξεκινήσετε.
- Ποτέ μην αποσυνδέσετε το καλώδιο ρεύματος χωρίς πρώτα να απενεργοποιήσετε τη μονάδα ισχύος και να περιμένετε τον κινητήρα να σταματήσει πλήρως. Αν προκύψει ωστόσο κατάσταση έκτακτης ανάγκης, πατήστε το κόκκινο κουμπί διακοπής έκτακτης ανάγκης.
- Διατηρήστε όλα τα εξαρτήματα σε εύρυθμη κατάσταση και φροντίστε να είναι καλά σφιγμένα όλα τα αγκύρια.

Βασικές τεχνικές εργασίας

Λειτουργία του ποτενσιόμετρου

- Η μονάδα τροφοδοτείται ανοδικά και καθοδικά της στήλης με την περιστροφή του ποτενσιόμετρου προς τη μία ή την άλλη κατεύθυνση.
- Εάν το ποτενσιόμετρο δεν βρίσκεται στη θέση μηδέν του όταν η μονάδα ενεργοποιείται, η τροφοδοσία δεν θα ξεκινήσει μέχρι το κουμπί να περάσει τη θέση μηδέν.
- Ρυθμίστε το φορτίο στρέφοντας το ποτενσιόμετρο. Προσαρμόζεται μεταξύ 1-18 A για τεν έκδοσε 230V και μεταξύ 1-28 A για τεν έκδοσε 110V.

Μηχανισμοί προστασίας και αυτορρύθμιση

Όταν παρουσιάζεται απόκλιση από τη φυσιολογική λειτουργία, η λυχνία LED θα αρχίσει να αναβοσβήνει με μεγάλη συχνότητα, προκειμένου να τραβήξει την προσοχή του χειριστή. Κάτι τέτοιο μπορεί να συμβεί, για παράδειγμα, εάν η θερμοκρασία του μοτέρ είναι υπερβολικά υψηλή, εάν παρατηρηθεί υπερφόρτωση ή εάν το μοτέρ τρυπανιού έχει διαπεράσει το υλικό στο οποίο εργάζεστε και η μονάδα παύσει να τροφοδοτεί.

Όταν η ενδεικτική λυχνία LED αναβοσβήνει με γρήγορο ρυθμό, το μοτέρ τρυπανιού δεν μπορεί να χρησιμοποιηθεί. Η δυνατότητα τροφοδοσίας μπορεί να ενεργοποιηθεί, θέτοντας το ποτενσιόμετρο στη μηδενική θέση. Η ενδεικτική λυχνία LED θα ξεκινήσει να αναβοσβήνει με πιο αργό ρυθμό. Πατήστε το διακόπτη ισχύος ξανά για να σταματήσετε τη μονάδα τροφοδοσίας. Η μονάδα πρέπει να απενεργοποιηθεί πλήρως για να επιστρέψει στην κανονική λειτουργία.

- Η μονάδα τροφοδοσίας μπορεί να διαβάσει τιμές από την προστασία μοτέρ ElgardΣ (μοτέρ τρυπανιού της Husqvarna). Όταν χρησιμοποιείται μαζί με μηχανήματα που διαθέτουν αυτή την προστασία μοτέρ, η μονάδα τροφοδοσίας βελτιστοποιεί την εργασία ανάλογα με το μοτέρ τρυπανιού που χρησιμοποιείται, χωρίς να το υπερφορτώνει.

Εάν η ισχύς του μοτέρ τρυπανιού είναι υπερβολικά υψηλή, η μονάδα μεταβαίνει σε λειτουργία αυτορρύθμισης. Στη λειτουργία αυτή, η μονάδα παύει να τροφοδοτεί προς τα κάτω και ενδέχεται να χρειαστεί μια ενίσχυση πριν συνεχίσει να τροφοδοτεί προς τα κάτω.

Εάν το ElgardΣ παρουσιάσει σφάλμα, η μονάδα τροφοδοσίας θα διαβάσει την αντίστοιχη τιμή. Αυτή η νέα τιμή θα αντιστοιχεί στο 100% στο ποτενσιόμετρο, που σημαίνει ότι ο χειριστής μπορεί να συνεχίσει την εργασία του, χωρίς να υπερφορτώνει τον κινητήρα. Η νέα μέγιστη τιμή παραμένει μέχρι την απενεργοποίηση της μονάδας τροφοδοσίας. Μετά, το ποτενσιόμετρο μεταβαίνει στην κανονική λειτουργία.

Εάν το μοτέρ τρυπανιού υπερφορτωθεί και το ElgardΣ δεν ενεργοποιηθεί, η μονάδα τροφοδοσίας σταματά την τροφοδοσία και απενεργοποιεί το μοτέρ τρυπανιού για την προστασία του. Εάν η προστασία από υπερφόρτωση ενεργοποιείται επανηλειμμένα, μπορεί να υπάρχει βλάβη στο ElgardΣ του μοτέρ τρυπανιού. Επικοινωνήστε με τον αντιπρόσωπο σέρβις.

- Όταν το τρυπάνι διαπεράσει το συμπαγές τμήμα, η ισχύς μειώνεται. Αφού η ισχύς βρίσκεται κάτω από μια συγκεκριμένη τιμή για ένα συγκεκριμένο χρονικό διάστημα, η μονάδα θα διακόψει αυτόματα την τροφοδοσία προς τα κάτω και θα απενεργοποιήσει το μοτέρ τρυπανιού.
- Εάν η ισχύς στον κινητήρα τροφοδοσίας της μονάδας είναι πολύ υψηλή και ο κινητήρας πρόκειται να παρουσιάσει υπερφόρτωση, η μονάδα τροφοδοσίας θα απενεργοποιηθεί. Αυτό μπορεί να προκύψει κατά τη διάτρηση με εξαρτήματα τρυπανιού με διάμετρο μικρότερη των 100 χλστ., κατά τη διάτρηση σε πολύ μαλακό σκυρόδεμα, στην περίπτωση λανθασμένης συναρμολόγησης ή εάν το περίβλημα της μονάδας τροφοδοσίας ακουμπά πολύ δυνατά στην κολώνα. Τροποποιήστε την ταχύτητα τροφοδοσίας και μην εφαρμόζεται υπερβολικό φορτίο στο μοτέρ τρυπανιού!

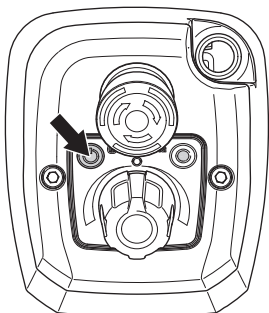
Ξεκίνηση και σταμάτημα

Πριν την εκκίνηση

- Βεβαιωθείτε ότι το μηχάνημα είναι σωστά συναρμολογημένο και δεν φέρει καμία ένδειξη ζημιάς. Συμβουλευθείτε τις οδηγίες που παρατίθενται στην ενότητα "Συναρμολόγηση και προσαρμογές".
- Ελέγξτε ότι το κουμπί έκτακτης ανάγκης δεν έχει πατηθεί, στρέφοντάς τα δεξιόστροφα.
- Βεβαιωθείτε ότι το ποτενσιόμετρο βρίσκεται στη μηδενική θέση.

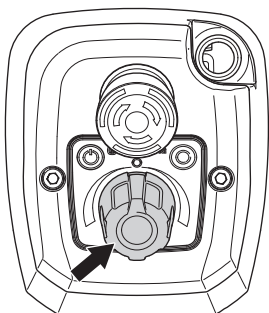
Εκκίνηση

- Πατήστε τον διακόπτη ισχύος. Η ενδεικτική λυχνία LED είναι αναμμένη συνεχώς και υποδεικνύει ότι υπάρχει τάση στην έξοδο της μονάδας.



Σημείωση! Αυτό ισχύει για μηχανήματα διάτρησης εξοπλισμένα με αποζεύκτη σφάλματος προς γη. Εάν ο αποζεύκτης σφάλματος προς γη στο μηχάνημα ενεργοποιηθεί, σε αυτό το σημείο μπορείτε να επαναφέρετε τον αποζεύκτη σφάλματος προς γη.

- Πραγματοποιήστε εκκίνηση του μοτέρ τρυπανιού. Συμβουλευθείτε τις οδηγίες στο εγχειρίδιο χρήσης για το μοτέρ τρυπανιού που χρησιμοποιείτε.
- Στρέψτε το ποτενσιόμετρο στην επιθυμητή θέση για να ξεκινήσει η τροφοδοσία.



- Εάν το μοτέρ τρυπανιού διαθέτει ενδείκτη υπερφόρτωσης, μπορείτε να τον χρησιμοποιήσετε ως οπτικό βοήθημα για να ρυθμίσετε τη σωστή ταχύτητα τροφοδοσίας.
- Για να βελτιστοποιήσετε τη χρήση, θα πρέπει να αφήσετε το μηχάνημα να λειτουργήσει μόνο του αφού αποκτήσει τη σωστή ταχύτητα τροφοδοσίας.

Σταμάτημα

- Πατήστε τον διακόπτη ισχύος, για να διακόψετε τη μονάδα τροφοδοσίας.

Μεταφορά και αποθήκευση

- Προτού μετακινήσετε τον εξοπλισμό πάντα να θέσετε τη μονάδα τροφοδοσίας εκτός λειτουργίας και να αποσυνδέετε το ηλεκτρικό καλώδιο.
- Χρησιμοποιείτε τα παρεχόμενα κιβώτια για την αποθήκευση του εξοπλισμού.
- Ασφαλίστε τον εξοπλισμό κατά τη διάρκεια οποιασδήποτε μεταφοράς, ώστε να αποφύγετε τυχόν βλάβες και ατυχήματα.
- Να αποθηκεύετε τον εξοπλισμό σε κλειδωμένο χώρο, ώστε να μην είναι προσβάσιμος σε παιδιά και μη εξουσιοδοτημένα άτομα.
- Αποθηκεύετε το μηχάνημα και τον εξοπλισμό του σε ένα στεγνό μέρος, ανθεκτικό στο ψύχος.
- Μην εκθέτετε το μηχάνημα σε θερμοκρασίες που ξεπερνούν τους 45°C ή σε άμεσο ηλιακό φως.

Συντήρηση



ΠΡΟΕΙΔΟΠΟΙΗΣΗ! Ο χρήστης επιτρέπεται να κάνει μόνο όσες εργασίες επισκευής και συντήρησης περιγράφονται σε αυτό το εγχειρίδιο χρήσης. Περαιτέρω εργασίες πρέπει να εκτελούνται μόνο από εξουσιοδοτημένο συνεργείο επισκευών.

Χρησιμοποιείτε ατομικό προστατευτικό εξοπλισμό. Βλ. τις οδηγίες στο κεφάλαιο "Ατομικός προστατευτικός εξοπλισμός"

Η διάρκεια ζωής της μηχανής μπορεί να μειωθεί ενώ και ο κίνδυνος για ατυχήματα είναι μεγαλύτερος στην περίπτωση που δεν πραγματοποιείται η σωστή συντήρηση της μηχανής καθώς και εάν η επισκευή δε γίνεται με επαγγελματικό τρόπο. Εάν θέλετε περισσότερες πληροφορίες, επικοινωνήστε με το πλησιέστερο συνεργείο.

Γενικά

- Ελέγχετε τακτικά τις λειτουργίες ασφαλείας του μηχανήματος. Συμβουλευθείτε τις οδηγίες που παρατίθενται στην ενότητα "Εξοπλισμός ασφαλείας του μηχανήματος".

Καθαρισμός

- Καθαρίστε εξωτερικά το μηχάνημα. Καθαρίστε με ένα πανί ή μια βούρτσα.
- Μην χρησιμοποιείτε ροδέλα υψηλής πίεσης, για να καθαρίσετε το μηχάνημα.

ΤΕΧΝΙΚΑ ΣΤΟΙΧΕΙΑ

Τεχνικά στοιχεία

Μέγιστη επιτρεπτή τάση, V	230 (50/60 Hz)
	110 (50/60 Hz)
Μέγιστη δυνατή ισχύς, W	80
Ονομαστικό ρεύμα, A	
230 V	0,6
110 V	1,25
Βαθμός προστασίας	IP65
Βάρος, kg/lbs	3,6/7.9
Μέγιστη διάμετρος διάτρησης, mm/ίντσες	450
Ταχύτητα τροφοδοσίας - max., m/min	3,2
Στάθμες θορύβου	
Ισοδύναμη σχετική πίεση στο αυτί του χειριστή, dB(A)	78

Επίπεδο θορύβου σύμφωνα με το πρότυπο EN 12348. Τα καταγεγραμμένα στοιχεία για τη στάθμη πίεσης θορύβου έχουν μία τυπική στατιστική διασπορά (τυπική απόκλιση) της τάξης του 1.0 dB(A).

ΕΚ–Βεβαίωση συμφωνίας

(Ισχύει μόνο στην Ευρώπη)

Η **Husqvarna AB**, SE-561 82 Huskvarna, Σουηδία, τηλ.: +46-31-949000, πιστοποιεί ότι η μονάδα αυτόματου ελέγχου και η μονάδα τρυπανιού για τη βάση τρυπανιού **Husqvarna AD 10**, από το έτος κατασκευής 2010 και στο εξής (το έτος αναγράφεται με απλό κείμενο στην πινακίδα κατασκευαστή, μαζί με τον αριθμό σειράς), πληροί τις προδιαγραφές της ΚΟΙΝΟΤΙΚΗΣ ΟΔΗΓΙΑΣ:

- μη ημερομηνία 17 Μαΐου 2006 "σχετικά με τα μηχανήματα" **2006/42/EK**.
- της 15ης Δεκεμβρίου 2004 "σχετικά με ηλεκτρομαγνητική συμβατότητα" **2004/108/EK**.
- με εμερομηνία 12 Δεκεμβρίου 2006 "σχετικά με τον ηλεκτρικό εξοπλισμό" **2006/95/EC**.
- της 8ης Ιουνίου 2011 "αναφορικά με τον περιορισμό συγκεκριμένων επικίνδυνων ουσιών" **2011/65/EU**

Εφαρμόστηκαν τα εξής πρότυπα:

EN ISO 12100:2010, EN 61000-3-2:2006, EN 61000-3-3/A1/A2:2006, EN 61000-6-2:2005, EN 61000-6-4:2007, EN 12348/A1:2009.

Göteborg 12 Απριλίου 2015



Helena Grubb

Αντιπρόεδρος, Κατασκευαστικός εξοπλισμός Husqvarna AB

(Εξουσιοδοτημένος αντιπρόσωπος της Husqvarna AB και υπεύθυνος για την τεχνική τεκμηρίωση.)

GB - Original instructions, ES - Instrucciones originales, PT - Instruções originais, GR - Αρχικές οδηγίες



1157654-30

2015-08-25