




Husqvarna[®]



EN **Operator's manual**

Read these instructions carefully and make sure you understand them before using the machine.

FR **Manuel d'utilisation**

Veuillez lire attentivement ces instructions et assurez-vous de bien les comprendre avant d'utiliser la machine.

ES **Manual del operador**

Lea cuidadosamente estas instrucciones y asegúrese de que las comprende bien antes de utilizar la máquina.

FS 3500 G



EN FR ES

KEY TO SYMBOLS

Symbols on the machine:

WARNING! The machine can be a dangerous tool if used incorrectly or carelessly, which can cause serious or fatal injury to the operator or others.



Please read the operator's manual carefully and make sure you understand the instructions before using the machine.



Wear personal protective equipment. See instructions under the heading "Personal protective equipment".



All displacement of the machine outside the cutting area shall be carried out with the tool not in rotation.



The guards should always be fitted on the machine. Never allow blade exposure to exceed 180°.



Check the cutting attachment. Never use blunt, cracked or damaged equipment.



The blades should be marked with the same or a higher speed than that stated on the machine's rating plate. A cutting blade running at a too high speed can break or cause serious damage.



Do not use the machine near ignitable substances or gases.



WARNING! Dust forms when cutting, this can cause injuries if inhaled. Use an approved breathing mask. Avoid inhaling exhaust fumes. Always provide for good ventilation.



Hot surface.



Machinery hazard! Always keep all parts of your body away from blade and all other moving parts.



Caution, risk of cutting



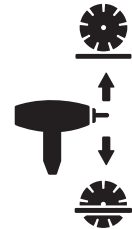
Water supply adjustment



Lower blade



Switch for lower and raise the blade



Ignition on



Engine starts



Engine stops

STOP

Machine stop



Transmission stop



Refuelling
Unleaded fuel only



Choke control



Engine oil



Dipstick, maintain proper engine oil level



Do not raise the saw when checking engine oil level.



Parking brake
Activated / Deactivated



Keep saw leveled, without blade, when checking oil level.



Other symbols/decals on the machine refer to special certification requirements for certain markets.

KEY TO SYMBOLS

NOTICE! CALIFORNIA AIR RESOURCES BOARD (CARB): This machine is considered a preempt Off-Road Applicatoin as relating to CARB standards. The U.S. EPA has sole authority to establish emission standards for preempt construction equipment. For more information see www.arb.ca.gov/msprog/offroad/preempt.htm

WARNING

The engine exhaust from this product contains chemicals known to the State of California to cause cancer, birth defects or other reproductive harm.

Explanation of warning levels

The warnings are graded in three levels.

WARNING!



WARNING! Used if there is a risk of serious injury or death for the operator or damage to the surroundings if the instructions in the manual are not followed.

CAUTION!



CAUTION! Used if there is a risk of injury to the operator or damage to the surroundings if the instructions in the manual are not followed.

NOTICE!

NOTICE! Used if there is a risk of damage to materials or the machine if the instructions in the manual are not followed.

Note the following before starting:



WARNING! Cutting, especially when DRY cutting, generates dust that comes from the material being cut, which frequently contains silica. Silica is a basic component of sand, quartz, brick clay, granite and numerous other minerals and rocks. Exposure to excessive amount of such dust can cause:

Respiratory disease (affecting your ability to breath), including chronic bronchitis, silicosis and pulmonary fibrosis from exposure to silica. These diseases may be fatal;

Skin irritation and rash.

Cancer according to NTP* and IARC* */ National Toxicology Program, International Agency for Research on Cancer

Take precautionary steps:

Avoid inhalation of and skin contact with dust, mist and fumes.

Wear and ensure that all bystanders wear appropriate respiratory protection such as dust masks designed to filter out microscopic particles. (See OSHA 29 CFR Part 1910.1200)

Wet cut when feasible, to minimize dust.

CONTENTS

Contents

KEY TO SYMBOLS

Symbols on the machine:	2
Explanation of warning levels	3
Note the following before starting:	3

CONTENTS

Contents	4
----------------	---

PRESENTATION

Dear customer!	5
Design and features	5
FS 3500 G	5
What is what on the floor saw - FS 3500 G	6
What is what on the control panel?	8

MACHINE'S SAFETY EQUIPMENT

General	9
---------------	---

BLADES

General	11
Diamond blades	11
Transport and storage	11

FUEL HANDLING

General	12
Fuel	12
Fueling	12
Transport and storage	12

BATTERY HANDLING

General	13
Connecting the battery	13
Disconnecting the battery	13
Starting the engine with a weak battery	13

OPERATING

Protective equipment	14
General safety precautions	14
Service	14
Basic working techniques	15
Handle position	16
Moving the machine	16
Fitting the blade	17
Blade cutting depth	19
Straight line sawing	19
Hydraulic System	20
Transport and storage	20
Long-term storage	20

STARTING AND STOPPING

Before starting	21
Starting for the first time	21
Starting	21
Stopping	22

MAINTENANCE AND SERVICE

General	24
Measures to take in advance of maintenance, service and trouble shooting	24
Cleaning	24
Service schedule	25

TROUBLESHOOTING

Incidents during sawing	30
-------------------------------	----

TECHNICAL DATA

Battery	31
Hydraulic fluid and lubricants	31
Technical data	32

RELAYS AND FUSES

Relays and fuses - FS 3500 G	34
------------------------------------	----

FEDERAL AND CALIFORNIA EMISSIONS

CONTROL WARRANTY STATEMENT

YOUR WARRANTY RIGHTS AND OBLIGATIONS	35
MANUFACTURER'S WARRANTY COVERAGE	35
OWNER'S WARRANTY RESPONSIBILITIES	35
GENERAL EMISSION WARRANTY COVERAGE	35
WARRANTED PARTS	36

PRESENTATION

Dear customer!

Thank you for choosing a Husqvarna product!

It is our wish that you will be satisfied with your product and that it will be your companion for a long time. A purchase of one of our products gives you access to professional help with repairs and services. If the retailer who sells your machine is not one of our authorised dealers, ask him for the address of your nearest service workshop.

This operator's manual is a valuable document. Make sure it is always at hand at the work place. By following its content (using, service, maintenance etc.) the life span and the second-hand value of the machine can be extended. If you ever lend or sell this machine, make sure that the borrower or buyer gets the operator's manual, so they will also know how to properly maintain and use it.

More than 300 years of innovation

Husqvarna AB is a Swedish company based on a tradition that dates back to 1689, when the Swedish King Karl XI ordered the construction of a factory for production of muskets. At that time, the foundation was already laid for the engineering skills behind the development of some of the world's leading products in areas such as hunting weapons, bicycles, motorcycles, domestic appliances, sewing machines and outdoor products.

Husqvarna is the global leader in outdoor power products for forestry, park maintenance and lawn and garden care, as well as cutting equipment and diamond tools for the construction and stone industries.

Owner responsibility

It is the owner's/employer's responsibility that the operator has sufficient knowledge about how to use the machine safely. Supervisors and operators must have read and understood the Operator's Manual. They must be aware of:

- The machine's safety instructions.
- The machine's range of applications and limitations.
- How the machine is to be used and maintained.

Local regulations could restrict the use of this machine. Find out what regulations are applicable where you work before you start using the machine.

The manufacturer's reservation

Subsequent to publishing this manual Husqvarna may issue additional information for safe operation of this product. It is the owner's obligation to keep up with the safest methods of operation.

Husqvarna AB has a policy of continuous product development and therefore reserves the right to modify the design and appearance of products without prior notice.

For customer information and assistance, contact us at our website: www.husqvarna.com or call at 1-800-845-1312.

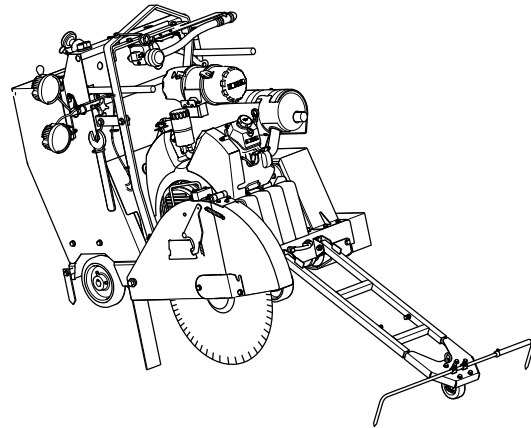
Design and features

These walk behind floor saws are intended to use with diamond blades for wet cutting only. They are designed to cut fresh and hardened concrete in different hardness classes and asphalt.

Values such as high performance, reliability, innovative technology, advanced technical solutions and environmental considerations distinguish Husqvarna's products. Safe operation of this product requires the operator to read this manual carefully. Ask your dealer or Husqvarna should you need more information.

Some of the unique features of your product are described below.

FS 3500 G



Saw

It is robust, agile, easy to operate and maintain.

Engine

Powerful air cooled gasoline engine with electrical start and easy to operate.

Power transmission

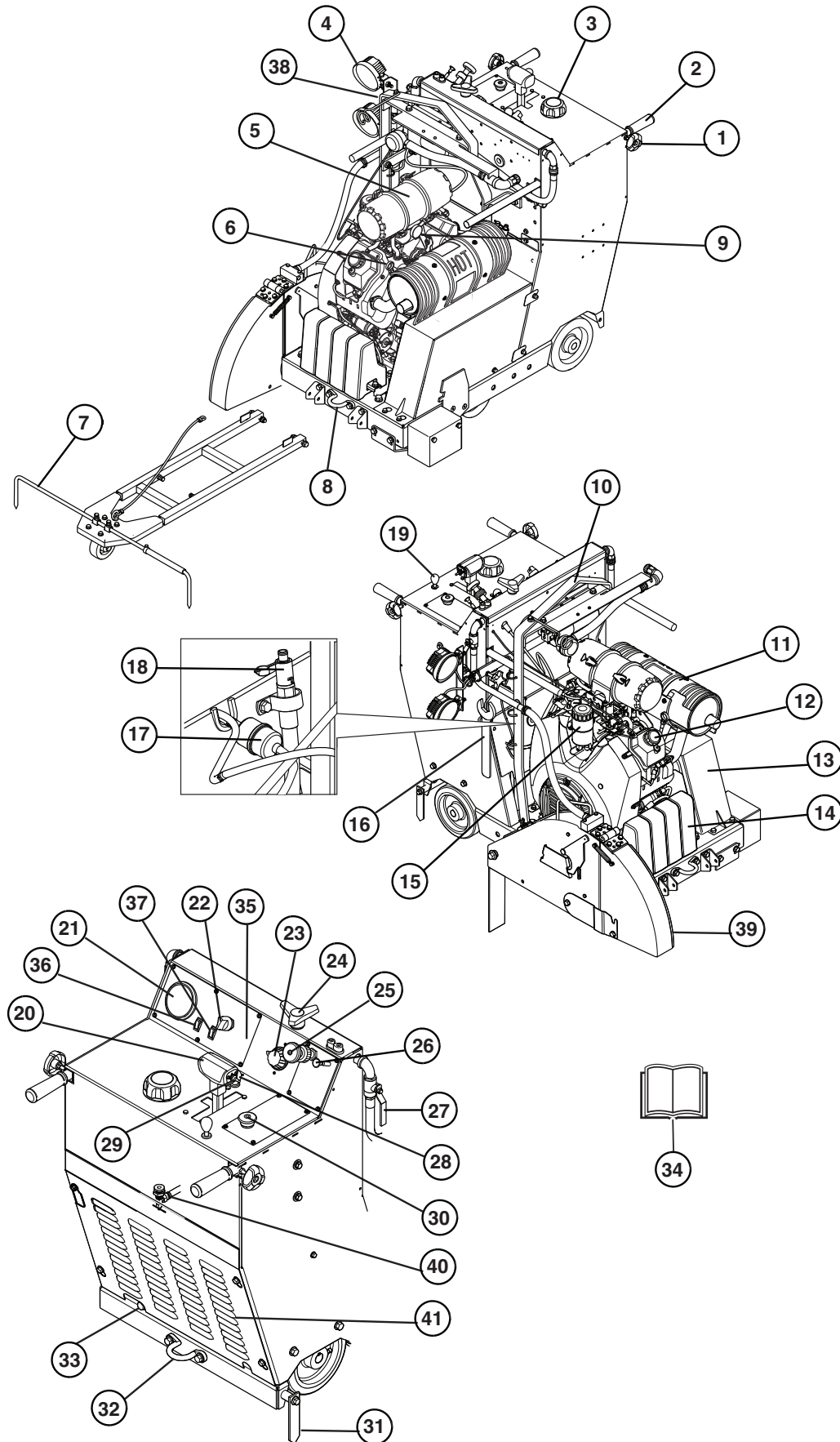
Robust and efficient power transmission with dynamic belt tensioning for smooth power transfer and longer belt life.

Front guide

Front guide has telescopic adjustment which gives good visibility and convenient storage

PRESENTATION

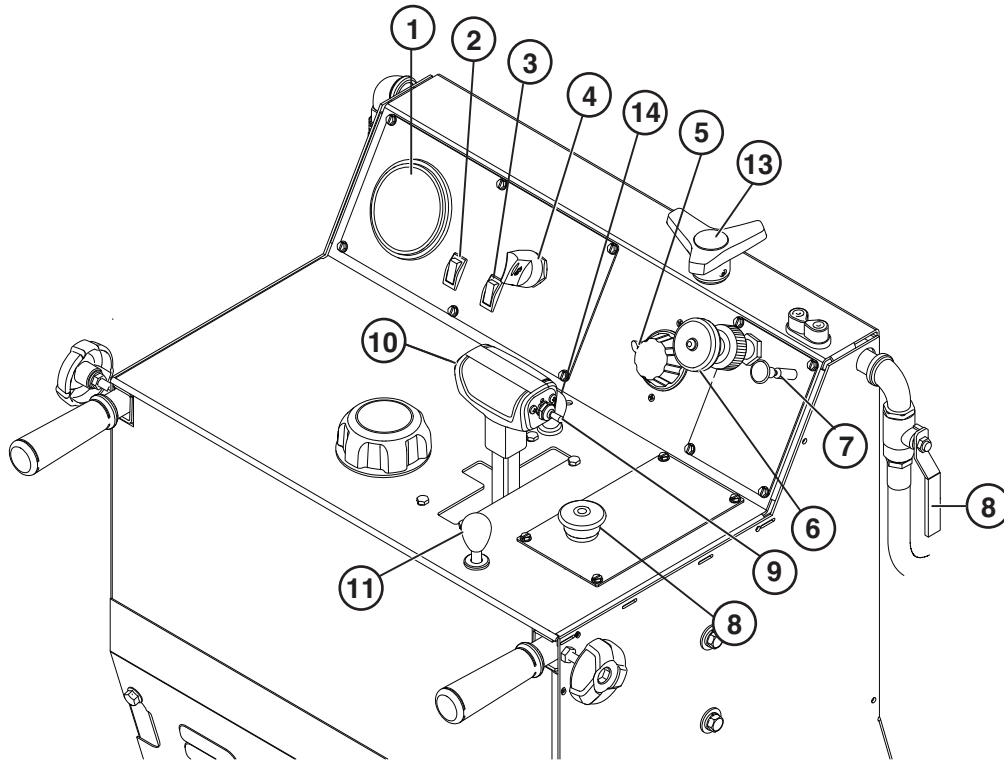
What is what on the floor saw - FS 3500 G



PRESENTATION

- 1 Locking knob for handlebar adjustment
- 2 Handle bar
- 3 Fuel tank fill
- 4 Working lights (optional)
- 5 Air filter
- 6 Engine oil check (dipstick)
- 7 Front guide
- 8 Front tie-down lug
- 9 Filter minder
- 10 Lifting eye
- 11 Muffler
- 12 Engine oil fill
- 13 Drive belt cover
- 14 Weights
- 15 Engine oil filter
- 16 Blade shaft wrench
- 17 Engine fuel filter
- 18 Oil drain hose
- 19 Parking brake lever
- 20 Forward/Reverse control lever
- 21 Engine tachometer / hour meter
- 22 Engine start switch
- 23 Blade depth indicator
- 24 Blade depth stop
- 25 Engine throttle
- 26 Choke control
- 27 Water valve
- 28 Free wheel lever
- 29 Blade raise/lower switch
- 30 Machine stop
- 31 Rear pointer - right side
- 32 Rear tie-down lug
- 33 Manual axle adjustment
- 34 Operator's manual
- 35 Relay and fuse box
- 36 Water safety switch
- 37 Water pump switch
- 38 Switch for the lights
- 39 Blade guard
- 40 Fuel shut-off valve
- 41 Rear protective cover

PRESENTATION



The control panel is the operator's link to the machine. From here the operator can control anything from engine rpm, cutting depth of the blade and read the current status of the engine and the machine.

What is what on the control panel?

- | | |
|----------------------------------|----------------------------------|
| 1 Engine tachometer / hour meter | 8 Water valve |
| 2 Water safety switch | 9 Raise/lower switch (blade) |
| 3 Water pump switch | 10 Forward/Reverse control lever |
| 4 Engine start switch | 11 Parking brake lever |
| 5 Blade depth indicator | 12 Machine stop |
| 6 Engine throttle | 13 Blade depth stop |
| 7 Choke control | 14 Free wheel lever |

MACHINE'S SAFETY EQUIPMENT

General

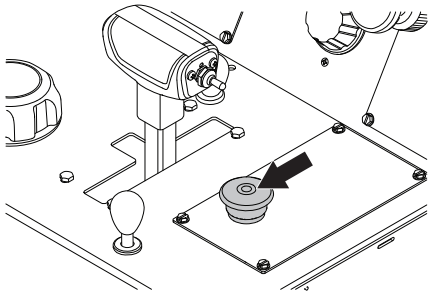


WARNING! Never use a machine that has faulty safety equipment! If your machine fails any checks contact your service agent to get it repaired. The engine should be switched off, and the Engine start switch in STOP position.

This section describes the machine's safety equipment, its purpose, and how checks and maintenance should be carried out to ensure that it operates correctly.

Machine stop

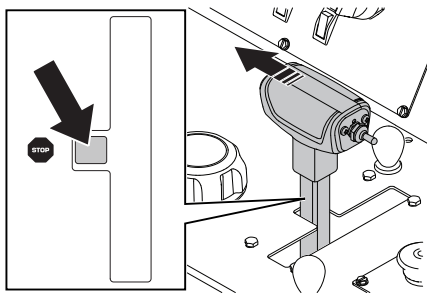
The machine stop is used to quickly switch off the engine and all electrical functions except lights.



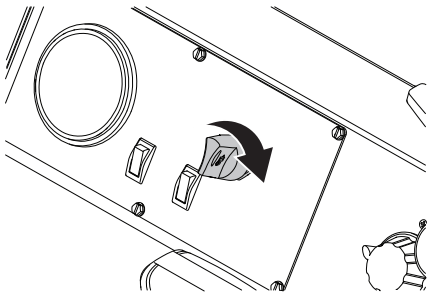
NOTICE! Do not use for routine stop.

Testing the machine stop

Set the Forward/Reverse control lever to the STOP position. The engine will not start unless the lever is in the distinct STOP position.

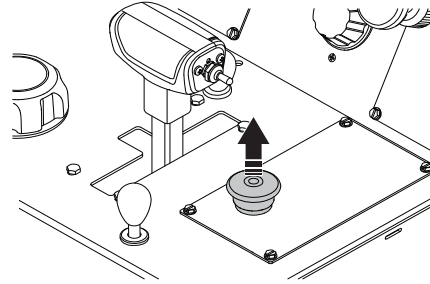


- 1 Start the engine, turn the Engine start switch to ignition on position. Follow the procedure in the engine manual.



- Press the machine stop and check that the engine stops. This will set the machine in safe mode.

- Reset the machine stop by pulling the knob outward.



Blade Guard



WARNING! Always check that the blade guard is fitted correctly before starting the machine.

This guard is fitted above the blade and is designed to prevent parts of the blade or cutting fragments from being thrown towards the user.

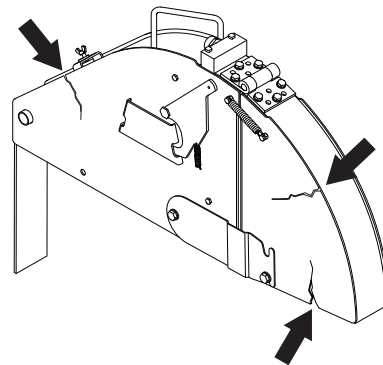
It will also protect the user from the blade and cool the blade with water when wet cutting.

Checking the blade guard



WARNING! Always check that the guard is correctly fitted before starting the machine. Also check that the blade is fitted correctly and is not damaged in any way. A damaged blade can cause personal injuries.

- Check that the blade guard is not damaged or cracked. Replace the blade guard if it is exposed to impact or is cracked.



MACHINE'S SAFETY EQUIPMENT

Protection covers

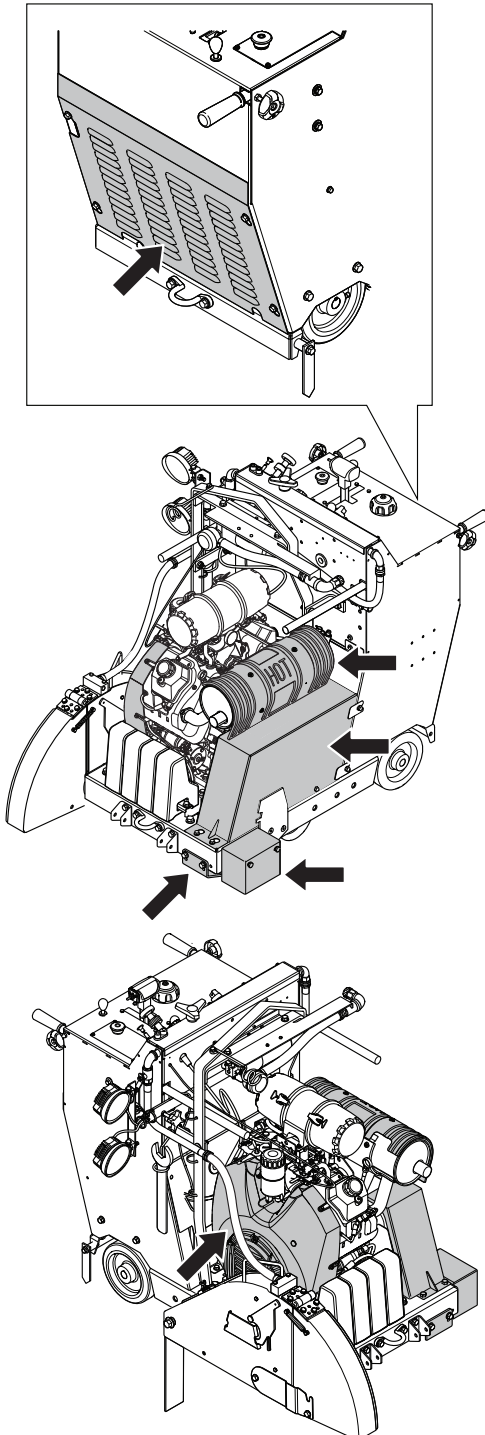


WARNING! Always check that the protection covers are correctly fitted before starting the machine.

Protective covers on the machine protect the user from the cooling fan, belt drives and hot surfaces.

Checking the protective covers

- Check the protective covers for cracks or other damages. Replace damaged covers.



Muffler



WARNING! Never use a machine without a muffler, or with a faulty muffler. A damaged muffler may substantially increase the noise level and the fire hazard. Keep fire fighting equipment handy.

The muffler gets very hot during and after use. This also applies during idling. Be aware of the fire hazard, especially when working near flammable substances and/or vapours.

The muffler is designed to keep noise levels to a minimum and to direct exhaust fumes away from the user.

Inspecting the muffler

- Check regularly that the muffler is complete and secured correctly.

BLADES

General



WARNING! A cutting blade may burst and cause injury to the operator.

The cutting blade manufacturer issues warnings and recommendations for the use and proper care of the cutting blade. Those warnings come with the cutting blade.

A cutting blade should be checked before it is assembled on the saw and frequently during use. Look for cracks, lost segments (diamond blades) or pieces broken off. Do not use a damaged cutting blade.

- High-quality blades are often most economical. Lower quality blades often have inferior cutting capacity and a shorter service life, which results in a higher cost in relation to the quantity of material that is cut. See the instructions under the heading Assembling the blades.



WARNING! Never use a blade for any other materials than that it was intended for. Never use a blade with a lower speed rating than that of the machine. Do not use circular saw blades or carbide tipped blades.

Blade instability

- The blade can wobble and burst if an excessive rotational speed rating is used.
- A lower rotational speed rating can stop the wobbling. Check for correct blade transmission configuration and/or gear. Otherwise replace the blade.

Diamond blades

General

The cutting blade continues to rotate up to a minute after the motor has stopped. Never stop the blade with your hands. Personal injuries can occur.

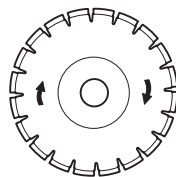


WARNING! Diamond blades become very hot when used. An overheated blade is a result of improper use, and may cause deformation of the blade, resulting in damage and injuries.

Cutting metal generates sparks that may cause fire. Do not use the machine near ignitable substances or gases.

- Diamond blades consist of a steel core provided with segments that contain industrial diamonds.
- Diamond blades ensure lower costs per cutting operation, fewer blade changes and a constant cutting depth.

- When using diamond blades make sure that it rotates in the direction indicated by the arrow on the blade.



Sharpening diamond blades

- Always use a sharp diamond blade.
- Diamond blades can become dull when the wrong feeding pressure is used or when cutting certain materials such as heavily reinforced concrete. Working with a dull diamond blade causes overheating, which can result in the diamond segments coming loose.
- Sharpen the blade by decreasing the cutting depth and engine speed for a short time. This will expose new and sharp diamonds on the blade

Diamond blades and cooling

- During cutting the friction in the cut causes the diamond blade to be heated up. If the blade is allowed to get too hot this can result in loss of blade tensioning or core cracking. Therefore the diamond blade needs to be cooled with water.

Diamond blades for wet cutting

During cutting the friction in the cut causes the diamond blade to be heated up. If the blade is allowed to get too hot this can result in loss of blade tensioning or core cracking.

Allow the blade to cool down before touching it.

- Wet cutting diamond blades must be used with water to keep the blade core and segments cool during sawing. Wet cutting blades should NOT be used dry.
- Using wet cutting blades without water can cause excessive heat build-up, resulting in poor performance, severe blade damage and is a safety hazard.
- Water cools the blade and increases its service life while also reducing the formation of dust.
- Use wet sawing of old and new concrete and asphalt.

Blade size, inch/mm	Maximum cutting depth, inch/mm
20/500	7,75/193
26/650	10,5/262
30/750	12,5/312

NOTICE! Always use blade flange size specified for current blade size. Never use damage flanges.

Transport and storage

- Store cutting blades in a safe place so it can not be damage.
- Store cutting blades in dry, frost free conditions.
- Inspect new blades for transport or storage damage.

FUEL HANDLING

General



WARNING! Running an engine in a confined or badly ventilated area can result in death due to asphyxiation or carbon monoxide poisoning.

Fuel and fuel fumes are highly inflammable and can cause serious injury when inhaled or allowed to come in contact with the skin. For this reason observe caution when handling fuel and make sure there is adequate ventilation.

The exhaust fumes from the engine are hot and may contain sparks which can start a fire. Never start the machine indoors or near combustible material!

Do not smoke and do not place any hot objects in the vicinity of fuel.

Fuel

Gasoline

- Use clean, fresh unleaded gasoline.
- The lowest recommended octane grade is 87 ((RON+MON)/2). If you run the engine on a lower octane grade than 87 so-called knocking can occur. This gives rise to a high engine temperature and increased bearing load, which can result in serious engine damage.

Engine oil

Always park the machine on a level surface before checking the oil. Keep saw leveled, without blade, when checking oil level.

- Check the oil level before starting the machine. A too low oil level can cause serious damage to the engine. See instructions in section "Maintenance and service".
- Never use oil intended for two-stroke engines. Use only Low ash engine oil, as specified in "Technical data".

NOTICE! Make sure there is always sufficient oil in the engine.

Fueling



WARNING! Always stop the engine and let it cool for a few minutes before refueling.

When refuelling, open the fuel cap slowly so that any excess pressure is released gently.

Clean the area around the fuel cap.

Tighten the fuel cap carefully after refueling. If the cap is not properly tightened the cap might vibrate lose and fuel may escape from the fuel tank creating a fire hazard.

Move the machine at least 10 ft (3 m) from the refuelling point before starting it.

Never start the machine:

- If you have spilled fuel or engine oil on the machine, wipe off the spillage and allow remaining fuel to evaporate.
- If you have spilled fuel on yourself or your clothes, change your clothes. Wash any part of your body that has come in contact with fuel. Use soap and water.
- If the machine is leaking fuel. Check regularly for leaks from the fuel cap and fuel lines.

Transport and storage

- Store and transport the machine and fuel so that there is no risk of any leakage or fumes coming into contact with sparks or open flames, for example, from electrical machinery, electric motors, electrical relays/switches or boilers.
- When storing and transporting fuel always use approved containers intended for this purpose.

BATTERY HANDLING

General



WARNING! Lead-acid batteries produce explosive gases. Avoid sparks, open flames and smoking close to batteries.

- Connecting or disconnecting the battery may cause sparks and short circuits.
- A spark or flame can cause a lead acid battery to explode.
- Never connect both terminals on the battery at the same time with a wrench or other metal as this may short-circuit the battery.
- Always handle battery with care.
- Unused batteries must be kept away from metal objects such as nails, coins, jewellery.
- Remove metal bracelets, watches, rings, etc., before connecting the battery. Wear gloves and protective goggles or a dust mask when working with the battery.
- The original battery is maintenance free. Do not attempt to open or remove caps or covers. It is usually not necessary to check or adjust the level of electrolyte.
- Replace only with a similar maintenance-free battery. See information in the Technical data section.
- When welding on the machine, always disconnect both battery cables and store cables away from battery poles.
- Always connect the minus pole of welding gear as close as possible to the weld spot.

NOTICE! Do not override maximum physical size of battery. Too large battery can damage or be damaged by adjacent parts.

Handle the battery carefully, of environmental considerations. Follow the local recycling requirements.

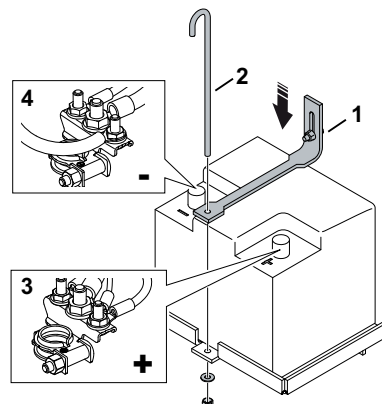
- If battery has difficulties holding voltage over long time periods when load is not applied, replace battery. For more information about recommended batteries, see section "Technical data"
- Charge battery regularly.
- Keep battery terminals and its accessories clean.

Connecting the battery

Note! Install and remove the battery cables only in the sequence described in this section.

- 1 Install the battery holder.
- 2 Lock the battery with the pin.
- 3 Always connect positive terminal first.

- 4 Connect negative terminal.



Disconnecting the battery

- Remove the cables in the reverse order

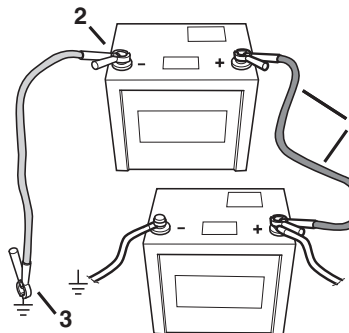
Starting the engine with a weak battery

If the battery is too weak to start the engine, it should be recharged.

When jump leads are used for emergency starting, follow the procedure below:

Connecting the jump leads

- 1 Connect each end of the red cable to the POSITIVE pole (+) on each battery, exercise care not to short circuit any of the ends against the chassis.
- 2 Connect one end of the black cable to the NEGATIVE pole (-) on the fully charged battery.
- 3 Connect the other end of the black cable to a good ENGINE BLOCK EARTH, away from the fuel tank and the battery.



Remove the cables in the reverse order

- The BLACK cable is removed from the engine block and then the fully charged battery.
- Finally the RED cable from both batteries.

Storage

- Store the battery cool and dry area.

OPERATING

Protective equipment

General

Make sure that there is always another person close at hand when you use the machine, so that you can call for help if an accident should occur.

Personal protective equipment

You must use approved personal protective equipment whenever you use the machine. Personal protective equipment cannot eliminate the risk of injury but it will reduce the degree of injury if an accident does happen. Ask your dealer for help in choosing the right equipment.



WARNING! The use of products such as cutters, grinders, drills, saws that sand or form material can generate dust and vapors which may contain hazardous chemicals. Check the nature of the material you intend to process and use an appropriate breathing mask.

Long-term exposure to noise can result in permanent hearing impairment. Always use approved hearing protection. Listen for warning signals or shouts when you are wearing hearing protection. Always remove your hearing protection as soon as the engine stops.

Always wear:

- Approved protective helmet
- Hearing protection
- Approved eye protection. If you use a face shield then you must also wear approved protective goggles. Approved protective goggles must comply with standard ANSI Z87.1 in the USA or EN 166 in EU countries. Visors must comply with standard EN 1731.
- Breathing mask
- Heavy-duty, firm grip gloves.
- Tight-fitting, heavy-duty and comfortable clothing that permits full freedom of movement. Cutting generates sparks that can ignite clothing. Husqvarna recommends that you wear flame-retardant cotton or heavy denim. Do not wear clothing made of material such as nylon, polyester or rayon. If ignited such material can melt and cling to the skin. Do not wear shorts
- Boots with steel toe-caps and non-slip sole

Other protective equipment



CAUTION! Sparks may appear and start a fire when you work with the machine. Always keep fire fighting equipment handy.

- Fire Extinguisher
- Always have a first aid kit nearby.

General safety precautions

This section describes basic safety directions for using the machine. This information is never a substitute for professional skills and experience.

- Please read the operator's manual carefully and make sure you understand the instructions before using the machine. It is recommended that first time operators also obtain practical instruction before using the machine.
- Keep in mind that it is you, the operator that is responsible for not exposing people or their property to accidents or hazards.
- The machine must be kept clean. Signs and stickers must be fully legible.

Service

Have your machine serviced by a qualified repair person using only identical replacement parts. This will ensure that the safety of the machine is maintained.

Always use common sense

It is not possible to cover every conceivable situation you can face. Always exercise care and use your common sense. If you get into a situation where you feel unsafe, stop and seek expert advice. Contact your dealer, service agent or an experienced user. Do not attempt any task that you feel unsure of!



WARNING! The machine can be a dangerous tool if used incorrectly or carelessly, which can cause serious or fatal injury to the operator or others.

Never allow children or other persons not trained in the use of the machine to use or service it.

Never allow anyone else to use the machine without first ensuring that they have read and understood the contents of the operator's manual.

Never use the machine if you are fatigued, while under the influence of alcohol or drugs, medication or anything that could affect your vision, alertness, coordination or judgement.

OPERATING



WARNING! Unauthorized modifications and/or accessories may lead to serious injury or death to the user or others. Under no circumstances may the design of the machine be modified without the permission of the manufacturer.

Do not modify this product or use it if it appears to have been modified by others.

Never use a machine that is faulty. Carry out the safety checks, maintenance and service instructions described in this manual. Some maintenance and service measures must be carried out by trained and qualified specialists. See instructions under the heading Maintenance.

Always use genuine accessories.

Your warranty may not cover damage or liability caused by the use of non-authorized accessories or replacement parts.



WARNING! This machine produces an electromagnetic field during operation. This field may under some circumstances interfere with active or passive medical implants. To reduce the risk of serious or fatal injury, we recommend persons with medical implants consult their physician and the medical implant manufacturer before operating this machine.

Work area safety

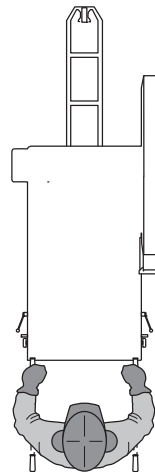


WARNING! You are responsible to ensure that animals and onlookers are not within the working area. Do not start cutting until the working area is clear.

- Observe your surroundings to ensure that nothing can affect your control of the machine.
- Ensure that no one/nothing can come into contact with the cutting equipment or be hit by parts if the blade breaks.
- Do not use the machine in bad weather, such as dense fog, heavy rain, strong wind, intense cold, etc. Working in bad weather is tiring and can lead to dangerous conditions, e.g. slippery surfaces.
- Never start to work with the machine before the working area is clear and you have a firm foothold. Look out for any obstacles with unexpected movement. Ensure when cutting that no material can become loose and fall, causing injury to the operator. Take great care when working on sloping ground.
- Ensure that the working area is sufficiently illuminated to create a safe working environment.
- Make sure that no pipes or electrical cables are routed in the working area or in the material to be cut.
- Running an engine in a confined or badly ventilated area can result in death due to asphyxiation or carbon monoxide poisoning.

Basic working techniques

- This machine is designed and intended for cutting of fresh and hardened concrete in different hardness classes and of asphalt.
- Always saw in a manner that permits easy access to the machine stop.
- Check that no tools or other objects have been left lying on the machine.
- Never leave the machine unsupervised with the engine running.
- Always check that the blade guard is fitted correctly before starting the machine. Never cut without using the blade guard.
- Clearly mark out all cuts to be made before you start sawing, plan these so they can be carried out without danger to persons or the machine.
- Under all circumstances avoid grinding using the side of the blade; it will almost certainly be damaged, break and can cause immense damage. Only use the cutting section.
- Do not stand behind or in front of the blade path while the engine is running.
- Do not leave the machine unattended while the engine is running.
- Never cock, jam wedge or twist blade in a cut.
- Make sure that there is always another person close at hand when you use the machine, so that you can call for help if an accident should occur.
- Never stand behind or in front of blade path while the engine is running. The operator position is between the two handlebars.



OPERATING

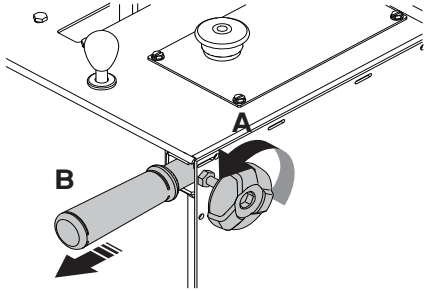
Handle position

CAUTION! Never use the handlebars to lift the saw.

Use the handlebars to maneuver the saw.

The position of the handlebars can be adjusted in length.

- Loosen the locking knob **A** to adjust the length.
- Set handle **B** to most comfortable working length. Tighten the locking knob.



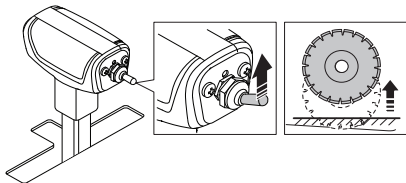
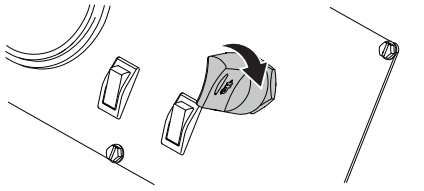
Moving the machine

Prior to moving the machine, read and understand section "Starting and stopping".

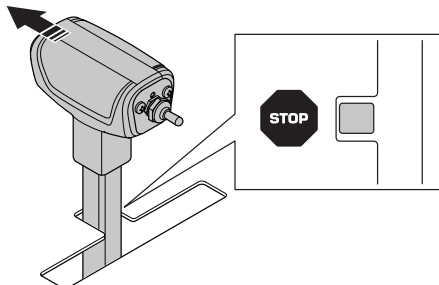
Moving the machine with the engine off

- Turn Engine start switch to "RUN" position.

Raise the saw by pressing up the Raise/lower switch on the Forward/Reverse control lever until the blade (if installed) clears the pavement surface.



- Put Forward/Reverse control lever into the Stop/Neutral position.



- Pull freewheel lever on control panel.

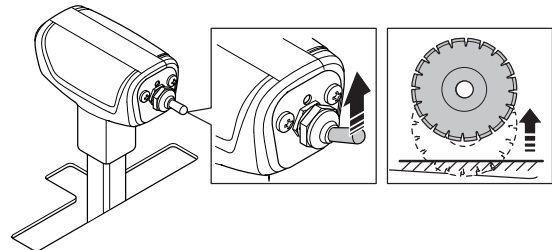
- The saw can now be moved by standing behind it and pushing (while holding the handlebars).



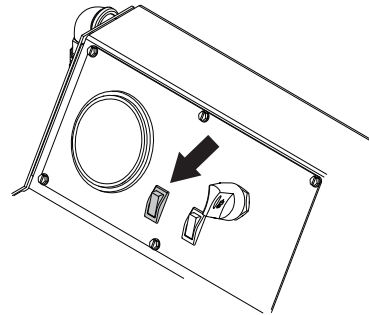
WARNING! Do not attempt to push the saw while it is in neutral position on a grade (or hill). The saw operator could lose control of the saw and cause injury to oneself or other persons in the area.

Moving the saw with the engine on

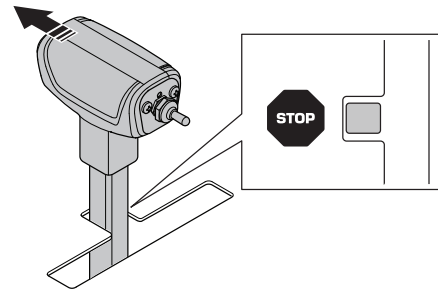
- Raise the saw by pressing up the Raise/lower switch on the Forward/Reverse control lever until the blade (if installed) clears the pavement surface.



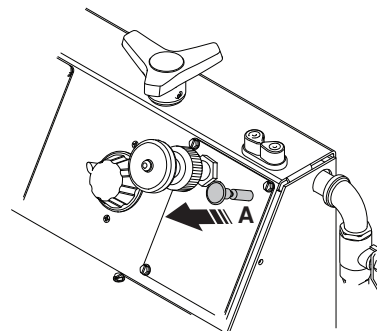
- Set the Water safety switch to the OFF position.



- Put the Forward/Reverse control lever into the Stop/Neutral position. The engine will not start unless the lever is in the Stop/Neutral position.

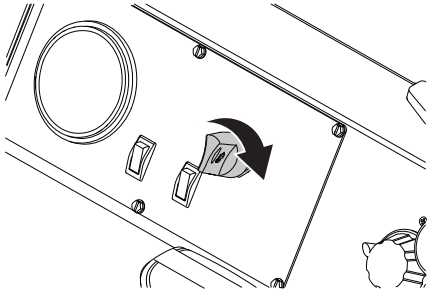


- Pull out the Engine Choke (A).



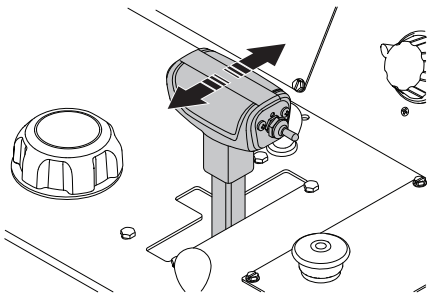
OPERATING


- Turn the Engine start switch to the engines start position until the engine starts, then release the switch. It will return to ignition on position automatically. If the engine does not start, repeat these steps.



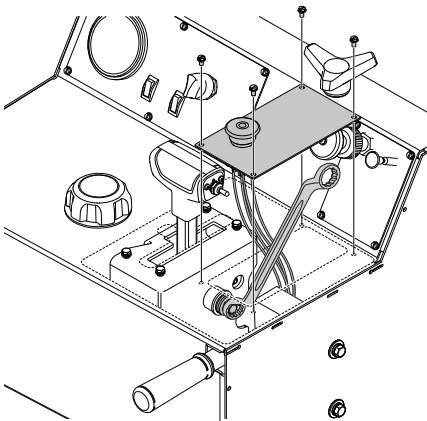
- Push the Forward/Reverse control lever forward for forward saw movement, or to the rear for reverse saw movement.

The further you push the lever the faster the speed. For more information, see the "Technical data" section.



 **WARNING! Do not put transmission in neutral while the machine is parked on a grade or hill. The operator will lose control and injury or damage could occur.**

Adjust the resistance on the Forward/Reverse control lever with the nut on the side of the lever.



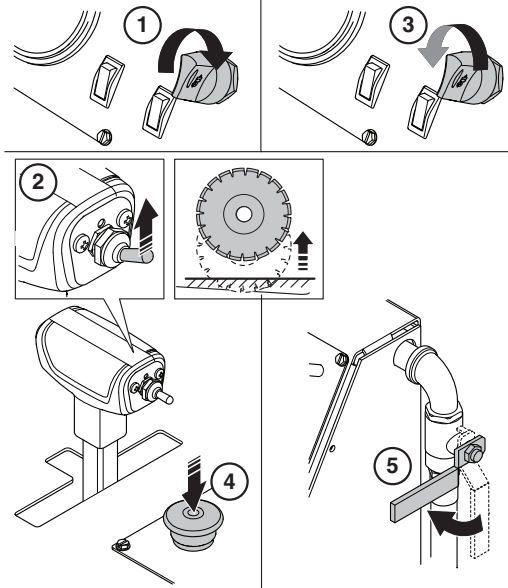
Fitting the blade



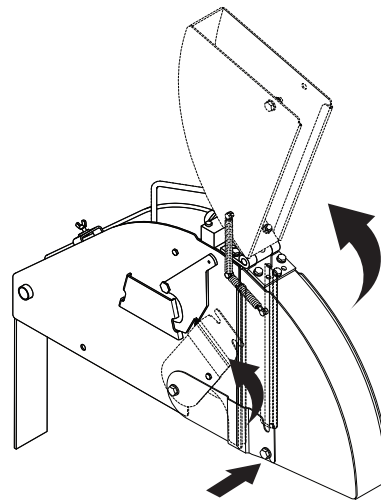
WARNING! Always set the engine start switch to the OFF position before installing the blade.

NOTICE! Check the blade's direction of rotation. The arrow on the blade and the blade guard indicates the direction of rotation.

- 1 Set Engine start switch to ignition on position.
- 2 Raise the saw to a high position using the Raise/lower switch on the Forward/Reverse control lever.
- 3 Set the engine start switch to OFF position.
- 4 Press the Machine stop on the control panel.
- 5 Turn off the Water valve.



- Loosen the blade guard front bolt and lift the blade guard latch.
- Raise blade guard front and use quick release pin to lock it in upright position.



OPERATING

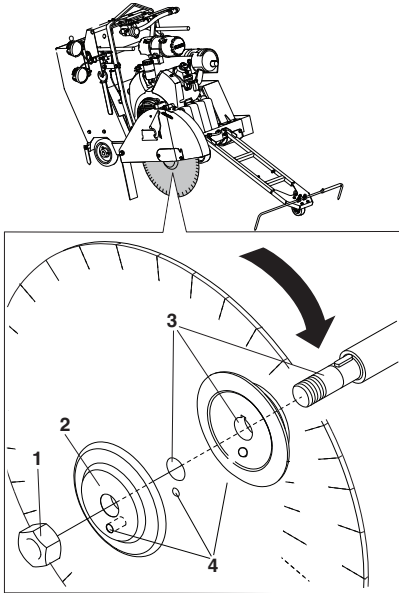


WARNING! Check that the blade, blade flanges and blade flange arbor are undamaged. Clean the contact surfaces of the blade and the blade flanges. Make sure the blade and the flanges are clean and free of dirt and debris before mounting the blade on the machine.

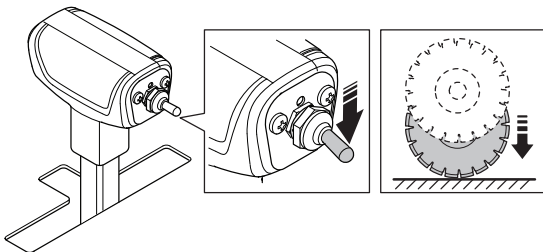
The blade shaft bolt on the right hand side of the saw has left hand threads and the blade shaft bolt on the left hand side of the saw has right hand threads. Replace the blade shaft bolt and plain washer when worn or damaged.

- 1 Loosen blade shaft nut which is used to clamp the blade between the inner and outer flange.
- 2 Remove the outer blade flange.
- 3 Fit diamond blade to blade shaft.
- 4 Install outer flange with blade pre-installed into the inner flange making sure that the locking pin passes through the diamond blade and into the inner flange.

Install and tighten nut using the blade shaft wrench while firmly holding the blade.

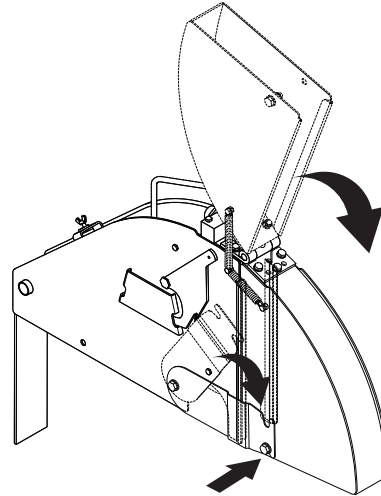


Lower the saw by pushing the Raise/lower switch on the Forward/Reverse control lever downwards until the blade touches the surface to be cut.



CAUTION! The touch should be smooth to prevent damaging the blade. Use Saw lowering speed control knob to slow down the lowering speed. Never let the front weight of the machine be supported by the blade since this will damage the blade.

- Tighten the blade shaft bolt firmly using the blade shaft wrench while resistance between diamond blade and ground helps to achieve proper and final tightening.
- Lower blade guard front and position the blade guard latch on the blade guard front bolt. Tighten the blade guard front bolt.



NOTICE! Do not operate this saw without the latch engaged and the bolt installed. Do not use if damaged.

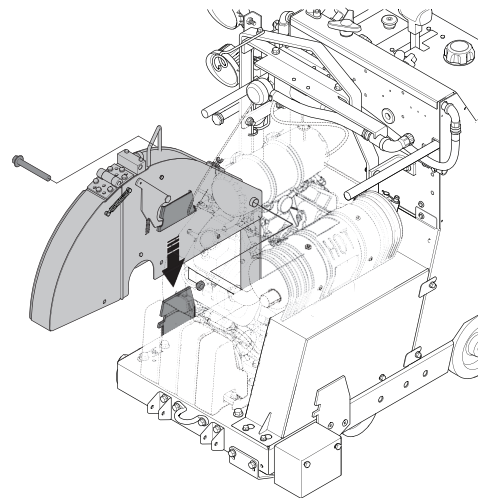
- Test run the machine and check that no unusual sounds occur. Unusual sounds are a sign of an incorrectly mounted blade.

Install the blade guard

Slip on blade guards are secured with a blade guard lock which engages the rear half of the blade guard.

Do not operate this saw without the lock engaged. Inspect blade guards and locks frequently. Do not use if damaged.

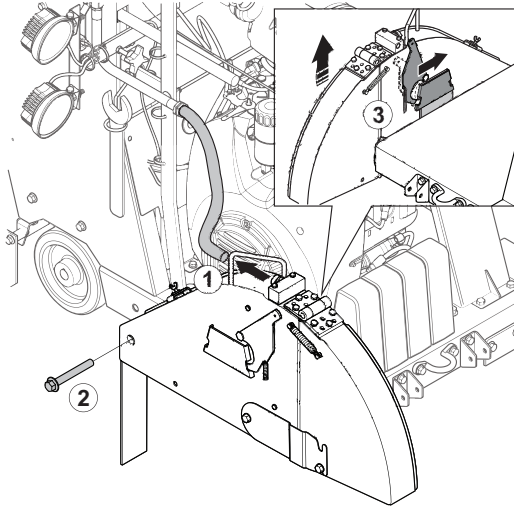
Lower the guard onto the support spade and use moderate force to press down the blade guard until lock engages.



OPERATING

Remove the blade guard

- 1 Disconnect the water hose from the blade guard.
- 2 Remove the bolt holding the blade guard.
- 3 Move the blade guard lock forward until it stops and unlatches. Lift the blade guard with its handle off the support spade.



Blade cutting depth

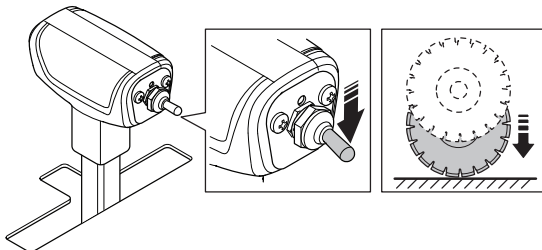
This saw is equipped with a Blade Depth Indicator which indicates the depth at which the blade is cutting. This saw also includes a Blade Depth Stop which stops the cutting depth of the blade at a specific depth.

For more information about maximum cutting depth for different blade sizes, see section "Blades"

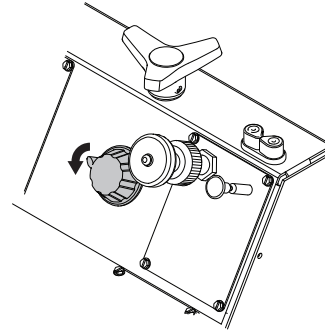
Use of the Blade Depth Indicator

NOTICE! Only saw as deep as the job specifications require since deeper sawing can cause structural strength problems.

- If the engine is running, turn the Engine start switch to the OFF position to stop the engine.
- Turn the engine start switch to the ON position.
- Lower the saw by pushing the Raise/lower switch on the Forward/Reverse control lever downwards until the blade touches the surface to be cut. This will be the reference point.



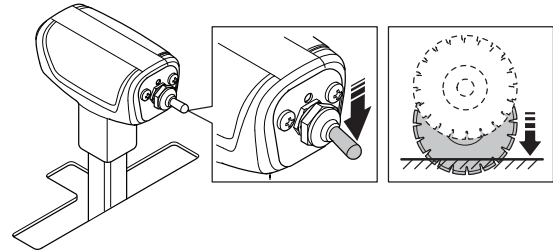
- Rotate the Blade Depth Indicator knob to the zero position. The blade cutting depth will now be indicated on the Depth Indicator when the blade is lowered into the cutting surface.



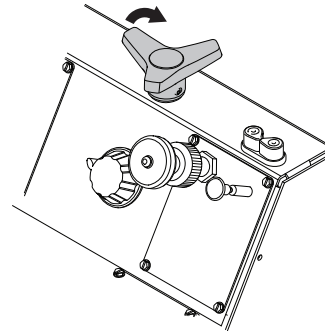
CAUTION! The touch should be smooth to prevent damaging the blade. Use Saw lowering speed control knob to slow down the lowering speed.

Use of the Blade Depth Stop

- Lower the saw by pushing the Raise/Lower switch on the Forward/Reverse control lever downwards until the blade is at the required depth (as indicated on the Blade Depth Indicator).



- Set the Blade Depth Stop by turning the knob clockwise until tight. Now the maximum cutting depth is set. If the saw is raised out of the cut surface for any reason it can now be lowered to this specific depth by lowering the blade into the cutting surface with the Raise/Lower switch on the Speed control lever.



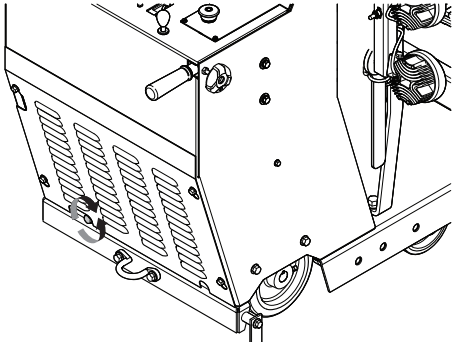
Straight line sawing

While cutting, the blade is creating resistance to driving force from rear wheels which will cause the machine to yaw in the same direction as the blade is mounted on. This effect can be counteracted by adjusting the angle of the rear axle using the manual axle adjustment.

OPERATING

Saws with manual axle adjustment

- The rear axle is adjusted by turning the adjustment bolt located at the rear lower left of saw frame with an 18mm wrench.
- If the saw steers to the right while sawing, turn the adjustment bolt counterclockwise.
- If the saw steers to the left while sawing, turn the adjustment bolt clockwise.

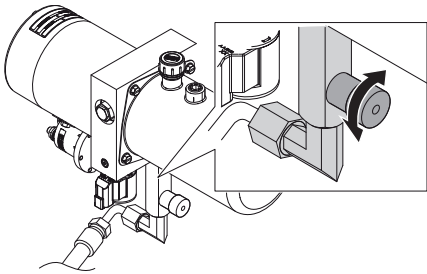


Hydraulic System

The hydraulic system on this saw is used to raise/lower the diamond blade and to propel the saw forward or reverse.

The hydraulic system consists of a Hydrostatic Transmission, a DC Lift Pump with a Flow Control Valve and a Hydraulic Lift Cylinder.

- The lowering rate of the saw can be adjusted using the Flow Control Valve. If the saw falls too quickly, turn the knob on the Flow Control Valve clockwise until an adequate lowering rate is set.



Transport and storage

- Remove the blade before transportation or storage of the machine, to avoid damage to the blade.
- Remove all adjustment tools and wrenches
- Close the fuel shut-off valve.

Transport

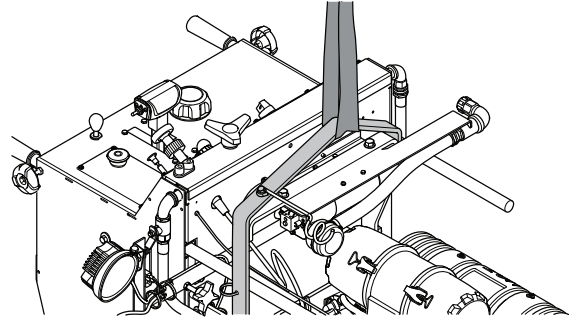


WARNING! When moving the saw up and down ramps, with engine on, use extreme caution. For steep ramps, always use a winch. Never stand below the machine. Stand only beside.

- To go down a ramp, drive the saw backwards slowly.
- To go up a ramp, drive the saw forward slowly.

Lifting the saw

- Observe care when lifting. You are handling heavy parts, which imply the risk of pinch injuries or other injuries.
- Always use the machine mounted lifting eye when lifting.



To transport by vehicle

- Secure the equipment during transportation in order to avoid transport damage and accidents. Use the factory installed tie down lugs on the saw, front and rear to prevent movement during transport.
- Do not tow this saw with another vehicle as this may damage drive components.

Storage

Store the equipment in a lockable area so that it is out of reach of children and unauthorized persons.

- Stop the engine by turning the Engine start switch to the STOP position.
- Put Forward/Reverse control lever into the Stop/Neutral position.

For transport and storage of fuel and battery, see the section "Fuel handling" and "Battery handling".

For transport and storage of Blades, see the section "Blades".

Long-term storage

Ensure the machine is cleaned and that a complete service is carried out before long-term storage. Read the engine owner's manual for additional information on long-term storage.

- Remove the blade for storage and store it carefully.
- Close the fuel shut-off valve and reinstall the rear protective cover.
- Grease all nipples before storage.
- Disconnect negative terminal and secure in safe distance from battery.
- Trickle charge the battery during long-term storage.
- When storing the machine for long periods, the fuel tank must be emptied. Contact your local gas station to find out where to dispose of excess fuel.
- Store the machine and its equipment in a dry and frost proof place.
- If the machine is stored outside, cover the machine.
- Change engine oil after a long-term storage

STARTING AND STOPPING

Before starting



WARNING! Please read the operator's manual carefully and make sure you understand the instructions before using the machine.

Wear personal protective equipment. See instructions under the heading "Personal protective equipment".

Make sure no unauthorised persons are in the working area, otherwise there is a risk of serious personal injury.

- Perform daily maintenance. See instructions in section "Maintenance and service".
- Check that the blade is not in contact with anything when the machine is started.

NOTICE! Read the operator's manual supplied by the engine manufacturer.

Starting for the first time

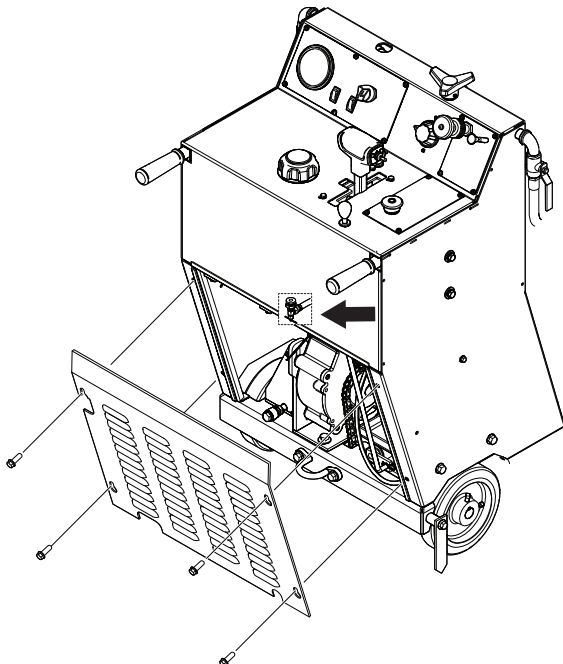
- Check engine oil level without blade and the saw horizontal for a flat saw level.
- Connect battery cables. The floor saw unit is supplied with no battery cables connected.

For some markets batteries are not supplied due to safety reason during transportation. Install a new battery.

For more information, see the "Technical data" section.

This machine is equipped with a fuel shut-off valve. To start the machine the first time:

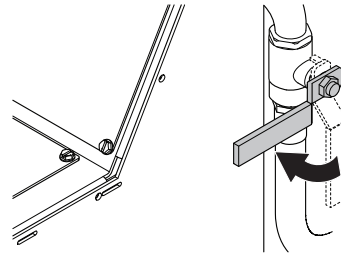
- Fill the fuel reservoir.
- Remove the rear protective cover and open the fuel shut-off valve.



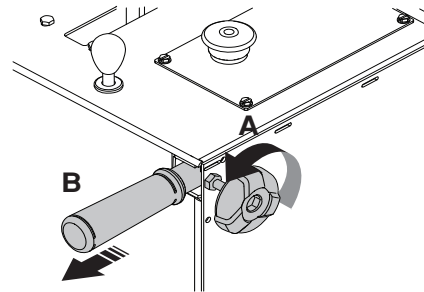
- Reinstall the rear protective cover.

Starting

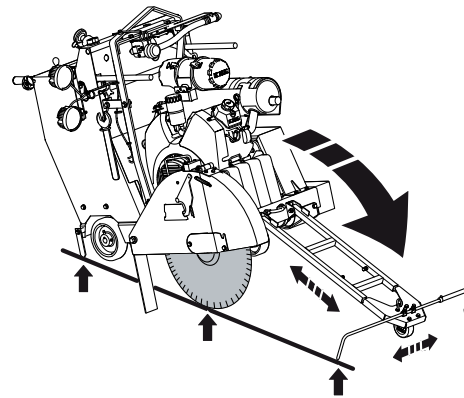
- Connect the machine to a water supply. Turn off the Water valve.



- Mark the surface to be cut by drawing a line where the cut is to be made.
- Pull out handle bars to desired length and tighten the knobs.

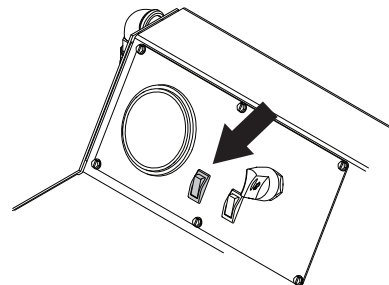


- Lower the front guide and align the front guide, rear guide and the diamond blade with the line on the surface. The front guide is telescopic, adjust the length with the screws on the inside of the front guide.



Start the engine

- To start the saw when no water pressure is present, set the Water safety switch to the OFF position.

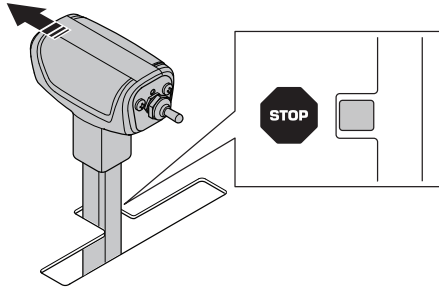


STARTING AND STOPPING

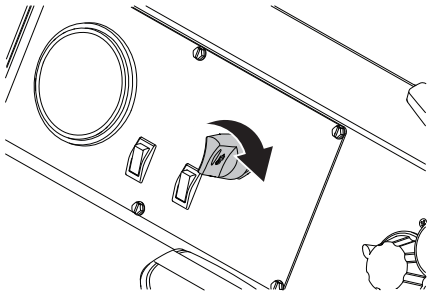
Water safety system

Water is used to prevent overheating the blade while controlling the dust that results from sawing. The water safety system monitors the water pressure to the machine and interrupts the sawing process if the pressure drops.

- Set the Forward/Reverse control lever to the Stop/Neutral position. The engine will not start unless the lever is in the distinct Stop/Neutral position.



- Start the engine.



- Let the engine warm up for several minutes with Engine throttle at idle speed (minimum).

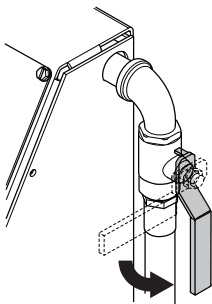
Start the cutting



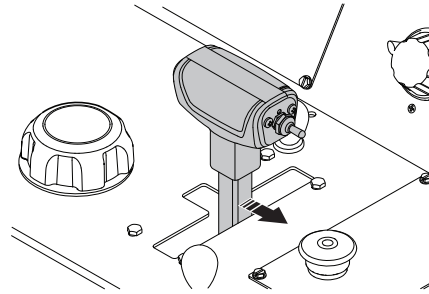
WARNING! Never use a blade with a lower speed rating than that of the machine. Make sure the blade is properly installed.

NOTICE! See chart for the appropriate blade shaft and engine speeds for specific blade sizes.

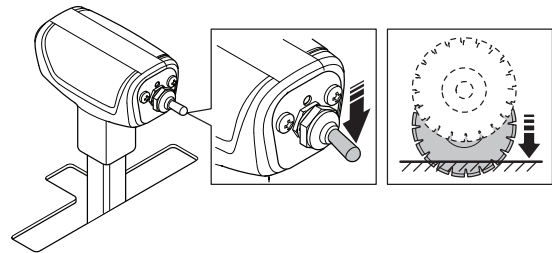
- Test for adequate water supply. Low water flow will cause damage to diamond blades. Engage the Water safety switch on the control panel and open the Water valve.



- Shift the Forward/Reverse control lever into gear.

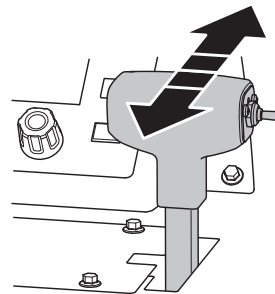


- Set the Engine throttle knob to maximum rpm.
- Lower the blade by pressing the Raise/Lower switch on the Forward/Reverse control lever until the blade is at the desired cutting depth. For more information see section "Blade cutting depth".



CAUTION! When lowering the blade into a partial cut, align the blade exactly with the cut to prevent damage to the blade.

- Move the saw forward slowly by pushing on the Forward/Reverse control lever. Listen to the sound of the engine. If the engine starts to slow down compensate by pulling Forward/Reverse control lever backwards to decrease feeding and prevent stalling the blade. Make sure the front guide, rear guide and diamond blade stays on the line.



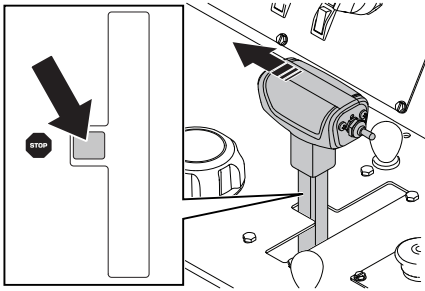
STARTING AND STOPPING

Stopping

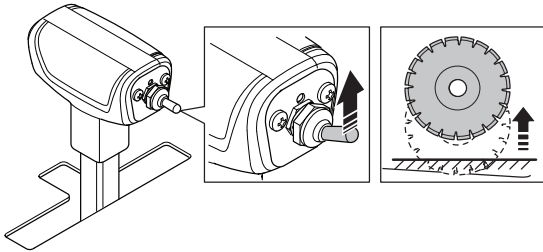


Stop the cutting

- Put Forward/Reverse control lever into the Stop/Neutral position.

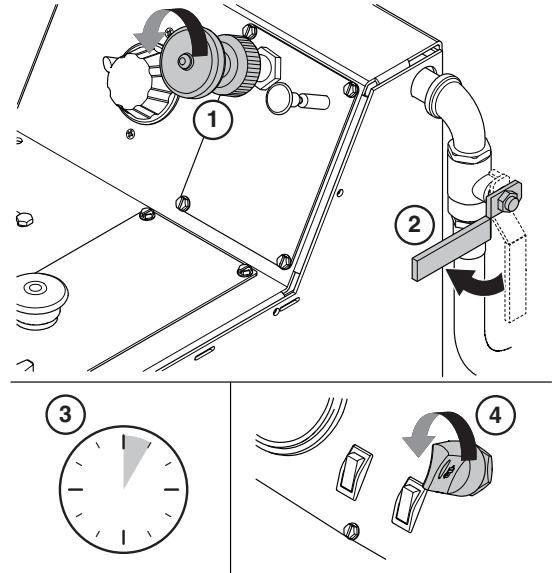


- Raise the diamond blade out of the cut by pressing the Raise/lower switch on the control lever upward until the diamond blade clears the surfaces.



Stop the engine

- Turn the Engine throttle knob to the low idle position.
- Turn the Water valve off.
- Let the engine run at idle for a few minutes before shutting off.
- Stop the engine by turning the Engine start switch to the STOP position.



MAINTENANCE AND SERVICE

General



WARNING! Most accidents involving machines occur during trouble shooting, service and maintenance as staff have to locate themselves within the machine's risk area. Prevent accidents by being alert and by planning and preparing the work.

If servicing operations require the motor to be in operation, be aware of risks when working with or in the vicinity of moving parts.

Perform maintenance and servicing in accordance with this Operator's Manual to avoid shutdowns and to maintain the machine's value.

Maintain the machine's supplementary equipment and tools as well.

The user must only carry out the maintenance and service work described in this manual. More extensive work must be carried out by an authorized service workshop.

Use only original spare parts for repairs.

Measures to take in advance of maintenance, service and trouble shooting

General

- Ensure that the machine is situated in a safe area.
- Always park the machine on a level surface with the engine OFF and the Engine start switch set in the STOP position before starting. Press the Machine stop on the control panel.
- Several components heat up during use of the machine. Do not commence any servicing or maintenance tasks until the machine has cooled.
- Set out clear signs to inform persons in the vicinity that maintenance work is in progress.
- Ensure that the working area is sufficiently illuminated to create a safe working environment.
- Ascertain the location of fire-extinguishers, medical supplies and emergency telephone.

Protective equipment

- Wear personal protective equipment. See instructions under the heading "Personal protective equipment".

Working environment

- The area around the machine must be free of dirt in order to minimize the risk of slipping.

Cleaning



CAUTION! When cleaning the machine there is a risk of getting dirt and harmful substances in the eyes, for example.

Dirt and harmful substances can be released from the machine when using high pressure equipment.

High-pressure jetting using water or air can permeate into the skin and cause serious injury. Never aim a high-pressure jet towards the skin.

After each use clean the machine when cooled down.

Cleaning method

The cleaning method varies depending on type of contaminants and how dirty the machine is. A mild degreasing agent can be used. Avoid skin contact. Use high-pressure washers to clean the machine.

Cleaning of components

There are a number of components that require special consideration when cleaning.

NOTICE! Do not use high-pressure washers to clean the control panel.

Engine

- Keep a distance of at least 40 cm between the nozzle and engine and its components. Do not spray too aggressively on the engine to prevent damage to electrical components like electrical plugs and alternator. Do not spray water directly in to the exhaust pipe or in engine air filter.

After washing

- Lubricate all the machine's lubrication points.
- Blow electrical terminals dry using compressed air.
- Let the machine dry thoroughly before start.
- Exercise caution when the machine is started after washing. If any components have been damaged due to moisture, the machine's movements can be defective.

MAINTENANCE AND SERVICE

Service schedule

The service schedule is based on the machine's operating time. More frequent service intervals might be necessary when working in dusty or hot environments and in conjunction with work that generates high temperatures. A description of how the operations are to be performed is to be found in the service review.

For certain service requirements, refer to the service intervals in the service schedule below and keep track on the next service. The machine will keep track on the working hours and it can be seen in the display.

- Always park the machine on a level surface with the engine OFF and the Engine start switch set in the STOP position before performing any maintenance. Press the Machine stop on the control panel.

Please read the engine manual for your machine carefully and make sure you understand the instructions before using the machine. There are some maintenance intervals specified in the engine manual.

In case where same services operation is recommended both in this machine's operator manual and in the engine operator manual, follow the schedule recommendations given in this manual.

Daily Maintenance

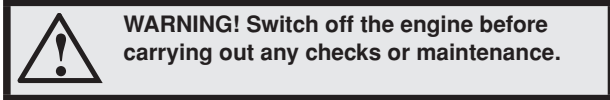
Daily maintenance must also be carried out after transportation.

	Daily	50h	100h	250h	500h	Yearly
Check the engine's oil level	X					
Check blade guard for damage	X					
Check hoses and clamps for damage or looseness. Tighten or replace as required.	X					
Check air cleaner restriction indicator. Clean outer air filter if indicator is red.	X					
Make sure all safety guards are in place and in good condition.	X					
Check the water spray over the diamond blade.	X					
Replace engine oil and filter*		X				
Lubricate front wheels		X				
Lubricate blade shaft (2 pumps each end)		X				
Replace engine oil and filter*			X			
Lubricate front axle pivot bearings			X			
Check wheels for wear or damage.			X			
Check rear wheels for looseness			X			
Check engine air cleaner hose and clamps			X			
Check hydraulic system fluid level			X			
Lubricate hydraulic cylinder pivot pin.				X		
Lubricate rear axle bearing.				X		
Replace hydraulic system fluid					X	
Replace engine fuel filter (spin-on-type)					X	
Replace outer and inner air filter						X

* Once at 50h then every 100h

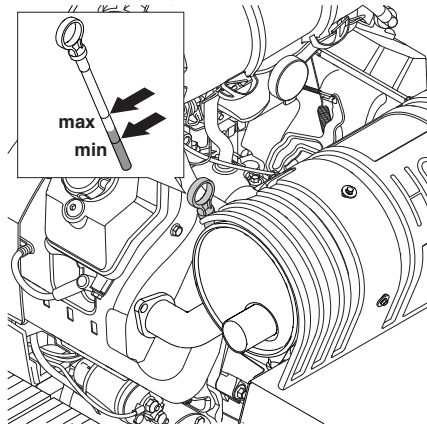
MAINTENANCE AND SERVICE

Daily Maintenance



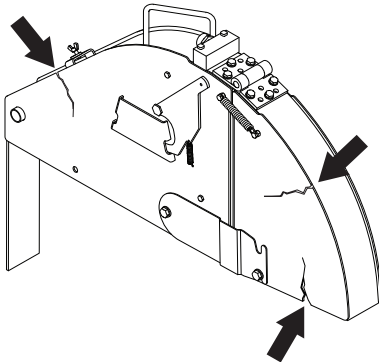
Check engine oil level without blade and the saw horizontal for a flat saw level.

- Check the engine oil level.
- Make sure the level is between the limits.



Check blade guard for damage

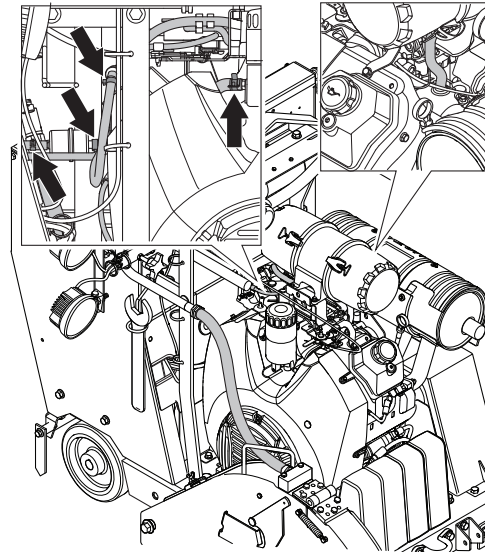
- Check the blade guard for cracks.



- Never use broken or damaged blade guard.

Check all hoses and clamps for damage or looseness.

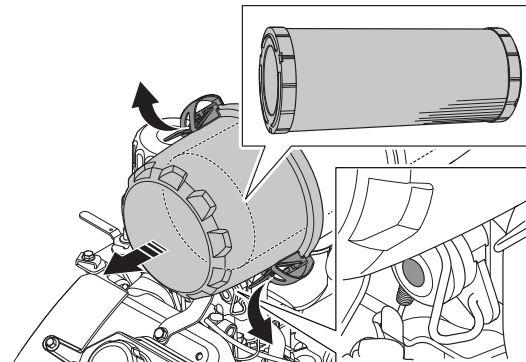
The image only shows some of the hoses and clamps.



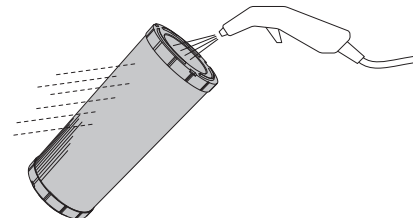
- Look for leakage on fuel and hydraulics system. Tighten or replace as necessary.

Check air cleaner restriction indicator.

- Check and clean the outer air filter if the air cleaner indicator is red, remove the rear cover by opening the 2 air filter housing clamps and pulling the housing off.



- Clean the filter by blowing the element from inside out. Use the lowest possible air pressure to remove the dust without damaging the element. Use 42-47 PSI (0,29-0,49 MPa; 3,0-5,0 kgf/cm²) compressed air to remove particulates.



- Replace any damaged filters or gaskets and check air hose and clamps for damages or looseness. Tighten or replace as required.

MAINTENANCE AND SERVICE

NOTICE! No need to clean the inner filter on a daily basis. The 2 air filter housing clamps can not be closed unless the outer air filter is properly installed.

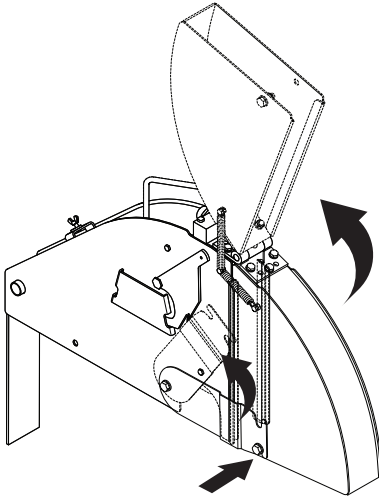
Protection covers

- Make sure all protection covers are in place and in good condition.

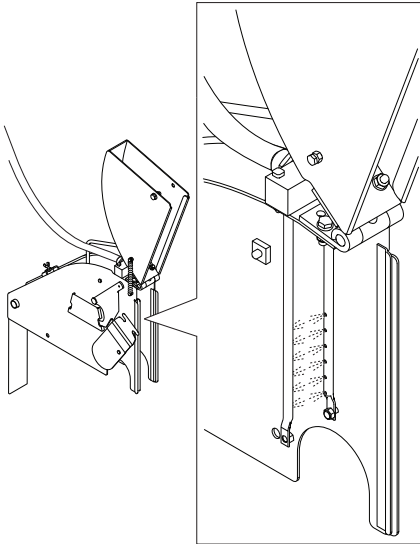
For more information, see the "Machine's safety equipment" section.

Check the water spray over the diamond blade.

- Raise blade guard front and use quick release pin to lock it in upright position.



- Open the Water valve on the control panel. Make sure it is straight jets of water out of the holes from the water pipes on both sides of the blade and no leakage. Replace water pipe if damaged.



After the first 50 hours

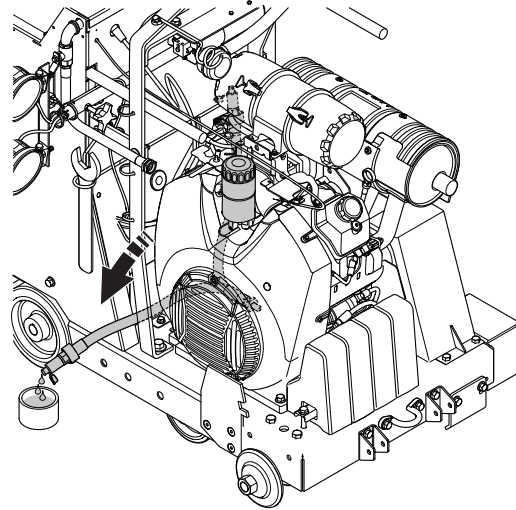
Replace engine oil and filter

- Remove the top cap from the hose. Open the valve and bend it down to empty the system.

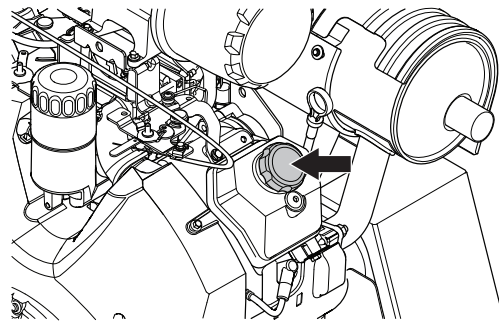
Remove the filter and replace it.

Lubricate the seal with a few drops of oil prior to refitting it.

NOTICE! Protect the battery from oil spill prior to removing and refitting.



- Refill the system with oil.



- Check the engine's oil level, see instructions under heading "Daily maintenance".

50 hours service

Automatic blade shaft drive belt tensioning

This machine is equipped with a dynamic belt tension device that does not require any adjustment or maintenance.

Correct tension is preset during production assembly.

However, if replacement of belt or other components are needed please follow below 6 steps for correct procedure.

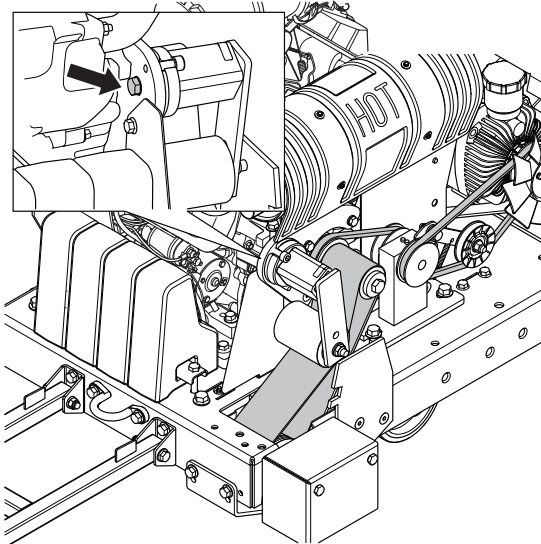
Tools required

- 13 mm. wrench (not included with machine)
- 19 mm. wrench (not included with machine)
- Adjustable wrench (not included with machine)

MAINTENANCE AND SERVICE

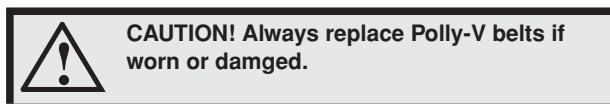
To release belt tension

- Use 13 mm. wrench to open 4 M8 bolts that attach belt guard. Remove belt guard.
- Use the allen key to remove allen screw (securing screw).
- Use 19 mm. wrench to slightly loosen the screw that fix the tension device to the plate.



To set correct tension

- Use an adjustable wrench to turn the base of the tension device in counter clock wise direction to set required pre tension. When angle on tension device shows 25° and the slot on base of the tension device is aligned with hole in plate: tighten the fixing screw using a 19 mm. wrench.
- Reinstall the allen screw by using an allen key.
- Reinstall belt guard. Use 13 mm. wrench to tighten 4 M8 bolts that fix belt guard.



Lubricate blade shaft (2 pumps each end)

See instructions under the heading "Lubrication".

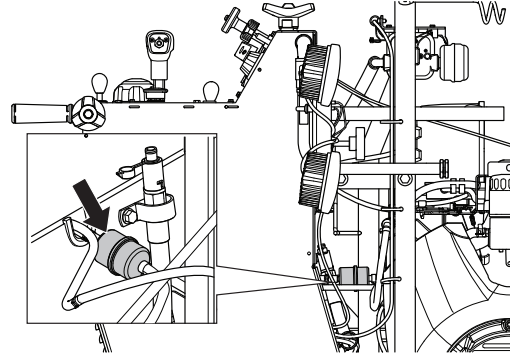
Lubricate front wheels

See instructions under the heading "Lubrication".

100 hours service

Replace engine fuel filter (In-line type)

- Close the fuel shut-off valve on the fuel tank. Remove the fuel filter by unsnapping it from the fuel line. Replace the fuel filter. Beware of fuel that may spill.



Replace engine oil and filter

See instructions under the heading "After the first 50 hours"

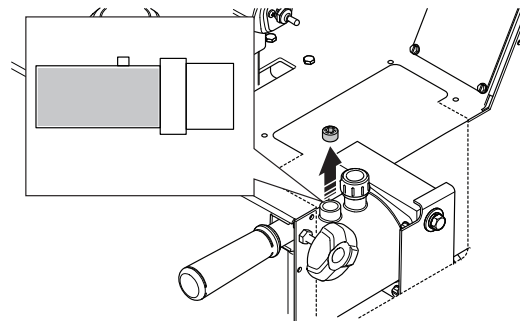
Check wheels for wear or damage.

Check rear wheels for looseness

Check engine air cleaner hose and clamps

Check hydraulic system fluid level

- Remove the plug in the inspection opening on the hydraulic reservoir. The level should be to the bottom edge of the opening on the hydraulic reservoir, fill if necessary.



NOTICE! Do not overfill!

Lubricate front axle pivot bearings

See instructions under the heading "Lubrication".

250 hours service

Lubricate hydraulic cylinder pivot pin.

See instructions under the heading "Lubrication".

Lubricate rear axle bearing.

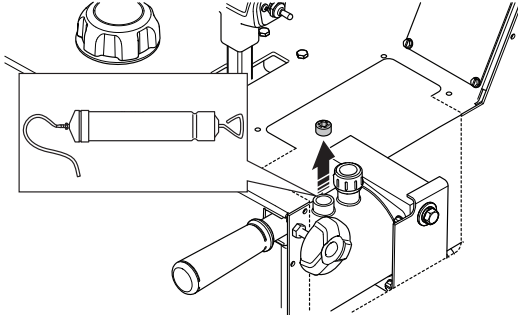
See instructions under the heading "Lubrication".

MAINTENANCE AND SERVICE

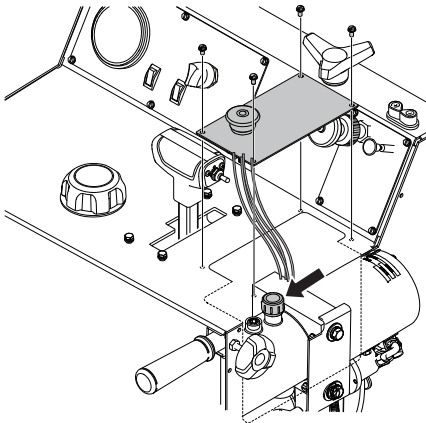
500 hours service

Replace hydraulic system fluid

- Remove the plug in the inspection opening on the hydraulic reservoir and use an oil extractor to suck out the fluid through the inspection opening.



- Refill the reservoir with new oil. Ensure that machine is level prior refilling.

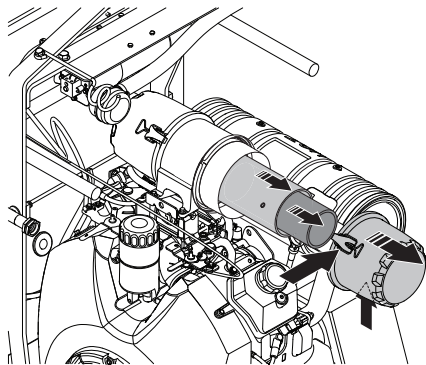


NOTICE! Do not overfill!

Yearly maintenance

Replace outer and inner air filter

Remove the rear cover by opening the 2 air filter housing clamps and pulling the housing off. Replace both filters and refit them in reverse order.



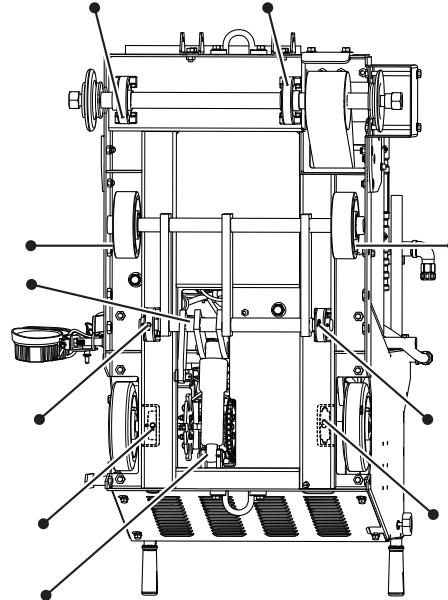
CAUTION! The 2 air filter housing clamps can not be closed unless the outer air filter is properly installed.

Lubrication

The image shows all the lubrication points (8 grease nipples). Clean the nipple. Replace broken or blocked nipples.

- Lubricate the front wheels.
- Lubricate the front axle pivot bearings.
- Lubricate the blade shaft. Two pumps at each end.
- Lubricate hydraulic cylinder pivot pin.
- Lubricate rear axle bearing.

Lubricate blade shaft on top of the base plate.



TROUBLESHOOTING

Incidents during sawing

CAUTION! If the engine or blade stops for any reason, raise the blade completely from the cut. Set the Engine start switch to STOP position. Press the Machine stop on the control panel. Inspect the machine thoroughly before restarting the engine.

- Entrust all repairs to your authorized dealer only

Problem	Cause	Possible action
Engine stops during sawing	Engine out of fuel.	Refill with fuel
	Lack of water signals the Water safety switch to stop the engine	Disengage the Water safety switch and check water supply, then restart the engine.
	The Machine stop has been pressed down	Reset the machine stop by pulling the knob outward.
	Excessively fast cutting will stall the engine	Listen to the sound of the engine. If the engine starts to slow down compensate by pulling Forward/Reverse control lever backwards to decrease feeding and prevent stalling the blade.
	Circuit breaker fuse is blown	Inspect and replace fuses
The diamond blade stops during sawing	Drive belt tension is inadequate	The ROSTA tensioner or drive belt needs to be replaced.
Saw lowers too fast	The valve that controls the saw lowering is open too much.	The lowering rate of the saw can be adjusted using the Saw lowering speed control knob on/under the hydraulic pump. If the saw lowers too quickly, turn the knob clockwise until an adequate lowering rate is set.
The blade cuts too slowly.	The blade has become dull or it is too high feeding pressure	Decrease the cutting depth and engine speed for a short time

TECHNICAL DATA

Battery

	FS 3500 G
Terminal type	Standard SAE
Voltage, V	12
CCA, A	475
Maximum size (LxWxH), mm/inch	9 9/16x6 7/8x6 7/8 / 242x175x175

Hydraulic fluid and lubricants

Hydraulic fluid

Quality	Standard
SAE 10W-30	API Class SE
	API Class CC
	API class CD

Lubricants

Component	Quality	Standard	Oil tank capacity, qt/litre
Engine oil	SAE 10W-30	API Class SJ	2/1.9
Hydrostat Pump	SAE 10W-30		0.19/0.18
Lift Pump	SAE 10W-30		1.0/0,95
Transmission Gearbox	NLGI 000		
Lubrication points (baseplate)*	NLGI 000	SAE J310	

* See instructions in section "Maintenance and service".

TECHNICAL DATA

Technical data

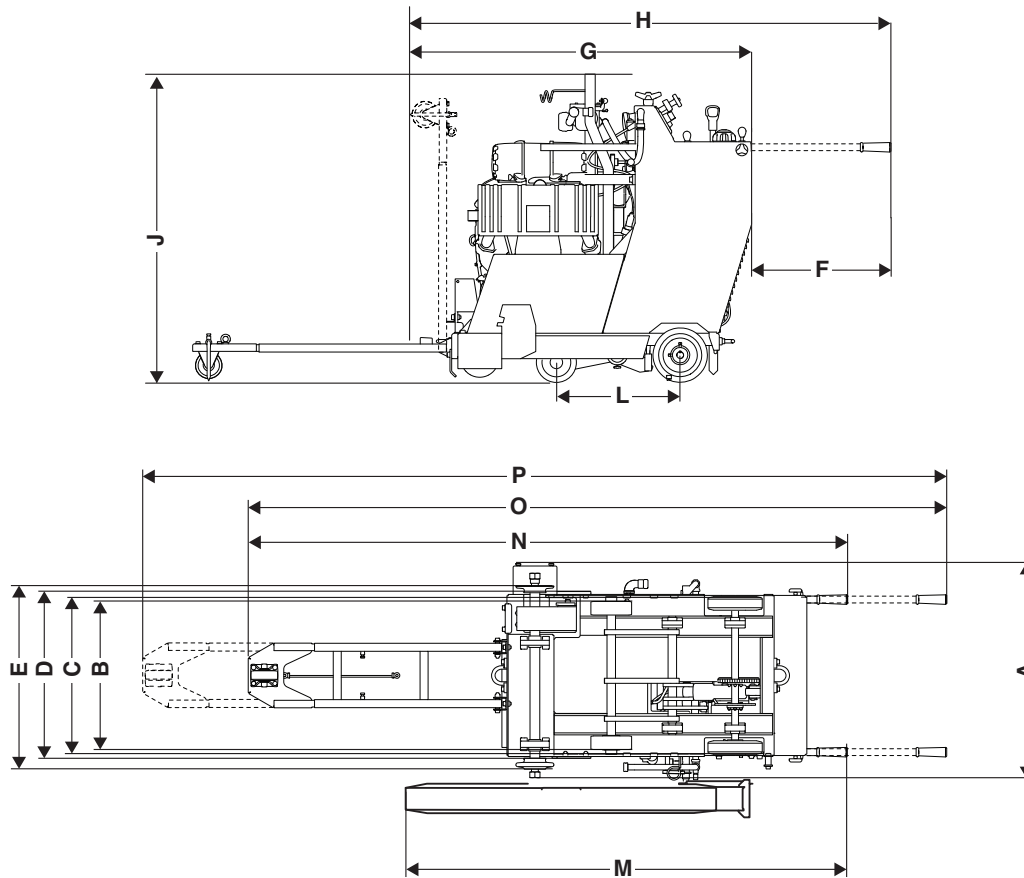
FS 3500 G

Saw feature	20/500	26/650	30/750
Blade guard capacity, inch/mm	20/500	26/650	30/750
Maximum cutting depth, inch/mm	7,75/193	10,5/262	12,5/312
Blade shaft, rpm	2580	1860	1860
Approximate blade shaft output, hp/kW	29/21.6		
Arbor size, inch/mm	1/25,4 with single drive pin		
Blade flange Ø, inch/mm	4,5/114,5	5/127	5/127
Blade shaft diameter, inch/mm	1-7/16 / 36.5		
Blade shaft bearings	Pillow block ball bearings 17/16"		
Blade shaft drive	Polly-V belt (25 ribs)		
Blade coolant	Zinc plated dual multiple-jet water spray tubes		
Blade guard attachment	Slip-on, auto-latch		
Blade control	Electro-hydraulic pump raises blade; Switch controlled raise/lower on speed control handle; Depth stop and cutting depth indicator.		
Axle Ø, inch/mm	Front, 1/25,4		
	Rear, 1/25.4		
Wheels, inch/mm	Front, 6x2x1/152x51x25, thick polyurethane tread, sealed ball bearing requiring less maintenance		
	Rear, 8x2x1/203x51x25, solid rubber		
Transmission	Hydrostatic pump coupled to mechanical gear box, chain final drive		
Max. ground speed	Infinitely variable: 0-167 fpm / 0-51m/min forward and reverse. 25m/min maximum reverse speed on CE models		
Chassis	Heavy duty, rigid, box and channel section construction		
Weight (uncrated), lb/kg	972/441	983/446	992/450
Maximum operating mass, lb/kg	1003/455	1021/463	1036/470

TECHNICAL DATA

Saw dimensions

A	Width, inch/mm		31 3/4 / 807	H	Saw length (pointer up, handles extended), inch/mm	77 3/4 / 1977
B	Center to center wheel width, inch/mm	Front	19 3/4 / 502	J	Min. overall height (no exhaust pipe, no pre-cleaner cap), inch/mm	45 3/8 / 1152
		Rear	21 1/4 / 540			
C	Outside to outside wheel width, inch/mm	Front	21 13/16 / 553	L	Wheel base length, inch/mm	18 1/4 / 464
		Rear	23 1/4 / 591	M	Guard to handle length (handles in), inch/mm	61 / 1549
D	Frame width, inch/mm		23 7/8 / 606	N	Max. overall length (handles in), inch/mm	87 / 2210
E	Inner flange to inner flange width, inch/mm		26 3/8 / 670	O	Max. overall length (handles extended, pointer down), inch/mm	114 / 2895
F	Handle extension, inch/mm		31 7/8 / 809	P	Max. overall length (handles extended, pointer extended), inch/mm	133 / 3378
G	Min. saw length (handles removed, pointer and guard up), inch/mm		46 / 1168			



RELAYS AND FUSES

Engine FS 3500 G

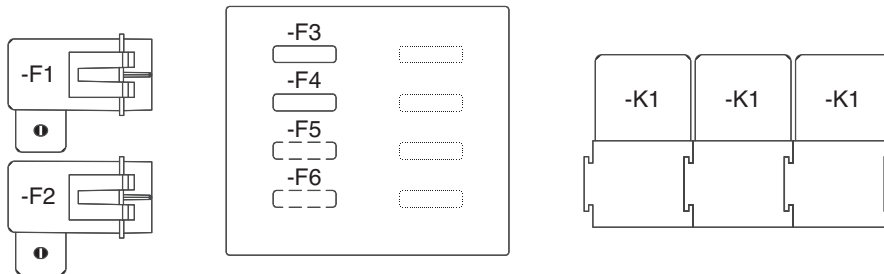
Engine specifications	Kohler CH1000
Max. engine output (see note 1)	37hp@3750rpm (27.5kW@3750rpm)
Displacement, cu.in. / dm ³	61 / 1.0
Cylinders	2
Stroke, inch / mm	3.1 / 78,5
Fuel tank capacity, gallon / l	6.3 / 23,8
Air filter	Cyclon air filter and restriction indicator
Starter	Electric

For further information and questions about this specific engine please see, www.kohlerengines.com.

Note 1: As specified by engine manufacturer. The power rating of the engines indicated is the average net power output (at specified rpm) of a typical production engine for the engine model measured to ISO3046, SAE J1940/J1995. Mass production engines may differ from this value. Actual power output for the engine installed in the final machine will depend on the operating speed, environmental conditions and other variables.

Relays and fuses - FS 3500 G

Function		Designation	Ampere
Main system		-F1	30
Hydraulic System		-F2	5
Engine carb solenoid		-F3	5
Tachometer		-F4	2
Lights	(optional)	-F5	10
Water pump	(optional)	-F6	10
Main relay		-K1	20
Supress relay		-K2	10
Oil sentry relay		-K3	5



YOUR WARRANTY RIGHTS AND OBLIGATIONS

The Environmental Protection Agency and Husqvarna Construction Products are pleased to explain the evaporative emission control system (EECS) warranty on your 2011 and later small off-road engine (SORE) or equipment. New SOREs or equipment must be designed, built, and equipped to meet the new stringent anti-smog standards. Husqvarna Construction Products must warrant the EECS on your SOREs or equipment for the period of time listed below provided there has been no abuse, neglect, or improper maintenance of your SOREs or equipment.

Your EECS may include parts such as the carburetor or fuel tanks, fuel lines, fuel caps, valves, canisters, filters, vapor hoses, clamps, connectors, and other associated components. The covered parts for 2011 and later are given below. When a warrantable condition exists, Husqvarna Construction Products will repair your SORE engine or equipment at no cost to you, including diagnosis, parts, and labor.

MANUFACTURER'S WARRANTY COVERAGE

This EECS is warranted for two (2) years. If any evaporative emission-related part included in the list of warranted EECS parts for your equipment is defective, the part will be repaired or replaced by Husqvarna Construction Products.

OWNER'S WARRANTY RESPONSIBILITIES

As the SORE owner, you are responsible for performance of the required maintenance listed in your owner's manual. Husqvarna Construction Products recommends that you retain all receipts covering maintenance on your SORE, but Husqvarna Construction Products cannot deny warranty solely for the lack of receipts. As the SORE owner you should be aware that Husqvarna Construction Products may deny you warranty coverage if your SORE or a warranted EECS part has failed due to abuse, neglect, or improper maintenance or unapproved modifications. You are responsible for presenting your SORE to a Husqvarna Construction Products service center as soon as the problem exists. The warranty repairs should be completed in a reasonable amount of time, not to exceed 30 days. If you have a question regarding your warranty coverage, you should contact the Husqvarna Construction Products service center at 1-800-288-5040 or www.USA.husqvarnacp.com.

GENERAL EMISSION WARRANTY COVERAGE

Husqvarna Construction Products warrants to the ultimate purchaser and each subsequent purchaser that your SORE or equipment is: Designed, built, and equipped to conform to all applicable regulations; and Free from defects in materials or workmanship that cause the failure of a warranted part to be identical in all material respects to that part as described in the original Husqvarna Construction Products Application for Certification. The warranty period begins on the date the equipment is delivered to the ultimate purchaser or first

placed into service. The warranty period is two (2) years. Subject to certain conditions and exclusions as stated below, the warranty on covered emission-related parts is as follows:

- 1 Any warranted part that is not scheduled for replacement as required maintenance in the written instructions supplied is warranted for the warranty period stated above. If the part fails during the warranty period the part will be repaired or replaced by Husqvarna Construction Products according to subsection (4) below. Any such part repaired or replaced under warranty will be warranted for the remainder of the period.
- 2 Any warranted part that is scheduled for regular inspection in the written instructions supplied is warranted for the full warranty period. Any such part repaired or replaced under warranty will be warranted for the remaining warranty period.
- 3 Any warranted part that is scheduled for replacement as required maintenance in the written instructions supplied is warranted for the full warranty period before the first scheduled replacement date for that part. If the part fails before the first scheduled replacement, the part will be repaired or replaced by Husqvarna Construction Products according to subsection (4) below. Any such part repaired or replaced under warranty will be warranted for the remainder of the period prior to the first scheduled replacement point for the part.
- 4 Repair or replacement of any warranted part under the warranty provisions herein must be performed at a Service Center at no cost to the owner.
- 5 Notwithstanding the provisions herein, warranty services or repairs will be provided at all of our service centers that are franchised to service the subject engines or equipment.
- 6 The engine or equipment owner will not be charged for diagnostic labor that is directly associated with diagnosis of a defective emission-related warranted part, provided that such diagnostic work is performed at an authorized Service Center.
- 7 Husqvarna Construction Products may be liable for damages to other engine or equipment components proximately caused by a failure under warranty of any warranted part.
- 8 Throughout the warranty period stated above, Husqvarna Construction Products will maintain a supply of warranted parts sufficient to meet the expected demand for such parts.
- 9 Any replacements part may be used in the performance of any warranty maintenance or repairs must be provided without charge to the owner.
- 10 Add-on or modified parts that are not exempted by the Air Resources Board may not be used. The use of any non exempt add-on or modified parts by the ultimate purchaser or subsequent purchaser will be grounds for disallowing a warranty claim. Husqvarna Construction Products will not be liable to warrant failures of warranted parts caused by the use of a non-exempted add-on or modified part.

WARRANTED PARTS

The repair or replacement of any warranted part otherwise eligible for warranty coverage may be excluded from such warranty coverage if Husqvarna Construction Products demonstrates that the engine or equipment has been abused, neglected, or improperly maintained, and that such abuse, neglect, or improper maintenance was the direct cause of the need for repair or replacement of the part.

That notwithstanding, any adjustment of a component that has a factory installed and properly operating adjustment limiting device is still eligible for warranty coverage. The following emission warranty parts are covered:

- 1 Liquid Fuel Lines
- 2 Fuel Line Clamps and Fittings
- 3 Fuel Tank
- 4 Fuel System Vapor Vent Lines
- 5 Fuel cap
- 6 Fuel System Valves (rollover valves and anti-slosh valves where applicable)
- 7 Carbon Canister (where applicable)

EXPLICATION DES SYMBOLES

Symboles sur la machine:

AVERTISSEMENT! La machine utilisée de manière imprudente ou inadéquate peut devenir un outil dangereux, pouvant causer des blessures graves voire mortelles à l'utilisateur et aux autres personnes présentes.



Lire attentivement et bien assimiler le manuel d'utilisation avant d'utiliser la machine.



Utiliser les équipements de protection personnelle. Voir au chapitre "Équipement de protection personnelle".



Tout déplacement de la machine hors de la zone de coupe doit être effectué lorsque l'outil n'est pas en rotation.



Les protections doivent toujours être montées sur la machine. Les lames ne doivent pas être exposées plus de 180°.



Vérifier l'équipement de coupe. Ne jamais utiliser un équipement émoussé, fissuré ou endommagé.



Les lames doivent être marquées d'un régime similaire ou supérieur à celui indiqué sur la plaque signalétique de la machine. Un disque découpeur qui tourne à grande vitesse risque de se briser ou d'entraîner des blessures graves.



N'utilisez pas la machine près de gaz ou de substances inflammables.



AVERTISSEMENT! Au cours de la découpe, la poussière générée peut occasionner des blessures si elle est aspirée. Utiliser une protection respiratoire approuvée. Éviter d'inhaler des vapeurs d'essences et des gaz d'échappement. Veiller à disposer d'une bonne ventilation.



Surface chaude.



Risques associés à l'équipement! Gardez toujours toutes les parties du corps éloignées de la lame et de toutes les autres pièces mobiles.



Mise en garde, risque de coupure



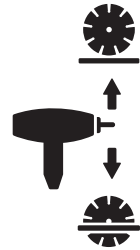
Réglage de l'alimentation en eau



Lame inférieure



Utilisez la lame inférieure et relevez la lame



Contact établi



Démarrage du moteur



Arrêt du moteur

STOP

Arrêt de la machine



Arrêt de la transmission



Remplissage d'essence
Un carburant sans plomb



Commande de starter



Huile moteur



Jauge d'huile, maintenez le niveau approprié d'huile moteur.



Ne relevez pas la scie lorsque vous vérifiez le niveau d'huile moteur.



Frein de stationnement



Activé / Désactivé



Maintenez la scie de niveau, sans la lame, lorsque vous vérifiez le niveau d'huile. Si ce symbole est indiqué sur la machine.



Les autres symboles/autocollants présents sur la machine concernent des exigences de certification spécifiques à certains marchés.

EXPLICATION DES SYMBOLES

ATTENTION ! CALIFORNIA AIR RESOURCES BOARD (CARB) : Cette machine est considérée comme une application hors route exemptée des normes CARB. L'EPA, aux États-Unis, est la seule habilitée à instaurer des normes antipollution visant l'équipement de construction exempté. Pour obtenir de plus amples renseignements, visitez le site www.arb.ca.gov/msprog/offroad/preempt.htm

ATTENTION!

Les émissions du moteur de cet outil contiennent des produits chimiques qui, d'après l'État de Californie, peuvent causer le cancer, des malformations congénitales ou autre danger pour la reproduction.

Explication des niveaux d'avertissement

Il existe trois niveaux d'avertissement.

AVERTISSEMENT!



AVERTISSEMENT! Symbole utilisé en cas de risque de blessures très graves ou de mort pour l'utilisateur ou de dommages pour les environs si les instructions du manuel ne sont pas suivies.

REMARQUE !



REMARQUE ! Symbole utilisé en cas de risque de blessures pour l'utilisateur ou de dommages pour les environs si les instructions du manuel ne sont pas suivies.

ATTENTION !

ATTENTION ! Symbole utilisé en cas de risque de dommages pour les matériaux ou la machine si les instructions du manuel ne sont pas suivies.

Contrôler les points suivants avant la mise en marche:



AVERTISSEMENT! La découpe, particulièrement la découpe à SEC soulève la poussière générée par le matériau coupé qui contient souvent de la silice. La silice est composée de sable, de quarts d'argile, de granit et de nombreuses autres substances minérales et rocheuses. L'exposition à une quantité excessive d'une telle poussière peut causer:

Des maladies respiratoires (altérant les facultés respiratoires), y compris bronchites chroniques, silicose et fibrose pulmonaire dues à une exposition à la silice. Ces maladies peuvent être fatales;

Irritation cutanée et démangeaisons.

Des cancers selon NTP* et IARC* */ National Toxicology Program, International Agency for Research on Cancer

Prendre des mesures préventives:

Éviter l'inhalation et le contact avec la peau de la poussière, des vapeurs et des fumées.

L'utilisateur et les personnes présentes sur le site doivent porter des protections respiratoires appropriées telles que des masques spécialement prévus pour filtrer les particules microscopiques. (Voir OSHA 29 CFR Partie 1910.1200)

Couper si possible en utilisant le jet d'eau afin de réduire la poussière dispersée.

SOMMAIRE

Sommaire

EXPLICATION DES SYMBOLES

Symboles sur la machine:	37
Explication des niveaux d'avertissement	38
Contrôler les points suivants avant la mise en marche:	38

SOMMAIRE

Sommaire	39
----------------	----

PRÉSENTATION

Cher client,	40
Conception et propriétés	40
FS 3500 G	40
Éléments de la scie à lame plate – FS 3500 G	41
Éléments du panneau de commande	43

ÉQUIPEMENT DE SÉCURITÉ DE LA MACHINE

Généralités	44
-------------------	----

LAMES

Généralités	46
Lames diamant	46
Transport et rangement	47

MANIPULATION DU CARBURANT

Généralités	48
Carburant	48
Remplissage de carburant	48
Transport et rangement	48

MANIPULATION DE LA BATTERIE

Généralités	49
Branchement de la batterie	49
Débranchement de la batterie	49
Démarrage d'un moteur avec batterie faible	49

COMMANDE

Équipement de protection	50
Instructions générales de sécurité	50
Service	50
Techniques de travail de base	51
Position de la poignée	52
Déplacement de la machine	52
Montage de la lame	54
Profondeur de coupe	56
Sciage en ligne droite	57
Système hydraulique	57
Transport et rangement	57
Entreposage à long terme	58

DÉMARRAGE ET ARRÊT

Avant le démarrage	59
Premier démarrage	59
Démarrage	59
Arrêt	60

ENTRETIEN ET RÉPARATION

Généralités	62
Mesures à prendre en amont en cas d'entretien, de réparation ou de recherche de panne	62
Nettoyage	62
Programme d'entretien	63

RECHERCHE DE PANNES

Incidents durant le sciage	68
----------------------------------	----

CARACTÉRISTIQUES TECHNIQUES

Batterie	69
Liquide hydraulique et lubrifiants	69
Caractéristiques techniques	70

RELAIS ET FUSIBLES

Relais et fusibles – FS 3500 G	72
--------------------------------------	----

DÉCLARATION DE GARANTIE CONTRÔLE DES ÉMISSIONS EN CALIFORNIE ET AU NIVEAU FÉDÉRAL

VOS DROITS ET OBLIGATIONS EN GARANTIE	73
GARANTIE DU FABRICANT	73
CHARGES DE LA GARANTIE DE L'UTILISATEUR	73
GARANTIE GÉNÉRALE DU SYSTÈME	73
ANTIPOLLUTION	73
PIÈCES GARANTIES	74

PRÉSENTATION

Cher client,

Nous vous remercions d'avoir choisi un produit Husqvarna !

Nous espérons que cette machine vous donnera toute satisfaction et qu'elle vous accompagnera pendant de longues années. L'achat de l'un des nos produits garantit une assistance professionnelle pour l'entretien et les réparations. Si la machine n'a pas été achetée chez l'un de nos revendeurs autorisés, demandez l'adresse de l'atelier d'entretien le plus proche.

Ce mode d'emploi est précieux. Veillez à ce qu'il soit toujours à portée de main sur le lieu de travail. En suivant les instructions qu'il contient (utilisation, révision, entretien etc.), il est possible d'allonger considérablement la durée de vie de la machine et d'augmenter sa valeur sur le marché de l'occasion. En cas de vente de la machine, ne pas oublier de remettre le manuel d'utilisation au nouveau propriétaire.

Plus de 300 ans d'innovation

Husqvarna AB est une entreprise suédoise qui a vu le jour en 1689 lorsque le roi Karl XI décida de construire un arsenal pour la fabrication des mousquets. À l'époque, les compétences en ingénierie à la base du développement de certains des produits leaders du marché mondial dans des domaines tels que les armes de chasse, les vélos, les motocycles, l'électroménager, les machines à coudre et les produits d'extérieur, étaient déjà solides.

Husqvarna est le premier fournisseur mondial de produits motorisés pour utilisation en extérieur dans la foresterie, l'entretien de parcs, de pelouses et de jardins, ainsi que d'équipements de coupe et d'outils diamant destinés aux industries de la construction et de la pierre.

Responsabilité du propriétaire

Il est de la responsabilité du propriétaire/de l'employeur de s'assurer que l'utilisateur possède les connaissances nécessaires pour manipuler la machine en toute sécurité. Les responsables et les utilisateurs doivent avoir lu et compris le Manuel d'utilisation. Ils doivent avoir conscience :

- Des instructions de sécurité de la machine.
- Des diverses applications de la machine et de ses limites.
- De la façon dont la machine doit être utilisée et entretenue.

Les législations locales peuvent limiter l'utilisation de cette machine. Recherchez les législations applicables pour le lieu où vous travaillez avant d'utiliser la machine.

Droit de réserve du fabricant

Husqvarna peut éditer des informations complémentaires concernant l'utilisation de ce produit en toute sécurité après la publication du présent manuel. Il incombe au propriétaire de se tenir informé des méthodes d'utilisation les plus sûres.

Husqvarna AB travaille continuellement au développement de ses produits et se réserve le droit d'en modifier, entre autres, la conception et l'aspect sans préavis.

Pour obtenir des renseignements et de l'aide, consultez notre site Web à l'adresse : www.husqvarna.com ou composez le 1 800 845-1312.

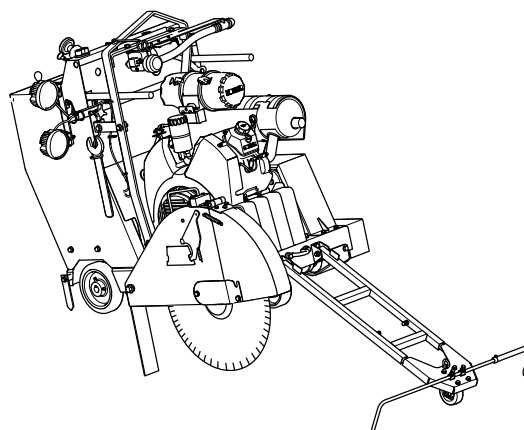
Conception et propriétés

Ces scies à lame plate poussées sont conçues pour être utilisées avec des lames de diamant pour les coupes humides seulement. Elles permettent de couper le béton frais et durci dans différentes catégories de dureté et d'asphalte.

Les produits Husqvarna se distinguent par des valeurs telles que la haute performance, la fiabilité, la technologie innovante, les solutions techniques de pointe et les considérations environnementales. Pour utiliser ce produit en toute sécurité, l'utilisateur doit lire le manuel avec attention. Contactez votre revendeur Husqvarna pour obtenir de plus amples informations.

Certaines des caractéristiques uniques de votre produit sont décrites ci-dessous.

FS 3500 G



Scie

Elle est robuste, agile, facile à utiliser et à entretenir.

Moteur

Facile à utiliser avec son puissant moteur à essence refroidi à l'air doté d'un démarreur électrique.

Transmission de puissance

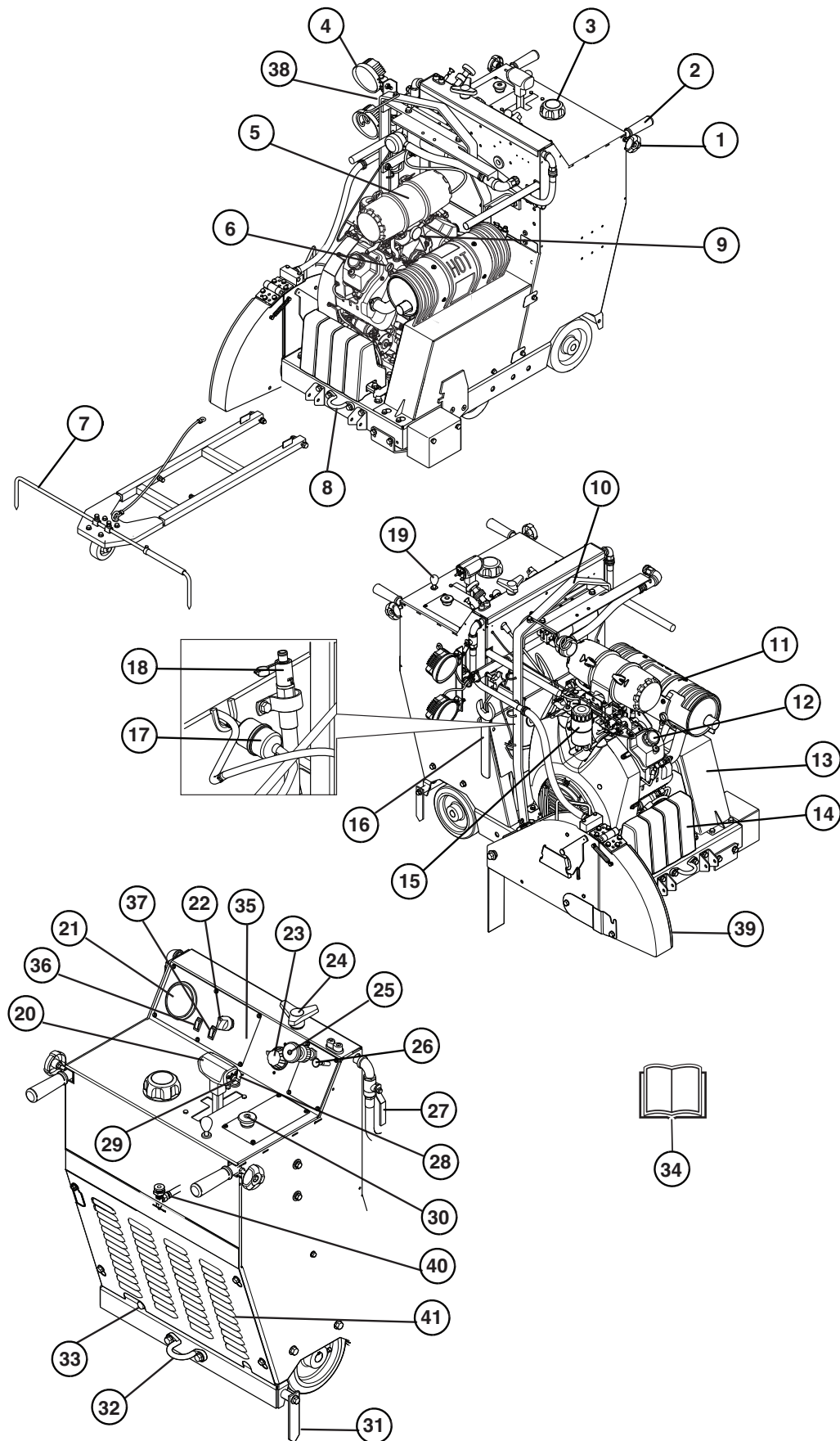
Transmission de puissance robuste et efficace avec réglage dynamique de la tension de courroie pour assurer un transfert de puissance tout en douceur et prolonger la durée de vie de la courroie.

Guide avant

Le guide avant est muni d'un réglage télescopique qui assure une bonne visibilité et un rangement pratique.

PRÉSENTATION

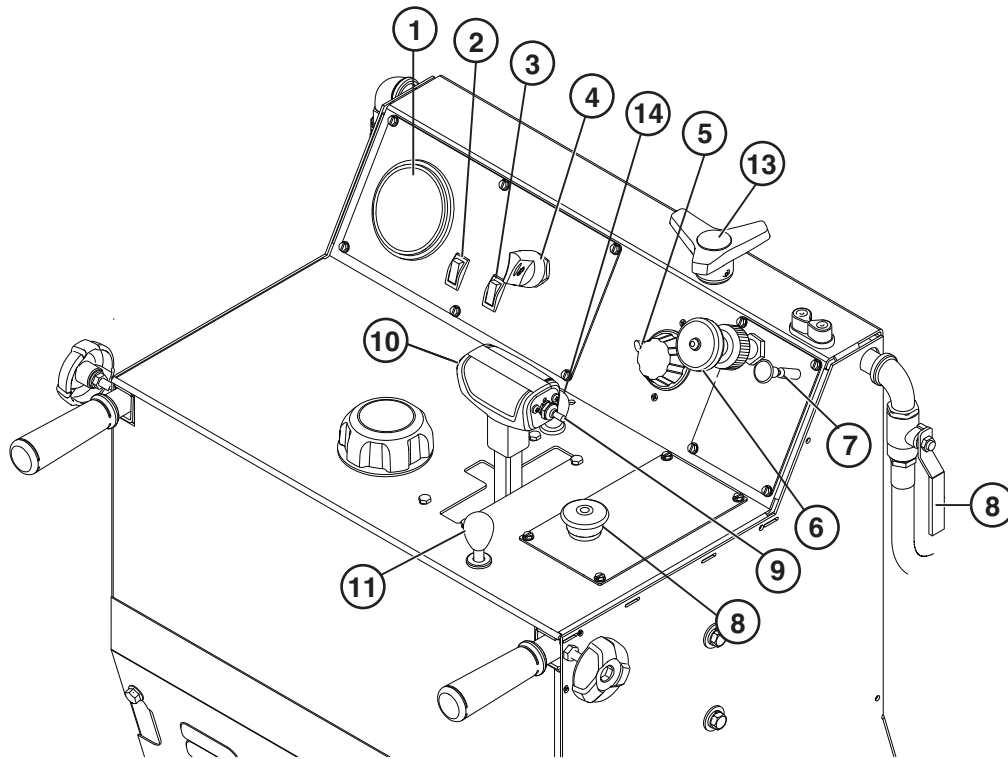
Éléments de la scie à lame plate – FS 3500 G



PRÉSENTATION

- 1 Bouton de verrouillage pour le réglage du guidon
- 2 Guidon
- 3 Dispositif de remplissage de réservoir de carburant
- 4 Éclairage de travail (en option)
- 5 Filtre à air
- 6 Vérification du niveau d'huile moteur (jauge d'huile)
- 7 Guide avant
- 8 Crochet d'arrimage avant
- 9 Indicateur d'usure du filtre
- 10 Œillet de levage
- 11 Silencieux
- 12 Remplissage d'huile
- 13 Carter de la courroie d'entraînement
- 14 Poids
- 15 Filtre à huile moteur
- 16 Clé d'arbre de lame
- 17 Filtre à carburant moteur
- 18 Boyau de vidange d'huile
- 19 Levier du frein de stationnement
- 20 Levier de commande de marche avant et arrière
- 21 Compte-tours et compteur horaire du moteur
- 22 Commutateur de démarrage du moteur
- 23 Indicateur de profondeur de coupe de la lame
- 24 Fonction d'arrêt de la profondeur de coupe de la lame
- 25 Commande des gaz
- 26 Commande de starter
- 27 Vanne d'eau
- 28 Levier de roue libre
- 29 Commutateur de relevage et d'abaissement de la lame
- 30 Arrêt de la machine
- 31 Pointeur arrière – côté droit
- 32 Crochet d'arrimage arrière
- 33 Réglage manuel de l'essieu
- 34 Manuel d'utilisation
- 35 Boîte à relais et à fusibles
- 36 Commutateur de sécurité d'eau
- 37 Commutateur de pompe à eau
- 38 Interrupteur des feux
- 39 Protège-lames
- 40 Soupape d'arrêt de carburant
- 41 Capot de protection arrière

PRÉSENTATION



Le panneau de commande est l'élément qui relie l'opérateur à la machine. À partir de ce panneau, l'opérateur peut contrôler la vitesse de rotation du moteur en tours par minute, commander la profondeur de coupe de la lame et afficher l'état actuel du moteur et de la machine.

Éléments du panneau de commande

- 1 Compte-tours et compteur horaire du moteur
- 2 Commutateur de sécurité d'eau
- 3 Commutateur de pompe à eau
- 4 Commutateur de démarrage du moteur
- 5 Indicateur de profondeur de coupe de la lame
- 6 Commande des gaz
- 7 Commande de starter

- 8 Vanne d'eau
- 9 Commutateur de relevage et d'abaissement (lame)
- 10 Levier de commande de marche avant et arrière
- 11 Levier du frein de stationnement
- 12 Arrêt de la machine
- 13 Fonction d'arrêt de la profondeur de coupe de la lame
- 14 Levier de roue libre

ÉQUIPEMENT DE SÉCURITÉ DE LA MACHINE

Généralités

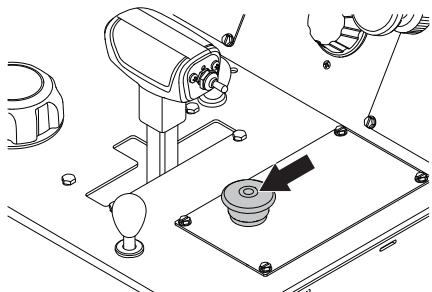


AVERTISSEMENT! Ne jamais utiliser une machine dont les équipements de sécurité sont défectueux. Si les contrôles ne donnent pas de résultat positif, confier la machine à un atelier spécialisé. Le moteur doit être coupé et le commutateur de démarrage du moteur doit être en position STOP (arrêt).

Ce chapitre présente les équipements de sécurité de la machine, leur fonction, comment les utiliser et les maintenir en bon état.

Arrêt de la machine

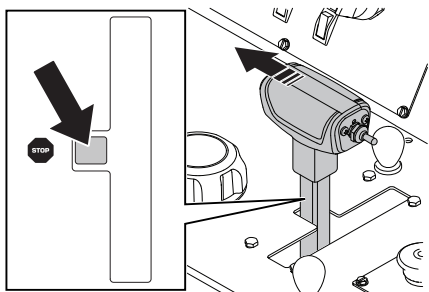
Le bouton d'arrêt de la machine permet de couper rapidement le moteur et de désactiver toutes les fonctions électriques, sauf les feux.



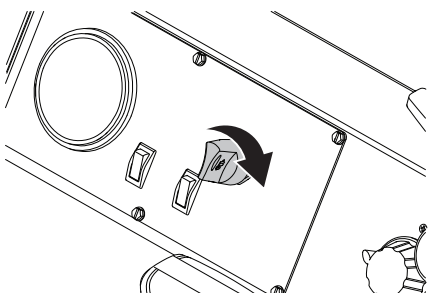
ATTENTION ! N'utilisez pas ce bouton pour l'arrêt régulier.

Vérification de la fonction d'arrêt de la machine à l'aide du bouton

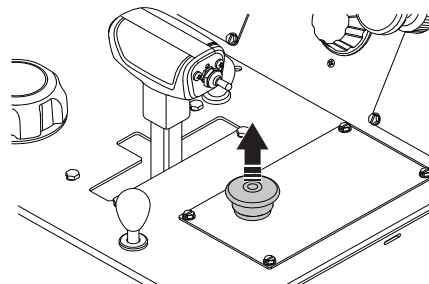
Régler le levier de commande de marche avant et arrière à la position STOP (arrêt). Le moteur ne démarre pas si le levier n'est pas dans la position distincte STOP (arrêt).



- 1 Démarrez le moteur, tournez le commutateur de démarrage du moteur à la position de contact. Suivez la procédure indiquée dans le manuel d'utilisation du moteur.



- Appuyez sur le bouton d'arrêt de la machine et vérifiez que le moteur s'arrête. Ceci permet de régler la machine en mode de sécurité.
- Réinitialisez la fonction d'arrêt de la machine en tirant le bouton vers l'extérieur.



Protège-lame



AVERTISSEMENT! Toujours contrôler que le protège-lame est monté correctement avant de démarrer la machine.

Cette protection se trouve au-dessus de la lame et a pour fonction d'empêcher que des éclats de lame ou du matériau découpé ne soient projetés en direction de l'utilisateur.

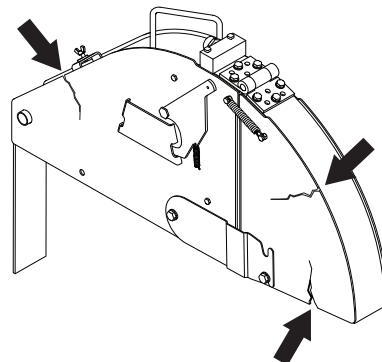
Ce mode permet également de protéger l'utilisateur de la lame et de refroidir la lame avec de l'eau lors des coupes humides.

Contrôle du protège-lame



AVERTISSEMENT! Toujours contrôler que la protection est montée correctement avant de démarrer la machine. Contrôler aussi que la lame est correctement montée et n'est pas abîmée. Une lame abîmée peut engendrer des blessures.

- Contrôler le protège-lame afin de détecter d'éventuels dommages ou fissures. Remplacer le protège-lame s'il a subi des dommages ou s'il présente des fissures.



ÉQUIPEMENT DE SÉCURITÉ DE LA MACHINE

Couvercles de protection

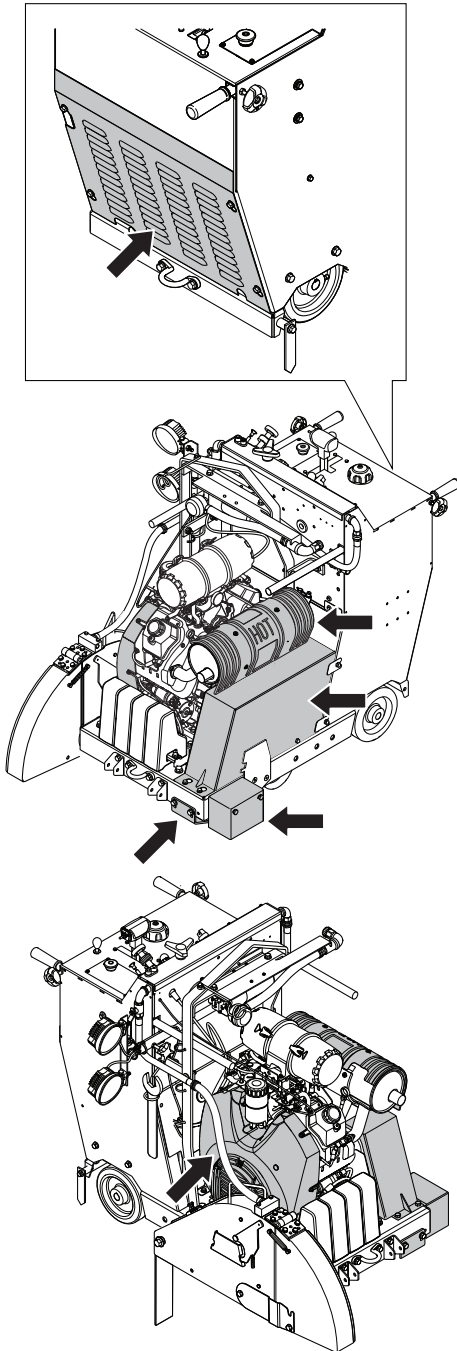


AVERTISSEMENT! Assurez-vous toujours que les couvercles de protection sont correctement installés avant de démarrer la machine.

Les couvercles de protection sur la machine permettent de protéger l'utilisateur du ventilateur, des entraînements par courroie et des surfaces chaudes.

Vérification des couvercles de protection

- Contrôlez que les capots de protection ne sont pas fissurés ou endommagés. Remplacez tout capot endommagé.



Silencieux



AVERTISSEMENT! N'utilisez jamais une machine sans silencieux ou avec un silencieux défectueux. Si le silencieux est défectueux, le niveau sonore et le risque d'incendie augmentent considérablement. Veillez à disposer des outils nécessaires à l'extinction d'un feu.

Un silencieux devient très chaud en cours d'utilisation et le reste après l'arrêt. Cela est également vrai pour le régime au ralenti. Soyez très attentif aux risques d'incendie, surtout quand vous manipulez des gaz et/ou des substances inflammables.

Le silencieux est conçu pour réduire au maximum le niveau sonore et détourner les gaz d'échappement loin de l'utilisateur.

Contrôle du silencieux

- Contrôler régulièrement que le silencieux est entier et qu'il est attaché correctement.

Généralités



AVERTISSEMENT! Un disque de coupe peut se briser et blesser gravement l'utilisateur.

Le fabricant de la lame émet des avertissements et des recommandations pour l'utilisation et l'entretien adéquats de la lame. Ces avertissements sont fournis avec la lame.

Une lame doit être vérifiée avant d'être assemblée sur la scie, puis fréquemment au cours de l'utilisation. Vérifiez l'absence de fissures, de segments perdus (lames diamant) ou de pièces cassées. N'utilisez pas de disque découpeur endommagé.

- Des disques découpeurs de haute qualité sont souvent plus économiques. Les disques découpeurs de qualité inférieure ont souvent des capacités de coupe moindre et une durée de vie inférieure; ceci résulte en un coût plus élevé par rapport à la quantité de matériau découpé. Voir les instructions du chapitre Montage des lames.



AVERTISSEMENT! N'utilisez jamais une lame pour tout autre matériau que celui pour lequel elle est destinée. Ne jamais utiliser des lames dont le régime indiqué est inférieur à celui de la découpeuse. N'utilisez pas des lames de scies circulaires ou des lames à pointe au carbure.

Instabilité de la lame

- La lame peut vaciller et éclater si une vitesse de rotation excessive est utilisée.
- Une vitesse de rotation inférieure peut arrêter la vacillation. Vérifiez la configuration appropriée de la transmission et la lame ou l'engrenage. Sinon, remplacez la lame.

Lames diamant

Généralités

Le disque découpeur continue de tourner pendant au maximum une minute après l'arrêt du moteur. N'arrêtez jamais la lame avec vos mains, vous risqueriez de vous blesser.

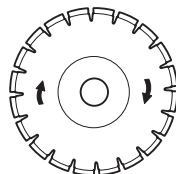


AVERTISSEMENT! Lors de leur utilisation, les lames diamant deviennent très chaudes. Une lame surchauffée est le résultat d'une mauvaise utilisation et peut entraîner une déformation du disque qui causerait des dommages et des blessures.

La découpe de métal génère des étincelles pouvant provoquer un incendie. N'utilisez pas la machine près de gaz ou de substances inflammables.

- Les disques diamant se composent d'une structure en acier et de segments contenant des diamants industriels.

- Les disques diamant sont d'un coup inférieur par découpe, nécessitent moins de remplacements et ont une profondeur de découpe constante.
- En cas d'utilisation d'une lame diamant, veiller à ce qu'elle tourne dans la direction des flèches sur la lame.



Affûtage des lames diamant

- Toujours utiliser une lame diamant acérée.
- Les lames diamant peuvent siémousser en cas de pression d'avance incorrecte ou de découpe de certains matériaux comme du béton fortement armé. Le travail avec un disque diamant émoussé comporte un risque de surchauffe pouvant provoquer la chute des segments en diamant.
- Affûtez la lame en réduisant la profondeur de coupe et la vitesse de rotation du moteur pendant un court moment. Ceci permettra d'exposer des diamants neufs et tranchants sur la lame.

Lames diamant pour le refroidissement

- Lors de la découpe, les frictions dans la coupe entraînent la chauffe de la lame diamant. Si la lame finit par devenir trop chaude, cela peut entraîner une perte de la tension de la lame ou le fissurage du noyau. Par conséquent, la lame de diamant doit être refroidie à l'eau.

Disques diamant pour découpe à l'eau

Lors de la découpe, les frictions dans la coupe entraînent la chauffe de la lame diamant. Si la lame finit par devenir trop chaude, cela peut entraîner une perte de la tension de la lame ou le fissurage du noyau.

Laissez la lame refroidir avant de la toucher.

- Les lames diamant de découpe à l'eau doivent être utilisées avec de l'eau pour refroidir le noyau et les segments de lame lors du sciage. Les lames de découpe à l'eau NE doivent PAS être utilisées à sec.
- L'utilisation de lames de découpe à l'eau sans eau peut induire une accumulation excessive de chaleur, entraînant des performances médiocres et de graves dommages sur la lame, et constituant un risque pour la sécurité.
- L'eau refroidit la lame et augmente la durée de vie de l'outil, tout en réduisant la formation de poussière.
- Utilisez le sciage humide pour le béton vieux, le béton frais et l'asphalte.

Taille de lame, po/mm	Profondeur de coupe maximale, po/mm
20/500	7,75/193
26/650	10,5/262
30/750	12,5/312

ATTENTION ! Utilisez toujours un flasque de lame dont la taille est adaptée à la taille de la lame actuelle. N'utilisez jamais des flasques endommagés.

Transport et rangement

- Rangez les lames de coupe dans un endroit sécuritaire pour éviter de les endommager.
- Ranger le disque au sec et à l'abri du gel.
- Avant toute utilisation, vérifiez si les disques neufs ne comportent pas de défauts causés par la manutention ou le magasinage.

MANIPULATION DU CARBURANT

Généralités



AVERTISSEMENT! Faire tourner un moteur dans un local fermé ou mal aéré peut causer la mort par asphyxie ou empoisonnement au monoxyde de carbone.

Le carburant et les vapeurs de carburant sont très inflammables et peuvent causer des blessures graves en cas d'inhalation ou de contact avec la peau. Il convient donc d'observer la plus grande prudence lors de la manipulation du carburant et de veiller à disposer d'une bonne aération.

Les gaz d'échappement du moteur sont très chauds et peuvent contenir des étincelles pouvant provoquer un incendie. Par conséquent, ne jamais démarrer la machine dans un local clos ou à proximité de matériaux inflammables!

Ne fumez jamais ni ne placez d'objet chaud à proximité du carburant.

Carburant

Essence

- Utilisez de l'essence sans plomb propre et neuve.
- L'indice d'octane le plus bas recommandé est de 87 ((RON+MON)/2). Si le moteur utilise une essence d'un indice d'octane inférieur à 87, des cognements risquent de se produire. Ceci résulte en une augmentation de la température du moteur et une charge élevée au niveau des paliers pouvant causer de graves avaries moteur.

Huile moteur

Stationnez toujours la machine sur une surface plane avant de vérifier l'huile. Maintenez la scie de niveau, sans la lame, lorsque vous vérifiez le niveau d'huile.

- Contrôler le niveau d'huile avec de démarrer la machine. Un niveau d'huile trop bas risque d'endommager gravement le moteur. Consultez les instructions dans la section « Entretien et réparation ».
- Ne jamais utiliser d'huile pour moteurs à deux temps. Utilisez seulement de l'huile moteur à faible teneur en cendres, tel qu'indiqué dans la section « Données techniques ».

ATTENTION ! Veiller à ce que le moteur contienne toujours suffisamment d'huile.

Remplissage de carburant



AVERTISSEMENT! Arrêter le moteur et le laisser refroidir pendant quelques minutes avant de faire le plein.

Ouvrir le bouchon du réservoir lentement pour laisser baisser la surpression pouvant régner dans le réservoir.

Nettoyez le pourtour du bouchon de réservoir.

Serrer soigneusement le bouchon du réservoir après le remplissage. Si le bouchon n'est pas serré correctement, il risque de s'ouvrir à cause des vibrations et du carburant peut alors s'échapper du réservoir de carburant, entraînant un risque d'incendie.

Avant de mettre la machine en marche, la déplacer à au moins 3 mètres de l'endroit où a été fait le plein.

Ne jamais démarrer la machine:

- Si du carburant ou de l'huile moteur ont été répandus sur la machine. Essuyer soigneusement toutes les éclaboussures et laisser les restes d'essence s'évaporer.
- Si vous avez renversé du carburant sur vous ou sur vos vêtements, changez de vêtements. Lavez les parties du corps qui ont été en contact avec le carburant. Utilisez de l'eau et du savon.
- S'il y a fuite de carburant. Vérifier régulièrement que le bouchon du réservoir et la conduite de carburant ne fuient pas.

Transport et rangement

- Transporter et ranger la machine et le carburant de façon à éviter que toute fuite ou émanation éventuelle entre en contact avec une flamme vive ou une étincelle: machine électrique, moteur électrique, contact/interrupteur électrique ou chaudière.
- Lors du stockage et du transport de carburant, toujours utiliser un récipient homologué et conçu à cet effet.

MANIPULATION DE LA BATTERIE

Généralités



AVERTISSEMENT! Les batteries plomb-acide génèrent des gaz explosifs. Éviter les étincelles, les feux ouverts et de fumer près des batteries.

- Le branchement ou le débranchement de la batterie peut causer des étincelles et des courts-circuits.
- Une étincelle ou une flamme peut provoquer l'explosion d'une batterie au plomb.
- Ne branchez jamais les deux bornes sur la batterie en même temps au moyen d'une clé ou d'un autre métal pour éviter de court-circuiter la batterie.
- Manipulez toujours la batterie avec soin.
- Les batteries inutilisées doivent rester à distance d'objets métalliques tels que des clous, des pièces de monnaie ou des bijoux.
- Avant de brancher la batterie, retirez bracelets en métal, montres, bagues, etc. Portez des gants et des lunettes de protection ou un masque à poussière lorsque vous manipulez la batterie.
- La batterie d'origine ne nécessite aucun entretien. N'essayez pas de retirer ou d'ouvrir les bouchons et couvercles. Il n'est généralement pas nécessaire de vérifier ou d'ajuster le niveau d'électrolyte.
- N'utilisez qu'une batterie similaire ne nécessitant aucun entretien pour remplacement. Consultez les informations dans la section Caractéristiques techniques.
- Lorsque vous effectuez un soudage sur la machine, débranchez toujours les deux câbles de batterie et rangez les câbles à une distance éloignée des pôles de batterie.
- Branchez toujours le pôle négatif de l'appareil de soudage aussi près que possible du point de soudure.

ATTENTION ! N'utilisez pas une batterie dont la taille maximale physique de la batterie est supérieure à celle prescrite. Une batterie de taille trop grande peut endommager les pièces se trouvant à proximité ou être endommagée par celles-ci.

Manipuler la batterie prudemment et dans le respect de l'environnement. Suivre les directives locales en matière de recyclage.

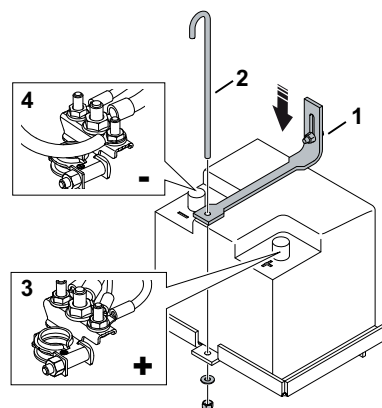
- Si la batterie ne peut maintenir la tension pendant des périodes prolongées lorsque la charge n'est pas appliquée, remplacez la batterie. Pour obtenir de plus amples renseignements sur les batteries recommandées, consultez la section « Données techniques ».
- Chargez régulièrement la batterie.
- Gardez les bornes de batterie et ses accessoires propres.

Branchement de la batterie

Remarque! Installez et retirez les câbles de batterie seulement dans la séquence décrite dans cette section.

- 1 Installez le support de batterie.
- 2 Verrouillez la batterie au moyen de la goupille.

- 3 Branchez toujours la borne positive en premier.
- 4 Branchez la borne négative.



Débranchement de la batterie

- Retirer les câbles dans l'ordre inverse.

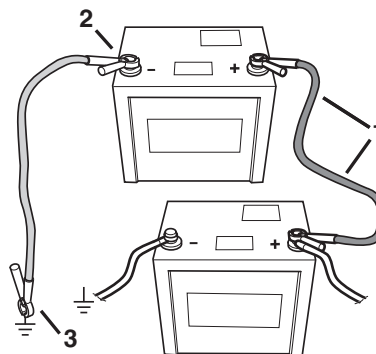
Démarrage d'un moteur avec batterie faible

Si les batteries sont trop faibles pour démarrer le moteur, elles doivent être rechargées.

Si des câbles sont utilisés pour un démarrage d'urgence, procéder comme suit:

Raccordement des câbles de démarrage

- 1 Brancher chaque extrémité du câble rouge à la borne POSITIVE (+) de chaque batterie en veillant à ne pas court-circuiter une extrémité contre le châssis.
- 2 Brancher une extrémité du câble noir à la borne NÉGATIVE (-) de la batterie complètement chargée.
- 3 Branchez l'autre extrémité du câble noir à une bonne MASSE DU BLOC MOTEUR, à l'écart du réservoir de carburant et de la batterie.



Retirer les câbles dans l'ordre inverse.

- Le câble NOIR est retiré du bloc moteur, puis de la batterie entièrement chargée.
- Débrancher ensuite le câble ROUGE des deux batteries.

Remisage

- Rangez la batterie dans un endroit frais et sec.

COMMANDE

Équipement de protection

Généralités

Assurez-vous toujours de la présence à proximité d'une autre personne lorsque vous utilisez la machine afin que vous puissiez demander de l'aide en cas d'accident.

Équipement de protection personnelle

Un équipement de protection personnelle homologué doit impérativement être utilisé lors de tout travail avec la machine. L'équipement de protection personnelle n'élimine pas les risques mais réduit la gravité des blessures en cas d'accident. Demander conseil au concessionnaire afin de choisir un équipement adéquat.



AVERTISSEMENT! L'utilisation de produits, tels que les couteaux, les broyeurs, les perceuses, les scies qui sablent ou forment une matière, peut entraîner la formation de poussière et de vapeurs qui peuvent contenir des produits chimiques dangereux. Vérifiez le type de matériau avec lequel vous devez travailler et utilisez un masque filtrant approprié.

Une exposition prolongée au bruit risque de causer des lésions auditives permanentes. Utilisez toujours des protecteurs d'oreilles agréés. Soyez attentif aux appels ou cris d'avertissement lorsque vous portez des protecteurs d'oreilles. Enlevez toujours vos protecteurs d'oreilles dès que le moteur s'arrête.

Toujours utiliser:

- Casque de protection homologué
- Protecteur d'oreilles
- Des protège-yeux homologués. L'usage d'une visière doit toujours s'accompagner du port de lunettes de protection homologuées. Par lunettes de protection homologuées, on entend celles qui sont en conformité avec les normes ANSI Z87.1 (États-Unis) ou EN 166 (pays de l'UE). La visière doit être conforme à la norme EN 1731.
- Masque respiratoire
- Gants solides permettant une prise sûre.
- Vêtements confortables, robustes et serrés qui permettent une liberté totale de mouvement. La découpe crée des étincelles qui peuvent enflammer les vêtements. Husqvarna vous recommande de porter du coton ignifugé ou du denim épais. Ne portez pas de vêtements composés de matières comme le nylon, le polyester ou la rayonne. Si elles s'enflamment, ces matières peuvent fondre et adhérer à la peau. Ne portez pas de shorts
- Bottes avec coquille en acier et semelle antidérapante

Autre équipement de protection



REMARQUE ! Lorsque vous travaillez avec la machine, des étincelles peuvent se former et mettre le feu. Gardez toujours à portée de main les outils nécessaires à l'extinction d'un feu.

- Extincteur
- Une trousse de premiers secours doit toujours être disponible.

Instructions générales de sécurité

Le présent chapitre décrit les consignes de sécurité de base relatives à l'utilisation de la machine. Aucune de ces informations ne peut remplacer l'expérience et le savoir-faire d'un professionnel.

- Lire attentivement et bien assimiler le manuel d'utilisation avant d'utiliser la machine. Il est recommandé aux nouveaux opérateurs d'obtenir également des instructions pratiques avant d'utiliser la machine.
- N'oubliez pas que c'est vous, l'opérateur, qui êtes responsable de protéger les tiers et leurs biens de tout accident ou danger.
- La machine doit rester propre. Les signes et autocollants doivent être parfaitement lisibles.

Service

Faites réparer votre machine par un technicien qualifié et utilisez seulement des pièces de rechange identiques. Ceci permettra d'assurer la sécurité continue de la machine.

Utilisez toujours votre bon sens

Il est impossible de mentionner toutes les situations auxquelles vous pouvez être confronté. Soyez toujours vigilant et utilisez l'appareil avec bon sens. Si vous êtes confronté à une situation où vous pensez ne pas être en sécurité, arrêtez immédiatement et consultez un spécialiste. Veuillez contacter votre revendeur, votre atelier de réparation ou un utilisateur expérimenté. Il convient d'éviter tous les travaux pour lesquels vous ne vous sentez pas suffisamment qualifié !

COMMANDE



AVERTISSEMENT! La machine utilisée de manière imprudente ou inadéquate peut devenir un outil dangereux, pouvant causer des blessures graves voire mortelles à l'utilisateur et aux autres personnes présentes.

Ne jamais permettre à des enfants ou à des personnes ne possédant pas la formation nécessaire d'utiliser ou d'entretenir la machine.

Ne jamais laisser d'autres personnes utiliser la machine sans s'être assuré au préalable que ces personnes ont bien compris le contenu du mode d'emploi.

N'utilisez jamais la machine si vous êtes fatigué, avez bu de l'alcool ou pris des médicaments susceptibles d'affecter votre vue, votre jugement ou la maîtrise de votre corps.



AVERTISSEMENT! Toute modification non autorisée et/ou tout emploi d'accessoires non homologués peuvent provoquer des accidents graves voire mortels pour l'utilisateur et les autres. Ne jamais modifier sous aucun prétexte la machine sans l'autorisation du fabricant.

Ne modifiez jamais cette machine de façon à ce qu'elle ne soit plus conforme au modèle d'origine et n'utilisez jamais une machine qui semble avoir été modifiée.

Ne jamais utiliser une machine qui n'est pas en parfait état de marche. Appliquer les instructions de maintenance et d'entretien ainsi que les contrôles de sécurité indiqués dans ce manuel d'utilisation. Certaines mesures de maintenance et d'entretien doivent être confiées à un spécialiste dûment formé et qualifié. Voir les instructions à la section Maintenance.

N'utiliser que des accessoires et des pièces d'origine.

Votre garantie ne couvre ni les dommages ni la responsabilité qu'entraîne l'utilisation de pièces ou d'accessoires non autorisés.



AVERTISSEMENT! Cette machine génère un champ électromagnétique en fonctionnement. Ce champ peut dans certaines circonstances perturber le fonctionnement d'implants médicaux actifs ou passifs. Pour réduire le risque de blessures graves ou mortelles, les personnes portant des implants médicaux doivent consulter leur médecin et le fabricant de leur implant avant d'utiliser cette machine.

Sécurité dans l'espace de travail



AVERTISSEMENT! Il incombe à l'utilisateur de s'assurer qu'aucun animal et qu'aucun spectateur ne se trouve à l'intérieur de la zone de travail. Ne commencez pas la coupe avant de vous assurer que la zone de travail est dégagée.

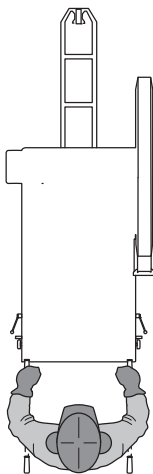
- Observez la zone environnante et assurez-vous qu'aucun facteur ne risque d'affecter votre contrôle de la machine.
- Assurez-vous que personne/rien ne peut se trouver en contact avec l'équipement de coupe ou être touché par des pièces projetées par la lame.
- Ne pas travailler par mauvais temps: brouillard épais, pluie diluvienne, vent violent, grand froid, etc. Travailler par mauvais temps est fatiguant et peut créer des conditions de travail dangereuses telles que le verglas.
- Ne jamais commencer à travailler avec la machine sans avoir le champ libre et les pieds bien daplomb. Identifier les obstacles éventuels dans le cas de déplacement inattendu. S'assurer qu'aucun matériau ne risque de tomber et de provoquer des blessures ou des dommages lors de travail avec la machine. Redoubler de prudence en cas de travail dans un terrain en pente.
- S'assurer que l'éclairage de la zone de travail est suffisant pour que l'environnement de travail soit de toute sécurité.
- Assurez-vous qu'aucun tuyau ou câble électrique ne passe par la zone de travail ou dans le matériau à découper.
- Faire tourner un moteur dans un local fermé ou mal aéré peut causer la mort par asphyxie ou empoisonnement au monoxyde de carbone.

Techniques de travail de base

- Cette machine est conçue pour la découpe du béton frais et renforcé dans différentes classes de dureté, et de l'asphalte.
- Sciez toujours dans une position qui facilite l'accès au bouton d'arrêt de la machine.
- Vérifiez qu'aucun outil ou autre objet n'a été posé sur la machine.
- Ne laissez jamais la machine sans surveillance lorsque le moteur est en marche.
- Toujours contrôler que le protège-lame est monté correctement avant de démarrer la machine. Ne procédez jamais à une découpe sans utiliser le protège-lame.
- Avant le sciage, toutes les entailles doivent être marquées clairement et planifiées de manière à pouvoir être effectuées sans danger pour les personnes ou la machine.
- Ne meulez jamais avec le côté du disque; il risquerait de s'abîmer, de se casser ou de causer de graves blessures. N'utiliser que le tranchant.
- Ne vous tenez pas derrière ou devant la trajectoire de la lame alors que le moteur est en marche.
- Ne laissez pas la machine sans surveillance alors que le moteur est en marche.

COMMANDE

- Vous ne devez jamais basculer la lame sur le côté, ni la coincer, ni l'entortiller dans une coupure.
- Assurez-vous toujours de la présence à proximité d'une autre personne lorsque vous utilisez la machine afin que vous puissiez demander de l'aide en cas d'accident.
- Ne vous tenez jamais derrière ou devant la trajectoire de la lame lorsque le moteur est en marche. La position de l'opérateur doit être entre les deux poignées de guidon.



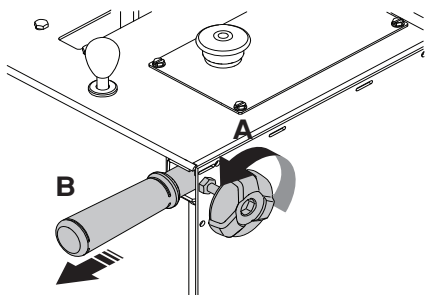
Position de la poignée

REMARQUE ! N'utilisez jamais les poignées de guidon pour soulever la scie.

Utilisez les poignées de guidon pour manœuvrer la scie.

La position du guidon peut être réglée en longueur.

- Desserrez le bouton de verrouillage **A** pour régler la longueur.
- Poignée de réglage de la longueur de travail plus confortable. Serrez le bouton de verrouillage.



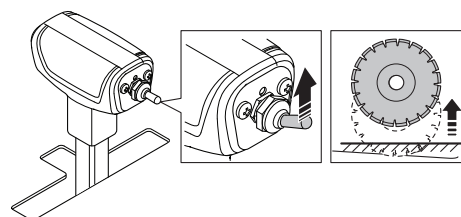
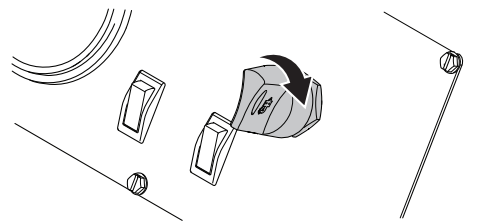
Déplacement de la machine

Avant de déplacer la machine, lisez et assurez-vous de bien comprendre les instructions indiquées dans la section « Démarrage et arrêt ».

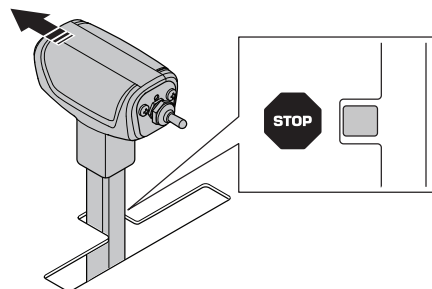
Déplacement de la machine lorsque le moteur est arrêté

- Réglez le commutateur de démarrage du moteur à la position RUN (marche).

Relevez la scie en appuyant sur le commutateur de marche avant et arrière situé sur le levier de commande de vitesse jusqu'à ce que la lame (si elle est installée) ne touche pas à la surface de la chaussée.



- Placez le levier de commande de marche avant et arrière à la position d'arrêt ou neutre.



- Tirez sur le levier de roue libre situé sur le panneau de commande.
- Vous pouvez désormais déplacer la scie en vous plaçant derrière celle-ci et en la poussant (tout en maintenant les poignées de guidon).

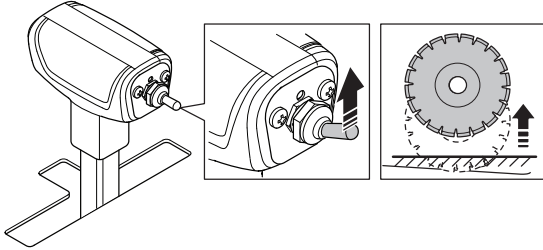


AVERTISSEMENT! Ne tentez pas de pousser la scie pendant qu'elle se trouve en position de point mort sur une pente (ou une colline). L'opérateur de la scie peut perdre la maîtrise de la scie et se blesser ou blesser d'autres personnes se trouvant dans la zone de travail.

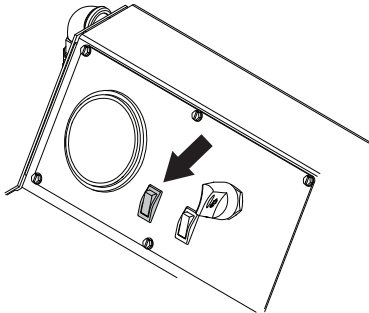
COMMANDE

Déplacement de la scie lorsque le moteur est en marche

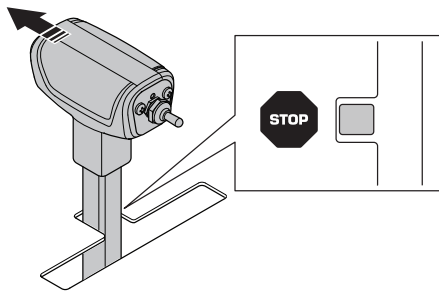
- Relevez la scie en appuyant sur le commutateur de marche avant et arrière situé sur le levier de commande de vitesse jusqu'à ce que la lame (si elle est installée) ne touche pas à la surface de la chaussée.



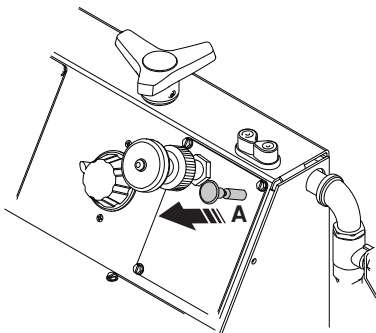
- Réglez le commutateur de sécurité d'eau à la position OFF (désactivé).



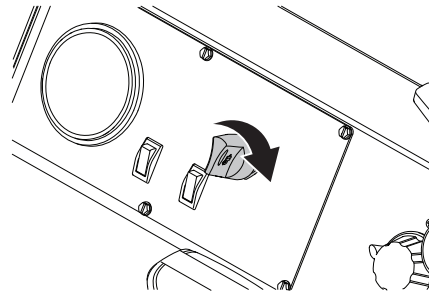
- Placez le levier de commande de marche avant et arrière à la position d'arrêt ou neutre. Le moteur ne démarre pas si le levier n'est pas dans la position d'arrêt ou neutre.



- Tirez sur l'étrangleur du moteur (A).

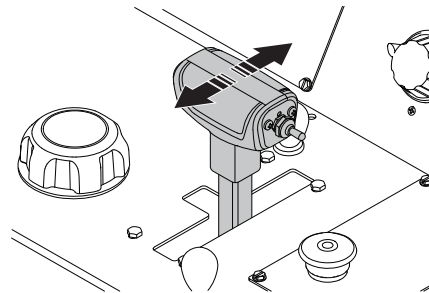


- Placez le commutateur de démarrage du moteur à la position de démarrage du moteur jusqu'à ce que le moteur démarre, puis relâchez le commutateur. Il retourne automatiquement à la position de contact. Si le moteur ne démarre pas, répétez ces étapes.



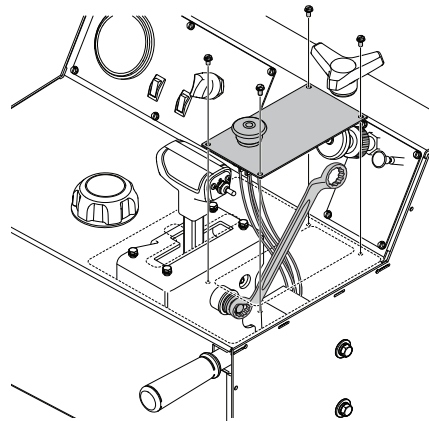
- Poussez le levier de commande de marche avant et arrière vers l'avant pour déplacer la scie vers l'avant ou poussez-le vers l'arrière pour déplacer la scie vers l'arrière.

Plus vous poussez le levier, plus la vitesse est rapide. Pour de plus amples informations, consultez la rubrique « Caractéristiques techniques ».



AVERTISSEMENT! Ne placez pas la transmission au point mort lorsque la scie est stationnée sur une pente ou une colline. L'opérateur perdra la maîtrise de la machine et pourrait subir des blessures ou provoquer des dommages.

Réglez la résistance sur le levier de commande de marche avant et arrière à l'aide de l'écrou sur le côté du levier.



COMMANDE

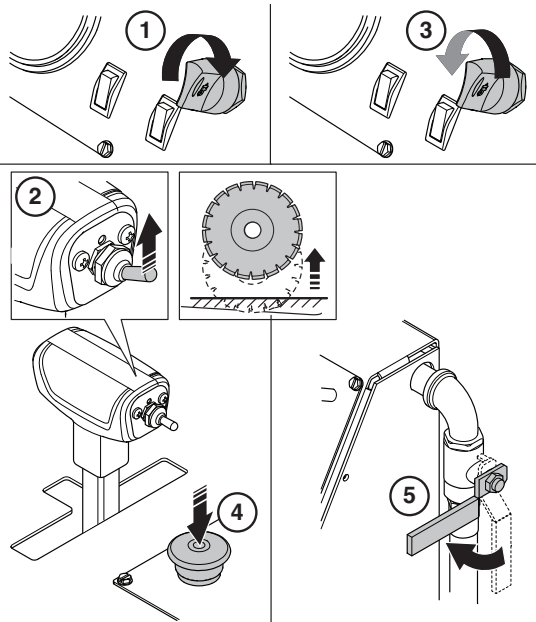
Montage de la lame



AVERTISSEMENT! Toujours mettre l'interrupteur de démarrage du moteur à la position OFF avant d'installer la lame.

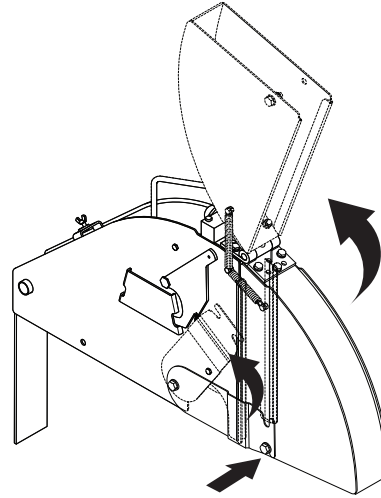
ATTENTION! Contrôlez le sens de rotation de la lame. La flèche sur la lame et le protège-lame indiquent le sens de rotation.

- 1 Réglez le commutateur de démarrage du moteur à la position de contact.
- 2 Relevez la scie à une position haute à l'aide du commutateur de relevage et d'abaissement situé sur le levier de commande de marche avant et arrière.
- 3 Réglez l'interrupteur de démarrage du moteur en position OFF.
- 4 Appuyez sur le bouton d'arrêt de la machine situé sur le panneau de commande.
- 5 Éteignez le robinet de prise d'eau.



- Desserrez le boulon avant du protège-lame et relevez le loquet du protège-lame.

- Relevez la partie avant du protège-lame et utilisez la goupille pour démontage rapide pour le verrouiller en position verticale.



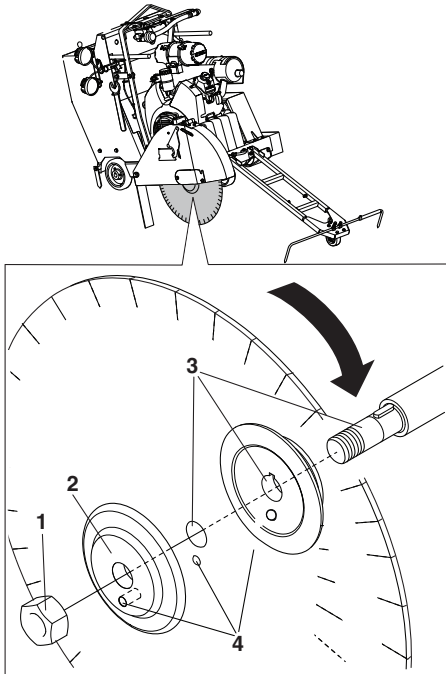
AVERTISSEMENT! Assurez-vous que la lame, les flasques de lame et l'arbre de flasque de lame ne sont pas endommagés. Nettoyez les surfaces de contact de la lame et les flasques de lame. Assurez-vous que la lame et les flasques sont propres et qu'ils sont exempts de saletés et de débris avant l'installation de la lame sur la machine.

Le boulon de l'arbre de lame du côté droit de la scie comporte des filets gauches et le boulon de l'arbre de lame du côté gauche de la scie comporte des filets droits. Remplacez le boulon de l'arbre de lame et la rondelle plate lorsqu'ils sont usés ou endommagés.

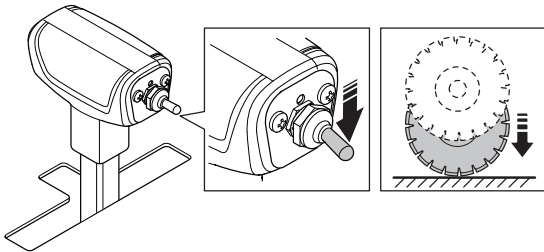
- 1 Desserrez l'écrou de l'axe de lame qui est utilisé pour serrer la lame entre la bride intérieure et la bride extérieure.
- 2 Retirez la bride de lame extérieure.
- 3 Installez la lame diamant sur l'axe de lame.
- 4 Installez le flasque extérieur avec la lame pré-installée dans le flasque intérieur en vous assurant que la goupille de verrouillage traverse la lame de diamant et est acheminée dans le flasque intérieur.

COMMANDE

Installez et serrez l'écrou au moyen de la clé d'axe de lame en tenant fermement la lame.



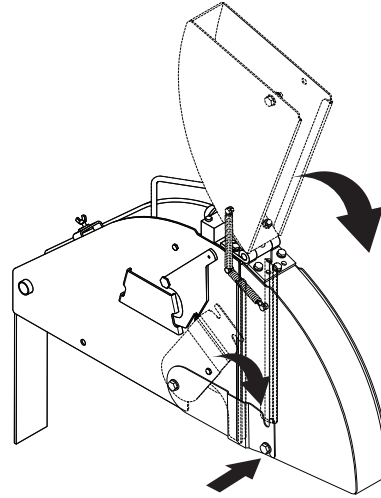
Abaissez la scie en appuyant vers le bas sur le commutateur de relevage et d'abaissement situé sur le levier de commande de marche avant et arrière jusqu'à ce que la lame touche la surface à couper.



REMARQUE ! Pour éviter d'endommager la lame, cette dernière doit toucher doucement la surface. Utilisez le bouton de commande de vitesse d'abaissement pour ralentir la vitesse d'abaissement. Ne laissez jamais la lame supporter le poids avant de la machine, car vous endommagerez la lame.

- Serrez fermement le boulon de l'arbre de lame à l'aide de la clé d'arbre de lame alors que la résistance entre la lame de diamant et le sol aide à atteindre le serrage approprié et final.

- Abaissez la partie avant du protège-lame et positionnez le loquet du protège-lame sur le boulon avant du protège-lame. Serrez le boulon avant du protège-lame.



ATTENTION ! N'utilisez pas cette scie sans que le loquet soit engagé et le boulon installé. N'utilisez pas la scie si elle est endommagée.

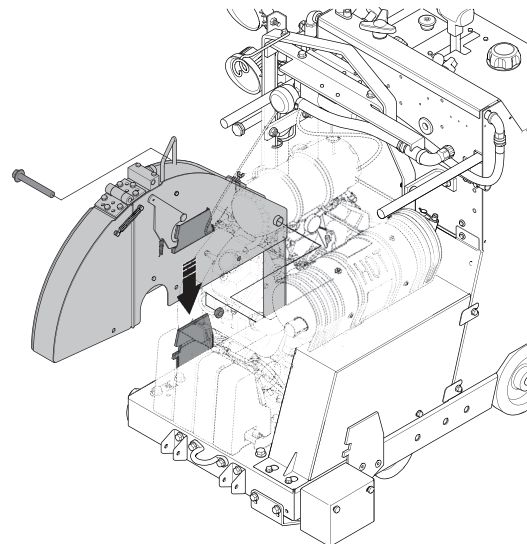
- Tester la machine et vérifier qu'aucun bruit inhabituel ne se fait entendre. Des bruits inhabituels sont le signe d'une lame mal montée.

Installation du protège-lame

Les protège-lames coulissants sont munis d'un dispositif de verrouillage de protège-lame qui enclenche la moitié arrière du protège-lame.

N'utilisez pas cette scie sans que le dispositif de verrouillage ne soit enclenché. Vérifiez fréquemment les protège-lames et les dispositifs de verrouillage. N'utilisez pas la scie si ces pièces sont endommagées.

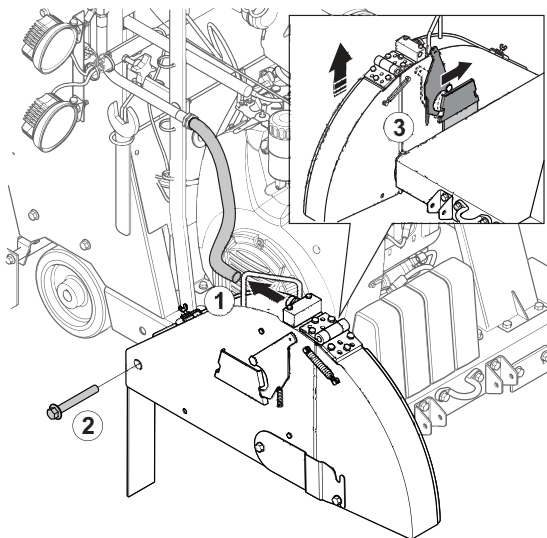
Abaissez le protège-lame sur la bêche de support et utilisez une force modérée pour appuyer vers le bas sur le protège-lame jusqu'à ce que le dispositif de verrouillage s'enclenche.



COMMANDE

Retrait du protège-lame

- 1 Débranchez le flexible d'eau du protège-lame.
- 2 Enlevez le boulon qui retient le protège-lame.
- 3 Déplacez le verrou du protège-lame vers l'avant jusqu'à ce qu'il s'arrête et se déverrouille. Levez le protège-lame au moyen de sa poignée pour qu'il dégage la bêche de support.



Profondeur de coupe

Cette scie est munie d'un indicateur de profondeur de lame qui indique la profondeur de coupe de la lame. Cette scie est également dotée d'une butée d'arrêt de la profondeur de coupe qui arrête la profondeur de coupe de la lame à une profondeur déterminée.

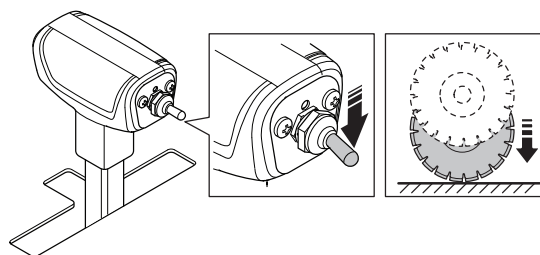
Pour obtenir de plus amples renseignements sur la profondeur maximale de coupe pour différentes tailles de lame, consultez la section « Lames ».

Utilisation de l'indicateur de profondeur de coupe

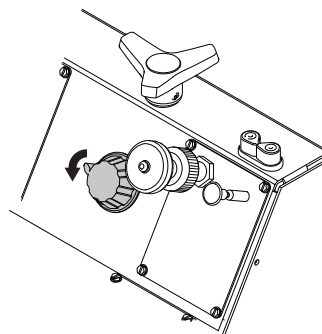
ATTENTION ! La profondeur de coupe doit correspondre aux spécifications particulières requises, car un sciage à une profondeur supérieure aux spécifications peut causer des problèmes de résistance structurelle.

- Si le moteur tourne, placez le commutateur de démarrage du moteur à la position OFF (arrêt) pour arrêter le moteur.
- Placez le commutateur de démarrage du moteur à la position ON (marche).

- Abaissez la scie en appuyant vers le bas sur le commutateur de relevage et d'abaissement situé sur le levier de commande de marche avant et arrière jusqu'à ce que la lame touche la surface à couper. Ceci sera le point de référence.



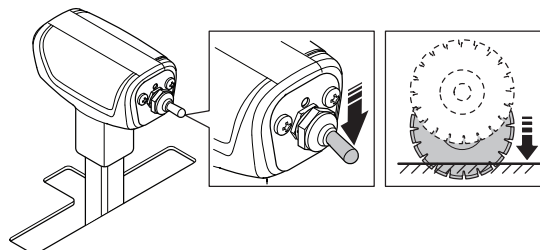
- Tournez le bouton de l'indicateur de profondeur à la position zéro. La profondeur de coupe sera maintenant indiquée sur l'indicateur de profondeur quand la lame est abaissée dans la surface de coupe.



REMARQUE ! Pour éviter d'endommager la lame, cette dernière doit toucher doucement la surface. Utilisez le bouton de commande de vitesse d'abaissement pour ralentir la vitesse d'abaissement.

Utilisation de la butée de profondeur de coupe

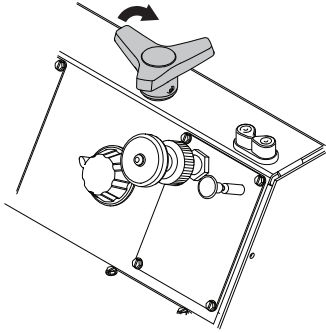
- Abaissez la scie en appuyant vers le bas sur le commutateur de relevage et d'abaissement situé sur le levier de commande de marche avant et arrière jusqu'à ce que la lame atteigne la profondeur souhaitée (comme indiquée sur l'indicateur de profondeur de la lame).



- Réglez la butée de profondeur de la lame en tournant le bouton dans le sens horaire jusqu'à ce qu'il soit serré. La profondeur de coupe maximale est maintenant réglée. Si on retire la scie de la surface de coupe pour quelque raison que ce soit, on peut maintenant la remettre à cette profondeur précise en abaissant la lame dans la surface

COMMANDE

de coupe au moyen du commutateur de relevage et d'abaissement situé sur le levier de commande de vitesse.

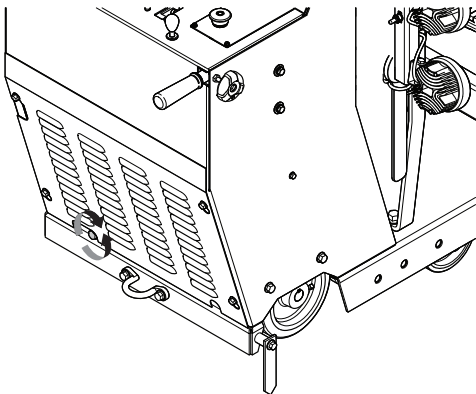


Sciage en ligne droite

Lors de la coupe, la lame crée une résistance à la force motrice provenant des roues arrière, ce qui cause l'orientation de la machine dans la même direction que la lame installée. Cet effet peut être amorti en réglant l'angle de l'essieu arrière à l'aide du réglage manuel de l'essieu.

Scies avec réglage manuel de l'essieu

- Pour régler l'essieu arrière, tournez le boulon de réglage situé dans la partie arrière gauche inférieure du cadre de scie à l'aide d'une clé de 18 mm.
- Si la scie se dirige vers la droite lors du sciage, tournez le boulon de réglage dans le sens inverse des aiguilles d'une montre.
- Si la scie se dirige vers la gauche lors du sciage, tournez le boulon de réglage dans le sens des aiguilles d'une montre.



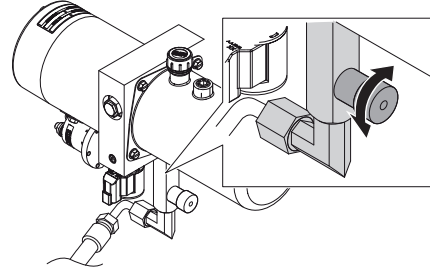
Système hydraulique

Le système hydraulique sur cette scie est utilisé pour élever / abaisser la lame de diamant et de propulser la scie avant ou arrière.

Le système hydraulique se compose d'une transmission hydrostatique, d'une pompe d'alimentation CC avec vanne de régulation de débit et d'un vérin de levage hydraulique.

- La vitesse d'abaissement de la scie peut être réglée à l'aide du régulateur de la vanne de régulation de débit. Si la scie tombe trop rapidement, tournez la molette située

sur la vanne de régulation de débit dans le sens des aiguilles d'une montre jusqu'à ce que la vitesse d'abaissement soit satisfaisante.



Transport et rangement

- Retirez la lame avant le transport ou l'entreposage de la machine pour éviter d'endommager la lame.
- Retirez tous les outils de réglage et les clés.

Transport

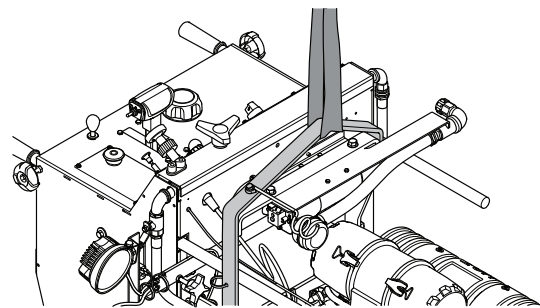


AVERTISSEMENT! Lorsque vous déplacez la scie sur des rampes ascendantes et descendantes et que le moteur est en marche, faites preuve d'une extrême prudence. Pour les rampes abruptes, veillez à toujours utiliser un treuil. Ne vous tenez jamais devant la machine. Tenez-vous seulement à côté de celle-ci.

- Pour descendre une rampe, déplacez lentement la scie vers l'arrière.
- Pour monter une rampe, déplacez lentement la scie vers l'avant.
- Fermez la soupape d'arrêt de carburant.

Relevage de la scie

- Faites preuve de prudence en cas de levage. Le maniement de pièces lourdes implique un risque de coinçage ou autre blessure.
- Pour soulever la machine, toujours utiliser l'œilleton de levage dont elle est munie.



Transport de la scie par véhicule

- Sécurisez l'équipement lors du transport afin d'éviter tout dommage ou accident. Utilisez les crochets d'arrimage installés à l'usine sur la scie, à l'avant et à l'arrière, pour prévenir le déplacement pendant le transport.
- Ne remorquez pas cette scie avec un autre véhicule pour éviter d'endommager les organes de transmission.

Remisage

Stockez l'équipement dans un endroit verrouillé afin de le maintenir hors de portée des enfants et de toute personne incompétente.

- Arrêtez le moteur en tournant le commutateur de démarrage du moteur à la position STOP (arrêt).
- Placez le levier de commande de marche avant et arrière à la position d'arrêt ou neutre.

Pour le transport et le stockage du carburant et de la batterie, consultez les sections « Manutention du carburant » et « Manipulation de la batterie ».

Pour le transport et le rangement des lames, voir la rubrique « Lames ».

Entreposage à long terme

Avant de remettre la machine pour une période prolongée, veiller à ce qu'elle soit bien nettoyée et que toutes les mesures d'entretien aient été effectuées. Consultez le manuel d'utilisation du moteur pour obtenir de plus amples renseignements sur l'entreposage à long terme.

- Retirez la lame pour l'entreposage et rangez-la avec soin.
- Fermez la soupape d'arrêt de carburant et réinstallez le capot de protection arrière.
- Lubrifiez tous les raccords filetés avant l'entreposage.
- Débranchez la borne négative et placez-la à une distance sécuritaire de la batterie.
- Appliquez une charge lente à la batterie durant l'entreposage à long terme.
- Lors de l'entreposage de la machine pendant des périodes prolongées, le réservoir de carburant doit être vide. Communiquez avec votre station-service locale pour savoir où se débarrasser de l'excédent de carburant.
- Rangez la machine et ses équipements dans un endroit sec et à l'abri du gel.
- Si la machine est entreposée à l'extérieur, couvrez la machine.
- Vidangez l'huile moteur après un entreposage à long terme.

DÉMARRAGE ET ARRÊT

Avant le démarrage



AVERTISSEMENT! Lire attentivement et bien assimiler le manuel d'utilisation avant d'utiliser la machine.

Utiliser les équipements de protection personnelle. Voir au chapitre "Équipement de protection personnelle".

Veiller à ce qu'aucune personne non autorisée ne se trouve dans la zone de travail pour éviter le risque de blessures graves.

- Effectuez un entretien quotidien. Consultez les instructions dans la section « Entretien et réparation ».
- Contrôler que la lame n'est pas en contact avec quoi que ce soit quand la machine est démarrée

ATTENTION ! Lire le manuel de l'opérateur fourni par le fabricant du moteur.

Premier démarrage

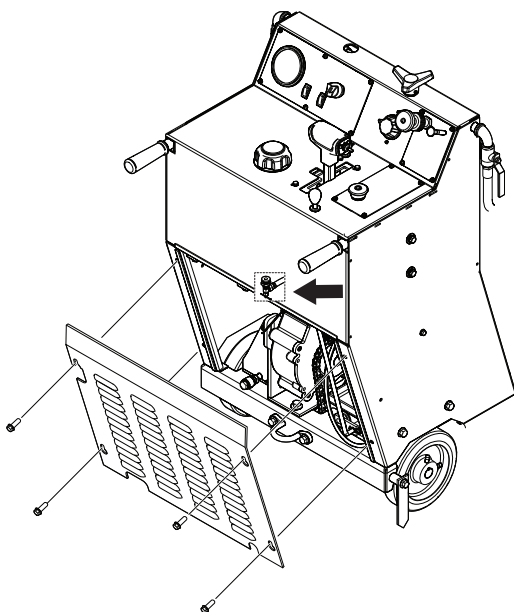
- Vérifiez le niveau d'huile moteur sans la lame et placez la scie en position horizontale pour un niveau plat de la scie
- Branchez les câbles de la batterie. La scie à lame plate est fournie sans câbles de batterie branchés.

Dans certains marchés, les batteries ne sont pas fournies pour des raisons de sécurité durant le transport. Installez une nouvelle batterie.

Pour de plus amples informations, consultez la rubrique « Caractéristiques techniques ».

Cette machine est équipée d'une soupape d'arrêt de carburant. Pour démarrer la machine la première fois :

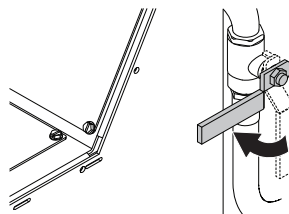
- Remplissez le réservoir de carburant.
- Retirez le capot de protection arrière et ouvrez la soupape d'arrêt de carburant.



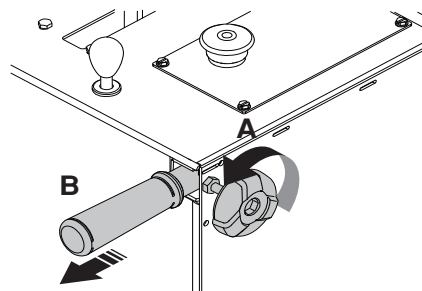
- Réinstallez le capot de protection arrière.

Démarrage

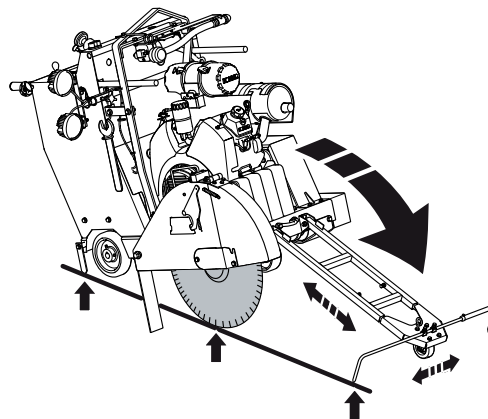
- Branchez la machine à l'alimentation en eau. Éteignez le robinet de prise d'eau.



- Marquez la surface à couper en traçant une ligne à l'endroit où la coupe sera pratiquée.
- Tirez les poignées de guidon à la longueur souhaitée, puis serrez les boutons.

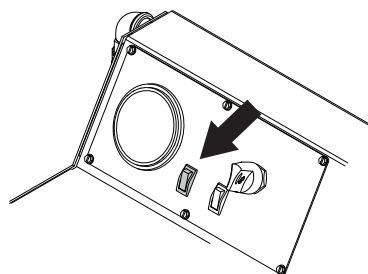


- Abaissez le guide avant et alignez le guide avant, le guide arrière et la lame de diamant avec la ligne sur la surface. Le guide avant est télescopique; réglez la longueur des vis à l'intérieur du guide avant.



Démarrer le moteur

- Pour démarrer la scie en l'absence de pression d'eau, réglez le commutateur de sécurité d'eau à la position OFF (désactivé).

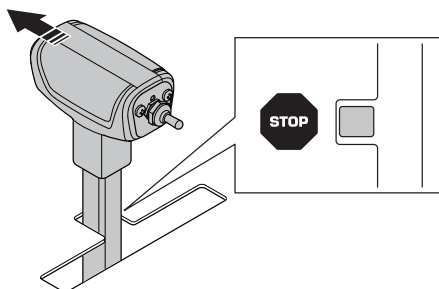


DÉMARRAGE ET ARRÊT

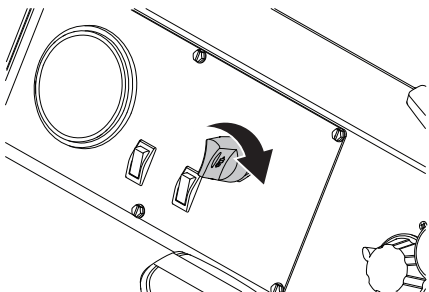
Système de sécurité d'eau

L'eau est utilisée pour prévenir la surchauffe de la lame tout en contrôlant la poussière causée par le sciage. Le système de sécurité d'eau contrôle la pression d'eau de la machine et interrompt le processus de sciage en cas de chute de pression.

- Régler le levier de commande de marche avant et arrière à la position d'arrêt ou neutre. Le moteur ne démarre pas si le levier n'est pas dans la position distincte d'arrêt ou neutre.



- Démarrez le moteur.



- Laissez le moteur se réchauffer pendant quelques minutes avec la commande des gaz à la vitesse de rotation à vide (minimum).

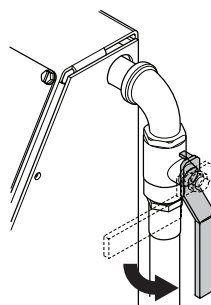
Commencer la découpe



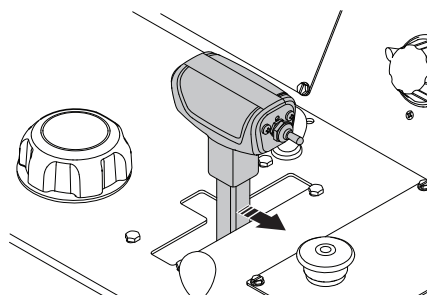
AVERTISSEMENT! Ne jamais utiliser des lames dont le régime indiqué est inférieur à celui de la découpeuse. Assurez-vous que la lame est correctement installée.

ATTENTION ! Consultez le tableau pour connaître les vitesses de rotation appropriées de l'arbre de lame et du moteur pour les tailles de lame spécifiques.

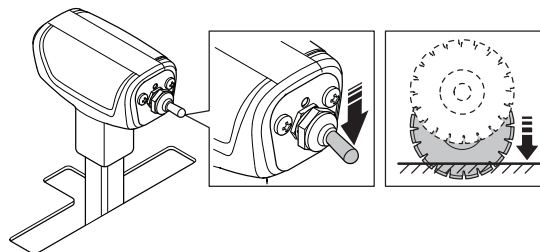
- Vérifiez l'alimentation en eau adéquate. Un débit faible d'eau entraînera des dommages aux lames de diamant. Activez le commutateur de sécurité d'eau situé sur le panneau de commande et ouvrez le robinet de prise d'eau.



- Enclenchez le levier de commande de marche avant et arrière.



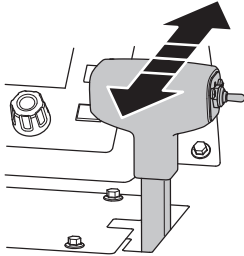
- Réglez la commande des gaz à la vitesse de rotation maximale du moteur.
- Abaissez la scie en appuyant sur le commutateur de relevage et d'abaissement situé sur le levier de commande de marche avant et arrière jusqu'à ce que la lame se trouve à la profondeur de coupe souhaitée. Pour obtenir de plus amples renseignements, consultez la section « Profondeur de coupe ».



REMARQUE ! Lors de l'abaissement de la lame dans une coupure partielle, alignez exactement la lame avec la coupure pour éviter d'endommager la lame.

DÉMARRAGE ET ARRÊT

- Déplacez lentement la scie vers l'avant en appuyant sur le levier de commande de marche avant et arrière. Écoutez le bruit du moteur. Si le moteur commence à ralentir, compensez cette situation en tirant le levier de commande de marche avant et arrière vers l'arrière pour diminuer l'alimentation et prévenir le calage de la lame. Assurez-vous que le guide avant, le guide arrière et la lame de diamant restent sur la ligne.



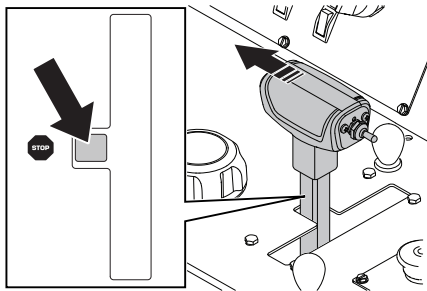
Arrêt



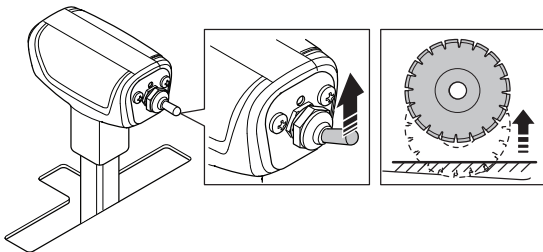
AVERTISSEMENT! Gardez toujours toutes les parties du corps éloignées de la lame et de toutes les autres pièces mobiles.

Arrêter la coupe.

- Placez le levier de commande de marche avant et arrière à la position d'arrêt ou neutre.



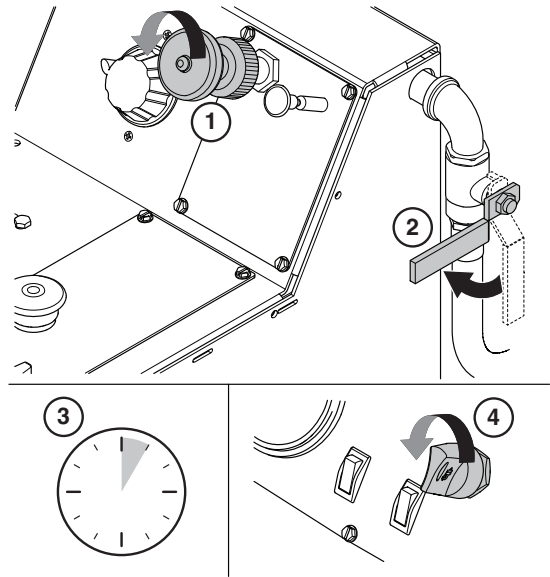
- Relevez la lame de diamant hors de la coupure en appuyant vers le haut sur le commutateur de relevage et d'abaissement situé sur le levier de commande jusqu'à ce que la lame de diamant ne touche plus aux surfaces.



Arrêt du moteur

- 1 Tournez la commande des gaz à la position de grand ralenti.
- 2 Fermez la valve d'eau.
- 3 Laissez le moteur fonctionner au ralenti pendant quelques minutes avant de le couper.

- 4 Arrêtez le moteur en tournant le commutateur de démarrage du moteur à la position STOP (arrêt).



Généralités



AVERTISSEMENT! La plupart des accidents impliquant des machines se produisent lors de dépannages, de réparations ou de travaux d'entretien, lorsque qu'un membre du personnel doit pénétrer dans la zone de risque de la machine. Prévenez des accidents en étant attentif et en planifiant et préparant le travail.

Si les opérations de maintenance nécessitent que le moteur tourne, soyez conscient des risques que vous courez en travaillant avec ou près de pièces en mouvement.

Effectuez l'entretien et les réparations conformément à ce Manuel d'utilisation pour éviter des mises en arrêt et préserver la valeur de la machine.

Entretenez également les équipements et outils supplémentaires de la machine.

L'utilisateur ne peut effectuer que les travaux d'entretien et de révision décrits dans ce manuel d'utilisation. Les mesures plus importantes doivent être effectuées dans un atelier d'entretien agréé.

Utiliser uniquement des pièces de rechange d'origine pour réparer la machine.

Mesures à prendre en amont en cas d'entretien, de réparation ou de recherche de panne

Généralités

- Assurez-vous que la machine est située dans une zone sûre.
- Stationnez toujours la machine sur une surface plane, coupez le moteur et réglez le commutateur de démarrage du moteur à la position STOP (arrêt) avant le démarrage. Appuyez sur le bouton d'arrêt de la machine situé sur le panneau de commande.
- Plusieurs composants chauffent pendant le travail avec la machine. Ne commencez aucune opération de réparation ou d'entretien avant que la machine n'ait refroidi.
- Placez une signalisation claire pour informer les personnes se trouvant à proximité que des travaux de maintenance sont en cours.
- S'assurer que l'éclairage de la zone de travail est suffisant pour que l'environnement de travail soit de toute sécurité.
- Localisez les extincteurs, le matériel médical et le téléphone de secours.

Équipement de protection

- Utiliser les équipements de protection personnelle. Voir au chapitre "Équipement de protection personnelle".

Environnement de travail

- Il ne doit pas y avoir de poussière dans la zone autour de la machine, afin d'éviter les risques de dérapage.

Nettoyage



REMARQUE ! Lors du nettoyage de la machine, vous risquez de recevoir par exemple de la poussière ou des substances nocives dans les yeux.

De la poussière et des substances nocives peuvent émaner de la machine en cas d'utilisation d'équipement à haute pression.

De l'eau ou de l'air envoyé par jet à haute pression peut rentrer sous la peau et causer des blessures très graves. N'orientez jamais un jet à haute pression vers la peau.

Après chaque utilisation, nettoyez la machine lorsqu'elle a refroidi.

Méthode de nettoyage

La méthode de nettoyage varie en fonction du type de contaminant et du degré de saleté de la machine. Il est possible d'utiliser un dégraissant doux. Évitez tout contact avec la peau. Utilisez des nettoyeurs à haute pression pour nettoyer la machine.

Nettoyage des composants

De nombreux composants doivent faire l'objet d'une attention particulière lors du nettoyage.

ATTENTION ! N'utilisez pas des nettoyeurs à haute pression pour nettoyer le panneau de commande.

Moteur

- Gardez une distance d'au moins 40 cm entre la buse et le moteur et ses composants. Ne pulvérisez pas excessivement sur le moteur pour éviter d'endommager les composants électriques, tels que les fiches électriques et l'alternateur. Ne pulvérisez pas d'eau directement dans le tuyau d'échappement ou dans le filtre à air du moteur.

Après le nettoyage

- Lubrifiez tous les points de lubrification de la machine.
- Séchez les terminaux électriques avec de l'air comprimé.
- Laissez sécher entièrement la machine avant le démarrage.
- Soyez attentif lors du démarrage de la machine après le nettoyage. Si des composants ont été endommagés en raison de l'humidité, les mouvements de la machine peuvent être défectueux.

ENTRETIEN ET RÉPARATION

Programme d'entretien

Le programme d'entretien se base sur la durée de fonctionnement de la machine. Il peut être nécessaire d'entretenir la machine plus fréquemment en cas d'utilisation dans des milieux poussiéreux ou chauds, et d'autant plus si le travail génère des températures élevées. Une description du déroulement des opérations est donnée dans le contrôle de service.

Pour connaître certaines exigences d'entretien, consultez les intervalles d'entretien dans le calendrier d'entretien ci-dessous et prenez note du prochain entretien. La machine effectuera un suivi des heures de fonctionnement, ce qui apparaîtra à l'écran.

- Stationnez toujours la machine sur une surface plane, coupez le moteur et réglez le commutateur de démarrage du moteur à la position STOP (arrêt) avant d'effectuer des travaux d'entretien. Appuyez sur le bouton d'arrêt de la machine situé sur le panneau de commande.

Veillez lire attentivement le manuel d'utilisation du moteur de votre machine et vous assurer de bien comprendre les instructions avant d'utiliser la machine. Le manuel d'utilisation du moteur contient certains intervalles d'entretien.

Dans le cas où les mêmes opérations d'entretien sont recommandées dans le manuel d'utilisation de cette machine et dans le manuel d'utilisation du moteur, suivez les intervalles d'entretien recommandés dans le présent manuel.

Entretien Quotidien

Un entretien quotidien doit être effectué après un transport.

	Chaque jour	50 h	100 h	250 h	500 h	Annuel
Vérifiez le niveau d'huile du moteur	X					
Vérifiez si le protège-lame est endommagé.	X					
Vérifiez si les flexibles et les colliers de serrage sont endommagés ou desserrés. Serrez les pièces ou remplacez-les au besoin.	X					
Vérifiez l'indicateur de colmatage du filtre à air. Nettoyez le filtre à air extérieur si l'indicateur est rouge.	X					
S'assurer que toutes les protections de sécurité sont en place et en bon état.	X					
Vérifiez la pulvérisation d'eau sur la lame de diamant.	X					
Remplacez l'huile moteur et le filtre*.		X				
Lubrifiez les roues avant.		X				
Lubrifiez l'arbre de lame (deux pompes à chaque extrémité).		X				
Remplacez l'huile moteur et le filtre*.			X			
Lubrifiez les crapaudines de l'essieu avant.			X			
Vérifiez si les roues sont usées ou endommagées.			X			
Vérifiez si les roues arrière sont desserrées.			X			
Vérifiez le flexible du filtre à air du moteur et les colliers de serrage.			X			
Vérifiez le niveau de liquide du circuit hydraulique.			X			
Lubrifiez l'axe d'articulation du cylindre hydraulique.				X		
Lubrifiez le coussinet d'essieu arrière.				X		
Remplacez le liquide du circuit hydraulique.					X	
Remplacez le filtre à carburant du moteur (de type à visser)					X	
Remplacez le filtre à air extérieur et intérieur.						X

* Une fois à 50 heures, puis toutes les 100 heures

ENTRETIEN ET RÉPARATION

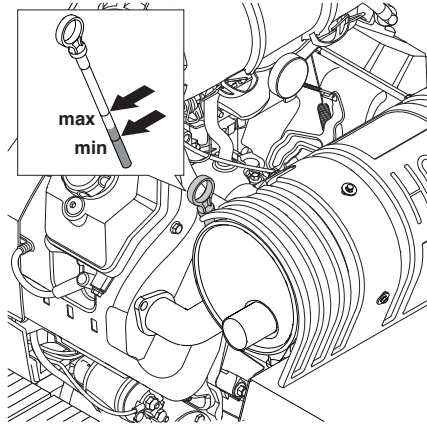
Entretien Quotidien



AVERTISSEMENT! Tout contrôle et/ou entretien doit être effectué avec le moteur à l'arrêt.

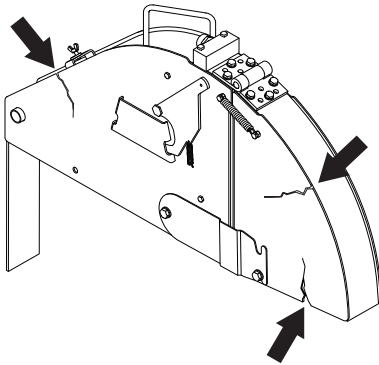
Vérifiez le niveau d'huile moteur sans la lame et placez la scie en position horizontale pour un niveau plat de la scie

- Vérifiez le niveau d'huile du moteur.
- Assurez-vous que le niveau se situe entre les repères.



Vérifiez si le protège-lame est endommagé.

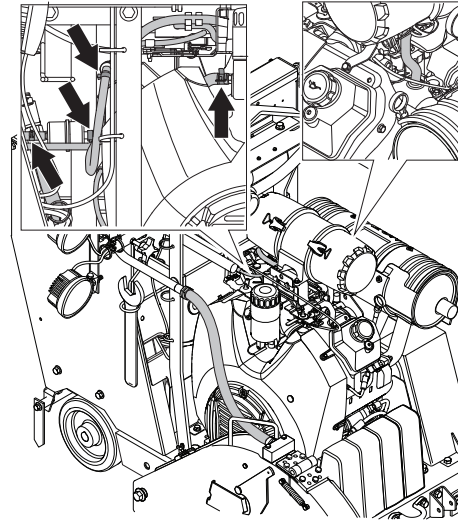
- Vérifiez si le protège-lame présente des fissures.



- N'utilisez jamais un protège-lame brisé ou endommagé.

Vérifiez si les flexibles et les colliers de serrage sont endommagés ou desserrés.

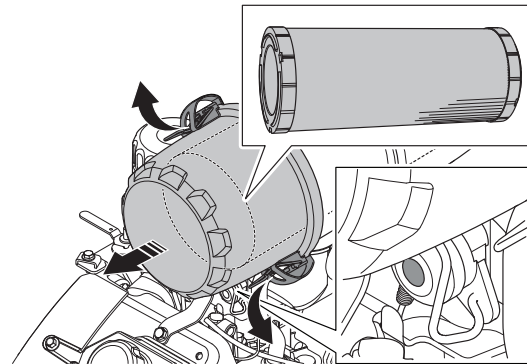
L'illustration montre seulement certains flexibles et colliers de serrage.



- Recherchez la présence de fuites au niveau des circuits de carburant et hydrauliques. Serrez les pièces ou remplacez-les au besoin.

Vérifiez l'indicateur de colmatage du filtre à air.

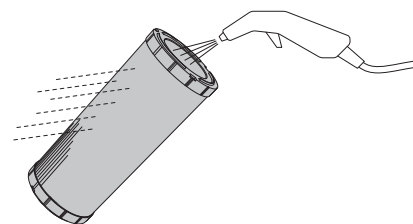
- Vérifiez et nettoyez le filtre à air extérieur si l'indicateur de colmatage du filtre à air est de couleur rouge. Retirez le couvercle arrière en ouvrant les 2 colliers de serrage du boîtier de filtre à air et en retirant le boîtier.



- Nettoyez le filtre en soufflant sur l'élément de l'intérieur à l'extérieur.

Utilisez la pression d'air la plus basse pour enlever la poussière sans endommager l'élément.

Utilisez de l'air comprimé de 42 à 47 PSI (0,29 à 0,49 MPa; 3,0 à 5,0 kgf/cm²) pour enlever les particules.



ENTRETIEN ET RÉPARATION

- Remplacez les filtres endommagés ou les joints d'étanchéité, puis vérifiez si le tuyau d'air et les colliers de serrage sont endommagés ou desserrés. Serrez les pièces ou remplacez-les au besoin.

ATTENTION ! Il n'est pas nécessaire de nettoyer le filtre intérieur quotidiennement. Les 2 colliers de serrage du boîtier de filtre à air ne peuvent pas être fermés à moins que le filtre à air extérieur soit correctement installé.

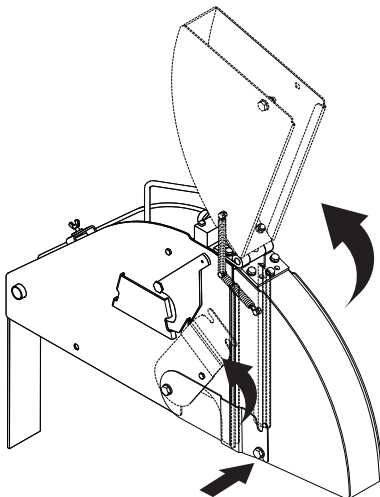
Couvercles de protection

- Assurez-vous que tous les couvercles de protection sont en place et en bon état.

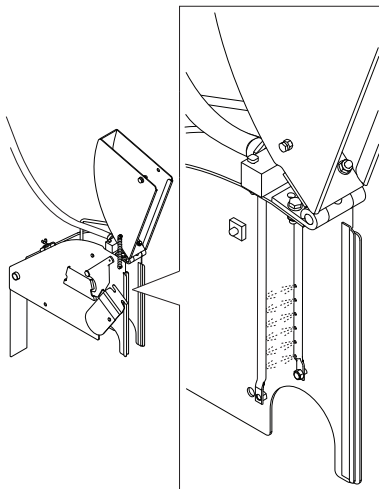
Pour obtenir de plus amples renseignements, consultez la section « Équipement de sécurité de la machine ».

Vérifiez la pulvérisation d'eau sur la lame de diamant.

- Relevez la partie avant du protège-lame et utilisez la goupille pour démontage rapide pour le verrouiller en position verticale.



- Ouvrez le robinet de prise d'eau sur le panneau de commande. Assurez-vous que les jets d'eau hors des orifices des tuyaux d'eau sont dirigés directement sur les deux côtés de la lame, sans qu'il n'y ait de fuites. Remplacez le tuyau d'eau s'il est endommagé.



Après les 50 premières heures

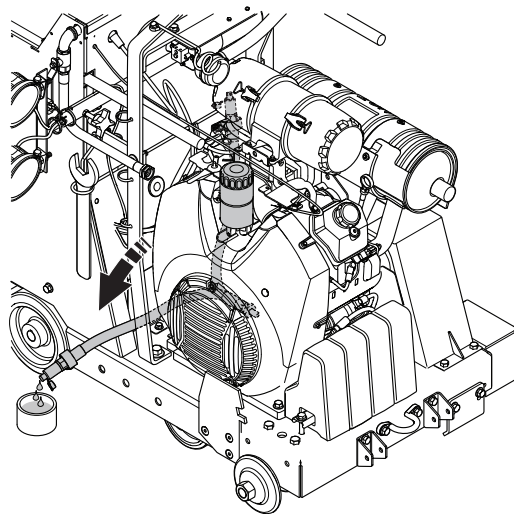
Remplacez l'huile moteur et le filtre.

- Retirez le capuchon supérieur du flexible. Ouvrez la soupape et pliez-la vers le bas pour vider le circuit.

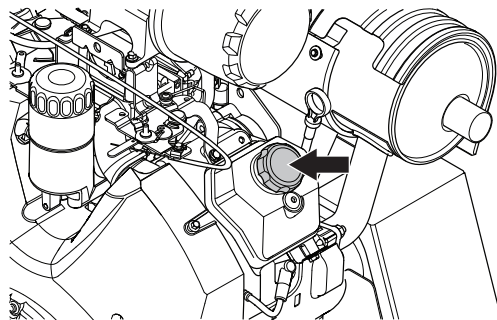
Retirez le filtre et remplacez-le.

Lubrifiez le joint d'étanchéité avec quelques gouttes d'huile avant de la réinstaller.

ATTENTION ! Protégez la batterie contre le déversement d'huile avant de la retirer et de la réinstaller.



- Remplissez le circuit d'huile.



- Vérifiez le niveau de l'huile moteur. Consultez les instructions sous la rubrique « Entretien quotidien ».

50 heures de service

Réglage automatique de la tension de courroie d'entraînement de l'axe de lame

Cette machine est dotée d'un tendeur de courroie dynamique qui ne nécessite aucun réglage ni entretien.

La bonne tension est réglée sur la chaîne de montage. Cependant, si la courroie ou d'autres composantes doivent être remplacées, veuillez suivre les six étapes pour effectuer correctement la procédure.

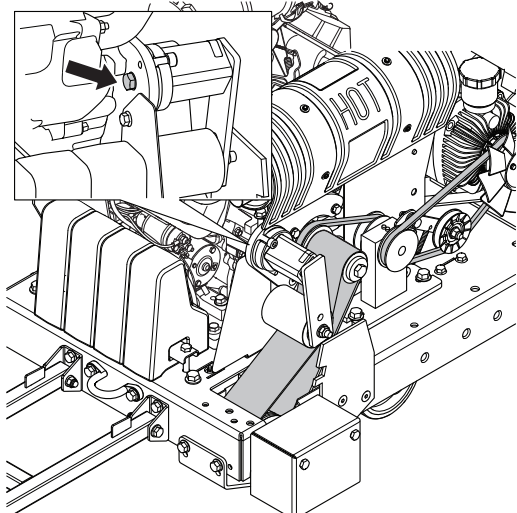
ENTRETIEN ET RÉPARATION

Outils nécessaires

- Clé mixte de 13 mm (pas incluse avec la machine)
- Clé mixte de 19 mm (pas incluse avec la machine)
- Clé anglaise (pas incluse avec la machine)

Pour détendre la courroie

- Au moyen de la clé mixte de 13 mm, desserrez les quatre boulons M8 qui retiennent le carter de la courroie. Retirez le carter de la courroie.
- Au moyen de la clé à six pans, enlevez les vis à six pans (vis de retenue).
- Au moyen de la clé mixte de 19 mm, desserrez un peu la vis qui fixe le tendeur à la plaque.



Pour régler la bonne tension

- Au moyen d'une clé anglaise, faites tourner la base du tendeur dans le sens antihoraire pour régler la bonne tension préalable. Quand l'angle du tendeur indique 25 degrés et que la fente à la base du tendeur est alignée avec le trou dans la plaque, serrez la vis de retenue au moyen de la clé mixte de 19 mm.
- Réinstallez la vis à six pans au moyen d'une clé à six pans.
- Réinstallez le carter de la courroie. Au moyen de la clé mixte de 13 mm, serrez les quatre boulons M8 qui retiennent le carter de la courroie.



REMARQUE ! Remplacez toujours les courroies Poly-V endommagées ou usées.

Lubrifiez l'arbre de lame (deux pompes à chaque extrémité).

Consultez les instructions sous la rubrique « Lubrification ».

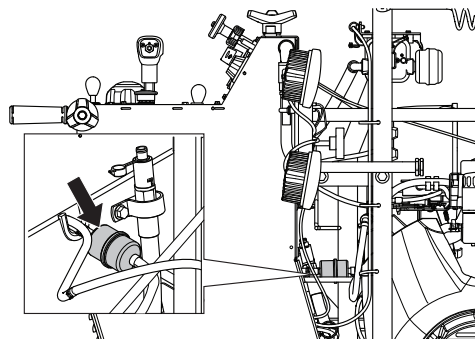
Lubrifiez les roues avant.

Consultez les instructions sous la rubrique « Lubrification ».

Entretien à 100 heures d'utilisation

Remplacez le filtre à carburant du moteur (de type intégré)

- Fermez la soupape d'arrêt du carburant sur le réservoir de carburant. Enlevez le filtre à carburant en le détachant de la conduite de carburant. Remplacez le filtre à carburant. Prenez garde aux fuites de carburant.



Remplacez l'huile moteur et le filtre.

Consultez les instructions sous la rubrique « Après les 50 premières heures ».

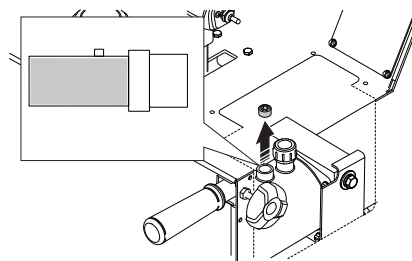
Vérifiez si les roues sont usées ou endommagées.

Vérifiez si les roues arrière sont desserrées.

Vérifiez le flexible du filtre à air du moteur et les colliers de serrage.

Vérifiez le niveau de liquide du circuit hydraulique.

- Retirez le bouchon dans l'ouverture de vérification du réservoir hydraulique. Le niveau doit se situer au bord inférieur de l'ouverture du réservoir hydraulique; remplissez au besoin.



ATTENTION ! Ne remplissez pas trop!

Lubrifiez les crapaudines de l'essieu avant.

Consultez les instructions sous la rubrique « Lubrification ».

250 heures de service

Lubrifiez l'axe d'articulation du cylindre hydraulique.

Consultez les instructions sous la rubrique « Lubrification ».

Lubrifiez le coussinet d'essieu arrière.

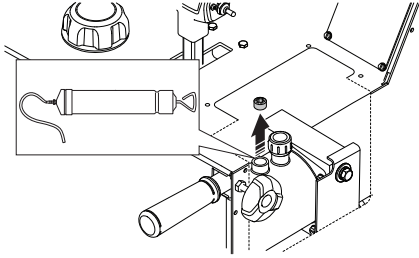
Consultez les instructions sous la rubrique « Lubrification ».

ENTRETIEN ET RÉPARATION

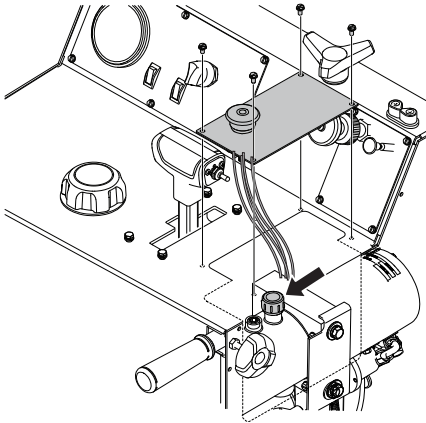
500 heures de service

Remplacez le liquide du circuit hydraulique.

- Retirez le bouchon dans l'ouverture de vérification du réservoir hydraulique et utilisez un extracteur d'huile pour retirer le liquide hors de l'ouverture de vérification.



- Remplissez le réservoir d'huile neuve. Assurez-vous que la machine est de niveau avant de faire le plein.

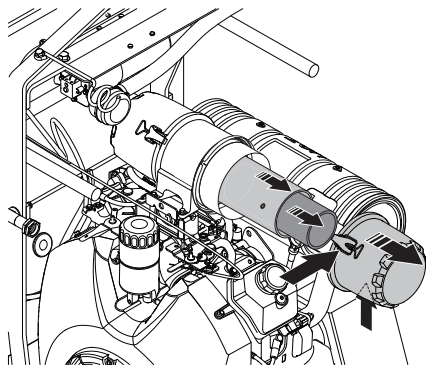


ATTENTION ! Ne remplissez pas trop!

Maintenance annuelle

Remplacez le filtre à air extérieur et intérieur.

Retirez le couvercle arrière en ouvrant les 2 colliers de serrage du boîtier de filtre à air et en retirant le boîtier. Remplacez les deux filtres et réinstallez-les dans l'ordre inverse.



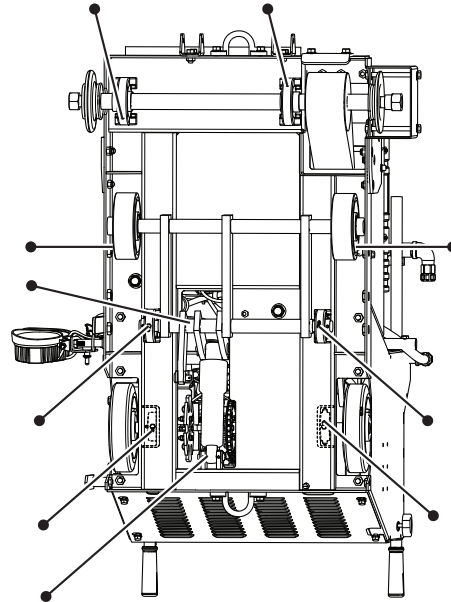
REMARQUE ! Les 2 colliers de serrage du boîtier de filtre à air ne peuvent pas être fermés à moins que le filtre à air extérieur soit correctement installé.

Graissage

L'illustration montre tous les points de lubrification (huit raccords de graissage). Nettoyez le graisseur. Remplacez les graisseurs cassés ou bloqués.

- Lubrifiez les roues avant.
- Lubrifiez les crapaudines de l'essieu avant.
- Lubrifiez l'arbre de lame. Deux pompes à chaque extrémité.
- Lubrifiez l'axe d'articulation du cylindre hydraulique.
- Lubrifiez le coussinet d'essieu arrière.

Lubrifiez l'axe de lame sur la plaque de support.



RECHERCHE DE PANNES

Incidents durant le sciage

REMARQUE ! Si le moteur ou la lame s'arrête pour une raison quelconque, relevez complètement la lame de la coupure. Réglez le commutateur de démarrage du moteur à la position STOP (arrêt). Appuyez sur le bouton d'arrêt de la machine situé sur le panneau de commande. Inspectez à fond la machine avant de redémarrer le moteur.

- Confiez toutes les réparations à votre concessionnaire autorisé seulement.

Problème	Cause	Action possible
Le moteur s'arrête pendant le sciage	Moteur à court de carburant.	Faites l'appoint en carburant
	Le manque d'eau est signalé au commutateur de sécurité d'eau pour arrêter le moteur	Désengagez le commutateur de sécurité d'eau et vérifiez l'alimentation en eau, puis redémarrez le moteur.
	Le bouton d'arrêt de la machine moteur a été pressé	Réinitialisez la fonction d'arrêt de la machine en tirant le bouton vers l'extérieur.
	Le moteur peut caler en cas de coupe trop rapide	Écoutez le bruit du moteur. Si le moteur commence à ralentir, compensez cette situation en tirant le levier de commande de marche avant et arrière vers l'arrière pour diminuer l'alimentation et prévenir le calage de la lame.
	Le fusible du disjoncteur est grillé	Inspectez et remplacez les fusibles
La lame de diamant s'arrête en cours de sciage	La tension de la courroie d'entraînement n'est pas adaptée	Il faut remplacer le tendeur ROSTA ou la courroie d'entraînement.
La scie s'abaisse trop vite	La soupape qui contrôle l'abaissement de la scie est trop ouverte.	La vitesse d'abaissement de la scie peut être réglée au moyen du bouton de commande de vitesse d'abaissement de la scie sur ou sous la pompe hydraulique. Si la scie s'abaisse trop rapidement, tournez le bouton dans le sens des aiguilles d'une montre jusqu'à ce que la vitesse d'abaissement soit satisfaisante.
La lame coupe trop lentement.	La lame est émoussée, ou la pression d'alimentation est trop élevée	Réduisez la profondeur de coupe et la vitesse de rotation du moteur pendant un court moment.

CARACTÉRISTIQUES TECHNIQUES

Batterie

	FS 3500 G
Type de terminal	SAE standard
Tension, V	12
CCA, A	475
Taille maximale (L x l x h), mm/po	9 9/16x6 7/8x6 7/8 / 242x175x175

Liquide hydraulique et lubrifiants

Fluide hydraulique

Qualité SAE 10W-30	Standard
	API Class SE
	API Class CC
	API class CD

Lubrifiants

Composant	Qualité	Standard	Capacité du réservoir à huile, pte/ litres
Huile moteur	SAE 10W-30	Catégorie API SJ	2/1.9
Pompe hydrostatique	SAE 10W-30		0.19/0.18
Pompe d'appoint	SAE 10W-30		1.0/0,95
Boîte d'engrenages de la transmission	NLGI 000		
Points de lubrification (plaque du socle)*	NLGI 000	SAE J310	

* Consultez les instructions dans la section « Entretien et réparation ».

CARACTÉRISTIQUES TECHNIQUES

Caractéristiques techniques

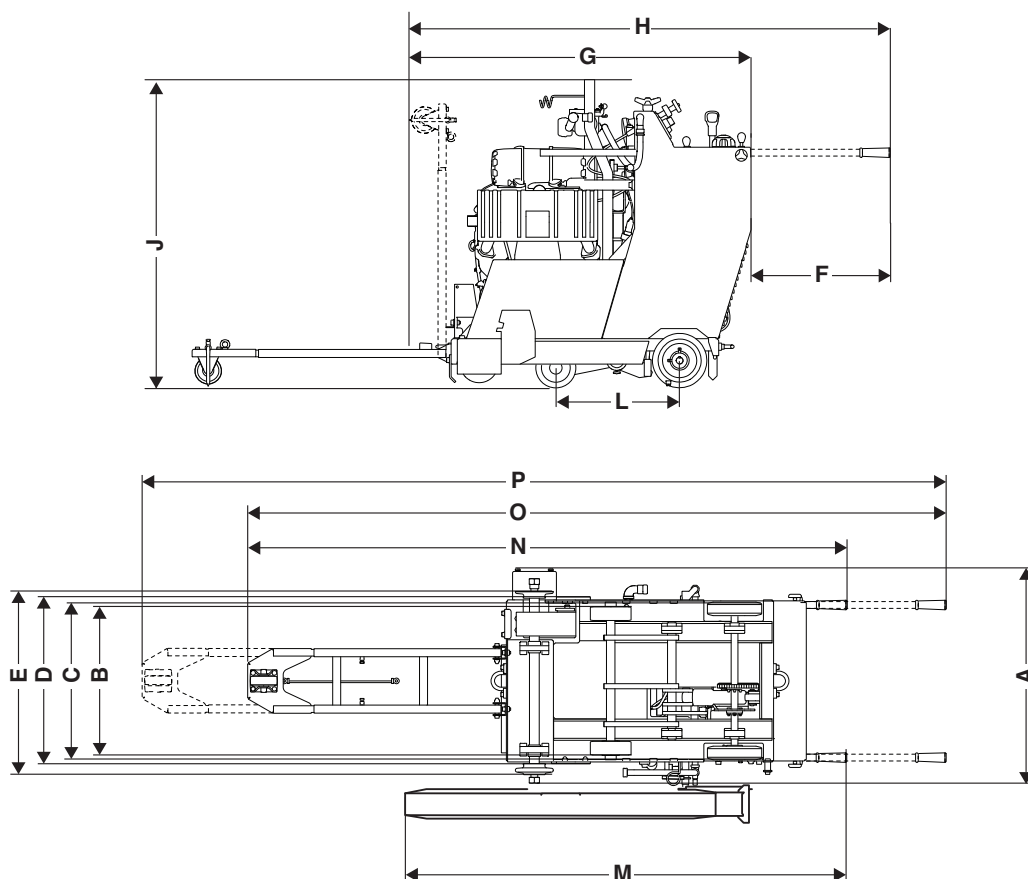
FS 3500 G

Caractéristiques de la scie	20/500	26/650	30/750
Capacité du protège-lame, po/mm	20/500	26/650	30/750
Profondeur de coupe maximale, po/mm	7,75/193	10,5/262	12,5/312
Vitesse de rotation de l'arbre de lame, tours par minute	2580	1860	1860
Sortie approximative de l'arbre de lame, HP/kW	29/21.6		
Taille de l'arbre, po/mm	1/25,4 avec goupille moletée à cartouche unique		
Diamètre de la bride de lame, mm/pouce	4,5/114,5	5/127	5/127
Diamètre de l'arbre de lame, po/mm	1-7/16 / 36.5		
Roulements de l'axe de lame	Roulements à billes à semelle 17/16 po		
Entraînement de l'arbre de lame	Courroie Poly-V (25 rainures)		
Liquide de refroidissement de la lame	Tubes plaqués zinc de pulvérisation double d'eau à jets multiples		
Fixation du guide du protège-lame.	Commande des lames		
coulissante et bascule automatique	Relevage de la lame au moyen d'une pompe électro-hydraulique; relevage et abaissement commandés par commutateur sur la poignée de commande de vitesse; butée de profondeur et indicateur de profondeur de coupe.		
Diamètre de l'axe, po/mm	Avant 1 1/25,4		
	Arrière, 25,4/1		
Roues, pouces/mm	Avant, 6x2x1/152x51x25, sculptures épaisses en polyuréthane, roulements à billes étanches sans entretien		
	Arrière, 8x2x1/203x51x25, bandage plein		
Transmission	Pompe hydrostatique reliée à une boîte d'engrenages mécanique, transmission finale à chaîne		
Vitesse d'avancement max.	Variable à l'infini : 0 à 51m/min / 0 à 167 pi/min en marche avant ou arrière. 25 m/min vitesse maximale en marche arrière sur les modèles CE		
Châssis	Machinerie lourde, rigide, construction en caisson et de section en U		
Poids (non emballé), lb/kg	972/441	983/446	992/450
Masse de service maximale, lb/kg	1003/455	1021/463	1036/470

CARACTÉRISTIQUES TECHNIQUES

Dimensions de la scie

A	Largeur, po/mm		31 3/4 / 807	H	Longueur de la scie (pointeur relevé, poignées déployées), po/mm	77 3/4 / 1977
B	Largeur des roues d'axe en axe, po/mm	Avant	19 3/4 / 502	J	Hauteur totale min. (sans tuyau d'échappement, sans bouchon de prédépoussiéreur), po/mm	45 3/8 / 1152
		Arrière	21 1/4 / 540			
C	Largeur des roues d'extérieur à extérieur, po/mm	Avant	21 13/16 / 553	L	Empattement, po/mm	18 1/4 / 464
		Arrière	23 1/4 / 591	M	Distance de la protection à la poignée (poignées rétractées), po/mm	61 / 1549
D	Largeur du cadre, po/mm		23 7/8 / 606	N	Longueur totale max. (poignées rétractées), po/mm	87 / 2210
E	Largeur du flasque intérieur au flasque intérieur, po/mm		26 3/8 / 670	O	Longueur totale max. (poignées déployées, pointeur rabaissé), po/mm	114 / 2895
F	Rallonge de poignée, po/mm		31 7/8 / 809	P	Longueur totale max. (poignées déployées, pointeur déployé), po/mm	133 / 3378
G	Longueur min. de la scie (sans poignées, point de référence et protection), po/mm		46 / 1168			



RELAIS ET FUSIBLES

Moteur FS 3500 G

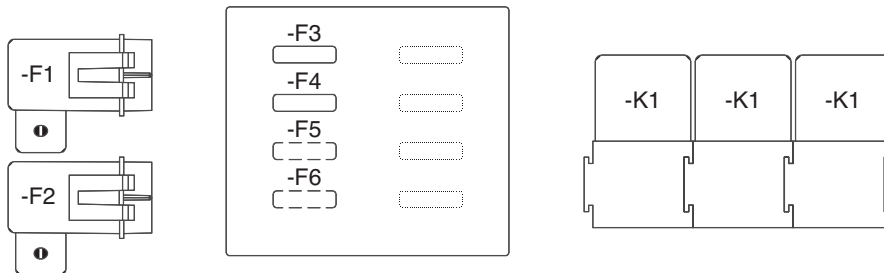
Spécifications du moteur	Kohler CH1000
Puissance de sortie max. du moteur (voir remarque 1)	37hp@3750rpm (27.5kW@3750rpm)
Volume, cu.in. / dm ³	61 / 1.0
Cylinders	2
Course, po/mm	3.1 / 78,5
Volume du réservoir de carburant, gal/l	6.3 / 23,8
Filtre à air	Filtre à air Cyclon et indicateur de restriction
Démarrreur	Électrique

Pour obtenir de plus amples renseignements et pour toute question au sujet de ce moteur particulier, consultez le site www.kohlerengines.com.

Remarque 1 : Tel que spécifié par le fabricant du moteur. La puissance des moteurs indiquée est la puissance de sortie moyenne nette (aux tours par minute spécifiés) d'un moteur de production type pour le modèle de moteur, mesurée selon la norme ISO3046, SAE J1940/J1995. Les moteurs de production en série peuvent varier de cette valeur. La puissance de sortie réelle du moteur installé dans la machine finale dépend de la vitesse de fonctionnement, des conditions environnementales et d'autres variables.

Relais et fusibles – FS 3500 G

Fonctionnement		Désignation	Ampère
Circuit principal		-F1	30
Système hydraulique		-F2	5
Solénoïde du carburateur du moteur		-F3	5
Compte-tours		-F4	2
Lampes	(en option)	-F5	10
Pompe à eau	(en option)	-F6	10
Relais principal		-K1	20
Relais de suppression		-K2	10
Relais de surveillance de l'huile		-K3	5



VOS DROITS ET OBLIGATIONS EN GARANTIE

L'Environmental Protection Agency et Husqvarna Construction Products sont heureux d'expliquer la garantie du système de contrôle des émissions par évaporation (EEVS) présent sur votre petit moteur hors route ou votre équipement fabriqué à partir de 2011. Les petits moteurs hors route et l'équipement neufs doivent être conçus, fabriqués et équipés pour respecter les nouvelles normes antipollution strictes. Husqvarna Construction Products doit offrir une garantie de l'EEVS sur vos petits moteurs hors route et votre équipement pour la période indiquée ci-dessous, pourvu qu'il n'y ait pas eu d'abus, de négligence ou d'entretien inadéquat.

Votre EECS peut comprendre des pièces comme le carburateur ou le réservoir de carburant, les conduites de carburant, le bouchon du réservoir, les soupapes, l'absorbeur, les filtres, les boyaux de vapeur, les attaches, les raccords et d'autres composantes connexes. Les pièces couvertes à partir de 2011 sont indiquées ci-dessous. En cas de problème couvert par la garantie, Husqvarna Construction Products répare votre petit moteur hors route et votre équipement sans frais, diagnostic, pièces et main-d'œuvre compris.

GARANTIE DU FABRICANT

Le présent EECS est couvert par la garantie pour une durée de deux (2) ans. Si toute pièce liée au système de contrôle des émissions par évaporation et indiquée dans la liste de pièces garanties est défectueuse, Husqvarna Construction Products la réparera ou la remplacera.

CHARGES DE LA GARANTIE DE L'UTILISATEUR

En tant que propriétaire d'un petit moteur hors route, vous êtes responsable de respecter l'entretien obligatoire indiqué dans le manuel de l'utilisateur. Husqvarna Construction Products vous recommande de conserver toutes vos factures d'entretien de vos petits moteurs hors route. Husqvarna Construction Products ne peut toutefois pas refuser d'honorer la garantie si vous n'avez pas les factures. En tant que propriétaire d'un petit moteur hors route, vous devez savoir que Husqvarna Construction Products peut refuser d'honorer la garantie si votre petit moteur hors route ou une pièce du EECS est tombé en panne en raison d'abus, de négligence, d'entretien inadéquat ou de modifications non approuvées. Vous êtes responsable de remettre votre petit moteur hors route à un centre de service Husqvarna Construction Products dès que le problème se présente. Les réparations couvertes par la garantie doivent être effectuées dans un délai raisonnable qui n'excède pas 30 jours. Si vous avez des questions au sujet de votre garantie, vous devez communiquer avec le centre de service Husqvarna Construction Products au 1-800-288-5040 ou au www.USA.husqvarnacp.com.

GARANTIE GÉNÉRALE DU SYSTÈME ANTIPOLLUTION

Husqvarna Construction Products garantit au dernier acheteur et à chaque acheteur subséquent que votre petit moteur hors route et votre équipement sont : conçus,

fabriqués et équipés pour se conformer à tous les règlements en vigueur; exempts de défauts de matériaux ou de fabrication qui causent la défaillance d'une pièce garantie, laquelle est identique pour l'essentiel à la pièce décrite dans la demande de certification originale de Husqvarna Construction Products. La période de garantie commence à la date à laquelle l'équipement a été livré au dernier acheteur ou mis en service pour la première fois. La période de garantie est de deux (2) ans. Sous réserve de certaines modalités et exclusions indiquées plus bas, la garantie de pièces liées au système de contrôle des émissions est la suivante :

- 1 Toutes les pièces garanties dont le remplacement n'est pas prévu selon l'entretien indiqué dans les directives écrites sont garanties pour la période de garantie indiquée plus haut. Si la pièce brise pendant la période de garantie, elle sera réparée ou remplacée par Husqvarna Construction Products conformément au paragraphe (4) ci-dessous. Toute pièce ainsi réparée ou remplacée en vertu de la garantie est garantie pour la période de garantie restante.
- 2 Toutes les pièces garanties dont l'inspection régulière est prévue dans les directives écrites sont garanties pour la période complète de garantie. Toute pièce ainsi réparée ou remplacée en vertu de la garantie est garantie pour la période de garantie restante.
- 3 Toutes les pièces garanties dont le remplacement n'est pas prévu selon l'entretien indiqué dans les directives écrites sont garanties pour la période complète de garantie avant la date de remplacement prévue pour ces pièces. Si la pièce brise avant la date prévue du premier remplacement, elle sera réparée ou remplacée par Husqvarna Construction Products conformément au paragraphe (4) ci-dessous. Toute pièce ainsi réparée ou remplacée en vertu de la garantie est garantie pendant la période restante avant la date de son premier remplacement prévu.
- 4 Les réparations et le remplacement de toute pièce garantie en vertu des dispositions de la présente garantie doivent être effectués par un centre de service, sans frais pour le propriétaire.
- 5 Nonobstant les dispositions énoncées aux présentes, les réparations ou l'entretien en vertu de la garantie sont assurés par tous nos centres de service franchisés pour réparer les moteurs en question.
- 6 Le propriétaire du moteur ou de l'équipement ne paiera aucuns frais pour la main-d'œuvre de diagnostic qui est directement liée au diagnostic d'une pièce liée au système de contrôle des émissions couverte par la garantie, pourvu que ces travaux de diagnostic soient effectués dans un centre de service autorisé.
- 7 Husqvarna Construction Products peut être tenue responsable des dommages aux autres composants du moteur ou de l'équipement directement causés par la panne garantie d'une pièce garantie.
- 8 Pendant toute la période de garantie indiquée plus haut, Husqvarna Construction Products doit conserver un stock suffisant de pièces garanties pour satisfaire la demande prévue de telles pièces.
- 9 Toute pièce de remplacement peut être utilisée pour procéder à un entretien ou à une réparation sous garantie et doit être fournie sans frais pour le propriétaire.

10 Aucune pièce complémentaire ou modifiée non affranchie par l'Air Resources Board ne peut être utilisée. L'utilisation de pièces complémentaires ou modifiées non affranchies par le dernier acheteur ou tout acheteur subséquent est un motif suffisant pour rejeter une demande d'indemnisation. Husqvarna Construction Products n'a pas la responsabilité de garantir les pannes de pièces garanties provoquées par l'utilisation d'une pièce complémentaire ou modifiée non affranchie.

PIÈCES GARANTIES

La réparation et le remplacement de toute pièce garantie autrement couverts par la garantie peuvent être exclus d'une telle garantie si Husqvarna Construction Products démontre que le moteur ou l'équipement a fait l'objet d'abus, de négligence ou d'un entretien inadéquat, et que ces abus, cette négligence et cet entretien inadéquat ont été la cause directe de la réparation ou du remplacement de la pièce.

Nonobstant cette disposition, tout réglage d'une composante dotée d'un dispositif de limitation du réglage installé en usine et fonctionnant correctement est toujours couvert par la garantie. Les pièces du système de contrôle des émissions suivantes sont couvertes par la garantie :

- 1 Canalisations d'essence liquide
- 2 Pincés et raccords de canalisation d'essence
- 3 Réservoir de carburant
- 4 Conduits d'évacuation des vapeurs du circuit carburant
- 5 Bouchon du réservoir
- 6 Clapets du circuit carburant (clapet antiretour en cas de retournement et clapets antibalottement valves s'il y a lieu)
- 7 Réservoir à charbon activé (s'il y a lieu)

ACLARACION DE LOS SIMBOLOS

Símbolos en la máquina:

¡ATENCIÓN! La máquina, si se utiliza de forma errónea o descuidada, puede ser una herramienta peligrosa que puede causar daños graves e incluso la muerte al usuario y a otras personas.



Lea detenidamente el manual de instrucciones y asegúrese de entender su contenido antes de utilizar la máquina.



Utilice el equipo de protección personal. Vea las instrucciones bajo el título "Equipo de protección personal".



Todo desplazamiento de la máquina fuera del área de corte debe realizarse sin rotación de la herramienta.



Las protecciones siempre deben estar instaladas en la máquina. Nunca permita que el disco se exponga en un ángulo superior a 180°.



Controle el equipo de corte. Nunca utilice un equipo roto, agrietado o dañado.



Los discos de corte deben estar marcados con la misma velocidad que se indica en la placa de características de la máquina, o una velocidad superior. Si el disco de corte funciona a demasiada velocidad, puede romperse o causar graves daños.



No utilice la máquina cerca de sustancias o gases inflamables.



¡ATENCIÓN! Cuando se realizan cortes se acumula polvo, que puede causar lesiones si se inhala. Utilice una máscara respiratoria aprobada. Evite inhalar los gases de escape. Proporcione siempre una buena ventilación.



Superficie caliente.



Riesgos de la maquinaria. Mantenga siempre todas las partes de su cuerpo alejadas del disco y de todas las demás partes móviles.



Precaución, riesgo de corte



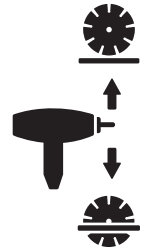
Ajuste del suministro de agua



Bajar disco



Interruptor para bajar o subir el disco



Encendido activado



Arranque del motor



Detención del motor



Parada de la máquina



Detención de la transmisión



Recarga de combustible.
Sólo combustible sin plomo



Estrangulador



Aceite de motor



Varilla de nivel, mantener nivel adecuado de aceite del motor



No levante la sierra cuando verifique el nivel de aceite del motor.



Freno de estacionamiento



Activado / Desactivado



Mantenga la sierra nivelada, sin el disco, cuando verifique el nivel de aceite.



Los demás símbolos/etiquetas que aparecen en la máquina corresponden a requisitos de homologación específicos en determinados mercados.

ACLARACION DE LOS SIMBOLOS

AVISO JUNTA DE RECURSOS DEL AIRE DE

CALIFORNIA (CARB): Esta máquina está considerada una aplicación de prevención según las normativas de la CARB. La EPA de EE. UU. es la única autoridad facultada para establecer normativas sobre emisiones para equipos de construcción de prevención. Si desea más información, consulte www.arb.ca.gov/msprog/offroad/preempt.htm



ATTENTION!

Los gases de escape del motor de este producto contienen sustancias químicas conocidas en el Estado de California como causantes de cáncer, defectos congénitos y otros daños reproductivos.

Explicación de los niveles de advertencia

Las advertencias se clasifican en tres niveles.

¡ATENCIÓN!



¡ATENCIÓN! Indica un riesgo de daños graves para el usuario o incluso muerte, o bien daños al entorno, si no se siguen las instrucciones del manual.

¡NOTA!



¡NOTA! Indica un riesgo de lesiones para el usuario o daños al entorno si no se siguen las instrucciones del manual.

AVISO

AVISO Indica un riesgo de daños en los materiales o en la máquina si no se siguen las instrucciones del manual.

Antes de arrancar, observe lo siguiente:



¡ATENCIÓN! El material que se corta a menudo contiene sílice y, al cortarlo en SECO particularmente, desprende polvo. La sílice es un componente básico de la arena, la arcilla para ladrillos, del cuarzo, del granito, y de varios otros minerales y rocas. La exposición a una cantidad excesiva de polvo de sílice puede causar:

Enfermedades respiratorias (que afectan su habilidad para respirar) como bronquitis crónicas, silicosis y fibrosis pulmonares por exposición a la sílice. Estas enfermedades pueden ser mortales.

Irritación y erupción de la piel.

Cáncer, según el Programa Nacional de Toxicología (NTP) y el Centro Internacional de Investigaciones sobre el Cáncer (IARC).

Tome medidas de precaución:

Evite el contacto de la piel con el polvo, vapor y humo, y su inhalación.

Use, y asegúrese de que quienes lo rodean usen, indumentaria de protección del aparato respiratorio como las mascarillas antipolvo diseñadas para filtrar partículas microscópicas. (Consulte las normas de la OSHA: 29 CFR Parte 1910.1200.)

Corte en húmedo, en la medida de lo posible, para minimizar la cantidad de polvo.

INDICE

Índice

ACLARACION DE LOS SIMBOLOS

Símbolos en la máquina:	75
Explicación de los niveles de advertencia	76
Antes de arrancar, observe lo siguiente:	76

INDICE

Índice	77
--------------	----

PRESENTACIÓN

Apreciado cliente:	78
Diseño y funciones	78
FS 3500 G	78
¿Cuáles son las partes de la sierra plana FS 3500 G ..	79
¿A qué corresponde cada elemento del panel de control?	81

EQUIPO DE SEGURIDAD DE LA MÁQUINA

Generalidades	82
---------------------	----

DISCOS

Generalidades	84
Hojas de diamante	84
Transporte y almacenamiento	85

MANIPULACION DEL COMBUSTIBLE

Generalidades	86
Carburante	86
Repostaje	86
Transporte y almacenamiento	86

MANEJO DE LA BATERÍA

Generalidades	87
Conexión de la batería	87
Desconexión de la batería	87
Arranque del motor con batería poco cargada	87

FUNCIONAMIENTO

Equipo de protección	88
Instrucciones generales de seguridad	88
Servicio	88
Técnica básica de trabajo	89
Posición del manillar	90
Desplazamiento de la máquina	90
Montaje del disco	91
Profundidad de corte del disco	93
Corte en línea recta	94
Sistema hidráulico	94
Transporte y almacenamiento	95
Almacenamiento prolongado	95

ARRANQUE Y PARADA

Antes del arranque	96
Primer uso	96
Arranque	96
Parada	97

MANTENIMIENTO Y REPARACIÓN

Generalidades	99
Medidas previas al mantenimiento, la reparación y la localización de fallos	99
Limpieza	99
Programa de mantenimiento	100

LOCALIZACIÓN Y CORRECCIÓN DE AVERÍAS

Incidentes durante las operaciones de corte	105
---	-----

DATOS TECNICOS

Batería	106
Fluido hidráulico y lubricantes	106
Datos técnicos	107

RELÉS Y FUSIBLES

Relés y fusibles: FS 3500 G	109
-----------------------------------	-----

DECLARACIÓN DE GARANTÍA DE CONTROL DE EMISIONES FEDERAL Y CALIFORNIANA

SUS DERECHOS Y OBLIGACIONES DE GARANTIA	110
ALCANCE DE LA GARANTIA DEL FABRICANTE	110
RESPONSABILIDADES DE GARANTIA DEL PROPIETARIO	110
COBERTURA DE LA GARANTÍA DE EMISIÓN GENERAL	110
PIEZAS EN GARANTÍA	111

PRESENTACIÓN

Apreciado cliente:

Gracias por elegir un producto Husqvarna.

Esperamos que su máquina le proporcione plena satisfacción y le sirva de ayuda por mucho tiempo en adelante. La adquisición de alguno de nuestros productos da acceso a asistencia profesional con reparaciones y servicio. Si la máquina no fue adquirida en un distribuidor oficial, preguntar en la tienda de compra la dirección del taller de servicio más cercano.

Este manual de instrucciones es un documento importante. Procure tenerlo siempre a mano en el lugar de trabajo. Siguiendo sus instrucciones (de uso, servicio, mantenimiento etcétera) puede alargar considerablemente la vida útil de la máquina e incrementar su valor de reventa. Si vende su máquina, entregue el manual de instrucciones al nuevo propietario.

Más de 300 años de innovación

La fundación de la empresa sueca Husqvarna AB data del año 1689, cuando el Rey Karl XI encargó la construcción de una fábrica para la fabricación de mosquetes. En ese momento se establecieron los cimientos de la experiencia tecnológica en la que se basan muchos de los productos punteros en el mundo en el sector de las armas de caza, bicicletas, motocicletas, electrodomésticos, máquinas de coser y productos para exteriores.

Husqvarna es líder internacional en productos motorizados para exteriores destinados a la silvicultura, el mantenimiento de parques y el cuidado del césped y del jardín, así como equipos de corte y herramientas de diamante para el sector de la construcción y la piedra.

Responsabilidad del propietario

El propietario / empresario es el responsable de asegurarse de que el usuario tiene los conocimientos necesarios para utilizar la máquina con seguridad. Los supervisores y los usuarios deben haber leído y entendido el manual de instrucciones. Deben tener conocimiento de lo siguiente:

- Las instrucciones de seguridad de la máquina.
- Las aplicaciones y las limitaciones de la máquina.
- El modo de uso y de mantenimiento de la máquina.

La utilización de esta máquina podría estar restringida por regulaciones locales. Infórmese sobre las regulaciones vigentes en el lugar donde trabaja antes de empezar a utilizar la máquina.

Los derechos que se reserva el fabricante.

Tras la publicación de este manual, Husqvarna podría publicar información adicional para el funcionamiento seguro de este producto. Es responsabilidad del propietario mantenerse informado de los métodos de funcionamiento más seguros.

Husqvarna AB trabaja constantemente para perfeccionar sus productos y se reserva, por lo tanto, el derecho a introducir modificaciones en la construcción y el diseño sin previo aviso.

Para obtener información y asistencia al cliente, comuníquese con nosotros en nuestro sitio web: www.husqvarna.com o llámenos al 1-800-845-1312.

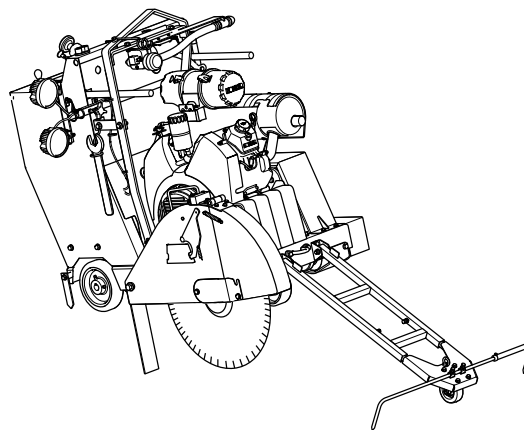
Diseño y funciones

Estas sierras planas de empuje posterior están diseñadas para su uso con discos de diamante solo para corte húmedo. Están diseñadas para cortar hormigón fresco y endurecido en diferentes clases de solidez y asfalto.

El alto rendimiento, la fiabilidad, la tecnología innovadora, las soluciones técnicas avanzadas y el respeto medioambiental son los valores que caracterizan a los productos de Husqvarna. El usuario debe leer este manual detenidamente para garantizar un funcionamiento seguro del producto. Póngase en contacto con su concesionario o con Husqvarna si necesita más información.

A continuación se describen algunas de las características únicas de su producto.

FS 3500 G



Sierra

Es robusta, ágil, fácil de utilizar y mantener.

Motor

Potente motor de gasolina refrigerado por aire con arranque eléctrico y fácil de utilizar.

Transmisión mecánica

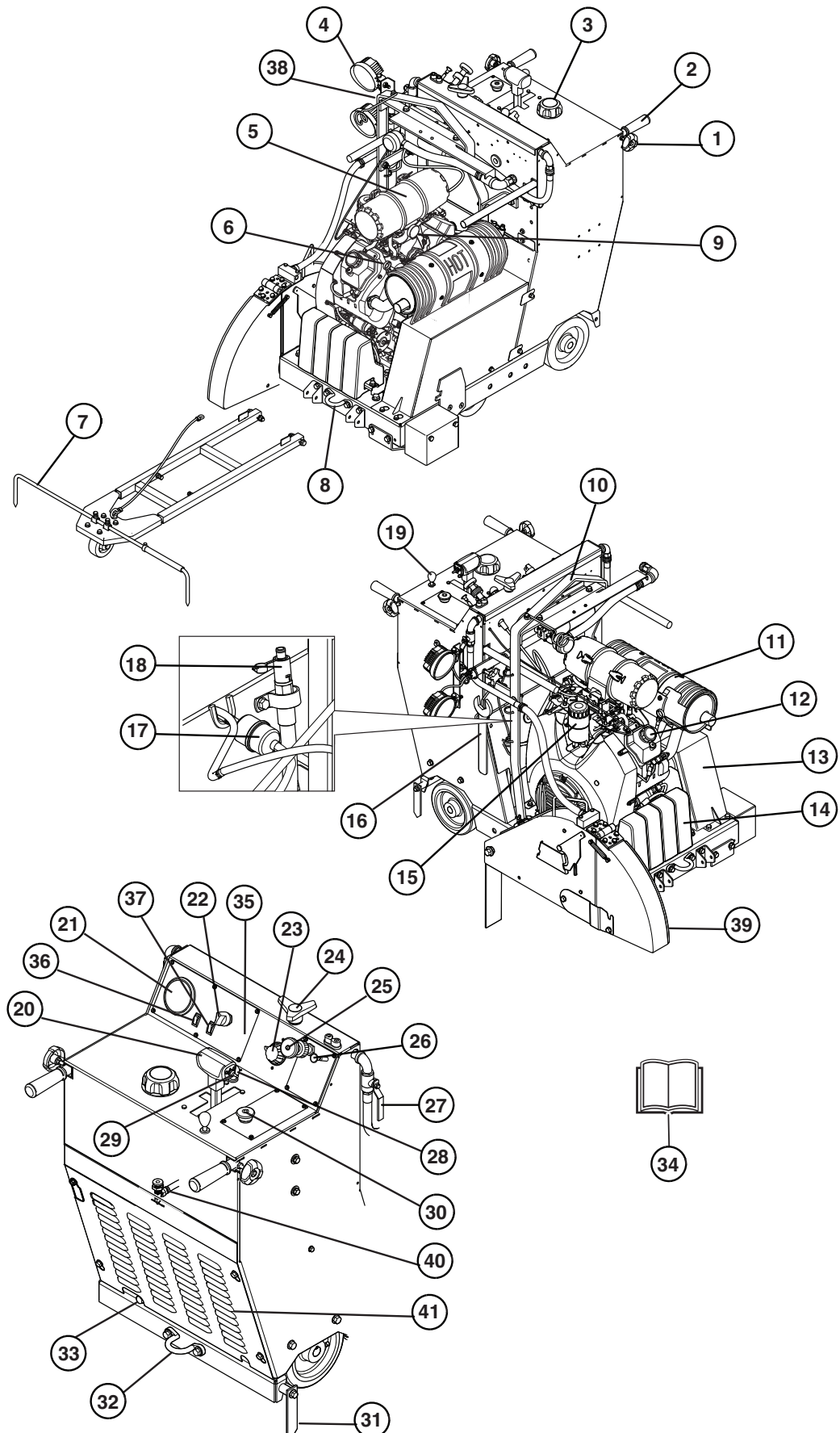
Transmisión de potencia sólida y eficiente con polea tensor correa dinámica para obtener una transferencia de potencia suave y garantizar una larga vida útil.

Guía frontal

La guía delantera tiene un ajuste telescópico que proporciona una buena visibilidad y un práctico almacenamiento.

PRESENTACIÓN

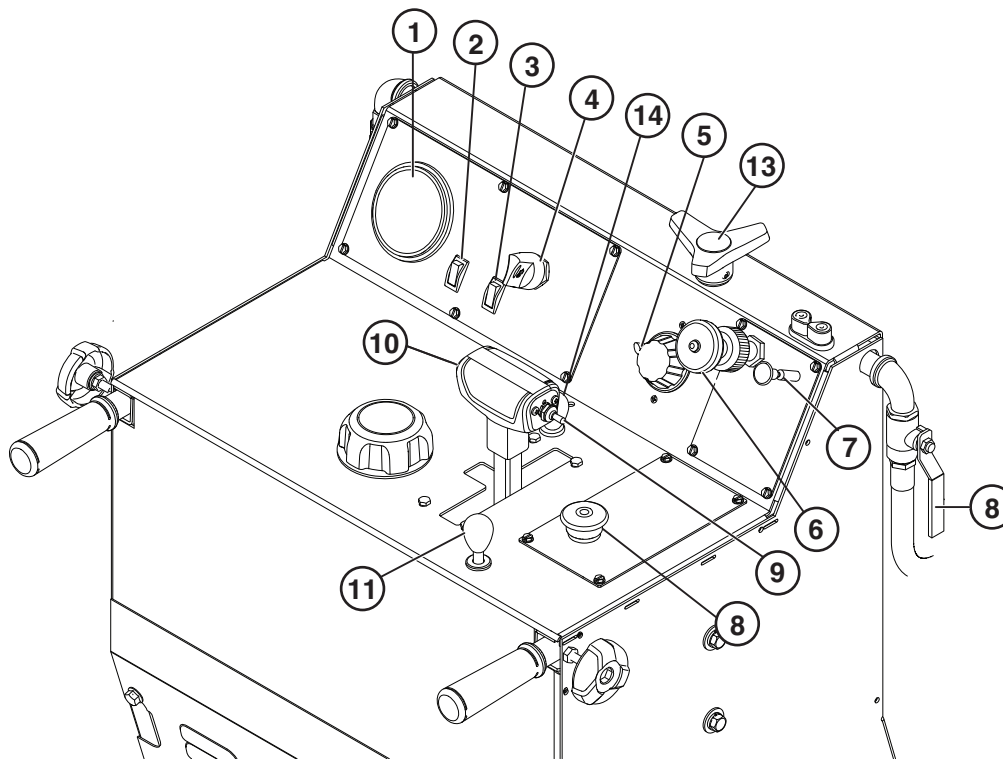
Cuáles son las partes de la sierra plana FS 3500 G



PRESENTACIÓN

- 1 Manija de cierre para el ajuste del manillar
- 2 Manillar
- 3 Orificio de llenado del depósito de combustible
- 4 Iluminación de trabajo (opcional)
- 5 Filtro de aire
- 6 Comprobación de aceite del motor (varilla de nivel)
- 7 Guía frontal
- 8 Asa de agarre frontal
- 9 Recordatorio de filtro
- 10 Cáncamo de elevación
- 11 Silenciador
- 12 Llenado de aceite
- 13 Cubierta de la correa de transmisión
- 14 Contrapesos
- 15 Filtro de aceite del motor
- 16 Llave para eje del disco
- 17 Filtro de combustible del motor
- 18 Manguera de drenaje de aceite
- 19 Palanca de freno de estacionamiento
- 20 Palanca de control de avance/retroceso
- 21 Reloj/tacómetro del motor
- 22 Interruptor de arranque del motor
- 23 Indicador de profundidad del disco
- 24 Detención de profundidad del disco
- 25 Acelerador del motor
- 26 Estrangulador
- 27 Válvula de agua
- 28 Palanca de rueda libre
- 29 Interruptor de elevación/descenso del disco
- 30 Parada de la máquina
- 31 Guía trasera: lado derecho
- 32 Asa de agarre posterior
- 33 Ajuste de eje manual
- 34 Manual de instrucciones
- 35 Caja de relés y fusibles
- 36 Interruptor de seguridad de agua
- 37 Interruptor de bomba de agua
- 38 Interruptor de alumbrado
- 39 Protectores de la cuchilla
- 40 Válvula de cierre de combustible
- 41 Cubierta de protección trasera

PRESENTACIÓN



El panel de control es el enlace del operador con la máquina. Desde aquí, el operador puede controlar cualquier cosa, desde las rpm del motor, la profundidad de corte del disco y leer el estado actual del motor y la máquina..

¿A qué corresponde cada elemento del panel de control?

- | | | | |
|---|------------------------------------|----|---|
| 1 | Reloj/tacómetro del motor | 7 | Estrangulador |
| 2 | Interruptor de seguridad de agua | 8 | Válvula de agua |
| 3 | Interruptor de bomba de agua | 9 | Interruptor de elevación/descenso (disco) |
| 4 | Interruptor de arranque del motor | 10 | Palanca de control de avance/retroceso |
| 5 | Indicador de profundidad del disco | 11 | Palanca de freno de estacionamiento |
| 6 | Acelerador del motor | 12 | Parada de la máquina |
| | | 13 | Detención de profundidad del disco |
| | | 14 | Palanca de rueda libre |

EQUIPO DE SEGURIDAD DE LA MÁQUINA

Generalidades

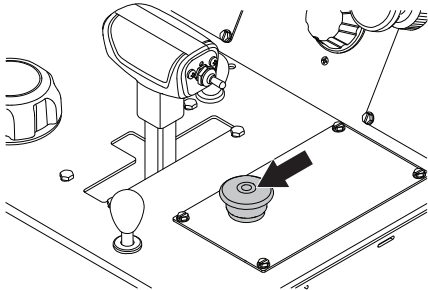


¡ATENCIÓN! Nunca utilice una máquina con componentes de seguridad defectuosos. Si su máquina no pasa todos los controles, entréguela a un taller de servicio para su reparación. El motor debe estar apagado y el interruptor de arranque del motor en la posición STOP (detención).

En este capítulo se describen los componentes de seguridad de la máquina, su función y el modo de efectuar el control y el mantenimiento para garantizar un funcionamiento óptimo.

Parada de la máquina

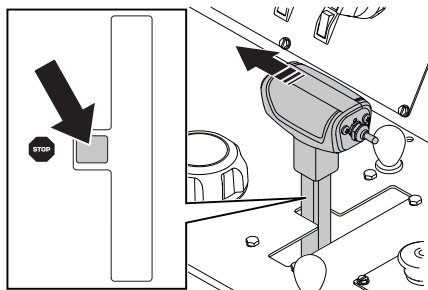
La función para detener la máquina se usa para apagar rápidamente el motor y todas las funciones eléctricas excepto las luces.



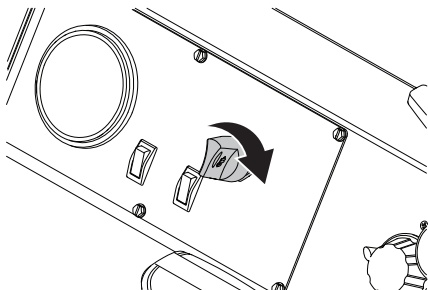
AVISO No la utilice para detención de rutina.

Comprobación de la parada de la máquina

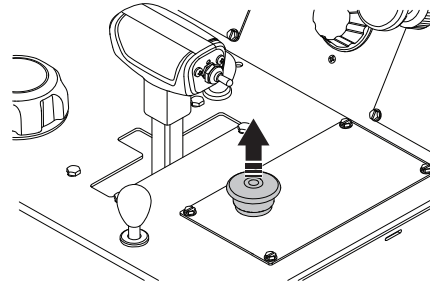
Coloque la palanca de control de avance/retroceso en la posición STOP. El motor no arrancará a menos la palanca esté claramente en la posición STOP.



- 1 Arranque el motor, gire el interruptor de arranque del motor a la posición de encendido. Siga el procedimiento descrito en el manual del motor.



- Presione la detención de la máquina y compruebe que el motor se detiene. Esto configurará la máquina en modo seguro.
- Restablezca el botón para detener la máquina tirando la perilla hacia afuera.



Protección de la hoja



¡ATENCIÓN! Siempre verifique que la cubierta de la cuchilla esté ajustada correctamente antes de encender la máquina.

Esta protección está montada sobre el disco y está construida para impedir el lanzamiento de partes del disco o material cortado contra el usuario.

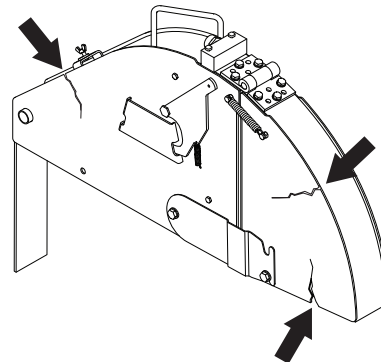
Además protegerá al usuario del disco y enfriará el disco con agua durante el corte húmedo.

Control de la protección del disco de corte



¡ATENCIÓN! Siempre verifique que la cubierta esté ajustada correctamente antes de encender la máquina. También verifique que la cuchilla esté correctamente ajustada y que no esté dañada. Una cuchilla dañada puede ocasionar heridas.

- Controle que la protección de la hoja no esté dañada ni presente grietas. Cambie la protección de la hoja si ha recibido golpes o está agrietada.



EQUIPO DE SEGURIDAD DE LA MÁQUINA

Cubiertas de protección

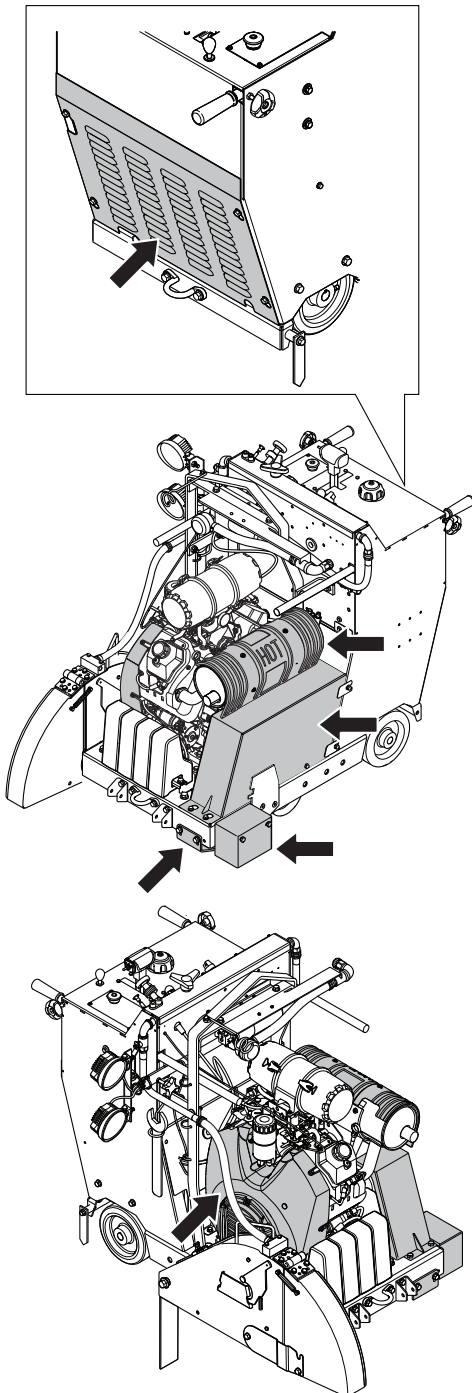


¡ATENCIÓN! Verifique siempre que las cubiertas de protección estén correctamente montadas antes de arrancar la máquina.

Las cubiertas de protección de la máquina protegen al usuario del ventilador de refrigeración, las correas de transmisión y las superficies calientes.

Comprobación de las cubiertas de protección

- Compruebe que no existan grietas ni daños en las tapas protectoras. Sustituya las tapas dañadas.



Silenciador



¡ATENCIÓN! No utilice nunca una máquina que no tenga silenciador o que lo tenga defectuoso. Un silenciador defectuoso puede incrementar considerablemente el nivel de ruido y el riesgo de incendio. Tenga a mano herramientas para la extinción de incendios.

El silenciador está muy caliente durante el funcionamiento y después de parar. Esto también es aplicable al funcionamiento en ralentí. Preste atención al riesgo de incendio, especialmente al emplear la máquina cerca de sustancias y/o gases inflamables.

El silenciador está diseñado para reducir al máximo posible el nivel sonoro y para apartar los gases de escape del usuario.

Revisión del silenciador

- Revise regularmente el silenciador para comprobar que está intacto y bien fijo.

DISCOS

Generalidades



¡ATENCIÓN! Un disco de corte puede romperse y provocar daños graves al operario.

El fabricante publica advertencias y recomendaciones para el uso y cuidado adecuado del disco. Estas advertencias se suministran con el disco.

Se debe comprobar el disco antes de su montaje en la cortadora y a menudo durante su uso. Compruebe que no presenta grietas, ni faltan segmentos (discos de diamante) ni se han roto piezas. No utilice un disco dañado.

- Los discos de corte de gran calidad suelen ser los más económicos. Los discos de corte de calidad inferior tienen a menudo una capacidad de corte peor y menor durabilidad, lo cual se traduce en unos costes mayores con respecto a la cantidad de material cortado. Consulte las instrucciones bajo el título Montaje de los discos.



¡ATENCIÓN! No utilice nunca un disco de corte para ningún material para el que no esté destinado. No utilice nunca una hoja cuyo régimen nominal sea inferior al de la máquina. No utilice discos de cierra circulares u discos con puntas de carburo.

Inestabilidad del disco

- El disco puede oscilar y salir disparado si se aplica un rango de velocidad de rotación excesivo.
- La oscilación puede detenerse con un rango de velocidad de rotación más bajo. Compruebe la configuración o el cambio correcto de la transmisión del disco. De lo contrario, sustituya el disco.

Hojas de diamante

Generalidades

El disco de corte seguirá girando hasta un minuto después de detener el motor. Nunca detenga el disco con sus manos. Podría ocasionar daños personales.

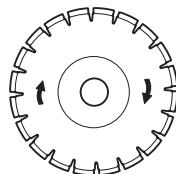


¡ATENCIÓN! Los discos de diamante se calientan mucho con el uso. Un disco recalentado es consecuencia de un uso inadecuado y puede deformarse, lo que podría causar daños y lesiones.

Al cortar metales se producen chispas que podrían provocar un incendio. No utilice la máquina cerca de sustancias o gases inflamables.

- Las hojas de diamante están compuestas por un armazón de acero provisto de segmentos conteniendo diamantes industriales.

- Las hojas de diamante tienen un menor coste por operación de corte, requieren menos cambios de hoja y proporcionan una profundidad de corte constante.
- Al utilizar una hoja de diamante, procure que gire en el sentido indicado por la flecha marcada en la hoja.



Afilado de hojas de diamante

- Use siempre una hoja de diamante afilada.
- Las hojas de diamante pueden volverse romas si se utiliza una presión de avance errónea o al cortar materiales como por ejemplo hormigón muy armado. El trabajo con una hoja de diamante roma comporta recalentamiento, lo que puede causar que se suelten segmentos de diamante.
- Afile el disco disminuyendo la profundidad de corte y la velocidad del motor durante un período breve. Esto expondrá diamantes nuevos y afilados en el disco.

Refrigeración de los discos de diamante

- Durante el corte, la fricción hace que el disco de diamante se caliente. Si se deja que el disco se caliente demasiado, el disco podría aflojarse o el núcleo podría agrietarse. Luego, el disco de diamante debe enfriarse con agua.

Hojas de diamante para corte húmedo

Durante el corte, la fricción hace que el disco de diamante se caliente. Si se deja que el disco se caliente demasiado, el disco podría aflojarse o el núcleo podría agrietarse.

Deje que el disco se enfríe antes de tocarlo.

- Los discos de diamante de corte húmedo deben utilizarse con agua para mantener los segmentos y el núcleo del disco refrigerados durante el corte. Los discos de corte húmedo NO deben usarse en seco.
- El uso de discos de corte húmedo sin agua podría causar una acumulación excesiva de calor, lo que provocaría una pérdida de rendimiento y daños graves en el disco. Además, supondría un peligro para la salud.
- El agua enfría el disco y aumenta la vida útil, mientras que al mismo tiempo reduce la formación de polvo.
- Utilice corte húmedo en hormigón y asfalto nuevo y antiguo.

Tamaño del disco, mm/pulg.	Profundidad máxima de corte, mm/pulg.
20/500	7,75/193
26/650	10,5/262
30/750	12,5/312

AVISO Utilice siempre el tamaño de brida del disco específico para el tamaño del disco actual. Nunca utilice bridas dañadas.

Transporte y almacenamiento

- Almacene los discos de corte en un lugar seguro para evitar daños.
- Conserve el disco de corte en un lugar seco y sin escarcha.
- Controle que los discos nuevos no hayan sufrido averías por el transporte o almacenamiento.

MANIPULACION DEL COMBUSTIBLE

Generalidades



¡ATENCIÓN! Si se hace funcionar el motor en un local cerrado o mal ventilado, se corre riesgo de muerte por asfixia o intoxicación con monóxido de carbono.

El combustible y los vapores de combustible son muy inflamables y pueden causar daños graves por inhalación y contacto con la piel. Por consiguiente, al manipular combustible proceda con cuidado y procure que haya buena ventilación.

Los gases de escape del motor están calientes y pueden contener chispas que pueden provocar incendio. Por esa razón, ¡nunca arranque la máquina en interiores o cerca de material inflamable!

No fume ni ponga objetos calientes cerca del combustible.

Carburante

Gasolina

- Utilice gasolina sin plomo limpia y nueva.
- El octanaje mínimo recomendado es 87 ((RON+MON)/2). Si se utiliza gasolina de octanaje inferior a 87, se puede producir el efecto "clavazón". Esto produce un aumento de la temperatura del motor y de la carga sobre los cojinetes, fenómenos que pueden causar averías graves del motor.

Aceite de motor

Estacione siempre la máquina en una superficie nivelada antes de revisar el aceite. Mantenga la sierra nivelada, sin el disco, cuando verifique el nivel de aceite.

- Controlar el nivel de aceite antes de arrancar la máquina. Un nivel de aceite demasiado bajo puede causar averías graves del motor. Consulte las instrucciones de la sección 'Mantenimiento y servicio'.
- No utilice nunca aceite para motores de dos tiempos. Utilice solo aceite de motor bajo en cenizas, como se indica en 'Datos técnicos'.

AVISO Compruebe que siempre haya suficiente aceite en el motor.

Repostaje



¡ATENCIÓN! Apague el motor y deje que se enfríe unos minutos antes de repostar.

Para repostar, abra despacio la tapa del depósito de combustible para evacuar lentamente la eventual sobrepresión.

Limpie alrededor del tapón de combustible.

Después de repostar, apriete bien la tapa del depósito de combustible. Si el tapón no está correctamente apretado, podría aflojarse con la vibración y se produciría una fuga de combustible del depósito con el consiguiente riesgo de incendio.

Antes de arrancar, aparte la máquina a 3 m como mínimo del lugar de repostaje.

Nunca arranque la máquina:

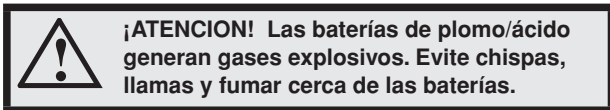
- Si ha derramado combustible o aceite de motor en la máquina. Limpie todos los derrames y deje evaporar los restos de gasolina.
- Si se salpicó el cuerpo o las ropas, cambie de ropas. Lave las partes del cuerpo que han entrado en contacto con el combustible. Use agua y jabón.
- Si hay fugas de combustible en la máquina. Compruebe regularmente si hay fugas en la tapa del depósito o en los conductos de combustible.

Transporte y almacenamiento

- Almacene y transporte la máquina y el combustible de manera que eventuales fugas o vapores no puedan entrar en contacto con chispas o llamas, por ejemplo, máquinas eléctricas, motores eléctricos, contactos eléctricos/ interruptores de corriente o calderas.
- Para almacenar y transportar combustible se deben utilizar recipientes diseñados y homologados para tal efecto.

MANEJO DE LA BATERÍA

Generalidades



- La conexión o desconexión de la batería puede causar chispas o cortocircuitos.
- Una chispa o llama puede causar la explosión de una batería de ácido de plomo.
- Nunca conecte ambos terminales de la batería al mismo tiempo con una llave u otro metal, ya que se puede producir un cortocircuito en la batería.
- Siempre manipule la batería con cuidado.
- Las baterías que no se utilicen deben mantenerse alejadas de objetos metálicos como clavos, monedas o joyas.
- Antes de conectar la batería, quítese las pulseras de metal, los relojes, anillos, etc. Utilice gafas protectoras y guantes protectores o una máscara contra polvo cuando manipule la batería.
- La batería original no requiere mantenimiento. No intente abrir o retirar los tapones o cubiertas. Normalmente no es necesario comprobar ni ajustar el nivel de electrolito.
- Sustituya la batería solo por otra similar que no requiera mantenimiento. Consulte la información del apartado «Datos técnicos».
- Cuando realice soldaduras en la máquina, desconecte siempre ambos cables de la batería y guárdelos lejos de los polos de la batería.
- Conecte siempre el polo negativo del equipo de soldadura lo más cerca posible del punto de soldadura.

AVISO Respete el tamaño físico máximo de batería. Una batería demasiado grande podría dañar o resultar dañada por las piezas adyacentes.

Por consideración al medio ambiente, manipule con cuidado la batería. Observe la normativa local en materia de reciclaje.

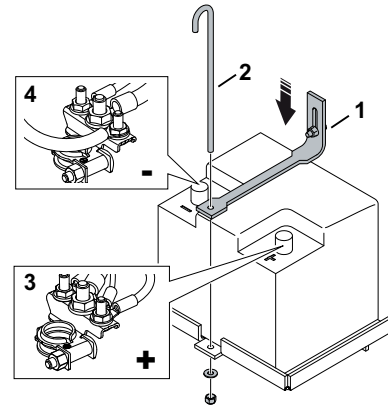
- Si la batería no mantiene la tensión durante períodos prolongados cuando no se aplica carga, sustituya la batería. Para obtener más información sobre las baterías recomendadas, consulte la sección 'Datos técnicos'
- Cargue la batería regularmente.
- Mantenga limpios los terminales de la batería y los accesorios.

Conexión de la batería

Aclaración! Instale y extraiga los cables de la batería solo en la secuencia descrita en esta sección.

- 1 Instale el soporte de la batería.
- 2 Bloquee la batería con el pasador.
- 3 Conecte siempre el terminal positivo primero.

- 4 Conecte el terminal negativo.



Desconexión de la batería

- Quite los cables en orden inverso.

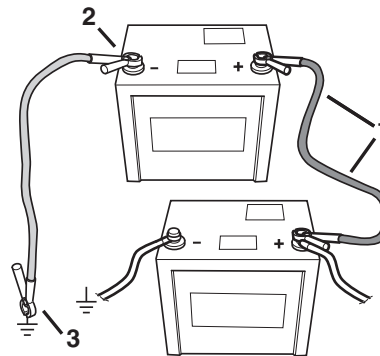
Arranque del motor con batería poco cargada

Si la carga de la batería es insuficiente para arrancar el motor, hay que cargarla.

Procedimiento para el uso de cables para arranque de emergencia:

Conexión de cables de arranque auxiliar

- 1 Conecte cada extremo del cable rojo en el polo POSITIVO (+) de cada batería, procediendo con cuidado para no cortocircuitar ningún extremo con el chasis.
- 2 Conecte un extremo del cable negro en el polo NEGATIVO (-) de la batería plenamente cargada.
- 3 Conecte el otro extremo del cable negro en una buena CONEXIÓN A TIERRA DEL BLOQUE DE MOTOR, lejos del depósito de combustible y la batería.



Quite los cables en orden inverso.

- El cable NEGRO se extrae del bloque de motor y luego la batería completamente cargada.
- El cable ROJO se suelta en último lugar de ambas baterías.

Almacenaje

- Guarde la batería en un lugar frío y seco.

Equipo de protección

Generalidades

Asegúrese siempre de tener a alguien cerca cuando utilice la máquina, de modo que pueda pedir ayuda en caso de accidentes.

Equipo de protección personal

Para trabajar con la máquina debe utilizarse un equipo de protección personal homologado. El equipo de protección personal no elimina el riesgo de lesiones, pero reduce su efecto en caso de accidente. Pida a su distribuidor que le asesore en la elección del equipo.



¡ATENCIÓN! El uso de productos tales como cortadoras, amoladoras, taladros, sierras que pulen o dan forma a materiales puede generar polvo o vapores que podría contener químicos peligrosos. Compruebe el origen del material que va a procesar y utilice una máscara respiratoria adecuada.

La exposición prolongada al ruido puede causar daños crónicos en el oído. Utilice siempre una protección de oídos homologada. Al utilizar protección de oídos preste atención a las señales de aviso o gritos de alerta. Quítese siempre la protección de oídos en cuanto se detenga el motor.

Utilice siempre:

- Casco protector homologado
- Protectores auriculares
- Protección ocular homologada. Si se utiliza visor, deben utilizarse también gafas protectoras homologadas. Por gafas protectoras homologadas se entienden las que cumplen con la norma ANSI Z87.1 para EE.UU. o EN 166 para países de la UE. El visor debe cumplir con la norma EN 1731.
- Máscara respiratoria
- Guantes resistentes de agarre seguro.
- Prendas de vestir ceñidas, resistentes y cómodas que permitan una libertad de movimientos total. El proceso de corte genera chispas que podrían prender fuego a la ropa. Husqvarna recomienda que lleve ropa de algodón pirorretardante o de tejidos vaqueros duros. No lleve ropa de materiales como nailon, poliéster o rayón. Si estos materiales empezaran a arder, podrían derretirse y adherirse a la piel. No lleve pantalones cortos.
- Botas con puntera de acero y suela antideslizante.

Otros equipos de protección



¡NOTA! Mientras trabaja con la máquina, pueden producirse chispas que podrían ocasionar un incendio. Tenga siempre a mano herramientas para la extinción de incendios.

- Extintor de incendios
- Tenga siempre a mano el equipo de primeros auxilios.

Instrucciones generales de seguridad

Este apartado trata las normas de seguridad básicas para trabajar con el dispositivo. Esta información no sustituye en ningún caso los conocimientos y la experiencia de un profesional.

- Lea detenidamente el manual de instrucciones y asegúrese de entender su contenido antes de utilizar la máquina. Se recomienda que los operarios sin experiencia previa reciban instrucciones prácticas antes de utilizar la máquina.
- Tenga en cuenta que es usted, como usuario, el responsable de no exponer a riesgos o accidentes a las personas y a su propiedad.
- La máquina debe mantenerse limpia. Los letreros y las pegatinas deben ser legibles en su totalidad.

Servicio

Solicite el mantenimiento de la máquina a un técnico calificado que utilice solo repuestos idénticos. Esto garantizará la seguridad de la máquina que recibe mantenimiento.

Emplee siempre el sentido común

Es imposible abarcar todas las situaciones imaginables que se pueden producir al utilizar una taladradora. Proceder siempre con cuidado y emplear el sentido común. Si se encuentra en alguna situación que le haga sentirse inseguro, deténgase y consulte con un experto. Consulte a su distribuidor, al taller de servicio técnico o a un usuario experimentado. No emplee la máquina en aplicaciones para las que no se considere plenamente cualificado.

FUNCIONAMIENTO



¡ATENCIÓN! La máquina, si se utiliza de forma errónea o descuidada, puede ser una herramienta peligrosa que puede causar daños graves e incluso la muerte al usuario y a otras personas.

No permita bajo ningún concepto el empleo o mantenimiento de la máquina por los niños u otras personas no instruidas en el manejo de la misma.

Nunca deje que terceros utilicen la máquina sin asegurarse primero de que hayan entendido el contenido de este manual de instrucciones.

Nunca utilice la máquina si está cansado, si ha ingerido alcohol o si toma medicamentos que puedan afectar la vista, su capacidad de discernimiento o el control del cuerpo.



¡ATENCIÓN! Las modificaciones y/o el uso de accesorios no autorizados comportan riesgo de daños personales graves y peligro de muerte para el usuario y otras personas. Bajo ninguna circunstancia debe modificarse la configuración original de la máquina sin autorización del fabricante.

No modifique nunca esta máquina de forma que se desvíe de la versión original, y no la utilice si parece haber sido modificada por otras personas.

No utilice nunca una máquina defectuosa. Lleve a cabo las comprobaciones de seguridad y siga las instrucciones de mantenimiento y servicio de este manual. Algunas medidas de mantenimiento y servicio deben ser efectuadas por especialistas formados y cualificados. Consulte las instrucciones del apartado Mantenimiento.

Utilizar siempre recambios originales.

Su garantía podría no abarcar daños o responsabilidades causados por el uso de accesorios o piezas de repuesto no autorizados.



¡ATENCIÓN! Esta máquina genera un campo electromagnético durante el funcionamiento. Este campo magnético puede, en determinadas circunstancias, interferir con implantes médicos activos o pasivos. Para reducir el riesgo de lesiones graves o letales, las personas que utilizan implantes médicos deben consultar a su médico y al fabricante del implante antes de emplear esta máquina.

Seguridad en el área de trabajo



¡ATENCIÓN! Usted es el responsable de que no haya personas y animales dentro de la zona de trabajo. No comience a cortar hasta que la zona de trabajo esté despejada.

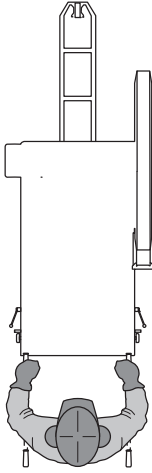
- Compruebe el entorno para asegurarse de que nada pueda influir en su control de la máquina.
- Asegúrese de que ningún objeto ni ninguna persona puede entrar en contacto con el equipo de corte o recibir el impacto de piezas lanzadas por el disco.
- No trabaje en condiciones atmosféricas desfavorables como niebla, lluvia intensa, tempestad, frío intenso, etc. Trabajar con mal tiempo es cansador y puede crear condiciones peligrosas, por ejemplo suelo resbaladizo.
- Nunca comience a trabajar con la cortadora eléctrica si el área de trabajo no está limpia y carece de un punto de apoyo. Preste atención a los obstáculos que puedan moverse inesperadamente. Al realizar un corte asegúrese de que ningún material se afloje y caiga, causando una herida. Tenga mucho cuidado al trabajar sobre suelos inclinados.
- Controle que la zona de trabajo esté bien iluminada para lograr un entorno seguro.
- Asegúrese de que no haya tuberías o cables eléctricos en la zona de trabajo o en el material que vaya a cortar.
- Si se hace funcionar el motor en un local cerrado o mal ventilado, se corre riesgo de muerte por asfixia o intoxicación con monóxido de carbono.

Técnica básica de trabajo

- Esta máquina ha sido diseñada para cortar hormigón fresco y endurecido de diferentes tipos de dureza o asfalto.
- Siempre realice cortes de una manera que permita un fácil acceso al dispositivo de detención de la máquina.
- Compruebe que no ha dejado ninguna herramienta u otro objeto sobre la máquina.
- Nunca deje la máquina sin supervisión con el motor en funcionamiento.
- Siempre verifique que la cubierta de la cuchilla esté ajustada correctamente antes de encender la máquina. No corte nunca sin utilizar el protector.
- Antes de empezar a cortar, todos los cortes que se van a hacer deben marcarse con claridad y planificarse para que se puedan hacer sin riesgo de dañar a personas o la máquina.
- Evite siempre el uso del lateral del disco. Es muy posible que este esté dañado o roto y que provoque daños muy graves. Utilice solamente el filo.
- No se pare detrás o delante del recorrido del disco mientras el motor esté funcionando.
- No deje la máquina sola mientras el motor esté funcionando.
- Nunca amartille, introduzca cuñas o doble el disco en un corte.

FUNCIONAMIENTO

- Asegúrese siempre de tener a alguien cerca cuando utilice la máquina, de modo que pueda pedir ayuda en caso de accidentes.
- Nunca se pare detrás o delante del recorrido del disco mientras el motor esté funcionando. La posición del operador debe ser entre los dos manillares.



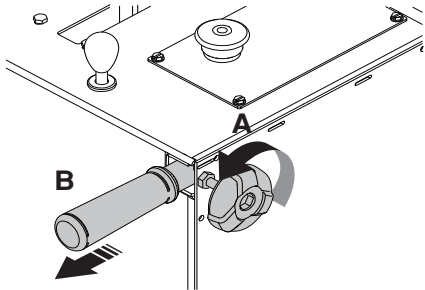
Posición del manillar

¡NOTA! Nunca utilice los manillares para levantar la sierra.

Utilice los manillares para manejar la sierra.

La posición del manillar se puede ajustar en longitud.

- Afloje la perilla de bloqueo **A** para ajustar la longitud.
- juego de manijas para más cómoda longitud de trabajo. Apriete la perilla de bloqueo.



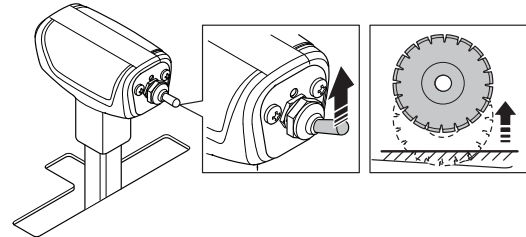
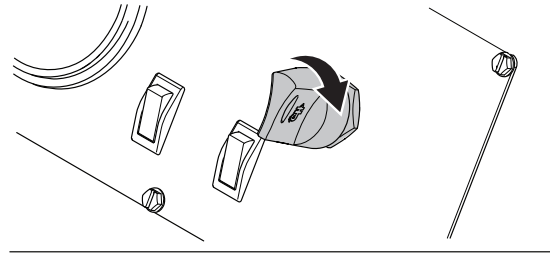
Desplazamiento de la máquina

Antes de mover la máquina, lea y comprenda la información de la sección 'Encendido y detención'.

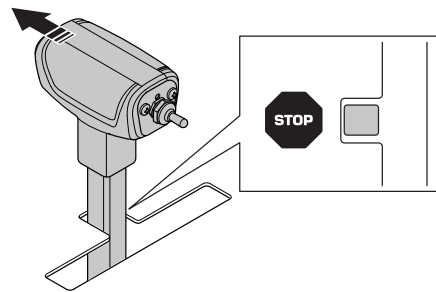
Desplazamiento de la máquina con el motor apagado

- Gire el interruptor de encendido del motor hasta la posición de funcionamiento.

Levante la sierra. Para ello presione el interruptor de elevación/descenso en la palanca de control de avance/retroceso hasta que el disco, si está instalado, no toque la superficie del suelo.



- Coloque la palanca de control de avance/retroceso en la posición neutra/parada.



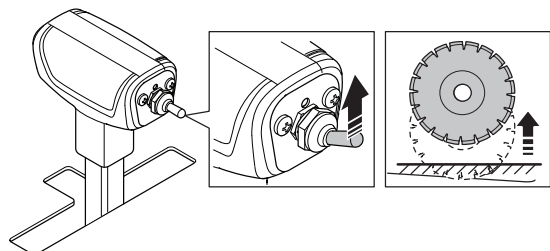
- Tire de la palanca de rueda libre en el panel de control.
- Ahora puede mover la sierra empujándola desde atrás (mientras sostiene los manillares).



¡ATENCIÓN! No intente empujar la sierra mientras se encuentra en posición neutra en una pendiente (o colina). El operador de la sierra podría perder el control y sufrir o provocar lesiones a otras personas en el área.

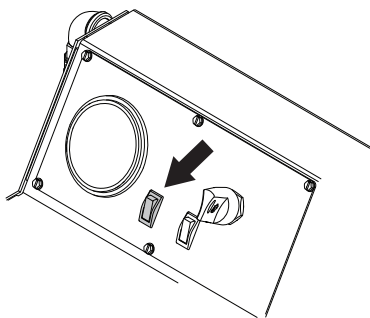
Desplazamiento de la sierra con el motor encendido

- Levante la sierra. Para ello presione el interruptor de elevación/descenso en la palanca de control de avance/retroceso hasta que el disco, si está instalado, no toque la superficie del suelo.

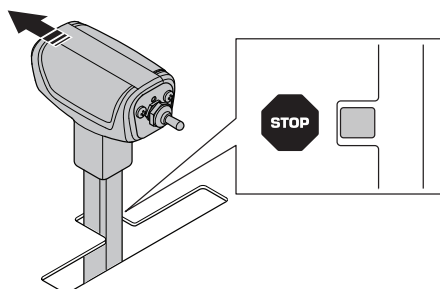


FUNCIONAMIENTO

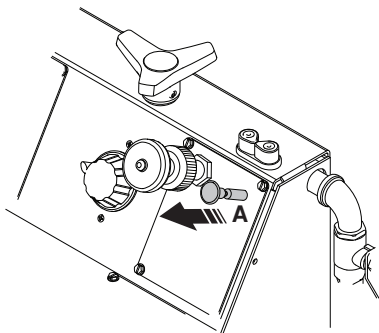
- Coloque el interruptor de seguridad de agua en la posición OFF.



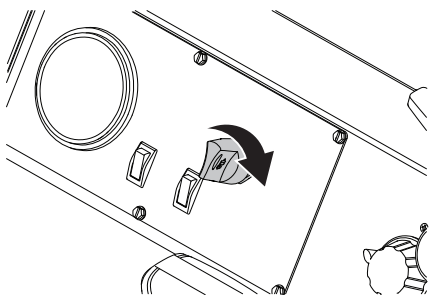
- Coloque la palanca de control de avance/retroceso en la posición neutra/parada. El motor no arrancará a menos que la palanca esté en la posición neutra/parada.



- Extraiga el estrangulador del motor (A).

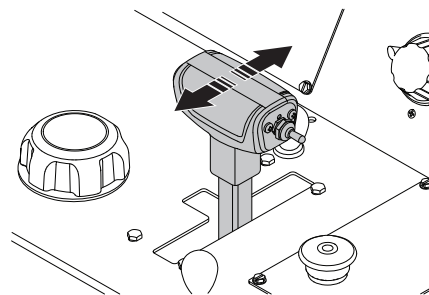


- Gire el interruptor de encendido del motor a la posición de encendido de motores hasta que el motor arranque y, a continuación, suelte el interruptor. Volverá automáticamente a la posición de encendido. Si el motor no arranca, repita estos pasos.



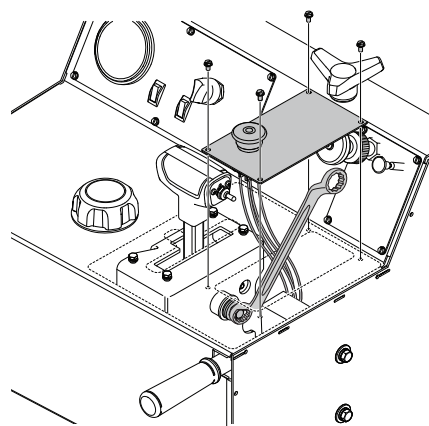
- Empuje la palanca de control de avance/retroceso hacia delante para que la sierra se mueva hacia delante o hacia atrás para que retroceda.

Mientras más adelante empuje la palanca, mayor será la velocidad. Si desea obtener más información, consulte el apartado de «Datos técnicos».



¡ATENCIÓN! No coloque la transmisión en posición neutra mientras la máquina está aparcada en una pendiente pronunciada. El operario perderá el control y podrían producirse daños o lesiones.

Ajuste la resistencia en la palanca de control de avance/retroceso con la tuerca que se encuentra al lado de la palanca.



Montaje del disco



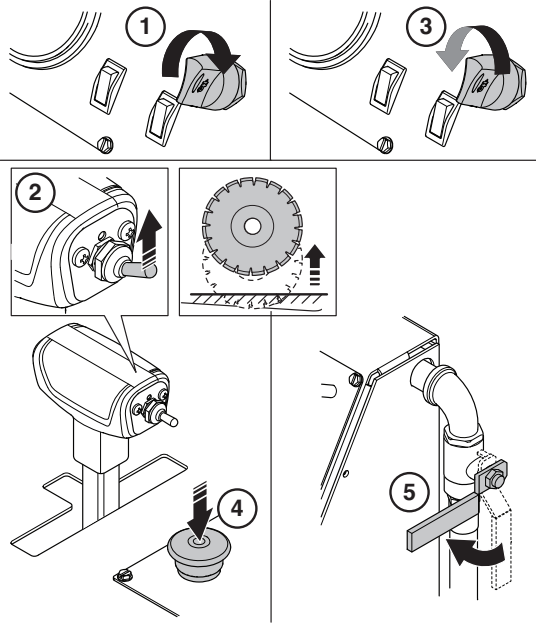
¡ATENCIÓN! Ajuste siempre el interruptor de arranque del motor a la posición de apagado antes de instalar la cuchilla.

AVISO Compruebe el sentido de rotación del disco. La flecha y la protección del disco indican la dirección de rotación.

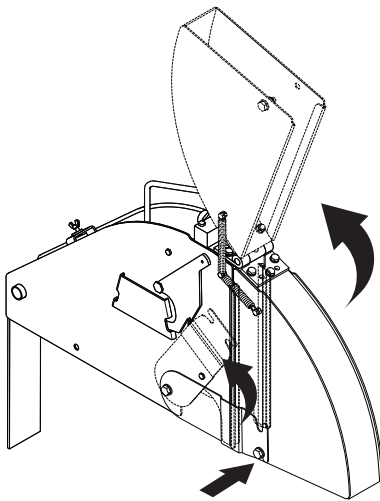
- 1 Gire el interruptor de arranque del motor a la posición de encendido.
- 2 Levante la sierra hasta una posición alta mediante el interruptor de elevación/descenso de la palanca de control de avance/retroceso.
- 3 Ajuste el interruptor de arranque del motor a la posición OFF.
- 4 Presione Detención de la máquina en el panel de control.

FUNCIONAMIENTO

5 Cierre la válvula de agua.



- Afloje el perno delantero de la protección del disco y levante el seguro de protección.
- Levante la parte delantera de la protección del disco y utilice el pasador de liberación rápida para bloquearlo en la posición superior.

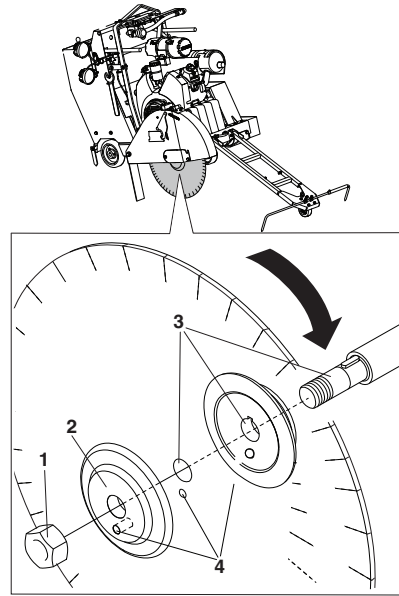


¡ATENCIÓN! Compruebe si hay daños en el disco, las bridas del disco y el eje de la brida del disco. Limpie las superficies de contacto del disco y las bridas del disco. Asegúrese de que el disco y las bridas estén limpios y libres de suciedad o residuos antes de montar el disco en la máquina.

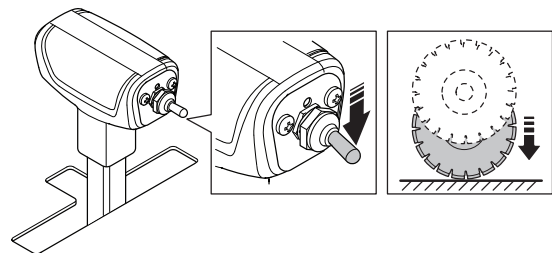
El perno del disco de la parte derecha de la sierra tiene hilos hacia la izquierda y el perno del eje del disco de la parte izquierda de la sierra tiene hilos hacia la derecha. Sustituya el perno del eje del disco y la arandela plana en caso de que presenten desgaste o daños.

- 1 Afloje la tuerca del eje del disco que se utiliza para sujetar el disco entre la brida interior y la exterior.
- 2 Quite la brida exterior de acoplamiento de cuchillas.
- 3 Coloque el disco de diamante en el eje del disco.
- 4 Instale la brida exterior con el disco preinstalado en la brida interior y asegúrese de que el pasador de bloqueo pase a través del disco de diamante hasta la brida interior.

Instale y apriete la tuerca con la llave de eje del disco mientras sujeta el disco con firmeza.



Baje la sierra. Para ello presione el interruptor de elevación/descenso en la palanca de control de avance/retroceso hacia abajo hasta que el disco toque la superficie que se va a cortar.

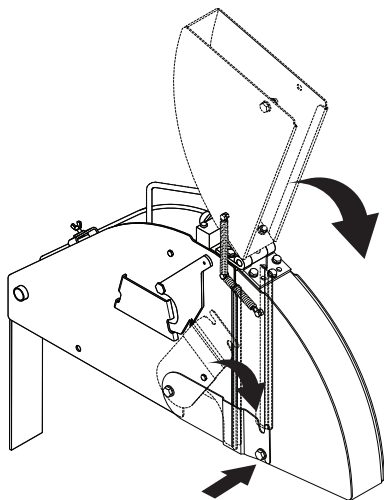


¡NOTA! El contacto debe ser suave para evitar dañar el disco. Utilice la perilla de control de velocidad de descenso de la sierra para reducir la velocidad. Nunca permita que el disco soporte el peso delantero de la máquina, ya que esto dañará el disco.

- Apriete el perno del eje del disco firmemente utilizando la llave para eje del disco mientras que la resistencia entre el disco de diamante y el suelo ayuda a conseguir el apriete final apropiado.

FUNCIONAMIENTO

- Baje la parte delantera de la protección del disco y coloque el perno delantero de la protección del disco. Apriete el perno de la parte delantera de la protección del disco.



AVISO No utilice esta sierra sin el seguro conectado y el perno instalado. No la utilice si presenta daños.

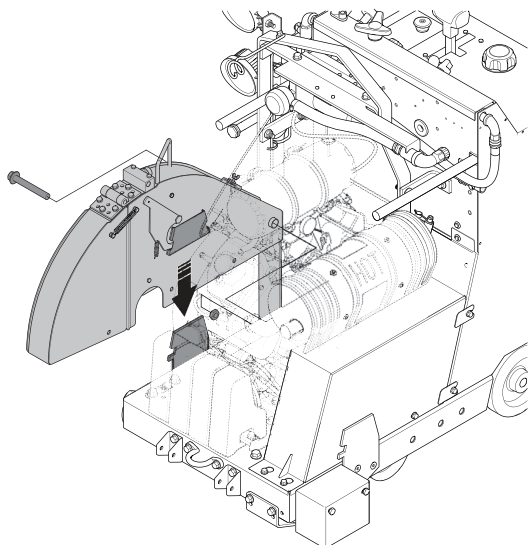
- Compruebe el funcionamiento de la máquina y preste atención a cualquier sonido extraño. Los sonidos extraños se deben a montajes incorrectos de la cuchilla.

Instalación de la protección del disco

Las protecciones desmontables del disco están aseguradas con un seguro que se conecta a la mitad trasera de la protección del disco.

No opere esta sierra sin el seguro conectado. Inspeccione las protecciones y seguros del disco con frecuencia. No la utilice si presenta daños.

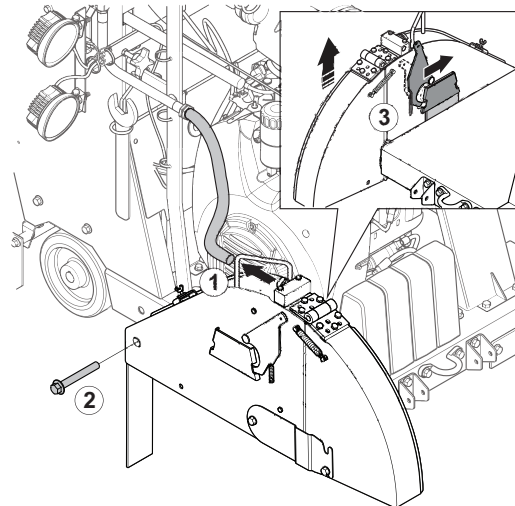
Baje la protección hasta la pala de apoyo y presione la protección del disco hacia abajo con moderación hasta que se bloquee.



Extracción de la protección del disco

- 1 Desconecte la manguera de agua de la protección de la hoja.

- 2 Retire el perno que sujeta la protección del disco.
- 3 Mueva el bloqueo de la protección del disco hacia delante hasta que se detenga y se abra. Levante la protección del disco con su manillar de la pala de apoyo.



Profundidad de corte del disco

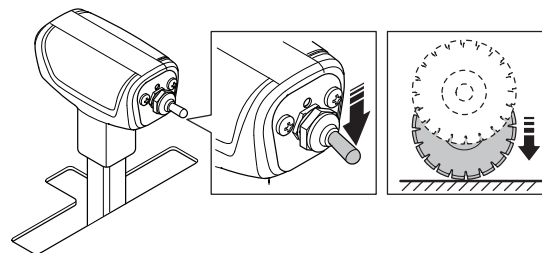
Esta sierra está equipada con un indicador de profundidad del disco que indica la profundidad a la que está cortando el disco. Esta sierra también incluye un tope de profundidad del disco que detiene la profundidad de corte del disco en una profundidad específica.

Para obtener más información sobre la profundidad máxima de corte para los distintos tamaños de disco, consulte la sección 'Discos'.

Uso del indicador de profundidad del disco

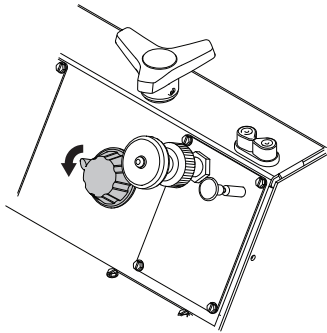
AVISO Solo corte hasta la profundidad indicada en las especificaciones del trabajo, ya que si el corte es más profundo, se pueden producir problemas de resistencia estructural.

- Si el motor está en marcha, gire el interruptor de encendido del motor a la posición OFF para detener el motor.
- Gire el interruptor de encendido del motor a la posición de encendido.
- Baje la sierra. Para ello presione el interruptor de elevación/descenso en la palanca de control de avance/retroceso hacia abajo hasta que el disco toque la superficie que se va a cortar. Este será el punto de referencia.



FUNCIONAMIENTO

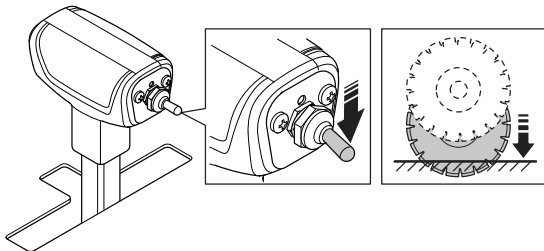
- Gire la rueda del indicador de profundidad del disco hasta la posición cero. La profundidad de corte del disco se indicará ahora en el indicador de profundidad cuando el disco baje sobre la superficie de corte.



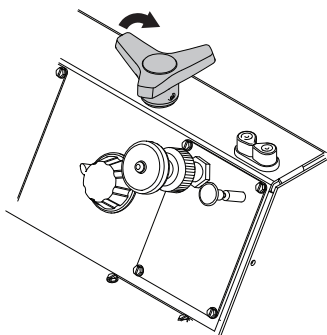
¡NOTA! El contacto debe ser suave para evitar dañar el disco. Utilice la perilla de control de velocidad de descenso de la sierra para reducir la velocidad.

Uso del tope de profundidad del disco

- Baje la sierra. Para ello presione el interruptor de elevación/descenso en la palanca de control de avance/retroceso hacia abajo hasta que el disco esté a la profundidad deseada (como se indica en el indicador de profundidad del disco).



- Ajuste el tope de profundidad del disco girando la rueda en el sentido de las agujas del reloj hasta que quede apretado. Ahora la profundidad máxima de corte está configurada. Si se levanta la sierra por cualquier motivo ahora se podrá bajar hasta esta profundidad específica bajando el disco sobre la superficie de corte con el interruptor de elevación/descenso de la palanca de ajuste del régimen.

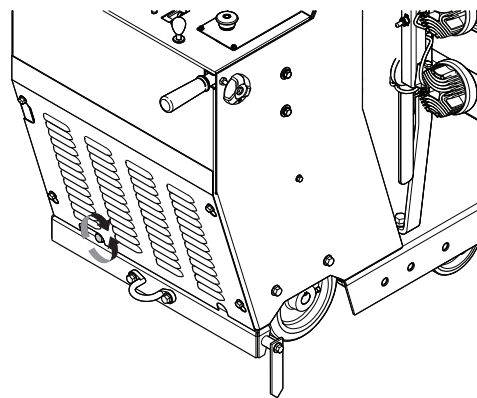


Corte en línea recta

Al cortar, el disco crea resistencia a la fuerza de empuje de las ruedas traseras, lo que hará que la máquina pierda momentáneamente su trayectoria en la misma dirección en la que está montado el disco. Este efecto puede contrarrestarse si se ajusta el ángulo del eje trasero mediante el ajuste de eje manual.

Cortes con ajuste manual del eje

- El eje trasero se ajusta girando el perno de ajuste ubicado en la parte inferior trasera de la izquierda del bastidor de la sierra con una llave de 18 mm.
- Si la sierra se desvía hacia la derecha mientras corta, gire el perno de ajuste en el sentido contrario a las agujas del reloj.
- Si la sierra se desvía hacia la izquierda mientras corta, gire el perno de ajuste en el sentido de las agujas del reloj.

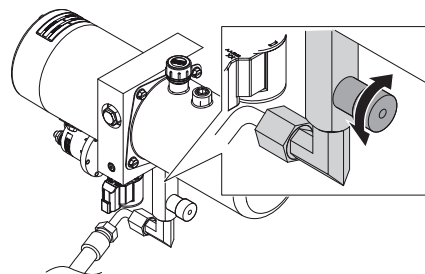


Sistema hidráulico

El sistema hidráulico de esta sierra se utiliza para subir / bajar la cuchilla de diamante y para impulsar la sierra hacia adelante o hacia atrás.

El sistema hidráulico consta de una transmisión hidrostática, una bomba de elevación hidráulica CC con una válvula de control de flujo y un cilindro de elevación hidráulica.

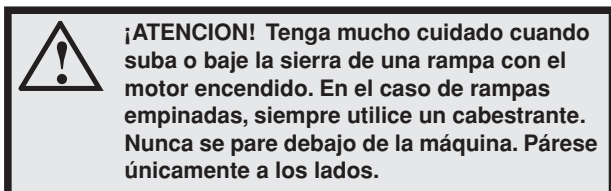
- La velocidad de bajada de la sierra se puede ajustar con la válvula de control de flujo. Si la sierra desciende demasiado rápido, gire la ruedecilla de la válvula de control de flujo en el sentido de las agujas del reloj hasta que se establezca una velocidad de bajada adecuada.



Transporte y almacenamiento

- Extraiga el disco antes de las operaciones de transporte o almacenamiento de la máquina para evitar que el disco se dañe.
- Extraiga todas las herramientas y llaves de ajuste
- Cierre la válvula de cierre de combustible.

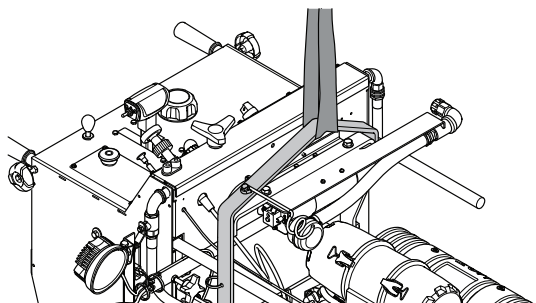
Transporte



- Para bajar una rampa, conduzca la sierra solo hacia atrás.
- Para subir una rampa, conduzca la sierra solo hacia adelante.

Elevación de la sierra

- Proceda con cuidado en las elevaciones. Las piezas son pesadas, por lo que hay riesgo de daños por apriete y daños personales de otro tipo.
- Utilice siempre la argolla de izada montada en la máquina para levantarla.



Para transporte mediante vehículo

- Sujete bien el equipo durante el transporte para evitar daños y accidentes. Utilice las argollas de amarre delanteras y traseras instaladas de fábrica en la sierra para evitar que se mueva durante el transporte.
- No remolque esta sierra con otro vehículo, ya que podría dañar los componentes de conducción.

Almacenaje

Almacene la cortadora en lugar seguro fuera del alcance de los niños y personas no calificadas para su uso.

- Detenga el motor girando el interruptor de arranque del motor a la posición STOP.
- Coloque la palanca de control de avance/retroceso en la posición neutra/parada.

En el caso del transporte y almacenamiento del combustible y la batería, consulte la sección 'Manipulación de combustible' y 'Manipulación de la batería'.

Para obtener más detalles sobre el transporte y el almacenamiento de los discos, consulte el apartado «Discos».

Almacenamiento prolongado

Antes del almacenaje prolongado, limpie bien la máquina y haga el servicio completo. Lea el manual de instrucciones del motor para obtener información adicional sobre almacenamiento durante períodos largos

- Extraiga el disco y almacénelo con cuidado.
- Cierre la válvula de cierre de combustible y vuelva a instalar la cubierta de protección trasera.
- Engrase todas las boquillas antes del almacenamiento.
- Desconecte el terminal negativo y guárdelo a una distancia segura de la batería.
- Cargue la batería de manera lenta y continua durante un almacenamiento prolongado.
- Si la máquina se va a guardar durante períodos largos, se debe vaciar el depósito de combustible. Pregunte en la estación de servicio más cercana qué hacer con el combustible sobrante.
- Guarde la máquina y el equipo en un lugar seco y protegido de la escarcha.
- If the machine is stored outside, cover the machine.
- Cambie el aceite del motor después de un almacenamiento prolongado

ARRANQUE Y PARADA

Antes del arranque



¡ATENCIÓN! Lea detenidamente el manual de instrucciones y asegúrese de entender su contenido antes de utilizar la máquina.

Utilice el equipo de protección personal. Vea las instrucciones bajo el título "Equipo de protección personal".

Asegúrese de que no haya personas desautorizadas en la zona de trabajo, de lo contrario, se corre el riesgo de ocasionar graves daños personales.

- Realice el mantenimiento diario. Consulte las instrucciones de la sección 'Mantenimiento y servicio'.
- Asegúrese de que el disco no toca en ningún objeto al arrancar la máquina.

AVISO Lea el manual de instrucciones del fabricante.

Primer uso

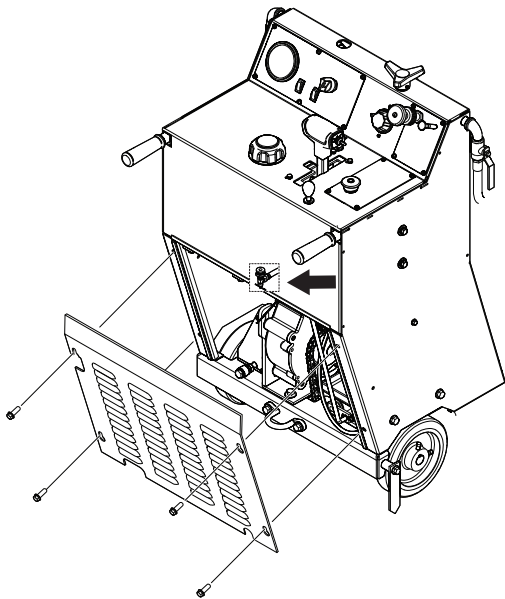
- Verifique el nivel de aceite del motor sin el disco y con la sierra en posición horizontal para lograr un nivel plano de la sierra.
- Conecte los cables de la batería. La unidad de sierra plana se entrega con los cables de la batería desconectados.

En algunos mercados, no se incluyen baterías debido a razones de seguridad durante el transporte. Instale una batería nueva.

Si desea obtener más información, consulte el apartado de «Datos técnicos».

Esta máquina está equipada con una válvula de cierre de combustible. Para arrancar la máquina por primera vez:

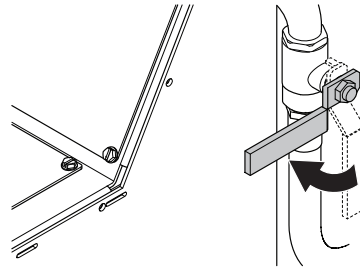
- Llene el depósito de combustible.
- Retire la cubierta protectora trasera y abra la válvula de cierre de combustible.



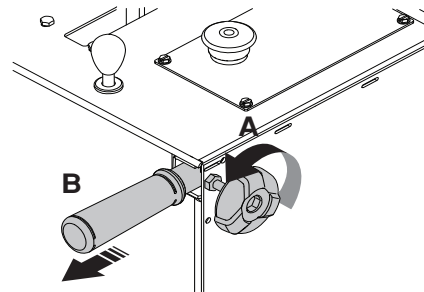
- Vuelva a instalar la cubierta de protección trasera.

Arranque

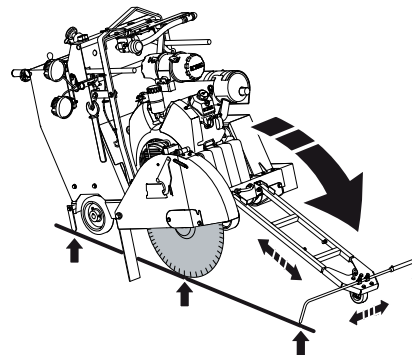
- Conecte la máquina al suministro de agua. Cierre la válvula de agua.



- Marque la superficie que se va a cortar dibujando una línea donde desee que se efectúe el corte.
- Tire de los manillares hasta la longitud deseada y apriete las ruedas.

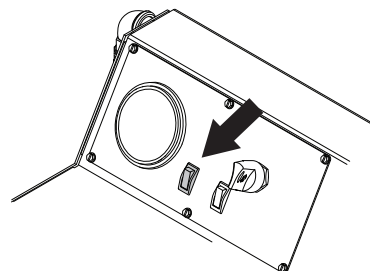


- Baje la guía delantera y alinee la guía delantera, la guía trasera y el disco de diamante con la línea de la superficie. La guía delantera es telescópica, ajuste la longitud con los tornillos de la parte interior de la guía delantera.



Arranque el motor

- Para poner en marcha la sierra cuando no hay presión del agua, ajuste el interruptor de seguridad de agua en la posición OFF.

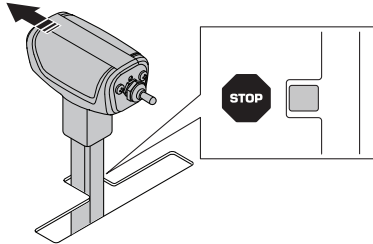


ARRANQUE Y PARADA

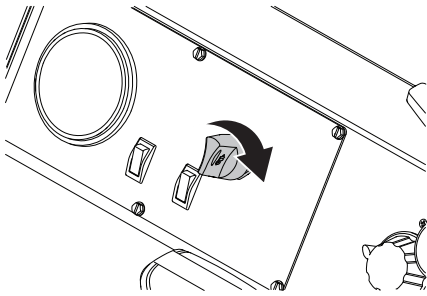
Sistema de seguridad de agua

Se utiliza agua para evitar el sobrecalentamiento del disco mientras se controla el polvo que resulta del corte. El sistema de seguridad de agua monitorea la presión del agua hacia la máquina e interrumpe el proceso de corte si la presión descende.

- Coloque la palanca de control de avance/retroceso en la posición neutra/parada. El motor no arrancará a menos que la palanca esté en la posición neutra/parada.



- Arranque el motor.



- Deje calentar el motor por algunos minutos con el acelerador del motor en velocidad de ralentí (mínimo).

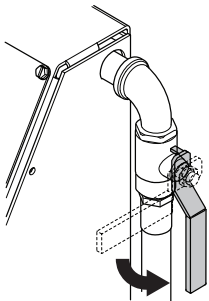
Empiece a cortar



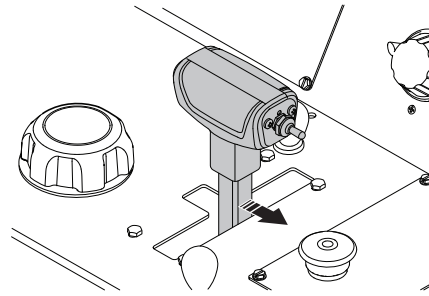
¡ATENCIÓN! No utilice nunca una hoja cuyo régimen nominal sea inferior al de la máquina. Asegúrese de que el disco está instalado correctamente.

AVISO Consulte el gráfico para obtener el eje del disco y los regímenes del motor apropiados para los tamaños de disco concretos.

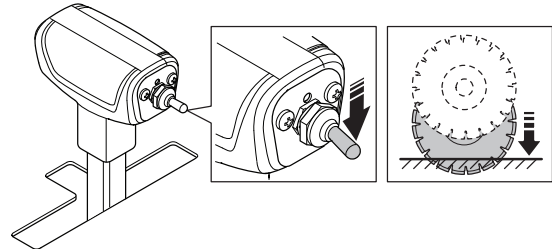
- Verifique que el suministro de agua sea el correcto. Un bajo nivel de flujo de agua dañará los discos de diamante. Conecte el interruptor de seguridad de agua del panel de control y abra la válvula de agua.



- Cambie la palanca de control de avance/retroceso en una marcha.

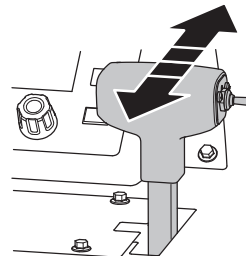


- Configure la perilla del acelerador del motor en rpm máximas.
- Baje el disco. Para ello presione el interruptor de elevación/descenso en la palanca de control de avance/retroceso hacia abajo hasta que el disco se encuentre a la profundidad de corte deseada. Para obtener más información, consulte el apartado 'Profundidad de corte del disco'.



¡NOTA! Cuando baje el disco en un corte parcial, alinee el disco exactamente con el corte para evitar daños en el disco.

- Mueva la sierra hacia delante lentamente pulsando la palanca de control de avance/retroceso. Escuche el sonido del motor. Si el motor comienza a ralentizarse, compénselo tirando de la palanca de control de avance/retroceso hacia atrás para reducir la alimentación de material e impedir que el disco se atasque. Asegúrese de que la guía delantera, la guía trasera y el disco de diamante permanezcan en la línea.



ARRANQUE Y PARADA

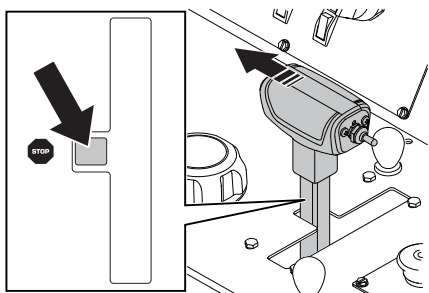
Parada



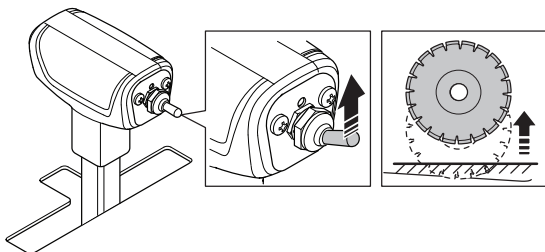
¡ATENCIÓN! Mantenga siempre todas las partes de su cuerpo alejadas del disco y de todas las demás partes móviles.

Detenga el corte

- Coloque la palanca de control de avance/retroceso en la posición neutra/parada.

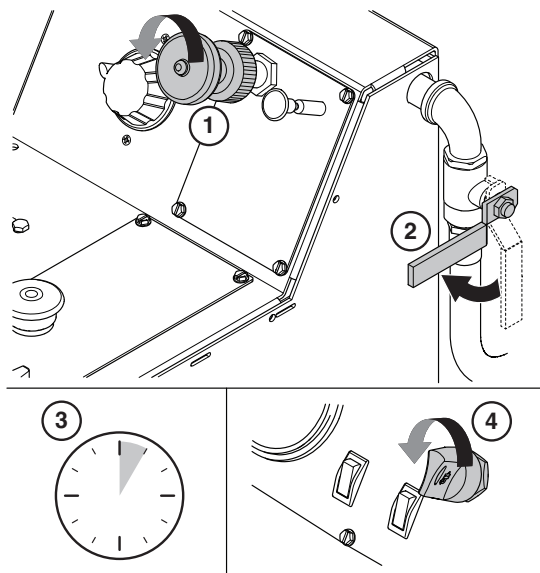


- Levante el disco de diamante para sacarlo del corte presionando el interruptor de elevación/descenso de la palanca de control hacia arriba hasta que el disco de diamante se separe de las superficies.



Detenga el motor

- 1 Gire la perilla del acelerador del motor a la posición de ralentí bajo.
- 2 Desactive la válvula de agua.
- 3 Deje el motor en funcionamiento en ralentí durante algunos minutos antes de apagarlo.
- 4 Detenga el motor girando el interruptor de arranque del motor a la posición STOP.



MANTENIMIENTO Y REPARACIÓN

Generalidades



¡ATENCIÓN! La mayoría de accidentes con máquinas se producen durante la localización de fallos, reparación y mantenimiento, ya que el personal tiene que localizar por sí mismo la zona de riesgo de la máquina. Evite los accidentes estando alerta y planificando y preparando los trabajos con antelación.

Si las operaciones de reparación requieren que el motor esté en funcionamiento, tenga en cuenta los riesgos de trabajar con componentes móviles o cerca de ellos.

Realice las tareas de mantenimiento y reparación de conformidad con este Manual del usuario para evitar la aparición de averías y para conservar el valor de la máquina.

Asimismo, realice un mantenimiento de las herramientas y los accesorios de la máquina.

El usuario sólo puede efectuar los trabajos de mantenimiento y servicio descritos en este manual. Los trabajos de mayor envergadura debe efectuarlos un taller de servicio oficial.

Para las reparaciones, utilice solamente repuestos originales.

Medidas previas al mantenimiento, la reparación y la localización de fallos

Generalidades

- Compruebe que la máquina está situada en una zona segura.
- Estacione siempre la máquina en una superficie nivelada con el motor apagado y el interruptor de arranque del motor en la posición STOP antes de arrancar. Presione Detención de la máquina en el panel de control.
- Diversos componentes se calientan durante los trabajos realizados con la máquina. No inicie ninguna tarea de mantenimiento o reparación hasta que la máquina se haya enfriado.
- Coloque señales visibles para indicar a las personas de los alrededores que se están llevando a cabo tareas de mantenimiento.
- Controle que la zona de trabajo esté bien iluminada para lograr un entorno seguro.
- Averigüe la ubicación de los extintores de incendios, el botiquín y el teléfono de emergencia.

Equipo de protección

- Utilice el equipo de protección personal. Vea las instrucciones bajo el título "Equipo de protección personal".

Entorno de trabajo

- La zona de alrededor de la máquina debe estar limpia para minimizar el riesgo de deslizamiento.

Limpieza



¡NOTA! Cuando limpie la máquina, corre el riesgo de que se le introduzcan partículas de suciedad y sustancias peligrosas en los ojos.

Cuando se utilizan equipos de alta presión es posible que la máquina expulse partículas de suciedad y sustancias peligrosas.

La limpieza con agua o aire a alta presión puede hacer que penetren partículas bajo la piel y provocar daños graves. Nunca dirija un chorro de alta presión hacia la piel.

Después de cada uso, limpie la máquina cuando se enfríe.

Método de limpieza

El método de limpieza depende del tipo de contaminantes y del nivel de suciedad de la máquina. Puede utilizar un agente desengrasante no abrasivo. Evite el contacto con la piel. Utilice lavadores de alta presión para limpiar la máquina.

Limpieza de componentes

Existe una serie de componentes que requieren especial atención en su limpieza.

AVISO No utilice lavadores de alta presión para limpiar el panel de control.

Motor

- Mantenga una distancia de al menos 40 cm entre la boquilla y el motor y sus componentes. No rocíe de manera muy agresiva en el motor para evitar dañar los componentes eléctricos tales como enchufes eléctricos y el alternador. No rocíe agua directamente sobre el tubo de escape o en el filtro de aire del motor.

Después del lavado

- Lubrique todos los puntos de lubricación de la máquina.
- Limpie los terminales eléctricos en seco utilizando aire comprimido.
- Deje que la máquina se seque completamente antes de arrancar.
- Preste atención cuando arranque la máquina después del lavado. Si algún componente se ha dañado debido a la humedad, los movimientos de la máquina pueden resultar defectuosos.

MANTENIMIENTO Y REPARACIÓN

Programa de mantenimiento

El programa de mantenimiento se basa en el tiempo de funcionamiento de la máquina. Es posible que se requieran intervalos de mantenimiento más frecuentes cuando se trabaja en entornos muy calurosos o con mucho polvo, así como en actividades que generan altas temperaturas. En la revisión de mantenimiento puede consultarse una descripción de cómo realizar las operaciones.

Para determinados requisitos de servicio, consulte los intervalos de servicio en el programa de servicio a continuación y lleve un registro en el servicio siguiente. La máquina mantendrá un registro de las horas de funcionamiento que se puede ver en pantalla.

- Estacione siempre la máquina en una superficie nivelada con el motor apagado y el interruptor de arranque del motor en la posición STOP antes de realizar cualquier tarea de mantenimiento. Presione Detención de la máquina en el panel de control.

Lea detenidamente el manual del motor de su máquina y asegúrese de comprender las instrucciones antes de utilizar la máquina. Existen algunos intervalos de mantenimiento especificados en el manual del motor.

En casos en que se recomienden los mismos servicios, tanto en el manual de usuario de la máquina y en el manual de usuario del motor, siga las recomendaciones de programa indicadas en este manual.

Mantenimiento Diario

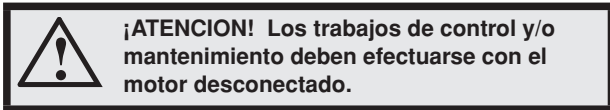
El mantenimiento diario también debe llevarse a cabo después del transporte.

	Diariamente	50 h	100 h	250 h	500 h	Anualmente
Compruebe el nivel de aceite del motor	X					
Verificar si hay daños en la protección del disco	X					
Revise que las mangueras y las abrazaderas estén libres de daños y no estén flojas. Apriete o sustituya según sea necesario.	X					
Compruebe el indicador de restricción del purificador de aire. Limpie el filtro de aire exterior si el indicador se ilumina en rojo.	X					
Asegúrese de que todos los protectores de seguridad estén en su lugar y en buenas condiciones.	X					
Verificar el chorro de agua sobre el disco de diamante.	X					
Cambie el filtro y el aceite del motor*		X				
Lubricar las ruedas delanteras		X				
Lubricar el eje del disco (dos bombeos en cada extremo)		X				
Cambie el filtro y el aceite del motor*			X			
Lubricar los cojinetes pivotantes del eje delantero			X			
Verificar si hay desgaste o daños en las ruedas.			X			
Compruebe que las ruedas traseras no estén flojas.			X			
Revisar las mangueras y abrazaderas del purificador de aire del motor			X			
Verificar el nivel de fluido del sistema hidráulico			X			
Lubricar el pasador pivotante del cilindro hidráulico.				X		
Lubricar el cojinete del eje trasero.				X		
Sustituir el fluido del sistema hidráulico					X	
Sustituir el filtro de combustible del motor (tipo roscado)					X	
Sustituir el filtro de aire exterior e interior						X

* Una vez a las 50 horas y luego cada 100 horas

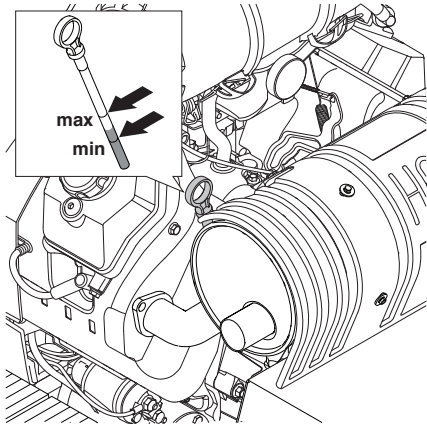
MANTENIMIENTO Y REPARACIÓN

Mantenimiento Diario



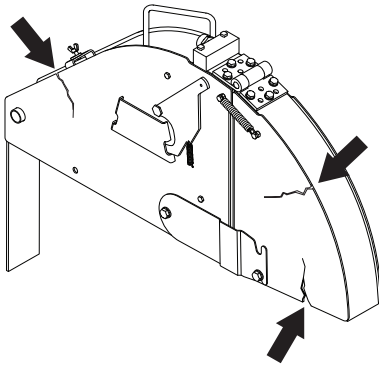
Verifique el nivel de aceite del motor sin el disco y con la sierra en posición horizontal para lograr un nivel plano de la sierra.

- Compruebe el nivel de aceite del motor.
- Asegúrese de que el nivel se encuentre entre los límites.



Verificar si hay daños en la protección del disco

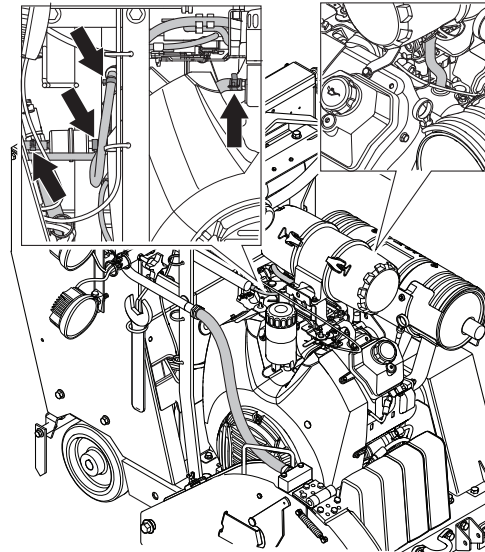
- Verifique si hay grietas en la protección del disco.



- Nunca utilice protecciones de disco rotas o dañadas.

Compruebe que todas las mangueras y abrazaderas no estén dañadas o sueltas.

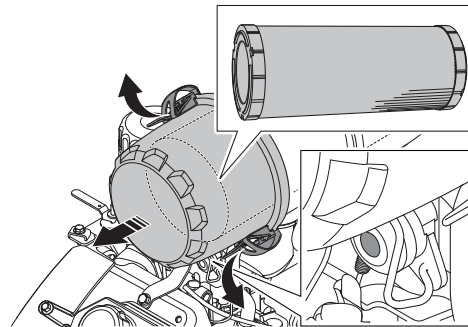
La imagen solo muestra algunas de las mangueras y abrazaderas.



- Examine que no haya fugas de combustible y el sistema hidráulico. Apriete y sustituya según corresponda.

Verifique el indicador de restricción del purificador de aire.

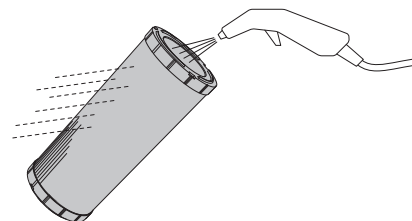
- Revise y limpie el filtro de aire exterior si el indicador del purificador de aire está en rojo, extraiga la cubierta trasera abriendo las 2 abrazaderas de la carcasa del filtro de aire y tirando de la carcasa para sacarla.



- Limpie el filtro soplando el elemento desde dentro hacia afuera.

Utilice la menor presión de aire posible para eliminar el polvo sin dañar el elemento.

Utilice 42-47 PSI (0,29-0,49 MPa; 3,0-5,0 kgf/cm²) de aire comprimido para eliminar las partículas.



MANTENIMIENTO Y REPARACIÓN

- Sustituya los filtros o las juntas con daños y compruebe que la manguera de aire y las abrazaderas no estén dañadas o sueltas. Apriete y sustituya según corresponda.

AVISO No es necesario limpiar el filtro interior diariamente. Las 2 abrazaderas de la carcasa del filtro de aire no se pueden cerrar a menos que el filtro de aire exterior esté instalado correctamente.

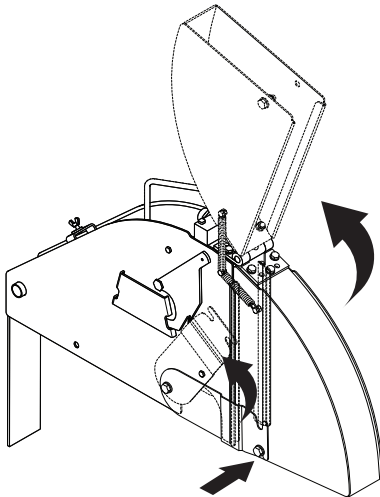
Cubiertas de protección

- Asegúrese de que todas las cubiertas de protección estén en su lugar y en buenas condiciones.

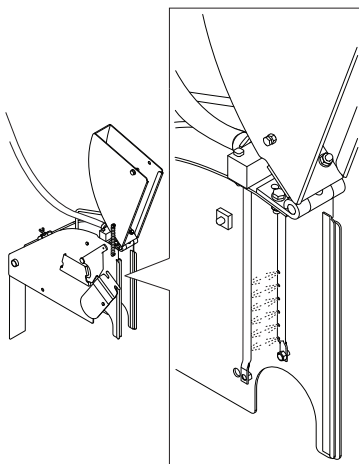
Para obtener más información, consulte la sección 'Equipo de seguridad de la máquina'.

Verificar el chorro de agua sobre el disco de diamante.

- Levante la parte delantera de la protección del disco y utilice el pasador de liberación rápida para bloquearlo en la posición superior.



- Abra la válvula de agua en el panel de control. Asegúrese de que salgan chorros rectos de agua de los orificios en las tuberías de agua en ambos lados del disco y de que no existan fugas. Sustituya la tubería de agua en caso de presentar daños.



Tras las primeras 50 horas

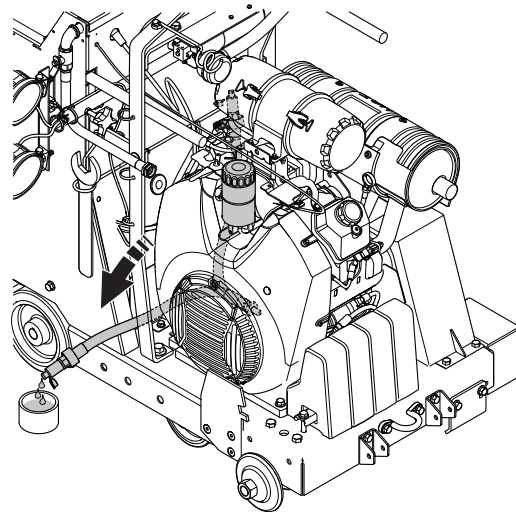
Sustituir el aceite y el filtro del motor

- Extraiga la tapa superior de la manguera. Abra la válvula e inclínala hacia abajo para vaciar el sistema.

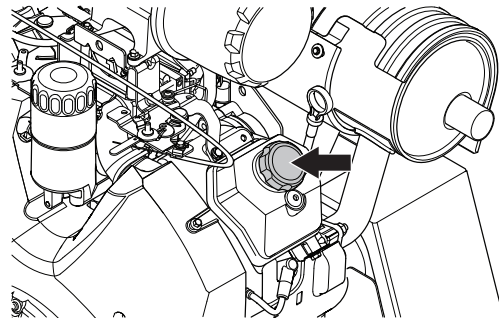
Extraiga el filtro y sustitúyalo.

Lubrique la junta con unas gotas de aceite antes de volver a colocarla.

AVISO Proteja la batería de salpicaduras de aceite antes de la extracción y el reposicionamiento.



- Rellene el sistema con aceite.



- Compruebe el nivel de aceite del motor, consulte las instrucciones bajo el título 'Mantenimiento diario'.

Mantenimiento de 50 horas

Tensor automático de la correa de transmisión del eje del disco

Esta máquina está equipada con un dispositivo dinámico de tensión de la correa que no requiere ajustes ni mantenimiento.

La tensión correcta se ajusta durante el montaje en producción. Sin embargo, si se debe sustituir la correa u otros componentes, siga los 6 pasos siguientes para realizar el procedimiento correcto.

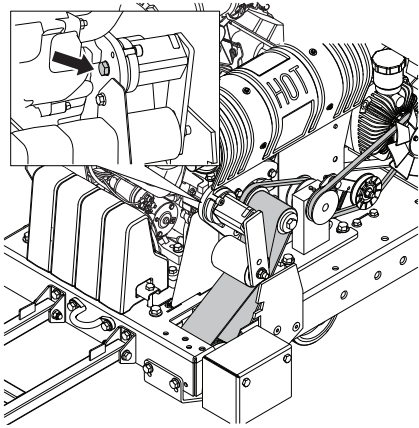
MANTENIMIENTO Y REPARACIÓN

Herramientas necesarias

- Llave de 13 mm. (no incluida con la máquina)
- Llave de 19 mm. (no incluida con la máquina)
- Llave ajustable (no incluida con la máquina)

Para aflojar la tensión de la correa

- Utilice llave de 13 mm. para abrir los 4 pernos M8 que fijan la protección de la correa. Desmonte la protección de la correa.
- Utilice la llave Allen para quitar el tornillo Allen (tornillo de fijación).
- Utilice una llave de 19 mm para aflojar ligeramente el tornillo que fija el dispositivo de tensión a la placa.



Para ajustar la tensión correcta

- Con una llave ajustable, gire la base del dispositivo de tensión en el sentido de las agujas del reloj para ajustar la tensión previa necesaria. Si el ángulo del dispositivo de tensión muestra 25° y la ranura de la base del dispositivo de tensión está alineada con el orificio de la placa: apriete el tornillo de fijación con una llave 19 mm.
- Vuelva a colocar el tornillo Allen con la llave Allen.
- Vuelva a instalar la protección de la correa. Utilice una llave de 13 mm. para apretar los 4 pernos M8 que fijan la protección de la correa.



¡NOTA! Sustituya siempre las correas polirranuradas en V si están desgastadas o dañadas.

Lubricar el eje del disco (dos bombes en cada extremo)

Consulte las instrucciones bajo el título 'Lubricación'.

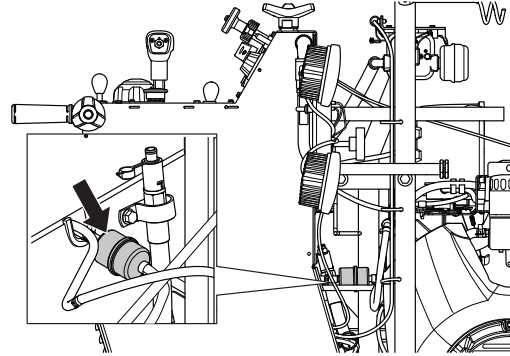
Lubricar las ruedas delanteras

Consulte las instrucciones bajo el título 'Lubricación'.

Servicio de las 100 horas

Sustituya el filtro de combustible del motor (tipo en línea)

- Cierre la válvula de cierre de combustible del depósito de combustible. Retire el filtro de combustible soltándolo del circuito del combustible. Sustituya el filtro de combustible. Tenga cuidado con el combustible que pudiera derramarse.



Sustituir el aceite y el filtro del motor

Consulte las instrucciones bajo el título 'Después de las primeras 50 horas'

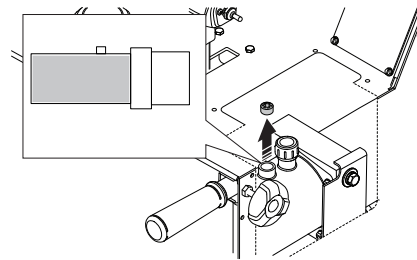
Verificar si hay desgaste o daños en las ruedas.

Compruebe que las ruedas traseras no estén flojas.

Revisar las mangueras y abrazaderas del purificador de aire del motor

Verificar el nivel de fluido del sistema hidráulico

- Extraiga la tapa de la abertura de inspección del depósito hidráulico. El nivel debería estar en el borde inferior de la abertura del depósito hidráulico, rellene si es necesario.



AVISO No lo llene demasiado.

Lubricar los cojinetes pivotantes del eje delantero

Consulte las instrucciones bajo el título 'Lubricación'.

Mantenimiento de 250 horas

Lubricar el pasador pivotante del cilindro hidráulico.

Consulte las instrucciones bajo el título 'Lubricación'.

Lubricar el cojinete del eje trasero.

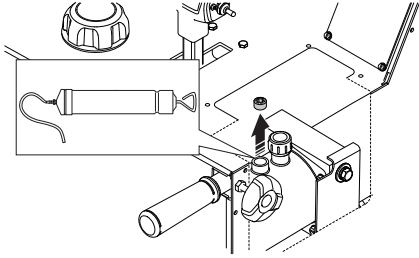
Consulte las instrucciones bajo el título 'Lubricación'.

MANTENIMIENTO Y REPARACIÓN

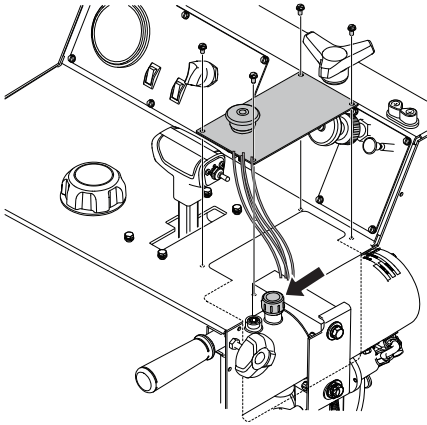
Mantenimiento de 500 horas

Sustituir el fluido del sistema hidráulico

- Extraiga la tapa de la abertura de inspección del depósito hidráulico y utilice un extractor de aceite para succionar el fluido y sacarlo a través de la abertura de inspección.



- Rellene el depósito con aceite nuevo. Asegúrese de que la máquina esté nivelada antes de rellenar.

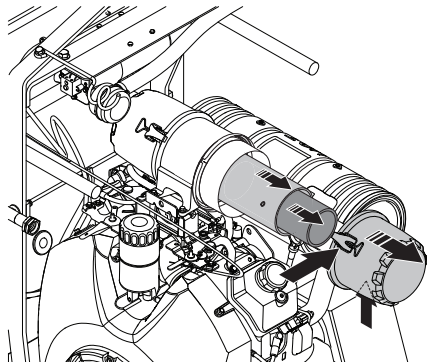


AVISO No lo llene demasiado.

Mantenimiento anual

Sustituir el filtro de aire exterior e interior

Extraiga la tapa trasera abriendo las 2 abrazaderas de la carcasa del filtro de aire y tirando de la carcasa para sacarla. Sustituya ambos filtros y vuelva a montarlos en orden inverso.



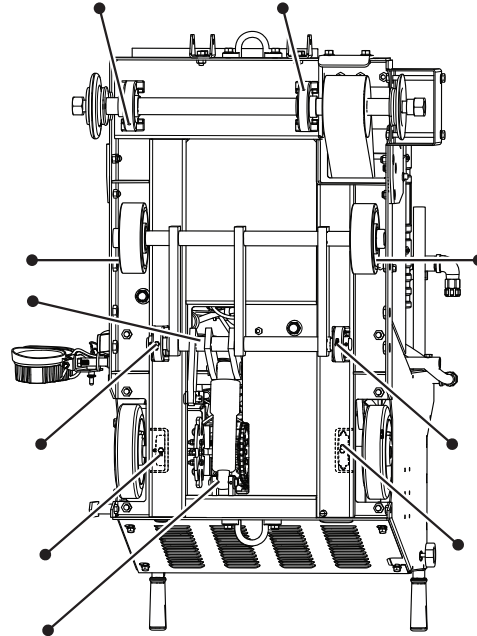
¡NOTA! Las 2 abrazaderas de la carcasa del filtro de aire no se pueden cerrar a menos que el filtro de aire exterior esté instalado correctamente.

Lubricación

La imagen muestra todos los puntos de lubricación (8 boquillas de engrase). Limpie la boquilla. Sustituya las boquillas rotas u obturadas.

- Lubrique las ruedas delanteras.
- Lubrique los cojinetes pivotantes del eje delantero.
- Lubrique el eje del disco. Dos bombeos en cada extremo.
- Lubricar el pasador pivotante del cilindro hidráulico.
- Lubricar el cojinete del eje trasero.

Lubrique el eje del disco en la parte superior de la placa base.



LOCALIZACIÓN Y CORRECCIÓN DE AVERÍAS

Incidentes durante las operaciones de corte

¡NOTA! Si el motor o el disco se detiene por algún motivo, levante el disco y retírelo completamente del corte. Coloque el interruptor de arranque del motor en la posición STOP. Presione Detención de la máquina en el panel de control. Revise minuciosamente la máquina antes de volver a arrancar el motor.

- Confíe todas las reparaciones solo a su distribuidor autorizado

Problema	Causa	Posible acción
El motor se detiene durante el corte	Motor sin combustible.	Llene el depósito de combustible
	El interruptor de seguridad de agua indica la falta de agua para parar el motor	Desconecte el interruptor de seguridad de agua y compruebe suministro de agua y, a continuación, arranque el motor.
	Se ha pulsado el botón de parada de la máquina	Restablezca el botón para detener la máquina tirando la perilla hacia afuera.
	Un corte excesivamente rápido atascará el motor	Escuche el sonido del motor. Si el motor comienza a ralentizarse, compénselo tirando de la palanca de control de avance/retroceso hacia atrás para reducir la alimentación de material e impedir que el disco se atasque.
	El fusible del disyuntor está fundido	Inspeccione y sustituya los fusibles
el disco de diamante se detiene durante el corte	La tensión de la correa de transmisión es inadecuada	Se debe sustituir la correa de transmisión o el tensor ROSTA.
La sierra desciende demasiado rápido	La válvula que controla el descenso de la sierra se abre demasiado.	La velocidad de bajada de la sierra se puede ajustar mediante el ajuste de la rueda del régimen de descenso de la sierra en o bajo la bomba hidráulica. Si la sierra desciende demasiado rápido, gire la rueda en el sentido de las agujas del reloj hasta que definir una velocidad de bajada adecuada.
El disco corta con demasiada lentitud.	El disco se ha desafilado o la presión de alimentación es demasiada alta	Disminuya la profundidad de corte y el régimen del motor durante un breve espacio de tiempo

DATOS TECNICOS

Batería

	FS 3500 G
Tipo de terminal	Norma SAE
Tensión, V	12
CCA, A	475
Tamaño máximo (LxPxA), mm/pulg.	9 9/16x6 7/8x6 7/8 / 242x175x175

Fluido hidráulico y lubricantes

Líquido hidráulico

Calidad	Estándar
SAE 10W-30	API Class SE
	API Class CC
	API class CD

Lubricantes

Componente	Calidad	Estándar	Capacidad del depósito de aceite, litros/cuarto de galón
Aceite de motor	SAE 10W-30	Clasificación API: clase SJ	2/1.9
Bomba hidrostática	SAE 10W-30		0.19/0.18
Bomba de elevación	SAE 10W-30		1.0/0,95
Caja de cambios de transmisión	NLGI 000		
Puntos de lubricación (placa base)*	NLGI 000	SAE J310	

* Consulte las instrucciones de la sección 'Mantenimiento y servicio'.

DATOS TECNICOS

Datos técnicos

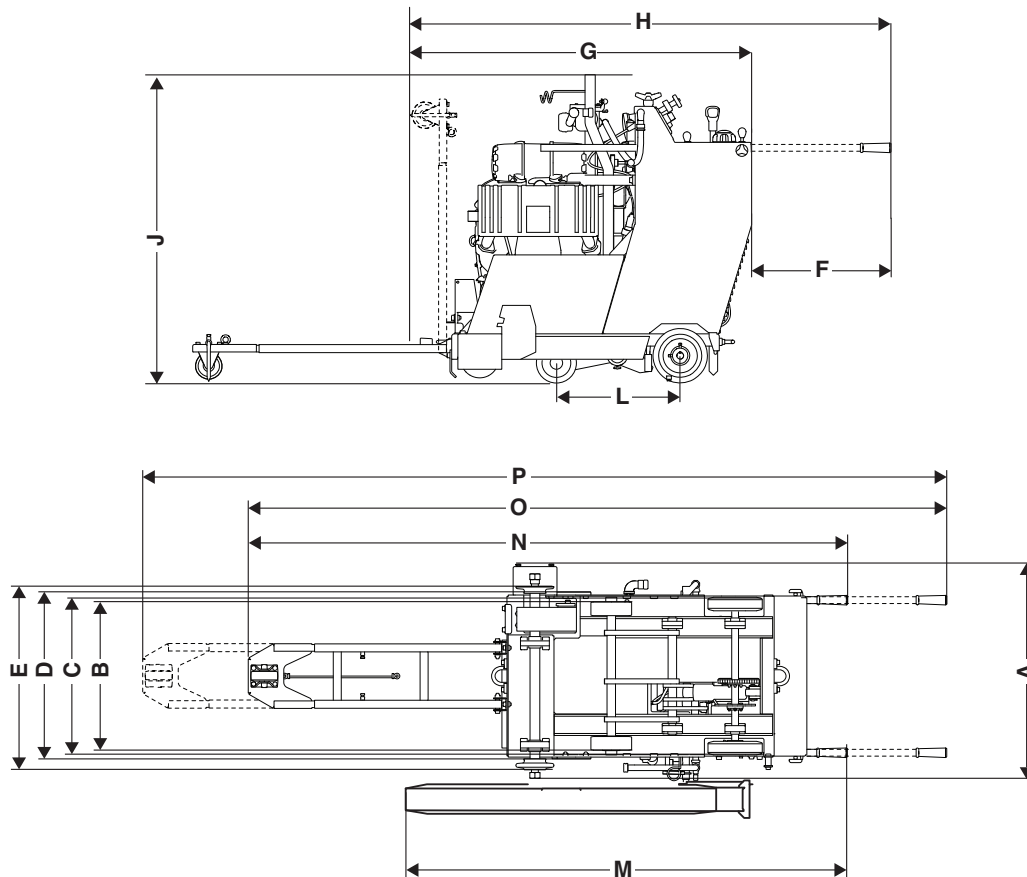
FS 3500 G

Característica de la sierra	20/500	26/650	30/750
Capacidad de protección del disco, mm/pulg.	20/500	26/650	30/750
Profundidad máxima de corte, mm/pulg.	7,75/193	10,5/262	12,5/312
Eje del disco, rpm	2580	1860	1860
Potencia aproximada del eje del disco, CV/kW	29/21.6		
Tamaño del eje giratorio, pulgadas/milímetros	25,4/1 con un único botador		
Brida de disco Ø, mm/pulg.	4,5/114,5	5/127	5/127
Diámetro del eje del disco, mm/pulg.	1-7/16 / 36.5		
Cojinetes del eje de la cuchilla	Cojinetes de bolas de apoyo 17/16'		
Transmisión del eje del disco	Correa polirranuradas en V (25 nervaduras)		
Refrigerante del disco	Tubos de pulverización de agua de varios chorros duales chapados con zinc		
Accesorio de protección del disco	Deslizante, cierre automático		
Control del disco	La bomba electro-hidráulica eleva el disco; elevación y descenso controlados por interruptor en el mango de ajuste del régimen; tope de profundidad e indicador de la profundidad de corte.		
Eje Ø, mm/pulg.	Parte delantera, 25,4/1		
	Parte trasera, 25,4/1		
Ruedas, mm/pulg.	Parte delantera, 152x51x25/6x2x1, banda de rodadura de poliuretano gruesa, cojinete de bolas sellado que requiere menos mantenimiento		
	Parte trasera, 203x51x25/8x3x1, goma maciza		
Transmisión	Bomba hidrostática acoplada a la caja de cambios mecánica, cadena de transmisión final		
Velocidad máxima de avance	Variable continua: 0-51 m/min / 0-167 pies por minuto (PFM) hacia delante y hacia atrás. 25 m/min, velocidad máxima de marcha atrás en los modelos CE		
Chasis	Construcción de sección de canal y caja de forma rígida y resistente		
Peso (sin embalaje) en kg/lb	972/441	983/446	992/450
Masa máxima de funcionamiento, kg/lb	1003/455	1021/463	1036/470

DATOS TECNICOS

Dimensiones de la sierra

A	Anchura, mm/pulg.		31 3/4 / 807	H	Largo de la sierra (con indicador arriba, manijas extendidas), pulgadas/milímetros	77 3/4 / 1977
B	Anchura de rueda de centro a centro, mm/pulg.	Delantero	19 3/4 / 502	J	Altura min. total (sin tubo del tubo de escape, sin la tapa del purificador), pulgadas/milímetros	45 3/8 / 1152
		Trasero	21 1/4 / 540			
C	Anchura de rueda de exterior a exterior, mm/pulg.	Delantero	21 13/16 / 553	L	Largo de la base de las ruedas, pulgadas/milímetros	18 1/4 / 464
		Trasero	23 1/4 / 591	M	Largo desde la protección hasta la manija (manijas guardadas), pulgadas/milímetros	61 / 1549
D	Anchura de marco, mm/pulg.		23 7/8 / 606	N	Largo máx. total (con manijas guardadas), pulgadas/milímetros	87 / 2210
E	Anchura de brida interior a brida interior, mm/pulg.		26 3/8 / 670	O	Largo máx. total (con manijas extendidas, indicador abajo), pulgadas/milímetros	114 / 2895
F	Extensión de manillar, mm/pulg.		31 7/8 / 809	P	Largo máx. total (con manijas extendidas, indicador extendido), pulgadas/milímetros	133 / 3378
G	Longitud mínima de la sierra (manillares retirados, guía y protección), mm/pulg.		46 / 1168			



RELÉS Y FUSIBLES

Motor FS 3500 G

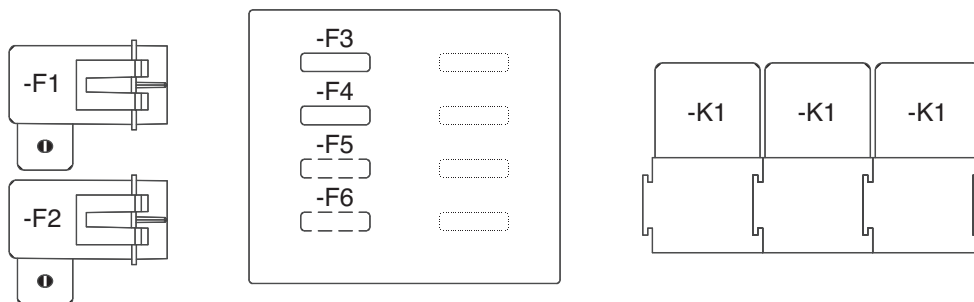
Especificaciones del motor	Kohler CH1000
Salida máxima del motor (véase la nota 1)	37hp@3750rpm (27.5kW@3750rpm)
Cilindrada, cu.in. / dm ³	61 / 1.0
Cylinders	2
Motor de dos tiempos, mm/pulg.	3.1 / 78,5
Capacidad del depósito de combustible, l/galón	6.3 / 23,8
Filtro de aire	Filtro de aire ciclónico e indicador de restricción
Arranque	Eléctrico

Para obtener más información y en caso de consultas sobre este motor específico, visite el sitio www.kohlerengines.com.

Nota 1: como lo especifica el fabricante del motor. La calificación de potencia de los motores indicados corresponde a la salida de potencia neta promedio (en rpm especificada) de un motor de producción típica para el modelo de motor medido según ISO3046, SAE J1940/J1995. Los motores de producción masiva podrían diferir de este valor. La salida de potencia real para el motor instalado en la máquina final dependerá de la velocidad de funcionamiento, las condiciones medioambientales y otras variables.

Relés y fusibles: FS 3500 G

Funcionamiento		Designación	Amperio
Sistema principal		-F1	30
Sistema hidráulico		-F2	5
Solenoides en carburador del motor		-F3	5
Tacómetro		-F4	2
Luces	(opcional)	-F5	10
Bomba de agua	(opcional)	-F6	10
Relé principal		-K1	20
Relé de supresión		-K2	10
Relé de control de nivel de aceite		-K3	5



SUS DERECHOS Y OBLIGACIONES DE GARANTIA

La Agencia de Protección Ambiental y Husqvarna Construction Products se complacen en explicarle la garantía del sistema de control de emisiones por evaporación (EECS) en sus equipos o motores pequeños que no son para carretera (SORE) del año 2011 o posteriores. Los nuevos motores SORE o equipos deben diseñarse, fabricarse y equiparse de manera que cumplan con las rigurosas normativas estatales contra la contaminación del aire. Husqvarna Construction Products debe garantizar el sistema de control de emisiones por evaporación de sus equipos o motores SORE en los períodos de tiempo que se indican a continuación, siempre que el equipo o motores SORE no hayan sufrido un uso incorrecto, negligencia o mantenimiento inadecuado.

El sistema de control de emisiones por evaporación puede incluir piezas como el carburador o los depósitos de combustible, los conductos del combustible, los tapones de combustible, las válvulas, los recipientes, los filtros, las mangueras de vapor, las abrazaderas, los conectores y otros componentes asociados. Las piezas cubiertas para el año 2011 y posteriores se indican a continuación. Cuando se presente una situación contemplada por la garantía, Husqvarna Construction Products reparará su equipo o motor SORE sin costo alguno, incluyendo el diagnóstico, las piezas y la mano de obra.

ALCANCE DE LA GARANTIA DEL FABRICANTE

Este sistema de control de emisiones por evaporación está garantizado por un periodo de dos (2) años. Si alguna pieza relacionada con el sistema de emisiones de su motor incluida en la lista de piezas en garantía presenta algún defecto, Husqvarna Construction Products reparará o sustituirá la pieza.

RESPONSABILIDADES DE GARANTIA DEL PROPIETARIO

Como propietario del motor SORE, usted es responsable de que se realice el mantenimiento obligatorio que indica el manual del operador. Husqvarna Construction Products le recomienda que guarde todos los comprobantes relacionados con el mantenimiento de su motor SORE, aunque Husqvarna Construction Products no podrá negarle la garantía únicamente por la carencia de recibos. Sin embargo, como propietario del motor SORE, debe tener en cuenta que Husqvarna Construction Products puede rechazar la cobertura de la garantía si su motor SORE o una de sus piezas del sistema de control de emisiones por evaporación falló debido a un uso incorrecto, una negligencia, un mantenimiento inadecuado o la realización de modificaciones no aprobadas. Usted es responsable de llevar su motor SORE a un centro de servicio de mantenimiento autorizado por Husqvarna Construction Products tan pronto como se presente el problema. Las reparaciones cubiertas por la garantía deben realizarse en un plazo razonable que no exceda los 30 días. Si tiene alguna pregunta relacionada con sus derechos y responsabilidades con respecto a la cobertura de la garantía comuníquese con el centro de servicios de Husqvarna Construction Products a través del número de teléfono 1-800-288-5040 o en el sitio web www.USA.husqvarnacp.com.

COBERTURA DE LA GARANTÍA DE EMISIÓN GENERAL

Husqvarna Construction Products garantiza al comprador final y a cualquier comprador sucesivo que el equipo o motor SORE ha sido diseñado, construido y equipado conforme a todas las normativas pertinentes; y está exento de defectos en los materiales y la fabricación que puedan causar la falla de una pieza bajo garantía, de acuerdo con las normativas que se apliquen a los términos y condiciones descritos en la aplicación para la certificación original de Husqvarna Construction Products. El período de garantía empieza en la fecha en la que el equipo se entrega al comprador final o primera puesta en servicio. El periodo de garantía es de dos (2) años. Sujeta a ciertas condiciones y exclusiones según se indica a continuación, la garantía sobre las piezas relacionadas con las emisiones tiene los siguientes términos:

- 1 Todas las piezas cubiertas por la garantía que no tenga programado una sustitución como parte del mantenimiento obligatorio en su manual del operador tiene garantía por el período de garantía indicado más arriba. Si la pieza falla durante el período de cobertura de la garantía, dicha pieza será reparada o cambiada por Husqvarna Construction Products de acuerdo con la Subsección (4) siguiente. Cualquier pieza que se repare o sustituya en el periodo de garantía seguirá garantizada durante el resto del período.
- 2 Cualquier pieza para la que esté programada una inspección regular según el manual del operador proporcionado, está garantizada durante todo el período de la garantía. Cualquier pieza que se repare o cambie en el periodo de garantía seguirá garantizada durante el resto del período de la garantía.
- 3 Cualquier pieza cubierta por la garantía que tenga programada una sustitución como parte del mantenimiento obligatorio en su manual del operador tiene garantía hasta la primera sustitución programada de dicha pieza. Si la pieza falla antes de la primera sustitución programada, dicha pieza será reparada o cambiada por Husqvarna Construction Products. de acuerdo con la Subsección (4), más abajo. Cualquiera de dichas piezas que sea reparada o sustituida bajo garantía seguirá estando garantizada por el resto del período de garantía hasta el momento en el que esté programado el primer cambio de la pieza.
- 4 La reparación o sustitución de cualquier pieza con garantía según los términos de garantía aquí expuestos se debe realizar en un centro de servicio designado sin coste para el propietario.
- 5 Sin perjuicio de los términos aquí expuestos, el mantenimiento o las reparaciones relacionados con la garantía serán realizados en todos nuestros centros de servicio que estén habilitados para realizar mantenimiento a los motores o equipos en cuestión.
- 6 No se deberá cobrar al propietario del motor o equipo ninguna tarea de diagnóstico que se realice para determinar si una pieza cubierta por la garantía está defectuosa, siempre y cuando dicha tarea de diagnóstico se realice en un centro de servicio autorizado.
- 7 Husqvarna Construction Products es responsable por los daños a otros componentes del motor o equipo causados directamente por un fallo de cualquier pieza cubierta por la garantía durante la vigencia de esta.

- 8 Durante el período de garantía indicado más arriba, Husqvarna Construction Products, mantendrá un suministro de repuestos garantizados suficiente para cubrir la demanda esperada de piezas.
- 9 Cualquier repuesto que sea usado en la realización de cualquier trabajo de mantenimiento o reparación cubierto por la garantía deberá proveerse sin cargo para el propietario.
- 10 No podrán usarse complementos ni repuestos modificados que no hayan sido marcados como excepciones por la Junta de Recursos del Aire. El uso por parte del comprador final de cualquier complemento o pieza modificada que no haya sido marcada como excepción podrá usarse como argumento para rechazar reclamaciones de garantía. Husqvarna Construction Products no será responsable de garantizar fallas de piezas bajo garantía que sean causadas por el uso de cualquier complemento o pieza modificada que no haya sido marcado como excepción.

PIEZAS EN GARANTÍA

La reparación o sustitución de cualquier pieza bajo garantía que cumpla con los demás requisitos para recibir cobertura puede no recibir dicha cobertura si Husqvarna Construction Products demuestra que el motor o equipo ha sido usado incorrectamente, negligentemente o ha recibido mantenimiento inadecuado, y que dicho uso incorrecto, negligencia o mantenimiento inadecuado fueron causa directa de la necesidad de reparar o cambiar la pieza.

Sin perjuicio de ello, cualquier ajuste sobre un componente que tenga un dispositivo de limitación de ajuste instalado de fábrica y que funcione correctamente todavía cumple con los requisitos para recibir cobertura de la garantía. Las siguientes piezas de la garantía están cubiertas:

- 1 Conductos de combustible líquido
- 2 Conectores y abrazaderas de conductos de combustible
- 3 Depósito de combustible
- 4 Conductos de ventilación de vapor del sistema de combustible
- 5 Tapón de combustible
- 6 Válvulas del sistema de combustible (válvulas de inversión y válvulas anti-derrame si es aplicable)
- 7 Depósito de carbono (si procede)



www.husqvarnacp.com

EN - Original instructions, FR - Instructions d'origine, ES - Instrucciones originales



1157588-49

2016-03-09