

ILLUSTRATED PARTS LIST

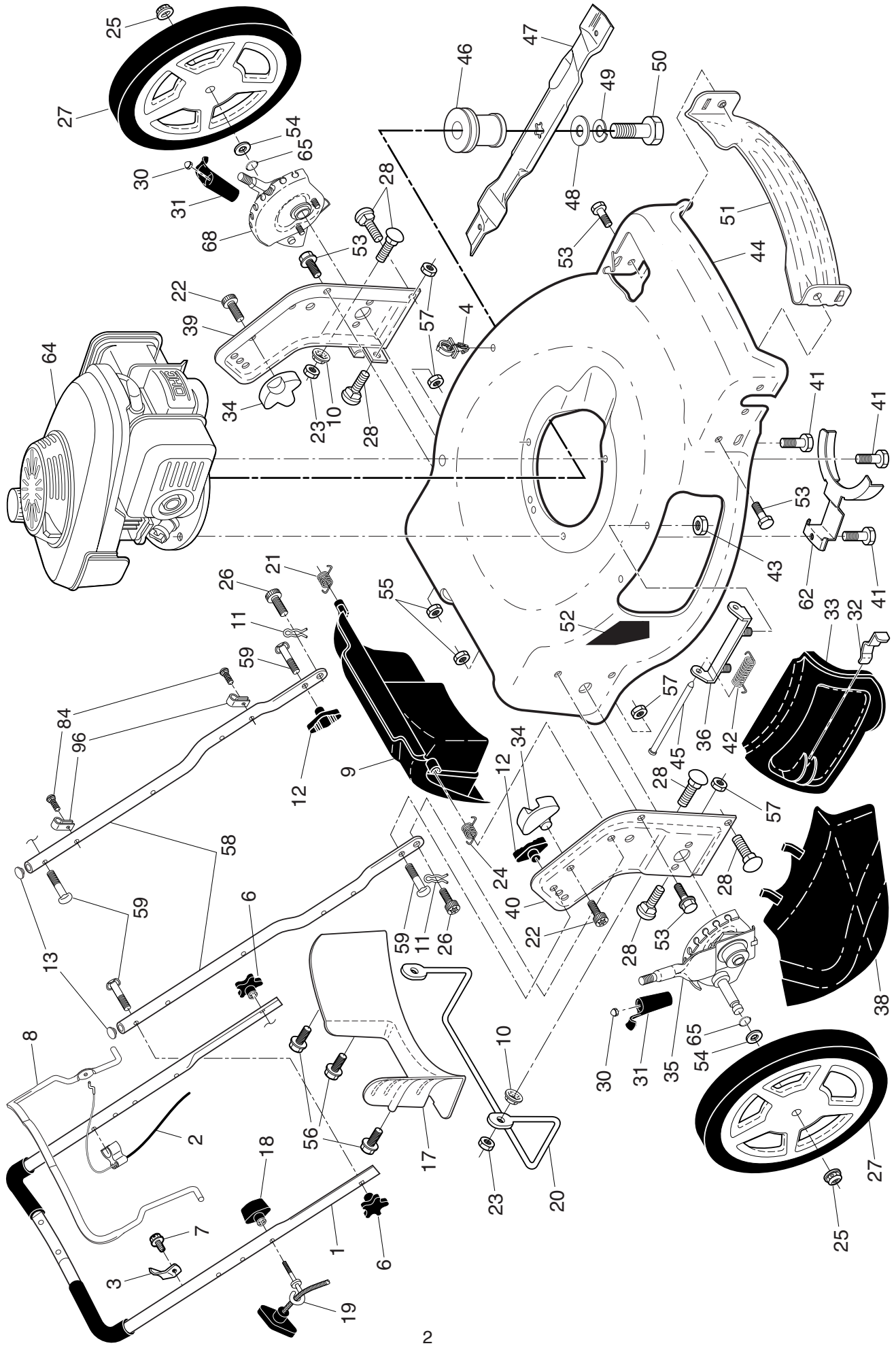


**ROTARY LAWN MOWER**

**MODEL NUMBER: EDITION XXL**

**MFG. ID. NUMBER 96141026005**

**GARDOL ROTARY LAWN MOWER -- MODEL NUMBER EDITION XXL (MFG. ID. NUMBER 96141026005)**



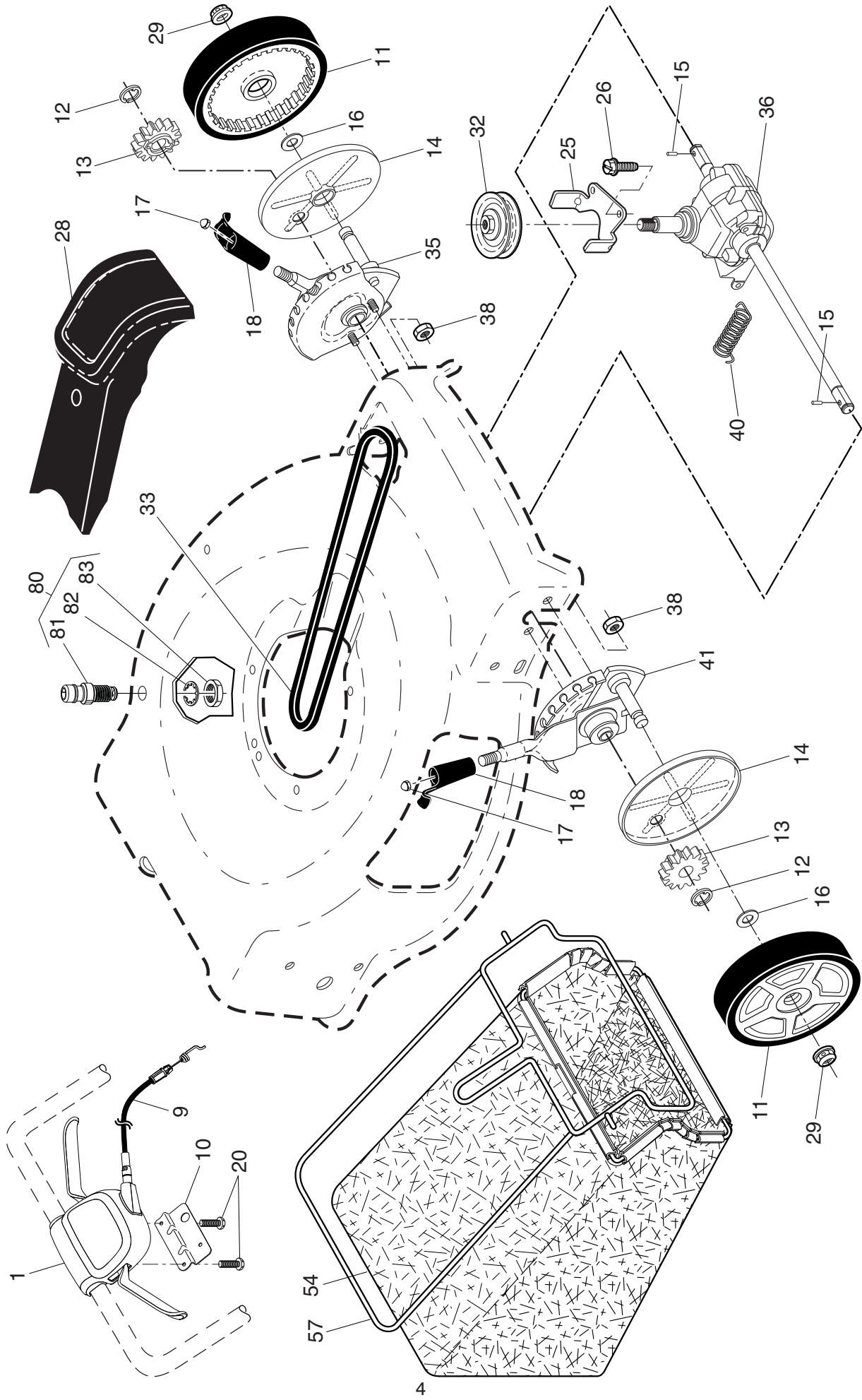
# GARDOL ROTARY LAWN MOWER - - MODEL NUMBER EDITION XXL (MFG. ID. NUMBER 96141026005)

KEY NO.	PART NO.	DESCRIPTION	KEY NO.	PART NO.	DESCRIPTION
1	585 85 48-12	Upper Handle Assembly (Includes Foam Grip)	39	585 90 07-02	Handle Bracket, LH
2	532 41 53-50	Cable, Engine Zone Control	40	585 90 08-02	Handle Bracket, RH
3	532 43 00-34	Upstop Bracket	41	532 15 04-06	Screw, Dogpoint 3/8-16 x 1-1/8
4	532 14 50 06	Guide, Cable	42	532 19 30-00	Spring, Torsion
6	532 18 23-98	Handle Knob, Star	43	532 19 17-30	Nut, Hex, Nylock
7	532 17 88-48	Screw, Hex Washer Head #10-16 x 5/8	44	532 43 17-79	Kit, Lawn Mower Housing
8	532 42 65-05	Control Bar	45	532 17 56-50	Rod, Hinge
9	532 42 63-00	Rear Door Assembly	46	581 47 33-01	Blade Adapter / Pulley
10	532 42 30-63	Pinnut 5/16"	47	<b>586 17 98-01</b>	Blade, 22"
11	532 42 55-75	Hairpin, Door/Handle Pivot	48	532 85 10-74	Washer, Hardened
12	532 19 19-38	Handle Knob, Standard	49	532 85 02-63	Washer, Helical
13	532 43 75-16	Plug, Handle Bar	50	532 85 10-84	Screw, Machine, Hex Head 3/8-24 x 1-3/8 Grade 8
17	532 42 73-07	Rear Baffle	51	532 43 05-99	Front Baffle
18	581 91 26-01	T-Knob	52	532 18 21-66	Decal, Danger
19	581 90 21-01	Rope Guide	53	817 00 05-10	Screw
20	532 42 24-67	Foot Guard	54	532 08 83-48	Washer, Flat
21	532 41 99-49	Spring, Rear Door, LH, Black	55	532 19 17-30	Nut, Hex, Flanged 1/4-20
22	532 14 18-41	Screw, Panhead, Torx #20	56	817 41 13-12	Screw, Hex Washer Head #13 x 3/4
23	873 97 05-00	Nut, Hex	57	532 15 53-77	Nut, Hex 3/8-16
24	532 41 99-48	Spring, Rear Door, RH, Gray	58	585 90 82-02	Bar, Lower Handle
25	532 40 91-49	Nut, Hex, Flanged	59	532 19 15-74	Handle Bolt
26	532 41 99-45	Screw, Door/Handle Pivot	62	532 43 50-59	Belt Keeper
27	581 01 03-02	Wheel & Tire Assembly, Rear	64	- - -	Engine, Honda, Model Number GCV190-AS3HE (order parts from Honda Engines)
28	586 21 25-01	Bolt, Carriage 5/16-18 x 5/8	65	532 19 74-80	O-Ring
30	532 41 38-08	Nut, Push	68	532 43 11-36	Kit, Wheel Adjuster, Rear, LH (Includes Black Knob and Pushnut)
31	532 42 61-89	Selector Knob	84	532 42 81-24	Fastener, Push
32	532 44 11-92	Latch, Mulcher Door	96	532 19 79-91	Clip, Cable
33	532 43 26-42	Mulcher Door	- -	532 42 38-49	Bag of Parts (Includes Key Numbers 12 and 59)
34	532 42 60-64	Pivot Bracket	- -	115 64 39-20	Operator's Manual, European
35	532 43 11-33	Kit, Wheel Adjuster, Rear, RH (Includes Black Knob and Pushnut)	- -	115 64 39-10	Operator's Manual, Scandinavian
36	532 17 57-35	Hinge Bracket Assembly	- -	115 64 39-50	Operator's Manual, East Bloc
38	532 42 61-29	Discharge Deflector	- -	115 64 39-40	Operator's Manual, Baltic
			- -	115 77 55-53	Operator's Manual, Ukrainian / <b>Turkish</b>

**NOTE:** All component dimensions given in U.S. inches. 1 inch = 25.4 mm

**IMPORTANT:** Use only Original Equipment Manufacturer (O.E.M.) replacement parts. Failure to do so could be hazardous, damage your lawn mower and void your warranty.

**GARDOL ROTARY LAWN MOWER -- MODEL NUMBER EDITION XXL (MFG. ID. NUMBER 96141026005)**



# GARDOL ROTARY LAWN MOWER - - MODEL NUMBER EDITION XXL (MFG. ID. NUMBER 96141026005)

KEY NO.	PART NO.	DESCRIPTION	KEY NO.	PART NO.	DESCRIPTION
1	501 40 78-05	Drive Control Assembly (Includes Cable)	29	532 40 91-48	Locknut, Hex
9	532 43 16-49	Cable, Drive Control	32	586 98 97-01	Drive Pulley
10	587 24 93-02	Bracket, Drive Control	33	532 42 66-09	V-Belt
11	581 00 92-02	Wheel & Tire Assembly, Front	35	581 75 88-02	Kit, Wheel Adjuster, Front, LH (Includes Black Knob and Pushnut)
12	812 00 00-58	E-Ring	36	532 42 47-41	Gearcase Assembly, Complete
13	532 40 38-49	Pinion	38	532 43 81-30	Locknut, Hex 1/4-20
14	581 84 04-01	Dust Cover	40	532 40 65-58	Spring
15	532 40 48-45	Pawl, Drive	41	581 75 88-01	Kit, Wheel Adjuster, Front, RH (Includes Black Knob and Pushnut)
16	532 06 77-25	Washer, Flat 3/8	54	580 94 73-02	Grassbag
17	532 41 38-08	Nut, Push	57	585 05 47-02	Frame, Grassbag
18	532 42 61-88	Selector Knob	80	<b>532 43 84-89</b>	Water Washout Assembly
20	532 18 16-98	Screw, Torx Head #8 x 5/8	81	<b>532 43 49-94</b>	Fitting, Hose, Water Washout
25	532 43 17-11	Belt Guide Bracket	82	532 41 55-85	Washer, Lock, Internal Tooth
26	532 16 34-09	Screw, Hi-Lo Thread #12 x 5/8	83	532 41 55-86	Locknut, Hex, with O-Ring
28	580 28 99-01	Drive Cover Assembly (Includes Mounting Screw and Pushnut)			

**NOTE:** All component dimensions given in U.S. inches. 1 inch = 25.4 mm

**IMPORTANT:** Use only Original Equipment Manufacturer (O.E.M.) replacement parts. Failure to do so could be hazardous, damage your lawn mower and void your warranty.