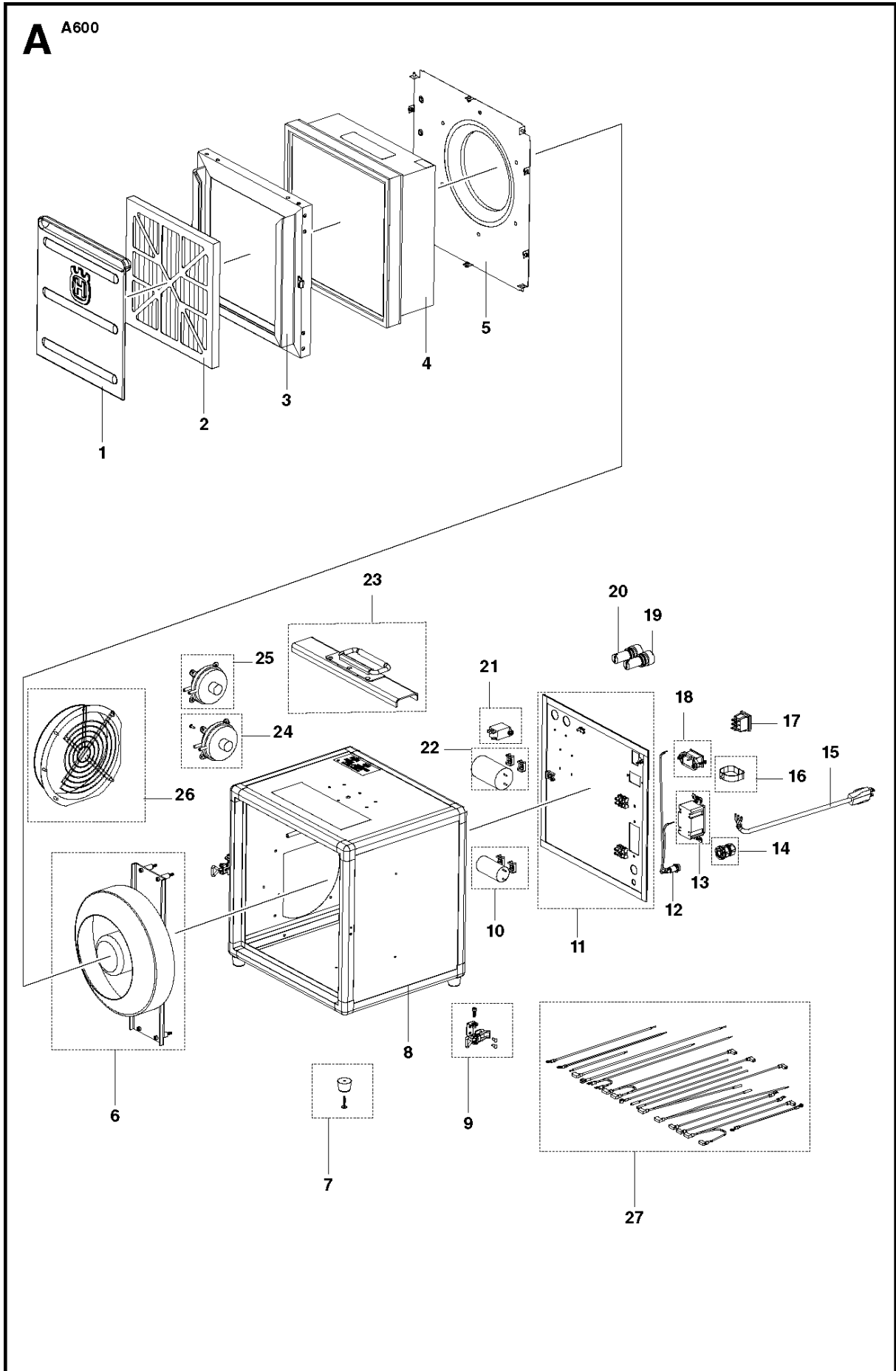




SPARE PARTS LIST

DUST AND SLURRY MANAGEMENT

A600, 2017-03



Ref	Part No	Description	Remark	QTY KIT
1	590 48 08-02	PROTECTION		1
2	590 43 00-01	FILTER		1
3	590 46 26-01	FRONT COVER		1
4	590 46 08-01	FILTER		1
5	590 46 14-01	FAN COVER		1
6	590 46 15-01	FAN		1
7	590 47 51-01	PAD		4
8	590 48 05-02	HOUSING		1
9	590 46 12-01	LATCH		2
10	590 47 53-01	ELECTRICAL SYSTEM	25 μ F	1
11	590 48 03-01	COVER PLATE		1
13	590 46 23-01	RECEPTACLE		1
14	590 46 20-01	PLUG KIT		1
15	590 46 21-01	CABLE KIT		1
16	590 46 25-01	CORD BRACKET		1
17	590 40 30-01	SWITCH		1
18	590 41 53-01	HOUR METER		1
19	590 46 19-01	LAMP		1
20	590 46 18-01	LAMP		1
21	590 46 13-01	RELAY		1
22	590 47 55-01	ELECTRICAL SYSTEM	60 μ F	1
23	590 46 11-01	HANDLE KIT		1
24	590 46 10-01	SENSOR		1
25	590 46 24-01	SENSOR		1
26	590 46 17-01	EXHAUST		1
27	590 46 16-01	CABLE KIT		1