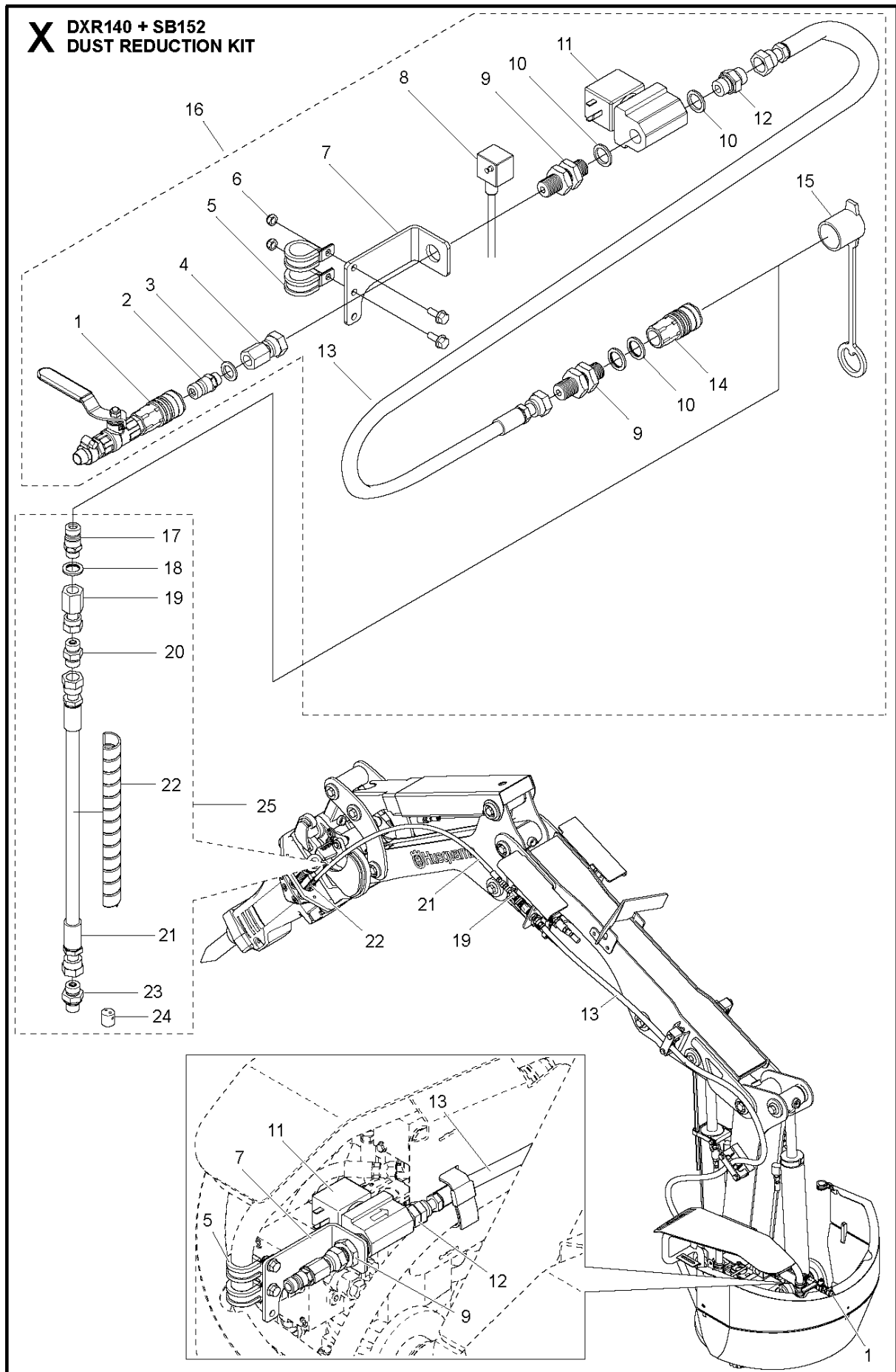




SPARE PARTS LIST

ACCESSORIES AND TOOLS

DUST REDUCTION KIT DXR140 +
SB152, 2017-03



ACCESSORIES

DUST REDUCTION KIT DXR140 + SB152, 2017-03

Ref	Part No	Description	Remark	QTY	KIT
1	505 42 42-01	VALVE ASSY		1	16
2	531 11 83-54	NIPPLE		1	16
3	501 72 09-01	WASHER		1	16
4	582 90 56-01	ADAPTER		1	16
5	583 83 12-01	HOSE CLAMP		2	16
6	522 66 93-01	LOCK NUT		2	16
7	582 81 66-01	BRACKET		1	16
8	576 61 44-01	CABLE		1	16
9	576 41 20-01	ADAPTER		2	16
10	501 72 09-02	WASHER		4	16
11	582 78 01-01	VALVE		1	16
12	589 01 54-01	ADAPTER		1	16
13	585 54 24-04	HOSE ASSY		1	16
14	531 11 80-03	HYDRAULIC COUPLING FEMA		1	16
15	589 79 45-01	DUST COVER		1	16
16	583 80 71-01	DUST REDUCTION		1	
17	531 11 83-54	NIPPLE		1	25
18	501 72 09-01	WASHER		1	25
19	582 03 50-01	ADAPTER		1	25
20	582 77 99-01	ADAPTER		1	25
21	585 48 42-10	HOSE ASSY		1	25
22	501 73 96-03	WEAR PROTECTION		1	25
23	589 01 09-01	ADAPTER		1	25
24	582 78 00-01	NOZZLE		1	25
25	583 80 72-01	DUST REDUCTION		1	25