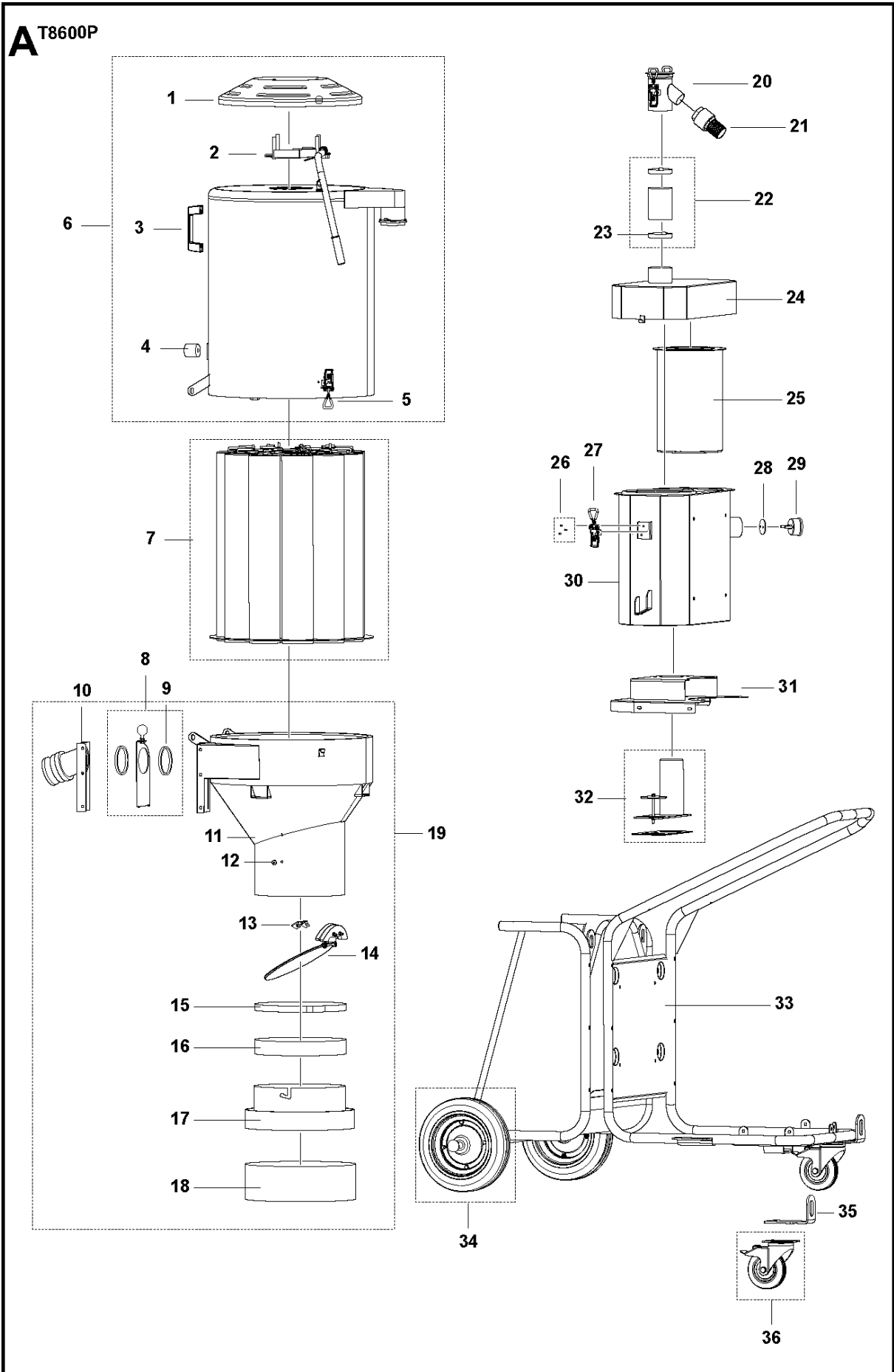




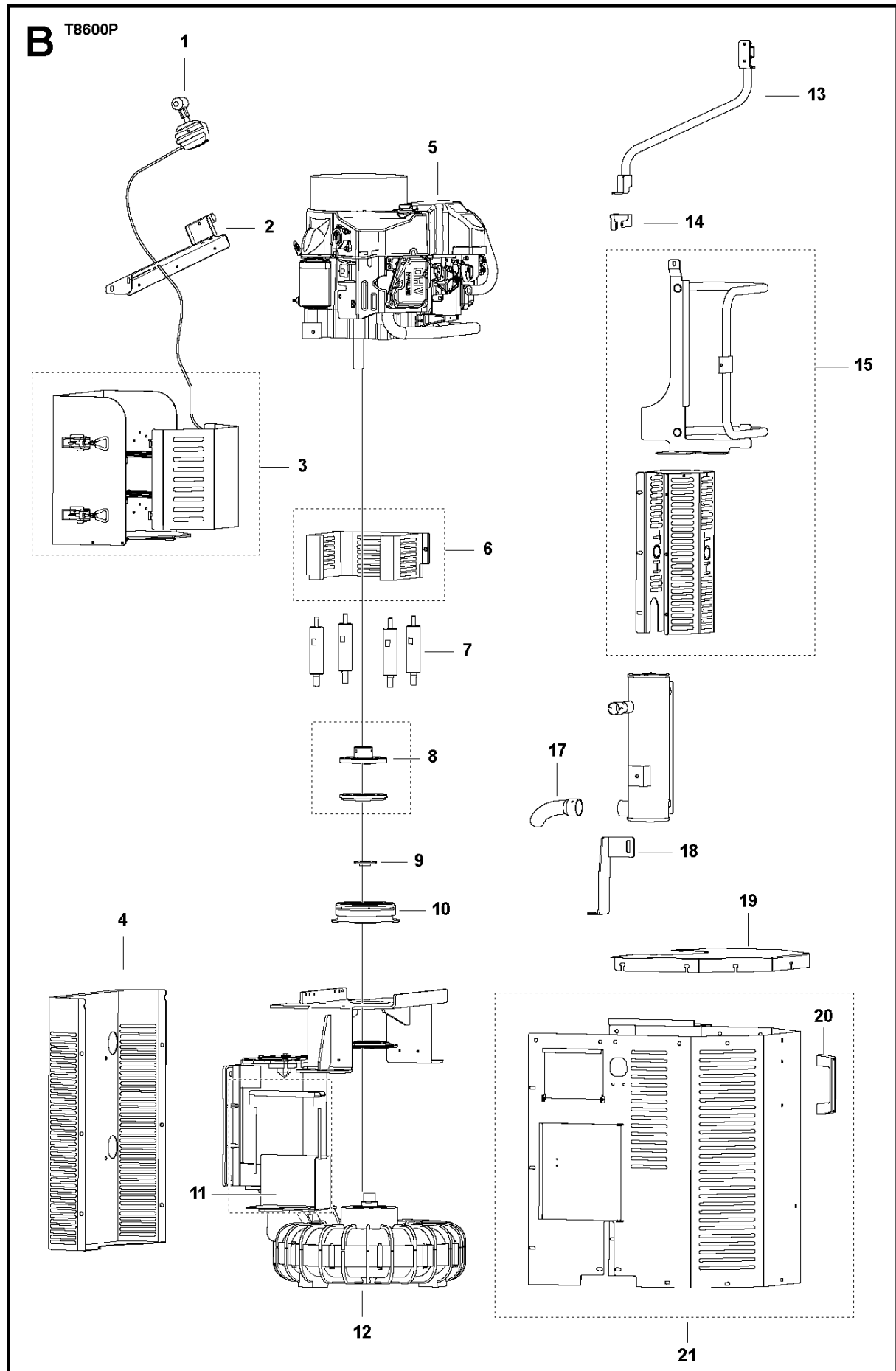
SPARE PARTS LIST

DUST AND SLURRY MANAGEMENT

T8600P, 2017-06



Ref	Part No	Description	Remark	QTY KIT
1	590 43 43-01	COVER LID		1
2	590 43 42-01	FILTER		1
3	590 43 44-01	HANDLE		1
4	590 43 32-01	STOPPER		1
5	590 47 91-02	TANK HALF		1
6	590 43 32-01	STOPPER		1
7	590 43 39-01	LATCH		1
8	590 43 41-01	VALVE KIT		1
9	590 43 41-01	VALVE KIT		1
10	590 45 40-01	GASKET KIT		1
11	590 43 55-01	INLET		1
12	590 47 90-01	TANK HALF		1
13	590 45 68-01	NUT		1
14	590 43 19-01	HOLDER		1
15	590 45 66-01	FLAP		1
16	590 43 34-01	STRAP		1
17	590 43 28-01	SEAL		1
18	590 43 58-01	HOLDER		1
19	590 42 61-01	BAG		1
20	590 43 22-01	REGULATOR		1
21	590 43 21-01	CHECK VALVE		1
22	590 45 36-01	HOSE		1
23	590 43 31-01	HOSE CLAMP		2
24	590 43 46-01	COVER LID		1
25	590 45 54-01	FILTER		2
26	590 45 33-01	RIVET		1
27	590 43 39-01	LATCH		1
28	590 45 48-01	WASHER		1
29	590 43 27-01	MANOMETER		1
30	590 45 50-01	FILTER HOUSING		1
31	592 63 08-01	COVER		1
32	591 47 62-01	PROTECTIVE SLEEVE		1
33	590 43 52-01	FRAME		1
33	591 47 40-01	CARRIER		1
34	590 43 57-01	WHEEL KIT		2
35	591 47 44-01	TRANSPORT HANDLE		1
36	590 43 20-01	WHEEL		2



MOTOR

T8600P, 2017-06

Ref	Part No	Description	Remark	QTY KIT
1	590 45 38-01	THROTTLE		1
2	591 47 59-01	BRACKET		1
3	592 63 09-01	COVER		1
4	591 47 41-02	BACKPLATE		1
5	590 45 37-01	ENGINE KIT		1
6	591 47 57-01	CLUTCH COVER		1
7	591 47 56-01	MOUNT		1
8	590 45 41-01	MOUNTING PLATE		1
9	590 45 60-01	ADAPTER		1
10	590 45 39-01	CLUTCH		1
11	591 47 45-01	COVER		1
12	590 45 53-01	TURBINE UNIT		1
13	591 47 52-01	BRACKET		1
14	591 47 53-01	SUPPORT		1
15	591 47 55-01	SHIELD KIT		1
17	491474701	TBD		1
18	591 47 48-01	BRACKET		1
19	591 47 51-01	COVER		1
20	590 43 44-01	HANDLE		1
21	590 43 52-01	FRAME		1