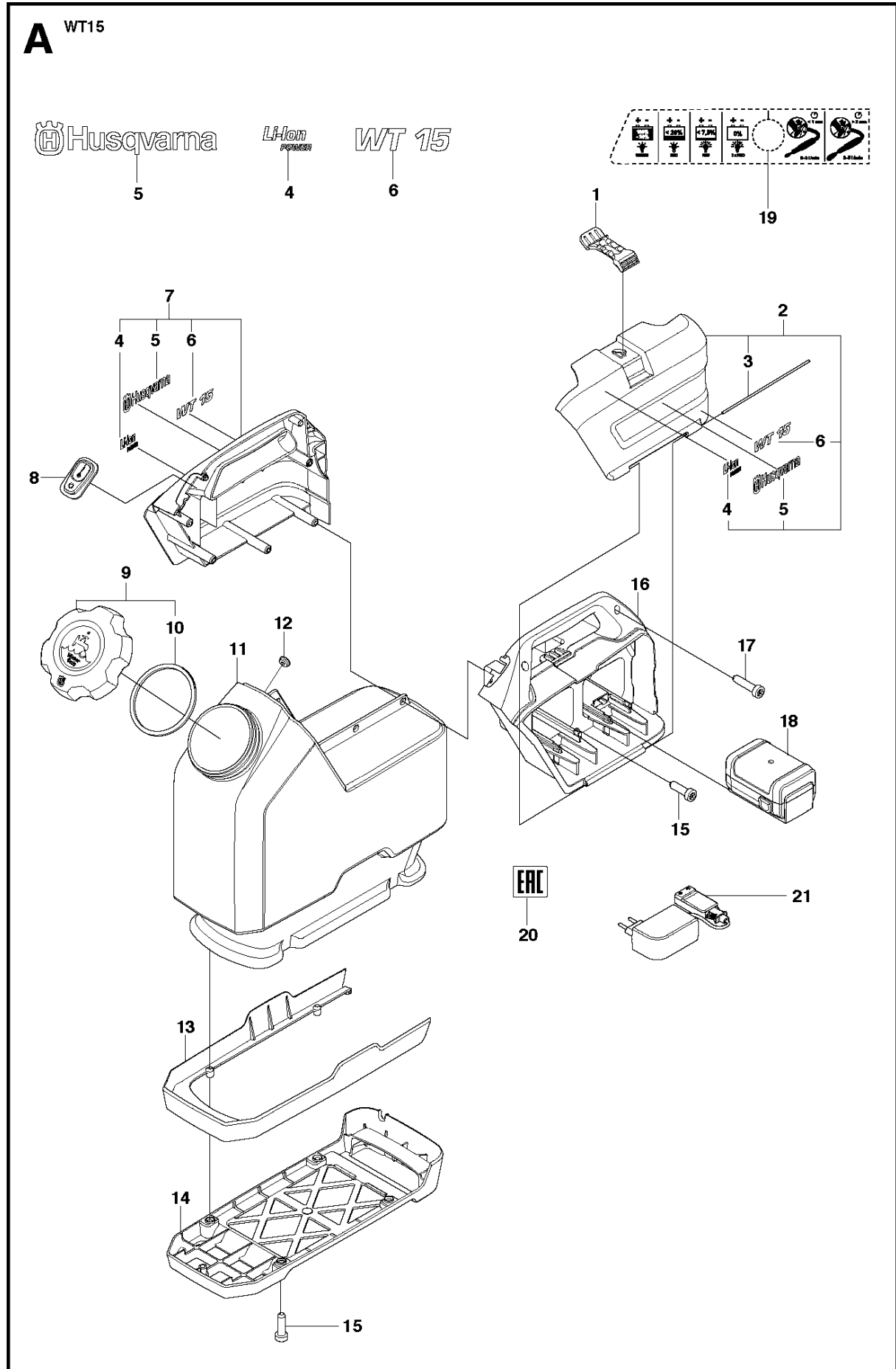




SPARE PARTS LIST

ACCESSORIES AND TOOLS

WT15, 2017-03

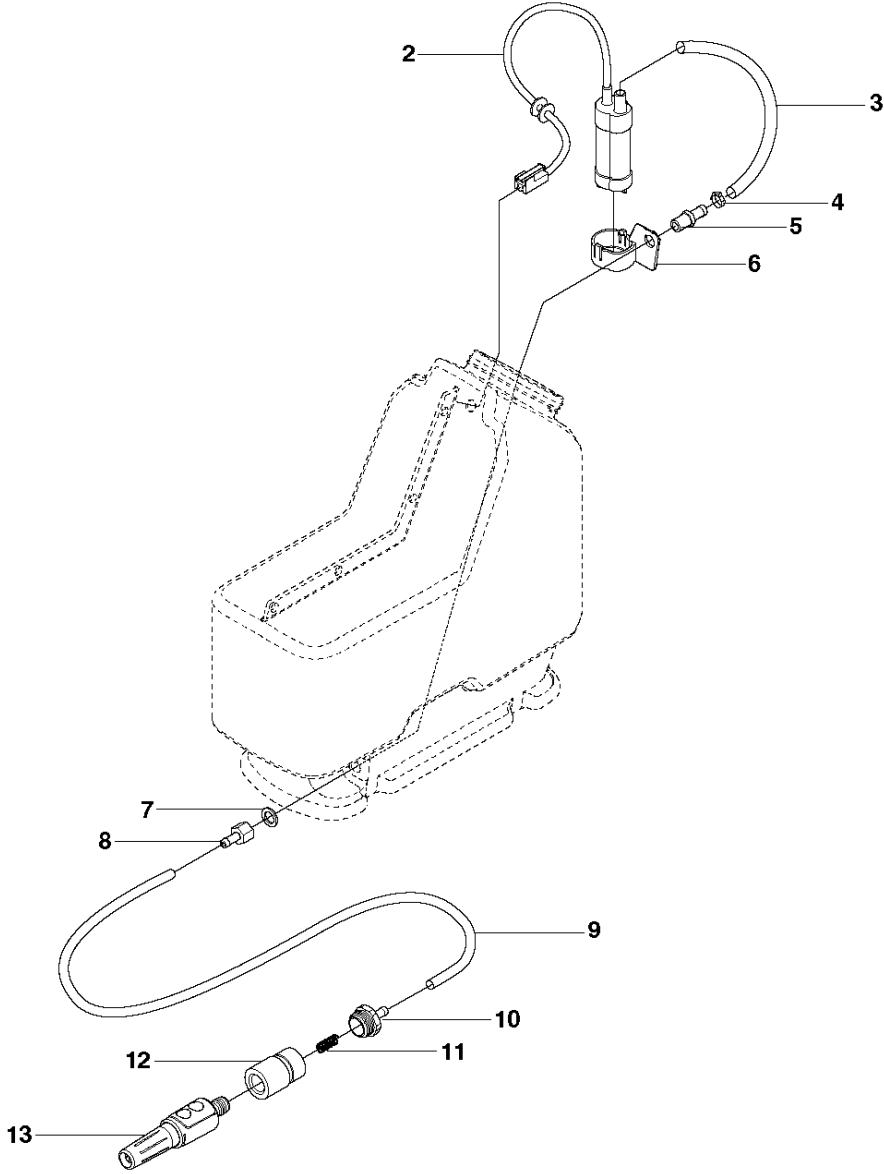
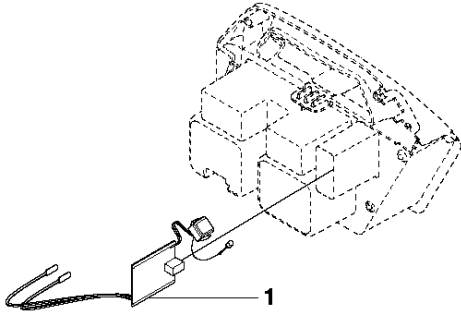


PRODUCT COMPLETE

WT15, 2017-03

Ref	Part No	Description	Remark	QTY KIT
1	505 14 30-01	BUCKLE		1
2	522 94 16-02	LID	Incl. 3 - 6	1
3	522 44 69-01	SHAFT		1
4	522 98 00-01	LABEL		2
5	544 93 31-01	LABEL		2
6	577 06 45-01	DECAL		2
7	522 94 17-01	HANDLE	Incl. 4 - 6	1
8	505 14 27-01	COVER		1
9	522 94 18-01	HUB CAP	Incl. 10	1
10	510 24 27-01	O-RING		1
11	576 63 72-01	WATER TANK		1
12	522 53 58-01	GROMMET		1
13	505 14 32-01	BASE		1
14	505 14 33-01	BASE		1
15	503 21 54-20	SCREW ITXSCT		10
16	505 14 23-01	HANDLE		1
17	504 90 94-25	SCREW ITXSCT		2
18	505 14 31-01	BATTERY		1
19	522 98 01-01	LABEL		1
20	588 06 16-01	DECAL		1
21	589 32 61-01	CHARGER	EU	1
21	589 32 61-02	CHARGER	USA	1
21	589 32 61-03	CHARGER	AUS	1
21	589 32 61-04	CHARGER	UK	1
21	589 32 61-05	CHARGER	JAPAN	1

B WT15



Ref	Part No	Description	Remark	QTY KIT
1	577 06 43-01	CIRCUIT BOARD ASSY		1
2	577 06 52-01	PUMP		1
3	577 06 41-01	HOSE	0,4 m	1
5	510 24 30-01	NIPPLE		1
4	591 12 31-01	HOSE CLAMP		1
6	505 14 37-01	BRACKET		1
7	510 24 29-01	O-RING		1
8	510 24 32-01	NIPPLE		1
9	525 40 62-02	HOSE	3,2 m	1
10	505 14 38-01	HOSE COUPLING		1
11	516 04 31-01	SPRING		1
12	503 26 60-03	COUPLER		1
13	586 57 23-01	NOZZLE		1