



Husqvarna®



Operator's manual 5th Wheel Manual

Please read the operator's manual carefully and make sure you understand the instructions before using the machine.



English

KEY TO SYMBOLS

Symbols on the machine:

Some of the symbols below refer to the CE market.

WARNING! The machine can be a dangerous tool if used incorrectly or carelessly, which can cause serious or fatal injury to the operator or others.



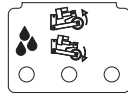
Please read the operator's manual carefully and make sure you understand the instructions before using the machine.



This product is in accordance with applicable EC directives.



5th wheel



Other symbols/decals on the machine refer to special certification requirements for certain markets.

Explanation of warning levels

The warnings are graded in three levels.

WARNING!



WARNING! Used if there is a risk of serious injury or death for the operator or damage to the surroundings if the instructions in the manual are not followed.

CAUTION!



CAUTION! Used if there is a risk of injury to the operator or damage to the surroundings if the instructions in the manual are not followed.

NOTICE!

NOTICE! Used if there is a risk of damage to materials or the machine if the instructions in the manual are not followed.

CONTENTS

Contents

KEY TO SYMBOLS

Symbols on the machine:	2
Explanation of warning levels	2

CONTENTS

Contents	3
----------------	---

PRESENTATION

Floor saw 5th Wheel	4
What is what on the 5th wheel?	5

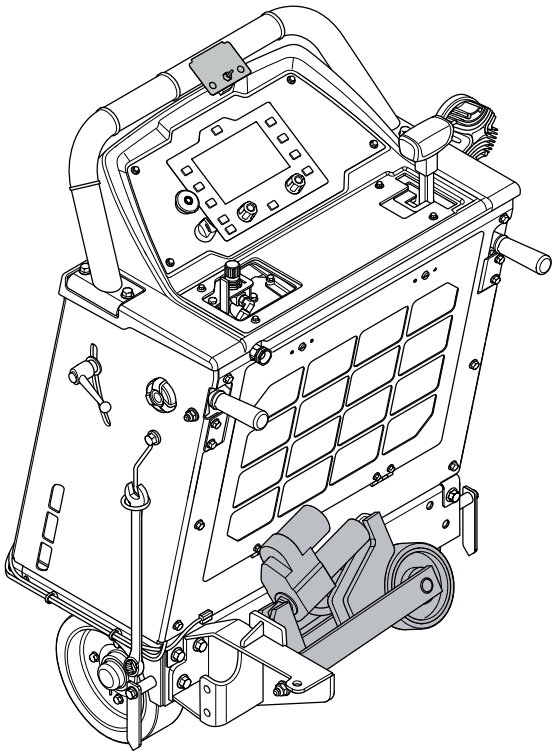
ASSEMBLING AND ADJUSTMENTS

General	6
Adjusting the 5th wheel	6
Set and use the 5th wheel	6
Maintenance and service	6

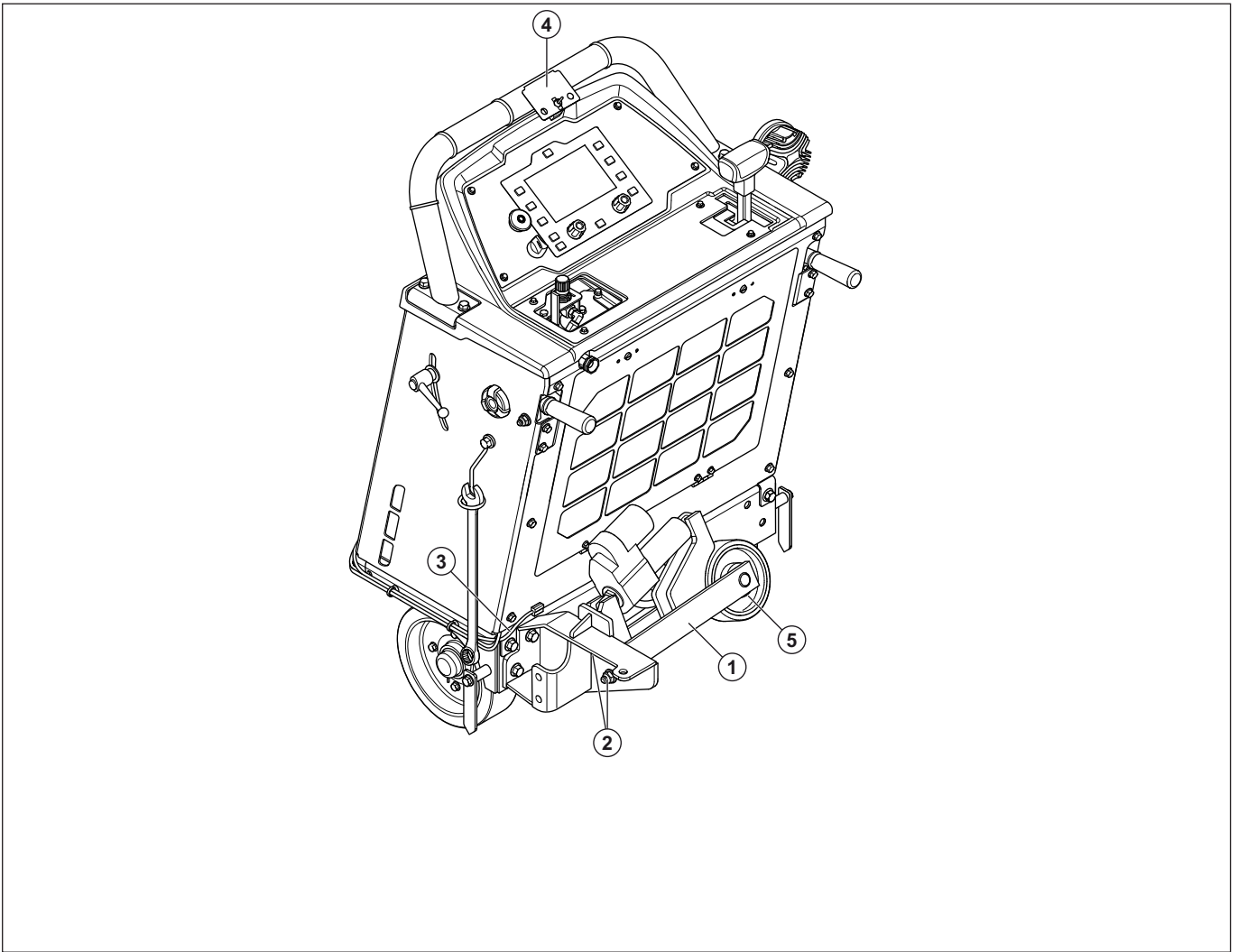
EC DECLARATION OF CONFORMITY

EC Declaration of Conformity	7
------------------------------------	---

Floor saw 5th Wheel



PRESENTATION



What is what on the 5th wheel?

- 1 5th wheel
- 2 Adjustment screws

- 3 5th wheel switch cable
- 4 5th wheel switch
- 5 Lubrication point

ASSEMBLING AND ADJUSTMENTS

General

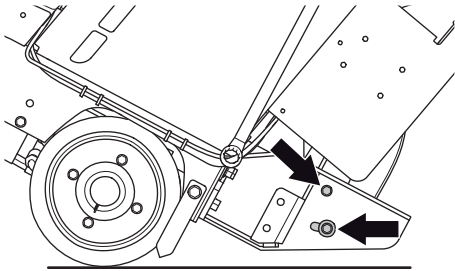


WARNING! Switch off the engine before carrying out any checks or maintenance.

Check that the blade and the blade guard are correctly fitted before starting the machine.

Adjusting the 5th wheel

- 1 Position the machine on a flat surface.
- 2 Mount the diamond blade on the machine.
- 3 Lower the saw by pushing the Raise/lower switch on the speed control lever downwards until the blade touches the surface.
- 4 Raise the machine until there is a 3-5 cm clearance between the diamond blade and the cutting surface.
- 5 Loosen both adjustment screws.



- 6 Adjust the 5th wheel so it is flat to the surface.
- 7 Tighten both adjustment screws.

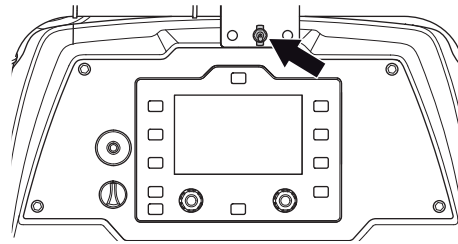
Set and use the 5th wheel

Set the 5th wheel to enable the machine to pivot on the 5th wheel when the machine is raised to a certain height without the diamond blade touching the surface. This enables simple operation without adjusting the 5th wheel every time the function is needed.

NOTICE! The 5th wheel only needs to be set once for the specific diameter blade being used.

- 1 Mount the diamond blade on the machine.
- 2 Lower the saw by pushing the Raise/lower switch on the speed control lever downwards until the blade touches the surface.
- 3 Reset the blade depth to zero by pressing the blade depth reset button in the lower right hand corner of the HMI.
- 4 Raise the machine until there is a 3-5 cm clearance between the diamond blade and the cutting surface.

- 5 Lower the 5th wheel by moving the toggle switch until the 5th wheel raises the rear drive wheels on the machine about 1 cm above the surface.



NOTICE! The 5th wheel can only be operated with the speed control lever in STOP position.

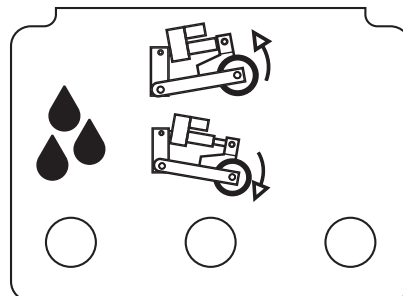
- 6 Make sure that the diamond blade is not touching the surface when the 5th wheel is engaged. There should be about 3 cm clearance between the diamond blade and the surface when the 5th wheel has lifted the rear drive wheels of the surface.
- 7 Distances between drive wheels and the diamond blade may vary depending on maximum blade capacity and the size of the blade being used.
- 8 To engage the 5th wheel, raise the machine by the Raise and lower switch on the speed control to a level where the rear wheels are clear off the ground.
- 9 To disengage the 5th wheel, lower the machine slowly by the Raise and lower switch on the speed control to a level where the rear wheels are firmly on the ground.

This set up procedure will work when mounting any diameter diamond blade designated for the saw model capacity.

NOTICE! When changing the blade to a different diameter, the 5th wheel needs to be adjusted according to the adjusting procedure.



WARNING! When loading and unloading using a ramp, set the 5th wheel to its top position to avoid unintended contact between 5th wheel and ground.



IMPORTANT! Use the 5th wheel function with care if on a slope or incline. Machine may unintentionally move sideways.

Maintenance and service

Lubricate the 5th wheel every 50h. Check wear daily, if worn replace.

EC DECLARATION OF CONFORMITY

EC Declaration of Conformity

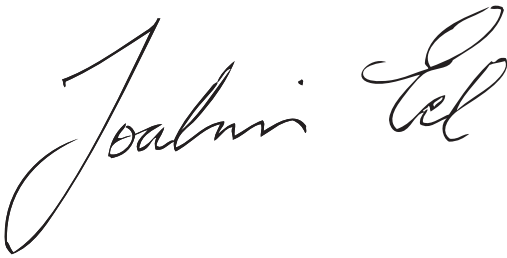
(Applies to Europe only)

Husqvarna AB, SE-561 82 Huskvarna, Sweden, tel: +46-36-146500, hereby declares that the floor saw **Husqvarna FS7000 DL** from 2016's serial numbers and onwards (the year is clearly stated in plain text on the rating plate with subsequent serial number), complies with the requirements of the COUNCIL'S DIRECTIVE:

- of May 17, 2006 "relating to machinery" **2006/42/EC**.
- of February 26, 2014 "relating to electromagnetic compatibility" **2014/30/EU**.
- of May 8, 2000 "relating to the noise emissions in the environment" **2000/14/EC**.

The following standards have been applied: **EN ISO 12100:2010, EN 13309:2010, CISPR12:2007+Amd1:2009, ISO 11451-2:2005, ISO 10605:2008, EN13862+A1:2009**

Gothenburg 3 September 2015



Joakim Ed

Global R & D Director

Construction Equipment Husqvarna AB

(Authorized representative for Husqvarna AB and responsible for technical documentation.)



www.husqvarnacp.com

GB - Original instructions



1158750-26

2017-02-10