

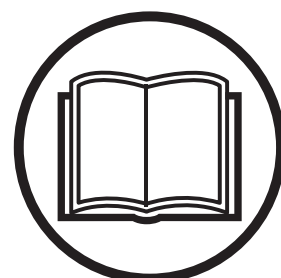


Husqvarna®



Operator's manual

S-Line Dust Extractor S13, S26, S36



Please read the operator's manual carefully and make sure you understand the instructions before using the machine.

AUS

READ ALL INSTRUCTIONS BEFORE USE

Introduction

Dear Customer,

Thank you for choosing Husqvarna as your supplier.

We hope that the S-Line dust extractor will be to your satisfaction and meet your expectations.

Notice!

These instructions are only for S-Line Dust Extractors.

The S-Line Dust Extractors are designed to clean construction areas and be connected to small electrical machines such as drills, grinders etc. The machine is suitable for picking up dry, non-flammable dust and debris in and indoor environment. It is not suitable for picking up liquids.

The S-Line Dust Extractors are intended for both household and commercial use.

Husqvarna will not be held responsible if the dust extractor is used for other applications or been used in ways other than those outlined in this instruction manual.

Please pay particular attention to the safety regulations.

Read the complete instruction manual before using your dust extractor.

All spare parts used with the dust extractors must be those specified by Husqvarna Construction Products.

.

Table of contents

1	SAFETY INSTRUCTIONS	6	FILTER CHANGE
2	UNPACKING	7	SERVICE
3	FUNCTION	8	WARRANTY
4	FILTER CLEANING	9	PROBLEM SOLVING
5	DUST STORAGE SYSTEM	10	TECHNICAL DATA

1. SAFETY INSTRUCTIONS

When using an electrical appliance, basic precautions should always be followed, including the following:

WARNING – To reduce the risk of fire, electric shock or injury:

- Cables damaged through crushing or splitting can be dangerous if used and should be replaced immediately. Risk of personal injury.
- Make sure the assembly area is firm, so the dust extractor does not tip over. Risk of personal and material injury.
- Risk of pinching when handling the toggle fasteners.
- The machine must not be used in environments where explosive gases may be present. Serious risk of explosion.
- Improper connection of the equipment-grounding conductor can result in a risk of electrical shock. Check with a qualified electrician or service person if you are in doubt as to whether the outlet is properly grounded. Do not modify the plug provided with the machine. If it will not fit the outlet. Have a proper outlet installed by a qualified electrician.
- Before using the machine, make sure that the power & voltage corresponds with the voltage shown on the machines rating plate.
- Do not leave machine when plugged in. Unplug cord from outlet when not in use and before cleaning or servicing machine.
- Do not use outdoors or on wet surface, this machine is for indoor and dry use only.
- Do not allow to use as a toy. Close attention is necessary when used by or near children.
- Use only as described in this manual. Use only manufacturers recommended attachments.
- Operators shall be adequately instructed on the use of the machine
- This machine is not intended for use by persons (including children) with reduced physical, sensory or mental capabilities, or lack of experience and knowledge.
- Do not use with damaged cord or plug. If the machine is not working as it should, has been dropped, damaged, left outdoors or dropped in water. Make sure it is repaired by a qualified person.
- Do not pull or carry by cord, use cord as handle, close a door on cord, or pull cord around sharp edges or corners. Do not run the machine over cord. Keep cord away from heated surfaces.
- Do not unplug by pulling on cord. To unplug, grasp the plug. Not the cord.
- Make sure the cord is unplugged when performing service or maintenance to the product.
- Do not handle plug or machine with wet hands.
- Regularly inspect cord and plug for damage. If cord is damaged, it must be replaced by a qualified person in order to avoid hazard.
- Do not put any object into openings. Do not use with any opening blocked (accept during filter cleaning procedure). Keep free of dust, hair and anything that may reduce airflow.
- Keep hair, loose clothing, fingers and all parts of body away from openings and moving parts.
- Turn off all controls before unplugging.
- Do not use to pick up flammable or combustible liquids, such as gasoline, or use in areas where they may be present.
- Do not pick up any type of liquids.
- Do not pick up anything that is burning or smoking, such as cigarettes, matches or hot ashes.
- Use extra care when cleaning on stairs.
- Do not use without dust bag and/or filters in place. Replace collection system and/or filters as described in manual.
- If using an extension cord make sure the cord rating is suitable for this machine.
- Do not modify machine from its original design.
- Keep children and unauthorized persons away from machine when in use.
- All repairs must be performed by a qualified service person. Use only manufacturer-supplied or equivalent replacement parts.
- Do not expose machine to rain or moisture. Store indoors only.
- Connect to a properly grounded outlet only. See grounding instructions.
- Make sure that you read and understand the instructions for the main product to ensure that you know what personal equipment to wear, what safety equipment to use and how to work in a safe mode.

THERMAL PROTECTION

- The dust extractor is equipped with a safety thermal protector to prevent motor from overheating. Should thermal protector activate, turn off machine, unplug power cord and check for full dust bag, vacuum hose clog or filter blockage. It may take up to 45 minutes for the thermal protector to reset.

GROUNDING INSTRUCTION

- The dust extractor must be grounded. If it should malfunction or breakdown, grounding provides a path of least resistance for electric current to reduce the risk of electric shock. The dust extractor is equipped with a cord having an equipment-grounding conductor and grounding plug. The plug must be inserted into an appropriate outlet that is properly installed and grounded in accordance with all local codes and ordinances.

SAFETY LABEL

- The following label appears on the machine, next to the machines rating plate. Replace label if it is missing, becomes damaged or illegible. Failure to follow this warning label may result in fire, electric shock or injury.

WARNING:

- *To reduce the risk of electric shock. Do not use outdoors or on wet surfaces.
- *To reduce the risk of electric shock, unplug before cleaning or servicing.

AVERTISSEMENT:

- *Pour réduire les risques de choc électrique, ne pas utiliser à l'extérieur et ne pas aspirer de matières humides.
- *Pour éviter les risques de choc électrique, débrancher avant le nettoyage ou l'entretien.

1.1. Type plate

Husqvarna

S13



CONFORMS TO UL STD.1017
CERTIFIED TO CSA STD.
C22.2 No.243-10

110-130 V	?A
1300 W	50/60Hz
?m ³ /h	28kg
S/n: YYYY WWXXXXX	
P/n: 987654321	

HUSQVARNA AB
SE-561 82 HUSKVARNA
SWEDEN

MADE IN CHINA

Husqvarna

S26



CONFORMS TO UL STD.1017
CERTIFIED TO CSA STD.
C22.2 No.243-10

110-130 V	?A
2600 W	50/60Hz
?m ³ /h	47kg
S/n: YYYY WWXXXXX	
P/n: 987654321	

HUSQVARNA AB
SE-561 82 HUSKVARNA
SWEDEN

MADE IN CHINA

Husqvarna

S36



CONFORMS TO UL STD.1017
CERTIFIED TO CSA STD.
C22.2 No.243-10

220-240 V	32A
3600 W	50/60Hz
?m ³ /h	66kg
S/n: YYYY WWXXXXX	
P/n: 987654321	

HUSQVARNA AB
SE-561 82 HUSKVARNA
SWEDEN

MADE IN CHINA

2. UNPACKING

When unpacking the machine, please check that the following accessories are included:

- The hose with end fittings.
- Wand.
- Floor nozzle.

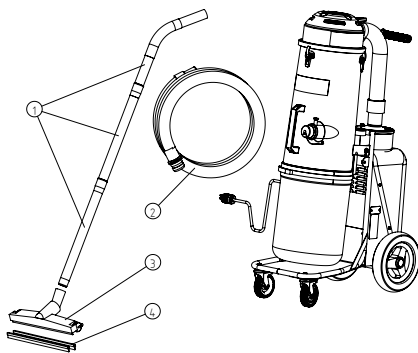
If any of the above-mentioned parts are missing, please contact your local distributor or our sales representative. For models that do not already have the front casters assembled due to packaging limitations. Assemble the front casters using the using bolt or nut and washer that are included in the package depending on your application.

Protect the environment:

Please dispose of packaging materials and used machine components in an environmentally safe way according to local disposal regulations. Always remember to recycle.

2.1 Product overview

S13

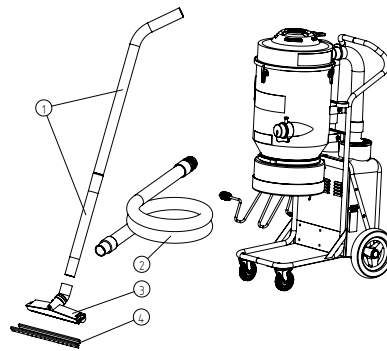


1 Hose

2 Suction Pipe

3 Floor tool

S26



4 Rubber blades

S36



Stop button

3. FUNCTION

The machine is designed for vacuuming and separating dry, non-combustible dust with an explosion limit value of $>0.1\text{mg/m}^3$.

The dust extractor is started by the switch.

Type	Models without automatic start	Autostart function models
Red switch 2 step	0: Motor off, 1: Motor on	N/A
Black switch 3 step	N/A	0: Motor off, 1: Motor on, 2: Automatic start

Dust-laden air is then sucked through the inlet valve at high speed via the suction hose. The air is slowed down by the cyclone and coarse dust particles are separated out, partly by centrifugal force and partly by gravity. Air and finer particles then pass through the double filter system where separation is made. The machine is designed for filter cleaning by reverse air pulse.

The separated dust accumulates in the cyclone until the machine is switched off, when it drops through the bottom flap into the plastic bag. The filter cleaning process is not completed before it is clear that the dust inside the tank has fallen down into the collection bag. In some extreme cases the adhesive ability of the dust must be broken manually. This can be done by hitting the dust through the bag or tapping the tank using i.e. a rubber hammer.

Automatic start function: When you use the dust extractor together with another machine, there is an electrical outlet on the dust extractor. Connect the machine to this outlet. Then when you start it up the dust extractor will also start after 5 or 5.5 seconds. When you turn it off, the dust extractor will continue to run for approximately 10 seconds. To empty the hose. Then stop

4. FILTER CLEANING

The filter must be cleaned from time to time. This must be done before changing the bag collection system and should also be done when work is completed or when there is poor suction.

Procedure: Cover the inlet, if applicable, use attached cover. First let the machine build up vacuum for four to five seconds then quickly push down on the key and release it. Repeat the procedure five times. It is important to let the machine rebuild the vacuum in between every repetition.

Turn off the motor and wait until it stops completely, then uncover the inlet.

If suction remains poor, the pre-filter needs to be replaced. If suction still remains poor afterwards, the Hepa filters need to be replaced. See instructions in chapter 6. FILTER CHANGE.

5. DUST STORAGE SYSTEM

The dust extractors are mainly equipped with Longopac system for effective dust storage or a regular plastic bag system depending on model. Longopac is a 22 m long plastic tube that will be divided into plastic bags using the zip ties attached with the machine.

To assemble a new Longopac bag: Release the belt holding the last bag. Remove the holder, put in a new Longopac bag & pull out the inner end upwards. Assemble the holder on to the machine and strap the opening facing upwards with the belt. Pull down the outside end and close it using a zip tie.

All dust extractors can be used with original Husqvarna dust bags for single use. Also all models can be fitted with the longopac system.

Only change Longopac or regular bag after filter cleaning cycle have been completed.

6. FILTER CHANGE

Risk of dust dispersion – Use personal safety equipment

Unhealthy dust can be spread during filter change. Accordingly, the user should wear protective glasses, protective gloves, and a breathing mask conforming to protection class FFP3.



Wear breathing mask



Wear ear protection



Wear protective glasses

WARNING

Remember to switch off the machine and pull the plug out of the outlet before servicing.

Pre-filter

Loosen the 3 clamps and remove the top. Take the bag from the new filter.

Lift out the filter and place it gently in a plastic bag. This bag must be properly disposed.

Insert a new filter.

Important:

If you are removing the Pre-filter in order to clean it. Hitting the filter with force or use of compressed air will destroy the filter. It can handle water, but high pressure water cleaning will destroy it.

Hepa Filter

Loosen the two nuts on each filter cover cap. Carefully lift the filter into a clean plastic bag, use the bag from the new filter. This bag must be properly disposed. Insert a new filter in reverse order.

Important:

Hepa filters can't be cleaned, trying this might destroy it. When installing the replacement filter, make sure to not touch the inside of the filter. Any kind of force/damage on the inside of filter media will destroy the new filter.

Recommended intervals for filter change: Socks filter every 6 months and Hepa filter every 12 month.

7. SERVICE

- When cleaning and servicing the machine, you must switch off the machine and remove the plug from the outlet.
- Avoid cleaning with a high pressure cleaner. If necessary, do not direct at the openings on the machine, especially the opening for cooling air.
- Before moving the machine from the work area, the machine must be cleaned.
- All other equipment must be regarded as contaminated and be treated thereafter.
- If possible, use a special suitable room.
- Proper personnel protective equipment must be used. Dust can be spread when the coarse filter and the absolute filter are replaced that can be hazardous to health. Accordingly, the user should wear protective glasses, protective gloves, and a breathing mask conforming to protection class FFP3.
- All parts which are contaminated after service must be properly disposed of in plastic bags according to all regulations.
- If the machine has to be used for other purposes, it is extremely important that the machine is cleaned, to avoid the spread of hazardous dust.
- Do not puncture the Hepa filter. Risk of dust dispersion.

Replacement parts, Filters and Dust collection system

Part no:	Description	S13	S26	S36
590426101	Longopac (4-bags)	1	1	1
590396101	Plastic bags (25-pcs)	1	1	1
590397401	Pre-filter S13	1	N/A	N/A
590426501	Pre-filter S26	N/A	1	N/A
590448501	Pre-filter S36	N/A	N/A	1
590396601	HEPA FILTER S-LINE	1	2	3
590402901	HEPA FILTER S-LINE USA	1	2	3

8. WARRANTY

All Husqvarna devices and accessories have a 12-month factory warranty for material and manufacturing defects. The warranty extends to 36 months when returning the attached warranty slip. Do not attempt to repair the suction apparatus without the consent of the manufacturer.

The warranty does not cover defects which are the result of normal wear and tear, negligence, defective use, unauthorised repair or the suction apparatus being connected to the incorrect voltage.

In the event of any complaint, the suction apparatus or an agreed part of it must be returned to us or our authorised representative for warranty examination and for any warranty repair or replacement.

9. PROBLEM SOLVING

The dust extractors are designed and manufactured for severe environments and tasks, but the user must note that the machine must be protected from knocks and blows. Filter, seals, attachments, and connections are carefully adapted and selected with regard to the operator's work environment. Therefore, the operator and service personnel must treat the machine with care in order for it to work correctly for many years.

Issue	Cause	Solution
Motor doesn't start	No power	Plug in machine
	Cable defective	Replace cable
	Switch defective	Replace switch
	Soft start defective	Replace soft start
Motor stops immediately after starting	Wrong fuse	Connect to correct fuse
	Shortcut in cable/machine	Order service
Motor runs but there is not suction	Hose not connected	Connect hose
	Hose clogged/blocked	Clean hose
	No dust collection bag	Fit dust collection system
Motor runs but poor suction	Hole in hose	Replace hose
	Filter clogged	Clean filter/Replace filter
	Loose top cover	Adjust
	Defective gaskets	Replace affected gaskets
Dust blown from motor	Wrongly assembled or damaged filter system	Adjust/Replace filters
Abnormal noise		Order service

SAVE THESE INSTRUCTIONS!

10. TECHNICAL DATA

Data	Unit	S13 230 V	S26 230 V	S36 230 V
Voltage (single phase)	V	230	230	230
Power (max)	kW	1,2	2,4	3,6
Current (max)	A	5,2	10,4	15,7
Power supply	A	1-phase	1-phase	1-phase
Airflow	m ³ /h	200	400	600
	cfm	118	236	354
Vacuum	kPa	22	22	22
Water lift	ln	90	90	90
Main hose	Metric (mm)	4m x 38	7,5m x 51	7,5m x 51 10m x 63
Inlet	Metric (mm)	51	63	63
Pre-filter EN779-F8	% @1um	>99,5	>99,5	>99,5
Pre-filter area	Metric	1,5 m ²	3 m ²	4,5 m ²
Hepa filter	99,99% @0.3 microns	1	2	3
Total HEPA filter area	Metric	1,2 m ²	2,4 m ²	3,6 m ²
Sound level	dB(a)	70	70	70
Dust collection system	Type	Plastic bag	Longopac	Longopac
Dimensions (L*W*H)	Metric (mm)	680x400x1100	756x546x1275	840x620x1500
Weight	Metric	29 kg	47 kg	63 kg
	USCS	66 lbs	105 lbs	140 lbs



www.husqvarnacp.com

Original instructions

1158771-20

2017-06-12