

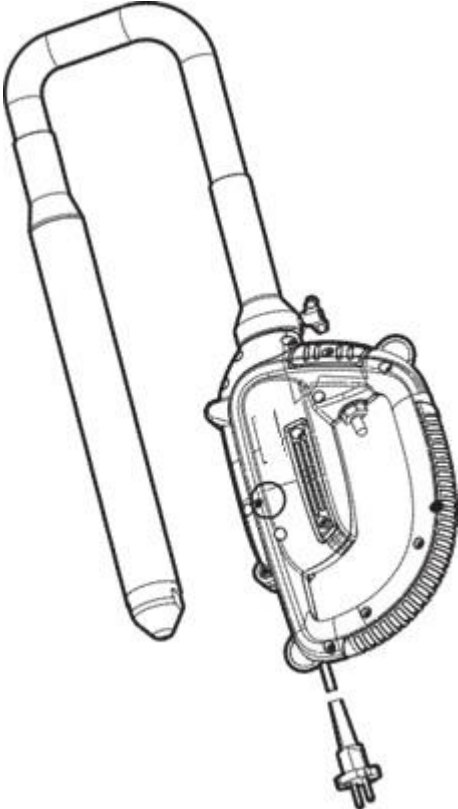
# AME 600

---

## Spare parts list

### Poker vibrators

AME 600



# General information

This spare parts list applies to the following:

Part number	Description
967938301	POKERS HA 25 HA 25/1   1 M
967938302	POKERS HA 25 HA 25/2   2 M
967938303	POKERS HA 25 HA 25/3   3 M
967938401	POKERS HA 35 HA 35/1   1 M
967938402	POKERS HA 35 HA 35/2   2 M
967938403	POKERS HA 35 HA 35/3   3 M
967933101	AME 600 230 V   1-Phase   50 Hz
967933801	AME 600 EI 115V 1-Phase 50/60 Hz UK

Use only authorized parts. Any damage or malfunction caused by the use of unauthorized parts is not covered by Warranty or Product Liability. Any unauthorized use or copying of the contents or any part thereof is prohibited. This applies in particular to trademarks, model denominations, part numbers, and drawings.

## Instructions for use

This spare parts list contains no safety regulations and is merely intended to assist in the ordering of spare parts.

For information about operating, servicing, or repairing, the relevant Safety and operating instructions must be consulted at all costs.

Please observe the safety instructions listed in the relevant Safety and operating instructions!

Kits and consumables	1
Kits and consumables	3
Kits and consumables	5
Kits and consumables	7

**Spare parts list**

AME600 - Drive unit 230V	9
AME600 - Drive unit 115V UK	13
AME600 - Drive unit 115V US	17
HA25 - 1 m (3.2 ft), HA25 - 2 m (6.5 ft), HA25 - 3 m (9.8 ft)	20
HA35 - 1 m (3.2 ft), HA35 - 2 m (6.5 ft), HA35 - 3 m (9.8 ft)	23
HA45 - 1 m (3.2 ft), HA45 - 2 m (6.5 ft)	25
Wiring diagram	27

**Kits**

Vibrating head kits	29
---------------------	----

## Kits and consumables

<b>Service offers resume HA45</b>	<b>Item</b>	<b>Description</b>
<b>Wear&amp;Repair Kits</b>	1	Maintenance kit

Item	Part No.	Name	Qty	L
1	594417501	Poker 46 service kit	1	

## Kits and consumables

<b>Service offers resume HA35</b>	<b>Item</b>	<b>Description</b>
<b>Wear&amp;Repair Kits</b>	1	Maintenance kit

Item	Part No.	Name	Qty	L
1	594417401	Poker 36 service kit	1	

## Kits and consumables

<b>Service offers resume HA25</b>	<b>Item</b>	<b>Description</b>
<b>Wear&amp;Repair Kits</b>	1	Maintenance kit



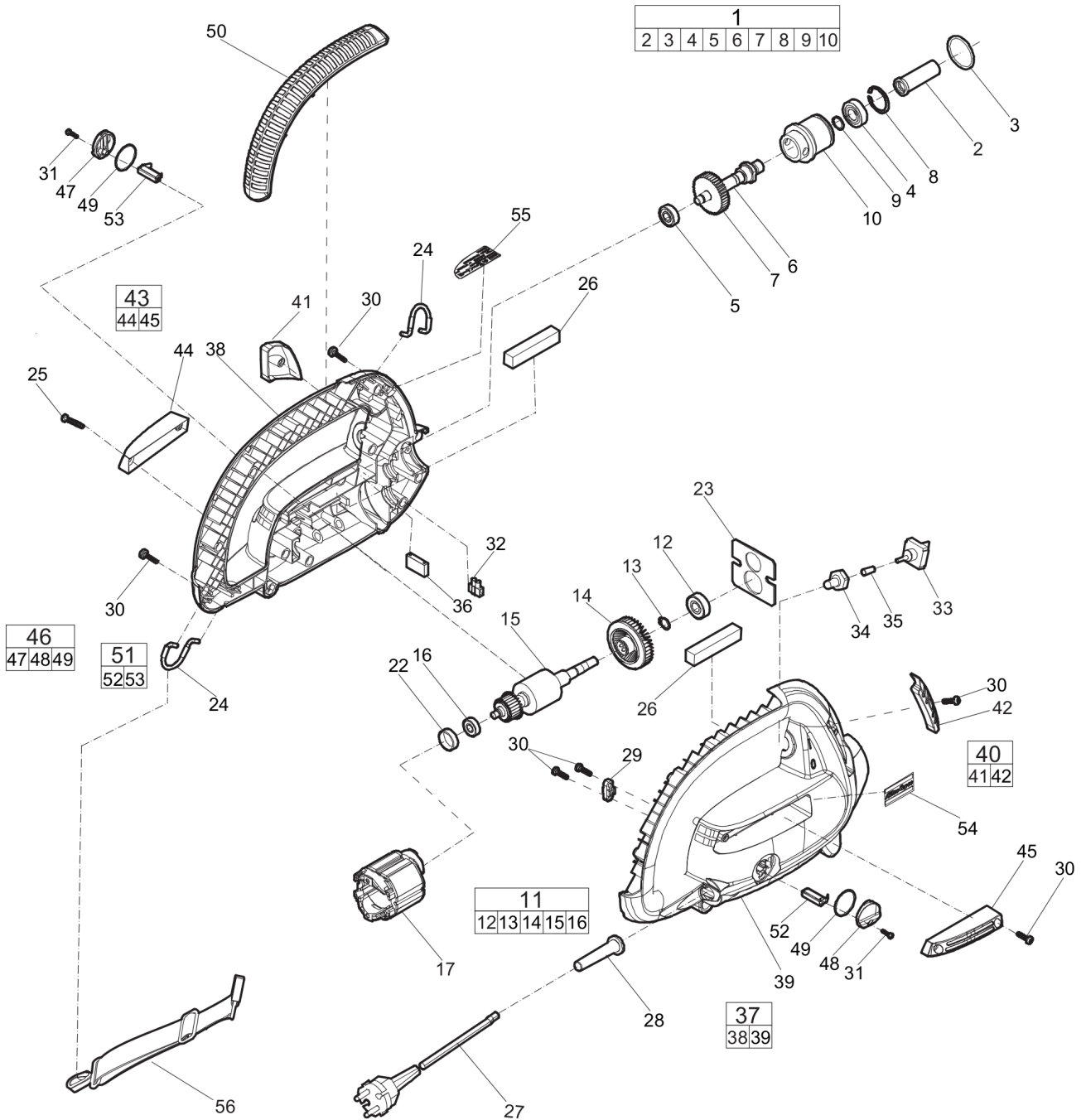
Item	Part No.	Name	Qty	L
1	594417301	Poker 26 service kit	1	

## Kits and consumables

<b>Service offers resume AME600</b>	<b>Item</b>	<b>Description</b>
<b>Wear&amp;Repair Kits</b>	1	Brush set
	2	Brush set

Item	Part No.	Name	Qty	L
1	594630001	Brush plug, complete	1	
2	594630201	Brush set, complete	1	

Spare parts list AME600 - Drive unit 230V



Refer to the Parts Online web page for most up-to-date information. The printed information might be outdated.

Item	Part No.	Name	Qty	L
1	594630301	Spindle, complete	1	
2	594375201	Square	1	
3	595355101	O-ring, 26.64 x 2.62 mm (NBR 70 shore), 1.05 x 1.10 in.	1	
4	595354301	Ball bearing	1	
5	595115801	Ball bearing	1	
6	--	Spindle	1	
7	--	Gear	1	
8	595353401	Retainer ring, 28 mm (DIN 472), 1.10 in.	1	
9	595353201	Retainer ring, 12 mm (DIN 471), 0.47 in.	1	
10	--	Sleeve	1	
11	594629001	Rotor, complete	1	A
12	594126301	Ball bearing	1	
13	595353301	Circlip	1	
14	595202201	Fan	1	
15	--	Rotor	1	B
16	594126401	Ball bearing	1	
17	594629101	Stator	1	C
22	594629201	Rubber sleeve	1	
23	595201901	Plate	1	
24	594629301	Belt loop	2	
25	595035401	Screw, PT K30x12 mm WN1452 A4S	2	
26	594629501	Foam filter	2	
27	594629601	Cable with plug	1	
28	594629701	Rubber sleeve	1	
29	595477501	Cable locker	1	
30	594121501	Screw, PT K40x16 mm WN1452 A4F	17	
31	594121601	Screw, PT K40x25 mm WN1452 A4F	2	
32	594545701	Junction box	2	
33	594375101	Switch	1	
34	594375701	Switch cap	1	
35	594377001	Switch nipple	1	
36	594629801	Capacitor	1	
37	595933201	Housing, complete	1	
38	--	Motor housing	1	D
39	--	Motor housing	1	E
39	--	Motor housing	1	E
40	595477601	Cover, complete	1	F
41	--	Front Cover	1	G

Refer to the Parts Online web page for most up-to-date information. The printed information might be outdated.

Item	Part No.	Name	Qty	L
42	--	Front Cover	1	H
39	--	Motor housing	1	E
42	--	Front Cover	1	H
43	594862301	Rear cover, complete	1	
44	--	Rear cover	1	I
42	--	Front Cover	1	H
45	--	Rear cover	1	J
45	--	Rear cover	1	J
46	594630001	Brush plug, complete	1	
45	--	Rear cover	1	J
47	--	Brush plug	1	K
48	--	Brush plug	1	L
48	--	Brush plug	1	L
48	--	Brush plug	1	L
49	595354901	O-ring	2	
50	594630101	Rubber handle	1	
51	594630201	Brush set, complete	1	
52	--	Brush	1	
53	--	Shut-off brush	1	
54	-	Instruction label	2	M
55	-	Data plate (Not available separately)	1	
56	594629401	Carrying strap	1	

Comments for Page: AME600 - Drive unit 230V

(L)OCAL REMARKS

A | 230V

B | 230V

C | 230V

D | Left

E | Right

F | Front

G | Left

H | Right

I | Left

J | Right

K | Left

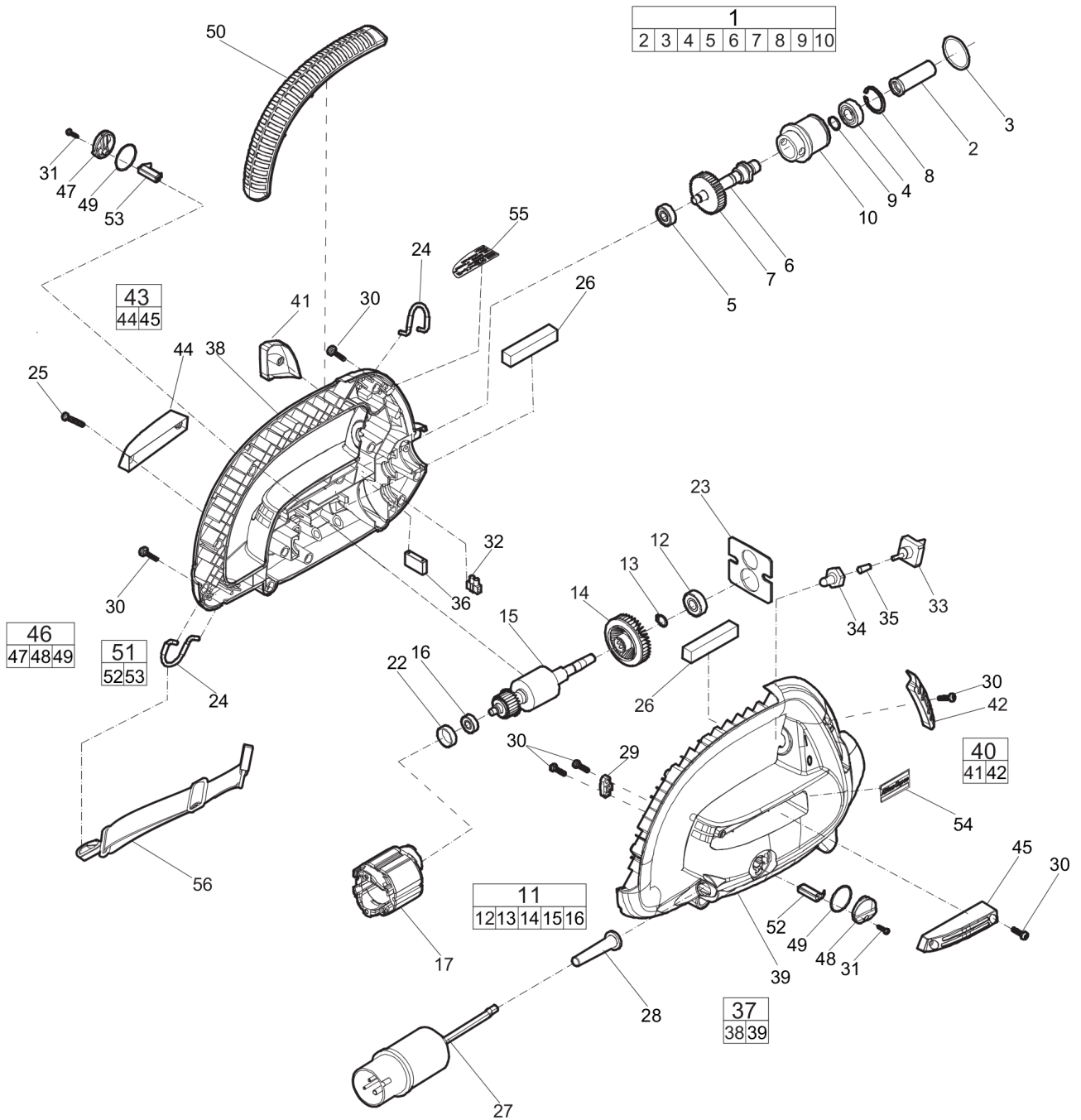
L | Right

M | "Atlas Copco"

Refer to the Parts Online web page for most up-to-date information. The printed information might be outdated.



Spare parts list AME600 - Drive unit 115V UK



Refer to the Parts Online web page for most up-to-date information. The printed information might be outdated.



Item	Part No.	Name	Qty	L
1	594630301	Spindle, complete	1	
2	594375201	Square	1	
3	595355101	O-ring, 26.64 x 2.62 mm (NBR 70 shore), 1.05 x 1.10 in.	1	
4	595354301	Ball bearing	1	
5	595115801	Ball bearing	1	
6	--	Spindle	1	
7	--	Gear	1	
8	595353401	Retainer ring, 28 mm (DIN 472), 1.10 in.	1	
9	595353201	Retainer ring, 12 mm (DIN 471), 0.47 in.	1	
10	--	Sleeve	1	
11	595201801	Rotor, complete	1	A
12	594126301	Ball bearing	1	
13	595353301	Circlip	1	
14	595202201	Fan	1	
15	--	Rotor	1	B
16	594126401	Ball bearing	1	
17	595477201	Stator	1	C
22	594629201	Rubber sleeve	1	
23	595201901	Plate	1	
24	594629301	Belt loop	2	
25	595035401	Screw, PT K30x12 mm WN1452 A4S	2	
26	594629501	Foam filter	2	
27	595477301	Cable with plug	1	
28	594629701	Rubber sleeve	1	
29	595477501	Cable locker	1	
30	594121501	Screw, PT K40x16 mm WN1452 A4F	17	
31	594121601	Screw, PT K40x25 mm WN1452 A4F	2	
32	594545701	Junction box	2	
33	594375101	Switch	1	
34	594375701	Switch cap	1	
35	594377001	Switch nipple	1	
36	594629801	Capacitor	1	
37	595933201	Housing, complete	1	
38	--	Motor housing	1	D
39	--	Motor housing	1	E
39	--	Motor housing	1	E
40	595477601	Cover, complete	1	F
41	--	Front Cover	1	G

Refer to the Parts Online web page for most up-to-date information. The printed information might be outdated.

Item	Part No.	Name	Qty	L
42	--	Front Cover	1	H
39	--	Motor housing	1	E
42	--	Front Cover	1	H
43	594862301	Rear cover, complete	1	
44	--	Rear cover	1	I
42	--	Front Cover	1	H
45	--	Rear cover	1	J
45	--	Rear cover	1	J
46	594630001	Brush plug, complete	1	
45	--	Rear cover	1	J
47	--	Brush plug	1	K
48	--	Brush plug	1	L
48	--	Brush plug	1	L
48	--	Brush plug	1	L
49	595354901	O-ring	2	
50	594630101	Rubber handle	1	
51	594630201	Brush set, complete	1	
52	--	Brush	1	
53	--	Shut-off brush	1	
54	-	Instruction label	2	M
55	-	Data plate (Not available separately)	1	
56	594629401	Carrying strap	1	

Comments for Page: AME600 - Drive unit 115V UK

(L)OCAL REMARKS

A | 115V

B | 115V

C | 115V

D | Left

E | Right

F | Front

G | Left

H | Right

I | Left

J | Right

K | Left

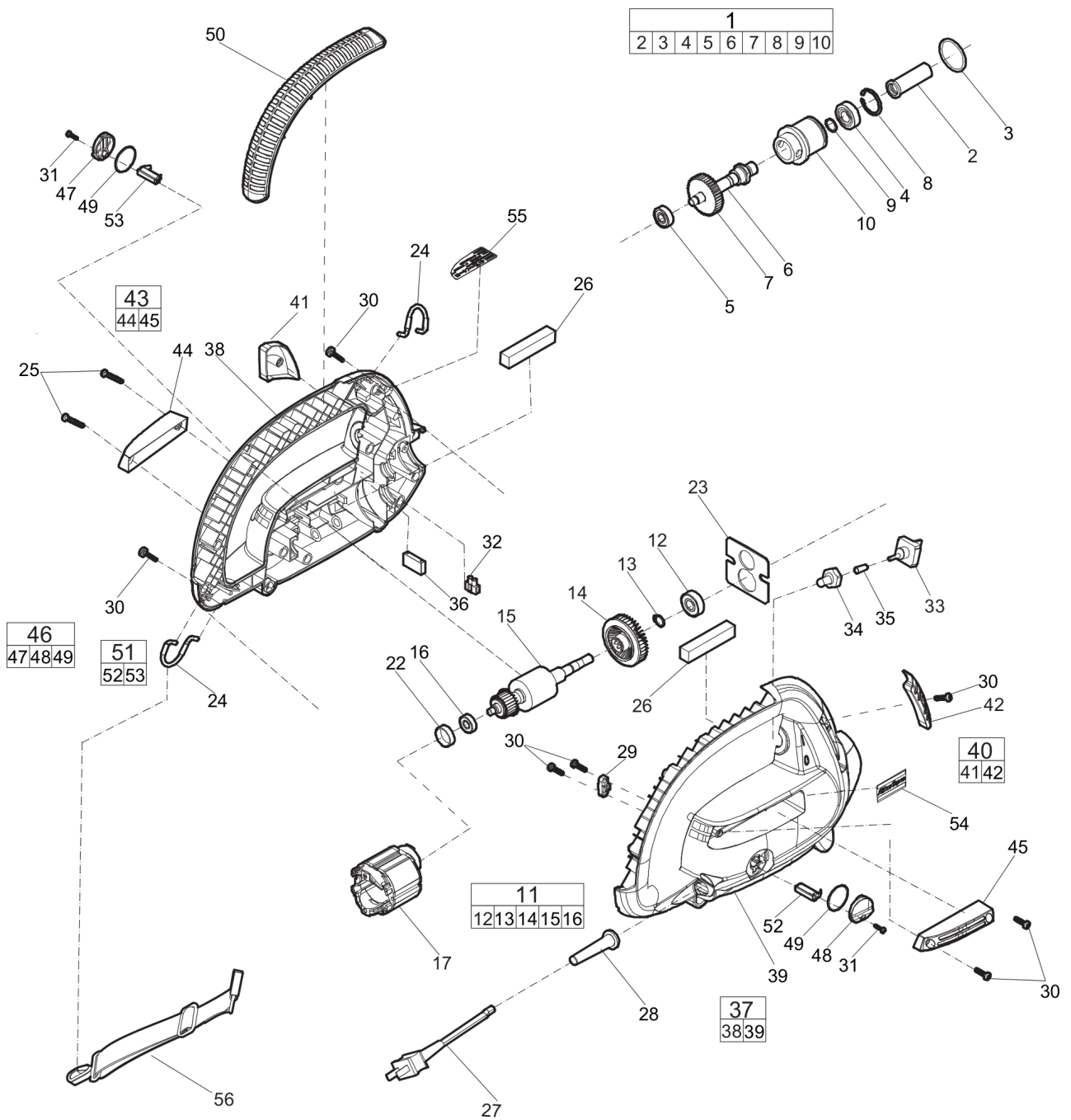
L | Right

M | "Atlas Copco"

Refer to the Parts Online web page for most up-to-date information. The printed information might be outdated.



Spare parts list AME600 - Drive unit 115V US



Refer to the Parts Online web page for most up-to-date information. The printed information might be outdated.

Item	Part No.	Name	Qty	L
1	594630301	Spindle, complete	1	
2	594375201	Square	1	
3	595466001	Screw	1	
4	595354301	Ball bearing	1	
5	595115801	Ball bearing	1	
6	--	Spindle	1	
7	--	Gear	1	
8	595353401	Retainer ring, 28 mm (DIN 472), 1.10 in.	1	
9	595353201	Retainer ring, 12 mm (DIN 471), 0.47 in.	1	
10	595355701	Emergency stop	1	
11	595201801	Rotor, complete	1	A
12	594126301	Ball bearing	1	
13	595353301	Circlip	1	
14	595202201	Fan	1	
15	595356201	Rotor	1	B
16	594126401	Ball bearing	1	
17	595477201	Stator	1	C
22	594629201	Rubber sleeve	1	
23	595201901	Plate	1	
24	594629301	Belt loop	2	
25	595035401	Screw, PT K30x12 mm WN1452 A4S	2	
26	594629501	Foam filter	2	
27	-	Cable with plug	1	
28	594629701	Rubber sleeve	1	
29	595477501	Cable locker	1	
30	594121501	Screw, PT K40x16 mm WN1452 A4F	17	
31	594121601	Screw, PT K40x25 mm WN1452 A4F	2	
32	594545701	Junction box	2	
33	594375101	Switch	1	
34	594375701	Switch cap	1	
35	594377001	Switch nipple	1	
36	594629801	Capacitor	1	
37	595933201	Housing, complete	1	
38	--	Motor housing	1	E
39	--	Motor housing	1	F
39	--	Motor housing	1	F
40	595477601	Cover, complete	1	G
41	--	Front Cover	1	H

Refer to the Parts Online web page for most up-to-date information. The printed information might be outdated.

Item	Part No.	Name	Qty	L
42	--	Front Cover	1	I
39	--	Motor housing	1	F
42	--	Front Cover	1	I
43	594862301	Rear cover, complete	1	
44	--	Rear cover	1	J
45	--	Rear cover	1	K
45	--	Rear cover	1	K
46	594630001	Brush plug, complete	1	
45	--	Rear cover	1	K
47	--	Brush plug	1	L
48	--	Brush plug	1	M
48	--	Brush plug	1	M
48	--	Brush plug	1	M
49	595354901	O-ring	2	
50	594630101	Rubber handle	1	
51	594630201	Brush set, complete	1	
52	--	Brush	1	
53	--	Shut-off brush	1	
54	-	Instruction label	2	N
55	-	Data plate (Not available separately)	1	
56	594629401	Carrying strap	1	

Comments for Page: AME600 - Drive unit 115V US

(L)OCAL REMARKS

A | 115V

B | 115V

C | 115V

E | Left

F | Right

G | Front

H | Left

I | Right

J | Left

K | Right

L | Left

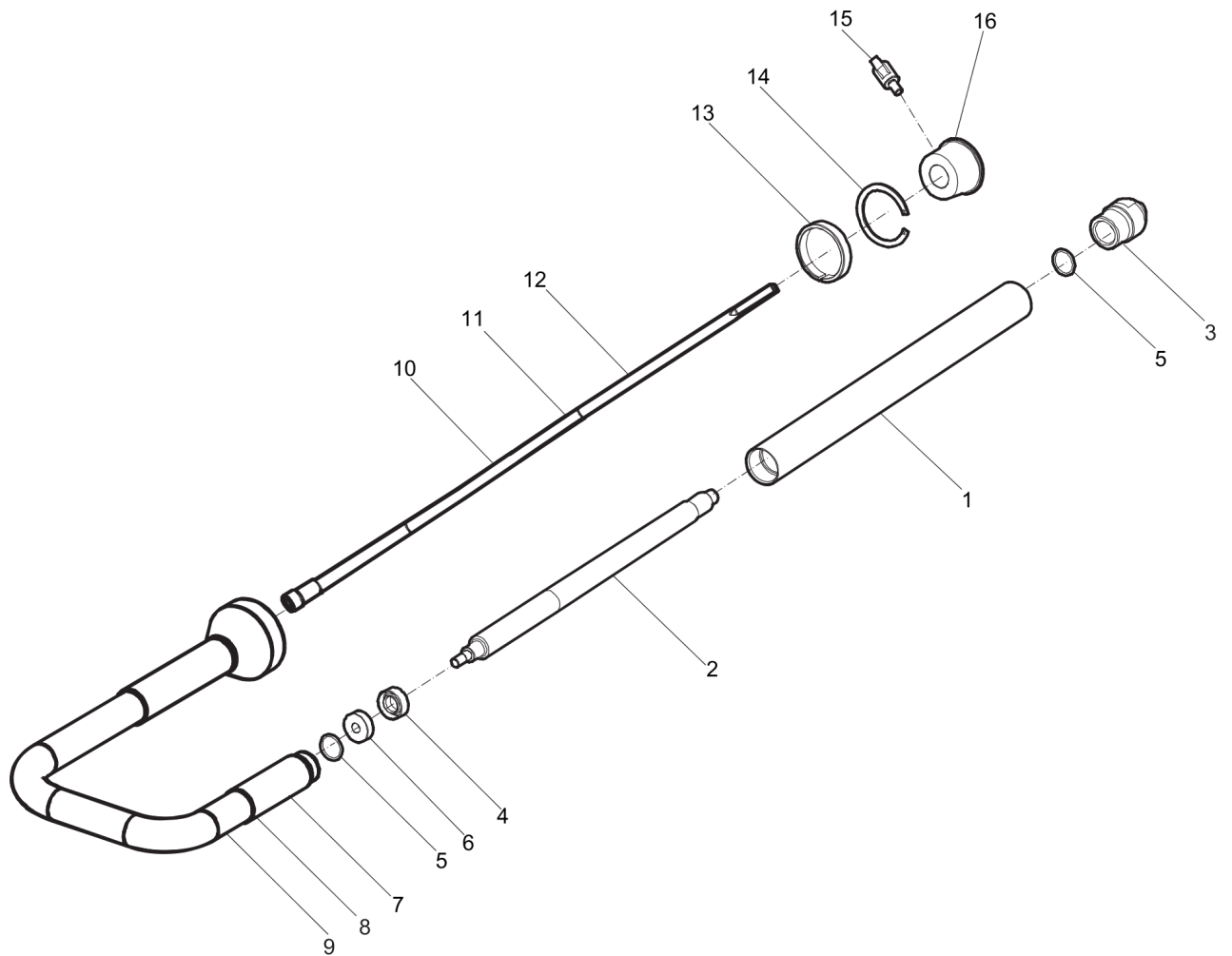
M | Right

N | "Atlas Copco"

Refer to the Parts Online web page for most up-to-date information. The printed information might be outdated.

This page intentionally left blank

**Spare parts list** HA25 - 1 m (3.2 ft), HA25 - 2 m (6.5 ft), HA25 - 3 m (9.8 ft)





Item	Part No.	Name	Qty	L
1	594417201	Tube	1	
2	594417001	Vibrator shaft	1	
3	594417101	End cap	1	
4	594282601	Seal ring	1	
5	595355001	O-ring, 14.1 x 1.6 mm , 0.55 x 0.06 in. (70 shore)	2	
6	594284801	Bearing	1	
7	594628201	Hose	1	A
8	594628301	Hose	1	B
9	594628401	Hose	1	C
10	594862001	Flexible shaft	1	D
11	594627801	Flexible shaft	1	E
12	594628101	Flexible shaft	1	F
13	594375801	Slotted sleeve	1	
14	594374101	Retainer ring	1	
15	594375901	Handle	1	
16	594545201	Cap	1	

Comments for Page: HA25 - 1 m (3.2 ft), HA25 - 2 m (6.5 ft), HA25 - 3 m (9.8 ft)

(L)OCAL REMARKS

A | 1 m (3.2 ft)

B | 2 m (6.5 ft)

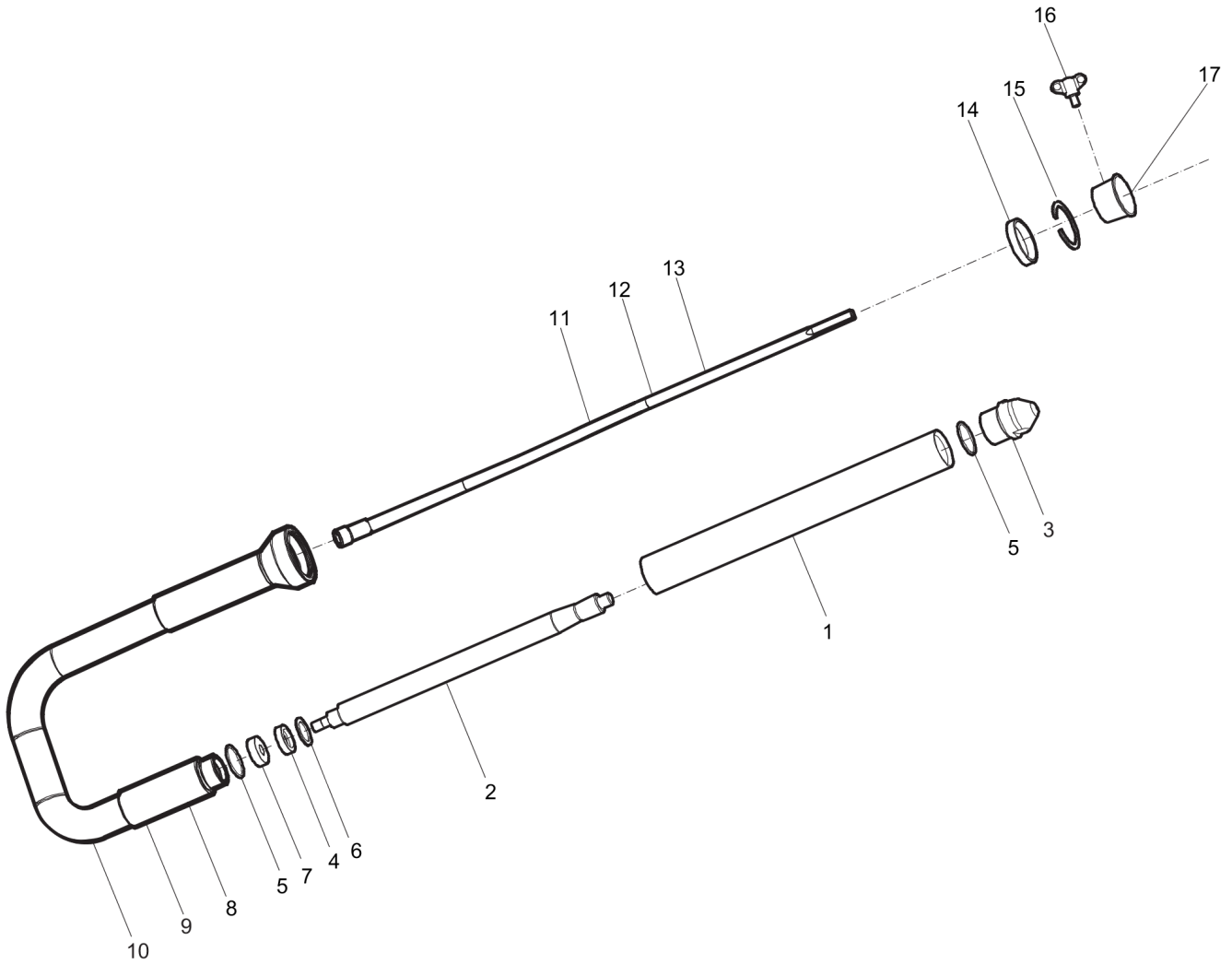
C | 3 m (9.8 ft)

D | 1 m (3.2 ft)

E | 2 m (6.5 ft)

F | 3 m (9.8 ft)

**Spare parts list** HA35 - 1 m (3.2 ft), HA35 - 2 m (6.5 ft), HA35 - 3 m (9.8 ft)



Item	Part No.	Name	Qty	L
1	594414001	Tube	1	
2	594413701	Vibrator shaft	1	
3	594413901	End cap	1	
4	594413801	Sealing sleeve	1	
5	594267701	O-ring	2	
6	594414101	Retaining washer	1	
7	594282701	Ball bearing	1	
8	595475801	Hose	1	A
9	595200501	Hose	1	B
10	595475701	Hose	1	C
11	594627401	Flexible shaft	1	D
12	595200001	Flexible shaft	1	E
13	595200301	Flexible shaft	1	F
14	594375801	Slotted sleeve	1	
15	594374101	Retainer ring	1	
16	594375901	Handle	1	
17	594545201	Cap	1	

Comments for Page: HA35 - 1 m (3.2 ft), HA35 - 2 m (6.5 ft), HA35 - 3 m (9.8 ft)

(L)OCAL REMARKS

A | 1 m (3.2 ft)

B | 2 m (6.5 ft)

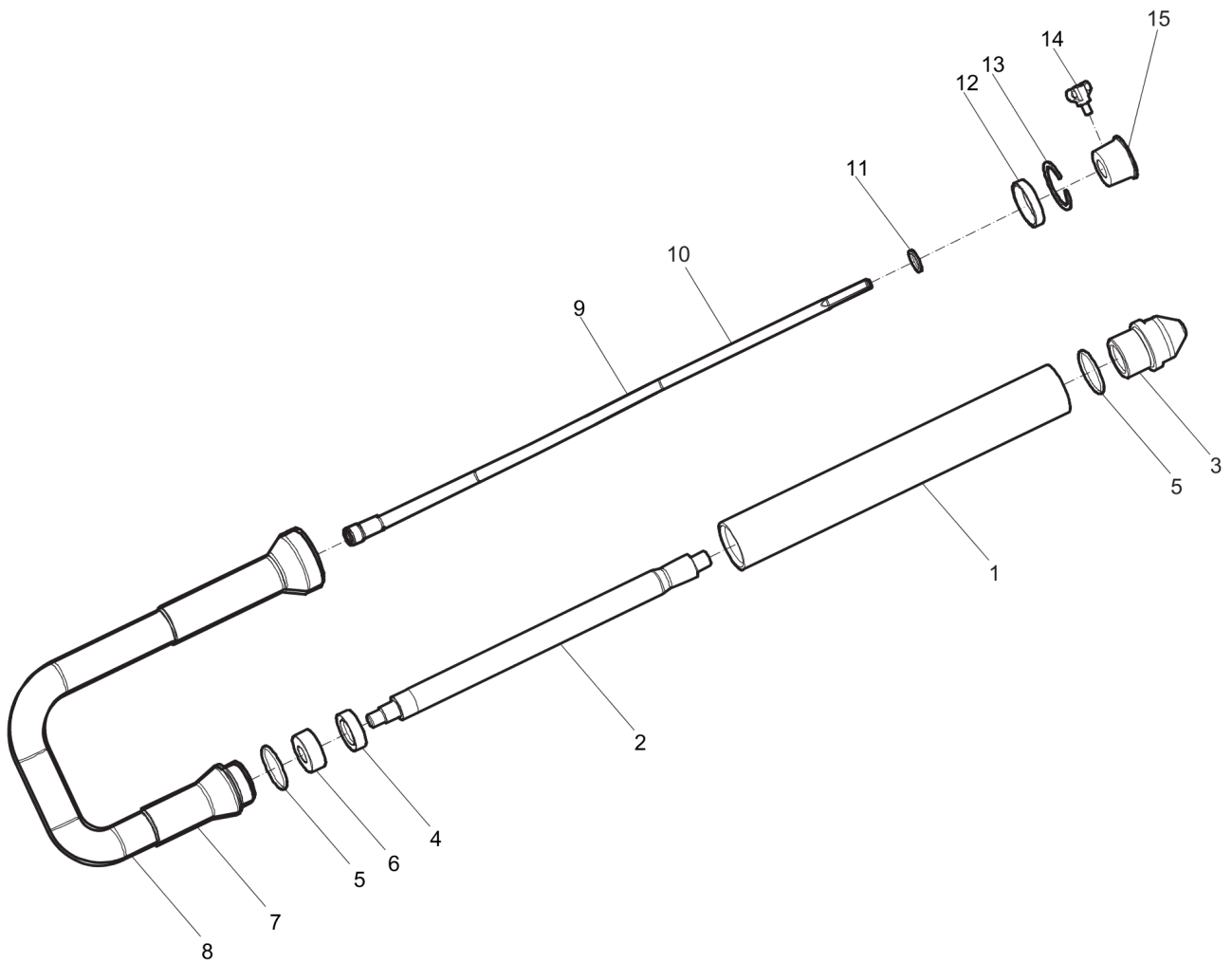
C | 3 m (9.8 ft)

D | 1 m (3.2 ft)

E | 2 m (6.5 ft)

F | 3 m (9.8 ft)

**Spare parts list** HA45 - 1 m (3.2 ft), HA45 - 2 m (6.5 ft)



Item	Part No.	Name	Qty	L
1	594414501	Tube	1	
2	594414301	Vibrator shaft	1	
3	594414401	End cap	1	
4	594282801	Sealing sleeve	1	
5	594266901	O-ring	2	
6	594254101	Ball bearing	1	
7	594627701	Hose	1	A
8	595200401	Hose	1	B
9	595200101	Flexible shaft	1	C
10	595200201	Flexible shaft	1	D
11	594257901	Washer	1	
12	594375801	Slotted sleeve	1	
13	594374101	Retainer ring	1	
14	594375901	Handle	1	
15	594545201	Cap	1	

Comments for Page: HA45 - 1 m (3.2 ft), HA45 - 2 m (6.5 ft)

(L)OCAL REMARKS

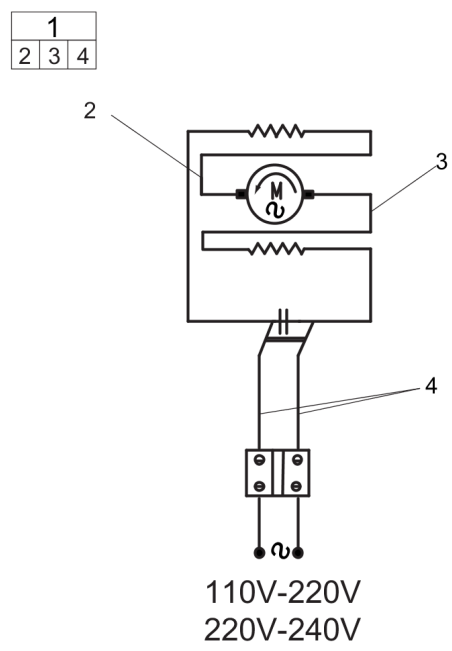
A | 1 m (3.2 ft)

B | 2 m (6.5 ft)

C | 1 m (3.2 ft)

D | 2 m (6.5 ft)

Spare parts list Wiring diagram



Item	Part No.	Name	Qty	L
1	595202101	Seal cord, complete	1	
2	--	Wire	1	
3	--	Wire	1	
3	--	Wire	1	
4	--	Wire	1	
4	--	Wire	1	

**Kits** Vibrating head kits

NO EXPLODED VIEW  
AVAILABLE  
FOR THIS BOM



Item	Part No.	Name	Qty	L
1	594417501	Poker 46 service kit	1	
Not Shown	-	Ball bearing	1	
1	594417401	Poker 36 service kit	1	
1	594417301	Poker 26 service kit	1	
Not Shown	-	Sealing sleeve	1	
Not Shown	-	O-ring	1	
Not Shown	-	O-ring, 14.1 x 1.6 mm (70 shore), 0.55 x 0.06 in.	2	
Not Shown	-	Ball bearing	1	
Not Shown	-	Seal ring	1	
Not Shown	-	O-ring	1	
Not Shown	-	O-ring, 22.2 x 2 mm (70 shore), 0.87 x 0.08 in.	2	
Not Shown	-	Washer	1	
Not Shown	-	Ball bearing	1	
Not Shown	-	Seal ring	1	
Not Shown	-	O-ring	1	
Not Shown	-	O-ring, 35 x 2 mm (70 shore), 1.38 x 0.08 in.	2	
Not Shown	-	Washer	1	

Any unauthorized use or copying of the contents or any part thereof is prohibited. This applies in particular to trademarks, model denominations, part numbers, and drawings.