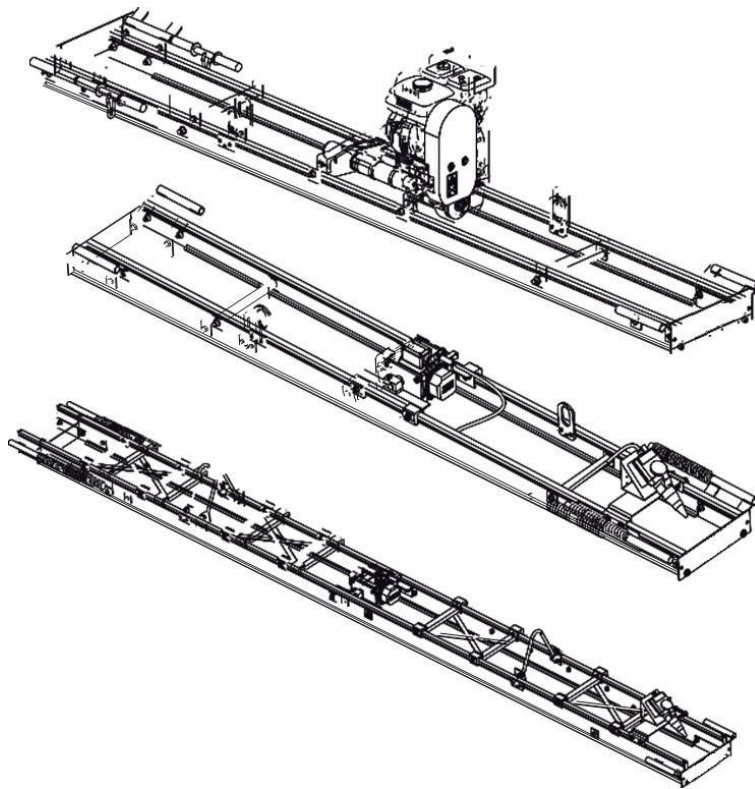


BE 20-30 BD 32-942

Spare parts list

Beams and screeds

BD-BE BE20-30, BD32-942



General information

This spare parts list applies to the following:

Part number	Description
967956401	Electric vibrator unit BE20 400V-3-50Hz
967941202	Gasoline drive unit BE30
-	
967956001	Double beam BD32
967956101	Double beam BD42
967956201	Double beam BD52
967956301	Double beam BD62

Use only authorized parts. Any damage or malfunction caused by the use of unauthorized parts is not covered by Warranty or Product Liability. Any unauthorized use or copying of the contents or any part thereof is prohibited. This applies in particular to trademarks, model denominations, part numbers, and drawings.

Instructions for use

This spare parts list contains no safety regulations and is merely intended to assist in the ordering of spare parts.

For information about operating, servicing, or repairing, the relevant Safety and operating instructions must be consulted at all costs.

Please observe the safety instructions listed in the relevant Safety and operating instructions!

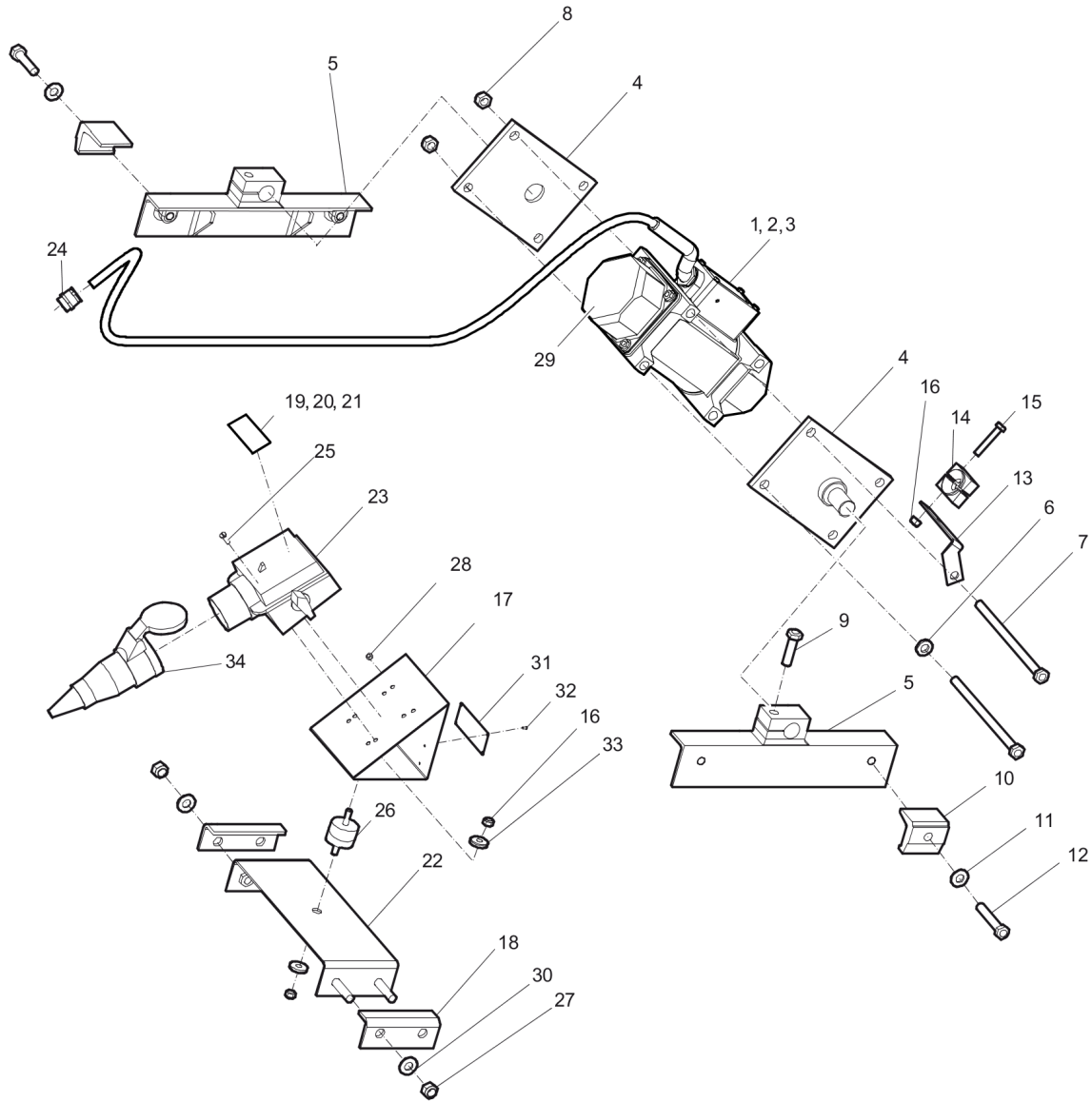
Spare parts list

BE20	1
BE200	4
BE202	8
ER355 Electric vibrator 380V-3-60Hz	11
ER355 Electric vibrator 400V-3-50Hz	14
ER355 Electric vibrator 440V-3-50Hz	18
BE30	22
BD32	26
BD42	29
BD52	31
BD62	33
BD520	35
BD620	38
BD720	42
BD800	46
BD802	50
BD842	54
BD942	58

Engine

Recoil starter	62
Fan cover	65
Carburetor	67
Air cleaner	69
Fuel tank	71
Cylinder head	73
Cylinder barrel	75
Other parts	77
Crankcase cover	79

Spare parts list BE20



Refer to the Parts Online web page for most up-to-date information. The printed information might be outdated.

Item	Part No.	Name	Qty	L
1	594961201	ER355 Electric vibrator	1	A
2	597138901	ER355 Electric vibrator	1	B
3	597139601	ER355 Electric vibrator	1	C
4	595475401	Plate holder	2	
5	595475301	Vibrator holder	2	
6	595182001	Washer	4	
7	595469901	Screw	4	
8	595060301	Lock nut	4	
9	595055501	Screw, M12x45 mm 8.8 A3K	2	
10	595138201	Holder	4	
11	595181601	Washer	4	
12	595154101	Screw	4	
13	595443001	Square plate	1	
14	595137301	Clamp	1	
15	595054201	Screw, M8x50 mm 8.8 A2K	2	
16	595181401	Lock nut M8	4	
17	594626301	Switch holder	1	
18	594778801	Angle bar	2	
19	595138501	Label	1	D
20	595161901	Label	1	E
21	595476201	Label	1	F
22	595199701	Holder complete	1	
23	594549801	Switch	1	
24	595166801	Sealing sleeve	1	
25	595180501	Screw	4	
26	595391201	Shock absorber	1	
27	595060301	Lock nut	4	
28	595060201	Lock nut	4	
29	595502501	Label	2	G
30	595181601	Washer	4	
31	-	Data plate (Not available separately)	1	
32	595449301	Rivet	4	
33	595061101	Washer, 8.4x26x5 mm	2	
34	594600301	Connector	1	

Comments for Page: BE20

(L)OCAL REMARKS

Refer to the Parts Online web page for most up-to-date information. The printed information might be outdated.

A | 400V-3-50Hz

B | 440V-3-50Hz

C | 380V-3-60Hz

D | 400V

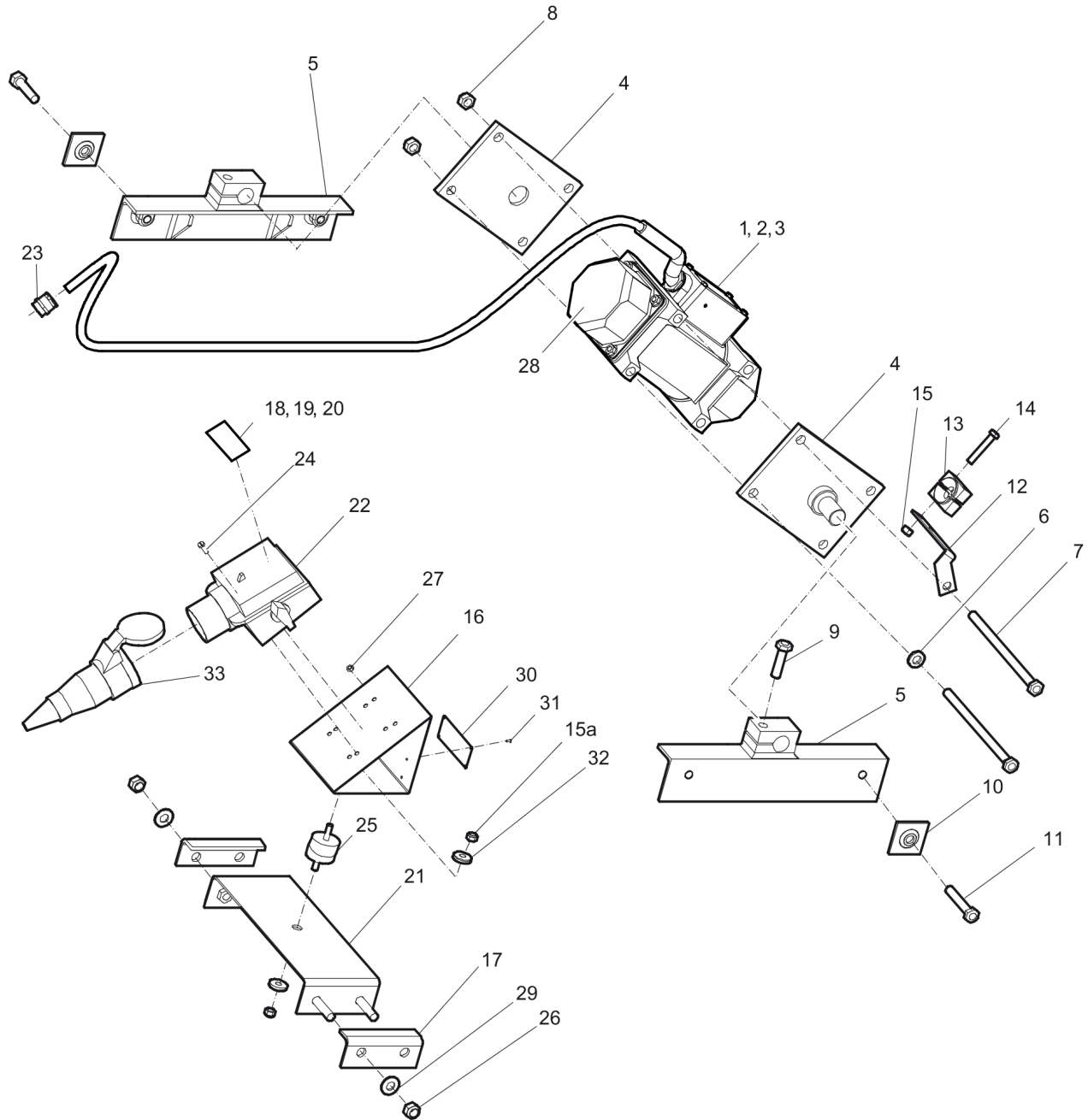
E | 380V

F | 440V

G |

This page intentionally left blank

Spare parts list BE200



Refer to the Parts Online web page for most up-to-date information. The printed information might be outdated.

Item	Part No.	Name	Qty	L
1	594961201	ER355 Electric vibrator	1	A
2	597138901	ER355 Electric vibrator	1	B
3	597139601	ER355 Electric vibrator	1	C
4	595475401	Plate holder	2	
5	595475301	Vibrator holder	2	
6	595182001	Washer	4	
7	595469901	Screw	4	
8	595060301	Lock nut	4	
9	595055501	Screw, M12x45 mm 8.8 A3K	2	
10	595137801	Washer	4	
11	595179201	Screw, M12x60 mm 8.8 A3K	4	
12	595443001	Square plate	1	
13	595137301	Clamp	1	
14	595054201	Screw, M8x50 mm 8.8 A2K	2	
15	595181401	Lock nut M8	4	
16	594626301	Switch holder	1	
17	594778801	Angle bar	2	
18	595138501	Label	1	D
19	595161901	Label	1	E
20	595476201	Label	1	F
21	595199701	Holder complete	1	
22	594549801	Switch	1	
23	595166801	Sealing sleeve	1	
24	595180501	Screw	4	
25	595391201	Shock absorber	1	
26	595060301	Lock nut	4	
27	595060201	Lock nut	4	
29	595181601	Washer	4	
30	-	Data plate (Not available separately)	1	
31	595449301	Rivet	4	
32	595061101	Washer, 8.4x26x5 mm	2	
33	594600301	Connector	1	

Comments for Page: BE200

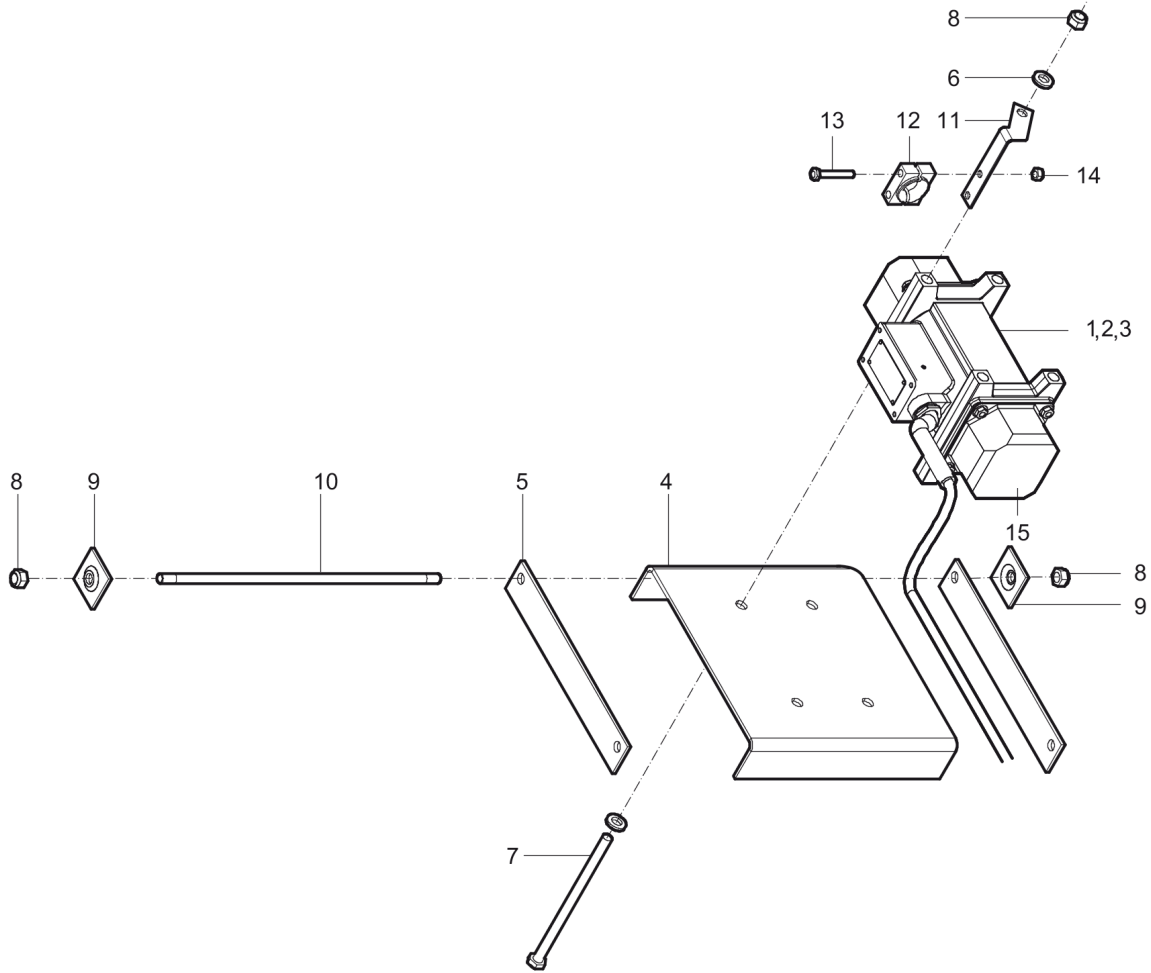
(L)OCAL REMARKS

Refer to the Parts Online web page for most up-to-date information. The printed information might be outdated.

- A | 400V-3-50Hz
- B | 440V-3-50Hz
- C | 380V-3-60Hz
- D | 400V
- E | 380V
- F | 440V
- G |

This page intentionally left blank

Spare parts list BE202



Refer to the Parts Online web page for most up-to-date information. The printed information might be outdated.

Item	Part No.	Name	Qty	L
1	594961201	ER355 Electric vibrator	1	A
2	597139601	ER355 Electric vibrator	1	B
3	597138901	ER355 Electric vibrator	1	C
4	595140301	Motor holder	1	
5	595135901	Plate	2	
6	595182001	Washer	8	
7	595469901	Screw	4	
8	595060301	Lock nut	8	
9	595137801	Washer	4	
10	595137601	Stud	2	
11	595443001	Square plate	1	
12	595137301	Clamp	1	
13	595054201	Screw, M8x50 mm 8.8 A2K	2	
14	595181401	Lock nut M8	2	
15				

Comments for Page: BE202

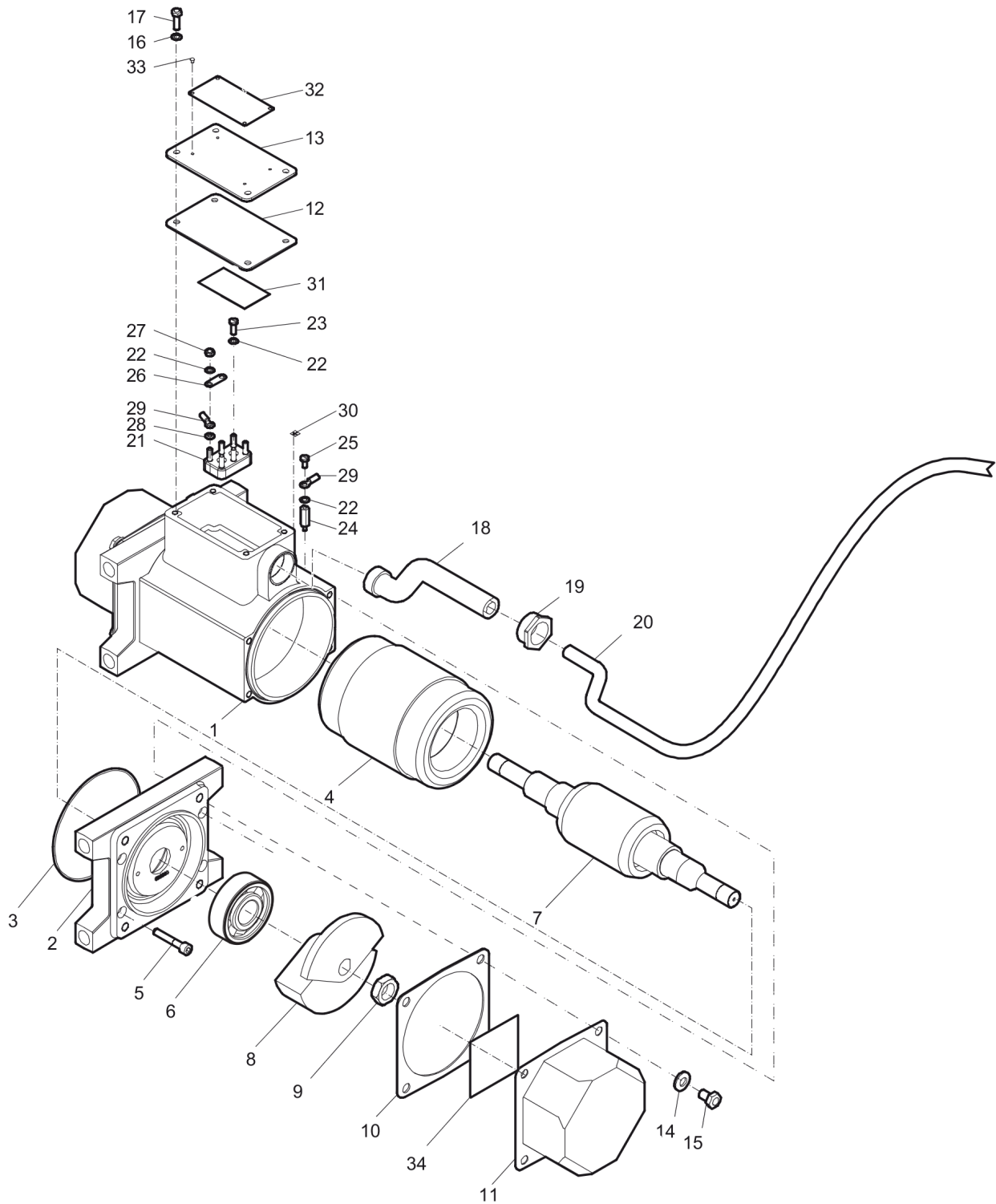
(L)OCAL REMARKS

A | 400V-3-50Hz

B | 380V-3-60Hz

C | 440V-3-50Hz

Spare parts list ER355 Electric vibrator 380V-3-60Hz



Refer to the Parts Online web page for most up-to-date information. The printed information might be outdated.

Item	Part No.	Name	Qty	L
1	595198701	Casing	1	
2	596760801	Flange	2	
3	594792901	O-ring	2	
4	595199001	Stator	1	A
5	595449001	Screw	8	
6	594271801	Bearing	2	
7	595448801	Rotor	1	
8	595199801	Eccentric mass	20	B
9	594792101	Nut	2	
10	594283101	Seal	2	
11	594958601	End cover	2	
12	595444801	Seal	1	
13	596760901	Terminal box cover	1	
14	595060601	Washer	8	
15	595053901	Hex. screw	9	
16	594273501	Washer	4	
17	595053601	Hex. screw	4	
18	595136701	Rubber sleeve	1	
19	595141901	Gland	1	
20	594837801	Cable	1	C
21	594255501	Connection block	1	
22	595182301	Washer	9	
23	595180301	Screw	2	
24	595461201	Spacer	1	
25	595059001	Screw	1	
26	595446601	Connecting strip	3	
27	594791101	Nut	6	
28	595182501	Washer, Ø4 mm	6	
29	594853601	Spade	10	
30	595134901	Label	1	D
31	595454501	Diagram connections	1	
32	-	Data plate (Not available separately)	1	
33	595515901	Rivet	4	
34	595448901	Label	2	E

Comments for Page: ER355 Electric vibrator 380V-3-60Hz

(L)OCAL REMARKS

Refer to the Parts Online web page for most up-to-date information. The printed information might be outdated.

A | 380V-3-60Hz

B | 3600 r.p.m.

C | L= 6.2 m

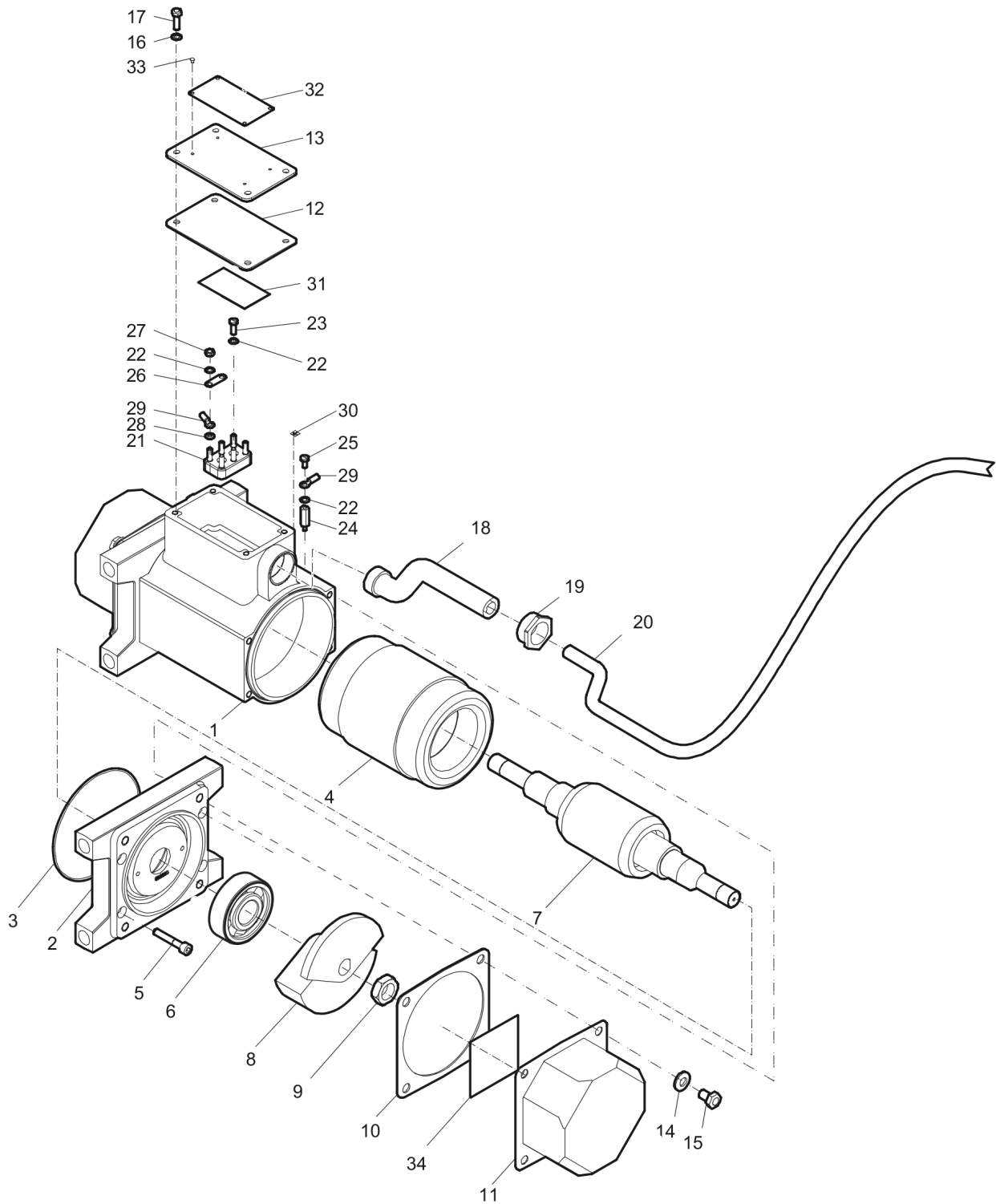
L=20.3 f.t

D | Ground

E | Centrifugal force

This page intentionally left blank

Spare parts list ER355 Electric vibrator 400V-3-50Hz



Refer to the Parts Online web page for most up-to-date information. The printed information might be outdated.

Item	Part No.	Name	Qty	L
1	595198701	Casing	1	
2	596760801	Flange	2	
3	594792901	O-ring	2	
4	595153401	Stator	1	A
5	595449001	Screw	8	
6	594271801	Bearing	2	
7	595448801	Rotor	1	
8	595448701	Eccentric mass	20	B
9	594792101	Nut	2	
10	594283101	Seal	2	
11	594958601	End cover	2	
12	595444801	Seal	1	
13	596760901	Terminal box cover	1	
14	595060601	Washer	8	
15	595053901	Hex. screw	9	
16	594273501	Washer	4	
17	595053601	Hex. screw	4	
18	595136701	Rubber sleeve	1	
19	595141901	Gland	1	
20	594837801	Cable	1	C
21	594255501	Connection block	1	
22	595182301	Washer	9	
23	595180301	Screw	2	
24	595461201	Spacer	1	
25	595059001	Screw	1	
26	595446601	Connecting strip	3	
27	594791101	Nut	6	
28	595182501	Washer, Ø4 mm	6	
29	594853601	Spade	10	
30	595134901	Label	1	D
31	595454501	Diagram connections	1	
32	-	Data plate (Not available separately)	1	
33	595515901	Rivet	4	
34	595448901	Label	2	E

Comments for Page: ER355 Electric vibrator 400V-3-50Hz

(L)OCAL REMARKS

Refer to the Parts Online web page for most up-to-date information. The printed information might be outdated.

A | 400V-3-50Hz

B | 3000 r.p.m.

C | L= 6.2 m

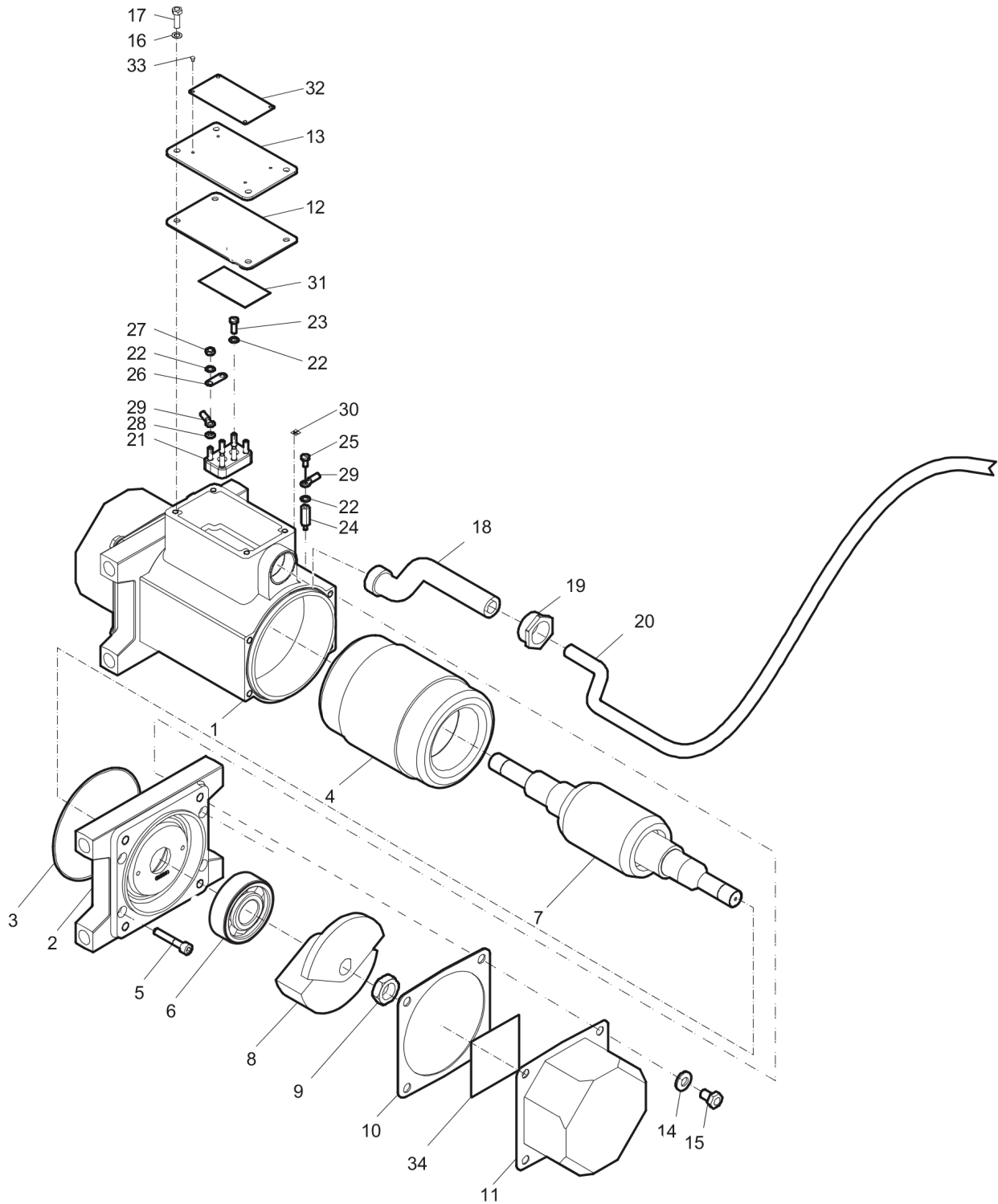
L=20.3 ft.

D | Ground

E | Centrifugal force

This page intentionally left blank

Spare parts list ER355 Electric vibrator 440V-3-50Hz



Refer to the Parts Online web page for most up-to-date information. The printed information might be outdated.

Item	Part No.	Name	Qty	L
1	595198701	Casing	1	
2	596760801	Flange	2	
3	594792901	O-ring	2	
4	595199101	Stator	1	A
5	595449001	Screw	8	
6	594271801	Bearing	2	
7	595448801	Rotor	1	
8	595448701	Eccentric mass	20	B
9	594792101	Nut	2	
10	594283101	Seal	2	
11	594958601	End cover	2	
12	595444801	Seal	1	
13	596760901	Terminal box cover	1	
14	595060601	Washer	8	
15	595053901	Hex. screw	9	
16	594273501	Washer	4	
17	595053601	Hex. screw	4	
18	595136701	Rubber sleeve	1	
19	595141901	Gland	1	
20	594837801	Cable	1	C
21	594255501	Connection block	1	
22	595182301	Washer	9	
23	595180301	Screw	2	
24	595461201	Spacer	1	
25	595059001	Screw	1	
26	595446601	Connecting strip	3	
27	594791101	Nut	6	
28	595182501	Washer, Ø4 mm	6	
29	594853601	Spade	10	
30	595134901	Label	1	D
31	595454501	Diagram connections	1	
32	-	Data plate (Not available separately)	1	
33	595515901	Rivet	4	
34	595448901	Label	2	E

Comments for Page: ER355 Electric vibrator 440V-3-50Hz

(L)OCAL REMARKS

Refer to the Parts Online web page for most up-to-date information. The printed information might be outdated.

A | 400V-3-50Hz

B | 3000 r.p.m.

C | L= 6.2 m

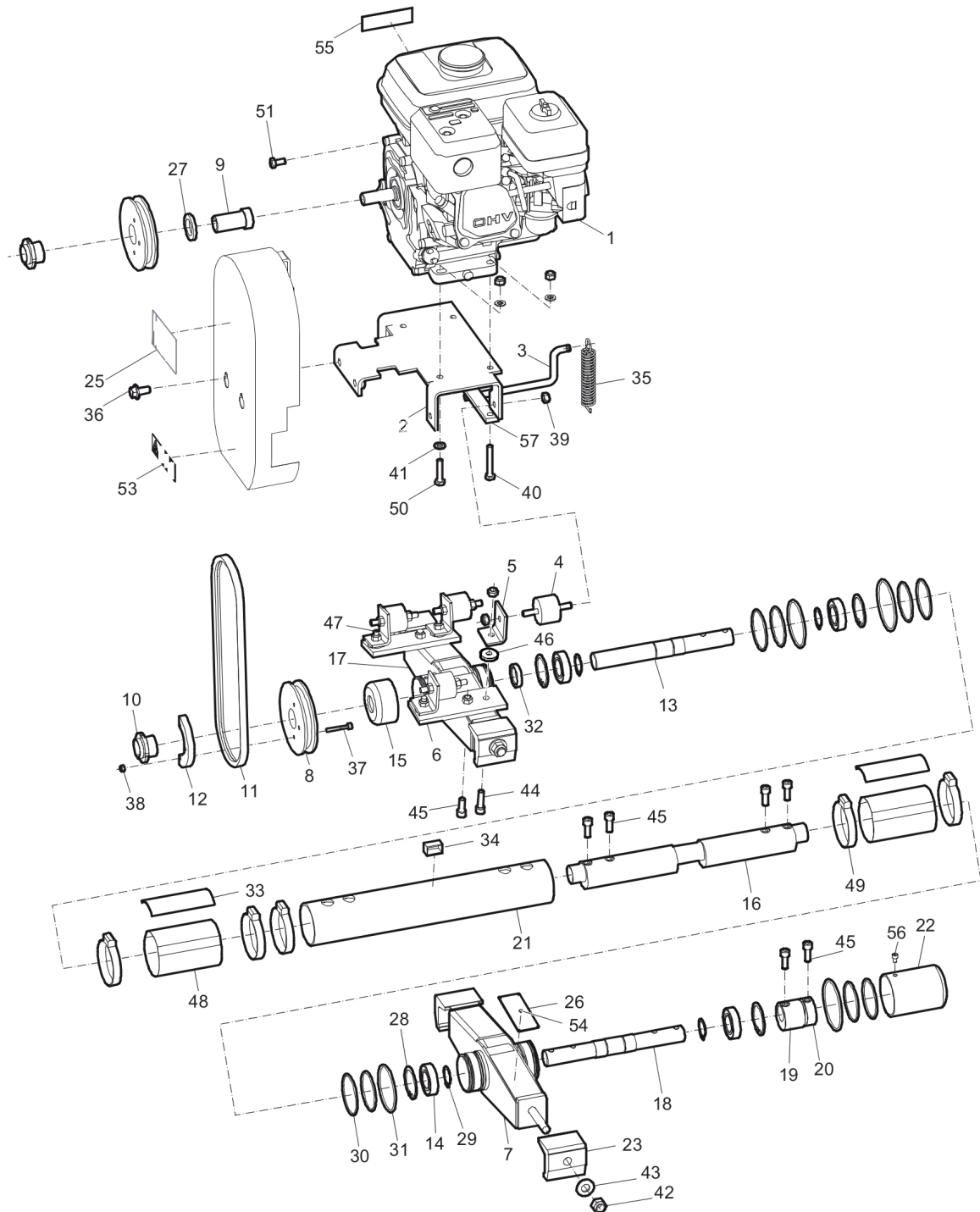
L=20.3 ft.

D | Ground

E | Centrifugal force

This page intentionally left blank

Spare parts list BE30



Refer to the Parts Online web page for most up-to-date information. The printed information might be outdated.

Item	Part No.	Name	Qty	L
1	595198701	Casing	1	
2	595198901	Engine plate	1	
3	595475201	Spring holder	1	
4	595391201	Shock absorber	4	
5	595139601	Angle bar	4	
6	595138801	Plate	2	
7	595211101	Vibrator holder	1	
8	595138701	Pulley	2	
9	594626201	Sleeve	1	
10	595134001	Adapter sleeve	2	
11	595391401	V-belt	1	
12	595138901	Eccentric	1	
13	595135001	Shaft	1	
14	595115901	Ball bearing	4	
15	595138301	Plug	1	
16	595136001	Eccentric shaft	1	
17	594861501	Holder	1	
18	595135101	Shaft	1	
19	595139301	Eccentric 70%	1	
20	595139201	Eccentric 30%	1	
21	595442601	Tube	1	
22	595138401	Plug	1	
23	595138201	Holder	4	
25	594625401	Label	1	
26	-	Data plate (Not available separately)	1	
27	595137201	Spacer	1	
28	595445101	Snap ring	4	
29	595144401	Circlip ring	4	
30	595145201	O-ring 36,2X3-NBR 70SH	8	
31	595117401	O-ring 58 x 3 mm	4	
32	595390901	V-ring	1	
33	595138601	Sealing	2	
34	594245501	Spring holder	1	
35	595139701	Spring	1	
36	-	Screw, M10 x 20 mm DIN6921	2	
37	-	Screw, M5 x 35 mm DIN912	3	
38	595060201	Lock nut	3	
39	595181401	Lock nut M8	18	

Refer to the Parts Online web page for most up-to-date information. The printed information might be outdated.

Item	Part No.	Name	Qty	L
40	-	Screw, M8 x 40 mm DIN933	2	
41	-	Washer	6	A
42	595060301	Lock nut	4	
43	-	Washer	4	B
44	-	Screw, M8 x 30 mm DIN912	2	
45	-	Screw, M8 x 22 mm DIN9128	8	
46	595061101	Washer, 8.4x26x5 mm	4	
47	5954659011	Screw, M8x25 mm 8.8 A2K	2	
48	594223501	Sheet sweep	2	
49	594224301	Clamp	5	
50	-	Screw, M8 x 35 mm DIN931	2	
51	-	Screw, M8 x 16 mm DIN933	2	
53	595201201	Label	1	D
54	594793201	Rivet	4	
55	594627501	Safety label	1	E
56	-	Screw M6 x 20 mm 8.8 A2K	1	
57	-	Plate	1	

Comments for Page: BE30

(L)OCAL REMARKS

A | MU8

B | MU12

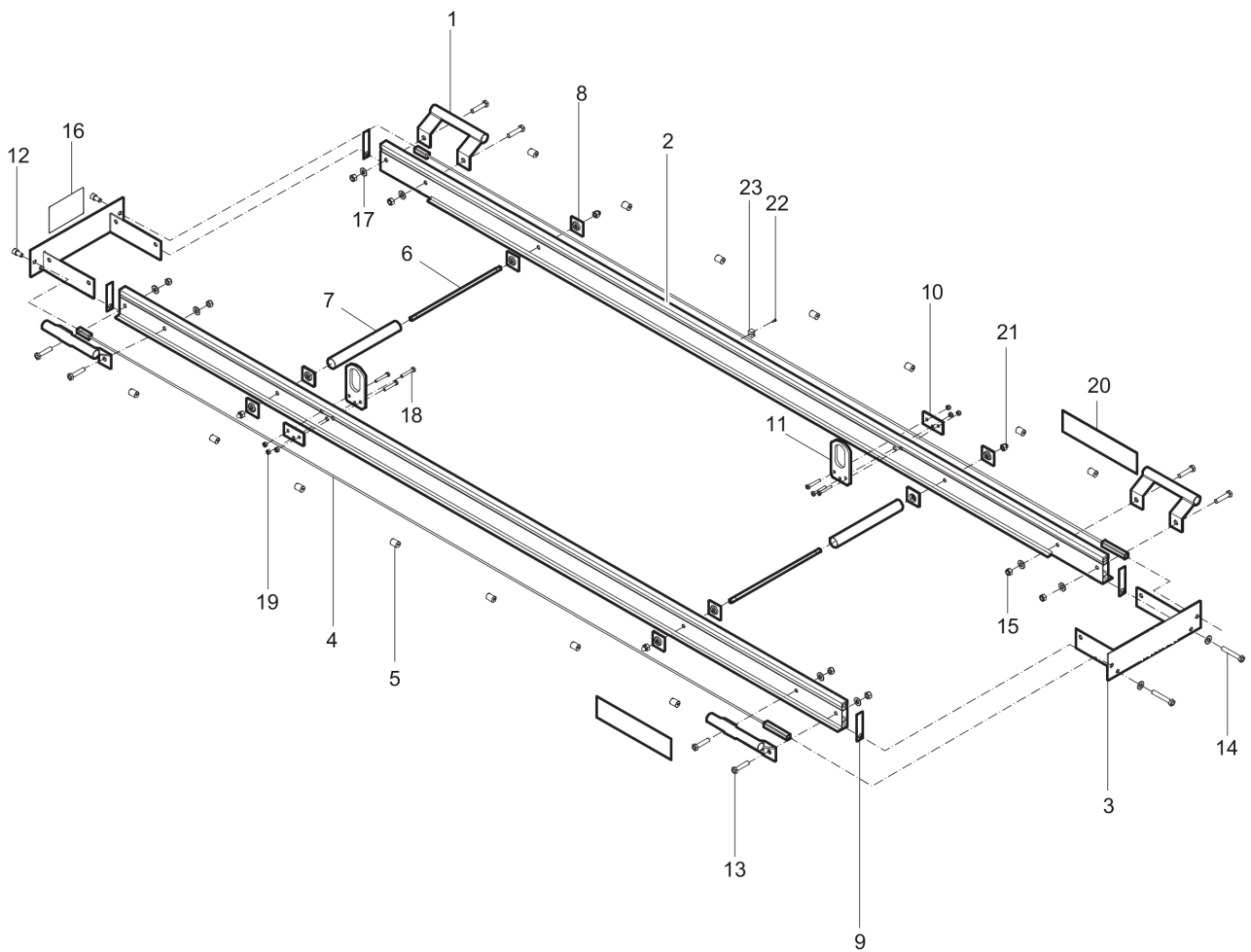
C | W8

D | Pinching

E | Security warnings

This page intentionally left blank

Spare parts list BD32



Refer to the Parts Online web page for most up-to-date information. The printed information might be outdated.

Item	Part No.	Name	Qty	L
1	594861601	Handle	4	
2	595135201	Profile	2	
3	595917101	Beam end	2	
4	595136801	Tie rod	2	
5	595137101	Shock absorber	14	
6	595137601	Stud	2	
7	595137701	Tube	2	
8	595137801	Washer	8	
9	595139901	Sealing	4	
10	595442401	Plate	2	
11	595442501	Lifting eye	2	
12	595449501	Screw	2	
13	595154001	Screw	8	
14	595449601	Screw	2	
15	595060301	Lock nut	8	
16	595212001	Decal logo	2	A
17	595181601	Washer	1	
18	595054201	Screw, M8x50 mm 8.8 A2K	6	
19	595181401	Lock nut M8	6	
20	595391301	Label	2	B
21	594287601	Nut	4	
22	-	Screw M6 x 20 mm 8.8 A2K	1	
23	595153901	Connecting	1	

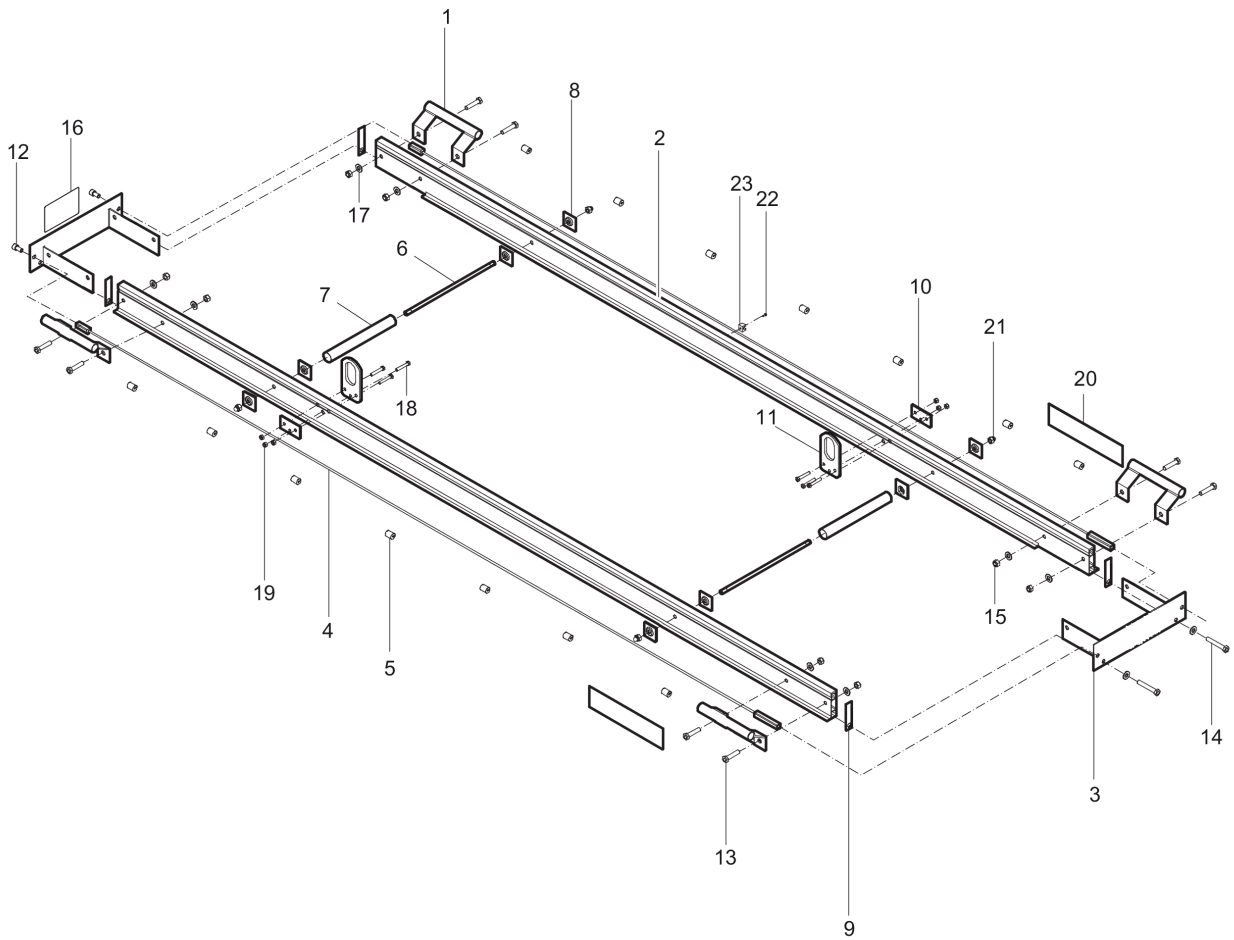
Comments for Page: BD32

(L)OCAL REMARKS

A |

B | Warning

Spare parts list BD42



Refer to the Parts Online web page for most up-to-date information. The printed information might be outdated.

Item	Part No.	Name	Qty	L
1	594861601	Handle	4	
2	595135301	Profile	2	
3	595917101	Beam end	2	
4	595137901	Push rod	2	
5	595137101	Shock absorber	18	
6	595137601	Stud	4	
7	595137701	Tube	4	
8	595137801	Washer	16	
9	595139901	Sealing	4	
10	595442401	Plate	2	
11	595442501	Lifting eye	2	
12	595449501	Screw	2	
13	595154001	Screw	8	
14	595449601	Screw	2	
15	595060301	Lock nut	8	
16	595212001	Decal logo	2	A
17	595181601	Washer	1	
18	595054201	Screw, M8x50 mm 8.8 A2K	6	
19	595181401	Lock nut M8	6	
20	595391301	Label	2	B
21	594287601	Nut	8	
22	-	Screw M6 x 20 mm 8.8 A2K	1	
23	595153901	Connecting	1	

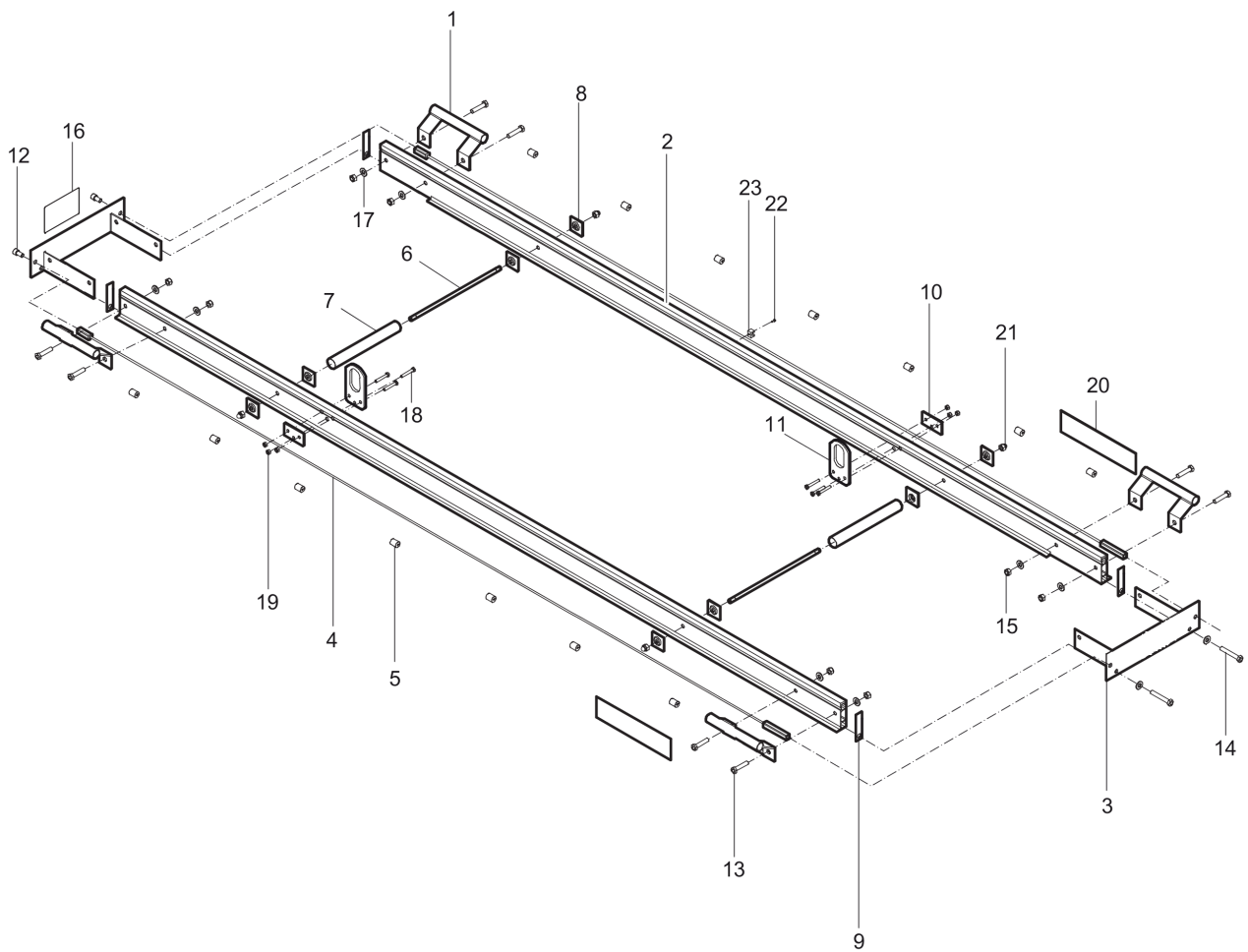
Comments for Page: BD42

(L)OCAL REMARKS

A |

B | Warning

Spare parts list BD52



Refer to the Parts Online web page for most up-to-date information. The printed information might be outdated.

Item	Part No.	Name	Qty	L
1	594861601	Handle	4	
2	595135401	Profile	2	
3	595917101	Beam end	2	
4	595138001	Tie rod	2	
5	595137101	Shock absorber	22	
6	595137601	Stud	4	
7	595137701	Tube	4	
8	595137801	Washer	16	
9	595139901	Sealing	4	
10	595442401	Plate	2	
11	595442501	Lifting eye	2	
12	595449501	Screw	2	
13	595154001	Screw	8	
14	595449601	Screw	2	
15	595060301	Lock nut	8	
16	595212001	Decal logo	2	A
17	595181601	Washer	1	
18	595054201	Screw, M8x50 mm 8.8 A2K	6	
19	595181401	Lock nut M8	6	
20	595391301	Label	2	B
21	594287601	Nut	8	
22	-	Screw M6 x 20 mm 8.8 A2K	1	
23	594287601	Nut	1	

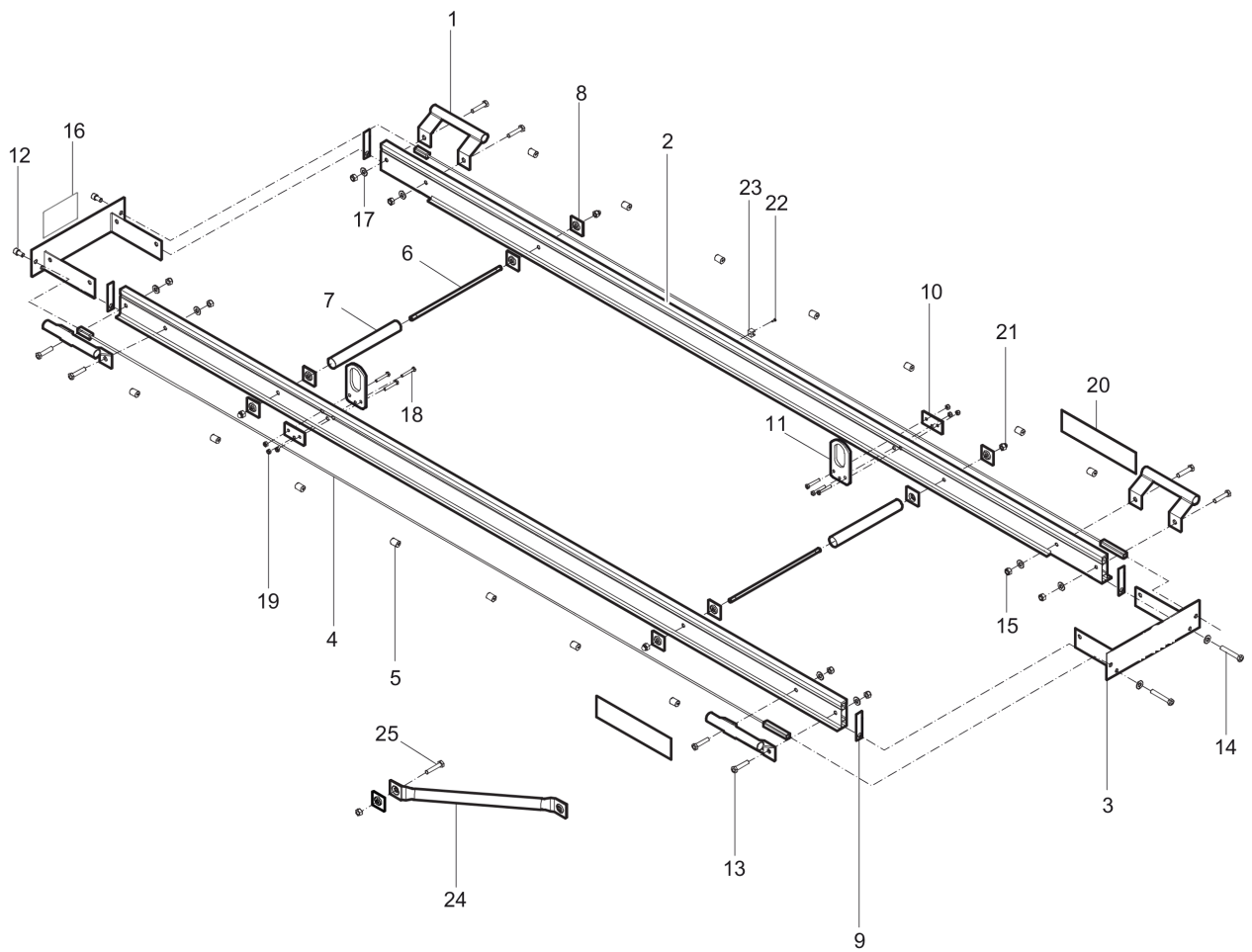
Comments for Page: BD52

(L)OCAL REMARKS

A |

B | Warning

Spare parts list BD62



Refer to the Parts Online web page for most up-to-date information. The printed information might be outdated.

Item	Part No.	Name	Qty	L
1	594861601	Handle	4	
2	595135401	Profile	2	
3	595917101	Beam end	2	
4	595138001	Tie rod	2	
5	595137101	Shock absorber	22	
6	595137601	Stud	4	
7	595137701	Tube	4	
8	595137801	Washer	16	
9	595139901	Sealing	4	
10	595442401	Plate	2	
11	595442501	Lifting eye	2	
12	595449501	Screw	2	
13	595154001	Screw	8	
14	595449601	Screw	2	
15	595060301	Lock nut	10	
16	595212001	Decal logo	2	A
17	595181601	Washer	1	
18	595054201	Screw, M8x50 mm 8.8 A2K	6	
19	595181401	Lock nut M8	6	
20	595391301	Label	2	B
21	594287601	Nut	8	
22	-	Screw M6 x 20 mm 8.8 A2K	1	
23	595153901	Connecting	1	
24	595476801	Bracket	2	
25	595466501	Screw M12x60H 8,8	2	

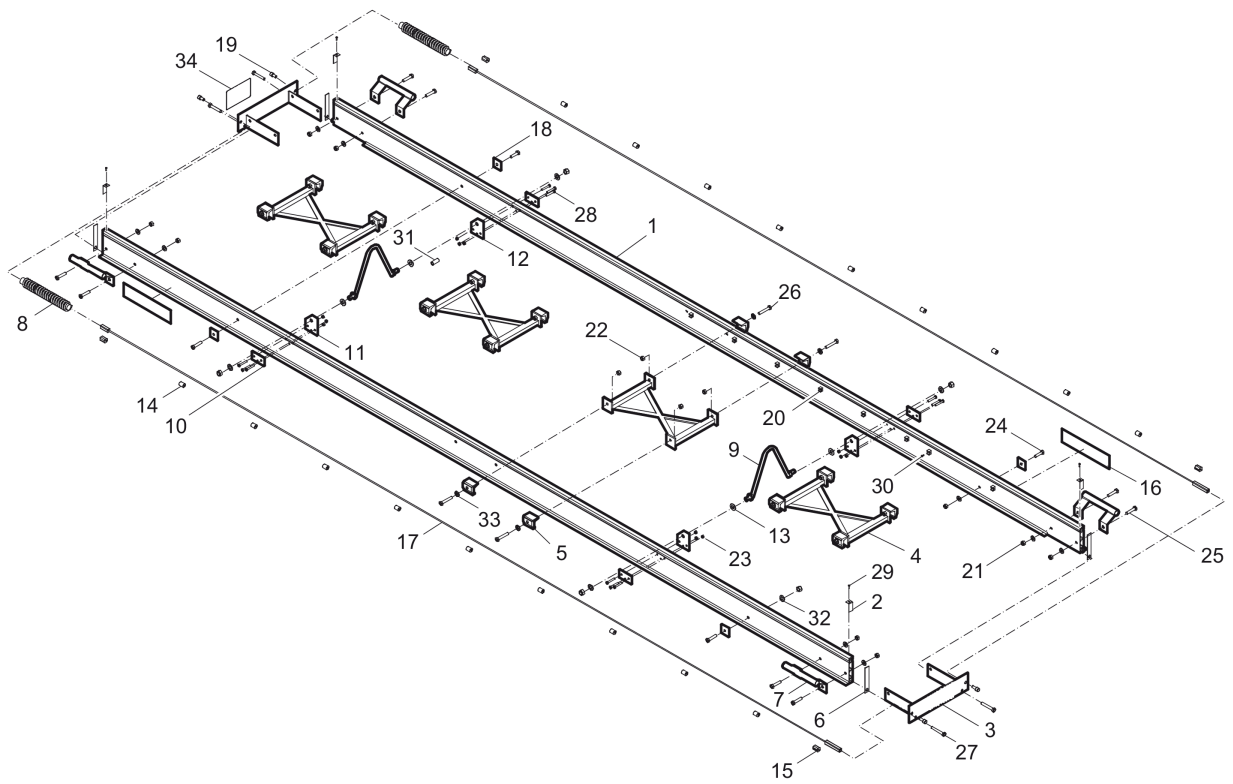
Comments for Page: BD62

(L)OCAL REMARKS

A |

B | Warning

Spare parts list BD520



Refer to the Parts Online web page for most up-to-date information. The printed information might be outdated.

Item	Part No.	Name	Qty	L
1	595135501	Profil	2	
2	595139501	Plate	4	
3	595917101	Beam end	2	
4	595199301	Cross holder	4	
5	595138201	Holder	16	
6	595139801	Sealing	4	
7	594861601	Handle	4	
8	595137501	Handle complete	2	
9	595392401	Lifting eye	2	
10	595442401	Plate	4	
11	595140101	Lifting eye holder	2	
12	595442701	Lifting eye holder	2	
13	595140001	Rubber washer	4	
14	595137101	Shock absorber	18	
15	595139401	Shock absorber	4	
16	595391301	Label	2	A
17	595138001	Tie rod	2	
18	595137001	Washer	4	
19	595449501	Screw	4	
20	595153901	Connecting	8	
21	595060301	Lock nut	24	
22	595466801	Lock nut	16	
23	595181401	Lock nut M8	12	
24	595055501	Screw, M12x45 mm 8.8 A3K	4	
25	595154001	Screw	8	
26	595154101	Screw	16	
27	595449601	Screw	4	
28	595054201	Screw, M8x50 mm 8.8 A2K	12	
29	595153101	Screw	4	
30	595153801	Tapping screw	8	
31	595391101	Hose, 40 mm, 1.57 in.	1	
32	595181601	Washer	24	
33	595060801	Washer	1	
34	595212001	Decal logo	2	B

Comments for Page: BD520

(L)OCAL REMARKS

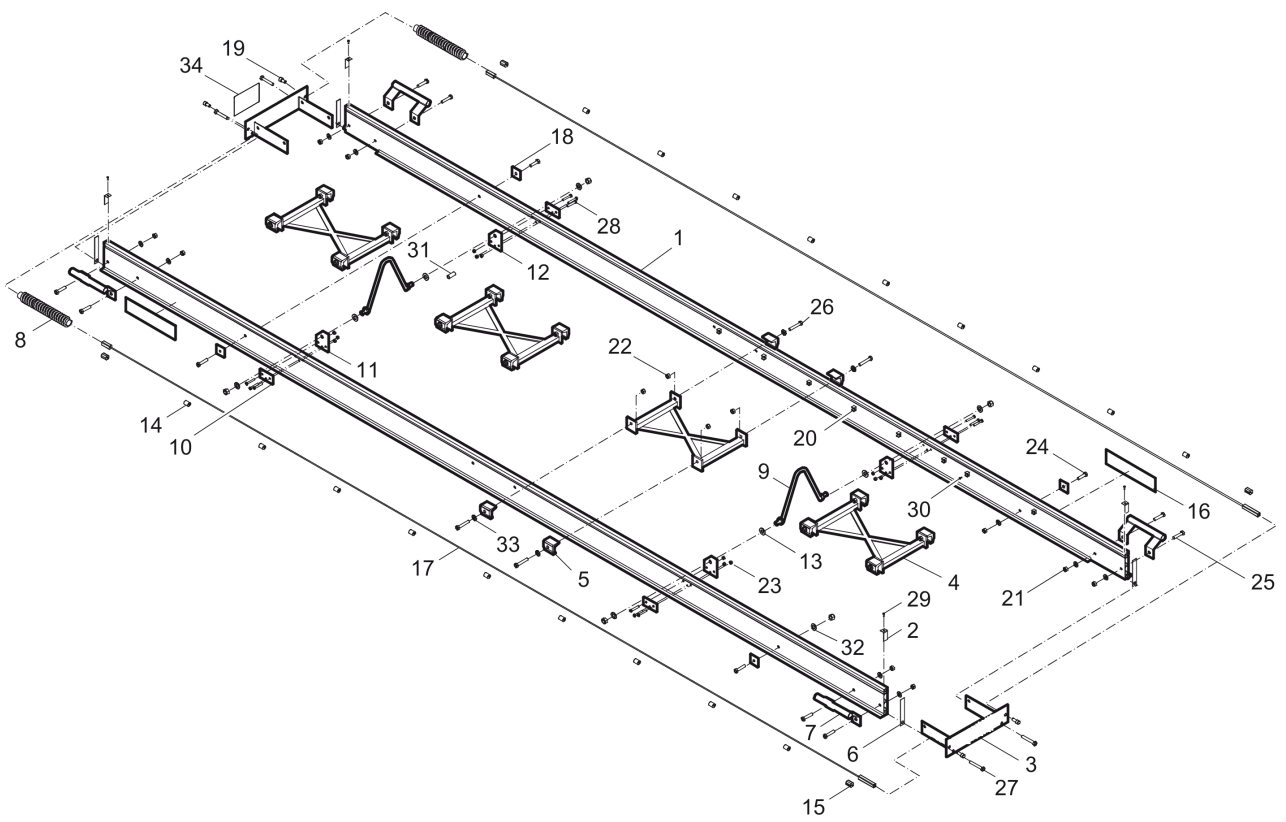
Refer to the Parts Online web page for most up-to-date information. The printed information might be outdated.

A | Instructions

B |

This page intentionally left blank

Spare parts list BD620



Refer to the Parts Online web page for most up-to-date information. The printed information might be outdated.

Item	Part No.	Name	Qty	L
1	595135601	Profil	2	
2	595139501	Plate	4	
3	595917101	Beam end	2	
4	595199301	Cross holder	4	
5	595138201	Holder	16	
6	595139801	Sealing	4	
7	594861601	Handle	4	
8	595137501	Handle complete	2	
9	595392401	Lifting eye	2	
10	595442401	Plate	4	
11	595140101	Lifting eye holder	2	
12	595442701	Lifting eye holder	2	
13	595140001	Rubber washer	4	
14	595137101	Shock absorber	22	
15	595139401	Shock absorber	4	
16	595391301	Label	2	A
17	595138101	Push rod	2	
18	595137001	Washer	4	
19	595449501	Screw	4	
20	595153901	Connecting	10	
21	595060301	Lock nut	24	
22	595449501	Screw	16	
23	595181401	Lock nut M8	12	
24	595055501	Screw, M12x45 mm 8.8 A3K	4	
25	595154001	Screw	8	
26	595154101	Screw	16	
27	595449601	Screw	4	
28	595054201	Screw, M8x50 mm 8.8 A2K	12	
29	595153101	Screw	4	
30	595153801	Tapping screw	10	
31	595391101	Hose, 40 mm, 1.57 in.	1	
32	595181601	Washer	24	
33	595060801	Washer	1	
34	595212001	Decal logo	2	B

Comments for Page: BD620

(L)OCAL REMARKS

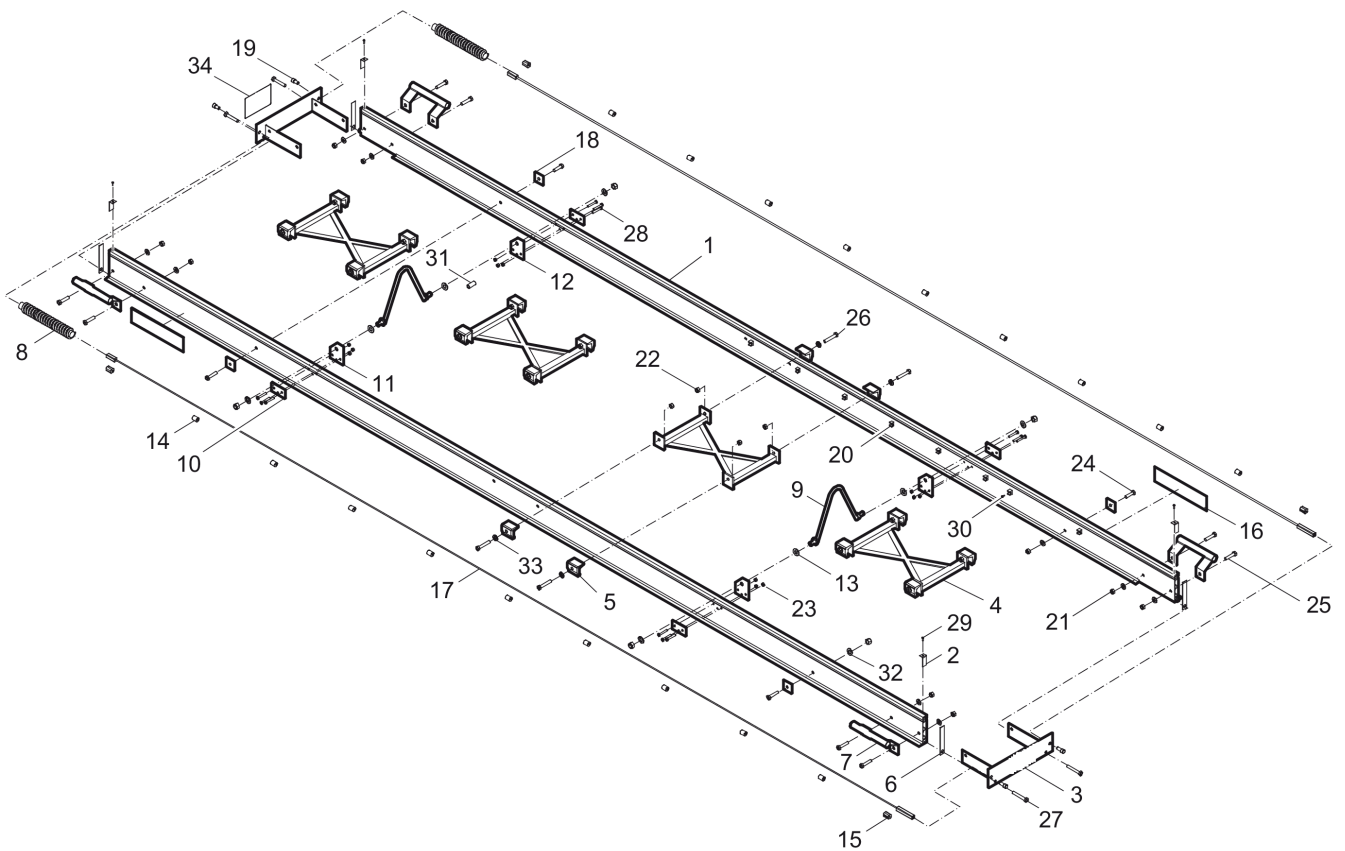
Refer to the Parts Online web page for most up-to-date information. The printed information might be outdated.

A | Instructions

B |

This page intentionally left blank

Spare parts list BD720



Refer to the Parts Online web page for most up-to-date information. The printed information might be outdated.

Item	Part No.	Name	Qty	L
1	595135701	Profil	2	
2	595139501	Plate	4	
3	595917101	Beam end	2	
4	595199301	Cross holder	4	
5	595138201	Holder	16	
6	595139801	Sealing	4	
7	594861601	Handle	4	
8	595137501	Handle complete	2	
9	595392401	Lifting eye	2	
10	595442401	Plate	4	
11	595140101	Lifting eye holder	2	
12	595442701	Lifting eye holder	2	
13	595140001	Rubber washer	4	
14	595137101	Shock absorber	26	
15	595139401	Shock absorber	4	
16	595391301	Label	2	A
17	595392701	Push rod	2	
18	595137001	Washer	4	
19	595449501	Screw	4	
20	595153901	Connecting	12	
21	595060301	Lock nut	24	
22	595466801	Lock nut	16	
23	595181401	Lock nut M8	12	
24	595055501	Screw, M12x45 mm 8.8 A3K	4	
25	595154001	Screw	8	
26	595154101	Screw	16	
27	595449601	Screw	4	
28	595054201	Screw, M8x50 mm 8.8 A2K	12	
29	595153101	Screw	4	
30	595153801	Tapping screw	12	
31	595391101	Hose, 40 mm, 1.57 in.	1	
32	595181601	Washer	24	
33	595060801	Washer	1	
34	595212001	Decal logo	2	B

Comments for Page: BD720

(L)OCAL REMARKS

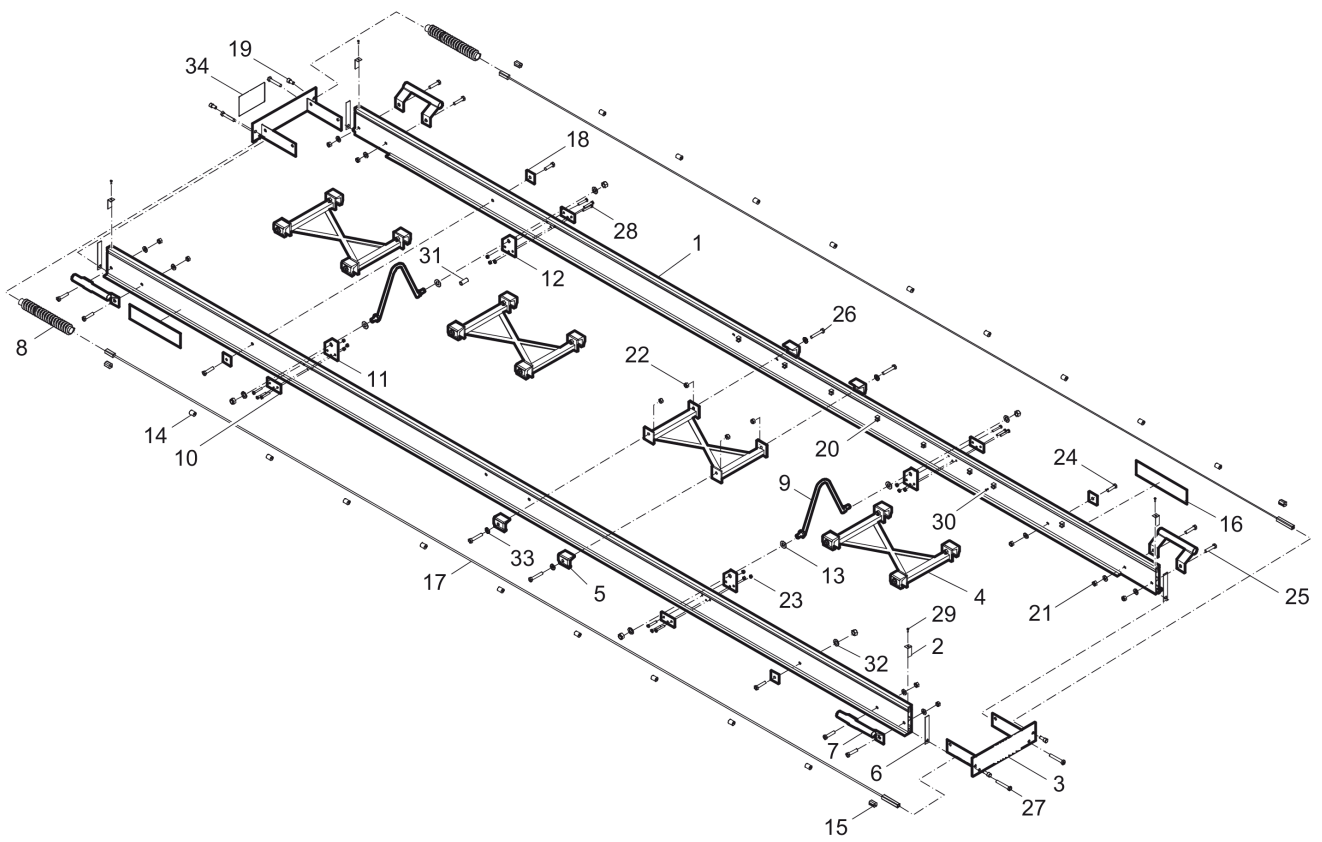
Refer to the Parts Online web page for most up-to-date information. The printed information might be outdated.

A | Instructions

B |

This page intentionally left blank

Spare parts list BD800



Refer to the Parts Online web page for most up-to-date information. The printed information might be outdated.

Item	Part No.	Name	Qty	L
1	595135801	Profil	2	
2	595139501	Plate	4	
3	595917101	Beam end	2	
4	595199301	Cross holder	4	
5	595138201	Holder	16	
6	595139801	Sealing	4	
7	594861601	Handle	4	
8	595137501	Handle complete	2	
9	595392401	Lifting eye	2	
10	595442401	Plate	4	
11	595140101	Lifting eye holder	2	
12	595442701	Lifting eye holder	2	
13	595140001	Rubber washer	4	
14	595137101	Shock absorber	30	
15	595139401	Shock absorber	4	
16	595391301	Label	2	A
17	595139101	Push rod	2	
18	595137001	Washer	4	
19	595449501	Screw	4	
20	595153901	Connecting	14	
21	595060301	Lock nut	24	
22	595466801	Lock nut	16	
23	595181401	Lock nut M8	12	
24	595055501	Screw, M12x45 mm 8.8 A3K	4	
25	595154001	Screw	8	
26	595154101	Screw	16	
27	595449601	Screw	4	
28	595054201	Screw, M8x50 mm 8.8 A2K	12	
29	595153101	Screw	4	
30	595153801	Tapping screw	14	
31	595391101	Hose, 40 mm, 1.57 in.	1	
32	595181601	Washer	24	
33	595060801	Washer	1	
34	595212001	Decal logo	2	B

Comments for Page: BD800

(L)OCAL REMARKS

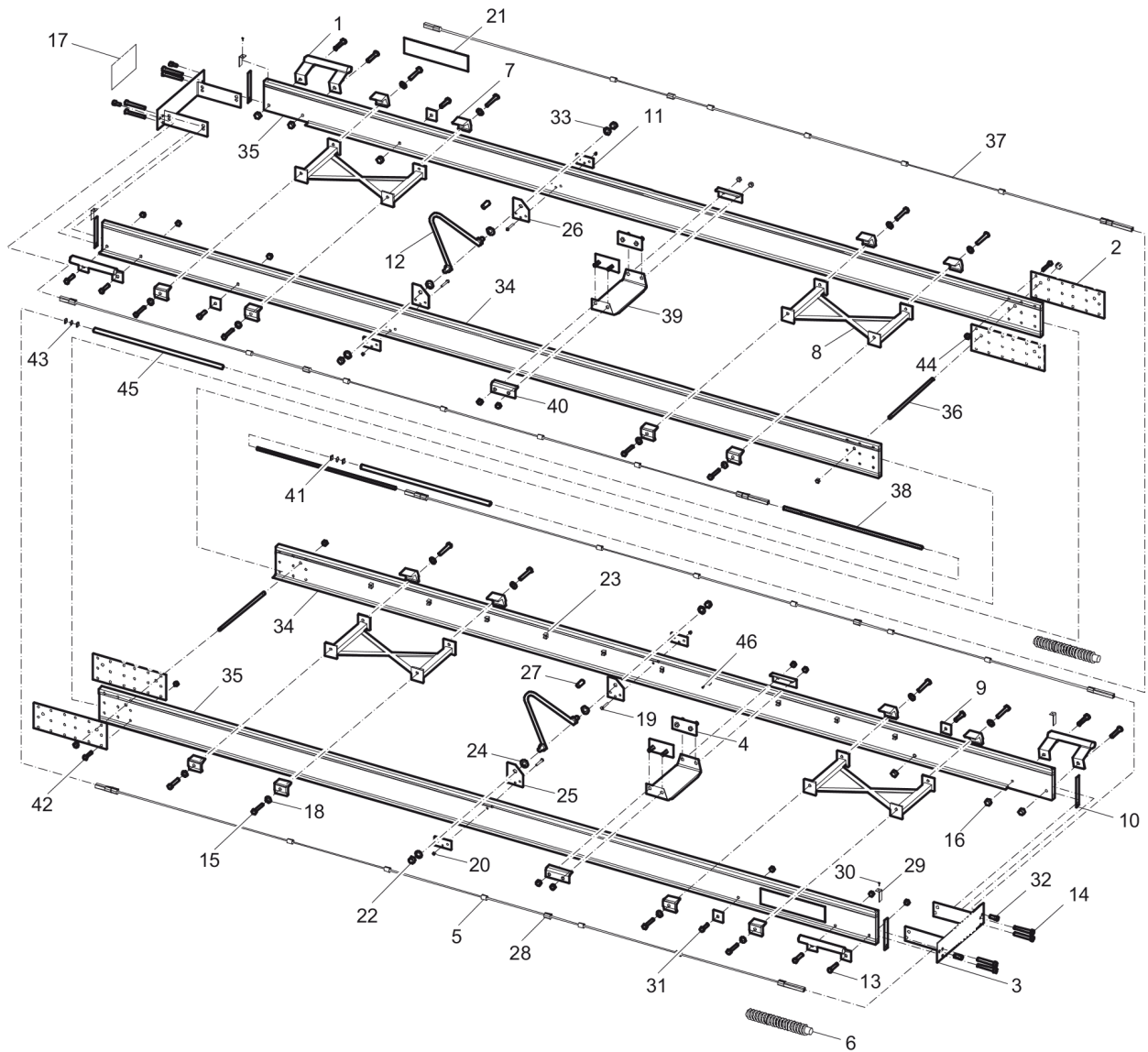
Refer to the Parts Online web page for most up-to-date information. The printed information might be outdated.

A | Instructions

B |

This page intentionally left blank

Spare parts list BD802



Refer to the Parts Online web page for most up-to-date information. The printed information might be outdated.

Item	Part No.	Name	Qty	L
1	594861601	Handle	4	
2	595199501	Jointing plate	4	
3	595199401	Beam end	2	
4	595137401	Clamping plate	4	
5	595137101	Shock absorber	40	
6	595137101	Shock absorber	2	
7	595138201	Holder	16	
8	595199301	Cross holder	4	
9	595137001	Washer	4	
10	595139801	Sealing	4	
11	595442401	Plate	4	
12	595392401	Lifting eye	2	
13	595154001	Screw	8	
14	595449601	Screw	8	
15	595154101	Screw	16	
16	595060301	Lock nut	34	
17	595212001	Decal logo	2	A
18	595181601	Washer	16	
19	595054201	Screw, M8x50 mm 8.8 A2K	12	
20	595181401	Lock nut M8	12	
21	595391301	Label	2	B
22	595466801	Lock nut	4	
23	595153901	Connecting	17	
24	595140001	Rubber washer	4	
25	595140101	Lifting eye holder	2	
26	595442701	Lifting eye holder	2	
27	595391101	Hose, 40 mm, 1.57 in.	2	
28	595139401	Shock absorber	32	
29	595139501	Plate	4	
30	595153101	Screw	4	
31	595054901	Hex. screw	4	
32	595449401	Screw	4	
33	595060801	Washer	4	
34	-	Profile	2	
35	-	Profile	2	
36	595137601	Stud	2	
37	595139001	Push rod	8	
38	595136901	Push rod	4	

Refer to the Parts Online web page for most up-to-date information. The printed information might be outdated.

Item	Part No.	Name	Qty	L
39	595199601	Spacer	2	
40	594778801	Angle bar	4	
41	595145101	Gasket	5	
42	595056001	Screw	36	
43	595516501	O-ring	2	
44	595181501	Lock nut M10	36	
45	595391101	Hose, 40 mm, 1.57 in.	2	
46	595153801	Tapping screw	17	

Comments for Page: BD802

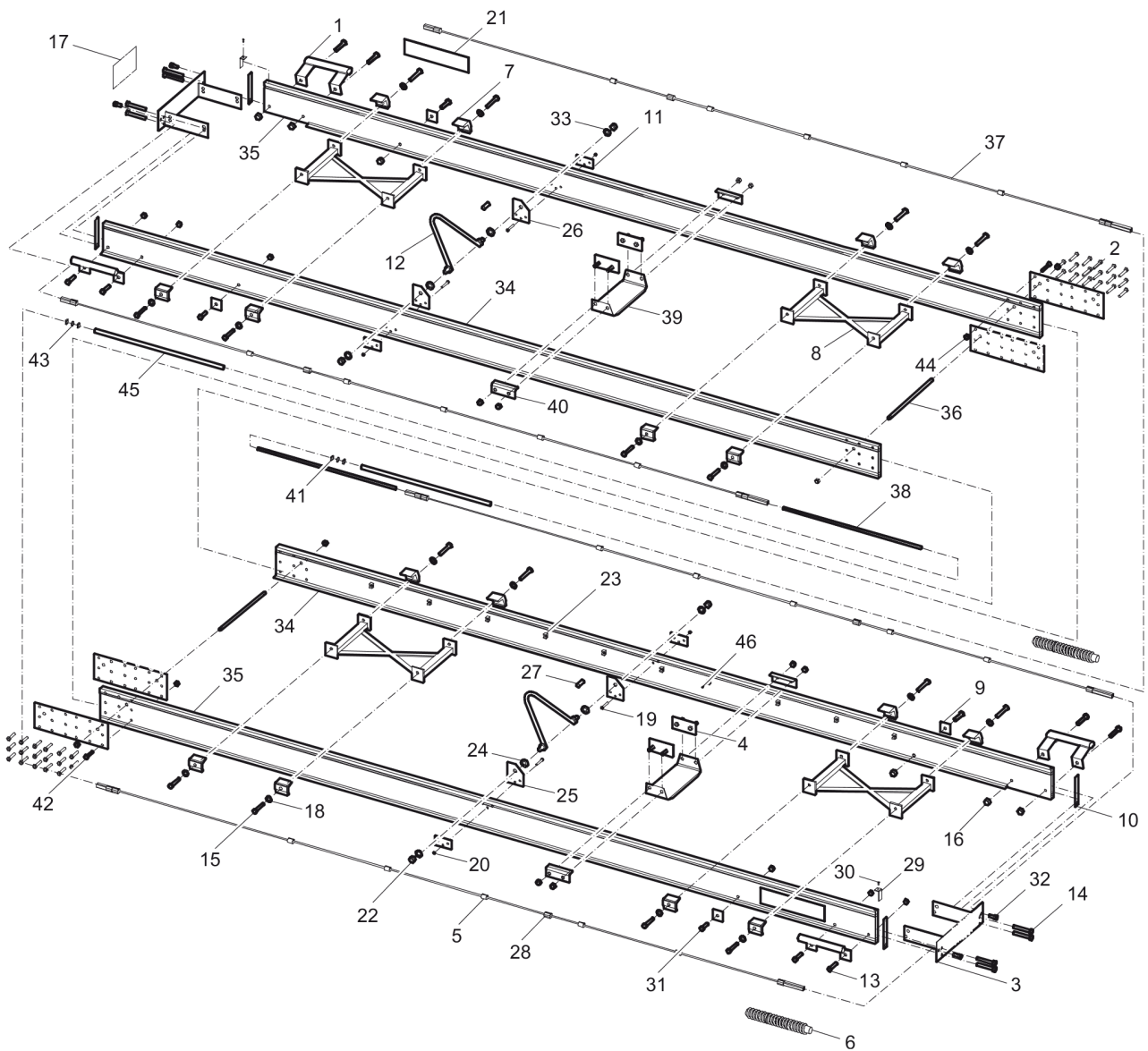
(L)OCAL REMARKS

A |

B | Instructions

This page intentionally left blank

Spare parts list BD842



Refer to the Parts Online web page for most up-to-date information. The printed information might be outdated.

Item	Part No.	Name	Qty	L
1	594861601	Handle	4	
2	595199501	Jointing plate	4	
3	595199401	Beam end	2	
4	595137401	Clamping plate	4	
5	595137101	Shock absorber	56	
6	595137501	Handle complete	2	
7	595138201	Holder	16	
8	595199301	Cross holder	4	
9	595137001	Washer	4	
10	595139801	Sealing	4	
11	595442401	Plate	4	
12	595392401	Lifting eye	2	
13	595154001	Screw	8	
14	595449601	Screw	8	
15	595154101	Screw	16	
16	595060301	Lock nut	34	
17	595212001	Decal logo	2	A
18	595181601	Washer	16	
19	595054201	Screw, M8x50 mm 8.8 A2K	12	
20	595181401	Lock nut M8	12	
21	595391301	Label	2	B
22	595466801	Lock nut	4	
23	595153901	Connecting	17	
24	595140001	Rubber washer	4	
25	595140101	Lifting eye holder	2	
26	595442701	Lifting eye holder	2	
27	595391101	Hose, 40 mm, 1.57 in.	2	
28	595139401	Shock absorber	32	
29	595139501	Plate	4	
30	595153101	Screw	4	
31	595054901	Hex. screw	4	
32	595449501	Screw	4	
33	595060801	Washer	4	
34	-	Profile	2	
35	-	Profile	2	
36	595137601	Stud	2	
37	595137901	Push rod	8	
38	595136901	Push rod	4	

Refer to the Parts Online web page for most up-to-date information. The printed information might be outdated.

Item	Part No.	Name	Qty	L
39	595199601	Spacer	2	
40	594778801	Angle bar	4	
41	595145101	Gasket	5	
42	595056001	Screw	36	
43	595516501	O-ring	2	
44	595181501	Lock nut M10	36	
45	595391101	Hose, 40 mm, 1.57 in.	2	
46	595153801	Tapping screw	17	

Comments for Page: BD842

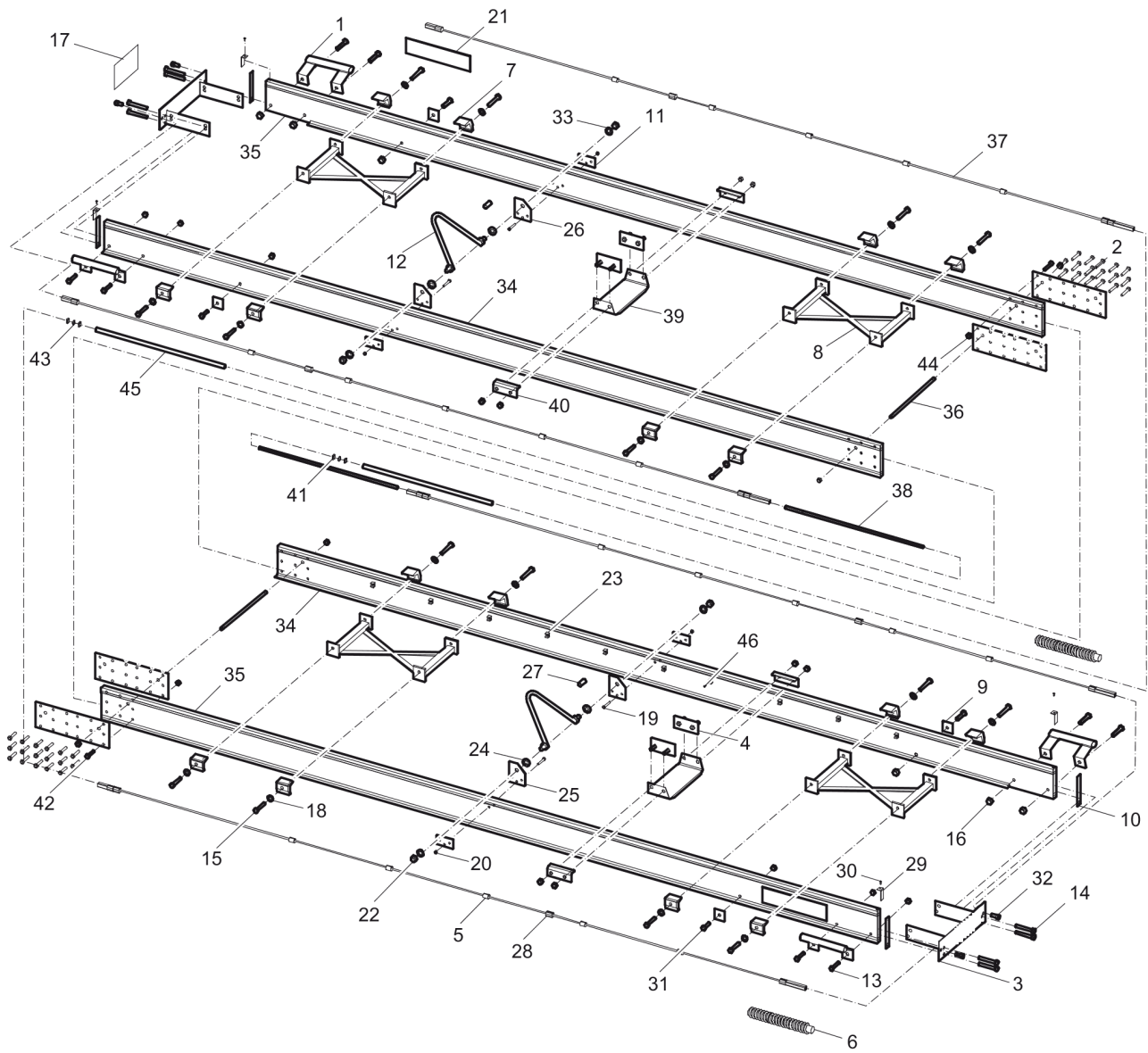
(L)OCAL REMARKS

A |

B | Instructions

This page intentionally left blank

Spare parts list BD942



Refer to the Parts Online web page for most up-to-date information. The printed information might be outdated.

Item	Part No.	Name	Qty	L
1	594861601	Handle	4	
2	595199501	Jointing plate	4	
3	595199401	Beam end	2	
4	595137401	Clamping plate	4	
5	595137101	Shock absorber	64	
6	595137501	Handle complete	2	
7	595138201	Holder	16	
8	595199301	Cross holder	4	
9	595137001	Washer	4	
10	595139801	Sealing	4	
11	595442401	Plate	4	
12	595392401	Lifting eye	2	
13	595154001	Screw	8	
14	595449601	Screw	8	
15	595154101	Screw	16	
16	595060301	Lock nut	34	
17	595212001	Decal logo	2	A
18	595181601	Washer	16	
19	595054201	Screw, M8x50 mm 8.8 A2K	12	
20	595181401	Lock nut M8	12	
21	595391301	Label	2	B
22	595466801	Lock nut	4	
23	595153901	Connecting	17	
24	595140001	Rubber washer	4	
25	595140101	Lifting eye holder	2	
26	595442701	Lifting eye holder	2	
27	595391101	Hose, 40 mm, 1.57 in.	2	
28	595139401	Shock absorber	32	
29	595139501	Plate	4	
30	595153101	Screw	4	
31	595054901	Hex. screw	4	
32	595449501	Screw	4	
33	595060801	Washer	4	
34	-	Profile	2	
35	-	Profile	2	
36	595137601	Stud	2	
37	595442201	Push rod	8	
38	595136901	Push rod	4	

Refer to the Parts Online web page for most up-to-date information. The printed information might be outdated.

Item	Part No.	Name	Qty	L
39	595199601	Spacer	2	
40	594778801	Angle bar	4	
41	595145101	Gasket	5	
42	595056001	Screw	36	
43	595516501	O-ring	2	
44	595181501	Lock nut M10	36	
45	595391101	Hose, 40 mm, 1.57 in.	2	
46	595153801	Tapping screw	17	

Comments for Page: BD942

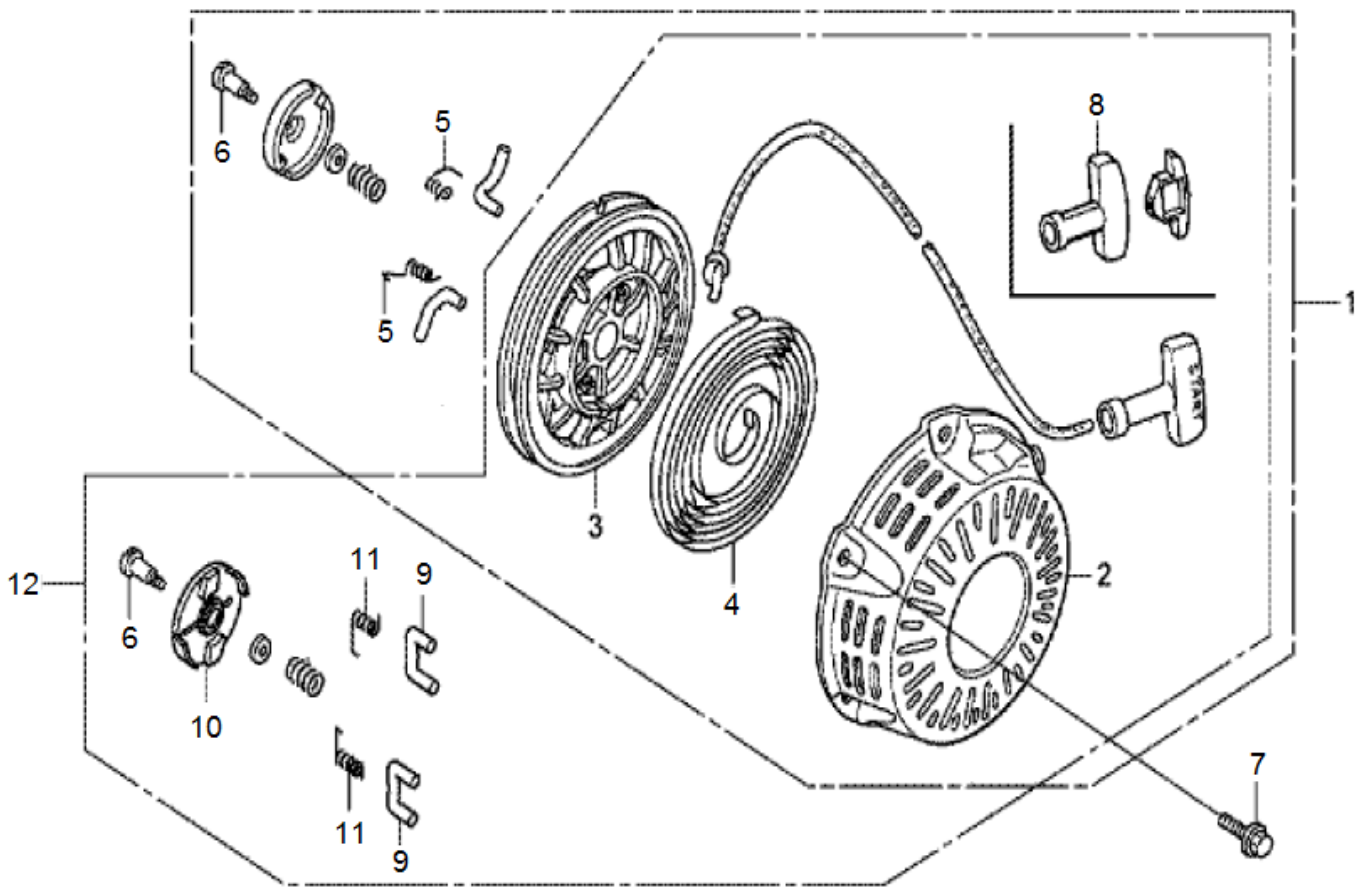
(L)OCAL REMARKS

A |

B | Instructions

This page intentionally left blank

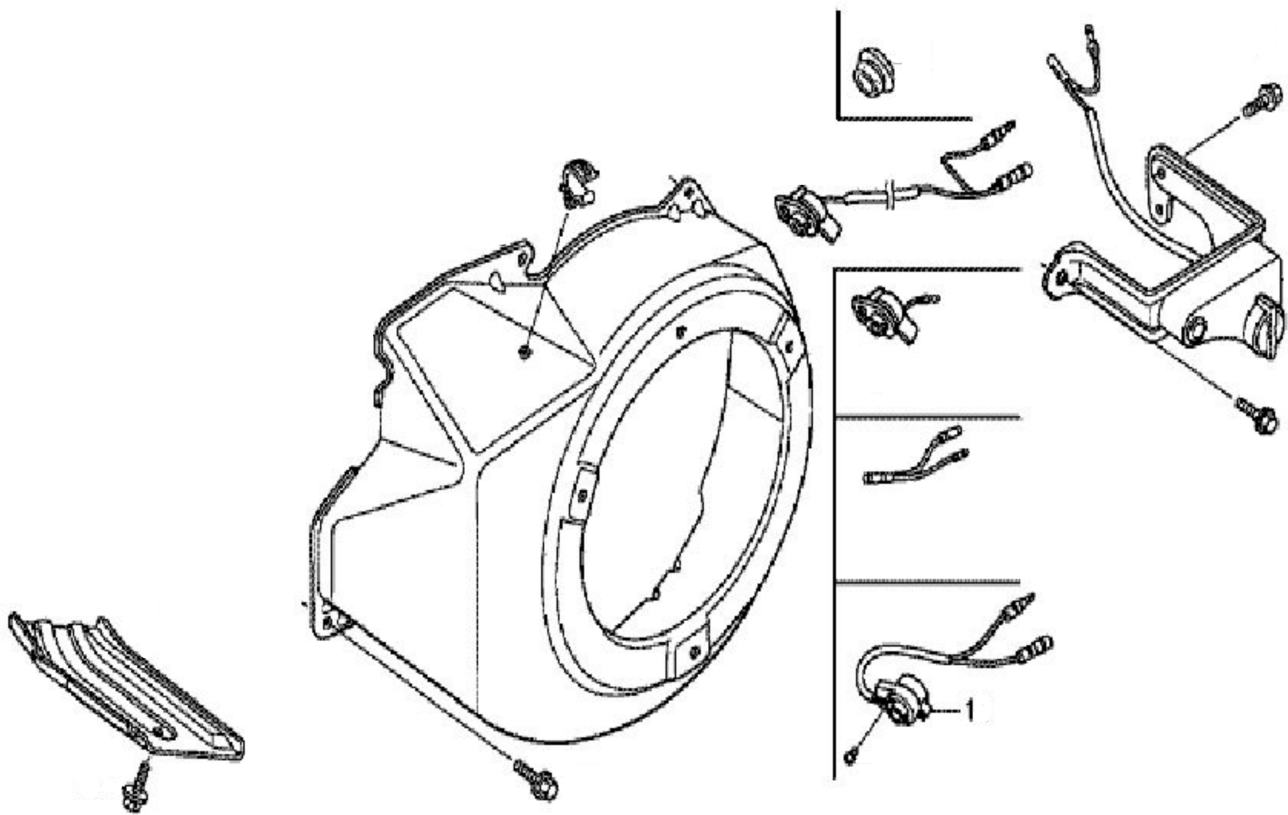
Engine Recoil starter



Refer to the Parts Online web page for most up-to-date information. The printed information might be outdated.

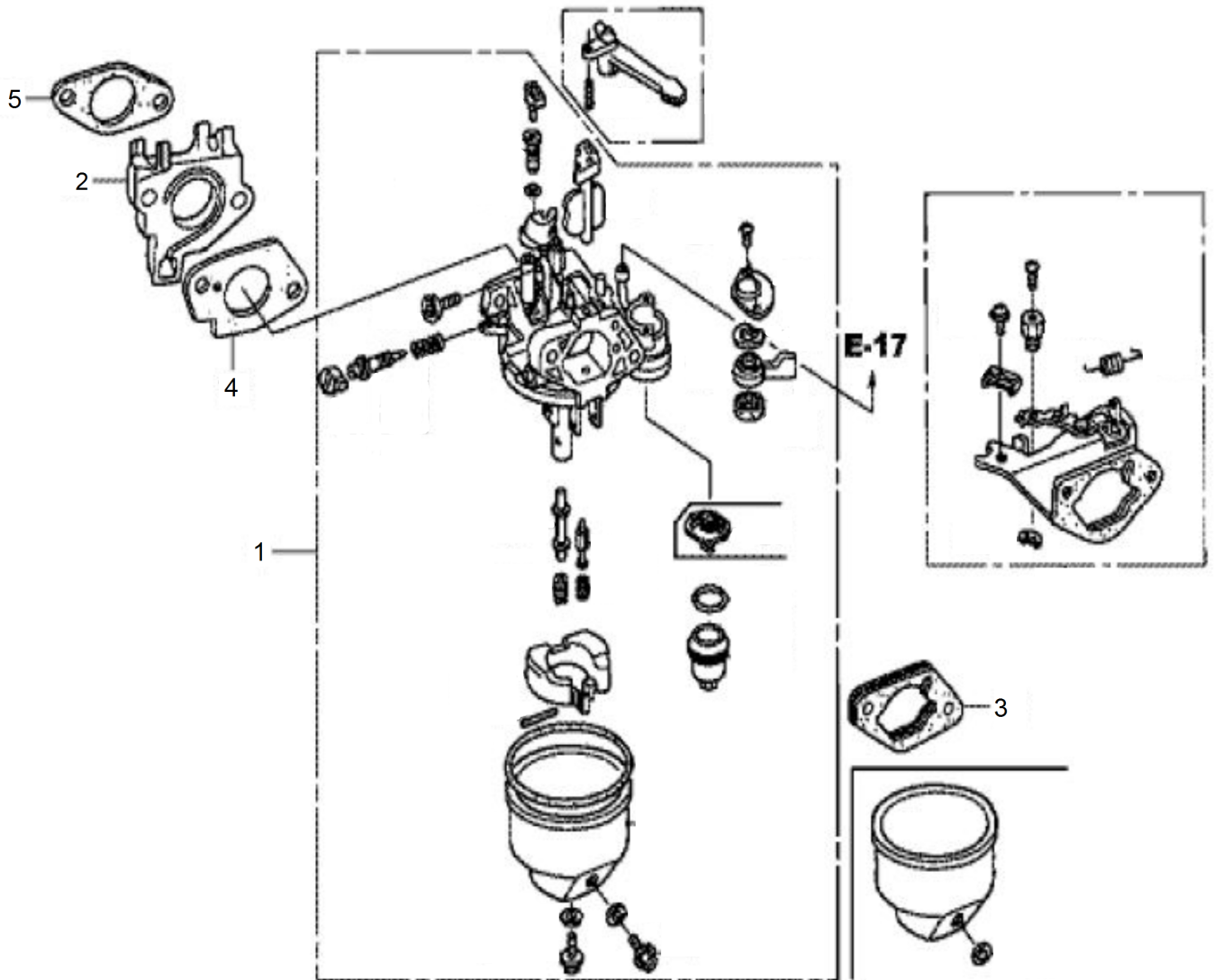
Item	Part No.	Name	Qty	L
1	594204801	Starter assy., recoil *nh1*	1	
2	595375001	Case comp., recoil starter *nh1*	1	
3	595194501	Reel, recoil starter	1	
4	594190101	Spring	1	
5	595381601	Spring, return	2	
6	595381301	Adjustment screw	1	
7	595378201	Bolt, flange, 6x10	3	
8	595132101	Knob, recoil starter	1	
9	595473701	Ratchet, starter	2	
10	595473801	Guide, ratchet	1	
11	595473901	Spring, return	2	
12	595474001	Starter assy., recoil *nh1*	1	

Engine Fan cover



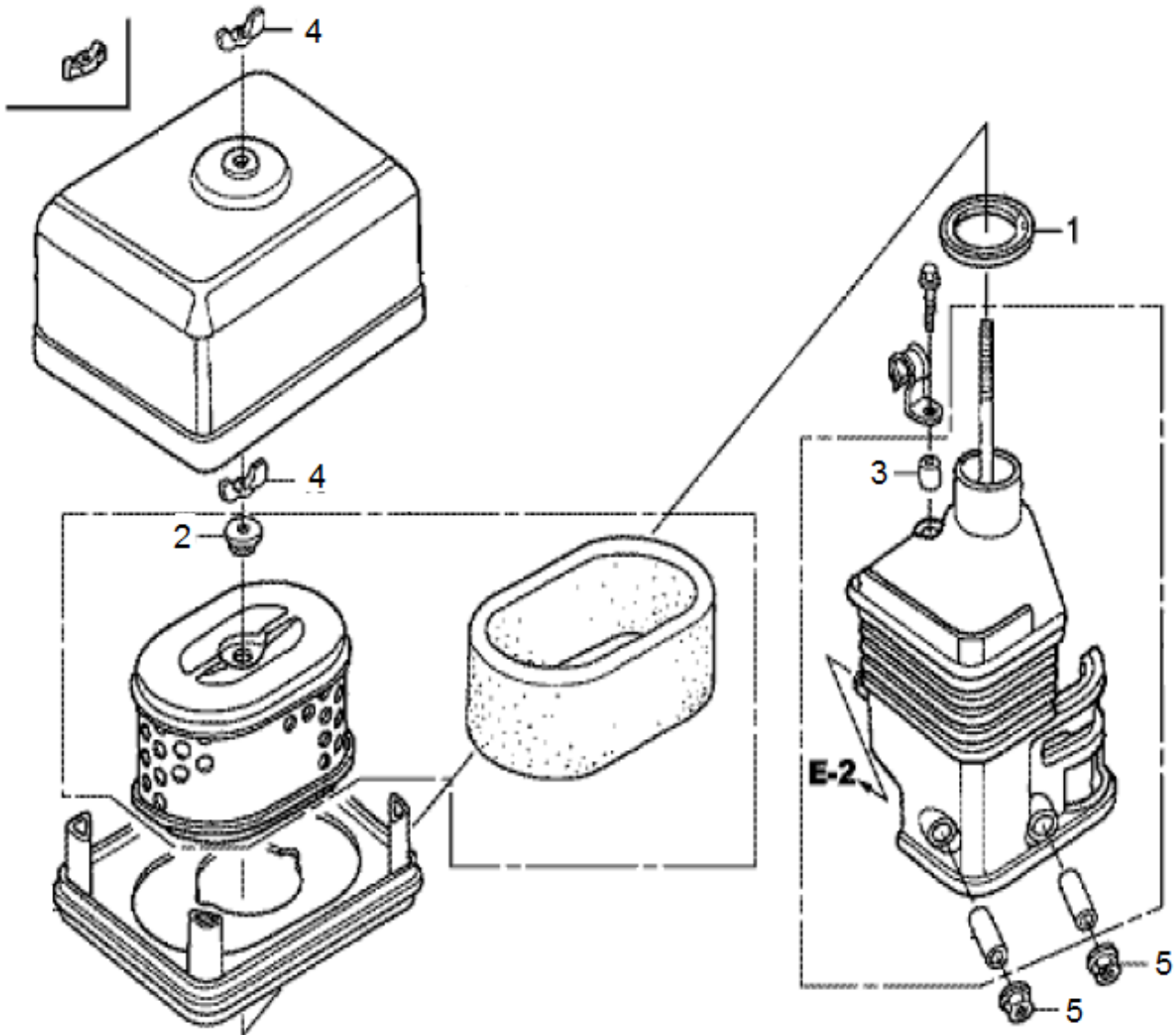
Item	Part No.	Name	Qty	L
1	594204301	Reel	1	

Engine Carburetor



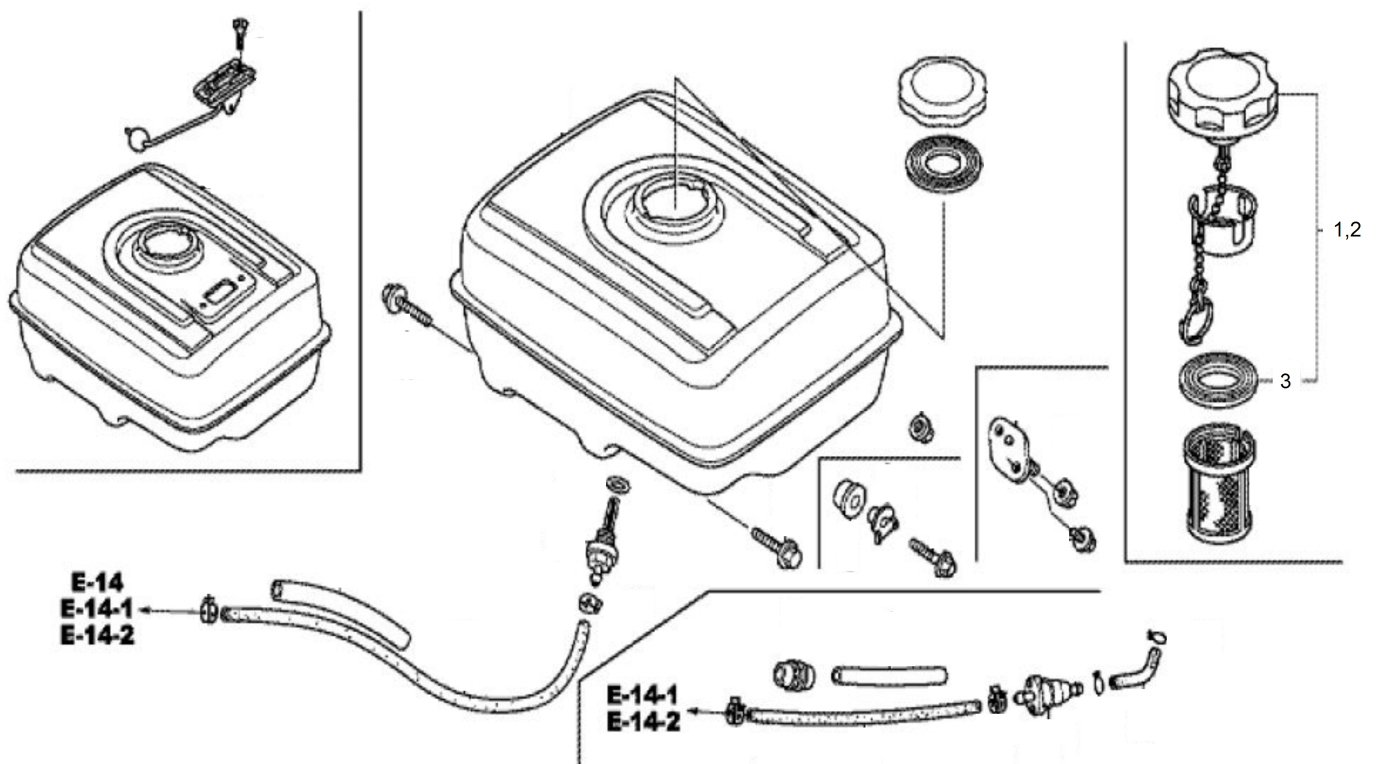
Item	Part No.	Name	Qty	L
1	595474101	Carburetor assy.	1	
2	595132001	Insulator, carburetor	1	
3	595070001	Spacer	1	
4	595470601	Gasket	1	
5	595194901	Packing, insulator	1	

Engine Air cleaner



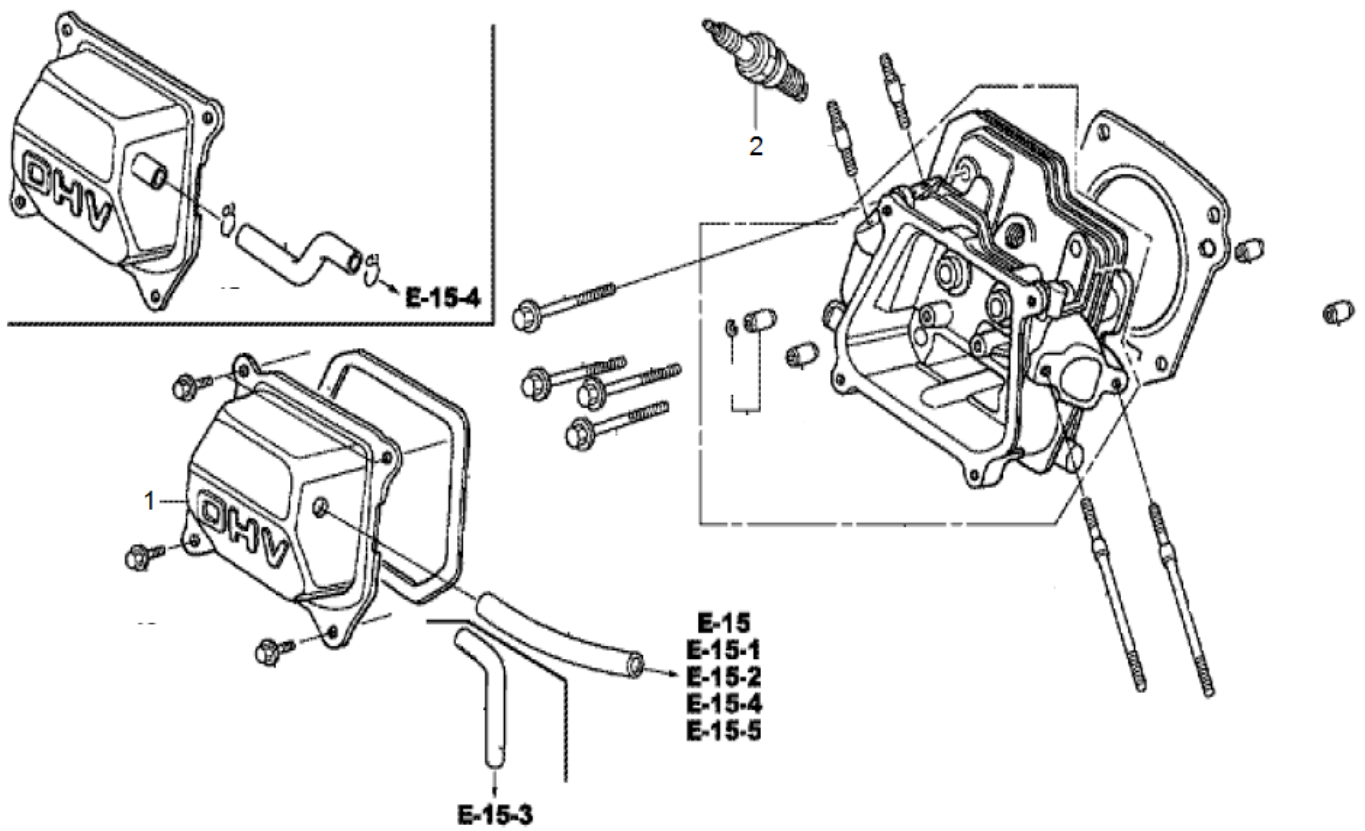
Item	Part No.	Name	Qty	L
1	595195001	Packing, elbow	1	
2	595049401	Grommet	1	
3	595130501	Collar b, air cleaner	1	
4	595049301	Nut	1	
5	595130801	Nut, flange, 6mm	2	

Engine Fuel tank



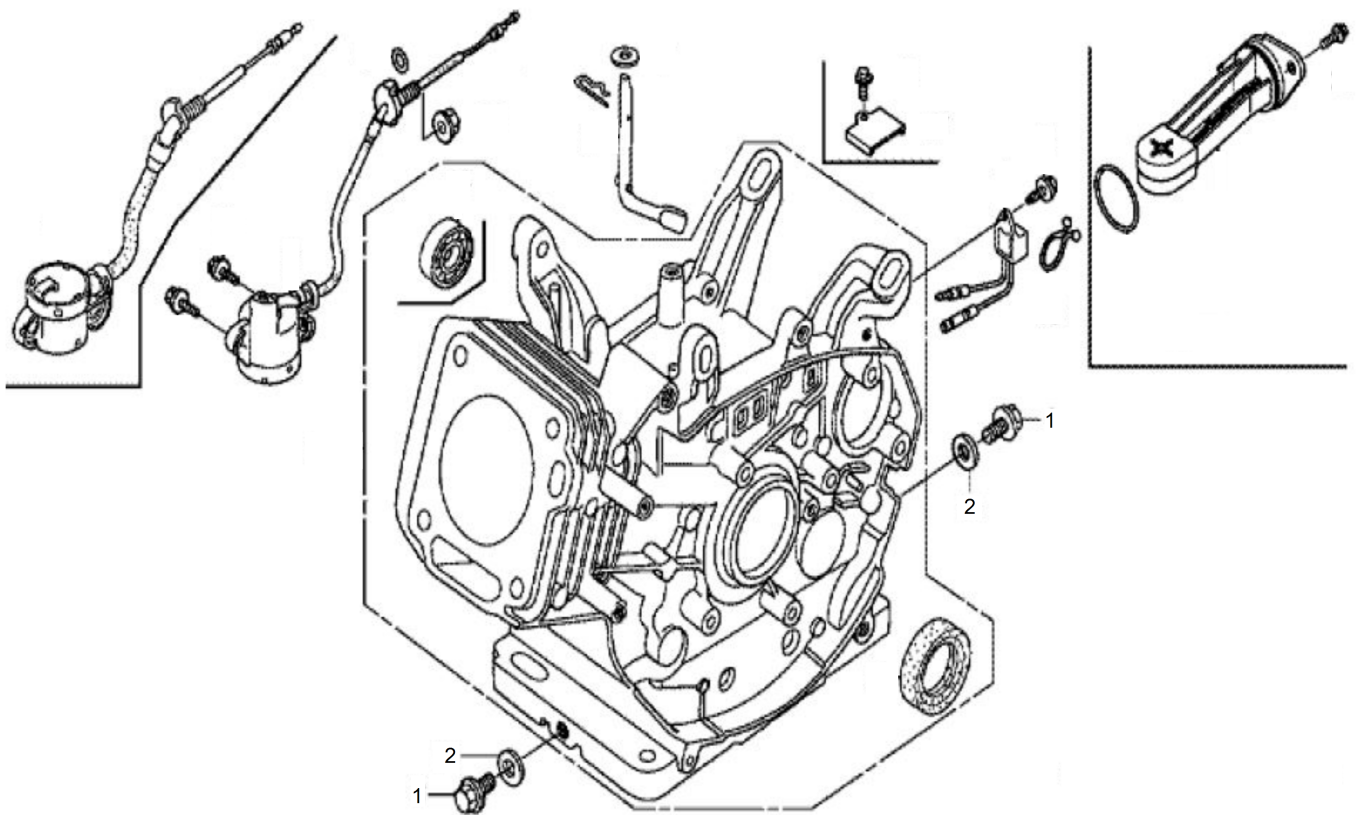
Item	Part No.	Name	Qty	L
1	595360301	Cap comp., fuel filler	1	
2	595360401	Cap comp., fuel filler	1	
3	595360501	Packing, fuel filler cap (39x62x3) (radi	1	

Engine Cylinder head



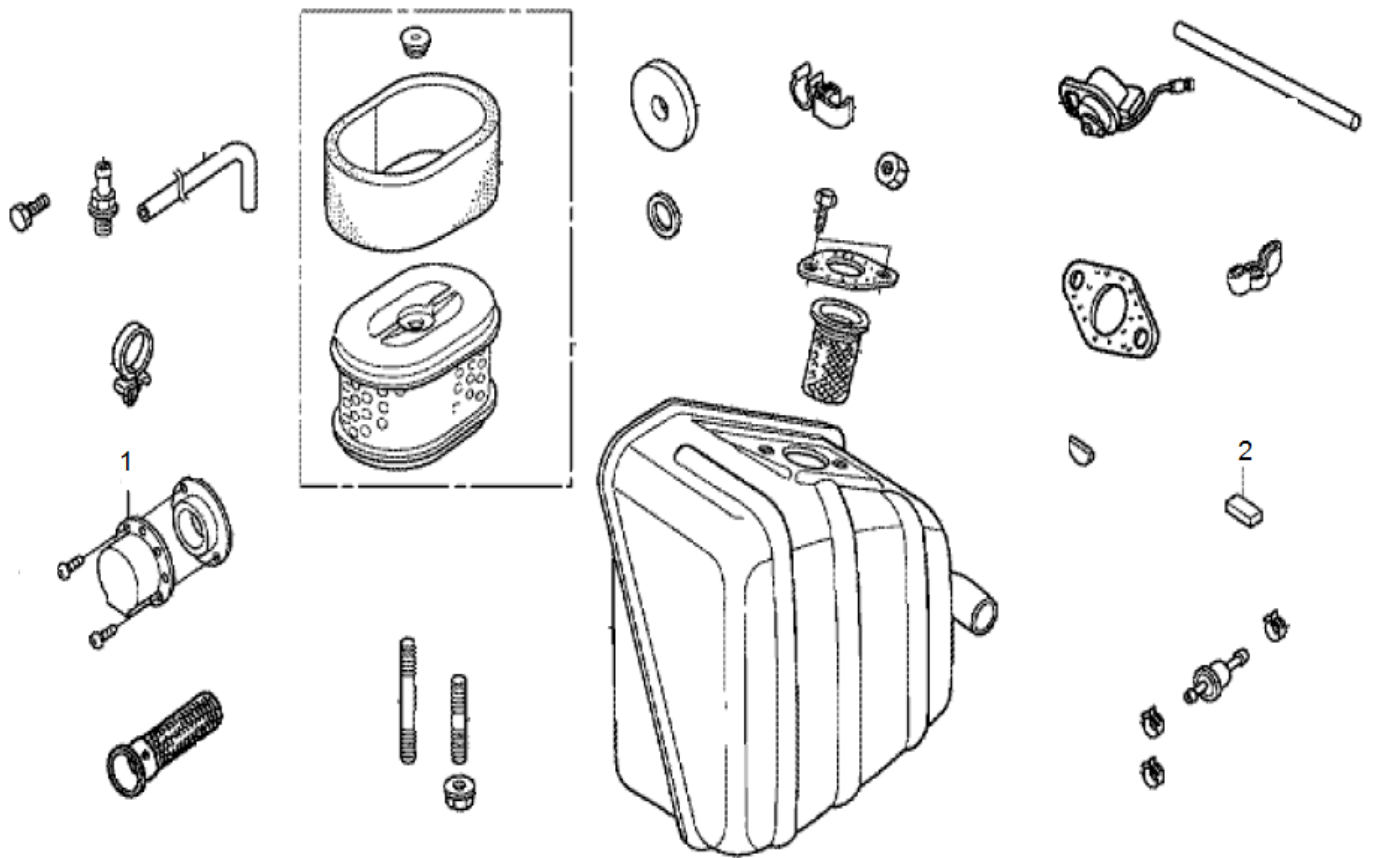
Item	Part No.	Name	Qty	L
1	595471101	Cover comp., head	1	
2	594204001	Plug, spark (bpr6es) (ngk)	1	

Engine Cylinder barrel



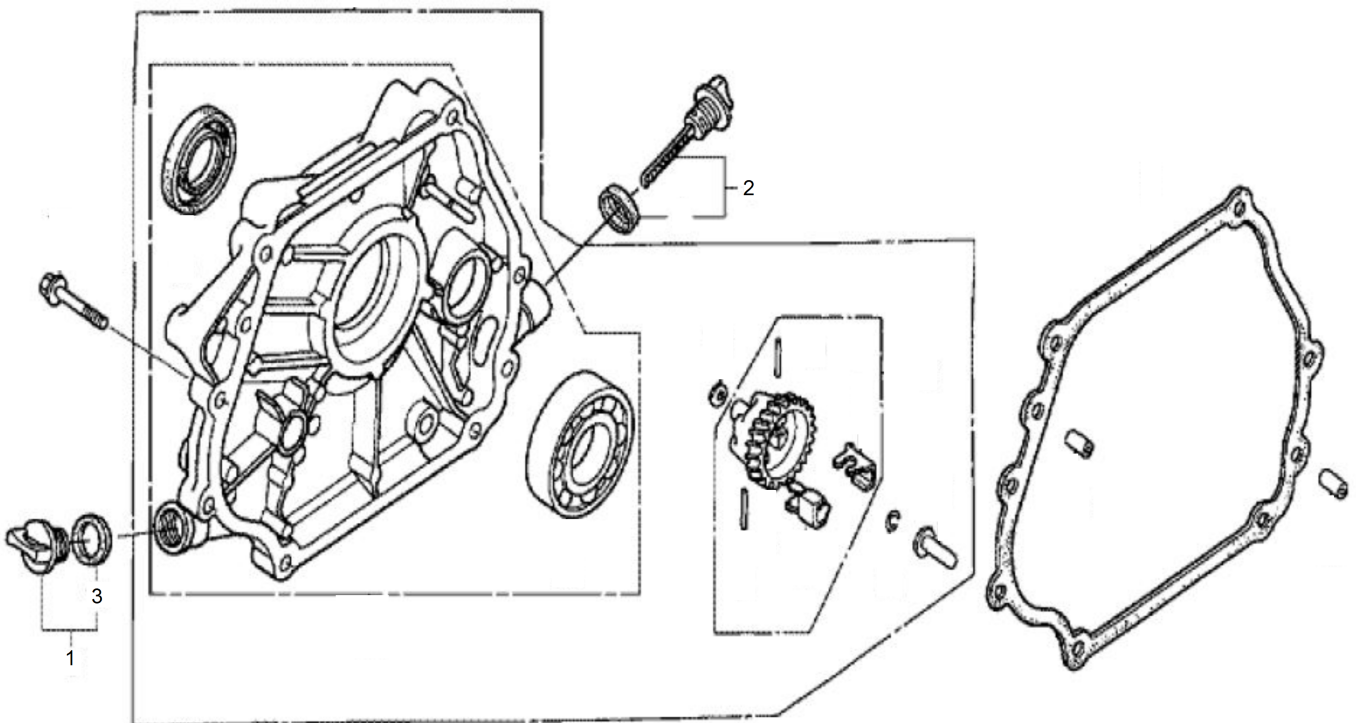
Item	Part No.	Name	Qty	L
1	595374401	Oil plug	2	
2	595048901	Oil plug gasket	2	

Engine Other parts



Item	Part No.	Name	Qty	L
1	594300301	Deflector comp.	1	
2	595195101	Key, 5x5x33 (yellow)		

Engine Crankcase cover



Item	Part No.	Name	Qty	L
1	595379101	Cap assy., oil filler (black)	1	
2	594203801	Cap assy., oil filler	1	
3	595374201	Oil dipstick gasket	1	

Any unauthorized use or copying of the contents or any part thereof is prohibited.
This applies in particular to trademarks, model denominations, part numbers, and drawings.

