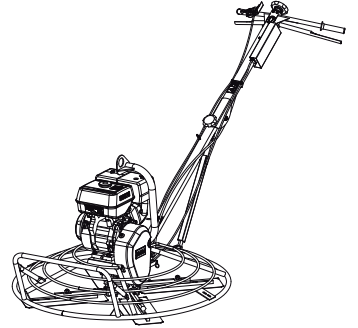


## Spare parts list

### Trowel BG 475 H9 L BC TP





# Contents

- General information ..... 5
- Spare parts list ..... 6
  - Long handle ..... 6
  - Engine installation, Honda GX 270 ..... 10
  - Power transmission, Honda GX 270 ..... 12
  - Chassi and gearbox ..... 14
  - Blade assembly ..... 16
  - Labels, long handle ..... 18
- Accessories ..... 20
  - Consumables ..... 20
- Kits ..... 21
  - Service kit, Honda GX 270 ..... 21
  - Maintenance kit, Honda GX 270, long handle ..... 21
  - Transport device kit ..... 22



## General information

This spare parts list applies to the following:

Part number	Description
967929201	BG 475 H9 L BC TP

Use only authorized parts. Any damage or malfunction caused by the use of unauthorized parts is not covered by Warranty or Product Liability. Any unauthorized use or copying of the contents or any part thereof is prohibited. This applies in particular to trademarks, model denominations, part numbers, and drawings.

### Instructions for use

This spare parts list contains no safety regulations and is merely intended to assist in the ordering of spare parts.

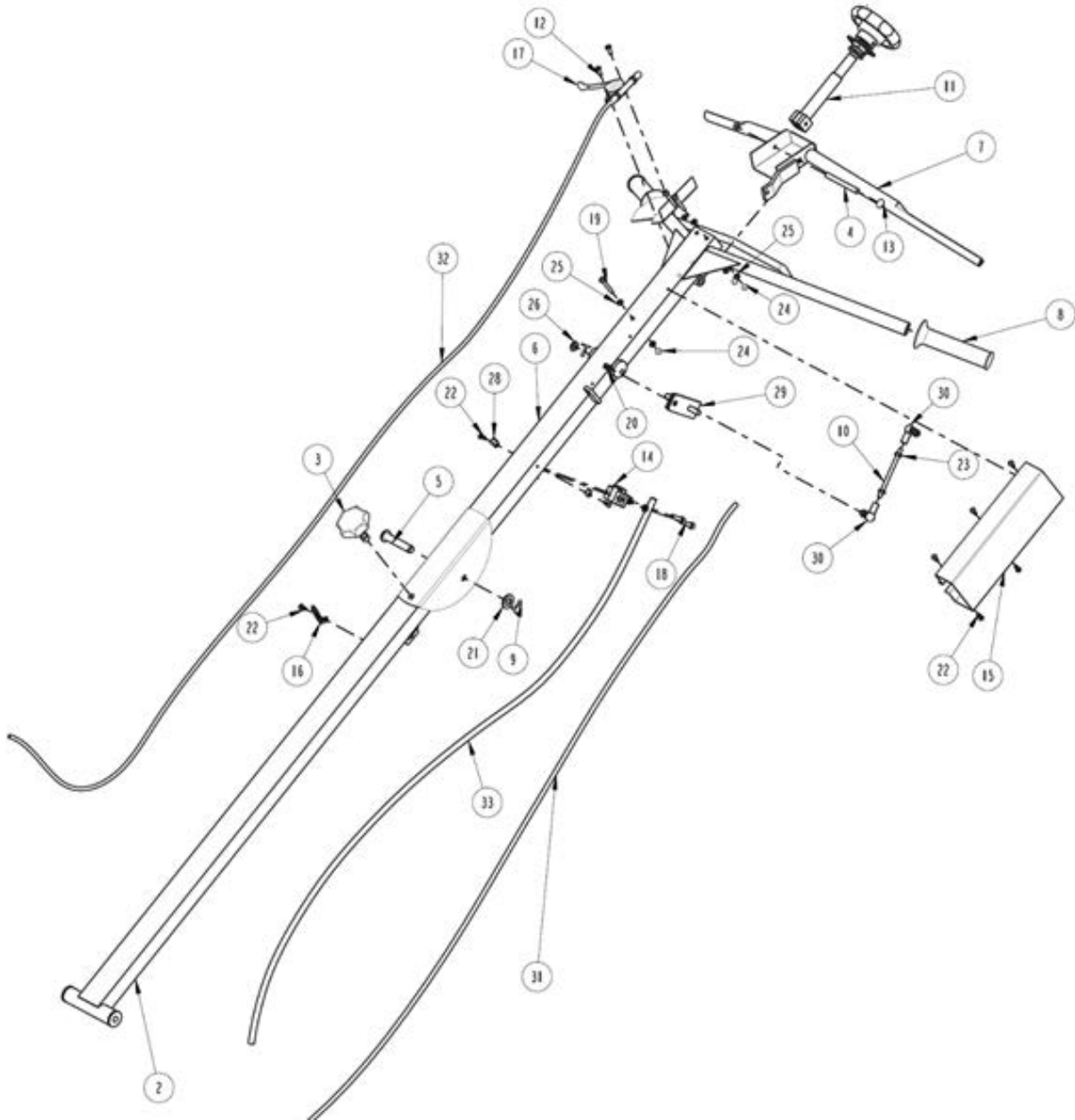
For information about operating, servicing, or repairing, the relevant Safety and operating instructions must be consulted at all costs.

Please observe the safety instructions listed in the relevant Safety and operating instructions!

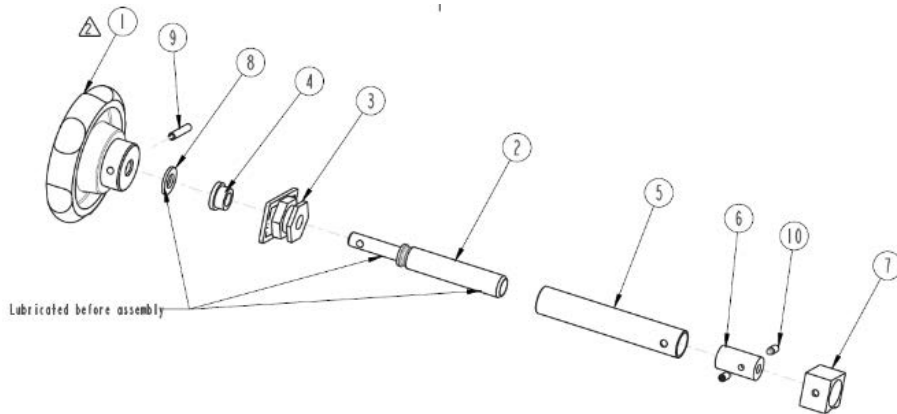
# Spare parts list

## Long handle

---



No.	Description	Remark	Quantity	Part number
1	Long handle	upper part	1	594154701
2	Long handle	lower part	1	594154801
3	Knob		1	596865791
4	Clevis pin		1	594231501
5	Clevis Pin		1	594228201
6			1	
7	Safety grip		1	595929101
8	Rubber handle		2	594223301
9	Pin Cotter		2	595467001
10	Pin Screw	M6X85	1	594229001
11	Unit Twist Pitch		1	595520101
12	SCREW	M5X12	2	595514601
13	Lock Washer		2	594231401
14	Console Wire		1	594164901
15	Hood		1	597153901
16	WIRE HOLDER		1	594246501
17	CONTROL LEVER		1	594224101
18	Screw		2	595466301
19	SCREW	M5X12	2	595514601
20	Nipple		1	594225101
21	Washer		1	596865952
22	Screw	M5x40	7	595350301
23	SCREW	ST4.2X13 mm	8	595358801
24	Nut		2	596865960
25	Nut	M5	5	595515001
26	WASHER		8	595357901
27	WASHER		1	595358001
28	WASHER		2	595358201
29	PIPE CLAMP		2	594125201
30	Arm connection		1	594169301
31	Link Angular		2	594226101
32	Clutch Cable		1	594250201
33	Throttle Wire		1	594250601
34	Blade Adjusting Wire		1	594642301

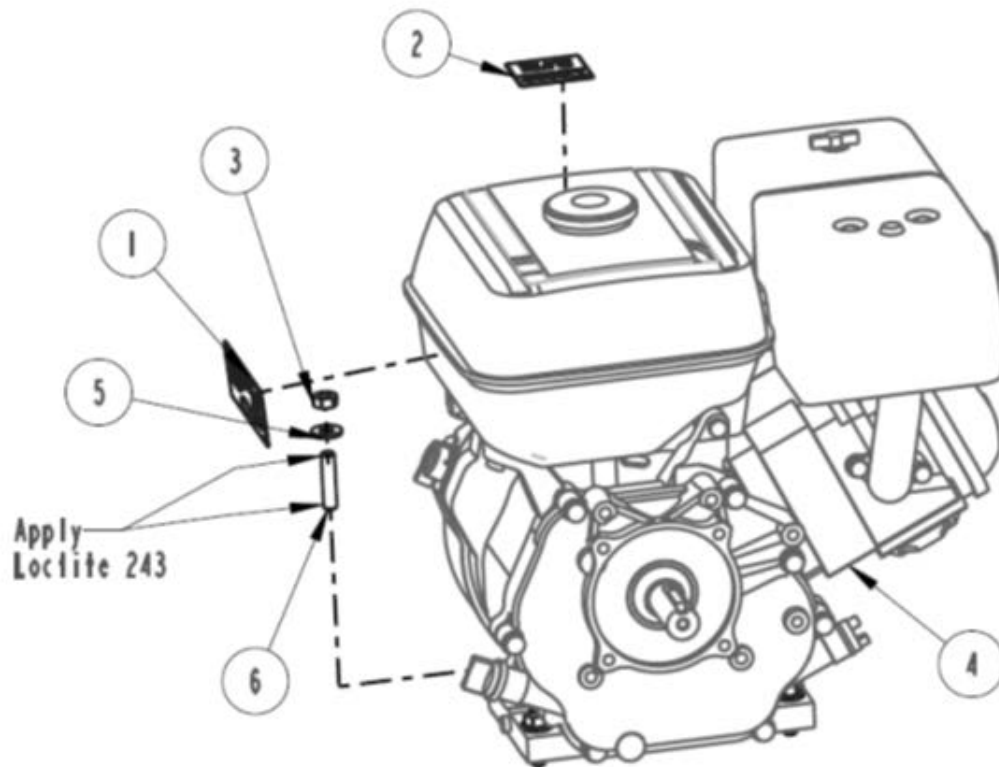


No.	Description	Remark	Quantity	Part number
<b>Blade adjuster, complete</b>				<b>595520101</b>
1	Knob		1	594245701
2	Screw	M16x 120 mm	1	595442801
3	Bearing Support		1	594779501
4	Flange Bearing		1	594219801
5	Adjusting nut		1	594246401
6	Wire Lock		1	594246101
7	Guide		1	595140201
8	Washer		1	595358101
9	Pin		1	595119001
10	SCREW		2	594286201





## Engine installation, Honda GX 270

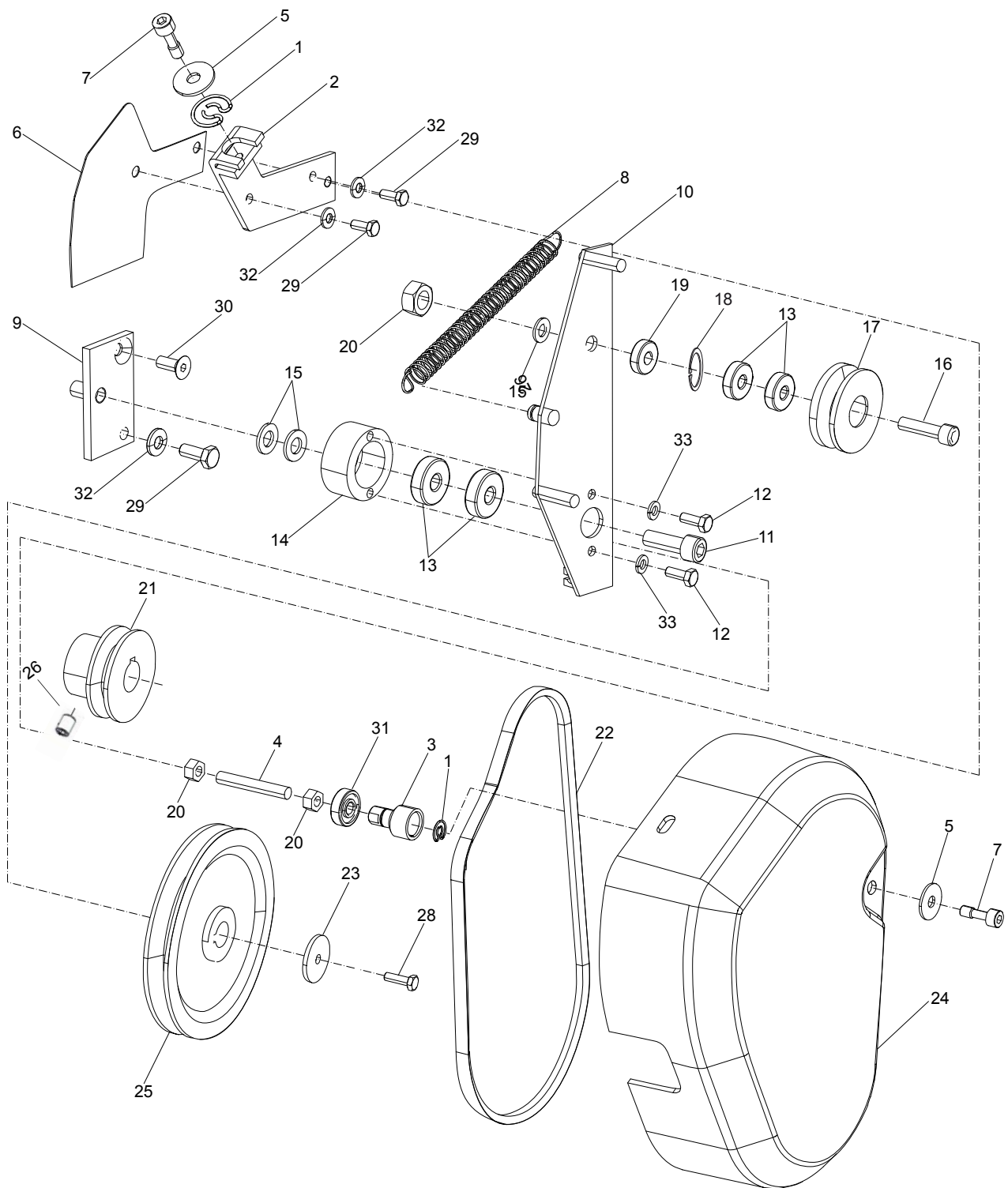


No.	Description	Remark	Quantity	Part number
1	Decal	Remove Floating Disc	1	594245901
2	Label		1	594246901
3	Nut	M10	4	595358501
4	Engine		1	594352301
5	Washer	M10	4	595182601
6	Screw	M10 x 45	4	595358701

Loctite is a registered trademark of Henkel Corporation. 243 is a trademark of Henkel Corporation.



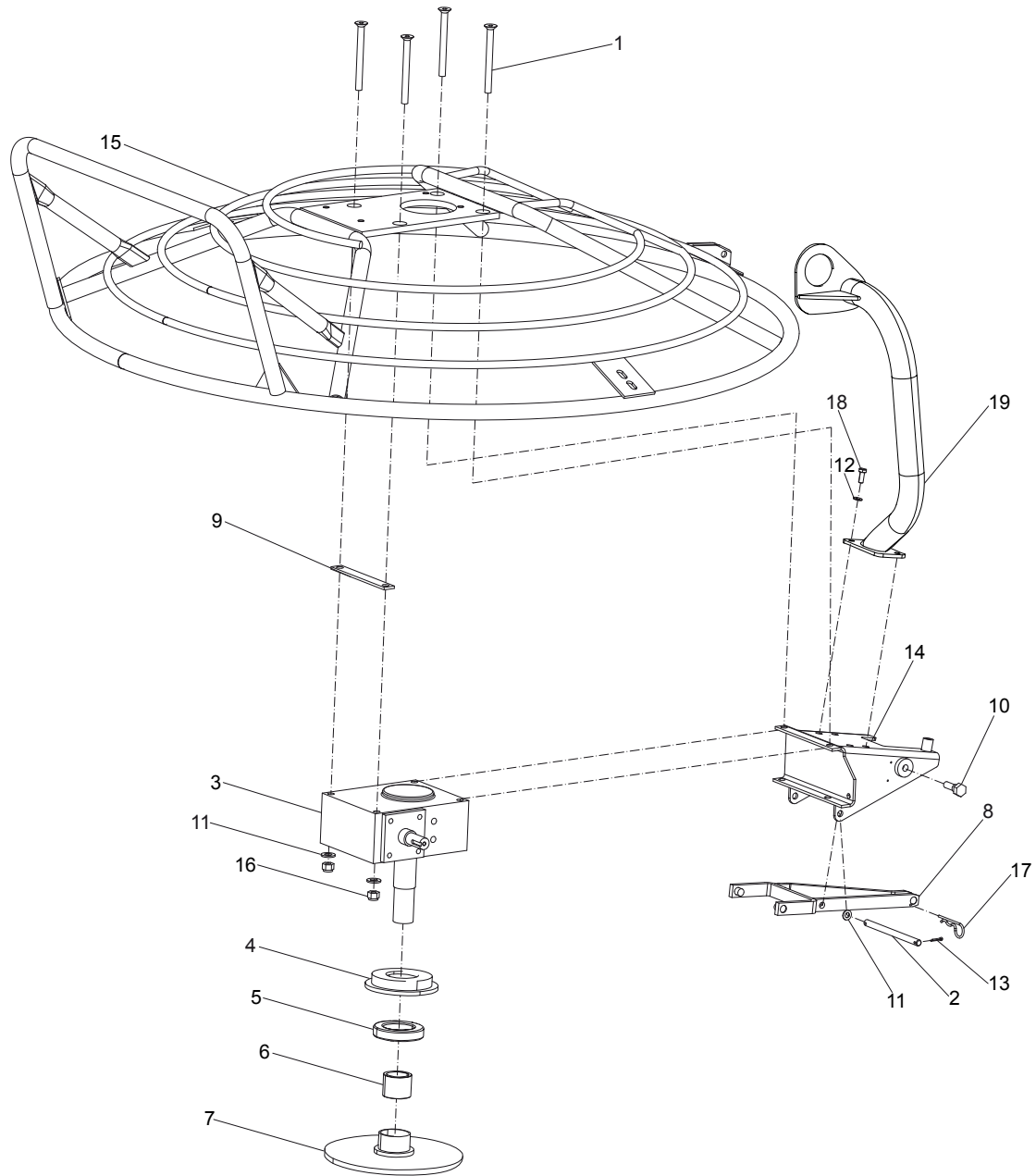
# Power transmission, Honda GX 270



No.	Description	Remark	Quantity	Part number
1	Lock spring		2	594650201
2	Cover bracket		1	597155301
3	Holder		1	594642401
4	Rod	M10 x 68 mm 8.8	1	595212701
5	Washer	8 x 30 mm	2	595358301
6	Plate		1	596865917
7	SCREW Captive	M8 x 25 mm	2	594642501
8	Spring		1	594249501
9	Bracket		1	594781601
10	Arm Tension		1	594249601
11	Screw	M10 x 30 mm 8.8	1	595356701
12	Bolt	M6 x 20 mm 8.8	2	594140901
13	Ball Bearing		4	594219701
14	Bush Bearing		1	594248901
15	Washer	10 x 2 mm	3	595358101
16	Screw	M10 x 40 mm 8.8	1	595358601
17	V belt Pulley		1	594249001
18	Retaining Ring		1	595037301
19	Spacer		1	594159601
20	Nut	M10	3	595358501
21	V-Belt Pulley		1	594642201
22	V-belt	Optibelt super XPA 782 mm	1	594225201
23	Washer	6.4x22x4	1	595119201
24	Belt Cover		1	594959101
25	V-Belt Pulley		1	594241601
26	Screw	Use LOCTITE® 243™	2	595346701
28	Bolt	M6 x 20 mm 8.8, Use LOCTITE® 243™	1	594140901
29	Bolt	M8 x 20 mm 8.8	3	595357501
30	Screw	M8 x 20 mm	1	595356601
31	Ball Bearing		1	595134401
32	Washer		3	595061501
33	Washer	6 x 1.6 mm	2	595358201

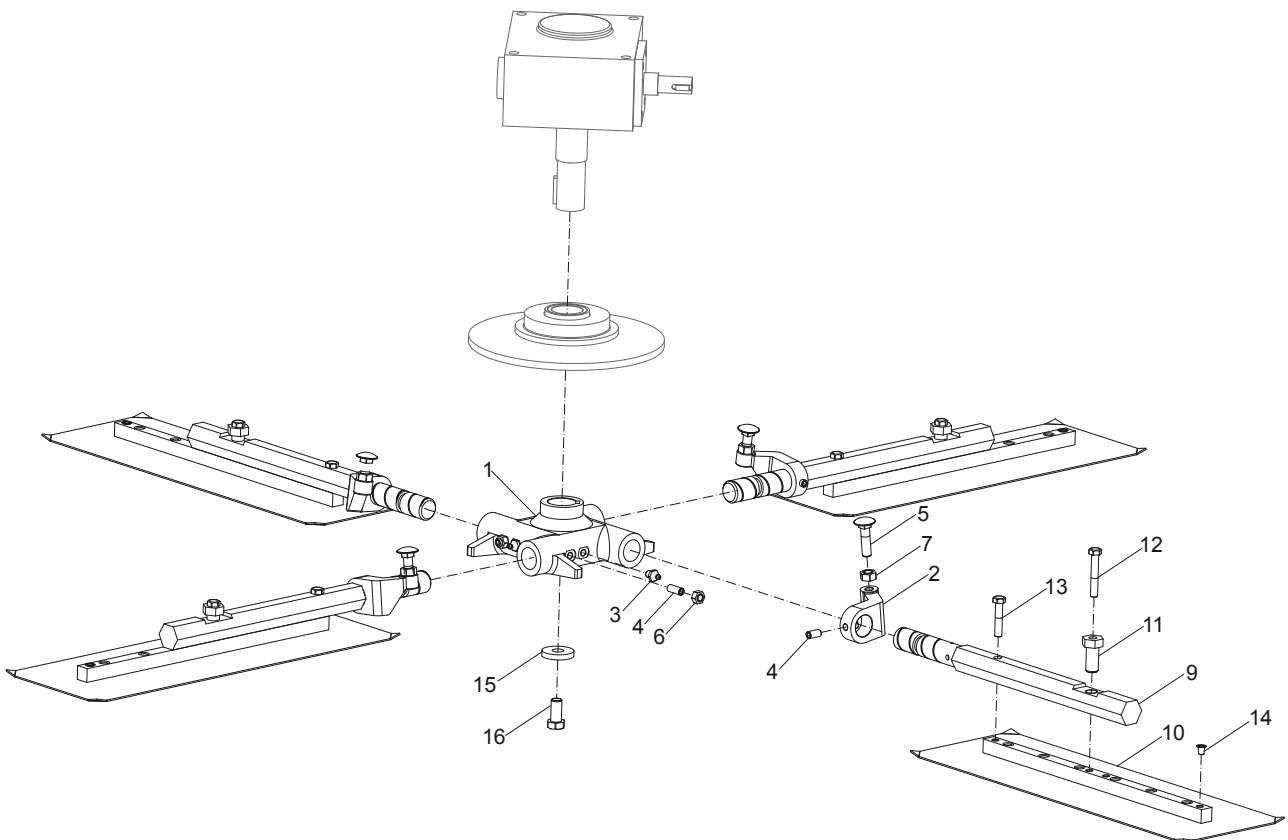
LOCTITE is a registered trademark of Henkel Corporation. 243 is a trademark of Henkel Corporation. © 2011

# Chassi and gearbox



No.	Description	Remark	Quantity	Part number
1	Countersunk screw	M10 x 110 mm	4	594287901
2	Clevis pin		1	596865717
3	Gear box		1	594226601
4	Bearing plate		1	594248601
5	Ball bearing		1	594220001
6	Sleeve bearing		1	594226801
7	Pressure plate		1	594241701
8	Fork		1	594242501
9	Holder plate		1	595443701
10	Screw		2	596865793
11	Washer	10 x 2 mm	6	596866026
12	Washer	8.0 x 1.6 mm	3	595358001
13	Split pin	3.2 x 20 mm	2	595467001
14	Handle bracket		1	596865713
15	Chassi		1	596866071
16	Lock nut	M10	4	595358501
17	Hair pin		1	594227401
18	Screw	M8 x 20 mm 8.8 A2K	3	595357501
19	Lifting eye	For Honda GX 270	1	596865712

# Blade assembly

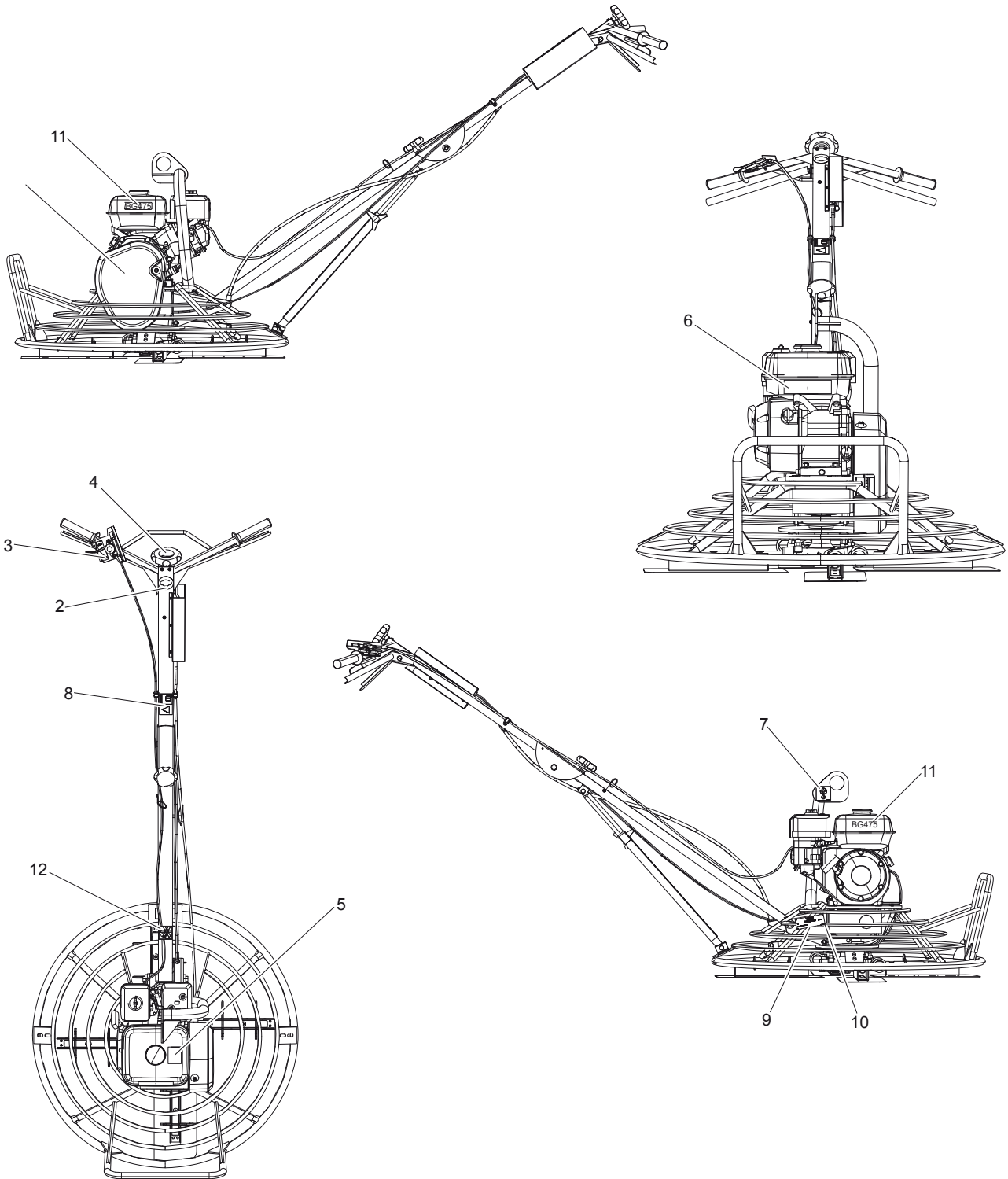




No.	Description	Remark	Quantity	Part number
1	Hub		1	594240301
2	Arm		4	594246001
3	Grease nipple		4	594224501
4	Set screw	M8 x 20 mm use LOCTITE	4	594286001
5	Bolt		4	595154201
6	Nut	M8	8	595357101
7	Nut	M10	4	595358501
8				
9	Axle		4	594777401
10	Trowel blade		4	594236801
11	Adjusting screw		4	594247501
12	Screw	M8 x 50 mm 8.8	4	595054201
13	Screw	M8 x 40 mm 8.8	4	595357401
14	Protecting plug		4	596865701
15	Washer	12 x 36 x 6 mm	1	595181801
16	Screw	M12 x 25 mm 8.8 A3K	1	595357401

LOCTITE is a registered trademark of Henkel Corporation. 243 is a trademark of Henkel Corporation.

# Labels, long handle



No.	Description	Remark	Quantity	Part number
2	Label	Ear protection	1	594337101
3	Label	Stop - Run	1	594246801
4	Label	Increase - Decrease	1	594245801
5	Label	Tilted position	1	594246901
6	Label	Remove disc	1	594245901
7	Label	Lifting point	1	595051201
8	Safety label		1	594535301
9	Data plate		1	-
10	Drive screw		4	-
11	Product label	"BG475"	2	596866081
12	Label	Cutting hazards	1	594163001

## Accessories

## Consumables

---

Description	Remark	Quantity	Part number
Floating blade	4 blades included	1	594207801
Trowel blade	Bolt on, 4 blades included	1	594198601

## Kits

### Service kit, Honda GX 270

#### One year service kit

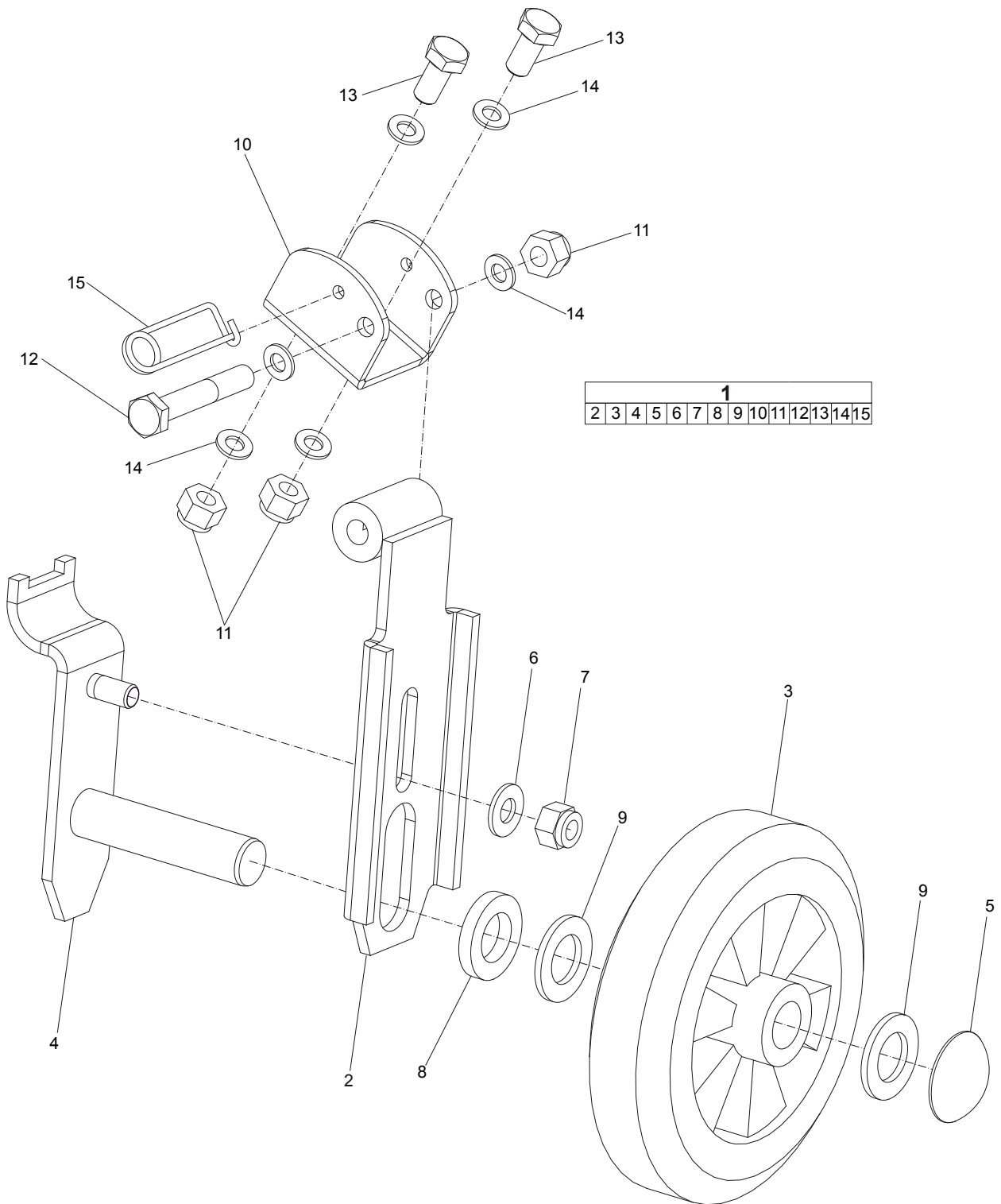
Part number 3382 1001 00

Description	Remark	Quantity	Part number
Air filter		1	594575101
Gasket	For oil dipstick	1	595048901
Starting rope		1	595049101
Spark plug		1	596865867
Gasket	For valve cover	1	594760301

### Maintenance kit, Honda GX 270, long handle

Description	Remark	Quantity	Part number
<b>Maintenance kit</b>		1	596865743
V-belt	Optibelt super SPAX 782 mm	1	594228101
Throttle wire		1	594250601
Clutch wire		1	594250201
Blade adjusting wire		1	594642301

# Transport device kit



No.	Description	Remark	Quantity	Part number
1(2-15)	Transport device kit		1	594751501
2	Arm		2	595502701
3	Wheel		2	594224201
4	Bracket		2	595122801
5	Locking washer		2	594768901

No.	Description	Remark	Quantity	Part number
6	Washer	10.5 x 22 x 2 mm 0.41 x 0.87 x 0.08 in. 300 HV	2	-
7	Lock nut	M10	2	-
8	Washer	21 x 36 x 6 mm 300 HV 0.83 x 1.42 x 0.24 in. 300 HV	2	-
9	Washer	21 x 36 x 3 mm 300 HV 0.83 x 1.42 x 0.12 in. 300 HV	4	-
10	Attachment		2	595526501
11	Lock nut	M10	6	-
12	Screw	M10 x 70 mm 8.8 A3K	2	-
13	Screw	M10 x 25 mm 8.8 A3K	4	-
14	Washer	10 x 2 mm 0.39 x 0.08 in.	12	-
15	Hair pin		2	594161801











Any unauthorized use or copying of the contents or any part thereof is prohibited.  
This applies in particular to trademarks, model denominations, part numbers, and  
drawings.