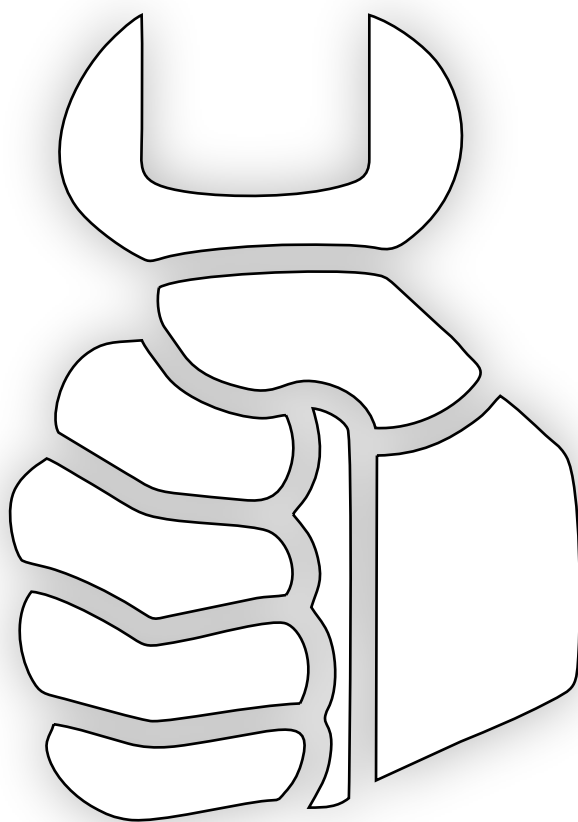


Parts online

Spare parts list



Kits and consumables	1
----------------------	---

Spare parts list

Petrol drive unit	3
Centrifugal clutch	6
Electric drive unit	9
Pneumatic drive unit	12
Free end section	15
Extension	17
Outrigger	19
Crown invert bracket for pneumatic screed	21
Electric or petrol screed sections - 1 meter (3.2 ft)	23
Electric or petrol screed sections - 2 meter (6.5 ft)	25
Electric or petrol screed sections - 3 meter (9.8 ft)	27
Pneumatic screed sections - 1 meter (3.2 ft)	29
Pneumatic screed sections - 2 meter (6.5 ft)	31
Pneumatic screed sections - 3 meter (9.8 ft)	33

Kits

Service kit, Honda GX 270	35
---------------------------	----

Accessories

Extra hand winch	37
Electric or petrol screed sections - 0.5 meter (1.6 Ft)	39
Electric or petrol screed sections - 0.75 meter (2.5 Ft)	41
Skate	43
Crown Invert Bracket for electric or petrol	45
Electric winch set	47

General information

This spare parts list applies to the following:

Part number	Description
967941115	BT90 Pneumatic drive unit
967941112	BT90 Electric drive unit
967941114	BT90 Petrol drive unit
967941113	BT90 Free end section
967941108	BT90 Complete pneumatic set
967941102	BT90 Complete electric set
967941103	BT90 Complete petrol set
967941104	BT90 Section 0.50 m (1.6 Ft)
967941116	BT90 Section 0.75 m (2.5 Ft)
967941105	BT90 Section 1 m (3.2 Ft)
967941109	BT90 Section 1 m (3.2 Ft) Pneumatic
967941106	BT90 Section 2 m (6.5 Ft)
967941110	SCREED SECTION 2M PN BT90 PN
967941111	SCREED SECTION 3M PN BT90 PN
967941107	SCREED SECTION 3M BT90

Use only authorized parts. Any damage or malfunction caused by the use of unauthorized parts is not covered by Warranty or Product Liability. Any unauthorized use or copying of the contents or any part thereof is prohibited. This applies in particular to trademarks, model denominations, part numbers, and drawings.

Instructions for use

This spare parts list contains no safety regulations and is merely intended to assist in the ordering of spare parts.

For information about operating, servicing, or repairing, the relevant Safety and operating instructions must be consulted at all costs.

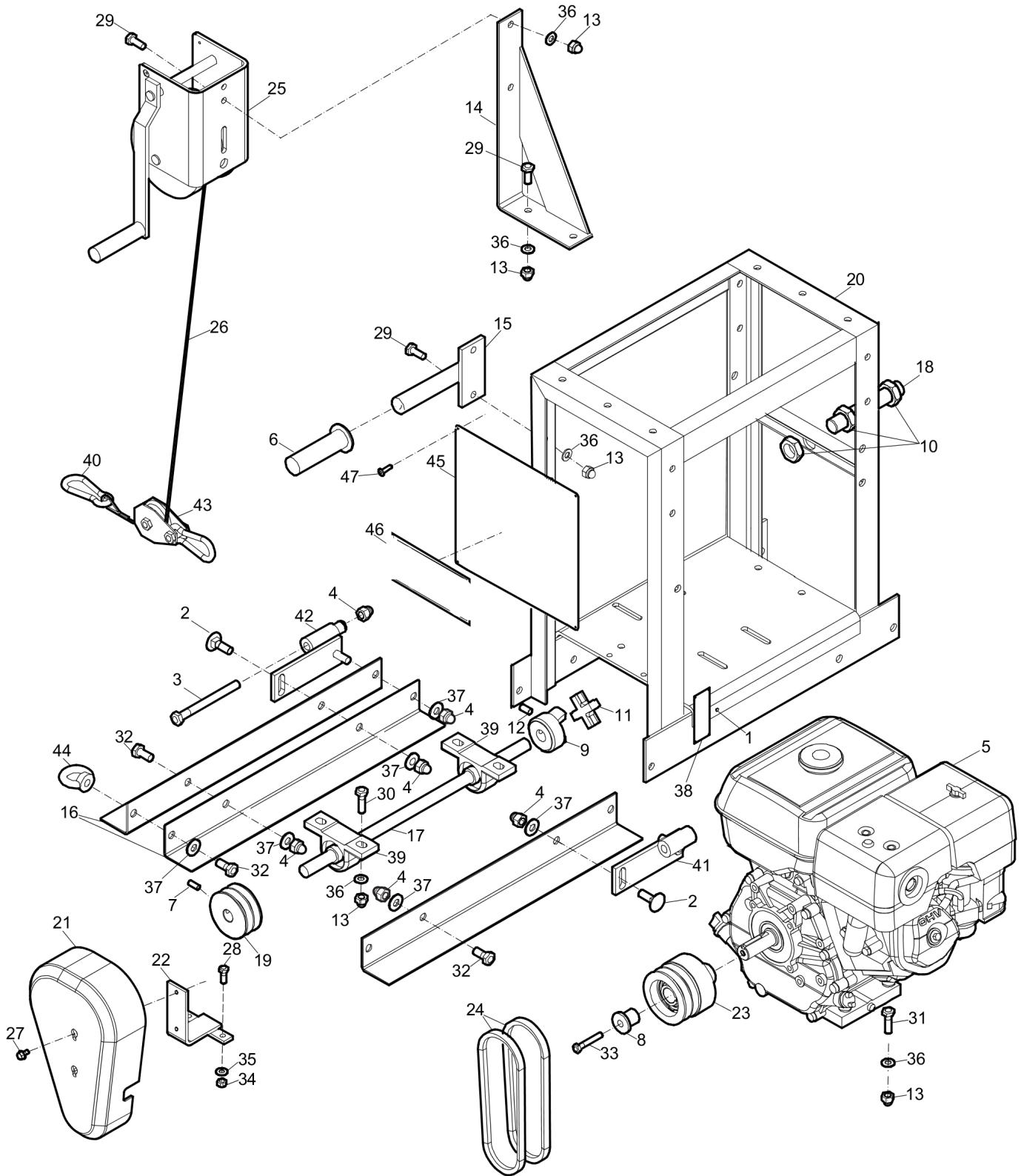
Please observe the safety instructions listed in the relevant Safety and operating instructions!

Kits and consumables

Service offers resume BT90	Item	Number	Description
Lubricants	1		Can Paroil E Mission Green 5 Liter/1.32 Gallon
	2		Can Paroil E Mission Green 20 Liter/5.3 Gallon
	3		Can Paroil E Mission Green 210 Liter/55.5 Gallon
Preventive maintenance	4	594200401	One year service kit
Rebuild&Overhaul kits	5	595164901	Maintenance kit drive unit
	6	594394601	Maintenance kit drive unit
	7	594817901	Maintenance kit drive unit
Start-Up Kits	8	595165001	Maintenance kit screed section
	9	595165101	Maintenance kit screed section

Item	Part No.	Name	Qty	L
1	-	Drum Paroil Mission green 210 Liter/55.5 Gallon	1	
2	-	Can Paroil Mission green 20 Liter/5.3 Gallon	1	
3	-	Drum Paroil Mission green 210 Liter/55.5 Gallon	1	
4	594200401	One year service kit	1	
5	595164901	Maintenance kit drive unit	1	
6	594394601	Maintenance kit drive unit	1	
7	594817901	Maintenance kit drive unit	1	
8	595165001	Maintenance kit screed section	1	
9	595165101	Maintenance kit screed section	1	

Spare parts list Petrol drive unit



Refer to the Parts Online web page for most up-to-date information. The printed information might be outdated.

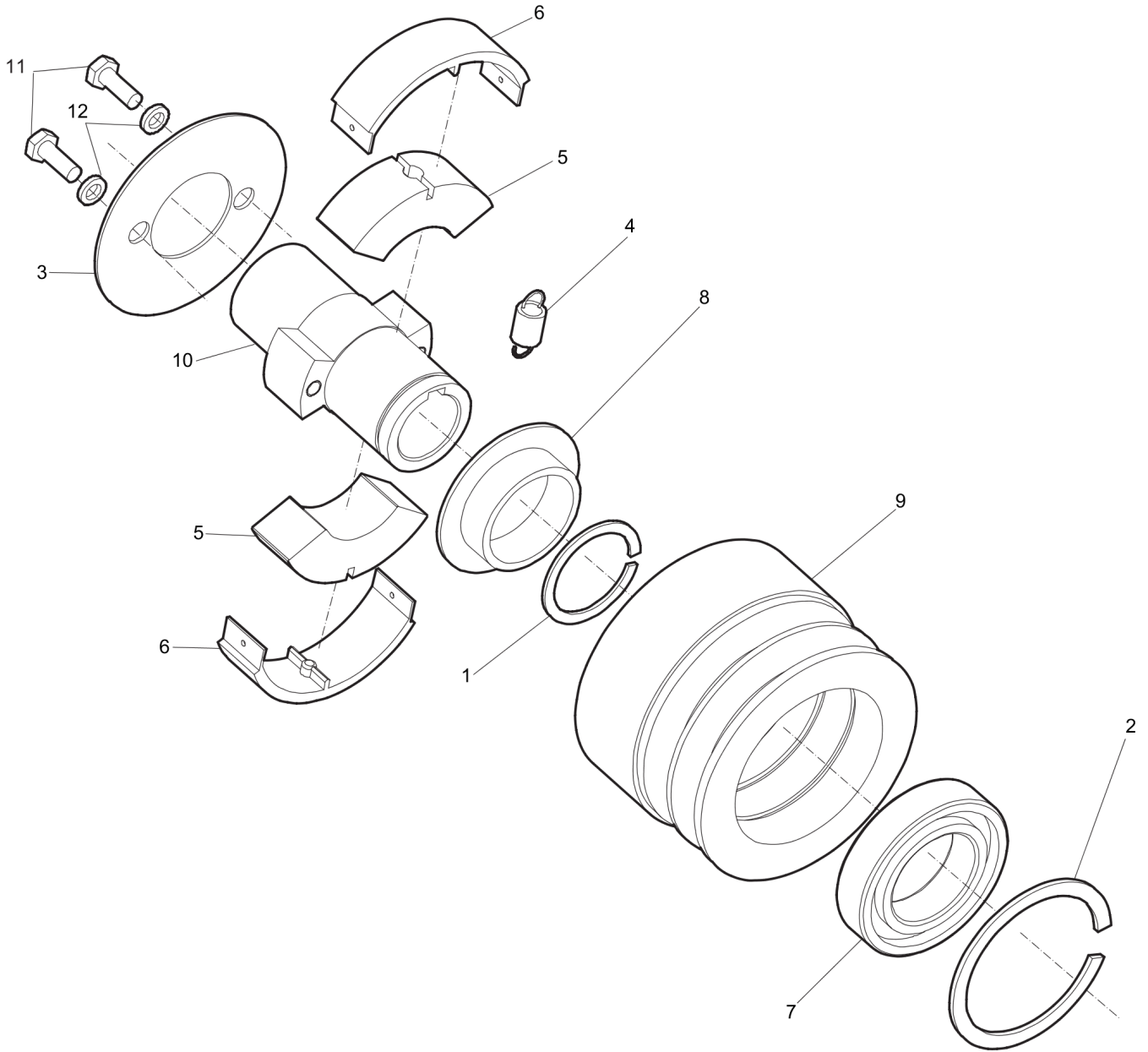
Item	Part No.	Name	Qty	L
1	595141401	Drive screw	4	
2	-	Screw, M12 x 35 mm (DIN 603)	2	
3	-	Screw, M12 x 130 mm (DIN 931)	1	
4	-	Nut, M12 (DIN 986)	8	
5	595198001	Engine	1	
6	594379001	Handle	2	
7	-	Screw, M8 x 20 mm 45 H (DIN 916)	2	
8	594618901	Washer	1	
9	594391901	Coupling	1	
10	-	Nut, M8 x 20 mm 45 H (DIN 916)	3	
11	594392301	Rubber cross	1	
12	-	Screw, M10 x 20 mm 45 H (DIN 916)	1	
13	-	Nut, M10 (DIN 986)	16	
14	594624601	Winch holder	1	
15	595163901	Handle	2	
16	594393601	Angle bar	3	
17	594393701	Shaft	1	
18	595164001	Screw	1	
19	594393801	Pulley	1	
20	595197001	Engine frame	1	
21	594624701	Cover	1	
22	595460701	Bracket	1	
23	594625001	Clutch	1	
24	594394001	V-belt	2	
25	594394101	Right hand winch	1	
26	594394801	Wire, 30 m	1	
27	-	Screw, M6 x 12 mm (DIN 6921)	2	
28	-	Screw, M8 x 22 mm (DIN 933)	2	
29	-	Screw, M10 x 25 mm (DIN 933)	8	
30	-	Screw, M10 x 35 mm (DIN 933)	4	
31	-	Screw, M10 x 40 mm (DIN 931)	4	
32	-	Screw, M12 x 25 mm (DIN 933)	4	
33	-	Screw, M8 x 50 mm (DIN 933)	1	
34	-	Nut, M8 (DIN 985)	2	
35	-	Washer, 8.4 x 18 x 1.5 mm, 0.33 x 0.71 x 0.06 in.	2	
36	-	Washer, 10.5 x 20 x 2 mm, 0.41 x 0.78 x 0.07 in.	20	
37	-	Washer, 13 x 27 x 2.5 mm, 0.51 x 1.06 x 0.09 in.	7	
38	-	Data plate (Not available separately)	1	

Refer to the Parts Online web page for most up-to-date information. The printed information might be outdated.

Item	Part No.	Name	Qty	L
39	594681001	Bearing	2	
40	594498001	Snap hook	1	
41	595487701	Jointing plate, left	1	
42	595392601	Guide	1	
43	595443201	Pulley, complete	1	
44	595460801	Lifting eye nut	1	
45	595277001	Plastron	1	
46	595212201	Label	1	
47	-	Rivet, 3.2 x 9.7 mm (Type A), 0.12 x 0.38 in.	4	

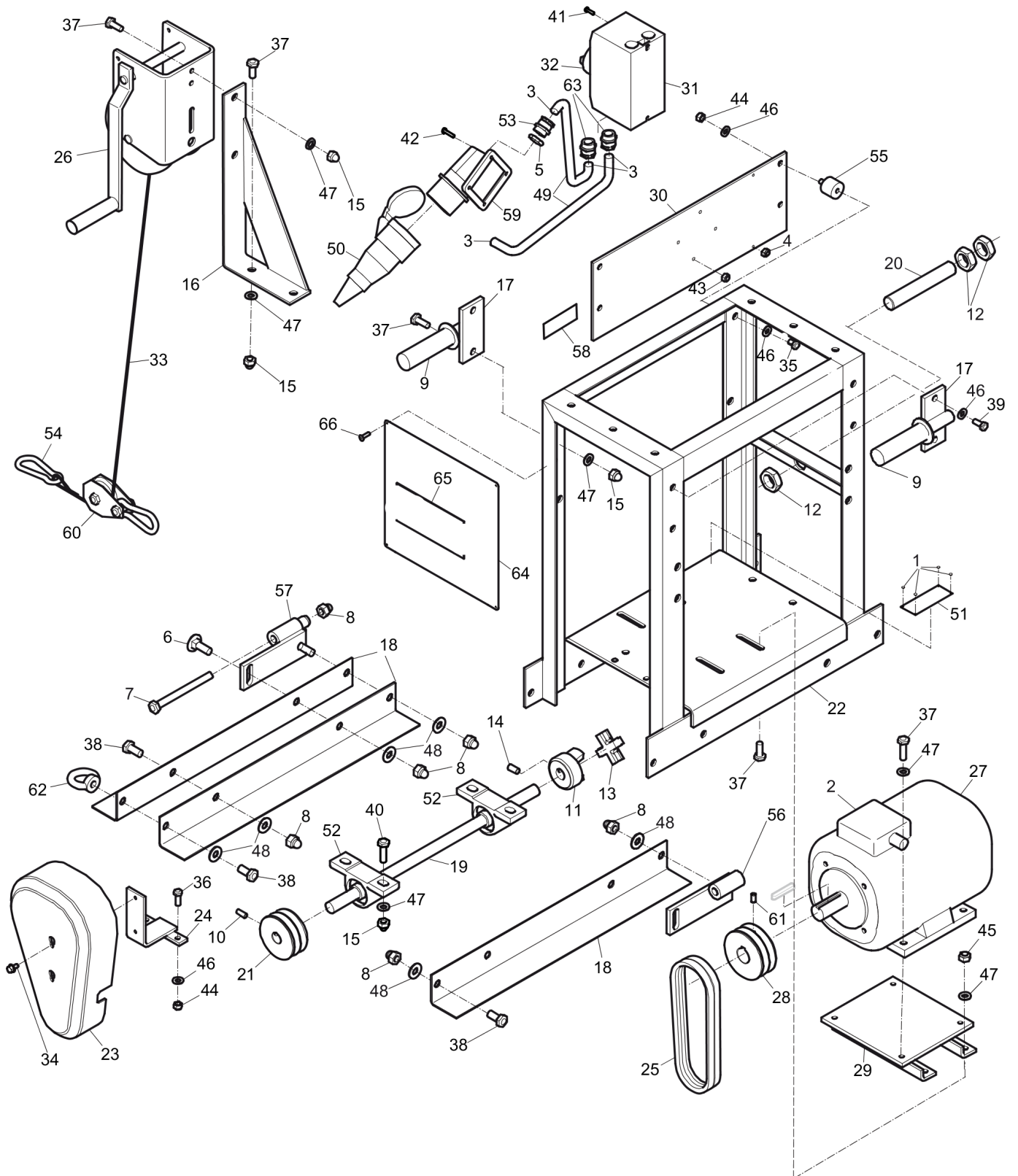
This page intentionally left blank

Spare parts list Centrifugal clutch



Item	Part No.	Name	Qty	L
1	595045601	Snap ring	1	
2	595145001	Snap ring	1	
3	595162001	Flange	1	
4	594372201	Spring	2	
5	594372301	Fly weight	2	
6	594372401	Lining	2	
7	595516401	Bearing	1	
8	595164101	Spacer	1	
9	595164201	Clutch	1	
10	595474201	Axle	1	
11	595465701	Screw, M6x16 mm 8.8 A2K	2	
12	-	Washer, 6.5 x 10.4 x 2 mm , 0.37 x 0.41 x 0.08 in.	2	

Spare parts list Electric drive unit



Refer to the Parts Online web page for most up-to-date information. The printed information might be outdated.

Item	Part No.	Name	Qty	L
1	-	Rivet	4	
2	594853601	Spade	4	
3	595145901	Wire end	12	
4	-	Nut, M4 (DIN 985)	2	
5	-	Nut, M16	1	
6	-	Screw, M12 x 35 mm (DIN 603)	2	
7	-	Screw, M12 x 130 mm (DIN 931)	1	
8	-	Nut, M12 (DIN 986)	8	
9	595163401	Handle	2	
10	-	Screw, M8 x 20 mm (DIN 916)	2	
11	594391901	Coupling	1	
12	-	Nut, M24 (DIN 439 B)	3	
13	594392301	Rubber cross	1	
14	-	Screw, M10 x 20 mm (DIN 916)	1	
15	-	Nut, M10 (DIN 986)	10	
16	594624601	Winch holder	1	
17	595163901	Handle	2	
18	594393601	Angle bar	3	
19	594393701	Shaft	1	
20	595164001	Screw	1	
21	594393801	Pulley	1	
22	595197001	Engine frame	1	
23	594624701	Cover	1	
24	595460701	Bracket	1	
25	594394001	V-belt	2	
26	594394101	Right hand winch	1	
27	595164301	Electric motor	1	
28	595164401	Pulley	1	
29	595164501	Bracket	1	
30	595197101	Switch holder	1	
31	594394201	Box	1	
32	594394301	Breaker	1	
33	594394801	Wire, 30 m	1	
34	-	Screw, M6 x 12 mm (DIN 6921)	2	
35	-	Screw, M8 x 12 mm (DIN 933)	2	
36	-	Screw, M8 x 22 mm (DIN 933)	2	
37	-	Screw, M10 x 25 mm (DIN 933)	14	
38	-	Screw, M12 x 25 mm (DIN 933)	4	

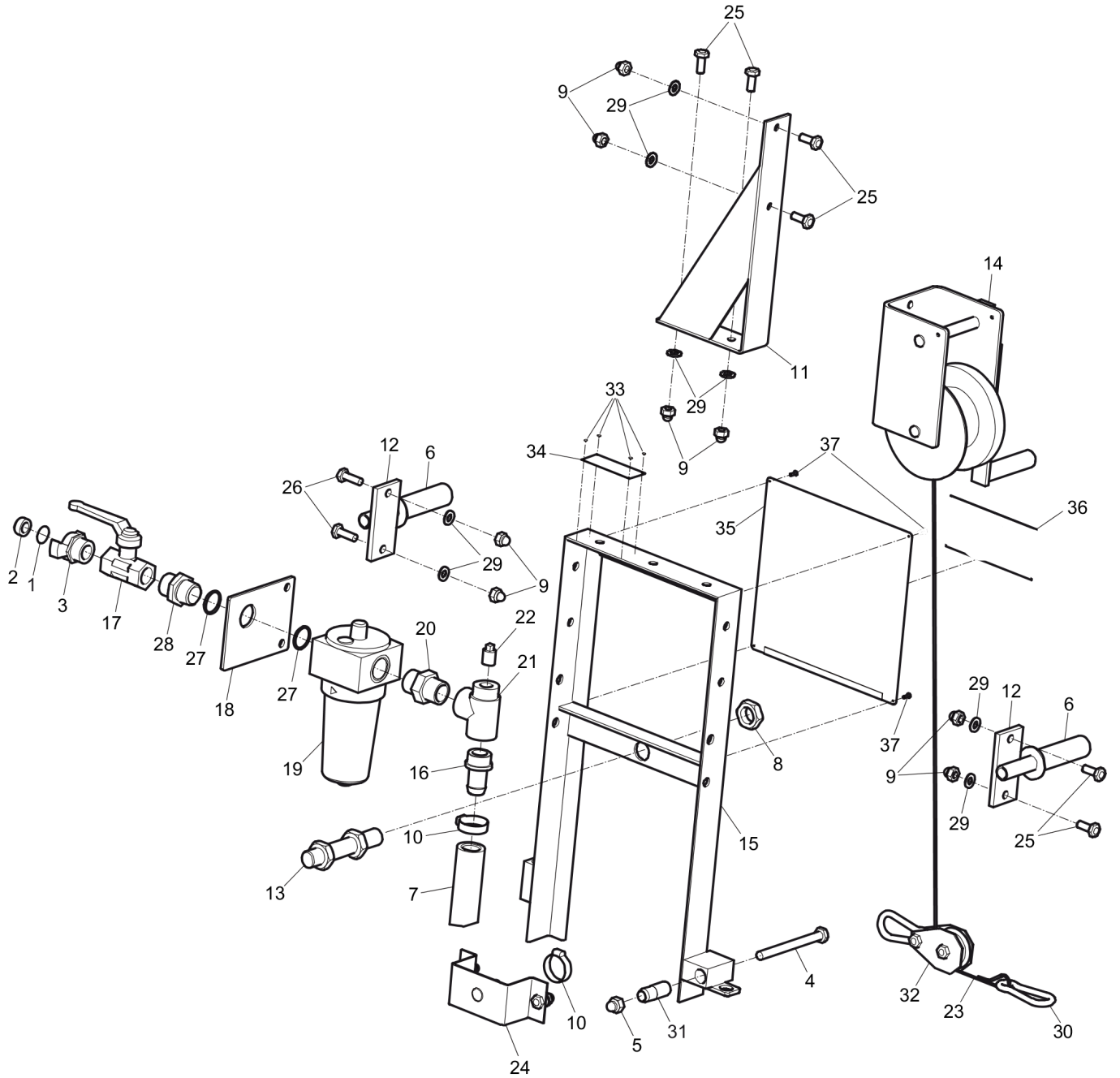
Refer to the Parts Online web page for most up-to-date information. The printed information might be outdated.

Item	Part No.	Name	Qty	L
39	-	Screw, M8 x 20 mm (DIN 933)	2	
40	-	Screw, M10 x 35 mm (DIN 933)	4	
41	-	Screw, M4 x 16 mm (DIN 84A)	2	
42	-	Screw, M5 x 20 mm (DIN 84A)	4	
43	-	Nut, M5 (DIN 985)	4	
44	-	Nut, M8 (DIN 985)	6	
45	-	Nut, M10 (DIN 985)	4	
46	-	Washer, 8.4 x 18 x 1.5 mm, 0.33 x 0.71 x 0.06 in.	10	
47	-	Washer, 10.5 x 20 x 2 mm, 0.41 x 0.78 x 0.07 in.	18	
48	-	Washer, 13 x 27 x 2.5 mm, 0.51 x 1.06 x 0.09 in.	8	
49	594837801	Cable	2	
50	594600301	Connector	1	
51	-	Data plate (Not available separately)	1	
52	595390601	Bearing	2	
53	595134101	Gland	1	
54	594498001	Snap hook	1	
55	595134201	Chock absorber	4	
56	595487701	Jointing plate, left	1	
57	595392601	Guide	1	
58	595138501	Label	1	
59	595442301	Outlet	1	
60	595443201	Pulley, complete	1	
61	-	Screw, M8 x 16 mm (DIN 913)	1	
62	-	Lifting eye nut, M12 (DIN 582)	1	
63	595462401	Conduit entry	2	
64	595277001	Plastron	1	
65	595212201	Label	1	
66	-	Rivet, 3.2 x 9.7 mm (Type A), 0.12 x 0.38 in.	4	

Refer to the Parts Online web page for most up-to-date information. The printed information might be outdated.

This page intentionally left blank

Spare parts list Pneumatic drive unit

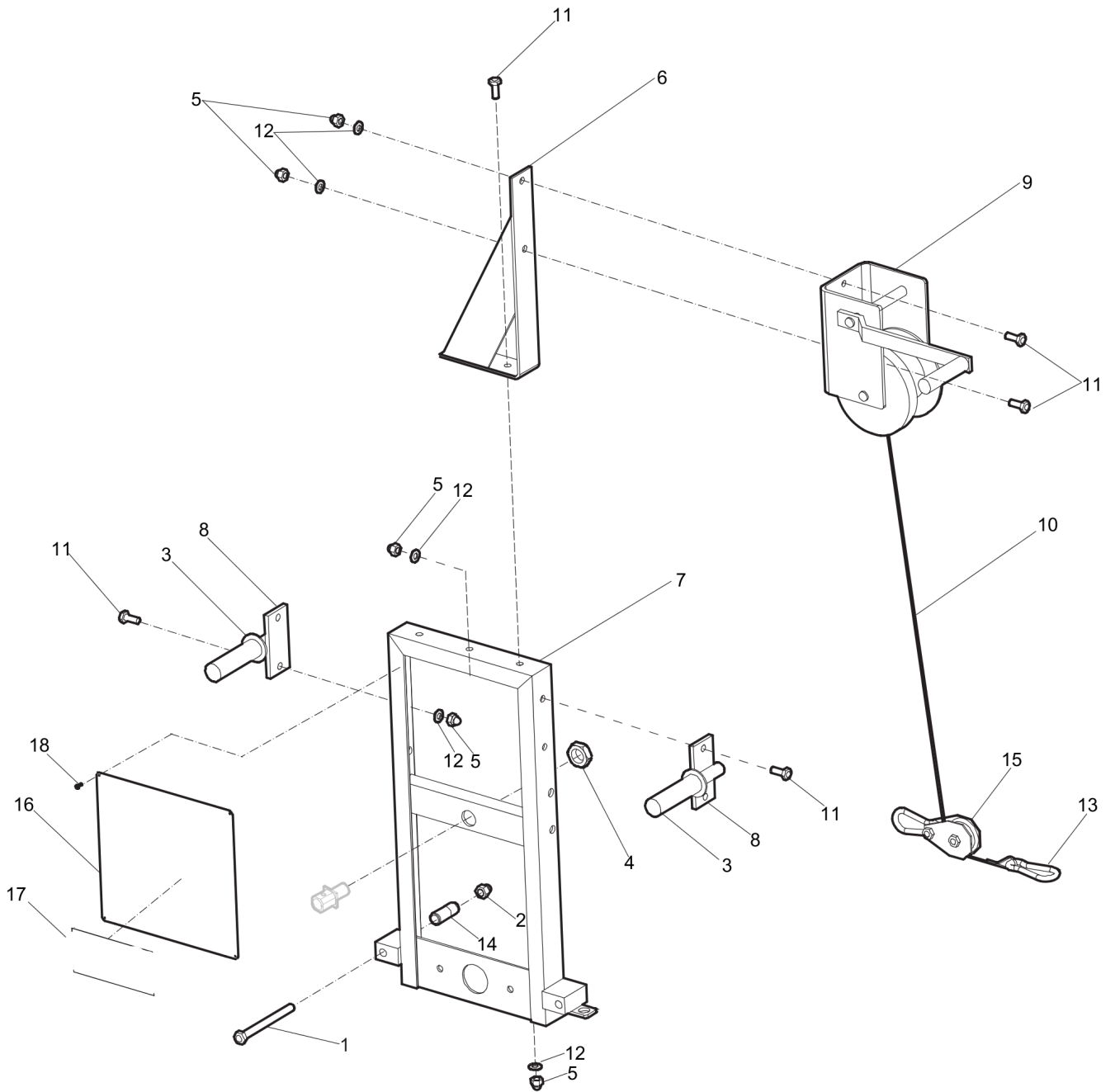


Refer to the Parts Online web page for most up-to-date information. The printed information might be outdated.

Item	Part No.	Name	Qty	L
1	594253701	Filter	1	
2	594253901	Gasket	1	
3	594255301	Coupling	1	
4	-	Screw, M12 x 130 mm (DIN 931)	1	
5	-	Nut, M12 (DIN 986)	1	
6	594379001	Handle	2	
7	594388401	Hose	1	
8	-	Nut, M24 (DIN 439 B)	3	
9	-	Nut, M10 (DIN 986)	8	
10	594817801	Clamp	2	
11	594624601	Winch holder	1	
12	595163901	Handle	2	
13	595164001	Screw	1	
14	594394101	Right hand winch	1	
15	595197201	Frame	1	
16	595164601	Nipple	1	
17	594394401	Valve	1	
18	594424201	Lubricator holder	1	
19	594424101	Lubricator	1	
20	594394501	Adapter	1	
21	595164701	Adapter	1	
22	595164801	Plug	1	
23	594394801	Wire, 30 m	1	
24	595166601	Plug	1	
25	-	Screw, M10 x 25 mm (DIN 933)	6	
26	-	Screw, M10 x 30 mm (DIN 933)	2	
27	-	O-ring, 29.8 x 2.62 mm , 1.17 x 0.10 in. (70 shore)	2	
28	594424301	Adapter	1	
29	-	Washer, 10.5 x 20 x 2 mm, 0.41 x 0.78 x 0.08 in.	8	
30	594498001	Snap hook	1	
31	595443101	Sleeve	1	
32	595443201	Pulley, complete	1	
33	595141401	Drive screw	4	
34	-	Data plate (Not available separately)	1	
35	595277001	Plastron	1	
36	595212201	Label	1	
37	595449301	Rivet	4	

Refer to the Parts Online web page for most up-to-date information. The printed information might be outdated.

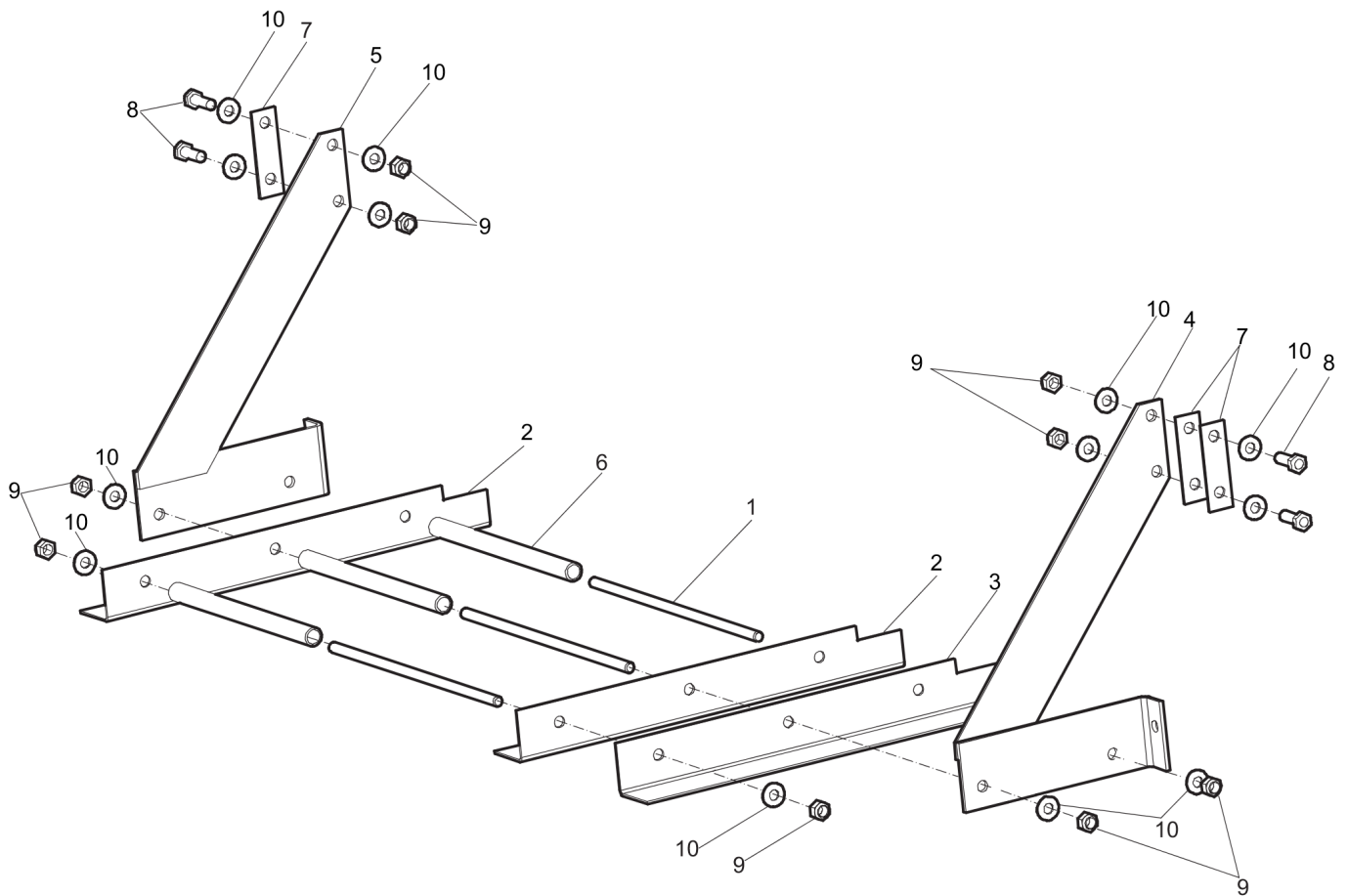
Spare parts list Free end section



Refer to the Parts Online web page for most up-to-date information. The printed information might be outdated.

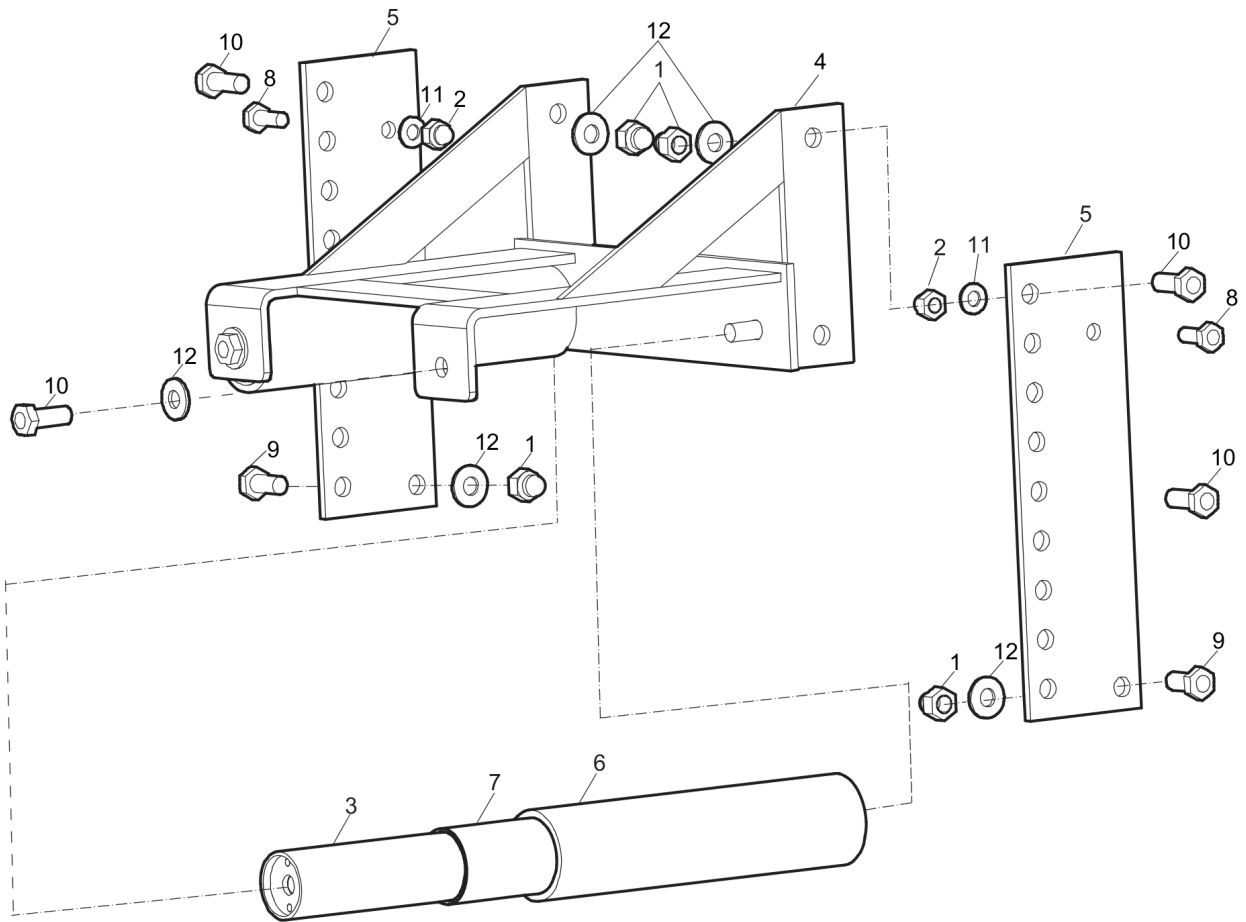
Item	Part No.	Name	Qty	L
1	-	Screw, M12 x 130 mm (DIN 931)	2	
2	-	Nut, M12 (DIN 986)	2	
3	594379001	Handle	2	
4	-	Nut, M24 (DIN 493 B)	1	
5	-	Nut, M10 (DIN 986)	8	
6	594624601	Winch holder	1	
7	595163901	Handle	2	
8	595163901	Handle	2	
9	594393501	Hand winch	1	
10	594394801	Wire, 30 m	1	
11	-	Screw, M10 x 25 mm (DIN 933)	8	
12	-	Washer, 10.5 x 20 x 2 mm, 0.41 x 0.78 x 0.08 in.	8	
13	594498001	Snap hook	1	
14	595443101	Sleeve	2	
15	595443201	Pulley, complete	1	
16	595277001	Plastron	1	
17			1	
18	-	Rivet, 3.2 x 9.7 mm (Type A)	4	

Spare parts list Extension



Item	Part No.	Name	Qty	L
1	595457501	Stud	3	
2	595166001	Angle bar	2	
3	595166101	Angle bar	1	
4	595197501	Holder	1	
5	595197601	Holder	1	
6	595166201	Tube	3	
7	595166301	Spacer	3	
8	-	Screw, M12 x 35 mm (DIN 933)	4	
9	-	Nut, M12 (DIN 985)	10	
10	-	Washer, 13 x 27 x 2.5 mm, 0.51 x 1.06 x 0.09 in.	14	

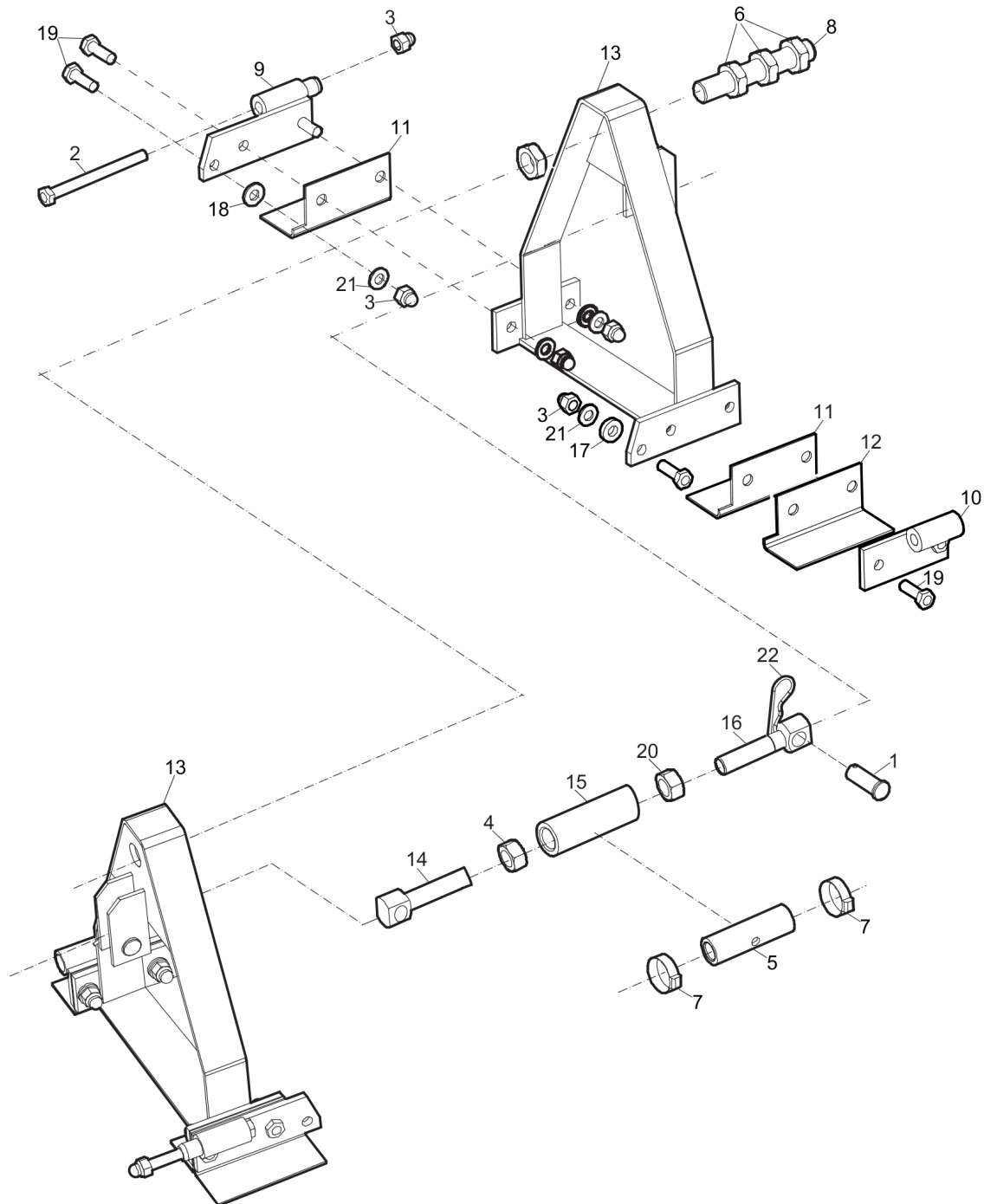
Spare parts list Outrigger



Refer to the Parts Online web page for most up-to-date information. The printed information might be outdated.

Item	Part No.	Name	Qty	L
1	-	Nut, M12 (DIN 986)	6	
2	-	Nut, M10 (DIN 986)	2	
3	595166401	Drum	2	
4	595197701	Holder	1	
5	595197801	Holder	2	
6	595166501	Hose, 245 mm , 9.25 in.	2	
7	595162301	Tube	2	
8	-	Screw, M10 x 25 mm (DIN 933)	2	
9	-	Screw, M12 x 25 mm (DIN 933)	2	
10	-	Screw, M12 x 30 mm (DIN 933)	8	
11	-	Spring washer,M10	2	
12	-	Washer, 13 x 27 x 2.5 mm, 0.51 x 1.06 x 0.09 in.	4	
13	-	Spring washer,M12	6	

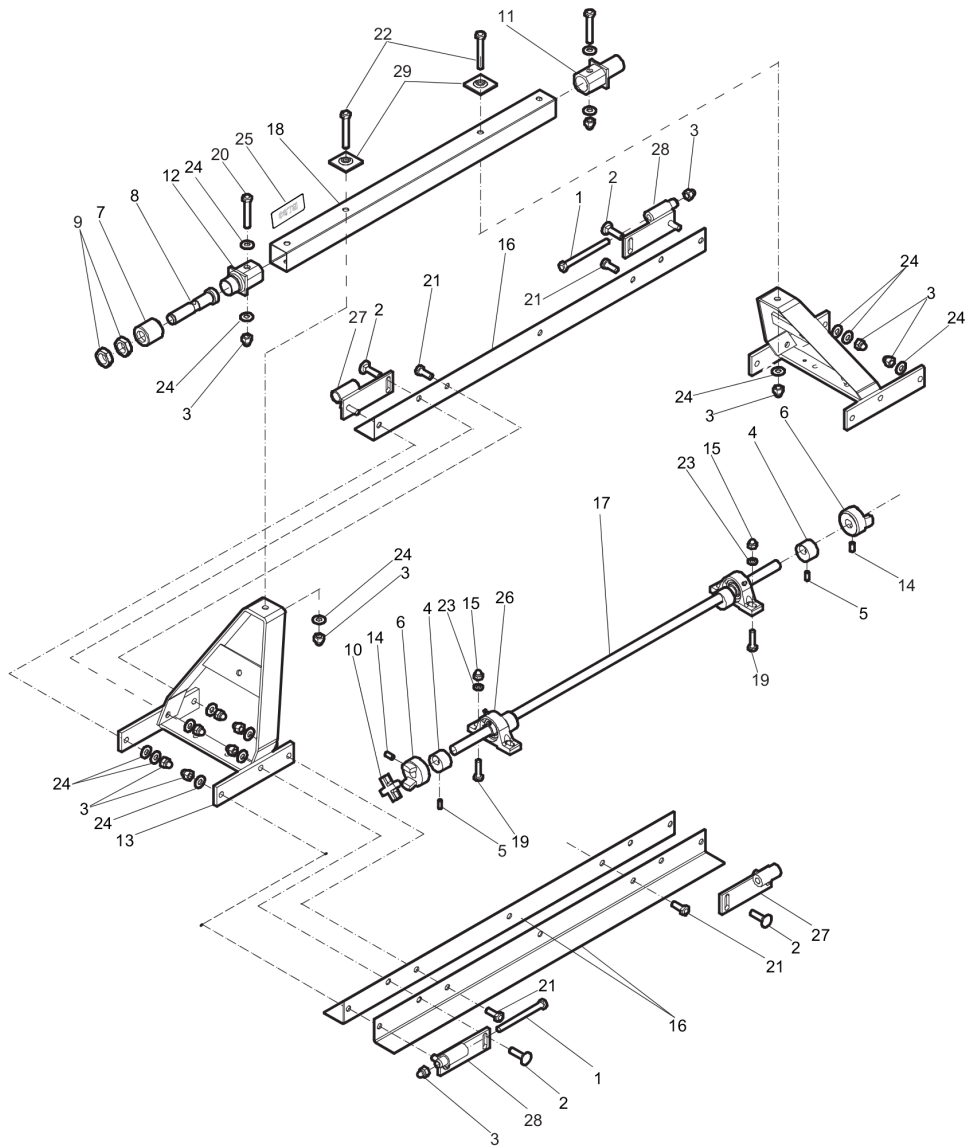
Spare parts list Crown invert bracket for pneumatic screed



Refer to the Parts Online web page for most up-to-date information. The printed information might be outdated.

Item	Part No.	Name	Qty	L
1	595153701	Pin	2	
2	-	Screw, M12 x 130 mm (DIN 931)	2	
3	-	Nut, M12 (DIN 986)	12	
4	-	Nut, M20 (DIN 934) Left hand thread	1	
5	594388401	Hose	1	
6	-	Nut, M24 (DIN 439 B)	4	
7	594817801	Clamp	2	
8	595164001	Screw	1	
9	595165201	Guide	2	
10	595165301	Guide	2	
11	595165401	Angle bar	3	
12	595165501	Angle bar	3	
13	595197901	Holder	2	
14	595165601	Screw	1	
15	595165701	Nut	1	
16	595522401	Shaft	1	
17	595165801	Washer	1	
18	595165901	Washer	1	
19	-	Screw, M12 x 35 mm (DIN 933)	6	
20	-	Nut, M20 (DIN 934)	1	
21	-	Washer, 13 x 24 x 2.5 mm, 0.51 x 0.94 x 0.09 in.	12	
22	-	Pin, 3.5 x 90 mm, 0.14 x 3.54 in.	1	

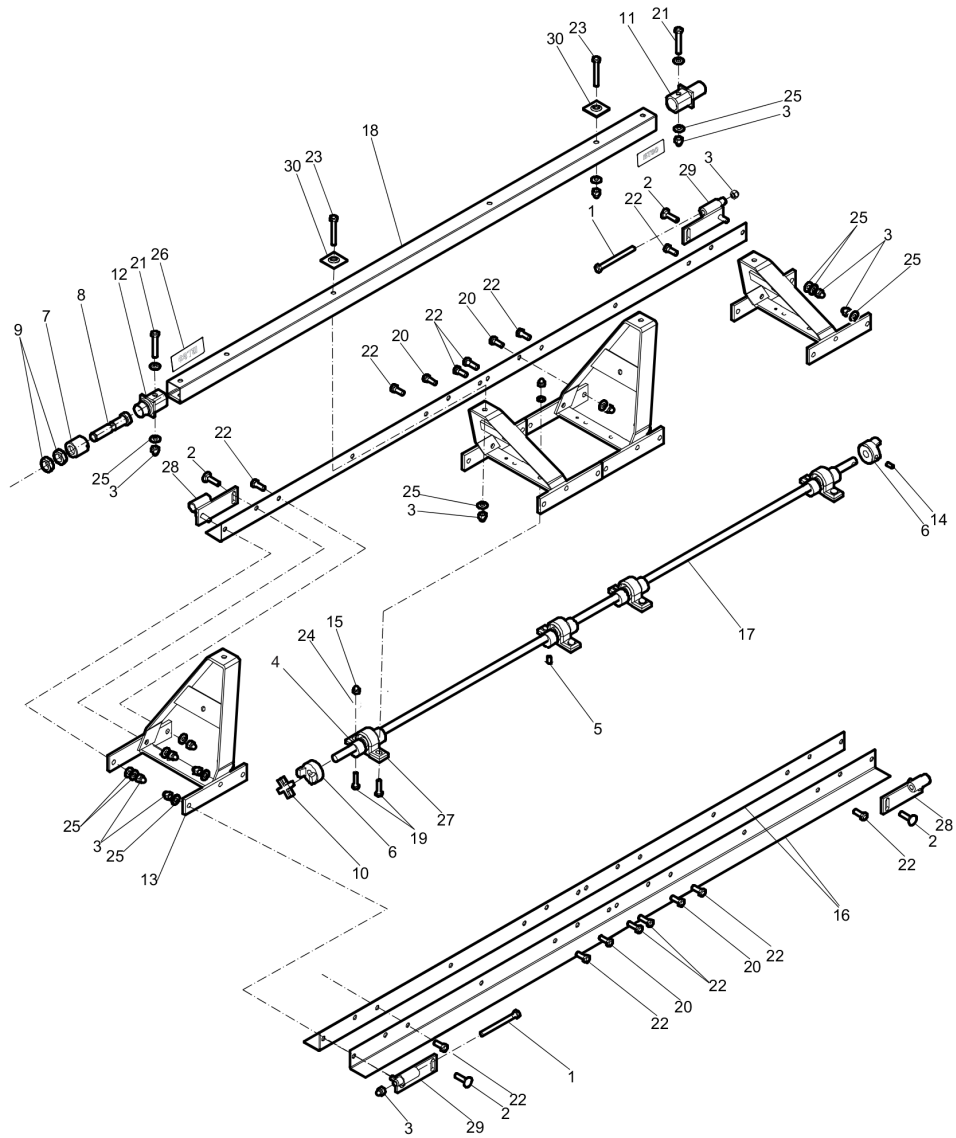
Spare parts list Electric or petrol screed sections - 1 meter (3.2 ft)



Refer to the Parts Online web page for most up-to-date information. The printed information might be outdated.

Item	Part No.	Name	Qty	L
1	-	Screw, M12 x 130 mm (DIN 931)	2	
2	-	Screw, M12 x 45 mm (DIN 603)	4	
3	-	Nut, M12 (DIN 986)	18	
4	594380501	Eccentric	4	
5	-	Screw, M8 x 20 mm (DIN 916)	4	
6	594391901	Coupling	2	
7	594392001	Sleeve	1	
8	594392101	Screw	1	
9	-	Nut, M24 (DIN 439 B)	2	
10	594392301	Rubber cross	1	
11	594392401	Holder	1	
12	594392501	Holder	1	
13	595197301	Holder	2	
14	-	Screw, M10 x 20 mm (DIN 916)	2	
15	-	Nut, M10 (DIN 986)	4	
16	594391701	Angle bar	3	
17	594391801	Shaft	1	
18	594624801	Tube	1	
19	-	Screw, M10 x 40 mm (DIN 933)	4	
20	-	Screw, M12 x 70 mm (DIN 931)	2	
21	-	Screw, M12 x 30 mm (DIN 933)	4	
22	-	Screw, M12 x 80 mm (DIN 931)	2	
23	-	Washer, 10.5 x 20 x 2 mm, 0.41 x 0.79 x 0.07 in.	4	
24	-	Washer, 13 x 27 x 2.5 mm, 0.51 x 1.06 x 0.09 in.	20	
25	595501501	Label	2	
26	595390601	Bearing	2	
27	595487701	Jointing plate, left	2	
28	595392601	Guide	2	
29	595137801	Washer	2	

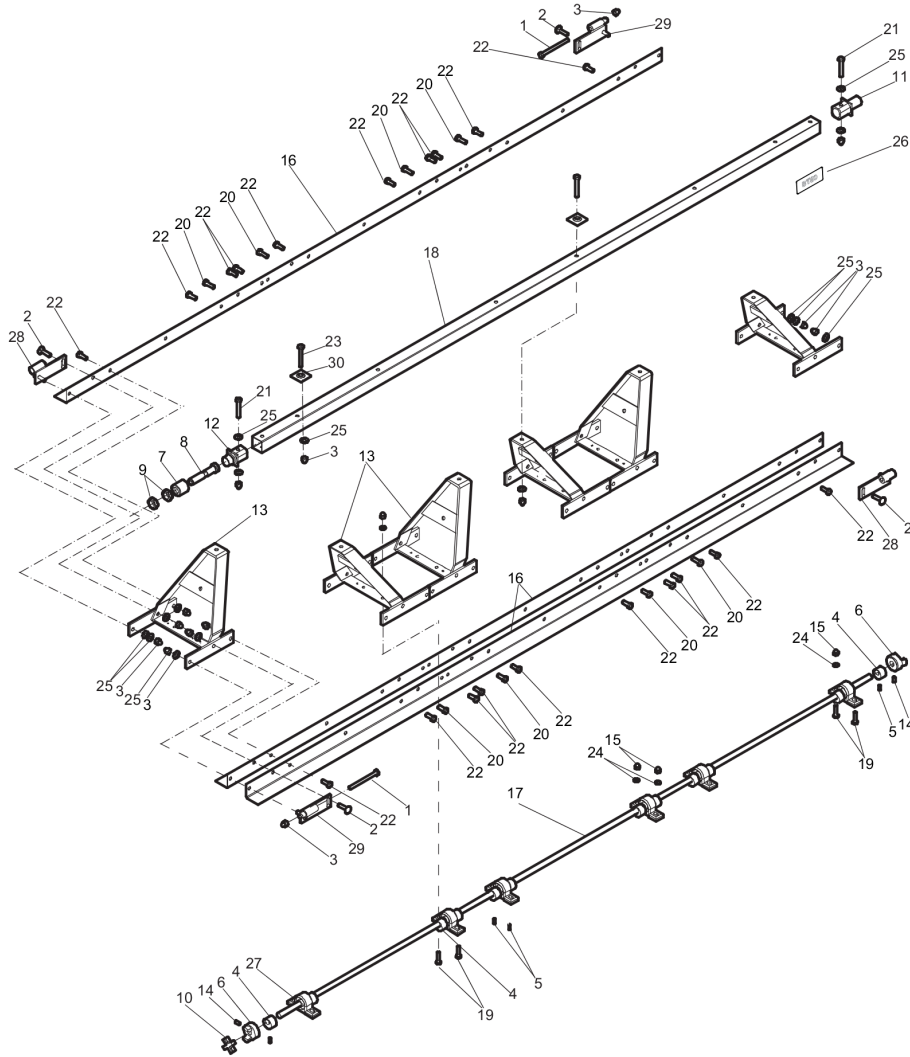
Spare parts list Electric or petrol screed sections - 2 meter (6.5 ft)



Refer to the Parts Online web page for most up-to-date information. The printed information might be outdated.

Item	Part No.	Name	Qty	L
1	-	Screw, M12 x 130 mm (DIN 931)	2	
2	-	Screw, M12 x 45 mm (DIN 603)	4	
3	-	Nut, M12 (DIN 986)	32	
4	594380501	Eccentric	8	
5	-	Screw, M8 x 20 mm (DIN 916)	8	
6	594391901	Coupling	2	
7	594392001	Sleeve	1	
8	594392101	Screw	1	
9	-	Nut, M24 (DIN 439 B)	2	
10	594392301	Rubber cross	1	
11	594392401	Holder	1	
12	594392501	Holder	1	
13	595197301	Holder	4	
14	-	Screw, M10 x 20 mm (DIN 916)	2	
15	-	Nut, M10 (DIN 986)	8	
16	594392901	Angle bar	3	
17	594393001	Shaft	1	
18	594624901	Tube	1	
19	-	Screw, M10 x 40 mm (DIN 933)	8	
20	-	Screw, M12 x 35 mm (DIN 933)	4	
21	-	Screw, M12 x 70 mm (DIN 931)	2	
22	-	Screw, M12 x 30 mm (DIN 933)	12	
23	-	Screw, M12 x 80 mm (DIN 931)	1	
24	-	Washer, 10.5 x 20 x 2 mm, 0.41 x 0.78 x 0.08 in.	8	
25	-	Washer, 13 x 27 x 2.5 mm, 0.51 x 1.06 x 0.09 in.	34	
26	595501501	Label	2	
27	595390601	Bearing	4	
28	595487701	Jointing plate, left	2	
29	595392601	Guide	2	
30	595137801	Washer	4	

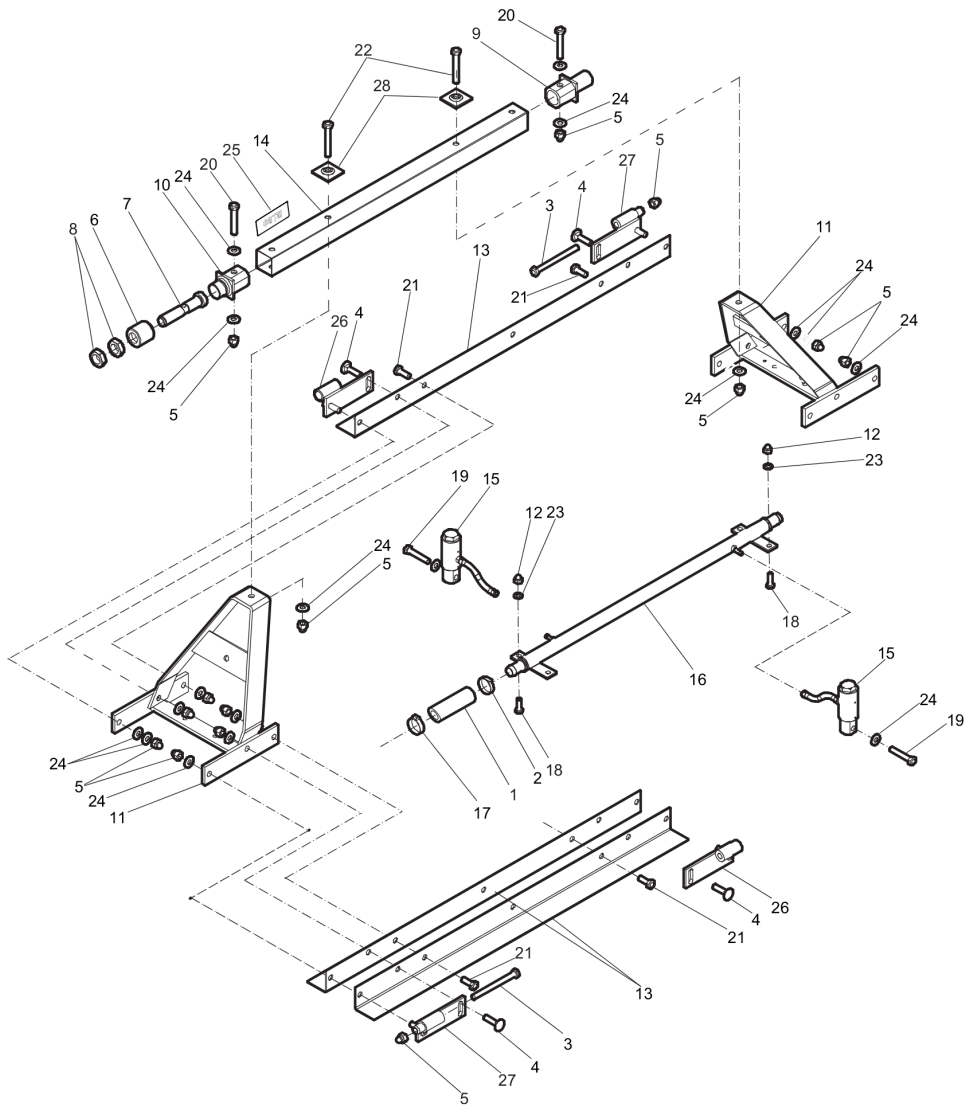
Spare parts list Electric or petrol screed sections - 3 meter (9.8 ft)



Refer to the Parts Online web page for most up-to-date information. The printed information might be outdated.

Item	Part No.	Name	Qty	L
1	-	Screw, M12 x 130 mm (DIN 931)	2	
2	-	Screw, M12 x 45 mm (DIN 603)	4	
3	-	Nut, M12 (DIN 986)	45	
4	594380501	Eccentric	12	
5	-	Screw, M8 x 20 mm (DIN 916)	12	
6	594391901	Coupling	2	
7	594392001	Sleeve	1	
8	594392101	Screw	1	
9	-	Nut, M24 (DIN 439 B)	2	
10	594392301	Rubber cross	1	
11	594392401	Holder	1	
12	594392501	Holder	1	
13	595197301	Holder	6	
14	-	Screw, M10 x 20 mm (DIN 916)	2	
15	-	Nut, M10 (DIN 986)	12	
16	594393101	Angle bar	3	
17	594393201	Shaft	1	
18	595197401	Tube	1	
19	-	Screw, M10 x 40 mm (DIN 933)	12	
20	-	Screw, M12 x 35 mm (DIN 933)	8	
21	-	Screw, M12 x 70 mm (DIN 931)	2	
22	-	Screw, M12 x 30 mm (DIN 933)	20	
23	-	Screw, M12 x 80 mm (DIN 931)	6	
24	-	Washer, 10.5 x 20 x 2 mm, 0.41 x 0.78 x 0.08 in.	12	
25	-	Washer, 13 x 27 x 2.5 mm, 0.51 x 1.06 x 0.09 in.	48	
26	595501501	Label	2	
27	595390601	Bearing	6	
28	595487701	Jointing plate, left	2	
29	595392601	Guide	2	
30	595137801	Washer	6	

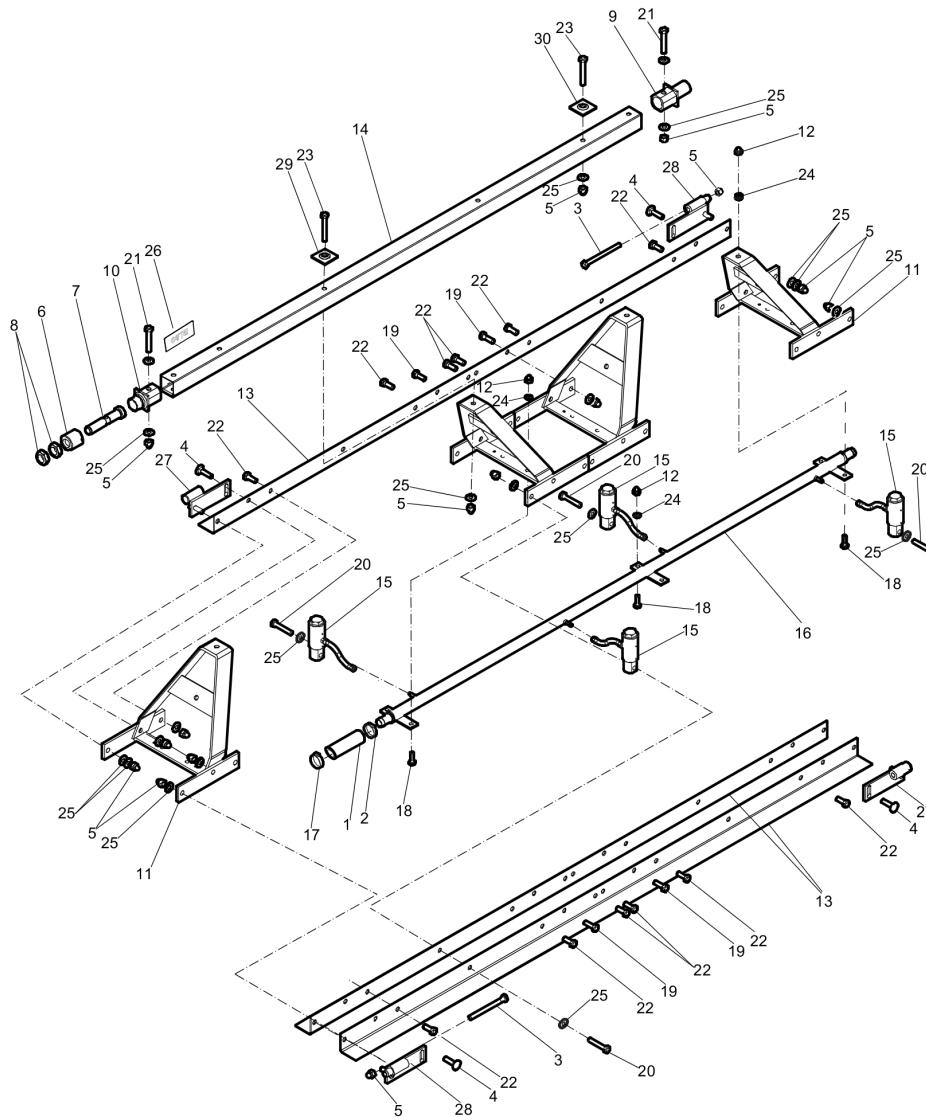
Spare parts list Pneumatic screed sections - 1 meter (3.2 ft)



Refer to the Parts Online web page for most up-to-date information. The printed information might be outdated.

Item	Part No.	Name	Qty	L
1	594388401	Hose	1	
2	594285401	Clamp	1	
3	-	Screw, M12 x 130 mm (DIN 931)	2	
4	-	Screw, M12 x 45 mm (DIN 603)	4	
5	-	Nut, M12 (DIN 986)	18	
6	594392001	Sleeve	1	
7	594392101	Screw	1	
8	-	Nut, M24 (DIN 439 B)	2	
9	594392401	Holder	1	
10	594392501	Holder	1	
11	595197301	Holder	2	
12	-	Locknut, M10 (DIN 986)	3	
13	594391701	Angle bar	3	
14	594624801	Tube	1	
15	594393301	Vibrator	2	
16	594393401	Tube, cpl	1	
17	594817801	Clamp	1	
18	-	Screw, M10 x 30 mm (DIN 933)	4	
19	-	Screw, M12 x 65 mm (DIN 931)	2	
20	-	Screw, M12 x 70 mm (DIN 931)	2	
21	-	Screw, M12 x 30 mm (DIN 933)	4	
22	-	Screw, M12 x 80 mm (DIN 931)	2	
23	-	Washer, 10.5 X 20 X 2 mm, 0.41 x 0.79 x 0.08 in.	4	
24	-	Washer, 13 x 27 x 2.5 mm, 0.51 x 1.06 x 0.09 in.	22	
25	595501501	Label	2	
26	595487701	Jointing plate, left	1	
27	595392601	Guide	2	
28	595137801	Washer	2	

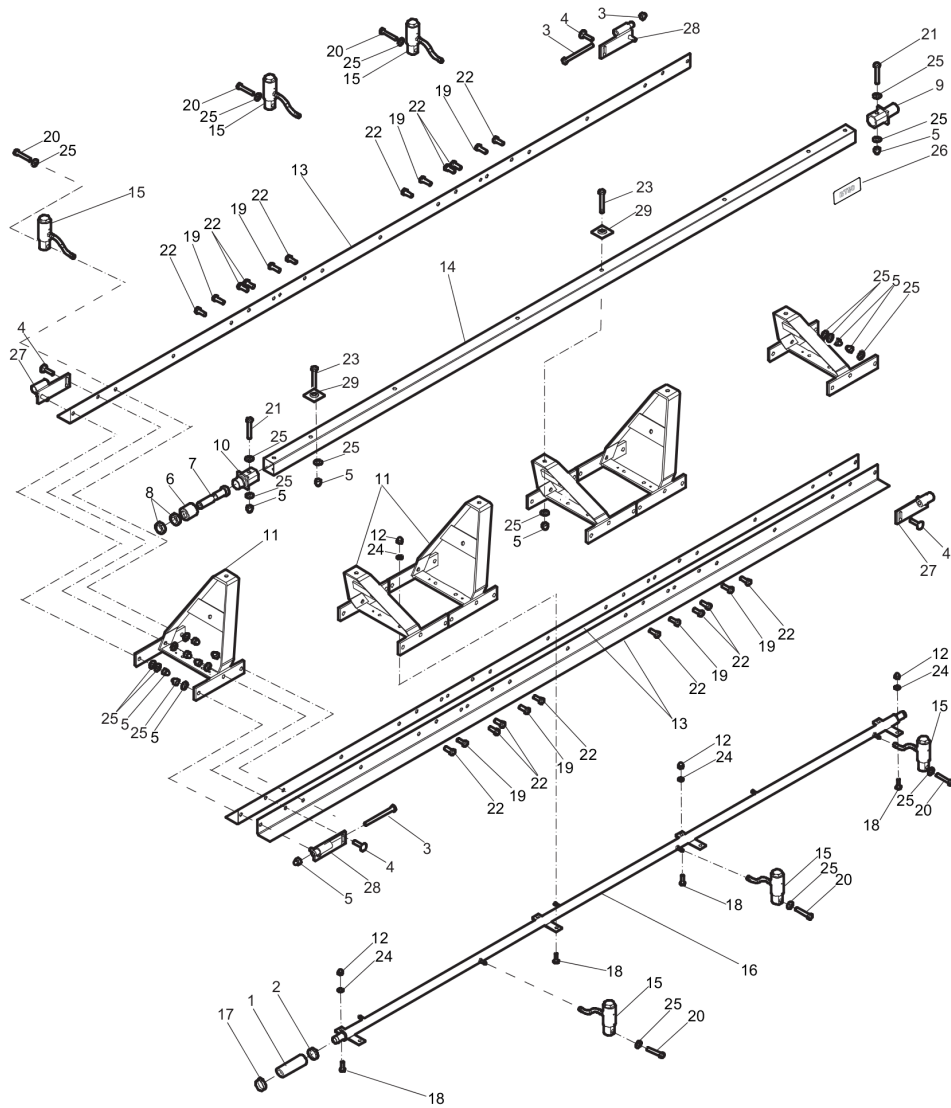
Spare parts list Pneumatic screed sections - 2 meter (6.5 ft)



Refer to the Parts Online web page for most up-to-date information. The printed information might be outdated.

Item	Part No.	Name	Qty	L
1	594388401	Hose	1	
2	594285401	Clamp	1	
3	-	Screw, M12 x 130 mm (DIN 931)	2	
4	-	Screw, M12 x 45 mm (DIN 603)	4	
5	-	Nut, M12 (DIN 986)	32	
6	594392001	Sleeve	1	
7	594392101	Screw	1	
8	-	Nut, M24 (DIN 439 B)	2	
9	594392401	Holder	1	
10	594392501	Holder	1	
11	595197301	Holder	4	
12	-	Locknut, M10 (DIN 986)	6	
13	594392901	Angle bar	3	
14	594624901	Tube	1	
15	594393301	Vibrator	4	
16	595460501	Tube, cpl	1	
17	594817801	Clamp	1	
18	-	Screw, M10 x 30 mm (DIN 933)	6	
19	-	Screw, M12 x 35 mm (DIN 933)	8	
20	-	Screw, M12 x 65 mm (DIN 931)	4	
21	-	Screw, M12 x 70 mm (DIN 931)	2	
22	-	Screw, M12 x 30 mm (DIN 933)	8	
23	-	Screw, M12 x 80 mm (DIN 931)	4	
24	-	Washer, 10.5 x 20 x 2 mm , 0.41 x 0.79 x 0.08 in.	6	
25	-	Washer, 13 x 27 x 2.5 mm, 0.51 x 1.06 x 0.09 in.	38	
26	595501501	Label	2	
27	595487701	Jointing plate, left	2	
28	595392601	Guide	2	
29	595137801	Washer	4	

Spare parts list Pneumatic screed sections - 3 meter (9.8 ft)



Refer to the Parts Online web page for most up-to-date information. The printed information might be outdated.

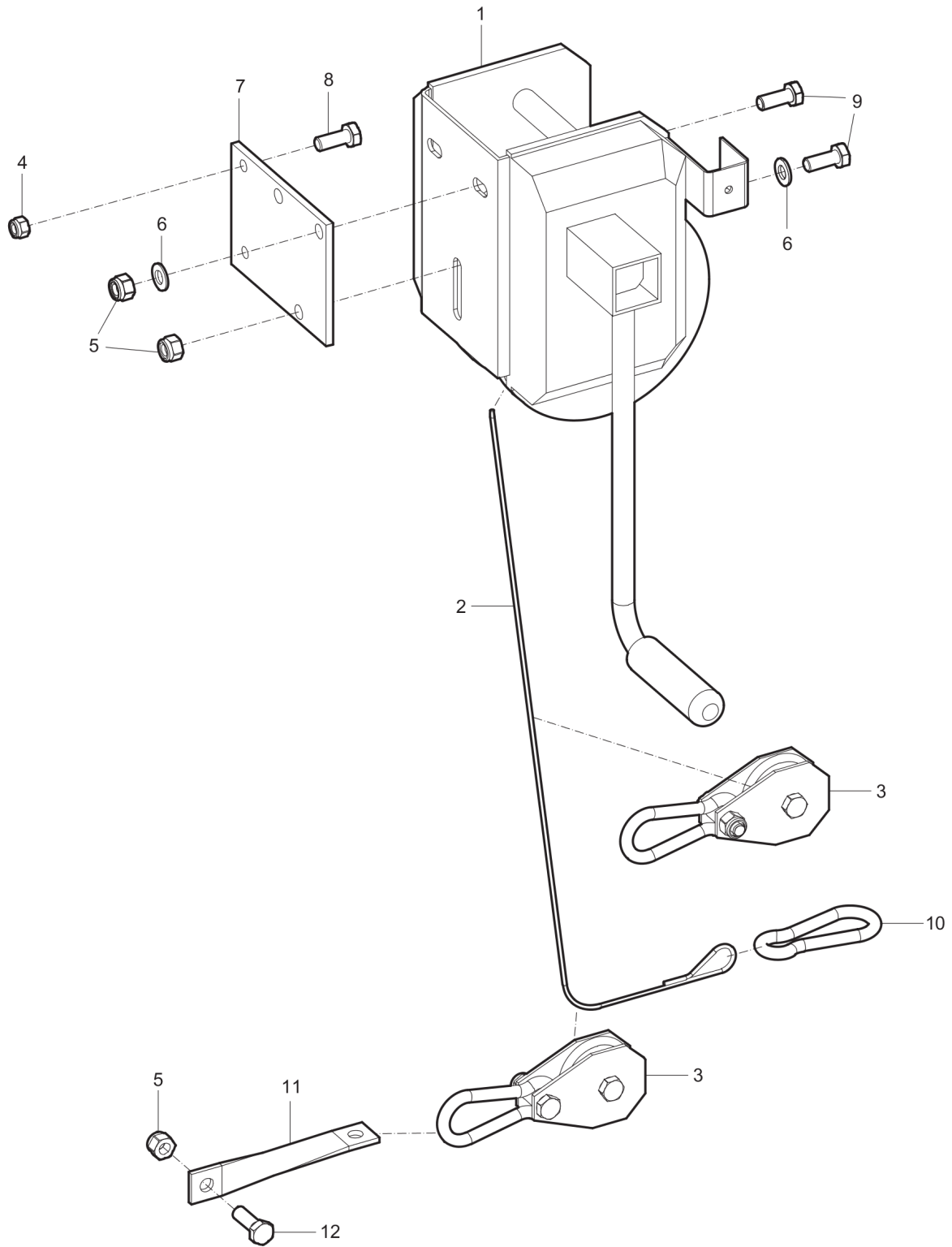
Item	Part No.	Name	Qty	L
1	594388401	Hose	1	
2	594285401	Clamp	1	
3	-	Screw, M12 x 130 mm (DIN 931)	2	
4	-	Screw, M12 x 45 mm (DIN 603)	4	
5	-	Nut, M12 (DIN 986)	46	
6	594392001	Sleeve	1	
7	594392101	Screw	1	
8	-	Nut, M24 (DIN 439 B)	2	
9	594392401	Holder	1	
10	594392501	Holder	1	
11	595197301	Holder	6	
12	-	Locknut, M10 (DIN 986)	8	
13	594393101	Angle bar	3	
14	595197401	Tube	1	
15	594393301	Vibrator	6	
16	595460601	Tube, cpl	1	
17	594817801	Clamp	1	
18	-	Screw, M10 x 30 mm (DIN 933)	8	
19	-	Screw, M12 x 35 mm (DIN 933)	8	
20	-	Screw, M12 x 65 mm (DIN 931)	6	
21	-	Screw, M12 x 70 mm (DIN 931)	2	
22	-	Screw, M12 x 30 mm (DIN 933)	16	
23	-	Screw, M12 x 80 mm (DIN 931)	6	
24	-	Washer, 10.5 x 20 x 2 mm , 0.41 x 0.79 x 0.08 in.	8	
25	-	Washer, 13 x 27 x 2.5 mm, 0.51 x 1.06 x 0.09 in.	55	
26	595501501	Label	2	
27	595487701	Jointing plate, left	2	
28	595392601	Guide	2	
29	595137801	Washer	6	

Kits Service kit, Honda GX 270

NO EXPLODED VIEW
AVAILABLE
FOR THIS BOM

Item	Part No.	Name	Qty	L
1	594200401	One year service kit	1	
1	594575101	Air Filter, cpl	1	
2	595048901	Oil plug gasket	1	
3	595049101	Starting rope	1	
4	594544301	Spark plug	1	
5	594760301	Gasket	1	

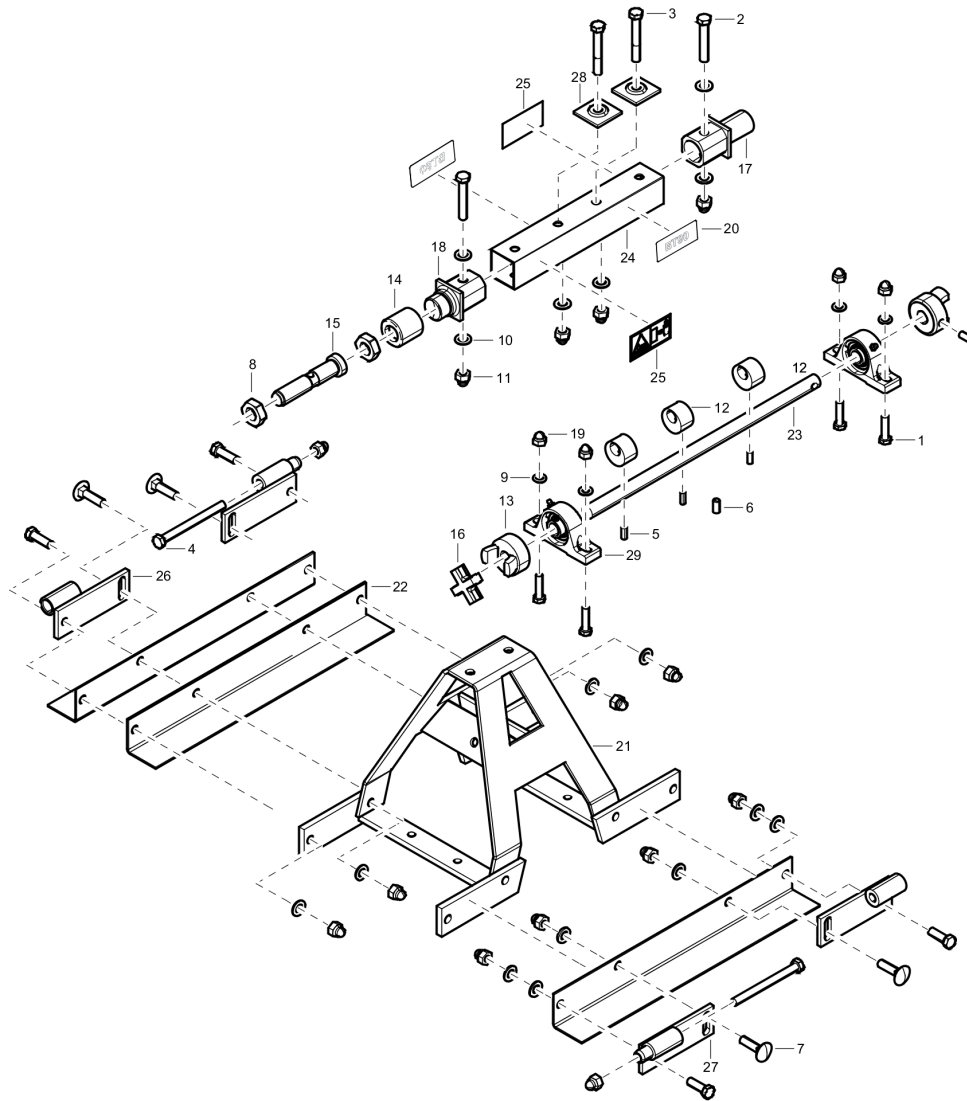
Accessories Extra hand winch



Refer to the Parts Online web page for most up-to-date information. The printed information might be outdated.

Item	Part No.	Name	Qty	L
1	594393501	Hand winch	1	
2	594394801	Wire, 30 m	1	
3	595486001	Shackle	2	
4	-	Lock nut, M8	2	
5	-	Lock nut, M10	4	
6	-	Washer, 10.5 x 20 x 2	3	
7	595443301	Winch holder plate	1	
8	-	Screw, M8 x 25 mm 8.8 FZB	2	
9	-	Screw, M10 x 25 8.8 FZB	3	
10	594498001	Snap hook	1	
11	595444401	Shackle holder	1	
12	-	Screw, M10 x 30 mm 8.8 FZB	1	

Accessories Electric or petrol screed sections - 0.5 meter (1.6 Ft)

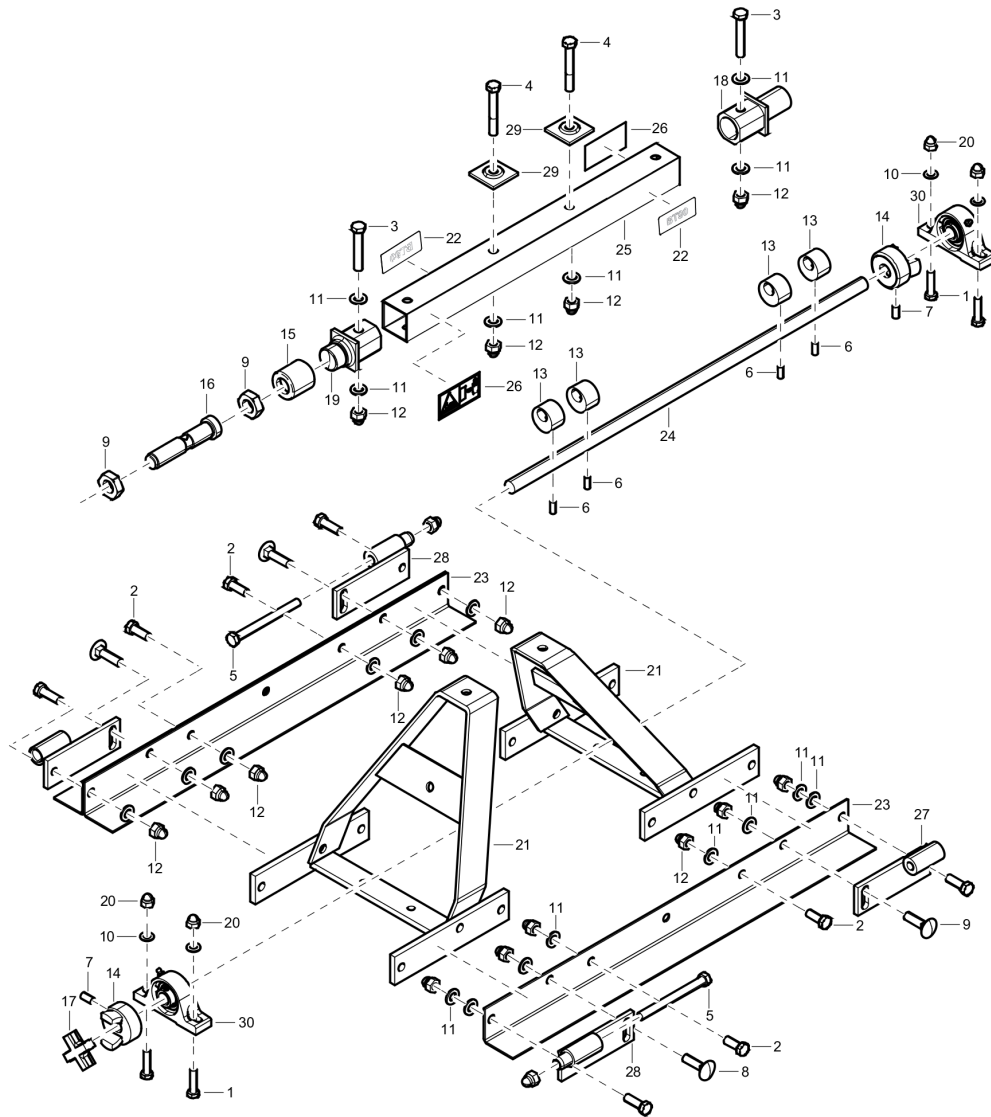


Refer to the Parts Online web page for most up-to-date information. The printed information might be outdated.

Item	Part No.	Name	Qty	L
1	595054601	Screw M10x40	4	
2	595345401	Hexagon bolt	2	
3	-	Bolt	2	
4	594285801	Hex. head screw	2	
5	594380601	SET SCREW	3	
6	594392701	Hex.socket set screw-M10x20	2	
7	-	Tapping screw	4	
8	595351501	Hexagon nut	2	
9	595113301	Washer plain	4	
10	595113401	Washer DIN125	16	
11	594287601	Nut	14	
12	594380501	Eccentric	3	
13	594391901	Coupling	2	
14	594392001	Sleeve	1	
15	594392101	Screw	1	
16	594392301	Rubber cross	1	
17	594392401	Holder	1	
18	594392501	Holder	1	
19	594392801	Nut	4	
20	595501501	Label	2	
21	595477101	Holder	1	
22	595201501	Angle bar	3	
23	595201601	Shaft	1	
24	595201701	Tube	1	
25	595480001	LABEL	2	
26	595487701	Jointing plate, left	2	
27	595487801	Jointing plate, right	2	
28	595488101	Washer	2	
29	594681001	Bearing	2	

Refer to the Parts Online web page for most up-to-date information. The printed information might be outdated.

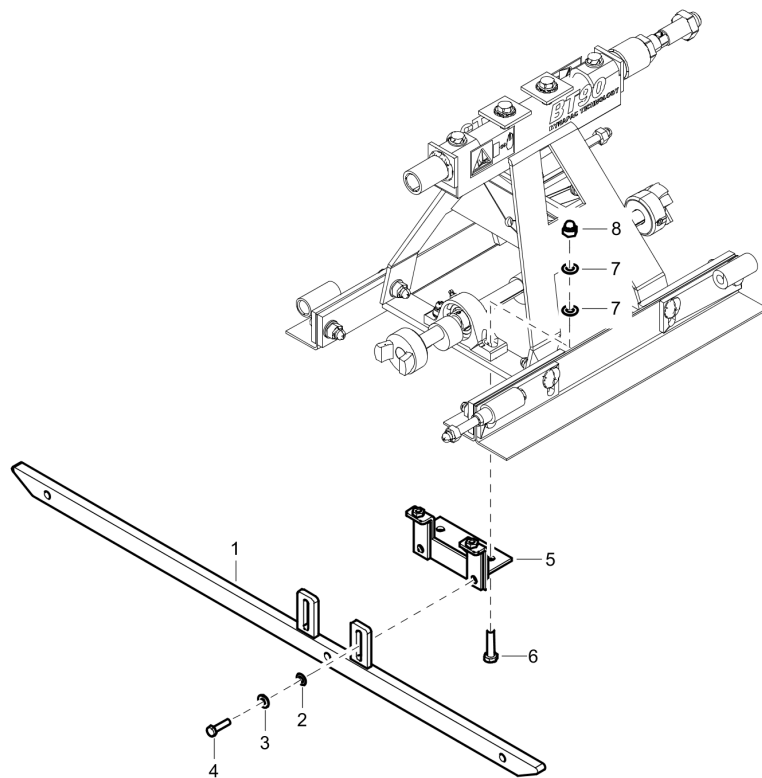
Accessories Electric or petrol screed sections - 0.75 meter (2.5 Ft)



Refer to the Parts Online web page for most up-to-date information. The printed information might be outdated.

Item	Part No.	Name	Qty	L
1	595054601	Screw M10x40	4	
2	594119001	Hex. head screw	4	
3	595345401	Hexagon bolt	2	
4	-	Bolt	2	
5	594285801	Hex. head screw	2	
6	594380601	SET SCREW	4	
7	594392701	Hex.socket set screw-M10x20	2	
8	-	Tapping screw	4	
9	595351501	Hexagon nut	2	
10	595113301	Washer plain	4	
11	595113401	Washer DIN125	20	
12	594287601	Nut	18	
13	594380501	Eccentric	4	
14	594391901	Coupling	2	
15	594392001	Sleeve	1	
16	594392101	Screw	1	
17	594392301	Rubber cross	1	
18	594392401	Holder	1	
19	594392501	Holder	1	
20	594392801	Nut	4	
21	595197301	Holder	2	
22	595514501	Label	2	
23	595477001	ANGLE BAR	3	
24	595201301	SHAFT	1	
25	595201401	TUBE	1	
26	595480001	LABEL	2	
27	595487701	Jointing plate, left	2	
28	595487801	Jointing plate, right	2	
29	595488101	Washer	2	
30	594681001	Bearing	2	

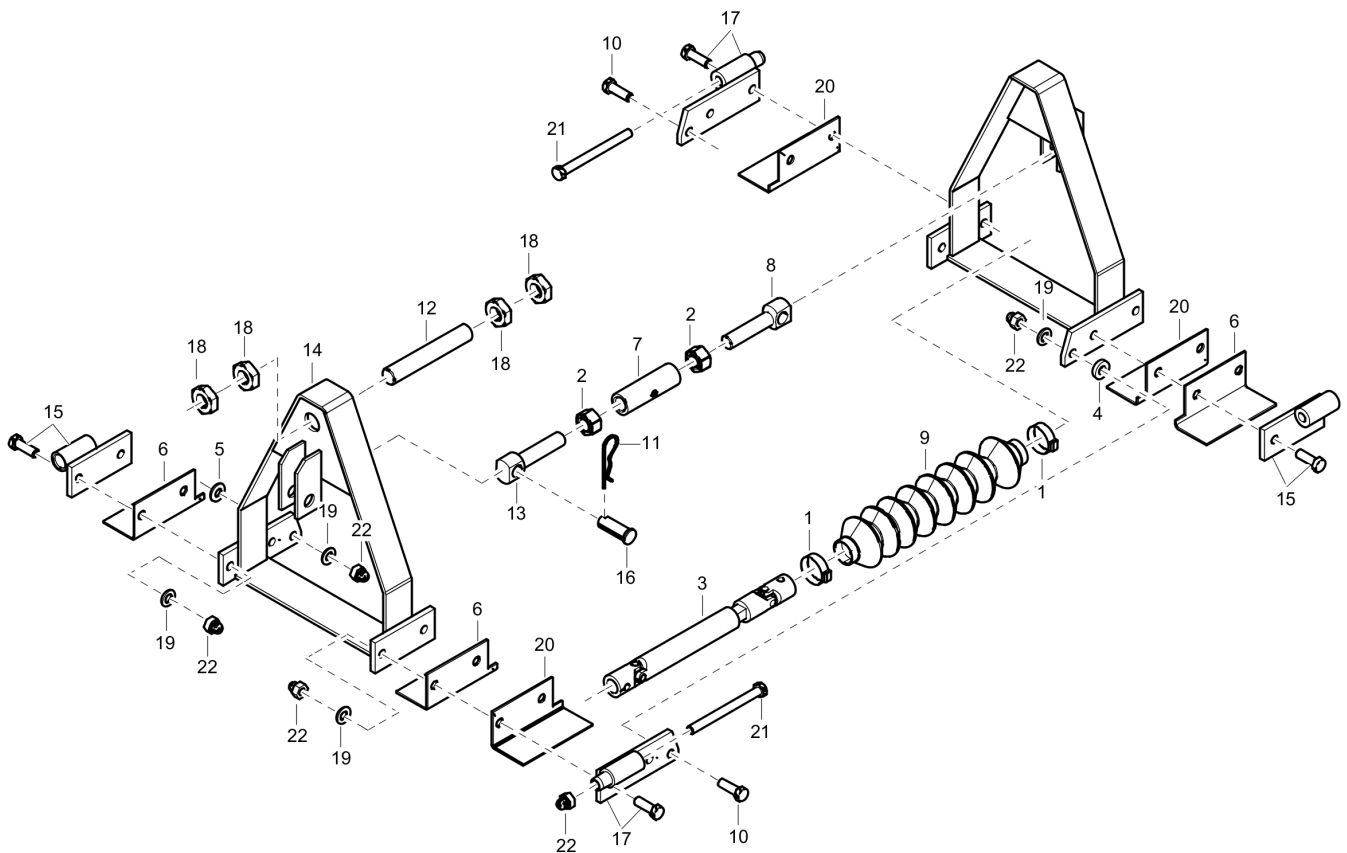
Accessories Skate



Refer to the Parts Online web page for most up-to-date information. The printed information might be outdated.

Item	Part No.	Name	Qty	L
1	595499201	Skate	1	
2	595036601	Washer DIN125	2	
3	595113601	Conical washer M8 DIN 6796	2	
4	595344301	Hex. head screw	2	
5	595499101	Holder skate	1	
6	595054601	Screw M10x40	2	
7	595113301	Washer plain	4	
8	594392801	Nut	2	

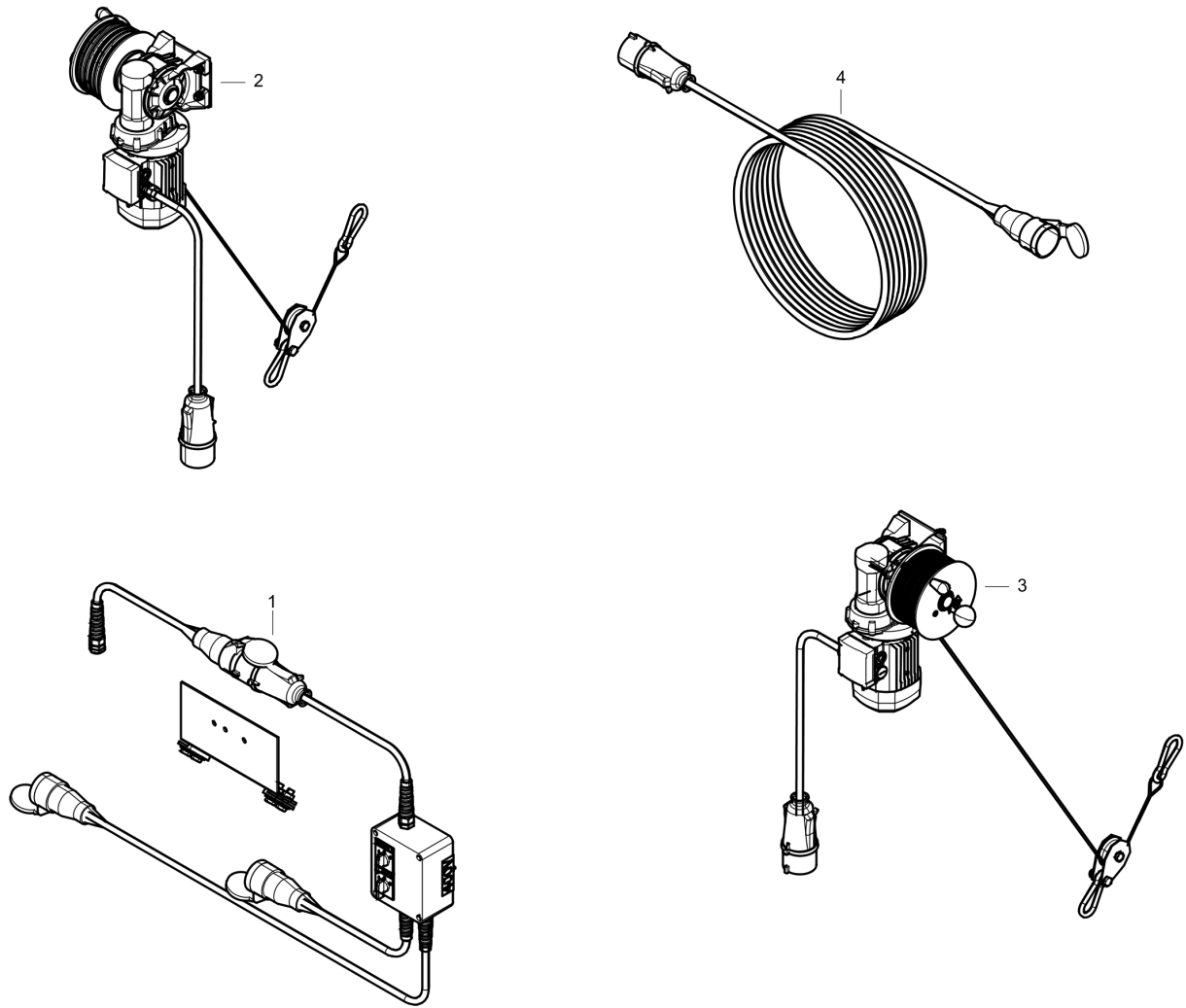
Accessories Crown Invert Bracket for electric or petrol



Refer to the Parts Online web page for most up-to-date information. The printed information might be outdated.

Item	Part No.	Name	Qty	L
1	594817801	Clamp	2	
2	595512501	Nut, M20 left	2	
3	595526101	Cardan	1	
4	595165801	Washer	1	
5	595165901	Washer	1	
6	595165501	Angle bar	3	
7	595165701	Nut	1	
8	595165601	Screw	1	
9	595202301	Bellow	1	
10	595110301	Hex. head screw	6	
11	595467101	Locking clip	2	
12	595164001	Screw	1	
13	595522401	Shaft	1	
14	595197901	Holder	2	
15	595165301	Guide	2	
16	595153701	Pin	2	
17	595165201	Guide	2	
18	595351501	Hexagon nut	4	
19	595181701	Washer	12	
20	595165401	Angle bar	3	
21	594285801	Hex. head screw	2	
22	594287601	Nut	12	
23	595347001	Screw	2	

Accessories Electric winch set



Item	Part No.	Name	Qty	L
1	595477901	Electric box set	1	
2	595525501	Electric winch Left	1	
3	595525601	Electric winch right	1	
4	594247701	Extension kit	1	