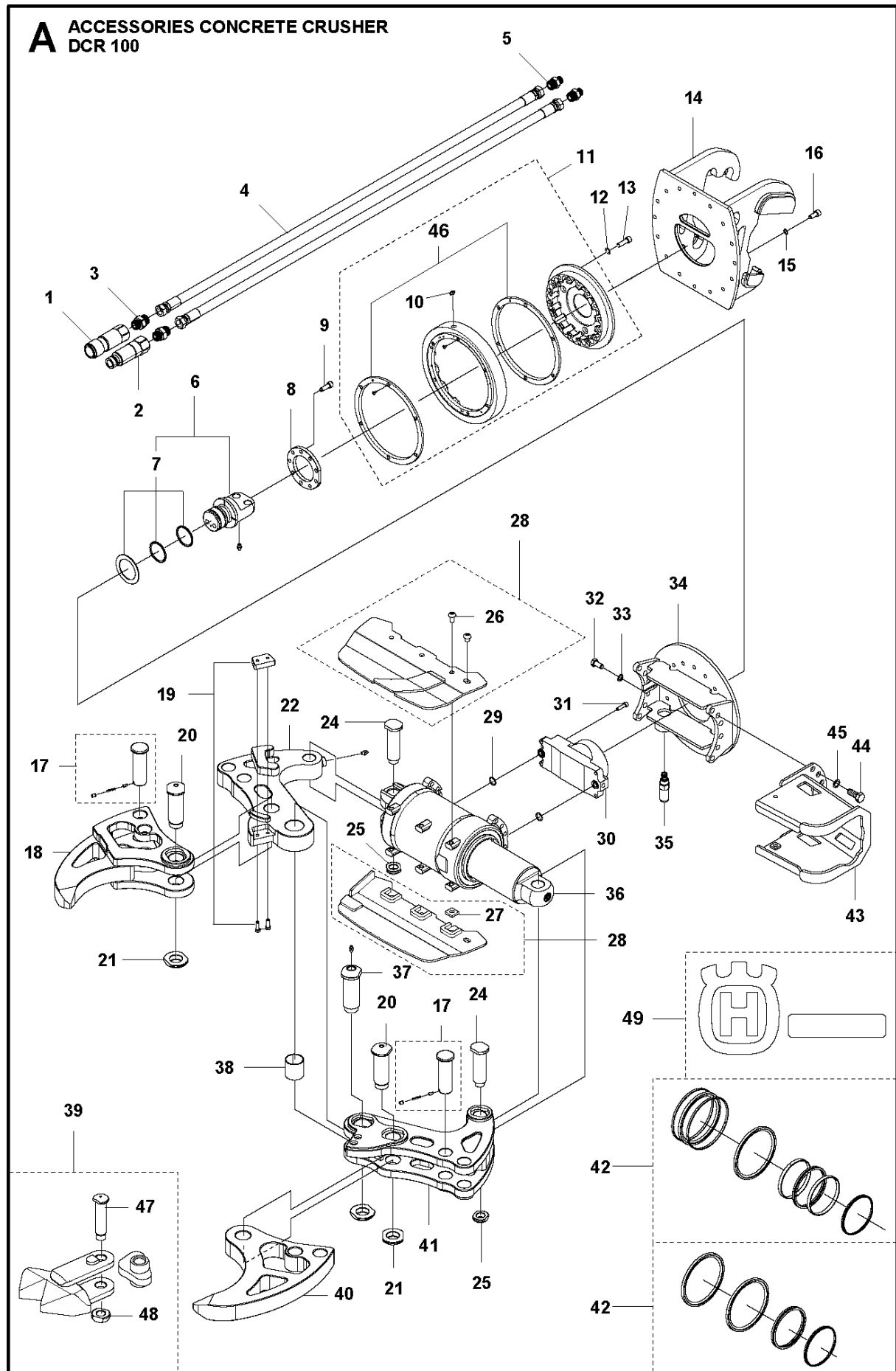




# SPARE PARTS LIST

ACCESSORIES AND TOOLS

DCR100, 2013-01



PRODUCT COMPLETE

DCR100, 2013-01

Ref	Part No	Description	Remark	QTY KIT
1	510 26 81-01	QUICK COUPLING		1
2	510 26 80-01	QUICK COUPLING		1
3	574 24 61-01	ADAPTER		2
4	585 48 33-08	HOSE ASSY		2
5	574 24 60-01	ADAPTER		2
6	579 02 27-01	SWIVEL		1
7	579 02 25-01	SLIDE RING		1 6
8	579 02 28-01	SWIVEL BRACKET		1
9	725 54 95-01	SCREW IHSCM		9
10	579 00 98-01	LUBRICATION NIPPLE		5
11	579 01 08-01	BEARING		1
12	586 47 94-01	WASHER		16
13	579 02 64-01	SCREW IHSCM		16
14	579 02 55-01	ADAPTER PLATE		1
15	734 11 72-01	WASHER		16
16	725 54 93-01	SCREW IHSCM		16
17	579 02 31-01	ADJUSTMENT PIN		2
18	579 02 30-01	JAW		1
19	579 02 42-01	CUTTER		2
20	579 02 33-01	SHAFT		2
21	579 02 26-01	NUT		3
22	579 02 43-01	JAW BRACKET		1
24	579 02 34-01	SHAFT		2
25	579 02 39-01	NUT		2
26	586 49 34-01	SCREW		8
27	586 51 10-01	DISTANCE	Only used for serial number 1-75	6
28	586 49 33-01	PROTECTION	Valid from serial number 1-75	1
28	587 29 07-01	LOOSE PARTS KIT	Valid from serial number 76 and forward	1
29	579 03 78-01	WASHER		2
30	579 02 49-01	DISTRIBUTOR		1
31	725 54 55-01	SCREW IHSCM		4
32	725 25 34-71	SCREW EHHM		2
33	734 11 78-01	WASHER		17
34	579 02 50-01	FRAME		1
35	579 62 55-01	VALVE		1
36	586 49 48-01	HYDRAULIC CYLINDER		1
37	579 02 35-01	SHAFT		1
38	579 02 41-01	BUSHING		1
39	579 02 66-01	CRUSHER TIP		2
40	579 02 38-01	JAW		1
41	579 02 40-01	JAW BRACKET		1
42	579 02 48-01	SEALING	Valid from serial number 1-75	1
42	586 49 41-01	SEAL KIT	Valid from serial number 76 and forward	1
43	584 40 16-01	PROTECTION		1
44	584 40 12-01	SCREW EHHM		10
45	734 11 82-01	WASHER		10
49	592 65 85-01	STICKER		1
47	595 89 68-02	PIN		1 39
48	595 89 72-01	THREAD INSERT		1 39
46	586 42 78-01	BEARING KIT		1