

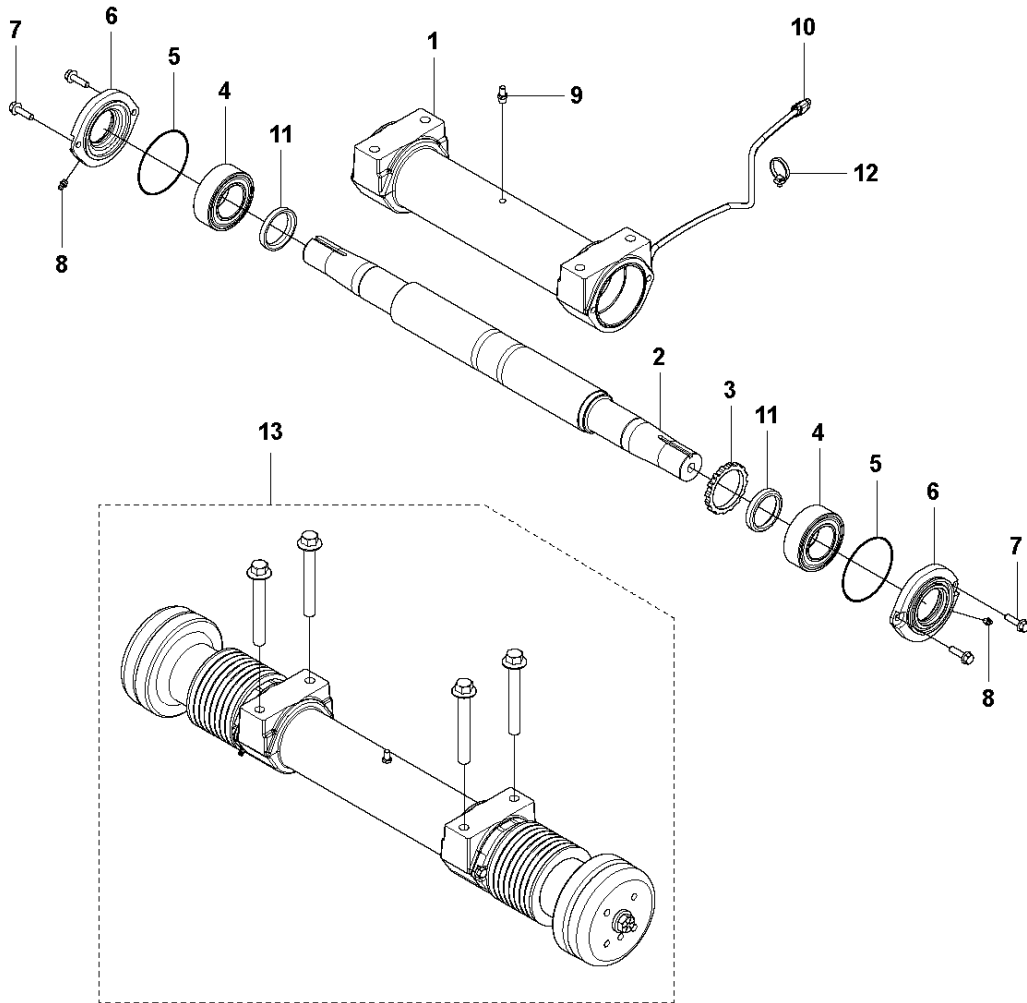


SPARE PARTS LIST

FLOOR SAWS

FS7000, 2014-05

T BLADE SHAFT - 2018 and forward

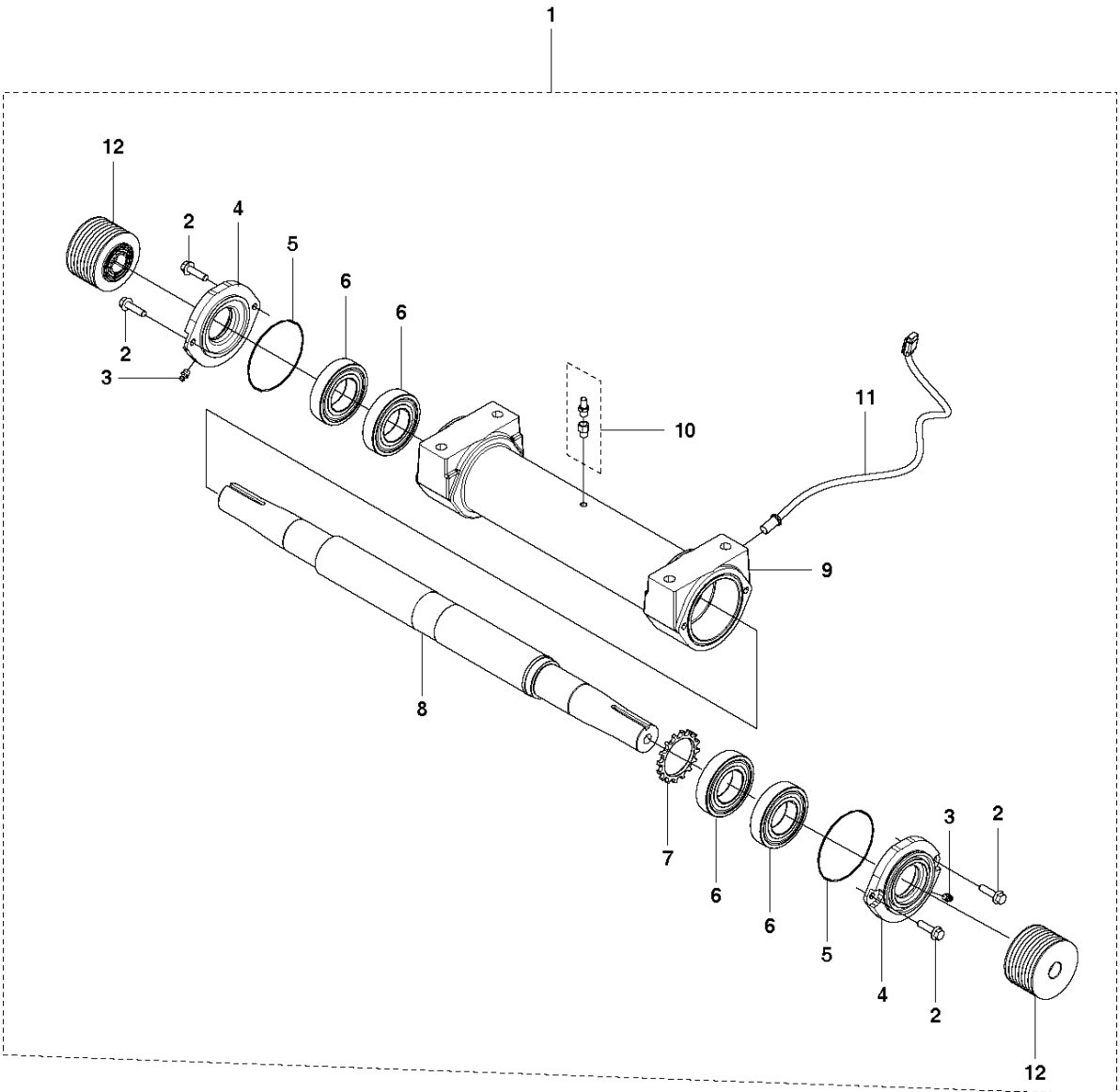


BLADE SHAFT

FS7000, 2014-05

Ref	Part No	Description	Remark	QTY KIT	
1	580 29 53-01	HOUSING		1	
2	582 37 00-01	BLADE SHAFT		1	
3	582 37 74-01	GEAR WHEEL		1	
4	582 58 15-01	BEARING		2	
5	580 33 80-01	O-RING		2	
6	582 37 73-01	COVER		2	
7	585 97 28-01	SCREW EHHFM		4	
8	504 20 45-01	GREASE		2	1
9	580 98 11-01	SILENCER		1	1
10	580 98 95-01	SENSOR		1	1
11	582 61 06-01	SPACER		2	1
12	583 95 95-01	CLAMP		1	1
13	591 39 50-01	BLADE SHAFT	26" 1&3speed & 30" 3-speed	1	1
13	591 39 49-01	BLADE SHAFT	30" 1-speed	1	
13	590 19 99-01	BLADE SHAFT	36" 3-speed	1	
13	590 20 06-01	BLADE SHAFT	36" 1-speed	1	
13	590 20 00-01	BLADE SHAFT	42" 3-speed	1	
13	590 20 05-01	BLADE SHAFT	42" 1-speed	1	
13	590 20 01-01	BLADE SHAFT	48" 3-speed	1	
13	590 20 03-01	BLADE SHAFT	48 -speed	1	

BLADE SHAFT - Before 2018

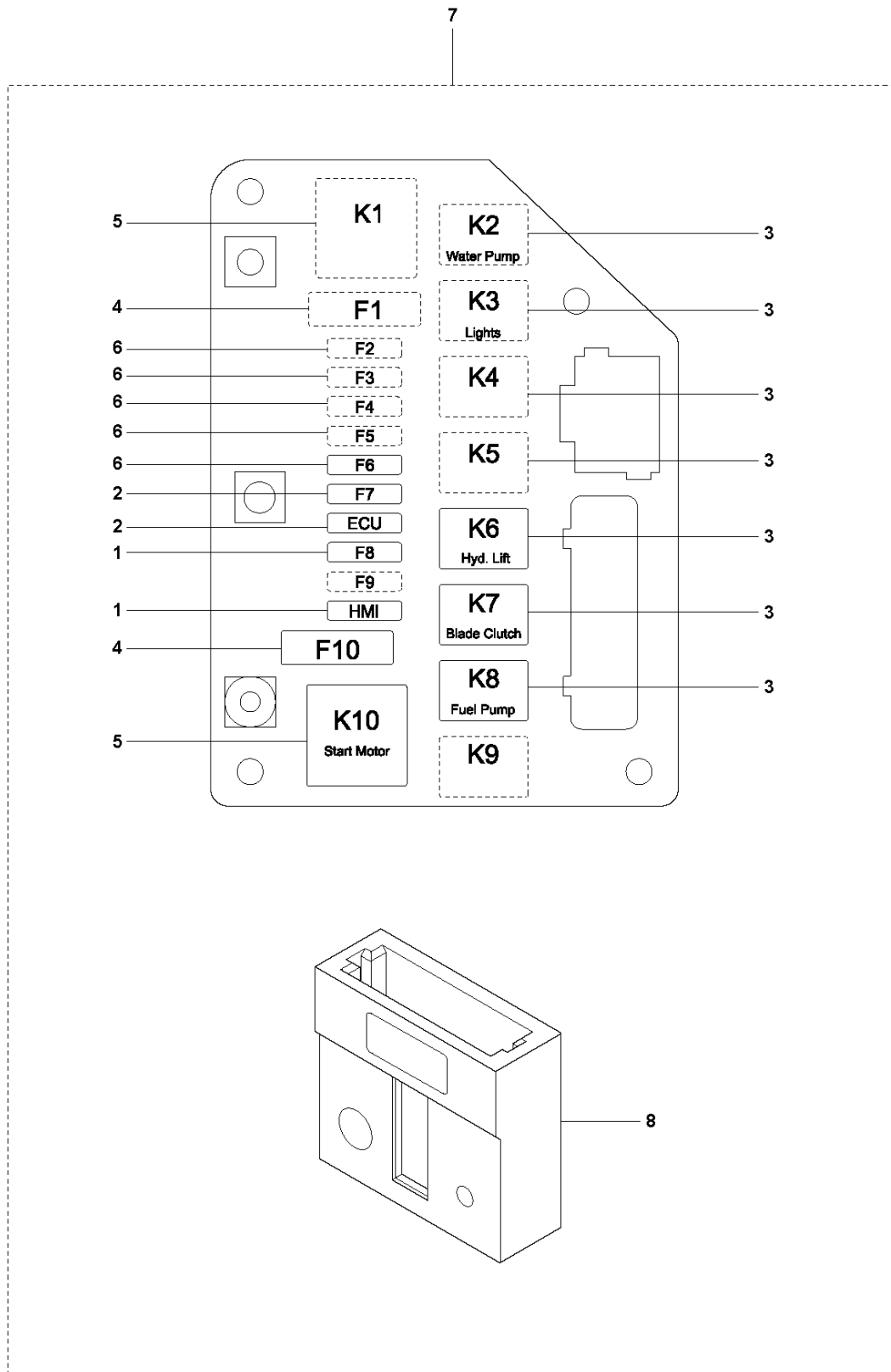


BLADE SHAFT

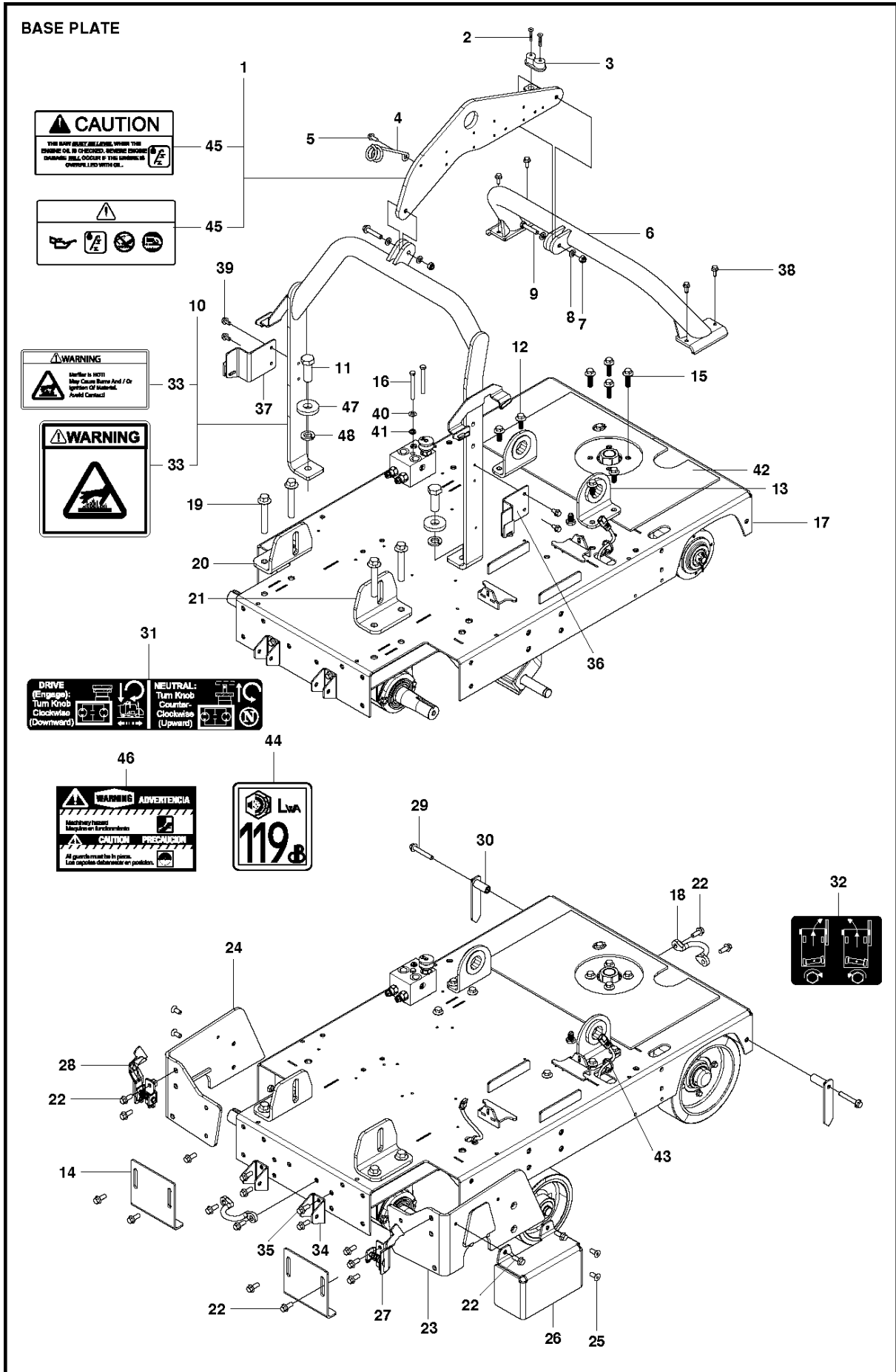
FS7000, 2014-05

Ref	Part No	Description	Remark	QTY KIT
1	588 07 87-01	SHAFT ASSY	20" 1-speed	1
1	588 07 87-02	SHAFT ASSY	26" 1&3-speed & 30" 3-speed	1
1	588 07 87-03	SHAFT ASSY	30" 1-speed	1
1	588 07 87-04	SHAFT ASSY	36" 1-speed	1
1	588 07 87-05	SHAFT ASSY	42" 1-speed	1
1	588 07 87-06	SHAFT ASSY	36" 3-speed	1
1	588 07 87-07	SHAFT ASSY	42" 3-speed	1
2	585 97 28-01	SCREW EHHFM		4
3	504 20 45-01	GREASE		2
4	579 17 72-01	COVER		2
5	580 33 80-01	O-RING		2
6	580 24 72-01	BALL BEARING		4
7	583 95 30-01	GEAR WHEEL		1
8	579 05 69-01	BLADE SHAFT		1
9	579 05 64-01	HOUSING		1
10	586 01 96-01	FILTER		1
11	580 98 95-01	SENSOR		1
12	581 10 84-01	PULLEY	20" 1-speed, 26" 1&3-speed & 30" 3-speed	1
12	581 10 84-02	PULLEY	30" 1-speed	1
12	581 10 84-03	PULLEY	36" 3-speed	1
12	581 10 84-04	PULLEY	36" 1-speed	1
12	581 10 84-05	PULLEY	42" 3-speed	1
12	581 10 85-01	PULLEY	42" 1-speed	1

ELECTRICAL-2



Ref	Part No	Description	Remark	QTY	KIT
1	531 30 24-20	FUSE	20 A Fuse	2	
2	531 30 24-21	FUSE	25 A Fuse	2	
3	581 07 45-01	RELAY	25 A Relay	3	
4	581 41 21-01	FUSE	60 A Fuse	1	
5	581 07 46-01	RELAY	70 A Relay	1	
6	531 30 24-19	FUSE	15 A Fuse	1	
7	581 33 36-01	ELECTRICAL SYSTEM		1	
8	501 69 62-01	FUSE HOLDER		1	7

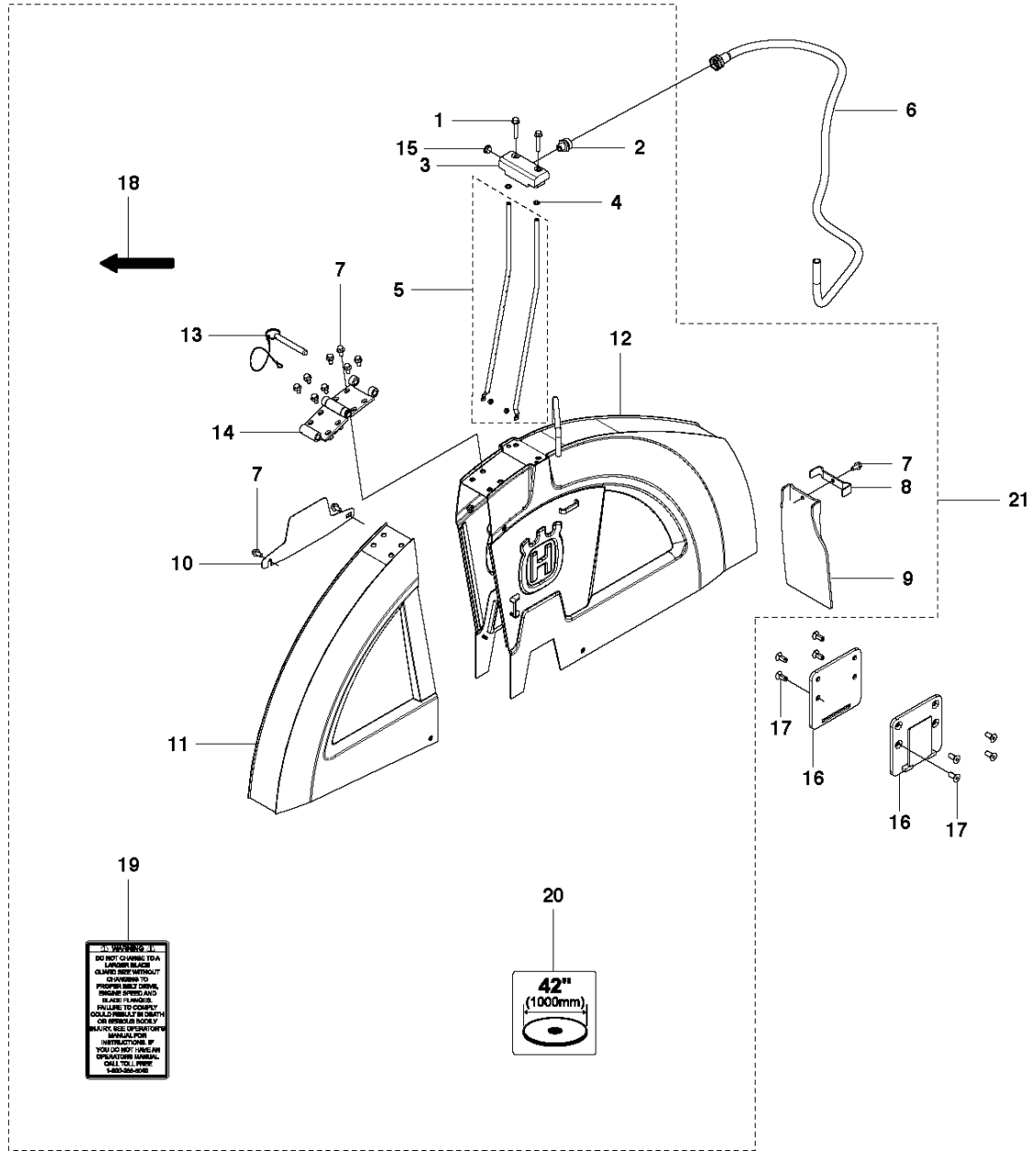


BASE PLATE

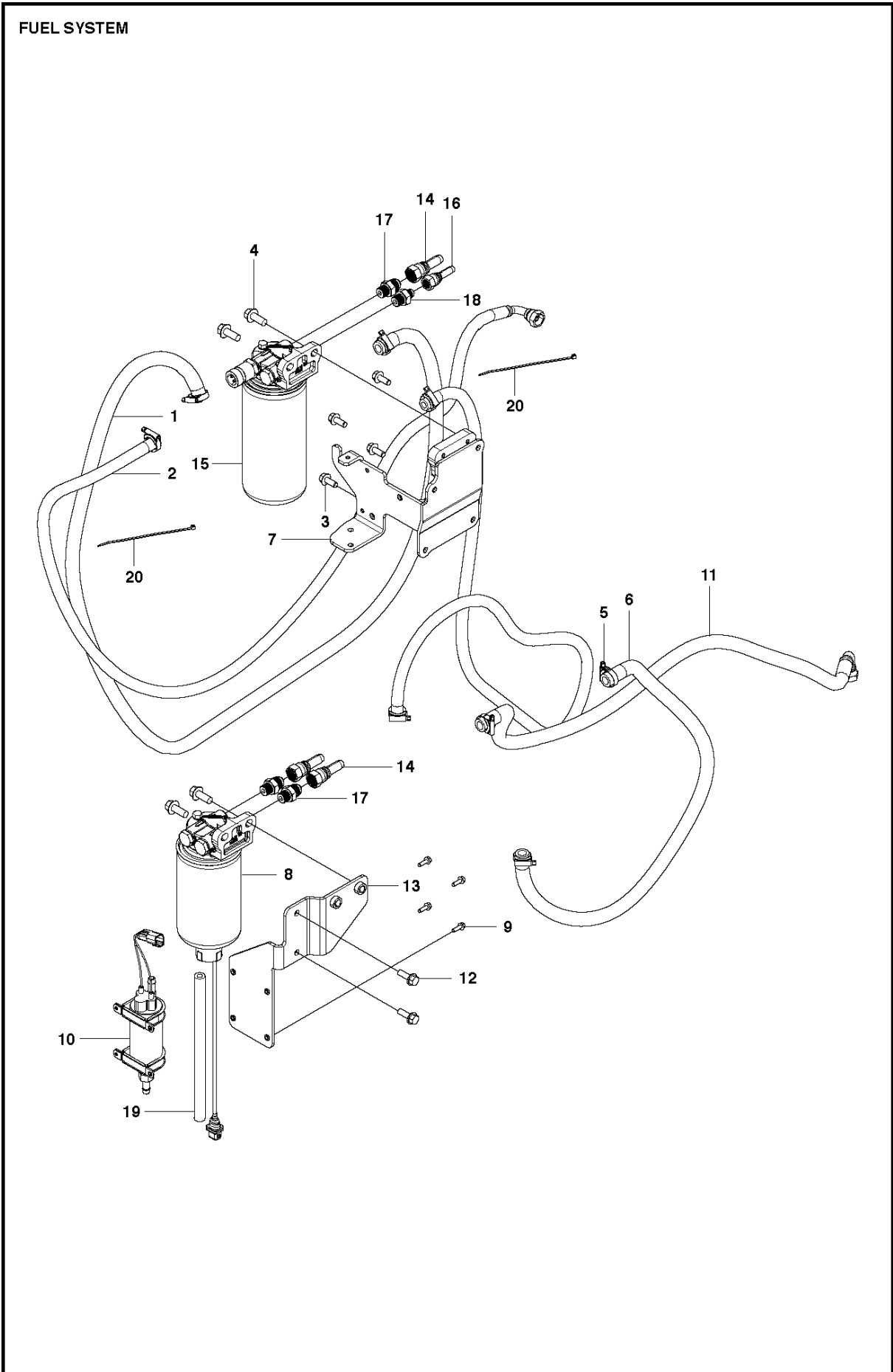
FS7000, 2014-05

Ref	Part No	Description	Remark	QTY KIT
1	586 83 07-01	PLATE		1
2	581 24 33-01	SCREW EHHFM		1
3	731 43 20-01	HEXAGON THIN NUT		1
4	505 18 91-01	BRACKET		1
5	585 97 54-01	SCREW EHHFM		1
6	583 88 59-01	BRACKET		1
7	732 25 20-01	HEXAGON LOCKING NUT		2
8	734 11 72-01	WASHER		4
9	725 25 01-76	SCREW EHHM		2
10	586 65 86-01	BRACKET		1
11	542 18 83-24	BOLT		1
12	576 65 48-03	SCREW EHHFM		4
13	579 23 22-01	MOUNT		2
14	579 36 10-01	GUARD		2
15	576 65 48-04	SCREW EHHFM		4
16	725 24 69-51	SCREW EHHM		2
17	579 26 29-01	BASEPLATE		1
18	504 58 03-02	LOOP		2
19	581 24 94-05	SCREW EHHFM		4
20	579 72 73-01	MOUNT	Right side	1
21	579 72 72-01	MOUNT	Left side	1
22	585 97 31-01	SCREW EHHFM		16
23	579 36 19-01	BRACKET		1
24	579 36 17-01	BRACKET		1
25	725 64 93-51	SCREW IHCSFM		4
26	579 36 11-01	BRACKET		1
27	581 10 72-01	LOCK	Left side	1
28	581 10 71-01	LOCK	Right side	1
29	581 24 33-01	SCREW EHHFM		2
30	581 11 52-01	POINTER		2
31	542 19 06-28	DECAL	US Only	1
31	585 29 97-01	DECAL	CE Only	1
32	542 19 94-35	DECAL		1
33	542 16 90-65	DECAL	US Only	1
33	585 37 06-01	DECAL	CE Only	1
34	579 35 94-01	BRACKET		2
35	585 97 31-01	SCREW EHHFM		4
36	586 16 79-01	BRACKET	Left side	1
37	586 16 80-01	BRACKET	Right side	1
38	585 98 04-01	SCREW EHHFM		4
39	585 97 56-01	SCREW EHHFM		4
40	735 11 64-01	SPRING WASHER		2
41	734 11 63-01	WASHER		2
42	581 16 72-01	INSULATOR		1
43	583 95 95-01	CLAMP		3
44	542 19 60-29	DECAL	CE Only	1
45	521 88 53-02	DECAL	US Only	1
46	542 17 62-23	DECAL	US Only	3
47	542 16 03-93	WASHER		2
48	539 99 03-33	WASHER		2

BLADE GUARD 42"



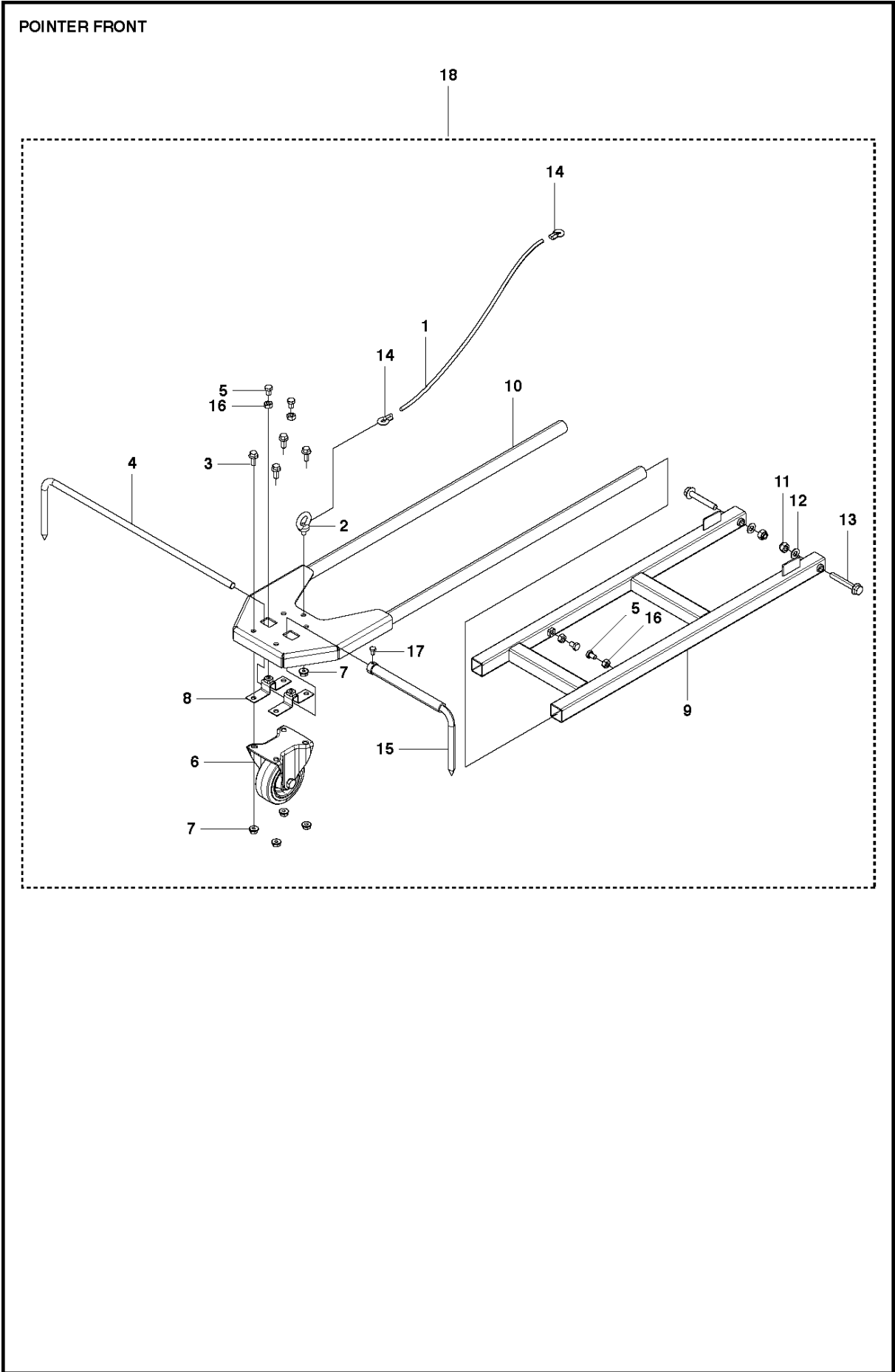
Ref	Part No	Description	Remark	QTY KIT
1	585 17 39-01	SCREW EHHFM		2
2	541 20 82-96	HYDRAULIC KIT		1
3	581 15 75-01	MANIFOLD		1
4	740 43 07-00	O-RING		2
5	586 01 94-01	PIPE		1
6	584 90 45-01	HOSE	1-Speed	1
6	584 90 45-02	HOSE	3-Speed	1
7	725 24 49-61	SCREW EHHFT		11
8	581 59 96-01	PLATE		1
9	581 60 24-01	SPLASH GUARD		1
10	581 34 29-01	BLADE GUARD		1
11	579 52 98-01	BLADE GUARD		1
12	579 52 97-01	BLADE GUARD		1
13	585 07 43-01	PEN		1
14	581 31 03-01	HINGE		1
15	581 16 04-01	PLUG		1
16	579 60 83-01	BRACKET		2
17	725 64 93-51	SCREW IHCSFM		8
18	585 40 72-01	DECAL		1
19	585 29 95-01	DECAL		1
20	586 30 79-01	DECAL		1
21	586 34 36-01	BLADE GUARD		1



FUEL SYSTEM

FS7000, 2014-05

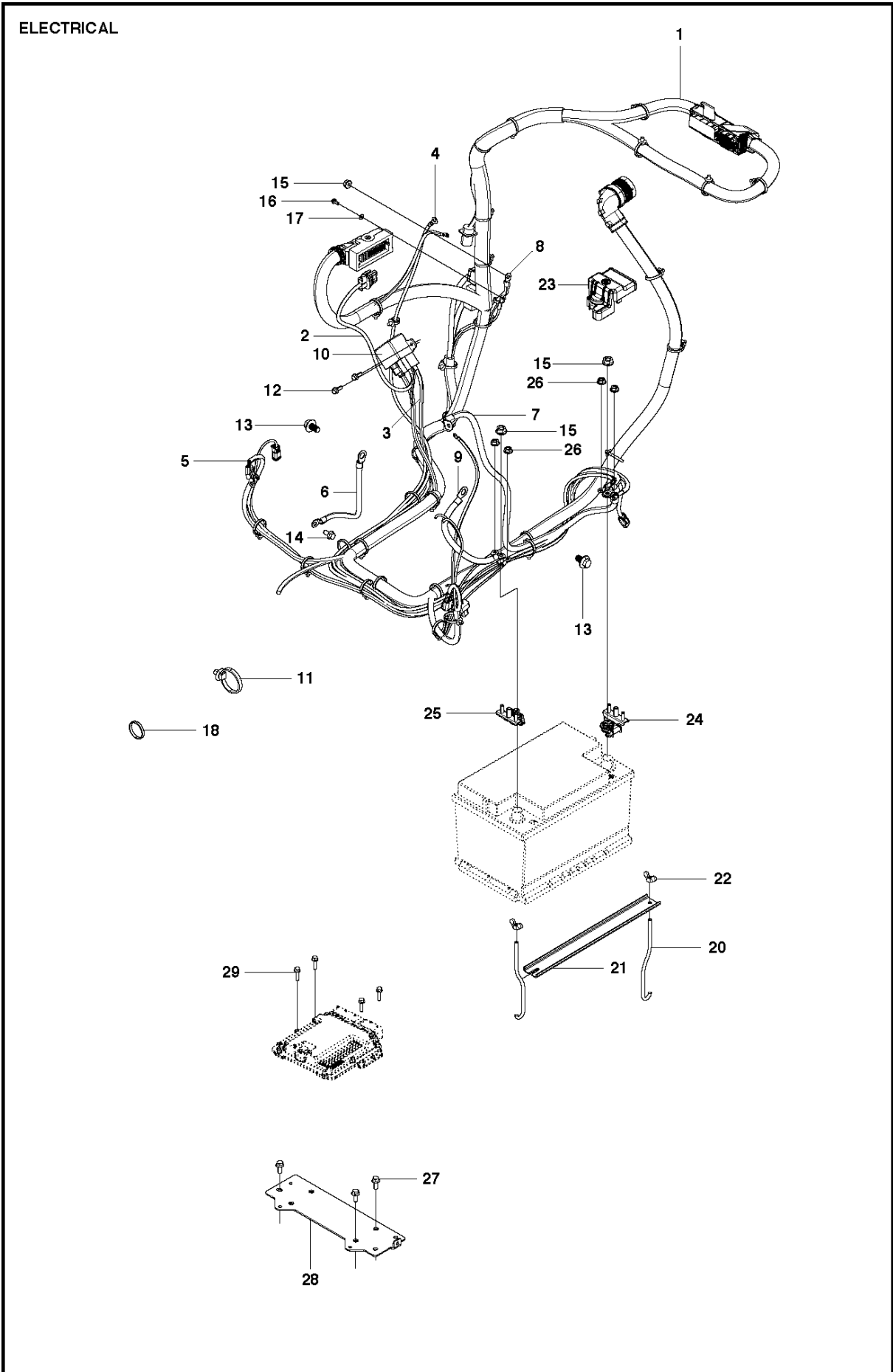
Ref	Part No	Description	Remark	QTY KIT
1	585 05 63-01	FUEL HOSE		1
2	584 15 67-01	HOSE ASSY	Including protection PWP-20	1
3	585 97 54-01	SCREW EHHFM		4
4	585 97 31-01	SCREW EHHFM		2
5	539 30 00-11	HOSE CLAMP		8
6	585 05 30-01	FUEL HOSE	Including protection PWP-20	1
7	580 96 95-01	BRACKET		1
8	581 77 69-01	WATER SEPARATOR		1
9	585 98 05-01	SCREW EHHFM		4
10	590 57 13-01	FUEL PUMP		1
11	581 22 61-01	HOSE ASSY		1
12	506 57 01-05	SCREW EHHFM		2
13	584 22 64-01	BRACKET		1
14	585 18 95-01	FITTING		3
15	581 77 71-01	FUEL FILTER		1
16	585 18 94-01	FITTING		1
17	585 18 92-01	ADAPTER		3
18	585 18 90-01	ADAPTER		1
19	586 27 50-01	FUEL HOSE		1
20	542 16 62-14	TIE WRAP		2



POINTER FRONT

FS7000, 2014-05

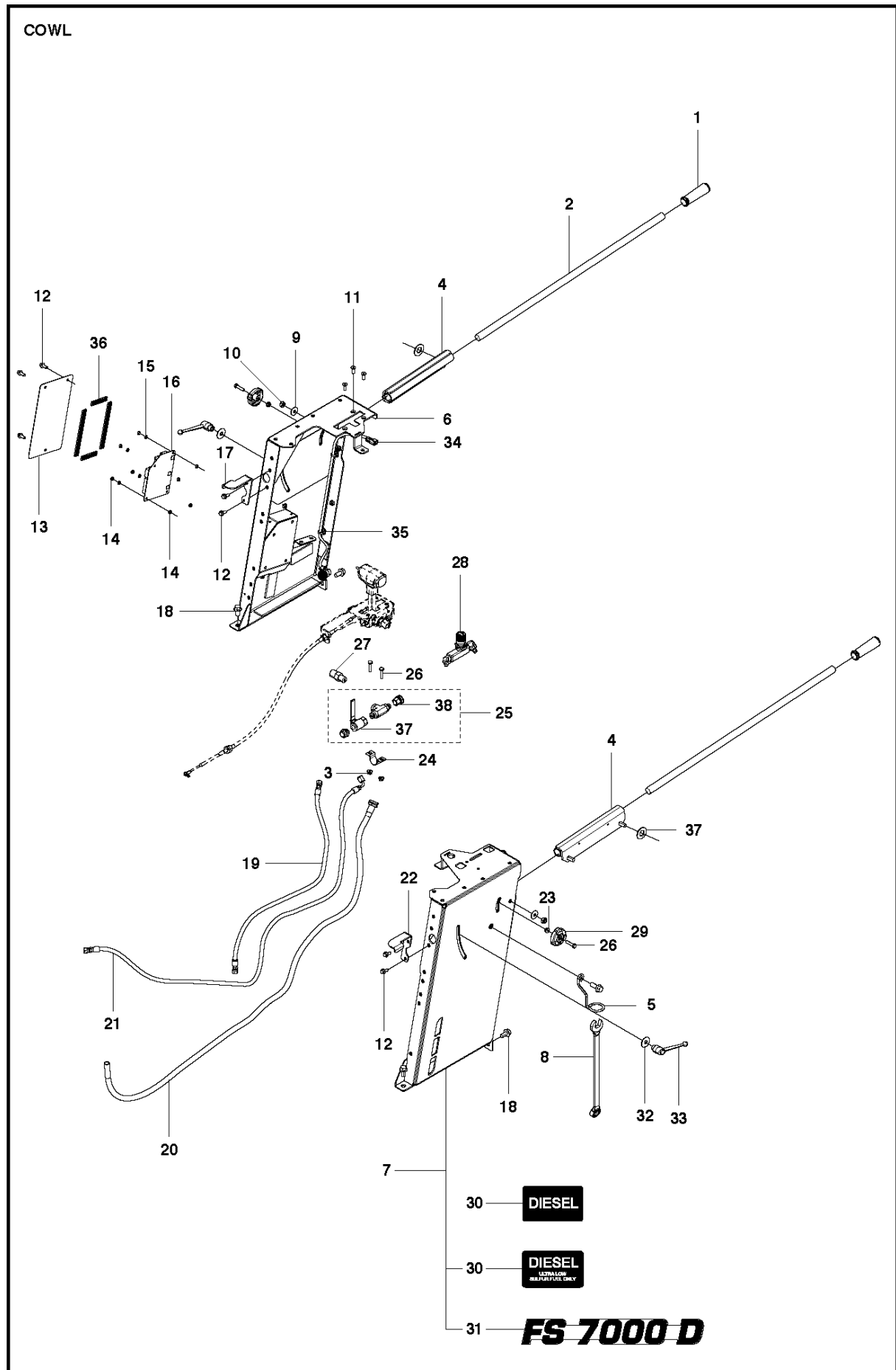
Ref	Part No	Description	Remark	QTY KIT
1	542 02 08-90	CORD	18	1
2	584 91 14-01	EYE BOLT	18	1
3	585 97 54-01	SCREW EHHFM	18	4
4	581 22 26-01	ROD	18	1
5	725 24 51-71	SCREW EHHM	18	4
6	581 19 12-01	WHEEL	18	1
7	731 71 18-51	HEXAGON NUT FLANGE	18	5
8	581 22 25-01	BRACKET	18	2
9	581 21 37-01	POINTER	18	1
10	581 22 21-01	POINTER	18	1
11	732 25 20-01	HEXAGON LOCKING NUT	18	2
12	734 11 72-01	WASHER	18	2
13	581 24 33-01	SCREW EHHFM	18	2
14	541 20 04-67	CLAMP	18	2
15	585 89 15-01	POINTER	18	1
16	731 23 18-01	HEXAGON NUT	18	4
17	725 23 64-71	SCREW EHHM	18	1
18	586 81 49-01	POINTER		1



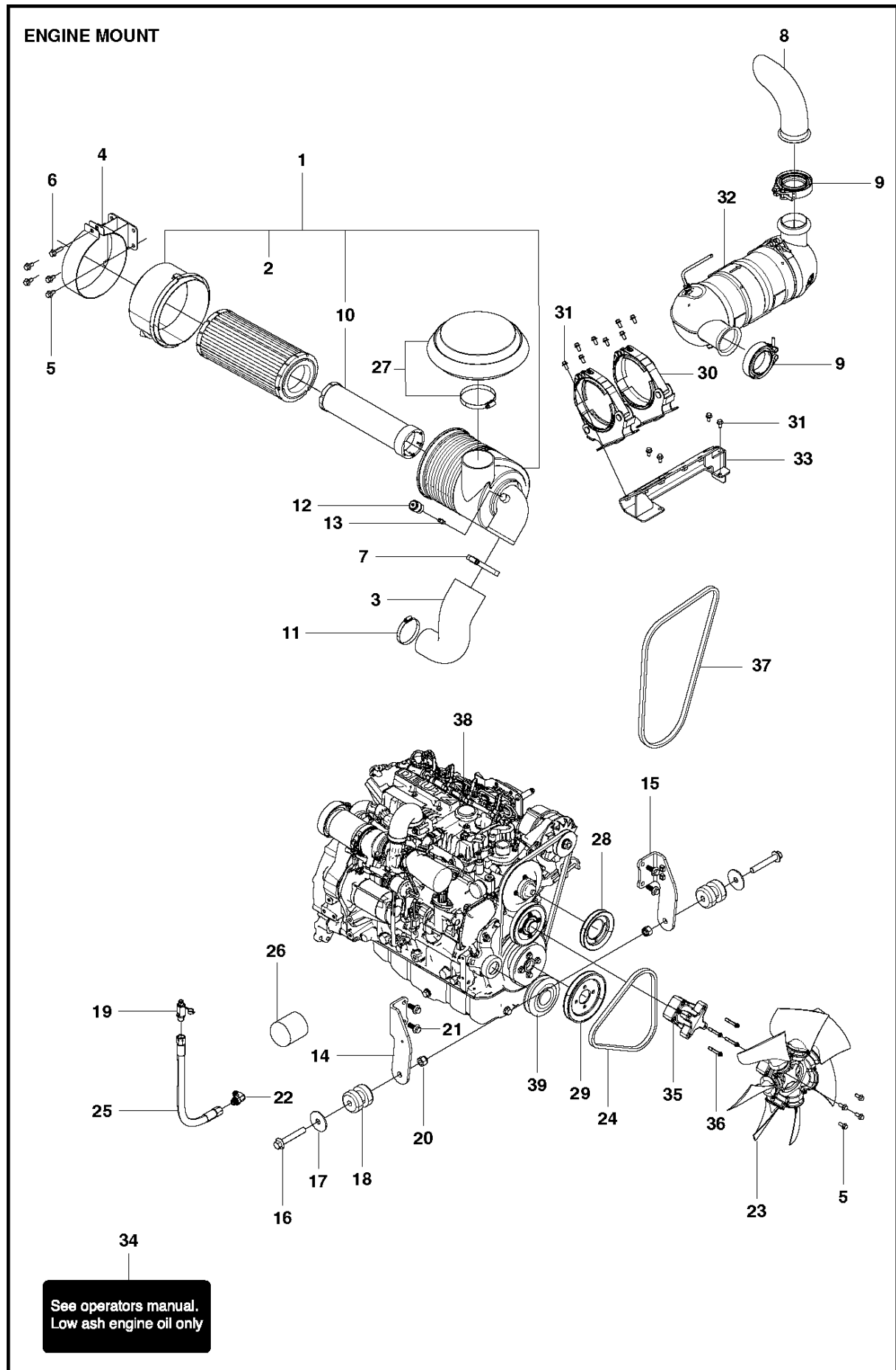
ELECTRICAL

FS7000, 2014-05

Ref	Part No	Description	Remark	QTY KIT
1	590 42 21-01	WIRING ASSY		1
2	581 07 32-01	HARNESS ASSY	Heat Plug Relay	1
3	581 07 32-02	HARNESS ASSY	BATT+ Heat Plug	1
4	581 07 32-03	HARNESS ASSY	BATT+ Generator	1
5	581 07 32-04	HARNESS ASSY	BATT+ Hydraulic Pump	1
6	581 07 32-05	HARNESS ASSY	GROUND- Hydraulic Pump	1
7	581 07 32-07	HARNESS ASSY	BATT+ Starter	1
8	581 07 32-11	HARNESS ASSY	BATT+ Relay Box	1
9	581 07 32-13	HARNESS ASSY	BATT- Chassie	1
10	581 07 47-01	RELAY		1
11	583 95 95-01	CLAMP		33
12	585 98 06-01	SCREW EHHFM		2
13	576 65 48-02	SCREW EHHFM		2
14	585 97 56-01	SCREW EHHFM		1
15	731 71 18-51	HEXAGON NUT FLANGE		3
16	725 23 27-71	SCREW EHHM		1
17	734 11 46-01	WASHER		1
18	542 16 69-06	TIE WRAP		3
19	585 07 55-01	BATTERY	US Only	1
20	584 65 09-01	BOLT		2
21	581 15 98-02	PLATE		1
22	577 24 49-01	WING NUT		2
23	581 33 65-01	ELECTRICAL SYSTEM		1
24	581 33 63-01	ELECTRICAL SYSTEM		1
25	581 33 64-01	ELECTRICAL SYSTEM		1
26	731 71 16-51	HEXAGON NUT FLANGE		4
27	585 97 54-01	SCREW EHHFM		3
28	584 14 95-01	BRACKET		1
29	585 98 03-01	SCREW EHHFM		4



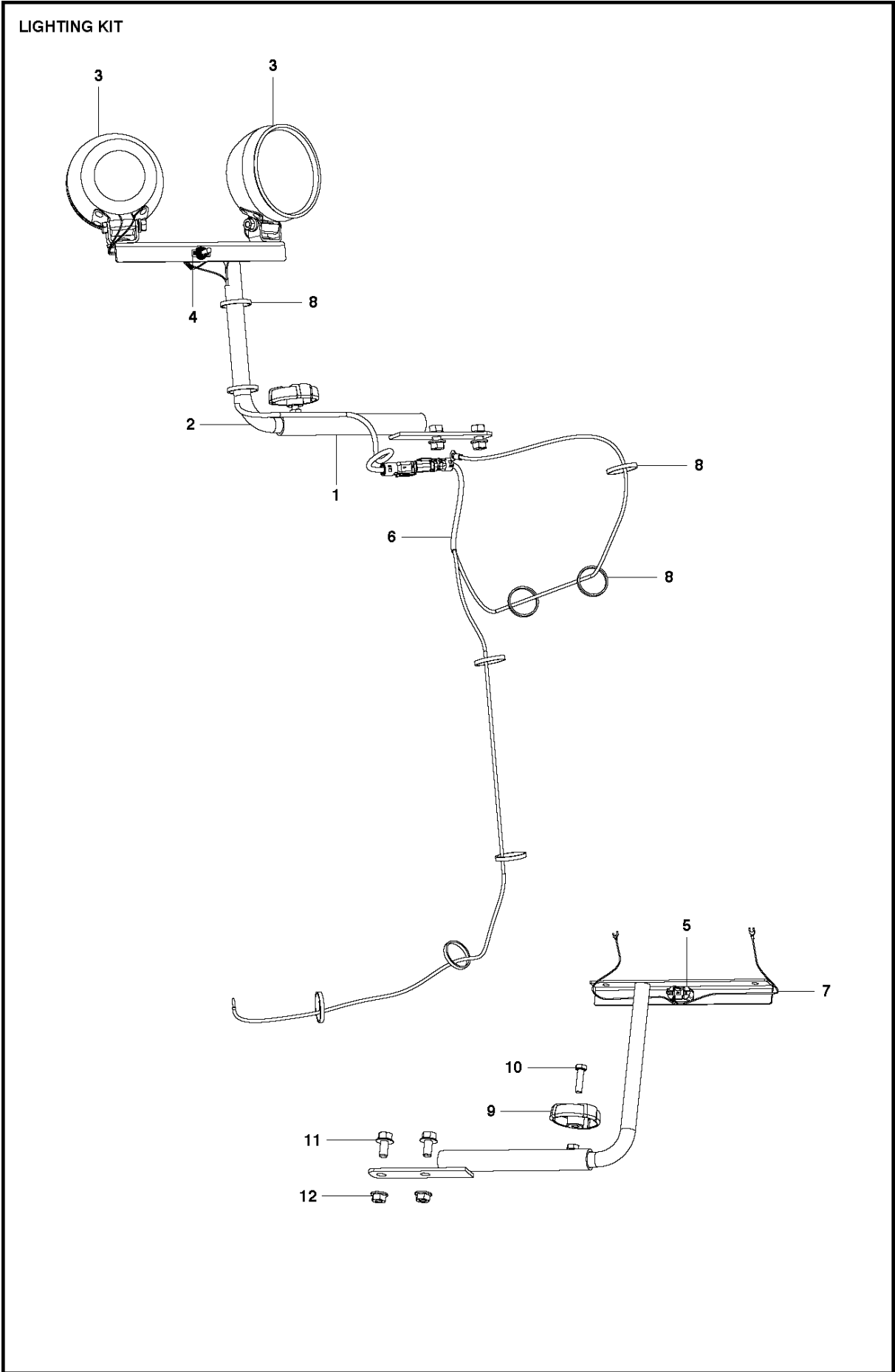
Ref	Part No	Description	Remark	QTY KIT
1	542 13 95-68	GRIP		2
2	539 30 03-40	HANDLEBAR		2
3	542 16 75-55	NUT		2
4	586 92 77-01	HANDLE		2
5	578 10 73-01	HOLDER		1
6	586 61 93-01	COWL PANEL	Right	1
7	586 61 96-01	COWL PANEL	Left	1
8	504 62 64-03	WRENCH		1
9	734 11 78-01	WASHER		2
10	732 25 22-01	HEXAGON LOCKING NUT		2
11	725 64 53-01	SCREW IHCSFM		3
12	585 97 54-01	SCREW EHHFM		7
13	581 04 61-01	HATCH		1
14	731 23 16-01	HEXAGON NUT		8
15	734 11 52-01	WASHER		4
16	581 33 36-01	ELECTRICAL SYSTEM		1
17	586 61 94-01	BRACKET		1
18	585 23 59-01	SCREW EHHFM		5
19	584 21 69-01	HYDRAULIC HOSE		1
20	584 90 45-04	HOSE		1
21	584 21 67-01	HYDRAULIC HOSE		1
22	586 61 97-01	BRACKET		1
23	731 71 18-51	HEXAGON NUT FLANGE		2
24	581 19 22-01	BRACKET		1
25	586 02 24-01	CONNECTOR		1
26	725 24 57-71	SCREW EHHM		4
27	542 17 87-24	SWITCH		1
28	586 41 01-01	CONTROL VALVE		1
29	504 56 93-01	TURNING KNOB		2
30	585 37 04-01	DECAL	US Only	1
30	542 18 10-59	DECAL	CE Only	1
31	585 25 46-01	DECAL		2
32	542 02 07-45	WASHER		2
33	585 59 46-01	LEVER		2
34	584 13 66-01	HARNESS		1
35	583 95 95-01	CLAMP		2
36	586 60 98-01	SEAL		1
37	582 69 11-01	VALVE		2
38	542 04 56-42	WASHER		1



ENGINE

FS7000, 2014-05

Ref	Part No	Description	Remark	QTY KIT
1	581 05 89-01	AIR CLEANER		1
2	542 19 11-15	FILTER		1
3	581 10 42-01	HOSE		1
4	580 95 70-01	BRACKET		1
5	585 97 56-01	SCREW EHHFM		8
6	585 97 28-01	SCREW EHHFM		1
7	576 31 52-08	HOSE CLAMP		1
8	581 27 49-01	EXHAUST PIPE		1
9	586 36 88-01	CLAMP		2
10	542 19 11-16	FILTER		1
11	576 31 52-07	HOSE CLAMP		1
12	541 20 09-89	GAUGE		1
13	542 16 68-80	ADAPTER		1
14	581 07 98-01	BRACKET	Left Side	1
15	581 85 37-01	BRACKET	Right Side	1
16	581 24 94-02	SCREW EHHFM		2
17	542 20 63-56	WASHER		2
18	587 15 01-01	ANTIVIBRATION ELEMENT		2
19	542 16 69-07	VALVE		1
20	576 87 89-28	NUT		2
21	576 65 48-03	SCREW EHHFM		4
22	581 72 73-01	ADAPTER		1
23	584 82 46-01	FAN		1
24	586 07 11-01	BELT		1
25	584 97 09-01	HOSE ASSY		1
26	586 01 08-01	OIL FILTER		1
27	542 19 95-66	HOOD		1
28	585 23 67-01	PULLEY		1
29	585 23 70-01	PULLEY		1
30	586 62 66-01	CLAMP	before serial no 1373009001	1
30	596 01 05-01	EXHAUST	from serial no 1373009001	1
31	585 97 56-01	SCREW EHHFM		12
32	596 01 00-01	EXHAUST		1
33	580 95 74-01	BRACKET		1
34	586 17 51-01	DECAL		1
35	586 62 67-01	SPACER		1
36	586 62 68-01	SCREW		4
37	586 07 11-02	BELT		1
38	590 49 02-01	ENGINE		1
39	593 32 45-01	PULLEY		1

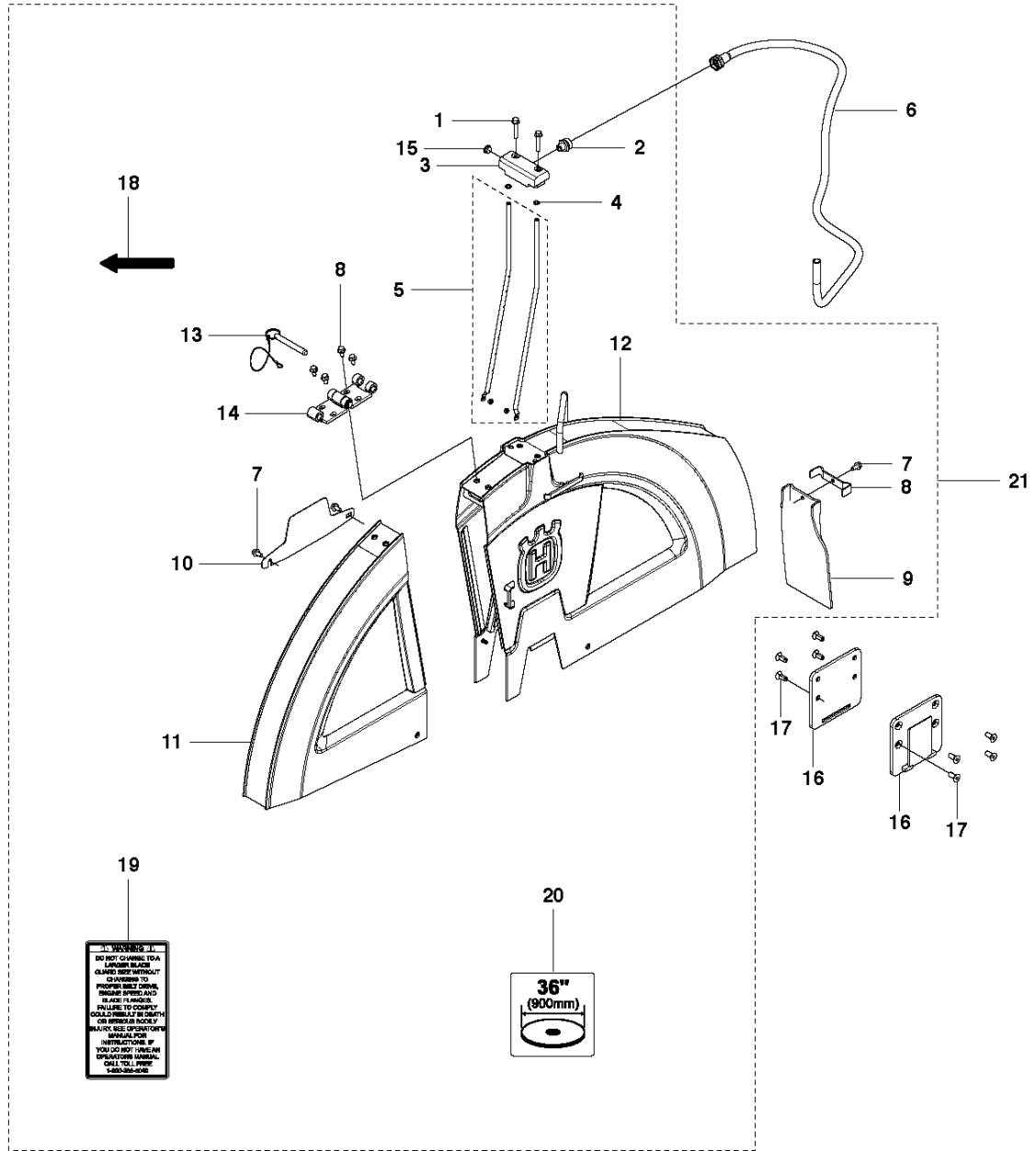


LIGHTING KIT

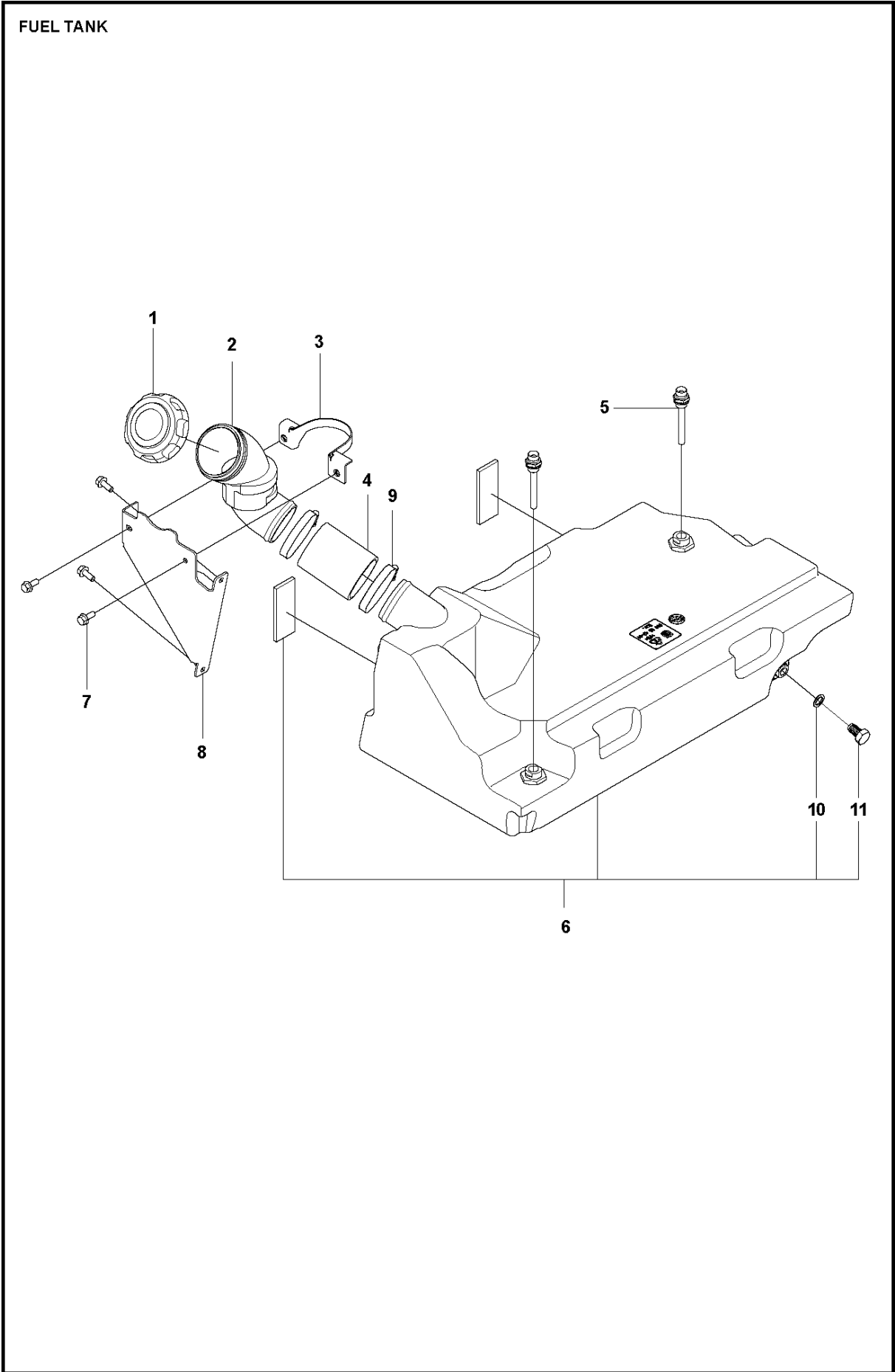
FS7000, 2014-05

Ref	Part No	Description	Remark	QTY KIT
1	585 92 36-01	SUPPORT		1
2	542 18 11-20	RAIL		1
3	504 85 56-01	LAMP		2
4	542 09 05-52	PLATE		1
5	541 20 19-76	SWITCH		1
6	586 25 54-01	HARNESS ASSY		1
7	586 31 58-01	HARNESS ASSY		1
8	542 16 69-06	TIE WRAP		9
9	504 56 93-01	TURNING KNOB		1
10	725 24 55-71	SCREW EHHM		1
11	585 97 52-01	SCREW EHHFM		2
12	731 71 20-51	HEXAGON NUT FLANGE		2

BLADE GUARD 36"



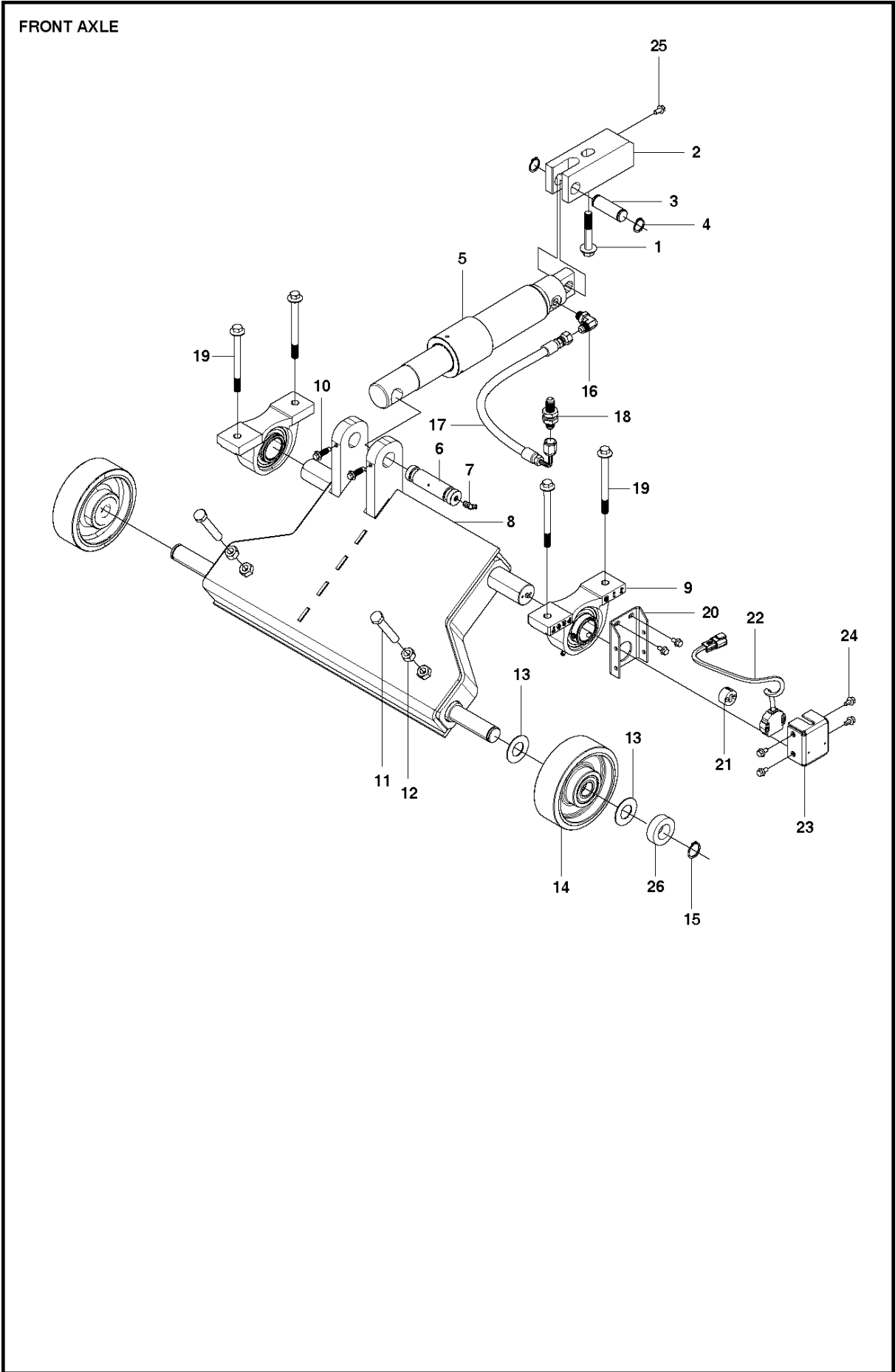
Ref	Part No	Description	Remark	QTY KIT
1	585 17 39-01	SCREW EHHFM		2
2	541 20 82-96	HYDRAULIC KIT		1
3	581 15 72-01	MANIFOLD		1
4	740 43 07-00	O-RING		2
5	586 01 93-01	PIPE		1
6	584 90 45-01	HOSE	1-Speed	1
6	584 90 45-02	HOSE	3-Speed	1
7	725 24 49-61	SCREW EHHFT		7
8	581 60 30-01	PLATE		1
9	581 60 51-01	SPLASH GUARD		1
10	581 34 29-01	BLADE GUARD		1
11	579 54 02-01	BLADE GUARD		1
12	579 53 25-01	BLADE GUARD		1
13	585 07 42-01	PEN		1
14	581 30 95-01	HINGE		1
15	581 16 04-01	PLUG		1
16	579 60 83-01	BRACKET		2
17	725 64 93-51	SCREW IHCSFM		8
18	585 40 72-01	DECAL		1
19	585 29 95-01	DECAL		1
20	586 30 78-01	DECAL		1
21	586 34 35-01	BLADE GUARD		1



FUEL TANK

FS7000, 2014-05

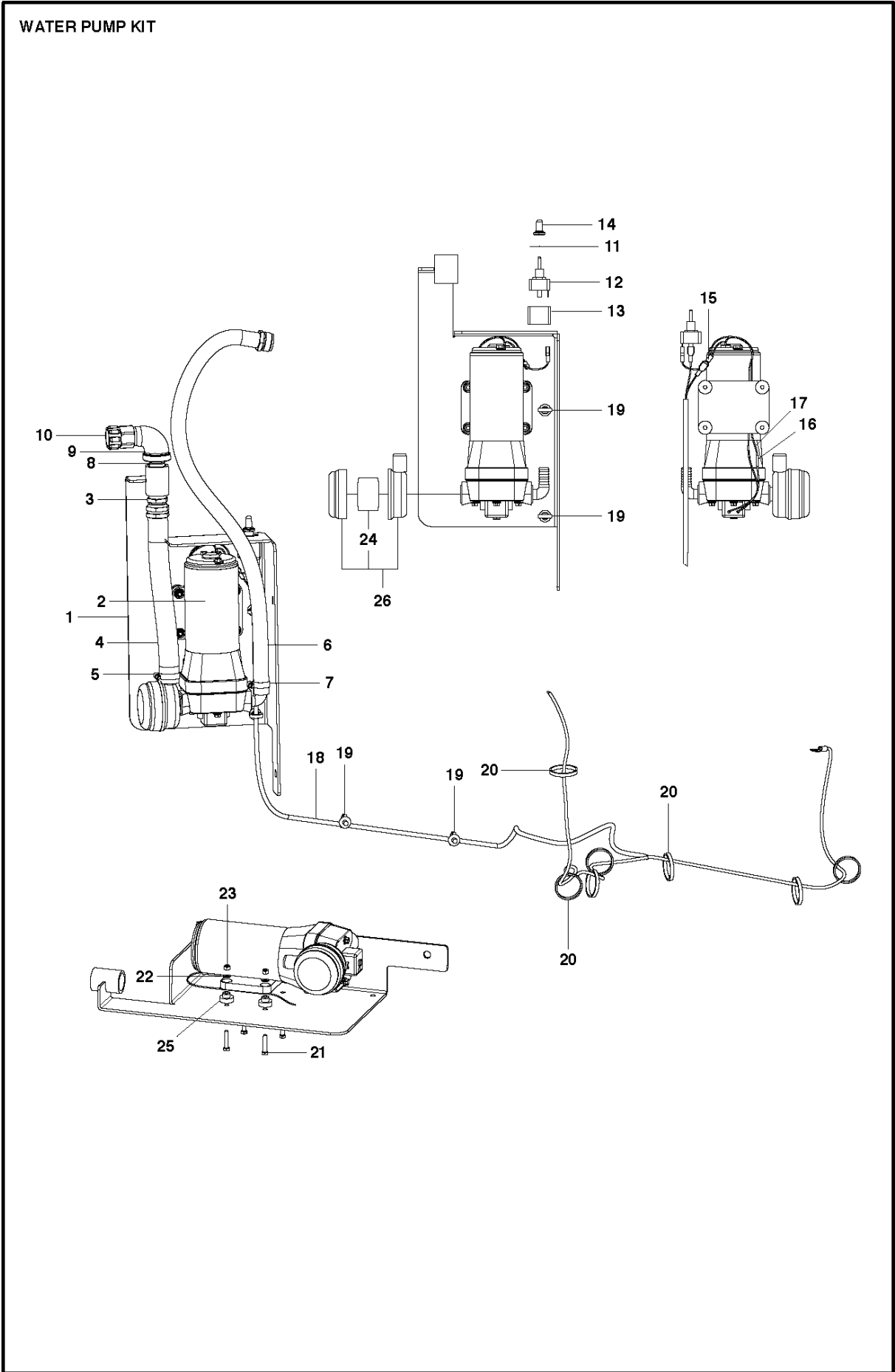
Ref	Part No	Description	Remark	QTY KIT
1	539 10 63-30	TANK CAP		1
2	581 10 97-01	PIPE		1
3	583 91 40-01	BRACKET		1
4	581 05 36-01	HOSE		1
5	581 12 91-01	ADAPTER		2
6	586 07 14-01	FUEL TANK ASSY		2
7	585 97 54-01	SCREW EHHFM		1
8	583 96 68-01	BRACKET		1
9	576 31 52-07	HOSE CLAMP		1
10	740 38 29-01	SEALING WASHER		1
11	585 59 54-01	PLUG		1



FRONT AXLE

FS7000, 2014-05

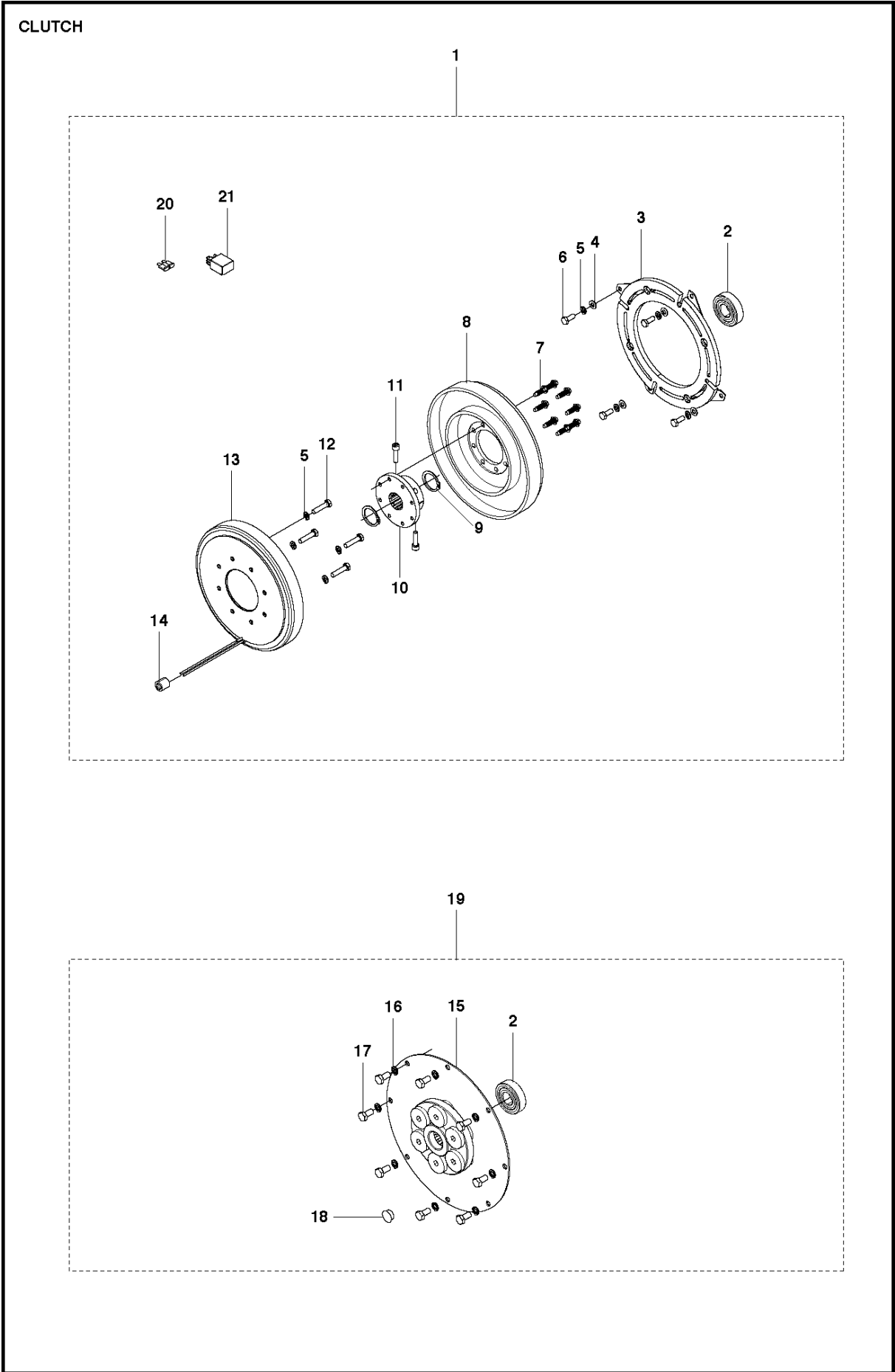
Ref	Part No	Description	Remark	QTY KIT
1	576 65 48-07	SCREW EHHFM		1
2	579 59 56-01	BLOCK		1
3	579 52 58-01	SHAFT		1
4	735 31 22-01	CIRCLIP		2
5	579 24 64-01	HYDRAULIC CYLINDER		1
6	587 71 56-01	SHAFT		1
7	581 06 88-01	GREASE		1
8	586 68 50-01	FRONT AXLE		1
9	579 73 54-01	BALL BEARING		2
10	542 19 90-53	SCREW		2
11	725 25 46-71	SCREW EHHM		2
12	731 23 22-01	HEXAGON NUT		2
13	542 04 64-02	WASHER		4
14	542 19 17-70	WHEEL ASSY		2
15	735 31 26-01	CIRCLIP		2
16	590 62 80-01	ADAPTER		1
17	590 62 81-01	HYDRAULIC HOSE		1
18	581 20 55-01	ADAPTER		1
19	576 65 48-13	SCREW EHHFM		4
20	579 33 03-01	PLATE		1
21	581 14 06-01	MAGNET		1
22	581 14 07-01	SENSOR		1
23	579 33 02-01	BOX		1
24	585 98 06-01	SCREW EHHFM		6
25	576 65 48-03	SCREW EHHFM		1
26	542 19 17-14	BALL BEARING		1



WATER PUMP

FS7000, 2014-05

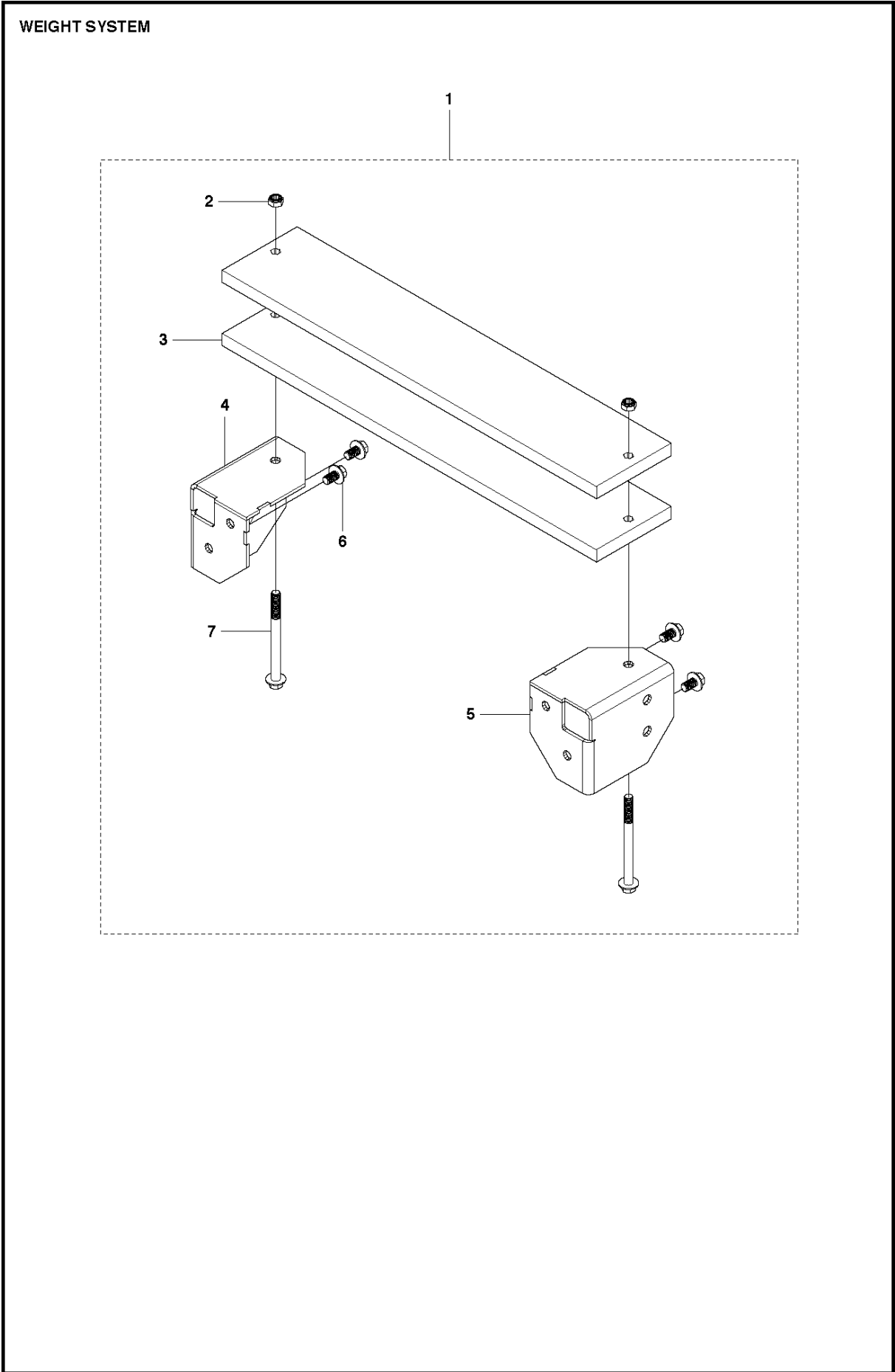
Ref	Part No	Description	Remark	QTY	KIT
1	586 27 09-01	BRACKET		1	
2	542 19 96-37	WATER PUMP		1	
3	542 17 86-87	CONNECTOR		1	
4	542 19 96-58	HOSE		1	
5	539 30 00-11	HOSE CLAMP		1	
6	542 19 96-57	HOSE		1	
7	576 31 52-05	HOSE CLAMP		1	
8	542 02 02-96	TUBE		1	
9	541 20 45-91	PIPE		1	
10	541 20 46-61	CONNECTION		1	
11	542 09 05-52	PLATE		1	
12	542 19 96-48	SWITCH		1	
13	542 19 96-49	SWITCH		1	
14	539 30 01-13	RUBBER SHOE		1	
15	539 30 01-44	TERM., MALE DISCONNECT, 1/4"		1	
16	541 20 05-73	CONNECTION PIECE		1	
17	586 45 67-01	HARNESS ASSY		1	
18	586 45 66-01	HARNESS ASSY		1	
19	583 95 95-01	CLAMP		4	
20	542 16 69-06	TIE WRAP		7	
21	725 23 33-71	SCREW EHHM		4	
22	734 11 46-01	WASHER		4	
23	732 25 14-01	HEXAGON LOCKING NUT		4	
26	542 19 96-41	FILTER		1	
25	542 19 96-40	PUMP		1	
24	542 19 96-43	STRAINER SCREEN. W/P INLET FILTER		1	26



CLUTCH

FS7000, 2014-05

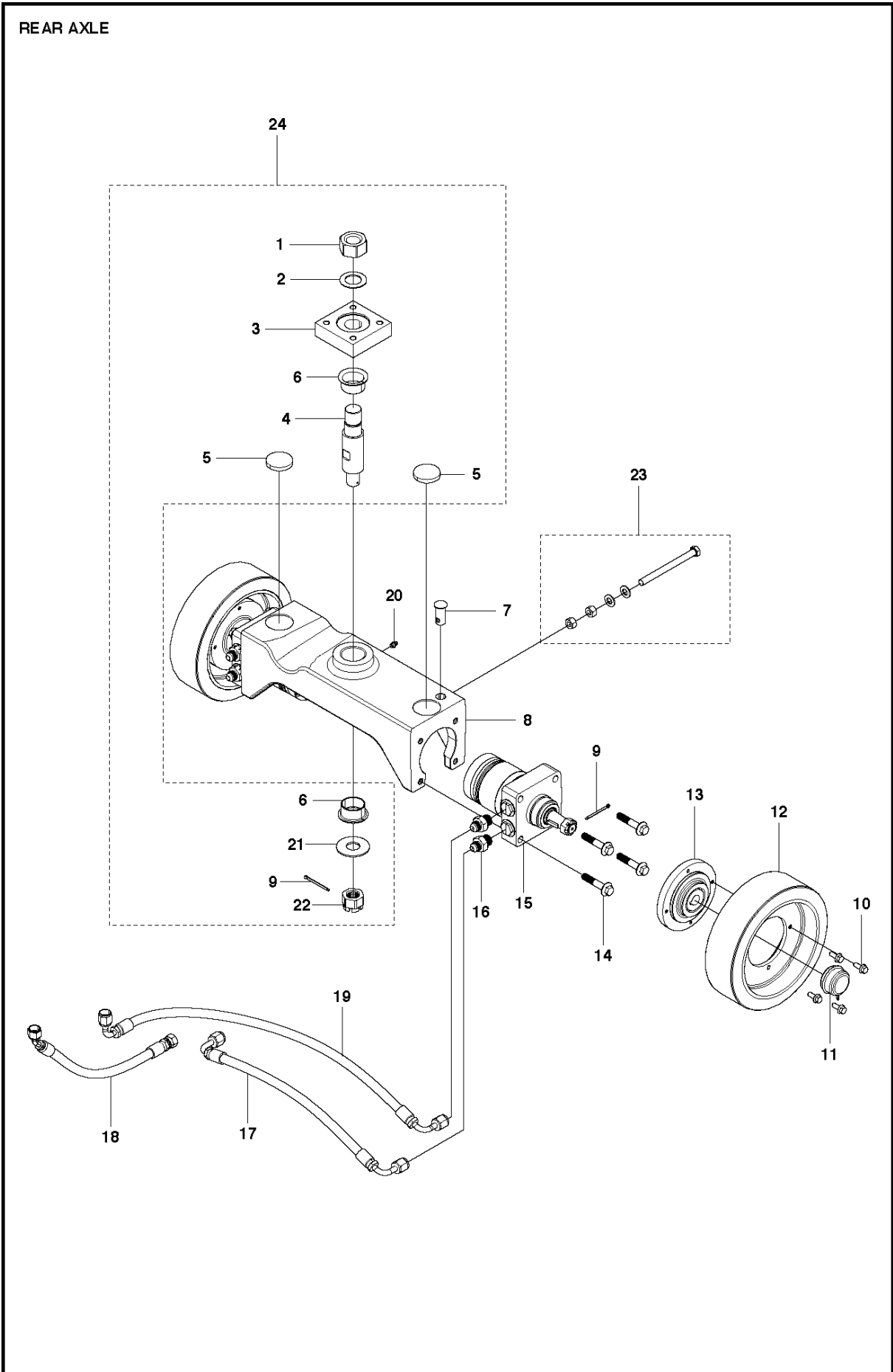
Ref	Part No	Description	Remark	QTY KIT
1	586 70 15-01	CLUTCH		1
2	542 16 63-51	BEARING	1,19	1
3	542 19 98-34	ARMATURE	1	1
4	734 11 63-01	WASHER	1	4
5	735 11 64-01	SPRING WASHER	1	8
6	725 24 51-76	SCREW EHHM	1	4
7	542 19 90-53	SCREW	1	8
8	542 16 66-85	ROTOR	1	1
9	542 19 89-53	RING	1	2
10	542 19 93-87	HUB	1	1
11	725 54 55-55	SCREW IHSCM	1	2
12	725 24 57-76	SCREW EHHM	1	4
13	542 19 93-96	COIL	1	1
14	542 19 94-80	BUSHING	1	1
15	541 20 69-43	FLYWHEEL	19	1
16	735 11 73-01	SPRING WASHER	19	8
17	725 24 91-76	SCREW EHHM	19	8
18	542 18 33-75	PLUG	19	1
19	586 70 85-01	COUPLING		1
20	531 30 24-19	FUSE	1	1
21	581 07 45-01	RELAY	1	1



WEIGHT SYSTEM

FS7000, 2014-05

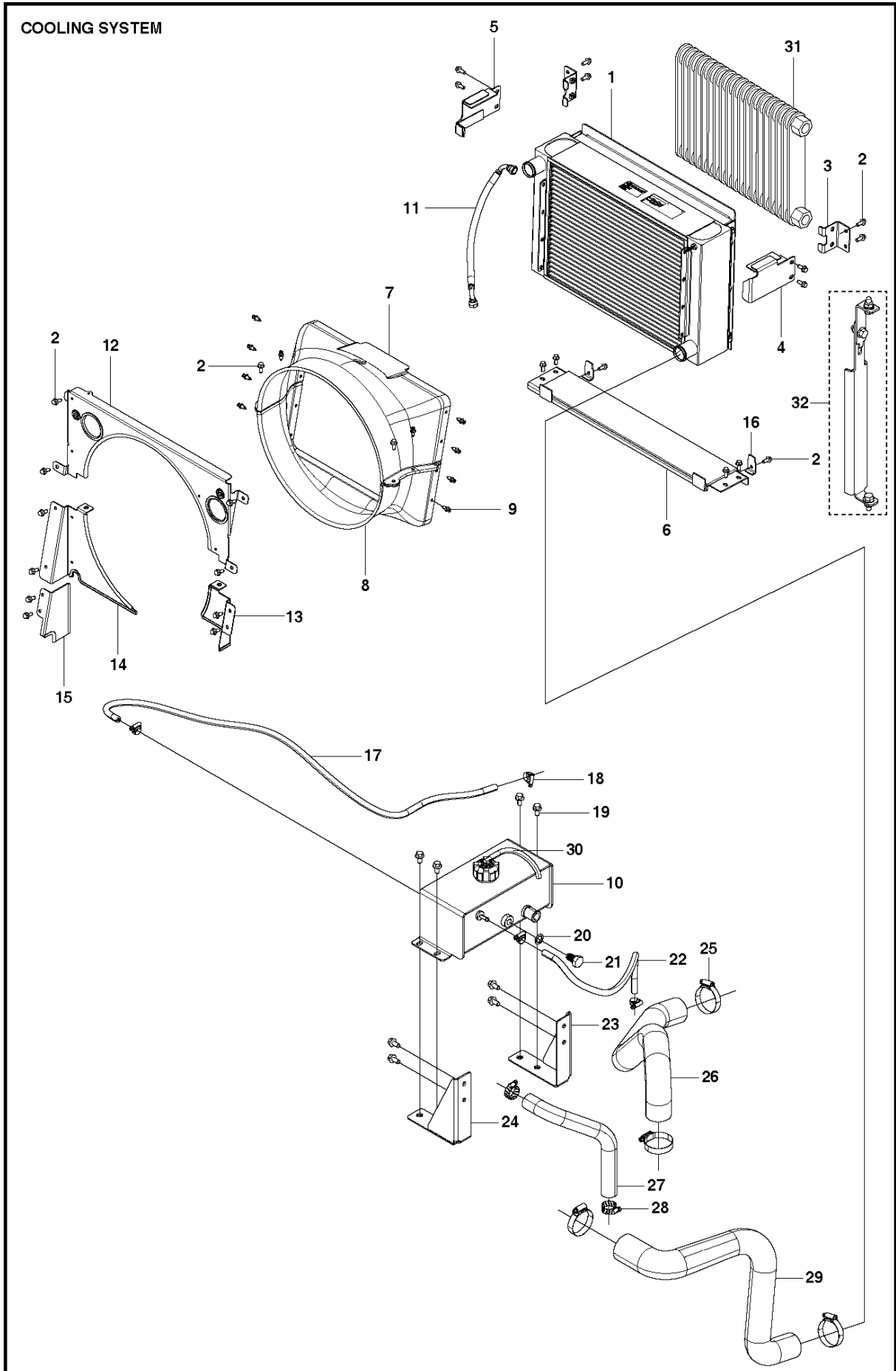
Ref	Part No	Description	Remark	QTY KIT
1	581 67 89-01	WEIGHT KIT	1-Bar	1
1	581 67 89-02	WEIGHT KIT	42", 2-Bar	1
2	732 25 22-01	HEXAGON LOCKING NUT		2
3	579 36 00-02	WEIGHT	1-Bar	1
3	579 36 00-02	WEIGHT	42", 2-Bar	2
4	579 36 06-01	BRACKET	Right Side	1
5	579 36 09-01	BRACKET	Left Side	1
6	576 65 48-02	SCREW EHHFM		4
7	576 65 48-04	SCREW EHHFM	1-Bar	2
7	576 65 48-06	SCREW EHHFM	42", 2-Bar	2



REAR AXLE

FS7000, 2014-05

Ref	Part No	Description	Remark	QTY KIT
1	581 09 82-01	HEXAGON NUT		1
2	580 98 96-01	WASHER		1
3	578 78 26-01	BLOCK		1
4	578 78 27-01	SHAFT		1
5	578 78 32-01	DISC		2
6	580 25 53-01	BEARING BUSH		2
7	578 78 28-01	SWIVEL		1
8	578 78 36-01	REAR AXLE		1
9	721 62 03-01	SPLIT PIN		3
10	585 97 28-01	SCREW EHHFM		8
11	539 10 25-35	CAP		2
12	542 19 88-42	REAR WHEEL		2
13	542 19 88-43	HUB		2
14	576 65 48-06	SCREW EHHFM		8
15	542 19 88-78	HYDRAULIC MOTOR		2
16	541 20 51-02	ADAPTER		4
17	584 28 47-01	HYDRAULIC HOSE		1
18	584 28 00-01	HYDRAULIC HOSE		1
19	584 28 05-01	HYDRAULIC HOSE		1
20	504 20 45-01	GREASE		1
21	581 07 29-01	WASHER		1
22	578 85 01-01	NUT		1
23	587 21 84-01	E-TRACK SYSTEM		1
24	587 62 35-01	KIT		1

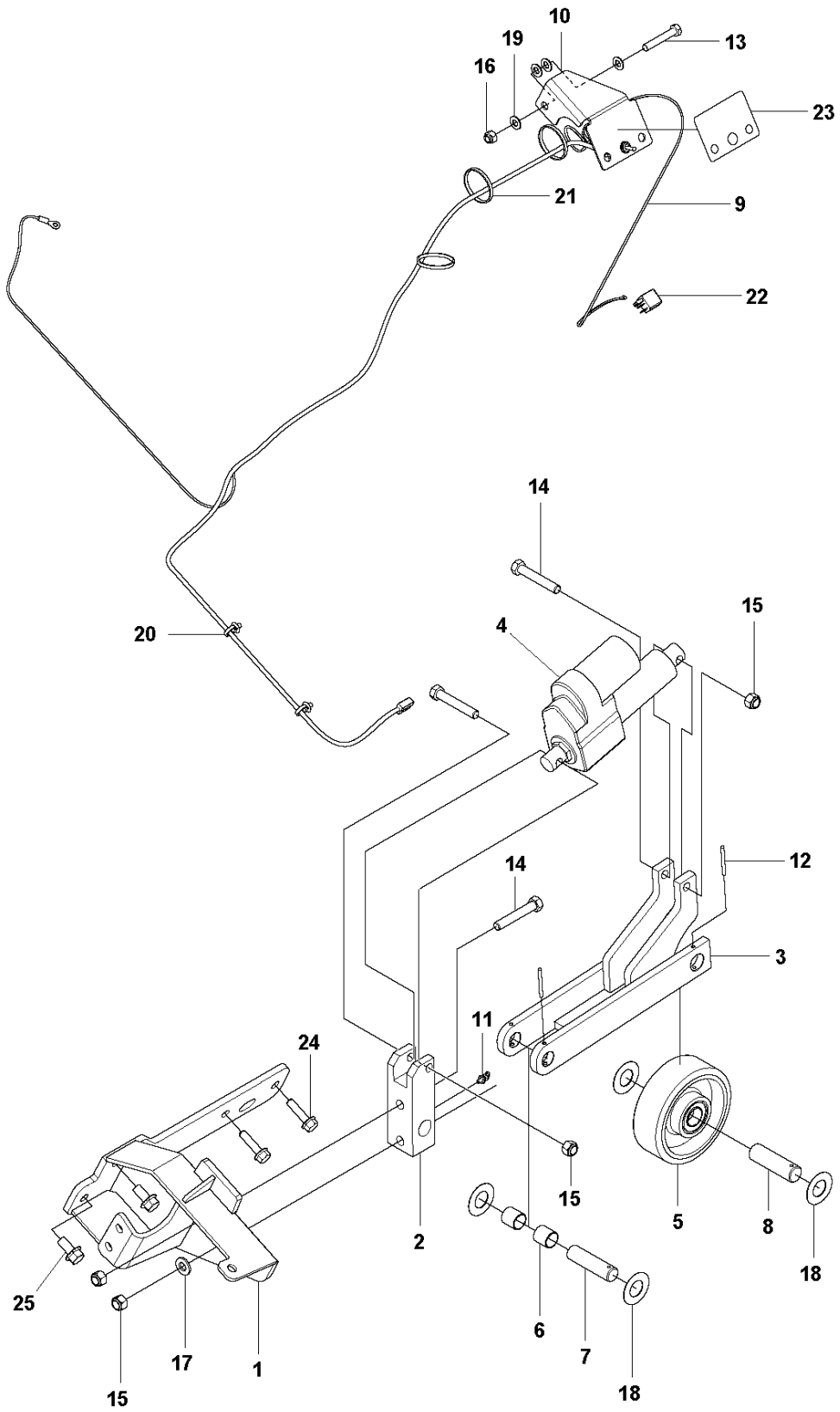


COOLING SYSTEM

FS7000, 2014-05

Ref	Part No	Description	Remark	QTY KIT
1	589 93 14-01	RADIATOR ASSY		1
2	585 97 54-01	SCREW EHHFM		26
3	583 91 21-01	BRACKET		2
4	586 65 76-01	PLATE	Left Side	1
5	586 65 77-01	PLATE	Right Side	1
6	586 34 89-01	BRACKET		1
7	580 87 52-01	FAN COVER	Upper	1
8	580 87 51-01	FAN COVER	Lower	1
9	542 16 66-24	BOLT		10
10	584 99 82-01	EXPANSION TANK		1
11	584 15 70-01	HOSE ASSY		1
12	586 07 05-01	BRACKET		1
13	586 07 06-01	BRACKET		1
14	586 07 08-01	BRACKET		1
15	586 07 09-01	BRACKET		1
16	581 12 88-01	BRACKET		2
17	585 03 71-01	TUBE		1
18	542 02 00-49	HOSE CLAMP		4
19	585 97 56-01	SCREW EHHFM		8
20	740 38 29-01	SEALING WASHER		1
21	585 59 54-01	PLUG		1
22	585 03 70-01	TUBE		1
23	585 02 34-01	BRACKET		1
24	585 02 32-01	BRACKET		1
25	576 31 52-03	HOSE CLAMP		4
26	580 91 02-01	HOSE		1
27	585 03 63-01	HOSE		1
28	576 31 52-05	HOSE CLAMP		2
29	580 91 03-01	HOSE		1
30	585 06 66-01	HOSE		1
31	582 18 81-01	COOLER	Included in pos 1, radiator assy	1
32	594 10 77-01	RADIATOR ASSY	Fuel cooler bracket	1

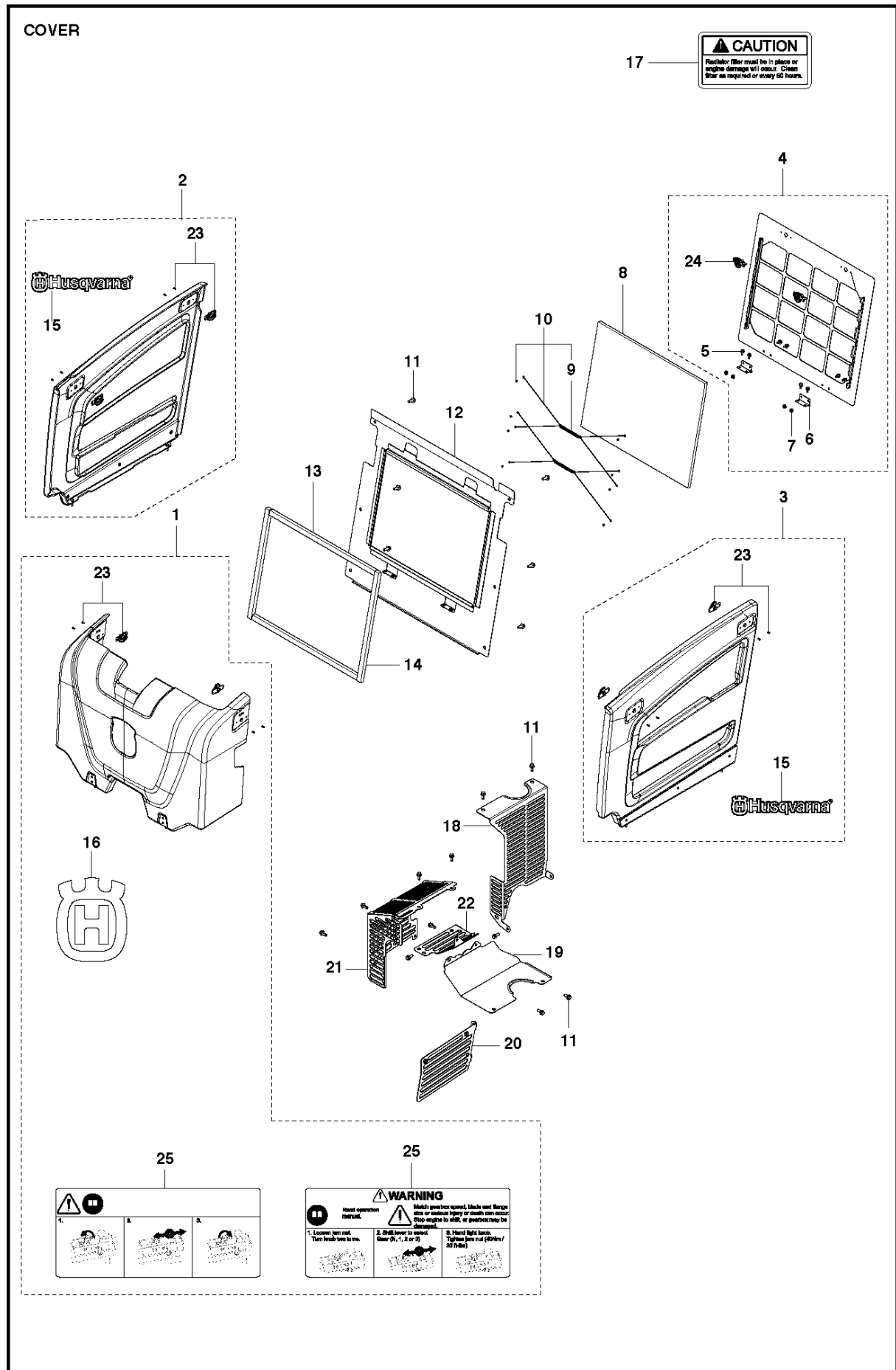
AF FS7000
5th WHEEL ASSEMBLY



5th WHEEL

FS7000, 2014-05

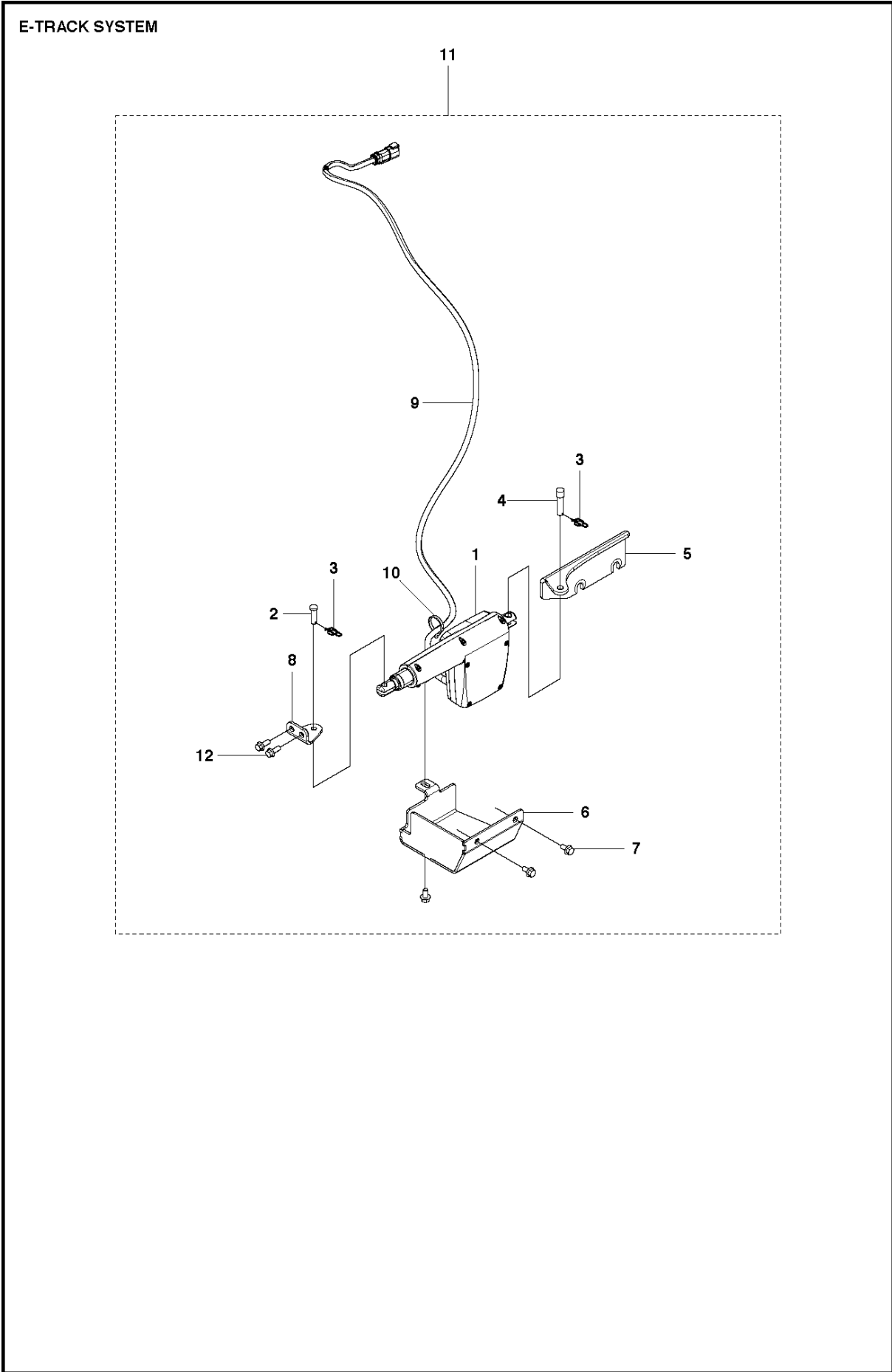
Ref	Part No	Description	Remark	QTY KIT
1	501 70 37-01	BRACKET		1
2	574 85 90-03	PIVOT		1
3	574 85 33-01	LIFTING ARM		1
4	502 28 76-02	CYLINDER		1
5	590 64 98-01	WHEEL		1
6	575 63 11-01	BEARING BUSH		2
7	574 85 33-04	LIFTING ARM		1
8	574 85 33-05	LIFTING ARM		1
9	501 15 16-01	WIRING HARNESS		1
10	581 98 93-01	BRACKET		1
11	542 16 42-97	GREASE		1
12	541 20 51-33	PEN		2
13	725 25 01-76	SCREW EHHM		1
14	542 02 14-04	SCREW		4
15	539 10 13-31	NUT		4
16	732 25 20-01	HEXAGON LOCKING NUT		1
17	539 99 02-50	WASHER		1
18	542 04 64-02	WASHER		4
19	734 11 72-01	WASHER		4
20	583 95 95-01	CLAMP		2
21	542 19 71-01	CABLE		4
22	581 07 45-01	RELAY		1
23	582 52 10-01	DECAL		1
24	585 97 53-01	SCREW EHHFM		2
25	585 23 59-01	SCREW EHHFM		2



COVER

FS7000, 2014-05

Ref	Part No	Description	Remark	QTY KIT
1	586 61 66-01	COVER		1
2	586 61 49-01	COVER	Right Side	1
3	586 61 50-01	COVER	Left Side	1
4	586 61 72-01	PLATE		1
5	585 97 33-01	SCREW EHHFM		8
6	581 16 67-01	HINGE		2
7	731 71 16-51	HEXAGON NUT FLANGE		4
8	583 89 32-01	FILTER		1
9	542 04 03-30	SPRING		2
10	586 61 52-01	RETAINER		2
11	585 97 54-01	SCREW EHHFM		17
12	580 83 98-01	PLATE		1
13	581 17 53-03	INSULATOR		2
14	581 17 53-02	INSULATOR		2
15	585 29 48-01	DECAL		2
16	585 94 93-01	DECAL		1
17	542 16 68-53	DECAL	US Only	1
18	586 06 82-01	PROTECTION		1
19	586 06 84-01	BRACKET		1
20	585 07 65-01	PROTECTION		1
21	586 06 83-01	PROTECTION		1
22	585 07 59-01	PROTECTION		1
23	586 61 48-01	LATCH		6
24	586 61 70-01	LATCH		2
25	587 20 11-01	DECAL	US Only	1
25	587 20 10-01	DECAL	CE Only	1

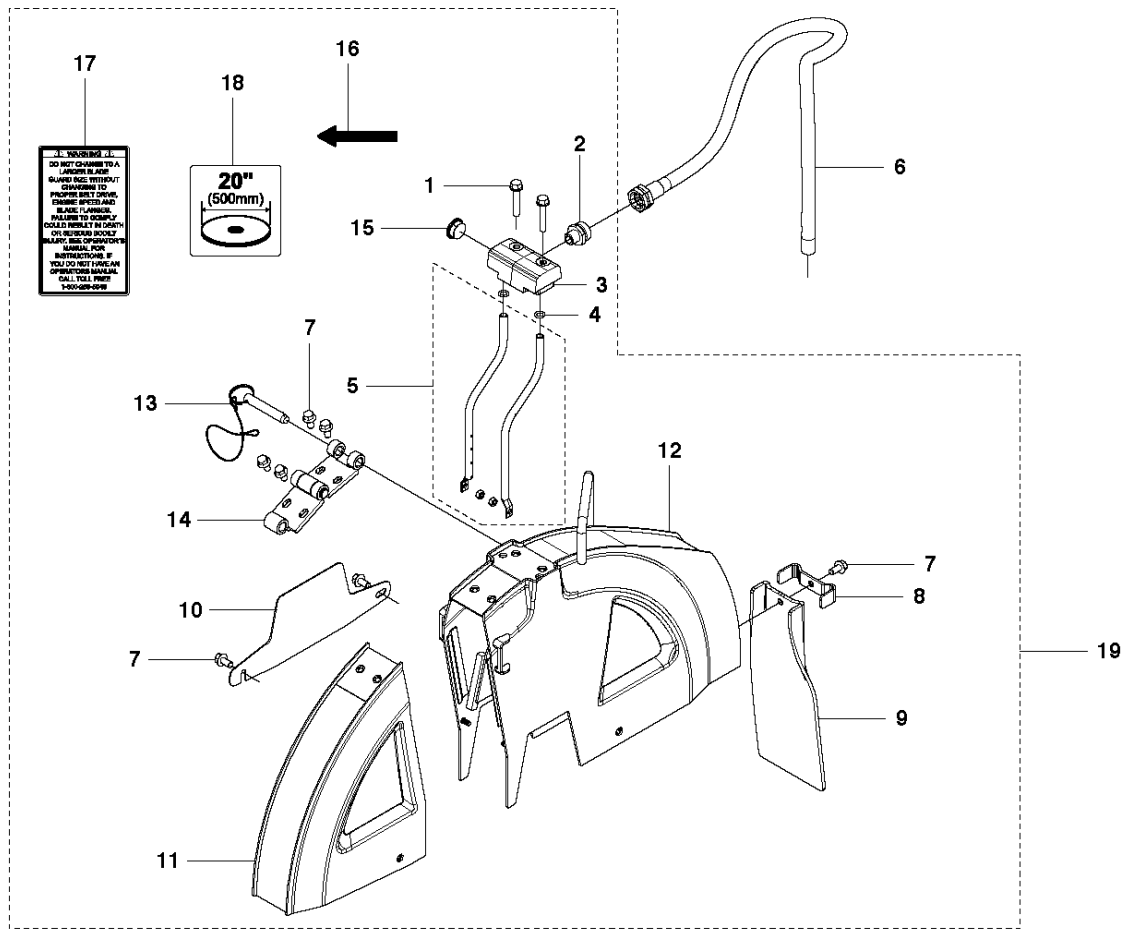


E-TRACK SYSTEM

FS7000, 2014-05

Ref	Part No	Description	Remark	QTY	KIT
1	586 15 58-01	ACTUATOR		1	11
2	542 19 92-41	BOLT		1	11
3	542 17 72-39	PIN		2	11
4	542 19 92-39	BOLT		1	11
5	586 15 57-01	BRACKET		1	11
6	586 16 75-01	LID		1	11
7	585 97 56-01	SCREW EHHFM		3	11
8	586 14 60-01	BRACKET		1	11
9	586 16 90-01	CABLE		1	11
10	583 95 95-01	CLAMP		1	11
11	586 91 45-01	E-TRACK SYSTEM		1	
12	585 97 54-01	SCREW EHHFM		2	

BLADE GUARD 20", 26", 30"

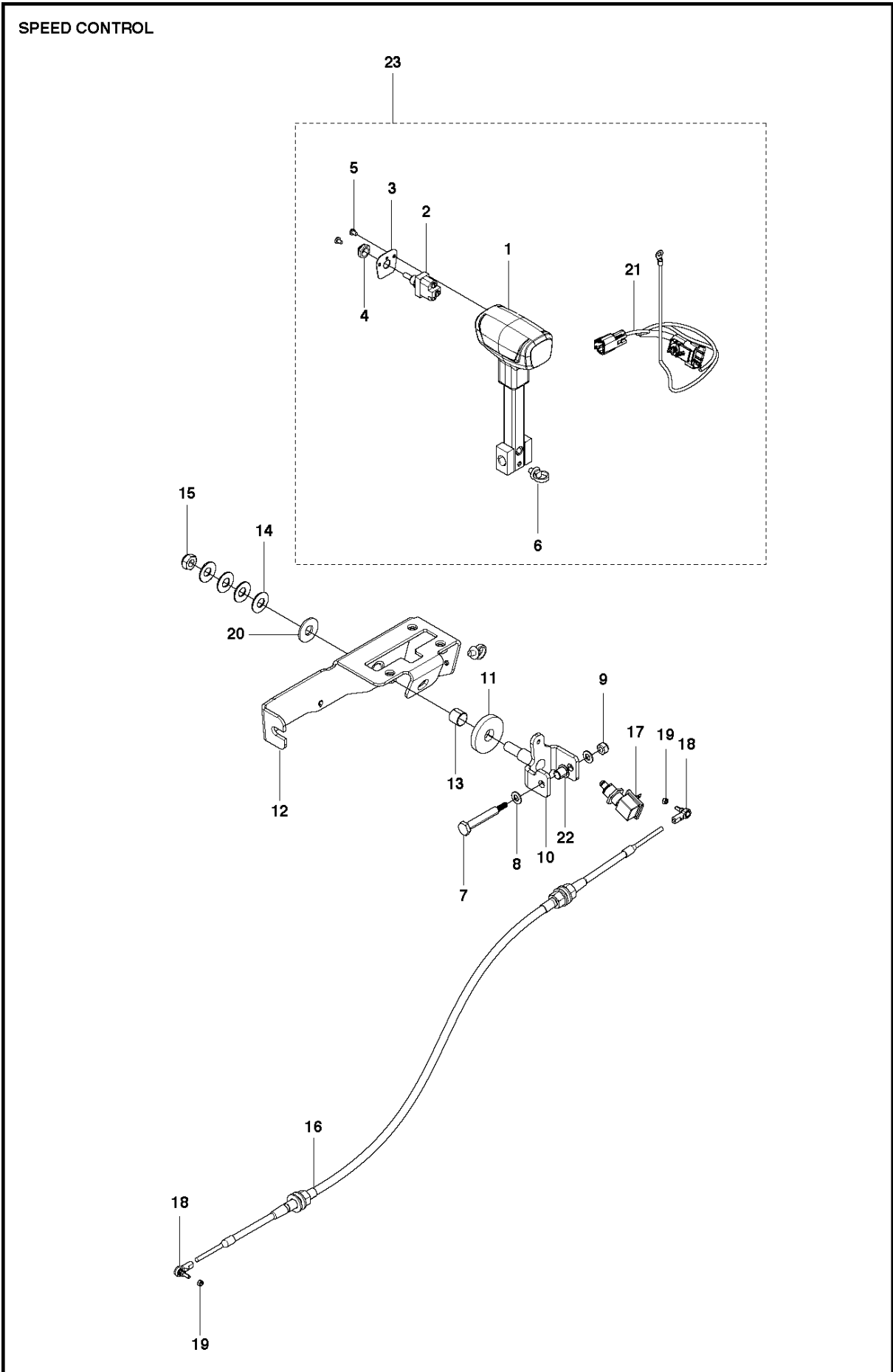


Ref	Part No	Description	Remark	QTY KIT
1	585 17 39-01	SCREW EHHFM		2
2	541 20 82-96	HYDRAULIC KIT		1
3	581 15 72-01	MANIFOLD		1
4	740 43 07-00	O-RING		2
5	586 01 90-01	PIPE	20"	1
5	586 01 91-01	PIPE	26"	1
5	586 01 92-01	PIPE	30"	1
6	584 90 45-01	HOSE	1-speed	1
6	584 90 45-02	HOSE	3-Speed	1
7	725 24 49-61	SCREW EHHFT		7
8	581 60 30-01	PLATE		1
9	581 60 51-01	SPLASH GUARD		1
10	581 34 29-01	BLADE GUARD		1
11	579 46 79-01	BLADE GUARD	20"	1
11	579 50 96-01	BLADE GUARD	26"	1
11	579 52 32-01	BLADE GUARD	30"	1
12	579 46 78-01	BLADE GUARD	20"	1
12	579 50 92-01	BLADE GUARD	26"	1
12	579 51 09-01	BLADE GUARD	30"	1
13	585 07 42-01	PEN		1
14	581 30 95-01	HINGE		1
15	581 16 04-01	PLUG		1
16	585 40 72-01	DECAL		1
17	585 29 95-01	DECAL		1
18	586 30 75-01	DECAL	20"	1
18	586 30 76-01	DECAL	26"	1
18	586 30 77-01	DECAL	30"	1
19	586 34 32-01	BLADE GUARD	500 mm / 20", US	1
19	586 34 32-02	BLADE GUARD	500 mm / 20", CE	1
19	586 34 33-01	BLADE GUARD	650 mm / 26", US	1
19	586 34 33-02	BLADE GUARD	650 mm / 26", CE	1
19	586 34 34-01	BLADE GUARD	750 mm / 30", US	1
19	586 34 34-02	BLADE GUARD	750mm / 30", CE	1

CONTROLS

FS7000, 2014-05

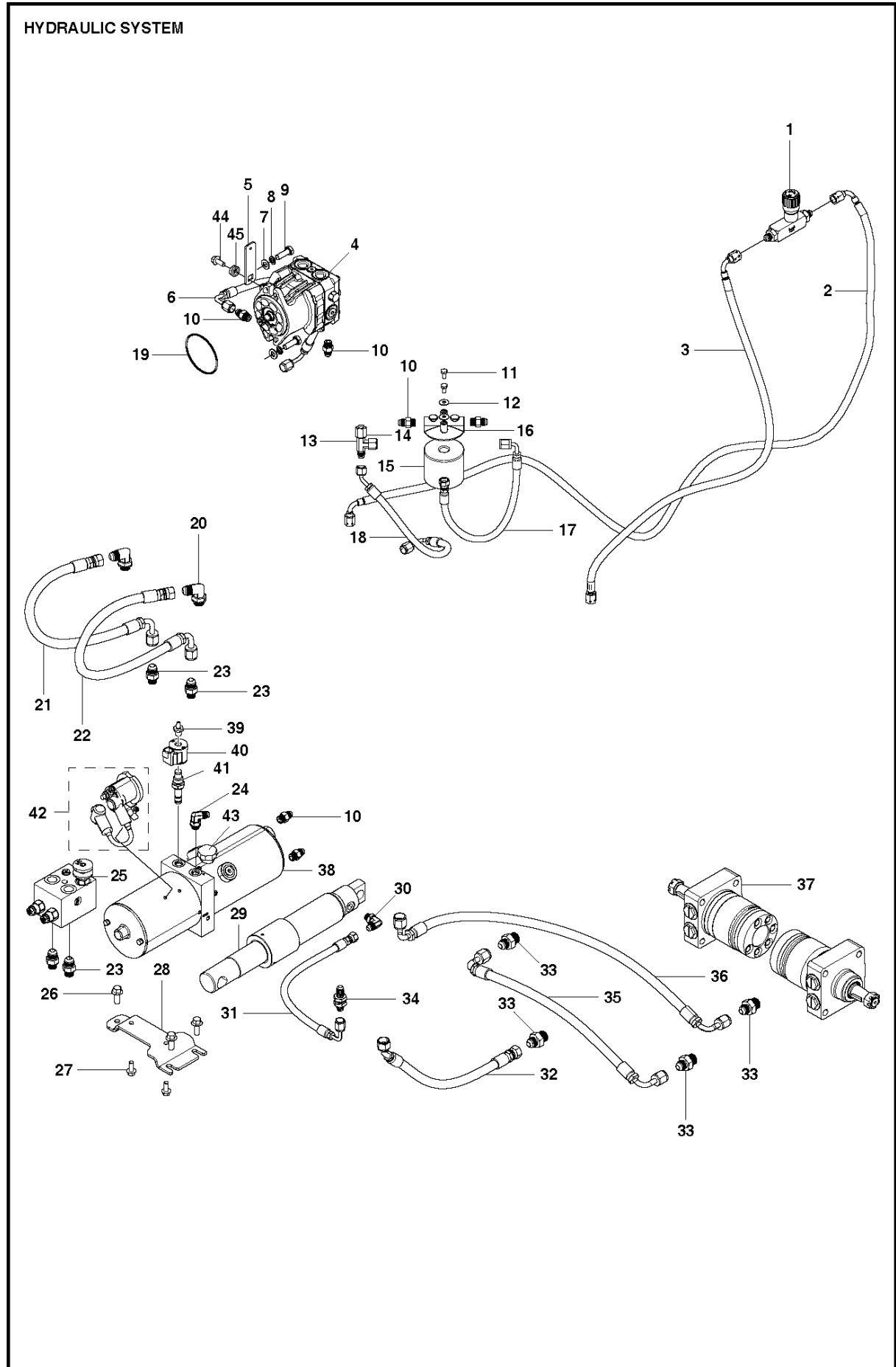
Ref	Part No	Description	Remark	QTY KIT
1	589 39 20-01	CONTROL PANEL		1
2	542 19 90-53	SCREW		8
3	586 63 78-01	STOP SWITCH		1
4	587 68 10-01	IGNITION SWITCH		1
5	580 89 13-01	COVER		1
6	580 86 70-01	BRACKET		1
7	586 83 13-01	PANEL	US Only	1
7	586 83 15-01	PANEL	CE Only	1
8	725 64 51-51	SCREW IHCSFM		6
9	585 24 90-01	DECAL	US Only	1
9	585 24 88-01	DECAL	CE Only	1
10	585 40 71-01	DECAL		1
11	585 37 16-01	DECAL		1
12	542 18 04-27	DECAL	US Only	1
13	586 63 98-01	HARNESS ASSY		1
14	583 95 95-01	CLAMP		6
15	581 79 01-01	DECAL	US Only	1
16	586 85 17-01	WASHER		1
17	587 70 91-01	KEY		1
18	587 70 42-01	KNOB		2



SPEED CONTROL

FS7000, 2014-05

Ref	Part No	Description	Remark	QTY KIT
1	579 73 29-01	HANDLE		1
2	542 18 21-02	SWITCH		1
3	581 11 85-01	PLATE		1
4	542 18 21-46	BOOT		1
5	724 12 85-51	SCREW		2
6	583 95 95-01	CLAMP		2
7	725 24 65-51	SCREW EHHM		1
8	734 11 63-01	WASHER		2
9	732 25 18-01	HEXAGON LOCKING NUT		1
10	579 74 50-01	ARM		1
11	579 42 56-01	WASHER		1
12	581 11 82-01	BRACKET		1
13	581 06 89-01	BEARING BUSH		1
14	542 18 31-24	KEY		4
15	732 25 22-01	HEXAGON LOCKING NUT		1
16	579 51 01-03	CABLE		1
17	542 17 63-98	SWITCH		1
18	542 16 64-66	ROD		2
19	541 20 52-53	NUT		2
20	542 02 07-45	WASHER		1
21	581 07 36-01	HARNESS ASSY		1
22	505 63 45-01	WASHER		2
23	587 81 20-01	HANDLE ASSY		1

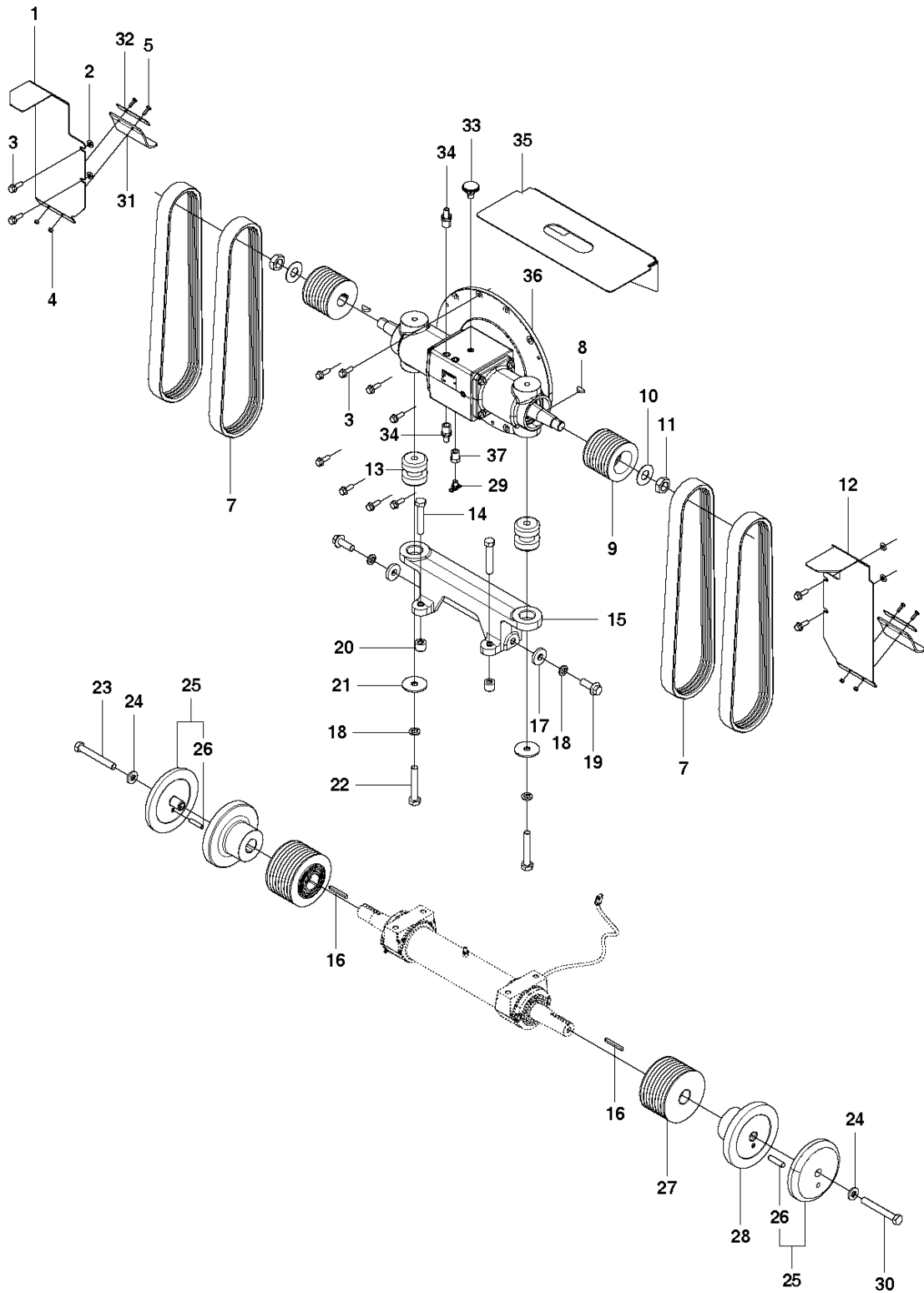


HYDRAULIC SYSTEM

FS7000, 2014-05

Ref	Part No	Description	Remark	QTY KIT
1	586 41 01-01	CONTROL VALVE		1
2	584 21 67-01	HYDRAULIC HOSE		1
3	584 21 69-01	HYDRAULIC HOSE		1
4	581 05 32-01	HYDRAULIC PUMP		1
5	580 96 06-01	PLATE		1
6	584 26 81-01	HYDRAULIC HOSE		1
7	734 11 72-01	WASHER		2
8	735 11 73-01	SPRING WASHER		2
9	725 24 95-76	SCREW EHHM		2
10	581 20 53-01	ADAPTER		6
11	542 02 03-01	SCREW		2
12	734 11 54-41	WASHER		2
13	583 96 62-01	ADAPTER		1
14	581 20 60-01	PLUG		1
15	542 16 64-49	FILTER		1
16	542 16 64-48	FILTER		1
17	584 27 07-01	HYDRAULIC HOSE	Filter-Pump	1
18	594 97 49-01	HYDRAULIC HOSE	Filter-Reservoir, Including protection PWP-20	1
19	542 19 89-49	O-RING		1
20	583 96 59-01	ADAPTER		2
21	584 26 71-01	HYDRAULIC HOSE	Pump A - Block A2, Including protection PWP-20	1
22	584 26 74-01	HYDRAULIC HOSE	Pump A - Block B2, Including protection PWP-20	1
23	583 96 82-01	ADAPTER		4
24	583 94 72-01	ADAPTER		1
25	581 26 77-01	VALVE		1
26	585 97 31-01	SCREW EHHFM		3
27	585 97 56-01	SCREW EHHFM		2
28	580 95 84-01	BRACKET		1
29	579 24 64-01	HYDRAULIC CYLINDER		1
30	581 20 54-01	ADAPTER		1
31	584 14 38-01	HYDRAULIC HOSE	Lift Cylinder - Block	1
32	584 28 00-01	HYDRAULIC HOSE	Hydraulic Motor - Block	1
33	541 20 51-02	ADAPTER		4
34	581 20 55-01	ADAPTER		1
35	584 28 47-01	HYDRAULIC HOSE	Hydraulic Motor	1
36	584 28 05-01	HYDRAULIC HOSE	Hydraulic Motor - Block	1
37	542 19 88-78	HYDRAULIC MOTOR		2
38	581 25 59-01	HYDRAULIC PUMP		1
39	541 20 47-34	FITTING		1
40	522 84 91-10	COIL		1
41	582 22 65-01	VALVE		1
42	522 84 91-15	SOLENOID		1
43	522 84 91-19	CAP		1
44	585 97 54-01	SCREW EHHFM		1
45	505 28 95-10	PUMP		1

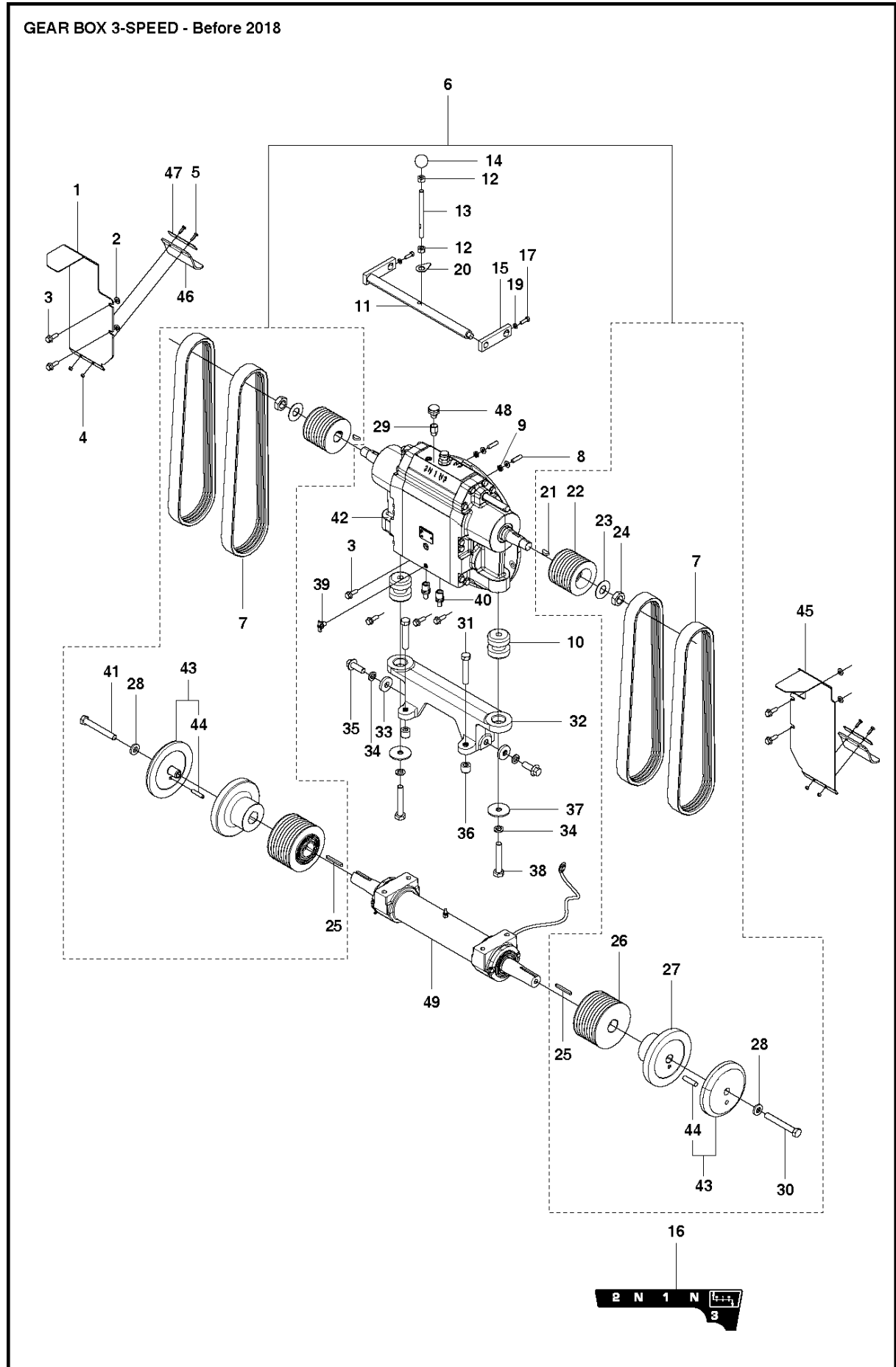
GEAR BOX 1-SPEED - Before 2018



GEAR BOX 1-SPEED

FS7000, 2014-05

Ref	Part No	Description	Remark	QTY KIT
1	581 02 08-01	BELT GUARD		1
2	734 11 72-01	WASHER	Right side	12
3	585 98 04-01	SCREW EHHFM		12
4	732 25 16-01	HEXAGON LOCKING NUT		4
5	586 12 02-01	SCREW EHHFM		4
7	585 51 49-01	V-BELT	20",36"	4
7	542 16 63-62	V-BELT	26", 30"	4
7	542 19 97-64	V-BELT	42"	4
8	542 16 46-32	KEY		2
9	581 09 98-03	PULLEY	20"	2
9	581 09 98-01	PULLEY	26", 30", 36", 42"	2
10	542 16 64-80	WASHER		2
11	541 20 48-33	NUT		2
12	581 02 09-01	BELT GUARD	Left side	1
13	542 16 63-52	SILENBLOC E/FS1200T PO		2
14	542 16 63-68	SCREW		2
15	542 16 64-42	BRACKET		1
16	542 19 90-45	KEY		2
17	542 16 03-93	WASHER		2
18	539 99 03-33	WASHER		4
19	542167407	TBD		2
20	539 30 04-40	BOLT		2
21	542 20 63-56	WASHER		2
22	542 16 63-56	SCREW		2
23	586 25 59-01	SCREW	20", 26", 30", 36"	1
23	586 25 61-01	SCREW	42"	1
24	522 96 59-42	WASHER		2
25	586 00 92-01	COLLAR	20"	2
25	586 00 93-01	COLLAR	26", 30"	2
25	586 00 94-01	FLANGE	36"	2
25	586 00 95-01	FLANGE	42"	2
26	539 30 00-10	PIN	20", 26", 30"	2
26	581 10 84-01	PULLEY	36", 42"	2 31
27	581 10 84-02	PULLEY	20", 26"	2
27	58108404	TBD	30"	2
27	581 10 85-01	PULLEY	36"	2
27	580 93 97-01	FLANGE	42"	2
28	580 93 97-01	FLANGE	20"	2
28	580 93 97-02	FLANGE	26", 30"	2
28	580 96 20-01	FLANGE	36"	2
28	580 96 42-01	FLANGE	42"	2
29	542 16 07-04	TAP		1
30	586 25 57-01	SCREW	20", 26", 30", 36"	1
30	586 25 60-01	SCREW	42"	1
31	581 52 16-01	SPLASH GUARD		2
32	581 52 18-01	PLATE		2
33	542 20 66-60	BREATHER		1
34	541 20 48-70	FITTING		2
35	586 02 13-01	PROTECTION		1
36	542 19 94-81	GEARBOX		1
37	542 13 96-49	ADAPTER		1

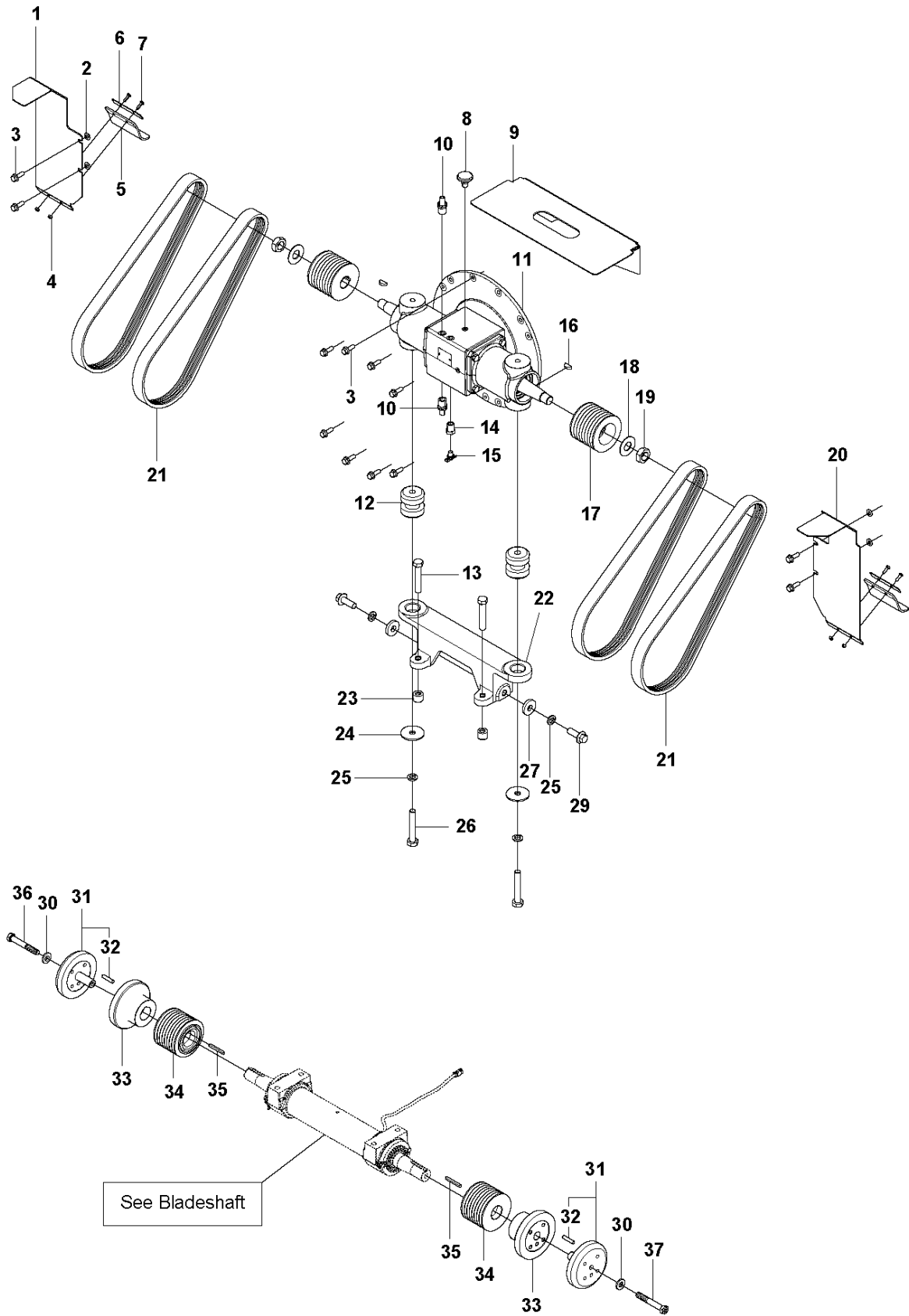


GEAR BOX 3-SPEED

FS7000, 2014-05

Ref	Part No	Description	Remark	QTY KIT
1	581 02 08-01	BELT GUARD	Right Side	1
2	734 11 72-01	WASHER		10
3	585 98 04-01	SCREW EHHFM		8
4	732 25 16-01	HEXAGON LOCKING NUT		4
5	586 12 02-01	SCREW EHHFM		4
6	587 21 75-06	BELT		1
6	587 21 75-07	BELT		1
6	587 21 75-08	BELT		1
6	587 21 75-09	BELT		1
7	504 11 97-06	V-BELT	26"	4
7	504 11 97-07	V-BELT	30"	4
7	541 20 08-47	V-BELT	36"	4
7	504 11 97-01	V-BELT	42"	4
8	542 20 64-16	STUD		2
9	731 43 20-01	HEXAGON THIN NUT		2
10	587 15 01-01	ANTIVIBRATION ELEMENT		2
11	586 85 75-01	ROD		1
12	539 99 02-58	NUT		2
13	542 20 63-97	HANDLE		1
14	542 16 32-14	BALL		1
15	586 96 49-01	ARM		2
16	585 29 49-01	DECAL		1
17	505 77 25-01	SCREW		2
18	725 24 49-71	SCREW EHHM		2
19	542 02 07-77	WASHER		4
20	586 86 52-01	POINTER		1
21	542 16 46-32	KEY		2
22	581 09 98-03	PULLEY	26"	2
22	581 09 98-02	PULLEY	30", 36", 42"	2
23	542 16 64-80	WASHER		2
24	541 20 48-33	NUT		2
25	542 19 90-45	KEY		2
26	581 10 84-01	PULLEY	26", 30"	2
26	581 10 84-03	PULLEY	36"	2
26	581 10 84-05	PULLEY	42"	2
27	580 93 97-02	FLANGE	26", 30"	1
27	580 96 20-01	FLANGE	36"	1
27	580 96 42-01	FLANGE	42"	1
28	522 96 59-42	WASHER		2
29	504 53 75-01	FITTING		1
30	586 25 57-01	SCREW	26", 30", 36"	1
30	586 25 60-01	SCREW	42"	1
31	542 16 63-68	SCREW		2
32	542 16 64-42	BRACKET		1
33	542 16 03-93	WASHER		2
34	539 99 03-33	WASHER		4
35	542 16 74-47	SCREW		2
36	539 30 04-40	BOLT		2
37	542 20 63-56	WASHER		2
38	542 16 63-56	SCREW		2
39	542 16 07-04	TAP		1
40	541 20 48-70	FITTING		2
41	586 25 59-01	SCREW	26", 30", 36"	1
41	586 25 61-01	SCREW	42"	1
42	586 87 03-01	GEARBOX	After S/N #001334666001	1
42	586 94 99-02	KIT	Before S/N #001334666001	1
43	586 00 93-01	COLLAR	26" & 30"	2
43	586 00 94-01	FLANGE	36" 3-speed	2
43	586 00 95-01	FLANGE	42" 3-speed	2
44	505 53 19-01	PIN	42"	2
44	539 30 00-10	PIN	26", 30"	2
45	581 02 09-01	BELT GUARD	36", 42"	1
46	581 52 16-01	SPLASH GUARD	Left Side	2
47	581 52 18-01	PLATE		2
48	504 53 96-01	FITTING		1
49	581 00 16-01	BLADE SUPPORT		1

R GEAR BOX 1-SPEED - 2018 and forward

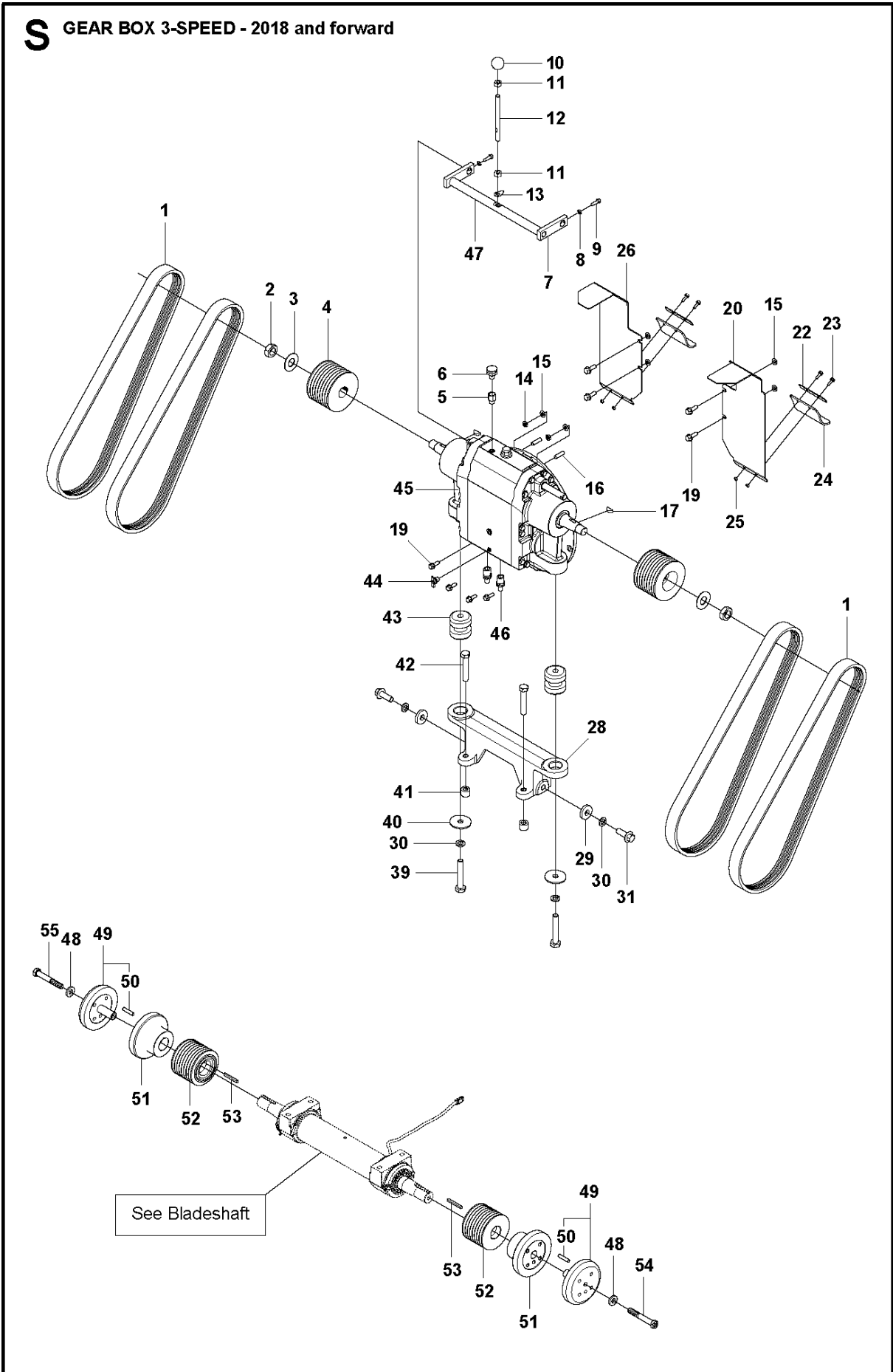


GEAR BOX 1-SPEED

FS7000, 2014-05

Ref	Part No	Description	Remark	QTY	KIT
1	581 02 08-01	BELT GUARD		1	
2	734 11 72-01	WASHER		4	
3	585 98 04-01	SCREW EHHFM		12	
4	732 25 16-01	HEXAGON LOCKING NUT		4	
5	581 52 16-01	SPLASH GUARD		2	
6	581 52 18-01	PLATE		2	
7	586 12 02-01	SCREW EHHFM		4	
8	542 20 66-60	BREATHER		1	
9	586 02 13-01	PROTECTION		1	
10	541 20 48-70	FITTING		2	
11	588 58 87-01	GEARBOX		1	
12	587 15 01-01	ANTIVIBRATION ELEMENT		2	
13	542 16 63-68	SCREW		2	
14	542 13 96-49	ADAPTER		1	
15	542 16 07-04	TAP		1	
16	542 16 46-32	KEY		2	
17	581 09 98-01	PULLEY		2	
17	581 09 98-03	PULLEY	20"	2	
18	542 16 64-80	WASHER		2	
19	541 20 48-33	NUT		2	
20	581 02 09-01	BELT GUARD		1	
21	585 51 49-01	V-BELT	20", 36"	2	
21	542 16 63-62	V-BELT	26", 30"	1	
21	542 19 97-64	V-BELT	42"	1	
22	542 16 64-42	BRACKET		1	
23	539 30 04-40	BOLT		2	
24	542 20 63-56	WASHER		2	
25	539 99 03-33	WASHER		4	
26	542 16 63-56	SCREW		2	
27	542 16 03-93	WASHER		2	
37	586 25 57-01	SCREW	20", 26", 30", 36"	1	
37	586 25 60-01	SCREW	42"	1	
29	542 16 74-47	SCREW		2	
30	522 96 59-42	WASHER		2	
31	522 96 59-39	FLANGE	36" Including Pin	2	
31	522 96 59-38	FLANGE	42" Including Pin	2	
31	522 96 59-37	FLANGE	20", 26", 30" Including Pin	2	
32	539 30 00-10	PIN	36"	2	31
33	590 14 60-01	FLANGE	20", 26", 30"	1	
33	582 69 72-01	FLANGE	36"	2	
33	582 48 70-01	FLANGE	42"	2	
34	590 14 61-01	PULLEY	20", 26"	2	
34	590 14 62-01	PULLEY	30"	2	
34	582 41 19-01	PULLEY	36"	2	
34	582 41 16-01	PULLEY	42"	2	
35	542 19 90-45	KEY		2	
36	586 25 59-01	SCREW	26", 30", 36"	1	
36	586 25 61-01	SCREW	42"	1	

S GEAR BOX 3-SPEED - 2018 and forward



GEAR BOX 3-SPEED

FS7000, 2014-05

Ref	Part No	Description	Remark	QTY KIT
1	504 11 97-06	V-BELT	26"	4
1	504 11 97-07	V-BELT	30"	4
1	541 20 08-47	V-BELT	36"	4
1	504 11 97-01	V-BELT	42"	4
2	541 20 48-33	NUT		2
3	542 16 64-80	WASHER		2
4	581 09 98-02	PULLEY	36", 42"	2
5	504 53 75-01	FITTING		1
6	504 53 96-01	FITTING		1
7	586 96 49-01	ARM		1
8	542 02 07-77	WASHER		2
9	505 77 25-01	SCREW		2
10	542 16 32-14	BALL		1
11	539 99 02-58	NUT		2
12	542 20 63-97	HANDLE		1
13	586 86 52-01	POINTER		1
14	731 43 20-01	HEXAGON THIN NUT		2
15	734 11 72-01	WASHER		6
16	542 20 64-16	STUD		2
17	542 16 46-32	KEY		2
19	585 98 04-01	SCREW EHHFM		8
20	581 02 09-01	BELT GUARD		1
22	581 52 18-01	PLATE		2
23	586 12 02-01	SCREW EHHFM		4
24	581 52 16-01	SPLASH GUARD		2
25	732 25 16-01	HEXAGON LOCKING NUT		4
26	581 02 08-01	BELT GUARD		1
28	542 16 64-42	BRACKET		1
29	542 16 03-93	WASHER		2
30	539 99 03-33	WASHER		4
31	542 16 74-47	SCREW		2
39	542 16 63-56	SCREW		2
40	542 20 63-56	WASHER		2
41	539 30 04-40	BOLT		2
42	542 16 63-68	SCREW		2
43	587 15 01-01	ANTIVIBRATION ELEMENT		2
44	542 16 07-04	TAP		1
45	586 87 03-01	GEARBOX		1
46	541 20 48-70	FITTING		2
47	586 85 75-01	ROD		1
48	522 96 59-42	WASHER		2
49	522 96 59-39	FLANGE	36" Including Pin	2
49	522 96 59-38	FLANGE	42" Including Pin	2
49	522 96 59-37	FLANGE		2
50	539 30 00-10	PIN	36", 42"	10
51	590 14 60-01	FLANGE	26", 30"	2
51	582 69 72-01	FLANGE	36"	2
51	582 48 70-01	FLANGE	42"	2
52	582 41 17-01	PULLEY	36"	2
52	582 41 18-01	PULLEY	42"	2
53	542 19 90-45	KEY		2
54	586 25 57-01	SCREW		1
54	586 25 60-01	SCREW		1
55	586 25 59-01	SCREW	26", 30", 36"	1
55	586 25 61-01	SCREW	42"	1