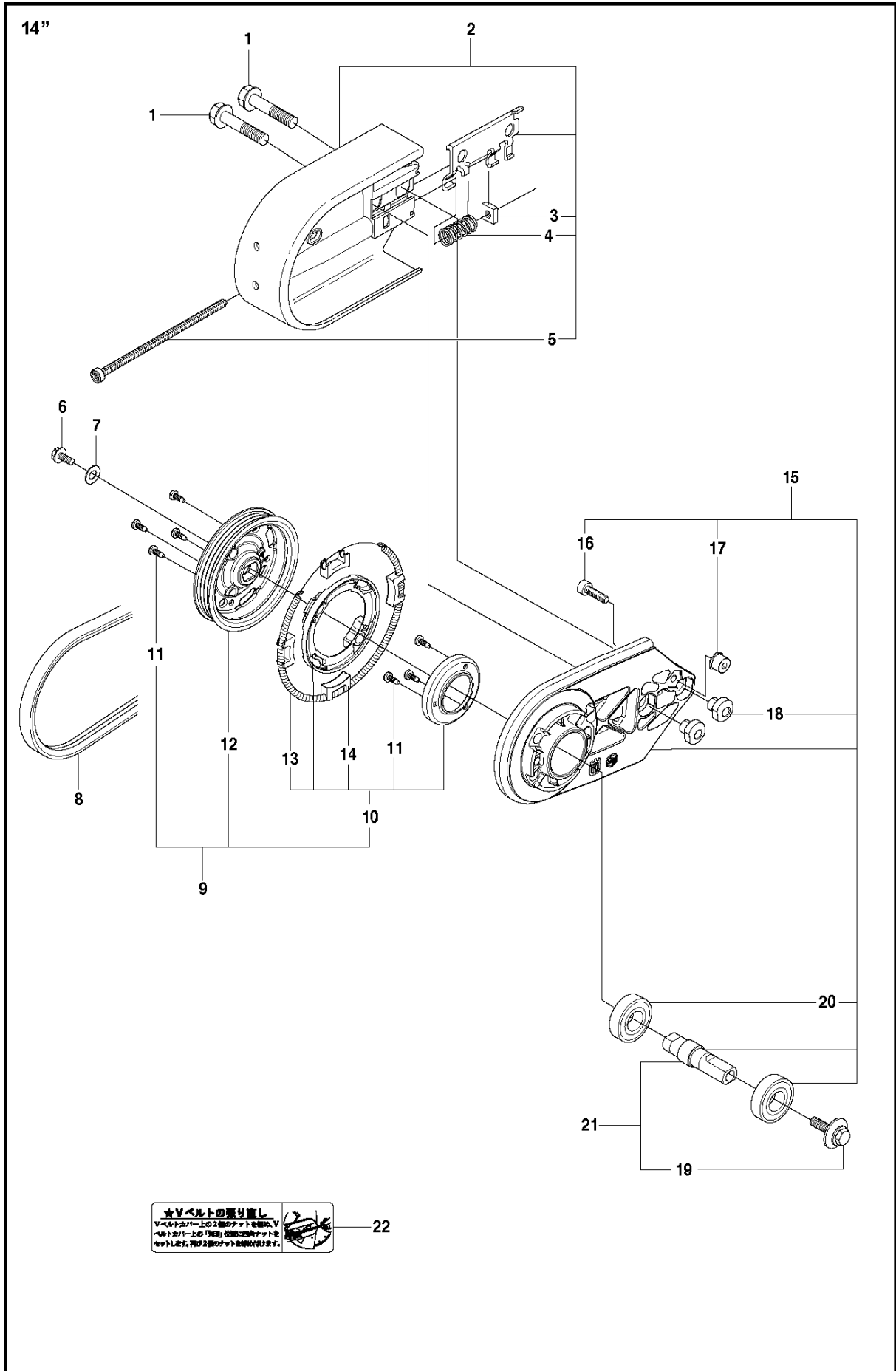




SPARE PARTS LIST

POWER CUTTERS

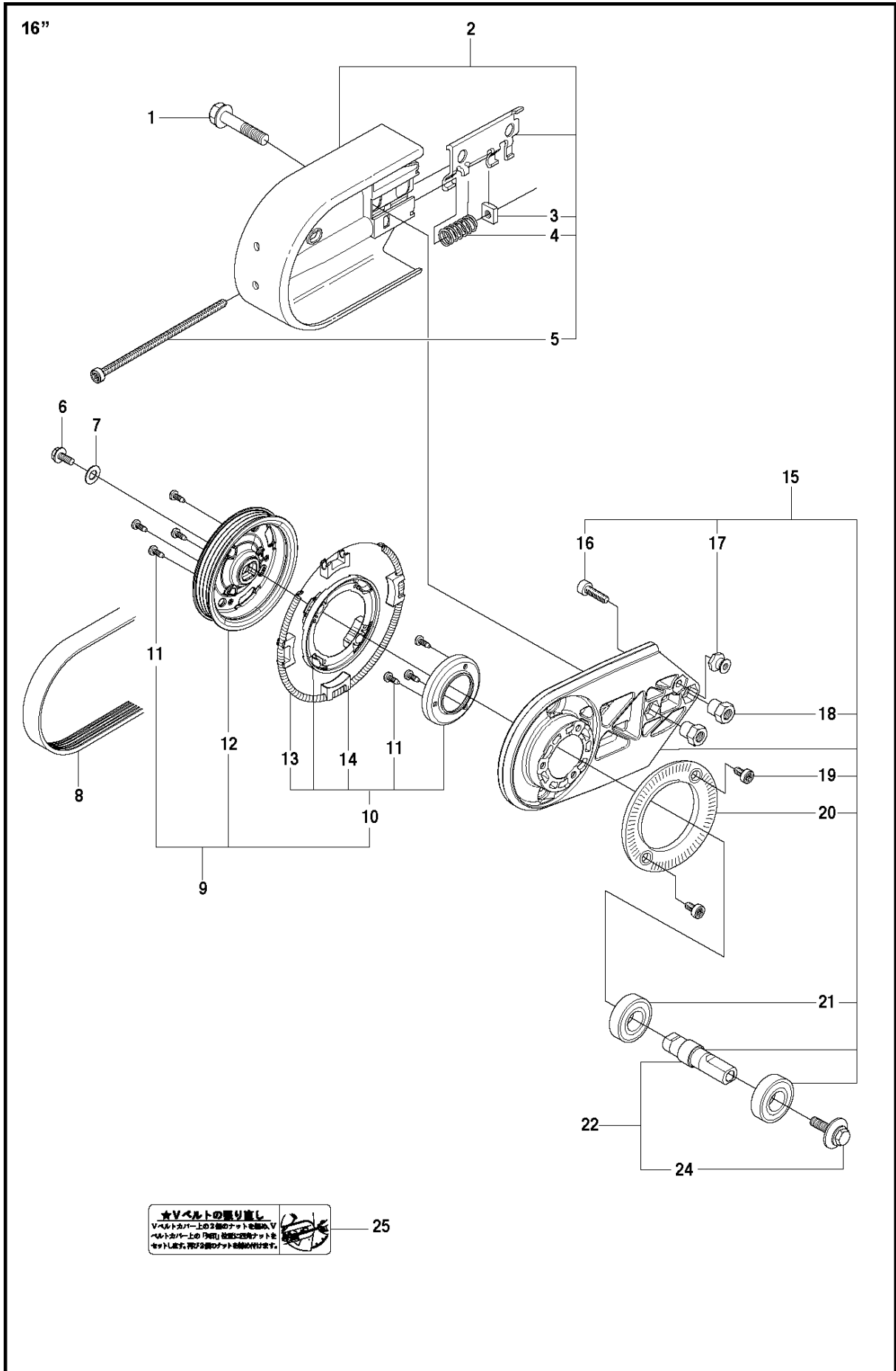
K970 II, 2014-02



BELT GUARD & PULLEY

K970 II, 2014-02

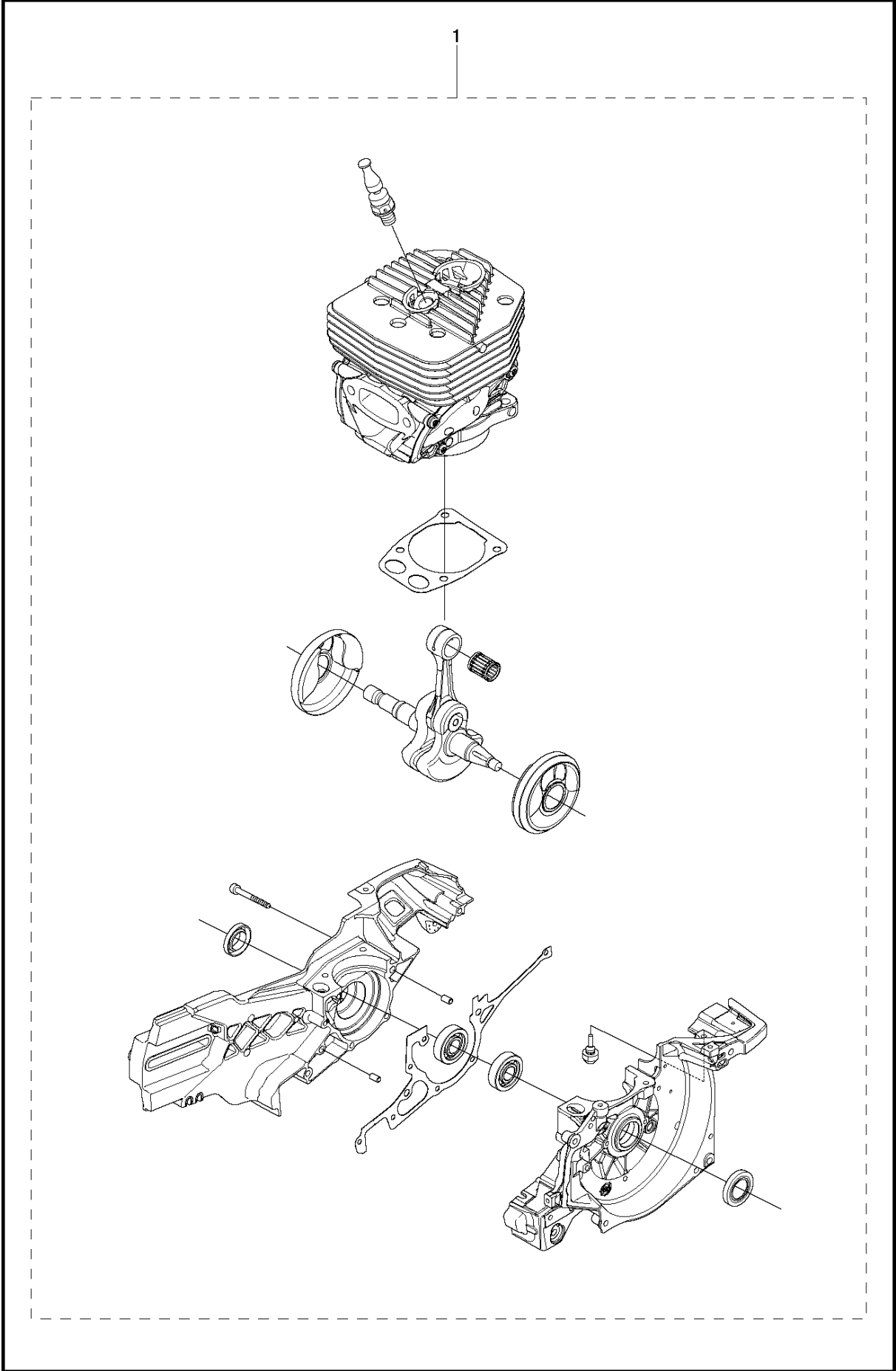
Ref	Part No	Description	Remark	QTY	KIT
1	506 28 44-01	SCREW EHHFM		2	
2	506 39 36-02	BELT GUARD		1	
3	506 40 93-01	NUT		1	2
4	506 26 68-01	COMPRESSION SPRING		1	2
5	503 20 72-05	SCREW CITXSCM		1	2
6	503 20 00-45	SCREW EHHFM		1	
7	503 23 01-16	WASHER		1	
8	544 97 63-04	BELT	14"	1	
9	586 30 70-02	PULLEY ASSY		1	
10	505 44 54-05	CASSETTE		1	9
11	525 88 74-02	SCREW CITXPANT		7	9, 10
12	584 43 94-01	PULLEY		1	9
13	544 44 10-01	DRAW SPRING		1	10
14	544 44 04-02	BRAKE SHOE		4	10
15	586 30 71-02	BEARING HOUSING		1	
16	505 57 41-16	SCREW ITXSCM		1	15
17	586 41 69-01	STOP		1	15
18	584 78 81-01	NUT		2	15, 23
19	581 85 52-01	SCREW		1	15
20	583 95 33-01	BALL BEARING		2	15
21	506 29 83-65	SHAFT		1	15
22	506 30 97-05	LABEL		1	



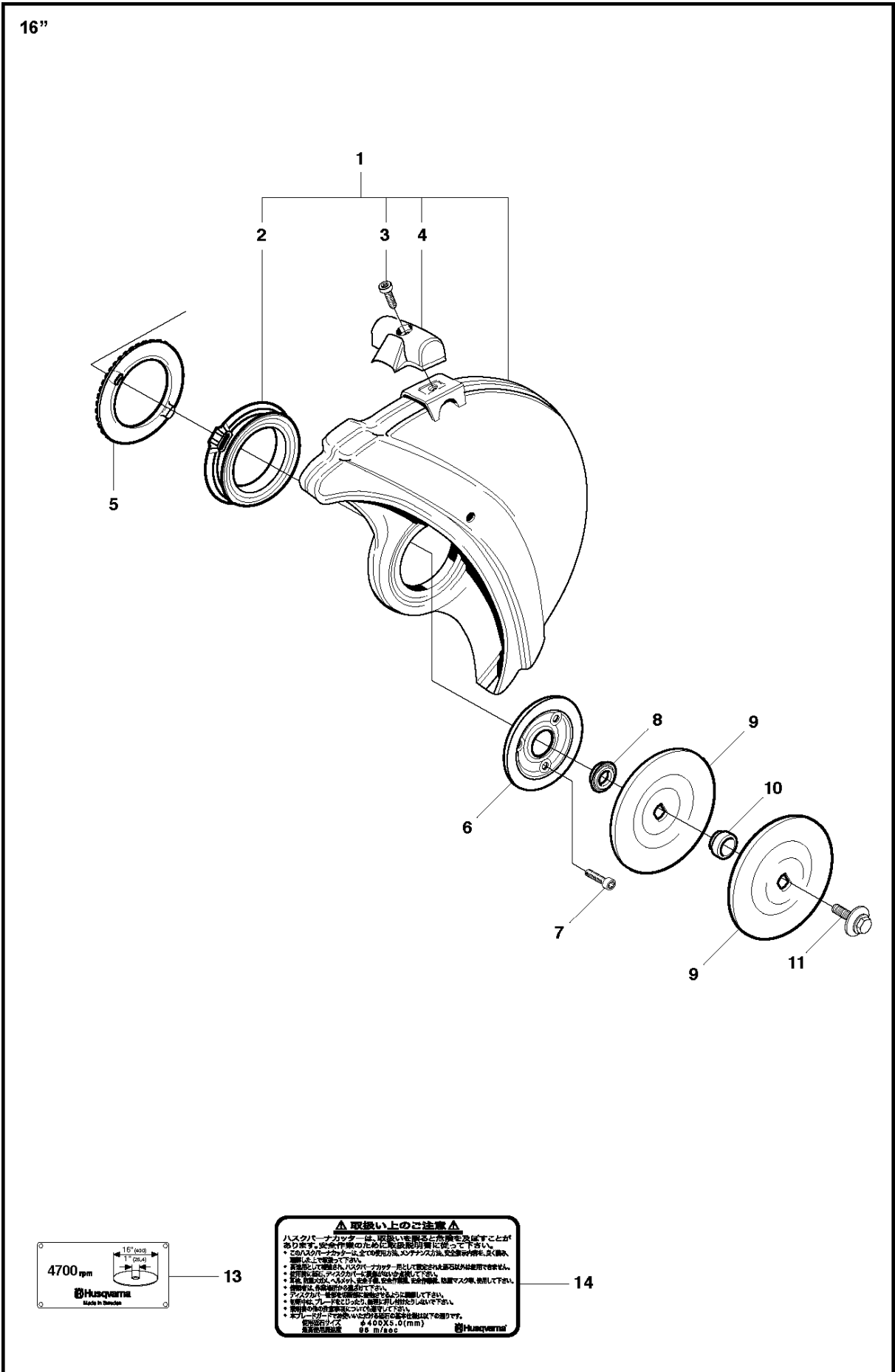
BELT GUARD & PULLEY

K970 II, 2014-02

Ref	Part No	Description	Remark	QTY KIT
1	506 28 44-01	SCREW EHHFM		2
2	506 39 36-02	BELT GUARD		1
3	506 40 93-01	NUT		1
4	506 26 68-01	COMPRESSION SPRING		1
5	503 20 72-05	SCREW CITXSCM		1
6	503 20 00-45	SCREW EHHFM		1
7	503 23 01-16	WASHER		1
8	544 97 63-05	BELT	"16""	1
9	586 30 70-02	PULLEY ASSY		1
10	505 44 54-05	CASSETTE		1
11	503 21 28-10	SCREW CCRPANT		7
12	584 43 94-01	PULLEY		1
13	544 44 10-01	DRAW SPRING		1
14	544 44 04-02	BRAKE SHOE		4
15	581 35 17-10	BEARING HOUSING		1
16	505 57 41-16	SCREW ITXSCM		1
17	506 14 32-01	TORSION STOP		1
18	584 78 81-01	NUT		2
19	503 21 53-10	SCREW ITXSCM		2
20	506 28 84-01	SCREEN		1
21	583 95 33-01	BALL BEARING		2
22	506 29 83-65	SHAFT		1
24	581 85 52-01	SCREW		1
25	506 30 97-05	LABEL		1



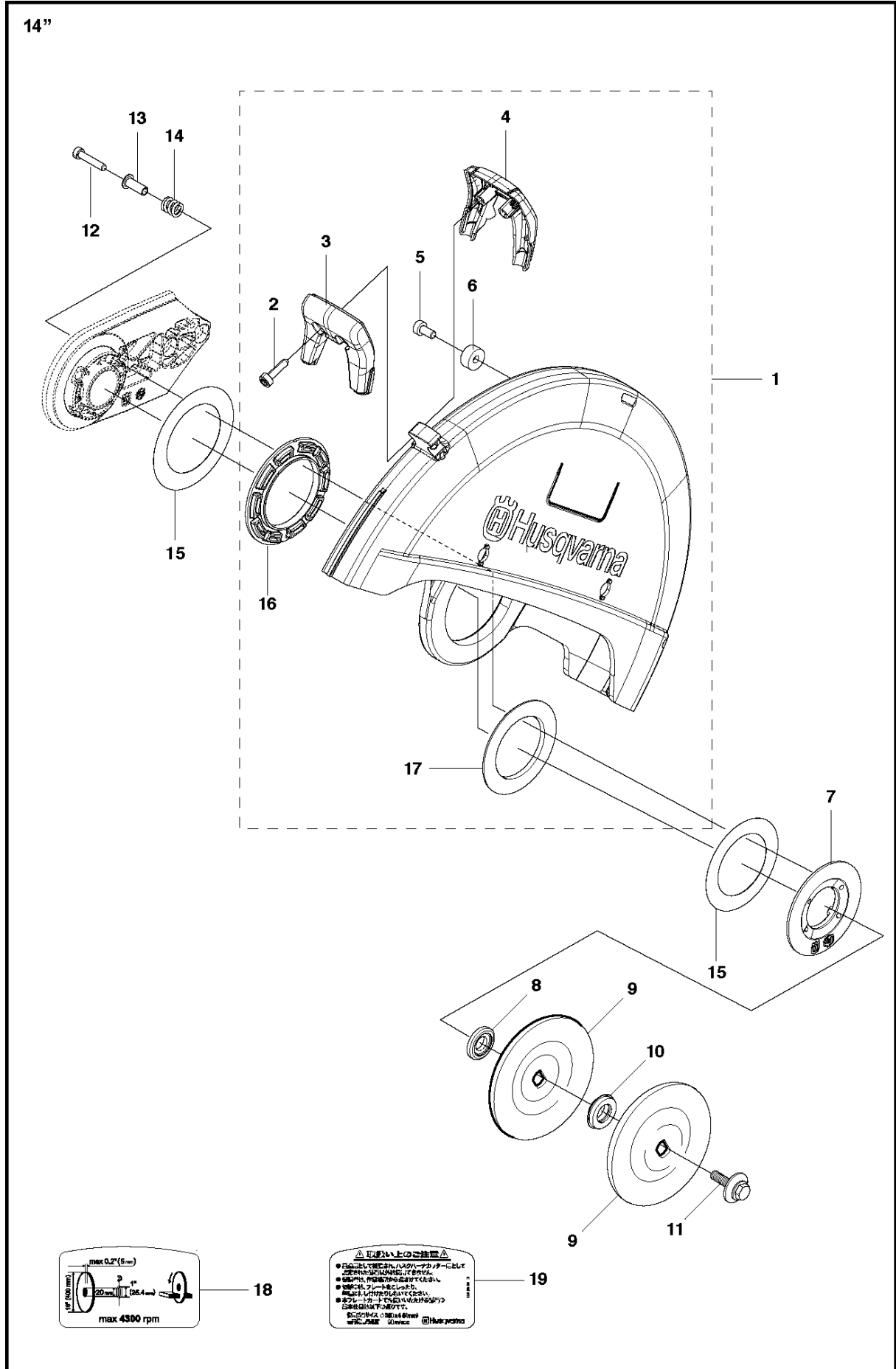
Ref	Part No	Description	Remark	QTY KIT
1	588 48 71-01	ENGINE		1



GUARDS

K970 II, 2014-02

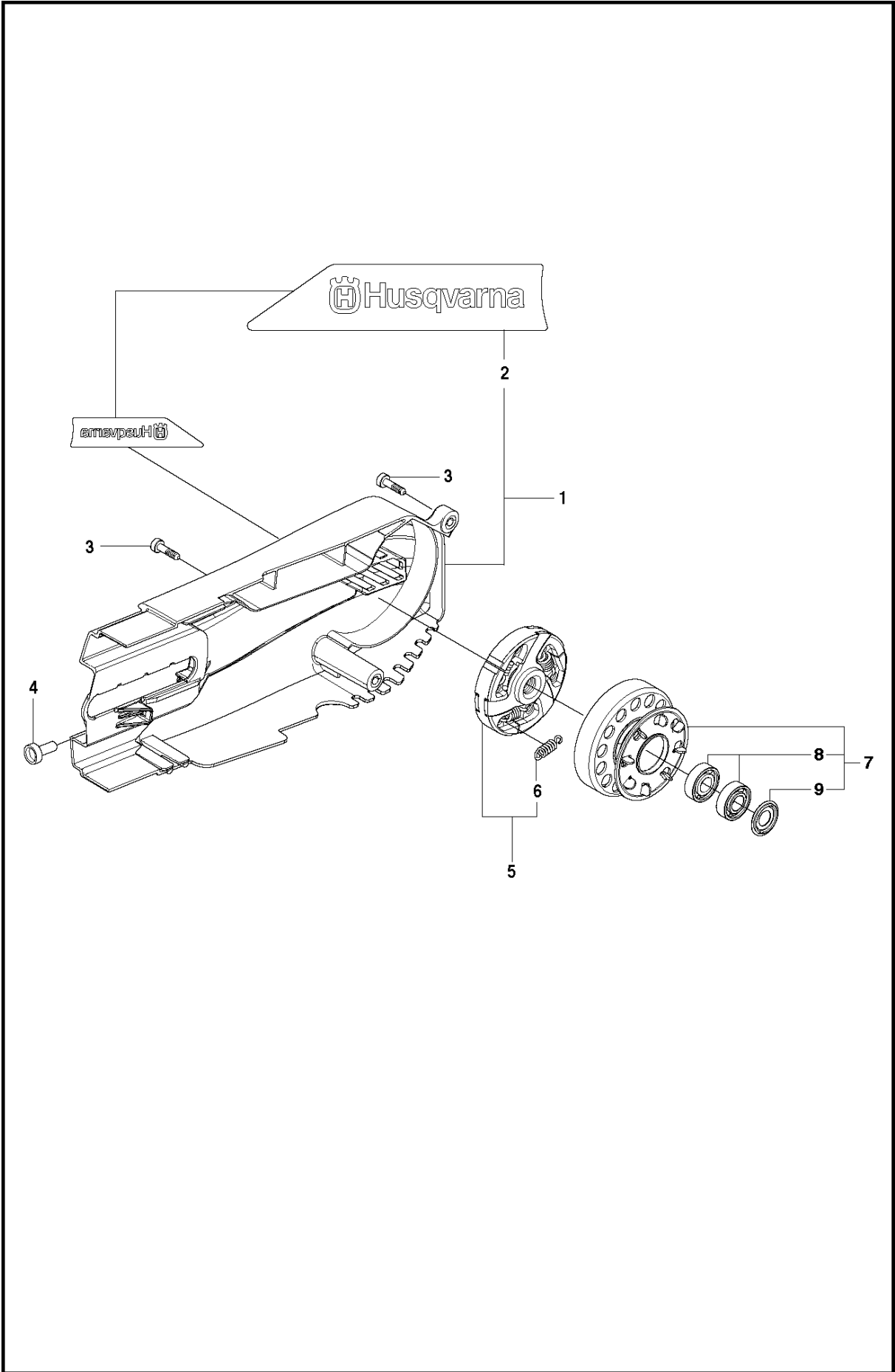
Ref	Part No	Description	Remark	QTY KIT
1	506 34 05-46	BLADE GUARD	"16""	1
2	506 26 63-02	LINING		1
3	503 21 53-20	SCREW ITXSCM		1
4	506 34 46-02	HANDLE		1
5	506 26 64-01	SCREEN		1
6	506 26 65-01	FLANGE		1
7	505 57 41-16	SCREW ITXSCM		3
8	506 32 48-01	SUPPORT FLANGE		1
9	506 07 09-01	FLANGE WASHER		1
10	506 37 96-20	KIT		1
10	506 37 96-22	KIT		1
10	506 37 96-25	KIT		1
10	506 02 88-30	BUSHING		1
11	581 85 52-01	SCREW		1
13	506 28 41-22	LABEL		1
13	506 28 41-24	LABEL		1
14	576 12 10-03	DECAL		1



GUARDS

K970 II, 2014-02

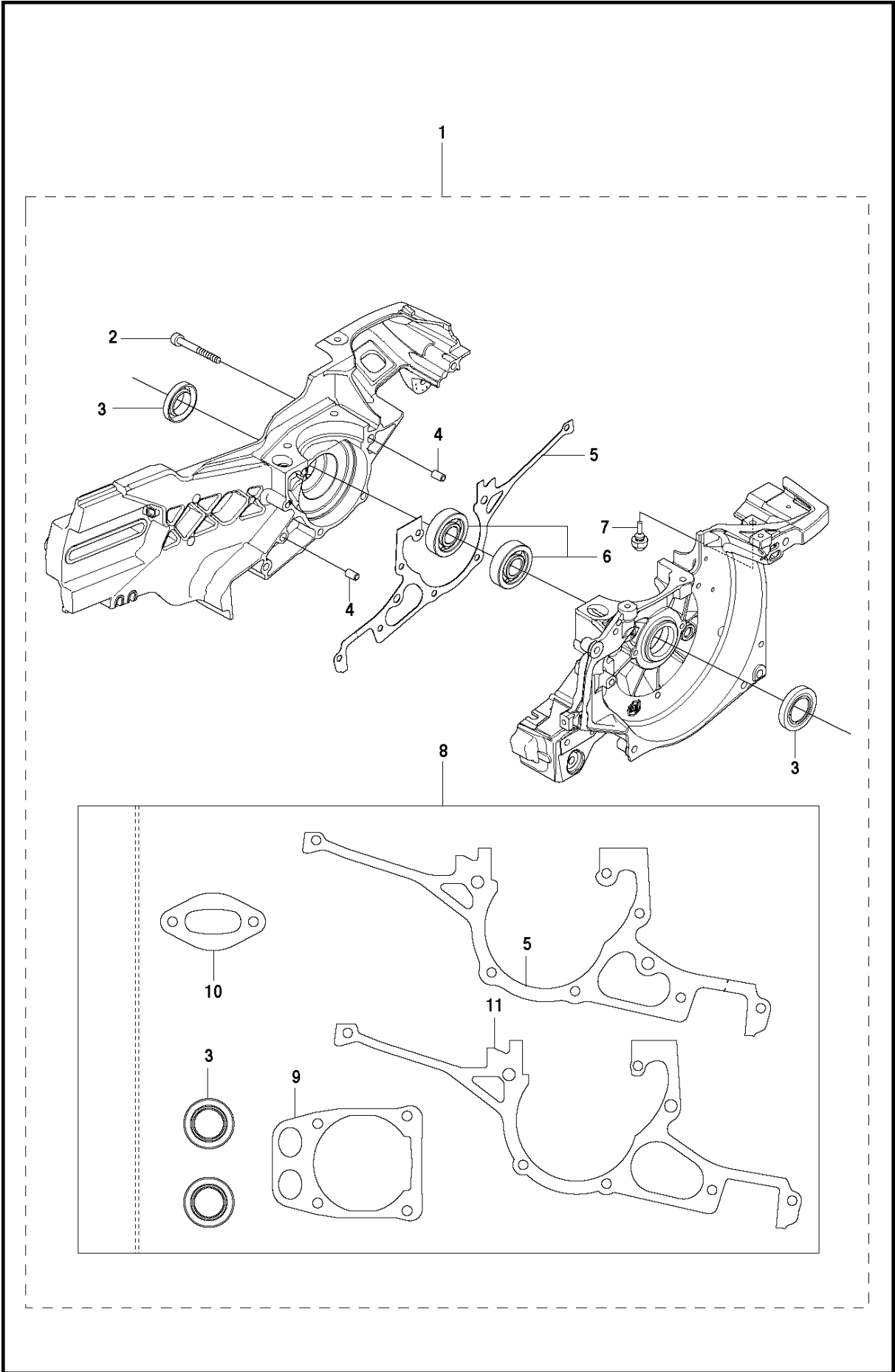
Ref	Part No	Description	Remark	QTY KIT	
1	581 35 19-04	WHEEL GUARD	"14""	1	
2	504 90 94-14	SCREW ITXSCT		2	1
3	578 19 09-01	HANDLE HALF		1	1
4	578 76 09-01	HANDLE HALF		1	1
5	504 90 94-10	SCREW ITXSCT		1	1
6	581 62 03-01	STOP		1	1
7	584 43 77-01	DISC		1	
8	584 43 83-01	SUPPORT FLANGE		1	
9	583 87 44-01	FLANGE	Diam 105mm	1	
9	506 07 09-01	FLANGE WASHER	"Diam 119mm, Japan 14""/16""	1	
10	578 39 82-01	BUSHING	Diam 20/25,4mm	1	
10	581 60 54-03	BUSHING	Diam 30,5mm	1	
10	506 37 96-22	KIT	Diam 22,2mm	1	
11	581 85 52-01	SCREW		1	
12	544 21 84-30	SCREW ITXSCT		4	
13	584 43 82-01	SLEEVE	"14""	4	
14	584 43 81-01	SPRING		4	
15	584 43 78-01	SHIM		2	
16	584 43 79-01	LINING		1	1
17	584 43 80-01	LINING		1	1
18	581 11 77-02	DECAL	"14""	1	
19	584 99 26-02	DECAL	"14""	1	



CLUTCH

K970 II, 2014-02

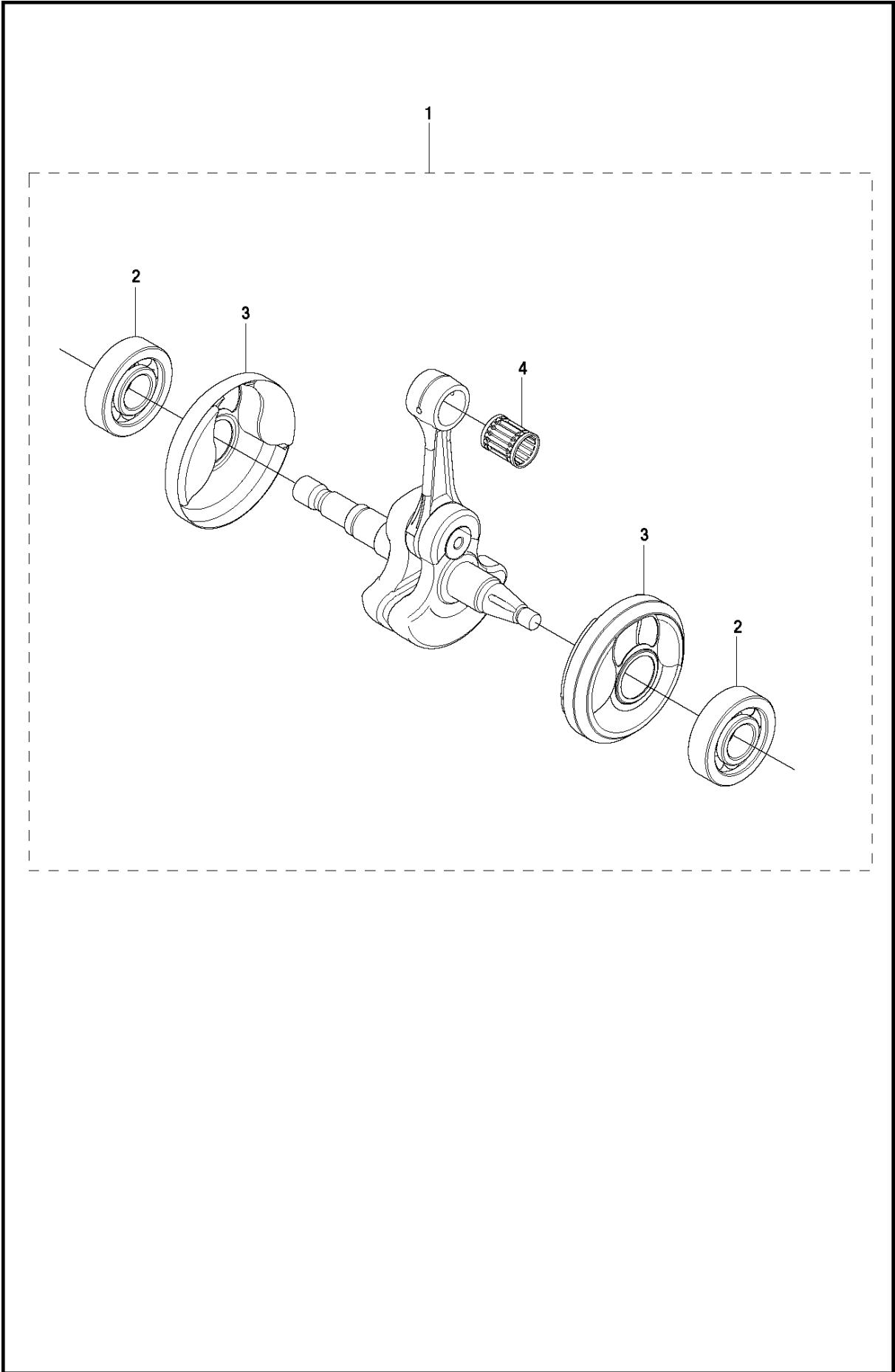
Ref	Part No	Description	Remark	QTY KIT	
1	510 21 34-02	BELT GUARD ASSY		1	
2	544 93 31-01	LABEL		1	1
3	503 21 53-21	SCREW ITXSCM		2	
4	544 36 64-01	LINING		1	
5	503 70 15-01	CLUTCH ASSY		1	
6	503 14 51-01	CLUTCH SPRING		3	5
7	586 30 87-01	DRIVING PULLEY ASSY	"14""	1	
7	586 30 87-02	DRIVING PULLEY ASSY	"16""	1	
8	525 83 18-01	BALL BEARING		2	7
9	506 31 69-01	DUST COVER		1	7



CRANKCASE

K970 II, 2014-02

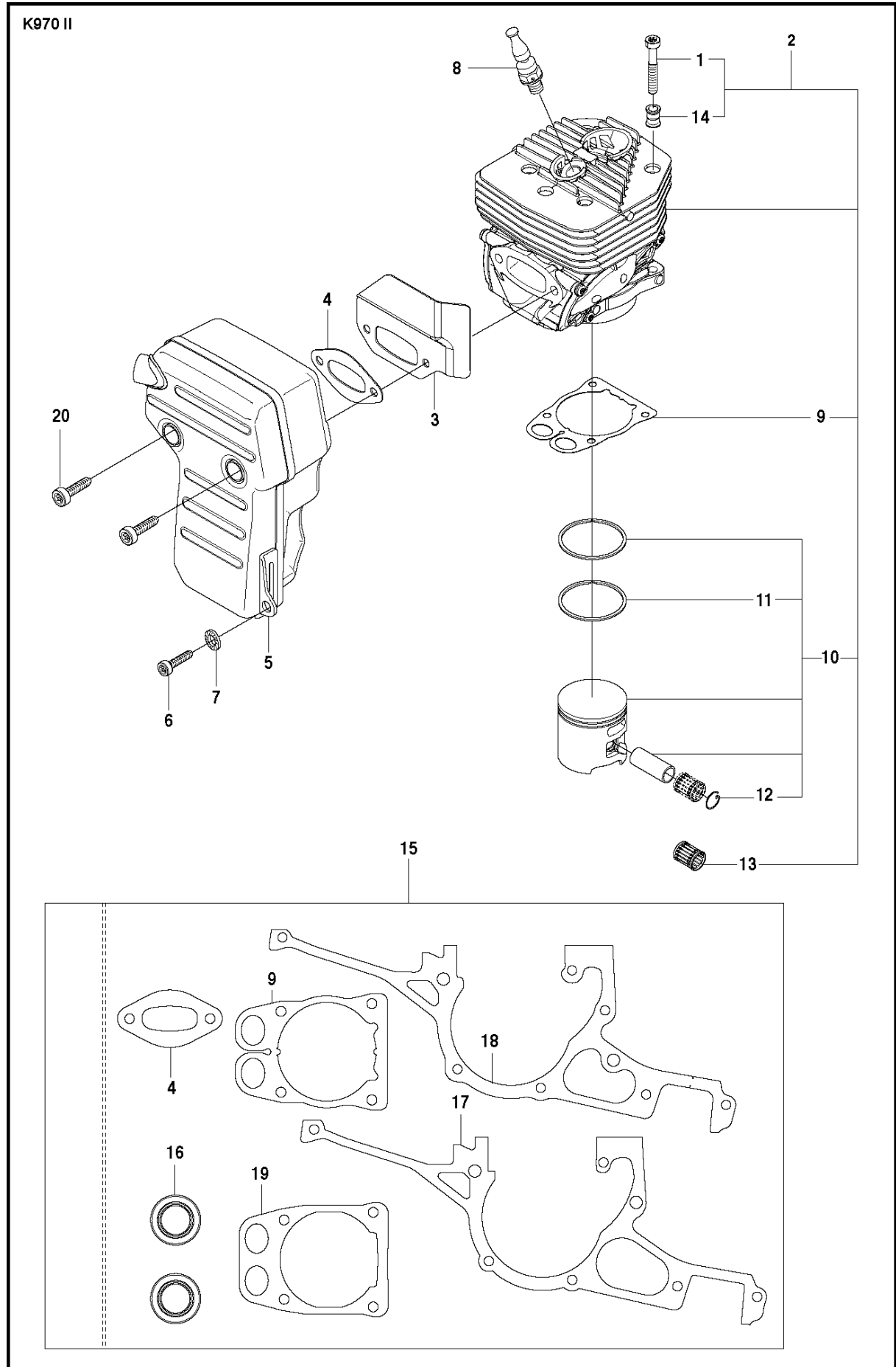
Ref	Part No	Description	Remark	QTY	KIT
1	586 36 39-07	CRANKCASE ASSY		1	
2	503 21 53-49	SCREW ITXSCM		7	1
3	503 26 02-04	SEALING RING		2	1, 8
4	501 27 08-01	GUIDE BUSHING		2	1
5	577 98 89-01	GASKET		1	1, 8
6	503 25 00-02	BALL BEARING		2	1
7	522 85 61-01	RUBBER BUSHING		1	1
8	544 22 98-05	GASKET KIT		1	1
9	576 49 94-01	GASKET		1	1, 8
10	506 37 81-01	GASKET		1	1, 8
11	506 41 39-04	GASKET		1	1, 8



CRANKSHAFT

K970 II, 2014-02

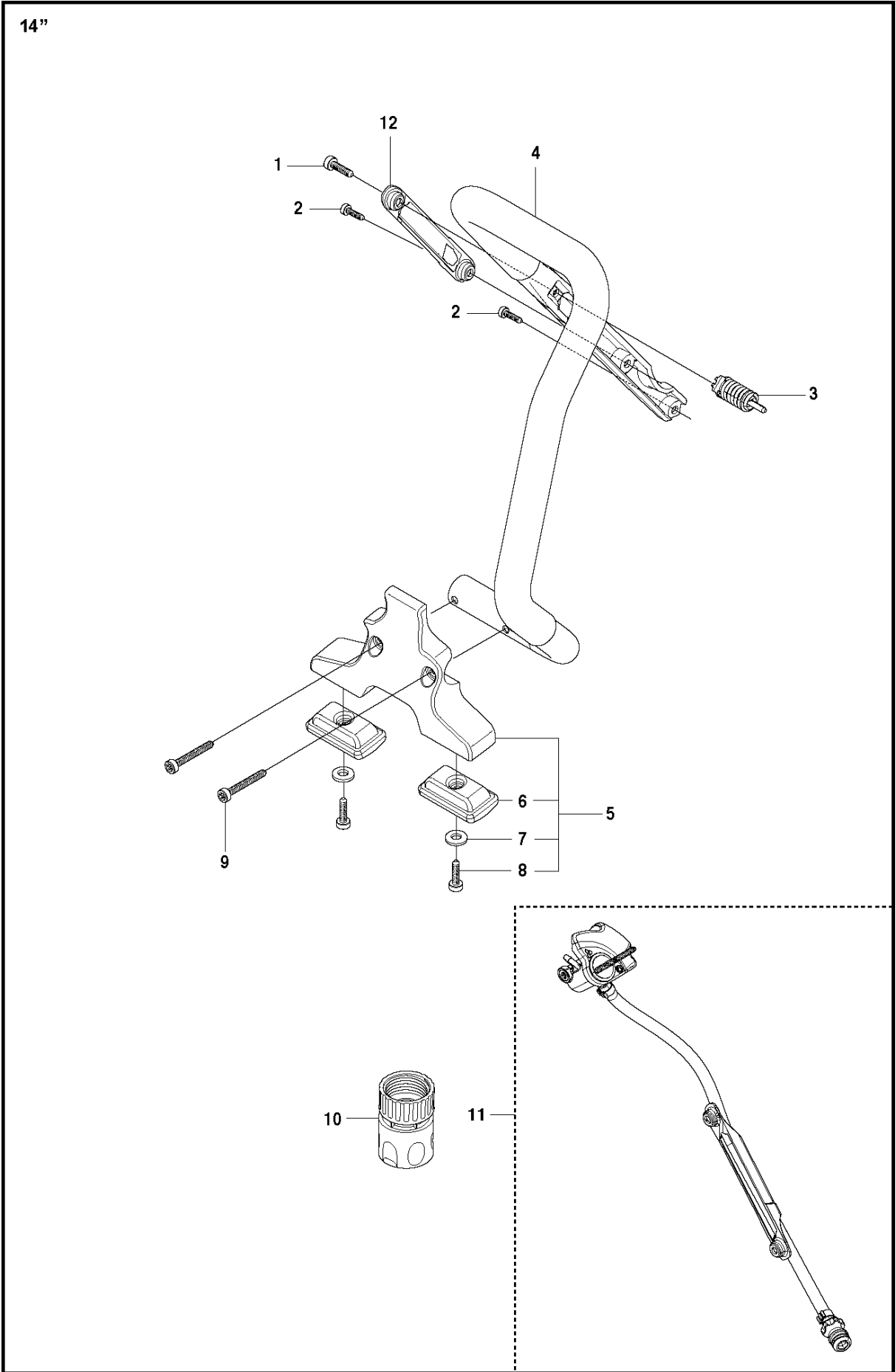
Ref	Part No	Description	Remark	QTY	KIT
1	574 26 76-01	CRANKSHAFT ASSY		1	
2	503 25 00-02	BALL BEARING		2	1
3	506 41 44-01	CUP		2	1
4	503 25 61-01	NEEDLE BEARING		1	1



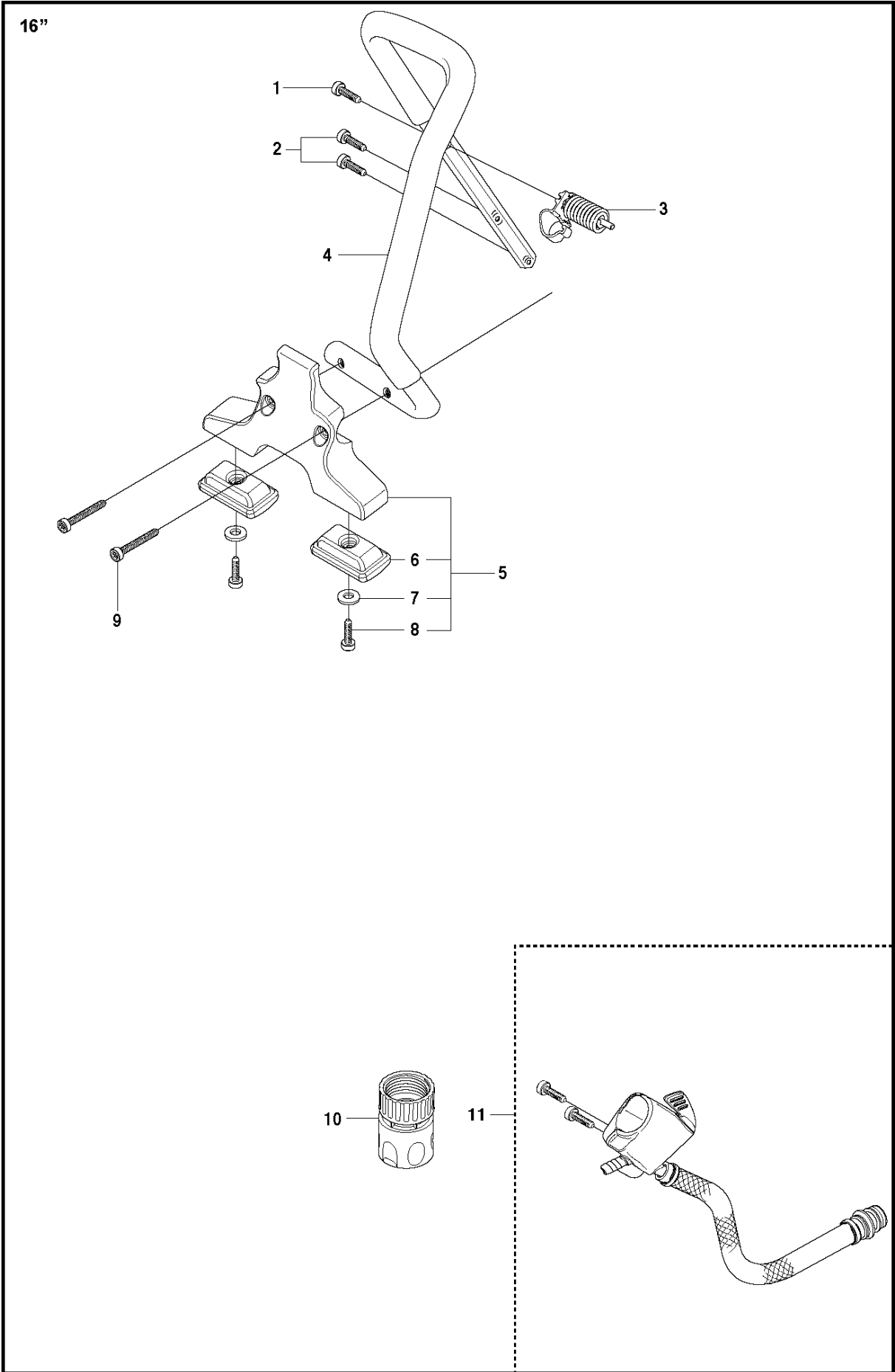
CYLINDER, PISTON & MUFFLER

K970 II, 2014-02

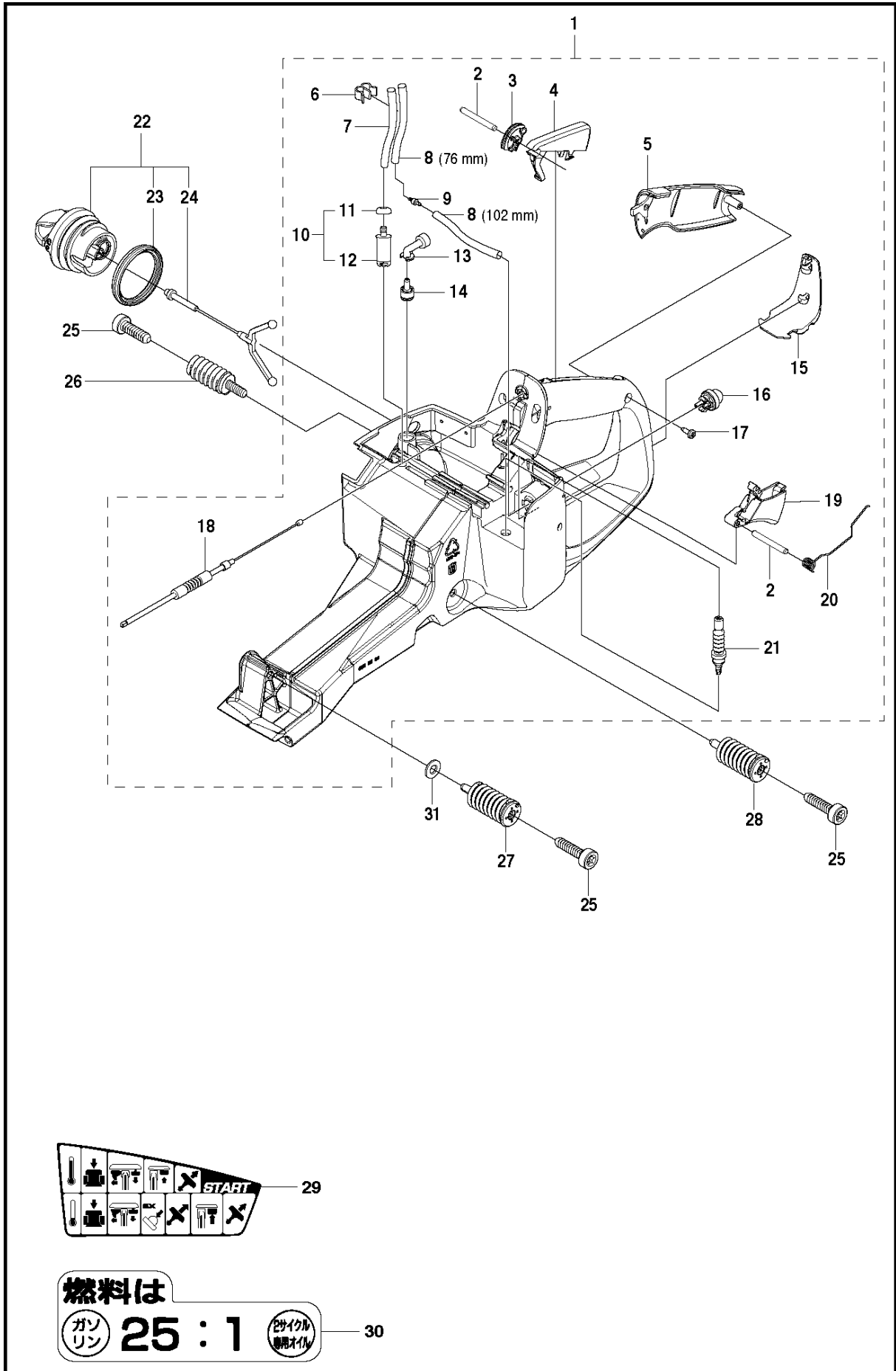
Ref	Part No	Description	Remark	QTY KIT
1	544 21 84-40	SCREW ITXSCM		4
2	586 35 10-01	CYLINDER ASSY	Incl. 9 - 10, 13	1
3	577 99 76-02	HEAT DEFLECTOR		1
4	506 37 81-01	GASKET		1
5	583 88 06-01	MUFFLER ASSY		1
6	503 21 53-25	SCREW ITXSCM		1
7	503 23 04-02	WASHER		1
8	584 91 22-01	DECOMPRESSION VALVE		1
9	579 34 00-01	GASKET	Paper gasket	1
10	506 41 32-02	PISTON	Incl. 11 - 12	1
11	503 28 90-35	PISTON RING		2
12	737 44 13-00	CIRCLIP		2
13	503 25 61-01	NEEDLE BEARING		1
15	544 22 98-06	GASKET KIT	Incl. 4, 9, 15 - 16	1
16	503 26 02-04	SEALING RING		2
17	506 41 39-04	GASKET		1
14	578 11 91-01	SLEEVE		1
18	577 98 89-01	GASKET		1
19	576 49 94-01	GASKET	Metal gasket	1
20	544 21 84-01	SCREW ITXSCM		2



Ref	Part No	Description	Remark	QTY	KIT
1	544 06 12-01	SCREW ITXSCM		1	
2	503 21 54-20	SCREW ITXSCT		2	
3	585 90 56-01	ANTIVIBRATION ELEMENT		1	
4	505 26 89-01	HANDLE		1	
5	544 89 15-01	GROUND SUPPORT		1	
6	544 81 16-01	BASE		2	5
7	734 11 47-41	WASHER		2	5
8	503 21 53-12	SCREW ITXSCM		2	5
9	503 21 54-45	SCREW ITXSCT		2	
10	503 26 60-03	COUPLER		1	
10	503 26 60-04	COUPLER		1	
11	581 47 62-02	HOSE KIT		1	
12	585 01 99-01	HOSE GUARD		1	



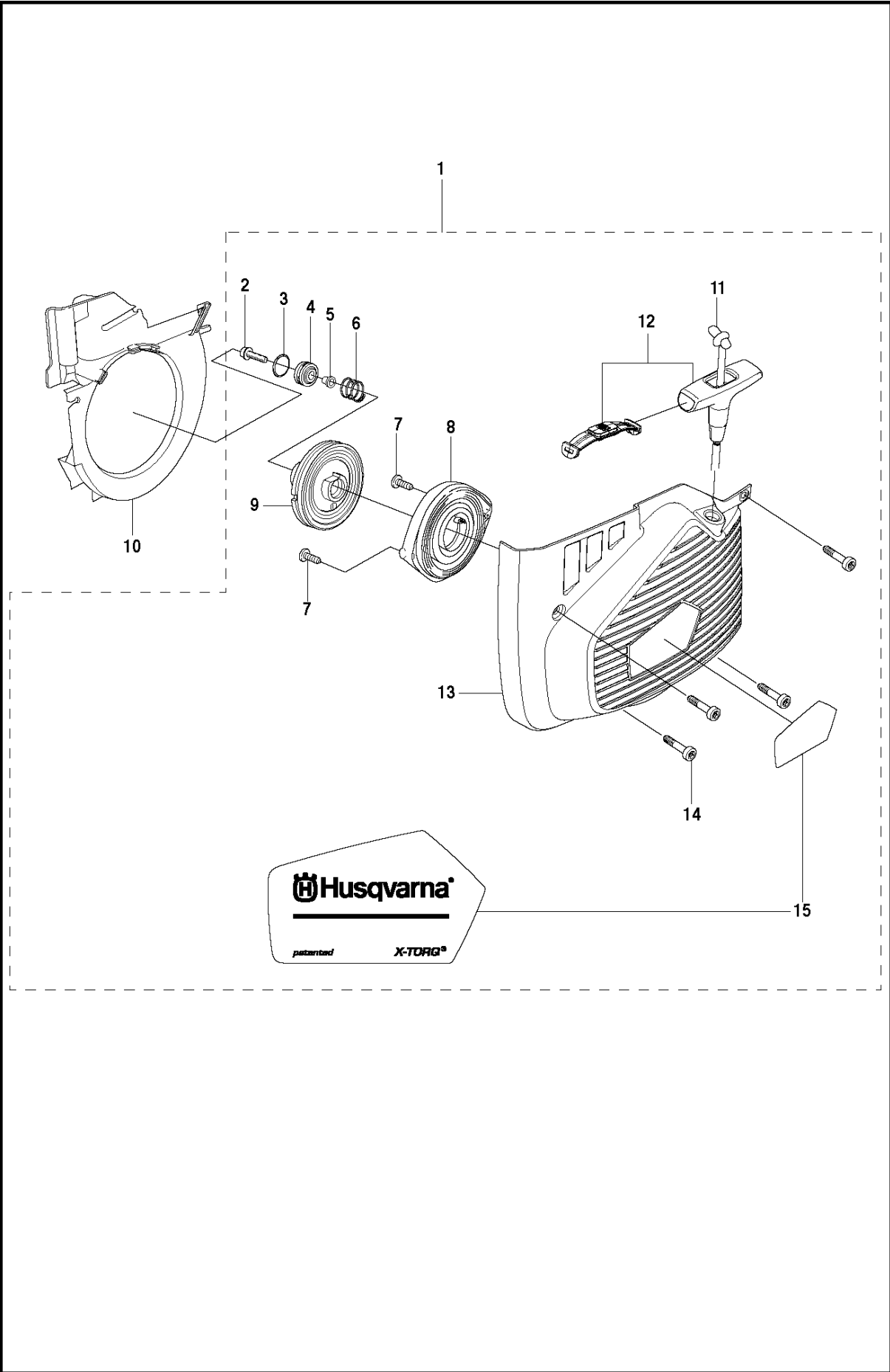
Ref	Part No	Description	Remark	QTY KIT
1	544 06 12-01	SCREW ITXSCM		1
2	503 21 54-20	SCREW ITXSCT		2
3	505 42 45-02	ANTIVIBRATION ELEMENT		1
4	505 26 89-01	HANDLE		1
5	544 89 15-01	GROUND SUPPORT		1
6	544 81 16-01	BASE		2
7	734 11 47-41	WASHER		2
8	503 21 53-12	SCREW ITXSCM		2
9	503 21 54-45	SCREW ITXSCT		2
10	503 26 60-03	COUPLER		1
10	503 26 60-04	COUPLER		1
11	505 09 55-01	HOSE KIT		1



FUEL TANK

K970 II, 2014-02

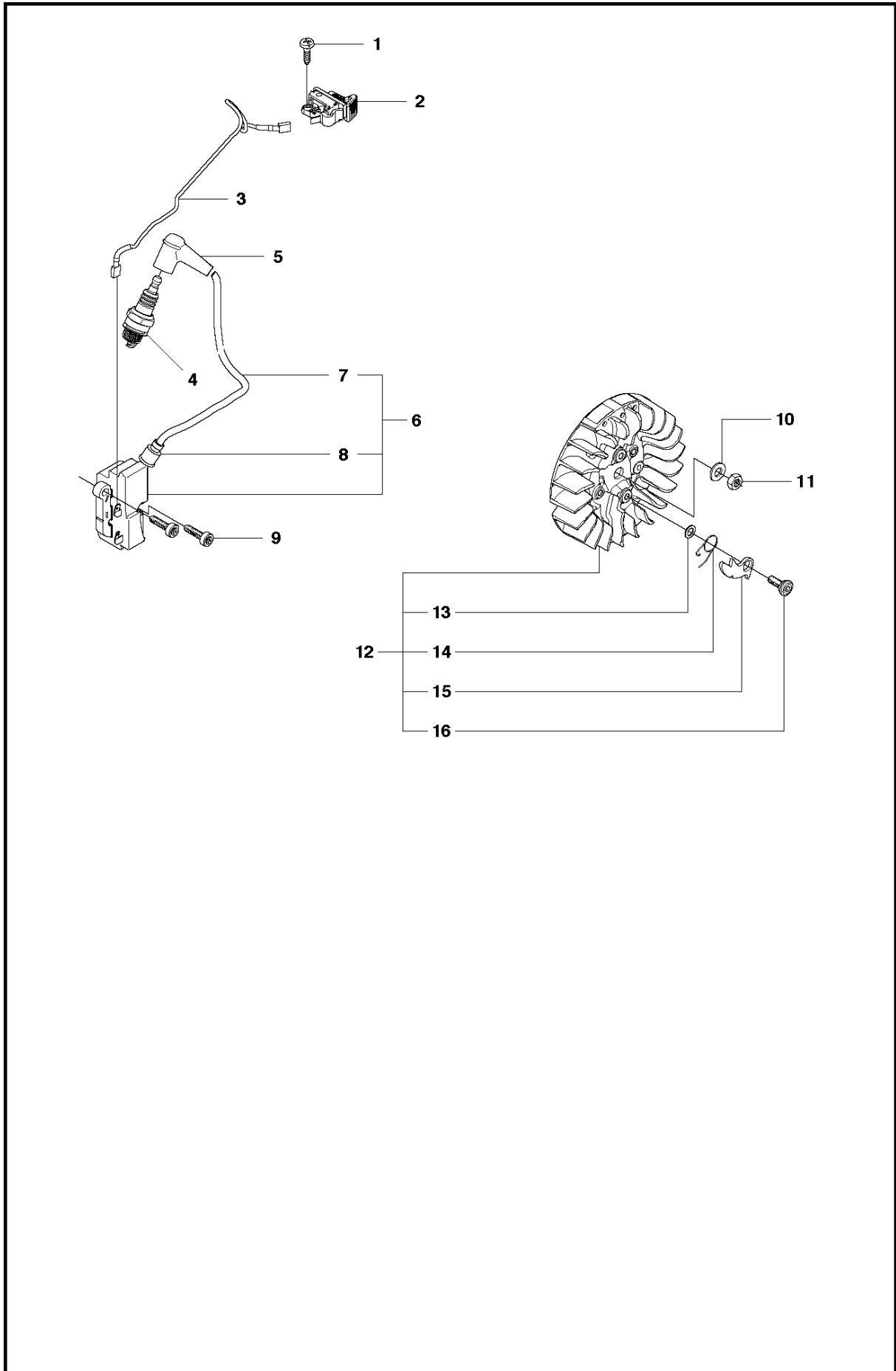
Ref	Part No	Description	Remark	QTY	KIT
1	574 50 58-04	FUEL TANK ASSY		1	
2	720 12 40-20	PARALLEL PIN		2	1
3	537 20 85-01	CABLE LEVER		1	1
4	510 25 52-01	THROTTLE LOCKOUT		1	1
5	537 20 56-01	COVER		1	1
6	574 44 42-01	CLIP		1	1
7	581 75 62-02	FUEL HOSE		1	1
8	537 04 24-04	FUEL HOSE		1	1
9	575 52 65-01	CHECK VALVE		1	1
10	506 26 41-11	FUEL FILTER		1	1
11	506 27 11-01	HOSE CLAMP		1	1
12	506 26 41-01	FUEL FILTER		1	1
13	576 90 04-01	TANK VENT ASSY		1	1
14	537 35 95-01	TANK VENT ASSY		1	1
15	502 47 16-01	GROUND SUPPORT		1	1
16	540 05 49-02	AIR PURGE		1	1
17	525 88 74-02	SCREW CITXPANT		1	1
18	576 49 04-01	THROTTLE CABLE ASSY		1	1
19	502 47 18-01	THROTTLE CONTROL		1	1
20	537 20 98-01	SPRING		1	1
21	576 13 99-01	FUEL HOSE		1	1
22	522 62 00-01	TANK CAP ASSY		1	
23	589 24 11-01	GASKET		1	
24	503 57 89-01	HOLDER		1	
25	544 06 12-01	SCREW ITXSCM		3	
26	537 21 03-09	ANTIVIBRATION ELEMENT		1	
27	537 21 03-10	ANTIVIBRATION ELEMENT		1	
28	537 21 03-05	ANTIVIBRATION ELEMENT		1	
29	525 57 20-02	DECAL		1	
30	506 31 30-01	LABEL		1	
31	503 23 00-80	WASHER		1	



STARTER

K970 II, 2014-02

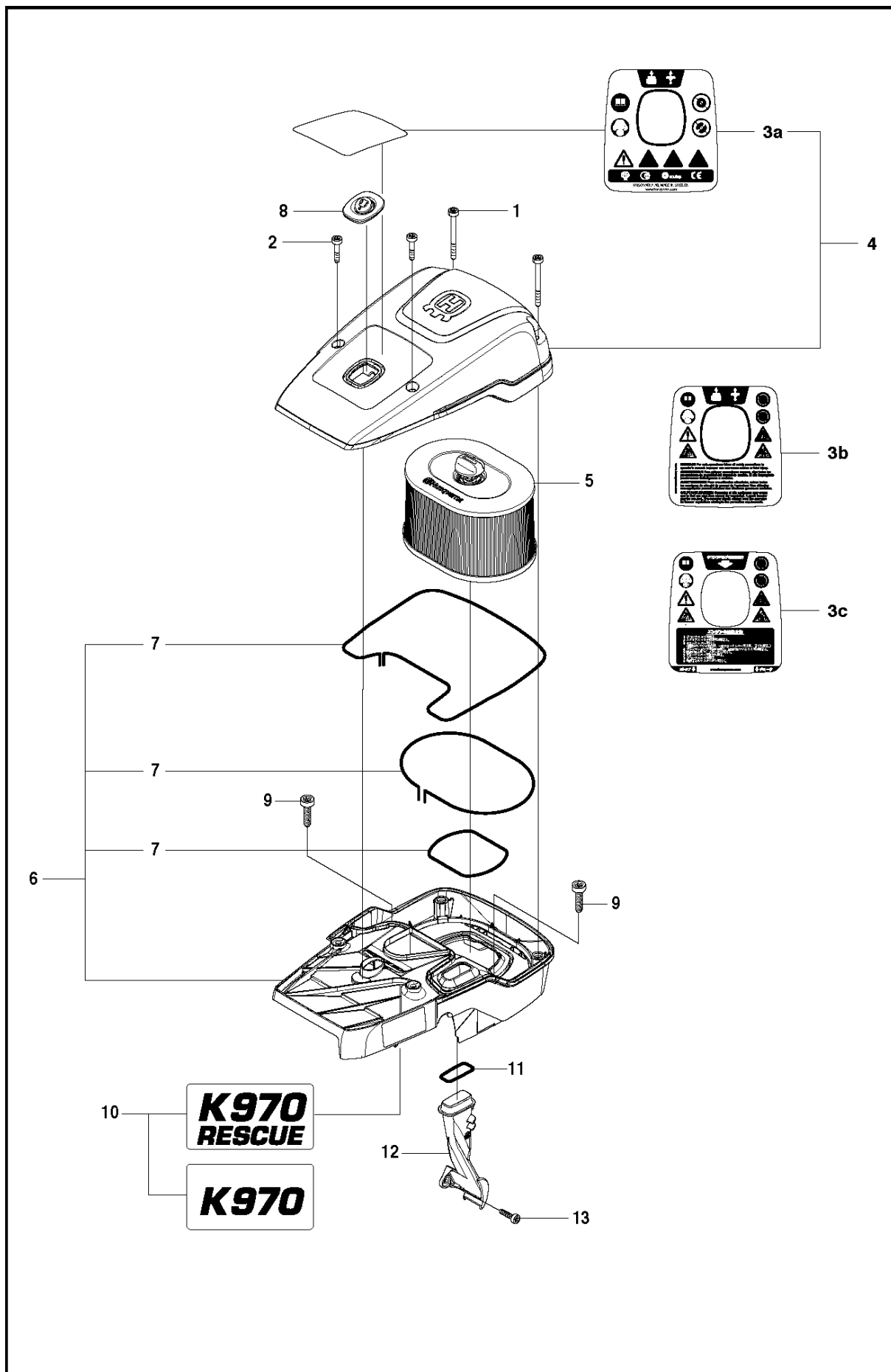
Ref	Part No	Description	Remark	QTY	KIT
1	574 50 73-07	STARTER ASSY		1	
2	503 21 07-22	SCREW IH SCT		1	1
3	740 43 13-00	O-RING		1	1
4	506 25 14-01	GROMMET		1	1
5	506 26 31-01	SPACING SLEEVE		1	1
6	506 25 30-01	COMPRESSION SPRING		1	1
7	525 88 74-02	SCREW CITXPANT		2	1
8	506 25 89-01	RECOIL SPRING		1	1
9	506 25 81-02	STARTER PULLEY		1	1
10	544 28 75-02	AIR CONDUCTOR		1	
11	506 33 56-15	CORD		1	1
11	506 33 56-50	STARTER CORD		1	1
12	584 25 79-01	STARTER HANDLE ASSY		1	1
13	505 34 94-02	STARTER COVER		1	1
14	501 98 10-20	SCREW ITXSCM		4	1
15	525 57 11-01	DECAL		1	1



IGNITION SYSTEM

K970 II, 2014-02

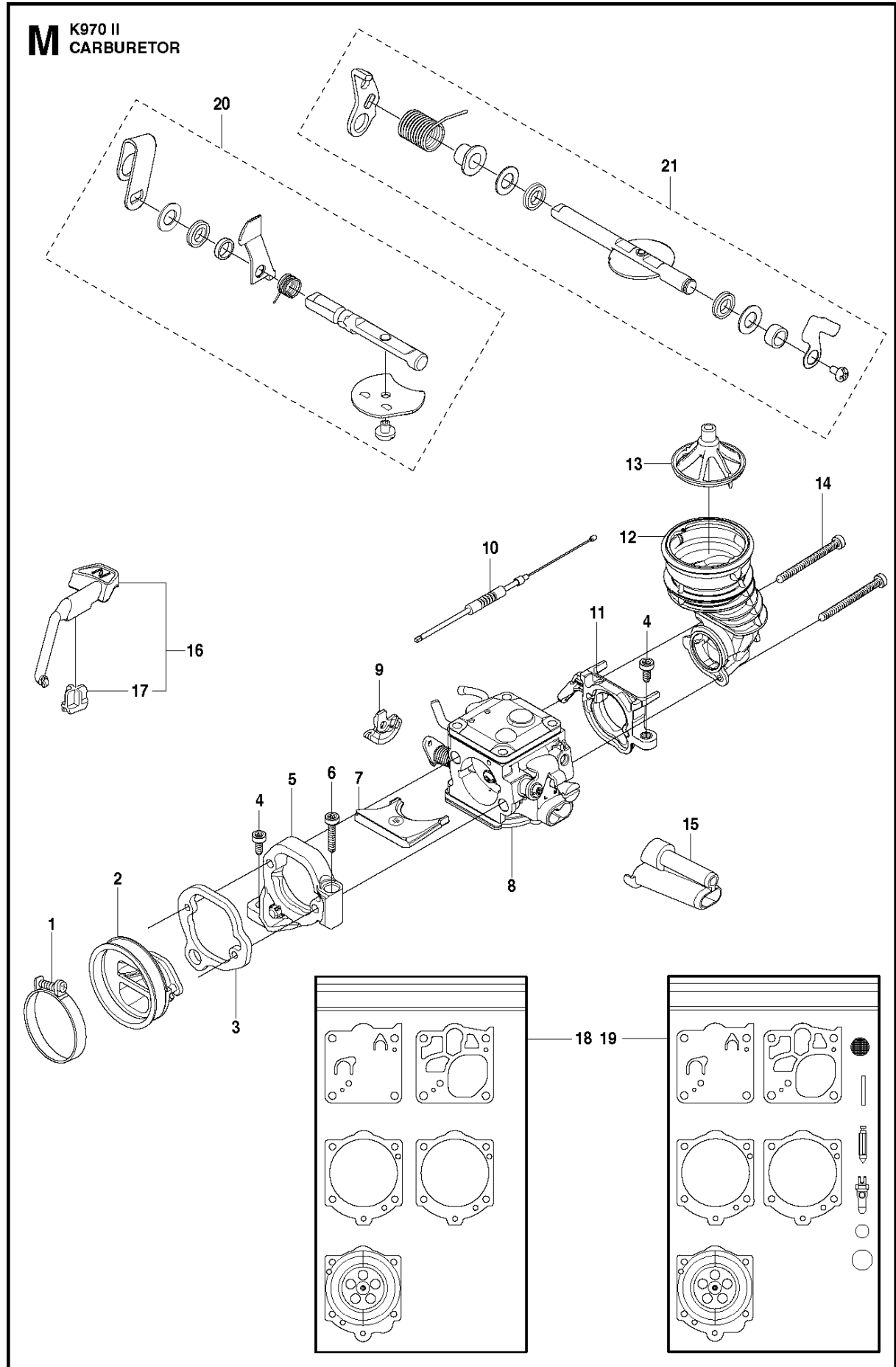
Ref	Part No	Description	Remark	QTY	KIT
1	503 21 28-06	SCREW CCRPANT		1	
2	506 31 86-02	STOP SWITCH		1	
3	501 83 98-01	CABLE		1	
4	503 23 51-09	SPARK PLUG		1	
5	501 48 54-02	SPARK PLUG CAP		1	
6	510 11 56-01	IGNITION MODULE		1	
7	506 38 78-34	IGNITION CABLE		1	6
8	505 27 75-16	ISOLERHATT		1	6
9	503 21 53-20	SCREW ITXSCM		2	
10	503 23 01-01	WASHER		1	
11	503 22 10-11	HEXAGON NUT		1	
12	501 37 56-02	FLYWHEEL		1	
13	503 23 00-42	WASHER		2	12
14	501 63 48-01	SPRING		2	12
15	501 67 32-03	PAWL		2	12
16	506 00 69-01	SCREW		2	12



AIR FILTER COVER

K970 II, 2014-02

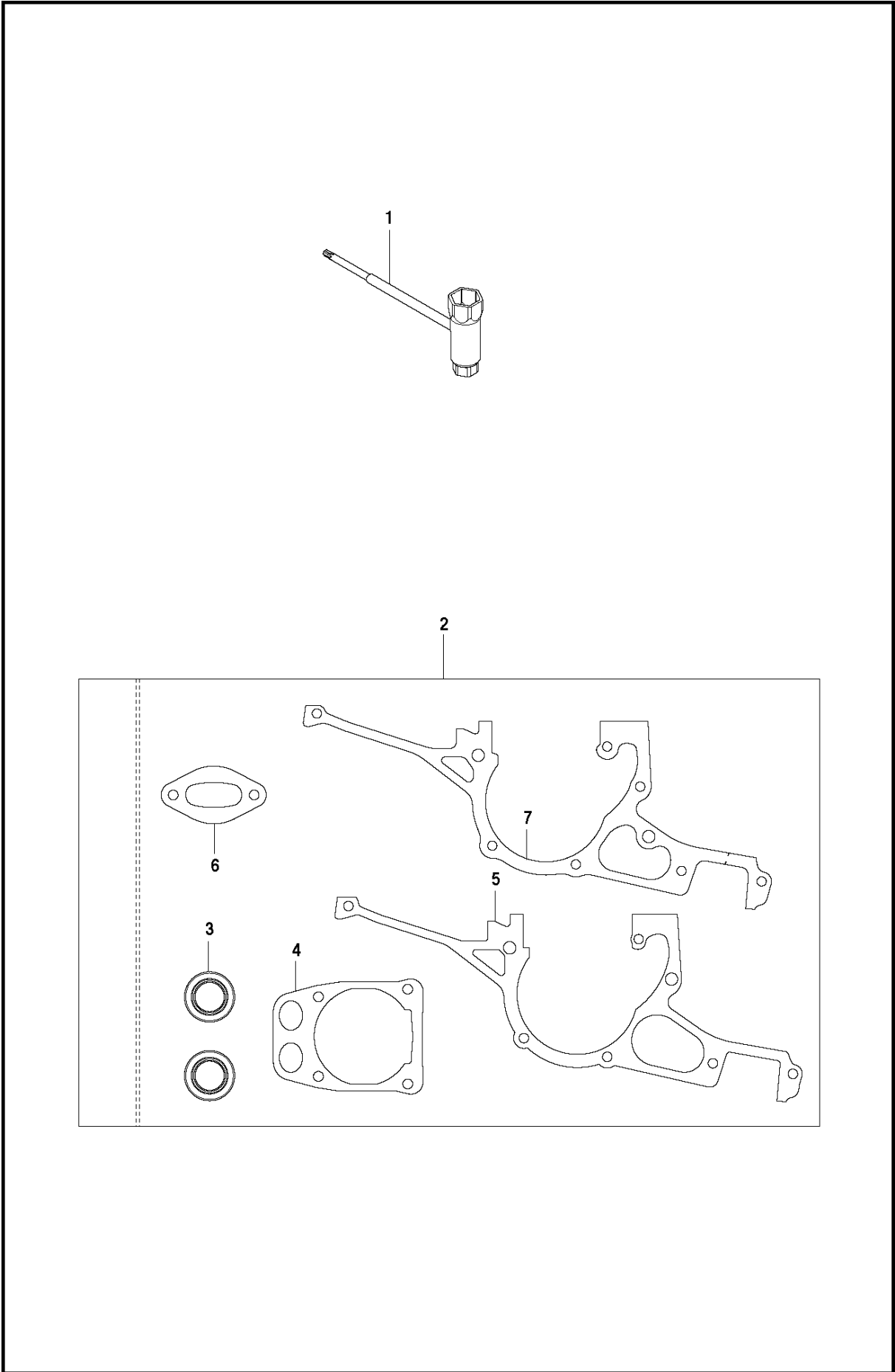
Ref	Part No	Description	Remark	QTY	KIT
1	503 21 53-56	SCREW ITXSCM		2	
2	503 21 53-26	SCREW ITXSCM		2	
3a	584 91 33-04	DECAL		1	4
3c	584 91 33-03	DECAL	JP	1	
3b	584 91 33-05	DECAL	US, CA, MEX	1	
4	587 00 51-01	FILTER COVER ASSY		1	
5	510 24 41-01	AIR FILTER		1	
6	586 35 64-01	CYLINDER COVER ASSY		1	
7	525 61 70-04	SEALING		3	6
8	585 42 83-01	PLUG		1	
9	503 21 53-30	SCREW ITXSCM		2	
10	525 57 16-01	DECAL		1	
10	525 57 16-02	DECAL		1	
11	740 48 20-03	O-RING		1	
12	525 57 17-02	AIR NOZZLE		1	
13	501 98 10-01	SCREW ITXSCM		1	



CARBURETOR

K970 II, 2014-02

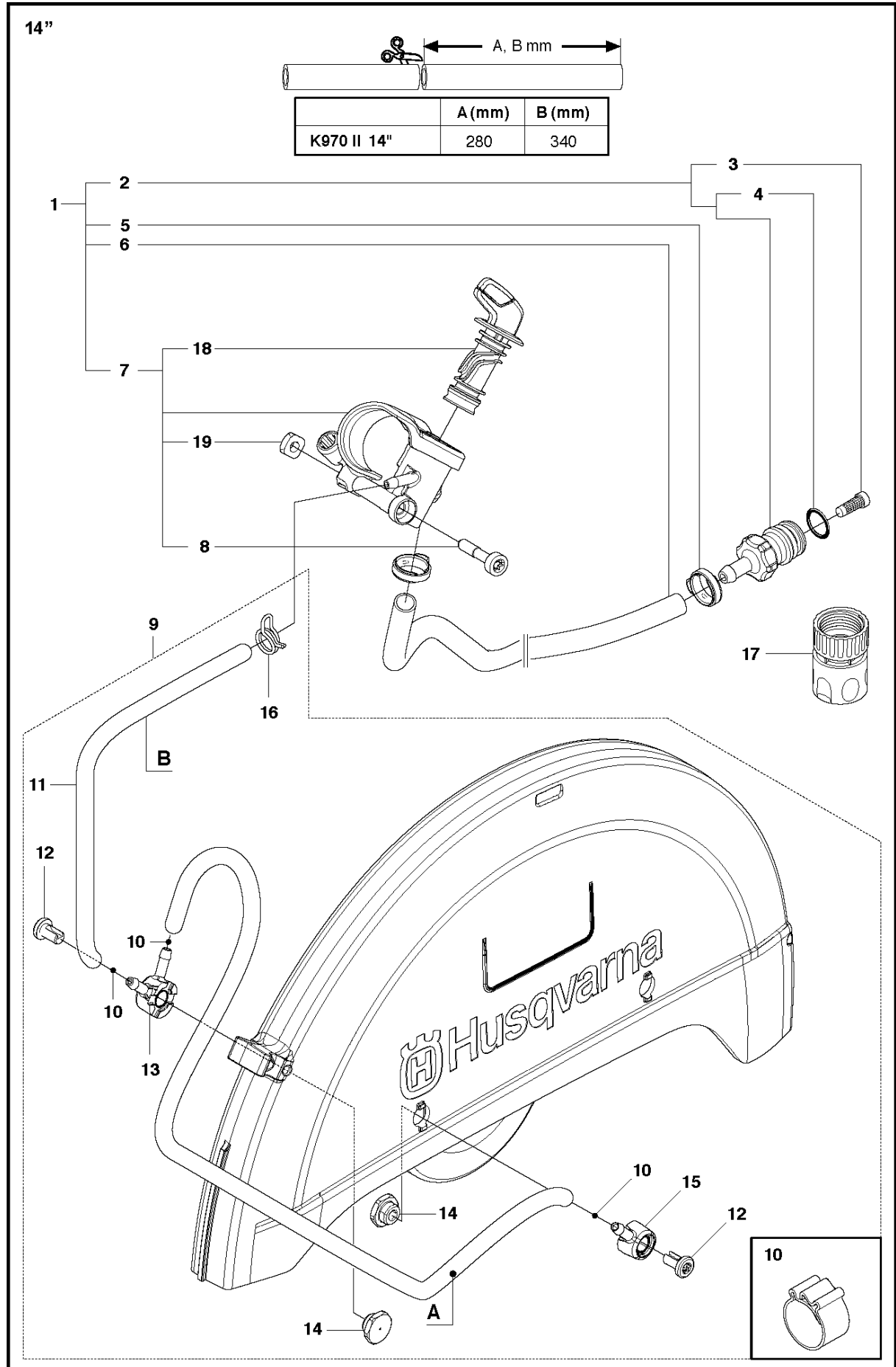
Ref	Part No	Description	Remark	QTY	KIT
1	505 28 33-06	HOSE CLAMP		1	
2	506 41 41-01	INLET PIPE		1	
3	544 15 01-01	FLANGE		1	
4	503 21 53-16	SCREW ITXSCM		2	
5	544 11 39-01	CONSOLE		1	
6	503 21 53-30	SCREW ITXSCM		1	
7	506 41 42-01	PLATE		1	
8	584 91 30-01	CARBURETTOR		1	
9	505 14 84-01	LEVER		1	
10	576 49 04-01	THROTTLE CABLE ASSY		1	
11	522 85 62-01	FLANGE INLET PIPE		1	
12	521 92 67-01	INLET PIPE		1	
13	510 24 39-01	FILTER		1	
14	501 97 18-01	SCREW ITXSCM		2	
15	586 06 21-01	CHISEL GUIDE		1	
16	506 23 20-11	CHOKE		1	
17	506 27 25-01	WEAR PROTECTION		1	16
18	502 44 58-01	GASKET KIT		1	
19	502 44 59-02	REPAIR KIT		1	
21	593 77 69-01	THROTTLE SHAFT		1	
20	593 77 77-01	CHOKE SHAFT		1	



GASKET KIT

K970 II, 2014-02

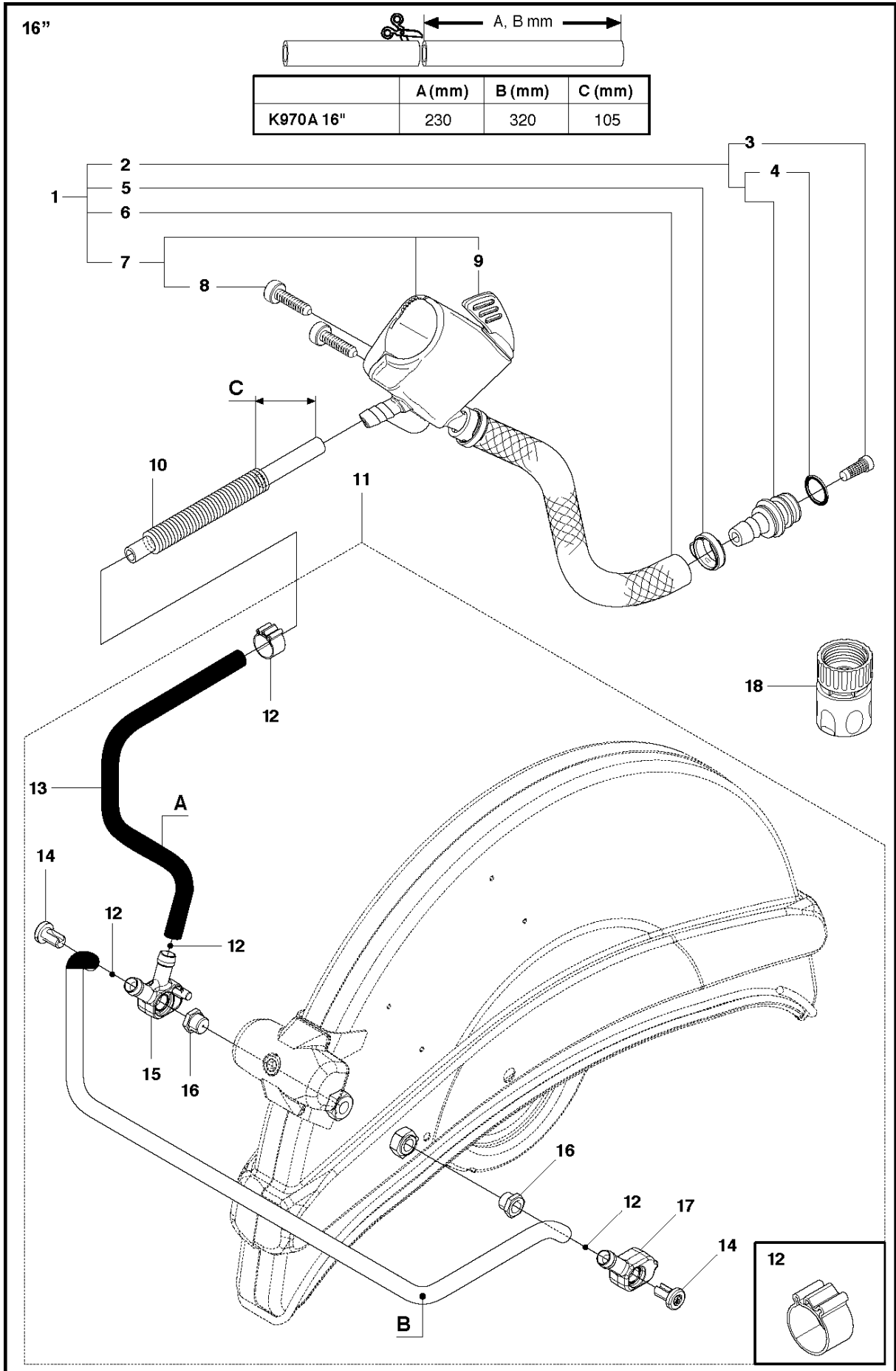
Ref	Part No	Description	Remark	QTY	KIT
1	506 38 26-01	TOOL		1	
2	544 22 98-05	GASKET KIT		1	
3	503 26 02-04	SEALING RING		2	3
4	576 49 94-01	GASKET		1	3
5	506 41 39-04	GASKET		1	3
6	506 37 81-01	GASKET		1	3
7	577 98 89-01	GASKET		1	3



VALVES

K970 II, 2014-02

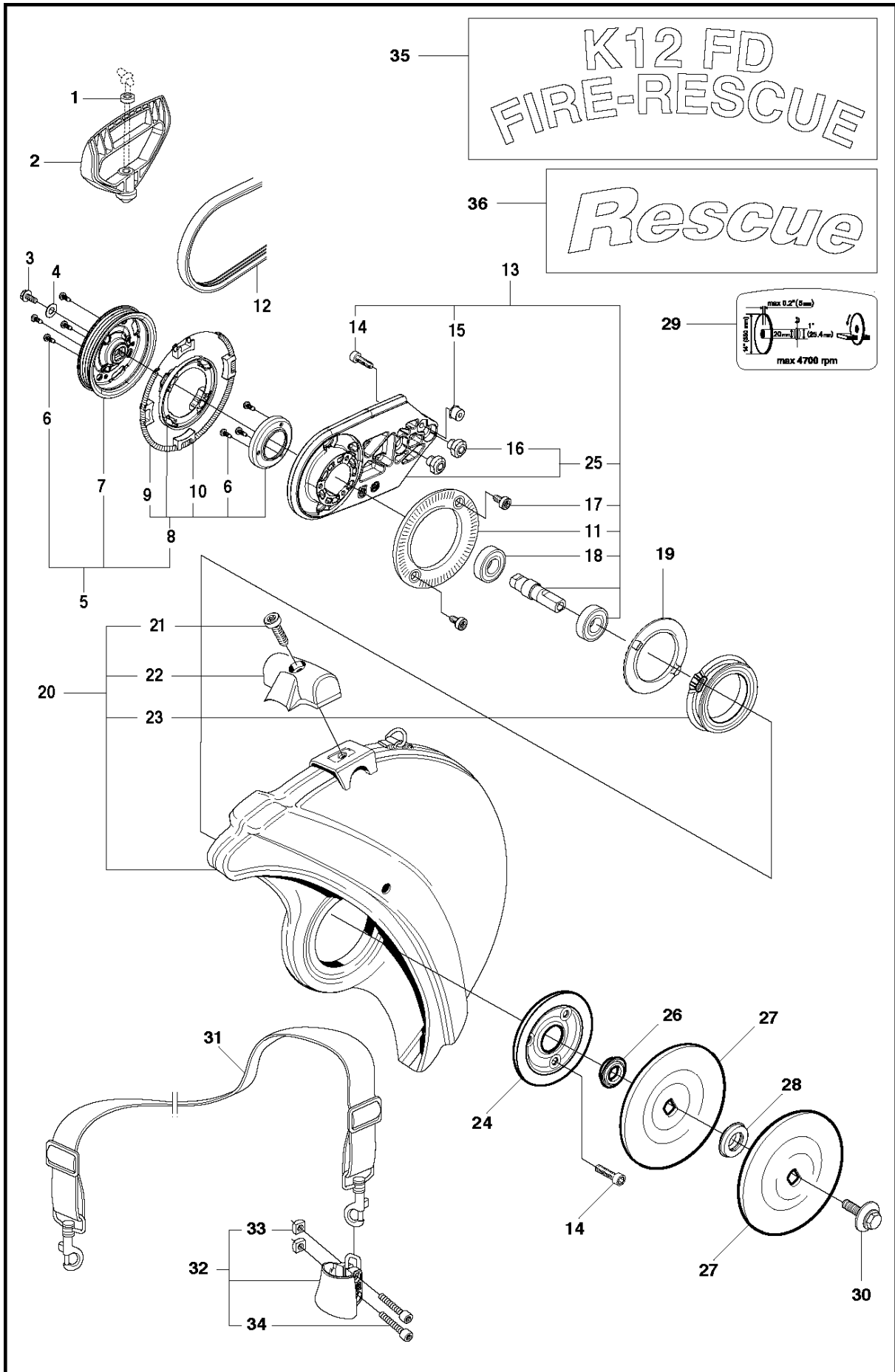
Ref	Part No	Description	Remark	QTY	KIT
1	581 47 62-02	HOSE KIT		1	
2	581 47 83-01	NIPPLE		1	1
3	506 29 88-01	FILTER		1	1
4	505 10 35-01	O-RING		1	1
5	581 78 35-01	HOSE CLAMP		2	1
6	578 19 81-02	HOSE		1	1
7	578 24 33-02	VALVE ASSY		1	1
8	503 21 53-41	SCREW ITXSCM		1	1
9	581 72 15-01	HOSE KIT		1	
10	506 49 87-03	HOSE CLAMP		3	
11	578 19 83-05	HOSE	800mm	1	
12	504 63 46-01	SCREW ITXSCM		2	
13	578 19 07-01	HOUSING		1	
14	576 79 84-01	NIPPLE		2	
15	578 19 08-01	HOUSING		1	
16	583 83 30-01	HOSE CLAMP		1	
17	503 26 60-03	COUPLER		1	
17	503 26 60-04	COUPLER		1	
18	581 35 70-01	LEVER ASSY		1	1
19	503 22 65-04	SQUARE NUT		1	1



VALVES

K970 II, 2014-02

Ref	Part No	Description	Remark	QTY KIT
1	505 09 55-01	HOSE KIT		1
2	506 29 57-02	NIPPLE		1
3	506 29 88-01	FILTER		1
4	505 10 35-01	O-RING		1
5	506 49 87-02	HOSE CLAMP		1
6	506 60 75-01	HOSE		1
7	506 38 60-12	VALVE ASSY		1
8	503 21 54-20	SCREW ITXSCT		2
9	506 31 24-01	VALVE SPINDLE		1
10	506 35 27-01	PROTECTIVE SPRING		1
11	505 09 54-01	HOSE KIT		1
12	506 49 87-01	HOSE CLAMP		4
13	506 60 68-06	HOSE		1
14	504 63 46-01	SCREW ITXSCM		2
15	504 63 44-01	HOUSING		1
16	504 63 42-01	NIPPLE		2
17	504 63 45-01	HOUSING		1
18	503 26 60-03	COUPLER		1
18	503 26 60-04	COUPLER		1



Ref	Part No	Description	Remark	QTY KIT
1	503 14 29-02	WASHER		1
2	506 29 75-02	STARTER HANDLE		1
3	503 20 00-45	SCREW EHHFM		1
4	503 23 01-16	WASHER		1
5	586 30 70-01	PULLEY ASSY		1
6	525 88 74-02	SCREW CITXPANT		7
7	584 43 94-01	PULLEY		1
8	505 44 54-03	CASSETTE		1
9	544 44 10-01	DRAW SPRING		1
10	544 44 04-02	BRAKE SHOE		4
11	506 28 84-01	SCREEN		1
12	544 97 63-04	BELT		1
13	506 39 42-08	BEARING HOUSING		1
14	505 57 41-16	SCREW ITXSCM		4
15	506 14 32-01	TORSION STOP		1
16	584 78 81-01	NUT		2
17	503 21 53-10	SCREW ITXSCM		2
18	583 95 33-01	BALL BEARING		2
19	506 26 64-01	SCREEN		1
20	506 34 05-54	BLADE GUARD	"14""	1
21	503 21 53-20	SCREW ITXSCM		1
22	506 34 46-02	HANDLE		1
23	506 26 63-02	LINING		1
24	506 26 65-01	FLANGE		1
25	581 35 17-03	BEARING HOUSING		1
26	506 32 48-01	SUPPORT FLANGE		1
27	583 87 44-01	FLANGE		2
27	506 07 09-01	FLANGE WASHER	Japan	2
28	578 39 82-01	BUSHING		1
28	581 60 54-03	BUSHING	Japan	1
29	581 11 77-02	DECAL	"14""	1
29	581 11 77-01	DECAL	"12""	1
29	584 99 26-02	DECAL	Japan Only	1
30	581 85 52-01	SCREW		1
31	506 29 76-02	STRAP		1
32	506 30 25-06	BRACKET		1
33	503 22 65-04	SQUARE NUT		2
34	503 21 53-12	SCREW ITXSCM		2
35	506 32 20-02	LABEL		1
36	506 30 23-02	LABEL		1