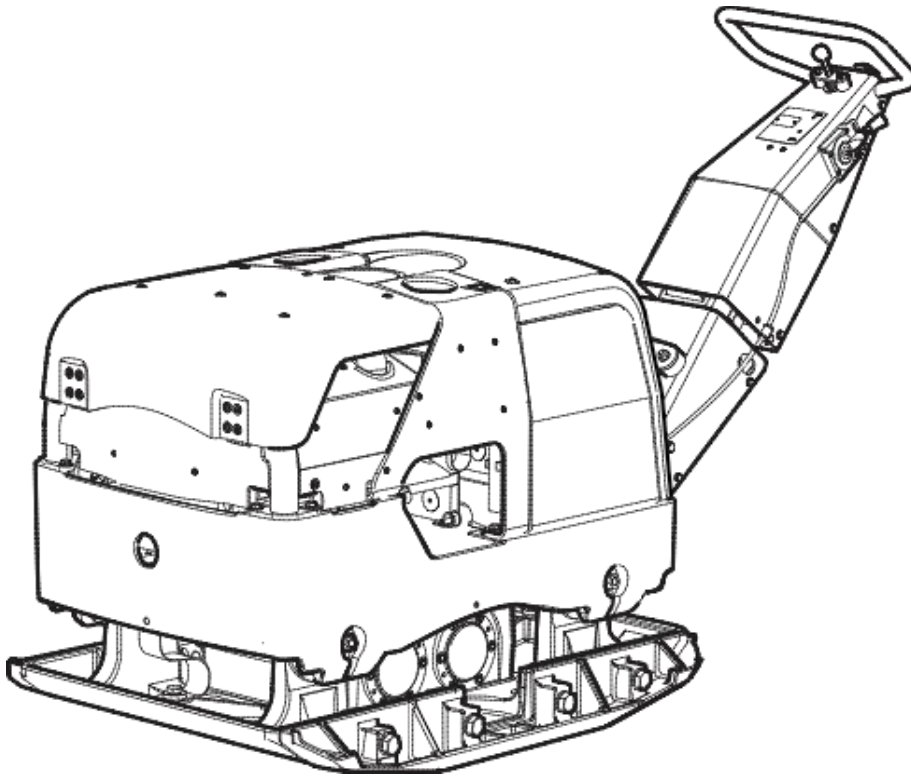


LH 700

Spare parts list

Forward and reversible plate

LH 700



General information

This spare parts list applies to the following:

Part Number	Description
967897201	LH 700 Hatz EL) COMPACTORS LH 700 Hatz EL
967897202	LH 700 Hatz EL Bio) COMPACTORS LH 700 Hatz EL Bio
967897203	LH 700 Bio 2x75 mm) COMPACTORS LH 700 Bio 2x75 mm
967897204	LH 700 Hatz 2x75 mm EL) COMPACTORS LH 700 Hatz 2x75 mm EL
967897205	LH 700 Hatz EPA EL) COMPACTORS LH 700 Hatz EPA EL
967897206	LH 700 Hatz 2 x 150 mm EL) COMPACTORS LH 700 Hatz 2 x 150 mm EL

Use only authorized parts. Any damage or malfunction caused by the use of unauthorized parts is not covered by Warranty or Product Liability. Any unauthorized use or copying of the contents or any part thereof is prohibited. This applies in particular to trademarks, model denominations, part numbers, and drawings.

Instructions for use

This spare parts list contains no safety regulations and is merely intended to assist in the ordering of spare parts.

For information about operating, servicing, or repairing, the relevant Safety and operating instructions must be consulted at all costs.

Please observe the safety instructions listed in the relevant Safety and operating instructions!

Kits and consumables	1
----------------------	---

Preventative Maintenance Kits

Start Up Kit	3
12 months / 500 hours service kit	5
Six months / Every 100 hours kit	7
Six months / Every 250 hours kit_Husqvarna	9

Service, repair and wear part kits

Shock absorber repair kit	11
Eccentric element repair kit	13
Forward and reverse piston repair kit	15
Extension plate kit 2 x 75 mm (2 x 2.95 in.)	17
Extension plate kit 2 x 150 mm (2 x 5.90 in.)	19
Hour meter kit	21

Spare parts list

Ground plate, engine plate and frame	23
Noise suppression	26
Hydraulic oil tank	29
Eccentric element	31
Engine installation	34
Hydraulic system	37
Hydraulic block	40
Electrical equipment	43
Electrical equipment, handle (New version)	46
Electrical equipment, handle (Old version)	49
Throttle control, non EPA version	51
Throttle control, EPA version	53
Joystick	55
Handle	57
Labels	59

Kits and consumables

Service offers resume LH700	Item	Number	Description
Lubricants	1	-	Cobra & compactor Impact-OIL 1L
	2	-	Cobra Compactor Impact-Oil, 20x1 L (0.22 gal) (0.26 US gal)
	3	-	CAN PAROIL E MISSION GREEN 5 L
	4	-	Can Paroil Mission green 20 Liter/5.3 Gallon
	5	-	Drum Paroil Mission green 210 Liter/55.5 Gallon
Preventive maintenance	6	594198701	One year service kit
Wear&Repair Kits	7	595379601	Eccentric element repair kit
	8	594656901	Repair kit F/R piston
	9	594869301	Repair kit, shock absorbers

Item	Part No.	Name	Qty	L
1	-	Cobra & compactor Impact-OIL 1L	1	
2	-	Cobra Compactor Impact-Oil, 20x1 L (0.22 gal) (0.26 US gal)	1	
3	-	CAN PAROIL E MISSION GREEN 5 L	1	
4	-	Can Paroil Mission green 20 Liter/5.3 Gallon	1	
5	-	Drum Paroil Mission green 210 Liter/55.5 Gallon	1	
6	594198701	One year service kit	1	
7	595379601	Eccentric element repair kit	1	
8	594656901	Repair kit F/R piston	1	
9	594869301	Repair kit, shock absorbers	1	

Preventative Maintenance Kits Start Up Kit

NO EXPLODED VIEW
AVAILABLE
FOR THIS BOM

Item	Part No.	Name	Qty	L
1	594761801	Start Up Kit	1	
2	594217601	12 months / 500 hours service kit	1	
3	595377001	Oil filter	1	
4	595130401	Product label	1	
5	595377101	Air Filter	1	
6	594445201	Hydraulic Oil Filter BIO	1	
7	594215001	Every 250 hours / six months	1	
8	595377001	Oil filter	1	
9	595130401	Product label	1	
10	595377101	Air Filter	1	
11	595384301	Every 100 hours kit	1	
12	595377101	Air Filter	2	
13	-	Cobra & compactor Impact-OIL 1L	1	

Preventative Maintenance Kits 12 months / 500 hours service kit

NO EXPLODED VIEW
AVAILABLE
FOR THIS BOM

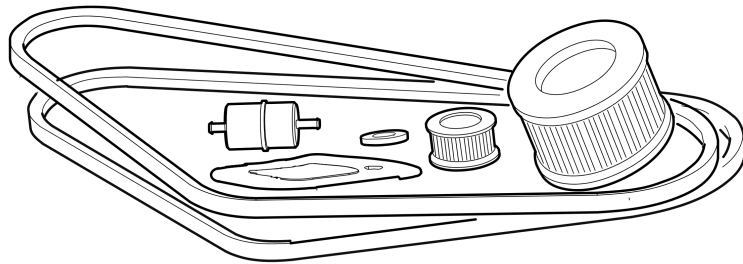
Item	Part No.	Name	Qty	L
1	595384101	12 months / 500 hours service kit	1	
2	595377001	Oil filter	1	
3	595130401	Product label	1	
4	595377101	Air Filter	1	
5	594445301	Hydraulic Oil Filter BIO	1	

Preventative Maintenance Kits Six months / Every 100 hours kit

NO EXPLODED VIEW
AVAILABLE
FOR THIS BOM

Item	Part No.	Name	Qty	L
1	595384301	Every 100 hours kit	1	
2	595377101	Air Filter	2	

Preventative Maintenance Kits Six months / Every 250 hours kit_Husqvarna



Item	Part No.	Name	Qty	L
1	594215001	Every 250 hours / six months	1	
2	595377001	Oil filter	1	
3	595130401	Product label	1	
4	595377101	Air Filter	1	

Service, repair and wear part kits Shock absorber repair kit

NO EXPLODED VIEW
AVAILABLE
FOR THIS BOM

Item	Part No.	Name	Qty	L
1	594869301	Repair kit, shock absorbers	1	
2	594336201	Shock absorber	4	A
3	-	Nut, M10	4	
4	-	Washer, 10.5 x 22 x 2.0 mm, 0.41 x 0.87 x 0.08 in.	4	
5	594159101	Shock absorber	4	B
6	594333901	Shock absorber	2	B
7	594536801	Shock absorber	1	B
8	-	Washer, 10.5 x 22 x 2.0 mm, 0.41 x 0.87 x 0.08 in.	12	B
9	-	Nut, M10	4	B
10	-	Screw, M10 x 16 mm 8.8	8	B

Comments for Page: Shock absorber repair kit

(L)OCAL REMARKS

A | See section "Ground plate, engine plate and frame".

B | See section "Handle".

Service, repair and wear part kits Eccentric element repair kit

NO EXPLODED VIEW
AVAILABLE
FOR THIS BOM

Item	Part No.	Name	Qty	L
1	595379601	Eccentric element repair kit	1	
2	594528001	Roller bearing	4	A
3	594528101	Ball bearing	2	A
4	-	Screw, M6 x 20 mm 8.8 A2K	20	
5	-	Washer, 6.4 x 12 x 1.5 mm, 0.25 x 0.47 x 0.06 in. 300 HV	20	
6	-	Washer, 16.7 x 24 x 1.5 mm, 0.66 x 0.94 x 0.06 in. TYPE A,M16	1	
7	-	O-ring	1	A
8	-	Washer, 8.4 x 16 x 1.5 mm, 0.33 x 0.63 x 0.06 in. 300 HV	4	
9	-	Screw, M8 x 25 mm 8.8 A2K	4	

Comments for Page: Eccentric element repair kit

(L)OCAL REMARKS

A | See section "Eccentric element".

Service, repair and wear part kits Forward and reverse piston repair kit

NO EXPLODED VIEW
AVAILABLE
FOR THIS BOM

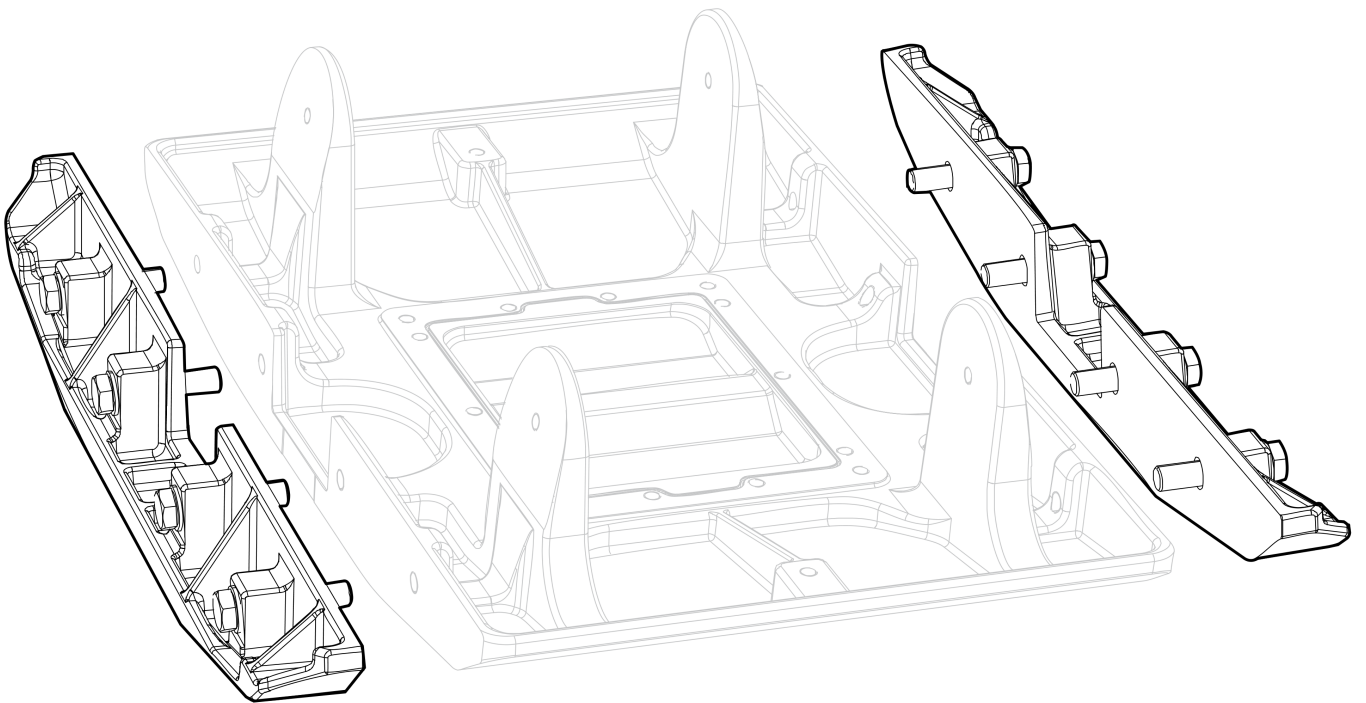
Item	Part No.	Name	Qty	L
1	594656901	Repair kit F/R piston	1	
2	594446101	Piston	1	A
3	594536701	Support ring	1	A
4	594547701	Ball bearing	1	A
5	595044901	Ball bearing	1	A
6	594445701	Piston rod	1	A
7	594334801	Guide	1	A
8	594334701	Piston seal	1	A
9	594351701	Cylinder	1	A
10	594438101	Screw	1	A

Comments for Page: Forward and reverse piston repair kit

(L)OCAL REMARKS

A | See section "Hydraulic cylinder".

Service, repair and wear part kits Extension plate kit 2 x 75 mm (2 x 2.95 in.)

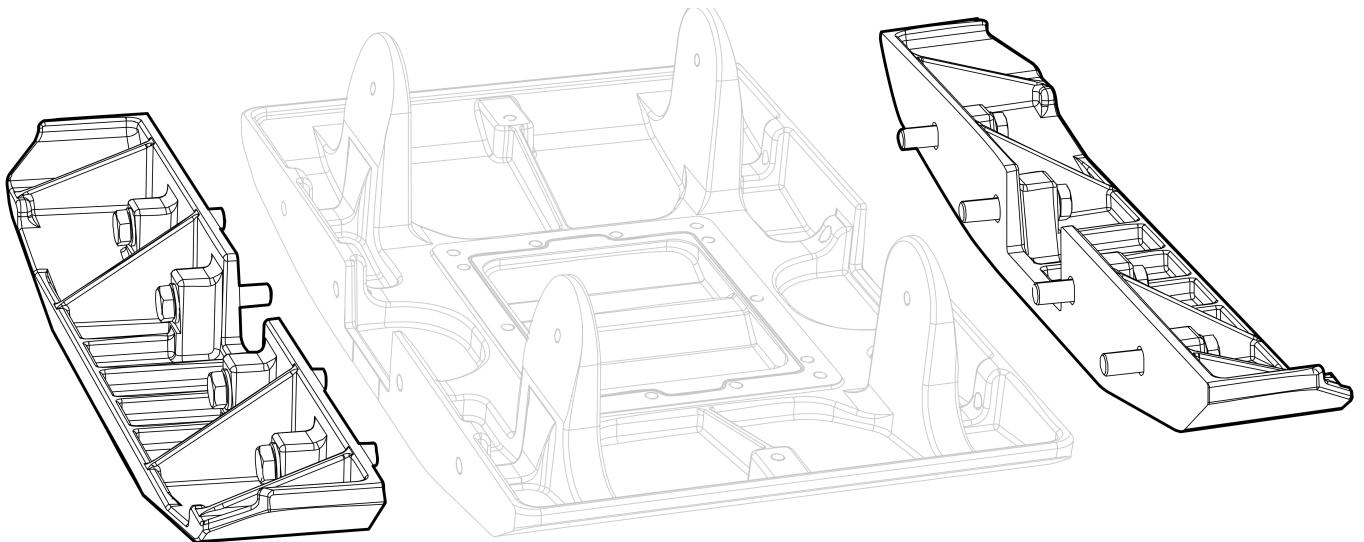


Item	Part No.	Name	Qty	L
1	594826001	Extension plate kit 2 x 75 mm (2 x 2.95 in.)	1	
2	-	Extension plate, 75 mm, 2.95 in.	2	
3	-	Washer, 21 x 36 x 3 mm, 0.83 x 1.42 x 0.24 in. 300 HV	8	
4	595069401	Screw M20x90	8	A

Comments for Page: Extension plate kit 2 x 75 mm (2 x 2.95 in.)

A | GEOMET is a registered trademark of Nof Metal Coatings North America Inc.

Service, repair and wear part kits Extension plate kit 2 x 150 mm (2 x 5.90 in.)



Item	Part No.	Name	Qty	L
1	594826101	Extension plate kit 2 x 150 mm (2 x 5.90 in.)	1	
2	-	Extension plate, 150 mm, 5.90 in.	2	
3	595069401	Screw M20x90	8	A
4	-	Washer, 21 x 36 x 3 mm, 0.83 x 1.42 x 0.24 in. 300 HV	8	

Comments for Page: Extension plate kit 2 x 150 mm (2 x 5.90 in.)

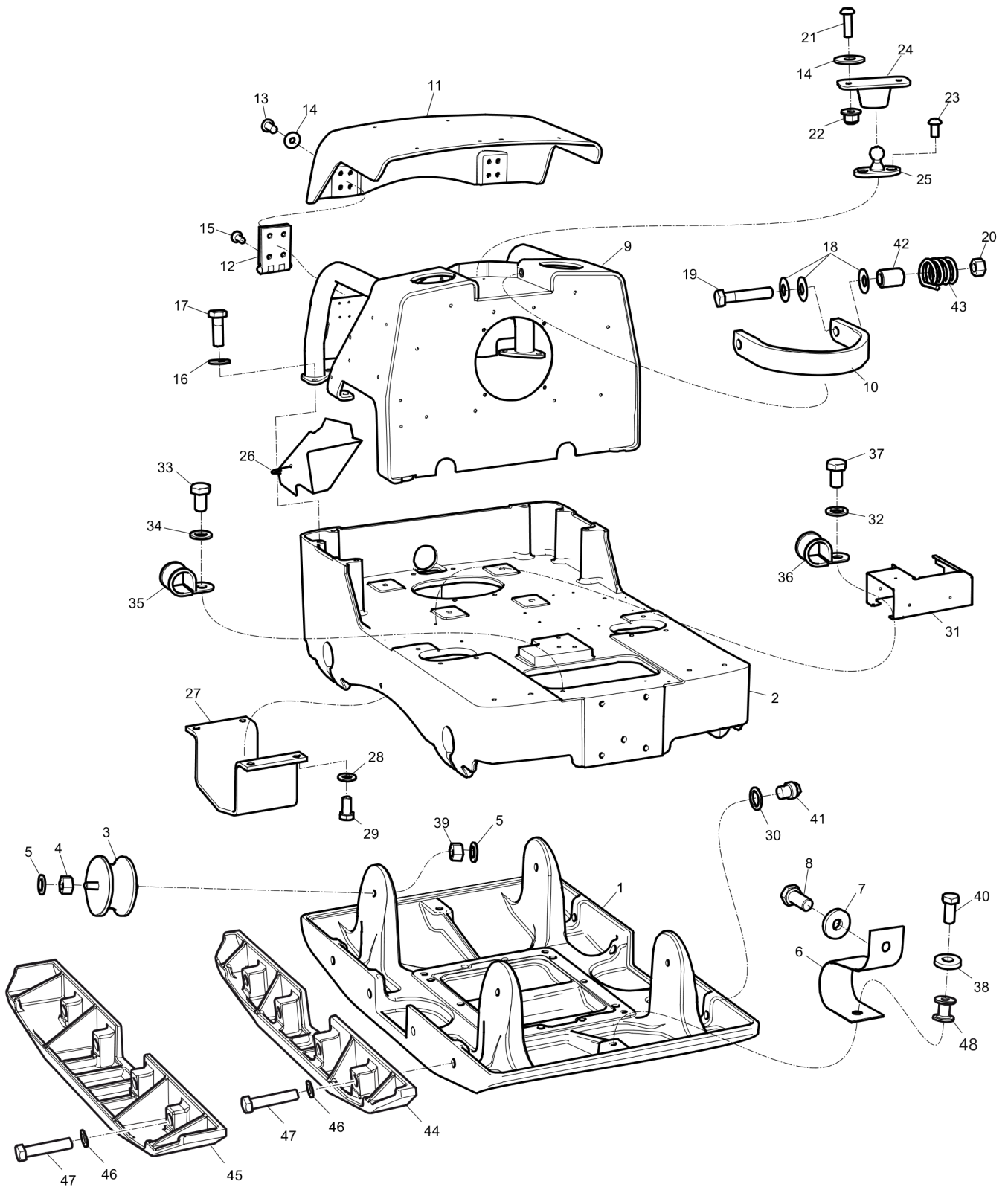
A | GEOMET is a registered trademark of Nof Metal Coatings North America Inc.

Service, repair and wear part kits Hour meter kit

NO EXPLODED VIEW
AVAILABLE
FOR THIS BOM

Item	Part No.	Name	Qty	L
1	595462701	Hour meter kit	1	
2	594827101	Hour meter	1	
3	-	Screw, M3 x 10 mm	2	
4	-	Nut, M3	2	

Spare parts list Ground plate, engine plate and frame



Refer to the Parts Online web page for most up-to-date information. The printed information might be outdated.

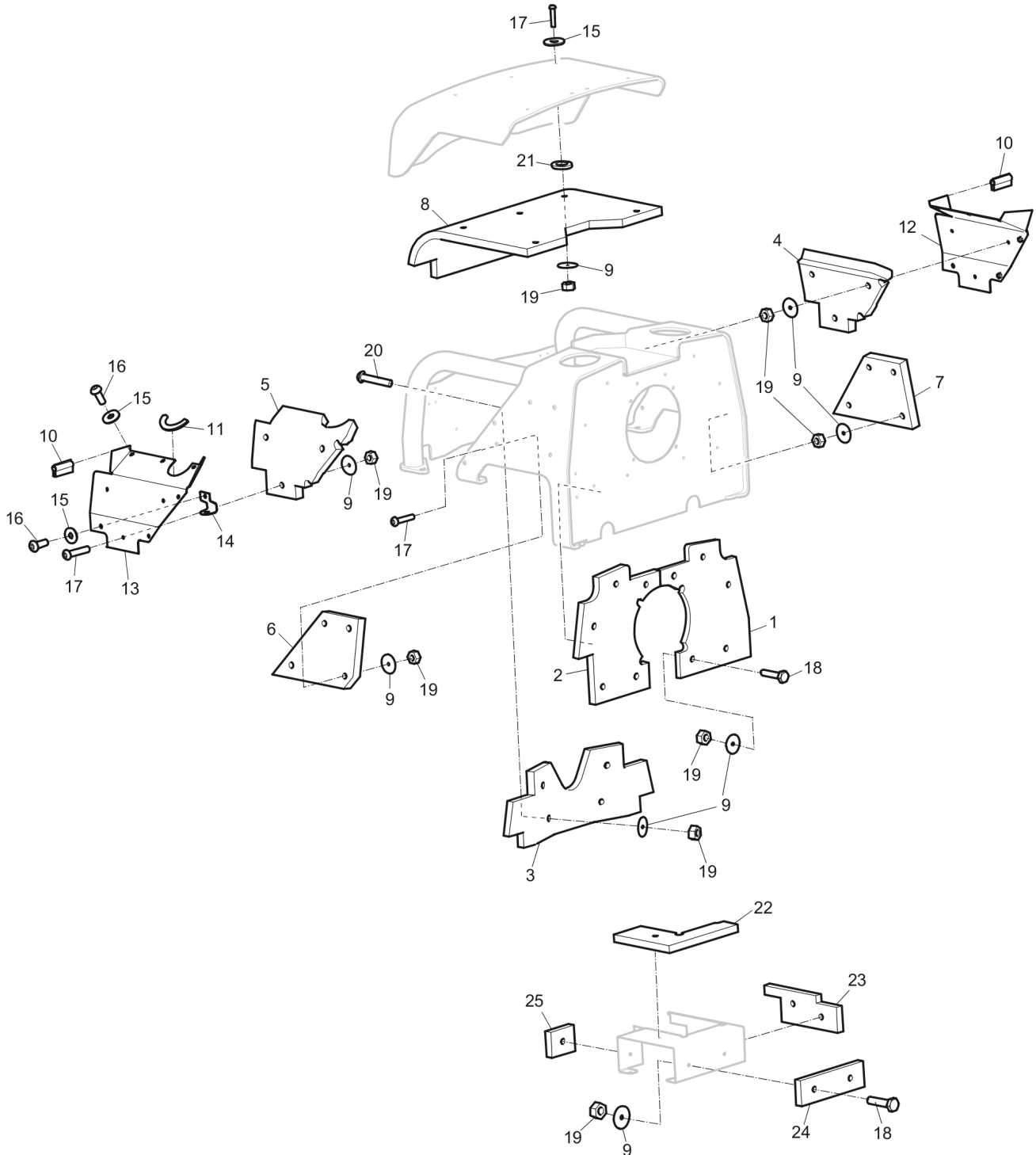
Item	Part No.	Name	Qty	L
1	594468201	Ground plate	1	
2	595122901	Engine plate	1	
3	594336201	Shock absorber	4	
4	-	Washer, 17 x 30 x 3 mm, 0.70 x 1.18 x 0.12 in. 300 HV	4	
5	-	Nut, M16 A3K	8	
6	594159201	Strap	2	
7	-	Washer, 13 x 36 x 6 mm, 0.51 x 1.42 x 0.24 in. 300 HV	2	
8	-	Screw, M12 x 40 mm 10.9 GEOMET®	2	
9	594960301	Protective frame	1	
10	594158501	Lifting lug	1	
11	594959601	Hood	1	
12	594446801	Hinge	2	
13	595067701	Button head socket screw, M6x12	8	
14	-	Washer, 6 x 18 x 2 mm, 0.24 x 0.71 x 0.08 in. 300 HV	10	
15	-	Screw, M6 x 16 mm A2-70	8	
16	-	Washer, 10.5 x 22 x 2 mm, 0.41 x 0.87 x 0.08 in. 300 HV	8	
17	-	Screw, M10 x 30 mm, 10.9 GEOMET®	8	
18	-	Washer, 13 x 30 x 4 mm, 0.51 x 1.18 x 0.16 in. 300 HV	6	
19	595179301	Hex. screw	2	
20	-	Nut, M12	2	
21	-	Screw, M5 x 16 mm A2-70	2	
22	-	Nut, M5 A2K	2	
23	-	Screw, M5 x 10 mm A2-70	2	
24	595053001	Door bumper	1	
25	594514901	Door bumper	1	
26	595453701	Bracket	1	
27	595160001	Bracket	1	
28	-	Washer, 10.5 x 22 x 2 mm, 0.41 x 0.87 x 0.08 in. 300 HV	4	
29	-	Screw, M10 x 20 mm 8.8 A3K	4	
30	595145701	Seal ring	1	
31	594453101	Air inlet	1	
32	-	Washer, 6.4 x 12 x 1.5 mm, 0.25 x 0.47 x 0.06 in. 300 HV	4	
33	-	Screw, M8 x 14 mm 8.8 A2K	1	
34	-	Washer, 8.4 x 16 x 1.5 mm, 0.33 x 0.63 x 0.06 in. 300 HV	1	
35	595472501	Clamp	1	
36	595188401	Clamp	1	
37	-	Screw, M6 x 16 mm 8.8 A2K	4	
38	-	Washer, 17 x 42 x 8 mm, 0.67 x 1.66 x 0.31 in.	2	

Refer to the Parts Online web page for most up-to-date information. The printed information might be outdated.

Item	Part No.	Name	Qty	L
39	-	Washer, 17 x 30 x 3 mm, 0.70 x 1.18 x 0.12 in. 300 HV	4	
40	-	Screw, M16 x 25 mm 8.8 A3K	2	
41	594293301	Plug	1	
42	594485001	Spacer	2	
43	594489101	Spring	2	
44	594751601	Extension plate, 75 mm, 2.95 in.	2	
45	595173401	Extension plate	2	
46	-	Washer, 21 x 36 x 3 mm, 0.83 x 1.42 x 0.24 in. 300 HV	8	
47	595069401	Screw M20x90	8	
48	595463201	Spacer sleeve	2	

This page intentionally left blank

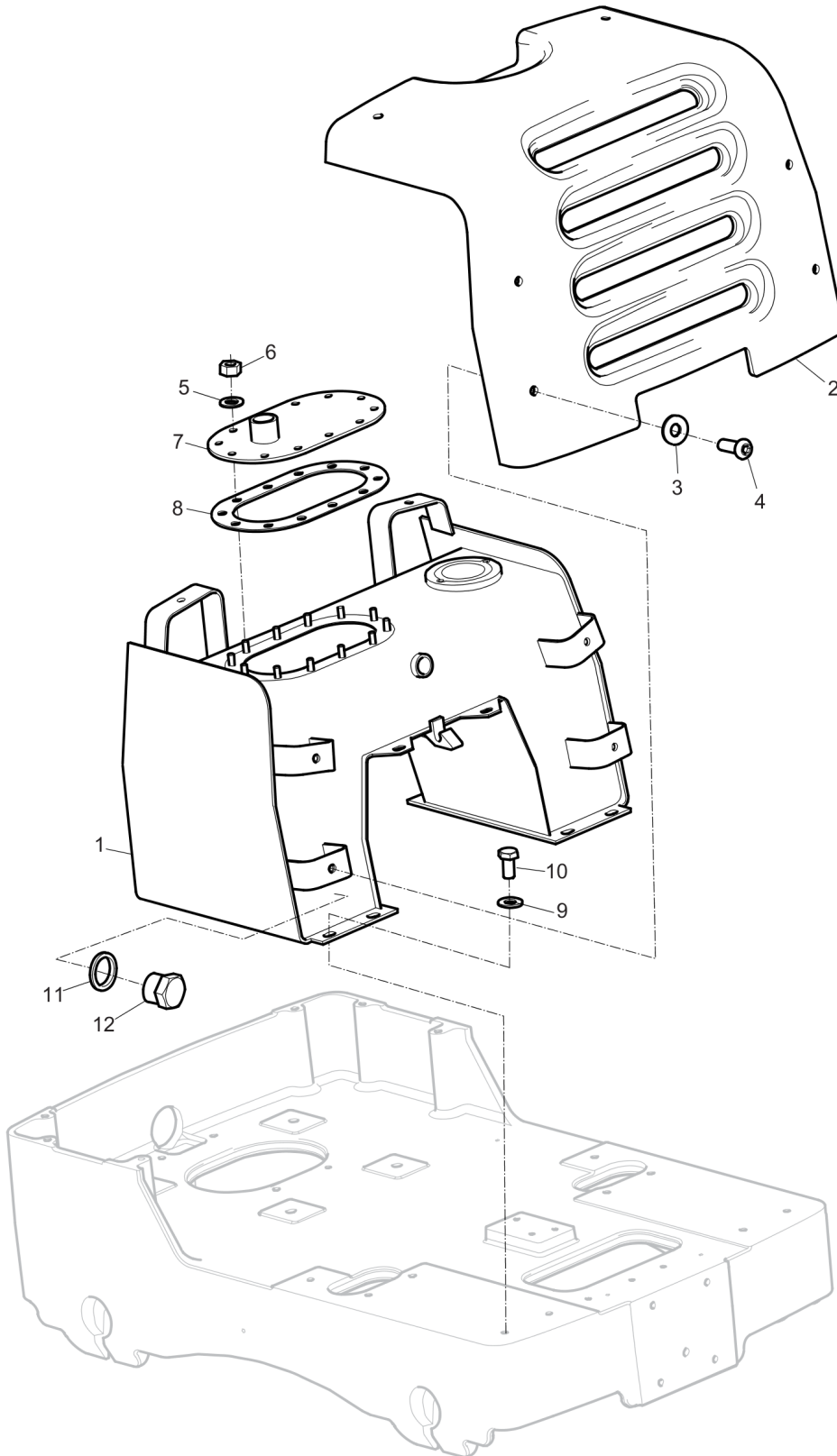
Spare parts list Noise suppression



Refer to the Parts Online web page for most up-to-date information. The printed information might be outdated.

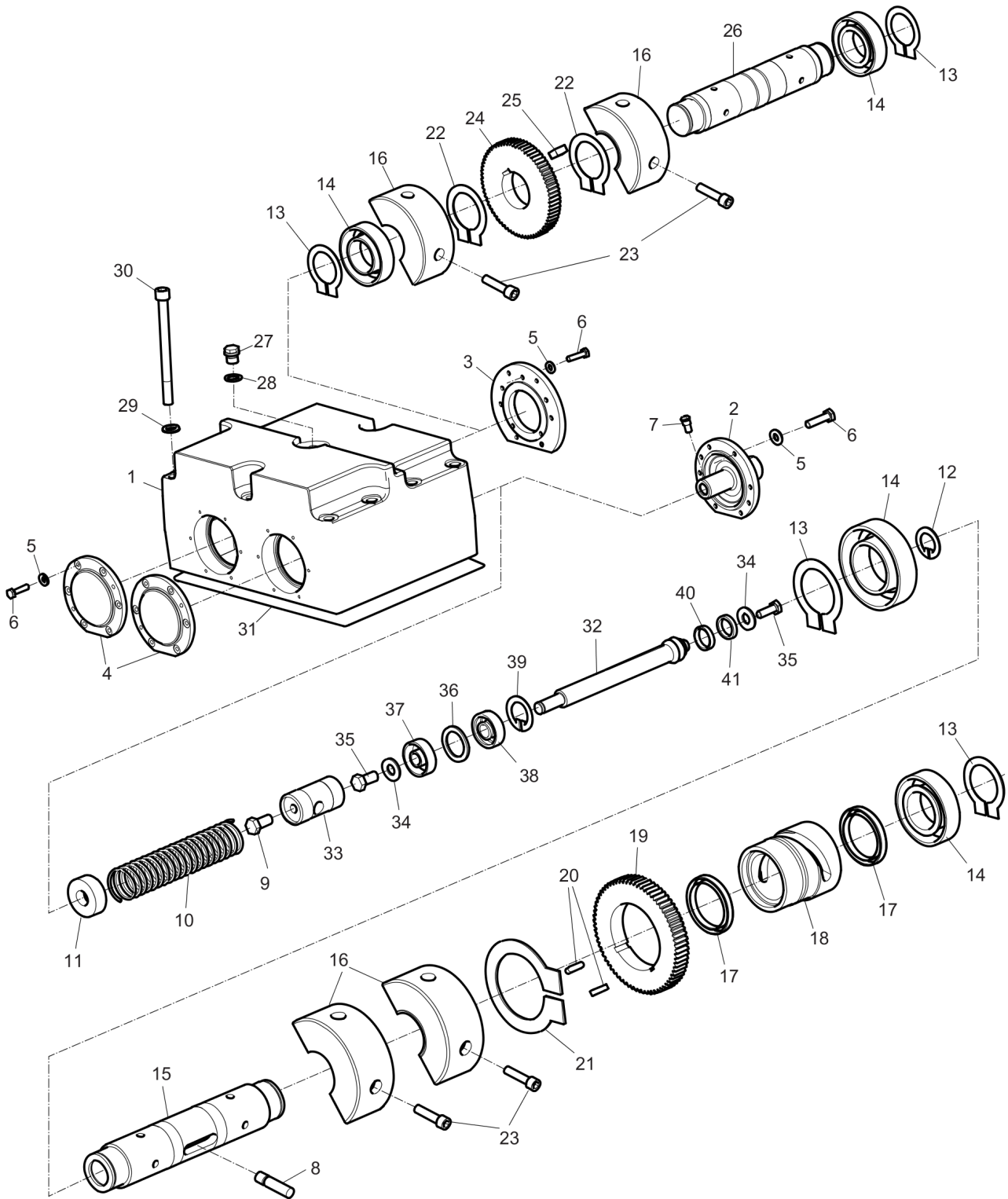
Item	Part No.	Name	Qty	L
1	594454101	Insulation	1	
2	594454001	Insulation	1	
3	594454601	Insulation	1	
4	594454401	Insulation	1	
5	594454501	Insulation	1	
6	594454201	Insulation	1	
7	594454301	Insulation	1	
8	594454801	Insulation	1	
9	595051701	Insulating washer	39	
10	595066101	Edge trim	2	
11	595048201	Edge trim	1	
12	595278601	Plate	1	
13	595278701	Bracket	1	
14	595174101	Bracket	2	
15	-	Washer, 6 x 18 x 2 mm, 0.24 x 0.71 x 0.08 in. 300 HV	15	
16	-	Screw, M6 x 16 mm A2-70	8	
17	-	Screw, M6 x 30 mm A2-70	23	
18	-	Screw, M6 x 25 mm 8.8 A2K	16	
19	-	Nut, M6 A2K	39	
20	-	Screw, M6 x 25 mm A2-70	4	
21	-	Washer, 6.4 x 12 x 1.5 mm, 0.25 x 0.47 x 0.06 in. 300 HV	5	
22	594445001	Insulation	1	
23	594444901	Insulation	1	
24	594444801	Insulation	1	
25	594444701	Insulation	1	

Spare parts list Hydraulic oil tank



Item	Part No.	Name	Qty	L
1	595279101	Hydraulic oil tank	1	
2	594959701	Hood	1	
3	-	Washer, 8.4 x 25 x 2 mm, 0.33 x 0.99 x 0.08 in. 300 HV	6	
4	-	Screw, M8 X 25 mm A2-70	6	
5	-	Washer, 8.4 x 16 x 1.5 mm, 0.33 x 0.63 x 0.06 in. 300 HV	12	
6	-	Nut, M8 A2K	12	
7	595123101	Cover	1	
8	594352601	Gasket	1	
9	-	Washer, 10.5 x 22 x 2 mm, 0.41 x 0.87 x 0.08 in. 300 HV	8	
10	-	Screw, M10 x 20 mm 8.8 A3K	8	
11	595145801	Seal ring	1	
12	595187401	Steel plug threaded	1	

Spare parts list Eccentric element



Refer to the Parts Online web page for most up-to-date information. The printed information might be outdated.

Item	Part No.	Name	Qty	L
1	595173801	Eccentric housing	1	
2	594351701	Cylinder	1	
3	595453601	Cover	1	
4	595453301	Cover	2	
5	-	Washer, 6.4 x 12 x 1.5 mm, 0.25 x 0.47 x 0.06 in. 300 HV	25	
6	-	Screw, M6 x 20 mm 8.8 A2K	25	
7	594438101	Screw	1	
8	594335701	Pin	1	
9	594443901	Screw	1	
10	594336101	Spring	1	
11	594336001	Stop	1	
12	594266101	Snap ring	1	
13	595144501	Retaining ring for shaft	4	
14	594528001	Roller bearing	4	
15	594445801	Shaft	1	
16	594335201	Eccentric weight	4	
17	594528101	Ball bearing	2	
18	594335601	Sleeve	1	
19	594335501	Gear	1	
20	595050901	Feather key	2	
21	594528201	Retaining ring	1	
22	595045901	Snap ring	2	
23	-	Screw, M12 x 50 mm 8.8	8	
24	594335301	Gear	1	
25	594335401	Key	1	
26	594448901	Shaft	1	
27	595048301	Plug, M16	1	
28	-	Washer, 16.7 x 24 x 1.5 mm, 0.66 x 0.94 x 0.06 in. TYPE A, M16	1	
29	-	Washer, 17 x 30 x 3 mm, 0.70 x 1.18 x 0.12 in. 300 HV	14	
30	594534701	Screw	14	A
31	594537101	O-ring	1	
32	594445701	Piston rod	1	
33	594446101	Piston	1	
34	594446201	Washer	2	
35	-	Screw, M6 x 12 mm 8.8 A2K	2	
36	594536701	Support ring	1	
37	594547701	Ball bearing	1	
38	595044901	Ball bearing	1	

Refer to the Parts Online web page for most up-to-date information. The printed information might be outdated.

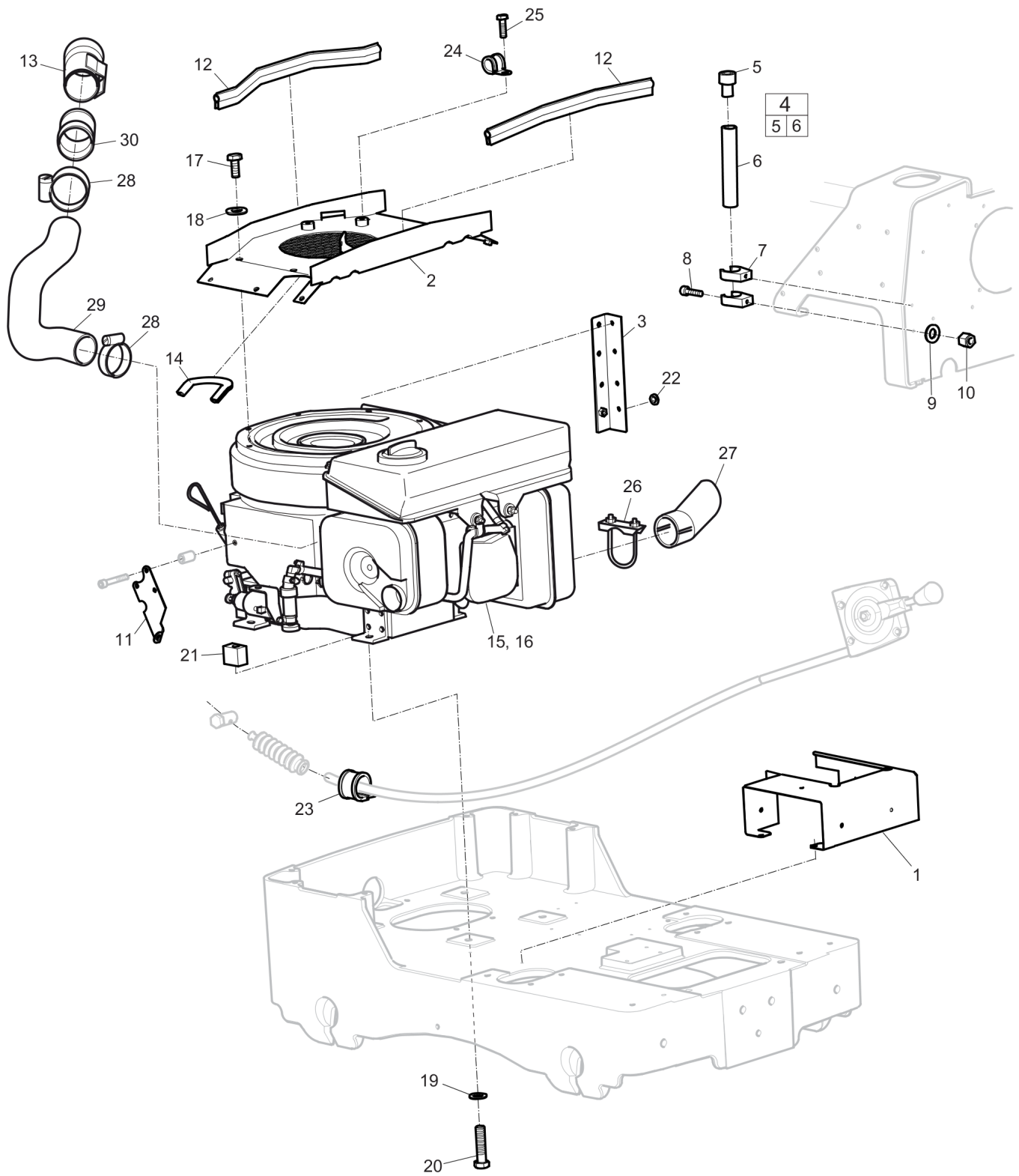
Item	Part No.	Name	Qty	L
39	595144801	Retaining ring	1	
40	594334801	Guide	1	
41	594334701	Piston seal	1	

Comments for Page: Eccentric element

A | GEOMET is a registered trademark of Nof Metal Coatings North America Inc.

This page intentionally left blank

Spare parts list Engine installation



Refer to the Parts Online web page for most up-to-date information. The printed information might be outdated.

Item	Part No.	Name	Qty	L
1	594453101	Air inlet	1	
2	594462501	Cover	1	
3	595175201	Bracket	1	
4	594336901	Oil drain, complete	1	
5	595159301	Hose connection	1	
6	595049601	Hose	1	
7	594329501	Clip	2	
8	-	Screw, M5 x 20 mm 8.8 A2K	2	
9	-	Washer, 5.3 x 10 x 1 mm, 0.21 x 0.39 x 0.04 in. 300 HV	2	
10	-	Nut, M5 ISO7040	2	
11	595050001	Bracket	1	
12	595066101	Edge trim	2	
13	595524301	Cyclone, cpl	1	
14	595048201	Edge trim	1	
15	595172101	Engine, cpl	1	
16	595373501	Engine, Hatz 1D90V EPA version	1	
17	-	Screw, M10 x 16 mm 8.8 A3K	8	
18	-	Washer, 10.5 x 22 x 2 mm, 0.41 x 0.87 x 0.08 in. 300 HV	8	
19	-	Washer, 13 x 24 x 2 mm, 0.51 x 0.94 x 0.08 in. 300 HV	4	
20	-	Screw, M12 x 50 mm 8.8 A3K	4	
21	-	Spacer, 6.4 x 12 x 1.5 mm, 0.25 x 0.47 x 0.06 in. 300 HV	4	
22	-	Washer, 6.4 x 12 x 1.5 mm, 0.25 x 0.47 x 0.06 in. 300 HV	6	
23	595186301	Clamp	1	
24	595188501	Clamp	1	
25	-	Screw, M6 x 20 mm 8.8 A2K	1	
26	595050501	Clamp	1	
27	594453401	Exhaust pipe	1	
28	595455001	Hose clamp	2	
29	594537701	Air hose	1	
30	594453801	Steel tube	1	

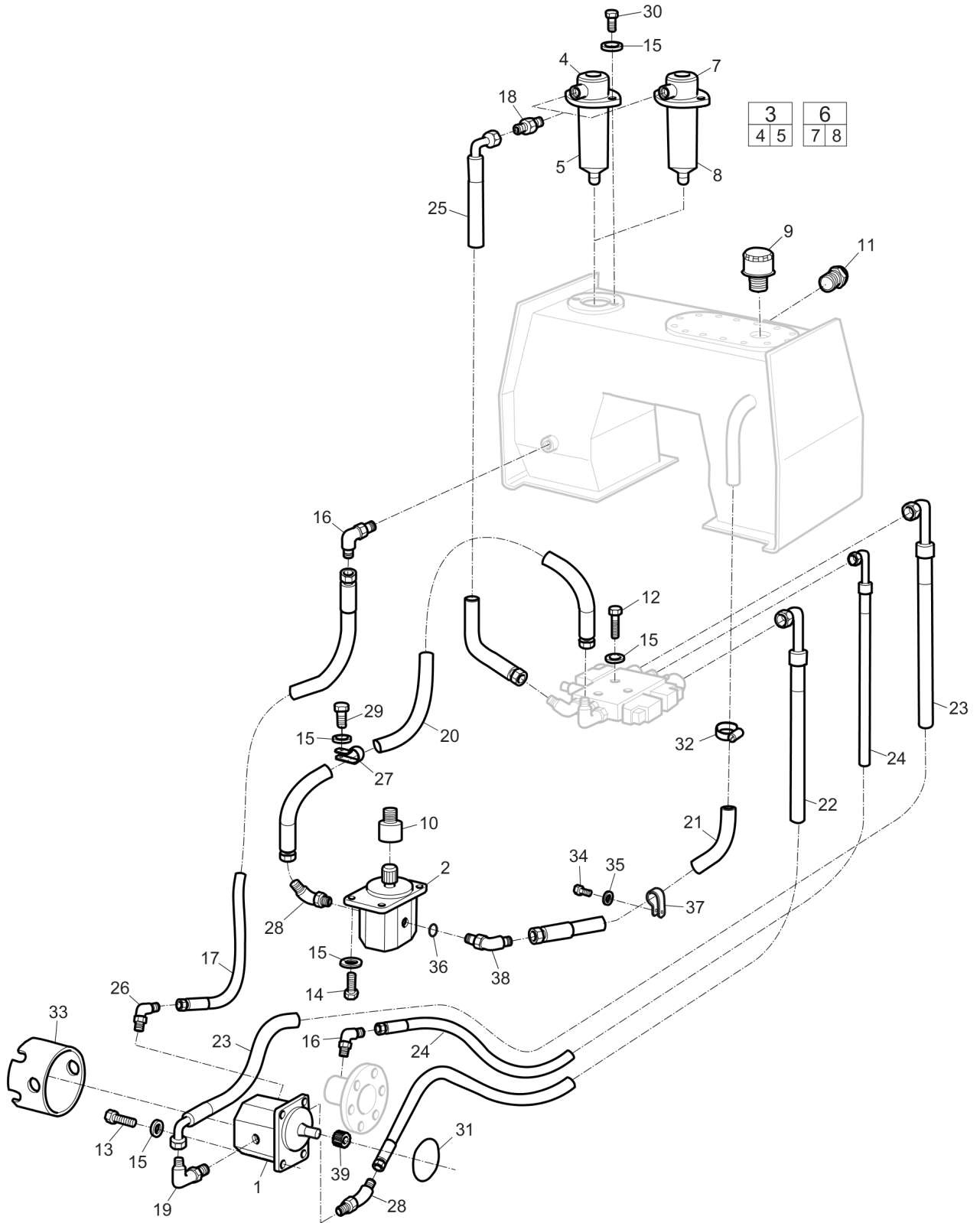
Comments for Page: Engine installation

(L)OCAL REMARKS

A | For US and Canada market

Refer to the Parts Online web page for most up-to-date information. The printed information might be outdated.

Spare parts list Hydraulic system



Refer to the Parts Online web page for most up-to-date information. The printed information might be outdated.

Item	Part No.	Name	Qty	L
1	594440801	Hydraulic motor	1	
2	594440701	Hydraulic pump	1	
3	594353001	Hydraulic oil filter, cpl	1	
4	-	Housing	1	
5	594445201	Hydraulic Oil Filter BIO	1	
6	594445101	Bio hydraulic oil filter, cpl	1	A
7	-	Housing	1	
7	-	Housing	1	
8	594445301	Hydraulic Oil Filter BIO	1	A
9	595051001	Ventilating filter	1	
10	594594201	Splined sleeve	1	
11	594498101	Sight plug	1	
12	-	Screw, M8 x 100 mm 8.8 A2K	3	
13	-	Screw, M8 x 25 mm 8.8 A2K	4	
14	-	Screw, M8 x 45 mm 8.8 A2K	4	
15	-	Washer, 8.4 x 16 x 1.5 mm, 0.33 x 0.63 x 0.06 in. 300 HV	14	
16	595048601	Connector	2	
17	594439301	Hydraulic hose	1	
18	595455801	Adapter	1	
19	595452601	Elbow adapter	1	
20	595361201	Hydraulic hose	1	
21	594442301	Hydraulic hose	1	
22	595053401	Hydraulic hose	1	
23	594444501	Hydraulic hose	1	
24	594495501	Hydraulic hose	1	
25	595172501	Hydraulic hose	1	
26	595050701	Elbow 90, O-ring	1	
27	595472501	Clamp	1	
28	595187501	Adapter	2	
29	-	Screw, M8 x 16 mm 8.8 A3K	1	
30	-	Screw, M8 x 20 mm 8.8 A2K	2	
31	595046601	O-ring	1	
32	595185901	Hose clamp	2	
33	594442501	Protector	1	
34	-	Screw, M10 x 16 mm 8.8 A3K	1	
35	-	Washer, 10.5 x 22 x 2 mm, 0.41 x 0.87 x 0.08 in. 300 HV	1	
36	594268701	Seal ring	1	
37	595469701	Pipe clamp	1	

Refer to the Parts Online web page for most up-to-date information. The printed information might be outdated.

Item	Part No.	Name	Qty	L
38	594442401	Adapter	1	
39	594352201	Splined sleeve	1	

Comments for Page: Hydraulic system

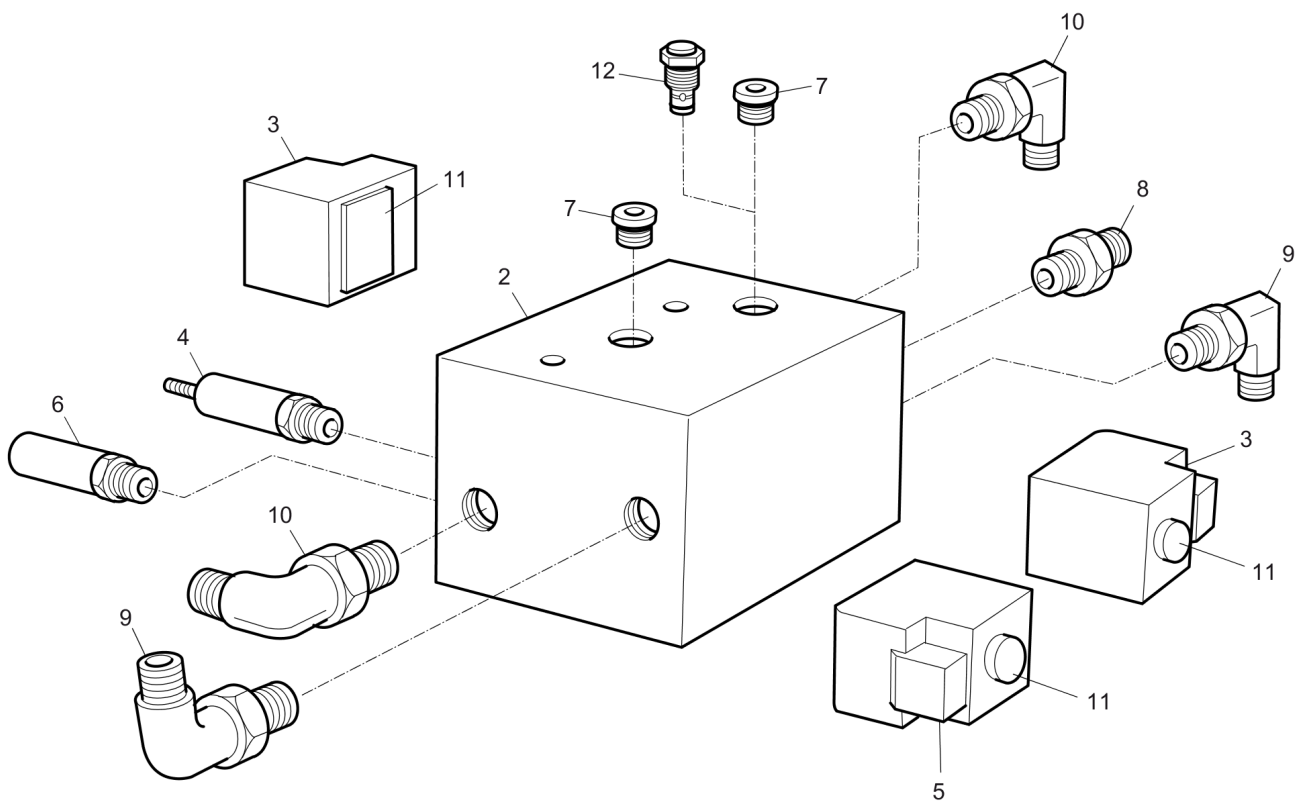
(L)OCAL REMARKS

A | For biodegradable oil.

This page intentionally left blank

Spare parts list Hydraulic block

1											
2	3	4	5	6	7	8	9	10	11	12	



Refer to the Parts Online web page for most up-to-date information. The printed information might be outdated.

Item	Part No.	Name	Qty	L
1	594452401	Hydraulic block, complete	1	
2	595470901	Block	1	
3	594578601	Valve	2	A
4	594578701	Pressure valve	1	B
5	594578801	Valve	1	C
6	594578901	Pressure valve	1	D
7	595471001	Plug	2	
8	595050601	Connector	1	
9	595160901	Elbow 90 o-ring	2	
10	595158901	Elbow	2	
11	594579001	Electromagnet	3	E
12	595191701	Non return valve	1	

Comments for Page: Hydraulic block

(L)OCAL REMARKS

A | Forward/Reverse

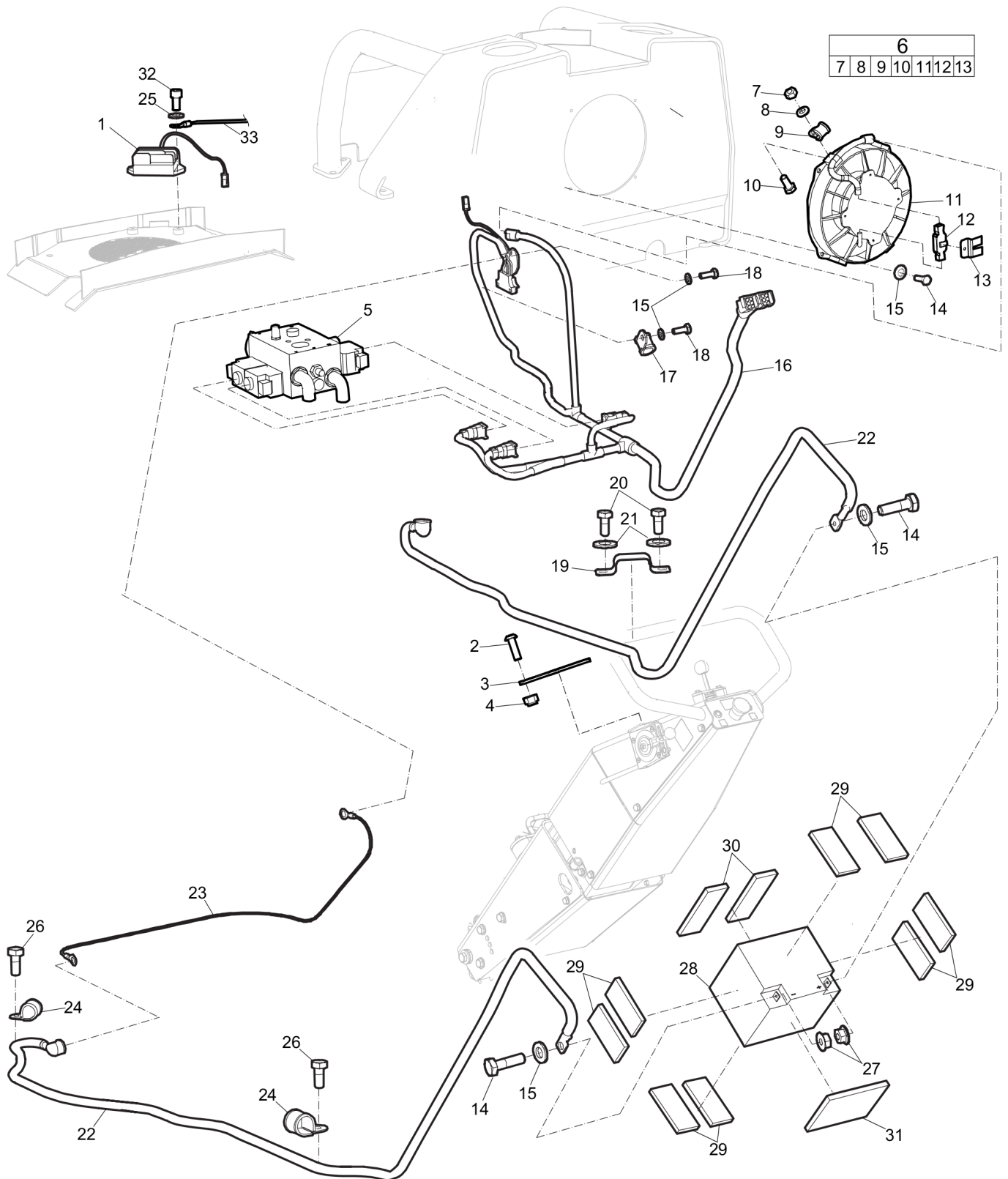
B | Relief valve, 55 bar

C | Vibration On/Off

D | Relief valve, vibration, 180 bar

E | 12V DC

Spare parts list Electrical equipment



Refer to the Parts Online web page for most up-to-date information. The printed information might be outdated.

Item	Part No.	Name	Qty	L
1	594465401	Voltage regulator	1	
2	-	Screw, M3 x 10 mm 8.8 A2-70	2	
3	594426701	Cover	1	
4	-	Nut, M3 DIN985	2	
5	-	Hydraulic block	1	
6	594466201	Fan	1	
7	-	Nut, M6 A2K	1	
8	-	Washer, 6.4 x 12 x 1.5 mm, 0.25 x 0.47 x 0.06 in. 300 HV	1	
9	595188501	Clamp	1	
10	-	Screw, M6 x 14 mm 8.8 A2K	1	
11	-	Fan	1	
12	-	Connector	1	
13	595356001	Bracket	1	
14	-	Screw, M6 x 20 mm 8.8 A2K	6	
15	-	Washer, 6.4 x 12 x 1.5 mm, 0.25 x 0.47 x 0.06 in. 300 HV	8	
16	594465101	Cable harness	1	
17	595188501	Clamp	3	
18	-	Screw, M6 x 16 mm 8.8 A2K	2	
19	595174501	Clamp	3	
20	-	Screw, M5 x 14 mm 8.8 A2K	6	
21	-	Washer, 5.3 x 10 x 1 mm, 0.21 x 0.39 x 0.04 in. 300 HV	6	
22	594522601	Connection cable	2	
23	594522701	Connection cable	1	
24	595188301	Clamp	2	
25	-	Washer, 8.4 x 16 x 1.5 mm, 0.33 x 0.63 x 0.06 in. 300 HV	2	
26	-	Screw, M6 x 14 mm 8.8 A2K	2	
27	595181101	Nut M6	2	
28	-	Battery	1	
29	594444601	Battery insulation	8	
30	594442701	Battery insulation	2	
31	595051901	Battery insulation	1	
32	-	Screw, M8 x 16 mm 8.8 A3K	2	
33	594453601	Ground cable	1	

Comments for Page: Electrical equipment

GEOMET is a registered trademark of Nof Metal Coatings North America Inc.

(L)OCAL REMARKS

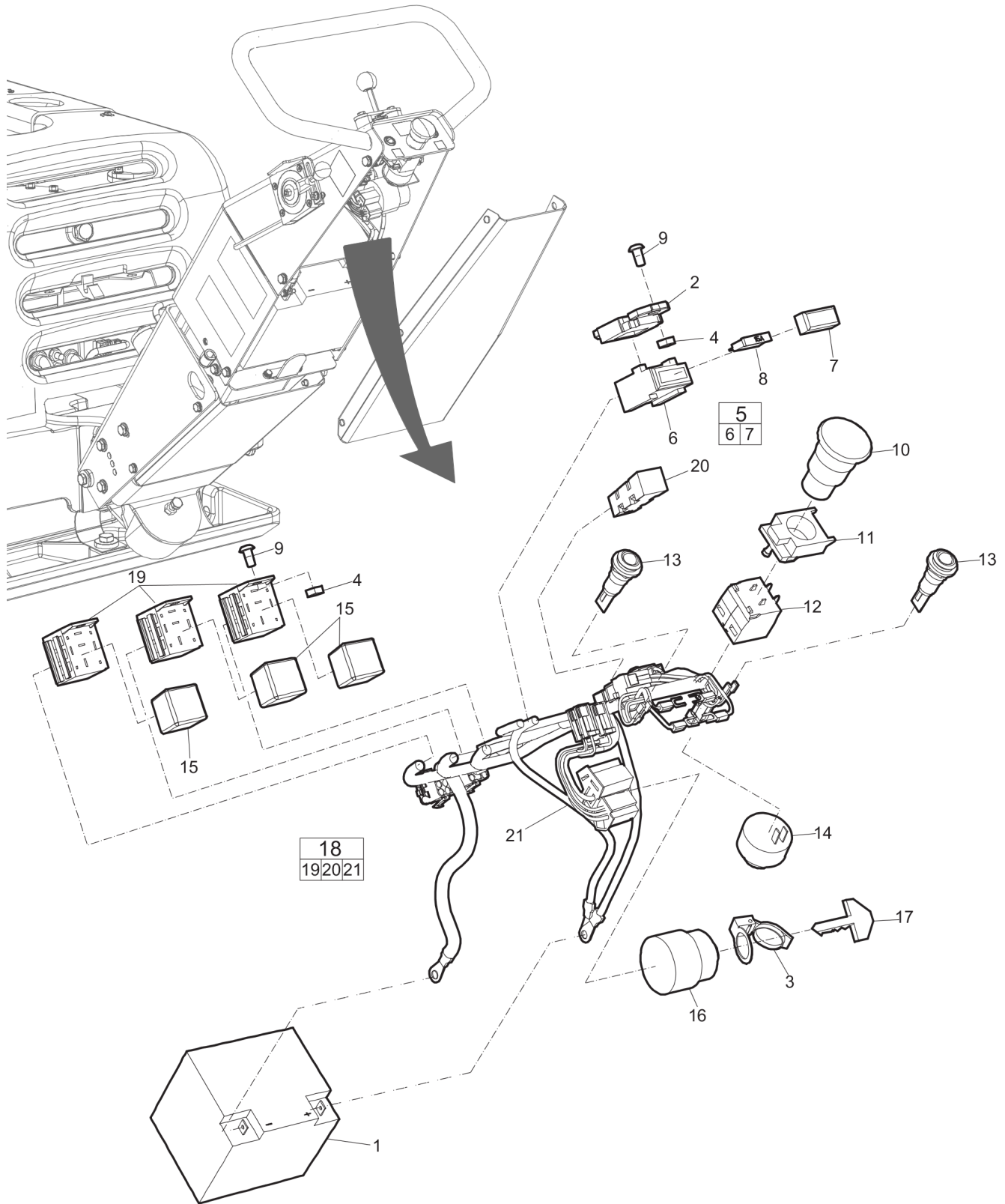
Refer to the Parts Online web page for most up-to-date information. The printed information might be outdated.

A | See section "Hydraulic equipment"

B | See section "Electric equipment, handle"

This page intentionally left blank

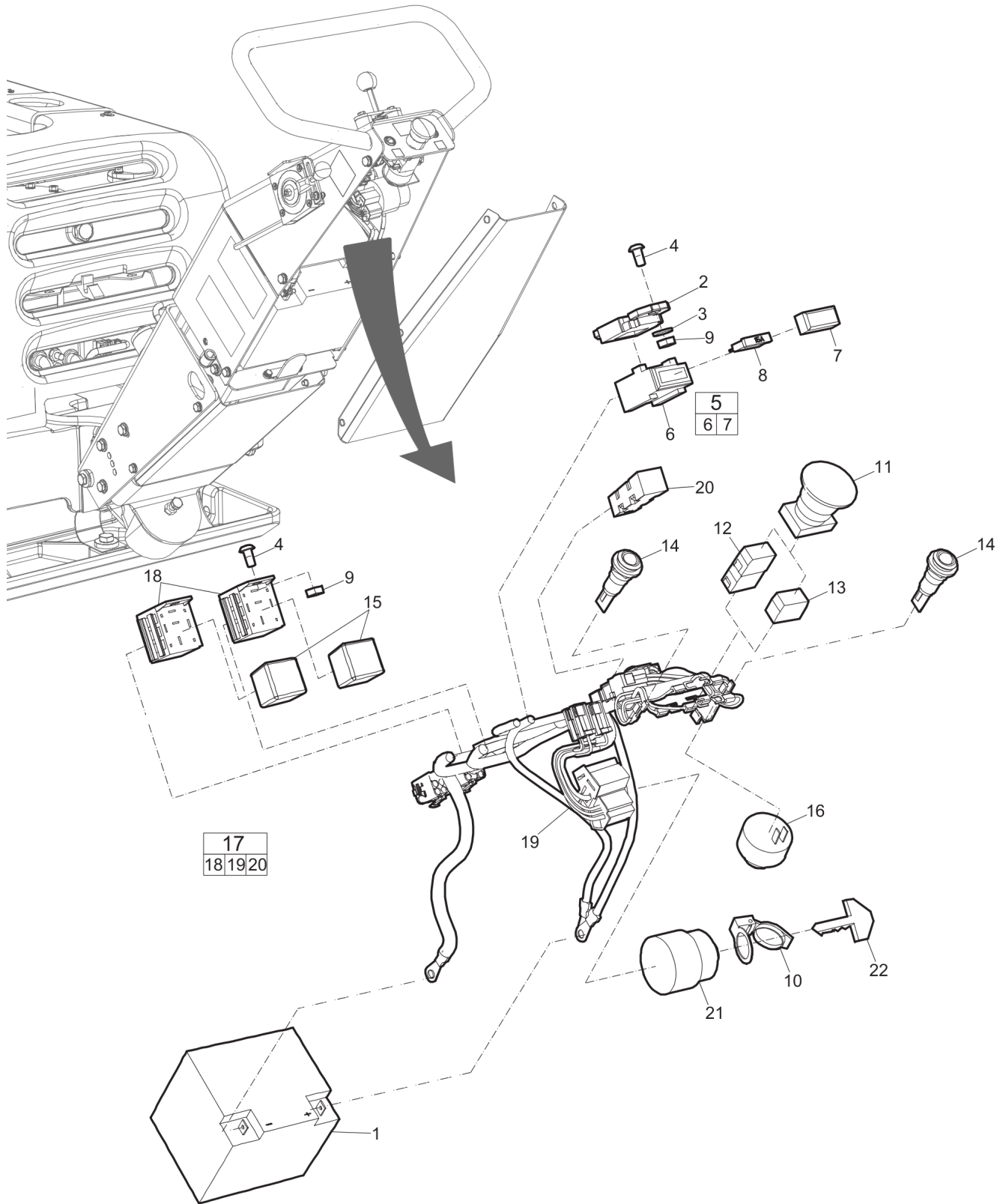
Spare parts list Electrical equipment, handle (New version)



Refer to the Parts Online web page for most up-to-date information. The printed information might be outdated.

Item	Part No.	Name	Qty	L
1	594479801	Battery	1	
2	595186701	Bracket	1	
3	594533601	Cover, ignition	1	
4	-	Nut, M5 A2K	5	
5	594513401	Fuse holder	1	
6	-	Washer	1	
7	594600901	Cover	1	
8	595469101	Fuse, 15A Blue	1	
9	-	Screw, M5 x 10 mm A2-70	5	
10	594159801	Push button	1	
11	594159901	Bracket	1	
12	594160001	Contact piece	1	
13	594513701	Diode lamp	2	
14	594463401	Buzzer	1	
15	594334201	Relay	3	
16	595048701	Ignition switch	1	
17	595452701	Ignition key	1	
18	594159701	Wiring harness, complete	1	
19	595161201	Relay holder	3	
20	594513801	Diode	1	
21	-	Wiring harness	1	

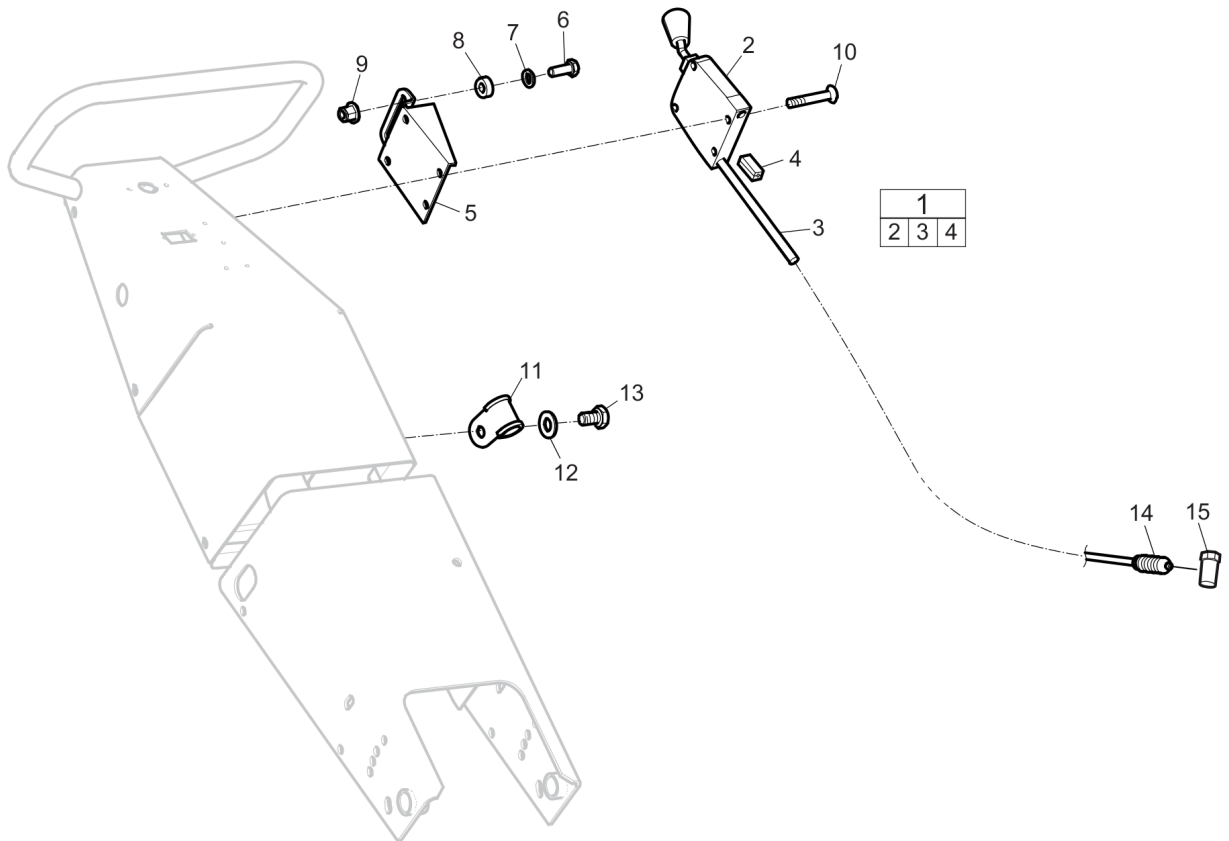
Spare parts list Electrical equipment, handle (Old version)



Refer to the Parts Online web page for most up-to-date information. The printed information might be outdated.

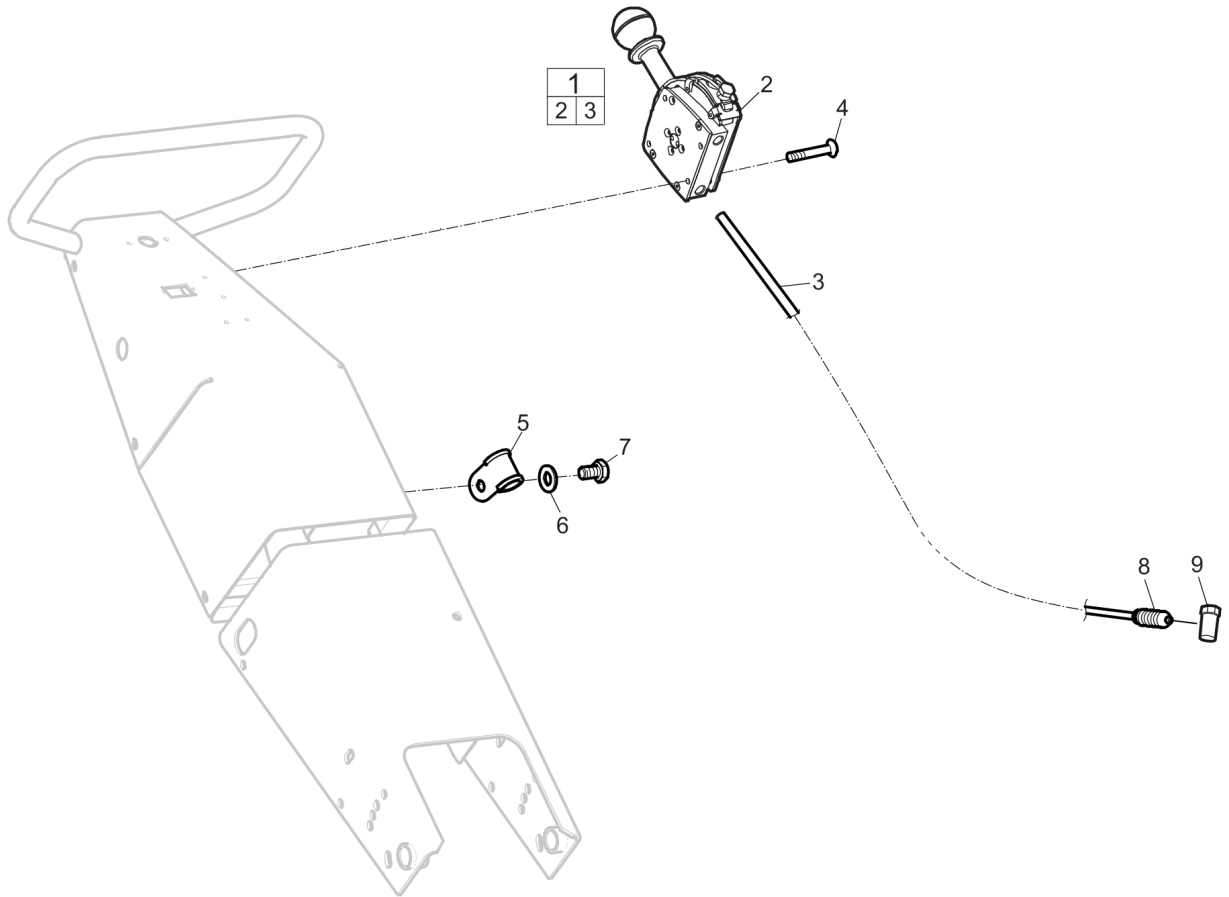
Item	Part No.	Name	Qty	L
1	594479801	Battery	1	
2	595186701	Bracket	1	
3	-	Washer, 5.3 x 10 x 1 mm, 0.21 x 0.39 x 0.04 in. 300 HV	2	
4	-	Screw, M5 x 10 mm A2-70	4	
5	594513401	Fuse holder	1	
6	-	Fuse holder	1	
7	594600901	Cover	1	
8	595469101	Fuse, 15A Blue	1	
9	-	Nut, M5 A2K	4	
10	594533601	Cover, ignition	1	
11	595189701	Emergency stop	1	
12	595470101	Contact piece, NC	1	
13	595189601	Contact piece, NO	1	
14	594513701	Diode lamp	2	
15	594334201	Relay	2	
16	594463401	Buzzer	1	
17	595462601	Cable harness	1	
18	595050201	Relay socket	2	
19	--	Wiring harness	1	
20	594513801	Diode	1	
21	595048701	Ignition switch	1	
22	595452701	Ignition key	1	

Spare parts list Throttle control, non EPA version



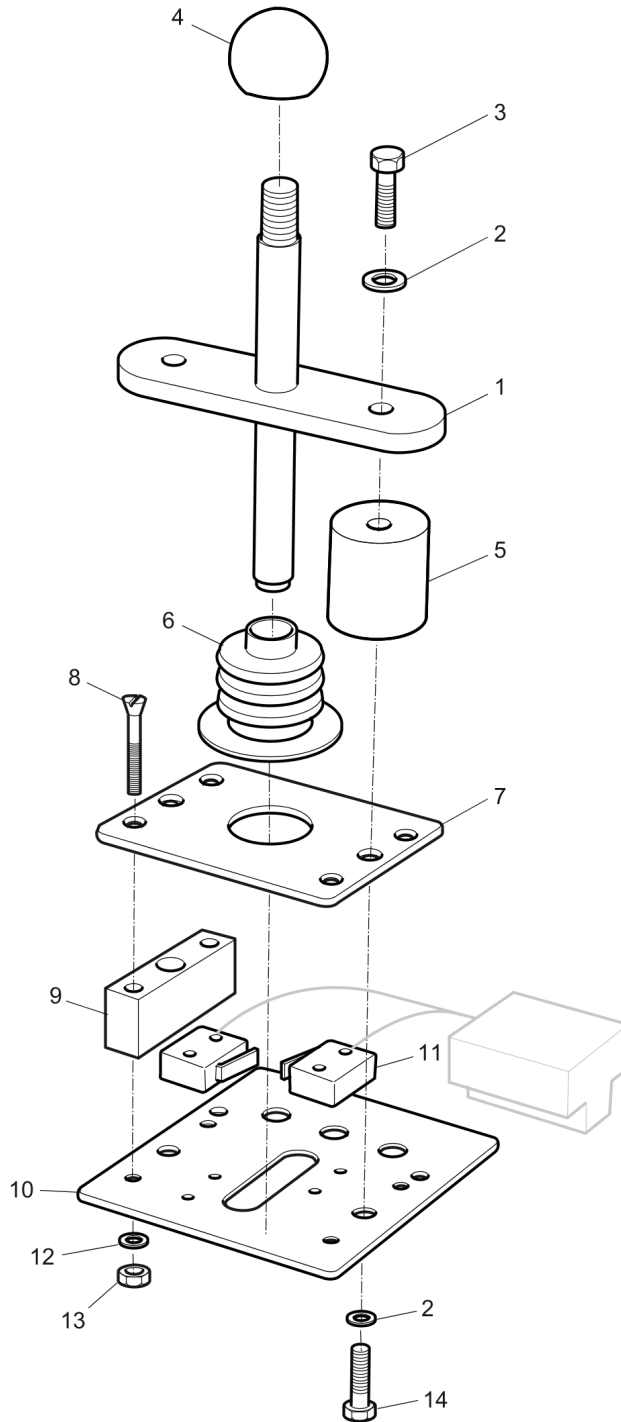
Item	Part No.	Name	Qty	L
1	594442601	Throttle controls	1	
2	595053201	Throttle handle	1	
3	594357401	Throttle wire	1	
4	594297101	Square nipple	1	
5	594645101	Throttle control bracket	1	
6	-	Screw, M6 x 20 mm 8.8 A2K	1	
7	-	Washer, 6.4 x 12 x 1.5 mm, 0.25 x 0.47 x 0.06 in. 300 HV	2	
8	594485701	Spacer	1	
9	-	Nut, M6 x 1 mm A2K	1	
10	-	Screw, M5 x 30 mm A2-70	4	
11	595469501	Clamp	1	
12	-	Washer, 8.4 x 16 x 1.5 mm, 0.33 x 0.63 x 0.06 in. 300 HV	1	
13	-	Screw, M8 x 14 mm 8.8 A2K	1	
14	594443401	Rubber bellows	1	
15	594331201	Nipple	1	

Spare parts list Throttle control, EPA version



Item	Part No.	Name	Qty	L
1	594176101	Throttle control, complete	1	
2	-	Throttle handle	1	
3	594210401	Throttle wire	1	
4	-	Screw, M5 x 30 mm A2-70	4	
5	595469501	Clamp	1	
6	-	Washer, 8.4 x 16 x 1.5 mm, 0.33 x 0.63 x 0.06 in. 300 HV	1	
7	-	Screw, M8 x 14 mm 8.8 A2K	1	
8	594443401	Rubber bellows	1	
9	594331201	Nipple	1	

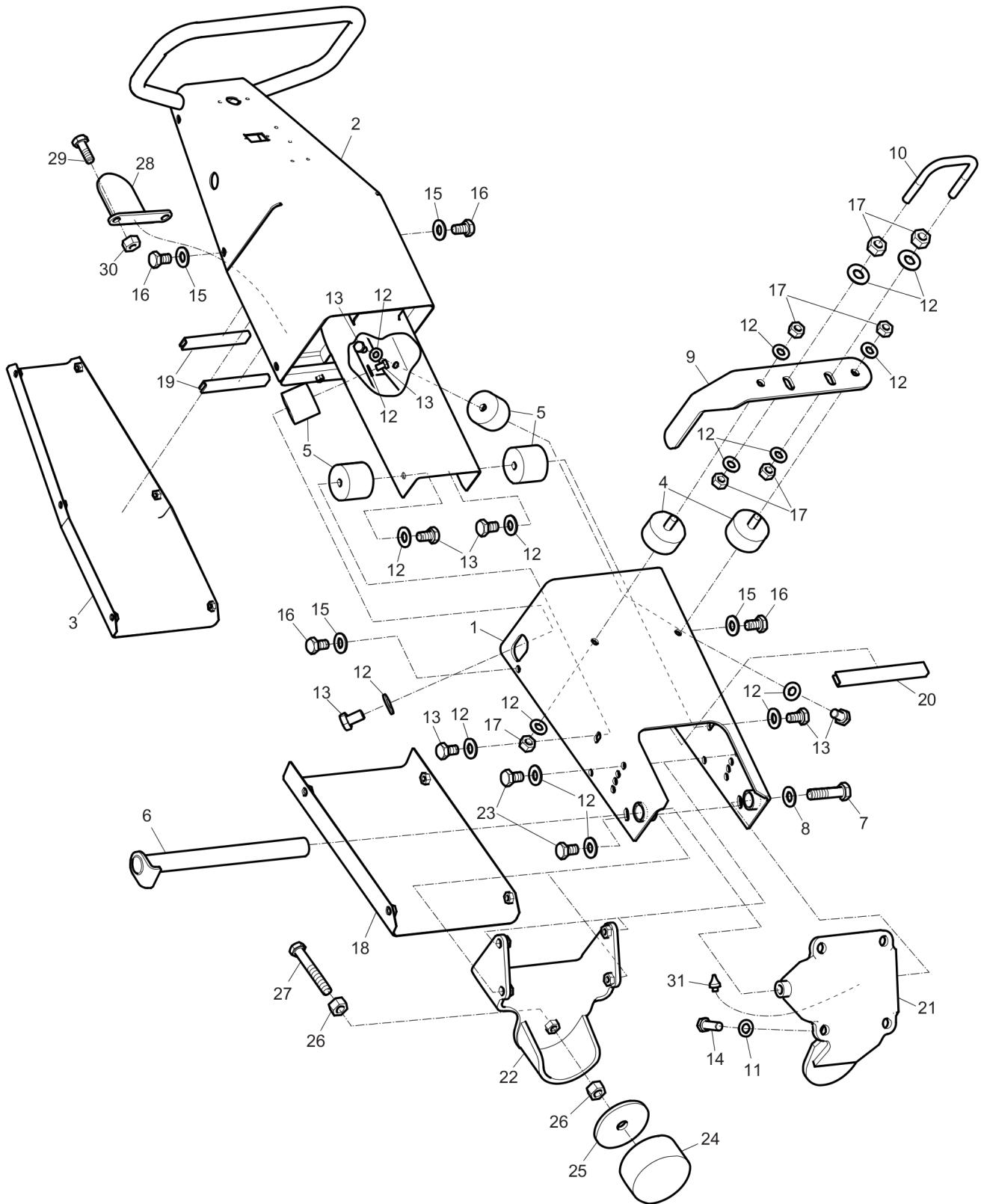
Spare parts list Joystick



Refer to the Parts Online web page for most up-to-date information. The printed information might be outdated.

Item	Part No.	Name	Qty	L
1	594449301	Lever	1	
2	-	Screw	4	
3	-	Screw, M6 x 10 mm 8.8 A2K	2	
4	595050401	Handle grip	1	
5	594449501	Shock absorber	2	
6	594449401	Bellows	1	
7	594449201	Bracket	1	
8	-	Screw, M3 x 20 mm 4.8 A2K	4	
9	594449001	Spacer	2	
10	594449101	Bracket	1	
11	594457401	Micro switch, cpl	2	
12	-	Washer 6 x 3.2 x 0.5 mm, 0.54 x 0.19 x 0.02 in.	4	
13	-	Nut, M3 A2K	4	
14	-	Screw, M6 x 22 mm 8.8 A2K mm	2	

Spare parts list Handle



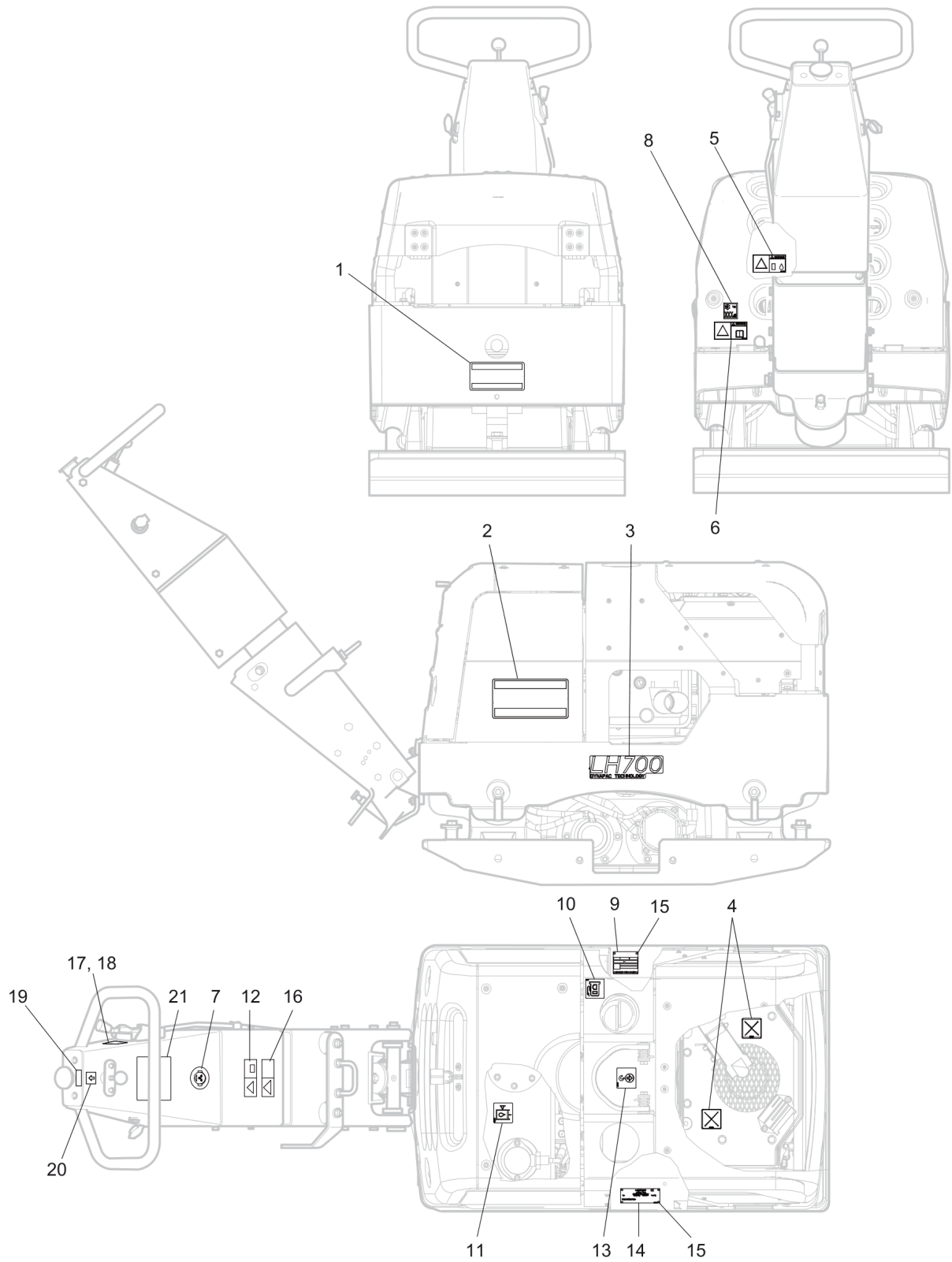
Refer to the Parts Online web page for most up-to-date information. The printed information might be outdated.

Item	Part No.	Name	Qty	L
1	594158101	Handle bracket	1	
2	594158201	Handle	1	
3	594354301	Cover	1	
4	594333901	Shock absorber	2	
5	594159101	Shock absorber	4	
6	594429201	Shaft	1	
7	-	Screw, M12 x 20 mm 8.8 A3K	1	
8	-	Washer, 13 x 30 x 4 mm, 0.51 x 1.18 x 0.16 in. 300 HV	1	
9	594354501	Lever	1	
10	594354601	Retainer	1	
11	-	Washer, 13 x 24 x 2 mm, 0.51 x 0.94 x 0.08 in. 300 HV	4	
12	-	Washer, 10.5 x 22 x 2 mm, 0.41 x 0.87 x 0.08 in. 300 HV	20	
13	-	Screw, M10 x 16 mm 8.8 A3K	8	
14	595193401	Screw M12 x 35 mm	4	
15	-	Washer, 8.4 x 16 x 1.5 mm, 0.33 x 0.63 x 0.06 in. 300 HV	10	
16	-	Screw, M8 x 16 mm 8.8 A2K	10	
17	-	Nut, M10 A3K	8	
18	594354701	Cover	1	
19	595453901	Edge trim	2	
20	595064801	Edge trim	1	
21	594158301	Bracket	1	
22	594465501	Bracket	1	
23	-	Screw, M10 x 30 mm 8.8 A3K	4	
24	594536801	Shock absorber	1	
25	595468801	Washer	1	
26	-	Nut, M12 GEOMET®	2	A
27	-	Screw, M12 x 80 mm 8.8 A3K	1	
28	594810701	Retainer	1	
29	-	Screw, M6 x 16 mm 8.8 A2K	2	
30	-	Nut, 6.4 x 12 x 1.5 mm, 0.25 x 0.47 x 0.06 in. 300 HV	2	
31	595188901	Grease fitting	1	

Comments for Page: Handle

A | GEOMET is a registered trademark of Nof Metal Coatings North America Inc.

Spare parts list Labels



Refer to the Parts Online web page for most up-to-date information. The printed information might be outdated.

Item	Part No.	Name	Qty	L
1	594147201	Product label	1	
2	594141601	Product label	2	
3	594159001	Product label, "LH 700"	2	
4	594828501	Label, Engine wash prohibited	2	
5	595065301	Safety label, Rotating engine components	1	
6	594517801	Safety label, lock handle	1	
7	594337101	Label, use ear protectors	1	
8	594516001	Decal "SOUND POWER LEVEL" 109dB	1	
9	-	Engine information label	1	
10	595071001	Decal "FUEL"	1	
11	595049701	Label, hydraulic oil level	1	
12	594535301	Safety label, read instruction manual	1	
13	595051201	Label lifting point	1	
14	-	Data plate (Not available separately)	1	
15	-	Drive screw	8	
16	594536401	Safety label, crush zone	1	
17	594353901	Label, engine speed	1	
18	594661001	Label, throttle control EPA	0	
19	595142401	Label, vibration	1	
20	594353801	Label, direction	2	
21	594475301	Label, start instruction	1	

Any unauthorized use or copying of the contents or any part thereof is prohibited.
This applies in particular to trademarks, model denominations, part numbers, and drawings.