

LH 804

Spare parts list

Forward and reversible plate

LH 804

Engine: Hatz 1D 90V

General information

This spare parts list applies to the following:

Part number	Description
967897301	COMPACTORS LH 804 Hatz EL
967897302	COMPACTORS LH 804 Hatz 2x75 mm BIO EL
967897303	COMPACTORS LH 804 Hatz EI 2x75
967897304	COMPACTORS LH 804 Hatz EI 2x150

Use only authorized parts. Any damage or malfunction caused by the use of unauthorized parts is not covered by Warranty or Product Liability. Any unauthorized use or copying of the contents or any part thereof is prohibited. This applies in particular to trademarks, model denominations, part numbers, and drawings.

Instructions for use

This spare parts list contains no safety regulations and is merely intended to assist in the ordering of spare parts.

For information about operating, servicing, or repairing, the relevant Safety and operating instructions must be consulted at all costs.

Please observe the safety instructions listed in the relevant Safety and operating instructions!

Kits and consumables	1
----------------------------	---

Preventative Maintenance Kits

Start Up Kit	3
12 months / 500 hours service kit	5
Six months / Every 250 hours kit	7
Six months / Every 100 hours kit	9

Service, repair and wear part kits

Shock absorber repair kit	11
Eccentric element repair kit	13
Forward and reverse piston repair kit	15
Extension plate kit 2 x 75 mm (2 x 2.95 in.)	17
Extension plate kit 2 x 150 mm (2 x 5.90 in.)	19

Spare parts list

Ground plate, engine plate and frame	21
Noise suppression	24
Hydraulic oil tank	27
Eccentric element	29
Hydraulic cylinder	31
Engine installation	33
Hydraulic system	36
Hydraulic block	40
Electrical equipment	43
Radio transmitter	47
Battery box	49
Emergency box	51
Labels	53

Kits and consumables

Service offers resume LH	Item	Number	Description
Lubricants	1		Cobra & compactor Impact-OIL 1L
	2		Cobra Compactor Impact-Oil, 20x1 L (0.22 gal) (0.26 US gal)
	3		Can Paroil E Mission Green 5 Liter/1.32 Gallon
	4		Can Paroil E Mission Green 20 Liter/5.3 Gallon
	5		Can Paroil E Mission Green 210 Liter/55.5 Gallon
Preventive maintenance	6	594198701	One year service kit
Wear and repair kits	7	595214601	Repair kit, eccentric element
	8	595505101	Repair kit, F/R piston
	9	594869301	Repair kit, shock absorbers

Item	Part No.	Name	Qty	L
1	-	Cobra & compactor Impact-OIL 1L	1	
2	-	Can Paroil Mission green 20 Liter/5.3 Gallon	1	
3	-	Drum Paroil Mission green 210 Liter/55.5 Gallon	1	
4	-	Can Paroil Mission green 20 Liter/5.3 Gallon	1	
5	-	Drum Paroil Mission green 210 Liter/55.5 Gallon	1	
6	594198701	One year service kit	1	
7	595214601	Repair kit, eccentric element	1	
8	595505101	Repair kit, F/R piston	1	
9	594869301	Repair kit, shock absorbers	1	

Preventative Maintenance Kits Start Up Kit

NO EXPLODED VIEW
AVAILABLE
FOR THIS BOM

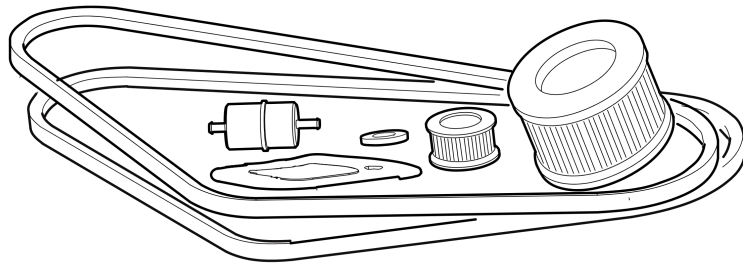
Item	Part No.	Name	Qty	L
1	594761801	Start Up Kit	1	
2	594217601	12 months / 500 hours service kit	1	
3	595377001	Oil filter	1	
4	595130401	Product label	1	
5	595377101	Air Filter	1	
6	594445201	Hydraulic Oil Filter BIO	1	
7	594215001	Every 250 hours / six months	1	
8	595377001	Oil filter	1	
9	595130401	Product label	1	
10	595377101	Air Filter	1	
11	595384301	Every 100 hours kit	1	
12	595377101	Air Filter	2	
13	-	Cobra & compactor Impact-OIL 1L	1	

Preventative Maintenance Kits 12 months / 500 hours service kit

NO EXPLODED VIEW
AVAILABLE
FOR THIS BOM

Item	Part No.	Name	Qty	L
1	595384101	12 months / 500 hours service kit	1	
2	595377001	Oil filter	1	
3	595130401	Product label	1	
4	595377101	Air Filter	1	
5	594445301	Hydraulic Oil Filter BIO	1	

Preventative Maintenance Kits Six months / Every 250 hours kit



Item	Part No.	Name	Qty	L
1	594215001	Every 250 hours / six months	1	
2	595377001	Oil filter	1	
3	595130401	Product label	1	
4	595377101	Air Filter	1	

Preventative Maintenance Kits Six months / Every 100 hours kit

NO EXPLODED VIEW
AVAILABLE
FOR THIS BOM

Item	Part No.	Name	Qty	L
1	595384301	Every 100 hours kit	1	
2	595377101	Air Filter	2	

Service, repair and wear part kits Shock absorber repair kit

NO EXPLODED VIEW
AVAILABLE
FOR THIS BOM

Item	Part No.	Name	Qty	L
1	595379601	Eccentric element repair kit	1	
-	594336201	Shock absorber	4	A
Not Shown	-	Nut, M16 A3K, See section "Ground plate, engine plate and frame".	8	
Not Shown	-	Washer, 17 x 30 x 3 mm, 0.70 x 1.18 x 0.12 in. 300 HV, See section "Ground plate, engine plate and frame".	8	

Comments for Page: Shock absorber repair kit

(L)OCAL REMARKS

A | For ground plate.

See section "Ground plate, engine plate and frame".

Service, repair and wear part kits Eccentric element repair kit

NO EXPLODED VIEW
AVAILABLE
FOR THIS BOM

Item	Part No.	Name	Qty	L
1	595214601	Repair kit, eccentric element	1	
-	594528001	Roller bearing	4	A
-	594259601	Ball bearing	4	B
Not Shown	-	O-ring	1	C
Not Shown	-	O-ring	1	D
Not Shown	-	Washer sealing, 16.7 x 24 x 1.5 mm, 0.66 x 0.94 x 0.06 in. TYPE A,M16	1	
Not Shown	-	Screw, M6 x 20 mm 8.8 A2K	20	
Not Shown	-	Washer, 6.4 x 12 x 1.5 mm, 0.25 x 0.47 x 0.06 in. 300 HV	20	
Not Shown	-	Screw, M8 x 25 mm 8.8 A2K	4	
Not Shown	-	Washer, 8.4 x 16 x 1.5 mm, 0.33 x 0.63 x 0.06 in. 300 HV	4	

Comments for Page: Eccentric element repair kit

(L)OCAL REMARKS

A | See section "Eccentric element".

B | See section "Eccentric element".

C | See section "Eccentric element".

D | See section "Eccentric element".

Service, repair and wear part kits Forward and reverse piston repair kit

NO EXPLODED VIEW
AVAILABLE
FOR THIS BOM

Item	Part No.	Name	Qty	L
1	595505101	Repair kit, F/R piston	2	
-	595523801	Piston	1	A
-	594458901	Sleeve	1	B
-	594515201	Bearing	2	C
-	594537201	Shear wiper	1	D
-	594457701	U-packing	1	E
-	594826201	Piston rod	1	F
-	595445301	O-ring, 26.2 x 3.0 mm, 1.03 x 0.12 in.	1	G
-	594457801	Guide ring	1	H
-	595174701	Hydraulic cylinder	1	I
Not Shown	-	Guide Ring	1	J
Not Shown	-	Piston seal	1	K

Comments for Page: Forward and reverse piston repair kit

A | See section "Hydraulic cylinder".

B | See section "Hydraulic cylinder".

C | See section "Hydraulic cylinder".

D | See section "Hydraulic cylinder".

E | See section "Hydraulic cylinder".

F | See section "Hydraulic cylinder".

G | See section "Hydraulic cylinder".

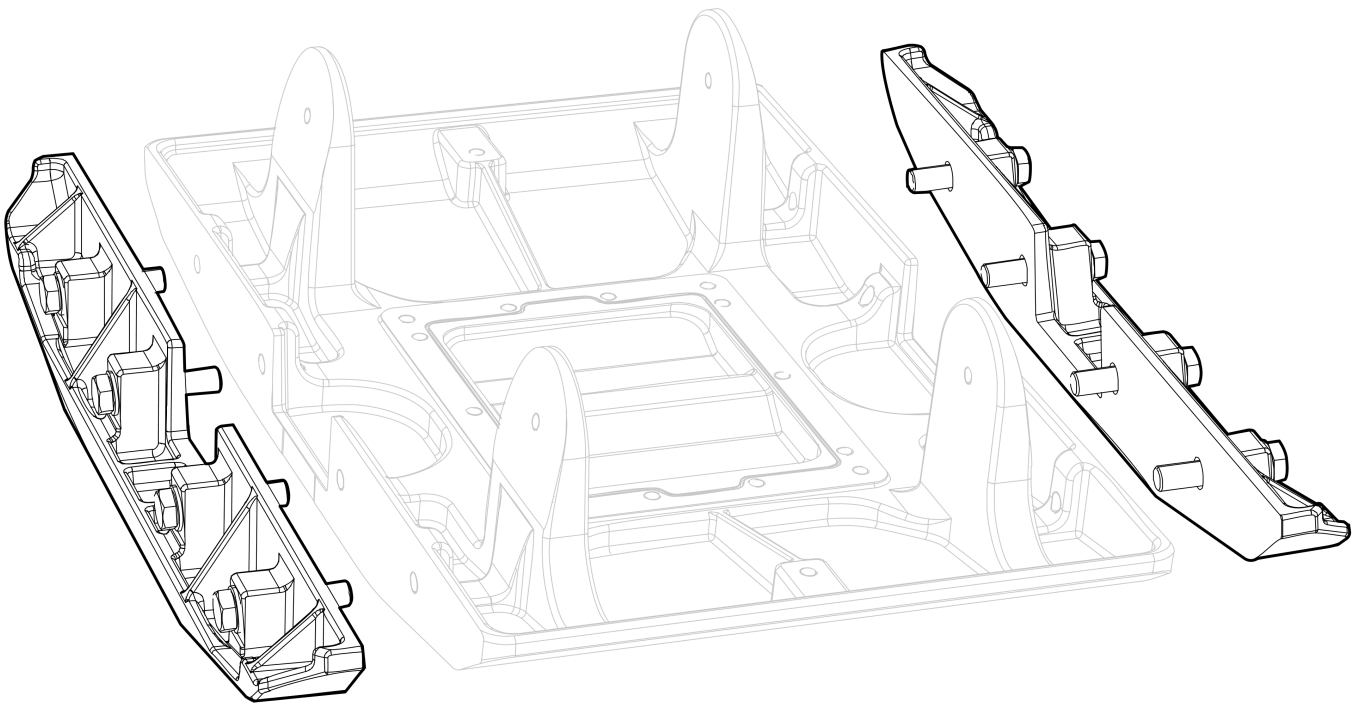
H | See section "Hydraulic cylinder".

I | See section "Hydraulic cylinder".

J | See section "Hydraulic cylinder".

K | See section "Hydraulic cylinder".

Service, repair and wear part kits Extension plate kit 2 x 75 mm (2 x 2.95 in.)

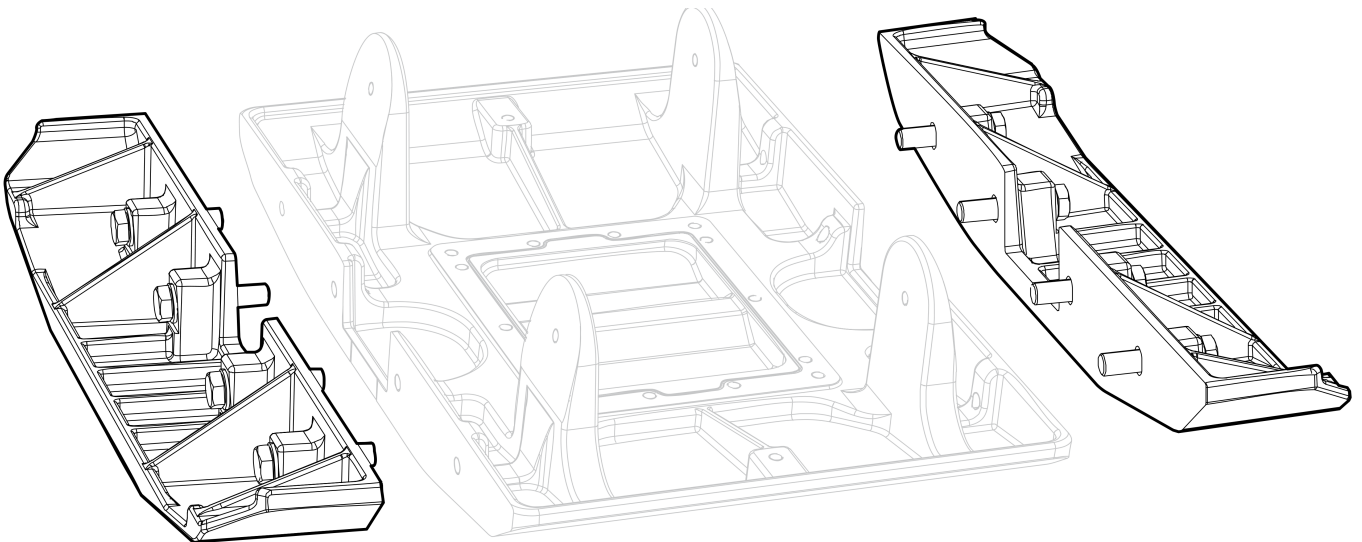


Item	Part No.	Name	Qty	L
1	594826001	Extension plate kit 2 x 75 mm (2 x 2.95 in.)	1	
2	-	Extension plate, 75 mm, 2.95 in.	2	
3	-	Washer, 21 x 36 x 3 mm, 0.83 x 1.42 x 0.24 in. 300 HV	8	
4	595069401	Screw M20x90	8	A

Comments for Page: Extension plate kit 2 x 75 mm (2 x 2.95 in.)

A | GEOMET is a registered trademark of Nof Metal Coatings North America Inc.

Service, repair and wear part kits Extension plate kit 2 x 150 mm (2 x 5.90 in.)

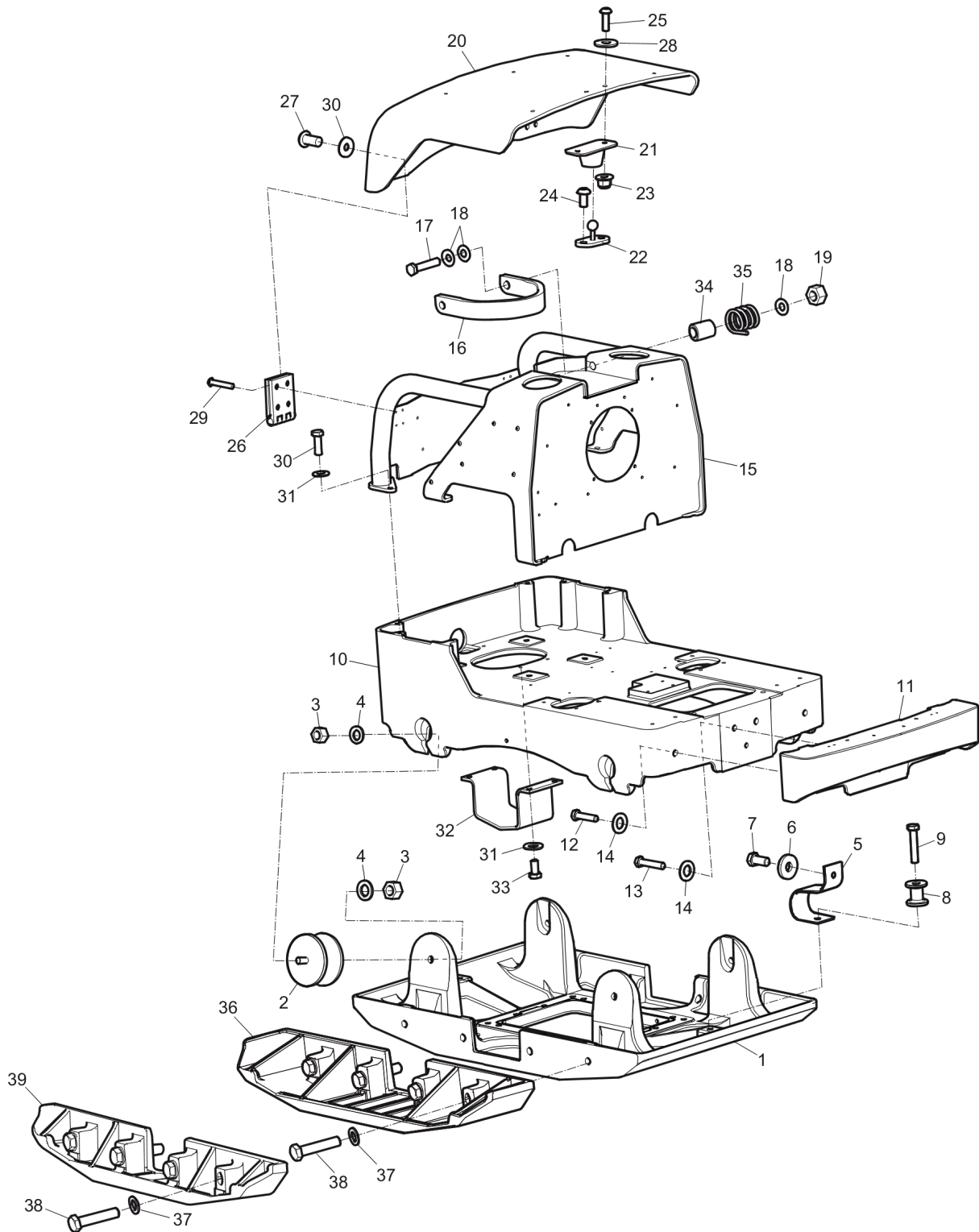


Item	Part No.	Name	Qty	L
1	594826101	Extension plate kit 2 x 150 mm (2 x 5.90 in.)	1	
2	-	Extension plate, 150 mm, 5.90 in.	2	
3	595069401	Screw M20x90	8	A
4	-	Washer, 21 x 36 x 3 mm, 0.83 x 1.42 x 0.24 in. 300 HV	8	

Comments for Page: Extension plate kit 2 x 150 mm (2 x 5.90 in.)

A | GEOMET is a registered trademark of Nof Metal Coatings North America Inc.

Spare parts list Ground plate, engine plate and frame



Refer to the Parts Online web page for most up-to-date information. The printed information might be outdated.

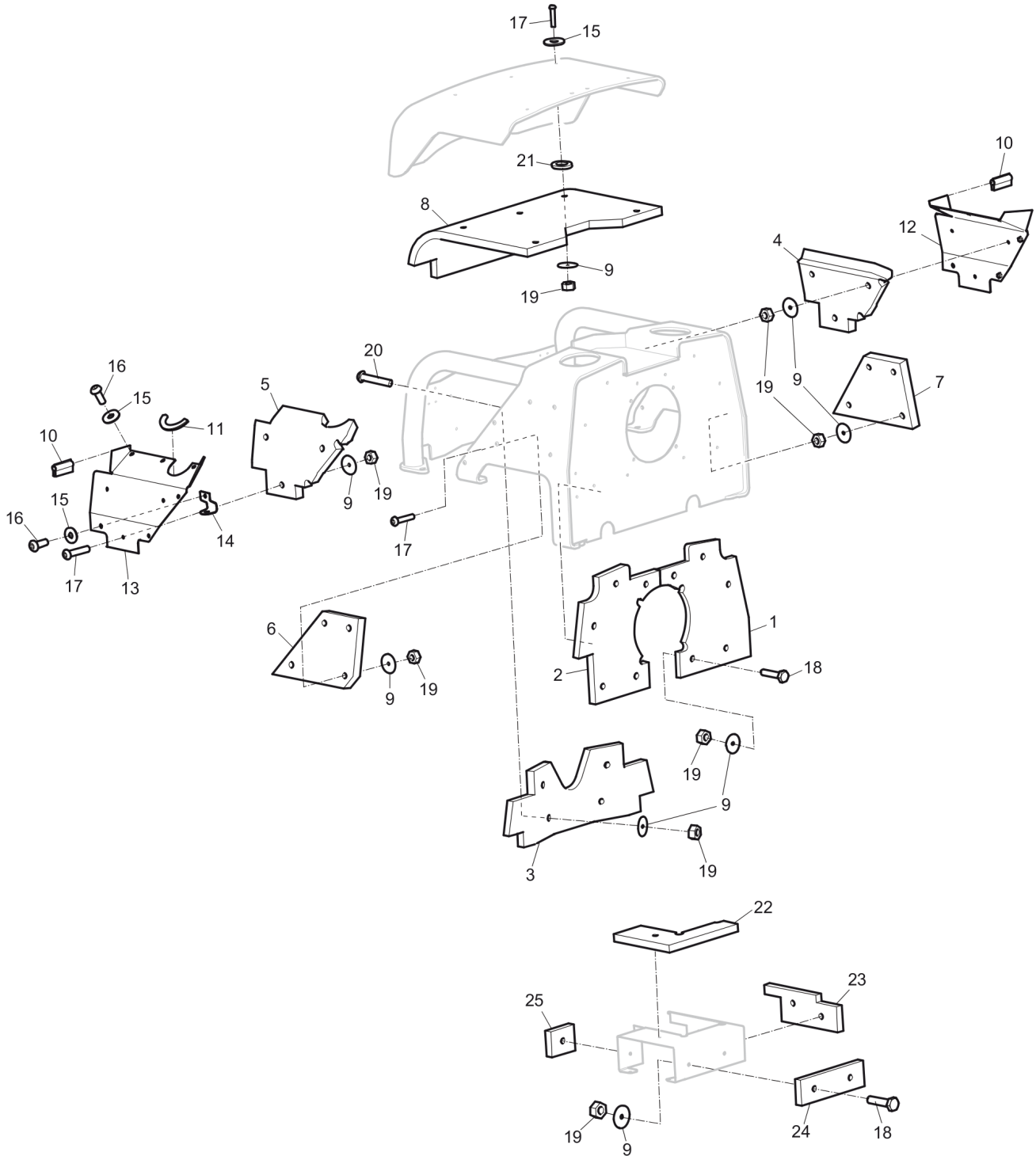
Item	Part No.	Name	Qty	L
1	594468201	Ground plate	1	
2	594336201	Shock absorber	4	
3	595181001	Hex. nut	8	
4	-	Washer, 17 x 30 x 3 mm, 0.70 x 1.18 x 0.12 in. 300 HV	8	
5	594159201	Strap	2	
6	-	Washer, 13 x 36 x 6 mm, 0.51 x 1.42 x 0.24 in. 300 HV	2	
7	594608501	Screw M12-1,75x25	2	
8	595173301	Sleeve	2	
9	-	Screw, M16 x 80 mm 8.8 A3K	2	
10	595123001	Engine plate	1	
11	595123301	Extension	1	
12	-	Screw, M12 x 60 mm 8.8 A3K	2	
13	-	Screw, M12 x 50 mm 8.8 A3K	2	
14	-	Washer, 13 x 24 x 2 mm, 0.51 x 0.98 x 0.08 in. 300 HV	4	
15	594960301	Protective frame	1	
16	594158501	Lifting lug	1	
17	-	Screw, M12 x 90 mm 8.8 A3K	2	
18	-	Washer, 13 x 30 x 4 mm, 0.51 x 1.18 x 0.16 in. 300 HV	6	
19	-	Nut, M12 ISO7040	2	
20	594959601	Hood	1	
21	595053001	Door bumper	1	
22	594514901	Door bumper	1	
23	595064401	Nut M5	2	
24	-	Screw, M5 x 10 mm A2-70	2	
25	595187301	Screw M5x16 A2-70	2	
26	594446801	Hinge	2	
27	595067701	Button head socket screw, M6x12	8	
28	594535101	Washer, 6 x 18 x 2 mm, 0.24 x 0.71 x 0.08 in. 300 HV	10	
29	-	Screw, M6 x 16 mm A2-70	8	
30	595193301	Hex. screw M10x030H	8	
31	-	Washer, 10.5 x 22 x 2 mm, 0.41 x 0.87 x 0.08 in. 300 HV	12	
32	595160001	Bracket	1	
33	-	Screw, M10 x 20 mm 8.8 A3K	4	
34	594485001	Spacer	2	
35	594489101	Spring	2	
36	595173401	Extension plate	2	
37	-	Washer, 21 x 36 x 3 mm, 0.83 x 1.42 x 0.24 in. 300 HV	8	
38	595069401	Screw M20x90	8	

Refer to the Parts Online web page for most up-to-date information. The printed information might be outdated.

Item	Part No.	Name	Qty	L
39	594751601	Extension plate, 75 mm, 2.95 in.	2	

This page intentionally left blank

Spare parts list Noise suppression



Refer to the Parts Online web page for most up-to-date information. The printed information might be outdated.

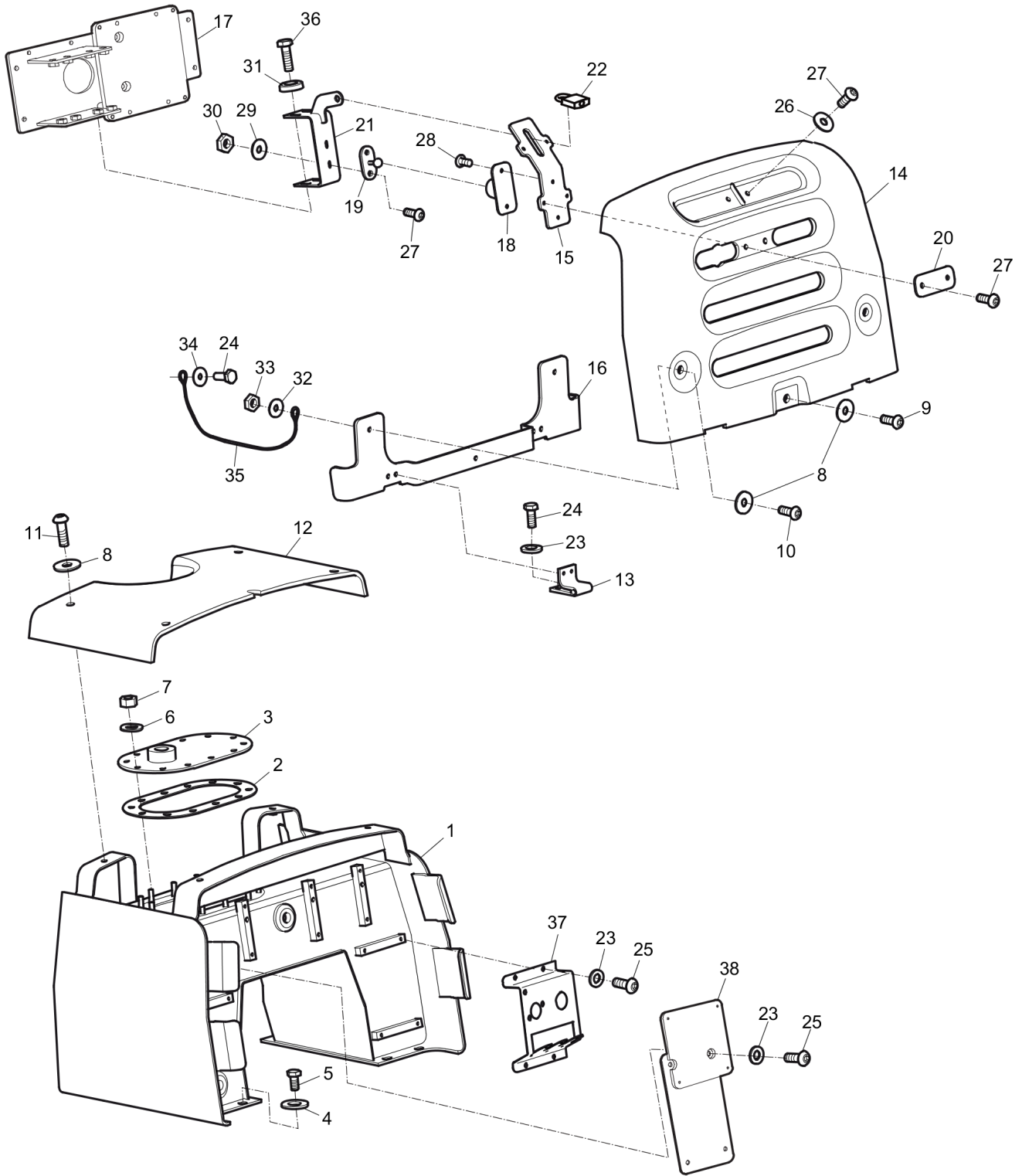
Item	Part No.	Name	Qty	L
1	594454101	Insulation	1	
2	594454001	Insulation	1	
3	594454601	Insulation	1	
4	594454401	Insulation	1	
5	594454501	Insulation	1	
6	594454201	Insulation	1	
7	594454301	Insulation	1	
8	594454801	Insulation	1	
9	595051701	Insulating washer	39	
10	595066101	Edge trim	2	
11	595048201	Edge trim	1	
12	595278601	Plate	1	
13	595278701	Plate	1	
14	595174101	Bracket	2	
15	-	Washer, 6 x 18 x 2 mm, 0.24 x 0.71 x 0.08 in. 300 HV	15	
16	-	Screw, M6 x 16 mm A2-70	8	
17	-	Screw, M6 x 30 mm A2-70	23	
18	-	Screw, M6 x 25 mm 8.8 A2K	16	
19	-	Nut, M6 A2K	39	
20	-	Screw, M6 x 25 mm A2-70	4	
21	-	Washer, 6.4 x 12 x 1.5 mm, 0.25 x 0.47 x 0.06 in. 300 HV	5	
22	594445001	Insulation	1	A
23	594444901	Insulation	1	A
24	594444801	Insulation	1	A
25	594444701	Insulation	1	A

Comments for Page: Noise suppression

(L)OCAL REMARKS

A | Mounted on the air inlet

Spare parts list Hydraulic oil tank

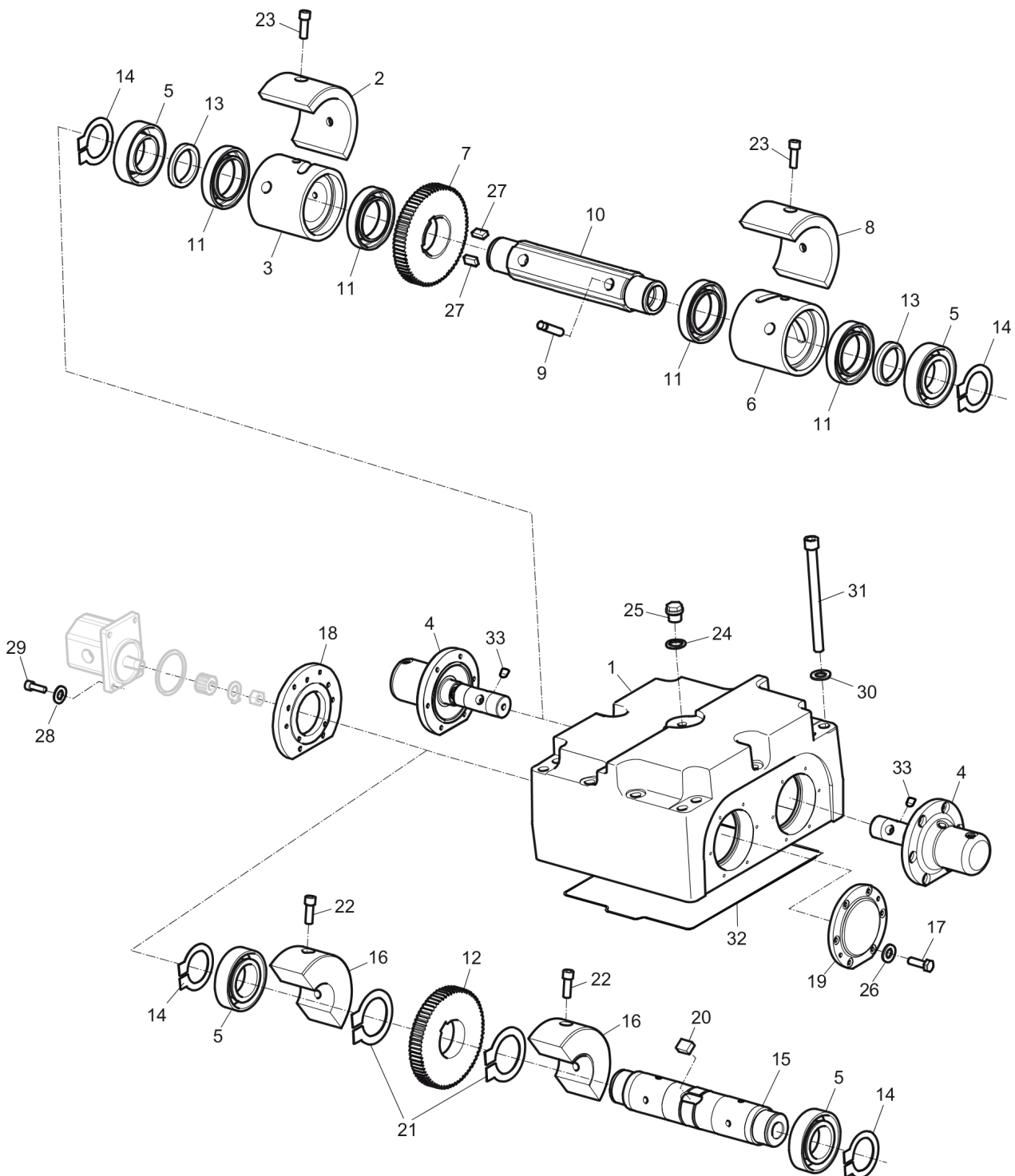


Refer to the Parts Online web page for most up-to-date information. The printed information might be outdated.

Item	Part No.	Name	Qty	L
1	595279201	Hydraulic oil tank	1	
2	594352601	Gasket	1	
3	595123201	Cover	1	
4	-	Washer, 10.5 x 22 x 2 mm, 0.41 x 0.87 x 0.08 in. 300 HV	8	
5	-	Screw, M10 x 20 mm 8.8 A3K	8	
6	-	Washer, 8.4 x 16 x 1.5 mm, 0.33 x 0.63 x 0.06 in. 300 HV	12	
7	-	Nut, M8 A2K	12	
8	594535201	Washer, 8.4 x 25 x 2 mm, 0.33 x 0.99 x 0.08 in. 300 HV	7	
9	595187801	Screw	1	
10	595187801	Screw	1	
11	595183601	Screw, M8 x 20 mm A2-70	4	
12	594958201	Cover	1	
13	595174001	Hinge	2	
14	594959801	Hood	1	
15	595173701	Bracket	1	
16	595173501	Bracket	1	
17	595362001	Bracket	1	
18	595053001	Door bumper	1	
19	594514901	Door bumper	1	
20	595173601	Plate	1	
21	594452301	Bracket	1	
22	595456301	Pad lock	1	
23	-	Washer, 6.4 x 12 x 1.5 mm, 0.25 x 0.47 x 0.06 in. 300 HV	22	
24	-	Screw, M5 x 40 mm 8.8 A2K	9	
25	-	Screw, M6 x 16 mm A2-70	14	
26	594535101	Washer, 6 x 18 x 2 mm, 0.24 x 0.71 x 0.08 in. 300 HV	2	
27	595187301	Screw M5x16 A2-70	6	
28	-	Screw, M5 x 10 mm A2-70	2	
29	-	Washer, 5.3 x 10 x 1 mm, 0.21 x 0.39 x 0.04 in. 300 HV	2	
30	-	Nut, M5 A2K	2	
31	-	Washer, 6.4 x 12 x 3 mm, 0.25 x 0.47 x 0.12 in.	4	
32	-	Washer, 8.4 x 25 x 2 mm, 0.33 x 0.98 x 0.08 in.	1	
33	-	Nut, M8 A2K	1	
34	-	Washer, 7 x 25 x 1.5 mm, 0.28 x 0.98 x 0.06 in. 300 HV	1	
35	595173001	Wire	1	
36	-	Screw, M6 x 20 mm 8.8 A2K	4	
37	595464101	Bracket	1	
38	595362101	Bracket	1	

Refer to the Parts Online web page for most up-to-date information. The printed information might be outdated.

Spare parts list Eccentric element

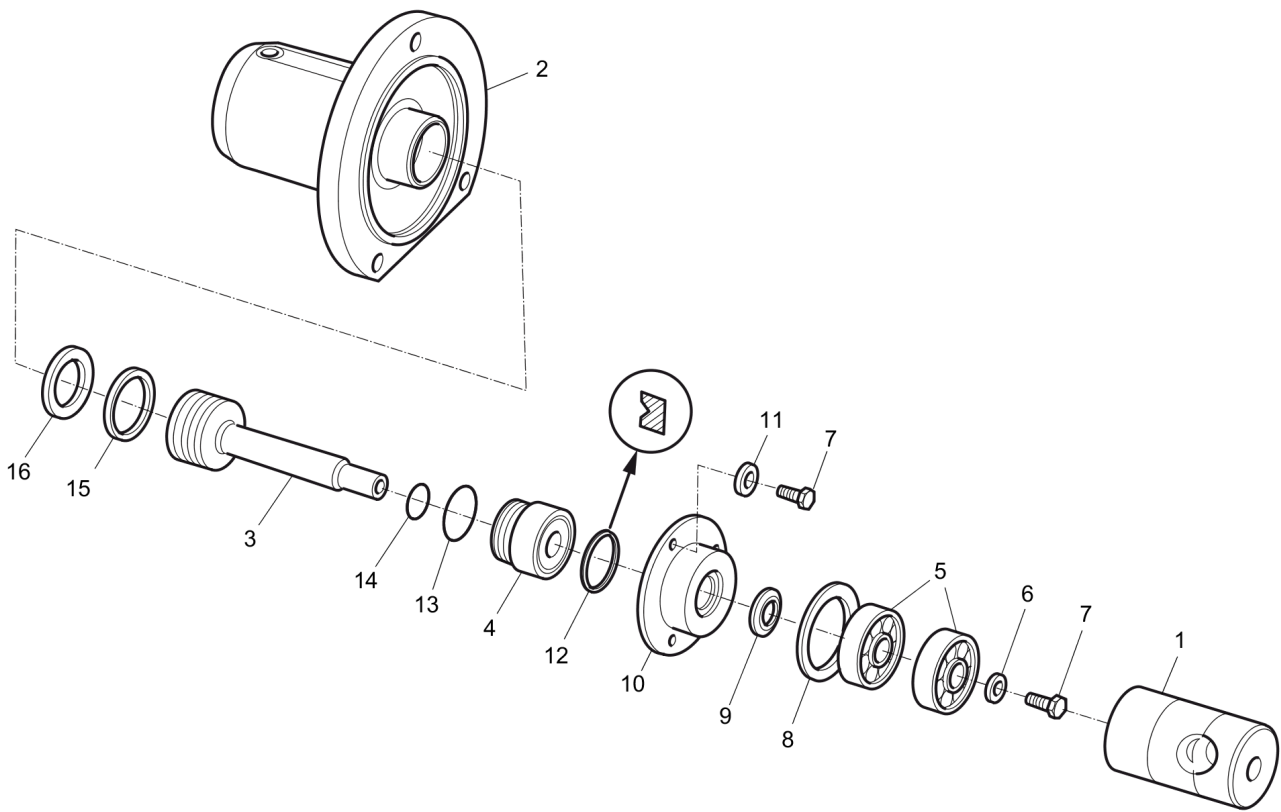


Refer to the Parts Online web page for most up-to-date information. The printed information might be outdated.

Item	Part No.	Name	Qty	L
1	595173801	Eccentric housing	1	
2	595172601	Eccentric weight	1	
3	595052001	Sleeve	1	
4	-	Hydraulic cylinder	2	
5	594528001	Roller bearing	4	
6	595172701	Sleeve	1	
7	595173101	Gear	1	
8	595463101	Eccentric weight	1	
9	595172801	Pin	2	
10	595462901	Shaft	1	
11	594259601	Ball bearing	4	
12	594335301	Gear	1	
13	595463001	Spacer	2	
14	595144501	Retaining ring for shaft	4	
15	594448901	Shaft	1	
16	594335201	Eccentric weight	2	
17	-	Screw, M6 x 20 mm 8.8 A2K	25	
18	595453601	Cover	1	
19	595453301	Cover	1	
20	594335401	Key	1	
21	595045901	Snap ring	2	
22	-	Screw, M12 x 50 mm 8.8 A3K	4	
23	-	Screw, M12 x 35 mm 8.8 A3K	4	
24	595047801	Washer, 16.7x24x1.5 mm Type A M16	1	
25	595048301	Plug, M16	1	
26	595186801	Washer 6,4x12x1,5	25	
27	595173201	Key	2	
28	595066601	Washer, 8.4x 6x1.5 mm 300HV	4	
29	-	Screw, M8 x 25 mm 8.8 A2K	4	
30	595066901	Steel plain washer	14	
31	594534701	Screw	14	
32	594537101	O-ring	1	
33	-	Stop screw, M10 x 12 mm	2	

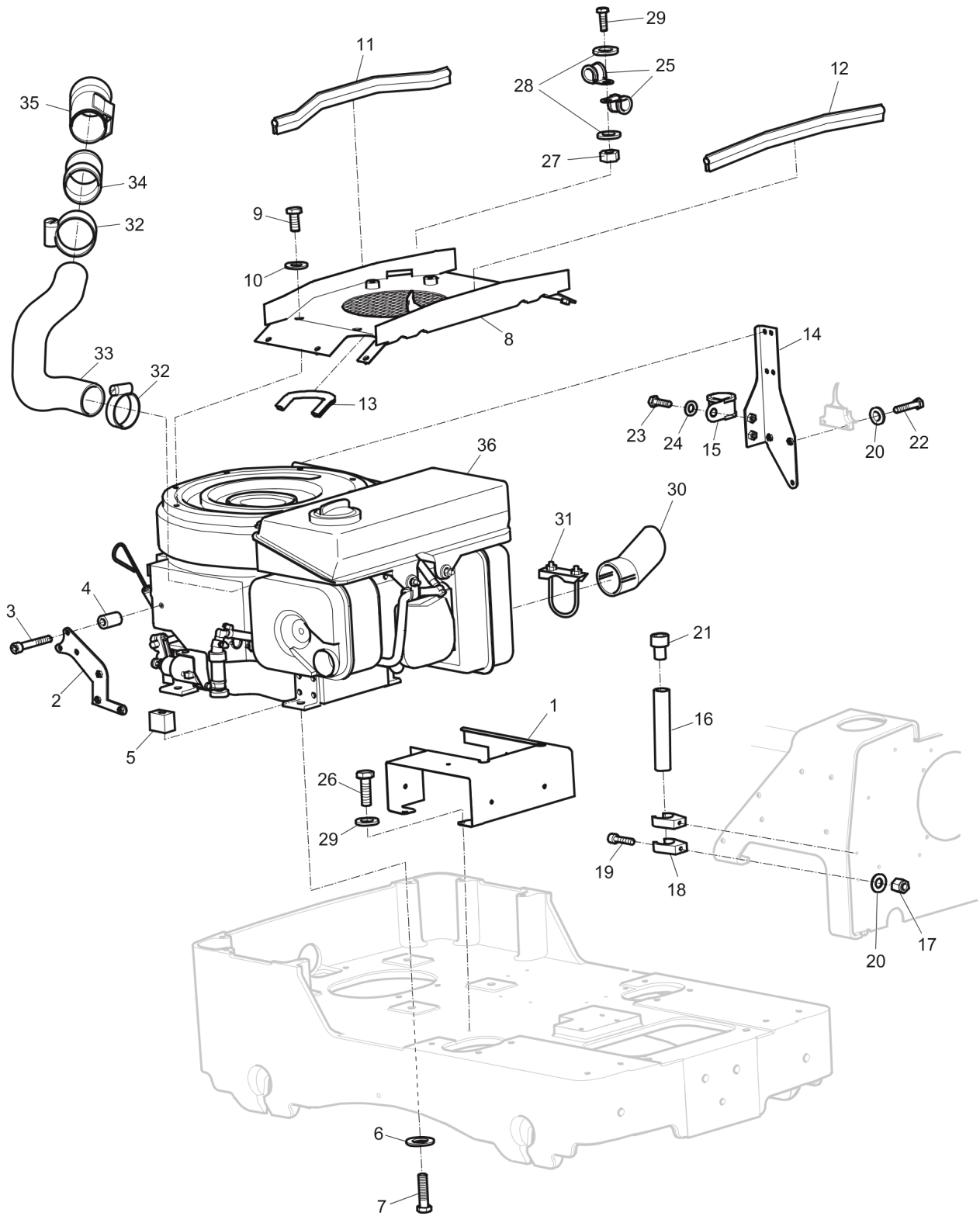
Refer to the Parts Online web page for most up-to-date information. The printed information might be outdated.

Spare parts list Hydraulic cylinder



Item	Part No.	Name	Qty	L
1	595523801	Piston	1	
2	595174701	Hydraulic cylinder	1	
3	594826201	Piston rod	1	
4	594458901	Sleeve	1	
5	594515201	Bearing	2	
6	594446201	Washer	1	
7	-	Screw, M6 x 12 mm 8.8 A2K	4	
8	595144801	Retaining ring	1	
9	594537201	Shear wiper	1	
10	595174801	Sleeve	1	
11	-	Washer, 6.4 x 12 x 1.5 mm, 0.25 x 0.47 x 0.06 in. 300 HV	3	
12	594457701	U-packing	1	
13	595445301	O-ring, 26.2 x 3.0 mm, 1.03 x 0.12 in.	1	
14	594457801	Guide ring	1	
15	594457501	Guide ring	1	
16	594457601	Piston seal	1	

Spare parts list Engine installation



Refer to the Parts Online web page for most up-to-date information. The printed information might be outdated.

Item	Part No.	Name	Qty	L
1	594453101	Air inlet	1	
2	595174201	Bracket	1	
3	-	Screw M6 x 20 mm 8.8 A2K	1	A
4	-	Screw M6 x 20 mm 8.8 A2K	1	B
5	594352001	Spacer	4	
6	-	Washer, 13 x 24 x 2 mm, 0.51 x 0.94 x 0.08 in. 300 HV	4	
7	-	Screw, M12 x 50 mm 8.8 A3K	4	
8	594462501	Cover	1	
9	-	Screw, M10 x 16 mm 8.8 A3K	8	
10	-	Washer, 10.5 x 22 x 2 mm, 0.41 x 0.87 x 0.08 in. 300 HV	8	
11	595066101	Edge trim	1	
12	595066101	Edge trim	1	
13	595048201	Edge trim	1	
14	595463701	Bracket	1	
15	595293601	Washer	1	
16	595049601	Hose	1	
17	-	Nut, M5 ISO7040	2	
18	594329501	Clip	2	
19	-	Screw, M5 x 20 mm 8.8 A2K	2	
20	-	Washer, 5.3 x 10 x 1 mm, 0.21 x 0.39 x 0.04 in. 300 HV	4	
21	594336901	Oil drain, complete	1	
22	-	Screw, M5 x 25 mm 8.8 A2K	2	
23	-	Screw, M8 x 25 mm 8.8 A2K	2	
24	-	Washer, 8.4 x 16 x 1.5 mm, 0.33 x 0.63 x 0.06 in. 300 HV	2	
25	595188501	Clamp	2	
26	-	Screw, M6 x 16 mm 8.8 A2K	4	
27	-	Nut, M6 A2K	1	
28	-	Washer, 6.4 x 12 x 1.5 mm, 0.25 x 0.47 x 0.06 in. 300 HV	6	
29	-	Screw, M6 x 20 mm 8.8 A2K	1	
30	594453401	Exhaust pipe	1	
31	595050501	Clamp	1	
32	595455001	Hose clamp	2	
33	594537701	Air hose	1	
34	594453801	Steel tube	1	
35	595524301	Cyclone, cpl	1	
36	595172001	Engine, cpl	1	C

Comments for Page: Engine installation

Refer to the Parts Online web page for most up-to-date information. The printed information might be outdated.

(LOCAL REMARKS

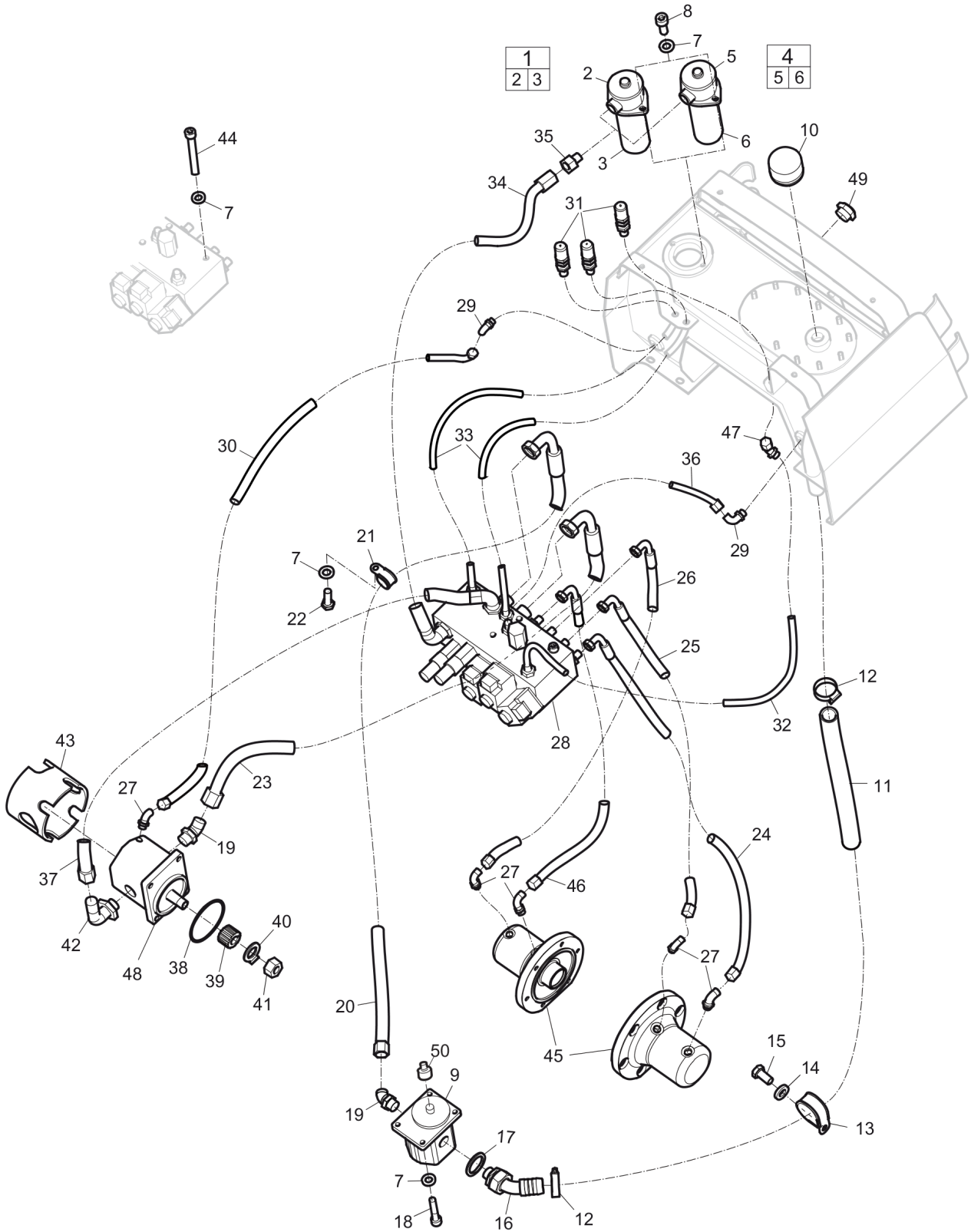
A | Supplied with engine

B | Supplied with engine

C | Hatz 1D90V

This page intentionally left blank

Spare parts list Hydraulic system



Refer to the Parts Online web page for most up-to-date information. The printed information might be outdated.

Item	Part No.	Name	Qty	L
1	594353001	Hydraulic oil filter, cpl	1	A
2	--	Housing	1	
3	594445201	Hydraulic Oil Filter BIO	1	
4	594445101	Bio hydraulic oil filter, cpl	1	B
5	--	Housing	1	
5	--	Housing	1	
6	594445301	Hydraulic Oil Filter BIO	1	
7	-	Washer, 8.4 x 16 x 1.5 mm, 0.33 x 0.63 x 0.06 in. 300 HV	9	
8	-	Screw, M8 x 20 mm 8.8 A2K	2	
9	594440701	Hydraulic pump	1	
10	594453501	Air breather	1	
11	594442301	Hydraulic hose	1	
12	595454801	Hose clamp	2	
13	595469701	Pipe clamp	1	
14	-	Washer, 10.5 x 22 x 4 mm, 0.41 x 0.87 x 0.16 in. 300 HV	1	
15	-	Screw, M10 x 20 mm 8.8 A3K	1	
16	594442401	Adapter	1	
17	594268701	Seal ring	1	
18	-	Screw, M8 x 45 mm 8.8 A2K	4	
19	595187501	Adapter	2	
20	594496001	Hydraulic hose	1	
21	595472501	Clamp	1	
22	-	Screw, M8 x 25 mm 8.8 A2K	1	
23	594496301	Hydraulic hose	1	
24	594495601	Hydraulic hose	1	
25	594496401	Hydraulic hose	1	
26	594495501	Hydraulic hose	1	
27	595050701	Elbow 90, O-ring	5	C
28	594490001	Hydraulic block, cpl	1	
29	595048601	Connector	2	
30	594439301	Hydraulic hose	1	
31	595161001	Measuring nipple	3	
32	595178201	Hydraulic hose	1	
33	595465301	Hydraulic hose	2	
34	595465201	Hydraulic hose	1	
35	595455801	Adapter	1	
36	595178301	Hydraulic hose	1	
37	594496501	Hydraulic hose	1	

Refer to the Parts Online web page for most up-to-date information. The printed information might be outdated.

Item	Part No.	Name	Qty	L
38	595046601	O-ring	1	
39	594352201	Splined sleeve	1	
40	-	Washer	1	
41	-	Nut	1	
42	595452601	Elbow adapter	1	
43	594442501	Protector	1	
44	-	Screw, M8 x 90 mm 8.8 A2K	1	
45	-	Hydraulic cylinder	2	
46	595361301	Hydraulic hose	1	
47	594293501	Elbow 45	1	D
48	594440801	Hydraulic motor	1	
49	594498101	Sight plug	1	
50	595471401	Splined sleeve	1	

Comments for Page: Hydraulic system

(L)OCAL REMARKS

A | For standard hydraulic oil.

B | For biogradable hydraulic oil.

C | 90°

1.57 rad

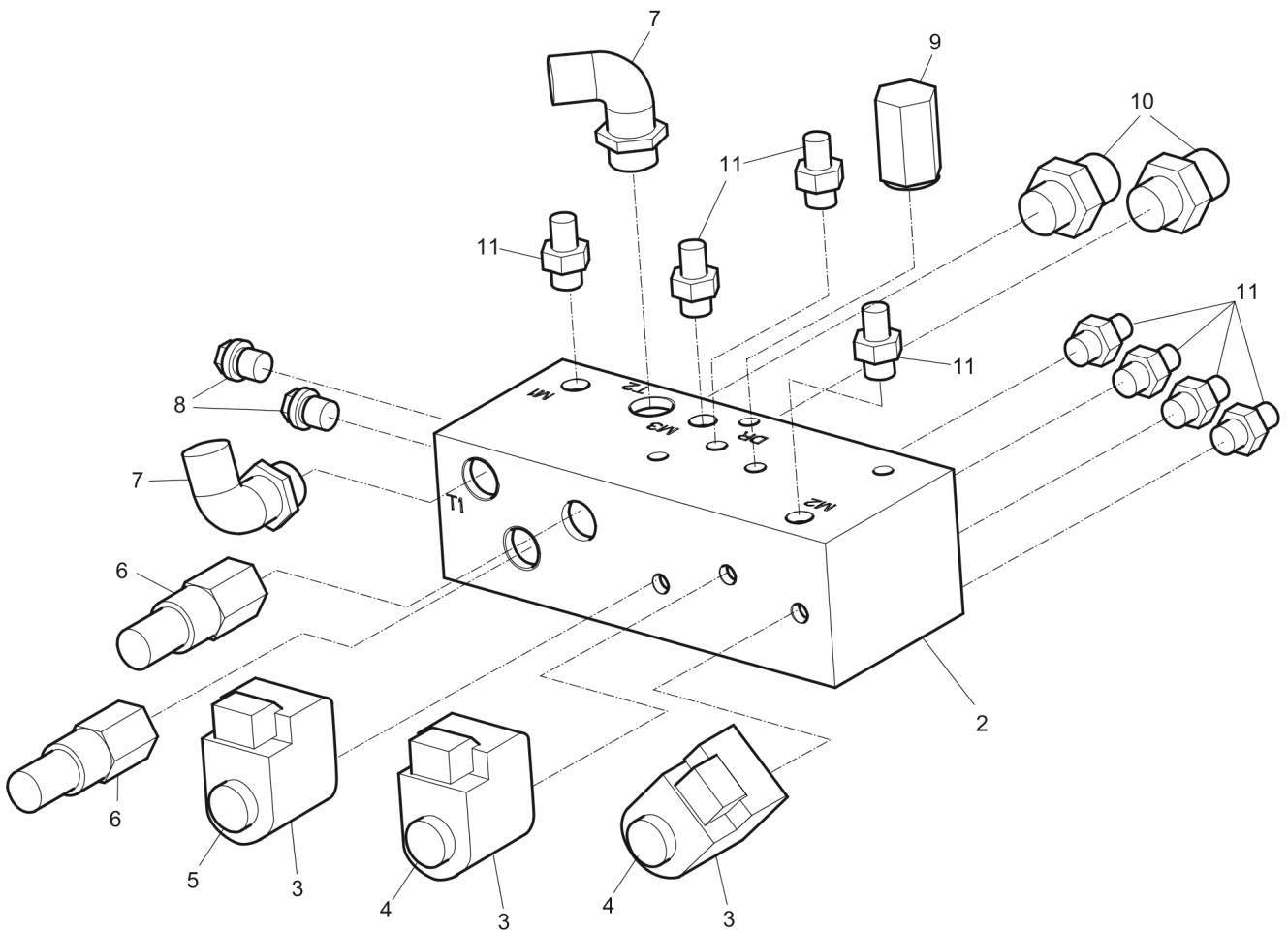
D | 45°

0.79 rad

This page intentionally left blank

Spare parts list Hydraulic block

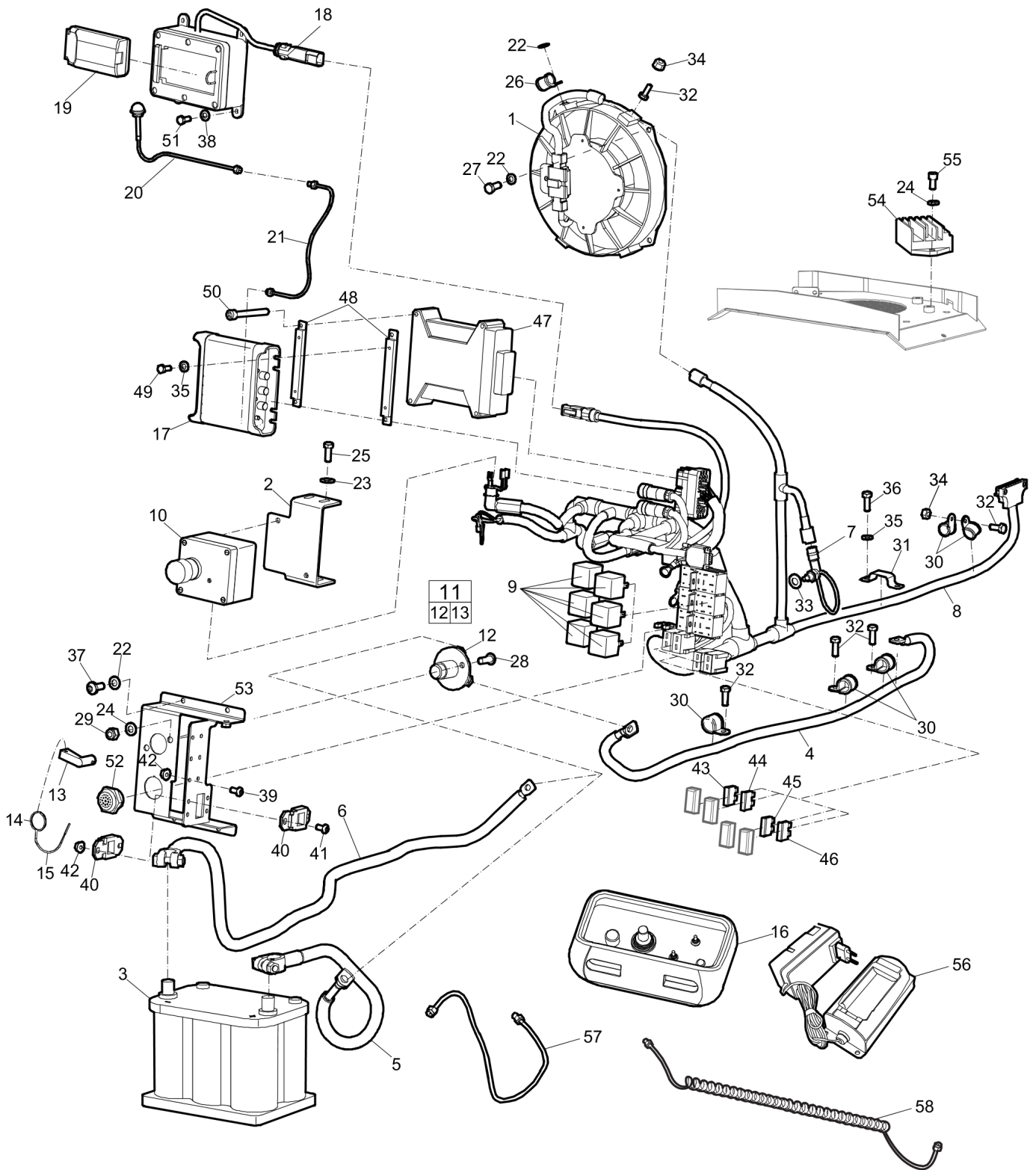
1										
2	3	4	5	6	7	8	9	10	11	



Refer to the Parts Online web page for most up-to-date information. The printed information might be outdated.

Item	Part No.	Name	Qty	L
1	594490001	Hydraulic block, cpl	1	
2	--	Block	1	
3	595193501	Electromagnet	3	
4	595191801	Valve	2	
5	594582501	Valve	1	
6	595192001	Pressure limite valve	2	
7	595158901	Elbow	2	
8	-	Plug	2	
9	595191901	Pressure reducing valve	1	
10	595160801	Straight o-ring connector	2	
11	595050601	Connector	8	

Spare parts list Electrical equipment



Refer to the Parts Online web page for most up-to-date information. The printed information might be outdated.

Item	Part No.	Name	Qty	L
1	594466201	Fan	1	
2	595173901	Bracket	1	
3	594485901	Battery	1	
4	595463601	Connection cable	1	
5	595184501	Battery cable (+)	1	A
6	595184601	Battery cable (-)	1	B
7	594175601	Temperature sensor, complete	1	C
8	595362401	Cable harness	1	
9	595065901	Relay	6	
10	594159501	Emergency box, complete	1	D
11	595051101	Battery switch, cpl	1	
12	--	Socket	1	
13	595065101	Handle	1	
14	595456201	Key-ring	1	
15	595170901	Wire	1	
16	594165701	Transmitter	1	
17	594170501	Reciever	1	
18	594649801	Battery charger	1	E
19	594649301	Battery	2	
20	594649201	Antenna	1	
21	594651201	Cable	1	
22	-	Washer, 6.4 x 12 x 1.5 mm, 0.25 x 0.47 x 0.06 in. 300 HV	9	
23	595181901	Washer 6,4x12x3	4	
24	595066601	Washer, 8.4x 6x1.5 mm 300HV	4	
25	-	Screw, M6 x 16 mm 8.8 A2K	4	
26	595188501	Clamp	2	
27	-	Screw, M6 x 20 mm 8.8 A2K	4	
28	-	Screw, M8 x 20 mm A2-70	2	
29	-	Nut, M8	2	
30	595188301	Clamp	5	
31	595174501	Clamp	2	
32	-	Screw, M6 x 14 mm 8.8 FZB	5	
33	-	Copper washer, 10 x 14 x 1 mm, 0.39 x 0.55 x 0.04 in.	2	
34	-	Nut, M6 A2K	2	
35	-	Washer, 5.3 x 10 x 1 mm, 0.21 x 0.39 x 0.04 in. 300 HV	8	
36	-	Screw, M5 x 14 mm 8.8 FZB	4	
37	-	Screw, M6 x 16 mm A2-70	4	
38	-	Washer, 0.17 x 0.31 x 0.8 mm, 0.47 x 0.87 x 0.03 in. 300 HV	4	

Refer to the Parts Online web page for most up-to-date information. The printed information might be outdated.

Item	Part No.	Name	Qty	L
39	-	Screw, M5 x 10 mm A2-70	6	
40	595186701	Bracket	2	
41	-	Screw, M5 x 14 mm	4	
42	-	Nut, M5	10	
43	594513601	Fuse 40A	1	F
44	594529201	Fuse, 30A Green	1	G
45	595185501	Fuse 5A Tan	1	H
46	594532501	Fuse 20A Yellow	1	I
47	595519501	Electronic control unit	1	
48	595362301	Bracket	2	
49	-	Screw, M5 x 12 mm 8.8 FZB	4	
50	-	Screw, M6 x 55 mm 8.8 A2K	4	
51	-	Screw, M4 x 10 mm	4	
52	594453701	Summer	1	
53	595362201	Bracket	1	
54	594465401	Voltage regulator	1	
55	-	Screw, M8 x 12 mm	2	
56	594195201	Desktop charger	1	K
57	594614901	Transmitter cable	1	J
58	594868901	Radio transmitter spiral cable	1	K

Comments for Page: Electrical equipment

(L)OCAL REMARKS

A | +

B | -

C | Hydraulic oil

D | See section "Emergency stop"

E | For transmitter battery

F | 40A

G | 30A

H | 5A

I | 20A

J | Standard

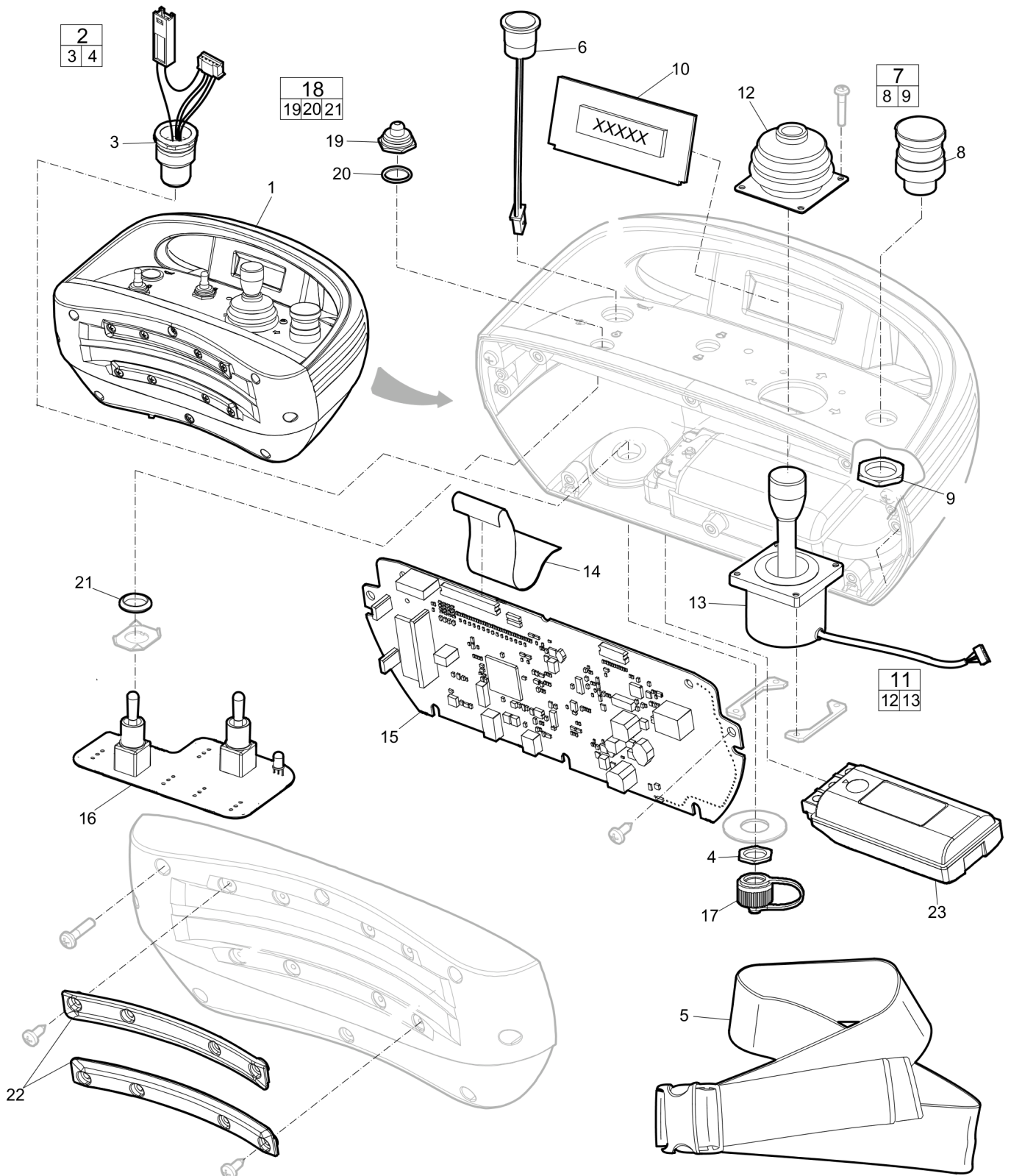
K | Optional

Approximately 3.5 - 4.0 m

11.48 - 13.12 ft.

Refer to the Parts Online web page for most up-to-date information. The printed information might be outdated.

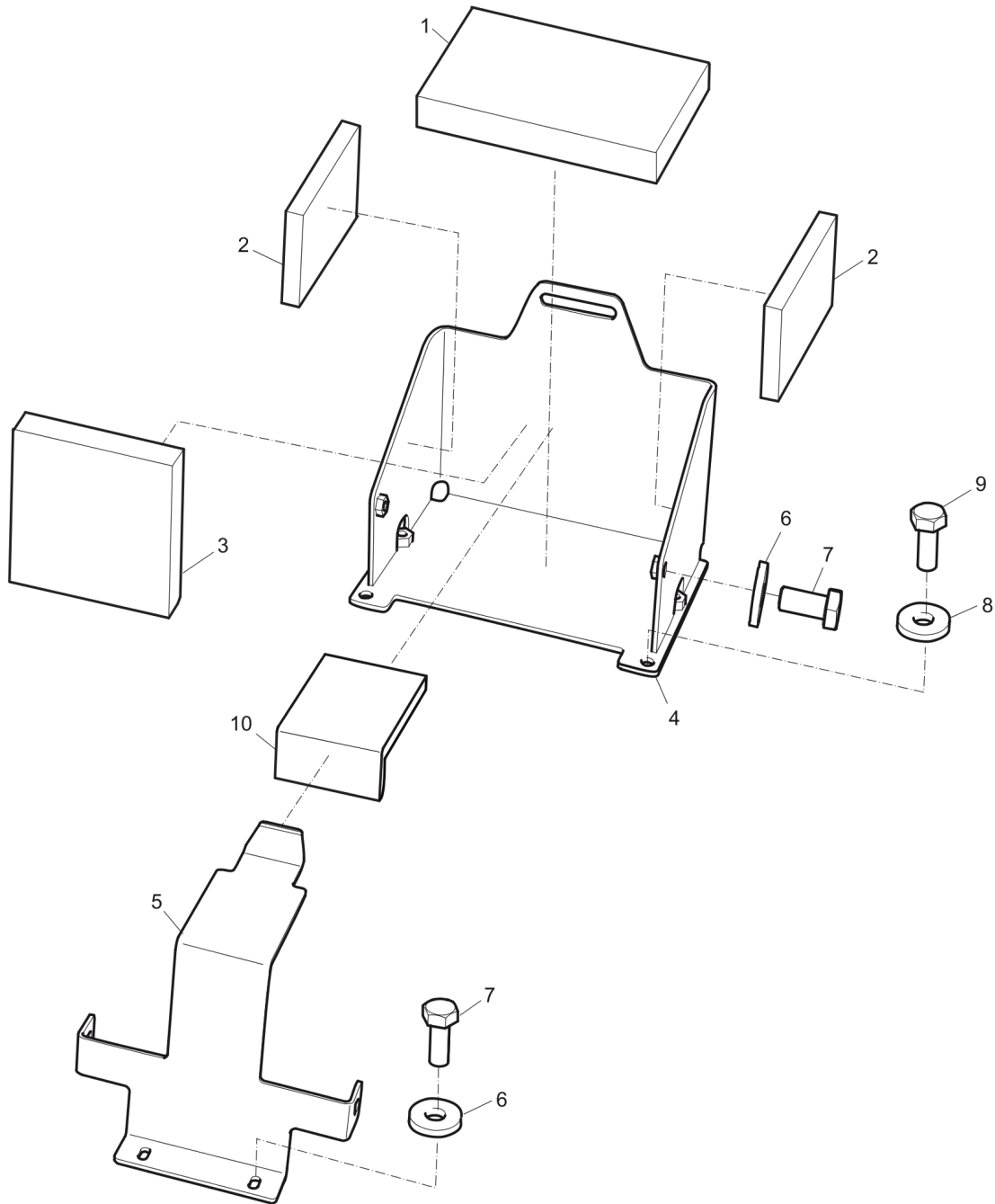
Spare parts list Radio transmitter



Refer to the Parts Online web page for most up-to-date information. The printed information might be outdated.

Item	Part No.	Name	Qty	L
1	594165701	Transmitter	1	
2	594207901	Cable connector, complete	1	
3	-	Connector	1	
4	-	Nut	1	
5	594206001	Belt	1	
6	594206801	Push button	1	
7	595288401	Stop switch, complete	1	
8	-	Switch	1	
9	-	Nut	1	
10	594206401	Display circuit card	1	
11	595383101	Joystick, complete	1	
12	594206501	Rubber bellow	1	
13	-	Joystick	1	
14	594206601	Cable	1	
15	-	Main circuit card, FSK12	1	
16	595382901	Circuit card with switches	1	
17	594210701	Protection cover	1	
18	595383001	Rubber cover, complete	2	
19	-	Injector part	1	
20	-	Sealing	1	
21	-	Washer	1	
22	595382801	Belt bracket	2	
23	594649301	Battery	1	

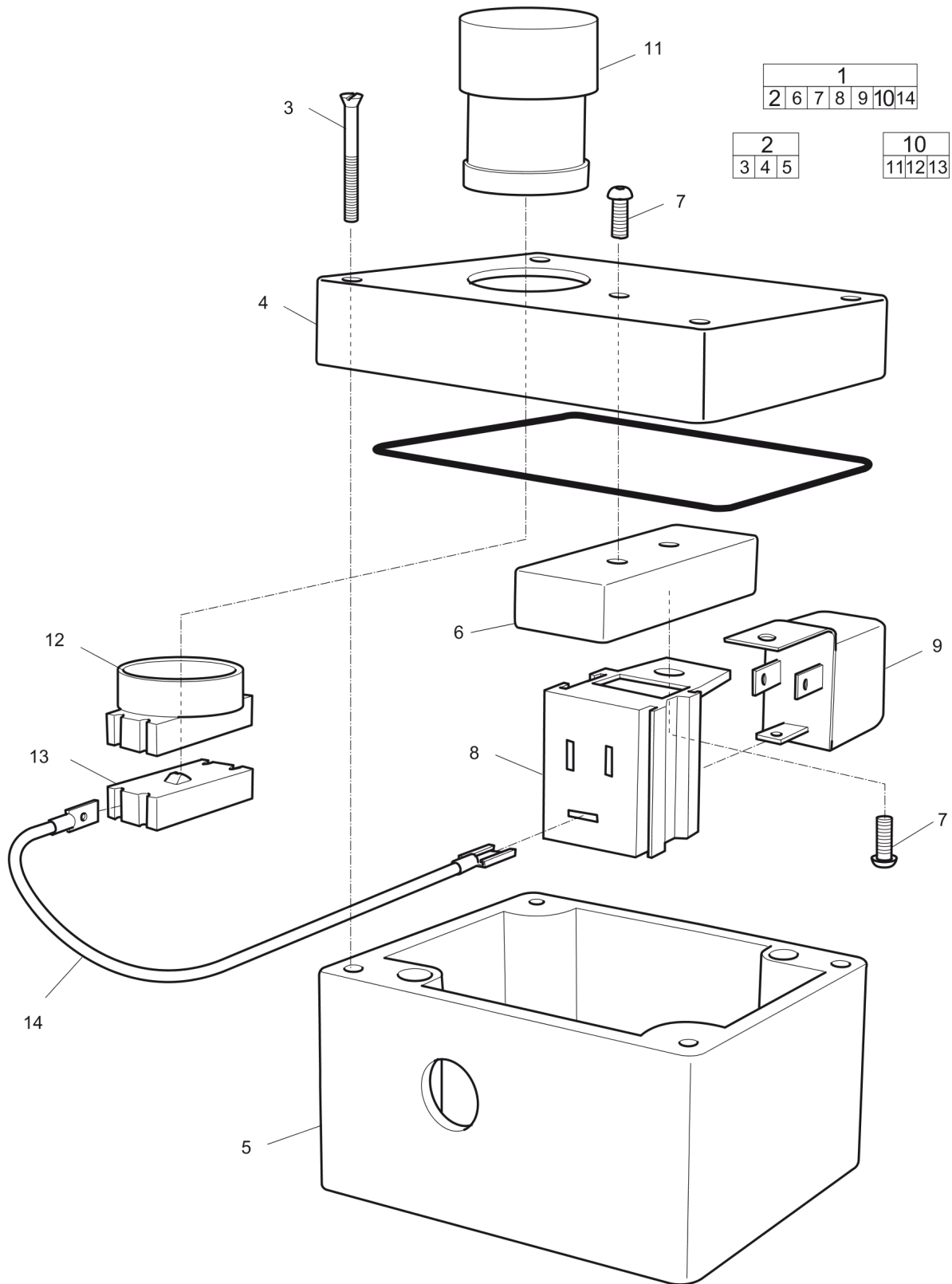
Spare parts list Battery box



Refer to the Parts Online web page for most up-to-date information. The printed information might be outdated.

Item	Part No.	Name	Qty	L
1	595171901	Insulation	1	
2	594444601	Battery insulation	2	
3	595174601	Battery insulation	1	
4	595361401	Battery box	1	
5	595361501	Battery holder	1	
6	-	Washer, 8.4 x 22 x 3 mm, 0.33 x 0.87 x 0.12 in. HV300	4	
7	-	Screw, M8 x 18 mm 8.8 A2K	4	
8	-	Washer, 10.5 x 22 x 2 mm, 0.41 x 0.87 x 0.08 in. 300 HV	2	
9	-	Screw, M10 x 20 mm 8.8 A3K	2	
10	594442701	Battery insulation	1	

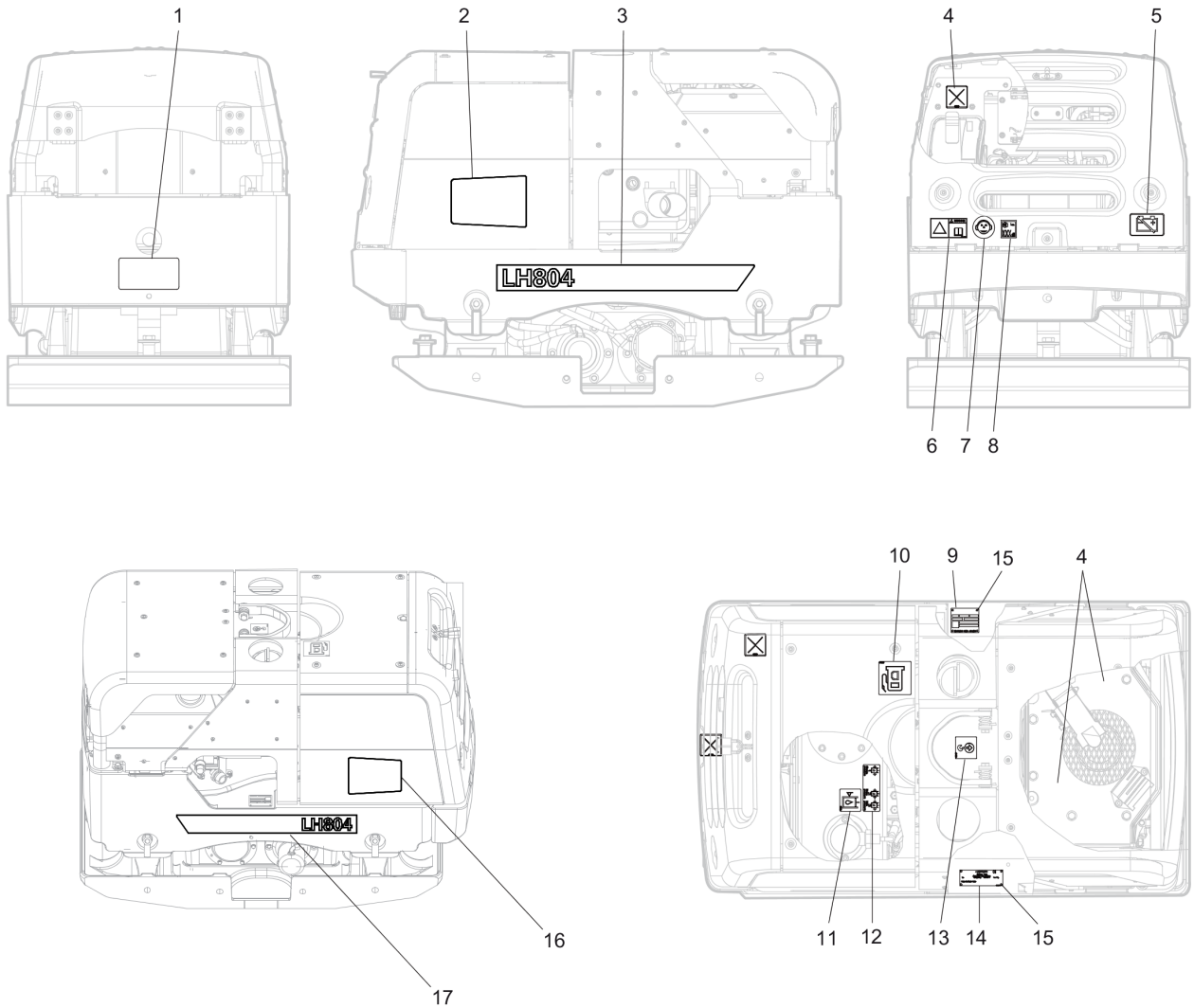
Spare parts list Emergency box



Refer to the Parts Online web page for most up-to-date information. The printed information might be outdated.

Item	Part No.	Name	Qty	L
1	594159501	Emergency box, complete	1	
2	594159401	Box, complete	1	
3	---	Screw	4	
4	---	Upper part	1	
5	---	Lower part	1	
6	595463501	Bracket	1	
7	--	Screw, M5 x 10 mm 8.8 A2-70	2	
8	594443501	Relay holder	1	
9	594443601	Relay	1	
10	594365701	Emergency stop	1	
11	595188801	Push button	1	
12	595186501	Connector	1	
13	595470101	Contact piece, NC	1	
14	595174301	Cable	1	

Spare parts list Labels



Item	Part No.	Name	Qty	L
1	595376501	Product label	1	A
2	595375401	Product label	1	B
3	595376901	Product label	1	C
4	594828501	Label, Engine wash prohibited	3	D
5	595187601	Decal "BATTERY POWER"	1	E
6	594535301	Safety label, read instruction manual	1	F
7	594337101	Label, use ear protectors	1	
8	594516001	Decal "SOUND POWER LEVEL" 109dB	1	
9	-	Engine information label	1	
10	595071001	Decal "FUEL"	1	G
11	595049701	Label, hydraulic oil level	1	H
12	595464001	Decal	1	I
13	595051201	Label lifting point	1	
14	-	Data plate (Not available separately)	1	
15	-	Drive screw	8	
16	595377501	Decal brand	1	
17	595376801	Product label	1	

Comments for Page: Labels

(L)OCAL REMARKS

A | "Atlas Copco"

B | "Atlas Copco"

C | "LH 804"

D | Engine wash prohibited

E | Master switch

F | Instruction manual

G | Diesel

H | Hydraulic oil

I | Pressure measure

Any unauthorized use or copying of the contents or any part thereof is prohibited.
This applies in particular to trademarks, model denominations, part numbers, and drawings.