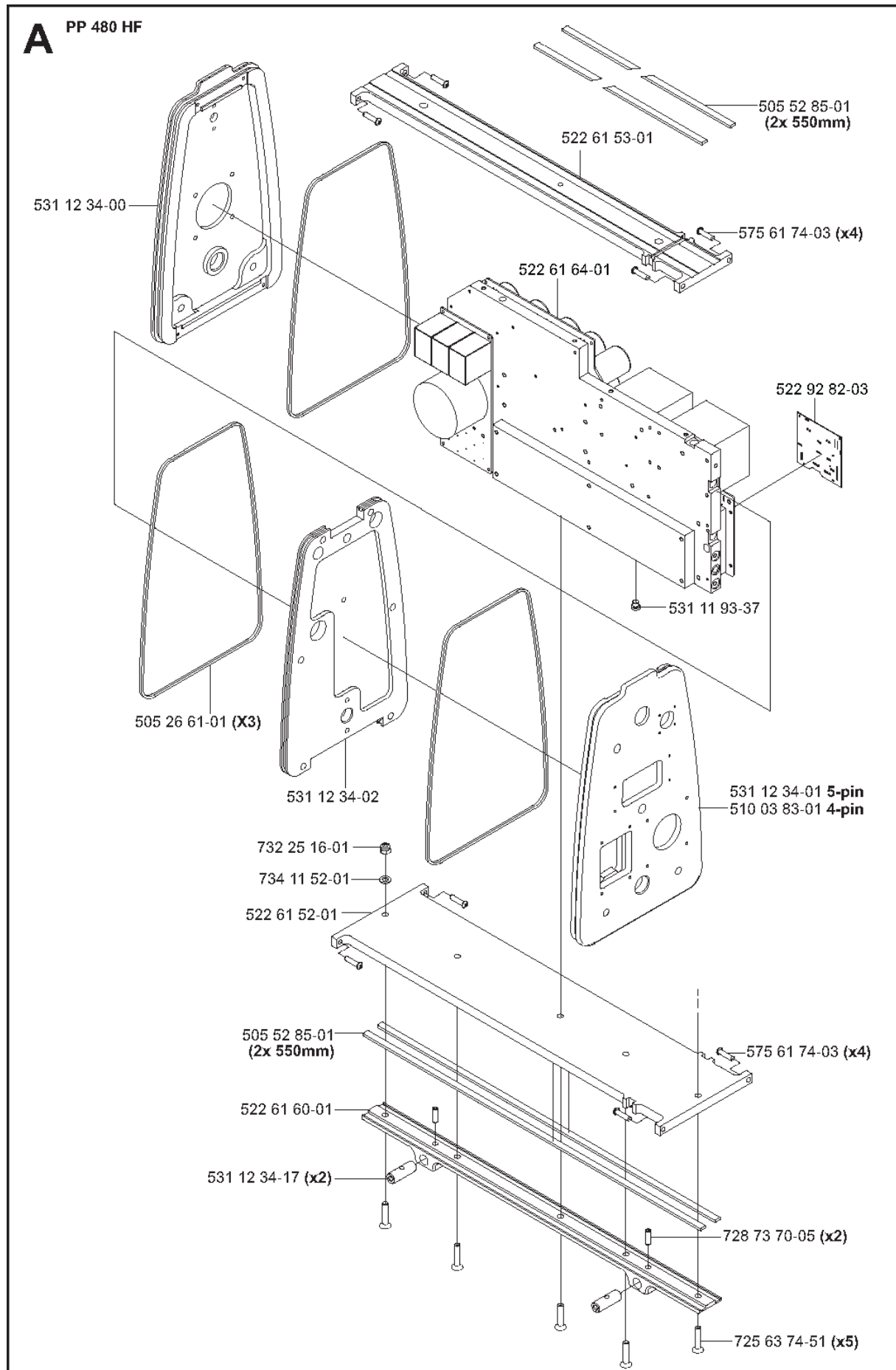




SPARE PARTS LIST

POWER PACKS

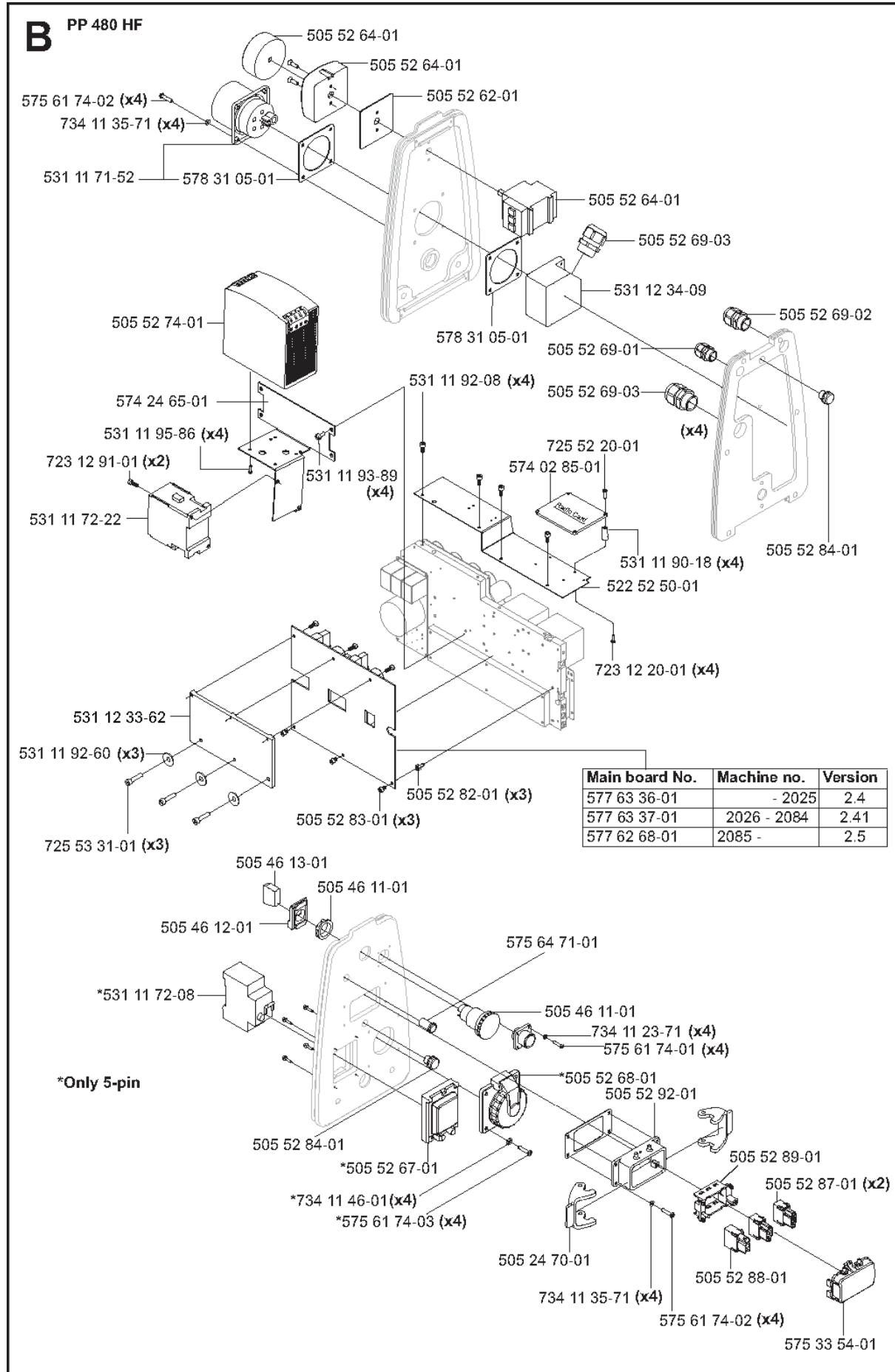
PP 480, 2011-06



CONVERTER

PP 480, 2011-06

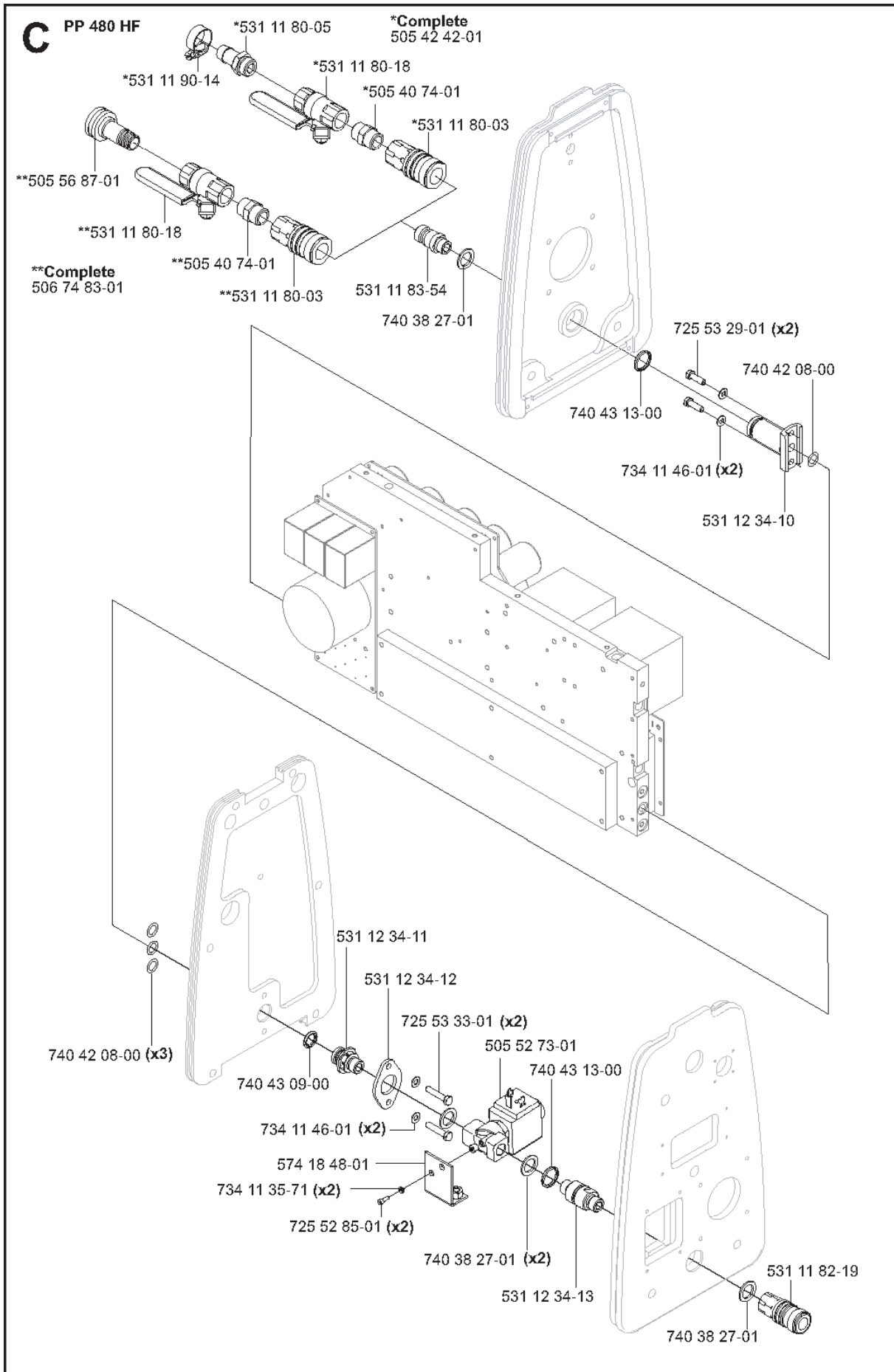
Part No	Description	Remark	QTY KIT
505 26 61-01	O-RING		1
505 52 85-01	SEALING STRIP		1
510 03 83-01	GABLE		1
522 61 52-01	BASEPLATE		1
522 61 53-01	SUPPORT PLATE		1
522 61 60-01	GABLE		1
522 61 64-01	PRINTED CIRCUIT ASSY		1
522 92 82-03	PRINTED CIRCUIT ASSY		1
531 11 93-37	PLUG		1
531 12 34-00	COVER		1
531 12 34-01	COVER		1
531 12 34-02	WALL		1
575 61 74-03	SCREW		1
725 63 74-51	SCREW		1
728 73 70-05	STOP SCREW		1
732 25 16-01	HEXAGON LOCKING NUT		1
734 11 52-01	WASHER		1



ELECTRICAL

PP 480, 2011-06

Part No	Description	Remark	QTY KIT
505 24 70-01	SHACKLE		1
505 46 11-01	SWITCH		1
505 46 12-01	ADAPTER		1
505 46 13-01	CONTACT		1
505 52 62-01	GASKET KIT		1
505 52 64-01	SWITCH		1
505 52 67-01	SHUTTER		1
505 52 68-01	SOCKET		1
505 52 69-01	CABLE GROMMET		1
505 52 69-02	CABLE GROMMET		1
505 52 69-03	CABLE GROMMET		1
505 52 74-01	TRANSFORMER		1
505 52 82-01	SPACER		1
505 52 83-01	SCREW		1
505 52 84-01	VALVE		1
505 52 87-01	CONSOLE		1
505 52 88-01	CONSOLE		1
505 52 89-01	FRAME		1
505 52 92-01	CONTACT		1
522 52 50-01	ATTACHMENT PLATE		1
531 11 71-52	HOLDER		1
531 11 72-08	GUARD		1
531 11 72-22	CONTACTOR		1
531 11 90-18	SPACER		1
531 11 92-08	SCREW		1
531 11 92-60	WASHER		1
531 11 93-89	SCREW		1
531 11 95-86	SCREW		1
531 12 33-62	PLATE		1
531 12 34-09	CAP		1
574 02 85-01	PRINTED CIRCUIT ASSY		1
574 24 65-01	ANGLE BRACKET		1
575 33 54-01	COVER		1
575 61 74-01	SCREW		1
575 61 74-02	SCREW		1
575 61 74-03	SCREW		1
575 64 71-01	LAMP		1
577 63 36-01	PRINTED CIRCUIT ASSY		1
577 63 37-01	PRINTED CIRCUIT ASSY		1
578 31 05-01	SEALING		1
677 62 68-01	TBD		1
723 12 20-01	SCREW SLCHM		1
723 12 91-01	SCREW SLCHM		1
725 52 20-01	SCREW IHSCM		1
725 53 31-01	SCREW IHSCM		1
734 11 23-71	WASHER		1
734 11 35-71	WASHER		1
734 11 46-01	WASHER		1

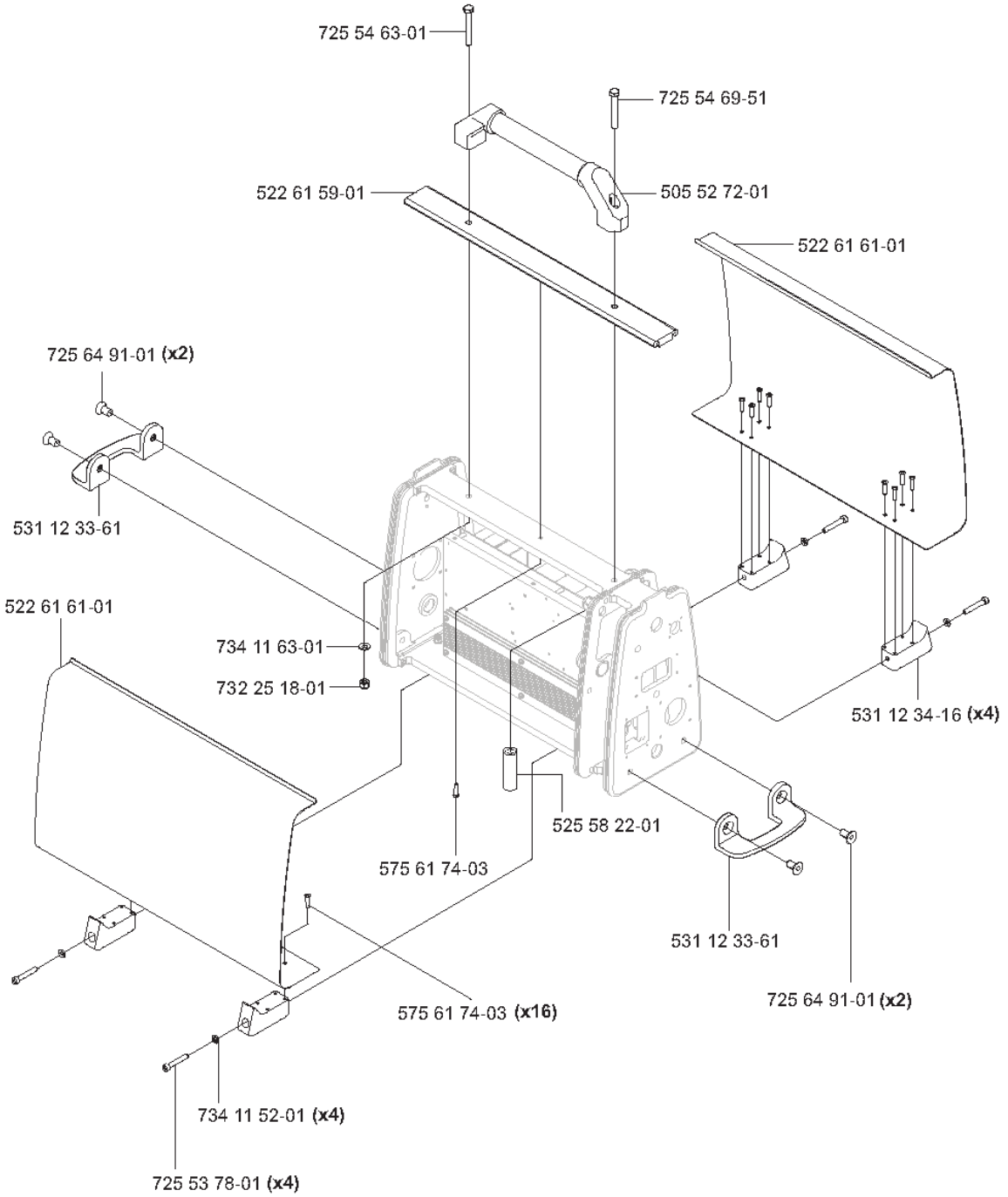


WATER SYSTEM

PP 480, 2011-06

Part No	Description	Remark	QTY KIT
505 40 74-01	NIPPLE		1
505 42 42-01	VALVE ASSY		1
505 52 73-01	VALVE		1
505 56 87-01	CONNECTION		1
506 74 83-01	VALVE ASSY		1
531 11 80-03	COUPLING		1
531 11 80-05	NIPPLE		1
531 11 80-18	VALVE		1
531 11 82-19	QUICK COUPLING		1
531 11 83-54	NIPPLE		1
531 11 90-14	CLAMP		1
531 12 34-10	INLET		1
531 12 34-11	SPACER		1
531 12 34-12	PLATE		1
531 12 34-13	VALVE		1
574 18 48-01	ANGLE BRACKET		1
725 52 85-01	SCREW IHSCM		1
725 53 29-01	SCREW IHSCM		1
725 53 33-01	SCREW IHSCM		1
734 11 35-71	WASHER		1
734 11 46-01	WASHER		1
740 38 27-01	SEALING WASHER		1
740 42 08-00	O-RING		1
740 43 09-00	O-RING		1
740 43 13-00	O-RING		1

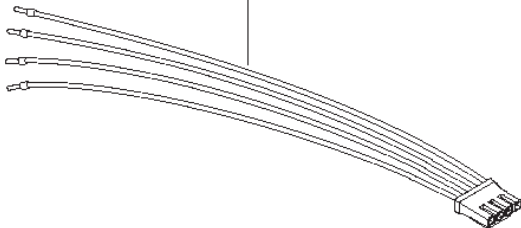
D PP 480 HF



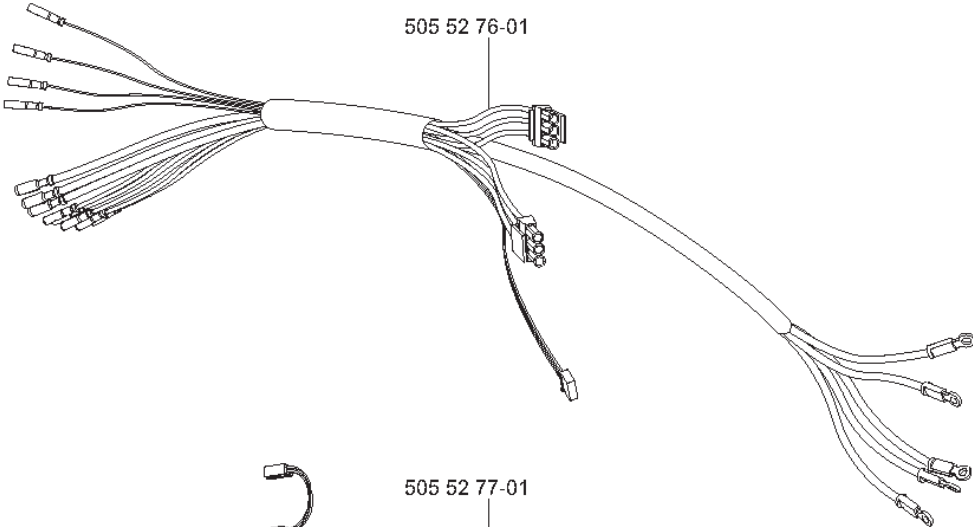
Part No	Description	Remark	QTY KIT
505 52 72-01	HANDLE		1
522 61 59-01	GABLE		1
522 61 61-01	PANEL		1
525 58 22-01	SPACER		1
531 12 33-61	PROTECTOR BAR		1
531 12 34-16	FOOTPLATE		1
575 61 74-03	SCREW		1
725 53 78-01	SCREW IHSCM		1
725 54 63-01	SCREW IHSCM		1
725 54 69-51	SCREW IHSCM		1
725 64 91-01	SCREW IHCSFM		1
732 25 18-01	HEXAGON LOCKING NUT		1
734 11 52-01	WASHER		1
734 11 63-01	WASHER		1

E PP 480 HF

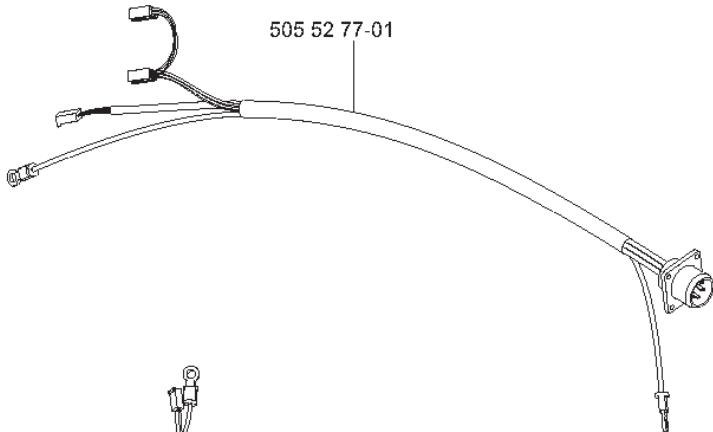
505 25 71-01



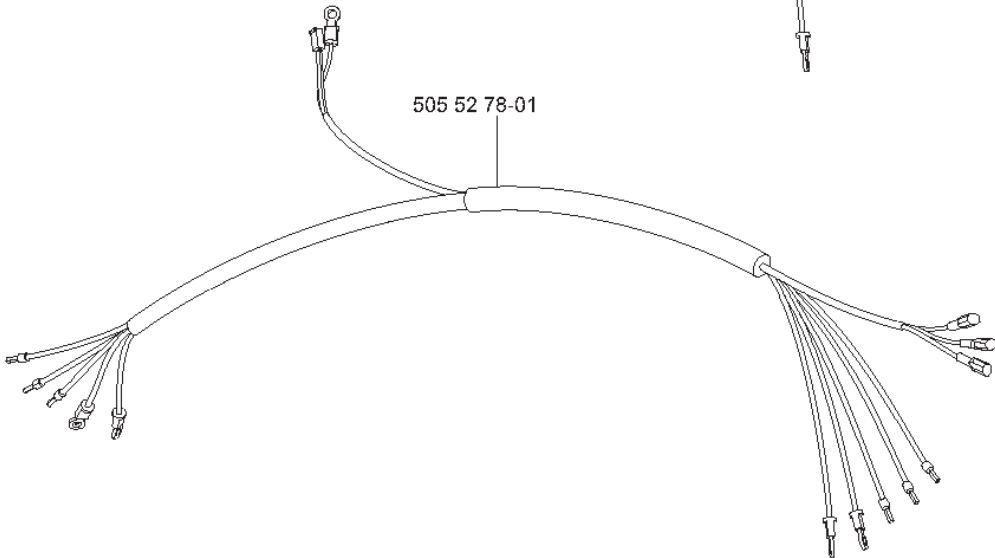
505 52 76-01



505 52 77-01



505 52 78-01



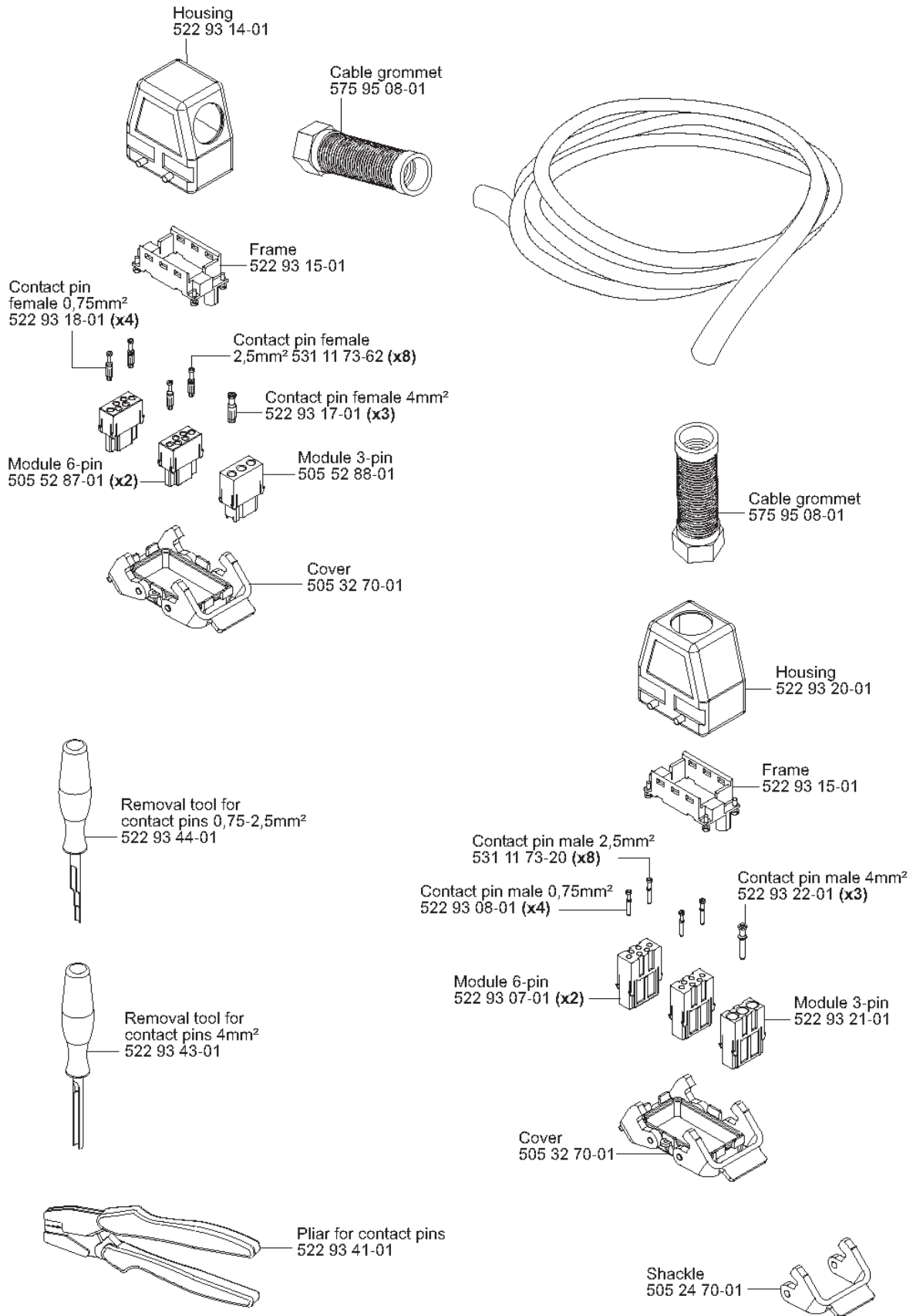
ELECTRICAL

PP 480, 2011-06

Part No	Description	Remark	QTY KIT
505 25 71-01	CABLE KIT		1
505 52 76-01	CABLE KIT		1
505 52 77-01	CABLE KIT		1
505 52 78-01	CABLE KIT		1

F PP 480 HF

Cable complete 531 12 32-48

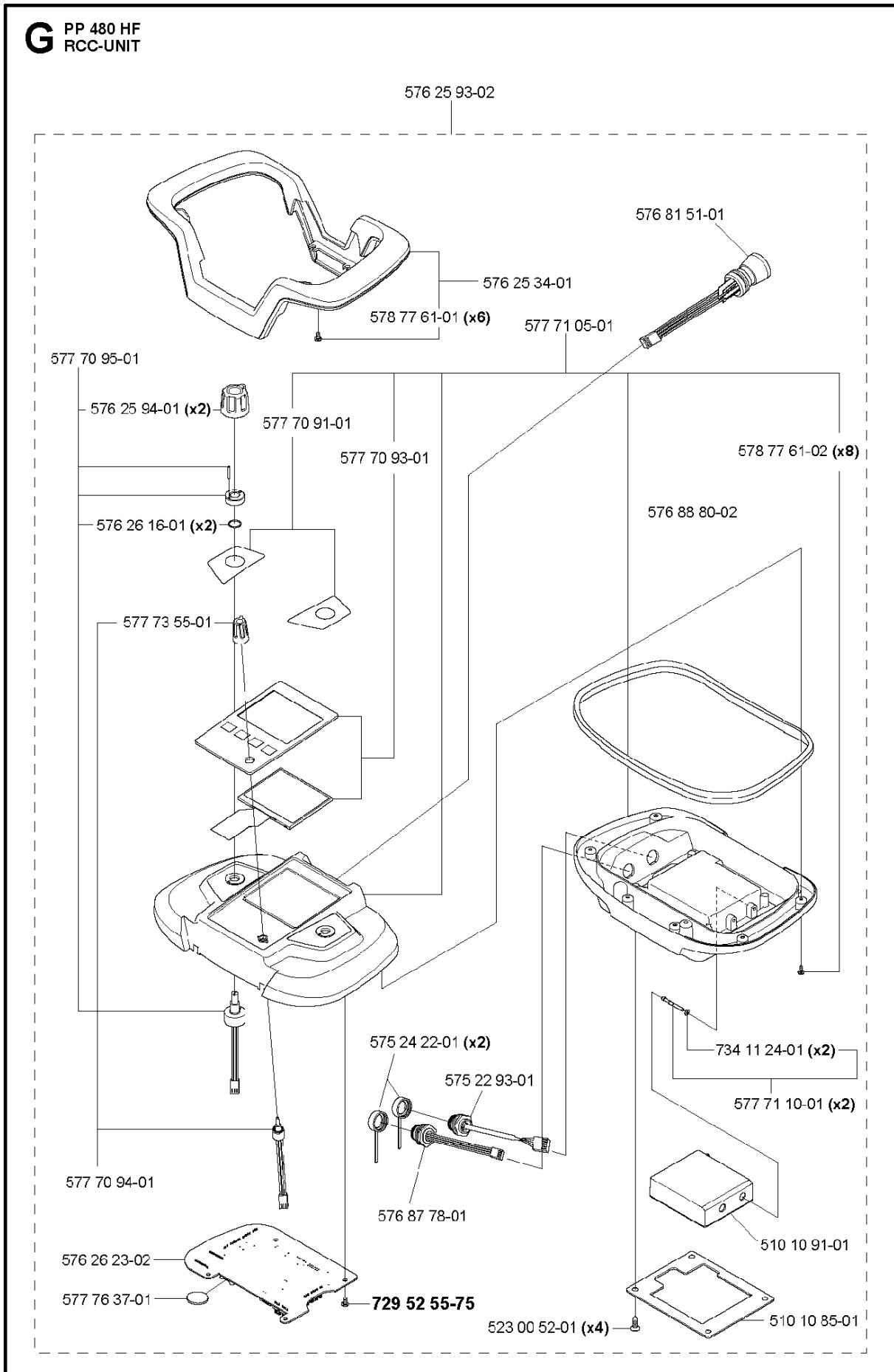


ELECTRICAL

PP 480, 2011-06

Part No	Description	Remark	QTY KIT
505 24 70-01	SHACKLE		1
505 32 70-01	COVER		1
505 52 87-01	CONSOLE		1
505 52 88-01	CONSOLE		1
522 93 07-01	CONSOLE		1
522 93 08-01	TERMINAL		1
522 93 14-01	COVER		1
522 93 15-01	FRAME		1
522 93 17-01	CONTACT		1
522 93 18-01	TERMINAL		1
522 93 20-01	COVER		1
522 93 21-01	CONSOLE		1
522 93 22-01	TERMINAL		1
522 93 41-01	TOOL		1
522 93 43-01	TOOL		1
522 93 44-01	TOOL		1
531 11 73-20	TERMINAL		1
531 11 73-62	TERMINAL		1
531 12 32-48	CABLE		1
531 12 32-48	CABLE		1
575 95 08-01	CABLE GROMMET		1

G PP 480 HF
RCC-UNIT



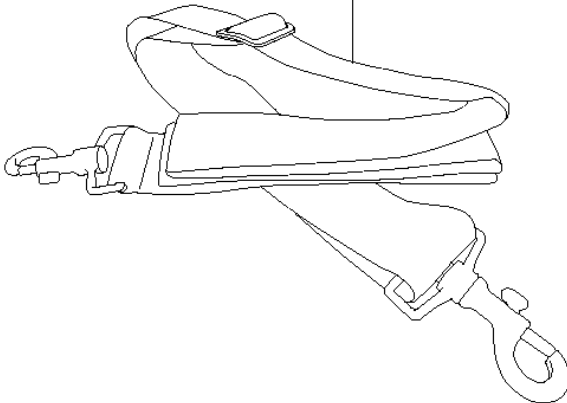
RADIO REMOTE CONTROL COMPL

PP 480, 2011-06

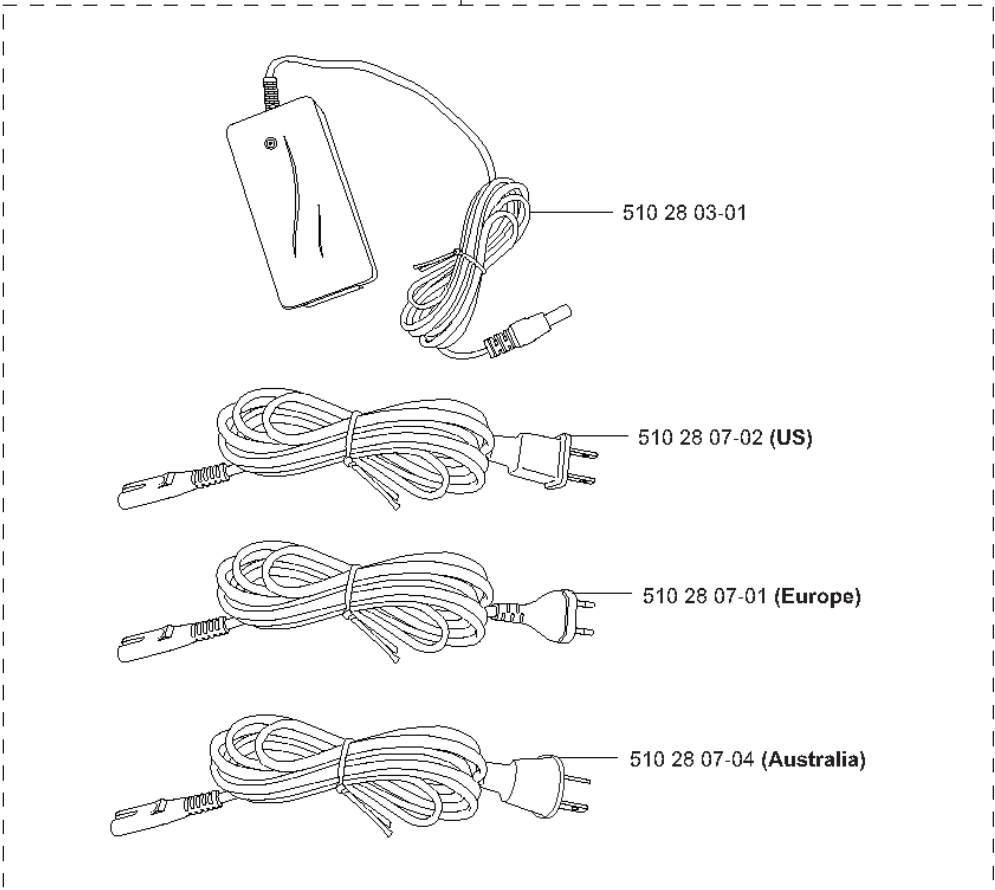
Ref	Part No	Description	Remark	QTY KIT
510 10 85-01	510 10 85-01	PLATE		1
510 10 91-01	510 10 91-01	BATTERY		1
523 00 52-01	523 00 52-01	SCREW CRCSFT		1
575 22 93-01	575 22 93-01	CONTACT		1
575 24 22-01	575 24 22-01	LID		1
576 25 34-01	576 25 34-01	HANDLE ASSY		1
576 25 93-02	576 25 93-02	CONTROL UNIT		1
576 25 94-01	576 25 94-01	TURNING KNOB ASSY		1
576 26 16-01	576 26 16-01	O-RING		1
576 26 23-02	576 26 23-02	PCB ASSEMBLY		1
576 81 51-01	576 81 51-01	SWITCH		1
576 87 78-01	576 87 78-01	CONTACT		1
576 88 80-02	576 88 80-02	SEALING STRIP		1
577 70 91-01	577 70 91-01	DECAL		1
577 70 93-01	577 70 93-01	DISPLAY		1
577 70 94-01	577 70 94-01	CONTROL		1
577 70 95-01	577 70 95-01	CONTROL		1
577 71 05-01	577 71 05-01	COVER		1
577 71 10-01	577 71 10-01	SPRING PIN		1
577 73 55-01	577 73 55-01	KNOB		1
577 76 37-01	577 76 37-01	BATTERY		1
578 77 61-01	729 52 55-75	SCREW CRPANT		1
578 77 61-02	578 77 61-02	SCREW ITXPANT		1
734 11 24-01	734 11 24-01	WASHER		1
729 52 55-75	729 52 55-75	SCREW CRPANT		1

H PP 480 HF
RCC-UNIT

506 29 76-61



510 28 50-04



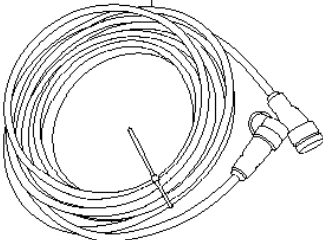
510 28 03-01

510 28 07-02 (US)

510 28 07-01 (Europe)

510 28 07-04 (Australia)

577 48 02-01



RADIO REMOTE CONTROL

PP 480, 2011-06

Part No	Description	Remark	QTY KIT
506 29 76-61	SHOULDER STRAP		1
510 28 03-01	BATTERY		1
510 28 07-01	CABLE		1
510 28 07-02	CABLE		1
510 28 07-04	CABLE		1
510 28 50-04	BATTERY		1
577 48 02-01	CABLE ASSY		1