

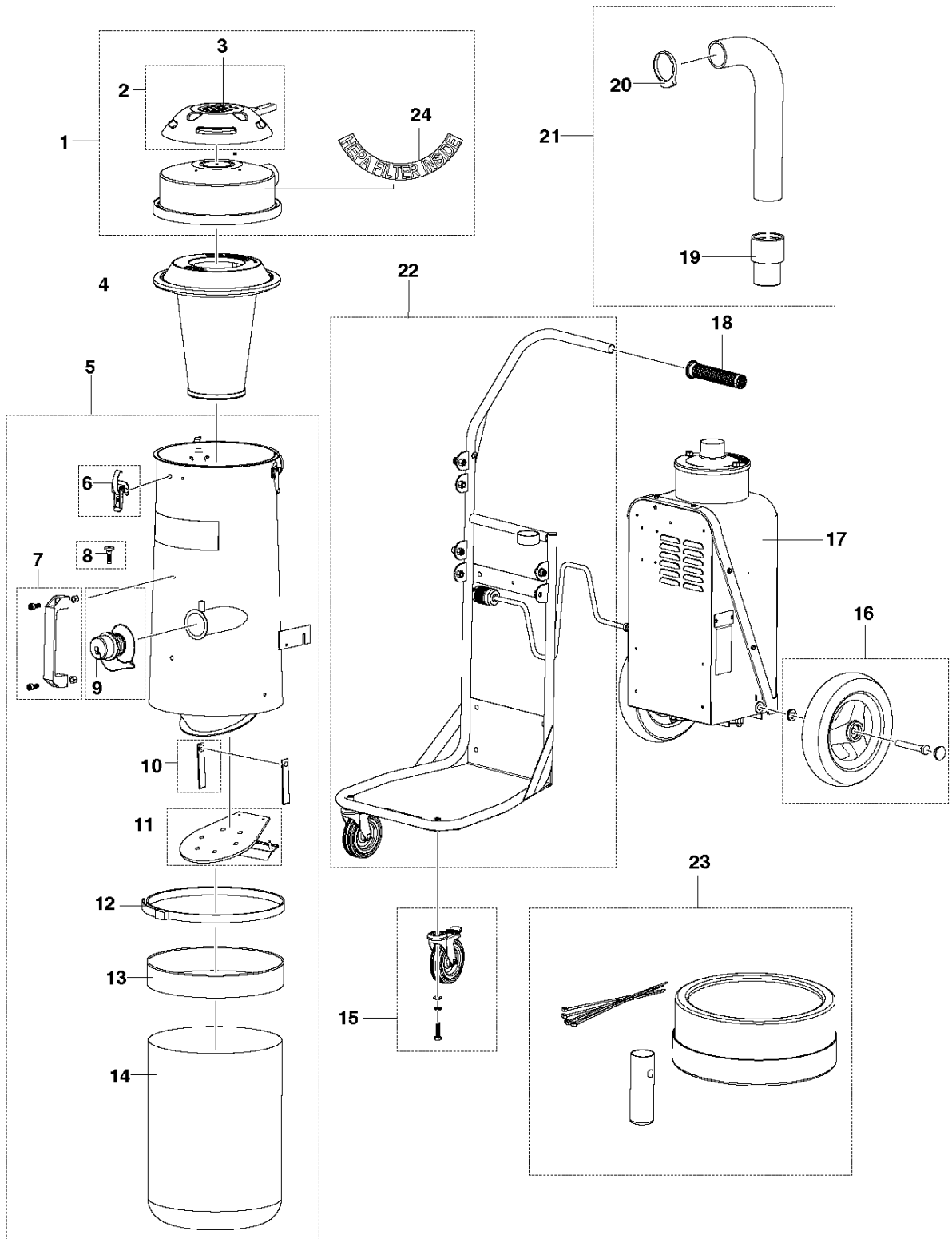


SPARE PARTS LIST

DUST AND SLURRY MANAGEMENT

S13, 2017-03

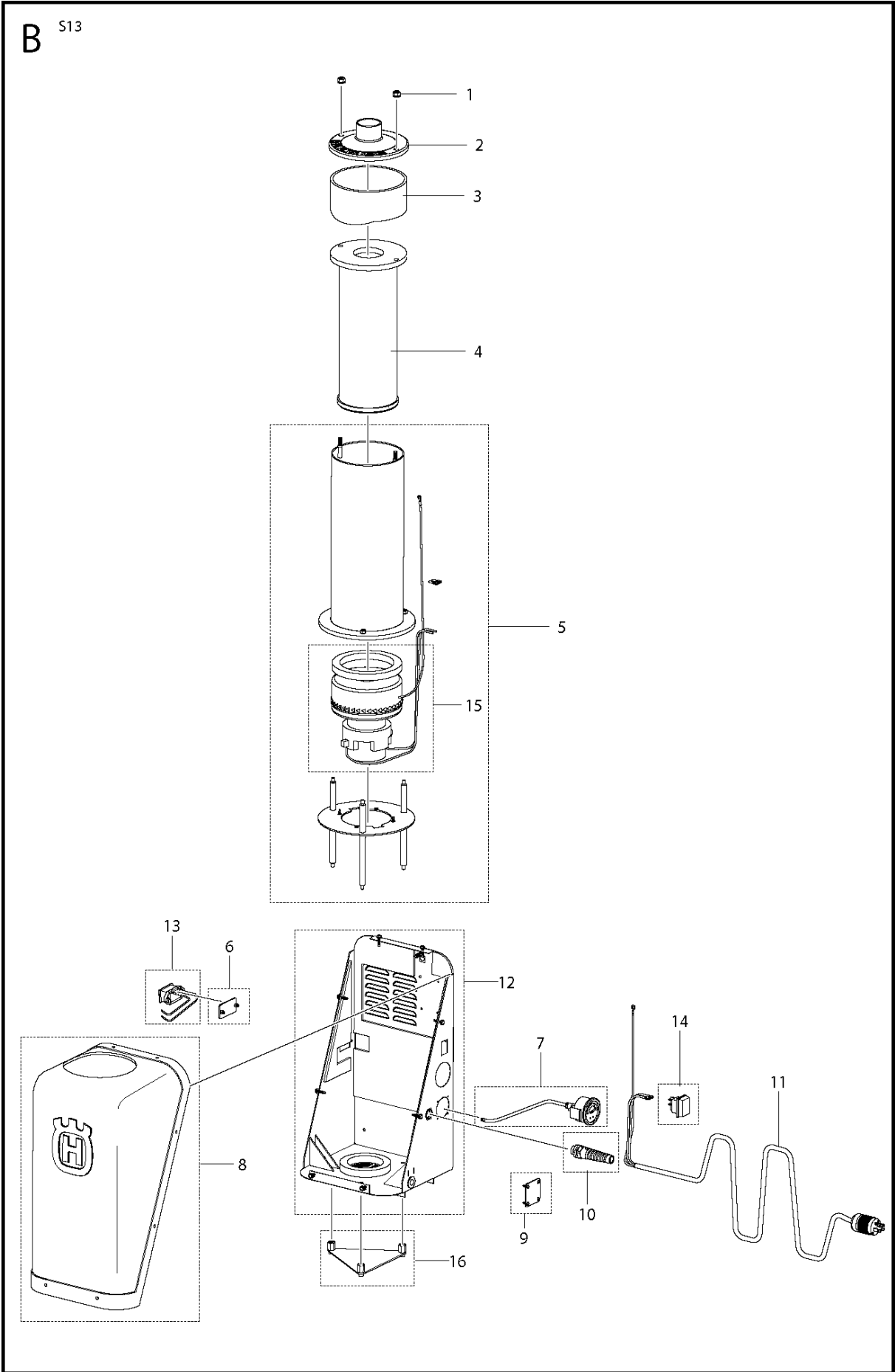
A S 13



PRODUCT COMPLETE

S13, 2017-03

Ref	Part No	Description	Remark	QTY	KIT
1	590 47 62-02	TANK CAP ASSY		1	
2	590 41 50-02	VALVE		1	1
3	590 39 96-02	COVER KIT		1	1
4	590 39 74-01	FILTER		1	
5	590 47 63-02	TANK		1	
6	590 39 64-01	HOLDER KIT		3	5
7	590 39 88-01	HANDLE KIT		1	5
8	590 40 16-01	LOCKING PIN		1	5
9	590 41 51-01	LID		1	5
10	590 40 27-01	HOLDER KIT		1	5
11	590 39 86-01	FLAP		1	5
12	590 40 18-01	STRAP		1	5
13	590 40 23-01	SEAL		1	5
14	590 39 61-02	PLASTIC BAG		1	5
15	590 39 72-01	WHEEL KIT		1	
16	590 39 70-01	REAR WHEEL		1	
17	590 47 71-01	MOTOR HOUSING	120V	1	
17	590 47 67-01	MOTOR HOUSING	230V	1	
18	590 40 13-02	HANDLE GRIP		1	
19	590 43 81-01	HOSE		1	21
20	590 40 08-01	HOSE CLAMP		1	21
21	590 39 90-01	HOSE KIT		1	
22	590 39 92-01	FRAME		1	
23	590 39 85-01	PACKING		1	
24	591 97 60-01	DECAL		1	1



Ref	Part No	Description	Remark	QTY KIT
1	590 40 07-01	NUT		2
2	590 39 89-01	FILTER COVER		1
3	590 40 04-01	SEALING COLLAR		1
4	590 42 98-01	FILTER		1
5	590 41 57-01	MOTOR	120V	1
5	590 41 55-01	MOTOR	230V	1
6	590 41 56-01	COVER		1
7	590 39 67-01	MANOMETER		1
8	590 47 69-02	MOTOR COVER		1
9	590 47 72-01	COVER LID		1
10	590 40 25-01	CABLE GROMMET		1
11	590 40 28-01	CORD		1
12	590 47 70-01	CHASSIS		1
13	590 41 53-01	HOUR METER		1
14	590 40 26-01	SWITCH	120V	1
14	590 40 30-01	SWITCH	230V	1
15	590 39 73-01	MOTOR KIT	120V	1
	590 39 69-01	MOTOR KIT	230V	1
16	590 47 68-01	COVER LID		1