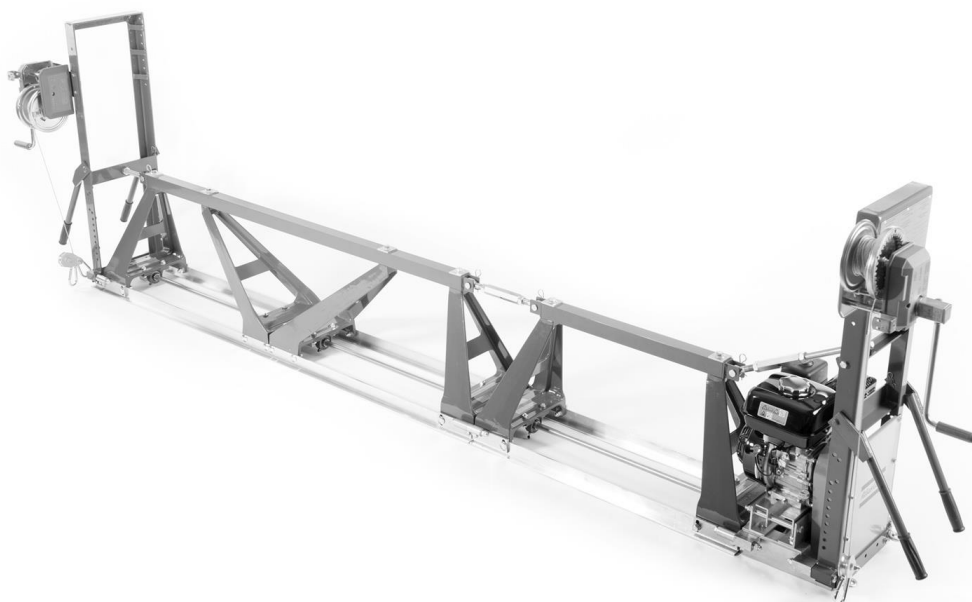


# SVE, SVG

---

## Spare parts list Beams and screeds



# General information

This spare parts list applies to the following:

Part number	Description
967955702	Drive Unit Section SVE 400V-3-50Hz
967955802	Drive Unit Section SVG Honda 5HP
967955901	SVE/SVG SCREED SECTION 0,5M
967955902	SVE/SVG SCREED SECTION 0,75M
967955903	SVE/SVG SCREED SECTION 1M
967955904	SVE/SVG SCREED SECTION 2M
967955905	SVE/SVG SCREED SECTION 3M
967955701	Set SVE + END SECTION
967955801	SET SVG + END SECTION
-	
-	
-	
-	

Use only authorized parts. Any damage or malfunction caused by the use of unauthorized parts is not covered by Warranty or Product Liability. Any unauthorized use or copying of the contents or any part thereof is prohibited. This applies in particular to trademarks, model denominations, part numbers, and drawings.

## Instructions for use

This spare parts list contains no safety regulations and is merely intended to assist in the ordering of spare parts.

For information about operating, servicing, or repairing, the relevant Safety and operating instructions must be consulted at all costs.

Please observe the safety instructions listed in the relevant Safety and operating instructions!

**Mechanical**

SVE drive unit ..... 1  
SVG drive unit ..... 4  
SVE / SVG end section w/o motor ..... 8  
End piece ..... 11  
Section - 0.5m, 0.75m, 1m ..... 13  
Section - 2m ..... 16  
Section - 3 m ..... 20

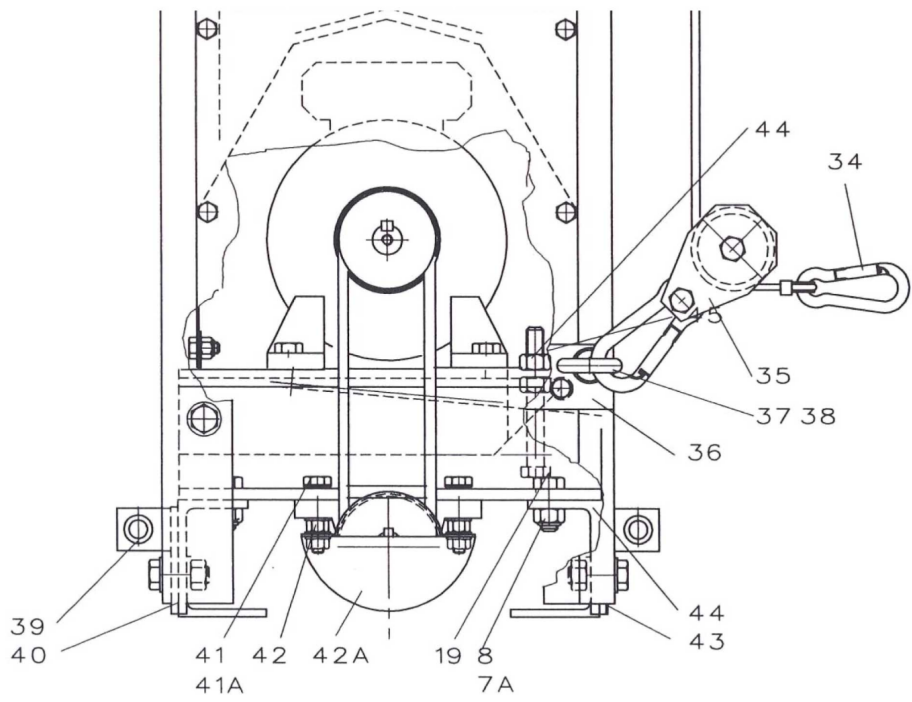
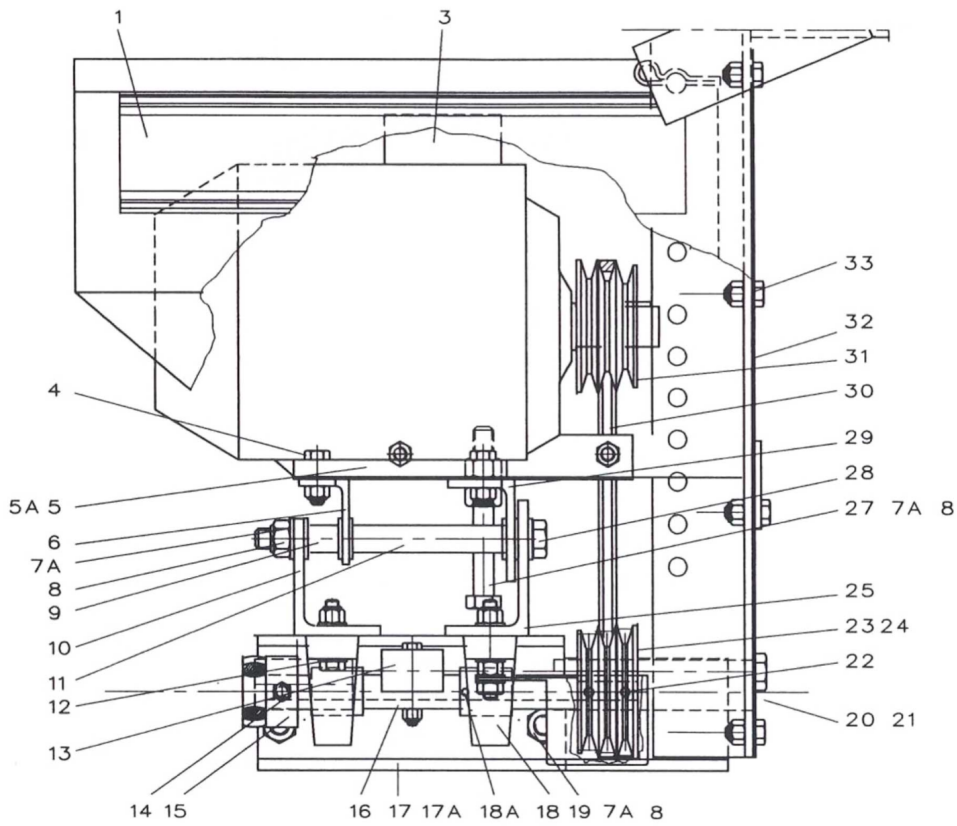
**Electric system**

Electric system ..... 24

**Options / accessories**

Extra hand winch ..... 27  
Electric winch set ..... 29

Mechanical SVE drive unit



Refer to the Parts Online web page for most up-to-date information. The printed information might be outdated.

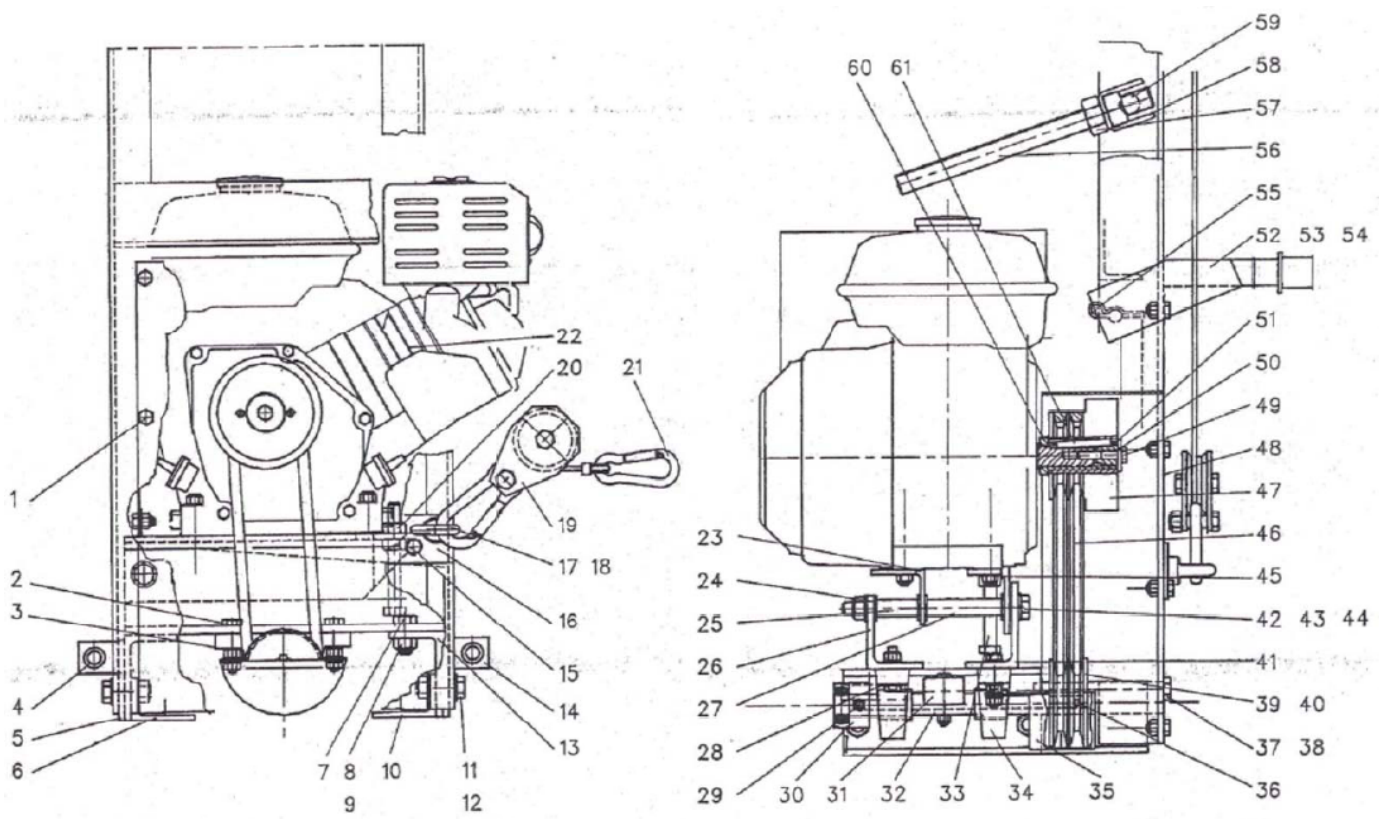
Item	Part No.	Name	Qty	L
1	595918201	Motor cover	1	
3	594641901	Engine	1	
4	-	Screw, M10 x 30 mm	4	
5A	-	Bracket, left	1	
5B	-	Bracket, right	1	
6	595502601	Motor holder, left	1	
7A	-	Locking washer, M12	22	
8	-	Nut	10	
9	595485801	Spacer	1	
10	595485001	Motor frame, left	1	
11	595485901	Spacer	8	
12	-	Washer, BRB 10.5x21x2	8	
13	595484801	Eccentric	1	
14	-	Screw M6 x 20 mm 8.8 A2K	1	
15	594631601	Coupling	1	
16	594631501	Shaft	1	
17	595486101	End bracket	1	
17A	595486201	End bracket	1	
18	595390601	Bearing	2	
19	-	Screw, M12 x 30 mm	14	
20	594227101	Screw	2	
21	-	Nut	2	
22	595058801	Stop screw	4	
23	595485701	Belt wheel	1	
24	-	Flat key, R 6x6x40	1	
25	595484901	Motor frame, right	1	
27	-	Screw, M6S 12x120	1	
28	-	Screw, M6S 12x170	1	
29	595485201	Motor holder, right	1	
30	595488801	V-belt	1	
31	595485601	Pulley	1	
32	595918101	Pulley guard	1	
33	-	Screw, M8 x 18 mm	6	
34	594498001	Snap hook	2	
35	595486001	Shackle	2	
36	595495901	Bracket	2	
37	595391501	Lifting eye	2	
38	-	Screw, M10 x 16 mm	2	

Refer to the Parts Online web page for most up-to-date information. The printed information might be outdated.

Item	Part No.	Name	Qty	L
39	595203101	Sleeve	4	
40	595484601	Jointing plate, right	1	
41	-	Screw, M10 x 35 mm	2	
41A	-	Screw, M10 x 45 mm	2	
42	-	Nut, M10	6	
42A	595918301	Pulley guard	1	
43	595484701	Jointing plate, left	1	
44	595485101	Fixing angle	2	
45	-	Nut, M12	2	

This page intentionally left blank

**Mechanical** SVG drive unit



Refer to the Parts Online web page for most up-to-date information. The printed information might be outdated.



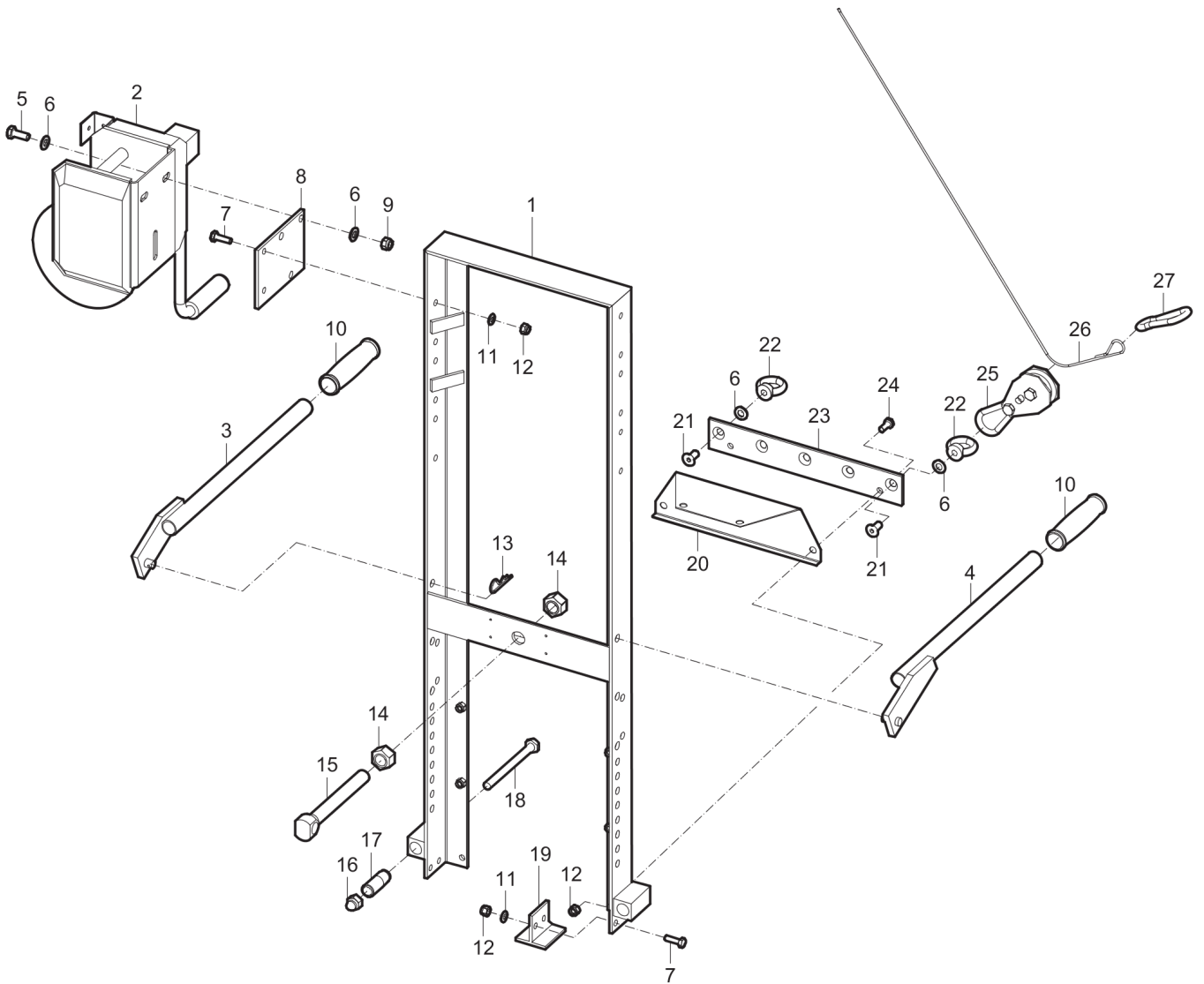
Item	Part No.	Name	Qty	L
1	-	Screw, M8 x 18 mm	8	
2	-	Screw, M10 x 45 mm	4	
3	-	Nut, M10	6	
4	595203101	Sleeve	2	
5	595484601	Jointing plate, right	1	
6	595486201	End bracket	1	
7	-	Screw, M12 x 35 mm	4	
8	-	Nut, M12	12	
9	-	Locking washer	12	
10	595486101	End bracket	1	
11	-	Screw, M12 x 35 mm	2	
12	-	Nut, M12	2	
13	595485101	Fixing angle	2	
14	595484701	Jointing plate, left	1	
15	-	Screw, M8 x 25 mm	2	
16	595485501	Bracket	1	
17	595217601	Lifting eye	1	
18	-	Screw, M10 x 16 mm	1	
19	595486001	Shackle	1	
20	-	Nut, M12	1	
21	594498001	Snap hook	1	
22	-	Engine, Honda GX160	1	
23	595486501	Engine holder, right	1	
24	-	Washer, BRB 13X24X2.5	12	
25	595486901	Spacer	1	
26	-	Engine bridge, left	1	
27	595918401	Spacer	1	
28	-	Washer, BRB 10.5x21x2	12	
29	-	Screw M6 x 20 mm 8.8 A2K	1	
30	594631601	Coupling	1	
31	595484801	Eccentric	1	
32	594631501	Shaft	1	
33	-	Screw, M12 x 100 mm	1	
34	-	Bearing unit	2	
35	-	Belt protection, complete	1	
36	-	Stop screw, S6SS 6x8	2	
37	-	Screw, M12 x 130 mm	2	
38	-	Locking nut, M12	2	

Refer to the Parts Online web page for most up-to-date information. The printed information might be outdated.

Item	Part No.	Name	Qty	L
39	594631701	Pulley	1	
40	-	Flat key	1	
41	-	Engine bridge, right	1	
42	-	Screw, M12 x 170 mm	1	
43	-	Nut, M12	1	
44	-	Locking washer, M12	1	
45	595487001	Engine holder, left	1	
46	594226001	V-belt	2	
47	595486401	Centrifugal clutch	1	
48	595918401	Spacer	1	
49	-	Screw, M8 x 40 mm	1	
50	-	Washer, 608 8.4x35x2.5	1	
51	-	Stop	1	
52	595485301	Handle, right	1	
53	595485401	Handle, left	1	
54	-	Rubber handle	2	
55	-	Spring pin, RR 3	2	
56	-	Fully threaded bar, M20 x 250 mm	1	
57	-	Nut, M20	1	
58	595486801	Stay	1	
59	-	Screw, M8 x 25 mm	2	
61	-	Flat key, 5x5x36	1	

This page intentionally left blank

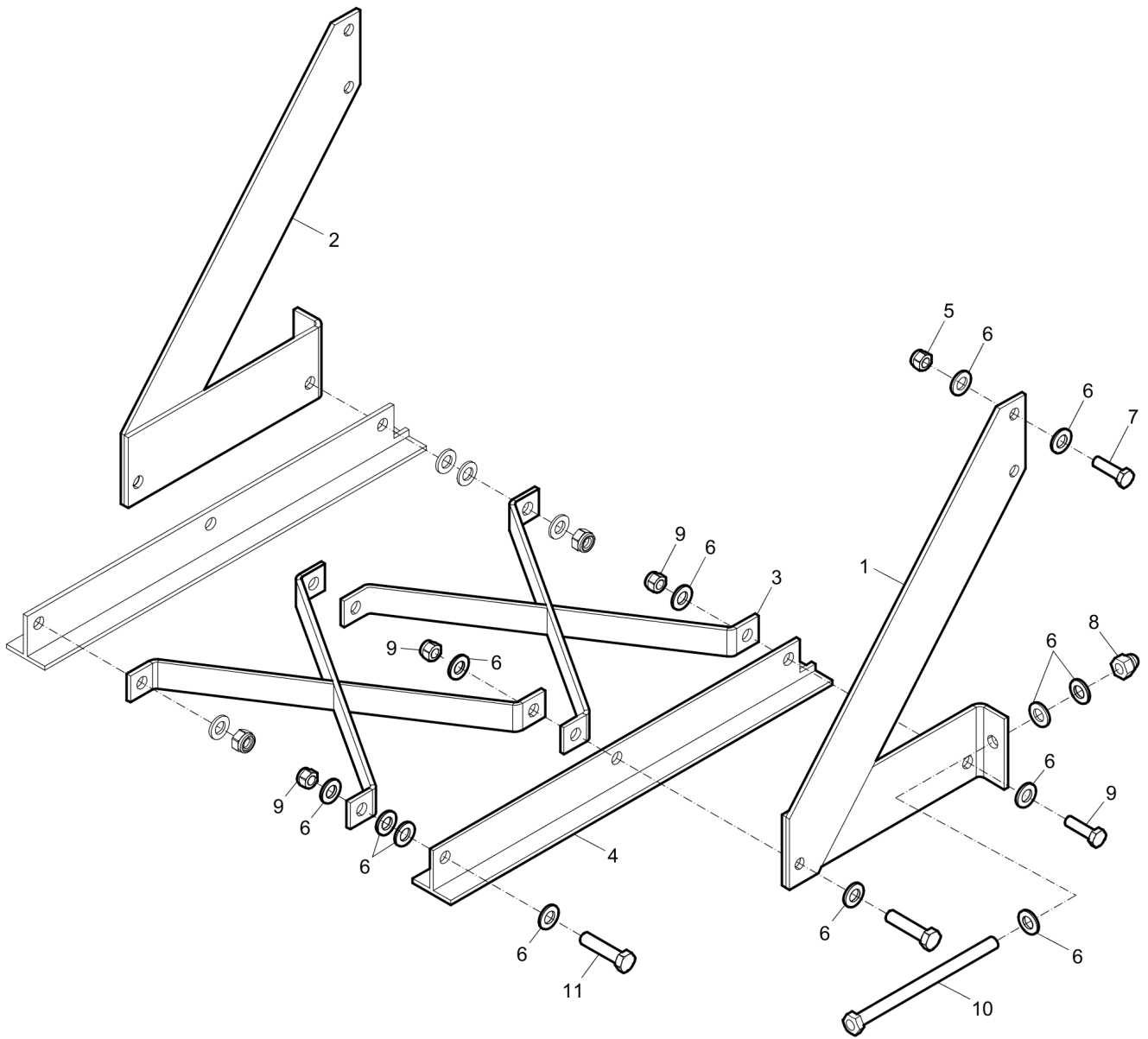
**Mechanical** SVE / SVG end section w/o motor



Refer to the Parts Online web page for most up-to-date information. The printed information might be outdated.

Item	Part No.	Name	Qty	L
1	595484301	Frame	1	
2	594393501	Hand winch	1	
3	595485301	Handle, right	1	
4	595485401	Handle, left	1	
5	-	Screw, M10 x 25	3	
6	-	Washer, 10.5 x 20 x 2	8	
7	-	Screw, M8 x 25 8.8 FZB	6	
8	595443301	Winch holder plate	1	
9	-	Lock nut, M10	3	
10	595203001	Handle	2	
11	-	Washer, 8.4 x 16 x 1.6	6	
12	-	Lock nut, M8	8	
13	595146101	Locking clip	2	
14	-	Nut, M20 FZB	2	
15	595487301	Tensioner	1	
16	-	Nut	2	
17	595203101	Sleeve	2	
18	-	Screw, M12 x 130 8.8 FZB	2	
19	595487101	T profile	2	
20	595487201	End plate	1	
21	-	Screw, M10 x 22 mm	2	
22	594659401	Ring nut	2	
23	595495901	Bracket	1	
24	-	Screw, M8 x 20 8.8 FZB	2	
25	595486001	Shackle	1	
26	594394801	Wire, 30 m	1	
27	-	Snap hook	1	

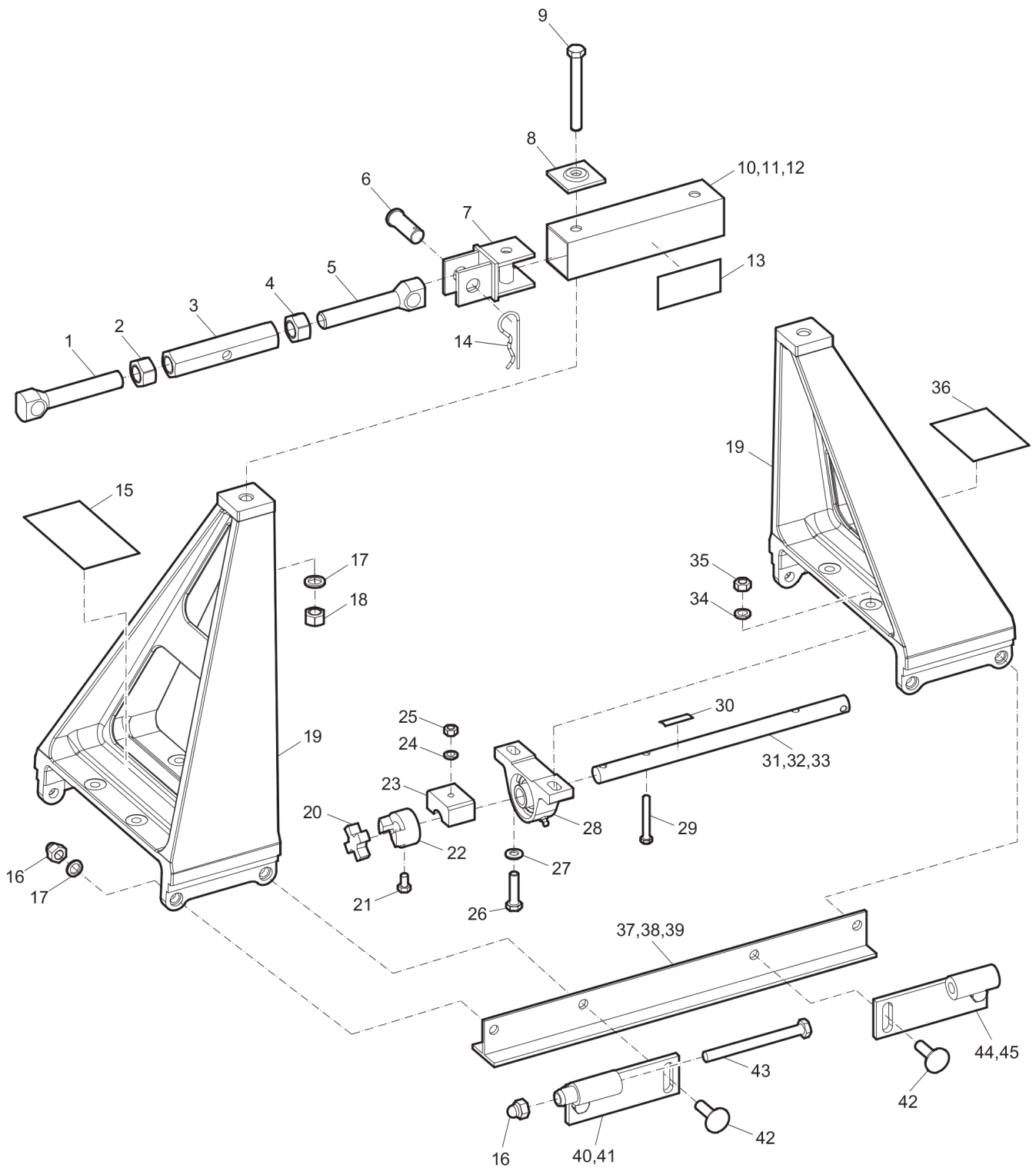
**Mechanical** End piece



Refer to the Parts Online web page for most up-to-date information. The printed information might be outdated.

Item	Part No.	Name	Qty	L
1	595498401	Holder, left	1	
2	595498501	Holder, right	1	
3	595525801	Cross	2	
4	595136101	T-profile	2	
5	-	Lock nut, M10	4	
6	-	Washer, 13 x 24 x 2.5 mm	30	
7	-	Screw, M10 x 35 mm 10.9 fzb	4	
8	-	Domed nut, M12	2	
9	-	Nut, M12	6	
10	595449401	Screw	2	
11	-	Screw, M12 x 35 mm	2	

Mechanical Section - 0.5m, 0.75m, 1m



Refer to the Parts Online web page for most up-to-date information. The printed information might be outdated.



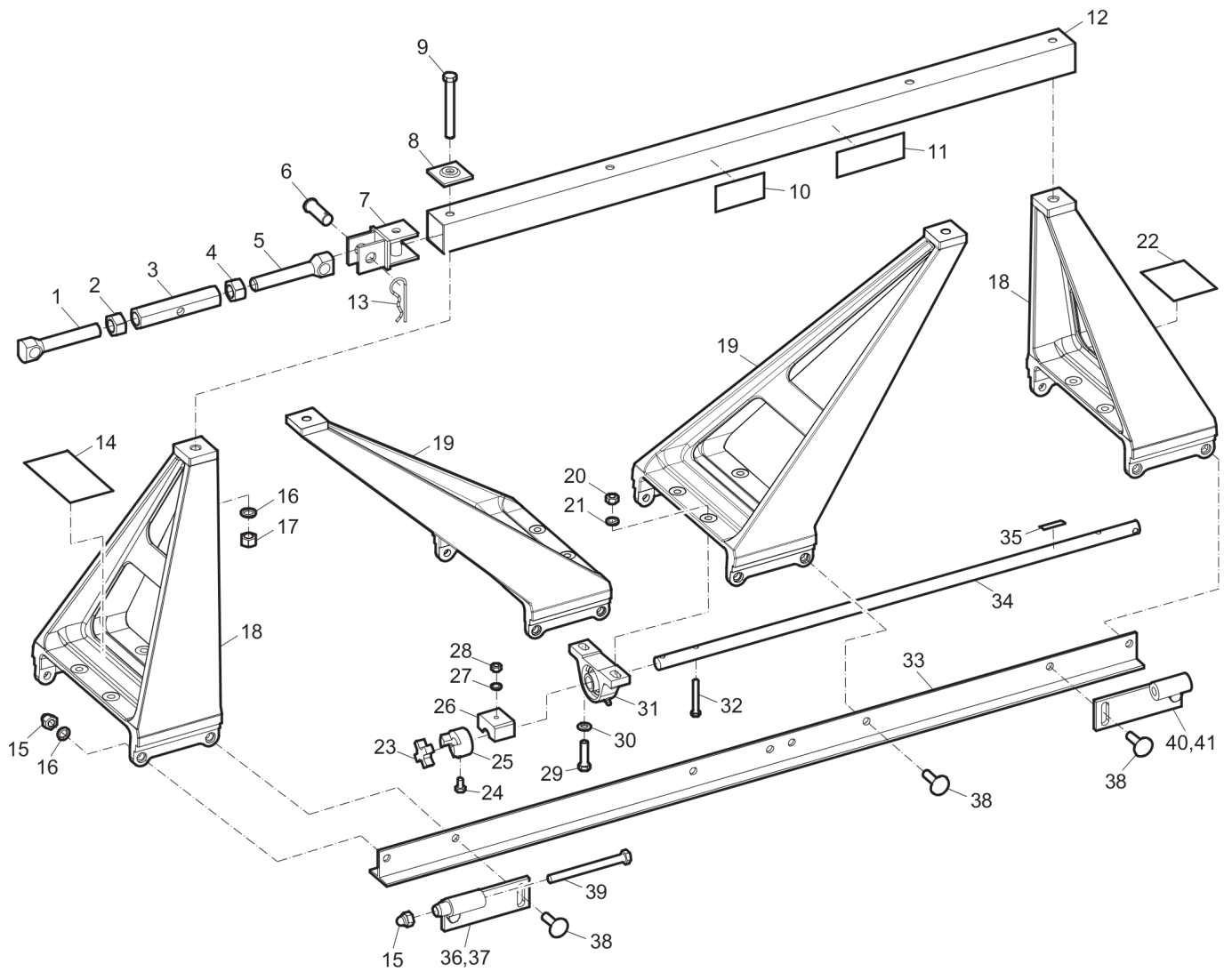
Item	Part No.	Name	Qty	L
1	594632101	Screw, right	1	
2	595512501	Nut, M20 left	1	
3	594632001	Nut	1	
4	-	Nut, M20	1	
5	594631901	Screw, left	1	
6	595153701	Pin	2	
7	595210401	Beam holder	2	
8	595488101	Washer	2	
9	-	Screw, M12 x 100 mm	2	
10	595207601	Profile, 0.5 m	1	
11	595495401	Profile, 0.75 m	1	
12	595495501	Profile, 1 m	1	
13	595498001	Label, warning	1	
14	595467101	Locking clip	2	
15	595497701	Label, warning	2	
16	-	Domed nut, M12 DIN986	10	
17	-	Washer M8 ISO 7089	10	
18	-	Nut, M12	2	
19	595487401	Stay, short	2	
20	594631801	Rubber cross	1	
21	-	Screw, M8 x 18mm	2	
22	594631601	Coupling	2	
23	595484801	Eccentric	2	
24	-	Lock Washer	2	
25	-	Nut, M6	2	
26	-	Screw, M10 x 40 mm	4	
27	-	Washer M8 ISO 7089	4	
28	594681001	Bearing	2	
29	-	Screw, M6 x 45 mm	2	
30	595497901	Label, direction	2	
31	595488001	Shaft, 0.5 m	1	
32	594265101	Shaft, 0.75 m	1	
33	595488301	Shaft, 1 m	1	
34	-	Washer M8 ISO 7089	4	
35	-	Nut, M10	4	
36	595497801	Label, warning	1	
37	595487501	T profile, 0.5 m	2	
38	594265201	T profile, 0.75 m	2	

Refer to the Parts Online web page for most up-to-date information. The printed information might be outdated.

Item	Part No.	Name	Qty	L
39	595488201	T profile, 1 m	2	
40	595487801	Jointing plate, right	1	
41	595487901	Jointing plate, left	1	
42	594785601	Screw M12 x 40 mm	4	
43	-	Screw, M12 x 130 mm	2	
44	595487601	Jointing plate, right	1	
45	595487701	Jointing plate, left	1	

This page intentionally left blank

Mechanical Section - 2m



Refer to the Parts Online web page for most up-to-date information. The printed information might be outdated.

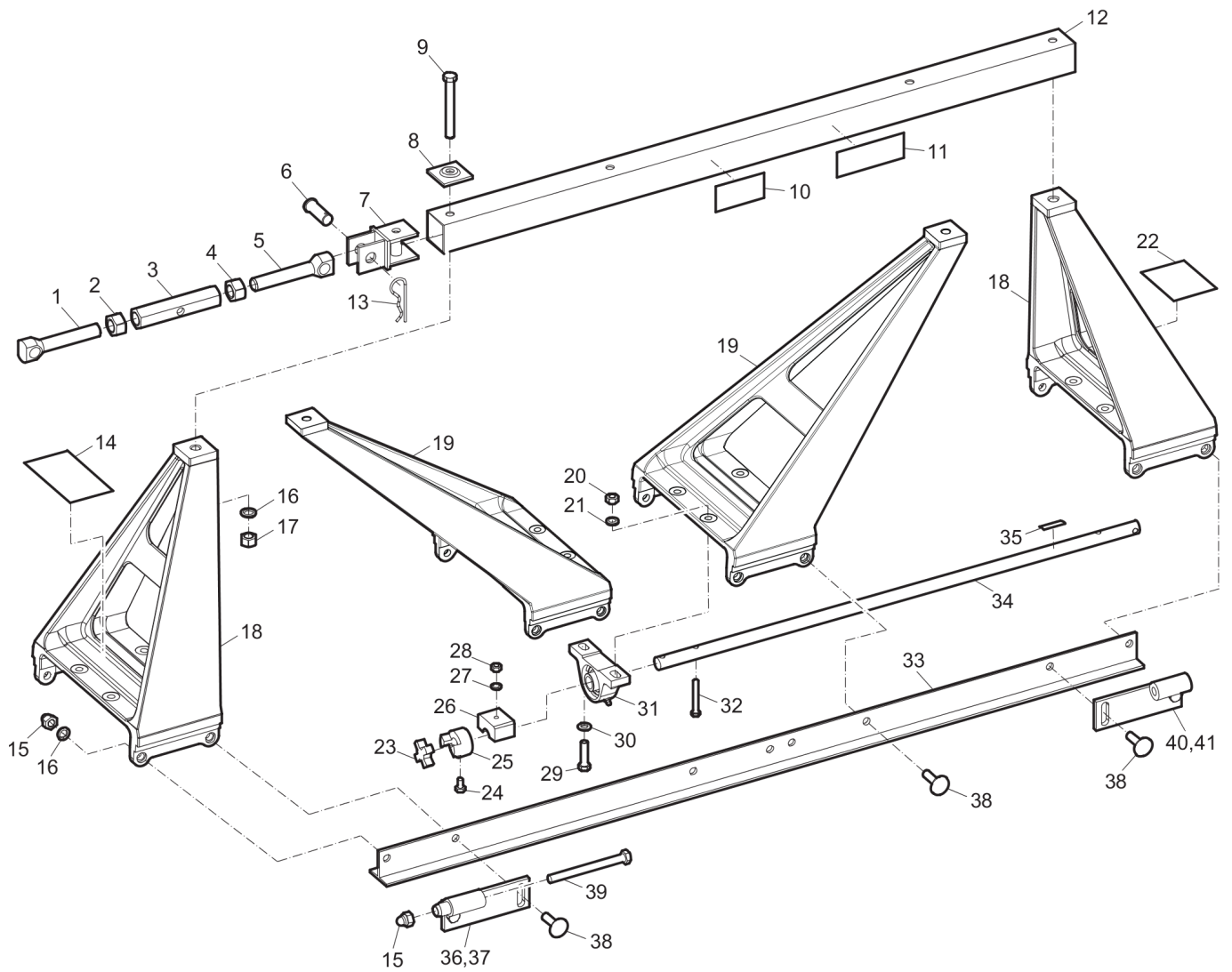
Item	Part No.	Name	Qty	L
1	594632101	Screw, right	1	
2	595512501	Nut, M20 left	1	
3	594632001	Nut	1	
4	-	Nut, M20	1	
5	594631901	Screw, left	1	
6	595153701	Pin	2	
7	595210401	Beam holder	2	
8	595488101	Washer	4	
9	-	Screw, M12 x 100 mm	4	
10	595498001	Label, warning	1	
11	595498101	Label, lifting	1	
12	595495601	Profile, 2 m	1	
13	595467101	Locking clip	1	
14	595497701	Label, warning	1	
15	594287601	Nut	18	
16	595118901	Lock washer	20	
17	-	Nut, M12	4	
18	595207701	Stay, short	2	
19	594638001	Stay, long	2	
20	-	Nut, M10	8	
21	-	Lock Washer	8	
22	595497801	Label, warning	1	
23	594631801	Rubber cross	1	
24	-	Screw, M8 x 18 mm	2	
25	594631601	Coupling	2	
26	595484801	Eccentric	4	
27	-	Lock Washer	4	
28	-	Nut, M6	4	
29	-	Screw, M10 x 40 mm	8	
30	-	Washer	8	
31	594681001	Bearing	4	
32	-	Screw, M6 x 45 mm	4	
33	595488401	T profile, 2 m	2	
34	595488501	Shaft	1	
35	595497901	Label, direction	2	
36	595487801	Jointing plate, right	1	
37	595487901	Jointing plate, left	1	
38	594785601	Screw M12 x 40 mm	8	

Refer to the Parts Online web page for most up-to-date information. The printed information might be outdated.

Item	Part No.	Name	Qty	L
39	-	Screw, M12 x 130 mm	2	
40	595487701	Jointing plate, left	1	
41	595487601	Jointing plate, right	1	

This page intentionally left blank

Mechanical Section - 3 m



Refer to the Parts Online web page for most up-to-date information. The printed information might be outdated.



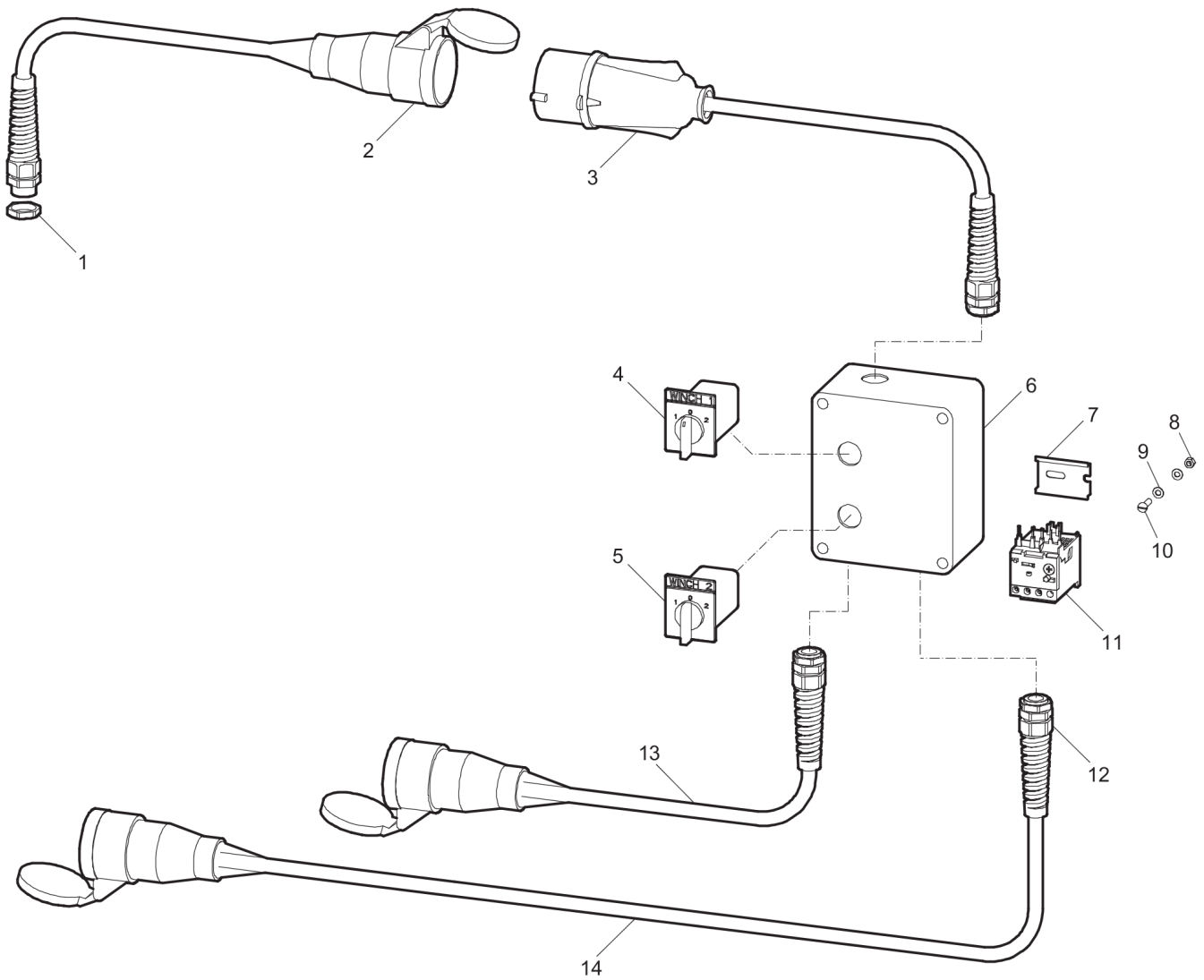
Item	Part No.	Name	Qty	L
1	594632101	Screw, right	1	
2	595512501	Nut, M20 left	1	
3	594632001	Nut	1	
4	-	Nut, M20	1	
5	594631901	Screw, left	1	
6	595153701	Pin	2	
7	595210401	Beam holder	2	
8	595488101	Washer	6	
9	-	Screw, M12 x 100 mm	6	
10	595498001	Label, warning	1	
11	595498101	Label, lifting	1	
12	595495701	Profile, 3 m	1	
13	595467101	Locking clip	2	
14	595497701	Label, warning	1	
15	594287601	Nut	26	
16	595118901	Lock washer	30	
17	-	Nut, M12	6	
18	595207701	Stay, short	2	
19	594638001	Stay, long	4	
20	-	Nut, M10	12	
21	-	Lock Washer	12	
22	595497801	Label, warning	1	
23	594631801	Rubber cross	1	
24	-	Screw, M8 x 18 mm	2	
25	594631601	Coupling	2	
26	595484801	Eccentric	6	
27	-	Lock Washer	6	
28	-	Nut, M6	6	
29	-	Screw, M10 x 40 mm	12	
30	-	Washer M8 ISO 7089	12	
31	594681001	Bearing	6	
32	-	Screw, M6 x 45 mm	6	
33	595488601	T profile, 3 m	2	
34	595488701	Shaft	1	
35	595497901	Label, direction	2	
36	595487801	Jointing plate, right	1	
37	595487901	Jointing plate, left	1	
38	594785601	Screw M12 x 40 mm	20	

Refer to the Parts Online web page for most up-to-date information. The printed information might be outdated.

Item	Part No.	Name	Qty	L
39	-	Screw, M12 x 130 mm	2	
40	595487701	Jointing plate, left	1	
41	595487601	Jointing plate, right	1	

This page intentionally left blank

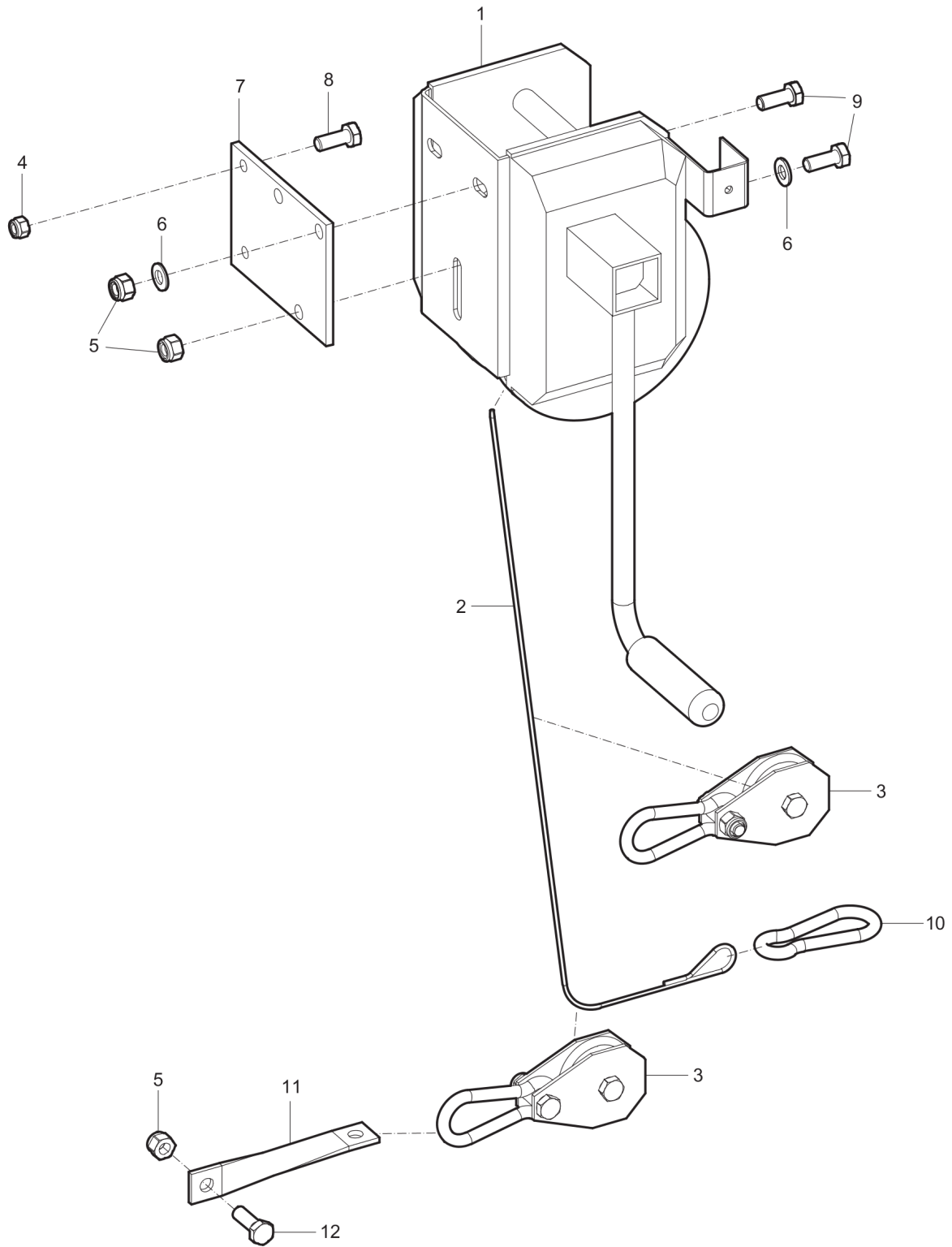
Electric system Electric system



Refer to the Parts Online web page for most up-to-date information. The printed information might be outdated.

Item	Part No.	Name	Qty	L
1	-	Nut, PG16	4	
2	594600301	Connector	3	
3	595118801	Plug	1	
4	595134801	Switch 1	1	
5	595392001	Switch 2	1	
6	595478001	Electrical box	1	
7	595391801	Din rail, 55mm	1	
8	-	Nut, M5	2	
9	-	Federring	4	
10	-	Screw M6 x 20 mm 8.8 A2K	2	
11	595392101	Relay	1	
12	594283901	Cable gland	4	
13	595498301	Cable, 4x1.5mm <sup>2</sup> , 0.4m	3	
14	595498201	Cable, 4x1.5mm <sup>2</sup> , 1.1m	1	

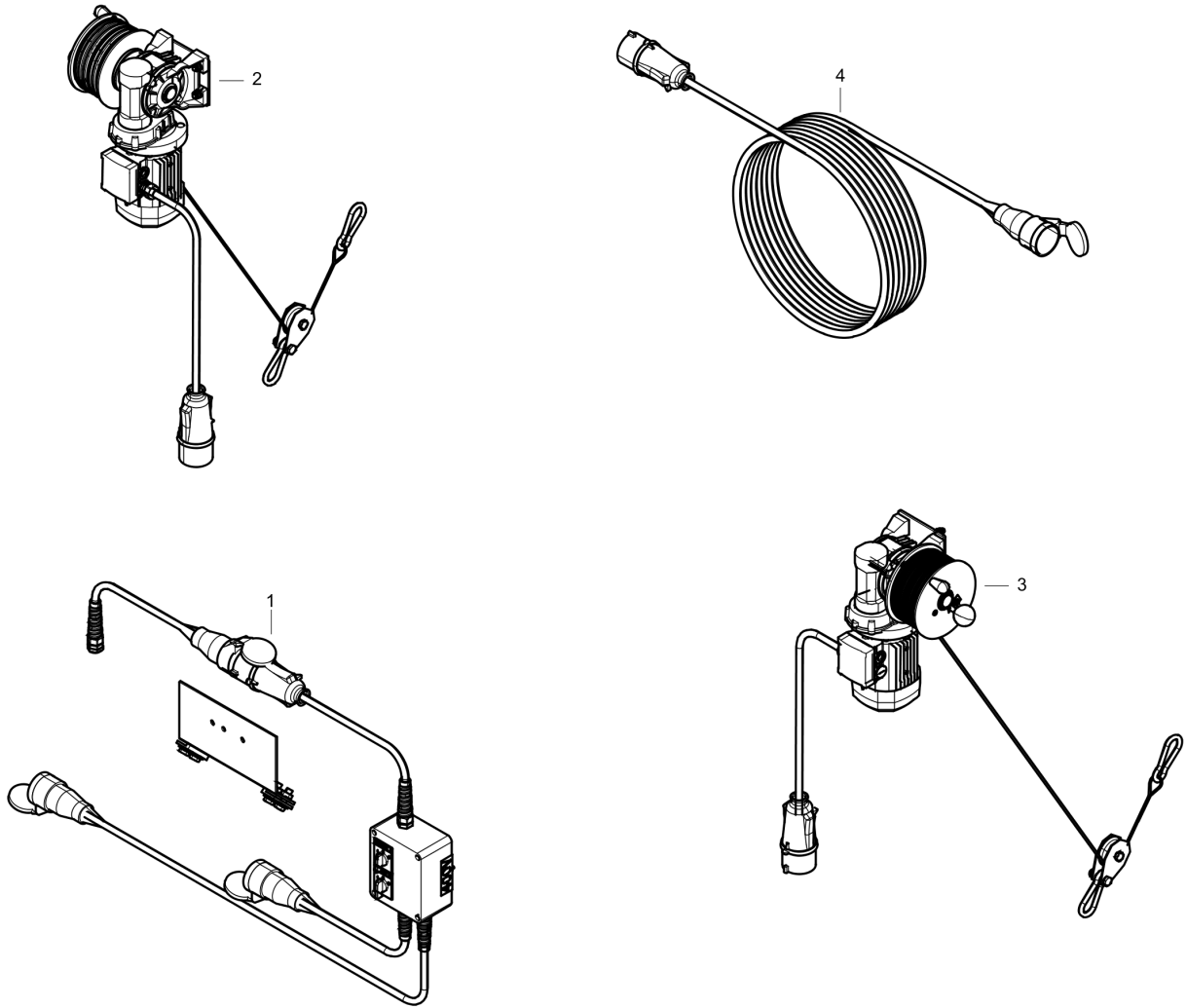
Options / accessories Extra hand winch



Refer to the Parts Online web page for most up-to-date information. The printed information might be outdated.

Item	Part No.	Name	Qty	L
1	594393501	Hand winch	1	
2	594394801	Wire, 30 m	1	
3	595486001	Shackle	2	
4	-	Lock nut, M8	2	
5	-	Lock nut, M10	4	
6	-	Washer, 10.5 x 20 x 2	3	
7	595443301	Winch holder plate	1	
8	-	Screw, M8 x 25 mm 8.8 FZB	2	
9	-	Screw, M10 x 25 8.8 FZB	3	
10	594498001	Snap hook	1	
11	595444401	Shackle holder	1	
12	-	Screw, M10 x 30 mm 8.8 FZB	1	

Options / accessories Electric winch set





Item	Part No.	Name	Qty	L
1	595477901	Electric box set	1	
2	595525501	Electric winch Left	1	
3	595525601	Electric winch right	1	
4	594247701	Extension kit	1	

Any unauthorized use or copying of the contents or any part thereof is prohibited.  
This applies in particular to trademarks, model denominations, part numbers, and drawings.