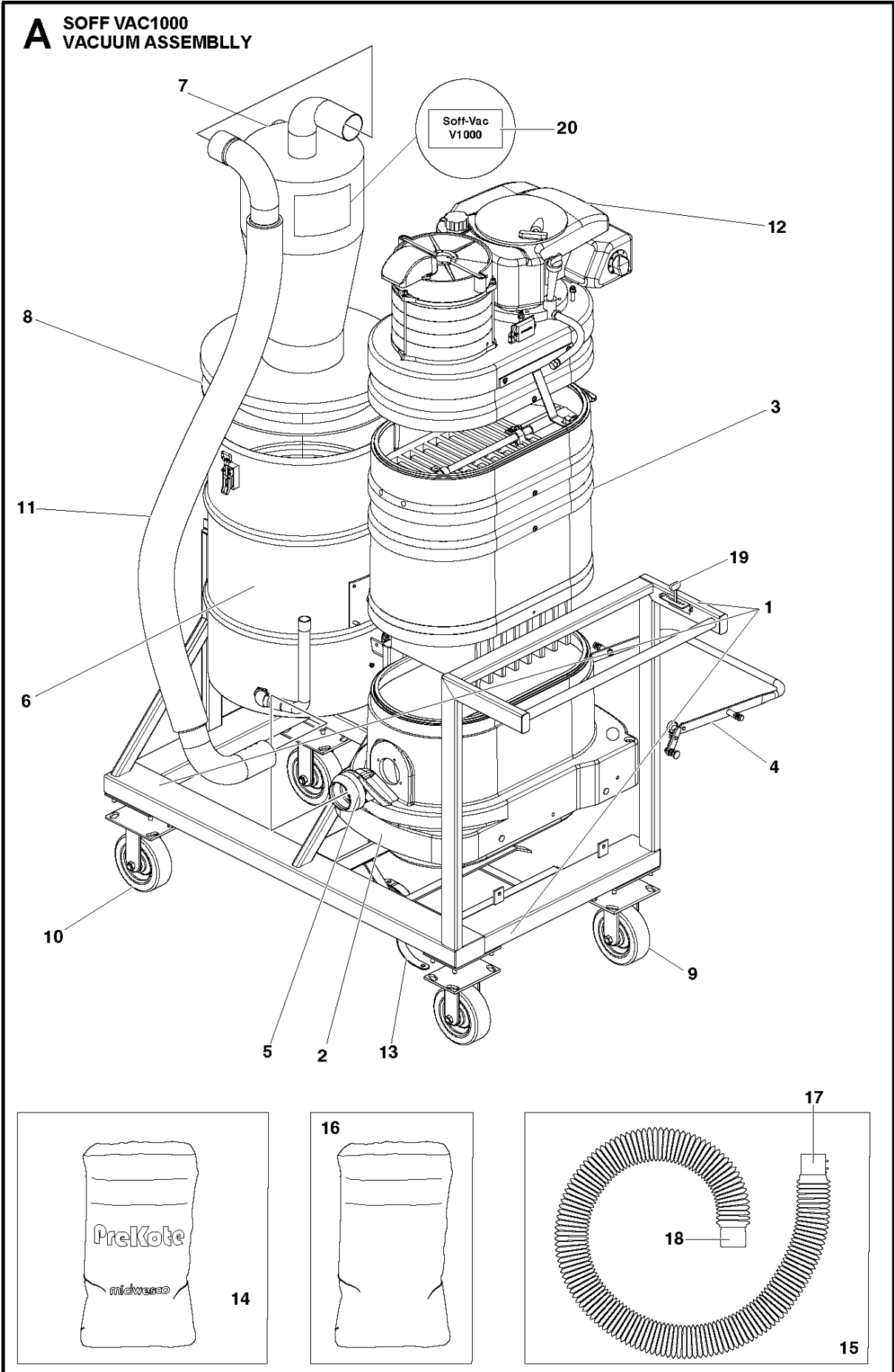




SPARE PARTS LIST

EARLY ENTRY SAWS

SOFF VAC 1000, 2018-06

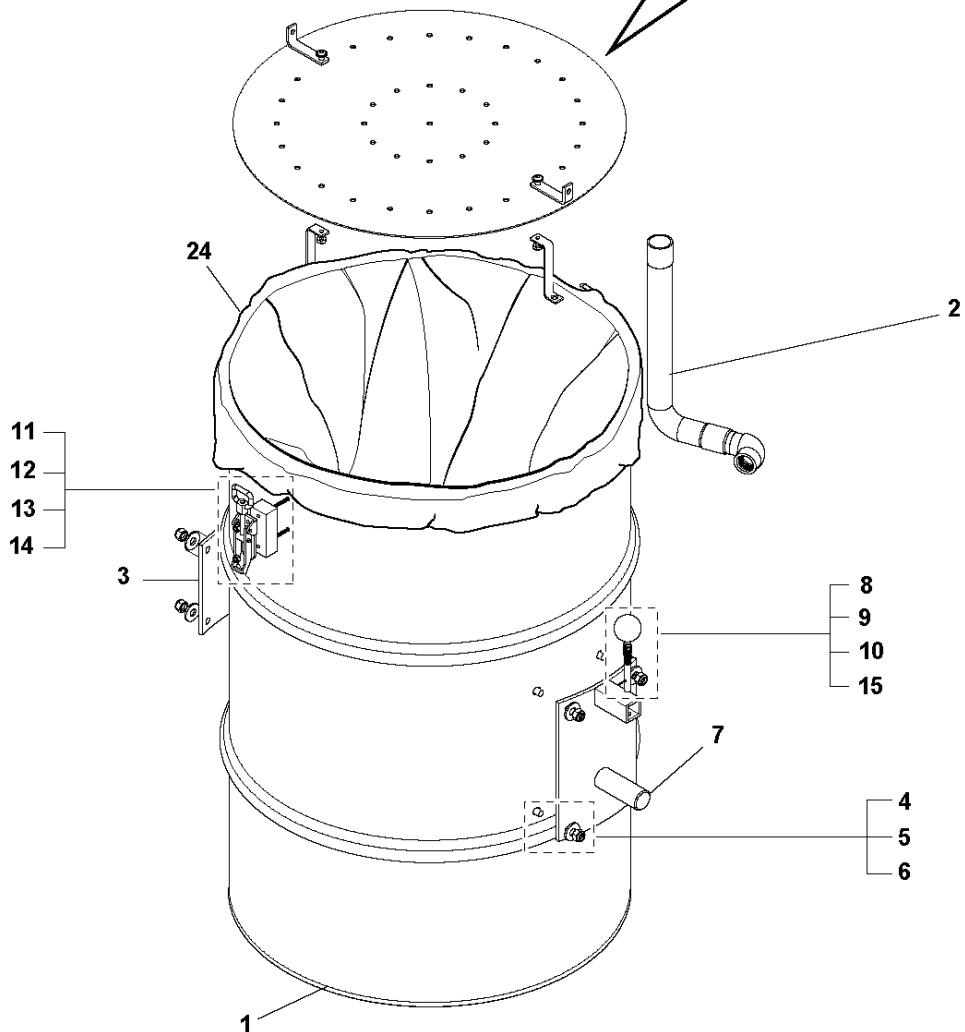
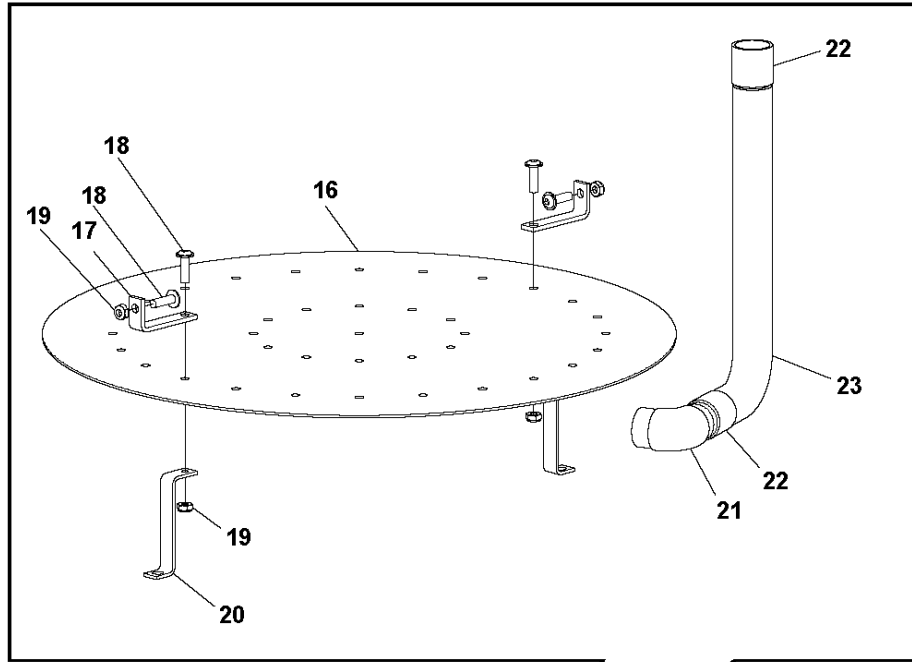


VACUUM ASSEMBLY

SOFF VAC 1000, 2018-06

Ref	Part No	Description	Remark	QTY KIT
1	593 86 91-01	FRAME		1
2	506 32 38-01	HOUSING		1
3	589 64 10-01	FILTER		1
4	505 09 58-01	HANDLEBAR		1
5	505 20 46-01	INLET		1
6	522 45 98-01	DRUM		1
7	506 21 43-01	FILTER COVER ASSY		1
8	510 33 93-01	GASKET		1
9	589 64 11-01	WHEEL ASSY		2
10	589 64 20-01	WHEEL		2
11	506 20 83-01	HOSE ASSY		1
12	510 34 05-01	ENGINE		1
13	589 64 22-01	STRAP		1
14	505 49 36-01	FILTER		1
15	510 33 83-01	HOSE		1
16	505 49 35-01	BAG		1
17	510 34 01-01	FITTING		1
18	505 89 08-01	FITTING		1
19	510 34 08-01	CABLE		1
20	510 33 82-01	VACUUM LABELS (SET OF 5)		1

B SOFF VAC1000
COLLECTOR



COLLECTOR

SOFF VAC 1000, 2018-06

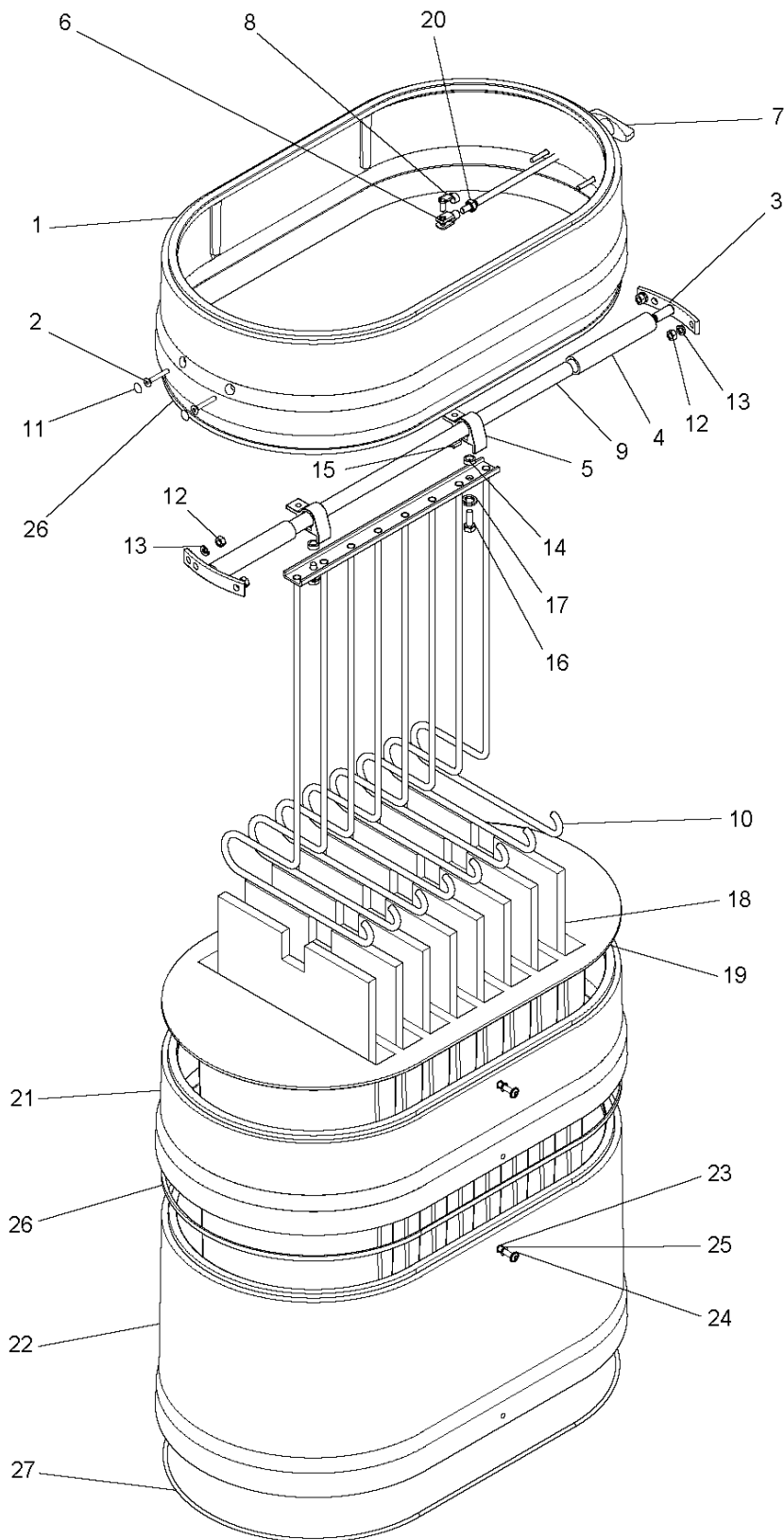
Ref	Part No	Description	Remark	QTY KIT
1	522 45 98-01	DRUM		1
2	589 65 13-01	HOSE ASSY		1
3	589 65 14-01	PLATE		1
4	510 33 98-01	SCREW FOR FILTER		8
5	510 33 97-01	BOLT		8
6	589 65 16-01	WASHER		8
7	589 65 17-01	PLATE		1
8	589 65 18-01	KNOB		1
9	589 65 28-01	LOCKING PIN		1
10	589 65 29-01	SPRING		1
11	510 33 92-01	CLAMP		2
12	589 65 30-01	SPACER		2
13	589 65 31-01	LOCK NUT		4
14	589 65 32-01	SCREW		4
15	589 65 47-01	LOCKING PIN		1
16	589 65 53-01	PLATE KIT		1
17	589 65 63-01	BRACKET		2
18	589 65 64-01	SCREW		4
19	589 65 65-01	LOCK NUT		4
20	589 65 66-01	BRACKET		2
21	589 65 67-01	FITTING		1
22	504 78 39-01	HOSE COUPLING		2
23	505 73 39-01	HOSE CONNECTOR		1
24	505 49 35-01	BAG		1

ENGINE

SOFF VAC 1000, 2018-06

Ref	Part No	Description	Remark	QTY KIT
1	506 50 06-01	COVER PLATE		1
2	510 33 95-01	TURBINE		1
3	589 65 77-01	VALVE ASSY		1
4	589 65 81-01	LOCKWASHER		6
5	589 65 95-01	WASHER		3
6	589 65 98-01	NUT		5
7	589 66 00-01	PULLEY		1
8	589 66 02-01	NUT		1
9	589 66 13-01	SCREW		2
10	589 66 17-01	NUT		2
11	589 66 18-01	WASHER		2
12	505 49 37-01	BELT		1
13	510 34 06-01	BUSHING		1
14	510 34 07-01	PULLEY		1
15	510 33 85-01	EXHAUST		1
16	589 66 20-01	SCREW		4
17	589 66 21-01	BRACKET		1
18	589 66 23-01	HOUR METER		1
19	589 66 24-01	SPACER		1
20	575 54 65-01	BRACKET		1
21	589 66 54-01	WASHER		3
22	589 65 99-01	SCREW		3
23	510 34 05-01	ENGINE		1
24	589 66 55-01	BOLT		2
25	589 66 72-01	BOLT		2
26	589 66 73-01	LOCKWASHER		2
27	589 66 75-01	LOCK NUT		2
28	734 11 63-01	WASHER		2
29	589 67 07-01	WASHER		4
30	589 67 08-01	HOSE		1
31	589 68 94-01	HOUSING		1
32	589 67 10-01	NUT		4
33	589 67 19-01	SCREW		6
34	589 67 24-01	WASHER		6
35	589 67 32-01	DEFLECTOR		1

D SOFF VAC1000
FILTER

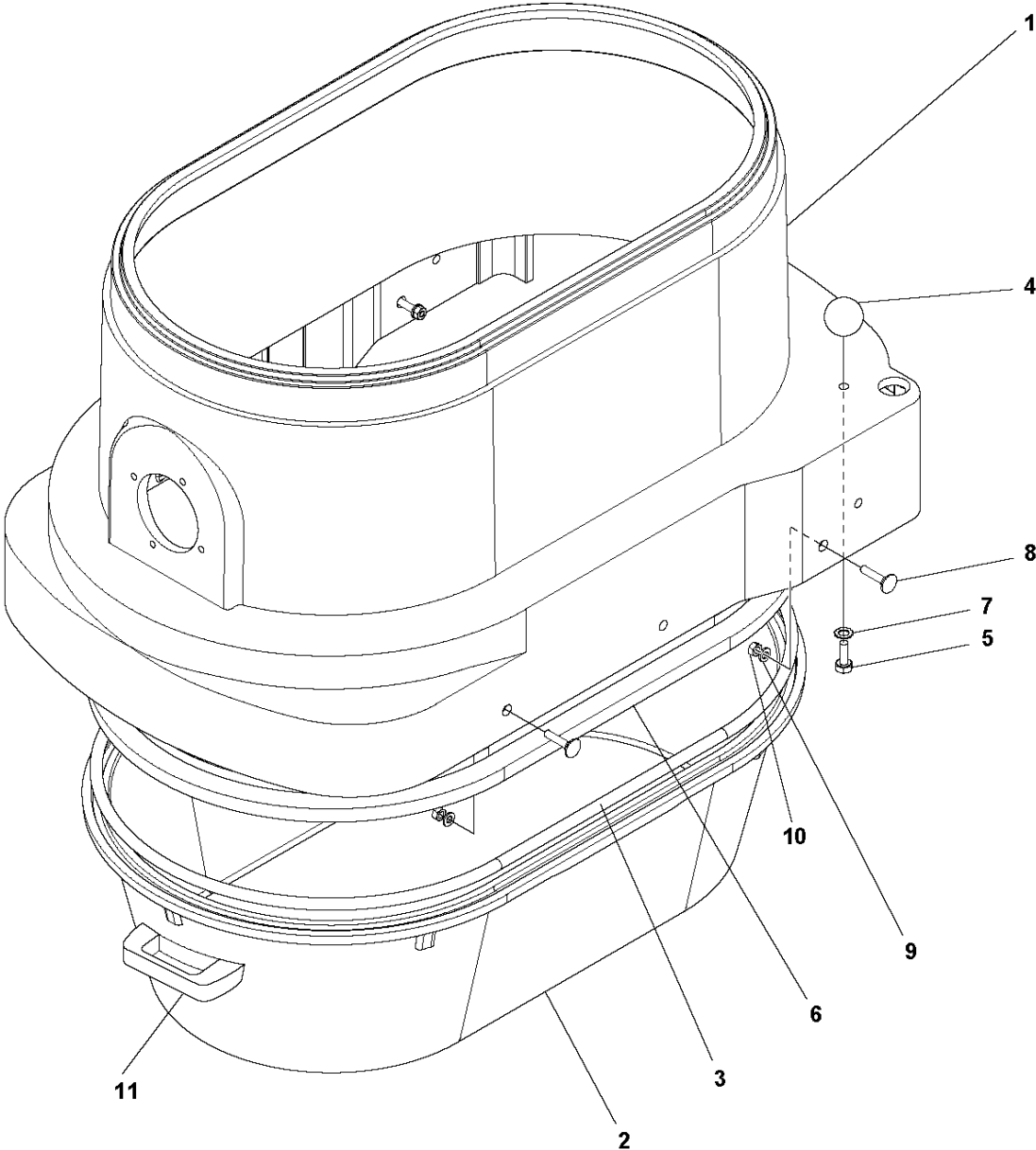


FILTER

SOFF VAC 1000, 2018-06

Ref	Part No	Description	Remark	QTY KIT
1	510 33 94-02	HOUSING		1
2	589 67 47-01	SCREW		4
3	589 67 53-01	ROD		2
4	589 67 58-01	HOSE		2
5	510 33 86-01	HOLDER		2
6	579 67 08-01	BRACKET		1
7	574 43 45-01	KNOB		1
8	579 67 06-01	CLIP		1
9	589 67 60-01	BAR		1
10	589 67 62-01	INSERT		1
11	589 67 63-01	PLUG		4
12	589 67 64-01	NUT		4
13	589 67 65-01	LOCKWASHER		4
14	589 67 67-01	SPACER		2
15	589 67 68-01	NUT		2
16	589 67 70-01	SCREW		2
17	589 67 71-01	LOCKWASHER		2
18	589 67 72-01	INSERT		8
19	510 33 84-01	FILTER		1
20	731 23 18-01	HEXAGON NUT		1
21	589 67 74-01	HOUSING ASSY		1
22	574 25 53-02	HOUSING		1
23	510 34 03-01	BLIND PEN INSERT(NEED SPECIAL		4
24	510 34 04-01	ALLEN HEAD SCREW		4
25	589 67 24-01	WASHER		4
26	589 67 75-01	GASKET		2
27	589 67 76-01	GASKET		1

E SOFF VAC1000
COLLECTOR

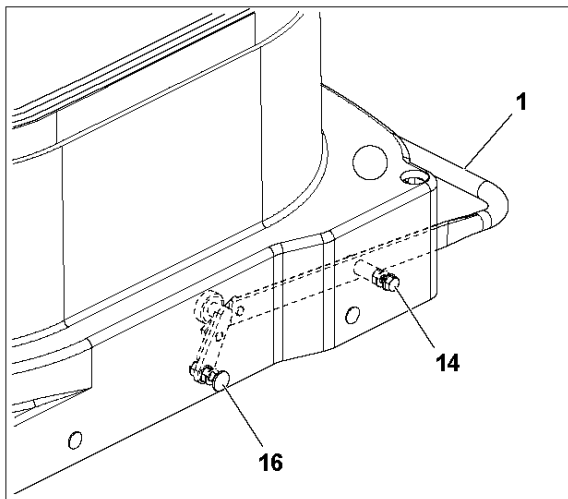
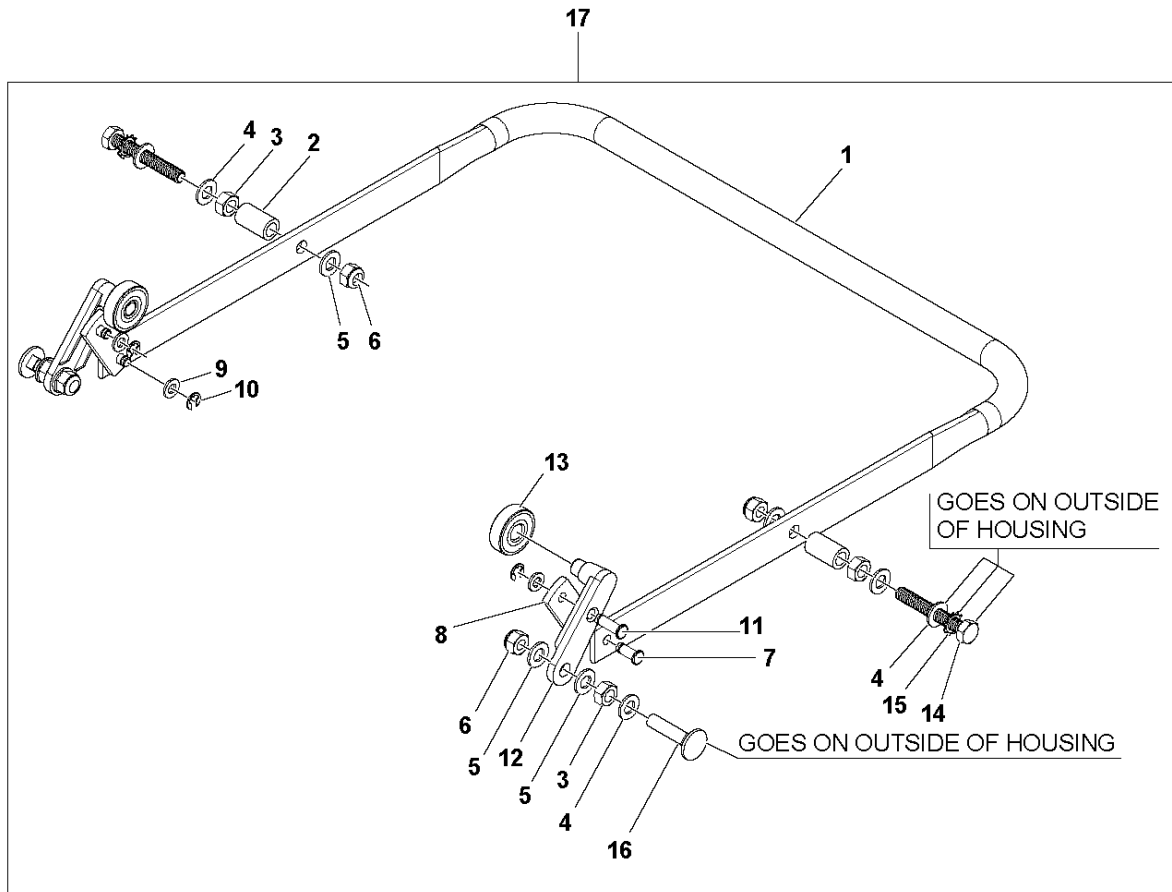


COLLECTOR

SOFF VAC 1000, 2018-06

Ref	Part No	Description	Remark	QTY KIT
1	506 32 38-01	HOUSING		1
2	510 33 87-01	TRAY		1
3	516 00 46-01	SEAL		1
4	589 65 18-01	KNOB		1
5	589 68 67-01	SCREW		1
6	516 02 75-01	GASKET		1
7	589 68 68-01	WASHER		1
8	589 68 69-01	BOLT		4
9	589 66 54-01	WASHER		4
10	589 67 64-01	NUT		4
11	593 86 89-01	PAN		1

F SOFF VAC1000
LEVER

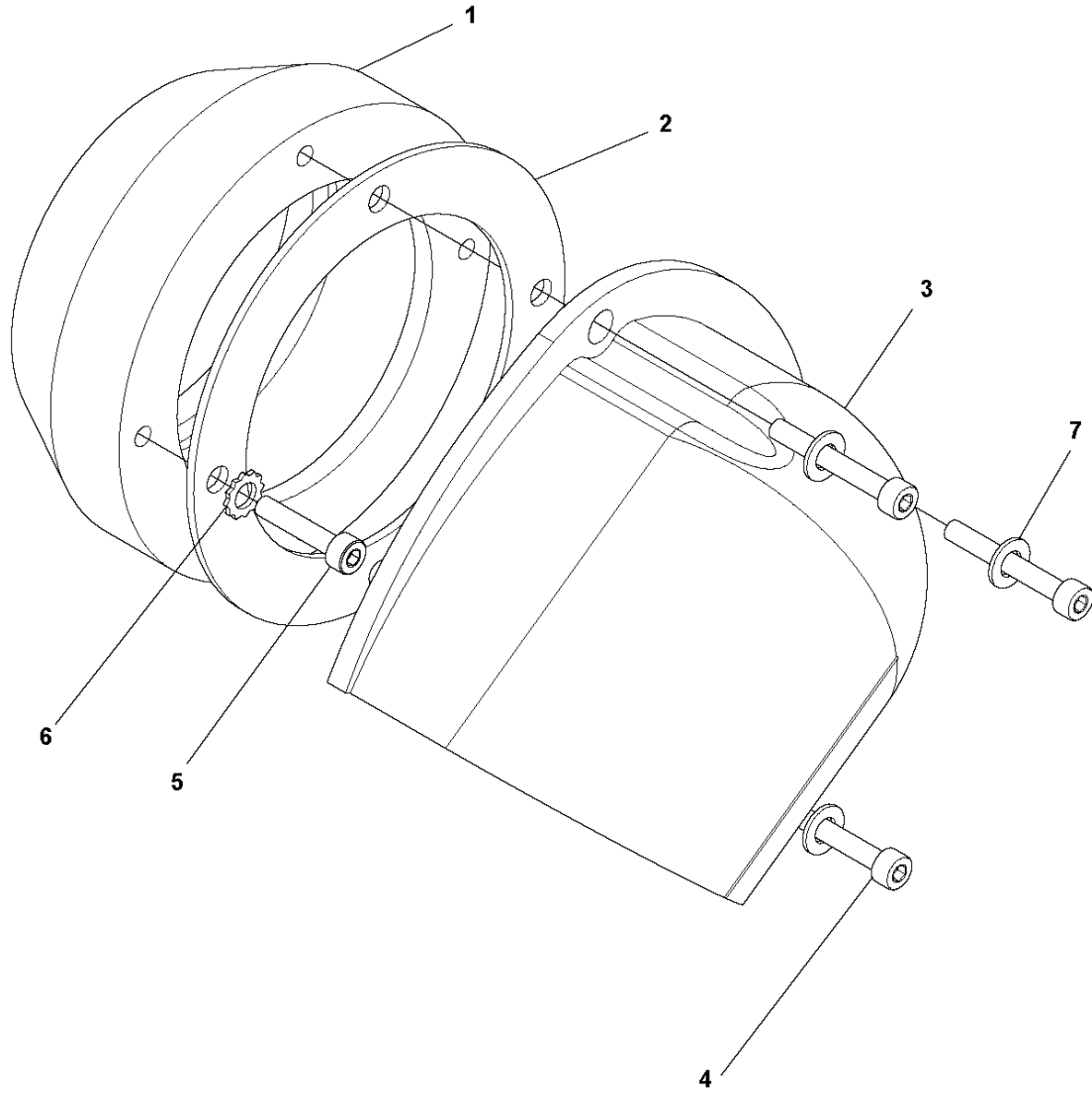


LEVER

SOFF VAC 1000, 2018-06

Ref	Part No	Description	Remark	QTY KIT
1	505 09 58-01	HANDLEBAR		1
2	589 68 73-01	SPACER		2
3	731 23 18-01	HEXAGON NUT		4
4	734 11 63-01	WASHER		6
5	734 11 63-01	WASHER		6
6	732 25 18-01	HEXAGON LOCKING NUT		4
7	589 68 81-01	PIN		2
8	589 68 83-01	PLATE		2
9	589 66 54-01	WASHER		4
10	589 68 84-01	CLIP		4
11	589 68 85-01	PIN		2
12	579 67 10-01	BRACKET		2
13	579 67 09-01	BEARING		2
14	589 68 86-01	BOLT		2
15	589 68 87-01	WASHER		2
16	589 68 88-01	BOLT		2
17	589 55 39-01	LEVER ASSY		1

G SOFF VAC1000
INLET MANIFOLD



INLET MANIFOLD

SOFF VAC 1000, 2018-06

Ref	Part No	Description	Remark	QTY KIT
1	502 20 46-01	PRINT		1
2	505 33 54-01	GASKET		1
3	505 22 45-01	DEFLECTOR		1
4	589 68 89-01	SCREW		3
5	589 68 90-01	SCREW		1
6	589 68 91-01	WASHER		1
7	589 68 92-01	WASHER		3