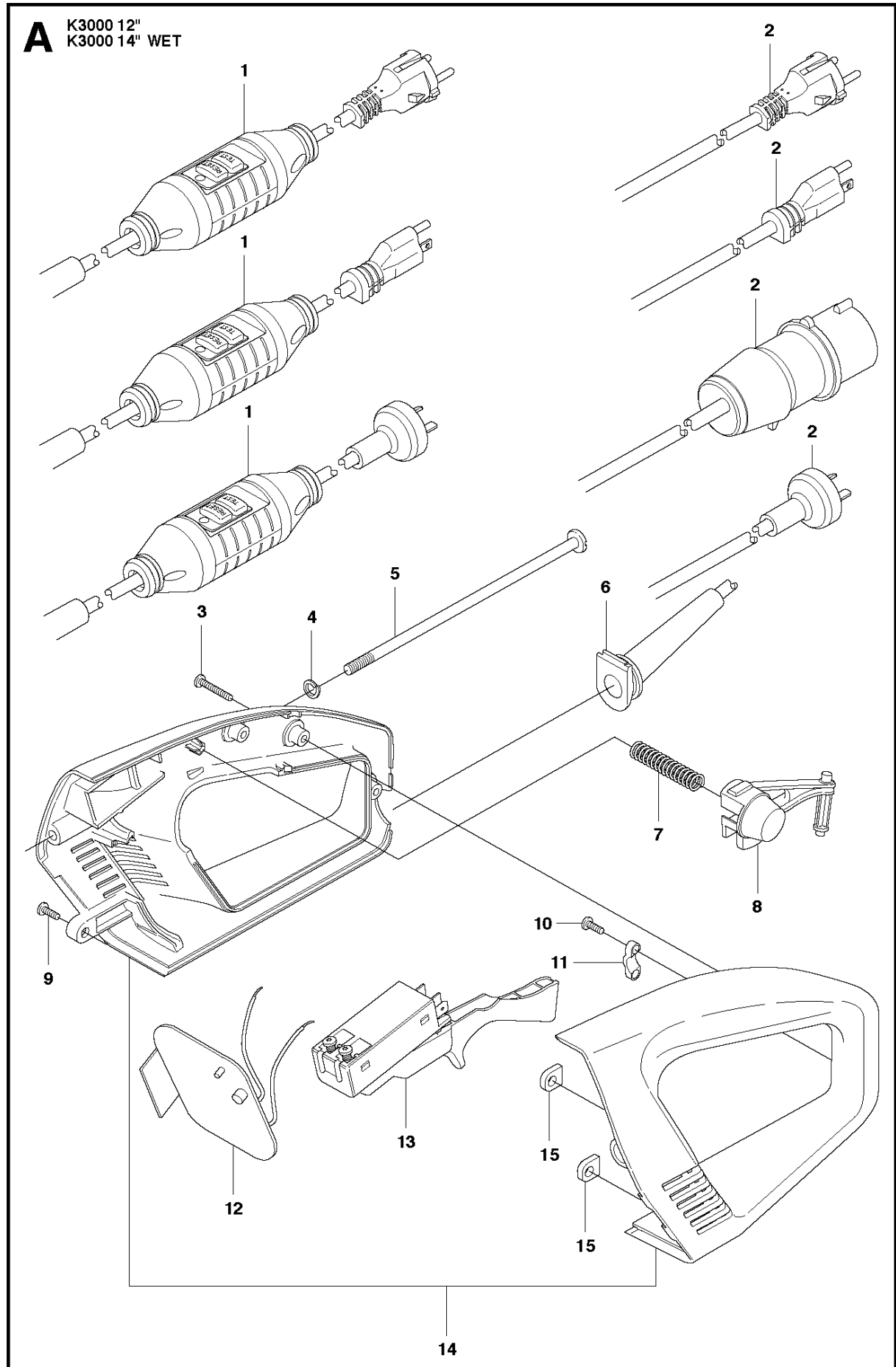




SPARE PARTS LIST

POWER CUTTERS

K3000, 2009-05

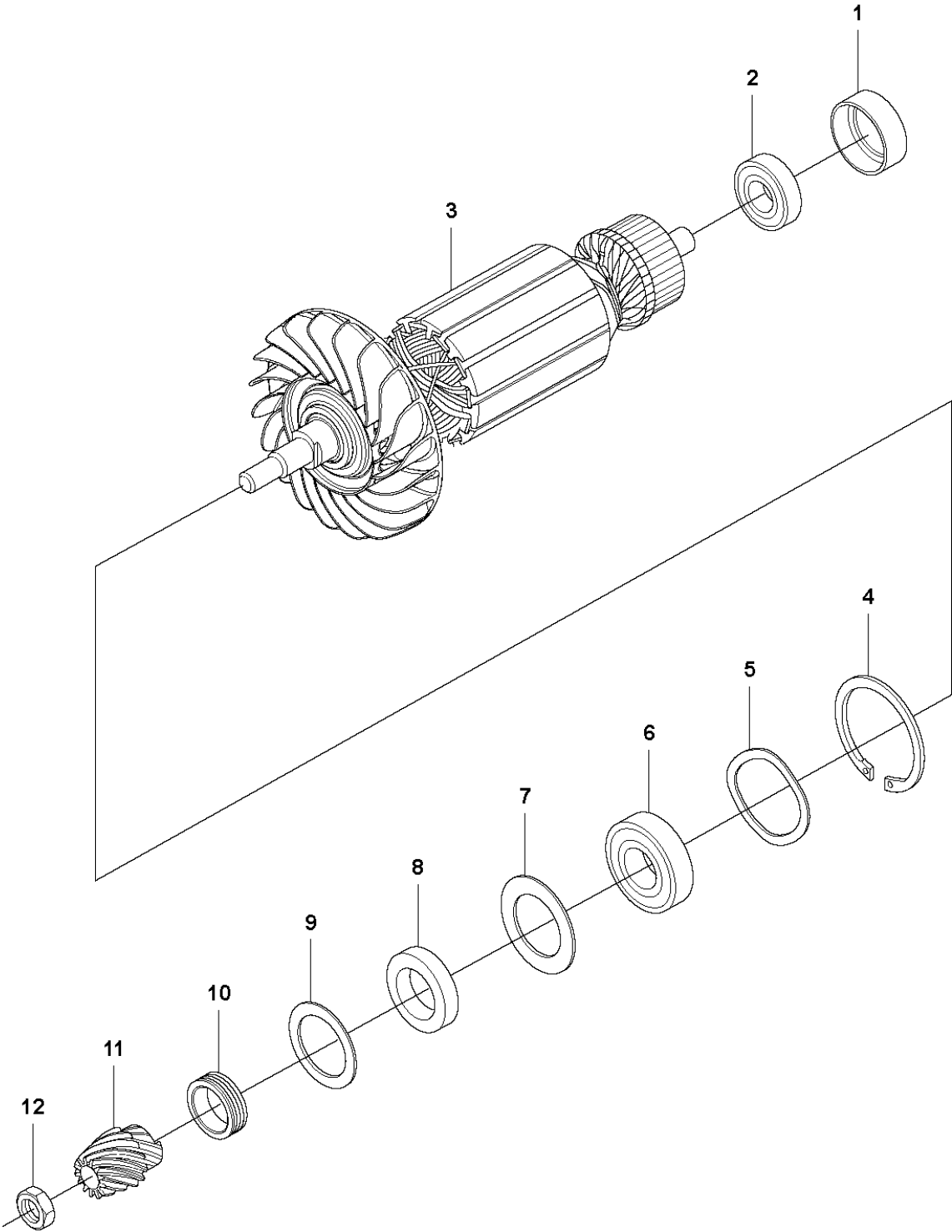


ELECTRICAL

K3000, 2009-05

Ref	Part No	Description	Remark	QTY KIT
1	505 44 33-03	CABLE	230V, Incl. 6	1
1	510 18 13-02	CABLE	110V JP, USA	1
1	521 90 72-03	CABLE	110V AU, Incl. 6	1
2	505 52 02-11	CABLE ASSY	230V	1
2	505 53 03-56	CABLE	110V JP, USA	1
2	510 18 14-01	CABLE	110V UK	1
2	510 22 28-01	CABLE	110V AU	1
3	531 03 19-02	SCREW		3
4	735 11 46-50	SPRING WASHER		1
5	505 53 03-11	SCREW		1
6	544 90 05-01	CABLE SLEEVE	230V	1
7	531 03 18-85	SPRING		1
8	544 90 06-01	LOCKING BUTTON		1
9	724 13 27-55	SCREW CRPANM		1
10	503 21 20-01	SCREW		2
11	531 03 18-87	CLIP		1
12	522 63 78-01	PRINTED CIRCUIT ASSY	110V	1
12	525 59 24-01	PRINTED CIRCUIT ASSY	230V	1
13	531 03 18-83	SWITCH		1
14	544 90 45-01	HANDLE ASSY		1
15	577 52 52-01	NUT		2

B K3000 12"
K3000 14" WET

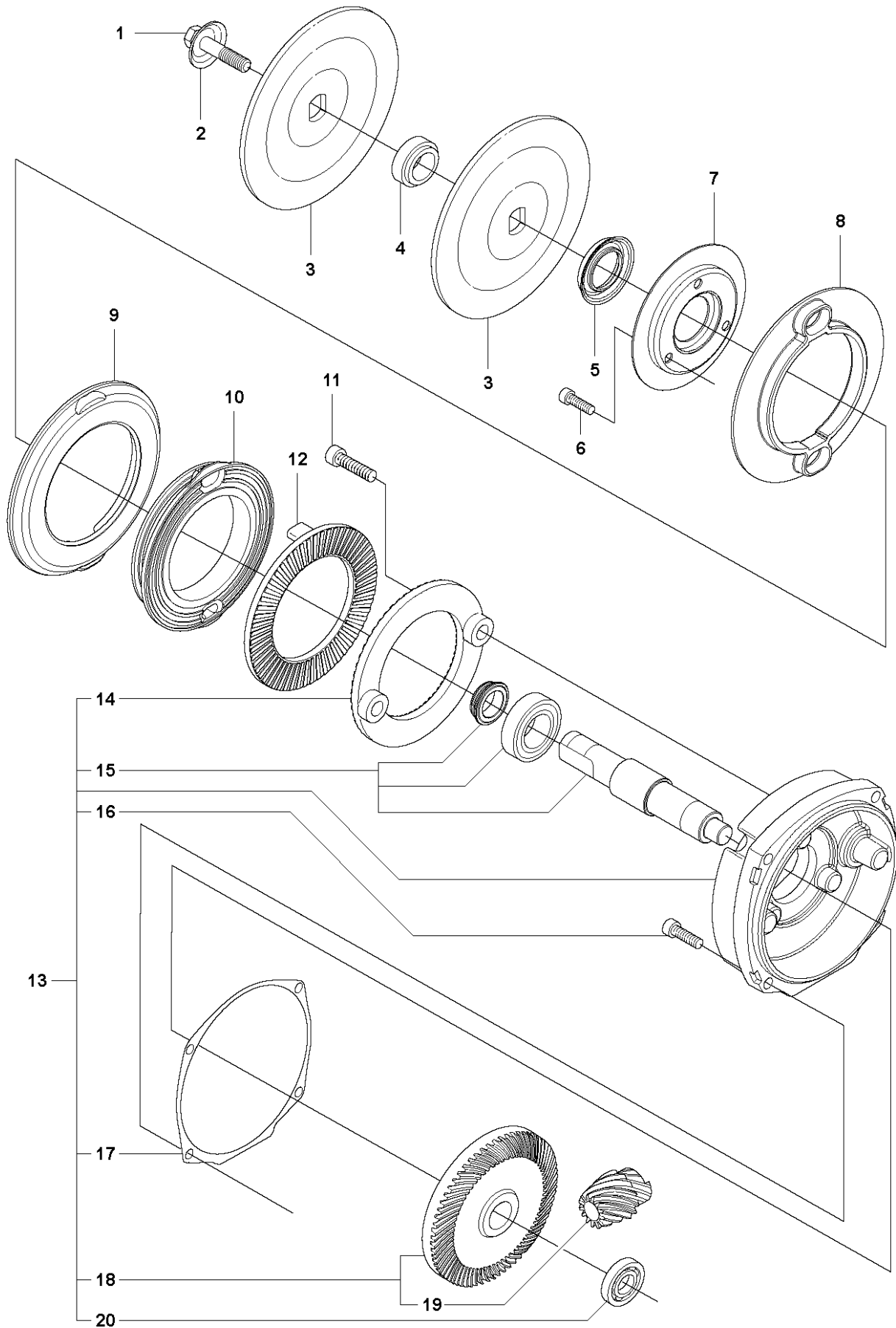


MOTOR

K3000, 2009-05

Ref	Part No	Description	Remark	QTY KIT
1	505 53 03-14	RUBBER BUSHING		1
2	503 25 09-01	BEARING		1
3	525 45 84-01	ROTOR	100 - 120V	1
3	525 45 85-01	ROTOR	230V	1
4	735 31 33-10	CIRCLIP		1
5	505 53 03-51	SPRING WASHER		1
6	531 07 39-44	BALL BEARING		1
7	505 53 03-16	SPACER		1
8	505 53 03-41	FELT		1
9	505 53 03-52	SPACER		1
10	505 53 03-19	SPACER		1
11	506 09 86-02	PINION		1
12	523 12 24-01	NUT		1

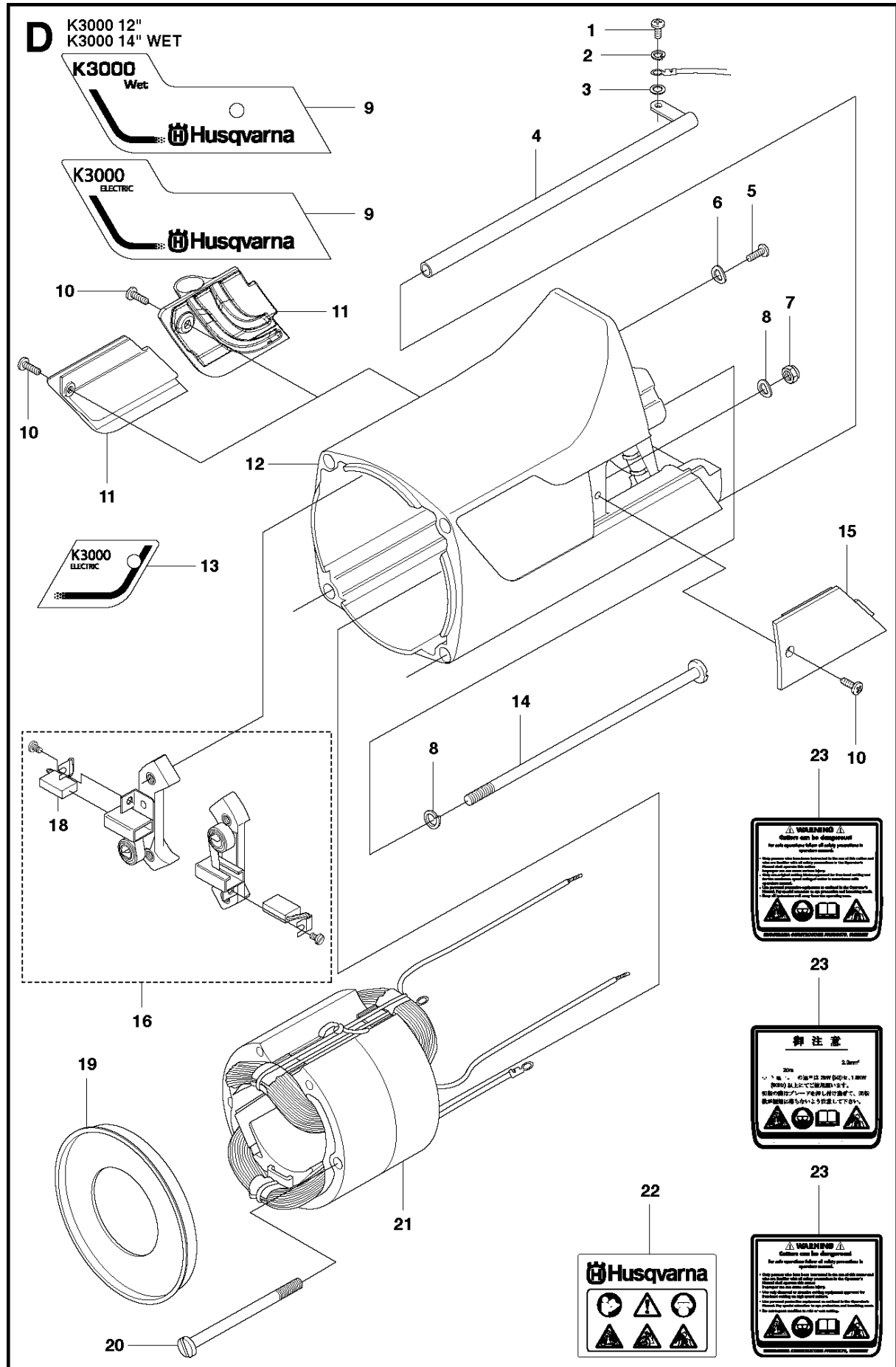
C K3000 12"
K3000 14" WET



GEARS

K3000, 2009-05

Ref	Part No	Description	Remark	QTY KIT
1	506 13 96-01	SCREW EHHFM		1
2	506 13 95-11	WASHER		1
3	506 02 87-01	FLANGE WASHER		2
4	506 37 96-20	KIT	Diam 20mm	1
4	506 37 96-22	KIT	Diam 22,2mm	1
4	506 37 96-25	KIT	Diam 25,4mm	1
4	506 02 88-30	BUSHING	Diam 30,5mm	1
5	506 32 06-01	SEALING		1
6	505 57 41-16	SCREW ITXSCM		3
7	506 26 65-01	FLANGE		1
8	505 28 18-01	SPACER RING	"12"" only"	1
9	505 28 19-01	SPACER RING	"12"" only"	1
10	506 26 63-02	LINING		1
12	506 26 64-01	SCREEN		1
11	503 21 53-12	SCREW ITXSCM		2
13	544 40 32-01	GEAR SET	Incl. 14 - 18, 20	1
14	506 28 84-01	SCREEN		1
15	544 40 33-01	SHAFT		1
16	505 57 41-20	SCREW ITXSCM		4
17	505 53 03-10	GASKET		2
18	531 03 18-75	GEAR WHEEL	Incl. 19	1
19	506 09 86-02	PINION		1
20	738 22 00-15	BALL BEARING		1

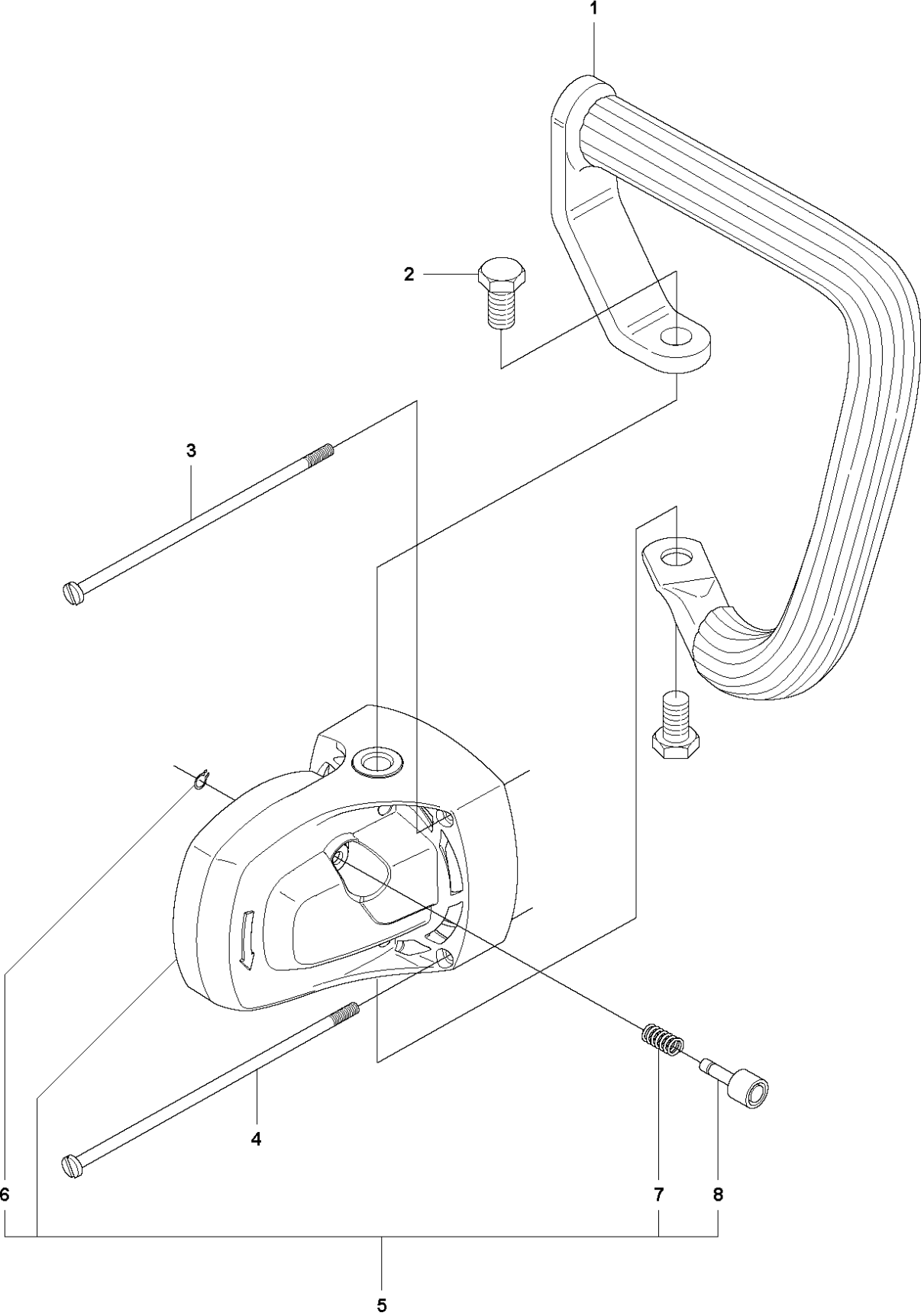


MOTOR HOUSING

K3000, 2009-05

Ref	Part No	Description	Remark	QTY KIT
1	724 12 87-59	SCREW CRPANM		1
2	735 21 36-01	LOCKWASHER		1
3	734 11 36-01	WASHER		1
4	531 03 18-91	PIPE		1
5	724 12 91-01	SCREW CRPANM		4
6	735 11 36-50	SPRING WASHER		4
7	732 21 14-01	LOCK NUT		2
8	735 11 46-50	SPRING WASHER		2
9	544 90 33-01	LABEL	Electric	1
9	544 90 33-04	LABEL	Wet	1
10	729 57 76-01	SCREW CCRPANT		1
11	544 90 02-01	LID		1
11	505 12 24-01	LID	Wet	1
12	544 89 87-01	MOTOR HOUSING		1
13	544 90 33-02	LABEL		1
14	505 53 03-11	SCREW		1
15	544 89 94-01	LID		1
16	581 05 85-03	BRUSH HOLDER	230V	1
16	581 05 85-04	BRUSH HOLDER	120V	1
18	506 22 58-04	CARBON BRUSH		2
19	505 53 03-07	AIR STREAM DIRECTOR		1
20	506 22 53-01	SCREW		2
21	506 22 51-10	STATOR ASSY	100 - 120V	1
21	506 22 51-20	STATOR ASSY	230V	1
22	544 98 40-01	LABEL		1
23	506 38 44-15	LABEL	JP	1
23	506 38 43-14	LABEL	USA, UK	1
23	506 38 43-24	LABEL	USA, UK. Wet	1

E K3000 12"
K3000 14" WET

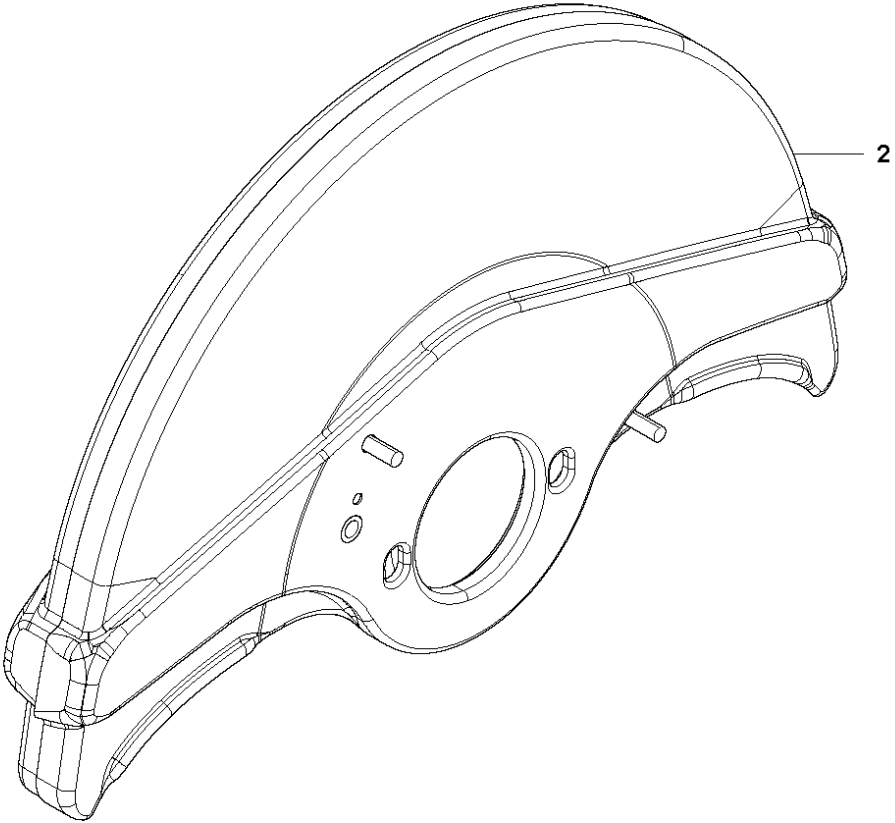
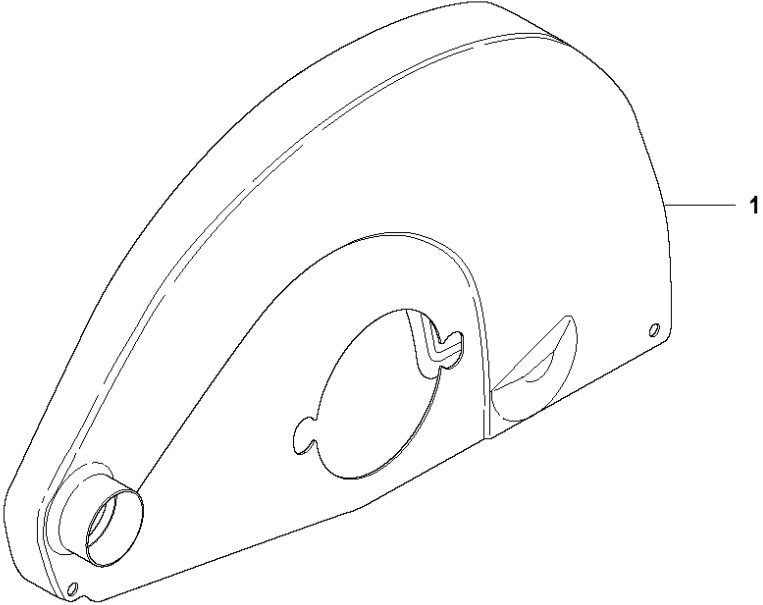


GEAR HOUSING

K3000, 2009-05

Ref	Part No	Description	Remark	QTY KIT
1	506 15 03-03	HANDLE		1
2	531 03 12-76	SCREW		2
3	505 53 03-11	SCREW		1
4	531 03 18-94	SCREW		1
5	544 40 34-01	GEAR HOUSING	Incl. 6 - 8	1
6	735 31 08-00	CIRCLIP		1
7	531 03 18-23	SPRING		1
8	544 90 47-01	SHAFT		1

F K3000 12"
K3000 14" WET

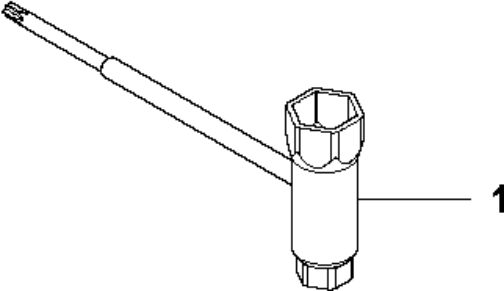


WHEELS & TIRES

K3000, 2009-05

Ref	Part No	Description	Remark	QTY KIT
1	506 15 00-03	WHEEL GUARD	"12""	1
2	505 41 30-01	WHEEL GUARD	"14"" Wet"	1

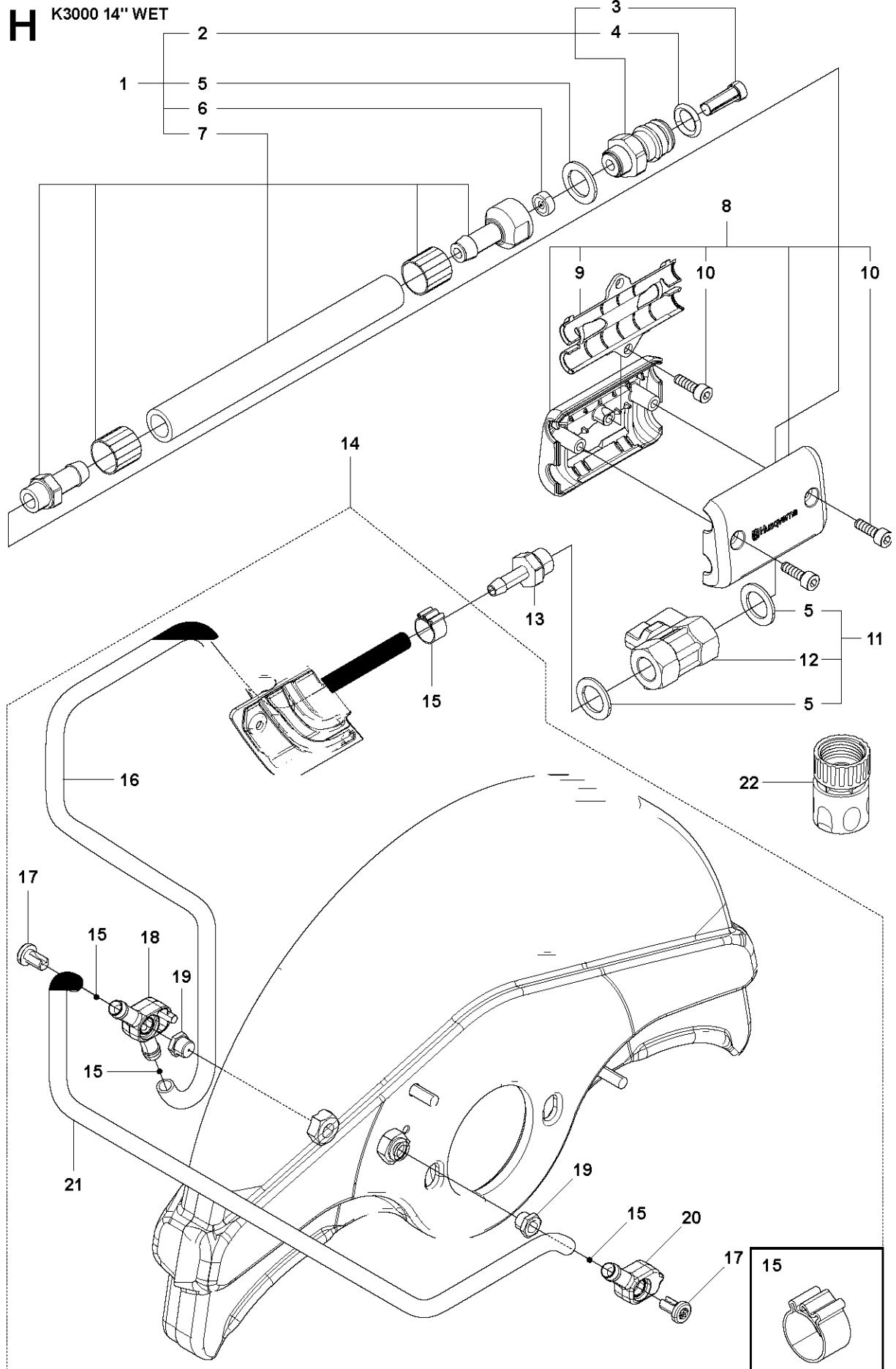
G K3000 12"
K3000 14" WET



TOOLS

K3000, 2009-05

Ref	Part No	Description	Remark	QTY KIT
1	506 38 26-01	TOOL		1



HOSE

K3000, 2009-05

Ref	Part No	Description	Remark	QTY KIT
1	502 30 44-04	HOSE ASSY	Incl. 2, 5 - 7	1
2	510 11 20-01	NIPPLE	Incl. 3, 4	1
3	506 29 88-01	FILTER		1
4	505 10 35-01	O-RING		1
5	531 07 42-60	WASHER		3
6	506 48 61-01	FLOW CONTROL		1
7	510 11 39-01	HOSE KIT		1
8	522 94 51-01	HOUSING	Incl. 9 - 10	1
9	510 18 75-01	INSERT		1
10	504 90 94-01	SCREW ITXSCT		3
11	510 19 59-01	VALVE KIT	Incl. 5, 12	1
12	502 61 70-01	VALVE		1
13	505 35 32-01	NIPPLE		1
14	505 09 54-02	HOSE KIT	Incl. 15 - 21	1
15	506 49 87-01	HOSE CLAMP		4
16	506 60 68-08	HOSE	720 mm	1
17	504 63 46-01	SCREW ITXSCT		2
18	505 11 55-01	HOUSING		1
19	504 63 42-01	NIPPLE		2
20	504 63 45-01	HOUSING		1
21	506 60 68-07	HOSE	300 mm	1
22	503 26 60-03	COUPLER	USA	1
22	503 26 60-04	COUPLER		1