



Husqvarna®



K 770 Vac

EN Operator's manual
ES-MX Manual del usuario
FR-CA Manuel d'utilisation

2-32
33-66
67-100

Contents

Introduction.....	2	Troubleshooting.....	27
Safety.....	5	Transportation, storage and disposal.....	29
Assembly.....	13	Technical data.....	30
Operation.....	16	Warranty.....	31
Maintenance.....	22		

Introduction

Owner responsibility



WARNING: Cutting, especially when DRY cutting, generates dust that comes from the material being cut, which frequently contains silica. Silica is a basic component of sand, quartz, brick clay, granite and numerous other minerals and rocks. Exposure to excessive amount of such dust can cause:

Respiratory disease (affecting your ability to breath), including chronic bronchitis, silicosis and pulmonary fibrosis from exposure to silica. These diseases may be fatal;

Skin irritation and rash.

Cancer according to NTP* and IARC* */ National Toxicology Program, International Agency for Research on Cancer.

Take precautionary steps:

Avoid inhalation of and skin contact with dust, mist and fumes.

Wear and ensure that all bystanders wear appropriate respiratory protection such as dust masks designed to filter out microscopic particles. (See OSHA 29 CFR Part 1926.1153)

To minimize dust emissions, wet cut when feasible. If dry cutting is necessary, use an appropriate dust extractor.

It is the owner's/employer's responsibility that the operator has sufficient knowledge about how to use the product safely. Supervisors and operators must have read and understood the Operator's Manual. They must be aware of:

- The products's safety instructions.
- The products's range of applications and limitations.
- How the product is to be used and maintained.

National/Local regulations could restrict the use of this product. Find out what regulations are applicable where you work before you start using the product.

Proposition 65



WARNING

The engine exhaust from this product contains chemicals known to the State of California to cause cancer, birth defects or other reproductive harm.

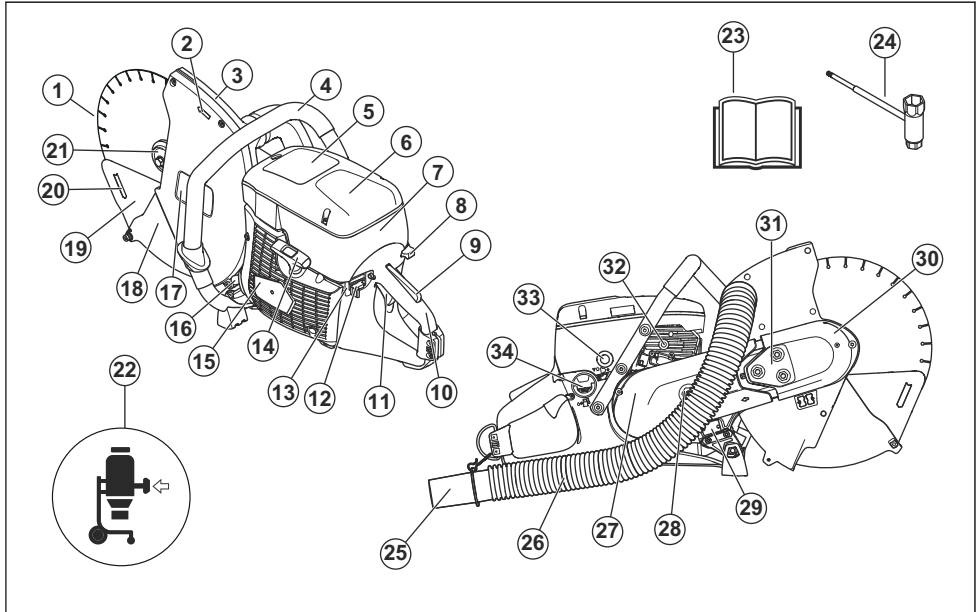
Product description

This Husqvarna power cutter is a portable handheld cut-off machine powered by a two-stroke combustion engine. The product has a blade guard, a blade guard extender and a dust shield that collect particles and sparks and move them away from the operator. The product operates with an external dust extractor.

Intended use

The product is used to cut hard materials as concrete, masonry and stone. Do not use the product for other tasks. The product must only be used by professional operators with experience.

Product overview K 770 Vac



1. Cutting blade (not supplied)
2. Rotation direction
3. Blade guard
4. Front handle
5. Warning decal
6. Air filter cover
7. Starting instruction decal
8. Choke control
9. Throttle trigger lockout
10. Rear handle
11. Throttle trigger
12. Stop switch
13. Disconnection function for OilGuard
14. Starter handle
15. Starter housing
16. Muffler
17. Cutting equipment decal
18. Blade guard extender
19. Dust shield
20. Cutting direction
21. Flange, spindle, bushing
22. Dust extractor (Not supplied)
23. Operator's manual
24. Combination spanner
25. Dust extractor attachment
26. Hose

27. Rear belt guard
28. Belt tensioner
29. Type plate
30. Front belt guard
31. Lock screws for belt adjustment
32. Decompression valve
33. Air purge bulb
34. Fuel cap

Symbols on the product



WARNING! The product can be a dangerous tool if used incorrectly or carelessly, which can cause serious or fatal injury to the operator or others.



Read the operator's manual carefully and make sure that you understand the instructions before you use this product.



Always use approved personal protective equipment. Refer to *Personal protective equipment on page 6*.



WARNING! Dust forms when cutting, this can cause injuries if inhaled. Use an approved breathing mask. Avoid inhaling

exhaust fumes. Always provide for good ventilation.



WARNING! Kickbacks can be sudden, rapid and violent and can cause life threatening injuries. Read and understand the instructions in the manual before using the product. Refer to *Kickback on page 10*.



WARNING! Sparks from the cutting blade can cause fire in combustible materials such as: petrol (gas), wood, clothes, dry grass, etc.



WARNING! Ensure the blades are not cracked or damaged in any other way.



WARNING! Do not use circular saw blades.



WARNING! Do not use bonded abrasive blades.



WARNING! For dry cutting only.



Use diamond blades only.



Choke



Air purge bulb



Decompression valve



Starter rope handle



Use a fuel mixture of gasoline and oil.

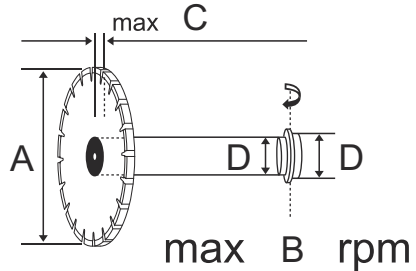


Connect an external dust extractor to the product. For required specifications, refer to *Technical data on page 30*.



Underwriters Laboratories Inc. (UL) has UL listed this machine as compliant to ANSI B175.4 US Safety standard.

Cutting equipment decal



A: Cutting blade diameter.

B: Maximum speed output.

C: Maximum blade thickness.

D: Bushing dimension.

Note: Other symbols or decals on the product refer to certification requirements for some markets.

EPA

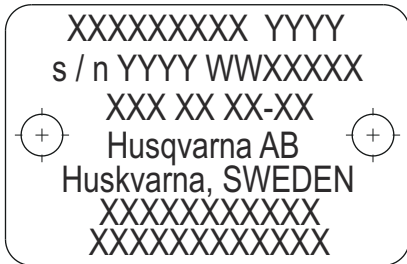
EMISSION CONTROL INFORMATION	
<p>HUSQVARNA AB HUSQVARNA SWEDEN THIS ENGINE MEETS U.S. EPA EXH/EVP REGS FOR [] SORE. REFER TO OPERATOR'S MANUAL FOR MAINTENANCE SPECIFICATIONS AND ADJUSTMENTS. EMISSIONS COMPLIANCE PERIOD: [] HRS</p>	

The Emissions Compliance Period referred to on the Emission Compliance label indicates the number of operating hours for which the engine has been shown to meet Federal emissions requirement. Maintenance, replacement or repair of the emission control devices and system may be performed by any nonroad engine repair establishment or individual.

CALIFORNIA AIR RESOURCES BOARD (CARB)

Note: This machine is considered a preempt Off-Road Application as relating to CARB standards. The U.S EPA has sole authority to establish emission standards for preempt construction equipment. For more information see www.arb.ca.gov/msprop/offroad/preempt.htm

Type plate



Row 1: Brand, Model (X, Y)

Row 2: Serial No. with manufacturing date (Y, W, X): Year, Week, Sequence No.

Row 3: Product No. (X)

Row 4: Manufacturer

Row 5: Manufacturer address

Rows 6–7: EU type approval or Chinese MEIN number

Product liability

As referred to in the product liability laws, we are not liable for damages that our product causes if:

- the product is incorrectly repaired.
- the product is repaired with parts that are not from the manufacturer or not approved by the manufacturer.
- the product has an accessory that is not from the manufacturer or not approved by the manufacturer.
- the product is not repaired at an approved service center or by an approved authority.

Safety

Safety definitions

Warnings, cautions and notes are used to point out specially important parts of the manual.



WARNING: Used if there is a risk of injury or death for the operator or bystanders if the instructions in the manual are not obeyed.



CAUTION: Used if there is a risk of damage to the product, other materials or the adjacent area if the instructions in the manual are not obeyed.

Note: Used to give more information that is necessary in a given situation.

General safety instructions



WARNING: Read the warning instructions that follow before you use the product.

- A power cutter is a dangerous tool if used carelessly or incorrectly and can cause serious injury or death. It is very important that you read and understand the contents of this operator's manual. It is also recommended that first time operators also obtain practical instruction before using the machine.

- Under no circumstances may the design of the product be modified without the permission of the manufacturer. Do not use a product that appears to have been modified by others and always use original accessories. Non-authorized modifications and/or accessories can result in serious personal injury or the death of the operator or others.
- Keep the product clean. Signs and decals must be fully visible.
- Never allow children or other persons not trained in the use of the product to use or service it.
- Do not let a person use the product unless you make sure that they understand the contents of the manual.
- Long term inhalation of the engine's exhaust fumes can represent a health risk. When the engine is running the exhaust contains chemicals such as unburned hydrocarbons and carbon monoxide. The content of the exhaust fumes is known to cause respiratory problems, cancer, birth defects or other reproductive harm.

Carbon monoxide is colorless and tasteless and is always present in exhaust fumes. The onset of carbon monoxide poisoning is distinguished by a slight dizziness which may or may not be recognized by the victim. A person may collapse and lapse into unconsciousness with no warning if the concentration of carbon monoxide is sufficiently high. Since carbon monoxide is colorless and odorless, its presence can not be detected. Any time exhaust odors are noticed, carbon monoxide is present.

Never use a petrol powered power cutter indoors or in trenches more than 1m (3ft) deep or in other areas with poor ventilation. Ensure proper ventilation when working in trenches or other confined areas.

- This product produces an electromagnetic field during operation. This field may under some circumstances interfere with active or passive medical implants. To reduce the risk of serious or fatal injury, we recommend persons with medical implants to consult their physician and the medical implant manufacturer before operating this product.
- The information in this operator's manual is never a substitute for professional skills and experience. If you get into a situation where you feel unsafe, stop and seek expert advice. Contact your servicing dealer. Do not attempt any task that you feel unsure of!

Safety instructions for assembly



WARNING: Read the warning instructions that follow before you assemble the product.

- Make sure that the engine is off and that the stop switch is in the STOP position.
- Always use protective gloves when you assemble the product.

Safety instructions for operation



WARNING: Read the warning instructions that follow before you use the product.

- Before using a power cutter you must understand the effects of kickback and how to avoid them. Refer to *Kickback on page 10*.
- Never use a product that is faulty. Carry out the safety checks, maintenance and service instructions described in this manual. Some maintenance and service measures must be carried out by trained and qualified specialists. Refer to *Maintenance on page 22*.
- Never use the product if you are fatigued, while under the influence of alcohol or drugs, medication or anything that could affect your vision, alertness, coordination or judgement.
- Do not start the product without the belt and the belt guard installed. The clutch can become loose and cause injury.
- Sparks from the cutting blade can cause fire in flammable materials such as gasoline, gas, wood, clothes and dry grass.
- Use a cutting blade only for material that it is made to cut.
- Do not cut asbestos material.

Work area safety



WARNING: Read the warning instructions that follow before you use the product.

- The safety distance for the power cutter is 15 m (50 ft). You are responsible to ensure that animals and onlookers are not within the working area. Do not start cutting until the working area is clear and you are standing firmly.
- Observe your surroundings to ensure that nothing can affect your control of the product.
- Ensure that no persons or objects can come into contact with the cutting equipment or be hit by parts thrown by the blade.
- Do not use the product in bad weather, such as dense fog, heavy rain, strong wind, intense cold, etc. Working in bad weather is tiring and can lead to dangerous conditions, such as slippery surfaces.
- Never start to work with the product before the working area is clear and you have a firm foothold. Look out for any obstacles with unexpected movement.
- Ensure when cutting that no material can become loose and fall, causing injury to the operator. Take great care when working on sloping ground.
- Ensure that the working area is sufficiently illuminated to create a safe working environment.
- Make sure that no pipes or electrical cables are routed in the working area or in the material to be cut.
- If cutting into a container (drum, pipe, or other container) you must first make sure it does not contain flammable or other volatile material.

Personal protective equipment

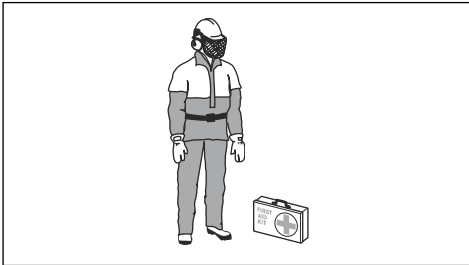


WARNING: Read the warning instructions that follow before you use the product.

- Always use approved personal protective equipment during operation. Personal protective equipment cannot eliminate the risk of injury but it will reduce the degree of injury if an accident does happen. Ask your servicing dealer for help in choosing the right equipment.
- Use an approved protective helmet.
- Use approved hearing protection. Long-term exposure to noise can result in permanent hearing impairment. Be aware of warning signals or shouts when you are wearing hearing protection. Always remove your hearing protection as soon as the motor stops.
- Use approved eye protection to decrease the risk of injury from thrown objects. If you use a face shield then you must also wear approved protective goggles. Approved protective goggles must comply with standard ANSI Z87.1 in the USA or EN 166 in

EU countries. Visors must comply with standard EN 1731.

- Use heavy duty gloves.
- Use approved respiratory protection. The use of products such as cutters, grinders, drills, that sand or form material can generate dust and vapours which may contain hazardous chemicals. Check the nature of the material you intend to process and use appropriate breathing mask.
- Use tight-fitting, heavy-duty and comfortable clothing that permits full freedom of movement. Cutting generates sparks that can ignite clothing. Husqvarna recommends that you wear flame-retardant cotton or heavy denim. Do not wear clothing made of material such as nylon, polyester or rayon. If ignited such material can melt and cling to the skin. Do not wear shorts.
- Use boots with steel toe-cap and non-slip sole.
- Always keep first aid kit near.



- Sparks can come from the muffler or the blade. Always have a fire extinguishing available.

Safety devices on the product



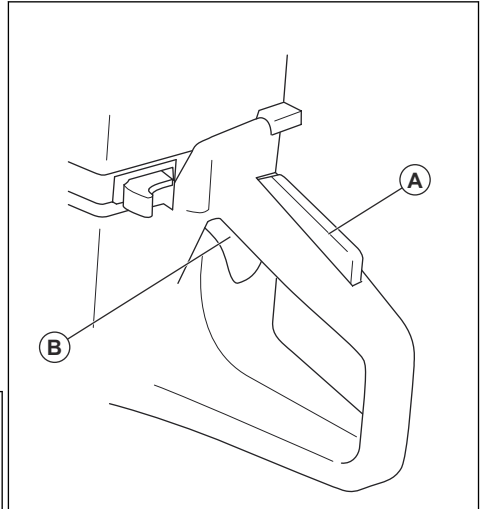
WARNING: Read the warning instructions that follow before you use the product.

- Never use a product that has faulty safety equipment! If your product fails any checks contact your service agent to get it repaired.
- Do not use the product if protective plates, protective covers, safety switches or other protective devices are not attached or are defective.

Throttle trigger lockout

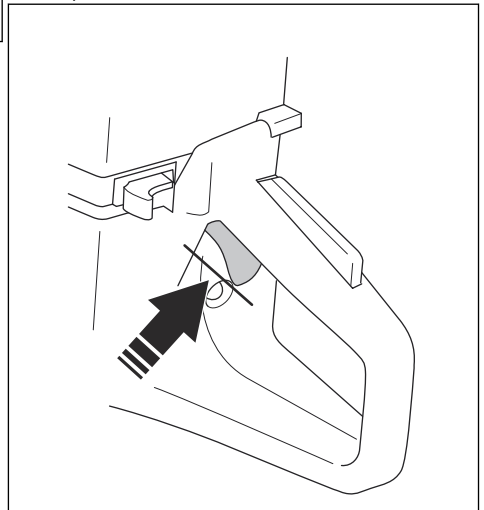
The throttle trigger lockout prevents accidental operation of the throttle trigger. If you put your hand around the handle and push the throttle trigger lockout (A), it releases the throttle trigger (B). If you release the handle, the throttle trigger and the throttle trigger lockout

move back to their initial positions. This function locks the throttle trigger at idle speed.

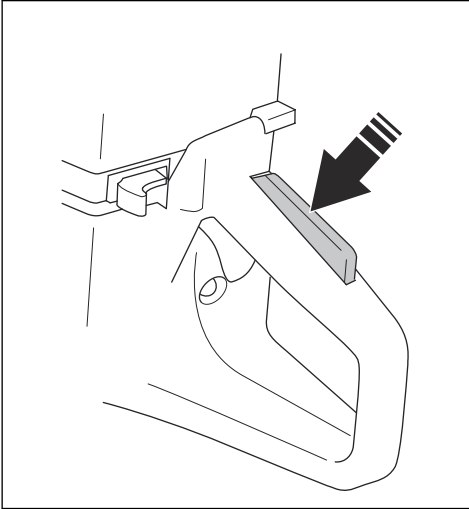


To examine the throttle trigger lockout

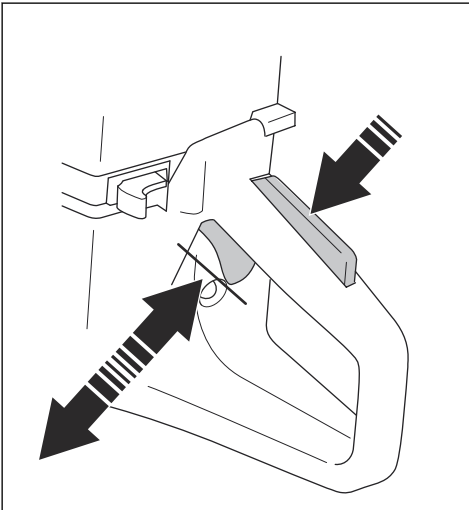
1. Make sure that the throttle trigger is locked at the idle position when the throttle lockout is released.



2. Push the throttle lockout and make sure it goes back when you release it.

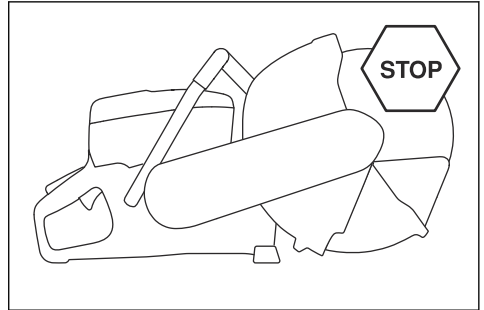


3. Make sure that the throttle trigger and throttle lockout move freely and that the return springs work correctly.



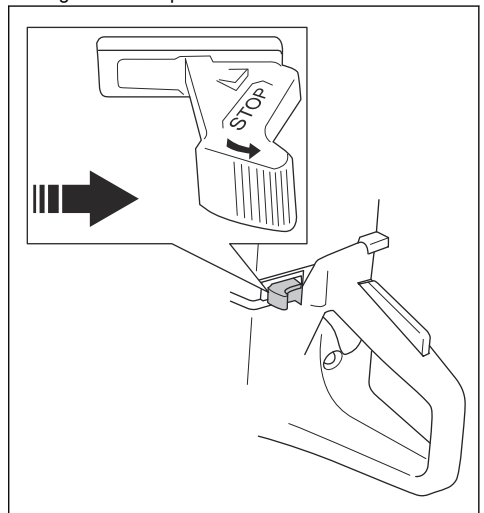
4. Start the product and apply full throttle.

5. Release the throttle control and make sure that the cutting blade stops and stays stationary. If the cutting blade rotates at idle position, you must adjust the idle speed. Refer to *To adjust the idle speed on page 26*.



To examine the stop switch

1. Start the engine.
2. Push the start/stop switch to the STOP position. The engine must stop.



Blade guard, blade guard extender and dust shield

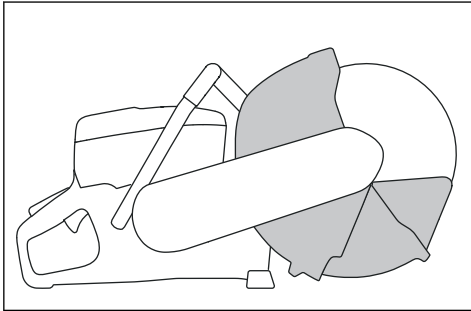


WARNING: Make sure that the blade guard, the blade guard extender and the dust shield are correctly attached before you start the product. Do not use the product if the blade guard, the blade guard extender or the dust shield are missing, cracked or defective.

- The blade guard, the blade guard extender and the dust shield keep dust away from the operator and prevent injury if the cutting blade breaks. The blade guard extender and the dust shield are spring loaded

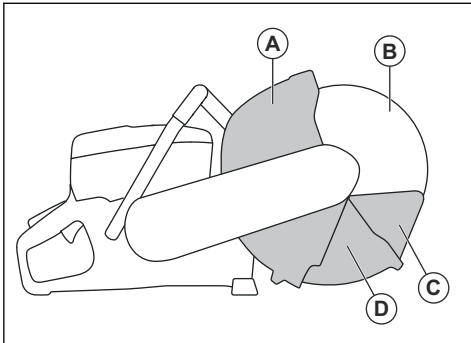
and must always move freely and must always return instantly by spring force.

- Do not use the product if the blade guard extender or the dust shield are clamped or tied into the retracted position.

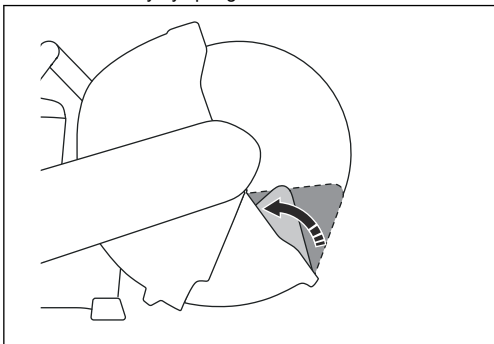


To examine the cutting blade, the blade guard and the blade guard extender

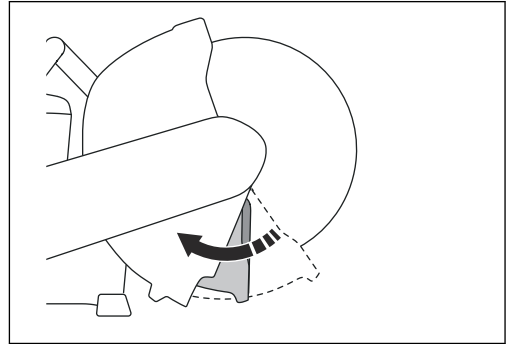
1. Make sure that the cutting blade (B) is attached correctly and that it is not damaged.



2. Make sure that the blade guard (A), the blade guard extender (D) and the dust shield (C) do not have cracks or other damage.
3. Make sure that the dust shield can be pushed in and return instantly by spring force.



4. Make sure that the blade guard can be pushed in and return instantly by spring force.



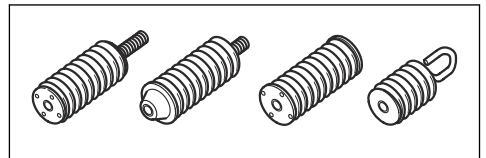
5. Replace the cutting blade and the blade guard if they are damaged. Replace the blade guard extender, the dust shield or their springs if they are detected and not returning instantly when pushed in.

Vibration damping system



WARNING: Overexposure to vibration can lead to circulatory damage or nerve damage in people who have impaired circulation. Contact your doctor if you experience symptoms of overexposure to vibration. Such symptoms include numbness, loss of feeling, tingling, pricking, pain, loss of strength, changes in skin color or condition. These symptoms normally appear in the fingers, hands or wrists. These symptoms may be increased in cold temperatures.

Your product is equipped with a vibration damping system that is designed to minimize vibration and make operation easier. The product's vibration damping system reduces the transfer of vibration between the engine unit/cutting equipment and the product's handle unit.



Cutting granite or hard concrete creates more vibration than cutting soft concrete. Cutting with cutting equipment that is blunt or faulty (wrong type or badly sharpened) will increase the vibration level.

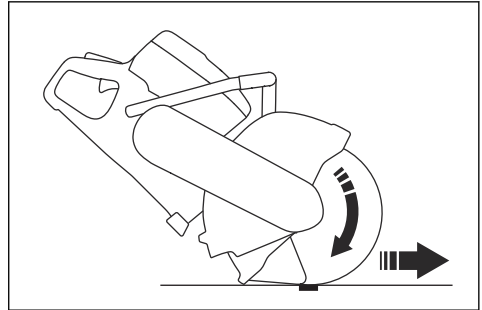
To do a check of the vibration damping system



WARNING: Make sure that the engine is switched off and that the stop switch is in STOP position.

1. Make sure that there are no cracks or deformation on the vibration damping units. Replace the vibration damping units if they are damaged.
2. Make sure that the vibration damping units are correctly attached to the engine unit and handle unit.

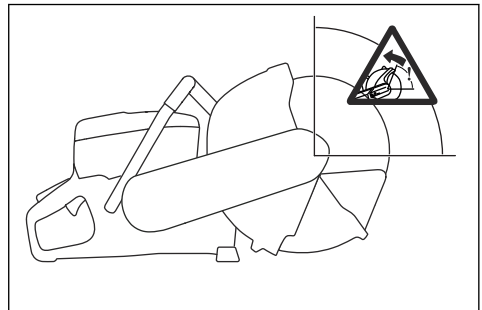
strong and you might not be able to control the power cutter.



Never move the product when the cutting equipment is rotating. Gyroscopic forces can obstruct the intended movement

Kickback zone

Never use the kickback zone of the blade for cutting. If the blade is pinched or stalled in the kickback zone, the reactive force will push the power cutter up and back towards the user in a rotating motion causing serious or even fatal injury.



Muffler

The muffler keeps the noise levels to a minimum and sends the exhaust fumes away from the operator.

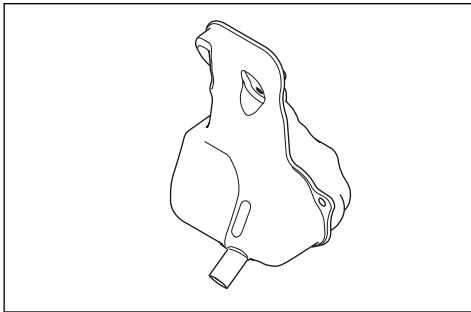
Do not use the product if the muffler is missing or defective. A defective muffler increases the noise level and the risk of fire.



WARNING: The muffler gets very hot during and after use. This also applies during idling. Be aware of the fire hazard, especially when working near flammable substances and/or vapours.

To examine the muffler

1. Make sure that the muffler is not damaged.



2. Make sure that the muffler is correctly attached.

Kickback



WARNING: Kickbacks are sudden and can be very violent. The power cutter can be thrown up and back towards the user in a rotating motion causing serious or even fatal injury. It is vital to understand what causes kickback and how to avoid it before using the product.

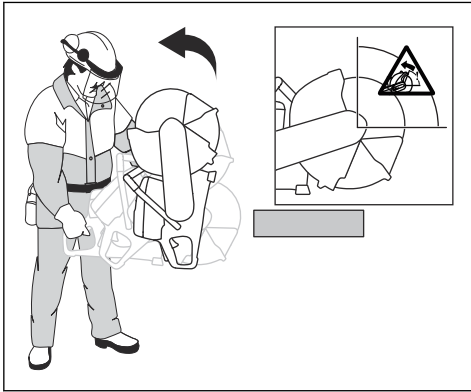
Kickback is the sudden upward motion that can occur if the blade is pinched or stalled in the kickback zone. Most kickbacks are small and pose little danger. However a kickback can also be very violent and throw the power cutter up and back towards the user in a rotating motion causing serious or even fatal injury.

Reactive force

A reactive force is always present when cutting. The force pulls the product in the opposite direction to the blade rotation. Most of the time this force is insignificant. If the blade is pinched or stalled the reactive force will be

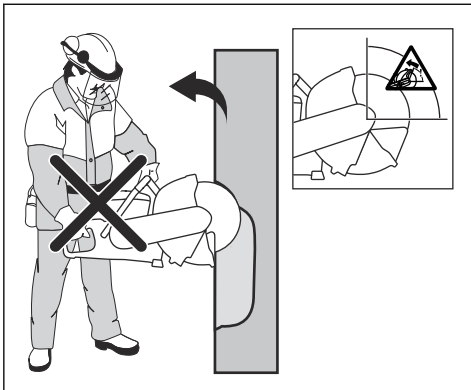
Rotational kickback

A rotational kickback occurs when the cutting blade does not move freely in the kickback zone.



Climbing kickback

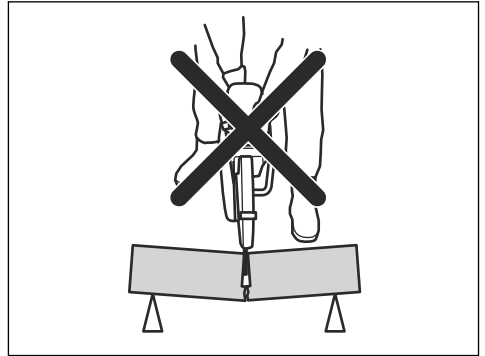
If the kickback zone is used for cutting the reactive force drives the blade to climb up in the cut. Do not use the kickback zone. Use the lower quadrant of the blade to avoid climbing kickback.



Pinching kickback

Pinching is when the cut closes and pinches the blade. If the blade is pinched or stalled the reactive force will be

strong and you might not be able to control the power cutter.



If the blade is pinched or stalled in the kickback zone, the reactive force will push the power cutter up and back towards the user in a rotating motion causing serious or even fatal injury. Be alert for potential movement of the work piece. If the work piece is not properly supported and shifts as you cut, it might pinch the blade and cause a kick back.

To cut in pipes

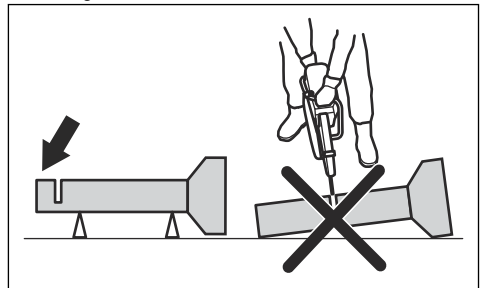


WARNING: If the blade is pinched in the kickback zone it will cause a severe kickback.

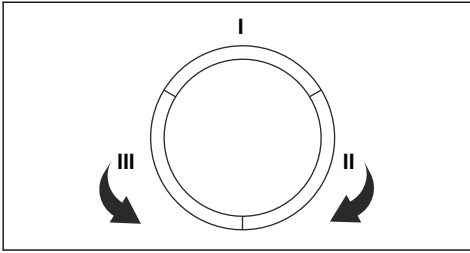
Special care should be taken when cutting in pipes. If the pipe is not properly supported and the cut kept open through out the cutting, the blade might be pinched. Be especially alert when cutting a pipe with a belled end or a pipe in a trench that, if not properly supported, may sag and pinch the blade.

If the pipe is allowed to sag and close the cut, the blade will be pinched in the kick back zone and a severe kick back might develop. If the pipe is properly supported the end of the pipe will move downward, the cut will open and no pinching will occur.

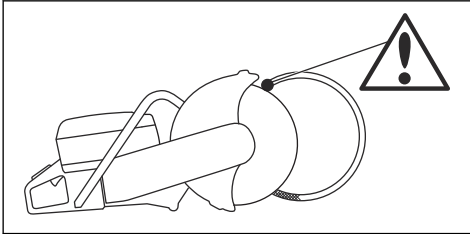
1. Secure the pipe so it does not move or roll during cutting.



2. Cut section "I" of the pipe.



3. Ensure that the cut opens to avoid pinching.



4. Move to side II and cut from section I to bottom of the pipe.

5. Move to side III and cut the remaining part of the pipe ending at the bottom.

To prevent a kickback



WARNING: Avoid situations where there is a risk of kickback. Take care when using your power cutter and make sure that the blade is never pinched in the kickback zone.



WARNING: Be careful when you put the blade in an existing cut.

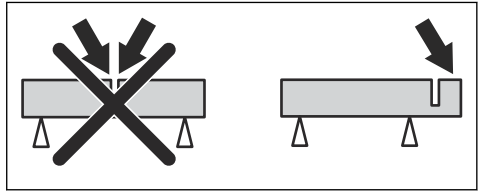


WARNING: Make sure that the work piece cannot move during a cutting operation.



WARNING: Only you and proper working technique can eliminate kickback and its dangers.

- Always support the work of piece so that the cut can keep open when cutting through. When the cut is open there is no kickback. If the cut is closed and pinches the blade, there is a risk of kickback.

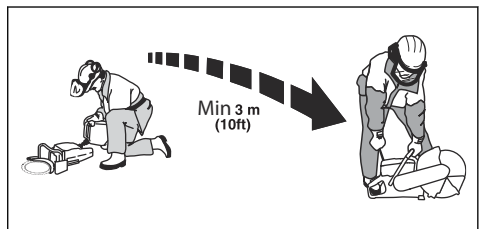


Fuel safety



WARNING: Read the warning instructions that follow before you use the product.

- Make sure there is plenty of ventilation when refueling or mixing fuel (petrol and two-stroke oil).
- Take care when handling fuel. Fuel and fuel vapour are highly flammable. Be aware of the risks of fire, explosion and those associated with inhalation.
- Do not smoke and do not place any hot objects in the vicinity of fuel.
- Always stop the engine and let it cool for a few minutes before refuelling.
- When refuelling, open the fuel cap slowly so that any excess pressure is released gently.
- Tighten the fuel cap carefully after refuelling. If the cap is not properly tightened, the cap might vibrate lose and fuel may escape from the fuel tank creating a fire hazard.
- Never refuel the machine while the engine is running.
- Always move the product at least 3 m (10 ft) away from the refuelling area and source before starting.



After refuelling, there are some situations where you must never start the product:

- If you have spilled fuel on the product. Wipe off the spillage and allow remaining fuel to evaporate.
- If you have spilled fuel on yourself or on your clothes. Change your clothes and wash any part of your body that has come in contact with fuel. Use soap and water.
- If the product leaks fuel. Regularly do a check for leaks from the fuel cap and fuel lines.

Safety instructions for maintenance



WARNING: Read the warning instructions that follow before you use the product.

- The user must only carry out the maintenance and service work described in this Operator's Manual. More extensive work must be carried out by an authorized service workshop.
- Make sure that the engine is switched off and that the stop switch is in STOP position.
- Use personal protective equipment. Refer to *Personal protective equipment on page 6*.
- If the maintenance is not done correctly and regularly, there is an increased risk of injury and damage to the product.
- Only do the maintenance as this operator's manual recommends. Let a Husqvarna service agent do all other servicing.
- Let an approved Husqvarna service agent do servicing on the product regularly.
- Replace damaged, worn or broken parts.
- Always use original accessories.

Assembly

Introduction



WARNING: Read and understand the safety chapter before you assemble the product.

Cutting blades



WARNING: In order to reduce the risk of injury or fire do not use bonded abrasive cutting blades. Use only recommended diamond cutting blades in combination with provided flange.



WARNING: A cutting blade may burst and cause injury to the operator.



WARNING: The cutting blade manufacturer issues warnings and recommendations for the use and proper care of the cutting blade. Those warnings come with the cutting blade. Read and follow all instructions from the cutting blade manufacturer.



WARNING: A cutting blade should be checked before it is assembled on the saw and frequently during use. Look for cracks, lost segments (diamond blades) or pieces broken off. Do not use a damaged cutting blade.

Husqvarna cutting blades are high speed cutting blades approved for hand held power cutters.

- A cutting blade should be checked before it is assembled on the saw and frequently during use. Look for cracks, lost segments (diamond blades) or pieces broken off. Do not use a damaged cutting blade.
- Read and obey the instructions that come with the cutting blade.
- High-quality blades are often most economical.

- Lower quality blades often have inferior cutting capacity and a shorter service life, which results in a higher cost in relation to the quantity of material that is cut.
- Make sure that the right bushing is used for the cutting blade to be fitted on the product. Refer to *Checking the arbor bushing on page 15*.
- Test the integrity of each new cutting blade by running it at full throttle for about 1 minute.

Correct cutting blades



WARNING: Read and follow the warning instructions that follow before you use the product.

- Never use a cutting blade for any other materials than what it was intended to cut.
- Use only a diamond blade made for dry cutting.
- Never use toothed blades such as wood cutting blades, circular toothed blades, carbide tipped blades, etc. The risk of kickback is significantly increased and tips can be torn off and thrown at high speed. Carelessness can result in serious personal injury or even death.
- Do not use a diamond blade with a lower speed rating than that of the power cutter. Use only diamond blades that are in compliance with national or regional standards, for example EN13236 or ANSI B7.1.
- The cutting blade must be approved for the same or higher speed rating than that of the product. The speed rating is specified on the blade guard.
- Many cutting blades that can be attached to this product are made for stationary saws. The speed rating of those cutting blades is too low for this product.
- Select a cutting blade which center hole dimension is correct with the bushing installed on the machine.

Blade vibration

- The blade can become out-of-round and vibrate if an excessive feed pressure is used.

- A lower feed pressure can stop the vibration. Otherwise replace the blade.

Diamond blades



WARNING: Never use a diamond blade to cut plastic material. The heat produced during cutting may melt the plastic and it can stick to the cutting blade and cause a kickback.



WARNING: Diamond blades become very hot when used. An overheated blade is a result of improper use, and may cause deformation of the blade, resulting in damage and injuries.

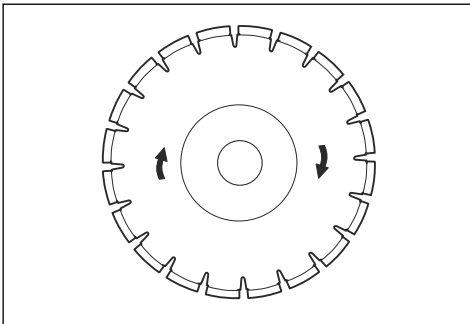


WARNING: Cutting metal may cause fire and damage to this product or the dust extractor.

Note: Diamond blades are available in several hardness classes.

Note: Sharpen the blade by cutting soft material such as sandstone or brick.

- Always use a sharp diamond blade.
- Diamond blades can become dull when the wrong feeding pressure is used or when cutting certain materials such as heavily reinforced concrete. Working with a dull diamond blade causes overheating, which can result in the diamond segments coming loose.
- Diamond blades consist of a steel core provided with segments that contain industrial diamonds.
- Diamond blades are ideal for masonry, reinforced concrete and other composite materials.
- Diamond blades ensure lower costs per cutting operation, fewer blade changes and a constant cutting depth.
- When using diamond blade make sure that it rotates in the direction indicated by the arrow on the blade.



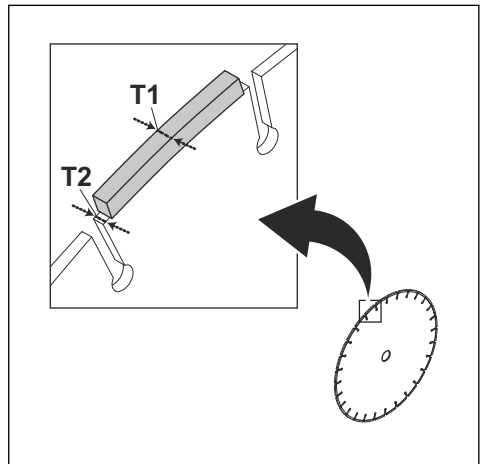
Diamond blades for dry cutting

- During cutting the friction in the cut causes the diamond blade to be heated up. If the blade is allowed to get too hot this can result in loss of blade tensioning or core cracking.
- Although no water is required for cooling, dry cutting blades must be cooled with air flow around the blades. For this reason dry cutting blades are recommended only for intermittent cutting. Every few seconds of cutting the blade should be allowed to run "free" with no load to allow the air flow around the blade to dissipate the heat.

Diamond blade - side clearance



WARNING: Certain cutting situations or poor blades can suffer excessive wear on the side of the segments. Make sure the diamond segment (T1) is wider than the blade (T2). This is to prevent pinching in the cutting slot and kickback. Refer to *Kickback on page 10*.



CAUTION: Some cutting situations and worn blades may cause increased wear on the side of the segments. Replace the blade before it is worn out.

To examine the spindle shaft and the flange washers



CAUTION: Use only Husqvarna flange washers with a minimum diameter of 60 mm (2.36 in.).

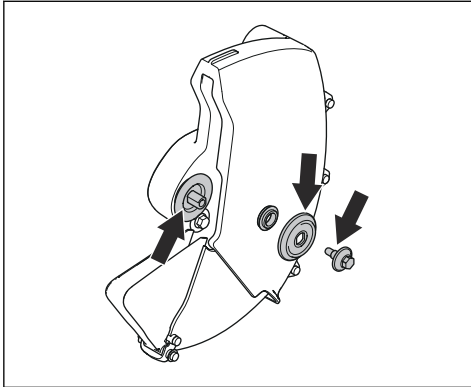


WARNING: Incorrect flange washers can cause the blade to be damaged or come loose. Do not use defective, worn or dirty

flange washers. Use only flange washers of the same dimension.

Examine the spindle shaft and the flange washers when the cutting blade is replaced. Replace damaged parts.

1. Make sure that the threads on the spindle shaft are not damaged.

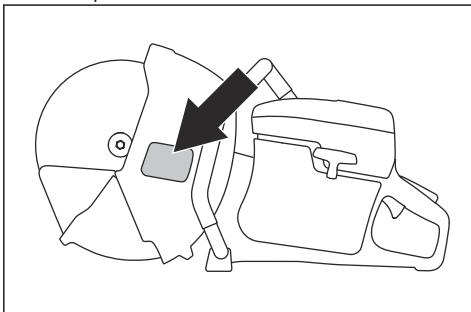


2. Make sure that the areas of contact on the cutting blade and the flange washers are not damaged.
3. Make sure that the flange washers are clean and of the correct dimension.
4. Make sure that the flange washers run correctly on the spindle shaft.

Checking the arbor bushing

The arbor bushings are used to fit the machine to the centre hole of the cutting blade. The machine is supplied with either a bushing that can be flipped over to fit blades with either 20 mm or 1" (25,4mm) centre holes, or with a fixed 20 mm bushing.

- A decal on the blade guard indicates which bushing has been factory fitted together with appropriate blade specification.

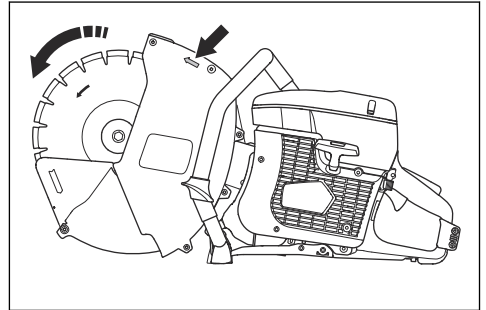


Use only Husqvarna arbor bushings.

- Make sure that the arbor bushing has the correct dimension for the cutting blade. The correct dimension is printed on the cutting blade.

To examine the direction of the rotating cutting blade

1. Find the arrow on the blade guard that shows the direction in which the cutting blade rotates.
2. Find the arrow on the cutting blade that shows the direction in which the cutting blade rotates.



3. Make sure that the arrows on the blade guard and the cutting blade show the same direction.

To attach the cutting blade

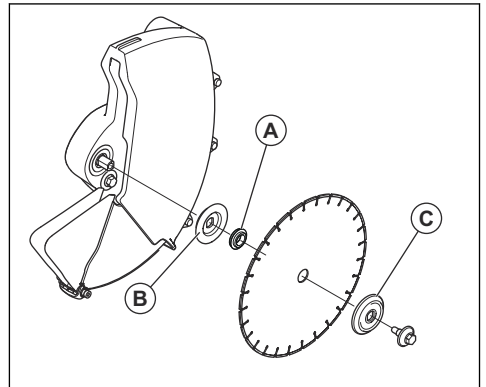


WARNING: Make sure that the engine is off and that the stop switch is in STOP position.

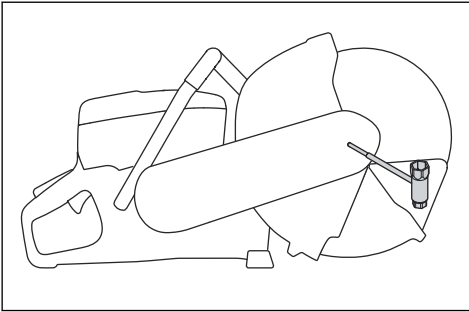


WARNING: Always use protective gloves when you assemble the product.

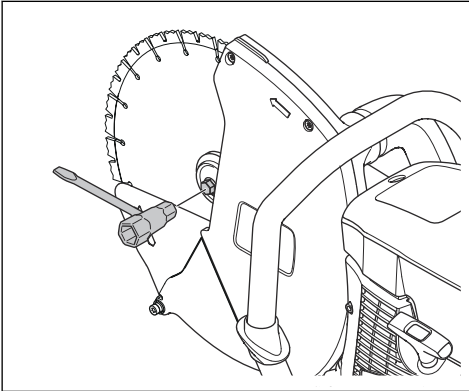
1. Examine the flange washers and the spindle shaft when the cutting blade is attached. Refer to *To examine the spindle shaft and the flange washers on page 14.*
2. Put the cutting blade on the bushing (A) between the inner flange washer (B) and the flange washer (C).



3. Lock the pulley.



4. Tighten the bolt to 30 Nm (18.5 ft-lbs).



To sharpen the cutting blade

Note: For the best cutting results, use a sharp cutting blade.

- To sharpen the cutting blade, cut into soft material, such as sandstone or brick.

Operation

Introduction

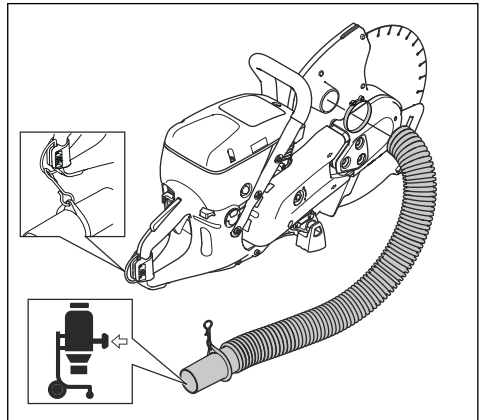


WARNING: Before you operate the product, carefully read and understand the safety chapter and the operation instructions.

External dust extractor connection

Do not use the product without an external dust extractor. For appropriate dust extractor specification, refer to *Technical data on page 30*

1. Connect the dust extractor attachment on the power cutter.



2. For specifics related to the dust extractor, refer to operator's manual of the dust extractor.

Basic working techniques



WARNING: Do not pull the product to one side. This can prevent the free movement of the cutting blade. The cutting blade can break and cause injury to the operator or bystanders.



WARNING: Do not grind with the side of the cutting blade. The cutting blade can break and cause injury to the operator or bystanders. Only use the cutting edge.



WARNING: Make sure that the cutting blade is fitted correctly and does not show signs of damage.



WARNING: Make sure that the blade guard, the blade guard extender and the dust shield are correctly attached before you start the product. The blade guard extender and the dust shield must always move freely. Do not use the product if the blade guard, blade guard extender or dust shield are missing or defective.



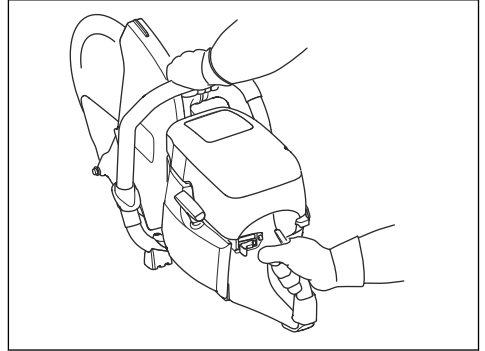
WARNING: Before entering an existing slot made by another blade, check that the slot is not thinner than your blade as that may result in binding in the cutting slot and a kickback.



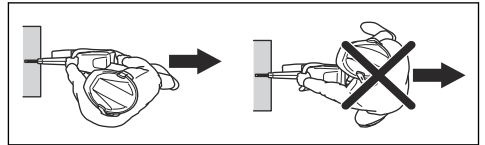
WARNING: A diamond blade becomes very hot during dry cutting. The blade needs to be cooled regularly to avoid overheating. During overheating there is a risk of core cracking and blade bursting, or loss of tensioning and wobbling with risk of kickback. To cool the blade by air, allow it to run free at no load.

- Do not cut with the kickback zone of the cutting blade. Refer to *Kickback zone* on page 10.
- Check that the correct cutting blade is used for the application in question. Refer to instructions *Correct cutting blades* on page 13.
- Maintain a safe distance from the cutting blade when the engine is running. Do not try to stop a rotating blade with any part of your body.
- Hold the saw with both hands; keep a firm grip with thumbs and fingers encircling the handles. The right hand should be on the rear handle and the left hand on the front handle. All operators, whether right or

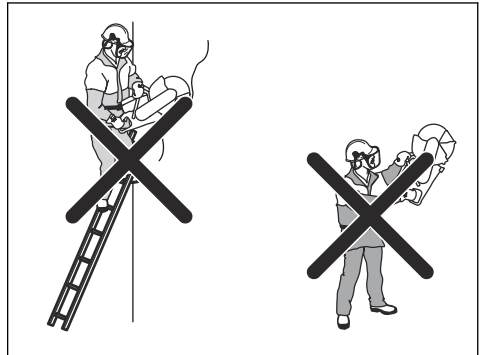
left handed shall use this grip. Never operate a power cutter holding it with only one hand.



- Stand parallel to the cutting blade. Avoid standing straight behind. In the event of a kickback the saw will move in the plane of the cutting blade.

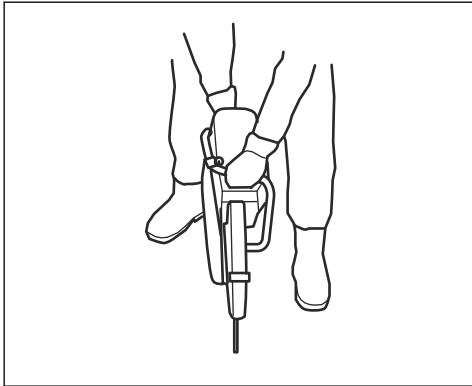


- Never move the product when the cutting equipment is rotating. Make sure that the blade has come to complete stop before the product is put on the ground.
- Never leave the machine unsupervised with the motor running.
- Keep a good balance and a firm foothold.
- Before entering an existing slot made by another blade, check that the slot is not thinner than your blade as that may result in binding in the cutting slot and a kickback.
- Never cut above shoulder height.
- Never cut from a ladder. Use a platform or scaffold if the cut is above shoulder height. Do not overreach.

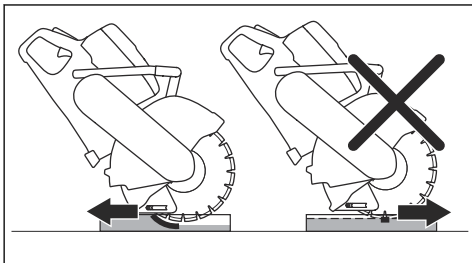


- Stand at a comfortable distance from the work piece.

- Make sure that the cutting blade can move freely and are not in contact with anything when the engine is started.
- Always monitor the product when the engine operates.
- If the blade is binding in the cut or when aborting a cut, release the throttle and wait until the blade stops. Do not extract the blade from the cut while the blade is in motion otherwise kickback may occur.
- Apply the cutting blade gently with high rotating speed (full throttle). Maintain full speed until cutting is complete.
- Let the machine work without forcing or pressing the blade. If the blade starts to wobble, reduce the feed. If the blade still wobble, stop cutting and replace the blade.
- Feed down the machine in line with the blade. Do not twist in the cut as side pressure can cause binding in the cutting slot and cause blade damage or kickback.



- During all cutting operations, make sure that the blade guard extender and the dust shield are flush with the work piece.



Push the cutting blade to the full cutting depth at the top/ front of the cut and move the cutting blade slowly down/rear. This decreases the temperature of the cutting blade and helps to collect the dust.

Fuel

This product has a two-stroke engine.



CAUTION: Incorrect type of fuel can result in engine damage. Use a mixture of gasoline and two-stroke oil.

Two-stroke oil

- For best results and performance use Husqvarna two-stroke oil.
- If Husqvarna two-stroke oil is not available, use a two-stroke oil of good quality for air-cooled engines. Speak to your servicing dealer to select the correct oil.



CAUTION: Do not use two-stroke oil for water-cooled outboard engines, also referred to as outboard oil. Do not use oil for four-stroke engines.

Premixed fuel

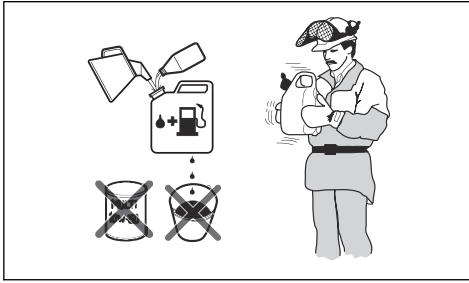
- Use Husqvarna premixed alkylate fuel of a good quality, for best performance and extension of the engine life. This fuel contains less harmful chemicals compared to regular fuel, which decreases harmful exhaust fumes. The quantity of remains after combustion is lower with this fuel, which keeps the components of the engine more clean.

To mix gasoline and two-stroke oil

Gasoline, liter	Two-stroke oil, liter
	2% (50:1)
5	0.10
10	0.20
15	0.30
20	0.40
US gallon	US fl. oz.
1	2 ½
2 1/2	6 ½
5	12 ¾



CAUTION: Small errors can influence the ratio of the mixture drastically when you mix small quantities of fuel. Measure the quantity of oil carefully and make sure that you get the correct mixture.



1. Fill half the quantity of gasoline in a clean container for fuel.
2. Add the full quantity of oil.
3. Shake the fuel mixture.
4. Add the remaining quantity of gasoline to the container.
5. Carefully shake the fuel mixture.



CAUTION: Do not mix fuel for more than 1 month at a time.

To fill fuel



CAUTION: Do not use gasoline with an octane number less than 90 RON (87 AKI). It causes damage to the product.



CAUTION: Do not use gasoline with more than 10% ethanol concentration (E10). It causes damage to the product.

Note: Carburetor adjustment is in some conditions necessary when you change the type of fuel.

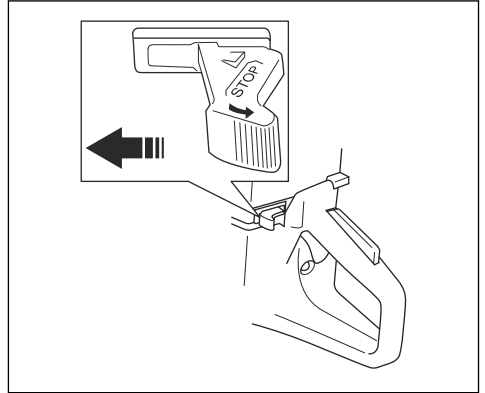
- Use gasoline with a higher octane number if you frequently use the product at continuously high engine speed.
1. Open the fuel tank cap slowly to release the pressure.
 2. Fill slowly with a fuel can. If you spill fuel, remove it with a cloth and let the remaining fuel dry off.
 3. Clean the area around the fuel tank cap.
 4. Tighten the fuel tank cap fully. If the fuel tank cap is not tightened, there is a risk of fire.
 5. Move the product a minimum of 3 m (10 ft) from the position where you filled the tank before a start.

To start the product with a cold engine

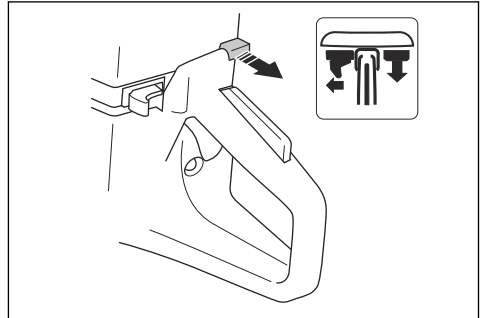


WARNING: Make sure that the cutting blade can rotate freely. It starts to rotate when the engine starts.

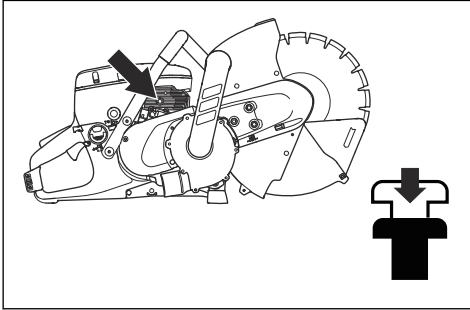
1. Make sure that the STOP switch is in the left position.



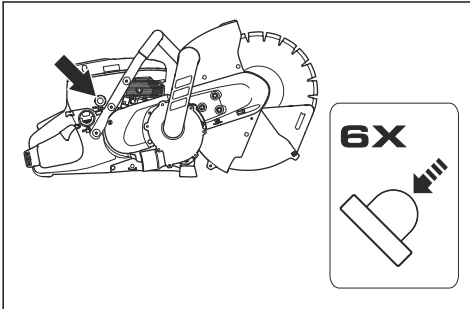
2. Pull the choke control fully and get the start throttle position.



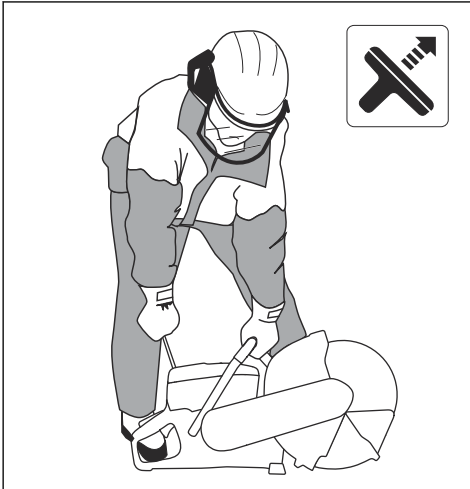
3. Push the decompression valve to decrease the pressure in the cylinder. The decompression valve goes back to its initial position when the product starts.



4. Push the air purge bulb 6 times until it is fully filled with fuel.



5. Hold the front handle with your left hand.
6. Put your right foot on the lower section of the rear handle to push the product against the ground.



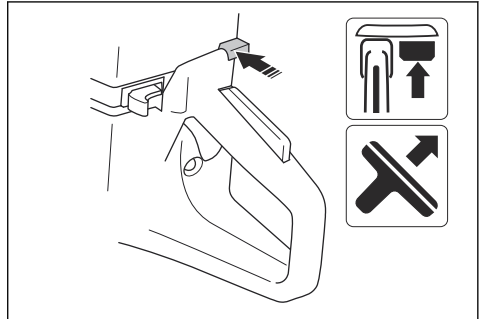
WARNING: Do not wind the starter rope around your hand.

7. Pull the starter rope slowly with your right hand until you feel a resistance as the starter pawls engage. Then pull continuously and quickly.



CAUTION: Do not pull the starter rope fully and do not let go of the starter rope handle when the starter rope is extended. This can cause damage to the product.

8. Push the choke control when the engine starts. If the choke is pulled out, the engine will stop after some seconds. If the engine stops, pull the starter rope handle again.



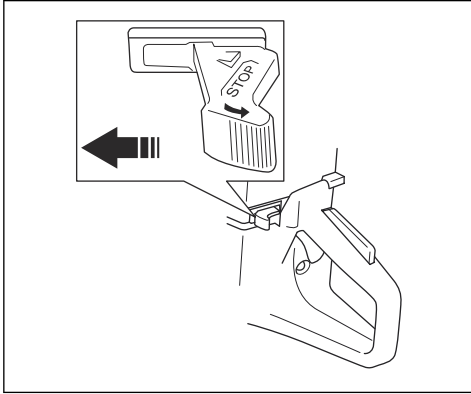
9. Push the throttle trigger to disengage the start throttle and set the product at idle speed.

To start the product with a warm engine

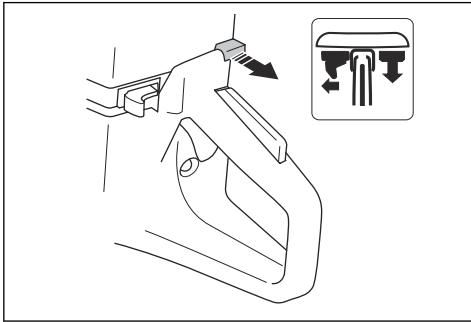


WARNING: Make sure that the cutting blade can rotate freely. It starts to rotate when the engine starts.

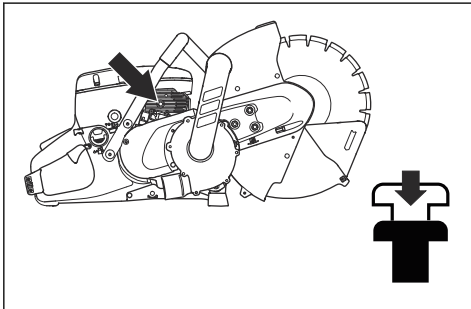
1. Make sure that the STOP switch is in the left position.



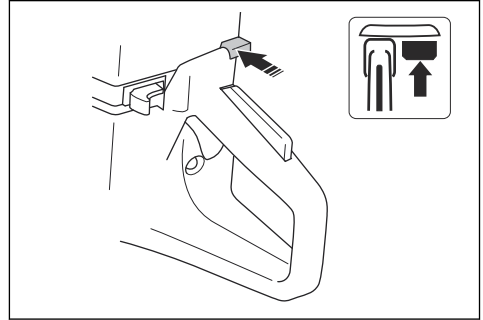
2. Pull the choke control fully and get the start throttle position.



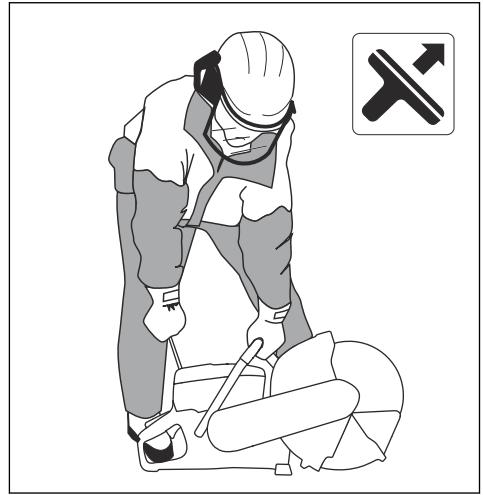
3. Push the decompression valve to decrease the pressure in the cylinder. The decompression valve goes back to its initial position when the product starts.



4. Push the choke control to disable the choke. The start throttle stays in position.



5. Hold the front handle with your left hand.
6. Put your right foot on the lower section of the rear handle to push the product against the ground.



WARNING: Do not wind the starter rope around your hand.

7. Pull the starter rope slowly until you feel a resistance as the starter pawls engage. Then pull continuously and quickly.



CAUTION: Do not pull the starter rope fully and do not let go of the starter rope handle when the starter rope is extended. This can cause damage to the product.

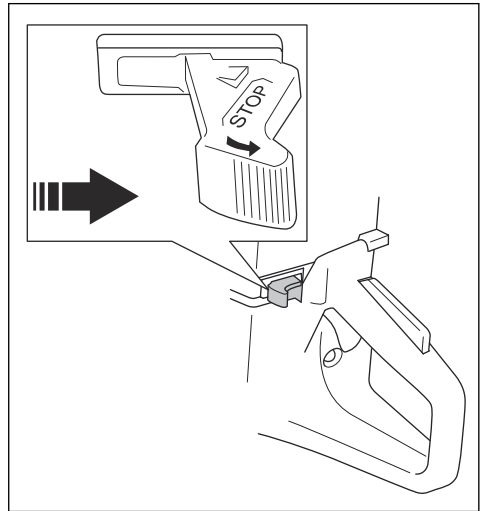
8. Push the throttle trigger to disengage the start throttle and set the product at idle speed.

To stop the product



WARNING: The cutting blade continues to rotate up to a minute after the motor stops (known as blade coasting). Make sure that the cutting blade can rotate freely until it completely stops. Carelessness can cause serious personal injury.

- Move the STOP switch to the right to stop the engine.



Maintenance

Maintenance schedule

The maintenance schedule shows the necessary maintenance of the product. The intervals are calculated on daily use of the product.

	Daily	Weekly	Monthly	Yearly
Clean	External cleaning		Spark plug	
	Cold air intake		Fuel tank	
Replace				Fuel filter
Function inspection	General inspection	Vibration damping system*	Fuel system	
	Throttle lockout*	Muffler*	Air filter	
	Stop switch*	Drive belt	Clutch	
	Blade guard, blade guard extender and dust shield*	Carburetor		
	Cutting blade*	Starter housing		
* Refer to <i>Safety devices on the product on page 7.</i>				

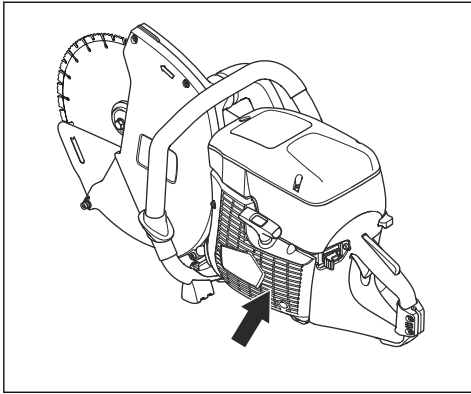
To clean externally

- Flush the product externally with clean water after each day of operation. If it is necessary, use a brush.

To clean the cold air intake

Note: A dirty or blocked air intake makes the product too hot. This can cause damage to the piston and cylinder.

- Clean the cold air intake if it is necessary.

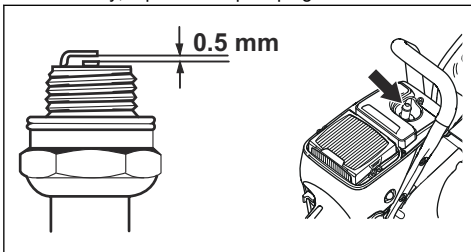


To examine the spark plug

Note: Always use the recommended spark plug type. Use of the incorrect spark plug can cause damage to the piston and cylinder. For recommended spark plug refer to *Technical data on page 30*.

Oil particles on the spark plug can occur if an incorrect fuel mixture or too much oil is used. A dirty air filter can also cause oil particles on the spark plug. Small particles on the spark plug electrodes can cause problems to start and operate the product. Always examine the spark plug if the product is low on power, if it does not start easily or if it runs unsatisfactorily at idle speed.

1. Make sure that the spark plug cap and ignition are not damaged to prevent the risk of electrical shock .
2. Clean the spark plug if it is dirty.
3. Do a check that the electrode gap is 0.5 mm. If it is necessary, replace the spark plug.



To do a general inspection

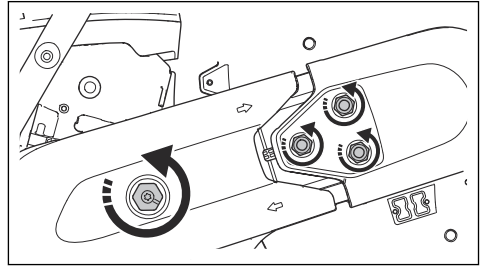
- Make sure that the nuts and screws on the product are tightened.

To replace the drive belt

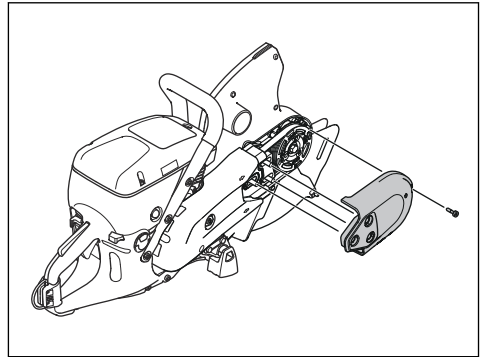


WARNING: Do not start the product without all guards and covers installed.

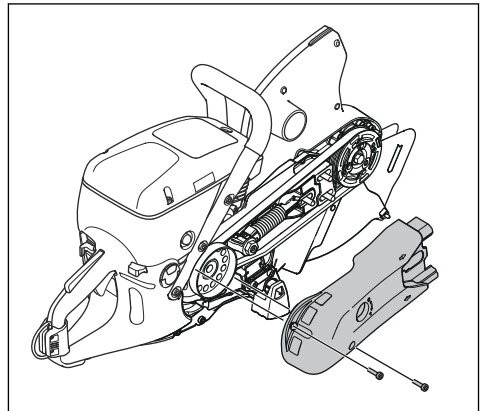
1. Loosen the 3 nuts on the cutting head. Loosen the belt tension with the adjuster screw.



2. Remove the screw and the nuts. Remove the front belt guard.

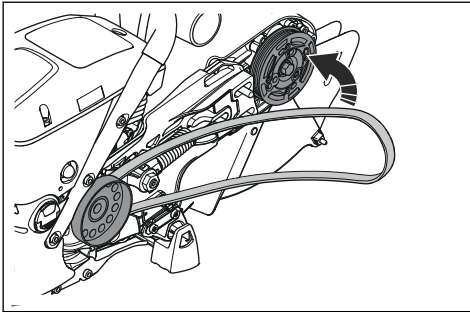


3. Remove the 2 screws on the rear belt guard. Remove the belt guard.

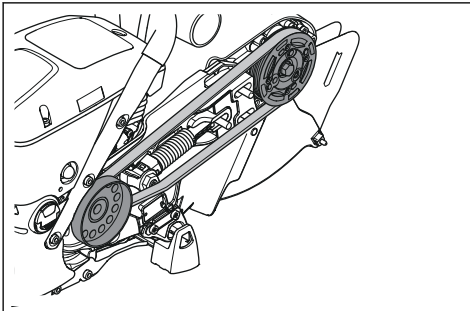


4. Remove the drive belt.

5. Install the new drive belt.



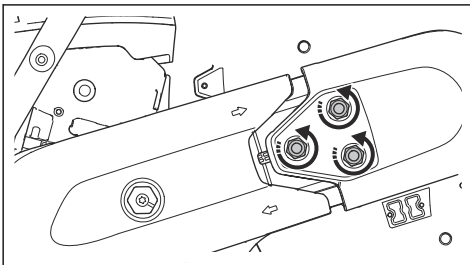
6. Make sure that the drive belt is put in correct position.



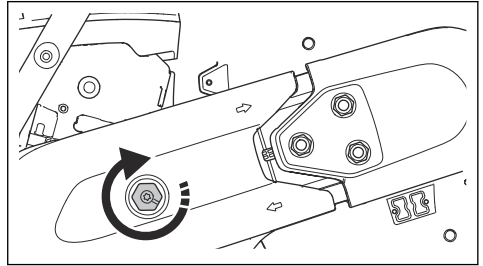
7. Install the 2 belt guards.
8. Adjust the tension on the drive belt. See *To adjust the tension of the drive belt on page 24.*

To adjust the tension of the drive belt

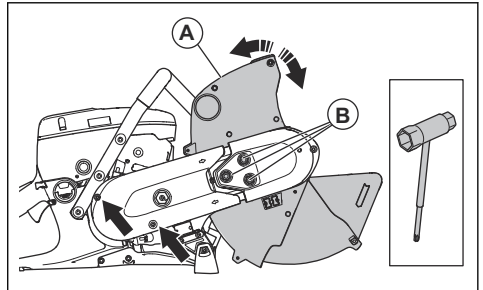
1. Loosen the 3 nuts.



2. Turn the adjuster screw clockwise to increase the tension of the drive belt.



3. Jiggle the blade guard (A) up and down 3–5 times. Tighten the nuts (B).



Starter housing



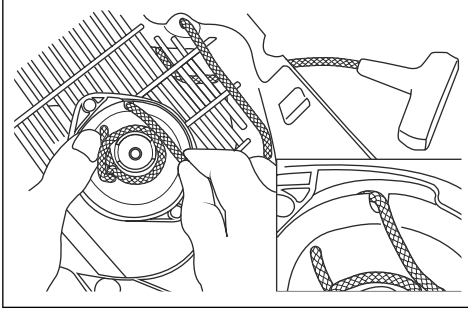
WARNING: Always be careful and always use eye protection when you replace the recoil spring or the starter rope. The recoil spring is tensed when it is wound in the starter housing. It can be thrown out and cause injury.

To remove the starter housing

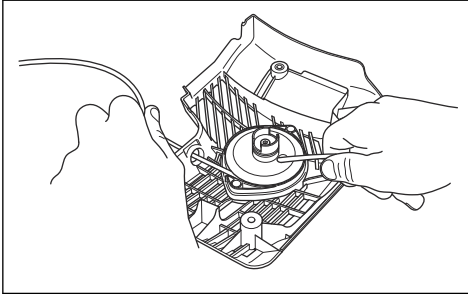
1. Loosen the 4 screws on the starter housing.
2. Remove the starter housing.

To replace a damaged starter rope

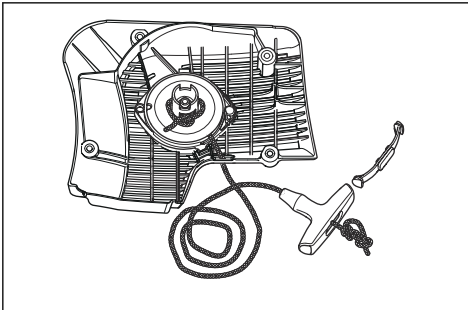
1. Hold the starter rope pulley with your thumb. Pull the starter rope approximately 30 cm and put it in the cut-out of the starter pulley.



2. Let the rope pulley rotate slowly in the opposite direction to release the spring tension.
3. Remove the remaining starter rope.
4. Do a check that the recoil spring operates correctly.
5. Put the new starter rope through the hole in the starter housing and in the rope pulley.

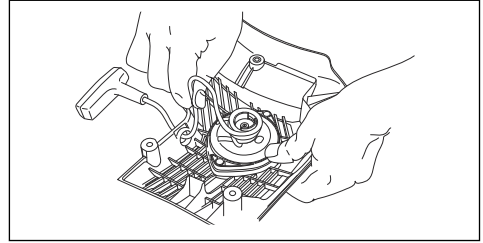


6. Attach the starter rope to the rope pulley.
7. Tighten the connection fully. Make sure that the free end of the starter rope is as short as possible.
8. Attach the end of the starter rope in the starter handle as shown in the illustration.

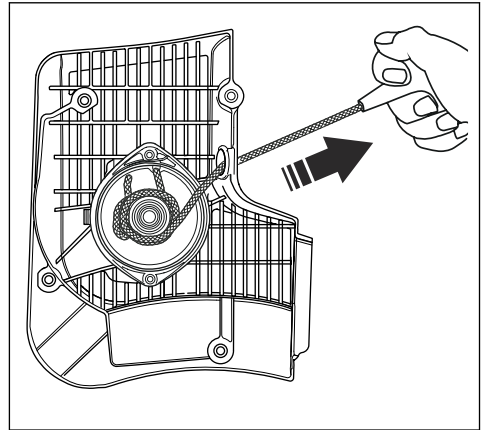


To adjust the tension of the recoil spring

1. Put the rope through the cut-out in the starter pulley. Wind the rope 3 turns clockwise around the center of the starter pulley.



2. Pull the starter knob to adjust the tension of the recoil spring.
3. Put the rope through the cut-out in the starter pulley. Wind the rope 4 turns clockwise around the center of the starter pulley.
4. Pull the starter knob to adjust the tension of the recoil spring.



Note: The starter knob goes to its correct start position after adjusting the tension of the recoil spring.

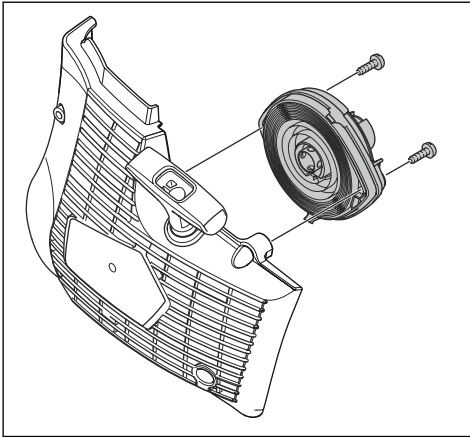
5. Do a check that the recoil spring is not at its end position by pulling out the starter rope fully. Make the starter pulley go slow with your thumb. Make sure that the starter pulley can be turned half a turn or more before the recoil spring stops the movements.

To remove the spring assembly



WARNING: Always use eye protection when you disassemble the spring assembly. There is a risk for eye injury, especially if a spring is broken.

1. Remove the 2 screws on the spring assembly.



2. Push the 2 brackets on the snap locks with a screwdriver.

To clean the spring assembly



CAUTION: Do not remove the spring from the assembly.

1. Blow the spring with compressed air until it is clean.
2. Apply a light oil to the spring.

To attach the spring assembly

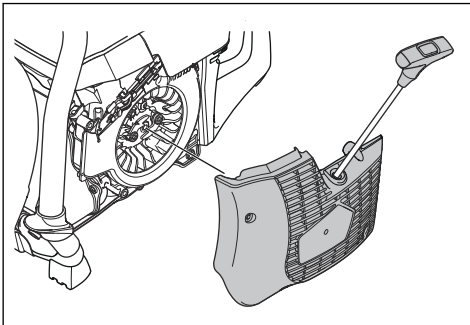
- Assemble in the opposite sequence of *To remove the spring assembly on page 25*.

To install the starter housing



CAUTION: The starter pawls must come into the correct position against the starter pulley sleeve.

1. Pull out the starter rope approximately 0.5 m.



2. Keep the position of the starter rope and put the starter against the product.

3. Slowly release the starter rope until the starter pawls are in the correct position.
4. Tighten the 4 screws on the starter.

To examine the carburetor

Note: The carburetor has rigid needles to make sure that the product always receives the correct mixture of fuel and air.

1. Examine the air filter. Refer to *To examine the air filter on page 27*
2. If it is necessary, replace the air filter.
3. If the engine continues to decrease in power or speed, speak to your Husqvarna servicing dealer.

To examine the fuel system

1. Make sure that the fuel tank cap and its seal are not damaged.
2. Examine the fuel hose. Replace the fuel hose if it is damaged.

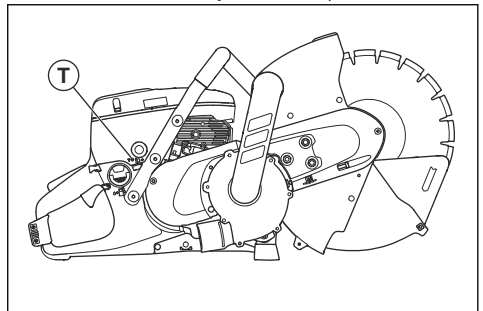
To adjust the idle speed



WARNING: If the cutting blade rotates at idle speed, speak to your servicing dealer. Do not use the product until the idle speed is correctly adjusted or repaired.

Note: Recommended idle speed is 2700 rpm.

1. Start the engine.
2. Examine the idle speed. When the carburetor is correctly adjusted, the cutting blade stops when the engine is at idle speed.
3. Use the T screw to adjust the idle speed.



- a) Turn the screw clockwise until the cutting blade starts to rotate.
- b) Turn the screw counterclockwise until the cutting blade stops to rotate.

Fuel filter

The fuel filter is installed in the fuel tank. The fuel filter prevents contamination of the fuel tank when the fuel tank is filled. The fuel filter must be replaced yearly or more frequently if it is clogged.



CAUTION: Do not clean the fuel filter.

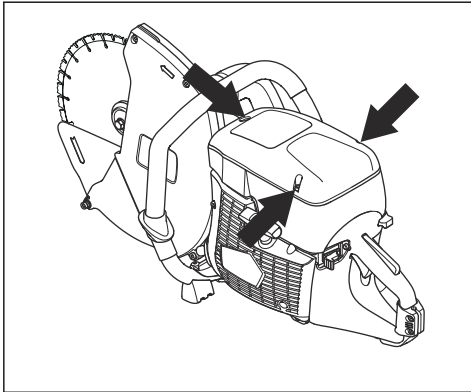
To examine the air filter



CAUTION: Be careful when you remove the air filter. Particles that fall into the carburetor inlet can cause damage.

Examine the air filter if the engine power decreases.

1. Loosen the 3 screws on the air filter cover.



2. Remove the air filter cover.
3. Examine the air filter. If it is necessary, replace the air filter. Refer to *To replace the air filter on page 27*.
4. Replace the air filter cover.
5. Tighten the 3 screws.

To replace the air filter



CAUTION: Do not clean the air filter with compressed air. The air filter is made of paper and is easily damaged.

Troubleshooting

Troubleshooting schedule



WARNING: Make sure that the engine is off and the stop switch is in the STOP position

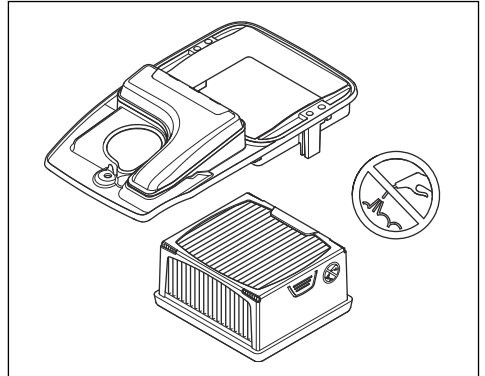


CAUTION: Unhealthy dust can be spread out during filter change. Wear approved respiratory protection. Dispose filters correctly.

Note: Replace the service filter only when it is damaged.

Note: The air filter must not be cleaned or blown clean with compressed air. This will damage the filter.

1. Loosen the 3 screws on the air filter cover.
2. Remove the air filter cover.



3. Loosen the 2 screws on the air filter pulley and remove it.
4. Remove the air filter.
5. Install the new air filter.
6. Replace the air filter pulley.
7. Tighten the 2 screws.
8. Replace the air filter cover.
9. Tighten the 3 screws.

before maintenance and troubleshooting, unless the instructions tell you differently.

Problem	Cause	Possible solutions
The product does not start.	The start procedure is done incorrectly.	Refer to <i>To start the product with a cold engine on page 19</i> and <i>To start the product with a warm engine on page 20</i> .
	The stop switch is in the right (STOP) position.	Make sure that the stop switch (STOP) is in the left position.
	There is no fuel in the fuel tank.	Fill with fuel.
	The spark plug is defective.	Replace the spark plug.
	The clutch is defective.	Speak to your service agent.
The cutting blade rotates at idle speed.	The idle speed is too high.	Adjust the idle speed.
	The clutch is defective.	Speak to your service agent.
The cutting blade does not rotate when the operator throttles up.	The belt is too loose or defective.	Tighten the belt or replace the belt with a new one.
	The clutch is defective.	Speak to your service agent.
	The cutting blade is installed incorrectly.	Make sure that the cutting blade is correctly installed.
The product has no power when the operator tries to throttle up.	The air filter is clogged.	Examine the air filter. If it is necessary, replace it.
	The fuel filter is clogged.	Replace the fuel filter.
	The fuel tank flow is blocked.	Speak to your service agent.
The vibration levels are too high.	The cutting blade is installed incorrectly.	Make sure that the cutting blade is correctly installed and that it is not damaged. Refer to <i>Correct cutting blades on page 13</i> .
	The cutting blade is defective.	Replace the cutting blade and make sure that it is not damaged.
	A vibration damping unit is defective.	Speak to your service agent.
The temperature of the product is too high.	The air intake or the flanges that decrease the temperature is blocked.	Clean the air intake and the flanges that decrease the temperature.
	The belt moves.	Examine the belt. Adjust the tension. Always cut at full throttle.
	The clutch is defective.	Examine the clutch. Speak to your service agent.
The engine decreases in power or in speed.	The air filter is clogged.	Examine the carburetor. Refer to <i>To examine the carburetor on page 26</i>
The dust is not collected properly during cutting.	Improper cutting technique.	Refer to <i>Basic working techniques on page 17</i> .
	The attached dust extractor is not extracting dust.	Refer to Operator's manual of the dust extractor.

Problem	Cause	Possible solutions
The blade guard extender and the dust shield do not move freely.	The moving parts of the blade guard extender and the dust shield are clogged.	Clean the moving parts.
The blade guard extender and the dust shield do not move back when the product is removed from the work piece.	The springs of the blade guard extender and the dust extractor do not operate correctly.	Do a check of the springs. Clean the springs.

Transportation, storage and disposal

Transportation and storage

- Safely attach the product during transportation to prevent damage and accidents.
- Remove the cutting blade before transportation of the product.
- Keep the product in a locked area to prevent access for children or persons that are not approved.
- Keep the cutting blades in dry, frost free conditions.
- Examine new blades for storage damage.
- Remove the fuel from the fuel tank before long-term storage.
- Get support from your local fuel vendor for information where to discard the used fuel.

Disposal

- Obey the local recycling requirements and applicable regulations.
- Discard all chemicals, such as engine oil or fuel, at a service center or at an applicable disposal location.
- When the product is no longer in use, send it to a Husqvarna dealer or discard it at a recycling location.



Technical data

Technical data

K 770 Vac	
Cylinder displacement, cu in. (cm ³)	4.5 (74)
Cylinder bore, in. (mm)	2 (51)
Stroke, in. (mm)	1.4 (36)
Idle speed, rpm	2700
Wide open throttle, no load, rpm	9300 (+/- 150)
Power, hp (kW) @ rpm	5.0 (3.7) @ 9000
Spark plug	NGK BPMR 7A
Electrode gap, in. (mm)	0.02 (0.5)
Fuel tank capacity, US fl oz (l)	30 (0.9)
Machine weight without fuel and cutting blade, lb (kg)	24.3 (11)
Spindle, output shaft	
Max. spindle speed, rpm	2600
Max. peripheral speed, ft/min (m/s)	10 000 (50)
Recommended dust extractor¹	
Min. Air flow, CFM (m ³ /h)	236 (400)
Min. Vacuum, psi (kPa)	3,6 (22)
Min. Water lift, in. (m)	90 (2.3)
Dust extractor attachment, in. (mm)	2 (50)

Note: This spark ignition system complies with the Canadian ICES- 002 standard.

Recommended diamond cutting blade, specification

Cutting blade diameter, in. (mm)	Max. cutting depth, in. (mm)	Blade speed rated value, rpm	Max. peripheral speed, ft/ min (m/s)	Blade center hole diameter, in. (mm)	Max. blade thickness, in (mm)
12 (300)	4.8 (122)	6200	19600 (100)	1 (25.4) or 0.79 (20)	0.16 (4)

¹ Technical data for dust extractors are not conclusively describing actual performance over time between different dust extractors. For Husqvarna products OSHA objective data are available at www.husqvarnacp.com/us.

Warranty

FEDERAL EMISSION CONTROL WARRANTY STATEMENT

YOUR WARRANTY RIGHTS AND OBLIGATIONS

The EPA (The US Environmental Protection Agency), Environment Canada and are pleased to explain the emissions control system warranty on your 2009 and later small nonroad engine. In U.S. and Canada, new small nonroad engines must be designed, built and equipped to meet the federal stringent anti-smog standards. must warrant the emission control system on your small nonroad engine for the period of time listed below provided there has been no abuse, neglect or improper maintenance of your unit. Your emission control system includes Parts such as the carburetor and the ignition system. Where a warrantable condition exists, will repair your small nonroad engine at no cost to you. Expenses covered under warranty include diagnosis, parts and labor.

MANUFACTURER'S WARRANTY COVERAGE

The 2009 and later small nonroad engines are warranted for two years. If any emission related part on you engine (as listed above) is defective, the part will be repaired or replaced by .

OWNER'S WARRANTY RESPONSIBILITIES

As the small nonroad engine owner, you are responsible for the performance of the required maintenance listed in your operator's manual. recommends that you retain all receipts covering maintenance on your small nonroad engine, but cannot deny warranty solely for the lack of receipts or for your failure to ensure the performance of all scheduled maintenance. As the small nonroad engine owner, you should, however, be aware that may deny you warranty coverage if your small nonroad engine or a part of it has failed due to abuse, neglect, improper maintenance, unapproved modifications or the use of parts not made or approved by the original equipment manufacturer. You are responsible for presenting your small nonroad engine to a authorized servicing dealer as soon as a problem exists. The warranty repairs should be completed in a reasonable amount of time, not to exceed 30 days. If you have any questions regarding your warranty rights and responsibilities, you should contact your nearest authorized servicing dealer or call at 1-800-288-5040 or visit www.husqvarnacp.com/us.

WARRANTY COMMENCEMENT DATE

The warranty period begins on the date small nonroad engine is delivered.

LENGTH OF COVERAGE

warrants to the initial owner and each subsequent purchaser that the engine is free from defects in materials and workmanship which cause the failure of a warranted part for a period of two years.

WHAT IS COVERED

REPAIR OR REPLACEMENT OF PARTS: Repair or replacement of any warranted part will be performed at no charge to the owner at an approved servicing dealer. If you have any questions regarding your warranty coverage, you should contact the service at 1-800-288-5040 or visit www.husqvarnacp.com/us.

WARRANTY PERIOD: Any warranted part which is not scheduled for replacement as required maintenance, or which is scheduled only for regular inspection to the effect of "repair or replace as necessary" shall be warranted for 2 years. Any warranted part which is scheduled for replacement as required maintenance shall be warranted for the period of time up to the first scheduled replacement point for that part.

DIAGNOSIS: The owner shall not be charged for diagnostic labor which leads to the determination that a warranted part is defective, if the diagnostic work is performed at an approved servicing dealer.

CONSEQUENTIAL DAMAGES: may be liable for damages to other engine components caused by the failure of a warranted part still under warranty.

WHAT IS NOT COVERED

All failures caused by abuse, neglect or improper maintenance are not covered.

ADD -ON OR MODIFIED PARTS: The use of add-on or modified parts can be grounds for disallowing a warranty claim. is not liable to cover failures of warranted parts caused by the use of add-on or modified parts.

HOW TO FILE A CLAIM

If you have any questions regarding your warranty rights and responsibilities, you should contact your nearest authorized servicing dealer or call at 1-800-288-5040 or visit www.husqvarnacp.com/us.

WHERE TO GET WARRANTY SERVICE

Warranty services or repairs shall be provided at all authorized servicing dealers.

MAINTENANCE, REPLACEMENT AND REPAIR OF EMISSION-RELATED PARTS

Any approved replacement part used in the performance of any warranty maintenance or repairs on emission-related parts, will be provided without charge to the owner if the part is under warranty.

EMISSION CONTROL WARRANTY PARTS LIST

1. Carburetor and internal parts.
2. Intake pipe, airfilter holder and carburetor bolts.
3. Airfilter and fuelfilter covered up to maintenance schedule.
4. Ignition System

- a. Spark Plug, covered up to maintenance schedule.
 - b. Ignition Module
5. Ignition Module.

MAINTENANCE STATEMENT

The owner is responsible for the performance of all required maintenance, as defined in the operator's manual.

Contenido

Introducción.....	33	Solución de problemas.....	61
Seguridad.....	36	Transporte, almacenamiento y eliminación de residuos.....	62
Montaje.....	45	Datos técnicos.....	64
Funcionamiento.....	49	Garantía.....	65
Mantenimiento.....	55		

Introducción

Responsabilidad del propietario



ADVERTENCIA: Cuando corta con la máquina, especialmente cuando se corta EN SECO, el material que corta produce polvo que con frecuencia contiene sílice. El sílice es un componente básico de la arena, el cuarzo, la arcilla de los ladrillos, el granito y otros numerosos minerales y rocas. La exposición a una cantidad excesiva de ese polvo puede causar:

Enfermedades respiratorias, como la bronquitis crónica, la silicosis y la fibrosis pulmonar. Estas enfermedades pueden ser mortales.

Irritación cutánea y sarpullido.

Cáncer, según el NTP* y la IARC* */National Toxicology Program (Programa Nacional de Toxicología) y Centro Internacional de Investigaciones sobre el Cáncer.

Tome medidas preventivas:

Evite inhalar y que su piel entre en contacto con el polvo, el vaho y los gases.

Utilice artículos apropiados para la protección respiratoria como máscaras

contra polvo diseñadas para filtrar partículas microscópicas, y asegúrese de que todas las personas que se encuentren cerca también lo hagan. (Consulte la normativa OSHA 29 CFR Parte 1926.1153)

Corte en húmedo cuando sea posible para reducir al mínimo las emisiones de polvo. Si es necesario un corte en seco, use un extractor de polvo adecuado.

Es responsabilidad del propietario o empleador que el usuario tenga los conocimientos necesarios sobre cómo utilizar el producto de forma segura. Los supervisores y usuarios deben haber leído y comprendido el manual de usuario. Deben tener conocimiento de lo siguiente:

- Las instrucciones de seguridad de los productos.
- La gama de aplicaciones y limitaciones de los productos.
- Cómo el producto se va a utilizar y mantener.

El uso de este producto podría estar restringido por normas nacionales o locales. Infórmese sobre qué normas se aplican en el lugar donde trabaja antes de comenzar a utilizar el producto.

Propuesta 65



WARNING

The engine exhaust from this product contains chemicals known to the State of California to cause cancer, birth defects or other reproductive harm.

Descripción de la máquina

Esta cortadora de Husqvarna es una máquina cortadora portátil que funciona con un motor de combustión de

dos tiempos. El producto cuenta con una protección del disco, un extensor de la protección del disco y un protector de polvo que recoge partículas y chispas y las

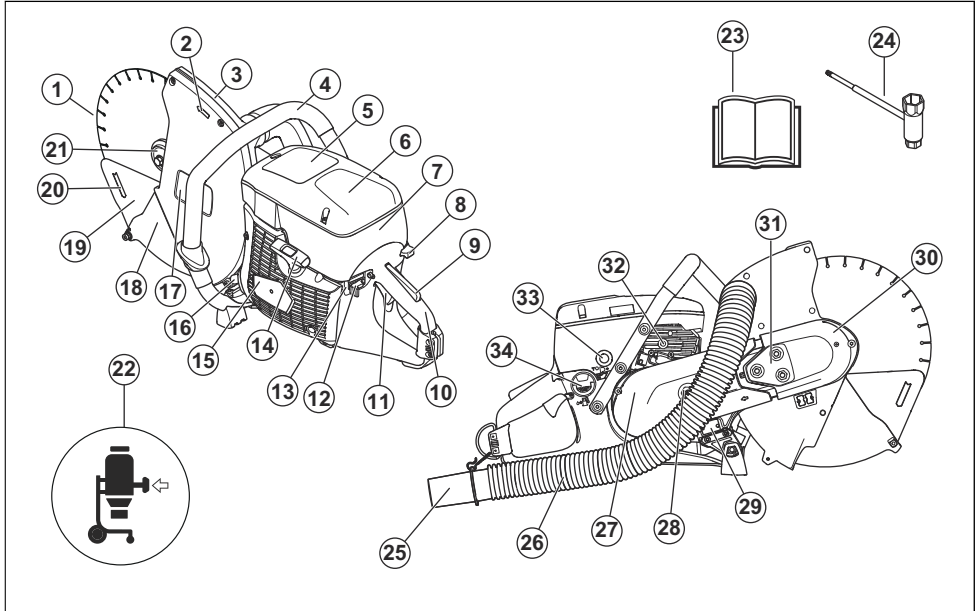
alejando del operador. El producto funciona con un extractor de polvo externo.

para otras tareas. El producto debe ser utilizado únicamente por operadores profesionales con experiencia.

Uso específico

El producto se utiliza para cortar materiales duros como hormigón, mampostería y piedra. No utilice el producto

Descripción general del producto K 770 Vac



1. Disco de corte (no suministrado)
2. Dirección de rotación
3. Protector de la cuchilla
4. Mango delantero
5. Etiqueta de advertencia
6. Cubierta del filtro de aire
7. Etiqueta de instrucción de puesta en marcha
8. Estrangulador
9. Bloqueo del acelerador
10. Mango trasero
11. Gatillo del acelerador
12. Interruptor de detención
13. Función de desconexión para OilGuard
14. Empuñadura de arranque
15. Cuerpo del mecanismo de arranque
16. Silenciador
17. Etiqueta del equipo de corte
18. Extensor de la protección del disco
19. Protector de polvo
20. Dirección de corte
21. Brida, eje, buje

22. Extractor de polvo (no suministrado)
23. Manual de usuario
24. Llave combinada
25. Acople del extractor de polvo
26. Manguera
27. Protección de la correa trasera
28. Tensor de correa
29. Placa de identificación
30. Protección de la correa delantera
31. Tornillos de bloqueo para el ajuste de la correa
32. Válvula de descompresión
33. Bulbo de la purga de aire
34. Tapón de combustible

Símbolos en la máquina



ADVERTENCIA: La máquina puede ser una herramienta peligrosa si se usa incorrectamente o se manipula sin precaución, lo que puede causar lesiones graves o mortales para el operador u otras personas.



Lea atentamente el manual de instrucciones y asegúrese de que entiende las instrucciones antes de usar este producto.



Siempre use equipo de protección personal aprobado. Consulte *Equipo de protección personal en la página 38*.



ADVERTENCIA: Cuando se realizan cortes se acumula polvo, que puede causar lesiones si se inhala. Utilice una máscara respiratoria aprobada. Evite inhalar los gases de escape. Proporcione siempre una buena ventilación.



¡ADVERTENCIA! Las reculadas pueden ser repentinas, rápidas y violentas, y pueden causar lesiones mortales. Lea y entienda las instrucciones del manual de instrucciones antes de utilizar el producto. Consulte *Reculada en la página 42*.



ADVERTENCIA: Las chispas del disco de corte pueden provocar fuego en materiales inflamables como gasolina, madera, ropa, hierba seca, etc.



¡ADVERTENCIA! Asegúrese de que los discos de corte no tengan grietas ni daños de ningún tipo.



¡ADVERTENCIA! No utilice discos de sierra circulares.



ADVERTENCIA: No utilice cuchillas abrasivas adheridas.



ADVERTENCIA: Solo para corte seco.



Utilice solamente discos de hoja de diamante.



Estrangulador



Bulbo de la purga de aire



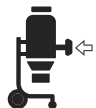
Válvula de descompresión



Empuñadura de la cuerda de arranque



Utilice una mezcla de combustible y aceite.

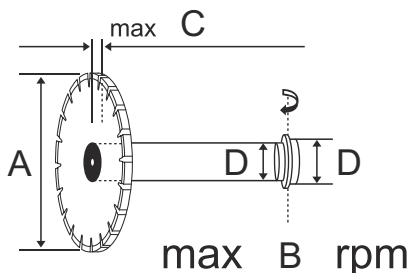


Conecte un extractor de polvo externo al producto. Para ver las especificaciones necesarias, consulte *Datos técnicos en la página 64*.



Underwriters Laboratories Inc. (UL) ha indicado que esta máquina cumple con la norma de seguridad ANSI B175.4 de EE. UU.

Etiqueta del equipo de corte



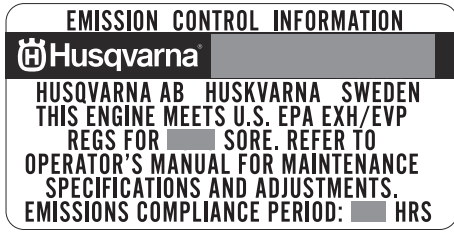
A: Diámetro del disco de corte.

B: Régimen máximo de salida.

C: Grosor máximo del disco.

D: Dimensión del buje.

Tenga en cuenta: Otros símbolos o etiquetas en el producto hacen referencia a requisitos de certificación para algunos mercados.

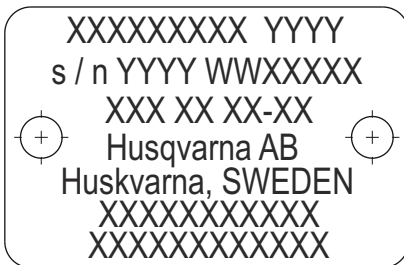


El período de cumplimiento de emisiones al que se hace referencia en la etiqueta de cumplimiento de emisiones indica la cantidad de horas de funcionamiento para la que se ha demostrado que el motor cumple el requisito de emisiones federales. El mantenimiento, reemplazo o reparación de los dispositivos y sistemas de control de emisiones puede realizarlo cualquier establecimiento o persona de que repare motores para uso fuera de carretera.

CONSEJO DE RECURSOS DEL AIRE DE CALIFORNIA (CARB)

Tenga en cuenta: Esta máquina se considera un adelanto en cuanto a aplicaciones todo terreno en relación con los estándares del CARB. La EPA de EE. UU. tiene exclusiva autoridad para establecer normas de emisiones para equipos de construcción anticipados. Para obtener más información, consulte www.arb.ca.gov/msprop/offroad/preempt.htm

Placa de identificación



Fila 1: Marca, modelo (X, Y)

Fila 2: N.º de serie con fecha de fabricación (Y, W, X): Año, semana, n.º de secuencia

Fila 3: N.º de producto (X)

Fila 4: Fabricante

Fila 5: Dirección del fabricante

Filas 6–7: Homologación de la UE o número MEIN de China

Responsabilidad del fabricante

Como se menciona en las leyes de responsabilidad del fabricante, no nos hacemos responsables de los daños que cause nuestro producto si:

- el producto se repara incorrectamente
- el producto se repara con piezas que no son del fabricante o que este no autoriza
- el producto tiene un accesorio que no es del fabricante o que este no autoriza
- el producto no se repara en un centro de servicio autorizado o por una autoridad aprobada.

Seguridad

Definiciones de seguridad

Las advertencias, precauciones y notas se utilizan para señalar las piezas particularmente importantes del manual.



ADVERTENCIA: Se utilizan para señalar el riesgo de lesiones graves o mortales para el operador o para aquellos que se encuentren cerca si no se siguen las instrucciones del manual.



AVISO: Se utilizan para señalar el riesgo de dañar la máquina, otros materiales o el área adyacente si no se siguen las instrucciones del manual.

Tenga en cuenta: Se utilizan para entregar más información necesaria en situaciones particulares.

Instrucciones generales de seguridad



ADVERTENCIA: Lea atentamente las instrucciones de advertencia siguientes antes de usar el producto.

- Una cortadora es una herramienta peligrosa si se utiliza de forma inapropiada o incorrecta y puede provocar daños graves o mortales. Es muy importante que lea y comprenda el contenido de este manual de usuario. También se recomienda que quienes operan la máquina por primera vez reciban también instrucciones prácticas antes de utilizar la máquina.
- Bajo ninguna circunstancia se puede modificar el diseño del producto sin autorización del fabricante. No utilice un producto que parezca haber sido modificado por otras personas y utilice siempre los accesorios originales. Las modificaciones o accesorios no autorizados pueden provocar daños personales o la muerte del operador u otras personas.
- Mantenga la máquina limpia. Los avisos y las etiquetas deben ser perfectamente visibles.
- Nunca permita que los niños u otras personas no capacitadas en la utilización de este producto lo utilicen o le realicen mantenimiento.
- No permita a nadie usar el producto, a menos que esté seguro de que comprendieron el contenido del manual.
- La inhalación a largo plazo de los gases de escape del motor puede representar un riesgo para la salud. Cuando el motor está en marcha, el escape contiene sustancias químicas como monóxido de carbono e hidrocarburos sin quemar. Se sabe que el contenido de los gases de escape causa problemas respiratorios, cáncer, malformaciones congénitas u otros daños reproductivos.

El monóxido de carbono es incoloro e insípido, pero siempre se encuentra presente en los gases de escape. La etapa inicial de la intoxicación por monóxido de carbono se distingue por implicar un mareo leve, el cual puede o no ser reconocible para la víctima. Si la concentración de monóxido de carbono es lo suficientemente alta, las personas pueden colapsar y perder el conocimiento sin previo aviso. El monóxido de carbono es incoloro e inodoro, por lo que no se puede detectar su presencia. El monóxido de carbono está presente en

todos los casos en que se detecten olores correspondientes a gases de escape. Nunca utilice una cortadora a gasolina en interiores, ni en fosos de más de 1 m (3 pies) de profundidad ni en zonas poco ventiladas. Asegúrese de que haya una buena ventilación si trabaja en fosos u otros espacios confinados.

- En este producto se genera un campo electromagnético durante su funcionamiento. Este campo puede, en determinadas circunstancias, interferir con implantes médicos activos o pasivos. Para reducir el riesgo de lesiones graves o fatales, recomendamos a las personas con implantes médicos consultar a su médico y al fabricante del implante médico antes de usar esta máquina.
- La información proporcionada en este manual de usuario nunca reemplaza la experiencia y las habilidades profesionales. Si entra en una situación en la que se sienta inseguro, deténgase y busque el asesoramiento de expertos. Comuníquese con su concesionario de servicio. No intente realizar ninguna tarea en la cual se sienta inseguro.

Instrucciones de seguridad para el montaje



ADVERTENCIA: Lea atentamente las instrucciones de advertencia siguientes antes de montar el producto.

- Asegúrese de que el motor esté apagado y de que el interruptor de parada se encuentre en la posición STOP (Detención).
- Siempre utilice guantes protectores cuando monte el producto.

Instrucciones de seguridad para el funcionamiento



ADVERTENCIA: Lea atentamente las instrucciones de advertencia siguientes antes de usar el producto.

- Antes de usar una cortadora, debe entender los efectos de la reculada y cómo evitarlos. Consulte *Reculada en la página 42*.
- Nunca utilice un producto que esté defectuoso. Realice las comprobaciones de seguridad, el mantenimiento y las instrucciones de servicio descritas en este manual. Especialistas capacitados y calificados deben llevar a cabo algunas medidas de mantenimiento y servicio. Consulte *Mantenimiento en la página 55*.
- No utilice nunca la máquina si está cansado, bajo la influencia del alcohol o las drogas, medicamentos o cualquier cosa que pudiera afectar su visión, vigilancia, coordinación o criterio.
- No arranque el producto sin la correa y la protección de la correa instaladas. El embrague puede aflojarse y causar lesiones.

- Las chispas del disco de corte pueden provocar fuego en materiales inflamables tales como gasolina, gas, madera, ropa y hierba seca.
- Utilice únicamente un disco de corte diseñado para el material que se va a cortar.
- No corte materiales de asbesto.

Seguridad en el área de trabajo



ADVERTENCIA: Lea atentamente las instrucciones de advertencia siguientes antes de usar el producto.

- La distancia de seguridad para la cortadora es de 15 m (50 pies). Usted es responsable de asegurarse de que no haya animales ni observadores dentro de la zona de trabajo. No inicie el corte hasta que la zona de trabajo esté limpia y usted se encuentre firmemente parado.
- Observe sus alrededores para asegurarse de que nada pueda afectar su control del producto.
- Asegúrese de que no haya personas u objetos que puedan entrar en contacto con el equipo de corte o recibir el impacto de piezas lanzadas por el disco.
- No utilice el producto en condiciones climáticas desfavorables, como niebla densa, lluvia intensa, vientos fuertes, frío intenso, entre otras. Trabajar con mal tiempo es agotador y puede crear condiciones peligrosas, como superficies resbalosas.
- Nunca comience a trabajar con el producto si el área de trabajo no está limpia y no tiene un punto de apoyo firme. Preste atención a los obstáculos que puedan moverse inesperadamente.
- Durante el corte, asegúrese de que ningún material se afloje y se caiga, causando lesiones al operador. Tenga sumo cuidado al trabajar en terreno inclinado.
- Asegúrese de que la zona de trabajo esté lo suficientemente iluminada para crear un entorno de trabajo seguro.
- Asegúrese de que no haya tuberías ni cables eléctricos en la zona de trabajo o en el material que se va a cortar.
- Si está cortando un recipiente (cilindro, tubería u otro recipiente), primero debe asegurarse de que no contiene materiales inflamables o volátiles.

Equipo de protección personal



ADVERTENCIA: Lea atentamente las instrucciones de advertencia siguientes antes de usar el producto.

- Siempre utilice equipo de protección personal homologado durante el funcionamiento. El equipo de protección personal no puede eliminar el riesgo de lesiones, pero reducirá el grado de lesiones en caso de que se produzca un accidente. Pida ayuda a su concesionario de servicio para elegir el equipo correspondiente.

- Utilice un casco protector aprobado.
- Use protección auricular aprobada. La exposición prolongada al ruido puede causar la pérdida permanente de la audición. Esté atento a las señales de advertencia o los avisos cuando utilice protectores auriculares. Siempre retire sus protectores auriculares apenas se detenga el motor.
- Utilice protección ocular aprobada para reducir el riesgo de lesiones causadas por objetos lanzados. Si utiliza una máscara de protección, entonces también debe utilizar gafas protectoras autorizadas. Las gafas protectoras autorizadas deben cumplir con la norma ANSI Z87.1 de EE. UU. o EN 166 para países de la UE. Los visores deben cumplir con la norma EN 1731.
- Utilice guantes resistentes.
- Utilice protección respiratoria aprobada. El uso de máquinas tales como cortadoras, amoladoras, taladros, que lijan o dan forma a materiales, puede generar polvo y vapores que pueden contener productos químicos peligrosos. Compruebe el origen del material que va a procesar y utilice una máscara respiratoria adecuada.
- Use vestimenta ceñida, reforzada y cómoda que permita una total libertad de movimiento. Las acciones de corte generan chispas que pueden prender fuego a la ropa. Husqvarna recomienda que lleve ropa de algodón retardante de llama o mezclilla gruesa. No use ropa de materiales como nailon, poliéster o rayón. Si estos materiales se encienden, pueden derretirse y adherirse a la piel. No utilice pantalones cortos.
- Utilice botas con punta de acero y suela antideslizante.
- Siempre mantenga el botiquín de primeros auxilios cerca.



- Pueden producirse chispas en el silenciador o en el disco. Tenga siempre a mano un extintor de incendios.

Dispositivos de seguridad en el producto



ADVERTENCIA: Lea atentamente las instrucciones de advertencia siguientes antes de usar el producto.

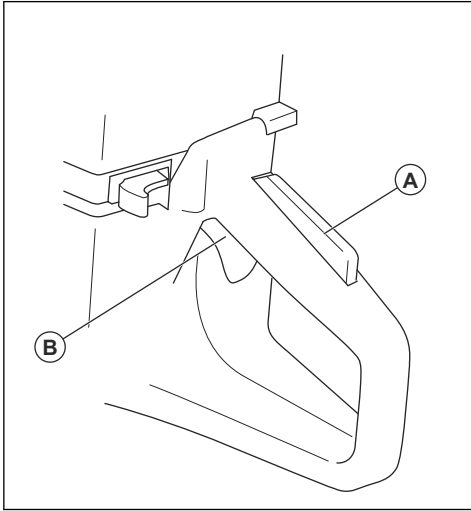
- Nunca utilice un producto que tenga un equipo de seguridad defectuoso. Si la máquina no aprueba

alguna comprobación, póngase en contacto con su taller de servicio para repararla.

- No utilice el producto si las placas de protección, las cubiertas de protección, los interruptores de seguridad u otros dispositivos protectores no están acoplados o están defectuosos.

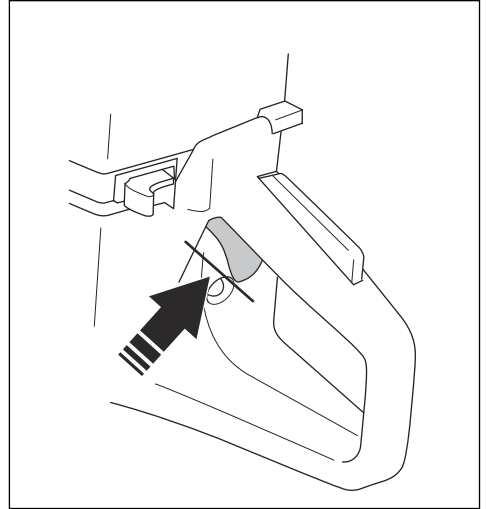
Bloqueo del acelerador

El bloqueo del acelerador evita el funcionamiento accidental del acelerador. Si coloca la mano alrededor del mango y presiona el bloqueo del acelerador (A), se libera el acelerador (B). Si suelta el mango, el acelerador y el bloqueo del acelerador vuelven a sus posiciones iniciales. Esta función bloquea el acelerador en régimen de ralentí.

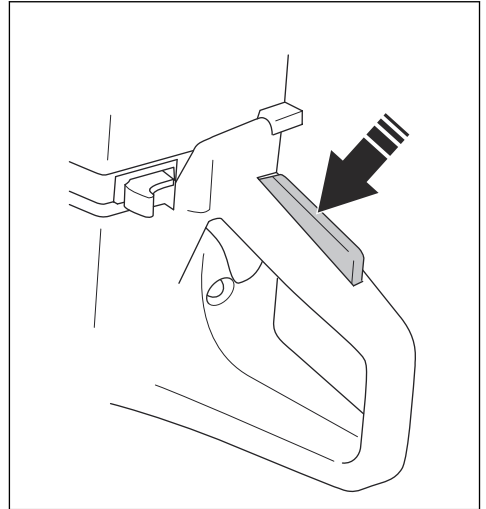


Para examinar el bloqueo del acelerador

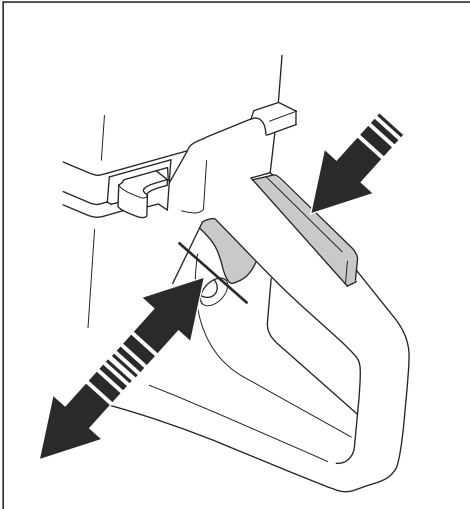
1. Asegúrese de que el acelerador esté bloqueado en la posición de ralentí cuando el fiador del acelerador esté liberado.



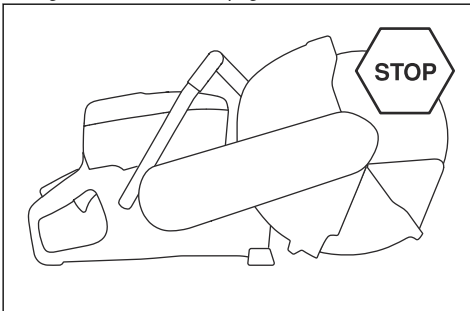
2. Presione el fiador del acelerador y asegúrese de que vuelva a su posición cuando lo suelte.



3. Asegúrese de que el acelerador y el fiador del acelerador se muevan libremente y que los resortes de retorno funcionen de manera correcta.



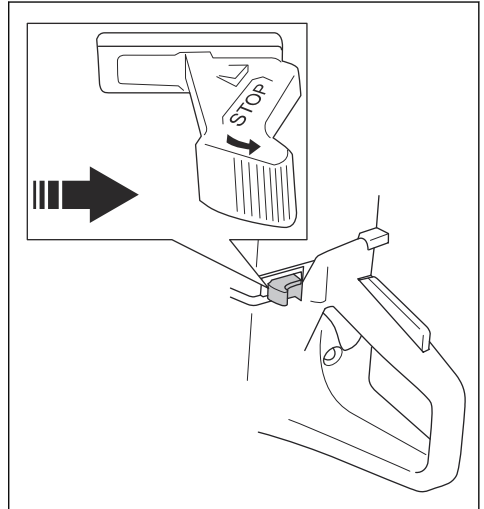
4. Encienda el producto y aplique la aceleración máxima.
5. Suelte el acelerador y asegúrese de que el disco de corte se detenga y permanezca inmóvil. Si el disco de corte gira en la posición de ralentí, debe ajustar el régimen de ralentí. Consulte *Para ajustar el régimen de ralentí la página 59*.



Para examinar el interruptor de detención

1. Arranque el motor.

2. Mueva el interruptor de arranque/detención a la posición STOP (Detención). El motor se debe detener.

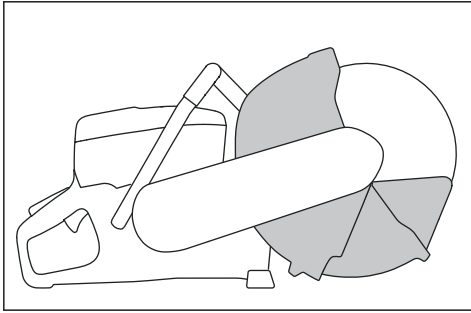


Protección del disco, extensor de la protección del disco y protector de polvo



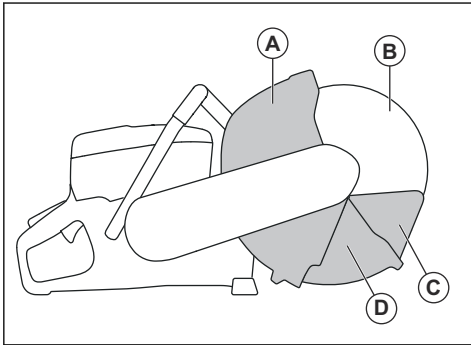
ADVERTENCIA: Asegúrese de que la protección del disco, el extensor de la protección del disco y el protector de polvo se encuentren correctamente fijados antes de arrancar el producto. No utilice el producto si la protección del disco, el extensor de la protección del disco o el protector de polvo no se encuentran presentes, se encuentran agrietados o se encuentran defectuosos.

- La protección del disco, el extensor de la protección del disco o el protector de polvo mantienen el polvo lejos del operador y evitan lesiones si el disco de corte se rompe. El extensor de la protección del disco y el protector de polvo cuentan con resortes y siempre deben moverse libremente y volver de forma inmediata por la fuerza del resorte.
- No utilice el producto si el extensor de la protección del disco ni el protector de polvo están sujetos o amarrados en la posición retraída.

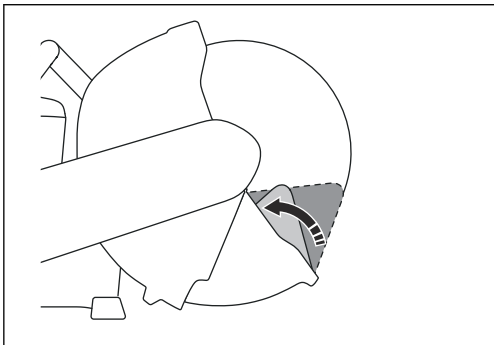


Examinar el disco de corte, la protección del disco y el extensor de la protección del disco

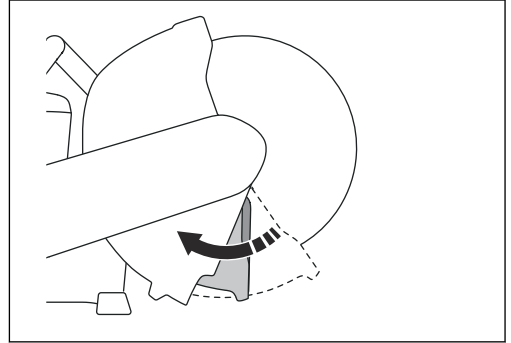
1. Asegúrese de que el disco de corte (B) se encuentre correctamente fijado y que no esté dañado.



2. Asegúrese de que la protección del disco (A), el extensor de la protección del disco (D) y el protector de polvo (C) no tengan grietas ni otros daños.
3. Asegúrese de que el protector de polvo pueda empujarse hacia dentro y regresar de forma inmediata mediante la fuerza del resorte.



4. Asegúrese de que la protección del disco pueda empujarse hacia dentro y regresar de forma inmediata mediante la fuerza del resorte.



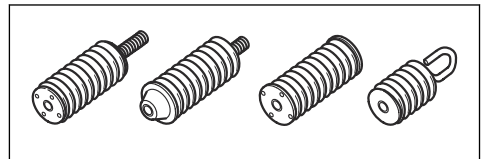
5. Cambie el disco de corte y la protección del disco si están dañados. Sustituya el extensor de la protección del disco, el protector de polvo o los resortes si están defectuosos y no regresan instantáneamente cuando se presionan.

Sistema amortiguador de vibraciones



ADVERTENCIA: La sobreexposición a las vibraciones puede producir trastornos vasculares o nerviosos en personas que padecen de trastornos circulatorios. Póngase en contacto con su médico si experimenta síntomas de la sobreexposición a las vibraciones. Estos síntomas son entumecimiento, pérdida de sensibilidad, hormigueo, ardor, dolor, pérdida de fuerza, cambios en el color o el estado de la piel. Normalmente, estos síntomas se presentan en los dedos, manos o muñecas. Estos síntomas pueden empeorar con bajas temperaturas.

El producto está equipado con un sistema amortiguador de vibraciones que está diseñado para minimizar las vibraciones y facilitar el trabajo. El sistema amortiguador de vibraciones del producto reduce la transmisión de vibraciones entre la unidad de motor/equipo de corte y la unidad de mango del producto.



Cortar granito u hormigón duro crea más vibraciones que cuando se corta hormigón blando. El corte con un equipo de corte desafilado o defectuoso (tipo incorrecto o mal afilado) aumentará el nivel de vibración.

Para comprobar el sistema amortiguador de vibraciones



ADVERTENCIA: Asegúrese de que el motor esté apagado y de que el interruptor de parada se encuentre en la posición STOP (Detención).

1. Asegúrese de que no haya grietas o deformación en los amortiguadores de vibraciones. Sustituya los amortiguadores de vibraciones si están dañados.
2. Asegúrese de que los amortiguadores de vibraciones estén firmemente acoplados a la unidad del motor y a la unidad del mango.

Silenciador

El silenciador mantiene los niveles de ruido al mínimo y envía los gases de escape lejos del operador.

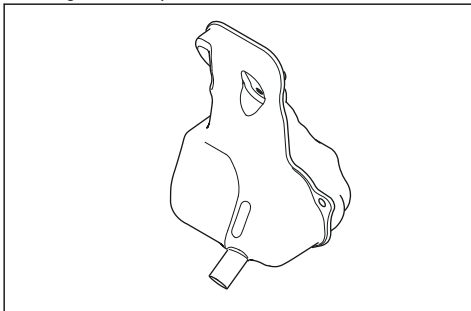
No utilice el producto si el silenciador no está instalado o está defectuoso. Un silenciador defectuoso aumenta el nivel de ruido y el riesgo de incendio.



ADVERTENCIA: El silenciador se calienta mucho durante y después de su uso. Esto también se aplica durante el ralentí. Tenga presente el riesgo de incendio, especialmente cuando se trabaja cerca de sustancias inflamables o vapores.

Para examinar el silenciador

1. Asegúrese de que el silenciador no esté dañado.



2. Asegúrese de que el silenciador esté conectado correctamente.

Reculada

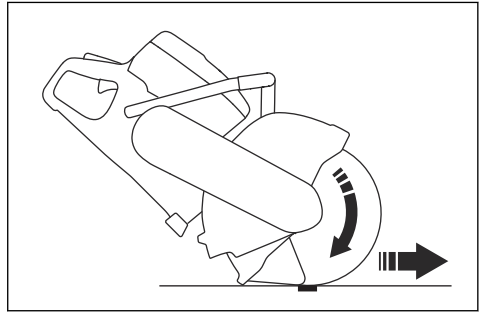


ADVERTENCIA: Las reculadas son repentinas y pueden ser muy violentas. La cortadora puede salir despedida hacia arriba y hacia atrás en dirección al usuario en un movimiento giratorio, provocando lesiones graves o mortales. Es vital comprender las causas de las reculadas y cómo evitarlas antes de utilizar el producto.

Una reculada es el movimiento repentino hacia arriba que puede ocurrir si la cuchilla se atasca o se engancha en el sector de riesgo de reculada. La mayoría de las reculadas son pequeñas y poco peligrosas. No obstante, una reculada también puede ser muy violenta y lanzar la cortadora hacia arriba y hacia atrás en dirección al usuario con un movimiento giratorio, lo que podría provocar lesiones graves o incluso mortales.

Fuerza reactiva

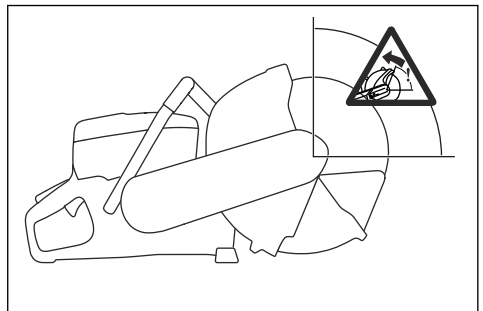
Una fuerza reactiva está siempre presente durante el corte. La fuerza tira del producto en dirección contraria al sentido de rotación de la cuchilla. La mayoría de las veces, esta fuerza es insignificante. Si la cuchilla se atasca o se engancha, la fuerza reactiva será considerable y podría no ser capaz de controlar la cortadora.



Nunca mueva el producto cuando el equipo de corte se encuentre girando. Las fuerzas giroscópicas pueden obstaculizar el movimiento específico

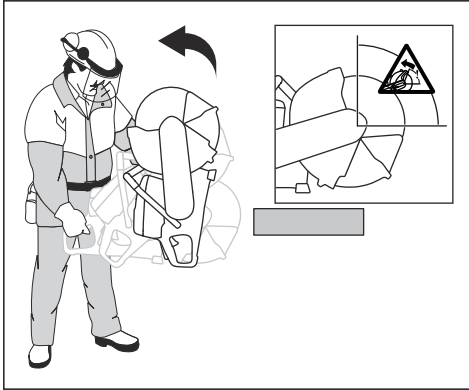
Sector de riesgo de reculada

Nunca utilice el sector de riesgo de reculada de la cuchilla para el corte. Si la cuchilla se atasca o se engancha en el sector de riesgo de reculada, la fuerza reactiva empujará la cortadora hacia arriba y hacia atrás en dirección al usuario en un movimiento giratorio, provocando lesiones graves o mortales.



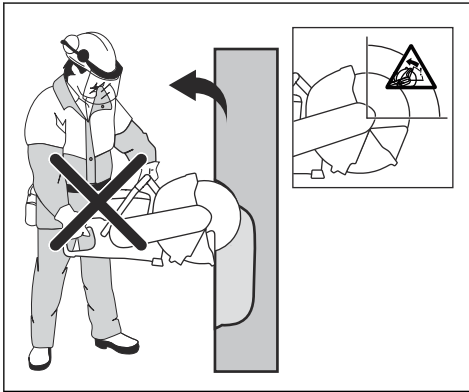
Reculada giratoria

Una reculada giratoria se produce cuando el disco de corte no se mueve libremente en el sector de riesgo de reculada.



Reculada ascendente

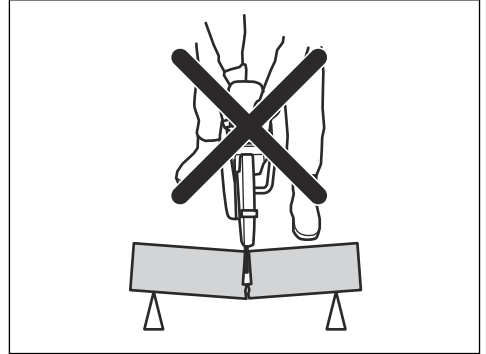
Si se utiliza el sector de riesgo de reculada para cortar, la fuerza reactiva causa que la cuchilla suba en el corte. No utilice el sector de riesgo de reculada. Use el cuadrante inferior de la cuchilla para evitar la reculada ascendente.



Reculada de compresión

Una compresión ocurre cuando el corte se cierra y comprime la cuchilla. Si la cuchilla se atasca o se

engancha, la fuerza reactiva será considerable y podría no ser capaz de controlar la cortadora.



Si la cuchilla se atasca o se engancha en el sector de riesgo de reculada, la fuerza reactiva empujará la cortadora hacia arriba y hacia atrás en dirección al usuario en un movimiento giratorio, provocando lesiones graves o mortales. Preste atención al posible movimiento de la pieza de trabajo. Si la pieza de trabajo no está correctamente sujeta y se mueve durante el corte, podría apretar el disco y provocar una reculada.

Para el corte de tuberías

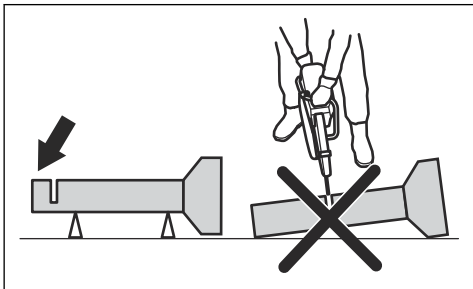


ADVERTENCIA: Si la cuchilla se comprime en el sector de riesgo de reculada, puede provocar una reculada grave.

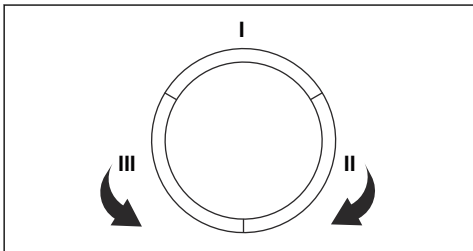
Se debe tener especial cuidado al cortar las tuberías. Si la tubería no está sujeta correctamente y el corte se mantiene abierto durante todo el corte, la cuchilla se puede comprimir. Tenga especial cuidado cuando corte una tubería con un extremo acampanado o una tubería dentro de una zanja, ya que si no está sujeta correctamente, podría hundirse y comprimir la cuchilla.

Si se permite que la tubería se caiga y cierre el corte, el disco se apretará en el área de reculada y podría producirse una reculada grave. Si la tubería está sujeta correctamente, el extremo de la tubería se moverá hacia abajo, se abrirá el corte y no se producirá ningún apriete.

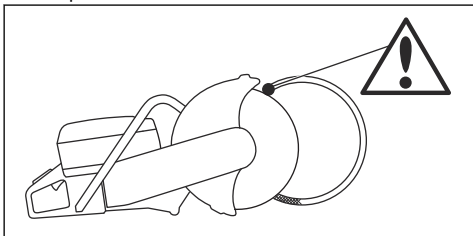
1. Asegure la tubería para que no se mueva ni gire durante el corte.



2. Corte la sección "I" de la tubería.



3. Asegúrese de que el corte se abra para evitar la compresión.



4. Muévase al lado "II" y corte desde la sección I hasta la parte inferior de la tubería.
5. Muévase al lado "III" y corte la parte restante de la tubería finalizando en la parte inferior.

Para evitar una reculada



ADVERTENCIA: Evite situaciones en las que existe riesgo de reculada. Tenga cuidado cuando utilice la cortadora y asegúrese de que el disco nunca se apriete en el sector de riesgo de reculada.



ADVERTENCIA: Tenga cuidado cuando ponga la cuchilla en un corte existente.

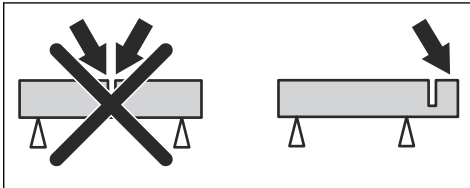


ADVERTENCIA: Asegúrese de que la pieza de trabajo no se pueda mover durante una operación de corte.



ADVERTENCIA: Solo usted y una técnica de trabajo adecuada pueden eliminar la reculada y sus peligros.

- Apoye siempre la pieza de trabajo para que el corte se pueda mantener abierto durante el corte. Cuando el corte está abierto, no hay reculada. Si el corte se cierra y comprime la cuchilla, existe un riesgo de reculada.



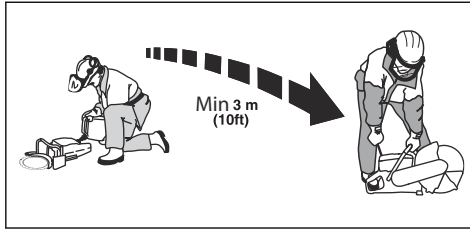
Seguridad de combustible



ADVERTENCIA: Lea atentamente las instrucciones de advertencia siguientes antes de usar el producto.

- Asegúrese de que haya una buena ventilación cuando vuelva a llenar la máquina o mezcle el combustible (gasolina y aceite para motores de dos tiempos).
- Tenga cuidado cuando manipule combustible. El combustible y el vapor de combustible son altamente inflamables. Tenga en cuenta los riesgos de incendio, explosión y los riesgos asociados con la inhalación.
- No fume ni coloque objetos calientes cerca del combustible.
- Siempre detenga el motor y deje que se enfríe algunos minutos antes de rellenar con combustible.
- Cuando rellene con combustible, abra el tapón de combustible lentamente para que toda la presión se libere suavemente.
- Apriete el tapón de combustible cuidadosamente después de rellenar con combustible. Si el tapón no está correctamente apretado, podría vibrar hasta soltarse y podría ocurrir una fuga del depósito de combustible, generando un riesgo de incendio.
- Nunca rellene la máquina mientras el motor esté encendido.

- Siempre mueva el producto al menos 3 m (10 pies) de distancia de la fuente y el área de recarga de combustible antes de arrancar.



Después de recargar combustible, hay algunas situaciones en las que nunca se debe poner en marcha el producto:

- Si derramó combustible sobre el producto. Seque el derrame y deje que los restos de combustible se evaporen.
- Si derramó combustible sobre sí mismo o en su ropa. Cámbiese de ropa y lave la parte de su cuerpo que entró en contacto con el combustible. Utilice jabón y agua.
- Si el producto tiene fugas de combustible. Compruebe regularmente si hay fugas en el tapón y las tuberías de combustible.

- El usuario solo debe llevar a cabo el trabajo de mantenimiento y el servicio descrito en este manual de usuario. Un taller de servicio autorizado se debe encargar de realizar una labor más amplia.
- Asegúrese de que el motor esté apagado y de que el interruptor de parada se encuentre en la posición STOP (Detención).
- Utilice equipo de protección personal. Consulte *Equipo de protección personal en la página 38*.
- Si el mantenimiento no se realiza de manera correcta y regular, aumenta el riesgo de que se produzcan lesiones y que el producto se dañe.
- Solo realice mantenimiento según lo que se indica en este manual de usuario. Permita que un taller de servicio Husqvarna realice todos los demás servicios.
- Permita que un taller de servicio Husqvarna aprobado realice trabajos de mantenimiento en el producto con regularidad.
- Cambie las piezas dañadas, desgastadas o rotas.
- Siempre utilice accesorios originales.

Instrucciones de seguridad para el mantenimiento



ADVERTENCIA: Lea atentamente las instrucciones de advertencia siguientes antes de usar el producto.

Montaje

Introducción



ADVERTENCIA: Asegúrese de leer y comprender el capítulo de seguridad antes de montar el producto.

Discos de corte



ADVERTENCIA: Con el fin de reducir el riesgo de lesiones o incendios, no utilice discos de corte abrasivos adheridos. Utilice solo los discos de corte de diamante recomendados en combinación con la brida proporcionada.



ADVERTENCIA: El fabricante de discos de corte emite advertencias y recomendaciones para el uso y cuidado apropiado del disco de corte. Estas advertencias se suministran con el disco de corte. Lea y siga todas las instrucciones del fabricante del disco de corte.



ADVERTENCIA: Un disco de corte se debe comprobar antes de su montaje en la sierra y a menudo durante su uso. Busque grietas, segmentos faltantes (hojas de diamante) o piezas rotas. No utilice un disco de corte dañado.



ADVERTENCIA: Un disco de corte puede estallar y causar lesiones al operador.

Los discos de corte Husqvarna son discos de corte de alta velocidad aprobados para las cortadoras manuales.

- Un disco de corte se debe comprobar antes de su montaje en la sierra y a menudo durante su uso. Busque grietas, segmentos faltantes (hojas de

diamante) o piezas rotas. No utilice un disco de corte dañado.

- Lea y obedezca las instrucciones que se suministran con el disco de corte.
- Las cuchillas de alta calidad suelen ser las más económicas.
- Las cuchillas de calidad más baja tienen a menudo una capacidad de corte inferior y una vida útil más corta, lo que se traduce en costos mayores con respecto a la cantidad de material que se corta.
- Asegúrese de que se utilice el buje adecuado para que el disco de corte se ajuste en el producto. Consulte *Comprobación del buje del eje giratorio en la página 47*.
- Pruebe la integridad de cada disco de corte nuevo haciéndolo funcionar a aceleración máxima durante aproximadamente 1 minuto.

Discos de corte correctos



ADVERTENCIA: Lea y siga las instrucciones de advertencia que aparecen a continuación antes de usar el producto.

- Nunca utilice un disco de corte para cualquier otro material al que estaba destinado a cortar.
- Solo utilice un disco de diamante para cortes en seco.
- Nunca utilice cuchillas dentadas, como discos de corte de madera, cuchillas dentadas circulares, discos con punta de carburo, etc. El riesgo de reculada aumenta considerablemente y las puntas se pueden romper y salir despedidas a gran velocidad. El descuido puede provocar lesiones personales graves o incluso la muerte.
- No utilice un disco de diamante con una velocidad menor que la de la cortadora. Utilice solo discos de diamante que cumplan con las normas nacionales o regionales, como EN13236 o ANSI B7.1.
- El disco de corte debe estar aprobado para una velocidad igual o superior a la del producto. La velocidad se especifica en la protección de la hoja.
- Muchos discos de corte que se pueden unir a este producto están fabricados para sierras estáticas. La clasificación de velocidad de aquellos discos de corte es demasiado baja para este producto.
- Seleccione un disco de corte cuya dimensión del orificio central sea la correcta para el buje instalado en la máquina.

Vibración de la cuchilla

- La cuchilla puede salir de su circunferencia y vibrar si se utiliza una presión de alimentación excesiva.
- Una presión de alimentación menor puede detener la vibración. De lo contrario, sustituya el disco.

Cuchillas de diamante



ADVERTENCIA: Nunca utilice una cuchilla de diamante para cortar material de plástico. El calor producido durante el corte podría derretir el plástico, que se podría pegar al disco de corte y causar una reculada.



ADVERTENCIA: Las cuchillas de diamante pueden calentarse bastante cuando se utilizan. Una cuchilla sobrecalentada es consecuencia de un uso incorrecto y puede ocasionar la deformación de la cuchilla, lo que puede provocar daños y heridas.

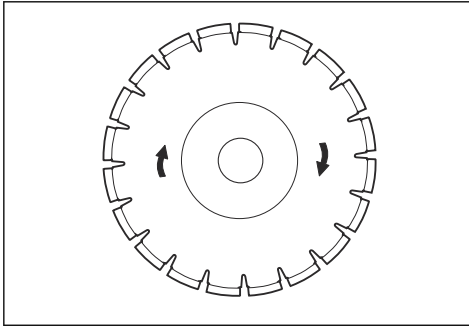


ADVERTENCIA: Cortar metales podría provocar un incendio y daños en este producto o en el extractor de polvo.

Tenga en cuenta: Las cuchillas de diamante están disponibles en diversos grados de solidez.

Tenga en cuenta: Afile el disco cortando un material blando como arenisca o ladrillo.

- Utilice siempre una cuchilla de diamante afilada.
- Las cuchillas de diamante pueden desafilarse cuando se utiliza la presión de alimentación equivocada o cuando se cortan ciertos materiales como el concreto altamente reforzado. Trabajar con una cuchilla de diamante desafilada genera un recalentamiento, lo que puede provocar que se suelten segmentos de diamante.
- Las cuchillas de diamante están compuestas por un núcleo de acero provisto de segmentos que contienen diamantes industriales.
- Las cuchillas de diamante son ideales para la mampostería, el concreto reforzado y otros materiales compuestos.
- Las cuchillas de diamante garantizan un menor costo por operación de corte, menos cambios de cuchilla y una profundidad de corte constante.
- Cuando utilice una cuchilla de diamante, asegúrese de que gire en el sentido indicado por la flecha de la cuchilla.



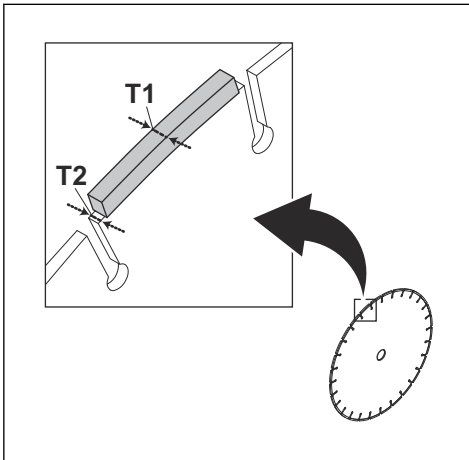
Hojas de diamante para corte seco

- Durante el corte, la fricción en el corte hace que el disco de diamante se caliente. Si el disco se calienta demasiado, esto puede causar una pérdida de tensión en el disco o un agrietamiento del núcleo.
- Aunque no se necesita agua para la refrigeración, los discos de corte seco se deben enfriar con un flujo de aire alrededor de los discos. Por este motivo, solo se recomiendan los discos de corte seco para cortar de forma intermitente. Cada algunos segundos de corte, el disco debería ponerse en marcha "libre" sin carga para permitir el flujo de aire alrededor del disco para disipar el calor.

Hoja de diamante: espacio lateral



ADVERTENCIA: Algunas situaciones de corte u hojas de mala calidad pueden sufrir un desgaste excesivo del lado de los segmentos. Asegúrese de que el segmento de diamante (T1) sea más ancho que la hoja (T2). Esto tiene la finalidad de evitar la obstrucción en la ranura de corte y una reculada. Consulte *Reculada en la página 42*.



AVISO: Algunas situaciones de corte y hojas gastadas pueden aumentar el desgaste del lado de los segmentos. Cambie la hoja antes de que se desgaste por completo.

Para examinar el eje del husillo y las arandelas de brida



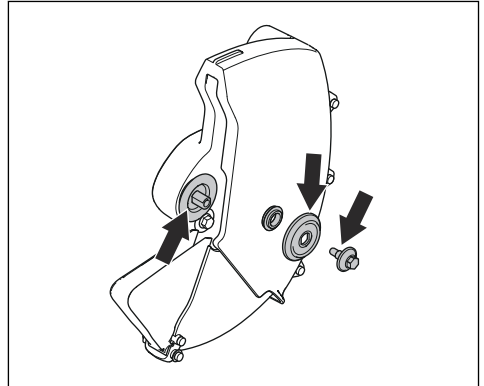
AVISO: Utilice solamente arandelas de brida Husqvarna con un diámetro mínimo de 60 mm (2,36 in).



ADVERTENCIA: Las arandelas de brida incorrectas pueden causar daños al disco o aflojarlo. No utilice arandelas de brida defectuosas, desgastadas o sucias. Utilice solamente arandelas de brida de la misma dimensión.

Examine el eje del husillo y las arandelas de brida cuando se reemplace el disco de corte. Cambie las partes dañadas.

1. Asegúrese de que las roscas del eje del husillo no estén dañadas.

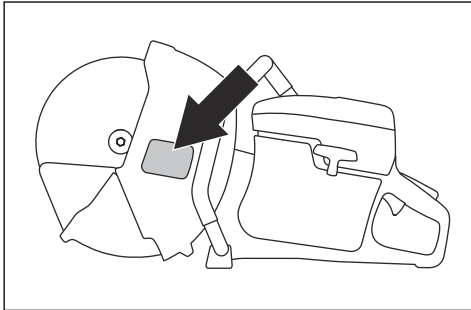


2. Asegúrese de que las zonas de contacto en el disco de corte y las arandelas de brida no estén dañadas.
3. Asegúrese de que las arandelas de brida estén limpias y sean de las dimensiones correctas.
4. Asegúrese de que las arandelas de brida funcionen correctamente en el eje del husillo.

Comprobación del buje del eje giratorio

Los bujes del eje giratorio se utilizan para ajustar la máquina al orificio central del disco de corte. La máquina se suministra con un buje que se puede invertir para montar los discos con orificios centrales de 20 mm o 25,4 mm (1 in) o con un buje fijo de 20 mm.

- Una etiqueta ubicada en la protección de la hoja indica que el buje viene instalado de fábrica junto con la especificación correspondiente de la hoja.

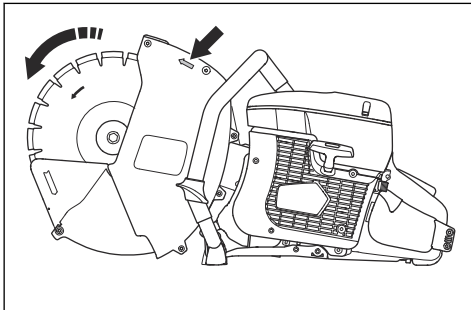


Utilice solo bujes del eje giratorio de Husqvarna.

- Asegúrese de que el buje del eje giratorio tenga la dimensión correcta para el disco de corte. Las dimensiones correctas están impresas en el disco de corte.

Para examinar la dirección del disco de corte giratorio

1. Encuentre la flecha en la protección del disco que indica el sentido en que gira el disco de corte.
2. Encuentre la flecha en el disco de corte que indica el sentido en que gira el disco de corte.



3. Asegúrese de que las flechas en la protección del disco y el disco de corte muestren la misma dirección.

Fijación del disco de corte

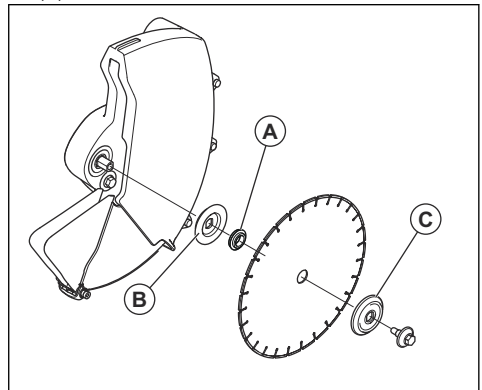


ADVERTENCIA: Asegúrese de que el motor esté apagado y de que el interruptor de parada se encuentre en la posición STOP (Detención).

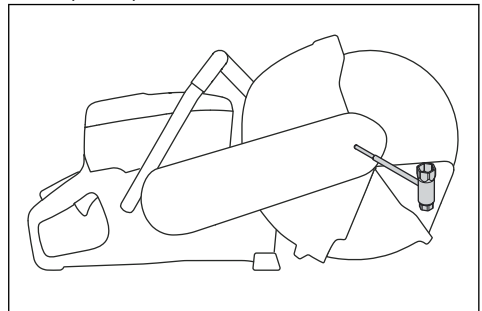


ADVERTENCIA: Siempre utilice guantes protectores cuando monte el producto.

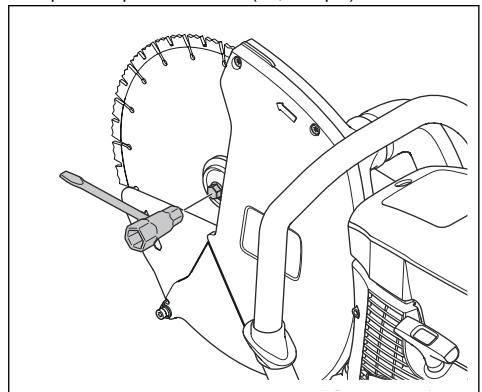
1. Examine las arandelas de brida y el eje del husillo cuando se acople el disco de corte. Consulte *Para examinar el eje del husillo y las arandelas de brida en la página 47*.
2. Coloque el disco de corte en el buje (A) entre la arandela de brida interna (B) y la arandela de brida (C).



3. Bloquee la polea.



4. Apriete el perno a 30 Nm (18,5 lbf-pie).



Para afilar el disco de corte

Tenga en cuenta: Para obtener los mejores resultados de corte, utilice un disco de corte afilado.

- Para afilar el disco de corte, corte un material blando como arenisca o ladrillo.

Funcionamiento

Introducción

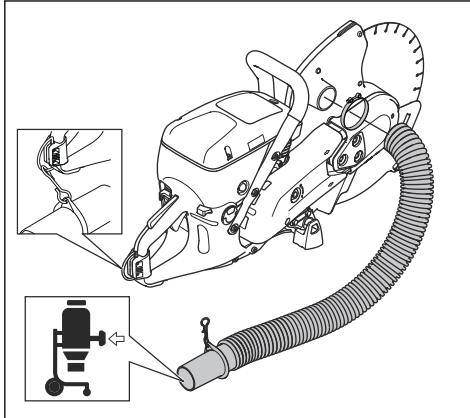


ADVERTENCIA: Antes de operar el producto, lea cuidadosamente y comprenda el capítulo sobre seguridad y las instrucciones de operación.

Conexión del extractor de polvo externo

No utilice el producto sin un extractor de polvo externo. Para ver la especificación adecuada para el extractor de polvo, consulte *Datos técnicos en la página 64*

1. Conecte el acople del extractor de polvo en la cortadora.



2. Para obtener información específica relacionada con el extractor de polvo, consulte el manual de usuario del extractor de polvo.

Técnicas básicas de trabajo



ADVERTENCIA: No tire el producto hacia un lado. Esto puede impedir el movimiento libre del disco de corte. El disco de corte puede romperse y causar lesiones graves al operador o a las personas que se encuentren cerca.



ADVERTENCIA: No afile con el costado del disco de corte. El disco de corte puede romperse y causar lesiones graves al operador o a las personas que se

encuentren cerca. Utilice solo el borde cortante.



ADVERTENCIA: Compruebe que el disco de corte esté correctamente montado y que no muestre señales de daños.



ADVERTENCIA: Asegúrese de que la protección del disco, el extensor de la protección del disco y el protector de polvo se encuentren correctamente fijados antes de arrancar el producto. El extensor de la protección del disco y el protector de polvo siempre se deben mover libremente. No utilice el producto si la protección del disco, el extensor de la protección del disco o el protector de polvo no se encuentran presentes o se encuentran defectuosos.



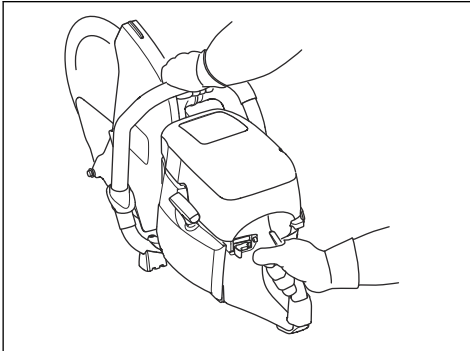
ADVERTENCIA: Antes de ingresar en una ranura realizada con otra hoja, compruebe que la ranura no sea más delgada que la hoja que se utilizará, ya que podría provocar que se atasque en la ranura de corte y cause una reculada.



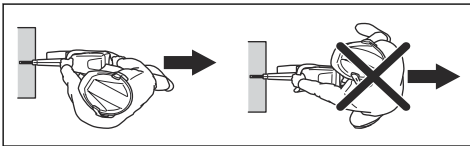
ADVERTENCIA: Un disco de diamante se calienta mucho durante el corte en seco. El disco debe enfriarse con regularidad para evitar el sobrecalentamiento. Durante el sobrecalentamiento, existe el riesgo de agrietamiento de núcleo y de quemadura del disco o de pérdida de tensión de la correa y holgura con riesgo de reculada. Para enfriar el disco con aire, déjelo funcionar sin carga.

- No corte con el sector de riesgo de reculada del disco de corte. Consulte *Sector de riesgo de reculada en la página 42*.
- Compruebe que se esté utilizando el disco de corte adecuado para la aplicación correspondiente. Consulte las instrucciones *Discos de corte correctos en la página 46*.
- Mantenga una distancia segura del disco de corte cuando el motor está en marcha. No intente detener una cuchilla giratoria con cualquier parte de su cuerpo.
- Sujete la sierra con ambas manos; agarre los mangos firmemente con los pulgares y los dedos. La mano derecha debe estar en el mango trasero y la mano izquierda en el mango delantero. Todos los

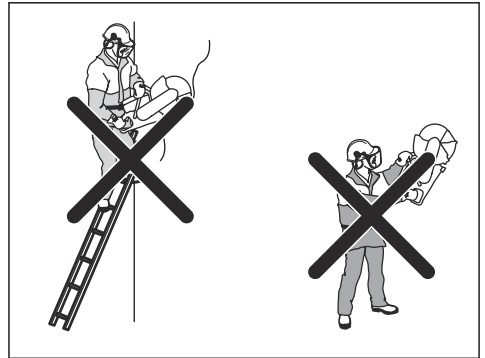
operadores, independientemente de si son zurdos o diestros, deben usar esta empuñadura. Nunca haga funcionar una cortadora sosteniéndola con una sola mano.



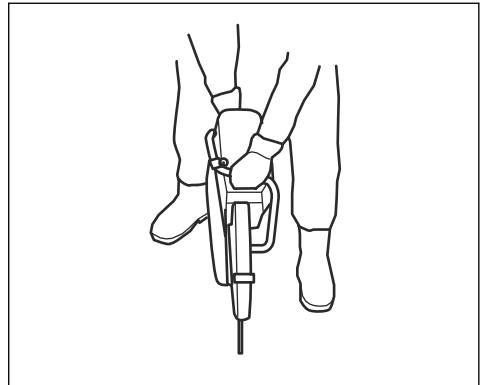
- Colóquese en paralelo al disco de corte. Evite permanecer de pie justo detrás. En el caso de una reculada, la sierra se moverá en el plano del disco de corte.



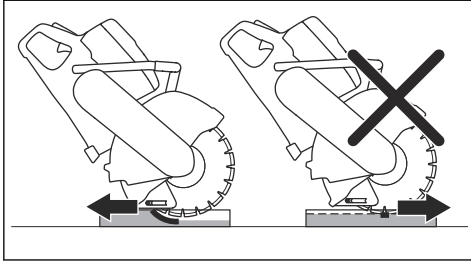
- Nunca mueva el producto cuando el equipo de corte se encuentre girando. Asegúrese de que el disco se haya detenido por completo antes de poner el producto en el suelo.
- Nunca deje la máquina con el motor en marcha sin supervisión.
- Mantenga un buen equilibrio y un punto de apoyo firme.
- Antes de ingresar en una ranura realizada con otra hoja, compruebe que la ranura no sea más delgada que la hoja que se utilizará, ya que podría provocar que se atasque en la ranura de corte y cause una reculada.
- Nunca corte por encima de la altura de los hombros.
- Nunca corte desde una escalera. Utilice una plataforma o un andamio si debe realizar un corte por encima de los hombros. No se estire demasiado.



- Sitúese a una distancia cómoda de la pieza de trabajo.
- Asegúrese de que el disco de corte se pueda mover libremente y que no se encuentre en contacto con ningún objeto cuando arranque el motor.
- Siempre vigile el producto cuando el motor esté en funcionamiento.
- Si el disco se traba en el corte o cuando desea retirar el disco en un corte, suelte el acelerador y espere a que el disco se detenga. No extraiga la cuchilla mientras esta esté en movimiento para evitar una reculada.
- Utilice el disco de corte suavemente con velocidad de rotación alta (aceleración máxima). Mantenga a máxima velocidad hasta finalizar el corte.
- Deje que la máquina funcione sin forzar ni presionar el disco. Si el disco comienza a oscilar, reduzca el suministro. Si el disco sigue oscilando, detenga el corte y reemplace el disco.
- Reduzca el suministro de la máquina alineada con el disco. No gire el corte, ya que la presión lateral puede causar trabas en la ranura de corte y producir daños en el disco o reculadas.



- Durante todas las operaciones de corte, asegúrese de enjuagar el extensor de la protección del disco y el protector de polvo junto con la pieza de trabajo.



Presione el disco de corte a la máxima profundidad de corte en la parte superior o delantera del corte y mueva el disco de corte lentamente hacia abajo o hacia atrás. Esto disminuye la temperatura del disco de corte y ayuda a recopilar el polvo.

Combustible

Este producto tiene un motor de dos tiempos.



AVISO: Usar el tipo incorrecto de combustible puede causar daños en el motor. Utilice una mezcla de gasolina y de aceite para motores de dos tiempos.

Aceite para motores de dos tiempos

- Para obtener los mejores resultados y el mejor rendimiento, utilice aceite para motores de dos tiempos Husqvarna.
- Si el aceite para motores de dos tiempos Husqvarna no está disponible, utilice un aceite para motores de dos tiempos de buena calidad para motores enfriados por aire. Contáctese con su concesionario de servicio para seleccionar el aceite correcto.



AVISO: No utilice aceite para motores de dos tiempos para motores fueraborda refrigerados por agua, también conocido como aceite para fueraborda. No utilice aceite para motores de cuatro tiempos.

Combustible premezclado

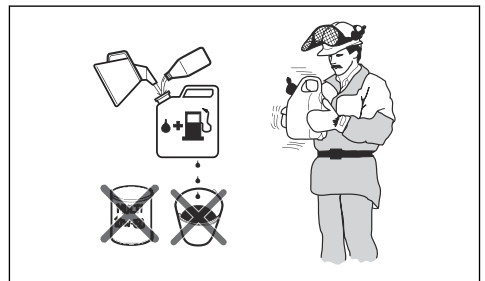
- Utilice combustible de alquilato premezclado Husqvarna de buena calidad para obtener el mejor rendimiento y prolongar la vida útil del motor. Este combustible contiene menos químicos dañinos en comparación con el combustible normal, lo cual disminuye los gases de escape dañinos. La cantidad de restos después de la combustión es menor con este combustible, que mantiene más limpios los componentes del motor.

Para mezclar gasolina y aceite para motores de dos tiempos

Gasolina, litros	Aceite para motores de dos tiempos, litro
	2 % (50:1)
5	0,10
10	0,20
15	0,30
20	0,40
Galón estadounidense	Onza líquida EE. UU.
1	2 ½
2 1/2	6 ½
5	12 ¾



AVISO: Los errores pequeños pueden influir drásticamente en la proporción de la mezcla cuando se mezclan cantidades pequeñas de combustible. Mida cuidadosamente la cantidad de aceite y asegúrese de obtener la mezcla correcta.



1. Llene la mitad de la cantidad de gasolina en un recipiente limpio para combustible.
2. Agregue la cantidad total de aceite.
3. Agite la mezcla de combustible.
4. Agregue la cantidad restante de gasolina al recipiente.
5. Agite cuidadosamente la mezcla de combustible.



AVISO: No mezcle el combustible durante más de 1 mes cada vez.

Para agregar combustible



AVISO: No utilice gasolina con un octanaje inferior a 90 RON (87 AKI). Esto daña el producto.



AVISO: No utilice gasolina con más de un 10 % de etanol concentrado (E10). Esto daña el producto.

Tenga en cuenta: En algunas condiciones, es necesario realizar el ajuste del carburador cuando se cambia el tipo de combustible.

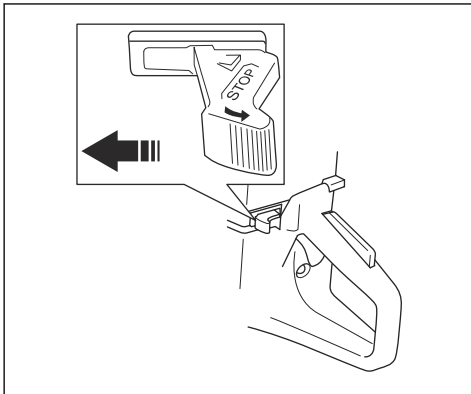
- Use gasolina con un octanaje superior si con frecuencia utiliza el producto a velocidades de motor continuamente altas.
1. Abra lentamente la tapa del depósito de combustible para liberar la presión.
 2. Llene lentamente con un bidón de combustible. Si derrama combustible, límpielo con un paño y deje que se sequen los restos.
 3. Limpie el área alrededor del tapón del depósito de combustible.
 4. Apriete bien la tapa del depósito de combustible. Si no aprieta la tapa del depósito de combustible, se genera un riesgo de incendio.
 5. Mueva el producto a un mínimo de 3 m (10 pies) de la posición en la que se llenó el depósito antes de empezar a usarlo.

Para arrancar el producto con el motor frío

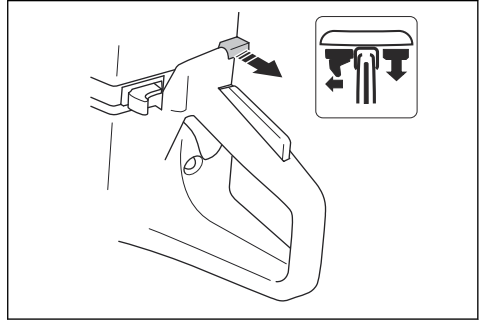


ADVERTENCIA: Asegúrese de que el disco de corte pueda girar libremente. Comienza a girar cuando el motor arranca.

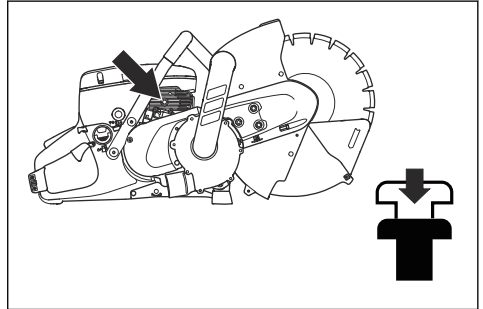
1. Asegúrese de que el interruptor de parada se encuentre en la posición izquierda.



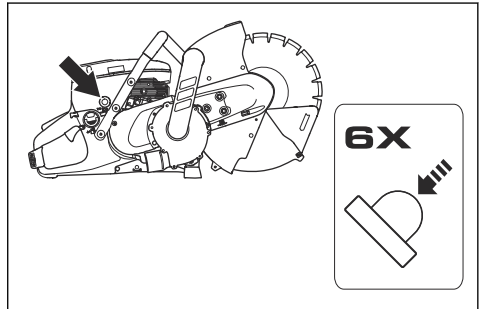
2. Tire completamente del estrangulador y quedará en la posición para iniciar el acelerador.



3. Presione la válvula de descompresión para reducir la presión en el cilindro. La válvula de descompresión vuelve a su posición inicial cuando el producto arranca.

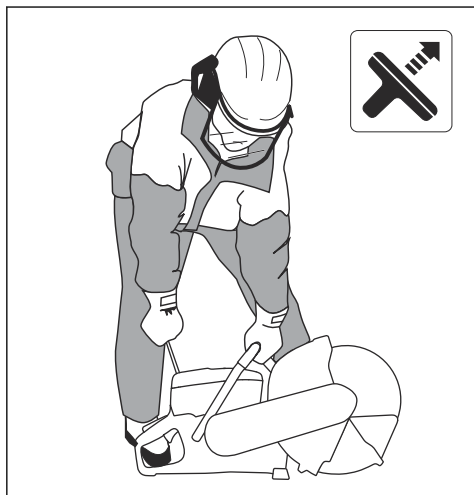


4. Empuje el bulbo de la bomba de combustible 6 veces hasta que se llene completamente con combustible.



5. Sujete el mango delantero con la mano izquierda.

6. Coloque el pie derecho en la sección inferior del mango trasero para empujar el producto contra el suelo.



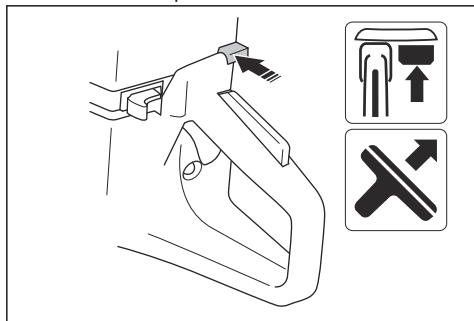
ADVERTENCIA: No se enrolle la cuerda de arranque en la mano.

7. Tire de la cuerda de arranque lentamente con la mano derecha hasta sentir una resistencia cuando los ganchos de arranque se activan. Luego, tire de manera continua y rápidamente.



AVISO: No tire de la cuerda de arranque completamente y no suelte la empuñadura de la cuerda cuando esta esté totalmente extendida. Esto puede provocar daños al producto.

8. Presione el estrangulador cuando arranque el motor. Si el estrangulador se tira hacia fuera, el motor se detendrá al cabo de unos segundos. Si el motor se detiene, vuelva a tirar de la empuñadura de la cuerda de arranque.



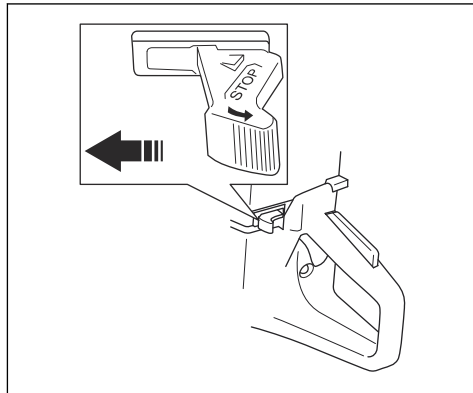
9. Presione el acelerador para desacoplar el arranque y coloque el producto en régimen de ralentí.

Para arrancar el producto con el motor caliente

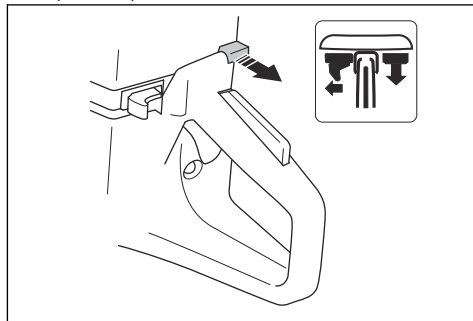


ADVERTENCIA: Asegúrese de que el disco de corte pueda girar libremente. Comienza a girar cuando el motor arranca.

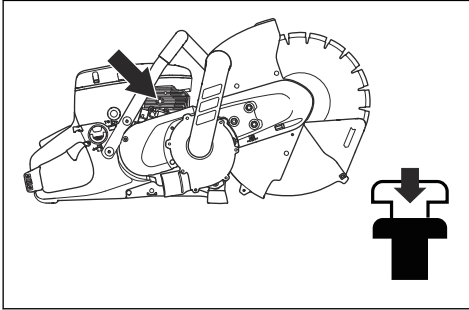
1. Asegúrese de que el interruptor de parada se encuentre en la posición izquierda.



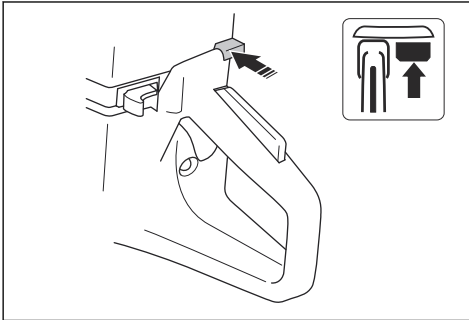
2. Tire completamente del estrangulador y quedará en la posición para iniciar el acelerador.



3. Presione la válvula de descompresión para reducir la presión en el cilindro. La válvula de descompresión vuelve a su posición inicial cuando el producto arranca.

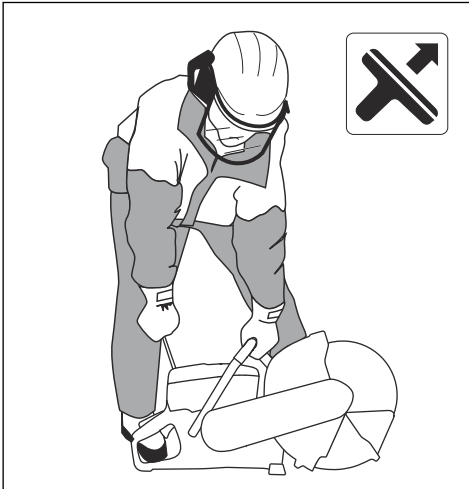


4. Presione el estrangulador para desactivarlo. El acelerador de arranque permanece en su posición.



5. Sujete el mango delantero con la mano izquierda.

6. Coloque el pie derecho en la sección inferior del mango trasero para empujar el producto contra el suelo.



ADVERTENCIA: No se enrolle la cuerda de arranque en la mano.

7. Tire de la cuerda de arranque lentamente hasta sentir una resistencia cuando los ganchos de arranque se activan. Luego, tire de manera continua y rápidamente.



AVISO: No tire de la cuerda de arranque completamente y no suelte la empuñadura de la cuerda cuando esta esté totalmente extendida. Esto puede provocar daños al producto.

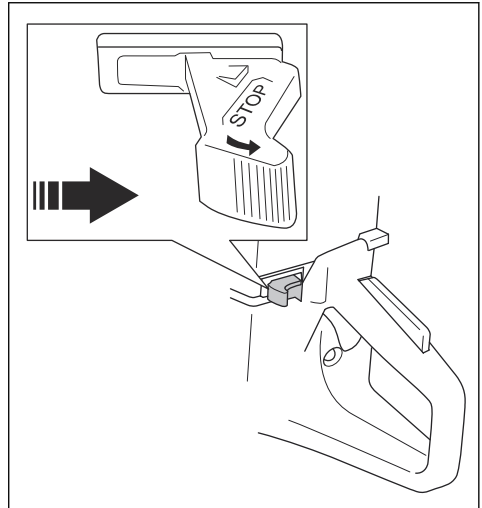
8. Presione el acelerador para desacoplar el arranque y coloque el producto en régimen de ralentí.

Para detener la máquina



ADVERTENCIA: El disco de corte seguirá girando hasta un minuto después de que el motor se detiene (conocido como giro en neutro). Asegúrese de que el disco de corte pueda girar con libertad hasta que se detenga por completo. Un descuido puede provocar lesiones personales graves.

- Mueva el interruptor de detención a la derecha para detener el motor.



Mantenimiento

Programa de mantenimiento

El programa de mantenimiento muestra el mantenimiento necesario para el producto. Los

intervalos se calculan en función del uso diario del producto.

	Diario	Una vez por semana	Una vez al mes	Anualmente
Limpiar	Limpeza externa		Bujía	
	Toma de aire frío		Depósito de combustible	
Reemplácelo				Filtro de combustible
Inspección de función	Inspección general	Sistema amortiguador de vibraciones*	Sistema de combustible	
	Fidador del acelerador*	Silenciador*	Filtro de aire	
	Interruptor de detención*	Correa de transmisión	Embrague	
	Protección del disco, extensor de la protección del disco y protector de polvo*	Carburador		
	Disco de corte*	Cuerpo del mecanismo de arranque		
* Consulte <i>Dispositivos de seguridad en el producto en la página 38.</i>				

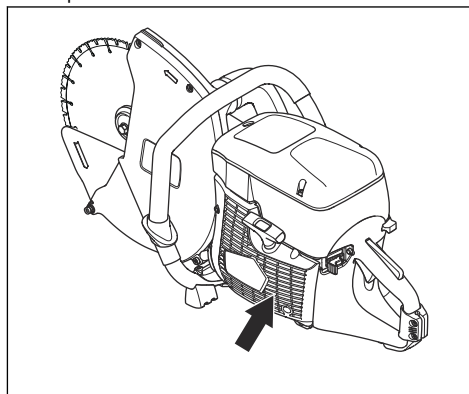
Para limpiar por fuera

- Enjuague el producto por fuera con agua limpia después de cada día de funcionamiento. Si es necesario, utilice un cepillo.

Para limpiar la toma de aire frío

Tenga en cuenta: Una toma de aire sucia o bloqueada hace que el producto se caliente demasiado. Esto puede producir daños en el pistón y el cilindro.

- Limpie la toma de aire frío en caso de ser necesario.



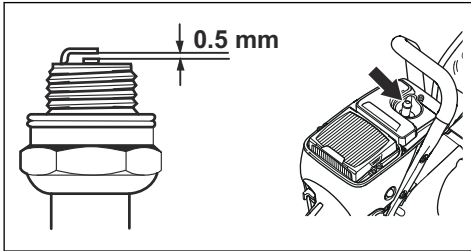
Para examinar la bujía

Tenga en cuenta: Utilice siempre el tipo de bujía recomendada. Usar una bujía incorrecta puede causar daños en el pistón y en el cilindro. Para saber cuál es la bujía recomendada, consulte *Datos técnicos en la página 64.*

Pueden presentarse partículas de aceite en la bujía si se utiliza una mezcla incorrecta de combustible o

demasiado aceite. Un filtro de aire sucio también puede hacer que se presenten partículas de aceite en la bujía. Las partículas pequeñas en los electrodos de la bujía pueden causar problemas para el arranque y el uso del producto. Siempre examine la bujía si es que el producto tiene poca potencia, si no se enciende fácilmente o si funciona insatisfactoriamente en régimen de ralentí.

1. Asegúrese de que el sombrerete de bujía y el encendido no se encuentren dañados para evitar el riesgo de descarga eléctrica.
2. Limpie la bujía si está sucia.
3. Compruebe que la distancia entre los electrodos sea de 0,5 mm. Si es necesario, reemplace la bujía.



Para hacer una inspección general

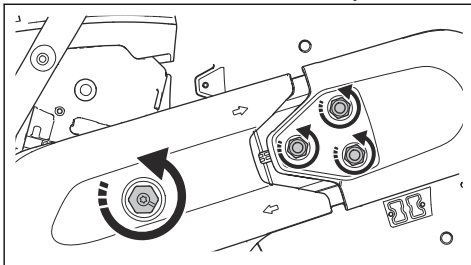
- Asegúrese de que las tuercas y los tornillos en el producto estén apretados.

Para reemplazar la correa de transmisión

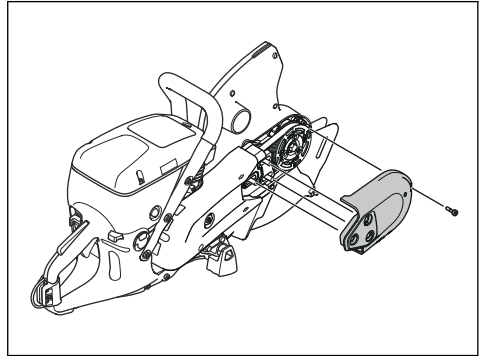


ADVERTENCIA: No arranque el producto sin todas las protecciones y cubiertas instaladas.

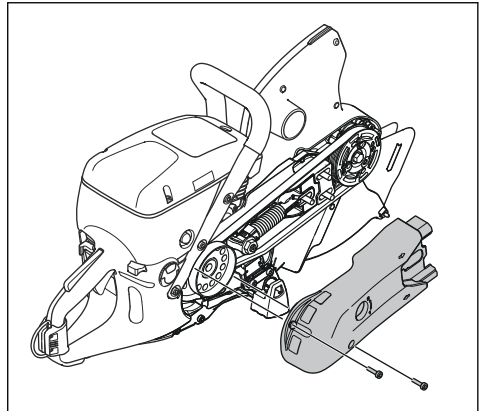
1. Afloje las 3 tuercas en el cabezal de corte. Afloje la tensión de la correa con el tornillo de ajuste.



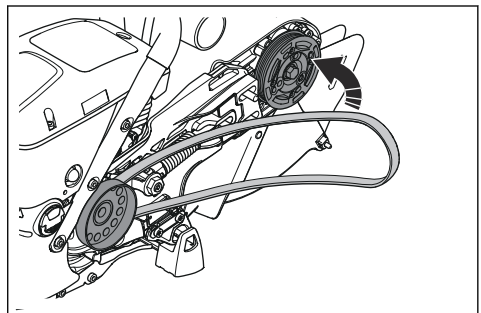
2. Retire el tornillo y las tuercas. Retire la protección de la correa delantera.



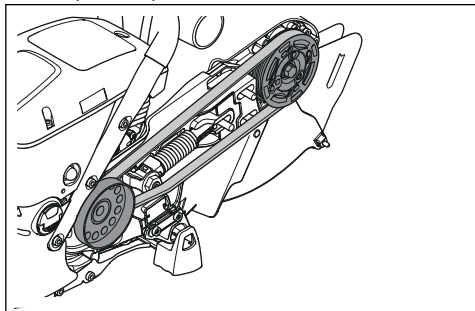
3. Retire los 2 tornillos en la protección de la correa trasera. Quite la protección de la correa.



4. Retire la correa de transmisión.
5. Instale la nueva correa de transmisión.



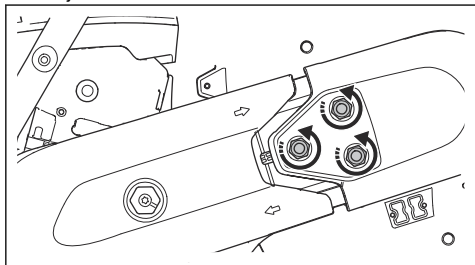
- Asegúrese de que la correa de transmisión se coloque en la posición correcta.



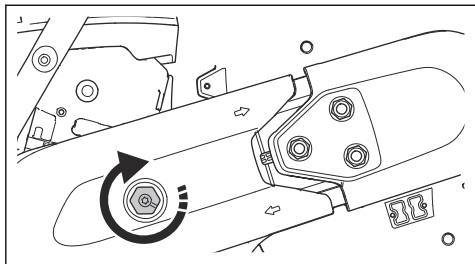
- Instale las 2 protecciones de la correa.
- Ajuste la tensión en la correa de transmisión. Consulte *Para ajustar la tensión de la correa de transmisión en la página 57*.

Para ajustar la tensión de la correa de transmisión

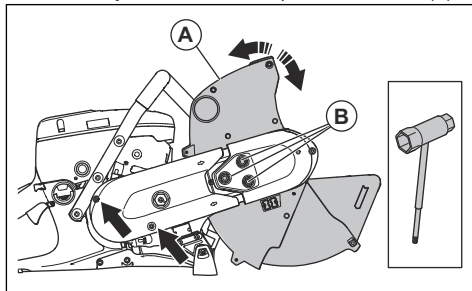
- Afije las 3 tuercas.



- Gire el tornillo de ajuste hacia la derecha para aumentar la tensión de la correa de transmisión.



- Sacuda la protección de la hoja (A) hacia arriba y hacia abajo de 3 a 5 veces. Apriete las tuercas (B).



Cuerpo del mecanismo de arranque



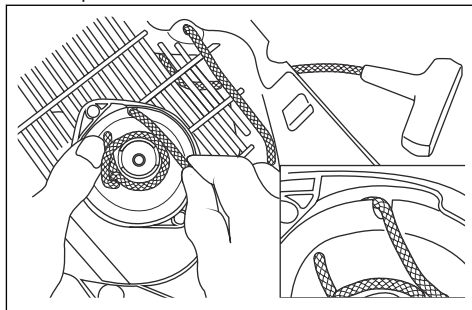
ADVERTENCIA: Siempre tenga cuidado y use protección ocular cuando sustituya el muelle de retorno o la cuerda de arranque. El muelle de retorno está tensado cuando se enrolla en el cuerpo del mecanismo de arranque. Puede salir eyectado y causar lesiones.

Para retirar el cuerpo del mecanismo de arranque

- Afije los 4 tornillos en el cuerpo del mecanismo de arranque.
- Retire el cuerpo del mecanismo de arranque.

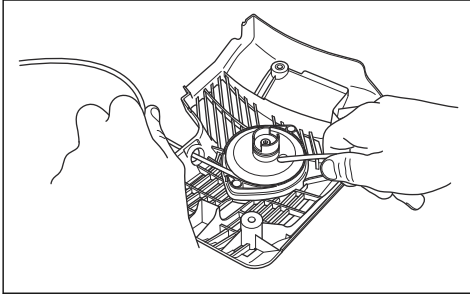
Para cambiar una cuerda de arranque dañada

- Sujete la polea de la cuerda de arranque con el pulgar. Tire de la cuerda de arranque aproximadamente 30 cm y colóquela en la abertura de la polea.

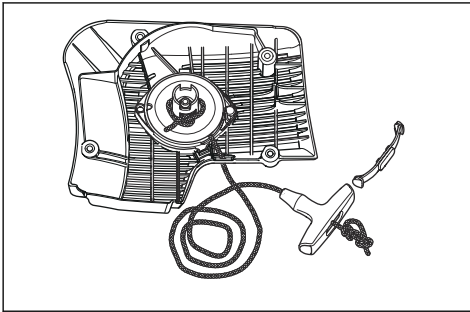


- Deje que la polea de la cuerda gire lentamente en sentido contrario para liberar la tensión del muelle.
- Retire el resto de la cuerda de arranque.
- Verifique que el muelle de retorno funcione correctamente.

5. Coloque la nueva cuerda de arranque a través del orificio en el cuerpo del mecanismo de arranque y en la polea de la cuerda.

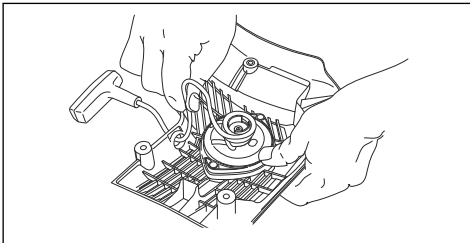


6. Fije la cuerda de arranque nueva a la polea de la cuerda.
7. Apriete completamente la conexión. Asegúrese de que el extremo libre de la cuerda de arranque sea lo más corto posible.
8. Conecte el extremo de la cuerda de arranque en la empuñadura de arranque, como se muestra en la ilustración.



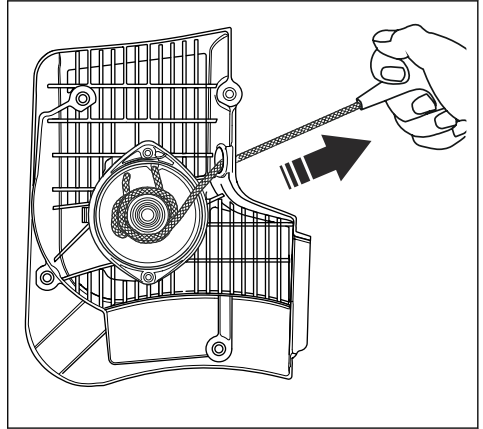
Para ajustar la tensión del muelle de retorno

1. Pase la cuerda por la abertura de la polea. Enrolle la cuerda dando 3 vueltas hacia la derecha alrededor del centro de la polea.



2. Tire la manija de arranque para ajustar la tensión del muelle de retorno.

3. Pase la cuerda por la abertura de la polea. Enrolle la cuerda dando 4 vueltas hacia la derecha alrededor del centro de la polea.
4. Tire la manija de arranque para ajustar la tensión del muelle de retorno.



Tenga en cuenta: La manija de arranque pasa a su posición correcta de arranque después de ajustar la tensión del muelle de retorno.

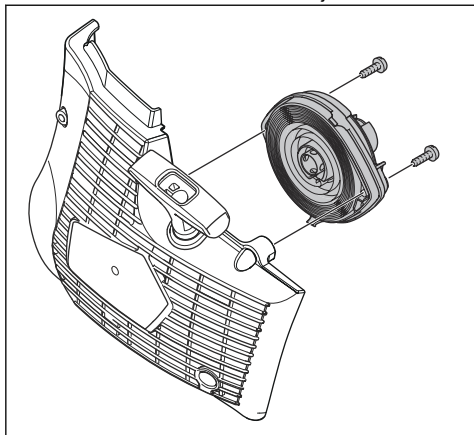
5. Verifique que el muelle de retorno no se encuentre en su posición final mediante el tirado completo de la cuerda de arranque. Asegúrese de que la polea vaya despacio con el pulgar. Asegúrese de que la polea se pueda girar a una media vuelta o más antes de que el muelle de retorno detenga los movimientos.

Para retirar el montaje del muelle



ADVERTENCIA: Use siempre protección ocular aprobada cuando desmonte el montaje del muelle. Existe un riesgo de lesión ocular, especialmente si hay un resorte roto.

1. Retire los dos tornillos en el montaje del muelle.



2. Empuje los 2 soportes en los bloqueos rápidos con un destornillador.

Para limpiar el montaje del muelle



AVISO: No retire el montaje del muelle.

1. Sople el resorte con aire comprimido hasta que esté limpio.
2. Aplique una pequeña cantidad de aceite en el resorte.

Para fijar el montaje del muelle

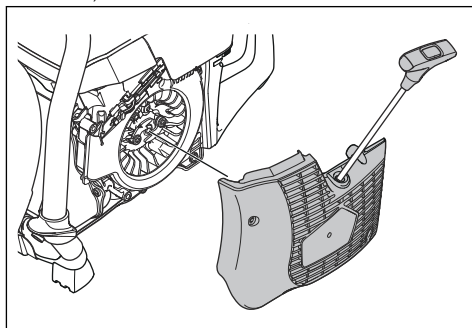
- Monte en la secuencia opuesta de *Para retirar el montaje del muelle* en la página 58.

Para instalar el cuerpo del mecanismo de arranque



AVISO: Los ganchos de arranque deben entrar en la posición correcta contra el manguito de la polea.

1. Tire de la cuerda de arranque aproximadamente unos 0,5 m.



2. Mantenga la posición de la cuerda de arranque y ponga el mecanismo de arranque en el producto.
3. Suelte lentamente la cuerda de arranque hasta que los ganchos de arranque se encuentren en la posición correcta.
4. Apriete los 4 tornillos en el mecanismo de arranque.

Para examinar el carburador

Tenga en cuenta: El carburador tiene agujas rígidas para asegurarse de que el producto reciba siempre la mezcla adecuada de combustible y aire.

1. Examine el filtro de aire. Consulte *Para examinar el filtro de aire* en la página 60.
2. Si es necesario, reemplace el filtro de aire.
3. Si el motor sigue disminuyendo la potencia o la velocidad, comuníquese con su taller de servicio de Husqvarna.

Para examinar el sistema de combustible

1. Asegúrese de que la tapa del depósito de combustible y su sello no estén dañados.
2. Examine la manguera de combustible. Reemplace la manguera de combustible si se encuentra dañada.

Para ajustar el régimen de ralentí

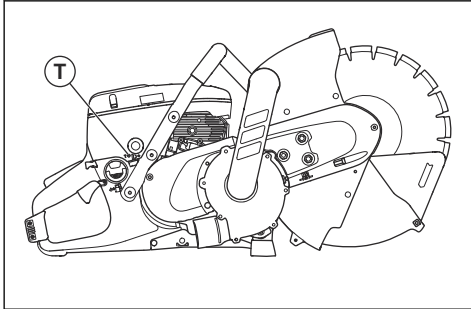


ADVERTENCIA: Si el disco de corte gira en régimen de ralentí, comuníquese con su taller de servicio. No utilice el producto hasta que el régimen de ralentí esté correctamente ajustado o reparado.

Tenga en cuenta: El régimen de ralentí recomendado es de 2700 rpm.

1. Arranque el motor.

- Examine el régimen de ralentí. Cuando el carburador esté correctamente ajustado, el disco de corte se detiene cuando el motor se encuentra en régimen de ralentí.
- Utilice el tornillo T para ajustar el régimen de ralentí.



- Gire el tornillo hacia la derecha hasta que el disco de corte comience a girar.
- Gire el tornillo hacia la izquierda hasta que el disco de corte deje de girar.

Filtro de combustible

El filtro de combustible se encuentra instalado en el depósito de combustible. El filtro de combustible evita la contaminación del depósito de combustible cuando este se encuentra lleno. El filtro de combustible debe cambiarse cada año o más a menudo si se encuentra obstruido.



AVISO: No limpie el filtro de combustible.

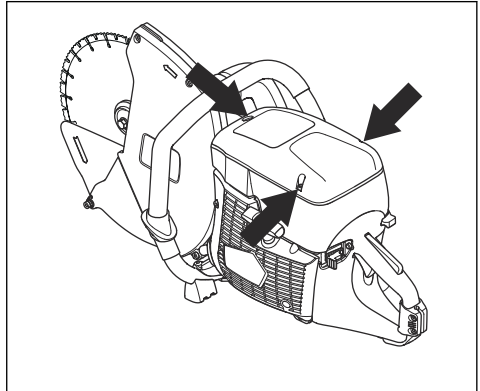
Para examinar el filtro de aire



AVISO: Tenga cuidado cuando quite el filtro de aire. Las partículas que caen en la entrada del carburador pueden causar daños.

Examine el filtro de aire si la potencia del motor disminuye.

- Afloje los 3 tornillos que se encuentran en la cubierta del filtro de aire.



- Quite la cubierta del filtro de aire.
- Examine el filtro de aire. Si es necesario, reemplace el filtro de aire. Consulte *Para cambiar el filtro de aire en la página 60*.
- Reemplace la cubierta del filtro de aire.
- Apriete los 3 tornillos.

Para cambiar el filtro de aire



AVISO: No limpie el filtro de aire con aire comprimido. El filtro de aire está fabricado con papel y se daña fácilmente.



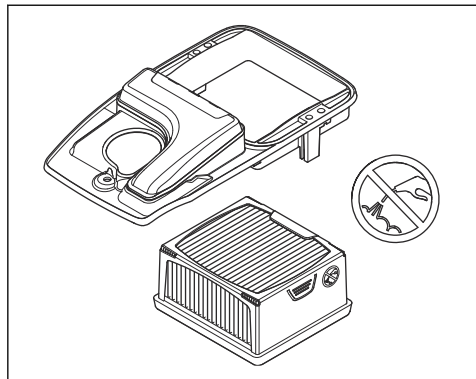
AVISO: Se puede esparcir polvo insalubre durante el cambio de filtro. Utilice protección respiratoria aprobada. Elimine los filtros correctamente.

Tenga en cuenta: Cambie el filtro de servicio solo cuando esté dañado.

Tenga en cuenta: El filtro de aire no debe limpiarse con aire comprimido. Acciones como esta dañan el filtro.

- Afloje los 3 tornillos que se encuentran en la cubierta del filtro de aire.

2. Quite la cubierta del filtro de aire.



3. Afloje los 2 tornillos en la polea del filtro de aire y extráigalo.
4. Retire el filtro de aire.
5. Instale el nuevo filtro de aire.
6. Reemplace la polea del filtro de aire.
7. Apriete los 2 tornillos.
8. Reemplace la cubierta del filtro de aire.
9. Apriete los 3 tornillos.

Solución de problemas

Programa de solución de problemas



ADVERTENCIA: Asegúrese de que el motor esté apagado y que el interruptor de parada se encuentre en la posición STOP

(Detención) antes de realizar el mantenimiento y la solución de problemas, a menos que las instrucciones digan lo contrario.

Problema	Causa	Posibles soluciones
El producto no arranca.	El procedimiento de arranque se realiza de forma incorrecta.	Consulte <i>Para arrancar el producto con el motor frío en la página 52</i> y <i>Para arrancar el producto con el motor caliente en la página 53</i> .
	El interruptor de detención está en la posición derecha (Detención).	Asegúrese de que el interruptor de parada (Detención) se encuentre en la posición izquierda.
	No hay combustible en el depósito de combustible.	Llénelo con combustible.
	La bujía está defectuosa.	Reemplace la bujía.
	El embrague está defectuoso.	Comuníquese con su agente de servicio.
El disco de corte gira en régimen de ralentí.	El régimen de ralentí es demasiado alto.	Ajuste el régimen de ralentí.
	El embrague está defectuoso.	Comuníquese con su agente de servicio.
El disco de corte no gira cuando el operador acelera.	La correa está demasiado suelta o se encuentra defectuosa.	Apriete la correa o cámbiela por una nueva.
	El embrague está defectuoso.	Comuníquese con su agente de servicio.
	El disco de corte se encuentra instalado de forma incorrecta.	Asegúrese de que el disco de corte se encuentre correctamente instalado.

Problema	Causa	Posibles soluciones
El producto no se enciende cuando el operador intenta realizar la aceleración.	El filtro de aire está obstruido.	Examine el filtro de aire. Si es necesario, cámbielo.
	El filtro de combustible está obstruido.	Reemplace el filtro de combustible.
	El flujo del depósito de combustible está obstruido.	Comuníquese con su agente de servicio.
Los niveles de vibración son demasiado altos.	El disco de corte se encuentra instalado de forma incorrecta.	Asegúrese de que el disco de corte se encuentre correctamente instalado y que no esté dañado. Consulte <i>Discos de corte correctos en la página 46</i> .
	El disco de corte se encuentra defectuoso.	Reemplace el disco de corte y asegúrese de que no esté dañado.
	Un amortiguador de vibraciones se encuentra defectuoso.	Comuníquese con su agente de servicio.
La temperatura del producto es demasiado alta.	La toma de aire o las bridas que reducen la temperatura se encuentran bloqueadas.	Limpie la toma de aire y las bridas que reducen la temperatura.
	La correa se mueve.	Examine la correa. Ajuste la tensión.
	El embrague está defectuoso.	Corte siempre en aceleración máxima. Examine el embrague. Comuníquese con su agente de servicio.
El motor disminuye su potencia o velocidad.	El filtro de aire está obstruido.	Examine el carburador. Consulte <i>Para examinar el carburador en la página 59</i>
El polvo no se recoge correctamente durante el corte.	Técnica de corte inadecuada.	Consulte <i>Técnicas básicas de trabajo en la página 49</i> .
	El extractor de polvo acoplado no extrae polvo.	Consulte el manual de usuario del extractor de polvo.
El extensor de la protección del disco y el protector de polvo no se mueven libremente.	Las piezas móviles del extensor de la protección del disco y el protector de polvo se encuentran obstruidos.	Limpie las piezas móviles.
El extensor de la protección del disco y el protector de polvo no se mueven hacia atrás cuando se retira el producto de la pieza de trabajo.	Los resortes del extensor de la protección del disco y el extractor de polvo no funcionan correctamente.	Verifique los resortes. Limpie los resortes.

Transporte, almacenamiento y eliminación de residuos

Transporte y almacenamiento

- Asegure bien el producto durante el transporte para evitar daños y accidentes.
- Quite el disco de corte antes de transportar el producto.

- Mantenga el producto en un área cerrada para evitar que los niños u otras personas sin autorización puedan acceder a él.
- Mantenga los discos de corte en un lugar seco y no expuesto al frío.

- Examine los nuevos discos en busca de daños por almacenamiento.
- Vacíe el combustible del depósito de combustible antes de realizar un almacenaje a largo plazo.
- Obtenga soporte de su proveedor de combustible local para obtener información de dónde desechar el combustible utilizado.

Eliminación

- Obedezca las regulaciones vigentes y requisitos de reciclaje locales.
- Deseche todos los productos químicos, como el combustible o el aceite del motor, en un centro de servicio o en un sitio adecuado para tal propósito.
- Cuando el producto se deja de utilizar, envíelo a un distribuidor de Husqvarna o deséchelo en un sitio de reciclaje.



Datos técnicos

Datos técnicos

K 770 Vac	
Cilindrada, cm ³ (in cúbicas)	4,5 (74)
Diámetro de cilindro, mm (in)	2 (51)
Carrera, mm (in)	1,4 (36)
Régimen de ralentí, rpm	2700
Acelerador completamente abierto, sin carga, rpm	9300 (+/- 150)
Potencia, hp (kW) a rpm	5,0 (3,7) a 9000
Bujía	NGK BPMR 7A
Distancia entre los electrodos, mm (in)	0,5 (0,02)
Capacidad del depósito de combustible, l (onza líquida de EE. UU.)	0,9 (30)
Peso de la máquina sin combustible ni disco de corte, kg (lb)	11 (24,3)
Eje, eje de salida	
Velocidad máxima del eje, rpm	2600
Velocidad periférica máxima, m/s (pies/min)	50 (10 000)
Extractor de polvo recomendado²	
Flujo de aire mínimo, m ³ /h (CFM)	400 (236)
Vacío mínimo, kPa (psi)	22 (3,6)
Elevación mínima del agua, m (in)	2,3 (90)
Acople del extractor de polvo, mm (in)	50 (2)

Tenga en cuenta: Este sistema de encendido por chispa cumple con la norma canadiense ICES-002.

Disco de corte de diamante recomendado, especificación

Diámetro del disco de corte, mm (in)	Profundidad máxima de corte, mm (pulgada)	Valor nominal de la velocidad del disco, rpm	Velocidad periférica máxima, m/s (pies/min)	Diámetro del orificio central del disco, mm (in)	Grosor máximo del disco, mm (in)
300 (12)	122 (4,8)	6200	100 (19600)	25,4 (1) o 20 (0,79)	4 (0,16)

² Los datos técnicos para los extractores de polvo no describen de manera concluyente el rendimiento real en el tiempo entre diferentes extractores de polvo. Para los productos de Husqvarna, los datos objetivos de la OSHA se encuentran disponibles en www.husqvarnacp.com/us.

Garantía

DECLARACIÓN DE GARANTÍA DE CONTROL DE EMISIONES FEDERALES

DERECHOS Y OBLIGACIONES DE LA GARANTÍA

La EPA (Agencia de Protección Medioambiental de los Estados Unidos), Environment Canada y se complacen en explicarle la garantía del sistema de control de emisiones de su pequeño motor para uso fuera de carretera 2009 y posteriores. En los Estados Unidos y Canadá, los nuevos motores pequeños para uso fuera de carretera se deben diseñar, desarrollar y equipar conforme a las estrictas normas federales de emisión. debe garantizar el sistema de control de emisiones del motor de pequeña cilindrada para uso fuera de carretera durante el período que figura a continuación, siempre y cuando no haya ningún abuso, negligencia ni mantenimiento incorrecto de la unidad. Su sistema de control de emisiones incluye piezas como el carburador y el sistema de encendido. Cuando exista una condición cubierta por la garantía, reparará el motor de pequeña cilindrada para uso fuera de carretera. Entre los gastos cubiertos por la garantía se incluyen el diagnóstico, las piezas y la mano de obra.

COBERTURA DE LA GARANTÍA DEL FABRICANTE

Los modelos de motor pequeño para uso fuera de carretera del año 2009 y posteriores cuentan con una garantía de dos años. Si alguna pieza relacionada con las emisiones de su motor (como se menciona anteriormente) se encuentra defectuosa, pondrá a disposición la reparación o reemplazo de la pieza.

RESPONSABILIDADES DE GARANTÍA DEL PROPIETARIO

Como propietario del motor pequeño para uso fuera de carretera, usted es responsable de la ejecución del mantenimiento necesario que se detalla en el manual de usuario. recomienda que conserve todos los recibos que cubran el mantenimiento del motor pequeño para uso fuera de carretera; sin embargo, no puede negar la garantía solo por la falta de recibos o porque no pueda garantizar la realización de todo el programa de mantenimiento. Como propietario del motor pequeño para uso fuera de carretera, debe tener presente que puede negar la cobertura de la garantía si el motor pequeño para uso fuera de carretera o una pieza de este falló debido al abuso, la negligencia, el mantenimiento incorrecto, modificaciones no autorizadas o el uso de piezas que no están hechas o no están aprobadas por el fabricante del equipo original. Usted es responsable de llevar el motor de pequeña cilindrada para uso fuera de carretera a un concesionario de servicio autorizado lo antes posible en cuanto surja un problema. Las reparaciones bajo garantía se deben realizar dentro de un tiempo razonable que no supere los 30 días. Si tiene alguna

pregunta en relación con los derechos y las responsabilidades de la garantía, debe comunicarse con el taller de servicio autorizado más cercano, o llamar a al 1-800-288-5040 o visitar www.husqvarnacp.com/us.

FECHA DE INICIO DE LA GARANTÍA

El período de garantía comienza en la fecha de entrega del motor pequeño para uso fuera de carretera.

EXTENSIÓN DE LA COBERTURA

garantiza al propietario inicial y a cada comprador subsiguiente que el motor está libre de defectos en materiales y mano de obra que causen la falla de una pieza garantizada por un período de dos años.

ELEMENTOS CON COBERTURA

REPARACIÓN O SUSTITUCIÓN DE PIEZAS: La reparación o el reemplazo de cualquier pieza en garantía se realizarán sin cargo para el propietario en un taller de servicio aprobado por . Si tiene alguna pregunta relacionada con la cobertura de la garantía, debe comunicarse con el servicio de al 1-800-288-5040 o visitar www.husqvarnacp.com/us.

PERÍODO DE GARANTÍA: Toda pieza cubierta cuya sustitución no sea parte del mantenimiento requerido, o que esté sujeta a revisiones periódicas con el efecto de "reparar o sustituir según sea necesario" estará garantizada por 2 años. Toda pieza que esté programada para su sustitución como parte del mantenimiento requerido estará garantizada por el período de tiempo hasta la primera sustitución programada de la pieza.

DIAGNÓSTICO: No se deben efectuar cargos al propietario por el trabajo de diagnóstico que lleva a determinar que la pieza garantizada está defectuosa, si el trabajo de diagnóstico se realiza en un taller de servicio aprobado por .

DAÑOS INDIRECTOS: podría ser responsable de los daños a otros componentes del motor causados por la falla de una pieza garantizada que aún se encuentre cubierta por la garantía.

ELEMENTOS SIN COBERTURA

Las fallas causadas por abuso, negligencia o mantenimiento incorrecto no están cubiertas por la garantía.

AÑADIDURAS O PIEZAS MODIFICADAS: La utilización de piezas modificadas o complementarias puede servir de fundamento para anular una reclamación de garantía. no tiene la responsabilidad de cubrir fallas de piezas garantizadas causadas por la utilización de piezas adicionales o modificadas.

CÓMO PRESENTAR UNA RECLAMACIÓN

Si tiene alguna pregunta en relación con los derechos y las responsabilidades de la garantía, debe comunicarse

con el taller de servicio autorizado más cercano, o llamar a al 1-800-288-5040 o visitar www.husqvarnacp.com/us.

DÓNDE OBTENER SERVICIOS DE LA GARANTÍA

Los servicios o las reparaciones en garantía se deben proporcionar en todos los talleres de servicio autorizados de .

MANTENIMIENTO, REEMPLAZO Y REPARACIÓN DE PIEZAS RELACIONADAS CON EL CONTROL DE EMISIONES

Cualquier pieza de reemplazo aprobada por que se utilice en la realización de cualquier mantenimiento o reparación por garantía en las piezas relacionadas con las emisiones se proporcionará sin cargo al propietario, si la pieza está cubierta por la garantía.

LISTA DE PIEZAS DE CONTROL DE EMISIONES CUBIERTAS POR LA GARANTÍA

1. Carburador y piezas internas.
2. Tubo de admisión, soporte del filtro de aire y pernos del carburador.
3. Filtro de aire y filtro de combustible cubiertos hasta el programa de mantenimiento.
4. Sistema de ignición
 - a. Bujía, cubierta hasta el programa de mantenimiento.
 - b. Módulo de ignición.
5. Módulo de ignición.

DECLARACIÓN DE MANTENIMIENTO

El propietario es responsable por la realización de todo el mantenimiento requerido, según se establece en el manual de usuario.

Table des matières

Introduction.....	67	Dépannage.....	95
Sécurité.....	70	Transport, entreposage et mise au rebut.....	97
Montage.....	79	Données techniques.....	98
Fonctionnement.....	83	Garantie.....	99
Entretien.....	89		

Introduction

Responsabilité du propriétaire



AVERTISSEMENT : La coupe, en particulier la coupe à sec, produit de la poussière qui provient du matériau coupé, qui contient souvent de la silice. La silice est un composant de base du sable, du quartz, de la brique d'argile, du granit et de nombreux autres pierres et minéraux. L'exposition à une quantité excessive de ces poussières peut entraîner :

une maladie respiratoire (réduisant la capacité à respirer), notamment la bronchite chronique, la silicose et la fibrose pulmonaire causée par l'exposition à la silice. Ces maladies peuvent être fatales;

Des irritations et éruptions cutanées.

Le cancer, selon le NTP (National Toxicology Program) et le CIRC (Centre International de recherche sur le cancer).

Prendre les précautions suivantes :

Éviter l'inhalation et le contact cutané avec les poussières, brouillards et fumées.

Porter et veiller à ce que les personnes à proximité portent un dispositif de protection

respiratoire approprié, tel un masque antipoussières filtrant les particules microscopiques. (Voir OSHA 29 CFR Part 1926.1153)

Pour réduire les émissions de poussières, effectuer une coupe humide lorsque cela est possible. Si une découpe à sec est nécessaire, utiliser un extracteur de poussière adéquat.

Il est de la responsabilité du propriétaire ou de l'employeur de s'assurer que l'utilisateur possède les connaissances nécessaires pour manipuler le produit en toute sécurité. Les superviseurs et les utilisateurs doivent avoir lu et compris le manuel d'utilisation. Ils doivent être conscients des éléments suivants :

- Les consignes de sécurité relatives aux produits.
- L'éventail d'applications du produit et ses limites.
- La manière dont le produit doit être utilisé et entretenu.

Les règlements locaux ou nationaux peuvent limiter l'utilisation de ce produit. Rechercher les réglementations en vigueur où le travail est exécuté avant d'utiliser le produit.

Proposition 65



WARNING

The engine exhaust from this product contains chemicals known to the State of California to cause cancer, birth defects or other reproductive harm.

Description de l'outil

Cette découpeuse Husqvarna est une machine portative alimentée par un moteur à combustion à deux temps. Le

produit est doté d'un protège-lame, d'une rallonge de protège-lame et d'un écran antipoussière qui recueillent les particules et les étincelles et les déplacent à l'écart

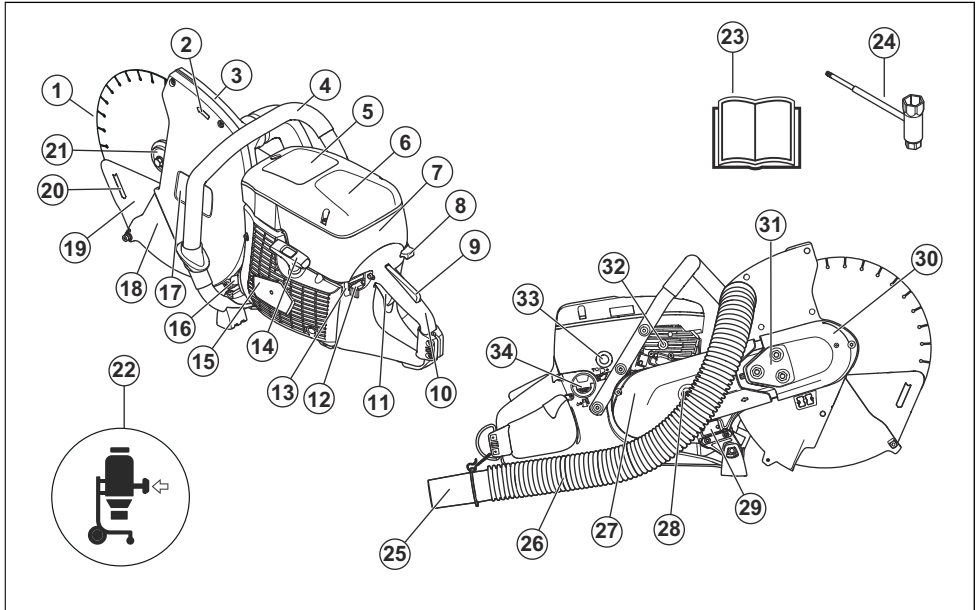
de l'opérateur. Le produit fonctionne avec un extracteur de poussière externe.

Pierre. Ne pas utiliser l'outil pour d'autres tâches. Le produit doit être utilisé uniquement par des opérateurs professionnels expérimentés.

Utilisation prévue

Le produit est utilisé pour couper des matériaux durs tels que du béton, un ouvrage de maçonnerie et de la

Présentation du produit K 770 Vac



- | | |
|--|---|
| 1. Lame de coupe (non fournie) | 21. Bride, broche et bague |
| 2. Sens de rotation | 22. Extracteur de poussière (non fourni) |
| 3. Protège-lame | 23. Manuel de l'opérateur |
| 4. Poignée avant | 24. Clé universelle |
| 5. Autocollant d'avertissement | 25. Outil de l'extracteur de poussière |
| 6. Couvercle du filtre à air | 26. Flexible |
| 7. Autocollant d'instructions de démarrage | 27. Protège-courroie arrière |
| 8. Commande de l'étrangleur | 28. Tendeur de courroie |
| 9. Dispositif de verrouillage de la gâchette de l'accélérateur | 29. Plaque signalétique |
| 10. Poignée arrière | 30. Protège-courroie avant |
| 11. Commande des gaz | 31. Vis de blocage permettant de régler la courroie |
| 12. Interrupteur d'arrêt | 32. Décompresseur |
| 13. Fonction de déconnexion du système OilGuard | 33. Pompe de purge d'air |
| 14. Poignée du lanceur | 34. Bouchon du réservoir |
| 15. Boîtier du lanceur | |
| 16. Silencieux | |
| 17. Autocollant de l'équipement de coupe | |
| 18. Rallonge de protège-lame | |
| 19. Écran antipoussière | |
| 20. Sens de la coupe | |

Symboles figurant sur l'appareil



AVERTISSEMENT! Cet appareil peut être dangereux s'il est utilisé incorrectement ou avec insouciance; il peut causer des blessures graves ou mortelles à l'opérateur ou à des personnes à proximité.



Lire soigneusement le manuel d'instructions et veiller à bien comprendre les directives avant d'utiliser cette machine.



Toujours utiliser un équipement de protection personnelle homologué. Se reporter à la section *Équipement de protection personnelle* à la page 72.



AVERTISSEMENT! La poussière produite lors de la coupe peut causer des lésions si elle est inhalée. Utiliser un masque filtrant approprié. Éviter d'inhaler les gaz d'échappement. Toujours assurer une bonne ventilation.



AVERTISSEMENT! Les rebonds peuvent être soudains, rapides et violents et causer des blessures pouvant être mortelles. Lire et comprendre les instructions du manuel avant d'utiliser le produit. Se reporter à la section *Rebond* à la page 76.



AVERTISSEMENT! Les étincelles produites par la lame de coupe peuvent provoquer un incendie en cas de contact avec des matériaux combustibles tels que l'essence, le bois, les vêtements, l'herbe sèche, etc.



AVERTISSEMENT! S'assurer que les lames ne comportent ni fissures ni dommages de toute autre façon.



AVERTISSEMENT! Ne pas utiliser des lames de scie circulaire



AVERTISSEMENT! Ne pas utiliser de lames en abrasif aggloméré



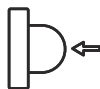
AVERTISSEMENT! Pour la découpe à sec uniquement.



Utiliser uniquement des lames de diamant.



Volet de départ



Pompe de purge d'air



Décompresseur



Corde du lanceur



Utiliser un mélange d'essence e et d'huile.



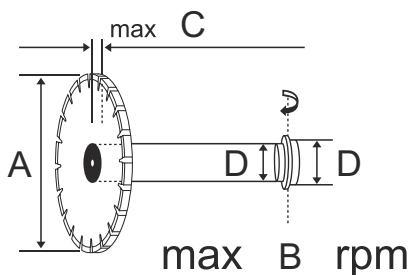
Raccorder un extracteur de poussière externe sur le produit. Pour connaître les spécifications requises, se reporter à la section *Données techniques* à la page 98.



ANSI B175.4-2013

Underwriters Laboratories Inc. (UL) a répertorié cette machine sous la mention UL conformément à la norme de sécurité ANSI B175.4 US.

Autocollant de l'équipement de coupe



A : Diamètre de la lame de coupe.

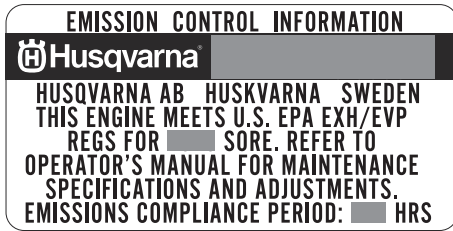
B : Vitesse maximale, sortie.

C : Épaisseur maximale de la lame.

D : Dimensions de la bague.

Remarque : Les autres symboles ou autocollants apposés sur le produit se rapportent aux exigences en matière de certification pour certains marchés.

EPA

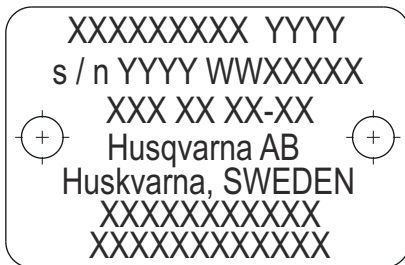


La période de conformité aux normes d'émissions indiquée sur les étiquettes de conformité aux normes d'émissions se rapporte au nombre d'heures de fonctionnement du moteur qui répond aux exigences fédérales en matière d'émissions. N'importe quel établissement ou agent de réparation de moteur non routier peut effectuer l'entretien, le remplacement et la réparation des dispositifs et du système de contrôle des émissions.

CALIFORNIA AIR RESOURCES BOARD (CARB)

Remarque : Cette machine est considérée comme une application hors route exemptée des normes CARB. L'EPA des États-Unis est la seule habilitée à instaurer des normes antipollution visant l'équipement de construction exempté. Pour obtenir de plus amples renseignements, visiter le site www.arb.ca.gov/msprop/offroad/preempt.htm

Plaque signalétique



Sécurité

Définitions relatives à la sécurité

Les avertissements, recommandations et remarques soulignent des points du manuel qui revêtent une importance particulière.



AVERTISSEMENT : Indique la présence d'un risque de blessure ou de décès de l'utilisateur ou de personnes à proximité si les instructions du manuel ne sont pas suivies.

Rangée 1 : Marque, modèle (X, Y)

Rangée 2 : N° de série avec date de fabrication (Y, W, Z) : Année, semaine, n° de séquence

Rangée 3 : Numéro du produit (X)

Rangée 4 : Fabricant

Rangée 5 : Adresse du fabricant,

Rangées 6 à 7 : Homologation UE ou numéro MEIN chinois

Responsabilité concernant le produit

Comme indiqué dans les lois en vigueur sur la responsabilité concernant les produits, nous ne serons pas tenus responsables des dommages que notre produit causerait dans les situations suivantes :

- Le produit n'est pas réparé de façon adéquate.
- Le produit est réparé avec des pièces qui ne sont pas fournies ou homologuées par le fabricant.
- Le produit comprend un accessoire qui n'est pas fourni ou homologué par le fabricant.
- Le produit n'est pas réparé par un centre de service après-vente agréé ou par une autorité homologuée.



MISE EN GARDE : Indique la présence d'un risque de dommages au produit, à d'autres appareils ou à la zone adjacente si les instructions du manuel ne sont pas suivies.

Remarque : Utilisé pour donner des renseignements plus détaillés qui sont nécessaires dans une situation donnée.

Consignes générales de sécurité



AVERTISSEMENT : Lire les messages d'avertissement qui suivent avant d'utiliser l'outil.

- Une découpeuse est un outil dangereux s'il est utilisé de manière incorrecte ou avec négligence, ce qui peut provoquer des blessures graves, voire mortelles. Il est très important de lire et de comprendre le contenu de ce manuel de l'opérateur. Il est recommandé que les utilisateurs qui se servent de la machine pour la première fois obtiennent également des consignes pratiques avant de l'utiliser.
- La conception du produit ne peut en aucun cas être modifiée sans l'autorisation du fabricant. Ne pas utiliser un produit qui semble avoir été modifié par d'autres, et toujours utiliser des accessoires d'origine. Les modifications et/ou les accessoires non autorisés peuvent entraîner des blessures graves ou la mort de l'opérateur ou d'autres personnes.
- Toujours garder le produit propre. Les signes et les autocollants doivent être entièrement visibles.
- Ne jamais laisser des enfants ni des personnes n'ayant pas été formées à l'utilisation du produit l'utiliser ou l'entretenir.
- Ne laisser personne utiliser le produit à moins d'être sûr qu'elle a compris le contenu du manuel.
- L'inhalation à long terme des produits d'échappement du moteur peut représenter un risque pour la santé. Lorsque le moteur tourne, l'échappement contient des produits chimiques comme des hydrocarbures non brûlés et du monoxyde de carbone. Le contenu des gaz d'échappement est connu pour causer des problèmes respiratoires, le cancer, des malformations congénitales ou d'autres problèmes liés à la reproduction.

Le monoxyde de carbone est incolore et sans saveur, mais il est toujours présent dans les gaz d'échappement. Le début de l'empoisonnement au monoxyde de carbone se caractérise par de légers vertiges, qui peuvent ou ne peuvent pas être reconnus par la victime. Une personne peut s'effondrer et perdre connaissance sans aucun avertissement si la concentration de monoxyde de carbone est suffisamment élevée. Comme le monoxyde de carbone est incolore et inodore, sa

présence ne peut pas être détectée. Dès que des odeurs de gaz d'échappement sont perçues, du monoxyde de carbone est présent. Ne jamais utiliser une découpeuse à essence à l'intérieur ou dans des tranchées profondes de plus de 1 m (3 pi) ou dans toute autre zone mal ventilée. Assurer une bonne ventilation en cas de travail dans des tranchées ou d'autres espaces confinés.

- Ce produit produit un champ électromagnétique pendant le fonctionnement. Ce champ magnétique peut, dans certains cas, nuire aux implants médicaux actifs ou passifs. Pour réduire le risque de blessures graves ou mortelles, nous recommandons aux personnes ayant des implants médicaux de consulter leur médecin et le fabricant de l'implant médical avant d'utiliser le produit.
- Les renseignements contenus dans ce manuel de l'opérateur ne sont jamais destinés à remplacer les connaissances et expériences professionnelles. En cas d'appréhension, arrêter la machine et demander l'avis d'un expert. Communiquer avec votre concessionnaire. Ne pas tenter d'effectuer des tâches si vous avez des doutes!

Consignes de sécurité pour l'assemblage



AVERTISSEMENT : Lire les messages d'avertissement qui suivent avant d'assembler l'outil.

- Vérifier que le moteur s'arrête lorsque l'interrupteur d'arrêt est réglé à la position STOP (ARRÊT).
- Toujours utiliser des gants de protection lors de l'assemblage du produit.

Consignes de sécurité pour l'utilisation



AVERTISSEMENT : Lire les messages d'avertissement qui suivent avant d'utiliser l'appareil.

- Avant d'utiliser une découpeuse, il est essentiel de comprendre le phénomène de rebond et de savoir comment l'éviter. Se reporter à la section *Rebond à la page 76*.
- Ne jamais utiliser un appareil défectueux. Effectuer les vérifications de sécurité, de maintenance et d'entretien conformément aux instructions fournies dans ce manuel. Certaines mesures de maintenance et d'entretien doivent être effectuées par des spécialistes formés et qualifiés. Se reporter à la section *Entretien à la page 89*.
- Ne jamais utiliser le produit sous l'effet de la fatigue, sous l'influence de l'alcool, de drogues, de médicaments ou de toute substance qui pourrait affecter la vision, l'attention, la coordination des gestes ou le jugement.

- Ne pas démarrer le produit sans la courroie et le protégé-courroie installés. L'embrayage peut se défaire et causer des blessures.
- Les étincelles produites par la lame de coupe peuvent engendrer un incendie en cas de contact avec des matériaux combustibles tels que l'essence, le carburant, le bois, les vêtements et l'herbe sèche.
- Utiliser une lame de coupe uniquement sur un matériau pouvant être coupé par celle-ci.
- Ne pas couper de matériau comportant de l'amiante.

Sécurité de l'aire de travail



AVERTISSEMENT : Lire les messages d'avertissement qui suivent avant d'utiliser l'appareil.

- La distance de sécurité de la découpeuse est de 15 m (50 pi). Il vous incombe de vous assurer qu'il n'y a pas d'animaux ni de personnes à l'intérieur de la zone de travail. Ne pas commencer la coupe avant d'avoir vérifié que la zone de travail est dégagée et avant de se tenir bien d'aplomb.
- Observer l'environnement afin de s'assurer que rien ne peut nuire à la maîtrise du produit.
- S'assurer qu'aucune personne ni aucun objet ne peut entrer en contact avec l'équipement de coupe ou être heurté par des pièces projetées par la lame.
- Ne pas utiliser le produit par mauvais temps, par exemple, en cas de brouillard épais, de forte pluie, de vent violent, de grand froid, etc. Travailler par mauvais temps est éprouvant et ajoute des risques, par exemple, un sol glissant.
- Ne jamais commencer à utiliser le produit avant que la zone de travail soit dégagée et avant d'être en parfait équilibre. Repérer les obstacles potentiels en cas de déplacement inattendu.
- S'assurer qu'aucun matériau ne peut se détacher et tomber, pendant la coupe, et blesser l'opérateur. Faire très attention en travaillant sur une pente.
- S'assurer que l'éclairage de la zone de travail est suffisant pour que l'environnement de travail soit sécuritaire.
- S'assurer qu'aucun tuyau ou câble électrique ne passe dans l'aire de travail ou dans le matériau à découper.
- Lorsqu'on coupe dans un contenant (bidon, tube ou autre contenant), on doit s'assurer au préalable qu'il ne contient pas de matières inflammables ou volatiles.

Équipement de protection personnelle

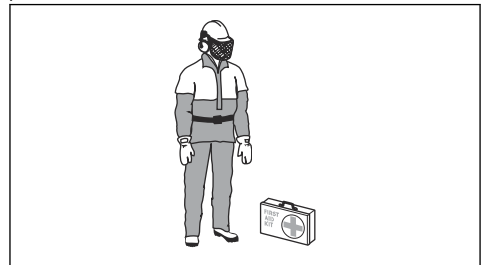


AVERTISSEMENT : Lire les messages d'avertissement qui suivent avant d'utiliser l'appareil.

- Toujours utiliser un équipement de protection personnelle homologué lors de l'utilisation. Cet équipement n'élimine pas les risques de blessures,

mais il peut en réduire la gravité en cas d'accident. Demander conseil à votre centre de services pour le choix de l'équipement qui convient.

- Utiliser un casque de protection approuvé.
- Utiliser un dispositif de protection homologué pour les oreilles. L'exposition prolongée au bruit peut causer des lésions auditives permanentes. Être attentif aux appels ou cris d'avertissement lors de l'utilisation des protecteurs d'oreilles. Toujours enlever les protecteurs d'oreilles dès que le moteur s'arrête.
- Utiliser un dispositif de protection homologué pour les yeux afin de réduire le risque de blessure due à une projection d'objets. En cas d'utilisation de visière, porter également des lunettes de protection approuvées. Les lunettes de protection homologuées doivent être conformes à la norme ANSI Z87.1 aux États-Unis ou à la norme EN 166 dans les pays de l'Union européenne. Les visières doivent être conformes à la norme EN 1731.
- Porter des gants robustes.
- Utiliser un dispositif de protection respiratoire homologué. Les outils servant à poncer ou former des matériaux (couteaux, meules, perceuses, etc.) peuvent produire de la poussière et des vapeurs contenant des produits chimiques dangereux. Vérifier le type de matériau avec lequel vous devez travailler et utiliser un masque filtrant approprié.
- Porter des vêtements ajustés, résistants et confortables permettant une liberté de mouvement totale. La découpe crée des étincelles qui peuvent enflammer les vêtements. Husqvarna recommande de porter du coton ignifugé ou du denim épais. Ne pas porter des vêtements composés de matières comme le nylon, le polyester ou la rayonne. Si elles s'enflamment, de telles matières peuvent fondre et adhérer à la peau. Ne pas porter une culotte courte.
- Utiliser des bottes à embout en acier et semelles antidérapantes.
- Toujours garder une trousse de premiers secours à proximité.



- Des étincelles peuvent être produites par le silencieux ou la lame. Toujours avoir un extincteur disponible.

Dispositifs de sécurité sur l'outil

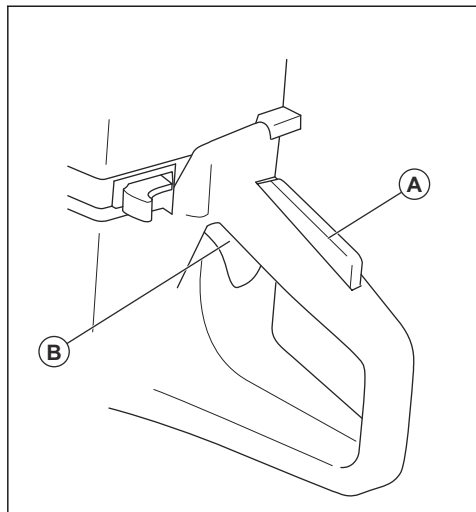


AVERTISSEMENT : Lire les messages d'avertissement qui suivent avant d'utiliser l'outil.

- Ne jamais utiliser un produit dont l'équipement de sécurité est défectueux! Si une inspection du produit détecte une panne, communiquer avec un agent d'entretien pour réparation.
- Ne pas utiliser le produit si les plaques et les couvercles de protection, les interrupteurs de sécurité ou d'autres dispositifs de protection ne sont pas fixés ou sont défectueux.

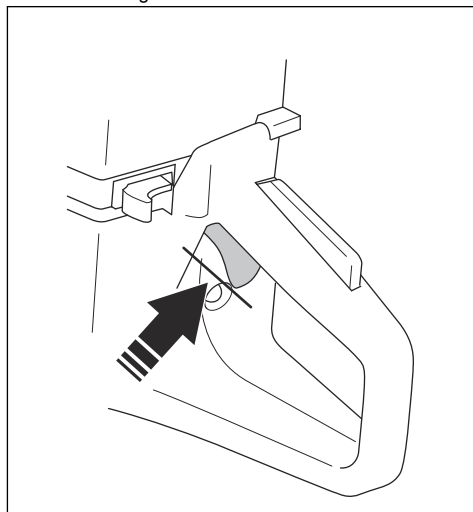
Dispositif de verrouillage de la gâchette de l'accélérateur

Le dispositif de verrouillage de la gâchette de l'accélérateur empêche tout fonctionnement accidentel de la gâchette de l'accélérateur. Lorsque la main est placée autour de la poignée et le dispositif de verrouillage de la gâchette de l'accélérateur (A) est enfoncé, la gâchette de l'accélérateur (B) se déverrouille. Quand la poignée est relâchée, la gâchette de l'accélérateur et son dispositif de verrouillage retournent à leur position initiale. Cette fonction verrouille la gâchette de l'accélérateur au régime de ralenti.

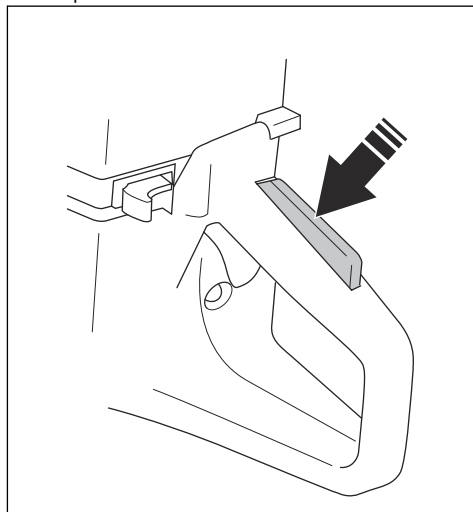


Examen du dispositif de verrouillage de la gâchette

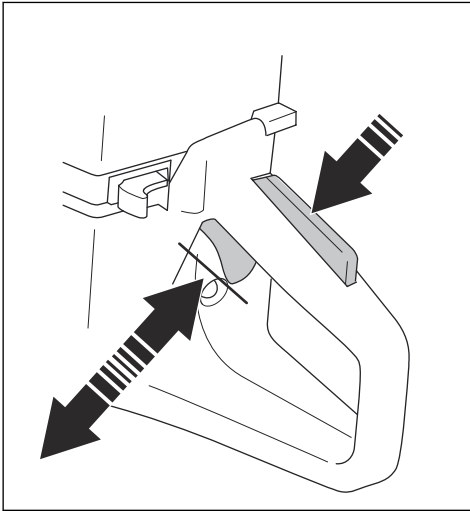
1. S'assurer que la gâchette de l'accélérateur est verrouillée en position de ralenti lorsque le dispositif de verrouillage de l'accélérateur est relâché.



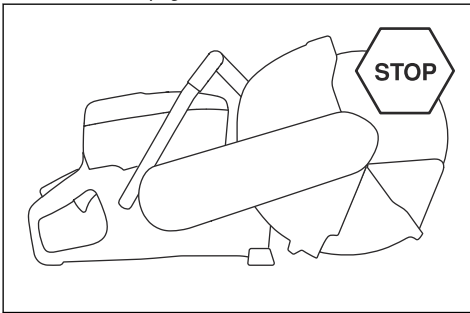
2. Pousser le dispositif de verrouillage de l'accélérateur et s'assurer qu'il retourne à sa position initiale lorsqu'on le relâche.



3. Vérifier que la gâchette de l'accélérateur et le dispositif de verrouillage de l'accélérateur bougent librement et que le ressort de retour fonctionne correctement.



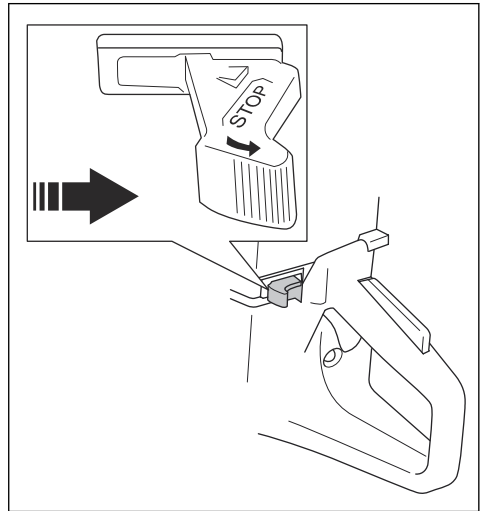
4. Démarrer le produit et le lancer à plein régime.
5. Relâcher la commande d'accélération et s'assurer que la lame de coupe s'arrête et s'immobilise. Si la lame de coupe tourne au ralenti, régler le régime de ralenti. Se reporter à la section *Réglage du régime de ralenti* à la page 94.



Vérification de l'interrupteur d'arrêt

1. Démarrer le moteur.

2. Pousser l'interrupteur de marche/arrêt à la position STOP (Arrêt). Le moteur doit s'arrêter.

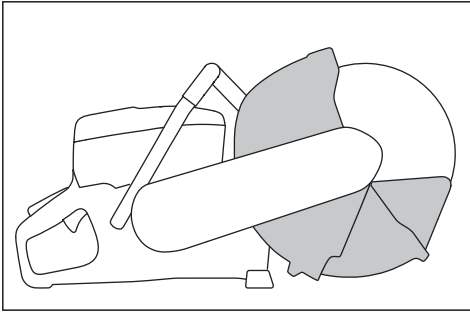


Protège-lame, rallonge de protège-lame et écran antipoussière



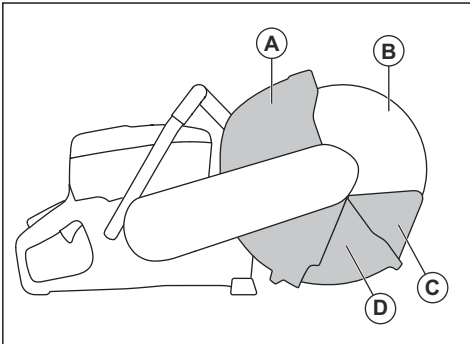
AVERTISSEMENT : S'assurer que le protège-lame, la rallonge de protège-lame et l'écran antipoussière sont bien fixés avant de démarrer le produit. Ne pas utiliser le produit si le protège-lame, la rallonge de protège-lame et l'écran antipoussière sont manquants, fissurés ou défectueux.

- Le protège-lame, la rallonge de protège-lame et l'écran antipoussière écartent la poussière de l'opérateur et permettent d'éviter des blessures si la lame de coupe se casse. Le protège-lame, la rallonge de protège-lame et l'écran antipoussière sont à ressort et doivent toujours se déplacer librement et revenir instantanément au moyen de la tension du ressort.
- Ne pas utiliser le produit si la rallonge de protège-lame et l'écran antipoussière sont pincés ou fixés en position rétractée.

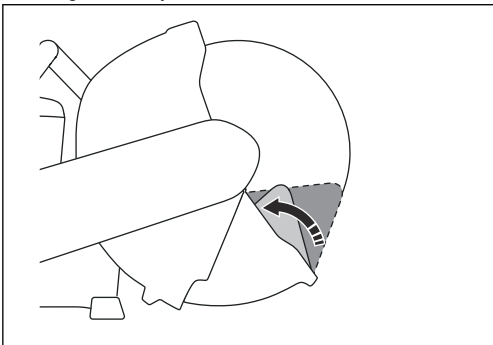


Pour examiner la lame de coupe, le protège-lame et la rallonge de protège-lame

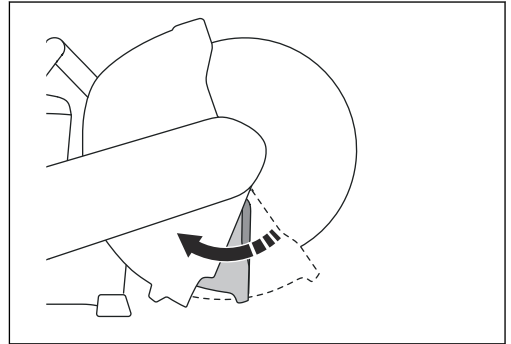
1. S'assurer que la lame de coupe (B) est correctement fixée et n'est pas endommagée.



2. S'assurer que le protège-lame (A), la rallonge de protège-lame (D) et l'écran antipoussière (C) ne présentent pas de fissures ou d'autres dommages.
3. S'assurer que l'écran antipoussière peut être enfoncé et revenir instantanément à sa position d'origine au moyen de la tension du ressort.



4. S'assurer que le protège-lame peut être enfoncé et revenir instantanément à sa position d'origine au moyen de la tension du ressort.



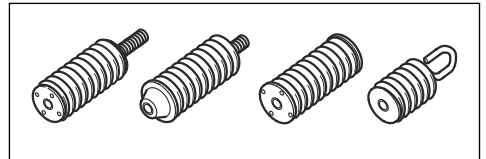
5. Remplacer la lame de coupe et le protège-lame s'ils sont endommagés. Remplacer la rallonge de protège-lame, l'écran antipoussière ou leurs ressorts s'ils sont défectueux et ne reviennent pas instantanément à leur position d'origine lorsqu'ils sont enfoncés.

Système antivibrations



AVERTISSEMENT : La surexposition aux vibrations peut entraîner des problèmes circulatoires ou des troubles nerveux, en particulier chez les personnes ayant des troubles circulatoires. En cas de symptômes liés à une surexposition aux vibrations, consulter un médecin. Voici certains de ces symptômes : engourdissement, perte de sensibilité, fourmillement, picotement, douleur, faiblesse musculaire, décoloration ou modification de l'épiderme. Ces symptômes apparaissent normalement aux doigts, aux mains et aux poignets. Ces symptômes peuvent être accentués par le froid.

Votre produit est équipé d'un système antivibrations, conçu pour minimiser les vibrations et faciliter l'utilisation. Le système antivibrations du produit réduit le transfert des vibrations entre l'unité à moteur, l'équipement de coupe et l'ensemble poignée du produit.



Découper le granite ou le béton dur provoque davantage de vibrations que découper le béton fluide. Une coupe au moyen d'un équipement de coupe émoussé ou défectueux (type inadéquat ou mal affûté) augmente le niveau de vibrations.

Pour vérifier le système antivibrations



AVERTISSEMENT : Vérifier que le moteur s'arrête et que l'interrupteur d'arrêt est à la position STOP (ARRÊT).

1. S'assurer que les unités antivibrations ne présentent aucune fissure ou déformation. Remplacer les éléments antivibrations s'ils sont endommagés.
2. S'assurer que les unités antivibrations sont correctement fixées à l'unité à moteur et à l'ensemble poignée.

Silencieux

Le silencieux maintient le niveau de bruit au minimum et dirige les gaz d'échappement loin de l'utilisateur.

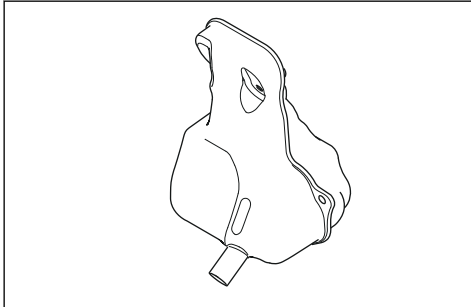
Ne pas utiliser l'outil si le silencieux est manquant ou défectueux. Un silencieux défectueux augmente le niveau sonore et le risque d'incendie.



AVERTISSEMENT : Le silencieux devient très chaud pendant et après utilisation. C'est également le cas au ralenti. Rester conscient du risque d'incendie, surtout lors de l'utilisation à proximité de substances et/ou de vapeurs inflammables.

Pour examiner le silencieux

1. S'assurer que le silencieux n'est pas endommagé.



2. S'assurer que le silencieux est correctement fixé.

Rebond



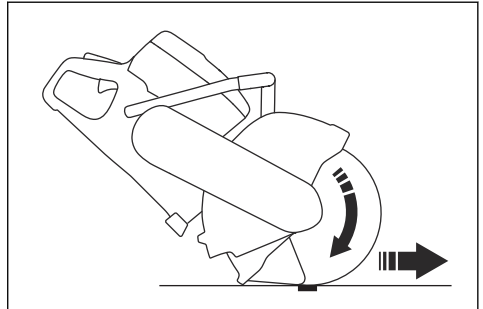
AVERTISSEMENT : Les rebonds sont soudains et peuvent être très violents. La découpeuse peut être éjectée vers le haut et retomber en direction de l'utilisateur dans un mouvement de rotation qui peut causer de graves blessures, ou même la mort. Il est indispensable de comprendre ce qui cause le rebond et de savoir comment l'éviter avant d'utiliser le produit.

Le rebond est un mouvement soudain vers le haut qui peut survenir si la lame se pince ou se coince dans la

zone de rebond. La plupart des rebonds sont légers et présentent peu de danger. Toutefois un rebond peut également être très violent et éjecter la découpeuse vers le haut, puis la faire retomber en direction de l'utilisateur dans un mouvement de rotation qui peut causer de graves blessures, ou même la mort.

Force de réaction

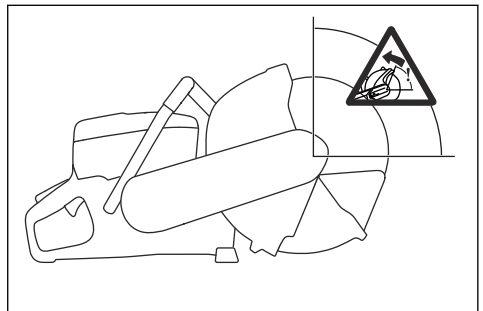
Une force de réaction s'exerce toujours lors de la coupe. Cette force tire le produit dans le sens opposé à la rotation de la lame. La plupart du temps, cette force est négligeable. Si la lame se pince ou se coince, la force de réaction sera grande et l'opérateur pourrait perdre la maîtrise de la découpeuse.



Ne jamais déplacer le produit pendant que l'équipement de coupe tourne. Les forces gyroscopiques peuvent entraver le mouvement prévu.

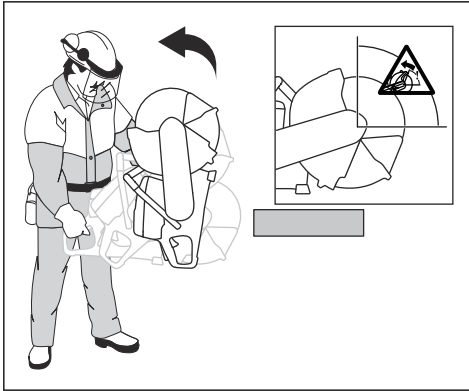
Zone de rebond

Ne jamais utiliser la zone de rebond de la lame pour couper. Si la lame se pince ou se coince dans la zone de rebond, la force de réaction poussera la découpeuse vers le haut, puis la fera retomber en direction de l'utilisateur dans un mouvement de rotation qui peut causer de graves blessures, ou même la mort.



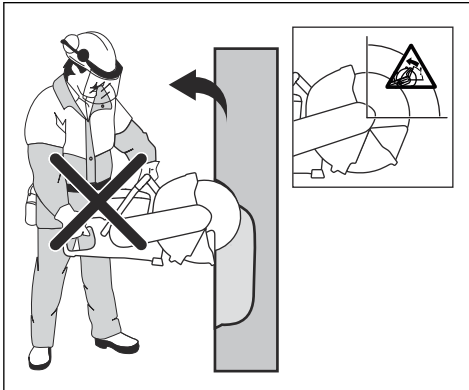
Effet de rebond rotatif

Un effet de rebond rotatif se produit lorsque la lame de coupe ne se déplace pas librement dans la zone de rebond.



Rebond de grimpée

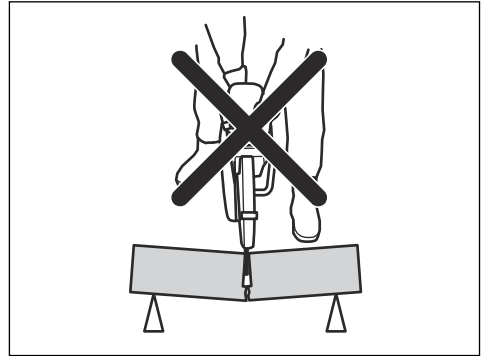
Si l'on utilise la zone de rebond pour couper, la force de réaction fait grimper la lame dans le sillon de coupe. Ne pas utiliser la zone de rebond. Utiliser le quart inférieur de la lame pour éviter le rebond de grimpée.



Rebond de pincement

Un pincement se produit quand le sillon de coupe se referme et pince la lame. Si la lame se pince ou se

coince, la force de réaction sera grande et l'opérateur pourrait perdre la maîtrise de la découpeuse.



Si la lame se pince ou se coince dans la zone de rebond, la force de réaction poussera la découpeuse vers le haut, puis la fera retomber en direction de l'utilisateur dans un mouvement de rotation qui peut causer de graves blessures, ou même la mort. Faites attention aux éventuels mouvements de la pièce à travailler. Si la pièce à travailler n'est pas correctement soutenue et bouge lors de la coupe, elle risque de pincer la lame et d'entraîner un rebond.

Coupe de tuyaux

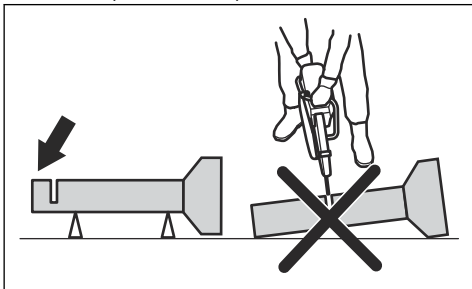


AVERTISSEMENT : Le pincement de la lame dans la zone de rebond cause un rebond important.

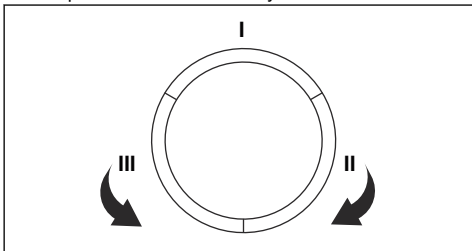
Faire particulièrement attention lorsqu'on coupe des tuyaux. Si le tuyau n'est pas correctement soutenu et si le sillon de coupe n'est pas gardé ouvert pendant toute la durée de la coupe, la lame peut être pincée. Faire particulièrement attention lorsqu'on coupe un tuyau en tulipe ou un tuyau dans une tranchée qui, s'il n'est pas correctement soutenu, risque de pendre et de provoquer le pincement de la lame.

Si le tuyau pend et ferme le sillon de coupe, la lame peut être pincée dans la zone de rebond, ce qui peut provoquer un rebond important. Si le tuyau est correctement soutenu, son extrémité se déplace vers le bas, le sillon de coupe s'ouvre et permet d'éviter le pincement de la lame.

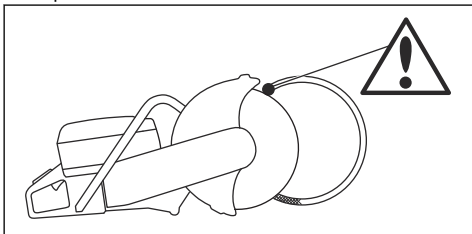
1. Immobiliser le tuyau pour qu'il ne puisse pas bouger ou rouler pendant la coupe.



2. Couper la section « I » du tuyau.



3. S'assurer que le sillon de coupe s'ouvre afin d'éviter le pincement de la lame.



4. Passer à la section « II » et couper de la section « I » jusqu'au bas du tuyau.
5. Passer à la section « III » et couper le reste du tuyau, en finissant au bas.

Afin d'éviter un rebond



AVERTISSEMENT : Éviter des situations où il y a un risque de rebond. Faire attention lors de l'utilisation de la découpeuse et s'assurer que la lame ne soit jamais pincée dans la zone de rebond.



AVERTISSEMENT : Faire attention lorsqu'on place la lame dans un sillon existant.

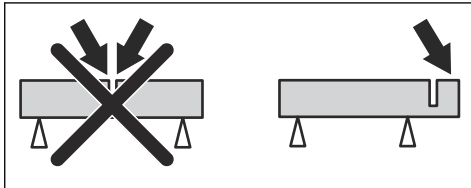


AVERTISSEMENT : S'assurer que la pièce de travail ne peut pas se déplacer pendant l'opération de coupe.



AVERTISSEMENT : Seuls l'utilisateur et une bonne technique de travail peuvent éliminer les rebonds et ses dangers.

- Toujours soutenir la pièce à travailler de manière à ce que le sillon de coupe demeure ouvert pendant la coupe. Lorsque le sillon de coupe est ouvert, il n'y a aucun rebond. Si le sillon de coupe se ferme et pince la lame, il y a un risque de rebond.



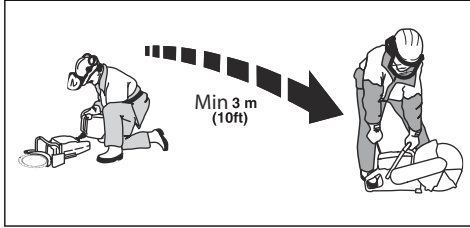
Sécurité – carburant



AVERTISSEMENT : Lire les messages d'avertissement qui suivent avant d'utiliser l'outil.

- S'assurer que la ventilation est suffisante lors du remplissage du réservoir de carburant ou du mélange de carburant (essence et huile pour moteur à deux temps).
- Faire attention lors de la manipulation du carburant. Le carburant et les vapeurs de carburant sont extrêmement inflammables. Être conscient des risques d'incendie, d'explosion et d'autres risques associés à l'inhalation.
- Ne pas fumer et ne pas placer d'objet chaud à proximité du carburant.
- Toujours éteindre le moteur et le laisser refroidir pendant quelques minutes avant de faire le plein.
- Lors du remplissage, ouvrir le bouchon lentement pour relâcher doucement la pression.
- Serrer le bouchon du réservoir avec précaution après l'appoint. Si le bouchon n'est pas serré correctement, il risque de s'ouvrir à cause des vibrations et du carburant peut alors s'échapper du réservoir de carburant, entraînant un risque d'incendie.
- Ne jamais remplir le réservoir de carburant de la machine lorsque le moteur est en marche.

- Toujours éloigner le produit d'au moins 3 m (10 pi) de la zone et de la source de remplissage avant de démarrer.



Après l'appoint de carburant, il y a quelques cas où le moteur ne doit jamais être démarré :

- S'il y a un déversement de carburant sur le produit. Essuyer tout déversement et laisser le carburant s'évaporer.
- Si du carburant a été déversé sur vous ou sur vos vêtements. Changer de vêtements et laver toute partie de votre corps qui est entrée en contact avec le carburant. Utiliser de l'eau et du savon.
- Si du carburant s'écoule du produit. Vérifier régulièrement l'étanchéité du bouchon du réservoir et des conduites de carburant.

- L'utilisateur doit seulement effectuer les travaux de maintenance et d'entretien décrits dans ce manuel d'utilisation. Les travaux plus importants doivent être effectués par un atelier d'entretien agréé.
- Vérifier que le moteur s'arrête et que l'interrupteur d'arrêt est à la position STOP (ARRÊT).
- Utiliser de l'équipement de protection individuelle. Se reporter à la section *Équipement de protection personnelle* à la page 72.
- Si l'entretien n'est pas effectué correctement et régulièrement, le risque de blessures et de dommages à l'outil augmente.
- N'effectuer que les travaux d'entretien recommandés dans ce manuel d'utilisation. Laisser un agent d'entretien Husqvarna effectuer toutes les autres opérations d'entretien.
- Demander régulièrement à un agent d'entretien agréé Husqvarna d'effectuer l'entretien de l'outil.
- Remplacer les pièces endommagées, usées ou brisées.
- Toujours utiliser des accessoires d'origine.

Consignes de sécurité pour la maintenance



AVERTISSEMENT : Lire les messages d'avertissement qui suivent avant d'utiliser l'outil.

Montage

Introduction



AVERTISSEMENT : Lire et comprendre le chapitre sur la sécurité avant d'assembler le produit.



AVERTISSEMENT : Le fabricant de la lame de coupe publie des avertissements et des recommandations pour l'utilisation et l'entretien adéquat de celle-ci. Ces avertissements sont fournis avec la lame de coupe. Lire et respecter toutes les instructions fournies par le fabricant de la lame de coupe.

Lames de coupe



AVERTISSEMENT : Afin de réduire le risque de blessure ou d'incendie, ne pas utiliser des lames de coupe abrasives reliées. Utilisez uniquement des lames de coupe en diamant recommandées en association avec la bride fournie.



AVERTISSEMENT : Vérifier la lame de coupe avant de l'assembler sur la scie, puis fréquemment en cours d'utilisation. Vérifier qu'il n'y a pas de fissures, de segments perdus (lames de diamant) ou de pièces brisées. Ne pas utiliser de lame de coupe endommagée.



AVERTISSEMENT : Une lame de coupe peut se briser et blesser gravement l'utilisateur.

Les lames de coupe Husqvarna sont des lames de coupe à haut régime approuvées pour les découpeuses portables.

- Vérifier la lame de coupe avant de l'assembler sur la scie, puis fréquemment en cours d'utilisation. Vérifier

qu'il n'y a pas de fissures, de segments perdus (lames de diamant) ou de pièces brisées. Ne pas utiliser de lame de coupe endommagée.

- Lire et respecter les instructions fournies avec la lame de coupe.
- Les lames de haute qualité sont souvent plus économiques.
- Les lames de qualité inférieure ont souvent une capacité de coupe moindre et une durée de vie inférieure, ce qui résulte en un coût plus élevé lorsqu'on tient compte de la quantité de matériau qu'elles permettent de couper.
- S'assurer d'utiliser la bonne bague pour que la lame de coupe puisse être montée sur le produit. Se reporter à la section *Vérification du coussinet de l'arbre à la page 82*.
- Vérifier l'intégrité de chaque nouvelle lame de coupe en la faisant fonctionner à plein régime pendant 1 minute environ.

Lames de diamant



AVERTISSEMENT : Ne jamais utiliser une lame de diamant pour couper du plastique. La chaleur produite lors de la découpe peut faire fondre le plastique qui peut coller à la lame de coupe et provoquer un rebond.



AVERTISSEMENT : Les lames de diamant deviennent très chaudes lorsqu'elles sont utilisées. Une lame surchauffée est le résultat d'une mauvaise utilisation et peut entraîner une déformation de la lame, ce qui causerait des dommages et des blessures.



AVERTISSEMENT : La découpe de métal peut engendrer un incendie et des dommages à ce produit ou à l'extracteur de poussière.

Lames de coupe adéquates



AVERTISSEMENT : Lire et suivre les messages d'avertissement qui suivent avant d'utiliser l'appareil.

- Ne jamais utiliser une lame de coupe avec un matériau autre que celui auquel elle est destinée.
- Utiliser uniquement une lame de diamant faite pour la découpe à sec.
- Ne jamais utiliser de lames dentées, comme des lames de coupe de bois, des lames à dents circulaires, des lames à pointe au carbure, etc. Le risque de rebond augmente considérablement et les extrémités de lame peuvent se déchirer et être éjectées à haute vitesse. Toute négligence peut entraîner de graves blessures, ou même la mort.
- Ne pas utiliser une lame de diamant dont le régime nominal est inférieur à celui de la découpeuse. Utiliser uniquement des lames de diamant qui sont conformes aux normes nationales ou régionales, par exemple EN13236 ou ANSI B7.1.
- La lame de coupe doit être homologuée pour un régime nominal similaire ou supérieur à celui du produit. Le régime nominal est spécifié sur le protège-lame.
- De nombreuses lames de coupe pouvant être jointes à ce produit sont faites pour des scies fixes. Le régime nominal de ces lames de coupe est trop faible pour ce produit.
- Sélectionner une lame de coupe dont la dimension du trou central est correcte avec la bague installée sur la machine.

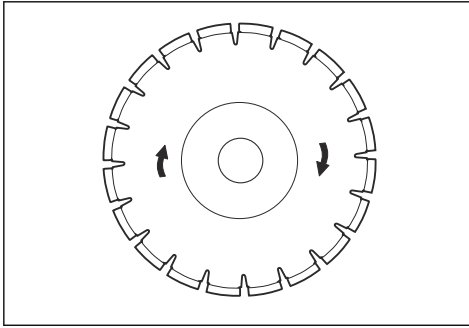
Remarque : Les lames de diamant sont offertes dans plusieurs catégories de résistance.

Remarque : Affûter la lame en coupant un matériau tendre tel que du grès ou de la brique.

- Toujours utiliser une lame de diamant affûtée.
- Les lames de diamant peuvent s'émousser en cas de pression d'avance inadéquate ou de découpe de certains matériaux tels que du béton excessivement armé. Travailler avec une lame de diamant émoussée provoque une surchauffe, ce qui peut entraîner la chute des segments en diamant.
- Les lames diamant se composent d'un cœur en acier fourni avec des segments qui contiennent des diamants industriels.
- Les lames de diamant sont recommandées pour tous les types de maçonnerie, le béton armé et d'autres matériaux composites.
- Les lames de diamant permettent d'obtenir un coût inférieur par opération de découpe, nécessitent moins de changement de lame et offrent une profondeur de découpe constante.
- En cas d'utilisation d'une lame de diamant, s'assurer qu'elle tourne dans le sens indiqué par la flèche sur la lame.

Vibrations de la lame

- La lame peut perdre son arrondi et se mettre à vibrer si une pression d'avance trop élevée est appliquée.
- Une pression d'avance plus faible peut arrêter les vibrations. Sinon, remplacez la lame.



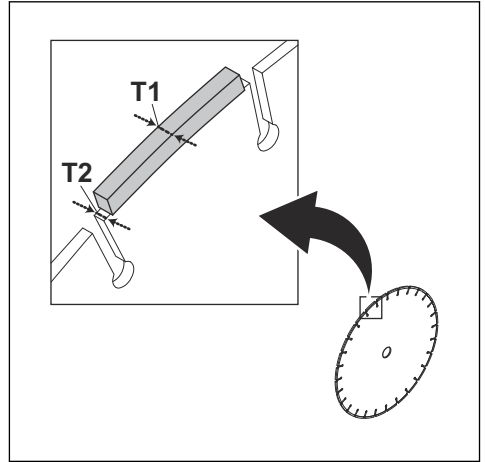
Lames de diamant pour coupe à sec

- Lors de la découpe, des frictions dans le sillon de coupe chauffent la lame de diamant. Si la lame surchauffe, cela peut entraîner une perte de tension de la lame ou la fissuration du noyau.
- Bien que le refroidissement ne requiert pas d'eau, les lames de découpe à sec doivent être refroidies à l'aide d'un jet d'air vers les lames. Pour cette raison, les lames de découpe à sec sont recommandées uniquement pour une découpe intermittente. Après quelques secondes de découpe, laisser la lame tourner « librement » sans aucune charge pour que le flux d'air circulant autour de la lame dissipe la chaleur.

Lame de diamant – jeu latéral



AVERTISSEMENT : De l'usure excessive sur le côté des segments peut être causée par certaines situations de coupe ou par l'utilisation de lames de mauvaise qualité. S'assurer que le segment en diamant (T1) est plus large que la lame (T2). Cela permet d'éviter les pincements dans la fente de coupe, ainsi que les rebonds. Se reporter à la section *Rebond à la page 76*.



MISE EN GARDE : Dans certaines situations de coupe ou si l'on utilise des lames usées, une usure excessive peut se produire sur le côté des segments. Remplacer la lame avant qu'elle soit usée.

Examen de l'arbre à broches et des rondelles d'accouplement



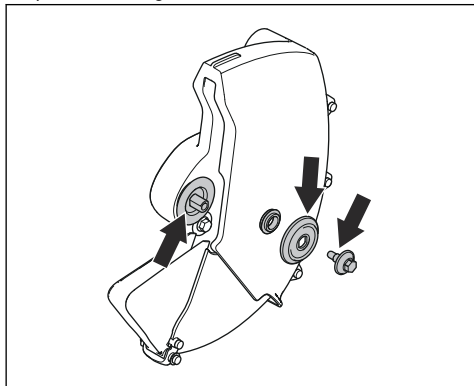
MISE EN GARDE : N'utiliser que les rondelles d'accouplement Husqvarna avec un diamètre minimal de 60 mm (2,36 po).



AVERTISSEMENT : Les rondelles d'accouplement inappropriées peuvent provoquer l'endommagement ou le desserrage de la lame. Ne pas utiliser des rondelles d'accouplement endommagées, usées ou sales. N'utiliser que les rondelles d'accouplement de même dimension.

Examiner l'arbre à broches et les rondelles d'accouplement lors du remplacement de la lame de coupe. Remplacer les pièces endommagées.

1. Vérifier que les filets de l'arbre à broches ne sont pas endommagés.

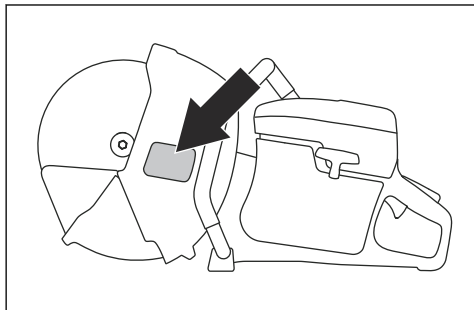


2. S'assurer que les zones de contact sur la lame de coupe et les rondelles d'accouplement ne sont pas endommagées.
3. S'assurer que les rondelles d'accouplement sont propres et de bonne dimension.
4. S'assurer que les rondelles d'accouplement fonctionnent correctement sur l'arbre à broches.

Vérification du coussinet de l'arbre

On utilise les coussinets pour adapter la machine au trou central de la lame de coupe. La machine est vendue avec un coussinet réversible pour adapter les lames avec un trou central de 20 mm ou 1 po (25,4 mm) ou alors avec un coussinet fixe pour adapter une lame avec un trou central de 20 mm.

- Un autocollant sur la protection de la lame indique le coussinet fourni en fonction des spécifications relatives à la lame.

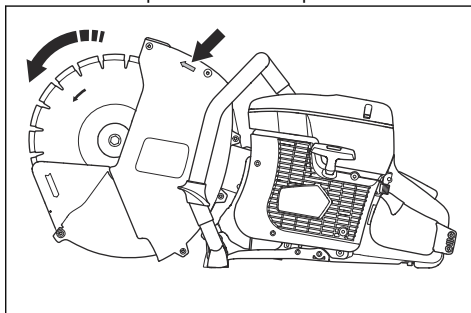


N'utiliser que des bagues d'arbre Husqvarna.

- S'assurer que la bague de l'arbre est de dimension adéquate pour la lame de coupe. La dimension correcte est indiquée sur la lame de coupe.

Pour examiner le sens de rotation de la lame de coupe

1. Trouver la flèche sur le protège-lame qui indique le sens dans lequel la lame de coupe tourne.
2. Trouver la flèche sur la lame de coupe qui indique le sens dans lequel la lame de coupe tourne.



3. S'assurer que les flèches du protège-lame et de la lame de coupe indiquent le même sens.

Montage de la lame de coupe

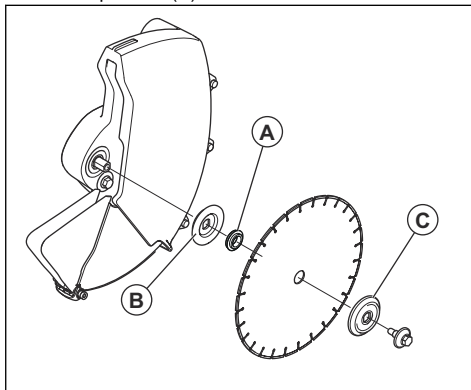


AVERTISSEMENT : Vérifier que le moteur est à l'arrêt et que l'interrupteur d'arrêt est à la position STOP (ARRÊT).

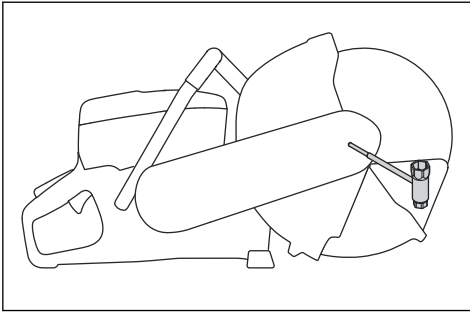


AVERTISSEMENT : Toujours utiliser des gants de protection lors de l'assemblage du produit.

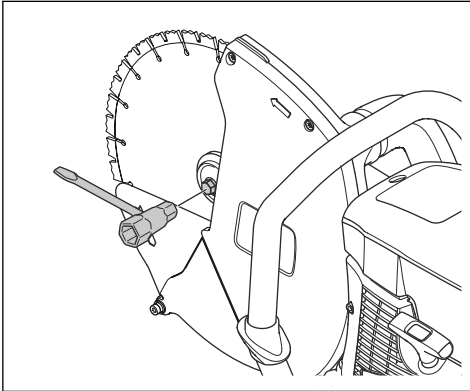
1. Examiner les rondelles d'accouplement et l'arbre à broches lorsque la lame de coupe est fixée. Se reporter à la section *Examen de l'arbre à broches et des rondelles d'accouplement* à la page 81.
2. Placer la lame de coupe sur la bague (A) entre la rondelle d'accouplement intérieure (B) et la rondelle d'accouplement (C).



3. Verrouiller la poulie.



4. Serrer le boulon au couple de 30 Nm (18,5 pi-lb).



Affûtage de la lame de coupe

Remarque : Pour obtenir les meilleurs résultats de coupe, utiliser une lame de coupe affûtée.

- Pour affûter la lame de coupe, couper un matériau tendre tel que du grès ou de la brique.

Fonctionnement

Introduction

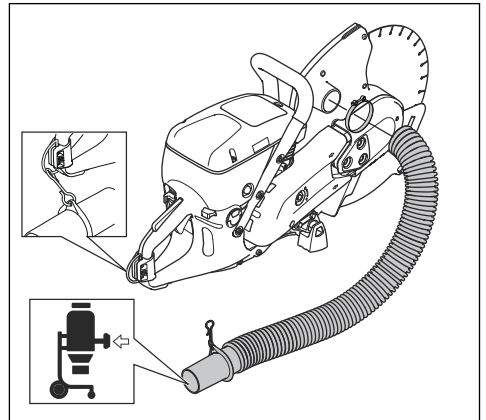


AVERTISSEMENT : Avant d'utiliser la machine, veuillez lire et comprendre le chapitre sur la sécurité et les instructions d'utilisation.

Raccordement de l'extracteur de poussière externe

Ne pas utiliser le produit sans extracteur de poussière externe. Pour obtenir les spécifications appropriées relatives à l'extracteur de poussière, se reporter à *Données techniques* à la page 98

1. Brancher l'outil de l'extracteur de poussière sur la découpeuse.



2. Pour obtenir plus de détails relatifs à l'extracteur de poussière, se reporter au manuel d'utilisation de l'extracteur de poussière.

Techniques de travail de base



AVERTISSEMENT : Ne pas tirer le produit vers un côté. Cela peut empêcher le libre mouvement de la lame de coupe. La lame de coupe peut se casser et provoquer des blessures à l'utilisateur ou aux personnes à proximité.



AVERTISSEMENT : Ne pas meuler avec le côté de la lame de coupe. La lame de coupe peut se casser et provoquer des blessures à l'utilisateur ou aux personnes à proximité. Utiliser seulement le bord de coupe.



AVERTISSEMENT : Vérifier que la lame de coupe est correctement montée et ne présente aucun signe de dommage.



AVERTISSEMENT : S'assurer que le protège-lame, la rallonge de protège-lame et l'écran antipoussière sont bien fixés avant de démarrer le produit. La rallonge de protège-lame et l'écran antipoussière doivent toujours se déplacer librement. Ne pas utiliser le produit si le protège-lame, la rallonge de protège-lame et l'écran antipoussière sont manquants ou défectueux.



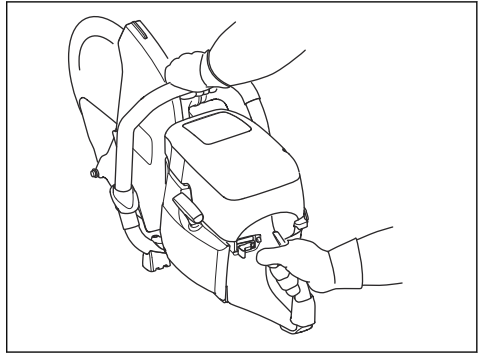
AVERTISSEMENT : Avant d'insérer votre lame dans une fente effectuée par une autre lame, vérifiez que la fente n'est pas plus mince que votre lame puisque cela peut entraîner des torsions dans la fente de coupe et un rebond.



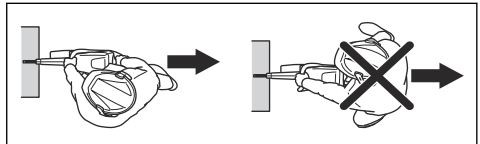
AVERTISSEMENT : Une lame de diamant devient très chaude pendant la découpe à sec. La lame doit être refroidie régulièrement afin d'éviter la surchauffe. Pendant la surchauffe, il y a un risque de fissuration du noyau et d'éclatement de la lame, ou de perte de tension et de voilage avec risque de rebond. Pour refroidir la lame au moyen d'air, la laisser tourner librement sans aucune charge.

- Ne pas couper au moyen de la zone de rebond de la lame de coupe. Se reporter à la section *Zone de rebond* à la page 76.
- S'assurer qu'on utilise la lame de coupe correcte pour l'utilisation visée. Se reporter aux instructions *Lames de coupe adéquates* à la page 80.
- Demeurer à une distance sécuritaire de la lame de coupe pendant que le moteur tourne. Ne pas essayer d'arrêter une lame en rotation avec une quelconque partie du corps.

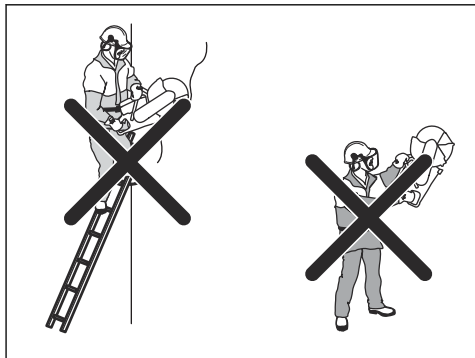
- Tenir la scie à deux mains et la maintenir fermement avec les pouces et les doigts de façon à envelopper les poignées. La main droite doit être sur la poignée arrière et la main gauche sur la poignée avant. Tous les opérateurs, qu'ils soient gauchers ou droitiers, doivent utiliser cette poignée. Ne jamais actionner une découpeuse d'une seule main.



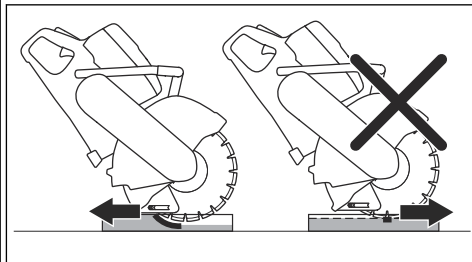
- Se tenir dans un plan parallèle à celui de la lame de coupe. Éviter de se tenir juste derrière celle-ci. En cas de rebond, la scie bougera dans le plan de la lame de coupe.



- Ne jamais déplacer le produit pendant que l'équipement de coupe tourne. S'assurer que la lame est complètement arrêtée avant d'approcher le produit du sol.
- Ne jamais laisser la machine sans surveillance alors que le moteur est en marche.
- Se tenir bien campé et en parfait équilibre.
- Avant d'insérer votre lame dans une fente effectuée par une autre lame, vérifiez que la fente n'est pas plus mince que votre lame puisque cela peut entraîner des torsions dans la fente de coupe et un rebond.
- Ne jamais couper au-dessus de la hauteur des épaules.
- Ne jamais couper à partir d'une échelle. Si l'endroit où il faut couper se situe au-dessus de la hauteur des épaules, utiliser une plateforme ou un échafaudage. Ne pas trop se pencher vers l'avant.



antipoussière sont de niveau avec la pièce à travailler.



Pousser la lame de coupe à la profondeur de coupe maximale, vers le haut/à l'avant de la coupe, puis déplacer lentement la lame de coupe vers le bas/à l'arrière. Cela permet de réduire la température de la lame de coupe et de recueillir la poussière.

- Se tenir à une distance confortable de la pièce à travailler.
- S'assurer que la lame de coupe peut se déplacer librement et n'est pas en contact avec quoi que ce soit quand le moteur est mis en marche.
- Toujours surveiller le produit lorsque le moteur tourne.
- Si la lame se coince lors de la coupe ou si la coupe doit être interrompue, relâcher l'accélération et attendre jusqu'à ce que la lame s'arrête. Ne pas extraire la lame de l'objet de coupe pendant que la lame est en mouvement, car cela pourrait provoquer un rebond.
- Appliquer la lame de coupe délicatement à haute vitesse de rotation (plein régime). Maintenir le plein régime jusqu'à la fin de la coupe.
- Laisser la machine fonctionner sans essayer de forcer ni d'enfoncer la lame. Si la lame commence à vaciller, réduire l'alimentation. Si la lame continue de vaciller, arrêter la coupe et remplacer la lame.
- Faire avancer la machine dans l'axe de la lame. Ne pas vriller dans la coupe, car la pression latérale peut provoquer un blocage dans la fente de coupe et entraîner des dommages à la lame ou un rebond.

Carburant

Cet outil est équipé d'un moteur à deux-temps.



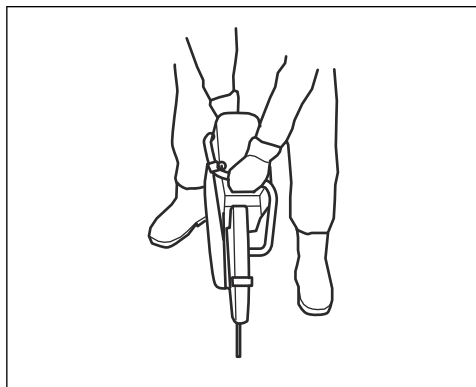
MISE EN GARDE : Un type de carburant inapproprié peut endommager le moteur. Utiliser un mélange d'essence et d'huile pour moteur à deux-temps.

Huile à moteur deux temps

- Pour obtenir un meilleur résultat et un fonctionnement optimal, utiliser l'huile pour moteur à deux-temps Husqvarna.
- Si l'huile pour moteur à deux temps Husqvarna n'est pas disponible, utiliser une huile pour moteur à deux temps de bonne qualité destinée aux moteurs refroidis à l'air. Communiquer avec votre centre de services pour sélectionner l'huile appropriée.



MISE EN GARDE : Ne pas utiliser l'huile pour moteur à deux temps dans des moteurs hors-bord refroidis à l'eau, également appelée huile pour moteur hors-bord. Ne pas utiliser l'huile pour des moteurs à quatre temps.



- Pendant toutes les opérations de coupe, s'assurer que la rallonge de protège-lame et l'écran

Carburant prémélangé

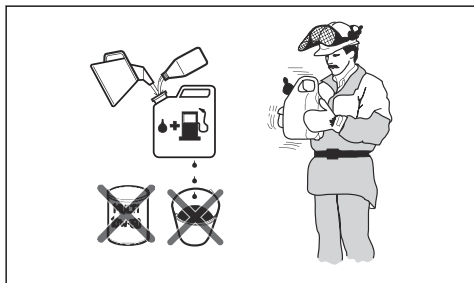
- Utiliser du carburant alkylat prémélangé Husqvarna de bonne qualité, pour des performances optimales et un prolongement de la durée de vie du moteur. Ce carburant contient moins de substances chimiques nocives par rapport à un carburant régulier, ce qui réduit les gaz d'échappement nocifs. La quantité de dépôts après combustion est inférieure avec ce carburant, ce qui maintient les composants du moteur plus propres.

Pour mélanger l'essence et l'huile pour moteur à deux temps

Essence, litre	Huile pour moteur à deux temps, litre
	2 % (50:1)
5	0,10
10	0,20
15	0,30
20	0,40
gallon US	once liquide US
1	2 ½
2 1/2	6 ½
5	12 ¾



MISE EN GARDE : De petites erreurs peuvent influencer considérablement le ratio de mélange lors du mélange de petites quantités de carburant. Mesurer soigneusement la quantité d'huile et s'assurer d'obtenir le mélange approprié.



1. Remplir la moitié de la quantité d'essence dans un récipient propre destiné à contenir du carburant.
2. Ajouter la quantité totale d'huile.
3. Agiter le mélange de carburant.
4. Ajouter la quantité restante d'essence dans un récipient.
5. Agiter avec précaution le mélange de carburant.



MISE EN GARDE : Ne pas mélanger le carburant pendant plus de 1 mois à la fois.

Faire le plein



MISE EN GARDE : Ne pas utiliser d'essence à indice d'octane inférieur à 90 RON (87 AKI). Il provoque des dommages au produit.



MISE EN GARDE : Ne pas utiliser de l'essence ayant une concentration d'éthanol supérieure à 10 % (E10). Il provoque des dommages au produit.

Remarque : Le réglage du carburateur est nécessaire dans certaines conditions lors du changement du type de carburant.

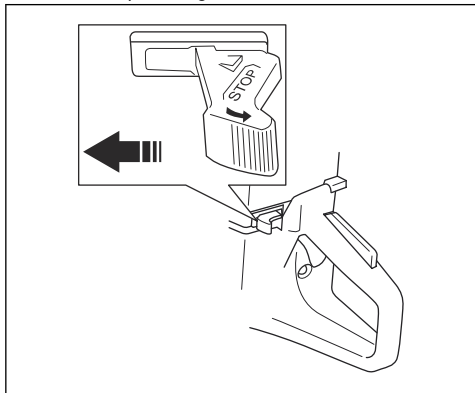
- Utiliser de l'essence à taux d'octane supérieur si vous utilisez fréquemment l'outil à régime moteur élevé en permanence.
1. Ouvrir le bouchon du réservoir de carburant lentement pour libérer la pression.
 2. Remplir le réservoir lentement avec un bidon de carburant. En cas de déversement de carburant, le nettoyer avec un chiffon et laisser le reste du carburant sécher.
 3. Nettoyer la zone autour du bouchon du réservoir de carburant.
 4. Serrer fermement le couvercle du réservoir de carburant. Si le couvercle du réservoir de carburant n'est pas bien serré, il y a un risque d'incendie.
 5. Avant de démarrer l'outil, le déplacer à au moins 3 m (10 pi) de la position où le plein de carburant a été fait.

Démarrage du produit quand le moteur est froid

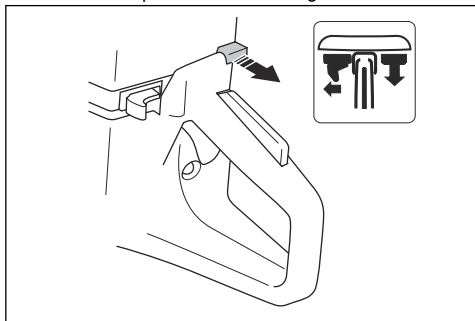


AVERTISSEMENT : S'assurer que la lame de coupe tourne librement. Elle commence à tourner lorsque le moteur démarre.

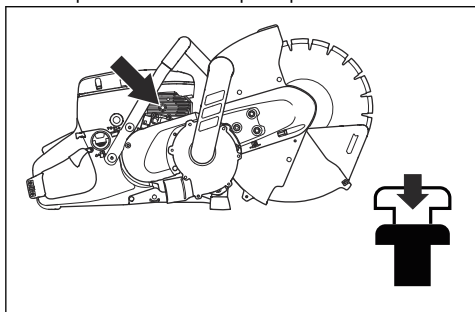
1. S'assurer que l'interrupteur STOP (ARRÊT) se trouve à la position gauche.



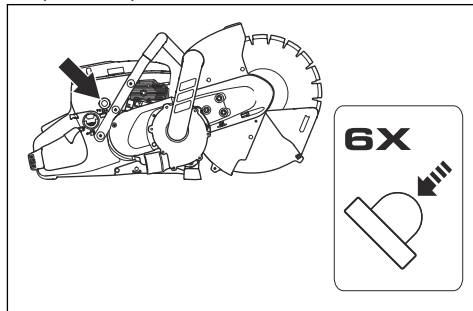
2. Tirer complètement la commande de l'étrangleur et accéder à la position de démarrage.



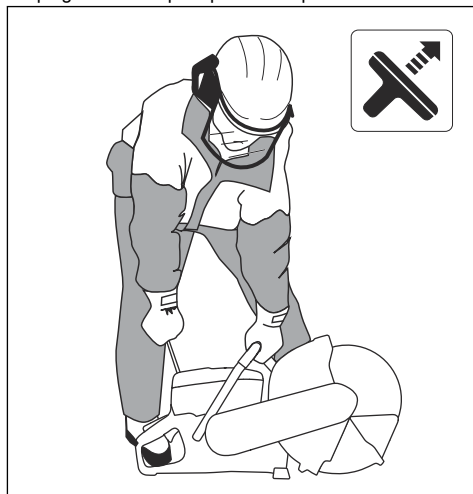
3. Appuyer sur le décompresseur pour réduire la pression dans le cylindre. Le décompresseur revient à sa position initiale lorsque le produit démarre.



4. Appuyer 6 fois sur la poire de purge d'air jusqu'à ce qu'elle soit pleine de carburant.



5. Saisir la poignée avant avec la main gauche.
6. Placer le pied droit sur la partie inférieure de la poignée arrière pour pousser le produit sur le sol.



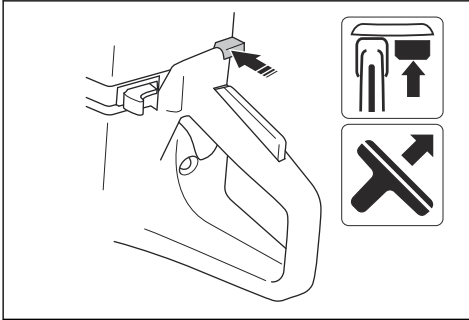
AVERTISSEMENT : Ne pas enrouler la corde du lanceur autour de la main.

7. Tirer lentement le câble du lanceur de la main droite jusqu'à ressentir une résistance (les cliquets de lanceur à rappel grippent). Tirer ensuite en permanence et rapidement.



MISE EN GARDE : Ne pas tirer complètement la corde du lanceur et ne pas lâcher la poignée de la corde du lanceur lorsque la corde du lanceur est déployée. Cela pourrait endommager le produit.

8. Pousser la commande d'étrangleur lorsque le moteur démarre. Si l'étrangleur est tiré, le moteur s'arrête après quelques secondes. Si le moteur s'arrête, tirer la poignée de la corde de lanceur à nouveau.



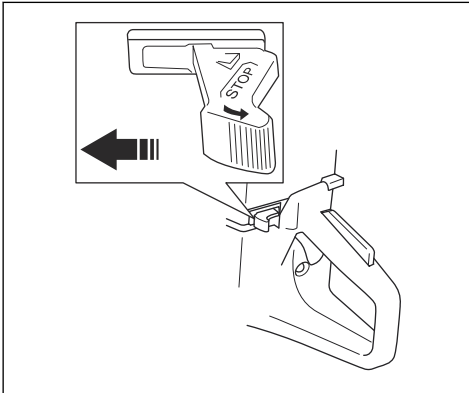
9. Appuyer sur la gâchette de l'accélérateur pour désengager la manette des gaz et régler le produit au régime de ralenti.

Démarrage du produit quand le moteur est chaud

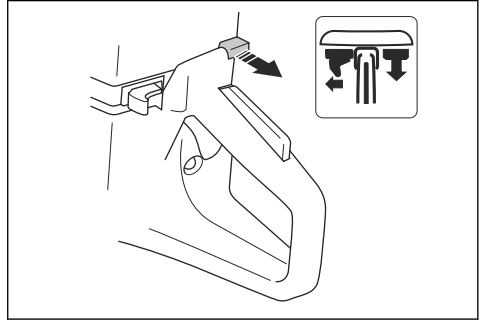


AVERTISSEMENT : S'assurer que la lame de coupe tourne librement. Elle commence à tourner lorsque le moteur démarre.

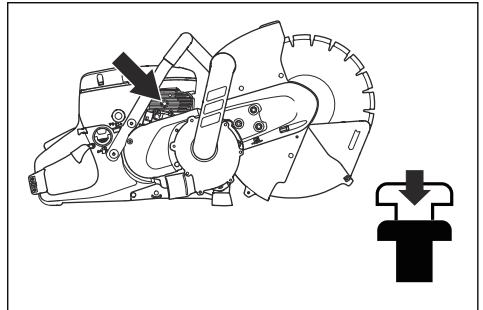
1. S'assurer que l'interrupteur STOP (ARRÊT) se trouve à la position gauche.



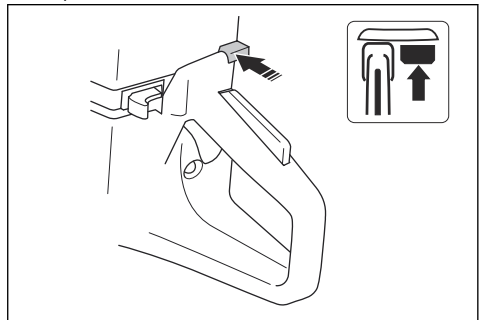
2. Tirer complètement la commande de l'étrangleur et accéder à la position de démarrage.



3. Appuyer sur le décompresseur pour réduire la pression dans le cylindre. Le décompresseur revient à sa position initiale lorsque le produit démarre.



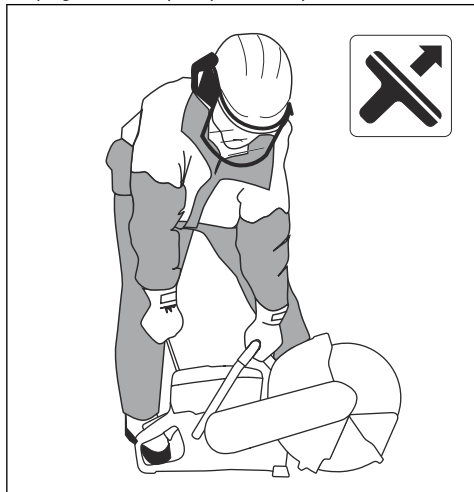
4. Appuyer sur la commande de l'étrangleur pour désactiver l'étrangleur. La commande des gaz reste en position.



5. Saisir la poignée avant avec la main gauche.

6. Placer le pied droit sur la partie inférieure de la poignée arrière pour pousser le produit sur le sol.

déployée. Cela pourrait endommager le produit.



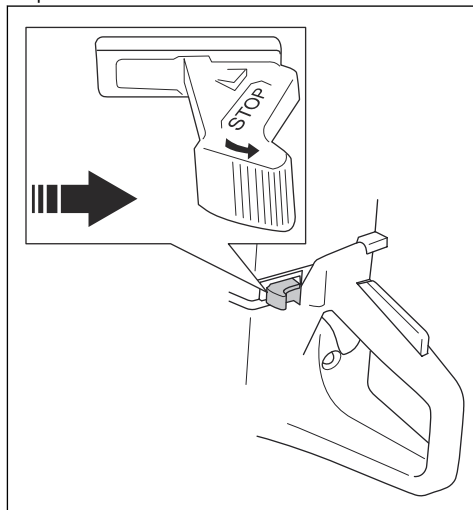
8. Appuyer sur la gâchette de l'accélérateur pour désengager la manette des gaz et régler le produit au régime de ralenti.

Arrêt de la machine



AVERTISSEMENT : La lame de coupe continue de tourner (librement) pendant un maximum d'une minute après l'arrêt du moteur. S'assurer que la lame de coupe peut tourner librement jusqu'à son arrêt complet. Toute négligence peut entraîner de graves blessures.

- Déplacer l'interrupteur STOP (ARRÊT) vers la droite pour arrêter le moteur.



AVERTISSEMENT : Ne pas enrouler la corde du lanceur autour de la main.

7. Tirer lentement le câble du lanceur jusqu'à ressentir une résistance (les cliquets de lanceur à rappel grippent). Tirer ensuite en permanence et rapidement.



MISE EN GARDE : Ne pas tirer complètement la corde du lanceur et ne pas lâcher la poignée de la corde du lanceur lorsque la corde du lanceur est

Entretien

Calendrier d'entretien

Le calendrier d'entretien affiche l'entretien nécessaire du produit. La fréquence est calculée sur la base d'une utilisation quotidienne du produit.

	Quotidien	Hebdomadaire	Mensuel	Annuel
Nettoyer	Nettoyage extérieur		Bougie d'allumage	
	Prise d'air froid		Réservoir de carburant	
Le remplacer				Filtre à carburant

	Quotidien	Hebdomadaire	Mensuel	Annuel
Inspection du fonctionnement	Inspection générale	Système antivibrations*	Circuit d'alimentation	
	Verrouillage de l'accélérateur*	Silencieux*	Filtre à air	
	Interrupteur d'arrêt*	Courroie d'entraînement	Embrayage	
	Protège-lame, rallonge de protège-lame et écran anti-poussière*	Carburateur		
	Lame de coupe*	Boîtier du lanceur		
* Se reporter à la section <i>Dispositifs de sécurité sur l'outil à la page 73.</i>				

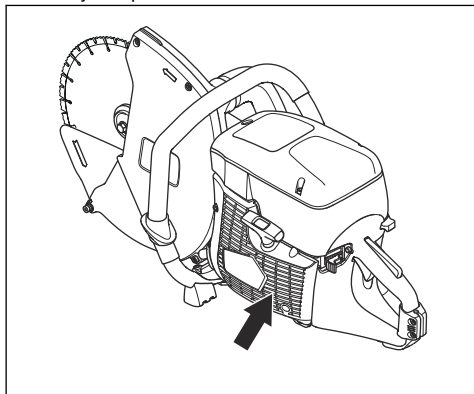
Pour nettoyer de l'extérieur

- Rincer le produit de l'extérieur avec de l'eau propre après chaque journée d'utilisation. Au besoin, utiliser une brosse.

Nettoyage de la prise d'air froid

Remarque : Une prise d'air sale ou obstruée entraîne une surchauffe du produit. Cela pourrait endommager le piston et le cylindre.

- Nettoyer la prise d'air froid au besoin.



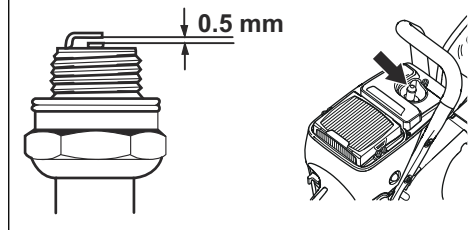
Vérification de la bougie d'allumage

Remarque : Toujours utiliser une bougie d'allumage du type recommandé. L'utilisation d'une bougie non adéquate peut endommager le piston et le cylindre. Pour obtenir la bougie d'allumage recommandée, se reporter à *Données techniques à la page 98.*

Des particules d'huile peuvent adhérer à la bougie d'allumage si un mauvais mélange de carburant ou un niveau d'huile trop élevé est utilisé. Un filtre à air sale peut également entraîner la présence de particules d'huile sur la bougie d'allumage. La présence de petites

particules sur les électrodes des bougies d'allumage peut causer des problèmes de démarrage et de fonctionnement du produit. Toujours examiner la bougie d'allumage si la puissance du produit est faible, s'il ne démarre pas facilement ou s'il tourne mal au régime de ralenti.

- S'assurer que le capuchon de la bougie d'allumage et le dispositif d'allumage ne sont pas endommagés, afin d'éviter le risque de décharge électrique.
- Nettoyer la bougie si elle est sale.
- Vérifier que l'écartement des électrodes est de 0,5 mm. Remplacer la bougie d'allumage, au besoin.



Pour effectuer une inspection générale

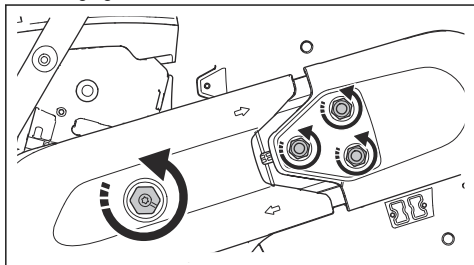
- S'assurer que les écrous et les vis sur le produit sont serrés.

Pour remplacer la courroie d'entraînement

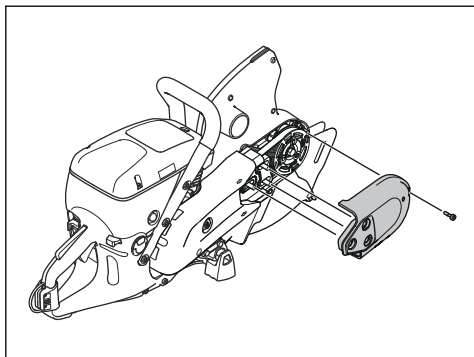


AVERTISSEMENT : Ne pas démarrer le produit sans tous les dispositifs de protection et couvercles installés.

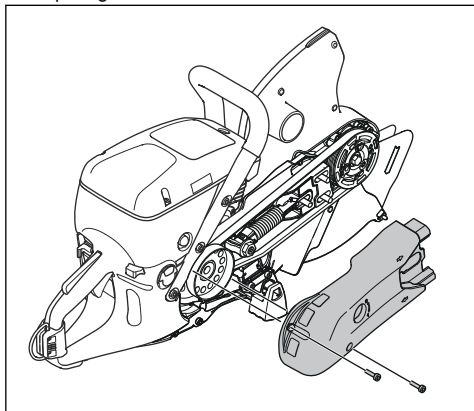
1. Desserrer les 3 écrous de la tête de coupe.
Desserrer la tension de la courroie à l'aide de la vis de réglage.



2. Retirer la vis et les écrous. Retirer le protège-courroie avant.

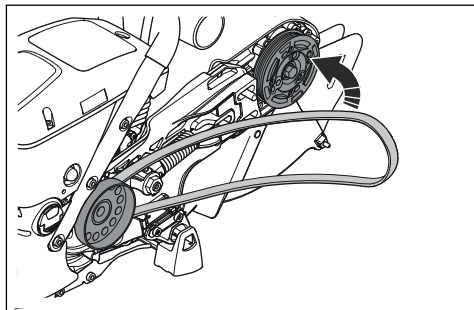


3. Retirer les 2 vis du protège-courroie arrière. Retirer le protège-courroie.

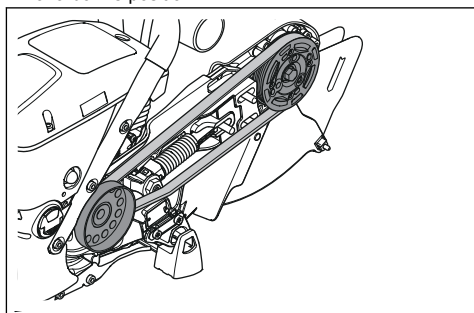


4. Retirer la courroie d'entraînement

5. Installer la courroie d'entraînement neuve.



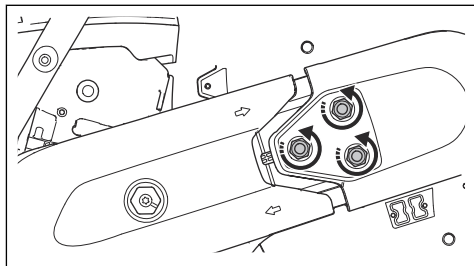
6. S'assurer que la courroie d'entraînement est placée à la bonne position.



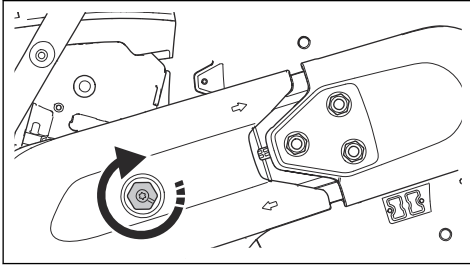
7. Installer les 2 protections de la courroie.
8. Régler la tension de la courroie d'entraînement. Voir *Pour régler la tension de la courroie d'entraînement à la page 91.*

Pour régler la tension de la courroie d'entraînement

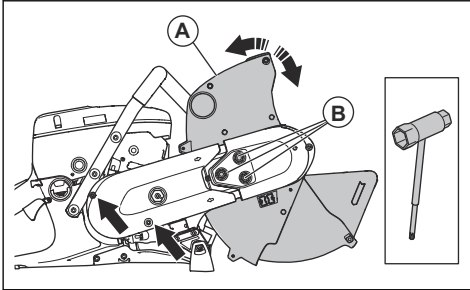
1. Desserrer les 3 écrous.



2. Tourner la vis de réglage dans le sens horaire pour augmenter la tension de la courroie d'entraînement.



3. Secouer le protège-lame (A) vers le haut et vers le bas 3 à 5 fois. Serrer les écrous (B).



Boîtier du lanceur



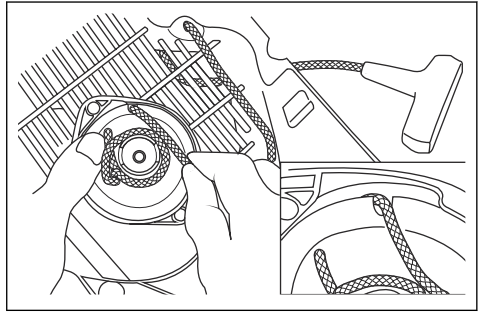
AVERTISSEMENT : Toujours être prudent et toujours utiliser des lunettes de protection lors du remplacement du ressort de rappel ou de la corde du lanceur. Le ressort de rappel est sous tension lorsqu'il s'enroule dans le corps du lanceur. Il peut être projeté vers l'extérieur et causer des blessures.

Pour déposer le corps du lanceur.

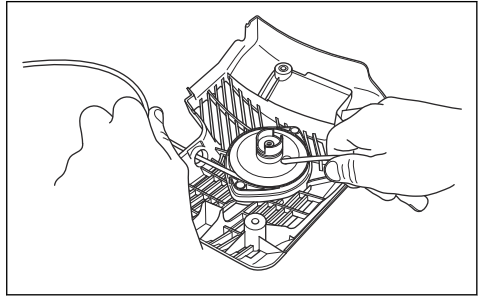
1. Desserrer les 4 vis du corps du lanceur.
2. Déposer le corps du lanceur.

Pour remplacer un câble du lanceur endommagé

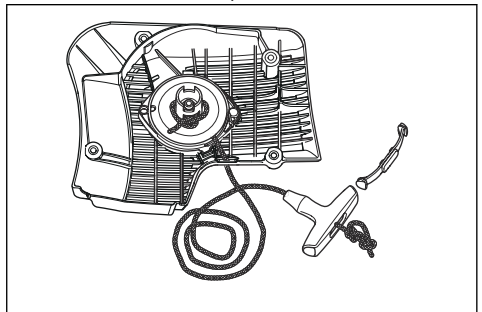
1. Saisir la poulie à câble du lanceur avec le pouce. Tirer le câble du lanceur d'environ 30 cm et le placer dans l'encoche de la poulie du lanceur.



2. Laisser la poulie à câble tourner lentement dans le sens opposé pour relâcher la tension du ressort.
3. Déposer l'autre câble du lanceur.
4. Vérifier que le ressort de rappel fonctionne correctement.
5. Tirer le nouveau câble du lanceur à travers le trou du corps du lanceur et de la poulie à câble.

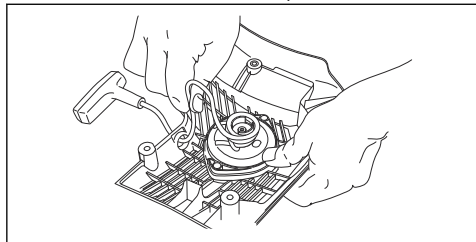


6. Fixer le câble du lanceur sur la poulie à câble.
7. Serrer le raccord à fond. S'assurer que l'extrémité libre du câble du lanceur est aussi courte que possible.
8. Fixer l'extrémité du câble du lanceur dans la poignée du lanceur comme indiqué sur l'illustration.

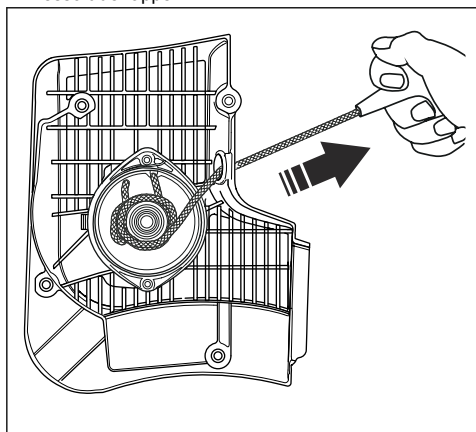


Pour régler la tension du ressort de rappel

1. Placer le câble à travers l'encoche de la poulie du lanceur. Enrouler le câble sur 3 tours dans le sens horaire autour du centre de la poulie du lanceur.



2. Tirer le bouton du lanceur pour régler la tension du ressort de rappel.
3. Placer le câble à travers l'encoche de la poulie du lanceur. Enrouler le câble sur 4 tours dans le sens horaire autour du centre de la poulie du lanceur.
4. Tirer le bouton du lanceur pour régler la tension du ressort de rappel.



Remarque : Le bouton du lanceur revient à sa bonne position de démarrage après le réglage de la tension du ressort de rappel.

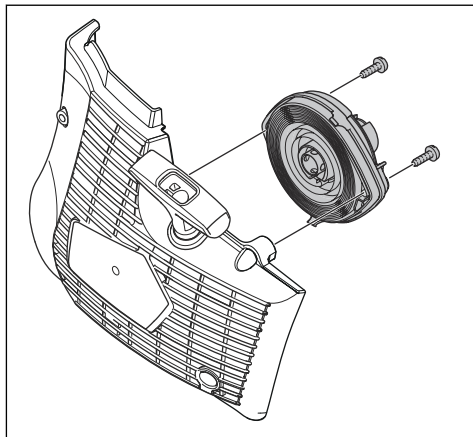
5. S'assurer que le ressort de rappel n'est pas à sa position finale en tirant complètement le câble du lanceur vers l'extérieur. Ralentir la poulie du lanceur avec le pouce. S'assurer que la poulie du lanceur peut être tournée d'au moins un demi-tour avant l'arrêt des mouvements du ressort de rappel.

Pour déposer le ressort



AVERTISSEMENT : Toujours porter des lunettes de protection lors du démontage du ressort. Il y a un risque de blessure aux yeux, surtout si un ressort se casse.

1. Retirer les 2 vis du ressort.



2. Pousser les 2 supports de fixation des verrous d'accrochage à l'aide d'un tournevis.

Pour nettoyer le ressort



MISE EN GARDE : Ne pas retirer le ressort de l'ensemble.

1. Souffler le ressort à l'aide d'air comprimé jusqu'à ce qu'il soit propre.
2. Appliquer une huile légère sur le ressort.

Pour fixer le ressort

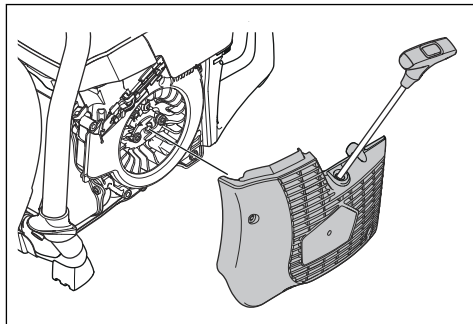
- Monter dans la séquence opposée de *Pour déposer le ressort* à la page 93.

Pour installer le corps du lanceur



MISE EN GARDE : Les cliquets de lanceur à rappel doivent se trouver dans la position appropriée contre le manchon de la poulie du lanceur.

1. Tirer le câble du lanceur d'environ 0,5 m.



- Maintenir la position du câble du lanceur et mettre le lanceur contre le produit.
- Relâcher lentement le câble du lanceur jusqu'à ce que les cliquets du lanceur à rappel se trouvent à la bonne position.
- Serrer les 4 vis du démarreur.

Pour examiner le carburateur

Remarque : Le carburateur dispose d'aiguilles rigides pour s'assurer que le produit reçoive toujours le mélange approprié d'air et de carburant.

- Vérifier le filtre à air. Se reporter à la section *Pour examiner le filtre à air à la page 94*.
- Au besoin, remplacer le filtre à air.
- Si la puissance et le régime du moteur continuent de baisser, communiquer avec le fournisseur de services d'entretien Husqvarna.

Pour examiner le circuit d'alimentation en carburant

- S'assurer que le couvercle du réservoir de carburant et son joint ne sont pas endommagés.
- Vérifier la conduite de carburant. Remplacer la conduite de carburant s'il est endommagé.

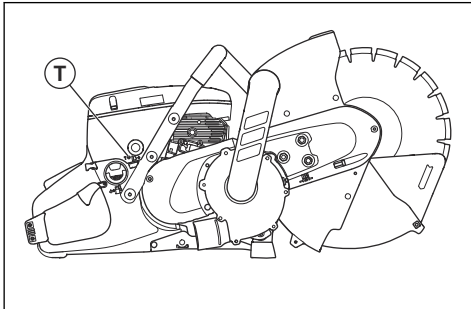
Réglage du régime de ralenti



AVERTISSEMENT : Si la lame de coupe tourne au régime de ralenti, communiquer avec votre fournisseur de services d'entretien. Ne pas utiliser le produit jusqu'à ce que le régime de ralenti soit correctement réglé ou réparé.

Remarque : Le régime de ralenti recommandé est de 2 700 tr/min.

- Démarrer le moteur.
- Vérifier le régime de ralenti. Lorsque le carburateur est correctement réglé, la lame de coupe s'arrête lorsque le moteur est au ralenti.
- Utiliser la vis en T pour régler le régime de ralenti.



- Tourner la vis dans le sens horaire jusqu'à ce que la lame de coupe commence à tourner.
- Tourner la vis dans le sens antihoraire jusqu'à ce que la lame de coupe s'arrête de tourner.

Filtre à carburant

Le filtre à carburant se trouve dans le réservoir de carburant. Le filtre à carburant empêche toute contamination du réservoir de carburant lorsque le réservoir de carburant est rempli. Le filtre à carburant doit être remplacé tous les ans ou plus fréquemment s'il est encrassé.



MISE EN GARDE : Ne pas nettoyer le filtre à carburant.

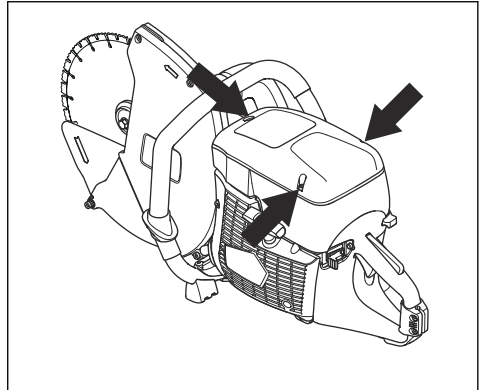
Pour examiner le filtre à air



MISE EN GARDE : Rester prudent lors du retrait du filtre à air. Les particules qui tombent dans l'admission du carburateur peuvent causer des dommages.

Examiner le filtre à air si la puissance du moteur diminue.

- Desserrer les 3 vis du couvercle du filtre à air.



- Retirer le couvercle du filtre à air.
- Vérifier le filtre à air. Au besoin, remplacer le filtre à air. Se reporter à la section *Pour remplacer le filtre à air à la page 94*.
- Remplacer le couvercle du filtre à air.
- Serrer les 3 vis.

Pour remplacer le filtre à air



MISE EN GARDE : Ne pas nettoyer le filtre à air à l'air comprimé. Le filtre à air est composé de papier et se détériore facilement.

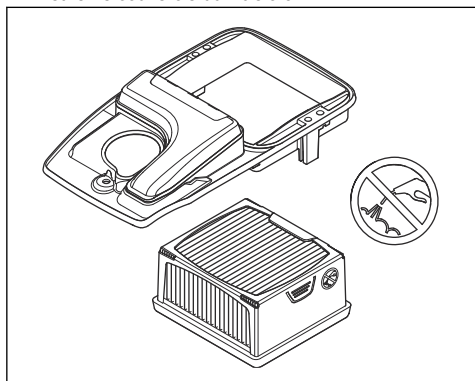


MISE EN GARDE : De la poussière nocive peut être répandue lors du remplacement du filtre. Porter un dispositif de protection respiratoire approuvé. Mettre correctement les filtres au rebut.

Remarque : Remplacer le filtre d'entretien uniquement lorsqu'il est endommagé.

Remarque : Le filtre à air ne doit pas être nettoyé ou rincé à l'air comprimé. Sinon le filtre sera endommagé.

1. Desserrer les 3 vis du couvercle du filtre à air.
2. Retirer le couvercle du filtre à air.



3. Desserrer les 2 vis de la poulie du filtre à air et la retirer.
4. Retirer le filtre à air.
5. Installer le filtre à air neuf.
6. Remplacer la poulie du filtre à air.
7. Serrer les 2 vis.
8. Remplacer le couvercle du filtre à air.
9. Serrer les 3 vis.

Dépannage

Annexe sur le dépannage

d'arrêt est en position STOP (ARRÊT) avant l'entretien et le dépannage, à moins que les instructions n'indiquent le contraire.



AVERTISSEMENT : S'assurer que le moteur est à l'arrêt et que l'interrupteur

Problème	Causes	Solutions possibles
Le produit ne démarre pas	La procédure de démarrage est exécutée correctement.	Reportez-vous à <i>Démarrage du produit quand le moteur est froid à la page 86</i> et <i>Démarrage du produit quand le moteur est chaud à la page 88</i> .
	L'interrupteur d'arrêt est en position droite (ARRÊT).	S'assurer que l'interrupteur d'arrêt (ARRÊT) est en position gauche.
	Le réservoir ne contient pas de carburant.	Remplir avec du carburant.
	La bougie d'allumage est défectueuse.	Remplacer la bougie d'allumage.
	L'embrayage est défectueux.	Communiquer avec un atelier spécialisé.

Problème	Causes	Solutions possibles
La lame de coupe tourne au ralenti.	Le régime de ralenti est trop élevé.	Régler le régime de ralenti.
	L'embrayage est défectueux.	Communiquer avec un atelier spécialisé.
La lame de coupe ne tourne pas lorsque l'opérateur actionne la commande des gaz.	La courroie est trop lâche ou défectueuse.	Serrer la courroie ou la remplacer par une courroie neuve.
	L'embrayage est défectueux.	Communiquer avec un atelier spécialisé.
	La lame de coupe est mal installée.	S'assurer que la lame de coupe est bien installée.
Le produit reste hors tension lorsque l'opérateur essaie de pousser la manette de gaz en position de pleine puissance.	Le filtre à air est bouché.	Vérifier le filtre à air. Le remplacer au besoin.
	Le filtre à carburant est bouché.	Remplacer le filtre à carburant.
	Le régulateur de débit du réservoir de carburant est obstrué.	Communiquer avec un atelier spécialisé.
Les niveaux de vibration sont trop élevés.	La lame de coupe est mal installée.	S'assurer que la lame de coupe est correctement installée et n'est pas endommagée. Se reporter à la section <i>Lames de coupe adéquates à la page 80</i> .
	La lame de coupe est défectueuse.	Retirer la lame de coupe et s'assurer qu'elle n'est pas défectueuse.
	Une unité antivibrations est défectueuse.	Communiquer avec un atelier spécialisé.
La température du produit est trop élevée.	La prise d'air ou les brides permettant de baisser la température sont obstruées.	Nettoyer la prise d'air et les brides permettant de baisser la température.
	La courroie se déplace.	Examiner la courroie Régler la tension.
	L'embrayage est défectueux.	Toujours couper à plein régime. Examiner l'embrayage. Communiquer avec un atelier spécialisé.
La puissance ou le régime du moteur baisse.	Le filtre à air est bouché.	Examiner le carburateur. Se reporter à la section <i>Pour examiner le carburateur à la page 94</i>
La poussière n'est pas recueillie correctement lors de la coupe.	Technique de coupe inappropriée.	Se reporter à la section <i>Techniques de travail de base à la page 84</i> .
	L'extracteur de poussière fixe n'extrait pas la poussière.	Se reporter au manuel d'utilisation de l'extracteur de poussière.

Problème	Causes	Solutions possibles
La rallonge de protège-lame et l'écran antipoussière ne se déplacent pas librement.	Les pièces mobiles de la rallonge de protège-lame et de l'écran antipoussière sont obstruées.	Nettoyer les pièces mobiles.
La rallonge de protège-lame et l'écran antipoussière ne se déplacent pas vers l'arrière lorsque le produit est retiré de la pièce à travailler.	Les ressorts de la rallonge de protège-lame et de l'extracteur de poussière ne fonctionnent pas correctement.	Vérifier les ressorts. Nettoyer les ressorts.

Transport, entreposage et mise au rebut

Transport et entreposage

- Immobiliser le produit en sécurité pendant le transport pour éviter tout dommage ou accident.
- Retirer la lame de coupe avant de transporter le produit.
- Garder le produit dans un endroit verrouillé hors de portée des enfants et des personnes non autorisées.
- Maintenir les lames de coupe au sec et à l'abri du gel.
- Examiner les lames neuves à la recherche de dommages dus à l'entreposage.
- Retirer le carburant du réservoir de carburant avant le remisage pendant une période prolongée.
- Obtenir de l'aide auprès de votre fournisseur local de carburant pour obtenir des renseignements sur le site de mise au rebut du carburant utilisé.

Mise au rebut

- Respecter les exigences locales en matière de recyclage et la réglementation en vigueur.
- Mettre au rebut tous les produits chimiques, tels que le moteur d'huile ou de carburant, dans un centre de service ou à un emplacement de mise au rebut adéquat.
- Lorsqu'on n'utilise plus le produit, l'envoyer à un détaillant Husqvarna ou le mettre au rebut à un emplacement de recyclage.



Données techniques

Données techniques

K 770 Vac	
Cylindrée, (po3) (cm ³)	4,5 (74)
Alésage de cylindre, po (mm)	2 (51)
Course, po (mm)	1,4 (36)
Régime de ralenti, tr/min	2700
Papillon entièrement ouvert, aucune charge, tr/min	9 300 (+/- 150)
Puissance, hp (kW) à tr/min	5,0 (3,7) à 9000
Bougie d'allumage	NGK BPMR 7A
Écartement des électrodes, po (mm)	0,02 (0,5)
Capacité du réservoir de carburant, once liquide US (l)	30 (0,9)
Poids de la machine sans carburant ni lame de coupe, lb (kg)	24,3 (11)
Broche, arbre de sortie	
Vitesse maximale de la broche, tr/min	2 600
Vitesse périphérique max., pi/min (m/s)	10 000 (50)
Extracteur de poussière recommandé³	
Débit d'air min. pi3/min (m ³ /h)	236 (400)
Aspiration min. lb/po ² (kPa)	3,6 (22)
Élévation min. d'eau, po (m)	90 (2,3)
Outil de l'extracteur de poussière, po (mm)	2 (50)

Remarque : Ce système d'allumage par étincelles est conforme à la norme ICES- 002 du Canada.

Lame de coupe diamantée recommandée, spécification

Diamètre de la lame de coupe, po (mm)	Profondeur de coupe max. po (mm)	Valeur nominale de la vitesse de rotation de la lame, tr/min	Vitesse périphérique max., pi/min (m/s)	Diamètre du trou central de la lame, po (mm)	Épaisseur max. de la lame, po (mm)
12 (300)	4,8 (122)	6200	19600 (100)	1 (25,4) ou 0,79 (20)	0,16 (4)

³ Les caractéristiques techniques des extracteurs de poussière ne décrivent pas de manière concluante les performances réelles au fil du temps entre les différents extracteurs de poussière. Pour les produits Husqvarna, les données objectives OSHA sont disponibles sur le site www.husqvarnacp.com/us

Garantie

DÉCLARATION DE GARANTIE FÉDÉRALE DU SYSTÈME ANTIPOLLUTION

VOS DROITS ET OBLIGATIONS EN VERTU DE LA GARANTIE

L'EPA (Environmental Protection Agency), Environnement Canada et sont heureux de vous expliquer la garantie du système de contrôle des émissions pour votre 2009 et pour les petits moteurs hors-route. Aux États-Unis et au Canada, les nouveaux petits moteurs hors route doivent être conçus, fabriqués et équipés de manière à respecter les normes antipollution fédérales strictes. doit garantir les systèmes de contrôle antipollution de votre petit moteur hors route pendant la période figurant sur la liste ci-dessous à condition que votre matériel ne présente aucun signe d'abus, de négligence ou d'entretien inapproprié. Votre système de contrôle des émissions comprend des pièces telles que le carburateur et le système d'allumage. En cas de problème couvert par la garantie, réparer votre petit moteur hors route sans frais. Les frais couverts par la garantie comprennent le diagnostic, les pièces et la main d'œuvre.

COUVERTURE DE LA GARANTIE DU FABRICANT

Les 2009 et les petits moteurs hors-route sont garantis pendant deux ans. Si une pièce de votre moteur liée au système de contrôle des émissions (dans la liste ci-dessous) est défectueuse, la pièce sera réparée ou remplacée par .

RESPONSABILITÉS DU PROPRIÉTAIRE EN VERTU DE LA GARANTIE

En tant que propriétaire d'un petit moteur hors route, vous êtes responsable du respect de l'entretien obligatoire indiqué dans le manuel d'instructions. vous recommander de conserver tous les reçus relatifs à l'entretien de votre petit moteur hors route, mais ne peut pas refuser l'application de la garantie pour la seule raison de l'absence de reçus ou du non-respect de l'entretien obligatoire prévu. En tant que propriétaire d'un petit moteur hors route, vous devez savoir que peut vous refuser la couverture de la garantie si la défaillance de votre petit moteur hors route ou d'une pièce de celui-ci est causée par une utilisation abusive, une négligence, un entretien non adéquat, une modification non approuvée ou l'utilisation d'une pièce ni fabriquée ni approuvée par le fabricant d'origine. Vous avez la responsabilité de présenter votre petit moteur hors route au centre de réparation agréé dès qu'un problème se manifeste. Les réparations couvertes par la garantie doivent être effectuées dans un délai raisonnable qui n'excède pas 30 jours. Pour toute question relative à vos droits et responsabilités relativement à la garantie, communiquer avec le centre de services agréé le plus

proche ou appeler au 1-800-288-5040 ou encore visiter le www.husqvarnacp.com/us.

DATE D'ENTRÉE EN VIGUEUR DE LA GARANTIE

La période de garantie commence à la date de livraison du petit moteur hors route.

DURÉE DE LA COUVERTURE

garantit au premier propriétaire et à chaque acheteur ultérieur que le moteur est exempt de vices de matériaux ou de fabrication qui peuvent provoquer la panne d'une pièce garantie pendant une période de deux ans.

ÉLÉMENTS COUVERTS

RÉPARATION OU REMPLACEMENT DES PIÈCES :

La réparation ou le remplacement de toute pièce garantie doit être effectué sans frais pour le propriétaire dans un centre de services autorisé. Pour toute question relative à la couverture de la garantie, communiquer avec le centre de service au numéro 1-800-288-5040 ou visiter le site www.husqvarnacp.com/us.

PÉRIODE DE GARANTIE : Toute pièce garantie dont le remplacement n'est pas prévu par le calendrier d'entretien obligatoire ou dont l'inspection régulière est prévue dans le calendrier d'entretien et fait l'objet d'une mention de type « réparer ou remplacer si nécessaire » est garantie pendant deux ans. Toute pièce garantie dont le remplacement est prévu par le calendrier d'entretien obligatoire est garantie pendant l'intégralité de la période de garantie jusqu'à la date du premier remplacement prévu de la pièce.

DIAGNOSTIC : Le propriétaire n'a pas à payer pour le diagnostic permettant de conclure que la pièce garantie est défectueuse, à condition qu'un tel diagnostic soit effectué dans un centre de services autorisé.

DOMMAGES CONSÉCUTIFS : peut être tenue responsable des dommages aux autres composants du moteur directement causés par la défaillance d'une pièce encore sous garantie.

ÉLÉMENTS NON COUVERTS

Toutes les pannes dues à un abus, à de la négligence ou à un entretien inadéquat ne sont pas couvertes.

PIÈCES COMPLÉMENTAIRES OU MODIFIÉES

L'utilisation de pièces complémentaires ou modifiées est un motif suffisant pour rejeter une demande d'indemnisation. n'a pas la responsabilité de garantir les défaillances de pièces garanties provoquées par l'utilisation d'une pièce complémentaire ou modifiée.

COMMENT PRÉSENTER UNE DEMANDE D'INDEMNISATION

Pour toute question relative à vos droits et responsabilités relativement à la garantie, communiquer avec le centre de services agréé le plus proche ou

appeler au 1-800-288-5040 ou encore visiter le www.husqvarnacp.com/us.

OÙ JOINDRE LE SERVICE DE GARANTIE?

Les services de garantie ou de réparation sont assurés par tous les centres de services autorisés.

ENTRETIEN, REMPLACEMENT ET RÉPARATION DES PIÈCES RELATIVES AUX ÉMISSIONS

Toute pièce de remplacement approuvée par utilisée pour procéder à un entretien ou à une réparation doit être fournie sans frais pour le propriétaire si la pièce d'origine est sous garantie.

LISTE DES PIÈCES DE LA GARANTIE ANTIPOLLUTION

1. Carburateur et pièces internes.
2. Conduit de départ, support du filtre à air et boulons du carburateur
3. Filtres à air et à carburant couverts dans la limite du calendrier d'entretien
4. Système d'allumage
 - a. Bougies d'allumage couvertes dans la limite du calendrier d'entretien.
 - b. Module d'allumage
5. Module d'allumage.

ATTESTATION D'ENTRETIEN

Le propriétaire a la responsabilité de respecter l'entretien obligatoire défini dans le manuel de l'utilisateur.



www.husqvarnacp.com

Original instructions
Instrucciones originales
Instructions d'origine

1141098-49



2018-11-30