

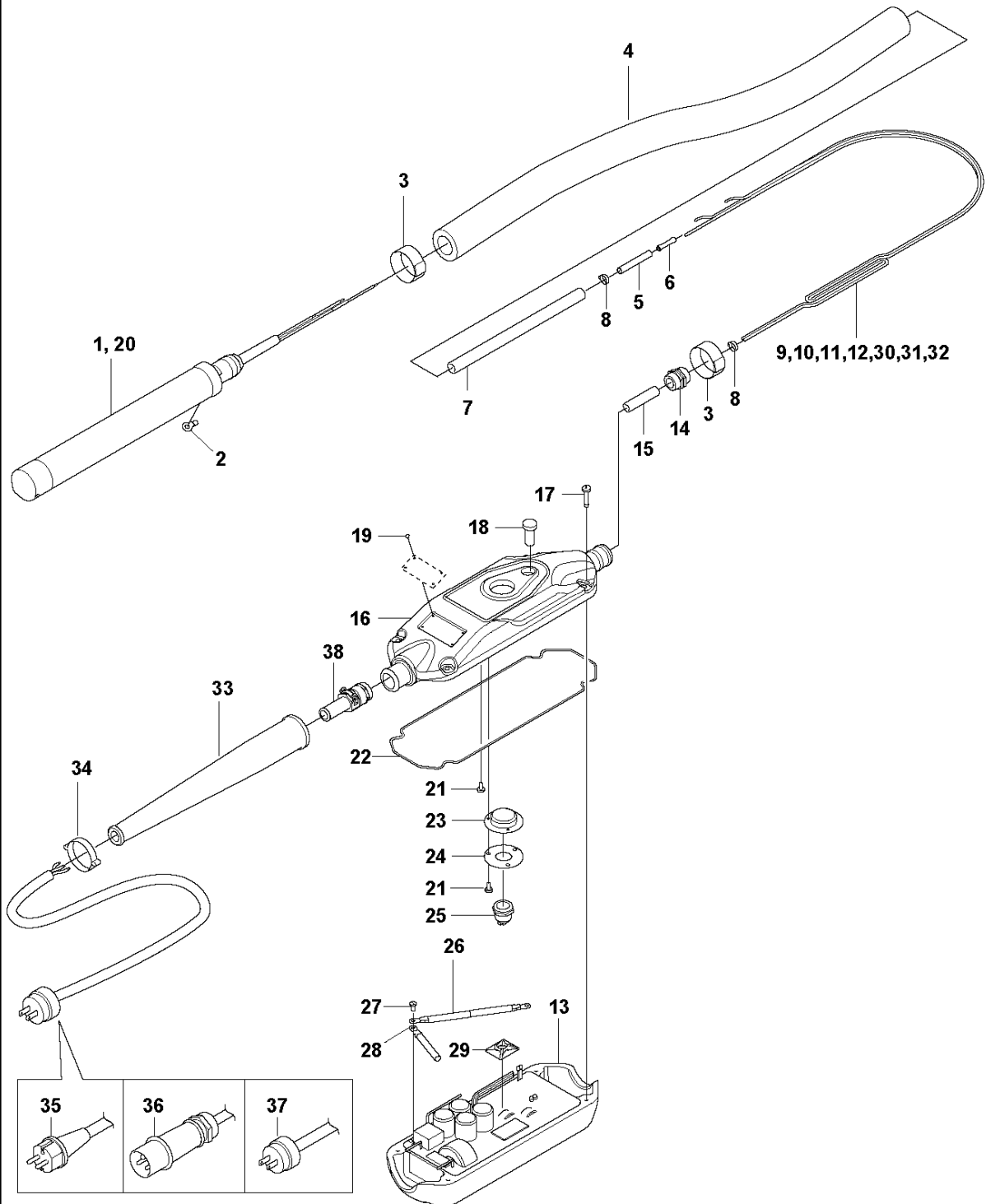


# SPARE PARTS LIST

## POKERS

SMART 56/SMART 56E, 967856003,  
967856004, 967856005, 967940301,  
967940303, 2019-08

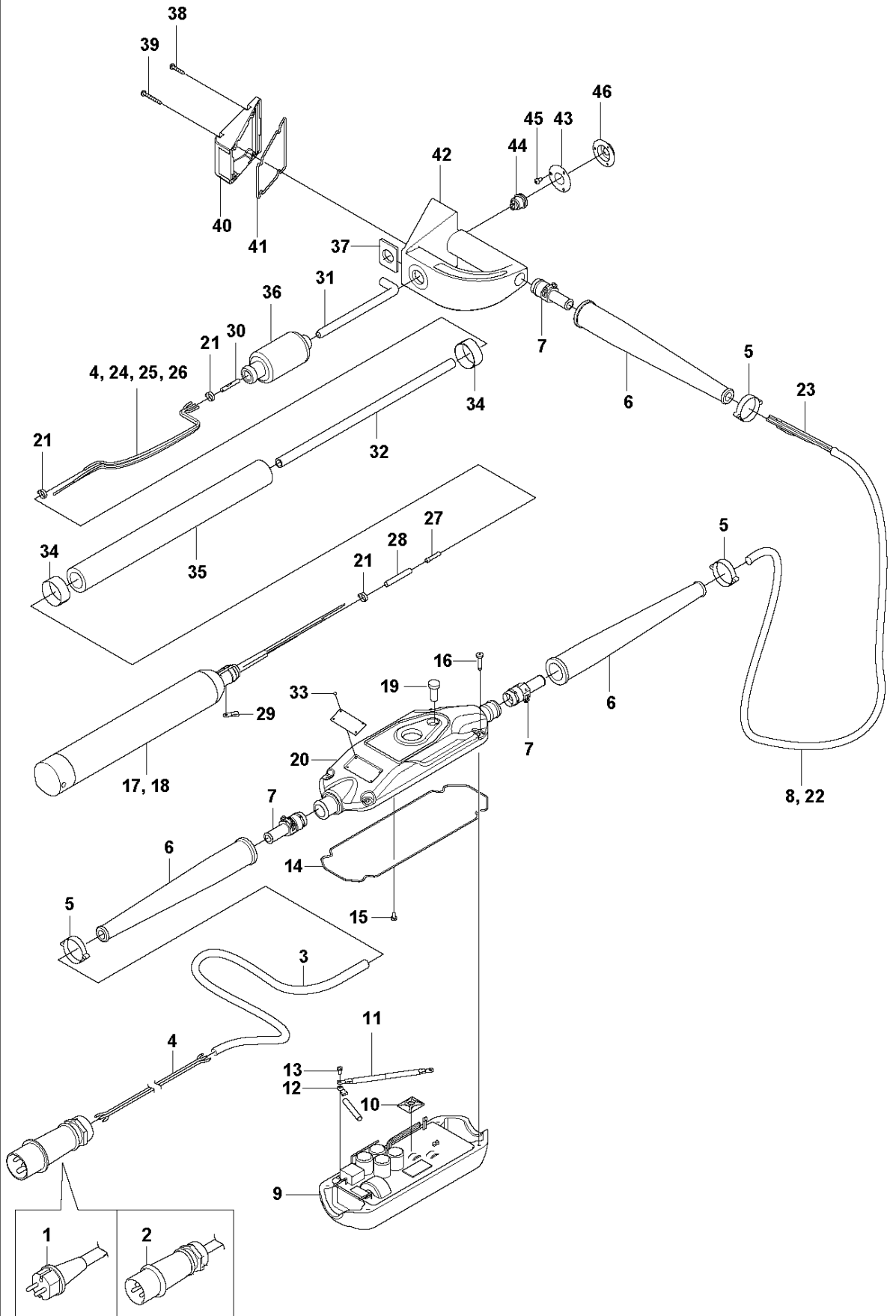
**A** SMART 56  
PRODUCT COMPLETE



PRODUCT COMPLETE SMART 56/SMART 56E, 967856003, 967856004, 967856005, 967940301, 967940303, 2019-08

Ref	Part No	Description	Remark	QTY KIT
1	594 62 71-01	HEAD	Vibrating head SMART 56 230V	1
2	594 79 47-01	CLIP		1
3	594 28 17-01	CLAMP		2
4	594 38 84-05	HOSE		1
5	594 25 75-01	INSULATION		3
6	595 11 85-01	SLEEVE		8
7	594 25 49-04	HOSE		1
8	594 28 64-01	CLAMP		7
9	594 28 77-02	CABLE	White wire	1
10	598 47 91-02	WIRE	Red wire	1
11	594 28 59-03	WIRE	Blue wire	1
12	594 52 78-04	CABLE	Ground wire, yellow/green	1
13	594 61 98-01	UNIT		1
14	594 40 88-01	BOX		1
15	594 25 71-02	HOSE		1
16	594 62 30-01	COVER		1
17	594 62 04-01	SCREW	M5x30 DIN 7500C	4
18	594 62 02-01	HANDLE		1
19	595 14 14-01	RIVET		4
20	594 62 72-01	HEAD	Vibrating head SMART 56 115V	1
21	594 62 03-01	SCREW	M4x8 DIN 7500	4
22	594 62 14-01	O-RING	233x3 NBR 70 shore	1
23	594 61 99-01	DIAPHRAGM		1
24	594 62 00-01	PLATE		1
25	594 62 01-01	SWITCH		1
26	594 63 07-01	WIRE		1
27	594 28 61-01	SCREW	M4x8 BRASS DIN84A	1
28	594 85 36-01	UNIT		1
29	595 19 65-01	CLIP		1
30	595 19 66-01	WIRE	White wire, ETL poker, US	1
31	595 19 67-01	WIRE	Blue wire, ETL poker, US	1
32	598 47 92-01	WIRE	Red wire, ETL poker, US	1
33	594 25 68-01	SHEET		1
34	594 25 52-01	CLAMP		1
35	595 04 52-01	CABLE	Cable with plug EU 230 V	1
36	594 62 33-01	CABLE	Cable with plug UK 115 V	1
37	595 19 68-01	PLUG	Cable with plug US 115 V cETLus	1
38	594 61 93-01	PISTON		1

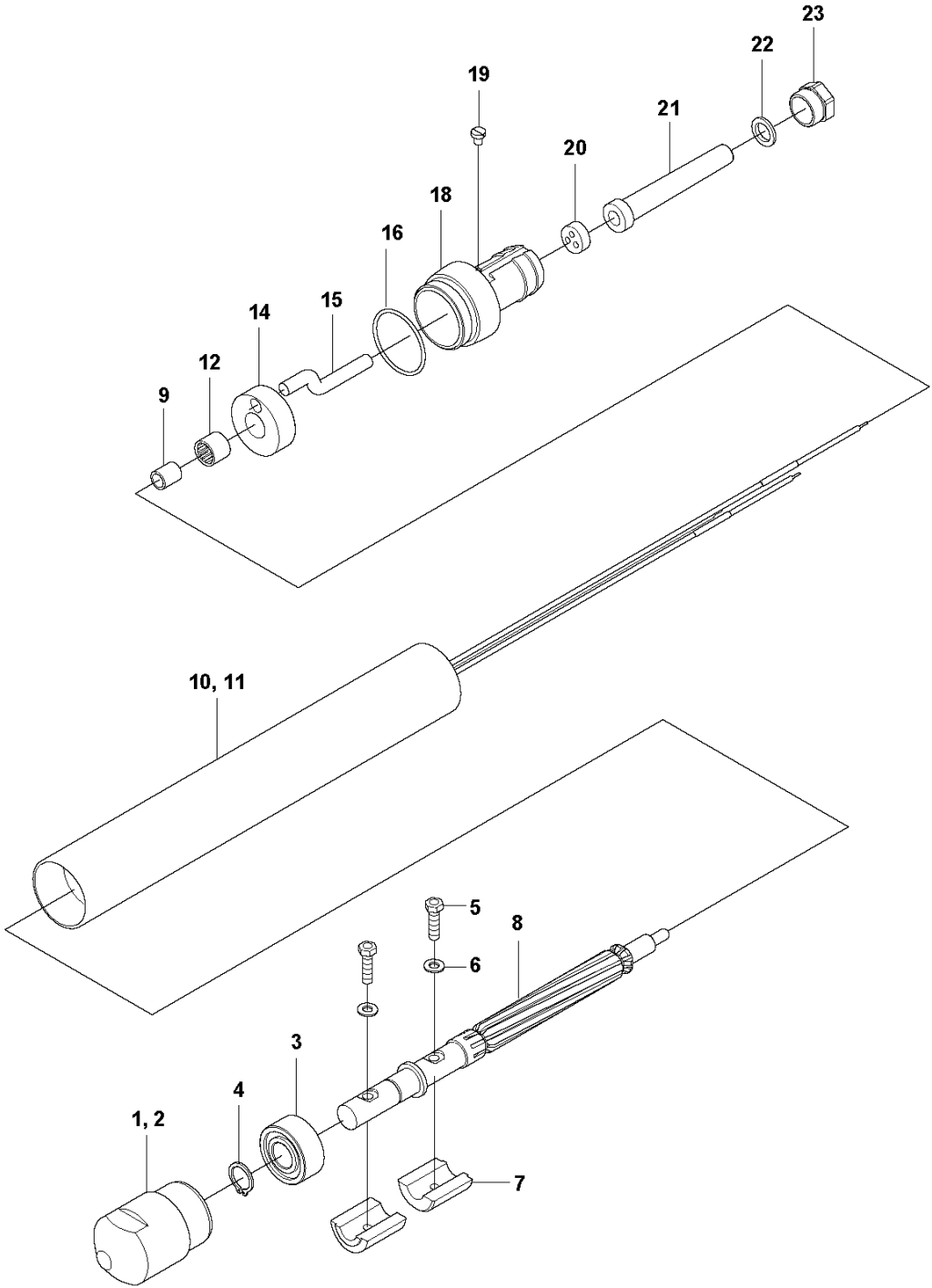
**B** SMART 56E  
PRODUCT COMPLETE



PRODUCT COMPLETE SMART 56/SMART 56E, 967856003, 967856004, 967856005, 967940301, 967940303, 2019-08

Ref	Part No	Description	Remark	QTY KIT
1	594 36 96-01	PLUG	EU plug	1
2	595 16 26-01	PLUG	UK plug	1
3	595 46 89-01	CABLE		1
4	598 47 91-01	WIRE	Red wire	1
5	594 25 52-01	CLAMP		3
6	594 25 68-01	SHEET		3
7	594 61 93-01	PISTON		3
8	594 41 31-02	CABLE	15m, 230V	1
9	594 61 98-01	UNIT		1
10	595 19 65-01	CLIP		1
11	594 63 07-01	WIRE		1
12	594 85 36-01	UNIT		1
13	594 28 61-01	SCREW	M4x8 BRASS DIN84A	1
14	594 62 14-01	O-RING	233x3 NBR 70 shore	1
15	594 62 03-01	SCREW	M4x8 DIN 7500	1
16	594 62 04-01	SCREW	M5x30 DIN 7500C	4
17	594 62 71-01	HEAD	Vibrating head SMART 56 230V	1
18	594 62 72-01	HEAD	Vibrating head SMART 56 115V	1
19	594 62 02-01	HANDLE		1
20	594 62 29-01	COVER		1
21	594 28 64-01	CLAMP		4
22	594 41 31-03	CABLE	10m, 115V	1
23	595 14 59-01	WIRE		2
24	594 28 77-03	CABLE	White wire	1
25	594 28 59-02	WIRE	Blue wire	1
26	594 52 78-03	CABLE	Ground wire, yellow/green	1
27	595 11 85-01	SLEEVE		8
28	594 25 75-01	INSULATION		3
29	594 79 47-01	CLIP		1
30	594 27 67-01	TERMINAL		4
31	594 25 71-01	HOSE		1
32	594 25 49-03	HOSE		1
33	595 14 14-01	RIVET		4
34	594 28 17-01	CLAMP		2
35	594 38 84-04	HOSE		1
36	594 37 71-01	ABSORBER		1
37	594 38 03-01	NUT		1
38	594 50 08-01	SCREW	ST 4,2x25 DIN7971 C	2
39	594 50 09-01	SCREW	ST 4,2x38 DIN7971 C	2
40	594 62 65-01	COVER		1
41	595 04 75-01	O-RING	120.32x2.62 NBR 70 shore	1
42	594 62 25-01	HANDLE		1
43	594 62 00-01	PLATE		1
44	594 62 01-01	SWITCH		1
45	594 62 32-01	SCREW		3
46	594 61 99-01	DIAPHRAGM		1

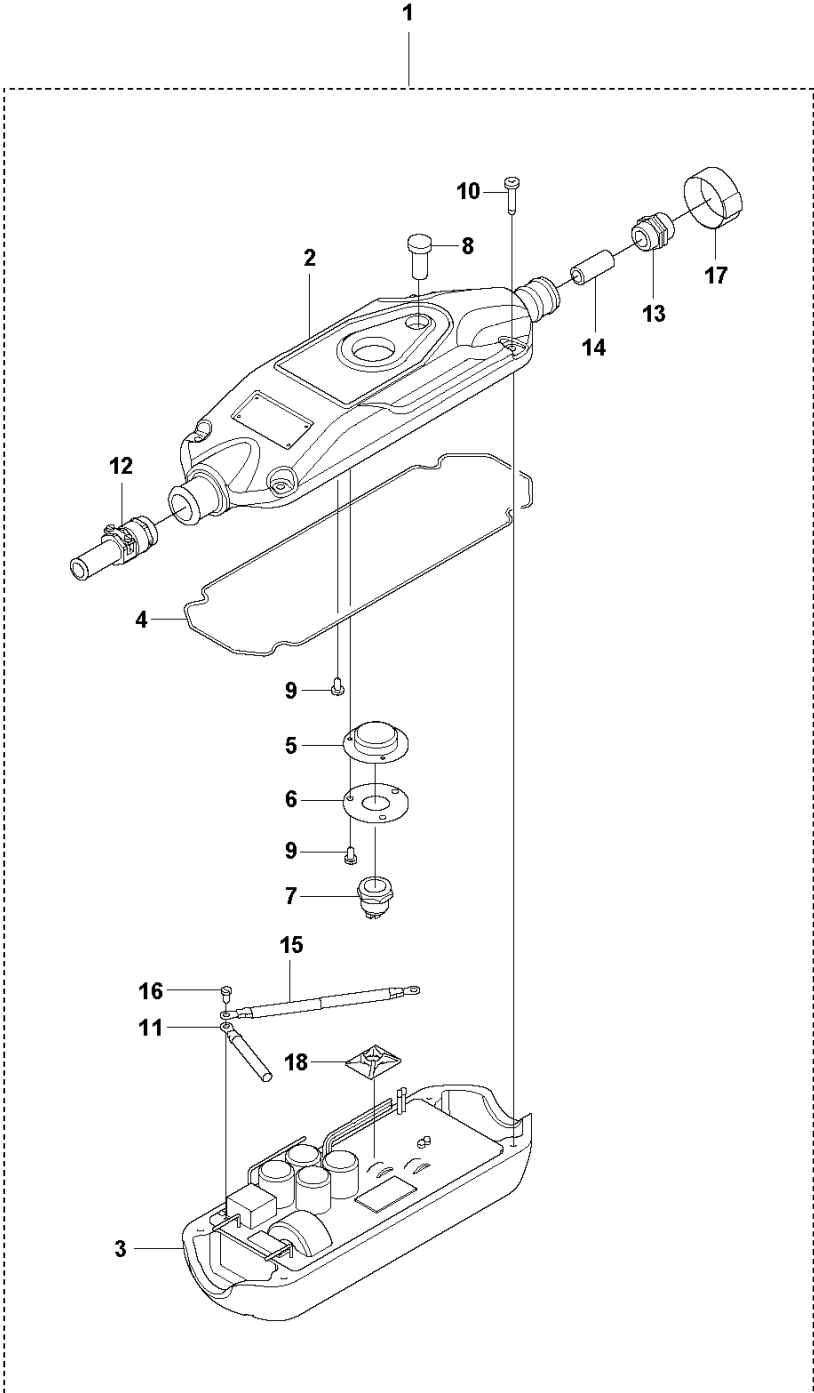
**C** SMART 56 / SMART 56E  
VIBRATOR



VIBRATOR SMART 56/SMART 56E, 967856003, 967856004, 967856005, 967940301, 967940303,  
2019-08

Ref	Part No	Description	Remark	QTY KIT
1	594 28 91-01	CAP		1
2	595 02 96-01	CAP	Rubber end cap, optional	1
3	594 28 93-01	BEARING	NUP 204 E TVP2 C3	1
4	594 27 80-01	RETAINER RING	20x1.75 DIN471	1
5	595 05 38-01	SCREW	M6x30 ISO 4017 8.8 A2K	2
6	594 39 94-01	WASHER	ZM6 NFE25-511 FZB	2
7	595 52 37-01	EXCENTER		2
8	594 28 92-01	ROTOR		1
9	594 27 37-01	BUSHING		1
10	594 62 18-01	TUBE	Stator, complete 230 V	1
11	594 62 19-01	TUBE	Stator, complete 115 V	1
12	594 27 36-01	BEARING		1
14	594 62 20-01	BEARING		1
15	594 27 78-02	HOSE		1
16	594 26 69-01	O-RING	35x2 NBR 70 shore	1
18	594 86 03-01	NIPPLE		1
19	594 27 27-01	SCREW	M4x5 BRASS DIN84A	1
20	594 28 90-01	GASKET		1
21	594 29 04-01	PROTECTION		1
22	594 28 75-01	RING		1
23	594 28 73-01	SCREW		1

**D** SMART 56 / SMART 56E  
ELECTRONIC CONVERTER



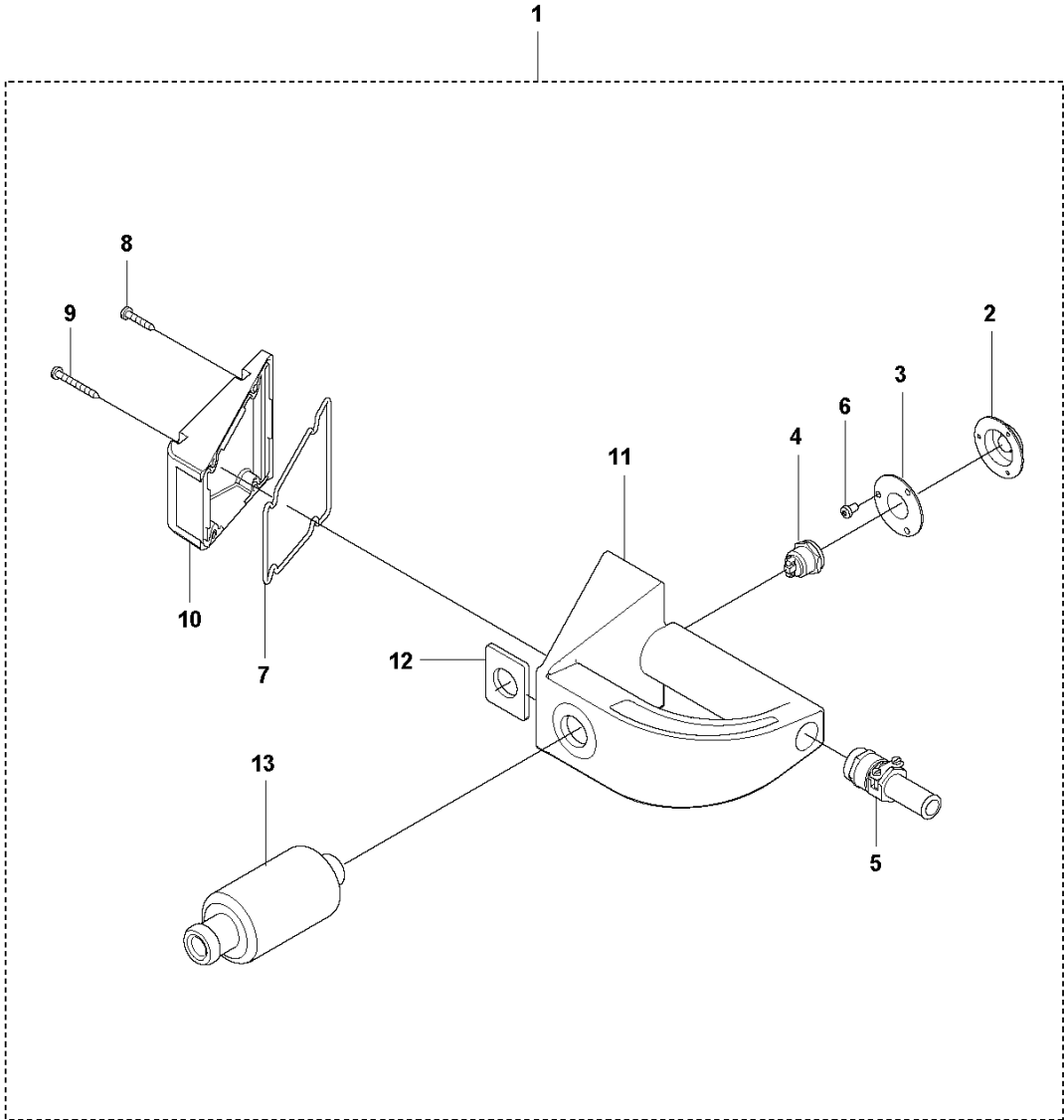


ELECTRONIC CONVERTER  
967940301, 967940303, 2019-08

SMART 56/SMART 56E, 967856003, 967856004, 967856005,

Ref	Part No	Description	Remark	QTY KIT	
1	598 48 80-01	ELECTRONIC BOX	Kit without cable	1	
2	594 62 30-01	COVER		1	1
3	594 61 98-01	UNIT		1	1
4	594 62 14-01	O-RING	233x3 NBR 70 shore	1	1
5	594 61 99-01	DIAPHRAGM		1	1
6	594 62 00-01	PLATE		1	1
7	594 62 01-01	SWITCH		1	1
8	594 62 02-01	HANDLE		1	1
9	594 62 03-01	SCREW	M4x8 DIN 7500	4	1
10	594 62 04-01	SCREW	M5x30 DIN 7500C	4	1
11	594 85 36-01	UNIT		1	1
12	594 61 93-01	PISTON		1	1
13	594 40 88-01	BOX		1	1
14	594 25 71-01	HOSE		1	1
15	594 63 07-01	WIRE		1	1
16	594 28 61-01	SCREW	M4x8 BRASS DIN84A	1	1
17	594 28 17-01	CLAMP		1	1
18	595 19 65-01	CLIP		1	1

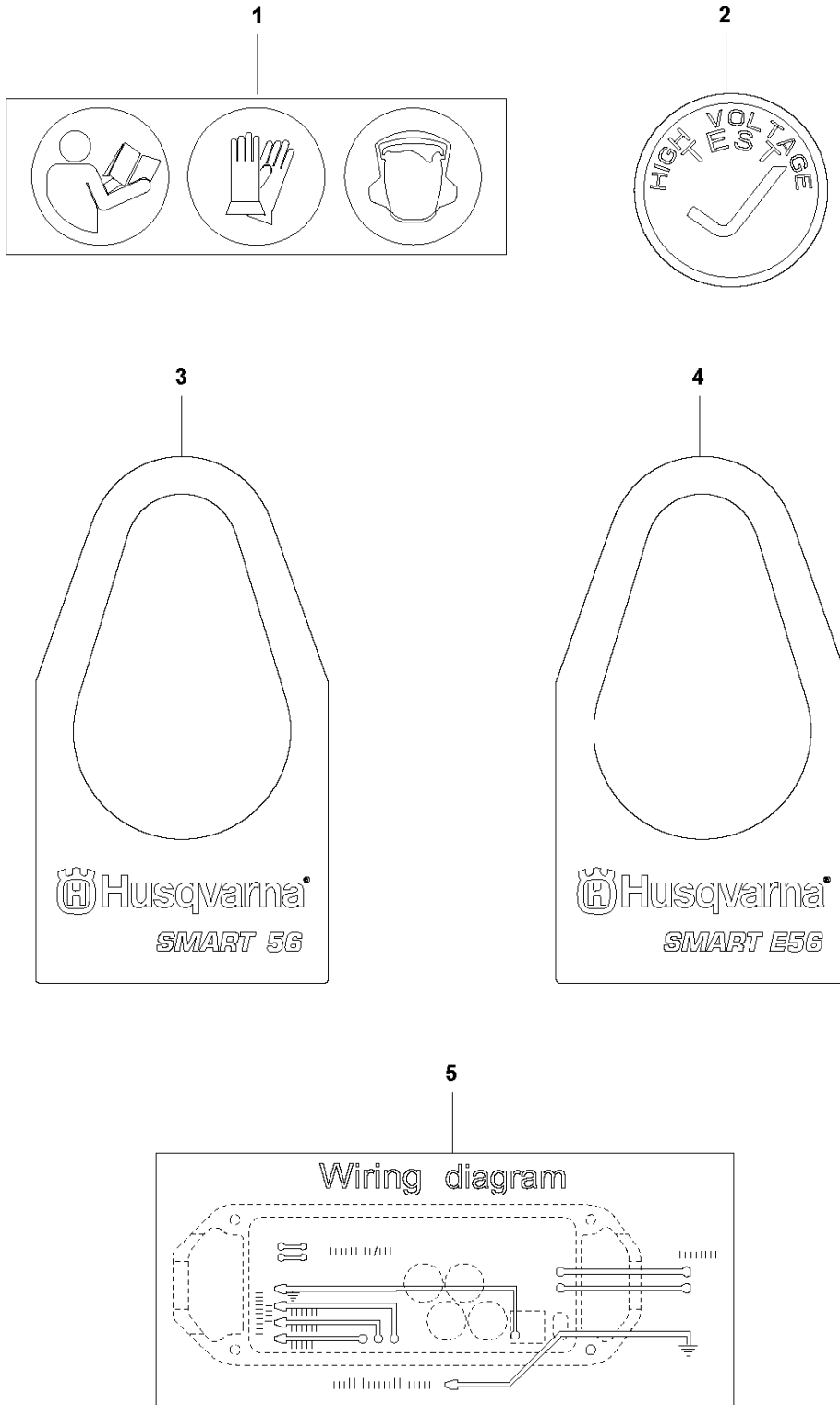
**E** SMART 56 / SMART 56E  
HANDLE



HANDLE SMART 56/SMART 56E, 967856003, 967856004, 967856005, 967940301, 967940303,  
2019-08

Ref	Part No	Description	Remark	QTY KIT	
1	594 62 86-01	HANDLE	Ergonomic handle kit	1	
2	594 61 99-01	DIAPHRAGM		1	1
3	594 62 00-01	PLATE		1	1
4	594 62 01-01	SWITCH		1	1
5	594 61 93-01	PISTON		1	1
6	594 62 32-01	SCREW		3	1
7	595 04 75-01	O-RING	120.32x2.62 NBR 70 shore	1	1
8	594 50 08-01	SCREW	ST 4,2x25 DIN7971 C	2	1
9	594 50 09-01	SCREW	ST 4,2x38 DIN7971 C	2	1
10	594 62 65-01	COVER		1	1
11	594 62 25-01	HANDLE		1	1
12	594 38 03-01	NUT		1	1
13	594 37 71-01	ABSORBER		1	1

**F** SMART 56 / SMART 56E  
DECALS



DECALS SMART 56/SMART 56E, 967856003, 967856004, 967856005, 967940301, 967940303,  
2019-08

Ref	Part No	Description	Remark	QTY KIT
1	594 62 75-01	DECAL		1
2	595 50 49-01	LABEL		1
3	596 31 15-01	DECAL		1
4	596 31 20-01	DECAL		
5	594 62 26-01	DECAL		1