

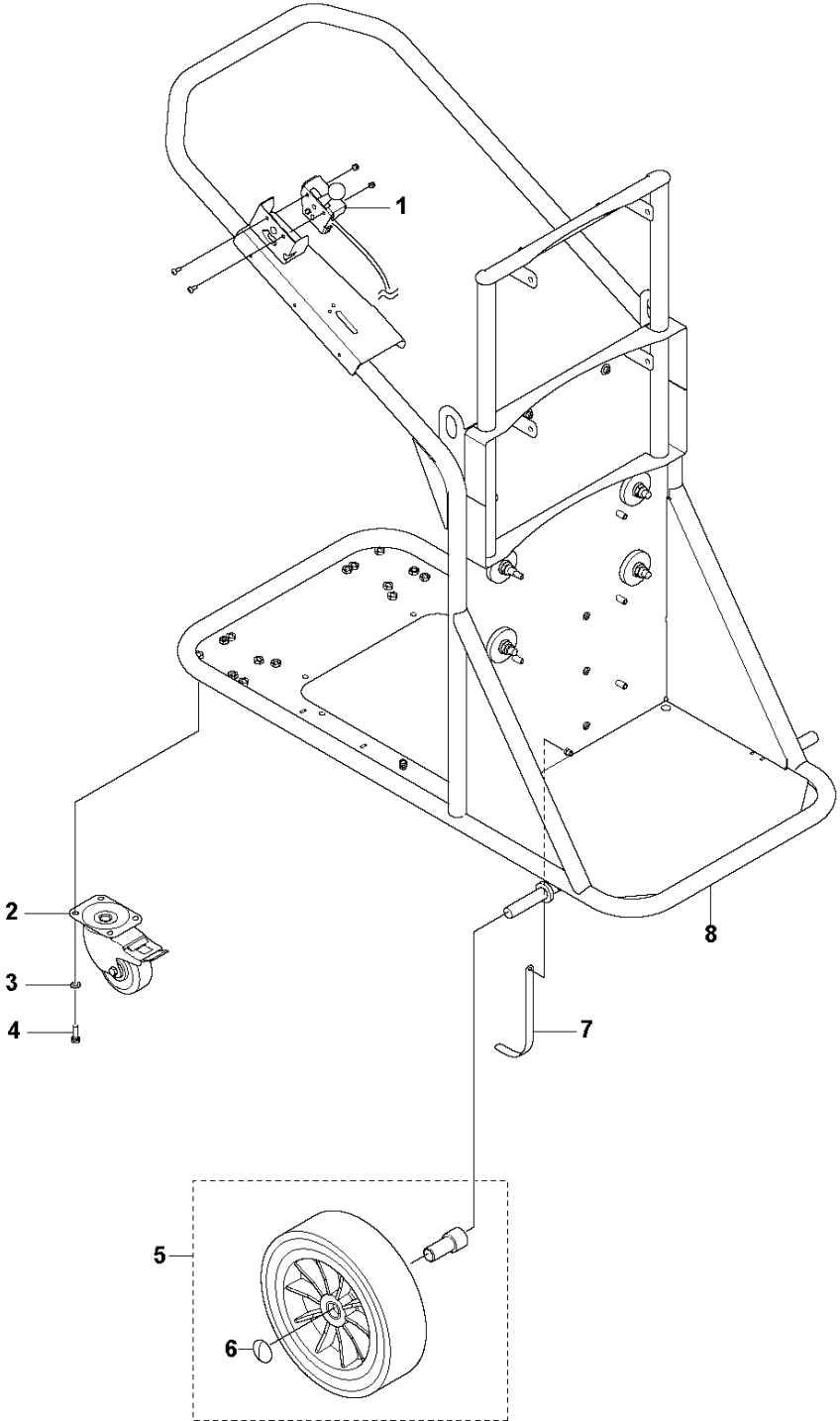


SPARE PARTS LIST

DUST AND SLURRY MANAGEMENT

T 4000 PETROL, 2019-11

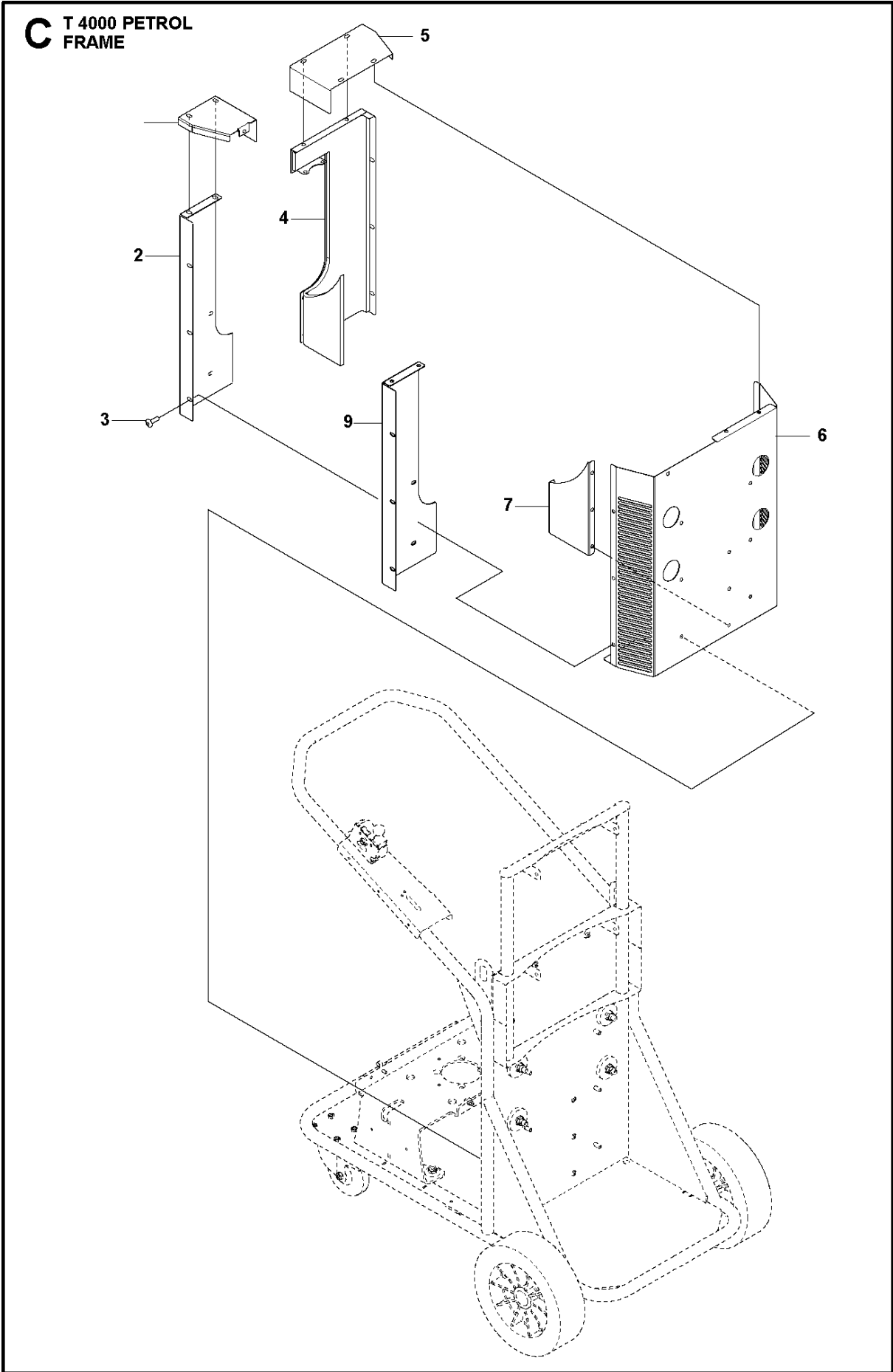
B T 4000 PETROL
CARRIAGE



CARRIAGE

T 4000 PETROL, 2019-11

Ref	Part No	Description	Remark	QTY	KIT
1	592 13 49-01	WIRE		1	
2	595 27 05-01	WHEEL		2	
3	734 11 63-01	WASHER		8	
4	725 24 53-51	SCREW EHHM		8	
5	598 45 90-01	WHEEL KIT		1	
6	591 69 30-01	AXLE		2	5
7	598 59 37-01	CABLE KIT		1	
8	594 96 85-01	FRAME		1	

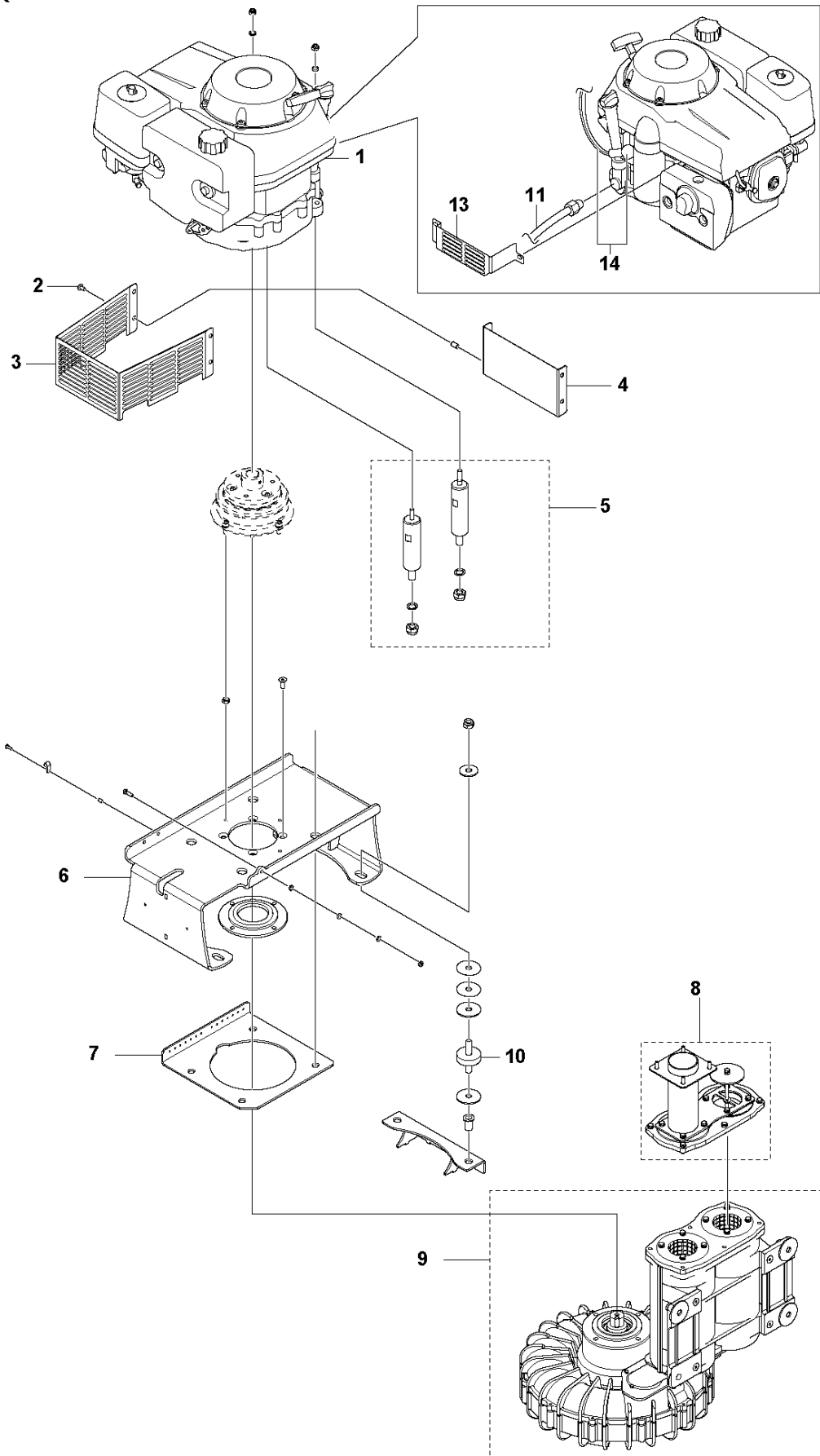


FRAME

T 4000 PETROL, 2019-11

Ref	Part No	Description	Remark	QTY KIT
1	597 29 91-01	COVER		1
2	597 41 18-01	PLATE		1
3	596 83 86-01	SCREW		4
4	594 94 52-01	COVER		1
5	594 94 54-01	COVER		1
6	594 94 56-01	PLATE		1
7	597 41 19-01	PLATE		1

D T 4000 PETROL
MOTOR

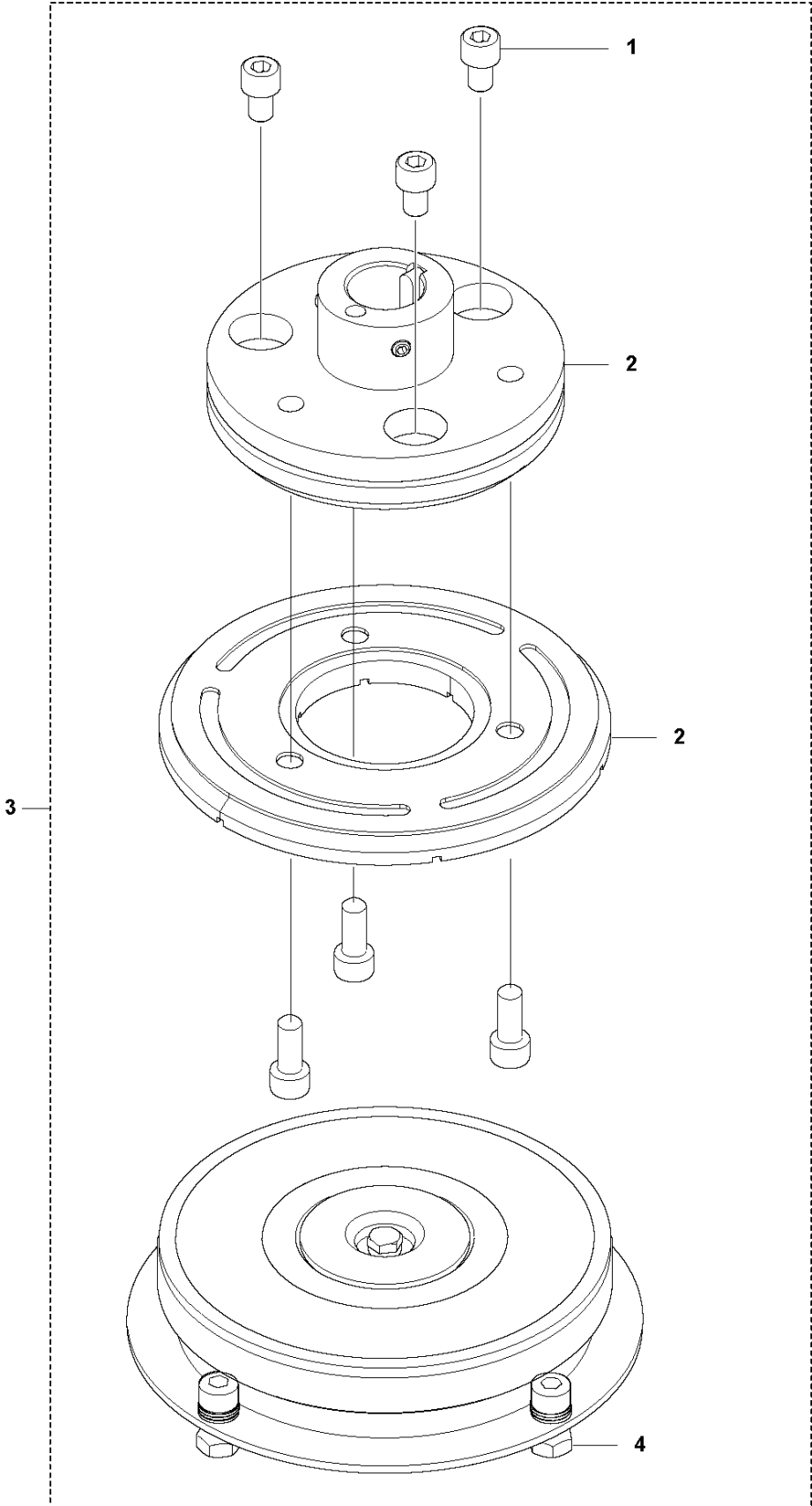


MOTOR

T 4000 PETROL, 2019-11

Ref	Part No	Description	Remark	QTY KIT
1	591 26 73-01	ENGINE		1
2	535 42 58-02	SCREW IHPANM		4
3	596 28 78-01	CLUTCH COVER		1
4	596 29 41-01	CLUTCH COVER		1
5	596 50 46-01	BAR		1
6	596 33 99-01	PLATE		1
7	593 03 33-01	UNIT		4
8	596 29 97-01	PLATE		1
9	596 34 72-01	COVER		1
10	593 03 33-01	UNIT		1
11	596 80 81-01	HOSE ASSY		1
13	597 72 03-01	COVER		1
14	542 17 70-02	COVER		1

E T 4000 PETROL
CLUTCH

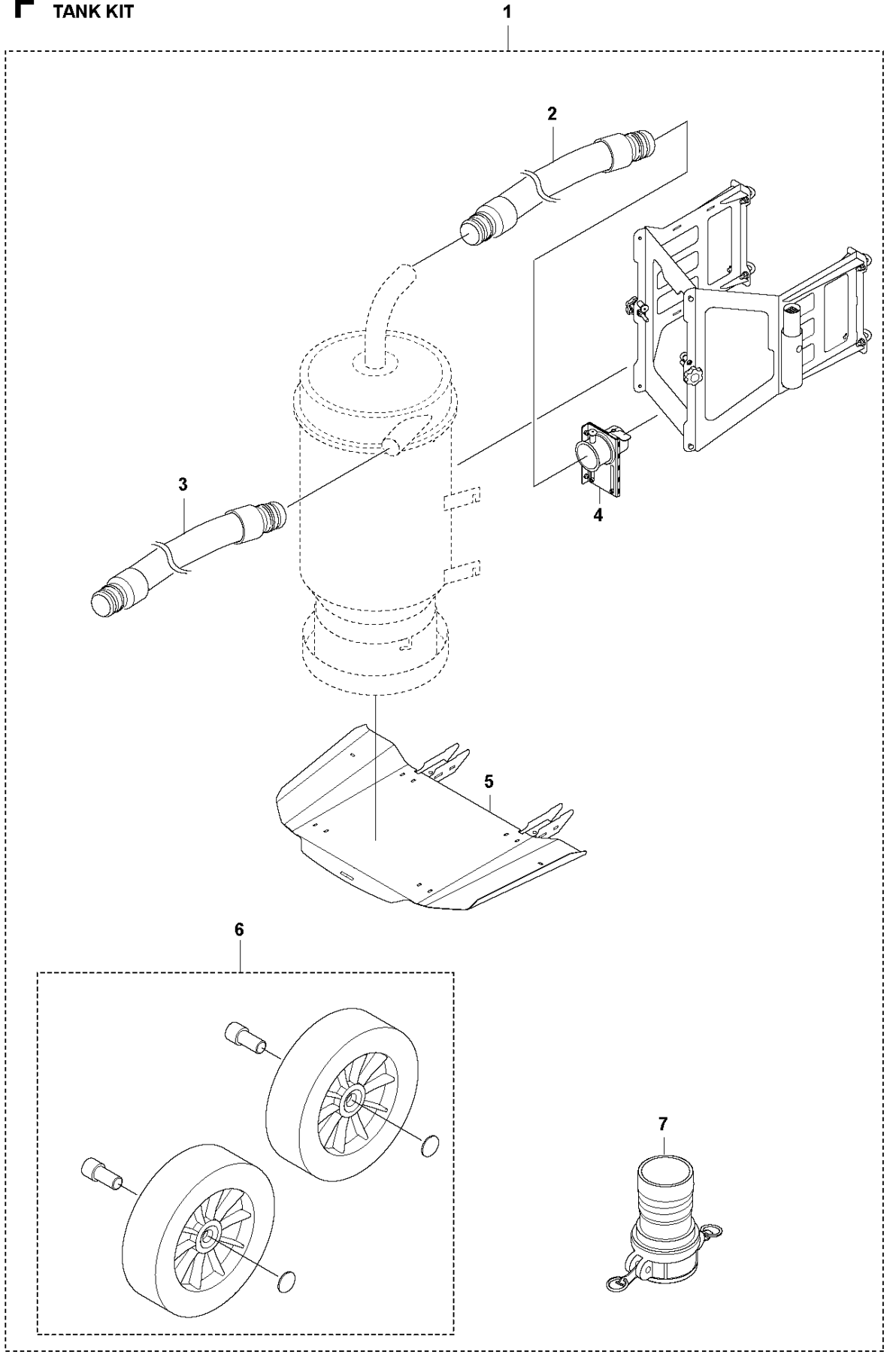


CLUTCH

T 4000 PETROL, 2019-11

Ref	Part No	Description	Remark	QTY KIT
1	590 45 47-01	SCREW KIT		3
2	590 45 41-01	MOUNTING PLATE		1
3	590 45 39-01	CLUTCH		1
4	590 45 46-01	SCREW KIT		4

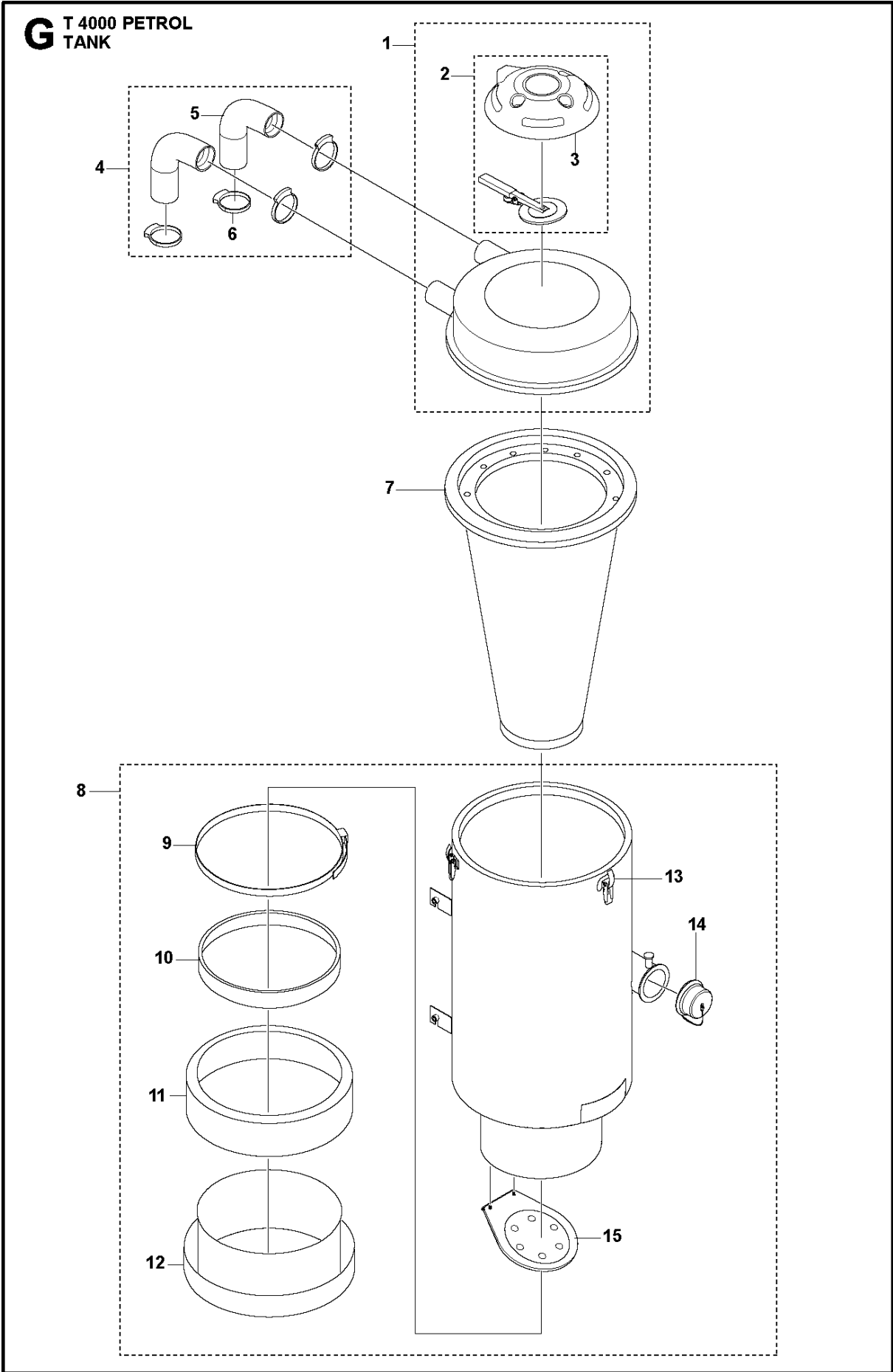
F T 4000 PETROL
TANK KIT



TANK KIT

T 4000 PETROL, 2019-11

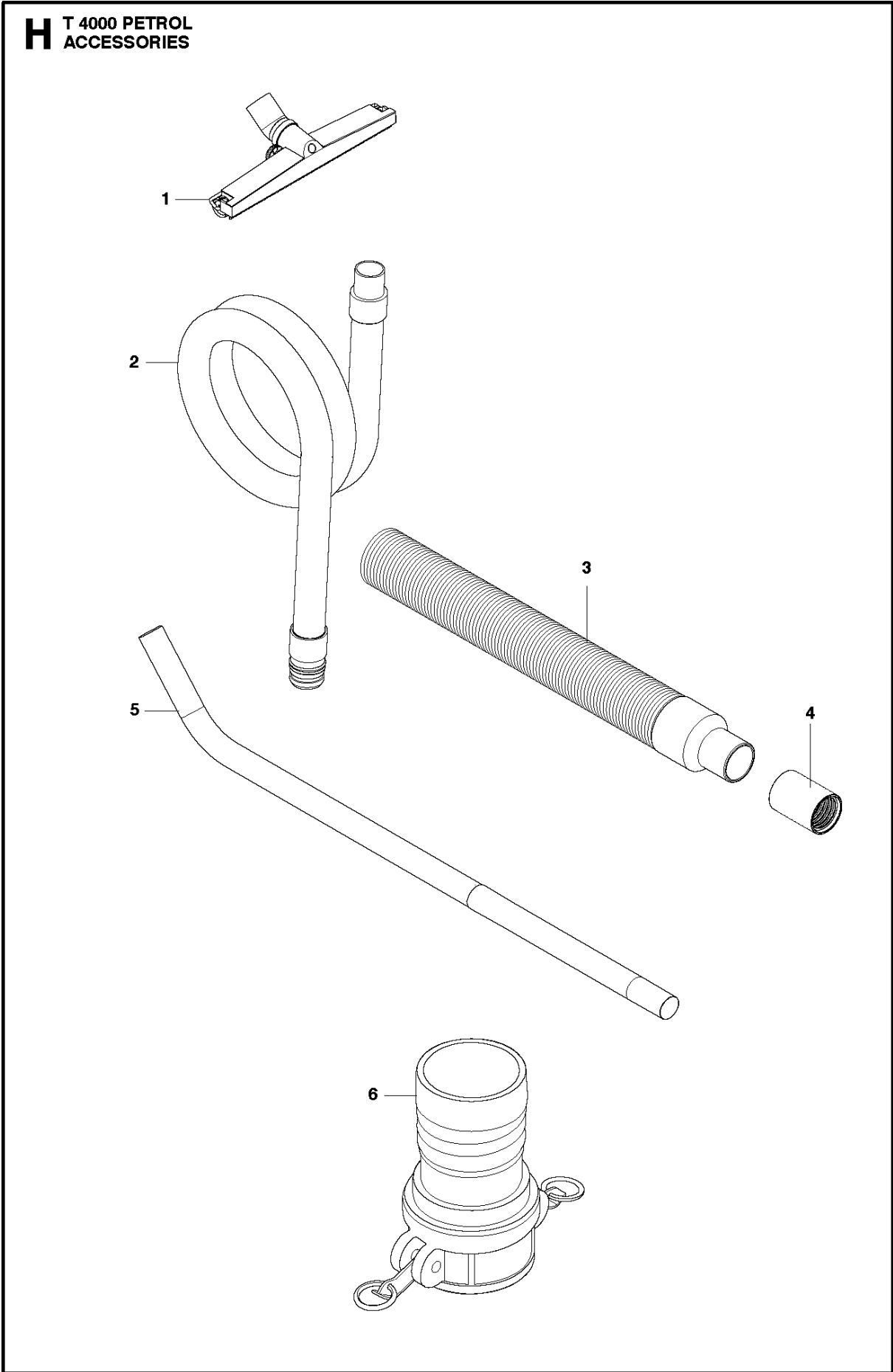
Ref	Part No	Description	Remark	QTY KIT
1	596 23 61-02	KIT		1
2	591 97 09-01	HOSE		1
3	599 26 41-01	HOSE KIT		1
4	594 00 09-01	INLET VALVE		1
5	596 21 36-01	PLATE		1
6	598 45 91-01	WHEEL KIT		1
7	590 42 87-01	ADAPTER PLATE		1



TANK

T 4000 PETROL, 2019-11

Ref	Part No	Description	Remark	QTY KIT
1	590 47 77-02	TANK CAP ASSY		1
2	590 41 50-02	VALVE		1
3	590 39 96-02	COVER KIT		1
4	598 45 92-01	HOSE KIT		1
5	594 97 44-01	HOSE		2
6	590 40 08-01	HOSE CLAMP		4
7	590 43 02-02	FILTER		1
8	591 97 06-02	TANK		1
9	590 40 18-01	STRAP		1
10	590 40 23-01	SEAL		1
11	590 42 92-01	BAG		1
12	590 42 69-01	HOLDER		1
13	590 39 64-01	HOLDER KIT		1
14	590 42 67-01	LID		1
15	590 39 86-01	FLAP		



ACCESSORIES

T 4000 PETROL, 2019-11

Ref	Part No	Description	Remark	QTY KIT
1	590 42 83-02	TOOL		1
2	590 43 73-01	HOSE		1
3	590 43 74-01	HOSE		1
4	590 42 94-01	ADAPTER		1
5	590 82 94-01	TOOL		1
6	590 42 87-01	ADAPTER PLATE		1

**J T 4000 PETROL
DECALS**

1
Husqvarna®

2
T 4000 PETROL

3
HEPA FILTER INSIDE

4
NOTICE

START GUIDE

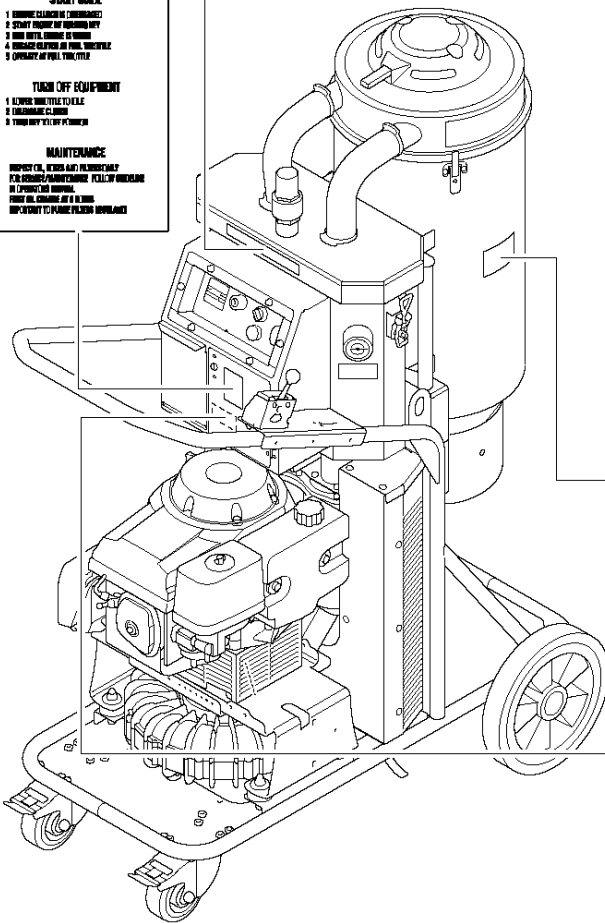
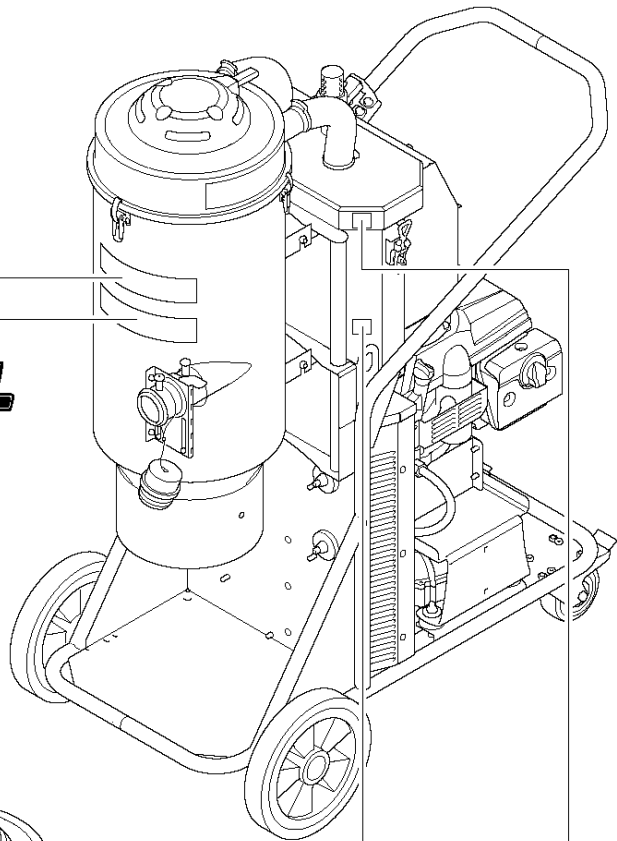
- 1 REMOVE CLOGS OR TIGHTENINGS
- 2 START ENGINE BY PULLING REEF
- 3 ADD OIL, CHANGE OIL WHEN
- 4 RECOMMENDED OR FROM WARNING
- 5 CHECK AIR FILTER, FUEL FILTER

TURN OFF EQUIPMENT

- 1 LOWER HANDLE TO KILL
- 2 STOP ENGINE BY PULLING REEF
- 3 STOP ENGINE BY PULLING REEF

MAINTENANCE

- 1 INSPECT OIL, BATTERY AND FUEL SYSTEM
- 2 CLEAN AIR FILTER, FUEL FILTER, FUEL INJECTOR
- 3 CLEAN AIR FILTER, FUEL FILTER, FUEL INJECTOR
- 4 CLEAN AIR FILTER, FUEL FILTER, FUEL INJECTOR
- 5 CLEAN AIR FILTER, FUEL FILTER, FUEL INJECTOR



5



6

7
WARNING

Inhalation of crystalline silica dust has been found to cause long-term respiratory illnesses. Place crystalline silica dust and dispose in accordance with local regulations.

8
CAUTION

**BATTERY AND CONNECTIONS
MUST BE SECURELY FASTENED
AT ALL TIMES.**

DECALS

T 4000 PETROL, 2019-11

Ref	Part No	Description	Remark	QTY KIT
1	593 67 97-01	DECAL		1
2	597 33 19-01	DECAL		1
3	593 77 62-01	DECAL		1
4	597 33 24-01	DECAL		1
5	543 07 24-95	STICKER		2
6	591 92 91-01	DECAL		2
7	593 72 14-01	DECAL		1
8	593 78 42-01	DECAL		1