

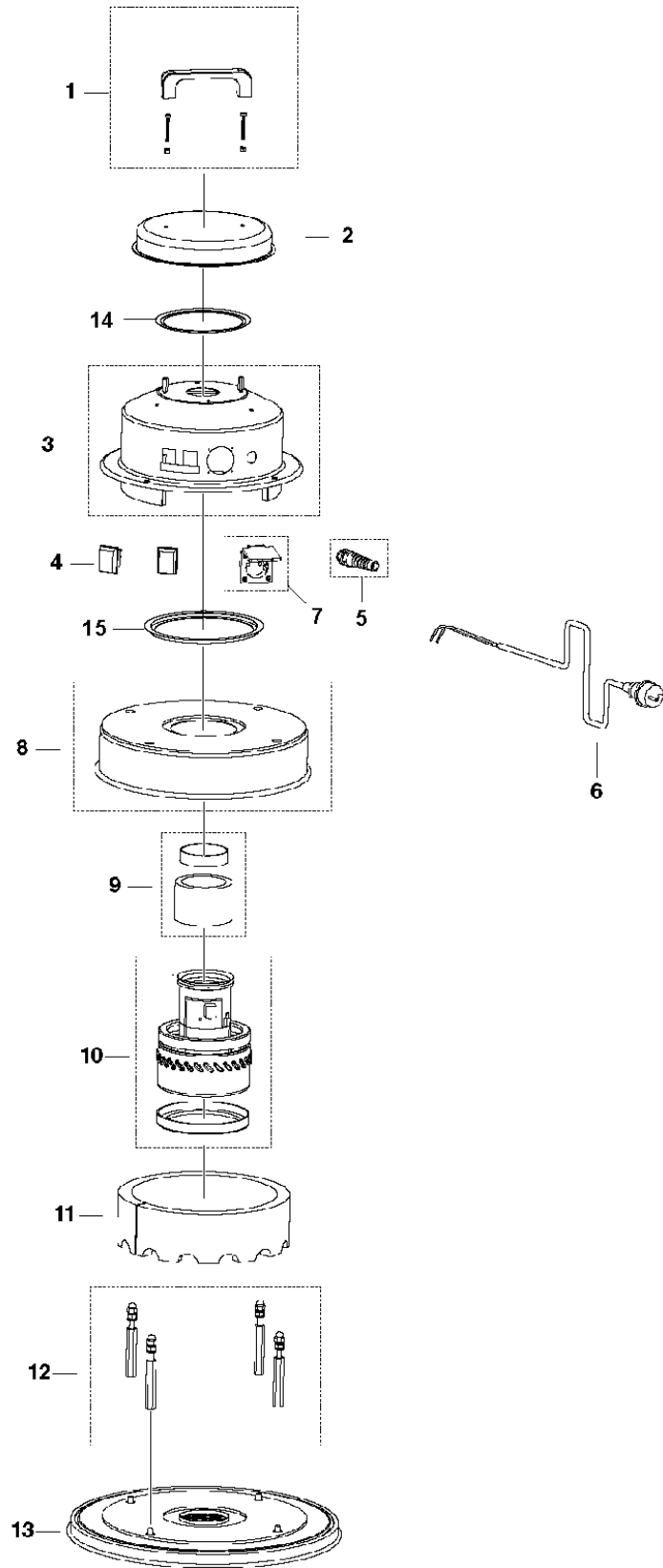


# SPARE PARTS LIST

DUST AND SLURRY MANAGEMENT

W 70/W 70 P, 2017-03

**A** W70P



Ref	Part No	Description	Remark	QTY KIT
1	590 47 05-01	HANDLE KIT		1
2	590 47 06-01	CAP		1
3	590 49 87-02	HOUSING ASSY		1
4	590 40 26-01	SWITCH		2
5	590 39 95-01	CABLE GROMMET		1
6	590 40 10-01	CORD		1
7	590 39 63-01	ELECTRICAL SYSTEM		1
8	590 49 86-02	MOTOR COVER		1
9	590 47 04-01	SEAL KIT		1
10	590 47 19-01	MOTOR KIT	120V	1
10	591 90 65-01	ENGINE	230V	1
11	590 46 98-01	INSULATION		1
12	590 47 03-01	SPACER		1
13	590 47 02-01	TANK CAP		1
14	599 14 33-01	GASKET		1
15	599 14 34-01	GASKET		1



PRODUCT COMPLETE

W 70/W 70 P, 2017-03

Ref	Part No	Description	Remark	QTY KIT
1	590 46 93-01	FILTER		1
2	590 47 00-01	TUBE		1
3	590 47 01-01	SEAL KIT		1
4	590 47 09-01	FILTER		1
4	598 40 01-01	FILTER	Hepa filter, optional	1
5	590 43 89-01	FILTER		1
6	590 47 10-01	CAP		1
7	590 47 57-01	FLOAT		1
8	590 47 11-01	PLUG KIT		1
9	590 48 11-02	TANK		1
10	590 46 95-01	INLET		1
11	590 46 96-01	SCOOP		1
12	590 39 64-01	HOLDER KIT		3
13	590 47 13-02	COVER KIT		1
14	590 47 09-01	FILTER		1
15	590 47 21-01	PUMP KIT	Only W70P	1
16	590 46 97-01	PUMP	W70P, 120V	1
16	590 43 51-01	PUMP	W70P, 230V	1
17	590 47 16-01	HOSE KIT		1
18	590 47 15-01	VALVE KIT		1
19	590 47 18-01	HOSE COUPLING		1
20	590 47 17-01	CORD BRACKET		1
21	591 79 02-01	PLUG		1
22	590 47 12-02	FRAME		1
23	590 39 72-01	WHEEL KIT		1
24	590 39 70-01	REAR WHEEL		1
25	590 47 07-01	PROTECTION		1
26	590 47 14-01	STRAINER		1
27	590 47 08-01	HANDLE		1
28	591 70 98-01	HOSE COUPLING		1
29	591 71 25-01	HOSE COUPLING		1
30	591 71 24-01	COUPLING		1
31	591 70 96-01	COUPLING		1