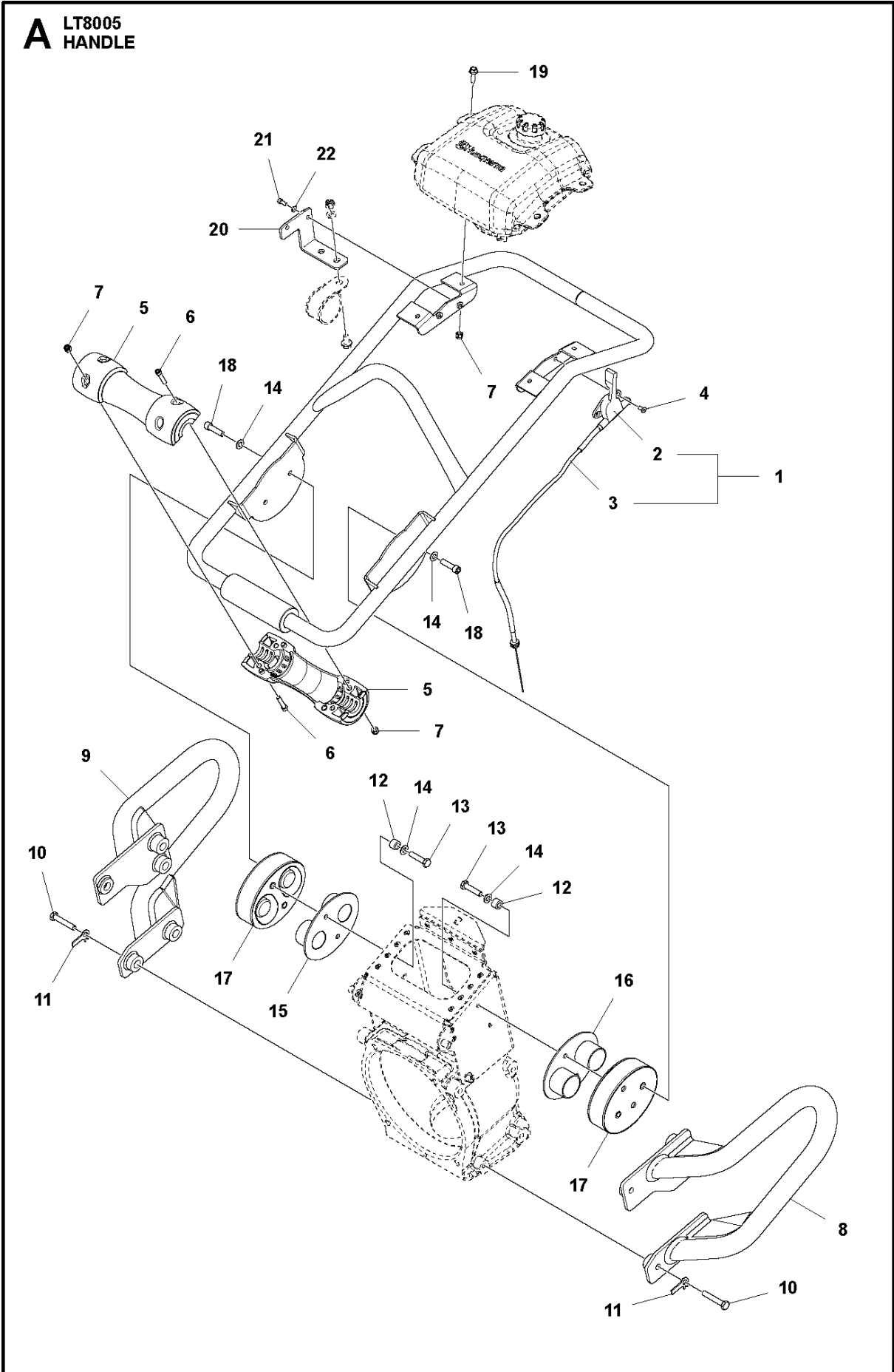




# SPARE PARTS LIST

LIGHT COMPACTION

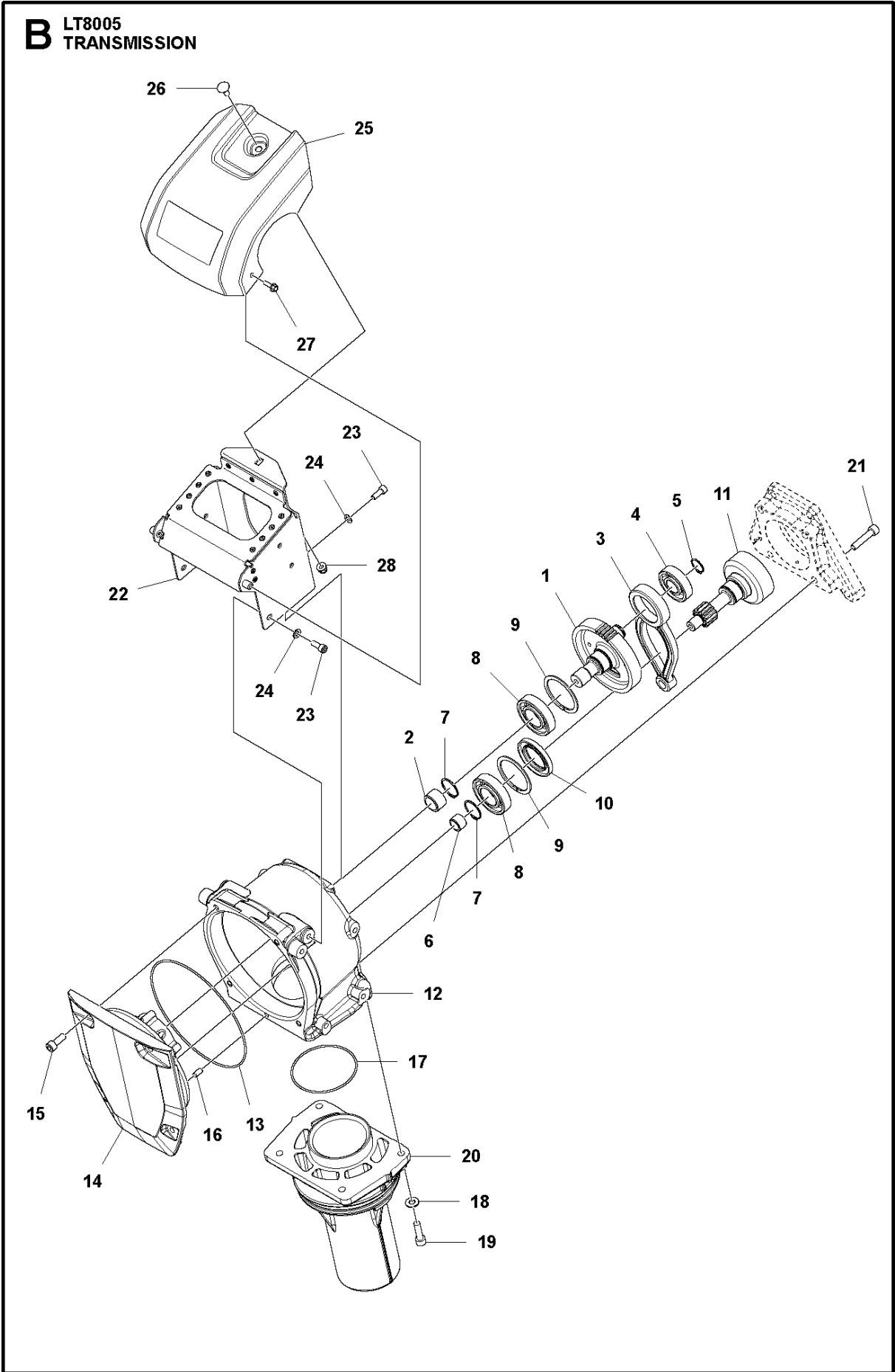
LT 8005, 967933901, 967933902, 2019-08



## HANDLE

LT 8005, 967933901, 967933902, 2019-08

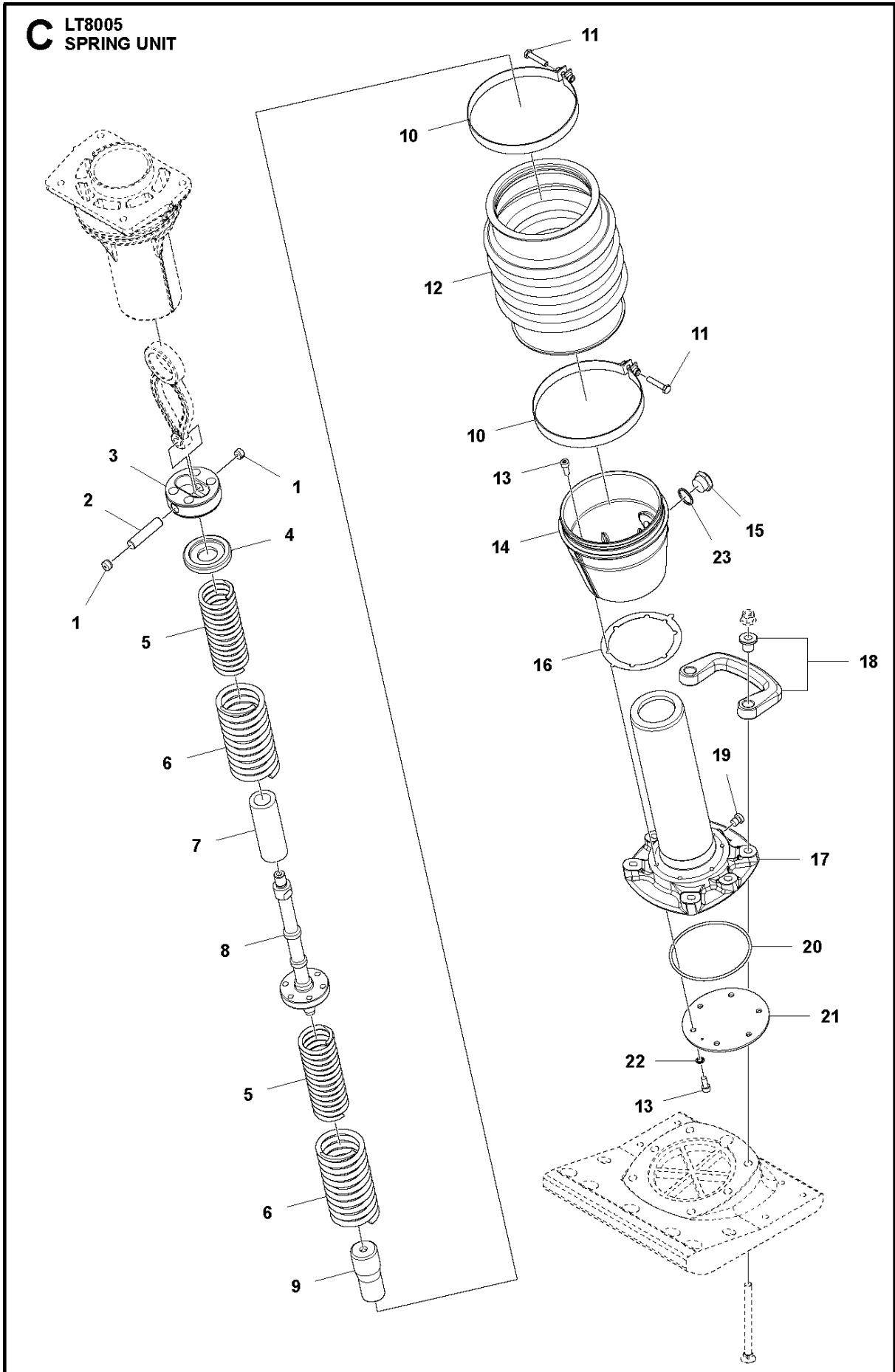
Ref	Part No	Description	Remark	QTY	KIT
1	597 12 61-01	THROTTLE CONTROL	THROTTLE CONTROL, CPL	1	
2	000 00 00-00	W/O DESCRIPTION	HANDLE	1	1
3	000 00 00-00	W/O DESCRIPTION	CONTROL CABLE, CPL	1	1
4	594 12 13-01	SCREW	SCREW M5 X 12 MM	2	
5	594 45 85-01	VALVE	SHAFT	2	
6	595 11 12-01	SCREW	SCREW	4	
7	595 03 60-01	LOCK NUT	LOCK NUT	8	
8	597 12 63-01	FRAME	FRAME	1	
9	597 12 63-02	FRAME	FRAME	1	
10	597 78 80-01	BOLT	SCREW	6	
11	597 78 59-01	FIXING WASHER	WASHER	6	
12	594 18 15-01	SPACER	SPACER	4	
13	595 11 02-01	BOLT	BOLT	4	
14	595 03 66-01	WASHER	WASHER	8	
15	597 12 60-02	STOP	ANGLE STOP, RIGHT	1	
16	597 12 60-01	STOP	ANGLE STOP, LEFT	1	
17	597 12 68-01	UNIT	RUBBER ELEMENT	2	
18	595 34 84-01	SOCKET	SOCKET Hex. Screw. ?8?30	4	
19	594 11 96-01	SCREW	SCREW	4	
20	597 12 56-01	BRACKET	FILTER BRACKET	1	
21	597 87 83-01	SCREW	SCREW HEX SOCK	2	
22	594 12 38-01	PLANE WASHER	PLANE WASHER	2	



## TRANSMISSION

LT 8005, 967933901, 967933902, 2019-08

Ref	Part No	Description	Remark	QTY KIT
1	594 44 77-01	GEAR WHEEL	GEAR WHEEL	1
2	594 53 74-01	ROLLER BEARING	ROLLER BEARING Needle	1
3	594 44 22-01	CONNECTING ROD	CONNECTING ROD	1
4	594 25 85-01	BALL BEARING	BALL BEARING	1
5	594 12 47-01	RETAINER RING	RETAINER RING For Shaft	1
6	594 53 73-01	ROLLER BEARING	ROLLER BEARING Needle	1
7	595 11 40-01	SNAP RING	SNAP RING	2
8	594 53 17-01	BALL BEARING	BALL BEARING	2
9	595 04 62-01	SNAP RING	SNAP RING	2
10	594 53 76-01	SEALING	SEALING	1
11	594 44 76-01	SHAFT	SHAFT Centrifugal	1
12	597 12 62-01	CRANKCASE	CRANKCASE	1
13	595 04 72-01	O-RING	O-RING	1
14	595 36 29-01	COVER	COVER	1
15	595 11 13-01	SCREW	SCREW	4
16	595 10 93-01	PIN	PIN	1
17	595 11 77-01	O-RING	O-RING	1
18	594 74 74-01	WASHER	WASHER 10,5X22X2 HB305	4
19	595 05 83-01	SCREW	SCREW	4
20	594 17 84-01	TUBE	TUBE Outer	1
21	594 12 02-01	SCREW	SCREW	4
22	597 12 69-01	BRACKET	TOP BRACKET	1
23	595 34 83-01	SOCKET	SOCKET Hex. Screw	4
24	595 03 66-01	WASHER	WASHER	4
25	597 12 71-01	CAP	FILTERCAP WITH HOLE	1
26	594 12 20-01	HEAD	HEAD Flat, screw	1
27	594 11 96-01	SCREW	SCREW	2
28	594 12 30-01	LOCK NUT	NUT	1

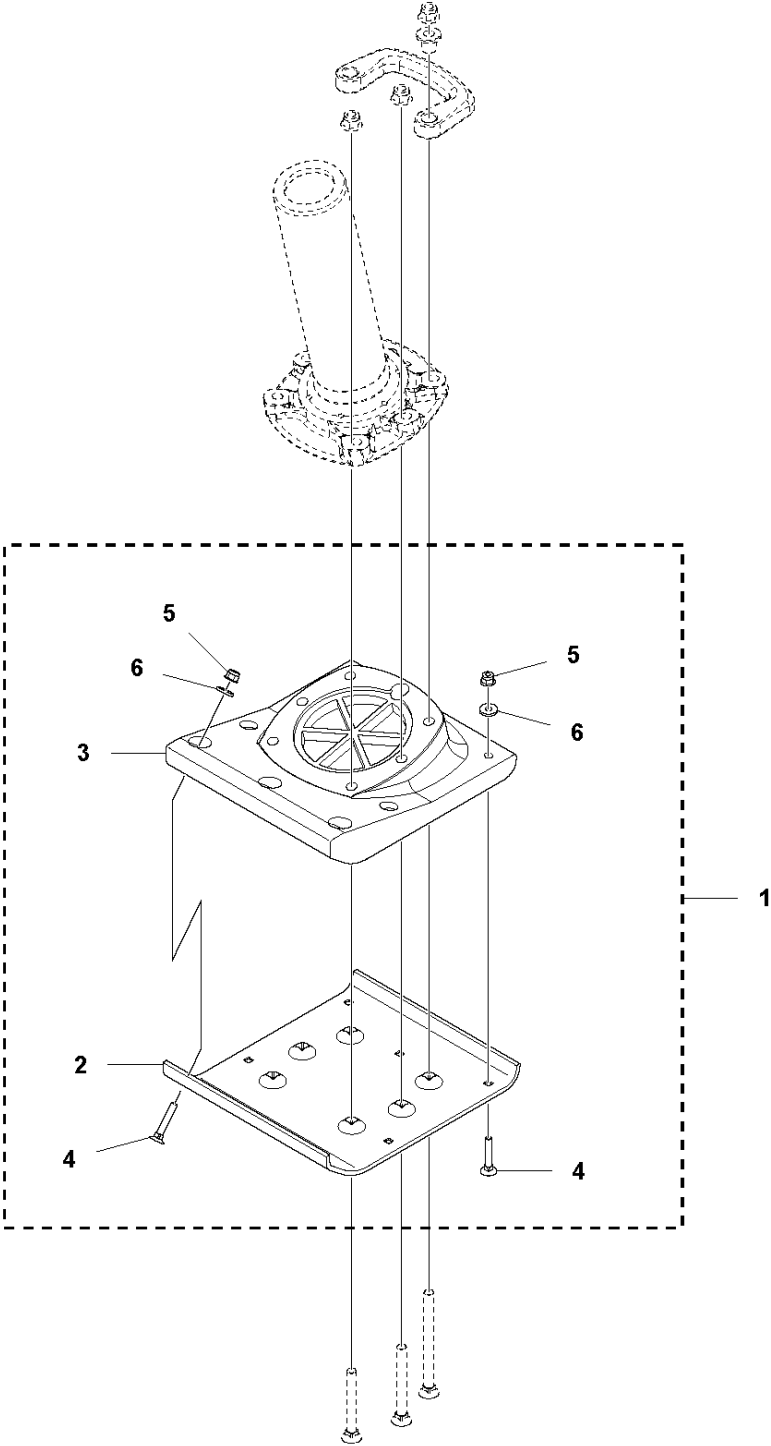


## SPRING UNIT

LT 8005, 967933901, 967933902, 2019-08

Ref	Part No	Description	Remark	QTY KIT
1	594 44 43-01	PLUG	PLUG	2
2	594 44 41-01	BOLT	BOLT	1
3	594 44 74-01	PISTON ROD	PISTON ROD Head	1
4	594 45 63-01	COVER	COVER	1
5	594 44 18-01	SPRING	SPRING	2
6	594 44 17-01	SPRING	SPRING	2
7	594 44 19-01	STOP	STOP	1
8	594 45 60-01	PISTON ROD	PISTON ROD	1
9	594 44 20-01	STOP	STOP	1
10	594 34 96-01	HOSE CLAMP	HOSE CLAMP	2
11	595 03 35-01	SCREW	SCREW	2
12	594 65 20-01	BELLOWS	BELLOWS	1
13	595 34 83-01	SOCKET	SCREW Cap, M8- 1,25X20H 8.8	12
14	594 47 43-01	BRACKET	BRACKET Bellow	1
15	594 51 85-01	LEVEL	LEVEL Glass	1
16	594 45 59-01	GASKET	GASKET	1
17	594 45 61-01	TUBE	TUBE Inner	1
18	594 45 82-01	BRACKET	BRACKET	1
19	594 53 75-01	PLUG	PLUG Threaded	1
20	595 04 71-01	O-RING	O-RING	1
21	594 45 11-01	COVER	COVER	1
22	594 12 77-01	SEALING WASHER	RING Seal	6
23	594 51 84-01	WASHER	WASHER Fibre	1

**D** LT8005  
FOOT - 280mm / 11 in.



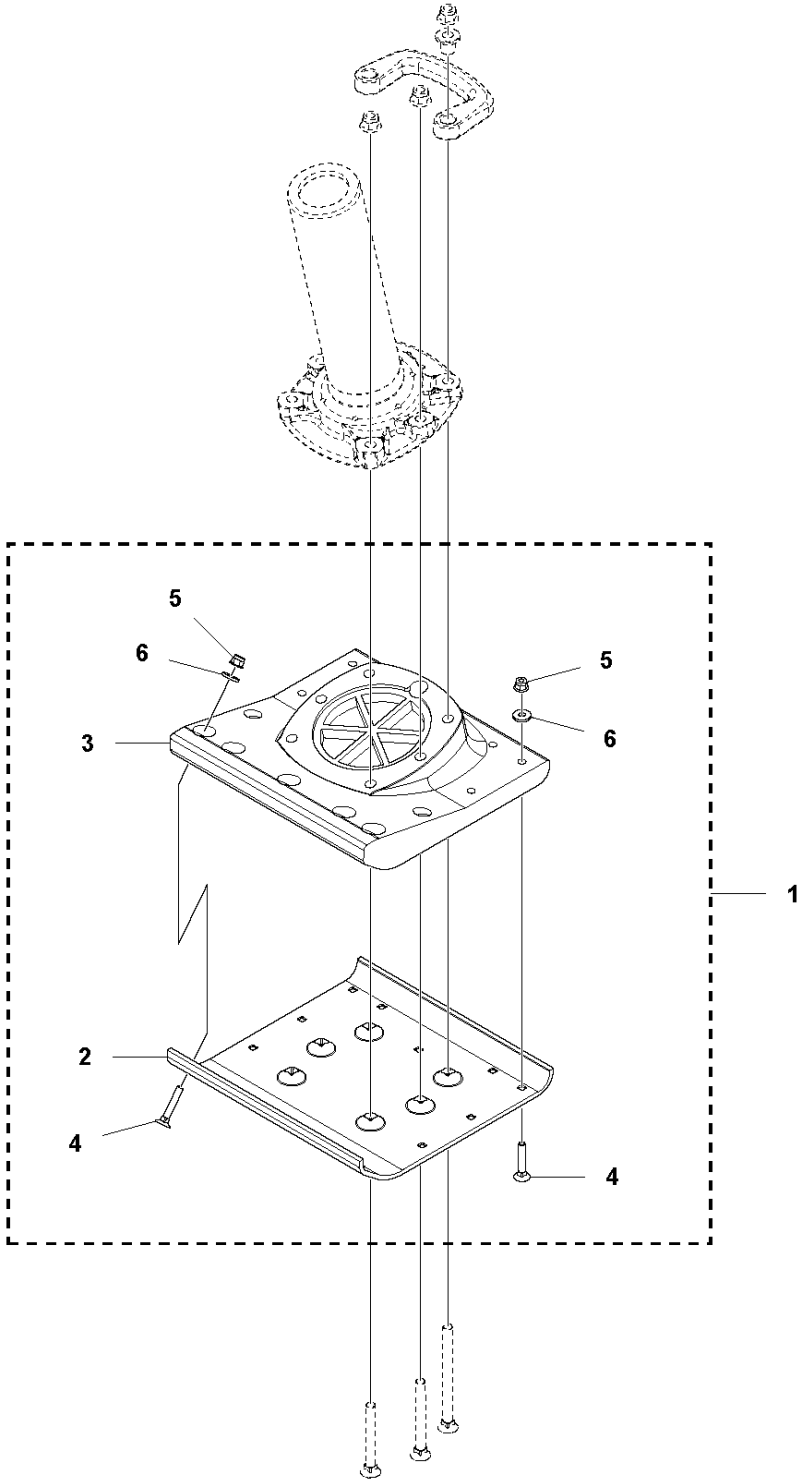


FOOT

LT 8005, 967933901, 967933902, 2019-08

Ref	Part No	Description	Remark	QTY KIT	
1	594 19 34-01	FOOTPLATE	Ramming Foot Mount 11 in.	1	
2	594 21 33-01	FOOTPLATE	BASE PLATE	1	1
3	594 45 10-01	FOOTPLATE	FOOTPLATE	1	1
4	594 51 70-01	SCREW	BOLT	8	1
5	594 12 30-01	LOCK NUT	LOCK NUT	8	1
6	594 12 34-01	WASHER	WASHER	8	1

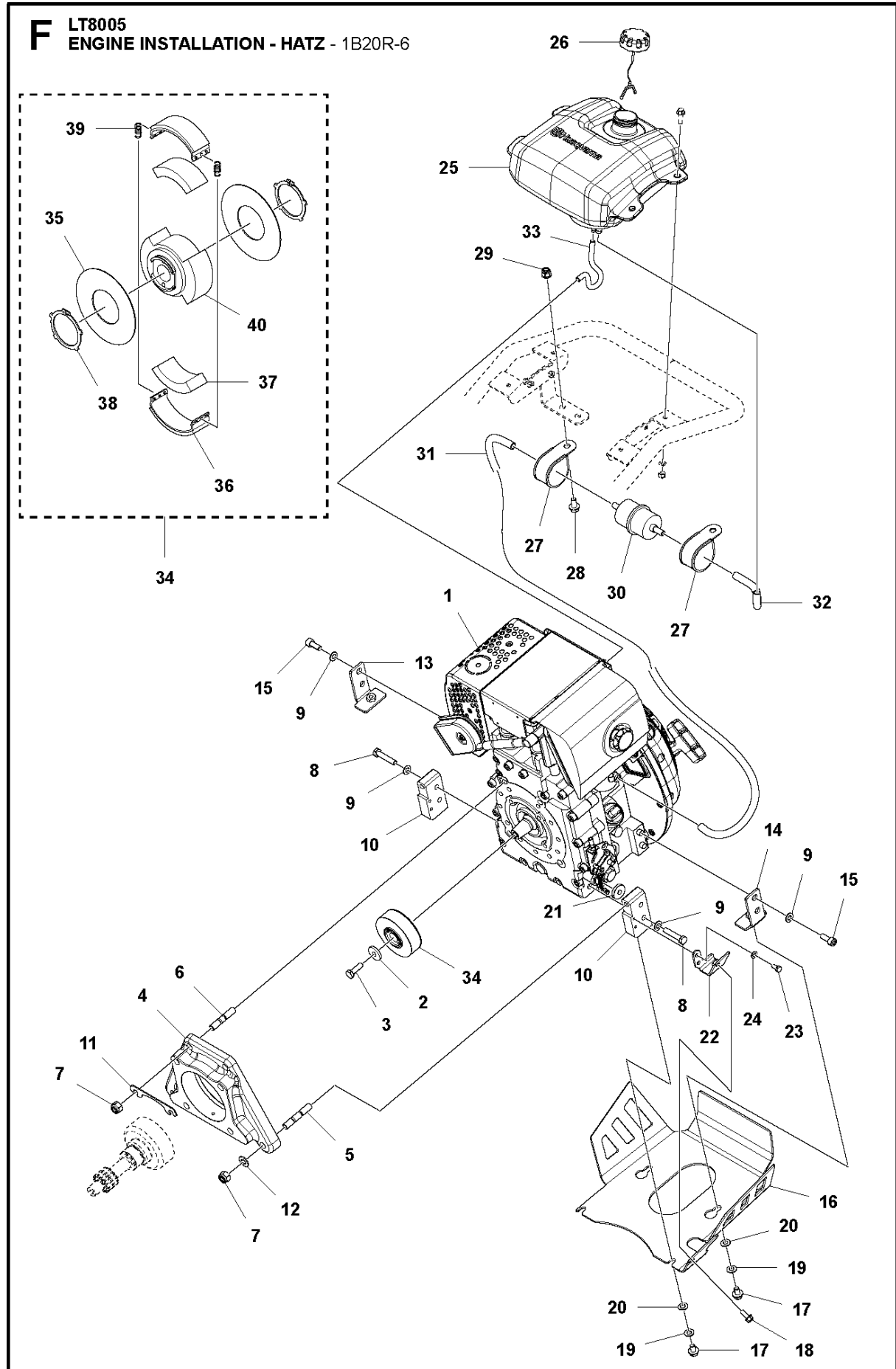
**E** LT8005  
FOOT - 330mm / 13 in.



## FOOT

LT 8005, 967933901, 967933902, 2019-08

Ref	Part No	Description	Remark	QTY	KIT
1	594 19 34-02	FOOTPLATE	Ramming Foot Mount 13 in.	1	
2	594 16 84-02	PLATE	BASE PLATE	1	1
3	594 45 27-01	FOOTPLATE	FOOTPLATE	1	1
4	594 51 70-01	SCREW	BOLT	14	1
5	594 12 30-01	LOCK NUT	LOCK NUT	14	1
6	594 12 34-01	WASHER	WASHER	14	1

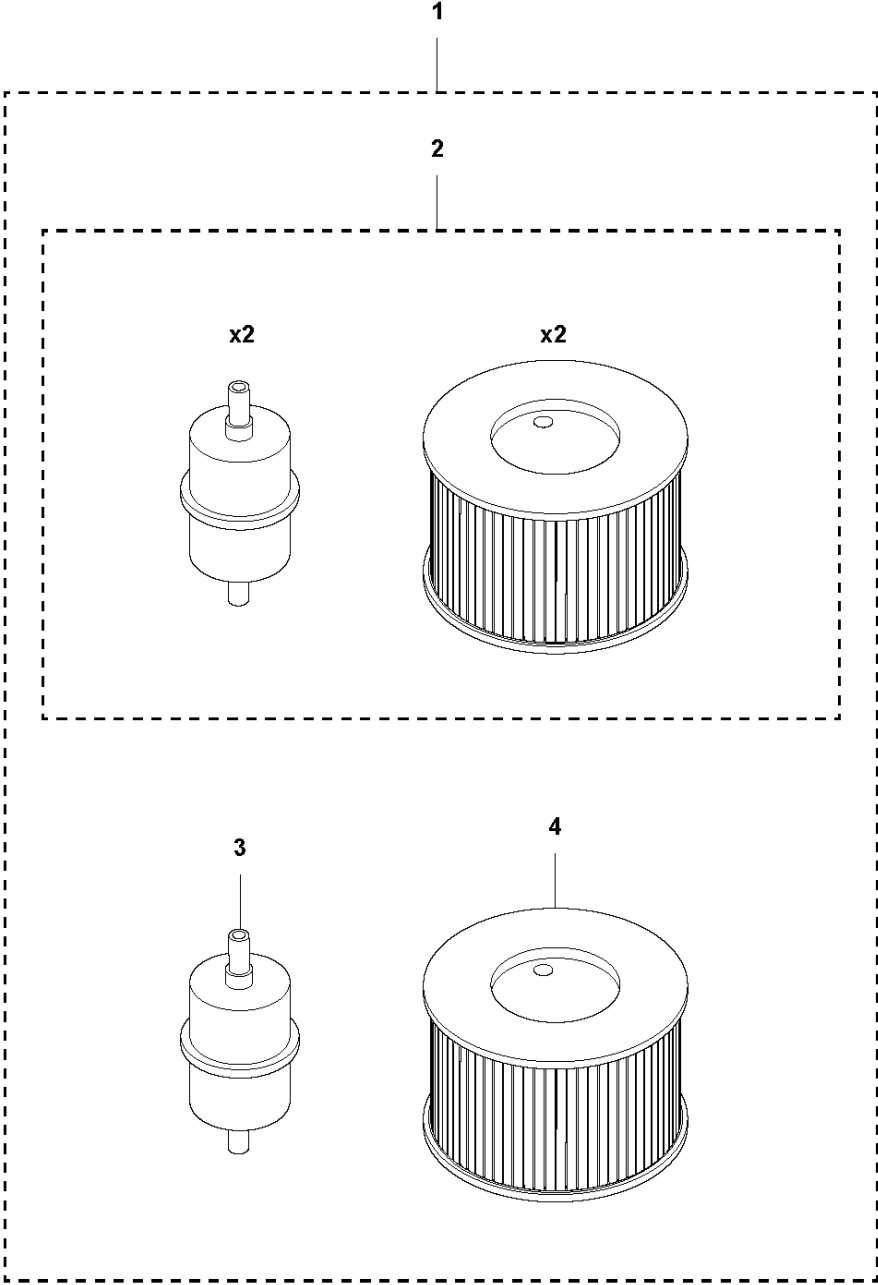


## ENGINE INSTALLATION - HATZ

LT 8005, 967933901, 967933902, 2019-08

Ref	Part No	Description	Remark	QTY	KIT
1	596 24 12-01	ENGINE	ENGINE HATZ 1B20R-6	1	
2	595 11 29-01	WASHER	WASHER	1	
3	595 03 34-01	SCREW	SCREW	1	
4	594 47 24-01	ADAPTER	ADAPTER	1	
5	594 47 03-01	SCREW	SCREW	2	
6	594 47 02-01	SCREW	SCREW	2	
7	594 12 31-01	LOCK NUT	LOCK NUT M10	4	
8	594 12 01-01	SCREW	SCREW	3	
9	595 03 66-01	WASHER	WASHER	4	
10	597 12 59-01	ADAPTER	ADAPTER FOUNDATION	2	
11	594 47 18-01	WASHER	WASHER	1	
12	595 11 33-01	WASHER	WASHER	2	
13	597 12 56-02	BRACKET	ENGINE PLATE BRACKET	1	
14	597 12 56-04	BRACKET	ENGINE PLATE BRACKET, LEFT	1	
15	595 34 83-01	SOCKET	SOCKET Hex. Screw	4	
16	595 91 61-01	MOTOR COVER	MOTOR COVER Engine cover	1	
17	594 11 79-01	SCREW	SCREW FLANGE	4	
18	595 03 32-01	SCREW	SCREW FLANGE	1	
19	594 12 34-01	WASHER	WASHER	4	
20	595 04 39-01	WASHER	WASHER	4	
21	595 06 11-01	WASHER	WASHER	1	
22	597 12 56-03	BRACKET	ENGINE PLATE BRACKET	1	
23	595 03 32-01	SCREW	SCREW	2	
24	595 03 65-01	WASHER	WASHER Plain	2	
25	597 12 58-01	FUEL TANK ASSY	FUEL TANK ASSY	1	
26	594 16 99-01	FUEL CAP	FUEL CAP	1	
27	595 46 97-01	CLAMP	CLAMP	2	
28	594 12 00-01	SCREW	SCREW	2	
29	594 12 30-01	LOCK NUT	FLANGED LOCK NUT	2	
30	594 57 99-01	FUEL FILTER	FUEL FILTER	1	
31	594 60 74-01	FUEL HOSE	FUEL HOSE	1	
32	594 60 92-01	FUEL HOSE	FUEL HOSE	1	
33	594 60 92-01	FUEL HOSE	FUEL HOSE	1	
34	594 44 75-01	CLUTCH	CLUTCH CPL	1	
35	594 31 25-01	COVER	COVER	2	34
36	594 58 29-01	CLUTCH	CLUTCH LINING	2	34
37	000 00 00-00	W/O DESCRIPTION	CENTRIFUGAL WEIGHT	2	34
38	594 31 19-01	RING	SNAP RING	2	34
39	594 58 10-01	SPRING	SPRING	2	34
40	000 00 00-00	W/O DESCRIPTION	HUB	1	34

**G** LT8005  
START UP KIT - HATZ

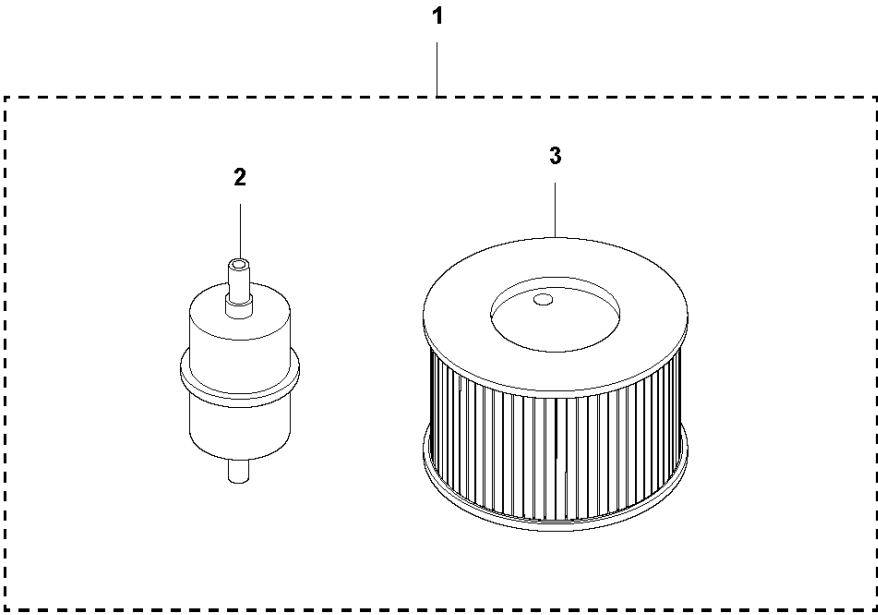


START UP KIT - HATZ

LT 8005, 967933901, 967933902, 2019-08

Ref	Part No	Description	Remark	QTY KIT	
1	594 21 83-01	SERVICE KIT	Start up kit	1	
2	594 21 47-01	FILTER	Six months / Every 100 hours kit	1	1
3	594 57 99-01	FUEL FILTER	Fuel filter	2	1, 2
4	594 58 16-01	AIR FILTER	Air filter element	2	1, 2

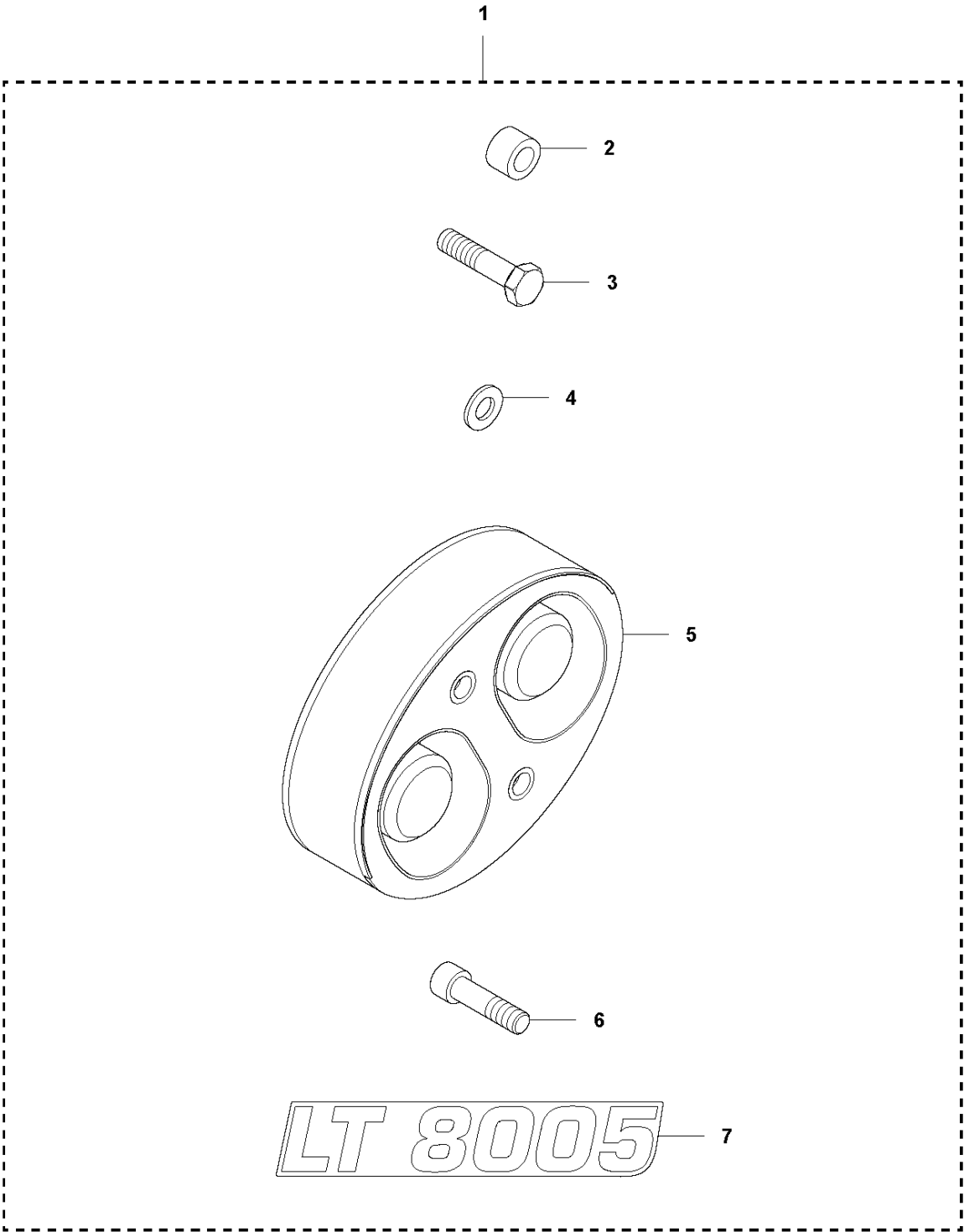
**H** LT8005  
6 MONTHS / 100 HOURS SERVICE KIT - HATZ





Ref	Part No	Description	Remark	QTY KIT	
1	594 21 47-01	FILTER	Six months / Every 100 hours kit	1	
2	594 57 99-01	FUEL FILTER	Fuel filter	2	1
3	594 58 16-01	AIR FILTER	Air filter element	2	1

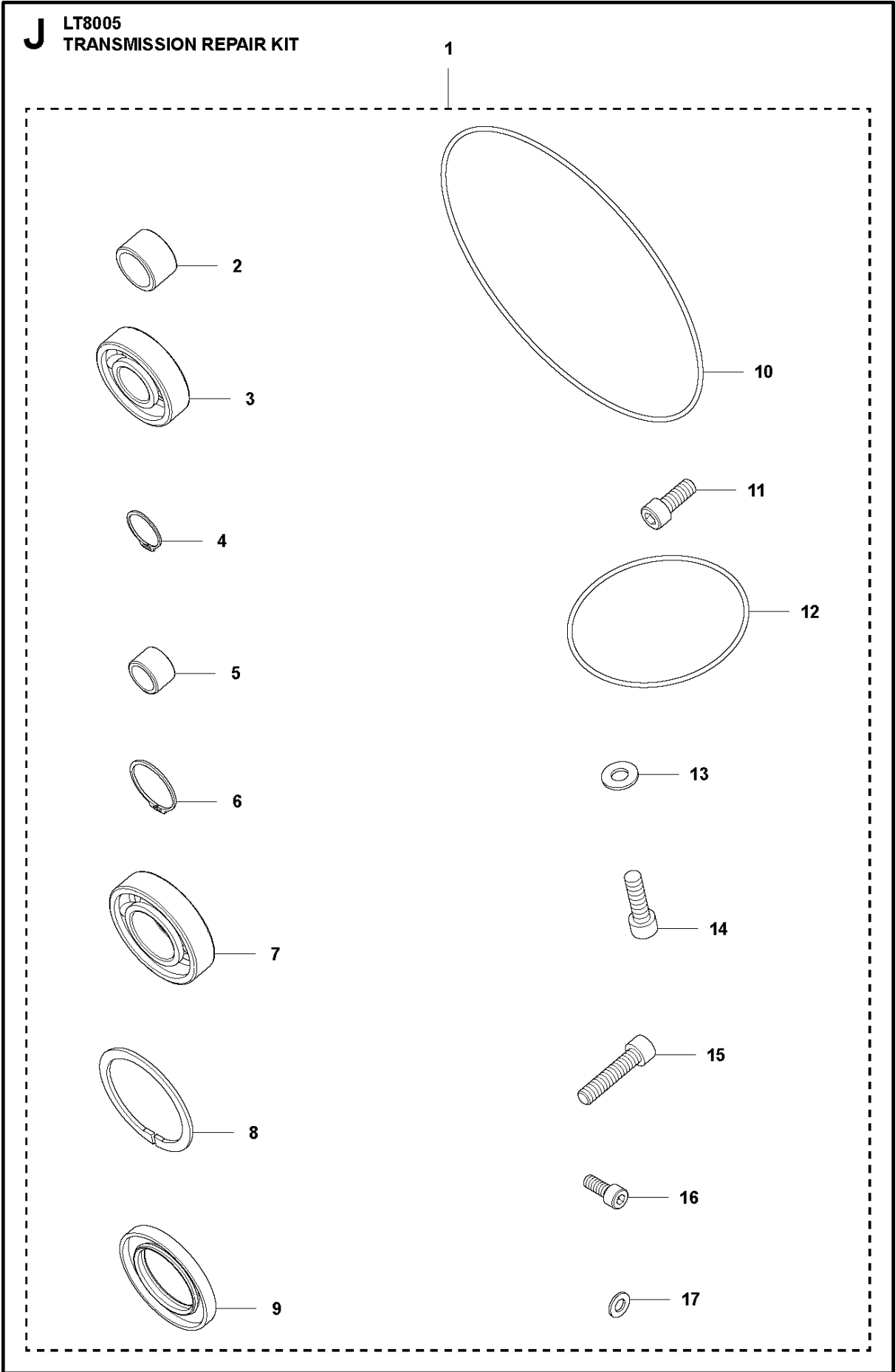
**LT8005  
SHOCK ABSORBER REPAIR KIT**



SHOCK ABSORBER REPAIR KIT

LT 8005, 967933901, 967933902, 2019-08

Ref	Part No	Description	Remark	QTY KIT	
1	597 87 51-01	REPAIR KIT	Shock absorber repair kit	1	
2	594 18 15-01	SPACER	SPACER	4	1
3	595 11 02-01	BOLT	BOLT	4	1
4	595 03 66-01	WASHER	WASHER	8	1
5	597 12 68-01	UNIT	RUBBER ELEMENT	2	1
6	595 34 84-01	SOCKET	SOCKET Hex. Screw. ?8?30	4	1
7	597 03 18-01	DECAL	DECAL Model Name LT 8005	2	1

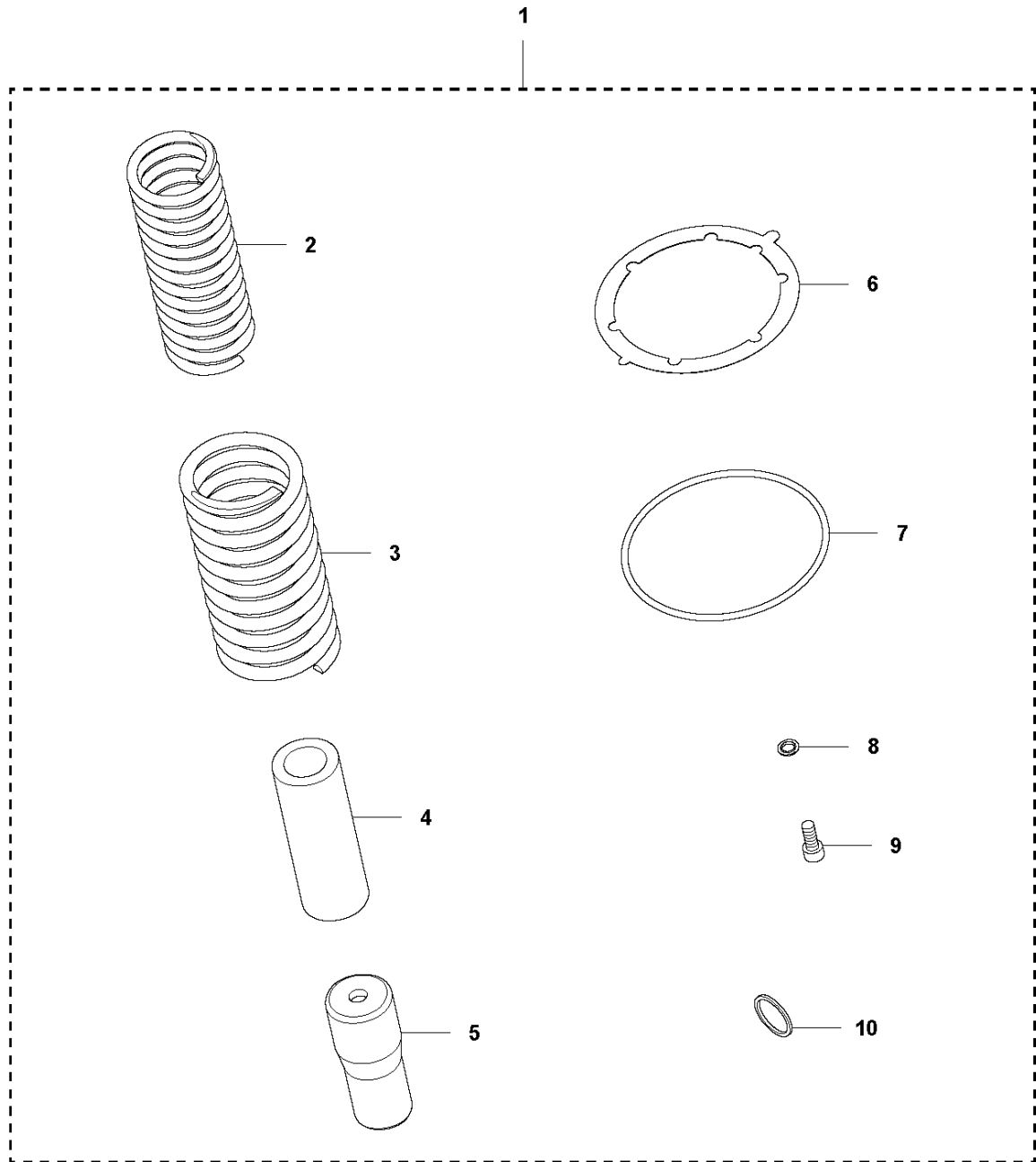


## TRANSMISSION REPAIR KIT

LT 8005, 967933901, 967933902, 2019-08

Ref	Part No	Description	Remark	QTY KIT	
1	597 87 51-02	REPAIR KIT	Repair kit, transmission	1	
2	594 53 74-01	ROLLER BEARING	ROLLER BEARING Needle	1	1
3	594 25 85-01	BALL BEARING	BALL BEARING	1	1
4	594 12 47-01	RETAINER RING	RETAINER RING For Shaft	1	1
5	594 53 73-01	ROLLER BEARING	ROLLER BEARING Needle	1	1
6	595 11 40-01	SNAP RING	SNAP RING	2	1
7	594 53 17-01	BALL BEARING	BALL BEARING	2	1
8	595 04 62-01	SNAP RING	SNAP RING	2	1
9	594 53 76-01	SEALING	SEALING	1	1
10	595 04 72-01	O-RING	O-RING	1	1
11	595 11 13-01	SCREW	SCREW	4	1
12	595 11 77-01	O-RING	O-RING	1	1
13	594 74 74-01	WASHER	WASHER 10,5X22X2 HB305	4	1
14	595 05 83-01	SCREW	SCREW	4	1
15	594 12 02-01	SCREW	SCREW	4	1
16	595 34 83-01	SOCKET	SOCKET Hex. Screw	4	1
17	595 03 66-01	WASHER	WASHER	4	1

**K** LT8005  
SPRING UNIT REPAIR KIT

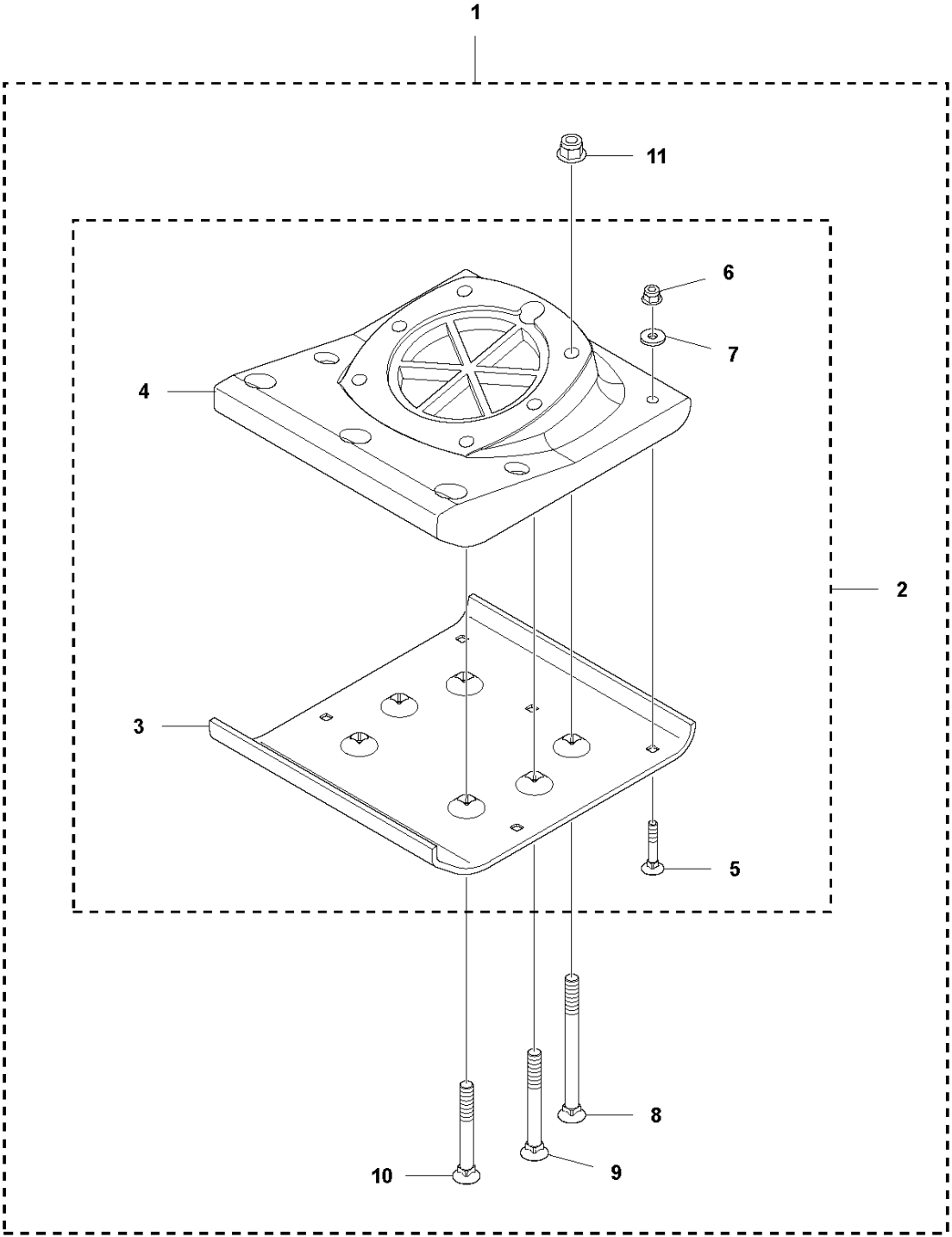


## SPRING UNIT REPAIR KIT

LT 8005, 967933901, 967933902, 2019-08

Ref	Part No	Description	Remark	QTY KIT	
1	594 65 52-01	REPAIR KIT	Repair kit, spring unit	1	
2	594 44 18-01	SPRING	SPRING	2	1
3	594 44 17-01	SPRING	SPRING	2	1
4	594 44 19-01	STOP	STOP	1	1
5	594 44 20-01	STOP	STOP	1	1
6	594 45 59-01	GASKET	GASKET	1	1
7	595 04 71-01	O-RING	O-RING	1	1
8	594 12 77-01	SEALING WASHER	RING Seal	6	1
9	595 34 83-01	SOCKET	SCREW Cap, M8- 1,25X20H 8.8	6	1
10	594 51 84-01	WASHER	WASHER Fibre	1	1

**L** LT8005  
FOOT REPAIR KIT - 280mm / 11 in.



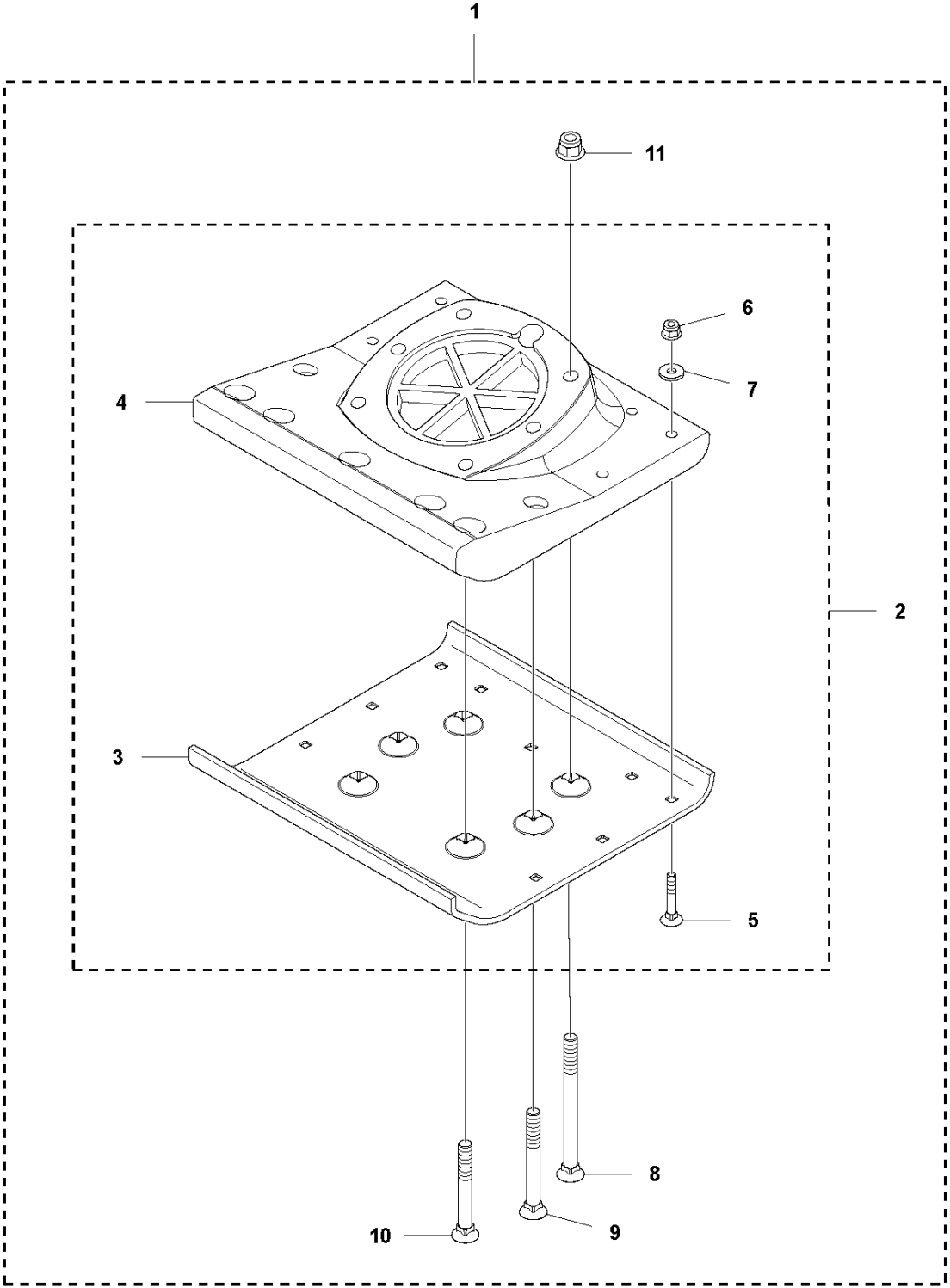


## FOOT REPAIR KIT

LT 8005, 967933901, 967933902, 2019-08

Ref	Part No	Description	Remark	QTY KIT	
1	594 21 14-01	REPAIR KIT	Foot (280mm / 11 in.) repair kit	1	
2	594 19 34-01	FOOTPLATE	Ramming Foot Mount 11 in.	1	1
3	594 21 33-01	FOOTPLATE	BASE PLATE	1	1, 2
4	594 45 10-01	FOOTPLATE	FOOTPLATE	1	1, 2
5	594 51 70-01	SCREW	BOLT	8	1, 2
6	594 12 30-01	LOCK NUT	LOCK NUT	8	1, 2
7	594 12 34-01	WASHER	WASHER	8	1, 2
8	594 12 24-01	BOLT	BOLT	2	1
9	594 12 23-01	BOLT	BOLT	2	1
10	594 12 22-01	BOLT	BOLT	2	1
11	594 12 32-01	LOCK NUT	NUT M12, 10.9	6	1

**M** LT8005  
FOOT REPAIR KIT - 330mm / 13 in.

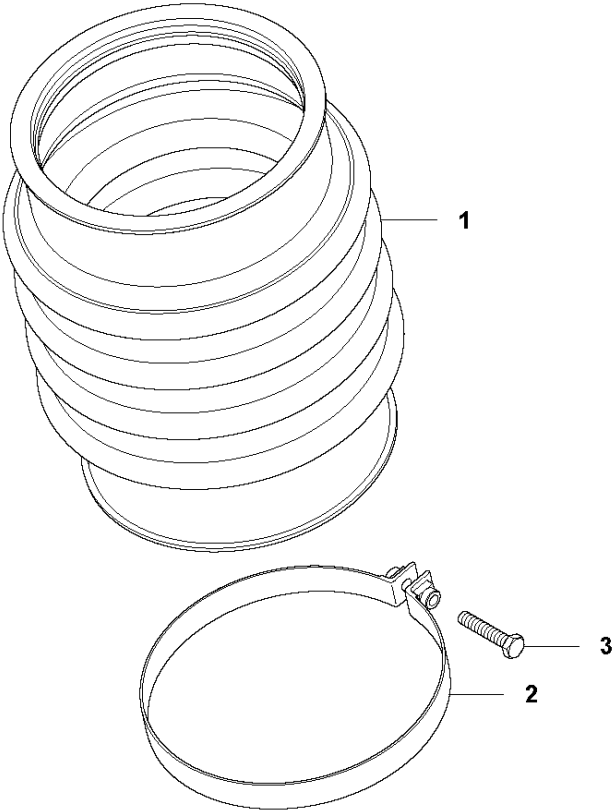


## FOOT REPAIR KIT

LT 8005, 967933901, 967933902, 2019-08

Ref	Part No	Description	Remark	QTY KIT	
1	594 21 41-01	PLATE	Foot (330mm / 13 in.) repair kit	1	
2	594 19 34-02	FOOTPLATE	Ramming Foot Mount 13 in.	1	1
3	594 16 84-02	PLATE	BASE PLATE	1	1, 2
4	594 45 27-01	FOOTPLATE	FOOTPLATE	1	1, 2
5	594 51 70-01	SCREW	BOLT	14	1, 2
6	594 12 30-01	LOCK NUT	LOCK NUT	14	1, 2
7	594 12 34-01	WASHER	WASHER	14	1, 2
8	594 12 24-01	BOLT	BOLT	2	1
9	594 12 23-01	BOLT	BOLT	2	1
10	594 12 22-01	BOLT	BOLT	2	1
11	594 12 32-01	LOCK NUT	NUT M12, 10.9	6	1

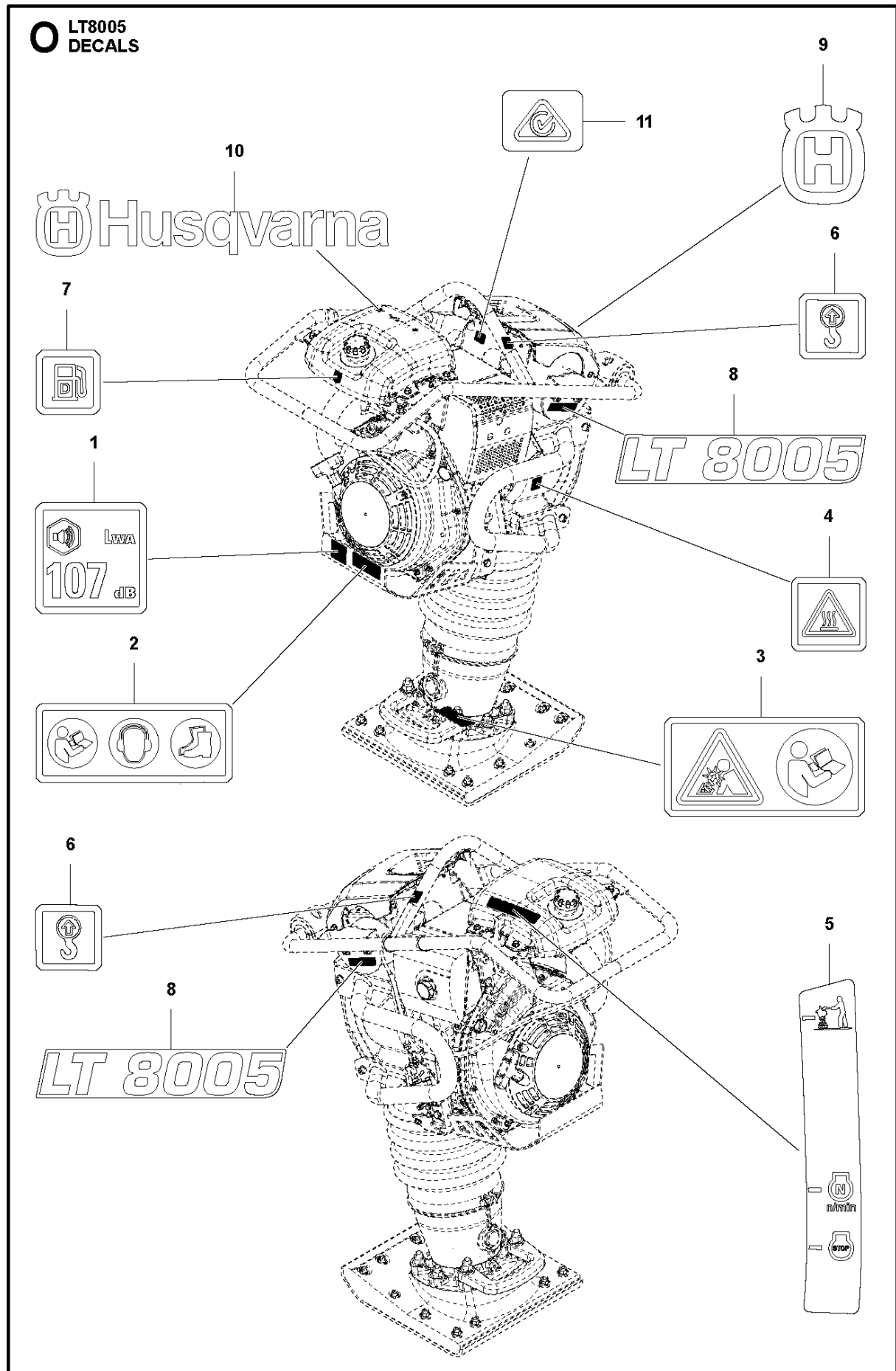
**N** LT8005  
BELLOWS REPAIR KIT



BELLOWS REPAIR KIT

LT 8005, 967933901, 967933902, 2019-08

Ref	Part No	Description	Remark	QTY KIT
1	594 65 20-01	BELLOWS	BELLOWS	1
2	594 34 96-01	HOSE CLAMP	HOSE CLAMP	2
3	595 03 35-01	SCREW	SCREW	2



## DECALS

LT 8005, 967933901, 967933902, 2019-08

Ref	Part No	Description	Remark	QTY KIT
1	597 87 53-01	DECAL	DECAL NOISE LEVEL 107dB	1
2	594 65 96-01	LABEL	DECAL Safety	1
3	595 51 26-01	DECAL	DECAL SPRING WARNING 80x40 mm	1
4	594 65 98-01	LABEL	DECAL Safety	1
5	594 66 01-01	LABEL	DECAL Start instruction	1
6	594 65 99-01	LABEL	DECAL Lifting Point	2
7	594 66 16-01	LABEL	DECAL DIESEL FUEL	1
8	597 03 18-01	DECAL	DECAL Model Name LT 8005	2
9	595 31 98-01	DECAL	DECAL LG 300 Crown flat 55 mm	1
10	596 91 27-01	DECAL	DECAL Husqvarna Logo (special) 111x20.8 mm	1
11	596 28 02-01	DECAL	DECAL Compliance RCM	1