



Husqvarna®



PG 830S

EN	Operator's manual	2-27
FR	Manuel d'utilisation	28-54
NL	Gebbruksaanwijzing	55-81
DE	Bedienungsanweisung	82-109

Contents

Introduction.....	2	Troubleshooting.....	20
Safety.....	5	Transportation, storage and disposal.....	22
Operation.....	9	Technical data.....	24
Maintenance.....	17	EC Declaration of Conformity.....	27

Introduction

Product description

The product is a floor grinder for surfaces of different hardness.

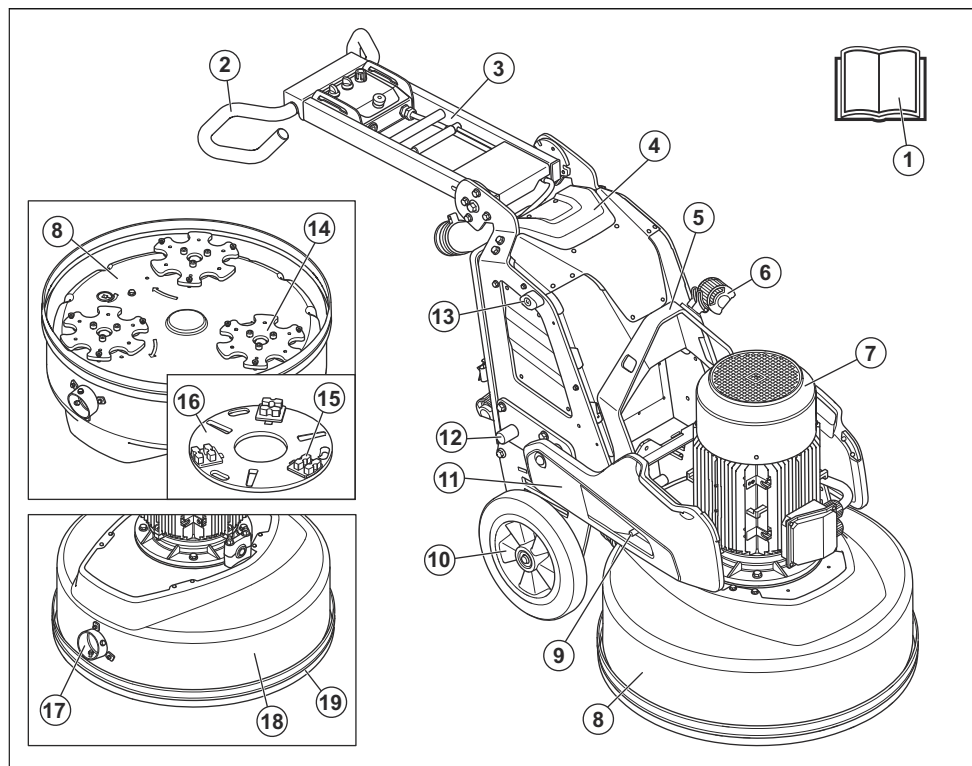
Intended use

The product is used to grind surfaces of materials with different hardness such as natural stone, terazzo and

concrete. Also use the product to grind cover materials such as epoxy and glue. The finish of the surface can be rough or smooth. The product can be used for dry grinding and wet grinding. Do not use the product for other tasks.

The product is used in commercial operations by professional operators.

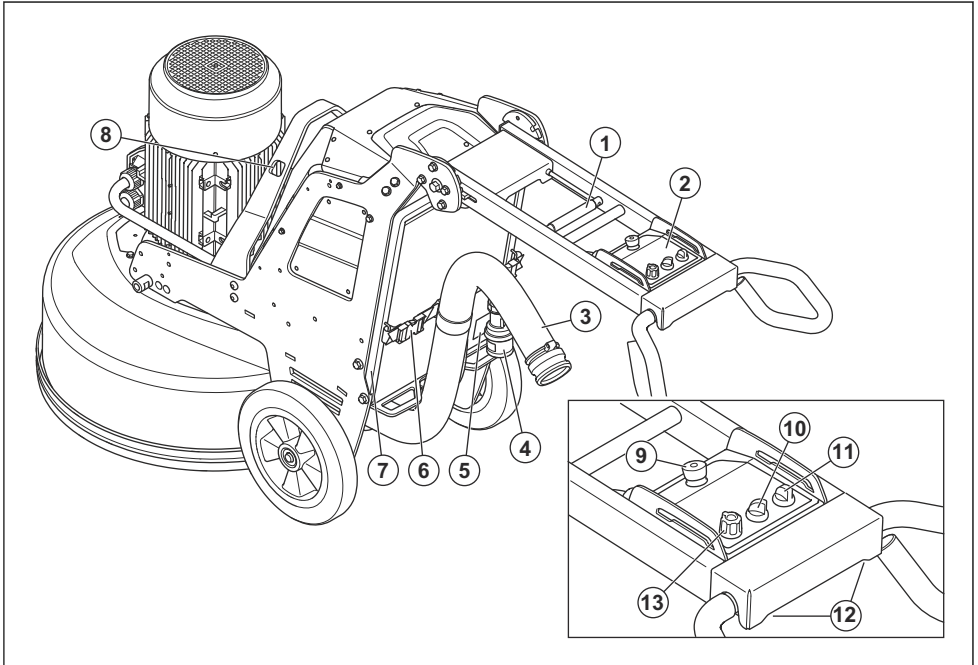
Product overview, right side



- | | |
|----------------------|--------------------------|
| 1. Operator's manual | 4. Electrical enclosure |
| 2. Handlebar | 5. Lifting eye |
| 3. Handle | 6. Headlight (accessory) |

- 7. Grinding disc motor
- 8. Grinding head
- 9. Weight lock
- 10. Wheel
- 11. Weight (accessory)
- 12. Weight holder
- 13. Weight bracket
- 14. Grinding disc
- 15. Diamond tool (accessory)
- 16. Tool plate
- 17. Connection for dust extractor
- 18. Cover
- 19. Dust skirt

Product overview, left side



- 1. Lock level for handle adjustment
- 2. Control panel
- 3. Connection fro dust extractor
- 4. Power cord
- 5. Rating plate
- 6. Suspension device for dust extractor and power cord
- 7. Support frame
- 8. Holes for strap
- 9. Emergency stop button
- 10. STOP/RUN switch
- 11. ON/OFF switch
- 12. Screws for handlebar adjustment
- 13. Knob for direction of rotation and speed for grinding disc

Symbols on the product



WARNING: This product can be dangerous and cause serious injury or death to the operator or others. Be careful and use the product correctly.



Read the manual carefully and make sure that you understand the instructions before you use the product.



Use hearing protection, eye protection and respiratory protection. Refer to *Personal protective equipment* on page 6.



The dust can cause health problems. Use an approved respiratory protection. Always make sure that there is good airflow.



Always lift the product at the lifting eye.



Use the holes for tie-down straps to attach the product to a transport vehicle.



Double insulation, battery and battery charger.



Use and keep battery charger only indoors.



The product is not domestic waste. Recycle it at an approved disposal location for electrical and electronic equipment.



This product is in compliance with applicable EC directives.

Note: Other symbols/decals on the product refer to special certification requirements for some markets.

Symbols on the control panel



Emergency stop.



Product on and reset the product.

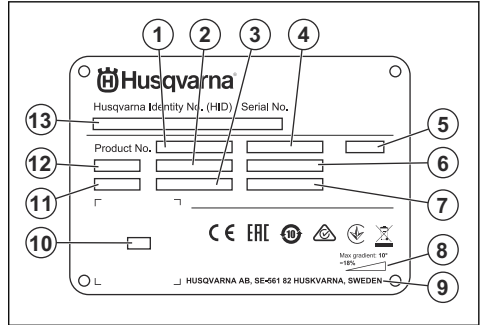


Grinding head on.



Speed and direction of rotation, grinding disc.

Rating plate



1. Product number
2. Product weight
3. Rated power
4. Rated voltage
5. Enclosure
6. Rated current
7. Frequency
8. Maximum slope angle
9. Manufacturer
10. Scannable code
11. Production year
12. Model
13. Serial number

Product liability

As referred to in the product liability laws, we are not liable for damages that our product causes if:

- the product is incorrectly repaired.
- the product is repaired with parts that are not from the manufacturer or not approved by the manufacturer.
- the product has an accessory that is not from the manufacturer or not approved by the manufacturer.
- the product is not repaired at an approved service center or by an approved authority.

Husqvarna Fleet Services™

Husqvarna Fleet Services™ is a cloud solution that gives the operator an overview of all products that are connected. On this product a Husqvarna Fleet Services™ sensor can be installed. The Husqvarna Fleet Services™ sensor collects product data and lets you connect to the Husqvarna Fleet Services™ system. The Husqvarna Fleet Services™ system reports data such as operation time, servicing intervals and location of the product.

For more information about Husqvarna Fleet Services™, download the Husqvarna Fleet Services™ app or speak to your Husqvarna representative.

Safety

Safety definitions

Warnings, cautions and notes are used to point out specially important parts of the manual.



WARNING: Used if there is a risk of injury or death for the operator or bystanders if the instructions in the manual are not obeyed.



CAUTION: Used if there is a risk of damage to the product, other materials or the adjacent area if the instructions in the manual are not obeyed.

Note: Used to give more information that is necessary in a given situation.

General safety instructions



WARNING: Read the warning instructions that follow before you use the product.

- This product is a dangerous tool if you are not careful or if you use the product incorrectly. This product can cause serious injury or death to the operator or others. Before you use the product, you must read and understand the contents of this operator's manual.
- Save all warnings and instructions.
- Comply with all applicable laws and regulations.
- The operator and the employer of the operator must know and prevent the risks during operation of the product.
- Do not let a person operate the product unless they read and understand the contents of the operator's manual.
- Do not operate the product unless you receive training before use. Make sure that all operators receive training.
- Do not let a child operate the product.
- Only let approved persons operate the product.
- The operator is responsible for accidents that occur to other persons or their property.
- Do not use the product if you are tired, ill, or under the influence of alcohol, drugs or medicine.
- Always be careful and use your common sense.
- This product produces an electromagnetic field during operation. This field can under some circumstances interfere with active or passive medical implants. To decrease the risk of serious injury or death, we recommend persons with medical implants to speak to their physician and the medical implant manufacturer before operating this product.
- Keep the product clean. Make sure that you can clearly read signs and decals.
- Do not use the product if it is defective.
- Do not do modifications to this product.
- Do not operate the product if it is possible that other persons have done modifications to the product.

Safety instructions for operation



WARNING: Read the warning instructions that follow before you use the product.

- Use personal protective equipment. Refer to *Personal protective equipment on page 6*.
- Do not go away from the product when the motor is on.
- Always disconnect the power cord before you go away from the product.
- Do not pull the hose of the dust extractor. The product can fall and cause injury or damage.
- The grinding head must touch the surface when you start the product. This is not applicable when you do a check of the ON/OFF switch.
- Do not start the product without the dust skirt installed. The dust skirt must seal fully between the product and the floor.
- Keep away from areas where the product can cause injury. The product can quickly change position and hit you.
- If the product does not operate correctly, stop the motor.
- Make sure that clothing, long hair and jewelry do not get caught in moving parts.
- Make sure that you are in a safe and stable position during operation.
- Do not operate the product unless you can get aid if an accident occurs.
- If vibrations occur in the product or the noise level from the product is unusually high, stop the product immediately. Examine the product for damages. Repair damages or let an approved service agent do the repair.
- Overexposure to vibration can cause circulatory damage or nerve damage to persons with decreased blood circulation. Get medical aid if you have symptoms of overexposure to vibration. These symptoms include numbness, loss of feeling, tingling, pricking, pain, loss of strength, changes in skin color or condition. These symptoms usually show in the fingers, hands or wrists.
- Do not park the product on a slope. If you must park the product on a slope, make sure that the product cannot move or fall. There is a risk of injury and damage.

- Be very careful during operation on slopes. The product is heavy and can cause serious injury if it falls.
- Do not move the product on steep slopes. Look at the rating plate on the product for information about the maximum slope angle.
- Always use approved accessories. Speak to your dealer for more information.

Personal protective equipment

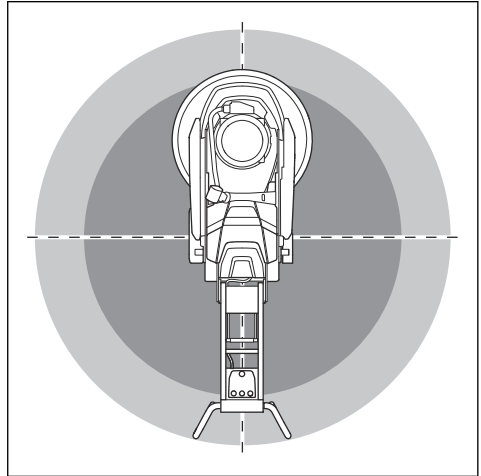


WARNING: Read the warning instructions that follow before you use the product.

- Always use correct personal protective equipment when you operate the product. The personal protective equipment does not erase the risk of injury. The personal protective equipment decreases the grade of injury if an accident occurs. Let your dealer help you select the right equipment.
- Use approved eye protection while you operate the product.
- Do not use loose, heavy and not applicable clothing. Use clothes that let you move freely.
- Use approved protective gloves that enables a solid hold.
- Use rubber protective gloves that prevents skin irritation from wet concrete.
- Use an approved protective helmet.
- Always use approved hearing protection while you operate the product. Noise for a long period can cause noise-induced hearing loss.
- The product makes dust and fumes that contain dangerous chemicals. Use an approved breathing protection.
- Use boots with steel toe-caps and non-slip soles.
- Make sure that you have a first aid kit near.
- Sparks can occur when you operate the product. Make sure that you have a fire extinguisher near.

Work area safety

- During operation, keep bystanders away from the area shown in the illustration below. The operator must be very careful in this area during operation.



- Make sure that only approved persons are in the work area.
- Do not use the product in fog, rain, strong winds, cold weather, risk of lightning or other bad weather conditions. To use the product in bad weather or in wet locations can have a negative effect on your alertness. Bad weather can cause dangerous work conditions.
- Look out for persons, objects and situations that can prevent safe operation of the product.
- Keep the work area sufficiently illuminated.
- Do not use the product in areas where fire or explosions can occur.

Electrical safety



WARNING: There is always a risk of shocks from electrical products. Do not use the product in bad weather conditions. Do not touch lightning conductors and metal objects. Always use the product as given in this operator's manual to prevent injury.



CAUTION: The product obeys the requirements in EN61000-3-11 and is a subject for conditional connection to the power mains. Speak with the supply authority for instructions on how to connect the product.

The power supply from the product or generator must be sufficient and constant to make sure that the motor operates without problems. Incorrect voltage causes the power consumption and the temperature of

the motor to increase until the safety circuit releases. The dimension of the power cord must agree with national and local regulations. The dimension of the mains socket must agree with the amperage for the electrical socket and extension cable of the product.

If the power mains has higher system resistance, short voltage drop can occur when the product is started. This can influence the operation of other products, for example flicker on the lights.

- Make sure that the power, fuse and mains voltage are the same as the voltage shown on the rating plate of the product.
- Always stop the product before you disconnect the power plug.
- Do not use the product if the power cord or power plug is damaged. Hand it in to an approved service

center for repair. A damaged power cord can cause serious injury and death.

- Use the power cord correctly. Do not use the power cord to move, pull or disconnect the product. Pull the power plug to disconnect the power cord. Do not pull the power cord.
- Do not operate the product in water depths where the equipment of the product gets wet. The equipment can become damaged and the product can become live and cause injury.
- Do not get more moisture into the product than the water supplied by the water system. Keep the product away from rain. Water that goes into the product increases the risk of electrical shock.
- Always disconnect the power cord before you connect or disconnect the connection for the motor cable and the electrical enclosure.

Guide values for power source

Nominal voltage from power source, V	Min. voltage at the product, V	Max. voltage at the product, V	Frequency, Hz	Nominal current, A	Motor output	Min. cable area mm ² /AWG	Max. cable length m/ft
3x220	200	240	50/60	50	11+1.5	10/7	190/620
3x400/440/480	380	480	50/60	30	11+1.5	6/9	190/620
3x220	200	240	50/60	50	11+1.5	10/7	190/620
3x400/440/480	380	480	50/60	30	15+1.5	6/9	190/620

Grounded product instructions



WARNING: Incorrect connection can result in electrical shock. Speak to an approved electrician if you are not sure if the product is correctly grounded.

Do not do modifications to the power plug from its factory specification. If the power plug is not correct for the mains outlet, let an approved electrician install a correct mains outlet. Obey local regulations and laws.

If you do not fully understand the instructions about the grounded product, speak to an approved electrician.

The product has a grounded power cord and power plug. Always connect the product to a grounded mains outlet. This decreases the risk of electrical shock if there is a malfunction.

Do not use electrical adapters with the product.

Extension cables

- Use only approved extension cables with sufficient length.
- The rated value on the extension cable must be the same or higher than given on the rating plate of the product.
- Use grounded extension cables.
- When you operate the product outdoors, use an extension cable that is applicable for outdoor operation. This decreases the risk of electrical shock.
- Keep the connection to the extension cable dry and off the ground.
- Keep the extension cable away from heat, oil, sharp edges or moving parts. A damaged cable increases the risk of electrical shock.
- Make sure that the extension cable is in good condition and not damaged.
- Do not use the extension cable while it is wound up. This can cause the extension cable to become too hot.

- Make sure that the extension cable is behind you and the product when you use the product. This prevents damage to the extension cable.

Safety devices on the product

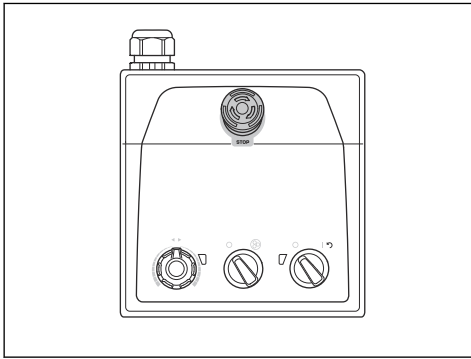


WARNING: Read the warning instructions that follow before you use the product.

- Do not use a product with defective safety devices.
- Do a check of the safety devices regularly. If the safety devices are defective, speak to your Husqvarna service agent.

Emergency stop button

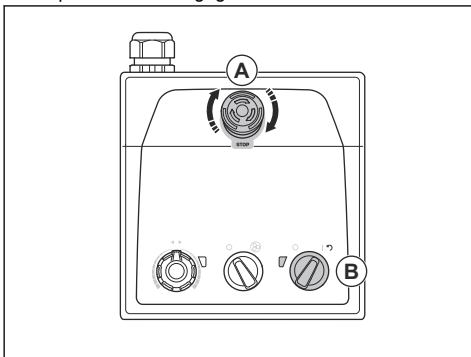
The emergency stop button is used to quickly stop the motor. The emergency stop button breaks the mains power supply.



CAUTION: Do not use the emergency stop button as the stop button for the product.

To do a check of the emergency stop button

1. Turn the emergency stop button (A) on the control panel clockwise to make sure that the emergency stop button is disengaged.



2. Turn the ON/OFF switch (B) on the control panel to 1 to start the motor. The LED adjacent to the ON/OFF switch comes on.
3. Push the emergency stop button.
4. Make sure that LED adjacent to the ON/OFF switch goes off.
5. Turn the emergency stop button clockwise to disengage.

Safety instructions for maintenance

- Keep all parts in good condition and make sure that all fixtures are correctly tightened.
- Do not use a product that is defective. Do the safety checks, maintenance and the servicing as given in this manual. All other maintenance work must be done by an approved service agent.
- Stop the product when you replace the diamond tools. Turn the ON/OFF switch to 0 and push the emergency stop button.
- Do the inspection and/or maintenance with the motor stopped and the power plug disconnected.
- Do the maintenance to make sure that the product operates correctly. Refer to *Maintenance schedule on page 17*.

Operation

Introduction



WARNING: Before you operate the product, you must read and understand the safety chapter.

To remove the product from the package



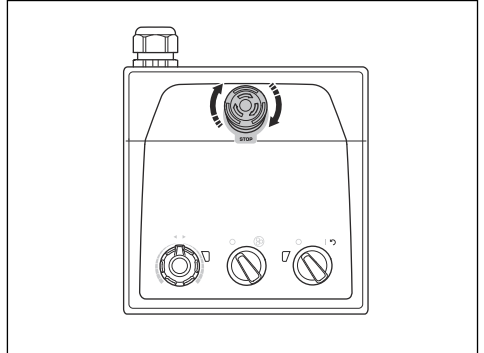
WARNING: Move the product from the pallet carefully and safely. The product is heavy and can cause serious injury if it falls.

- Make sure that all items that is shown in the product overview, are included. Refer to *Product overview, right side on page 2*. Speak to your Husqvarna dealer if an item is missing or damaged before you move the product from the pallet.
- Remove all package straps and wheel chocks.
- Make sure that the area is clear and that you have sufficient space to move the product.
- Make sure that there is no risk that you or the product can fall.
- Use lifting equipment or ramps to move the product from the pallet. The product is heavy. Move the product safely. Refer to *To lift the product on page 23*.

To do before you operate the product

1. Read the operator's manual carefully and make sure that you understand the instructions.
2. Put on necessary personal protective equipment. Refer to *Personal protective equipment on page 6*.
3. Make sure that only approved persons are in the work area.
4. Do daily maintenance. Refer to *Maintenance schedule on page 17*.
5. Make sure that the product is assembled correctly and is not damaged.
6. Put the product on the work area. Make sure that the transportation of the product to and in the work area is done safely and correctly. Refer to *Transportation on page 22*.
7. Make sure that there are diamond tools on the tool plates and that the diamond tools and tool plates are tightly attached.
8. Connect a dust extractor to the product. Refer to *To connect a dust extractor on page 12*.
9. Adjust the handle and the handlebar to an applicable operation height. Refer to *To adjust the handle and the handlebar on page 13*.

10. Make sure that the motor cable is connected to the electrical enclosure before the product is connected to a mains outlet. Refer to *To install and remove the grinding head on page 19*.
11. Connect the product to a power source. Refer to *To connect the product to a power source on page 13*.
12. Turn the emergency stop button on the control panel clockwise to make sure that the emergency stop button is disengaged.



13. Make sure that you know the direction of rotation of the grinding discs when you use direction diamond tools such as Piranhas.

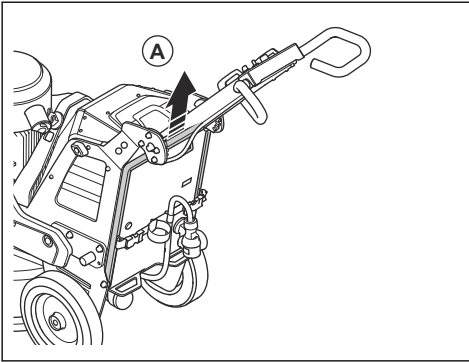
To engage and disengage the support frame

The product has a support frame that is used to tilt the product rearward. Also, the support frame is used as a suspension device to hang the dust extractor hose and the power cord on.

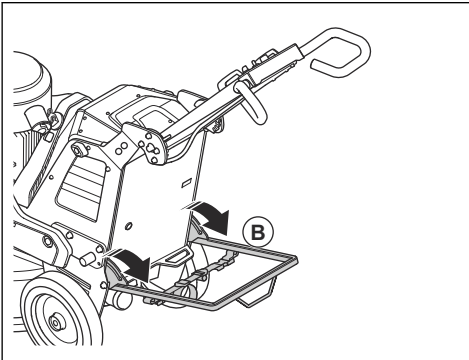


WARNING: Be careful when you move the support frame. The moving parts can cause injury.

1. Lift the support frame (A) a small distance.



2. Lower the support frame (B).



3. Fold up the support frame in the opposite sequence.

Diamond tools

There are many different types and configurations of diamond tools for the product. Metal bonded diamond tools are used for removal of material and resin bonded diamond tools are used to polish surfaces. Select the correct diamond tools for the surface. Speak to your Husqvarna dealer or go to www.husqvarnacp.com for support to select the correct tool.

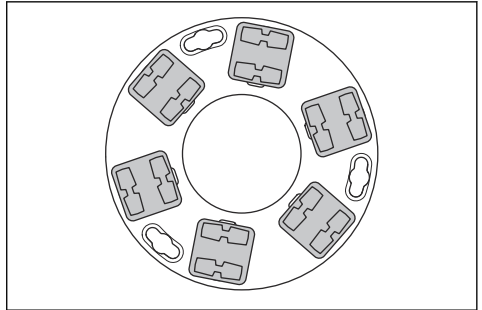
Disc holder alternatives for diamond tools

- Use a Redi lock disc holder to attach metal bonded diamond tools.
- Use a resin disc holder to attach plastic bonded diamond tools.

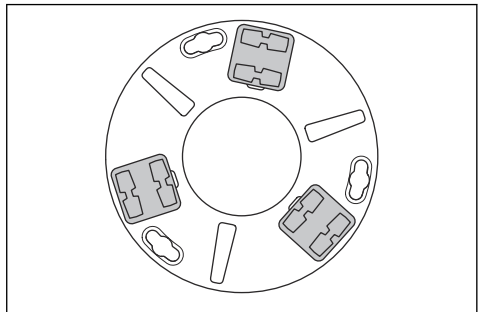
Full set and half set of diamond tools

The configuration of the diamond tool segments has an effect on the end quality of the surface. The configuration also has an effect on the operation rate of the product.

- Full set of diamond tools: This configuration is applicable for a flat floor finish.



- Half set of diamond tools: This configuration is applicable when a flat floor finish is not necessary.



To replace the diamond tools



WARNING: Always disconnect the power plug before you replace the diamond tools, to prevent accidental start.



WARNING: Use protective gloves, as diamond tools can become very hot.



WARNING: Use approved respiratory protection when you replace the diamond tools. The dust below the grinding head is dangerous to your health.

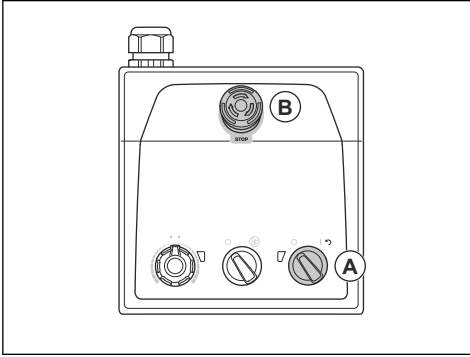


WARNING: Use the dust extractor when you replace the diamond tools. The dust extractor will decrease the dust that can cause health problems.

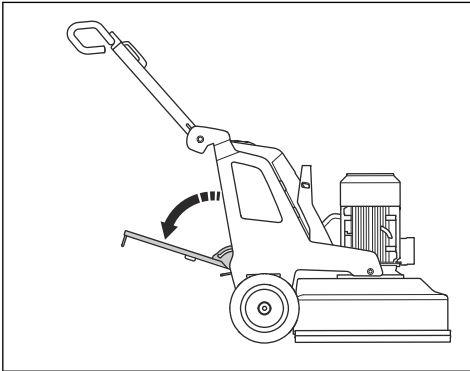


CAUTION: All the grinding discs must always have the same number and type of diamonds. The height of the diamonds must be the same on all grinding discs.

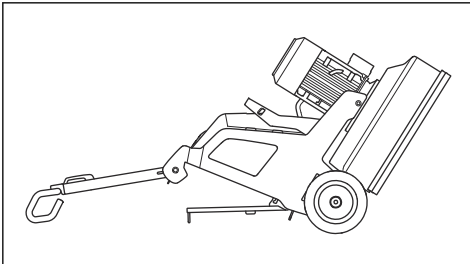
1. Turn the ON/OFF switch (A) on the control panel to 0. The LED adjacent to the ON/OFF switch goes off.



2. Push the emergency stop button (B) on the control panel.
3. Set the handle in servicing position. Refer to *Handle positions on page 12*.
4. If weights are installed, adjust the weights to a rearward position. Refer to *To adjust the weights on page 17*.
5. Engage the support frame. Refer to *To engage and disengage the support frame on page 9*.

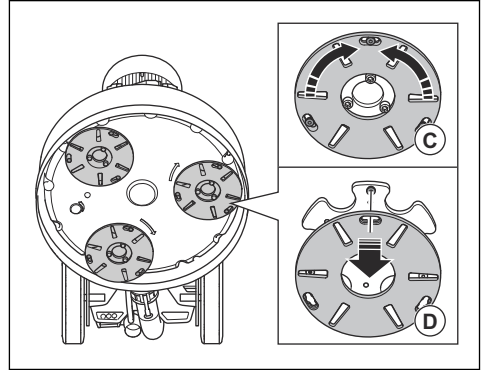


6. Hold the handlebar and with one foot on the support frame tilt the product rearward. Tilt the product until the handlebar is on the floor.

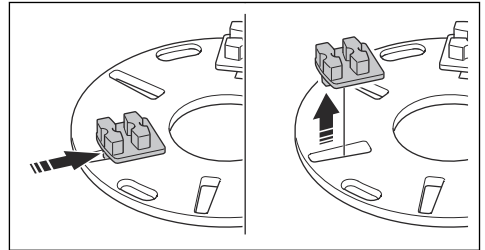


7. Put on protective gloves.

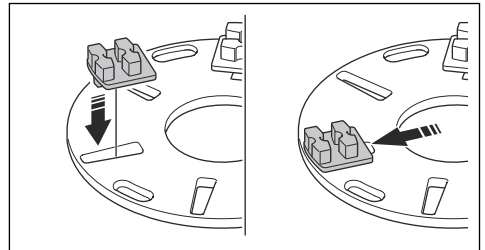
8. Turn the tool plate (C) to the right or to the left to unlock the tool plate from the grinding disc.



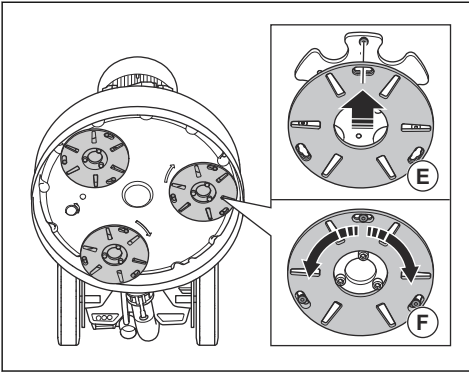
9. Pull the tool plate straight out (D) to remove the tool plate from the grinding disc.
10. Use a hammer to remove the diamond tools from the tool plate.



11. Attach new diamond tools to the tool plate with a soft hit of the hammer.



12. Attach the tool plate straight (E) on the grinding disc.

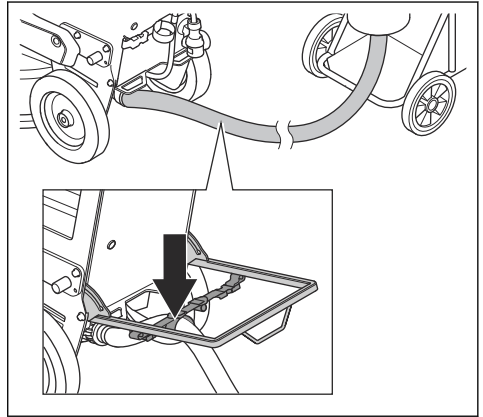


13. Turn the tool plate (F) to the right or to the left to lock the tool plate to the grinding disc.

14. Carefully lift the product to operation position. Use the handlebar and the support frame for support.

15. Disengage the support frame.

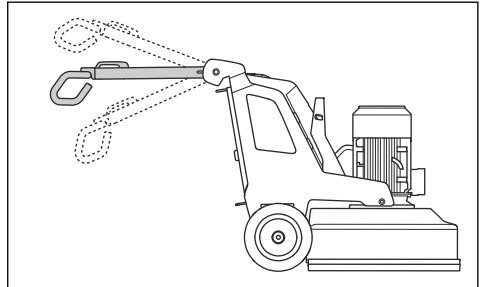
6. Hang the dust extractor hose on the suspension device on the support frame to prevent tension in the dust extractor hose.



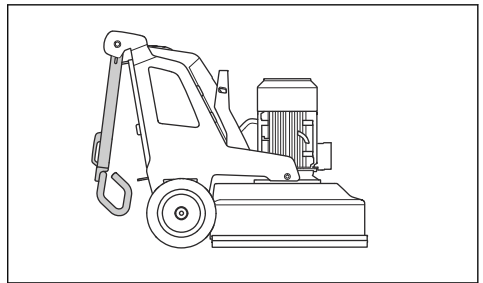
7. Disengage the support frame.

Handle positions

- Operation position of the handle:



- Transport position of the handle:

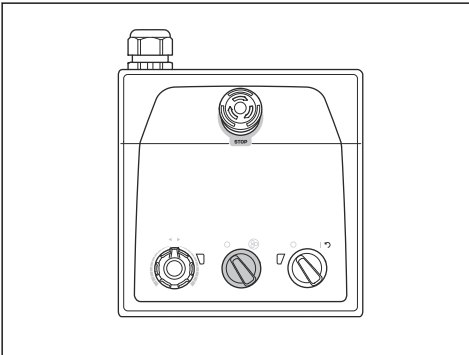


To connect a dust extractor



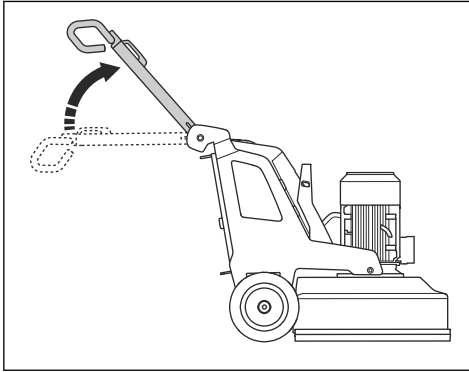
WARNING: Do not use the dust extractor if the dust extractor hose is damaged. The risk increases that you breathe in dust that is dangerous to your health. Use approved respiratory protection.

1. Examine the dust extractor hose for damages.
2. Make sure that the filters in the dust extractor are clean and not damaged.
3. Make sure that the STOP/RUN switch on the control panel is set to 0.



4. Connect the dust extractor hose to the product.
5. Engage the support frame. Refer to *To engage and disengage the support frame on page 9.*

- Servicing position of the handle:



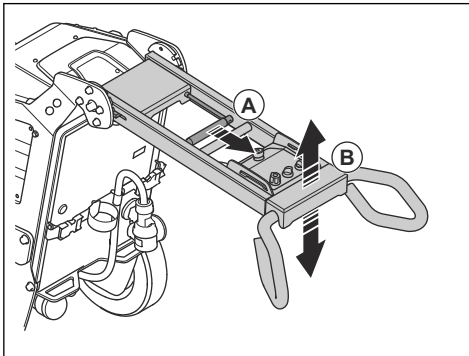
To adjust the handle and the handlebar



WARNING: Be careful when you adjust the handle and the handlebar. Make sure that the handle and the handlebar locks into position. The moving parts can cause injury.

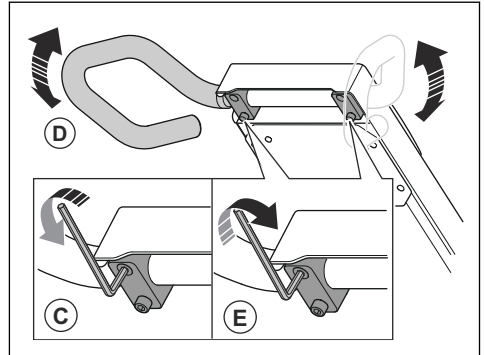
Set the handle height as close as possible to the height of the operators hip. During operation the product can pull to the side. The hip of the operator can help to stop this movement to the side.

1. Pull the lock lever (A) on the handle in the direction of the control panel and hold it in this position.



2. Adjust the handle (B) to an applicable operation height.
3. Release the lock lever on the handle to lock the handle position.

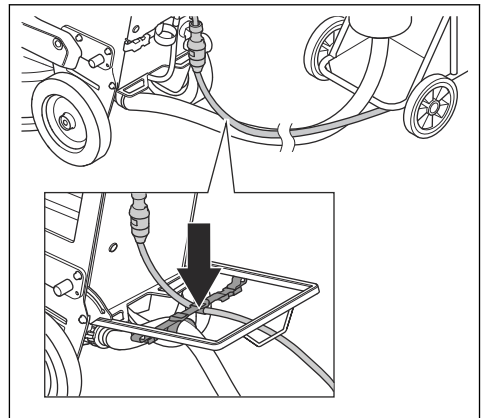
4. Loosen the 4 screws (C) on the handlebar.



5. Adjust the handlebar (D) to an applicable operation height.
6. Tighten the 4 screws (E) on the handlebar to lock the handlebar position.

To connect the product to a power source

1. Connect the power plug of the product to the extension cable.
2. Connect the extension cable to a mains outlet.
3. Engage the support frame. Refer to *To engage and disengage the support frame on page 9.*
4. Hang the power cord on the suspension device on the support frame to prevent tension in the power cord.



5. Disengage the support frame.



CAUTION: When the product is connected to a dust extractor, the dust extractor must be connected to a 3-phase power source.

Operation speed

If the product is operated on a new surface type, set the speed to 70% initially. When the operator knows the surface type, the speed can be adjusted.

Direction of rotation of the grinding discs

Seen from below the product, the direction of rotation is as follows:

- "CW": clockwise
- "CCW": counterclockwise

During operation the product can pull to the side. The direction of the pull is related to the direction of rotation. The product pulls to the right when the direction of rotation is set to "CCW". The product pulls to the left when the direction of rotation is set to "CW".

The side pull can help you operate the product for example near a wall. Set the direction of rotation to pull in the direction of the wall.

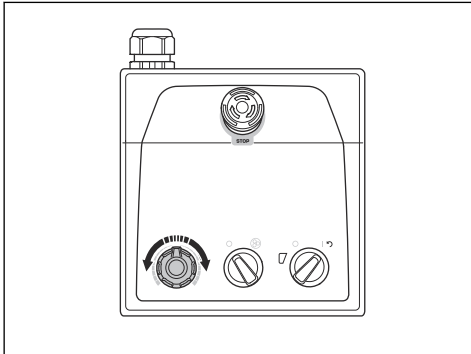


CAUTION: Steer the product carefully. Make sure that the product only lightly touches the wall. The product is heavy and can cause damage.

To change the speed and direction of rotation of the motor

Change the direction of rotation regularly to increase the life and the sharpness of the diamond tools. The diamond tool segments are used equally and the contact surface continues to be as large as possible.

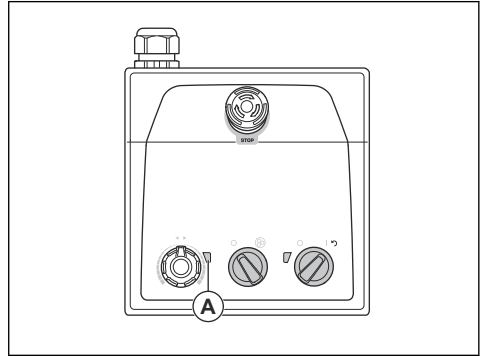
- To set the speed and direction of rotation of the grinding disc, turn the knob.



To operate the product

- Operate the product manually with the control panel on the handle. Refer to *Product overview, left side on page 3*.

- During operation, look for color changes in the indicator for the inverter to the grinding disc (A).



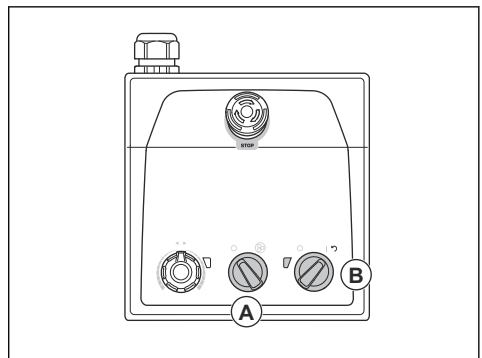
- Green light: the product operates correctly.
- Orange light: there is an overload in the grinding head. Decrease the power output in 10 seconds or less to prevent that a fault occurs.
- Red light: fault in the inverter and the grinding head stops. It is necessary to reset the product. Refer to *To reset the product on page 15*.

To start the product



CAUTION: Move the product all the time while the grinding head is on. If you do not move the product, the surface can become rough.

1. Push down the handlebar slightly to lift the grinding head from the surface. This releases the surface friction of the diamond tools. Do not lift the grinding head fully from the surface during operation.
2. Turn the STOP/RUN switch (A) on the control panel counterclockwise to 0 to make sure that the grinding head is off.



3. Turn the ON/OFF switch (B) on the control panel to 1 to start the product. The LED adjacent to the ON/OFF switch comes on.

- Turn the STOP/RUN switch on the control panel clockwise to start the grinding head. In less than 5 seconds, the product operates at idle speed.

To stop the product

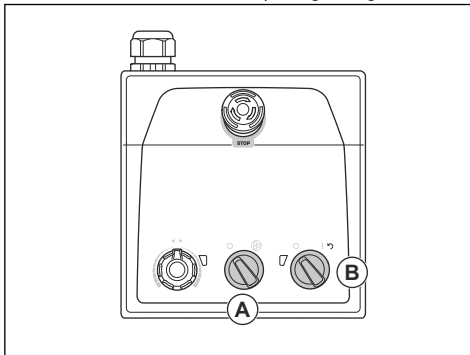


CAUTION: Do not lift the grinding head from the surface when you stop the motor. The tool plates rotate for a while after the motor stops. Dust can go into the air and the surface can become damaged.



CAUTION: Do not let the product become stationary until the tool plates stop fully.

- Turn the STOP/RUN switch (A) on the control panel counterclockwise to 0 to stop the grinding head.



- Keep the tool plates against the surface until they stop fully.

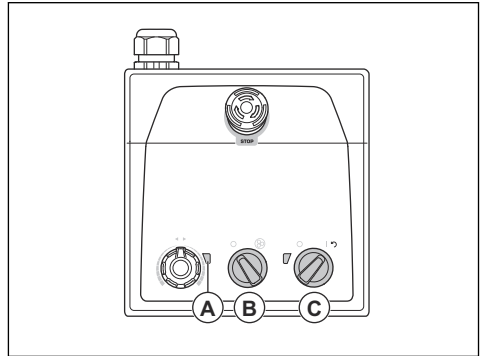


CAUTION: If you grind adhesive asphalt, paint or equivalent material, the product can attach to the adhesive surface. Immediately after the tool plate stopped fully, lift up the front of the grinding head a small distance.

- Turn the ON/OFF switch (B) on the control panel to 0 to stop the product. The LED adjacent to the ON/OFF switch goes off.
- Disconnect the power plug.

To reset the product

The ON/OFF switch can be used as a reset switch if the inverter releases. Reset the product when the indicator inverter to the grinding disc (A) is red.

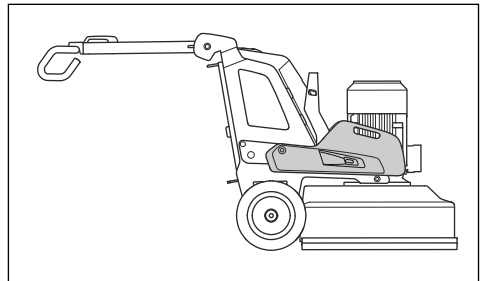


- Turn the STOP/RUN switch (B) counterclockwise to 0 to make sure that the grinding head is off.
- Turn the ON/OFF switch to the arrow position (C) to reset the product. The indicator for the inverter to the grinding disc is green when the fault is reset.
- Turn the STOP/RUN switch on the control panel clockwise to start the grinding head again.

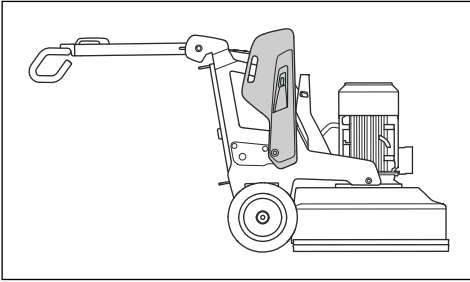
Weights

The product has 1 weight on each side of the product. If the product is heavy to operate, adjust the weights to change the pressure on the grinding head. The weights must be adjusted to the same position on the right and the left side. The weights has 3 positions:

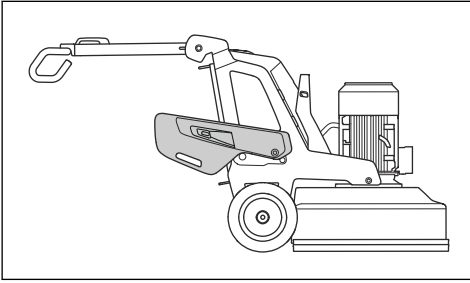
- Position 1: Maximum pressure on the grinding head. This position increases the operation effect. This position is also used when you set the product in transport position.



- Position 2: Standard pressure on the grinding head.



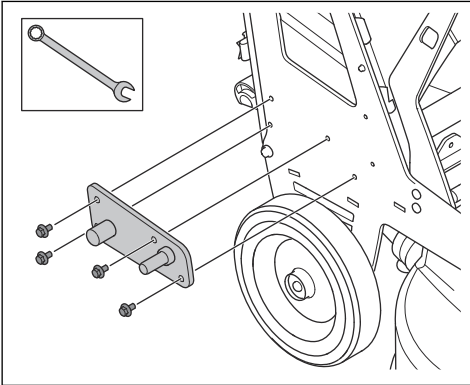
- Position 3: Minimum pressure on the grinding head. This position is also used when you tilt the product to servicing position.



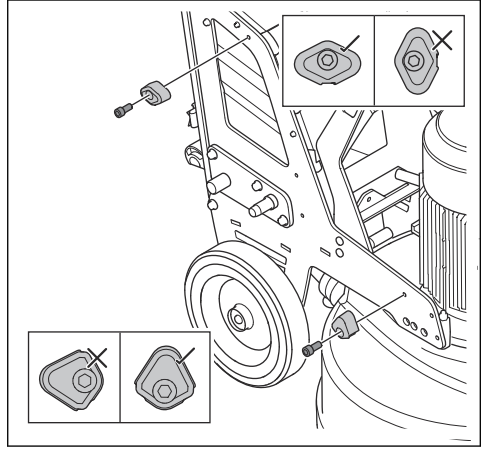
To assemble and disassemble the weights

The product has 1 weight on each side of the product. Do the procedure that follows on each weight.

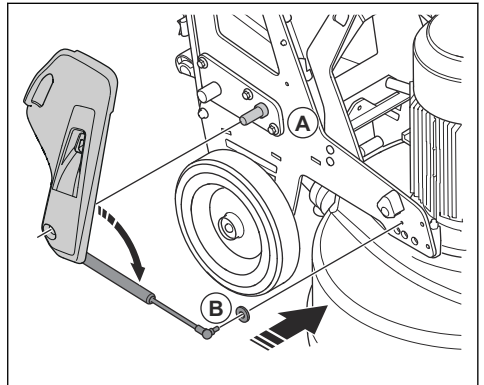
1. Install the weight holder and tighten the 4 screws.



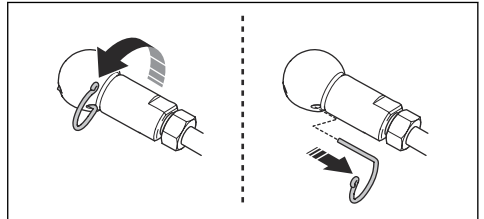
2. Install the 2 weight brackets. Make sure that the weight brackets are installed correctly as shown in the illustration.



3. Put the weight on the cylinder (A) on the weight holder.

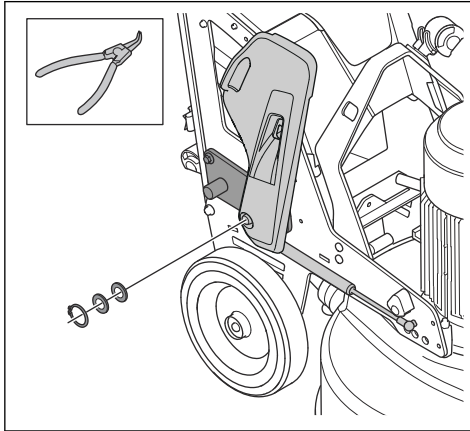


4. Attach the weight gas spring to the product (B).
 - a) Remove the locking spring of the ball joint.



- b) Remove the ball joint from the gas spring.
- c) Attach the ball joint to the product.
- d) Attach the gas spring to the ball joint. Lock the gas spring to the ball joint with the locking spring.

5. Lock the weight to the weight holder with the lock ring.



To adjust the weights

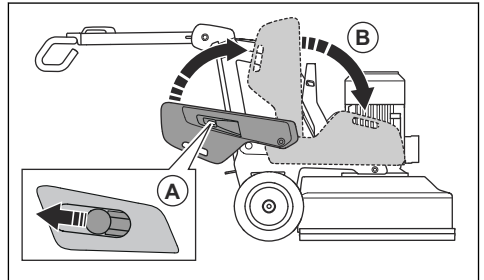


WARNING: Be careful when you adjust the weights. The moving parts can cause injury.



WARNING: Always make sure that the weight lock locks correctly when the weights are put in the selected position.

1. Push in the weight lock (A) and move the weight to a selected position (B) with the weight handle. Refer to *Weights on page 15*.



2. Release the weight lock to lock the weight in the selected position.

Maintenance

Introduction



WARNING: Before you do maintenance, you must read and understand the safety chapter.

For all servicing and repair work on the product, special training is necessary. We guarantee the availability of professional repairs and servicing. If your dealer is not a service agent, speak to them for information about the nearest service agent.

To do before the maintenance

- Use personal protective equipment. Refer to *Personal protective equipment on page 6*.
- Use approved respiratory protection. The dust from the product is dangerous to your health.
- Park the product on a level surface.

- Stop the motor and disconnect the power plug to prevent accidental start during maintenance.
- Clean the area around the product from oil and dirt. Remove unwanted objects.
- Set out clear signs to give a warning to bystanders that maintenance work is in progress.
- Keep fire extinguishers, medical supplies and an emergency phone near.

Maintenance schedule

* = General maintenance done by the operator. The instructions are not given in this operator's manual.

X = The instructions are given in this operator's manual.

O = The instructions are not given in this operator's manual. Let an approved service agent do the maintenance.

Maintenance	Daily	Weekly	Each 6 months	Each 12-36 months
Do a check of the ON/OFF switch.	*			
Do a check of the attachment points and the lock function for the handle.		*		
Do a check of the attachment points and the lock function for the weights.		*		

Maintenance	Daily	Weekly	Each 6 months	Each 12-36 months
Do a check of the emergency stop button.	X			
Clean the external surfaces of the product.	X			
Clean the internal components of the product.			O	
Do a general inspection.	X			
Do a check of the grinding discs.	X			
Do a function check of the drive system for the grinding head.		X		
Do the service on the drive system for grinding discs.				O
Do a check of the connection between chassis and grinding head.		*		

To clean the product



CAUTION: A blocked air intake decreases the performance of the product and can cause the motor to become too hot.

- Remove blockage from all air openings. The product must always have sufficiently cool temperature.
- Always disconnect the power plug from the mains outlet before you clean.
- Do not use chemicals to clean the product.
- Do not clean electrical components with water.
- Always clean all the equipment at the end of the work day. Clean the components at the bottom surface of the grinding head with a high-pressure washer.

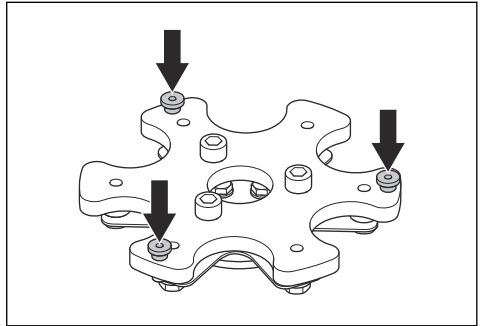


CAUTION: Do not point the high-pressure washer directly at seals or connection points.

To do a general inspection

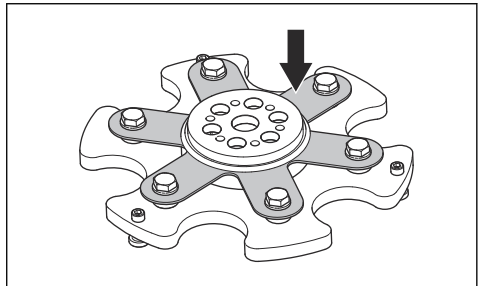
- Make sure that the power cord and extension cable are in good condition and not damaged.
- Make sure that nuts and screws are tight.

- Make sure that the head locks are tight. If it is necessary, tighten the head locks and use LOCTITE® 680 threadlocker.



To do a check of the grinding discs

- Examine the spring steel spring for damages and make sure that it is in good condition.



- Replace damaged spring steel springs.

Note: It is not necessary to discard the grinding disc when you replace the spring steel spring.

- Add a second spring steel spring to make the spring steel head less flexible.

Drive system for grinding head

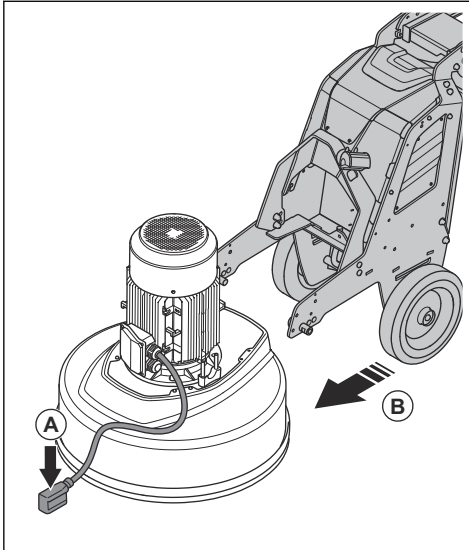
The drive system for the grinding head is a closed system. If you have problems with the drive system of the grinding head, speak to your Husqvarna service agent.

To install and remove the grinding head

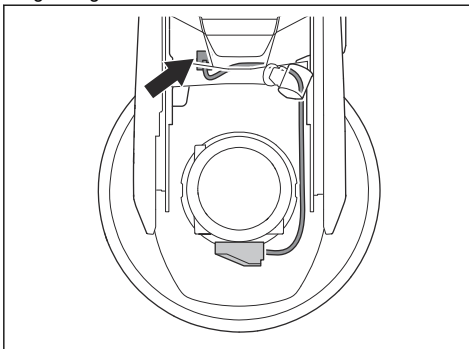


WARNING: The chassis is not balance when the grinding head is removed. Make sure that the chassis can not fall. It can cause injury or damage.

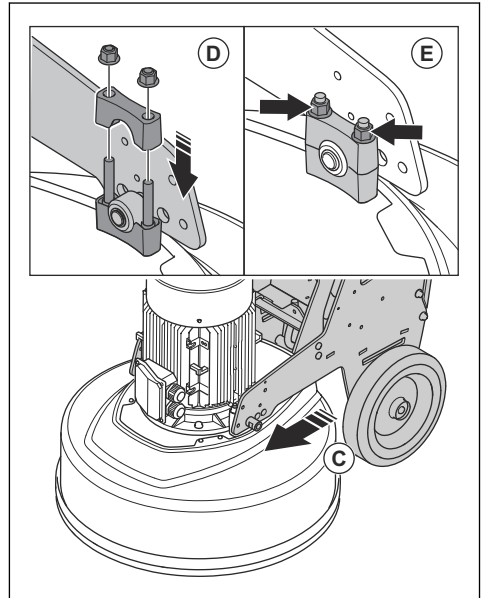
1. Put the motor cable (A) in front of the grinding head.



2. Push the chassis near the grinding head (B).
3. Put the motor cable through the slot between the grinding head and the chassis.



4. Push the chassis fully against the grinding head (C). Make sure that the chassis attaches to the bracket on the grinding head.

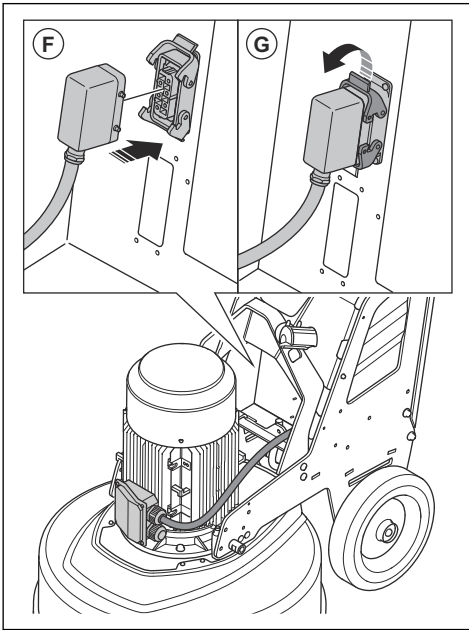


5. Install the second bracket (D) on top of the bracket on the grinding head.
6. Tighten the 2 nuts (E) on each side of the grinding head.

7. Connect the motor cable to the electrical outlet (F) on the electrical enclosure.

8. Lock the motor cable to the electrical outlet (G) on the electrical enclosure.

9. Remove the grinding head in opposite sequence.



Troubleshooting

Problem	Cause	Solution
The product does not start.	The extension cable is disconnected or damaged.	Connect the extension cable or if it is necessary, replace the extension cable.
	An emergency stop button is engaged.	Turn the emergency stop button on the control panel clockwise to disengage.
	The safety switch is open in the electrical enclosure.	Close the safety switch to complete the circuit.

Problem	Cause	Solution
The product is not easy to hold on to.	Too small number of diamond tools are installed on the product.	Increase the number of diamond tools to decrease load on the product and operator.
	The grinding drive motor does not operate. This can be caused by fault with motor or fault with wire to the motor.	Make sure that the grinding drive motor is connected. If the problem stays, speak to an approved service agent.
	The belt is broken.	If the belt is broken, let a service center replace it. Turn one of the grinding discs by hand. If all grinding discs rotate together, the belt is not damaged. If 1 grinding disc rotates freely, then the belt is broken.
	Only 1 phase comes into the product. The product will not receive an error code and will use <1 A motor current. The fan rotates slowly.	Do a check of the power supply.
	The surface or the operation uses too much of the product capacity.	Adjust the speed of the motor and/or the forward speed of the product across the floor.
The product sounds as if it increases the speed too much.	The grinding drive motor is not connected.	Make sure that the grinding drive motor is connected.
	The grinding drive motor does not operate. This can be caused by fault with motor or fault with wire to the motor.	Make sure that the grinding drive motor is connected. If the problem stays, speak to an approved service agent.
	The surface is too thick or the diamond tool configuration is incorrect.	Push down the handlebar slightly to lift the grinding head from the surface when you start the product.
The product makes an irregular scratch pattern.	The diamond tools are incorrectly attached or attached at different heights on the grinding discs.	Make sure that all diamond tools are installed correctly and have the same height.
	The diamond tools are of mixed types.	Make sure that all segments are the same diamond grit and bond. If the diamond segments are rough, space out the rough diamond segments equally. Operate the product on an abrasive surface until all segments have the same height.
	The head locks are loose or missing.	Make sure that all head locks are in position and tightened.
	The resin tools are mixed or have unwanted contamination.	Make sure that all resins are the same diamond grit and bond and that there is no contamination. To clean the resin tools, operate them for a short time on a lightly abrasive surface.
	The grinding discs are worn or damaged.	Do a check on the grinding discs for broken sections or too much movement.

Problem	Cause	Solution
There are sudden unwanted movements in the product.	The grinding discs are worn or damaged.	Examine the grinding discs for damaged parts and too much movement.
	The diamond tools are incorrectly attached or attached at different heights on the grinding discs.	Make sure that all diamond tools are installed correctly and that all have the same height.
	The head locks are loose or missing.	Make sure that all head locks are in position and tightened.
The internal circuit breaker releases.	Too high a load or not sufficient power supply.	Do a check of the power supply.
		Decrease the grinding pressure, increase the number of diamond tools or increase the bond hardness.

Transportation, storage and disposal

Transportation



WARNING: Be careful during transportation. The product is heavy and can cause injury or damage if it falls or moves during transportation.

The wheels let you move the product shorter distances. For longer distances, lift the product to move it or put the product on a vehicle.



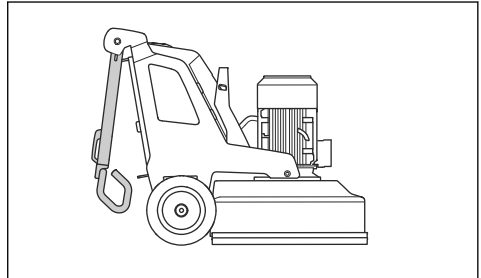
CAUTION: Do not tow the product behind a vehicle.

- Be very careful when you move the product manually or on surfaces with a slope. Small slopes can result in a fast movement that is not possible to brake by hand.
- Safety the product during transportation. Make sure that it cannot move.
- Put some type of protection on the product during transportation. The protection keeps natural elements such as rain and snow away from the product.
- Always use the lifting eye on the product when you lift the product.
- Do not lift the product by the handlebar, motor, chassis or other parts.
- Transportation is best done on a pallet.
- Always lift the product with a lift or forklift.
- Do not use a forklift if the product is not put on a pallet or carriage. This can cause damage to the grinding discs and other internal components.
- During transportation, the grinding head must be on the ground. To prevent damage to the lock

mechanism of the tool plates, keep the tool plates installed.

To set the product in transport position

- Fold down the handle. Refer to *To adjust the handle and the handlebar on page 13*.



- If the weights are attached to the product, adjust the weights to forward position. Refer to *To adjust the weights on page 17*.
- Make sure that the grinding head touches the surface.

To move the product up and down a ramp



WARNING: Be very careful when you move the product up and down ramps with the motor on. The product is heavy and there is a risk of injury if the product falls or moves too quickly.



WARNING: For ramps with a steep slope, always use a winch. Do not walk or stay below the product. Do not stay in the

product risk area. Refer to *Work area safety on page 6*.



WARNING: Do not move the product on steep slopes. Look at the rating plate on the product for information about the maximum slope angle.

- To move the product down a ramp, operate the product rearward slowly.
- To move the product up a ramp, operate the product forward slowly.
- Do not turn the product more than 45° on a ramp.

To lift the product



WARNING: Make sure that the lifting equipment has the correct specification to lift the product safely. The rating plate on the product shows the product weight.

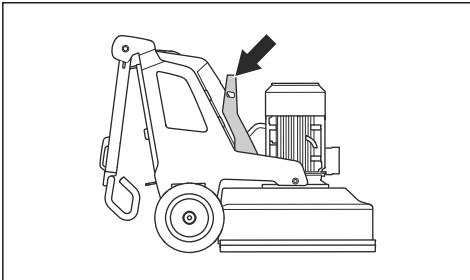


WARNING: Do not walk or stay below or near a lifted product. Keep bystanders away from the risk area. Refer to *Work area safety on page 6*.



WARNING: Do not lift a damaged product. Make sure that the lifting eye is correctly installed and not damaged.

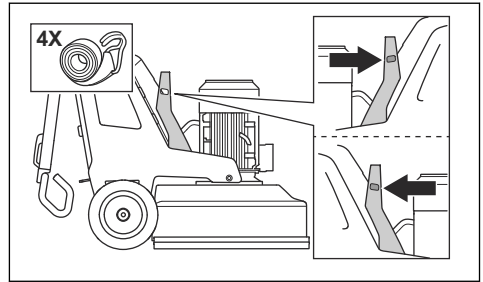
1. Set the product in transport position. Refer to *To set the product in transport position on page 22*.
2. Attach the lifting equipment at the lifting eye.



To attach the product to a transportation vehicle

The product has holes that are used with tie-down straps to attach the product to the transportation vehicle.

1. Attach the tie-down straps in the holes.



2. Attach and tighten the tie-down straps to the vehicle.

Storage



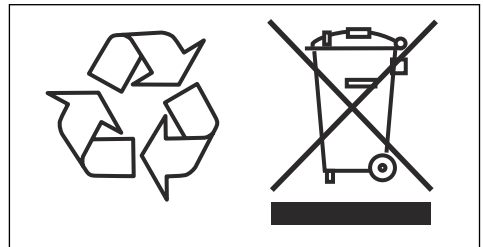
CAUTION: Do not put the product in storage outdoors. Always keep the product indoors.

- Keep the product in a dry and frost free area.
- Clean the product and do a complete servicing before you put the product in storage.
- Keep the grinding head on the ground.
- Keep the product in a locked area to prevent access for children or persons that are not approved.

Disposal

Symbols on the product or the packaging of the product indicate that this product cannot be handled as domestic waste. It must be submitted to an appropriate recycling station for the recovery of electrical and electronic equipment.

By ensuring that this product is taken care of correctly, you can help to counteract the potential negative impact on the environment and people that can otherwise result through the incorrect waste management of this product. For more detailed information about recycling this product, contact your municipality, your domestic waste service or the shop from where you purchased the product.



Technical data

Technical data

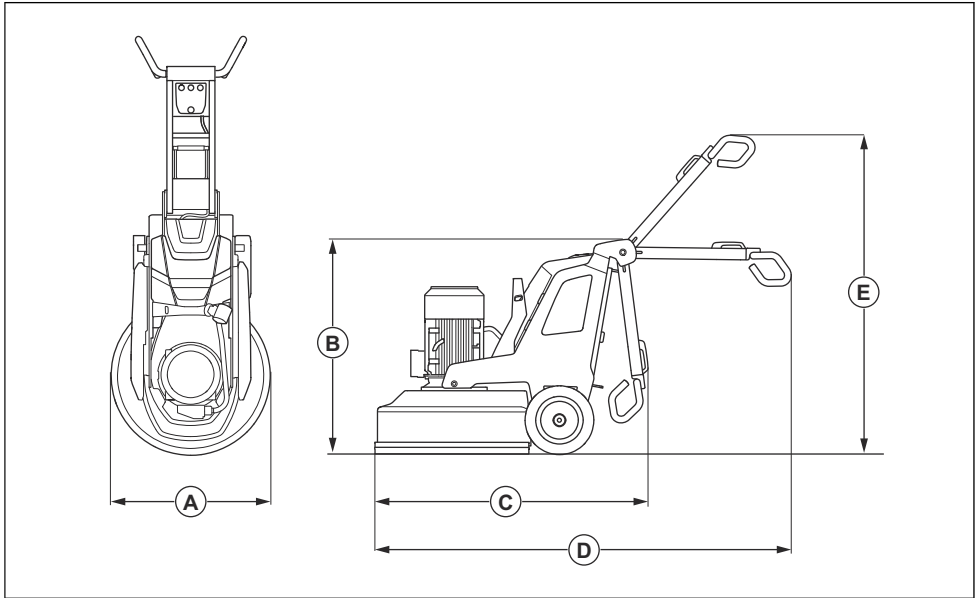
Motor power, kW/hp	11/15
Rated current, A	30
Rated voltage, V	380-415
Phases	3-phase
Frequency, Hz	50-60
Weight, kg/lbs	497/1096
Grinding width, mm/in.	800/31.5
Grinding disc, mm/in.	3X270/10.5
Grinding pressure, kg/lbs	79/175
Grinding pressure with support wheel, kg/lbs	85/187
Weight in position 1 (forward), kg/lbs	298/656
Weight in position 1 (forward) with support wheel, kg/lbs	315/693
Weight in position 2 (vertical), kg/lbs	249/548
Weight in position 2 (vertical) with support wheel, kg/lbs	266/585
Weight in position 3 (rearward), kg/lbs	195/429
Weight in position 3 (rearward) with support wheel, kg/lbs	212/466
Grinding disc speed, min/max rpm	421-1403
Grinding head speed, min/max rpm	28-92
Direction of rotation (from above)	Grinding head: clockwise Grinding disc: counterclockwise
Max. gradient, degrees °	10
Enclosure, IP	54
Recommended dust extractor¹	
Dust extractor attachment, mm/in.	76/3
Min. Air flow, m ³ /h /CFM	815/480
Min. Vacuum, kPa/psi	30/4.4

¹ Technical data for dust extractors are not conclusively describing actual performance over time between different dust extractors. For Husqvarna products OSHA objective data are available at www.husqvarnacp.com/us.

Sound levels

Noise emissions²	
Sound power level, measured L_W (dB(A))	95.4
Sound levels³	
Sound pressure level at the operators ear, L_p (dB(A))	78.7
Vibration levels⁴	
Handle right, m/s^2	1.7
Handle left, m/s^2	1.5

Product dimensions



A	Width, mm/in.	830/32.7
B	Min. total height (handle folded), mm/in.	1145/45.1
C	Min. total length (handles folded), mm/in.	1550/61

² Noise emission in the environment measured as sound power according to EN 60335-2-72. Expected measurement uncertainty 2,5 dB(A).

³ Sound pressure level according to EN 60335-2-72. Expected measurement uncertainty 4 dB(A).

⁴ Vibration level according to EN 60335-1 and EN 60335-2-72. Reported data for vibration level has a typical statistical dispersion (standard deviation) of 1 m/s^2 . The vibration values are valid for manual operation.

D	Max. total length (handles extended), mm/in.	2215/87.2
E	Max. total height (handles extended), mm/in.	1700/66.9

EC Declaration of Conformity

EC Declaration of Conformity

We Husqvarna AB, SE-561 82 Husqvarna, Sweden, tel:
+46- 36-146500, declares on our sole responsibility that
the product:

Description	Polish & Grind Equipment
Brand	Husqvarna
Type/Model	PG 830S
Identification	Serial numbers dating from 2019 and onwards

complies fully with the following EU directives and
regulations:

Directive/Regulation	Description
2006/42/EC	"relating to machinery"

and that harmonized standards and/or technical
specifications are applied as follows;

EN ISO 12100:2010

EN 60335-1:2012/A11:2014/AC:2014

EN 60335-2-72:2012

Partille, 2019-10-17



Martin Huber

R&D Director, Concrete Surfaces & Floors

Husqvarna AB, Construction Division

Responsible for technical documentation

Sommaire

Introduction.....	28	Dépannage.....	47
Sécurité.....	31	Transport, entreposage et mise au rebut.....	48
Utilisation.....	35	Caractéristiques techniques.....	51
Entretien.....	44	Déclaration de conformité CE.....	54

Introduction

Description du produit

Le produit est une meuleuse de sol pour les surfaces de différentes duretés.

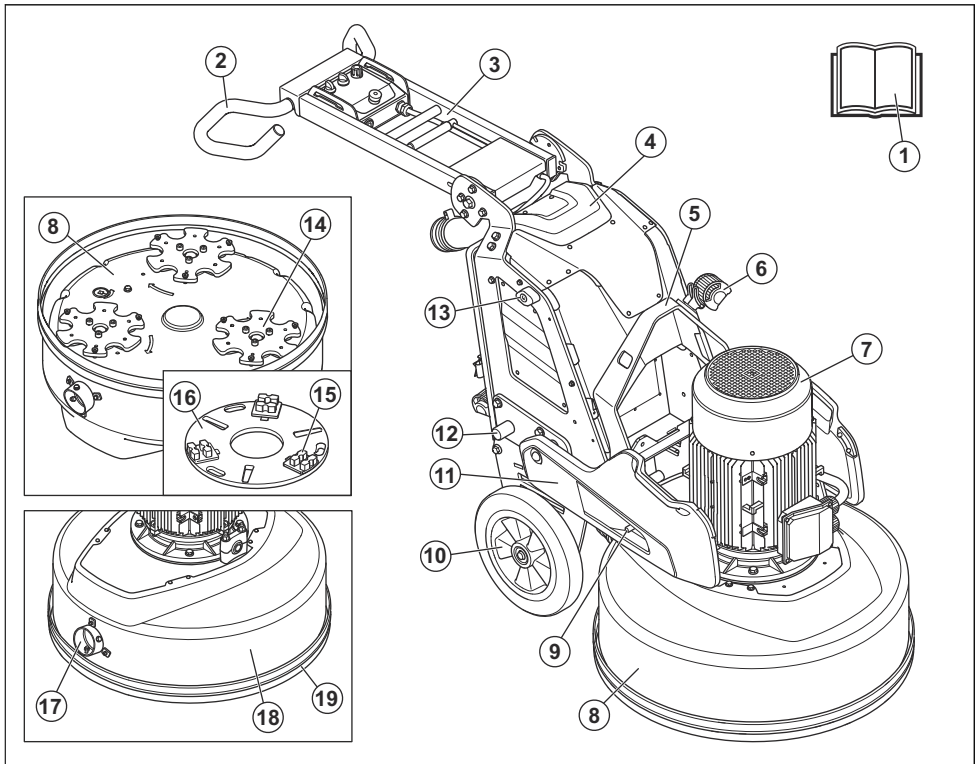
Utilisation prévue

Le produit est conçu pour meuler les surfaces de matériaux de différentes duretés, comme la pierre

naturelle, le terrazzo et le béton. Le produit est également conçu pour meuler les matériaux de revêtement, comme l'époxy ou la colle. La finition de la surface peut être rugueuse ou lisse. Le produit peut être utilisé pour le meulage à sec ou le meulage avec arrosage. N'utilisez pas ce produit pour d'autres travaux.

Le produit est conçu pour un usage commercial par des opérateurs professionnels.

Présentation du produit, côté droit

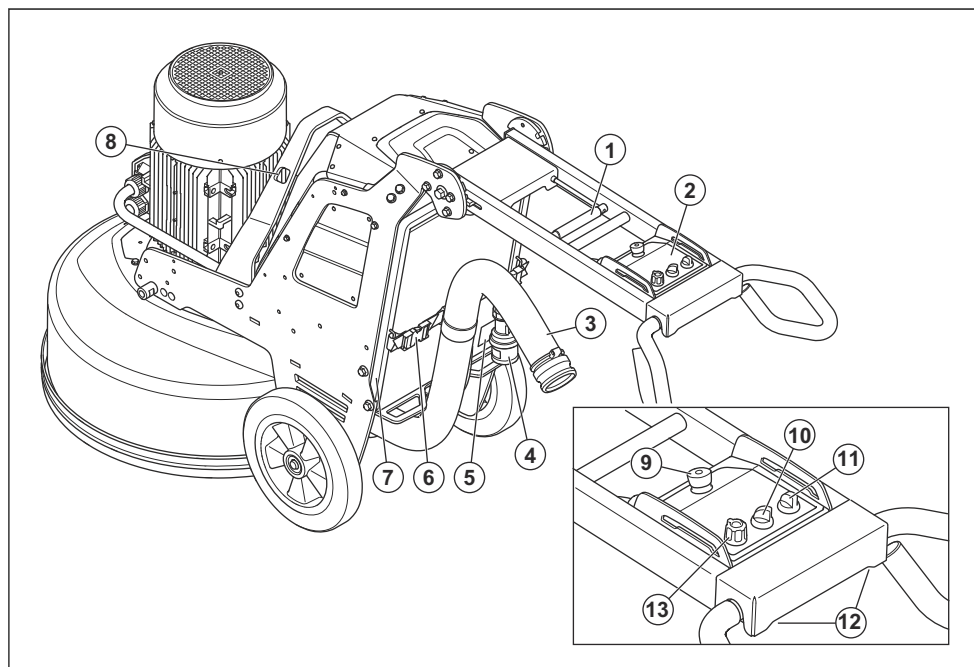


1. Manuel de l'opérateur
2. Guidon
3. Poignée

4. Boîtier électrique
5. Anneau de levage
6. Phares (accessoire)

- 7. Moteur de disques à meuler
- 8. Tête de meulage
- 9. Verrou de poids
- 10. Roue
- 11. Poids (accessoire)
- 12. Porte-masses
- 13. Support de poids
- 14. Disque de polissage
- 15. Outil diamanté (accessoire)
- 16. Plaque de l'outil
- 17. Raccord pour extracteur de poussière
- 18. Couverture
- 19. Jupe

Présentation du produit, côté gauche



- 1. Levier de blocage pour le réglage de la poignée
- 2. Panneau de commande
- 3. Raccord pour extracteur de poussière
- 4. Cordon d'alimentation
- 5. Plaque d'identification
- 6. Dispositif de suspension pour extracteur de poussière et cordon d'alimentation
- 7. Châssis de support
- 8. Trous pour sangle
- 9. Bouton d'arrêt d'urgence
- 10. Interrupteur STOP/RUN
- 11. Interrupteur de marche/arrêt
- 12. Vis de réglage du guidon
- 13. Bouton de sens de rotation et de vitesse pour disque à meuler

Symboles concernant le produit



AVERTISSEMENT : ce produit peut être dangereux et causer des blessures graves, voire mortelles, à l'opérateur ou à d'autres personnes. Soyez prudent et utilisez le produit correctement.



Lisez avec attention le manuel d'utilisation et assurez-vous de bien comprendre les instructions avant d'utiliser ce produit.



Utilisez des protège-oreilles, des protections pour les yeux et une protection respiratoire. Reportez-vous à la section *Équipement de protection individuelle* à la page 32.



La poussière peut entraîner des problèmes de santé. Portez une protection respiratoire homologuée. Assurez-vous systématiquement de la bonne circulation de l'air.



Soulevez toujours le produit au niveau de l'anneau de levage.



Utilisez les trous à sangles d'arrimage pour fixer le produit à un véhicule de transport.



Double isolation, batterie et chargeur de batterie.



Utilisez et gardez le chargeur de batterie uniquement en intérieur.



Ce produit n'est pas un déchet domestique. Déposez-le dans une déchetterie agréée pour équipements électriques et électroniques.



Ce produit est conforme aux directives CE en vigueur.

Remarque: les autres symboles/autocollants présents sur le produit concernent des exigences de certification spécifiques à certains marchés.

Symboles sur le panneau de commande



Arrêt d'urgence.



Produit en marche et réinitialiser le produit.

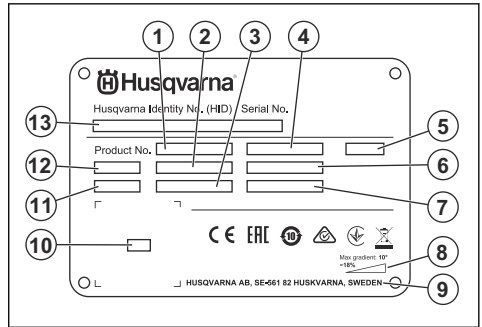


Tête de meulage en place.



Vitesse et sens de rotation du disque à meuler.

Plaque d'identification



1. Référence de produit
2. Poids du produit
3. Puissance nominale
4. Tension nominale
5. Boîtier
6. Intensité nominale
7. Fréquence
8. Angle de pente maximal
9. Fabricant
10. Code optiquement lisible
11. Année de production
12. Modèle
13. Numéro de série

Responsabilité

Conformément à la loi sur la responsabilité du fait des produits, nous déclinons toute responsabilité pour tout dommage causé par notre produit si :

- le produit n'est pas correctement réparé ;
- le produit est réparé avec des pièces qui ne proviennent pas du fabricant ou qui ne sont pas homologuées par le fabricant ;
- le produit est équipé d'un accessoire qui ne provient pas du fabricant ou qui n'est pas homologué par le fabricant ;
- le produit n'est pas réparé par un centre d'entretien agréé ou par une autorité homologuée.

Husqvarna Fleet Services™

Husqvarna Fleet Services™ est une solution cloud qui donne à l'utilisateur un aperçu de tous les produits qui sont connectés. Un capteur Husqvarna Fleet Services™ peut être installé sur ce produit. Le capteur Husqvarna Fleet Services™ recueille les données relatives au produit et vous connecte au système Husqvarna Fleet Services™. Le système Husqvarna Fleet Services™ effectue un compte-rendu de certaines données, comme la durée de fonctionnement, les intervalles d'entretien et l'emplacement du produit.

Sécurité

Définitions de sécurité

Des avertissements, des recommandations et des remarques sont utilisés pour souligner des parties spécialement importantes du manuel.



AVERTISSEMENT: Symbole utilisé en cas de risque de blessures ou de mort pour l'opérateur ou les personnes à proximité si les instructions du manuel ne sont pas respectées.



REMARQUE: Symbole utilisé en cas de risque de dommages pour le produit, d'autres matériaux ou les environs si les instructions du manuel ne sont pas respectées.

Remarque: Symbole utilisé pour donner des informations supplémentaires pour une situation donnée.

Instructions générales de sécurité



AVERTISSEMENT: Lisez les instructions qui suivent avant d'utiliser le produit.

- Ce produit est un outil dangereux si vous ne faites pas attention ou si vous l'utilisez de manière incorrecte. Ce produit peut causer des blessures graves, voire mortelles, à l'opérateur ou à d'autres personnes. Avant d'utiliser le produit, il convient de lire attentivement et de bien comprendre les instructions contenues dans ce manuel de l'opérateur.
- Conservez tous les avertissements de sécurité et toutes les instructions.
- Respectez l'ensemble des lois et réglementations applicables.
- L'opérateur et son employeur doivent connaître et éviter tout risque au cours de l'utilisation du produit.
- Ne laissez personne utiliser le produit avant d'avoir lu et compris le contenu du manuel de l'opérateur.
- N'utilisez pas le produit sauf si vous bénéficiez d'une formation préalable. Assurez-vous que tous les opérateurs suivent une formation.
- Ne laissez pas un enfant utiliser le produit.
- Seules les personnes autorisées peuvent utiliser le produit.
- L'utilisateur est tenu responsable des accidents auxquels il expose autrui ou ses biens.

- N'utilisez jamais l'appareil si vous êtes fatigué ou malade, ou si vous êtes sous l'emprise d'alcool, de drogues ou de médicaments.
- Soyez toujours prudent et utilisez votre bon sens.
- Ce produit génère un champ électromagnétique durant son fonctionnement. Ce champ peut dans certaines circonstances perturber le fonctionnement d'implants médicaux actifs ou passifs. Pour réduire le risque de blessures graves ou mortelles, nous recommandons aux personnes portant des implants médicaux de consulter leur médecin et le fabricant de leur implant avant d'utiliser cet appareil.
- Maintenez le produit propre. Assurez-vous que vous pouvez lire clairement les avertissements et les autocollants.
- N'utilisez pas le produit si celui-ci est défectueux.
- Ne modifiez pas ce produit.
- N'utilisez pas le produit s'il est susceptible d'avoir été modifié par d'autres personnes.

Instructions de sécurité pour le fonctionnement



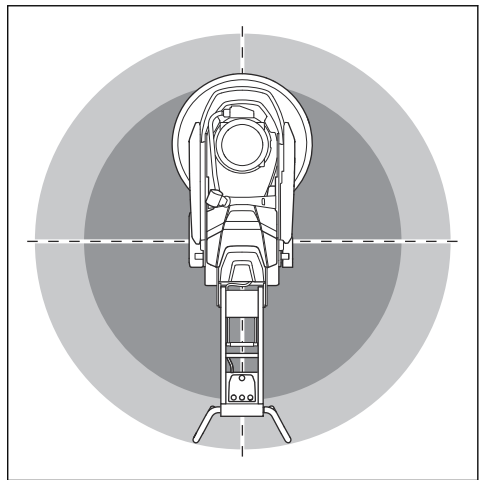
AVERTISSEMENT: Lisez les instructions qui suivent avant d'utiliser le produit.

- Utilisez un équipement de protection personnelle. Reportez-vous à la section *Équipement de protection individuelle à la page 32*.
- Ne vous éloignez pas du produit lorsque le moteur est allumé.
- Débranchez toujours le cordon d'alimentation avant de vous éloigner du produit.
- Ne tirez pas sur le tuyau de l'extracteur de poussière. Le produit peut tomber et causer des blessures et dommages.
- La tête de meulage doit être en contact avec la surface lorsque vous démarrez le produit. Ceci n'est pas applicable lorsque vous contrôlez l'interrupteur MARCHÉ/ARRÊT.
- Ne démarrez pas le produit si la jupe n'est pas installée. La jupe doit assurer une étanchéité complète entre le produit et le sol.
- Tenez le produit à l'écart des zones où il peut provoquer des blessures. Le produit peut rapidement changer de position et vous heurter.
- Si la machine ne fonctionne pas correctement, arrêtez le moteur.
- Assurez-vous que des vêtements, cheveux longs et bijoux ne peuvent pas se coincer dans les pièces en mouvement.

- Veillez à vous tenir dans une position stable et sûre pendant l'utilisation du produit.
- N'utilisez pas le produit si vous ne pouvez pas être secouru en cas d'accident.
- Si des vibrations se produisent dans le produit ou si le niveau sonore du produit est anormalement élevé, arrêtez immédiatement le produit. Vérifiez que le produit n'est pas endommagé. Réparez les éventuels dommages ou demandez à un atelier spécialisé agréé de procéder aux réparations.
- Une exposition excessive aux vibrations peut entraîner des troubles circulatoires ou nerveux chez les personnes sujettes à des troubles cardiovasculaires. Consultez un médecin en cas de symptômes liés à une exposition excessive aux vibrations. Ces symptômes peuvent être les suivants : insensibilisation ou irritation locale, douleur, chatouillements, faiblesse musculaire, décoloration ou modification cutanée. Ces symptômes affectent généralement les doigts, les mains ou les poignets.
- Ne stationnez pas le produit sur un terrain en pente. Si vous devez stationner le produit sur une pente, assurez-vous qu'il ne risque pas de bouger ou de tomber. Sa chute risquerait d'entraîner des blessures et des dommages.
- Soyez très prudent lorsque vous utilisez le produit sur un terrain en pente. Le produit est lourd et peut causer des blessures graves en cas de chute.
- Ne déplacez pas le produit dans des pentes raides. Reportez-vous à la plaque signalétique du produit pour plus d'informations sur l'angle de pente maximal.
- Utilisez uniquement des accessoires homologués. Pour davantage d'informations, contactez votre revendeur.
- Utilisez des gants de protection en caoutchouc afin d'éviter toute irritation de la peau due au béton humide.
- Utilisez un casque de protection homologué.
- Utilisez toujours des protecteurs d'oreille homologués pendant l'utilisation du produit. Une exposition au bruit sur de longues périodes peut provoquer une perte d'audition.
- Le produit génère de la poussière et des fumées qui contiennent des produits chimiques dangereux. Utilisez une protection respiratoire homologuée.
- Utilisez des bottes avec embouts en acier et semelles antidérapantes.
- Assurez-vous de disposer d'une trousse de premiers soins à proximité.
- Des étincelles peuvent se produire lorsque vous utilisez le produit. Assurez-vous de disposer d'un extincteur à proximité.

Sécurité dans l'espace de travail

- Pendant l'utilisation du produit, éloignez les personnes présentes de la zone illustrée ci-dessous. L'opérateur doit être très prudent lorsqu'il se trouve dans cette zone pendant l'utilisation du produit.



- Assurez-vous que seules les personnes autorisées se trouvent dans la zone de travail.
- N'utilisez pas le produit en cas de brouillard, pluie, vents violents, risque de foudre ou autres conditions climatiques. L'utilisation du produit en cas de mauvaises conditions météorologiques peut affecter votre vigilance. Le mauvais temps peut provoquer des conditions de travail dangereuses.
- Identifiez les éventuels personnes, objets et situations susceptibles de nuire à la sécurité du fonctionnement du produit.
- Maintenez la zone de travail suffisamment éclairée.
- N'utilisez pas ce produit dans des zones présentant un risque d'incendie ou d'explosion.

Équipement de protection individuelle



AVERTISSEMENT: Lisez les instructions qui suivent avant d'utiliser le produit.

- Utilisez toujours un équipement de protection individuel approprié lorsque vous faites fonctionner le produit. L'équipement de protection individuel n'empêche pas le risque de blessures. L'équipement de protection individuel diminue la gravité des blessures en cas d'accident. Faites appel à votre revendeur pour vous aider à sélectionner l'équipement adéquat.
- Utilisez des protections pour les yeux homologuées pendant que vous utilisez le produit.
- Ne portez pas de vêtements lâches, lourds ou inadaptés. Utilisez des vêtements qui garantissent votre liberté de mouvement.
- Utilisez des gants de protection homologués qui permettent de tenir fermement des objets.

Sécurité électrique



AVERTISSEMENT: les produits électriques présentent toujours un risque de choc. N'utilisez pas le produit dans de mauvaises conditions météorologiques. Ne touchez pas de paratonnerres ni d'objets métalliques. Utilisez toujours le produit comme indiqué dans ce manuel d'utilisation pour éviter les blessures.



REMARQUE: le produit répond aux exigences de la norme EN61000-3-11 et est soumis au branchement conditionnel au secteur. Consultez votre distributeur d'électricité pour obtenir des instructions sur le branchement du produit.

L'alimentation électrique du produit ou du générateur doit être suffisamment puissante et constante pour que le moteur électrique puisse fonctionner sans problème. Une tension incorrecte provoque l'augmentation de la consommation d'énergie et de la température du moteur jusqu'au déclenchement du circuit de sécurité. Les dimensions du cordon d'alimentation doivent être conformes aux réglementations nationales et locales. Les dimensions de la prise secteur doivent être conformes à l'ampérage de la prise électrique et du câble de rallonge du produit.

Si la résistance du secteur est plus élevée, de brèves chutes de tension peuvent se

produire lorsque le produit est démarré. Cela peut affecter le fonctionnement d'autres produits ; les lampes peuvent par exemple scintiller.

- Assurez-vous que la tension d'alimentation, des fusibles et du secteur est identique à celle indiquée sur la plaque signalétique du produit.
- Arrêtez toujours le produit avant de débrancher la prise de courant.
- N'utilisez pas le produit si le cordon d'alimentation ou la prise de courant sont endommagés. Confiez-le à un centre de service homologué pour réparation. Un cordon d'alimentation endommagé peut provoquer des blessures graves, voire mortelles.
- Utilisez le cordon d'alimentation correctement. N'utilisez pas le cordon d'alimentation pour déplacer, tirer ou débrancher le produit. Tirez sur la prise de courant pour débrancher le câble d'alimentation. Ne tirez pas le cordon d'alimentation.
- N'utilisez pas le produit dans un trou d'eau suffisamment profond pour mouiller l'équipement du produit. L'équipement peut être endommagé et le produit peut être mis sous tension et causer des blessures.
- N'ajoutez pas plus d'humidité au produit que celle fournie par le système d'eau. Tenez le produit à l'abri de la pluie. L'eau qui s'infiltré dans le produit augmente le risque de choc électrique.
- Débranchez toujours de cordon d'alimentation avant de brancher ou débrancher la connexion du câble du moteur et du boîtier électrique.

Valeurs guides pour la source d'alimentation

Tension nominale de la source d'énergie, V	Tension min. au niveau du produit, V	Tension max. au niveau du produit, V	Fréquence, Hz	Courant nominal, A	Sortie du moteur	Zone de câble min. mm ² /AWG	Longueur de câble max. en m/pi
3 x 220	200	240	50/60	50	11+1,5	10/7	190/620
3 x 400/440 /480	380	480	50/60	30	11+1,5	6/9	190/620
3 x 220	200	240	50/60	50	11+1,5	10/7	190/620
3 x 400/440 /480	380	480	50/60	30	15+1,5	6/9	190/620

Instructions pour produit mis à la terre



AVERTISSEMENT: un mauvais branchement peut provoquer un choc électrique. Consultez un électricien homologué si vous n'êtes pas certain que le produit est correctement mis à la terre.

Ne modifiez pas la prise de courant par rapport à ses spécifications d'usine. Si la prise de courant n'est pas adaptée à la prise secteur, laissez un électricien homologué installer une prise de courant secteur appropriée. Respectez la législation et les réglementations locales.

Si vous n'avez pas bien compris les instructions de mise à la terre du produit, consultez un électricien homologué.

Le produit est équipé d'un cordon d'alimentation de mise à la terre et d'une prise de courant. Branchez systématiquement le produit sur une prise secteur mise à la terre. Cela permet de réduire le risque de choc électrique en cas de dysfonctionnement.

N'utilisez pas d'adaptateurs électriques avec le produit.

Rallonges

- Utilisez uniquement des rallonges homologuées d'une longueur suffisante.
- La valeur nominale sur la rallonge doit être identique ou supérieure à celle indiquée sur la plaque signalétique du produit.
- Utilisez des câbles de rallonge mis à la terre.
- Lorsque vous utilisez l'outil à l'extérieur, utilisez une rallonge adaptée à un usage extérieur. Cela réduit le risque de choc électrique.
- Maintenez la connexion de la rallonge au sec et au-dessus du sol.
- Maintenez la rallonge à l'écart de la chaleur, d'huile, de bords tranchants ou de pièces en mouvement. Un câble endommagé augmente le risque de choc électrique.
- Assurez-vous que la rallonge est en bon état et non endommagée.
- N'utilisez pas la rallonge lorsqu'elle est enroulée. Cela peut entraîner une surchauffe de la rallonge.
- Assurez-vous que la rallonge est derrière vous et derrière le produit lorsque vous utilisez le produit. Cela empêche toute dégradation de la rallonge.

Dispositifs de sécurité sur le produit

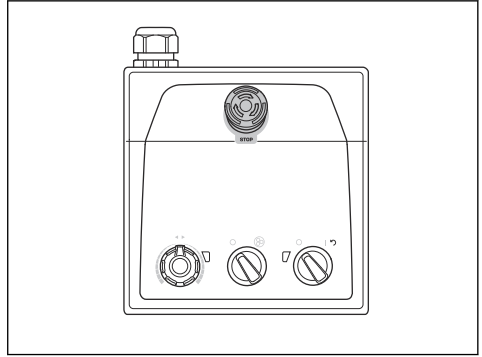


AVERTISSEMENT: Lisez les instructions qui suivent avant d'utiliser le produit.

- N'utilisez pas un produit avec des dispositifs de sécurité défectueux.
- Contrôlez les dispositifs de sécurité régulièrement. Si les dispositifs de sécurité sont défectueux, parlez-en à votre agent d'entretien Husqvarna.

Bouton d'arrêt d'urgence

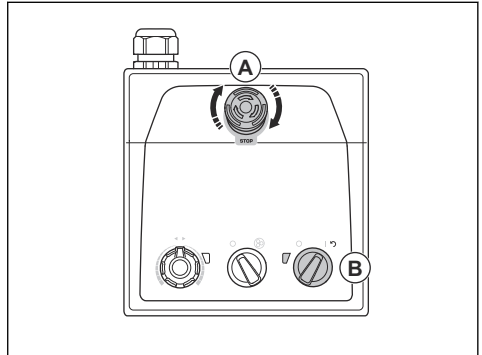
Le bouton d'arrêt d'urgence permet d'arrêter rapidement le moteur. Le bouton d'arrêt d'urgence coupe l'alimentation électrique du secteur.



REMARQUE: N'utilisez pas le bouton d'arrêt d'urgence pour arrêter normalement le produit.

Contrôle du bouton d'arrêt d'urgence

1. Tournez le bouton d'arrêt d'urgence (A) situé sur le panneau de commande dans le sens des aiguilles d'une montre pour vous assurer qu'il est désengagé.



2. Placez l'interrupteur de MARCHE/ARRÊT (B) du panneau de commande sur « 1 » pour démarrer le moteur. La LED située à côté de l'interrupteur de MARCHE/ARRÊT s'allume.
3. Appuyez sur le bouton d'arrêt d'urgence.
4. Assurez-vous que la LED située à côté de l'interrupteur de marche/arrêt s'éteint.
5. Tournez le bouton d'arrêt d'urgence dans le sens des aiguilles d'une montre pour le désengager.

Consignes de sécurité pour l'entretien

- Assurez-vous que toutes les pièces sont en bon état et que toutes les fixations sont correctement serrées.

- N'utilisez pas un produit défectueux. Effectuez les contrôles de sécurité, de maintenance et d'entretien indiqués dans ce manuel. Toutes les autres tâches d'entretien doivent être effectuées par un agent d'entretien homologué.
- Arrêtez le produit lorsque vous remplacez les outils diamantés. Placez l'interrupteur marche/arrêt sur 0 et appuyez sur le bouton d'arrêt d'urgence.
- Effectuez l'inspection et/ou l'entretien avec le moteur arrêté et la prise de courant débranchée.
- Effectuez l'entretien pour vous assurer que le produit fonctionne correctement. Reportez-vous à la section *Schéma d'entretien à la page 44*.

Utilisation

Introduction



AVERTISSEMENT: Avant d'utiliser le produit, vous devez lire et comprendre le chapitre sur la sécurité.

Retrait du produit de son emballage



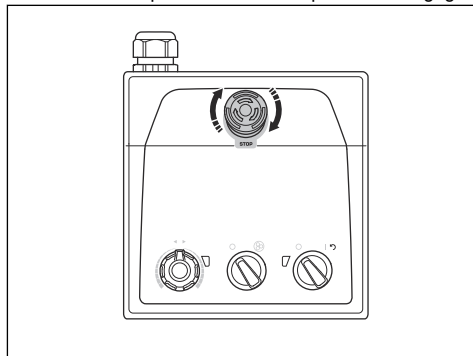
AVERTISSEMENT: Retirez le produit de la palette avec précaution et de manière sécurisée. Le produit est lourd et peut causer des blessures graves en cas de chute.

- Assurez-vous que tous les articles indiqués sur l'aperçu du produit sont inclus. Reportez-vous à la section *Présentation du produit, côté droit à la page 28*. Contactez votre revendeur Husqvarna si un article est manquant ou endommagé avant de retirer le produit de la palette.
- Retirez toutes les sangles de maintien et les cales des roues.
- Assurez-vous que la zone est dégagée et que vous disposez de suffisamment d'espace pour déplacer le produit.
- Assurez-vous qu'il n'y a aucun risque de chute, pour vous ou pour le produit.
- Utilisez l'équipement de levage ou les rampes pour retirer le produit de la palette. Ce produit est lourd. Déplacez le produit de manière sécurisée. Reportez-vous à la section *Pour lever le produit à la page 49*.

À faire avant de démarrer le produit

1. Lisez attentivement le manuel d'utilisation et assurez-vous de bien comprendre les instructions.
2. Portez l'équipement de protection individuel requis. Reportez-vous à la section *Équipement de protection individuelle à la page 32*.
3. Assurez-vous que seules les personnes autorisées se trouvent dans la zone de travail.
4. Effectuez l'entretien quotidien. Reportez-vous à la section *Schéma d'entretien à la page 44*.
5. Assurez-vous que le produit est correctement monté et qu'il n'est pas endommagé.

6. Placez le produit sur la zone de travail. Assurez-vous que le transport du produit vers et dans la zone de travail est effectué correctement et en toute sécurité. Reportez-vous à la section *Transport à la page 48*.
7. Assurez-vous que des outils diamantés sont présents sur les plaques d'outils et qu'ils y sont bien fixés.
8. Branchez un extracteur de poussière sur le produit. Reportez-vous à la section *Pour brancher un extracteur de poussière à la page 38*.
9. Réglez la poignée et le guidon à une hauteur d'utilisation confortable. Reportez-vous à la section *Réglage de la poignée et du guidon à la page 39*.
10. Assurez-vous que le câble du moteur est connecté au boîtier électrique avant de brancher le produit sur une prise secteur. Reportez-vous à la section *Installation et dépose de la tête de meulage à la page 45*.
11. Branchez le produit à une source d'alimentation. Reportez-vous à la section *Branchement du produit à une source d'alimentation à la page 39*.
12. Tournez le bouton d'arrêt d'urgence situé sur le panneau de commande dans le sens des aiguilles d'une montre pour vous assurer qu'il est désengagé.



13. Assurez-vous de connaître le sens de rotation des disques à meuler lorsque vous utilisez des outils diamantés de direction, tels que des outils Piranhas.

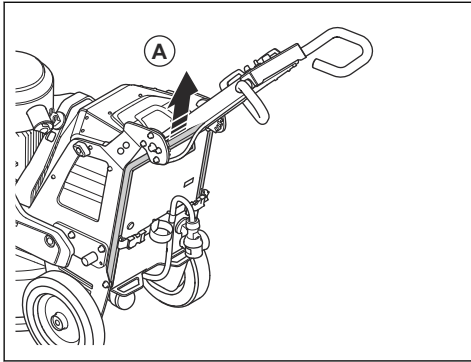
Engagement et désengagement du châssis de support

Le produit est doté d'un châssis de support qui lui permet de s'incliner vers l'arrière. Le châssis de support sert également de dispositif de suspension pour le tuyau de l'extracteur de poussière et le cordon d'alimentation.

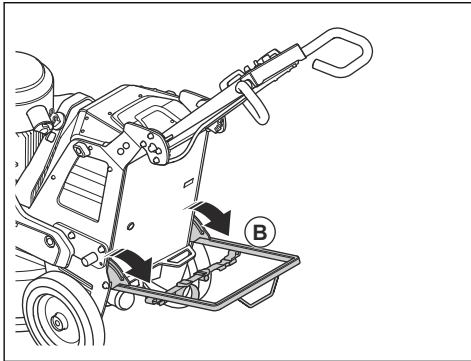


AVERTISSEMENT: Déplacez le châssis de support avec précaution. Les pièces mobiles peuvent provoquer des blessures.

1. Levez légèrement le châssis de support (A).



2. Abaissez le châssis de support (B).



3. Repliez le châssis de support en effectuant les mêmes étapes dans l'ordre inverse.

Outils diamantés

De nombreux types et configurations d'outils diamantés sont disponibles pour le produit. Des outils diamantés à liant métallique sont utilisés pour retirer de la matière et les outils diamantés à liant en résine sont utilisés pour polir les surfaces. Utilisez les outils diamantés appropriés selon la surface. Contactez votre revendeur Husqvarna ou rendez-vous sur www.husqvarnacp.com pour savoir comment choisir l'outil adapté.

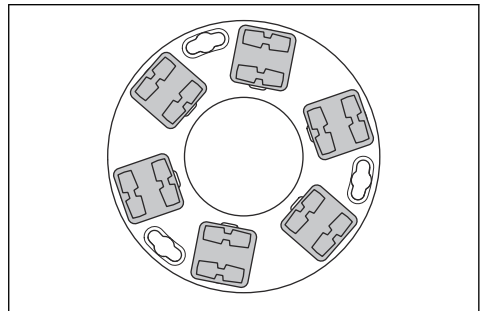
Suggestions de support de disque pour outils diamantés

- Utilisez un support de disque Redi lock pour fixer les outils diamantés à liant métallique.
- Utilisez un support de disque en résine pour fixer les outils diamantés à liant plastique.

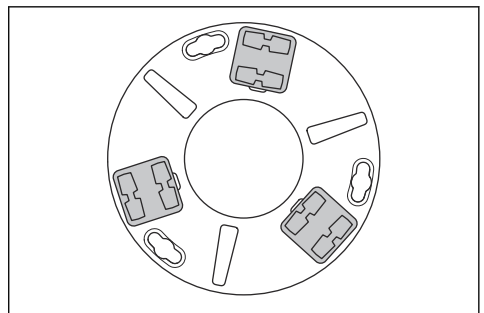
Kit complet et demi kit d'outils diamantés

La configuration des segments d'outils diamantés a un impact sur la qualité finale de la surface. La configuration a également un impact sur le taux de fonctionnement du produit.

- Kit complet d'outils diamantés : cette configuration est applicable pour une finition sol plat.



- Demi kit d'outils diamantés : cette configuration est applicable lorsqu'une finition sol plat n'est pas nécessaire.



Pour remplacer les outils diamantés



AVERTISSEMENT: Débranchez toujours la prise de courant avant de remplacer les outils diamantés, afin d'éviter le démarrage accidentel du produit.



AVERTISSEMENT: Utilisez des gants de protection : les outils diamantés peuvent beaucoup chauffer.



AVERTISSEMENT: Portez une protection respiratoire homologuée lorsque vous remplacez les outils diamantés. La poussière présente sous la tête de meulage est dangereuse pour la santé.

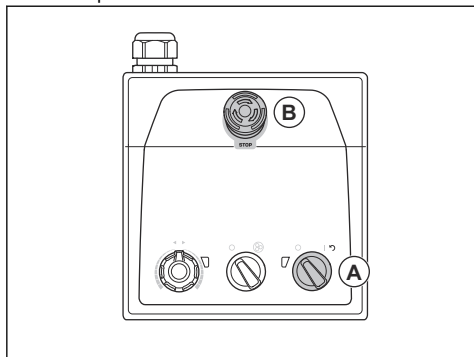


AVERTISSEMENT: Utilisez l'extracteur de poussière lorsque vous remplacez les outils diamantés. L'extracteur de poussière permet de réduire la quantité de poussière, qui a des effets nocifs sur la santé.



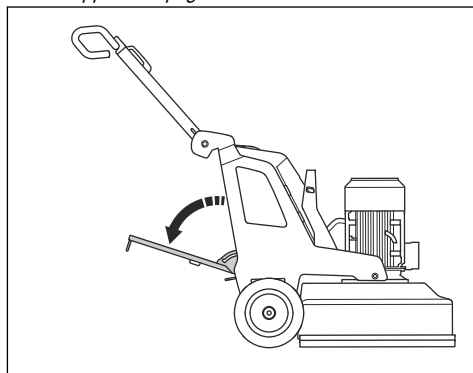
REMARQUE: Tous les disques à meuler doivent toujours présenter le même type et le même nombre de diamants. La hauteur des diamants doit être identique sur tous les disques à meuler.

1. Placez l'interrupteur de marche/arrêt (A) du panneau de commande sur 0. La LED située à côté de l'interrupteur de marche/arrêt s'éteint.

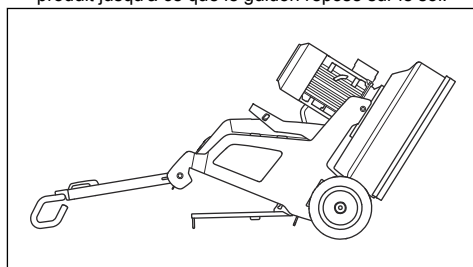


2. Appuyez sur le bouton d'arrêt d'urgence (B) situé sur le panneau de commande.
3. Placez la poignée en position d'entretien. Reportez-vous à la section *Positions de la poignée* à la page 39.
4. Si des poids sont installés, réglez-les en position arrière. Reportez-vous à la section *Réglage des poids* à la page 43.

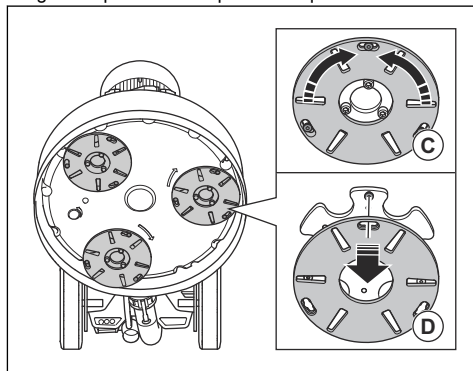
5. Engagez le châssis de support. Reportez-vous à la section *Engagement et désengagement du châssis de support* à la page 36.



6. Tenez le guidon et inclinez le produit vers l'arrière en posant un pied sur le châssis de support. Inclinez le produit jusqu'à ce que le guidon repose sur le sol.

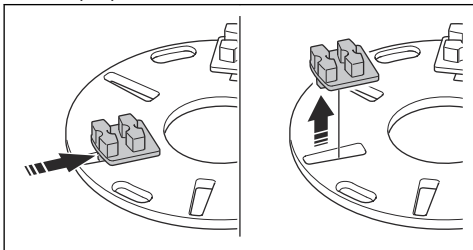


7. Mettez des gants de protection.
8. Tournez la plaque d'outil (C) vers la droite ou vers la gauche pour la débloquer du disque à meuler.

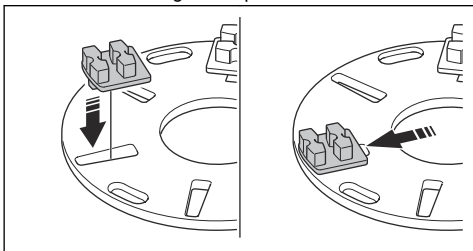


9. Tirez la plaque d'outil vers l'extérieur (D) pour la retirer du disque à meuler.

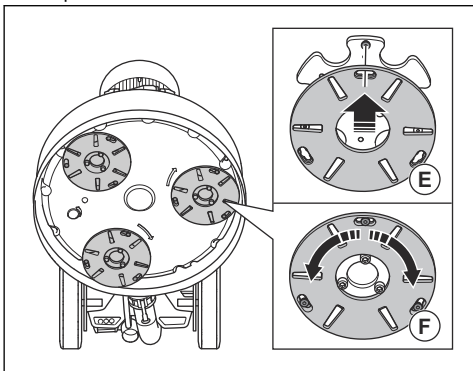
10. A l'aide d'un marteau, déposez les outils diamantés de la plaque d'outil.



11. Fixez les outils diamantés neufs à la plaque d'outil en donnant de légers coups de marteau.



12. Fixez la plaque d'outil de manière droite (E) sur le disque à meuler.



13. Tournez la plaque d'outil (F) vers la droite ou vers la gauche pour la fixer au disque à meuler.
14. Levez le produit avec précaution pour le placer en position de fonctionnement. Soutenez-le à l'aide du guidon et du châssis de support.
15. Désengagez le châssis de support.

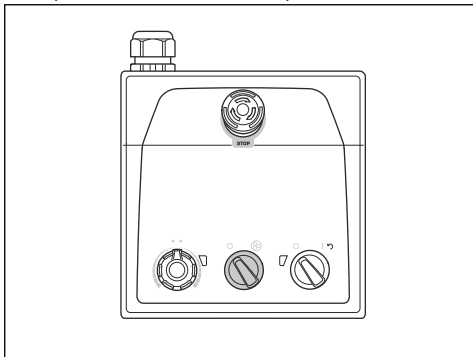
Pour brancher un extracteur de poussière



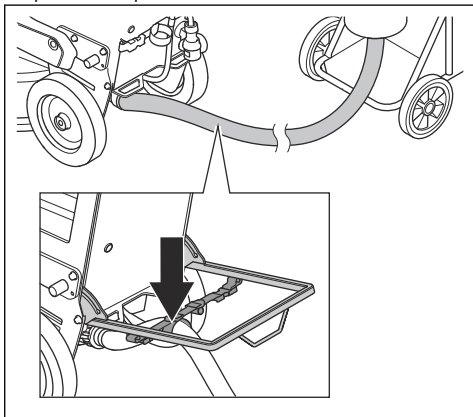
AVERTISSEMENT: N'utilisez pas l'extracteur de poussière si son tuyau est endommagé. L'utilisation d'un tuyau endommagé accroît le risque d'inhalation de

poussière nocive pour votre santé. Portez une protection respiratoire homologuée.

1. Vérifiez que le tuyau de l'extracteur de poussière n'est pas endommagé.
2. Assurez-vous que les filtres de l'extracteur de poussière sont en bon état et propres.
3. Assurez-vous que l'interrupteur STOP/RUN situé sur le panneau de commande est positionné sur 0.



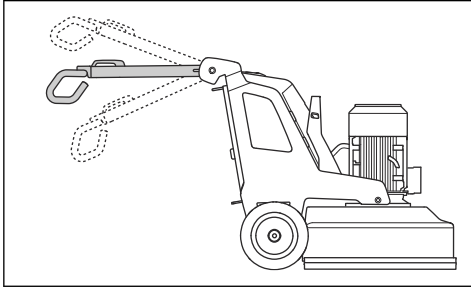
4. Branchez le tuyau de l'extracteur de poussière sur le produit.
5. Engagez le châssis de support. Reportez-vous à la section *Engagement et désengagement du châssis de support* à la page 36.
6. Accrochez le tuyau de l'extracteur de poussière sur le dispositif de suspension du châssis de support pour éviter qu'il ne se tende.



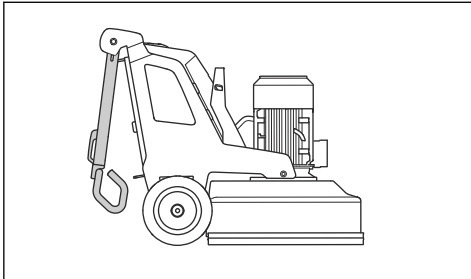
7. Désengagez le châssis de support.

Positions de la poignée

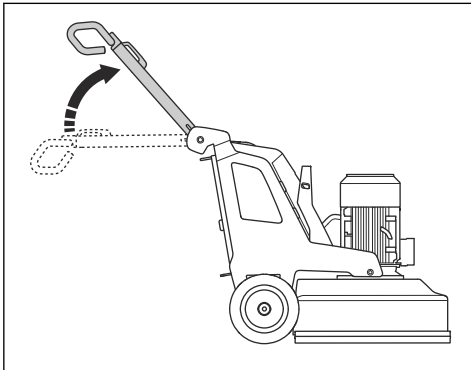
- Position de fonctionnement de la poignée :



- Position de transport de la poignée :



- Position d'entretien de la poignée :



Réglage de la poignée et du guidon

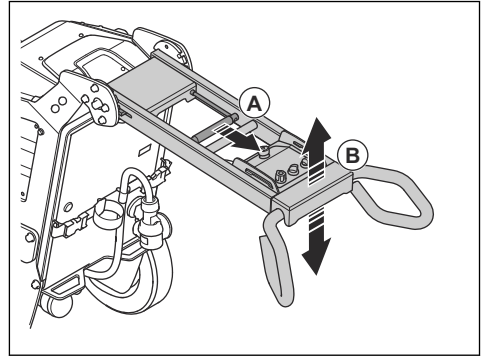


AVERTISSEMENT: Réglez la poignée et le guidon avec précaution. Assurez-vous que la poignée et le guidon sont fixés en position. Les pièces mobiles peuvent provoquer des blessures.

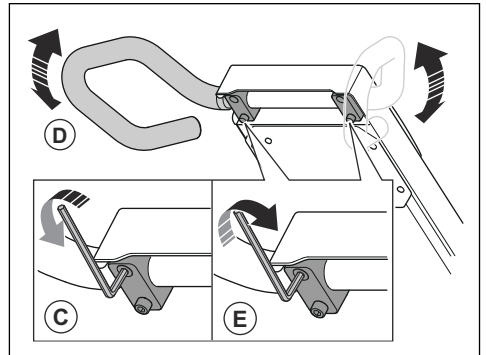
Réglez la hauteur de la poignée le plus proche possible de celle de la hanche de l'opérateur. Pendant son utilisation, le produit peut tirer d'un côté. L'opérateur

peut empêcher le produit de tirer vers le côté avec sa hanche.

1. Tirez le levier de blocage (A) de la poignée en direction du panneau de commande et maintenez-le dans cette position.



2. Réglez la poignée (A) à une hauteur d'utilisation confortable.
3. Relâchez le levier de blocage de la poignée pour la fixer dans cette position.
4. Desserrez les 4 vis (C) du guidon.

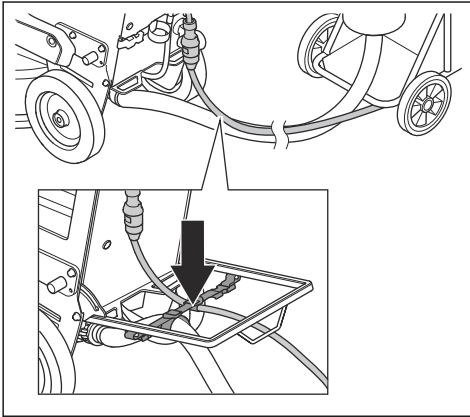


5. Réglez le guidon (D) à une hauteur d'utilisation confortable.
6. Serrez les 4 vis (E) du guidon pour le fixer en position.

Branchement du produit à une source d'alimentation

1. Branchez la prise de courant du produit sur le câble de rallonge.
2. Branchez le câble de rallonge à une prise secteur.
3. Engagez le châssis de support. Reportez-vous à la section *Engagement et désengagement du châssis de support* à la page 36.

4. Accrochez le cordon d'alimentation au dispositif de suspension du châssis de support pour éviter qu'il ne se tende.



5. Désengagez le châssis de support.



REMARQUE: Lorsque le produit est connecté à un extracteur de poussière, ce dernier doit être connecté à une source d'alimentation triphasée.

Utilisation de la vitesse

Si le produit est utilisé sur un nouveau type de surface, réglez la vitesse sur 70 % au départ. Lorsque l'utilisateur connaît le type de surface, la vitesse peut être ajustée.

Sens de rotation des disques à meuler

Vu de sous le produit, le sens de rotation se présente comme suit :

- « CW » : dans le sens des aiguilles d'une montre
- « CCW » : dans le sens contraire des aiguilles d'une montre

Pendant son utilisation, le produit peut tirer d'un côté. La direction de la traction est liée au sens de rotation. Le produit tire vers la droite lorsque le sens de rotation est positionné sur « CCW ». Le produit tire vers la gauche lorsque le sens de rotation est positionné sur « CW ».

La traction sur le côté peut vous aider à diriger le produit, par exemple près d'un mur. Réglez le sens de rotation pour tirer dans la direction du mur.



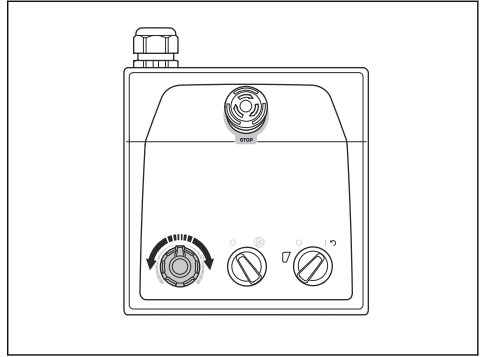
REMARQUE: Dirigez le produit avec précaution. Assurez-vous que le produit ne touche que légèrement le mur. Le produit est lourd et peut causer des dommages.

Modification de la vitesse et du sens de rotation du moteur

Changez régulièrement le sens de rotation du moteur pour prolonger la durée de vie et l'affûtage des outils

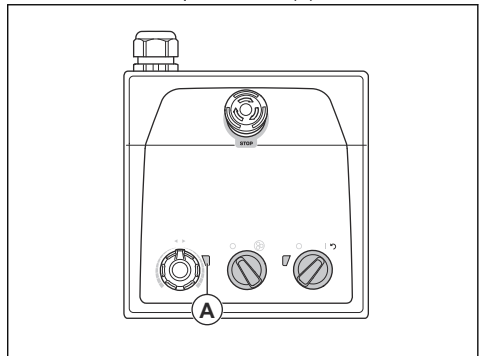
diamantés. Les segments des outils diamantés sont utilisés de manière égale et la surface de contact reste aussi importante que possible.

- Pour régler la vitesse et le sens de rotation du disque à meuler, tournez le bouton.



Pour utiliser le produit

- Commandez le produit manuellement à l'aide du panneau de commande situé sur la poignée. Reportez-vous à la section *Présentation du produit, côté gauche à la page 29*.
- Lors de l'utilisation du produit, surveillez les changements de couleur de l'indicateur de l'inverseur du disque à meuler (A).



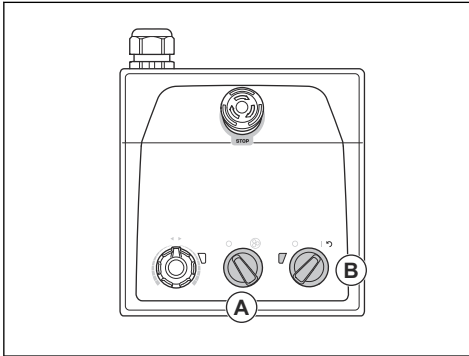
- Voyant vert : le produit fonctionne correctement.
- Voyant orange : la tête de meulage est surchargée. Réduisez la puissance de sortie à 10 secondes ou moins pour éviter l'apparition d'un défaut.
- Voyant rouge : défaut de l'inverseur et arrêt de la tête de meulage. Il est nécessaire de réinitialiser le produit. Reportez-vous à la section *Réinitialisation du produit à la page 41*.

Pour démarrer le produit



REMARQUE: Déplacez le produit en permanence lorsque la tête de meulage est activée. Si vous ne déplacez pas le produit, la surface peut devenir rugueuse.

1. Abaissez légèrement le guidon pour soulever la tête de meulage de la surface. La surface de friction des outils diamantés est ainsi relâchée. Ne levez pas complètement la tête de meulage de la surface lors de l'utilisation du produit.
2. Tournez l'interrupteur STOP/RUN (A) du panneau de commande dans le sens contraire des aiguilles d'une montre et placez-le sur 0 pour vous assurer que la tête de meulage est désactivée.



3. Placez l'interrupteur de marche/arrêt (B) du panneau de commande sur « 1 » pour démarrer le produit. La LED située à côté de l'interrupteur de MARCHÉ/ARRÊT s'allume.
4. Tournez l'interrupteur STOP/RUN situé sur le panneau de commande dans le sens des aiguilles d'une montre pour démarrer la tête de meulage. En moins de 5 secondes, le produit fonctionne au régime de ralenti.

Pour arrêter le produit

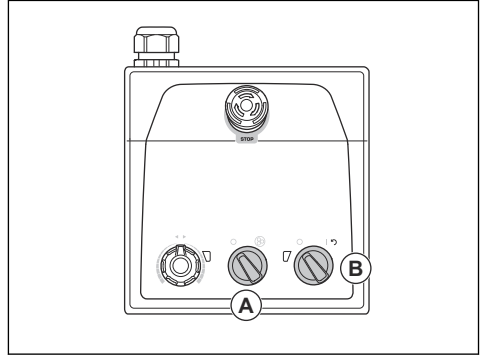


REMARQUE: Ne soulevez pas la tête de meulage de la surface lorsque vous arrêtez le moteur. Les plaques des outils tournent pendant un moment après l'arrêt du moteur. La poussière risque de pénétrer dans l'air et d'endommager la surface.



REMARQUE: Ne laissez pas le produit s'immobiliser avant que les plaques des outils soient complètement arrêtées.

1. Tournez l'interrupteur STOP/RUN (A) du panneau de commande dans le sens contraire des aiguilles d'une montre pour le placer sur « 0 » afin d'arrêter le produit.



2. Maintenez les plaques des outils contre la surface jusqu'à ce qu'elles s'arrêtent complètement.

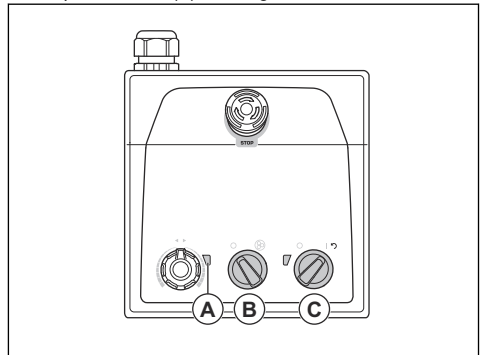


REMARQUE: Si vous meulez un matériau adhésif, de l'asphalte, de la peinture ou un matériau équivalent, le produit risque de se coller à la surface adhésive. Immédiatement après l'arrêt complet de la plaque d'outil, soulevez légèrement l'avant de la tête de meulage.

3. Placez l'interrupteur de marche/arrêt (B) du panneau de commande sur « 0 » pour arrêter le produit. La LED située à côté de l'interrupteur de marche/arrêt s'éteint.
4. Débranchez la fiche d'alimentation électrique.

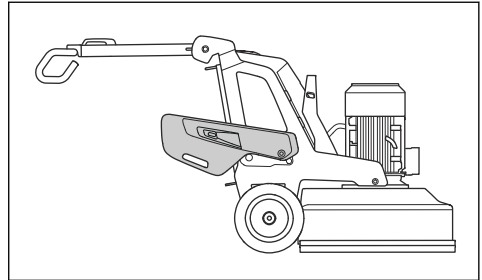
Réinitialisation du produit

L'interrupteur de marche/arrêt peut être utilisé comme interrupteur de réinitialisation si l'inverseur se relâche. Réinitialisez le produit lorsque l'indicateur de l'inverseur du disque à meuler (A) est rouge.



1. Tournez l'interrupteur STOP/RUN (B) dans le sens contraire des aiguilles d'une montre pour le placer sur 0 afin de garantir que la tête de meulage est désactivée.
2. Placez l'interrupteur de marche/arrêt sur la position fléchée (C) pour réinitialiser le produit. L'indicateur de l'inverseur du disque à meuler est vert lorsque le défaut est réinitialisé.
3. Tournez l'interrupteur STOP/RUN situé sur le panneau de commande dans le sens des aiguilles d'une montre pour redémarrer la tête de meulage.

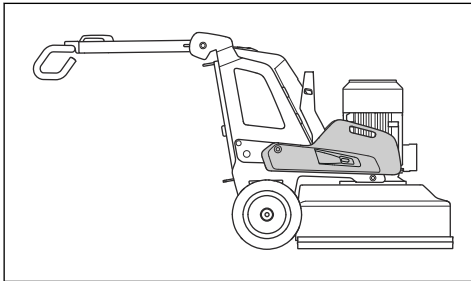
- Position 3 : pression minimale sur la tête de meulage. Cette position est également celle de l'entretien du produit.



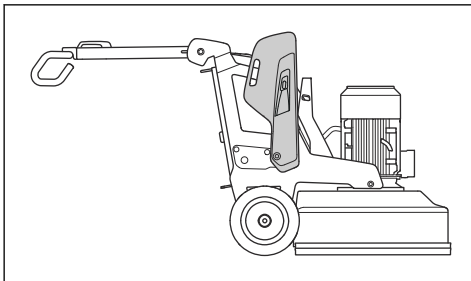
Poids

Un poids est installé de chaque côté du produit. Si vous trouvez le produit lourd pendant son utilisation, réglez les poids pour modifier la pression appliquée sur la tête de meulage. Les poids doivent être réglés dans la même position à gauche et à droite. Les poids peuvent être placés en 3 positions :

- Position 1 : pression maximale sur la tête de meulage. Cette position améliore le fonctionnement. Cette position est également celle du transport du produit.



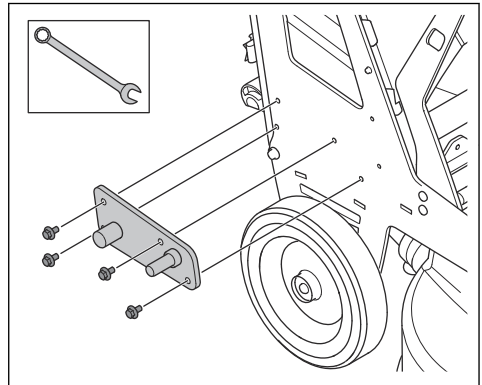
- Position 2 : pression standard sur la tête de meulage.



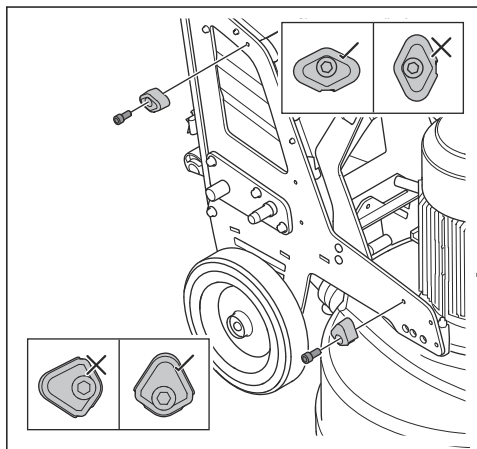
Montage et démontage des poids

Un poids est installé de chaque côté du produit. Effectuez la procédure expliquée ci-après pour chaque poids.

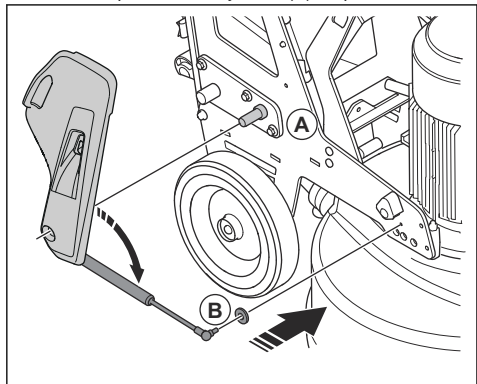
1. Posez le porte-masses et serrez les 4 vis.



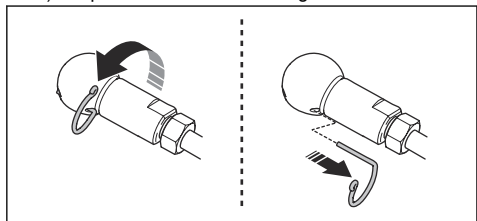
2. Posez les 2 supports de poids. Vérifiez que les supports de poids sont correctement installés, comme illustré.



3. Placez le poids sur le cylindre (A) du porte-masses.



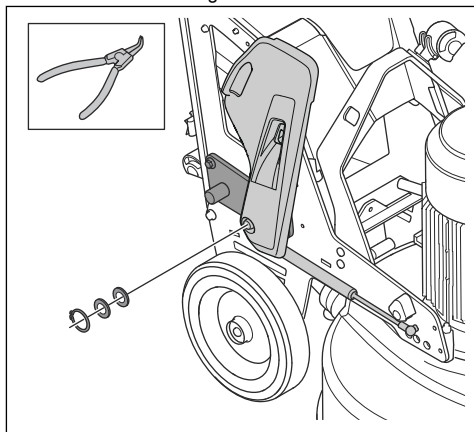
4. Fixez le ressort à gaz du poids sur le produit (B).
 - a) Déposez le ressort de blocage de la rotule.



- b) Déposez les rotules du ressort à gaz.
- c) Fixez la rotule au produit.

- d) Fixez le ressort à gaz à la rotule. Fixez le ressort à gaz sur la rotule à l'aide du ressort de blocage.

5. Fixez le poids sur le support prévu à cet effet à l'aide de l'anneau de blocage.



Réglage des poids

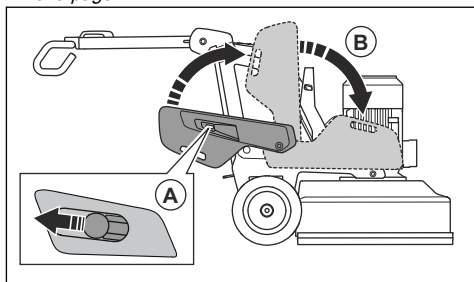


AVERTISSEMENT: Réglez les poids avec précaution. Les pièces mobiles peuvent provoquer des blessures.



AVERTISSEMENT: Vérifiez toujours que le verrou de poids se verrouille correctement lorsque les poids sont placés dans la position sélectionnée.

1. Poussez le verrou de poids (A) et déplacez le poids dans la position sélectionnée (B) à l'aide de la poignée de poids. Reportez-vous à la section *Poids à la page 42*.



2. Libérez le verrou de poids pour verrouiller le poids dans la position sélectionnée.

Entretien

Introduction



AVERTISSEMENT: Avant d'effectuer des travaux d'entretien, vous devez lire et comprendre le chapitre sur la sécurité.

Une formation spécifique est nécessaire pour effectuer tous les travaux d'entretien et de réparation du produit. Nous garantissons qu'il vous est possible d'obtenir des services de réparation et d'entretien effectués par des professionnels. Si votre concessionnaire n'est pas un atelier spécialisé, demandez-lui des informations à propos de l'atelier spécialisé le plus proche.

À faire avant l'entretien

- Utilisez un équipement de protection personnelle. Reportez-vous à la section *Équipement de protection individuelle* à la page 32.
- Portez une protection respiratoire homologuée. La poussière présente dans le produit est dangereuse pour la santé.
- Garez le produit sur une surface plane.

- Arrêtez le moteur et débranchez la prise de courant pour éviter tout démarrage accidentel lors de l'entretien.
- Éliminez toute trace d'huile et de saleté autour du produit. Enlevez les objets indésirables.
- Placez une signalisation claire pour informer les personnes se trouvant à proximité que des travaux d'entretien sont en cours.
- Gardez les extincteurs, le matériel médical et un téléphone de secours à proximité.

Schéma d'entretien

* = Entretien général effectué par l'opérateur. Les instructions ne sont pas mentionnées dans ce manuel d'utilisation.

X = Les instructions sont mentionnées dans ce manuel d'utilisation.

O = Les instructions ne sont pas mentionnées dans ce manuel d'utilisation. Faites réaliser l'entretien par un agent d'entretien agréé.

Entretien	Au quotidien	Toutes les semaines	Tous les 6 mois	Tous les 12-36 mois
Contrôlez l'interrupteur de marche/arrêt.	*			
Contrôlez les points de fixation et la fonction de verrouillage de la poignée.		*		
Contrôlez les points de fixation et la fonction de verrouillage des poids.		*		
Contrôlez le bouton d'arrêt d'urgence.	X			
Nettoyez les surfaces extérieures du produit.	X			
Nettoyez les composants internes du produit.			O	
Faites une inspection générale.	X			
Contrôlez les disques à meuler.	X			
Contrôlez le fonctionnement du système d'entraînement de la tête de meulage.		X		
Effectuez l'entretien du système d'entraînement des disques à meuler.				O
Contrôlez la connexion entre le châssis et la tête de meulage.		*		

Pour nettoyer le produit



REMARQUE: une prise d'air obstruée diminue les performances du produit et peut entraîner une surchauffe du moteur.

- Éliminez toute obstruction de toutes les prises d'air. Le produit doit être toujours suffisamment frais.
- Débranchez toujours la prise de courant de la prise secteur avant le nettoyage.
- N'utilisez pas de produits chimiques pour nettoyer le produit.

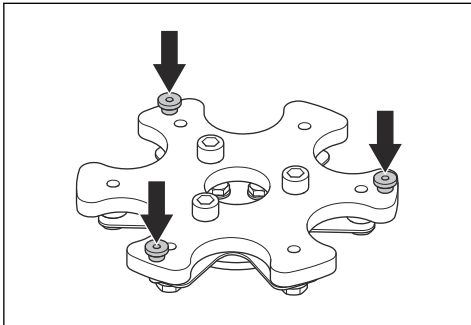
- Ne nettoyez pas les composants électriques avec de l'eau.
- Nettoyez toujours la totalité de l'équipement à la fin de la journée de travail. Nettoyez les composants sur la surface inférieure de la tête de meulage à l'aide d'un nettoyeur haute pression.



REMARQUE: Ne pointez pas le nettoyeur haute pression directement sur les joints ou les points d'attache.

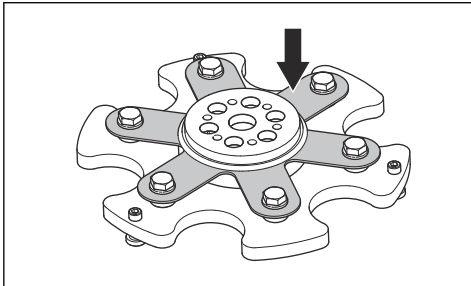
Pour faire une inspection générale

- Assurez-vous que le cordon d'alimentation et la rallonge sont en bon état et non endommagés.
- Assurez-vous que les écrous et les vis sont serrés.
- Assurez-vous que les vis sont serrées. Si nécessaire, serrez les vis et utilisez un frein filet 680 LOCTITE®.



Pour contrôler les disques à meuler

- Vérifiez l'absence de dommages sur le ressort en acier et assurez-vous qu'il est en bon état.



- Remplacez tout ressort en acier endommagé.

Remarque: Il n'est pas nécessaire de jeter le disque à meuler lorsque vous remplacez le ressort en acier.

- Ajoutez un deuxième ressort en acier pour rigidifier la tête à ressort en acier.

Système d'entraînement pour la tête de meulage

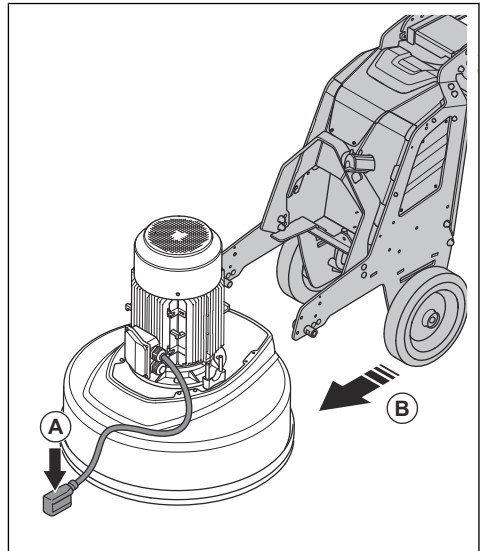
Le système d'entraînement pour la tête de meulage est un système fermé. Si vous rencontrez des problèmes avec le système d'entraînement de la tête de meulage, contactez votre agent d'entretien Husqvarna.

Installation et dépose de la tête de meulage



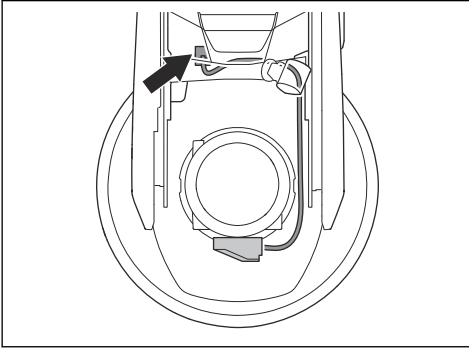
AVERTISSEMENT: Le châssis n'est pas équilibré lorsque la tête de meulage est déposée. Assurez-vous que le châssis ne peut pas tomber. La chute du châssis risquerait d'entraîner des blessures ou des dommages.

1. Placez le câble du moteur (A) devant la tête de meulage.

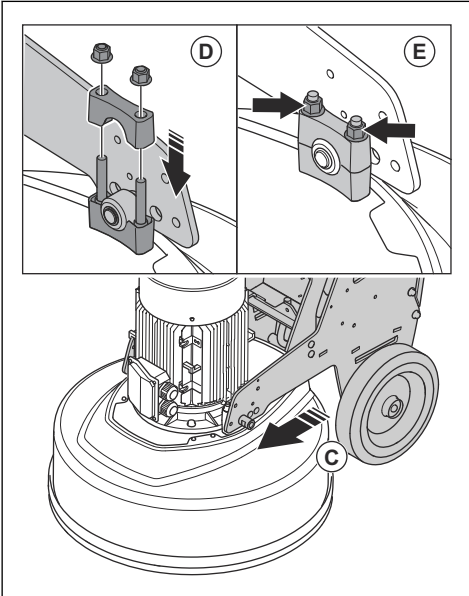


2. Poussez le châssis vers la tête de meulage (B).

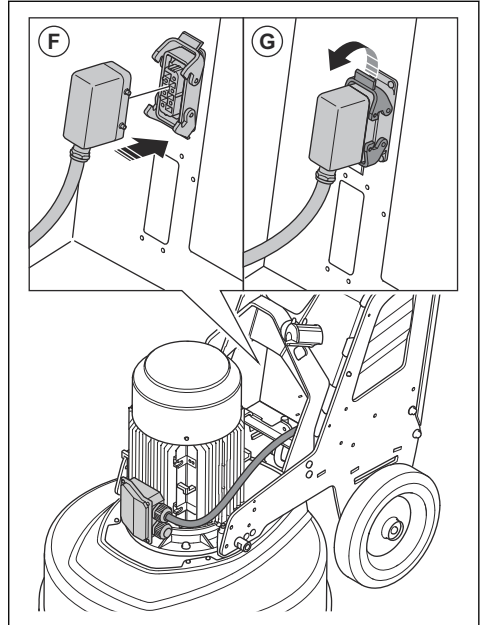
3. Faites passer le câble du moteur à travers la fente entre la tête de meulage et le châssis.



4. Poussez le châssis pour le placer complètement contre la tête de meulage (C). Assurez-vous que le châssis est fixé au support de la tête de meulage.



5. Posez le deuxième support (D) au-dessus du support de la tête de meulage.
6. Serrez les 2 écrous (E) de chaque côté de la tête de meulage.
7. Branchez le câble du moteur à la prise électrique (F) du boîtier électrique.



8. Fixez le câble du moteur à la prise électrique (G) du boîtier électrique.
9. Déposez la tête de meulage en effectuant les mêmes étapes dans l'ordre inverse.

Dépannage

Problème	Cause	Solution
Le produit ne démarre pas.	La rallonge est débranchée ou endommagée.	Branchez la rallonge ou, si nécessaire, remplacez-la.
	Un bouton d'arrêt d'urgence est actionné.	Tournez le bouton d'arrêt d'urgence sur le panneau de commande dans le sens des aiguilles d'une montre pour le désengager.
	L'interrupteur de sécurité est ouvert dans le boîtier électrique.	Fermez l'interrupteur de sécurité pour compléter le circuit.
Difficulté à tenir le produit.	Il n'y a pas assez d'outils diamantés installés sur le produit.	Augmentez le nombre d'outils diamantés pour diminuer la charge sur le produit et sur l'utilisateur.
	Le moteur d'entraînement de meulage ne fonctionne pas.	Assurez-vous que le moteur d'entraînement de meulage est connecté.
	Cela peut être dû à un défaut dans le moteur ou un défaut dans le câble du moteur.	Si le problème persiste, contactez un agent d'entretien agréé.
	La courroie est rompue.	Si la courroie est rompue, faites-la remplacer dans un centre d'entretien. Faites tourner un des disques à meuler manuellement. Si l'ensemble des disques à meuler tournent ensemble, alors la courroie n'est pas endommagée. Si un disque à meuler tourne librement, alors la courroie est rompue.
	Seule une phase est affichée sur le produit. Le produit ne recevra pas de code d'erreur et utilisera <1 A du courant du moteur. Le ventilateur tourne lentement.	Contrôlez l'alimentation électrique.
	La capacité du produit est surchargée par la surface ou l'utilisation.	Ajustez la vitesse du moteur et/ou la vitesse d'avance du produit sur le sol.
Le produit émet un bruit qui semble indiquer une trop grande augmentation de la vitesse.	Le moteur d'entraînement de meulage n'est pas connecté.	Assurez-vous que le moteur d'entraînement de meulage est connecté.
	Le moteur d'entraînement de meulage ne fonctionne pas.	Assurez-vous que le moteur d'entraînement de meulage est connecté.
	Cela peut être dû à un défaut dans le moteur ou un défaut dans le câble du moteur.	Si le problème persiste, contactez un agent d'entretien agréé.
	La surface est trop épaisse ou la configuration des outils diamantés est incorrecte.	Abaissez légèrement le guidon pour soulever la tête de meulage de la surface lorsque vous mettez le produit en marche.

Problème	Cause	Solution
Le produit crée des rayures irrégulières.	Les outils diamantés sont mal fixés ou fixés à des hauteurs différentes sur les disques à meuler.	Assurez-vous que tous les outils diamantés sont correctement installés et que tous sont à la même hauteur.
	Les outils diamantés sont de différents types.	Vérifiez que tous les segments ont le même grain et le même liant diamantés. Si les segments en diamant sont rugueux, espacez-les de manière égale. Utilisez le produit sur une surface abrasive jusqu'à ce que tous les segments aient la même hauteur.
	Les vis sont desserrées ou manquantes.	Assurez-vous que toutes les vis sont en position et bien serrées.
	Les outils en résine sont mélangés ou présentent une contamination indésirable.	Assurez-vous que tous les outils en résine ont le même grain et le même liant diamantés et qu'ils ne présentent aucune contamination. Pour nettoyer les outils en résine, utilisez-les pendant une courte durée sur une surface légèrement abrasive.
	Les disques à meuler sont usés ou endommagés.	Vérifiez que les disques à meuler ne sont pas cassés et qu'ils n'effectuent pas de mouvements excessifs.
Le produit effectue des mouvements soudains et indésirables.	Les disques à meuler sont usés ou endommagés.	Vérifiez que les disques à meuler ne présentent pas de parties endommagées et qu'ils n'effectuent pas de mouvements excessifs.
	Les outils diamantés sont mal fixés ou fixés à des hauteurs différentes sur les disques à meuler.	Assurez-vous que tous les outils diamantés sont correctement installés et que tous sont à la même hauteur.
	Les vis sont desserrées ou manquantes.	Assurez-vous que toutes les vis sont en position et bien serrées.
Le disjoncteur interne se déclenche.	Charge trop importante ou alimentation électrique insuffisante.	Contrôlez l'alimentation électrique.
		Diminuez la pression de meulage, augmentez le nombre d'outils diamantés ou augmentez la dureté du liant.

Transport, entreposage et mise au rebut

Transport



AVERTISSEMENT: soyez prudent lors du transport. Le produit est lourd et peut provoquer des blessures ou être endommagé en cas de chute ou de déplacement lors du transport.

Les roues vous permettent de déplacer le produit sur de courtes distances. Pour de longues distances, soulevez le produit pour le déplacer ou le placer sur un véhicule.



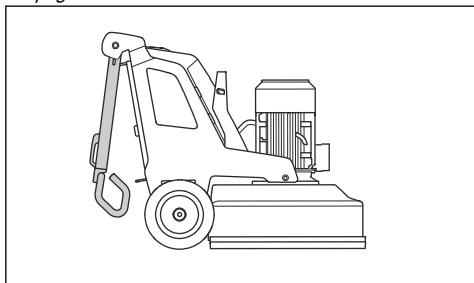
REMARQUE: ne remorquez pas le produit derrière un véhicule.

- Soyez prudent lorsque vous déplacez le produit manuellement ou sur des surfaces en pente. Des pentes légères peuvent causer un mouvement rapide qu'il est impossible d'arrêter à la main.
- Fixez le produit au cours du transport. Assurez-vous qu'il ne puisse pas bouger.
- Placez une protection sur le produit pendant le transport. La protection permet que le produit n'entre pas en contact avec des éléments naturels, comme la pluie et la neige.

- Utilisez toujours l'anneau de levage du produit lorsque vous soulevez le produit.
- Ne soulevez pas le produit à l'aide du guidon, du moteur, du châssis ou de toute autre pièce.
- Il est recommandé d'utiliser une palette pour le transport.
- Soulevez toujours le produit à l'aide d'un monte-charge ou d'un chariot à fourches.
- N'utilisez pas de chariot à fourches si le produit n'est pas placé sur une palette ou un chariot. Cela peut endommager les disques à meuler de la machine et d'autres composants internes.
- Lors du transport, la tête de meulage doit se trouver au sol. Pour éviter d'endommager le mécanisme de verrouillage des plaques de l'outil, laissez les plaques de l'outil en place.

Pour régler le produit en position de transport

- Rabattez la poignée vers le bas. Reportez-vous à la section *Réglage de la poignée et du guidon à la page 39.*



- Si les poids sont fixés au produit, réglez-les en position vers l'avant. Reportez-vous à la section *Réglage des poids à la page 43.*
- Assurez-vous que la tête de meulage touche la surface.

Montée et descente du produit avec une rampe



AVERTISSEMENT: Soyez très prudent lorsque vous faites monter et descendre le produit sur les rampes alors que le moteur est en marche. Le produit est lourd et il y a un risque de blessure si le produit tombe ou se déplace trop rapidement.



AVERTISSEMENT: Pour les rampes à pente raide, utilisez toujours un treuil. Ne marchez pas et ne restez pas sous le produit. Ne restez pas dans la zone de risque du produit. Reportez-vous à la section *Sécurité dans l'espace de travail à la page 32.*



AVERTISSEMENT: Ne déplacez pas le produit dans des pentes raides. Reportez-vous à la plaque signalétique du produit pour plus d'informations sur l'angle de pente maximal.

- Pour faire descendre le produit d'une rampe, déplacez-le lentement vers l'arrière.
- Pour faire monter le produit sur une rampe, déplacez-le lentement vers l'avant.
- Ne faites pas pivoter le produit à plus de 45° sur une rampe.

Pour lever le produit



AVERTISSEMENT: assurez-vous que l'équipement de levage présente la bonne spécification afin de soulever le produit en toute sécurité. La plaque signalétique du produit indique le poids du produit.

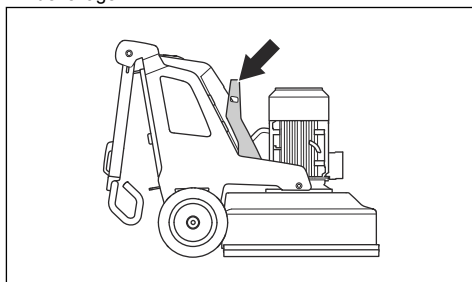


AVERTISSEMENT: ne marchez pas sur un produit soulevé et ne restez en dessous ou à proximité. Éloignez les personnes présentes de la zone à risque. Reportez-vous à la section *Sécurité dans l'espace de travail à la page 32.*



AVERTISSEMENT: ne soulevez pas un produit endommagé. Vérifiez que le boudin de levage est bien fixé et en bon état.

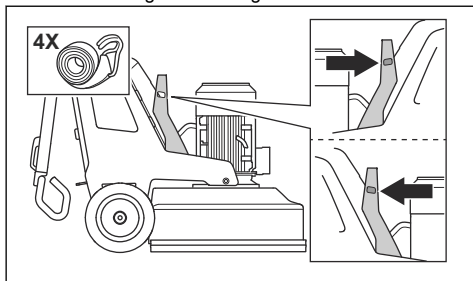
1. Réglez le produit en position de transport. Reportez-vous à la section *Pour régler le produit en position de transport à la page 49.*
2. Fixez l'équipement de levage au niveau de l'anneau de levage.



Fixation du produit pour le transport

Le produit présente des trous permettant de faire passer des sangles d'arrimage afin de le fixer sur le véhicule de transport.

1. Fixez les sangles d'arrimage dans les trous.



2. Fixez les sangles d'arrimage sur le véhicule et serrez-les.

Remisage



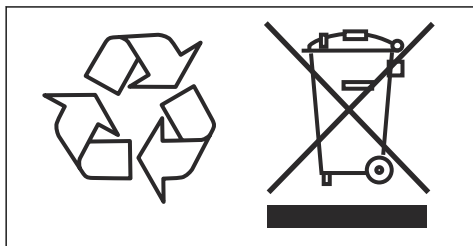
REMARQUE: N'entreposez pas le produit à l'extérieur. Gardez toujours le produit à l'intérieur.

- Conservez le produit dans un endroit sec et à l'abri du gel.
- Nettoyez le produit et effectuez un entretien complet avant de remiser le produit.
- Maintenez la tête de meulage au sol.
- Conservez le produit dans un endroit verrouillé afin que des enfants ou personnes qui ne sont pas autorisées à l'utiliser ne puissent pas y avoir accès.

Mise au rebut

Les symboles figurant sur le produit ou l'emballage indiquent que ce produit ne peut pas être traité comme un déchet domestique ordinaire. Il doit être déposé dans un site de recyclage prévu pour la récupération d'équipements électriques et électroniques.

En prenant soin correctement de ce produit, vous contribuez à compenser l'éventuel effet négatif sur l'environnement et les personnes, qui autrement pourrait être engendré par la mauvaise gestion de la mise au rebut du produit. Pour obtenir de plus amples informations sur le recyclage de ce produit, contactez votre municipalité, votre service des ordures ménagères ou le magasin où vous avez acheté ce produit.



Caractéristiques techniques

Caractéristiques techniques

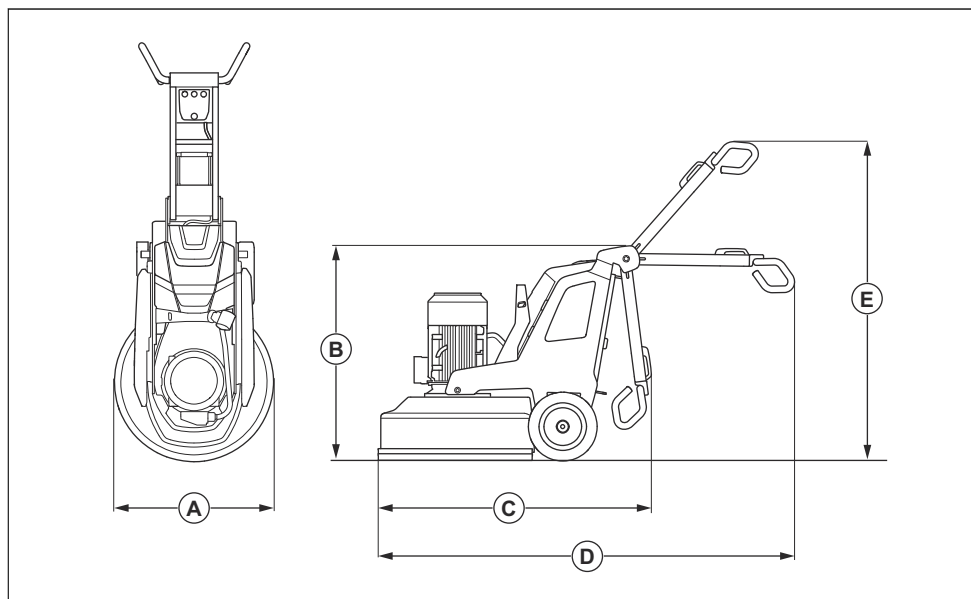
Puissance maximale, kW/hp	11/15
Intensité nominale, A	30
Tension nominale, V	380-415
Phases	Triphasé
Fréquence, Hz	50-60
Poids kg/lb	497/1 096
Largeur de meulage, mm/po.	800/31,5
Disque à meuler, mm/po	3 x 270/10,5
Pression de meulage, kg/lb	79/175
Pression de meulage avec roue de support, kg/lb	85/187
Poids en position 1 (vers l'avant), kg/lb	298/656
Poids en position 1 (vers l'avant) avec roue de support, kg/lb	315/693
Poids en position 2 (vertical), kg/lb	249/548
Poids en position 2 (vertical) avec roue de support, kg/lb	266/585
Poids en position 3 (vers l'arrière), kg/lb	195/429
Poids en position 3 (vers l'arrière) avec roue de support, kg/lb	212/466
Vitesse du disque à meuler, régime min./max.	421-1403
Vitesse de la tête de meulage, régime min./max.	28-92
Sens de rotation (de haut en bas)	Tête de meulage : dans le sens des aiguilles d'une montre Disque à meuler : dans le sens contraire des aiguilles d'une montre
Inclinaison max., degrés °	10
Boîtier, IP	54
Extracteur de poussière recommandé⁵	
Fixation pour l'extracteur de poussière, mm/po	76/3
Débit d'air min, m ³ /h / CFM	815/480
Dépression min., kPa/psi	30/4,4

⁵ Les fiches techniques des extracteurs de poussière ne fournissent pas de comparaison entre les performances réelles sur la durée des différents modèles d'extracteur. Pour les Husqvarna produits OSHA vous trouverez des données objectives sur www.husqvarnacp.com/us.

Niveaux sonores

Émissions sonores⁶	
Niveau de puissance acoustique mesuré L_W (dB(A))	95,4
Niveaux sonores⁷	
Niveau de pression sonore à l'oreille des opérateurs, L_p , (dB (A))	78,7
Niveaux de vibrations⁸	
Poignée droite, m/s^2	1,7
Poignée gauche, m/s^2	1,5

Dimensions du produit



A	Largeur, mm/po.	830/32,7
----------	-----------------	----------

⁶ Émissions sonores dans l'environnement mesurées en tant que puissance acoustique conformément à la norme EN 60335-2-72. Mesure d'incertitude attendue : 2,5 dB(A).

⁷ Niveau de pression sonore conformément à la norme EN 60335-2-72. Mesure d'incertitude attendue : 4 dB(A).

⁸ Niveau de vibrations conforme aux normes EN 60335-1 et EN 60335-2-72. Les données reportées pour le niveau de vibrations montrent une dispersion statistique typique (déviations standard) de 1 m/s^2 . Les valeurs de vibrations sont valables pour le fonctionnement manuel.

B	Hauteur totale min. (poignée repliée), mm/po	1 145/45,1
C	Longueur totale min. (poignées repliées), mm/po	1 550/61
D	Longueur totale max. (poignées déployées), mm/po	2 215/87,2
E	Hauteur totale max. (poignées déployées), mm/po	1 700/66,9

Déclaration de conformité CE

Déclaration de conformité CE

Nous, Husqvarna AB, SE-561 82 Husqvarna, Suède,
tél. : +46-36-146500, déclarons sous notre entière
responsabilité que le produit :

Description	Système de polissage et de surfacage
Marque	Husqvarna
Type/Modèle	PG 830S
Identification	Numéros de série à partir de 2019 et ultérieurs

est entièrement conforme à la réglementation et aux
directives de l'UE suivantes :

Directive/Réglementation	Description
2006/42/EC	« relative aux machines »

et que les normes harmonisées et/ou les spécifications
techniques sont appliquées comme suit :

EN ISO 12100:2010

EN 60335-1:2012/A11:2014/AC:2014

EN 60335-2-72:2012

Partille, 2019-10-17



Martin Huber

Directeur R et D, Surfaces et sols en béton

Husqvarna AB, division Construction

Responsable de la documentation technique

Inhoud

Inleiding.....	55	Probleemoplossing.....	73
Veiligheid.....	58	Vervoer, opslag en verwerking.....	75
Werking.....	62	Technische gegevens.....	78
Onderhoud.....	71	EG verklaring van overeenstemming.....	81

Inleiding

Productbeschrijving

Het product is een vloerslijpmachine voor oppervlakken van verschillende hardheid.

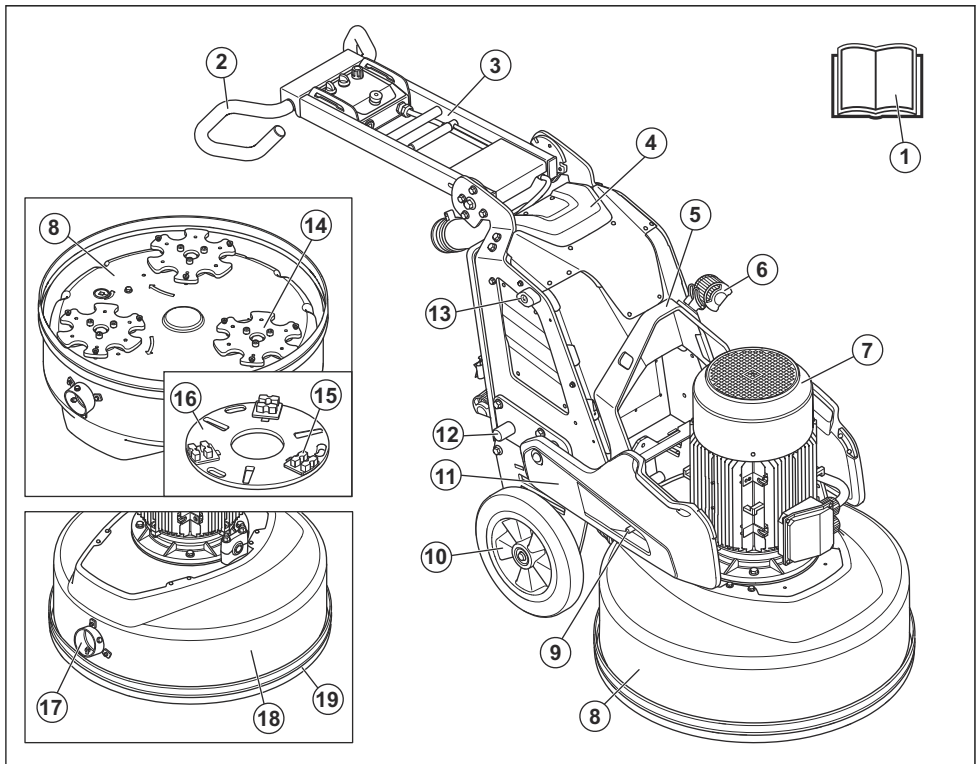
Gebruik

Het product wordt gebruikt voor het slijpen van oppervlakken van materialen met verschillende

hardheid, zoals natuursteen, terazzo en beton. Het product kan ook worden gebruikt voor het slijpen van dekmaterialen zoals epoxy en lijm. De afwerking van het oppervlak kan ruw of glad zijn. Het product kan worden gebruikt voor zowel droog als nat slijpen. Gebruik het product niet voor andere taken.

Het product wordt voor commerciële toepassingen gebruikt door professionele gebruikers.

Productoverzicht, rechterzijde



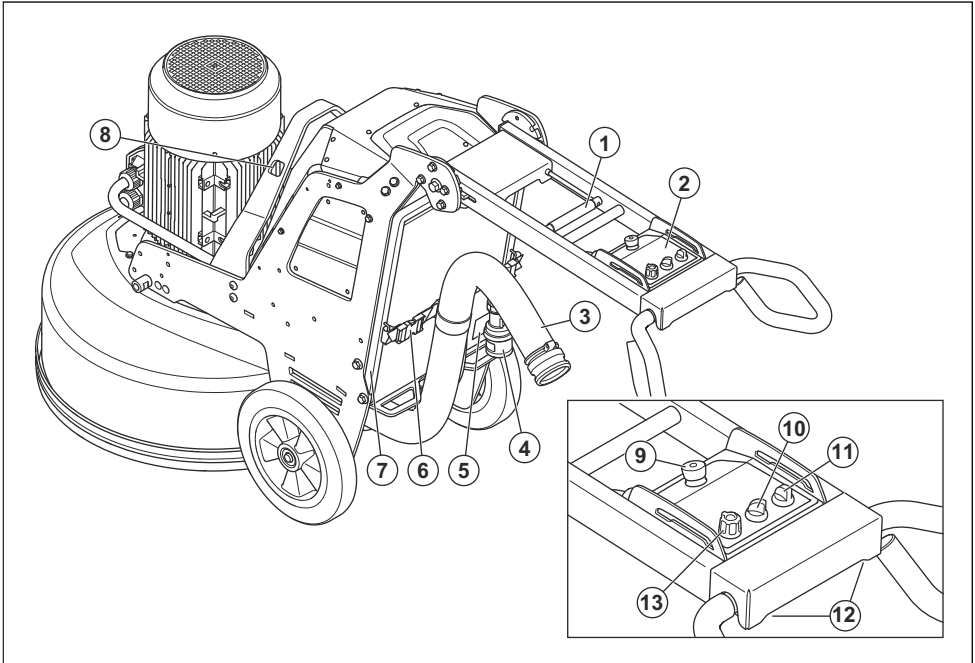
1. Bedieningshandleiding
2. Handgreep
3. Hendel

4. Controlekast
5. Hijssoog
6. Koplamp (accessoire)

7. Motor van schuurschijf
8. Slijpkop
9. Gewichtsvergrendeling
10. Wiel
11. Gewicht (accessoire)
12. Gewichthouder
13. Gewichtssteun

14. Slijpschijf
15. Diamantgereedschap (accessoire)
16. Schijfplaat
17. Aansluiting voor stofzuiger
18. Kap
19. Stofmantel

Productoverzicht, linkerzijde



1. Vergrendelingshendel voor verstelbare hendel
2. Bedieningspaneel
3. Aansluiting voor stofzuiger
4. Snoer
5. Productplaatje
6. Ophanginrichting voor stofzuigerslang en netsnoer
7. Steunframe
8. Gaten voor riem
9. Noodstopknop
10. STOP/RUN-schakelaar
11. AAN/UIT-schakelaar
12. Schroeven voor handgreepverstelling
13. Knop voor de draairichting en snelheid van de schuurschijf

Symbolen op het product



WAARSCHUWING: Dit product kan gevaarlijk zijn en ernstig of fataal letsel toebrengen aan de gebruiker of anderen. Wees voorzichtig en gebruik het product op de juiste manier.



Lees de handleiding goed door en zorg dat u de instructies hebt begrepen voordat u het product gebruikt.



Gebruik gehoorbescherming, oogbescherming en ademhalingsbescherming. Zie *Persoonlijke beschermingsuitrusting op pagina 59*.



Het stof kan gezondheidsproblemen veroorzaken. Gebruik goedgekeurde ademhalingsbescherming. Zorg voor goede ventilatie.



Til het product altijd op aan het hijs oog.



Gebruik de gaten voor spanbanden om het product aan een transportvoertuig te bevestigen.



Dubbele isolatie, accu en acculader.



Gebruik en bewaar de acculader uitsluitend binnen.



Het product is geen huishoudelijk afval. Lever het in bij een erkende verwijderingslocatie voor elektrische en elektronische apparatuur.



Dit product voldoet aan de geldende EU-richtlijnen.

Let op: Overige op het product aangebrachte symbolen/plaatjes verwijzen naar specifieke eisen aan certificering voor bepaalde markten.

Symbolen op het bedieningspaneel



Noodstop.



Product ingeschakeld en product resetten.

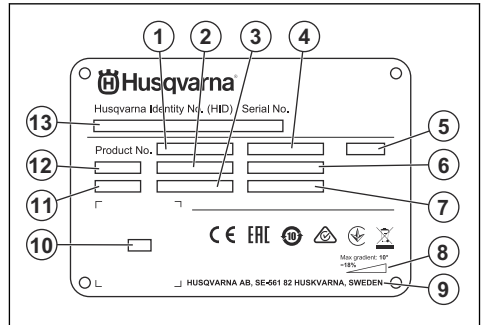


Slijpkop ingeschakeld.



Toerental en rotatierichting van de slijpschijf.

Productplaatje



1. Productnummer
2. Gewicht van het product
3. Nominaal vermogen
4. Nominale spanning
5. Behuizing
6. Nominale stroom
7. Frequentie
8. Maximale hellingshoek
9. Fabrikant
10. Scanbare code
11. Bouwjaar
12. Model
13. Serienummer

Productaansprakelijkheid

Zoals uiteengezet in de wet voor productaansprakelijkheid zijn wij niet aansprakelijk voor schade die door ons product wordt veroorzaakt, indien:

- het product niet goed is gerepareerd.
- het product is gerepareerd met onderdelen die niet van de fabrikant afkomstig zijn, of onderdelen die niet zijn goedgekeurd door de fabrikant.
- het product een accessoire bevat dat niet afkomstig is van de fabrikant of niet is goedgekeurd door de fabrikant.
- het product niet is gerepareerd door een erkend servicepunt of door een erkende autoriteit.

Husqvarna Fleet Services™

Husqvarna Fleet Services™ is een cloudoplossing die de gebruiker een overzicht geeft van alle verbonden producten. Op dit product kan een Husqvarna Fleet Services™-sensor worden geïnstalleerd. De Husqvarna Fleet Services™-sensor verzamelt gegevens over het product en maakt verbinding met het Husqvarna Fleet Services™-systeem mogelijk. Het Husqvarna Fleet Services™-systeem meldt gegevens zoals gebruikstijd, onderhoudsintervallen en locatie van het product.

Voor meer informatie over Husqvarna Fleet Services™: download de Husqvarna Fleet Services™-app of neem contact op met uw Husqvarna-vertegenwoordiger.

Veiligheid

Veiligheidsdefinitie

Waarschuwingen, voorzorgsmaatregelen en opmerkingen worden gebruikt om te wijzen op belangrijke delen van de handleiding.



WAARSCHUWING: Wordt gebruikt om te wijzen op de kans op ernstig of fataal letsel voor de gebruiker of omstanders wanneer de instructies in de handleiding niet worden gevolgd.



OPGELET: Wordt gebruikt indien er een risico bestaat op schade aan het product en andere eigendommen of aan de omgeving wanneer de instructies in de handleiding niet worden gevolgd.

Let op: Geven verdere informatie die nodig is in een bepaalde situatie.

Algemene veiligheidsinstructies



WAARSCHUWING: Lees de volgende waarschuwingen voordat u het product gaat gebruiken.

- Dit product kan bij onvoorzichtig of onjuist gebruik een gevaarlijk gereedschap zijn. Dit product kan ernstig of fataal letsel toebrengen aan de gebruiker of anderen. Het is erg belangrijk dat u deze gebruiksaanwijzing leest en begrijpt voordat u dit product gaat gebruiken.
- Bewaar alle waarschuwingen en instructies.
- U dient alle toepasselijke wet- en regelgeving in acht te nemen.
- De gebruiker en de werkgever van de gebruiker dienen op te hoogte te zijn van de risico's tijdens het gebruik van het product en moeten deze voorkomen.
- Zorg ervoor dat dit product alleen wordt gebruikt door personen die de inhoud van de gebruikershandleiding hebben gelezen en begrepen.
- Gebruik het product alleen als u voorafgaand aan gebruik training hebt ontvangen. Zorg ervoor dat alle gebruikers getraind worden.
- Laat het product niet door een kind bedienen.
- Het product mag alleen worden gebruikt door goedgekeurde personen.
- De gebruiker is verantwoordelijk indien ongelukken gebeuren met andere mensen of hun eigendommen.

- Gebruik het product nooit als u moe of ziek bent, of onder invloed van alcohol, drugs of medicijnen verkeert.
- Wees altijd voorzichtig en gebruik uw gezond verstand.
- Dit product produceert tijdens bedrijf een elektromagnetisch veld. Dit veld kan onder bepaalde omstandigheden de werking van actieve of passieve medische implantaten verstoren. Om het risico op ernstig of fataal letsel te verminderen, raden we personen met een medisch implantaat aan om contact op te nemen met hun arts en de fabrikant van het medische implantaat voordat ze dit product gebruiken.
- Houd het product schoon. Zorg ervoor dat u de aanduidingen en stickers duidelijk kunt lezen.
- Gebruik het product niet als het defect is.
- Breng geen wijzigingen aan dit product aan.
- Gebruik het product niet als de mogelijkheid bestaat dat andere personen wijzigingen aan het product hebben aangebracht.

Veiligheidsinstructies voor bediening



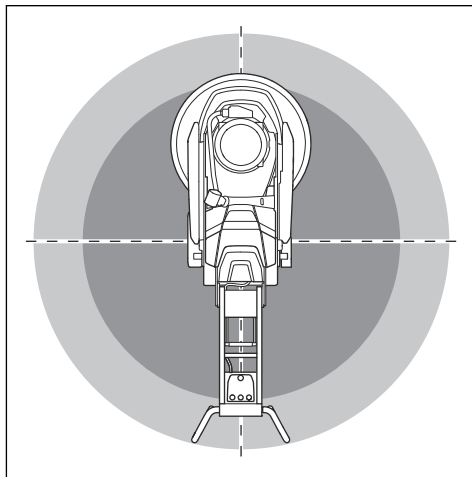
WAARSCHUWING: Lees de volgende waarschuwingen voordat u het product gaat gebruiken.

- Maak altijd gebruik van persoonlijke beschermingsmiddelen. Zie *Persoonlijke beschermingsuitrusting op pagina 59*.
- Blijf in de buurt van het product wanneer de motor is ingeschakeld.
- Haal altijd de stekker uit het stopcontact voordat u apparaat onbeheerd achterlaat.
- Trek niet aan de slang van de stofzuiger. Het product kan vallen en letsel of schade veroorzaken.
- De slijpkop moet het oppervlak raken wanneer u het product start. Dit is niet van toepassing als u de AAN/UIT-schakelaar controleert.
- Start het product niet zonder dat de stofmantel is gemonteerd. De stofmantel moet volledig zijn afgedicht tussen het product en de vloer.
- Blijf uit de buurt van plekken waar het product letsel kan veroorzaken. Het product kan snel van positie veranderen en u raken.
- Zet de motor onmiddellijk stop als het product niet correct werkt.
- Zorg ervoor dat er geen kleding, lang haar en juwelen vast komen te zitten in bewegende delen.
- Zorg ervoor dat u stabiel en veilig staat tijdens het gebruik.

- Gebruik het product alleen als u weet dat u hulp kunt krijgen indien zich een ongeval voordoet.
- Als er trillingen optreden in het product of als het geluidsniveau van het product ongewoon hoog is, dient u het product onmiddellijk te stoppen. Controleer het product op schade. Repareer schade of laat een erkende servicewerkplaats de reparatie uitvoeren.
- Overmatige blootstelling aan trillingen kan bloedvaten zenuwbeschadigingen veroorzaken bij personen met een verminderde bloedcirculatie. Consulteer een arts wanneer u symptomen heeft die wijzen op te grote blootstelling aan trillingen. Dergelijke symptomen zijn slapende vingers e.d., geen gevoel, "kriebelend" gevoel, "speldenprikken", pijn, geen of weinig kracht, huidverkleuringen of veranderingen van het huidoppervlak. Deze symptomen worden meestal waargenomen in de vingers, handen of polsen.
- Parkeer de machine niet op een helling. Als u het product op een helling moet parkeren, zorg er dan voor dat het niet kan bewegen of vallen. Er bestaat gevaar voor letsel en schade.
- Wees extra voorzichtig bij het werken op hellingen. Dit product is zwaar en kan ernstig letsel veroorzaken als het valt.
- Werk niet met het product op steile hellingen. Kijk op het productplaatje voor informatie over de maximale hellingshoek.
- Gebruik altijd goedgekeurde accessoires. Neem voor meer informatie contact op met uw dealer.
- Het product veroorzaakt stof en dampen die gevaarlijke chemicaliën bevatten. Gebruik goedgekeurde ademhalingsbescherming.
- Gebruik laarzen met een stalen neus en antislipzool.
- Zorg ervoor dat u een EHBO-kit bij de hand hebt.
- Er kunnen vonken optreden bij de bediening van de machine. Zorg ervoor dat u een brandblusapparaat bij de hand hebt.

Veiligheid van het werkgebied

- Houd tijdens het gebruik omstanders uit de buurt van het gebied dat in de onderstaande afbeelding wordt weergegeven. De gebruiker moet tijdens het gebruik zeer voorzichtig zijn in dit gebied.



- Zorg ervoor dat er alleen goedgekeurde personen in het werkgebied zijn.
- Gebruik het product niet bij mist, regen, harde wind, koud weer, risico op blikseminslag of andere slechte weersomstandigheden. Het gebruik van het product bij slecht weer of op natte plekken kan uw alertheid negatief beïnvloeden. Slecht weer kan voor gevaarlijke werkomstandigheden zorgen.
- Kijk uit voor personen, objecten en situaties die een veilig gebruik van het product kunnen verhinderen.
- Zorg voor voldoende verlichting in het werkgebied.
- Gebruik het product niet in gebieden waar brand of explosies kunnen optreden.

Elektrische veiligheid



WAARSCHUWING: Er is altijd kans op schokken van elektrische producten. Gebruik het product niet bij slecht weer. Raak geen bliksemafleiders en metalen voorwerpen aan. Gebruik het product altijd zoals in deze bedieningshandleiding wordt beschreven om letsel te voorkomen.

Persoonlijke beschermingsuitrusting



WAARSCHUWING: Lees de volgende waarschuwingen voordat u het product gaat gebruiken.

- Gebruik altijd de juiste persoonlijke beschermingsmiddelen wanneer u het product gebruikt. De persoonlijke beschermingsmiddelen nemen het risico op letsel niet weg. De persoonlijke beschermingsmiddelen verlagen de ernst van het letsel indien zich een ongeval voordoet. Vraag uw dealer u te helpen bij het kiezen van de juiste beschermingsmiddelen.
- Gebruik goedgekeurde oogbescherming wanneer u het product gebruikt.
- Gebruik geen losse, zware en ongeschikte kleding. Draag kleren waarin u zich vrij kunt bewegen.
- Draag goedgekeurde veiligheidshandschoenen voor een stevige greep.
- Draag rubberen veiligheidshandschoenen om huidirritatie als gevolg van nat beton te voorkomen.
- Draag een goedgekeurde veiligheidshelm.
- Gebruik altijd goedgekeurde gehoorbescherming wanneer u het product gebruikt. Langdurig lawaai kan gehoorverlies veroorzaken.



OPGELET: Het product voldoet aan de eisen van EN61000-3-11 en mag onder bepaalde voorwaarden op het elektriciteitsnet worden aangesloten. Neem contact op uw energieleverancier voor instructies over het aansluiten van het product.

De voeding van het product of de generator moet krachtig genoeg en constant zijn om de motor probleemloos te kunnen laten werken. Een onjuiste spanning heeft tot gevolg dat het stroomverbruik en de temperatuur van de motor toenemen totdat het veiligheidscircuit wordt geactiveerd. De afmetingen van de voedingskabel moeten overeenstemmen met de nationale en lokale voorschriften. De afmetingen van het stopcontact moeten overeenstemmen met de stroomsterkte voor het stopcontact en de verlengkabel van het product.

Als het elektriciteitsnet een hogere systeemweerstand heeft, kan er kort spanningsverlies optreden wanneer het product wordt gestart. Dit kan invloed hebben op de werking van andere producten en bijvoorbeeld flickerende lichten veroorzaken.

- Controleer of de spanning van het elektriciteitsnet en de zekering overeenkomt met de spanning die wordt aangegeven op het productplaatje van het product.
- Stop het product altijd voordat u de stekker uit het stopcontact haalt.
- Gebruik het product niet als de voedingskabel of de stekker beschadigd is. Breng het ter reparatie naar een erkend servicepunt. Een beschadigde voedingskabel kan ernstig letsel en de dood veroorzaken.
- Gebruik de voedingskabel op de juiste manier. Gebruik de voedingskabel niet om het product te verplaatsen, te trekken of los te koppelen. Trek aan de stekker om de voedingskabel los te koppelen. Trek niet aan de voedingskabel.
- Gebruik het product niet in water met een zodanige diepte dat het product nat wordt. De apparatuur kan beschadigd raken en het product kan onder stroom komen te staan en letsel veroorzaken.
- Zorg ervoor dat er geen ander vocht in het product komt dan water dat afkomstig is van het waterleidingnet. Stel het product niet bloot aan regen. Water dat het product binnendringt, verhoogt het risico op elektrische schokken.
- Verwijder de voedingskabel altijd voordat u de verbinding voor de motorkabel en de controlekast aansluit of loskoppelt.

Richtwaarden voor stroombron

Nominale spanning van stroombron, V	Min. spanning bij het product, V	Max. spanning bij het product, V	Frequentie, Hz	Nominale stroom, A	Uitgangsvermogen motor	Min. kabeloppervlakte mm ² /AWG	Max. kabellengte m/ft
3x220	200	240	50/60	50	11+1,5	10/7	190/620
3x400/440/480	380	480	50/60	30	11+1,5	6/9	190/620
3x220	200	240	50/60	50	11+1,5	10/7	190/620
3x400/440/480	380	480	50/60	30	15+1,5	6/9	190/620

Instructies voor geaard product



WAARSCHUWING: Een verkeerde aansluiting kan leiden tot elektrische schokken. Raadpleeg een erkende elektricien als u niet zeker weet of het product correct geaard is.

Breng geen wijzigingen aan de stekker aan ten opzichte van de fabrieksspecificatie. Als de stekker niet correct is voor het stopcontact, laat u een erkende elektricien een correct stopcontact installeren. Volg de lokale regel- en wetgeving.

Neem contact op met een erkende elektricien als u de instructies over het geaarde product niet volledig begrijpt.

Het product heeft een geaarde voedingskabel en een geaarde stekker. Sluit het product altijd aan op een geaard stopcontact. Dit vermindert het risico op elektrische schokken in geval van een storing.

Gebruik geen adapters in combinatie met het product.

Verlengkabels

- Gebruik alleen goedgekeurde verlengkabels met voldoende lengte.
- De markering op de verlengkabel moet gelijk zijn aan of hoger zijn dan de waarde op het productplaatje van het product.
- Gebruik geaarde verlengkabels.
- Gebruik een verlengkabel die geschikt is voor gebruik buitenshuis wanneer u buiten werkt met het product. Dit vermindert de kans op een elektrische schok.
- Houd de aansluiting op de verlengkabel droog en zorg dat deze de grond niet raakt.
- Houd de verlengkabel uit de buurt van hitte, olie, scherpe randen en bewegende delen. Een beschadigde kabel verhoogt het risico op elektrische schokken.
- Controleer of de verlengkabel in goede staat verkeert en niet beschadigd is.
- Gebruik de verlengkabel niet in opgerolde toestand. Daardoor kan de kabel oververhit raken.
- Zorg ervoor dat de verlengkabel achter u en het product ligt wanneer u het product gebruikt. Zo voorkomt u dat de verlengkabel beschadigd raakt.

Veiligheidsvoorzieningen op het product

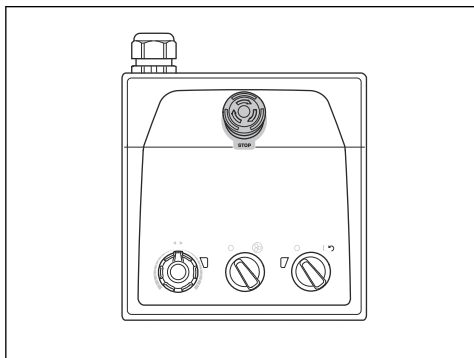


WAARSCHUWING: Lees de volgende waarschuwingen voordat u het product gaat gebruiken.

- Gebruik het product nooit wanneer de veiligheidsvoorzieningen defect zijn.
- Controleer de veiligheidsvoorzieningen regelmatig op een juiste werking. Als de veiligheidsvoorzieningen defect zijn, neem dan contact op met uw Husqvarna servicewerkplaats.

Noodstopknop

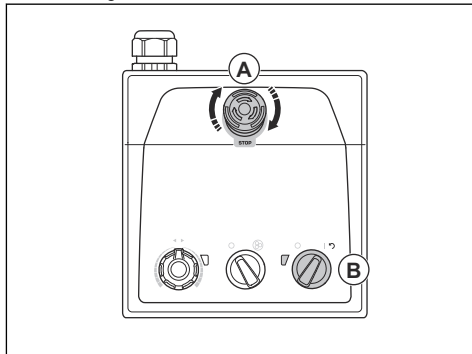
De noodstopknop wordt gebruikt om de motor snel te stoppen. De noodstopknop schakelt de netvoeding uit.



OPGELET: Gebruik de noodstopknop niet als stopknop voor het product.

De noodstopknop controleren

1. Draai de noodstopknop (A) op het bedieningspaneel rechtsom om ervoor te zorgen dat de noodstopknop wordt uitgeschakeld.



2. Zet de AAN/UIT-schakelaar (B) op het bedieningspaneel op 1 om de motor te starten. De led naast de AAN/UIT-schakelaar gaat branden.
3. Druk op de noodstopknop.
4. Controleer of de led naast de AAN/UIT-schakelaar uit gaat.
5. Draai de noodstopknop rechtsom om deze uit te schakelen.

Veiligheidsinstructies voor onderhoud

- Zorg ervoor dat alle onderdelen in een goede staat blijven en controleer of alle fittingen goed vastzitten.
- Gebruik geen product dat defect is. Voer de in deze handleiding beschreven veiligheidscontroles en onderhouds- en servicetaken uit. Alle overige onderhoudswerkzaamheden moeten worden uitgevoerd door een erkende servicewerkplaats.
- Stop het product wanneer u de diamantschijven vervangt. Zet de AAN/UIT-schakelaar op 0 en druk op de noodstopknop.
- Voer de inspectie en/of het onderhoud uit terwijl de motor is gestopt en de stekker is verwijderd.
- Controleer het product regelmatig om een goede werking te waarborgen. Zie *Onderhoudsschema op pagina 71*.

Inleiding



WAARSCHUWING: Voordat u het product gaat gebruiken, dient u het hoofdstuk over veiligheid te lezen en hebben begrepen.

Het product uit de verpakking verwijderen



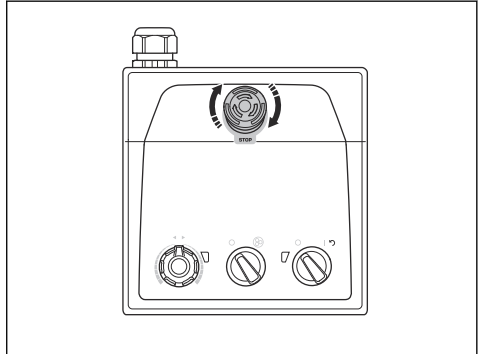
WAARSCHUWING: Haal het product voorzichtig en veilig van de pallet. Dit product is zwaar en kan ernstig letsel veroorzaken als het valt.

- Controleer of alle in het productoverzicht weergegeven items aanwezig zijn. Zie *Productoverzicht, rechterzijde op pagina 55*. Neem contact op met uw Husqvarna-dealer als een item ontbreekt of beschadigd is voordat u het product van de pallet haalt.
- Verwijder alle verpakkingsbanden en wielblokken.
- Zorg ervoor dat het gebied vrij is en dat u voldoende ruimte hebt om het product te verplaatsen.
- Zorg ervoor dat er geen risico bestaat dat u of het product kan vallen.
- Gebruik hijsapparatuur of hellingbanen om het product van de pallet te halen. Het product is zwaar. Verplaats het product veilig. Zie *Het product optillen op pagina 76*.

Voordat u het product gebruikt

1. Lees de gebruikershandleiding zorgvuldig door en zorg dat u de instructies hebt begrepen.
2. Gebruik de nodige persoonlijke beschermingsmiddelen. Zie *Persoonlijke beschermingsuitrusting op pagina 59*.
3. Zorg ervoor dat er alleen goedgekeurde personen in het werkgebied zijn.
4. Voer dagelijks onderhoud uit. Zie *Onderhoudsschema op pagina 71*.
5. Controleer of het product goed gemonteerd en niet beschadigd is.
6. Plaats het product in het werkgebied. Zorg ervoor dat het transport van het product naar en binnen het werkgebied veilig en correct wordt uitgevoerd. Zie *Transport op pagina 75*.
7. Zorg ervoor dat er diamantgereedschappen op de schijfplaten zitten en dat de diamantgereedschappen en schijfplaten goed zijn bevestigd.
8. Sluit een stofzuiger aan op het product. Zie *Stofzuiger aansluiten op pagina 65*.

9. Stel de hendel en handgreep zo af dat de gewenste werkhogte wordt bereikt. Zie *De hendel en de handgreep afstellen op pagina 66*.
10. Zorg ervoor dat de motorkabel is aangesloten op de controlekast voordat u het product aansluit op het stopcontact. Zie *De schuurkop installeren en verwijderen op pagina 72*.
11. Sluit het product aan op een spanningsbron. Zie *Het product aansluiten op een spanningsbron op pagina 66*.
12. Draai de noodstopknop op het bedieningspaneel rechtsom om ervoor te zorgen dat de noodstopknop wordt uitgeschakeld.



13. Zorg ervoor dat u de draairichting van de schuurschijven kent wanneer u richtingsgevoelige diamantgereedschappen gebruikt zoals Piranhas.

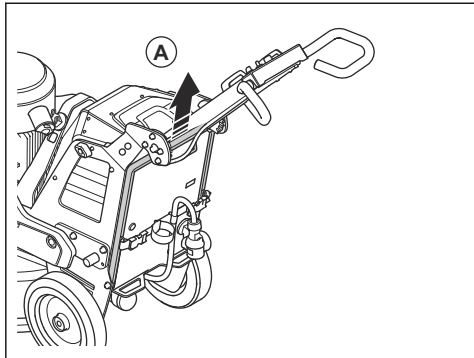
Het steunframe in- en uitschakelen

Het product heeft een steunframe dat wordt gebruikt om het product naar achteren te kantelen. Het steunframe wordt ook gebruikt als ophangstelsysteem om de stofzuigerslang en het netsnoer aan op te hangen.

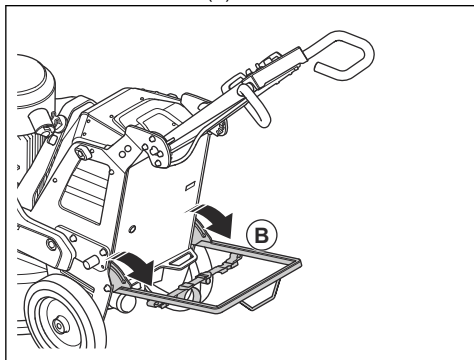


WAARSCHUWING: Wees voorzichtig wanneer u het steunframe verplaatst. De bewegende delen kunnen letsel veroorzaken.

1. Til het steunframe (A) een klein stukje op.



2. Laat het steunframe (B) zakken.



3. Klap het steunframe op in omgekeerde volgorde.

Diamantgereedschappen

Er zijn vele soorten diamantgereedschappen voor het product evenals tal van configuraties. Metaalgebonden diamantgereedschappen worden gebruikt voor het verwijderen van materiaal en harsgebonden diamantgereedschappen worden gebruikt voor het polijsten van oppervlakken. Kies de juiste diamantgereedschappen voor het oppervlak. Neem contact op met uw Husqvarna-dealer of ga naar www.husqvarnacp.com voor ondersteuning bij het kiezen van het juiste gereedschap.

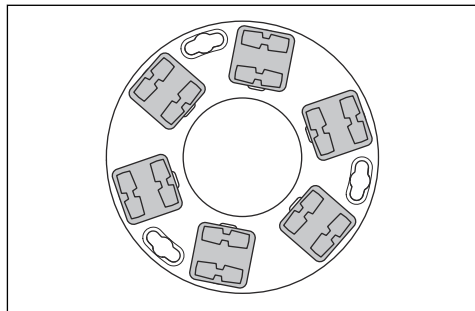
Alternatieven voor schijfhouders voor diamantgereedschappen

- Gebruik een Redi lock-schijfhouder om metaalgebonden diamantgereedschappen te bevestigen.
- Gebruik een schijfhouder met harsbinding om kunststofgebonden diamantgereedschappen te bevestigen.

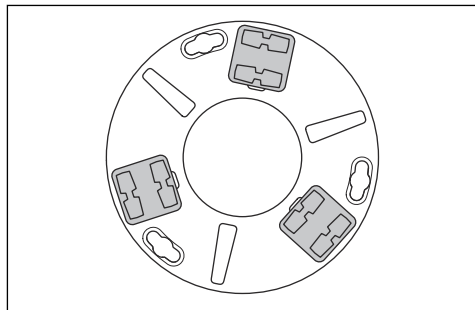
Volledige en halve set diamantgereedschappen

De configuratie van de diamantgereedschapssegmenten heeft invloed op de eindkwaliteit van het oppervlak. De configuratie beïnvloedt ook de gebruikssnelheid van het product.

- Volledige set diamantgereedschappen: Deze configuratie zorgt voor een gladde vloerafwerking.



- Halve set diamantgereedschappen: Deze configuratie wordt gebruikt wanneer een gladde vloerafwerking niet nodig is.



De diamantschijven vervangen



WAARSCHUWING: Haal altijd de stekker uit het stopcontact voordat u het diamantgereedschap vervangt, om onbedoeld starten te voorkomen.



WAARSCHUWING: Gebruik veiligheidshandschoenen omdat diamantschijven zeer heet kunnen worden.



WAARSCHUWING: Gebruik goedgekeurde ademhalingsbescherming wanneer u het diamantgereedschap vervangt. Het stof onder de schuurkop is schadelijk voor uw gezondheid.

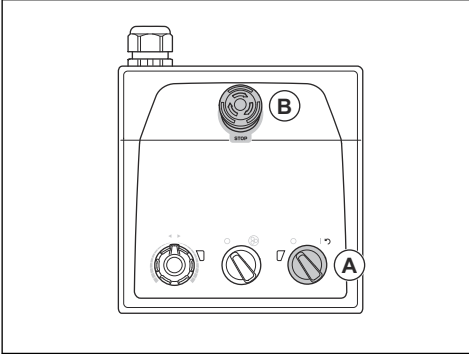


WAARSCHUWING: Gebruik de stofzuiger wanneer u het diamantgereedschap vervangt. De stofzuiger vermindert het stof dat gezondheidsproblemen kan veroorzaken.

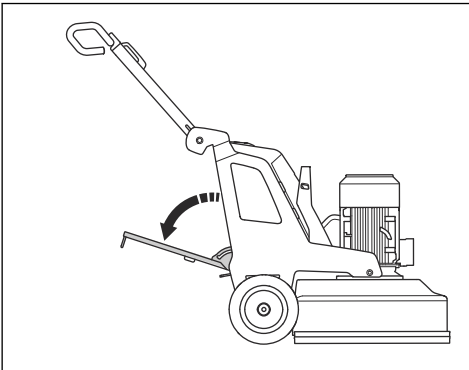


OPGELET: Alle schuurschijven moeten altijd hetzelfde aantal en type diamanten hebben. De hoogte van de diamanten moet op alle schuurschijven hetzelfde zijn.

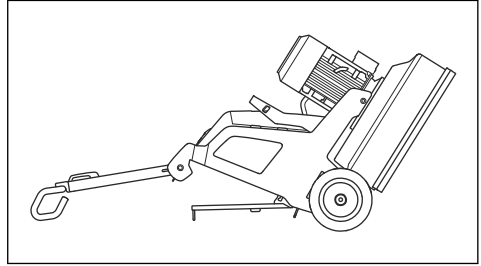
1. Zet de AAN/UIT-schakelaar (A) op het bedieningspaneel op 0. De led naast de AAN/UIT-schakelaar gaat uit.



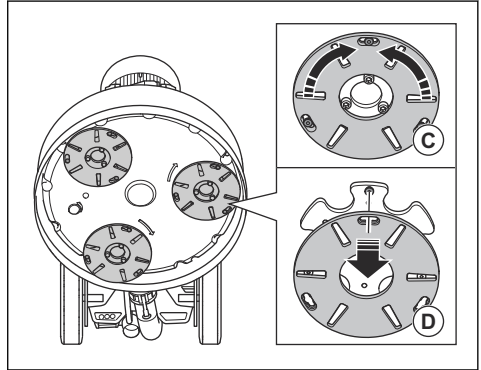
2. Druk op de noodstopknop (B) op het bedieningspaneel.
3. Zet de hendel in de onderhoudsstand. Zie *Standen van de hendel op pagina 65*.
4. Als er gewichten zijn aangebracht, stelt u de gewichten naar achteren af. Zie *De gewichten afstellen op pagina 70*.
5. Gebruik het steunframe. Zie *Het steunframe in- en uitschakelen op pagina 62*.



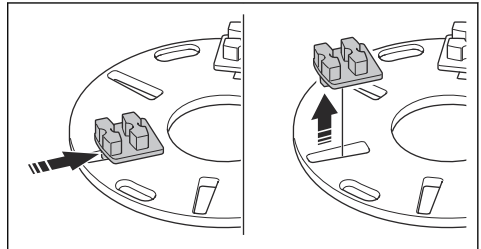
6. Houd de handgreep vast en kantel het product met één voet op het steunframe naar achteren. Kantel het product totdat de handgreep zich op de vloer bevindt.



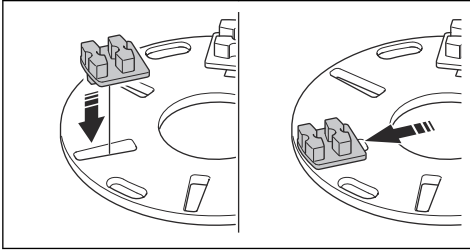
7. Draag veiligheidshandschoenen.
8. Draai de schijfplaat (C) naar rechts of naar links om de schijfplaat van de schuurschijf te ontgrendelen.



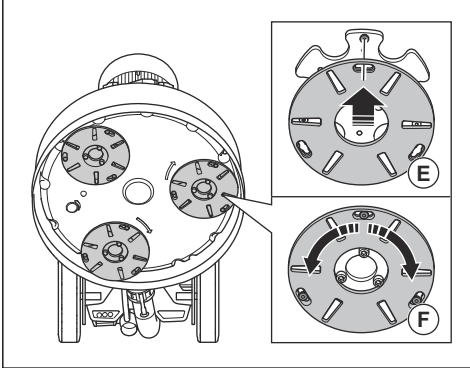
9. Trek de schijfplaat rechtstreeks eruit (D) om de schijfplaat van de schuurschijf te verwijderen.
10. Gebruik een hamer om de diamantgereedschappen van de schijfplaat te verwijderen.



11. Bevestig nieuwe diamantgereedschappen op de schijfplaat met een zachte tik van de hamer.



12. Bevestig de schijfplaat recht (E) op de schuur-schijf.



13. Draai de schijfplaat (F) naar rechts of naar links om de schijfplaat te vergrendelen aan de schuur-schijf.
14. Til het product voorzichtig naar de werkstand. Gebruik de handgreep en het steunframe ter ondersteuning.
15. Maak het steunframe los.

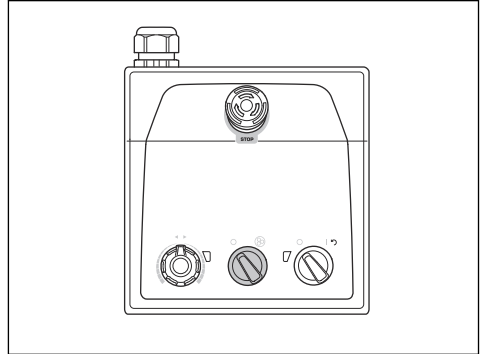
Stofzuiger aansluiten



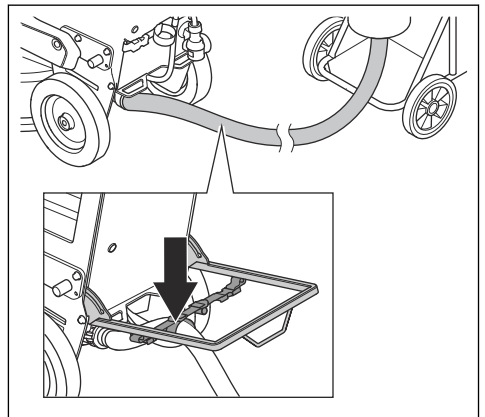
WAARSCHUWING: Gebruik de stofzuiger niet als de slang beschadigd is. Het gevaar neemt toe dat u stof inademt dat schadelijk is voor uw gezondheid. Gebruik goedgekeurde ademhalingsbescherming.

1. Controleer de stofzuigerslang op beschadiging.
2. Controleer of de filters in de stofzuiger schoon en onbeschadigd zijn.

3. Controleer of de STOP/RUN-schakelaar op het bedieningspaneel op 0 staat.



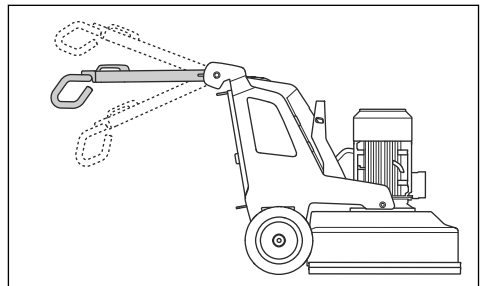
4. Sluit de stofzuigerslang aan op het product.
5. Gebruik het steunframe. Zie *Het steunframe in- en uitschakelen op pagina 62*.
6. Hang de stofzuigerslang aan de ophanginrichting op het steunframe om spanning in de stofzuigerslang te voorkomen.



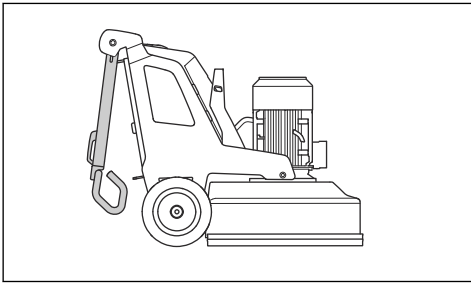
7. Maak het steunframe los.

Standen van de hendel

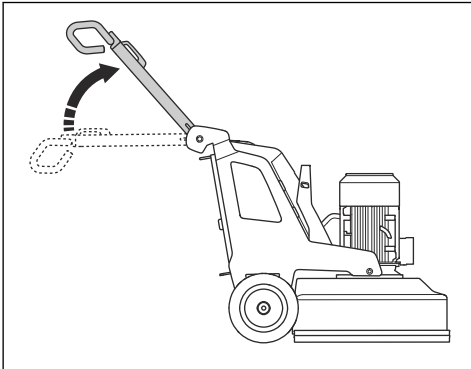
- Werkstand van de hendel:



- Transportstand van de hendel:



- Onderhoudsstand van de hendel:



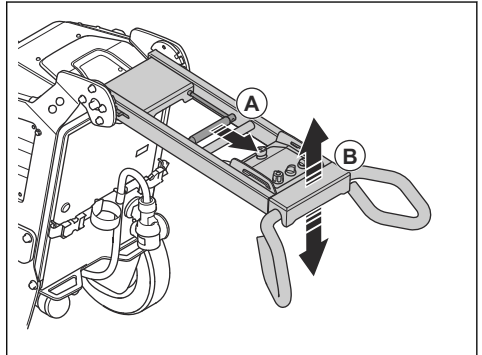
De hendel en de handgreep afstellen



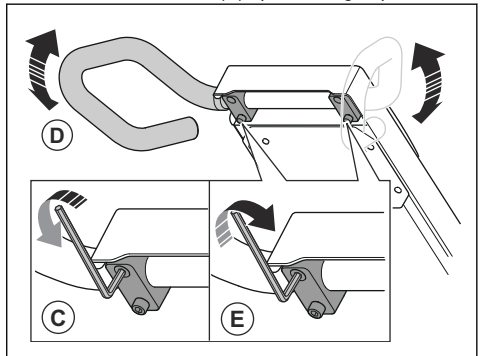
WAARSCHUWING: Wees voorzichtig bij het afstellen van de hendel en de handgreep. Zorg ervoor dat de hendel en de handgreep in de juiste stand worden vergrendeld. De bewegende delen kunnen letsel veroorzaken.

Stel de hoogte van de hendel zo dicht mogelijk af bij de heup van de gebruiker. Tijdens het gebruik kan het product naar de zijkant trekken. De heup van de gebruiker kan helpen deze zijdelingse beweging te stoppen.

1. Trek de vergrendelingshendel (A) op de hendel in de richting van het bedieningspaneel en houd hem in deze stand.



2. Stel de hendel (B) zo af dat de werkhogte wordt bereikt.
3. Laat de vergrendelingshendel op de hendel los om de hendelstand te vergrendelen.
4. Draai de 4 schroeven (C) op de handgreep los.

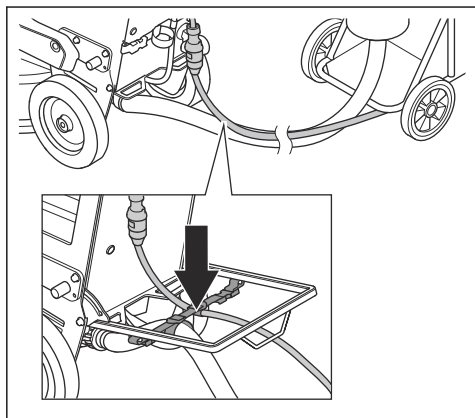


5. Stel de handgreep (D) zo af dat de gewenste werkhogte wordt bereikt.
6. Draai de 4 schroeven (E) op de handgreep vast om de handgreepstand te vergrendelen.

Het product aansluiten op een spanningsbron

1. Sluit de netstekker van het product aan op de verlengkabel.
2. Sluit de verlengkabel aan op een stopcontact.
3. Gebruik het steunframe. Zie *Het steunframe in- en uitschakelen op pagina 62*.

4. Hang het netsnoer aan de ophanginrichting op het steunframe om spanning in het netsnoer te voorkomen.



5. Maak het steunframe los.



OPGELET: Wanneer het product is aangesloten op een stofzuiger, moet de stofzuiger worden aangesloten op een driefasige stroombron.

Gebruikssnelheid

Als het product op een nieuw type oppervlak wordt gebruikt, stelt u het toerental in eerste instantie in op 70%. Wanneer de gebruiker het type oppervlak kent, kan het toerental worden aangepast.

Rotatierichting van de slijpschijven

Gezien vanaf de onderkant van het product is de rotatierichting als volgt:

- "CW": rechtsom
- "CCW": linksom

Tijdens gebruik kan het product naar de zijkant trekken. In welke richting dit gebeurt, is afhankelijk van de rotatierichting. Het product trekt naar rechts als de rotatierichting is ingesteld op "CCW". Het product trekt naar links als de rotatierichting is ingesteld op "CW".

Doordat het product naar de zijkant trekt, kunt u het bijvoorbeeld vlak bij een muur gebruiken. Stel de rotatierichting in om in de richting van de muur te trekken.

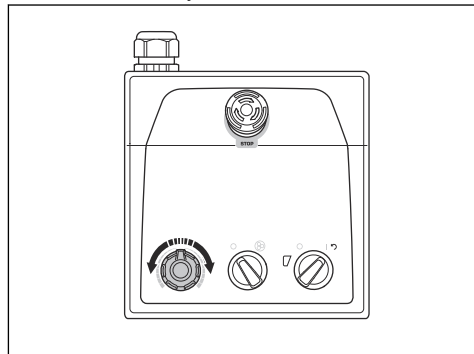


OPGELET: Stuur het product voorzichtig. Zorg ervoor dat het product slechts licht de muur aanraakt. Het product is zwaar en kan schade veroorzaken.

Het toerental en de draairichting van de motor wijzigen

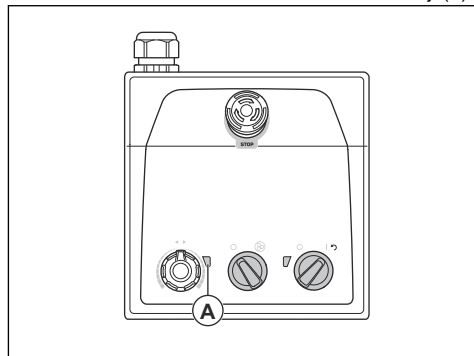
Wijzig de draairichting regelmatig om de levensduur en de scherpte van de diamantgereedschappen te verlengen. De diamantsegmenten worden gelijkmatig gebruikt en het contactoppervlak blijft zo groot mogelijk.

- Draai aan de knop om de snelheid en draairichting van de schuur schijf in te stellen.



Het product gebruiken

- Bedien het product handmatig met het bedieningspaneel op de hendel. Zie *Productoverzicht, linkzijdige op pagina 56*.
- Let tijdens bedrijf op kleurveranderingen in de indicator voor de omvormer naar de schuur schijf (A).



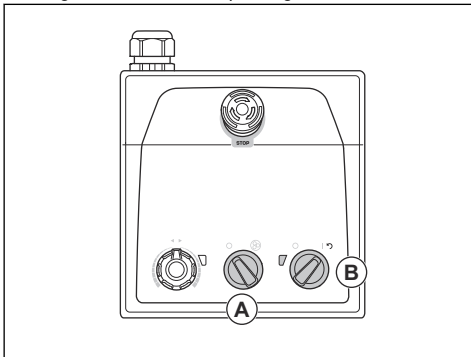
- Groen lampje: het product werkt naar behoren.
- Oranje lampje: de schuurkop is overbelast. Verlaag het uitgangsvermogen binnen 10 seconden of minder om te voorkomen dat er een storing optreedt.
- Rood lampje: storing in de omvormer en de schuurkop stopt. Het product moet worden gereset. Zie *Product resetten op pagina 68*.

Product starten



OPGELET: Verplaats het product voortdurend terwijl de schuurkop is ingeschakeld. Als u het product niet verplaatst, kan het oppervlak ruw worden.

1. Duw de handgreep iets omlaag om de schuurkop vanaf het oppervlak omhoog te heffen. Hierdoor wordt de oppervlaktewrijving van de diamantgereedschappen opgeheven. Hef de schuurkop niet volledig omhoog vanaf het oppervlak tijdens het gebruik.
2. Draai de STOP/RUN-schakelaar (A) op het bedieningspaneel linksom naar 0 om ervoor te zorgen dat de schuurkop is uitgeschakeld.



3. Zet de AAN/UIT-schakelaar (B) op het bedieningspaneel op 1 om het product te starten. De led naast de AAN/UIT-schakelaar gaat branden.
4. Draai de STOP/RUN-schakelaar op het bedieningspaneel rechtsom om de schuurkop te starten. Het product bereikt binnen 5 seconden het stationaire toerental.

Product stoppen

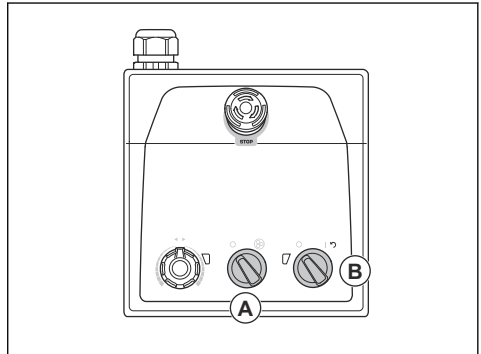


OPGELET: Hef de schuurkop niet omhoog vanaf het oppervlak wanneer u de motor stopt. De schijfplaten blijven nog enige tijd draaien nadat de motor is uitgeschakeld. Stof kan in de lucht opwarrelen en het oppervlak kan beschadigd raken.



OPGELET: Laat het product niet stilstaan totdat de schijfplaten volledig tot stilstand zijn gekomen.

1. Draai de STOP/RUN-schakelaar (A) op het bedieningspaneel linksom naar 0 om de schuurkop te stoppen.



2. Houd de schijfplaten tegen het oppervlak tot deze volledig tot stilstand zijn gekomen.

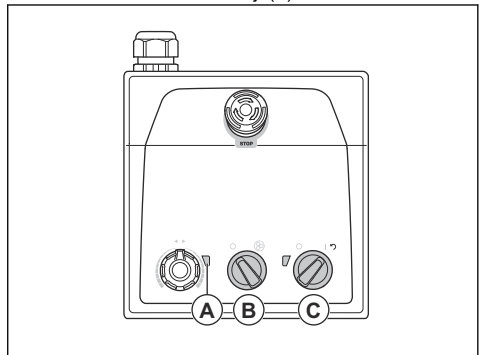


OPGELET: Als u asfalt, lak of soortgelijk plakkend materiaal schuurt, kan het product vast komen te zitten aan het plakkende oppervlak. Hef de voorkant van de schuurkop iets omhoog onmiddellijk nadat de schijfplaat volledig tot stilstand is gekomen.

3. Zet de AAN/UIT-schakelaar (B) op het bedieningspaneel op 0 om het product te stoppen. De led naast de AAN/UIT-schakelaar gaat uit.
4. Haal de stekker uit het stopcontact.

Product resetten

De AAN/UIT-schakelaar kan worden gebruikt als resetschakelaar als de omvormer wordt uitgeschakeld. Reset het product wanneer de indicator voor de omvormer naar de schuurschijf (A) rood is.



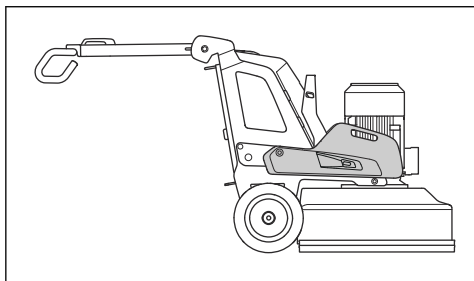
1. Draai de STOP/RUN-schakelaar (B) linksom naar 0 om ervoor te zorgen dat de schuurkop is uitgeschakeld.

2. Zet de AAN/UIT-schakelaar in de pijlstand (C) om het apparaat te resetten. De indicator voor de omvormer naar de schuur schijf is groen wanneer de fout is gereset.
3. Draai de STOP/RUN-schakelaar op het bedieningspaneel rechtsom om de schuurkop opnieuw te starten.

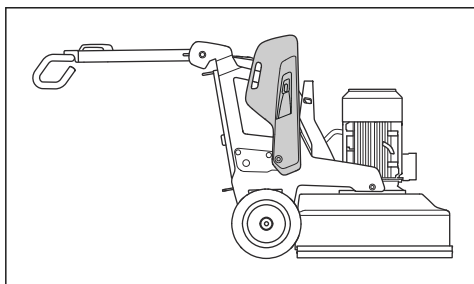
Gewichten

Het product heeft 1 gewicht aan elke zijde van het product. Als het product zwaar is in gebruik, past u de gewichten aan om de druk op de schuurkop te wijzigen. De gewichten moeten aan de rechter- en linkerkant op dezelfde positie worden afgesteld. De gewichten hebben 3 standen:

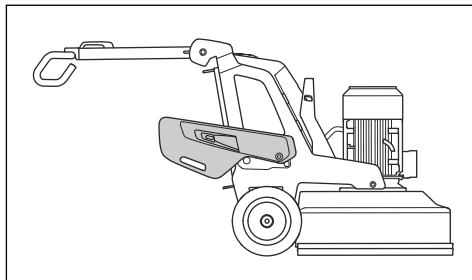
- Stand 1: Maximale druk op de schuurkop. Deze stand vergroot het effect van de werking. Deze stand wordt ook gebruikt wanneer u het product in de transportstand zet.



- Stand 2: Standaarddruk op de schuurkop.



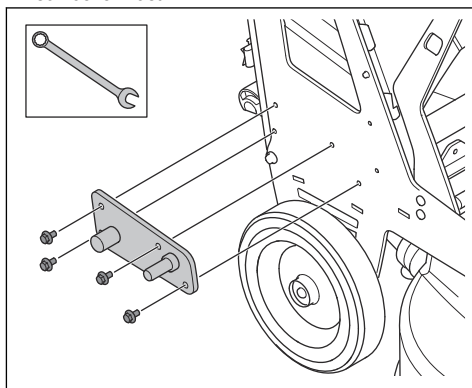
- Stand 3: Minimale druk op de schuurkop. Deze stand wordt ook gebruikt wanneer u het product naar de onderhoudsstand kantelt.



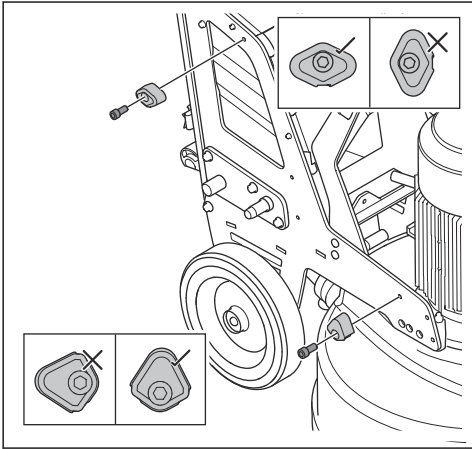
De gewichten monteren en demonteren

Het product heeft 1 gewicht aan elke zijde van het product. Voer de volgende procedure uit voor elk gewicht.

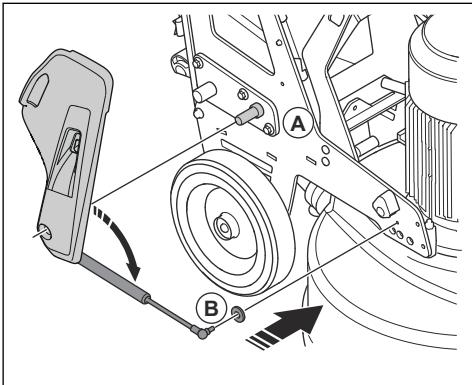
1. Bevestig de gewichtshouder en draai de 4 schroeven vast.



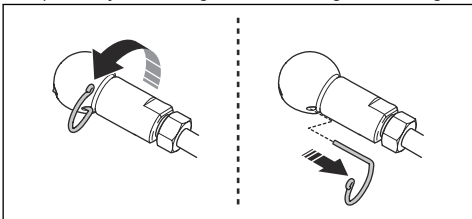
2. Breng de 2 gewichtsbeugels aan. Controleer of de gewichtsbeugels correct zijn gemonteerd, zoals weergegeven in de afbeelding.



3. Plaats het gewicht op de cilinder (A) op de gewichtshouder.



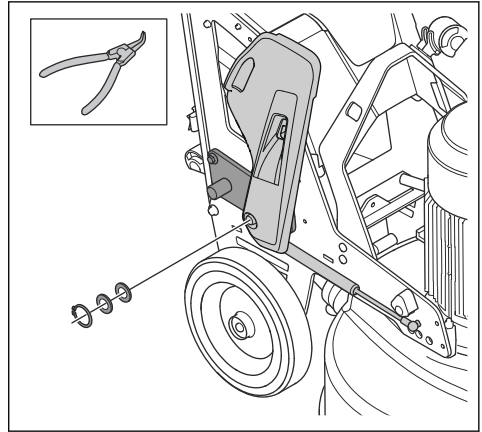
4. Bevestig de gewichtsgasveer aan het product (B).
a) Verwijder de borgveer van de kogelverbinding.



- b) Verwijder het kogelgewricht van de gasveer.
c) Bevestig het kogelgewricht aan het product.

- d) Bevestig de gasveer aan het kogelgewricht. Zet de gasveer vast op het kogelgewricht met de borgveer.

5. Vergrendel het gewicht op de gewichtshouder met de borgvinger.



De gewichten afstellen

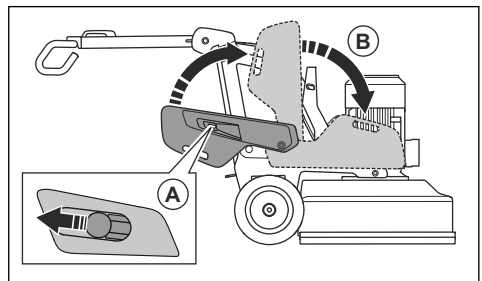


WAARSCHUWING: Wees voorzichtig bij het afstellen van de gewichten. De bewegende delen kunnen letsel veroorzaken.



WAARSCHUWING: Zorg er altijd voor dat de gewichtsvergrendeling correct wordt vergrendeld wanneer de gewichten in de geselecteerde stand worden gezet.

1. Druk de gewichtsvergrendeling (A) in en verplaats het gewicht met de gewichtshendel naar de geselecteerde stand (B). Zie *Gewichten op pagina 69*.



2. Maak de gewichtsvergrendeling los om het gewicht in de geselecteerde stand te vergrendelen.

Onderhoud

Inleiding



WAARSCHUWING: Voordat u onderhoud gaat uitvoeren, dient u het hoofdstuk over veiligheid te lezen en hebben begrepen.

Voor alle onderhouds- en reparatiewerkzaamheden aan het product is speciale training nodig. Wij garanderen de beschikbaarheid van professionele reparaties en onderhoud. Indien uw dealer geen servicewerkplaats heeft, vraag hem dan naar de dichtstbijzijnde servicewerkplaats.

Vereiste handelingen voorafgaand aan onderhoud

- Maak altijd gebruik van persoonlijke beschermingsmiddelen. Zie *Persoonlijke beschermingsuitrusting op pagina 59*.
- Gebruik goedgekeurde ademhalingsbescherming. Het stof van het product is schadelijk voor uw gezondheid.
- Parkeer het product op een vlakke ondergrond.

- Stop de motor en haal de stekker uit het stopcontact om te voorkomen dat de motor per ongeluk start tijdens onderhoud.
- Verwijder olie en vuil van het gebied rondom het product. Verwijder ongewenste voorwerpen.
- Breng duidelijke waarschuwingsborden aan om omstanders te informeren dat er onderhoudswerkzaamheden gaande zijn.
- Zorg dat brandblussers, medische hulpmiddelen en een noodtelefoon binnen handbereik zijn.

Onderhoudsschema

* = Algemeen onderhoud uit te voeren door de gebruiker. De instructies zijn niet opgenomen in deze gebruikershandleiding.

X = De instructies zijn opgenomen in deze gebruikershandleiding.

O = De instructies zijn niet opgenomen in deze gebruikershandleiding. Laat onderhoud aan de machine uitvoeren door een erkende servicewerkplaats.

Onderhoud	Elke dag	Wekelijks	Elke 6 maanden	Elke 12-36 maanden
Controleer de AAN/UIT-schakelaar.	*			
Controleer de bevestigingspunten en de vergrendelfunctie voor de hendel.		*		
Controleer de bevestigingspunten en de vergrendelfunctie voor de gewichten.		*		
Controleer de noodstopknop.	X			
Reinig de buitenkant van het product.	X			
Reinig de interne componenten van het product.			O	
Voer een algemene inspectie uit.	X			
Controleer de slijpschijven.	X			
Controleer de werking van het aandrijfsysteem voor de slijpkop.		X		
Voer onderhoud uit aan het aandrijfsysteem voor slijpschijven.				O
Controleer de verbinding tussen het chassis en de slijpkop.		*		

Product reinigen



OPGELET: Een geblokkeerde luchtinlaat leidt tot verminderde prestaties van het product en kan leiden tot oververhitting van de motor.

- Verwijder blokkades van alle luchtopeningen. Het product moet altijd koel genoeg zijn.
- Haal altijd de stekker uit het stopcontact voordat u het product gaat reinigen.
- Gebruik geen chemicaliën om het product te reinigen.

- Reinig elektrische componenten nooit met water.
- Reinig altijd alle apparatuur aan het einde van de werkdag. Reinig de componenten aan de onderkant van de slijpkop met een hogedrukreiniger.



OPGELET: Richt de hogedrukreiniger niet direct op afdichtingen of aansluitpunten.

van de slijpkop, neem dan contact op met de servicewerkplaats van Husqvarna.

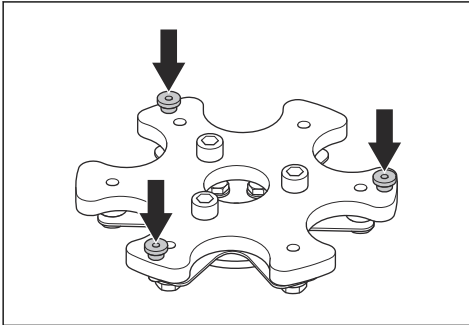
De schuurkop installeren en verwijderen



WAARSCHUWING: Het chassis is niet in balans wanneer de schuurkop wordt verwijderd. Zorg dat het chassis niet kan omvallen. Dit kan letsel of schade veroorzaken.

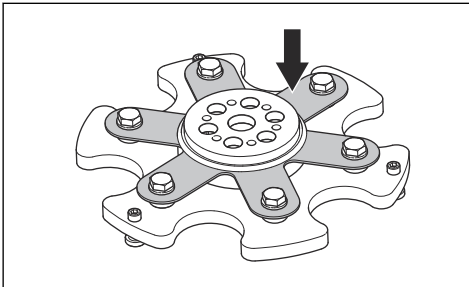
Algemene inspectie uitvoeren

- Controleer of de voedingskabel en verlengkabel in goede staat verkeren en niet beschadigd zijn.
- Controleer of de moeren en schroeven goed zijn vastgedraaid.
- Controleer of de kopvergrendelingen goed vastzitten. Draai de kopvergrendelingen indien nodig vast en gebruik draadborgmiddel LOCTITE® 680.



De slijpschijven controleren

- Controleer de verenstalen veer op beschadigingen en controleer of deze in goede staat verkeert.



- Vervang beschadigde verenstalen veren.

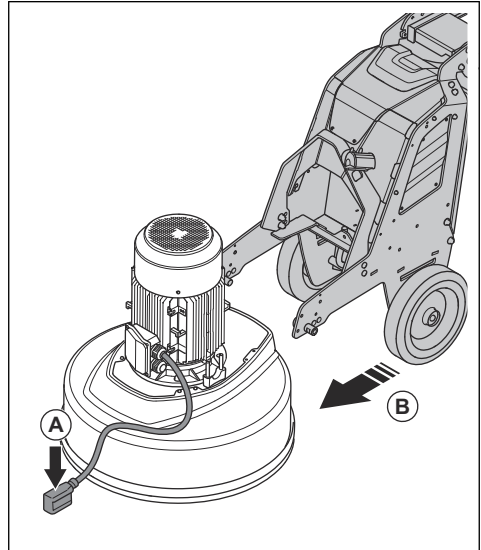
Let op: De slijpschijf hoeft niet te worden weggegooid wanneer u de verenstalen veer vervangt.

- Voeg een tweede veer van verenstaal toe om de verenstalen kop minder flexibel te maken.

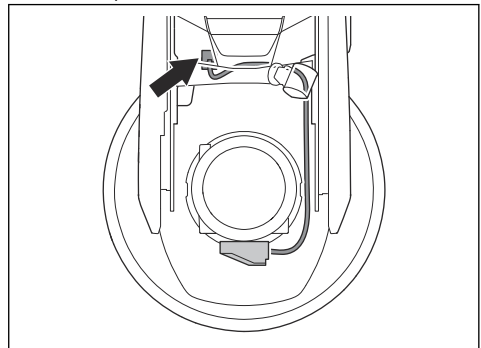
Aandrijfsysteem voor slijpkop

Het aandrijfsysteem voor de slijpkop is een gesloten systeem. Als u problemen hebt met het aandrijfsysteem

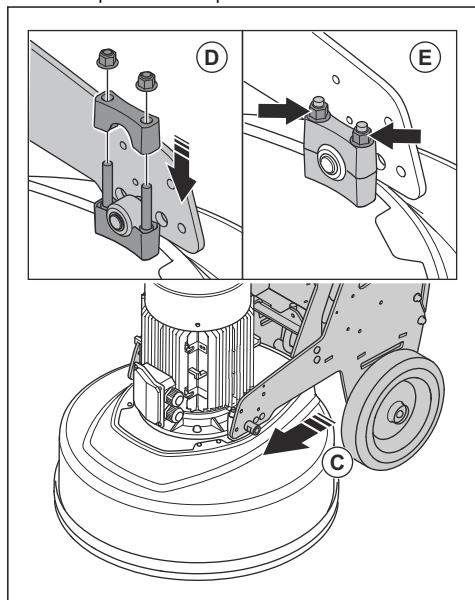
1. Plaats de motorkabel (A) vóór de schuurkop.



2. Duw het chassis tot dicht bij de schuurkop (B).
3. Leid de motorkabel door de sleuf tussen de schuurkop en het chassis.

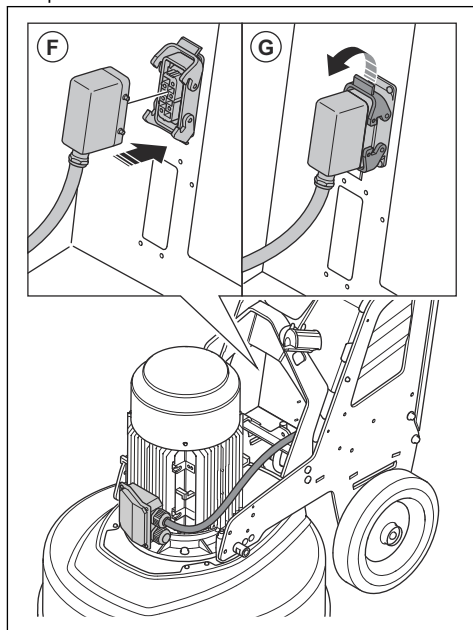


4. Duw het chassis volledig tegen de schuurkop (C). Zorg ervoor dat het chassis wordt bevestigd aan de steun op de schuurkop.



5. Monteer de tweede steun (D) boven op de steun op de schuurkop.
6. Draai de 2 moeren (E) aan weerszijden van de schuurkop vast.

7. Sluit de motorkabel aan op de elektrische uitgang (F) op de controlekast.



8. Vergrendel de motorkabel op de elektrische uitgang (G) op de controlekast.
9. Verwijder de schuurkop in omgekeerde volgorde.

Probleemoplossing

Probleem	Oorzaak	Oplossing
Het product start niet.	De verlengkabel is losgekoppeld of beschadigd.	Sluit de verlengkabel aan of vervang deze indien nodig.
	Een noodstopknop is ingeschakeld.	Draai de noodstopknop op het bedieningspaneel rechtsonder om deze uit te schakelen.
	De veiligheidsschakelaar is open in de controlekast.	Sluit de veiligheidsschakelaar om het circuit te voltooien.

Probleem	Oorzaak	Oplossing
Het product kan niet eenvoudig worden vastgehouden.	Er zijn te weinig diamantschijven op het product geïnstalleerd.	Verhoog het aantal diamantgereedschappen om de belasting van het product en de gebruiker te verminderen.
	De slijpaandrijfmotor werkt niet. Dit kan worden veroorzaakt door een storing in de motor of door een storing in de draad naar de motor.	Controleer of de slijpaandrijfmotor is aangesloten. Indien het probleem zich blijft voordoen, neem dan contact op met een erkende servicewerkplaats.
	De riem is kapot.	Als de riem kapot is, laat deze dan door een servicepunt vervangen. Draai een van de slijpschijven met de hand. Als alle slijpschijven draaien, is de riem niet beschadigd. Als slechts 1 slijpschijf vrij draait, dan is de riem kapot.
	Er komt slechts 1 fase in het product. Het product ontvangt geen foutcode en gebruikt een motorstroom van <1 A. De ventilator draait langzaam.	Controleer de voeding.
	Het oppervlak of de bewerking zorgt voor overbelasting van het product.	Pas het toerental van de motor en/of de voorwaartse snelheid van het product over de vloer aan.
	Het product klinkt alsof het toerental te hoog wordt.	De slijpaandrijfmotor is niet aangesloten.
De slijpaandrijfmotor werkt niet. Dit kan worden veroorzaakt door een storing in de motor of door een storing in de draad naar de motor.		Controleer of de slijpaandrijfmotor is aangesloten. Indien het probleem zich blijft voordoen, neem dan contact op met een erkende servicewerkplaats.
De ondergrond is te dik of de configuratie van het diamantgereedschap is onjuist.		Duw de handgreep iets omlaag om de slijpkop van het oppervlak op te heffen wanneer u het product start.

Probleem	Oorzaak	Oplossing
Het product maakt een onregelmatig kraspatroon.	De diamantgereedschappen zijn onjuist of op verschillende hoogtes op de slijpschijven gemonteerd.	Controleer of alle diamantgereedschappen correct zijn geïnstalleerd en dezelfde hoogte hebben.
	De diamantgereedschappen zijn van verschillende types.	Controleer of alle segmenten dezelfde diamantschuurkorrels en binding hebben. Als de diamantsegmenten ruw zijn, moet u de ruwe diamantsegmenten gelijkmatig verdelen. Gebruik het product op een schurend oppervlak totdat alle segmenten dezelfde hoogte hebben.
	De kopvergrendelingen zitten los of ontbreken.	Zorg ervoor dat alle kopvergrendelingen op hun plek zitten en zijn vastgedraaid.
	De harsgereedschappen zijn gemengd of bevatten ongewenste verontreiniging.	Zorg ervoor dat alle harsen dezelfde diamantschuurkorrels en binding hebben en dat er geen verontreiniging is. Om de harsgereedschappen te reinigen, moet u ze korte tijd op een licht schurend oppervlak gebruiken.
	De slijpschijven zijn versleten of beschadigd.	Controleer de slijpschijven op beschadigde stukken en te veel speling.
Er doen zich plotse bewegingen voor.	De slijpschijven zijn versleten of beschadigd.	Controleer de slijpschijven op beschadigde delen en te veel speling.
	De diamantgereedschappen zijn onjuist of op verschillende hoogtes op de slijpschijven gemonteerd.	Controleer of alle diamantschijven correct zijn geïnstalleerd en dezelfde hoogte hebben.
	De kopvergrendelingen zitten los of ontbreken.	Zorg ervoor dat alle kopvergrendelingen op hun plek zitten en zijn vastgedraaid.
De interne stroomonderbreker wordt uitgeschakeld.	Te hoge belasting of onvoldoende voeding.	Controleer de voeding.
		Verlaag de slijpdruk, verhoog het aantal diamantgereedschappen of verhoog de hardheid van de binding.

Vervoer, opslag en verwerking

Transport



WAARSCHUWING: Wees voorzichtig tijdens het transport. Het product is zwaar en kan als het valt of beweegt letsel of schade veroorzaken.

Met de wielen kunt u het product verplaatsen voor kortere afstanden. Voor langere afstanden moet u het product heffen om het te verplaatsen of op een voertuig plaatsen.



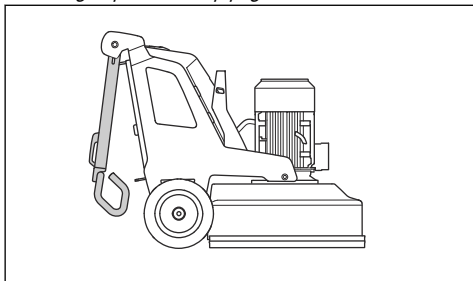
OPGELET: Sleep het product niet achter een voertuig.

- Wees zeer voorzichtig wanneer u het product handmatig of op oppervlakken met een helling verplaatst. Lichte hellingen kunnen leiden tot een snelle beweging die niet met de hand kan worden geremd.
- Zorg dat het product tijdens vervoer stevig is vastgezet. Zorg ervoor dat het niet kan bewegen.
- Zorg dat het product tijdens het transport op bepaalde manieren wordt beschermd. Op deze wijze wordt het product niet blootgesteld aan natuurverschijnselen zoals regen en sneeuw.
- Gebruik altijd het hijsorgaan op het product wanneer u het product hijst.
- Hijs het product niet op aan de handgreep, de motor, het chassis of andere onderdelen.
- Vervoer het product bij voorkeur op een pallet.

- Hijs het product altijd met een lift of vorkheftruck.
- Gebruik geen vorkheftruck als het product niet op een pallet of een slede staat. Dit kan schade aan de slijpschijven en andere interne componenten veroorzaken.
- Tijdens het transport moet de slijpkop op de vloer rusten. Om schade aan het vergrendelingsmechanisme van de schijfplaten te voorkomen, moeten de schijfplaten geïnstalleerd blijven.

Product in de transportstand zetten

- Klap de hendel omlaag. Zie *De hendel en de handgreep afstellen op pagina 66*.



- Als de gewichten aan het product zijn bevestigd, stelt u de gewichten naar voren af. Zie *De gewichten afstellen op pagina 70*.
- Zorg dat de schuurkop het oppervlak raakt.

Het product een hellingbaan op en af laten gaan



WAARSCHUWING: Wees zeer voorzichtig wanneer u het product een hellingbaan op en af laat gaan met de motor ingeschakeld. Het product is zwaar en er bestaat gevaar voor letsel als het product te valt of te snel beweegt.



WAARSCHUWING: Gebruik altijd een vier voor steile hellingbanen. Loop of sta niet onder het product. Blijf niet in het risicogebied van het product staan. Zie *Veiligheid van het werkgebied op pagina 59*.



WAARSCHUWING: Werk niet met het product op steile hellingen. Kijk op het productplaatje voor informatie over de maximale hellingshoek.

- Als u het product van een hellingbaan af wilt laten rijden, rijd het product dan langzaam achteruit.
- Als u het product een hellingbaan op wilt laten rijden, rijd het product dan langzaam vooruit.
- Draai het product nooit meer dan 45° op een hellingbaan.

Het product optillen



WAARSCHUWING: Zorg ervoor dat de hijsapparatuur de juiste specificaties heeft om het product veilig op te tillen. Het typeplaatje op het product geeft het gewicht van het product aan.

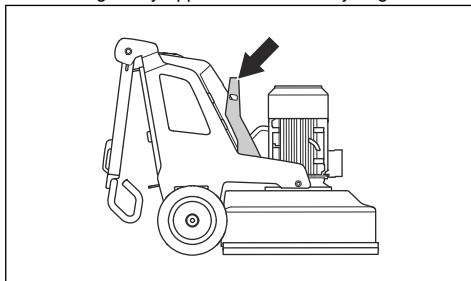


WAARSCHUWING: Loop nooit onder een opgeheven product door en blijf er niet onder of in de buurt staan. Houd omstanders uit de buurt van de gevarezone. Zie *Veiligheid van het werkgebied op pagina 59*.



WAARSCHUWING: Hef een beschadigd product niet. Controleer of het hijssoog correct is aangebracht en niet beschadigd is.

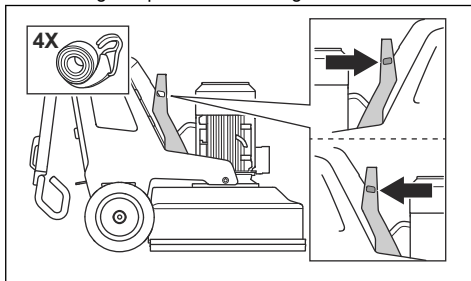
1. Zet het product in de transportstand. Zie *Product in de transportstand zetten op pagina 76*.
2. Bevestig de hijsapparatuur aan het hijssoog.



Het product op een transportvoertuig bevestigen

Het product beschikt over gaten waarmee het met spanbanden aan het transportvoertuig kan worden bevestigd.

1. Bevestig de spanbanden in de gaten.



2. Bevestig de spanbanden aan het voertuig en haal deze aan.

Opslag



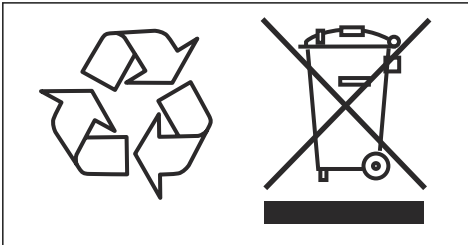
OPGELET: Sla het product niet buiten op.
Bewaar dit product altijd binnen.

- Bewaar het product in een droge en vorstvrije ruimte.
- Reinig het product en voer een volledige onderhoudsbeurt uit voordat u het product opslaat.
- Houd de slijpkop op de grond.
- Bewaar het product in een afgesloten ruimte om toegang door kinderen of onbevoegde personen te verhinderen.

Afvoeren

Symbolen op het product of op de verpakking van het product geven aan dat dit product niet beschouwd kan worden als huishoudelijk afval. Het moet worden ingeleverd bij een geschikt inzamelstation voor het terugwinnen van elektrische en elektronische apparatuur.

Als u ervoor zorgt dat dit product goed wordt verwerkt, helpt u mogelijk negatieve gevolgen voor het milieu en mensen door verkeerd afvalbeheer van dit product tegen te gaan. Neem voor meer informatie over het recyclen van dit product contact op met de gemeente, het afvalverwerkingsbedrijf of de winkel waar u het product hebt gekocht.



Technische gegevens

Technische gegevens

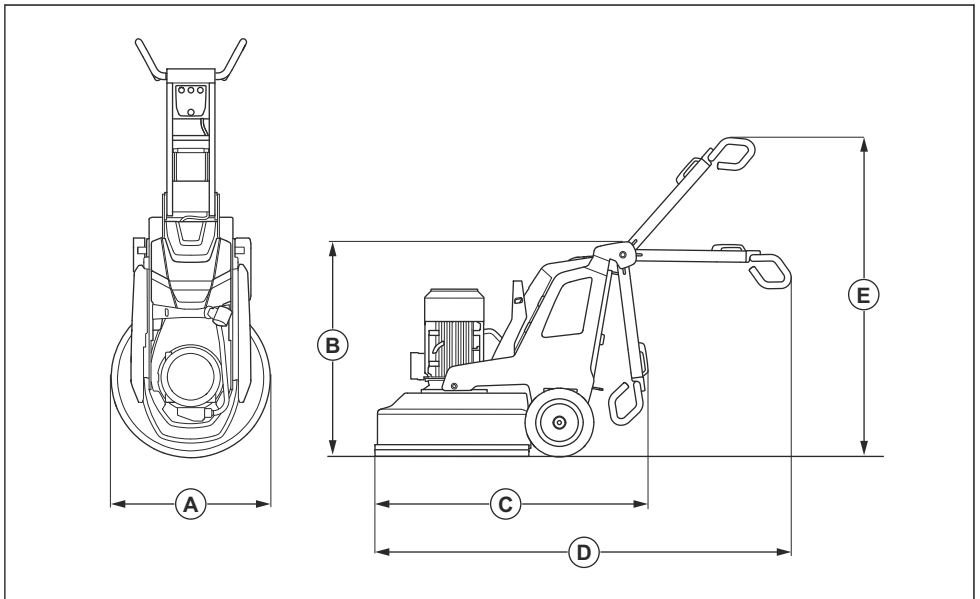
Maximaal vermogen, kW/pk	11/15
Nominale stroom, A	30
Nominale spanning, V	380-415
Fasen	3-fasig
Frequentie, Hz	50-60
Gewicht, kg/lbs	497/1096
Slijpbreedte, mm/in.	800/31,5
Schuurschijf, mm/inch	3X270/10,5
Slijpdruk, kg/lbs	79/175
Schuurdruk met steunwiel, kg/lbs	85/187
Gewicht in stand 1 (naar voren), kg/lbs	298/656
Gewicht in stand 1 (naar voren) met steunwiel, kg/lbs	315/693
Gewicht in stand 2 (verticaal), kg/lbs	249/548
Gewicht in stand 2 (verticaal) met steunwiel, kg/lbs	266/585
Gewicht in stand 3 (naar achteren), kg/lbs	195/429
Gewicht in stand 3 (naar achteren) met steunwiel, kg/lbs	212/466
Toerental schuurschijf, min./max. tpm	421-1403
Toerental schuurkop, min./max. tpm	28-92
Draairichting (van boven)	Schuurkop: rechtsom Schuurschijf: linksom
Max. helling, graden °	10
Behuizing, IP	54
Aanbevolen stofzuiger⁹	
Opzetstuk stofzuiger, mm/inch	76/3
Min. luchtstroming, m ³ /u/CFM	815/480
Min. vacuüm, kPa/psi	30/4,4

⁹ De omschrijving die technische gegevens voor stofzuigers bieden verschaft onvoldoende duidelijkheid over de werkelijke prestaties in de loop van de tijd tussen de verschillende stofzuigers. Voor Husqvarna-producten zijn OSHA objectieve gegevens beschikbaar op www.husqvarnacp.com/us.

Geluidsniveau

Geluidsemisies¹⁰	
Geluidsvermogeniveau, gemeten L_w (dB(A))	95,4
Geluidsniveau¹¹	
Geluidsdrukkniveau bij het oor van de gebruiker, L_p (dB(A))	78,7
Trillingsniveau¹²	
Handgreep rechts, m/s^2	1,7
Handgreep links, m/s^2	1,5

Productafmetingen



A	Breedte, mm/inch	830/32,7
B	Min. totale hoogte (hendel ingeklapt), mm/inch	1145/45,1

¹⁰ Geluidsemisies naar de omgeving gemeten als geluidsvermogen volgens EN 60335-2-72. Verwachte onzekerheidsmarge 2,5 dB(A).

¹¹ Geluidsdrukkniveau volgens EN 60335-2-72. Verwachte onzekerheidsmarge 4 dB(A).

¹² Trillingsniveau volgens EN 60335-1 en EN 60335-2-72. De gerapporteerde gegevens voor het trillingsniveau vertonen een typische statistische spreiding (standaardafwijking) van $1 m/s^2$. De trillingswaarden zijn geldig voor handmatige bediening.

C	Max. totale lengte (hendels ingeklapt), mm/inch	1550/61
D	Max. totale lengte (hendels uitgeklaapt), mm/inch	2215/87,2
E	Max. totale hoogte (hendels uitgeklaapt), mm/inch	1700/66,9

EG verklaring van overeenstemming

EG verklaring van overeenstemming

Wij Husqvarna AB, SE-561 82 Husqvarna, Zweden, tel.:
+46- 36-146500, verklaren onder onze
verantwoordelijkheid dat het product:

Beschrijving	Polijst- en slijpparaatuur
Merk	Husqvarna
Type/model	PG 830S
Identificatie	Serienummers vanaf 2019 en verder

volledig voldoet aan de volgende EU-richtlijnen en -
regelgeving:

Richtlijn/Verordening	Beschrijving
2006/42/EC	"betreffende machines"

en dat de volgende geharmoniseerde normen en/of
technische specificaties zijn toegepast:

EN ISO 12100:2010

EN 60335-1:2012/A11:2014/AC:2014

EN 60335-2-72:2012

Partille, 2019-10-17



Martin Huber

R&D Director, Concrete Surfaces & Floors

Husqvarna AB, Construction Division

Verantwoordelijk voor technische documentatie

Inhalt

Einleitung.....	82	Fehlerbehebung.....	101
Sicherheit.....	85	Transport, Lagerung und Entsorgung.....	103
Betrieb.....	89	Technische Angaben.....	106
Wartung.....	98	EG-Konformitätserklärung.....	109

Einleitung

Gerätebeschreibung

Das Gerät ist ein Bodenschleifer für Oberflächen unterschiedlicher Härte.

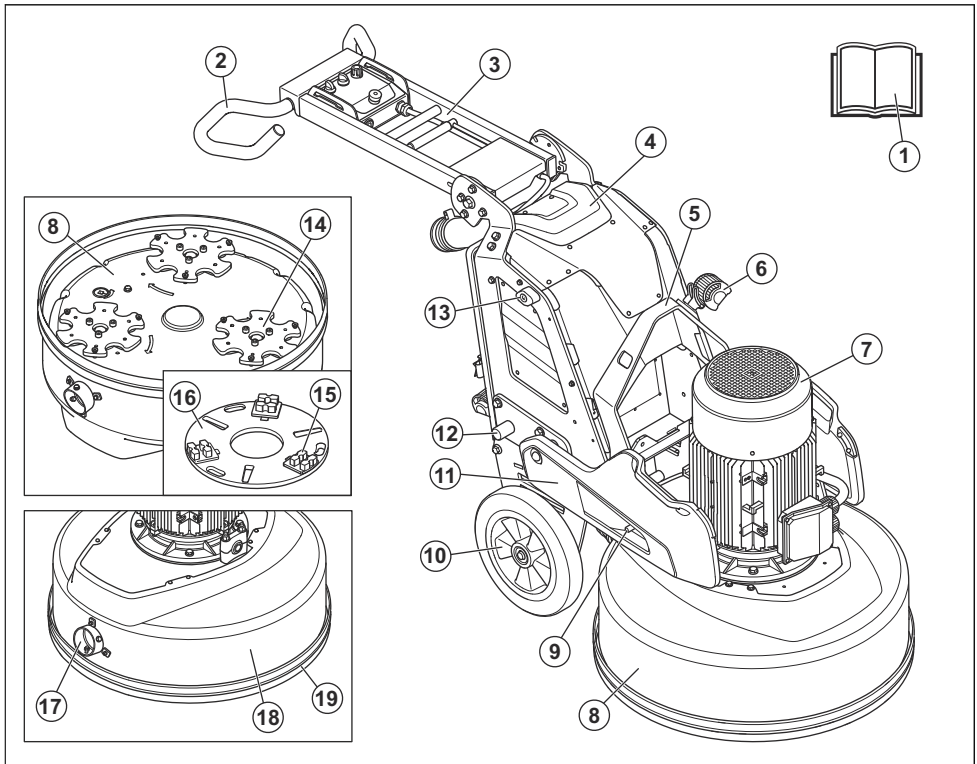
Verwendungszweck

Das Gerät wird zum Schleifen von Oberflächen von Materialien mit unterschiedlichen Härten wie Naturstein,

Terrazzo und Beton verwendet. Sie können das Gerät auch zum Schleifen von Abdeckmaterialien wie Epoxidharz und Klebstoff verwenden. Die Oberfläche kann rau oder glatt sein. Das Gerät kann zum Trocken- und Nassschleifen verwendet werden. Verwenden Sie das Gerät nicht für andere Aufgaben.

Das Gerät ist für den gewerblichen Betrieb und für professionelle Bediener vorgesehen.

Geräteüberblick, rechte Seite

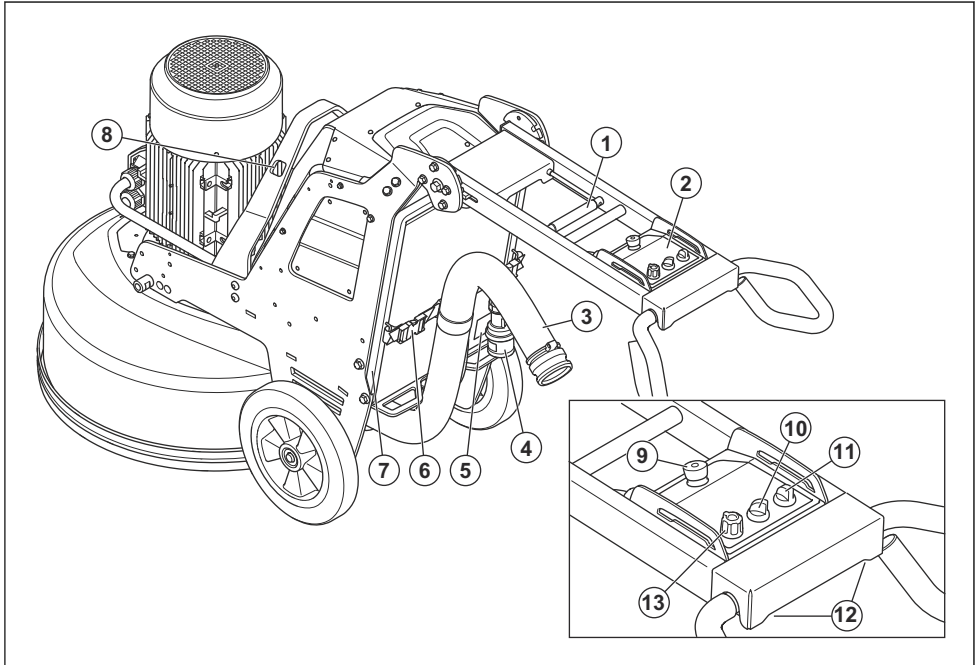


- | | |
|------------------------|---------------------------|
| 1. Bedienungsanleitung | 4. Schaltkasten |
| 2. Lenker | 5. Huböse |
| 3. Griff | 6. Scheinwerfer (Zubehör) |

- 7. Schleifscheibenmotor
- 8. Schleifkopf
- 9. Gewichtsverriegelung
- 10. Rad
- 11. Gewicht (Zubehör)
- 12. Gewichtsträger
- 13. Gewichtshalter

- 14. Schleifscheibe
- 15. Diamantwerkzeug (Zubehör)
- 16. Werkzeugplatte
- 17. Anschluss für Staubabsauger
- 18. Gehäuse
- 19. Staubschürze

Geräteüberblick, linke Seite



- 1. Verriegelungshebel für Griffeinstellung
- 2. Bedientafel
- 3. Anschluss für Staubabsauger
- 4. Netzkabel
- 5. Typenschild
- 6. Aufhängevorrichtung für Staubabsauger und Netzkabel
- 7. Tragrahmen
- 8. Löcher für Gurt
- 9. Not-Aus-Taste
- 10. START/STOPP-Schalter
- 11. EIN/AUS-Schalter
- 12. Schrauben zur Lenkereinstellung
- 13. Regler für Rotationsrichtung und Drehzahl der Schleifscheibe

Symbole auf dem Gerät



WARNUNG: Dieses Gerät kann gefährlich sein und schwere oder tödliche Verletzungen des Bedieners oder anderer Personen verursachen. Gehen Sie vorsichtig vor, und verwenden Sie das Gerät ordnungsgemäß.



Lesen Sie die Betriebsanleitung sorgfältig durch, und machen Sie sich mit den Anweisungen vertraut, bevor Sie das Gerät verwenden.



Tragen Sie Gehörschutz, Augenschutz und Atemschutz. Siehe *Persönliche Schutzausrüstung* auf Seite 86.



Der Staub kann zu gesundheitlichen Problemen führen. Tragen Sie einen zugelassenen Atemschutz. Sorgen Sie immer für eine gute Luftzirkulation.



Heben Sie das Gerät immer an der Huböse an.



Verwenden Sie die Löcher für Zurrgurte, um das Gerät an einem Transportfahrzeug zu befestigen.



Doppelte Isolierung, Akku und Akkuladegerät.



Verwenden und lagern Sie das Ladegerät nur in Innenräumen.



Das Gerät ist kein Hausmüll. Recyceln Sie es an einer offiziellen Recyclingstation für elektrische und elektronische Geräte.



Dieses Gerät entspricht den geltenden EG-Richtlinien.

Hinweis: Sonstige Symbole/Aufkleber am Gerät beziehen sich auf besondere Zertifizierungsanforderungen, die in bestimmten Ländern gelten.

Symbole auf der Bedientafel



Not-Aus.



Gerät eingeschaltet und Zurücksetzen des Geräts.

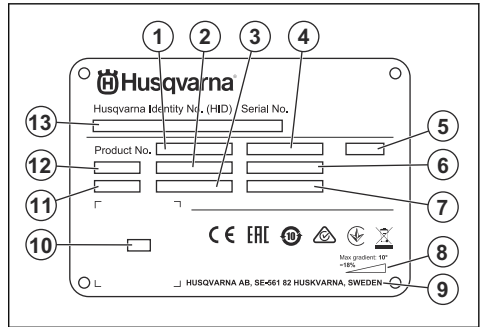


Schleifkopf eingeschaltet.



Drehzahl und Rotationsrichtung der Schleifscheibe.

Typenschild



1. Gerätenummer
2. Gerätegewicht
3. Nennleistung
4. Nennspannung
5. Gehäuse
6. Nennstrom
7. Frequenz
8. Maximaler Neigungswinkel
9. Hersteller
10. Scanbarer Code
11. Produktionsjahr
12. Modell
13. Seriennummer

Produkthaftung

Im Sinne der Produkthaftungsgesetze übernehmen wir keine Haftung für Schäden, die unser Gerät verursacht, wenn...

- das Gerät nicht ordnungsgemäß repariert wird.
- das Gerät mit Teilen repariert wird, die nicht vom Hersteller stammen oder nicht vom Hersteller zugelassen sind.
- ein Zubehörteil mit dem Gerät verwendet wird, das nicht vom Hersteller stammt oder nicht vom Hersteller zugelassen ist.
- das Gerät nicht bei einem zugelassenen Service Center oder von einem zugelassenen Fachmann repariert wird.

Husqvarna Fleet Services™

Husqvarna Fleet Services™ ist eine Cloud-Lösung, die dem Bediener einen Überblick über alle angeschlossenen Geräte gibt. An diesem Gerät kann ein Husqvarna Fleet Services™-Sensor montiert werden. Der Husqvarna Fleet Services™-Sensor sammelt Gerätedaten und ermöglicht eine Verbindung zum Husqvarna Fleet Services™-System. Der Husqvarna Fleet Services™-Sensor übermittelt Daten wie die Betriebszeit, Wartungsintervalle und den Standort des Geräts.

Sicherheit

Sicherheitsdefinitionen

Warnungen, Vorsichtsmaßnahmen und Hinweise werden verwendet, um auf besonders wichtige Teile der Bedienungsanleitung hinzuweisen.



WARNUNG: Wird verwendet, wenn bei Nichtbeachtung der Anweisungen in diesem Handbuch die Gefahr von Verletzung oder Tod des Bedieners oder anderer Personen besteht.



ACHTUNG: Wird verwendet, wenn bei Nichtbeachtung der Anweisungen in diesem Handbuch die Gefahr von Schäden am Gerät, an anderen Materialien oder in der Umgebung besteht.

Hinweis: Für weitere Informationen, die in bestimmten Situationen nötig sind.

Allgemeine Sicherheitshinweise



WARNUNG: Lesen Sie die folgenden Warnhinweise, bevor Sie das Gerät verwenden.

- Dieses Gerät ist ein sehr gefährliches Werkzeug, wenn Sie nicht aufpassen oder das Gerät unsachgemäß verwenden. Dieses Gerät kann schwere Verletzungen des Bedieners oder anderer Personen verursachen. Es ist sehr wichtig, dass Sie vor der Anwendung des Geräts den Inhalt dieser Betriebsanleitung gelesen und verstanden haben.
- Bewahren Sie alle Warnhinweise und Anweisungen auf.
- Halten Sie alle geltenden Gesetze und Vorschriften ein.
- Der Bediener und dessen Arbeitgeber müssen die mit dem Betrieb des Geräts verbundenen Gefahren kennen und vermeiden.
- Untersagen Sie allen Personen die Benutzung des Geräts, bis diese den Inhalt der Bedienungsanleitung gelesen und verstanden haben.
- Verwenden Sie das Gerät nicht, ohne vorher dafür geschult worden zu sein. Stellen Sie sicher, dass alle Anwender Schulungen erhalten.
- Lassen Sie nicht zu, dass Kinder das Gerät verwenden.
- Es dürfen nur zugelassene Personen mit dem Gerät arbeiten.

- Der Bediener ist für Unfälle verantwortlich, die anderen Personen zustoßen oder an deren Eigentum entstehen.
- Benutzen Sie das Gerät nicht, wenn Sie müde oder krank sind oder unter Einfluss von Alkohol, Drogen oder Medikamenten stehen.
- Lassen Sie immer Vorsicht walten, und arbeiten Sie mit gesundem Menschenverstand.
- Dieses Gerät erzeugt beim Betrieb ein elektromagnetisches Feld. Dieses Feld kann sich unter bestimmten Bedingungen auf die Funktionsweise aktiver oder passiver medizinischer Implantate auswirken. Um die Gefahr von Situationen, die zu schweren oder tödlichen Verletzungen führen können, zu verringern, sollten Personen mit einem medizinischen Implantat vor der Nutzung dieses Gerätes mit ihrem Arzt und dem Hersteller des Implantats sprechen.
- Halten Sie das Gerät sauber. Stellen Sie sicher, dass Symbole und Aufkleber deutlich lesbar sind.
- Verwenden Sie das Gerät nicht, wenn es defekt ist.
- Nehmen Sie keine Modifikationen am Gerät vor.
- Bedienen Sie das Gerät nicht, wenn die Möglichkeit besteht, dass andere Personen Modifikationen daran durchgeführt haben.

Sicherheitshinweise für den Betrieb



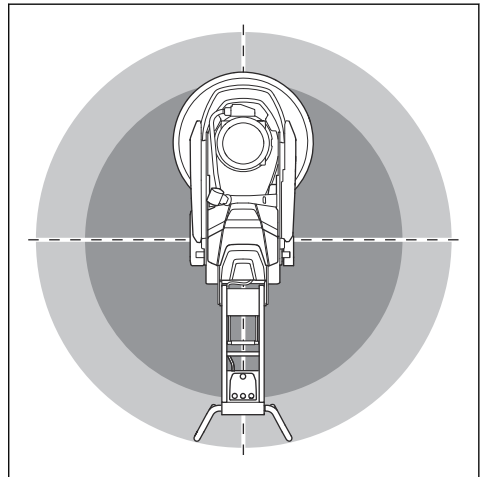
WARNUNG: Lesen Sie die folgenden Warnhinweise, bevor Sie das Gerät benutzen.

- Tragen Sie eine persönliche Schutzausrüstung. Siehe *Persönliche Schutzausrüstung auf Seite 86*.
- Entfernen Sie sich nicht vom Gerät, wenn der Motor eingeschaltet ist.
- Trennen Sie immer das Stromkabel, bevor Sie sich vom Gerät entfernen.
- Ziehen Sie nicht am Schlauch des Staubsaugers. Das Gerät kann herunterfallen und Verletzungen oder Schäden verursachen.
- Der Schleifkopf muss die Oberfläche berühren, wenn Sie das Gerät starten. Dies gilt nicht, wenn Sie den EIN/AUS-Schalter überprüfen.
- Betreiben Sie das Gerät nicht ohne Staubschürze. Die Staubschürze muss zwischen dem Gerät und dem Boden vollständig abdichten.
- Halten Sie sich von Bereichen fern, in denen das Gerät Verletzungen verursachen kann. Das Gerät kann schnell die Position ändern und Sie treffen.
- Wenn das Gerät nicht ordnungsgemäß funktioniert, stoppen Sie den Motor.

- Achten Sie darauf, dass sich Kleidung, langes Haar und Schmuck nicht in beweglichen Teilen verfangen können.
- Stellen Sie sicher, dass Sie während der Arbeit eine sichere und stabile Position einnehmen.
- Bedienen Sie das Gerät nur dann, wenn Sie bei einem Unfall Hilfe bekommen können.
- Wenn Vibrationen im Gerät auftreten oder es ungewöhnlich laut ist, stoppen Sie es umgehend. Untersuchen Sie das Gerät auf beschädigte Teile. Reparieren Sie Schäden, oder lassen Sie die Reparatur in einer zugelassenen Servicewerkstatt durchführen.
- Eine übermäßige Belastung durch Vibrationen kann bei Personen mit verminderter Durchblutung Kreislauf- oder Nervenschäden verursachen. Suchen Sie einen Arzt auf, wenn Sie an Ihrem Körper Symptome feststellen, die darauf hinweisen, dass Sie zu starken Vibrationen ausgesetzt waren. Einschlafen von Körperteilen, Gefühlsverlust, Kitzeln, Stechen, Schmerz, Verlust oder Beeinträchtigung der normalen Körperkraft, Veränderungen der Hautfarbe oder der Hautbeschaffenheit. Diese Beschwerden treten normalerweise in den Fingern, Händen und Handgelenken auf.
- Stellen Sie das Gerät nicht auf einem Hang ab. Wenn Sie das Gerät an einem Hang abstellen müssen, stellen Sie sicher, dass das Gerät sich nicht bewegen oder umfallen kann. Es besteht die Gefahr von Verletzungen und Schäden am Gerät.
- Seien Sie sehr vorsichtig, wenn Sie an Hängen arbeiten. Das Gerät ist schwer und kann beim Abrutschen schwere Verletzungen verursachen.
- Bewegen Sie das Gerät nicht an steilen Hängen. Informationen zum maximalen Neigungswinkel finden Sie auf dem Typenschild des Geräts.
- Verwenden Sie immer zugelassenes Zubehör. Ihr Händler steht Ihnen gern für weitere Informationen zur Verfügung.
- Verwenden Sie zugelassene Schutzhandschuhe, die einen festen Griff ermöglichen.
- Tragen Sie Schutzhandschuhe aus Gummi, um Hautreizungen durch feuchten Beton vorzubeugen.
- Verwenden Sie einen zugelassenen Schutzhelm.
- Tragen Sie stets einen zugelassenen Gehörschutz beim Arbeiten mit dem Gerät. Lärmbelastung über einen längeren Zeitraum kann zu lärmbedingten Hörschäden führen.
- Das Gerät erzeugt Staub und Dämpfe, die gefährliche Chemikalien enthalten. Verwenden Sie einen zugelassenen Atemschutz.
- Tragen Sie Stiefel mit Stahlkappen und rutschfesten Sohlen.
- Vergewissern Sie sich, dass Sie einen Erste-Hilfe-Kasten griffbereit haben.
- Beim Arbeiten mit dem Gerät können Funken entstehen. Sorgen Sie dafür, dass Sie einen Feuerlöscher griffbereit haben.

Sicherheit im Arbeitsbereich

- Halten Sie während des Betriebs umstehende Personen vom in der folgenden Abbildung gezeigten Bereich fern. Der Bediener muss in diesem Bereich während des Betriebs sehr vorsichtig sein.



- Stellen Sie sicher, dass sich nur befugte Personen im Arbeitsbereich befinden.
- Verwenden Sie das Gerät nicht bei Nebel, Regen, starkem Wind, kaltem Wetter, Gewittergefahr oder anderen schlechten Wetterbedingungen. Die Verwendung des Geräts bei schlechtem Wetter oder an nassen Stellen kann einen negativen Einfluss auf Ihre Aufmerksamkeit haben. Schlechtes Wetter kann gefährliche Arbeitsbedingungen schaffen.
- Achten Sie auf Personen, Gegenstände und Situationen, die einen sicheren Betrieb des Geräts verhindern könnten.

Persönliche Schutzausrüstung



WARNUNG: Lesen Sie die folgenden Warnhinweise, bevor Sie das Gerät benutzen.

- Verwenden Sie immer geeignete persönliche Schutzausrüstung bei der Benutzung des Geräts. Das Tragen persönlicher Schutzausrüstung schließt das Risiko von Verletzungen nicht aus. Das Tragen persönlicher Schutzausrüstung verringert das Ausmaß der Verletzungen bei einem Unfall. Lassen Sie sich von Ihrem Händler bei der Auswahl der richtigen Ausrüstung unterstützen.
- Tragen Sie einen zugelassenen Augenschutz beim Arbeiten mit dem Gerät.
- Tragen Sie keine lose, schwere und ungeeignete Kleidung. Tragen Sie Kleidung, in der Sie sich ungehindert bewegen können.

- Halten Sie den Arbeitsbereich ausreichend beleuchtet.
- Verwenden Sie das Gerät nicht in Bereichen, in denen Feuer oder Explosionen auftreten können.

Wenn das Stromnetz einen höheren Systemwiderstand aufweist, kann beim Starten des Geräts die Spannung kurzzeitig abfallen. Dies kann den Betrieb anderer Geräte beeinflussen, z. B. ein Flackern des Lichts verursachen.

Elektrische Sicherheit



WARNUNG: Bei elektrisch angetriebenen Geräten besteht immer die Gefahr von elektrischen Schlägen. Verwenden Sie das Gerät nicht bei schlechtem Wetter. Berühren Sie keine Blitzableiter und Metallgegenstände. Verwenden Sie das Gerät immer gemäß den in diesem Betriebshandbuch hinterlegten Anweisungen, um Verletzungen zu vermeiden.



ACHTUNG: Das Gerät erfüllt die Anforderungen nach EN 61000-3-11 und kann unter bestimmten Bedingungen an das Netz angeschlossen werden. Sprechen Sie mit dem Energieversorgungsunternehmen, um Anweisungen zum Anschließen des Geräts zu erhalten.

Die Stromversorgung aus dem Gerät oder vom Generator muss ausreichend und konstant sein, um einen störungsfreien Betrieb des Motors sicherzustellen. Eine falsche Spannung führt dazu, dass der Stromverbrauch und die Temperatur des Motors ansteigen, bis der Sicherheitskreis ausgelöst wird. Die Auslegung des Netzkabels muss mit den nationalen und lokalen Vorschriften übereinstimmen. Die Auslegung der Netzsteckdose muss mit der Stromstärke der Steckdose und des Verlängerungskabels des Geräts übereinstimmen.

- Kontrollieren Sie, ob die Leistung, die Sicherung und die Netzspannung mit dem entsprechenden Spannungswert auf dem Typenschild des Geräts übereinstimmen.
- Schalten Sie das Gerät immer aus, bevor Sie den Netzstecker ziehen.
- Verwenden Sie das Gerät nicht, wenn Kabel oder Stecker beschädigt sind. Übergeben Sie es zur Reparatur an ein autorisiertes Kundendienstzentrum. Ein beschädigtes Netzkabel kann zu schweren und tödlichen Verletzungen führen.
- Verwenden Sie das Netzkabel nach Vorschrift. Verwenden Sie das Netzkabel nicht, um das Gerät zu verschieben, zu ziehen oder von der Netzspannung zu trennen. Ziehen Sie direkt am Stecker, um das Netzkabel abzubauen. Ziehen Sie nicht am Netzkabel.
- Betreiben Sie das Gerät nicht in einer Wassertiefe, in der die Ausstattung des Geräts nass wird. Die Ausstattung kann beschädigt werden, und das Gerät kann durch führende Spannung Verletzungen verursachen.
- Achten Sie darauf, dass nicht mehr Feuchtigkeit in das Gerät gelangt, als durch das Wassersystem eingespeist wird. Halten Sie das Gerät von Regen fern. Wasser, das in das Gerät eindringt, erhöht das Risiko eines elektrischen Schlags.
- Achten Sie immer darauf, dass das Netzkabel getrennt ist, wenn Sie den Stecker des Motorkabels und des Schaltkastens ein- oder ausstecken.

Richtwerte für die Stromversorgungsquelle

Nennspannung der Stromversorgungsquelle, V	Min. Spannung am Gerät, V	Max. Spannung am Gerät, V	Frequenz, Hz	Nennstrom, A	Motorleistung	Min. Kabelquerschnitt, mm ² /AWG	Max. Kabellänge, m/ft
3x220	200	240	50/60	50	11+1,5	10/7	190/620
3x400/440/480	380	480	50/60	30	11+1,5	6/9	190/620
3x220	200	240	50/60	50	11+1,5	10/7	190/620
3x400/440/480	380	480	50/60	30	15+1,5	6/9	190/620

Anweisungen für geerdete Geräte



WARNUNG: Ein falscher Anschluss kann zu einem Stromschlag führen. Wenden Sie sich an einen qualifizierten Elektriker, wenn Sie Zweifel daran haben, ob das Gerät richtig geerdet ist.

Nehmen Sie keine Modifikationen am Netzstecker vor. Dieser muss den Werksspezifikationen entsprechen. Beauftragen Sie einen qualifizierten Elektriker mit dem Anschluss einer geeigneten Steckdose, wenn der Netzstecker nicht zur Steckdose passt. Beachten Sie die vor Ort geltenden Vorschriften und Gesetze.

Wenden Sie sich an einen qualifizierten Elektriker, wenn Sie die Anweisungen hinsichtlich des geerdeten Geräts nicht vollständig verstehen.

Das Gerät verfügt über ein geerdetes Netzkabel und einen Netzstecker. Schließen Sie das Gerät immer an eine geerdete Steckdose an. Dadurch verringert sich die Gefahr eines elektrischen Schlags, wenn eine Störung vorliegt.

Verwenden Sie keine elektrischen Adapter am Gerät.

Verlängerungskabel

- Verwenden Sie nur zugelassene Verlängerungskabel mit ausreichender Länge.
- Der Nennwert auf dem Verlängerungskabel muss dem auf dem Typenschild des Geräts angegebenen Wert entsprechen oder höher sein.
- Verwenden Sie Schuko-Verlängerungskabel.
- Wenn Sie das Gerät im Freien benutzen, verwenden Sie ein für den Außeneinsatz geeignetes Verlängerungskabel. Dadurch wird das Risiko von Stromschlägen verringert.
- Achten Sie darauf, dass die Verbindung mit dem Verlängerungskabel trocken ist und keinen Bodenkontakt hat.
- Halten Sie das Verlängerungskabel fern von Hitzequellen, Öl, scharfen Kanten und beweglichen Teilen. Ein beschädigtes Kabel erhöht das Risiko eines Stromschlags.
- Stellen Sie sicher, dass sich das Verlängerungskabel in einem guten Zustand befindet und unbeschädigt ist.
- Verwenden Sie das Verlängerungskabel nicht im aufgewickelten Zustand. Dies kann dazu führen, dass das Verlängerungskabel zu heiß wird.
- Vergewissern Sie sich, dass sich das Verlängerungskabel hinter Ihnen und dem Gerät befindet, wenn Sie mit dem Gerät arbeiten. Dadurch wird eine Beschädigung des Verlängerungskabels vermieden.

Sicherheitsvorrichtungen am Gerät

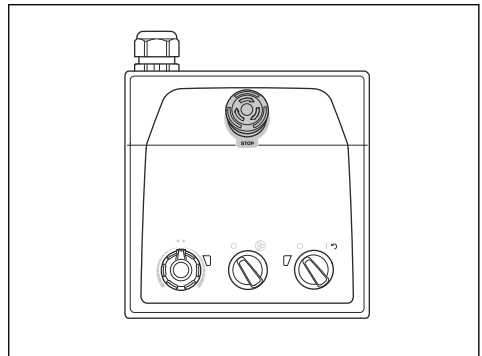


WARNUNG: Lesen Sie die folgenden Warnhinweise, bevor Sie das Gerät benutzen.

- Benutzen Sie kein Gerät mit defekten Sicherheitsvorrichtungen.
- Führen Sie regelmäßig eine Überprüfung der Sicherheitsvorrichtungen durch. Wenn die Sicherheitsvorrichtungen defekt sind, wenden Sie sich an Ihre Husqvarna-Servicewerkstatt.

Not-Aus-Taste

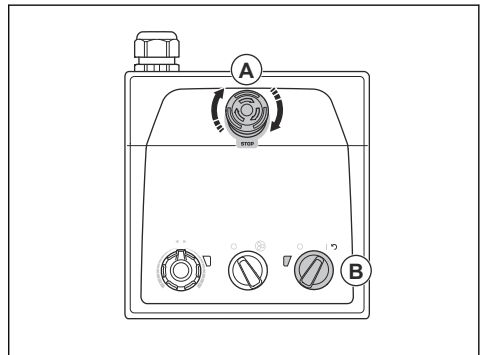
Mit der Not-Aus-Taste kann der Motor schnell abgestellt werden. Mit der Not-Aus-Taste können Sie die Stromzufuhr unterbrechen.



ACHTUNG: Verwenden Sie die Not-Aus-Taste nicht als Stoptaste für das Gerät.

So führen Sie einen Test der Not-Aus-Taste durch

1. Drehen Sie die Not-Aus-Taste (A) auf der Bedientafel im Uhrzeigersinn, um sicherzustellen, dass sie deaktiviert ist.



2. Schalten Sie den EIN/AUS-Schalter auf der Bedientafel auf „1“, um den Motor zu starten. Die LED neben dem EIN/AUS-Schalter leuchtet auf.
3. Drücken Sie die Not-Aus-Taste.
4. Stellen Sie sicher, dass die LED neben dem EIN/AUS-Schalter erlischt.
5. Drehen Sie die Not-Aus-Taste im Uhrzeigersinn, um sie zu deaktivieren.

Sicherheitshinweise für die Wartung

- Halten Sie alle Teile in einwandfreiem Zustand, und stellen Sie sicher, dass alle Befestigungen korrekt festgezogen sind.
- Verwenden Sie das Gerät nicht, wenn es defekt ist. Führen Sie alle Sicherheitskontrollen, Wartungen

und Servicemaßnahmen durch, die in dieser Bedienungsanleitung angegeben sind. Alle anderen Wartungsarbeiten müssen von einer autorisierten Servicewerkstatt durchgeführt werden.

- Halten Sie das Gerät an, wenn Sie die Diamantwerkzeuge ersetzen. Schalten Sie den EIN/AUS-Schalter auf 0, und drücken Sie die Not-Aus-Taste.
- Führen Sie die Inspektion und/oder Wartung bei stehendem Motor und gezogenem Netzstecker aus.
- Warten Sie das Gerät, um sicherzustellen, dass es ordnungsgemäß funktioniert. Siehe *Wartungsplan auf Seite 98*.

Betrieb

Einleitung



WARNUNG: Vor dem Betrieb des Gerätes müssen Sie die Sicherheitsinformationen lesen und verstehen.

So nehmen Sie die Gerät aus der Verpackung.



WARNUNG: Bewegen Sie das Gerät vorsichtig und sicher von der Palette. Das Gerät ist schwer und kann beim Abrutschen schwere Verletzungen verursachen.

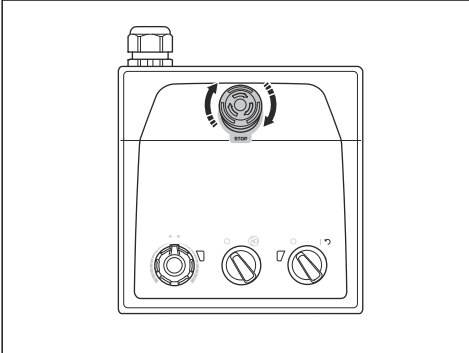
- Stellen Sie sicher, dass alle Artikel, die in der Geräteübersicht aufgeführt werden, enthalten sind. Siehe *Geräteüberblick, rechte Seite auf Seite 82*. Sprechen Sie mit Ihrem Husqvarna-Händler, wenn ein Artikel fehlt oder beschädigt ist, bevor Sie das Gerät von der Palette nehmen.
- Entfernen Sie alle Packgurte und Unterlegkeile.
- Stellen Sie sicher, dass der Bereich frei ist und Sie ausreichend Platz zum Bewegen des Geräts haben.
- Stellen Sie sicher, dass keine Gefahr besteht, dass Sie oder das Gerät herunterfallen.
- Verwenden Sie Hebezeuge oder Rampen, um das Gerät von der Palette zu bewegen. Das Gerät ist schwer. Bewegen Sie das Gerät sicher. Siehe *So heben Sie das Gerät an auf Seite 104*.

3. Stellen Sie sicher, dass sich nur befugte Personen im Arbeitsbereich befinden.
4. Warten Sie das Gerät täglich. Siehe *Wartungsplan auf Seite 98*.
5. Stellen Sie sicher, dass das Gerät korrekt zusammengebaut und unbeschädigt ist.
6. Stellen Sie das Gerät im Arbeitsbereich ab. Stellen Sie sicher, dass der Transport des Geräts zum und im Arbeitsbereich sicher und ordnungsgemäß erfolgt. Siehe *Transport auf Seite 103*.
7. Stellen Sie sicher, dass Diamantwerkzeuge auf den Werkzeugplatten vorhanden sind und dass die Diamantwerkzeuge und die Werkzeugplatten fest sitzen.
8. Schließen Sie einen Staubabsauger an das Gerät an. Siehe *So schließen Sie einen Staubabsauger an auf Seite 92*.
9. Bringen Sie den Griff und den Lenker in eine geeignete Betriebsposition. Siehe *So verstellen Sie den Griff und den Lenker auf Seite 93*.
10. Stellen Sie sicher, dass das Motorkabel an den Schaltkasten angeschlossen ist, bevor das Gerät an eine Steckdose angeschlossen wird. Siehe *So montieren und entfernen Sie den Schleifkopf auf Seite 100*.
11. Schließen Sie das Gerät an eine Stromquelle an. Siehe *So schließen Sie das Gerät an die Stromversorgung an auf Seite 94*.

Bevor Sie das Gerät bedienen

1. Lesen Sie die Bedienungsanleitung sorgfältig durch, und gehen Sie sicher, dass Sie die Anweisungen verstehen.
2. Legen Sie die notwendige persönliche Schutzausrüstung an. Siehe *Persönliche Schutzausrüstung auf Seite 86*.

12. Drehen Sie die Not-Aus-Taste auf der Bedientafel im Uhrzeigersinn, um sicherzustellen, dass sie deaktiviert ist.



13. Stellen Sie sicher, dass Sie die Drehrichtung der Schleifscheiben kennen, wenn Sie Diamantwerkzeuge für eine bestimmte Richtung wie Piranha verwenden.

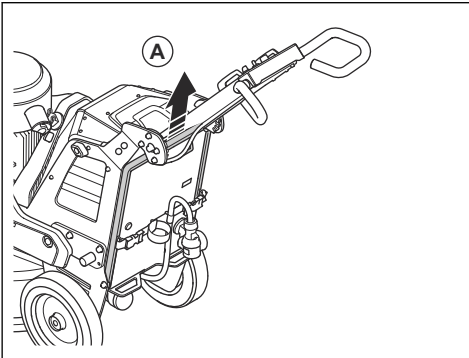
So befestigen und lösen Sie den Tragrahmen

Das Gerät verfügt über einen Tragrahmen, mit dem es nach hinten gekippt werden kann. Der Tragrahmen dient auch als Aufhängevorrichtung, an der der Staubabsaugschlauch und das Netzkabel aufgehängt werden.

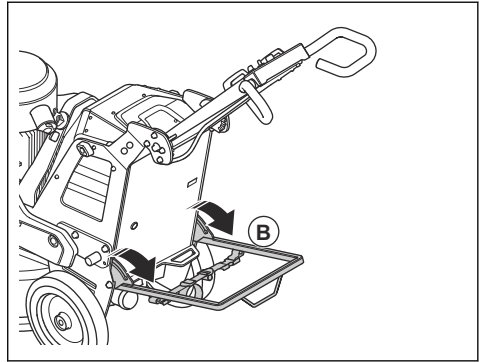


WARNUNG: Seien Sie vorsichtig, wenn Sie den Tragrahmen bewegen. Die beweglichen Teile können Verletzungen verursachen.

1. Heben Sie den Tragrahmen (A) etwas an.



2. Senken Sie den Tragrahmen (B) ab.



3. Klappen Sie den Tragrahmen in umgekehrter Reihenfolge wieder hoch.

Diamantwerkzeuge

Es gibt viele verschiedene Arten und Konfigurationen von Diamantwerkzeugen für das Gerät. Metallgebundene Diamantwerkzeuge werden zum Entfernen von Material und harzgebundene Diamantwerkzeuge zum Polieren von Oberflächen verwendet. Wählen Sie die richtigen Diamantwerkzeuge für die Oberfläche. Sprechen Sie mit Ihrem Husqvarna-Händler oder gehen Sie zu www.husqvarnacp.com, um Unterstützung bei der Auswahl des richtigen Werkzeugs zu erhalten.

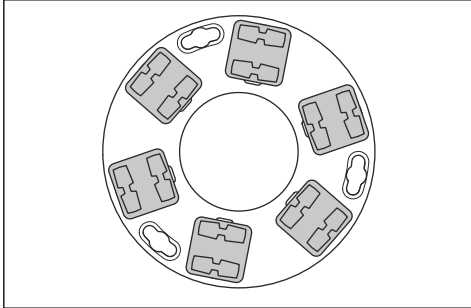
Scheibenhalterauswahl für Diamantwerkzeuge

- Verwenden Sie einen Redi lock-Scheibenhalter, um metallgebundene Diamantwerkzeuge zu befestigen.
- Verwenden Sie einen harzgebundenen Scheibenhalter, um kunststoffgebundene Diamantwerkzeuge zu befestigen.

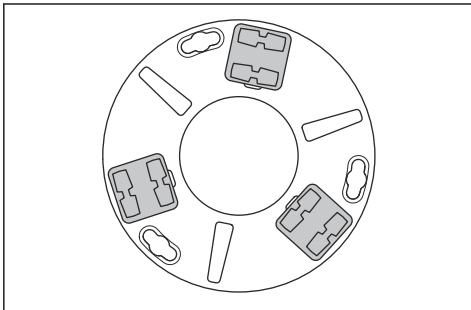
Voller Satz und halber Satz Diamantwerkzeuge

Die Konfiguration der Diamantwerkzeugsegmente wirkt sich auf die Endqualität der Oberfläche aus. Die Konfiguration wirkt sich auch auf die Betriebsgeschwindigkeit des Geräts aus.

- Voller Satz Diamantwerkzeuge: Diese Konfiguration wird für ein flaches Bodenergebnis verwendet.



- Halber Satz Diamantwerkzeuge: Diese Konfiguration wird verwendet, wenn kein flaches Bodenergebnis benötigt wird.



So ersetzen Sie die Diamantwerkzeuge



WARNUNG: Ziehen Sie immer den Netzstecker, bevor Sie die Diamantwerkzeuge austauschen, um ein versehentliches Starten zu verhindern.



WARNUNG: Verwenden Sie Schutzhandschuhe, da Diamantwerkzeuge sehr heiß werden können.



WARNUNG: Tragen Sie einen zugelassenen Atemschutz, wenn Sie die Diamantwerkzeuge ersetzen. Der Staub unter dem Schleifkopf gefährdet Ihre Gesundheit.

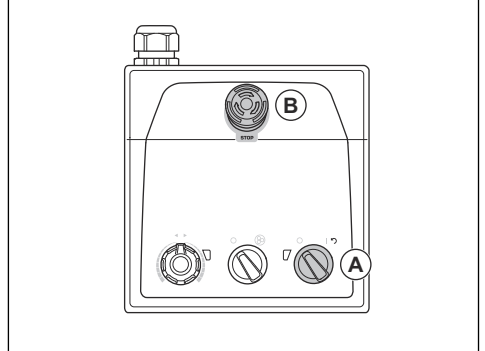


WARNUNG: Verwenden Sie den Staubabsauger, wenn Sie die Diamantwerkzeuge ersetzen. Der Staubabsauger verringert den Staub, der gesundheitliche Probleme verursachen kann.

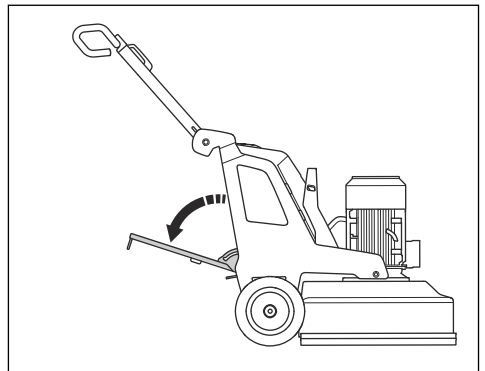


ACHTUNG: Alle Schleifscheiben müssen immer die gleiche Anzahl und die gleiche Art von Diamanten aufweisen. Die Höhe der Diamanten muss bei allen Schleifscheiben gleich sein.

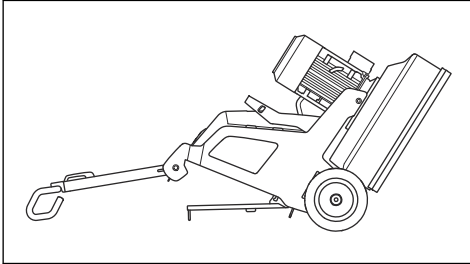
1. Bringen Sie den EIN-/AUS-Schalter (A) auf der Bedientafel in die Position „0“. Die LED neben dem EIN/AUS-Schalter erlischt.



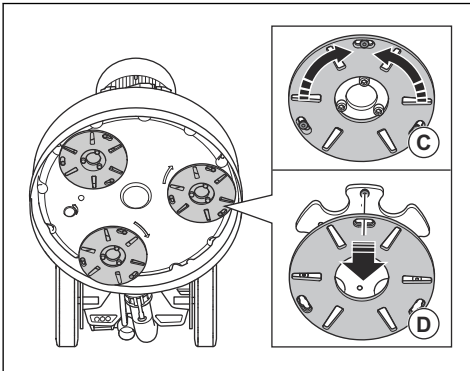
2. Drücken Sie die Not-Aus-Taste (B) auf der Bedientafel.
3. Bringen Sie den Griff in die Wartungsposition. Siehe *Griffpositionen auf Seite 93*.
4. Wenn Gewichte installiert sind, stellen Sie die Gewichte nach hinten ein. Siehe *So stellen Sie die Gewichte ein auf Seite 98*.
5. Befestigen Sie den Tragrahmen. Siehe *So befestigen und lösen Sie den Tragrahmen auf Seite 90*.



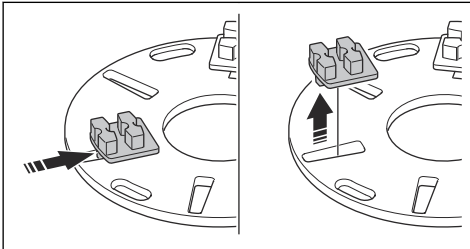
6. Halten Sie den Lenker fest und kippen Sie das Gerät mit einem Fuß auf dem Tragrahmen nach hinten. Kippen Sie das Gerät, bis der Lenker auf dem Boden steht.



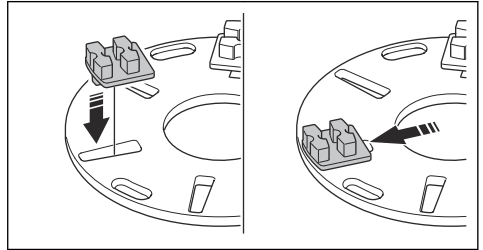
7. Ziehen Sie Schutzhandschuhe an.
8. Drehen Sie die Werkzeugplatte (C) nach rechts oder links, um die Werkzeugplatte von der Schleifscheibe zu lösen.



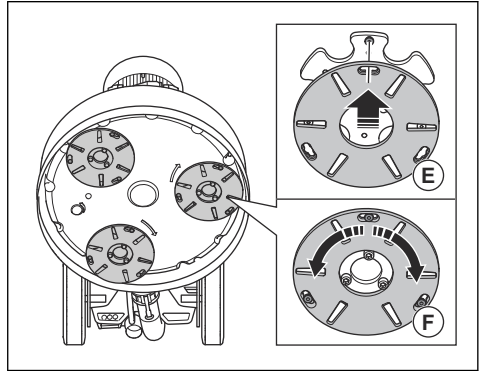
9. Ziehen Sie die Werkzeugplatte gerade heraus (D), um sie von der Schleifscheibe zu entfernen.
10. Entfernen Sie die Diamantwerkzeuge mit einem Hammer von der Werkzeugplatte.



11. Befestigen Sie neue Diamantwerkzeuge mit einem leichten Hammerschlag an der Werkzeugplatte.



12. Befestigen Sie die Werkzeugplatte gerade (E) an der Schleifscheibe.



13. Drehen Sie die Werkzeugplatte (F) nach rechts oder links, um sie an der Schleifscheibe zu verriegeln.
14. Heben Sie das Gerät vorsichtig in die Betriebsposition. Verwenden Sie den Lenker und den Tragrahmen zur Unterstützung.
15. Lösen Sie den Tragrahmen.

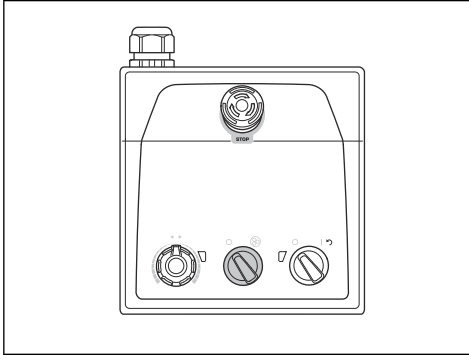
So schließen Sie einen Staubabsauger an



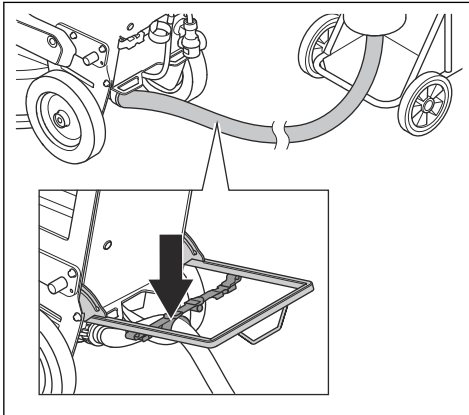
WARNUNG: Verwenden Sie den Staubabsauger nicht, wenn der Staubabsaugerschlauch beschädigt ist. In diesem Fall steigt das Risiko, dass Sie gesundheitsgefährdenden Staub einatmen. Tragen Sie einen zugelassenen Atemschutz.

1. Untersuchen Sie den Staubabsaugerschlauch auf Beschädigungen.
2. Stellen Sie sicher, dass die Filter im Staubabsauger sauber und unbeschädigt sind.

3. Stellen Sie sicher, dass der START/STOPP-Schalter auf der Bedientafel auf „0“ steht.



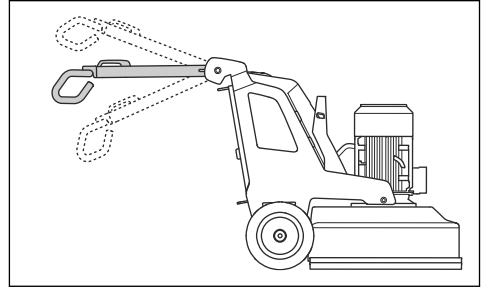
4. Schließen Sie den Staubabsaugschlauch an das Gerät an.
5. Befestigen Sie den Tragrahmen. Siehe *So befestigen und lösen Sie den Tragrahmen auf Seite 90.*
6. Hängen Sie den Staubabsaugschlauch an die Aufhängevorrichtung am Tragrahmen, um ein Verspannen des Staubabsaugschlauchs zu vermeiden.



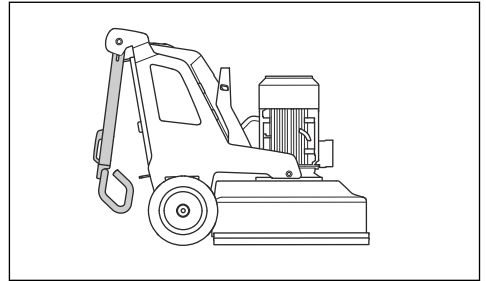
7. Lösen Sie den Tragrahmen.

Griffpositionen

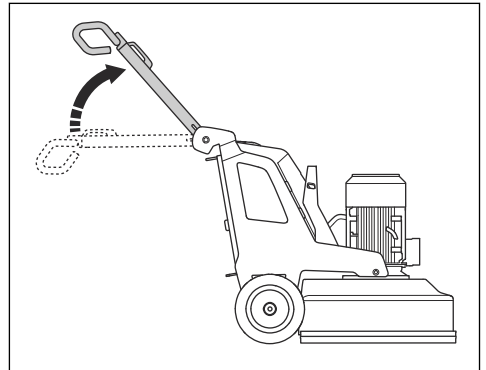
- Betriebsposition des Griffs:



- Transportposition des Griffs:



- Wartungsposition des Griffs:



So verstellen Sie den Griff und den Lenker

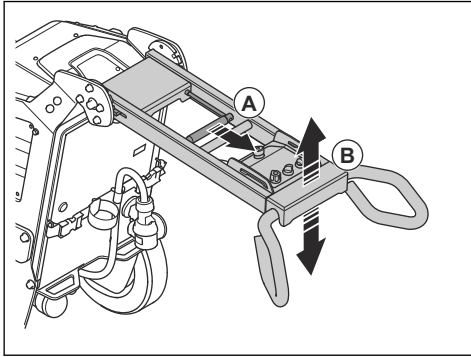


WARNUNG: Seien Sie vorsichtig, wenn Sie den Griff und den Lenker einstellen. Stellen Sie sicher, dass der Griff und der Lenker einrasten. Die beweglichen Teile können Verletzungen verursachen.

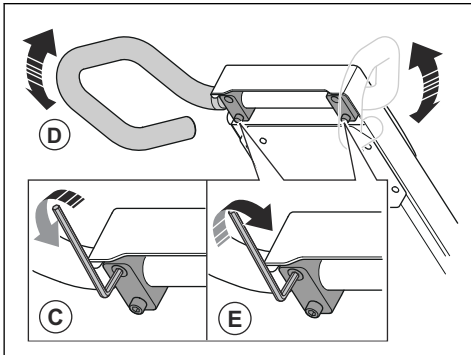
Stellen Sie die Griffhöhe so nah wie möglich auf die Hüfthöhe des Bedieners ein. Während des Betriebs kann das Gerät zur Seite ziehen. Die Hüfte des

Bedieners kann dabei helfen, diese Bewegung zur Seite zu stoppen.

1. Ziehen Sie den Verriegelungshebel (A) am Griff in Richtung Bedientafel und halten Sie ihn in dieser Position.



2. Bringen Sie den Griff (A) in eine entsprechende Betriebshöhe.
3. Lassen Sie den Verriegelungshebel am Griff los, um die Griffposition zu fixieren.
4. Lösen Sie die 4 Schrauben (C) am Lenker.

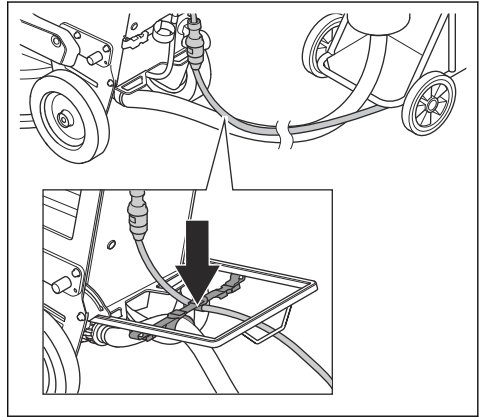


5. Bringen Sie den Lenker (D) in eine entsprechende Betriebshöhe.
6. Ziehen Sie die 4 Schrauben (E) am Lenker an, um die Lenkerposition zu fixieren.

So schließen Sie das Gerät an die Stromversorgung an

1. Schließen Sie den Netzstecker des Geräts an das Verlängerungskabel an.
2. Stecken Sie den Netzstecker des Verlängerungskabels in eine Netzsteckdose.
3. Befestigen Sie den Tragrahmen. Siehe *So befestigen und lösen Sie den Tragrahmen auf Seite 90*.

4. Hängen Sie das Netzkabel an die Aufhängevorrichtung am Tragrahmen, um Zug am Netzkabel zu vermeiden.



5. Lösen Sie den Tragrahmen.



ACHTUNG: Wenn das Gerät an einen Staubabsauger angeschlossen wird, muss der Staubabsauger an eine dreiphasige Stromquelle angeschlossen werden.

Betriebsgeschwindigkeit

Wenn das Gerät auf einem neuen Oberflächentyp betrieben wird, stellen Sie die Geschwindigkeit zunächst auf 70 % ein. Wenn der Bediener den Oberflächentyp kennt, kann die Geschwindigkeit angepasst werden.

Rotationsrichtung der Schleifscheiben

Von unterhalb des Geräts aus gesehen ist die Rotationsrichtung wie folgt:

- „CW“: Clockwise (im Uhrzeigersinn)
- „CCW“: Counterclockwise (gegen den Uhrzeigersinn)

Während des Betriebs kann das Gerät zur Seite ziehen. Die Zugrichtung ist abhängig von der Rotationsrichtung. Das Gerät zieht nach rechts, wenn die Rotationsrichtung auf „CCW“ eingestellt ist. Das Gerät zieht nach links, wenn die Rotationsrichtung auf „CW“ eingestellt ist.

Der Seitenzug kann Ihnen helfen, das Gerät beispielsweise in der Nähe einer Wand zu betreiben. Stellen Sie die Rotationsrichtung so ein, dass das Gerät in die Richtung der Wand zieht.

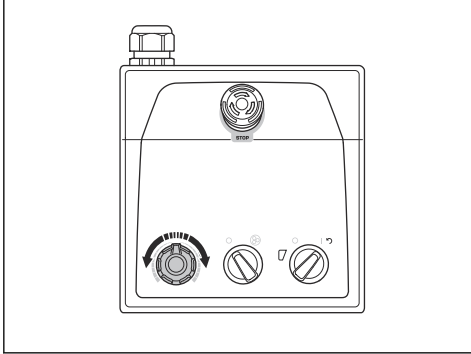


ACHTUNG: Lenken Sie das Gerät vorsichtig. Stellen Sie sicher, dass das Gerät die Wand nur leicht berührt. Das Gerät ist schwer und kann Schäden verursachen.

So ändern Sie die Drehzahl und die Drehrichtung des Motors

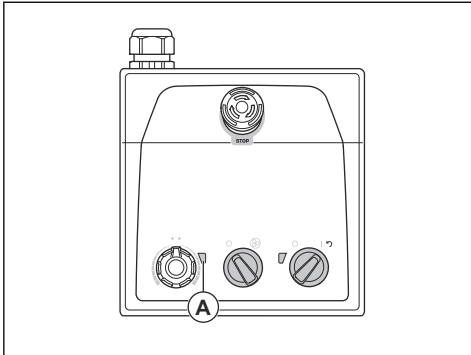
Ändern Sie die Drehrichtung regelmäßig, um die Lebensdauer und die Schärfe der Diamantwerkzeuge zu erhöhen. Die Diamantwerkzeugsegmente werden gleichmäßig verwendet, und die Kontaktfläche ist weiterhin so groß wie möglich.

- Drehen Sie den Knopf, um die Drehzahl und die Drehrichtung der Schleifscheibe einzustellen.



So bedienen Sie das Gerät

- Bedienen Sie das Gerät manuell über die Bedientafel am Griff. Siehe *Geräteüberblick, linke Seite auf Seite 83*.
- Achten Sie während des Betriebs auf Farbveränderungen in der Anzeige für den Wechselrichter zur Schleifscheibe (A).



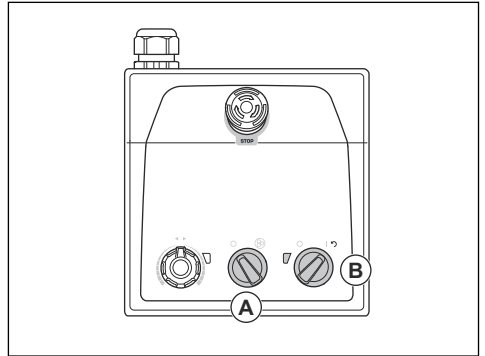
- Grünes Licht: Das Gerät funktioniert ordnungsgemäß.
- Oranges Licht: Der Schleifkopf ist überlastet. Verringern Sie die Ausgangsleistung innerhalb von 10 Sekunden oder weniger, um zu verhindern, dass ein Fehler auftritt.
- Rotes Licht: Fehler im Wechselrichter, und der Schleifkopf stoppt. Das Gerät muss zurückgesetzt werden. Siehe *So setzen Sie das Gerät zurück auf Seite 96*.

So starten Sie das Gerät



ACHTUNG: Bewegen Sie das Gerät die ganze Zeit, während der Schleifkopf eingeschaltet ist. Wenn Sie das Gerät nicht bewegen, kann die Oberfläche rau werden.

1. Drücken Sie den Lenker nach unten, um den Schleifkopf von der Oberfläche anzuheben. Dadurch wird die Oberflächenreibung der Diamantwerkzeuge aufgehoben. Heben Sie den Schleifkopf während des Betriebs nicht vollständig von der Oberfläche ab.
2. Drehen Sie den START/STOPP-Schalter (A) auf der Bedientafel gegen den Uhrzeigersinn auf 0, um sicherzustellen, dass der Schleifkopf ausgeschaltet ist.



3. Schalten Sie den EIN-/AUS-Schalter (B) auf der Bedientafel auf 1, um das Gerät zu starten. Die LED neben dem EIN/AUS-Schalter leuchtet auf.
4. Drehen Sie den START/STOPP-Schalter auf der Bedientafel im Uhrzeigersinn, um den Schleifkopf zu starten. In weniger als 5 Sekunden arbeitet das Gerät mit der Leerlaufdrehzahl.

So stoppen Sie das Gerät

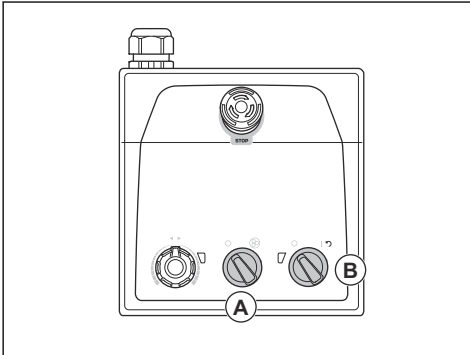


ACHTUNG: Heben Sie den Schleifkopf nicht von der Oberfläche ab, wenn Sie den Motor stoppen. Die Werkzeugplatten drehen sich nach dem Stoppen des Motors eine Weile lang weiter. Staub kann in die Luft gelangen, und die Oberfläche kann beschädigt werden.



ACHTUNG: Lassen Sie das Gerät nicht stehen, bis die Werkzeugplatten ganz zum Stillstand gekommen sind.

1. Drehen Sie den START/STOPP-Schalter (A) auf der Bedientafel gegen den Uhrzeigersinn auf 0, um den Schleifkopf auszuschalten.



2. Halten Sie die Werkzeugplatten gegen die Oberfläche, bis sie vollständig zum Stillstand gekommen sind.

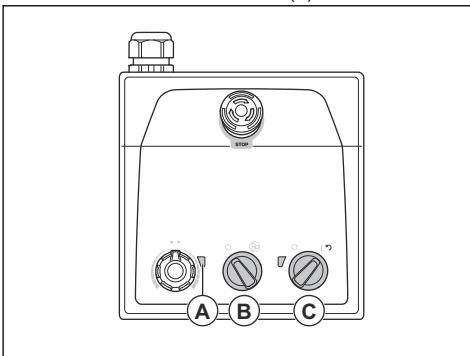


ACHTUNG: Wenn Sie klebenden Asphalt, Farbe oder ein gleichwertiges Material schleifen, kann sich das Gerät auf der Klebefläche festsetzen. Heben Sie unmittelbar nach dem vollständigen Anhalten der Werkzeugplatte die Vorderseite des Schleifkopfs ein Stück an.

3. Schalten Sie den EIN-/AUS-Schalter (B) auf der Bedientafel auf 0, um das Gerät zu stoppen. Die LED neben dem EIN/AUS-Schalter erlischt.
4. Ziehen Sie den Netzstecker aus der Steckdose.

So setzen Sie das Gerät zurück

Der EIN/AUS-Schalter kann als Reset-Schalter verwendet werden, wenn der Wechselrichter auslöst. Setzen Sie das Gerät zurück, wenn die Anzeige für den Wechselrichter der Schleifscheibe (A) rot leuchtet.



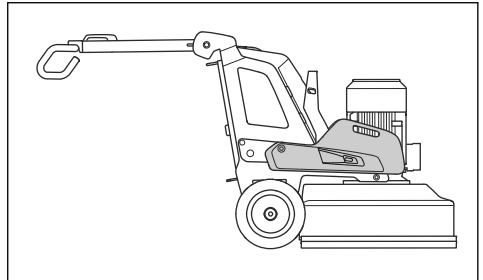
1. Drehen Sie den START/STOPP-Schalter (B) gegen den Uhrzeigersinn auf 0, um sicherzustellen, dass der Schleifkopf ausgeschaltet ist.

2. Stellen Sie den EIN/AUS-Schalter auf die Pfeilposition (C), um das Gerät zurückzusetzen. Die Anzeige für den Wechselrichter der Schleifscheibe leuchtet grün, wenn der Fehler zurückgesetzt ist.
3. Drehen Sie den START/STOPP-Schalter an der Bedientafel im Uhrzeigersinn, um den Schleifkopf wieder zu starten.

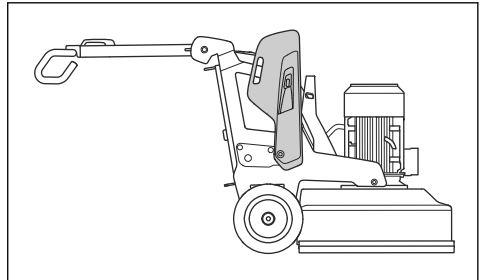
Gewichte

Das Gerät verfügt über je ein Gewicht auf jeder Seite. Wenn das Gerät schwer zu bedienen ist, passen Sie die Gewichte an, um den Druck auf den Schleifkopf zu ändern. Die Gewichte müssen rechts und links auf die gleiche Position eingestellt werden. Die Gewichte haben 3 Positionen:

- Position 1: Maximaler Druck auf den Schleifkopf. Diese Position erhöht die Wirkung während des Betriebs. Diese Position wird auch verwendet, wenn Sie das Gerät in Transportposition bringen.

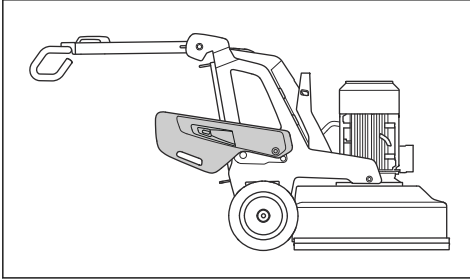


- Position 2: Normaler Druck auf den Schleifkopf.



- Position 3: Minimaler Druck auf den Schleifkopf. Diese Position wird auch verwendet, wenn Sie das

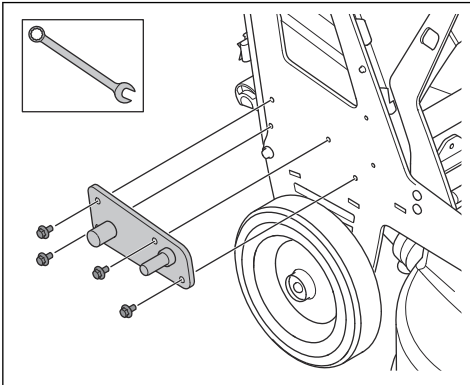
Gerät neigen, um es in die Wartungsposition zu bringen.



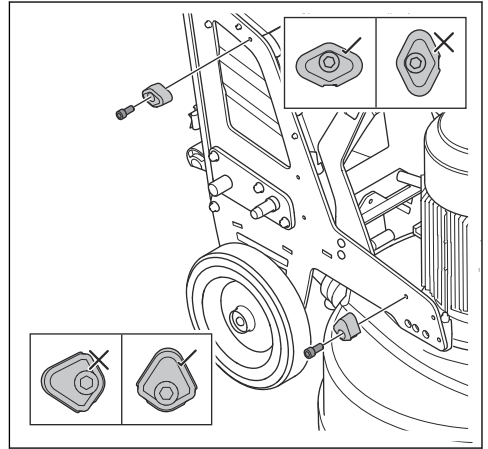
So montieren und demontieren Sie die Gewichte

Das Gerät verfügt über je ein Gewicht auf jeder Seite. Führen Sie die folgenden Schritte für jedes Gewicht aus.

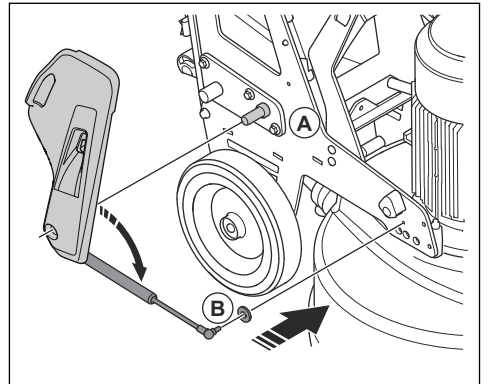
1. Installieren Sie den Gewichtshalter und ziehen Sie die 4 Schrauben an.



2. Installieren Sie die 2 Gewichtsklammern. Stellen Sie sicher, dass die Gewichtsklammern wie in der Abbildung gezeigt korrekt installiert sind.

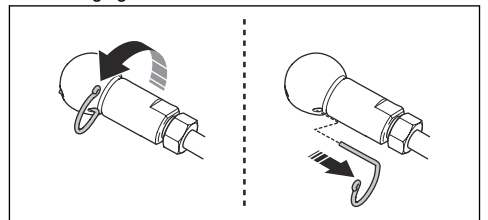


3. Setzen Sie das Gewicht auf den Zylinder (A) auf dem Gewichtshalter.



4. Befestigen Sie die Gewichtsgasfeder am Gerät (B).

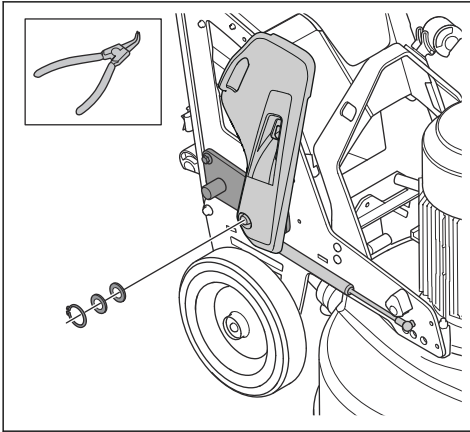
- a) Entfernen Sie die Sicherungsfeder des Kugelgelenks.



- b) Entfernen Sie das Kugelgelenk aus der Gasfeder.
- c) Befestigen Sie das Kugelgelenk am Gerät.

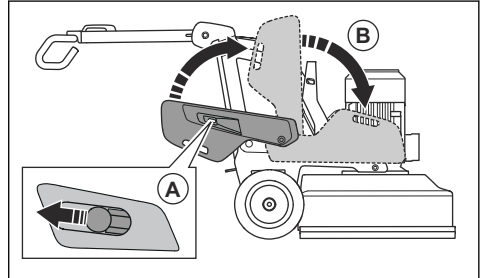
- d) Bringen Sie die Gasfeder am Kugelgelenk an. Verriegeln Sie die Gasfeder mit der Sicherungsfeder am Kugelgelenk.

5. Befestigen Sie das Gewicht mit dem Sicherungsring am Gewichtshalter.



WARNUNG: Stellen Sie immer sicher, dass die Gewichtsverriegelung korrekt einrastet, wenn die Gewichte in die ausgewählte Position gebracht werden.

1. Drücken Sie auf die Gewichtsverriegelung (A) und bewegen Sie das Gewicht mit dem Gewichtshilfe in eine ausgewählte Position (B). Siehe *Gewichte auf Seite 96*.



2. Lassen Sie die Gewichtsverriegelung los, um das Gewicht in der ausgewählten Position zu verriegeln.

So stellen Sie die Gewichte ein



WARNUNG: Seien Sie vorsichtig, wenn Sie die Gewichte einstellen. Die beweglichen Teile können Verletzungen verursachen.

Wartung

Einleitung



WARNUNG: Bevor Sie eine Wartung durchführen, müssen Sie das Kapitel über die Sicherheit lesen und verstehen.

Für alle Wartungs- und Reparaturarbeiten am Produkt ist eine spezielle Schulung erforderlich. Wir garantieren die Verfügbarkeit von professionellen Reparaturen und Wartungsarbeiten. Wenn Ihr Händler keine Servicewerkstatt ist, sprechen Sie mit ihm, um Informationen über die nächste Servicewerkstatt zu erhalten.

Maßnahmen vor der Wartung

- Tragen Sie eine persönliche Schutzausrüstung. Siehe *Persönliche Schutzausrüstung auf Seite 86*.
- Tragen Sie einen zugelassenen Atemschutz. Der Staub, den das Gerät erzeugt, gefährdet Ihre Gesundheit.
- Stellen Sie das Gerät auf einer ebenen Fläche ab.
- Stoppen Sie den Motor und ziehen Sie den Netzstecker, um ein versehentliches Starten während der Wartung zu vermeiden.

- Befreien Sie den Bereich um das Gerät von Öl und Schmutz. Entfernen Sie unerwünschte Gegenstände.
- Geben Sie mithilfe von Schildern umstehenden Personen deutlich zu erkennen, dass gerade Wartungsarbeiten stattfinden.
- Bewahren Sie Feuerlöscher, medizinische Versorgung und ein Notfalltelefon in der Nähe auf.

Wartungsplan

* = Allgemeine Wartung durch den Bediener. Die Anweisungen sind nicht in dieser Bedienungsanleitung enthalten.

X = Diese Anweisungen sind in dieser Bedienungsanleitung enthalten.

O = Die Anweisungen sind nicht in dieser Bedienungsanleitung enthalten. Lassen Sie die Wartung von einer zugelassenen Servicewerkstatt durchführen.

Wartung	Taglich	W6- chen- tlich	Alle 6 Monate	Alle 12-36 Monate
Den EIN-/AUS-Schalter uberprufen.	*			
Die Befestigungspunkte und die Verriegelungsfunktion des Griffs uberprufen.		*		
Die Befestigungspunkte und die Verriegelungsfunktion der Gewichte uberprufen.		*		
Die Not-Aus-Taste uberprufen.	X			
Die Auenflachen des Gerats reinigen.	X			
Die inneren Bauteile des Gerats reinigen.			O	
Eine allgemeine Inspektion durchfuhren.	X			
Die Schleifscheiben uberprufen.	X			
Eine Funktionsprufung des Antriebssystems fur den Schleifkopf durchfuhren.		X		
Das Antriebssystem fur die Schleifscheiben warten.				O
Die Verbindung zwischen Chassis und Schleifkopf uberprufen.		*		

So reinigen Sie das Gerat



ACHTUNG: Ein verstopfter Lufteinlass reduziert die Leistung des Gerats und kann dazu fuhren, dass der Motor zu hei wird.

- Entfernen Sie Verstopfungen aus den Luft6ffnungen. Das Gerat muss immer kuhl bleiben.
- Ziehen Sie vor dem Reinigen immer den Netzstecker aus der Steckdose.
- Verwenden Sie keine Chemikalien zur Reinigung des Gerats.
- Reinigen Sie elektrische Bauteile nicht mit Wasser.
- Reinigen Sie am Ende des Arbeitstages stets die gesamte Ausstattung. Reinigen Sie die Bauteile an der Unterseite des Schleifkopfs mit einem Hochdruckreiniger.

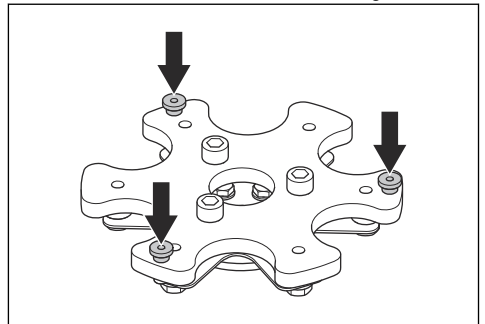


ACHTUNG: Richten Sie den Hochdruckreiniger nicht direkt auf Dichtungen oder Verbindungsstellen.

So fuhren Sie eine allgemeine Inspektion durch

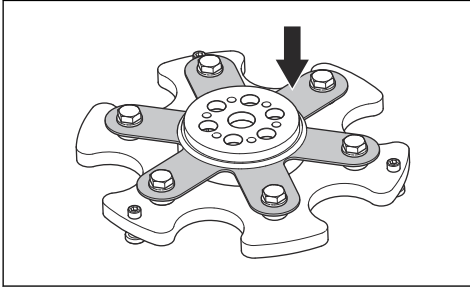
- Stellen Sie sicher, dass das Netzkabel und das Verlangerungskabel sich in einem guten Zustand befinden und nicht beschadigt sind.
- Vergewissern Sie sich, dass alle Muttern und Schrauben fest angezogen sind.

- Vergewissern Sie sich, dass alle Kopfverriegelungen fest angezogen sind. Wenn es notwendig ist, ziehen Sie die Kopfverriegelung fest und verwenden Sie eine LOCTITE® 680 Schraubensicherung.



So prüfen Sie die Schleifscheiben

- Untersuchen Sie die Stahlfeder auf Beschädigungen und vergewissern Sie sich, dass sie in gutem Zustand ist.



- Ersetzen Sie beschädigte Stahlfedern.

Hinweis: Es ist nicht erforderlich, die Schleifscheibe zu entsorgen, wenn Sie die Stahlfeder austauschen.

- Fügen Sie eine zweite Stahlfeder hinzu, um den Federstahlkopf weniger flexibel zu machen.

Antriebssystem für den Schleifkopf

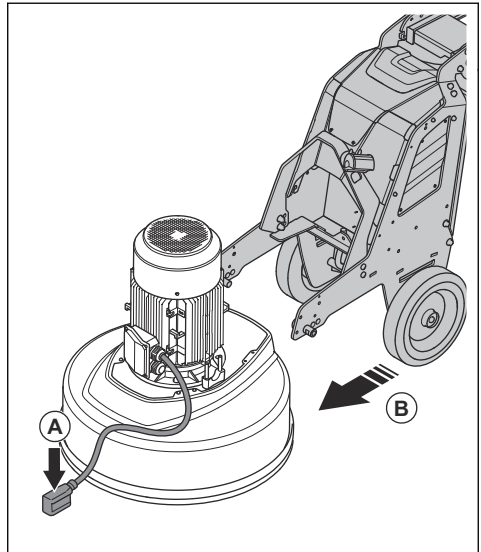
Das Antriebssystem für den Schleifkopf ist ein geschlossenes System. Wenn Sie Probleme mit dem Antriebssystem des Schleifkopfs haben, wenden Sie sich an Ihre Husqvarna-Servicewerkstatt.

So montieren und entfernen Sie den Schleifkopf

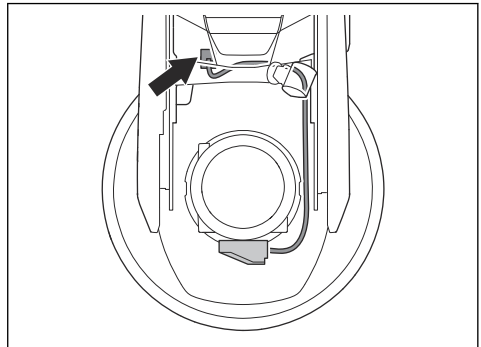


WARNUNG: Das Chassis ist nicht im Gleichgewicht, wenn der Schleifkopf entfernt wird. Stellen Sie sicher, dass das Chassis nicht umfallen kann. Dies kann zu Verletzungen oder Beschädigungen führen.

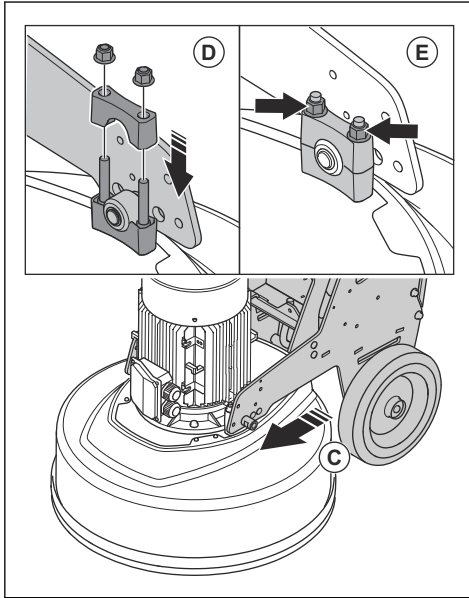
1. Führen Sie das Motorkabel (A) vor den Schleifkopf.



2. Schieben Sie das Chassis in die Nähe des Schleifkopfs (B).
3. Führen Sie das Motorkabel durch den Schlitz zwischen dem Schleifkopf und dem Chassis.

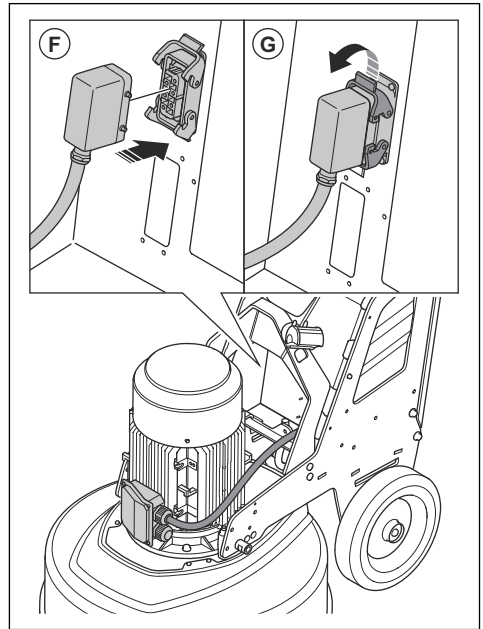


4. Schieben Sie das Chassis ganz gegen den Schleifkopf (C). Stellen Sie sicher, dass das Chassis an der Halterung am Schleifkopf befestigt ist.



5. Installieren Sie die zweite Halterung (D) oben auf dem Halter am Schleifkopf.
6. Ziehen Sie die 2 Muttern (E) auf jeder Seite des Schleifkopfs an.

7. Schließen Sie das Motorkabel an die Steckdose (F) des Schaltkastens an.



8. Sichern Sie das Motorkabel an der Steckdose (G) des Schaltschrankes.
9. Entfernen Sie den Schleifkopf in umgekehrter Reihenfolge.

Fehlerbehebung

Störung	Ursache	Lösung
Das Gerät springt nicht an.	Das Verlängerungskabel ist nicht angeschlossen oder beschädigt.	Schließen Sie das Verlängerungskabel an oder ersetzen Sie das Verlängerungskabel, falls erforderlich.
	Eine Not-Aus-Taste ist aktiviert.	Drehen Sie die Not-Aus-Taste auf der Bedientafel gegen den Uhrzeigersinn, um sie zu deaktivieren.
	Der Sicherheitsschalter im Schaltkasten hat ausgelöst.	Schließen Sie den Sicherheitsschalter wieder, um den Stromkreis zu schließen.

Störung	Ursache	Lösung
Das Gerät ist nicht leicht zu halten.	Es sind zu wenige Diamantwerkzeuge am Gerät installiert.	Erhöhen Sie die Anzahl der Diamantwerkzeuge, um die Belastung des Geräts und des Bedieners zu verringern.
	Der Schleifantriebsmotor arbeitet nicht. Dies kann durch einen Motorfehler oder einen Fehler in der Verkabelung zum Motor verursacht werden.	Stellen Sie sicher, dass der Schleifantriebsmotor angeschlossen ist. Falls das Problem weiterhin besteht, wenden Sie sich an eine autorisierte Servicewerkstatt.
	Der Riemen ist defekt.	Wenn der Riemen defekt ist, lassen Sie ihn durch eine Servicewerkstatt austauschen. Drehen Sie eine der Schleifscheiben von Hand. Wenn sich alle Schleifscheiben gemeinsam drehen, ist der Riemen intakt. Wenn eine Schleifscheibe frei dreht, ist der Riemen defekt.
	Es kommt nur eine Phase in das Gerät. Das Gerät erhält keinen Fehlercode und verwendet weniger als 1 A Motorstrom. Der Lüfter dreht sich langsam.	Kontrollieren Sie die Stromversorgung.
	Die Oberfläche oder der Arbeitsvorgang überbeansprucht das Gerät.	Passen Sie die Drehzahl des Motors und/oder die Vorwärtsgeschwindigkeit des Geräts über den Boden an.
	Das Gerät klingt so, als ob es die Drehzahl zu stark erhöht.	Der Schleifantriebsmotor ist nicht angeschlossen.
Der Schleifantriebsmotor arbeitet nicht. Dies kann durch einen Motorfehler oder einen Fehler in der Verkabelung zum Motor verursacht werden.		Stellen Sie sicher, dass der Schleifantriebsmotor angeschlossen ist. Falls das Problem weiterhin besteht, wenden Sie sich an eine autorisierte Servicewerkstatt.
Die Oberfläche ist zu dick oder die Diamantwerkzeugkonfiguration ist falsch.		Drücken Sie den Lenker leicht nach unten, um den Schleifkopf beim Starten des Geräts von der Oberfläche anzuheben.

Störung	Ursache	Lösung
Das Gerät erzeugt ein unregelmäßiges Kratzmuster.	Die Diamantwerkzeuge sind falsch oder in unterschiedlichen Höhen an den Schleifscheiben angebracht.	Stellen Sie sicher, dass alle Diamantwerkzeuge korrekt installiert sind und die gleiche Höhe haben.
	Es sind Diamantwerkzeuge verschiedenen Typs installiert.	Stellen Sie sicher, dass alle Segmente die gleiche Diamantkörnung und Bindung aufweisen. Wenn die Diamantsegmente ungeschliffen sind, verteilen Sie die ungeschliffenen Diamantsegmente gleichmäßig. Betreiben Sie das Gerät auf einer rauen Oberfläche, bis alle Segmente die gleiche Höhe haben.
	Die Kopfverriegelungen sind lose oder fehlen.	Stellen Sie sicher, dass alle Kopfverriegelungen in Position und fest angezogen sind.
	Es sind verschiedene Harzwerkzeuge installiert oder sie weisen unerwünschte Verunreinigungen auf.	Stellen Sie sicher, dass alle Harzwerkzeuge die gleiche Diamantkörnung und -bindung aufweisen und keine Verunreinigung vorliegt. Lassen Sie die Harzwerkzeuge zum Reinigen für kurze Zeit auf einer leicht rauen Oberfläche laufen.
	Die Schleifscheiben sind verschlissen oder beschädigt.	Überprüfen Sie die Schleifscheiben auf gebrochene Teile oder zu viel Bewegung.
Es treten plötzlich unerwünschte Bewegungen im Gerät auf.	Die Schleifscheiben sind verschlissen oder beschädigt.	Prüfen Sie die Schleifscheiben auf beschädigte Teile und übermäßige Bewegungen.
	Die Diamantwerkzeuge sind falsch oder in unterschiedlichen Höhen an den Schleifscheiben angebracht.	Stellen Sie sicher, dass alle Diamantwerkzeuge korrekt installiert sind und dieselbe Höhe haben.
	Die Kopfverriegelungen sind lose oder fehlen.	Stellen Sie sicher, dass alle Kopfverriegelungen in Position und fest angezogen sind.
Der interne Trennschalter löst aus.	Zu hohe Last oder nicht ausreichende Stromversorgung.	Kontrollieren Sie die Stromversorgung.
		Verringern Sie den Schleifdruck, erhöhen Sie die Anzahl der Diamantwerkzeuge oder erhöhen Sie die Bindungshärte.

Transport, Lagerung und Entsorgung

Transport



WARNUNG: Seien Sie beim Transport vorsichtig. Das Gerät ist schwer und kann Verletzungen oder Schäden verursachen, wenn es beim Transport umfällt oder sich bewegt.

Bei kürzeren Strecken können Sie das Gerät mit den Rädern manuell bewegen. Bei längeren Strecken heben Sie das Gerät an, um es zu bewegen, oder platzieren Sie es auf einem Fahrzeug.



ACHTUNG: Ziehen Sie das Gerät nicht mit einem Fahrzeug.

- Seien Sie sehr vorsichtig, wenn Sie das Gerät manuell oder auf geneigten Oberflächen bewegen. Kleine Steigungen können zu einer schnellen Bewegung führen, die nicht von Hand gebremst werden kann.
- Sichern Sie das Gerät während des Transports. Sorgen Sie dafür, dass sich das Gerät während des Transports nicht bewegen kann.

- Schützen Sie das Gerät während des Transports. Durch diesen Schutz werden Naturelemente wie Regen und Schnee vom Gerät ferngehalten.
- Verwenden Sie immer die Hebeöse am Gerät, wenn Sie das Gerät anheben.
- Heben Sie das Gerät nicht am Lenker, Motor, Chassis oder anderen Teilen an.
- Der Transport erfolgt am besten auf einer Palette.
- Heben Sie das Gerät immer mit einer Winde oder einem Gabelstapler an.
- Verwenden Sie keinen Gabelstapler, wenn das Gerät nicht auf einer Palette oder einem Wagen steht. Dies kann unter Umständen zu irreparablen Schäden an den Schleifscheiben und anderen internen Bauteilen führen.
- Während des Transports muss der Schleifkopf auf dem Boden stehen. Lassen Sie die Werkzeugplatten installiert, um Schäden am Verriegelungsmechanismus der Werkzeugplatten zu vermeiden.

das Gerät herum. Siehe *Sicherheit im Arbeitsbereich* auf Seite 86.



WARNUNG: Bewegen Sie das Gerät nicht an steilen Hängen. Informationen zum maximalen Neigungswinkel finden Sie auf dem Typenschild des Geräts.

- Um das Gerät eine Rampe herunter zu bewegen, bedienen Sie es langsam rückwärts.
- Um das Gerät eine Rampe herauf zu bewegen, bedienen Sie es langsam vorwärts.
- Drehen Sie das Gerät auf einer Rampe nicht mehr als 45°.

So heben Sie das Gerät an



WARNUNG: Stellen Sie sicher, dass die Hebeausrüstung den richtigen Spezifikationen entspricht, um das Gerät sicher anheben zu können. Das Typenschild des Geräts zeigt das Gerätegewicht.

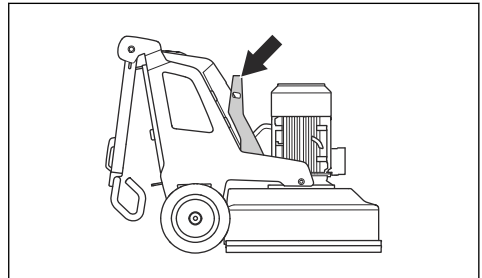


WARNUNG: Laufen oder stehen Sie nicht unterhalb oder in der Nähe eines hängenden Geräts. Halten Sie unbefugte Personen vom Risikobereich fern. Siehe *Sicherheit im Arbeitsbereich* auf Seite 86.



WARNUNG: Heben Sie ein Gerät nicht an, wenn es beschädigt ist. Stellen Sie sicher, dass die Hebeöse richtig montiert und unbeschädigt ist.

1. Bringen Sie das Gerät in die Transportposition. Siehe *So bringen Sie das Gerät in die Transportposition* auf Seite 104.
2. Befestigen Sie die Hebeausrüstung an der Hebeöse.

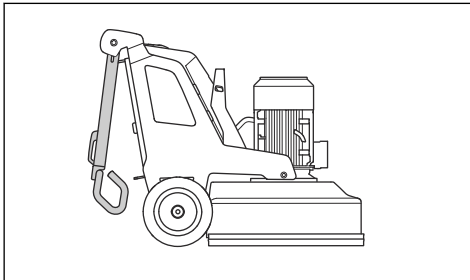


So befestigen Sie das Gerät auf einem Transportfahrzeug

Das Gerät verfügt über Bohrungen, die mit Zurr Gurten zur Befestigung des Geräts an einem Transportfahrzeug verwendet werden.

So bringen Sie das Gerät in die Transportposition

- Klappen Sie den Griff nach unten. Siehe *So verstellen Sie den Griff und den Lenker* auf Seite 93.



- Wenn die Gewichte am Gerät angebracht sind, stellen Sie die Gewichte in die vordere Position. Siehe *So stellen Sie die Gewichte ein* auf Seite 98.
- Stellen Sie sicher, dass der Schleifkopf die Oberfläche berührt.

So bewegen Sie das Gerät eine Rampe hoch bzw. herunter

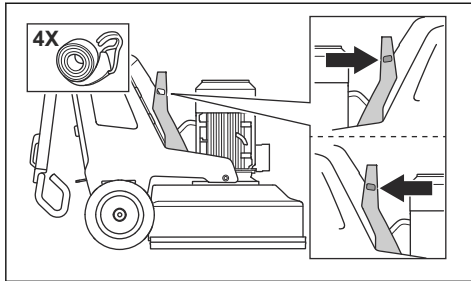


WARNUNG: Seien Sie besonders vorsichtig, wenn Sie das Gerät eine Rampe hoch- bzw. herunterbewegen und der Motor eingeschaltet ist. Das Gerät ist schwer und kann Verletzungen verursachen, wenn es umfällt oder zu schnell bewegt wird.



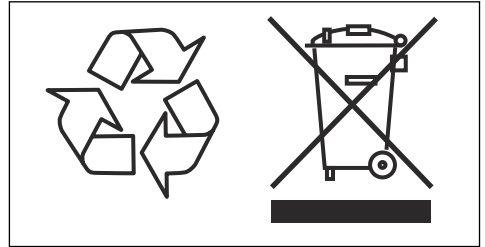
WARNUNG: Verwenden Sie bei Rampen mit steilem Gefälle immer eine Winde. Gehen oder stehen Sie nicht unter dem Gerät. Bleiben Sie nicht im Risikobereich um

1. Befestigen Sie die Zurrgurte in den Bohrungen.



2. Befestigen Sie die Zurrgurte am Fahrzeug und ziehen Sie sie fest.

Abfallentsorgungsunternehmen oder dem Geschäft, in dem Sie Ihr Gerät gekauft haben.



Lagerung



ACHTUNG: Lagern Sie das Gerät nicht im Freien. Lagern Sie das Gerät immer in überdachten Räumen.

- Bewahren Sie das Gerät in einem trockenen und frostfreien Bereich auf.
- Reinigen Sie das Gerät und führen Sie umfassende Wartungsarbeiten durch, bevor Sie es längere Zeit einlagern.
- Halten Sie den Schleifkopf über dem Boden.
- Bewahren Sie das Gerät in einem verschlossenen Bereich auf, um unbefugten Zugriff durch Kinder oder andere Personen zu verhindern.

Entsorgung

Durch Symbole auf dem Gerät oder seiner Verpackung wird angezeigt, dass dieses Gerät nicht über den Hausmüll entsorgt werden darf. Es ist einer entsprechenden Recycling-Einrichtung zuzuführen, damit elektrische und elektronische Komponenten wiedergewonnen werden können.

Dadurch, dass Sie sicherstellen, dass Sie mit diesem Gerät sorgfältig umgehen, können Sie helfen, den potentiellen negativen Auswirkungen auf die Umwelt und Ihre Mitmenschen entgegenzuwirken, die sich andernfalls durch eine unsachgemäße Entsorgung dieses Geräts ergeben können. Genauere Informationen über die ordnungsgemäße Entsorgung dieses Geräts erhalten Sie bei Ihrer Stadtverwaltung, Ihrem

Technische Angaben

Technische Daten

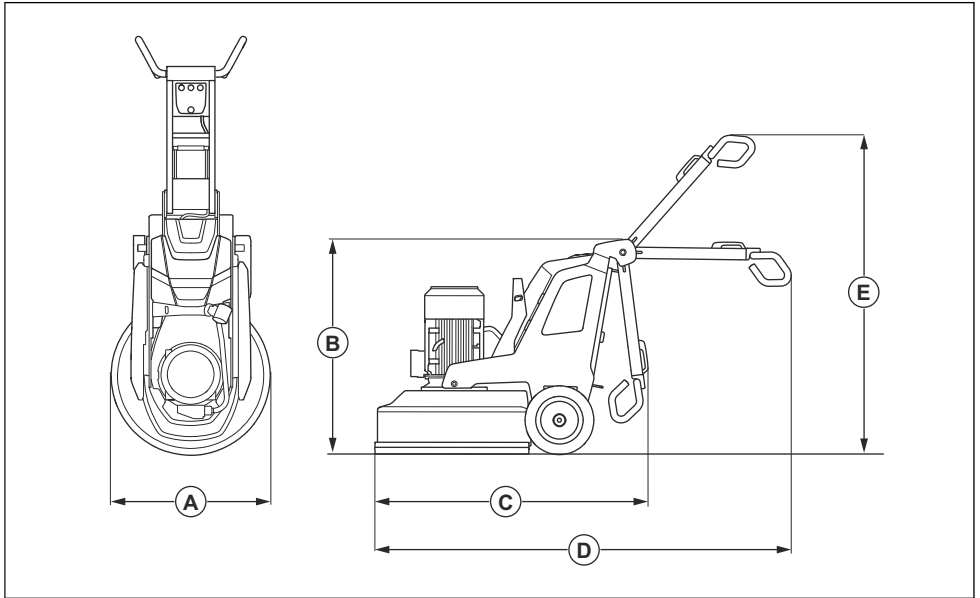
Maximale Leistung in kW/PS	11/15
Nennstrom, A	30
Nennspannung, V	380-415
Phasen	3-phasig
Frequenz, Hz	50-60
Gewicht, kg/lbs	497/1096
Schleifbreite, mm/Zoll	800/31,5
Schleifscheibe, mm/Zoll	3X270/10,5
Schleifdruck, kg/lbs	79/175
Schleifdruck mit Stützrad, kg/lbs	85/187
Gewicht in Position 1 (vorne), kg/lbs	298/656
Gewicht in Position 1 (vorne) mit Stützrad, kg/lbs	315/693
Gewicht in Position 2 (vertikal), kg/lbs	249/548
Gewicht in Position 2 (vertikal) mit Stützrad, kg/lbs	266/585
Gewicht in Position 3 (hinten), kg/lbs	195/429
Gewicht in Position 3 (hinten) mit Stützrad, kg/lbs	212/466
Schleifscheibendrehzahl, min/max U/min	421-1403
Schleifkopfdrehzahl, min/max U/min	28-92
Drehrichtung (von oben)	Schleifkopf: im Uhrzeigersinn Schleifscheiben: gegen den Uhrzeigersinn
Max. zulässiges Gefälle, Grad (°)	10
Gehäuse, IP	54
Empfohlener Staubabsauger¹³	
Staubabsaugeraufsatz, mm/Zoll	76/3
Min. Luftstrom, m ³ /h/CFM	815/480
Min. Vakuum, kPa/psi	30/4,4

¹³ Technische Daten für Staubabsauger beschreiben nicht abschließend die tatsächliche Leistung im Zeitverlauf zwischen verschiedenen Staubabsaugern. Für Husqvarna-Geräte OSHA stehen objektive Daten unter www.husqvarnacp.com/us zur Verfügung.

Lautstärke

Geräuschemissionen¹⁴	
Gemessener Schalleistungspegel L_W , dB(A)	95,4
Lautstärke¹⁵	
Schalldruckpegel am Ohr des Bedieners, L_p , dB (A)	78,7
Vibrationspegel¹⁶	
Griff rechts, m/s^2	1,7
Griff links, m/s^2	1,5

Abmessungen des Geräts



A	Breite, mm/Zoll	830/32,7
B	Min. Gesamthöhe (Griff eingeklappt), mm/Zoll	1145/45,1

¹⁴ Umweltbelastende Geräuschemissionen, gemessen als Schalleistung gemäß EN 60335-2-72. Erwartete Messunsicherheit 2,5 dB(A)

¹⁵ Schalldruckpegel gemäß EN 60335-2-72 Erwartete Messunsicherheit 4 dB(A)

¹⁶ Vibrationspegel gemäß EN 60335-1 und EN 60335-2-72. Berichten zufolge liegt der Vibrationspegel normalerweise bei einer Ausbreitungsklasse (Standardabweichung) von $1 m/s^2$. Die Vibrationswerte gelten für den manuellen Betrieb.

C	Min. Gesamtlänge (Griffe eingeklappt), mm/Zoll	1550/61
D	Max. Gesamtlänge (Griffe ausgeklappt), mm/Zoll	2215/87,2
E	Max. Gesamthöhe (Griffe ausgeklappt), mm/Zoll	1700/66,9

EG-Konformitätserklärung

EU-Konformitätserklärung

Husqvarna AB, SE-561 82 Husqvarna, Schweden, Tel.:
+46- 36-146500, erklärt in alleiniger Verantwortung,
dass das Gerät:

Beschreibung	Polier- und Schleifausrüstung
Marke	Husqvarna
Typ/Modell	PG 830S
Identifizierung	Seriennummern ab 2019

die folgenden EU-Richtlinien und -Vorschriften erfüllt:

Richtlinie/Vorschrift	Beschreibung
2006/42/EC	„Maschinenrichtlinie“

und dass die harmonisierten Normen und/oder
technischen Daten wie folgt angewendet werden;

EN ISO 12100:2010

EN 60335-1:2012/A11:2014/AC:2014

EN 60335-2-72:2012

Partille, 2019-10-17



Martin Huber

R&D Director, Concrete Surfaces & Floors

Husqvarna AB, Construction Division

Verantwortlich für die technische Dokumentation



www.husqvarnacp.com

Original instructions
Instructions d'origine
Originele instructies
Originalanweisungen

1141352-20



2019-11-08