



 **Husqvarna**[®]



PG 690, PG 690 RC, PG 830, PG 830 RC

EN Operator's manual
ES-MX Manual del usuario
FR-CA Manuel d'utilisation

2-52
53-105
106-158

Contents

Introduction.....	2	Transportation, storage and disposal.....	42
Safety.....	9	Technical data.....	46
Operation.....	15	Federal Communication Commission Interference Statement.....	51
Maintenance.....	33	Supplier's declaration of Conformity.....	52
Troubleshooting.....	38		

Introduction

Owner responsibility



WARNING: Processing of concrete and stone by methods such as cutting, grinding or drilling, especially during dry operation, generates dust that comes from the material being processed, which frequently contains silica. Silica is a basic component of sand, quartz, brick clay, granite and numerous other minerals and rocks. Exposure to excessive amount of such dust can cause:

Respiratory disease (affecting your ability to breathe), including chronic bronchitis, silicosis and pulmonary fibrosis from exposure to silica. These diseases may be fatal;

Skin irritation and rash.

Cancer according to NTP* and IARC* **/ National Toxicology Program, International Agency for Research on Cancer.

Take precautionary steps:

Avoid inhalation of and skin contact with dust, mist and fumes.

Wear and ensure that all bystanders wear appropriate respiratory protection such as dust masks designed to filter out microscopic particles. (See OSHA 29 CFR Part 1926.1153)

To minimize dust emissions, use water to bind the dust, when feasible. If dry operation

is necessary, use an appropriate dust extractor.

It is the owner's/employer's responsibility that the operator has sufficient knowledge about how to use the product safely. Supervisors and operators must have read and understood the Operator's Manual. They must be aware of:

- The product's safety instructions.
- The product's range of applications and limitations.
- How the product is to be used and maintained.

National/Local regulations could restrict the use of this product. Find out what regulations are applicable where you work before you start using the product.

Product description

The product is a floor grinder for surfaces of different hardness.

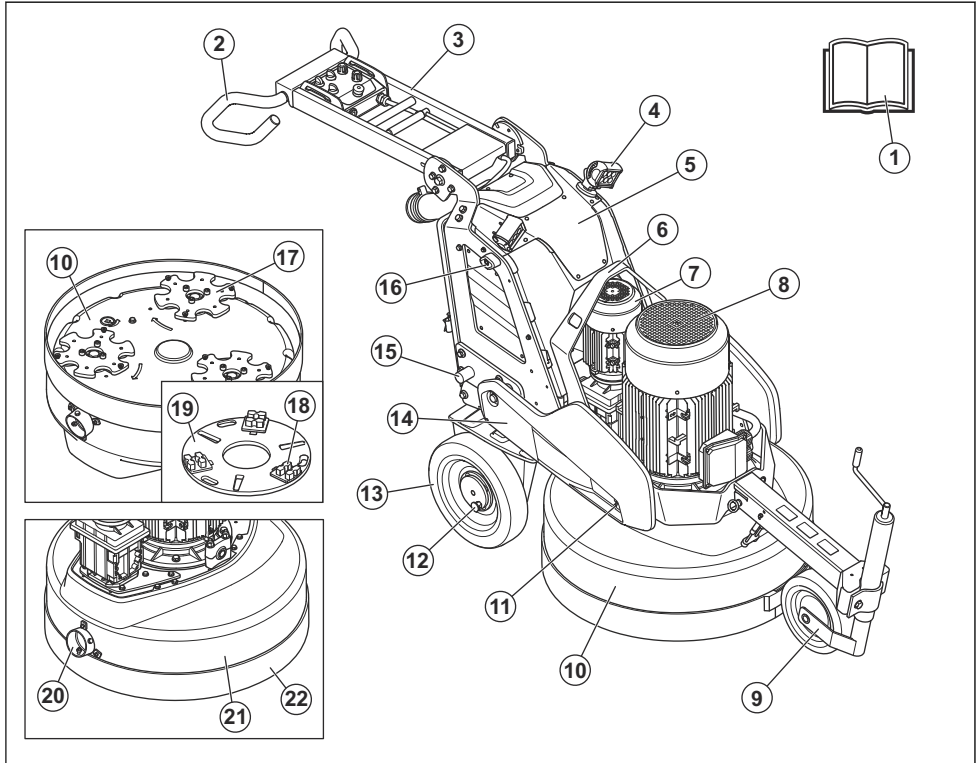
The models PG 690 RC, PG 830 RC can be operated with a remote control.

Intended use

The product is used to grind surfaces of materials with different hardness such as natural stone, terazzo and concrete. Also use the product to grind cover materials such as epoxy and glue. The finish of the surface can be rough or smooth. The product can be used for dry grinding and wet grinding. Do not use the product for other tasks.

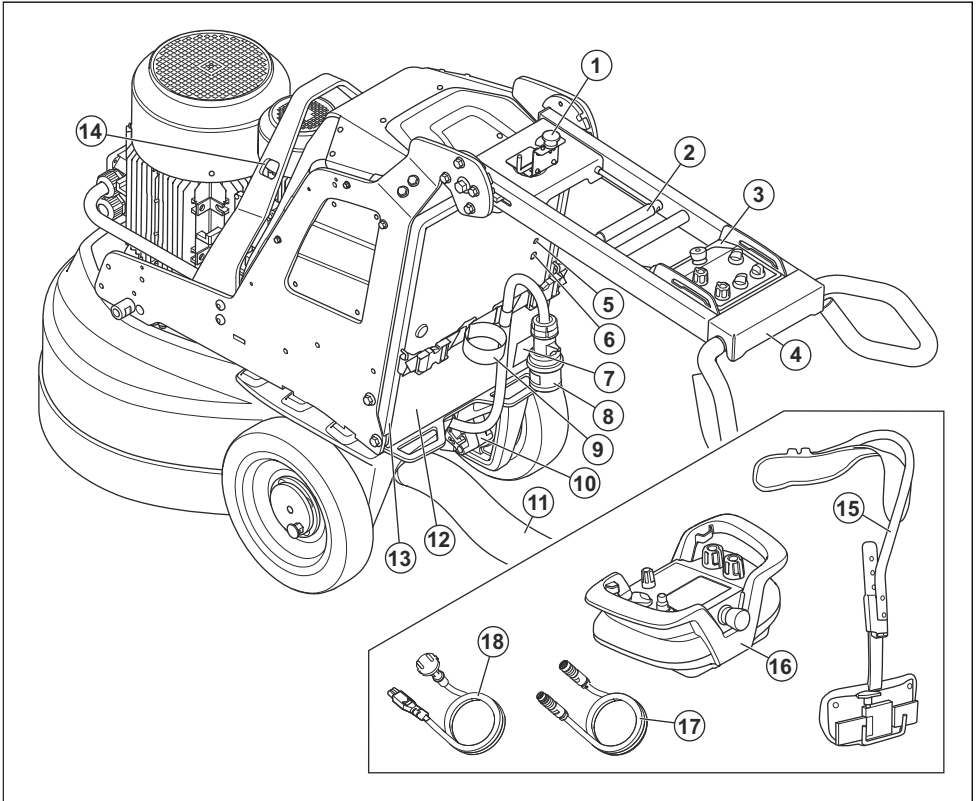
The product is used in commercial operations by professional operators.

Product overview, right side



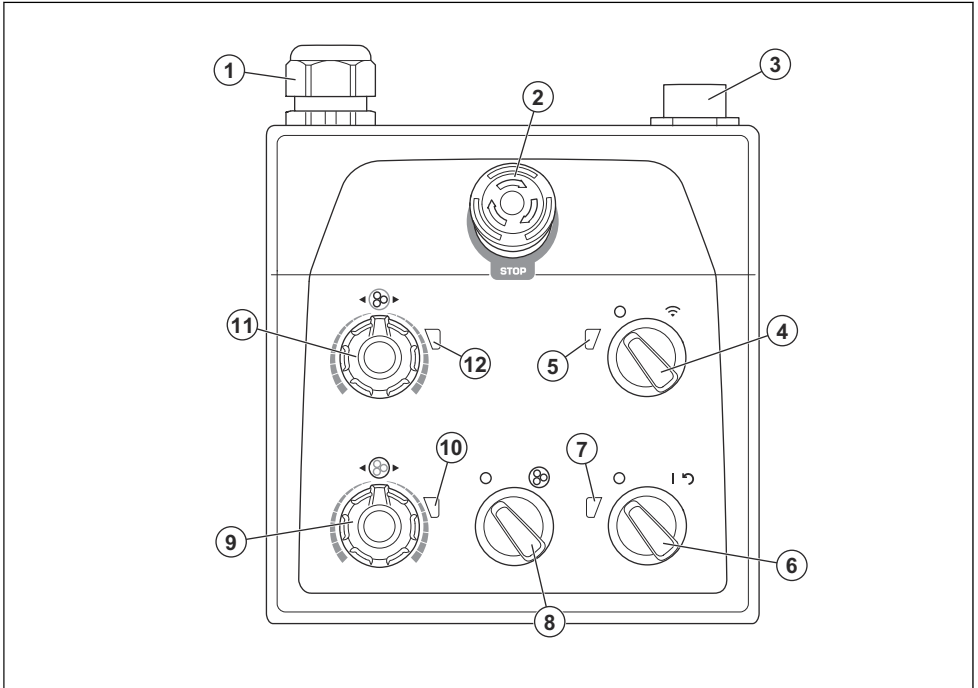
- | | |
|--------------------------|-----------------------------------|
| 1. Operator's manual | 12. Locking pin for wheel |
| 2. Handlebar | 13. Wheel |
| 3. Handle | 14. Weights (accessory) |
| 4. Headlight (accessory) | 15. Weight holder |
| 5. Electrical enclosure | 16. Weight bracket |
| 6. Lifting eye | 17. Grinding disc |
| 7. Grinding head motor | 18. Diamond tool (accessory) |
| 8. Grinding disc motor | 19. Tool plate |
| 9. Support wheel | 20. Connection for dust extractor |
| 10. Grinding head | 21. Cover |
| 11. Weight lock | 22. Dust skirt |

Product overview, left side



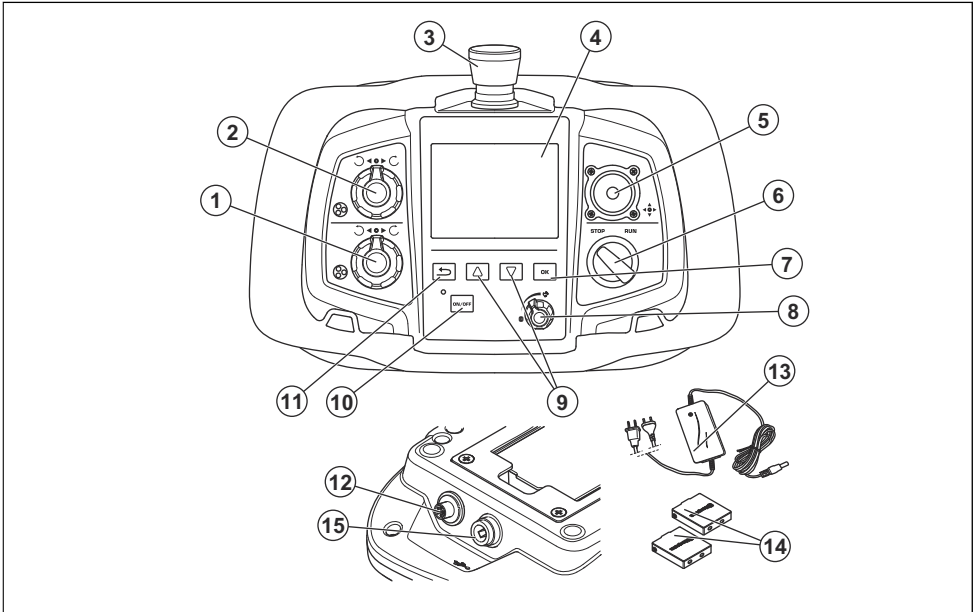
- | | |
|---|--|
| 1. PG 690 RC, PG 830 RC: Remote control holder | 10. Wheel motor |
| 2. Lock lever for handle adjustment | 11. Connection for dust extractor |
| 3. Control panel | 12. Door to electrical box |
| 4. Screws for handlebar adjustment | 13. Support frame |
| 5. Battery charger connector | 14. Holes for straps |
| 6. PG 690 RC, PG 830 RC: Connector for the CAN bus cable | 15. PG 690 RC, PG 830 RC: Remote control harness |
| 7. Rating plate | 16. PG 690 RC, PG 830 RC: Remote control |
| 8. Power cord | 17. 1-phase charge cable |
| 9. Suspension device for dust extractor hose and power cord | 18. PG 690 RC, PG 830 RC: CAN bus cable |

Control panel overview



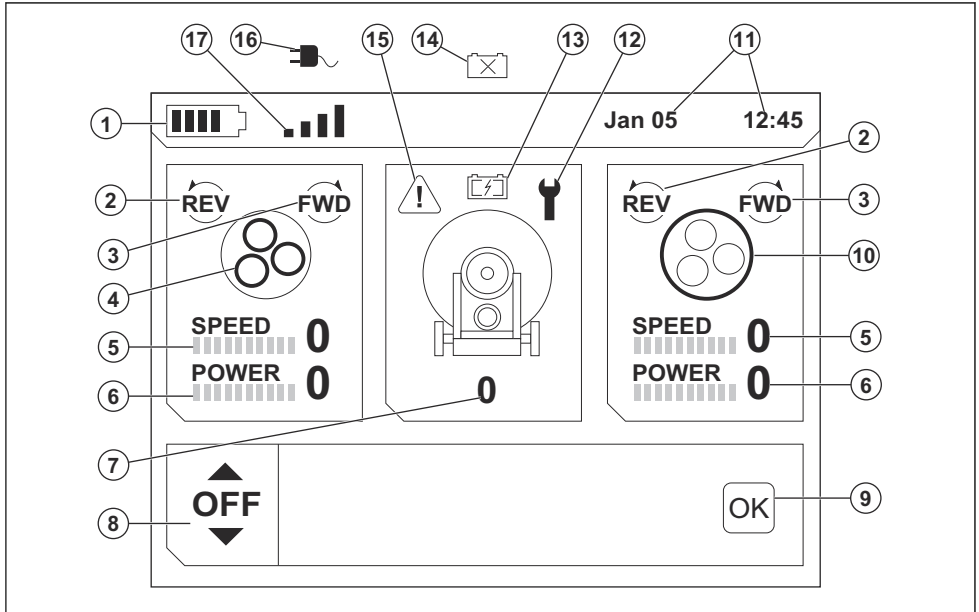
1. Cable connection
2. Emergency stop button
3. USB charger
4. PG 690 RC, PG 830 RC: Switch for selection of remote control operation or manual operation
5. PG 690 RC, PG 830 RC: Indicator for remote control mode
6. ON/OFF switch
7. Indicator for power and state of charge of the product battery
8. STOP/RUN switch
9. Knob for direction of rotation and speed, grinding disc
10. Indicator for grinding disc
11. Knob for direction of rotation and speed, grinding head
12. Indicator for grinding head

Remote control overview (PG 690 RC, PG 830 RC)



1. Knob for direction of rotation and speed, grinding disc
2. Knob for direction of rotation and speed, grinding head
3. Emergency stop button
4. Display
5. Joystick
6. STOP/RUN switch, grinding head
7. OK button
8. Speed limit knob
9. Arrow keys to scroll in the menus
10. ON/OFF button
11. Button to go back in the menu structure
12. Connector for the CAN bus cable
13. Battery charger for remote control battery
14. Remote control battery
15. Charger port for battery charger

Display overview



1. Battery level of the remote control
2. Counterclockwise direction of rotation on related grinding motor
3. Clockwise direction of rotation on related grinding motor
4. Grinding discs
5. Speed indication on related grinding motor
6. Load indication on related grinding motor
7. Product speed indication
8. Functions menu
9. OK button
10. Grinding head
11. Time and date
12. Servicing indication
13. Product battery indication: the battery charges
14. Product battery indication: the battery is missing or damaged
15. Warning indicator. Refer to *Error and warning messages on the remote control on page 40*.
16. The remote control is operated with a CAN bus cable connected
17. The remote control is operated by radio communication without a CAN bus cable connected

Symbols on the product



WARNING: This product can be dangerous and cause serious injury or death to the operator or others. Be careful and use the product correctly.



Read the manual carefully and make sure that you understand the instructions before you use the product.



Use hearing protection, eye protection and respiratory protection. Refer to *Personal protective equipment on page 10*.



The dust can cause health problems. Use an approved respiratory protection. Always make sure that there is good airflow.



Always lift the product at the lifting eye.



Use the holes for tie-down straps to attach the product to a transport vehicle.



Double insulation, battery and battery charger.



Use and keep battery charger only indoors.



The product is not domestic waste. Recycle it at an approved disposal location for electrical and electronic equipment.

Note: Other symbols/decals on the product refer to special certification requirements for some markets.

Symbols on the control panel and the remote control



Emergency stop.



Remote control operation on.



Product on and reset the product.



Grinding head on.



Speed and direction of rotation, grinding head.

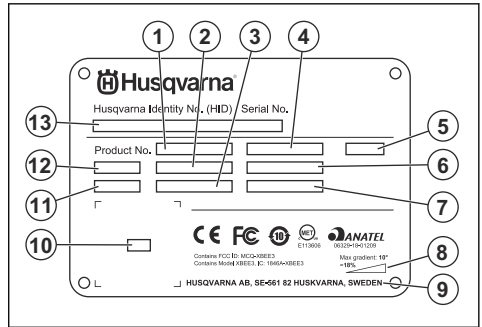


Speed and direction of rotation, grinding disc.



Maximum speed.

Rating plate



1. Product number
2. Product weight
3. Rated power
4. Rated voltage
5. Enclosure
6. Rated current
7. Frequency
8. Maximum slope angle
9. Manufacturer
10. Scannable code
11. Production year
12. Model
13. Serial number

Product liability

As referred to in the product liability laws, we are not liable for damages that our product causes if:

- the product is incorrectly repaired.
- the product is repaired with parts that are not from the manufacturer or not approved by the manufacturer.
- the product has an accessory that is not from the manufacturer or not approved by the manufacturer.
- the product is not repaired at an approved service center or by an approved authority.

Husqvarna Fleet Services™

Husqvarna Fleet Services™ is a cloud solution that gives the operator an overview of all products that are connected. This product has a Husqvarna Fleet Services™ sensor with Bluetooth® Low Energy (BLE). The Husqvarna Fleet Services™ sensor collects product data and lets you connect to the Husqvarna Fleet Services™ system. The Husqvarna Fleet Services™ system reports data such as operation time, servicing intervals and location of the product. The BLE technology operates at 2.400–2.4835 GHz.

For more information about Husqvarna Fleet Services™, download the Husqvarna Fleet Services™ app or speak to your Husqvarna representative.

Bluetooth® Low Energy (BLE) module

On approved markets the product has a BLE module that is connected with the Husqvarna Fleet Services™ system. The BLE module collects and transmits product data that is used in the Husqvarna Fleet Services™ system. Data such as operation time, servicing intervals and location of the product.

To setup embedded connectivity

1. Set up an account for the Husqvarna Fleet Services™ system at the web site <https://fleetservices.husqvarna.com/signup>.
2. Download the Husqvarna Fleet Services™ app on a mobile device.
3. Connect the product to a power source to put the BLE module in operation.
4. Add the product to your account. Use the Husqvarna Fleet Services™ app.
5. Obey the instructions in the Husqvarna Fleet Services™ app.

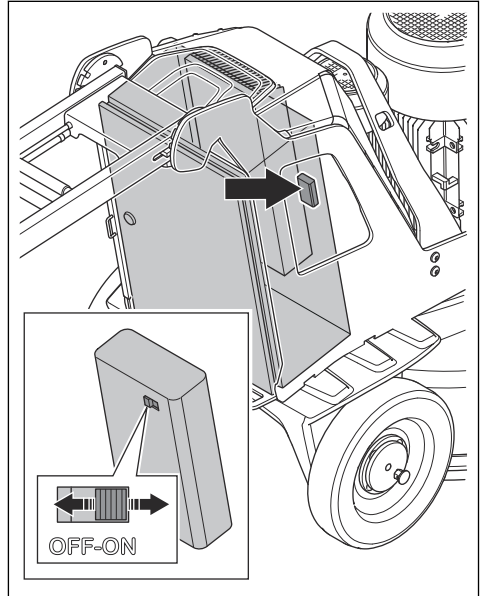
Note: The Fleet enabled mobile device must be near the product to connect.

Note: The Bluetooth® radio transmission enables on the first connection to the power source, and stays on after that.

To put the product into flight mode

When the product is in flight mode, the BLE module stops to transmit product data.

- Push the battery pack switch to the OFF position.



Safety

Safety definitions

Warnings, cautions and notes are used to point out specially important parts of the manual.



WARNING: Used if there is a risk of injury or death for the operator or bystanders if the instructions in the manual are not obeyed.



CAUTION: Used if there is a risk of damage to the product, other materials or the adjacent area if the instructions in the manual are not obeyed.

Note: Used to give more information that is necessary in a given situation.

General safety instructions



WARNING: Read the warning instructions that follow before you use the product.

- This product is a dangerous tool if you are not careful or if you use the product incorrectly. This

product can cause serious injury or death to the operator or others. Before you use the product, you must read and understand the contents of this operator's manual.

- Save all warnings and instructions.
- Comply with all applicable laws and regulations.
- The operator and the employer of the operator must know and prevent the risks during operation of the product.
- Do not let a person operate the product unless they read and understand the contents of the operator's manual.
- Do not operate the product unless you receive training before use. Make sure that all operators receive training.
- Do not let a child operate the product.
- Only let approved persons operate the product.
- The operator is responsible for accidents that occur to other persons or their property.
- Do not use the product if you are tired, ill, or under the influence of alcohol, drugs or medicine.
- Always be careful and use your common sense.
- This product produces an electromagnetic field during operation. This field can under some circumstances interfere with active or passive

medical implants. To decrease the risk of serious injury or death, we recommend persons with medical implants to speak to their physician and the medical implant manufacturer before operating this product.

- Keep the product clean. Make sure that you can clearly read signs and decals.
- Do not use the product if it is defective.
- Do not do modifications to this product.
- Do not operate the product if it is possible that other persons have done modifications to the product.

- Do not park the product on a slope. If you must park the product on a slope, make sure that the product cannot move or fall. There is a risk of injury and damage.
- Be very careful during operation on slopes. The product is heavy and can cause serious injury if it falls.
- Do not move the product on steep slopes. Look at the rating plate on the product for information about the maximum slope angle.
- Always use approved accessories. Speak to your dealer for more information.

Safety instructions for operation



WARNING: Read the warning instructions that follow before you use the product.

- Use personal protective equipment. Refer to *Personal protective equipment on page 10*.
- Do not go away from the product when the motor is on.
- Always disconnect the power cord before you go away from the product.
- Do not pull the hose of the dust extractor. The product can fall and cause injury or damage.
- The grinding head must touch the surface when you start the product. This is not applicable when you do a check of the ON/OFF switch.
- Do not start the product without the dust skirt installed. The dust skirt must seal fully between the product and the floor.
- Keep your feet away from the CAN bus cable and the power cord to decrease the risk of fall injury.
- Keep away from areas where the product can cause injury. The product can quickly change position and hit you.
- If the product does not operate correctly, stop the motors.
- Make sure that clothing, long hair and jewelry do not get caught in moving parts.
- Make sure that you are in a safe and stable position during operation.
- Do not operate the product unless you can get aid if an accident occurs.
- If vibrations occur in the product or the noise level from the product is unusually high, stop the product immediately. Examine the product for damages. Repair damages or let an approved service agent do the repair.
- Overexposure to vibration can cause circulatory damage or nerve damage to persons with decreased blood circulation. Get medical aid if you have symptoms of overexposure to vibration. These symptoms include numbness, loss of feeling, tingling, pricking, pain, loss of strength, changes in skin color or condition. These symptoms usually show in the fingers, hands or wrists.

Personal protective equipment

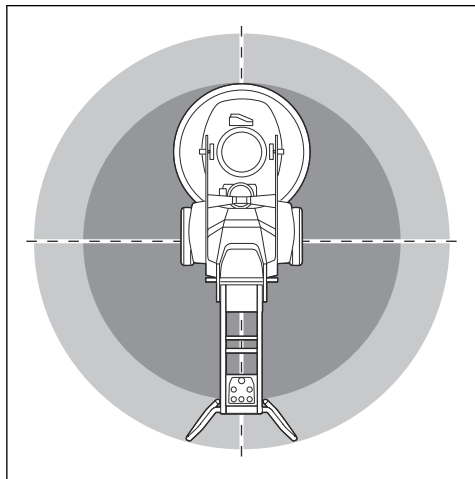


WARNING: Read the warning instructions that follow before you use the product.

- Always use correct personal protective equipment when you operate the product. The personal protective equipment does not erase the risk of injury. The personal protective equipment decreases the grade of injury if an accident occurs. Let your dealer help you select the right equipment.
- Use approved eye protection while you operate the product.
- Do not use loose, heavy and not applicable clothing. Use clothes that let you move freely.
- Use approved protective gloves that enables a solid hold.
- Use rubber protective gloves that prevents skin irritation from wet concrete.
- Use an approved protective helmet.
- Always use approved hearing protection while you operate the product. Noise for a long period can cause noise-induced hearing loss.
- The product makes dust and fumes that contain dangerous chemicals. Use an approved breathing protection.
- Use boots with steel toe-caps and non-slip soles.
- Make sure that you have a first aid kit near.
- Sparks can occur when you operate the product. Make sure that you have a fire extinguisher near.

Work area safety

- During operation, keep bystanders away from the area shown in the illustration below. The operator must be very careful in this area during operation.



- Make sure that only approved persons are in the work area.
- Do not use the product in fog, rain, strong winds, cold weather, risk of lightning or other bad weather conditions. To use the product in bad weather or in wet locations can have a negative effect on your alertness. Bad weather can cause dangerous work conditions.
- Look out for persons, objects and situations that can prevent safe operation of the product.
- PG 690 RC, PG 830 RC: The product can be operated by a remote control for long distances. Do not operate the product unless you have clear view of the product and its risk area. Cordon off the work area to prevent injury to bystanders.
- Keep the work area sufficiently illuminated.
- Do not use the product in areas where fire or explosions can occur.

Electrical safety



WARNING: There is always a risk of shocks from electrical products. Do not use the product in bad weather conditions. Do not touch lightning conductors and metal

objects. Always use the product as given in this operator's manual to prevent injury.



CAUTION: The product obeys the requirements in EN61000-3-11 and is a subject for conditional connection to the power mains. Speak with the supply authority for instructions on how to connect the product.

The power supply from the product or generator must be sufficient and constant to make sure that the motor operates without problems. Incorrect voltage causes the power consumption and the temperature of the motor to increase until the safety circuit releases. The dimension of the power cord must agree with national and local regulations. The dimension of the mains socket must agree with the amperage for the electrical socket and extension cable of the product.

If the power mains has higher system resistance, short voltage drop can occur when the product is started. This can influence the operation of other products, for example flicker on the lights.

- Make sure that the power, fuse and mains voltage are the same as the voltage shown on the rating plate of the product.
- Always stop the product before you disconnect the power plug.
- Do not use the product if the power cord or power plug is damaged. Hand it in to an approved service center for repair. A damaged power cord can cause serious injury and death.
- Use the power cord correctly. Do not use the power cord to move, pull or disconnect the product. Pull the power plug to disconnect the power cord. Do not pull the power cord.
- Do not operate the product in water depths where the equipment of the product gets wet. The equipment can become damaged and the product can become live and cause injury.
- Do not get more moisture into the product than the water supplied by the water system. Keep the product away from rain. Water that goes into the product increases the risk of electrical shock.
- Always disconnect the power cord before you connect or disconnect the connection for the motor cable and the electrical enclosure.

Guide values for power source

Nominal voltage from power source, V	Min. voltage at the product, V	Max. voltage at the product, V	Frequency, Hz	Nominal current, A	Motor output	Min. cable area mm ² /AWG	Max. cable length m/ft
PG 690 3x220	200	240	50/60	50	11+1.5	10/7	190/620
PG 690 3x400/440/ 480	380	480	50/60	30	11+1.5	6/9	190/620
PG 830 3x220	200	240	50/60	50	11+1.5	10/7	190/620
PG 830 3x400/440/ 480	380	480	50/60	30	15+1.5	6/9	190/620

Grounded product instructions



WARNING: Incorrect connection can result in electrical shock. Speak to an approved electrician if you are not sure if the product is correctly grounded.

Do not do modifications to the power plug from its factory specification. If the power plug is not correct for the mains outlet, let an approved electrician install a correct mains outlet. Obey local regulations and laws.

If you do not fully understand the instructions about the grounded product, speak to an approved electrician.

The product has a grounded power cord and power plug. Always connect the product to a grounded mains outlet. This decreases the risk of electrical shock if there is a malfunction.

Do not use electrical adapters with the product.

Extension cables

- Use only approved extension cables with sufficient length.
- The rated value on the extension cable must be the same or higher than given on the rating plate of the product.
- Use grounded extension cables.
- When you operate the product outdoors, use an extension cable that is applicable for outdoor operation. This decreases the risk of electrical shock.
- Keep the connection to the extension cable dry and off the ground.

- Keep the extension cable away from heat, oil, sharp edges or moving parts. A damaged cable increases the risk of electrical shock.
- Make sure that the extension cable is in good condition and not damaged.
- Do not use the extension cable while it is wound up. This can cause the extension cable to become too hot.
- Make sure that the extension cable is behind you and the product when you use the product. This prevents damage to the extension cable.

Battery safety



WARNING: Read the warning instructions that follow before you use the product.

- Only use the batteries that we recommend for your product. The batteries are software encrypted.
- Use only original batteries for this product. There is a risk of explosion if the batteries are replaced with a battery of incorrect type. Speak to your dealer for more information.
- Use batteries that are rechargeable as a power supply for the related Husqvarna products only. To prevent injury, do not use the battery as a power supply for other devices.
- Risk of electrical shock. Do not connect the battery terminals to keys, screws or other metal. This can cause a short circuit of the battery.
- If the battery leaks, do not let the liquid touch your body or eyes. If you have touched the liquid, clean the area with a large quantity of water and get medical aid.
- Do not use batteries that are non-rechargeable.
- Do not do modifications to the battery.
- Do not put objects into the air slots of the battery.

- Keep the battery away from sunlight, heat or open flame. The battery can cause an explosion and cause burns and/or chemical burns.
- Keep the battery away from rain and wet conditions.
- Keep the battery away from microwaves and high pressure.
- Do not try to disassemble or break the battery.
- Use the battery in temperatures between -10 °C/14 °F and 40 °C/104 °F.
- Do not clean the battery or the battery charger with water. Refer to *To clean the battery and the battery charger on page 34.*
- Do not use a defective or damaged battery.
- Keep batteries in storage away from metal objects such as nails, screws or jewelry.
- Keep the battery away from children.

Safety devices on the product

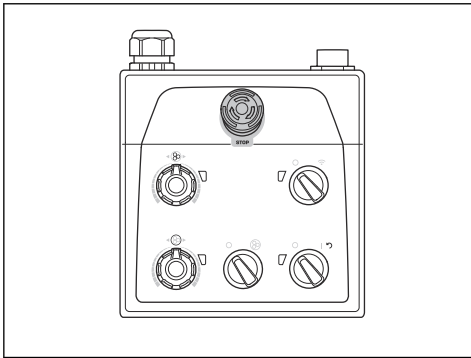


WARNING: Read the warning instructions that follow before you use the product.

- Do not use a product with defective safety devices.
- Do a check of the safety devices regularly. If the safety devices are defective, speak to your Husqvarna service agent.

Emergency stop button on the control panel

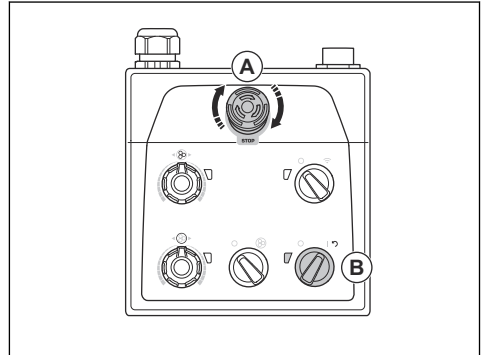
The emergency stop button is used to quickly stop the motor. The emergency stop button breaks the mains power supply.



CAUTION: Do not use the emergency stop button on the control panel as the stop button for the product.

To do a check of the emergency stop button on the control panel

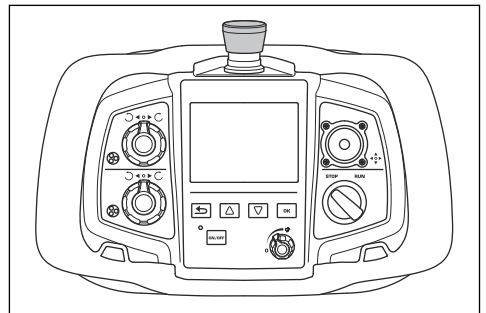
1. Turn the emergency stop button (A) on the control panel clockwise to make sure that the emergency stop button is disengaged.



2. Turn the ON/OFF switch (B) on the control panel to 1 to start the motor. The LED adjacent to the ON/OFF switch comes on.
3. Push the emergency stop button on the control panel.
4. Make sure that LED adjacent to the ON/OFF switch goes off.
5. Turn the emergency stop button on the control panel clockwise to disengage.

Emergency stop button on the remote control

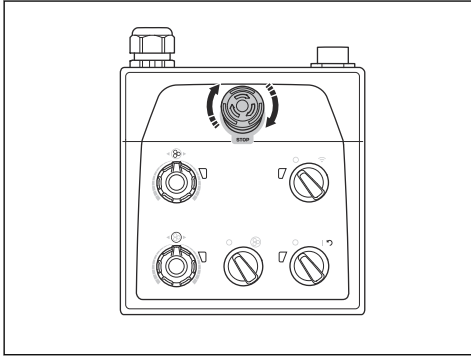
The emergency stop button is used to quickly stop the motor. The emergency stop button breaks the mains power supply. The emergency stop button on the remote control cannot be used when the product is operated manually.



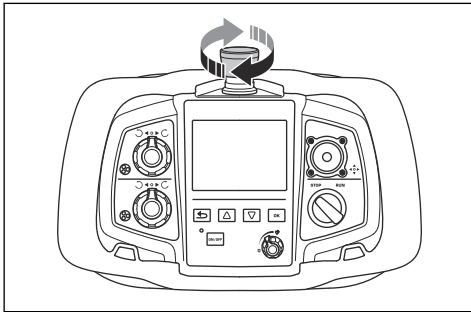
CAUTION: Do not use the emergency stop button on the remote control as the stop button for the product.

To do a check of the of the emergency stop button on the remote control

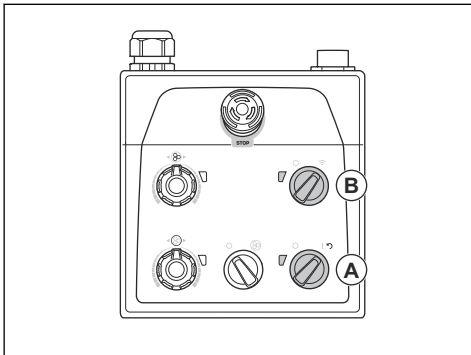
1. Turn the emergency stop button on the control panel clockwise to make sure that the emergency stop button is disengaged.



2. Turn the emergency stop button on the remote control clockwise to make sure that the emergency stop button is disengaged.

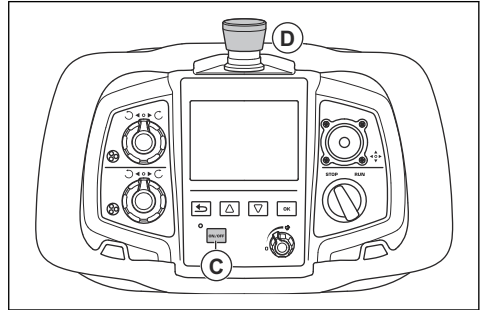


3. Turn the ON/OFF switch (A) on the control panel to 1 to start the motor. The LED adjacent to the ON/OFF switch comes on.



4. Turn the remote control/manual operation switch (B) on the control panel clockwise for remote control operation. The LED adjacent to the remote control/manual operation switch flashes.

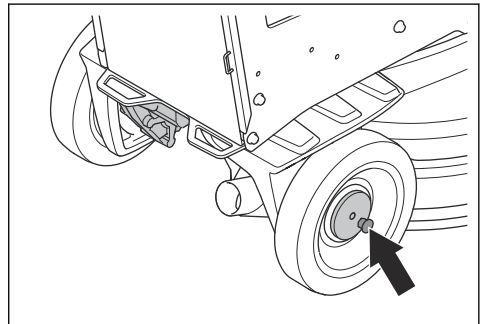
5. Push the ON/OFF button (C) on the remote control. The remote control is on when the display comes on.



6. Push the emergency stop button (D) on the remote control.
7. Make sure that LED adjacent to the ON/OFF switch on the control panel goes off.
8. Turn the emergency stop button on the remote control clockwise to disengage.

Locking pins for the wheels

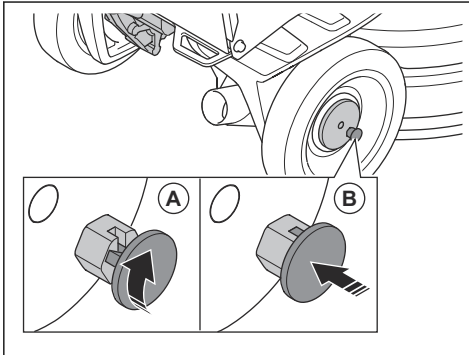
The locking pins lock the wheels to the motor when the product is operated with the remote control.



To do a check of the locking pins for the wheels

1. Make sure that the locking pins are not engaged.
2. Push the product slightly forward and feel the resistance.

- Turn the locking pins (A) until the pin of the locking pin aligns with the notch. Do this on the left and the right wheel.



- Start the product. The locking pins go into the lock position (B) and lock the wheel motors.
- Push the product slightly forward and feel the resistance. If the locking pins are correctly engaged, there is more resistance than when the locking pins are not engaged.

Note: For remote control operation, an error message shows in the remote control display if the locking pins are not engaged correctly.

- To disengage the locking pins, pull the locking pins straight out and turn clockwise or counterclockwise.

Safety instructions for maintenance

- Keep all parts in good condition and make sure that all fixtures are correctly tightened.
- Do not use a product that is defective. Do the safety checks, maintenance and the servicing as given in this manual. All other maintenance work must be done by an approved service agent.
- Stop the product when you replace the diamond tools. Turn the ON/OFF switch to 0 and push the emergency stop button.
- Do the inspection and/or maintenance with the motor stopped and the power plug disconnected.
- Do the maintenance to make sure that the product operates correctly. Refer to *Maintenance schedule on page 33*.

Operation

Introduction



WARNING: Before you operate the product, you must read and understand the safety chapter.

To remove the product from the package



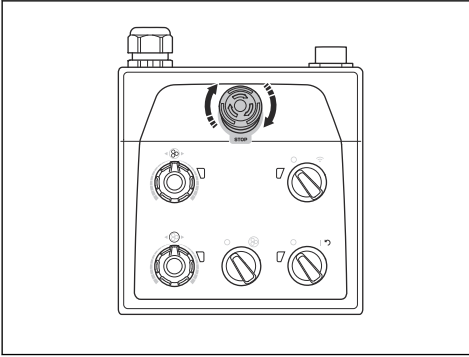
WARNING: Move the product from the pallet carefully and safely. The product is heavy and can cause serious injury if it falls.

- Make sure that all items that is shown in the product overview, are included. Refer to *Product overview, right side on page 3*. Speak to your Husqvarna dealer if an item is missing or damaged before you move the product from the pallet.
- Remove all package straps and wheel chocks.
- Make sure that the area is clear and that you have sufficient space to move the product.
- Make sure that there is no risk that you or the product can fall.
- Use lifting equipment or ramps to move the product from the pallet. The product is heavy. Move the product safely. Refer to *To lift the product on page 44*.

To do before you operate the product

- Read the operator's manual carefully and make sure that you understand the instructions.
- Put on necessary personal protective equipment. Refer to *Personal protective equipment on page 10*.
- Make sure that only approved persons are in the work area.
- Do daily maintenance. Refer to *Maintenance schedule on page 33*.
- Make sure that the product is assembled correctly and is not damaged.
- Put the product on the work area. Make sure that the transportation of the product to and in the work area is done safely and correctly. Refer to *Transportation on page 42*.
- Make sure that there are diamond tools on the tool plates and that the diamond tools and tool plates are tightly attached.
- Connect a dust extractor to the product. Refer to *To connect a dust extractor on page 18*.
- Adjust the handle and the handlebar to an applicable operation height. Refer to *To adjust the handle and the handlebar on page 19*.
- Make sure that the motor cables are connected to the electrical enclosure before the product is connected to a mains outlet. Refer to *To install and remove the grinding head on page 36*.

11. Connect the product to a power source. Refer to *To connect the product to a power source on page 20.*
12. Turn the emergency stop button on the control panel clockwise to make sure that the emergency stop button is disengaged.



13. Make sure that you know the direction of rotation of the grinding head and the grinding discs when you use direction diamond tools such as Piranhas.
14. PG 690 RC, PG 830 RC: If the product is operated manually, attach the remote control to the product. The rear side of the remote control holder has a magnet. Refer to *To attach the remote control to the remote control holder on page 22.*
15. Put the support wheel in the operation position. Refer to *To set the support wheel in operation position on page 43.*

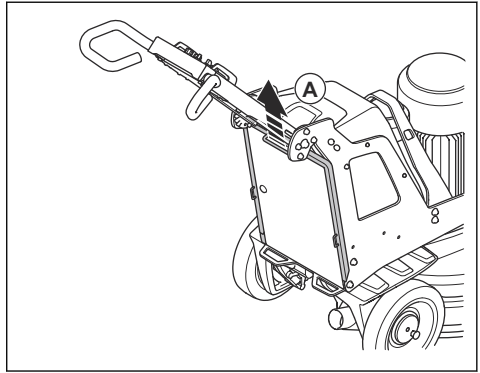
To engage and disengage the support frame

The product has a support frame that is used to tilt the product rearward. Also, the support frame is used as a suspension device to hang the dust extractor hose and the power cord on.

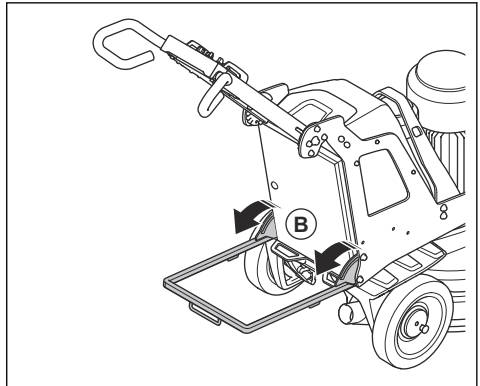


WARNING: Be careful when you move the support frame. The moving parts can cause injury.

1. Lift the support frame (A) a small distance.



2. Lower the support frame (B).



3. Fold up the support frame in the opposite sequence.

Diamond tools

There are many different types and configurations of diamond tools for the product. Metal bonded diamond tools are used for removal of material and resin bonded diamond tools are used to polish surfaces. Select the correct diamond tools for the surface. Speak to your Husqvarna dealer or go to www.husqvarnacp.com for support to select the correct tool.

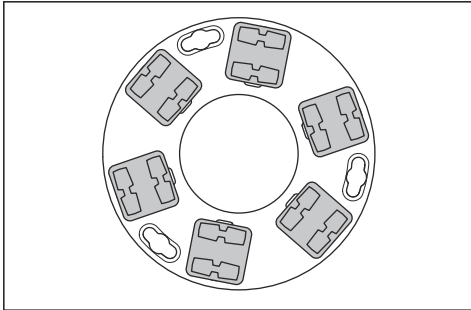
Disc holder alternatives for diamond tools

- Use a Redi lock disc holder to attach metal bonded diamond tools.
- Use a resin disc holder to attach plastic bonded diamond tools.

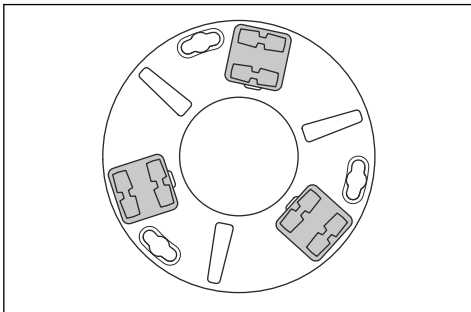
Full set and half set of diamond tools

The configuration of the diamond tool segments has an effect on the end quality of the surface. The configuration also has an effect on the operation rate of the product.

- Full set of diamond tools: This configuration is applicable for a flat floor finish.



- Half set of diamond tools: This configuration is applicable when a flat floor finish is not necessary.



To replace the diamond tools



WARNING: Always disconnect the power plug before you replace the diamond tools, to prevent accidental start.



WARNING: Use protective gloves, as diamond tools can become very hot.



WARNING: Use approved respiratory protection when you replace the diamond tools. The dust below the grinding head is dangerous to your health.

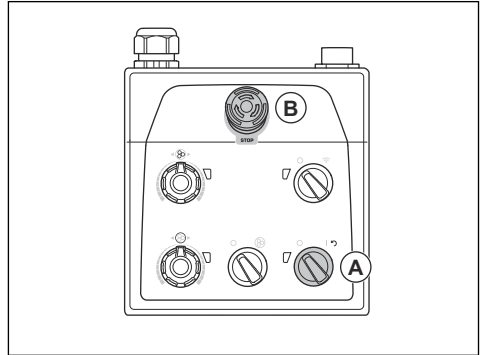


WARNING: Use the dust extractor when you replace the diamond tools. The dust extractor will decrease the dust that can cause health problems.

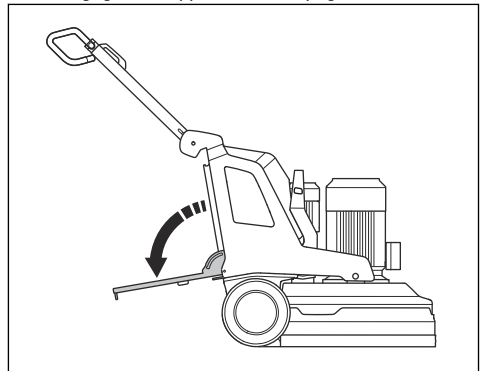


CAUTION: All the grinding discs must always have the same number and type of diamonds. The height of the diamonds must be the same on all grinding discs.

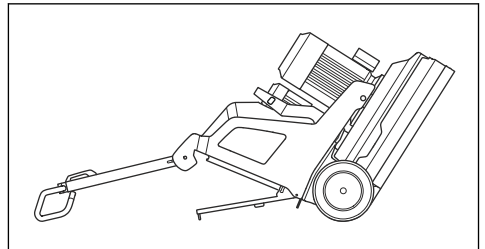
1. Turn the ON/OFF switch (A) on the control panel to 0. The LED adjacent to the ON/OFF switch goes off.



2. Push the emergency stop button (B) on the control panel.
3. Set the handle in servicing position. Refer to *Operation handle positions on page 19*.
4. If weights are installed, adjust the weights to a rearward position. Refer to *To adjust the weights on page 33*.
5. Engage the support frame. Refer to *To engage and disengage the support frame on page 16*.

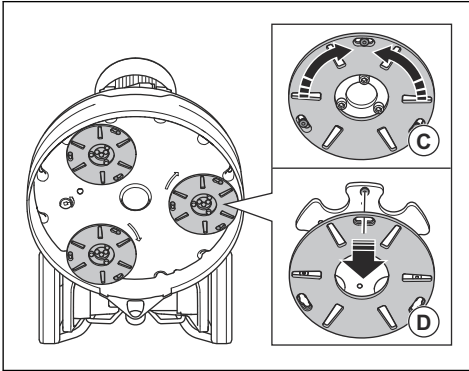


6. Hold the handlebar and with one foot on the support frame tilt the product rearward. Tilt the product until the handlebar is on the floor.

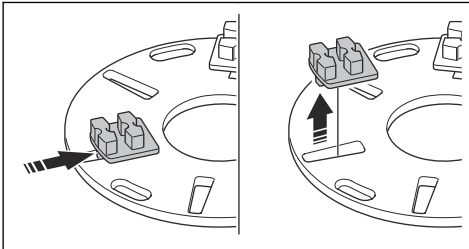


7. Put on protective gloves.

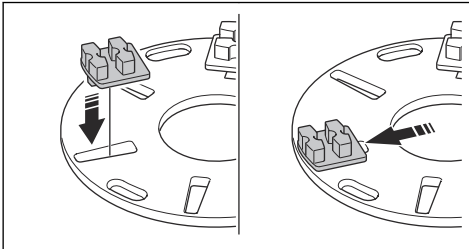
8. Turn the tool plate (C) to the right or to the left to unlock the tool plate from the grinding disc.



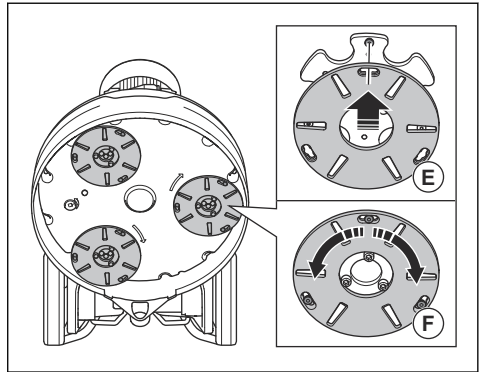
9. Pull the tool plate straight out (D) to remove the tool plate from the grinding disc.
10. Use a hammer to remove the diamond tools from the tool plate.



11. Attach new diamond tools to the tool plate with a soft hit of the hammer.



12. Attach the tool plate straight (E) on the grinding disc.



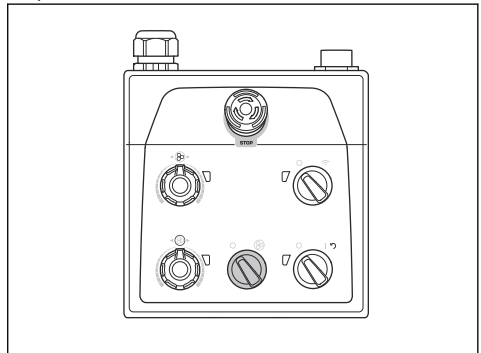
13. Turn the tool plate (F) to the right or to the left to lock the tool plate to the grinding disc.
14. Carefully lift the product to operation position. Use the handlebar and the support frame for support.
15. Disengage the support frame.

To connect a dust extractor



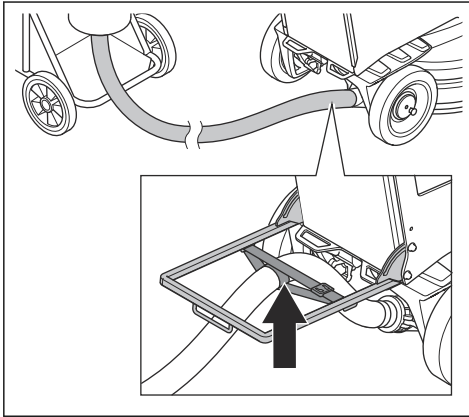
WARNING: Do not use the dust extractor if the dust extractor hose is damaged. The risk increases that you breathe in dust that is dangerous to your health. Use approved respiratory protection.

1. Examine the dust extractor hose for damages.
2. Make sure that the filters in the dust extractor are clean and not damaged.
3. Make sure that the STOP/RUN switch on the control panel is set to 0.



4. Connect the dust extractor hose to the product.
5. Engage the support frame. Refer to *To engage and disengage the support frame on page 16*.

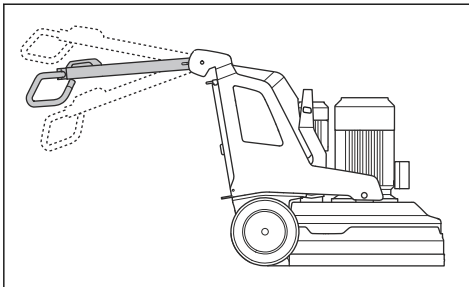
- 6. Hang the dust extractor hose on the suspension device on the support frame to prevent tension in the dust extractor hose.



- 7. Disengage the support frame.

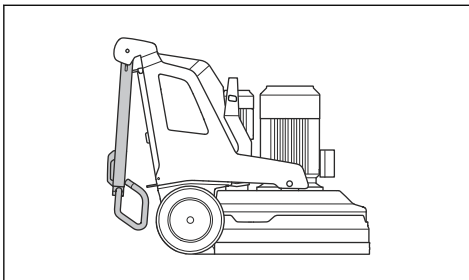
Operation handle positions

- Position of the handle for manual operation:

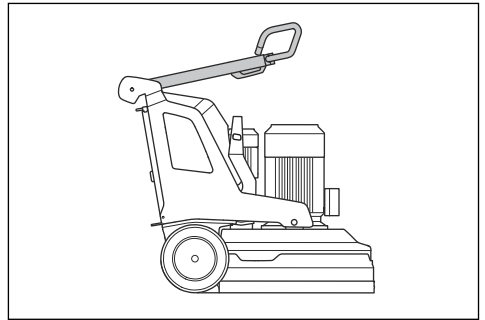


- There are 2 recommended positions of the handle for remote control operation and transportation of the product.

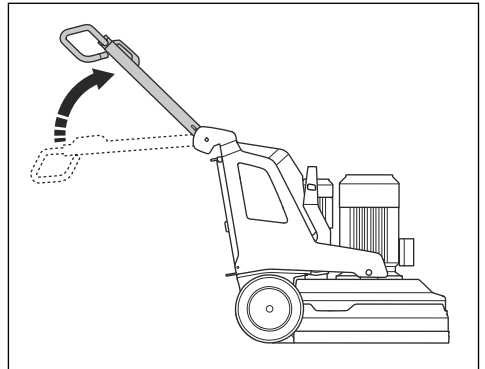
Position 1:



Position 2:



- Servicing position of the handle:



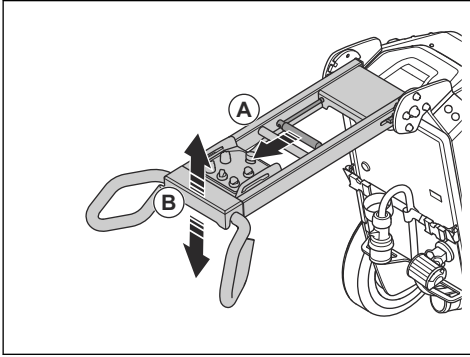
To adjust the handle and the handlebar



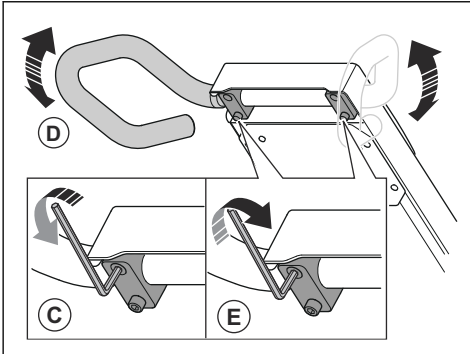
WARNING: Be careful when you adjust the handle and the handlebar. Make sure that the handle and the handlebar locks into position. The moving parts can cause injury.

Set the handle height as close as possible to the height of the operators hip. During operation the product can pull to the side. The hip of the operator can help to stop this movement to the side.

1. Pull the lock lever (A) on the handle in the direction of the control panel and hold it in this position.



2. Adjust the handle (B) to an applicable operation height.
3. Release the lock lever on the handle to lock the handle position.
4. Loosen the 4 screws (C) on the handlebar.

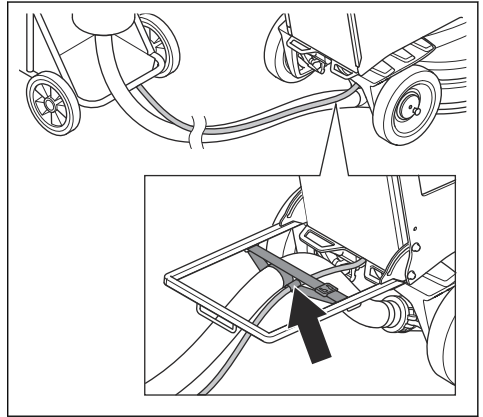


5. Adjust the handlebar (D) to an applicable operation height.
6. Tighten the 4 screws (E) on the handlebar to lock the handlebar position.

To connect the product to a power source

1. Connect the power plug of the product to the extension cable.
2. Connect the extension cable to a mains outlet.
3. Engage the support frame. Refer to *To engage and disengage the support frame on page 16*.

4. Hang the power cord on the suspension device on the support frame to prevent tension in the power cord.



5. Disengage the support frame.



CAUTION: When the product is connected to a dust extractor, the dust extractor must be connected to a 3-phase power source.

USB charger on the control panel (PG 690 RC, PG 830 RC)

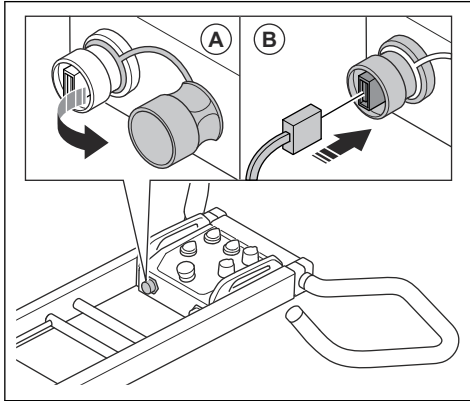
The USB charger on the control panel can be used to charge mobile devices.

- To charge through the USB charger is only possible when the product is connected to a 3-phase power source.
- The mobile device continues to charge if the product stops or the emergency stop button is engaged.
- The product does not set a time limit for how long a mobile device can be charged. Charge your mobile device as recommended by the manufacturer of the mobile device.
- The USB charger supplies a maximum output of 10W.

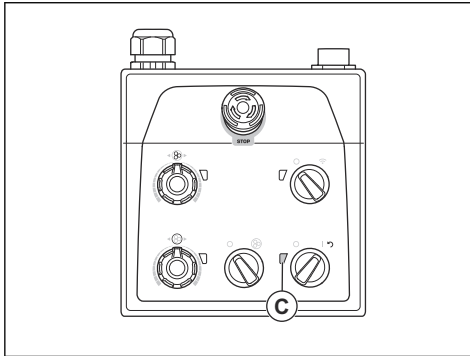
To charge a mobile device (PG 690 RC, PG 830 RC)

1. Connect the product to a 3-phase power source. Refer to *To connect the product to a power source on page 20*.

- Remove the protective cover of the USB charger on the control panel (A).



- Connect your mobile device to the USB charger (B).
- Make sure that the indicator for power and state of charge of the product battery (C) on the control panel flashes.



While the product is connected to a 3-phase power source, the USB charger continues to charge when the motor is off. The power supply for the USB charger stops when the battery of the product is fully charged.

Speed and direction of rotation

The product has Dual Drive technology. Dual Drive technology means that the grinding head and the grinding discs operate with different motors. The speed and direction of rotation can be set independently between the grinding head and grinding discs. To set the speed and direction of rotation independently increases the range of different surface types where the product can be operated. Speak to your Husqvarna dealer or go to www.husqvarnacp.com for more information.

Operation speed

If the product is operated on a new surface type, set the speed to 70% initially. When the operator knows the surface type, the speed can be adjusted.

Direction of rotation of the grinding head and the grinding discs

Seen from below the product, the direction of rotation is as follows:

- "REV": clockwise
- "FWD": counterclockwise

The operation result is best when the grinding head and the grinding discs rotate in the same direction.

During operation the product can pull to the side. The direction of the pull is related to the direction of rotation. The product pulls to the right when the direction of rotation is set to "FWD". The product pulls to the left when the direction of rotation is set to "REV".

The side pull can help you operate the product for example near a wall. Set the direction of rotation to pull in the direction of the wall.



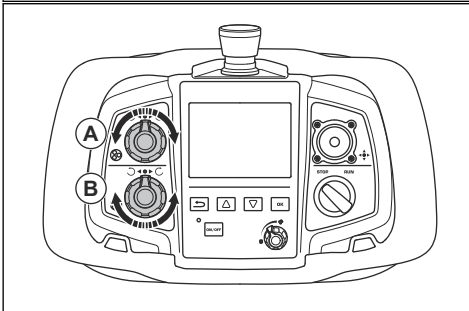
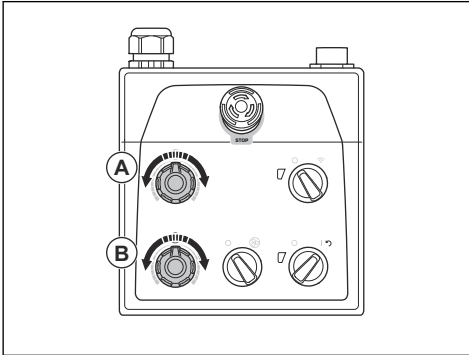
CAUTION: Steer the product carefully. Make sure that the product only lightly touches the wall. The product is heavy and can cause damage.

To change the speed and direction of rotation of the motors

Change the direction of rotation regularly to increase the life and the sharpness of the diamond tools. The diamond tool segments are used equally and the contact surface continues to be as large as possible.

- To set the speed and direction of rotation of the grinding head, turn the knob (A).

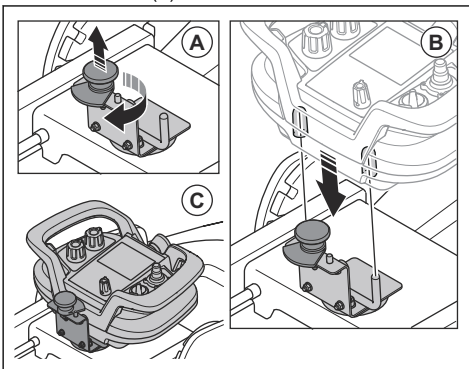
- To set the speed and direction of rotation of the grinding disc, turn the knob (B).



To attach the remote control to the remote control holder

When the remote control is not in operation, it can be attached to the remote control holder on the product.

1. Install the remote control holder on the product. The rear side of the remote control holder has a magnet.
2. Make sure that the locking knob on the remote control holder is in the correct position. Lift and turn the locking knob until it points away from the remote control holder (A).



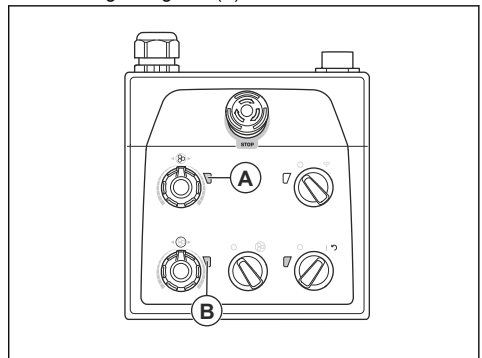
3. Align the holes at the rear side of the remote control with the pins on the remote control holder (B).
4. Push the remote control fully down onto the pins on the remote control holder.
5. Lift and turn the locking knob until it is on top of the remote control (C).
6. Remove the remote control in the opposite sequence.

Control panel

Operate the product manually with the control panel in the handlebar. Refer to *Control panel overview on page 5*, for an overview of the control panel buttons.

To operate the product with control panel

- During operation, look for color changes in the indicators for the inverter to the grinding head (A) and the grinding disc (B).



- Green light: the product operates correctly.
- Orange light: there is an overload in the grinding head and/or grinding disc. Decrease the power output in 10 seconds or less to prevent that a fault occurs.
- Red light: fault in an inverter and the operation stops. It is necessary to reset the product. Refer to *To reset the product with control panel on page 31*.

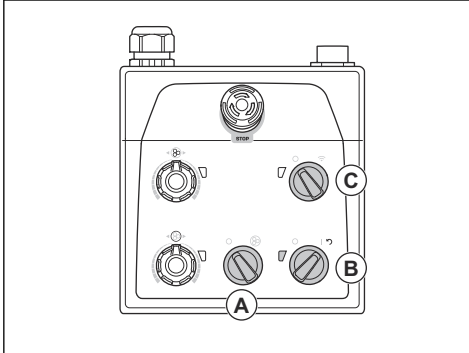
To start the product with control panel



CAUTION: Move the product all the time while the grinding head is on. If you do not move the product, the surface can become rough.

1. Make sure that the locking pins for the wheels are disengaged. Refer to *To do a check of the locking pins for the wheels on page 14*.
2. Push down the handlebar slightly to lift the grinding head from the surface. This releases the surface friction of the diamond tools. Do not lift the grinding head fully from the surface during operation.

- Turn the STOP/RUN switch (A) on the control panel counterclockwise to 0 to make sure that the grinding head is off.



- Turn the ON/OFF switch (B) on the control panel to 1 to start the product. The LED adjacent to the ON/OFF switch comes on.
- Turn the switch for remote control/manual operation (C) on the control panel counterclockwise to 0 for manual operation.
- Turn the STOP/RUN switch on the control panel clockwise to start the grinding head. In less than 5 seconds, the product operates at idle speed. The small motor starts after approximately 2 seconds.

To stop the product with the control panel

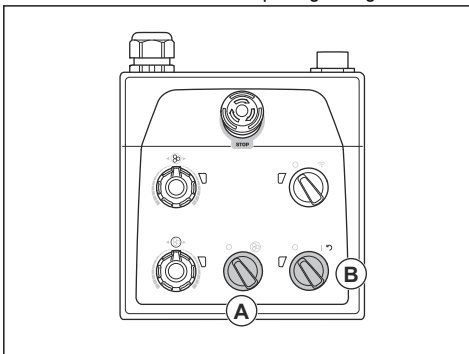


CAUTION: Do not lift the grinding head from the surface when you stop the motor. The tool plates rotate for a while after the motor stops. Dust can go into the air and the surface can become damaged.



CAUTION: Do not let the product become stationary until the tool plates stop fully.

- Turn the STOP/RUN switch (A) on the control panel counterclockwise to 0 to stop the grinding head.



- Keep the tool plates against the surface until they stop fully.



CAUTION: If you grind adhesive asphalt, paint or equivalent material, the product can attach to the adhesive surface. Immediately after the tool plate stopped fully, lift up the front of the grinding head a small distance.

- Turn the ON/OFF switch (B) on the control panel to 0 to stop the product. The LED adjacent to the ON/OFF switch goes off.
- Disconnect the power plug.

Remote control

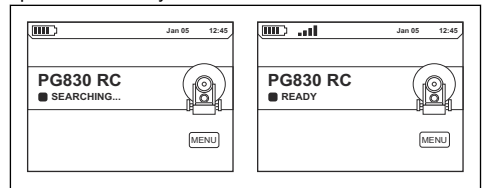
The remote control can operate by radio communication. To operate by radio communication, it is necessary to do a pairing operation. Refer to *To do a pairing operation on page 29*.

The remote control can also operate with a CAN bus cable connected between the remote control and the product. The CAN bus cable can for example be used when the state of charge in the remote control battery is low. For instructions on how to connect the remote control to the product with a CAN bus cable, refer to *To connect the remote control to the product with a CAN bus cable on page 29*.

The remote control has all controls that are necessary to operate the product. The remote control has a digital display with a menu system. Refer to *Menu overview on page 25*.

Main menu

In the main menu, the "OK" button on the remote control opens the menu system.

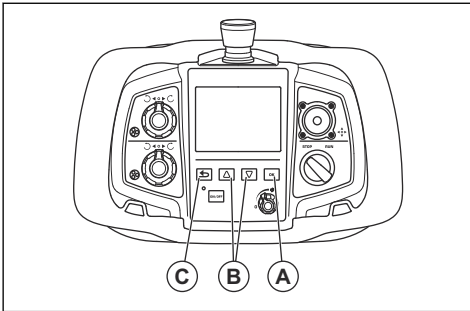


Menu system

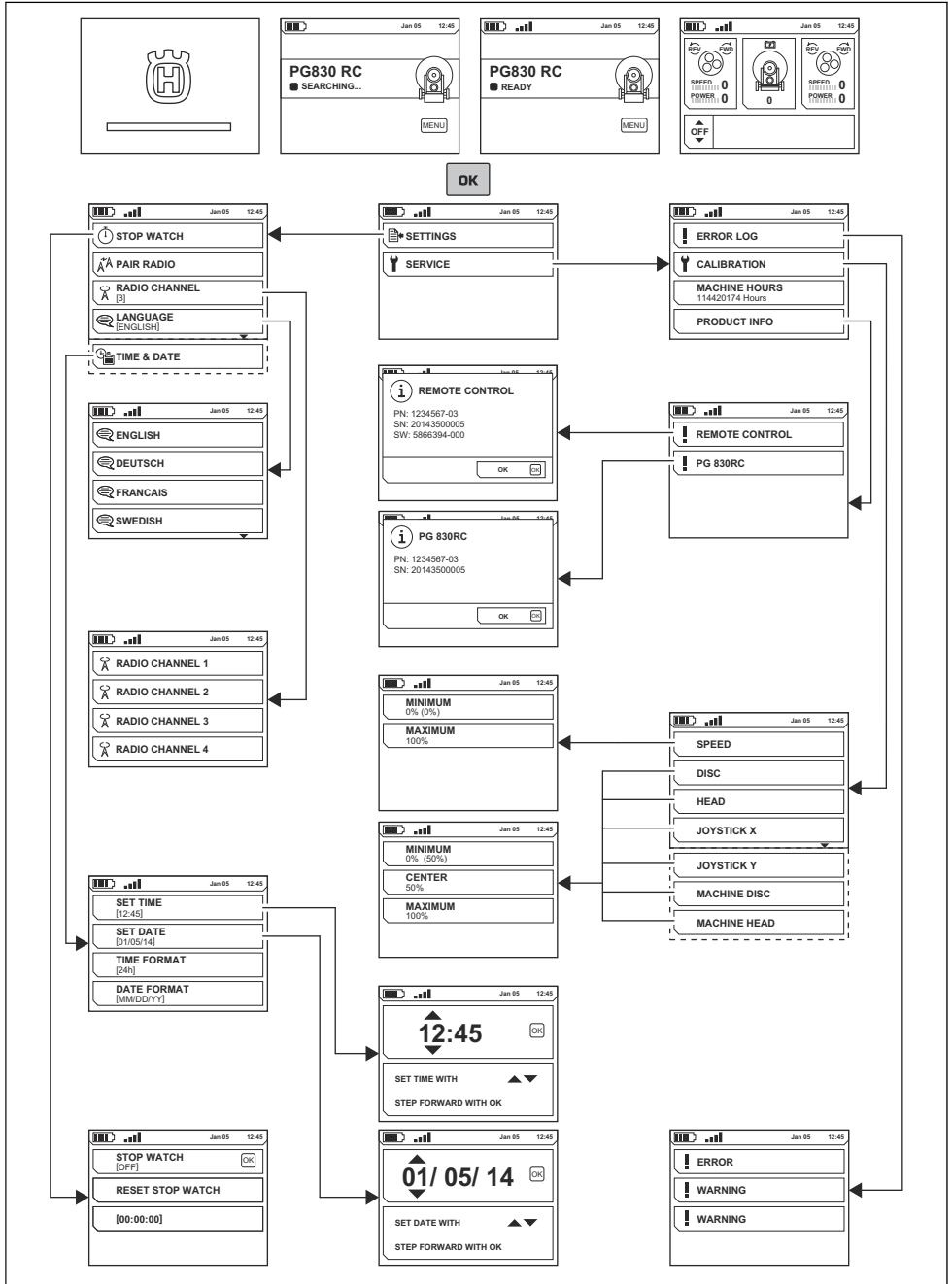
Note: The display texts in this manual are in English. The display texts on your product are in the selected language. Refer to *"LANGUAGES" on page 26*.

The menu system has the submenus "SETTINGS" and "SERVICE".

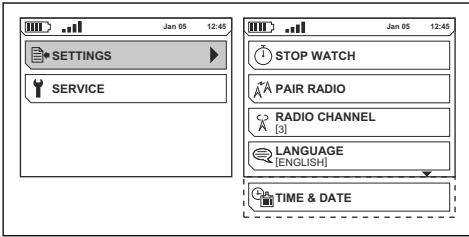
The arrow keys (B) move up and down in the menu lists. The "OK" button (A) makes the selection. The button (C) lets you go back in the menu structure.



Menu overview



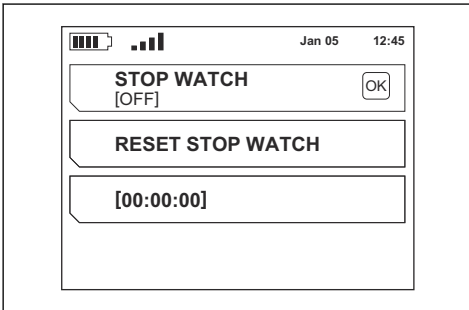
"SETTINGS" menu



"STOP WATCH"

The function "STOP WATCH" measures how much time is necessary for an operation. The time starts to count when you start the product.

- "STOP WATCH OFF/ON": Disengages/engages the function.
- "RESET STOP WATCH": Resets the function.
- [00:00:00]: Shows the operation time in hours, minutes and seconds.



"PAIR RADIO"

"PAIR RADIO" does a pairing operation of the remote control and the product.

"RADIO CHANNEL"

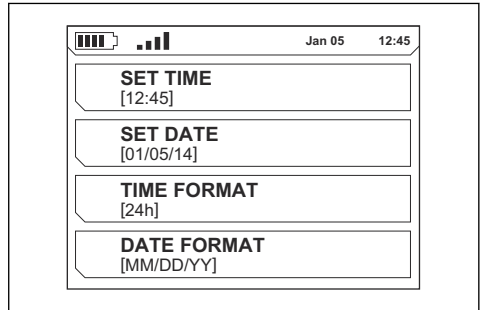
"RADIO CHANNEL" shows a selection of radio channels. To change the radio channel, it is necessary to do a pairing operation. Refer to *To do a pairing operation on page 29*.

"LANGUAGES"

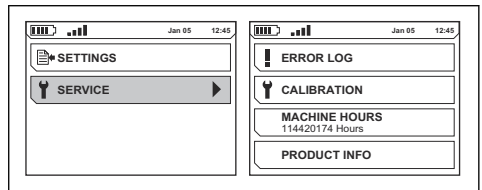
"LANGUAGES" sets the display text language.

"TIME & DATE"

"TIME & DATE" sets the time, the date and the format for time and date.



"SERVICE" menu



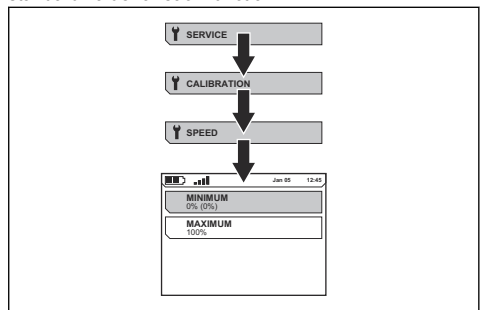
"ERROR LOG"

The "ERROR LOG" is a list of faults that the product finds. Refer to *Error and warning messages on the remote control on page 40*.

"CALIBRATION"

If the product starts to move incorrectly, it is necessary to calibrate the controls on the remote control and the control panel. Calibration is done with the remote control.

Calibration is done for the different controls in the "CALIBRATION" menu. The selection "MINIMUM" is the standard value for each function.

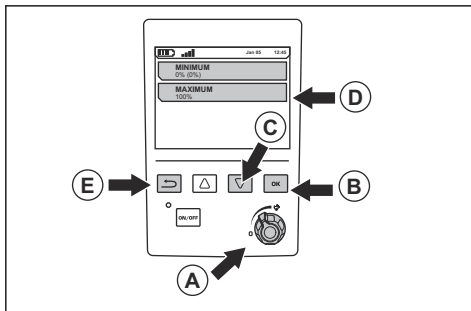


- "SPEED": Calibration of the control for product speed.

- "DISC": Calibration of the control for direction of rotation and speed of grinding discs on the remote control.
- "HEAD": Calibration of the control for direction of rotation and speed of grinding head on the remote control.
- "JOYSTICK X": Calibration of the joystick position, right and left.
- "JOYSTICK Y": Calibration of the joystick position, forward and rearward.
- "MACHINE DISC": Calibration of the control for direction of rotation and speed of grinding discs on the control panel.
- "MACHINE HEAD": Calibration of the control for direction of rotation and speed of grinding head on the control panel.

To calibrate the speed control

1. Select "SPEED" in the "CALIBRATION" menu.
2. Turn the speed limit knob (A) counterclockwise to 0 for minimum value.

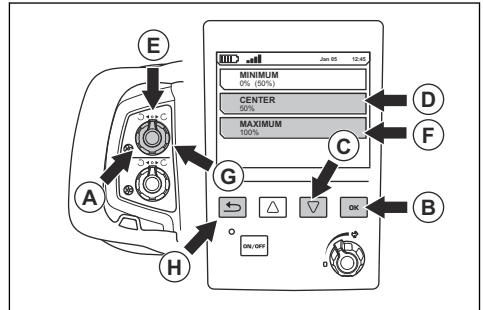


3. Push the "OK" button (B).
4. Push the down arrow key (C) and select "MAXIMUM" (D) in the display.
5. Turn the speed limit knob clockwise to maximum value.
6. Push the "OK" button.
7. Push the button (E) to go back in the menu structure.

To calibrate the grinding disc and the grinding head

1. Select "DISC", "HEAD", "MACHINE DISC" or "MACHINE HEAD" in the "CALIBRATION" menu. Refer to "CALIBRATION" on page 26 for descriptions of each selection.

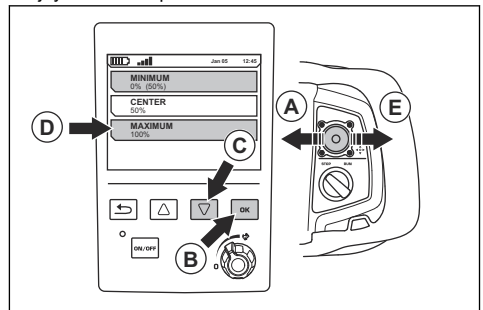
2. Turn the knob for direction of rotation and speed for grinding head counterclockwise to stop for minimum (A).



3. Push the "OK" button (B).
4. Use the arrow key down (C) and select "CENTER" (D) in the display.
5. Turn the knob for direction of rotation and speed for grinding head clockwise into position where the knob points straight up (E).
6. Push the "OK" button.
7. Use the arrow key down and select "MAXIMUM" (F) in the display.
8. Turn the knob for direction of rotation and speed for grinding head clockwise to stop for maximum (G).
9. Push the "OK" button.
10. Push the button (H) to go back in the menu structure.
11. Do the same procedure for the other 3 controls.

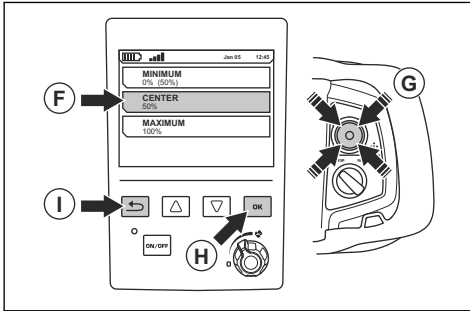
To calibrate the joystick

1. To calibrate the horizontal movement of the joystick, select "JOYSTICK X" in the "CALIBRATION" menu.
2. Push the joystick straight to the left (A) and hold the joystick in this position.



3. Push the "OK" button (B) to select "MINIMUM" in the display.
4. Use the arrow key down (C) and select "MAXIMUM" (D) in the display.
5. Push the "OK" button.

6. Release the joystick.
7. Do the same procedure to the right (E).
8. To calibrate "CENTER" (F) release the joystick. The joystick moves back to the center position (G).



9. Push "OK" button (H).
10. Push the button (I) to go back in the menu structure.
11. To calibrate the vertical movement of the joystick, select "JOYSTICK Y" in the "CALIBRATION" menu.
12. Do the same calibration procedure as "JOYSTICK X" but move the joystick up and down.

"OPERATING HOURS"

"OPERATING HOURS" shows the total operation time of the product in hours.

"PRODUCT INFO"

"PRODUCT INFO" shows information about the product or the remote control.

Function menu for oscillation and offset

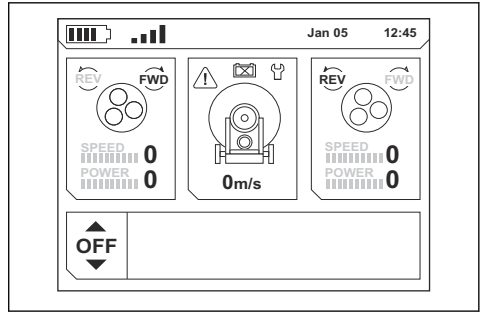
Oscillation prevents edges on the surface. When you change a value in the menu for oscillation and offset, the corrections are done after some seconds.



CAUTION: Monitor the oscillation when the product operates near walls and edges. Stop the oscillation when you turn the product or operate near objects.

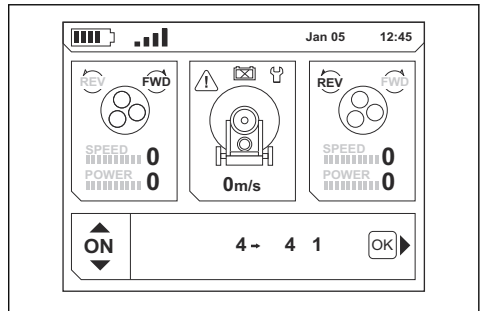
- "ON"/"OFF": Start/stop the oscillation. Use for example when you turn the product. When you start the oscillation, the same values that were used before the stop are used.

The arrow keys on the remote control let you move between the selections "ON" or "OFF".

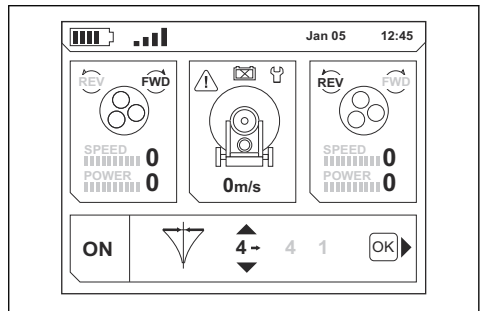


- Offset: Correction of the direction of the product displacement during operation.

The arrow keys start the oscillation. The "OK" button on the remote control starts the offset mode.

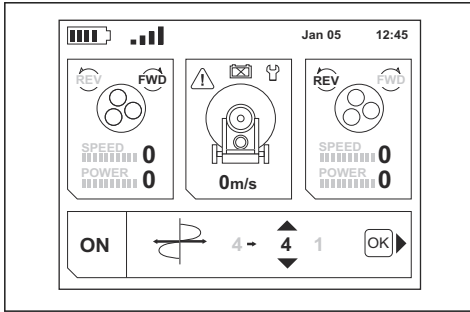


- In offset mode, the arrow keys let you adjust the offset value.



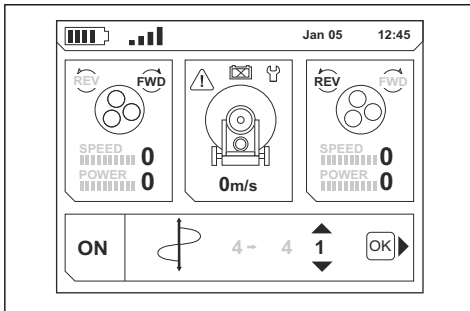
- Amplitude: How wide the oscillation is.

In offset mode, the "OK" button starts the amplitude mode. The arrow keys let you adjust the amplitude value.



- Frequency: How fast the oscillation is.

In amplitude mode, the "OK" button starts the frequency mode. The arrow keys let you adjust the frequency value.



- In frequency mode, the "OK" button goes back to the oscillation "ON"/"OFF" mode.

To operate the product with the remote control



WARNING: Make sure that you can see the product at all times when you operate it with the remote control. The operation range of the remote control makes it possible to move the product also when you cannot see it. Risk of injury and damage.

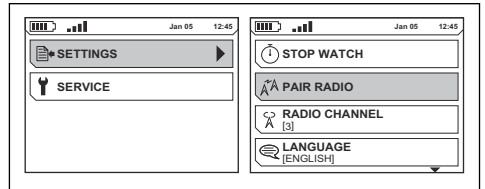
To do a pairing operation

The first time the remote control is used together with the product, a pairing operation is necessary.

A pairing operation is also necessary if the remote control is replaced or if you change remote controls between products.

1. Make sure that the emergency stop buttons on the control panel and on the remote control are disengaged. Refer to *To do a check of the emergency stop button on the control panel on page 13* and *To do a check of the of the emergency stop button on the remote control on page 14*.
2. Connect the power cord and start the product.

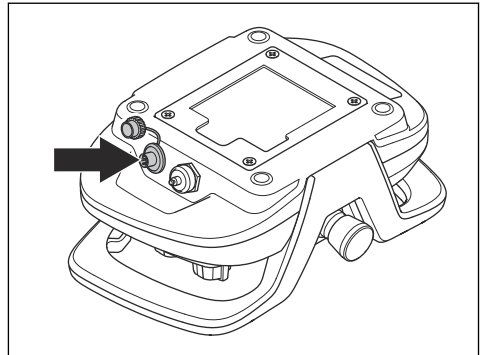
3. Connect the CAN bus cable. Refer to *To connect the remote control to the product with a CAN bus cable on page 29*.
4. Wait until the remote control is fully charged and the main menu shows on the display.
5. Push the "OK" button to open the menu system.
6. Select "SETTINGS" and push the "OK" button.



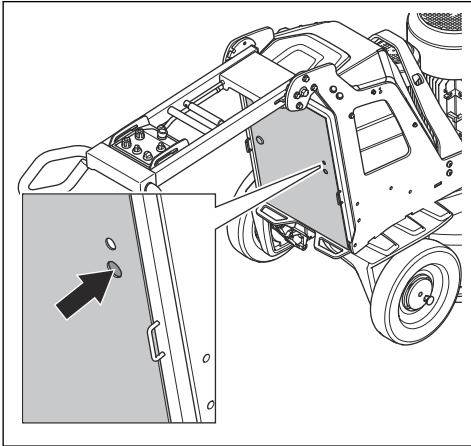
7. Use the arrow keys to go down to "PAIR RADIO" and push the "OK" button.
8. A message on the display shows if the pairing operation is done correctly. Do the procedure again if the pairing operation is not done correctly.

To connect the remote control to the product with a CAN bus cable

1. Put one end of the CAN bus cable in the connector on the remote control.



- Put the other end of the CAN bus cable in the connector on the electrical box door.



- Tighten the connector screws for the CAN bus cable by hand.

To start the product with remote control



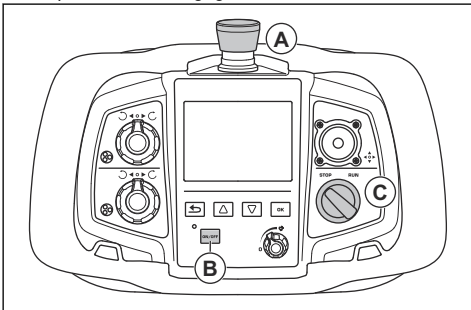
CAUTION: Move the product all the time while the grinding head is on. If you do not move the product, the surface can become rough.

- Turn the locking pins on the left and the right wheel until the pin of the locking pin aligns with the notch. Refer to *To do a check of the locking pins for the wheels on page 14*.



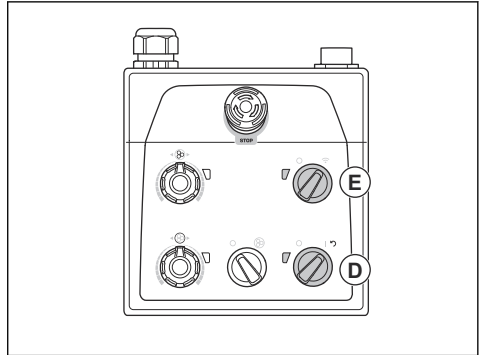
WARNING: Make sure that the 2 locking pins are aligned correctly. If only 1 locking pin engages, there is a risk of injury and damage when the product starts.

- Turn the emergency stop button (A) on the remote control clockwise to make sure that the emergency stop button is disengaged.



- Push the ON/OFF button (B) on the remote control. The remote control is on when the display comes on.

- Turn the STOP/RUN switch (C) on the remote control to STOP.
- Turn the ON/OFF switch (D) on the control panel to 1 to start the product. The LED adjacent to the ON/OFF switch comes on.



- Turn the remote control/manual operation switch (E) on the control panel clockwise for remote control operation. The LED adjacent to the remote control/manual operation switch flashes.
- Turn the STOP/RUN switch on the remote control to RUN to start the operation. In less than 5 seconds the product operates at idle speed. The small motor starts after approximately 2 seconds.
- Move the joystick to steer the product.



CAUTION: Move the joystick carefully. To move the joystick with force does not make the performance of the product better. The joystick can become damaged if you operate it with too much force.



CAUTION: Do not lift the remote control by the joystick.

Note: On abrasive surfaces, it can be necessary to push the joystick forward to release the surface friction of the diamond tools.

To operate the product with the remote control connected with a CAN bus cable



WARNING: Do not use the remote control connected with a CAN bus cable where there is a risk that the product falls. The operator must be disengaged from the product.

- Connect the CAN bus cable between the remote control and the product. Refer to *To connect the remote control to the product with a CAN bus cable on page 29*.

- Make sure that the locking pins for the wheels are engaged. Refer to *To do a check of the locking pins for the wheels on page 14.*

To stop the product with remote control

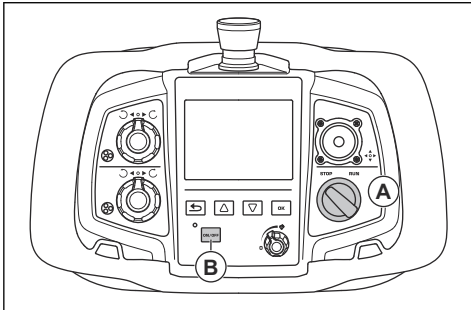


CAUTION: Do not lift the grinding head from the surface when you stop the motor. The tool plates rotate for a while after the motor stops. Dust can go into the air and the surface can become damaged.



CAUTION: Do not let the product become stationary until the tool plates stop fully.

1. Turn the STOP/RUN switch (A) on the remote control to STOP to stop the grinding head.



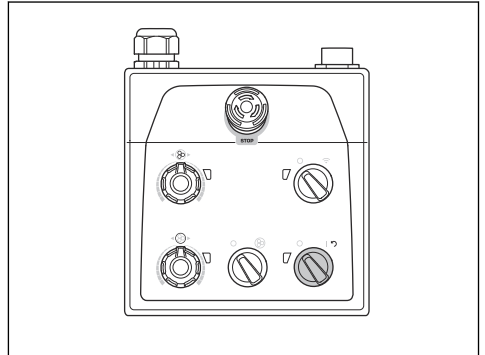
2. Keep the tool plates against the surface until they stop fully.



CAUTION: If you grind adhesive asphalt, paint or equivalent material, the product can attach to the adhesive surface. Immediately after the tool plate stopped fully, lift up the front of the grinding head a small distance.

3. Push the ON/OFF button (B) on the remote control. The display goes off.

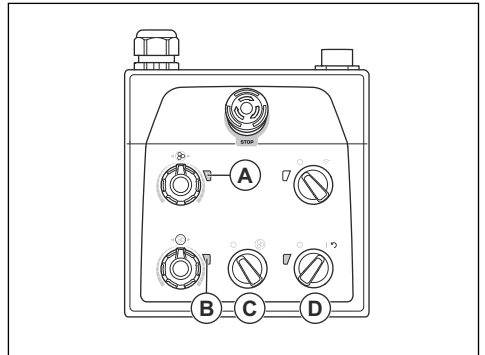
4. Turn the ON/OFF switch on the control panel to 0 to stop the product. The LED adjacent to the ON/OFF switch goes off.



5. Disconnect the power plug.

To reset the product with control panel

The ON/OFF switch can be used as a reset switch if an inverter releases. Reset the product when the inverter to the grinding head (A) and the grinding disc (B) are red.



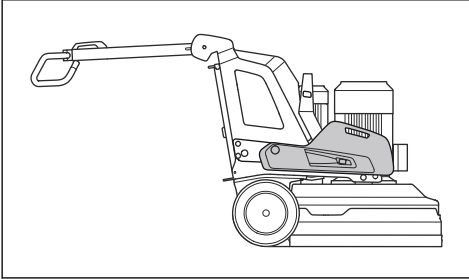
1. Turn the STOP/RUN switch (C) counterclockwise to 0 to make sure that the grinding head is off.
2. Turn the ON/OFF switch to the arrow position (D) to reset the product. The indicators for the inverter to the grinding head and grinding disc are green when the fault is reset.
3. Turn the STOP/RUN switch on the control panel clockwise to start the grinding head again.

Weights

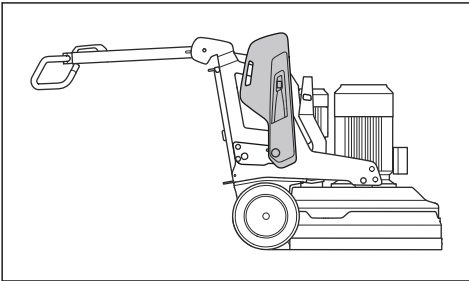
The product has 1 weight on each side of the product. If the product is heavy to operate, adjust the weights to change the pressure on the grinding head. The weights must be adjusted to the same position on the right and the left side. The weights has 3 positions:

- Position 1: Maximum pressure on the grinding head. This position increases the operation effect. This

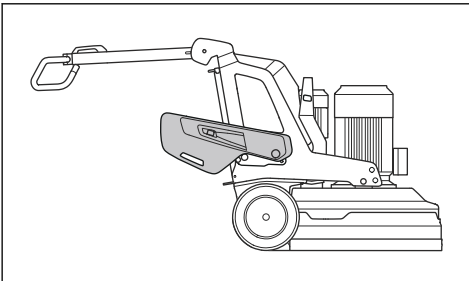
position is also used when you set the product in transport position.



- Position 2: Standard pressure on the grinding head.



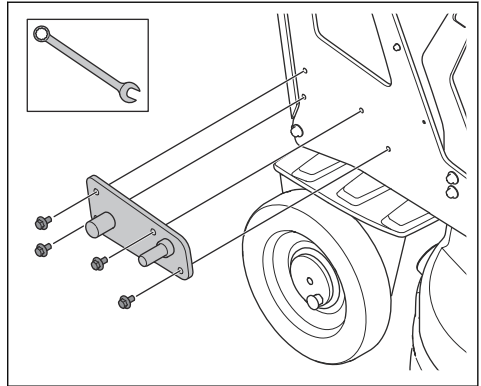
- Position 3: Minimum pressure on the grinding head. This position is also used when you tilt the product to servicing position.



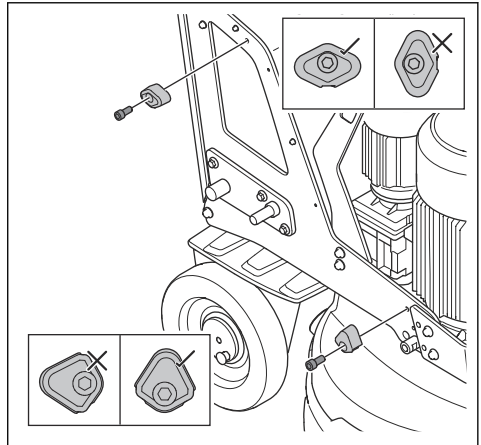
To assemble and disassemble the weights

The product has 1 weight on each side of the product. Do the procedure that follows on each weight.

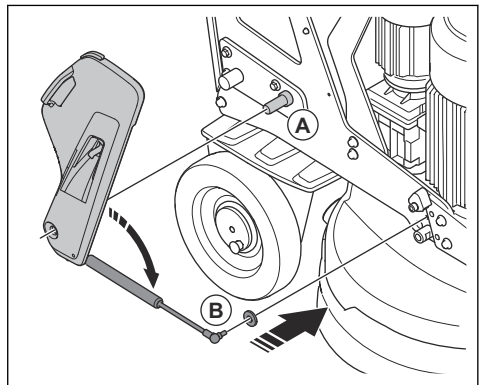
1. Install the weight holder and tighten the 4 screws.



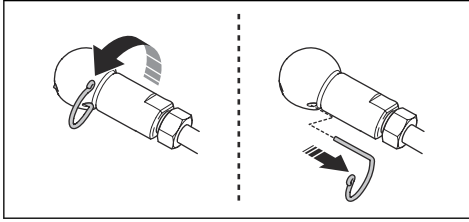
2. Install the 2 weight brackets. Make sure that the weight brackets are installed correctly as shown in the illustration.



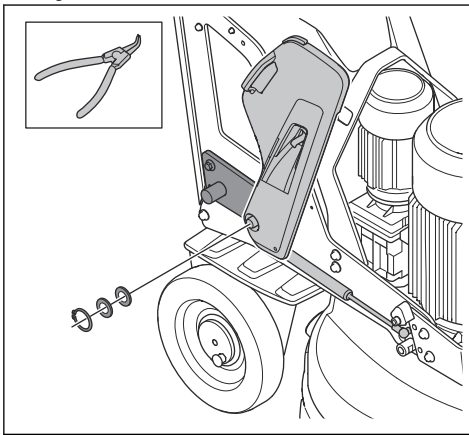
3. Put the weight on the cylinder (A) on the weight holder.



4. Attach the weight gas spring to the product (B).
 - a) Remove the locking spring of the ball joint.



- b) Remove the ball joint from the gas spring.
 - c) Attach the ball joint to the product.
 - d) Attach the gas spring to the ball joint. Lock the gas spring to the ball joint with the locking spring.
5. Lock the weight to the weight holder with the lock ring.



To adjust the weights

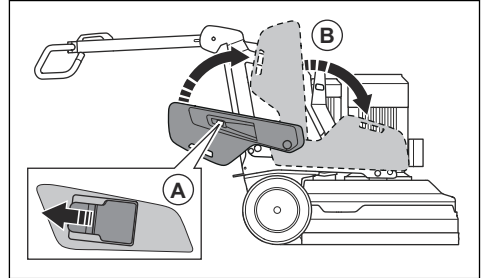


WARNING: Be careful when you adjust the weights. The moving parts can cause injury.



WARNING: Always make sure that the weight lock locks correctly when the weights are put in the selected position.

1. Push in the weight lock (A) and move the weight to a selected position (B) with the weight handle. Refer to *Weights on page 31*.



2. Release the weight lock to lock the weight in the selected position.

Maintenance

Introduction



WARNING: Before you do maintenance, you must read and understand the safety chapter.

For all servicing and repair work on the product, special training is necessary. We guarantee the availability of professional repairs and servicing. If your dealer is not a service agent, speak to them for information about the nearest service agent.

To do before the maintenance

- Use personal protective equipment. Refer to *Personal protective equipment on page 10*.
- Use approved respiratory protection. The dust from the product is dangerous to your health.
- Park the product on a level surface.

- Stop the motor and disconnect the power plug to prevent accidental start during maintenance.
- Clean the area around the product from oil and dirt. Remove unwanted objects.
- Set out clear signs to give a warning to bystanders that maintenance work is in progress.
- Keep fire extinguishers, medical supplies and an emergency phone near.

Maintenance schedule

* = General maintenance done by the operator. The instructions are not given in this operator's manual.

X = The instructions are given in this operator's manual.

O = The instructions are not given in this operator's manual. Let an approved service agent do the maintenance.

Maintenance	Daily	Weekly	Each 6 months	Each 12-36 months
Do a check of the ON/OFF switch on the control panel.	*			
Do a check of the STOP/RUN switch on the remote control.	*			
Do a check of the emergency stop button on the control panel.	X			
Do a check of the emergency stop button on the remote control.	X			
Do a check of the attachment points and the lock function for the handle.		*		
Do a check of the attachment points and the lock function for the weights.		*		
Clean the external surfaces of the product.	X			
Clean the internal components of the product.			O	
Do a general inspection.	X			
Do a check of the grinding discs.	X			
Do a function check of the drive system for the grinding head.		X		
Do the service on the drive system for grinding discs.				O
Do a check of the connection between chassis and grinding head.		*		

To clean the product



CAUTION: A blocked air intake decreases the performance of the product and can cause the motor to become too hot.

- Remove blockage from all air openings. The product must always have sufficiently cool temperature.
- Always disconnect the power plug from the mains outlet before you clean.
- Do not use chemicals to clean the product.
- Do not clean electrical components with water.
- Always clean all the equipment at the end of the work day. Clean the components at the bottom surface of the grinding head with a high-pressure washer.



CAUTION: Do not point the high-pressure washer directly at seals or connection points.

To clean the battery and the battery charger



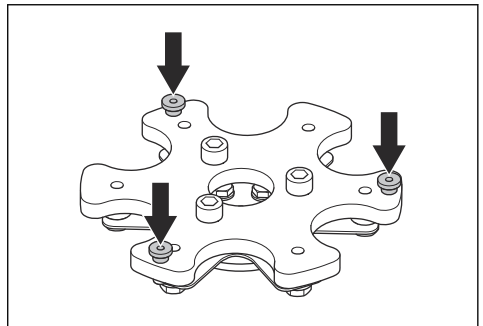
CAUTION: Do not clean the battery or the battery charger with water.

- Make sure that the battery and the battery charger are clean and dry before you connect the battery into the battery charger.

- Clean the battery terminals with compressed air or use a soft and dry cloth.
- Clean the surfaces of the battery and the battery charger with a soft and dry cloth.

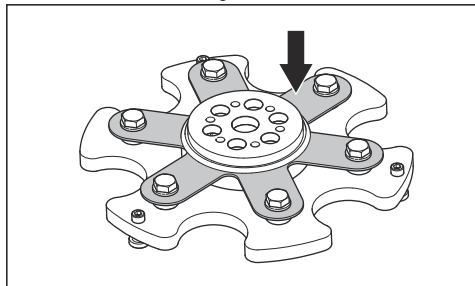
To do a general inspection

- Make sure that the power cord and extension cable are in good condition and not damaged.
- Make sure that nuts and screws are tight.
- Make sure that the head locks are tight. If it is necessary, tighten the head locks and use LOCTITE® 680 threadlocker.



To do a check of the grinding discs

- Examine the spring steel spring for damages and make sure that it is in good condition.



- Replace damaged spring steel springs.

Note: It is not necessary to discard the grinding disc when you replace the spring steel spring.

- Add a second spring steel spring to make the spring steel head less flexible.

Drive system for grinding head

The drive system for the grinding head is a closed system. If you have problems with the drive system of the grinding head, speak to your Husqvarna service agent.

Product battery

The product battery is only used to move the product with the remote control from the transportation vehicle to the work area. The product battery is not used for operation of the product. The product must be connected to a power source during operation.

Before you use the product for the first time, it is necessary to charge the battery.

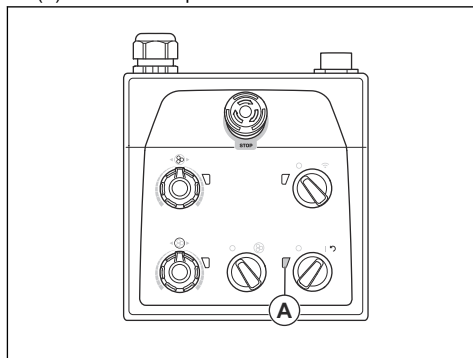
The operation time is approximately 1 hour when the battery is fully charged. The ambient temperature and how frequently the wheel motors are used can decrease the operation time.

To charge the product battery through a 3-phase power source

The product battery charges when the product is connected to a 3-phase power source and is in operation. Charge time for an empty product battery is approximately 3-4 hours.

1. Charge the battery in an ambient temperature between 0 °C/32 °F and 40 °C/104 °F.

2. Connect the product to a 3-phase power source. Refer to *To connect the product to a power source on page 20*. When the battery charges, the indicator for power and state of charge of the product battery (A) on the control panel flashes.

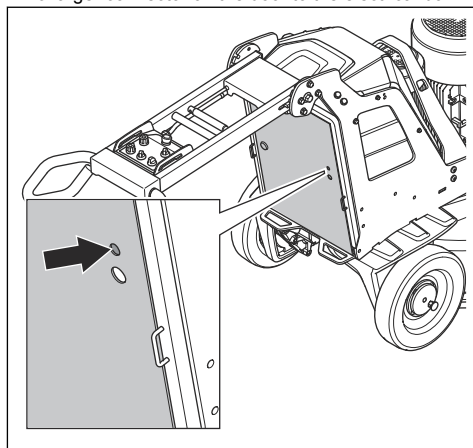


3. When the battery is fully charged, the indicator for power and state of charge of the product battery goes off.

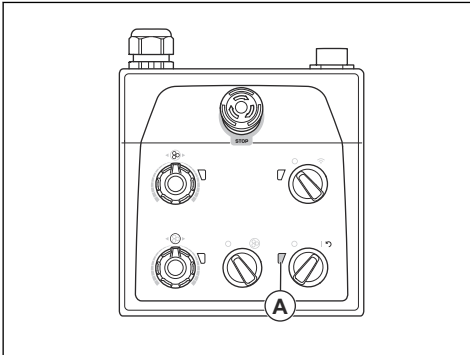
To charge the product battery through a 1-phase connection

Charge time for an empty product battery is approximately 3-4 hours.

1. Charge the battery in an ambient temperature between 0 °C/32 °F and 40 °C/104 °F.
2. Connect the 1-phase charge cable to the battery charger connector on the door to the electrical box.



3. Connect the other end of the 1-phase charge cable to a mains outlet. When the battery charges, the indicator for power and state of charge of the product battery (A) on the control panel flashes.



4. When the battery is fully charged, the indicator for power and state of charge of the product battery goes off.

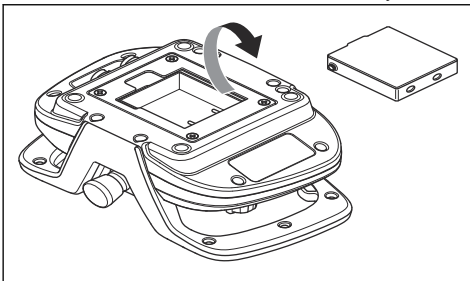
Remote control battery

The operation time is approximately 8-10 hours when the remote control battery is fully charged. If the display is used frequently, the operation time can decrease.

Before you use the remote control for the first time, it is necessary to charge the battery.

To remove and install the remote control battery in the remote control

1. Turn the remote control to get access to the rear side where the battery is.
2. Remove or install the remote control battery.

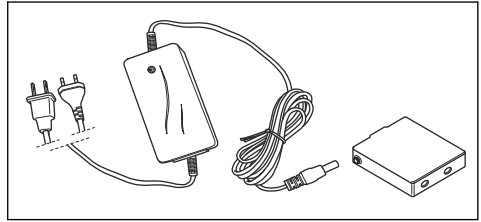


To charge the remote control battery with the battery charger

Charge time for an empty remote control battery is approximately 2-3 hours with the battery charger.

1. Remove the remote control battery from the remote control. Refer to *To remove and install the remote control battery in the remote control on page 36*.
2. Connect the battery charger to a mains outlet.

3. Connect the remote control battery to the battery charger. The indicator on the battery charger is orange when the remote control battery charges.



4. When the remote control battery is fully charged, the indicator becomes green. Remove the remote control battery from the battery charger.
5. Disconnect the battery charger from the mains outlet.

To charge the remote control battery with the CAN bus cable

Charge time with the CAN bus cable is longer than with the battery charger. The remote control can be operated during charge with CAN bus cable.

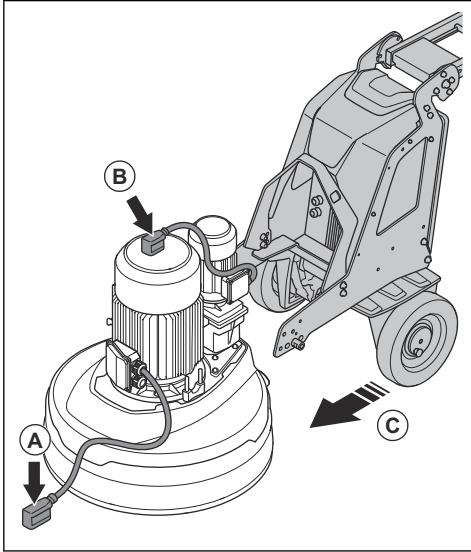
1. Connect the remote control to the product with the CAN bus cable. Refer to *To connect the remote control to the product with a CAN bus cable on page 29*. The product battery indicator in the remote control display comes on when the battery charges. Refer to *Display overview on page 7*.
2. When the battery is fully charged, the product battery indicator goes off.
3. Disconnect the CAN bus cable from the product.
4. Disconnect the CAN bus cable from the remote control.

To install and remove the grinding head

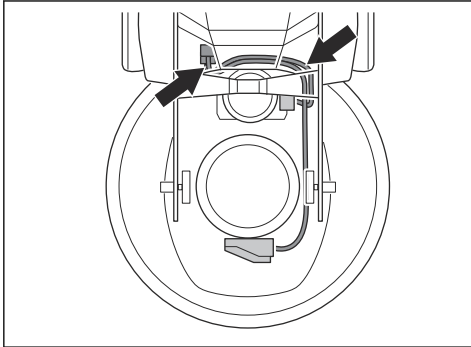


WARNING: The chassis is not balance when the grinding head is removed. Make sure that the chassis can not fall. It can cause injury or damage.

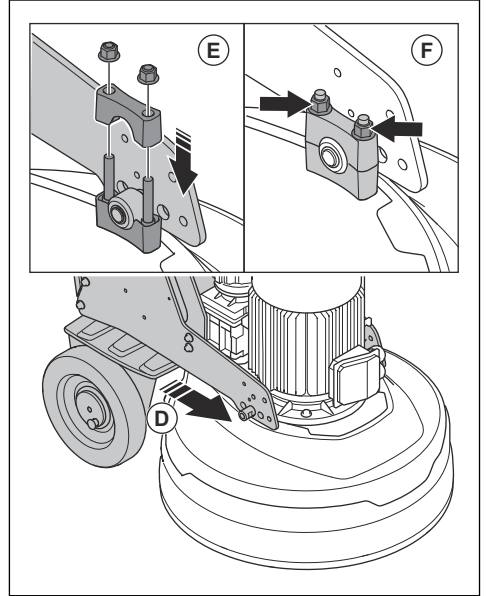
1. Put the front motor cable (A) in front of the grinding head.



2. Put the rear motor cable (B) on top of the motor.
3. Push the chassis near the grinding head (C).
4. Put the motor cables through the slot between the grinding head and the chassis.



5. Push the chassis fully against the grinding head (D). Make sure that the chassis attaches to the bracket on the grinding head.

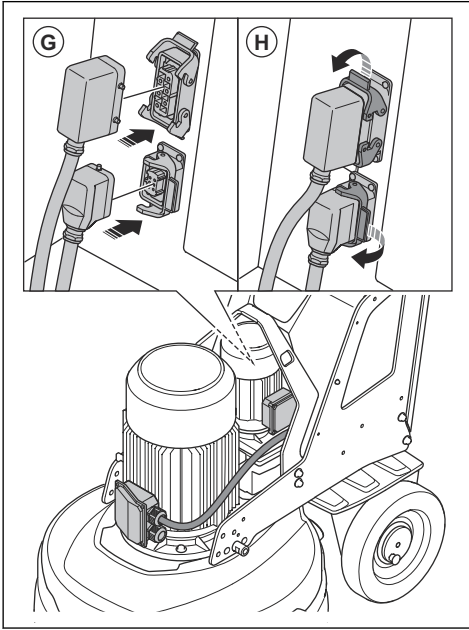


6. Install the second bracket (E) on top of the bracket on the grinding head.
7. Tighten the 2 nuts (F) on each side of the grinding head.

8. Connect the motor cables to the electrical outlets (G) on the electrical enclosure.

9. Lock the motor cables to the electrical outlets (H) on the electrical enclosure.

10. Remove the grinding head in opposite sequence.



Troubleshooting

Problem	Cause	Solution
The product does not start.	The extension cable is disconnected or damaged.	Connect the extension cable or if it is necessary, replace the extension cable.
	An emergency stop button is engaged.	Turn the emergency stop button on the control panel and/or the remote control clockwise to disengage.
	The safety switch is open in the electrical enclosure.	Close the safety switch to complete the circuit.

Problem	Cause	Solution
The product is not easy to hold on to.	Too small number of diamond tools are installed on the product.	Increase the number of diamond tools to decrease load on the product and operator.
	The large grinding drive motor does not operate. This can be caused by fault with motor or fault with wire to the motor.	Make sure that the large grinding drive motor is connected. If the problem stays, speak to an approved service agent.
	The belt is broken.	If the belt is broken, let a service center replace it. Turn one of the grinding discs by hand. If all grinding discs rotate together, the belt is not damaged. If 1 grinding disc rotates freely, then the belt is broken.
	Only 1 phase comes into the product. The product will not receive an error code and will use <1 A motor current. The fan rotates slowly.	Do a check of the power supply.
	The surface or the operation uses too much of the product capacity.	Adjust the speed of the motors and/or the forward speed of the product across the floor.
The product sounds as if it increases the speed too much.	The small grinding drive motor is not connected.	Make sure that the small grinding drive motor is connected.
	The small grinding drive motor does not operate. This can be caused by fault with motor or fault with wire to the motor.	Make sure that the small grinding drive motor is connected. If the problem stays, speak to an approved service agent.
	The surface is too thick or the diamond tool configuration is incorrect.	Push down the handlebar slightly to lift the grinding head from the surface when you start the product.
The product makes an irregular scratch pattern.	The diamond tools are incorrectly attached or attached at different heights on the grinding discs.	Make sure that all diamond tools are installed correctly and have the same height.
	The diamond tools are of mixed types	Make sure that all segments are the same diamond grit and bond. If the diamond segments are rough, space out the rough diamond segments equally. Operate the product on an abrasive surface until all segments have the same height.
	The head locks are loose or missing.	Make sure that all head locks are in position and tightened.
	The resin tools are mixed or have unwanted contamination.	Make sure that all resins are the same diamond grit and bond and that there is no contamination. To clean the resin tools, operate them for a short time on a lightly abrasive surface.
	The grinding discs are worn or damaged.	Examine the grinding discs for broken sections or too much movement.

Problem	Cause	Solution
There are sudden unwanted movements in the product.	The grinding discs are worn or damaged.	Examine the grinding discs for damaged parts and too much movement.
	The diamond tools are incorrectly attached or attached at different heights on the grinding discs.	Make sure that all diamond tools are installed correctly and that all have the same height.
	The head locks are loose or missing.	Make sure that all head locks are in position and tightened.
The internal circuit breaker releases.	Too high a load or not sufficient power supply.	Do a check of the power supply.
		Decrease the grinding pressure, increase the number of diamond tools or increase the bond hardness.
The display goes to one of the main menus while the product operates.	Interference in radio communication between the remote control and the product.	Change the radio channel.
There is no Bluetooth® Low Energy (BLE) connection to the product.	There is no power supply.	Connect the product to a power source.
	Battery pack for the BLE module is in OFF position.	Make sure that the battery pack switch is in ON position.
	The battery for the BLE module is drained.	Speak to an approved service agent.
	The antenna or antenna connection is damaged.	Speak to an approved service agent.

Error and warning messages on the remote control

When the product stops and the display shows an error message and an error code, a fault has occurred. If the messages apply to traction motors or battery, the product can only be operated manually. Then speak to an approved service agent. To continue to operate the product, the fault must be corrected. When the fault is

corrected, make sure that the STOP/RUN switch on the remote control is set to STOP.

When the warning symbol in the remote control comes on and the warning lamp on the product flashes quickly, a fault has occurred. To see the fault, select the SERVICE menu in the menu system for the remote control. Then select ERROR LOG to see the fault and possible solution.

Error or warning code	Message in the display	Cause
0x010201	"Machine battery error, contact service!"	The battery does not operate.
0x010202		Battery charge short circuit.
0x010228		The battery charge time is out.
0x01020B	"Low battery level!"	The battery level is low.
0x010240	"Machine battery error, contact service!"	Battery connected incorrectly.
0x010115	"Traction overload, check that machine is not blocked!"	There is an overload in the traction motors.
0x010140	"Traction motor error, contact service if error persists!"	The hall effect sensors of the traction motor signals incorrect value
0x010141	"Spring pin(s) not inserted in drive wheel(s)."	The locking pins are not engaged.
0x010540	"Radio error, contact service if error persists!"	No connection with the product.

Error or warning code	Message in the display	Cause	
0x01070D	"Temperature measurement not working, contact service!"	The product temperature can not be given. Battery charge is not enabled.	
0x01070F	"Temperature in machine is too high!"	Product temperature is high, product is stopped.	
0x01070E	"Temperature in machine is too low!"	Product temperature is low, product is stopped.	
0x010740	"Internal error, contact service!"	No connection between variable frequency drives and the grinding control unit.	
0x010300		General error.	
0x010301	"Grinding disc driver error, contact service if error persists!"	Internal error in the variable frequency drive.	
0x010301 - 0x010376			
0x010302	"Input voltage is too low!"		
0x010307	"Temperature in machine is too high!"		
0x01030F			
0x010317	"Motor overload, contact service if problem persists!"		
0x010318			
0x010319	"Grinding disc driver error, contact service if error persists!"		
0x01034A			
0x01034B	"Temperature in machine is too high!"		
0x01034C			
0x01035D	"Motor overload, contact service if problem persists!"		
0x010400			General error.
0x010401 - 0x010474	"Planetary head driver error, contact service if error persists!"		Internal error in the variable frequency drive.
0x010402	"Input voltage is too low!"		
0x01040F	"Temperature in machine is too high!"		
0x010407			
0x01044B			
0x020228	"Remote control battery needs to be replaced!"	The battery charge time is out.	
0x020424	"Machine or remote control needs software update, contact service!"	No connection between the remote control and the product.	
0x020441	"The clock has stopped, please correct it if necessary."	The remote control clock does not show the correct time.	

Transportation, storage and disposal

Transportation



WARNING: Be careful during transportation. The product is heavy and can cause injury or damage if it falls or moves during transportation.

The wheels let you move the product shorter distances. For longer distances, lift the product to move it or put the product on a vehicle.

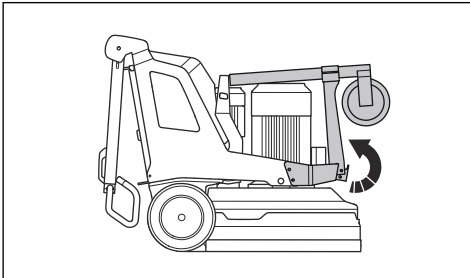


CAUTION: Do not tow the product behind a vehicle.

- Be very careful when you move the product manually or on surfaces with a slope. Small slopes can result in a fast movement that is not possible to brake by hand.
- Safely the product during transportation. Make sure that it cannot move.
- Put some type of protection on the product during transportation. The protection keeps natural elements such as rain and snow away from the product.
- Always use the lifting eye on the product when you lift the product.
- Do not lift the product by the handlebar, motor, chassis or other parts.
- Transportation is best done on a pallet.
- Always lift the product with a lift or forklift.
- Do not use a forklift if the product is not put on a pallet or carriage. This can cause damage to the grinding discs and other internal components.
- During transportation, the grinding head must be on the ground. To prevent damage to the lock mechanism of the tool plates, keep the tool plates installed.

To set the product in transport position

- Lift the support wheel. Refer to *To set the support wheel in position for short distance transportation on page 43*.



- Fold down the handle. Refer to *To adjust the handle and the handlebar on page 19*.
- If the weights are attached to the product, adjust the weights to forward position. Refer to *To adjust the weights on page 33*.
- Make sure that the grinding head touches the surface.

Support wheel

The support wheel lifts the grinding head a small distance from the ground to make short distance transportation easier.

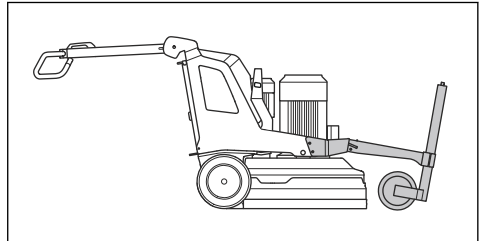


CAUTION: Use the support wheel only to move the product short distances. The support wheel must only be used in the work area or on and off a transportation vehicle.

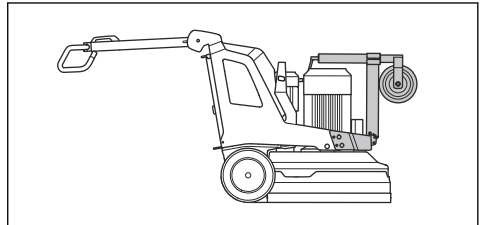


WARNING: Be careful when you install, remove or adjust the support wheel. The moving parts can cause injury.

- Support wheel position for transportation short distances. Refer to *To set the support wheel in position for short distance transportation on page 43*.

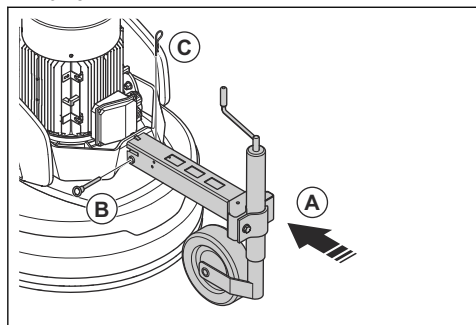


- Support wheel position for operation and long distance transportation of the product. Refer to *To set the support wheel in operation position on page 43*.



To set the support wheel in position for short distance transportation

1. Put the support wheel frame (A) against the product frame.

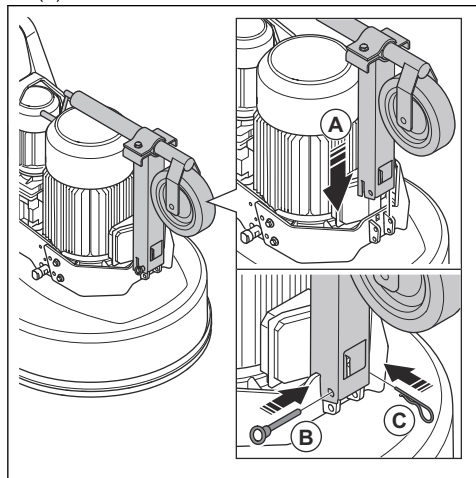


- a) If it is necessary, loosen the screw at the front of the support wheel frame to loosen the wheel. This makes it possible to put the support wheel frame at the correct angle against the product frame.
2. Push the support wheel pin (B) into the support wheel and lock the support wheel pin with the cotter pin (C).
 3. Remove the support wheel in the opposite sequence.

To set the support wheel in operation position

The operation position is also used for long distance transportation.

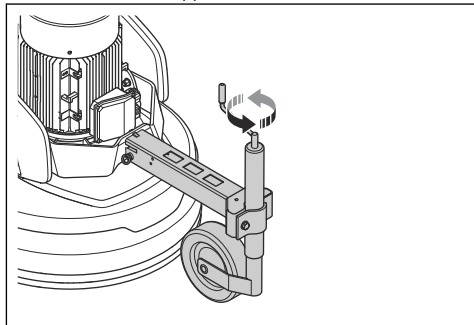
1. Put the support wheel to vertical position.
2. Lower the support wheel against the product frame (A).



3. Push the support wheel pin (B) into the support wheel and lock the support wheel pin with the cotter pin (C).
4. Remove the support wheel in the opposite sequence.

To adjust the height of the support wheel

1. Set the support wheel in position for short transportation distances. Refer to *To set the support wheel in position for short distance transportation on page 43*.
2. Turn the handle at the front of the support wheel to lift or lower the support wheel.



To move the product with the support wheel

1. Set the support wheel in position for transportation short distances. Refer to *To set the support wheel in position for short distance transportation on page 43*.
2. Lower the support wheel to lift the grinding head from the ground. Refer to *To adjust the height of the support wheel on page 43*.
3. Move the product manually or with the remote control.

To move the product up and down a ramp



WARNING: Be very careful when you move the product up and down ramps with the motor on. The product is heavy and there is a risk of injury if the product falls or moves too quickly.



WARNING: For ramps with a steep slope, always use a winch. Do not walk or stay below the product. Do not stay in the product risk area. Refer to *Work area safety on page 11*.



WARNING: Do not move the product up and down a ramp when the remote control battery has a low state of charge. The product can suddenly get power failure.



WARNING: Do not move the product on steep slopes. Look at the rating plate on the product for information about the maximum slope angle.

- To move the product down a ramp, operate the product rearward slowly.
- To move the product up a ramp, operate the product forward slowly.
- Do not turn the product more than 45° on a ramp.

To lift the product



WARNING: Make sure that the lifting equipment has the correct specification to lift the product safely. The rating plate on the product shows the product weight.

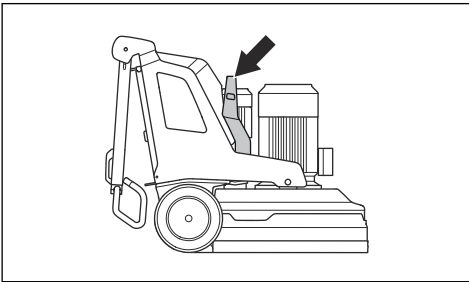


WARNING: Do not walk or stay below or near a lifted product. Keep bystanders away from the risk area. Refer to *Work area safety on page 11*.



WARNING: Do not lift a damaged product. Make sure that the lifting eye is correctly installed and not damaged.

1. Set the product in transport position. Refer to *To set the product in transport position on page 42*.
2. Attach the lifting equipment at the lifting eye.



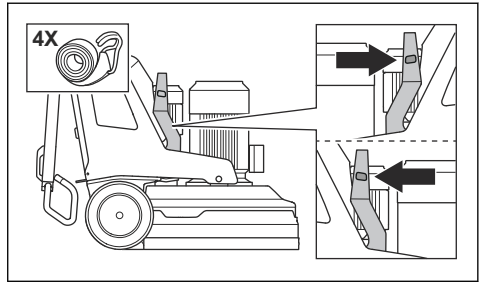
To attach the product to a transportation vehicle



CAUTION: Do not use the support wheel to attach the product. The support wheel is not sufficiently stable and can be damaged.

The product has holes that are used with tie-down straps to attach the product to the transportation vehicle.

1. Attach the tie-down straps in the holes.



2. Attach and tighten the tie-down straps to the vehicle.

Storage



CAUTION: Do not put the product in storage outdoors. Always keep the product indoors.

- Keep the product in a dry and frost free area.
- Clean the product and do a complete servicing before you put the product in storage.
- Lift the support wheel. The grinding head must be on the ground.
- Keep the product in a locked area to prevent access for children or persons that are not approved.
- Keep the battery charger in a dry and frost free area.
- Remove the remote control battery from the remote control when the product is in storage for more than 6 months.
- Charge the product battery each 6 months when the product is in long-term storage.

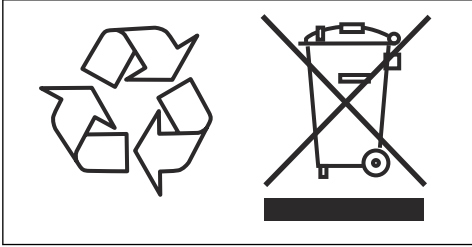
Disposal

Symbols on the product or the packaging of the product indicate that this product cannot be handled as domestic waste. It must be submitted to an appropriate recycling station for the recovery of electrical and electronic equipment.

Make sure to disconnect the product from the supply mains and remove the batteries from the remote control before submitting to an appropriate recycling station. Make sure to inform the recycling station that the product contains a lithium ion battery inside. Submit the batteries to an appropriate recycling station.

By ensuring that this product is taken care of correctly, you can help to counteract the potential negative impact on the environment and people that can otherwise result through the incorrect waste management of this product. For more detailed information about recycling this product, contact your municipality, your domestic waste

service or the shop from where you purchased the product.



Technical data

Technical data

	PG 690 3x200-240 V	PG 690 3x440-480 V	PG 690 RC 3x200-240 V	PG 690 RC 3x440-480 V
Motor power, kW/hp	12.5/17	12.5/17	12.5/17	12.5/17
Rated current, A	50	30	50	30
Rated voltage, V	200-240	440-480	200-240	440-480
Phases	3-phase	3-phase	3-phase	3-phase
Frequency, Hz	50-60	50-60	50-60	50-60
Weight, kg/lbs	502/1107	502/1107	598/1318	598/1318
Grinding width, mm/in.	630/24.8	630/24.8	630/24.8	630/24.8
Grinding disc, mm/in.	3x270/10.5	3x270/10.5	3x270/10.5	3x270/10.5
Grinding pressure, kg/lbs	228/503	228/503	242/534	242/534
Grinding pressure with support wheel, kg/lbs	265/584	265/584	279/615	279/615
Weight in position 1 (forward), kg/lbs	292/644	292/644	307/677	307/677
Weight in position 1 (forward) with support wheel, kg/lbs	329/725	329/725	343/756	343/756
Weight in position 2 (vertical), kg/lbs	227/500	227/500	237/522	237/522
Weight in position 2 (vertical) with support wheel, kg/lbs	264/582	264/582	273/602	273/602
Weight in position 3 (rearward), kg/lbs	185/408	185/408	198/437	198/437
Weight in position 3 (rearward) with support wheel, kg/lbs	221/487	221/487	235/518	235/518
Grinding disc speed, rpm	441-1470	441-1470	441-1470	441-1470
Grinding head speed, rpm	10-57	10-57	10-57	10-57
Direction of rotation	Independent direction of rotation CW/CCW for grinding discs and grinding head.			
Max. gradient, degrees °	10	10	10	10
Enclosure, IP	54	54	54	54
Type of battery	Li-ion			

	PG 690 3x200-240 V	PG 690 3x440-480 V	PG 690 RC 3x200-240 V	PG 690 RC 3x440-480 V
Recommended dust extractor¹				
Dust extractor attachment, mm/in.	76/3	76/3	76/3	76/3
Min. Air flow, m ³ /h /CFM	600/353	600/353	600/353	600/353
Min. Vacuum, kPa/psi	28/4.1	28/4.1	28/4.1	28/4.1
Bluetooth® Low Energy technology radio spectrum²				
Frequency bands for the tool, GHz	2.402-2.480	2.402-2.480	2.402-2.480	2.402-2.480
Maximum radio frequency power transmitted, dBm/mW	4/2.5	4/2.5	4/2.5	4/2.5

	PG 830 3x220-240 V	PG 830 3x440-480 V	PG 830 RC 3x220-240 V	PG 830 RC 3x440-480 V
Motor power, kW/hp	12.5/17	16.5/22	12.5/17	16.5/22
Rated current, A	50	30	50	30
Rated voltage, V	220-240	440-480	220-240	440-480
Phases	3-phase	3-phase	3-phase	3-phase
Frequency, Hz	50-60	50-60	50-60	50-60
Weight, kg/lbs	556/1226	556/1226	652/1437	652/1437
Grinding width, mm/in.	800/31.5	800/31.5	800/31.5	800/31.5
Grinding disc, mm/in.	3x270/10.5	3x270/10.5	3x270/10.5	3x270/10.5
Grinding pressure, kg/lbs	288/635	288/635	302/666	302/666
Grinding pressure with support wheel, kg/lbs	325/717	325/717	339/747	339/747
Weight in position 1 (forward), kg/lbs	348/767	348/767	362/798	362/798
Weight in position 1 (forward) with support wheel, kg/lbs	385/849	385/849	399/880	399/880
Weight in position 2 (vertical), kg/lbs	299/659	299/659	313/690	313/690
Weight in position 2 (vertical) with support wheel, kg/lbs	336/741	336/741	350/772	350/772

¹ Technical data for dust extractors are not conclusively describing actual performance over time between different dust extractors. For Husqvarna products OSHA objective data are available at www.husqvarnacp.com/us.

² This part is applicable only for product supplied with embedded connectivity.

	PG 830 3x220-240 V	PG 830 3x440-480 V	PG 830 RC 3x220-240 V	PG 830 RC 3x440-480 V
Weight in position 3 (rearward), kg/lbs	245/540	245/540	259/571	259/571
Weight in position 3 (rearward) with support wheel, kg/lbs	282/622	282/622	296/653	296/653
Grinding disc speed, rpm	421-1403	421-1403	421-1403	421-1403
Grinding head speed, rpm	9-47	9-47	9-47	9-47
Direction of rotation	Independent direction of rotation CW/CCW for grinding discs and grinding head.			
Max. gradient, degrees °	10	10	10	10
Enclosure, IP	54	54	54	54
Type of battery	Li-ion			
Recommended dust extractor³				
Dust extractor attachment, mm/in.	76/3	76/3	75/3	76/3
Min. Air flow, m ³ /h /CFM	815/480	815/480	815/480	815/480
Min. Vacuum, kPa/psi	30/4.4	30/4.4	30/4.4	30/4.4
Bluetooth® Low Energy technology radio spectrum⁴				
Frequency bands for the tool, GHz	2.402-2.480	2.402-2.480	2.402-2.480	2.402-2.480
Maximum radio frequency power transmitted, dBm/mW	4/2.5	4/2.5	4/2.5	4/2.5

Radio frequency data

	PG 690 RC	PG 830 RC
Maximum radio frequency power transmitted, dBm	Less than 10	Less than 10

Sound levels

	PG 690	PG 690 RC	PG 830	PG 830 RC
Noise emissions⁵				

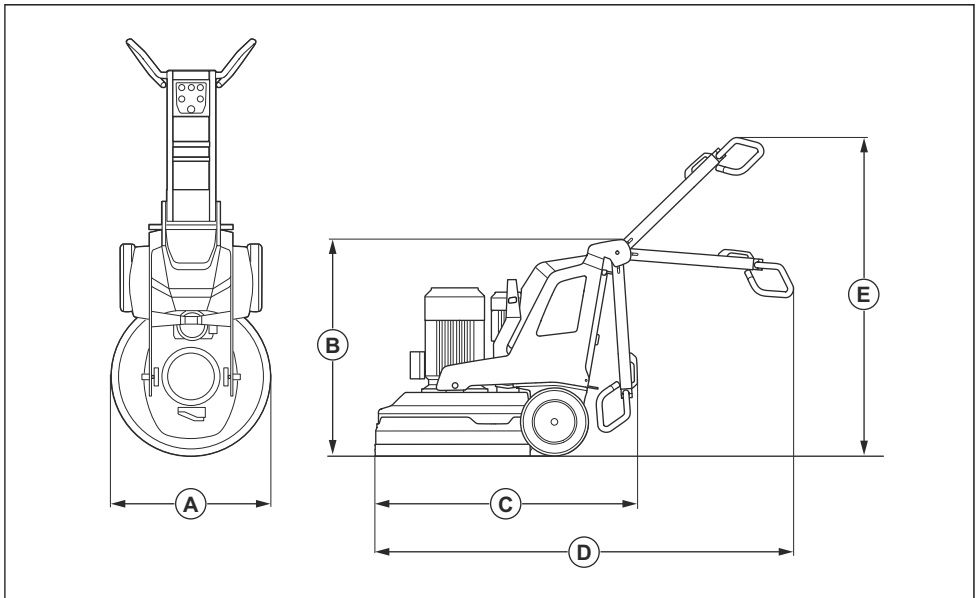
³ Technical data for dust extractors are not conclusively describing actual performance over time between different dust extractors. For Husqvarna products OSHA objective data are available at www.husqvarnacp.com/us.

⁴ This part is applicable only for product supplied with embedded connectivity.

⁵ Noise emission in the environment measured as sound power according to EN 60335-2-72. Expected measurement uncertainty 2,5 dB(A).

	PG 690	PG 690 RC	PG 830	PG 830 RC
Sound power level, measured L_W (dB(A))	93.7	93.7	95.4	95.4
Sound levels⁶				
Sound pressure level at the operators ear, L_p (dB(A))	77.9	77.9	78.7	78.7
Vibration levels⁷				
Handle right, m/s^2	2.2	2.2	1.7	1.7
Handle left, m/s^2	2.1	2.1	1.5	1.5

Product dimensions



		PG 690	PG 690 RC	PG 830	PG 830 RC
A	Width, mm/in.	670/26.4	670/26.4	830/32.7	830/32.7
B	Min. total height (handle folded), mm/in.	1150/45.3	1155/45.5	1145/45.1	1155/45.5

⁶ Sound pressure level according to EN 60335-2-72. Expected measurement uncertainty 4 dB(A).

⁷ Vibration level according to EN 60335-1 and EN 60335-2-72. Reported data for vibration level has a typical statistical dispersion (standard deviation) of $1 m/s^2$. The vibration values are valid for manual operation.

		PG 690	PG 690 RC	PG 830	PG 830 RC
C	Min. total length (handle folded), mm/in.	1300/51.2	1320/52	1550/61	1410/55.5
D	Max. total length (handle extended), mm/in.	2065/81.3	2077/81.8	2215/87.2	2165/85.2
E	Max. total height (handle extended), mm/in.	1755/69.1	1715/67.5	1700/66.9	1715/67.5

Federal Communication Commission Interference Statement

Federal Communication Commission Interference Statement

For USA

This device complies with Part 15 of the FCC Rules. Operation is subject to the following two conditions: (1) This device may not cause harmful interference; and (2) This device must accept any interference received, including interference that may cause undesired operation.

Federal Communication Commission Interference Statement

For Canada

This device complies with Industry Canada's licence-exempt RSSs. Operation is subject to the following two conditions:

- This device may not cause interference; and
- This device must accept any interference, including interference that may cause undesired operation of the device.

Supplier's declaration of Conformity

Supplier's Declaration of Conformity for PG 690, PG 690 RC, PG 830, PG 830 RC

47 CFR § 2.1077 Compliance Information

Responsible Party: Husqvarna Construction Products
North America, Inc. 17400 W 119th Street Olathe,
Kansas 66061 USA U.S.

U.S. Contact Information: Neil Stanford, Compliance
Manager, Telephone number: 913-928-1000

FCC Compliance Statement: Changes or modifications
not expressly approved by Husqvarna can void the
equipment's compliance with FCC regulations, and limit
the user's authority to operate the equipment.

Note: This equipment has been tested and found to
comply with the limits for a Class B digital device,
pursuant to part 15 of the FCC Rules. These limits are
designed to provide reasonable protection against
harmful interference in a residential installation. This
equipment generates, uses and can radiate radio
frequency energy and, if not installed and used in
accordance with the instructions, may cause harmful
interference to radio communications. However, there is
no guarantee that interference will not occur in a
particular installation. If this equipment does cause
harmful interference to radio or television reception,
which can be determined by turning the equipment off
and on, the user is encouraged to try to correct the
interference by one or more of the following measures:

- Reorient or relocate the receiving antenna.
 - Increase the separation between the equipment and receiver.
 - Connect the equipment into an outlet on a circuit different from that to which the receiver is connected.
 - Consult the dealer or an experienced radio/TV technician for help.
-

Contenido

Introducción.....	53	Transporte, almacenamiento y eliminación de residuos.....	94
Seguridad.....	60	Datos técnicos.....	99
Funcionamiento.....	67	Declaración sobre interferencias de la Comisión Federal de Comunicaciones.....	104
Mantenimiento.....	86	Declaración de conformidad del proveedor.....	105
Solución de problemas.....	91		

Introducción

Responsabilidad del propietario



ADVERTENCIA: El procesamiento de hormigón y piedra mediante métodos como corte, amolado o perforación, especialmente en operaciones en seco, genera polvo que proviene del material procesado y a menudo contiene sílice. La sílice es un componente básico de la arena, el cuarzo, la arcilla de los ladrillos, el granito y otros numerosos minerales y rocas. La exposición a una cantidad excesiva de ese polvo puede causar:

Producto de la exposición a la sílice se pueden ocasionar enfermedades respiratorias (que afectan la capacidad de respirar) como la bronquitis crónica, la silicosis y la fibrosis pulmonar. Estas enfermedades pueden ser mortales.

Irritación cutánea y sarpullido.

Cáncer, según el NTP* y la IARC* */National Toxicology Program (Programa Nacional de Toxicología) y Centro Internacional de Investigaciones sobre el Cáncer.

Tome medidas preventivas:

Evite inhalar y que su piel entre en contacto con el polvo, el vaho y los gases.

Utilice artículos apropiados para la protección respiratoria como máscaras contra polvo diseñadas para filtrar partículas microscópicas, y asegúrese de que todas las personas que se encuentren cerca también lo hagan. (Consulte la normativa OSHA 29 CFR Parte 1926.1153)

Para reducir al mínimo las emisiones de polvo, utilice agua para aglomerar el polvo

cuando sea posible. Si es necesario realizar una operación en seco, utilice un extractor de polvo adecuado.

Es responsabilidad del propietario o empleador que el usuario tenga los conocimientos necesarios sobre cómo utilizar el producto de forma segura. Los supervisores y usuarios deben haber leído y comprendido el manual de usuario. Deben tener conocimiento de lo siguiente:

- Las instrucciones de seguridad del producto.
- La gama de aplicaciones y limitaciones del producto.
- Cómo el producto se va a utilizar y mantener.

El uso de este producto podría estar restringido por normas nacionales o locales. Infórmese sobre qué normas se aplican en el lugar donde trabaja antes de comenzar a utilizar el producto.

Descripción del producto

El producto es una amoladora eléctrica para superficies de diferentes grados de dureza.

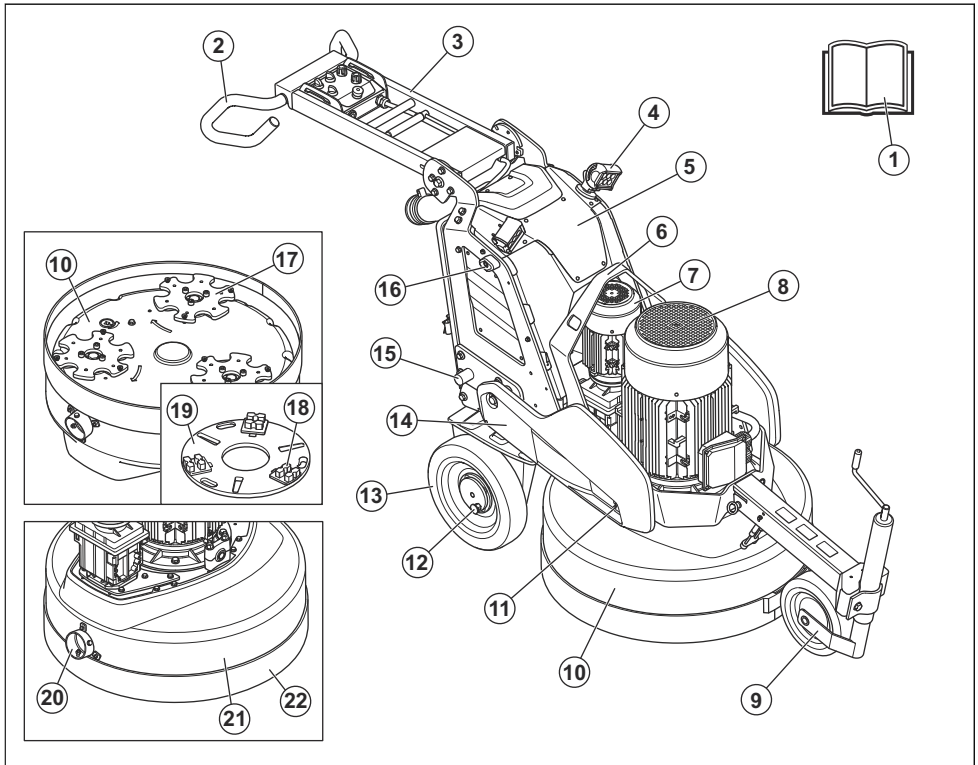
Los modelos PG 690 RC, PG 830 RC se pueden operar con un control remoto.

Uso previsto

El producto se utiliza para amolar superficies de materiales con distinta dureza, como piedra natural, terrazo y hormigón. También utilice el producto para amolar materiales de cubierta como epoxi y pegamento. El acabado de la superficie puede ser áspero o liso. El producto se puede utilizar para amolar en seco y húmedo. No utilice el producto para otras tareas.

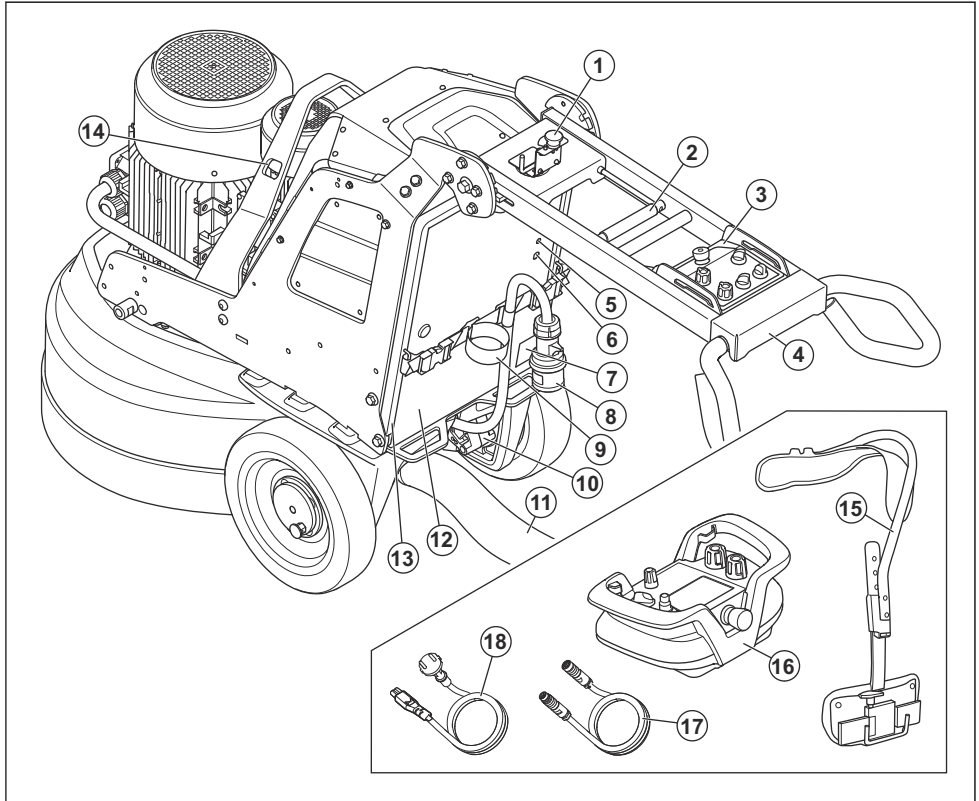
Los operadores profesionales utilizan el producto en operaciones comerciales.

Descripción general del producto, lado derecho



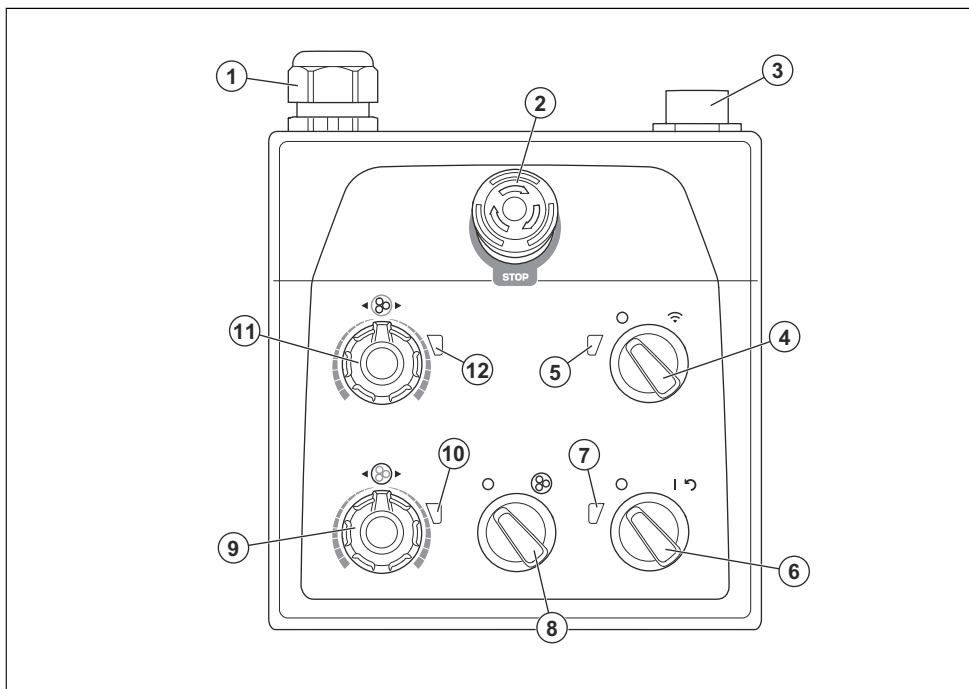
1. Manual del usuario
2. Manillar
3. Manilla
4. Faros (accesorio)
5. Carcasa electrónica
6. Cáncamo
7. Motor de cabezal de amolado
8. Motor de disco de amolado
9. Rueda de soporte
10. Cabezal de amolado
11. Traba de peso
12. Pasador de bloqueo para la rueda
13. Rueda
14. Pesos (accesorio)
15. Soporte de peso
16. Soporte de peso
17. Disco de amolado
18. Herramienta de diamante (accesorio)
19. Disco de amolar
20. Conexión para extractores de polvo
21. Cubierta
22. Falda de protección contra el polvo

Descripción general del producto, lado izquierdo



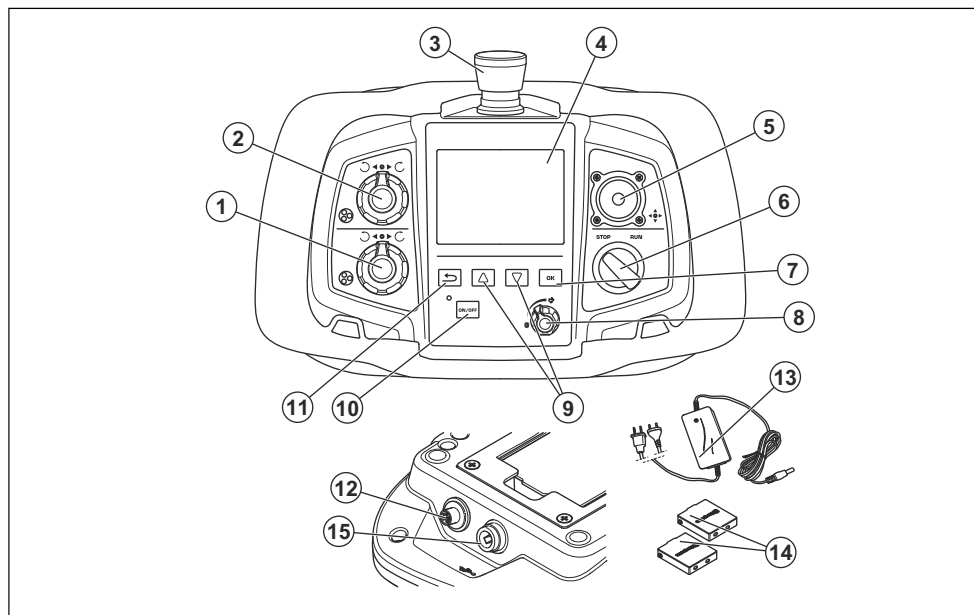
- | | |
|---|--|
| 1. PG 690 RC, PG 830 RC: Soporte para el control remoto | 10. Motor de rueda |
| 2. Palanca de bloqueo para ajustar el mango | 11. Conexión para extractores de polvo |
| 3. Panel de control | 12. Puerta a la caja eléctrica |
| 4. Tornillos de ajuste del manillar | 13. Bastidor de soporte |
| 5. Conector del cargador de batería | 14. Orificios para las correas |
| 6. PG 690 RC, PG 830 RC: Conector para el cable de bus CAN | 15. PG 690 RC, PG 830 RC: Arnés del control remoto |
| 7. Placa de características | 16. PG 690 RC, PG 830 RC: Control remoto |
| 8. Cable de alimentación | 17. Cable de carga monofásico |
| 9. Dispositivo de suspensión para la manguera del extractor de polvo y el cable de alimentación | 18. PG 690 RC, PG 830 RC: Cable de bus CAN |

Descripción general del panel de control



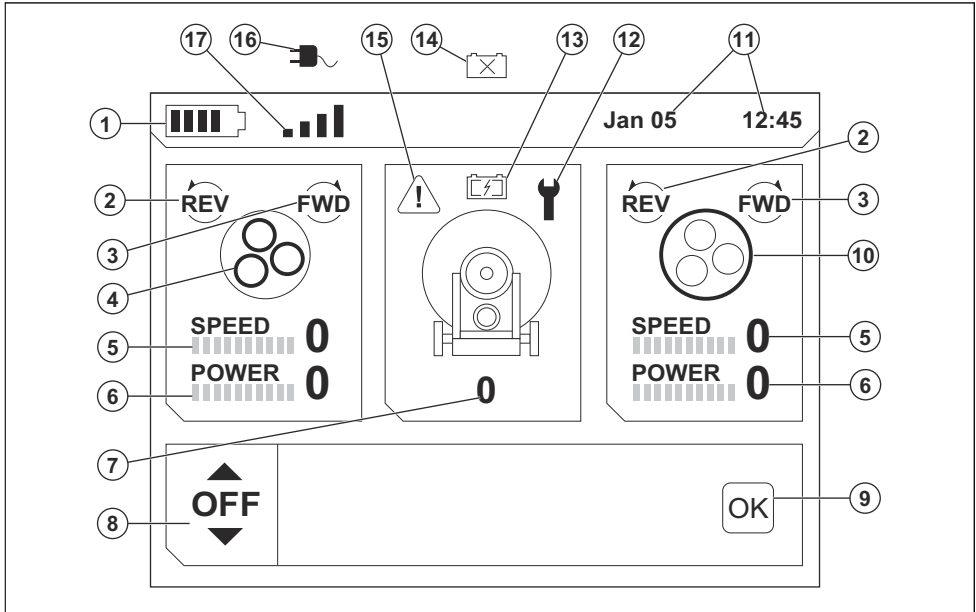
1. Conexión de cables
2. Botón de parada de emergencia
3. Cargador USB
4. PG 690 RC, PG 830 RC: Interruptor para la selección del funcionamiento del control remoto o el funcionamiento manual
5. PG 690 RC, PG 830 RC: Indicador para modo de control remoto
6. Interruptor encender/apagar
7. Indicador de energía y estado de carga de la batería del producto
8. Interruptor de PARADA/MARCHA
9. Perilla para sentido de rotación y velocidad, disco de amolado
10. Indicador para disco de amolado
11. Perilla para sentido de rotación y velocidad, cabezal de amolado
12. Indicador de cabezal de amolado

Descripción general del control remoto (PG 690 RC, PG 830 RC)



1. Perilla para sentido de rotación y velocidad, disco de amolado
2. Perilla para sentido de rotación y velocidad, cabezal de amolado
3. Botón de parada de emergencia
4. Pantalla
5. Palanca
6. Interruptor de PARADA/MARCHA, cabezal de amolado
7. Botón ACEPTAR
8. Perilla de límite de velocidad
9. Teclas de flecha para desplazarse por los menús
10. Botón de ENCENDIDO/APAGADO
11. Botón para regresar dentro de la estructura del menú
12. Conector para el cable de bus CAN
13. Cargador de batería para la batería del control remoto
14. Batería del control remoto
15. Puerto cargador para el cargador de batería

Descripción general de la pantalla



1. Nivel de batería del control remoto
2. Sentido de rotación hacia la izquierda en el motor de amolado relacionado
3. Sentido de rotación hacia la derecha en el motor de amolado relacionado
4. Discos de amolado
5. Indicación de velocidad en el motor de amolado relacionado
6. Indicación de carga en el motor de amolado relacionado
7. Indicación de velocidad del producto
8. Menú de funciones
9. Botón ACEPTAR
10. Cabezal de amolado
11. Hora y fecha
12. Indicación de mantenimiento
13. Indicación de la batería del producto: la batería se está cargando
14. Indicación de la batería del producto: falta la batería o está dañada
15. Indicador de advertencia. Consulte *Mensajes de error y advertencia en el control remoto en la página 93*.
16. El control remoto funciona con un cable de bus CAN conectado
17. El control remoto funciona mediante la comunicación por radio sin un cable de bus CAN conectado

Símbolos en la máquina



ADVERTENCIA: Este producto puede ser peligroso y provocar daños graves o fatales al operador o a otras personas. Tenga cuidado y utilice el producto correctamente.



Lea atentamente el manual y asegúrese de que entiende las instrucciones antes de usar el producto.



Utilice protectores auriculares, protección ocular y protección respiratoria. Consulte *Equipo de protección personal en la página 61*.



El polvo puede provocar problemas de salud. Utilice una protección respiratoria aprobada. Asegúrese de que haya buena ventilación.



Levante siempre el producto por el cáncamo.



Utilice los orificios para las correas de sujeción con el fin de fijar el producto a un vehículo de transporte.



Doble aislamiento, batería y cargador de batería.



Utilice y almacene el cargador de batería solamente en interiores.



El producto no es un desecho doméstico. Reciclelo en un sitio de reciclaje aprobado para equipos eléctricos y electrónicos.

Tenga en cuenta: Otros símbolos o etiquetas en el producto hacen referencia a requisitos de certificación especiales para algunos mercados.

Símbolos en el panel de control y en el control remoto



Parada de emergencia.



Funcionamiento del control remoto activado.



Producto encendido y reinicio del producto.



Cabezal de amolado encendido.



Velocidad y sentido de rotación, cabezal de amolado.

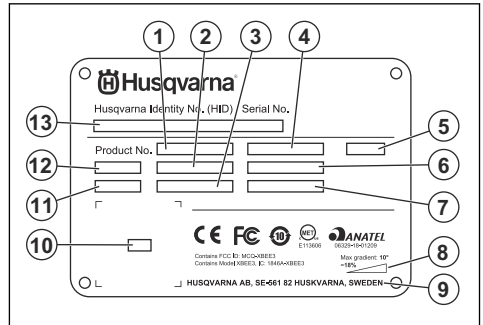


Velocidad y sentido de rotación, disco de amolado.



Régimen máximo.

Placa de características



- Número de la máquina
- Peso del producto
- Potencia nominal
- Voltaje nominal
- Carcasa
- Corriente nominal
- Frecuencia
- Ángulo máximo de pendiente
- Fabricante
- Código escaneable
- Año de fabricación
- Modelo
- Número de serie

Responsabilidad del fabricante

Como se menciona en las leyes de responsabilidad del fabricante, no nos hacemos responsables de los daños que cause nuestro producto si:

- el producto se repara incorrectamente
- el producto se repara con piezas que no son del fabricante o que este no autoriza
- el producto tiene un accesorio que no es del fabricante o que este no autoriza
- el producto no se repara en un centro de servicio autorizado o por una autoridad aprobada.

Husqvarna Fleet Services™

Husqvarna Fleet Services™ es una solución en la nube que ofrece al operador una descripción general de todos los productos que están conectados. Este producto tiene un sensor Husqvarna Fleet Services™ de baja energía (BLE) Bluetooth®. El sensor Husqvarna Fleet Services™ recopila datos del producto y le permite conectarse al sistema Husqvarna Fleet Services™. El sistema Husqvarna Fleet Services™ informa datos como el tiempo de funcionamiento, los intervalos de mantenimiento y la ubicación del producto. La tecnología de BLE funciona entre 2,400 y 2,4835 GHz.

Para obtener más información acerca de Husqvarna Fleet Services™, descargue la aplicación Husqvarna

Fleet Services™ o hable con su representante de Husqvarna.

Módulo de baja energía (BLE) Bluetooth®

En los mercados aprobados, el producto tiene un módulo de BLE que está conectado con el sistema Husqvarna Fleet Services™. El módulo de BLE recopila y transmite los datos del producto que se utilizan en el sistema Husqvarna Fleet Services™. Datos como el tiempo de funcionamiento, los intervalos de mantenimiento y la ubicación del producto.

Para configurar la conectividad integrada

1. Configure una cuenta para el sistema Husqvarna Fleet Services™ en el sitio web <https://fleetservices.husqvarna.com/signup>.
2. Descargue la aplicación Husqvarna Fleet Services™ en su dispositivo móvil.
3. Conecte el producto a una fuente de alimentación para poner en funcionamiento el módulo de BLE.
4. Agregue el producto a su cuenta. Use la aplicación Husqvarna Fleet Services™.
5. Siga las instrucciones que se indican en la aplicación Husqvarna Fleet Services™.

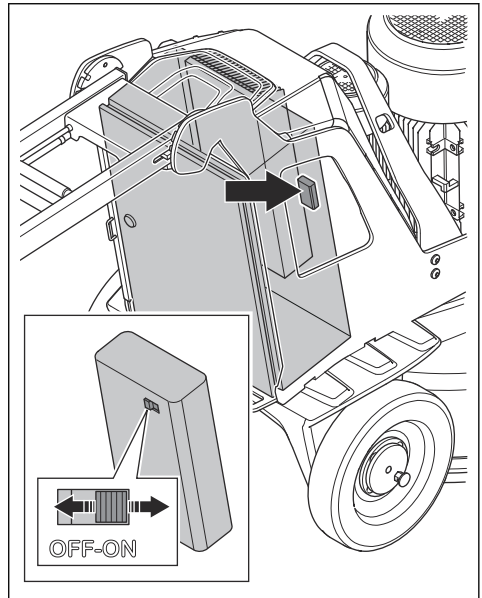
Tenga en cuenta: El dispositivo móvil habilitado Fleet debe estar cerca del producto para conectarse.

Tenga en cuenta: La transmisión de la radio Bluetooth® se activa en la primera conexión a la fuente de alimentación y permanece encendida después de eso.

Para poner el producto en modo avión

Cuando el producto está en modo avión, el módulo de BLE deja de transmitir datos del producto.

- Mueva el interruptor de la unidad de la batería a la posición de APAGADO.



Seguridad

Definiciones de seguridad

Las advertencias, precauciones y notas se utilizan para señalar las piezas particularmente importantes del manual.



ADVERTENCIA: Se utilizan para señalar el riesgo de lesiones graves o mortales para el operador o para aquellos que se encuentren cerca si no se siguen las instrucciones del manual.



AVISO: Se utilizan para señalar el riesgo de dañar la máquina, otros materiales o el área adyacente si no se siguen las instrucciones del manual.

Tenga en cuenta: Se utilizan para entregar más información necesaria en situaciones particulares.

Instrucciones generales de seguridad



ADVERTENCIA: Lea atentamente las instrucciones de advertencia siguientes antes de usar el producto.

- Este producto puede ser una herramienta peligrosa si no se maneja con cuidado o si utiliza el producto de forma incorrecta. Este producto puede causar daños graves o fatales al operador o a otras personas. Antes de utilizar el producto, es muy importante que lea y comprenda el contenido de este manual de usuario.
- Guarde todas las advertencias y las instrucciones.
- Cumpla todas las leyes y reglamentos vigentes.
- El operador y el empleador del operador deben conocer y evitar los riesgos durante la operación del producto.
- No permita que nadie que no haya leído y comprendido el contenido del manual de usuario utilice el producto.

- No utilice el producto si no ha recibido capacitación antes de su uso. Asegúrese de que todos los usuarios reciban capacitación.
- No deje que un niño utilice el producto.
- Restrinja el uso del producto solo a personas autorizadas.
- El operador es responsable de los accidentes que puedan ocurrirles a otras personas o a sus propiedades.
- No utilice el producto si está cansado, enfermo o bajo la influencia de alcohol, drogas o medicamentos.
- Sea siempre cuidadoso y use el sentido común.
- En este producto se genera un campo electromagnético durante su funcionamiento. Este campo puede, en determinadas circunstancias, interferir en implantes médicos activos o pasivos. Para reducir el riesgo de daños graves o mortales, se recomienda que las personas con implantes médicos consulten a su médico y al fabricante del implante médico antes de utilizar este producto.
- Mantenga la máquina limpia. Asegúrese de que puede leer señales y etiquetas claramente.
- No utilice el producto si se encuentra defectuoso.
- No modifique este producto.
- No utilice el producto si es posible que otras personas hayan realizado modificaciones en el mismo.
- Si el producto no funciona correctamente, detenga el motor.
- Asegúrese de que ninguna prenda, cabello largo o joya puedan quedar atrapados en las piezas móviles.
- Asegúrese de encontrarse en una posición segura y estable durante la operación.
- No utilice el producto si no puede recibir ayuda en caso de que ocurra un accidente.
- Si el producto vibra o el nivel de ruido del producto es inusualmente alto, deténgalo de inmediato. Examine el producto en busca de daños. Repare los daños o solicite a un taller de servicio autorizado que realice la reparación.
- La sobreexposición a las vibraciones puede producir trastornos vasculares o daños al sistema nervioso en las personas que padecen problemas de circulación. Obtenga asistencia médica si experimenta síntomas de sobreexposición a las vibraciones. Estos síntomas incluyen entumecimiento, pérdida de sensibilidad, hormigueo, ardor, dolor, pérdida de fuerza, y cambios en el color o el estado de la piel. Normalmente, estos síntomas se presentan en los dedos, las manos o las muñecas.
- No deje el producto en una pendiente. Si debe dejar el producto en una pendiente, asegúrese de que el producto no se pueda mover ni caer. Esto puede representar un riesgo de lesiones y daños.
- Tenga mucho cuidado cuando trabaje en pendientes. El producto es pesado y puede causar daños graves si se cae.
- No mueva el producto en pendientes pronunciadas. Observe la placa de características en el producto para obtener información sobre el ángulo máximo de pendiente.
- Siempre utilice accesorios homologados. Póngase en contacto con su concesionario para obtener más información.

Instrucciones de seguridad para el funcionamiento



ADVERTENCIA: Lea atentamente las instrucciones de advertencia siguientes antes de usar el producto.

- Utilice equipo de protección personal. Consulte *Equipo de protección personal en la página 61*.
- No se aleje del producto cuando el motor esté en marcha.
- Siempre desconecte el cable de alimentación antes de alejarse del producto.
- No tire de la manguera del extractor de polvo. El producto puede caerse y causar daños o lesiones.
- El cabezal de amolado debe tocar la superficie cuando se enciende el producto. Esto no es posible cuando se realiza una revisión del interruptor ENCENDER/APAGAR.
- No encienda el producto sin la falda de protección contra el polvo instalada. La falda de protección contra el polvo debe sellarse completamente entre el producto y el piso.
- Mantenga los pies alejados del cable de bus CAN y del cable de alimentación para reducir el riesgo de lesiones por caídas.
- Manténgase alejado de las zonas donde el producto pueda causar lesiones. El producto puede cambiar de posición rápidamente y alcanzarlo.



ADVERTENCIA: Lea atentamente las instrucciones de advertencia siguientes antes de usar el producto.

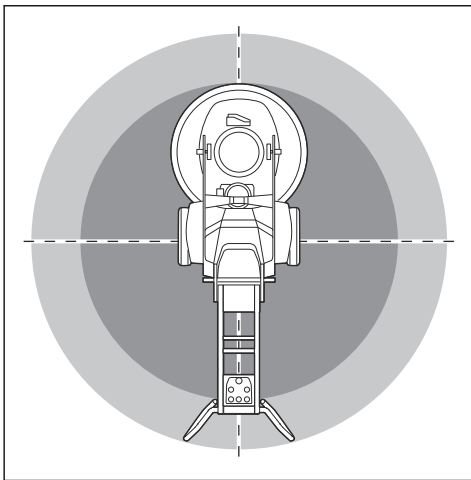
Equipo de protección personal

- Utilice siempre el equipo de protección personal adecuado cuando utilice el producto. El equipo de protección personal no elimina el riesgo de lesiones. El equipo de protección personal disminuye el grado de la lesión en caso de un accidente. Permita que su distribuidor le ayude seleccionar el equipo adecuado.
- Use una protección ocular aprobada cuando emplee el producto.
- No utilice prendas flojas, pesadas y no apropiadas. Utilice ropa que le permita moverse libremente.
- Utilice guantes protectores aprobados que permitan un agarre firme.

- Utilice guantes protectores de goma para evitar la irritación de la piel causada por el hormigón húmedo.
- Utilice un casco protector aprobado.
- Utilice siempre protectores auriculares aprobados cuando emplee el producto. Escuchar ruidos durante un largo período puede provocar pérdida de audición inducida por el ruido.
- El producto genera polvo y gases que contienen químicos peligrosos. Utilice protección respiratoria aprobada.
- Utilice botas con punta de acero y suela antideslizante.
- Asegúrese de tener un botiquín de primeros auxilios.
- Se pueden generar chispas cuando utilice el producto. Asegúrese de tener cerca un extintor de incendios.

Seguridad en el área de trabajo

- Durante el funcionamiento, mantenga a los transeúntes alejados del área que se muestra en la ilustración a continuación. El operador debe tener mucho cuidado en esta área durante el funcionamiento.



- Asegúrese de que solo personas autorizadas estén en la zona de trabajo.
- No use el producto en condiciones de niebla, lluvia, viento fuerte, clima frío, riesgo de rayos u otras condiciones climáticas adversas. Usar el producto en malas condiciones climáticas o en lugares mojados puede tener un efecto negativo en su estado de alerta. Las malas condiciones climáticas pueden causar condiciones de trabajo peligrosas.
- Tenga cuidado con personas, objetos y situaciones que puedan impedir el funcionamiento seguro del producto.
- PG 690 RC, PG 830 RC: El producto funciona a través de un control remoto para distancias largas.

No use el producto, a menos que tenga una visión clara del producto y de su área de riesgo. Acordone el área de trabajo para evitar lesiones a transeúntes.

- Mantenga el área de trabajo lo suficientemente iluminada.
- No utilice el producto en áreas donde se pueden producir explosiones o fuego.

Seguridad eléctrica



ADVERTENCIA: Siempre existe el riesgo de recibir una descarga cuando se usan productos eléctricos. No utilice el producto en condiciones climáticas adversas. No toque los pararrayos ni los objetos metálicos. Utilice siempre el producto como se indica en este manual del usuario para evitar lesiones.



AVISO: El producto cumple con los requisitos de la norma EN 61000-3-11 y está sujeto a una conexión condicionada a la red eléctrica. Hable con la autoridad de suministro eléctrico para obtener instrucciones sobre cómo conectar el producto.

La fuente de alimentación del producto o el generador deben ser suficientes y constantes para asegurar que el motor funcione sin problemas. El voltaje incorrecto hace que el consumo de energía y la temperatura del motor aumenten hasta que se active el circuito de seguridad. Las dimensiones del cable de alimentación deben coincidir con las regulaciones nacionales y locales. Las dimensiones de la toma de corriente deben coincidir con el amperaje del enchufe eléctrico y el cable de extensión del producto.

Si el sistema de la red eléctrica tiene una resistencia más alta, puede ocurrir una caída del voltaje cuando el producto se ponga en marcha. Esto puede afectar el funcionamiento de otros productos; por ejemplo, el parpadeo de luces.

- Asegúrese de que la alimentación, el fusible y el voltaje de la red eléctrica sean los mismos que se indican en la placa de características del producto.
- Detenga siempre el producto antes de desconectar el enchufe.
- No utilice el producto si el cable o el enchufe de alimentación se encuentran dañados. Llévelo a un centro de servicio autorizado para su reparación. Un cable de alimentación dañado puede causar daños graves e incluso la muerte.
- Utilice el cable de alimentación correctamente. No utilice el cable de alimentación para mover, tirar o desconectar el producto. Tire del enchufe de

- alimentación para desconectar el cable de alimentación. No tire del cable de alimentación.
- No utilice el producto en profundidades de agua en las que el equipo del producto se moje. El equipo podría dañarse y el producto podría electrificarse y causar lesiones.
- No deje que ingrese más humedad en el producto que el agua que suministra el sistema de agua.

Mantenga el producto alejado de la lluvia. El agua que ingresa en el producto aumenta el riesgo de sacudida eléctrica.

- Asegúrese de desconectar siempre el cable de alimentación antes de conectar o desconectar la conexión del cable del motor y del gabinete eléctrico.

Valores guía de la fuente de alimentación

Voltaje nominal de la fuente de alimentación, V	Voltaje mínimo en el producto, V	Voltaje máximo en el producto, V	Frecuencia, Hz	Corriente nominal, A	Salida del motor	Área mín. del cable mm ² /AWG	Longitud máx. del cable m/ pies
PG 690 3x220	200	240	50/60	50	11+1,5	10/7	190/620
PG 690 3x400/440/ 480	380	480	50/60	30	11+1,5	6/9	190/620
PG 830 3x220	200	240	50/60	50	11+1,5	10/7	190/620
PG 830 3x400/440/ 480	380	480	50/60	30	15+1,5	6/9	190/620

Instrucciones para la conexión a tierra del producto



ADVERTENCIA: Una conexión incorrecta puede provocar una descarga eléctrica. Hable con un electricista certificado si no está seguro de si el producto está correctamente conectado a tierra.

No modifique la especificación de fábrica del enchufe. Si el enchufe no es el correcto para la toma de corriente, deje que un electricista certificado instale una toma de corriente adecuada a la red eléctrica. Obedezca las normas y las leyes locales.

Si no comprende perfectamente las instrucciones sobre la conexión a tierra del producto, póngase en contacto con un electricista certificado.

El producto cuenta con un cable de alimentación y un enchufe con conexión a tierra. Conecte siempre el producto a una toma de corriente con conexión a tierra. Esto reduce el riesgo de descarga eléctrica si ocurre una falla.

No utilice adaptadores eléctricos para el producto.

Cables de extensión

- Utilice solamente cables de extensión aprobados que tengan la longitud suficiente.

- El valor nominal del cable de extensión debe ser el mismo o superior al valor que se establece en la placa de características del producto.
- Utilice cables de extensión con conexión a tierra.
- Cuando opere el producto en exteriores, utilice un cable de extensión apto para el uso en exteriores. Esto disminuye el riesgo de sacudida eléctrica.
- Mantenga la conexión al cable de extensión seca y no la deje en el suelo.
- Mantenga el cable de extensión alejado del calor, el aceite, los bordes afilados o de las piezas móviles. Los cables dañados aumentan el riesgo de sacudidas eléctricas.
- Asegúrese de que el cable de extensión esté intacto y en buenas condiciones.
- No utilice el cable de extensión mientras está enrollado. Esto puede provocar que el cable de extensión se caliente demasiado.
- Asegúrese de que el cable de extensión esté detrás de usted cuando utilice el producto. Esto evita que el cable de extensión sufra daños.

Seguridad de la batería



ADVERTENCIA: Lea atentamente las instrucciones de advertencia siguientes antes de usar el producto.

- Utilice solo las baterías que recomendamos para su producto. Las baterías cuentan con un software cifrado.
- Utilice solamente baterías originales para este producto. Existe riesgo de explosión si se reemplazan las baterías por baterías de tipo incorrecto. Comuníquese con su concesionario para obtener más información.
- Utilice baterías recargables como fuente de alimentación solo para los productos Husqvarna relacionados. Para evitar daños, no utilice la batería como fuente de alimentación en otros dispositivos.
- Riesgo de sacudida eléctrica. No conecte los terminales de la batería a llaves, tornillos ni a otros objetos metálicos. Esto puede provocar un cortocircuito de la batería.
- Si se produce una filtración en la batería, no permita que el líquido entre en contacto con la piel o los ojos. Si toca el líquido, limpie el área con agua abundante y solicite asistencia médica.
- No utilice baterías no recargables.
- No modifique la batería.
- No introduzca objetos en las ranuras de aire de la batería.
- Mantenga la batería alejada de la luz solar, del calor o de llamas. La batería puede explotar y causar quemaduras por fuego o químicas.
- Mantenga la batería alejada de condiciones húmedas y de la lluvia.
- Mantenga la batería alejada de microondas y de alta presión.
- No intente desarmar o romper la batería.
- Utilice la batería a temperaturas entre -10 °C/14 °F y 40 °C/104 °F.
- No limpie con agua la batería o el cargador de batería. Consulte *Para limpiar la batería y el cargador de batería en la página 87*.
- No utilice una batería dañada o defectuosa.
- Almacene las baterías en compartimentos alejados de objetos metálicos, como clavos, tornillos o joyas.
- Mantenga las baterías alejadas de los niños.

Dispositivos de seguridad en el producto



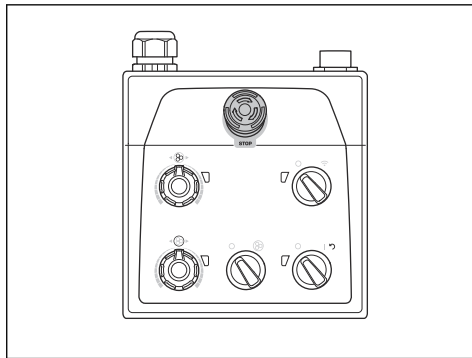
ADVERTENCIA: Lea atentamente las instrucciones de advertencia siguientes antes de usar el producto.

- No utilice un producto con dispositivos de seguridad defectuosos.
- Revise los dispositivos de seguridad de forma regular. Si los dispositivos de seguridad están defectuosos, comuníquese con su taller de servicio Husqvarna.

Botón de parada de emergencia en el panel de control

El botón de parada de emergencia se utiliza para detener rápidamente el motor. El botón de parada de

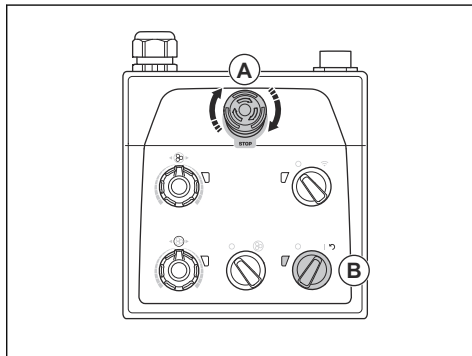
emergencia interrumpe la fuente de alimentación de la red eléctrica.



AVISO: No utilice el botón de parada de emergencia en el panel de control como botón de parada del producto.

Para comprobar el botón de parada de emergencia en el panel de control

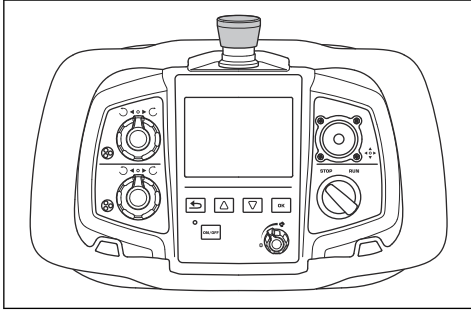
1. Gire el botón de parada de emergencia (A) en el panel de control hacia la derecha para asegurarse de que el botón de parada de emergencia esté desactivado.



2. Gire el interruptor ENCENDER/APAGAR (B) del panel de control a la posición 1 para encender el motor. El LED adyacente al interruptor ENCENDER/APAGAR se enciende.
3. Presione el botón de parada de emergencia en el panel de control.
4. Asegúrese de que el LED adyacente al interruptor ENCENDER/APAGAR se apague.
5. Gire el botón de parada de emergencia del panel de control hacia la derecha para desactivarlo.

Botón de parada de emergencia en el control remoto

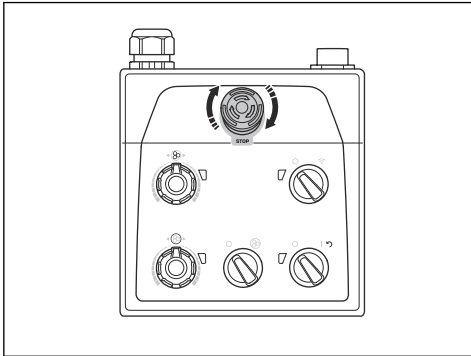
El botón de parada de emergencia se utiliza para detener rápidamente el motor. El botón de parada de emergencia interrumpe la fuente de alimentación de la red eléctrica. El botón de parada de emergencia del control remoto no puede utilizarse cuando el producto funciona manualmente.



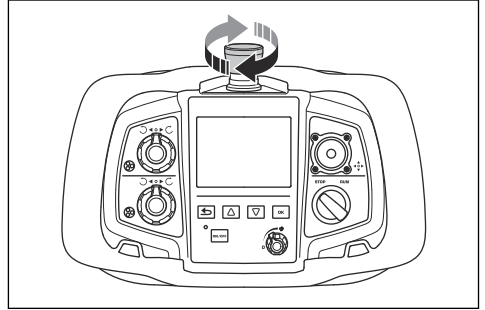
AVISO: No utilice el botón de parada de emergencia del control remoto como botón de parada del producto.

Para comprobar el botón de parada de emergencia del control remoto

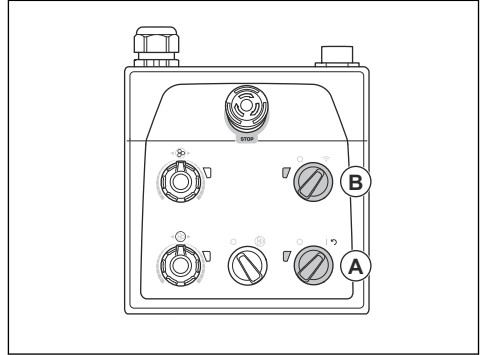
1. Gire el botón de parada de emergencia en el panel de control hacia la derecha para asegurarse de que el botón de parada de emergencia esté desactivado.



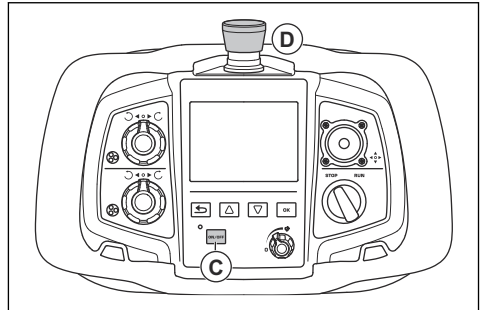
2. Gire el botón de parada de emergencia en el control remoto hacia la derecha para asegurarse de que el botón de parada de emergencia esté desactivado.



3. Gire el interruptor ENCENDER/APAGAR (A) del panel de control a la posición 1 para encender el motor. El LED adyacente al interruptor ENCENDER/APAGAR se enciende.



4. Gire el interruptor de control remoto/funcionamiento manual (B) en el panel de control hacia la derecha para operar el control remoto. El LED adyacente al interruptor de control remoto/funcionamiento manual parpadea.
5. Presione el botón de ENCENDIDO/APAGADO (C) en el control remoto. El control remoto se enciende cuando la pantalla se enciende.

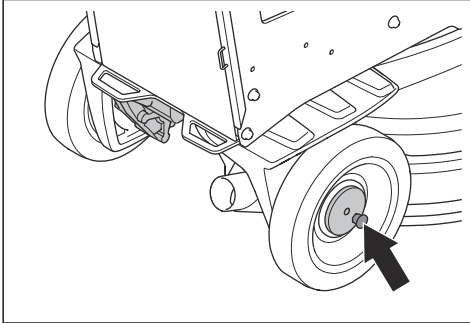


6. Presione el botón de parada de emergencia (D) en el control remoto.

- Asegúrese de que el LED adyacente al interruptor ENCENDER/APAGAR del panel de control se apague.
- Gire el botón de parada de emergencia del control remoto hacia la derecha para desactivarlo.

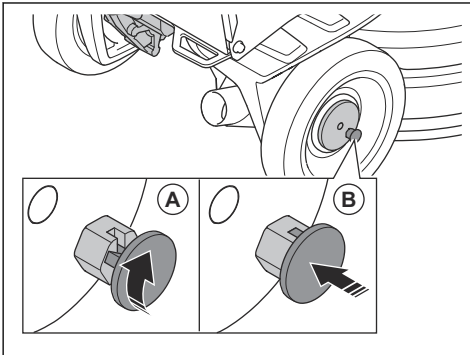
Pasadores de bloqueo de las ruedas

Los pasadores de bloqueo bloquean la conexión de las ruedas al motor cuando el producto funciona con el control remoto.



Para comprobar los pasadores de bloqueo para las ruedas

- Asegúrese de que los pasadores de bloqueo no estén activados.
- Empuje el producto ligeramente hacia delante y sienta la resistencia.
- Gire los pasadores de bloqueo (A) hasta que el pasador quede alineado con la ranura. Haga esto en las ruedas izquierda y derecha.



- Encienda el producto. Los pasadores de bloqueo pasan a la posición de bloqueo (B) y bloquean los motores de las ruedas.
- Empuje el producto ligeramente hacia delante y sienta la resistencia. Si los pasadores de bloqueo están correctamente activados, hay más resistencia que cuando los pasadores de bloqueo no están activados.

Tenga en cuenta: Para el funcionamiento del control remoto, aparece un mensaje de error en la pantalla del control remoto si los pasadores de bloqueo no están correctamente activados.

- Para desconectar los pasadores de bloqueo, tire de los pasadores de bloqueo hacia fuera y gírelos hacia la derecha o hacia la izquierda.

Instrucciones de seguridad para el mantenimiento

- Mantenga todas las piezas en buen estado y asegúrese de que todos los componentes fijos estén ajustados correctamente.
- No utilice un producto que esté defectuoso. Realice los controles de seguridad y de mantenimiento como se describe en este manual. Todas las demás tareas de mantenimiento se deben realizar en un taller de servicio autorizado.
- Detenga el producto cuando cambie las herramientas de diamante. Gire el interruptor encender/apagar a la posición 0 y presione el botón de parada de emergencia.
- Realice la inspección o el mantenimiento con el motor detenido y el enchufe desconectado.
- Realice mantenimiento para asegurarse de que el producto funcione correctamente. Consulte *Programa de mantenimiento en la página 86*.

Funcionamiento

Introducción



ADVERTENCIA: Antes de utilizar el producto, debe leer y entender el capítulo sobre seguridad.

Para extraer el producto del paquete.



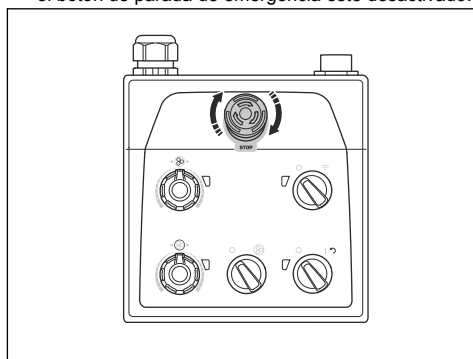
ADVERTENCIA: Mueva el producto del palé con cuidado y de forma segura. El producto es pesado y puede causar daños graves si se cae.

- Asegúrese de que se incluyan todos los elementos que se muestran en la descripción general del producto. Consulte *Descripción general del producto, lado derecho en la página 54*. Comuníquese con el distribuidor de Husqvarna si falta algún elemento o está dañado antes de mover el producto desde el palé.
- Quite todos los calces para ruedas y correas del paquete.
- Asegúrese de que el área esté despejada y de que tenga suficiente espacio para mover el producto.
- Asegúrese de que no haya riesgo de que usted o el producto puedan caer.
- Utilice un equipo de elevación o rampas para mover el producto desde el palé. El producto es pesado. Mueva el producto con seguridad. Consulte *Para levantar el producto en la página 97*.

Haga lo siguiente antes de usar el producto

1. Lea atentamente el manual del usuario y asegúrese de entender las instrucciones.
2. Colóquese el equipo de protección personal necesario. Consulte *Equipo de protección personal en la página 61*.
3. Asegúrese de que solo personas autorizadas estén en la zona de trabajo.
4. Realice un mantenimiento diario. Consulte *Programa de mantenimiento en la página 86*.
5. Revise que el producto esté montado correctamente y que no esté dañado.
6. Coloque el producto en el área de trabajo. Asegúrese de que el transporte del producto hacia y en el área de trabajo se realice de forma segura y correcta. Consulte *Transporte en la página 94*.
7. Asegúrese de que haya herramientas de diamante en las placas de la herramienta y de que estén firmemente colocadas.

8. Conecte el extractor de polvo al producto. Consulte *Para conectar un extractor de polvo en la página 70*.
9. Ajuste el mango y el manillar a una altura de funcionamiento adecuada. Consulte *Para ajustar el mango y el manillar en la página 71*.
10. Asegúrese de que los cables del motor estén conectados a la carcasa eléctrica antes de conectar el producto a una toma de corriente. Consulte *Para instalar y quitar el cabezal de amolado en la página 89*.
11. Conecte el producto a la fuente de alimentación. Consulte *Para conectar el producto a una fuente de alimentación en la página 72*.
12. Gire el botón de parada de emergencia en el panel de control hacia la derecha para asegurarse de que el botón de parada de emergencia esté desactivado.



13. Asegúrese de conocer el sentido de rotación del cabezal de amolado y los discos de amolado cuando utilice herramientas de diamante, por ejemplo Piranhas.
14. PG 690 RC, PG 830 RC: Si el producto se opera manualmente, conecte el control remoto al producto. La parte posterior del soporte para el control remoto tiene un imán. Consulte *Para conectar el control remoto al soporte del control remoto en la página 73*.
15. Coloque la rueda de soporte en la posición de funcionamiento. Consulte *Para poner la rueda de soporte en la posición de funcionamiento en la página 96*.

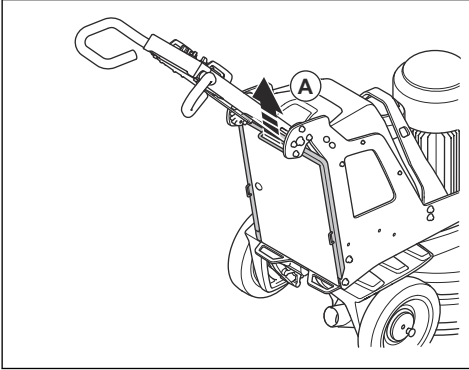
Para conectar y desconectar el bastidor de soporte

El producto tiene un bastidor de soporte que se utiliza para inclinar el producto hacia atrás. Además, el bastidor de soporte se utiliza como un dispositivo de suspensión para colgar la manguera del extractor de polvo y el cable de alimentación.

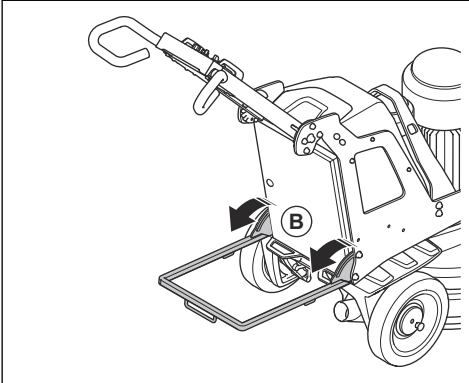


ADVERTENCIA: Tenga cuidado cuando mueva el bastidor de soporte. Las piezas móviles pueden causar lesiones.

1. Levante el bastidor de soporte (A) a una pequeña distancia.



2. Baje el bastidor de soporte (B).



3. Pliegue el bastidor de soporte en la secuencia opuesta.

Herramientas de diamante

Hay varios tipos y configuraciones de herramientas de diamante para el producto. Las herramientas diamantadas con base metálica se utilizan para la extracción de material y las herramientas diamantadas con base de resina se utilizan para pulir las superficies. Seleccione las herramientas de diamante correctas según la superficie. Comuníquese con su distribuidor Husqvarna o vaya a www.husqvarnacp.com para obtener asistencia para seleccionar la herramienta correcta.

Alternativas de soporte de discos para herramientas de diamante

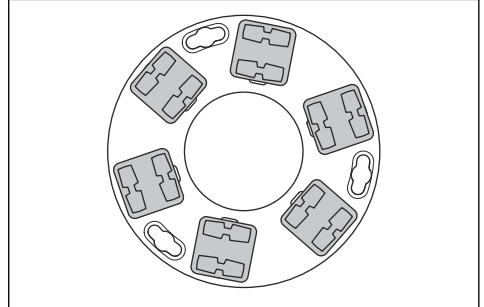
- Utilice un soporte de disco Redi lock para instalar las herramientas diamantadas con base metálica.

- Utilice un soporte de disco de resina para instalar las herramientas diamantadas con base de plástico.

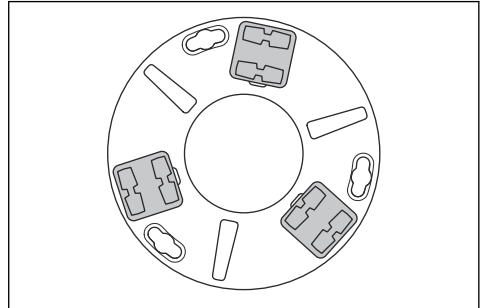
Juego completo y medio juego de herramientas de diamante

La configuración de los segmentos de las herramientas de diamante tiene un efecto sobre la calidad final de la superficie. La configuración también tiene un efecto en la tasa de funcionamiento del producto.

- Juego completo de herramientas de diamante: Esta configuración se aplica a un acabado de piso plano.



- Medio juego de herramientas de diamante: Esta configuración se aplica cuando no se necesita un acabado de piso plano.



Para reemplazar las herramientas de diamante



ADVERTENCIA: Siempre desconecte el enchufe de alimentación antes de reemplazar las herramientas de diamante para evitar un arranque accidental.



ADVERTENCIA: Utilice guantes protectores, ya que las herramientas de diamante pueden calentarse mucho.



ADVERTENCIA: Utilice una protección respiratoria aprobada cuando reemplace las herramientas de diamante. El polvo debajo

del cabezal de amolado es peligroso para la salud.

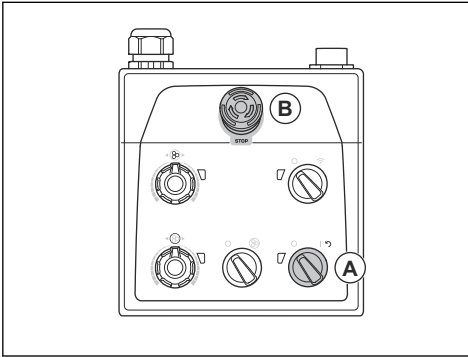


ADVERTENCIA: Detenga el extractor de polvo cuando cambie las herramientas de diamante. El extractor de polvo disminuirá el polvo que puede causar problemas de salud.



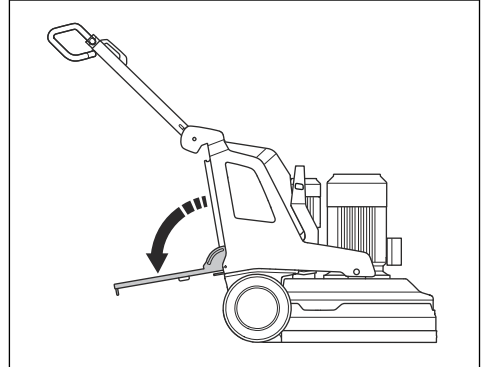
AVISO: Todos los discos de amolado deben tener siempre la misma cantidad y tipo de diamantes. La altura de los diamantes debe ser la misma en todos los discos de amolado.

1. Coloque el interruptor ENCENDER/APAGAR (A) del panel de control en la posición 0. El LED adyacente al interruptor ENCENDER/APAGAR se apaga.

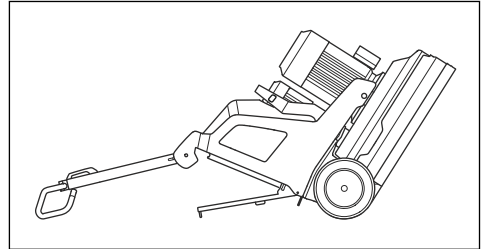


2. Presione el botón de parada de emergencia (B) en el panel de control.
3. Coloque el mango en la posición de servicio. Consulte *Posiciones del mango de operación en la página 71*.
4. Si los pesos están instalados, ajústelos en una posición hacia atrás. Consulte *Para ajustar los pesos en la página 85*.

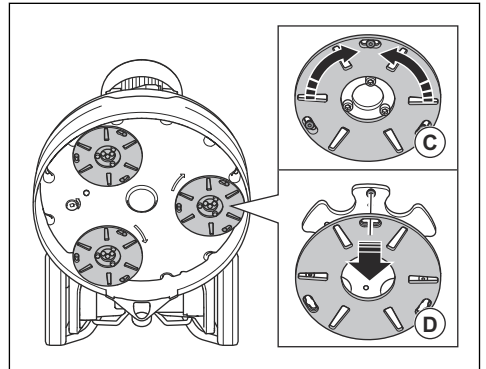
5. Acople el bastidor de soporte. Consulte *Para conectar y desconectar el bastidor de soporte en la página 67*.



6. Sujete el manillar y, con un pie en el bastidor de soporte, incline el producto hacia atrás. Incline el producto hasta que el manillar esté en el piso.

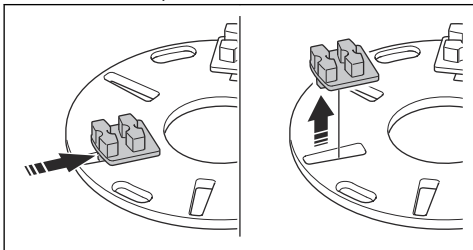


7. Utilice guantes protectores.
8. Gire la placa de la herramienta (C) hacia la derecha o hacia la izquierda para desbloquear la placa de la herramienta del disco de amolado.

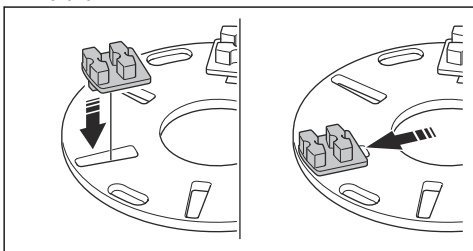


9. Tire de la placa de la herramienta hacia fuera (D) para quitar la placa de la herramienta del disco de amolado.

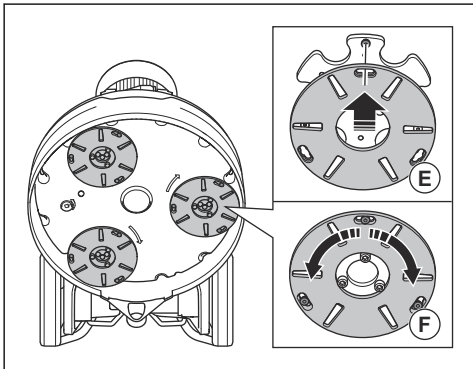
10. Utilice un martillo para quitar las herramientas de diamante de la placa de herramientas.



11. Conecte las nuevas herramientas de diamante a la placa de la herramienta con un golpe suave del martillo.



12. Coloque la placa de la herramienta recta (E) en el disco de amolado.



13. Gire la placa de la herramienta (F) hacia la derecha o hacia la izquierda para bloquear la placa de la herramienta en el disco de amolado.
14. Levante cuidadosamente el producto hasta la posición de funcionamiento. Use el manillar y el bastidor de soporte para proporcionar soporte.
15. Desacople el bastidor de soporte.

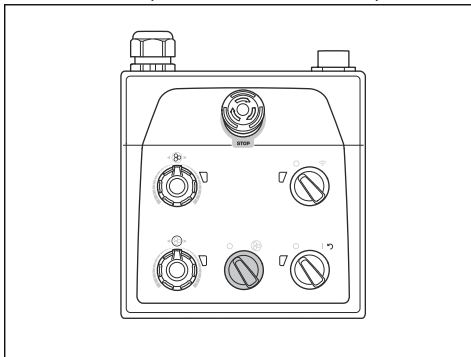
Para conectar un extractor de polvo



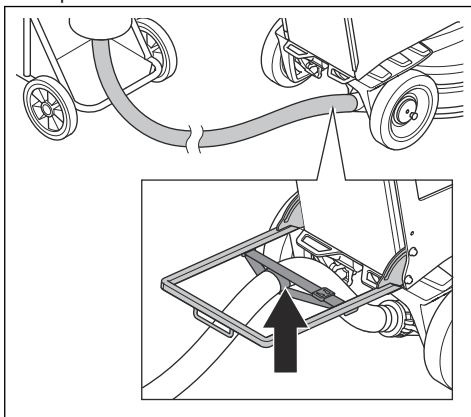
ADVERTENCIA: No utilice el extractor de polvo si la manguera del extractor de polvo está dañada. El riesgo aumenta si respira

polvo peligroso para su salud. Utilice protección respiratoria aprobada.

1. Examine la manguera del extractor de polvo para detectar daños.
2. Asegúrese de que los filtros del extractor de polvo estén limpios y en buen estado.
3. Asegúrese de que el interruptor de PARADA/MARCHA del panel de control esté en la posición 0.



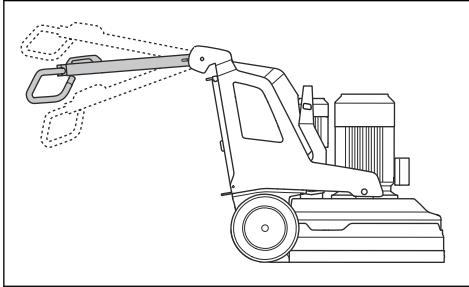
4. Conecte la manguera del extractor de polvo al producto.
5. Acople el bastidor de soporte. Consulte *Para conectar y desconectar el bastidor de soporte en la página 67*.
6. Cuelgue la manguera del extractor de polvo en el dispositivo de suspensión del bastidor de soporte para evitar la tensión en la manguera del extractor de polvo.



7. Desacople el bastidor de soporte.

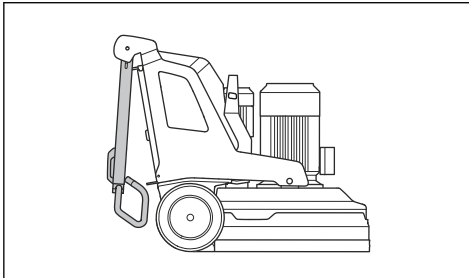
Posiciones del mango de operación

- Posición del mango para el funcionamiento manual:

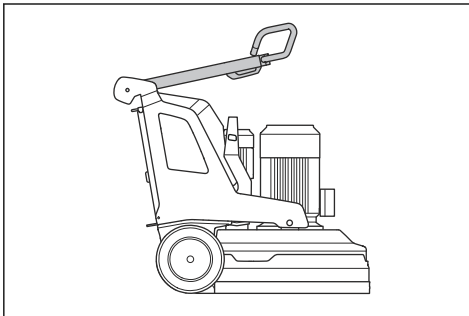


- Hay 2 posiciones recomendadas del mango para el funcionamiento del control remoto y el transporte del producto.

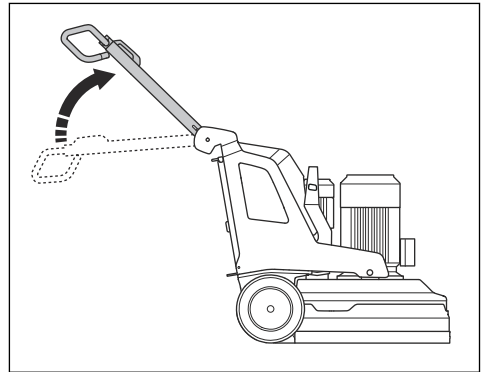
Posición 1:



Posición 2:



- Posición de servicio del mango:



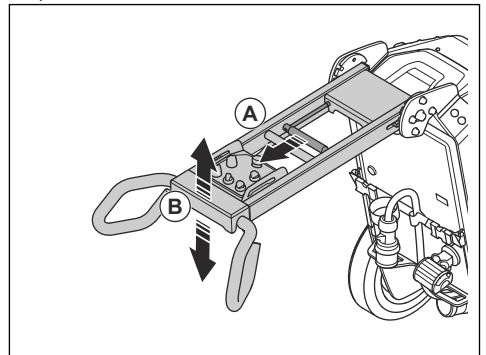
Para ajustar el mango y el manillar



ADVERTENCIA: Tenga cuidado cuando ajuste el mango y el manillar. Asegúrese de que el mango y los manillares estén trabados en su posición. Las piezas móviles pueden causar lesiones.

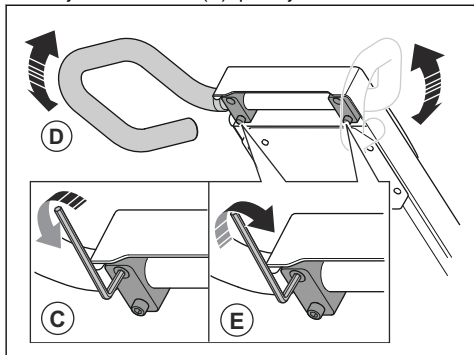
Ajuste la altura del mango lo más cerca posible de la altura de la cadera del operador. Durante el funcionamiento, el producto puede tirar hacia un lado. La cadera del operador puede ayudar a detener este movimiento hacia un lado.

1. Tire de la palanca de bloqueo (A) del mango en la dirección del panel de control y sosténgala en esta posición.



2. Ajuste el mango (B) una altura de funcionamiento adecuada.
3. Suelte la palanca de bloqueo del mango para bloquear la posición del mango.

4. Afloje los 4 tornillos (C) que sujetan el manillar.

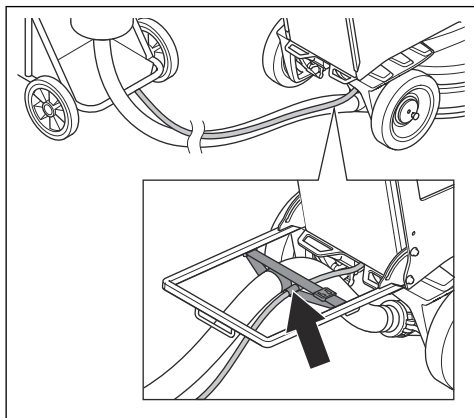


5. Ajuste el manillar (D) a una altura de funcionamiento adecuada.

6. Apriete los 4 tornillos (E) del manillar para bloquear la posición del manillar.

Para conectar el producto a una fuente de alimentación

1. Conecte el enchufe del producto al cable de extensión.
2. Conecte el cable de extensión a una toma de corriente.
3. Acople el bastidor de soporte. Consulte *Para conectar y desconectar el bastidor de soporte en la página 67*.
4. Cuelgue el cable de alimentación en el dispositivo de suspensión del bastidor de soporte para evitar la tensión del cable de alimentación.



5. Desacople el bastidor de soporte.



AVISO: Cuando el producto está conectado a un extractor de polvo, el extractor de polvo debe estar conectado a una fuente de alimentación trifásica.

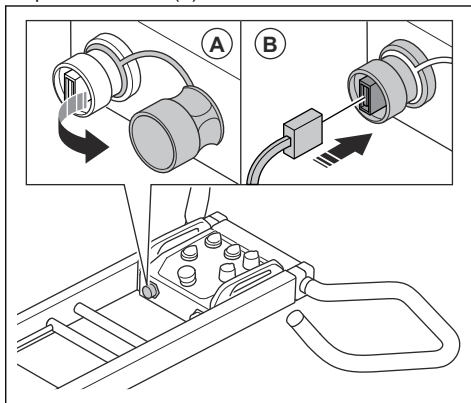
Cargador USB en el panel de control (PG 690 RC, PG 830 RC)

El cargador USB en el panel de control se puede utilizar para cargar dispositivos móviles.

- Solo es posible cargar a través del cargador USB cuando el producto está conectado a una fuente de alimentación trifásica.
- El dispositivo móvil continúa cargándose si el producto se detiene o si se activa el botón de parada de emergencia.
- El producto no establece un límite de tiempo para cargar un dispositivo móvil. Cargue su dispositivo móvil según las recomendaciones del fabricante del dispositivo móvil.
- El puerto USB proporcionará una potencia de salida máxima de 10 W.

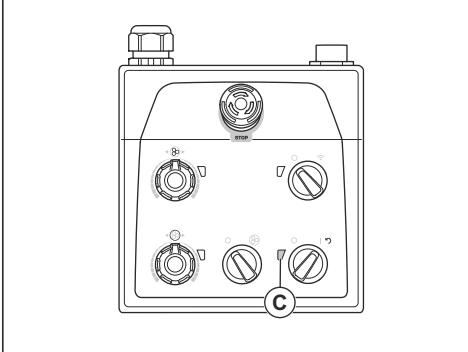
Para cargar un dispositivo móvil (PG 690 RC, PG 830 RC)

1. Conecte el producto a una fuente de alimentación trifásica. Consulte *Para conectar el producto a una fuente de alimentación en la página 72*.
2. Retire la cubierta protectora del cargador USB del panel de control (A).



3. Conecte el dispositivo móvil al cargador USB (B).

4. Asegúrese de que el indicador de alimentación y el estado de carga de la batería del producto (C) en el panel de control parpadeen.



Mientras el producto está conectado a una fuente de alimentación trifásica, el cargador USB seguirá cargándose cuando el motor esté apagado. La fuente de alimentación del cargador USB se detiene cuando la batería del producto está completamente cargada.

Velocidad y sentido de rotación

Este producto tiene Dual Drive technology. Dual Drive technology significa que el cabezal de amolado y los discos de amolado funcionan con diferentes motores. La velocidad y el sentido de rotación se pueden ajustar de manera independiente entre el cabezal de amolado y los discos de amolado. El ajuste de la velocidad y el sentido de rotación de manera independiente aumenta el rango de tipos de superficies diferentes donde se puede utilizar el producto. Comuníquese con su concesionario Husqvarna o visite www.husqvarnaccp.com para obtener más información.

Velocidad de funcionamiento

Si el producto se opera en un tipo de superficie nueva, fije la velocidad inicialmente al 70 %. Cuando el operador conoce el tipo de superficie, la velocidad se puede ajustar.

Sentido de rotación del cabezal de amolado y los discos de amolado

Vista desde abajo del producto, el sentido de rotación es el siguiente:

- "REV": hacia la derecha
- "FWD": hacia la izquierda

El resultado de la operación es mejor cuando el cabezal de amolado y los discos de amolado giran en la misma dirección.

Durante el funcionamiento, el producto puede tirar hacia un lado. La dirección de la tracción está relacionada con el sentido de rotación. El producto tira hacia la derecha cuando el sentido de rotación se ajusta en "FWD". El producto tira hacia la izquierda cuando el sentido de rotación se ajusta en "REV".

La tracción lateral puede ayudarlo a operar el producto, por ejemplo, cerca de una pared. Establezca el sentido de rotación para tirar en la dirección de la pared.

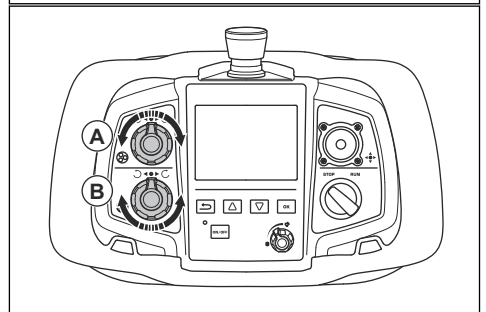
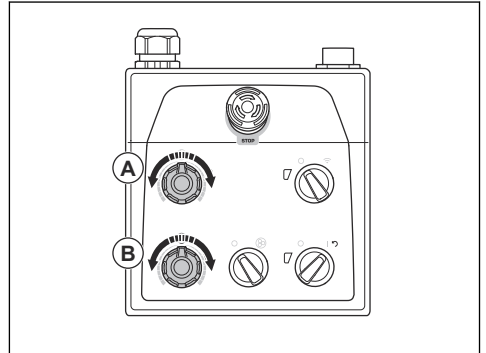


AVISO: Dirija el producto con cuidado. Asegúrese de que el producto solo toque ligeramente la pared. El producto es pesado y puede causar daños.

Para cambiar la velocidad y el sentido de rotación de los motores

Cambie regularmente el sentido de rotación para aumentar la vida útil y el filo de las herramientas de diamante. Los segmentos de herramientas de diamante se utilizan por igual y la superficie de contacto sigue siendo lo más grande posible.

- Para ajustar la velocidad y el sentido de rotación del cabezal de amolado, gire la perilla (A).
- Para ajustar la velocidad y el sentido de rotación del disco de amolado, gire la perilla (B).

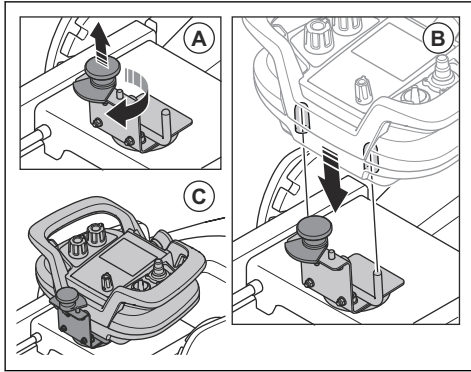


Para conectar el control remoto al soporte del control remoto

Cuando el control remoto no está en funcionamiento, puede acoplarse al soporte para el control remoto del producto.

1. Instale el soporte para el control remoto en el producto. La parte posterior del soporte para el control remoto tiene un imán.

2. Asegúrese de que la perilla de bloqueo del soporte para el control remoto esté en la posición correcta. Levante y gire la perilla de bloqueo hasta que apunte en dirección opuesta al soporte para el control remoto (A).



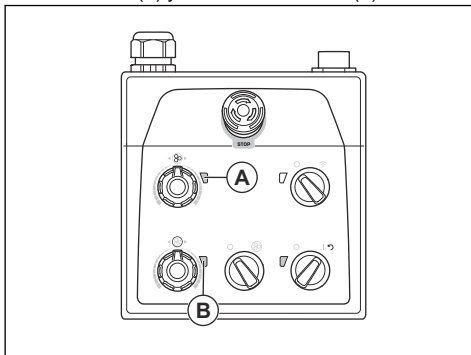
3. Alinee los orificios en la parte trasera del control remoto con los pasadores del soporte para el control remoto (B).
4. Empuje el control remoto completamente hacia abajo sobre los pasadores del soporte para el control remoto.
5. Levante y gire la perilla de bloqueo hasta que se encuentre en la parte superior del control remoto (C).
6. Conecte el control remoto en la secuencia opuesta.

Panel de control

Opere el producto manualmente con el panel de control en el manillar. Consulte *Descripción general del panel de control en la página 56* para obtener una descripción general de los botones del panel de control.

Para utilizar el producto con el panel de control

- Durante el funcionamiento, busque los cambios de color en los indicadores del inversor para el cabezal de amolado (A) y el disco de amolado (B).



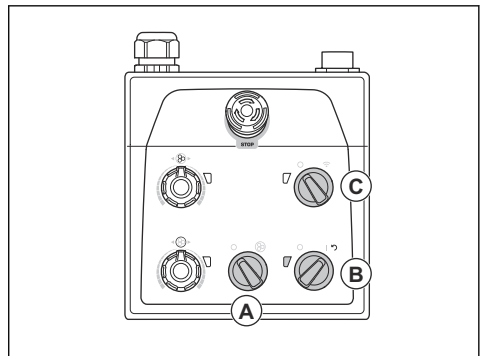
- Luz verde: el producto funciona correctamente.
- Luz naranja: hay una sobrecarga en el cabezal de amolado/disco de amolado. Disminuya la salida de energía en 10 segundos o menos para evitar que se produzca una falla.
- Luz roja: falla en un inversor y la operación se detiene. Se debe restablecer el producto. Consulte *Para reiniciar el producto mediante el panel de control en la página 83*.

Para arrancar el producto con el panel de control



AVISO: Mueva el producto todo el tiempo mientras el cabezal de amolado está encendido. Si no mueve el producto, la superficie puede volverse áspera.

1. Asegúrese de que los pasadores de bloqueo de las ruedas estén desconectados. Consulte *Para comprobar los pasadores de bloqueo para las ruedas en la página 66*.
2. Presione hacia abajo el manillar para levantar el cabezal de amolado de la superficie. Esto libera la fricción de la superficie de las herramientas de diamante. No levante el cabezal de amolado completamente de la superficie durante el funcionamiento.
3. Gire el interruptor de PARADA/MARCHA (A) del panel de control hacia la izquierda hasta la posición 0 para asegurarse de que el cabezal de amolado esté desactivado.



4. Gire el interruptor ENCENDER/APAGAR (B) en el panel de control a la posición 1 para poner en marcha el producto. El LED adyacente al interruptor ENCENDER/APAGAR se enciende.
5. Gire el interruptor de control remoto/funcionamiento manual (C) en el panel de control hacia la izquierda hasta la posición 0 para funcionamiento manual.

6. Gire el interruptor PARADA/MARCHA en el panel de control hacia la derecha para iniciar el cabezal de amolado. En menos de 5 segundos, el producto funciona con el régimen de ralentí. El motor pequeño arranca después de aproximadamente 2 segundos.

Para mover el producto con el panel de control

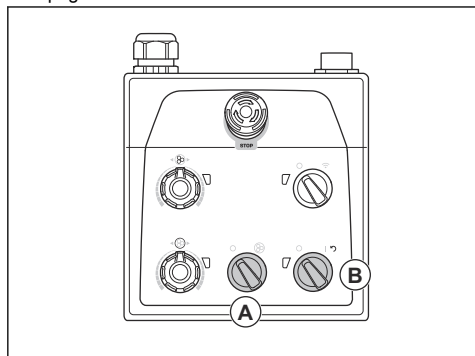


AVISO: No levante el cabezal de amolado de la superficie cuando detenga el motor. Las placas de la herramienta giran por un rato después de que se detiene el motor. El polvo puede penetrar en el aire y la superficie puede dañarse.



AVISO: No deje que el producto se detenga hasta que las placas de la herramienta se detengan por completo.

1. Gire el interruptor PARADA/MARCHA (A) del panel de control hacia la izquierda hasta la posición 0 para apagar el cabezal de amolado.



2. Mantenga las placas de la herramienta en contacto con la superficie hasta que se detengan por completo.



AVISO: Si amola el asfalto adhesivo, pintura o un material similar, el producto puede sujetarse a la superficie adhesiva. Inmediatamente después de que la placa de la herramienta se haya detenido por completo, levante la parte delantera del cabezal de amolado a una distancia pequeña.

3. Gire el interruptor ENCENDER/APAGAR (B) en el panel de control a la posición 0 para detener el producto. El LED adyacente al interruptor ENCENDER/APAGAR se apaga.
4. Desconecte el enchufe.

Control remoto

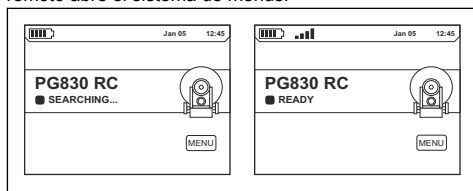
El control remoto puede funcionar mediante la comunicación por radio. Para funcionar mediante la comunicación por radio, es necesario realizar una operación de emparejamiento. Consulte *Para hacer una operación de emparejamiento en la página 81*.

El control remoto también puede funcionar con un cable de bus CAN conectado entre el control remoto y el producto. El cable de bus CAN puede, por ejemplo, utilizarse cuando el estado de carga de la batería del control remoto es bajo. Para obtener instrucciones sobre cómo conectar el control remoto al producto con un cable de bus CAN, consulte *Para conectar el control remoto al producto con un cable de bus CAN en la página 81*.

El control remoto tiene todos los controles necesarios para usar el producto. El control remoto tiene una pantalla digital con un sistema de menú. Consulte *Descripción general del menú en la página 77*.

Menú principal

En el menú principal, el botón "ACEPTAR" del control remoto abre el sistema de menús.



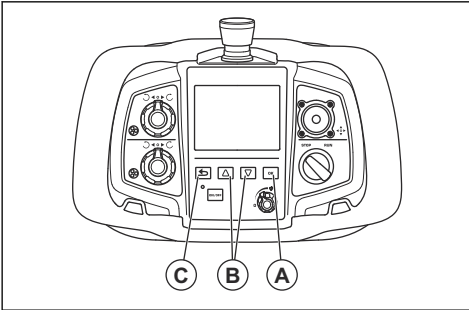
Sistema del menú

Tenga en cuenta: Los textos de la pantalla en este manual están en inglés. Los textos en la pantalla de su producto están en el idioma seleccionado. Consulte *"IDIOMAS" en la página 78*.

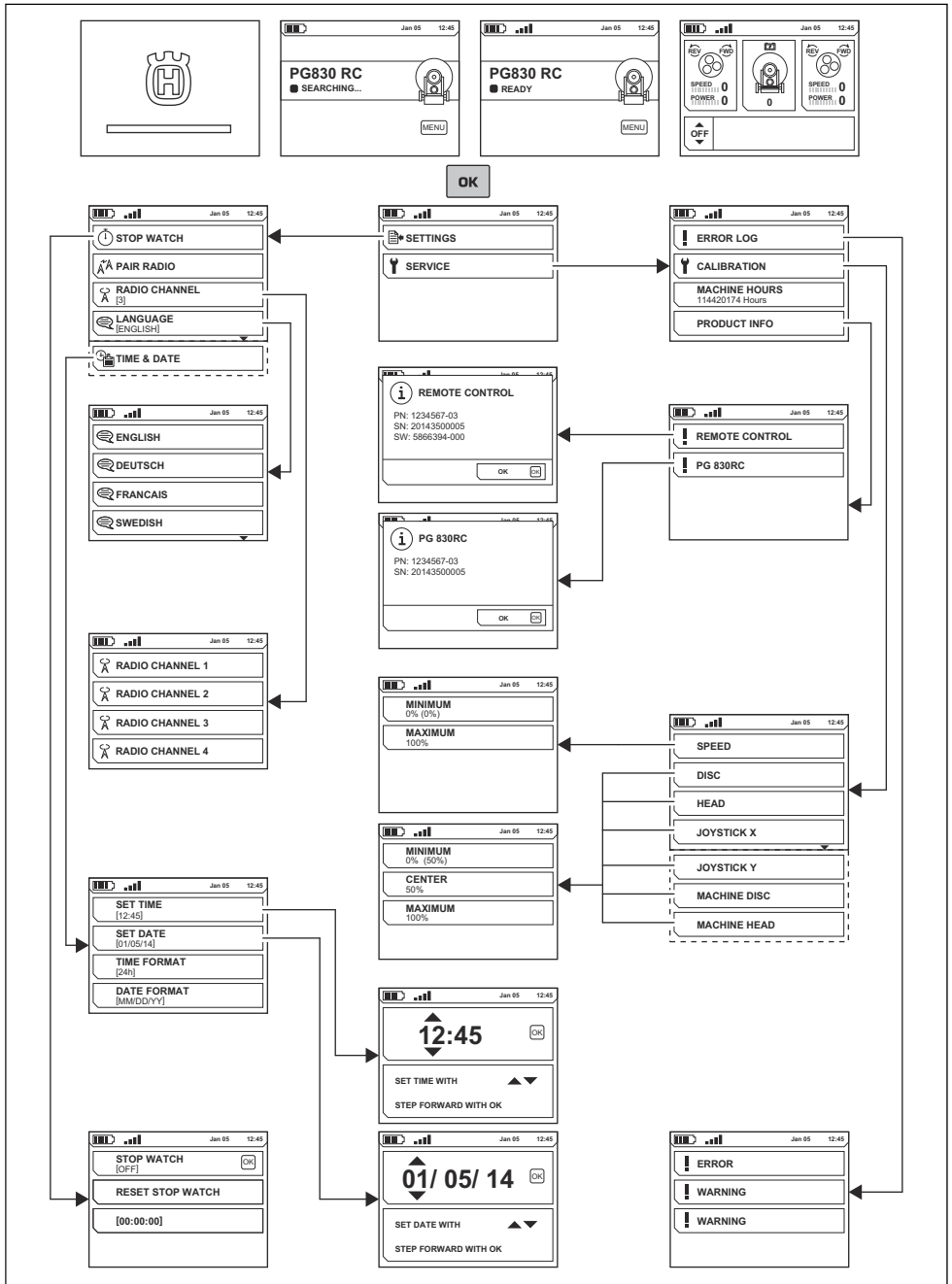
El sistema de menú tiene los submenús "AJUSTES" y "SERVICIO".

Las teclas de flecha (B) permiten desplazarse hacia arriba y hacia abajo en las listas de menú. El botón

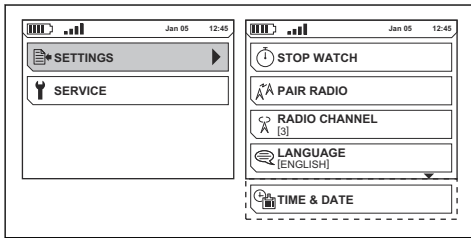
"ACEPTAR" (A) permite realizar la selección. El botón (C) le permite volver a la estructura del menú.



Descripción general del menú



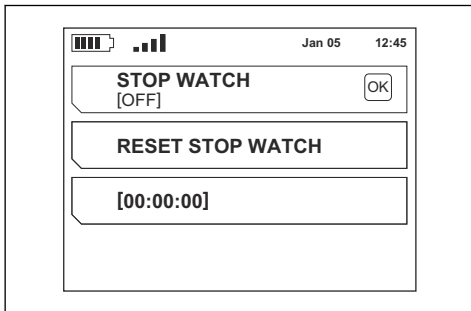
Menú "AJUSTES"



"DETENER RELOJ"

La función "DETENER RELOJ" mide el tiempo necesario para una operación. El tiempo comienza a correr cuando enciende el producto.

- "DETENER RELOJ ENCENDIDO/APAGADO": Desactiva/activa la función.
- "RESTABLECER LA FUNCIÓN DE DETENER EL RELOJ": Restablece la función.
- [00:00:00]: Muestra el tiempo de funcionamiento en horas, minutos y segundos.



"EMPAREJAR RADIO"

"EMPAREJAR RADIO" realiza una operación de emparejamiento del control remoto y el producto.

"CANAL DE RADIO"

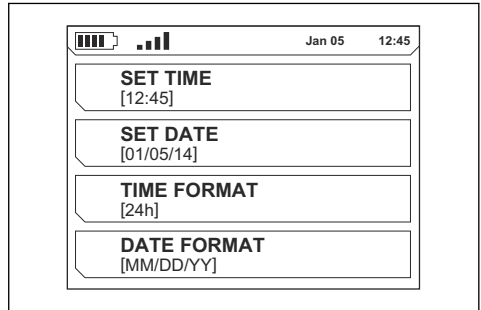
"CANAL DE RADIO" muestra una selección de canales de radio. Para cambiar el canal de radio, es necesario realizar una operación de emparejamiento. Consulte *Para hacer una operación de emparejamiento en la página 81*.

"IDIOMAS"

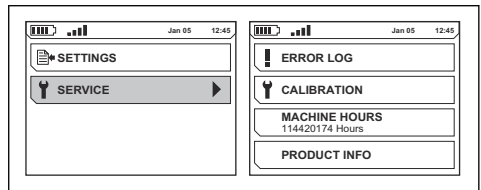
"IDIOMAS" configura el idioma del texto en la pantalla.

"HORA Y FECHA"

"HORA Y FECHA" establece la hora, la fecha y el formato de hora y fecha.



Menú "SERVICIO"



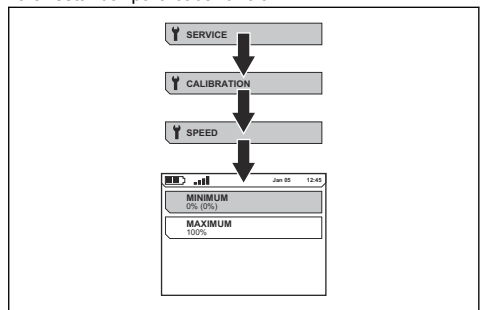
"REGISTRO DE ERRORES"

El "REGISTRO DE ERRORES" es una lista de fallas que el producto detecta. Consulte *Mensajes de error y advertencia en el control remoto en la página 93*.

"CALIBRACIÓN"

Si el producto comienza a moverse de manera incorrecta, se deben calibrar los controles del control remoto y del panel de control. La calibración se realiza con el control remoto.

La calibración se realiza para los diferentes controles del menú "CALIBRACIÓN". La selección "MÍNIMO" es el valor estándar para cada función.

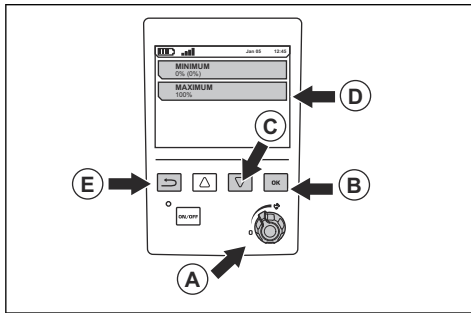


- "VELOCIDAD": calibración del control de velocidad del producto.

- "DISCO": calibración del control para el sentido de rotación y la velocidad de los discos de amolado en el control remoto.
- "CABEZAL": calibración del control para el sentido de rotación y la velocidad del cabezal de amolado en el control remoto.
- "PALANCA X": calibración de la posición de la palanca, derecha e izquierda.
- "PALANCA Y": calibración de la posición de la palanca, hacia delante y hacia atrás.
- "DISCO DE MÁQUINA": calibración del control para el sentido de rotación y la velocidad de los discos de amolado en el panel de control.
- "CABEZAL DE LA MÁQUINA": calibración del control para el sentido de rotación y la velocidad del cabezal de amolado en el panel de control.

Para calibrar el ajuste del régimen

1. Seleccione "VELOCIDAD" en el menú "CALIBRACIÓN".
2. Gire la perilla de límite de velocidad (A) hacia la izquierda hasta la posición 0 para obtener el valor mínimo.

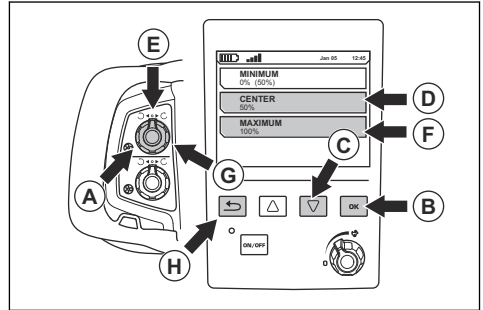


3. Presione el botón "ACEPTAR" (B).
4. Presione la tecla de flecha hacia abajo (C) y seleccione "MÁXIMO" (D) en la pantalla.
5. Gire la perilla de límite de velocidad hacia la derecha hasta el valor máximo.
6. Presione el botón "ACEPTAR".
7. Presione el botón (E) para regresar a la estructura del menú.

Para calibrar el disco de amolado y el cabezal de amolado

1. Seleccione "DISCO", "CABEZAL", "DISCO DE MÁQUINA" o "CABEZAL DE MÁQUINA" en el menú "CALIBRACIÓN". Consulte "CALIBRACIÓN" en la página 78 para obtener descripciones de cada selección.

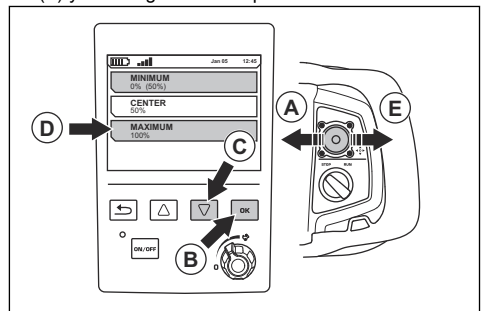
2. Gire la perilla para ajustar el sentido de rotación y la velocidad del cabezal de amolado hacia la izquierda hasta que se detenga al mínimo (A).



3. Presione el botón "ACEPTAR" (B).
4. Utilice la tecla de flecha hacia abajo (C) y seleccione "CENTRAR" (D) en la pantalla.
5. Gire la perilla para ajustar el sentido de rotación y la velocidad para el cabezal de amolado hacia la derecha hasta que se detenga al máximo (G).
6. Presione el botón "ACEPTAR".
7. Utilice la tecla de flecha hacia abajo y seleccione "MÁXIMO" (F) en la pantalla.
8. Gire la perilla para ajustar el sentido de rotación y la velocidad para el cabezal de amolado hacia la derecha hasta que se detenga al máximo (G).
9. Presione el botón "ACEPTAR".
10. Presione el botón (H) para regresar a la estructura del menú.
11. Realice el mismo procedimiento para los otros 3 controles.

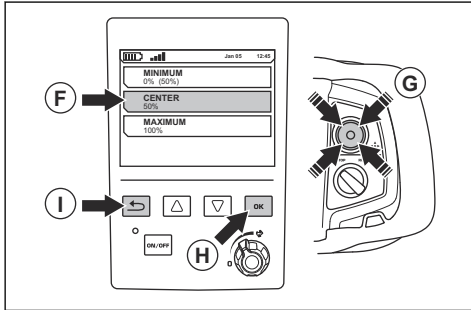
Para calibrar la palanca

1. Para calibrar el movimiento horizontal de la palanca, seleccione "PALANCA X" en el menú "CALIBRACIÓN".
2. Empuje la palanca en línea recta hacia la izquierda (A) y manténgala en esta posición.



3. Presione el botón "ACEPTAR" (B) para seleccionar "MÍNIMO" en la pantalla.

- Utilice la tecla de flecha hacia abajo (C) y seleccione "MÁXIMO" (D) en la pantalla.
- Presione el botón "ACEPTAR".
- Suelte la palanca.
- Realice el mismo procedimiento hacia la derecha (E).
- Para calibrar el modo "CENTRO" (F), suelte la palanca. La palanca vuelve a la posición central (G).



- Presione el botón "ACEPTAR" (H).
- Presione el botón (I) para regresar a la estructura del menú.
- Para calibrar el movimiento vertical de la palanca, seleccione "PALANCA Y" en el menú "CALIBRACIÓN".
- Realice el mismo procedimiento de calibración que "PALANCA X", pero mueva la palanca hacia arriba y hacia abajo.

"HORAS DE FUNCIONAMIENTO"

En "HORAS DE FUNCIONAMIENTO" se muestra el tiempo total de funcionamiento del producto en horas.

"INFORMACIÓN DEL PRODUCTO"

En "INFORMACIÓN DEL PRODUCTO" se muestra información sobre el producto o el control remoto.

Menú de funciones para oscilación y compensación

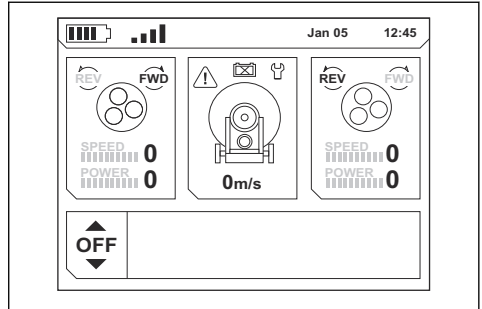
La oscilación evita los bordes en la superficie. Cuando se cambia un valor en el menú de oscilación y compensación, las correcciones se realizan después de unos segundos.



AVISO: Monitoree la oscilación cuando el producto funciona cerca de paredes y bordes. Detenga la oscilación cuando gire el producto o trabaje cerca de objetos.

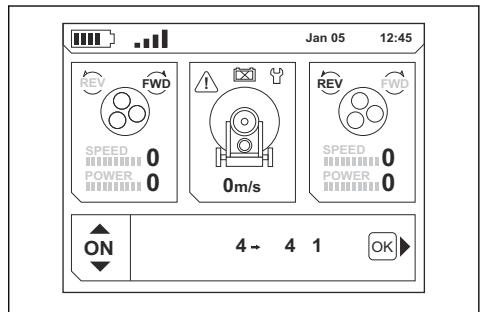
- "ENCENDIDO"/"APAGADO": inicie/detenga la oscilación. Utilícela, por ejemplo, cuando encienda el producto. Cuando comienza la oscilación, se utilizan los mismos valores empleados antes de usar la función de parada.

Las teclas de flecha del control remoto le permiten desplazarse entre las selecciones "ENCENDIDO" o "APAGADO".

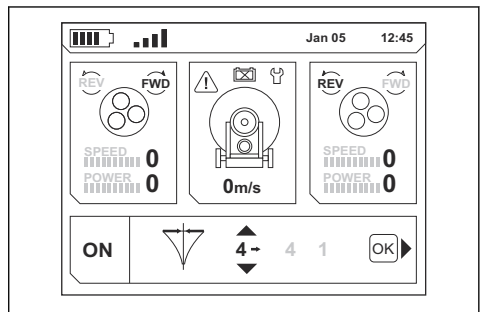


- Compensación: corrección de la dirección de desplazamiento del producto durante el funcionamiento.

Las teclas de flecha inician la oscilación. El botón "ACEPTAR" del control remoto inicia el modo de compensación.

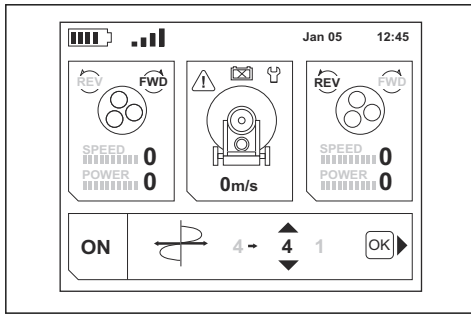


- En el modo de compensación, las teclas de flecha le permiten ajustar el valor de compensación.



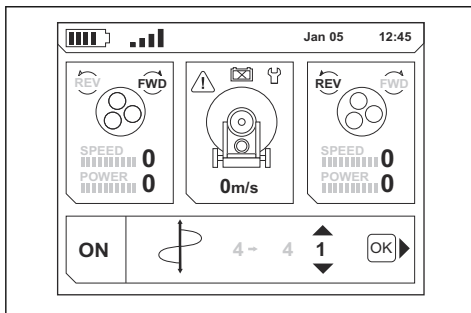
- Amplitud: ancho de la oscilación.

En el modo de compensación, el botón "ACEPTAR" inicia el modo de amplitud. Las teclas de flecha le permiten ajustar el valor de amplitud.



- Frecuencia: rapidez de la oscilación.

En el modo de amplitud, el botón "ACEPTAR" inicia el modo de frecuencia. Las teclas de flecha le permiten ajustar el valor de frecuencia.



- En el modo de frecuencia, el botón "ACEPTAR" vuelve al modo de oscilación "ENCENDIDO"/"APAGADO".

Para usar el producto con el control remoto



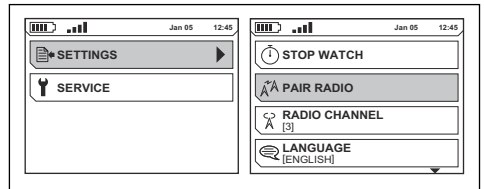
ADVERTENCIA: Asegúrese de que pueda ver el producto en todo momento cuando lo utilice con el control remoto. El rango de funcionamiento del control remoto permite mover el producto también cuando no lo puede ver. Riesgo de lesiones y daños.

Para hacer una operación de emparejamiento

La primera vez que se utiliza el control remoto junto con el producto se debe realizar una operación de emparejamiento.

También se debe realizar un emparejamiento si se reemplaza el control remoto o si cambia los controles remotos entre los productos.

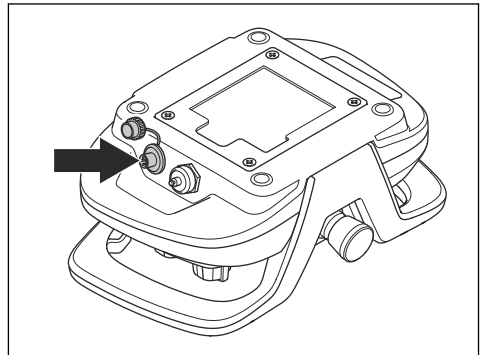
1. Asegúrese de que los botones de parada de emergencia del panel de control y del control remoto estén desactivados. Consulte *Para comprobar el botón de parada de emergencia en el panel de control en la página 64* y *Para comprobar el botón de parada de emergencia del control remoto en la página 65*.
2. Conecte el cable de alimentación y arranque el producto.
3. Conecte el cable de bus CAN. Consulte *Para conectar el control remoto al producto con un cable de bus CAN en la página 81*.
4. Espere hasta que el control remoto esté completamente cargado y el menú principal aparezca en la pantalla.
5. Pulse el botón "ACEPTAR" para abrir el sistema del menú.
6. Seleccione "AJUSTES" y presione el botón "ACEPTAR".



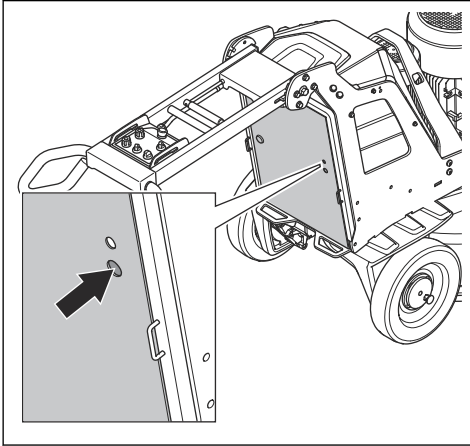
7. Utilice las teclas de flecha para ir hacia abajo hasta "EMPAREJAR RADIO" y presione el botón "ACEPTAR".
8. Si la operación de emparejamiento se realiza correctamente, aparecerá un mensaje en la pantalla. Repita el procedimiento si la operación de emparejamiento no se realiza correctamente.

Para conectar el control remoto al producto con un cable de bus CAN

1. Coloque un extremo del cable de bus CAN en el conector del control remoto.



2. Coloque el otro extremo del cable de bus CAN en el conector de la puerta de la caja eléctrica.



3. Apriete los tornillos del conector del cable de bus CAN con la mano.

Para encender el producto con el control remoto



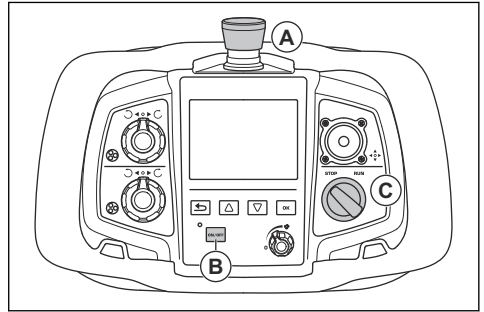
AVISO: Mueva el producto todo el tiempo mientras el cabezal de amolado está encendido. Si no mueve el producto, la superficie puede volverse áspera.

1. Gire los pasadores de bloqueo de la rueda izquierda y derecha hasta que el pasador del pasador de bloqueo se alinee con la ranura. Consulte *Para comprobar los pasadores de bloqueo para las ruedas en la página 66*.

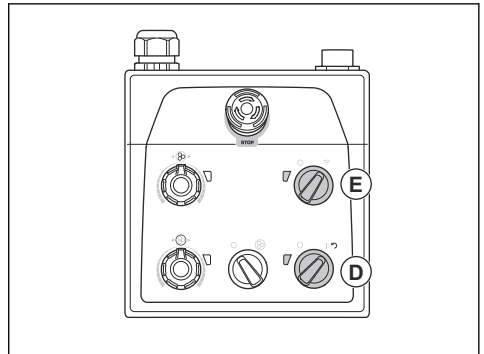


ADVERTENCIA: Asegúrese de que los 2 pasadores de bloqueo estén alineados correctamente. Si se conecta solo 1 pasador de bloqueo, existe el riesgo de lesiones y daños cuando se pone en marcha el producto.

2. Gire el botón de parada de emergencia (A) del control remoto hacia la derecha para asegurarse de que el botón de parada de emergencia esté desactivado.



3. Presione el botón de ENCENDIDO/APAGADO (B) en el control remoto. El control remoto se enciende cuando la pantalla se enciende.
4. Gire el interruptor de PARADA/MARCHA (C) en el control remoto a la posición PARADA.
5. Gire el interruptor ENCENDER/APAGAR (D) en el panel de control a la posición 1 para arrancar el producto. El LED adyacente al interruptor ENCENDER/APAGAR se enciende.



6. Gire el interruptor de control remoto/funcionamiento manual (E) en el panel de control hacia la derecha para operar el control remoto. El LED adyacente al interruptor de control remoto/funcionamiento manual parpadea.
7. Gire el interruptor PARADA/MARCHA en el control remoto a la posición MARCHA para iniciar la operación. En menos de 5 segundos, el producto funciona con el régimen de ralenti. El motor pequeño arranca después de aproximadamente 2 segundos.
8. Mueva la palanca para direccionar el producto.



AVISO: Mueva la palanca con cuidado. Mover la palanca con fuerza no mejora el rendimiento del producto. La palanca se

puede dañar si la manipula con demasiada fuerza.



AVISO: No levante el control remoto con la palanca.

Tenga en cuenta: En superficies abrasivas, puede ser necesario empujar la palanca hacia delante para liberar la fricción superficial de las herramientas de diamante.

Para hacer funcionar el producto con el control remoto conectado con un cable de bus CAN



ADVERTENCIA: No utilice el control remoto conectado con un cable de bus CAN si existe el riesgo de que el producto caiga. El operador debe estar desconectado del producto.

- Conecte el cable de bus CAN entre el control remoto y el producto. Consulte *Para conectar el control remoto al producto con un cable de bus CAN en la página 81*.
- Asegúrese de que los pasadores de bloqueo de las ruedas estén activados. Consulte *Para comprobar los pasadores de bloqueo para las ruedas en la página 66*.

Para detener el producto con el control remoto

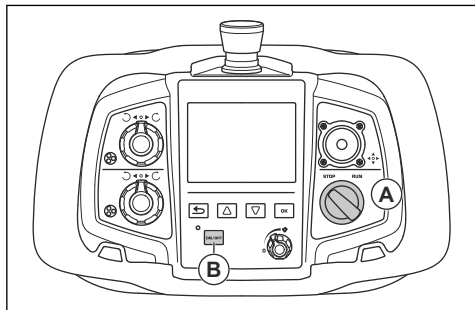


AVISO: No levante el cabezal de amolado de la superficie cuando detenga el motor. Las placas de la herramienta giran por un rato después de que se detiene el motor. El polvo puede penetrar en el aire y la superficie puede dañarse.



AVISO: No deje que el producto se detenga hasta que las placas de la herramienta se detengan por completo.

1. Gire el interruptor de PARADA/MARCHA (A) del control remoto hasta la posición PARADA para detener el cabezal de amolado.

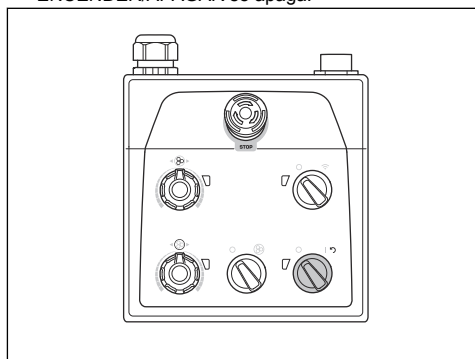


2. Mantenga las placas de la herramienta en contacto con la superficie hasta que se detengan por completo.



AVISO: Si amola el asfalto adhesivo, pintura o un material similar, el producto puede sujetarse a la superficie adhesiva. Inmediatamente después de que la placa de la herramienta se haya detenido por completo, levante la parte delantera del cabezal de amolado a una distancia pequeña.

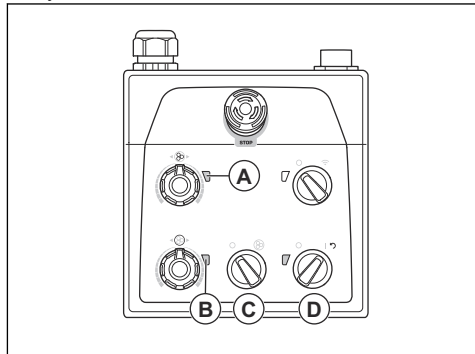
3. Presione el botón de ENCENDIDO/APAGADO (B) en el control remoto. La pantalla se apaga.
4. Gire el interruptor ENCENDER/APAGAR en el panel de control hasta la posición 0 para detener el producto. El LED adyacente al interruptor ENCENDER/APAGAR se apaga.



5. Desconecte el enchufe.

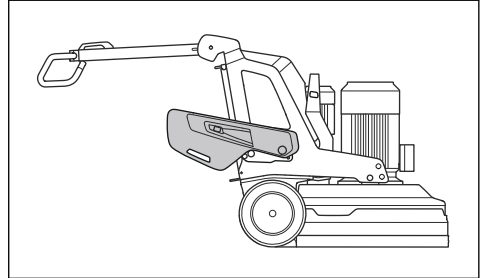
Para reiniciar el producto mediante el panel de control

El interruptor ENCENDER/APAGAR se puede utilizar como un interruptor de restablecimiento si se suelta el inversor. Reinicie el producto cuando el inversor del cabezal de amolado (A) y el disco de amolado (B) estén en rojo.



1. Gire el interruptor de PARADA/MARCHA (C) hacia la izquierda hasta la posición 0 para asegurarse de que el cabezal de amolado esté desactivado.
2. Gire el interruptor ENCENDER/APAGAR a la posición de la flecha (D) para reiniciar el producto. Los indicadores del inversor del cabezal de amolado y el disco de amolado están en color verde cuando se restablece la falla.
3. Gire el interruptor PARADA/MARCHA en el panel de control hacia la derecha para encender nuevamente el cabezal de amolado.

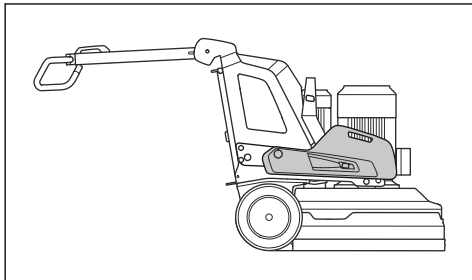
- Posición 3: presión mínima en el cabezal de amolado. Esta posición también se utiliza cuando se inclina el producto a la posición de servicio.



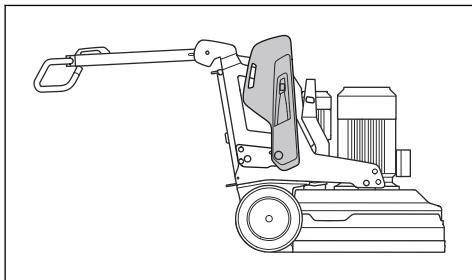
Contrapesos

El producto tiene 1 peso a cada lado. Si resulta pesado operar el producto, ajuste los pesos para cambiar la presión en el cabezal de amolado. Los pesos se deben colocar en la misma posición en el lado derecho y en el lado izquierdo. Los pesos tienen 3 posiciones:

- Posición 1: presión máxima en el cabezal de amolado. Esta posición aumenta el efecto de operación. Esta posición también se utiliza cuando se coloca el producto en la posición de transporte.



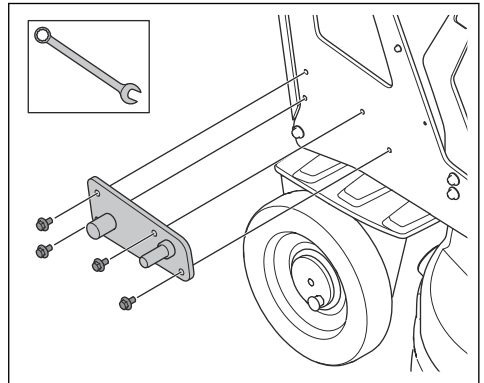
- Posición 2: presión estándar en el cabezal de amolado.



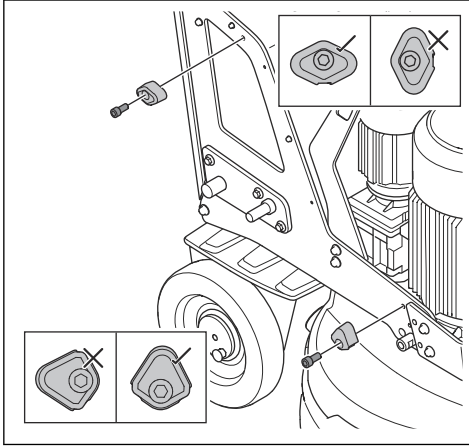
Para montar y desmontar los pesos

El producto tiene 1 peso a cada lado. Realice el procedimiento que se describe a continuación en cada peso.

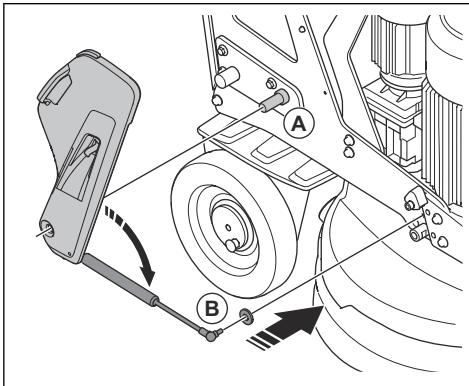
1. Instale el soporte de peso y apriete los 4 tornillos.



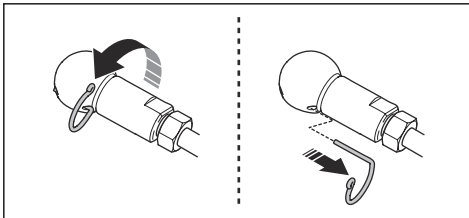
2. Instale los 2 soportes de peso. Asegúrese de que los soportes de peso estén instalados correctamente como se muestra en la ilustración.



3. Coloque el peso sobre el cilindro (A) en el soporte de peso.



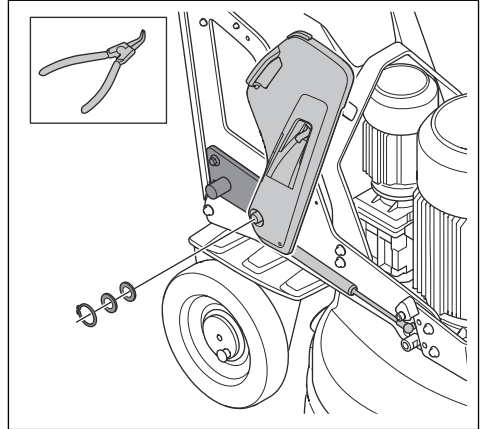
4. Conecte el resorte a gas de peso al producto (B).
a) Quite el resorte de bloqueo del cojinete de bola.



- b) Retire el cojinete de bola del resorte a gas.

- c) Conecte al cojinete de bola al producto.
d) Conecte el resorte a gas al cojinete de bola. Bloquee el resorte a gas en el cojinete de bola con el resorte de bloqueo.

5. Bloquee el peso en el soporte de peso con el anillo de bloqueo.



Para ajustar los pesos

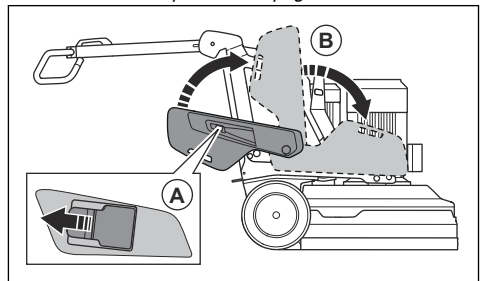


ADVERTENCIA: Tenga cuidado cuando ajuste los pesos. Las piezas móviles pueden causar lesiones.



ADVERTENCIA: Siempre asegúrese de que el bloqueo de peso se trabaje correctamente cuando los pesos se colocan en la posición seleccionada.

1. Presione el bloqueo de peso (A) y mueva el peso a la posición seleccionada (B) con el mango de peso. Consulte *Contrapesos en la página 84*.



2. Suelte el bloqueo de peso para trabar el peso en la posición seleccionada.

Mantenimiento

Introducción



ADVERTENCIA: Antes de realizar el mantenimiento, debe leer y entender el capítulo sobre seguridad.

Para todos los trabajos de mantenimiento y reparación del producto, se requiere capacitación especial. Garantizamos la disponibilidad de trabajos de mantenimiento y reparación profesionales. Si el concesionario no cuenta con un taller de servicio, pídale información acerca del taller de servicio más cercano.

Tareas previas al mantenimiento

- Utilice equipo de protección personal. Consulte *Equipo de protección personal en la página 61*.
- Utilice protección respiratoria aprobada. El polvo del producto es peligroso para la salud.
- Estacione el producto sobre una superficie nivelada.
- Detenga el motor y desconecte el enchufe de alimentación para evitar el arranque accidental durante el mantenimiento.

- Limpie el aceite y el polvo de la zona que rodea el producto. Retire los objetos no deseados.
- Coloque carteles claros para advertir a los transeúntes que se está realizando un trabajo de mantenimiento.
- Mantenga a mano extintores, suministros médicos y un teléfono de emergencia.

Programa de mantenimiento

* = Mantenimiento general por parte del operador. Las instrucciones no se proporcionan en este manual de usuario.

X = Las instrucciones se proporcionan en este manual de usuario.

O = Las instrucciones no se proporcionan en este manual de usuario. Solicite a un taller de servicio autorizado que realice el mantenimiento.

Mantenimiento	Diario	Una vez por semana	Cada 6 meses	Cada 12 a 36 meses
Revise el interruptor ENCENDER/APAGAR en el panel de control.	*			
Revise el interruptor de PARADA/MARCHA en el control remoto.	*			
Revise el botón de parada de emergencia en el panel de control.	X			
Revise el botón de parada de emergencia en el control remoto.	X			
Revise los puntos de fijación y la función de bloqueo del mango.		*		
Revise los puntos de fijación y la función de bloqueo de los pesos.		*		
Limpie las superficies exteriores del producto.	X			
Limpie los componentes internos del producto.			O	
Realice una inspección general.	X			
Revise los discos de amolado.	X			
Verifique el funcionamiento del sistema de transmisión para el cabezal de amolado.		X		
Realice el mantenimiento de los discos de amolado del sistema de transmisión.				O
Revise la conexión entre el chasis y el cabezal de amolado.		*		

Para limpiar el producto



AVISO: Una toma de aire bloqueada disminuye el rendimiento del producto y puede provocar que el motor se caliente demasiado.

- Elimine los bloqueos en todas las tomas de aire. El producto debe estar siempre en una temperatura lo suficientemente fría.
- Antes de realizar una limpieza, desconecte siempre el enchufe de alimentación de la toma de la red.
- No utilice productos químicos para limpiar el producto.
- No limpie los componentes eléctricos con agua.
- Siempre limpie todo el equipo al final del día de trabajo. Limpie los componentes de la superficie inferior del cabezal de amolado con una lavadora de alta presión.



AVISO: No apunte directamente la hidrolavadora hacia los sellos o los puntos de conexión.

Para limpiar la batería y el cargador de batería



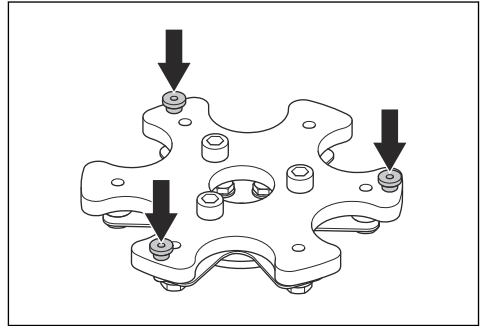
AVISO: No limpie con agua la batería o el cargador de batería.

- Asegúrese de que la batería y el cargador de batería estén limpios y secos antes de colocar la batería en el cargador.
- Limpie los terminales de la batería con aire comprimido o utilice un paño suave y seco.
- Limpie las superficies de la batería y el cargador de batería con un paño suave y seco.

Para hacer una inspección general

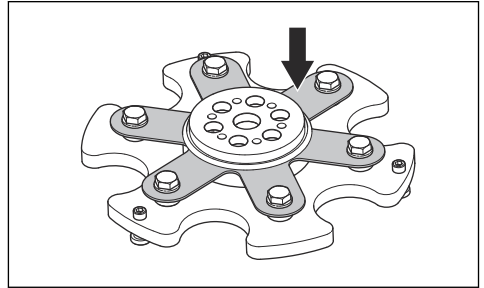
- Asegúrese de que el cable de alimentación y el cable de extensión estén intactos y en buenas condiciones.
- Asegúrese de que las tuercas y los tornillos estén apretados.

- Asegúrese de que las trabas de la base estén ajustadas. Si es necesario, apriete las trabas de la base y utilice sellador de roscas 680 LOCTITE®.



Para revisar los discos amoladora

- Revise que el resorte de acero sobre resorte no esté dañado y asegúrese de que esté en buenas condiciones.



- Reemplace los resortes de acero sobre resortes que estén dañados.

Tenga en cuenta: No es necesario desechar el disco amoladora al reemplazar el resorte de acero sobre resorte.

- Agregue un segundo resorte de acero sobre resorte para reducir la flexibilidad de la base de acero del resorte.

Sistema de transmisión para el cabezal de amolado

El sistema de transmisión para el cabezal de amolado es un sistema cerrado. Si tiene problemas con el sistema de transmisión del cabezal de amolado, comuníquese con el taller de servicio de Husqvarna.

Batería del producto

La batería del producto solo se utiliza para mover el producto con el control remoto desde el vehículo de transporte hasta el área de trabajo. La batería del producto no se utiliza para operar el producto. El producto debe estar conectado a una fuente de alimentación durante el funcionamiento.

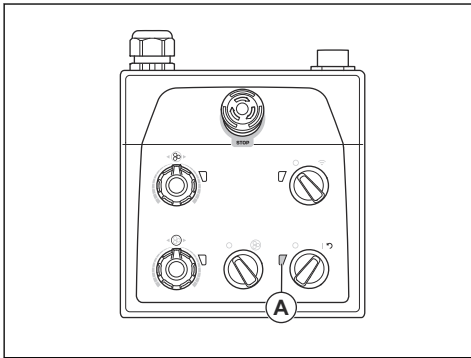
Se debe cargar la batería antes de utilizar el producto por primera vez.

El tiempo de funcionamiento es de aproximadamente 1 hora cuando la batería está cargada por completo. La temperatura ambiente y la frecuencia con la que se utilizan los motores de las ruedas pueden disminuir el tiempo de funcionamiento.

Para cargar la batería del producto con una fuente de alimentación trifásica

La batería del producto se carga cuando el producto está conectado a una fuente de alimentación trifásica y está en funcionamiento. El tiempo de carga de una batería vacía del producto es de aproximadamente 3 a 4 horas.

1. Utilice la batería a temperatura ambiente de entre 0 °C (32 °F) y 40 °C (104 °F).
2. Conecte el producto a una fuente de alimentación trifásica. Consulte *Para conectar el producto a una fuente de alimentación en la página 72*. Cuando la batería se está cargando, parpadea el indicador de alimentación y del estado de carga de la batería del producto (A) en el panel de control.



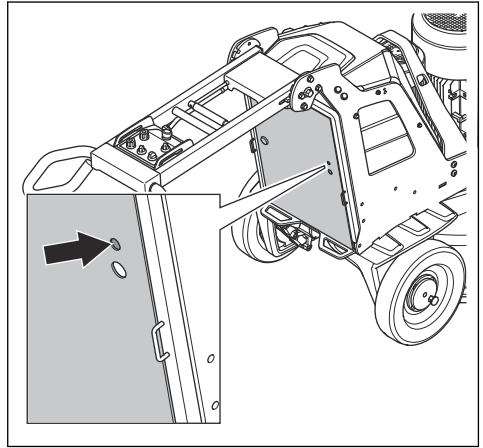
3. Cuando la batería está completamente cargada, se apaga el indicador de alimentación y del estado de carga de la batería del producto.

Para cargar la batería del producto a través de una conexión monofásica

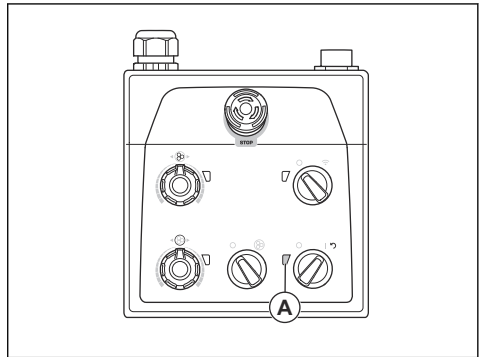
El tiempo de carga de una batería vacía del producto es de aproximadamente 3 a 4 horas.

1. Utilice la batería a temperatura ambiente de entre 0 °C (32 °F) y 40 °C (104 °F).

2. Conecte el cable de carga monofásico al conector del cargador de batería de la puerta a la caja eléctrica.



3. Conecte el otro extremo del cable de carga monofásico a una toma de corriente. Cuando la batería se está cargando, parpadea el indicador de alimentación y del estado de carga de la batería del producto (A) en el panel de control.



4. Cuando la batería está completamente cargada, se apaga el indicador de alimentación y del estado de carga de la batería del producto.

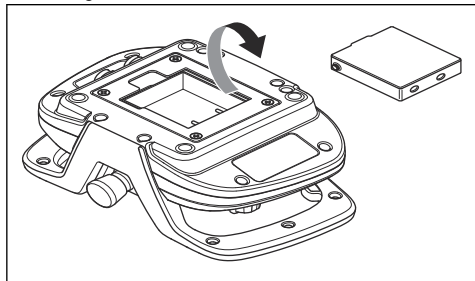
Batería del control remoto

El tiempo de funcionamiento es de aproximadamente 8 a 10 horas cuando la batería del control remoto está cargada por completo. Si la pantalla se utiliza con frecuencia, el tiempo de funcionamiento puede disminuir.

Se debe cargar la batería antes de utilizar el control remoto por primera vez.

Para extraer e instalar la batería del control remoto en el control remoto

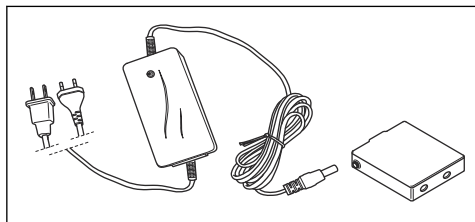
1. Gire el control remoto para acceder a la parte posterior, donde está la batería.
2. Extraiga o instale la batería del control remoto.



Para cargar la batería del control remoto con el cargador de batería

El tiempo de carga de una batería del control remoto vacía es de aproximadamente 2 a 3 horas con el cargador de batería.

1. Retire la batería del control remoto. Consulte *Para extraer e instalar la batería del control remoto en el control remoto en la página 89*.
2. Conecte el cargador de batería a una toma de corriente.
3. Conecte la batería del control remoto al cargador de batería. El indicador del cargador de batería es de color naranja cuando se carga la batería del control remoto.



4. Cuando la batería del control remoto está completamente cargada, el indicador cambia al color verde. Retire la batería del control remoto del cargador de batería.
5. Desconecte el cargador de batería de la toma de corriente.

Para cargar la batería del control remoto con el cable de bus CAN

El tiempo de carga con el cable de bus CAN es mayor que con el cargador de batería. El control remoto se puede operar durante la carga con el cable de bus CAN.

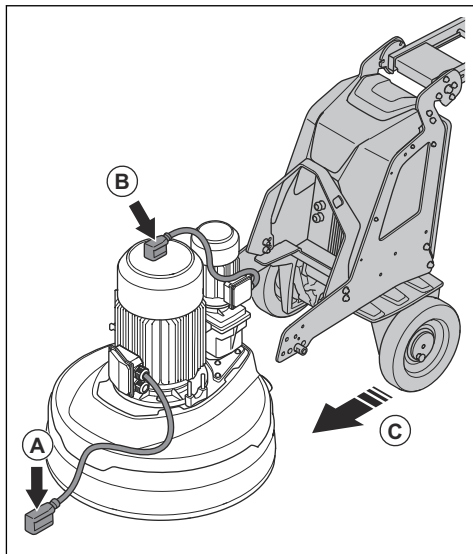
1. Conecte el control remoto al producto con el cable de bus CAN. Consulte *Para conectar el control remoto al producto con un cable de bus CAN en la página 81*. El indicador de batería del producto en la pantalla del control remoto se enciende cuando se carga la batería. Consulte *Descripción general de la pantalla en la página 58*.
2. Cuando la batería está completamente cargada, el indicador de la batería del producto se apaga.
3. Desconecte el cable de bus CAN del producto.
4. Desconecte el cable de bus CAN del control remoto.

Para instalar y quitar el cabezal de amolado



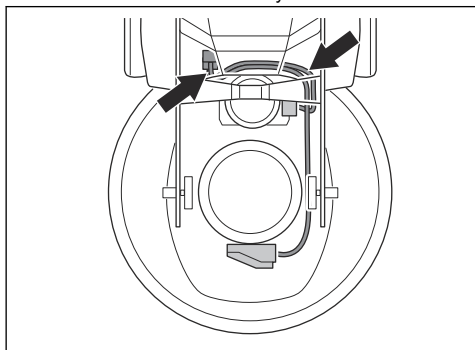
ADVERTENCIA: El chasis no está equilibrado cuando se quita el cabezal de amolado. Asegúrese de que el chasis no se caiga. Esto puede provocar lesiones o la muerte.

1. Coloque el cable del motor delantero (A) delante del cabezal de amolado.

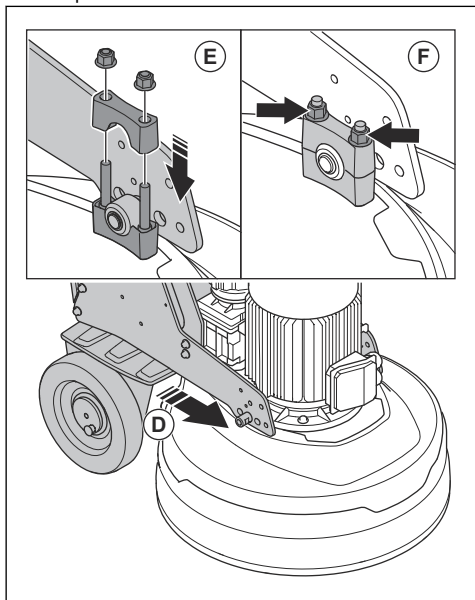


2. Coloque el cable del motor trasero (B) en la parte superior del motor.
3. Presione el chasis cerca del cabezal de amolado (C).

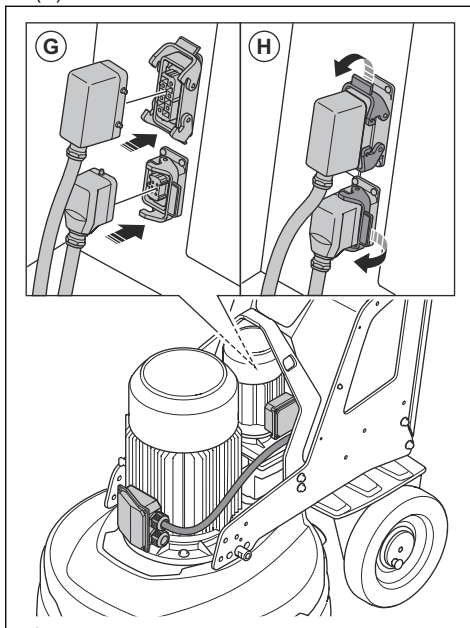
4. Coloque los cables del motor a través de la ranura entre el cabezal de amolado y el chasis.



5. Presione el chasis por completo contra el cabezal de amolado (D). Asegúrese de que el chasis se conecta al soporte en el cabezal de amolado.



6. Instale el segundo soporte (E) en la parte superior del soporte en el cabezal de amolado.
7. Apriete las 2 tuercas (F) a cada lado del cabezal de amolado.
8. Conecte los cables del motor a las tomas eléctricas (G) de la carcasa eléctrica.



9. Bloquee los cables del motor a las tomas eléctricas (H) de la carcasa eléctrica.
10. Retire el cabezal de amolado en la secuencia opuesta.

Solución de problemas

Problema	Causa	Solución
El producto no arranca.	El cable de extensión está desconectado o dañado.	Conecte el cable de extensión o, si es necesario, reemplácelo.
	Se activa un botón de parada de emergencia.	Gire el botón de parada de emergencia en el panel de control o el control remoto hacia la derecha para desconectarlo.
	El interruptor de seguridad está abierto en la carcasa eléctrica.	Cierre el interruptor de seguridad para completar el circuito.
No es fácil sostener el producto.	Hay una cantidad muy pequeña de herramientas de diamante instaladas en el producto.	Aumente el número de herramientas de diamante para reducir la carga sobre el producto y el operador.
	El motor de accionamiento de amolado grande no funciona.	Asegúrese de que el motor de accionamiento de amolado grande esté conectado.
	Esto puede deberse a una falla en el motor o en un cable del motor.	Si el problema persiste, comuníquese con un taller de servicio autorizado.
	La correa está rota.	Si la correa está rota, debe reemplazarla en un centro de servicio. Gire manualmente uno de los discos de amolado. Si todos los discos de amolado giran juntos, la correa no está dañada. Si 1 disco de amolado gira libremente, la correa está rota.
	Solo ingresa una fase en el producto. El producto no recibirá un código de error y utilizará < 1 A de corriente del motor. El ventilador gira lentamente.	Revise la fuente de alimentación.
	La superficie o el funcionamiento utilizan demasiada capacidad del producto.	Ajuste la velocidad de los motores o la velocidad de avance del producto en el piso.
El producto suena como si aumentara la velocidad en exceso.	El motor de accionamiento de amolado pequeño no esté conectado.	Asegúrese de que el motor de accionamiento de amolado pequeño esté conectado.
	El motor de accionamiento de amolado pequeño no funciona.	Asegúrese de que el motor de accionamiento de amolado pequeño esté conectado.
	Esto puede deberse a una falla en el motor o en un cable del motor.	Si el problema persiste, comuníquese con un taller de servicio autorizado.
	La superficie es demasiado gruesa o la configuración de la herramienta de diamante es incorrecta.	Empuje ligeramente hacia abajo el manillar para levantar el cabezal de amolado de la superficie cuando arranque el producto.

Problema	Causa	Solución
El producto hace un patrón irregular de ralladuras.	Las herramientas de diamante están conectadas de manera incorrecta o están conectadas a diferentes alturas en los discos de amolado.	Asegúrese de que todas las herramientas de diamante estén instaladas correctamente y de que tengan la misma altura.
	Las herramientas de diamante son de tipos combinados	Asegúrese de que todos los segmentos tengan el mismo adhesivo y granos abrasivos de diamante. Si los segmentos de diamante son irregulares, separe de manera equitativa los segmentos de diamante ásperos. Haga funcionar el producto sobre una superficie abrasiva hasta que todos los segmentos tengan la misma altura.
	Las trabas del cabezal están sueltas o no están.	Asegúrese de que todas las trabas del cabezal estén en su lugar y apretadas.
	Las herramientas de resina están mezcladas o tienen contaminación no deseada.	Asegúrese de que todas las resinas tengan el mismo adhesivo y granos abrasivos de diamante y que no haya contaminación. Para limpiar las herramientas de resina, hágalas funcionar durante un período breve sobre una superficie ligeramente abrasiva.
	Los discos de amolado están desgastados o dañados.	Examine los discos de amolado para detectar secciones rotas o demasiado movimiento.
Hay movimientos inesperados no deseados en el producto.	Los discos de amolado están desgastados o dañados.	Examine los discos de amolado para detectar piezas dañadas y movimiento excesivo.
	Las herramientas de diamante están conectadas de manera incorrecta o están conectadas a diferentes alturas en los discos de amolado.	Asegúrese de que todas las herramientas de diamante estén instaladas correctamente y de que tengan la misma altura.
	Las trabas del cabezal están sueltas o no están.	Asegúrese de que todas las trabas del cabezal estén en su lugar y apretadas.
El disyuntor interno se libera.	Carga demasiado alta o fuente de alimentación insuficiente.	Revise la fuente de alimentación.
		Disminuya la presión de amolado, aumente la cantidad de herramientas de diamante o aumente la dureza del adhesivo.
La pantalla va a uno de los menús principales mientras el producto funciona.	Interferencia en la comunicación por radio entre el control remoto y el producto.	Cambie el canal de radio.
No hay conexión de baja energía (BLE) Bluetooth® con el producto.	No hay ninguna fuente de alimentación.	Conecte el producto a la fuente de alimentación.
	La batería del módulo de BLE está en la posición de APAGADO.	Asegúrese de que el interruptor de la unidad de la batería se encuentre en la posición de ENCENDIDO.
	La batería del módulo de BLE está agotada.	Comuníquese con un taller de servicio autorizado.
	La antena o la conexión de la antena están dañadas.	Comuníquese con un taller de servicio autorizado.

Mensajes de error y advertencia en el control remoto

Cuando el producto se detiene y la pantalla muestra un mensaje de error y un código de error, se ha producido una falla. Si los mensajes se aplican a los motores de tracción o a la batería, el producto solo se puede usar manualmente. Comuníquese con un taller de servicio autorizado. Para seguir usando el producto, se debe corregir la falla. Cuando se corrija la falla, asegúrese de

que el interruptor de PARADA/MARCHA en el control remoto esté en la posición de PARADA.

Cuando se enciende el símbolo de advertencia en el control remoto y la luz de advertencia en el producto parpadea rápidamente, se ha producido una falla. Para ver la falla, seleccione el menú SERVICIO del sistema de menú del control remoto. A continuación, seleccione REGISTRO DE ERRORES para ver la falla y la posible solución.

Código de error o advertencia	Mensaje en la pantalla	Causa
0x010201	"Error de batería de la máquina, comuníquese con el servicio técnico"	La batería no funciona.
0x010202		Cortocircuito en la carga de la batería.
0x010228		Se agotó el tiempo de carga de la batería.
0x01020B	"Nivel de batería bajo"	El nivel de la batería es bajo.
0x010240	"Error de batería de la máquina, comuníquese con el servicio técnico"	Conexión incorrecta de la batería.
0x010115	"Sobrecarga de tracción, verifique que la máquina no esté bloqueada"	Hay una sobrecarga en los motores de tracción.
0x010140	"Error del motor de tracción, comuníquese con el servicio técnico si el error persiste"	Los sensores de efecto Hall del motor de tracción indican un valor incorrecto
0x010141	"Los pasadores de resorte no están introducidos en las ruedas motrices"	Los pasadores de bloqueo no están activados.
0x010540	"Error de radio, comuníquese con el servicio técnico si el error persiste"	No hay conexión con el producto.
0x01070D	"La medición de temperatura no funciona, comuníquese con el servicio técnico"	No se puede indicar la temperatura del producto. La carga de la batería no está habilitada.
0x01070F	"La temperatura de la máquina es demasiado alta"	La temperatura del producto es alta, el producto se detiene.
0x01070E	"La temperatura de la máquina es demasiado baja"	La temperatura del producto es baja, el producto se detiene.
0x010740	"Error interno, comuníquese con el servicio técnico"	No hay conexión entre los variadores de frecuencia y la unidad de control de amolado.

Código de error o advertencia	Mensaje en la pantalla	Causa
0x010300		Error general.
0x010301	"Error en el controlador de disco de amolado, comuníquese con el servicio técnico si el error persiste"	Error interno en el variador de frecuencia.
0x010301 - 0x010376		
0x010302	"El voltaje de entrada es demasiado bajo"	
0x010307	"La temperatura de la máquina es demasiado alta"	
0x01030F		
0x010317	"Sobrecarga del motor, comuníquese con el servicio técnico si el problema persiste"	
0x010318		
0x010319	"Error en el controlador de disco de amolado, comuníquese con el servicio técnico si el error persiste"	
0x01034A		
0x01034B	"La temperatura de la máquina es demasiado alta"	
0x01034C		
0x01035D	"Sobrecarga del motor, comuníquese con el servicio técnico si el problema persiste"	
0x010400		Error general.
0x010401 - 0x010474	"Error del controlador del cabezal del planetario, comuníquese con el servicio técnico si el error persiste"	Error interno en el variador de frecuencia.
0x010402	"El voltaje de entrada es demasiado bajo"	
0x01040F	"La temperatura de la máquina es demasiado alta"	
0x010407		
0x01044B		
0x020228	"Se debe reemplazar la batería del control remoto"	Se agotó el tiempo de carga de la batería.
0x020424	"La máquina o el control remoto necesitan una actualización de software; comuníquese con el servicio técnico"	No hay conexión entre el control remoto y el producto.
0x020441	"El reloj se detuvo, corríjalo si es necesario"	El reloj del control remoto no muestra la hora correcta.

Transporte, almacenamiento y eliminación de residuos

Transporte



ADVERTENCIA: Tenga cuidado durante el transporte. El producto es pesado y puede causar lesiones o daños si se cae o se mueve durante el transporte.

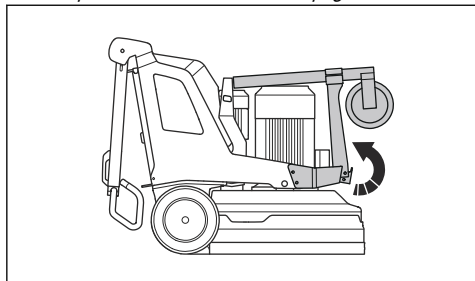


AVISO: No remolque el producto detrás de un vehículo.

- Tenga cuidado cuando mueva el producto manualmente o en superficies con pendiente. Las pendientes pequeñas pueden producir un movimiento rápido que no sea posible frenar manualmente.
- Fije el producto con seguridad durante el transporte. Asegúrese de que no se mueva.
- Ponga algún tipo de protección en el producto durante el transporte. Esto protege al producto de los elementos naturales, como la lluvia y la nieve.
- Siempre utilice el cáncamo del producto cuando lo levante.
- No levante el producto desde el manillar, el motor, el chasis ni otras piezas.
- El transporte se hace mejor en un palé.
- Siempre levante el producto con un elevador o una horquilla de elevación.
- No utilice una horquilla de elevación si el producto no se coloca en un palé o un carro. Esto puede provocar daños en los discos de amolado y en otros componentes internos.
- Durante el transporte, el cabezal de amolado debe estar en el suelo. Para evitar daños en el mecanismo de bloqueo de las placas de herramientas, mantenga las placas de herramientas instaladas.

Para poner el producto en posición de transporte

- Levante la rueda de soporte. Consulte *Para colocar la rueda de soporte en la posición correcta para el transporte a corta distancia en la página 96.*



- Pliegue el mango. Consulte *Para ajustar el mango y el manillar en la página 71.*
- Si los pesos están conectados al producto, ajústelos en la posición de avance. Consulte *Para ajustar los pesos en la página 85.*
- Asegúrese de que el cabezal de amolado toque la superficie.

Rueda de soporte

La rueda de soporte levanta el cabezal de amolado a una pequeña distancia del suelo para facilitar el transporte de corta distancia.

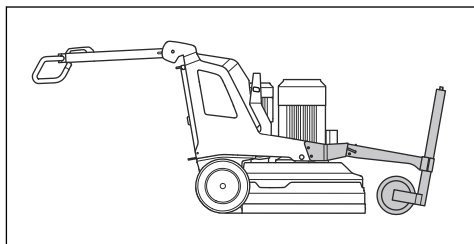


AVISO: Utilice la rueda de soporte solo para mover el producto a distancias cortas. La rueda de soporte solo se debe utilizar en el área de trabajo o dentro y fuera de un vehículo de transporte.

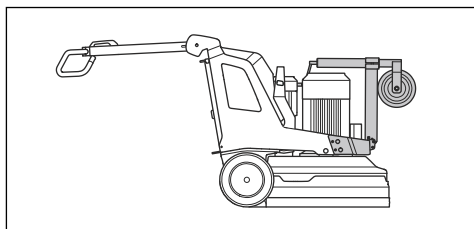


ADVERTENCIA: Tenga cuidado cuando instale, quite o ajuste la rueda de soporte. Las piezas móviles pueden causar lesiones.

- Mantenga la posición de la rueda para el transporte en distancias cortas. Consulte *Para colocar la rueda de soporte en la posición correcta para el transporte a corta distancia en la página 96.*

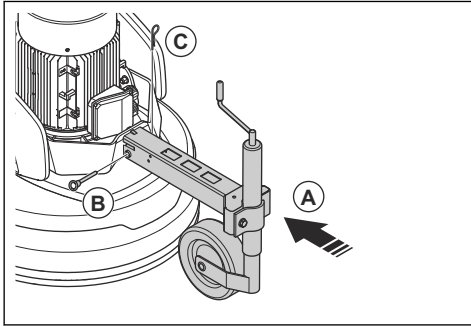


- Posición de la rueda de soporte para el funcionamiento y el transporte de larga distancia del producto. Consulte *Para poner la rueda de soporte en la posición de funcionamiento en la página 96.*



Para colocar la rueda de soporte en la posición correcta para el transporte a corta distancia

1. Coloque el bastidor de la rueda de soporte (A) contra el bastidor del producto.

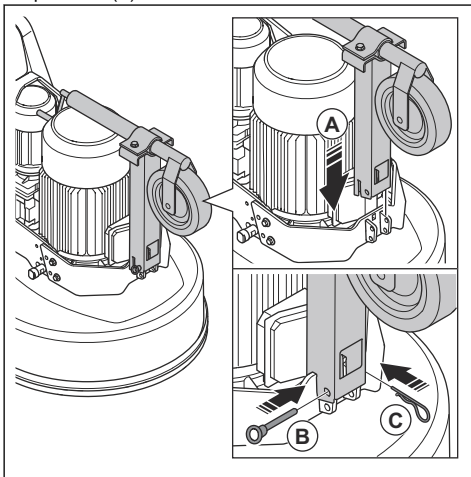


- a) Si es necesario, afloje el tornillo en la parte delantera del bastidor de la rueda de soporte para aflojar la rueda. Esto permite colocar el bastidor de la rueda de soporte en el ángulo correcto contra el bastidor del producto.
2. Empuje el pasador de la rueda de soporte (B) hacia la rueda de soporte y bloquee el pasador de la rueda de soporte con la chaveta hendida (C).
 3. Conecte la rueda de soporte en la secuencia opuesta.

Para poner la rueda de soporte en la posición de funcionamiento

La posición de funcionamiento también se utiliza para el transporte de larga distancia.

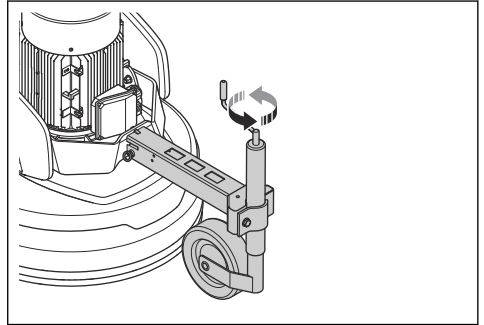
1. Coloque la rueda de soporte en posición vertical.
2. Baje la rueda de soporte hacia el bastidor de producto (A).



3. Empuje el pasador de la rueda de soporte (B) hacia la rueda de soporte y bloquee el pasador de la rueda de soporte con la chaveta hendida (C).
4. Conecte la rueda de soporte en la secuencia opuesta.

Para ajustar la altura de la rueda de soporte

1. Coloque la rueda de soporte en la posición para el transporte de corta distancia. Consulte *Para colocar la rueda de soporte en la posición correcta para el transporte a corta distancia en la página 96*.
2. Gire el mango en la parte delantera de la rueda de soporte para levantar o bajar la rueda de soporte.



Para mover el producto con la rueda de soporte

1. Coloque la rueda de soporte en la posición para el transporte de distancias cortas. Consulte *Para colocar la rueda de soporte en la posición correcta para el transporte a corta distancia en la página 96*.
2. Baje la rueda de soporte para levantar el cabezal de amolado del suelo. Consulte *Para ajustar la altura de la rueda de soporte en la página 96*.
3. Mueva el producto manualmente o con el control remoto.

Para mover el producto hacia arriba y hacia abajo por una rampa



ADVERTENCIA: Tenga mucho cuidado cuando mueva el producto hacia arriba y hacia abajo en rampas con el motor encendido. El producto es pesado y existe riesgo de lesiones si se cae o se mueve demasiado rápido.



ADVERTENCIA: Para rampas con una pendiente pronunciada, utilice siempre un cabrestante. No camine ni permanezca por debajo del producto. No permanezca en el área de riesgo del producto. Consulte *Seguridad en el área de trabajo en la página 62*.



ADVERTENCIA: No mueva el producto hacia arriba ni hacia abajo por una rampa cuando la batería del control remoto tenga un estado de carga bajo. El producto puede fallar repentinamente.



ADVERTENCIA: No mueva el producto en pendientes pronunciadas. Observe la placa de características en el producto para obtener información sobre el ángulo máximo de pendiente.

- Para bajar el producto por una rampa, opere el producto lentamente hacia atrás.
- Para subir el producto por una rampa, opere el producto lentamente hacia delante.
- No gire el producto más de 45° en una rampa.

Para levantar el producto



ADVERTENCIA: Asegúrese de que el equipo de elevación tenga la especificación correcta para levantar el producto de forma segura. En la placa de características del producto se muestra el peso del producto.

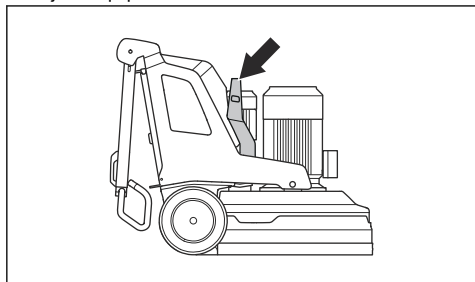


ADVERTENCIA: No camine ni permanezca por debajo del producto cuando esté levantado. Mantenga a las personas fuera del área de trabajo. Consulte *Seguridad en el área de trabajo en la página 62*.



ADVERTENCIA: No levante el producto si está dañado. Asegúrese de que el cáncamo esté correctamente instalado y de que no esté dañado.

1. Ponga el producto en la posición de transporte. Consulte *Para poner el producto en posición de transporte en la página 95*.
2. Fije el equipo de elevación al cáncamo.



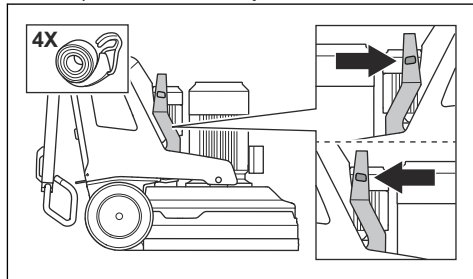
Para fijar el producto a un vehículo de transporte



AVISO: No use la rueda de soporte para fijar el producto. La rueda de soporte no es lo suficientemente estable y puede dañarse.

El producto cuenta con orificios que se usan con correas de sujeción para fijar el producto al vehículo de transporte.

1. Coloque las correas de sujeción en los orificios.



2. Fije y apriete la correa de sujeción al vehículo.

Almacenamiento



AVISO: No almacene el producto a la luz solar directa. Siempre mantenga el producto en interiores.

- Mantenga el producto en un lugar seco y sin escarcha.
- Limpie el producto y realice un mantenimiento completo antes de almacenar el producto.
- Levante la rueda de soporte. El cabezal de amolado debe estar en el suelo.
- Mantenga el producto en un área cerrada para evitar que los niños u otras personas sin autorización puedan acceder a él.
- Mantenga el cargador de batería en un lugar seco y sin escarcha.
- Retire la batería del control remoto cuando el producto esté almacenado durante más de 6 meses.
- Cargue las baterías del producto cada 6 meses cuando el producto esté almacenado a largo plazo.

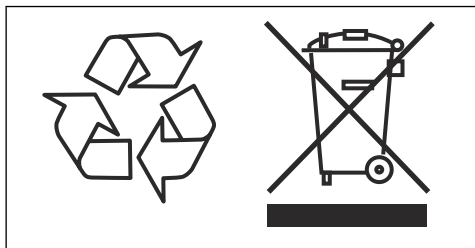
Eliminación

Los símbolos en la máquina o en su embalaje indican que este producto no se puede tratar como residuo doméstico. Debe enviarse a una estación de reciclaje apropiada para la recuperación del equipo eléctrico y electrónico.

Antes de enviar el producto a una estación de reciclaje adecuada, asegúrese de desconectar el producto de la red eléctrica y de sacar las baterías del control remoto. Asegúrese de informar a la estación de reciclaje que el

producto contiene una batería de iones de litio en su interior. Envíe las baterías a una estación de reciclaje apropiada.

Si se asegura de mantener correctamente esta máquina, puede contribuir a contrarrestar los posibles efectos negativos en el medioambiente y en las personas que, de lo contrario, podrían resultar afectadas debido a la gestión incorrecta de los residuos de este producto. Para obtener información más detallada sobre el reciclaje de este producto, comuníquese con su municipalidad, servicio de recolección de residuos domésticos o con la tienda donde compró el producto.



Datos técnicos

Datos técnicos

	PG 690 3x200-240 V	PG 690 3x440-480 V	PG 690 RC 3x200-240 V	PG 690 RC 3x440-480 V
Potencia del motor, kW/hp	12,5/17	12,5/17	12,5/17	12,5/17
Corriente nominal, A	50	30	50	30
Voltaje nominal, V	200-240	440-480	200-240	440-480
Fases	Trifásica	Trifásica	Trifásica	Trifásica
Frecuencia, Hz	50-60	50-60	50-60	50-60
Peso, kg/lb	502/1107	502/1107	598/1318	598/1318
Ancho de amolado, mm/pulg.	630/24,8	630/24,8	630/24,8	630/24,8
Disco de amolado, mm/pulg.	3x270/10,5	3x270/10,5	3x270/10,5	3x270/10,5
Presión de amolado, kg/lb	228/503	228/503	242/534	242/534
Presión de amolado con rueda de soporte, kg/lb	265/584	265/584	279/615	279/615
Peso en la posición 1 (hacia delante), kg/lb	292/644	292/644	307/677	307/677
Peso en la posición 1 (hacia delante) con la rueda de soporte, kg/lb	329/725	329/725	343/756	343/756
Peso en posición 2 (vertical), kg/lb	227/500	227/500	237/522	237/522
Peso en la posición 2 (vertical) con rueda de soporte, kg/lb	264/582	264/582	273/602	273/602
Peso en la posición 3 (hacia atrás), kg/lb	185/408	185/408	198/437	198/437
Peso en la posición 3 (hacia atrás) con la rueda de soporte, kg/lb	221/487	221/487	235/518	235/518
Velocidad de disco de amolado, r/min	441-1470	441-1470	441-1470	441-1470
Velocidad de cabezal de amolado, r/min	10-57	10-57	10-57	10-57
Dirección de giro	Dirección de sentido de rotación independiente hacia la derecha/hacia la izquierda para discos y cabezal de amolado.			
Gradiente máxima, grados °	10	10	10	10
Carcasa, IP	54	54	54	54

	PG 690 3x200-240 V	PG 690 3x440-480 V	PG 690 RC 3x200-240 V	PG 690 RC 3x440-480 V
Tipo de batería	iones de litio			
Extractor de polvo recomendado⁸				
Acople del extractor de polvo, mm/pulg.	76/3	76/3	76/3	76/3
Flujo de aire mínimo, m ³ /h/CFM	600/353	600/353	600/353	600/353
Vacío mínimo, kPa/psi	28/4,1	28/4,1	28/4,1	28/4,1
Espectro de radio de la tecnología de baja energía Bluetooth⁹				
Bandas de frecuencia para la herramienta, GHz	2,402-2,480	2,402-2,480	2,402-2,480	2,402-2,480
Potencia máxima de radiofrecuencia transmitida, dBm/mW	4/2,5	4/2,5	4/2,5	4/2,5

	PG 830 3x220-240 V	PG 830 3x440-480 V	PG 830 RC 3x220-240 V	PG 830 RC 3x440-480 V
Potencia del motor, kW/hp	12,5/17	16,5/22	12,5/17	16,5/22
Corriente nominal, A	50	30	50	30
Voltaje nominal, V	220-240	440-480	220-240	440-480
Fases	Trifásica	Trifásica	Trifásica	Trifásica
Frecuencia, Hz	50-60	50-60	50-60	50-60
Peso, kg/lb	556/1226	556/1226	652/1437	652/1437
Ancho de amolado, mm/pulg.	800/31,5	800/31,5	800/31,5	800/31,5
Disco de amolado, mm/pulg.	3x270/10,5	3x270/10,5	3x270/10,5	3x270/10,5
Presión de amolado, kg/lb	288/635	288/635	302/666	302/666
Presión de amolado con rueda de soporte, kg/lb	325/717	325/717	339/747	339/747
Peso en la posición 1 (hacia delante), kg/lb	348/767	348/767	362/798	362/798
Peso en la posición 1 (hacia delante) con la rueda de soporte, kg/lb	385/849	385/849	399/880	399/880
Peso en posición 2 (vertical), kg/lb	299/659	299/659	313/690	313/690

⁸ Los datos técnicos para los extractores de polvo no describen de manera concluyente el rendimiento real en el tiempo entre diferentes extractores de polvo. Para los productos de Husqvarna, los datos objetivos de la OSHA se encuentran disponibles en www.husqvarnacp.com/us.

⁹ Esta sección solo se aplica a los productos suministrados con conectividad integrada.

	PG 830 3x220-240 V	PG 830 3x440-480 V	PG 830 RC 3x220-240 V	PG 830 RC 3x440-480 V
Peso en la posición 2 (vertical) con rueda de soporte, kg/lb	336/741	336/741	350/772	350/772
Peso en la posición 3 (hacia atrás), kg/lb	245/540	245/540	259/571	259/571
Peso en la posición 3 (hacia atrás) con la rueda de soporte, kg/lb	282/622	282/622	296/653	296/653
Velocidad de disco de amolado, r/min	421-1403	421-1403	421-1403	421-1403
Velocidad de cabezal de amolado, r/min	9-47	9-47	9-47	9-47
Dirección de giro	Dirección de sentido de rotación independiente hacia la derecha/hacia la izquierda para discos y cabezal de amolado.			
Gradiente máxima, grados °	10	10	10	10
Carcasa, IP	54	54	54	54
Tipo de batería	iones de litio			
Extractor de polvo recomendado¹⁰				
Acople del extractor de polvo, mm/pulg.	76/3	76/3	75/3	76/3
Flujo de aire mínimo, m ³ /h/CFM	815/480	815/480	815/480	815/480
Vacio mínimo, kPa/psi	30/4,4	30/4,4	30/4,4	30/4,4
Espectro de radio de la tecnología de baja energía Bluetooth®¹¹				
Bandas de frecuencia para la herramienta, GHz	2,402-2,480	2,402-2,480	2,402-2,480	2,402-2,480
Potencia máxima de radiofrecuencia transmitida, dBm/mW	4/2,5	4/2,5	4/2,5	4/2,5

Datos de frecuencia de radio

	PG 690 RC	PG 830 RC
Máximo de radiofrecuencia transmitida, dBm	Menos de 10	Menos de 10

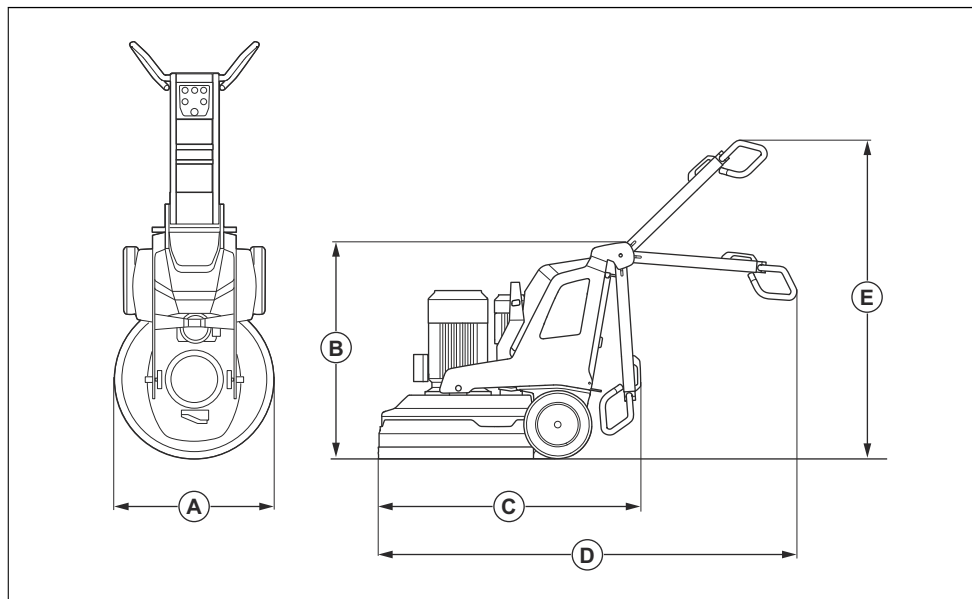
¹⁰ Los datos técnicos para los extractores de polvo no describen de manera concluyente el rendimiento real en el tiempo entre diferentes extractores de polvo. Para los productos de Husqvarna, los datos objetivos de la OSHA se encuentran disponibles en www.husqvarnacp.com/us.

¹¹ Esta sección solo se aplica a los productos suministrados con conectividad integrada.

Niveles acústicos

	PG 690	PG 690 RC	PG 830	PG 830 RC
Emisiones sonoras¹²				
Nivel de potencia acústica, L_W (dB[A]) medida	93,7	93,7	95,4	95,4
Niveles acústicos¹³				
Nivel de presión sonora en el oído del operador, L_p (dB[A])	77,9	77,9	78,7	78,7
Niveles de vibración¹⁴				
Manilla derecha, m/s^2	2,2	2,2	1,7	1,7
Manilla izquierda, m/s^2	2,1	2,1	1,5	1,5

Dimensiones del producto



¹² Las emisiones sonoras en el entorno se miden como potencia acústica en conformidad con la norma EN 60335-2-72. Incertidumbre de medición esperada de 2,5 dB(A).

¹³ Nivel de presión sonora según EN 60335-2-72. Incertidumbre de medición esperada de 4 dB(A).

¹⁴ Nivel de vibración en conformidad con la norma EN 60335-1 y EN 60335-2-72. Los datos informados para el nivel de vibración tienen una dispersión estadística común (desviación estándar) de 1 m/s^2 . Los valores de vibración son válidos para el funcionamiento manual.

		PG 690	PG 690 RC	PG 830	PG 830 RC
A	Ancho, mm/pulg	670/26,4	670/26,4	830/32,7	830/32,7
B	Altura total mín. (con mango plegado), mm/pulg.	1150/45,3	1155/45,5	1145/45,1	1155/45,5
C	Largo máx. total (con mango plegado), mm/pulg.	1300/51,2	1320/52	1550/61	1410/55,5
D	Largo máx. total (con mango extendido), mm/pulg.	2065/81,3	2077/81,8	2215/87,2	2165/85,2
E	Altura máx. total (con mango extendido), mm/pulg.	1755/69,1	1715/67,5	1700/66,9	1715/67,5

Declaración sobre interferencias de la Comisión Federal de Comunicaciones

Declaración sobre interferencias de la Comisión Federal de Comunicaciones

Para EE. UU.

Este dispositivo cumple con el Segmento 15 de las Reglas de FCC. El funcionamiento está sujeto a las siguientes dos condiciones: (1) Es posible que este dispositivo no provoque interferencias perjudiciales, y (2) este dispositivo debe aceptar cualquier interferencia recibida, incluida aquella que provoque un funcionamiento no deseado.

Declaración sobre interferencias de la Comisión Federal de Comunicaciones

Para Canadá

Este dispositivo cumple con las RSS exentas de licencia de Industry Canada. El funcionamiento está sujeto a las siguientes dos condiciones:

- Este dispositivo no causará una interferencia dañina.
- Este dispositivo debe aceptar cualquier interferencia, incluso aquella que puede causar un funcionamiento no deseado.

Declaración de conformidad del proveedor

Declaración de conformidad del proveedor para PG 690, PG 690 RC, PG 830, PG 830 RC

47 CFR § 2.1077 Información de cumplimiento

Parte responsable: Husqvarna Construction Products North America, Inc. 17400 W 119th Street Olathe, Kansas 66061 EE. UU. Estados Unidos

Información de contacto para EE. UU.: Neil Stanford, gerente de cumplimiento, número telefónico: 913-928-1000

Declaración de conformidad de la FCC: Los cambios o modificaciones que no estén expresamente aprobados por Husqvarna pueden anular el cumplimiento del equipo respecto de las normas de la FCC y limitar la autoridad del usuario para operar el equipo.

Tenga en cuenta: Este equipo se probó y se comprobó que cumple con los límites de un dispositivo digital de Clase B, conforme con el Segmento 15 de las Reglas de FCC. Estos límites están diseñados para proporcionar una protección razonable contra interferencias perjudiciales en una instalación residencial. Este equipo genera, utiliza y puede irradiar energía de radiofrecuencia y, si no se instala ni se utiliza según las instrucciones, puede causar interferencias perjudiciales para las radiocomunicaciones. Sin embargo, no hay garantía de que no se producirán interferencias en una instalación particular. Si este equipo causa una interferencia perjudicial a la recepción de radio o televisión, lo que se puede determinar apagando o encendiendo el equipo, se aconseja al usuario que trate de corregir las interferencias mediante una de las siguientes medidas:

- Reoriente o reubique la antena receptora.
 - Aumente la separación entre el equipo y el receptor.
 - Conecte el equipo a una toma de un circuito diferente del que está conectado el receptor.
 - Consulte a un distribuidor o técnico de radio o televisión experimentado para obtener ayuda.
-

Table des matières

Introduction.....	106	Transport, entreposage et mise au rebut.....	148
Sécurité.....	113	Données techniques.....	152
Fonctionnement.....	120	Déclaration sur les interférences de la Federal	
Entretien.....	139	Communication Commission.....	157
Dépannage.....	144	Déclaration de conformité du fournisseur.....	158

Introduction

Responsabilité du propriétaire



AVERTISSEMENT: Des opérations de coupe, de surfacage ou de perçage du béton ou de la pierre, particulièrement lorsque les conditions sont sèches, génèrent de la poussière qui contient souvent de la silice. La silice est un composant de base du sable, du quartz, de la brique d'argile, du granit et de nombreux autres pierres et minéraux. L'exposition à une quantité excessive de ces poussières peut entraîner :

une maladie respiratoire (réduisant la capacité à respirer), notamment la bronchite chronique, la silicose et la fibrose pulmonaire causée par l'exposition à la silice. Ces maladies peuvent être fatales;

Des irritations et éruptions cutanées.

Le cancer, selon le NTP (National Toxicology Program) et le CIRC (Centre International de recherche sur le cancer).

Prendre les précautions suivantes :

Éviter l'inhalation et le contact cutané avec les poussières, brouillards et fumées.

Porter et veiller à ce que les personnes à proximité portent un dispositif de protection respiratoire approprié, tel un masque antipoussière filtrant les particules microscopiques. (Voir OSHA 29 CFR Part 1926.1153)

Pour réduire les émissions de poussières, utilisez de l'eau pour agglomérer, lorsque cela est possible. Si une opération à sec est

nécessaire, utiliser un extracteur de poussière adéquat.

Il est de la responsabilité du propriétaire ou de l'employeur de s'assurer que l'utilisateur possède les connaissances nécessaires pour manipuler le produit en toute sécurité. Les superviseurs et les utilisateurs doivent avoir lu et compris le manuel d'utilisation. Ils doivent être conscients des éléments suivants :

- Les consignes de sécurité relatives au produit.
- L'éventail d'applications du produit et ses limites.
- La manière dont le produit doit être utilisé et entretenu.

Les règlements locaux ou nationaux peuvent limiter l'utilisation de ce produit. Rechercher les réglementations en vigueur où le travail est exécuté avant d'utiliser le produit.

Description du produit

Ce produit est une surfaceuse pour surfaces de diverses duretés.

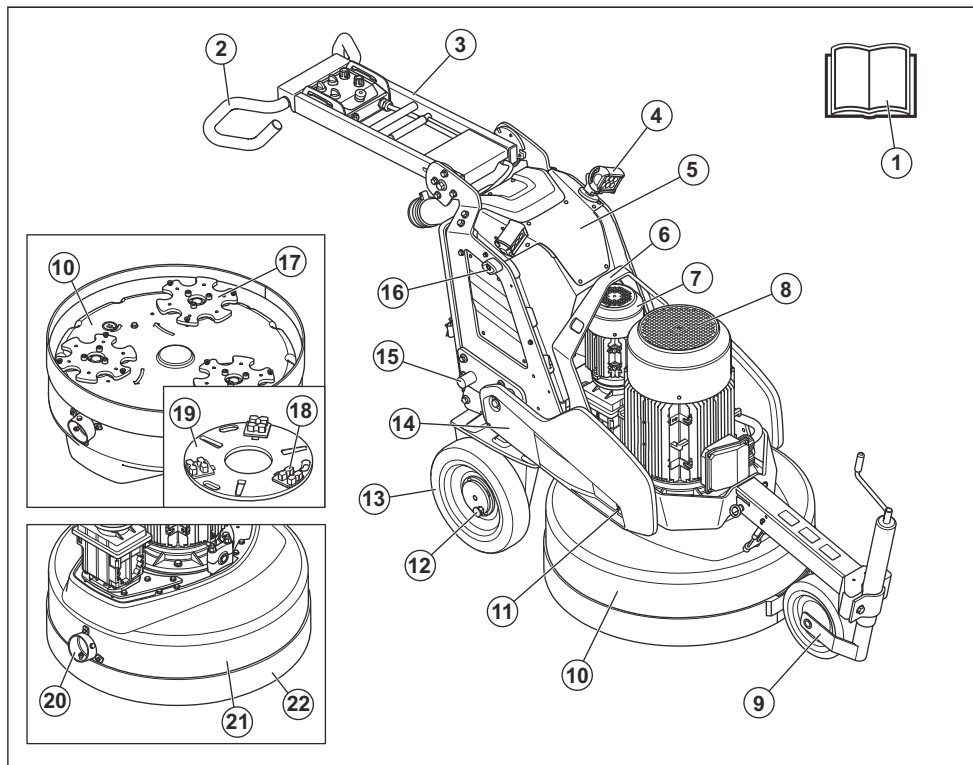
Les modèles PG 690 RC, PG 830 RC peuvent être commandés à l'aide d'une télécommande.

Utilisation prévue

Ce produit est utilisé pour meuler des surfaces de matériaux de diverses duretés, comme la pierre naturelle, le terrazzo et le béton. Il peut également être utilisé pour meuler des matériaux de recouvrement, comme l'époxy et la colle. La finition de la surface peut être rugueuse ou lisse. Le produit peut être utilisé pour le meulage à sec et le meulage à l'eau. Ne pas utiliser l'outil pour d'autres tâches.

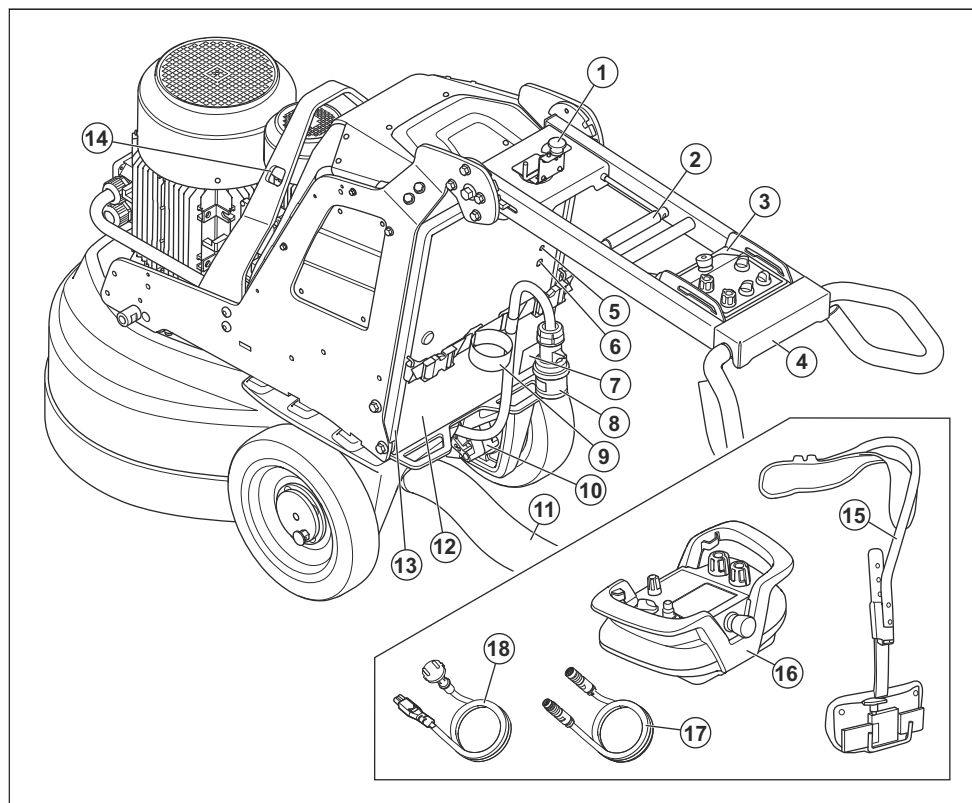
Le produit est utilisé dans les opérations commerciales par des opérateurs professionnels.

Vue d'ensemble du produit, côté droit



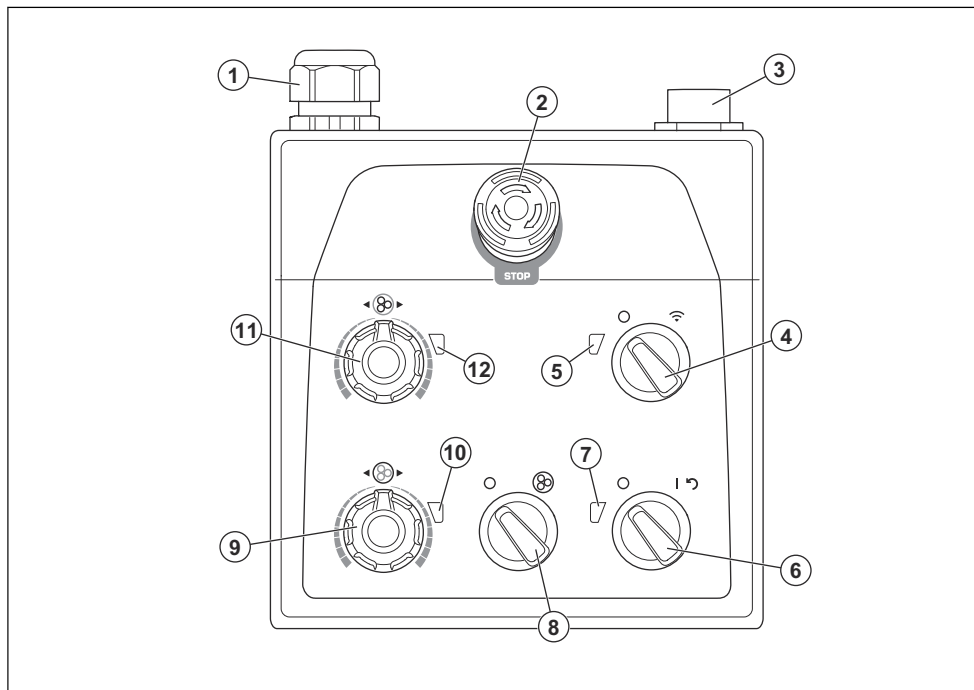
- | | |
|--------------------------------|--|
| 1. Manuel d'utilisation | 12. Goupille de blocage de la roue |
| 2. Guidon | 13. Jante |
| 3. Poignée | 14. Poids (accessoire) |
| 4. Phare (accessoire) | 15. Porte-poids |
| 5. Armoire électrique | 16. Support de poids |
| 6. Anneau de levage | 17. Disque de meulage |
| 7. Moteur de tête de surfaçage | 18. Outil diamanté (accessoire) |
| 8. Moteur du disque de meulage | 19. Plaque de l'outil |
| 9. Roue de support | 20. Connexion pour extracteur de poussière |
| 10. Tête de meulage | 21. Couvercle |
| 11. Verrou de poids | 22. Jupe pare-poussière |

Vue d'ensemble du produit, côté gauche



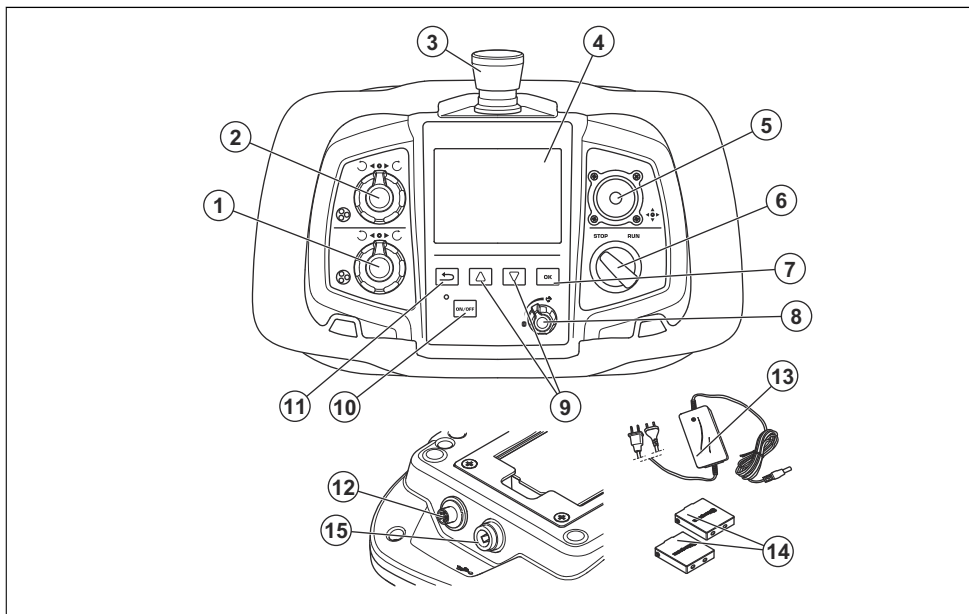
- | | |
|--|---|
| 1. PG 690 RC, PG 830 RC : Support de télécommande | 10. Moteur de roue |
| 2. Levier de verrouillage du réglage de la poignée | 11. Connexion pour extracteur de poussière |
| 3. Panneau de commande | 12. Porte du boîtier électrique |
| 4. Vis de réglage du guidon | 13. Cadre de support |
| 5. Connecteur du chargeur de batterie | 14. Trous pour sangles |
| 6. PG 690 RC, PG 830 RC : Connecteur du câble de bus CAN | 15. PG 690 RC, PG 830 RC : Faisceau de télécommande |
| 7. Plaque signalétique | 16. PG 690 RC, PG 830 RC : Télécommande |
| 8. Cordon d'alimentation | 17. Câble de charge monophasé |
| 9. Dispositif de suspension pour tuyau de l'extracteur de poussière et cordon d'alimentation | 18. PG 690 RC, PG 830 RC : Câble de bus CAN |

Vue d'ensemble du panneau de commande



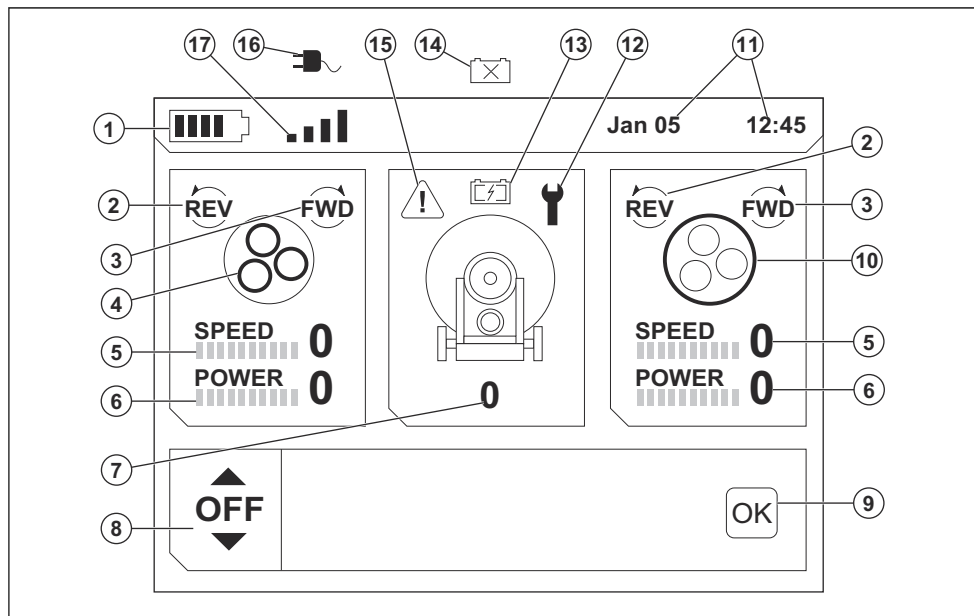
- | | |
|---|--|
| <ol style="list-style-type: none"> 1. Connexion du câble 2. Bouton d'arrêt d'urgence 3. Chargeur USB 4. PG 690 RC, PG 830 RC : Interrupteur de sélection de fonctionnement par télécommande ou par commande manuelle 5. PG 690 RC, PG 830 RC : Indicateur du mode de télécommande 6. Interrupteur ON/OFF (Marche-Arrêt) | <ol style="list-style-type: none"> 7. Indicateur d'alimentation et d'état de charge de la batterie du produit 8. Interrupteur STOP/RUN (arrêt/marche) 9. Bouton de sens de rotation et de régime, disque de meulage 10. Indicateur de disque de meulage 11. Bouton de sens de rotation et de régime, tête de meulage 12. Indicateur de tête de meulage |
|---|--|

Vue d'ensemble de la télécommande (PG 690 RC, PG 830 RC)



- | | |
|---|--|
| 1. Bouton de sens de rotation et de régime, disque de meulage | 8. Bouton de limitation de régime |
| 2. Bouton de sens de rotation et de régime, tête de meulage | 9. Touches fléchées pour faire défiler les menus |
| 3. Bouton d'arrêt d'urgence | 10. Bouton ON/OFF (marche/arrêt) |
| 4. Écran | 11. Bouton de retour en arrière dans la structure de menus |
| 5. Levier de commande | 12. Connecteur du câble de bus CAN |
| 6. Interrupteur STOP/RUN (arrêt/marche), tête de meulage | 13. Chargeur de batterie de télécommande |
| 7. Bouton OK | 14. Batterie de télécommande |
| | 15. Port du chargeur de batterie |

Vue d'ensemble de l'écran



1. Niveau de la batterie de télécommande
2. Rotation dans le sens inverse des aiguilles d'une montre sur le moteur de meulage correspondant
3. Rotation dans le sens des aiguilles d'une montre sur le moteur de meulage correspondant
4. Disques de meulage
5. Indication de régime sur le moteur de meulage correspondant
6. Indication de charge sur le moteur de meulage correspondant
7. Indication de régime du produit
8. Menu des fonctions
9. Bouton OK
10. Tête de meulage
11. Heure et date
12. Indication d'entretien
13. Indication sur la batterie du produit : la batterie se charge
14. Indication sur la batterie du produit : la batterie est manquante ou endommagée
15. Témoin d'avertissement. Se reporter à la section *Messages d'erreur et d'avertissement sur la télécommande à la page 146*.
16. La télécommande est commandée par un câble de bus CAN connecté
17. La télécommande est commandée par communication radio sans câble de bus CAN connecté

Symboles figurant sur l'outil



AVERTISSEMENT : Ce produit peut être dangereux et causer des blessures très graves, ou même mortelles, à l'utilisateur et à d'autres personnes. Faire attention et utiliser le produit correctement.



Lire attentivement le manuel et veiller à bien comprendre les directives avant d'utiliser l'outil.



Portes des protections pour les oreilles, les yeux et les voies respiratoires. Se reporter à la section *Équipement de protection personnelle à la page 114*.



La poussière peut causer des problèmes de santé. Utiliser une protection respiratoire adéquate. Toujours s'assurer qu'il y a une bonne circulation d'air.



Toujours utiliser l'anneau de levage pour lever le produit.



Utiliser les trous pour les sangles d'arrimage afin de fixer le produit à un véhicule de transport.



Double isolation, batterie et chargeur de batterie.



Utiliser et ranger le chargeur de batterie seulement à l'intérieur.



Le produit n'est pas un déchet ménager. Il faut l'envoyer dans un centre de recyclage pour équipements électriques et électroniques.

Remarque : Les autres symboles et autocollants apposés sur le produit se rapportent aux exigences en matière de certification pour certains marchés.

Symboles du panneau de commande et de la télécommande



Arrêt d'urgence.



Fonctionnement de la télécommande activé.



Produit sous tension; réinitialiser le produit.



Tête de meulage en fonction.



Régime et sens de rotation, tête de meulage.

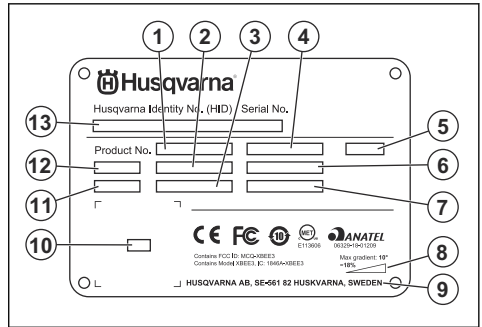


Régime et sens de rotation, disque de meulage.



Régime maximal.

Plaque signalétique



1. Numéro du produit
2. Poids du produit
3. Puissance nominale
4. Tension nominale
5. Boîtier
6. Intensité nominale
7. Fréquence
8. Angle de pente maximal
9. Fabricant
10. Code à numériser
11. Année de production
12. Modèle
13. Numéro de série

Responsabilité concernant le produit

Comme indiqué dans les lois en vigueur sur la responsabilité concernant les produits, nous ne serons pas tenus responsables des dommages que notre produit causerait dans les situations suivantes :

- Le produit n'est pas réparé de façon adéquate.
- Le produit est réparé avec des pièces qui ne sont pas fournies ou homologuées par le fabricant.
- Le produit comprend un accessoire qui n'est pas fourni ou homologué par le fabricant.
- Le produit n'est pas réparé par un centre de service après-vente agréé ou par une autorité homologuée.

Husqvarna Fleet Services™

Husqvarna Fleet Services™ est une solution dans le nuage qui offre à l'opérateur une vue d'ensemble de tous les produits connectés. Ce produit est équipé d'un capteur Husqvarna Fleet Services™ basse énergie (BLE) Bluetooth®. Le capteur Husqvarna Fleet Services™ recueille les données du produit et vous permet de vous connecter au système Husqvarna Fleet Services™. Le système Husqvarna Fleet Services™ rapporte des données comme le temps de fonctionnement, les intervalles d'entretien et l'emplacement du produit. La technologie BLE fonctionne entre 2,400 et 2,4835 GHz.

Pour obtenir de plus amples renseignements sur Husqvarna Fleet Services™, télécharger l'application Husqvarna Fleet Services™ ou communiquer avec un représentant Husqvarna.

Module basse énergie (BLE) Bluetooth®

Sur les marchés approuvés, le produit comprend un module BLE connecté au système Husqvarna Fleet Services™. Le module BLE recueille et transmet les données du produit qui sont utilisées dans le système Husqvarna Fleet Services™. Ces données comprennent le temps de fonctionnement, les intervalles d'entretien et l'emplacement du produit.

Pour configurer la connectivité intégrée

1. Configurer un compte pour le système Husqvarna Fleet Services™ sur le site Web <https://fleetservices.husqvarna.com/signup>.
2. Télécharger l'application Husqvarna Fleet Services™ sur un appareil mobile.
3. Connecter le produit à une source d'alimentation pour mettre le module BLE en marche.
4. Ajouter le produit à votre compte. Utiliser l'application Husqvarna Fleet Services™.
5. Respecter les instructions présentées dans l'application Husqvarna Fleet Services™.

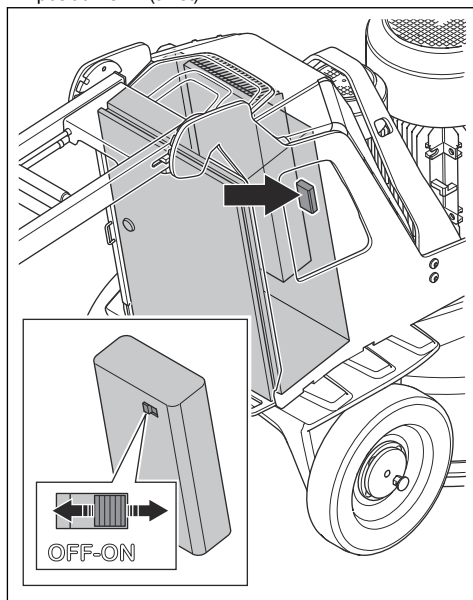
Remarque : L'appareil mobile compatible Fleet doit se trouver à proximité du produit pour la connexion.

Remarque : La transmission radio Bluetooth® s'active lors de la première connexion à la source d'alimentation et reste activée après cela.

Pour régler le produit en mode avion

Lorsque le produit est en mode avion, le module BLE s'arrête pour transmettre les données du produit.

- Pousser le commutateur du bloc-batterie à la position OFF (arrêt).



Sécurité

Définitions relatives à la sécurité

Les avertissements, recommandations et remarques soulignent des points du manuel qui revêtent une importance particulière.



AVERTISSEMENT : Indique la présence d'un risque de blessure ou de décès de l'utilisateur ou de personnes à proximité si les instructions du manuel ne sont pas suivies.



MISE EN GARDE : Indique la présence d'un risque de dommages au produit, à d'autres appareils ou à la zone adjacente si les instructions du manuel ne sont pas suivies.

Remarque : Utilisé pour donner des renseignements plus détaillés qui sont nécessaires dans une situation donnée.

Consignes générales de sécurité



AVERTISSEMENT : Lire les messages d'avertissement qui suivent avant d'utiliser l'outil.

- Ce produit est un outil dangereux s'il est utilisé de façon insouciance ou inappropriée. Cet outil peut causer des blessures graves, ou même mortelles, à l'utilisateur et à d'autres personnes. Il est obligatoire de lire et de comprendre le contenu de ce manuel d'utilisation avant d'utiliser l'outil.
- Conserver tous les avertissements et toutes les instructions.
- Se conformer à toutes les lois et réglementations en vigueur.
- L'utilisateur et l'employeur de l'utilisateur doivent connaître et prévenir les risques liés à l'utilisation du produit.

- Ne pas laisser une personne utiliser le produit à moins qu'elle a lu et compris le contenu de ce manuel d'utilisation.
- Ne pas faire fonctionner le produit sans avoir reçu une formation relative à son fonctionnement. S'assurer que tous les utilisateurs reçoivent une formation.
- Ne pas laisser un enfant utiliser l'outil.
- Seules les personnes autorisées peuvent utiliser le produit.
- L'utilisateur est responsable des accidents survenus à d'autres personnes ou à leurs biens.
- Ne pas utiliser le produit en cas de fatigue ou sous l'emprise de l'alcool, de drogues ou de médicaments.
- Toujours rester prudent et faire preuve de bon sens.
- Ce produit génère un champ électromagnétique pendant le fonctionnement. Ce champ magnétique peut, dans certains cas, nuire aux implants médicaux actifs ou passifs. Pour réduire le risque de blessures graves ou mortelles, il est recommandé aux personnes ayant des implants médicaux de consulter leur médecin et le fabricant de l'implant médical avant d'utiliser le produit.
- Toujours garder le produit propre. S'assurer de pouvoir lire clairement les signes et les autocollants.
- Ne pas utiliser le produit s'il est défectueux.
- Ne pas modifier ce produit.
- Ne pas utiliser le produit s'il est possible que d'autres personnes aient apporté des modifications à celui-ci.
- Se tenir à l'écart des endroits où le produit pourrait provoquer des blessures. Le produit peut rapidement changer de position et heurter l'opérateur.
- Si le produit ne fonctionne pas correctement, arrêter le moteur.
- S'assurer que les vêtements, les cheveux longs et les bijoux ne peuvent pas se coincer dans les pièces en mouvement.
- S'assurer d'être dans une position stable et sécuritaire au cours du travail.
- Ne pas utiliser l'outil s'il n'est pas possible d'obtenir de l'aide en cas d'accident.
- Si le produit se met à vibrer ou si son niveau sonore est anormalement élevé, arrêter immédiatement le produit. Examiner le produit pour détecter d'éventuels dommages. Réparer les dommages ou laisser un atelier spécialisé faire la réparation.
- Une surexposition aux vibrations peut entraîner des problèmes circulatoires ou des troubles nerveux, en particulier chez les personnes ayant des troubles circulatoires. En cas de symptômes liés à une surexposition aux vibrations, consulter un médecin. Ces symptômes sont les suivants : engourdissement, perte de sensibilité, fourmillement, picotement, douleur, faiblesse musculaire, décoloration ou modification de l'épiderme. Ces symptômes apparaissent habituellement aux doigts, aux mains et aux poignets.
- Ne pas stationner le produit dans une pente. Si le produit doit être stationné sur une pente, s'assurer qu'il ne peut pas bouger ou tomber. Il y a un risque de blessure et de dommage.

Consignes de sécurité pour l'utilisation



AVERTISSEMENT: Lire les messages d'avertissement qui suivent avant d'utiliser l'appareil.

- Utiliser de l'équipement de protection individuelle. Se reporter à la section *Équipement de protection personnelle à la page 114*.
- Ne pas s'éloigner du produit lorsque le moteur est sous tension.
- Toujours débrancher le cordon d'alimentation avant de s'éloigner du produit.
- Ne pas tirer sur le tuyau de l'extracteur de poussière. Le produit peut alors tomber et provoquer des blessures ou des dommages.
- La tête de meulage doit toucher la surface lorsque le produit est démarré. Cela ne s'applique pas pendant la vérification de l'interrupteur ON/OFF (marche/arrêt).
- Ne pas démarrer le produit si la jupe pare-poussière n'est pas installée. La jupe pare-poussière doit complètement fermer l'espace entre le produit et le sol.
- Garder les pieds à l'écart du câble de bus CAN et du cordon d'alimentation pour réduire le risque de chute.

- Faire attention pendant le sciage sur un terrain en pente. Le produit est lourd et peut provoquer des blessures graves en cas de chute.
- Ne pas déplacer le produit sur des pentes abruptes. Consulter la plaque signalétique du produit pour obtenir de plus amples renseignements sur l'angle de pente maximal.
- Toujours utiliser des accessoires approuvés. Pour obtenir de plus amples renseignements, communiquer avec votre concessionnaire.

Équipement de protection personnelle



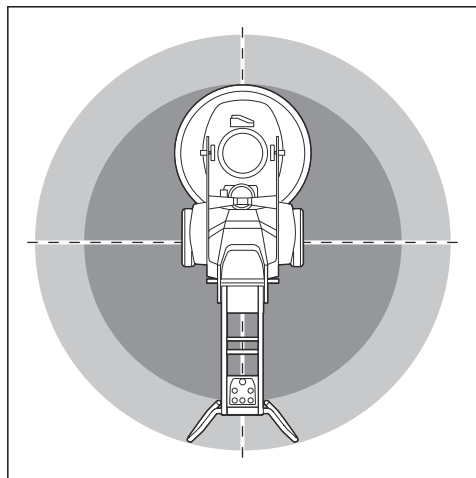
AVERTISSEMENT: Lire les messages d'avertissement qui suivent avant d'utiliser l'appareil.

- Toujours utiliser un équipement de protection personnelle lors de l'utilisation du produit. L'équipement de protection personnelle ne supprime pas le risque de blessures. L'équipement de protection personnelle réduit la gravité des blessures en cas d'accident. Laisser le concessionnaire vous aider à sélectionner l'équipement adéquat.
- Utiliser un dispositif de protection homologué pour les yeux pendant l'utilisation du produit.

- Ne pas utiliser des vêtements lâches, lourds ou non adéquats. Utiliser des vêtements qui permettent de se déplacer librement.
- Utiliser des gants de protection homologués qui offrent une prise solide.
- Porter des gants de protection en caoutchouc afin d'éviter toute irritation de la peau causée par le béton humide.
- Utiliser un casque de protection approuvé.
- Toujours porter un dispositif de protection homologué pour les oreilles lorsqu'on utilise le produit. Le fait d'entendre du bruit pendant une longue période peut engendrer une perte auditive.
- Le produit génère de la poussière et des fumées qui contiennent des produits chimiques dangereux. Utiliser une protection respiratoire adéquate.
- Utiliser des bottes à embout en acier et semelles antidérapantes.
- Vérifier qu'on dispose d'une trousse de premiers soins à proximité.
- Des étincelles peuvent se produire pendant l'utilisation du produit. S'assurer d'avoir un extincteur à proximité.

Sécurité de l'aire de travail

- Pendant le fonctionnement, éloigner les personnes présentes de la zone illustrée ci-dessous. L'opérateur doit être très prudent dans cette zone pendant le fonctionnement.



- S'assurer que seules les personnes autorisées se trouvent dans la zone de travail.
- Ne pas utiliser le produit dans le brouillard, la pluie, le vent violent, par temps froid, en cas de risque d'orage ou dans d'autres mauvaises conditions météorologiques. L'utilisation du produit par mauvais temps ou dans des endroits humides peut avoir un effet négatif sur la vigilance. Les mauvaises

conditions météorologiques peuvent engendrer des conditions de travail dangereuses.

- Rester à l'affût des personnes, des objets et des situations susceptibles d'entraver l'utilisation sécuritaire du produit.
- PG 690 RC, PG 830 RC : Le produit peut être utilisé à l'aide d'une télécommande sur de longues distances. Ne pas utiliser le produit sans avoir une vue claire du produit et de la zone à risque. Boucler la zone de travail afin d'éviter toute blessure aux personnes à proximité.
- Maintenir la zone de travail suffisamment éclairée.
- Ne pas utiliser ce produit dans des zones où un incendie ou des explosions peuvent se produire.

Sécurité électrique



AVERTISSEMENT: Les appareils électriques comportent toujours un danger d'électrocution. Ne pas utiliser le produit dans des conditions climatiques défavorables. Ne pas toucher les paratonnerres et les objets métalliques. Utiliser toujours le produit comme indiqué dans ce manuel d'utilisation pour éviter les blessures.



MISE EN GARDE : Le produit est conforme aux exigences de la norme EN61000-3-11 et sa garantie est conditionnelle au branchement à l'alimentation secteur. Communiquer avec l'autorité pour obtenir des instructions sur le branchement du produit.

L'alimentation électrique du produit ou du générateur doit être suffisamment puissante et constante pour que le moteur puisse fonctionner sans problème. Une tension incorrecte entraîne une augmentation de la consommation d'énergie et de la température du moteur jusqu'à ce que le circuit de sécurité se déclenche. La dimension du cordon d'alimentation doit être conforme aux réglementations nationales et locales. La dimension de la prise secteur doit correspondre à l'intensité de la prise électrique et du câble de rallonge du produit.

Si la prise secteur offre une résistance plus élevée, une chute de tension peut se produire lorsque le produit est mis en marche. Cela peut influencer sur le fonctionnement d'autres produits et occasionner par exemple le scintillement de l'éclairage.

- S'assurer que l'alimentation, le fusible et la tension de secteur correspondent à la valeur indiquée sur la plaque signalétique du produit.
- Toujours arrêter le produit avant de débrancher la fiche d'alimentation.

- Ne pas utiliser le produit si le cordon d'alimentation ou la prise d'alimentation sont endommagés. Le confier à un centre d'entretien agréé pour réparation. Un cordon d'alimentation endommagé peut provoquer des blessures graves, voire mortelles.
- Utiliser le cordon d'alimentation de manière adéquate. Ne pas utiliser le cordon d'alimentation pour déplacer, tirer ou débrancher le produit. Tirer la fiche d'alimentation pour déconnecter le cordon d'alimentation. Ne pas tirer le cordon d'alimentation.
- Ne pas faire fonctionner le produit à une profondeur où l'équipement du produit est mouillé. Il est possible que l'équipement devienne endommagé et que le produit se mette sous tension et engendre des blessures.
- Ne pas laisser davantage d'humidité pénétrer dans le produit que celle qui est fournie par le circuit d'eau. Garder le produit à l'écart de la pluie. L'eau qui entre dans le produit augmente le risque d'électrocution.
- Toujours débrancher le cordon d'alimentation avant de brancher ou de débrancher le câble du moteur et le boîtier électrique.

Valeurs indicatives pour la source d'alimentation

Tension nominale provenant de la source d'alimentation, V	Tension min. appliquée au produit, V	Tension max. appliquée au produit, V	Fréquence, Hz	Intensité nominale, A	Sortie du moteur	Aire de câble min., mm ² /AWG	Longueur de câble max., m/pi
PG 690 3x220	200	240	50/60	50	11+1,5	10/7	190/620
PG 690 3x400/440/ 480	380	480	50/60	30	11+1,5	6/9	190/620
PG 830 3x220	200	240	50/60	50	11+1,5	10/7	190/620
PG 830 3x400/440/ 480	380	480	50/60	30	15+1,5	6/9	190/620

Instructions de mise à la terre du produit



AVERTISSEMENT: Un mauvais branchement peut engendrer un risque d'électrocution. Communiquer avec un électricien agréé si on n'est pas certain que le produit est correctement mis à terre.

Ne pas modifier la spécification d'usine de la fiche d'alimentation. Si la fiche d'alimentation n'est pas adaptée à la prise de courant, laisser un électricien agréé installer une prise d'alimentation secteur adéquate. Respecter les lois et règlements locaux.

Si on ne comprend pas bien les instructions de mise à la terre du produit, communiquer avec un électricien agréé.

Le produit est doté d'un cordon d'alimentation mis à la terre et d'une fiche d'alimentation. Toujours brancher le produit sur une prise d'alimentation secteur mise à la terre. Cela permet de réduire le risque de décharge électrique en cas de dysfonctionnement.

Ne pas utiliser d'adaptateurs électriques avec le produit.

Rallonges

- Utiliser uniquement des rallonges approuvées d'une longueur suffisante.
- La valeur nominale inscrite sur la rallonge doit être identique ou supérieure à celle indiquée sur la plaque signalétique du produit.
- Utiliser des rallonges mises à la terre.
- Quand le produit est utilisé à l'extérieur, se servir d'une rallonge qui convient à un fonctionnement à l'extérieur. Cela réduit le risque de choc électrique.
- Maintenir la connexion à la rallonge au sec et éloignée du sol.
- Tenir la rallonge à l'écart de la chaleur, de l'huile, des bords tranchants et des pièces mobiles. Un câble endommagé augmente le risque de choc électrique.
- S'assurer que la rallonge est en bon état et qu'elle n'est pas endommagée.
- Ne pas utiliser la rallonge quand elle est enroulée. Elle pourrait surchauffer.

- Pendant l'utilisation, s'assurer que la rallonge se trouve derrière l'utilisateur et le produit. Cela évite d'endommager la rallonge.

Sécurité en matière de batteries



AVERTISSEMENT: Lire les messages d'avertissement qui suivent avant d'utiliser l'outil.

- Utiliser uniquement les batteries recommandées pour votre produit. Les batteries sont cryptées au moyen d'un logiciel.
- Utiliser uniquement des batteries d'origine pour ce produit. Il existe un risque d'explosion si une batterie est remplacée par une batterie de type incorrect. Pour obtenir de plus amples renseignements, communiquer avec votre concessionnaire.
- Utiliser les batteries qui sont rechargeables en tant que source d'alimentation pour les produits Husqvarna connexes seulement. Pour éviter les blessures, ne pas utiliser la batterie en tant que source d'alimentation pour d'autres appareils.
- Risque de décharge électrique. Ne pas raccorder les bornes de la batterie à des clés, des vis ou tout autre élément métallique. Cela peut provoquer un court-circuit de la batterie.
- S'il y a une fuite au niveau de la batterie, ne pas laisser le liquide toucher la peau ou les yeux. Si on touche le liquide, nettoyer la zone avec une grande quantité d'eau et consulter un médecin.
- Ne pas utiliser des batteries qui ne sont pas rechargeables.
- Ne pas modifier la batterie.
- Ne pas placer d'objet dans les fentes de ventilation de la batterie.
- Maintenir la batterie à l'écart de la lumière du soleil, de la chaleur et des flammes nues. La batterie peut provoquer une explosion et causer des brûlures ou des brûlures chimiques.
- Garder la batterie à l'écart de la pluie et de l'humidité.
- Garder la batterie à l'écart des micro-ondes et des pressions élevées.
- Ne pas essayer de démonter ou de briser la batterie.
- Utiliser la batterie à une température comprise entre -10 °C (14 °F) et 40 °C (104 °F).
- Ne pas nettoyer la batterie ou le chargeur de batterie avec de l'eau. Se reporter-vous à *Pour nettoyer la batterie et le chargeur de batterie. à la page 140.*
- Ne pas utiliser une batterie défectueuse ou endommagée.
- Garder les piles dans le local de rangement, à l'écart des objets métalliques tels que les clous, les vis ou les bijoux.
- Maintenir la batterie à l'écart des enfants.

Dispositifs de sécurité sur l'outil

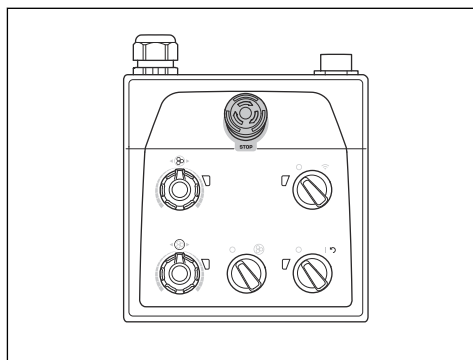


AVERTISSEMENT: Lire les messages d'avertissement qui suivent avant d'utiliser l'outil.

- Ne pas utiliser un outil dont les dispositifs de protection sont défectueux.
- Vérifier régulièrement les dispositifs de sécurité. Si les dispositifs de sécurité sont défectueux, parler à votre agent d'entretien Husqvarna.

Bouton d'arrêt d'urgence sur le panneau de commande

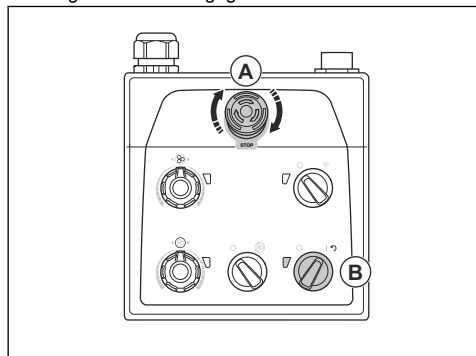
Le bouton d'arrêt d'urgence permet d'arrêter rapidement le moteur. Le bouton d'arrêt d'urgence coupe l'alimentation électrique secteur.



MISE EN GARDE : Ne pas utiliser le bouton d'arrêt d'urgence sur le panneau de commande comme bouton d'arrêt du produit.

Pour vérifier le bouton d'arrêt d'urgence sur le panneau de commande

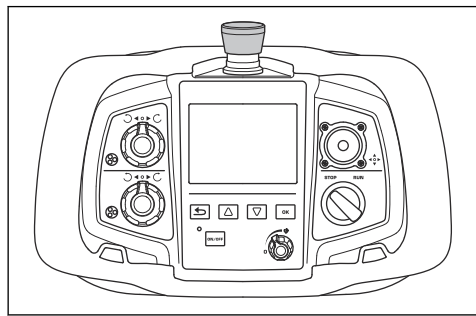
1. Tourner le bouton d'arrêt d'urgence (A) du panneau de commande dans le sens des aiguilles d'une montre pour s'assurer que le bouton d'arrêt d'urgence est désengagé.



2. Tourner l'interrupteur ON/OFF (marche/arrêt) (B) du panneau de commande à « 1 » pour démarrer le moteur. Le témoin à DEL situé à côté de l'interrupteur ON/OFF (marche/arrêt) s'allume.
3. Appuyer sur le bouton d'arrêt d'urgence du panneau de commande.
4. S'assurer que le témoin à DEL situé à côté de l'interrupteur ON/OFF (marche/arrêt) s'éteint.
5. Tourner le bouton d'arrêt d'urgence sur le panneau de commande dans le sens des aiguilles d'une montre pour le désengager.

Bouton d'arrêt d'urgence de la télécommande

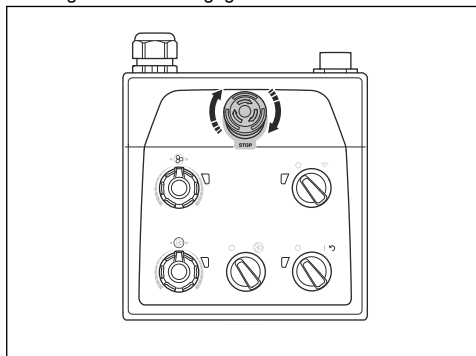
Le bouton d'arrêt d'urgence permet d'arrêter rapidement le moteur. Le bouton d'arrêt d'urgence coupe l'alimentation électrique secteur. Le bouton d'arrêt d'urgence de la télécommande ne peut pas être utilisé lorsque le produit est commandé manuellement.



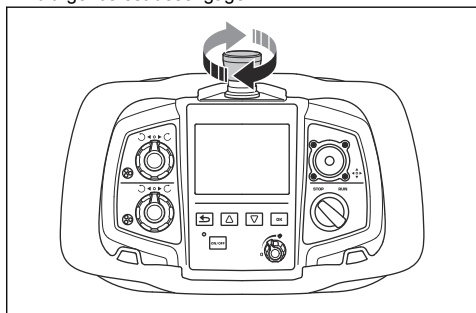
MISE EN GARDE : Ne pas utiliser le bouton d'arrêt d'urgence de la télécommande comme bouton d'arrêt du produit.

Pour vérifier le bouton d'arrêt d'urgence de la télécommande

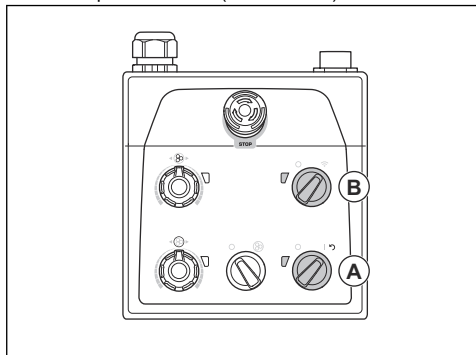
1. Tourner le bouton d'arrêt d'urgence sur le panneau de commande dans le sens des aiguilles d'une montre pour s'assurer que le bouton d'arrêt d'urgence est désengagé.



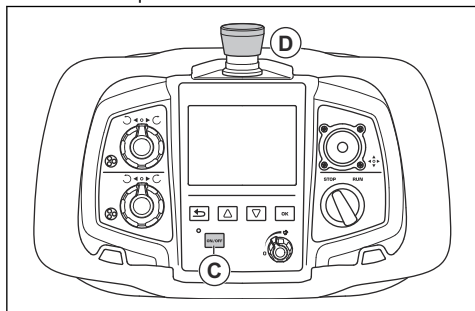
2. Tourner le bouton d'arrêt d'urgence de la télécommande dans le sens des aiguilles d'une montre pour s'assurer que le bouton d'arrêt d'urgence est désengagé.



3. Tourner l'interrupteur ON/OFF (marche/arrêt) (A) du panneau de commande à « 1 » pour démarrer le moteur. Le témoin à DEL situé à côté de l'interrupteur ON/OFF (marche/arrêt) s'allume.



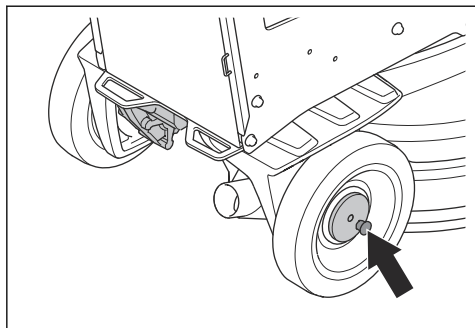
4. Tourner l'interrupteur de télécommande/commande manuelle (B) du panneau de commande dans le sens des aiguilles d'une montre pour utiliser la télécommande. Le témoin à DEL situé à côté de l'interrupteur de télécommande/commande manuelle clignote.
5. Appuyer sur le bouton ON/OFF (marche/arrêt) (C) de la télécommande. La télécommande est sous tension lorsque l'écran s'allume.



6. Appuyer sur le bouton d'arrêt d'urgence (D) de la télécommande.
7. S'assurer que le témoin à DEL situé à côté de l'interrupteur ON/OFF (marche/arrêt) du panneau de commande s'éteint.
8. Tourner le bouton d'arrêt d'urgence de la télécommande dans le sens des aiguilles d'une montre pour le désengager.

Goupilles de blocage des roues

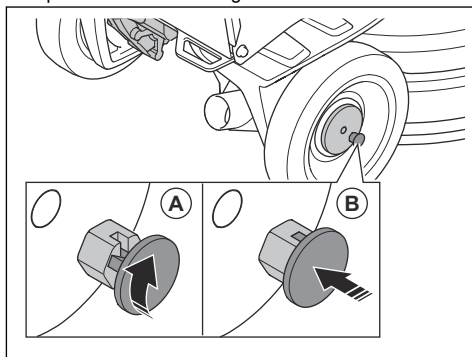
Les goupilles de blocage bloquent les roues sur le moteur lorsque le produit est utilisé avec la télécommande.



Pour vérifier les goupilles de blocage des roues

1. S'assurer que les goupilles de blocage ne sont pas engagées.
2. Pousser légèrement le produit vers l'avant et sentir la résistance.

3. Tourner les goupilles de blocage (A) jusqu'à ce que la goupille s'aligne sur l'encoche. Effectuer cette opération sur les roues gauche et droite.



4. Démarrer le produit Les goupilles de blocage se mettent en position de verrouillage (B) et bloquent les moteurs de roue.
5. Pousser légèrement le produit vers l'avant et sentir la résistance. Si les goupilles de blocage sont correctement engagées, il y a plus de résistance que lorsqu'elles ne sont pas engagées.

Remarque : Lors de l'utilisation avec la télécommande, un message d'erreur s'affiche sur l'écran de la télécommande si les goupilles de blocage ne sont pas correctement engagées.

6. Pour désengager les goupilles de blocage, les tirer tout droit vers l'extérieur et les tourner dans le sens des aiguilles d'une montre ou dans le sens inverse des aiguilles d'une montre.

Consignes de sécurité pour la maintenance

- Garder toutes les pièces en bon état d'utilisation et s'assurer que toutes les fixations sont correctement serrées.
- Ne pas utiliser un produit endommagé. Effectuer les vérifications de sécurité, de maintenance et d'entretien conformément aux instructions fournies dans ce manuel. Tous les autres travaux de maintenance doivent être effectués par un agent d'entretien agréé.
- Arrêter le produit pour remplacer les outils diamantés. Placer l'interrupteur ON/OFF (Marche-Arrêt) à la position 0 et appuyer sur le bouton d'arrêt d'urgence.
- Effectuer l'inspection et/ou l'entretien avec le moteur arrêté et la prise d'alimentation débranchée.
- Effectuer la maintenance pour s'assurer que le produit fonctionne de façon adéquate. Se reporter à la section *Calendrier d'entretien à la page 139*.

Fonctionnement

Introduction



AVERTISSEMENT: Avant d'utiliser le produit, lire et bien comprendre le chapitre sur la sécurité.

Pour retirer le produit de l'emballage



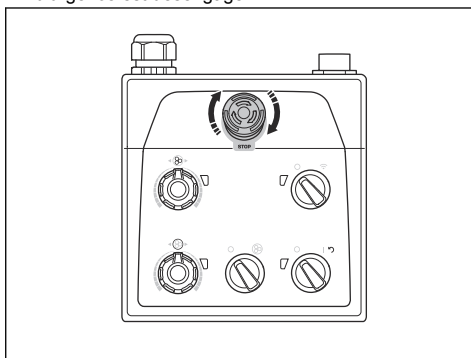
AVERTISSEMENT: Retirer le produit de la palette avec précaution et en toute sécurité. Le produit est lourd et peut provoquer des blessures graves en cas de chute.

- S'assurer que tous les éléments illustrés dans la vue d'ensemble du produit sont inclus. Se reporter à la section *Vue d'ensemble du produit, côté droit à la page 107*. Communiquer avec le concessionnaire Husqvarna si un article est manquant ou endommagé, avant de retirer le produit de la palette.
- Retirer toutes les sangles d'emballage et les cales de roues.
- S'assurer que la zone est dégagée et qu'il y a suffisamment d'espace pour déplacer le produit.
- S'assurer qu'il n'y a aucun risque que vous ou le produit tombiez.
- Utiliser des rampes ou de l'équipement de levage pour retirer le produit de la palette. Le produit est lourd. Déplacer le produit avec prudence. Se reporter à la section *Levage du produit à la page 150*.

Avant d'utiliser le produit

1. Lire attentivement le manuel d'utilisation et veiller à bien comprendre les directives.
2. Porter l'équipement de protection personnelle nécessaire. Se reporter à la section *Équipement de protection personnelle à la page 114*.
3. S'assurer que seules les personnes autorisées se trouvent dans la zone de travail.
4. Effectuer l'entretien quotidien. Se reporter à la section *Calendrier d'entretien à la page 139*.
5. S'assurer que le produit est correctement monté et qu'il n'est pas endommagé.
6. Placer le produit sur la zone de travail. S'assurer que le transport du produit vers et dans la zone de travail est effectué correctement et en toute sécurité. Se reporter à la section *Transport à la page 148*.
7. S'assurer qu'il y a des outils diamantés sur les plaques porte-outil, et que les outils diamantés ainsi que les plaques porte-outil sont solidement fixés.
8. Brancher un extracteur de poussière sur le produit. Se reporter à la section *Branchement de l'extracteur de poussière à la page 123*.

9. Régler la poignée et le guidon à la hauteur d'utilisation appropriée. Se reporter à la section *Pour régler la poignée et le guidon à la page 124*.
10. S'assurer que les câbles du moteur sont raccordés au boîtier électrique avant que le produit soit branché à une prise électrique secteur. Se reporter à la section *Pour installer et retirer la tête de meulage à la page 142*.
11. Brancher le produit à une source d'alimentation. Se reporter à la section *Pour brancher le produit à une source d'alimentation à la page 125*.
12. Tourner le bouton d'arrêt d'urgence sur le panneau de commande dans le sens des aiguilles d'une montre pour s'assurer que le bouton d'arrêt d'urgence est désengagé.



13. S'assurer de connaître le sens de rotation de la tête de meulage et des disques de meulage pendant l'utilisation d'outils diamantés directionnels comme Piranhas.
14. PG 690 RC, PG 830 RC : Si le produit est commandé manuellement, fixer la télécommande au produit. L'arrière du support de télécommande est doté d'un aimant. Se reporter à la section *Pour fixer la télécommande au support de télécommande à la page 126*.
15. Placer la roue de support à la position d'utilisation. Se reporter à la section *Pour régler la roue de support en position d'utilisation à la page 149*.

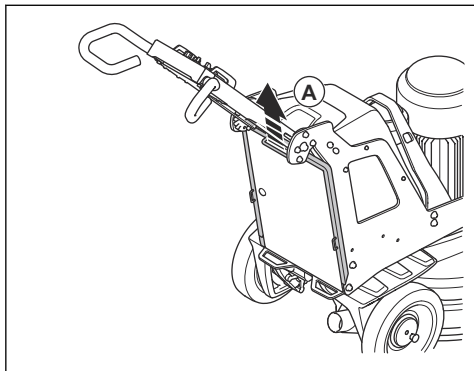
Pour engager et désengager le cadre de support

Le produit est doté d'un cadre de support qui permet d'incliner le produit vers l'arrière. Le cadre de support sert également de dispositif de suspension pour suspendre le tuyau de l'extracteur de poussière et le cordon d'alimentation.

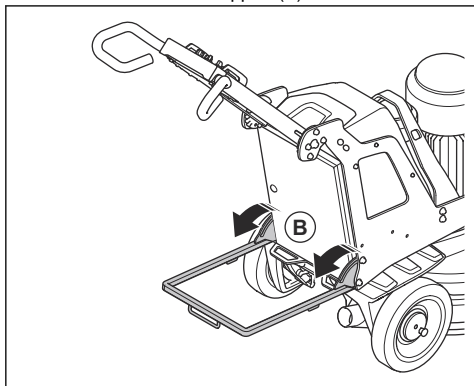


AVERTISSEMENT: Faire preuve de prudence pendant le déplacement du cadre de support. Les pièces mobiles peuvent provoquer des blessures.

1. Lever le cadre de support (A) sur une courte distance.



2. Abaisser le cadre de support (B).



3. Replier le cadre de support dans l'ordre inverse.

Outils diamantés

Il y a plusieurs types et configurations d'outils diamantés pour le produit. Les outils diamantés à liant métallique sont utilisés pour l'élimination des matériaux, alors que les outils diamantés à liant en résine sont utilisés pour polir les surfaces. Sélectionner des outils diamantés qui sont appropriés à la surface. Communiquer avec le concessionnaire Husqvarna ou visiter www.husqvarnaccp.com pour obtenir de l'aide afin de sélectionner l'outil approprié.

Solutions de porte-disques de rechange pour outils diamantés

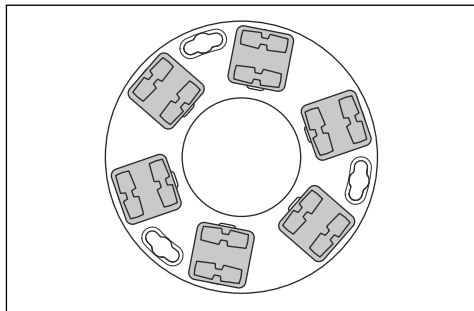
- Utiliser un porte-disques Redi lock pour fixer des outils diamantés à liant métallique.

- Utiliser un porte-disques en résine pour fixer des outils diamantés à liant plastique.

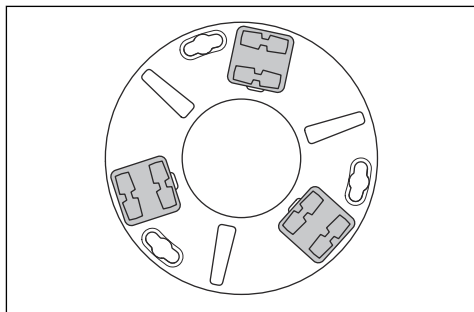
Jeu complet et demi-jeu d'outils diamantés

La configuration des segments de l'outil diamanté a un effet sur la qualité finale de la surface. La configuration a également un effet sur le taux de fonctionnement du produit.

- Jeu complet d'outils diamantés : Cette configuration s'applique à une finition de sol plat.



- Demi-jeu d'outils diamantés : Cette configuration s'applique lorsqu'une finition de sol plat n'est pas nécessaire.



Remplacement des outils à diamants



AVERTISSEMENT: Toujours débrancher la fiche d'alimentation avant de remplacer les outils diamantés, afin d'éviter tout démarrage accidentel.



AVERTISSEMENT: Utiliser des gants de protection, parce que les outils diamantés peuvent devenir très chauds.



AVERTISSEMENT: Porter un dispositif de protection respiratoire homologué pendant le remplacement des outils diamantés. La poussière présente sous la tête de meulage est dangereuse pour la santé.

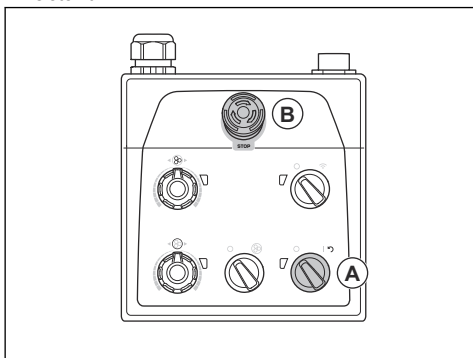


AVERTISSEMENT: Utiliser l'extracteur de poussière pendant le remplacement des outils diamantés. L'extracteur de poussière réduit la présence de poussière pouvant entraîner des problèmes de santé.

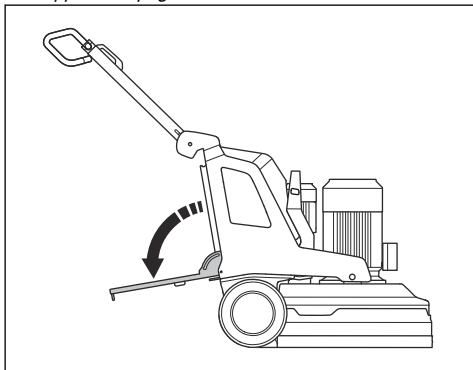


MISE EN GARDE : Tous les disques de meulage doivent toujours avoir le même nombre et le même type de diamants. La hauteur des diamants doit être identique sur tous les disques de meulage.

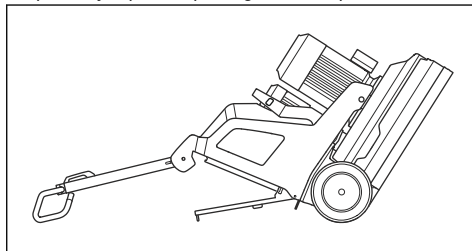
1. Tourner l'interrupteur ON/OFF (marche/arrêt) (A) sur le panneau de commande à « 0 ». Le témoin à DEL situé à côté de l'interrupteur ON/OFF (marche/arrêt) s'éteint.



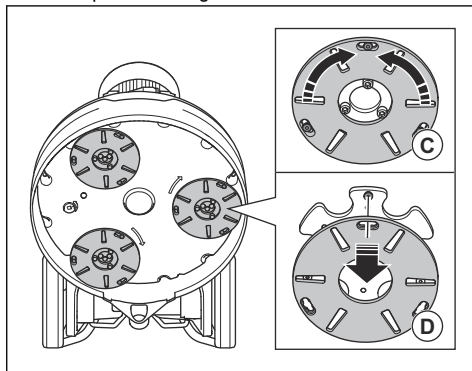
2. Appuyer sur le bouton d'arrêt d'urgence (B) du panneau de commande.
3. Placer la poignée en position d'entretien. Se reporter à la section *Positions de fonctionnement de la poignée à la page 124*.
4. Si des poids sont montés, les régler en position arrière. Se reporter à la section *Pour régler les poids à la page 138*.
5. Engager le cadre de support. Se reporter à la section *Pour engager et désengager le cadre de support à la page 120*.



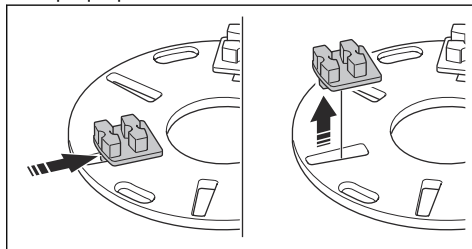
6. Tenir le guidon et incliner le produit vers l'arrière avec un pied sur le cadre de support. Incliner le produit jusqu'à ce que le guidon soit posé sur le sol.



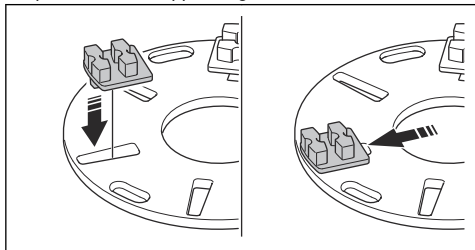
7. Enfiler des gants de protection.
8. Tourner la plaque porte-outil (C) vers la droite ou vers la gauche pour déverrouiller cette plaque fixée au disque de meulage.



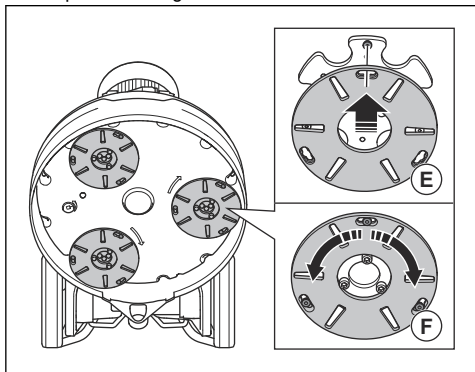
9. Tirer la plaque porte-outil en ligne droite vers l'extérieur (D) pour retirer cette plaque du disque de meulage.
10. À l'aide d'un marteau, retirer les outils diamantés de la plaque porte-outil.



11. Fixer les nouveaux outils diamantés sur la plaque porte-outil en frappant légèrement avec le marteau.



12. Fixer la plaque porte-outil en ligne droite (E) sur le disque de meulage.



13. Tourner la plaque porte-outil (F) vers la droite ou vers la gauche pour la verrouiller sur le disque de meulage.
14. Soulever avec précaution le produit en position d'utilisation. Utiliser le guidon et le cadre de support comme support.
15. Désengager le cadre de support.

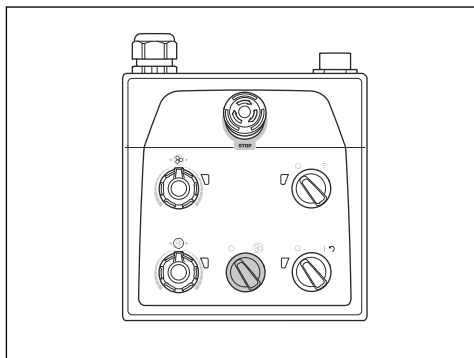
Branchement de l'extracteur de poussière



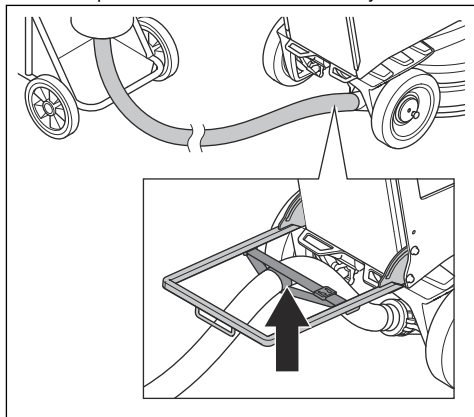
AVERTISSEMENT: Ne pas utiliser l'extracteur de poussière si son tuyau est endommagé. Le risque de respirer de la poussière dangereuse pour la santé augmente. Utiliser un dispositif de protection respiratoire homologué.

1. Vérifier que le tuyau de l'extracteur de poussière n'est pas endommagé.
2. Veiller à ce que les filtres de l'extracteur de poussière soient en bon état et non endommagés.

3. S'assurer que l'interrupteur STOP/RUN (arrêt/marche) du panneau de commande est réglé à « 0 ».



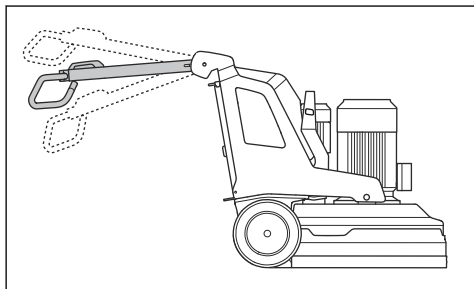
4. Brancher le tuyau de l'extracteur de poussière au produit.
5. Engager le cadre de support. Se reporter à la section *Pour engager et désengager le cadre de support à la page 120.*
6. Accrocher le tuyau de l'extracteur de poussière sur le dispositif de suspension sur le cadre de support afin de prévenir toute tension dans ce tuyau.



7. Désengager le cadre de support.

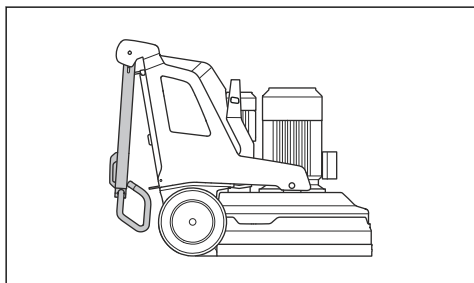
Positions de fonctionnement de la poignée

- Position de la poignée pour le fonctionnement manuel :

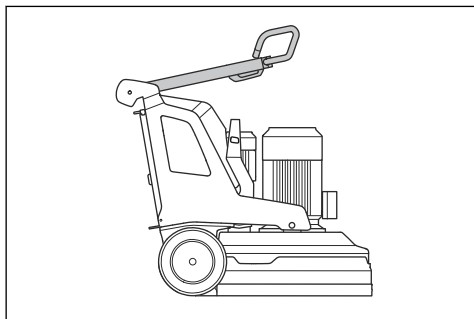


- Il existe deux positions recommandées de la poignée pour le fonctionnement à distance et le transport du produit.

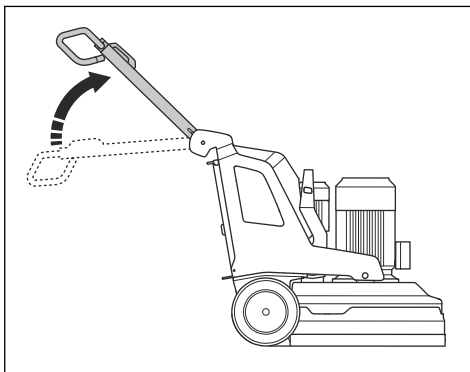
Position 1 :



Position 2 :



- Position d'entretien de la poignée :



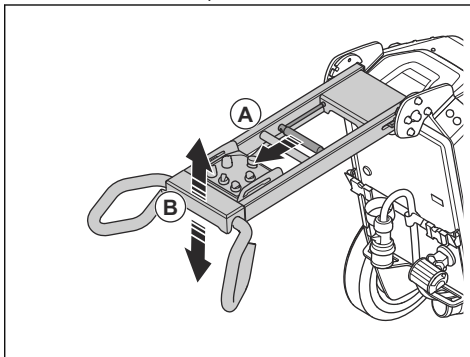
Pour régler la poignée et le guidon



AVERTISSEMENT: Faire preuve de prudence pendant le réglage de la poignée et du guidon. S'assurer que la poignée et le guidon sont verrouillés en position. Les pièces mobiles peuvent provoquer des blessures.

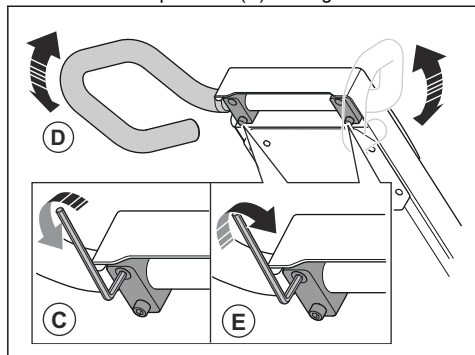
Régler la hauteur de la poignée aussi près que possible de la hauteur de la hanche de l'opérateur. Pendant le fonctionnement, le produit peut dévier vers un côté. La hanche de l'opérateur peut aider à arrêter ce mouvement vers le côté.

1. Tirer le levier de verrouillage (A) de la poignée dans la direction du panneau de commande et le maintenir dans cette position.



2. Régler la poignée (B) à une hauteur adéquate pour l'utilisation du produit.
3. Relâcher le levier de verrouillage sur la poignée pour verrouiller la position de la poignée.

4. Desserrer les quatre vis (C) sur le guidon.

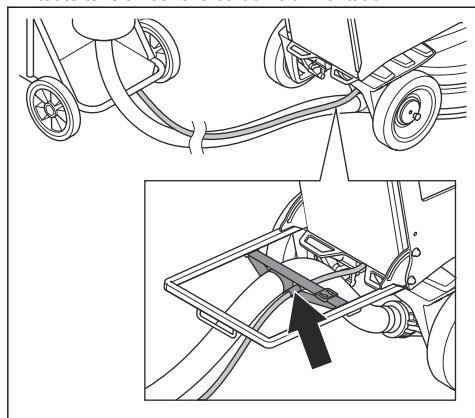


5. Régler le guidon (D) à une hauteur adéquate pour l'utilisation du produit.

6. Serrer les quatre vis (E) sur le guidon pour verrouiller la position du guidon.

Pour brancher le produit à une source d'alimentation

1. Brancher la fiche d'alimentation du produit au câble de rallonge.
2. Brancher le câble de rallonge à une prise secteur.
3. Engager le cadre de support. Se reporter à la section *Pour engager et désengager le cadre de support à la page 120*.
4. Accrocher le cordon d'alimentation au dispositif de suspension sur le cadre de support afin de prévenir toute tension dans le cordon d'alimentation.



5. Désengager le cadre de support.



MISE EN GARDE : Lorsque le produit est relié à un extracteur de poussière, ce dernier doit être connecté à une source d'alimentation triphasée.

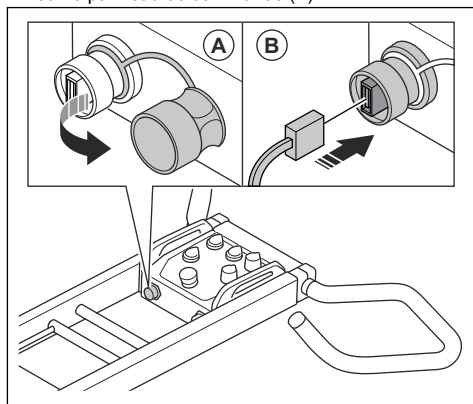
Chargeur USB du panneau de commande (PG 690 RC, PG 830 RC)

Le chargeur USB du panneau de commande peut être utilisé pour charger des appareils mobiles.

- Le chargement au moyen du chargeur USB n'est possible que lorsque le produit est connecté à une source d'alimentation triphasée.
- L'appareil mobile continue de se charger si le produit s'arrête ou si le bouton d'arrêt d'urgence est engagé.
- Le produit ne définit pas de limite de temps pour la durée de charge d'un appareil mobile. Charger l'appareil mobile comme recommandé par le fabricant de cet appareil.
- Le chargeur USB fournit une puissance de sortie maximale de 10 W.

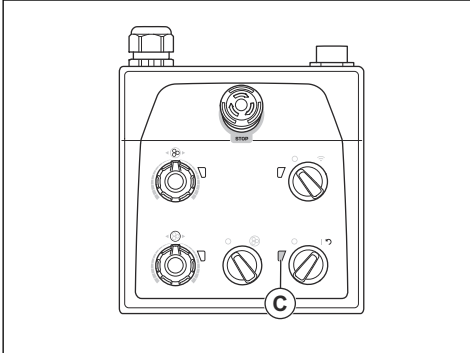
Pour charger un appareil mobile (PG 690 RC, PG 830 RC)

1. Brancher le produit à une source d'alimentation triphasée. Se reporter à la section *Pour brancher le produit à une source d'alimentation à la page 125*.
2. Retirer le couvercle de protection du chargeur USB sur le panneau de commande (A).



3. Connecter l'appareil mobile au chargeur USB (B).

4. S'assurer que l'indicateur d'alimentation et d'état de charge de la batterie du produit (C) clignote sur le panneau de commande.



Lorsque le produit est connecté à une source d'alimentation triphasée, le chargeur USB continue de se charger lorsque le moteur est éteint. L'alimentation du chargeur USB s'arrête lorsque la batterie du produit est complètement chargée.

Régime et sens de rotation

Le produit est doté de la Dual Drive technology. La Dual Drive technology signifie que la tête de meulage et les disques de meulage fonctionnent avec différents moteurs. Le régime et le sens de rotation peuvent être réglés indépendamment entre la tête de meulage et les disques de meulage. En réglant indépendamment le régime et le sens de rotation, on agrandit la plage des différents types de surfaces sur lesquelles le produit peut être utilisé. Pour obtenir de plus amples renseignements, communiquer avec le détaillant Husqvarna ou visiter le site www.husqvarnacp.com.

Régime de fonctionnement

Si le produit est utilisé sur un nouveau type de surface, régler d'abord le régime à 70 %. Lorsque l'opérateur connaît le type de surface, le régime peut être modifié.

Sens de rotation de la tête de meulage et des disques de meulage

Vu d'en dessous du produit, le sens de rotation est le suivant :

- « REV » : sens des aiguilles d'une montre
- « FWD » : sens inverse des aiguilles d'une montre

Le résultat de l'utilisation est optimal lorsque la tête de meulage et les disques de meulage tournent dans le même sens.

Pendant le fonctionnement, le produit peut dévier vers un côté. La direction de cette déviation est liée au sens de rotation. Le produit dévie vers la droite lorsque le sens de rotation est réglé à « FWD » (sens inverse des aiguilles d'une montre). Le produit dévie vers la gauche lorsque le sens de rotation est réglé à « REV » (sens des aiguilles d'une montre).

La déviation latérale peut être mise à profit, par exemple près d'un mur. Définir le sens de rotation pour faire dévier le produit vers le mur.

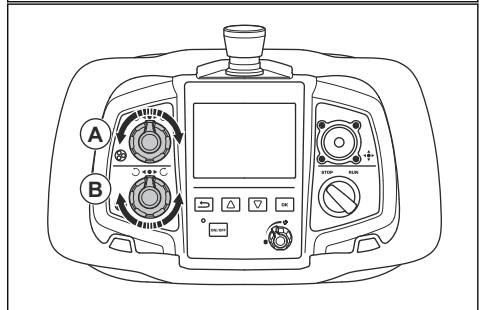
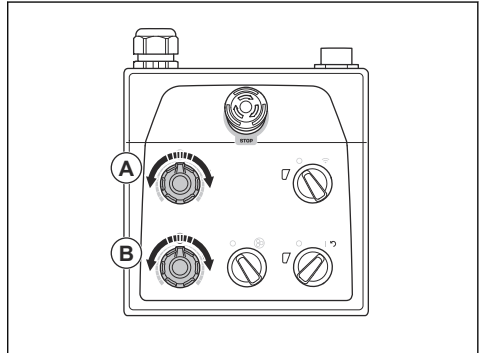


MISE EN GARDE : Diriger le produit avec précaution. S'assurer que le produit ne fait qu'effleurer le mur. Le produit est lourd et peut causer des dommages.

Pour modifier le régime et le sens de rotation des moteurs

Changer régulièrement le sens de rotation afin d'augmenter la durée de vie et l'affûtage des outils diamantés. Les segments d'outils diamantés sont utilisés de manière égale et la surface de contact reste aussi grande que possible.

- Pour régler le régime et le sens de rotation de la tête de meulage, tourner le bouton (A).
- Pour régler le régime et le sens de rotation du disque de meulage, tourner le bouton (B).

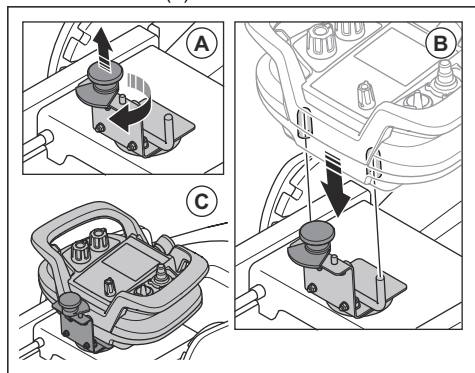


Pour fixer la télécommande au support de télécommande

Lorsque la télécommande n'est pas utilisée, elle peut être fixée au support de télécommande sur le produit.

1. Installer le support de télécommande sur le produit. L'arrière du support de télécommande est doté d'un aimant.

2. S'assurer que le bouton de verrouillage sur le support de télécommande est à la bonne position. Soulever et tourner le bouton de verrouillage jusqu'à ce qu'il pointe en direction opposée au support de télécommande (A).



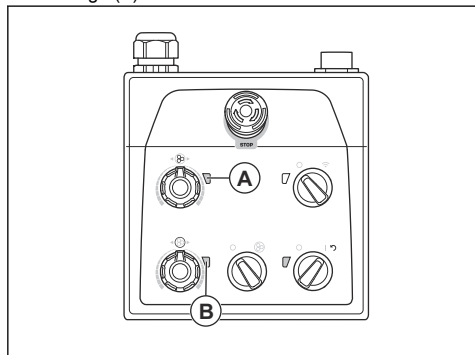
3. Aligner les trous à l'arrière de la télécommande sur les broches du support de télécommande (B).
4. Pousser complètement la télécommande vers le bas sur les broches du support de télécommande.
5. Soulever et tourner le bouton de verrouillage jusqu'à ce qu'il soit sur le dessus de la télécommande (C).
6. Retirer la télécommande dans l'ordre inverse.

Panneau de commande

Faire fonctionner le produit manuellement au moyen du panneau de commande dans le guidon. Se reporter à *Vue d'ensemble du panneau de commande à la page 109* pour obtenir une vue d'ensemble des boutons du panneau de commande.

Pour utiliser le produit au moyen du panneau de commande

- Durant le fonctionnement, rester à l'affût des changements de couleur des indicateurs de l'onduleur pour la tête de meulage (A) et le disque de meulage (B).



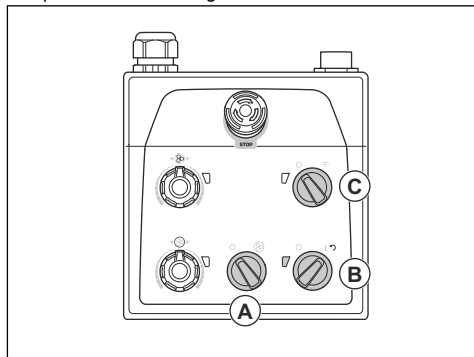
- Voyant vert : le produit fonctionne correctement.
- Voyant orange : il y a une surcharge dans la tête de meulage ou le disque de meulage. Réduire la puissance de sortie en dix secondes ou moins pour éviter qu'une défaillance ne se produise.
- Voyant rouge : il y a une défaillance d'un onduleur et le fonctionnement s'arrête. Il est nécessaire de réinitialiser le produit. Se reporter à la section *Pour réinitialiser le produit à l'aide du panneau de commande à la page 136*.

Pour démarrer le produit au moyen du panneau de commande



MISE EN GARDE : Déplacer constamment le produit pendant que la tête de meulage est en fonction. Si le produit n'est pas déplacé, la surface peut devenir rugueuse.

1. S'assurer que les goupilles de blocage des roues sont désengagées. Se reporter à la section *Pour vérifier les goupilles de blocage des roues à la page 119*.
2. Appuyer légèrement sur le guidon pour soulever la tête de meulage de la surface. Cela permet de réduire la friction de surface des outils diamantés. Ne pas lever complètement la tête de meulage de la surface pendant l'utilisation.
3. Tourner l'interrupteur STOP/RUN (arrêt/marche) (A) du panneau de commande dans le sens inverse des aiguilles d'une montre jusqu'à « 0 » pour s'assurer que la tête de meulage est hors fonction.



4. Tourner l'interrupteur ON/OFF (marche/arrêt) (B) du panneau de commande jusqu'à « 1 » pour démarrer le produit. Le témoin à DEL situé à côté de l'interrupteur ON/OFF (marche/arrêt) s'allume.
5. Tourner l'interrupteur de télécommande/commande manuelle (C) du panneau de commande dans le sens inverse des aiguilles d'une montre jusqu'à 0 pour un fonctionnement manuel.

6. Tourner l'interrupteur STOP/RUN (arrêt/marche) du panneau de commande dans le sens des aiguilles d'une montre pour démarrer la tête de meulage. En moins de cinq secondes, le produit fonctionne au régime de ralenti. Le petit moteur démarre après environ 2 secondes.

Pour arrêter le produit au moyen du panneau de commande

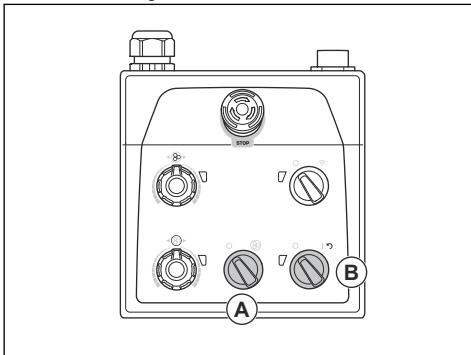


MISE EN GARDE : Ne pas soulever la tête de meulage de la surface lors de l'arrêt du moteur. Les plaques porte-outil tournent pendant un moment après l'arrêt du moteur. De la poussière peut se retrouver dans l'air et la surface peut être endommagée.



MISE EN GARDE : Ne pas laisser le produit s'immobiliser tant que les plaques porte-outil ne se sont pas complètement arrêtées.

1. Tourner l'interrupteur STOP/RUN (arrêt/marche) (A) du panneau de commande dans le sens inverse des aiguilles d'une montre jusqu'à « 0 » pour arrêter la tête de meulage.



2. Maintenir les plaques porte-outil contre la surface jusqu'à ce qu'elles s'arrêtent complètement.



MISE EN GARDE : Pendant le meulage d'asphalte adhésif, de peinture ou d'un matériau équivalent, le produit peut adhérer à la surface adhésive. Immédiatement après l'arrêt complet de la plaque porte-outil, soulever légèrement l'avant de la tête de meulage.

3. Tourner l'interrupteur ON/OFF (marche/arrêt) (B) du panneau de commande à « 0 » pour arrêter le produit. Le témoin à DEL situé à côté de l'interrupteur ON/OFF (marche/arrêt) s'éteint.
4. Déconnecter la bougie.

Télécommande

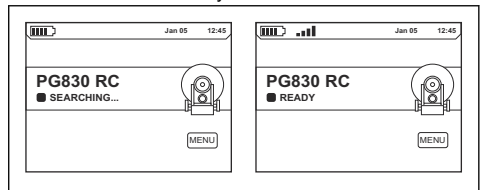
La télécommande peut fonctionner par communication radio. Pour la faire fonctionner par communication radio, il est nécessaire d'effectuer une opération de jumelage. Se reporter à la section *Pour effectuer un jumelage à la page 134*.

La télécommande peut également fonctionner avec un câble de bus CAN connecté entre la télécommande et le produit. Le câble de bus CAN peut, par exemple, être utilisé lorsque la charge de la batterie de la télécommande est faible. Pour obtenir des instructions sur la connexion de la télécommande au produit à l'aide d'un câble de bus CAN, se reporter à *Pour connecter la télécommande au produit à l'aide d'un câble de bus CAN à la page 135*.

La télécommande dispose de toutes les commandes nécessaires au fonctionnement du produit. La télécommande est dotée d'un écran numérique avec système de menus. Se reporter à la section *Présentation du menu à la page 130*.

Menu principal

Dans le menu principal, le bouton « OK » de la télécommande ouvre le système de menus.



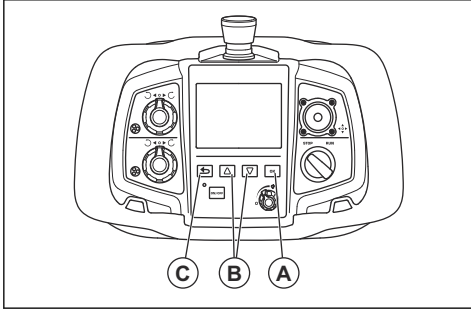
Système de menus

Remarque : Les textes des écrans dans ce manuel sont en anglais. Les textes des écrans sur votre produit sont dans la langue sélectionnée. Se reporter à « *LANGUAGES* » (*langues*) à la page 131.

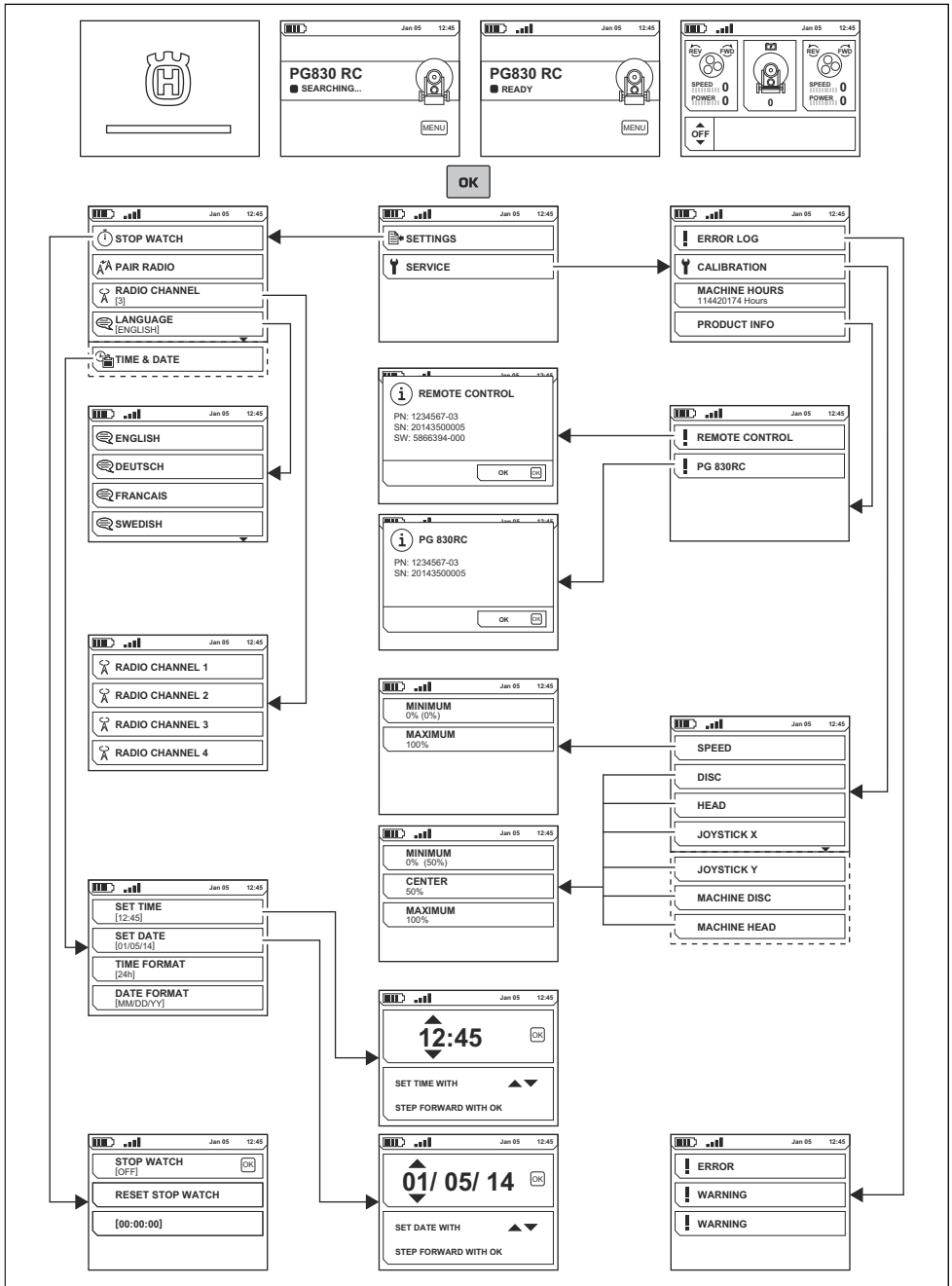
Le système de menus comporte les sous-menus « *SETTINGS* » (réglages) et « *SERVICE* » (entretien).

Les touches fléchées (B) permettent de se déplacer vers le haut et vers le bas dans les listes de menus. Le bouton « OK » (A) permet de faire la sélection. Le

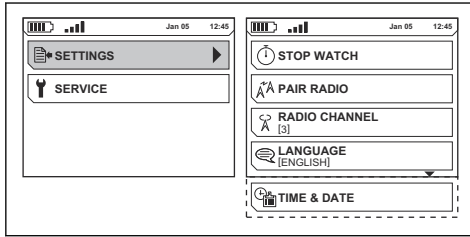
bouton (C) permet de retourner en arrière dans la structure de menus.



Présentation du menu



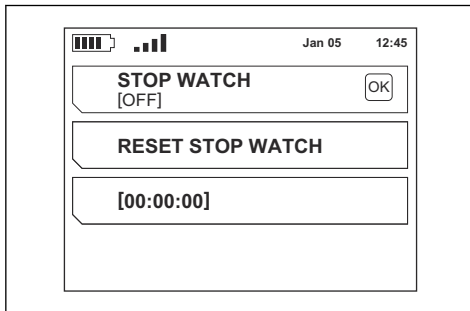
Menu « SETTINGS » (réglages)



« STOP WATCH » (chronomètre)

La fonction « STOP WATCH » (chronomètre) mesure le temps nécessaire à une opération. Le compte commence lorsqu'on démarre le produit.

- « STOP WATCH OFF/ON » (marche/arrêt du chronomètre) : Désactive/active la fonction.
- « RESET STOP WATCH » (réinitialisation du chronomètre) : Réinitialise la fonction.
- [00:00:00] : Indique la durée de fonctionnement en heures, minutes et secondes.



« PAIR RADIO » (jumelage radio)

La fonction « PAIR RADIO » (jumelage radio) effectue une opération de jumelage de la télécommande et du produit.

« CANAL RADIO »

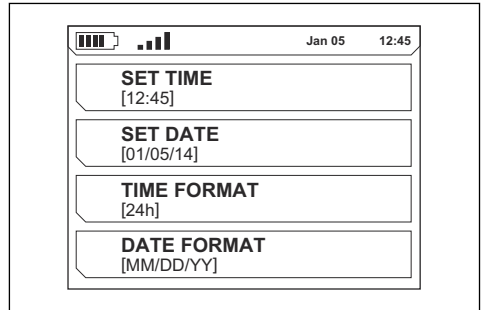
La fonction « CANAL RADIO » affiche une sélection de canaux radio. Pour changer de canal radio, il est nécessaire d'effectuer une opération de jumelage. Se reporter à la section *Pour effectuer un jumelage à la page 134*.

« LANGUAGES » (langues)

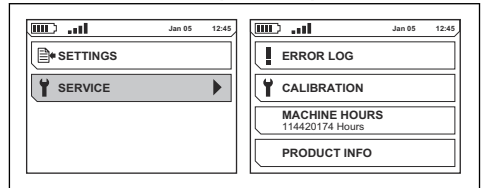
La fonction « LANGUAGES » (langues) règle la langue du texte affiché.

« TIME & DATE » (heure et date)

La fonction « TIME & DATE » (heure et date) règle l'heure, la date et le format de l'heure et de la date.



Menu « SERVICE » (entretien)



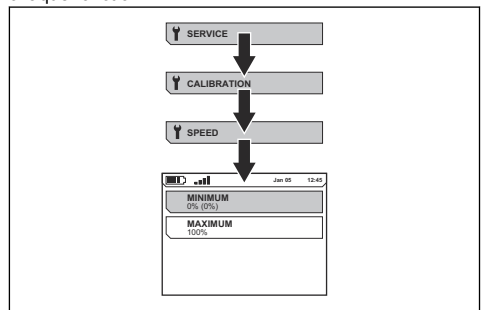
« ERROR LOG » (journal des erreurs)

La fonction « ERROR LOG » (journal des erreurs) présente une liste des défaillances détectées par le produit. Se reporter à la section *Messages d'erreur et d'avertissement sur la télécommande à la page 146*.

« CALIBRATION » (étalonnage)

Si le produit ne se déplace pas correctement, il est nécessaire d'étalonner les commandes sur la télécommande et sur le panneau de commande. L'étalonnage s'effectue à l'aide de la télécommande.

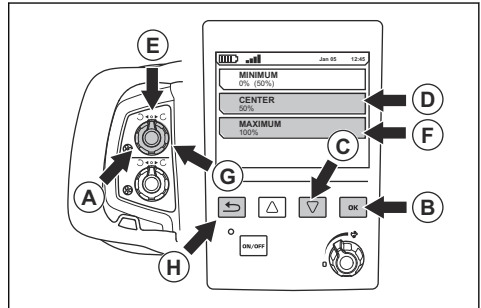
L'étalonnage doit être effectué pour les différentes commandes du menu « CALIBRATION » (étalonnage). La sélection « MINIMUM » est la valeur standard de chaque fonction.



- « SPEED » (régime) : Étalonnage de la commande de régime du produit.

- « DISC » (disque) : Étalonnage de la commande pour le sens de rotation et le régime des disques de meulage sur la télécommande.
- « HEAD » (tête) : Étalonnage de la commande pour le sens de rotation et le régime de la tête de meulage sur la télécommande.
- « JOYSTICK X » (levier de commande X) : Étalonnage de la position du levier de commande, droite et gauche.
- « JOYSTICK Y » (levier de commande Y) : Étalonnage de la position du levier de commande, avant et arrière.
- « MACHINE DISC » (disque machine) : Étalonnage de la commande pour le sens de rotation et le régime des disques de meulage sur le panneau de commande.
- « MACHINE HEAD » (tête machine) : Étalonnage de la commande pour le sens de rotation et le régime de la tête de meulage sur le panneau de commande.

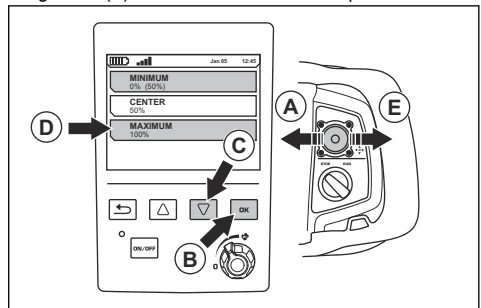
2. Tourner le bouton de sens de rotation et de régime de la tête de meulage dans le sens inverse des aiguilles d'une montre pour l'arrêter au minimum (A).



3. Appuyer sur le bouton « OK » (B).
4. Utiliser la touche fléchée vers le bas (C) et sélectionner « CENTER » (centre) à l'écran.
5. Tourner le bouton de sens de rotation et de régime de la tête de meulage dans le sens des aiguilles d'une montre jusqu'à ce que le bouton pointe vers le haut (E).
6. Appuyer sur le bouton « OK ».
7. Utiliser la touche fléchée vers le bas et sélectionner « MAXIMUM » (F) à l'écran.
8. Tourner le bouton de sens de rotation et de régime de la tête de meulage dans le sens des aiguilles d'une montre pour l'arrêter au maximum (G).
9. Appuyer sur le bouton « OK ».
10. Appuyer sur le bouton (H) pour retourner en arrière dans la structure de menus.
11. Procéder de la même manière pour les trois autres commandes.

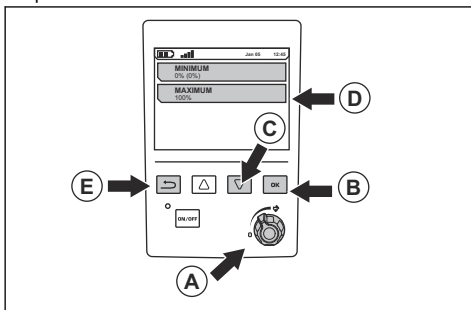
Pour étalonner le levier de commande

1. Pour étalonner le mouvement horizontal du levier de commande, sélectionner « JOYSTICK X » (levier de commande X) dans le menu « CALIBRATION » (étalonnage).
2. Pousser le levier de commande tout droit vers la gauche (A) et le maintenir dans cette position.



Pour étalonner la régulation du régime

1. Sélectionner « SPEED » (régime) dans le menu « CALIBRATION » (étalonnage).
2. Tourner le bouton de limitation de régime (A) dans le sens inverse des aiguilles d'une montre jusqu'à « 0 » pour obtenir la valeur minimale.

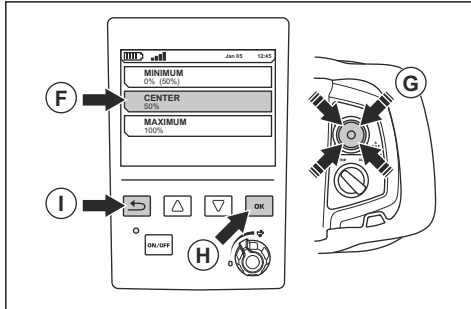


3. Appuyer sur le bouton « OK » (B).
4. Appuyer sur la touche fléchée vers le bas (C) et sélectionner « MAXIMUM » (D) à l'écran.
5. Tourner le bouton de limitation de régime dans le sens des aiguilles d'une montre jusqu'à la valeur maximale.
6. Appuyer sur le bouton « OK ».
7. Appuyer sur le bouton (E) pour retourner en arrière dans la structure de menus.

Pour étalonner le disque de meulage et la tête de meulage

1. Sélectionner « DISC » (disque), « HEAD » (tête), « MACHINE DISC » (disque machine) ou « MACHINE HEAD » (tête machine) dans le menu « CALIBRATION » (étalonnage). Se reporter à « CALIBRATION » (étalonnage) à la page 131 pour obtenir une description de chaque sélection.

3. Appuyer sur le bouton « OK » (B) pour sélectionner « MINIMUM » à l'écran.
4. Utiliser la touche fléchée vers le bas (C) et sélectionner « MAXIMUM » à l'écran.
5. Appuyer sur le bouton « OK ».
6. Relâcher le levier de commande.
7. Suivre la même procédure vers la droite (E).
8. Pour étalonner la position « CENTER » (centre), relâcher le levier de commande. Le levier de commande revient à la position centrale (G).



9. Appuyer sur le bouton « OK » (H).
10. Appuyer sur le bouton (I) pour retourner en arrière dans la structure de menus.
11. Pour étalonner le mouvement vertical du levier de commande, sélectionner « JOYSTICK Y » (levier de commande Y) dans le menu « CALIBRATION » (étalonnage).
12. Effectuer la même procédure d'étalonnage que pour « JOYSTICK X » (levier de commande X), mais déplacer le levier de commande vers le haut et vers le bas.

« OPERATING HOURS » (heures de fonctionnement)

La fonction « OPERATING HOURS » (heures de fonctionnement) indique la durée totale de fonctionnement du produit en heures.

« PRODUCT INFO » (information sur le produit)

La fonction « PRODUCT INFO » (information sur le produit) affiche des renseignements sur le produit ou la télécommande.

Menu des fonctions d'oscillation et de décalage

L'oscillation empêche la formation d'arêtes sur la surface. Lorsqu'on modifie une valeur dans le menu des fonctions d'oscillation et de décalage, les corrections sont effectuées au bout de quelques secondes.

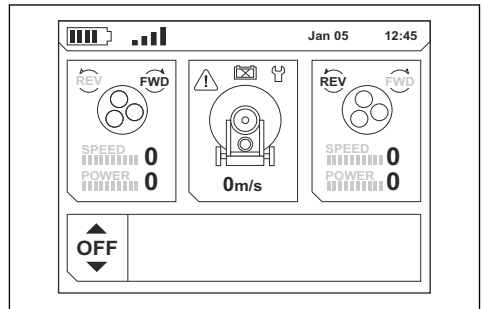


MISE EN GARDE : Surveiller l'oscillation lorsque le produit fonctionne près des murs et des bords. Arrêter l'oscillation lorsqu'on

tourne le produit ou qu'on travaille à proximité d'objets.

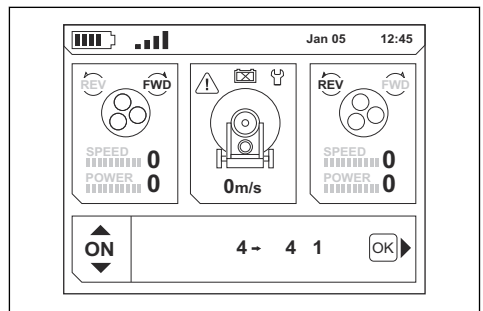
- « ON/OFF » (marche/arrêt) : Démarre/arrête l'oscillation. Utiliser cette fonction, par exemple, lorsqu'on tourne le produit. Lorsque l'oscillation commence, les mêmes valeurs qu'avant l'arrêt sont utilisées.

Les touches fléchées de la télécommande vous permettent de basculer entre les sélections « ON » « OFF ».



- Décalage : Correction de la direction du déplacement du produit pendant le fonctionnement.

Les touches fléchées commencent l'oscillation. La touche « OK » de la télécommande lance le mode de décalage.



- En mode de décalage, les touches fléchées permettent d'ajuster la valeur de décalage.

Pour faire fonctionner le produit au moyen de la télécommande



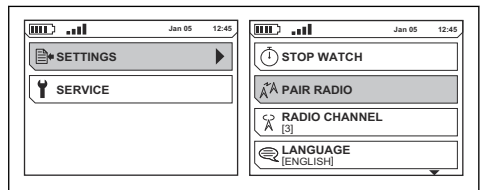
AVERTISSEMENT: S'assurer qu'on peut voir le produit en tout temps lorsqu'on l'utilise avec la télécommande. La plage de fonctionnement de la télécommande permet aussi de déplacer le produit lorsqu'on ne peut pas le voir. Il y a un risque de blessure et de dommage.

Pour effectuer un jumelage

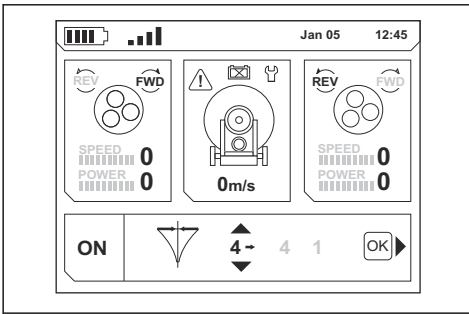
La première fois que la télécommande est utilisée avec le produit, une opération de jumelage est nécessaire.

Une opération de jumelage est également nécessaire si la télécommande est remplacée ou si l'on intervient les télécommandes entre des produits.

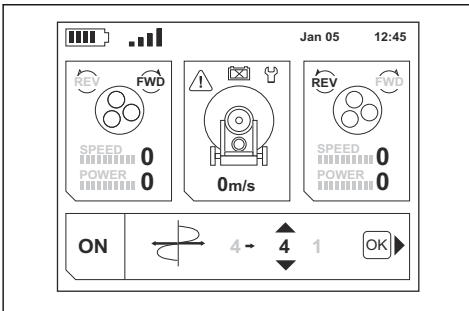
1. S'assurer que les boutons d'arrêt d'urgence du panneau de commande et de la télécommande sont désengagés. Se reporter aux sections *Pour vérifier le bouton d'arrêt d'urgence sur le panneau de commande à la page 118* et *Pour vérifier le bouton d'arrêt d'urgence de la télécommande à la page 118*.
2. Brancher le cordon d'alimentation et démarrer le produit.
3. Brancher le câble de bus CAN. Se reporter à la section *Pour connecter la télécommande au produit à l'aide d'un câble de bus CAN à la page 135*.
4. Attendre que la télécommande soit complètement chargée et que le menu principal s'affiche à l'écran.
5. Appuyer sur le bouton « OK » pour ouvrir le système de menus.
6. Sélectionner « SETTINGS » (réglages) et appuyer sur le bouton « OK ».



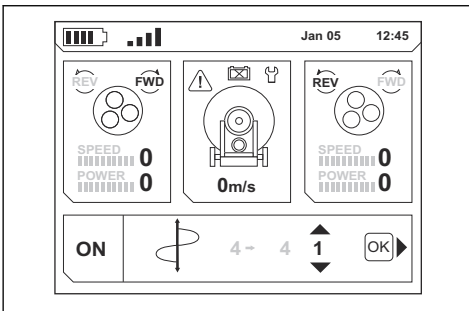
7. Utiliser les touches fléchées pour aller jusqu'à « PAIR RADIO » (jumelage radio) et appuyer sur le bouton « OK ».
8. Un message s'affiche à l'écran pour indiquer si l'opération de jumelage a été effectuée correctement. Répéter la procédure si l'opération de jumelage n'a pas été effectuée correctement.



- **Amplitude :** Il s'agit de la largeur de l'oscillation.
En mode de décalage, le bouton « OK » lance le mode d'amplitude. Les touches fléchées permettent de régler la valeur de l'amplitude.



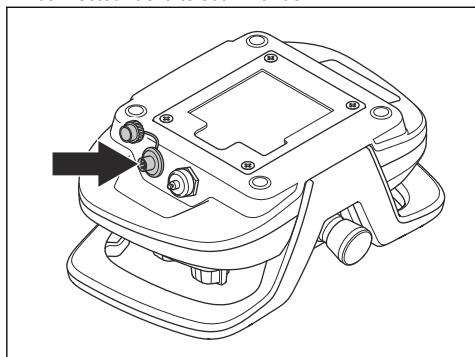
- **Fréquence :** Il s'agit de la vitesse de l'oscillation.
En mode de décalage, le bouton « OK » lance le mode de fréquence. Les touches fléchées permettent de régler la valeur de la fréquence.



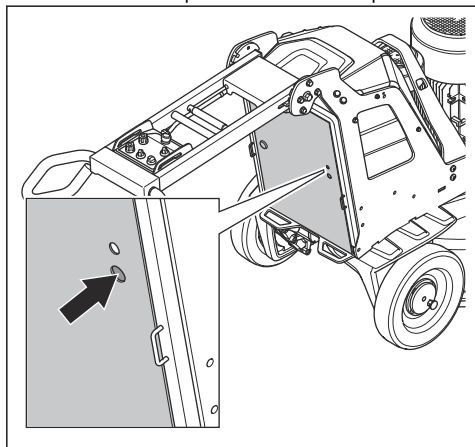
- En mode de fréquence, le bouton « OK » revient en mode « ON/OFF » (marche/arrêt) de l'oscillation.

Pour connecter la télécommande au produit à l'aide d'un câble de bus CAN

1. Placer une extrémité du câble de bus CAN dans le connecteur de la télécommande.



2. Placer l'autre extrémité du câble de bus CAN dans le connecteur sur la porte du boîtier électrique.



3. Serrer à la main les vis du connecteur du câble de bus CAN.

Pour démarrer le produit à l'aide de la télécommande



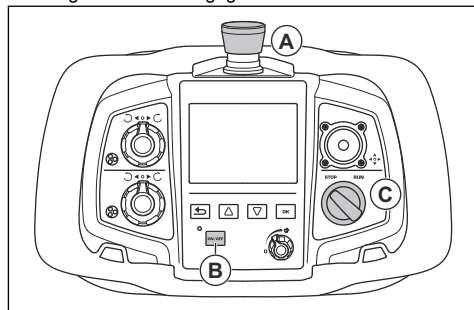
MISE EN GARDE : Déplacer constamment le produit pendant que la tête de meulage est en fonction. Si le produit n'est pas déplacé, la surface peut devenir rugueuse.

1. Tourner les goupilles de blocage sur les roues gauche et droite jusqu'à ce que la goupille s'aligne sur l'encoche. Se reporter à la section *Pour vérifier les goupilles de blocage des roues à la page 119.*

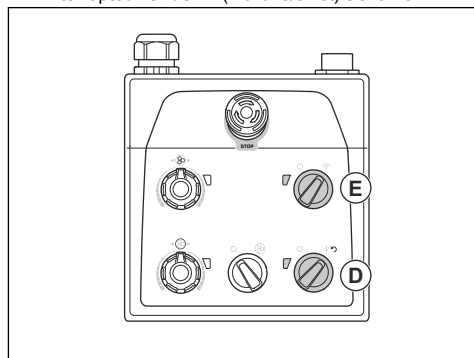


AVERTISSEMENT : S'assurer que les deux goupilles de blocage sont correctement alignées. Si une seule goupille de blocage s'engage, il y a un risque de blessure et de dommage lorsque le produit démarre.

2. Tourner le bouton d'arrêt d'urgence (A) de la télécommande dans le sens des aiguilles d'une montre pour s'assurer que le bouton d'arrêt d'urgence est désengagé.



3. Appuyer sur le bouton ON/OFF (marche/arrêt) (B) de la télécommande. La télécommande est sous tension lorsque l'écran s'allume.
4. Placer l'interrupteur STOP/RUN (arrêt/marche) (C) de la télécommande sur STOP (arrêt).
5. Tourner l'interrupteur ON/OFF (marche/arrêt) (D) du panneau de commande jusqu'à « 1 » pour démarrer le produit. Le témoin à DEL situé à côté de l'interrupteur ON/OFF (marche/arrêt) s'allume.



6. Tourner l'interrupteur de télécommande/commande manuelle (E) du panneau de commande dans le sens des aiguilles d'une montre pour utiliser la télécommande. Le témoin à DEL situé à côté de l'interrupteur de télécommande/commande manuelle clignote.

7. Tourner l'interrupteur STOP/RUN (arrêt/marche) de la télécommande à RUN (marche) pour démarrer l'opération. En moins de 5 secondes, le produit fonctionne au régime de ralenti. Le petit moteur démarre après environ 2 secondes.
8. Déplacer le levier de commande pour diriger le produit.



MISE EN GARDE : Déplacer le levier de commande avec précaution. L'utilisation de la force pour déplacer le levier de commande n'améliore pas les performances du produit. Le levier de commande peut subir des dommages s'il est utilisé avec une force trop importante.



MISE EN GARDE : Ne pas lever la télécommande par le levier de commande.

Remarque : Sur les surfaces abrasives, il peut être nécessaire de pousser le levier de commande vers l'avant pour relâcher la friction de surface des outils diamantés.

Pour faire fonctionner le produit avec la télécommande connectée à un câble de bus CAN



AVERTISSEMENT: Ne pas utiliser la télécommande connectée à un câble de bus CAN lorsqu'il y a un risque de chute du produit. L'opérateur doit être désengagé du produit.

- Brancher le câble de bus CAN entre la télécommande et le produit. Se reporter à la section *Pour connecter la télécommande au produit à l'aide d'un câble de bus CAN à la page 135.*
- S'assurer que les goupilles de blocage des roues sont engagées. Se reporter à la section *Pour vérifier les goupilles de blocage des roues à la page 119.*

Pour arrêter le produit au moyen de la télécommande

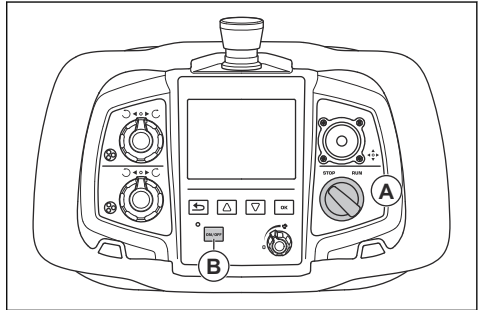


MISE EN GARDE : Ne pas soulever la tête de meulage de la surface lors de l'arrêt du moteur. Les plaques porte-outil tournent pendant un moment après l'arrêt du moteur. De la poussière peut se retrouver dans l'air et la surface peut être endommagée.



MISE EN GARDE : Ne pas laisser le produit s'immobiliser tant que les plaques porte-outil ne se sont pas complètement arrêtées.

1. Tourner l'interrupteur STOP/RUN (arrêt/marche) (A) de la télécommande à STOP (arrêt) pour arrêter la tête de meulage.

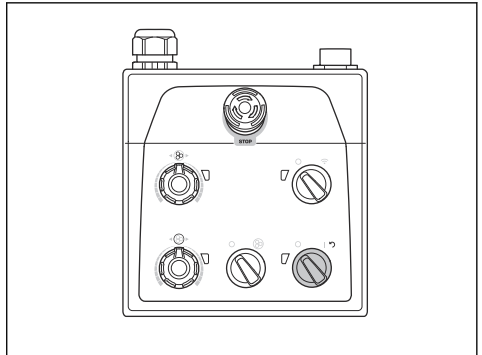


2. Maintenir les plaques porte-outil contre la surface jusqu'à ce qu'elles s'arrêtent complètement.



MISE EN GARDE : Pendant le meulage d'asphalte adhésif, de peinture ou d'un matériau équivalent, le produit peut adhérer à la surface adhésive. Immédiatement après l'arrêt complet de la plaque porte-outil, soulever légèrement l'avant de la tête de meulage.

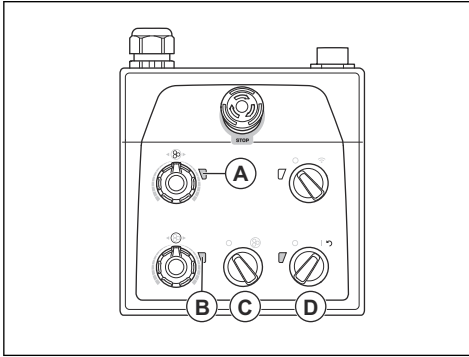
3. Appuyer sur le bouton ON/OFF (marche/arrêt) (B) de la télécommande. L'écran s'éteint.
4. Tourner l'interrupteur ON/OFF (marche/arrêt) du panneau de commande à « 0 » pour arrêter le produit. Le témoin à DEL situé à côté de l'interrupteur ON/OFF (marche/arrêt) s'éteint.



5. Déconnecter la bougie.

Pour réinitialiser le produit à l'aide du panneau de commande

L'interrupteur ON/OFF (marche/arrêt) peut être utilisé comme interrupteur de réinitialisation si un onduleur se déclenche. Réinitialiser le produit lorsque les onduleurs de la tête de meulage (A) et du disque de meulage (B) sont rouges.

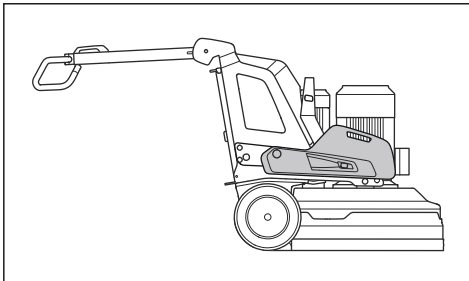


1. Tourner l'interrupteur STOP/RUN (arrêt/marche) (C) dans le sens inverse des aiguilles d'une montre jusqu'à « 0 » pour s'assurer que la tête de meulage est hors fonction.
2. Tourner l'interrupteur ON/OFF (marche/arrêt) à la position fléchée (D) pour réinitialiser le produit. Les indicateurs des onduleurs de la tête de meulage et du disque de meulage sont verts lorsque la défaillance est réinitialisée.
3. Tourner l'interrupteur STOP/RUN (arrêt/marche) du panneau de commande dans le sens des aiguilles d'une montre pour démarrer à nouveau la tête de meulage.

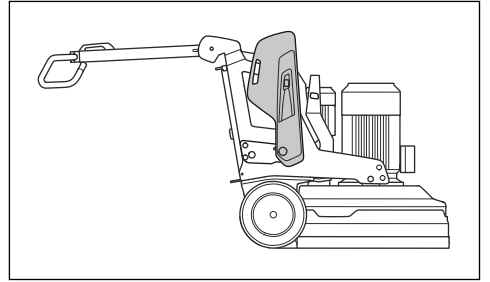
Poids

Chaque côté du produit comporte un poids. Si le produit est lourd à utiliser, régler les poids pour modifier la pression sur la tête de meulage. Les poids doivent être réglés à la même position sur les côtés droit et gauche. Les poids ont trois positions :

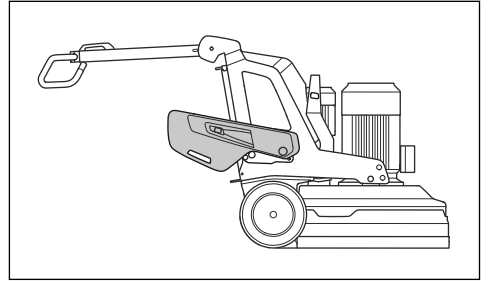
- Position 1 : Pression maximale sur la tête de meulage. Cette position augmente l'effet de fonctionnement. Cette position est également utilisée lorsque le produit est placé en position de transport.



- Position 2 : Pression normale sur la tête de meulage.



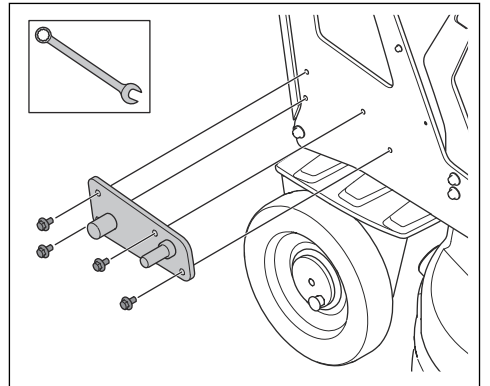
- Position 3 : Pression minimale sur la tête de meulage. Cette position est également utilisée pour incliner le produit en position d'entretien.



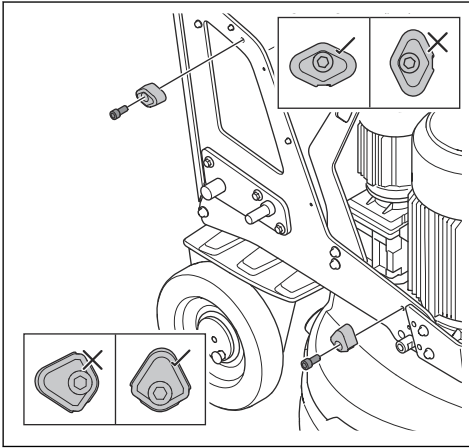
Pour monter et démonter les poids

Chaque côté du produit comporte un poids. Procéder comme suit pour chaque poids.

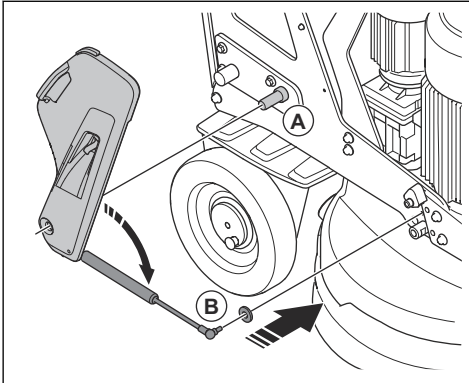
1. Installer le porte-poids et serrer les quatre vis.



2. Installer les deux supports de poids. S'assurer que les supports de poids sont correctement installés de la manière illustrée.

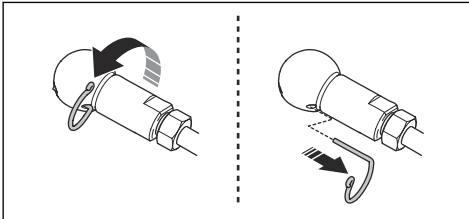


3. Placer le poids sur le cylindre (A) du porte-poids.



4. Fixer le ressort à gaz de poids sur le produit (B).

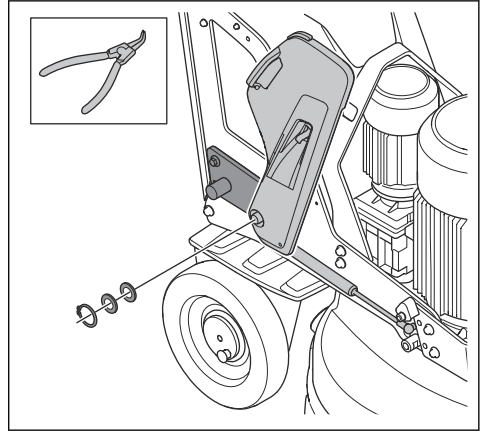
- a) Retirer le ressort de verrouillage du joint à rotule.



- b) Retirer le joint à rotule du ressort à gaz.
c) Fixer le joint à rotule au produit.

- d) Fixer le ressort à gaz sur le joint à rotule.
Verrouiller le ressort à gaz sur le joint à rotule au moyen du ressort de verrouillage.

5. Verrouiller le poids sur le porte-poids au moyen de l'anneau de verrouillage.



Pour régler les poids

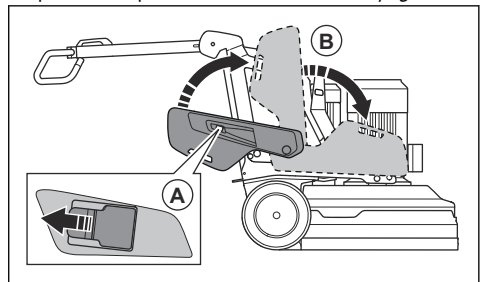


AVERTISSEMENT: Faire preuve de prudence pendant le réglage des poids. Les pièces mobiles peuvent provoquer des blessures.



AVERTISSEMENT: Toujours s'assurer que le verrou de poids se verrouille correctement lorsque les poids sont placés dans la position sélectionnée.

1. Pousser le verrou de poids (A) et déplacer le poids à la position sélectionnée (B) à l'aide de la poignée de poids. Se reporter à la section *Poids à la page 137*.



2. Relâcher le verrou de poids pour verrouiller ce dernier dans la position sélectionnée.

Entretien

Introduction



AVERTISSEMENT: Avant de procéder à l'entretien, lire et bien comprendre le chapitre sur la sécurité.

Pour tous les travaux d'entretien et de réparation sur le produit, une formation spécifique est nécessaire. La disponibilité des réparations et des entretiens effectués de façon professionnelle est garantie. Si un distributeur n'est pas un agent d'entretien, communiquer avec lui pour connaître l'agent d'entretien le plus proche.

À faire avant l'entretien

- Utiliser de l'équipement de protection individuelle. Se reporter à *Équipement de protection personnelle à la page 114*.
- Utiliser un dispositif de protection respiratoire homologué. La poussière engendrée par le produit est dangereuse pour la santé.
- Stationner la machine sur une surface de niveau.
- Arrêter le moteur et débrancher la fiche d'alimentation pour éviter tout démarrage accidentel pendant l'entretien.

- Nettoyer la zone autour du produit pour éliminer toute trace d'huile et de saleté. Enlever les objets indésirables.
- Placer des panneaux de signalisation bien visibles pour avertir les personnes présentes que des travaux d'entretien sont en cours.
- Garder des extincteurs, des fournitures médicales et un téléphone d'urgence à proximité.

Calendrier d'entretien

* = Entretien général effectué par l'opérateur. Les instructions ne sont pas décrites dans ce manuel de l'opérateur.

X = Les indications sont décrites dans ce manuel de l'opérateur.

O = Les instructions ne sont pas décrites dans ce manuel de l'opérateur. Laisser un agent d'entretien agréé effectuer l'entretien.

Entretien	Quoti- dien	Hebdo- madaire	Tous les 6 mois	Tous les 12 à 36 mois
Vérifier l'interrupteur ON/OFF (marche/arrêt) du panneau de commande.	*			
Vérifier l'interrupteur STOP/RUN (arrêt/marche) de la télécommande.	*			
Vérifier le bouton d'arrêt d'urgence sur le panneau de commande.	X			
Vérifier le bouton d'arrêt d'urgence sur la télécommande.	X			
Vérifier les points de fixation et la fonction de verrouillage de la poignée.		*		
Vérifier les points de fixation et la fonction de verrouillage des poids.		*		
Nettoyer les surfaces externes du produit.	X			
Nettoyer les composants internes du produit.			O	
Effectuer une inspection générale.	X			
Vérifier les disques de meulage.	X			
Vérifier le bon fonctionnement du système d'entraînement de la tête de meulage.		X		
Effectuer l'entretien du système d'entraînement des disques de meulage.				O
Vérifier la connexion entre le châssis et la tête de meulage.		*		

Nettoyage de la machine



MISE EN GARDE : L'obstruction de l'admission d'air réduit les performances du produit et peut entraîner la surchauffe du moteur.

- Enlever l'obstruction de toutes les ouvertures. Le produit doit toujours être suffisamment refroidi.
- Toujours débrancher la fiche d'alimentation de la prise secteur avant de procéder au nettoyage.
- Ne pas utiliser de produit chimique pour nettoyer le produit.
- Ne pas nettoyer les composants électriques avec de l'eau.
- Toujours nettoyer tous les équipements à la fin de la journée de travail. Nettoyer les composants de la surface inférieure de la tête de meulage à l'aide d'un nettoyeur à haute pression.



MISE EN GARDE : Ne pas diriger le nettoyeur à haute pression directement vers les joints d'étanchéité ou les points de connexion.

Pour nettoyer la batterie et le chargeur de batterie.



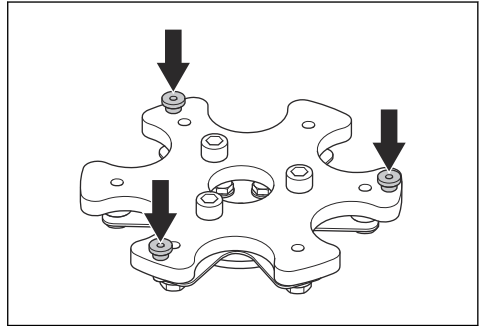
MISE EN GARDE : Ne pas nettoyer la batterie ou le chargeur de batterie avec de l'eau.

- S'assurer que la batterie et le chargeur de batterie sont propres et secs avant de raccorder la batterie au chargeur de batterie.
- Nettoyer les cosses batterie avec de l'air comprimé ou utiliser un chiffon doux et sec.
- Nettoyer les surfaces de la batterie et le chargeur de batterie au moyen d'un chiffon sec et doux.

Pour effectuer une inspection générale

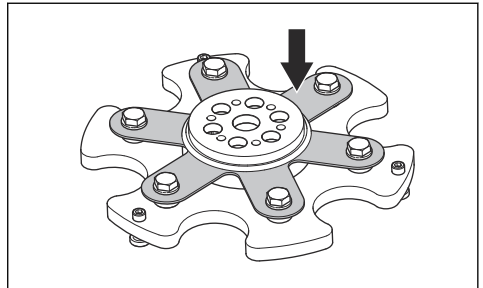
- S'assurer que le cordon d'alimentation et le câble de rallonge sont en bon état et qu'ils ne sont pas endommagés.
- S'assurer que les vis et les écrous sont bien serrés.

- S'assurer que les verrous de tête sont bien serrés. Au besoin, serrer les verrous de tête et utiliser de l'adhésif frein-filet LOCTITE® 680.



Pour vérifier les disques de meulage

- Vérifier que le ressort en acier à ressorts n'est pas endommagé et qu'il est en bon état.



- Remplacer les ressorts en acier à ressorts endommagés.

Remarque : Il n'est pas nécessaire de jeter le disque de meulage lorsque le ressort en acier à ressorts est remplacé.

- Ajouter un deuxième ressort en acier à ressorts pour rendre la tête en acier à ressorts moins flexible.

Système d'entraînement de la tête de meulage

Le système d'entraînement de la tête de meulage est un système fermé. En cas de problème avec le système d'entraînement de la tête de meulage, communiquer avec un atelier spécialisé Husqvarna.

Batterie du produit

La batterie du produit est uniquement utilisée pour déplacer le produit avec la télécommande depuis le véhicule de transport jusqu'à la zone de travail. La batterie du produit n'est pas utilisée pour le fonctionnement du produit. Le produit doit être connecté à une source d'alimentation pendant le fonctionnement.

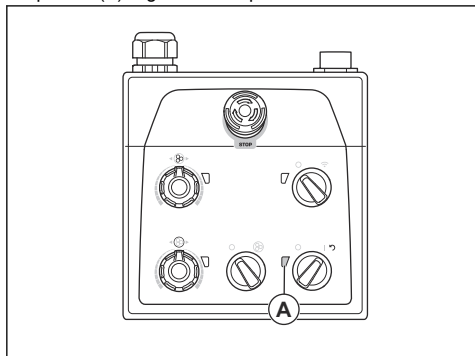
Avant d'utiliser le produit pour la première fois, il est nécessaire de charger la batterie.

La durée de fonctionnement est d'environ 1 heure lorsque la batterie est complètement chargée. La température ambiante et la fréquence d'utilisation des moteurs de roue peuvent diminuer le temps de fonctionnement.

Pour charger la batterie du produit au moyen d'une source d'alimentation triphasée

La batterie du produit se charge lorsque le produit est connecté à une source d'alimentation triphasée et fonctionne. Le temps de charge d'une batterie de produit vide est d'environ 3 à 4 heures.

1. Utiliser la batterie à une température ambiante comprise entre 0 °C (32 °F) et 40 °C (104 °F).
2. Brancher le produit à une source d'alimentation triphasée. Se reporter à la section *Pour brancher le produit à une source d'alimentation à la page 125*. Lorsque la batterie se charge, l'indicateur d'alimentation et d'état de charge de la batterie du produit (A) clignote sur le panneau de commande.



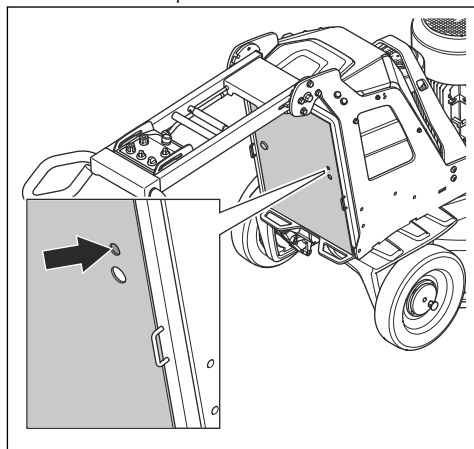
3. Lorsque la batterie est complètement chargée, l'indicateur d'alimentation et d'état de charge de la batterie du produit s'éteint.

Pour charger la batterie du produit au moyen d'une source d'alimentation monophasée

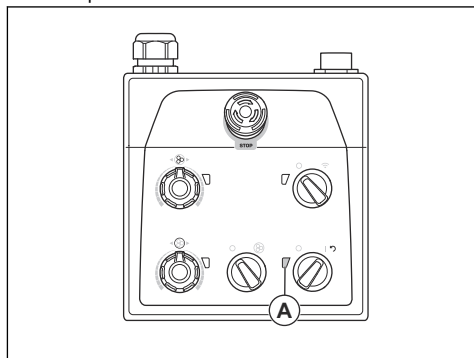
Le temps de charge d'une batterie de produit vide est d'environ 3 à 4 heures.

1. Utiliser la batterie à une température ambiante comprise entre 0 °C (32 °F) et 40 °C (104 °F).

2. Brancher le câble de charge monophasé sur le connecteur du chargeur de batterie situé sur la porte du boîtier électrique.



3. Brancher l'autre extrémité du câble de charge monophasé sur une prise secteur. Lorsque la batterie se charge, l'indicateur d'alimentation et d'état de charge de la batterie du produit (A) clignote sur le panneau de commande.



4. Lorsque la batterie est complètement chargée, l'indicateur d'alimentation et d'état de charge de la batterie du produit s'éteint.

Batterie de télécommande

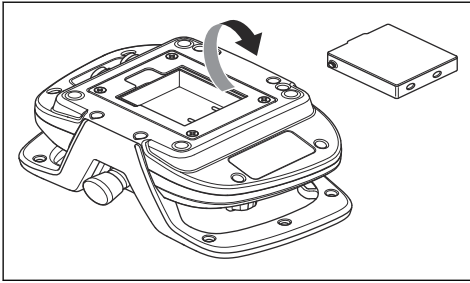
La durée de fonctionnement est d'environ 8 à 10 heures lorsque la batterie de la télécommande est complètement chargée. Si l'écran est fréquemment utilisé, le temps de fonctionnement peut diminuer.

Avant d'utiliser la télécommande pour la première fois, il est nécessaire de charger la batterie.

Pour retirer et installer la batterie dans la télécommande

1. Tourner la télécommande pour accéder à l'arrière, où se trouve la batterie.

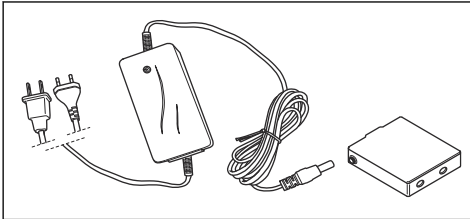
- Retirer ou installer la batterie dans la télécommande.



Pour charger la batterie de télécommande avec le chargeur de batterie

Le temps de charge d'une batterie de télécommande vide est d'environ 2 à 3 heures avec le chargeur de batterie.

- Retirer la pile de la télécommande. Se reporter à la section *Pour retirer et installer la batterie dans la télécommande à la page 141*.
- Brancher le chargeur de batterie sur une prise secteur.
- Connecter la batterie de télécommande au chargeur de batterie. L'indicateur du chargeur de batterie est orange lorsque la batterie de télécommande se charge.



- Lorsque la batterie de télécommande est complètement chargée, l'indicateur devient vert. Retirer la batterie de télécommande du chargeur de batterie.
- Débrancher le chargeur de batterie de la prise secteur.

Pour charger la batterie de télécommande à l'aide du câble de bus CAN

Le temps de charge avec le câble de bus CAN est plus long qu'avec le chargeur de batterie. La télécommande peut être utilisée pendant la charge à l'aide du câble de bus CAN.

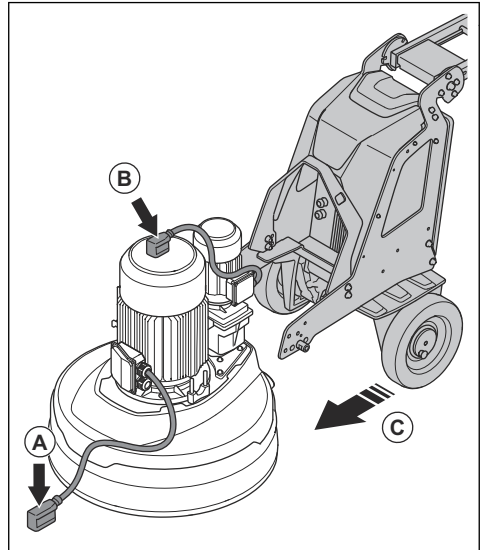
- Connecter la télécommande au produit à l'aide du câble de bus CAN. Se reporter à la section *Pour connecter la télécommande au produit à l'aide d'un câble de bus CAN à la page 135*. L'indicateur de batterie du produit s'allume sur l'écran de la télécommande lorsque la batterie se charge. Se reporter à la section *Vue d'ensemble de l'écran à la page 111*.
- Lorsque la batterie est complètement chargée, l'indicateur de batterie du produit s'éteint.
- Débrancher le câble de bus CAN du produit.
- Débrancher le câble de bus CAN de la télécommande.

Pour installer et retirer la tête de meulage



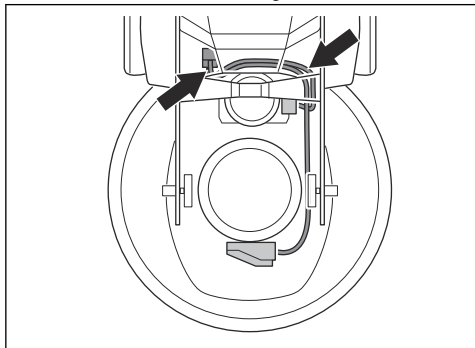
AVERTISSEMENT: Le châssis n'est pas équilibré lorsque la tête de meulage est retirée. S'assurer que le châssis ne peut pas tomber. Cela pourrait provoquer des blessures ou des dommages.

- Placer le câble de moteur avant (A) devant la tête de meulage.

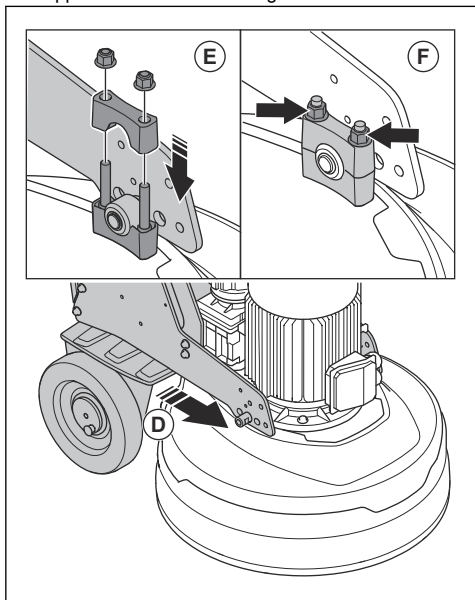


- Placer le câble de moteur arrière (B) sur le dessus du moteur.
- Pousser le châssis près de la tête de meulage (C).

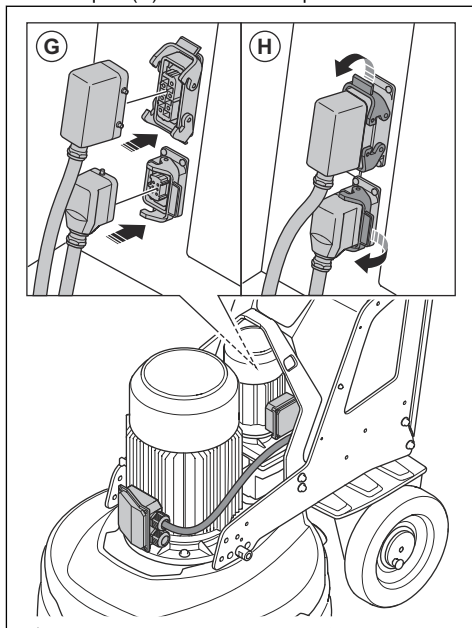
4. Placer les câbles de moteur au travers de la fente située entre la tête de meulage et le châssis.



5. Pousser le châssis complètement contre la tête de meulage (D). S'assurer que le châssis est fixé au support sur la tête de meulage.



6. Installer le deuxième support (E) sur le dessus du support de la tête de meulage.
7. Serrer les deux écrous (F) de chaque côté de la tête de meulage.
8. Brancher les câbles de moteur aux prises électriques (G) du boîtier électrique.



9. Verrouiller les câbles de moteur aux prises électriques (H) du boîtier électrique.
10. Retirer la tête de meulage dans l'ordre inverse.

Dépannage

Problème	Causes	Solution
Le produit ne démarre pas	Le câble de rallonge est débranché ou endommagé.	Brancher le câble de rallonge ou, si nécessaire, le remplacer.
	Un bouton d'arrêt d'urgence est engagé.	Tourner le bouton d'arrêt d'urgence du panneau de commande ou de la télécommande dans le sens des aiguilles d'une montre pour le désengager.
	L'interrupteur de sécurité est ouvert dans le boîtier électrique.	Fermer l'interrupteur de sécurité pour compléter le circuit.
Le produit n'est pas facile à tenir.	Il y a trop peu d'outils diamantés installés sur le produit.	Augmenter le nombre d'outils diamantés pour réduire la charge sur le produit et l'opérateur.
	Le grand moteur d'entraînement de meulage ne fonctionne pas.	S'assurer que le grand moteur d'entraînement de meulage est connecté.
	Cela peut être dû à une défaillance du moteur ou à une défaillance d'un fil vers le moteur.	Si le problème persiste, communiquer avec un atelier spécialisé agréé.
	La courroie est brisée.	Si la courroie est brisée, demander à un centre d'entretien de la remplacer. Tourner l'un des disques de meulage à la main. Si tous les disques de meulage tournent ensemble, la courroie n'est pas endommagée. Si un disque de meulage tourne librement, la courroie est brisée.
	Une seule phase entre dans le produit. Le produit ne reçoit pas de code d'erreur et utilise alors une intensité de moteur inférieure à 1 A. Le ventilateur tourne lentement.	Vérifier l'alimentation électrique.
	La surface ou l'opération sont trop exigeantes pour la capacité du produit.	Régler le régime des moteurs ou la vitesse de déplacement vers l'avant du produit sur le sol.
Le produit émet un son comme s'il augmente trop le régime.	Le petit moteur d'entraînement de meulage n'est pas connecté.	S'assurer que le petit moteur d'entraînement de meulage est connecté.
	Le petit moteur d'entraînement de meulage ne fonctionne pas.	S'assurer que le petit moteur d'entraînement de meulage est connecté.
	Cela peut être dû à une défaillance du moteur ou à une défaillance d'un fil vers le moteur.	Si le problème persiste, communiquer avec un atelier spécialisé agréé.
	La surface est trop épaisse ou la configuration d'outil diamanté est incorrecte.	Appuyer légèrement sur le guidon pour soulever la tête de meulage de la surface au démarrage du produit.

Problème	Causes	Solution
Le produit présente un motif de rayures irrégulier.	Les outils diamantés sont mal fixés ou fixés à des hauteurs différentes sur les disques de meulage.	S'assurer que tous les outils diamantés sont correctement installés et qu'ils sont tous à la même hauteur.
	Les outils diamantés sont de types mixtes.	S'assurer que tous les segments sont du même grain de diamant et qu'ils utilisent le même liant. Si les segments diamantés sont irréguliers, espacer uniformément les segments diamantés irréguliers. Faire fonctionner le produit sur une surface abrasive jusqu'à ce que tous les segments aient la même hauteur.
	Les verrous de tête sont desserrés ou manquants.	S'assurer que tous les verrous de tête sont en place et bien serrés.
	Les outils en résine sont mélangés ou présentent une contamination indésirable.	S'assurer que tous les outils en résine ont le même grain de diamant, qu'ils utilisent le même liant et qu'il n'y a pas de contamination. Pour nettoyer les outils en résine, les faire fonctionner pendant un court moment sur une surface légèrement abrasive.
	Les disques de meulage sont usés ou endommagés.	Vérifier que les disques de meulage ne présentent pas de sections cassées ou de mouvements excessifs.
Des mouvements indésirables et brusques affectent le produit.	Les disques de meulage sont usés ou endommagés.	Vérifier que les disques de meulage ne sont pas endommagés et qu'ils ne bougent pas trop.
	Les outils diamantés sont mal fixés ou fixés à des hauteurs différentes sur les disques de meulage.	S'assurer que tous les outils diamantés sont correctement installés et qu'ils sont tous à la même hauteur.
	Les verrous de tête sont desserrés ou manquants.	S'assurer que tous les verrous de tête sont en place et bien serrés.
Le disjoncteur interne se déclenche.	Charge trop élevée ou alimentation insuffisante.	Vérifier l'alimentation électrique.
		Réduire la pression de meulage, augmenter le nombre d'outils diamantés ou augmenter la dureté du liant utilisé.
L'écran affiche l'un des menus principaux pendant le fonctionnement du produit.	Interférences dans la communication radio entre la télécommande et le produit.	Changer le canal radio.
Il n'y a pas de connexion basse énergie (BLE) Bluetooth® au produit.	Il n'y a pas d'alimentation.	Brancher le produit à une source d'alimentation.
	Le bloc-batterie du module BLE est à la position OFF (arrêt).	S'assurer que le commutateur du bloc-batterie est à la position ON (marche).
	La batterie du module BLE est déchargée.	Communiquer avec un agent de réparation agréé.
	L'antenne ou la connexion de l'antenne est endommagée.	Communiquer avec un agent de réparation agréé.

Messages d'erreur et d'avertissement sur la télécommande

Lorsque le produit s'arrête et que l'écran affiche un message d'erreur et un code d'erreur, une défaillance s'est produite. Si les messages s'appliquent aux moteurs de traction ou à la batterie, le produit ne peut être utilisé que manuellement. Communiquer avec un atelier spécialisé agréé. Pour qu'on puisse continuer à utiliser le produit, la défaillance doit être corrigée. Lorsque la défaillance est corrigée, s'assurer que

l'interrupteur STOP/RUN (arrêt/marche) de la télécommande est réglé à STOP (arrêt).

Lorsque le symbole d'avertissement de la télécommande s'allume et que le témoin d'avertissement du produit clignote rapidement, une défaillance s'est produite. Pour voir la défaillance, sélectionner le menu « SERVICE » (entretien) dans le système de menus de la télécommande. Sélectionner ensuite « ERROR LOG » (journal des erreurs) pour voir la défaillance et la solution possible.

Code d'erreur ou d'avertissement	Message à l'écran	Causes
0x010201	« Machine battery error, contact service! » (erreur de batterie de la machine, contacter le service après-vente)	La batterie ne fonctionne pas.
0x010202		Court-circuit de charge de la batterie.
0x010228		Le temps de charge de la batterie est écoulé.
0x01020B	« Low battery level! » (bas niveau de la batterie)	La tension de la batterie est faible.
0x010240	« Machine battery error, contact service! » (erreur de batterie de la machine, contacter le service après-vente)	Batterie mal connectée.
0x010115	« Traction overload, check that machine is not blocked! » (surcharge de traction, vérifier que la machine n'est pas bloquée)	Il y a une surcharge dans les moteurs de traction.
0x010140	« Traction motor error, contact service if error persists! » (erreur du moteur de traction, contacter le service après-vente si l'erreur persiste)	Les capteurs à effet Hall du moteur de traction signalent une valeur incorrecte.
0x010141	« Spring pin(s) not inserted in drive wheel(s). » (goupilles à ressort non insérées dans les roues motrices)	Les goupilles de blocage ne sont pas engagées.
0x010540	« Radio error, contact service if error persists! » (erreur radio, contacter le service après-vente si l'erreur persiste)	Aucune connexion avec le produit.
0x01070D	« Temperature measurement not working, contact service! » (la mesure de la température ne fonctionne pas, contacter le service après-vente)	La température du produit ne peut pas être indiquée. La charge de la batterie n'est pas activée.
0x01070F	« Temperature in machine is too high! » (la température de la machine est trop élevée)	La température du produit est élevée, le produit est arrêté.
0x01070E	« Temperature in machine is too low! » (la température de la machine est trop basse)	La température du produit est basse, le produit est arrêté.
0x010740	« Internal error, contact service! » (erreur interne, contacter le service après-vente)	Aucune connexion entre les entraînements à fréquence variable et l'unité de commande de meulage.

Code d'erreur ou d'avertissement	Message à l'écran	Causes		
0x010300	« Grinding disc driver error, contact service if error persists! » (erreur d'entraînement du disque de meulage, contacter le service après-vente si l'erreur persiste)	Erreur générale.		
0x010301				
0x010301 - 0x010376				
0x010302			« Input voltage is too low! » (la tension d'entrée est trop basse)	
0x010307			« Temperature in machine is too high! » (la température de la machine est trop élevée)	
0x01030F				
0x010317			« Motor overload, contact service if problem persists! » (surcharge du moteur, contacter le service après-vente si le problème persiste)	Erreur interne dans l'entraînement à fréquence variable.
0x010318				
0x010319			« Grinding disc driver error, contact service if error persists! » (erreur d'entraînement du disque de meulage, contacter le service après-vente si l'erreur persiste)	
0x01034A				
0x01034B	« Temperature in machine is too high! » (la température de la machine est trop élevée)			
0x01034C				
0x01035D	« Motor overload, contact service if problem persists! » (surcharge du moteur, contacter le service après-vente si le problème persiste)			
0x010400	« Planetary head driver error, contact service if error persists! » (erreur d'entraînement de la tête planétaire, contacter le service après-vente si l'erreur persiste)	Erreur générale.		
0x010401 - 0x010474				
0x010402			« Input voltage is too low! » (la tension d'entrée est trop basse)	
0x01040F				
0x010407				
0x01044B				
0x020228	« Remote control battery needs to be replaced! » (la batterie de télécommande doit être remplacée)	Le temps de charge de la batterie est écoulé.		
0x020424	« Machine or remote control needs software update, contact service! » (la machine ou la télécommande nécessite une mise à jour logicielle, contacter le service après-vente)	Aucune connexion entre la télécommande et le produit.		
0x020441	« The clock has stopped, please correct it if necessary. » (l'horloge s'est arrêtée, la corriger si nécessaire)	L'horloge de la télécommande n'affiche pas la bonne heure.		

Transport, entreposage et mise au rebut

Transport



AVERTISSEMENT: Être prudent lors du transport. Le produit est lourd et peut causer des blessures ou des dommages s'il se renverse ou se déplace pendant le transport.

Les roues permettent de déplacer le produit sur de courtes distances. Pour de plus longues distances, soulever le produit pour le déplacer ou le placer sur un véhicule.

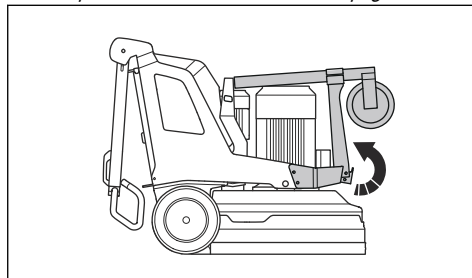


MISE EN GARDE : Ne pas remorquer le produit derrière un véhicule.

- Faire preuve d'une grande prudence pendant le déplacement manuel du produit ou sur des surfaces en pente. De petites pentes peuvent entraîner un mouvement rapide qui ne peut pas être freiné à la main.
- Arrimer le produit pendant le transport. S'assurer qu'il ne puisse pas bouger.
- Placer une protection adéquate sur le produit pendant le transport. La protection garde le produit à l'abri des éléments tels que la pluie et la neige.
- Utiliser toujours l'anneau de levage sur le produit pour soulever ce dernier.
- Ne pas soulever le produit par le guidon, le moteur, le châssis ou d'autres parties.
- Il est préférable de transporter le produit sur une palette.
- Toujours soulever le produit à l'aide d'un élévateur ou d'un élévateur à fourche.
- Ne pas utiliser d'élévateur à fourche si le produit n'est pas placé sur une palette ou un chariot. Cela peut endommager les disques de meulage et d'autres composants internes.
- Pendant le transport, la tête de meulage doit être au sol. Pour éviter d'endommager le mécanisme de verrouillage des plaques porte-outils, celles-ci doivent demeurer en place.

Pour régler l'outil à la position de transport

- Soulever la roue de support. Se reporter à la section *Pour mettre la roue de support en position pour le transport sur une courte distance à la page 149.*



- Rabattre la poignée. Se reporter à la section *Pour régler la poignée et le guidon à la page 124.*
- Si les poids sont fixés au produit, les régler en position avant. Se reporter à la section *Pour régler les poids à la page 138.*
- S'assurer que la tête de meulage touche la surface.

Roue de support

La roue de support soulève la tête de meulage à une petite distance du sol pour faciliter le transport sur de courtes distances.



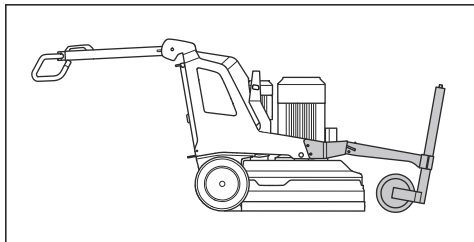
MISE EN GARDE : Utiliser la roue de support uniquement pour déplacer le produit sur de courtes distances. La roue de support doit être utilisée uniquement dans la zone de travail ou pour le chargement ou le déchargement du produit dans un véhicule de transport.



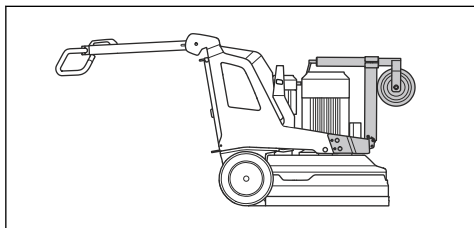
AVERTISSEMENT: Faire attention pendant l'installation, le retrait ou le réglage de la roue de support. Les pièces mobiles peuvent provoquer des blessures.

- Position de la roue de support pour le transport sur de courtes distances. Se reporter à la section *Pour*

mettre la roue de support en position pour le transport sur une courte distance à la page 149.

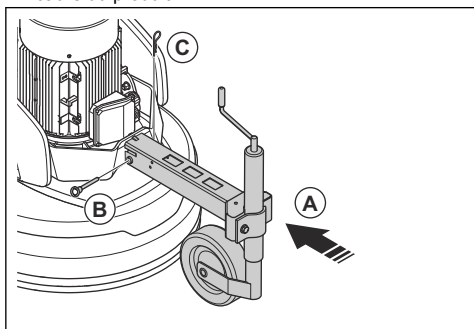


- Position de la roue de support pour le fonctionnement et le transport longue distance du produit. Se reporter à la section *Pour régler la roue de support en position d'utilisation* à la page 149.



Pour mettre la roue de support en position pour le transport sur une courte distance

1. Placer le cadre de roue de support (A) contre le cadre du produit.

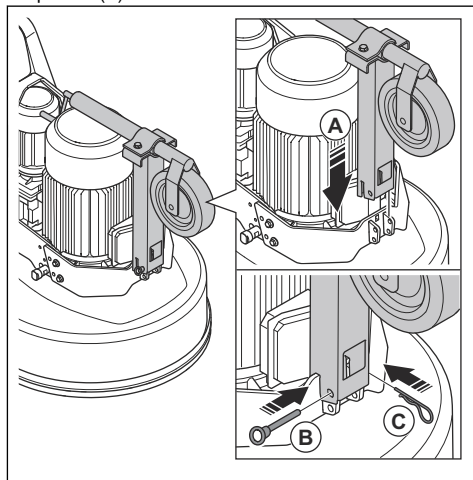


- a) Si nécessaire, desserrer la vis à l'avant du cadre de roue de support pour desserrer la roue. Cela permet de placer le cadre de roue de support à l'angle correct par rapport au cadre du produit.
2. Pousser l'axe de roue de support (B) dans la roue de support et bloquer l'axe de roue de support avec la goupille fendue (C).
3. Retirer la roue de support dans l'ordre inverse.

Pour régler la roue de support en position d'utilisation

La position de fonctionnement est également utilisée pour le transport sur de longues distances.

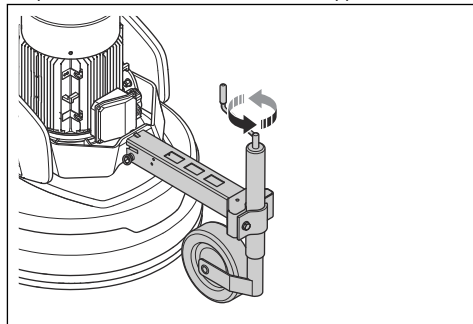
1. Placer la roue de support en position verticale.
2. Abaisser la roue de support contre le cadre du produit (A).



3. Pousser l'axe de roue de support (B) dans la roue de support et bloquer l'axe de roue de support avec la goupille fendue (C).
4. Retirer la roue de support dans l'ordre inverse.

Pour régler la hauteur de la roue de support

1. Mettre la roue de support en position pour le transport sur une courte distance. Se reporter à la section *Pour mettre la roue de support en position pour le transport sur une courte distance* à la page 149.
2. Tourner la poignée à l'avant de la roue de support pour lever ou abaisser la roue de support.



Pour déplacer le produit à l'aide de la roue de support

1. Mettre la roue de support en position pour le transport sur de courtes distances. Se reporter à la section *Pour mettre la roue de support en position pour le transport sur une courte distance à la page 149.*
2. Abaisser la roue de support pour soulever la tête de meulage du sol. Se reporter à la section *Pour régler la hauteur de la roue de support à la page 149.*
3. Déplacer le produit manuellement ou à l'aide de la télécommande.

Pour déplacer le produit vers le haut ou vers le bas dans une pente



AVERTISSEMENT: Faire preuve d'une extrême prudence pendant le déplacement du produit dans une pente avec le moteur en marche. Le produit est lourd et il y a un risque de blessure si le produit se renverse ou se déplace trop rapidement.



AVERTISSEMENT: Sur les pentes abruptes, utiliser toujours un treuil. Ne pas marcher ou rester devant le produit. Ne pas rester dans la zone à risque du produit. Se reporter à la section *Sécurité de l'aire de travail à la page 115.*



AVERTISSEMENT: Ne pas déplacer le produit vers le haut ou vers le bas dans une pente lorsque la batterie de la télécommande est faible. Le produit peut subitement subir une coupure de courant.



AVERTISSEMENT: Ne pas déplacer le produit sur des pentes abruptes. Consulter la plaque signalétique du produit pour obtenir de plus amples renseignements sur l'angle de pente maximal.

- Pour descendre une pente avec le produit, faire fonctionner le produit lentement en marche arrière.
- Pour monter une pente avec le produit, faire fonctionner le produit lentement en marche avant.
- Ne pas tourner le produit à plus de 45° sur une pente.

Levage du produit



AVERTISSEMENT: S'assurer que l'équipement de levage possède les spécifications correctes pour soulever le produit en toute sécurité. Le poids du produit figure sur sa plaque signalétique.

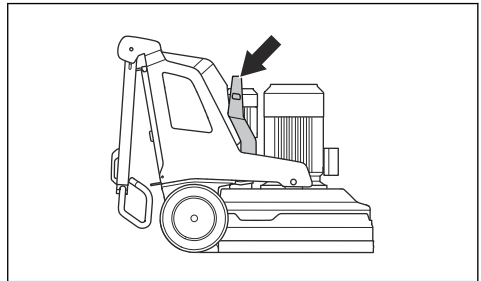


AVERTISSEMENT: Ne pas marcher ou rester en dessous ou à proximité d'un produit soulevé. Garder les personnes présentes à l'écart de la zone à risque. Se reporter à la section *Sécurité de l'aire de travail à la page 115.*



AVERTISSEMENT: Ne pas soulever un produit endommagé. S'assurer que l'anneau de levage est correctement posé et en bon état.

1. Régler le produit à la position de transport. Se reporter à la section *Pour régler l'outil à la position de transport à la page 148.*
2. Fixer l'équipement de levage à l'anneau de levage.



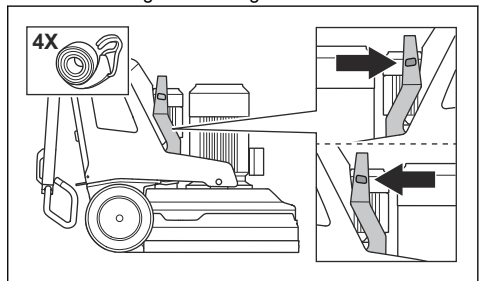
Pour fixer le produit sur un véhicule de transport



MISE EN GARDE : Ne pas utiliser la roue de support pour fixer le produit. La roue de support n'est pas suffisamment stable et peut être endommagée.

Le produit est doté de trous qui sont utilisés avec des sangles d'arrimage pour fixer le produit sur le véhicule.

1. Fixer les sangles d'arrimage dans les trous.



2. Fixer et serrer les sangles d'arrimage sur le véhicule.

Entreposage



MISE EN GARDE : Ne pas entreposer le produit à l'extérieur. Toujours garder le produit à l'intérieur.

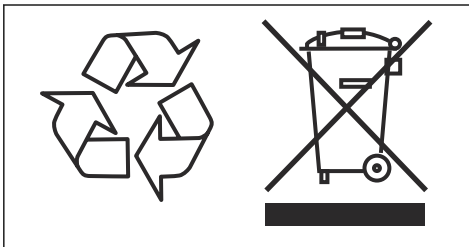
- Conserver le produit dans un endroit sec à l'abri du gel.
- Nettoyer le produit et effectuer un entretien complet avant de l'entreposer.
- Soulever la roue de support. La tête de meulage doit être au sol.
- Garder le produit dans un endroit verrouillé hors de portée des enfants et des personnes non autorisées.
- Conserver le chargeur de batterie dans un endroit sec et à l'abri du gel.
- Retirer la pile de la télécommande lorsque le produit est entreposé pendant plus de 6 mois.
- Lorsque le produit est entreposé à long terme, charger la batterie du produit tous les six mois.

Mise au rebut

Les symboles sur le produit ou l'emballage du produit indiquent que vous ne pouvez pas traiter ce produit comme un déchet domestique. Le déposer dans un centre de recyclage pour la récupération des équipements électriques et électroniques.

S'assurer de débrancher le produit de la prise secteur et de retirer les batteries de télécommande avant le dépôt à un centre de recyclage approprié. S'assurer d'informer le centre de recyclage que le produit contient une batterie lithium-ion. Remettre les batteries à un centre de recyclage approprié.

En veillant à ce que ce produit soit traité de façon adéquate, vous contribuez à réduire l'impact négatif potentiel sur l'environnement et les personnes de la mauvaise gestion des déchets. Pour obtenir de plus amples renseignements sur le recyclage de ce produit, communiquez avec votre municipalité, votre service de déchets ménagers ou le magasin où vous avez acheté le produit.



Données techniques

Données techniques

	PG 690 3x200-240 V	PG 690 3x440-480 V	PG 690 RC 3x200-240 V	PG 690 RC 3x440-480 V
Puissance du moteur, kW/hp	12,5/17	12,5/17	12,5/17	12,5/17
Intensité nominale, A	50	30	50	30
Tension nominale, V	200-240	440-480	200-240	440-480
Phases	Triphasé	Triphasé	Triphasé	Triphasé
Fréquence, Hz	50-60	50-60	50-60	50-60
Poids, kg/lb	502/1107	502/1107	598/1318	598/1318
Largeur de surfaçage, mm/po	630/24,8	630/24,8	630/24,8	630/24,8
Disque de meulage, mm/po	3x270/10,5	3x270/10,5	3x270/10,5	3x270/10,5
Pression de surfaçage, kg/lb	228/503	228/503	242/534	242/534
Pression de meulage avec roue de support, kg/lb	265/584	265/584	279/615	279/615
Poids en position 1 (avant), kg/lb	292/644	292/644	307/677	307/677
Poids en position 1 (avant) avec roue de support, kg/lb	329/725	329/725	343/756	343/756
Poids en position 2 (vertical), kg/lb	227/500	227/500	237/522	237/522
Poids en position 2 (vertical) avec roue de support, kg/lb	264/582	264/582	273/602	273/602
Poids en position 3 (arrière), kg/lb	185/408	185/408	198/437	198/437
Poids en position 3 (arrière) avec roue de support, kg/lb	221/487	221/487	235/518	235/518
Régime de disque de meulage, tr/min	441-1470	441-1470	441-1470	441-1470
Régime de tête de meulage, tr/min	10-57	10-57	10-57	10-57
Sens de rotation	Sens de rotation indépendant dans le sens inverse des aiguilles d'une montre ou dans le sens des aiguilles d'une montre pour les disques de meulage et la tête de meulage.			
Pente maximale, degrés °	10	10	10	10
Boîtier, IP	54	54	54	54
Type de batterie	Li-ion			

	PG 690 3x200-240 V	PG 690 3x440-480 V	PG 690 RC 3x200-240 V	PG 690 RC 3x440-480 V
Extracteur de poussière recommandé¹⁵				
Outil de l'extracteur de poussière, mm/po	76/3	76/3	76/3	76/3
	600/353	600/353	600/353	600/353
Aspiration min., kPa / lb/po ²	28/4,1	28/4,1	28/4,1	28/4,1
Spectre radio de technologie basse énergie Bluetooth®¹⁶				
Bandes de fréquences de l'outil, GHz	2,402-2,480	2,402-2,480	2,402-2,480	2,402-2,480
Émission maximale de radiofréquence, dBm/mW	4/2,5	4/2,5	4/2,5	4/2,5

	PG 830 3x220-240 V	PG 830 3x440-480 V	PG 830 RC 3x220-240 V	PG 830 RC 3x440-480 V
Puissance du moteur, kW/hp	12,5/17	16,5/22	12,5/17	16,5/22
Intensité nominale, A	50	30	50	30
Tension nominale, V	220-240	440-480	220-240	440-480
Phases	Triphasé	Triphasé	Triphasé	Triphasé
Fréquence, Hz	50-60	50-60	50-60	50-60
Poids, kg/lb	556/1226	556/1226	652/1437	652/1437
Largeur de surfaçage, mm/po	800/31,5	800/31,5	800/31,5	800/31,5
Disque de meulage, mm/po	3x270/10,5	3x270/10,5	3x270/10,5	3x270/10,5
Pression de surfaçage, kg/lb	288/635	288/635	302/666	302/666
Pression de meulage avec roue de support, kg/lb	325/717	325/717	339/747	339/747
Poids en position 1 (avant), kg/lb	348/767	348/767	362/798	362/798
Poids en position 1 (avant) avec roue de support, kg/lb	385/849	385/849	399/880	399/880
Poids en position 2 (vertical), kg/lb	299/659	299/659	313/690	313/690
Poids en position 2 (vertical) avec roue de support, kg/lb	336/741	336/741	350/772	350/772

¹⁵ Les caractéristiques techniques des extracteurs de poussière ne décrivent pas de manière concluante les performances réelles au fil du temps entre les différents extracteurs de poussière. Pour les produits Husqvarna, les données objectives OSHA sont disponibles sur le site www.husqvarnacp.com/us

¹⁶ Cette partie concerne uniquement les produits fournis avec une connectivité intégrée.

	PG 830 3x220-240 V	PG 830 3x440-480 V	PG 830 RC 3x220-240 V	PG 830 RC 3x440-480 V
Poids en position 3 (arrière), kg/lb	245/540	245/540	259/571	259/571
Poids en position 3 (arrière) avec roue de support, kg/lb	282/622	282/622	296/653	296/653
Régime de disque de meulage, tr/min	421-1403	421-1403	421-1403	421-1403
Régime de tête de meulage, tr/min	9-47	9-47	9-47	9-47
Sens de rotation	Sens de rotation indépendant dans le sens inverse des aiguilles d'une montre ou dans le sens des aiguilles d'une montre pour les disques de meulage et la tête de meulage.			
Pente maximale, degrés °	10	10	10	10
Boîtier, IP	54	54	54	54
Type de batterie	Li-ion			
Extracteur de poussière recommandé¹⁷				
Outil de l'extracteur de poussière, mm/po	76/3	76/3	75/3	76/3
	815/480	815/480	815/480	815/480
Aspiration min., kPa / lb/po ²	30/4,4	30/4,4	30/4,4	30/4,4
Spectre radio de technologie basse énergie Bluetooth®¹⁸				
Bandes de fréquences de l'outil, GHz	2,402-2,480	2,402-2,480	2,402-2,480	2,402-2,480
Émission maximale de radiofréquence, dBm/mW	4/2,5	4/2,5	4/2,5	4/2,5

Données de fréquence radio

	PG 690 RC	PG 830 RC
Puissance maximale de radiofréquence transmise, dBm	Moins de 10	Moins de 10

¹⁷ Les caractéristiques techniques des extracteurs de poussière ne décrivent pas de manière concluante les performances réelles au fil du temps entre les différents extracteurs de poussière. Pour les produits Husqvarna, les données objectives OSHA sont disponibles sur le site www.husqvarnacp.com/us

¹⁸ Cette partie concerne uniquement les produits fournis avec une connectivité intégrée.

Niveaux sonores

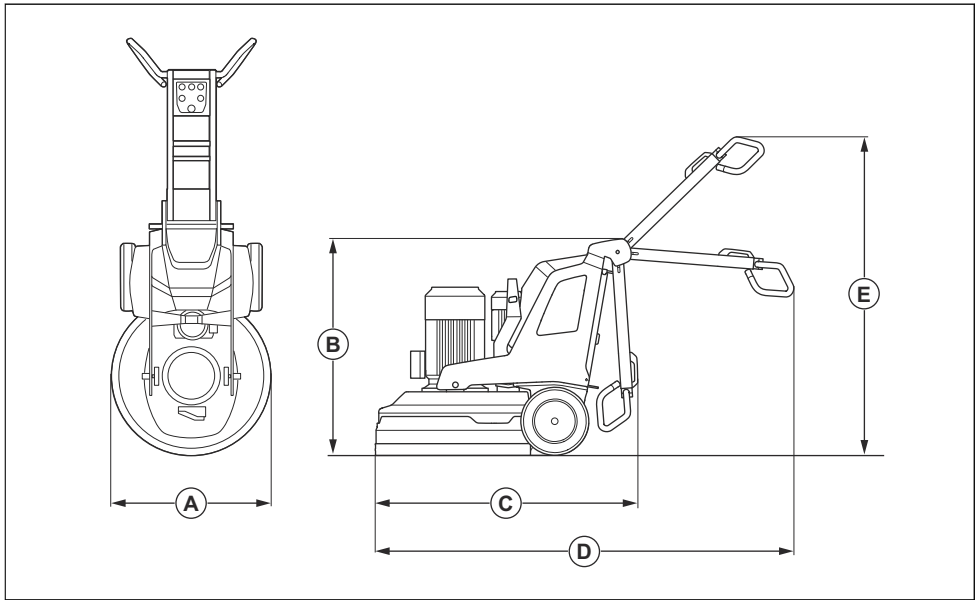
	PG 690	PG 690 RC	PG 830	PG 830 RC
Émissions sonores¹⁹				
Niveau de puissance acoustique, L_W [dB(A)] mesuré	93,7	93,7	95,4	95,4
Niveaux sonores²⁰				
Niveau de pression sonore au niveau de l'oreille de l'opérateur, L_p [dB (A)]	77,9	77,9	78,7	78,7
Niveaux de vibrations²¹				
Poignée droite, m/s^2	2,2	2,2	1,7	1,7
Poignée gauche, m/s^2	2,1	2,1	1,5	1,5

¹⁹ Émissions sonores dans l'environnement mesurées en tant que puissance acoustique conforme à la directive EN 60335-2-72. Incertitude de mesure prévue : 2,5 dB(A).

²⁰ Niveau de pression sonore selon la directive EN 60335-2-72. Incertitude de mesure prévue : 4 dB(A).

²¹ Niveau de vibration selon EN 60335-1 et EN 60335-2-72. Les données signalées pour le niveau de vibration présentent une dispersion statistique type (écart-type) de 1 m/s^2 . Les valeurs des niveaux de vibration sont valides pour le fonctionnement manuel.

Dimensions de l'outil



		PG 690	PG 690 RC	PG 830	PG 830 RC
A	Largeur, mm/po	670/26,4	670/26,4	830/32,7	830/32,7
B	Hauteur totale min. (poignée repliée), mm/po	1150/45,3	1155/45,5	1145/45,1	1155/45,5
C	Longueur totale min. (poignée repliée), mm/po	1300/51,2	1320/52	1550/61	1410/55,5
D	Longueur totale max. (poignée déployée), mm/po	2065/81,3	2077/81,8	2215/87,2	2165/85,2
E	Hauteur totale max. (poignée déployée), mm/po	1755/69,1	1715/67,5	1700/66,9	1715/67,5

Déclaration sur les interférences de la Federal Communication Commission

Déclaration sur les interférences de la Federal Communication Commission

Pour les États-Unis

Cet appareil est conforme à la section 15 des règlements de la FCC. Son utilisation est soumise aux deux conditions suivantes : (1) Cet appareil ne doit pas causer d'interférences nocives, et (2) cet appareil doit accepter toutes les interférences reçues, y compris les interférences pouvant provoquer un fonctionnement indésirable.

Déclaration sur les interférences de la Federal Communication Commission

Pour le Canada

Cet appareil est conforme à la norme RSS d'Industrie Canada pour les appareils exempts de licence. Son utilisation est soumise aux deux conditions suivantes :

- Cet appareil ne doit pas causer d'interférences.
- Cet appareil doit accepter toutes les interférences, y compris les interférences pouvant causer un fonctionnement non désiré.

Déclaration de conformité du fournisseur

Déclaration de conformité du fournisseur pour PG 690, PG 690 RC, PG 830, PG 830 RC

Information de conformité à 47 CFR § 2.1077

Partie responsable : Husqvarna Construction Products
North America, Inc. 17400 W 119th Street Olathe,
Kansas 66061 USA U.S.

Personne-ressource aux États-Unis : Neil Stanford,
Responsable de la conformité, numéro de téléphone :
913-928-1000

Déclaration de conformité FCC Les modifications non
expressément approuvées par Husqvarna peuvent
annuler la conformité de l'équipement aux règlements
de la FCC (Commission fédérale des communications
américaine) et limiter le droit de l'utilisateur à utiliser
l'équipement.

Remarque : Cet équipement a été testé et trouvé
conforme aux limites d'un appareil de classe B,
conformément à l'article 15 des règlements de la FCC.
Ces limites sont conçues pour fournir une protection
raisonnable contre les interférences nuisibles dans une
installation résidentielle. Cet équipement produit, utilise
et peut émettre des fréquences radio et, s'il n'est pas
installé et utilisé conformément aux instructions, il peut
provoquer des interférences nuisibles aux
communications radio. Cependant, il n'y a aucune
garantie que des interférences ne pourront pas se
produire dans une installation particulière. Si cet
équipement engendre des interférences nuisibles pour
la réception radio ou télévisuelle, ce qui peut être
déterminé en éteignant l'équipement, l'utilisateur est
encouragé à essayer de corriger l'interférence en
prenant une ou plusieurs des mesures suivantes :

- Réorienter ou déplacer l'antenne réceptrice.
 - Augmenter la distance entre l'équipement et le récepteur.
 - Raccorder l'équipement à une prise située sur un circuit différent de celui sur lequel le récepteur est raccordé.
 - Communiquer avec le concessionnaire ou un technicien radio/TV expérimenté pour obtenir de l'aide.
-



www.husqvarnacp.com

Original instructions
Instrucciones originales
Instructions d'origine

1141351-49



2019-11-08