



Husqvarna®



FS5000 D

EN	Operator's manual	2-47
DE	Bedienungsanweisung	48-95
FR	Manuel d'utilisation	96-144
NL	Gebruiksaanwijzing	145-191

Contents

Introduction.....	2	Transportation, storage and disposal.....	37
Safety.....	8	Technical data.....	41
Operation.....	13	Accessories.....	46
Maintenance.....	25	EC Declaration of Conformity.....	47
Troubleshooting.....	37		

Introduction

Product description

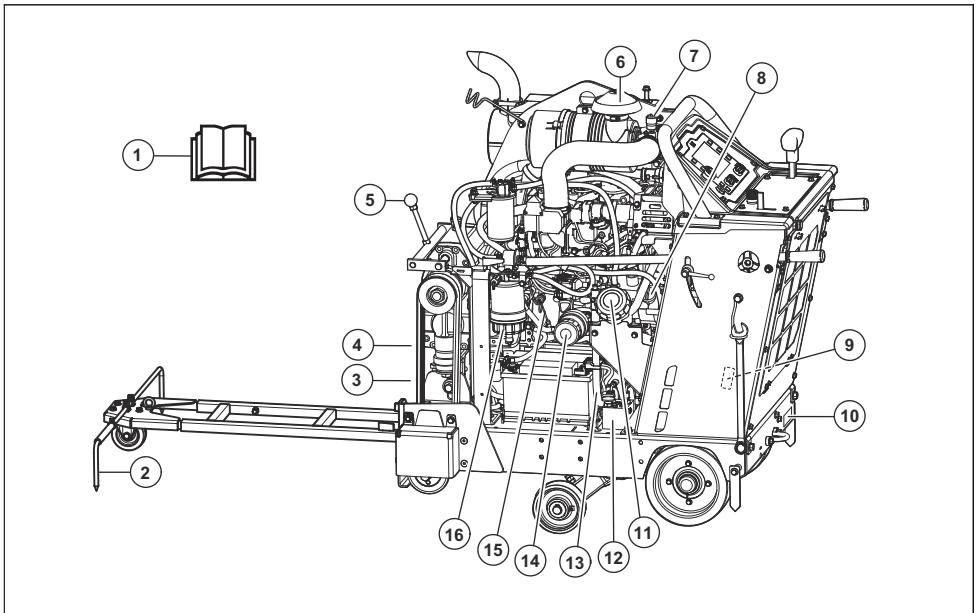
The product is a walk behind floor saw with a combustion engine. The product has an adjustable pointer that lets you see the operation clearly and makes it easy to cut straight. The product has a control panel with a digital display that monitors all functions.

Intended use

This product is used with diamond blades for wet cutting to cut hard floor surface materials such as concrete, asphalt and stone. All other use is incorrect.

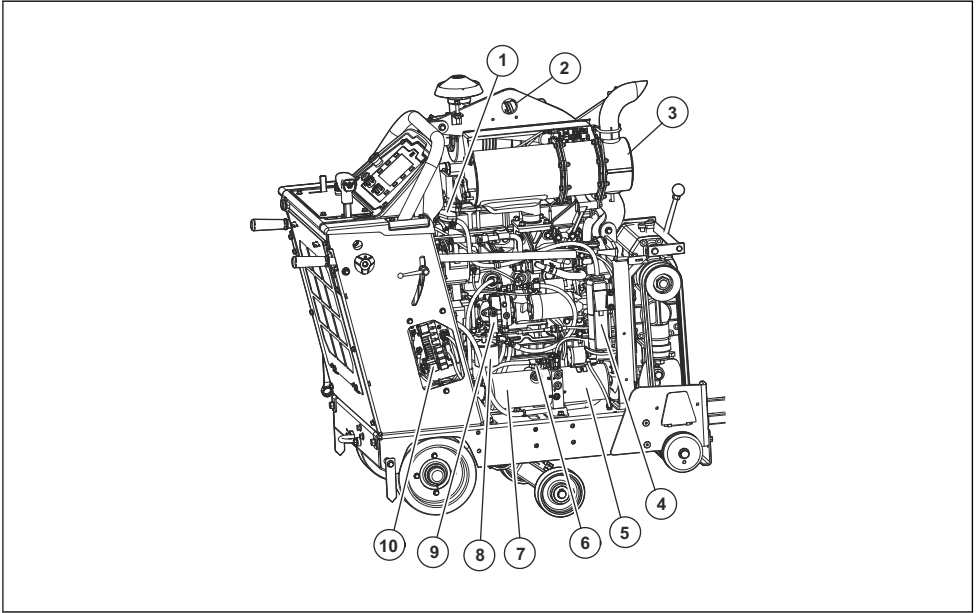
The product is used in industrial operations by operators with experience.

Product overview, left side



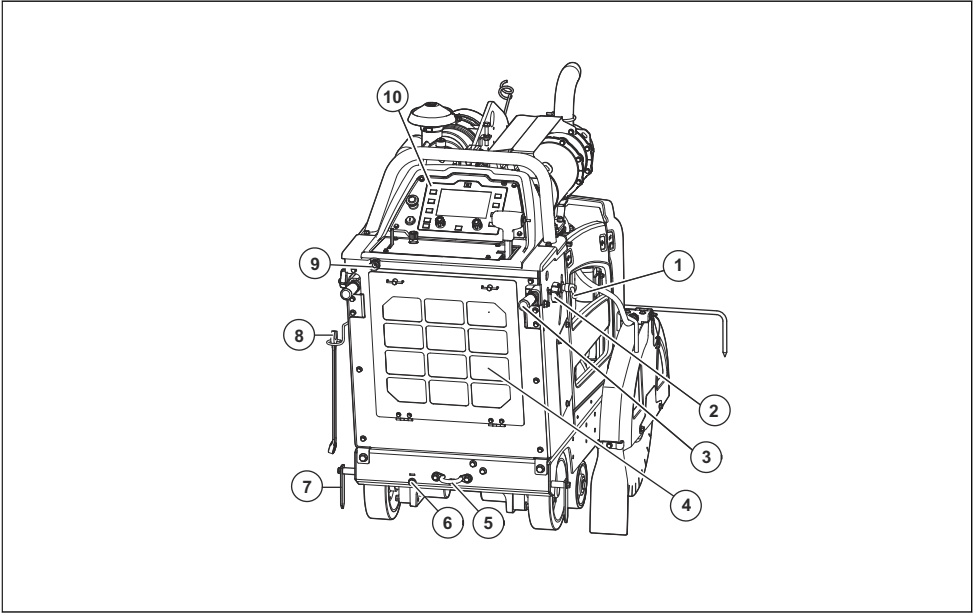
- | | |
|-------------------------------------------|-----------------------------------------|
| 1. Operator's manual | 9. Type plate for US/Canada |
| 2. Adjustable pointer | 10. Type plate for EU |
| 3. Water drain valve for the gearbox | 11. Fuel tank cap |
| 4. Bolts for belt tension | 12. Transmission bypass valve |
| 5. Gearshift lever, 3-speed gearbox model | 13. Drain hose for engine oil |
| 6. Air filter | 14. Engine oil filter |
| 7. Air filter indicator | 15. Engine oil dipstick |
| 8. Oil tank cap for engine oil | 16. Water separator for the fuel filter |

Product overview, right side



- | | |
|-----------------------------------------|------------------------------------------|
| 1. Radiator coolant lid | 6. Hydraulic reservoir opening |
| 2. Lifting eye | 7. Hydraulic reservoir |
| 3. Muffler | 8. Hydraulic system filter |
| 4. Container for radiator coolant spill | 9. Pump for the hydrostatic transmission |
| 5. Pump for the hydraulic lift | 10. Relay and fuse box |

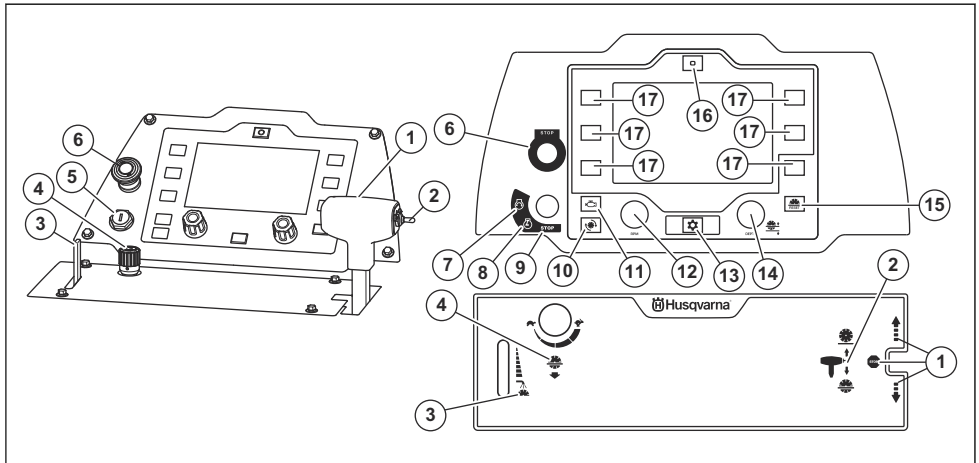
Product overview, rear



1. Locking knob for operation handles, adjustment in height
2. Locking knob for operation handles, adjustment in length
3. Operation handles
4. Radiator air filter
5. Rear tie-down bracket
6. Manual axle adjustment
7. Rear pointer
8. Blade shaft wrench
9. Water inlet
10. Control panel

Note: There is also a tie-down bracket at the front of the product.

Overview of the controls and the control panel



1. Lever for speed control. Forward, rearward and transmission stop *
2. Switch for cutting depth adjustment *
3. Lever for the water cooling system for the cutting blade *
4. Knob for adjustment of the blade lowering speed *
5. Engine start switch
6. Machine stop button *
7. Engine start position *
8. Ignition on position *
9. Engine stop position *
10. Button to show blade speed in rpm on the display *
11. Button to show engine speed in rpm on the display *
12. Knob for the throttle control
13. Menu button *
14. Knob for adjustment of the blade depth stop *
15. Reset button for the blade depth stop *
16. E-track reset button * (optional)
17. Selection button

* = Refer also to *Symbols on the product on page 5.*

Symbols on the product



WARNING: This product can be dangerous and cause serious injury or death to the operator or others. Be careful and use the product correctly.



Read the operator's manual carefully and make sure that you understand the instructions before you use this product.



Use hearing protection, eye protection and respiratory protection. Refer to *Personal protective equipment on page 10.*



All displacement of the machine outside the cutting area shall be carried out with the tool not in rotation.



Remove the cutting blade before transportation and before you lift the product, to prevent damage to the cutting blade.



The blade guards must always be installed on the product. Do not let more than 180° of the cutting blade show.



Make sure that the cutting blade is not blunt or has damages, such as cracks.



Make sure that the cutting blade is applicable to the same speed or a higher speed than the value given on the product type plate. A cutting blade that is operated at too high speed can break and cause injury or damage.



Do not use the product near flammable material or gases.



The dust can cause health problems. Use an approved respiratory protection. Do not breathe exhaust fumes. Do not use a combustion engine product indoors or in areas that do not have sufficient airflow.



Hot surface.



Keep body parts away from the cutting blade and other moving parts.



Risk of cut injuries. Keep all body parts away from the cutting blade.



Ultra-low-sulfur diesel fuel only.



Engine oil.



Dipstick.



Do not lift the saw when you examine the engine oil level.



Make sure that the saw is level without cutting blade when you examine the engine oil level.



The arrow on the blade guard shows the direction of rotation of the cutting blade.



Always lift the product at the lifting eye.



Transmission stop.



Switch for cutting depth adjustment.



Lever for the water cooling system.



Knob for adjustment of the blade lowering speed.



Slow.



Fast.



Machine stop.



Engine starts.



Ignition on.

STOP Engine stops.



Show blade speed in rpm on the display.



Show engine speed in rpm on the display.



Menu button.



Knob for adjustment of the blade depth stop.



Reset button for the blade depth stop.



Reset button for the E-track adjustment (optional).



This product complies with applicable EC Directives.



Noise emission to the environment complies with applicable EC Directives. The noise emission of the product is specified in *Technical data on page 41* and on the label.

Note: Other symbols/decals on the product refer to certification requirements for some markets.

Symbols on the control panel display



E-track adjustment, left (optional).



E-track adjustment, right (optional).



Water safety system ON/OFF. The water safety system monitors the water pressure to the water cooling system for the cutting blade. If the water pressure decreases, the water safety system stops the cutting blade.



Engage/disengage blade clutch. This function is not standard on all product variants.



Blade depth stop.

Warning symbols on the control panel display



Machine stop engaged. Reset the machine stop button and cycle ignition.



The battery does not charge.



Low fuel level.



Preheating. Refer to the engine manual for more information.



No water pressure to the water cooling system for the cutting blade.



Low engine oil pressure.



Engine stop. The operation cannot continue.



Engine too hot. The operation cannot continue. Refer to the engine manual for more information.



Moderate engine problem. The operation can continue.



Engine failure. Refer to the engine manual for more information.



Regeneration is necessary. Refer to *Stationary regeneration standby on page 36*.

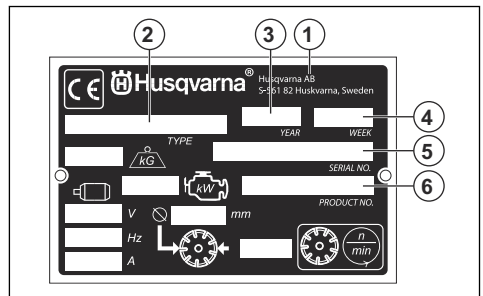


Error code not related to the engine.



Failure in the NOx Diagnostic Control System.

Type plate EU



1. Manufacturer
2. Product type

3. Production year
4. Production week
5. Serial number
6. Product number

Product liability

As referred to in the product liability laws, we are not liable for damages that our product causes if:

- the product is incorrectly repaired.
- the product is repaired with parts that are not from the manufacturer or not approved by the manufacturer.

- the product has an accessory that is not from the manufacturer or not approved by the manufacturer.
- the product is not repaired at an approved service center or by an approved authority.

Euro V Emissions



WARNING: Tampering with the engine voids the EU type-approval of this product.

Safety

Safety definitions

Warnings, cautions and notes are used to point out specially important parts of the manual.



WARNING: Used if there is a risk of injury or death for the operator or bystanders if the instructions in the manual are not obeyed.



CAUTION: Used if there is a risk of damage to the product, other materials or the adjacent area if the instructions in the manual are not obeyed.

Note: Used to give more information that is necessary in a given situation.

General safety instructions



WARNING: Read the warning instructions that follow before you use the product.

- This product is a dangerous tool if you are not careful or if you use the product incorrectly. This product can cause serious injury or death to the operator or others. Before you use the product, you must read and understand the contents of this operator's manual.
- Save all warnings and instructions.
- Comply with all applicable laws and regulations.
- The operator and the employer of the operator must know and prevent the risks during operation of the product.
- Do not let a person operate the product unless they read and understand the contents of the operator's manual.
- Do not operate the product unless you receive training before use. Make sure that all operators receive training.
- Only let approved persons operate the product.

- The operator is responsible for accidents that occur to other persons or their property.
- Do not use the product if you are tired, ill, or under the influence of alcohol, drugs or medicine.
- Always be careful and use your common sense.
- This product produces an electromagnetic field during operation. This field can under some circumstances interfere with active or passive medical implants. To decrease the risk of serious injury or death, we recommend persons with medical implants to speak to their physician and the medical implant manufacturer before operating this product.
- Keep the product clean. Make sure that you can clearly read signs and decals.
- Do not use the product if it is defective.
- Do not do modifications to this product.
- Do not operate the product if it is possible that other persons have done modifications to the product.

Safety instructions for operation



WARNING: Read the warning instructions that follow before you use the product.

- Read the warning instructions that are supplied with the cutting blade by the cutting blade manufacturer.
- Make sure that the product is assembled correctly.
- Do not operate the product without the blade guard and the protective covers installed.
- Incorrect operation of the product can cause the cutting blade to break and cause injury or damage.
- Make sure that you know how to stop the engine quickly in an emergency.
- Use personal protective equipment. Refer to *Personal protective equipment on page 10*.
- Make sure that only approved persons are in the work area.
- Make sure that electrical cables in the work area are not live.
- Keep the work area clean and bright.

- Before you operate the product, find out if there are hidden wires, cables and pipes in the work area. If the product hits a hidden object, stop the engine immediately and examine the product and the object. Do not start to operate the product again until you know that it is safe to continue.
- Do not use the product in bad weather conditions, such as thick fog, heavy rain, strong wind or intense cold. To do work in bad weather makes you tired and can cause dangerous conditions, for example slippery surfaces.
- Make sure that you are in a safe and stable position during operation.
- Do not use the product in areas where fire or explosions can occur.
- The product can cause objects to eject at high speed. Make sure that all persons in the work area use approved personal protective equipment. Remove loose objects from the work area.
- The exhaust fumes from the engine contain carbon monoxide which is an odourless, poisonous and very dangerous gas. Do not use a combustion engine product indoors or in areas that do not have sufficient airflow.
- Before you go away from the product, stop the engine and make sure that there is no risk of accidental start.
- The product does not have a parking brake. Do not go away from the product if it is on a slope. If it is necessary to park the product on a slope, make sure that the product is sufficiently attached and cannot move.
- Be very careful during operation on slopes. The product is heavy and can cause serious injury if it falls.
- Make sure that no material can become loose and cause injury to the operator.
- Make sure that clothes, long hair and jewelry do not get caught in moving parts.
- Do not operate the product unless you can get aid if an accident occurs.
- Do not use a combustion engine product indoors or in areas that do not have sufficient airflow.

Vibration safety



WARNING: Read the warning instructions that follow before you use the product.

- During operation of the product, vibrations go from the product to the operator. Regular and frequent operation of the product can cause or increase the degree of injuries to the operator. Injuries can occur in fingers, hands, wrists, arms, shoulders, and/or nerves and blood supply or other body parts. The injuries can be debilitating and/or permanent, and can increase gradually during weeks, months or years. Possible injuries include damage to the blood circulation system, the nervous system, joints, and other body structures.
- Symptoms can occur during operation of the product or at other times. If you have symptoms and continue to operate the product, the symptoms can increase or become permanent. If these or other symptoms occur, get medical aid:
 - Numbness, loss of feeling, tingling, pricking, pain, burning, throbbing, stiffness, clumsiness, loss of strength, changes in skin color or condition.
- Symptoms can increase in cold temperatures. Use warm clothing and keep your hands warm and dry when you operate the product in cold environments.
- Do maintenance on and operate the product as given in the operator's manual, to keep a correct vibration level.
- Keep your hands on the handle or handles only. Keep all other body parts away from the product.
- Stop the product immediately if strong vibrations suddenly occurs. Do not continue the operation before the cause of the increased vibrations is removed.

Noise safety



WARNING: Read the warning instructions that follow before you use the product.

Exhaust fumes safety



WARNING: Read the warning instructions that follow before you use the product.

- The exhaust fumes from the engine contain carbon monoxide which is an odourless, poisonous and very dangerous gas. To breathe carbon monoxide can cause death. Because carbon monoxide is odourless and cannot be seen, it is not possible to sense it. A symptom of carbon monoxide poisoning is dizziness, but it is possible that a person becomes unconscious without warning if the quantity or concentration of carbon monoxide is sufficient.
- Exhaust fumes that you can see or smell also contain carbon monoxide.
- High noise levels and long-term exposure to noise can cause noise-induced hearing loss.
- To keep the noise level to a minimum, do maintenance on and operate the product as given in the operator's manual.
- Examine the muffler for damages and defects. Make sure that the muffler is correctly attached to the product.
- Use approved hearing protection while you operate the product.
- Listen for warning signals and voices when you use hearing protection. Remove the hearing protection

when the product is stopped, unless hearing protection is necessary for the noise level in the work area.

Personal protective equipment



WARNING: Read the warning instructions that follow before you use the product.

- Always use approved personal protective equipment when you operate the product. Personal protective equipment cannot fully prevent injury but it decreases the degree of injury if an accident does occur. Let your dealer help you select the correct personal protective equipment.
- Regularly do a check of the condition of the personal protective equipment.
- Use an approved protective helmet.
- Use approved hearing protection.
- Use approved respiratory protection.
- Use approved eye protection with side protection. There is a high risk of eye injury from thrown objects.
- Use protective gloves.
- Use boots with steel toe-cap and non-slip sole.
- Use approved work clothing or equivalent close-fitting clothing that has long sleeves and long legs.

Fire extinguisher

- Keep a fire extinguisher near during operation.
- Use a powder fire extinguisher of "ABE" class or a carbon dioxide fire extinguisher of "BE" type.

Safety devices on the product



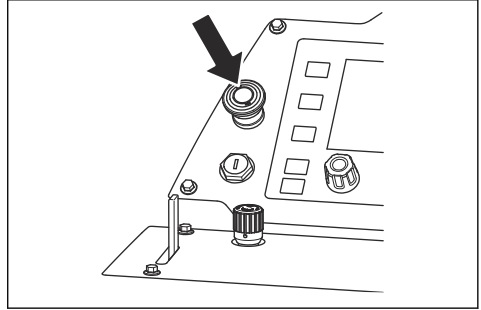
WARNING: Read the warning instructions that follow before you use the product.

- Do not use a product with defective safety devices.
- Do a check of the safety devices regularly. If the safety devices are defective, speak to your Husqvarna service agent.

Machine stop button

The machine stop button quickly stops the engine and all electrical functions but not the lights. The machine

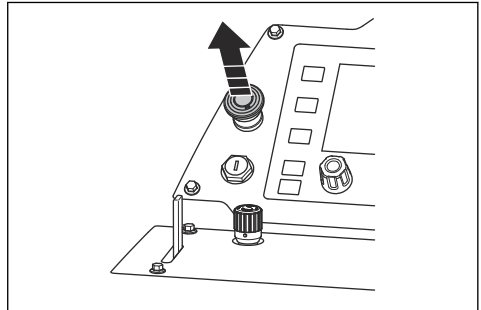
stop button sets the product in safe mode. The product cannot start again until the safe mode is reset.



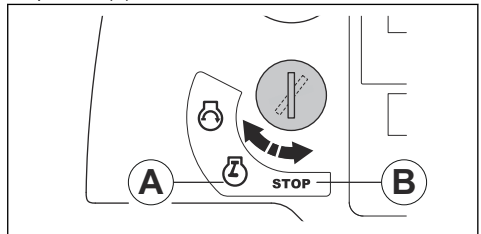
Note: Do not use the machine stop button to stop the product unless there is an emergency. For correct procedure how to stop the product during operation, refer to *To stop the product on page 25*.

To do a check of the machine stop button

1. Start the engine. Refer to *To start the product on page 21*.
2. Push the machine stop button. The engine stops and the product is set to safe mode.
3. Pull out the machine stop button to reset the machine stop.



4. To reset the safe mode, turn the engine start switch to engine stop position (B) and then to ignition on position (A).



Blade guard

The blade guard is a protective cover for the top part of the cutting blade. It gives protection if parts from a damaged cutting blade or other objects eject in the direction of the operator. The blade guard prevents injury from the cutting blade. The blade guard is also a part of the water cooling system that keeps the cutting blade cool during operation.

To do a check of the blade guard

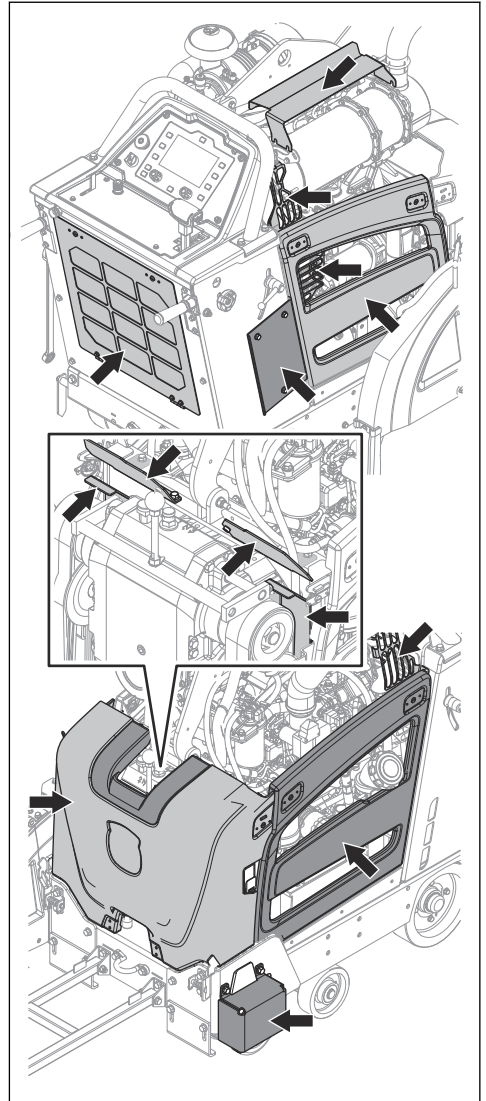
- Make sure that the blade guard is correctly installed. Refer to *To install a blade guard on page 17.*
- Examine the blade guard for damages, such as cracks.
- Replace a damaged blade guard.
- Replace the blade guard if it is hit, bent or has other defects.
- Examine the blade guard lock for damages.
- Make sure that the blade guard lock is correctly engaged.

Protective covers

Missing or damaged protective covers increase the risk of injury on moving parts and hot surfaces.

To do a check of the protective covers

- Do a check of the protective covers before you operate the product.



- Make sure that the protective covers are correctly attached and do not have cracks or other damages.
- Replace damaged protective covers.

Muffler

The muffler keeps the noise levels to a minimum and sends the exhaust fumes away from the operator.

Do not use the product if the muffler is missing or defective. A defective muffler increases the noise level and the risk of fire.



WARNING: The muffler becomes very hot during and after use and when the engine operates at idle speed. Be careful near flammable materials and/or fumes to prevent fire.

To do a check of the muffler

- Examine the muffler regularly to make sure that it is attached correctly and not damaged.



CAUTION: Do not change the muffler. The muffler is of DPF type and a part of emissions compliance.

Fuel safety



WARNING: Read the warning instructions that follow before you use the product.

- Fuel is flammable and the fumes are explosive. Be careful with fuel to prevent injury, fire and explosion.
- Do not breathe in the fuel fumes. The fuel fumes are poisonous and can cause injury. Make sure that the airflow is sufficient.
- Do not remove the fuel tank cap or fill the fuel tank when the engine is on.
- Let the engine become cool before you refuel.
- Do not fill fuel in an indoor area. Not sufficient airflow can cause injury or death because of asphyxiation or carbon monoxide.
- Do not smoke near the fuel or the engine.
- Do not put hot objects near the fuel or the engine.
- Do not fill fuel near sparks or flames.
- Before you refuel, open the fuel tank cap slowly and release the pressure carefully.
- Fuel on your skin can cause injury. If you get fuel on your skin, use soap and water to remove the fuel.
- If you spill fuel on your clothing, change clothing immediately.
- Do not fill the fuel tank fully. Heat causes the fuel to expand. Keep a space at the top of the fuel tank.
- Tighten the fuel tank cap fully. If the fuel tank cap is not tightened, there is a risk of fire.
- Before you start the product, move the product to a minimum of 3 m/10 ft from where you refueled.
- Do not start the product if there is fuel or engine oil on the product. Remove the unwanted fuel and engine oil and let the product dry before you start the engine.
- Examine the engine for leaks regularly. If there are leaks in the fuel system, do not start the engine until the leaks are repaired.

- Do not use your fingers to examine the engine for leaks.
- Keep fuel in approved containers only.
- When the product and fuel is in storage, make sure that fuel and fuel fumes cannot cause damage.
- Drain the fuel in an approved container outdoors and away from sparks and flames.

Battery safety



WARNING: A damaged battery can cause an explosion and cause injury. If the battery has a deformation or is damaged, speak to an approved Husqvarna service agent.



WARNING: Read the warning instructions that follow before you use the product.

- Use protective glasses when you are near batteries.
- Do not wear watches, jewelry or other metal objects near the battery.
- Keep the battery out of reach for children.
- Charge the battery in a space with good airflow.
- Keep flammable materials at a minimum clearance of 1 m when you charge the battery.
- Discard replaced batteries. See *Disposal on page 40*.
- Explosive gases can come from the battery. Do not smoke near the battery. Keep the battery away from open flames and sparks.

Safety instructions for maintenance



WARNING: Read the warning instructions that follow before you use the product.

- Use personal protective equipment. Refer to *Personal protective equipment on page 10*.
- If the maintenance is not done correctly and regularly, the risk of injury and damage to the product increases.
- Stop the engine and let the product become cool before you do the maintenance.
- Clean the product to remove dangerous material before you do the maintenance.
- Disconnect the spark plug cap before you do the maintenance.
- The exhaust fumes from the engine are hot and can contain sparks. Do not operate the product in indoor areas or near flammable material.
- Do not change the product. Modifications that are not approved by the manufacturer, can cause serious injury or death.
- Always use original accessories and spare parts. Accessories and spare parts that are not approved

by the manufacturer, can cause serious injury or death.

- Replace damaged, worn or broken parts.
- Only do the maintenance as given in this operator's manual. Let an approved service center do all other servicing.

- Remove all tools from the product before you start the engine after maintenance. Loose tools or tools attached to rotating parts can eject and cause injury.
- Let an approved service center do servicing on the product regularly.

Operation

Introduction



WARNING: Read and understand the safety chapter before you use the product.

To do before you operate the product

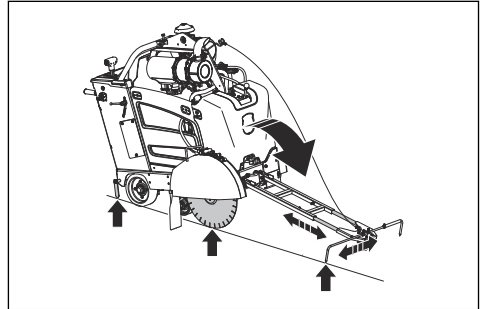
- Read this operator's manual carefully and make sure that you understand the instructions.
- Read the operator's manual for the control panel carefully and make sure that you understand the instructions.
- Read the engine manual that is supplied by the engine manufacturer.
- Read the instructions that are supplied with the cutting blade by the cutting blade manufacturer.
- Before you start the product for the first time, do these steps:

- a) Install a new battery and connect the battery cables. Refer to *To connect and disconnect the battery on page 35*.

Note: For some markets, the battery is installed when you purchase the product.

- b) Set the correct language and do other necessary settings on the control panel. Refer to the operator's manual for the control panel.
- Before each operation of the product, do these steps:
 - a) Do the daily maintenance. Refer to *Maintenance schedule on page 25*.
 - b) Make line marks for all cuts. Prepare the operation sequence carefully to prevent injury and damage.
 - c) Adjust the operation handles to an applicable operation position. Refer to *To adjust the position of the operation handles on page 14*.

- d) Lower the adjustable pointer and make sure that it aligns with the rear pointer, the cutting blade and the line mark on the surface. Refer to *To do a check of the pointers on page 13* if the pointers and the cutting blade do not align.



- e) If it is necessary, adjust the length of the adjustable pointer with the screws on the adjustable pointer.

To do a check of the pointers

1. Put a long straight metal bar or equivalent flat against the cutting blade.

Note: As an alternative to a straight metal bar, you can use the cord for the adjustable pointer. Attach the cord to the rear pointer and hold it along the side of the product, against the cutting blade.

2. Make sure that the rear pointer, the cutting blade and the adjustable pointer align.
 - a) Adjust the adjustable pointer with the screws.
 - b) To adjust the rear pointer, tap it with a mallet.

Cutting blades



WARNING: Do not use a cutting blade for other materials than which it is made for.



WARNING: Only use diamond blades for wet cutting. The diamond blade must be applicable to the same speed or a higher speed than the value given on the product type plate. Only use diamond blades that are in compliance with national or regional

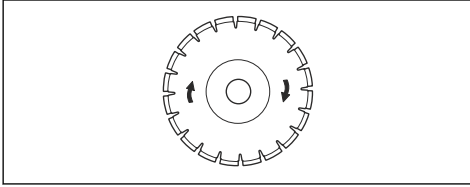
standards, for example EN13236 or ANSI B7.1.

The cutting blade manufacturer gives warnings and recommendations for the operation and correct maintenance of the cutting blade. Those warnings are supplied with the cutting blade.

Diamond blades



WARNING: Make sure that the diamond blade rotates in the direction of the arrows shown on the diamond blade.



CAUTION: Always use a sharp diamond blade.

There is a wide range of diamond blades that is used for different operations. From new made concrete to concrete and asphalt that has become hard and for different hardness classes.

Diamond blades has a steel core with segments that are made of industrial diamonds.

Water cooling system

Always use water during operation to keep the temperature of the diamond blades down. The water cooling system also increases the lifetime of the diamond blades and prevents dust buildup.

Make sure that the water supply is not clogged.

To sharpen the diamond blades

Diamond blades can become blunt if you use an incorrect feeding pressure or when you cut materials such as hard reinforced concrete. If you use a blunt diamond blade it becomes too hot, which can cause the diamond segments to come loose.

- Decrease the cutting depth and the engine speed for a short time to sharpen the diamonds on the diamond blade.

Diamond blades for wet cutting



CAUTION: Always use a blade flange dimension that is specified for the current blade dimension. Do not use blade flanges that are damaged.

During the operation, the friction causes the diamond blade to become very hot. If the diamond blade becomes too hot, it will decrease the blade tension or make the core crack.

Let the diamond blade become cool before you touch it.

- Diamond blades for wet cutting must be used with water to keep the diamond blade core and segments cool during cutting. Diamond blades for wet cutting can not be used dry.
- If you use diamond blades for wet cutting without water, the diamond blade can become too hot. This gives bad performance, blade damage and is a safety risk.

To fill fuel



CAUTION: Always use correct fuel type. Incorrect fuel type causes damage to the product.

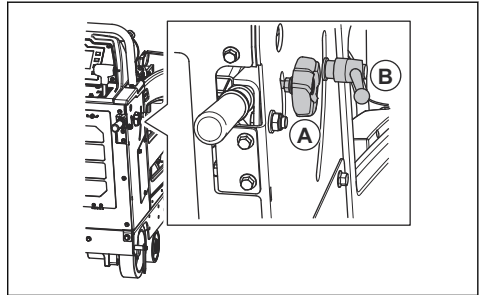


CAUTION: Do not use biodiesel. Biodiesel causes damage to the fuel hoses.

- Use diesel fuel of the correct type. Refer to *Technical data on page 41*. For more information about the fuel, refer to the engine manual supplied by the engine manufacturer.

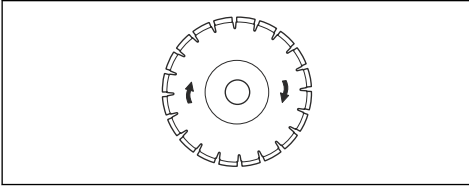
To adjust the position of the operation handles

1. To adjust the length of the operation handles, loosen the locking knob (A).



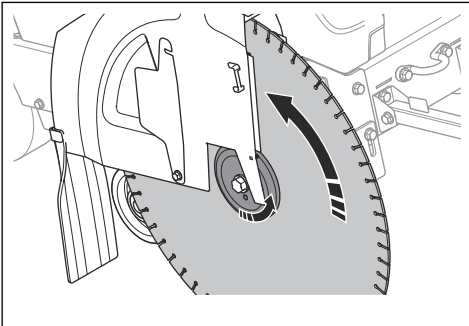
2. Adjust the operation handles to applicable operation length.
3. Tighten the locking knob (A).
4. To adjust the height of the operation handles, turn the locking knob (B) counterclockwise.
5. Adjust the operation handles to applicable operation height.
6. Turn the locking knob (B) clockwise to lock the operation handles in position.

14. Make sure that the cutting blade rotates in the direction of the arrows shown on the cutting blade.

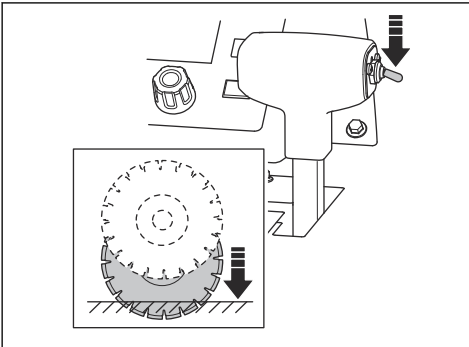


CAUTION: Risk of damage to the cutting blade if it is installed opposite the direction of rotation.

15. Install the flat washer and the blade shaft bolt.
16. To remove play, turn the outer flange and the cutting blade in the opposite direction of which the cutting blade rotates.



17. Hold the cutting blade tightly while you tighten blade shaft bolt with the blade shaft wrench.
18. Push the switch for cutting depth adjustment down to lower the cutting blade until it touches the surface.

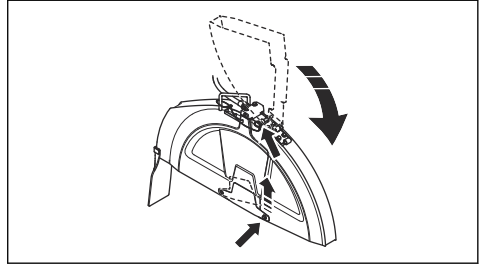


CAUTION: Do not lower the cutting blade too quickly. If the cutting blade hits the surface with force, the cutting blade can become damaged. Decrease the speed with the knob for adjustment of the blade lowering speed.



CAUTION: Do not let the front weight of the product push down on the cutting blade. This causes damage to the cutting blade.

19. Tighten the blade shaft bolt fully with the blade shaft wrench. The resistance between the cutting blade and the ground keeps the cutting blade in position.
20. Lower the blade guard front and put the blade guard latch on the front bolt of the blade guard. Tighten the front bolt of the blade guard.



CAUTION: Do not operate the product without the blade guard latch engaged and the front bolt of the blade guard installed. Do not use the product if the parts are damaged.

21. Start the product and listen for unusual sounds. If there are unusual sounds, remove the cutting blade.
a) Examine the cutting blade for damages.
b) Install the cutting blade again. Replace the cutting blade if it is damaged.

To remove the cutting blade

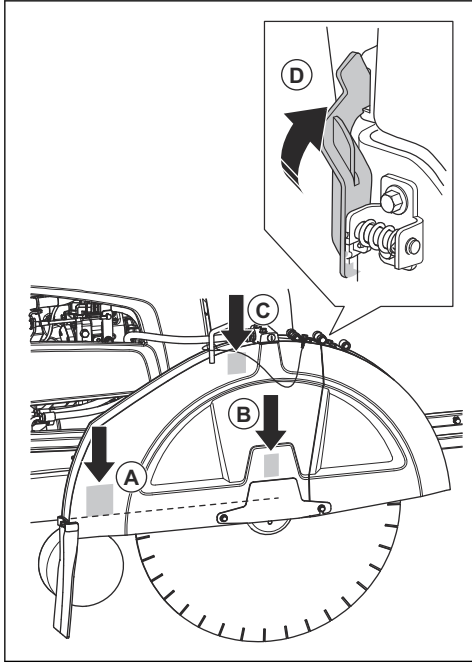


WARNING: When you remove diamond blades, let the product become cool and use protective gloves. Diamond blades are very hot after use.

- Remove the cutting blade in the opposite sequence of how it was installed. Refer to *To install a cutting blade on page 15*.

To install a blade guard

1. Lower the blade guard onto the supports (A), (B), and (C).



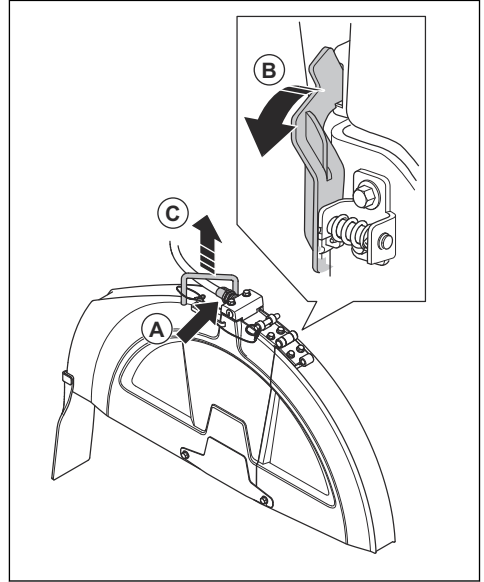
2. Push the blade guard down until the blade guard lock (D) engages.
3. Connect the water hose.

All supports are not used for all blade guard dimensions.

- 14 in., 20 in. and 26 in. blade guards are lowered onto the support (B) only.
- 30 in. blade guard is lowered onto the supports (B) and (C).
- 36 in. blade guard is lowered onto all supports (A), (B), and (C).

To remove the blade guard

1. Disconnect the water hose (A) from the blade guard.



2. Use the blade shaft wrench to turn the blade guard lock (B) forward until it stops and disengages.
3. Lift the blade guard at the handle (C).

Product configuration for different blade dimensions

A product with a 1-speed gearbox operates with 1 specified blade dimension and 1 specified blade guard. A product with a 3-speed gearbox operates with a specified range of blade dimensions in 1 specified blade guard. If you replace the cutting blade with a cutting blade of a different dimension, it is necessary to change the configuration of the product.

For a product with a 1-speed gearbox, replace these parts with parts of the applicable dimension for the new cutting blade:

- Blade shaft pulleys
- Gearbox pulleys
- Blade shaft flanges
- Belts
- Blade guard

For a product with a 3-speed gearbox it is sufficient to change the gear if the dimension of the new cutting blade is in the same dimension range as the replaced cutting blade. If the dimension range is different, it is necessary to replace the parts in the list also on a product with a 3-speed gearbox.

Let your dealer help you to send an order for the parts that is necessary for your configuration.

To do a configuration of the gearbox

- To change gearbox setup on the control panel display, refer to the operator's manual for the control panel.

Configuration of a 1-speed gearbox model

There are 5 possible configurations for a 1-speed gearbox product:

mm/in.
350/14
500/20
650/26
750/30
900/36

Refer to the operator's manual for the control panel for more information.

Configuration of a 3-speed gearbox model

There are 3 possible configurations for a 3-speed gearbox product:

mm/in.
350-650/14-26
500-750/20-30
500-900/20-36

Refer to the operator's manual for the control panel for more information.

To change gears on a 3-speed gearbox model

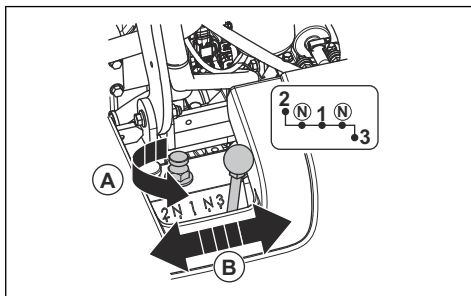


CAUTION: Do not change gears when the engine is on or before you do a check of the product configuration. There is a risk of damage to the gearbox.

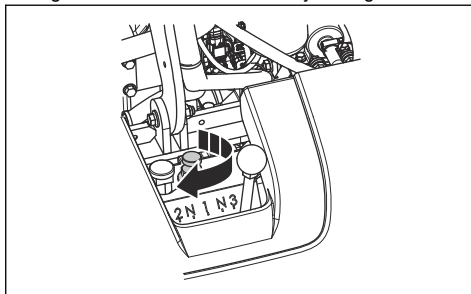
The gearbox has 3 speed positions and 2 neutral positions available. When the gearbox is set to neutral

position, the cutting blade does not rotate when the engine is on.

- Turn the engine start switch to the stop position.
- Make sure that the dimension of the gearbox pulleys, blade shaft pulleys and blade shaft flanges are correct for the dimension of the installed cutting blade.
- Make sure that the blade shaft speed is correct.
- Turn the knob (A) 2 revolutions counterclockwise to loosen the locknut.

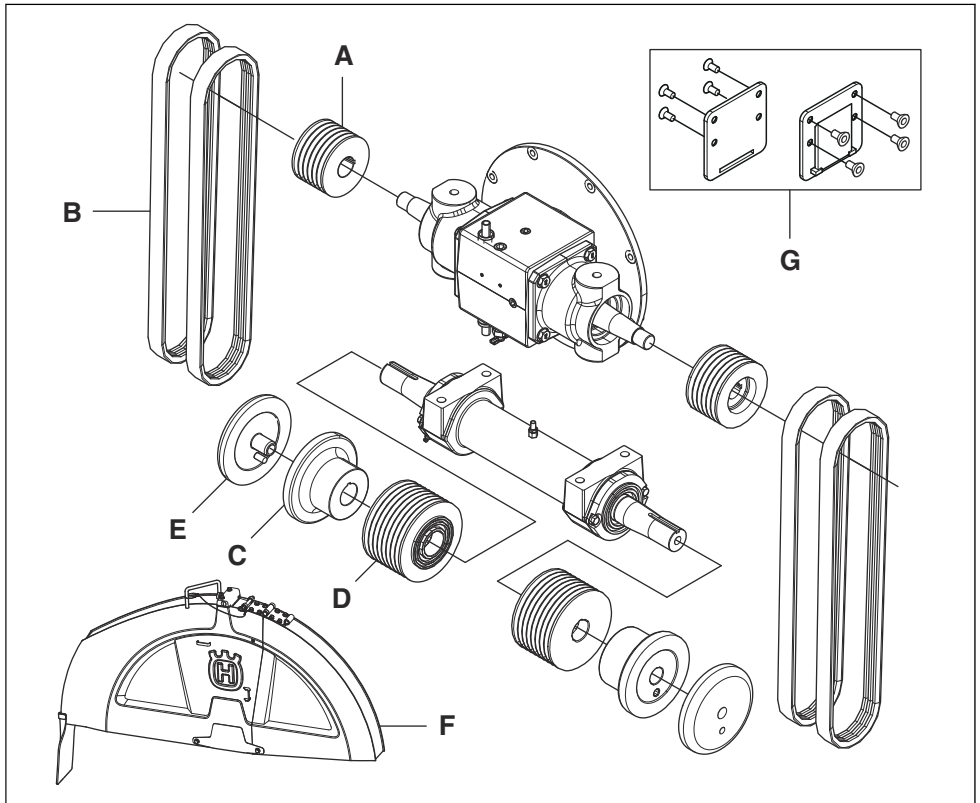


- Loosen the locknut fully but do not remove it.
- Move the gearshift lever (B) to the applicable gear. If it is not easy to move the gearshift lever, turn the blade shaft a small distance.
- Tighten the knob clockwise with your fingers.



- Tighten the locknut with the supplied blade shaft wrench. Refer to *Product overview, rear on page 4*.

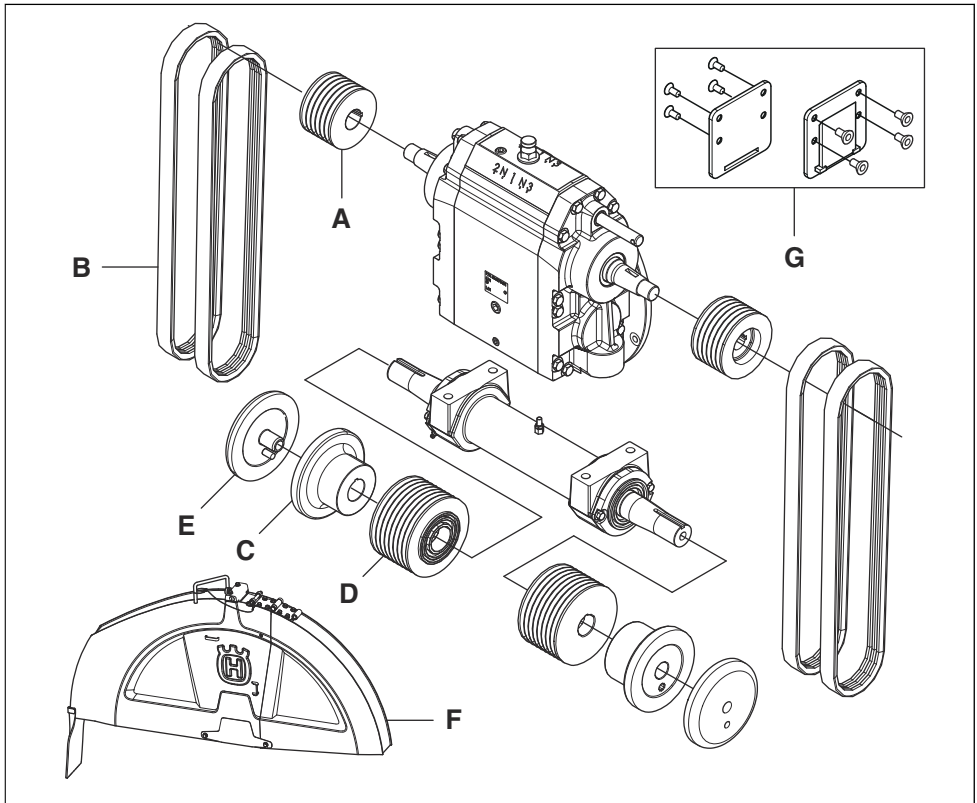
Change of blade dimension, 1-speed gearbox model



* = The part is included in the initial configuration of the product. Parts that are not in this table are also included in the initial configuration of the product.

Dimension, mm/in.	A	B	C	D	E	F	G
350/14	15.25/6	3VX475	114/4.5	106/4.17	114/4.5	350/14	No
500/20	114/4.51	3VX450	114/4.5	106/4.17	114/4.5	500/20	No
650/26	89/3.5	3VX435	127/5	106/4.17	127/5	650/26	No
750/30	89/3.5	3VX450	127/5	121.5/4.78	127/5	750/30	No
900/36	89/3.5	3VX460	152.5/6	146/5.75	152.5/6	900/36	Yes

Change of blade dimension, 3-speed gearbox model



* = The part is included in the initial configuration of the product. Parts that are not in this table are also included in the initial configuration of the product.

Dimension, mm/in.	A	B	C	D	E	F	G
350-650/14-26	114/4.51	3VX550	127/5	106/4.17	127/5	350-650/14-26	No
500-750/20-30	105/4.13	3VX550	127/5	115/4.53	127/5	500-750/20-30	No
500-900/20-36	105/4.13	3VX560	152.5/6	138/4.53	152.5/6	500-900/20-36	Yes

Blade depth stop

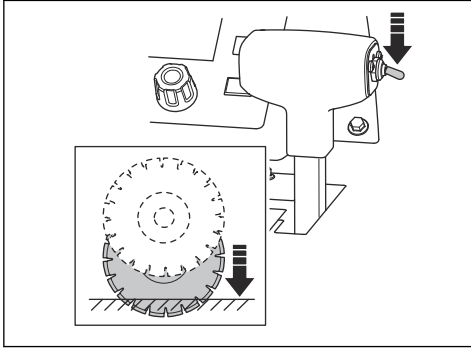
The product has the function blade depth stop that lets the operator set the maximum cutting depth. The maximum cutting depth is different for different blade dimensions:

Dimension, mm/in.	Max. cutting depth, mm/in.
350/14	118/4.75

Dimension, mm/in.	Max. cutting depth, mm/in.
500/20	193/7.75
650/26	262/10.5
750/30	312/12.5
900/36	374/15

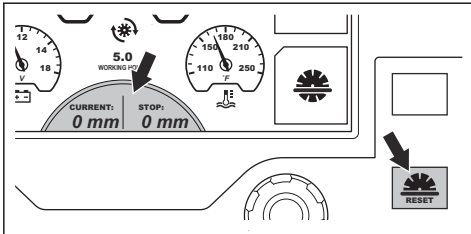
To set the cutting depth

1. Push the switch for cutting depth adjustment down to lower the cutting blade until it touches the surface. This is the start position for the cutting depth.

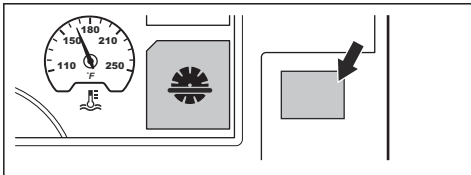


CAUTION: Do not lower the cutting blade too quickly. If the cutting blade hits the surface with force, it can cause damage to the cutting blade. Decrease the speed with the knob for adjustment of the blade lowering speed.

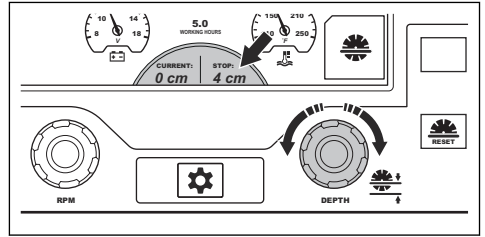
2. Push the reset button for the blade depth stop on the control panel. The cutting depth value is set to 0 in./mm on the display.



3. Push the button adjacent to the symbol for blade depth stop. The symbol on the display changes color to show that the function is engaged.



4. Turn the knob for adjustment of the blade depth stop until the correct cutting depth shows on the display. During operation, the cutting blade is not lowered more than the set cutting depth.

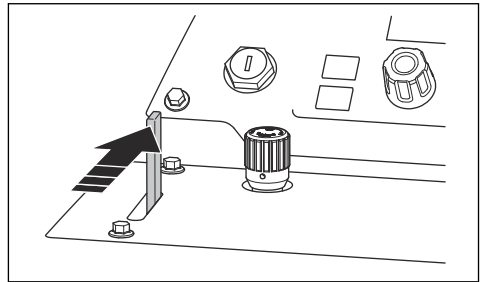


CAUTION: Always do a check that the cutting depth is correct. The blade depth stop helps you to get the correct cutting depth but only gives an indication of the depth value.

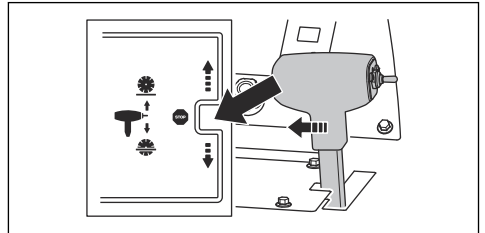
5. If it is necessary to increase the cutting depth, do 1 of these procedures:
 - a) Turn the knob for adjustment of the blade depth stop to set a new cutting depth.
 - b) Push the button adjacent to the symbol for blade depth stop to disengage the function. The symbol on the display changes color to show that the function is disengaged.

To start the product

1. Connect the water inlet to a water supply.
2. Close the water valve.

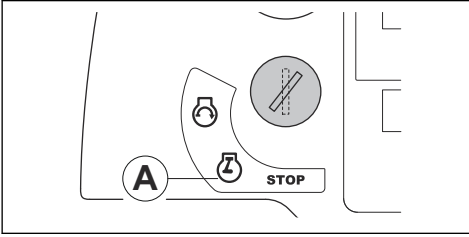


3. Set the lever for speed control to the stop position.

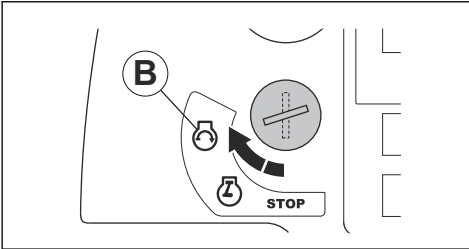


4. Make sure that the transmission bypass valve is closed. Refer to *Product overview, left side on page 2* for the position of the transmission bypass valve.

- Turn the engine start switch to ignition on position (A).



- If the preheating symbol shows on the display, wait until it goes off. Refer to *Warning symbols on the control panel display on page 7*.
- Turn the engine start switch to engine start position (B). The engine starts.



- Let the engine operate at idle speed for 2-3 minutes until the temperature gauge starts to move.

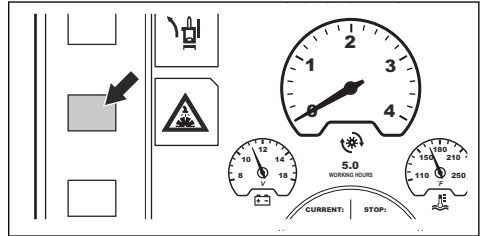


CAUTION: Do not let the engine operate at low idle speed when the product is not in operation. Low idle speed increases the quantity of particles in the engine and decreases the time between regenerations.

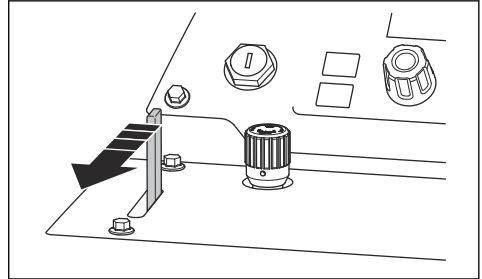


WARNING: For products without a blade clutch, the cutting blade starts to rotate when the engine starts and the gear is not in neutral. Do not move the product to the side or out of the work area if the cutting blade rotates.

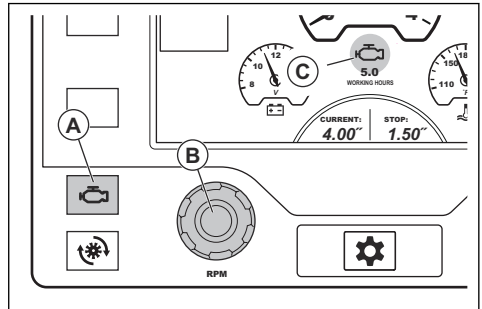
- Push the button adjacent to the symbol for the water safety system. The symbol on the display changes color to show that the function is engaged.



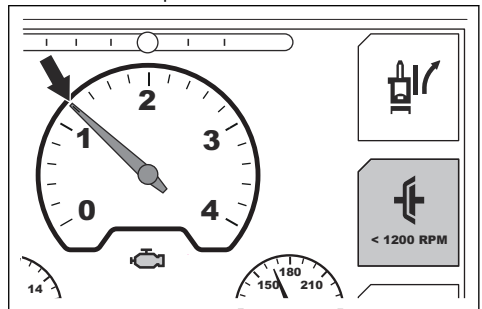
- Open the water valve.



- Push the engine speed button (A). The engine symbol (C) shows that the speed adjustment knob (B) adjusts the engine speed.



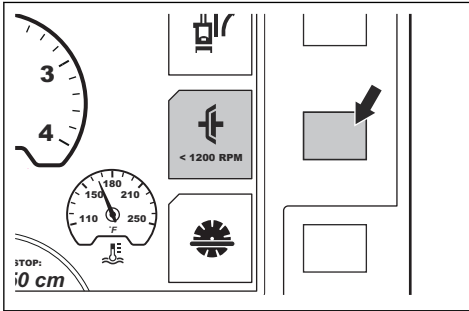
- If the product has a blade clutch, do this procedure:
 - Make sure that the engine speed is not higher than 1200 rpm.



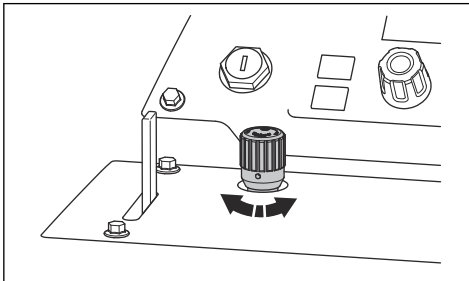
To operate the product

- Start the engine.

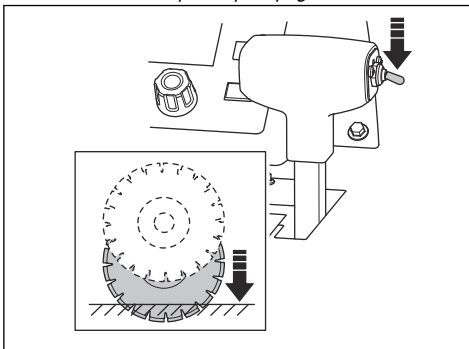
- b) Push the button adjacent to the blade clutch symbol on the display. The symbol on the display changes color to show that the drive on the cutting blade is engaged.



- Turn the speed adjustment knob clockwise to increase the engine speed to full throttle.
- To set the blade lowering speed, turn the knob for adjustment of the blade lowering speed. Turn counterclockwise to increase the speed and clockwise to decrease the speed.

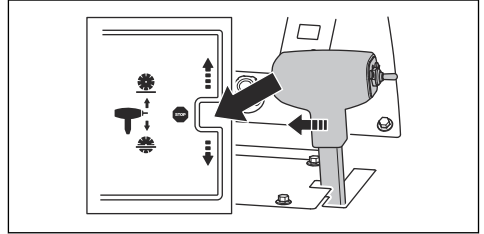


- Keep the adjustable pointer, the rear pointer and the cutting blade on the line mark during the full operation.
- Push the switch for cutting depth adjustment down to lower the cutting blade to the correct cutting depth. Refer to *Blade depth stop* on page 20.

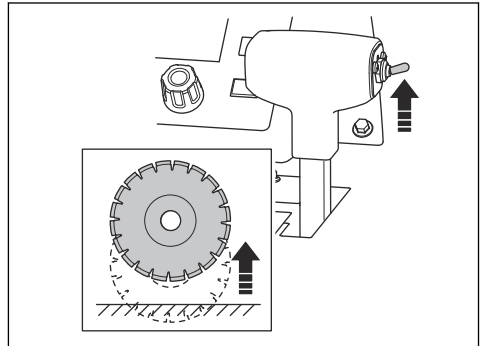


CAUTION: If you lower the cutting blade into a cut that is not fully completed, align the cutting blade accurately with the cut to prevent damage to the cutting blade.

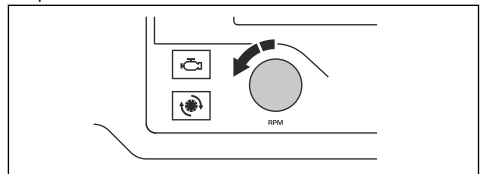
- Push the lever for speed control forward slowly to move the product forward.
- Listen to the sound of the engine. Pull the lever for speed control rearward to adapt the forward speed to the sawing conditions.
- When the operation is completed, set the lever for speed control in the stop position.



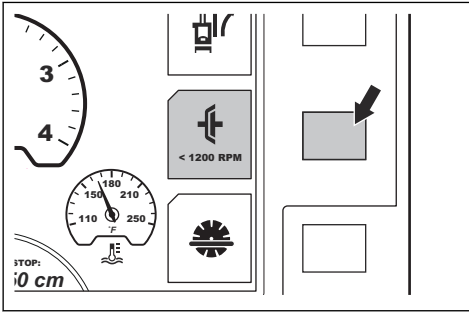
- Push the switch for cutting depth adjustment up until the cutting blade is above the surface.



- Turn the knob for the throttle control to the low idle position.



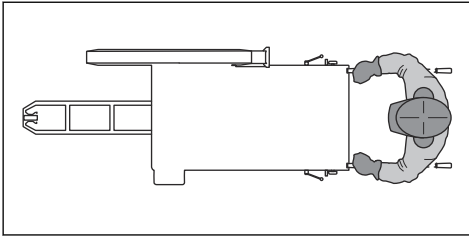
15. If the product has a blade clutch, push the button adjacent to the blade clutch symbol on the display. The symbol on the display changes color to show that the drive on the cutting blade is disengaged.



Note: Refer to *Straight operation of the product* on page 24 for information about how to adjust the rear axle if the product does not cut straight.

To use the correct working technique

- Stay away from the blade path while the engine is on. The correct operator position is between the handles.



- Examine the cutting blade frequently for cracks and broken parts during the work day. Do not use a damaged cutting blade.



WARNING: Stop the engine before you examine the cutting blade.

- Do not grind with the side of the cutting blade. The cutting blade can break and cause injury to the operator or bystanders. Only use the cutting edge.
- Do not bend or twist the cutting blade in the cut.
- Make sure that the cutting blade moves freely and does not catch in the cut.

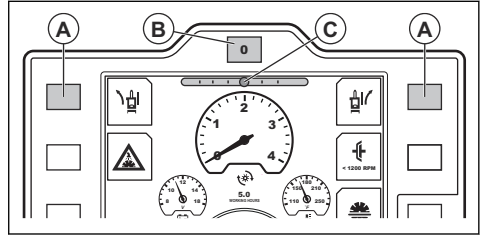
Straight operation of the product

During operation, the cutting blade causes resistance to the forward movement from the rear wheels. This causes the product to steer in the same direction as the cutting blade is installed. To prevent a bent cut, the angle of the rear axle can be adjusted. There are 2 procedures to adjust the rear axle, with the E-track function or with a manual axle adjustment.

To adjust the rear axle with the E-track function

You can do the rear axle adjustment with the E-track function during operation or when the product is stationary.

- Push the left and right E-track adjustment buttons (A) to adjust the rear axle. Push again and again for small adjustments.

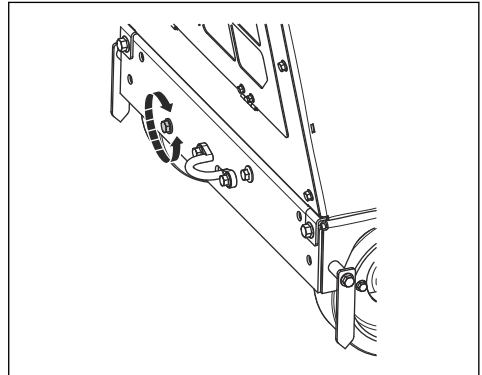


Note: The E-track gauge (C) on the display shows the current angle of the rear axle. The adjustment is saved when the ignition is off or if the product becomes without power.

- Look at the movement and the direction of the product to make sure that the adjustment is correct.
- To reset the rear axle to the center angle that is set in the system, push the E-track reset button (B).
- To go back to the adjusted angle, push the E-track reset button again.
- To adjust the center angle that is set in the system, refer to the operator's manual for the control panel.

To adjust the rear axle manually

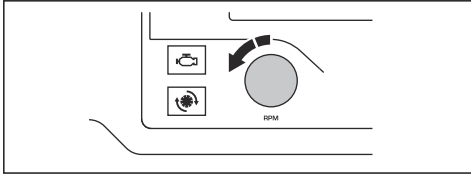
- Turn the adjustment bolt at the lower left at the rear of the product. Use an 18 mm wrench.



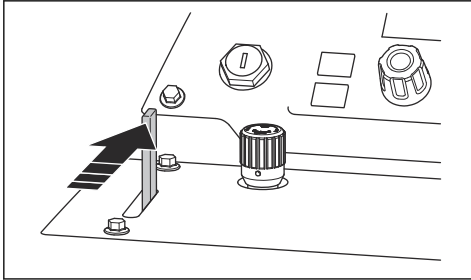
- If the product steers to the right during operation, turn the adjustment bolt counterclockwise.
- If the product steers to the left during operation, turn the adjustment bolt clockwise.

To stop the product

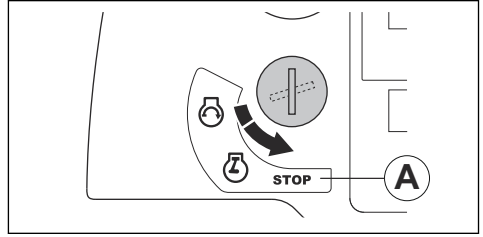
1. Turn the knob for the throttle control to the low idle position.



2. Close the water valve.



3. Let the engine operate at idle speed for 2-3 minutes.
4. Turn the engine start switch to the stop position (A).



WARNING: The cutting blade continues to rotate for a while after the engine stops. Do not stop the cutting blade with your hands. Serious injuries can occur.

Maintenance

Introduction



WARNING: Read and understand the safety chapter before you do maintenance on the product.

For all servicing and repair work on the product, special training is necessary. We guarantee that professional repairs and servicing is available. If your dealer is not a service agent, speak to them for information about the nearest service agent.

For spare parts, speak to your Husqvarna dealer or service agent.

To do before the maintenance

- Park the product on a level surface and stop the engine. Push the machine stop button on the control panel to prevent accidental start during maintenance.

- Clean the area around the product from oil and dirt. Remove unwanted objects.
- Put clear signs around the maintenance area to give a warning to bystanders that maintenance work is in progress.
- Keep fire extinguishers, medical supplies and an emergency phone near.

Maintenance schedule

Note: If more than 1 time interval is identified in a table row, the shortest time interval is for the first maintenance only.

* Refer to *Safety devices on the product on page 10* for instructions.

Maintenance	Daily and after transportation	50 h	100 h	250 h	500 h	Yearly
Clean the product.	X					
Do a check of the radiator coolant level.	X					
Do a check of the engine oil level.	X					

Maintenance	Daily and after transportation	50 h	100 h	250 h	500 h	Yearly
Do a check of the blade guard.	*					
Examine all hoses and hose clamps. Look for damage where the hoses rub against other hoses or parts of the product.	X					
Clean the outer air filter.	X					
Do a check of the protective covers and blade guards.	*					
Drain water from the gearbox.	X					
Do a check of the water supply to the cutting blade.	X					
Drain the water separator for the fuel filter.	X					
Replace the engine oil and engine oil filter.		X	X			
Clean the radiator air filter.		X				
Do a check of the V-belts.		X				
Lubricate the front wheels.		X				
Replace the hydraulic system filter.		X		X		
Lubricate the pivot bearings of the front axle.			X			
Examine the wheels and wheel hubs for damage and make sure that they are installed correctly.			X			
Examine the air filter hose and hose clamps.			X			
Do a check of the hydraulic oil level.			X			
Lubricate the blade shaft.				X		
Lubricate the pivot on the hydraulic cylinder.	X					
Lubricate the rear axle bearing.				X		
Replace the hydraulic oil.					X	
Replace the oil in the gearbox.					X	
Replace the fuel filter.					X	
Replace the radiator coolant.					X	
Replace the air filters.						X
Do a check that the coolant mixture is correct. Refer to <i>Technical data on page 41</i> .						X

To clean the product



WARNING: Use protective glasses. When you clean with a high-pressure washer, dirt and harmful material can eject from the product.

- Let the product become cool before you clean it.

- Make sure that the cover for the relay and fuse box is correctly installed before you clean the product.
- Do not clean electrical components with water.
- Use a weak cleaning agent. Put on protective gloves to prevent skin irritation.
- Use a high-pressure washer to clean the product.

To clean the radiator



CAUTION: Obey the instructions. Incorrect procedure can cause damage to the cooling fins.

- Use compressed air to clean the cooling fins.
- If it is necessary, use a high-pressure washer and a weak cleaning agent.
- Spray directly on the radiator, in parallel to the cooling fins.
- Keep a minimum distance of 40 cm/15.75 in. between the cooling fins and the nozzle for the high-pressure washer or air flow.

To clean the control panel



CAUTION: Do not use a high-pressure washer to clean the control panel.

- Clean electrical components with a cloth or with compressed air.
- Clean the control panel with a moist cloth.

To clean the engine

- Keep a minimum distance of 40 cm/15.75 in. between the nozzle and the engine and engine components.
- Be careful when you clean the engine, especially near electrical components. Do not spray water directly at electrical components.
- Do not point the water directly into the exhaust pipe or the engine air filter.

To do after you clean the product

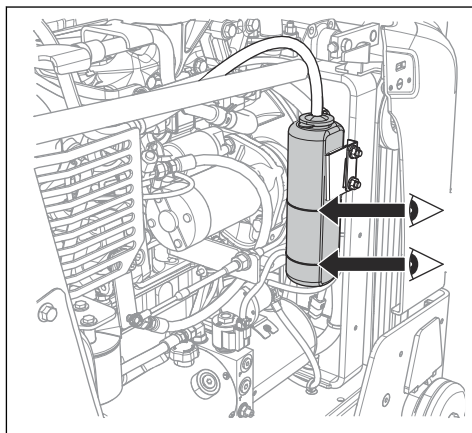
- Blow electrical terminals dry with compressed air.
- Let the product become fully dry before you start the engine.

To do a check of the radiator coolant level

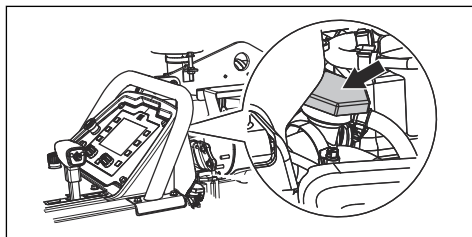


WARNING: Risk of burn injuries. Let the engine become cool before you open the radiator coolant lid.

1. Examine the radiator coolant level at the container for radiator coolant spill. The coolant level is correct when it is between the 2 marks.



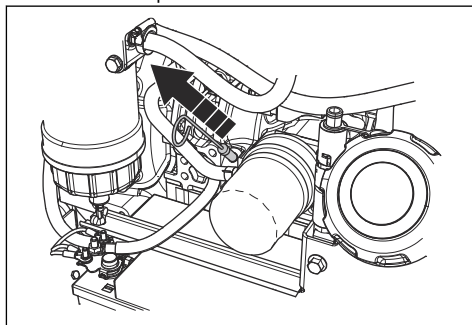
2. If the radiator coolant level is too low, remove the lid and fill until the level is correct. Refer to *Technical data on page 41* for correct radiator coolant type and mixture.



To do a check of the engine oil level

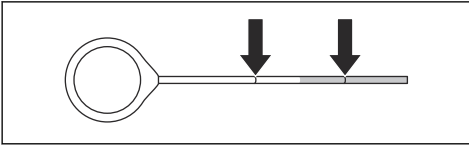
To read the oil level correctly the product must be in the correct position.

1. Make sure that the cutting blade is removed and that the product is level when you examine the engine oil level.
2. Remove the dipstick from the oil tank.



3. Clean the oil from the dipstick.

4. Put the dipstick back fully into the oil tank.
5. Remove the dipstick.
6. Examine the oil level on the dipstick. Make sure that the level of engine oil is between the marks on the dipstick.



7. If the oil level is low, fill with engine oil and do a check of the oil level again. Refer to *Technical data on page 41* for correct engine oil type.

To examine hoses and hose clamps

- Look for leakage on the hoses in the fuel system, the hydraulic system and the cooling system.
- Examine the hoses for wear and damage, especially where the hoses rub against other hoses or parts of the product.
- Replace damaged hoses.
- Tighten loose hose clamps.

To clean the outer air filter



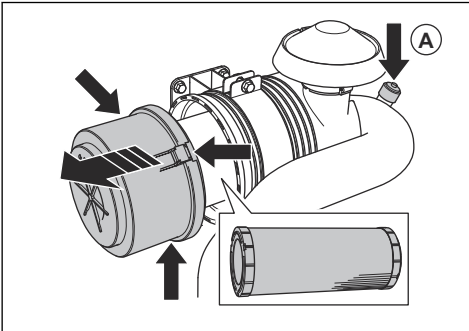
WARNING: Use approved respiratory protection when you clean or replace the air filter. Discard used air filters correctly. The dust in the air filter is dangerous to your health.



WARNING: Do not clean the air filter with compressed air. This causes damage to the air filter and the risk increases that you breathe the dangerous dust.

It is not necessary to clean the inner air filter.

1. Examine the air filter indicator (A). If the air filter indicator is red, it is necessary to clean the outer air filter.
2. Open the 3 clamps of the air filter housing and remove the air filter housing.



3. Remove the air filter.
4. Tap the air filter against a hard surface or use a vacuum cleaner to remove the particles.



CAUTION: Do not let the nozzle of the vacuum cleaner touch the surface of the air filter. Keep a small distance. The sensitive surface of the air filter becomes damaged if objects touch it.

5. Replace damaged gaskets.
6. Examine the air filter hose and the hose clamps.
 - a) Replace damaged parts.
 - b) Tighten loose clamps.
7. Install the outer air filter.
8. Install the air filter housing and close the 3 clamps of the air filter housing.

Note: If the 3 clamps of the air filter housing cannot be closed, the outer air filter is not correctly installed.



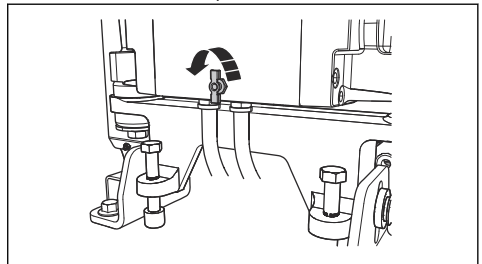
CAUTION: Always replace a damaged air filter, or the dust will go into the engine and cause engine damage. Damage to the engine because of a damaged air filter voids the warranty.

To drain water from the gearbox



CAUTION: Water in the gearbox can cause corrosion and freeze damages.

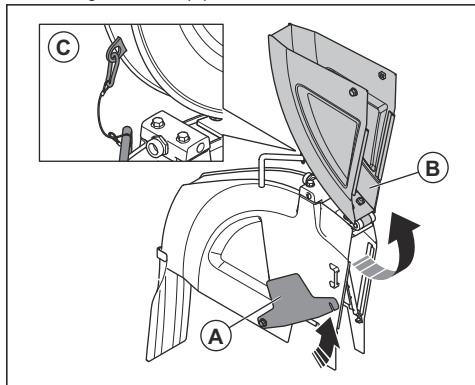
1. Turn the water drain valve on the gearbox counterclockwise to open.



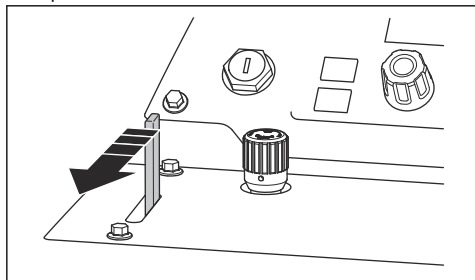
2. Turn the water drain valve on the gearbox clockwise to close.

To do a check of the water supply to the cutting blade

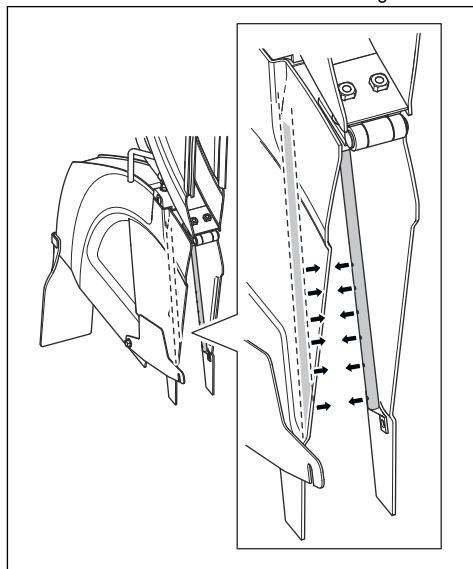
1. Loosen the front bolt on the blade guard and lift the blade guard latch (A).



2. Lift the blade guard front (B) and lock the blade guard in upright position with a wire and carabiner (C).
3. Open the water valve.



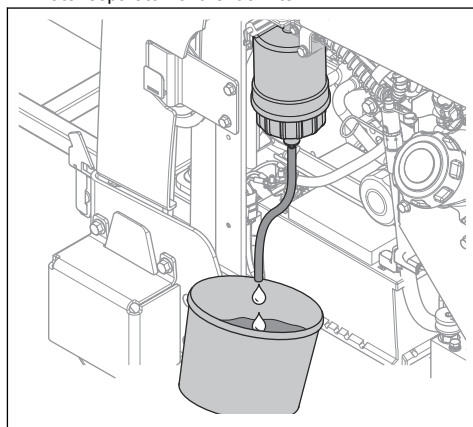
4. Make sure that the jets of water go straight out from the holes and onto each side of the cutting blade.



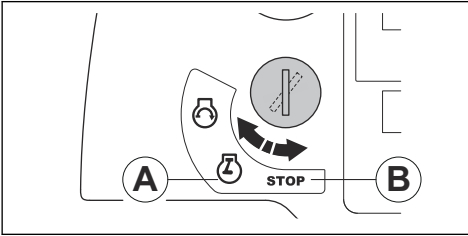
5. Make sure that there are no leakages in the water pipes.
6. Replace the water pipes if they are damaged.

To drain the water separator for the fuel filter

1. Put a container below the hose at the bottom of the water separator for the fuel filter.



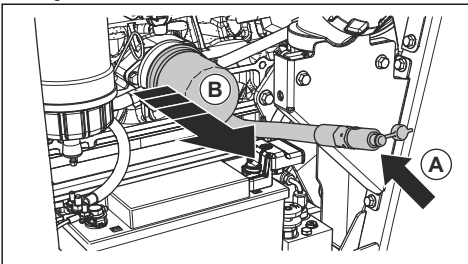
- Turn the engine start switch to ignition on position (A). Do not start the engine.



- Let the fuel pump operate for approximately 15 seconds to increase the pressure in the fuel system.
- Turn the engine start switch to the stop position (B).
- Loosen the tap and drain the water from the water separator into the container.
- Tighten the tap.
- Discard the water as chemical waste. Refer to *Disposal on page 40*.

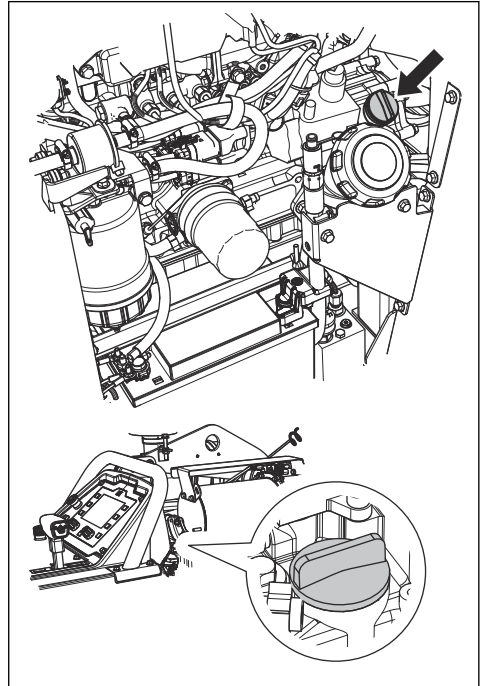
To replace the engine oil and engine oil filter

- Put a cover on the battery to prevent oil spill on the battery.
- Remove the cap (A) from the oil drain hose for engine oil.



- Open the valve and bend the hose down to drain the engine oil.
- Remove the engine oil filter (B) and discard it.
- Close the valve.
- Fill a new engine oil filter with oil and install the engine oil filter on the product.

- Open an oil tank cap and fill the system with engine oil. Refer to *Technical data on page 41*.



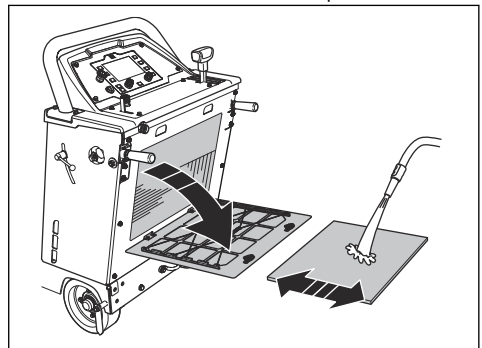
Note: There are 2 oil tank caps for engine oil.

To clean the radiator air filter



CAUTION: Do not operate the product without the radiator air filter installed.

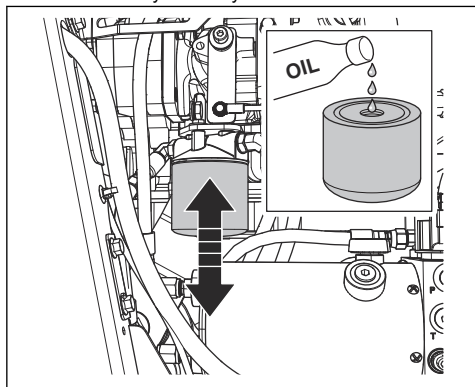
- Clean the radiator air filter with soap and water.



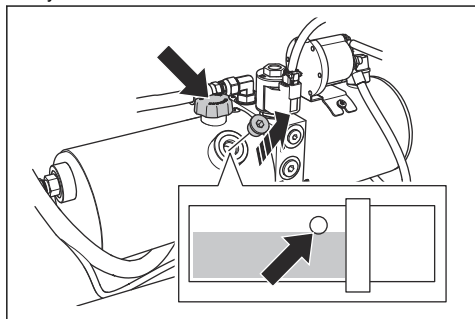
- Always replace a damaged radiator air filter.

To replace the hydraulic system filter

1. Remove the hydraulic system filter and discard it.



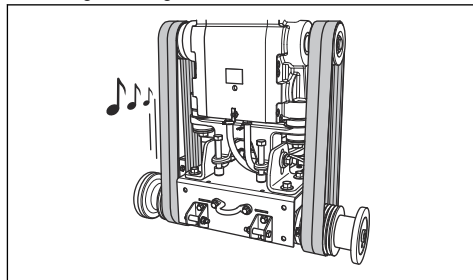
2. Fill a new hydraulic system filter with oil. Refer to *Technical data on page 41* for the correct type of oil.
3. Lubricate the seal with some drops of oil.
4. Install the hydraulic system filter.
5. Make sure that the product is level.
6. Remove the plug from the inspection opening on the hydraulic reservoir.



7. Remove the hydraulic reservoir cap and fill with new oil to the correct oil level. Refer to *To do a check of the hydraulic oil level on page 32*.
8. Install the hydraulic reservoir cap.
9. Install the plug in the inspection opening on the hydraulic reservoir.

To do a check of the V-belts

- Pull and release the V-belts, 1 at a time. The belts must give a long sound, not a short sound.



- a) If you hear a long, clear sound from the V-belts, the tension is correct.
 - b) If you hear only a short sound from the V-belts, the tension is too low. Refer to *To increase the tension of the V-belts on page 31*.
- Examine the V-belts for wear and damages. Replace damaged V-belts.



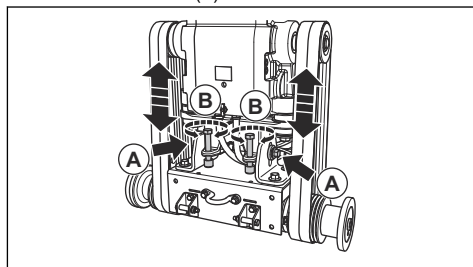
CAUTION: Do not replace only 1 of the V-belts. Always replace all 4 V-belts at the same time.

To increase the tension of the V-belts



CAUTION: The tension of new V-belts must be increased after the first 2-4 hours of operation.

1. Loosen the 2 bolts (A) with the blade shaft wrench.



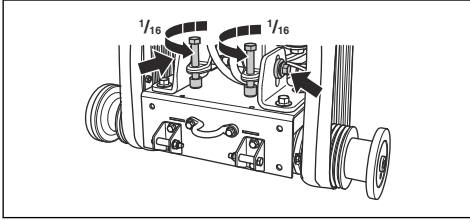
2. Turn the bolts for the belt tension (B) clockwise until the V-belts are tight.



CAUTION: Turn the 2 bolts for the belt tension equally. The tension must be the same in the 2 V-belts.

3. Do a check of the V-belts. Refer to *To do a check of the V-belts on page 31*.
 - a) If the tension of the V-belts is too low, turn the bolts for the belt tension some more.
 - b) Do this procedure again until the V-belt tension is correct.

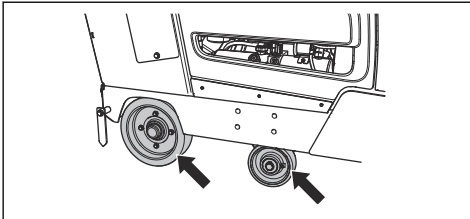
4. Tighten the 2 bolts (A).
5. Loosen the bolts for the belt tension counterclockwise approximately 1/16 of a turn.



CAUTION: Make sure that the 4 V-belts have the same tension. Do not adjust the tension of the V-belts too much.

To examine the wheels

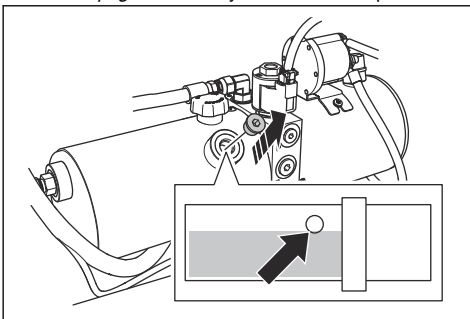
- Examine the wheels for wear or damage. Replace wheels and hubs if they are damaged or worn out.



- Examine if the rear wheel hubs and wheels are loose. Tighten loose screws and nuts.

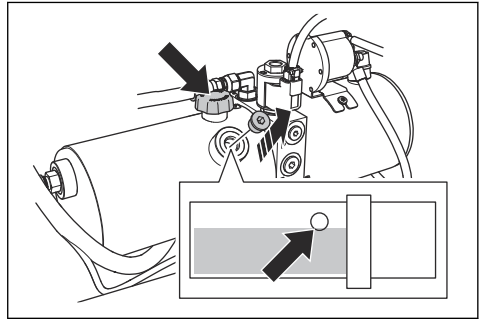
To do a check of the hydraulic oil level

1. Remove the plug in the inspection opening on the hydraulic reservoir. Refer to *Product overview, right side on page 3* for the hydraulic reservoir position.



2. Make sure that the oil level is at the bottom edge of the opening on the hydraulic reservoir.

3. If it is necessary, remove the hydraulic reservoir cap and fill the hydraulic reservoir until the oil level is correct. Refer to *Product overview, right side on page 3* for the correct type of oil.

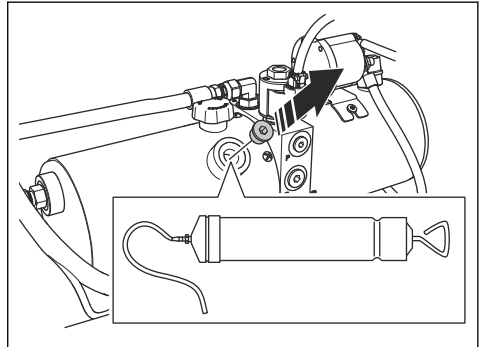


CAUTION: Do not fill too much. Oil can come out of the inspection opening.

4. Install the hydraulic reservoir cap.
5. Install the plug in the inspection opening on the hydraulic reservoir.

To replace the hydraulic oil

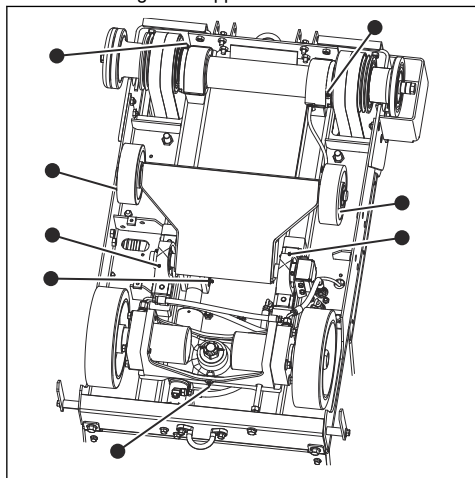
1. Remove the plug from the inspection opening on the hydraulic reservoir.



2. Use a manual oil pump to drain the oil through the inspection opening on the hydraulic reservoir.
3. Replace the hydraulic system filter. Refer to *To replace the hydraulic system filter on page 31*.

To lubricate the product

1. Clean the 8 grease nipples.



2. Replace broken or blocked grease nipples.
3. Lubricate the front wheels.
4. Lubricate the pivot bearings of the front axle.
5. Lubricate the blade shaft. Push the grease pump 2 times at each end of the blade shaft.
6. Lubricate the pivot pin on the hydraulic cylinder.
7. Lubricate the rear axle bearing.

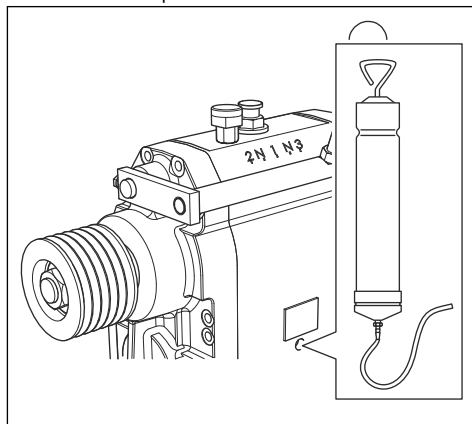
For more information about lubrication, refer to *Technical data on page 41*.

To replace the oil in the gearbox

There are 2 alternatives for how to drain the oil from the gearbox.

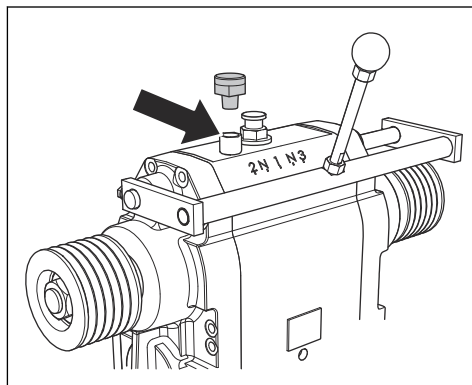
1. To drain the oil with a manual oil pump, do this procedure:

- a) Remove the plug in the inspection window at the front of the product.



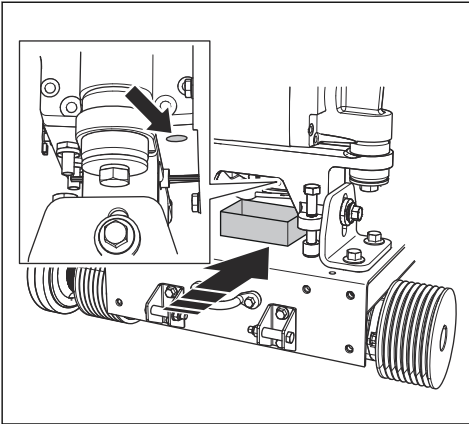
- b) Use an oil pump to drain the oil through the inspection window.

2. Remove the left screw.

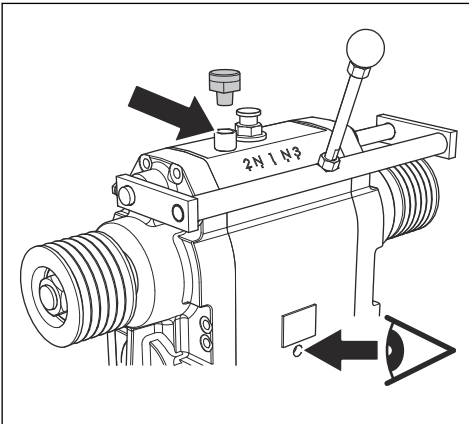


3. To drain the oil through the hole below the engine, do this procedure:

- a) Put a container below the engine.



- b) Loosen the screw and let the oil run out into the container.
 c) Tighten the screw.
 4. Fill oil into the tube while you look through the inspection window.



5. Fill until you see that the oil level is correct.
 6. Tighten the left screw.

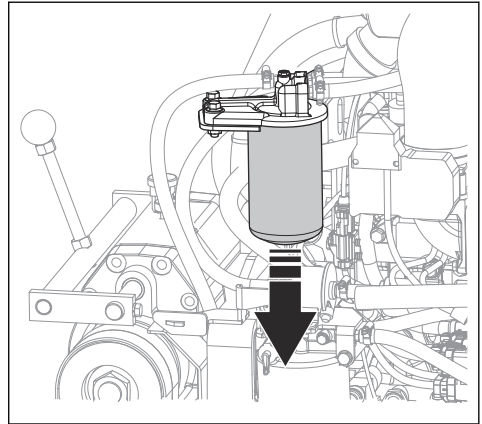
To replace the fuel filter



WARNING: Use protective gloves to prevent skin irritation. Fuel can come from the fuel filter and onto your skin.

1. Close the valve of the prefilter. For more information, refer to the engine manual.
2. Turn the fuel filter counterclockwise to remove it.
3. Replace the fuel filter.
4. Fill the new fuel filter with diesel fuel.

5. Lubricate the seal with some drops of diesel fuel.



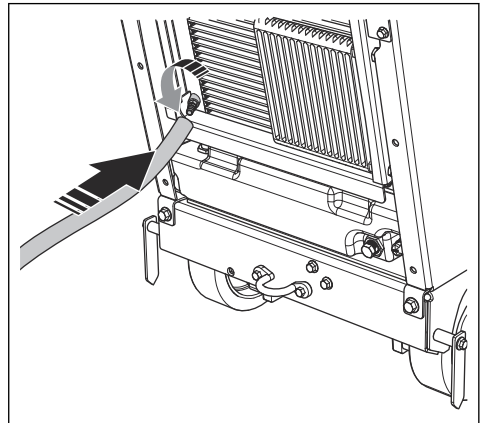
6. Install the fuel filter.
7. Open the valve of the prefilter before you start the engine.

To replace the radiator coolant



WARNING: Risk of burn injuries. Let the engine become cool before you open the radiator coolant lid.

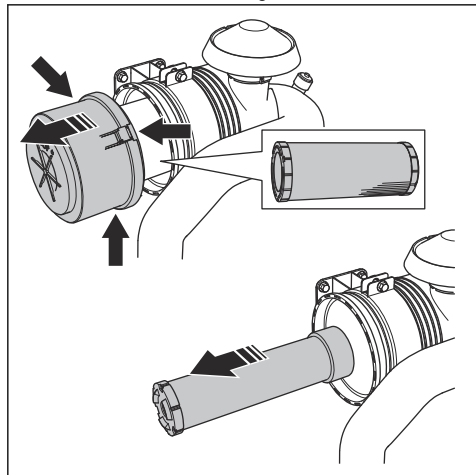
1. Remove the rear cover.



2. Put an extension on the valve.
3. Open the valve.
4. Remove the radiator coolant lid. The radiator coolant drains from the system.
5. Close the valve.
6. Fill with radiator coolant until the level is between the 2 marks on the radiator coolant bottle. Refer to *Technical data on page 41* for correct radiator coolant type and mixture.

To replace the air filters

1. Open the 3 clamps of the air filter housing and remove the air filter housing.



2. Replace the outer air filter and the inner air filter.
3. Install the air filters in opposite sequence.

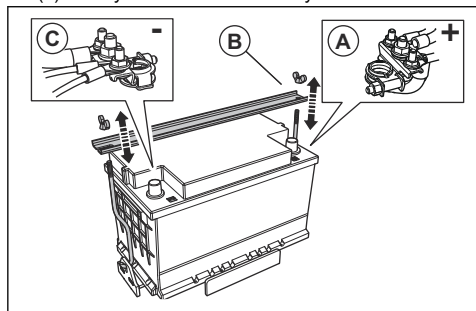
Note: If the 3 clamps of the air filter housing cannot be closed, the outer air filter is not correctly installed.

Battery maintenance

Note: The battery on your product is maintenance free. Do not open or remove the caps or the covers.

To connect and disconnect the battery

1. Connect the red battery cable (A) to the POSITIVE (+) battery terminal on the battery.



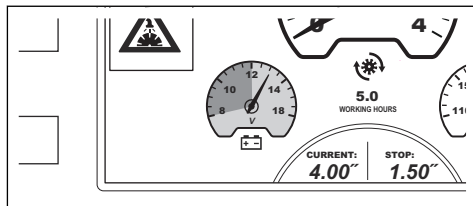
2. Install the battery holder (B).
3. Connect the black battery cable (C) to the NEGATIVE (-) battery terminal on the battery.
4. Disconnect the battery cables in the opposite sequence of how they were connected.



WARNING: Always disconnect the NEGATIVE (-) battery terminal first.

To do a check of the battery

- Do a check of the battery daily.
 - a) Set the engine start switch to the ignition on position.
 - b) Examine the battery gauge in the display. It must not be below 12V.



- If the battery gauge is below 12V, charge or replace the battery.
- Replace the battery if it cannot keep the voltage. This can occur if the product is not operated for a long time. For information about recommended batteries, refer to *Technical data on page 41*.
- Charge the battery regularly.
- Keep the battery terminals and the battery cables clean.

To do an emergency start of the engine

If the battery is too weak to start the engine, you can use jumper cables to do an emergency start. This product has a 12 V system with negative ground. The product that is used for the emergency start must also have a 12 V system with negative ground and minimum 700 CCA.

To connect the jumper cables

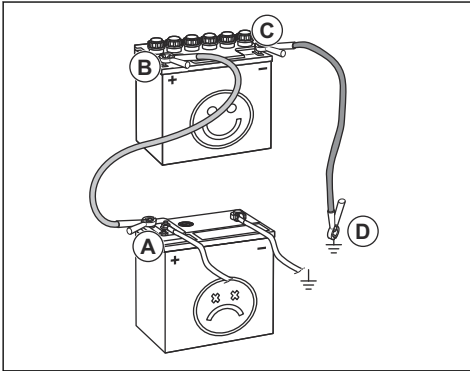


WARNING: Risk of explosion because of explosive gas that comes from the battery. Do not connect the negative terminal of the charged battery to or near the negative terminal of the weak battery.



CAUTION: Do not use the battery of your product to start other vehicles.

1. Connect one end of the red battery cable to the POSITIVE (+) battery terminal (A) on the weak battery.



2. Connect the other end of the red battery cable to the POSITIVE (+) battery terminal (B) on the charged battery.



WARNING: Do not let the ends of the red battery cable touch the chassis. This will cause a short circuit.

3. Connect one end of the black battery cable to the NEGATIVE (-) battery terminal (C) on the charged battery.
4. Connect the other end of the black battery cable to a CHASSIS GROUND (D), away from the fuel tank and the battery.

To remove the jumper cables

Note: Remove the jumper cables in the opposite sequence to how you connect them.

1. Remove the BLACK cable from the chassis.
2. Remove the BLACK cable from the fully charged battery.
3. Remove the RED cable from the 2 batteries.

Regeneration

To decrease the exhaust emissions, the diesel engine has a diesel particulate filter (DPF) that collects unwanted material from the exhaust. The concentration of unwanted material in the diesel particulate filter increases during operation and it is necessary to clean the diesel particulate filter regularly. The procedure to clean the diesel particulate filter, a DPF regeneration, is a fully automatic procedure that is started by the operator and controlled by the engine control unit. There are different modes of regeneration:

- Stationary regeneration standby

- Stationary regeneration
- Regeneration back up mode
- Recovery regeneration

Stationary regeneration standby

When these warning symbols show on the display, the engine is in regeneration standby.



The power output of the engine is decreased. During the first 2 hours, the power output is decreased to 85% and then to 50%. After 8 hours, or when the soot load increases to more than 11.5 g/l, the maximum engine speed is decreased to 1500 rpm.

It is necessary to do a stationary regeneration in the shortest time possible after the warning symbols show.

Stationary regeneration

Approximately 30 minutes are necessary to do a stationary regeneration. Refer to the operator's manual for the control panel for information on how to do the stationary regeneration.

Regeneration backup mode

When these warning symbols show on the display, the engine is in regeneration backup mode.



The power output of the engine is decreased to 50%. The maximum engine speed is decreased to low idle speed. It is necessary to do a recovery regeneration for the engine to operate correctly again.

Recovery regeneration

Approximately 3 hours are necessary to do a recovery regeneration. Refer to the operator's manual for the control panel for information on how to do the recovery regeneration.

Note: The operator can do a recovery regeneration from the control panel on all products with a production date from January 1 2019. For engines with a production date before January 1 2019, an ECU software update is necessary before the operator can do a recovery regeneration from the control panel. If the update of the ECU software is not done, the Yanmar servicing tool SmartAssist must be used to do a recovery regeneration. Speak to your Husqvarna service center for more information.

Troubleshooting

Troubleshooting

on the control panel. Examine the product fully before you start the product again.



WARNING: If the engine or cutting blade stops, lift the cutting blade fully from the cut. Set the engine start switch to the stop position and push the machine stop button

For more information about warning symbols, refer to the operator's manual for the control panel.

Problem	Cause	Solution
The engine stops during operation.	The fuel tank is empty. The related warning symbol shows on the display.	Fill the fuel tank with correct fuel type.
	The water safety switch stops the engine because there is no water pressure. The related warning symbol shows on the display together with a warning message.	Disengage the water safety switch. Do a check of the water supply.
	The machine stop button is pushed down. The related warning symbol shows on the display together with a warning message.	Pull the machine stop button up to reset the machine stop.
	Too high load on the cutting blade.	Listen to the sound of the engine. If the engine speed decreases, pull the lever for speed control rearward.
	A fuse is broken.	Replace broken fuses.
The cutting blade stops during operation.	The drive belt tension is not sufficient.	Examine the tension of the drive belt.
	The blade clutch is disengaged.	Engage the blade clutch to engage the blade drive. Make sure that the engine speed is 1200 rpm or less when you engage the blade clutch.
	The blade clutch has an electrical failure or broken fuse.	Examine the fuses. Replace broken fuses.
The cutting blade lowers too quickly.	The valve that controls the speed for the cutting blade position is open too much.	Turn the knob for adjustment of the blade lowering speed clockwise until an applicable speed is set.
The cutting blade cuts too slowly.	The cutting blade is blunt or the feeding pressure is too high.	Decrease the cutting depth and engine speed for a short time.
The control unit restarts when you try to start the engine.	The battery voltage is too low.	Charge the battery, replace the battery or use jumper cables.

Transportation, storage and disposal

Transportation



WARNING: Be careful during transportation. The product is heavy and can cause injury or damage if it falls or moves during transportation.

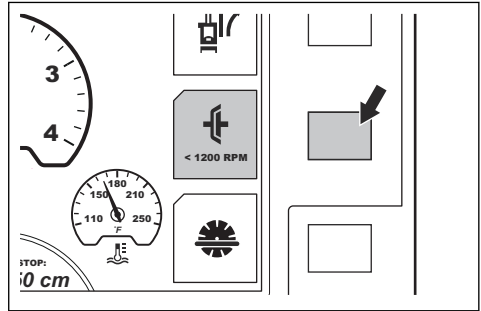
The wheels let you move the product manually for shorter distances. For longer distances, lift the product to move it or put the product on a vehicle.



CAUTION: Do not tow the product behind a vehicle.

- Safety the product during transportation. Make sure that it cannot move.
- Remove the cutting blade before transportation of the product.
- Remove all tools and wrenches.
- For transportation of the product and fuel, make sure that there are no leaks or fumes. Sparks or open flames, for example from electrical devices or boilers, can start a fire.
- Always use approved containers for transportation of fuel.
- Examine new cutting blades for transport damage.

4. If the product has a blade clutch, make sure that the blade clutch is disengaged. The blade clutch is disengaged when the symbol on the display is not in a different color.

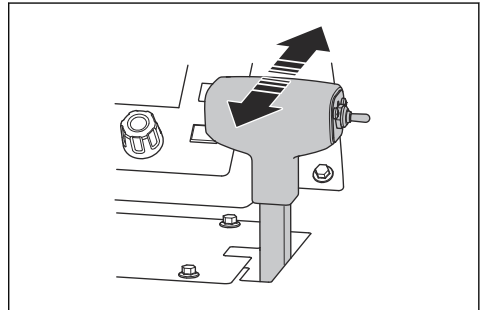


5. If the product does not have a blade clutch, remove the blade or move the gearbox lever to neutral position. Refer to *To remove the cutting blade on page 16* and *To change gears on a 3-speed gearbox model on page 18*.



WARNING: For products that do not have a blade clutch, the cutting blade starts to rotate when the engine starts. Do not move the product to the side or out of the work area if the cutting blade rotates.

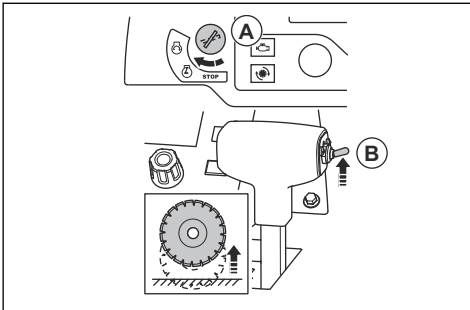
6. Start the product. Refer to *To start the product on page 21*.
7. Push the lever for speed control forward for forward saw movement, or rearward for reverse movement. The more you push the lever for speed control, the more the speed increases. Refer to *Technical data on page 41*.



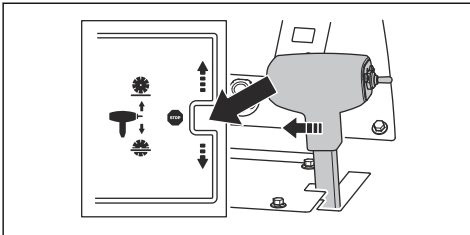
WARNING: Do not open the transmission bypass valve to neutral position while the product is parked on a slope. The product can move away from you and cause injury to bystanders.

To move the product with the engine on

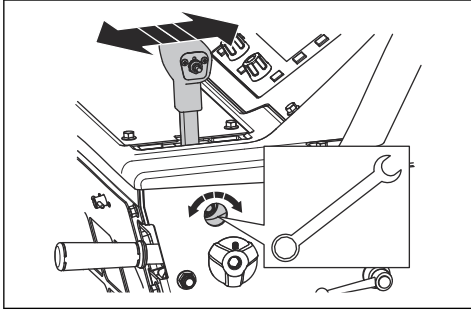
1. Turn the engine start switch to ignition on position (A).



2. Push the switch for cutting depth adjustment (B) up until the cutting blade does not touch the ground.
3. Put the lever for speed control into the stop position.



- Adjust the resistance on the lever for speed control with the nut on the side of the lever for speed control.



To move the product up and down a ramp



WARNING: Be very careful when you move the product up and down ramps with the engine on. The product is heavy and there is a risk of injury if the product falls or moves too quickly.

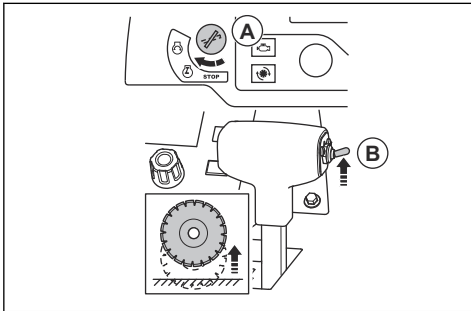


WARNING: For ramps with a large angle, always use a winch. Do not walk or stay below the product.

- To move the product down a ramp, operate the product rearward slowly.
- To move the product up a ramp, operate the product forward slowly.

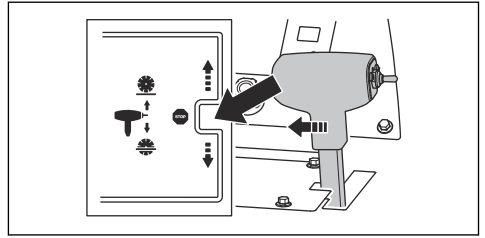
To move the product with the engine off

- Turn the engine start switch to ignition on position (A).

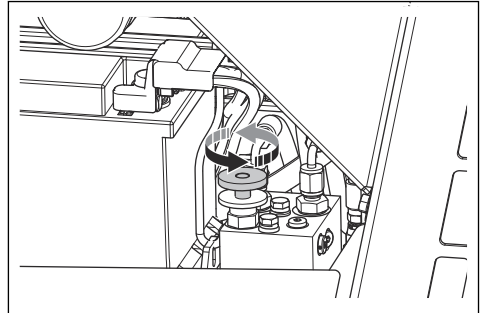


- Push the switch for cutting depth adjustment (B) up until the cutting blade does not touch the ground.

- Put the lever for speed control into the stop position.



- Turn the transmission bypass valve counterclockwise to the end position to disengage the transmission.



- Hold the operation handles and push the product to move it.



WARNING: Do not push the product on a slope while the transmission bypass valve is in neutral position. The product can move away from you and cause injury to bystanders.

To lift the product



WARNING: Make sure that the lifting equipment has the correct dimension. The type plate on the product shows the product weight.



WARNING: Do not lift a damaged product. Make sure that the lifting eye is correctly installed and not damaged.

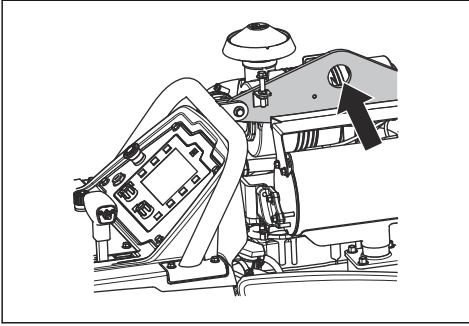


WARNING: Do not walk or stay below or near a lifted product.



CAUTION: Do not use the operation handles to lift the product.

- Attach the lifting equipment through the lifting eye.



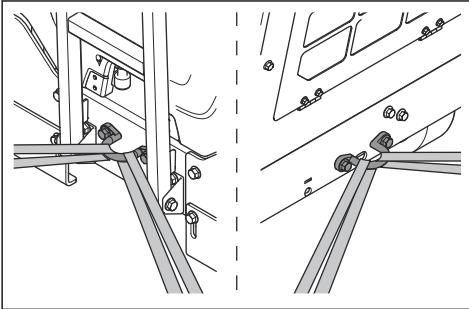
- Keep the battery in a cool and dry area.

For long-term storage, also do these steps:

- Clean the product and do a complete servicing.
- Lubricate all lubrication points.
- Disconnect the battery cable from the negative battery terminal and put the battery cable at a safe distance away from the battery.
- Do a trickle charging of the battery during long-term storage.
- Fill the fuel tank to prevent water in the fuel system.
- Keep the product in a dry and frost-free area.
- Drain the water separator for the fuel filter.
- Do a check that the freezing point of the engine coolant is sufficient for the temperatures in the storage location.
- Put a protective cover on the product. This is especially important for storage outdoors.
- Replace the engine oil after a long-term storage.

To safety the product to a transportation vehicle

1. Put 1 strap through the tie-down bracket at the front of the product and attach the strap to the vehicle.



2. Put 1 strap through the tie-down bracket at the rear of the product and attach the strap to the vehicle.

Disposal

- Chemicals can be dangerous and must not be discarded on the ground. Always discard used chemicals at a service center or an applicable disposal location.
- When the product is worn out, send it to the dealer or to an applicable recycling location.
- Oil, oil filters, fuel and the battery can have negative effects on the environment. Obey the local recycling requirements and applicable regulations.
- Do not discard the battery as domestic waste.
- Send the battery to a Husqvarna service agent or discard it at a disposal location for used batteries.

Storage


- The product does not have a parking brake. Do not go away from the product if it is on a slope. If it is necessary to park the product on a slope, make sure that the product is sufficiently attached and cannot move.
- Keep the product in a locked area to prevent access for children or persons that are not approved.
- Drain water from the gearbox.
- Set the engine start switch to the stop position.
- Set the lever for speed control to the stop position.
- Remove the cutting blade from the product.
- Keep the cutting blades in a safe area to prevent damage.
- Keep the cutting blades in a dry and frost-free area.
- Examine new cutting blades for storage damage.
- For storage of the product and fuel, make sure that there are no leaks or fumes. Sparks or open flames, for example from electrical devices or boilers, can start a fire.
- Always use approved containers for storage of fuel.

Technical data

Technical data

Engine *	
Engine brand, type	Yanmar, 4TNV88C-DHQ
Engine power, kW/hp@rpm ¹	35.5/47.6@3000
Displacement, dm ³ /cu.in.	2.2/134
Cylinders	4
Air filter	Radial seal with pre-cleaner and restriction indicator
Starter	Electric
Fuel	Ultra-low-sulfur diesel fuel only

* = For further information and questions about this specific engine, refer to the engine manual or the web site of the engine manufacturer.

Fuel and lubrication system	
Fuel tank capacity, l/gal	24.5/6.5
Oil tank capacity, l/qts	7.1/7.5
Engine oil	SAE 15W40 or SAE 10W30, API Class CJ-4, ACEA E6-08, ACEA E9-08
Gearbox oil	SAE 75W90
Gearbox oil tank capacity, l/qts	1-Speed gearbox model: 0.95/1 3-Speed gearbox model: 1.77/1.87
Grease	Quality: NLGI 2. Standard: SAE J310
Hydraulic oil	SAE 15W40, API Class SE, API Class CC, API Class CD
Coolant fluid	Ethylene glycol and water, 50/50 mixture. Supplied in the product at purchase. Propylene glycol and water, 50/50 mixture
	 CAUTION: Do not make the mixture directly in the tank. It is easier to get the correct 50/50 mixture if you make the mixture in a container.

¹ As specified by engine manufacturer. The power rating of the engines indicated is the average gross power output (at specified r.p.m.) of a typical production engine for the engine model measured to SAE J1995. Mass production engines may differ from this value. Actual power output for the engine installed in the final machine will depend on the operating speed, environmental conditions and other variables.

Battery	
Terminal type	T6
BCI	91
Voltage, V	12
Capacity, Ah	60–100
CCA, A	660–760
Max. size L×W×H, mm/in.	280×175×175/11×6.9×6.9

Saw setup	350/14	500/20	650/26	750/30	900/36
Blade guard capacity, mm/in.	350/14	500/20	650/26	750/30	900/36
Max. cutting depth, mm/in.	118/4.75	193/7.75	262/10.5	312/12.5	374/15
Blade shaft, rpm	3197	2400	1866	1628	1355
Approximate blade shaft output, kW/hp	31/42				
Arbor size, mm/in.	25.4/1 with single drive pin				
Quick disconnect blade flange diameter, mm/in.	114.5/4.5	114.5/4.5	127/5	127/5	152.5/6
Blade shaft drive	3 VX V-belts per side				
Blade coolant	Water				
Blade guard attachment	Slip-on, auto-latch				
Propulsion	Hydraulic				
Max. ground speed	Infinitely variable: 0-37 m/min / 0-122 fpm forward and reverse. 25 m/min maximum reverse speed on CE models.				
Chassis	Heavy duty, rigid, box and channel section construction				
Nominal weight (uncrated), kg/lb	751/1656	756/1667	761/1678	765/1687	771/1700
Max. operating weight incl. optional accessories, kg/lb	791/1744	799/1761	808/1781	817/1801	829/1828

Noise and vibration emissions	
Sound power level, measured dB (A)	113
Sound power level, guaranteed L_{WA} dB (A) ²	119

² Noise emissions in the environment measured as sound power (L_{WA}) in conformity with EC directive 2000/14/EC. The difference between guaranteed and measured sound power is that the guaranteed sound power also includes dispersion in the measurement result and the variations between different machines of the same model according to Directive 2000/14/EC.

Noise and vibration emissions	
Sound pressure level at the operator's ear, dB (A) ³	102
Vibration level, a_{hv} , m/s^2 , right handle/left handle ⁴	<2.5/<2.5

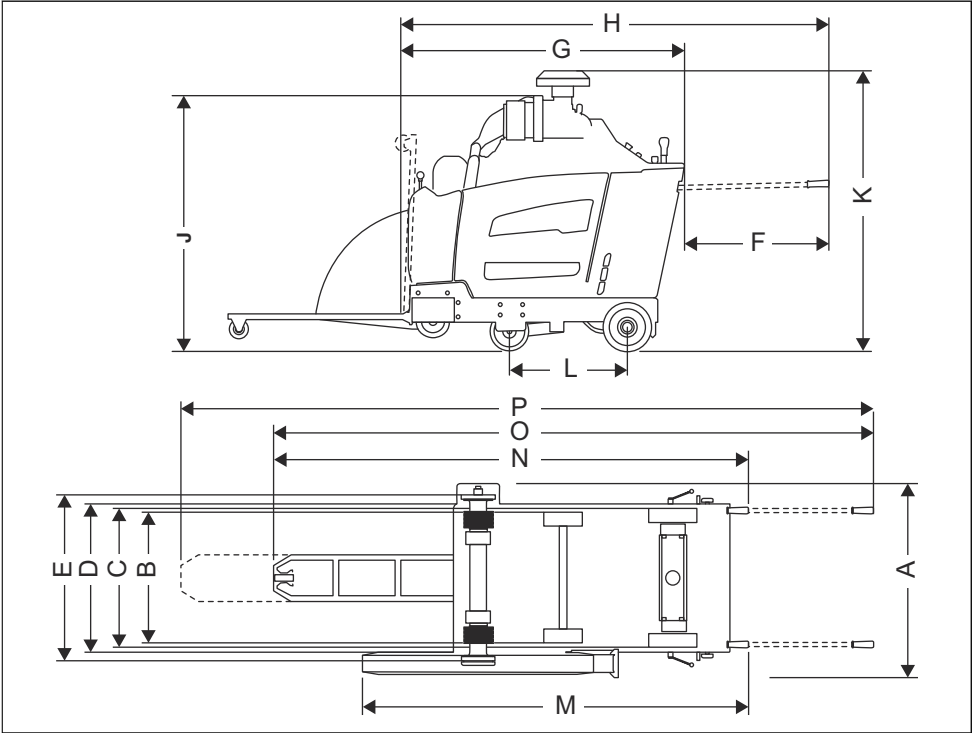
Noise and vibration declaration statement

These declared values were obtained by laboratory type testing in accordance with the stated directive or standards and are suitable for comparison with the declared values of other products tested in accordance with the same directive or standards. These declared values are not suitable for use in risk assessments and values measured in individual work places may be higher. The actual exposure values and risk of harm experienced by an individual user are unique and depend upon the way the user works, in what material the product is used, as well as upon the exposure time and the physical condition of the user, and the condition of the product.

³ Noise pressure level according to ISO EN 13862. Reported data for noise pressure level has a typical statistical dispersion (standard deviation) of 2.5 dB(A).

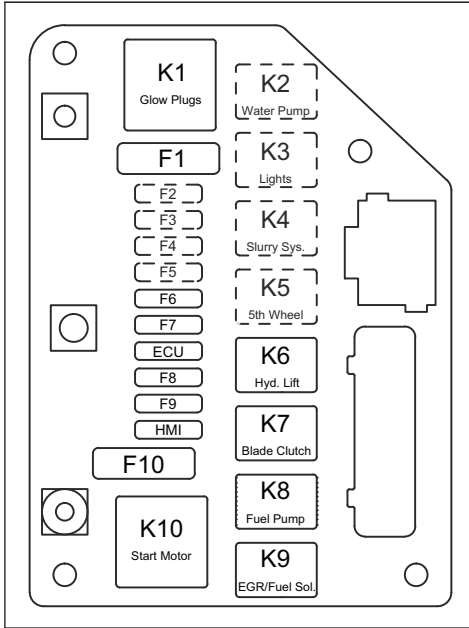
⁴ Vibration level according to EN 13862. Reported data for vibration level has a typical statistical dispersion (standard deviation) of 1 m/s^2 .

Product dimensions



A	Width, mm/in.	844/33 ¼	J	Min. total height (no exhaust pipe, no precleaner cap), mm/in.	1289/50 ¾
B	Center to center wheel width, mm/in.	Front: 518/20 ¾, rear: 533/21	K	Max. total height (top of precleaner), mm/in.	1332/52 ½
C	Outside to outside wheel width, mm/in.	Front: 569/22 ¾, rear: 609/24	L	Wheel base length, mm/in.	427/16 ¾
D	Frame width, mm/in.	635/25	M	Length, guard to handle (handles in), mm/in.	1753/69
E	Inner flange to inner flange width, mm/in.	726,5/28 ¾	N	Max. total length (handles in), mm/in.	2273/89 ½
F	Handle extension, mm/in.	809/31 ¾	O	Max. total length (handles out, pointer down), mm/in.	2964/116 ¾
G	Min. saw length (pointer and guard up, no handles), mm/in.	1485/58 ½	P	Max. total length (handles out, pointer extended), mm/in.	3444/135 ½
H	Saw length (pointer up, handles out), mm/in.	2191/86 ¼			

Relays and fuses



Function	Designation	Relay (A)	Designation	Fuse (A)
Glow plugs	K1	70	F1	60
Water pump (optional)	K2	25	F2	25
Lights (optional)	K3	25	F3	25
Slurry system (optional)	K4	25	F4	25
5th wheel (optional)	K5	25	F5	25
Hydraulic lift pump	K6	25	F6	25
Blade clutch	K7	25	F7	15
Fuel pump	K8	25	F8	20
EGR/Fuel Sol.	K9	25	F9	20
Start motor	K10	70	F10	60
ECU	n/a	n/a	ECU	25
HMI	n/a	n/a	HMI	25

Accessories

Approved Husqvarna accessories

- Rear weight kit, 2 bars.
- Dual light kit.
- Water pump kit.
- 5th wheel kit.

EC Declaration of Conformity

EC Declaration of Conformity

We, **Husqvarna AB**, SE-561 82 Huskvarna, Sweden, tel: +46-36-146500, declare on our sole responsibility that the product:

Description	Floor cutting-off machine
Brand	Husqvarna
Type/Model	FS5000 D
Identification	Serial numbers dating from 2019 and onwards

complies fully with the following EU directives and regulations:

Directive/Regulation	Description
2006/42/EC	"relating to machinery"
2000/14/EC	"relating to outdoor noise"

and that the following harmonized standards and/or technical specifications are applied;

EN ISO 12100:2010

EN 13862/A1:2009

For information relating to noise emissions, refer to the chapter *Technical data on page 41*.

2019-05-24



Edvard Gulis

R&D Director, Concrete Sawing & Drilling

Husqvarna AB, Construction Division

Responsible for technical documentation

Inhalt

Einleitung.....	48	Transport, Lagerung und Entsorgung.....	85
Sicherheit.....	54	Technische Angaben.....	89
Betrieb.....	60	Zubehör.....	94
Wartung.....	73	EG-Konformitätserklärung.....	95
Fehlerbehebung.....	84		

Einleitung

Produktbeschreibung

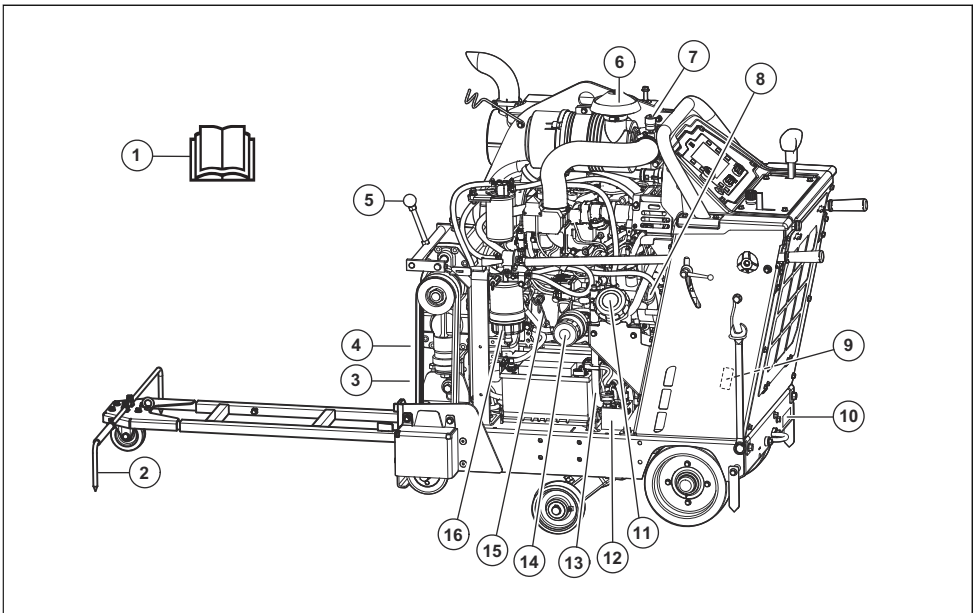
Das Gerät ist ein handgeführter Fugenschneider mit einem Verbrennungsmotor. Das Gerät hat ein einstellbares Leitrad, mit dem der Vorgang gut sichtbar und ein gerader Schnitt gewährleistet ist. Das Gerät hat eine Bedientafel mit Digitaldisplay, mit dem alle Funktionen überwacht werden können.

Verwendungszweck

Das Gerät wird mit Diamantscheiben zum Nassschneiden harter Bodenmaterialien eingesetzt, beispielsweise für Beton, Asphalt und Stein. Jede andere Verwendung ist nicht korrekt.

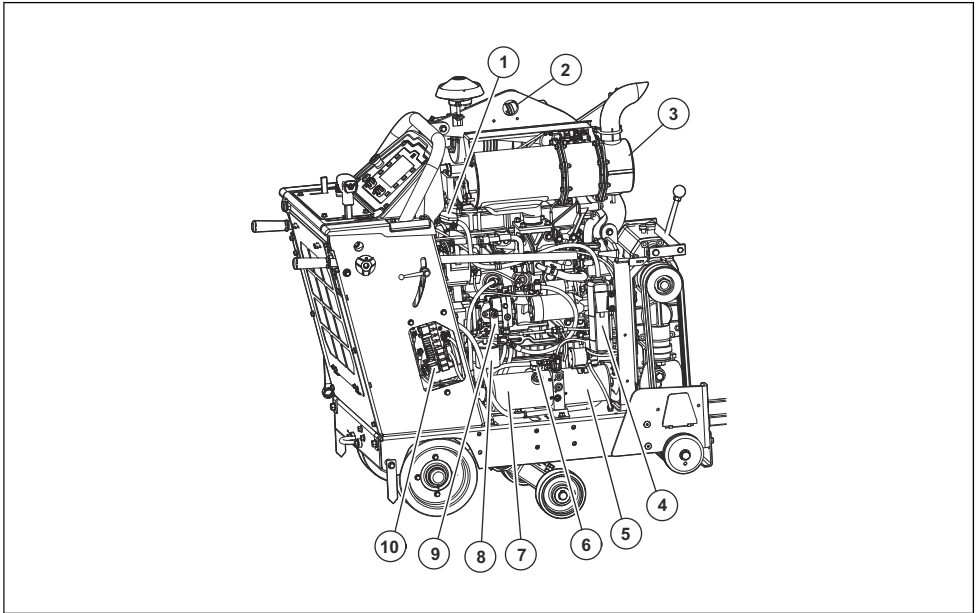
Das Gerät wird von erfahrenen Bedienern im Industriebetrieb eingesetzt.

Geräteüberblick, linke Seite



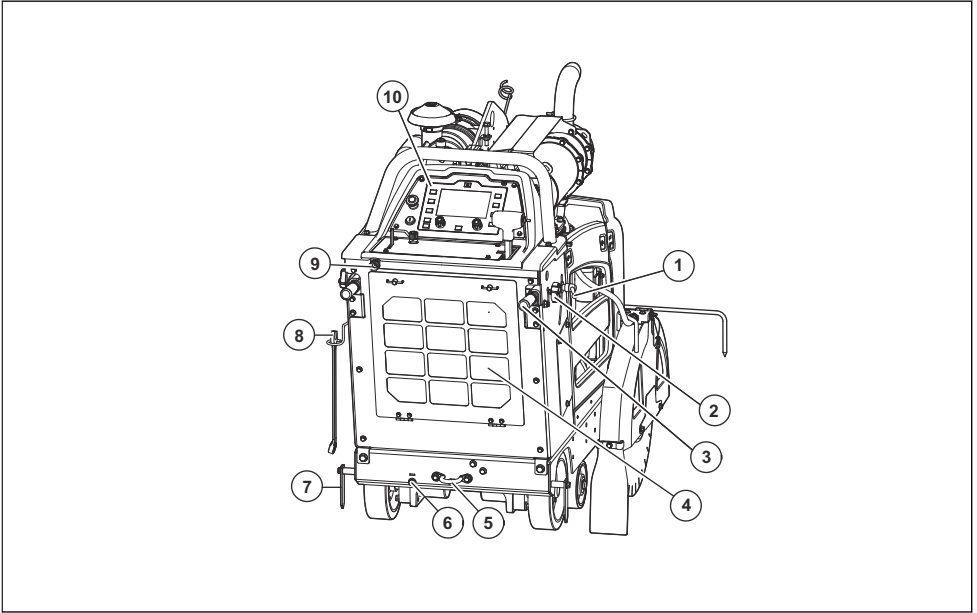
- | | |
|---------------------------------------|--------------------------------|
| 1. Bedienungsanleitung | 8. Öltankdeckel für Motoröl |
| 2. Einstellbares Leitrad | 9. Typenschild für USA/Kanada |
| 3. Wasserablassventil für Getriebe | 10. Typenschild für EU |
| 4. Schrauben für Riemenspannung | 11. Kraftstofftankdeckel |
| 5. Schalthebel, 3-Ganggetriebe-Modell | 12. Antriebs-Bypassventil |
| 6. Luftfilter | 13. Ablassschlauch für Motoröl |
| 7. Luftfilteranzeige | 14. Motorölfilter |

Geräteüberblick, rechte Seite



- | | |
|-------------------------------------------|---------------------------------------|
| 1. Kühlmittelbehälterdeckel | 6. Öffnung des Hydraulikbehälters |
| 2. Huböse | 7. Servobehälter |
| 3. Schalldämpfer | 8. Hydraulikfilter |
| 4. Behälter für übergelaufenes Kühlmittel | 9. Pumpe für hydrostatisches Getriebe |
| 5. Pumpe für Hydraulikhub | 10. Relais- und Sicherungsbox |

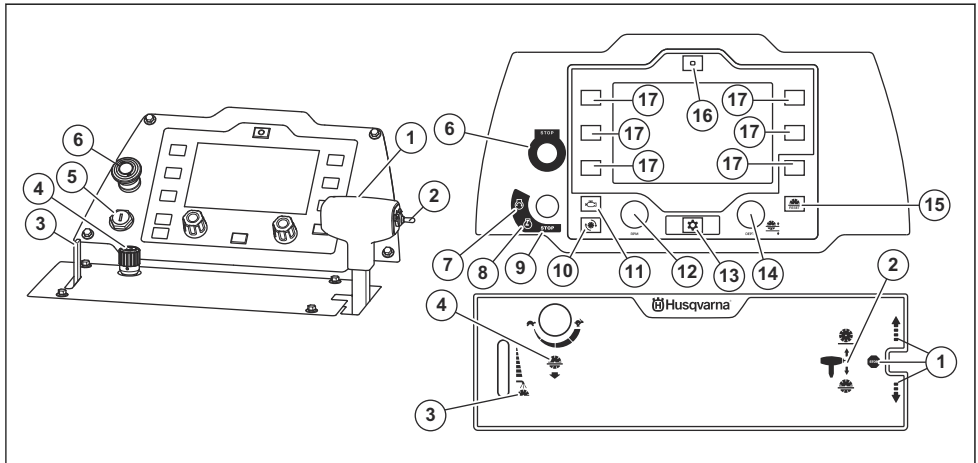
Geräteüberblick, hinten



- | | |
|-------------------------------------------------------|------------------------------------------|
| 1. Verriegelungshebel der Griffe, Anpassung der Höhe | 6. Manuelle Achsverstellung |
| 2. Verriegelungshebel der Griffe, Anpassung der Länge | 7. Hinteres Leitrad |
| 3. Griffe | 8. Klingenwellen-Zoll-Schraubenschlüssel |
| 4. Luftfilter des Kühlers | 9. Wassereinlass |
| 5. Hinterer Festziehalter | 10. Bedienfeld |

Hinweis: An der Vorderseite des Geräts befindet sich ebenfalls ein Festziehalter.

Übersicht über die Bedienelemente und die Bedientafel



1. Hebel für Drehzahlregelung. Vorwärts, rückwärts und Getriebestopp*
2. Schalter für Schnittiefenanpassung*
3. Hebel für Wasserkühlsystem für Trennscheibe*
4. Drehknopf zur Anpassung der Verringerung der Klingengeschwindigkeit*
5. Startschalter des Motors
6. Maschinen-Stoppptaste*
7. Motorstart-Position*
8. Zündung-ein-Position*
9. Motorstopp-Position*
10. Taste, um Tempo der Scheibe in U/min auf dem Display anzuzeigen*
11. Taste, um Motordrehzahl in U/min auf dem Display anzuzeigen*
12. Drehknopf für Gashebel
13. Menütaste*
14. Drehknopf zur Anpassung von Klingentiefe-Stopp*
15. Taste zum Zurücksetzen von Klingentiefe-Stopp*
16. E-Track-Zurücksetztaste* (optional)
17. Auswahl taste

* = Siehe auch *Symbole auf dem Gerät auf Seite 51*.

Symbole auf dem Gerät



WARNUNG: Dieses Gerät kann gefährlich sein und schwere oder tödliche Verletzungen des Bedieners oder anderer Personen verursachen. Gehen Sie vorsichtig vor und verwenden Sie das Gerät ordnungsgemäß.



Lesen Sie die Bedienungsanleitung, und machen Sie sich mit den Anweisungen vertraut, bevor Sie das Gerät verwenden.



Tragen Sie Gehörschutz, Augenschutz und Atemschutz. Siehe *Persönliche Schutzausrüstung auf Seite 56*.



Jegliche Umplatzierung der Maschine außerhalb des Schneidbereichs muss ausgeführt werden, wenn sich das Werkzeug nicht in Rotation befindet.



Entfernen Sie vor dem Transport und vor dem Anheben des Geräts die Trennscheibe, um eine Beschädigung der Trennscheibe zu vermeiden.



Der Klingenschutz muss immer am Gerät montiert sein. Es sollten nicht mehr als 180° der Trennscheibe sichtbar sein.



Vergewissern Sie sich, dass die Trennscheibe nicht stumpf ist und keine Beschädigungen, z. B. Risse, aufweist.



Stellen Sie sicher, dass die Trennscheibe für die auf dem Typenschild des Geräts festgelegte Drehzahl bzw. eine höhere Drehzahl anwendbar ist. Eine Trennscheibe, die mit zu hoher Geschwindigkeit betrieben wird, kann brechen oder schwere Schäden oder Verletzungen verursachen.



Verwenden Sie das Gerät nicht in der Nähe von brennbaren Materialien oder Gasen.



Der Staub kann zu gesundheitlichen Problemen führen. Tragen Sie einen zugelassenen Atemschutz. Atmen Sie die Abgase nicht ein. Verwenden Sie ein Gerät mit Verbrennungsmotor nicht in Innenräumen oder in Bereichen ohne ausreichende Luftzufuhr.



Heiße Oberfläche.



Halten Sie alle Körperteile von der Scheibe und allen anderen beweglichen Teilen fern.



Gefahr durch Schnittverletzungen. Halten Sie alle Körperteile stets von der Trennscheibe fern.



Nur schwefelarmer Dieselmotor.



Motoröl.



Messstab.



Heben Sie die Säge nicht an, wenn Sie den Motorölstand prüfen.



Stellen Sie sicher, dass die Säge ohne Trennscheibe waagrecht ist, wenn Sie den Motorölstand prüfen.



Der Pfeil auf dem Klingenschutz zeigt die Rotationsrichtung der Trennscheibe an.



Heben Sie das Gerät immer an der Huböse an.



Getriebebestopp.



Schalter für Schnitttiefeanpassung.



Hebel für Wasserkühlsystem.



Drehknopf zur Anpassung der Verringerung der Klingengeschwindigkeit.



Langsam.



Schnell.



Maschinen-Stopp.



Motor startet.



Zündung ein.

STOP Motor stoppt.



Drehzahl-Geschwindigkeit der Scheibe auf dem Display anzeigen.*



Motordrehzahl in U/min auf dem Display anzeigen.



Menütaste.



Drehknopf zur Anpassung von Klingentiefe-Stopp.



Taste zum Zurücksetzen von Klingentiefe-Stopp.



Taste zum Zurücksetzen von E-Track-Anpassung (optional).



Dieses Produkt stimmt mit den geltenden CE-Richtlinien überein.



Umweltbelastende Geräuschemissionen entsprechen den maßgeblichen EG-Richtlinien. Die Geräuschemission des Geräts ist in *Technische Angaben auf Seite 89* und auf dem Etikett angegeben.

Hinweis: Sonstige Symbole/Aufkleber am Gerät beziehen sich auf Zertifizierungsanforderungen, die in bestimmten Ländern gelten.

Symbole auf dem Bedientafel-Display



E-Track-Anpassung links (optional).



E-Track-Anpassung rechts (optional).



Wassersicherheitssystem EIN/AUS. Das Wassersicherheitssystem überwacht den Wasserdruck des Wasserkühlsystems der Trennscheibe. Wenn der Wasserdruck steigt, wird die Trennscheibe vom Wassersicherheitssystem gestoppt.



Klingenkupplung ein-/ausschalten. Dies ist keine Standardfunktion bei allen Gerätevarianten.



Klingentiefe-Stopp.

Warnsymbole auf Bedientafel-Display



Maschinen-Stopp eingeschaltet. Maschinen-Stopp-taste zurücksetzen und Zündung einschalten.



Der Akku wird nicht geladen.



Geringer Kraftstofffüllstand.



Vorheizen. Weitere Informationen finden Sie in der Motor-Betriebsanleitung.



Kein Wasserdruck für Wasserkühlsystem für Trennscheibe.



Geringer Motoröldruck.



Motorstopp Der Betrieb kann nicht fortgesetzt werden.



Motor zu heiß. Der Betrieb kann nicht fortgesetzt werden. Weitere Informationen finden Sie in der Motor-Betriebsanleitung.



Motorproblem von mittlerem Schweregrad. Der Betrieb kann fortgesetzt werden.



Motorausfall. Weitere Informationen finden Sie in der Motor-Betriebsanleitung.



Regenerierung ist erforderlich. Siehe *Stationäre Regenerierung Standby auf Seite 84*.

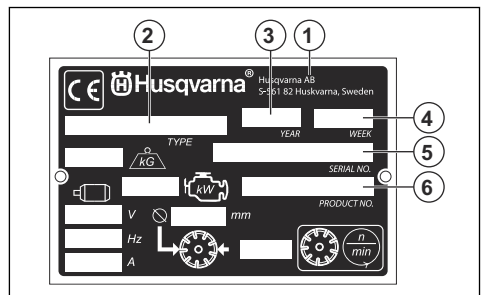


Fehlercode steht nicht in Zusammenhang mit Motor.



Fehler im NOx-Diagnosesteuersystem.

Typenschild EU



1. Hersteller
2. Produkttyp

3. Baujahr
4. Produktionswoche
5. Seriennummer
6. Produktnummer

Produkthaftung

Im Sinne der Produkthaftungsgesetze übernehmen wir keine Haftung für Schäden, die unser Gerät verursacht, wenn...

- das Gerät nicht ordnungsgemäß repariert wird.
- das Gerät mit Teilen repariert wird, die nicht vom Hersteller stammen oder nicht vom Hersteller zugelassen sind.

- ein Zubehöerteil mit dem Gerät verwendet wird, das nicht vom Hersteller stammt oder nicht vom Hersteller zugelassen ist.
- das Gerät nicht bei einem zugelassenen Service Center oder von einem zugelassenen Fachmann repariert wird.

Emissionen nach Euro V



WARNING: Bei jeglichen Manipulationen des Motors erlischt die EU-Typgenehmigung für dieses Produkt.

Sicherheit

Sicherheitsdefinitionen

Warnungen, Vorsichtsmaßnahmen und Hinweise werden verwendet, um auf besonders wichtige Teile der Bedienungsanleitung hinzuweisen.



WARNING: Wird verwendet, wenn bei Nichtbeachtung der Anweisungen in diesem Handbuch die Gefahr von Verletzung oder Tod des Bedieners oder anderer Personen besteht.



ACHTUNG: Wird verwendet, wenn bei Nichtbeachtung der Anweisungen in diesem Handbuch die Gefahr von Schäden am Gerät, an anderen Materialien oder in der Umgebung besteht.

Hinweis: Für weitere Informationen, die in bestimmten Situationen nötig sind.

Allgemeine Sicherheitshinweise



WARNING: Lesen Sie die folgenden Warnhinweise, bevor Sie das Gerät benutzen.

- Dieses Gerät ist ein sehr gefährliches Werkzeug, wenn Sie nicht aufpassen oder das Gerät unsachgemäß verwenden. Dieses Gerät kann schwere Verletzungen des Bedieners oder anderer Personen verursachen. Es ist sehr wichtig, dass Sie vor der Anwendung des Geräts den Inhalt dieser Bedienungsanleitung gelesen und verstanden haben.
- Bewahren Sie alle Warnhinweise und Anweisungen auf.
- Halten Sie alle geltenden Gesetze und Vorschriften ein.
- Der Bediener und dessen Arbeitgeber müssen die mit dem Betrieb des Geräts verbundenen Gefahren kennen und vermeiden.
- Untersagen Sie allen Personen die Benutzung des Geräts, bis diese den Inhalt der Bedienungsanleitung gelesen und verstanden haben.
- Verwenden Sie das Gerät nicht ohne vorher dafür geschult worden zu sein. Stellen Sie sicher, dass alle Anwender Schulungen erhalten.
- Es dürfen nur zugelassene Personen mit dem Gerät arbeiten.
- Der Bediener ist für Unfälle verantwortlich, die anderen Personen zustoßen oder an deren Eigentum entstehen.
- Benutzen Sie das Gerät nicht, wenn Sie müde oder krank sind oder unter Einfluss von Alkohol, Drogen oder Medikamenten stehen.
- Lassen Sie immer Vorsicht walten und arbeiten Sie mit gesundem Menschenverstand.
- Dieses Gerät erzeugt beim Betrieb ein elektromagnetisches Feld. Dieses Feld kann sich unter bestimmten Bedingungen auf die Funktionsweise aktiver oder passiver medizinischer Implantate auswirken. Um die Gefahr von Situationen, die zu schweren oder tödlichen Verletzungen führen können, zu verringern, sollten Personen mit einem medizinischen Implantat vor der Nutzung dieses Gerätes mit ihrem Arzt und dem Hersteller des Implantats sprechen.
- Halten Sie das Produkt sauber. Stellen Sie sicher, dass Sie die Zeichen und Abziehbilder deutlich lesen können.
- Verwenden Sie das Produkt nicht, wenn es defekt ist.
- Nehmen Sie keine Modifikationen am Gerät vor.
- Bedienen Sie das Gerät nicht, wenn die Möglichkeit besteht, dass andere Personen Modifikationen daran durchgeführt haben.

Sicherheitshinweise für den Betrieb



WARNUNG: Lesen Sie die folgenden Warnhinweise, bevor Sie das Gerät benutzen.

- Lesen Sie die Warnhinweise, die vom Hersteller der Trennscheibe für deren Nutzung bereitgestellt werden.
- Stellen Sie sicher, dass das Gerät korrekt zusammengebaut ist.
- Das Gerät nur mit montiertem Klingenschutz und Schutzabdeckungen starten.
- Die fehlerhafte Bedienung des Geräts kann dazu führen, dass die Trennscheibe bricht und Verletzungen sowie Schäden verursacht.
- Stellen Sie sicher, dass Sie wissen, wie der Motor in einem Notfall schnell gestoppt werden kann.
- Tragen Sie eine persönliche Schutzausrüstung. Siehe *Persönliche Schutzausrüstung auf Seite 56*.
- Stellen Sie sicher, dass sich nur befugte Personen im Arbeitsbereich befinden.
- Stellen Sie sicher, dass die elektrischen Kabel im Arbeitsbereich nicht stromführend sind.
- Halten Sie den Arbeitsbereich sauber und hell.
- Bevor Sie das Gerät in Betrieb nehmen, finden Sie heraus, ob es versteckte Drähte, Kabel und Rohrleitungen im Arbeitsbereich gibt. Wenn das Gerät auf ein verborgenes Objekt trifft, halten Sie den Motor sofort an und prüfen Sie Gerät und Objekt. Nehmen Sie das Gerät nicht wieder in Betrieb, bis Sie sich vergewissert haben, dass die weitere Nutzung sicher ist.
- Vermeiden Sie es, das Gerät bei schlechtem Wetter zu benutzen, beispielsweise bei dichtem Nebel, starkem Regen oder Wind oder bei großer Kälte. Die Arbeit unter schlechten Witterungsbedingungen ermüdet und kann gefährliche Situationen herbeiführen, beispielsweise durch rutschige Untergründe.
- Stellen Sie sicher, dass Sie während der Arbeit eine sichere und stabile Position einnehmen.
- Verwenden Sie das Gerät nicht in Bereichen, in denen Feuer oder Explosionen auftreten können.
- Das Gerät kann Objekte mit hoher Geschwindigkeit auswerfen. Stellen Sie sicher, dass alle Personen im Arbeitsbereich zugelassene persönliche Schutzausrüstung tragen. Entfernen Sie lose Gegenstände aus dem Arbeitsbereich.
- Die Abgase des Motors enthalten Kohlenmonoxid – ein geruchloses, giftiges und sehr gefährliches Gas. Verwenden Sie ein Gerät mit Verbrennungsmotor nicht in Innenräumen oder in Bereichen ohne ausreichende Luftzufuhr.
- Bevor Sie sich vom Gerät entfernen, schalten Sie den Motor ab und vergewissern Sie sich, dass keine Gefahr eines versehentlichen Starts besteht.

- Das Gerät hat keine Handbremse. Entfernen Sie sich nicht vom Gerät, wenn es auf einem Hang steht. Wenn das Gerät an einem Hang geparkt wird, stellen Sie sicher, dass es hinreichend befestigt ist und sich nicht bewegen kann.
- Seien Sie sehr vorsichtig, wenn Sie an Hängen arbeiten. Das Gerät ist schwer und kann beim Abrutschen schwere Verletzungen verursachen.
- Stellen Sie sicher, dass sich kein Material lösen und den Bediener verletzen kann.
- Achten Sie darauf, dass sich Kleidung, langes Haar und Schmuck nicht in beweglichen Teilen verfangen kann.
- Bedienen Sie das Gerät nur dann, wenn Sie bei einem Unfall Hilfe bekommen können.

Abgase – Sicherheit



WARNUNG: Lesen Sie die folgenden Warnhinweise, bevor Sie das Produkt benutzen.

- Die Abgase des Motors enthalten Kohlenmonoxid – ein geruchloses, giftiges und sehr gefährliches Gas. Das Einatmen von Kohlenmonoxid kann tödlich sein. Da Kohlenmonoxid geruchs- und farblos ist, kann es nicht wahrgenommen werden. Bei einer Kohlenmonoxidvergiftung kann es zu Schwindelsymptomen kommen, aber es ist auch möglich, dass eine Person ohne Vorwarnung bewusstlos wird, wenn die Menge oder Konzentration an Kohlenmonoxid dafür hoch genug ist.
- Abgase, die Sie sehen oder riechen können, enthalten auch Kohlenmonoxid.
- Verwenden Sie ein Gerät mit Verbrennungsmotor nicht in Innenräumen oder in Bereichen ohne ausreichende Luftzufuhr.

Vibrationen Sicherheit



WARNUNG: Lesen Sie die folgenden Warnhinweise, bevor Sie das Produkt benutzen.

- Beim Betrieb des Geräts kommt es zu Vibrationen, die vom Gerät auf den Anwender übertragen werden. Regelmäßiger und häufiger Betrieb des Geräts kann zu Verletzungen des Anwenders führen oder Symptome verstärken. Es kann zu Verletzungen an Fingern, Händen, Handgelenken, Armen, Schultern und/oder Nerven sowie bei der Blutversorgung oder an anderen Körperteilen kommen. Die Verletzungen können hinderlich und/oder chronisch werden und sich allmählich über Wochen, Monate oder Jahre hinweg verstärken. Zu möglichen Verletzungen können Schäden am Blutkreislauf, am Nervensystem, an Gelenken und anderen Körperteilen gehören.
- Symptome können während des Betriebs des Geräts oder zu einem anderen Zeitpunkt auftreten. Wenn

Sie bereits Symptome haben und das Gerät weiter bedienen, können sich die Symptome verstärken oder chronisch werden. Wenn Sie diese oder andere Symptome an sich bemerken, wenden Sie sich an einen Arzt:

- Taubheit, Gefühlsverlust, Kribbeln, Stechen, Schmerz, Brennen, Pochen, Steifheit, Schwerfälligkeit, Verlust von Kraft, Veränderungen an Hautfarbe oder Hautzustand.
- Bei niedrigen Temperaturen können sich die Symptome verstärken. Tragen Sie warme Kleidung und halten Sie Ihre Hände warm und trocken, wenn Sie das Gerät in kalten Umgebungen betreiben.
- Warten und betreiben Sie das Gerät gemäß den Anweisungen der Bedienungsanleitung, um einen vorschrittmäßigen Vibrationspegel sicherzustellen.
- Platzieren Sie Ihre Hände nur auf dem Griff bzw. den Griffen. Halten Sie alle anderen Körperteile vom Gerät fern.
- Stoppen Sie das Gerät sofort, wenn plötzlich starke Vibrationen auftreten. Setzen Sie den Betrieb erst fort, wenn die Ursache für die gesteigerten Vibrationen beseitigt wurde.

Lärm – Sicherheit



WARNUNG: Lesen Sie die folgenden Warnhinweise, bevor Sie das Produkt benutzen.

- Ein hoher Geräuschpegel und Lärmbelastung über einen langen Zeitraum können zu lärmbedingten Hörschäden führen.
- Um den Geräuschpegel auf einem Minimum zu halten, warten und betreiben Sie das Gerät gemäß den Anweisungen der Bedienungsanleitung
- Überprüfen Sie den Schalldämpfer auf Schäden und Defekte. Stellen Sie sicher, dass der Schalldämpfer fest am Produkt montiert ist.
- Tragen Sie einen zugelassenen Gehörschutz beim Arbeiten mit dem Gerät.
- Beachten Sie Warnsignale und Stimmen, wenn Sie einen Gehörschutz tragen. Entfernen Sie den Gehörschutz, wenn das Gerät ausgeschaltet wird, es sei denn, er ist bei dem Geräuschpegel in Ihrem Arbeitsbereich erforderlich.

Persönliche Schutzausrüstung



WARNUNG: Lesen Sie die folgenden Warnhinweise, bevor Sie das Gerät benutzen.

- Verwenden Sie stets die vorgeschriebene persönliche Schutzausrüstung bei der Bedienung des Geräts. Die persönliche Schutzausrüstung kann Verletzungen nicht vollständig vermeiden, vermindert aber den Umfang der Verletzungen und Schäden bei einem Unfall. Lassen Sie sich bei der

Auswahl der korrekten persönlichen Schutzausrüstung von Ihrem Händler beraten.

- Überprüfen Sie regelmäßig den Zustand der persönlichen Schutzausrüstung.
- Verwenden Sie einen zugelassenen Schutzhelm.
- Tragen Sie einen zugelassenen Gehörschutz.
- Tragen Sie einen zugelassenen Atemschutz.
- Tragen Sie einen zugelassenen Augenschutz mit seitlicher Abschirmung. Es besteht hohes Verletzungsrisiko für die Augen durch umherfliegende Gegenstände.
- Tragen Sie stets Schutzhandschuhe.
- Tragen Sie Stiefel mit Stahlkappe und rutschfester Sohle.
- Tragen Sie zugelassene Arbeitskleidung oder gleichwertige, eng anliegende Kleidung mit langen Ärmeln und langen Hosenbeinen.

Feuerlöscher

- Halten Sie in der Nähe des Arbeitsbereichs einen Feuerlöscher griffbereit.
- Verwenden Sie einen Pulver-Feuerlöscher der Klasse „ABE“ oder einen Kohlendioxid-Feuerlöscher des Typs „BE“.

Sicherheitsvorrichtungen am Gerät



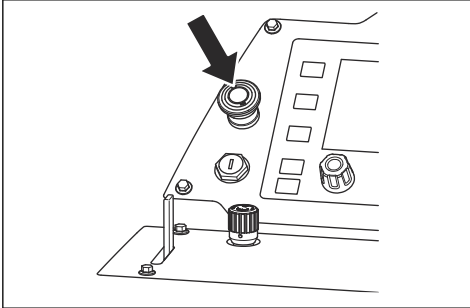
WARNUNG: Lesen Sie die folgenden Warnhinweise, bevor Sie das Gerät benutzen.

- Benutzen Sie kein Gerät mit defekten Sicherheitsvorrichtungen.
- Führen Sie regelmäßig eine Überprüfung der Sicherheitsvorrichtungen durch. Wenn die Sicherheitsvorrichtungen defekt sind, wenden Sie sich an Ihre Husqvarna-Servicewerkstatt.

Maschinen-Stopptaste

Durch die Maschinen-Stopptaste werden der Motor und alle elektrischen Funktionen unverzüglich gestoppt. Die Beleuchtung wird jedoch nicht ausgeschaltet. Durch die Maschinen-Stopptaste wird das Gerät in den abgesicherten Modus versetzt. Das Gerät kann erst

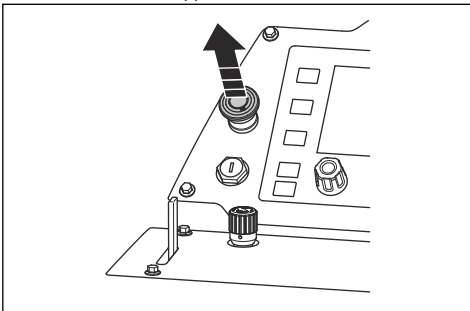
wieder gestartet werden, wenn der abgesicherte Modus zurückgesetzt wird.



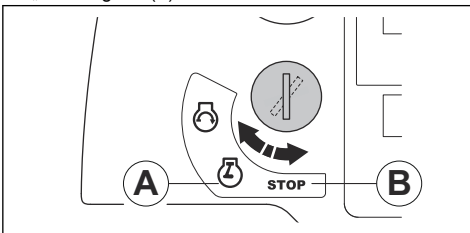
Hinweis: Verwenden Sie die Maschinen-Stoppptaste nicht zum Abschalten des Geräts, solange kein Notfall vorliegt. Das korrekte Verfahren zum Anhalten des Geräts im laufenden Betrieb finden Sie unter *So schalten Sie das Gerät aus auf Seite 72*.

So prüfen Sie die Maschinen-Stoppptaste

1. Starten Sie den Motor. Siehe *So starten Sie das Gerät auf Seite 68*.
2. Drücken Sie die Maschinen-Stoppptaste. Der Motor wird angehalten und das Gerät wird in den abgesicherten Modus versetzt.
3. Ziehen Sie die Maschinen-Stoppptaste heraus, um den Maschinenstopp zurückzusetzen.



4. Um den abgesicherten Modus zurückzusetzen, stellen Sie den Startschalter des Motors in die Stopp-Position (B) und dann in die Position „Zündung an“ (A).



Klingenschutz

Der Klingenschutz ist eine Schutzabdeckung für den oberen Teil der Trennscheibe. Er bietet Schutz, wenn Teile einer beschädigten Trennscheibe oder andere Gegenstände in Richtung des Bedieners geschleudert werden. Der Klingenschutz verhindert Verletzungen durch die Trennscheibe. Der Klingenschutz ist ebenfalls Teil des Wasserkühlsystems, das die Trennscheibe beim Betrieb kühl hält.

So prüfen Sie den Klingenschutz

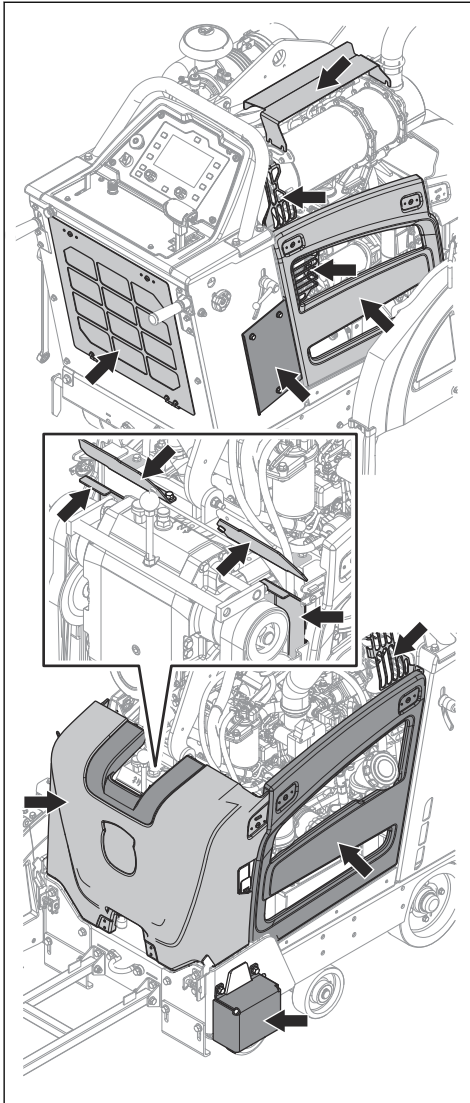
- Stellen Sie sicher, dass der Klingenschutz richtig eingebaut ist. Siehe *So montieren Sie einen Klingenschutz auf Seite 64*.
- Überprüfen Sie den Klingenschutz auf Beschädigungen, z. B. Risse.
- Tauschen Sie einen beschädigten Klingenschutz aus.
- Tauschen Sie den Klingenschutz aus, wenn er gerammt, verbogen oder beschädigt wurde.
- Überprüfen Sie die Klingenschutzarretierung auf Beschädigungen.
- Stellen Sie sicher, dass die Klingenschutzarretierung richtig eingerastet ist.

Schutzabdeckungen

Fehlende oder beschädigte Schutzabdeckungen erhöhen das Risiko von Verletzungen an beweglichen Teilen und heißen Oberflächen.

So kontrollieren Sie die Schutzabdeckungen

- Prüfen Sie die Schutzabdeckungen, bevor Sie das Gerät bedienen.



- Achten Sie darauf, dass die Schutzabdeckungen richtig montiert sind und keine Risse oder andere Schäden aufweisen.
- Ersetzen Sie beschädigte Abdeckungen.

Schalldämpfer

Der Schalldämpfer senkt den Geräuschpegel so weit wie möglich und hält die Abgase des Motors vom Anwender fern.

Verwenden Sie das Gerät nicht, wenn der Schalldämpfer fehlt oder defekt ist. Ein defekter Schalldämpfer erhöht den Geräuschpegel und die Brandgefahr.



WARNUNG: Der Schalldämpfer wird während und nach Gebrauch und wenn der Motor im Leerlauf läuft, sehr heiß. Seien Sie in der Nähe von entzündlichen Materialien und/oder Dämpfen besonders vorsichtig, um Brandgefahr zu verhindern.

So prüfen Sie den Schalldämpfer

- Überprüfen Sie den Schalldämpfer regelmäßig, um sicherzustellen, dass er richtig angebracht und nicht beschädigt ist.



ACHTUNG: Nehmen Sie am Schalldämpfer keine Veränderungen vor. Der Schalldämpfer hat einen Dieselpartikelfilter und ist Teil der Emissionsbestimmungen.

Sicherer Umgang mit Kraftstoff



WARNUNG: Lesen Sie die folgenden Warnhinweise, bevor Sie das Gerät benutzen.

- Kraftstoff ist feuergefährlich; durch die ausströmenden Dämpfe besteht Explosionsgefahr. Um Verletzungen, Feuer oder Explosionen zu vermeiden, seien Sie beim Umgang mit Kraftstoff vorsichtig.
- Atmen Sie die Kraftstoffdämpfe nicht ein. Die Kraftstoffdämpfe sind giftig und können Verletzungen verursachen. Achten Sie auf ausreichende Belüftung.
- Entfernen Sie nicht den Tankdeckel oder füllen den Kraftstofftank, wenn der Motor eingeschaltet ist.
- Lassen Sie den Motor vor dem Auftanken abkühlen.
- Füllen Sie Kraftstoff nicht in geschlossenen Räumen auf. Eine mangelhafte Luftzirkulation kann zu schweren oder tödlichen Verletzungen durch Ersticken oder eine Kohlenmonoxidvergiftung führen.
- Rauchen Sie nicht in der Nähe des Kraftstoffs oder des Motors.
- Stellen Sie keine heißen Gegenstände in der Nähe des Kraftstoffs oder des Motors ab.
- Füllen Sie Kraftstoff nicht in der Nähe von Funken oder Feuer ein.

- Öffnen Sie vor dem Nachfüllen den Tankdeckel langsam und lassen Sie den Druck vorsichtig entweichen.
- Kraftstoff auf der Haut kann Verletzungen verursachen. Wenn Kraftstoff auf Ihre Haut gelangt, waschen Sie diesen mit Wasser und Seife ab.
- Wechseln Sie sofort die Kleidung, wenn Sie Kraftstoff darauf verschütten.
- Füllen Sie den Kraftstofftank nicht vollständig auf. Durch Hitze dehnt sich der Kraftstoff aus. Lassen Sie deshalb einen Freiraum im oberen Bereich des Kraftstofftanks.
- Schrauben Sie den Kraftstofftankdeckel fest zu. Wenn der Tankverschluss nicht fest zugeschraubt ist, besteht Feuergefahr.
- Bevor Sie das Gerät starten, entfernen Sie es mindestens 3 m vom Auffüllort.
- Starten Sie das Gerät nicht, wenn sich Kraftstoff oder Öl darauf befindet. Entfernen Sie Kraftstoff oder Motoröl an unerwünschten Stellen vom Gerät und lassen Sie das Gerät trocknen, bevor Sie den Motor starten.
- Überprüfen Sie den Motor regelmäßig auf Undichtigkeiten. Starten Sie den Motor bei einer Leckage im Kraftstoffsystem nicht, bis die Undichtigkeiten repariert werden.
- Suchen Sie den Motor nicht mit den Händen nach Undichtigkeiten ab.
- Bewahren Sie Kraftstoff nur in zugelassenen Behältern auf.
- Wenn Sie das Gerät und den Kraftstoff lagern, stellen Sie sicher, dass Kraftstoff und Kraftstoffdämpfe keinen Schaden verursachen können.
- Leeren Sie den Kraftstoff im Freien und abseits von Feuer und Funken in einen für Kraftstoff zugelassenen Behälter.
- Laden Sie den Akku in einem Bereich mit guter Belüftung auf.
- Halten Sie entflammbare Materialien in einem Mindestabstand von 1 m, wenn Sie den Akku aufladen.
- Entsorgen Sie ausgetauschte Akkus. Siehe *Entsorgung auf Seite 88*.
- Von der Batterie können explosive Gase ausgehen. Rauchen Sie nicht in der Nähe der Batterie! Halten Sie den Akku von offenen Flammen oder Funken fern.

Sicherheitshinweise für die Wartung



WARNUNG: Lesen Sie die folgenden Warnhinweise, bevor Sie das Gerät benutzen.

- Tragen Sie eine persönliche Schutzausrüstung. Siehe *Persönliche Schutzausrüstung auf Seite 56*.
- Wenn die Wartung nicht ordnungsgemäß und regelmäßig erfolgt, erhöht sich die Verletzungsgefahr und das Risiko für eine Beschädigung des Produkts.
- Stellen Sie den Motor aus und lassen Sie das Gerät abkühlen, bevor Sie Wartungsarbeiten durchführen.
- Reinigen Sie das Gerät und entfernen Sie gefährliches Material vor der Wartung.
- Trennen Sie die Zündkappe vor Beginn der Wartung.
- Die Abgase des Motors sind heiß und können Funken schlagen. Betreiben Sie das Gerät nicht im Innenbereich oder in der Nähe von brennbaren Materialien.
- Verändern Sie das Gerät nicht. Änderungen am Gerät, die vom Hersteller nicht genehmigt wurden, können zu schweren Verletzungen oder zum Tod führen.
- Verwenden Sie stets Originalersatzteile und Originalzubehör. Zubehör und Ersatzteile, die vom Hersteller nicht genehmigt wurden, können zu schweren Verletzungen oder zum Tod führen.
- Ersetzen Sie beschädigte, abgenutzte oder defekte Teile.
- Führen Sie nur Wartungsarbeiten durch, die gemäß dieser Betriebsanleitung vorgegeben sind. Lassen Sie alle anderen Wartungsarbeiten von einem autorisierten Servicecenter durchführen.
- Entfernen Sie alle Werkzeuge vom Gerät, bevor Sie den Motor nach der Wartung starten. Lose Werkzeuge oder Werkzeuge, die an sich drehenden Teilen befestigt sind, könnten herauskatapultiert werden und Verletzungen verursachen.
- Lassen Sie das Gerät in einem autorisierten Servicecenter regelmäßig warten.



WARNUNG: Ein beschädigter Akku kann eine Explosion verursachen und zu Verletzungen führen. Wenn der Akku deformiert oder beschädigt ist, wenden Sie sich an eine zugelassene Husqvarna Servicewerkstatt.



WARNUNG: Lesen Sie die folgenden Warnhinweise, bevor Sie das Gerät benutzen.

- Verwenden Sie in der Nähe von Akkus stets eine Schutzbrille.
- Tragen Sie keine Uhren, Schmuck oder andere Gegenstände aus Metall in der Nähe des Akkus.
- Bewahren Sie den Akku außerhalb der Reichweite von Kindern auf.

Einleitung



WARNUNG: Lesen Sie vor Gebrauch des Geräts das Kapitel über Sicherheit, und machen Sie sich damit vertraut.

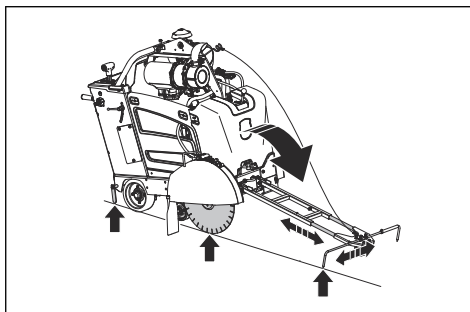
Wichtige Schritte, bevor Sie mit dem Gerät arbeiten

- Lesen Sie diese Betriebsanleitung sorgfältig durch und vergewissern Sie sich, dass Sie die Anweisungen verstanden haben.
- Lesen Sie die Betriebsanleitung für die Bedientafel sorgfältig durch und vergewissern Sie sich, dass Sie die Anweisungen verstanden haben.
- Lesen Sie die Motor-Betriebsanleitung des Herstellers aufmerksam durch.
- Lesen Sie die Anweisungen, die der Hersteller der Trennscheibe dieser beilegt.
- Führen Sie diese Schritte aus, bevor Sie das Gerät das erste Mal starten:
 - a) Setzen Sie einen neuen Akku ein und schließen Sie die Akkukabel an. Siehe *So schließen Sie den Akku an und trennen ihn auf Seite 83*.

Hinweis: In einigen Ländern ist der Akku beim Gerätekauf bereits installiert.

- b) Stellen Sie auf der Bedientafel die richtige Sprache und weitere erforderliche Einstellungen ein. Lesen Sie die Bedienungsanleitung für die Bedientafel.
- Führen Sie vor jedem Gebrauch des Geräts folgendes durch:
 - a) Führen Sie die tägliche Wartung durch. Siehe *Wartungsplan auf Seite 73*.
 - b) Erstellen Sie Markierungslinien für alle Schnitte. Bereiten Sie den Arbeitsablauf sorgfältig vor, um Verletzungen und Schäden vorzubeugen.
 - c) Bringen Sie die Griffe in eine geeignete Betriebsposition. Siehe *So ändern Sie die Position der Griffe auf Seite 61*.

- d) Senken Sie das einstellbare Leitrad ab, sodass es am hinteren Leitrad, der Trennscheibe und der Linienmarkierung auf der Oberfläche ausgerichtet ist. Sehen Sie unter *So prüfen Sie die Leiträder auf Seite 60* nach, wenn die Leiträder und die Trennscheibe nicht in einer Linie sind.



- e) Passen Sie ggf. die Länge des einstellbaren Leitrads mit den Schrauben am einstellbaren Leitrad an.

So prüfen Sie die Leiträder

1. Halten Sie eine lange gerade Metallstange oder ein gleichwertiges Werkzeug an die Trennscheibe.

Hinweis: Als Alternative zur Metallstange können Sie auch den Faden des einstellbaren Leitrads verwenden. Befestigen Sie den Faden am hinteren Leitrad und halten Sie ihn an der Seite des Geräts gegen die Trennscheibe.

2. Vergewissern Sie sich, dass sich hinteres Leitrad, Trennscheibe und verstellbares Leitrad in einer Linie befinden.
 - a) Passen Sie das verstellbare Leitrad mit den Schrauben an.
 - b) Um das hintere Leitrad zu verstellen, klopfen Sie mit einem Holzhammer darauf.

Trennscheiben



WARNUNG: Verwenden Sie die Trennscheibe ausschließlich für Materialien, für die diese konzipiert ist.



WARNUNG: Verwenden Sie für Nassschnitte nur Diamantscheiben. Die Nenndrehzahl der Diamantklinge muss der auf dem Typenschild des Geräts festgelegten Drehzahl entsprechen bzw. diese übertreffen. Verwenden Sie ausschließlich Diamantscheiben, die mit

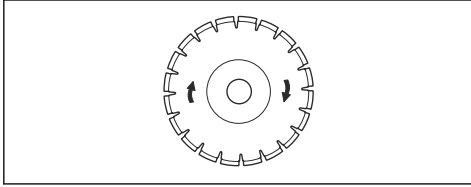
nationalen und regionalen Standards, z. B. EN13236 oder ANSI B7.1, übereinstimmen.

Der Hersteller der Diamantscheibe gibt Warnhinweise und Empfehlungen für den Betrieb und die korrekte Wartung der Trennscheibe. Diese Warnhinweise werden mit der Trennscheibe bereitgestellt.

Diamantscheiben



WARNUNG: Vergewissern Sie sich, dass die Diamantscheibe in Richtung der Pfeile dreht, die auf dieser abgebildet sind.



ACHTUNG: Immer eine scharfe Diamantscheibe benutzen.

Es gibt ein breites Sortiment an Diamantscheiben, die für unterschiedliche Arbeiten eingesetzt werden. Vom neu gegossenen Beton hin zu Beton und Asphalt, der hart geworden ist, sowie für unterschiedliche Härteklassen.

Diamantscheiben haben einen Stahlkern mit Segmenten aus Industriediamanten.

Wasserkühlsystem

Verwenden Sie beim Betrieb stets Wasser, um die Temperatur der Diamantscheiben niedrig zu halten. Das Wasserkühlsystem erhöht auch die Betriebszeit der Diamantscheiben und verhindert Staubansammlungen.

Vergewissern Sie sich, dass die Wasserversorgung nicht verstopft ist.

So schärfen Sie die Diamantscheiben

Diamantscheiben können stumpf werden, wenn Sie einen falschen Vorschubdruck anwenden oder Materialien wie Beton mit Bewehrungen schneiden. Wenn Sie eine stumpfe Diamantscheibe verwenden, kann diese heiß laufen, bis sich Diamantsegmente ablösen.

- Verringern Sie die Schnitttiefe und Motordrehzahl kurzzeitig, um die Diamanten auf der Diamantklinge zu schärfen.

Diamantscheiben für den Nassschnitt



ACHTUNG: Verwenden Sie stets einen Trennscheibenflansch mit den Abmessungen, die für die jeweilige

Scheibengröße festgelegt sind. Verwenden Sie keine beschädigten Trennscheibenflansche.

Während des Betriebs wird die Diamantscheibe durch Reibung sehr heiß. Ist die Diamantscheibe zu heiß geworden, sinkt die Klingenspannung oder der Kern bricht.

Lassen Sie die Diamantscheibe abkühlen, bevor Sie diese berühren.

- Diamantscheiben für Nassschnitte müssen mit Wasser eingesetzt werden, um deren Kern und die Segmente beim Schneiden kühl zu halten. Diamantscheiben für Nassschnitte dürfen nicht trocken eingesetzt werden.
- Wenn Sie Diamantscheiben zum Nassschneiden ohne Wasser verwenden, können diese zu heiß werden. Das verschlechtert die Leistung, schädigt die Trennscheibe und stellt ein Sicherheitsrisiko dar.

Kraftstoff einfüllen



ACHTUNG: Verwenden Sie immer den richtigen Kraftstofftyp. Die Verwendung eines falschen Kraftstoffs führt zu Schäden am Gerät.

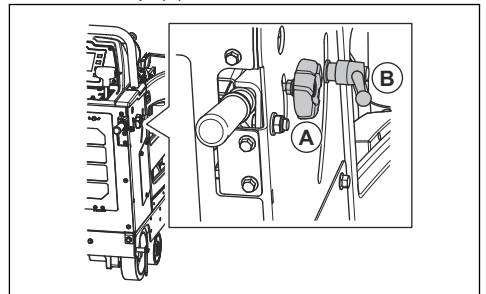


ACHTUNG: Verwenden Sie keinen Biodiesel. Biodiesel beschädigt die Kraftstoffschläuche.

- Verwenden Sie den richtigen Dieseldieseltstofftyp. Siehe *Technische Angaben auf Seite 89*. Weitere Informationen zum Kraftstoff finden Sie in der Motor-Betriebsanleitung des Motorherstellers.

So ändern Sie die Position der Griffe

1. Um die Länge der Griffe anzupassen, lösen Sie den Feststellknopf (A).



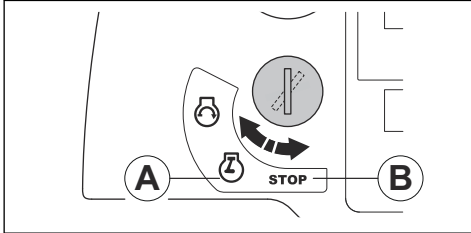
2. Passen Sie die Griffe an die entsprechende Betriebslänge an.
3. Ziehen Sie den Feststellknopf (A) an.
4. Um die Höhe der Griffe anzupassen, drehen Sie den Feststellknopf (B) gegen den Uhrzeigersinn.

5. Passen Sie die Griffe an die entsprechende Betriebshöhe an.
6. Drehen Sie den Feststellknopf (B) im Uhrzeigersinn, um die Griffe in Betriebsposition zu arretieren.

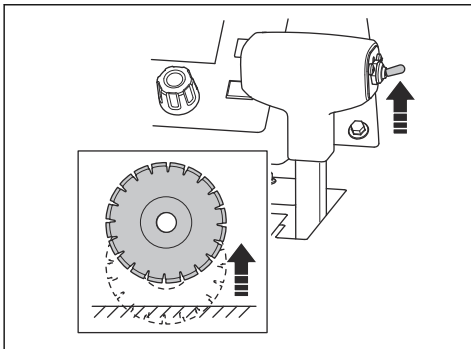
So installieren Sie eine Trennscheibe

Lesen Sie Abschnitt *Produktkonfiguration für unterschiedliche Klingenablessungen auf Seite 64*, bevor Sie eine Trennscheibe installieren.

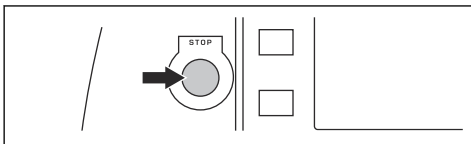
1. Stellen Sie den Startschalter des Motors in die Position „Zündung an“ (A).



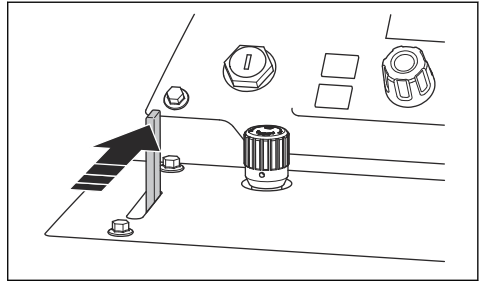
2. Schieben Sie den Schalter für die Schnitttiefeinstellung nach oben, um die Trennscheibe anzuheben.



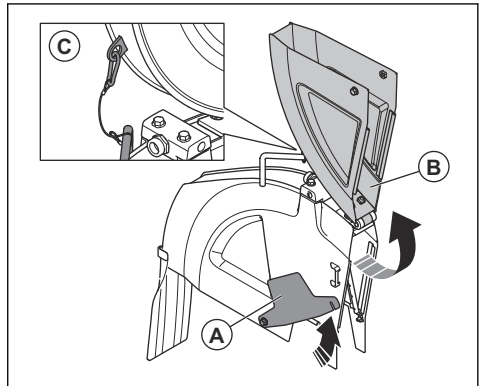
3. Bringen Sie den Startschalter des Motors in die Stopp-Position (B).
4. Drücken Sie auf der Bedientafel den Schalter zum Ausschalten des Geräts.



5. Schließen Sie das Wasserventil.

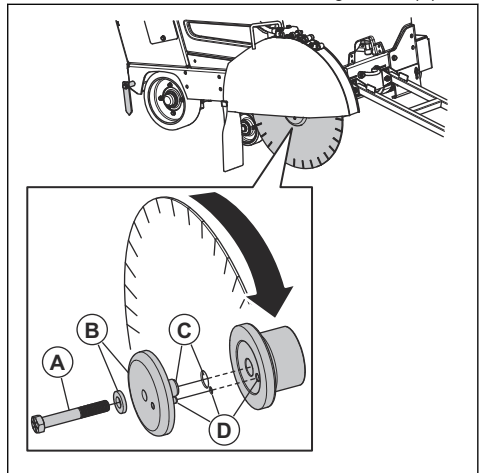


6. Lösen Sie am Klingenschutz die vordere Schraube und heben Sie die Verriegelung des Klingenschutzes (A) an.



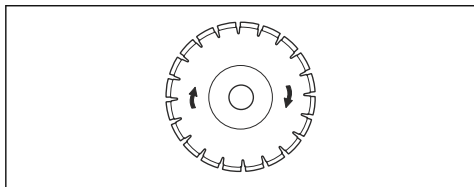
7. Heben Sie den vorderen Teil des Klingenschutzes (B) an und arretieren Sie den Klingenschutz in aufrechter Position mit einem Kabel und einem Karabiner (C).

8. Entfernen Sie die Schraube der Klingenwelle (A).



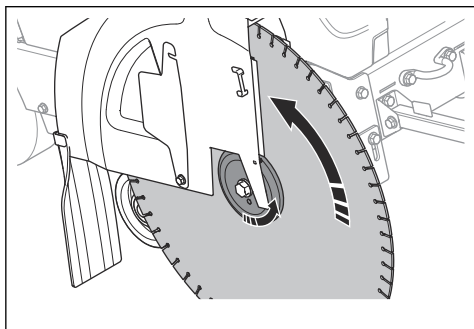
Hinweis: Die Klingenwellenschraube auf der rechten Seite des Geräts hat ein Linksgewinde. Die Klingenwellenschraube auf der linken Seite des Geräts hat ein Rechtsgewinde.

9. Entfernen Sie den äußeren Klingenflansch und die flache Unterlegscheibe (B).
10. Überprüfen Sie die Schraube der Klingenwelle, die Klingenflansche, die flache Unterlegscheibe und den Klingenflanschdorn (C) auf Beschädigungen. Ersetzen Sie abgenutzte oder beschädigte Teile.
11. Reinigen Sie die Kontaktflächen der Trennscheibe und der Klingenflansche.
12. Platzieren Sie die Trennscheibe am äußeren Flanschdorn.
13. Montieren Sie die Trennscheibe und den äußeren Flansch am inneren Flansch. Vergewissern Sie sich, dass der Sperrstift (D) durch die Trennscheibe und in den inneren Flansch (B) verläuft.
14. Stellen Sie sicher, dass die Trennscheibe in Richtung der Pfeile dreht, die auf dieser abgebildet sind.



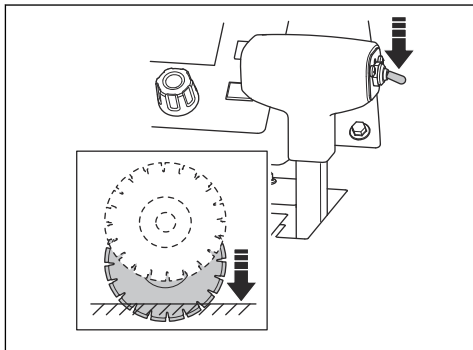
ACHTUNG: Es besteht eine Beschädigungsgefahr, wenn die Trennscheibe entgegengesetzt zur Drehrichtung installiert wird.

15. Installieren Sie die flache Unterlegscheibe und die Schraube der Klingenwelle.
16. Drehen Sie den äußeren Flansch und die Trennscheibe in die entgegengesetzte Richtung, in der sich die Trennscheibe bewegt, um das Spiel zu entfernen.



17. Halten Sie die Trennscheibe gut fest, während Sie die Schraube der Klingenwelle mit dem Klingenwellen-Zoll-Schraubenschlüssel festziehen.

18. Um die Trennscheibe abzusenken, schieben Sie den Schalter für die Schnitttiefeinstellung nach unten, bis die Trennscheibe die Oberfläche berührt.

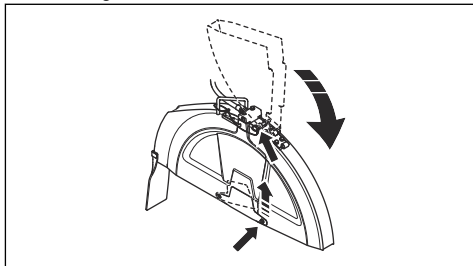


ACHTUNG: Senken Sie die Trennscheibe nicht zu schnell ab. Wenn die Trennscheibe den Boden mit Gewalt berührt, kann sie beschädigt werden. Verringern Sie die Geschwindigkeit mit dem Knopf zum Anpassen der Absenkgeschwindigkeit der Scheibe.



ACHTUNG: Lassen Sie das Vordergewicht des Geräts nicht auf die Trennscheibe drücken. Dies beschädigt die Trennscheibe.

19. Ziehen Sie die Schraube der Klingenwelle mit dem Klingenwellen-Zoll-Schraubenschlüssel vollständig an. Der Widerstand zwischen Trennscheibe und Boden hält die Trennscheibe in Position.
20. Senken Sie die vordere Seite des Klingenschutzes ab und platzieren Sie die Verriegelung des Klingenschutzes auf der vorderen Schraube des Klingenschutzes. Ziehen Sie die vordere Schraube des Klingenschutzes fest.



ACHTUNG: Betreiben Sie das Gerät nicht ohne Verwendung der Klingenschutz-Verriegelung und der vorderen Schraube des Klingenschutzes. Verwenden Sie das Gerät nicht, wenn die Teile beschädigt sind.

21. Starten Sie das Gerät und achten Sie auf ungewöhnliche Geräusche. Sollten ungewöhnliche Geräusche auftreten, bauen Sie die Trennscheibe aus.

- a) Überprüfen Sie die Trennscheibe auf Schäden.
- b) Montieren Sie die Trennscheibe erneut.
Tauschen Sie die Trennscheibe aus, wenn diese beschädigt ist.

So entfernen Sie die Trennscheibe

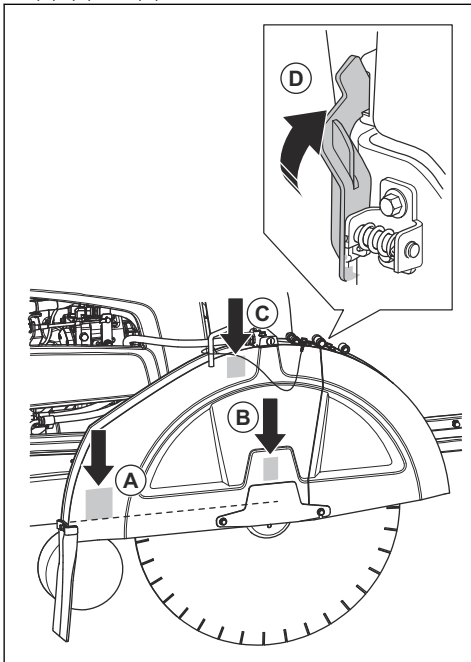


WARNUNG: Tragen Sie Schutzhandschuhe und lassen Sie das Gerät abkühlen, wenn Sie die Diamantscheibe entfernen. Diamantscheiben sind nach dem Gebrauch sehr heiß.

- Entfernen Sie die Trennscheibe in umgekehrter Reihenfolge des Einbaus. Siehe *So installieren Sie eine Trennscheibe auf Seite 62*.

So montieren Sie einen Klingenschutz

1. Senken Sie den Klingenschutz auf die Halterungen (A), (B) und (C).



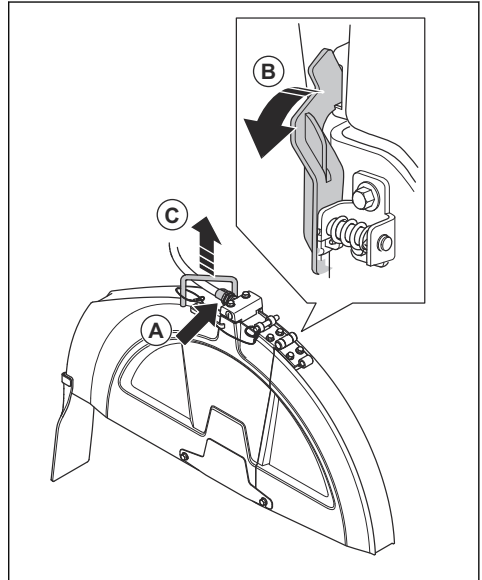
2. Drücken Sie den Klingenschutz nach unten, bis die Klingenschutzarretierung (D) einrastet.
3. Schließen Sie den Wasserschlauch an.

Nicht alle Halterungen werden für alle Klingenschutz-Abmessungen verwendet.

- Ein Klingenschutz der Größe 14 Zoll, 20 Zoll oder 26 Zoll wird nur auf die Halterung (B) abgesenkt.
- Ein Klingenschutz der Größe 30 Zoll wird auf die Halterungen (B) und (C) abgesenkt.
- Ein Klingenschutz der Größe 36 Zoll wird auf die Halterungen (A), (B) und (C) abgesenkt.

So entfernen Sie den Klingenschutz

1. Trennen Sie den Wasserschlauch (A) vom Klingenschutz.



2. Drehen Sie mit dem Klingenswellen-Zoll-Schraubenschlüssel die Klingenschutzarretierung (B) vorwärts, bis sie stoppt und entriegelt.
3. Heben Sie den Klingenschutz am Griff (C) an.

Produktkonfiguration für unterschiedliche Klingensabmessungen

Ein Gerät mit 1-Ganggetriebe läuft nur mit einer bestimmten Klingensabmessung und einem bestimmten Klingenschutz. Ein Gerät mit 3-Ganggetriebe läuft mit einem bestimmten Bereich von Klingensabmessungen und einem bestimmten Klingenschutz. Wenn Sie die Trennscheibe durch eine Trennscheibe einer anderen Abmessung ersetzen, müssen Sie die Konfiguration des Geräts ändern.

Ersetzen Sie bei einem Gerät mit 1-Ganggetriebe die folgenden Teile mit den angegebenen Abmessungen der neuen Trennscheibe:

- Klingenswellen-Riemenscheiben
- Riemenscheiben des Getriebes
- Klingenswellen-Flansche
- Riemen

- Klingenschutz

Bei einem Gerät mit 3-Ganggetriebe ist es ausreichend, den Gang zu wechseln, wenn die Abmessung der neuen Trennscheibe im gleichen Abmessungsbereich wie die ausgetauschte liegt. Wenn sich der Abmessungsbereich unterscheidet, müssen die in der Liste aufgeführten Teile auch bei einem Gerät mit 3-Ganggetriebe ausgetauscht werden.

Ihr Händler kann Ihnen bei der Bestellung der für Ihre Konfiguration erforderlichen Teile behilflich sein.

So prüfen Sie das Getriebe

- Um die Getriebe-Einstellung auf dem Bedientafel-Display zu ändern, schlagen Sie in der Bedienungsanleitung für die Bedientafel nach.

Konfiguration eines 1-Ganggetriebe-Modells

Es gibt fünf mögliche Konfigurationen für ein Gerät mit 1-Ganggetriebe:

Millimeter/Zoll
350/14
500/20
650/26
750/30
900/36

Weitere Informationen finden Sie in der Bedientafel-Bedienungsanleitung.

Konfiguration eines 3-Ganggetriebe-Modells

Es gibt drei mögliche Konfigurationen für ein Gerät mit 3-Ganggetriebe:

Millimeter/Zoll
350-650/14-26
500-750/20-30
500-900/20-36

Weitere Informationen finden Sie in der Bedientafel-Bedienungsanleitung.

So wechseln Sie den Gang an einem 3-Ganggetriebe-Modell

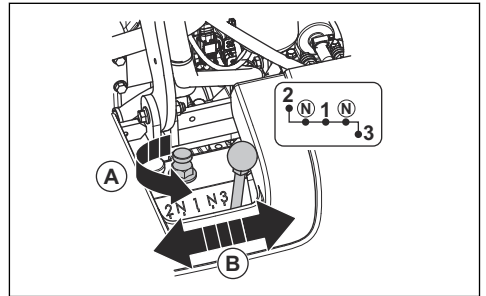


ACHTUNG: Schalten Sie nicht, wenn der Motor läuft oder Sie die Gerätekonfiguration noch nicht überprüft haben. Andernfalls

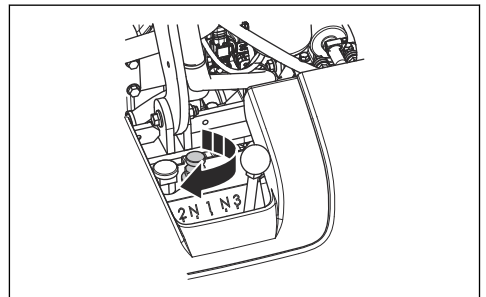
besteht die Gefahr, dass das Getriebe beschädigt wird.

Das Getriebe verfügt über drei Geschwindigkeitspositionen und zwei Neutralstellungen. Wenn das Getriebe in Neutralstellung steht, dreht sich die Trennscheibe nicht, wenn der Motor läuft.

1. Drehen Sie den Startschalter des Motors in die Stopp-Position.
2. Vergewissern Sie sich, dass die Abmessungen von Getriebe-Riemenscheiben, Klingenwellen-Riemenscheiben und Trennscheiben-Flansche für die Abmessungen der Trennscheibe passend sind.
3. Stellen Sie sicher, dass die Klingenwellen-Geschwindigkeit korrekt ist.
4. Drehen Sie den Knopf (A) zwei Umdrehungen gegen den Uhrzeigersinn, um die Kontermutter zu lösen.

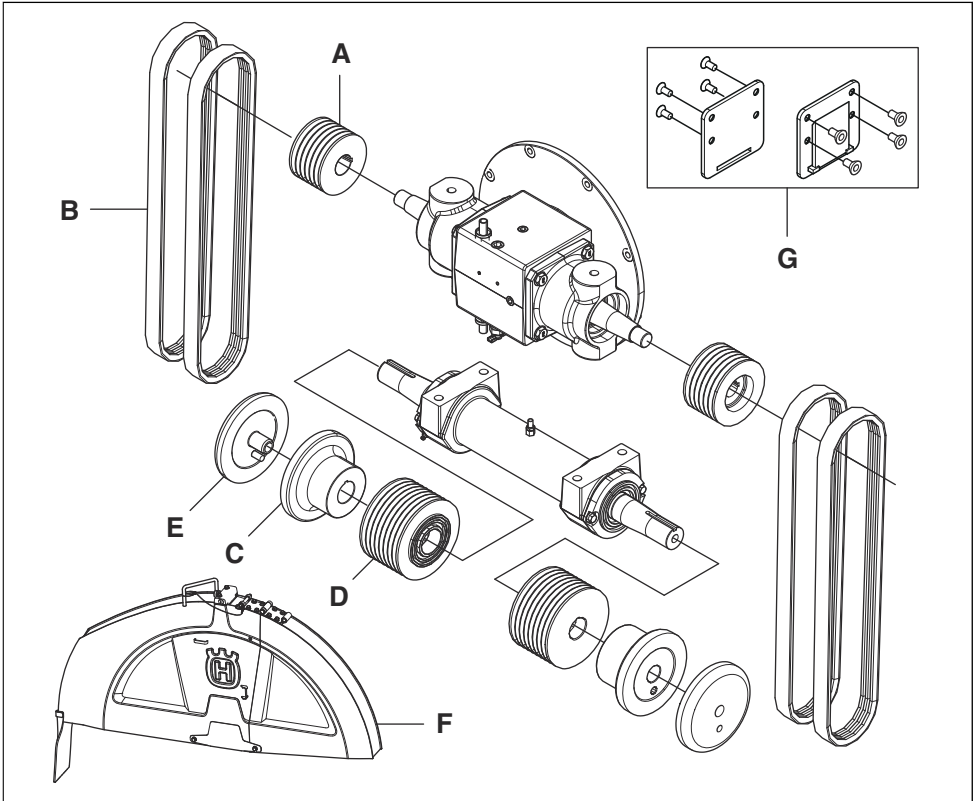


5. Lösen Sie die Kontermutter komplett, aber entfernen Sie sie nicht.
6. Stellen Sie den Schalthebel (B) auf den entsprechenden Gang. Wenn sich der Schalthebel nicht einfach bewegen lässt, drehen Sie die Klingenwelle ein wenig.
7. Ziehen Sie den Drehknopf im Uhrzeigersinn mit der Hand an.



8. Ziehen Sie die Kontermutter mit dem bereitgestellten Klingenwellen-Zoll-Schraubenschlüssel an. Siehe Geräteüberblick, hinten auf Seite 50.

Klingenabmessungen ändern, 1-Ganggetriebe-Modell

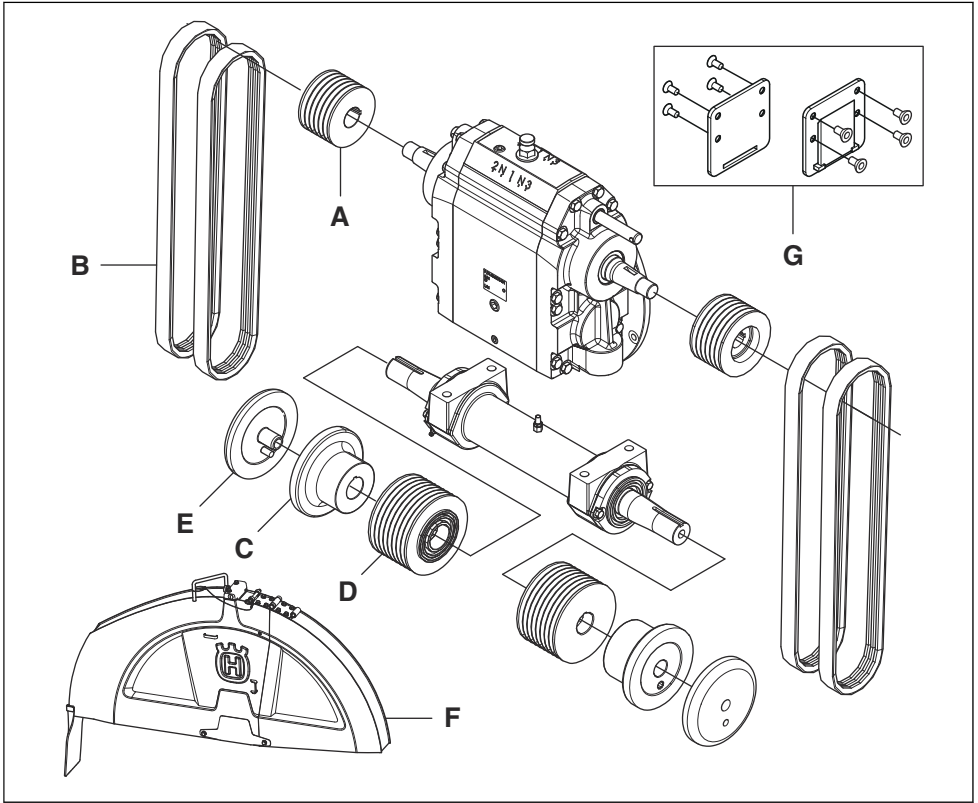


* = Teil ist bei der Original-Konfiguration des Geräts enthalten. Teile, die nicht in dieser Tabelle aufgelistet

sind, sind auch in der Original-Konfiguration des Geräts enthalten.

Abmessungen, Millimeter/Zoll	A	B	C	D	E	F	G
350/14	15,25/6	3VX475	114/4,5	106/4,17	114/4,5	350/14	Nein
500/20	114/4,51	3VX450	114/4,5	106/4,17	114/4,5	500/20	Nein
650/26	89/3,5	3VX435	127/5	106/4,17	127/5	650/26	Nein
750/30	89/3,5	3VX450	127/5	121,5/4,78	127/5	750/30	Nein
900/36	89/3,5	3VX460	152,5/6	146/5,75	152,5/6	900/36	Ja

Klingenabmessungen ändern, 3-Ganggetriebe-Modell



* = Teil ist bei der Original-Konfiguration des Geräts enthalten. Teile, die nicht in dieser Tabelle aufgelistet

sind, sind auch in der Original-Konfiguration des Geräts enthalten.

Abmessungen, Milli- meter/Zoll	A	B	C	D	E	F	G
350-650/14-26	114/4,51	3VX550	127/5	106/4,17	127/5	350-650/14-26	Nein
500-750/20-30	105/4,13	3VX550	127/5	115/4,53	127/5	500-750/20-30	Nein
500-900/20-36	105/4,13	3VX560	152,5/6	138/4,53	152,5/6	500-900/20-36	Ja

Klingentiefe-Stopp

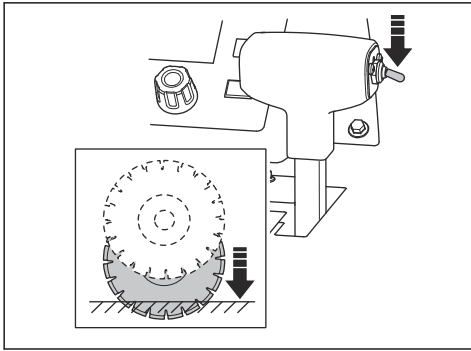
Das Gerät verfügt über den Klingentiefen-Stopp, mit der der Bediener die maximale Schnitttiefe einstellen kann. Die maximale Schnitttiefe unterscheidet sich je nach Klingenableitung:

Abmessungen, Milli- meter/Zoll	Max. Schnitttiefe, Millimeter/ Zoll
350/14	118/4,75

Abmessungen, Milli- meter/Zoll	Max. Schnitttiefe, Millimeter/ Zoll
500/20	193/7,75
650/26	262/10,5
750/30	312/12,5
900/36	374/15

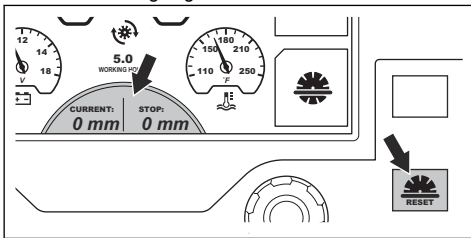
So stellen Sie die Schnitttiefe ein

- Um die Trennscheibe abzusenken, schieben Sie den Schalter für die Schnitttiefeinstellung nach unten, bis die Trennscheibe die Oberfläche berührt. Dies ist die Startposition für die Schnitttiefe.

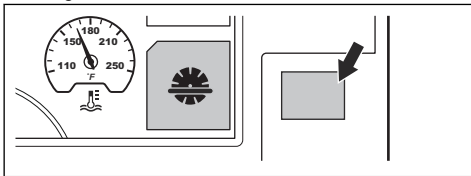


ACHTUNG: Senken Sie die Trennscheibe nicht zu schnell ab. Wenn die Trennscheibe den Boden mit Gewalt berührt, kann sie beschädigt werden. Verringern Sie die Geschwindigkeit mit dem Knopf zum Anpassen der Absenkgeschwindigkeit der Scheibe.

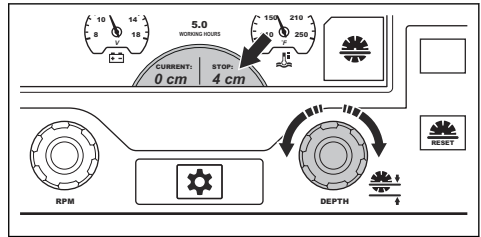
- Drücken Sie auf der Bedientafel die Taste zum Zurücksetzen des Klingentiefe-Stops. Der Schnitttiefe-Wert ist auf dem Display auf 0 Zoll/ Millimeter festgelegt.



- Drücken Sie die Taste neben dem Symbol für den Klingentiefe-Stopp. Das Symbol auf dem Display ändert die Farbe, um anzuzeigen, dass die Funktion ausgewählt ist.



- Drücken Sie den Knopf zum Anpassen des Klingentiefe-Stops bis die gewünschte Schnitttiefe auf dem Display angezeigt wird. Beim Betrieb wird die Trennscheibe maximal bis zur eingestellten Schnitttiefe abgesenkt.

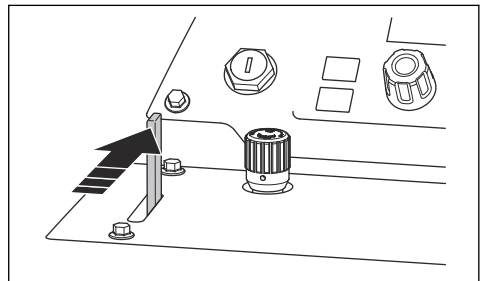


ACHTUNG: Prüfen Sie immer, dass die Schnitttiefe korrekt ist. Der Klingentiefe-Stopp bietet Unterstützung zur richtigen Schnitttiefe, die Funktion liefert jedoch nur einen Hinweis auf die Tiefe.

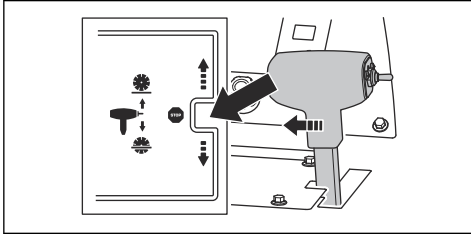
- Wenn Sie die Schnitttiefe erhöhen möchten, führen Sie einen der folgenden Schritte aus:
 - Drücken Sie den Knopf zum Anpassen des Klingentiefe-Stops, um eine neue Schnitttiefe einzustellen.
 - Drücken Sie die Taste neben dem Symbol für den Klingentiefe-Stopp, um die Funktion auszuschalten. Das Symbol auf dem Display ändert die Farbe, um anzuzeigen, dass die Funktion ausgeschaltet ist.

So starten Sie das Gerät

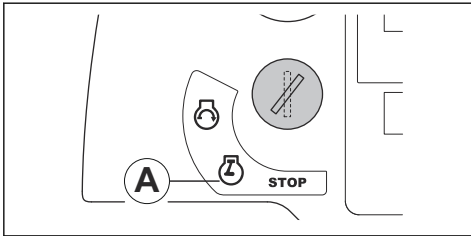
- Schließen Sie den Wassereinfluss an die Wasserzufuhr an.
- Schließen Sie das Wasserventil.



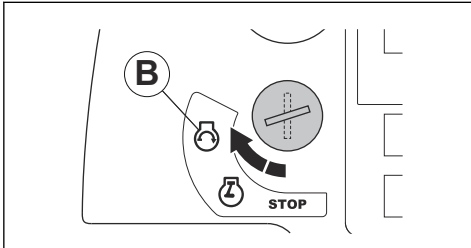
3. Stellen Sie den Hebel für die Drehzahlregelung auf die Stopp-Position.



4. Stellen Sie sicher, dass das Getriebe-Bypassventil geschlossen ist. Weitere Informationen zur Position vom Getriebe-Bypassventil finden Sie unter *Geräteüberblick, linke Seite auf Seite 48*.
5. Stellen Sie den Startschalter des Motors in die Position „Zündung an“ (A).



6. Wenn das Vorheizsymbol auf dem Display angezeigt wird, warten Sie, bis es erlischt. Siehe *Warnsymbole auf Bedientafel-Display auf Seite 53*.
7. Drehen Sie den Startschalter des Motors in die Startposition (B). Der Motor startet.



8. Lassen Sie den Motor 2 bis 3 Minuten im Leerlauf laufen, bis sich die Temperaturanzeige bewegt.



ACHTUNG: Lassen Sie den Motor nicht bei niedrigen Leerlaufdrehzahlen laufen, wenn das Gerät nicht in Betrieb ist. Niedrige Leerlaufdrehzahlen erhöhen die Anzahl an Partikeln im Motor und verringern die Zeit zwischen Regenerierungen.

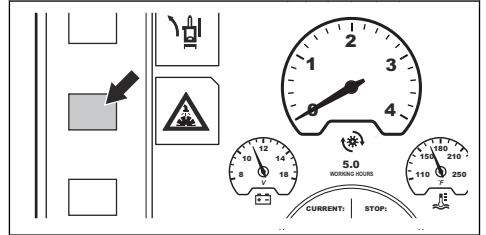


WARNUNG: Bei Geräten ohne Klingenkupplung beginnt sich die Trennscheibe zu drehen, wenn der Motor gestartet wird und der Gang sich

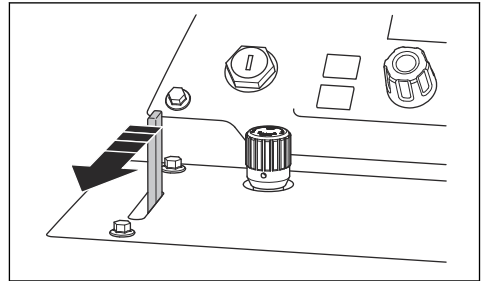
nicht in Neutralstellung befindet. Bewegen Sie das Gerät nicht zur Seite oder aus dem Arbeitsbereich, wenn sich die Trennscheibe dreht.

So bedienen Sie das Produkt

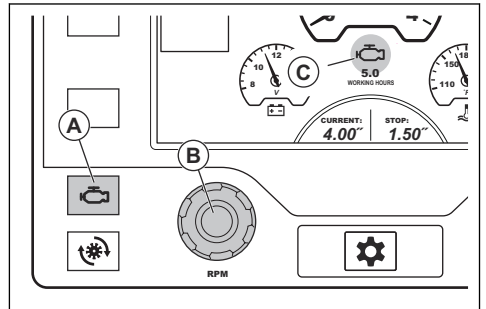
1. Starten Sie den Motor.
2. Drücken Sie die Taste neben dem Symbol für das Wassersicherheitssystem. Das Symbol auf dem Display ändert die Farbe, um anzuzeigen, dass die Funktion ausgewählt ist.



3. Öffnen Sie das Wasserventil.

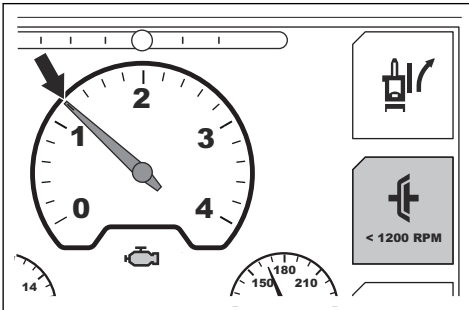


4. Drücken Sie die Motordrehzahl-Taste (A). Das Motorsymbol (C) zeigt an, dass der Geschwindigkeitsanpassungs-Knopf (B) die Motorgeschwindigkeit anpasst.

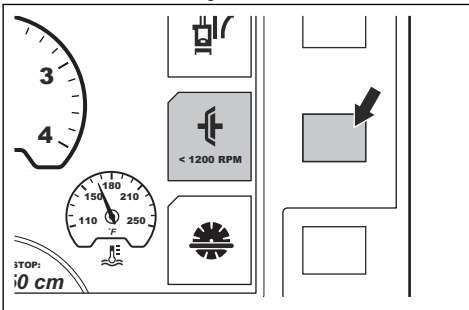


5. Wenn das Gerät über eine Klingenkupplung verfügt, führen Sie folgende Schritte aus:

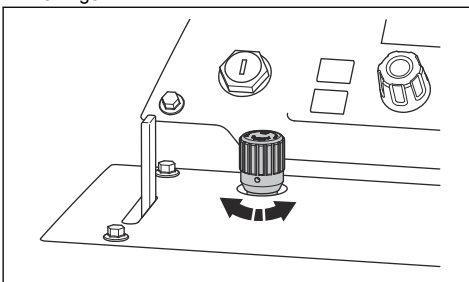
- a) Stellen Sie sicher, dass die Motordrehzahl 1200 U/min. nicht überschreitet.



- b) Drücken Sie die Taste neben dem Klingenkupplungssymbol auf dem Display. Das Symbol auf dem Display ändert die Farbe, um anzuzeigen, dass der Antrieb auf der Trennscheibe eingeschaltet ist.

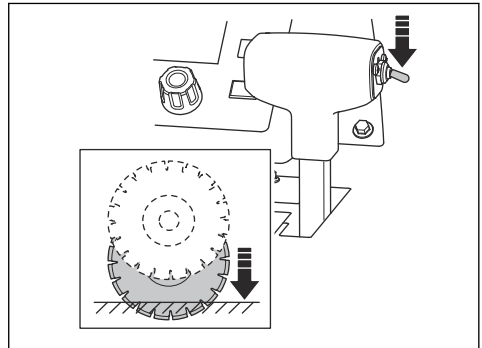


6. Drehen Sie den Geschwindigkeitsanpassungs-Knopf im Uhrzeigersinn, um die Motordrehzahl auf Vollgas zu erhöhen.
7. Um die Absenkgeschwindigkeit der Klinge einzustellen, drehen Sie den Knopf zum Anpassen der Absenkgeschwindigkeit der Scheibe. Drehen Sie ihn gegen den Uhrzeigersinn, um die Geschwindigkeit zu erhöhen. Drehen Sie ihn im Uhrzeigersinn, um die Geschwindigkeit zu verringern.



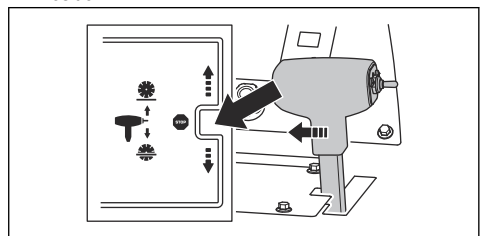
8. Halten Sie das einstellbare Leitrad, das hintere Leitrad und die Trennscheibe während des Betriebs auf der Markierung.

9. Um die Trennscheibe für die richtige Schnitttiefe abzusenken, schieben Sie den Schalter für die Schnitttiefeinstellung nach unten. Siehe *Klingentiefe-Stopp auf Seite 67.*

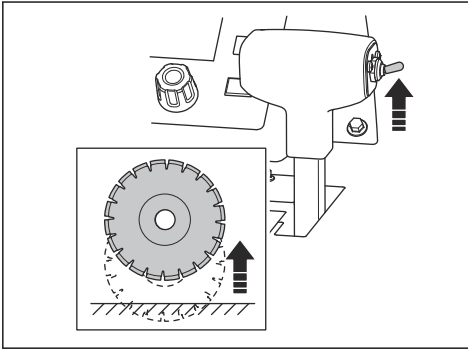


ACHTUNG: Wenn Sie die Trennscheibe in einen Schnitt absenken, der noch nicht fertiggestellt ist, richten Sie die Trennscheibe genau am Schnitt aus, damit sie nicht beschädigt wird.

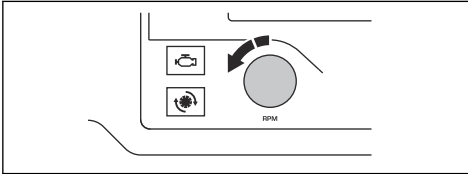
10. Drücken Sie den Hebel für die Drehzahlregelung langsam nach vorn, damit sich das Gerät vorwärts bewegt.
11. Hören Sie auf die Geräusche des Motors. Ziehen Sie den Hebel für die Drehzahlregelung nach hinten, um die Vorwärtsgeschwindigkeit an die Sägebedingungen anzupassen.
12. Wenn der Vorgang abgeschlossen ist, bringen Sie den Hebel für die Drehzahlregelung in die Stopp-Position.



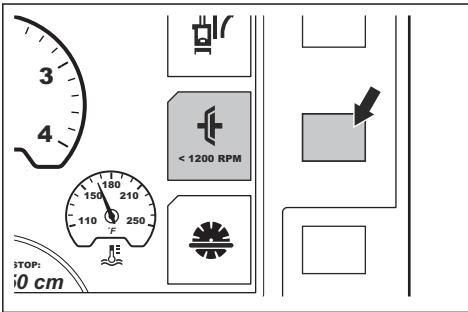
13. Drücken Sie den Schalter für die Schnitttiefeinstellung nach oben, bis sich die Trennscheibe über der Oberfläche befindet.



14. Drehen Sie den Gashebelknopf auf die Niedrig-Leerlaufposition.



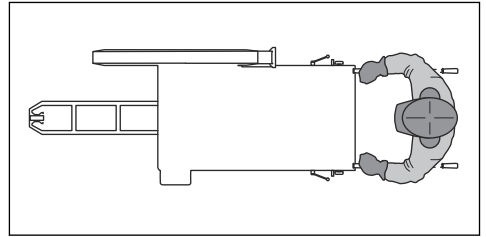
15. Wenn das Gerät eine Klingenkupplung hat, drücken Sie die Taste neben dem Klingenkupplungssymbol auf dem Display. Das Symbol auf dem Display ändert die Farbe, um anzuzeigen, dass der Antrieb auf der Trennscheibe ausgeschaltet ist.



Hinweis: Weitere Informationen dazu, wie Sie die Hinterachse einstellen, wenn das Gerät nicht gerade schneidet, finden Sie hier *Gerader Betrieb des Geräts* auf Seite 71.

So verwenden Sie die richtige Arbeitstechnik

- Bleiben Sie vom Pfad der Klinge entfernt, wenn der Motor eingeschaltet ist. Die richtige Position des Bedieners ist zwischen den Griffen.



- Prüfen Sie die Trennscheibe während des Arbeitstags häufiger auf Risse und defekte Teile. Keine schadhafte Trennscheibe verwenden.



WARNUNG: Stellen Sie den Motor ab, bevor Sie die Trennscheibe prüfen.

- Schleifen Sie niemals mit der Trennscheibenseite. Die Trennscheibe kann brechen und Verletzungen des Bedieners oder umstehender Personen verursachen. Verwenden Sie nur die Schneidkante.
- Biegen oder drehen Sie die Trennscheibe nicht im Schnitt.
- Vergewissern Sie sich, dass sich die Trennscheibe frei bewegt und nicht im Schnitt hängen bleibt.

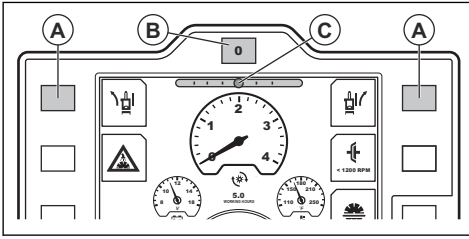
Gerader Betrieb des Geräts

Während des Betriebs verursacht die Trennscheibe einen Widerstand auf die Vorwärtsbewegung der Hinterräder. Dadurch lenkt das Gerät in die Richtung, in der die Trennscheibe montiert ist. Damit ein gebogener Schnitt vermieden wird, kann der Winkel der Hinterachse angepasst werden. Es gibt zwei Verfahren zum Einstellen der Hinterachse: die E-Track-Funktion oder die manuelle Achseinstellung.

So stellen Sie die Hinterachse mit der E-Track-Funktion ein

Sie können die Hinterachseinstellung mit der E-Track-Funktion während des Betriebs des Geräts oder bei Stillstand vornehmen.

- Drücken Sie die linke und rechte E-Track-Einstelltaste (A), um die Hinterachse einzustellen. Drücken Sie sie mehrmals kurz, um kleine Anpassungen vorzunehmen.

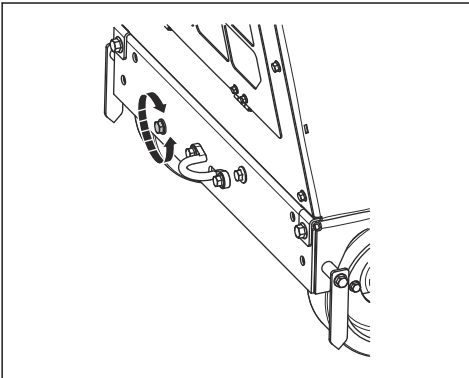


Hinweis: Das E-Track-Messgerät (C) auf dem Display zeigt den aktuellen Winkel der Hinterachse an. Die Änderungen werden gespeichert, wenn die Zündung aus oder das Gerät nicht mit Strom versorgt wird.

- Sehen Sie sich die Bewegung und Richtung des Geräts an, um sicherzustellen, dass die Einstellung korrekt ist.
- Um die Hinterachse auf den im System eingestellten Mittelpunktswinkel zurückzusetzen, drücken Sie die E-Track-Neustarttaste (B).
- Um wieder zum eingestellten Winkel zurückzukehren, drücken Sie die E-Track-Neustarttaste erneut.
- Um die Hinterachse auf den im System eingestellten Mittelpunktswinkel einzustellen, schlagen Sie in der Bedienungsanleitung für die Bedientafel nach.

So stellen Sie die Hinterachse manuell ein

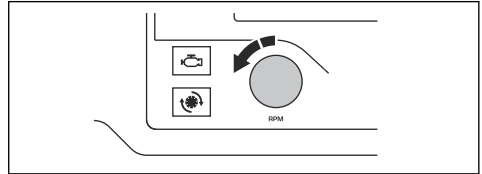
- Drehen Sie die Stellschraube unten links an der Rückseite des Geräts. Verwenden Sie einen 18-mm-Schraubenschlüssel.



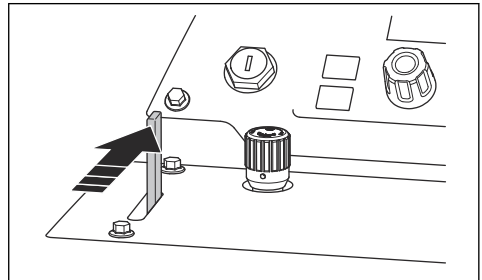
- a) Wenn das Gerät während des Betriebs nach rechts steuert, drehen Sie die Stellschraube gegen den Uhrzeigersinn.
- b) Wenn das Gerät während des Betriebs nach links steuert, drehen Sie die Stellschraube im Uhrzeigersinn.

So schalten Sie das Gerät aus

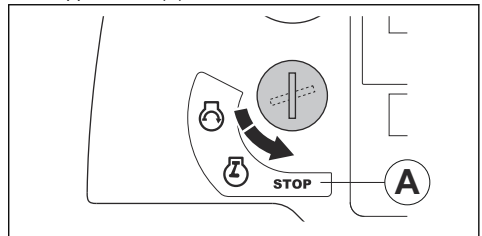
1. Drehen Sie den Gashebelknopf auf die Niedrig-Leerlaufposition.



2. Schließen Sie das Wasserventil.



3. Lassen Sie den Motor 2 bis 3 Minuten im Leerlauf laufen.
4. Drehen Sie den Startschalter des Motors in die Stopp-Position(A).



WARNUNG: Nach Ausschalten des Motors dreht sich die Trennscheibe noch eine Zeit lang weiter. Halten Sie die Trennscheibe nicht mit den Händen an. Schwere Verletzungen können die Folge sein.

Wartung

Einleitung



WARNUNG: Lesen Sie vor dem Warten des Geräts das Kapitel über Sicherheit, und machen Sie sich damit vertraut.

Für alle Wartungs- und Reparaturarbeiten am Produkt ist eine spezielle Schulung erforderlich. Wir garantieren, dass professionelle Reparaturen und Wartungsarbeiten zur Verfügung stehen. Wenn Ihr Händler keine Servicewerkstatt ist, sprechen Sie mit ihm, um Informationen über die nächste Servicewerkstatt zu erhalten.

Wenden Sie sich für Ersatzteile an einen Händler oder eine Servicewerkstatt von Husqvarna.

Maßnahmen vor der Wartung

- Parken Sie das Gerät auf einem ebenen Untergrund und stellen Sie den Motor ab. Drücken Sie die Maschinen-Stoppptaste auf der Bedientafel, um versehentliches Anlassen bei der Wartung zu verhindern.

- Befreien Sie den Bereich um das Gerät von Öl und Schmutz. Entfernen Sie unerwünschte Gegenstände.
- Stellen Sie um den Wartungsbereich eindeutige Schilder auf, damit umstehende Personen gewarnt werden, dass eine Wartung durchgeführt wird.
- Bewahren Sie Feuerlöscher, medizinische Versorgung und ein Notfalltelefon in der Nähe auf.

Wartungsplan

Hinweis: Wenn mehr als ein Zeitintervall in der Tabelle angegeben ist, gilt das kürzeste Intervall nur für die erste Wartung.

* Weitere Informationen finden Sie unter *Sicherheitsvorrichtungen am Gerät auf Seite 56.*

Wartung	Täglich und nach dem Transport	50 Std.	100 Std.	250 Std.	500 Std.	Jährlich
Reinigen Sie das Gerät.	X					
Kontrollieren Sie den Kühlmittelfüllstand des Kühlers.	X					
Kontrollieren Sie den Motorölstand.	X					
Kontrollieren Sie den Klingenschutz.	*					
Prüfen Sie alle Schläuche und Schlauchklemmen. Prüfen Sie Stellen, an denen Schläuche an anderen Schläuchen oder Teilen des Geräts reiben, auf Beschädigung.	X					
Reinigen Sie den äußeren Luftfilter.	X					
Kontrollieren Sie die Schutzabdeckungen und die Klingenschutzvorrichtungen.	*					
Lassen Sie Wasser aus dem Getriebe ab.	X					
Kontrollieren Sie die Wasserversorgung der Trennscheibe.	X					
Entleeren Sie den Wasserabscheider für den Kraftstofffilter.	X					
Tauschen Sie Motoröl und Motorölfiter aus.		X	X			
Reinigen Sie den Kühler-Luftfilter.		X				
Kontrollieren Sie die Keilriemen.		X				
Schmieren Sie die Vorderräder.		X				

Wartung	Taglich und nach dem Transport	50 Std.	100 St d.	250 St d.	500 St d.	Jahr- lich
Ersetzen Sie den Hydrauliksystemfilter.		X		X		
Schmieren Sie die Drehlager der Vorderachse.			X			
Prufen Sie Rader und Radnaben auf Beschadigungen und stellen Sie sicher, dass sie korrekt angebracht sind.			X			
Prufen Sie Luftfilterschlauch und Schlauchklemmen.			X			
Kontrollieren Sie den Hydraulikolstand.			X			
Schmieren Sie die Klingenwelle.				X		
Schmieren Sie das Drehgelenk des Hydraulikzylinders.	X					
Schmieren Sie das Hinterachslager.				X		
Wechseln Sie das Hydraulikol.					X	
Wechseln Sie das Ol im Getriebe.					X	
Tauschen Sie den Kraftstofffilter aus.					X	
Wechseln Sie das Kuhlmittel des Kuhlers.					X	
Tauschen Sie die Luftfilter aus.						X
Prufen Sie, ob die Kuhlmittelmischung korrekt ist. Siehe <i>Technische Angaben auf Seite 89.</i>						X

So reinigen Sie das Gerat



WARNUNG: Verwenden Sie eine Schutzbrille. Bei der Reinigung mit einem Hochdruckreiniger konnen Schmutz oder schadliche Materialien aus dem Gerat austreten.

- Lassen Sie das Gerat abkuhlen, bevor Sie es reinigen.
- Stellen Sie sicher, dass die Abdeckung fur die Relais- und Sicherungsbox korrekt montiert ist, bevor Sie das Gerat reinigen.
- Reinigen Sie elektrische Bauteile nicht mit Wasser.
- Verwenden Sie ein mildes Reinigungsmittel. Tragen Sie Schutzhandschuhe, um Hautirritationen zu vermeiden.
- Reinigen Sie das Gerat mit einem Hochdruckreiniger.

So reinigen Sie den Kuhler



ACHTUNG: Beachten Sie die Anweisungen. Ein falsches Vorgehen kann die Kuhlrippen beschadigen.

- Reinigen Sie die Kuhlrippen mit Druckluft.
- Verwenden Sie einen Hochdruckreiniger und ein schwaches Reinigungsmittel falls erforderlich.

- Halten Sie den Strahl direkt auf den Kuhler, parallel zu den Kuhlrippen.
- Halten Sie zwischen den Kuhlrippen und der Duse des Hochdruckreinigers oder des Luftstroms einen Abstand von mindestens 40 cm.

So reinigen Sie die Bedientafel



ACHTUNG: Verwenden Sie zur Reinigung der Bedientafel keinen Hochdruckreiniger.

- Reinigen Sie elektrische Komponenten mit einem Tuch oder mit Druckluft.
- Reinigen Sie die Bedientafel mit einem feuchten Tuch.

So reinigen Sie den Motor

- Halten Sie zwischen der Duse und dem Motor und Motorkomponenten einen Abstand von mindestens 40 cm.
- Seien Sie bei der Reinigung des Motors vorsichtig, besonders in der Nahe elektrischer Komponenten. Elektrische Komponenten durfen nicht direkt mit Wasser bespritzt werden.
- Richten Sie den Wasserstrahl nicht direkt auf die Abgasleitung oder den Motorluftfilter.

Nach der Reinigung des Geräts

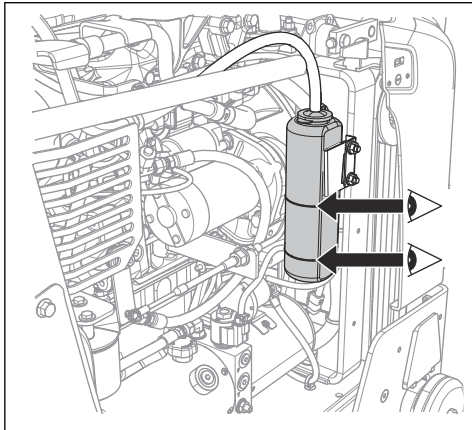
- Trocknen Sie elektrische Anschlüsse mit Druckluft.
- Lassen Sie das Gerät vollständig trocknen, bevor Sie den Motor starten.

So kontrollieren Sie den Kühlmittelfüllstand des Kühlers

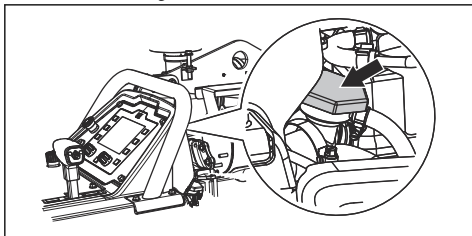


WARNUNG: Gefahr von Brandverletzungen
Lassen Sie den Motor abkühlen, bevor Sie den Kühlmittelbehälterdeckel öffnen.

1. Überprüfen Sie den Kühlmittelfüllstand am Behälter auf ausgelaufenes Kühlmittel. Der Kühlmittelstand ist richtig, wenn sich die Füllhöhe zwischen den beiden Markierungen befindet.



2. Wenn der Kühlmittelstand zu niedrig ist, entfernen Sie den Deckel und füllen Sie Kühlmittel bis zur entsprechenden Markierung auf. Weitere Informationen zum richtigen Kühlmitteltyp und der richtigen Kühlmittelmischung finden Sie unter *Technische Angaben auf Seite 89*.

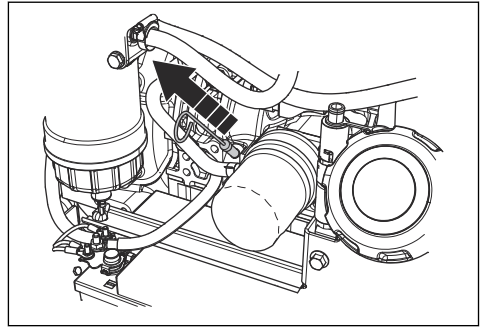


So prüfen Sie den Motorölstand

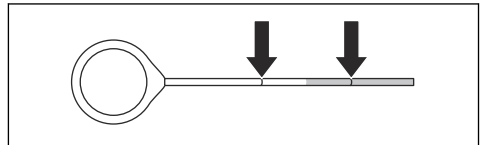
Um den Ölstand korrekt abzulesen, muss sich das Gerät in der richtigen Position befinden.

1. Wenn Sie den Motorölstand prüfen, muss die Trennscheibe entfernt sein und das Gerät gerade stehen.

2. Entfernen Sie den Messstab aus dem Öltank.



3. Reinigen Sie den Messstab von Öl.
4. Stecken Sie den Messstab vollständig zurück in den Öltank.
5. Entfernen Sie den Messstab.
6. Prüfen Sie den Ölstand am Messstab. Der Motorölstand muss zwischen den Markierungen auf dem Messstab liegen.



7. Wenn der Ölstand zu niedrig ist, füllen Sie Motoröl ein, und kontrollieren Sie den Ölstand erneut. Weitere Informationen zum richtigen Motoröltyp finden Sie unter *Technische Angaben auf Seite 89*.

So prüfen Sie Schläuche und Schlauchklemmen

- Prüfen Sie die Schläuche am Kraftstoffsystem, am Hydrauliksystem und am Kühlsystem auf Undichtigkeiten.
- Untersuchen Sie die Schläuche auf Verschleiß und Beschädigungen, insbesondere an Stellen, an denen Schläuche an anderen Schläuchen oder Teilen des Geräts reiben.
- Ersetzen Sie beschädigte Schläuche.
- Ziehen Sie lose Schlauchklemmen an.

So reinigen Sie den äußeren Luftfilter



WARNUNG: Tragen Sie einen zugelassenen Atemschutz, wenn Sie den Luftfilter reinigen oder austauschen. Entsorgen Sie gebrauchte Luftfilter ordnungsgemäß. Der Staub im Luftfilter gefährdet Ihre Gesundheit.



WARNUNG: Reinigen Sie den Luftfilter nicht mit Druckluft. Dadurch wird der Luftfilter

beschädigt und das Risiko, dass Sie den gefährlichen Staub einatmen, steigt.

So lassen Sie Wasser aus dem Getriebe ab

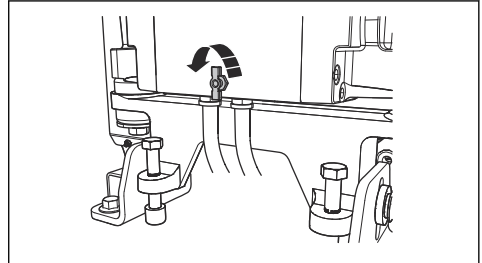
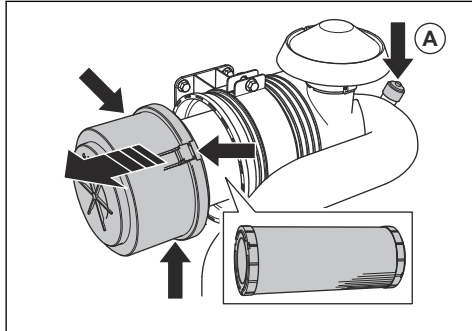
Es ist nicht notwendig, den inneren Luftfilter zu reinigen.

1. Prüfen Sie die Luftfilteranzeige (A). Wenn die Luftfilteranzeige rot ist, muss der äußere Luftfilter gereinigt werden.
2. Öffnen Sie die 3 Klemmen des Luftfiltergehäuses und entfernen Sie das Luftfiltergehäuse.



ACHTUNG: Wasser im Getriebe kann Korrosion und Frostschäden verursachen.

1. Drehen Sie das Wasserablassventil am Getriebe gegen den Uhrzeigersinn, um es zu öffnen.



2. Drehen Sie das Wasserablassventil am Getriebe im Uhrzeigersinn, um es zu schließen.

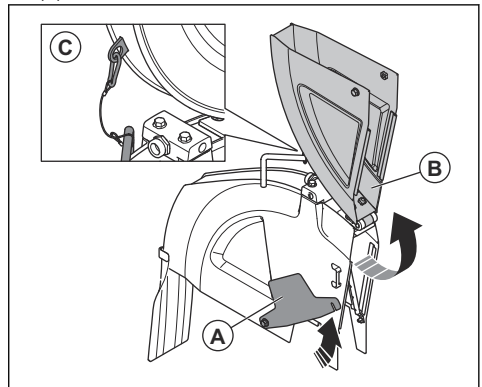
So kontrollieren Sie die Wasserversorgung der Trennscheibe

3. Entfernen Sie den Luftfilter.
4. Klopfen Sie den Luftfilter auf eine harte Oberfläche oder verwenden Sie einen Staubsauger, um die Partikel zu entfernen.

1. Lösen Sie am Klingenschutz die vordere Schraube und heben Sie die Verriegelung des Klingenschutzes (A) an.



ACHTUNG: Berühren Sie mit der Düse des Staubsaugers nicht die Oberfläche des Luftfilters. Halten Sie einen kleinen Abstand. Die empfindliche Oberfläche des Luftfilters wird beschädigt, wenn Objekte damit in Berührung kommen.



5. Ersetzen Sie beschädigte Dichtungen.
6. Prüfen Sie den Luftfilterschlauch und die Schlauchklemmen.
 - a) Ersetzen Sie die beschädigten Teile.
 - b) Ziehen Sie lose Klemmen an.
7. Installieren Sie den äußeren Luftfilter.
8. Installieren Sie das Luftfiltergehäuse und schließen Sie die 3 Klemmen des Luftfiltergehäuses.

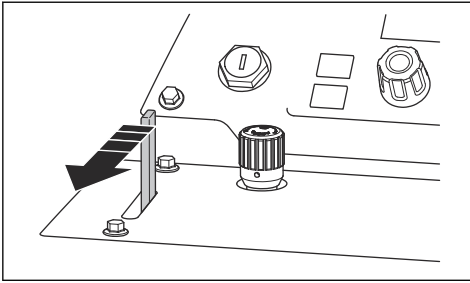
2. Heben Sie den vorderen Teil des Klingenschutzes (B) an und arretieren Sie den Klingenschutz in aufrechter Position mit einem Kabel und einem Karabiner (C).

Hinweis: Wenn die 3 Klemmen des Luftfiltergehäuses nicht geschlossen werden können, ist der äußere Luftfilter nicht richtig installiert.

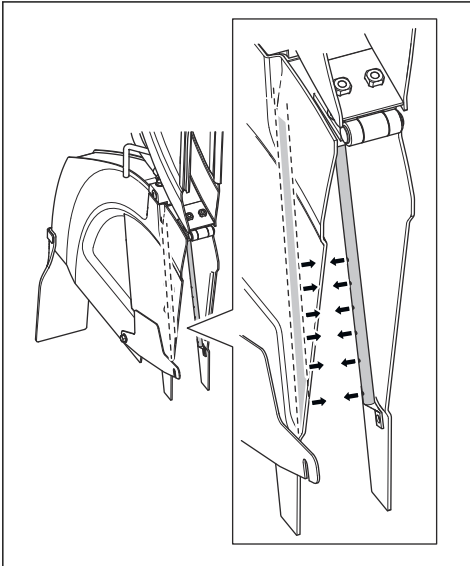


ACHTUNG: Tauschen Sie beschädigte Luftfilter immer aus, da ansonsten Staub in den Motor eindringen und beschädigen kann. Schäden am Motor, die auf beschädigte Luftfilter zurückzuführen sind, führen zum Erlöschen der Garantie.

3. Öffnen Sie das Wasserventil.



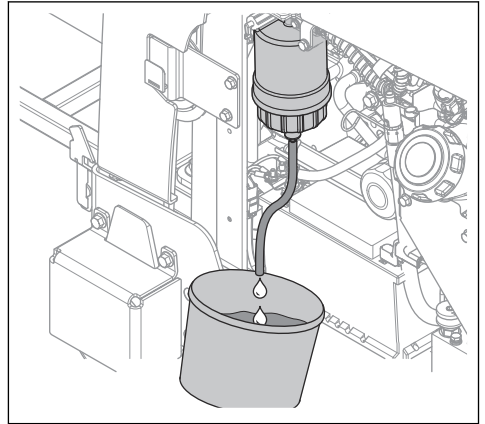
4. Vergewissern Sie sich, dass die Wasserstrahlen unmittelbar aus den Löchern an beiden Seiten der Trennscheibe herauskommen.



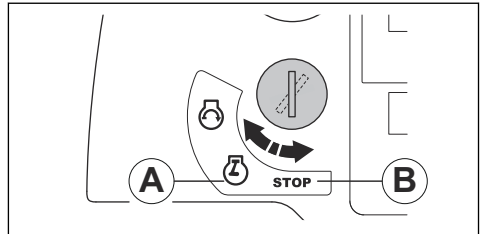
5. Achten Sie darauf, dass es keine Undichtigkeiten an den Wasserleitungen gibt.
6. Tauschen Sie beschädigte Wasserleitungen aus.

So entleeren Sie den Wasserabscheider für den Kraftstofffilter

1. Stellen Sie einen Behälter unter den Schlauch am Wasserabscheider für den Kraftstofffilter.



2. Stellen Sie den Startschalter des Motors in die Position „Zündung an“ (A). Starten Sie den Motor nicht.

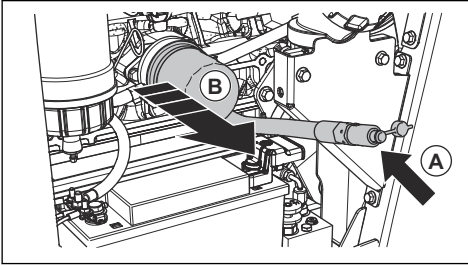


3. Lassen Sie die Kraftstoffpumpe für ca. 15 Sekunden arbeiten, um den Druck im Kraftstoffsystem zu erhöhen.
4. Drehen Sie den Startschalter des Motors in die Stopp-Position (B).
5. Drehen Sie den Hahn auf und lassen Sie das Wasser aus dem Wasserabscheider in den Behälter ab.
6. Schließen Sie den Hahn.
7. Entsorgen Sie das Wasser als chemischen Abfall. Siehe *Entsorgung auf Seite 88*.

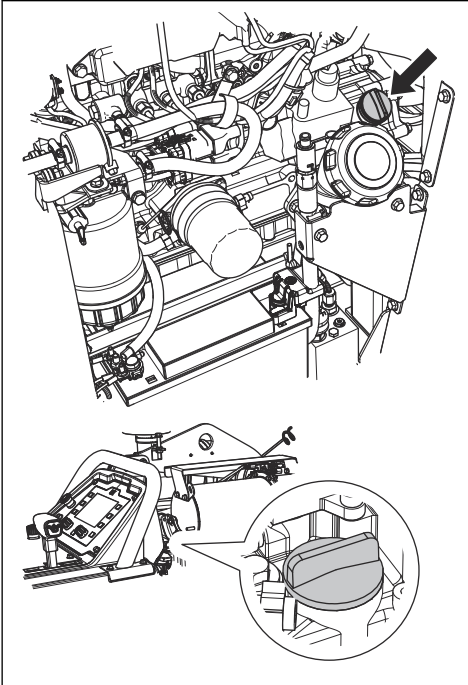
So wechseln Sie Motoröl und Motorölfilter

1. Decken Sie den Akku ab, um ihn vor dem Öl zu schützen.

- Entfernen Sie den Deckel (A) vom Ölablassschlauch für das Motoröl.



- Öffnen Sie das Ventil und biegen Sie den Schlauch herunter, um das Motoröl abzulassen.
- Entfernen Sie den Motorölfilter (B) und entsorgen Sie ihn.
- Schließen Sie das Ventil.
- Füllen Sie einen neuen Motorölfilter mit Öl und montieren Sie ihn am Gerät.
- Öffnen Sie einen Öltankdeckel und füllen Sie Motoröl ein. Siehe *Technische Angaben auf Seite 89*.



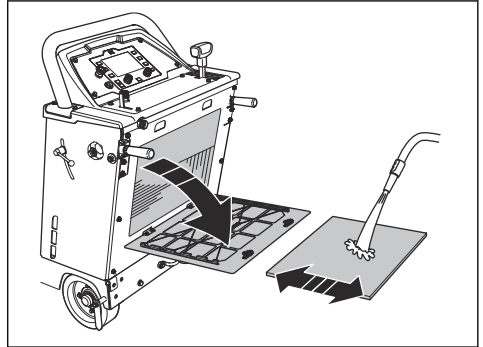
Hinweis: Es gibt 2 Öltankdeckel für Motoröl.

So reinigen Sie den Luftfilter des Kühlers



ACHTUNG: Betreiben Sie das Gerät nicht ohne Kühler-Luftfilter.

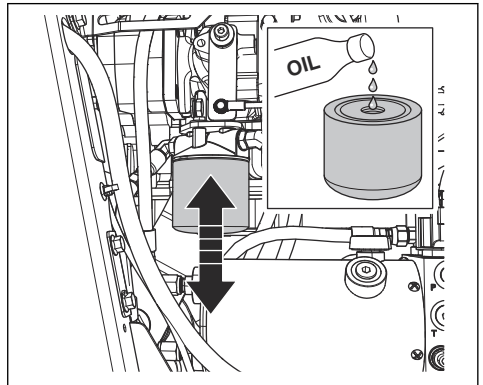
- Reinigen Sie den Kühler-Luftfilter mit Seife und Wasser.



- Tauschen Sie einen beschädigten Kühler-Luftfilter stets aus.

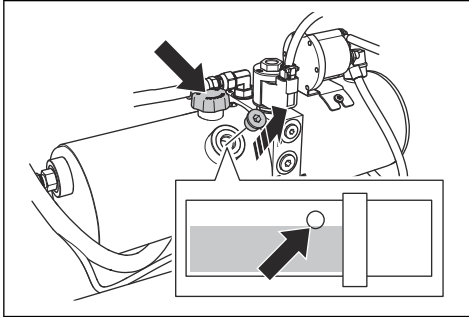
So ersetzen Sie den Hydrauliksystemfilter

- Entfernen Sie den Hydrauliksystemfilter und entsorgen Sie ihn.



- Füllen Sie einen neuen Hydrauliksystemfilter mit Öl. Weitere Informationen zum richtigen Öltyp finden Sie unter *Technische Angaben auf Seite 89*.
- Schmieren Sie die Dichtung mit ein paar Tropfen Öl.
- Montieren Sie den Hydrauliksystemfilter.
- Vergewissern Sie sich, dass das Gerät gerade steht.

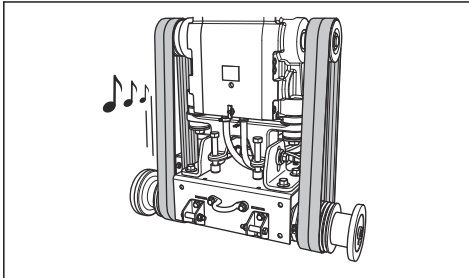
6. Entfernen Sie den Stöpsel von der Inspektionsöffnung am Hydraulikbehälter.



7. Entfernen Sie den Deckel des Hydraulikbehälters und füllen Sie neues Öl bis zum richtigen Füllstand auf. Siehe *So kontrollieren Sie den Hydraulikölstand auf Seite 80*.
8. Befestigen Sie den Deckel des Hydraulikbehälters.
9. Montieren Sie den Stöpsel in der Inspektionsöffnung am Hydraulikbehälter.

So kontrollieren Sie die Keilriemen

- Ziehen Sie einen Keilriemen nach dem anderen an und lassen Sie ihn wieder los. Die Keilriemen müssen einen langen Ton von sich geben, keinen kurzen.



- a) Wenn Sie einen langen, klaren Ton hören, ist die Spannung korrekt.
- b) Wenn Sie einen kurzen Ton hören, ist die Spannung zu niedrig. Siehe *So erhöhen Sie die Spannung der Keilriemen auf Seite 79*.
- Prüfen Sie die Keilriemen auf Verschleiß und Beschädigungen. Ersetzen Sie beschädigte Keilriemen.



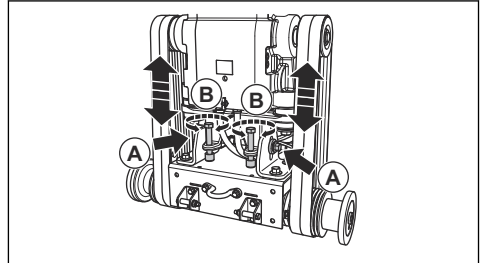
ACHTUNG: Tauschen Sie nicht nur einen Keilriemen aus. Tauschen Sie immer alle vier Keilriemen gleichzeitig aus.

So erhöhen Sie die Spannung der Keilriemen



ACHTUNG: Die Spannung der Keilriemen muss nach den ersten 2 bis 4 Betriebsstunden erhöht werden.

1. Lösen Sie mit dem Klingenwellen-Zoll-Schraubenschlüssel die 2 Schrauben (A).

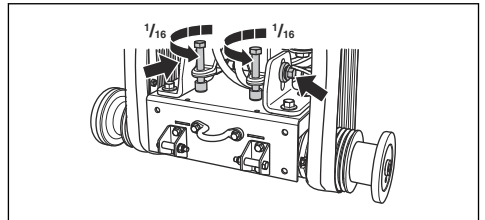


2. Drehen Sie die Schrauben für die Riemen Spannung (B) im Uhrzeigersinn, bis die Keilriemen straff sitzen.



ACHTUNG: Drehen Sie die 2 Schrauben für die Riemen Spannung in gleichem Maße. Die Spannung muss bei beiden Keilriemen gleich sein.

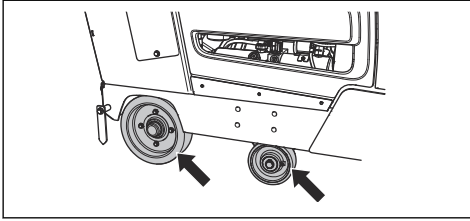
3. Kontrollieren Sie die Keilriemen. Siehe *So kontrollieren Sie die Keilriemen auf Seite 79*.
 - a) Wenn die Spannung der Keilriemen zu niedrig ist, drehen Sie die Schrauben für die Riemen Spannung noch etwas.
 - b) Drehen Sie solange, bis die Spannung der Keilriemen korrekt ist.
4. Ziehen Sie die 2 Schrauben (A) an.
5. Drehen Sie die Schrauben für die Riemen Spannung gegen den Uhrzeigersinn etwa $1/16$ einer Umdrehung.



ACHTUNG: Stellen Sie sicher, dass die vier Keilriemen die gleiche Spannung haben. Ziehen Sie die Keilriemen nicht zu straff an.

So überprüfen Sie die Räder

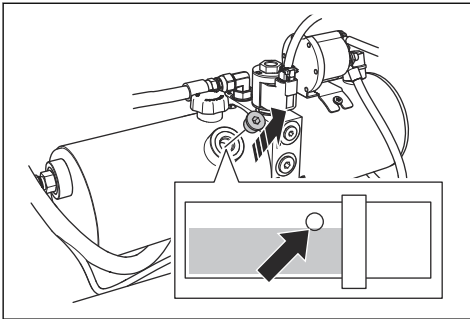
- Prüfen Sie die Räder auf Abnutzung oder Schäden. Ersetzen Sie Räder und Naben, wenn sie beschädigt oder abgenutzt sind.



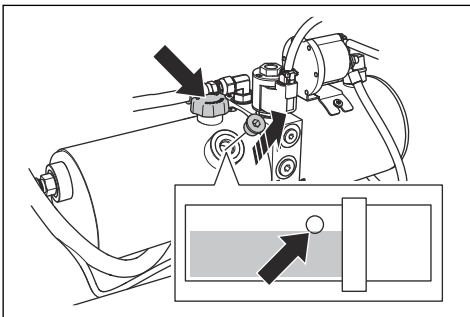
- Prüfen Sie, ob Hinterradnaben oder Räder locker sind. Ziehen Sie lose Schrauben und Muttern fest.

So kontrollieren Sie den Hydraulikölstand

1. Entfernen Sie den Stöpsel in der Inspektionsöffnung am Servobehälter. Weitere Informationen zur Position des Hydraulikbehälters finden Sie unter *Geräteüberblick, rechte Seite auf Seite 49*.



2. Achten Sie darauf, dass der Ölstand am unteren Rand der Öffnung des Hydraulikbehälters ist.
3. Entfernen Sie ggf. den Deckel des Hydraulikbehälters und füllen Sie Öl auf, bis der Ölstand korrekt ist. Weitere Informationen zum richtigen Öltyp finden Sie unter *Geräteüberblick, rechte Seite auf Seite 49*.

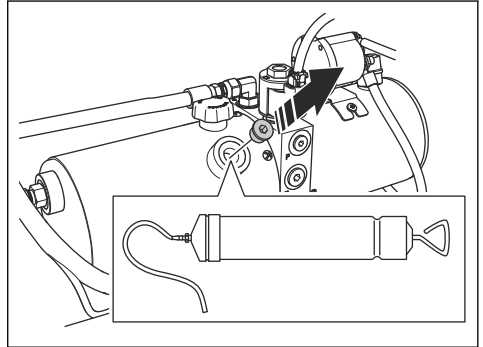


ACHTUNG: Füllen Sie nicht zu viel nach. Aus der Inspektionsöffnung kann Öl austreten.

4. Befestigen Sie den Deckel des Hydraulikbehälters.
5. Montieren Sie den Stöpsel in der Inspektionsöffnung am Hydraulikbehälter.

So wechseln Sie das Hydrauliköl

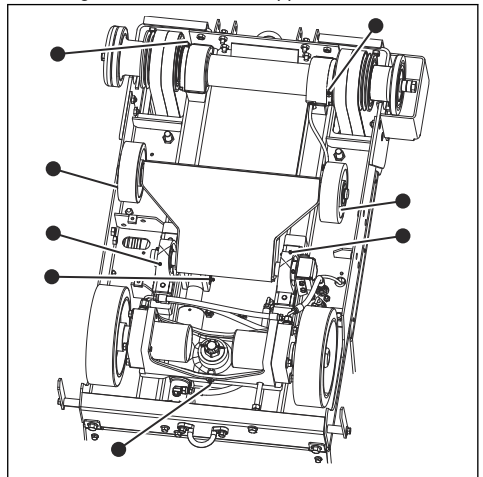
1. Entfernen Sie den Stöpsel von der Inspektionsöffnung am Hydraulikbehälter.



2. Verwenden Sie eine manuelle Ölpumpe, um das Öl durch die Inspektionsöffnung am Hydraulikbehälter abzulassen.
3. Ersetzen Sie den Hydrauliksystemfilter. Siehe *So ersetzen Sie den Hydrauliksystemfilter auf Seite 78*.

Schmieren des Geräts

1. Reinigen Sie die 8 Schmiernippel.



2. Tauschen Sie defekte oder blockierte Schmiernippel aus.
3. Schmieren Sie die Vorderräder.

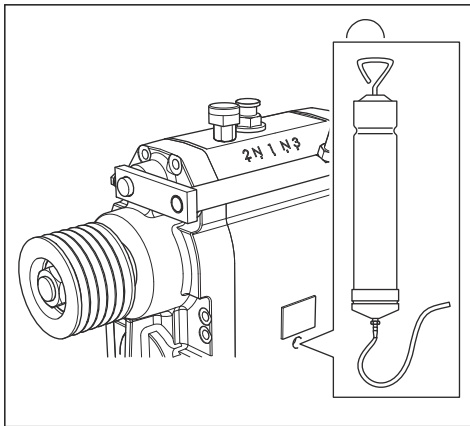
4. Schmieren Sie die Drehlager der Vorderachse.
5. Schmieren Sie die Klingenwelle. Drücken Sie die Schmierpumpe jeweils zweimal an die Enden der Klingenwelle.
6. Schmieren Sie den Drehzapfen des Hydraulikzylinders.
7. Schmieren Sie das Hinterachslager.

Weitere Informationen zur Schmierung finden Sie unter *Technische Angaben auf Seite 89*.

So wechseln Sie das Öl im Getriebe

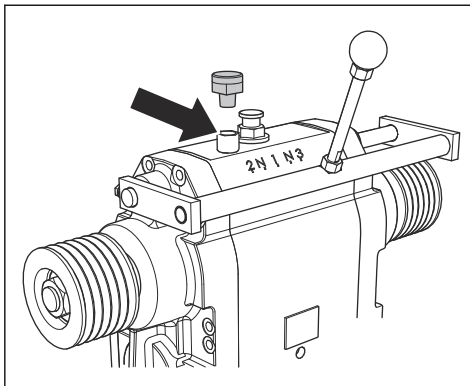
Es gibt zwei Möglichkeiten zum Ablassen des Öls aus dem Getriebe.

1. So entfernen Sie das Öl mit einer manuellen Ölpumpe:
 - a) Entfernen Sie den Stöpsel im Inspektionsfenster vorne am Gerät.



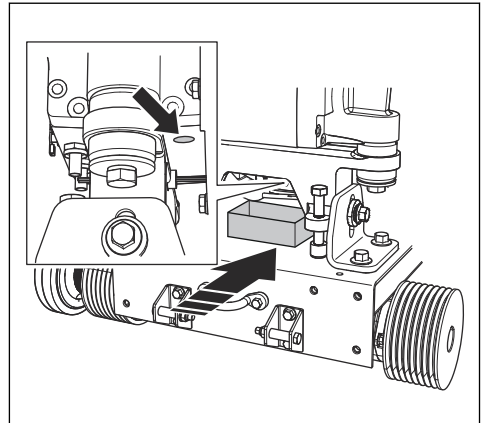
- b) Verwenden Sie eine Ölpumpe, um das Öl über das Inspektionsfenster abzulassen.

2. Entfernen Sie die linke Schraube.

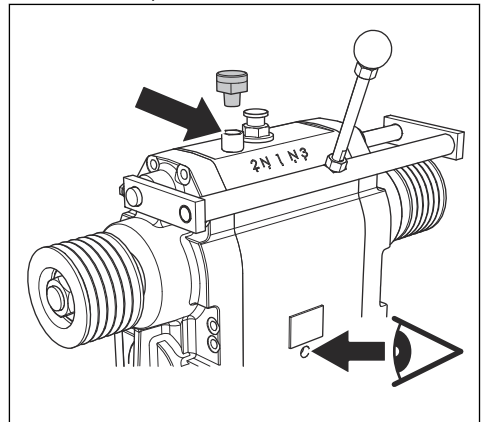


3. So entfernen Sie das Öl durch das Loch unter dem Motor:

- a) Stellen Sie einen Behälter unter den Motor.



- b) Lösen Sie die Schraube und lassen Sie das Öl in den Behälter laufen.
 - c) Ziehen Sie die Schraube an.
4. Füllen Sie Öl in das Rohr und schauen Sie dabei durch das Inspektionsfenster.



5. Füllen Sie Öl bis zum korrekten Ölstand auf.
6. Ziehen Sie die linke Schraube an.

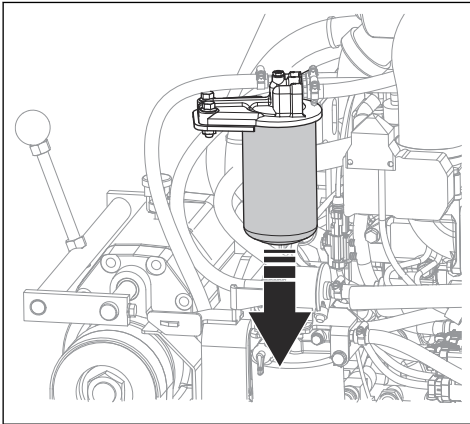
So tauschen Sie den Kraftstofffilter aus



WARNUNG: Tragen Sie Schutzhandschuhe, um Hautirritationen zu vermeiden. Kraftstoff kann aus dem Kraftstofffilter auf Ihre Haut gelangen.

1. Schließen Sie das Ventil des Vorfilters. Weitere Informationen finden Sie in der Motor-Bedienungsanleitung.
2. Drehen Sie den Kraftstofffilter zum Entfernen gegen den Uhrzeigersinn.
3. Tauschen Sie den Kraftstofffilter aus.

- Füllen Sie den neuen Kraftstofffilter mit Dieseldieselfkraftstoff.
- Schmieren Sie die Dichtung mit ein paar Tropfen Dieseldieselfkraftstoff.



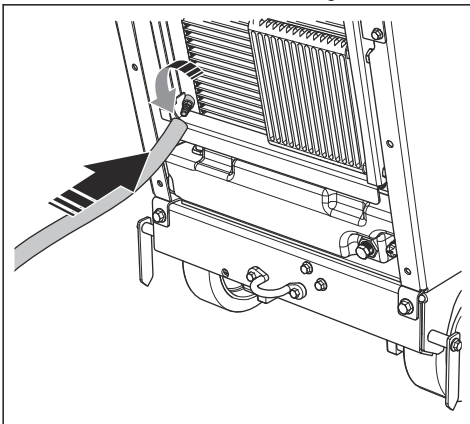
- Montieren Sie den Kraftstofffilter.
- Öffnen Sie das Ventil des Vorfilters bevor Sie den Motor starten.

So wechseln Sie das Kühlmittel des Kühlers



WARNUNG: Gefahr von Brandverletzungen
Lassen Sie den Motor abkühlen, bevor Sie den Kühlmittelbehälterdeckel öffnen.

- Entfernen Sie die hintere Abdeckung.

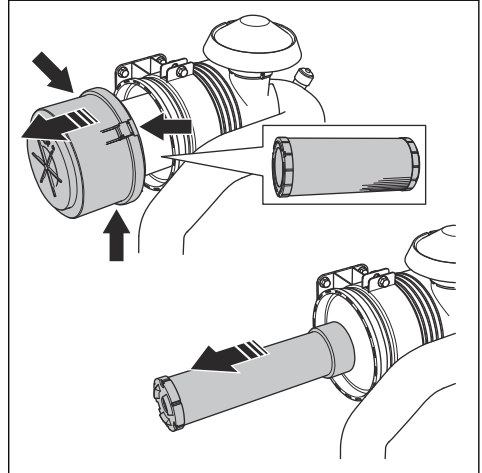


- Befestigen Sie eine Verlängerung am Ventil.
- Öffnen Sie das Ventil.
- Entfernen Sie den Kühlmittelbehälter-Deckel. Das Kühlmittel wird abgelassen.
- Schließen Sie das Ventil.

- Füllen Sie Kühlmittel bis zur Mitte der beiden Markierungen auf dem Kühlmittelgefäß auf. Weitere Informationen zum richtigen Kühlmitteltyp und der richtigen Kühlmittelmischung finden Sie unter *Technische Angaben auf Seite 89*.

So tauschen Sie Luftfilter aus

- Öffnen Sie die 3 Klemmen des Luftfiltergehäuses und entfernen Sie das Luftfiltergehäuse.



- Ersetzen Sie den äußeren und inneren Luftfilter.
- Installieren Sie die Luftfilter in umgekehrter Reihenfolge.

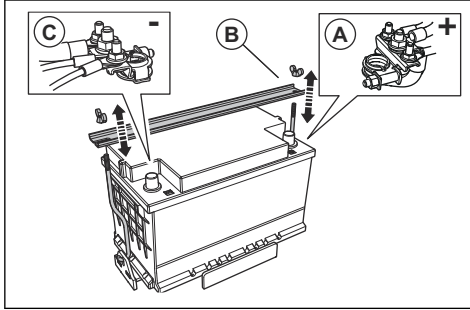
Hinweis: Wenn die 3 Klemmen des Luftfiltergehäuses nicht geschlossen werden können, ist der äußere Luftfilter nicht richtig installiert.

Akkupflege

Hinweis: Der Akku im Gerät ist wartungsfrei. Öffnen oder entfernen Sie keine Kappen oder Abdeckungen.

So schließen Sie den Akku an und trennen ihn

1. Verbinden Sie das rote Akkukabel (A) mit der POSITIVEN (+) Akkuklemme.



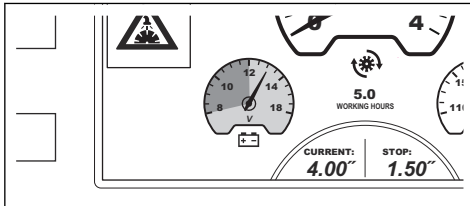
2. Installieren Sie den Akkuhalter (B).
3. Verbinden Sie das schwarze Akkukabel (C) mit der NEGATIVEN (-) Akkuklemme.
4. Trennen Sie die Akkukabel in entgegengesetzter Reihenfolge, in der Sie sie angeschlossen haben.



WARNUNG: Trennen Sie immer zuerst die NEGATIVE (-) Akkuklemme.

So kontrollieren Sie den Akku

- Kontrollieren Sie den Akku täglich.
 - a) Stellen Sie den Startschalter des Motors in die Position „Zündung an“.
 - b) Prüfen Sie die Akkuanzeige auf dem Display. Der Wert darf nicht unter 12 V liegen.



- Wenn die Akkuanzeige weniger als 12 V anzeigt, laden oder ersetzen Sie den Akku.
- Tauschen Sie den Akku aus, wenn er die Spannung nicht halten kann. Dieses Problem kann auftreten, wenn das Gerät lange Zeit nicht verwendet wurde. Weitere Informationen zu empfohlenen Akkus finden Sie unter *Technische Angaben auf Seite 89*.
- Laden Sie den Akku regelmäßig auf.
- Halten Sie die Akkuklemmen und die Akkukabel sauber.

So führen Sie einen Fremdstart des Motors durch

Wenn die Batterie zu schwach ist, um den Motor zu starten, können Sie Überbrückungskabel für einen Fremdstart verwenden. Das Gerät ist mit einem negativ

geerdeten 12-Volt-System ausgestattet. Das Gerät, das Sie für den Fremdstart verwenden, muss ebenfalls ein 12 V-System mit negativer Masse und mindestens 700 CCA haben.

So schließen Sie die Überbrückungskabel an

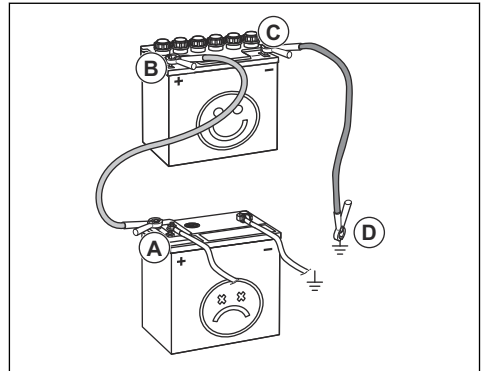


WARNUNG: Es besteht Explosionsgefahr aufgrund explosiver Gase, die von der Batterie ausgehen. Schließen Sie die Minusklemme des geladenen Akkus nicht an die Minusklemme des schwachen Akkus oder in der Nähe davon an.



ACHTUNG: Verwenden Sie die Batterie Ihres Geräts nicht zum Fremdstarten anderer Fahrzeuge.

1. Schließen Sie ein Ende des roten Akkukabels an die POSITIVE (+) Akkuklemme (A) des leeren Akkus an.



2. Schließen Sie das andere Ende des roten Akkukabels an die POSITIVE (+) Akkuklemme (B) des geladenen Akkus an.



WARNUNG: Die Enden des roten Akkukabels dürfen das Chassis nicht berühren. Dadurch würde es zu einem Kurzschluss kommen.

3. Schließen Sie ein Ende des schwarzen Akkukabels an die NEGATIVE (-) Akkuklemme (C) des geladenen Akkus an.
4. Verbinden Sie das andere Ende des schwarzen Akkukabels mit einer KAROSSERIE-MASS (D), nicht in der Nähe von Kraftstofftank und Akku.

So entfernen Sie die Überbrückungskabel

Hinweis: Entfernen Sie die Überbrückungskabel in umgekehrter Reihenfolge, wie Sie sie angeschlossen haben.

1. Entfernen Sie das SCHWARZE Kabel vom Chassis.

- Entfernen Sie das SCHWARZE Kabel von der voll aufgeladenen Batterie.
- Entfernen Sie das ROTE Kabel von den 2 Batterien.

Regeneration

Um die Abgasemissionen zu verringern, hat der Dieselmotor einen Dieselpartikelfilter (DPF), mit dem unerwünschte Stoffe im Abgas aufgefangen werden. Die Konzentration von unerwünschten Stoffen im Dieselpartikelfilter nimmt während des Betriebs zu. Darum muss der Dieselpartikelfilter regelmäßig gereinigt werden. Dieses Reinigungsverfahren ist bekannt als DPF-Regenerierung. Es ist ein vollautomatisiertes Verfahren, das vom Bediener gestartet und durch die Motorsteuereinheit gesteuert wird. Es gibt verschiedene Modi der Regenerierung:

- Stationäre Regenerierung Standby
- Stationäre Regenerierung
- Regenerierung Backup-Modus
- Wiederherstellungs-Regenerierung

Stationäre Regenerierung Standby

Wenn diese Warnsymbole auf dem Display angezeigt werden, befindet sich der Motor im Regenerierungs-Standby.



Die Motorleistung ist verringert. In den ersten zwei Stunden verringert sich die Motorleistung auf 85 % und dann auf 50 %. Nach 8 Stunden bzw. wenn die Rußbelastung auf über 11,5 g/l ansteigt, wird die maximale Motordrehzahl auf 1500 U/min verringert.

Eine stationäre Regenerierung muss so schnell wie möglich ausgeführt werden, nachdem die Warnsymbole angezeigt wurden.

Stationäre Regenerierung

Eine stationäre Regenerierung dauert etwa 30 Minuten. In der Bedienungsanleitung der Bedientafel finden Sie Informationen zur stationären Regenerierung.

Regenerierungs-Backup-Modus

Wenn diese Warnsymbole auf dem Display angezeigt werden, befindet sich der Motor im Regenerierungs-Backup-Modus.



Die Motorleistung ist auf 50 % verringert. Die maximale Motordrehzahl verringert sich auf die niedrige Leerlaufdrehzahl. Eine Wiederherstellungs-Regenerierung muss ausgeführt werden, damit der Motor wieder korrekt arbeitet.

Wiederherstellungs-Regenerierung

Eine Wiederherstellungs-Regenerierung dauert etwa 3 Stunden. In der Bedienungsanleitung der Bedientafel finden Sie Informationen zur Wiederherstellungs-Regenerierung.

Hinweis: Der Bediener kann für alle Geräte mit Produktionsdatum ab 1. Januar 2019 eine Wiederherstellungs-Regenerierung über die Bedientafel ausführen. Bei Motoren mit einem Produktionsdatum vor dem 1. Januar 2019 ist ein ECU-Software-Update erforderlich, damit der Bediener eine Wiederherstellungs-Regenerierung über die Bedientafel durchführen kann. Wenn die ECU-Software nicht aktualisiert wird, muss das Yanmar Servicetool SmartAssist verwendet werden, um eine Wiederherstellungs-Regenerierung durchzuführen. Weitere Informationen erhalten Sie von Ihrem Husqvarna Servicecenter.

Fehlerbehebung

Fehlerbehebung



WARNUNG: Wenn der Motor oder die Trennscheibe stoppt, heben Sie die Trennscheibe vollständig aus dem Schnitt. Stellen Sie den Motorstartschalter auf die Stopp-Position und drücken Sie die

Stoppaste der Maschine auf der Bedientafel. Untersuchen Sie das Gerät vollständig, bevor Sie es erneut starten.

Weitere Informationen über Warnsymbole finden Sie in der Bedienungsanleitung für die Bedientafel.

Störung	Ursache	Lösung
Der Motor stoppt während des Betriebs.	Der Kraftstofftank ist leer. Das entsprechende Warnsymbol wird auf dem Display angezeigt.	Füllen Sie den Kraftstofftank mit dem richtigen Kraftstofftyp.
	Der Wassersicherheitsschalter stoppt den Motor, da kein Wasserdruck anliegt. Das entsprechende Warnsymbol und eine Warnmeldung werden auf dem Display angezeigt.	Schalten Sie den Wassersicherheitsschalter aus. Kontrollieren Sie die Wasserversorgung.
	Die Maschinen-Stopptaste ist nach unten gedrückt. Das entsprechende Warnsymbol und eine Warnmeldung werden auf dem Display angezeigt.	Ziehen Sie die Maschinen-Stopptaste nach oben, um den Maschinenstopp zurückzusetzen.
	Zu hohe Belastung der Trennscheibe.	Hören Sie auf die Geräusche des Motors. Wenn sich die Motordrehzahl verringert, ziehen Sie den Hebel für die Drehzahlregelung nach hinten.
	Eine Sicherung ist defekt.	Ersetzen Sie beschädigte Sicherungen.
Die Trennscheibe stoppt während des Betriebs.	Die Treibriemenspannung des Antriebs ist nicht ausreichend.	Prüfen Sie die Spannung des Treibriemens.
	Die Klingenkupplung ist ausgekuppelt.	Betätigen Sie die Klingenkupplung, um den Klingenantrieb einzukuppeln. Achten Sie darauf, dass die Motordrehzahl 1200 U/min oder weniger beträgt, wenn Sie die Klingenkupplung einkuppeln.
	Bei der Klingenkupplung liegt ein elektrischer Defekt vor oder die Sicherung ist defekt.	Überprüfen Sie die Sicherungen. Ersetzen Sie beschädigte Sicherungen.
Die Trennscheibe senkt sich zu schnell ab.	Das Ventil, das die Geschwindigkeit für die Trennscheibenposition steuert, ist zu weit geöffnet.	Drehen Sie den Knopf zum Einstellen der Absenkgeschwindigkeit im Uhrzeigersinn, bis eine geeignete Geschwindigkeit eingestellt ist.
Die Trennscheibe schneidet zu langsam.	Die Trennscheibe ist stumpf oder der Vorschubdruck ist zu hoch.	Verringern Sie für eine kurze Zeit die Schnitttiefe und die Motordrehzahl.
Die Kontrolleinheit wird erneut gestartet, wenn Sie versuchen, den Motor zu starten.	Die Akkuspannung ist zu niedrig.	Laden oder ersetzen Sie den Akku bzw. verwenden Sie Überbrückungskabel.

Transport, Lagerung und Entsorgung

Transport



WARNUNG: Seien Sie beim Transport vorsichtig. Das Gerät ist schwer und kann Verletzungen oder Schäden verursachen, wenn es beim Transport umfällt oder sich bewegt.

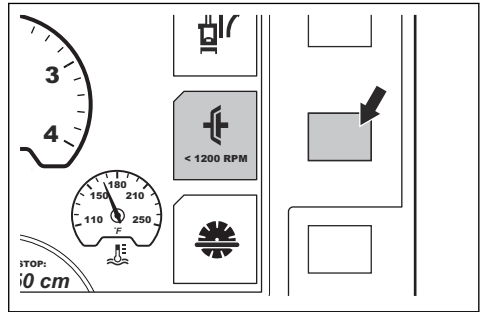
Bei kürzeren Strecken können Sie das Gerät mit den Rädern manuell bewegen. Bei längeren Strecken heben Sie das Gerät an, um es zu bewegen, oder platzieren Sie es auf einem Fahrzeug.



ACHTUNG: Ziehen Sie das Gerät nicht mit einem Fahrzeug.

- Sichern Sie das Gerät während des Transports. Sorgen Sie dafür, dass sich das Gerät während des Transports nicht bewegen kann.
- Entfernen Sie die Trennscheibe vor dem Transport des Geräts.
- Entfernen Sie alle Werkzeuge und Schraubenschlüssel.
- Für den Transport des Geräts und des Kraftstoffs ist darauf zu achten, dass keine Lecks oder Dämpfe vorhanden sind. Funken oder offene Flammen, zum Beispiel von elektrischen Geräten oder einem Boiler, können ein Feuer auslösen.
- Verwenden Sie für den Transport von Kraftstoff nur zugelassene Behälter.
- Untersuchen Sie neue Trennscheiben auf Transportschäden.

4. Wenn das Gerät über eine Klingenkupplung verfügt, achten Sie darauf, dass sie ausgekuppelt ist. Die Klingenkupplung ist ausgekuppelt, wenn das Symbol auf dem Display keine andere Farbe hat.

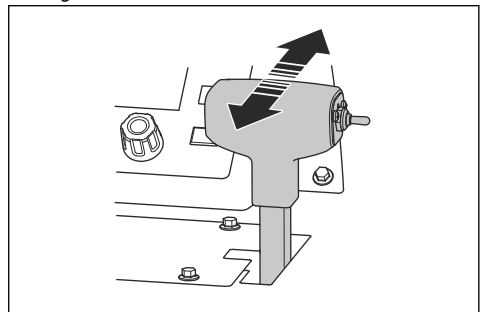


5. Wenn das Gerät keine Klingenkupplung hat, entfernen Sie die Klinge oder bewegen Sie den Getriebehebel in die Neutralstellung. Siehe *So entfernen Sie die Trennscheibe auf Seite 64* und *So wechseln Sie den Gang an einem 3-Ganggetriebe-Modell auf Seite 65*.



WARNUNG: Bei Geräten ohne Klingenkupplung beginnt die Trennscheibe zu rotieren, wenn der Motor gestartet wird. Bewegen Sie das Gerät nicht zur Seite oder aus dem Arbeitsbereich, wenn sich die Trennscheibe dreht.

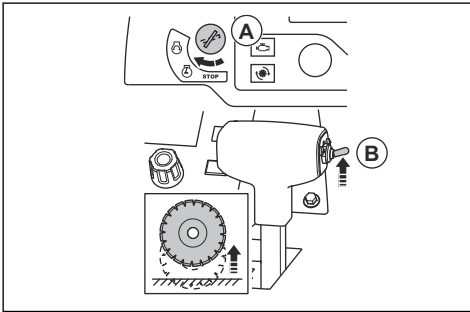
6. Starten Sie das Gerät. Siehe *So starten Sie das Gerät auf Seite 68*.
7. Schieben Sie den Hebel für die Drehzahlregelung nach vorn für eine vorwärts gerichtete Schneidbewegung bzw. nach hinten für eine rückwärts gerichtete Schneidbewegung. Je mehr Sie den Hebel für die Drehzahlregelung schieben, desto höher wird die Geschwindigkeit. Siehe *Technische Angaben auf Seite 89*.



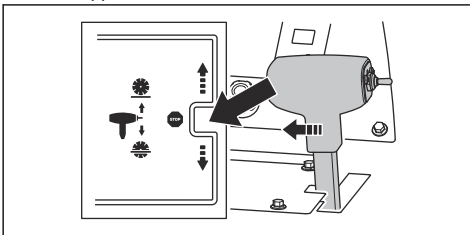
WARNUNG: Öffnen Sie das Antriebs-Bypassventil nicht für die Neutralstellung, während das Gerät an einem Hang geparkt ist. Das Gerät kann

So bewegen Sie das Gerät bei eingeschaltetem Motor

1. Stellen Sie den Startschalter des Motors in die Position „Zündung an“ (A).

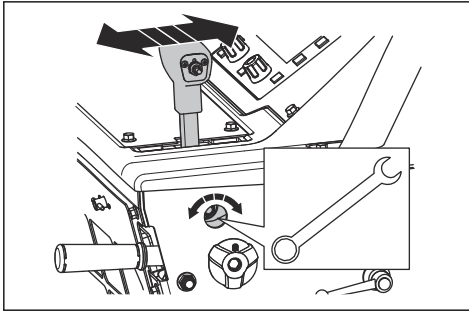


2. Schieben Sie den Schalter für die Schnitttiefeinstellung (B) so weit nach oben, dass die Trennscheibe die Oberfläche nicht berührt.
3. Stellen Sie den Hebel für die Drehzahlregelung auf die Stopp-Position.



sich in Bewegung setzen und umstehende Personen verletzen.

8. Passen Sie den Widerstand am Hebel für die Drehzahlregelung mit der Mutter an der Seite des Hebels der Drehzahlregelung an.



So bewegen Sie das Gerät eine Rampe hoch bzw. herunter



WARNUNG: Seien Sie besonders vorsichtig, wenn Sie das Gerät eine Rampe hoch- bzw. herunterbewegen und der Motor eingeschaltet ist. Das Gerät ist schwer und kann Verletzungen verursachen, wenn es umfällt oder zu schnell bewegt wird.

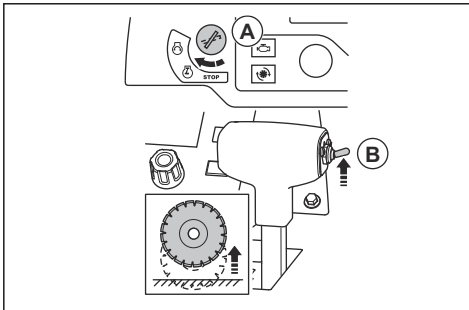


WARNUNG: Verwenden Sie bei Rampen mit großem Winkel immer eine Winde. Gehen oder stehen Sie nicht unter dem Gerät.

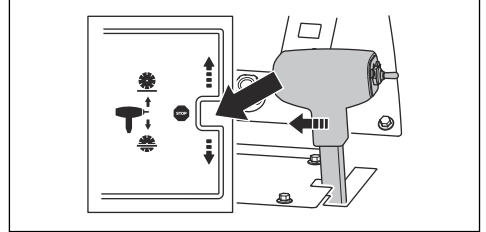
- Um das Gerät eine Rampe herunter zu bewegen, bedienen Sie es langsam rückwärts.
- Um das Gerät eine Rampe herauf zu bewegen, bedienen Sie es langsam vorwärts.

So bewegen Sie das Gerät bei ausgeschaltetem Motor

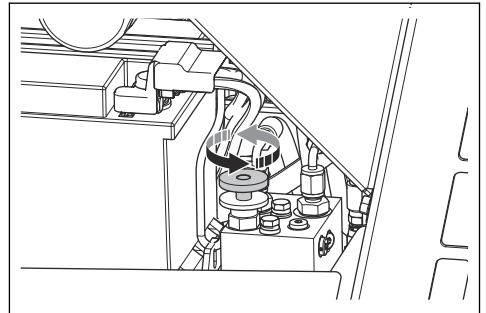
1. Stellen Sie den Startschalter des Motors in die Position „Zündung an“ (A).



2. Schieben Sie den Schalter für die Schnitttiefeinstellung (B) so weit nach oben, dass die Trennscheibe die Oberfläche nicht berührt.
3. Stellen Sie den Hebel für die Drehzahlregelung auf die Stopp-Position.



4. Drehen Sie das Antriebs-Bypassventil gegen den Uhrzeigersinn zur Endposition, um das Getriebe zu lösen.



5. Halten Sie die Griffe fest und schieben Sie das Gerät, um es zu bewegen.



WARNUNG: Schieben Sie das Gerät an einem Hang nicht, wenn sich das Antriebs-Bypassventil in Neutralstellung befindet. Das Gerät kann sich in Bewegung setzen und umstehende Personen verletzen.

So heben Sie das Gerät an



WARNUNG: Stellen Sie sicher, dass die Hebevorrichtung korrekt bemessen ist. Das Typenschild auf dem Gerät zeigt das Gerätegewicht.



WARNUNG: Heben Sie ein Gerät nicht, wenn es beschädigt ist. Stellen Sie sicher, dass die Hebeöse richtig montiert und unbeschädigt ist.

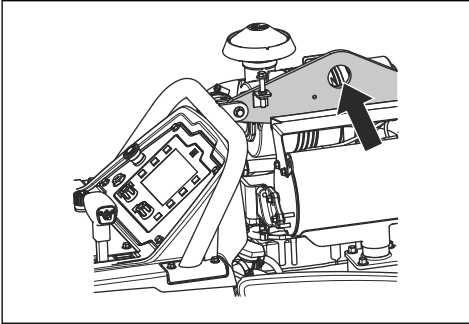


WARNUNG: Laufen oder stehen Sie nicht unterhalb oder in der Nähe eines hängenden Geräts.



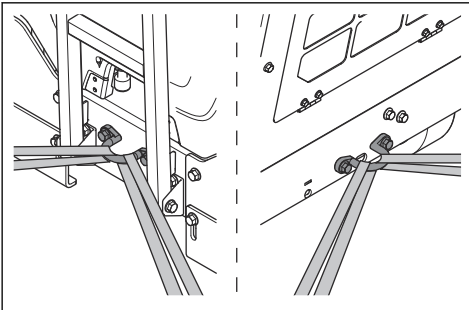
ACHTUNG: Verwenden Sie nicht die Griffe, um das Gerät anzuheben.

- Befestigen Sie die Hebeausrüstung durch die Hebeöse.



So sichern Sie das Gerät auf einem Transportfahrzeug

1. Ziehen Sie einen Gurt durch den Festziehalter an der Vorderseite des Geräts und befestigen Sie den Gurt am Fahrzeug.



2. Ziehen Sie einen Gurt durch den Festziehalter an der Rückseite des Geräts und befestigen Sie den Gurt am Fahrzeug.

Lagerung

- Das Gerät hat keine Handbremse. Entfernen Sie sich nicht vom Gerät, wenn es auf einem Hang steht. Wenn das Gerät an einem Hang geparkt wird, stellen Sie sicher, dass es hinreichend befestigt ist und sich nicht bewegen kann.
- Bewahren Sie das Gerät in einem verschlossenen Bereich auf, um einen unerlaubten Zugriff durch Kinder oder andere nicht befugte Personen zu verhindern.
- Lassen Sie Wasser aus dem Getriebe ab.
- Stellen Sie den Startschalter des Motors in die Stopp-Position.
- Stellen Sie den Hebel für die Drehzahlregelung auf die Stopp-Position.

- Entfernen Sie die Trennscheibe vom Gerät.
- Verwahren Sie die Trennscheiben in einem sicheren Bereich, um Beschädigungen zu vermeiden.
- Bewahren Sie die Trennscheiben in einer trockenen und frostfreien Umgebung auf.
- Prüfen Sie neue Trennscheiben auf Lagerschäden.
- Für die Lagerung des Geräts und des Kraftstoffs ist darauf zu achten, dass keine Lecks oder Dämpfe vorhanden sind. Funken oder offene Flammen, zum Beispiel von elektrischen Geräten oder einem Boiler, können ein Feuer auslösen.
- Verwenden Sie für die Lagerung von Kraftstoff nur zugelassene Behälter.
- Bewahren Sie den Akku an einem kühlen und trockenen Ort auf.

Führen Sie bei längerer Lagerdauer außerdem folgende Schritte aus:

- Reinigen Sie das Gerät und führen Sie eine komplette Wartung aus.
- Schmieren Sie alle Schmierpunkte.
- Trennen Sie das Akkukabel von der negativen Akkuklemme und verwahren Sie das Akkukabel in sicherem Abstand zum Akku.
- Führen Sie während der Langzeitaufbewahrung eine Erhaltungsladung des Akkus durch.
- Füllen Sie den Kraftstofftank, damit kein Wasser ins Kraftstoffsystem gelangt.
- Bewahren Sie das Gerät in einem trockenen und frostfreien Raum auf.
- Entleeren Sie den Wasserabscheider für den Kraftstofffilter.
- Prüfen Sie, dass der Gefrierpunkt des Motorkühlmittels für die Temperaturen am Lagerplatz ausreicht.
- Decken Sie das Gerät ab. Dies ist besonders wichtig für Lagerorte im Freien.
- Wechseln Sie nach einer Langzeitaufbewahrung das Motoröl.

Entsorgung


- Chemikalien können gefährlich sein und dürfen nicht auf dem Boden entsorgt werden. Entsorgen Sie immer alle verwendeten Chemikalien in einem Service Center oder in einer geeigneten Beseitigungsanlage.
- Wenn das Gerät abgenutzt ist, können Sie es zum Händler oder zu einer geeigneten Recyclingstelle schicken.
- Öl, Ölfilter, Kraftstoff und Akku können negative Auswirkungen auf die Umwelt haben. Befolgen Sie die örtlichen Recyclinganforderungen und geltenden Vorschriften.
- Entsorgen Sie den Akku nicht über den Hausmüll.
- Schicken Sie den Akku an eine Husqvarna-Servicewerkstatt oder entsorgen Sie ihn in einer Beseitigungsanlage für Altbatterien.

Technische Angaben

Technische Angaben

Motor*	
Motormarke, Typ	Yanmar, 4TNV88C-DHQ
Motorleistung, kW/PS bei U/min ⁵	35,5/47,6 @ 3000
Hubraum, cm ³ /Kubikzoll	2,2/134
Zylinder	4
Luftfilter	Radialdichtung mit Vorfilter und Verstopfungsanzeiger
Anlasser	Elektrisch
Kraftstoff	Nur schwefelarmer Dieseldieselkraftstoff

* = Weitere Informationen und Fragen zu diesem Motor finden Sie in der Motor-Betriebsanleitung oder auf der Website des Motor-Herstellers.

Kraftstoff- und Schmiersystem	
Volumen des Kraftstofftanks, Liter/ Gallonen	24,5/6,5
Öltank-Volumen, Liter/Quarts	7,1/7,5
Motoröl	SAE 15W40 oder SAE 10W30, API-Klasse CJ-4, ACEA E6-08, ACEA E9-08
Getriebeöl	SAE 75W90
Getriebeöltank-Volumen, Liter/Quarts	1-Ganggetriebe-Modell: 0,95/1 3-Ganggetriebe-Modell: 1,77/1,87
Schmierfett	Qualität: NLGI 2. Standard: SAE J310
Hydrauliköl	SAE 15W40, API-Klasse SE, API-Klasse CC, API-Klasse CD
Kühlflüssigkeit	Ethylenglykol und Wasser, Mischverhältnis 50:50 Beim Kauf im Gerät enthalten. Propylenglykol und Wasser, Mischverhältnis 50:50
	 ACHTUNG: Stellen Sie die Mischung nicht direkt im Tank her. Es ist einfacher, die 50/50-Mischung in einem Behälter zu mischen.

⁵ Wie vom Motorhersteller angegeben. Die Angabe der Motor-Nennleistung entspricht der durchschnittlichen Bruttoleistung (bei einer bestimmten Drehzahl) eines typischen Produktionsmotors für dieses Motormodell. Die Messung erfolgte gemäß SAE J1995. Motoren für die Massenproduktion können von diesem Wert abweichen. Die tatsächliche Ausgangsleistung des Motors am endgültigen Arbeitsgerät hängt von der Betriebsgeschwindigkeit, den Umweltbedingungen und anderen Variablen ab.

Akku	
Anschlussstyp	T6
BCI	91
Spannung, V	12
Kapazität, Ah	60-100
CCA, A	660-760
Max. Größe L×B×H, mm/Zoll	280×175×175/11×6,9×6,9

Sägeeinstellung	350/14	500/20	650/26	750/30	900/36
Klingenschutzkapazität, mm/Zoll	350/14	500/20	650/26	750/30	900/36
Max. Schnitttiefe, Millimeter/Zoll	118/4,75	193/7,75	262/10,5	312/12,5	374/15
Klingenwelle, U/min	3197	2400	1866	1628	1355
Ungefähre Ausgangsleistung der Klinge, kW/PS	31/42				
Dorngröße, mm/Zoll	25,4/1 mit einem Mitnahmestift				
Durchmesser Schnelltrenn-Klingensflansch, mm/Zoll	114,5/4,5	114,5/4,5	127/5	127/5	152,5/6
Klingenwellenantrieb	3 VX-Keilriemen pro Seite				
Klingenkühlmittel	Wasser				
Klingenschutzbefestigung	Aufgesteckt, automatisch Einrasten				
Antrieb	Hydraulisch				
Maximale Geschwindigkeit	Stufenlos einstellbar: 0-37 m/min. vorwärts und rückwärts. 25 m/min maximale Rückwärtsgeschwindigkeit bei CE-Modellen.				
Chassis	Strapazierfähige, starre, Hohl- und Kanalprofilkonstruktion				
Nenngewicht (unverpackt), kg/Pfund	751/1656	756/1667	761/1678	765/1687	771/1700
Max. Betriebsgewicht inkl. optionales Zubehör, kg/Pfund	791/1744	799/1761	808/1781	817/1801	829/1828

Lärm- und Vibrationsemissionen	
Gemessener Schalleistungspegel dB (A)	113
Garantierter Schalleistungspegel L _{WA} dB (A) ⁶	119

⁶ Umweltbelastende Geräuschemissionen, gemessen als Schalleistung (L_{WA}) gemäß EG-Richtlinie 2000/14/EG. Die Differenz zwischen garantiertem und gemessenem Lautstärkepegel besteht darin, dass bei der garantierten Lautstärke auch eine Streuung im Messergebnis und Variationen zwischen verschiedenen Maschinen desselben Modells gemäß der Richtlinie 2000/14/EG berücksichtigt werden.

Lärm- und Vibrationsemissionen	
Schalldruckpegel am Ohr des Bedieners, dB (A) ⁷	102
Vibrationspegel a_{HV} , m/s^2 , rechter/linker Handgriff ⁸	<2,5/<2,5

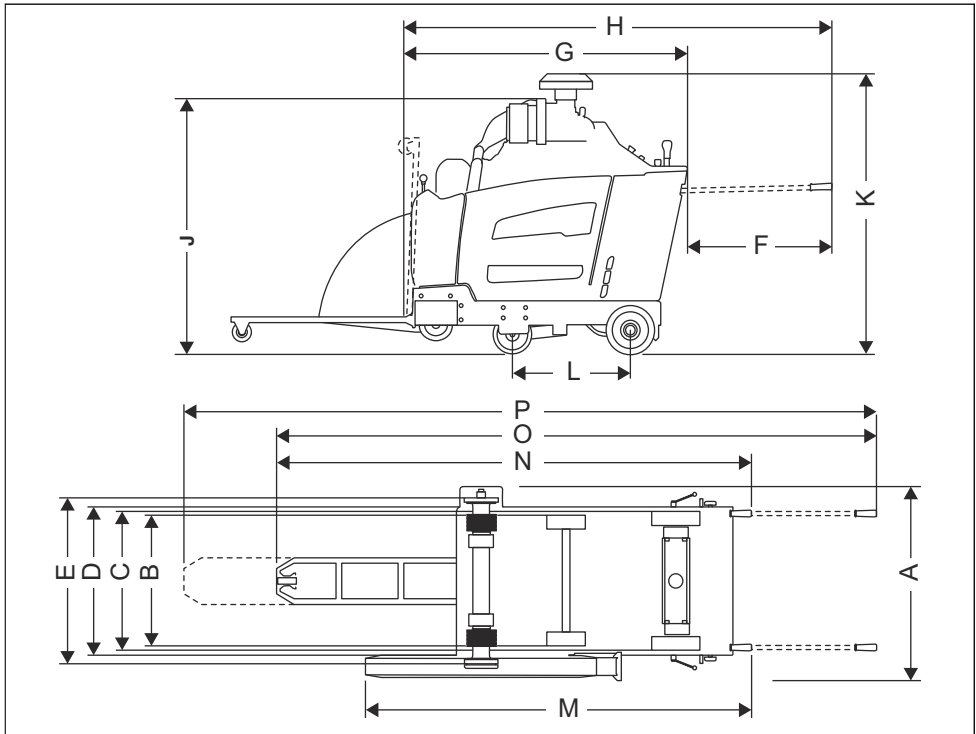
Konformitätserklärung für Geräusche und Vibrationen

Diese erklärten Werte wurden in Laborversuchen in Übereinstimmung mit der aufgeführten Richtlinie oder Norm ermittelt und eignen sich für einen Vergleich mit Wertdeklarationen anderer Produkte, die nach der gleichen Richtlinie bzw. Norm geprüft wurden. Diese Wertdeklarationen eignen sich nicht zur Verwendung in Risikobewertungen, zudem können die an einzelnen Arbeitsplätzen gemessenen Werte höher sein. Die tatsächlichen Belastungswerte und das Gefährdungsrisiko eines individuellen Benutzers sind immer spezifisch und davon abhängig, wie der Benutzer arbeitet, in welchem Material das Produkt eingesetzt wird, sowie von der Belastungszeit, dem Gesundheitszustand des Benutzers und dem Gerätezustand.

⁷ Schalldruckpegel gemäß ISO EN 13862. Berichten zufolge liegt der Schalldruckpegel normalerweise bei einer Ausbreitungsklasse (standardmäßige Ausbreitung) von 2,5 dB (A).

⁸ Vibrationspegel gemäß EN 13862. Berichten zufolge liegt der Vibrationspegel normalerweise bei einer Ausbreitungsklasse (Standardabweichung) von 1 m/s^2 .

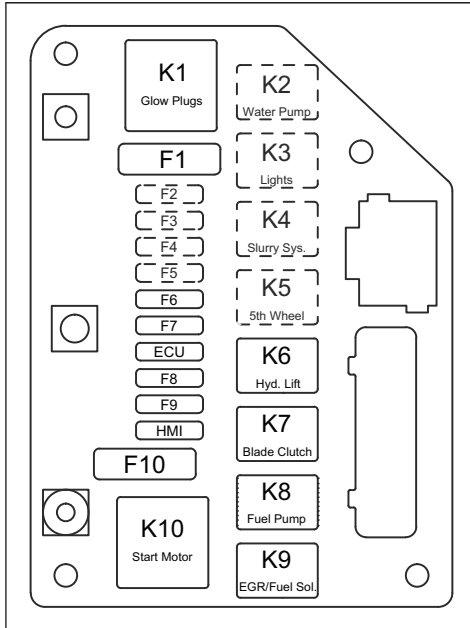
Produktmaße



A	Breite, mm/Zoll	844/33¼	J	Min. Gesamthöhe (ohne Abgasleitung, ohne Vorreinigerkappe), mm/Zoll	1289/50¾
B	Breite (Radmitte zu Radmitte), mm/Zoll	Vorne: 518/20¾, hinten: 533/21	H	Max. Gesamthöhe (Oberseite von Vorreiniger), mm/Zoll	1332/52½
C	Breite (Radaußenseite zu Radaußenseite), mm/Zoll	Vorne: 569/22¾, hinten: 609/24	L	Radstandlänge, mm/Zoll	427/16¾
D	Rahmenbreite, mm/Zoll	635/25	M	Länge, Schutz bis Griff (Griffe innen), mm/Zoll	1753/69
E	Breite (Flansch-Innenseite zu Flansch-Innenseite) mm/Zoll	726,5/28¾	N	Max. Gesamtlänge (Griffe innen), mm/Zoll	2273/89½
F	Griffverlängerung, mm/Zoll	809/31¾	O	Max. Gesamtlänge (Griffe außen, Leitrad unten), mm/Zoll	2964/116¾
G	Min. Sägelänge (Leitrad und Schutz oben, ohne Griffe), mm/Zoll	1485/58½	P	Max. Gesamtlänge (Griffe außen, Leitrad erweitert), mm/Zoll	3444/135½

H	Länge der Säge (Leitrad oben, Griffe außen), mm/Zoll	2191/86¼	
---	------------------------------------------------------	----------	--

Relais und Sicherungen



Funktion	Kennzeichnung	Relais (A)	Kennzeichnung	Sicherung (A)
Glühkerzen	K1	70	F1	60
Wasserpumpe (optional)	K2	25	F2	25
Beleuchtung (optional)	K3	25	F3	25
Schlammsystem (optional)	K4	25	F4	25
5. Rad (optional)	K5	25	F5	25
Hydraulikhubpumpe	K6	25	F6	25
Klingenkupplung	K7	25	F7	15
Kraftstoffpumpe	K8	25	F8	20
AGR/Kraftstoffmagnetventil	K9	25	F9	20
Anlasser	K10	70	F10	60
ECU	n/a	n/a	ECU	25

Funktion	Kennzeichnung	Relais (A)	Kennzeichnung	Sicherung (A)
HMI	n/a	n/a	HMI	25

Zubehör

Zugelassenes Husqvarna Zubehör

- Gewichte-Satz für hinten, 2 Schienen.
- Dual-Beleuchtungssatz.
- Wasserpumpensatz.
- 5.-Rad-Satz.

EG-Konformitätserklärung

EG-Konformitätserklärung

Die **Husqvarna AB**, SE-561 82 Huskvarna, Schweden,
Tel.: +46-36-146500, erklärt in alleiniger Verantwortung,
dass das Gerät:

Beschreibung	Fugenschneider
Marke	Husqvarna
Typ/Modell	FS5000 D
Identifizierung	Seriennummern ab 2019

die folgenden EU-Richtlinien und -Vorschriften erfüllt:

Richtlinie/Vorschrift	Beschreibung
2006/42/EG	„Maschinenrichtlinie“
2000/14/EG	„bezüglich Richtlinie über umweltbelastende Geräuschemissionen“

und dass die folgenden harmonisierten Normen und/
oder technischen Daten angewendet werden;

EN ISO 12100:2010

EN 13862/A1:2009

Informationen zu Geräuschemissionen finden Sie in
Kapitel *Technische Angaben auf Seite 89*.

2019-05-24



Edvard Gulis

Leiter F&E-Abteilung, Sägen und Bohren von Beton

Husqvarna AB, Construction Division

Verantwortlich für die technische Dokumentation

Sommaire

Introduction.....	96	Transport, entreposage et mise au rebut.....	134
Sécurité.....	102	Caractéristiques techniques.....	138
Utilisation.....	108	Accessoires.....	143
Entretien.....	121	Déclaration de conformité CE.....	144
Dépannage.....	133		

Introduction

Description du produit

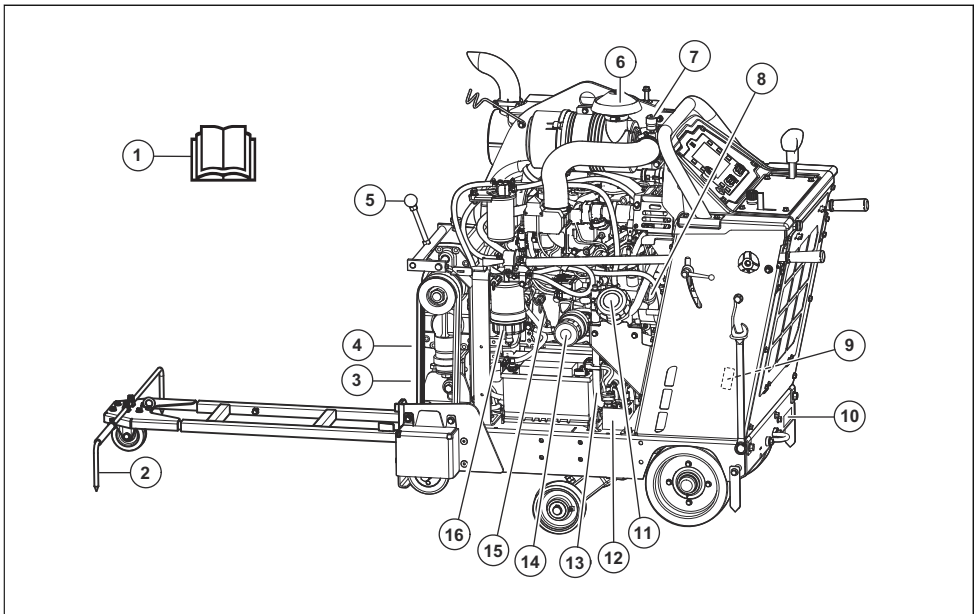
Le produit est une scie de sols à pousser équipée d'un moteur à combustion. Le produit est doté d'un pointeur réglable qui vous permet de voir clairement le fonctionnement et facilite la découpe droite. Le produit est doté d'un panneau de commande avec écran numérique qui contrôle toutes les fonctions.

Utilisation prévue

Ce produit est utilisé avec des disques diamantés pour la découpe à l'eau de sols en matériaux durs tels que le béton, l'asphalte et la pierre. Il n'est destiné à aucune autre utilisation.

Le produit est utilisé dans des applications industrielles par des opérateurs expérimentés.

Présentation du produit, côté gauche

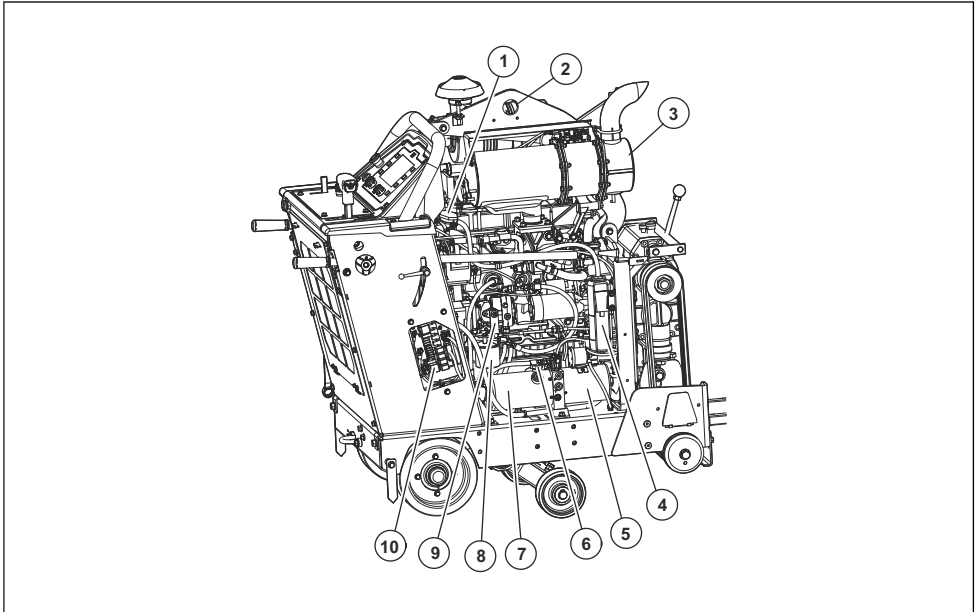


- | | |
|-----------------------------------------------------------------------------|----------------------------------------------------------|
| 1. Manuel de l'opérateur | 7. Indicateur de filtre à air |
| 2. Pointeur réglable | 8. Bouchon du réservoir d'huile moteur |
| 3. Purgeur d'eau de la boîte de vitesses | 9. Plaque d'identification pour les États-Unis/le Canada |
| 4. Boulons du tendeur de courroie | 10. Plaque d'identification pour l'UE |
| 5. Levier de changement de vitesse, modèle à boîte de vitesses à 3 vitesses | 11. Bouchon du réservoir d'essence |
| 6. Filtre à air | 12. Soupape de dérivation de transmission |
| | 13. Tuyau de vidange d'huile moteur |

- 14. Filtre à huile moteur
- 15. Jauge d'huile du moteur

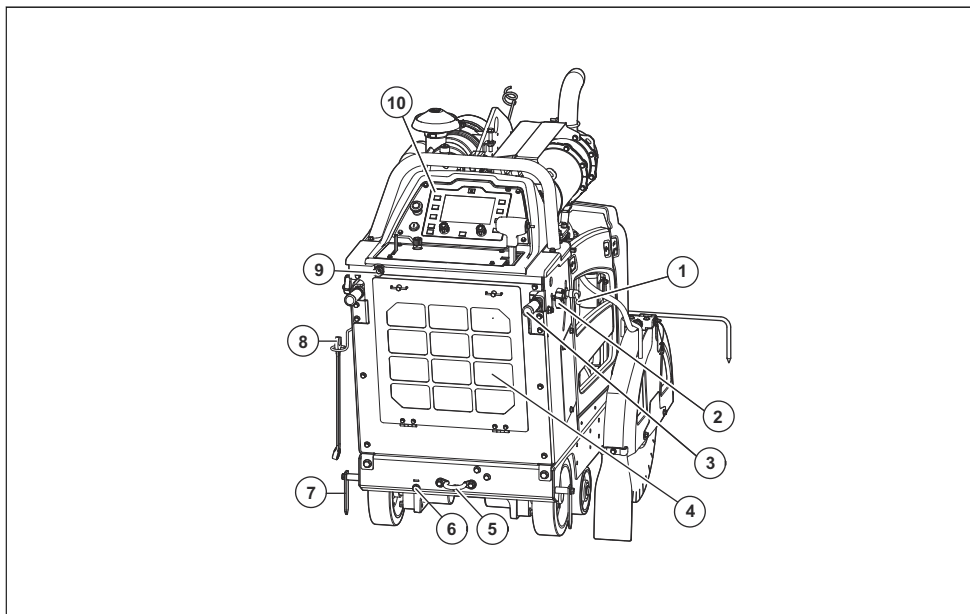
- 16. Séparateur d'eau du filtre à carburant

Présentation du produit, côté droit



- 1. Couverture de liquide de refroidissement du radiateur
- 2. Anneau de levage
- 3. Silencieux
- 4. Récipient pour déversement de liquide de refroidissement du radiateur
- 5. Pompe pour le levage hydraulique
- 6. Ouverture du réservoir hydraulique
- 7. Réservoir hydraulique
- 8. Filtre du circuit hydraulique
- 9. Pompe pour la transmission hydrostatique
- 10. Boîte à relais et à fusibles

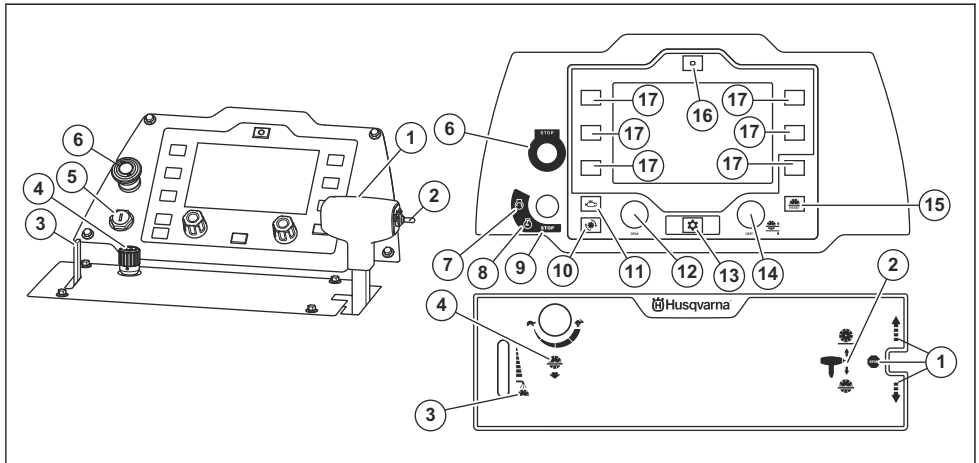
Présentation du produit, arrière



1. Bouton de verrouillage pour les poignées de commande, réglage de la hauteur
2. Bouton de verrouillage pour les poignées de commande, réglage de la longueur
3. Poignées de commande
4. Filtre à air de radiateur
5. Support d'arrimage arrière
6. Réglage manuel de l'essieu
7. Pointeur arrière
8. Clé d'axe de disque
9. Entrée d'eau
10. Panneau de commande

Remarque: Il y a également un support d'arrimage à l'avant du produit.

Présentation des commandes et du panneau de commande



1. Levier de commande de vitesse. Marche avant, marche arrière et arrêt de la transmission *
2. Commutateur de réglage de la profondeur de coupe *
3. Levier pour le circuit de refroidissement par eau de la lame de coupe *
4. Bouton de réglage de la vitesse d'abaissement de la lame *
5. Commutateur de démarrage du moteur
6. Bouton d'arrêt de la machine *
7. Position de démarrage du moteur *
8. Position de contact *
9. Position d'arrêt du moteur *
10. Bouton d'affichage de la vitesse de la lame en tr/min à l'écran *
11. Bouton d'affichage de la vitesse du moteur en tr/min à l'écran *
12. Bouton de commande d'accélération
13. Bouton de menu *
14. Bouton de réglage de la butée de profondeur de lame *
15. Bouton de réinitialisation de la butée de profondeur de lame *
16. Bouton de réinitialisation E-track * (en option)
17. Bouton de sélection

* = Reportez-vous également à *Symboles concernant le produit* à la page 99.

Symboles concernant le produit



AVERTISSEMENT : ce produit peut être dangereux et causer des blessures graves, voire mortelles, à l'opérateur ou à d'autres

personnes. Soyez prudent et utilisez le produit correctement.



Lisez le manuel d'utilisation et assurez-vous de bien comprendre les instructions avant d'utiliser ce produit.



Utilisez des protège-oreilles, des protections pour les yeux et une protection respiratoire. Reportez-vous à la section *Équipement de protection individuel* à la page 104.



Tout déplacement de la machine en dehors de la zone de coupe doit être effectué lorsque l'outil ne tourne pas.



Déposez la lame de coupe avant le transport et avant de soulever le produit, afin d'éviter de l'endommager.



Les protège-lames doivent toujours être installés sur le produit. Ne laissez pas plus de 180° de la lame de coupe apparente.



Assurez-vous que la lame de coupe n'est pas émoussée ou qu'elle ne présente pas de dommages, comme des fissures.



Assurez-vous que la lame de coupe est utilisable à la même vitesse ou à une vitesse supérieure à la valeur indiquée sur la plaque d'identification du produit. Une lame de coupe utilisée à une vitesse trop élevée peut

se briser et provoquer des blessures ou des dommages.



N'utilisez pas le produit près de gaz ou de substances inflammables.



La poussière peut entraîner des problèmes de santé. Portez une protection respiratoire homologuée. Ne respirez pas les fumées d'échappement N'utilisez pas un produit doté d'un moteur à combustion à l'intérieur ou dans les zones insuffisamment ventilées.



Surface chaude.



Gardez les parties du corps à l'écart de la lame de coupe et des autres pièces mobiles.



Risque de blessures par coupure. Maintenez toutes les parties du corps à l'écart du disque de découpe.



Carburant diesel à très faible teneur en soufre uniquement.



Huile moteur.



Jauge.



Ne soulevez pas la scie lorsque vous examinez le niveau d'huile moteur.



Assurez-vous que la scie est de niveau sans lame de coupe lorsque vous examinez le niveau d'huile moteur.



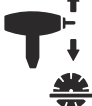
La flèche sur le protège-lame indique le sens de rotation de la lame de coupe.



Soulevez toujours le produit au niveau de l'anneau de levage.



Arrêt de la transmission.



Commutateur de réglage de la profondeur de coupe.



Levier du circuit de refroidissement à l'eau.



Bouton de réglage de la vitesse d'abaissement de la lame.



Lent.



Rapide.



Arrêt de la machine.



Le moteur démarre.



Contact mis.

STOP

Le moteur s'arrête.



Affichage de la vitesse de la lame en tr/min à l'écran.



Affichage de la vitesse du moteur en tr/min à l'écran.



Bouton de menu.



Bouton de réglage de la butée de profondeur de lame.



Bouton de réinitialisation de la butée de profondeur de lame.



Bouton de réinitialisation du réglage du système E-track (en option).



Ce produit est conforme aux directives CE en vigueur.



Émissions sonores dans l'environnement conformes aux directives CE en vigueur. Les émissions sonores de ce produit sont spécifiées dans la section *Caractéristiques techniques* à la page 138 et sur l'étiquette.

Remarque: Les autres symboles/autocollants présents sur le produit concernent des exigences de certification spécifiques à certains marchés.

Symboles sur l'écran du panneau de commande



Réglage du système E-track, côté gauche (en option).



Réglage du système E-track, côté droit (en option).



Marche/arrêt du système de sécurité hydraulique. Le système de sécurité hydraulique surveille la pression de l'eau vers le circuit de refroidissement à l'eau de la lame de coupe. Si la pression de l'eau diminue, le système de sécurité hydraulique arrête la lame de coupe.



Engagement/désengagement de l'embrayage de lame. Cette fonction n'est pas disponible de série sur toutes les variantes de ce produit.



Butée de profondeur de lame.

Symboles d'avertissement du panneau de commande



Arrêt de la machine engagé. Réinitialisez le bouton d'arrêt de la machine et coupez, puis rétablissez le contact.



La batterie ne se charge pas.



Faible niveau de carburant.



Préchauffage. Reportez-vous au manuel du moteur pour obtenir plus d'informations.



Aucune pression d'eau dans le circuit de refroidissement à l'eau pour la lame de coupe.



Pression d'huile moteur basse.



Arrêt du moteur. L'opération ne peut pas continuer.



Moteur trop chaud. L'opération ne peut pas continuer. Reportez-vous au manuel du moteur pour obtenir plus d'informations.



Problème modéré lié au moteur. L'opération peut continuer.



Panne de moteur. Reportez-vous au manuel du moteur pour obtenir plus d'informations.



La régénération est nécessaire. Reportez-vous à la section *Régénération en stationnement en mode veille* à la page 132.

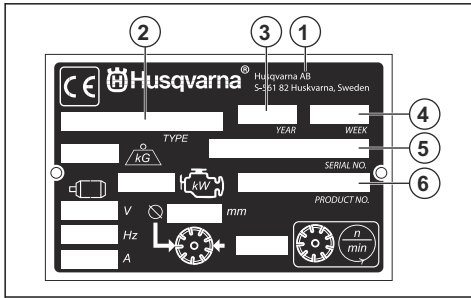


Code d'erreur non lié au moteur.



Défaillance du système de contrôle de diagnostic de NOx.

Plaque d'identification UE



1. Fabricant
2. Type de produit
3. Année de production
4. Semaine de production
5. Numéro de série
6. Référence de produit

Responsabilité

Conformément à la loi sur la responsabilité de fait des produits, nous déclinons toute responsabilité pour tout dommage causé par notre produit si :

- le produit n'est pas correctement réparé ;
- le produit est réparé avec des pièces qui ne proviennent pas du fabricant ou qui ne sont pas homologuées par le fabricant ;
- le produit est équipé d'un accessoire qui ne provient pas du fabricant ou qui n'est pas homologué par le fabricant ;
- le produit n'est pas réparé par un centre d'entretien agréé ou par une autorité homologuée.

Émissions Euro V



AVERTISSEMENT: toute altération du moteur a pour effet d'annuler l'homologation de type UE de ce produit.

Sécurité

Définitions de sécurité

Des avertissements, des recommandations et des remarques sont utilisés pour souligner des parties spécialement importantes du manuel.



AVERTISSEMENT: Symbole utilisé en cas de risque de blessures ou de mort pour l'opérateur ou les personnes à proximité si les instructions du manuel ne sont pas respectées.



REMARQUE: Symbole utilisé en cas de risque de dommages pour le produit, d'autres matériaux ou les environs si les instructions du manuel ne sont pas respectées.

Remarque: Symbole utilisé pour donner des informations supplémentaires pour une situation donnée.

Instructions générales de sécurité



AVERTISSEMENT: Lisez les instructions qui suivent avant d'utiliser le produit.

- Ce produit est un outil dangereux si vous ne faites pas attention ou si vous l'utilisez de manière incorrecte. Ce produit peut causer des blessures graves, voire mortelles, à l'opérateur ou à d'autres personnes. Avant d'utiliser le produit, il convient de lire attentivement et de bien comprendre les instructions contenues dans ce manuel de l'opérateur.
- Conservez tous les avertissements de sécurité et toutes les instructions.
- Respectez l'ensemble des lois et réglementations applicables.
- L'opérateur et son employeur doivent connaître et éviter tout risque au cours de l'utilisation du produit.
- Ne laissez personne utiliser le produit avant d'avoir lu et compris le contenu du manuel de l'opérateur.
- N'utilisez pas le produit sauf si vous bénéficiez d'une formation préalable. Assurez-vous que tous les opérateurs suivent une formation.
- Seules les personnes autorisées peuvent utiliser le produit.
- L'utilisateur est tenu responsable des accidents auxquels il expose autrui ou ses biens.
- N'utilisez jamais l'appareil si vous êtes fatigué ou malade, ou si vous êtes sous l'emprise d'alcool, de drogues ou de médicaments.
- Soyez toujours prudent et utilisez votre bon sens.
- Ce produit génère un champ électromagnétique durant son fonctionnement. Ce champ peut dans certaines circonstances perturber le fonctionnement d'implants médicaux actifs ou passifs. Pour réduire le risque de blessures graves ou mortelles, nous recommandons aux personnes portant des implants médicaux de consulter leur médecin et le fabricant de leur implant avant d'utiliser cet appareil.
- Maintenez le produit propre. Assurez-vous que vous pouvez lire clairement les avertissements et les autocollants.
- N'utilisez pas le produit si celui-ci est défectueux.
- Ne modifiez pas ce produit.

- N'utilisez pas le produit s'il est susceptible d'avoir été modifié par d'autres personnes.

Instructions de sécurité pour le fonctionnement



AVERTISSEMENT: Lisez les instructions qui suivent avant d'utiliser le produit.

- Lisez les instructions de sécurité fournies avec le disque de découpe par le fabricant.
- Assurez-vous que le produit est monté correctement.
- N'utilisez pas la machine sans avoir monté le protège-disque et les carters de protection.
- L'utilisation incorrecte du produit peut entraîner la rupture du disque de découpe et causer des blessures ou des dégâts.
- Assurez-vous que vous savez arrêter le moteur rapidement en cas d'urgence.
- Utilisez un équipement de protection personnelle. Reportez-vous à la section *Équipement de protection individuel* à la page 104.
- Assurez-vous que seules les personnes autorisées se trouvent dans la zone de travail.
- Assurez-vous que les câbles électriques dans la zone de travail sont hors tension.
- Veillez à ce que la zone de travail reste propre et bien éclairée.
- Avant d'utiliser le produit, assurez-vous qu'aucun fil électrique, câble ou tuyau ne sont dissimulés dans la zone de travail. Si le produit heurte un objet caché, arrêtez immédiatement le moteur et examinez le produit et l'objet. Ne redémarrez pas le produit avant d'être sûr qu'il fonctionne en toute sécurité.
- N'utilisez pas le produit par mauvais temps, par exemple en cas de brouillard épais, forte pluie, vent violent ou grand froid. Travailler par mauvais temps fatigue et peut causer l'apparition de situations dangereuses telles que des surfaces glissantes.
- Veillez à vous tenir dans une position stable et sûre pendant l'utilisation du produit.
- N'utilisez pas ce produit dans des zones présentant un risque d'incendie ou d'explosion.
- Le produit peut projeter des objets à grande vitesse. Assurez-vous que toutes les personnes se trouvant dans la zone de travail portent un équipement de protection individuel homologué. Veillez à ce qu'il ne reste pas d'objets meubles dans la zone de travail.
- Les gaz d'échappement du moteur contiennent du monoxyde de carbone, un gaz inodore, toxique et très dangereux. N'utilisez pas un produit doté d'un moteur à combustion à l'intérieur ou dans les zones insuffisamment ventilées.
- Avant de vous éloigner du produit, arrêtez le moteur et assurez-vous qu'il n'y a aucun risque de démarrage accidentel.

- Le produit n'est pas équipé d'un frein de stationnement. Ne vous éloignez pas du produit s'il est en fonctionnement. S'il est nécessaire de stationner le produit sur une pente, assurez-vous que le produit est correctement attaché et qu'il ne peut pas bouger.
- Soyez très prudent lorsque vous utilisez le produit sur un terrain en pente. Le produit est lourd et peut causer des blessures graves en cas de chute.
- Assurez-vous qu'aucun matériau ne risque de se desserrer et de blesser l'utilisateur.
- Assurez-vous que des vêtements, cheveux longs et bijoux ne peuvent pas se coincer dans les pièces mobiles.
- N'utilisez pas le produit si vous ne pouvez pas être secouru en cas d'accident.

Sécurité relative aux gaz d'échappement



AVERTISSEMENT: Lisez les instructions qui suivent avant d'utiliser le produit.

- Les gaz d'échappement du moteur contiennent du monoxyde de carbone, un gaz inodore, toxique et très dangereux. Respirer du monoxyde de carbone peut être mortel. Le monoxyde de carbone est inodore et invisible ; il est impossible de le sentir. Le monoxyde de carbone provoque des symptômes d'intoxication, notamment des vertiges, mais il est possible qu'une personne devienne rapidement inconsciente si la quantité ou la concentration de monoxyde de carbone est suffisante.
- Les gaz d'échappement pouvant être vus ou sentis contiennent également du monoxyde de carbone.
- N'utilisez pas un produit doté d'un moteur à combustion à l'intérieur ou dans les zones insuffisamment ventilées.

Précautions relatives aux vibrations



AVERTISSEMENT: Lisez les instructions qui suivent avant d'utiliser le produit.

- Au cours de l'utilisation du produit, des vibrations sont ressenties entre le produit et l'opérateur. Un fonctionnement régulier et fréquent du produit peut blesser ou augmenter le risque de blessures graves chez l'opérateur. Des blessures peuvent se produire au niveau des doigts, des mains, des poignets, des bras, des épaules, et/ou des nerfs et des organes d'irrigation sanguine, ou d'autres parties du corps. Les blessures peuvent être invalidantes et/ou permanentes et peuvent augmenter progressivement pendant des semaines, des mois ou des années. Des dommages peuvent également être provoqués au niveau du système de circulation sanguine, du système nerveux, des articulations et d'autres parties du corps.

- Des symptômes peuvent se produire pendant le fonctionnement du produit ou à un autre moment. Si vous avez des symptômes et que vous continuez d'utiliser le produit, ceux-ci peuvent augmenter ou devenir permanents. Si l'un de ces symptômes ou d'autres symptômes se produisent, consultez un médecin :
 - engourdissement, perte de sensibilité, fourmillements, picotements, douleur, brûlure, palpitations, raideur, maladresse, faiblesse musculaire, changement de pigmentation de la peau ou de l'état physique.
- Les symptômes peuvent augmenter par temps froid. Utilisez des vêtements chauds et gardez les mains au chaud et au sec lorsque vous faites fonctionner le produit dans un environnement froid.
- Procédez à l'entretien et utilisez le produit comme indiqué dans le manuel d'utilisation afin de maintenir un bon niveau de vibrations.
- Gardez uniquement les mains sur la ou les poignées. Éloignez toutes les autres parties du corps du produit.
- Arrêtez le produit immédiatement si de fortes vibrations se produisent soudainement. Ne poursuivez pas l'opération avant que la cause de l'augmentation des vibrations ait été supprimée.

Sécurité relative au bruit



AVERTISSEMENT: Lisez les instructions qui suivent avant d'utiliser le produit.

- Des niveaux sonores élevés et une exposition prolongée au bruit peuvent provoquer une perte auditive.
- Afin de maintenir le niveau sonore au minimum, effectuez l'entretien et utilisez le produit comme indiqué dans le manuel d'utilisation.
- Vérifiez si le silencieux présente des dommages et des défauts. Assurez-vous que le silencieux est correctement fixé à l'appareil.
- Utilisez des protège-oreilles homologués pendant l'utilisation du produit.
- Soyez attentif aux signaux d'alerte et aux appels lorsque vous portez des protège-oreilles. Retirez les protège-oreilles lorsque le produit est arrêté, sauf si les protège-oreilles sont nécessaires en raison du niveau sonore dans la zone de travail.

Équipement de protection individuel



AVERTISSEMENT: Lisez les instructions qui suivent avant d'utiliser le produit.

- Portez toujours un équipement de protection individuel homologué lorsque vous utilisez le produit. L'équipement de protection individuel ne protège pas complètement des blessures, mais il diminue la

gravité des blessures en cas d'accident. Faites appel à votre revendeur pour vous aider à sélectionner l'équipement de protection individuel adéquat.

- Vérifiez régulièrement l'état de votre équipement de protection individuel.
- Utilisez un casque de protection homologué.
- Utilisez des protège-oreilles agréés.
- Portez une protection respiratoire homologuée.
- Utilisez des protections pour les yeux homologuées avec protections latérales. Il existe un risque élevé de blessures aux yeux dues à des projections d'objets.
- Utilisez des gants de protection.
- Utilisez des bottes avec embouts en acier et semelle antidérapante.
- Utilisez des vêtements de travail homologués ou des vêtements près du corps équivalents dotés de manches longues et d'un pantalon.

Extincteur

- Gardez un extincteur à proximité lors de l'utilisation du produit.
- Utilisez un extincteur à poudre de classe « ABE » ou un extincteur à gaz carbonique de type « BE ».

Dispositifs de sécurité sur le produit

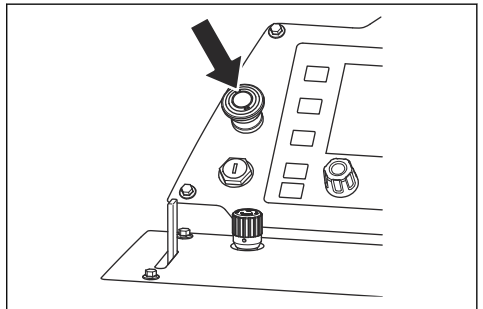


AVERTISSEMENT: Lisez les instructions qui suivent avant d'utiliser le produit.

- N'utilisez pas un produit avec des dispositifs de sécurité défectueux.
- Contrôlez les dispositifs de sécurité régulièrement. Si les dispositifs de sécurité sont défectueux, parlez-en à votre agent d'entretien Husqvarna.

Bouton d'arrêt de la machine

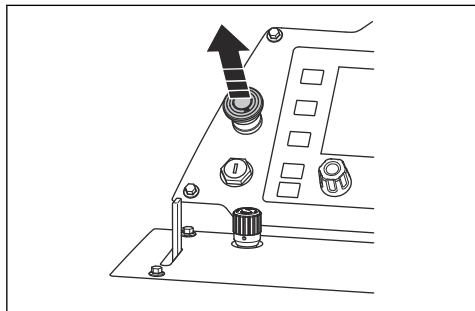
Le bouton d'arrêt de la machine arrête rapidement le moteur et toutes les fonctions électriques, mais pas les feux. Le bouton d'arrêt de la machine permet de mettre le produit en mode sans échec. Le produit ne peut pas redémarrer tant que le mode sans échec n'est pas réinitialisé.



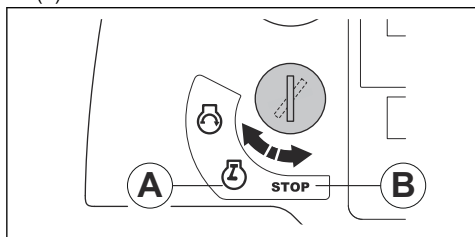
Remarque: Utilisez le bouton d'arrêt de la machine pour arrêter le produit uniquement en cas d'urgence. Pour connaître la procédure correcte d'arrêt du produit pendant le fonctionnement, reportez-vous à *Pour arrêter le produit à la page 120.*

Pour contrôler le bouton d'arrêt de la machine

1. Démarrez le moteur. Reportez-vous à la section *Pour démarrer le produit à la page 116.*
2. Appuyez sur le bouton d'arrêt de la machine. Le moteur s'arrête et le produit passe en mode sans échec.
3. Tirez sur le bouton d'arrêt de la machine pour réinitialiser l'arrêt de la machine.



4. Pour réinitialiser le mode sans échec, tournez le commutateur de démarrage du moteur en position d'arrêt (B), puis de nouveau en position de contact (A).



Protège-disque

Le protège-lame est un capot de protection pour la partie supérieure de la lame de coupe. Il protège l'opérateur en cas d'éjection de pièces d'une lame de coupe endommagée ou d'autres objets dans sa direction. Le protège-lame empêche de se blesser avec la lame de coupe. Le protège-lame fait également partie du circuit de refroidissement à l'eau qui maintient la lame de coupe au frais pendant le fonctionnement.

Pour contrôler le protège-disque

- Assurez-vous que le protège-disque est correctement installé. Reportez-vous à la section *Installation d'un protège-lame à la page 112.*

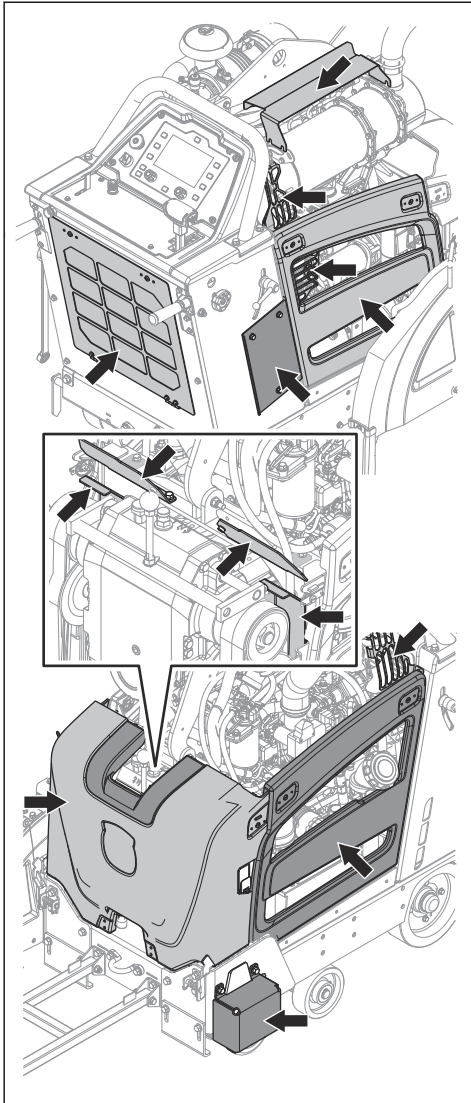
- Examinez le protège-disque afin de repérer d'éventuels dommages tels que des fissures.
- Remplacez le protège-disque s'il est endommagé.
- Remplacez le protège-disque s'il a été heurté ou courbé ou s'il présente d'autres défauts.
- Vérifiez que le dispositif de verrouillage du protège-lame n'est pas endommagé.
- Assurez-vous que le dispositif de verrouillage du protège-lame s'engage correctement.

Capots de protection

Les capots de protection manquants ou endommagés augmentent le risque de blessure sur les parties mobiles et les surfaces chaudes.

Contrôle des capots de protection

- Contrôlez les capots de protection avant d'utiliser le produit.



- Assurez-vous que les capots de protection sont correctement fixés et qu'ils ne sont pas fissurés ou endommagés.
- Remplacez tout capot de protection endommagé.

Silencieux

Le silencieux est conçu pour réduire au maximum le niveau sonore et rejeter les gaz d'échappement loin de l'utilisateur.

N'utilisez pas la machine si le silencieux est manquant ou défectueux. Un silencieux en mauvais état augmente le niveau sonore et le risque d'incendie.



AVERTISSEMENT: Le silencieux devient très chaud pendant et après utilisation et lorsque le moteur fonctionne au régime de ralenti. Soyez vigilant à proximité des matériaux inflammables et/ou des fumées pour prévenir tout risque d'incendie.

Pour contrôler le silencieux

- Examinez le silencieux régulièrement pour s'assurer qu'il est correctement fixé et qu'il n'est pas endommagé.



REMARQUE: Ne modifiez pas le silencieux. Le silencieux de type FAP est conforme aux normes sur les émissions.

Sécurité carburant



AVERTISSEMENT: Lisez les instructions qui suivent avant d'utiliser le produit.

- Le carburant est inflammable et ses vapeurs sont explosives. Faites attention lors de la manipulation du carburant pour éviter tout risque de blessures, d'incendie et d'explosion.
- Ne respirez pas les vapeurs de carburant. Les vapeurs de carburant sont toxiques et peuvent causer des blessures. Assurez-vous que la ventilation est suffisante.
- Ne retirez pas le bouchon du réservoir de carburant et ne remplissez pas le réservoir quand le moteur tourne.
- Laissez le moteur se refroidir avant de faire le plein.
- Ne faites pas le plein de carburant dans un espace intérieur. Un débit d'air insuffisant peut causer des blessures graves, voire mortelles dues à une asphyxie ou au monoxyde de carbone.
- Ne fumez pas à proximité du carburant ou du moteur.
- Ne mettez pas d'objets chauds à proximité du carburant ou du moteur.
- Ne faites pas le plein de carburant à proximité d'étincelles ou de flammes.
- Avant de faire le plein, ouvrez le bouchon du réservoir de carburant lentement et relâchez la pression avec précaution.
- La présence de carburant sur la peau peut causer des blessures. Si votre peau entre en contact avec

le carburant, lavez les parties qui ont été en contact avec de l'eau et du savon.

- Si vous avez renversé du carburant sur vos vêtements, changez de vêtements immédiatement.
- Ne remplissez pas entièrement le réservoir de carburant. La chaleur entraîne la dilatation du carburant. Laissez un espace en haut du réservoir de carburant.
- Serrez complètement le bouchon du réservoir de carburant. Si le bouchon du réservoir de carburant n'est pas serré, il y a un risque d'incendie.
- Avant de démarrer le produit, éloignez-le d'au moins 3 m/10 pi de l'endroit où vous effectuez l'appoint de carburant.
- Ne démarrez pas le produit si du carburant ou de l'huile moteur a été renversé(e) sur le produit. Retirez le carburant et l'huile moteur indésirables et laissez sécher le produit avant de démarrer le moteur.
- Vérifiez régulièrement s'il y a des fuites de moteur. S'il y a des fuites dans le système de carburant, ne démarrez pas le moteur jusqu'à ce que les fuites soient réparées.
- N'examinez pas la présence de fuites sur le moteur avec vos doigts.
- Conservez le carburant uniquement dans des récipients homologués.
- Lorsque le produit et le carburant sont stockés, assurez-vous que le carburant et les vapeurs de carburant ne peuvent pas provoquer des dégâts.
- Videz le carburant dans un récipient homologué à l'extérieur et loin de toute étincelle et flamme.

Consignes de sécurité relatives à l'utilisation de la batterie



AVERTISSEMENT: Une batterie endommagée peut exploser et causer des blessures. Si la batterie présente une déformation ou est endommagée, contactez un agent d'entretien Husqvarna agréé.



AVERTISSEMENT: Lisez les instructions qui suivent avant d'utiliser le produit.

- Portez des lunettes de protection lorsque vous êtes à proximité des batteries.
- Ne portez pas de montres, de bijoux ou d'autres objets métalliques à côté de la batterie.
- Conservez la batterie hors de portée des enfants.
- Rechargez la batterie dans un espace bien aéré.

- Conservez les matériaux inflammables à une distance minimale de 1 m lorsque vous rechargez la batterie.
- Mettez au rebut les batteries remplacées. Consultez la section *Mise au rebut à la page 137*.
- La batterie est susceptible de dégager des gaz explosifs. Ne fumez pas à proximité de la batterie. Maintenez la batterie à l'écart des flammes nues et des étincelles.

Consignes de sécurité pour l'entretien



AVERTISSEMENT: Lisez les instructions qui suivent avant d'utiliser le produit.

- Utilisez un équipement de protection personnelle. Reportez-vous à la section *Équipement de protection individuel à la page 104*.
- Si l'entretien n'est pas effectué correctement et régulièrement, le risque de blessures et d'endommagement du produit augmente.
- Démarrez le moteur et laissez le produit refroidir avant de procéder à des tâches d'entretien.
- Nettoyez le produit afin de retirer tout matériau dangereux avant de faire l'entretien.
- Débranchez le chapeau de bougie d'allumage avant d'effectuer l'entretien.
- Les gaz d'échappement du moteur sont très chauds et peuvent contenir des étincelles. Ne démarrez pas le produit dans un local clos ou à proximité de matériaux inflammables.
- Ne modifiez pas le produit. Les modifications apportées au produit qui ne sont pas approuvées par le fabricant peuvent causer des blessures graves, voire mortelles.
- Utilisez toujours les accessoires et les pièces de rechange d'origine. Les accessoires et les pièces de rechange qui ne sont pas approuvés par le fabricant peuvent causer des blessures graves, voire mortelles.
- Remplacez les pièces endommagées, usées ou cassées.
- Effectuez uniquement les tâches d'entretien décrites dans le présent manuel de l'opérateur. Laissez un centre d'entretien homologué se charger de toutes les autres opérations d'entretien.
- Retirez tous les outils du produit avant de démarrer le moteur après l'entretien. Les outils mobiles ou les outils fixés aux pièces en rotation peuvent entraîner des blessures.
- Demandez à un centre de service agréé d'effectuer régulièrement l'entretien du produit.

Introduction



AVERTISSEMENT: Assurez-vous de lire et de comprendre le chapitre dédié à la sécurité avant d'utiliser l'appareil.

À faire avant de démarrer le produit

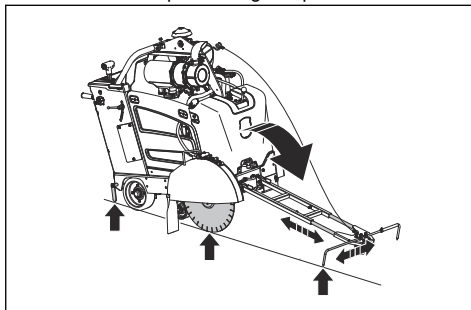
- Lisez attentivement ce manuel d'utilisation et assurez-vous de bien comprendre les instructions.
- Lisez attentivement la section correspondant au panneau de commande dans le manuel d'utilisation et assurez-vous de bien comprendre les instructions.
- Lisez le manuel d'utilisation fourni par le fabricant du moteur.
- Lisez les instructions fournies avec le disque de découpe par le fabricant.
- Avant de démarrer le produit pour la première fois, procédez comme suit :

- a) Installez une batterie neuve et branchez les câbles de batterie. Reportez-vous à la section *Connexion et déconnexion de la batterie à la page 131*.

Remarque: Pour certains marchés, la batterie est installée lorsque vous achetez le produit.

- b) Définissez la langue adéquate et effectuez les autres réglages nécessaires sur le panneau de commande. Pour obtenir plus d'informations sur le panneau de commande, reportez-vous au manuel d'utilisation.
- Avant toute utilisation du produit, procédez comme suit :
 - a) Effectuez l'entretien quotidien. Reportez-vous à la section *Calendrier d'entretien à la page 121*.
 - b) Tracez des lignes pour toutes les découpes. Préparez soigneusement la séquence d'utilisation pour éviter toute blessure ou dommage.
 - c) Réglez les poignées de commande sur une position d'utilisation confortable. Reportez-vous à la section *Réglage de la position des poignées de commande à la page 109*.

- d) Abaissez le pointeur réglable et assurez-vous qu'il est aligné sur le pointeur arrière, la lame de coupe et le repère de ligne sur la surface. Reportez-vous à la section *Contrôle des pointeurs à la page 108* si les pointeurs et la lame de coupe ne s'alignent pas.



- e) Si nécessaire, réglez la longueur du pointeur ajustable à l'aide des vis du pointeur ajustable.

Contrôle des pointeurs

1. Placez une longue barre métallique droite ou équivalent à plat contre la lame de coupe.

Remarque: Au lieu d'une barre métallique droite, vous pouvez utiliser le cordon pour le pointeur ajustable. Fixez le cordon au pointeur arrière et maintenez-le sur le côté du produit, contre la lame de coupe.

2. Assurez-vous que le pointeur arrière, la lame de coupe et le pointeur réglable sont alignés.
 - a) Ajustez le pointeur réglable à l'aide des vis.
 - b) Pour régler le pointeur arrière, tapez dessus avec un maillet.

Disques de découpe



AVERTISSEMENT: N'utilisez pas un disque de découpe sur d'autres matériaux que ceux pour lesquels il a été conçu.



AVERTISSEMENT: Utilisez uniquement des disques diamantés pour la découpe à l'eau. Le disque diamanté doit être utilisable à la même vitesse ou à une vitesse supérieure à la valeur indiquée sur la plaque signalétique du produit. Utilisez uniquement des disques diamantés conformes aux normes nationales ou régionales, par exemple EN 13236 ou ANSI B7.1.

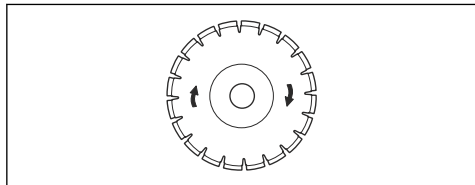
Le fabricant du disque de découpe donne des avertissements et des recommandations pour

l'utilisation et l'entretien adéquats du disque de découpe. Ces avertissements sont fournis avec le disque de découpe.

Disques diamantés



AVERTISSEMENT: Assurez-vous que le disque diamanté tourne dans le sens indiqué par les flèches sur le disque diamanté.



REMARQUE: Utilisez toujours un disque diamanté acéré.

Il existe une large gamme de disques diamantés, utilisés pour diverses applications. Du béton récent au béton et à l'asphalte durcis et pour différentes classes de dureté.

Les disques diamantés se composent d'une tôle et de segments fabriqués à partir de diamants industriels.

Système de refroidissement à l'eau

Utilisez toujours de l'eau pendant l'utilisation du produit afin de maintenir la température des disques diamantés à un niveau bas. Le système de refroidissement à l'eau augmente également la durée de vie des disques diamantés et empêche l'accumulation de poussière.

Assurez-vous que l'alimentation en eau n'est pas bouchée.

Pour aiguiser les disques diamantés

Les disques diamantés peuvent s'émousser si vous utilisez une pression d'avance incorrecte ou lorsque vous découpez des matériaux tels que du béton fortement armé. Si vous utilisez un disque diamanté émoussé, celui-ci surchauffe, ce qui peut causer le desserrage des segments diamantés.

- Réduisez la profondeur de coupe et la vitesse du moteur pendant un court moment pour affûter les diamants de la lame diamantée.

Disques diamant pour découpe à l'eau



REMARQUE: Utilisez toujours des brides de disque de dimensions spécifiées pour les dimensions du disque actuel. N'utilisez pas des brides de disque endommagées.

Pendant l'utilisation, la température du disque diamanté devient très élevée en raison des frottements. Si la température du disque diamanté devient trop élevée, la

tension du disque risque de diminuer ou la tôle de se fissurer.

Laissez le disque diamanté refroidir avant de le manipuler.

- Les disques diamantés pour la découpe à l'eau doivent être utilisés avec de l'eau pour refroidir la tôle et les segments du disque diamanté lors de la découpe. Les disques diamantés pour la découpe à l'eau ne peuvent pas être utilisés à sec.
- Si vous utilisez des disques diamantés pour la découpe à l'eau sans eau, le disque diamanté risque de surchauffer. Cela entraîne des mauvaises performances, endommage le disque et constitue un risque pour la sécurité.

Pour remplir le réservoir de carburant



REMARQUE: Utilisez toujours le type de carburant approprié. L'utilisation d'un carburant inapproprié endommage le produit.

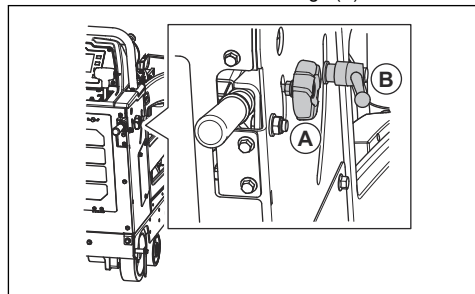


REMARQUE: N'utilisez pas de biodiesel. Le biodiesel endommage les tuyaux de carburant.

- Utilisez le carburant diesel de type approprié. Reportez-vous à la section *Caractéristiques techniques à la page 138*. Pour plus d'informations sur le carburant, reportez-vous au manuel du moteur fourni par le fabricant du moteur.

Réglage de la position des poignées de commande

1. Pour régler la longueur des poignées de commande, desserrez le bouton de verrouillage (A).



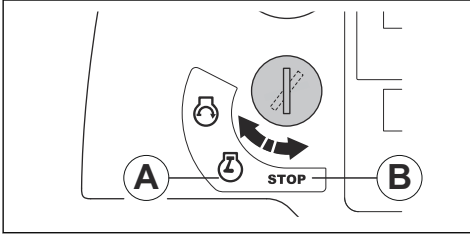
2. Réglez les poignées de commande à une longueur d'utilisation confortable.
3. Serrez le bouton de verrouillage (A).
4. Pour régler la hauteur des poignées de commande, tournez le bouton de verrouillage (B) dans le sens contraire des aiguilles d'une montre.
5. Réglez les poignées de commande à une hauteur d'utilisation confortable.

6. Tournez le bouton de verrouillage (B) dans le sens des aiguilles d'une montre pour verrouiller les poignées de commande en position.

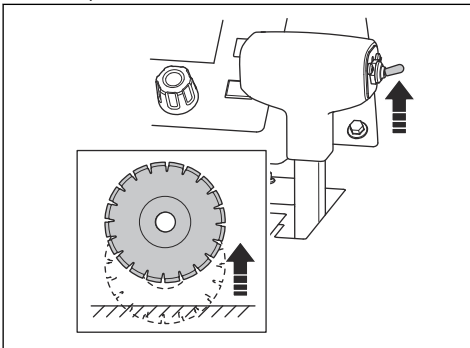
Installation de la lame de coupe

Lisez la section *Configuration du produit pour différentes dimensions de lame* à la page 112 avant d'installer une lame de coupe.

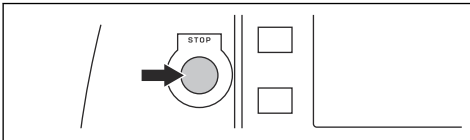
1. Positionnez le commutateur de contact (A).



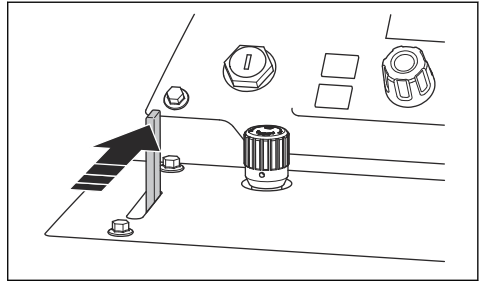
2. Poussez le commutateur de réglage de la profondeur de coupe vers le haut pour lever la lame de coupe.



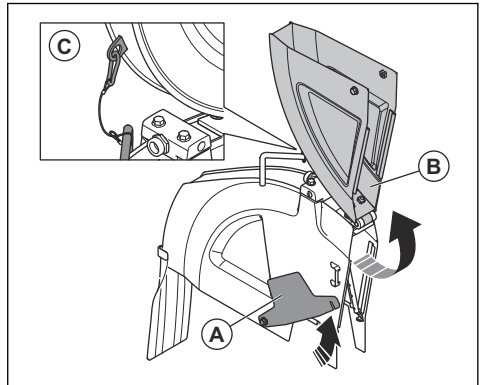
3. Placez le commutateur de démarrage du moteur en position d'arrêt (B).
4. Appuyez sur le bouton d'arrêt de la machine situé sur le panneau de commande.



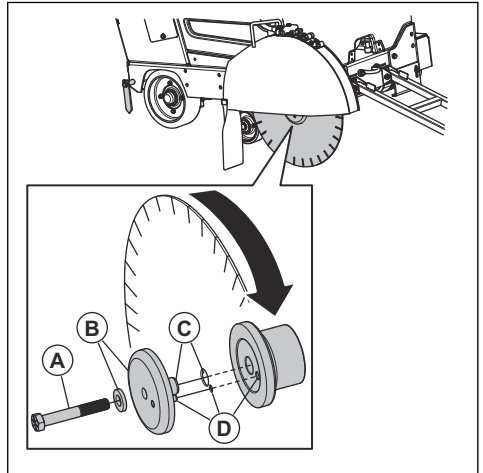
5. Fermez la valve d'eau.



6. Desserrer le boulon avant du protège-lame et soulever le loquet du protège-lame (A).



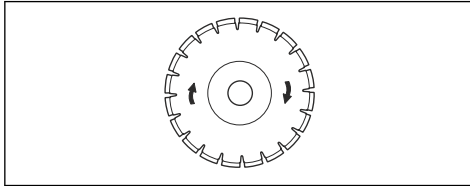
7. Soulevez le protège-lame avant (B) et verrouillez-le en position verticale à l'aide d'un fil et d'un mousqueton (C).
8. Déposez le boulon de l'axe de lame (A).



Remarque: Le boulon de l'axe de lame situé à droite du produit a un filetage à gauche. Le boulon de l'axe

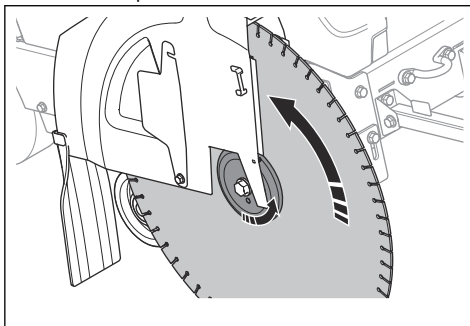
de lame situé à gauche du produit a un filetage à droite.

9. Déposez la bride extérieure de la lame et la rondelle plate (B).
10. Vérifiez que le boulon de l'axe de lame, les brides de lame, la rondelle plate et le mandrin de bride de lame (C) ne sont pas endommagés. Remplacez les pièces usées ou endommagées.
11. Nettoyez les surfaces de contact de la lame de coupe et des brides.
12. Installez la lame de coupe sur l'arbre de bride extérieure.
13. Installez la lame de coupe et la bride extérieure dans la bride intérieure. Assurez-vous que la goupille de blocage (D) passe à travers la lame et dans la bride intérieure.
14. Assurez-vous que le disque de découpe tourne dans le sens indiqué par les flèches sur le disque de découpe.



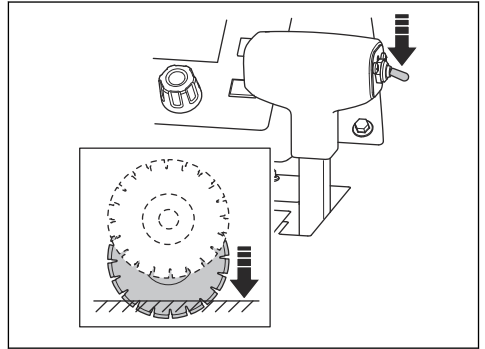
REMARQUE: Il existe un risque d'endommagement du disque de découpe si celui-ci est installé dans le sens inverse de la rotation.

15. Installez la rondelle plate et le boulon d'axe de lame.
16. Pour éliminer le jeu, tournez la bride extérieure et la lame de coupe dans le sens opposé à celui de la lame de coupe.



17. Tenez fermement la lame de coupe pendant que vous serrez le boulon d'axe de lame à l'aide de la clé d'axe de lame.

18. Appuyez sur le commutateur de réglage de la profondeur de coupe pour abaisser la lame de coupe jusqu'à ce qu'elle touche la surface.

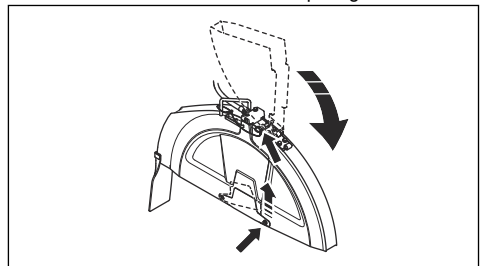


REMARQUE: N'abaissez pas la lame de coupe trop rapidement. Si la lame de coupe frappe la surface avec force, la lame de coupe peut être endommagée. Diminuez la vitesse à l'aide du bouton de réglage de la vitesse d'abaissement de la lame.



REMARQUE: Ne laissez pas le poids avant du produit s'appuyer sur la lame de coupe. Cela endommage la lame de coupe.

19. Serrez complètement le boulon de l'axe de lame à l'aide de la clé d'axe de lame. La résistance entre le disque de découpe et le sol maintient le disque de découpe en place.
20. Abaissez le protège-lame avant et placez le loquet du protège-lame sur le boulon avant du protège-lame. Serrez le boulon avant du protège-lame.



REMARQUE: Ne faites pas fonctionner le produit sans que le loquet du protège-lame soit engagé et sans que le boulon avant du protège-lame soit installé. N'utilisez pas le produit si les pièces sont endommagées.

21. Démarrez le produit et prêtez l'oreille pour repérer d'éventuels bruits anormaux. Si vous entendez des bruits anormaux, retirez le disque de découpe.
- Examinez le disque de découpe pour repérer d'éventuels dommages.
 - Installez à nouveau le disque de découpe. Remplacez le disque de découpe s'il est endommagé.

Pour retirer le disque de découpe

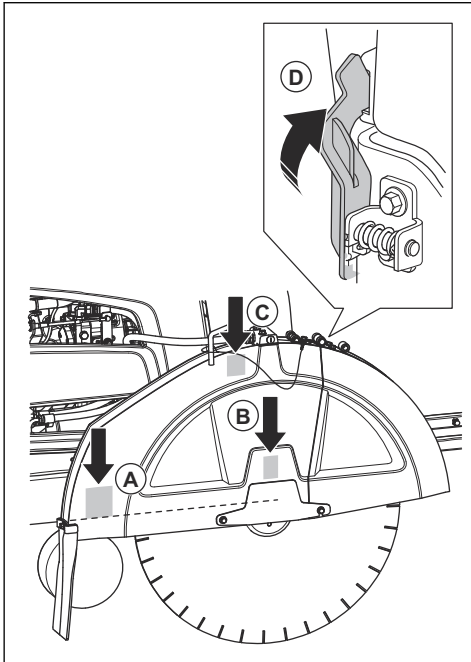


AVERTISSEMENT: Lorsque vous retirez les disques diamantés, laissez le produit refroidir et utilisez des gants de protection. Après utilisation, les disques diamantés sont très chauds.

- Retirez le disque de découpe dans l'ordre inverse de la procédure d'installation. Reportez-vous à la section *Installation de la lame de coupe à la page 110.*

Installation d'un protège-lame

- Abaissez le protège-lame sur les supports (A), (B) et (C).



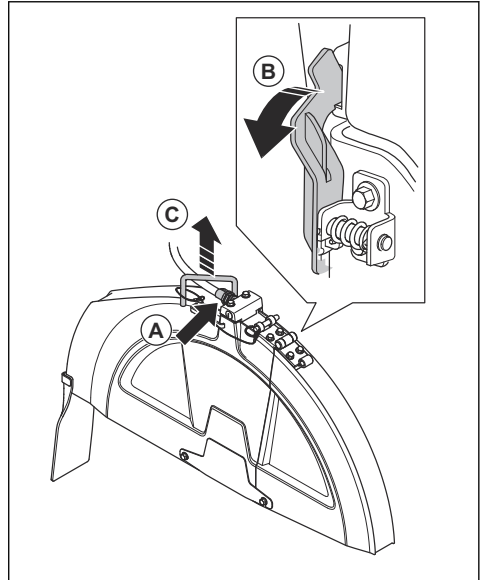
- Poussez le protège-lame vers le bas jusqu'à ce que le verrou du protège-lame (D) s'engage.
- Branchez le tuyau d'eau.

Tous les supports ne sont pas utilisés pour toutes les dimensions du protège-lame.

- Les protège-lames de 35,5 cm (14 po), 51 cm (20 po) et 66 cm (26 po) sont abaissés sur le support (B) uniquement.
- Le protège-lame de 76 cm (30 po) est abaissé sur les supports (B) et (C).
- Le protège-lame de 91 cm (36 po) est abaissé sur tous les supports (A), (B) et (C).

Pour déposer le protège-lame

- Débranchez le flexible d'eau (A) du protège-lame.



- À l'aide de la clé d'axe de lame, tournez le dispositif de verrouillage du protège-lame (B) vers l'avant jusqu'à ce qu'il s'arrête et se déverrouille.
- Soulevez le protège-lame au niveau de la poignée (C).

Configuration du produit pour différentes dimensions de lame

Un produit équipé d'une boîte de vitesses à 1 vitesse fonctionne avec 1 dimension de lame et 1 protège-lame spécifiques. Un produit équipé d'une boîte de vitesses à 3 vitesses fonctionne avec une gamme spécifique de dimensions de lame dans 1 protège-lame spécifique. Si vous remplacez la lame de coupe par une lame de coupe d'une dimension différente, il est nécessaire de modifier la configuration du produit.

Pour un produit équipé d'une boîte de vitesses à 1 vitesse, remplacez ces pièces par des pièces de la dimension applicable pour la nouvelle lame de coupe :

- Poulies d'arbre de disque
- Poulies de boîte de vitesses
- Flasques d'arbre de disque

- Courroies
- Protège-disque

Pour un produit avec une boîte de vitesses à 3 vitesses, il suffit de changer de vitesse si les dimensions de la nouvelle lame de coupe sont dans la même plage de dimensions que celle de la lame de coupe remplacée. Si la plage de dimensions est différente, il est également nécessaire de remplacer les pièces de la liste sur un produit avec une boîte de vitesses à 3 vitesses.

Laissez votre revendeur vous aider à passer la commande des pièces nécessaires à votre configuration.

Configuration de la boîte de vitesses

- Pour modifier la configuration de la boîte de vitesses sur l'écran du panneau de commande, reportez-vous à la section du panneau de commande dans le manuel d'utilisation.

Configuration d'un modèle de boîte de vitesses à 1 vitesse

Il existe 5 configurations possibles pour un produit équipé d'une boîte de vitesses à 1 vitesse :

mm/po
350/14
500/20
650/26
750/30
900/36

Reportez-vous au manuel d'utilisation du panneau de commande pour plus d'informations.

Configuration d'un modèle de boîte de vitesses à 3 vitesses

Il existe 3 configurations possibles pour un produit équipé d'une boîte de vitesses à 3 vitesses :

mm/po
350-650/14-26
500-750/20-30
500-900/20-36

Reportez-vous au manuel d'utilisation du panneau de commande pour plus d'informations.

Changement de vitesse sur un modèle à boîte de vitesses à 3 vitesses

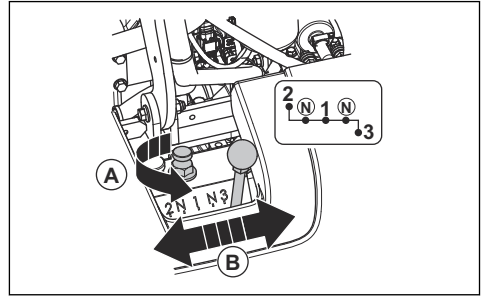


REMARQUE: Ne changez pas de vitesse lorsque le moteur est en marche ou avant

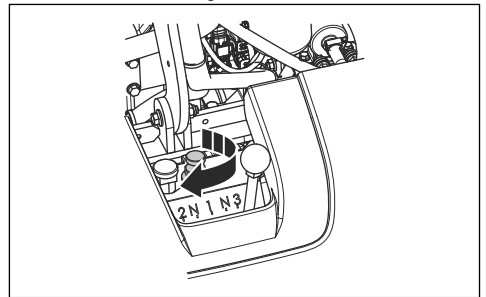
de vérifier la configuration du produit. La boîte de vitesses risque d'être endommagée.

La boîte de vitesses dispose de 3 positions de vitesse et de 2 positions de point mort. Lorsque la boîte de vitesses est au point mort, la lame de coupe ne tourne pas lorsque le moteur est en marche.

1. Tournez le commutateur de démarrage du moteur en position d'arrêt.
2. Assurez-vous que la dimension des poulies de la boîte de vitesses, des poulies de l'axe de lame et des brides de l'axe de lame est correcte pour la dimension de la lame de coupe installée.
3. Vérifiez que la vitesse d'axe de lame est correcte.
4. Tournez le bouton (A) de 2 tours dans le sens contraire des aiguilles d'une montre pour desserrer le contre-écrou.

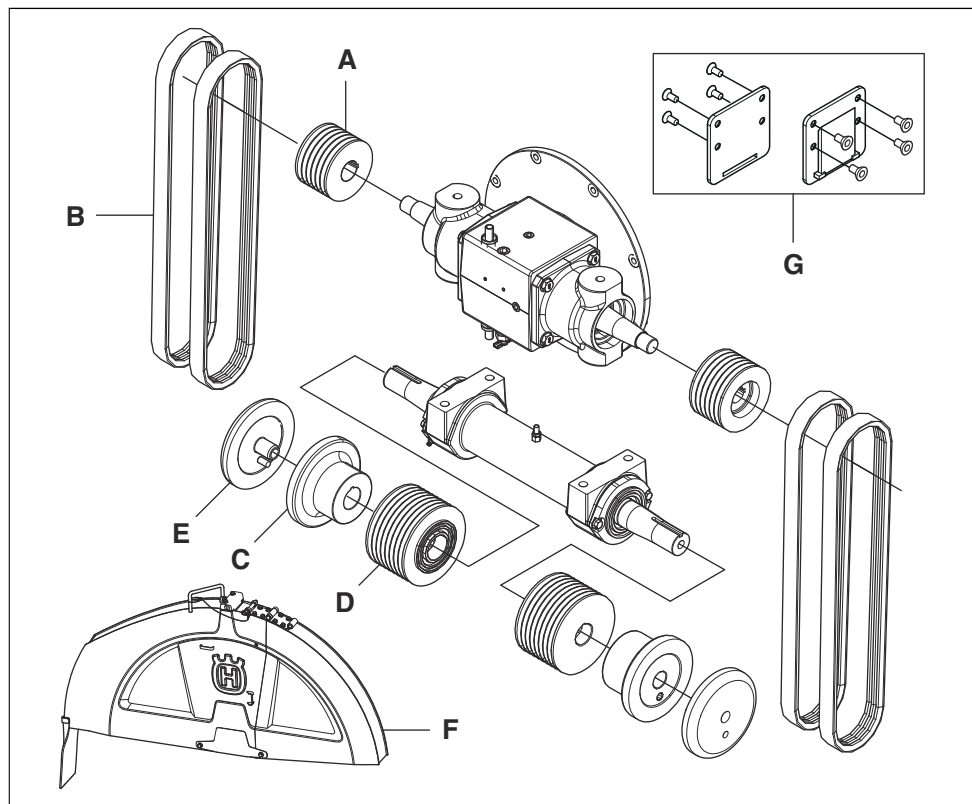


5. Desserrez complètement le contre-écrou sans le déposer.
6. Déplacez le levier de changement de vitesse (B) sur le rapport correspondant. S'il n'est pas facile de déplacer le levier de vitesses, tournez l'axe de lame sur une petite distance.
7. Serrez le bouton dans le sens des aiguilles d'une montre avec vos doigts.



8. Serrez le contre-écrou à l'aide de la clé pour axe de lame fournie. Reportez-vous à la section *Présentation du produit, arrière à la page 98.*

Changement de dimension de la lame, modèle à boîte de vitesses à 1 vitesse

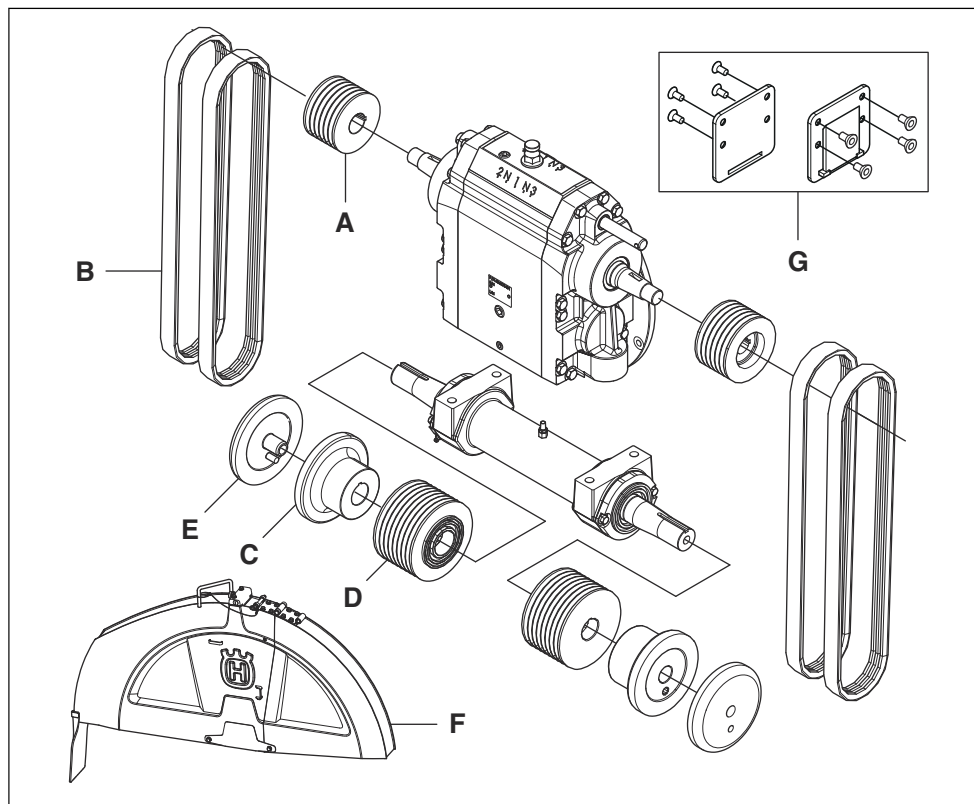


* = La pièce est incluse dans la configuration initiale du produit. Les pièces qui ne figurent pas dans ce tableau

sont également incluses dans la configuration initiale du produit.

Dimensions, mm/po	A	B	C	D	E	F	G
350/14	15,25/6	3VX475	114/4,5	106/4,17	114/4,5	350/14	Non
500/20	114/4,51	3VX450	114/4,5	106/4,17	114/4,5	500/20	Non
650/26	89/3,5	3VX435	127/5	106/4,17	127/5	650/26	Non
750/30	89/3,5	3VX450	127/5	121,5/4,78	127/5	750/30	Non
900/36	89/3,5	3VX460	152,5/6	146/5,75	152,5/6	900/36	Oui

Changement de dimension de la lame, modèle à boîte de vitesses à 3 vitesses



* = La pièce est incluse dans la configuration initiale du produit. Les pièces qui ne figurent pas dans ce tableau

sont également incluses dans la configuration initiale du produit.

Dimensions, mm/po	A	B	C	D	E	F	G
350-650/14-26	114/4,51	3VX550	127/5	106/4,17	127/5	350-650/14-26	Non
500-750/20-30	105/4,13	3VX550	127/5	115/4,53	127/5	500-750/20-30	Non
500-900/20-36	105/4,13	3VX560	152,5/6	138/4,53	152,5/6	500-900/20-36	Oui

Butée de profondeur de lame

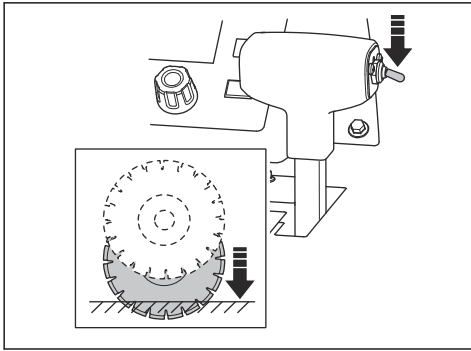
Le produit est doté de la fonction de butée de profondeur de lame qui permet à l'opérateur de définir la profondeur de coupe maximale. La profondeur de coupe maximale dépend des dimensions de lame :

Dimensions, mm/po	Profondeur de coupe maximale, en mm/po
350/14	118/4,75

Dimensions, mm/po	Profondeur de coupe maximale, en mm/po
500/20	193/7,75
650/26	262/10,5
750/30	312/12,5
900/36	374/15

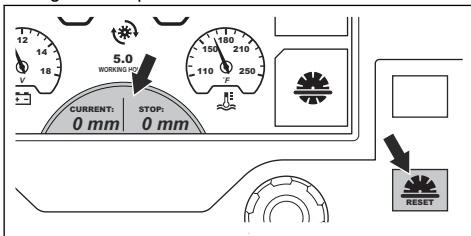
Réglage de la profondeur de coupe

1. Appuyez sur le commutateur de réglage de la profondeur de coupe pour abaisser la lame de coupe jusqu'à ce qu'elle touche la surface. Il s'agit de la position de départ de la profondeur de coupe.

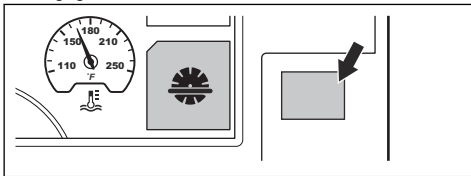


REMARQUE: N'abaissez pas la lame de coupe trop rapidement. Si la lame de coupe heurte la surface avec force, la lame de coupe risque d'être endommagée. Diminuez la vitesse à l'aide du bouton de réglage de la vitesse d'abaissement de la lame.

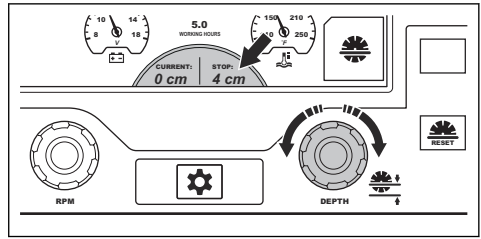
2. Appuyez sur le bouton de réinitialisation de la butée de profondeur de lame sur le panneau de commande. La valeur de profondeur de coupe est réglée sur 0 po/mm à l'écran.



3. Appuyez sur le bouton situé à côté du symbole de butée de profondeur de lame. Le symbole à l'écran change de couleur pour indiquer que la fonction est engagée.



4. Tournez le bouton de réglage de la butée de profondeur de lame jusqu'à ce que la profondeur de coupe correcte s'affiche à l'écran. Pendant l'utilisation, la lame de coupe n'est pas abaissée au-delà de la profondeur de coupe définie.

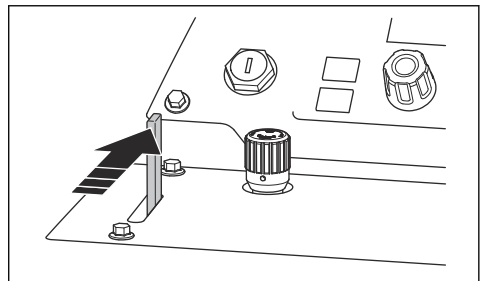


REMARQUE: Vérifiez toujours que la profondeur de coupe est correcte. La butée de profondeur de lame vous permet d'obtenir la profondeur de coupe correcte, mais ne donne qu'une indication de la valeur de profondeur.

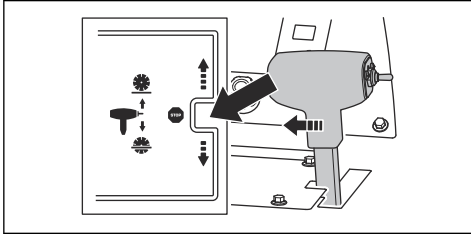
5. S'il est nécessaire d'augmenter la profondeur de coupe, effectuez l'une des procédures suivantes :
 - a) Tournez le bouton de réglage de la butée de profondeur de lame pour régler une nouvelle profondeur de coupe.
 - b) Appuyez sur le bouton situé à côté du symbole de butée de profondeur de lame pour désactiver la fonction. Le symbole à l'écran change de couleur pour indiquer que la fonction est désactivée.

Pour démarrer le produit

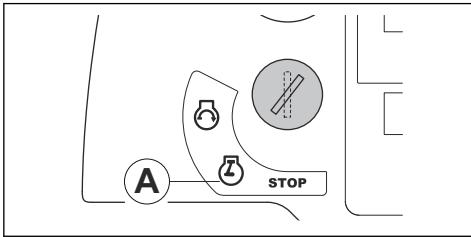
1. Raccordez le flexible d'admission d'eau à l'arrivée d'eau.
2. Fermez la valve d'eau.



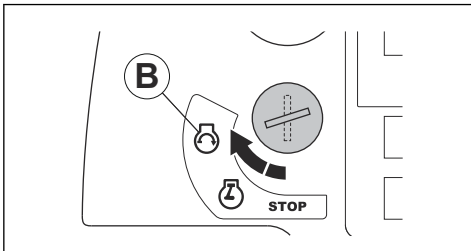
- Placez le levier de commande de vitesse en position d'arrêt.



- Assurez-vous que la soupape de dérivation de transmission est fermée. Reportez-vous à la section *Présentation du produit, côté gauche à la page 96* pour connaître la position de la soupape de dérivation de la transmission.
- Tournez le commutateur de démarrage du moteur en position de contact (A).



- Si le symbole de préchauffage s'affiche à l'écran, attendez qu'il s'éteigne. Reportez-vous à la section *Symboles d'avertissement du panneau de commande à la page 101*.
- Tournez le commutateur de démarrage du moteur en position de démarrage du moteur (B). Le moteur démarre.



- Laissez le moteur tourner au régime de ralenti pendant 2 à 3 minutes, jusqu'à ce que la jauge de température commence à se déplacer.



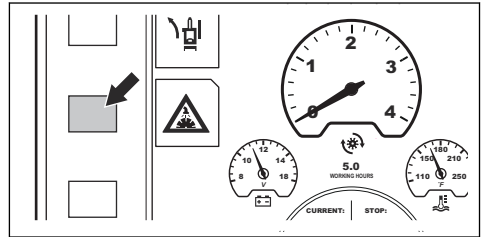
REMARQUE: Ne laissez pas le moteur tourner au régime de ralenti inférieur lorsque le produit n'est pas en marche. Le régime de ralenti inférieur augmente la quantité de particules dans le moteur et réduit le temps entre les régénérations.



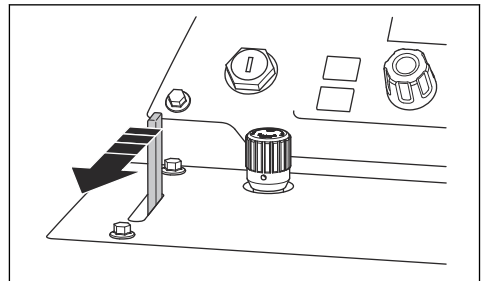
AVERTISSEMENT: Pour les produits sans embrayage de lame, la lame de coupe commence à tourner dès que le moteur démarre et si le rapport n'est pas au point mort. Ne déplacez pas le produit sur le côté ou en dehors de la zone de travail si la lame de coupe tourne.

Pour utiliser le produit

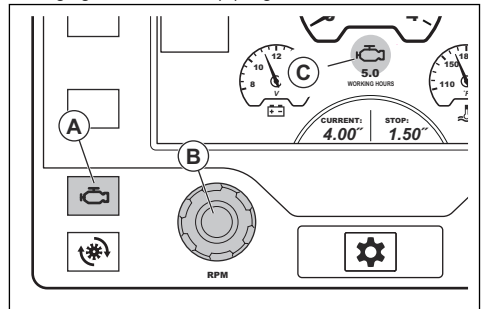
- Démarrez le moteur.
- Appuyez sur le bouton situé à côté du symbole du système de sécurité hydraulique. Le symbole à l'écran change de couleur pour indiquer que la fonction est engagée.



- Ouvrez la valve d'eau.

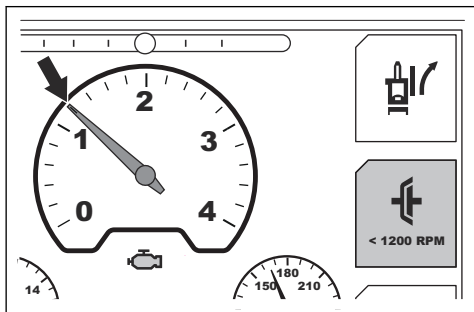


- Appuyez sur le bouton de vitesse du moteur (A). Le symbole du moteur (C) indique que le bouton de réglage de la vitesse (B) règle la vitesse du moteur.

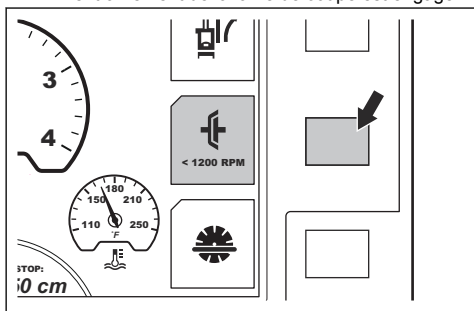


- Si le produit est équipé d'un embrayage de lame, procédez comme suit :

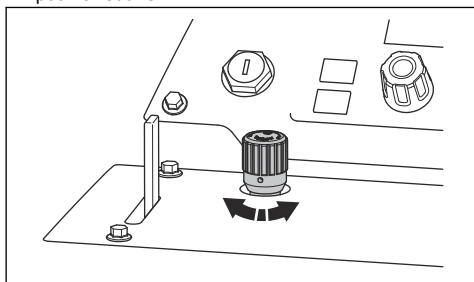
- a) Assurez-vous que la vitesse maximale du moteur est de 1 200 tr/min.



- b) Appuyez sur le bouton situé à côté du symbole d'embrayage de lame sur l'écran. Le symbole sur l'écran change de couleur pour indiquer que l'entraînement de la lame de coupe est engagé.

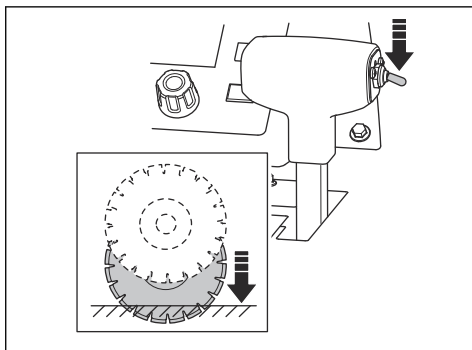


6. Tournez le bouton de réglage de la vitesse dans le sens des aiguilles d'une montre pour augmenter la vitesse du moteur jusqu'au plein régime.
7. Pour régler la vitesse d'abaissement de la lame, tournez le bouton de réglage de la vitesse d'abaissement de la lame. Tournez-le dans le sens contraire des aiguilles d'une montre pour augmenter la vitesse et dans le sens des aiguilles d'une montre pour la réduire.



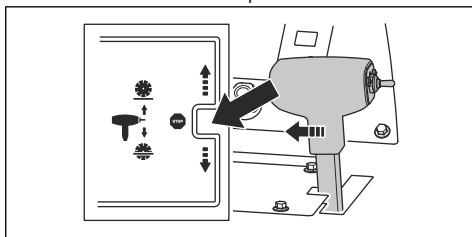
8. Gardez le pointeur réglable, le pointeur arrière et la lame de coupe sur le repère pendant toute la durée de fonctionnement.

9. Appuyez sur le commutateur de réglage de la profondeur de coupe pour abaisser la lame de coupe à la profondeur de coupe correcte. Reportez-vous à la section *Butée de profondeur de lame à la page 115*.

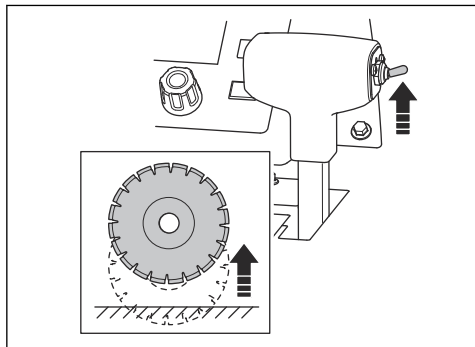


REMARQUE: Si vous abaissez la lame de coupe dans une coupe qui n'est pas complètement terminée, alignez-la avec précision afin d'éviter d'endommager la lame de coupe.

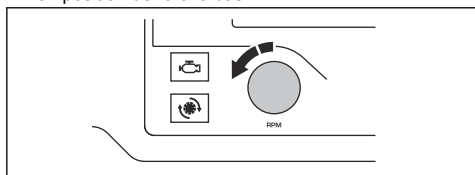
10. Poussez lentement le levier de commande de vitesse pour faire avancer le produit.
11. Écoutez le bruit du moteur. Tirez le levier de commande de vitesse vers l'arrière pour adapter la vitesse d'avance aux conditions de sciage.
12. Lorsque l'opération est terminée, placez le levier de commande de vitesse en position d'arrêt.



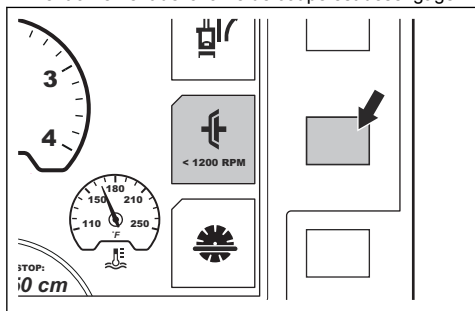
13. Appuyez sur le commutateur de réglage de la profondeur de coupe pour régler la profondeur de coupe jusqu'à ce que la lame de coupe se trouve au-dessus de la surface.



14. Tournez le bouton de la commande d'accélération en position de ralenti bas.



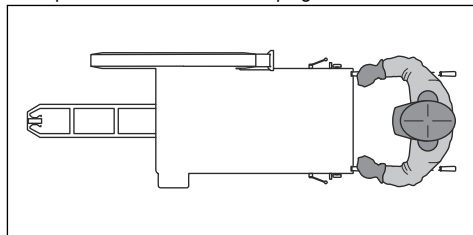
15. Si le produit est équipé d'un embrayage de lame, appuyez sur le bouton situé à côté du symbole d'embrayage de lame sur l'écran. Le symbole sur l'écran change de couleur pour indiquer que l'entraînement de la lame de coupe est désengagé.



Remarque: Reportez-vous à la section *Fonctionnement direct du produit* à la page 119 pour obtenir plus d'informations sur le réglage de l'essieu arrière si le produit ne coupe pas droit.

Utilisation de la technique de travail correcte

- Restez à l'écart de la trajectoire de la lame lorsque le moteur est en marche. La position correcte de l'opérateur se situe entre les poignées.



- Examinez fréquemment la lame de coupe pour détecter des fissures et pièces cassées survenues pendant la journée de travail. N'utilisez pas de disque découpeur endommagé.



AVERTISSEMENT: Arrêtez le moteur avant d'examiner la lame de coupe.

- Ne meulez pas avec le côté de la lame de coupe. La lame de coupe peut se casser et blesser l'utilisateur ou les personnes qui se trouvent à proximité. N'utilisez que le côté tranchant.
- Ne pliez/tordez pas la lame de coupe pendant la coupe.
- Assurez-vous que la lame de coupe se déplace librement et ne se coince pas dans la coupe.

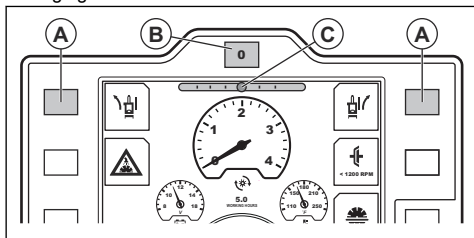
Fonctionnement direct du produit

Pendant le fonctionnement, la lame de coupe provoque une résistance au mouvement en avant des roues arrière. Le produit peut ainsi tourner dans le même sens que la lame de coupe. Pour éviter une coupe courbée, l'angle de l'essieu arrière peut être réglé. Il existe 2 procédures pour régler l'essieu arrière, à l'aide de la fonction E-track ou à l'aide d'un réglage manuel de l'essieu.

Réglage de l'essieu arrière à l'aide de la fonction E-track

Vous pouvez effectuer le réglage de l'essieu arrière à l'aide de la fonction E-track pendant le fonctionnement ou lorsque le produit est à l'arrêt.

- Appuyez sur les boutons de réglage gauche et droit du système E-track (A) pour régler l'essieu arrière. Appuyez plusieurs fois pour effectuer de petits réglages.

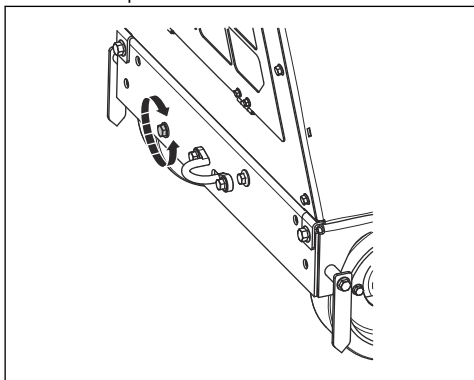


Remarque: La jauge E-track (C) à l'écran indique l'angle actuel de l'essieu arrière. Le réglage est enregistré lorsque le contact est coupé ou si le produit n'est plus alimenté.

- Observez le mouvement et la direction du produit pour vous assurer que le réglage est correct.
- Pour réinitialiser l'essieu arrière à l'angle central défini dans le système, appuyez sur le bouton de réinitialisation de la fonction E-track (B).
- Pour revenir à l'angle réglé, appuyez à nouveau sur le bouton de réinitialisation de la fonction E-track.
- Pour régler l'angle central défini dans le système, reportez-vous à la section du panneau de commande du manuel d'utilisation.

Réglage manuel de l'essieu arrière

- Tournez le boulon de réglage en bas à gauche de l'arrière du produit. Utilisez une clé de 18 mm.

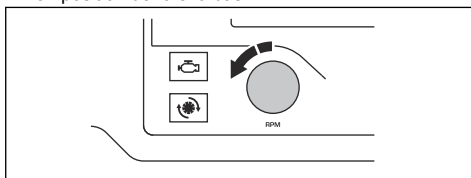


- a) Si le produit se dirige vers la droite pendant le fonctionnement, tournez le boulon de réglage dans le sens contraire des aiguilles d'une montre.

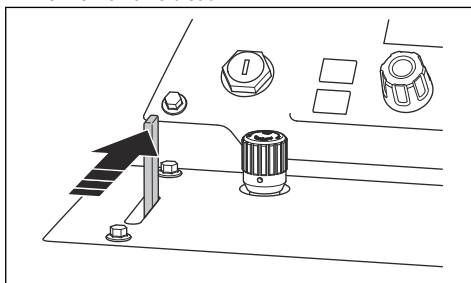
- b) Si le produit se dirige vers la gauche pendant le fonctionnement, tournez le boulon de réglage dans le sens des aiguilles d'une montre.

Pour arrêter le produit

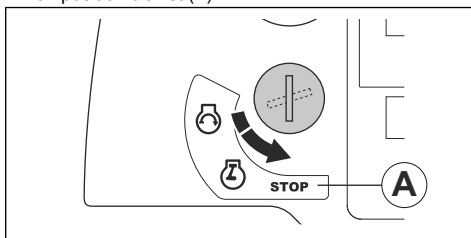
1. Tournez le bouton de la commande d'accélération en position de ralenti bas.



2. Fermez la valve d'eau.



3. Laissez le moteur fonctionner au ralenti pendant 2 à 3 minutes.
4. Tournez le commutateur de démarrage du moteur en position d'arrêt (A).



AVERTISSEMENT: La lame de coupe continue de tourner pendant un moment après l'arrêt du moteur. N'arrêtez pas la lame de coupe avec vos mains. Vous pourriez vous blesser gravement.

Entretien

Introduction



AVERTISSEMENT: assurez-vous de lire et de comprendre le chapitre sur la sécurité avant de procéder à l'entretien du produit.

Une formation spécifique est nécessaire pour effectuer tous les travaux d'entretien et de réparation du produit. Nous garantissons la disponibilité de réparations et d'un entretien professionnels. Si votre concessionnaire n'est pas un atelier spécialisé, demandez-lui des informations à propos de l'atelier spécialisé le plus proche.

Pour les pièces de rechange, contactez Husqvarna votre concessionnaire ou votre atelier spécialisé

À faire avant l'entretien

- Garez le produit sur une surface plane et arrêtez le moteur. Appuyez sur le bouton d'arrêt de la machine sur le panneau de commande pour empêcher tout démarrage accidentel pendant l'entretien.

- Éliminez toute trace d'huile et de saleté autour du produit. Enlevez les objets indésirables.
- Signalez clairement la zone d'entretien pour avertir les personnes à proximité que des travaux d'entretien sont en cours.
- Gardez les extincteurs, le matériel médical et un téléphone de secours à proximité.

Calendrier d'entretien

Remarque: S'il y a plus d'un intervalle indiqué dans un tableau, l'intervalle le plus court concerne le premier entretien uniquement.

* Reportez-vous à la section *Dispositifs de sécurité sur le produit à la page 104* pour connaître les instructions.

Entretien	Tous les jours et après un transport	50 h	100 h	250 h	500 h	Une fois par an
Nettoyez le produit.	X					
Contrôlez le niveau de liquide de refroidissement du radiateur.	X					
Contrôlez le niveau d'huile moteur.	X					
Contrôlez les protège-lames.	*					
Contrôlez tous les tuyaux et colliers de serrage. Vérifiez que les tuyaux ne frottent pas contre d'autres tuyaux ou pièces du produit.	X					
Nettoyez le filtre à air extérieur.	X					
Contrôlez les capots de protection et les protège-lames.	*					
Vidangez l'eau de la boîte de vitesses.	X					
Vérifiez l'approvisionnement en eau de la lame de coupe.	X					
Vidangez le séparateur d'eau du filtre à carburant.	X					
Remplacez l'huile moteur et le filtre à huile.		X	X			
Nettoyez le filtre à air du radiateur.		X				
Contrôlez les courroies trapézoïdales.		X				
Lubrifiez les roues avant.		X				
Remplacez le filtre du circuit hydraulique.		X		X		

Entretien	Tous les jours et après un transport	50 h	100 h	250 h	500 h	Une fois par an
Lubrifiez les roulements de pivot de l'arbre avant.			X			
Vérifiez que les roues et moyeux de roue ne sont pas endommagés et assurez-vous qu'ils sont correctement installés.			X			
Examinez le tuyau du filtre à air et les colliers de serrage.			X			
Contrôlez le niveau d'huile hydraulique.			X			
Lubrifiez l'axe de lame.				X		
Lubrifiez le pivot du cylindre hydraulique.	X					
Lubrifiez le roulement de l'arbre arrière.				X		
Remplacez l'huile hydraulique.					X	
Changez l'huile dans la boîte de vitesses.					X	
Remplacez le filtre à carburant.					X	
Remplacez le liquide de refroidissement du radiateur.					X	
Remplacez les filtres à air.						X
Vérifiez que le mélange de liquide de refroidissement est correct. Reportez-vous à la section <i>Caractéristiques techniques à la page 138</i> .						X

Nettoyage du produit



AVERTISSEMENT: utilisez des lunettes de protection. Lorsque vous nettoyez avec un nettoyeur haute pression, de la poussière et des matières nocives peuvent être éjectées du produit.

- Laissez le produit refroidir avant de le nettoyer.
- Assurez-vous que le capot de la boîte à relais et à fusibles est correctement installé avant de nettoyer le produit.
- Ne nettoyez pas les composants électriques avec de l'eau.
- Utilisez un produit de nettoyage doux. Portez des gants de protection pour éviter toute irritation de la peau.
- Utilisez un nettoyeur à haute pression pour nettoyer le produit.

Nettoyage du radiateur



REMARQUE: Respectez les instructions. Une procédure incorrecte peut endommager les ailettes de refroidissement.

- Nettoyez les ailettes de refroidissement avec de l'air comprimé.
- Si nécessaire, utilisez un nettoyeur haute pression et un agent de nettoyage doux.
- Pulvérisiez directement sur le radiateur, parallèlement aux ailettes de refroidissement.
- Respectez une distance minimale de 40 cm (15,75 po) entre les ailettes de refroidissement et la buse du nettoyeur haute pression ou le flux d'air.

Nettoyage du panneau de commande



REMARQUE: N'utilisez pas de nettoyeur haute pression pour nettoyer le panneau de commande.

- Nettoyez les composants électriques avec un chiffon ou de l'air comprimé.
- Nettoyez le panneau de commande avec un chiffon humide.

Nettoyage du moteur

- Respectez une distance minimale de 40 cm (15,75 po) entre la buse d'une part, et le moteur et ses composants d'autre part.

- Faites attention lorsque vous nettoyez le moteur, en particulier à proximité de composants électriques. Ne pulvérisez pas d'eau directement sur les composants électriques.
- Ne dirigez pas l'eau directement dans le tuyau d'échappement ou le filtre à air du moteur.

Procédure après le nettoyage du produit

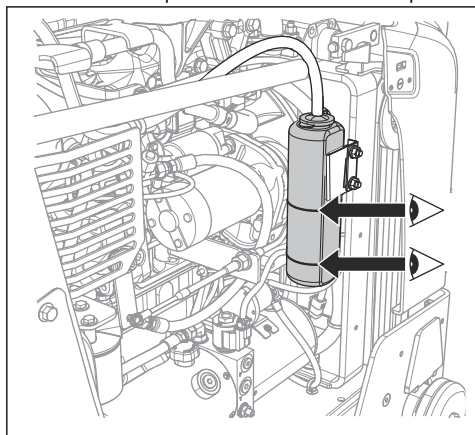
- Séchez les bornes électriques avec de l'air comprimé.
- Laissez le produit sécher complètement avant de démarrer le moteur.

Contrôle du niveau de liquide de refroidissement du radiateur

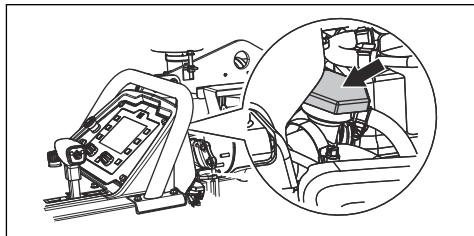


AVERTISSEMENT: Risque de brûlures. Laissez le moteur refroidir avant d'ouvrir le couvercle du liquide de refroidissement du radiateur.

1. Examinez le niveau de liquide de refroidissement du radiateur au niveau du récipient afin de détecter tout déversement de liquide de refroidissement du radiateur. Le niveau de liquide de refroidissement est correct lorsqu'il se trouve entre les 2 marques.



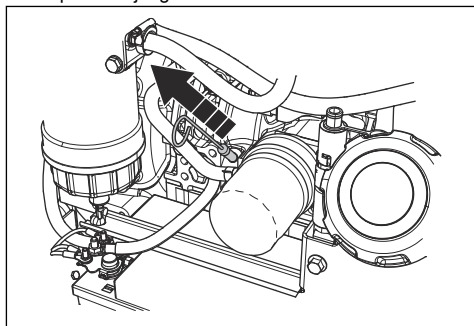
2. Si le niveau de liquide de refroidissement du radiateur est trop bas, déposez le couvercle et remplissez jusqu'à ce que le niveau soit correct. Reportez-vous à la section *Caractéristiques techniques* à la page 138 pour connaître le type et le mélange corrects de liquide de refroidissement du radiateur.



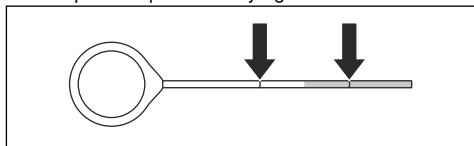
Pour contrôler le niveau d'huile moteur

Pour lire correctement le niveau d'huile, le produit doit être dans la bonne position.

1. Assurez-vous que la lame de coupe est déposée et que le produit est à niveau lorsque vous examinez le niveau d'huile moteur.
2. Déposez la jauge du réservoir d'huile.



3. Nettoyez l'huile sur la jauge.
4. Remplacez la jauge complètement dans le réservoir d'huile.
5. Enlevez la jauge.
6. Inspectez le niveau d'huile sur la jauge. Assurez-vous que le niveau d'huile moteur se situe entre les marques indiquées sur la jauge.



7. Si le niveau d'huile est bas, faites l'appoint d'huile moteur et contrôlez à nouveau le niveau d'huile. Reportez-vous à la section *Caractéristiques techniques* à la page 138 pour connaître le type d'huile moteur correct.

Contrôle des tuyaux et des colliers de serrage

- Recherchez les fuites sur les tuyaux du circuit d'alimentation en carburant, du circuit hydraulique et du circuit de refroidissement.
- Vérifiez que les tuyaux ne sont ni usés, ni endommagés, notamment s'ils frottent contre d'autres tuyaux ou pièces du produit.
- Remplacez les tuyaux endommagés.
- Serrez les colliers de serrage desserrés.

Nettoyage du filtre à air extérieur



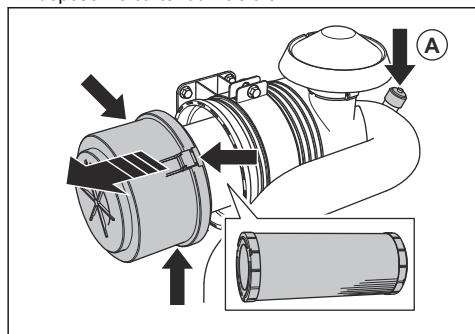
AVERTISSEMENT: utilisez une protection respiratoire homologuée lorsque vous nettoyez ou remplacez le filtre à air. Mettez au rebut les filtres à air usés de manière appropriée. La poussière présente dans le filtre à air est dangereuse pour la santé.



AVERTISSEMENT: Ne nettoyez pas le filtre à air à l'air comprimé. Cette action endommage le filtre à air et augmente le risque d'inhalation de poussière dangereuse.

Il n'est pas nécessaire de nettoyer le filtre à air intérieur.

1. Examinez l'indicateur de filtre à air (A). Si l'indicateur du filtre à air est rouge, il est nécessaire de nettoyer le filtre à air extérieur.
2. Ouvrez les 3 colliers du carter du filtre à air et déposez le carter du filtre à air.



3. Retirez le filtre à air.
4. Tapotez le filtre à air contre une surface dure ou utilisez un aspirateur pour retirer les particules.



REMARQUE: Ne laissez pas l'embout de l'aspirateur toucher la surface de l'élément filtrant. Conservez une petite distance de sécurité. La surface fragile du filtre à air est endommagée en cas de contact avec des objets.

5. Remplacez les joints endommagés.
6. Examinez le tuyau du filtre à air et les colliers de serrage.
 - a) Remplacez les pièces endommagées.
 - b) Serrez les colliers desserrés.
7. Installez le filtre à air extérieur.
8. Installez le carter du filtre à air et fermez les 3 colliers du carter du filtre à air.

Remarque: Si les 3 colliers du carter du filtre à air ne peuvent pas être fermés, le filtre à air extérieur n'est pas correctement installé.



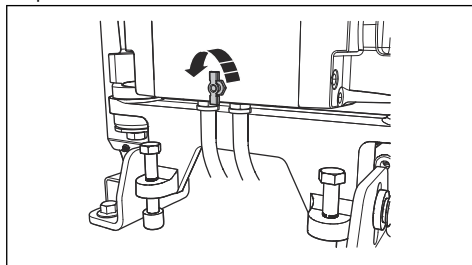
REMARQUE: remplacez toujours un filtre à air endommagé car de la poussière pourrait pénétrer dans le moteur et l'endommager. Les dommages au moteur causés par un filtre à air endommagé annulent la garantie.

Vidange de la boîte de vitesses



REMARQUE: L'eau présente dans la boîte de vitesses peut provoquer des dommages en raison de la corrosion et du gel.

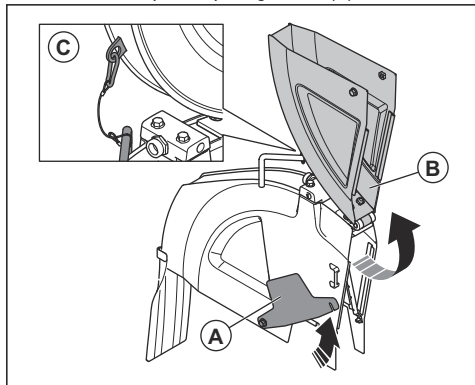
1. Tournez la valve de vidange de la boîte de vitesses dans le sens contraire des aiguilles d'une montre pour l'ouvrir.



2. Tournez la valve de vidange de la boîte de vitesses dans le sens des aiguilles d'une montre pour la fermer.

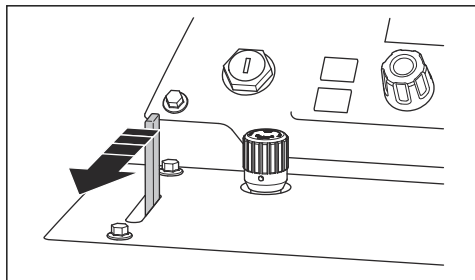
Vérification de l'approvisionnement en eau de la lame de coupe

1. Desserrer le boulon avant du protège-lame et soulever le loquet du protège-lame (A).

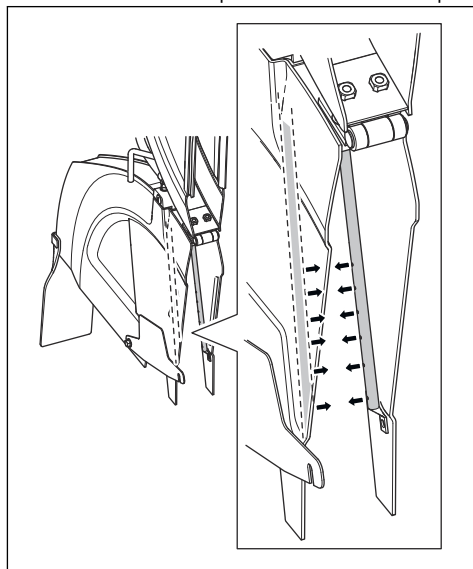


2. Soulevez le protège-lame avant (B) et verrouillez-le en position verticale à l'aide d'un fil et d'un mousqueton (C).

3. Ouvrez la valve d'eau.



4. Assurez-vous que les jets d'eau sortent directement des orifices et de chaque côté de la lame de coupe.

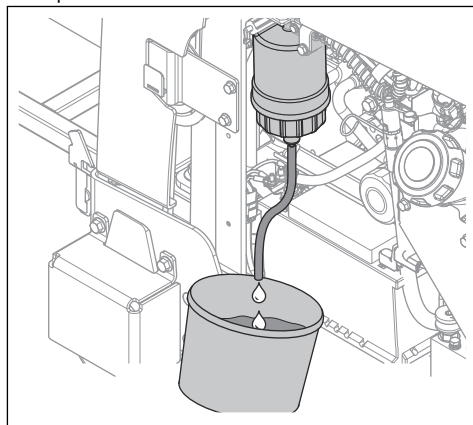


5. Assurez-vous qu'il n'y a pas de fuites dans les conduites d'eau.

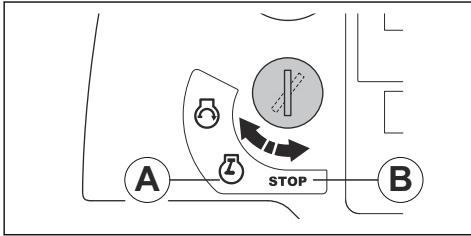
6. Remplacez les conduites d'eau si elles sont endommagées.

Vidange du séparateur d'eau du filtre à carburant

1. Placez un récipient sous le tuyau au bas du séparateur d'eau du filtre à carburant.



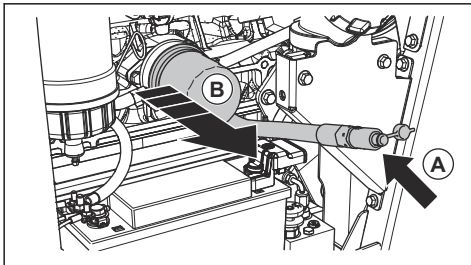
2. Tournez le commutateur de démarrage du moteur en position de contact (A). Ne démarrez pas le moteur.



3. Laissez la pompe à carburant fonctionner pendant environ 15 secondes pour augmenter la pression dans le circuit d'alimentation en carburant.
4. Tournez le commutateur de démarrage du moteur en position d'arrêt (B).
5. Desserrez le robinet et vidanger l'eau du séparateur d'eau dans le récipient.
6. Serrez le robinet.
7. Éliminez l'eau comme un déchet chimique. Reportez-vous à la section *Mise au rebut* à la page 137.

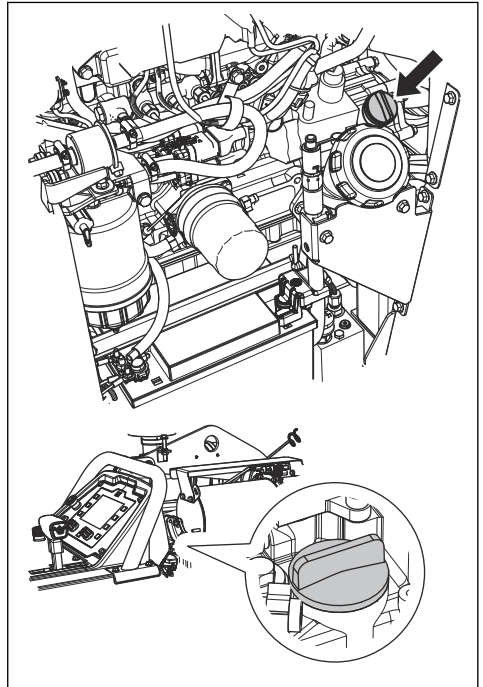
Remplacement de l'huile moteur et du filtre à huile moteur

1. Placez un capot sur la batterie pour éviter tout déversement d'huile sur la batterie.
2. Déposez le bouchon (A) du tuyau de vidange d'huile moteur.



3. Ouvrez la vanne et pliez le tuyau pour vidanger l'huile moteur.
4. Déposez le filtre à huile moteur (B) et mettez-le au rebut.
5. Fermez la valve.
6. Remplissez un nouveau filtre à huile moteur avec de l'huile et installez le filtre à huile moteur sur le produit.

7. Ouvrez un bouchon de réservoir d'huile et remplissez le circuit avec de l'huile moteur. Reportez-vous à la section *Caractéristiques techniques* à la page 138.



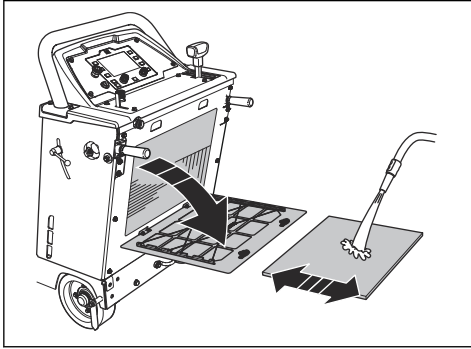
Remarque: Il y a 2 bouchons de réservoir d'huile pour l'huile moteur.

Nettoyage du filtre à air du radiateur



REMARQUE: N'utilisez pas le produit sans filtre à air de radiateur installé.

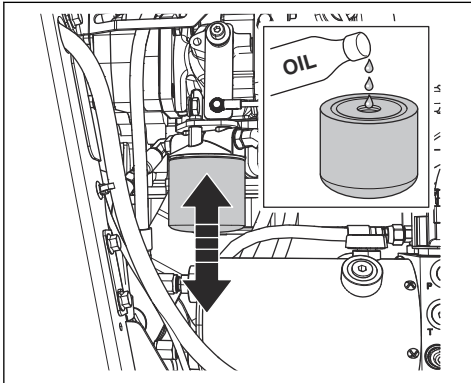
- Nettoyez le filtre à air du radiateur avec de l'eau et du savon.



- Remplacez toujours un filtre à air de radiateur endommagé.

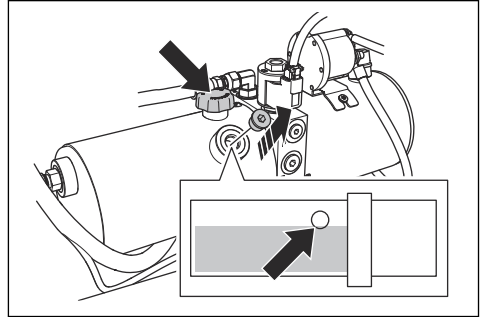
Remplacement du filtre du circuit hydraulique

1. Déposez le filtre du circuit hydraulique et mettez-le au rebut.



2. Remplissez un nouveau filtre du circuit hydraulique avec de l'huile. Reportez-vous à la section *Caractéristiques techniques* à la page 138 pour connaître le type d'huile approprié.
3. Lubrifiez le joint avec quelques gouttes d'huile.
4. Installez le filtre du circuit hydraulique.
5. Assurez-vous que le produit est de niveau.

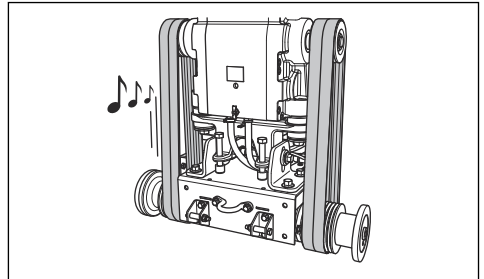
6. Déposez le bouchon de l'ouverture d'inspection du réservoir hydraulique.



7. Déposez le bouchon du réservoir hydraulique et remplissez avec de l'huile neuve jusqu'au niveau d'huile correct. Reportez-vous à la section *Contrôle du niveau d'huile hydraulique* à la page 128.
8. Posez le bouchon du réservoir hydraulique.
9. Posez le bouchon sur l'orifice d'inspection du réservoir hydraulique.

Contrôle des courroies trapézoïdales

- Tirez et relâchez les courroies trapézoïdales, 1 à la fois. Les courroies doivent émettre un son long et non court.



- a) Si les courroies trapézoïdales émettent un son long et clair, la tension est correcte.
 - b) Si les courroies trapézoïdales ne produisent qu'un son bref, la tension est trop faible. Reportez-vous à la section *Augmentation de la tension des courroies trapézoïdales* à la page 128.
- Examinez les courroies trapézoïdales pour vérifier l'absence de fissures ou de dommages. Remplacez les courroies trapézoïdales endommagées.



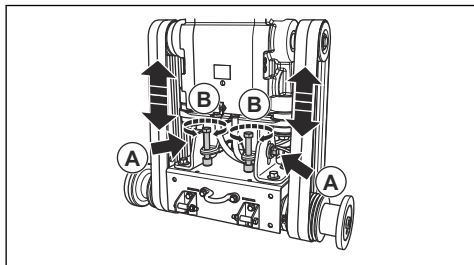
REMARQUE: Ne remplacez pas seulement l'une des courroies trapézoïdales. Remplacez toujours les 4 courroies trapézoïdales en même temps.

Augmentation de la tension des courroies trapézoïdales



REMARQUE: La tension des nouvelles courroies trapézoïdales doit être augmentée après les 2-4 premières heures de fonctionnement.

1. Desserrez les 2 boulons (A) à l'aide de la clé d'axe de lame.

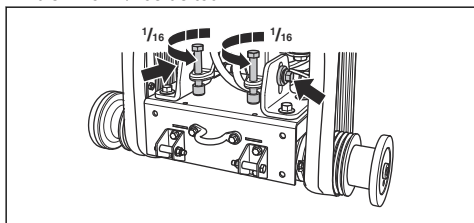


2. Tournez les boulons de tension de la courroie (B) dans le sens des aiguilles d'une montre jusqu'à ce que les courroies trapézoïdales soient serrées.



REMARQUE: Tournez les 2 boulons de tension de la courroie de manière égale. La tension des 2 courroies trapézoïdales doit être identique.

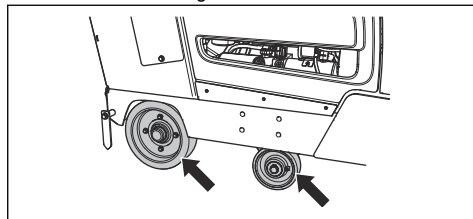
3. Contrôlez les courroies trapézoïdales. Reportez-vous à la section *Contrôle des courroies trapézoïdales* à la page 127.
 - a) Si la tension des courroies trapézoïdales est trop faible, tournez un peu plus les boulons de tension de la courroie.
 - b) Répétez cette procédure jusqu'à ce que la tension de la courroie trapézoïdale soit correcte.
4. Serrez les 2 boulons (A).
5. Desserrez les boulons de tension de la courroie dans le sens contraire des aiguilles d'une montre d'environ 1/16e de tour.



REMARQUE: Assurez-vous que les 4 courroies trapézoïdales ont la même tension. Ne réglez pas trop la tension des courroies trapézoïdales.

Vérification des roues

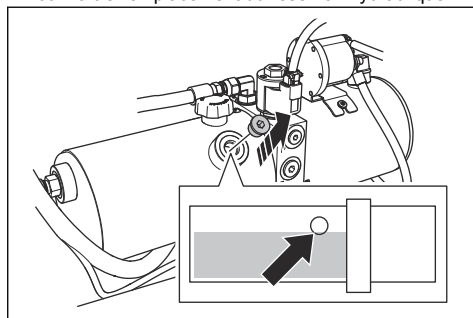
- Examinez les roues pour voir si elles sont usées ou endommagées. Remplacez les roues et les moyeux s'ils sont endommagés ou usés.



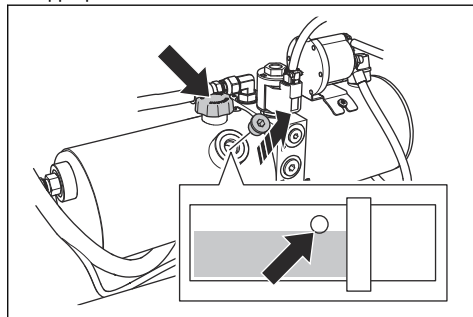
- Examinez si les moyeux et les roues arrière sont desserrés. Resserrez les vis et écrous.

Contrôle du niveau d'huile hydraulique

1. Déposez le bouchon de l'orifice d'inspection du réservoir hydraulique. Reportez-vous à la section *Présentation du produit, côté droit* à la page 97 pour connaître l'emplacement du réservoir hydraulique.



2. Assurez-vous que le niveau d'huile se situe au niveau du bord inférieur de l'ouverture du réservoir hydraulique.
3. Si nécessaire, déposez le bouchon du réservoir hydraulique et remplissez le réservoir hydraulique jusqu'à ce que le niveau d'huile soit correct. Reportez-vous à la section *Présentation du produit, côté droit* à la page 97 pour connaître le type d'huile approprié.



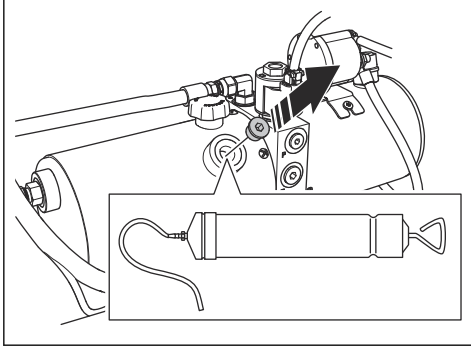


REMARQUE: Ne remplissez pas excessivement. De l'huile peut sortir de l'orifice d'inspection.

4. Posez le bouchon du réservoir hydraulique.
5. Posez le bouchon sur l'orifice d'inspection du réservoir hydraulique.

Pour remplacer l'huile hydraulique

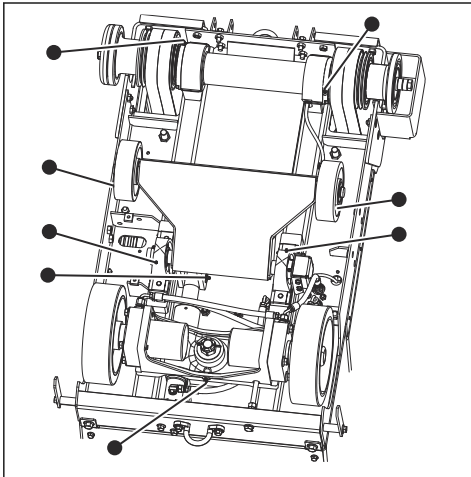
1. Déposez le bouchon de l'ouverture d'inspection du réservoir hydraulique.



2. Utilisez une pompe à huile manuelle pour vidanger l'huile par le biais de l'ouverture d'inspection du réservoir hydraulique.
3. Remplacez le filtre du circuit hydraulique. Reportez-vous à la section *Remplacement du filtre du circuit hydraulique* à la page 127.

Pour lubrifier le produit

1. Nettoyez les 8 raccords de graissage.



2. Remplacez les raccords de graissage cassés ou bloqués.

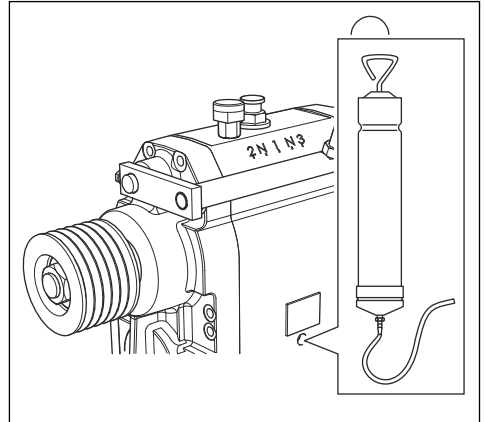
3. Lubrifiez les roues avant.
4. Lubrifiez les roulements de pivot de l'arbre avant.
5. Lubrifiez l'axe de lame. Poussez la pompe à graisse 2 fois à chaque extrémité de l'axe de lame.
6. Lubrifiez l'axe de pivot sur le vérin hydraulique.
7. Lubrifiez le roulement de l'arbre arrière.

Pour plus d'informations sur la lubrification, reportez-vous à la section *Caractéristiques techniques* à la page 138.

Remplacement de l'huile dans la boîte de vitesses

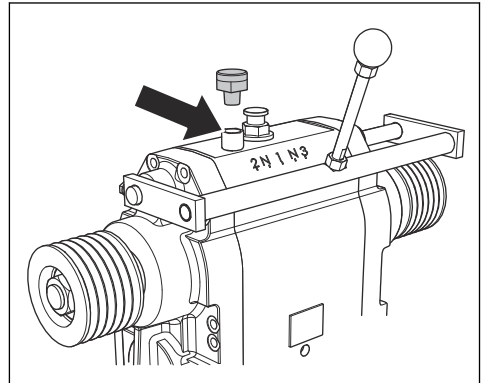
Il existe 2 alternatives pour vidanger l'huile de la boîte de vitesses.

1. Pour vidanger l'huile avec une pompe à huile manuelle, procédez comme suit :
 - a) Déposez le bouchon de la fenêtre d'observation à l'avant du produit.



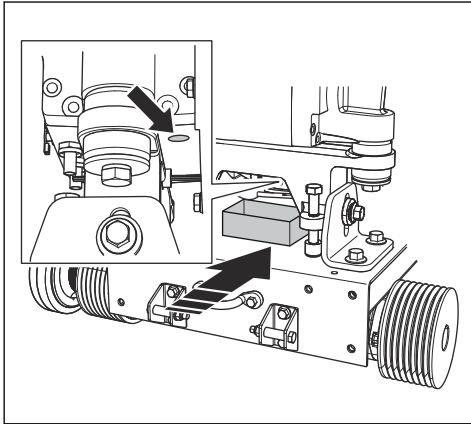
- b) Utilisez une pompe à huile pour vidanger l'huile par la fenêtre d'observation.

2. Déposez la vis gauche.



3. Pour vidanger l'huile par l'orifice situé sous le moteur, procédez comme suit :

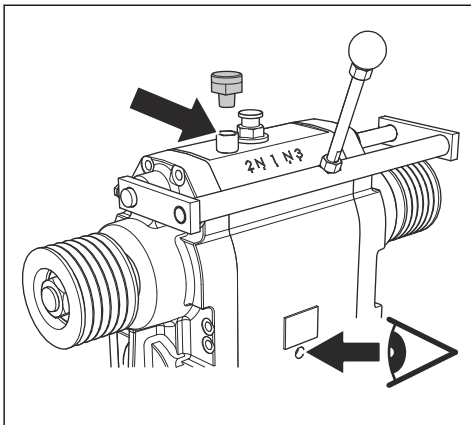
a) Placez un récipient sous le moteur.



b) Desserrez la vis et laissez l'huile s'écouler dans le récipient.

c) Serrez la vis.

4. Remplissez le tube d'huile tout en observant par la fenêtre d'observation.



5. Remplissez jusqu'à ce que le niveau d'huile soit correct.

6. Serrez la vis gauche.

Pour remplacer le filtre à carburant



AVERTISSEMENT: Portez des gants de protection pour éviter toute irritation de la peau. Du carburant peut provenir du filtre à carburant et se déposer sur la peau.

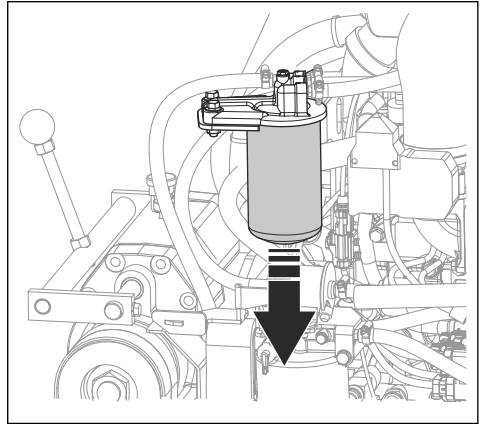
1. Fermez la valve du préfiltre. Pour plus d'informations, reportez-vous au manuel du moteur.

2. Tournez le filtre à carburant dans le sens contraire des aiguilles d'une montre pour le déposer.

3. Remplacez le filtre à carburant.

4. Remplissez le filtre à carburant neuf avec du carburant diesel.

5. Lubrifiez le joint avec quelques gouttes de carburant diesel.



6. Installer le filtre à carburant.

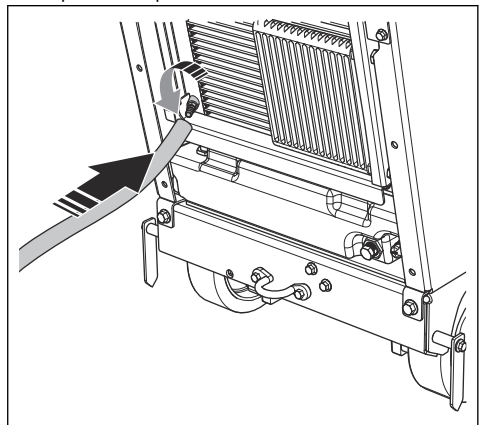
7. Ouvrez la valve du préfiltre avant de démarrer le moteur.

Remplacement du liquide de refroidissement du radiateur



AVERTISSEMENT: Risque de brûlures. Laissez le moteur refroidir avant d'ouvrir le couvercle du liquide de refroidissement du radiateur.

1. Déposez le capot arrière.

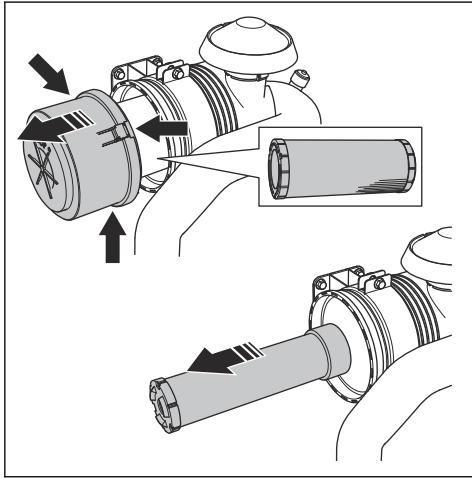


2. Placez une extension sur la valve.

3. Ouvrez la valve.
4. Déposez le couvercle de liquide de refroidissement du radiateur. Le liquide de refroidissement du radiateur s'écoule du circuit.
5. Fermez la valve.
6. Remplissez le radiateur avec du liquide de refroidissement jusqu'à ce que le niveau se situe entre les 2 marques sur le flacon de liquide de refroidissement du radiateur. Reportez-vous à la section *Caractéristiques techniques* à la page 138 pour connaître le type et le mélange corrects de liquide de refroidissement du radiateur.

Remplacement des filtres à air

1. Ouvrez les 3 colliers du carter du filtre à air et déposez le carter du filtre à air.



2. Remplacez le filtre à air extérieur et le filtre à air intérieur.
3. Installez les filtres à air en procédant dans l'ordre inverse.

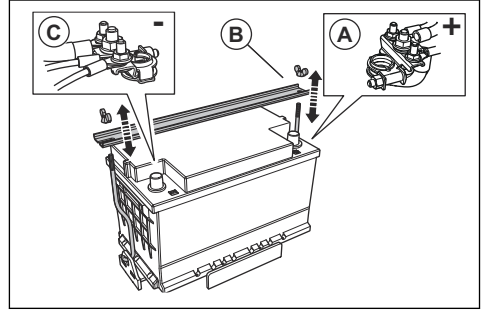
Remarque: Si les 3 colliers du carter du filtre à air ne peuvent pas être fermés, le filtre à air extérieur n'est pas correctement installé.

Maintenance de la batterie

Remarque: la batterie de votre machine est un modèle sans entretien. N'ouvrez pas les bouchons ou les capots, ne les déposez pas non plus.

Connexion et déconnexion de la batterie

1. Branchez le câble de batterie rouge (A) à la borne POSITIVE (+) de la batterie.



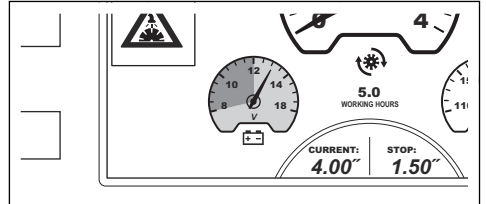
2. Installez le support de batterie (B).
3. Branchez le câble noir de la batterie (C) sur la borne NÉGATIVE (-) de la batterie.
4. Débranchez les câbles de batterie dans l'ordre inverse de leur branchement.



AVERTISSEMENT: Débranchez toujours la borne NÉGATIVE (-) de la batterie en premier.

Contrôle de la batterie

- Contrôlez la batterie quotidiennement.
 - a) Placez le commutateur de démarrage du moteur en position de contact.
 - b) Examinez la jauge de batterie à l'écran. Elle ne doit pas être inférieure à 12 V.



- Si la jauge de la batterie est inférieure à 12 V, chargez ou remplacez la batterie.
- Remplacez la batterie si elle ne parvient pas à maintenir la tension. Cela peut se produire si le produit n'est pas utilisé pendant une longue période. Pour plus d'informations sur les batteries recommandées, reportez-vous à *Caractéristiques techniques* à la page 138.
- Chargez la batterie régulièrement.
- Veillez à ce que les bornes et les câbles de batterie restent propres.

Pour effectuer un démarrage d'urgence du moteur

Si la batterie est trop faible pour démarrer le moteur, vous pouvez utiliser des câbles de démarrage pour

effectuer un démarrage d'urgence. Ce produit est équipé d'un système de terre négatif de 12 V. Le produit utilisé pour le démarrage d'urgence doit également être équipé du même système de terre négatif de 12 V et 700 CCA au minimum.

Pour connecter les câbles de démarrage

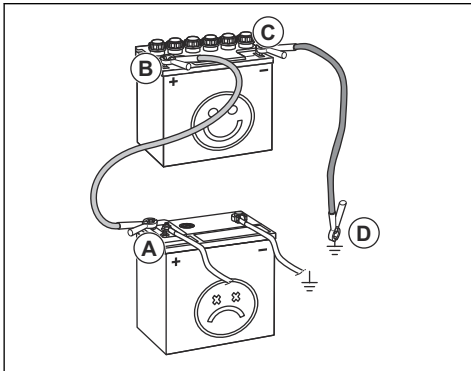


AVERTISSEMENT: Risque d'explosion en raison de gaz explosifs émis par la batterie. Ne branchez pas la borne négative de la batterie chargée sur ou à proximité de la borne négative de la batterie déchargée.



REMARQUE: N'utilisez pas la batterie de votre produit pour démarrer d'autres véhicules.

1. Branchez une extrémité du câble de batterie rouge à la borne de batterie POSITIVE (+) (A) de la batterie faible.



2. Branchez l'autre extrémité du câble rouge à la borne POSITIVE (+) de la batterie complètement chargée (B).



AVERTISSEMENT: Ne laissez pas les extrémités du câble de batterie rouge toucher le châssis. Cela provoquerait un court-circuit.

3. Branchez une extrémité du câble noir de la batterie sur la borne de batterie NÉGATIVE (-) (C) de la batterie chargée.
4. Branchez l'autre extrémité du câble noir de la batterie sur une MASSE DU CHÂSSIS (D), à l'écart du réservoir de carburant et de la batterie.

Pour retirer les câbles de démarrage

Remarque: Retirez les câbles de démarrage dans l'ordre inverse de leur branchement.

1. Retirez le câble NOIR du châssis.

2. Retirez le câble NOIR de la batterie complètement chargée.
3. Retirez le câble ROUGE des 2 batteries.

Régénération

Pour réduire les émissions d'échappement, le moteur diesel est équipé d'un filtre à particules diesel (FAP) qui recueille les matières indésirables de l'échappement. La concentration de matière indésirable dans le filtre à particules diesel augmente pendant le fonctionnement et il est nécessaire de nettoyer régulièrement le filtre à particules diesel. La procédure de nettoyage du filtre à particules diesel, appelée régénération du FAP, est une procédure entièrement automatique lancée par l'opérateur et contrôlée par l'unité de commande du moteur. Il existe différents modes de régénération :

- Régénération en stationnement en mode veille
- Régénération en stationnement
- Mode de régénération de secours
- Régénération de récupération

Régénération en stationnement en mode veille

Lorsque ces symboles d'avertissement s'affichent à l'écran, le moteur est en régénération en mode veille.



La puissance du moteur diminue. Pendant les 2 premières heures, la puissance de sortie est réduite à 85 %, puis à 50 %. Au bout de 8 heures ou lorsque la quantité de suie dépasse 11,5 g/l, la vitesse du moteur maximale est limitée à 1 500 tr/min.

Il est nécessaire d'effectuer une régénération en stationnement le plus rapidement possible après l'affichage des symboles d'avertissement.

Régénération en stationnement

Il faut environ 30 minutes pour effectuer une régénération en stationnement. Pour obtenir plus d'informations sur la manière d'effectuer une régénération en stationnement, reportez-vous à la section sur le panneau de commande dans le manuel d'utilisation.

Mode de régénération de secours

Lorsque ces symboles d'avertissement s'affichent à l'écran, le moteur est en mode de régénération de secours.



La puissance du moteur est réduite à 50 %. La vitesse maximale du moteur est limitée au régime de ralenti inférieur. Il est nécessaire d'effectuer une régénération de récupération pour que le moteur fonctionne à nouveau correctement.

Régénération de récupération

Environ 3 heures sont nécessaires pour effectuer une régénération de récupération. Pour obtenir plus d'informations sur la manière d'effectuer une régénération de récupération, reportez-vous à la section sur le panneau de commande dans le manuel d'utilisation.

Remarque: L'opérateur peut effectuer une régénération de récupération à partir du panneau de commande sur tous les produits dont la date de production est postérieure au 1er janvier 2019. Pour les moteurs dont la date de production est antérieure au 1er janvier 2019, une mise à jour du logiciel de l'ECU est nécessaire pour que l'opérateur puisse effectuer une régénération de récupération à partir du panneau de commande. Si la mise à jour du logiciel de l'ECU n'est pas effectuée, Yanmar l'outil de maintenance SmartAssist doit être utilisé pour effectuer une régénération de récupération. Contactez votre Husqvarna centre de service pour plus d'informations.

Dépannage

Dépannage



AVERTISSEMENT: Si le moteur ou la lame de coupe s'arrête, soulevez complètement la lame de coupe. Placez le commutateur de démarrage du moteur en position d'arrêt et appuyez sur le bouton d'arrêt de la machine

sur le panneau de commande. Examinez entièrement le produit avant de le redémarrer.

Pour plus d'informations sur les symboles d'avertissement, reportez-vous à la section sur le panneau de commande dans le manuel d'utilisation.

Problème	Cause	Solution
Le moteur s'arrête pendant le fonctionnement.	Le réservoir de carburant est vide. Le symbole d'avertissement correspondant s'affiche à l'écran.	Remplissez le réservoir de carburant avec le carburant adéquat.
	Le commutateur de sécurité de l'eau arrête le moteur car il n'y a pas de pression d'eau. Le symbole d'avertissement correspondant s'affiche à l'écran avec un message d'avertissement.	Désengagez le commutateur de sécurité de l'eau. Contrôlez l'approvisionnement en eau.
	Le bouton d'arrêt de la machine est enfoncé. Le symbole d'avertissement correspondant s'affiche à l'écran avec un message d'avertissement.	Tirez le bouton d'arrêt de la machine vers le haut pour réinitialiser l'arrêt de la machine.
	Charge trop élevée sur la lame de coupe.	Écoutez le bruit du moteur. Si la vitesse du moteur diminue, tirez le levier de commande de vitesse vers l'arrière.
	Un fusible a fondu.	Remplacez les fusibles défectueux.
La lame de coupe s'arrête pendant le fonctionnement.	La tension de la courroie d'entraînement n'est pas suffisante.	Contrôlez la tension de la courroie d'entraînement.
	L'embrayage de lame est désengagé.	Engagez l'embrayage de lame pour engager l'entraînement de la lame. Assurez-vous que la vitesse du moteur est inférieure ou égale à 1 200 tr/min lors de l'engagement de l'embrayage de lame.
	L'embrayage de lame présente un défaut électrique ou un fusible fondu.	Examinez les fusibles. Remplacez les fusibles défectueux.

Problème	Cause	Solution
La lame de coupe s'abaisse trop rapidement.	La valve qui commande la vitesse de la lame de coupe est trop ouverte.	Tournez le bouton de réglage de la vitesse d'abaissement de la lame dans le sens des aiguilles d'une montre jusqu'à ce qu'une vitesse applicable soit définie.
La lame de coupe coupe trop lentement.	La lame de coupe est émoussée ou la pression d'avance est trop élevée.	Réduisez la profondeur de coupe et la vitesse du moteur pendant un court instant.
L'unité de commande redémarre lorsque vous tentez de démarrer le moteur.	La tension de la batterie est trop faible.	Chargez la batterie, remplacez la batterie ou utilisez des câbles de démarrage.

Transport, entreposage et mise au rebut

Transport



AVERTISSEMENT: soyez prudent lors du transport. Le produit est lourd et peut provoquer des blessures ou être endommagé en cas de chute ou de déplacement lors du transport.

Les roues vous permettent de déplacer manuellement le produit sur de courtes distances. Pour de longues distances, soulevez le produit pour le déplacer ou le placer sur un véhicule.

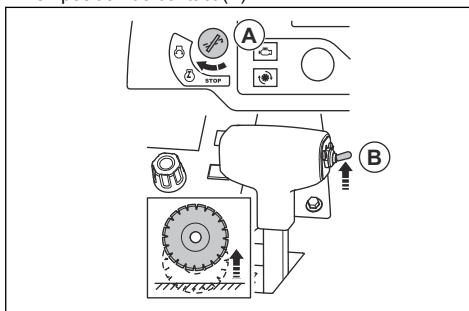


REMARQUE: ne remorquez pas le produit derrière un véhicule.

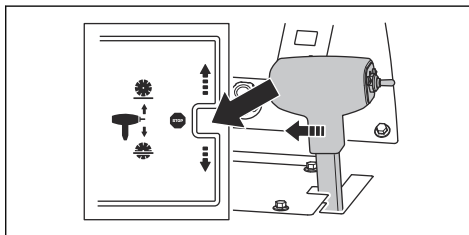
- Fixez le produit au cours du transport. Assurez-vous qu'il ne puisse pas bouger.
- Retirez la lame de coupe avant le transport du produit.
- Déposez tous les outils et clés.
- Pour transporter le produit et le carburant, assurez-vous qu'il n'y a pas de fuite ou de vapeurs. Les étincelles ou les flammes nues produites par exemple par des appareils électriques ou chaudières peuvent provoquer un incendie.
- Utilisez uniquement des récipients homologués pour le transport de carburant.
- Vérifiez que les lames de coupe neuves n'ont pas été endommagées pendant le transport.

Déplacement du produit avec le moteur en marche

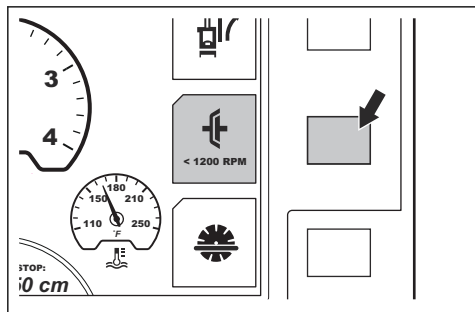
1. Tournez le commutateur de démarrage du moteur en position de contact (A).



2. Appuyez sur le commutateur de réglage de la profondeur de coupe (B) jusqu'à ce que la lame de coupe soit au-dessus de la surface.
3. Placez le levier de commande de vitesse en position d'arrêt.



4. Si le produit est équipé d'un embrayage de lame, assurez-vous que l'embrayage de lame est désengagé. L'embrayage de lame est désengagé lorsque le symbole sur l'écran ne présente pas une couleur différente.

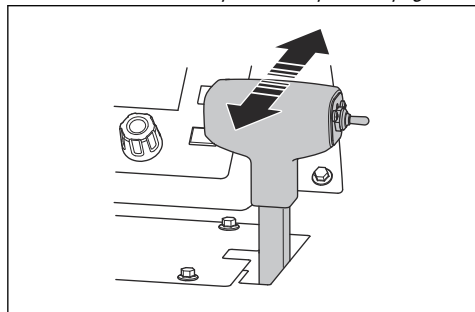


5. Si le produit n'est pas équipé d'un embrayage de lame, déposez la lame ou placez le levier de la boîte de vitesses au point mort. Reportez-vous à *Pour retirer le disque de découpe à la page 112* et *Changement de vitesse sur un modèle à boîte de vitesses à 3 vitesses à la page 113*.



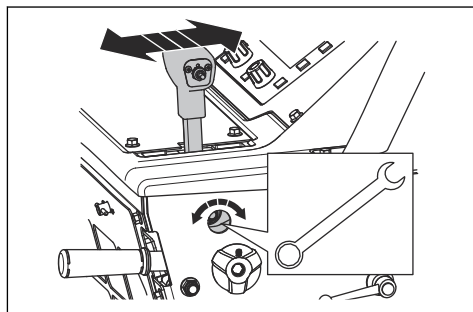
AVERTISSEMENT: Pour les produits sans embrayage de lame, la lame de coupe commence à tourner dès que le moteur démarre. Ne déplacez pas le produit sur le côté ou en dehors de la zone de travail si la lame de coupe tourne.

6. Faites démarrer le produit. Reportez-vous à la section *Pour démarrer le produit à la page 116*.
7. Poussez le levier de commande de vitesse vers l'avant pour un déplacement de la scie vers l'avant ou vers l'arrière pour un déplacement vers l'arrière. Plus vous appuyez sur le levier de commande de vitesse, plus la vitesse augmente. Reportez-vous à la section *Caractéristiques techniques à la page 138*.



AVERTISSEMENT: N'ouvrez pas la soupape de dérivation de transmission au point mort lorsque le produit est stationné en pente. Le produit peut s'éloigner de vous et blesser des tiers.

8. Réglez la résistance sur le levier de commande de vitesse à l'aide de l'écrou situé sur le côté du levier de commande de vitesse.



Montée et descente du produit avec une rampe



AVERTISSEMENT: Soyez très prudent lorsque vous faites monter et descendre le produit avec une rampe alors que le moteur tourne. Le produit est lourd et il y a un risque de blessure si le produit tombe ou se déplace trop rapidement.

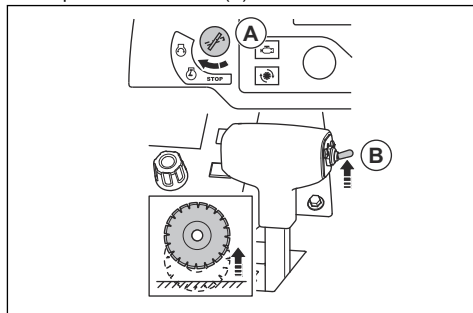


AVERTISSEMENT: Pour les rampes à grand angle, utilisez toujours un treuil. Ne marchez pas et ne restez pas sous le produit.

- Pour faire descendre le produit d'une rampe, déplacez-le lentement vers l'arrière.
- Pour faire monter le produit sur une rampe, déplacez-le lentement vers l'avant.

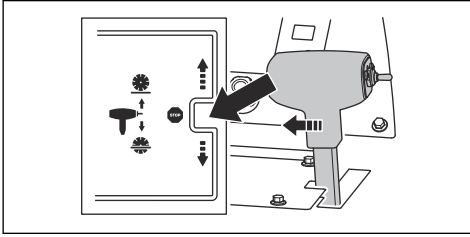
Déplacement du produit avec le moteur à l'arrêt

1. Tournez le commutateur de démarrage du moteur en position de contact (A).

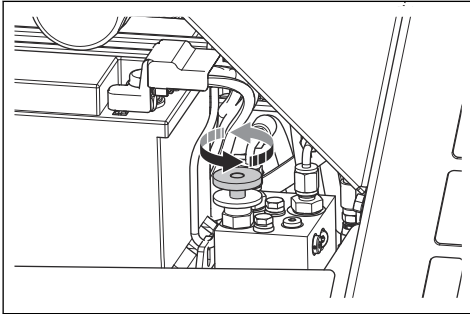


2. Appuyez sur le commutateur de réglage de la profondeur de coupe (B) jusqu'à ce que la lame de coupe soit au-dessus de la surface.

- Placez le levier de commande de vitesse en position d'arrêt.



- Tournez la soupape de dérivation de la transmission dans le sens contraire des aiguilles d'une montre jusqu'en position finale, pour désengager la transmission.



- Tenez les poignées de commande et poussez le produit pour le déplacer.



AVERTISSEMENT: Ne poussez pas le produit sur une pente lorsque la soupape de dérivation de la transmission est au point mort. Le produit peut s'éloigner de vous et blesser des tiers.

Pour lever le produit



AVERTISSEMENT: Assurez-vous que le matériel de levage est de dimensions appropriées. La plaque signalétique sur le produit indique le poids du produit.



AVERTISSEMENT: ne soulevez pas un produit endommagé. Vérifiez que le boulon de levage est bien fixé et en bon état.

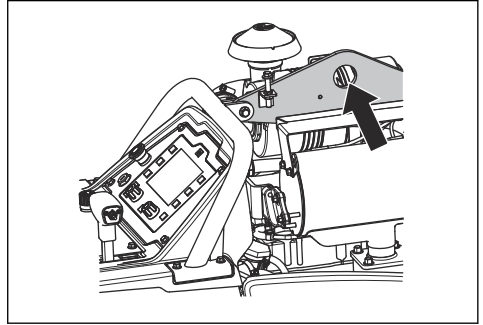


AVERTISSEMENT: ne marchez pas sur un produit soulevé et ne restez en dessous ou à proximité.



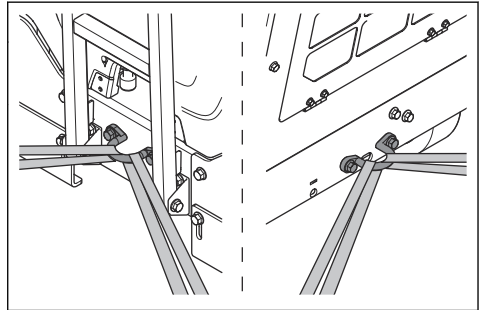
REMARQUE: N'utilisez pas les poignées de commande pour soulever le produit.

- Fixez l'équipement de levage à l'aide du boulon de levage.



Sécurisation du produit pour le transport

- Placez une sangle dans le support d'arrimage à l'avant du produit et fixez-la au véhicule.



- Placez une sangle dans le support d'arrimage à l'arrière du produit et fixez-la au véhicule.

Remisage

- Le produit n'est pas équipé d'un frein de stationnement. Ne vous éloignez pas du produit s'il est en fonctionnement. S'il est nécessaire de stationner le produit sur une pente, assurez-vous que le produit est correctement attaché et qu'il ne peut pas bouger.
- Conservez le produit dans un endroit verrouillé afin que des enfants ou personnes qui ne sont pas autorisées à l'utiliser ne puissent pas y avoir accès.
- Vidangez l'eau de la boîte de vitesses.
- Placez le commutateur de démarrage du moteur en position d'arrêt.
- Placez le levier de commande de vitesse en position d'arrêt.
- Déposez la lame de coupe du produit.
- Conservez les lames de coupe dans un endroit sûr pour éviter tout dommage.
- Conservez les lames de coupe dans un endroit sec et à l'abri du gel.
- Vérifiez que les lames de coupe neuves n'ont pas été endommagées pendant le remisage.

- Pour le remisage du produit et du carburant, assurez-vous qu'il n'y a pas de fuite ou de vapeurs. Les étincelles ou les flammes nues produites par exemple par des appareils électriques ou chaudières peuvent provoquer un incendie.
- Utilisez uniquement des récipients homologués pour le remisage de carburant.
- Conservez la batterie dans un endroit frais et sec.

Pour le remisage à long terme, procédez également comme suit :

- Nettoyez le produit et procédez à un entretien complet.
- Lubrifiez tous les points de lubrification.
- Débranchez le câble de la borne négative de la batterie et placez-le à une distance suffisante de la batterie.
- Effectuez une charge lente de la batterie pendant le remisage à long terme.
- Remplissez le réservoir de carburant pour éviter la présence d'eau dans le circuit d'alimentation.
- Entrez le produit dans un endroit sec et à l'abri du gel.
- Vidangez le séparateur d'eau du filtre à carburant.
- Vérifiez que le point de congélation du liquide de refroidissement moteur est suffisant pour les températures du lieu de remisage.
- Placez un capot de protection sur le produit. C'est particulièrement important pour le remisage en extérieur.
- Remplacez l'huile moteur après un remisage à long terme.

Mise au rebut

- Les produits chimiques peuvent être dangereux et ne doivent pas être jetés sur le sol. Apportez toujours les produits chimiques à mettre au rebut à un centre d'entretien ou à une déchetterie appropriée.
- Lorsque la machine est usée, renvoyez-la à votre revendeur ou dans une déchetterie appropriée.
- L'huile, les filtres à huile, le carburant et la batterie peuvent avoir des effets négatifs sur l'environnement. Respectez les consignes locales de recyclage et la réglementation en vigueur.
- Ne jetez pas la batterie dans les déchets ménagers.
- Envoyez la batterie à un agent d'entretien Husqvarna ou disposez-la dans un point de collecte de piles usagées.


Caractéristiques techniques

Caractéristiques techniques

Moteur *	
Marque/type du moteur	Yanmar, 4TNV88C-DHQ
Puissance moteur, kW/Ch@tr/min ⁹	35,5/47,6@3 000
Cylindrée, cm ³ /po ³	2,2/134
Cylindres	4
Filtre à air	Joint radial avec préfiltre et indicateur de restriction
Lanceur	Électrique
Carburant	Carburant diesel à très faible teneur en soufre uniquement

* = Pour de plus amples informations et pour toute question au sujet de ce moteur particulier, consultez le

manuel d'utilisation du moteur ou le site Web du fabricant du moteur.

Système de graissage/de carburant	
Capacité du réservoir de carburant, l/gal	24,5/6,5
Capacité du réservoir d'huile, l/quarts	7,1/7,5
Huile moteur	SAE 15W40 ou SAE 10W30, API Classe CJ-4, ACEA E6-08, ACEA E9-08
Huile de boîte de vitesses	SAE 75W90
Capacité du réservoir d'huile de la boîte de vitesses, l/quarts	Modèle de boîte de vitesses à 1 vitesse : 0,95/1 Modèle de boîte de vitesses à 3 vitesses : 1,77/1,87
Graisse	Qualité : NLGI 2. Norme : SAE J310
Huile hydraulique	SAE 15W40, API classe SE, API classe CC, API classe CD
Liquide de refroidissement	Mélange 50/50 d'éthylène glycol et d'eau. Fourni dans le produit à l'achat. Mélange 50/50 de propylène glycol et d'eau
	REMARQUE: Ne préparez pas le mélange directement dans le réservoir. Il est plus facile d'obtenir le mélange 50/50 correct si le mélange est préparé dans un récipient.

⁹ Telle que spécifiée par le fabricant du moteur. La puissance nominale des moteurs indiquée est la puissance brute moyenne (à un régime en tr/min spécifié) d'un moteur de production typique pour le modèle de moteur mesuré selon la norme SAE J1995. Les moteurs de production de masse peuvent s'écarter de cette valeur. La puissance effective du moteur installé sur la machine finale dépendra de la vitesse de fonctionnement, des conditions environnementales et d'autres variables.

Batterie	
Type de borne	T6
BCI	91
Tension, V	12
Capacité, Ah	60–100
CCA, A	660–760
Taille max. L×l×H, mm/po	280×175×175/11×6,9×6,9

Configuration de la scie	350/14	500/20	650/26	750/30	900/36
Capacité du protège-lame, mm/po	350/14	500/20	650/26	750/30	900/36
Profondeur de coupe maximale, en mm/po	118/4,75	193/7,75	262/10,5	312/12,5	374/15
Vitesse de rotation de l'axe	3 197	2 400	1 866	1 628	1 355
Puissance approximative de l'axe de lame, kW/Ch	31/42				
Dimensions du mandrin, mm/po	25,4/1 avec axe d'entraînement simple				
Diamètre de bride de lame à déconnexion rapide, mm/po	114,5/4,5	114,5/4,5	127/5	127/5	152,5/6
Entraînement de l'axe de lame	3 courroies trapézoïdales VX par côté				
Liquide de refroidissement de la lame	Eau				
Fixation de protège-lame	Coulissante, verrouillage automatique				
Propulsion	Hydraulique				
Vitesse d'avancement maximale	Variable à l'infini : 0-37 m/min (0-122 pi/min) en marche avant ou arrière. Vitesse maximale : 25 m/min en marche arrière sur les modèles CE.				
châssis	Construction robuste, rigide, caisson et section de canal				
Poids nominal (déballé), kg/lb	751/1 656	756/1 667	761/1 678	765/1 687	771/1 700
Poids maximal, accessoires en option compris, kg/lb	791/1 744	799/1 761	808/1 781	817/1 801	829/1 828

Vibrations et émissions sonores	
Niveau de puissance sonore, mesuré dB(A)	113

Vibrations et émissions sonores	
Niveau de puissance acoustique, garanti L_{WA} dB(A) ¹⁰	119
Niveau de pression sonore à l'oreille de l'utilisateur, dB (A) ¹¹	102
Niveaux de vibrations a_{hv} , m/s ² , poignée droite/poignée gauche ¹²	<2,5/<2,5

Déclaration relative au bruit et aux vibrations

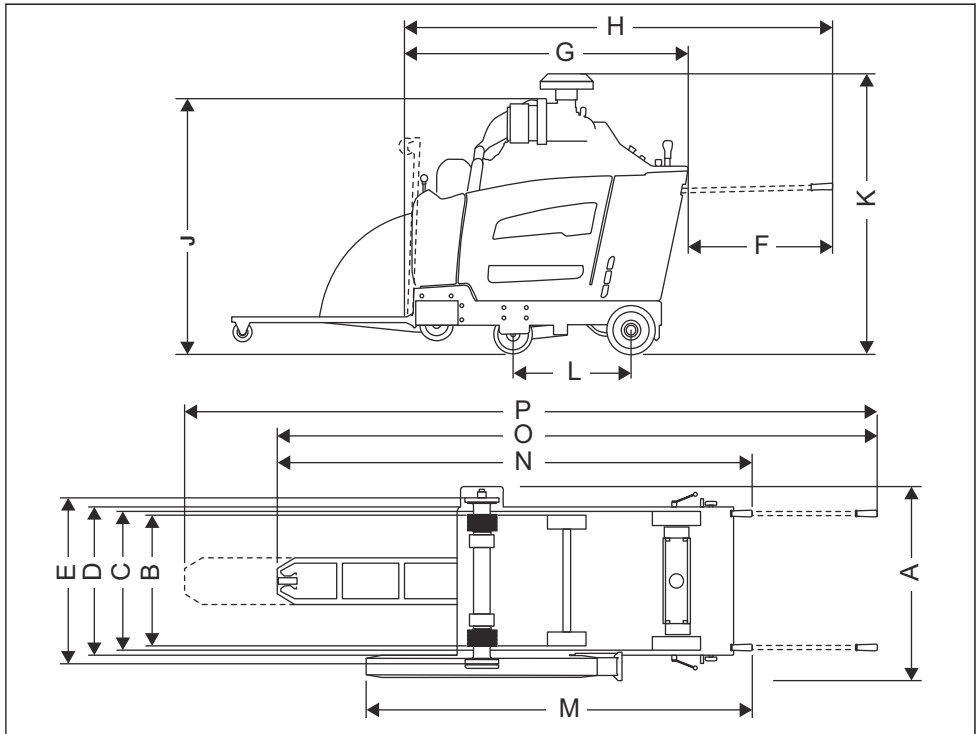
Ces valeurs déclarées ont été obtenues grâce à des essais types effectués en laboratoire conformément à la directive ou aux normes mentionnées. Elles conviennent à l'établissement d'une comparaison avec les valeurs déclarées d'autres produits testés conformément aux mêmes normes ou à la même directive. Ces valeurs ne sont pas adaptées à une utilisation à des fins d'évaluations des risques ; les valeurs mesurées dans différents lieux de travail peuvent être plus élevées. Les valeurs d'exposition réelles et les risques de blessures rencontrés par chaque utilisateur sont uniques et dépendent de la manière dont l'utilisateur travaille, dans quel matériau le produit est utilisé, mais aussi de la durée d'exposition, de la condition physique de l'utilisateur et de l'état du produit.

¹⁰ Émissions sonores dans l'environnement mesurées comme puissance sonore (L_{WA}) selon la directive européenne CE 2000/14/CE. Le niveau de puissance sonore garanti diffère du niveau mesuré en cela qu'il prend également en compte la dispersion et les variations d'une machine à l'autre du même modèle, conformément à la directive 2000/14/CE.

¹¹ Niveau de pression sonore conformément à la norme ISO EN 13862. Les données reportées pour le niveau de pression sonore montrent une dispersion statistique typique (déviations standard) de 2,5 dB(A).

¹² Niveau de vibrations conformément à EN 13862. Les données reportées pour le niveau de vibrations montrent une dispersion statistique typique (déviations standard) de 1 m/s².

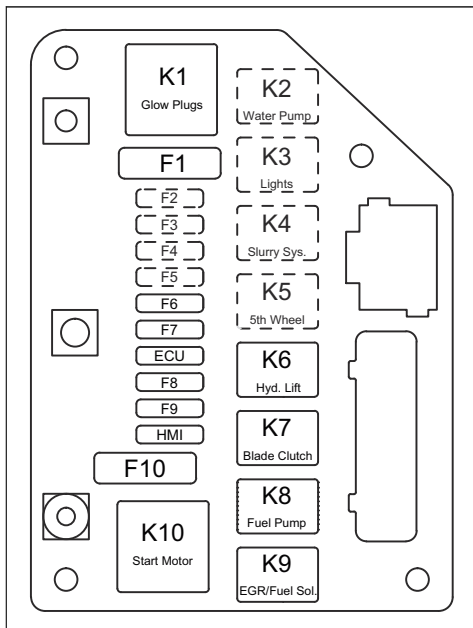
Dimensions du produit



A	Largeur, mm/po.	844/33 ¼	J	Hauteur totale min. (sans tuyau d'échappement, sans bouchon de préfiltre), mm/po	1 289/50 ¾
B	Largeur de roue de centre à centre, mm/po	Avant : 518/20 ¾, arrière : 533/21	K	Hauteur totale max. (partie supérieure du préfiltre), mm/po	1 332/52 ½
C	Largeur de roue d'extérieur à extérieur, mm/po	Avant : 569/22 ¾, arrière : 609/24	L	Longueur de l'empattement, mm/po	427/16 ¾
D	Largeur du châssis, mm/po	635/25	M	Longueur, de la protection à la poignée (poignées vers l'intérieur), mm/po	1 753/69
E	Largeur entre les collets intérieurs, mm/po	726,5/28 ¾	N	Longueur totale max. (poignées vers l'intérieur), mm/po	2 273/89 ½
AV T	Rallonge de poignée, mm/po	809/31 ¾	O	Longueur totale max. (poignées vers l'extérieur, pointe vers le bas), mm/po	2 964/116 ¾

G	Longueur min. de la scie (pointeur et protection vers le haut, sans poignée), mm/po	1 485/58 ½	P	Longueur totale max. (poignées vers l'extérieur, pointeur étendu), mm/po	3 444/135 ½
H	Longueur de la scie (pointeur vers le haut, poignées vers l'extérieur), mm/po	2 191/86 ¼			

Relais et fusibles



Fonction	Désignation	Relais (A)	Désignation	Fusible (A)
Bougies	K1	70	F1	60
Pompe à eau (en option)	K2	25	F2	25
Feux (en option)	K3	25	F3	25
Système de boue (en option)	K4	25	F4	25
Attelage (en option)	K5	25	F5	25
Pompe de levage hydraulique	K6	25	F6	25
Embrayage de lame	K7	25	F7	15
Pompe à carburant	K8	25	F8	20
Solénoïde de carburant/EGR	K9	25	F9	20

Fonction	Désignation	Relais (A)	Désignation	Fusible (A)
Démarrage du moteur	K10	70	F10	60
ECU	n/a	n/a	ECU	25
HMI	n/a	n/a	HMI	25

Accessoires

Accessoires Husqvarna homologués

- Kit de lestage arrière, 2 barres.
- Kit d'éclairage double.
- Kit pompe à eau
- Kit d'attelage.

Déclaration de conformité CE

Déclaration de conformité CE

Nous, **Husqvarna AB**, SE-561 82 Huskvarna, Suède,
tél : +46-36-146500, déclarons sous notre entière
responsabilité que le produit :

Description	Machine de découpe de sol
Marque	Husqvarna
Type/Modèle	FS5000 D
Identification	Numéros de série à partir de 2019 et ultérieurs

est entièrement conforme à la réglementation et aux
directives de l'UE suivantes :

Directive/Réglementation	Description
2006/42/EC	« relative aux machines »
2000/14/EC	« relative au bruit extérieur »

et que les normes harmonisées et/ou les spécifications
techniques suivantes sont appliquées :

EN ISO 12100:2010

EN 13862/A1:2009

Pour toute information relative aux émissions sonores,
veuillez consulter le chapitre *Caractéristiques
techniques à la page 138*.

2019-05-24



Edvard Gulis

Directeur R&D, découpe et forage de béton

Husqvarna AB, division Construction

Responsable de la documentation technique

Inhoud

Inleiding.....	145	Vervoer, opslag en verwerking.....	181
Veiligheid.....	151	Technische gegevens.....	185
Werking.....	156	Accessoires.....	190
Onderhoud.....	169	EG verklaring van overeenstemming.....	191
Probleemoplossing.....	180		

Inleiding

Productbeschrijving

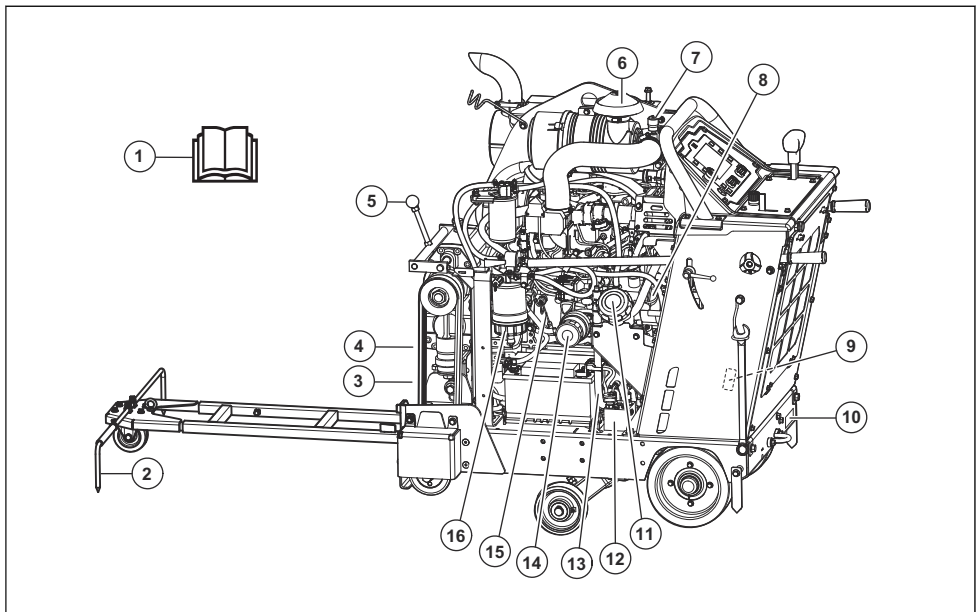
Het product is een vloerzaag van het duwtype met een verbrandingsmotor. Het product heeft een instelbare aanwijzer waarmee u de zaagactie duidelijk kunt zien en het eenvoudig maakt recht te zagen. Het product heeft een bedieningspaneel met een digitaal display dat alle functies bewaakt.

Gebruik

Dit product wordt gebruikt met diamantzaagbladen voor het nat zagen van harde vloerooppervlaktmaterialen zoals beton, asfalt en steen. Elk ander gebruik is niet geschikt.

Het product wordt door ervaren gebruikers toegepast in industriële processen.

Productoverzicht, linkerzijde

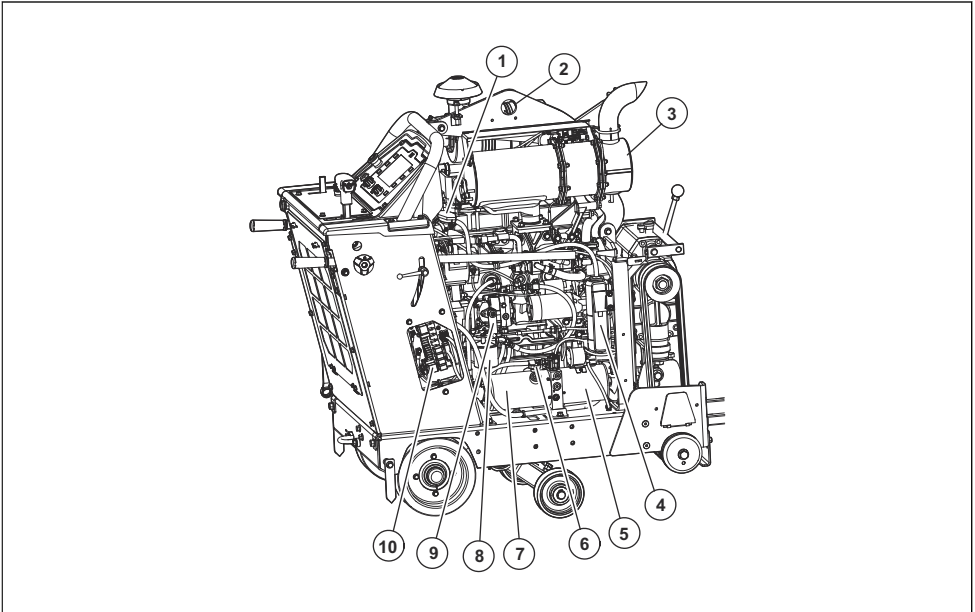


1. Bedieningshandleiding
2. Instelbare aanwijzer
3. Wateraftapklep voor de tandwielkast
4. Bouten voor het spannen van de riemen
5. Hendel voor toerentalkeuze, tandwielkast met 3 snelheden
6. LuchtfILTER
7. LuchtfILTERindicator
8. Dop van motorolietank
9. Typeplaatje voor VS/Canada
10. Typeplaatje voor EU
11. Dop benzinetank
12. Omloopklep van transmissie
13. Aftapslang voor motorolie

- 14. Motoroliefilter
- 15. Peilstok motorolie

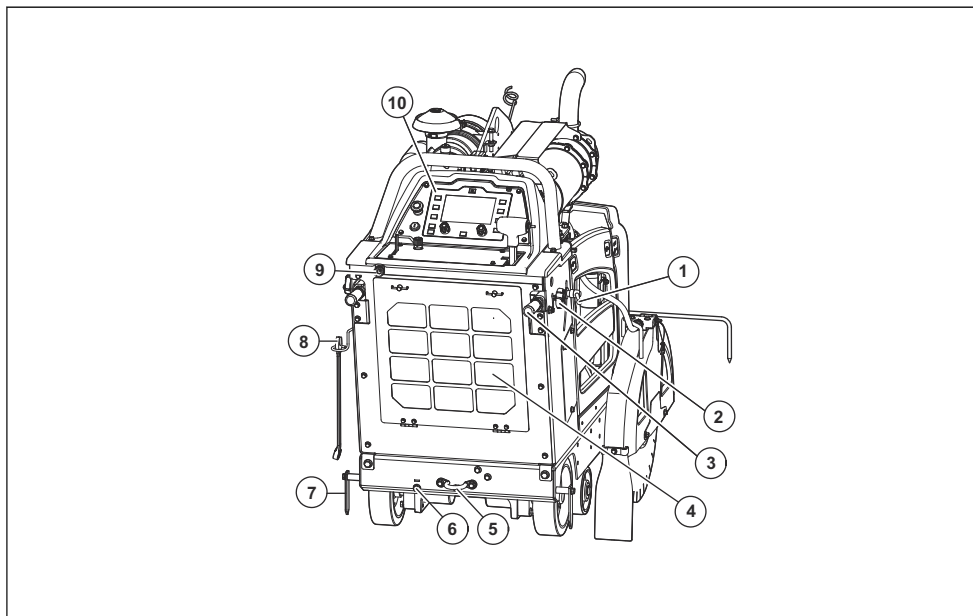
- 16. Waterafscheider voor het brandstoffilter

Productoverzicht, rechterzijde



- | | |
|------------------------------------------------------|--------------------------------------------|
| 1. Radiateurkop | 6. Opening van hydrauliekolietank |
| 2. Hiijsog | 7. Hydrauliekolietank |
| 3. Geluiddemper | 8. Filter hydraulisch systeem |
| 4. Overloopcontainer voor koelvloeistof uit radiator | 9. Pomp voor de hydrostatische transmissie |
| 5. Pomp voor de hydraulische hefinrichting | 10. Relais- en zekeringkast |

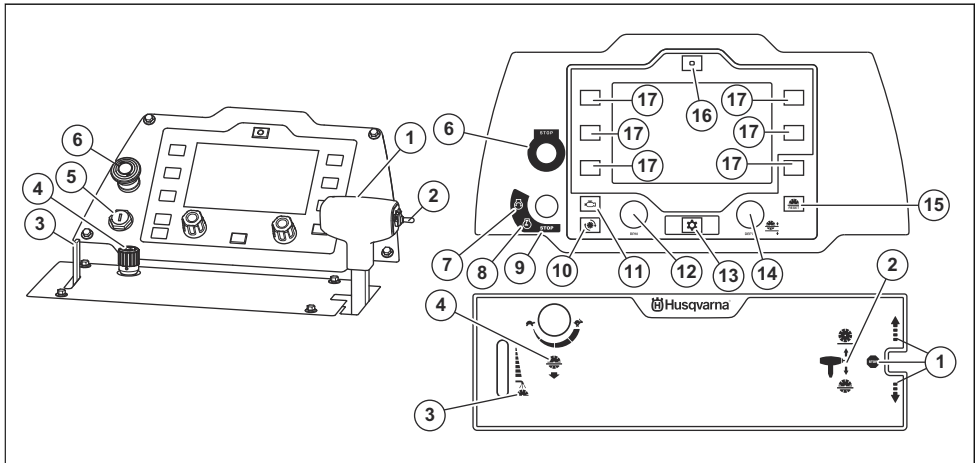
Productoverzicht, achterzijde



- | | |
|----------------------------------------------------------------|-----------------------------|
| 1. Vergrendelknop voor bedieningshandgrepen, hoogteverstelling | 6. Handmatige asverstelling |
| 2. Vergrendelknop voor bedieningshandgrepen, lengteverstelling | 7. Aanwijzer achter |
| 3. Bedieningshandgrepen | 8. Bladassleutel |
| 4. Luchtfilter van radiator | 9. Waterinlaat |
| 5. Vastzetbeugel achter | 10. Bedieningspaneel |

Let op: Er bevindt zich ook een vastzetbeugel aan de voorkant van het product.

Overzicht van de bedieningselementen en het bedieningspaneel



1. Hendel voor snelheidsregeling. Vooruit, achteruit en transmissiestop *
2. Schakelaar voor zaagdiepteafstelling *
3. Hendel voor het waterkoelsysteem voor het zaagblad *
4. Knop voor het afstellen van de daalsnelheid van het blad *
5. Motorstartschakelaar
6. Machinestopknop *
7. Motorstartstand *
8. Contact aan-stand *
9. Motorstopstand *
10. Knop om de bladsnelheid in tpm op het display weer te geven *
11. Knop om motortoerental in tpm op het display weer te geven *
12. Knop voor de gasregeling
13. Menuknop *
14. Knop voor het afstellen van de zaagdiepteaanslag *
15. Resetknop voor de zaagdiepteaanslag *
16. Resetknop E-track * (optioneel)
17. Selectieknop

* = Zie ook *Symbolen op het product op pagina 148*.

Symbolen op het product



WAARSCHUWING: Dit product kan gevaarlijk zijn en ernstig of fataal letsel toebrengen aan de gebruiker of anderen. Wees voorzichtig en gebruik het product op de juiste manier.



Lees de bedieningshandleiding goed door en zorg dat u de instructies hebt begrepen voordat u dit product gaat gebruiken.



Gebruik gehoorbescherming, oogbescherming en ademhalingsbescherming. Zie *Persoonlijke beschermingsuitrusting op pagina 153*.



Alle verplaatsingen van de machine buiten het zaaggebied dienen te geschieden met niet-roterend zaagblad.



Verwijder het zaagblad vóór transport en heffen van het product, om schade aan het blad te voorkomen.



De bladbeschermkappen moeten altijd op het product zijn geïnstalleerd. Laat niet meer dan 180° van het zaagblad bloot.



Zorg ervoor dat het zaagblad niet bot of beschadigd is, bijvoorbeeld met barsten.



Het zaagblad moet geschikt zijn voor dezelfde snelheid of een hogere snelheid dan aangegeven op het producttypeplaatje. Een zaagblad dat op te hoge snelheid wordt gebruikt, kan breken en letsel of schade veroorzaken.



Gebruik het product niet in de buurt van brandbare materialen of gassen.



Het stof kan gezondheidsproblemen veroorzaken. Gebruik goedgekeurde ademhalingsbescherming. Adem geen uitlaatgassen in. Gebruik een product met verbrandingsmotor niet binnen of in ruimten met onvoldoende luchtstroom.



Warm oppervlak.



Houd lichaamsdelen uit de buurt van het zaagblad en andere bewegende onderdelen.



Gevaar voor snijwonden. Houd alle lichaamsdelen uit de buurt van het zaagblad.



Alleen dieselbrandstof met een ultralaag zwavelgehalte.



Motorolie.



Peilstok.



Breng de zaag niet omhoog tijdens het controleren van het motoroliepeil.



Zorg ervoor dat de zaag waterpas staat zonder zaagblad wanneer u het motoroliepeil controleert.



De pijl op de bladbeschermkap geeft de draairichting van het zaagblad aan.



Til het product altijd op aan het hijs oog.



Transmissiestop.



Schakelaar voor zaagdiepteafstelling.



Hendel voor het waterkoelsysteem.



Knop voor het afstellen van de daalsnelheid van het blad.



Langzaam.



Snel.



Noodstopknop van de machine.



Motor start.



Ontsteking aan.

STOP Motor stopt.



Bladtoerental in tpm op het display weergeven.



Motoroerental in tpm op het display weergeven.



Menuknop.



Knop voor het afstellen van de zaagdiepte aanslag.



Resetknop voor de zaagdiepteaanslag.



Resetknop voor de E-track-afstelling (optioneel).



Dit product voldoet aan de geldende EU-richtlijnen.



De geluidsemisatie is in overeenstemming met geldende EU-richtlijnen. De geluidsemisatie van het product is vermeld in *Technische gegevens op pagina 185* en op het etiket.

Let op: Andere symbolen/stickers op het product hebben betrekking op certificeringseisen voor bepaalde markten.

Symbolen op het display van het bedieningspaneel



Afstelling E-track, links (optioneel).



Afstelling E-track, rechts (optioneel).



Waterveiligheidssysteem AAN/UIT. Het waterveiligheidssysteem bewaakt de waterdruk naar het waterkoelsysteem voor het zaagblad. Als de waterdruk daalt, stopt het waterveiligheidssysteem het zaagblad.



Bladkoppeling in-/uitschakelen. Deze functie is niet standaard op alle productvarianten.



Zaagdiepteaanslag.

Waarschuwingssymbolen op het display van het bedieningspaneel



Noodstopknop machine geactiveerd. Reset de machinestopknop en schakel het contact uit en weer in.



De accu laadt niet.



Laag brandstofniveau.



Voorverwarmen. Zie de handleiding van de motor voor meer informatie.



Geen waterdruk naar het waterkoelsysteem voor het zaagblad.



Motoroliedruk laag.



Motorstop. Het gebruik kan niet worden voortgezet.



Motor te heet. Het gebruik kan niet worden voortgezet. Zie de handleiding van de motor voor meer informatie.



Minder ernstig probleem met motor. Het gebruik kan worden voortgezet.



Motorstoring. Zie de handleiding van de motor voor meer informatie.



Regeneratie vereist. Zie *Stationaire regeneratie standby op pagina 180*.

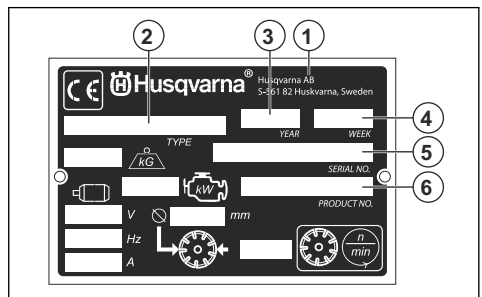


Foutcode niet gerelateerd aan de motor.



Storing in het NOx-diagnosesysteem.

Typeplaatje EU



1. Fabrikant
2. Producttype

3. Bouwjaar
4. Productieweek
5. Serienummer
6. Productnummer

Productaansprakelijkheid

Zoals uiteengezet in de wet voor productaansprakelijkheid zijn wij niet aansprakelijk voor schade die door ons product wordt veroorzaakt, indien:

- het product niet goed is gerepareerd.
- het product is gerepareerd met onderdelen die niet van de fabrikant afkomstig zijn, of onderdelen die niet zijn goedgekeurd door de fabrikant.

- het product een accessoire bevat dat niet afkomstig is van de fabrikant of niet is goedgekeurd door de fabrikant.
- het product niet is gerepareerd door een erkend servicepunt of door een erkende autoriteit.

Euro V-emissies



WAARSCHUWING: De EU-typegoedkeuring van dit product vervalt als ongeoorloofde wijzigingen aan de motor aangebracht worden.

Veiligheid

Veiligheidsdefinities

Waarschuwingen, voorzorgsmaatregelen en opmerkingen worden gebruikt om te wijzen op belangrijke delen van de handleiding.



WAARSCHUWING: Wordt gebruikt om te wijzen op de kans op ernstig of fataal letsel voor de gebruiker of omstanders wanneer de instructies in de handleiding niet worden gevolgd.



OPGELET: Wordt gebruikt indien er een risico bestaat op schade aan het product en andere eigendommen of aan de omgeving wanneer de instructies in de handleiding niet worden gevolgd.

Let op: Geven verdere informatie die nodig is in een bepaalde situatie.

Algemene veiligheidsinstructies



WAARSCHUWING: Lees de volgende waarschuwingen voordat u het product gaat gebruiken.

- Dit product kan bij onvoorzichtig of onjuist gebruik een gevaarlijk gereedschap zijn. Dit product kan ernstig of fataal letsel toebrengen aan de gebruiker of anderen. Het is erg belangrijk dat u deze gebruiksaanwijzing leest en begrijpt voordat u dit product gaat gebruiken.
- Bewaar alle waarschuwingen en instructies.
- U dient alle toepasselijke wet- en regelgeving in acht te nemen.
- De gebruiker en de werkgever van de gebruiker dienen op te hoogte te zijn van de risico's tijdens het gebruik van het product en moeten deze voorkomen.

- Zorg ervoor dat dit product alleen wordt gebruikt door personen die de inhoud van de gebruikershandleiding hebben gelezen en begrepen.
- Gebruik het product alleen als u voorafgaand aan gebruik training hebt ontvangen. Zorg ervoor dat alle gebruikers getraind worden.
- Het product mag alleen worden gebruikt door goedgekeurde personen.
- De gebruiker is verantwoordelijk indien ongelukken gebeuren met andere mensen of hun eigendommen.
- Gebruik het product nooit als u moe of ziek bent, of onder invloed van alcohol, drugs of medicijnen verkeert.
- Wees altijd voorzichtig en gebruik uw gezond verstand.
- Dit product produceert tijdens bedrijf een elektromagnetisch veld. Dit veld kan onder bepaalde omstandigheden de werking van actieve of passieve medische implantaten verstoren. Om het risico op ernstig of fataal letsel te verminderen, raden we personen met een medisch implantaat aan om contact op te nemen met hun arts en de fabrikant van het medische implantaat voordat ze dit product gebruiken.
- Houd het product schoon. Zorg ervoor dat u de aanduidingen en stickers duidelijk kunt lezen.
- Gebruik het product niet als het defect is.
- Breng geen wijzigingen aan dit product aan.
- Gebruik het product niet als de mogelijkheid bestaat dat andere personen wijzigingen aan het product hebben aangebracht.

Veiligheidsinstructies voor bediening



WAARSCHUWING: Lees de volgende waarschuwingen voordat u het product gaat gebruiken.

- Lees de waarschuwingen die zijn meegeleverd bij het zaagblad door de fabrikant van het zaagblad.
- Controleer of het product correct is gemonteerd.

- Gebruik het product niet als de bladbeschermkap en de beschermkappen niet zijn gemonteerd.
- Onjuist gebruik van het product kan ertoe leiden dat het zaagblad breekt en letsel of schade veroorzaakt.
- Zorg ervoor dat u weet hoe u de motor in een noodsituatie snel kunt stoppen.
- Maak altijd gebruik van persoonlijke beschermingsmiddelen. Zie *Persoonlijke beschermingsuitrusting op pagina 153*.
- Zorg ervoor dat er alleen goedgekeurde personen in het werkgebied zijn.
- Zorg ervoor dat er geen elektrische kabels onder spanning staan in het werkgebied.
- Zorg dat het werkgebied schoon en goed verlicht is.
- Controleer voordat u het product gebruikt of er niet-zichtbare bedrading, kabels en leidingen in het werkgebied aanwezig zijn. Als het product een niet-zichtbaar object raakt, stop dan de motor onmiddellijk en onderzoek het product en het voorwerp. Gebruik het product pas weer als u zeker weet dat het veilig is om door te gaan.
- Gebruik het product niet in ongunstige weersomstandigheden, zoals bij dichte mist, hevige regen, harde wind of hevige koude. Als u werkt bij slecht weer, bent u mogelijk sneller moe en dit kan leiden tot gevaarlijke situaties, bijvoorbeeld in het geval van gladde oppervlakken.
- Zorg ervoor dat u stabiel en veilig staat tijdens het gebruik.
- Gebruik het product niet in gebieden waar brand of explosies kunnen optreden.
- Het product kan objecten met hoge snelheid uitwerpen. Zorg ervoor dat alle personen in de werkomgeving gebruikmaken van goedgekeurde persoonlijke beschermingsmiddelen. Verwijder losse voorwerpen uit het werkgebied.
- Uitlaatgassen van de motor bevatten koolmonoxide, een geurloos, giftig en uiterst gevaarlijk gas. Gebruik een product met verbrandingsmotor niet binnen of in ruimten met onvoldoende luchtstroom.
- Voordat u het product achterlaat, moet u de motor stoppen en controleren of er geen risico bestaat dat de motor per ongeluk wordt gestart.
- Het product heeft geen parkeerrem. Blijf in de buurt van het product wanneer het op een helling staat. Als het nodig is om het product op een helling te parkeren, zorg er dan voor dat het product adequaat is bevestigd en niet kan bewegen.
- Wees extra voorzichtig bij het werken op hellingen. Dit product is zwaar en kan ernstig letsel veroorzaken als het valt.
- Verzeker u ervan dat er geen materiaal los kan raken en letsel kan veroorzaken bij de gebruiker.
- Zorg ervoor dat er geen kleding, lang haar en juwelen vast komen te zitten in bewegende delen.
- Gebruik het product alleen als u weet dat u hulp kunt krijgen indien zich een ongeval voordoet.

Veiligheidsaanwijzingen in verband met uitlaatgassen



WAARSCHUWING: Lees de volgende waarschuwingen voordat u het product gaat gebruiken.

- Uitlaatgassen van de motor bevatten koolmonoxide, een geurloos, giftig en uiterst gevaarlijk gas. Het inademen van koolmonoxide kan de dood tot gevolg hebben. Omdat koolmonoxide geurloos en niet zichtbaar is, is het niet mogelijk om het waar te nemen. Een symptoom van koolmonoxidevergiftiging is duizeligheid, maar het is mogelijk dat een persoon onverwacht bewusteloos raakt als de hoeveelheid of concentratie koolmonoxide voldoende is.
- Uitlaatgassen die u kunt zien of ruiken, bevatten ook koolmonoxide.
- Gebruik een product met verbrandingsmotor niet binnen of in ruimten met onvoldoende luchtstroom.

Trillingsveiligheid



WAARSCHUWING: Lees de volgende waarschuwingen voordat u het product gaat gebruiken.

- Tijdens het gebruik van het product gaan trillingen van het product naar de gebruiker. Regelmatig en frequent gebruik van het product kan letsel bij de gebruiker veroorzaken of verergeren. Letsel kan optreden in vingers, handen, polsen, armen, schouders en/of zenuwen en bloedtoevoer of andere lichaamsdelen. Het letsel kan slepend en/of blijvend zijn, en het kan geleidelijk toenemen in de loop van weken, maanden of jaren. Het letsel kan bestaan uit schade aan het bloedsomloopstelsel, het zenuwstelsel, de gewrichten en andere lichaamsstructuren.
- Symptomen kunnen zich voordoen tijdens het gebruik van het product of op andere momenten. Als u symptomen hebt en het product blijft gebruiken, kunnen de symptomen toenemen of permanent worden. Als deze of andere symptomen zich voordoen, neem dan medische hulp:
 - Verstijving, gevoelloosheid, tintelingen, prikken, pijn, een brandend gevoel, kloppen, stijfheid, onhandigheid, krachtverlies, veranderingen in huidskleur of conditie.
- Symptomen kunnen toenemen bij lage temperaturen. Gebruik warme kleding en houd uw handen warm en droog wanneer u het product in koude omgevingen gebruikt.
- Voer onderhoud uit aan en bedien het product zoals vermeld in de gebruikershandleiding, om een correct trillingsniveau te handhaven.
- Houd uw handen alleen op het handvat of de handgrepen. Houd alle andere lichaamsdelen uit de buurt van het product.

- Stop het product onmiddellijk als er plotseling sterke trillingen optreden. Ga niet verder met het gebruik tot de oorzaak van de toegenomen trillingen is weggenomen.

Geluidsveiligheid



WAARSCHUWING: Lees de volgende waarschuwingen voordat u het product gaat gebruiken.

- Hoge geluidsniveaus en langdurige blootstelling aan lawaai kunnen gehoorverlies veroorzaken.
- Om het geluidsniveau tot een minimum te beperken, moet u het product onderhouden en bedienen zoals beschreven in de gebruikershandleiding.
- Controleer de geluiddemper op beschadigingen en defecten. Zorg ervoor dat de geluiddemper correct aan het product is bevestigd.
- Gebruik goedgekeurde gehoorbescherming wanneer u het product gebruikt.
- Let op alarmsignalen en luide stemmen wanneer u gehoorbescherming gebruikt. Verwijder de gehoorbescherming wanneer het product is gestopt, tenzij gehoorbescherming nodig is voor het geluidsniveau in de werkomgeving.

Persoonlijke beschermingsuitrusting



WAARSCHUWING: Lees de volgende waarschuwingen voordat u het product gaat gebruiken.

- Draag tijdens het gebruik van het product altijd goedgekeurde persoonlijke beschermingsuitrusting. Persoonlijke beschermingsuitrusting kunnen niet alle risico's uitsluiten maar kunnen de ernst van eventueel letsel helpen beperken. Vraag uw dealer u te helpen bij het kiezen van de juiste beschermingsuitrusting.
- Controleer regelmatig de toestand van uw persoonlijke beschermingsmiddelen.
- Draag een goedgekeurde veiligheidshelm.
- Gebruik goedgekeurde gehoorbescherming.
- Gebruik goedgekeurde ademhalingsbescherming.
- Gebruik goedgekeurde oogbescherming met zijbescherming. Er bestaat een groot risico op oogletsel door wegslingerende voorwerpen.
- Draag veiligheidshandschoenen.
- Gebruik laarzen met stalen neus en antislipzool.
- Gebruik goedgekeurde werkkleding of gelijkwaardige nauwsluitende kleding met lange mouwen en lange broekspijpen.

Brandblusser

- Zorg dat er een brandblusser in de buurt is tijdens het gebruik van dit product.
- Gebruik een poederblusser van de klasse "ABE" of een kooldioxidebrandblusser van het type "BE".

Veiligheidsvoorzieningen op het product

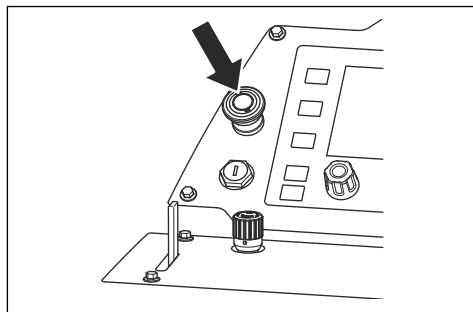


WAARSCHUWING: Lees de volgende waarschuwingen voordat u het product gaat gebruiken.

- Gebruik het product nooit wanneer de veiligheidsvoorzieningen defect zijn.
- Controleer de veiligheidsvoorzieningen regelmatig op een juiste werking. Als de veiligheidsvoorzieningen defect zijn, neem dan contact op met uw Husqvarna servicewerkplaats.

Machinestopknop

Met de machinestopknop van de machine kunt u de motor en alle elektrische functies snel stopzetten, maar de lichten blijven branden. Met de machinestopknop wordt het product in de veilige modus gezet. Het product kan pas weer starten nadat de veilige modus is gereset.

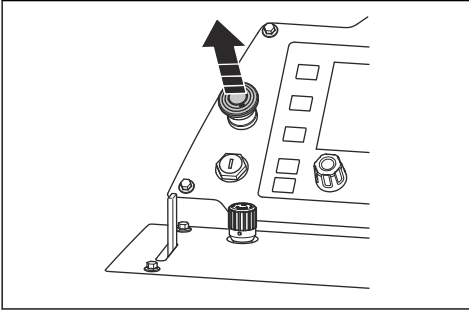


Let op: Gebruik de machinestopknop alleen in noodgevallen om het product uit te schakelen. Raadpleeg *Product stoppen op pagina 168* voor de juiste procedure om het product tijdens bedrijf stop te zetten.

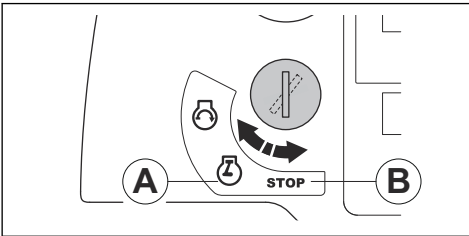
De machinestopknop controleren

1. Start de motor. Zie *Product starten op pagina 165*.
2. Druk op de machinestopknop. De motor stopt en het product wordt in de veilige modus gezet.

- Trek de machinestopknop uit om de machinestopknop te resetten.



- Draai om de veilige modus te resetten de motorstartschakelaar in de motorstopstand (B) en vervolgens in de contact aan-stand (A).



Bladbeschermkap

De bladbeschermkap is een beschermkap voor het bovenste deel van het zaagblad. Het biedt bescherming als onderdelen van een beschadigd zaagblad of andere voorwerpen in de richting van de gebruiker worden uitgeworpen. De bladbeschermkap voorkomt letsel door het zaagblad. De bladbeschermkap maakt ook deel uit van het waterkoelsysteem dat het zaagblad tijdens bedrijf koel houdt.

De bladbeschermkap controleren

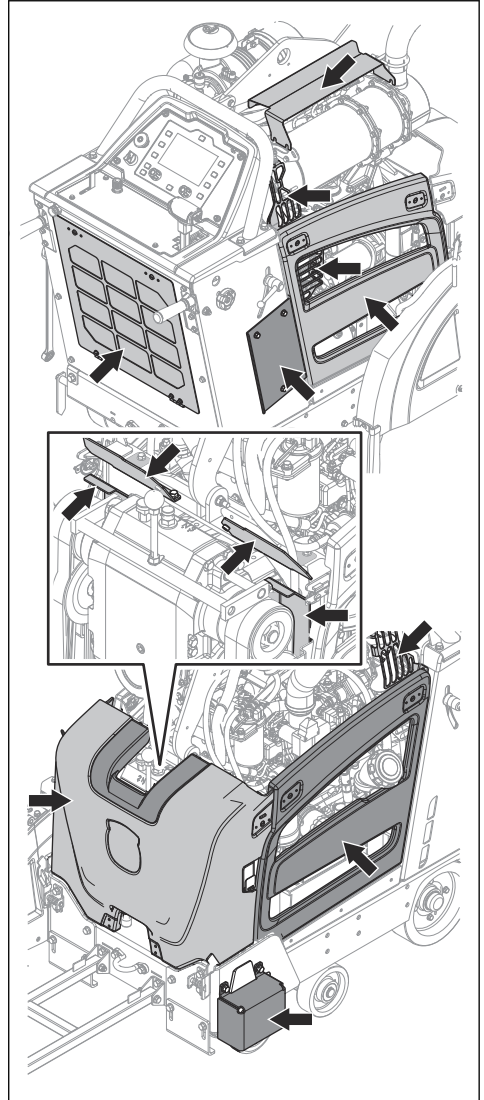
- Controleer of de bladbeschermkap correct is gemonteerd. Zie *Een bladbeschermkap installeren op pagina 160*.
- Controleer de bladbeschermkap op beschadigingen, zoals scheuren.
- Als de bladbeschermkap beschadigd is, moet deze worden vervangen.
- Vervang de bladbeschermkap als deze geraakt, verbogen of anderszins defect is.
- Controleer de borging van de bladbeschermkap op beschadigingen.
- Controleer of de borging van de bladbeschermkap correct is gepositioneerd.

Beschermkappen

Ontbrekende of beschadigde beschermkappen vergroten de kans op letsel bij bewegende delen en hete oppervlakken.

De beschermkappen controleren

- Voer een controle van de beschermkappen uit voordat u het product start.



- Zorg dat de beschermkappen juist zijn aangebracht en niet zijn gescheurd of andere beschadigingen vertonen.

- Vervang beschadigde beschermkappen.

Geluiddemper

De uitlaatdemper is bedoeld om het geluidsniveau zo laag mogelijk te houden en om de uitlaatgassen weg te voeren van de gebruiker.

Gebruik het product niet als de demper ontbreekt of beschadigd is. Bij een defecte uitlaatdemper stijgt het geluidsniveau en neemt het risico op brand toe.



WAARSCHUWING: De uitlaatdemper wordt erg heet tijdens en na gebruik en wanneer de motor draait bij stationair toerental. Wees voorzichtig in de buurt van brandbare materialen en/of dampen om brand te voorkomen.

Geluiddemper controleren

- Inspecteer de uitlaatdemper regelmatig om te verifiëren of die goed vastzit en niet beschadigd is.



OPGELET: Vervang de demper niet. De demper is van het DPF-type en is vereist om te voldoen aan de emissienormen.

Brandstofveiligheid



WAARSCHUWING: Lees de volgende waarschuwingen voordat u het product gaat gebruiken.

- Brandstof is brandbaar en de dampen zijn explosief. Wees voorzichtig met brandstof om letsel, brand en explosies te voorkomen.
- Adem geen brandstofdampen in. De brandstofdampen zijn giftig en kunnen letsel veroorzaken. Zorg voor voldoende ventilatie.
- Verwijder de brandstoftankop niet en vul de tank niet bij wanneer de motor draait.
- Laat de motor afkoelen voordat u brandstof bijvult.
- Vul binnenshuis geen brandstof bij. Onvoldoende ventilatie kan leiden tot ernstig letsel of de dood door verstikking of het inademen van koolmonoxide.
- Rook niet in de buurt van de brandstof of de motor.
- Plaats geen warme voorwerpen in de buurt van de brandstof of de motor.
- Vul geen brandstof bij in de nabijheid van vonken of open vuur.
- Draai de tankop langzaam open en laat de druk voorzichtig ontsnappen voordat u brandstof bijvult.
- Brandstof op uw huid kan letsel veroorzaken. Als er brandstof op uw huid terecht komt, verwijder deze dan met water en zeep.
- Als u brandstof op uw kleding morst, trek dan direct andere kleding aan.

- Vul de brandstoftank niet volledig. Door hitte zet de brandstof uit. Zorg ervoor dat er ruimte overblijft aan de bovenkant van de brandstoftank.
- Draai de tankop volledig aan. Als de tankop niet volledig is aangedraaid, bestaat een risico op brand.
- Voordat u het product start, moet u het product verplaatsen naar een afstand van minimaal 3 m vanaf het punt waar u hebt getankt.
- Start het product niet als er brandstof of motorolie op het product aanwezig is. Verwijder de ongewenste brandstof en motorolie en laat het product drogen voordat u de motor start.
- Controleer de motor regelmatig op lekkage. Bij lekkage in het brandstofsysteem mag u de motor niet starten zolang de lekken niet gerepareerd zijn.
- Gebruik uw vingers niet om de motor op lekkage te controleren.
- Bewaar brandstof in goedgekeurde containers.
- Wanneer het product en de brandstof worden opgeslagen, moet u ervoor zorgen dat brandstof en brandstofdampen geen schade kunnen veroorzaken.
- Tap brandstof af in een daarvoor goedgekeurde container, en doe dat buiten en niet in de nabijheid van vonken en open vuur.

Veiligheid bij accu's



WAARSCHUWING: Een beschadigde accu kan exploderen en letsel veroorzaken. Als de accu vervormd of beschadigd is, neem dan contact op met een erkende Husqvarna servicewerkplaats.



WAARSCHUWING: Lees de volgende waarschuwingen voordat u het product gaat gebruiken.

- Draag een veiligheidsbril wanneer u zich in de buurt van accu's begeeft.
- Draag geen horloges, sieraden of andere metalen voorwerpen in de buurt van de accu.
- Houd de accu buiten het bereik van kinderen.
- Laad de batterij op in een goed geventileerde ruimte.
- Houd ontvlambare materialen op een minimumafstand van 1 m wanneer u de batterij oplaadt.
- Voer vervangen accu's af. Zie *Afvoeren op pagina 184*.
- Er kunnen explosieve gassen uit de accu vrijkomen. Rook niet in de buurt van de accu. Houd de accu uit de buurt van open vuur en vonken.

Veiligheidsinstructies voor onderhoud



WAARSCHUWING: Lees de volgende waarschuwingen voordat u het product gaat gebruiken.

- Maak altijd gebruik van persoonlijke beschermingsmiddelen. Zie *Persoonlijke beschermingsuitrusting op pagina 153*.
- Als het onderhoud niet correct en regelmatig wordt uitgevoerd, neemt de kans op letsel of schade aan het product toe.
- Zet de motor uit en laat het product afkoelen voordat u onderhoudswerkzaamheden uitvoert.
- Maak het product schoon om gevaarlijk materiaal te verwijderen voordat u het onderhoud uitvoert.
- Koppel de bougiekap los voordat u onderhoud uitvoert.
- De uitlaatdampen van de motor zijn heet en kunnen vonken bevatten. Gebruik het product niet in binnenruimtes of in de buurt van brandbaar materiaal.
- Breng geen wijzigingen aan het product aan. Wijzigingen aan het product die niet zijn goedgekeurd door de fabrikant, kunnen leiden tot ernstig letsel of overlijden.
- Gebruik altijd originele accessoires en reserveonderdelen. Accessoires en wijzigingen die niet zijn goedgekeurd door de fabrikant, kunnen leiden tot ernstig letsel of overlijden.
- Vervang beschadigde, versleten of defecte onderdelen.
- Voer alleen onderhoud uit zoals beschreven in deze bedieningshandleiding. Laat een goedgekeurde servicewerkplaats alle andere onderhoudswerkzaamheden uitvoeren.
- Verwijder al het gereedschap van het product voordat u de motor na onderhoud start. Losse gereedschappen of gereedschappen die aan draaiende onderdelen zijn bevestigd, kunnen uitgeworpen worden en letsel veroorzaken.
- Laat een erkende servicewerkplaats regelmatig onderhoud aan het product uitvoeren.

Werking

Inleiding

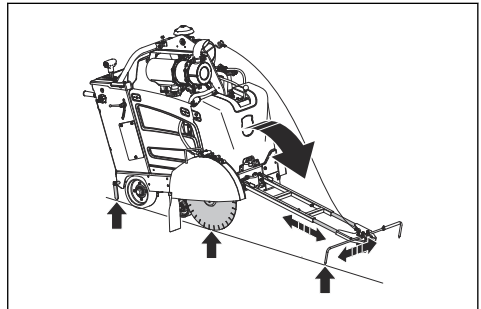


WAARSCHUWING: Zorg dat u het hoofdstuk over veiligheid hebt gelezen en begrepen voordat u het product gebruikt.

Voordat u het product gebruikt

- Lees deze gebruikershandleiding zorgvuldig door en zorg dat u de instructies hebt begrepen.
 - Lees de gebruikershandleiding voor het bedieningspaneel zorgvuldig door en zorg dat u de instructies hebt begrepen.
 - Lees de motorhandleiding van de motorfabrikant door.
 - Lees de instructies die zijn meegeleverd bij het zaagblad door de fabrikant van het zaagblad.
 - Voer de volgende stappen uit voordat u het product voor de eerste keer start:
 - a) Plaats een nieuwe accu en sluit de accukabels aan. Zie *De accu aansluiten en loskoppelen op pagina 179*.
- Let op:** In sommige markten is de accu al geïnstalleerd wanneer u het product koopt.
- b) Stel de juiste taal in en voer andere noodzakelijke instellingen uit op het bedieningspaneel. Raadpleeg de bedieningshandleiding voor het bedieningspaneel.
 - Voer altijd de volgende stappen uit voordat u het product gebruikt:
 - a) Voer dagelijks onderhoud uit. Zie *Onderhoudsschema op pagina 169*.

- b) Maak lijnmarkeringen voor alle zaagsneden. Breid de werkvolgorde zorgvuldig voor om letsel en schade te voorkomen.
- c) Stel de bedieningshandgrepen af op de gewenste werkstand. Zie *Positie van bedieningshandgrepen afstellen op pagina 158*.
- d) Zet de instelbare aanwijzer omlaag en zorg ervoor dat deze op één lijn ligt met de achteraanwijzer, het zaagblad en de lijnmarkering op het oppervlak. Zie *Een controle van de aanwijzers uitvoeren op pagina 156* als de aanwijzers en het zaagblad niet op één lijn liggen.



- e) Pas indien nodig de lengte van de instelbare aanwijzer aan met de schroeven op de instelbare aanwijzer.

Een controle van de aanwijzers uitvoeren

1. Plaats een lange rechte metalen staaf of een gelijkwaardige platte staaf tegen het zaagblad.

Let op: Als alternatief voor een rechte metalen staaft kunt u het snoer gebruiken voor de instelbare aanwijzer. Bevestig het snoer aan de aanwijzer achter en houd het langs de zijkant van het product, tegen het zaagblad.

- Zorg ervoor dat de aanwijzer achter, het zaagblad en de instelbare aanwijzer op één lijn liggen.
 - Stel de instelbare aanwijzer af met de schroeven.
 - Tik met een houten hamer op de aanwijzer achter om deze af te stellen.

Slijpschijven



WAARSCHUWING: Gebruik een zaagblad niet voor andere materialen dan waarvoor het is bedoeld.



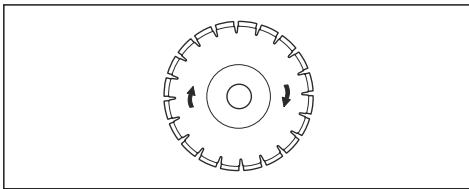
WAARSCHUWING: Gebruik alleen diamantzaagbladen voor nat zagen. Het diamantzaagblad moet geschikt zijn voor dezelfde snelheid of een hogere snelheid dan aangegeven op het producttypeplaatje. Gebruik alleen diamantzaagbladen die voldoen aan nationale of regionale standaarden, bijvoorbeeld EN13236 of ANSI B7.1.

De fabrikant van het zaagblad verstrekt waarschuwingen en aanbevelingen voor gebruik en correct onderhoud van het zaagblad. Deze waarschuwingen worden meegeleverd met het zaagblad.

Diamantzagen



WAARSCHUWING: Zorg ervoor dat het diamantzaagblad draait in de richting van de pijlen op het diamantzaagblad.



OPGELET: Gebruik altijd een scherpe diamantzaag.

Er is een breed assortiment diamantzaagbladen dat voor verschillende werkzaamheden kan worden gebruikt. Van nieuw gestort beton tot beton en asfalt dat hard is geworden en voor verschillende hardheidsklassen.

Diamantzaagbladen hebben een stalen kern, met segmenten die zijn gemaakt van industriële diamanten.

Waterkoelsysteem

Gebruik altijd water tijdens gebruik, om de temperatuur van de diamantzaagbladen laag te houden. Het waterkoelsysteem verlengt ook de levensduur van de diamantzaagbladen en voorkomt ophoping van stof.

Zorg dat de watertoevoer niet verstopt is.

De diamantzaagbladen slijpen

Diamantzaagbladen kunnen bot worden als u een onjuiste invoerdruk gebruikt of wanneer u materialen zoals hard gewapend beton zaagt. Als u een bot diamantzaagblad gebruikt, zal dit te heet worden, waardoor de diamantsegmenten losraken.

- Verlaag de zaagdiepte en het motortoerental gedurende korte tijd om de diamanten op het diamantzaagblad te slijpen.

Diamantzaagbladen voor natzagen



OPGELET: Gebruik altijd een bladflens met een afmeting die is gespecificeerd voor de afmeting van het huidige blad. Gebruik geen beschadigde bladflenzen.

Tijdens gebruik kan frictie ervoor zorgen dat het diamantzaagblad zeer heet wordt. Als het diamantzaagblad te heet wordt, neemt de spanning van het zaagblad af of barst de kern.

Laat het diamantzaagblad afkoelen voordat u het aanraakt.

- Diamantzaagbladen voor nat zagen moeten in combinatie met water worden gebruikt om te zorgen dat de kern van het diamantzaagblad en de segmenten koel blijven tijdens het zagen. Diamantzaagbladen voor nat zagen kunnen niet worden gebruikt voor droog zagen.
- Als u diamantzaagbladen voor nat zagen gebruikt, maar geen water gebruikt, kan het diamantzaagblad te heet worden. Dit leidt tot slechte prestaties en schade aan het blad, en leidt daarnaast tot een veiligheidsrisico.

Brandstof bijvullen



OPGELET: Gebruik altijd het juiste type brandstof. Een verkeerd type brandstof kan schade aan het product veroorzaken.

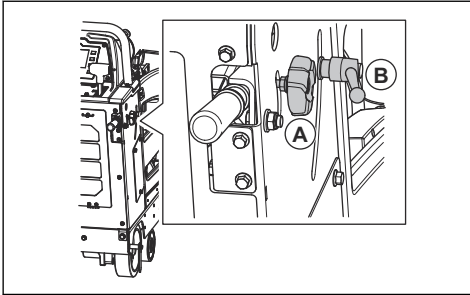


OPGELET: Gebruik geen biodiesel. Biodiesel veroorzaakt schade aan de brandstofslangen.

- Gebruik dieselbrandstof van het juiste type. Zie *Technische gegevens op pagina 185*. Raadpleeg voor meer informatie over de brandstof de motorhandleiding die door de motorfabrikant is geleverd.

Positie van bedieningshandgrepen afstellen

1. Om de lengte van de bedieningshandgrepen aan te passen, draait u de vergrendelknop (A) los.

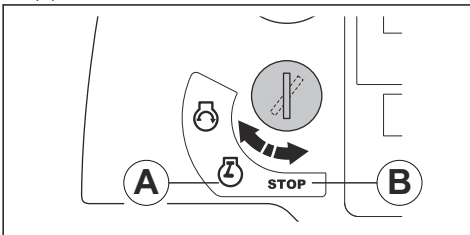


2. Stel de bedieningshandgrepen af op de gewenste werklengte.
3. Draai de vergrendelknop (A) vast.
4. Om de hoogte van de bedieningshandgrepen aan te passen, draait u de vergrendelknop (B) linksom.
5. Stel de bedieningshandgrepen af op de gewenste werkhoogte.
6. Draai de vergrendelknop (B) rechtsom om de bedieningshandgrepen op hun plaats te vergrendelen.

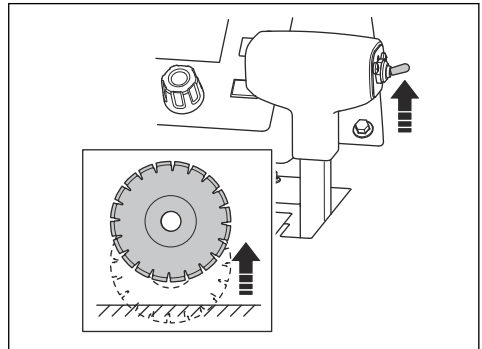
Een zaagblad monteren

Lees paragraaf *Productconfiguratie voor verschillende bladafmetingen op pagina 161* voordat u een zaagblad installeert.

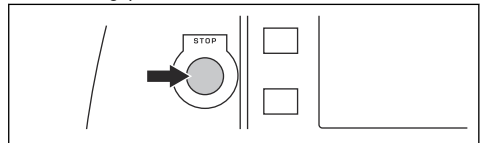
1. Zet de motorstartschakelaar in de contact aan-stand (A).



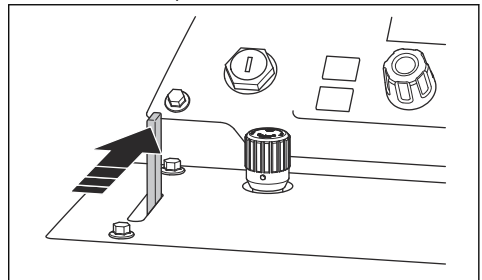
2. Duw de schakelaar voor de zaagdiepte-instelling omhoog om het zaagblad te heffen.



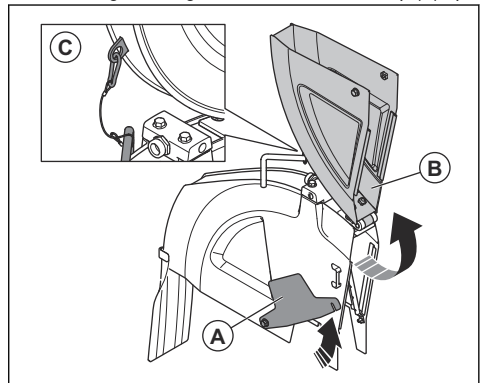
3. Zet de motorstartschakelaar in de stop-stand (B).
4. Druk op de machinestopknop op het bedieningspaneel.



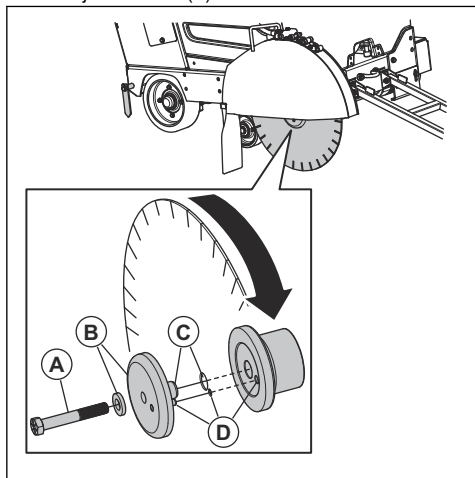
5. Sluit de waterklep.



6. Draai de voorste bout op de bladbeschermkap los en til de vergrendeling van de bladbeschermkap (A) op.

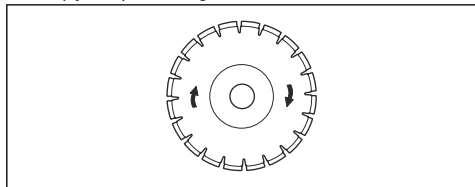


7. Til de bladbeschermkap voor (B) op en vergrendel de bladbeschermkap rechtop met een draad en karabijnhaak (C).
8. Verwijder de bout (A) van de bladas.



Let op: De bladasbout aan de rechterkant van het product heeft een linkse schroefdraad. De bladasbout aan de linkerkant van het product heeft een rechtse schroefdraad.

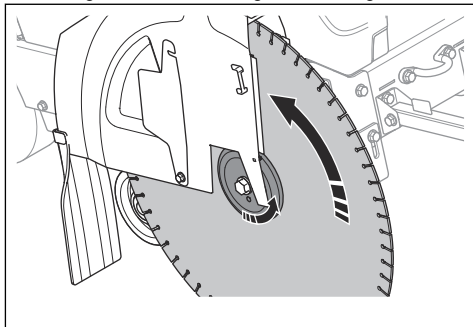
9. Verwijder de buitenste bladflens en de platte ring (B).
10. Controleer de bladasbout, de bladflenzen, de platte onderlegging en de bladflensspil (C) op beschadigingen. Vervang versleten of beschadigde onderdelen.
11. Reinig de contactvlakken van het zaagblad en de bladflenzen.
12. Monteer het zaagblad op de spil van de buitenste flens.
13. Breng het zaagblad en de buitenste flens aan in de binnenste flens. Zorg ervoor dat de borgpen (D) door het blad gaat en in de binnenste flens schuift.
14. Zorg ervoor dat het zaagblad draait in de richting van de pijlen op het zaagblad.



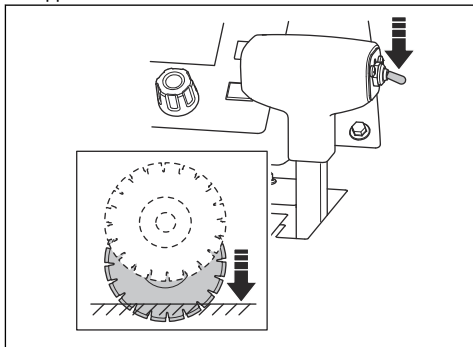
OPGELET: Als het zaagblad in tegengestelde richting van de draairichting wordt gemonteerd, kan dit

leiden tot beschadiging van het zaagblad.

15. Monteer de platte ring en de bladasbout.
16. Om speling te verwijderen, draait u de buitenste flens en het zaagblad in de tegenovergestelde richting van de draairichting van het zaagblad.



17. Houd het zaagblad stevig vast terwijl u de bladasbout vastdraait met de bladassleutel.
18. Druk de schakelaar voor de zaagdiepteafstelling omlaag om het zaagblad te laten zakken tot deze het oppervlak raakt.



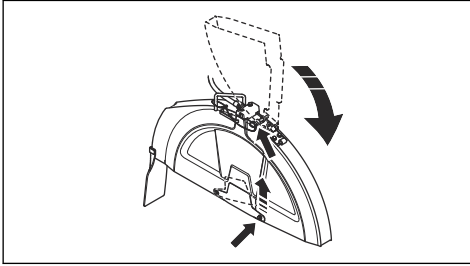
OPGELET: Laat het zaagblad niet te snel zakken. Als het zaagblad met kracht tegen het oppervlak slaat, kan het zaagblad beschadigd raken. Verlaag de snelheid met de knop voor het afstellen van de daalsnelheid van het blad.



OPGELET: Laat het frontgewicht van het product niet op het zaagblad drukken. Dit veroorzaakt schade aan het zaagblad.

19. Haal de bladasbout stevig aan met de bladassleutel. De weerstand tussen het zaagblad en de grond houdt het zaagblad op zijn plaats.

20. Laat de bladbeschermkap voor zakken en plaats de vergrendeling van de bladbeschermkap op de voorste bout van de bladbeschermkap. Haal de voorste bout van de bladbeschermkap aan.



OPGELET: Gebruik het product niet zonder dat de vergrendeling van de bladbeschermkap is vergrendeld en de voorste bout van de bladbeschermkap is aangebracht. Gebruik het product niet als de onderdelen beschadigd zijn.

21. Start het product en luister of er ongebruikelijke geluiden hoorbaar zijn. Verwijder het zaagblad als u ongebruikelijke geluiden hoort.
- Controleer het zaagblad op beschadigingen.
 - Monteer het zaagblad weer. Vervang de het zaagblad als dit is beschadigd.

Het zaagblad verwijderen

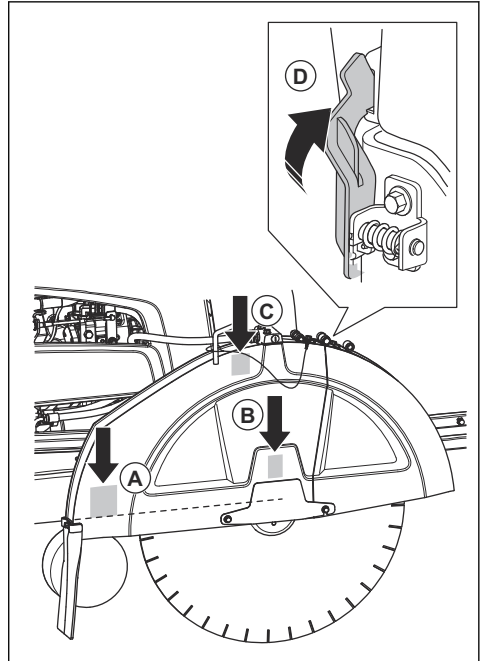


WAARSCHUWING: Laat het product afkoelen en gebruik veiligheidshandschoenen bij het verwijderen van diamantzaagbladen. Diamantzaagbladen kunnen na gebruik zeer heet zijn.

- Verwijder het zaagblad door de montage in omgekeerde volgorde uit te voeren. Zie *Een zaagblad monteren op pagina 158*.

Een bladbeschermkap installeren

1. Laat de bladbeschermkap op de steunen (A), (B) en (C) zakken.



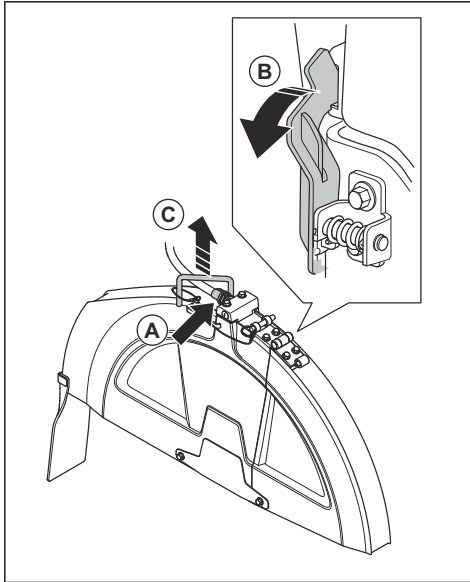
2. Duw de bladbeschermkap omlaag tot de bladbeschermkapborging (D) vastklikt.
3. Sluit de waterslang aan.

Niet alle steunen worden gebruikt voor alle afmetingen van de bladbeschermkap.

- Bladbeschermkappen van 14 inch, 20 inch en 26 inch worden alleen op de steun (B) neergelaten.
- De bladbeschermkap van 30 inch wordt op de steunen (B) en (C) neergelaten.
- De bladbeschermkap van 36 inch wordt op alle steunen (A), (B) en (C) neergelaten.

De bladbeschermkap verwijderen

1. Koppel de waterslang (A) los van de bladbeschermkap.



2. Gebruik de sleutel voor de bladbeschermkap om de borging van de bladbeschermkap (B) te draaien totdat deze niet verder kan en de kap ontgrendelt.
3. Til de bladbeschermkap op aan de hendel (C).

Productconfiguratie voor verschillende bladafmetingen

Een product met een tandwielkast met 1 toerental werkt met 1 gespecificeerde bladmaat en 1 gespecificeerde bladbeschermkap. Een product met een tandwielkast met 3 toerentallen werkt met een gespecificeerd bereik bladmaten en 1 gespecificeerde bladbeschermkap. Als u het zaagblad vervangt door een zaagblad met een andere afmeting, moet u de configuratie van het product wijzigen.

Vervang voor een product met een tandwielkast met 1 toerental deze onderdelen door onderdelen van de toepasselijke afmeting voor het nieuwe zaagblad:

- Bladaspoelies
- Tandwielkastpoelies
- Bladasflenzen
- Riemen
- Bladbeschermkap

Voor een product met een tandwielkast met 3 toerentallen is het voldoende om het tandwiel te vervangen als de afmeting van het nieuwe zaagblad binnen hetzelfde afmetingsbereik ligt als het vervangen zaagblad. Als het afmetingsbereik afwijkt, moeten de

onderdelen in de lijst ook op een product met een tandwielkast met 3 toerentallen worden vervangen.

Laat uw dealer u helpen bij het verzenden van een bestelling voor de onderdelen die nodig zijn voor uw configuratie.

De tandwielkast configureren

- Raadpleeg de gebruikershandleiding voor het bedieningspaneel om de instelling van de tandwielkast op het display van het bedieningspaneel te wijzigen.

Configuratie van een tandwielkast met 1 toerental

Er zijn 5 mogelijke configuraties voor een product met tandwielkast met 1 toerental:

mm/inch
350/14
500/20
650/26
750/30
900/36

Raadpleeg de bedieningshandleiding voor het bedieningspaneel voor aanvullende informatie.

Configuratie van een tandwielkast met 3 toerentallen

Er zijn 3 mogelijke configuraties voor een product met tandwielkast met 3 toerentallen:

mm/inch
350-650/14-26
500-750/20-30
500-900/20-36

Raadpleeg de bedieningshandleiding voor het bedieningspaneel voor aanvullende informatie.

Toerental wijzigen op een model met tandwielkast met 3 toerentallen

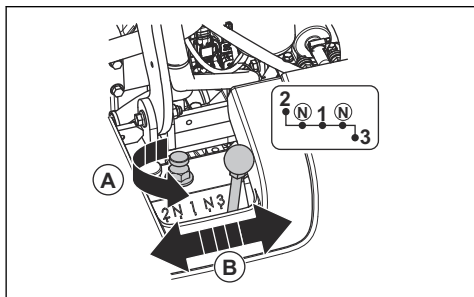


OPGELET: Wijzig het toerental niet wanneer de motor is ingeschakeld of voordat u de productconfiguratie controleert. Er bestaat risico op beschadiging van de tandwielkast.

De tandwielkast heeft 3 toerentallen en 2 neutrale standen. Wanneer de tandwielkast in de neutraalstand staat, draait het zaagblad niet wanneer de motor is ingeschakeld.

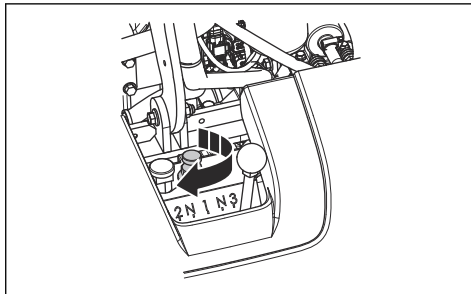
1. Zet de motorstartschakelaar in de stopstand.

- Zorg ervoor dat de afmeting van de tandwielkastpoelies, bladspoelies en bladassen juist is voor de afmeting van het gemonteerde zaagblad.
- Controleer of het toerental van de bladas correct is.
- Draai de knop (A) 2 slagen linksom om de borgmoer los te draaien.



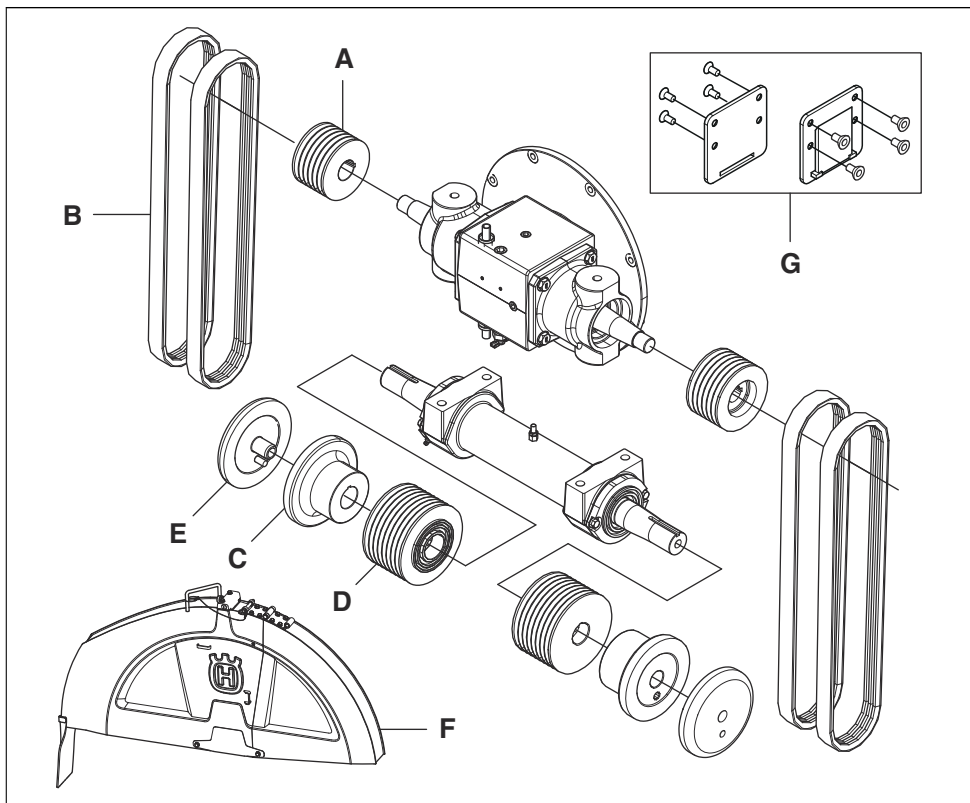
- Draai de borgmoer volledig los, maar verwijder deze niet.

- Zet de keuzehendel (B) in de stand voor het gewenste toerental. Als het niet gemakkelijk is om de schakelhendel te bewegen, draait u de bladas een stukje.
- Draai de knop rechtsom met uw vingers.



- Draai de borgmoer vast met de meegeleverde bladassleutel. Zie *Productoverzicht, achterzijde op pagina 147*.

Wijziging van afmeting blad, model met tandwielkast met 1 toerental

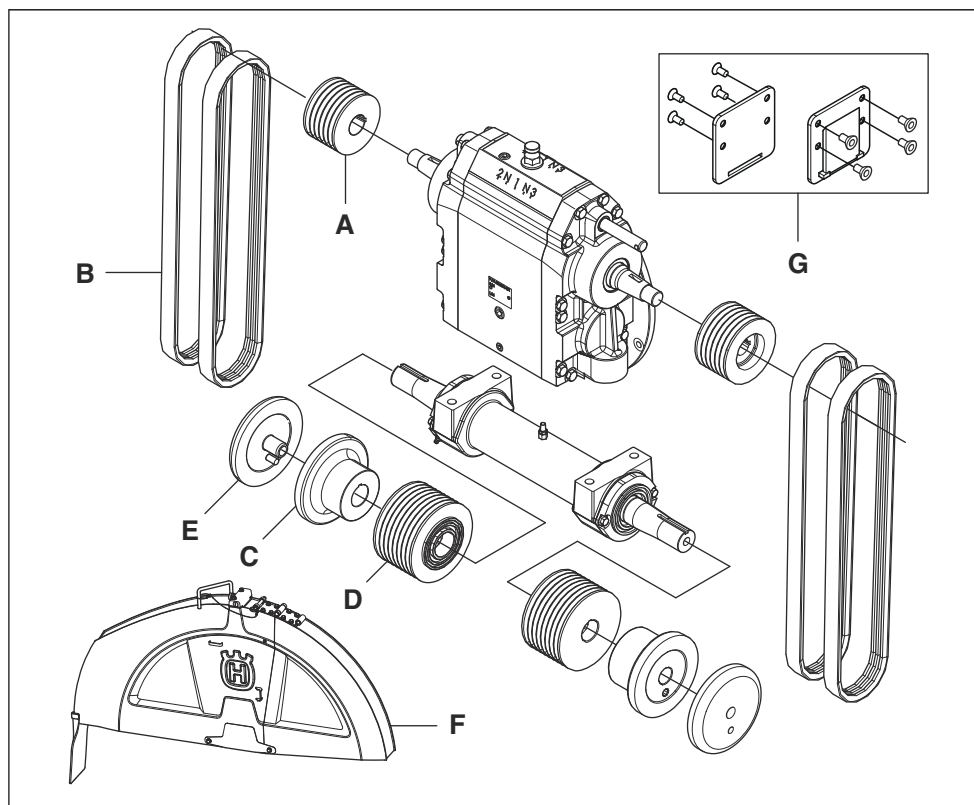


* = Het onderdeel is opgenomen in de beginconfiguratie van het product. Onderdelen die niet in deze tabel

staan, zijn ook opgenomen in de beginconfiguratie van het product.

Afmeting, mm/inch	A	B	C	D	E	F	G
350/14	15,25/6	3VX475	114/4,5	106/4,17	114/4,5	350/14	Nee
500/20	114/4,51	3VX450	114/4,5	106/4,17	114/4,5	500/20	Nee
650/26	89/3,5	3VX435	127/5	106/4,17	127/5	650/26	Nee
750/30	89/3,5	3VX450	127/5	121,5/4,78	127/5	750/30	Nee
900/36	89/3,5	3VX460	152,5/6	146/5,75	152,5/6	900/36	Ja

Wijziging van afmeting blad, model met tandwielkast met 3 toerental



* = Het onderdeel is opgenomen in de beginconfiguratie van het product. Onderdelen die niet in deze tabel

staan, zijn ook opgenomen in de beginconfiguratie van het product.

Afmeting, mm/inch	A	B	C	D	E	F	G
-------------------	---	---	---	---	---	---	---

350-650/14-26	114/4,51	3VX550	127/5	106/4,17	127/5	350-650/14-26	Nee
500-750/20-30	105/4,13	3VX550	127/5	115/4,53	127/5	500-750/20-30	Nee
500-900/20-36	105/4,13	3VX560	152,5/6	138/4,53	152,5/6	500-900/20-36	Ja

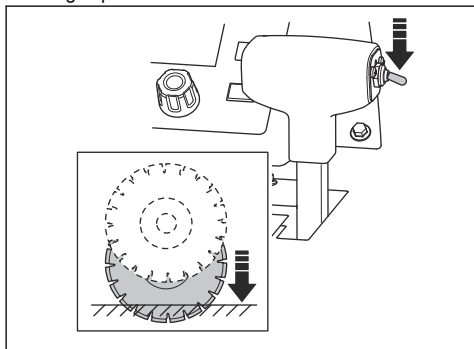
Zaagdiepte-insteltoets

Het product heeft de functie bladdiepte aanslag waarmee de gebruiker de maximale zaagdiepte kan instellen. De maximale zaagdiepte is verschillend voor verschillende bladafmetingen:

Afmeting, mm/inch	Max. zaagdiepte, mm, inch
350/14	118/4,75
500/20	193/7,75
650/26	262/10,5
750/30	312/12,5
900/36	374/15

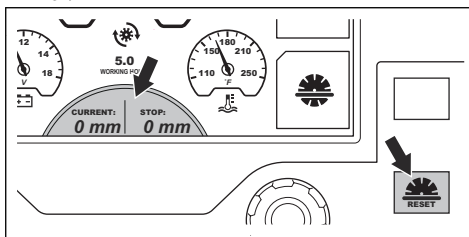
Zaagdiepte instellen

1. Druk de schakelaar voor de zaagdiepteafstelling omlaag om het zaagblad te laten zakken tot deze het oppervlak raakt. Dit is de startpositie voor de zaagdiepte.

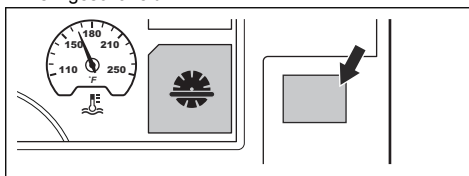


OPGELET: Laat het zaagblad niet te snel zakken. Als het zaagblad met kracht tegen het oppervlak slaat, kan het zaagblad beschadigd raken. Verlaag de snelheid met de knop voor het afstellen van de daalsnelheid van het blad.

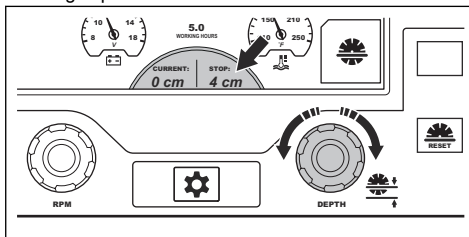
2. Druk op de resetknop voor de bladdiepte aanslag op het bedieningspaneel. De waarde voor de zaagdiepte wordt op het display ingesteld op 0 inch/mm.



3. Druk op de knop naast het symbool voor de bladdiepte aanslag. Het symbool op het display verandert van kleur om aan te geven dat de functie is ingeschakeld.



4. Draai aan de knop voor het afstellen van de bladdiepte aanslag tot de juiste zaagdiepte op het display wordt weergegeven. Tijdens bedrijf wordt het zaagblad niet verder neergelaten dan de ingestelde zaagdiepte.



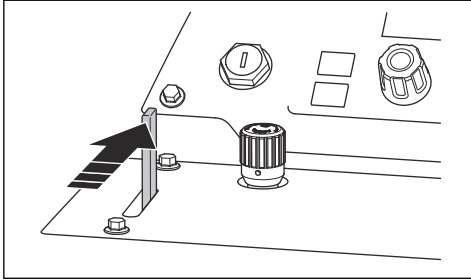
OPGELET: Controleer altijd of de zaagdiepte correct is. De zaagdiepte aanslag helpt u bij het verkrijgen van de juiste zaagdiepte, maar geeft slechts een indicatie van de dieptewaarde.

5. Als de zaagdiepte moet worden vergroot, voert u 1 van de volgende procedures uit:
 - a) Draai aan de knop voor het afstellen van de bladdiepte aanslag om een nieuwe zaagdiepte in te stellen.

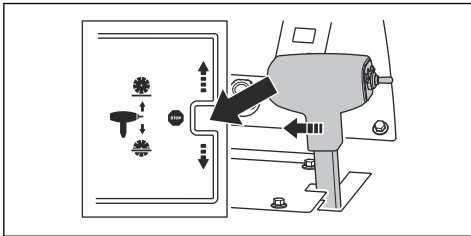
- b) Druk op de knop naast het symbool voor de bladdiepteaanslag om de functie uit te schakelen. Het symbool op het display verandert van kleur om aan te geven dat de functie is uitgeschakeld.

Product starten

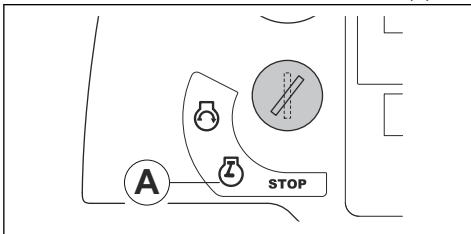
1. Sluit de waterinlaat aan op een watertoevoer.
2. Sluit de waterklep.



3. Zet de hendel voor de snelheidsregeling in de stopstand.

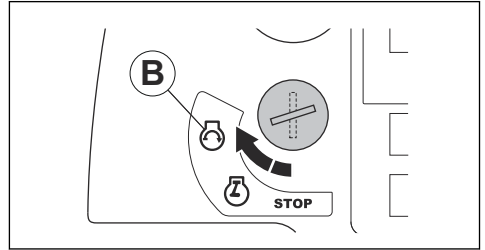


4. Controleer of de omloopklep van de transmissie is gesloten. Zie *Productoverzicht, linkzijdige op pagina 145* voor de stand van de omloopklep van de transmissie.
5. Zet de motorstartschakelaar in stand contact (A).



6. Als het voorverwarmingssymbool op het display wordt weergegeven, wacht u tot het uitgaat. Zie *Waarschuwingssymbolen op het display van het bedieningspaneel op pagina 150*.

7. Zet de motorstartschakelaar in de motorstartstand (B). De motor start.



8. Laat de motor 2-3 minuten stationair draaien tot de temperatuurmeter begint te bewegen.



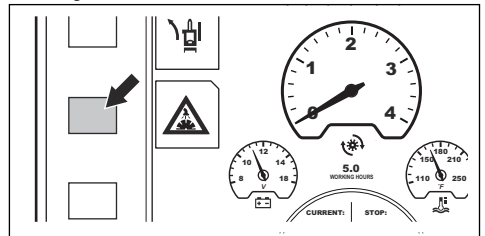
OPELET: Laat de motor niet met laag stationair toerental draaien wanneer het product niet in gebruik is. Laag stationair toerental verhoogt de hoeveelheid deeltjes in de motor en verkort de tijd tussen regeneraties.



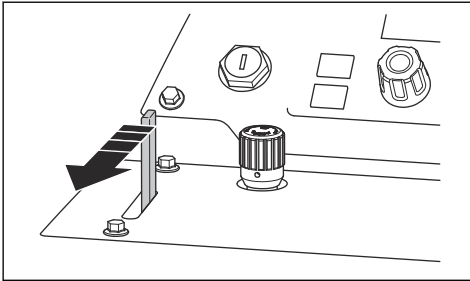
WAARSCHUWING: Bij producten zonder bladkoppeling begint het zaagblad te draaien wanneer de motor start en de overbrenging niet in de neutraalstand staat. Zet het product niet opzij en verplaats het niet buiten het werkgebied als het zaagblad draait.

Het product gebruiken

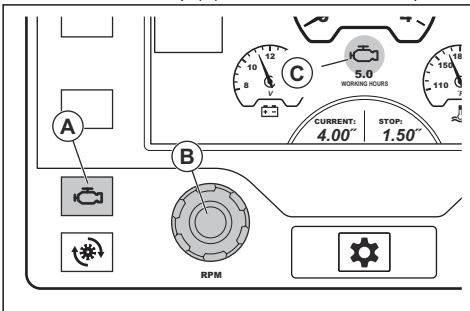
1. Start de motor.
2. Druk op de knop naast het symbool voor het waterveiligheidssysteem. Het symbool op het display verandert van kleur om aan te geven dat de functie is ingeschakeld.



3. Open de waterklep.

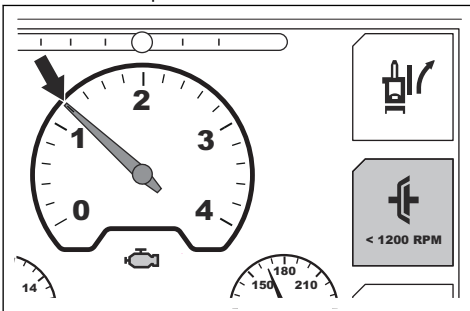


4. Druk op de motortoerentalknop (A). Het motorsymbool (C) geeft aan dat de toerentalafstelknop (B) het motortoerental aanpast.

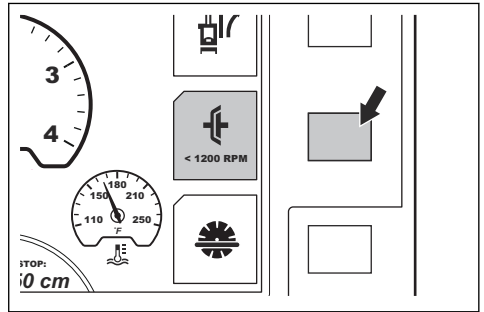


5. Als het product een bladkoppeling heeft, voert u de volgende procedure uit:

a) Zorg ervoor dat het motortoerental niet hoger is dan 1200 tpm.

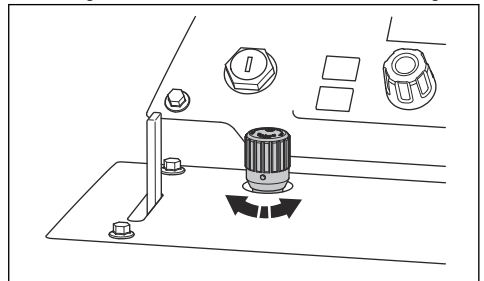


b) Druk op de knop naast het symbool voor de bladkoppeling op het display. Het symbool op het display verandert van kleur om aan te geven dat de aandrijving op het zaagblad is ingeschakeld.



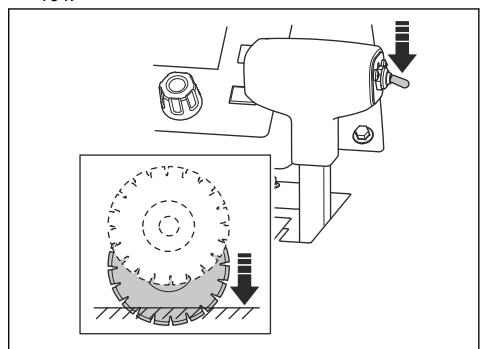
6. Draai de knop voor toerentalafstelling rechtsom om het motortoerental te verhogen tot volgas.

7. Om de daalsnelheid van het blad in te stellen, draait u aan de knop voor het afstellen van de daalsnelheid van het blad. Draai deze linksom om het toerental te verhogen en rechtsom om het toerental te verlagen.



8. Houd de instelbare aanwijzer, de aanwijzer achter en het zaagblad op de lijnmarkering tijdens de volledige zaagactie.

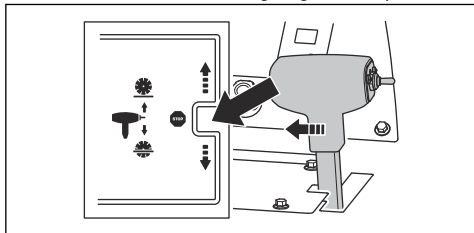
9. Druk de schakelaar voor de zaagdiepteafstelling omlaag om het zaagblad te laten zakken tot de juiste zaagdiepte. Zie *Zaagdiepte-insteltoets* op pagina 164.



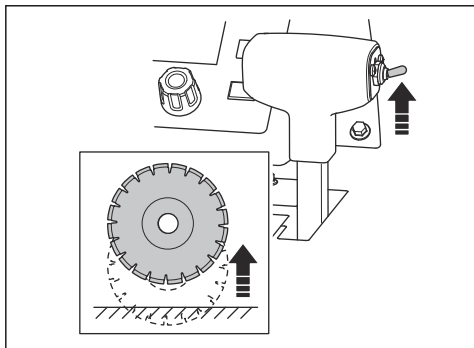


OPGELET: Als u het zaagblad laat zakken in een snede die niet volledig is voltooid, moet u het zaagblad nauwkeurig uitlijnen met de snede om schade aan het zaagblad te voorkomen.

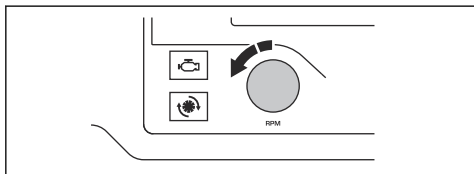
10. Duw de hendel voor de snelheidsregeling langzaam naar voren om het product naar voren te bewegen.
11. Luister naar het geluid van de motor. Trek de hendel voor de snelheidsregeling naar achteren om de rijsnelheid aan de zaagomstandigheden aan te passen.
12. Wanneer de werkzaamheden zijn voltooid, zet u de hendel voor de snelheidsregeling in de stopstand.



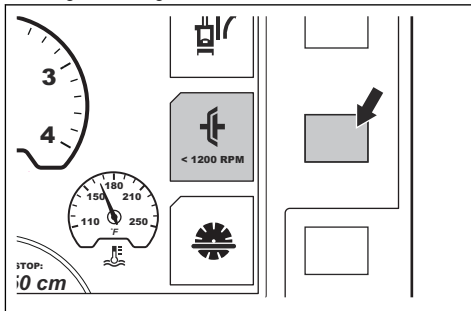
13. Druk de schakelaar voor de zaagdiepteafstelling omhoog tot het zaagblad zich boven het oppervlak bevindt.



14. Zet de gasregelknop in de stand voor laag stationair toerental.



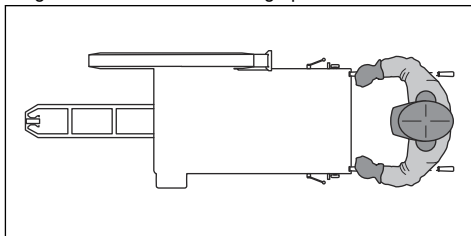
15. Als het product een bladkoppeling heeft, drukt u op de knop naast het symbool voor de bladkoppeling op het display. Het symbool op het display verandert van kleur om aan te geven dat de aandrijving op het zaagblad is uitgeschakeld.



Let op: Zie *Recht gebruik van het product op pagina 167* voor informatie over het afstellen van de achteras als het product niet recht zaagt.

De juiste werktechniek gebruiken

- Blijf uit de buurt van de baan van het blad terwijl de motor is ingeschakeld. De juiste positie voor de gebruiker is tussen de handgrepen.



- Controleer het zaagblad gedurende de werkdag regelmatig op barsten en kapotte onderdelen. Gebruik nooit een beschadigd zaagblad.



WAARSCHUWING: Zet de motor uit voordat u het zaagblad controleert.

- Slijp NIET met de zijkant van het zaagblad. Het zaagblad kan breken, wat kan leiden tot verwondingen voor de gebruiker of omstanders. Gebruik alleen de zijkant.
- Buig of draai het zaagblad niet in de snede.
- Zorg ervoor dat het zaagblad vrij kan bewegen en niet in de snede blijft haken.

Recht gebruik van het product

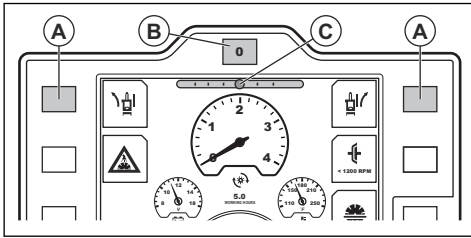
Tijdens bedrijf zorgt het zaagblad voor weerstand tegen de voorwaartse beweging van de achterwielen. Hierdoor stuurt het product in dezelfde richting als waarin het zaagblad is geïnstalleerd. Om een gebogen snede te voorkomen, kan de hoek van de achteras worden

afgesteld. Er zijn 2 procedures voor het afstellen van de achteras, met de E-track-functie of met een handmatige asafstelling.

De achteras afstellen met de E-track-functie

U kunt de achteras afstellen met de E-track-functie tijdens bedrijf of wanneer het product stilstaat.

- Druk op de linker en rechter knoppen voor het afstellen van de E-track (A) om de achteras af te stellen. Druk herhaald voor kleine aanpassingen.

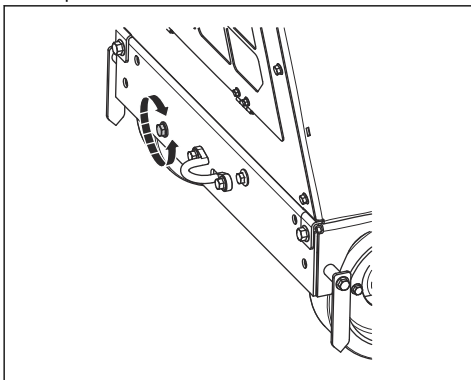


Let op: De E-track-meter (C) op het display toont de huidige hoek van de achteras. De afstelling wordt opgeslagen als het contact is uitgeschakeld of als de machine spanningsloos wordt.

- Kijk naar de beweging en de richting van het product om er zeker van te zijn dat de afstelling correct is.
- Om de achteras te resetten naar de in het systeem ingestelde middenhoek, drukt u op de knop E-track resetten (B).
- Om terug te keren naar de ingestelde hoek, drukt u nogmaals op de knop voor het resetten van de E-track.
- Raadpleeg de gebruikershandleiding van het bedieningspaneel voor het afstellen van de middenhoek die in het systeem is ingesteld.

De achteras handmatig afstellen

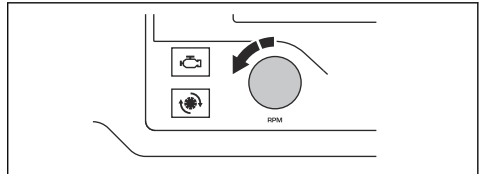
- Draai de stelbout links onder aan de achterkant van het product. Gebruik een moersleutel van 18 mm.



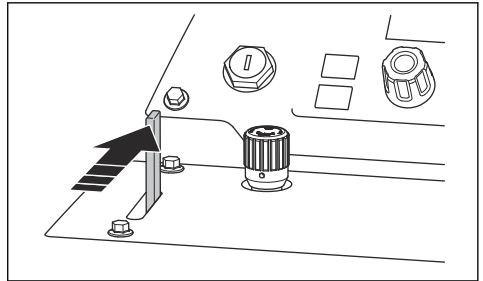
- Als het product naar rechts afwijkt tijdens het gebruik, draait u de stelbout linksom.
- Als het product naar rechts afwijkt tijdens het gebruik, draait u de stelbout rechtsom.

Product stoppen

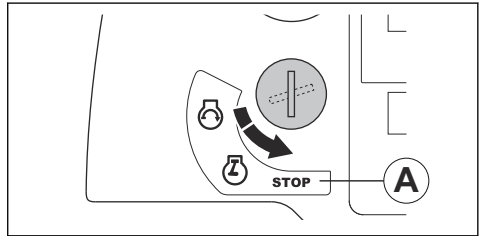
1. Zet de gasregelknop in de stand voor laag stationair toerental.



2. Sluit de waterklep.



3. Laat de motor 2-3 minuten stationair draaien.
4. Zet de motorstartschakelaar in de stopstand (A).



WAARSCHUWING: Het zaagblad blijft nog enige tijd draaien nadat de motor is uitgeschakeld. Stop het zaagblad niet met uw handen. Dit kan leiden tot ernstig letsel.

Onderhoud

Inleiding



WAARSCHUWING: Zorg dat u het hoofdstuk over veiligheid hebt gelezen en begrepen voordat u onderhoud aan het product gaat uitvoeren.

Voor alle onderhouds- en reparatiewerkzaamheden aan het product is speciale training nodig. Wij garanderen de beschikbaarheid van professionele reparaties en onderhoud. Indien uw dealer geen servicewerkplaats heeft, vraag hem dan naar de dichtstbijzijnde servicewerkplaats.

Neem voor reserveonderdelen contact op met uw dealer of servicewerkplaats van Husqvarna.

Vereiste handelingen voorafgaand aan onderhoud

- Parkeer het product op een vlakke ondergrond en schakel de motor uit. Druk op de machinestopknop op het bedieningspaneel om te voorkomen dat de motor onbedoeld start tijdens het onderhoud.

- Verwijder olie en vuil van het gebied rondom het product. Verwijder ongewenste voorwerpen.
- Plaats duidelijke borden rond het onderhoudsgebied, om omstanders te waarschuwen dat er onderhoudswerkzaamheden worden uitgevoerd.
- Zorg dat brandblussers, medische hulpmiddelen en een noodtelefoon binnen handbereik zijn.

Onderhoudsschema

Let op: Als er meer dan 1 tijdsinterval in een rij in de tabel staat vermeld, dan geldt het kortste interval uitsluitend voor de eerste onderhoudsbeurt.

* Zie *Veiligheidsvoorzieningen op het product op pagina 153* voor instructies.

Onderhoud	Dagelijks en na transport	50 uur	100 uur	250 uur	500 uur	Jaarlijks
Reinig het product.	X					
Controleer het koelvloeistofpeil van de radiator.	X					
Controleer het motoroliepeil.	X					
Controleer de bladbeschermkap.	*					
Controleer alle slangen en slangklemmen. Controleer op schade waar de slangen tegen andere slangen of onderdelen van het product wrijven.	X					
Maak het uitwendige luchtfilter schoon.	X					
Controleer de beschermkappen en de zaagbladkappen.	*					
Tap het water uit de tandwielkast af.	X					
Controleer de watertoevoer naar het zaagblad.	X					
Tap de waterafscheider voor het brandstoffilter af.	X					
Ververs de motorolie en vervang het oliefilter.		X	X			
Maak het luchtfilter van de radiator schoon.		X				
Controleer de V-riemen.		X				
Smeer de voorwielen.		X				
Het filter van het hydraulisch systeem vervangen.		X		X		
Smeer de scharnierlagers van de vooras.			X			

Onderhoud	Dagelijks en na transport	50 uur	100 uur	250 uur	500 uur	Jaarlijks
Inspecteer de wielen en wielnaven op beschadiging en controleer of ze correct zijn aangebracht.			X			
Controleer de slang en slangklemmen van het luchtfilter.			X			
Controleer het peil van de hydraulische olie.			X			
Smeer de bladas.				X		
Smeer het draaipunt op de hydraulische cilinder.	X					
Smeer het achteraslager.				X		
Ververs de hydraulische olie.					X	
Ververs de olie in de tandwielkast.					X	
Vervang het brandstoffilter.					X	
Ververs de koelvloeistof van de radiator.					X	
Vervang de luchtfilters.						X
Controleer of het koelvloeistofmengsel in orde is. Zie <i>Technische gegevens op pagina 185.</i>						X

Product reinigen



WAARSCHUWING: Draag een veiligheidsbril. Wanneer u het product reinigt met een hogedrukreiniger kunnen vuil en schadelijk materiaal uit het product komen.

- Laat het product afkoelen voordat u het gaat reinigen.
- Zorg ervoor dat het deksel van het relais- en zekeringenkastje goed is aangebracht voordat u het product reinigt.
- Reinig elektrische componenten nooit met water.
- Gebruik een mild reinigingsmiddel. Trek beschermende handschoenen aan om huidirritatie te voorkomen.
- Gebruik een hogedrukreiniger om het product schoon te maken.

Radiator reinigen



OPGELET: Neem de instructies in acht. Onjuiste procedures kunnen de koelribben beschadigen.

- Gebruik perslucht voor het reinigen van de koelribben.
- Gebruik indien nodig een hogedrukreiniger en een mild reinigingsmiddel.
- Spuit rechtstreeks op de radiator, evenwijdig aan de koelribben.

- Houd een minimale afstand aan van 40 cm/15,75 inch tussen de koelribben en het mondstuk voor de hogedrukreiniger of de luchtstroom.

Het bedieningspaneel reinigen



OPGELET: Gebruik geen hogedrukreiniger voor het reinigen van het bedieningspaneel.

- Reinig elektrische onderdelen met een doek of met perslucht.
- Reinig het bedieningspaneel met een vochtige doek.

De motor reinigen

- Houd een minimale afstand aan van 40 cm/15,75 inch tussen het mondstuk en de motor en de motoronderdelen.
- Wees voorzichtig bij het reinigen van de motor, met name in de buurt van elektrische onderdelen. Spuit geen water direct op elektrische onderdelen.
- Richt het water niet rechtstreeks op de uitlaatpijp of het motorluchtfilter.

Na het reinigen van het product

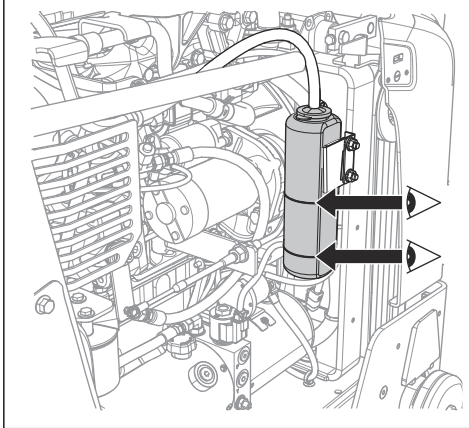
- Blaas elektrische aansluitklemmen droog met perslucht.
- Laat het product volledig drogen voordat u de motor start.

Koelvloeistofpeil radiator controleren

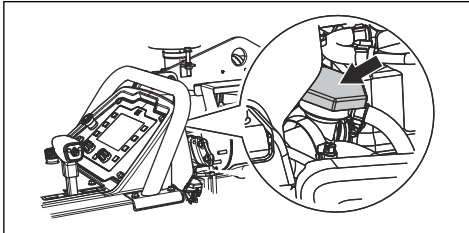


WAARSCHUWING: Er bestaat gevaar voor brandwonden. Laat de motor afkoelen voordat u de vuldop voor koelvloeistof losschroeft.

1. Controleer het koelvloeistofniveau in de overloopcontainer van de radiator. Het koelvloeistofpeil is correct wanneer het tussen de 2 merktekens staat.



2. Als het koelvloeistofniveau in de radiator te laag is, verwijdert u de vuldop en vult u bij tot het juiste peil is bereikt. Zie *Technische gegevens op pagina 185* voor het juiste type en mengsel van koelvloeistof.

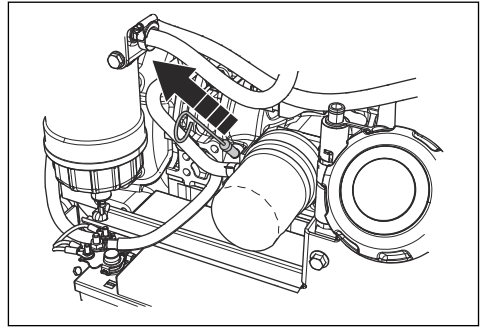


Het motoroliepeil controleren

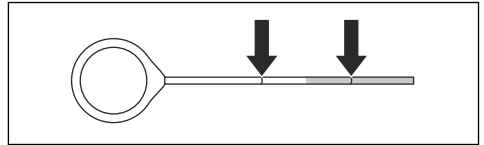
Om het oliepeil correct af te lezen, moet het product in de stand staan.

1. Zorg ervoor dat het zaagblad is verwijderd en dat het product waterpas staat wanneer u het motoroliepeil controleert.

2. Verwijder de peilstok uit de olietank.



3. Veeg de olie van de peilstok.
4. Steek de peilstok volledig terug in de olietank.
5. Verwijder de peilstok.
6. Controleer het oliepeil op de peilstok. Controleer of het motoroliepeil tussen de merktekens op de peilstok staat.



7. Als het oliepeil laag is, vult u bij met motorolie en controleert u het oliepeil opnieuw. Zie *Technische gegevens op pagina 185* voor het juiste type motorolie.

Slangen en slangklemmen controleren

- Controleer de slangen in het brandstofsysteem, het hydraulisch systeem en het koelsysteem op lekkage.
- Controleer de slangen op slijtage en beschadiging, met name waar de slangen tegen andere slangen of onderdelen van het product wrijven.
- Vervang beschadigde slangen.
- Zet losse slangklemmen vast.

Het uitwendige luchtfilter reinigen



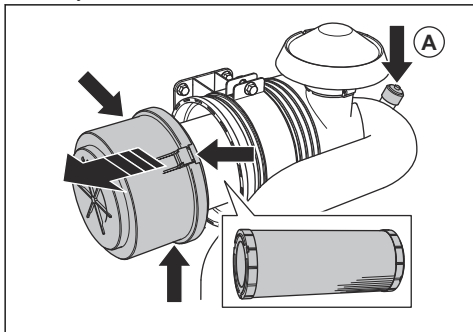
WAARSCHUWING: Gebruik goedgekeurde ademhalingsbescherming wanneer u het luchtfilter reinigt of vervangt. Voer gebruikte luchtfilters op de juiste manier af. Het stof in het luchtfilter is schadelijk voor uw gezondheid.



WAARSCHUWING: Reinig het luchtfilter niet met perslucht. Dit veroorzaakt schade aan het luchtfilter en het risico neemt toe dat u gevaarlijk stof inademt.

Het inwendige luchtfilter hoeft niet te worden gereinigd.

1. Controleer de indicator (A) van het luchtfilter. Als de indicator van het luchtfilter rood is, moet het uitwendige luchtfilter worden gereinigd.
2. Open de 3 klemmen van het luchtfilterhuis en verwijder het luchtfilterhuis.



3. Verwijder het luchtfilter.
4. Tik het luchtfilter tegen een hard oppervlak of gebruik een stofzuiger om de deeltjes te verwijderen.



OPGELET: Zorg ervoor dat de zuigmond van de stofzuiger het oppervlak van het luchtfilter niet raakt. Houd een kleine afstand aan. Het gevoelige oppervlak van het luchtfilter raakt beschadigd als er voorwerpen mee in aanraking komen.

5. Vervang beschadigde pakkingen.
6. Controleer de luchtfilterslang en de slangklemmen.
 - a) Vervang beschadigde onderdelen.
 - b) Zet losse klemmen vast.
7. Monteer het uitwendige luchtfilter.
8. Breng het luchtfilterhuis aan en sluit de 3 klemmen van het luchtfilterhuis.

Let op: Als de 3 klemmen van het luchtfilterhuis niet kunnen worden gesloten, is het uitwendige luchtfilter niet correct gemonteerd.



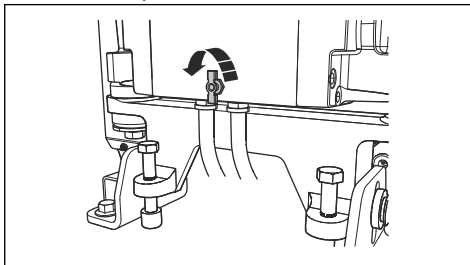
OPGELET: Vervang een beschadigd luchtfilter altijd, anders komt het stof in de motor en kan de motor beschadigd raken. Bij beschadiging van de motor als gevolg van een beschadigd luchtfilter vervalt de garantie.

Water uit de tandwielkast aftappen



OPGELET: Water in de tandwielkast kan corrosie en schade door bevrozing veroorzaken.

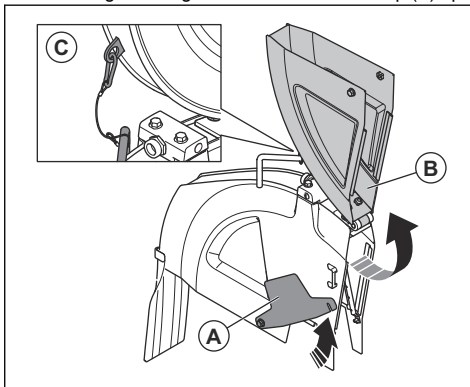
1. Draai de wateraftapklep op de tandwielkast linksom om deze te openen.



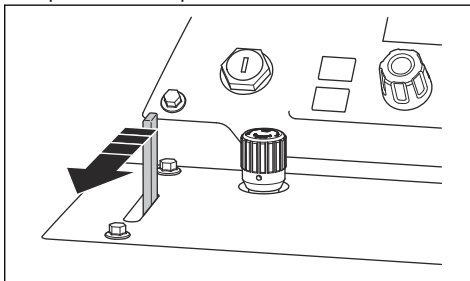
2. Draai de wateraftapklep op de tandwielkast rechtsom om deze te sluiten.

De watertoevoer naar het zaagblad controleren

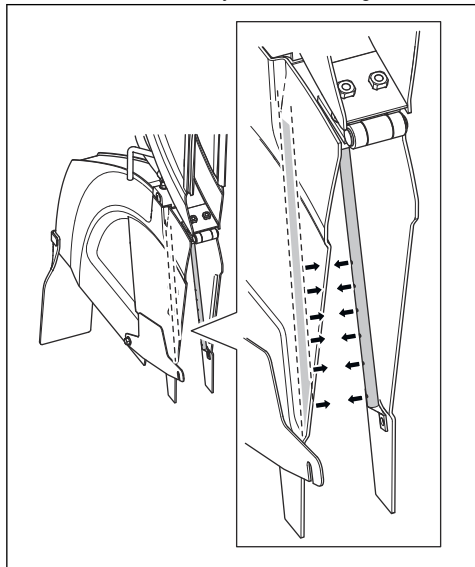
1. Draai de voorste bout op de bladbeschermkap los en til de vergrendeling van de bladbeschermkap (A) op.



2. Til de bladbeschermkap voor (B) op en vergrendel de bladbeschermkap rechtop met een draad en karabijnhaak (C).
3. Open de waterklep.



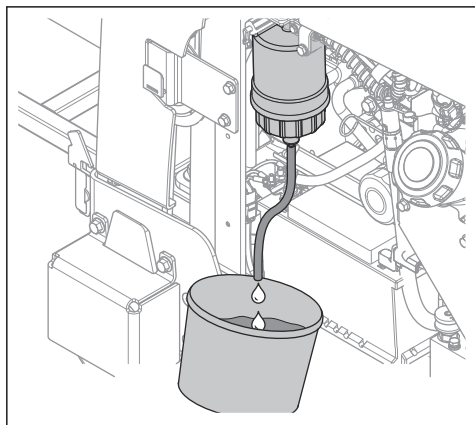
- Zorg ervoor dat de waterstralen recht uit de gaten komen en aan beide zijden van het zaagblad.



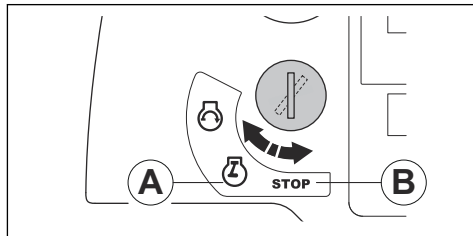
- Zorg ervoor dat de waterleidingen geen lekkages hebben.
- Vervang de waterleidingen wanneer ze beschadigd zijn.

De waterscheider voor het brandstoffilter aftappen

- Plaats een opvangbak onder de slang aan de onderkant van de waterscheider voor het brandstoffilter.



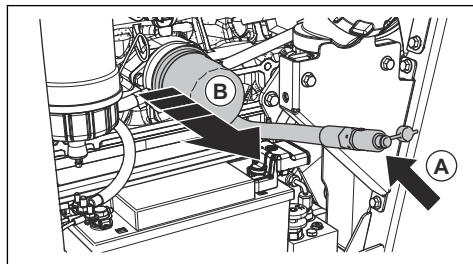
- Zet de motorstartschakelaar in stand contact (A). Start de motor niet.



- Laat de brandstofpomp ongeveer 15 seconden werken om de druk in het brandstofsysteem te verhogen.
- Zet de motorstartschakelaar in de stopstand (B).
- Draai de klep open en tap het water uit de waterscheider af in de opvangbak.
- Draai de klep dicht.
- Voer het water af als chemisch afval. Zie *Afvoeren op pagina 184*.

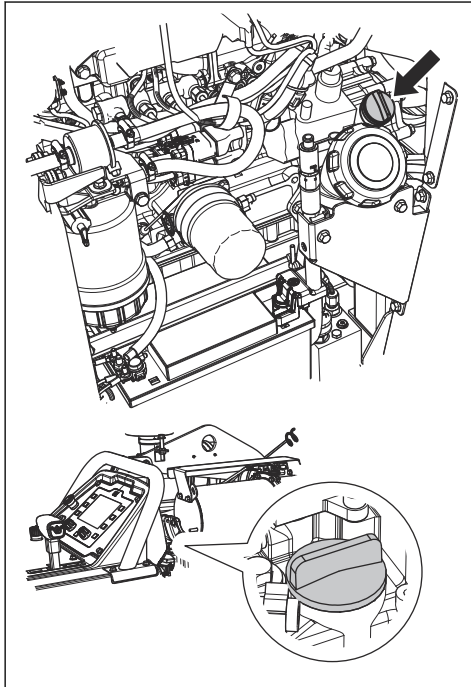
De motorolie verversen en het oliefilter vervangen

- Plaats een afdekking op de accu om te voorkomen dat er olie op de accu wordt gemorst.
- Verwijder de dop (A) van de olieaftapslang voor motorolie.



- Open de klep en buig de slang omlaag om de motorolie af te tappen.
- Verwijder het motoroliefilter (B) en gooi het weg.
- Sluit de klep.
- Vul een nieuw motoroliefilter met olie en breng het motoroliefilter aan op het product.

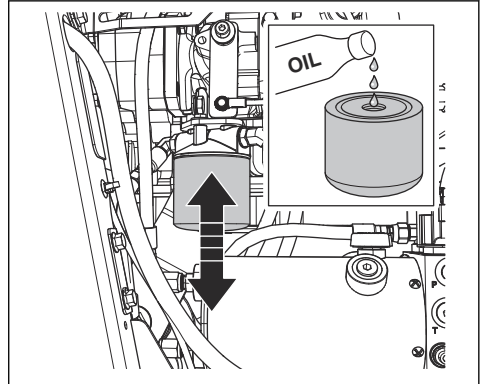
7. Open een dop van de olietank en vul het systeem met motorolie. Zie *Technische gegevens op pagina 185*.



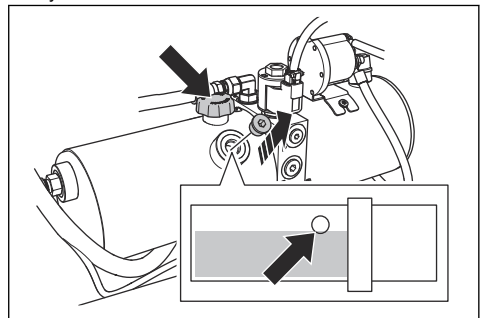
Let op: Er zijn 2 olietankdoppen voor motorolie.

Het filter van het hydraulisch systeem vervangen

1. Verwijder het filter van het hydraulisch systeem en gooi het weg.



2. Vul een nieuw filter voor het hydraulisch systeem met olie. Zie *Technische gegevens op pagina 185* voor het juiste type olie.
3. Smeer de afdichting met een paar druppels olie.
4. Monteer het filter van het hydraulisch systeem.
5. Zorg ervoor dat het product waterpas staat.
6. Verwijder de stop in de inspectie-opening in de hydrauliekolietank.



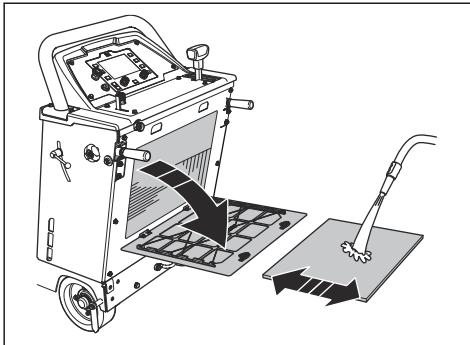
7. Verwijder de dop van de hydrauliekolietank en vul met nieuwe olie tot het juiste oliepeil. Zie *Het peil van de hydraulische olie controleren op pagina 176*.
8. Breng de dop van de hydrauliekolietank aan.
9. Breng de stop aan in de inspectie-opening op de hydrauliekolietank.

Het radiateurluchtfILTER reinigen



OPGELET: Gebruik het product niet zonder dat het luchtfILTER van de radiator is geïnstalleerd.

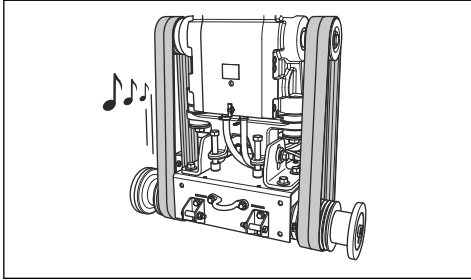
- Reinig het luchtfILTER van de radiator met water en zeep.



- Vervang een beschadigd radiateurluchtfILTER altijd.

De V-riemen controleren

- Trek één voor de V-riemen iets aan en laat ze weer los. De banden moeten een lang geluid geven, niet een kort geluid.



- a) Als u een lang, helder geluid uit de V-riemen hoort, is de spanning correct.
 - b) Als u alleen een kort geluid uit de V-riemen hoort, is de spanning te laag. Zie *De spanning van de V-riemen verhogen op pagina 175*.
- Controleer de V-riemen op slijtage en schade. Vervang beschadigde V-riemen.



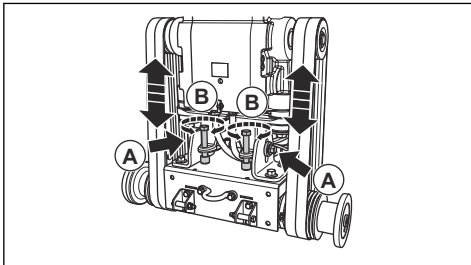
OPGELET: Vervang niet slechts 1 van de V-riemen. Vervang altijd alle 4 V-riemen samen.

De spanning van de V-riemen verhogen



OPGELET: De spanning van nieuwe V-riemen moet na de eerste 2-4 bedrijfsuren worden verhoogd.

1. Draai de 2 bouten (A) los met de bladassleutel.



2. Draai de bouten voor de riemspanning (B) rechtsom tot de V-riemen gespannen zijn.



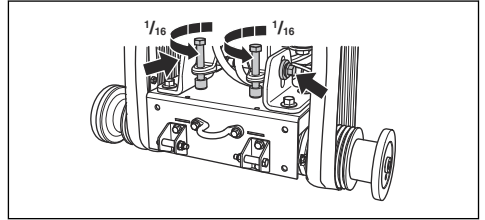
OPGELET: Draai de 2 bouten voor de riemspanning gelijkmatig aan. De spanning in de 2 V-riemen moet gelijk zijn.

3. Controleer de V-riemen. Zie *De V-riemen controleren op pagina 175*.

- a) Als de spanning van de V-riemen te laag is, draait u de bouten voor de riemspanning nog een beetje verder.
- b) Herhaal deze procedure totdat de spanning van de V-riemen correct is.

4. Draai de 2 bouten (A) vast.

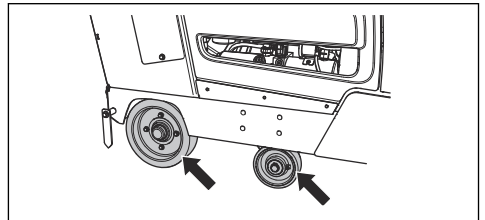
5. Draai de bouten voor de riemspanning ongeveer 1/16 slag linksom los.



OPGELET: Zorg ervoor dat de 4 V-riemen dezelfde spanning hebben. Span de V-riemen niet te strak.

De wielen controleren

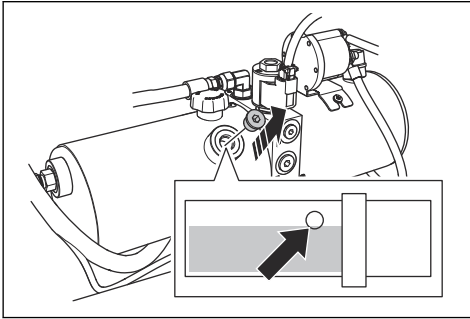
- Controleer de wielen op slijtage of beschadiging. Vervang de wielen en navens als ze beschadigd of versleten zijn.



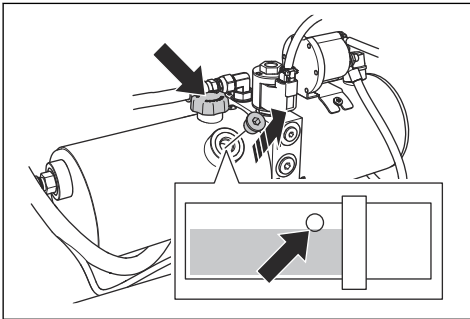
- Controleer of de achterwielnaven en -wielen loszitten. Haal loszittende schroeven en moeren aan.

Het peil van de hydraulische olie controleren

1. Verwijder de stop in de inspectie-opening in de hydrauliekolietank. Zie *Productoverzicht, rechterzijde op pagina 146* voor de positie van de hydrauliekolietank.



2. Controleer of het oliepeil tot aan de onderrand van de opening in de hydrauliekolietank komt.
3. Indien nodig verwijderd u de dop van de hydrauliekolietank en vult u de hydrauliekolietank tot het oliepeil correct is. Zie *Productoverzicht, rechterzijde op pagina 146* voor het juiste type olie.

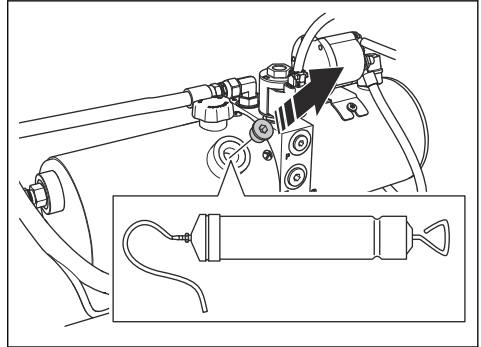


OPGELET: Vul niet teveel bij. Er kan olie uit de inspectieopening komen.

4. Breng de dop van de hydrauliekolietank aan.
5. Breng de stop aan in de inspectie-opening op de hydrauliekolietank.

De hydraulische olie verversen

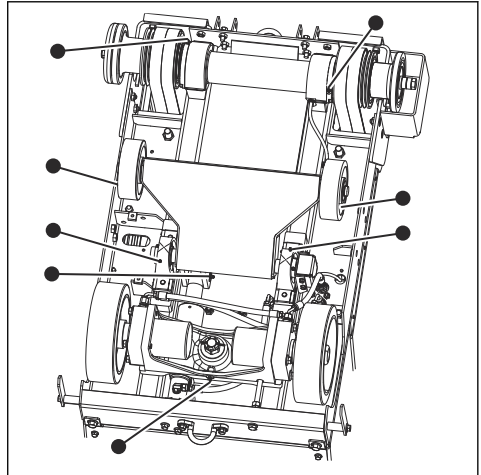
1. Verwijder de stop in de inspectie-opening in de hydrauliekolietank.



2. Gebruik een handbediende oliepomp om de olie af te tappen via de inspectieopening op de hydrauliekolietank.
3. Het filter van het hydraulisch systeem vervangen. Zie *Het filter van het hydraulisch systeem vervangen op pagina 174*.

Het product smeren

1. Reinig de 8 smeernippels.



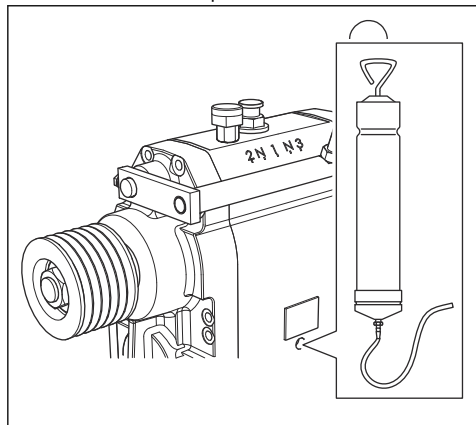
2. Vervang defecte of verstopte smeernippels.
3. Smeer de voorwielen.
4. Smeer de scharnierlagers van de vooras.
5. Smeer de bladas. Smeer beide zijden van de bladas met 2 slagen uit de vetspuit.
6. Smeer de draaipun op de hydraulische cilinder.
7. Smeer het achteraslager.

Zie *Technische gegevens op pagina 185* voor meer informatie over smeren.

De olie in de tandwielkast verversen

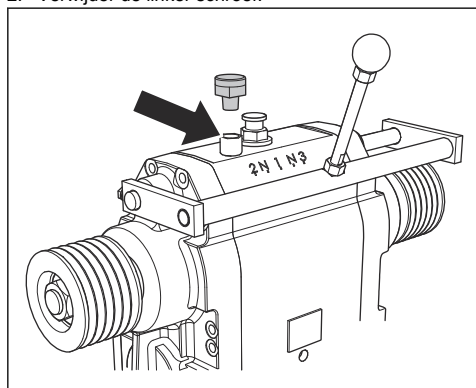
Er zijn 2 alternatieven voor het aftappen van de olie uit de tandwielkast.

1. Ga als volgt te werk om de olie af te tappen met een handbediende oliepomp:
 - a) Verwijder de plug uit het inspectievenster aan de voorkant van het product.



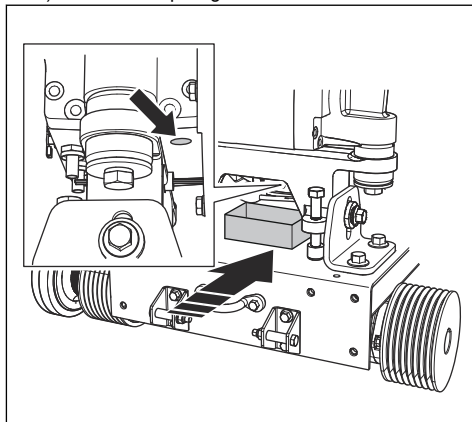
- b) Gebruik een oliepomp om de olie via het inspectievenster af te tappen.

2. Verwijder de linker schroef.



3. Ga als volgt te werk om de olie via de opening onder de motor af te tappen:

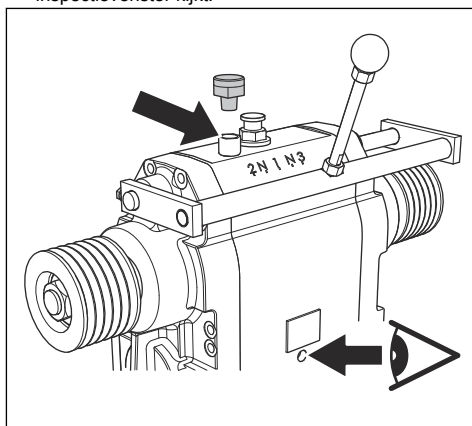
- a) Plaats een opvangbak onder de motor.



- b) Draai de schroef los en laat de olie in de opvangbak lopen.

- c) Draai de schroef vast.

4. Vul de leiding met olie terwijl u door het inspectievenster kijkt.



5. Vul bij tot u ziet dat het oliepeil juist is.

6. Draai de linker schroef vast.

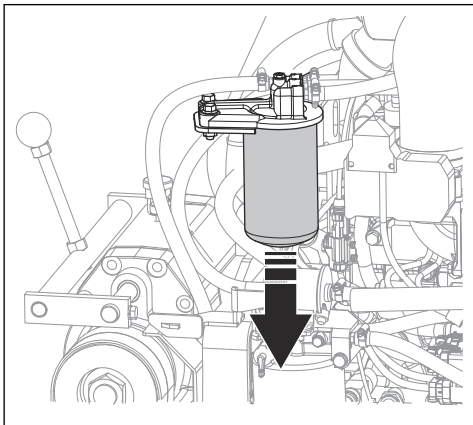
Het brandstoffilter vervangen



WAARSCHUWING: Trek beschermende handschoenen aan om huidirritatie te voorkomen. Er kan brandstof uit het brandstoffilter op uw huid komen.

1. Sluit de klep van het voorfilter. Raadpleeg de motorhandleiding voor meer informatie.
2. Draai het oliefilter linksom om het te verwijderen.
3. Vervang het brandstoffilter.
4. Vul het nieuwe brandstoffilter met dieselbrandstof.

5. Smeer de afdichting met een paar druppels dieselbrandstof.



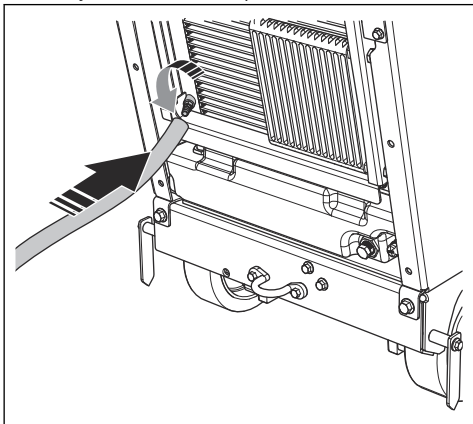
6. Breng het brandstoffilter aan.
7. Open de klep van het voorfilter voordat u de motor start.

De koelvloeistof verversen



WAARSCHUWING: Er bestaat gevaar voor brandwonden. Laat de motor afkoelen voordat u de vuldop voor koelvloeistof losschroeft.

1. Verwijder de achterste kap.

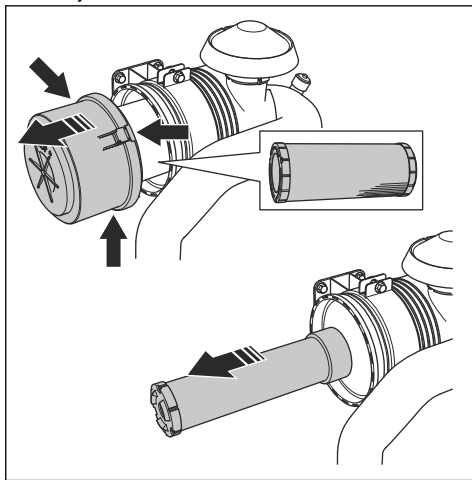


2. Plaats een verlengstuk op de klep.
3. Open de klep.
4. Verwijder het deksel van de koelvloeistof. De koelvloeistof loopt uit het systeem.
5. Sluit de klep.

6. Vul met koelvloeistof tot het peil tussen de 2 merktekens op het koelvloeistofreservoir staat. Zie *Technische gegevens op pagina 185* voor het juiste type en mengsel van koelvloeistof.

De luchtfilters vervangen

1. Open de 3 klemmen van het luchtfilterhuis en verwijder het luchtfilterhuis.



2. Vervang het uitwendige luchtfilter en het inwendige luchtfilter.
3. Installeer de luchtfilters in omgekeerde volgorde.

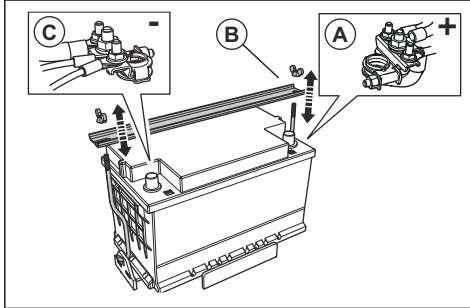
Let op: Als de 3 klemmen van het luchtfilterhuis niet kunnen worden gesloten, is het uitwendige luchtfilter niet correct gemonteerd.

Accuonderhoud

Let op: De accu van uw machine is onderhoudsvrij. Maak de afdekkingen of kappen niet open en verwijder ze niet.

De accu aansluiten en loskoppelen

1. Sluit de rode accukabel (A) aan op de POSITIEVE (+) accupool op de accu.



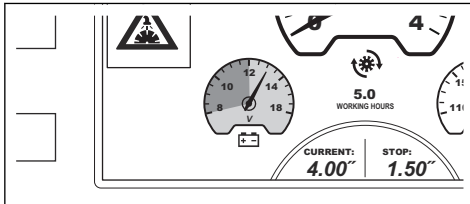
2. Breng de accubevestigingsbeugel (B) aan.
3. Sluit de zwarte accukabel (C) aan op de NEGATIEVE (-) accupool op de accu.
4. Koppel de accukabels los in de omgekeerde volgorde van het aansluiten.



WAARSCHUWING: Koppel altijd eerst de NEGATIEVE (-) accuklem los.

De accu controleren

- Controleer de accu dagelijks.
 - a) Zet de motorstartschakelaar in de contact aanstand.
 - b) Controleer de acculaadindicator op het display. Deze mag niet lager zijn dan 12 V.



- Als de acculaadindicator lager is dan 12 V, moet u de accu opladen of vervangen.
- Vervang de accu als deze van spanning niet vast kan houden. Dit kan gebeuren als het product lange tijd niet wordt gebruikt. Voor meer informatie over aanbevolen accu's, raadpleeg *Technische gegevens op pagina 185*.
- Laad de accu regelmatig op.
- Houd de accupolen en accukabels schoon.

Noodstart van motor uitvoeren

Als de accu te zwak is om de motor te starten, kunt u gebruik maken van startkabels om een noodstart uit te voeren. Dit product is voorzien van een 12-volt-systeem met negatieve aarding. Het product dat voor de

noodstart wordt gebruikt, moet ook een 12V-systeem met negatieve aarding en minimaal 700 CCA hebben.

Startkabels aansluiten

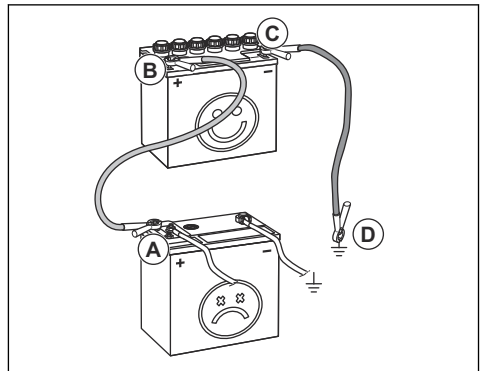


WAARSCHUWING: Explosiegevaar door explosief gas dat afkomstig is van de accu. Sluit de negatieve aansluitklem van de opgeladen accu niet aan op of in de buurt van de negatieve aansluitklem van de zwakke accu.



OPGELET: Gebruik de accu van uw product niet om andere voertuigen te starten.

1. Sluit het ene uiteinde van de rode accukabel aan op de POSITIEVE (+) accupool (A) van de zwakke accu.



2. Sluit het andere uiteinde van de rode accukabel aan op de POSITIEVE (+) accupool (B) van de opgeladen accu.



WAARSCHUWING: Zorg dat de uiteinden van de rode accukabel het chassis niet raken. Dit leidt tot kortsluiting.

3. Sluit het ene uiteinde van de zwarte accukabel aan op de NEGATIEVE (-) accupool (C) van de opgeladen accu.
4. Sluit het andere uiteinde van de zwarte accukabel aan op een CHASSISSMASSA (D), uit de buurt van de brandstoftank en de accu.

Startkabels verwijderen

Let op: Verwijder de startkabels in omgekeerde volgorde van aanbrengen.

1. Verwijder de ZWARTE kabel van het chassis.
2. Verwijder de ZWARTE kabel van de volledig opgeladen accu.

3. Verwijder de RODE kabel van de 2 accu's.

Regeneratie

Om de uitlaatemissies te verlagen, heeft de dieselmotor een roetfilter (DPF) dat ongewenst materiaal uit de uitlaat verzamelt. De concentratie ongewenst materiaal in het roetfilter neemt toe tijdens bedrijf en het roetfilter moet regelmatig worden gereinigd. De procedure voor het reinigen van het roetfilter, een DPF-regeneratie, is een volledig automatische procedure die door de gebruiker wordt gestart en geregeld door de motorregeleenheid. Er zijn verschillende wijzen van regeneratie:

- Stationaire regeneratie standby
- Stationaire regeneratie
- Regeneratie back-up-modus
- Noodregeneratie

Stationaire regeneratie standby

Wanneer deze waarschuwingssymbolen op het display verschijnen, staat de motor in regeneratie stand-by.



Het vermogen van de motor wordt verlaagd. Tijdens de eerste 2 uur wordt het vermogen verlaagd naar 85% en vervolgens naar 50%. Na 8 uur of wanneer de roetbelasting toeneemt tot meer dan 11,5 g/l, wordt het maximale motortoerental verlaagd tot 1500 tpm.

Het is noodzakelijk om zo spoedig mogelijk een stationaire regeneratie uit te voeren nadat de waarschuwingssymbolen zijn weergegeven.

Stationaire regeneratie

Er is ongeveer 30 minuten nodig om een stationaire regeneratie uit te voeren. Zie de gebruikershandleiding

van het bedieningspaneel voor informatie over het uitvoeren van de stationaire regeneratie.

Regeneratie back-upmodus

Wanneer deze waarschuwingssymbolen op het display verschijnen, staat de motor in regeneratie back-upmodus.



Het vermogen van de motor wordt verlaagd tot 50%. Het maximale motortoerental wordt verlaagd naar laag stationair toerental. Het is noodzakelijk om een noodregeneratie uit te voeren om de motor weer correct te laten werken.

Noodregeneratie

Er is ongeveer 3 uur nodig om een noodregeneratie uit te voeren. Zie de gebruikershandleiding van het bedieningspaneel voor informatie over het uitvoeren van de noodregeneratie.

Let op: De gebruiker kan vanaf het bedieningspaneel een noodregeneratie uitvoeren op alle producten met een productiedatum vanaf 1 januari 2019. Voor motoren met een productiedatum vóór 1 januari 2019 is een ECU-software-update nodig voordat de gebruiker een noodregeneratie kan uitvoeren vanaf het bedieningspaneel. Als de update van de ECU-software niet is uitgevoerd, moet het Yanmar servicegereedschap SmartAssist worden gebruikt om een noodregeneratie uit te voeren. Neem voor meer informatie contact op met uw servicewerkplaats van Husqvarna.

Probleemoplossing

Probleemoplossing



WAARSCHUWING: Als de motor of het zaagblad stopt, tilt u het zaagblad volledig uit de snede. Zet de motorstartschakelaar in de stopstand en druk op de machinestopknop op het bedieningspaneel.

Controleer het product volledig voordat u het opnieuw start.

Raadpleeg de gebruikershandleiding van het bedieningspaneel voor meer informatie over waarschuwingssymbolen.

Probleem	Oorzaak	Oplossing
De motor stopt tijdens bedrijf.	De brandstoftank is leeg. Het bijbehorende waarschuwingssymbool verschijnt op het display.	Vul de brandstoftank met het juiste type brandstof.
	De waterveiligheidsschakelaar stopt de motor omdat er geen waterdruk is. Het bijbehorende waarschuwingssymbool wordt samen met een waarschuwingsbericht op het display weergegeven.	Schakel de waterveiligheidsschakelaar uit. Controleer de watertoevoer.
	De noodstopknop van de machine is ingedrukt. Het bijbehorende waarschuwingssymbool wordt samen met een waarschuwingsbericht op het display weergegeven.	Trek de machinestopknop omhoog om de machinestop te resetten.
	Te hoge belasting op het zaagblad.	Luister naar het geluid van de motor. Als het motortoerental afneemt, trekt u de hendel voor de snelheidsregeling naar achteren.
	Er is een zekering doorgebrand.	Vervang doorgebrande zekeringen.
Het zaagblad stopt tijdens bedrijf.	De aandrijfriemspanning is niet voldoende.	Controleer de spanning van de aandrijfriem.
	De bladkoppeling is ontkoppeld.	Schakel de bladkoppeling in om de bladaandrijving in te schakelen. Zorg ervoor dat het motortoerental 1200 tpm of minder is wanneer u de bladkoppeling inschakelt.
	De bladkoppeling heeft een elektrische storing of een doorgebrande zekering.	Controleer de zekeringen. Vervang doorgebrande zekeringen.
Het zaagblad daalt te snel.	De klep die de snelheid voor de stand van het zaagblad regelt, staat te ver open.	Draai de knop voor het instellen van de daalsnelheid van het blad rechtsom tot een geschikte snelheid is ingesteld.
Het zaagblad snijdt te langzaam.	Het zaagblad is bot of de invoerdruk is te hoog.	Verklein gedurende korte tijd de zaagdiepte en het motortoerental.
De regeleenheid start opnieuw als u probeert de motor te starten.	De accuspanning is te laag.	Laad de accu op, vervang de accu of gebruik startkabels.

Vervoer, opslag en verwerking

Transport



WAARSCHUWING: Wees voorzichtig tijdens het transport. Het product is zwaar en kan als het valt of beweegt letsel of schade veroorzaken.

Met de wielen kunt u het product met de hand verplaatsen voor kortere afstanden. Voor langere afstanden moet u het product heffen om het te verplaatsen of op een voertuig plaatsen.



OPGELET: Sleep het product niet achter een voertuig.

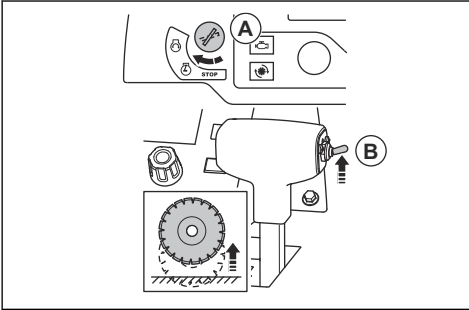
- Zorg dat het product tijdens vervoer stevig is vastgezet. Zorg ervoor dat het niet kan bewegen.
- Verwijder het zaagblad voordat u het product gaat vervoeren.
- Verwijder alle gereedschappen en sleutels.
- Controleer voor transport van het product en de brandstof of er geen lekken of dampen zijn. Vonken

of open vuur, bijvoorbeeld van elektrische apparaten of ketels, kunnen tot brand leiden.

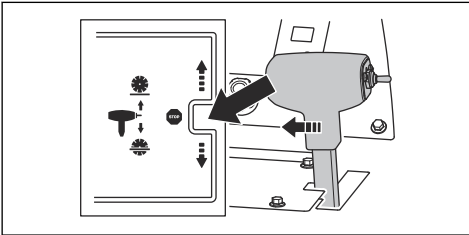
- Gebruik altijd goedgekeurde containers voor transport van brandstof.
- Controleer nieuwe zaagbladen op transportschade.

De machine verplaatsen met draaiende motor

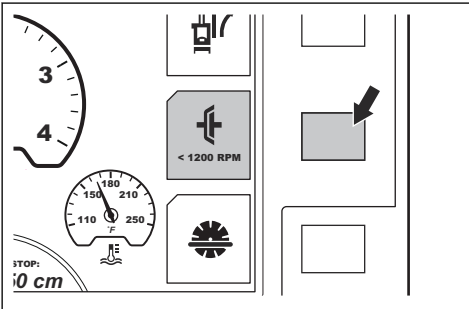
1. Zet de motorstartschakelaar in stand contact (A).



2. Druk de schakelaar voor de zaagdiepteafstelling (B) omhoog tot het zaagblad de grond niet raakt.
3. Zet de hendel voor de snelheidsregeling in de stopstand.



4. Als het product een bladkoppeling heeft, zorg er dan voor dat de bladkoppeling is uitgeschakeld. De bladkoppeling is uitgeschakeld als het symbool op het display niet een andere kleur heeft.

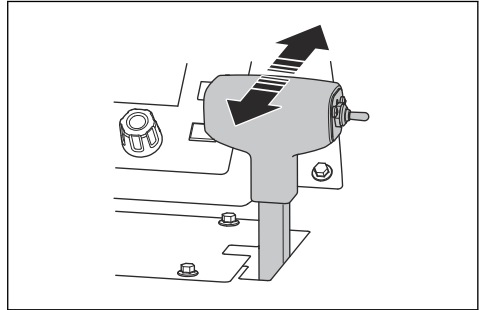


5. Als het product geen bladkoppeling heeft, verwijdert u het blad of zet u de keuzehendel voor het toerental in de neutraalstand. Zie *Het zaagblad verwijderen op pagina 160* en *Toerental wijzigen op een model met tandwielkast met 3 toerentallen op pagina 161*.



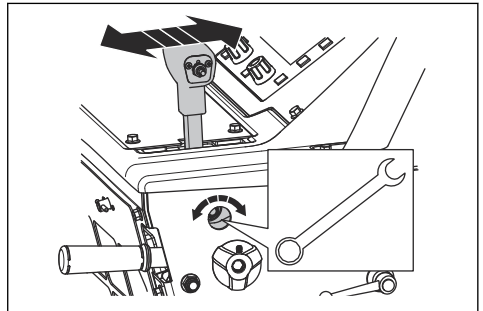
WAARSCHUWING: Bij producten zonder bladkoppeling begint het zaagblad te draaien wanneer de motor start. Zet het product niet opzij en verplaats het niet buiten het werkgebied als het zaagblad draait.

6. Start het product. Zie *Product starten op pagina 165*.
7. Duw de hendel voor de snelheidsregeling naar voren om de naar voren te laten zagen, of naar achteren om de zaag naar achteren te laten zagen. Hoe verder u de hendel voor de snelheidsregeling indrukkt, hoe hoger de snelheid. Zie *Technische gegevens op pagina 185*.



WAARSCHUWING: Draai de omloopklep van de transmissie niet open naar de neutrale positie wanneer het product op een helling geparkeerd staat. Het product kan van u af bewegen en omstanders verwonden.

8. Stel de weerstand op de hendel voor de snelheidsregeling in met de moer op de zijkant van de hendel voor de snelheidsregeling.



Het product een hellingbaan op en af laten gaan



WAARSCHUWING: Wees zeer voorzichtig wanneer u het product een hellingbaan op en af laat gaan met de motor ingeschakeld. Het product is zwaar en er bestaat gevaar voor letsel als het product te valt of te snel beweegt.

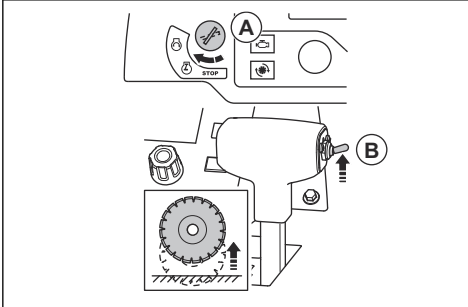


WAARSCHUWING: Gebruik altijd een lier voor hellingbanen met een grote hoek. Loop of sta niet onder het product.

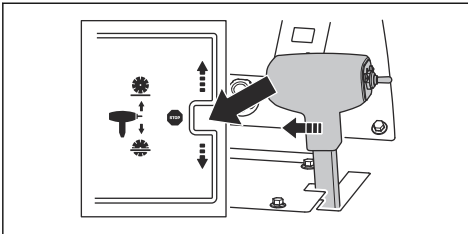
- Als u het product van een hellingbaan af wilt laten rijden, rijd het product dan langzaam achteruit.
- Als u het product een hellingbaan op wilt laten rijden, rijd het product dan langzaam vooruit.

Het product verplaatsen met uitgeschakelde motor

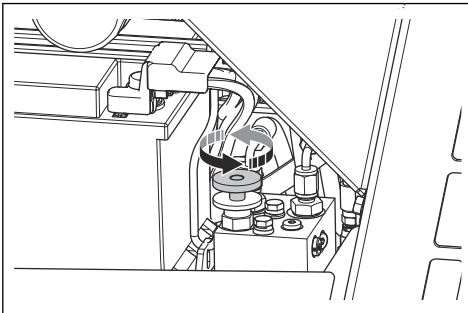
1. Zet de motorstartschakelaar in stand contact (A).



2. Druk de schakelaar voor de zaagdiepteafstelling (B) omhoog tot het zaagblad de grond niet raakt.
3. Zet de hendel voor de snelheidsregeling in de stopstand.



4. Draai de omloopklep van de transmissie linksom naar de eindpositie om de transmissie uit te schakelen.



5. Houd de bedieningshandgrepen vast en duw tegen het product om het te verplaatsen.



WAARSCHUWING: Duw het product niet op een helling terwijl de omloopklep van de transmissie in de neutraalstand staat. Het product kan van u af bewegen en omstanders verwonden.

Het product optillen



WAARSCHUWING: Zorg ervoor dat de hijsapparatuur de juiste afmetingen heeft. Het typeplaatje op het product geeft het gewicht van het product aan.



WAARSCHUWING: Hef een beschadigd product niet. Controleer of het hijs oog correct is aangebracht en niet beschadigd is.

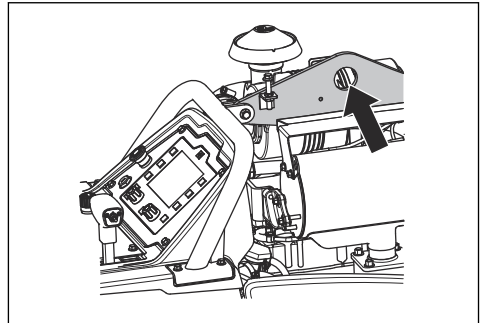


WAARSCHUWING: Loop nooit onder een opgeheven product door en blijf er niet onder of in de buurt staan.



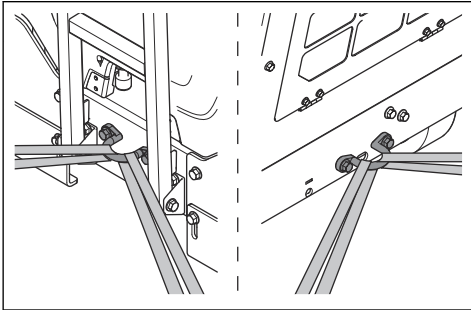
OPGELET: Til het product niet op aan de bedieningshandgrepen.

- Bevestig de hefuitrusting door het hijs oog.



Het product veilig naar een transportvoertuig brengen

1. Steek 1 band door de bevestigingssteun aan de voorkant van het product en bevestig de band aan het voertuig.



2. Steek 1 band door de bevestigingssteun aan de achterkant van het product en bevestig de band aan het voertuig.

Opslag

- Het product heeft geen parkeerrem. Blijf in de buurt van het product wanneer het op een helling staat. Als het nodig is om het product op een helling te parkeren, zorg er dan voor dat het product adequaat is bevestigd en niet kan bewegen.
- Bewaar het product in een afgesloten ruimte om toegang door kinderen of onbevoegde personen te verhinderen.
- Tap het water uit de tandwielkast af.
- Zet de motorstartschakelaar in de stopstand.
- Zet de hendel voor de snelheidsregeling in de stopstand.
- Verwijder het zaagblad uit het product.
- Bewaar de zaagbladen op een veilige plaats om schade te voorkomen.
- Bewaar de zaagbladen in een droge en vorstvrije ruimte.
- Controleer nieuwe zaagbladen op opslagschade.
- Controleer voor opslag van het product en de brandstof of er geen lekken of dampen zijn. Vonken of open vuur, bijvoorbeeld van elektrische apparaten of ketels, kunnen tot brand leiden.
- Gebruik altijd goedgekeurde containers voor opslag van brandstof.
- Bewaar de accu op een koele, droge plaats.

Voer voor langdurige opslag ook de volgende stappen uit:

- Reinig het product en voer een complete onderhoudsbeurt uit.
- Smeer alle smeerpunten.
- Koppel de accukabel los van de negatieve pool van de accu en leg de accukabel op een veilige afstand van de accu.

- Laad de accu met een druppellader tijdens langdurige opslag.
- Vul de brandstoftank om te voorkomen dat er water in het brandstofsysteem komt.
- Bewaar het product in een droge en vorstvrije ruimte.
- Tap de waterafscheider voor het brandstoffilter af.
- Controleer of het vriespunt van de motorkoelvloeistof voldoende is voor de temperaturen in de opslaglocatie.
- Plaats een beschermkap op het product. Dit is vooral belangrijk voor buitenopslag.
- Ververs de motorolie na langdurige opslag.

Afvoeren


- Chemicaliën kunnen gevaarlijk zijn en mogen niet worden in de bodem wordt geloosd. Voer gebruikte chemicaliën af naar uw servicepunt of een afvalverwerkingspunt.
- Wanneer het product is versleten, lever het dan in bij uw dealer of een geschikt recyclingbedrijf.
- Olie, oliefilters, brandstof en de accu kunnen negatieve effecten hebben op het milieu. Neem de plaatselijk geldende wet- en regelgeving voor recycling in acht.
- Gooi de accu niet bij het huishoudelijk afval.
- Lever de accu in bij een Husqvarna servicewerkplaats of bij een bedrijf dat oude accu's verwerkt.

Technische gegevens

Technische gegevens

Motor *	
Merk motor, type	Yanmar, 4TNV88C-DHQ
Motorvermogen, kW/pk@tpm ¹³	35,5/47,6 bij 3000
Cilinderinhoud, dm ³ /cu.inch	2,2/134
Cilinders	4
Luchtfilter	Radiale afdichting met indicator voor reiniging en stoppering
Startmotor	Elektrisch
Brandstof	Alleen dieselbrandstof met een ultralaag zwavelgehalte

* = Raadpleeg voor meer informatie en vragen over deze specifieke motor de motorhandleiding of de website van de motorfabrikant.

Brandstof-/smeersysteem	
Inhoud brandstoftank, l/gallon	24,5/6,5
Inhoud olietank, liter/qts	7,1/7,5
Motorolie	SAE 15W40 of SAE 10W30, API-klasse CJ-4, ACEA E6-08, ACEA E9-08
Tandwielkastolie	SAE 75W90
Inhoud olietank tandwielkast, l/qts	Model met tandwielkast met 1 toerentallen: 0,95/1 Model met tandwielkast met 3 toerentallen: 1,77/1,87
Smeervet	Kwaliteit: NLGI 2. Norm: SAE J310
Hydraulische olie	SAE 15W40, API-klasse SE, API-klasse CC, API-klasse CD
Koelvloeistof	Ethyleenglycol en water, mengsel 50/50. Geleverd in het product bij aankoop. Propyleenglycol en water, mengsel 50/50
	 OPGELET: Maak het mengsel niet rechtstreeks in de tank. Het is gemakkelijker om het juiste 50/50-mengsel te krijgen als u het mengsel in een jerrycan maakt.

¹³ Zoals opgegeven door de motorfabrikant. Het opgegeven nominale vermogen van de motoren is het gemiddelde brutovermogen (bij het opgegeven toerental) van een typische productiemotor voor het betreffende motormodel, gemeten volgens de norm SAE J1995. In massa geproduceerde motoren kunnen een afwijkende waarde geven. Het werkelijk geleverde vermogen van de geïnstalleerde motor op de uiteindelijke machine hangt af van de bedrijfssnelheid, de omgevingscondities en andere waarden.

Accu	
Type aansluiting	T6
BCI	91
Spanning, V	12
Capaciteit, Ah	60-100
CCA, A	660-760
Max. afmetingen L×B×H, mm/inch	280×175×175/11×6,9×6,9

Zaaginstelling	350/14	500/20	650/26	750/30	900/36
Maat bladbeschermkap, mm/inch	350/14	500/20	650/26	750/30	900/36
Max. zaagdiepte, mm, inch	118/4,75	193/7,75	262/10,5	312/12,5	374/15
Bladas, tpm	3197	2400	1866	1628	1355
Vermogen bladas, bij benadering, kW/pk	31/42				
Zaagspil, mm/inch	25,4/1 met enkele aandrijfpijpen				
Diameter snelkoppeling bladflens, mm/inch	114,5/4,5	114,5/4,5	127/5	127/5	152,5/6
Bladasaandrijving	3 VX V-riemen per zijde				
Bladkoelmiddel	Water				
Hulpstuk bladbeschermkap	Opschuifbaar, zelfborgend				
Aandrijving	Hydraulisch				
Max. grondsnelheid	Traploos regelbaar: 0-37 m/min / 0-122 fpm vooruit en achteruit. Op CE-modellen is 25 m/min de maximumsnelheid achteruit.				
Chassis	Voor zwaar gebruik, stijve constructie met vierkante en u-vormige profielen				
Nominaal gewicht (zonder krat), kg/lb	751/1656	756/1667	761/1678	765/1687	771/1700
Max. bedrijfsgewicht incl. optionele accessoires, kg/lb	791/1744	799/1761	808/1781	817/1801	829/1828

Geluids- en trillingsemissies	
Geluidsvermogeniveau, gemeten dB(A)	113
Geluidsvermogeniveau, gegarandeerd L_{WA} dB (A) ¹⁴	119

¹⁴ Geluidsemissie naar de omgeving gemeten als geluidsvermogen (L_{WA}) volgens EG-richtlijn 2000/14/EG. Het verschil tussen gegarandeerd en gemeten geluidsvermogen is dat het gegarandeerde geluidsvermogen ook spreiding in het meetresultaat omvat en de verschillen tussen de verschillende machines van hetzelfde model conform Richtlijn 2000/14/EG.

Geluids- en trillingsemissies	
Geluidsdrukniveau bij het oor van de gebruiker, dB (A) ¹⁵	102
Trillingsniveaus, a_{hv} , m/s ² , rechterhandgreep/linkerhandgreep ¹⁶	<2,5/<2,5

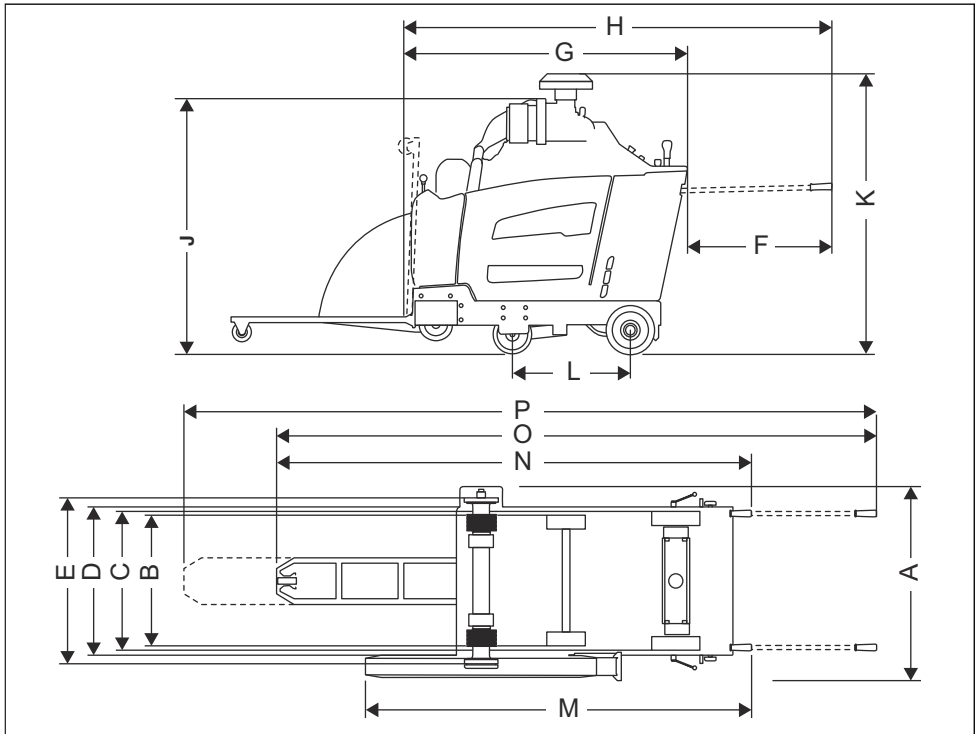
Verklaring inzake geluid- en trillingsemissies

Deze aangegeven waarden zijn verkregen door middel van typeonderzoek in een laboratorium in overeenstemming met de genoemde richtlijn of normen en zijn geschikt voor vergelijking met aangegeven waarden van andere producten die volgens dezelfde richtlijn of normen zijn getest. Deze aangegeven waarden zijn niet geschikt voor gebruik ten behoeve van risicoanalyses. Waarden die worden gemeten op afzonderlijke werkplekken, kunnen hoger zijn. De werkelijke blootstellingswaarden en het risico op letsel dat een individuele gebruiker ondervindt, zijn uniek en zijn afhankelijk van de manier waarop de gebruiker werkt, het materiaal waarvoor het product gebruikt wordt, de blootstellingstijd en de fysieke toestand van de gebruiker en de toestand van het product.

¹⁵ Geluidsdrukniveau volgens ISO EN 13862. De gerapporteerde gegevens voor het geluidsdrukniveau vertonen een typische statistische spreiding (standaardafwijking) van 2,5 dB(A).

¹⁶ Trillingsniveau volgens EN 13862. De gerapporteerde gegevens voor een trillingsniveau vertonen een typische statistische spreiding (standaardafwijking) van 1 m/s².

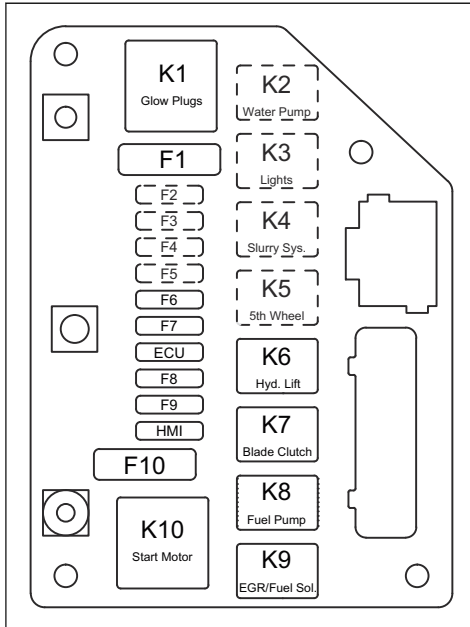
Productafmetingen



A	Breedte, mm/inch	844/33 ¼	J	Min. totale hoogte (geen uitlaatpijp, geen afdekking van voorfilter), mm/inch	1289/50 ¾
B	Wielbreedte van midden tot midden, mm/inch	Vóór: 518/20 ¾, achter: 533/21	K	Max. totale hoogte (bovenkant van voorfilter), mm/inch	1332/52 ½
C	Wielbreedte van buitenzijde tot buitenzijde, mm/inch	Vóór: 569/22 ¾, achter: 609/24	L	Lengte wielbasis, mm/inch	427/16 ¾
D	Framebreedte, mm/inch	635/25	M	Lengte, afscherming tot handgreep (handgrepen ingetrokken), mm/inch	1753/69
E	Breedte van binnenflens tot binnenflens, mm/inch	726,5/28 ¾	N	Max. totale lengte (handgrepen ingetrokken), mm/inch	2273/89 ½
F	Handgriep lengte, mm/inch	809/31 ¾	O	Max. totale lengte (handgrepen uitgetrokken, aanwijzer omlaag), mm/inch	2964/116 ¾
G	Min. zaaglengte (aanwijzer en kap omhoog, geen handgrepen), mm/inch	1485/58 ½	P	Max. totale lengte (handgrepen uitgetrokken, aanwijzer uitgeschoven), mm/inch	3444/135 ½

H	Zaaglengte (aanwijzer omhoog, handgrepen uitgeschoven), mm/ inch	2191/86 ¼	
---	---------------------------------------------------------------------	-----------	--

Relais en zekeringen



Werking	Benaming	Relais (A)	Benaming	Zekering (A)
Gloeibougies	K1	70	F1	60
Waterpomp (optioneel)	K2	25	F2	25
Verlichting (optioneel)	K3	25	F3	25
Slijsysteem (optioneel)	K4	25	F4	25
5e wiel (optioneel)	K5	25	F5	25
Hydraulische hef pomp	K6	25	F6	25
Bladkoppeling	K7	25	F7	15
Brandstofpomp	K8	25	F8	20
EGR/brandstofmagneetkl.	K9	25	F9	20
Startmotor	K10	70	F10	60
ECU	n.v.t.	n.v.t.	ECU	25

Werking	Benaming	Relais (A)	Benaming	Zekering (A)
HMI	n.v.t.	n.v.t.	HMI	25

Accessoires

Goedgekeurde Husqvarna accessoires

- Kit voor gewicht achter, 2 stangen.
- Dubbele lichtset
- Waterpompset
- 5e wielset.

EG verklaring van overeenstemming

EG verklaring van overeenstemming

Wij, **Husqvarna AB**, SE-561 82 Huskvarna, Zweden, tel:
+46-36-146500, verklaren onder onze
alleenverantwoordelijkheid dat het product:

Beschrijving	Vloerzaagmachine
Merk	Husqvarna
Type/model	FS5000 D
Identificatie	Serienummers vanaf 2019 en verder

volledig voldoet aan de volgende EU-richtlijnen en -
regelgeving:

Richtlijn/Verordening	Beschrijving
2006/42/EG	"betreffende machines"
2000/14/EG	"betreffende geluid buitenshuis"

en dat de volgende geharmoniseerde normen en/of
technische specificaties zijn toegepast:

EN ISO 12100:2010

EN 13862/A1:2009

Voor informatie over geluidsemissies, zie hoofdstuk
Technische gegevens op pagina 185.

2019-05-24



Edvard Gulis

Directeur R&D, Betonzagen en -boren

Husqvarna AB, Construction-divisie

Verantwoordelijk voor technische documentatie



www.husqvarnacp.com

Original instructions
Originalanweisungen
Instructions d'origine
Originele instructies

1141373-20



2019-07-08