



SPARE PARTS LIST

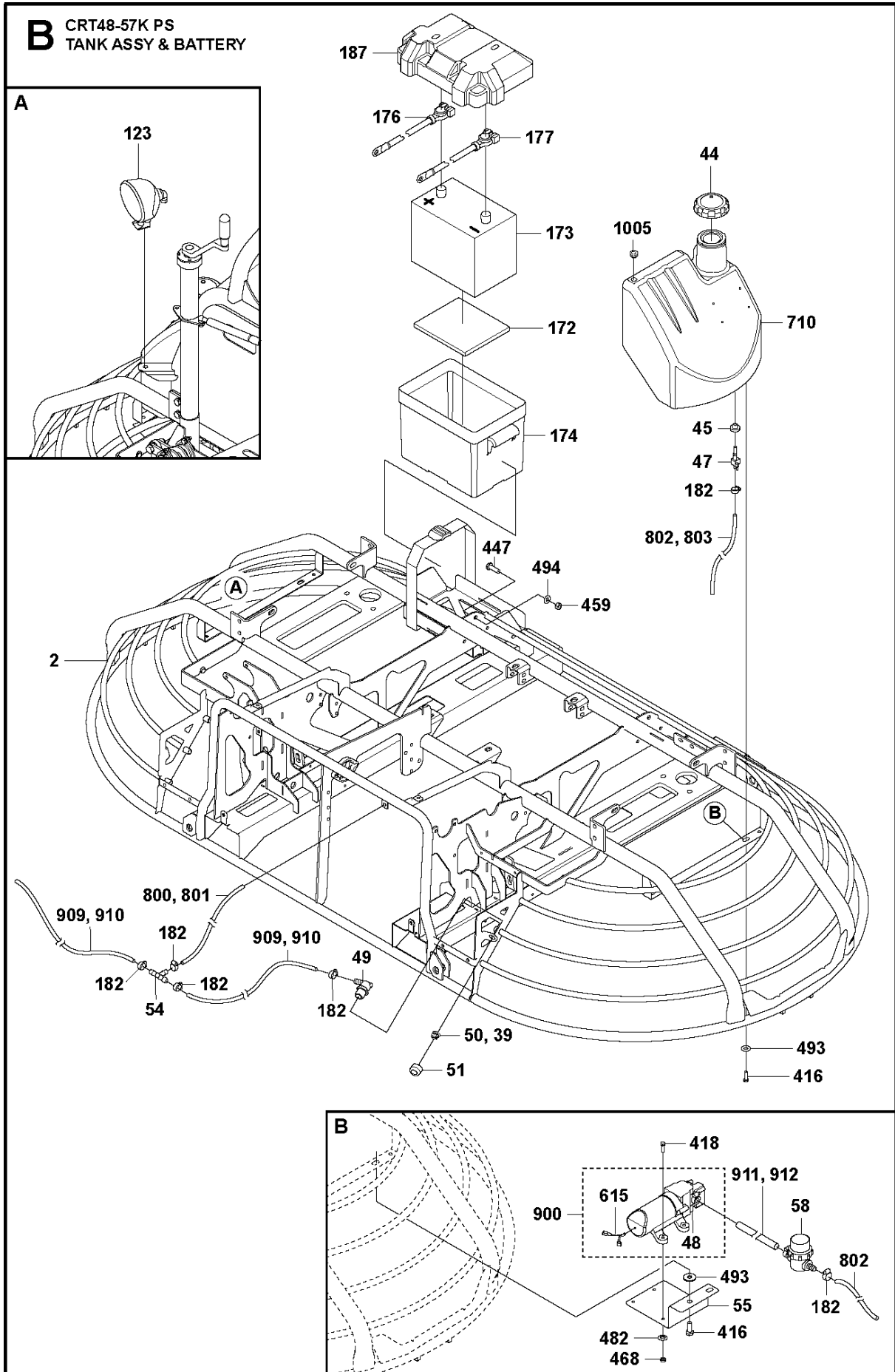
TROWELS

CRT48-57K PS, 970461611, 2020-02

SEAT ASSY

CRT48-57K PS, 970461611, 2020-02

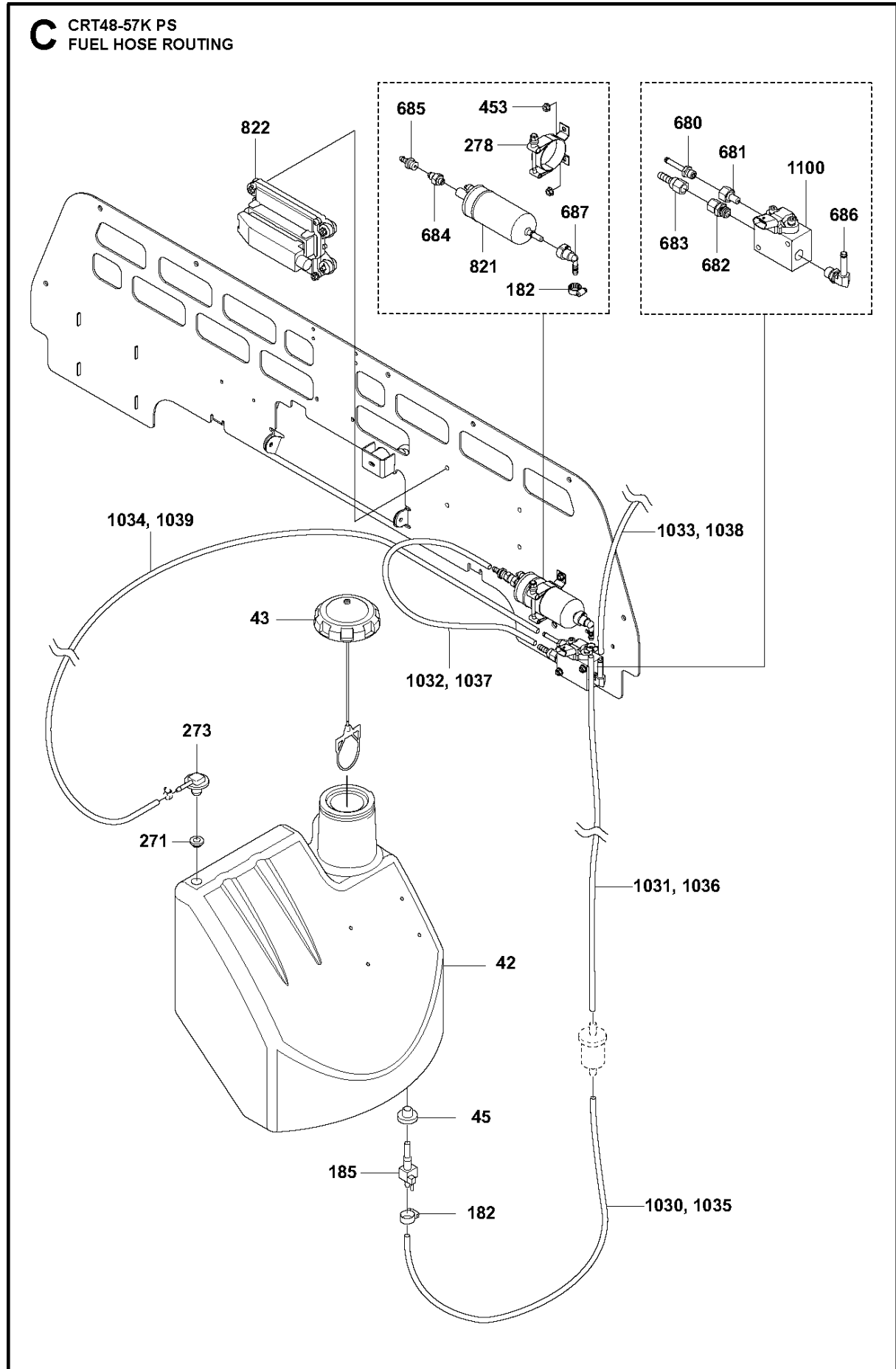
| Ref | Part No | Description | Remark | QTY KIT |
|-----|--------------|-------------|-----------------------------------------|---------|
| 11 | 599 10 41-01 | SEAT | | 1 |
| 14 | 599 04 52-01 | PLATE | | 1 |
| 18 | 599 05 17-01 | HOUSING | | 2 |
| 20 | 599 04 09-01 | BRACKET | | 1 |
| 21 | 599 02 69-01 | SWITCH | Seat switch | 1 |
| 22 | 599 02 64-01 | BRACKET | | 1 |
| 29 | 599 05 32-01 | PLATE | | 1 |
| 30 | 598 98 85-01 | HOLDER | | 1 |
| 32 | 599 16 87-01 | STUD | M8x10 | 5 |
| 33 | 599 03 94-01 | JOYSTICK | Dual axis joystick | 1 |
| 34 | 599 03 95-01 | JOYSTICK | Single axis joystick | 1 |
| 37 | 599 01 64-01 | SPRING | 90 lb | 2 |
| 38 | 599 06 11-01 | PLATE | | 1 |
| 65 | 598 99 29-01 | INSERT | | 1 |
| 66 | 599 05 27-01 | BRACKET | | 1 |
| 67 | 599 06 09-01 | BRACKET | | 1 |
| 68 | 599 06 10-01 | BRACKET | | 1 |
| 70 | 599 05 33-01 | BRACKET | | 1 |
| 128 | 599 05 04-01 | WIRING | | 1 |
| 130 | 599 07 08-01 | SWITCH | Light switch | 1 |
| 131 | 599 01 28-01 | SWITCH | | 1 |
| 132 | 599 04 80-01 | PLUG | | 1 |
| 133 | 598 99 43-01 | HOUR METER | Hour meter | 1 |
| 136 | 599 12 44-01 | LIGHT | | 1 |
| 137 | 599 04 44-01 | LIGHT | | 4 |
| 220 | 599 00 27-01 | SWITCH | | 1 |
| 401 | 599 17 39-01 | SCREW | M4x20 | 8 |
| 406 | 585 98 06-01 | SCREW EHHFM | M6x16 ISO1665 8.8 ZPB, 9Nm/7ft.lbs | 8 |
| 407 | 725 23 70-71 | SCREW EHHM | M6x16 ISO1665 8.8 ZPB, 9Nm/7ft.lbs | 8 |
| 415 | 725 54 49-01 | SCREW IHSCM | M8x16 ISO4762 8.8 ZPB, 22Nm/16ft.lbs | 4 |
| 442 | 599 16 91-01 | SCREW | #10X3/4,TYP B,SLT FLG HX | 4 |
| 452 | 531 20 84-91 | NUT | M6 ISO10511 | 4 |
| 453 | 593 35 64-01 | NUT | M6 | 8 |
| 454 | 522 91 94-01 | LOCK NUT | M8 ISO10511 | 4 |
| 460 | 576 64 57-04 | NUT FLANGE | M8 | 9 |
| 464 | 599 16 03-01 | NUT | M8 ISO4035 | 4 |
| 465 | 578 49 66-01 | LOCKING NUT | 1/4"-20" | 2 |
| 468 | 599 15 98-01 | LOCK NUT | M4, 3Nm/2ft.lbs (S3) | 8 |
| 470 | 599 16 68-01 | LOCK NUT | M6 | 8 |
| 474 | 599 06 20-01 | LATCH | | 1 |
| 483 | 599 16 02-01 | WASHER | | 4 |
| 487 | 734 11 36-01 | WASHER | | 8 |
| 489 | 599 16 07-01 | WASHER | M12 ISO7093 ZPB | 4 |
| 491 | 734 11 78-01 | WASHER | M12 ISO7089 200HV ZPB | 6 |
| 499 | 598 98 97-01 | BUMPER | 30x15 | 4 |
| 503 | 599 05 31-01 | BUMPER | | 2 |
| 520 | 599 17 33-01 | PIN | Clevis pin 1/2"x1" | 6 |
| 609 | 599 16 79-01 | RIVET | Rivet | 4 |
| 620 | 599 05 45-01 | GROMMET | | 2 |
| 725 | 599 16 01-01 | PIN | Cotter pin 3,2x25 ISO1234 | 6 |
| 997 | 599 16 42-01 | KEY | Key-ring w/o keys | 1 |



TANK ASSY & BATTERY

CRT48-57K PS, 970461611, 2020-02

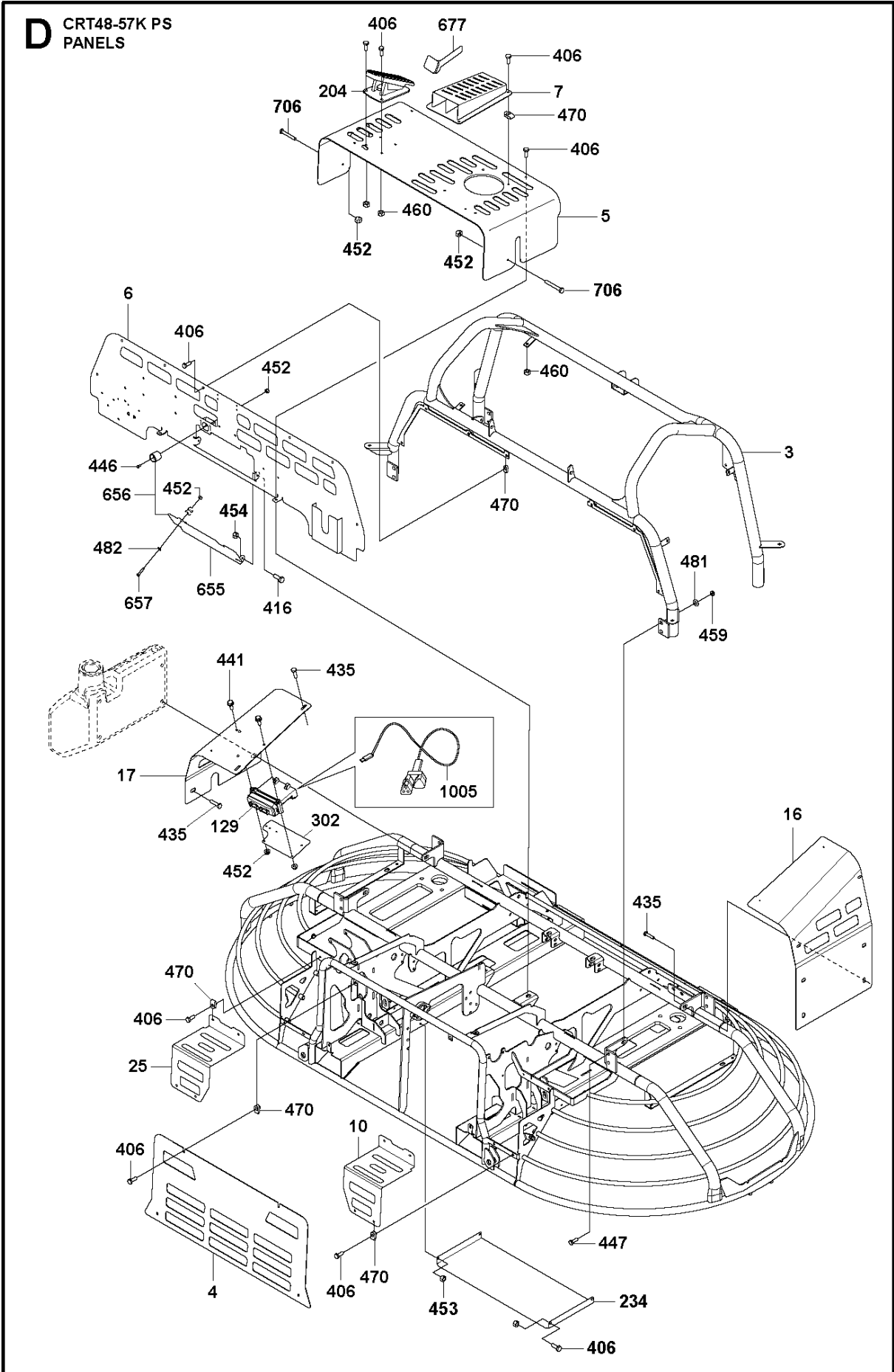
| Ref | Part No | Description | Remark | QTY | KIT |
|------|--------------|----------------|------------------------------------------|-----|-----|
| 2 | 599 01 92-01 | FRAME | | 1 | |
| 39 | 598 99 88-01 | VALVE | | 1 | |
| 44 | 599 03 02-01 | CAP | | 1 | |
| 45 | 598 99 04-01 | BUSHING | | 2 | |
| 47 | 599 06 17-01 | VALVE | | 1 | |
| 48 | 599 06 16-01 | PUMP | | 1 | 900 |
| 49 | 598 99 39-01 | ELBOW | | 2 | |
| 50 | 598 99 40-01 | JET | | 2 | |
| 51 | 598 99 41-01 | FITTING | | 2 | |
| 54 | 599 16 90-01 | FITTING | | 1 | |
| 55 | 599 06 15-01 | BRACKET | | 1 | |
| 58 | 599 06 18-01 | SCREEN | | 1 | |
| 123 | 599 07 69-01 | LIGHT | | 4 | |
| 173 | 599 04 95-01 | BATTERY | | 1 | |
| 172 | 598 98 80-01 | PAD | | 1 | |
| 174 | 598 99 99-01 | BOX | | 1 | |
| 176 | 599 03 61-01 | CABLE | 40" | 1 | |
| 177 | 599 03 62-01 | CABLE | 16" | 1 | |
| 182 | 599 16 17-01 | CLAMP | 0,21"-0,63" | 12 | |
| 187 | 599 00 33-01 | CAP | | 1 | |
| 416 | 725 24 51-01 | SCREW | 8x20 hx.hd. 24Nm/18ft.lbs | 3 | |
| 418 | 725 22 95-71 | SCREW EHHM | M4x20, 3Nm/2ft.lbs | 4 | |
| 447 | 725 24 95-71 | SCREW EHHM | M10x30 ISO4017 8.8 ZPB, 49Nm/36ft.lbs | 1 | |
| 459 | 576 64 57-05 | NUT FLANGE | M10 ISO7042 | 1 | |
| 468 | 599 15 98-01 | LOCK NUT | M4, 3Nm/2ft.lbs (S3) | 4 | |
| 482 | 734 11 46-01 | WASHER | M5 ISO7089 200HV ZPB | 4 | |
| 493 | 734 11 65-41 | WASHER | M8 ISO7093 ZPB | 3 | |
| 494 | 599 16 75-01 | LOCKWASHER | M10 | 1 | |
| 615 | 599 16 65-01 | TERMINAL | | 2 | 900 |
| 710 | 599 13 12-02 | TANK | | 1 | |
| 800 | 599 46 55-04 | HOSE | 70" | 1 | |
| 801 | 599 46 56-06 | LOOM | 68" | 1 | |
| 802 | 599 46 55-01 | HOSE | 3,5" | 1 | |
| 803 | 599 46 56-03 | LOOM | 30" | 1 | |
| 900 | 599 46 31-01 | WATER PUMP KIT | Water pump kit | 1 | |
| 909 | 599 46 55-03 | HOSE | 24,5" | 2 | |
| 910 | 599 46 56-02 | LOOM | 23,5" | 2 | |
| 911 | 599 46 55-02 | HOSE | 5" | 1 | |
| 912 | 599 46 56-01 | LOOM | 3" | 1 | |
| 1005 | 599 07 10-01 | PLUG | | 1 | |



FUEL HOSE ROUTING

CRT48-57K PS, 970461611, 2020-02

| Ref | Part No | Description | Remark | QTY KIT |
|------|--------------|-------------|------------------------------------|---------|
| 42 | 599 13 13-02 | TANK | | 1 |
| 43 | 599 07 33-01 | CAP | | 1 |
| 45 | 598 99 04-01 | BUSHING | | 1 |
| 182 | 599 16 17-01 | CLAMP | 0,21"-0,63" | 4 |
| 185 | 599 11 78-01 | VALVE | | 1 |
| 271 | 599 06 88-01 | GROMMET | | 1 |
| 273 | 599 07 12-01 | FITTING | | 1 |
| 278 | 599 07 27-01 | BRACKET | | 1 |
| 453 | 593 35 64-01 | NUT | M6 | 2 |
| 680 | 599 07 26-01 | FITTING | SAE#4 MORB MALE to 1/4" BARB | 1 |
| 681 | 599 07 28-01 | ADAPTER | SAE#4 FEMALE to SAE#3 MORB MALE | 1 |
| 682 | 599 07 29-01 | ADAPTER | SAE#6 MORB MALE to SAE#5 MALE | 1 |
| 683 | 599 07 30-01 | FITTING | SAE#5 FEMALE to 5/16" BARB | 1 |
| 684 | 599 07 31-01 | ADAPTER | M10 MALE to SAE#4 MALE | 1 |
| 685 | 599 07 32-01 | FITTING | #4 FEMALE to 1/4" BARB | 1 |
| 686 | 599 07 34-01 | FITTING | SAE#6 MALE to 90DEG,5/16" BARB | 1 |
| 687 | 598 98 58-01 | FITTING | 90QC 5/16"-5/16" | 1 |
| 821 | 599 48 00-01 | FUEL PUMP | | 1 |
| 822 | 599 48 01-01 | MODULE | | 1 |
| 1030 | 599 48 10-01 | FUEL HOSE | 5/16"x12" | 1 |
| 1035 | 599 48 17-01 | WIRE | 10" | 1 |
| 1031 | 599 48 10-02 | FUEL HOSE | 5/16"x16" | 1 |
| 1036 | 599 48 17-02 | WIRE | 14" | 1 |
| 1032 | 599 48 10-03 | FUEL HOSE | 5/16"x21" | 1 |
| 1037 | 599 48 17-03 | WIRE | 19" | 1 |
| 1033 | 599 48 10-04 | FUEL HOSE | 5/16"x48" | 1 |
| 1038 | 599 48 17-04 | WIRE | 46" | 1 |
| 1034 | 599 48 12-02 | FUEL HOSE | 1/4"x60" | 1 |
| 1039 | 599 48 17-05 | WIRE | 58" | 1 |
| 1100 | 599 48 08-01 | MANIFOLD | | 1 |

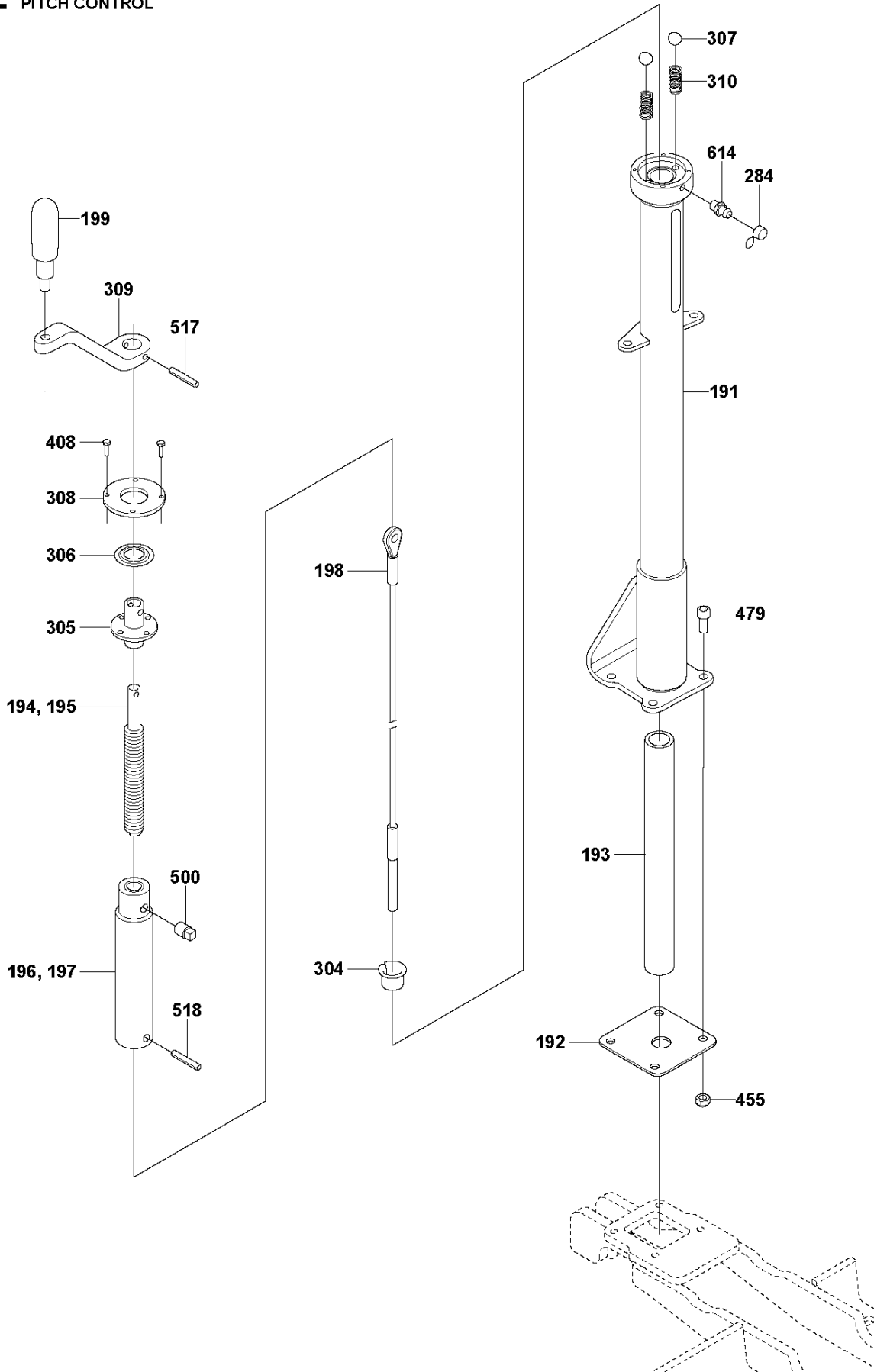


PANELS

CRT48-57K PS, 970461611, 2020-02

| Ref | Part No | Description | Remark | QTY KIT |
|------|--------------|-------------------|-----------------------------------------|---------|
| 3 | 599 12 25-01 | FRAME | | 1 |
| 4 | 599 13 01-02 | PLATE | | 1 |
| 5 | 599 12 38-01 | PLATE | | 1 |
| 6 | 599 13 07-02 | PANEL ASSY | | 1 |
| 7 | 599 05 41-01 | BRACKET | | 1 |
| 10 | 599 02 18-01 | PLATE | | 1 |
| 16 | 599 12 23-01 | PANEL | | 1 |
| 17 | 599 12 21-01 | PANEL | | 1 |
| 25 | 599 03 33-01 | PLATE | | 1 |
| 129 | 599 05 05-01 | ELECTRICAL SYSTEM | | 1 |
| 204 | 599 12 37-01 | CONTROL | | 1 |
| 234 | 599 03 23-01 | GUARD | | 1 |
| 302 | 599 12 06-01 | PLATE | | 1 |
| 406 | 585 98 06-01 | SCREW EHHFM | M6x16 ISO1665 8.8 ZPB, 9Nm/7ft.lbs | 32 |
| 416 | 725 24 51-01 | SCREW | 8x20 hx.hd. 24Nm/18ft.lbs | 2 |
| 435 | 506 57 01-03 | SCREW EHHFM | M8x16 ISO1665 8.8 ZPB, 25Nm/18ft.lbs | 10 |
| 441 | 599 16 37-01 | SCREW | M6x60 | 2 |
| 446 | 725 23 27-71 | SCREW EHHM | M5x12 ISO4017 8.8 ZPB, 6Nm/4ft.lbs | 1 |
| 447 | 725 24 95-71 | SCREW EHHM | 49Nm/36ft.lbs | 8 |
| 452 | 531 20 84-91 | NUT | M6 (DIN 985) | 6 |
| 453 | 593 35 64-01 | NUT | M6 | 6 |
| 454 | 522 91 94-01 | LOCK NUT | M8 (DIN 985) | 2 |
| 459 | 576 64 57-05 | NUT FLANGE | M10 ISO7042 | 8 |
| 460 | 576 64 57-04 | NUT FLANGE | M8 | 4 |
| 470 | 599 16 68-01 | LOCK NUT | M6 | 13 |
| 481 | 734 11 72-01 | WASHER | M10 ISO7089 200HV ZPB | 8 |
| 482 | 734 11 46-01 | WASHER | M5 ISO7089 200HV ZPB | 1 |
| 655 | 599 13 11-02 | COVER | | 1 |
| 656 | 599 07 06-01 | LATCH | | 1 |
| 657 | 593 16 74-01 | SCREW | M5x25 ISO4017 8.8 ZPB, 6Nm/4ft.lbs | 1 |
| 677 | 599 12 47-01 | GUARD | | 1 |
| 706 | 725 23 80-51 | SCREW EHHM | M6x50 ISO4014 8.8 ZPB | 2 |
| 1005 | 599 52 87-01 | CABLE | Diagnostic cable | 1 |

E CRT48-57K PS
PITCH CONTROL

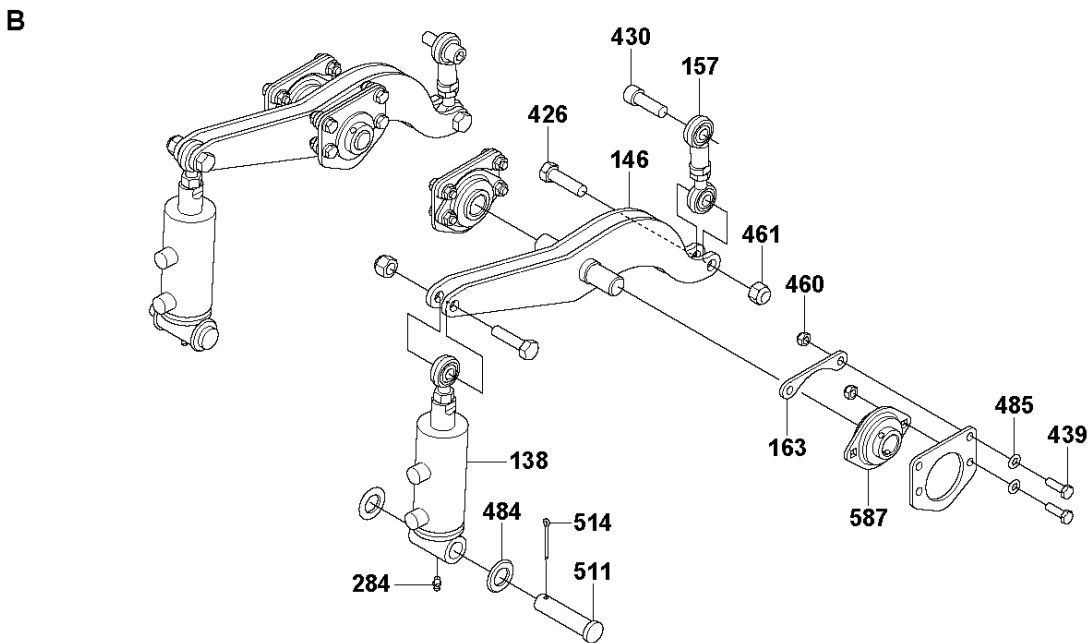
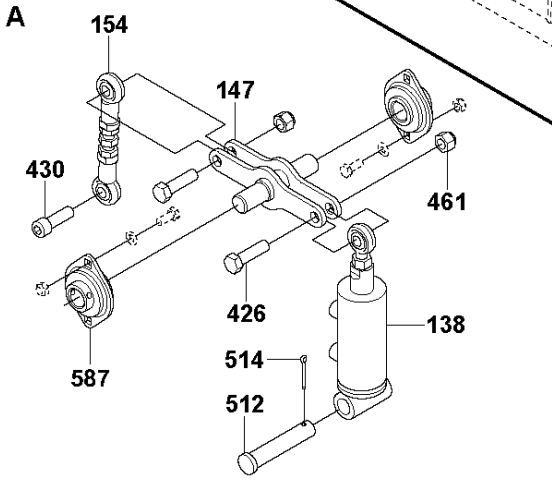
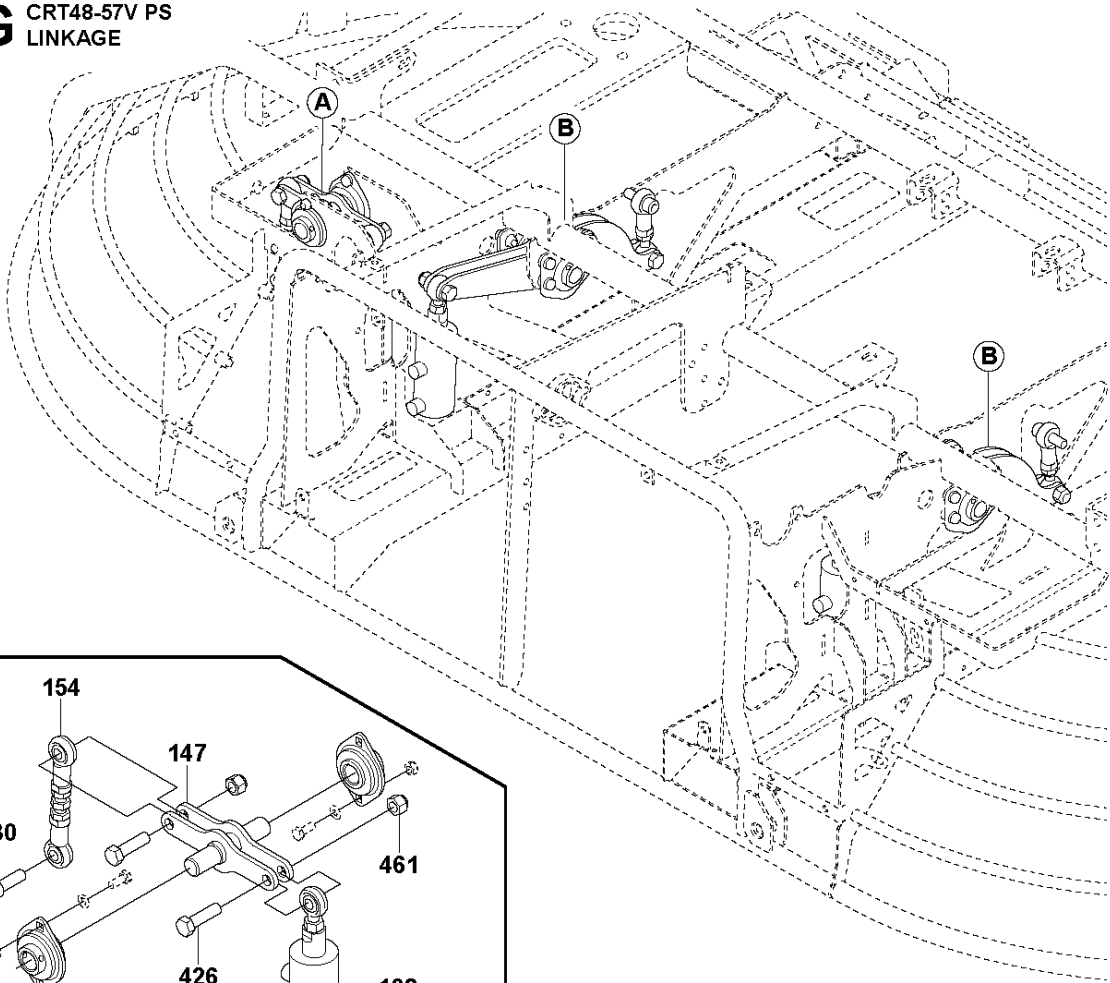


PITCH CONTROL

CRT48-57K PS, 970461611, 2020-02

| Ref | Part No | Description | Remark | QTY KIT |
|-----|--------------|-------------|-----------------------------------------|---------|
| 191 | 599 00 42-01 | TUBE | | 1 |
| 192 | 599 06 24-01 | PLATE | | 1 |
| 193 | 599 06 25-01 | TUBE | | 1 |
| 194 | 599 16 94-01 | ROD | Right hand thread | 1 |
| 195 | 599 16 95-01 | ROD | Left hand thread | 1 |
| 196 | 599 00 46-01 | TUBE | Right hand thread | 1 |
| 197 | 599 00 47-01 | TUBE | Left hand thread | 1 |
| 198 | 599 00 48-01 | CABLE | Pitch cable | 1 |
| 199 | 599 00 51-01 | HANDLE | Handle, 24Nm/18ft.lbs | 1 |
| 284 | 599 16 92-01 | CAP | Cap | 1 |
| 304 | 599 00 43-01 | BUSHING | | 1 |
| 305 | 599 00 44-01 | HUB | | 1 |
| 306 | 599 16 93-01 | RING | Nilos ring | 1 |
| 307 | 599 16 96-01 | BALL | | 2 |
| 308 | 599 00 49-01 | PLATE | | 1 |
| 309 | 599 04 74-01 | CRANK | | 1 |
| 310 | 599 00 41-01 | SPRING | | 2 |
| 408 | 599 16 82-01 | SCREW | M4x14 ISO4017 8.8 ZPB, 3Nm/2ft.lbs | 4 |
| 455 | 596 04 03-01 | LOCK NUT | 5/16"-24" | 1 |
| 479 | 725 54 51-01 | SCREW IHSCM | M8x20 ISO4762 8.8 ZPB, 22Nm/16ft.lbs | 4 |
| 500 | 599 17 31-01 | PIPE | Pipe plug 1/8" sq.hd. Plated | 1 |
| 517 | 599 16 33-01 | PIN | 1/4"x1-1/2" | 1 |
| 518 | 599 16 00-01 | PIN | Roll pin 8x36 ISO8752 | 1 |
| 614 | 599 17 66-01 | FITTING | Grease fitting AM6 DIN71412 | 1 |

G CRT48-57V PS
LINKAGE

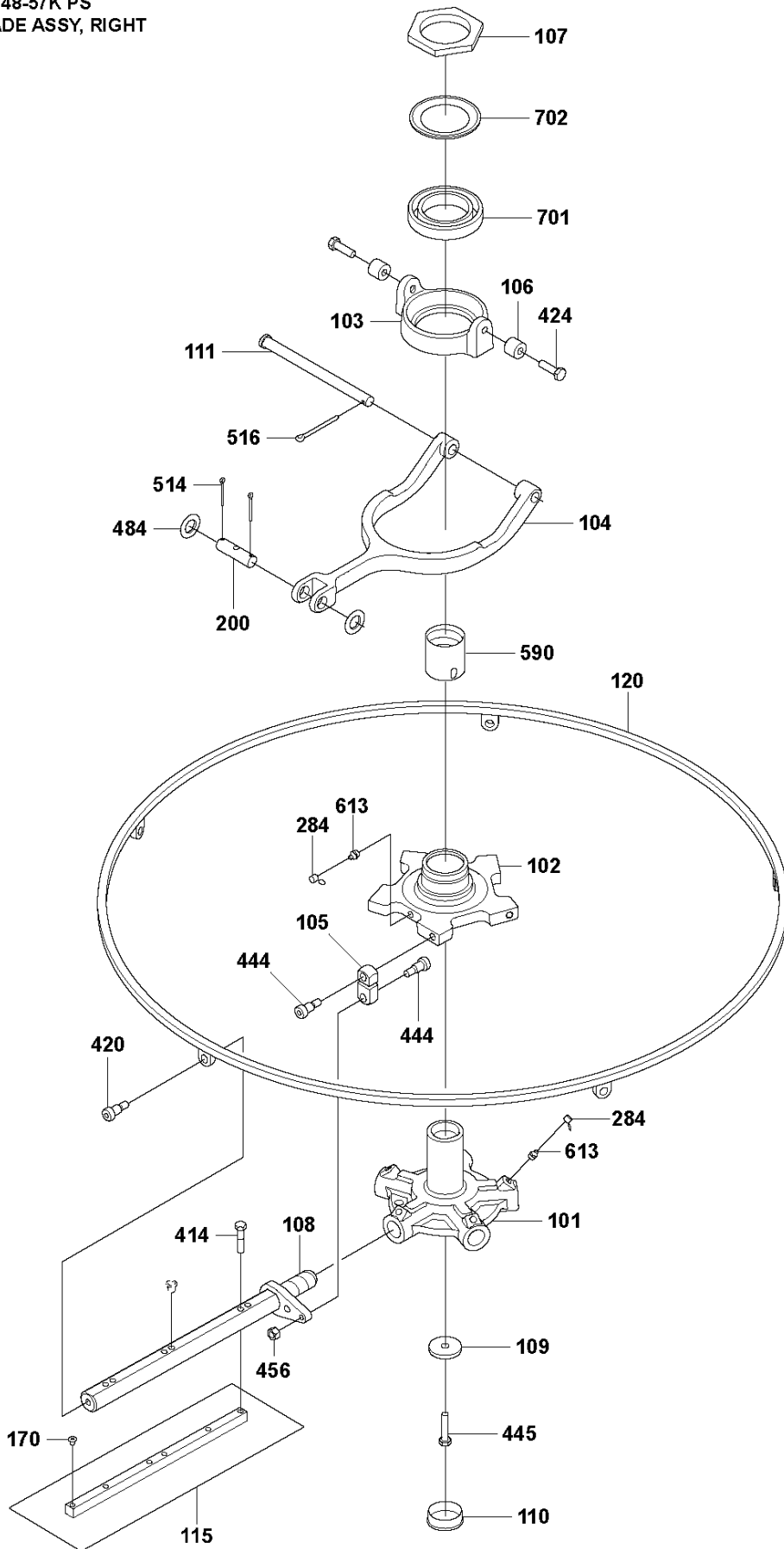


LINKAGE

CRT48-57K PS, 970461611, 2020-02

| Ref | Part No | Description | Remark | QTY KIT |
|-----|--------------|-------------|-------------------------------------------|---------|
| 138 | 599 05 06-01 | ACTUATOR | | 3 |
| 146 | 599 05 24-01 | BRACKET | | 2 |
| 147 | 599 05 10-01 | BRACKET | | 1 |
| 154 | 599 01 60-01 | LINK | | 1 |
| 157 | 599 03 84-01 | LINK | | 2 |
| 163 | 599 05 48-01 | SPACER | | 4 |
| 284 | 599 16 92-01 | CAP | | 3 |
| 426 | 599 17 25-01 | SCREW | 1/2"-20x1-3/4" HX. HD., 85Nm/63ft.lbs | 6 |
| 430 | 587 42 88-01 | BOLT | 1/2"-20x1-1/2" SOC. HD., 85Nm/63ft.lbs | 3 |
| 439 | 725 24 53-76 | SCREW EHHM | M8x25 ISO4017 10.9 ZPB, 35Nm/26ft.lbs | 16 |
| 460 | 576 64 57-04 | NUT FLANGE | M8 | 16 |
| 461 | 587 65 39-03 | NUT | 1/2"-20" | 4 |
| 484 | 542 17 30-35 | WASHER | M20 ISO7089 200HV ZPB | 4 |
| 485 | 734 11 63-01 | WASHER | M8 ISO7089 200HV ZPB | 16 |
| 511 | 599 17 40-01 | PIN | Clevis pin 3/4"x3" | 2 |
| 512 | 599 17 41-01 | PIN | Clevis pin 3/4"x3-3/4" | 1 |
| 514 | 599 16 49-01 | PIN | Cotter pin 1/8"x 1-1/2" | 3 |
| 587 | 598 99 69-01 | BEARING | 0,875" | 6 |

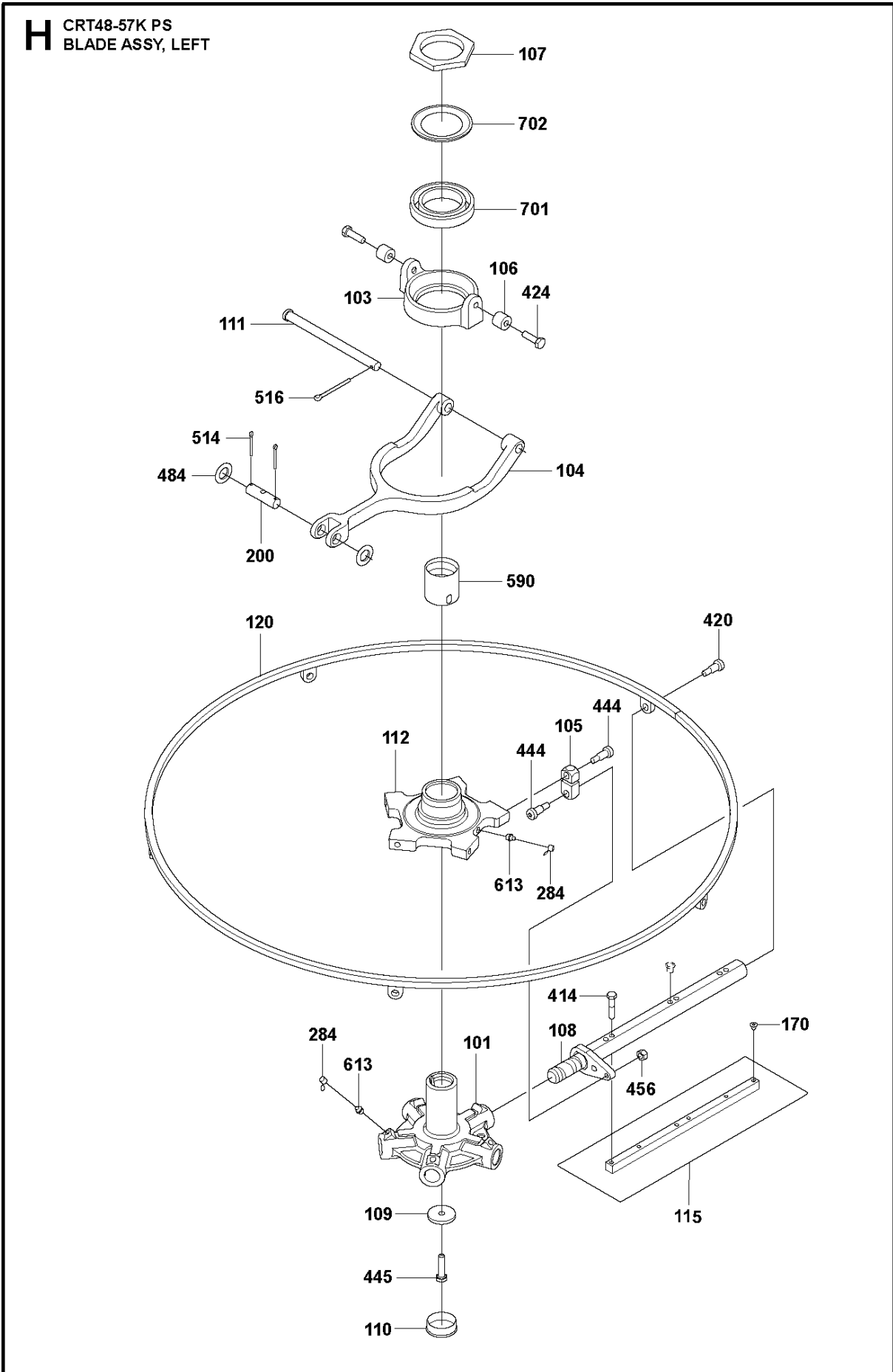
G CRT48-57K PS
BLADE ASSY, RIGHT



BLADE ASSY, RIGHT

CRT48-57K PS, 970461611, 2020-02

| Ref | Part No | Description | Remark | QTY KIT |
|-----|--------------|--------------|----------------------------------------------|---------|
| 101 | 599 07 49-01 | HUB | | 1 |
| 102 | 599 00 10-01 | RING | Blade lifting ring, right | 1 |
| 103 | 598 99 94-01 | HOLDER | | 1 |
| 104 | 598 99 90-01 | YOKE | | 1 |
| 105 | 598 99 33-01 | LINK | | 5 |
| 106 | 598 99 34-01 | TUBE | | 2 |
| 107 | 598 99 87-01 | CAP | 24Nm/18ft.lbs (S1) | 1 |
| 108 | 599 10 77-01 | SHAFT | | 5 |
| 109 | 599 16 60-01 | WASHER | | 1 |
| 110 | 598 99 58-01 | PLUG | | 1 |
| 111 | 599 16 78-01 | SHAFT | | 1 |
| 115 | 598 92 98-01 | BLADE SET | Finishing blades 48", set of 4 pcs. | 2 |
| 120 | 599 01 32-01 | RING | | 1 |
| 170 | 599 16 34-01 | PLUG | | 5 |
| 200 | 598 99 35-01 | MOUNT | | 1 |
| 284 | 599 16 92-01 | CAP | Cap | 7 |
| 414 | 599 16 71-01 | SCREW | 5/16"-18 X 1-5/8" HHCS GR5, 24Nm/18ft.lbs | 15 |
| 420 | 599 16 30-01 | SCREW | 1/2" x 1/2" shoulder, 24Nm/18ft.lb | 5 |
| 424 | 725 24 97-51 | SCREW | M10x35 ISO4017 8.8 ZPB, 49, Nm/36ft.lbs | 2 |
| 444 | 599 16 50-01 | SCREW | 1/2"x3/4"x1-3/8" shoulder, 24Nm/18ft.lb | 10 |
| 445 | 725 25 00-51 | SCREW EHHM | M10 x 45, 49Nm/36ft.lbs (DIN931 S3) | 1 |
| 456 | 596 04 02-01 | HEXAGON NUT | | 4 |
| 484 | 542 17 30-35 | WASHER | M20 ISO7089 200HV ZPB | 2 |
| 514 | 599 16 49-01 | PIN | Cotter pin 1/8"x 1-1/2" | 2 |
| 516 | 599 16 51-01 | PIN | Cotter pin 3/16"x2" | 1 |
| 590 | 598 99 91-01 | BUSHING | | 1 |
| 613 | 599 16 21-01 | FITTING | Grease fitting AM10 DIN71412 | 7 |
| 701 | 598 43 19-01 | BALL BEARING | 6014 2RS1 C3 | 1 |
| 702 | 599 16 72-01 | RING | Nilos ring 6014 ZAV | 1 |

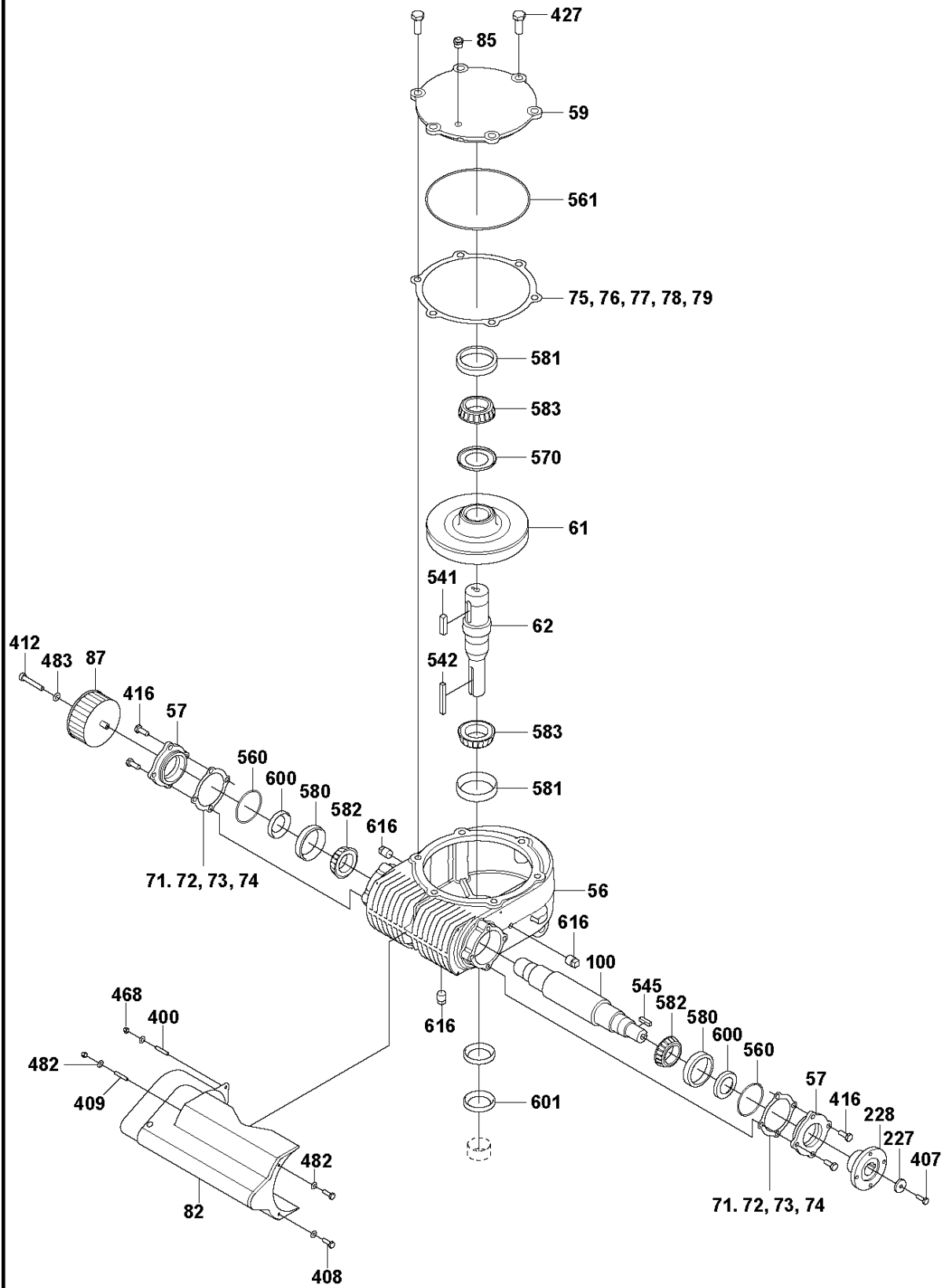


BLADE ASSY, LEFT

CRT48-57K PS, 970461611, 2020-02

| Ref | Part No | Description | Remark | QTY KIT |
|-----|--------------|--------------|--------------------------------------------|---------|
| 101 | 599 07 49-01 | HUB | | 1 |
| 103 | 598 99 94-01 | HOLDER | | 1 |
| 104 | 598 99 90-01 | YOKE | | 1 |
| 105 | 598 99 33-01 | LINK | | 5 |
| 106 | 598 99 34-01 | TUBE | | 2 |
| 107 | 598 99 87-01 | CAP | 24Nm/18ft.lbs (S1) | 1 |
| 108 | 599 10 77-01 | SHAFT | | 5 |
| 109 | 599 16 60-01 | WASHER | | 1 |
| 110 | 598 99 58-01 | PLUG | | 1 |
| 111 | 599 16 78-01 | SHAFT | | 1 |
| 112 | 599 00 11-01 | RING | Blade lifting ring, left | 1 |
| 115 | 598 92 98-01 | BLADE SET | Finishing blades 48", set of 4 pcs. | 2 |
| 120 | 599 01 32-01 | RING | | 1 |
| 170 | 599 16 34-01 | PLUG | | 5 |
| 200 | 598 99 35-01 | MOUNT | | 1 |
| 284 | 599 16 92-01 | CAP | Cap | 7 |
| 414 | 599 16 71-01 | SCREW | 5/16"-18x1-5/8" HHCS GR5, 24Nm/18ft.lbs | 15 |
| 420 | 599 16 30-01 | SCREW | 1/2"x1/2" shoulder, 24Nm/18ft.lb | 5 |
| 424 | 725 24 97-51 | SCREW | M10x35 ISO4017 8.8 ZPB, 49, Nm/36ft.lbs | 2 |
| 444 | 599 16 50-01 | SCREW | 1/2"x3/4"x1-3/8" shoulder, 24Nm/18ft.lb | 10 |
| 445 | 725 25 00-51 | SCREW EHHM | M10 x 45, 49Nm/36ft.lbs (DIN931 S3) | 1 |
| 456 | 596 04 02-01 | HEXAGON NUT | | 4 |
| 484 | 542 17 30-35 | WASHER | M20 ISO7089 200HV ZPB | 2 |
| 514 | 599 16 49-01 | PIN | Cotter pin 1/8"x 1-1/2" | 2 |
| 516 | 599 16 51-01 | PIN | Cotter pin 3/16"x2" | 1 |
| 590 | 598 99 91-01 | BUSHING | | 1 |
| 613 | 599 16 21-01 | FITTING | Grease fitting AM10 DIN71412 | 7 |
| 701 | 598 43 19-01 | BALL BEARING | 6014 2RS1 C3 | 1 |
| 702 | 599 16 72-01 | RING | Nilos ring 6014 ZAV | 1 |

J CRT48-57K PS
GEARBOX, RIGHT

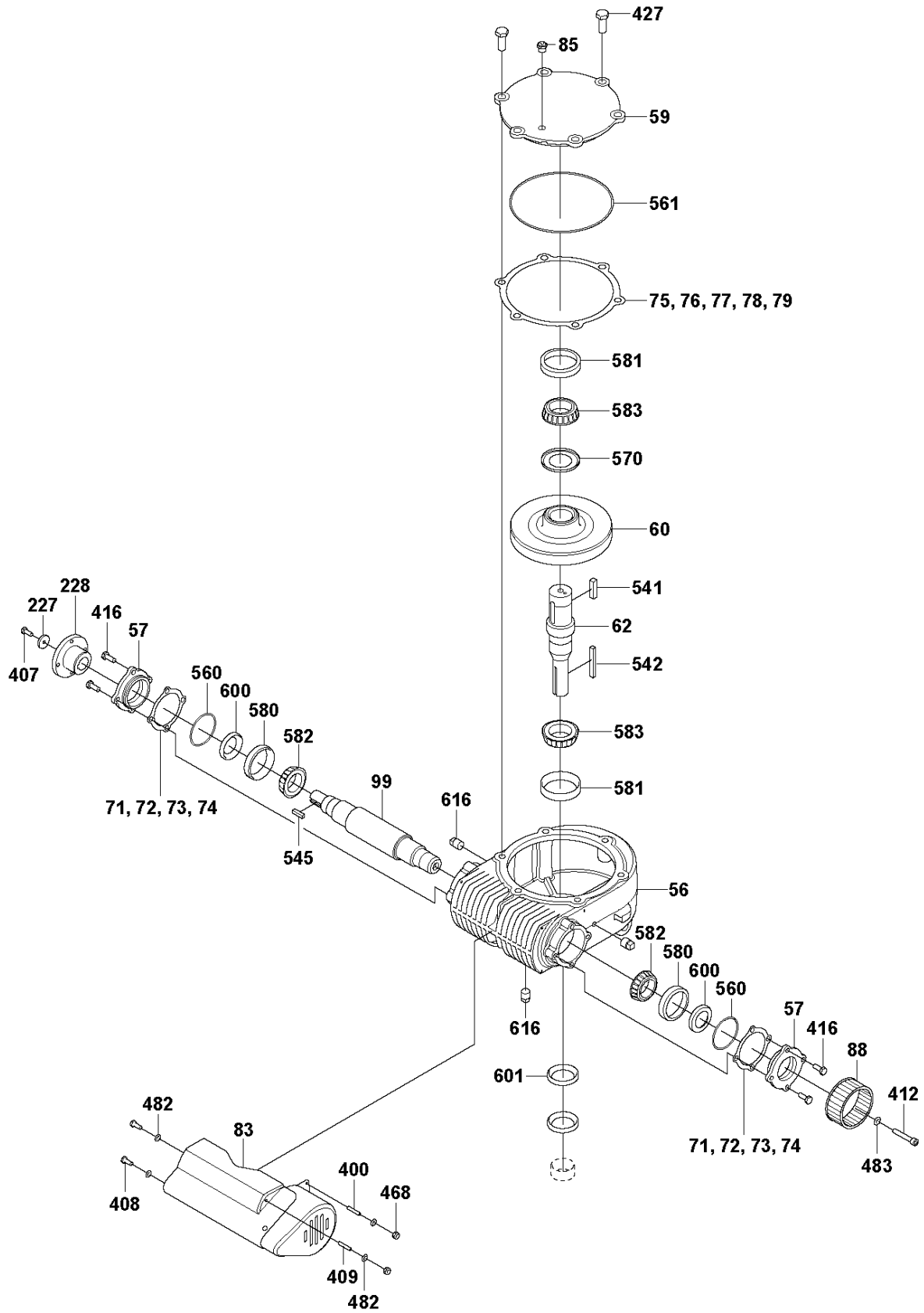


GEARBOX, RIGHT

CRT48-57K PS, 970461611, 2020-02

| Ref | Part No | Description | Remark | QTY KIT |
|-----|--------------|-------------|----------------------------------------|---------|
| 56 | 598 99 21-01 | GEARBOX | | 1 |
| 57 | 598 99 22-01 | COVER | | 2 |
| 59 | 598 99 15-01 | COVER | | 1 |
| 61 | 598 99 16-01 | GEAR | Wormgear, right hand | 1 |
| 62 | 598 99 92-01 | SHAFT | | 1 |
| 71 | 599 01 71-01 | SHIM | 0,007" | 1 |
| 72 | 599 01 72-01 | SHIM | 0,009" | 1 |
| 73 | 599 01 73-01 | SHIM | 0,012" | 2 |
| 74 | 599 01 74-01 | SHIM | 0,022" | 1 |
| 75 | 599 01 65-01 | SHIM | 0,007" | 1 |
| 76 | 599 01 66-01 | SHIM | 0,009" | 1 |
| 77 | 599 01 67-01 | SHIM | 0,012" | 1 |
| 78 | 599 01 68-01 | SHIM | 0,022" | 2 |
| 79 | 599 01 69-01 | SHIM | 0,032" | 2 |
| 82 | 598 99 27-01 | COVER | | 1 |
| 85 | 599 17 05-01 | VALVE | | 1 |
| 87 | 598 99 25-01 | FAN | | 1 |
| 100 | 598 99 51-01 | WORM GEAR | | 1 |
| 227 | 599 16 58-01 | WASHER | 1-1/8"x0,281"x0,187" | 1 |
| 228 | 599 12 54-01 | FITTING | | 1 |
| 400 | 599 16 74-01 | STUD | M4x20 DIN976 | 2 |
| 407 | 725 23 70-71 | SCREW EHHM | M6x20 ISO4017 8.8 ZPB, 10Nm/7ft.lbs | 1 |
| 408 | 599 16 82-01 | SCREW | M4x14 ISO4017 8.8 ZPB, 3Nm/2ft.lbs | 2 |
| 409 | 599 16 81-01 | STUD | M4x25 DIN976 | 2 |
| 412 | 725 53 78-01 | SCREW IHSCM | M6x40 ISO4762 8.8 ZPB | 1 |
| 416 | 725 24 51-01 | SCREW | 8x20 hx.hd. 24Nm/18ft.lbs | 8 |
| 427 | 598 74 98-01 | SCREW | M12 x 35, 85Nm/63ft.lbs (DIN933 S3) | 2 |
| 468 | 599 15 98-01 | LOCK NUT | M4, 3Nm/2ft.lbs (S3) | 2 |
| 482 | 734 11 46-01 | WASHER | M5 ISO7089 200HV ZPB | 4 |
| 483 | 599 16 02-01 | WASHER | | 1 |
| 541 | 599 16 48-01 | KEY | Square key 3/8"x1-1/2" 4140 320BHN | 1 |
| 542 | 599 16 76-01 | KEY | Square key 3/8"x4" | 1 |
| 545 | 599 16 15-01 | KEY | Square key 1/4"x1" | 1 |
| 560 | 598 99 23-01 | O-RING | 2-3/8"x3/32 NBR 70 Shore | 2 |
| 561 | 598 99 24-01 | O-RING | 7-1/4"x1/8" NBR 70 Shore | 1 |
| 570 | 599 16 45-01 | SEAL | 2,78 x 1,625 | 1 |
| 580 | 599 16 46-01 | BEARING | | 2 |
| 581 | 599 16 47-01 | BEARING | | 2 |
| 582 | 598 99 47-01 | BEARING | | 2 |
| 583 | 599 16 56-01 | BEARING | | 2 |
| 600 | 599 04 75-01 | SEAL | 1,313x2,066x0,31 | 2 |
| 601 | 599 04 76-01 | SEAL | 1,625x2,252x0,31 | 2 |
| 616 | 599 17 10-01 | PLUG | 3/8in NPTF (S8) | 3 |

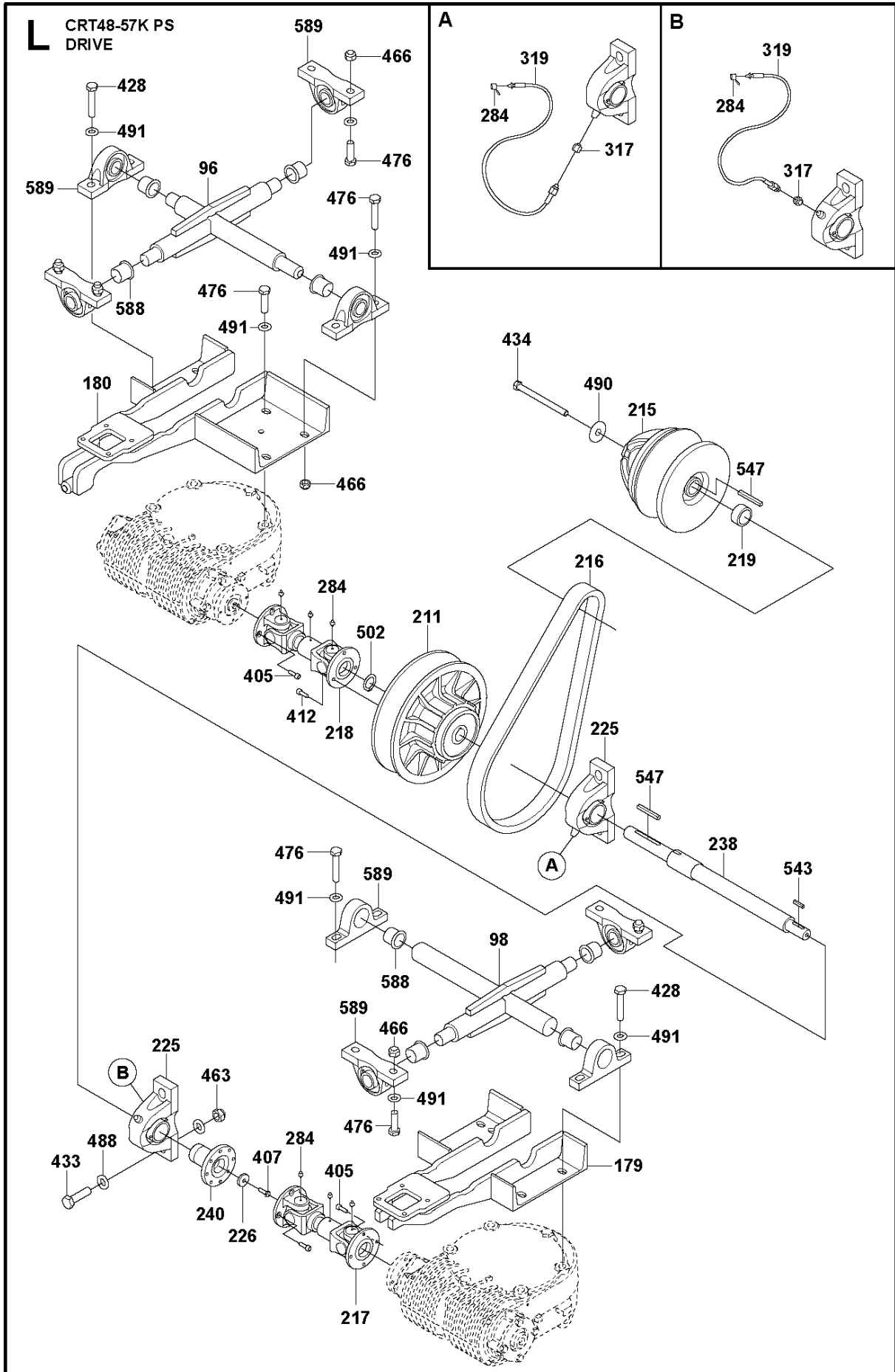
K CRT48-57K PS
GEARBOX, LEFT



GEARBOX, LEFT

CRT48-57K PS, 970461611, 2020-02

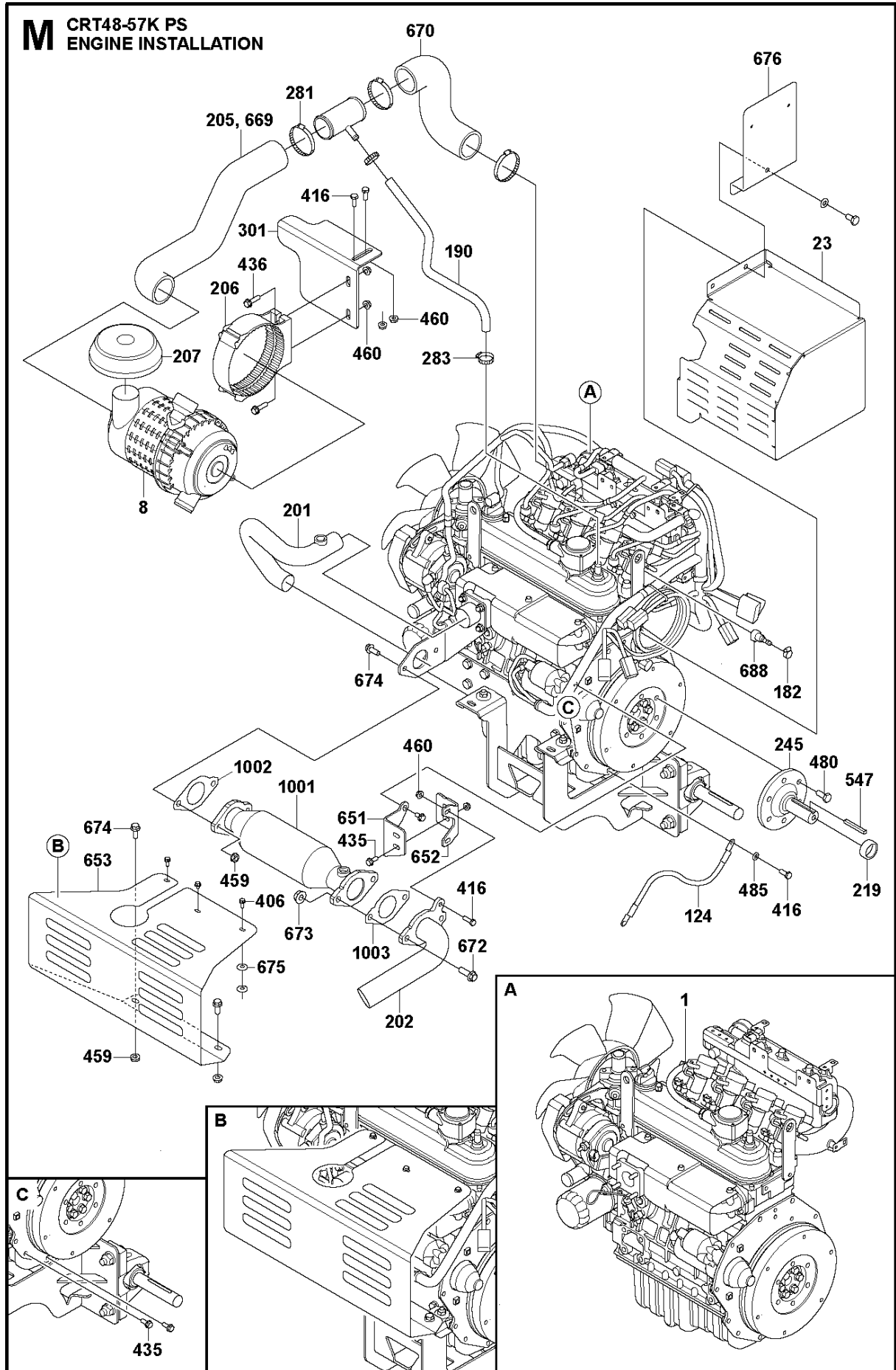
| Ref | Part No | Description | Remark | QTY KIT |
|-----|--------------|-------------|----------------------------------------|---------|
| 56 | 598 99 21-01 | GEARBOX | | 1 |
| 57 | 598 99 22-01 | COVER | | 2 |
| 59 | 598 99 15-01 | COVER | | 1 |
| 60 | 598 99 18-01 | GEAR | Wormgear, left hand | 1 |
| 62 | 598 99 92-01 | SHAFT | | 1 |
| 71 | 599 01 71-01 | SHIM | 0,007" | 1 |
| 72 | 599 01 72-01 | SHIM | 0,009" | 1 |
| 73 | 599 01 73-01 | SHIM | 0,012" | 2 |
| 74 | 599 01 74-01 | SHIM | 0,022" | 1 |
| 75 | 599 01 65-01 | SHIM | 0,007" | 1 |
| 76 | 599 01 66-01 | SHIM | 0,009" | 1 |
| 77 | 599 01 67-01 | SHIM | 0,012" | 1 |
| 78 | 599 01 68-01 | SHIM | 0,022" | 2 |
| 79 | 599 01 69-01 | SHIM | 0,032" | 2 |
| 83 | 598 99 30-01 | COVER | | 1 |
| 85 | 599 17 05-01 | VALVE | | 1 |
| 88 | 598 99 26-01 | FAN | | 1 |
| 99 | 598 99 50-01 | WORM GEAR | | 1 |
| 227 | 599 16 58-01 | WASHER | 1-1/8"x0,281"x0,187" | 1 |
| 228 | 599 12 54-01 | FITTING | | 1 |
| 400 | 599 16 74-01 | STUD | M4x20 DIN976 | 2 |
| 407 | 725 23 70-71 | SCREW EHHM | M6x20 ISO4017 8.8 ZPB, 10Nm/7ft.lbs | 1 |
| 408 | 599 16 82-01 | SCREW | M4x14 ISO4017 8.8 ZPB, 3Nm/2ft.lbs | 2 |
| 409 | 599 16 81-01 | STUD | M4x25 DIN976 | 2 |
| 412 | 725 53 78-01 | SCREW IHSCM | M6x40 ISO4762 8.8 ZPB | 1 |
| 416 | 725 24 51-01 | SCREW | 8x20 hx.hd. 24Nm/18ft.lbs | 8 |
| 427 | 598 74 98-01 | SCREW | M12 x 35, 85Nm/63ft.lbs (DIN933 S3) | 2 |
| 468 | 599 15 98-01 | LOCK NUT | M4, 3Nm/2ft.lbs (S3) | 2 |
| 482 | 734 11 46-01 | WASHER | M5 ISO7089 200HV ZPB | 4 |
| 483 | 599 16 02-01 | WASHER | | 1 |
| 541 | 599 16 48-01 | KEY | Square key 3/8"x1-1/2" 4140 320BHN | 1 |
| 542 | 599 16 76-01 | KEY | Square key 3/8"x4" | 1 |
| 545 | 599 16 15-01 | KEY | Square key 1/4"x1" | 1 |
| 560 | 598 99 23-01 | O-RING | 2-3/8"x3/32 NBR 70 Shore | 2 |
| 561 | 598 99 24-01 | O-RING | 7-1/4"x1/8" NBR 70 Shore | 1 |
| 570 | 599 16 45-01 | SEAL | 2,78x1,625 | 1 |
| 580 | 599 16 46-01 | BEARING | | 2 |
| 581 | 599 16 47-01 | BEARING | | 2 |
| 582 | 598 99 47-01 | BEARING | | 2 |
| 583 | 599 16 56-01 | BEARING | | 2 |
| 600 | 599 04 75-01 | SEAL | 1,313x2,066x0,31 | 2 |
| 601 | 599 04 76-01 | SEAL | 1,625x2,252x0,31 | 2 |
| 616 | 599 17 10-01 | PLUG | 3/8in NPTF (S8) | 3 |



DRIVE

CRT48-57K PS, 970461611, 2020-02

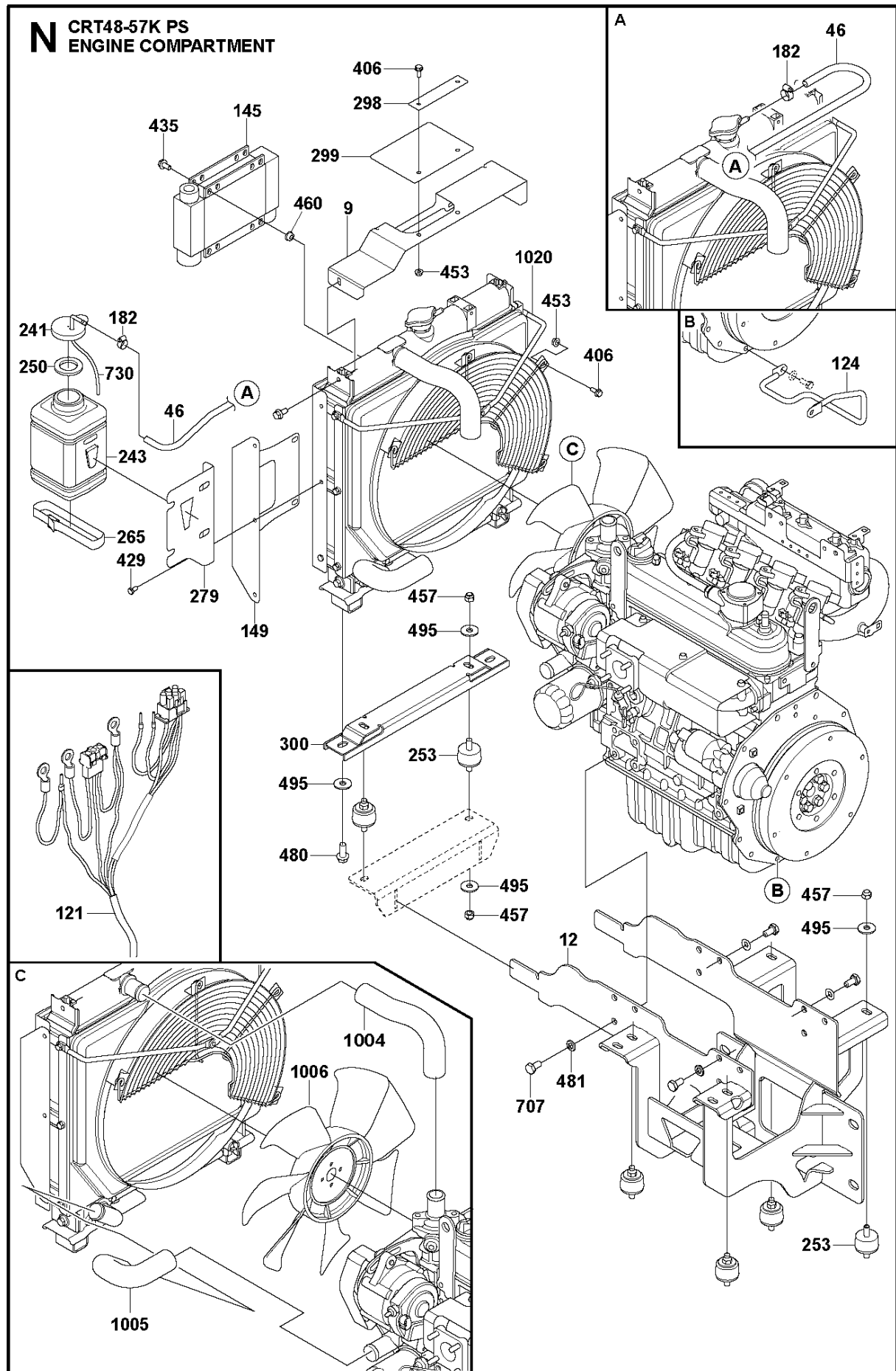
| Ref | Part No | Description | Remark | QTY KIT |
|-----|--------------|---------------|--------------------------------------------|---------|
| 96 | 599 05 83-01 | LEVER | Right cross | 1 |
| 98 | 599 05 84-01 | LEVER | Left cross | 1 |
| 179 | 599 00 88-01 | BRACKET | Gearbox bracket, left | 1 |
| 180 | 599 02 29-01 | BRACKET | Gearbox bracket, right | 1 |
| 211 | 599 03 27-01 | CLUTCH | | 1 |
| 215 | 599 03 28-01 | CLUTCH | | 1 |
| 216 | 599 03 26-01 | BELT | 13-1/4" | 1 |
| 217 | 598 99 52-01 | JOINT | | 1 |
| 218 | 599 02 17-01 | JOINT | | 1 |
| 219 | 599 10 54-01 | SPACER | | 1 |
| 225 | 598 99 45-01 | BEARING | | 2 |
| 226 | 599 16 54-01 | WASHER | 1"x0,265"x0,1795" | 1 |
| 238 | 599 12 36-01 | SHAFT | | 1 |
| 240 | 598 99 48-01 | FITTING | | 1 |
| 284 | 599 16 92-01 | CAP | Cap | 8 |
| 317 | 599 17 29-01 | FITTING | | 2 |
| 319 | 599 08 34-01 | HOSE | 41" | 2 |
| 405 | 725 53 70-01 | SCREW IHSCM | M6x20 ISO4762 8.8 ZPB, 9Nm/7ft.lbs | 12 |
| 407 | 725 23 70-71 | SCREW EHHM | M6x20 ISO4017 8.8 ZPB, 10Nm/7ft.lbs | 1 |
| 412 | 725 53 78-01 | SCREW IHSCM | M6x40 ISO4762 8.8 ZPB | 3 |
| 428 | 725 25 45-51 | SCREW EHHM | M12x65 ISO4014 8.8 ZPB, 85Nm/63ft.lbs | 4 |
| 433 | 597 97 91-01 | SCREW | M14x50 ISO4017 8.8 ZPB, 135Nm/100ft.lbs | 4 |
| 434 | 599 17 51-01 | SCREW | 7/16"-20x5,5" SAE GR5 | 1 |
| 463 | 598 55 65-01 | NUT | M14 ISO10511 | 4 |
| 466 | 502 04 55-01 | NUT | M12 ISO10511 | 12 |
| 476 | 725 25 41-71 | SCREW EHHM | M12x45 ISO4017 8.8 ZPB, 10Nm/7ft.lbs | 16 |
| 488 | 599 16 57-01 | WASHER | M14 ISO7089 200HV ZPB | 8 |
| 490 | 599 16 44-01 | WASHER | 0,531x1,625x0,12 | 1 |
| 491 | 734 11 78-01 | WASHER | M12 ISO7089 200HV ZPB | 20 |
| 502 | 599 16 55-01 | RETAINER RING | 1" | 1 |
| 543 | 599 16 32-01 | KEY | Square key 3/16"x1" | 2 |
| 547 | 599 17 24-01 | KEY | Square key 1/4"x2-1/2" | 2 |
| 588 | 598 99 31-01 | BEARING | 1in ID | 6 |
| 589 | 599 01 26-01 | BLOCK | | 6 |



ENGINE INSTALLATION

CRT48-57K PS, 970461611, 2020-02

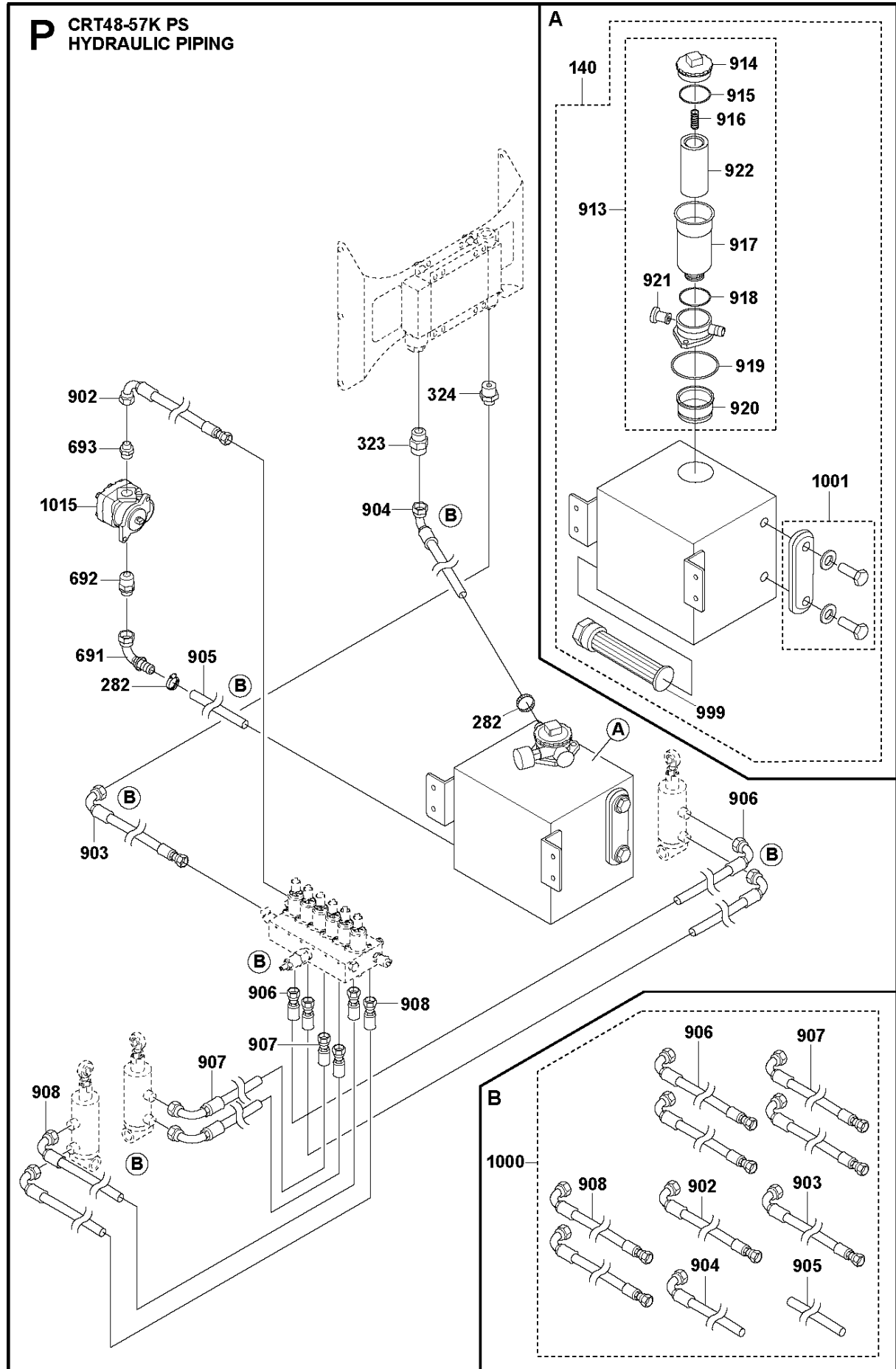
| Ref | Part No | Description | Remark | QTY KIT |
|------|--------------|-------------|-----------------------------------------|---------|
| 669 | 599 07 56-01 | CASING | RS-209HTx6,5" | 1 |
| 1 | 599 10 16-01 | ENGINE | | 1 |
| 8 | 599 10 46-01 | AIR CLEANER | | 1 |
| 23 | 599 11 18-01 | BELT GUARD | | 1 |
| 124 | 599 03 63-01 | CABLE | 16" | 1 |
| 182 | 599 16 17-01 | CLAMP | 0,21"-0,63" | 1 |
| 190 | 599 07 40-01 | HOSE | | 1 |
| 201 | 599 11 19-01 | PIPE | | 1 |
| 202 | 599 11 20-01 | PIPE | | 1 |
| 205 | 599 12 40-01 | HOSE | | 1 |
| 206 | 599 11 07-01 | BRACKET | | 1 |
| 207 | 599 12 46-01 | CAP | | 1 |
| 219 | 599 10 54-01 | SPACER | | 1 |
| 245 | 599 12 20-01 | SHAFT | | 1 |
| 281 | 599 16 41-01 | CLAMP | | 4 |
| 283 | 599 17 45-01 | CLAMP | | 2 |
| 301 | 599 12 11-01 | BRACKET | | 1 |
| 406 | 585 98 06-01 | SCREW EHHFM | M6x16 ISO1665 8.8 ZPB, 9Nm/7ft.lbs | 3 |
| 416 | 725 24 51-01 | SCREW | 8x20 hx.hd. 24Nm/18ft.lbs | 5 |
| 435 | 506 57 01-03 | SCREW EHHFM | M8x16 ISO1665 8.8 ZPB, 25Nm/18ft.lbs | 8 |
| 436 | 585 97 28-01 | SCREW EHHFM | M8x30 ISO1665 8.8 ZPB, 25Nm/18ft.lbs | 2 |
| 459 | 576 64 57-05 | NUT FLANGE | M10 ISO7042 | 2 |
| 460 | 576 64 57-04 | NUT FLANGE | M8 | 8 |
| 480 | 599 17 78-01 | SCREW | M10x25 | 6 |
| 485 | 734 11 63-01 | WASHER | M8 ISO7089 200HV ZPB | 1 |
| 547 | 599 17 24-01 | KEY | Square key 1/4"x2-1/2" | 1 |
| 651 | 599 12 31-01 | BRACKET | | 1 |
| 652 | 599 12 29-01 | BRACKET | | 1 |
| 653 | 599123302 | TBD | | 1 |
| 670 | 599 12 59-01 | HOSE | | 1 |
| 672 | 599 16 89-01 | SCREW | M12x35 10.9 | 2 |
| 673 | 576 64 57-06 | NUT FLANGE | M12 | 2 |
| 674 | 585 97 31-01 | SCREW EHHFM | M10x25 ISO1665 8.8 ZPB | 4 |
| 675 | 576 82 31-01 | WASHER | | 4 |
| 676 | 599 07 77-01 | BRACKET | | 1 |
| 688 | 599 07 36-01 | FITTING | | 1 |
| 1001 | 599 07 57-01 | CONVERTER | | 1 |
| 1002 | 599 48 09-01 | GASKET | | 1 |
| 1003 | 599 48 09-02 | GASKET | | 1 |



ENGINE COMPARTMENT

CRT48-57K PS, 970461611, 2020-02

| Ref | Part No | Description | Remark | QTY KIT |
|------|--------------|-------------|-----------------------------------------|---------|
| 9 | 599 12 30-01 | SHIELD | | 1 |
| 12 | 599 12 12-01 | BRACKET | | 1 |
| 46 | 599 48 12-01 | FUEL HOSE | 28" | 1 |
| 121 | 599 07 78-01 | WIRE | | 1 |
| 124 | 599 03 63-01 | CABLE | | 1 |
| 145 | 599 11 70-01 | RADIATOR | | 1 |
| 149 | 599 07 73-01 | BRACKET | | 1 |
| 182 | 599 16 17-01 | CLAMP | 0,21"-0,63" | 2 |
| 241 | 599 03 43-01 | CAP | | 1 |
| 243 | 599 03 42-01 | BOTTLE | | 1 |
| 250 | 599 06 45-01 | GASKET | | 1 |
| 253 | 598 99 98-01 | BUMPER | | 6 |
| 265 | 599 17 32-01 | CABLE | | 2 |
| 279 | 599 11 21-01 | BRACKET | | 1 |
| 298 | 599 04 47-01 | PLATE | | 1 |
| 299 | 599 04 45-01 | SHIELD | | 1 |
| 300 | 599 07 54-01 | BRACKET | | 1 |
| 406 | 585 98 06-01 | SCREW EHHFM | M6x16 ISO1665 8.8 ZPB, 9Nm/7ft.lbs | 6 |
| 429 | 596 32 01-01 | BOLT | M6x12 ISO4017 8.8 ZPB, 10Nm/7ft.lb | 2 |
| 435 | 506 57 01-03 | SCREW EHHFM | M8x16 ISO1665 8.8 ZPB, 25Nm/18ft.lbs | 8 |
| 453 | 593 35 64-01 | NUT | M6 | 6 |
| 457 | 539 20 02-82 | NUT | 3/8"-16" | 6 |
| 460 | 576 64 57-04 | NUT FLANGE | M8 | 4 |
| 480 | 599 17 78-01 | SCREW | M10x25 | 2 |
| 481 | 734 11 72-01 | WASHER | M10 ISO7089 200HV ZPB | 12 |
| 495 | 599 15 99-01 | WASHER | B10,5 (DIN9021) | 6 |
| 707 | 599 17 35-01 | SCREW | M10x20, 48Nm/35ft.lbs (S3) | 12 |
| 730 | 599 07 55-01 | HOSE | 152 mm | 1 |
| 1004 | 599 48 06-01 | HOSE | | 1 |
| 1005 | 599 48 06-02 | HOSE | | 1 |
| 1006 | 599 48 07-01 | FAN | | 1 |
| 1020 | 599 48 03-01 | RADIATOR | | 1 |

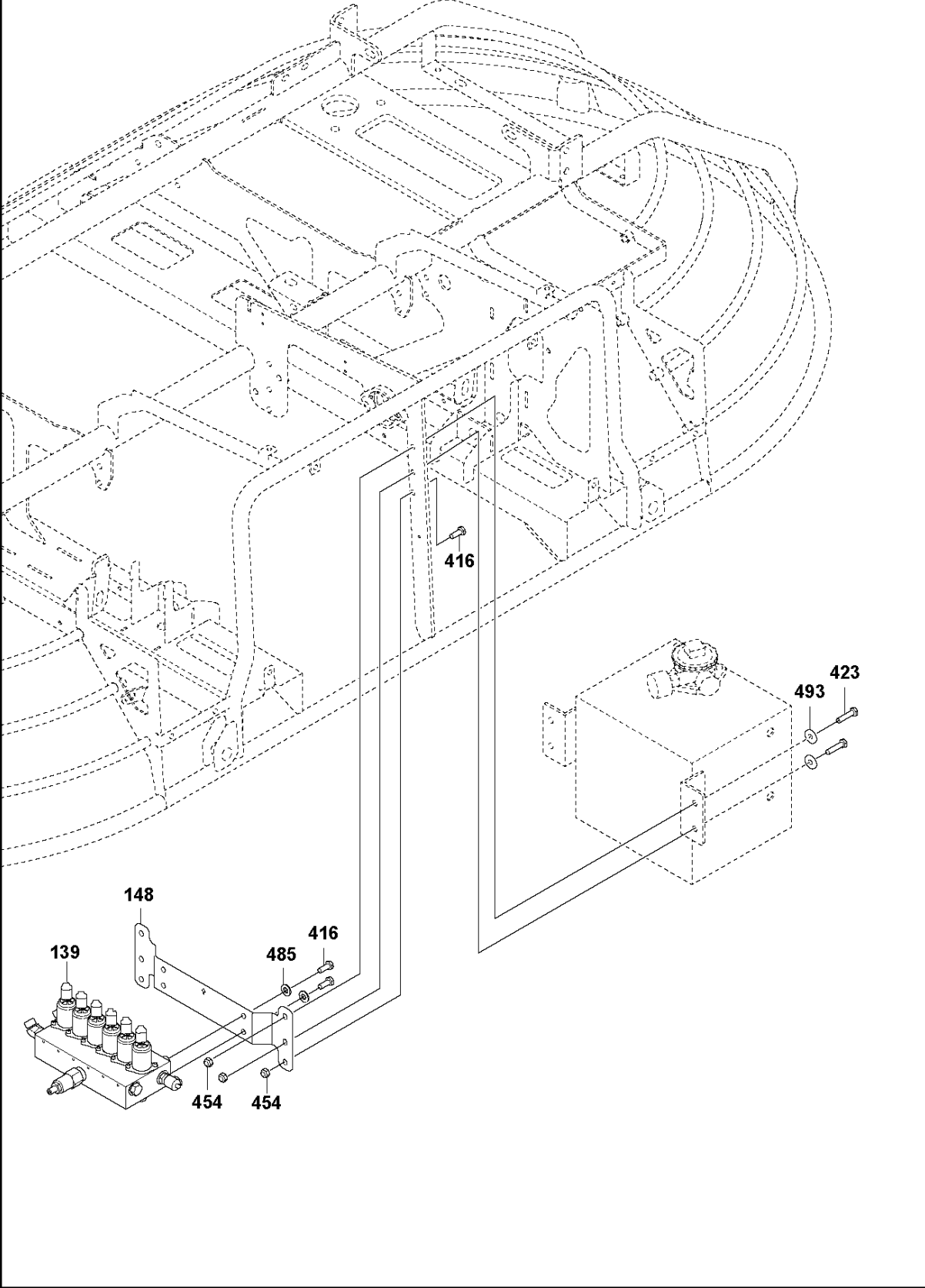


HYDRAULIC PIPING

CRT48-57K PS, 970461611, 2020-02

| Ref | Part No | Description | Remark | QTY | KIT |
|------|--------------|----------------|----------------------|-----|----------|
| 140 | 599 05 08-01 | RESERVOIR | | 1 | |
| 282 | 599 17 28-01 | CLAMP | 20-32 | 3 | |
| 323 | 598 99 78-01 | FITTING | | 1 | |
| 324 | 598 99 09-01 | FITTING | | 1 | |
| 691 | 599 07 37-01 | FITTING | | 1 | |
| 692 | 599 07 38-01 | FITTING | | 1 | |
| 693 | 599 07 39-01 | FITTING | | 1 | |
| 902 | 599 50 71-01 | HYDRAULIC HOSE | 24" | 1 | |
| 903 | 599 50 72-01 | HYDRAULIC HOSE | 49" | 1 | 1000 |
| 904 | 599 52 88-01 | HYDRAULIC HOSE | 29" | 1 | 1000 |
| 905 | 599 52 89-01 | HYDRAULIC HOSE | 33" | 1 | 1000 |
| 906 | 599 50 76-01 | HYDRAULIC HOSE | | 2 | 1000 |
| 907 | 599 50 77-01 | HYDRAULIC HOSE | | 2 | 1000 |
| 908 | 599 50 78-01 | HYDRAULIC HOSE | | 2 | 1000 |
| 913 | 599 50 80-01 | FILTER | | 1 | 140 |
| 914 | 599 50 81-01 | CAP | | 1 | 913, 140 |
| 915 | 599 50 84-01 | O-RING | | 1 | 913, 140 |
| 916 | 599 50 82-01 | SPRING | | 1 | 913, 140 |
| 917 | 599 50 83-01 | FILTER HOUSING | | 1 | 913, 140 |
| 918 | 599 50 85-01 | O-RING | | 1 | 913, 140 |
| 919 | 599 50 86-01 | O-RING | | 1 | 913, 140 |
| 920 | 599 50 87-01 | SEPARATOR | | 1 | 913, 140 |
| 921 | 599 50 88-01 | BREATHER | | 1 | 913, 140 |
| 922 | 599 50 89-01 | FILTER | | 1 | 913, 140 |
| 999 | 599 50 69-01 | HYDRAULIC TANK | | 1 | 140 |
| 1000 | 599 07 41-01 | HOSE KIT | Hydraulic hoses, set | 1 | |
| 1001 | 599 50 68-01 | HYDRAULIC TANK | Sight glass | 1 | |
| 1015 | 599 07 52-01 | HYDRAULIC PUMP | | 1 | |

Q CRT48-57K PS
HYDRAULIC MANIFOLD



HYDRAULIC MANIFOLD

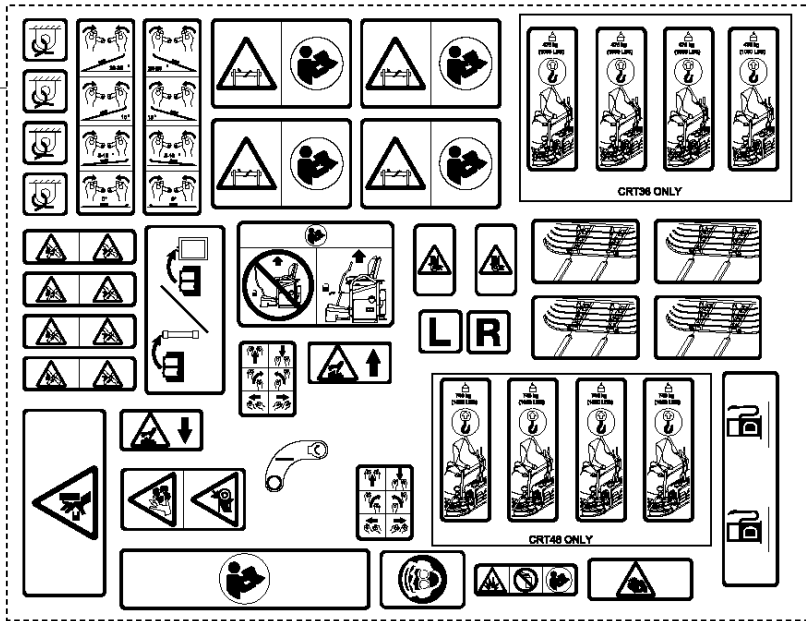
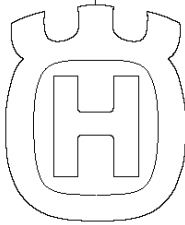
CRT48-57K PS, 970461611, 2020-02

| Ref | Part No | Description | Remark | QTY KIT |
|-----|--------------|-------------|----------------------------------------|---------|
| 139 | 599 05 07-01 | MANIFOLD | | 1 |
| 148 | 599 05 37-01 | BRACKET | | 1 |
| 416 | 725 24 51-01 | SCREW | 8x20 hx.hd. 24Nm/18ft.lbs | 6 |
| 423 | 725 24 57-51 | SCREW | M8x35 ISO4017 8.8 ZPB 25Nm/18ft.lbs | 4 |
| 454 | 522 91 94-01 | LOCK NUT | M8 ISO10511 | 6 |
| 485 | 734 11 63-01 | WASHER | M8 ISO7089 200HV ZPB | 4 |
| 493 | 734 11 65-41 | WASHER | M8 ISO7093 ZPB | 4 |

R CRT48-57K PS
DECALS

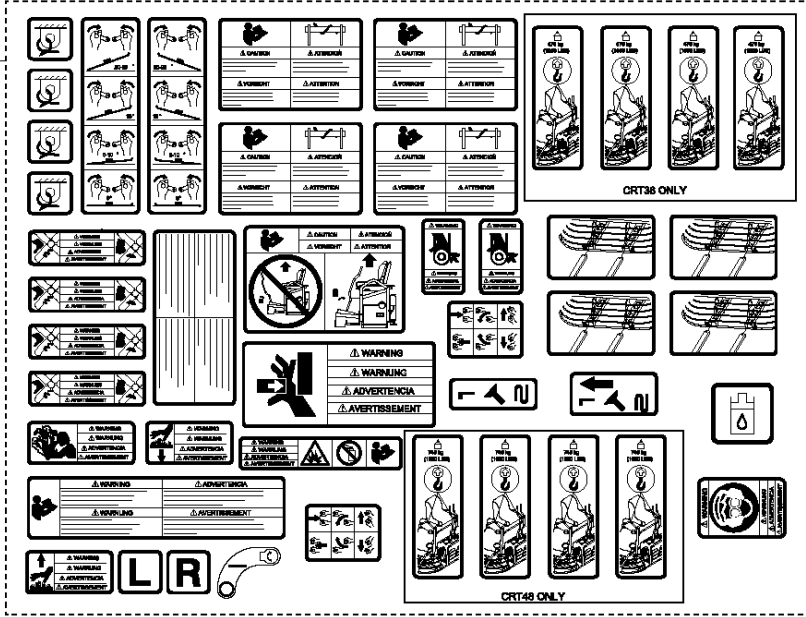
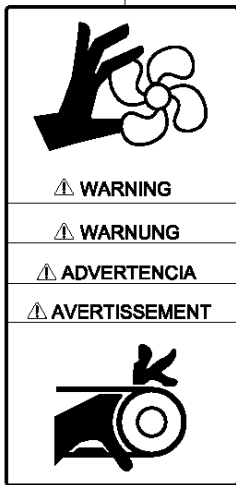
802

800



230

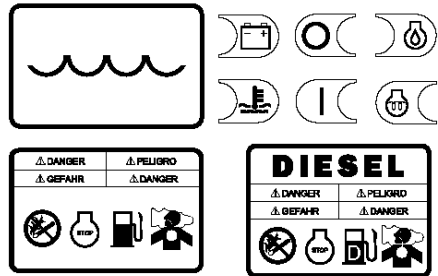
231



801

CRT48

235



810

Husqvarna®

DECALS

CRT48-57K PS, 970461611, 2020-02

| Ref | Part No | Description | Remark | QTY KIT |
|-----|--------------|-------------|--------|---------|
| 230 | 599 04 73-01 | LABEL | | 1 |
| 231 | 599 00 25-01 | LABEL | | 1 |
| 235 | 599 04 31-01 | LABEL | | 1 |
| 800 | 599 23 50-01 | DECAL | | 1 |
| 801 | 599 23 49-01 | DECAL | | 1 |
| 802 | 599 05 15-01 | LABEL | | 1 |
| 810 | 599 23 48-01 | DECAL | | 2 |