



Husqvarna®



K1270 II R

EN	Operator's manual	2-24
DE	Bedienungsanweisung	25-47
ES	Manual de usuario	48-71
FR	Manuel d'utilisation	72-95
IT	Manuale dell'operatore	96-119
ZH	操作手册	120-139

Contents

Introduction.....	2	Transportation, storage and disposal.....	20
Safety.....	4	Technical data.....	21
Operation.....	7	Declaration of Incorporation of Partly completed machinery.....	22
Maintenance.....	11	Warranty.....	23
Troubleshooting.....	19		

Introduction

California Proposition 65



WARNING

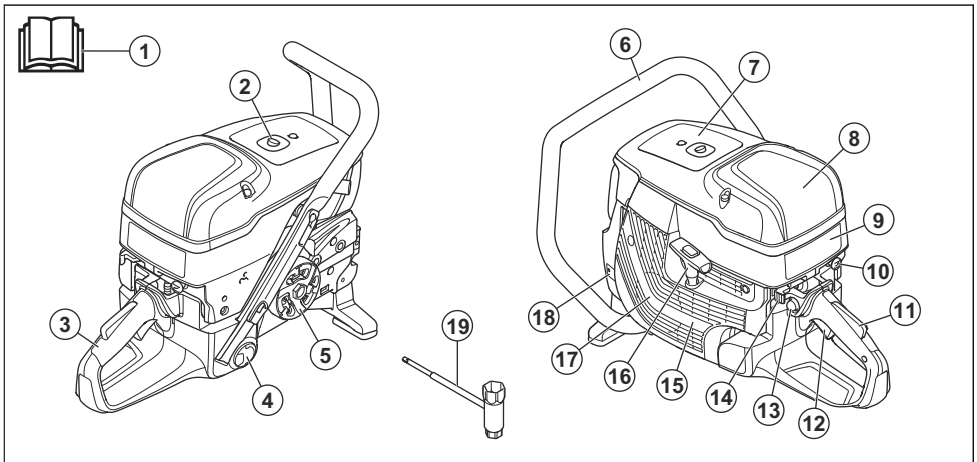
The engine exhaust from this product contains chemicals known to the State of California to cause cancer, birth defects or other reproductive harm.

Product description

This power unit is a not fully complete product. Original Equipment Manufacturers (OEM) use this power unit to

assemble a special high speed handheld power cutter, or other equipment in that category.

Product overview



1. Operator's manual
2. Decompression valve
3. Rear handle

4. Fuel tank cap
5. Gear and clutch
6. Front handle

7. Information and warning decal
8. Air filter cover
9. Start instruction decal
10. Choke control
11. Throttle lockout
12. Throttle trigger
13. Air purge bulb
14. Stop switch
15. Air intake
16. Starter rope handle
17. Starter housing
18. Type plate
19. Combination wrench

Symbols on the product



WARNING: This product can be dangerous and cause serious injury or death to the operator or others. Be careful and use the product correctly.



Read the operator's manual carefully and make sure that you understand the instructions before you use this product.



Use approved protective helmet, hearing protection, eye protection and respiratory protection. Refer to *Personal protective equipment on page 4*.



Dust forms when cutting. The dust can cause injuries if inhaled. Use an approved respiratory protection. Avoid inhaling exhaust fumes. Always provide for good ventilation.



WARNING! Kickbacks can be sudden, rapid and violent and can cause life threatening injuries. Read and understand the instructions in the manual before using the product.



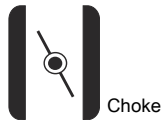
Sparks from the cutting blade can cause fire in fuel, wood, clothes, dry grass or other flammable materials.



Make sure that the cutting blade does not have cracks or other damages.



Do not use circular saw blades.



Choke



Air purge bulb



Decompression valve



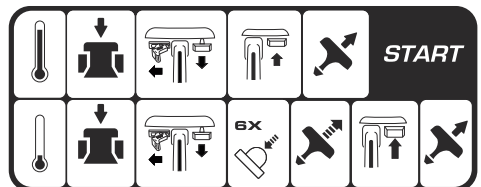
Starter rope handle



Use a fuel mixture of gasoline and oil.

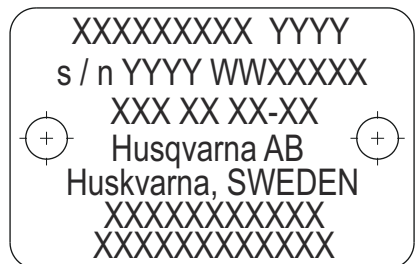
Note: Other symbols/decals on the product refer to special certification requirements for some markets.

Start instructions decal



Refer to *To start the product with a cold engine on page 8* and *To start the product with a warm engine on page 10* for instructions.

Type plate



Row 1: Brand, Model (X, Y)

Row 2: Serial No. with manufacturing date (Y, W, X):
Year, Week, Sequence No.

Row 3: Product No. (X)

Row 4: Manufacturer

Row 5: Manufacturer address

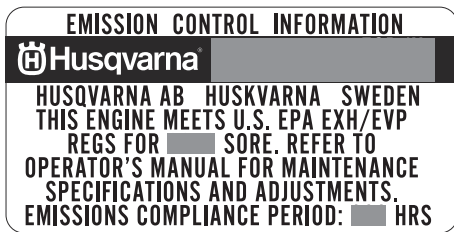
Rows 6–7: EU type approval or Chinese MEIN number

Euro V Emissions



WARNING: Tampering with the engine voids the EU type-approval of this product.

EPA



The Emissions Compliance Period referred to on the Emission Compliance label indicates the number of operating hours for which the engine has been shown to meet Federal emissions requirement. Maintenance, replacement or repair of the emission control devices and system may be performed by any nonroad engine repair establishment or individual.

CALIFORNIA AIR RESOURCES BOARD (CARB)

Note: This machine is considered a preempt Off-Road Application as relating to CARB standards. The U.S EPA has sole authority to establish emission standards for preempt construction equipment.

Product liability

As referred to in the product liability laws, we are not liable for damages that our product causes if:

- the product is incorrectly repaired.
- the product is repaired with parts that are not from the manufacturer or not approved by the manufacturer.
- the product has an accessory that is not from the manufacturer or not approved by the manufacturer.
- the product is not repaired at an approved service center or by an approved authority.

Safety

Safety definitions

Warnings, cautions and notes are used to point out specially important parts of the manual.



WARNING: Used if there is a risk of injury or death for the operator or bystanders if the instructions in the manual are not obeyed.



CAUTION: Used if there is a risk of damage to the product, other materials or the adjacent area if the instructions in the manual are not obeyed.

Note: Used to give more information that is necessary in a given situation.

Exhaust fumes safety



WARNING: Read the warning instructions that follow before you use the product.

- The exhaust fumes from the engine contain carbon monoxide which is an odourless, poisonous and very dangerous gas. To breathe carbon monoxide can cause death. Because carbon monoxide is odourless

and cannot be seen, it is not possible to sense it. A symptom of carbon monoxide poisoning is dizziness, but it is possible that a person becomes unconscious without warning if the quantity or concentration of carbon monoxide is sufficient.

- Exhaust fumes also contain unburned hydrocarbons including benzene. Long-term inhalation can cause health problems.
- Exhaust fumes that you can see or smell also contain carbon monoxide.
- Do not use a combustion engine product indoors or in areas that do not have sufficient airflow.
- Do not breathe the exhaust fumes.
- Make sure that the airflow in the work area is sufficient. This is very important when you operate the product in trenches or other small work areas where exhaust fumes can easily collect.

Personal protective equipment

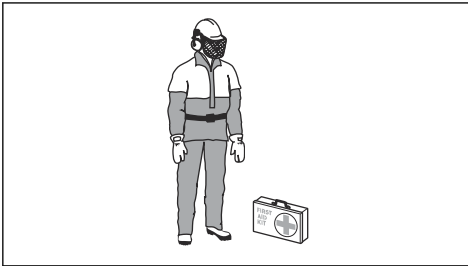


WARNING: Read the warning instructions that follow before you use the product.

- Always use approved personal protective equipment during operation. Personal protective equipment cannot eliminate the risk of injury but it will reduce

the degree of injury if an accident does happen. Ask your servicing dealer for help in choosing the right equipment.

- Use an approved protective helmet.
- Use approved hearing protection. Long-term exposure to noise can result in permanent hearing impairment. Be aware of warning signals or shouts when you are wearing hearing protection. Always remove your hearing protection as soon as the engine stops.
- Use approved eye protection to decrease the risk of injury from thrown objects. If you use a face shield then you must also wear approved protective goggles. Approved protective goggles must comply with standard ANSI Z87.1 in the USA or EN 166 in EU countries. Visors must comply with standard EN 1731.
- Use heavy duty gloves.
- Use approved respiratory protection. The use of products such as cutters, grinders, drills, that sand or form material can generate dust and vapours which may contain hazardous chemicals. Check the nature of the material you intend to process and use appropriate breathing mask.
- Use tight-fitting, heavy-duty and comfortable clothing that permits full freedom of movement. Cutting generates sparks that can ignite clothing. Husqvarna recommends that you wear flame-retardant cotton or heavy denim. Do not wear clothing made of material such as nylon, polyester or rayon. If ignited such material can melt and cling to the skin. Do not wear shorts.
- Use boots with steel toe-cap and non-slip sole.
- Always keep a first aid kit near.



- Sparks can come from the muffler or the cutting blade. Always have a fire extinguishing available.

Safety devices on the product



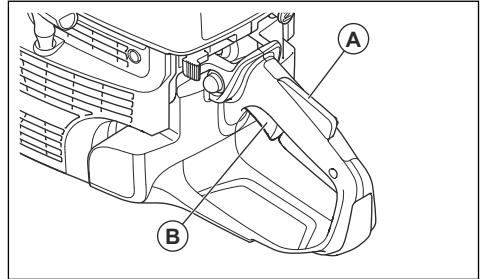
WARNING: Read the warning instructions that follow before you use the product.

- Do not use a product with defective safety devices.
- Do a check of the safety devices regularly. If the safety devices are defective, speak to your Husqvarna approved service agent.

- Do not change the safety devices.
- Do not use the product if protective plates, protective covers, safety switches or other protective devices are defective or not attached.

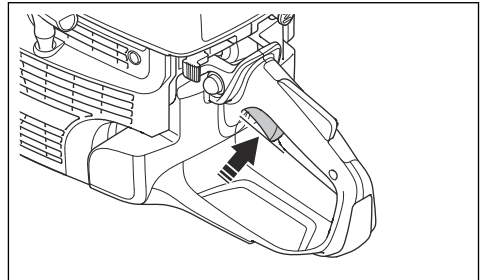
Throttle trigger lockout

The throttle trigger lockout prevents accidental operation of the throttle trigger. If you put your hand around the handle and push the throttle trigger lockout (A), it releases the throttle trigger (B). If you release the handle, the throttle trigger and the throttle trigger lockout move back to their initial positions. This function locks the throttle trigger at idle speed.

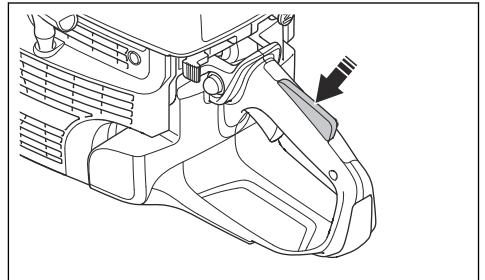


To do a check of the throttle trigger lockout

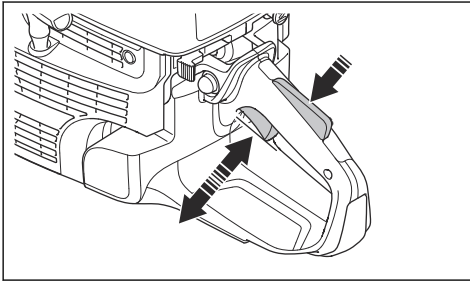
1. Make sure that the throttle trigger is locked at the idle position when the throttle trigger lockout is released.



2. Push the throttle trigger lockout and make sure that it goes back when you release it.



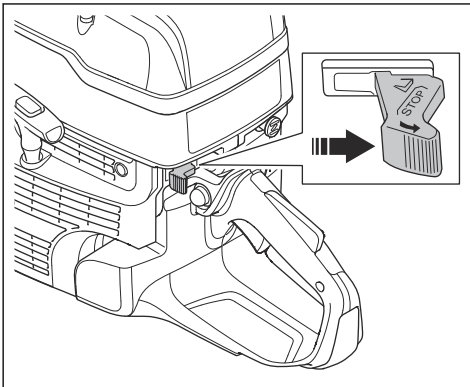
3. Make sure that the throttle trigger and throttle trigger lockout move freely and that the return springs operate correctly.



4. Start the product and apply full throttle.
5. Release the throttle control and make sure that the cutting blade stops and stays stationary.
6. If the cutting blade rotates at idle position, adjust the idle speed. Refer to *To adjust the idle speed on page 17*.

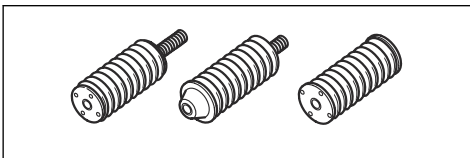
To do a check of the stop switch

1. Start the engine.
2. Push the stop switch to the STOP position. The engine must stop.



Vibration damping system

Your product is equipped with a vibration damping system that is designed to minimize vibration and make operation easier. The product's vibration damping system reduces the transfer of vibration between the engine unit/cutting equipment and the product's handle unit.



To do a check of the vibration damping system



WARNING: Make sure that the engine is off and that the stop switch is in STOP position.

1. Make sure that there are no cracks or deformation on the vibration damping units. Replace the vibration damping units if they are damaged.
2. Make sure that the vibration damping units are correctly attached to the engine unit and handle unit.

Muffler

The muffler keeps the noise levels to a minimum and sends the exhaust fumes away from the operator.

Do not use the product if the muffler is missing or defective. A defective muffler increases the noise level and the risk of fire.



WARNING: The muffler becomes very hot during and after use and when the engine operates at idle speed. Be careful near flammable materials and/or fumes to prevent fire.

To do a check of the muffler

- Examine the muffler regularly to make sure that it is attached correctly and not damaged.

Fuel safety

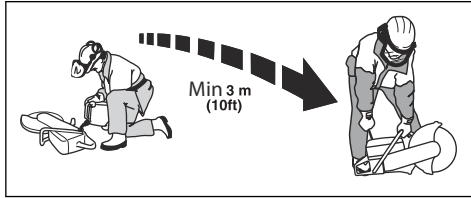


WARNING: Read the warning instructions that follow before you use the product.

- Fuel is flammable and the fumes are explosive. Be careful with fuel to prevent injury, fire and explosion.
- Only refuel the product outdoors, where the airflow is sufficient. Do not breathe in the fuel fumes. The fuel fumes are poisonous and can cause injury, fire and explosion.
- Do not remove the fuel tank cap or fill the fuel tank when the engine is on.
- Let the engine become cool before you refuel.
- Do not smoke near the fuel or the engine.
- Do not put hot objects near the fuel or the engine.
- Do not fill fuel near sparks or flames.
- Before you refuel, open the fuel tank cap slowly and release the pressure carefully.
- Fuel on your skin can cause injury. If you get fuel on your skin, use soap and water to remove the fuel.
- If you spill fuel on your clothing, change clothing immediately.
- Tighten the fuel tank cap fully. If the fuel tank cap is not correctly tightened, the vibrations in the product

can loosen it and cause leakage of fuel and fuel fumes. Fuel and fuel fumes are a risk of fire.

- Before you start the product, move the product to a minimum of 3 m/10 ft from where you refueled.



- Do not start the product if there is fuel or oil spilled on the product. Remove the unwanted fuel and oil and let the product dry before you start the engine.
- Examine the engine for leaks regularly. If there are leaks in the fuel system, do not start the engine until the leaks are repaired.
- Keep fuel in approved containers only.
- When the product and fuel is in storage, make sure that fuel and fuel fumes cannot cause damage, fire and explosion.

- Drain the fuel in an approved container outdoors and away from sparks and flames.

Safety instructions for maintenance



WARNING: Read the warning instructions that follow before you use the product.

- Make sure that the engine is off and that the stop switch is in STOP position.
- Use personal protective equipment. Refer to *Personal protective equipment on page 4*.
- If the maintenance is not done correctly and regularly, the risk of injury and damage to the product increases.
- Only do the maintenance as given in this operator's manual. Let an approved service center do all other servicing.
- Let an approved Husqvarna service agent do servicing on the product regularly.
- Replace damaged, worn or broken parts.
- Always use original accessories.

Operation

Introduction



WARNING: Read and understand the safety chapter before you use the product.

Fuel

This product has a two-stroke engine.



CAUTION: Incorrect type of fuel can result in engine damage. Use a mixture of gasoline and two-stroke oil.

Two-stroke oil

- For best results and performance use Husqvarna two-stroke oil.
- If Husqvarna two-stroke oil is not available, use a two-stroke oil of good quality for air-cooled engines. Speak to your servicing dealer to select the correct oil.



CAUTION: Do not use two-stroke oil for water-cooled outboard engines, also referred to as outboard oil. Do not use oil for four-stroke engines.

Premixed fuel

- Use Husqvarna premixed alkylate fuel for best performance and extension of the engine life. This fuel contains less harmful chemicals compared to regular fuel, which decreases harmful exhaust

fumes. The quantity of remains after combustion is lower with this fuel, which keeps the components of the engine more clean.

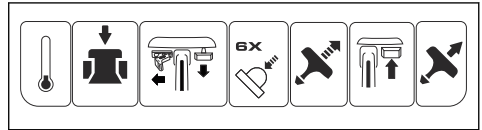
To mix gasoline and two-stroke oil

Gasoline, liter	Two-stroke oil, liter
	2% (50:1)
5	0.10
10	0.20
15	0.30
20	0.40
US gallon	US fl. oz.
1	2 ½
2 1/2	6 ½
5	12 ¾



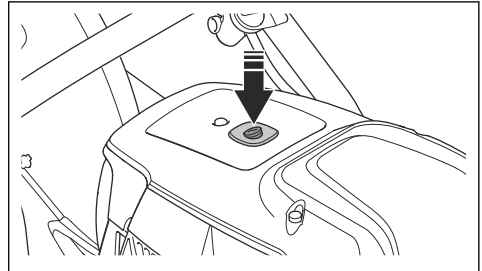
CAUTION: Small errors can influence the ratio of the mixture drastically when you mix small quantities of fuel. Measure the quantity of oil carefully and make sure that you get the correct mixture.

To start the product with a cold engine

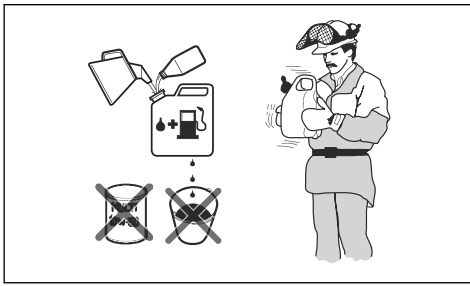
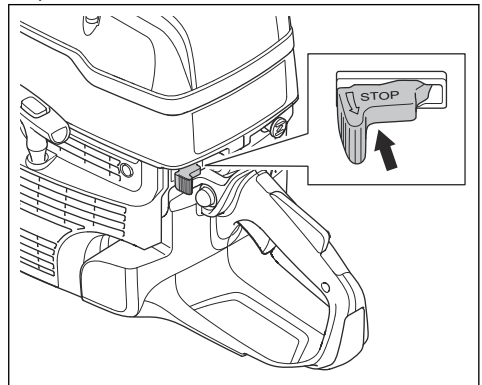


WARNING: Make sure that the cutting blade can rotate freely. It starts to rotate when the engine starts.

1. Push the decompression valve to decrease the pressure in the cylinder. The decompression valve goes back to its initial position when the product starts.



2. Make sure that the STOP switch is in the left position.



1. Fill half the quantity of gasoline in a clean container for fuel.
2. Add the full quantity of oil.
3. Shake the fuel mixture.
4. Add the remaining quantity of gasoline to the container.
5. Carefully shake the fuel mixture.



CAUTION: Do not mix fuel for more than 1 month at a time.

To fill fuel



CAUTION: Do not use gasoline with an octane number less than 90 RON (87 AKI). It causes damage to the product.

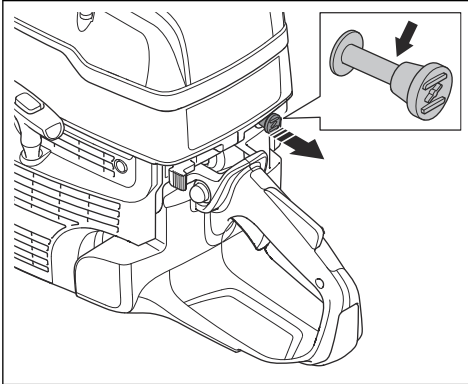


CAUTION: Do not use gasoline with more than 10% ethanol concentration (E10). It causes damage to the product.

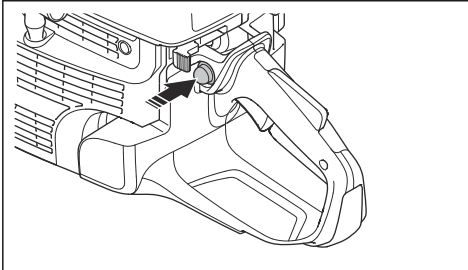
Note: Carburetor adjustment is in some conditions necessary when you change the type of fuel.

- Use gasoline with a higher octane number if you frequently use the product at continuously high engine speed.
1. Open the fuel tank cap slowly to release the pressure.
 2. Fill slowly with a fuel can. If you spill fuel, remove it with a cloth and let the remaining fuel dry off.
 3. Clean the area around the fuel tank cap.
 4. Tighten the fuel tank cap fully. If the fuel tank cap is not tightened, there is a risk of fire.
 5. Move the product a minimum of 3 m (10 ft) from the position where you filled the tank before a start.

3. Pull the choke control fully to get the start throttle position.



4. Push the air purge bulb 6 times until it is fully filled with fuel.

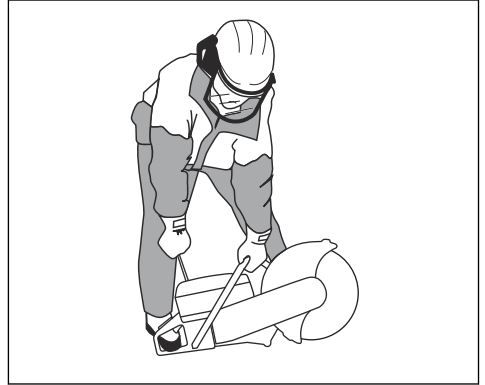


5. Hold the front handle with your left hand.
6. Put your right foot on the lower section of the rear handle to push the product against the ground.



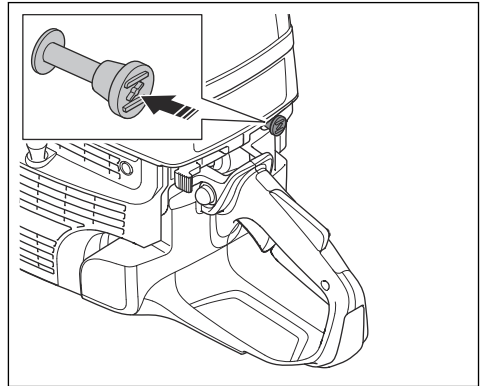
WARNING: Do not wind the starter rope around your hand.

7. Pull the starter rope slowly with your right hand until you feel a resistance as the starter pawls engage. Then pull continuously and quickly.

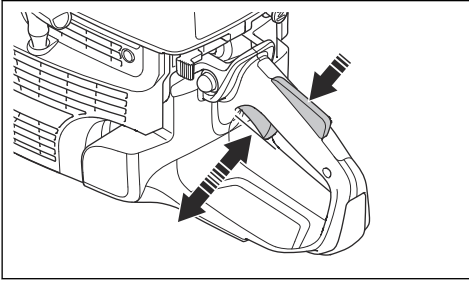


CAUTION: Do not pull the starter rope fully and do not let go of the starter rope handle when the starter rope is extended. This can cause damage to the product.

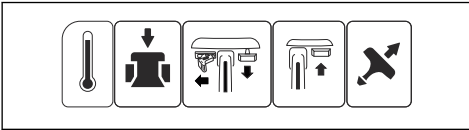
8. Push the choke control when the engine starts. If the choke is pulled out, the engine will stop after some seconds. If the engine stops, pull the starter rope handle again.



9. Push the throttle trigger to disengage the start throttle and set the product at idle speed.

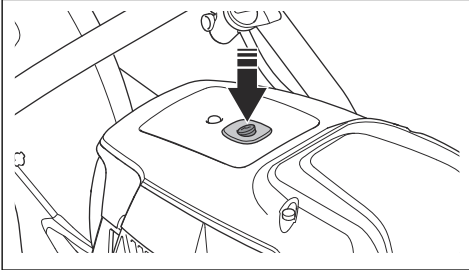


To start the product with a warm engine

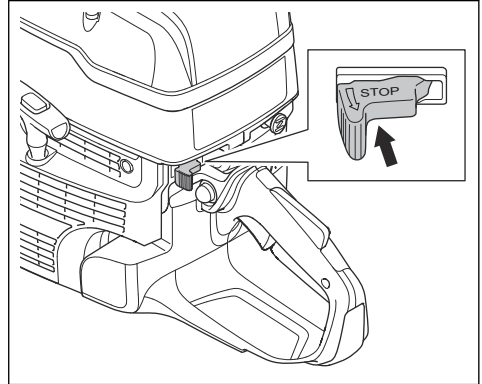


WARNING: Make sure that the cutting blade can rotate freely. It starts to rotate when the engine starts.

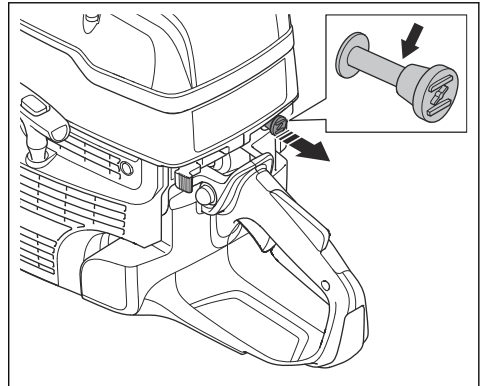
1. Push the decompression valve to decrease the pressure in the cylinder. The decompression valve goes back to its initial position when the product starts.



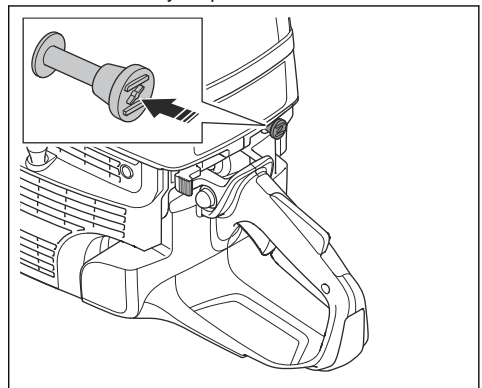
2. Make sure that the STOP switch is in the left position.



3. Pull the choke control fully to get the start throttle position.



4. Push the choke control to disable the choke. The start throttle stays in position.

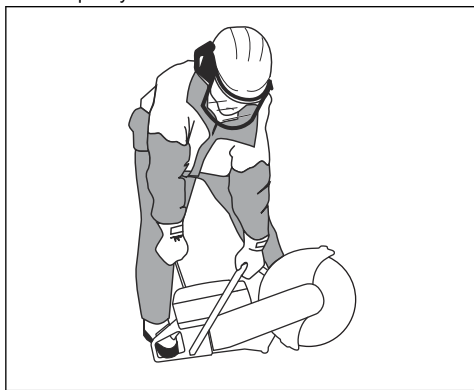


5. Hold the front handle with your left hand.
6. Put your right foot on the lower section of the rear handle to push the product against the ground.



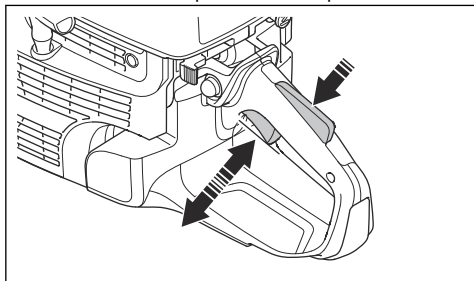
WARNING: Do not wind the starter rope around your hand.

7. Pull the starter rope slowly until you feel a resistance as the starter pawls engage. Then pull continuously and quickly.



CAUTION: Do not pull the starter rope fully and do not let go of the starter rope handle when the starter rope is extended. This can cause damage to the product.

8. Push the throttle trigger to disengage the start throttle and set the product at idle speed.

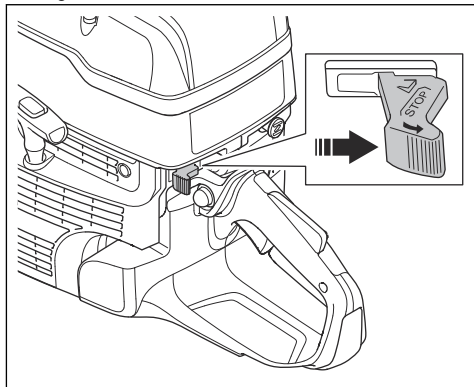


To stop the product



WARNING: The cutting blade continues to rotate for a while after the engine stops. Make sure that the cutting blade can rotate freely until it fully stops. If it is necessary to stop the cutting blade quickly, let the cutting blade lightly touch a hard surface. Risk of serious injury.

- Move the STOP switch to the right to stop the engine.



Maintenance

Introduction



WARNING: Read and understand the safety chapter before you do maintenance on the product.

For all servicing and repair work on the product, special training is necessary. We guarantee that professional repairs and servicing is available. If your dealer is not a service agent, speak to them for information about the nearest service agent.

For spare parts, speak to your Husqvarna dealer or service agent.

Maintenance schedule

The maintenance schedule shows the necessary maintenance of the product. The intervals are calculated on daily use of the product.

For maintenance identified with * refer to instructions in *Safety devices on the product on page 5.*

Maintenance	Daily	Weekly	Monthly
Clean the external surfaces of the product.	X		
Clean the cold air intake.	X		
Clean the spark plug.			X
Clean the fuel tank.			X
Do a general inspection.	X		
Examine the throttle lock-out*.	X		
Do a check of the stop switch*.	X		
Do a check for fuel leaks.	X		
Do a check of the vibration damping system*.		X	
Examine the muffler*.		X	
Examine the carburetor.		X	
Examine the starter housing.		X	
Examine the fuel system.			X
Examine the air filter.			X
Examine the drive gear and the clutch.			X

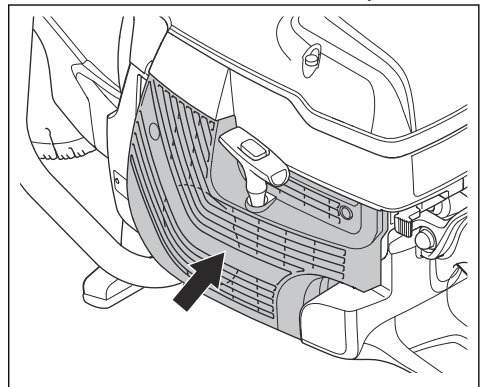
To clean externally

- Flush the product externally with clean water after each day of operation. If it is necessary, use a brush.

To clean the cold air intake

Note: A dirty or blocked air intake makes the product too hot. This can cause damage to the piston and cylinder.

- Clean the cold air intake if it is necessary.



- Remove blockage, dirt and dust with a brush.

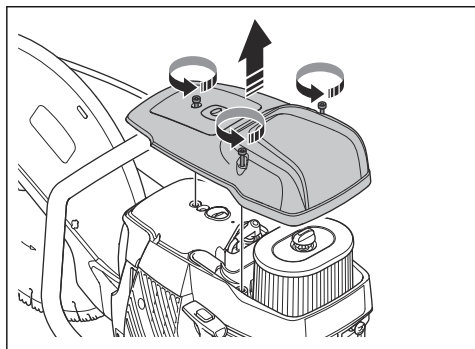
To examine the spark plug

Note: Always use the recommended spark plug type. Use of the incorrect spark plug can cause damage to the

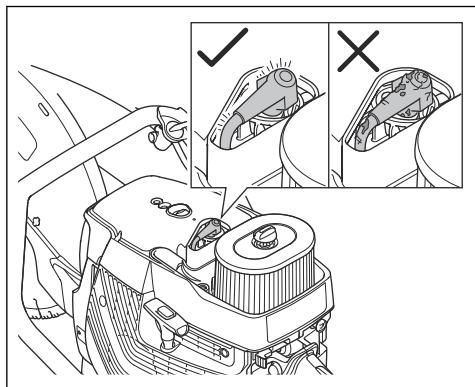
piston and cylinder. For recommended spark plug refer to *Technical data on page 21*.

Examine the spark plug if the product is low on power, does not start easily or if it operates unsatisfactorily at idle speed.

1. Loosen the 3 screws on the air filter cover and remove the air filter cover.

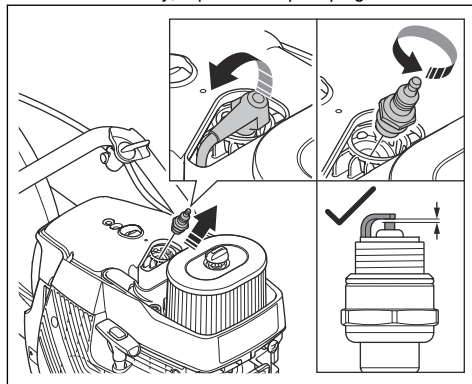


2. Make sure that the spark plug cap and ignition cable are not damaged to prevent the risk of electrical shock.



3. Clean the spark plug if it is dirty.
4. Make sure that the electrode gap is 0.5 mm.

5. If it is necessary, replace the spark plug.



To do a general inspection

- Make sure that all nuts and screws on the product are tightened correctly.

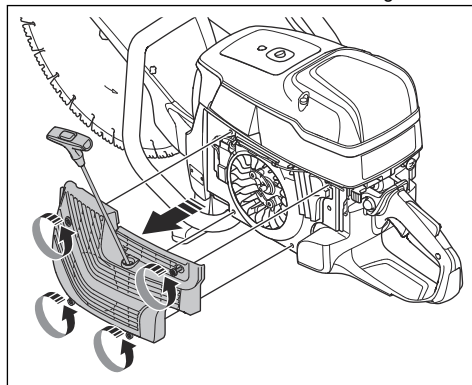
Starter housing



WARNING: Always be careful and always use eye protection when you replace the recoil spring or the starter rope. There is tension in the recoil spring when it is wound in the starter housing. The recoil spring can eject and cause injury.

To remove the starter housing

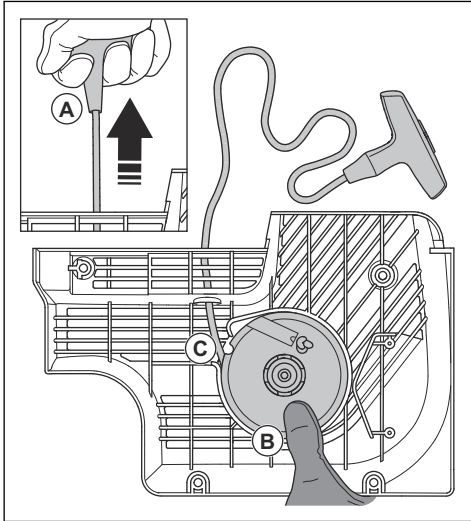
1. Loosen the 4 screws on the starter housing.



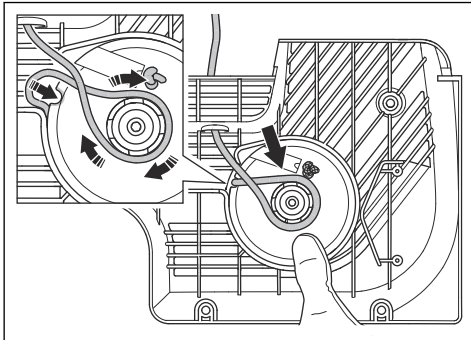
2. Remove the starter housing.

To replace a damaged starter rope

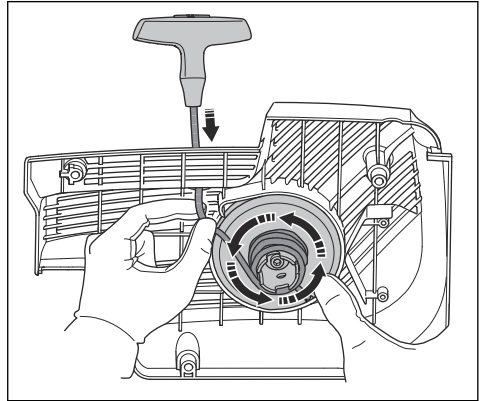
1. Pull out the starter rope approximately 30 cm (A).



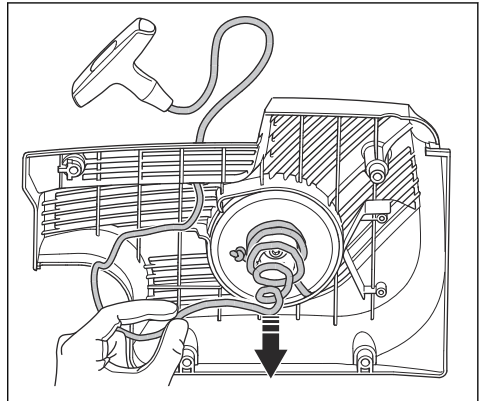
2. Hold the starter rope pulley (B) with your thumb.
3. Put the starter rope in the notch (C) in the starter pulley .
4. Put the starter rope around the metal sleeve.



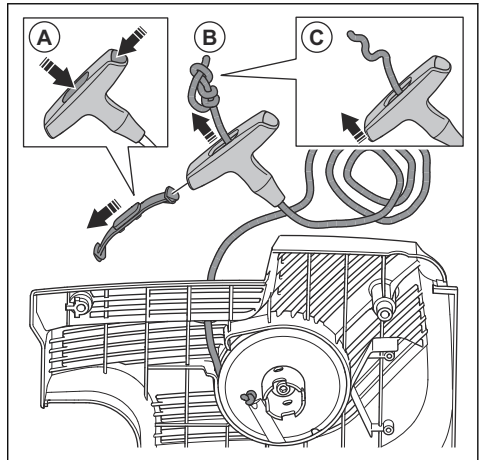
5. Let the starter pulley rotate slowly and the starter rope wind up on the metal sleeve.



6. Pull the starter rope to release it from the metal sleeve.



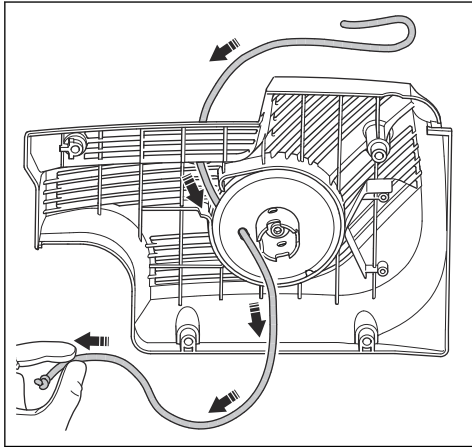
7. Remove the cover on the starter rope handle (A).



8. Pull the starter rope up through the handle (B).

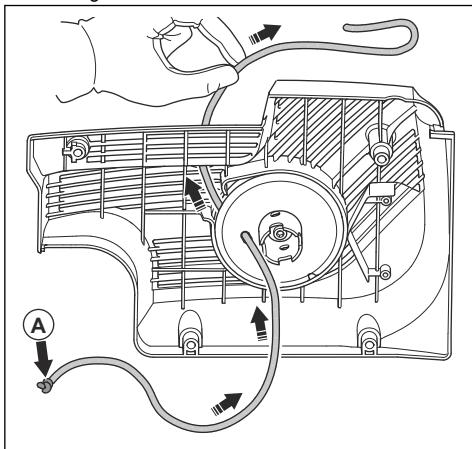
9. Release the knot (C).

10. Remove the starter rope.

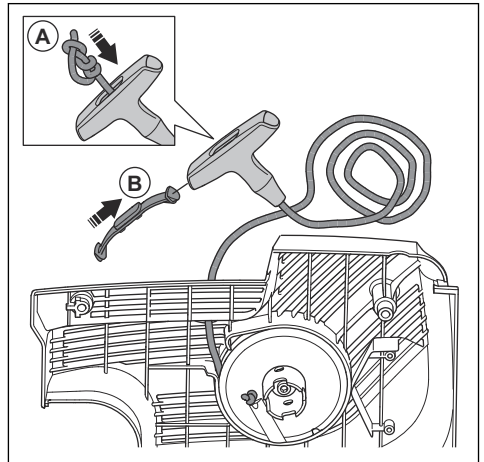


11. Make sure that the recoil spring is clean and not damaged.

12. Put a new starter rope (A) in the hole in the starter housing.



13. Pull the starter rope through the starter rope handle and make a knot at the end of the starter rope (A).

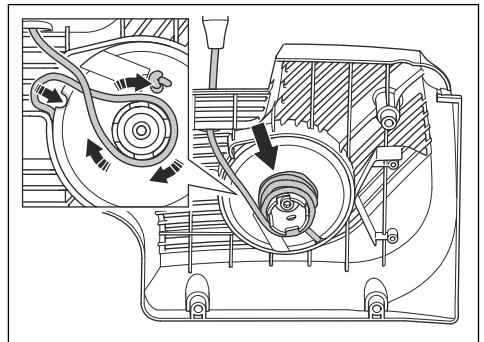


14. Attach the cover on the starter rope handle (B).

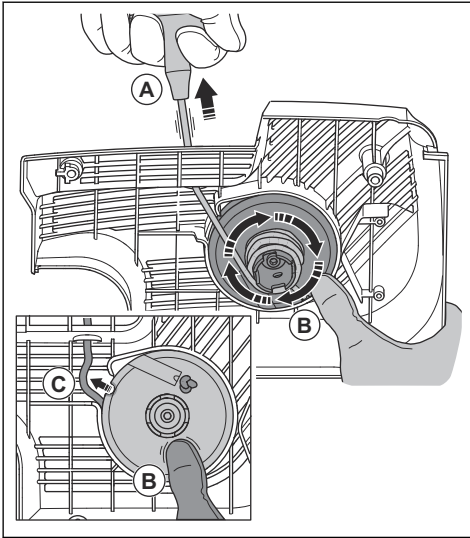
15. Adjust the tension of the recoil spring. Refer to *To adjust the tension of the recoil spring on page 15.*

To adjust the tension of the recoil spring

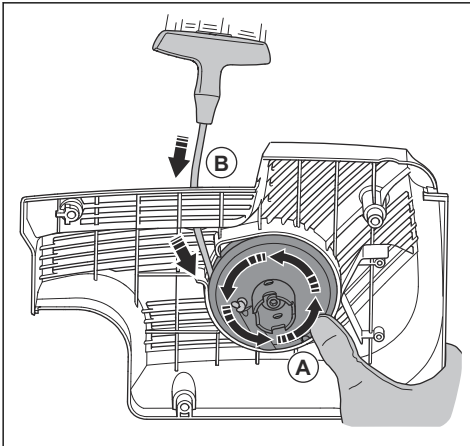
1. Pull out the starter rope.
2. Put the starter rope in the notch and wind it up around the metal sleeve.



3. Pull out the starter rope (A).



4. Put your thumb on the starter pulley (B) to keep the starter rope pulled out.
5. Release the starter rope from the notch (C).
6. Remove your thumb to release the starter pulley (A) and let the starter rope (B) wind up on the pulley.



7. Pull out the starter rope fully to do a check that the recoil spring is not at its end position. Make sure that the starter pulley can be turned half a turn or more before the recoil spring stops the movements.

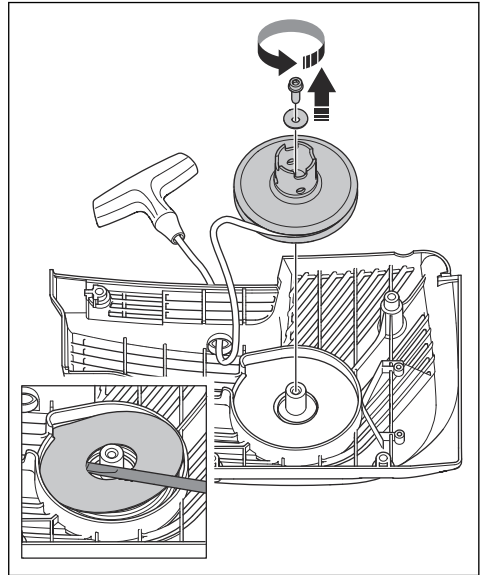
To remove the spring assembly



WARNING: Always use eye protection when you disassemble the spring assembly. There

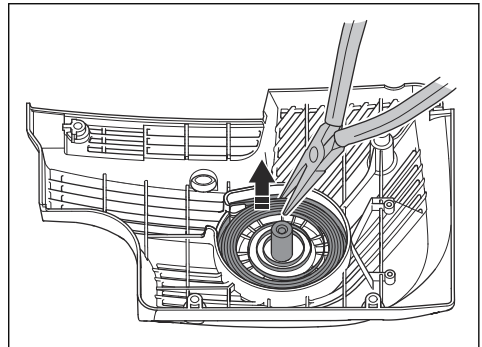
is a risk for eye injury, especially if a spring is broken.

1. Remove the bolt in the center of the starter pulley and remove the starter pulley. Carefully remove the cover.



The recoil spring has tension in the starter housing.

2. Carefully remove the spring. Use a pair of pliers.



To lubricate the spring assembly

- Lubricate the recoil spring with light oil.

To attach the spring assembly

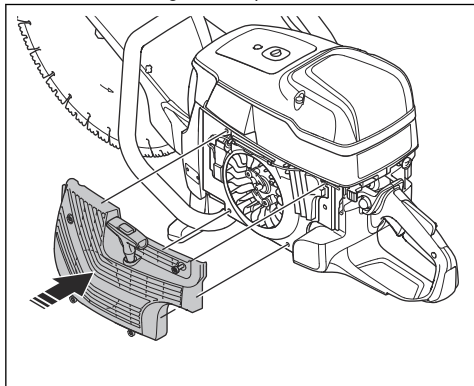
- Assemble in the opposite sequence of *To remove the spring assembly* on page 16.

To install the starter housing

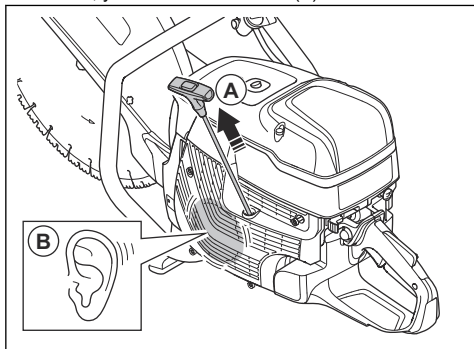


CAUTION: The starter pawls must come into the correct position against the starter pulley sleeve.

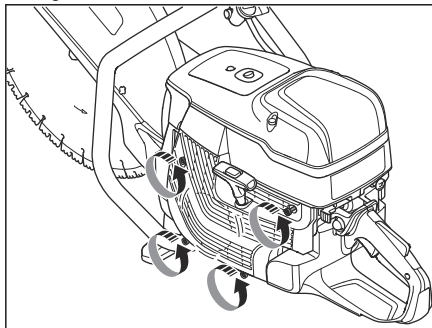
1. Put the starter against the product.



2. Install the starter pawls into the correct position against the starter pulley sleeve. Pull out the starter rope approximately 0.5 m. (A). If the position is correct, you hear a click sound (B).



3. Slowly release the starter rope.
4. Tighten the 4 screws on the starter



To examine the carburetor

Note: The carburetor has rigid needles to make sure that the product always receives the correct mixture of fuel and air.

1. Examine the air filter. Refer to *To examine the air filter on page 18*
2. If it is necessary, replace the air filter.
3. If the engine continues to decrease in power or speed, speak to your Husqvarna servicing dealer.

To examine the fuel system

1. Make sure that the fuel tank cap and its seal are not damaged.
2. Examine the fuel hose. Replace the fuel hose if it is damaged.

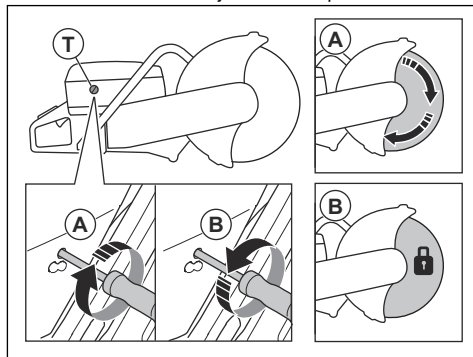
To adjust the idle speed



WARNING: If the cutting blade rotates at idle speed, speak to your servicing dealer. Do not use the product until the idle speed is correctly adjusted or repaired.

Note: For recommended idle speed refer to *Technical data on page 21*.

1. Start the engine.
2. Examine the idle speed. When the carburetor is correctly adjusted, the cutting blade stops when the engine is at idle speed.
3. Use the T screw to adjust the idle speed.



- a) Turn the screw clockwise until the blade starts to rotate (A).
- b) Turn the screw counterclockwise until the blade stops to rotate (B).

Fuel filter

The fuel filter is installed in the fuel tank. The fuel filter prevents contamination of the fuel tank when the fuel

tank is filled. The fuel filter must be replaced yearly or more frequently if it is clogged.



CAUTION: Do not clean the fuel filter.

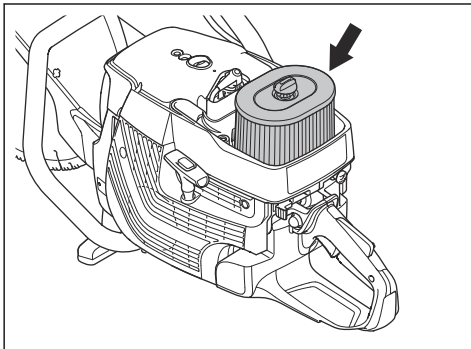
To examine the air filter



CAUTION: Be careful when you remove the air filter. Particles that fall into the carburetor inlet can cause damage.

Examine the air filter if the engine power decreases.

1. Loosen the 3 screws on the air filter cover.
2. Remove the air filter cover.
3. Examine the air filter.



4. If it is necessary, replace the air filter. Refer to *To replace the air filter on page 18*.
5. Replace the air filter cover.
6. Tighten the 3 screws.

To replace the air filter



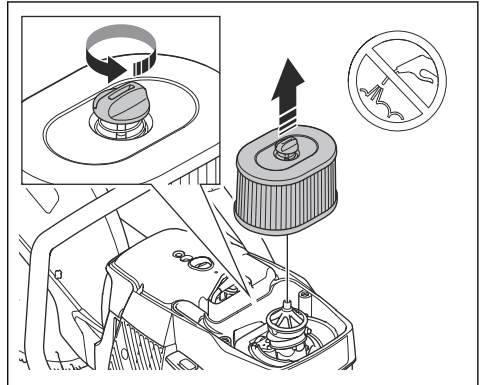
CAUTION: Do not clean the air filter with compressed air. The air filter is made of paper and is easily damaged.



WARNING: Use approved respiratory protection when you clean or replace the air filter. Discard used air filters correctly. The dust in the air filter is dangerous to your health.

Note: Replace the air filter only when it is damaged.

1. Loosen the 3 screws on the air filter cover.
2. Remove the air filter cover.
3. Loosen the screw on the air filter housing and remove it.



4. Remove the air filter.
5. Install the new air filter.
6. Replace the air filter housing.
7. Tighten the screw on the air filter housing.
8. Replace the air filter cover.
9. Tighten the 3 screws.

Troubleshooting

Problem	Cause	Possible solutions
The product does not start.	The start procedure is done incorrectly.	Refer to <i>To start the product with a cold engine on page 8</i> and <i>To start the product with a warm engine on page 10</i> .
	The stop switch in the right (STOP) position.	Make sure that the stop switch (STOP) is in the left position.
	There is no fuel in the fuel tank.	Fill with fuel.
	The spark plug is defective.	Replace the spark plug.
	The clutch is defective.	Speak to your service agent.
The cutting blade rotates at idle speed.	The idle speed is too high.	Adjust the idle speed.
	The clutch is defective.	Speak to your service agent.
The cutting blade does not rotate when the operator throttles up.	The belt is too loose or defective.	Tighten the belt or replace the belt with a new one.
	The clutch is defective.	Speak to your service agent.
	The cutting blade is installed incorrectly.	Make sure that the cutting blade is correctly installed.
The product has no power when the operator tries to throttle up.	The air filter is clogged.	Examine the air filter. If it is necessary, replace it.
	The fuel filter is clogged.	Replace the fuel filter.
	The fuel tank flow is blocked.	Speak to your service agent.
The vibration levels are too high.	The cutting blade is installed incorrectly.	Make sure that the cutting blade is correctly installed and that it is not damaged.
	The cutting blade is defective.	Replace the cutting blade and make sure that it is not damaged.
	A vibration damping unit is defective.	Speak to your service agent.
The temperature of the product is too high.	The air intake or the cylinder flanges are blocked.	Clean the air intake and the cylinder flanges.
	The drive belt tension is not sufficient.	Examine the belt. Adjust the tension.
	The clutch is defective.	Always cut at full throttle.
Examine the clutch. Speak to your service agent.		
The engine decreases in power or in speed.	The air filter is clogged.	Examine the air filter. Refer to <i>To examine the air filter on page 18</i> .

Transportation, storage and disposal

Transportation and storage

- For storage and transportation of the product and fuel, make sure that there are no leaks or fumes. Sparks or open flames, for example from electrical devices or boilers, can start a fire.
- Always use approved containers for storage and transportation of fuel.
- Empty the fuel tank before you put the product in storage for a long period of time. Discard the fuel at an applicable disposal location
- Safely attach the product during transportation to prevent damage and accidents.
- Keep the product in a locked area to prevent access for children or persons that are not approved.
- Keep the product in a dry and frost free area.

Disposal

- Obey the local recycling requirements and applicable regulations.
- Discard all chemicals, such as oil or fuel, at a service center or at an applicable disposal location.
- When the product is no longer in use, send it to a Husqvarna dealer or discard it at a recycling location.

Technical data

Technical data

Cylinder displacement, cu.in./cm ³	7.3/119
Cylinder bore, in./mm	2.4/60
Travel length, in./mm	1.7/42
Idle speed, rpm	2700
Wide open throttle, no load, rpm	9300 (+/- 150)
Power, hp/kW @rpm	7.9/5.8 @8400
Spark plug	NGK BPMR 7A
Electrode gap, in./mm	0.02/0.5
Fuel tank capacity, US fl oz/liters	40/1.2
Weight, Power cutter without fuel and cutting blade 14in. (350mm), lb/kg	22.4/10.2
Noise emissions ¹	
Sound power level, measured dB (A)	116
Sound power level, guaranteed L _{WA} dB (A)	117
Sound levels ²	
Equivalent sound pressure level at the ear of the operator, dB (A)	104

Noise declaration statement

These declared values were obtained by laboratory type testing in accordance with the stated directive or standards and are suitable for comparison with the declared values of other products tested in accordance with the same directive or standards. These declared values are not suitable for use in risk assessments and values measured in individual work places may be higher. The actual exposure values and risk of harm experienced by an individual user are unique and depend upon the way the user works, in what material the product is used, as well as upon the exposure time and the physical condition of the user, and the condition of the product.

¹ Noise emissions in the environment are measured as sound power (L_{WA}) in conformity with directive 2000/14/EC. The difference between guaranteed and measured sound power is that the guaranteed sound power includes dispersion in the measured result and variations between different units of the same product according to directive 2000/14/EC.

² Equivalent sound pressure level, according to EN ISO 19432, is calculated as the time-weighted energy total for different sound pressure levels in various working conditions. Reported data for equivalent sound pressure level for the product has a typical statistical dispersion (standard deviation) of 1 dB (A).

Declaration of Incorporation of Partly completed machinery

Declaration of Incorporation of Partly completed machinery

We, **Husqvarna AB**, SE-561 82 Huskvarna, SWEDEN, Tel. +46-36-146500, declare on our sole responsibility that the product:

Description	Drive system for portable cut-off machine
Brand	Husqvarna
Type/Model	K1270 II R
Identification	Serial numbers dating from 2019 and onwards

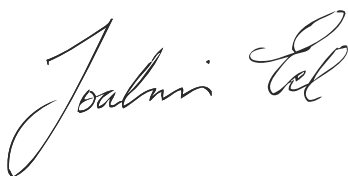
complies fully with the relevant parts of the EU directives:

Directive/Regulation	Description
2006/42/EC	"relating to machinery"
2014/30/EU	"relating to electromagnetic compatibility"

The relevant parts of the directive are defined more precisely in the technical documentation compiled in accordance with 2006/42/EC part B of Annex VII and, for a justified cause, can be made available in digital form for any relevant authorities.

The partly completed machinery shall only be put in service once the final machinery onto which it is to be incorporated has been declared in conformity with the provisions of the applicable directives.

Partille, 2019-12-20



Joakim Ed

Vice President, Concrete Sawing, Drilling & Light Demolition

Husqvarna AB, Construction Division

Responsible for technical documentation

Warranty

FEDERAL EMISSION CONTROL WARRANTY STATEMENT

YOUR WARRANTY RIGHTS AND OBLIGATIONS

The EPA (The US Environmental Protection Agency), Environment Canada and are pleased to explain the emissions control system warranty on your 2009 and later small nonroad engine. In U.S. and Canada, new small nonroad engines must be designed, built and equipped to meet the federal stringent anti-smog standards. must warrant the emission control system on your small nonroad engine for the period of time listed below provided there has been no abuse, neglect or improper maintenance of your unit. Your emission control system includes Parts such as the carburetor and the ignition system. Where a warrantable condition exists, will repair your small nonroad engine at no cost to you. Expenses covered under warranty include diagnosis, parts and labor.

MANUFACTURER'S WARRANTY COVERAGE

The 2009 and later small nonroad engines are warranted for two years. If any emission related part on you engine (as listed above) is defective, the part will be repaired or replaced by .

OWNER'S WARRANTY RESPONSIBILITIES

As the small nonroad engine owner, you are responsible for the performance of the required maintenance listed in your operator's manual. recommends that you retain all receipts covering maintenance on your small nonroad engine, but cannot deny warranty solely for the lack of receipts or for your failure to ensure the performance of all scheduled maintenance. As the small nonroad engine owner, you should, however, be aware that may deny you warranty coverage if your small nonroad engine or a part of it has failed due to abuse, neglect, improper maintenance, unapproved modifications or the use of parts not made or approved by the original equipment manufacturer. You are responsible for presenting your small nonroad engine to a authorized servicing dealer as soon as a problem exists. The warranty repairs should be completed in a reasonable amount of time, not to exceed 30 days. If you have any questions regarding your warranty rights and responsibilities, you should contact your nearest authorized servicing dealer or call at 1-800-487-5951 or visit .

WARRANTY COMMENCEMENT DATE

The warranty period begins on the date small nonroad engine is delivered.

LENGTH OF COVERAGE

warrants to the initial owner and each subsequent purchaser that the engine is free from defects in materials and workmanship which cause the failure of a warranted part for a period of two years.

WHAT IS COVERED

REPAIR OR REPLACEMENT OF PARTS: Repair or replacement of any warranted part will be performed at no charge to the owner at an approved servicing dealer. If you have any questions regarding your warranty coverage, you should contact the service at 1-800-487-5951 or visit .

WARRANTY PERIOD: Any warranted part which is not scheduled for replacement as required maintenance, or which is scheduled only for regular inspection to the effect of "repair or replace as necessary" shall be warranted for 2 years. Any warranted part which is scheduled for replacement as required maintenance shall be warranted for the period of time up to the first scheduled replacement point for that part.

DIAGNOSIS: The owner shall not be charged for diagnostic labor which leads to the determination that a warranted part is defective, if the diagnostic work is performed at an approved servicing dealer.

CONSEQUENTIAL DAMAGES: may be liable for damages to other engine components caused by the failure of a warranted part still under warranty.

WHAT IS NOT COVERED

All failures caused by abuse, neglect or improper maintenance are not covered.

ADD -ON OR MODIFIED PARTS: The use of add-on or modified parts can be grounds for disallowing a warranty claim. is not liable to cover failures of warranted parts caused by the use of add-on or modified parts.

HOW TO FILE A CLAIM

If you have any questions regarding your warranty rights and responsibilities, you should contact your nearest authorized servicing dealer or call at 1-800-487-5951 or visit .

WHERE TO GET WARRANTY SERVICE

Warranty services or repairs shall be provided at all authorized servicing dealers.

MAINTENANCE, REPLACEMENT AND REPAIR OF EMISSION-RELATED PARTS

Any approved replacement part used in the performance of any warranty maintenance or repairs on emission-related parts, will be provided without charge to the owner if the part is under warranty.

EMISSION CONTROL WARRANTY PARTS LIST

1. Carburetor and internal parts.
2. Intake pipe, airfilter holder and carburetor bolts.
3. Airfilter and fuelfilter covered up to maintenance schedule.
4. Ignition System

- a. Spark Plug, covered up to maintenance schedule.
 - b. Ignition Module
5. Ignition Module.

MAINTENANCE STATEMENT

The owner is responsible for the performance of all required maintenance, as defined in the operator's manual.

Inhalt

Einleitung.....	25	Transport, Lagerung und Entsorgung.....	43
Sicherheit.....	27	Technische Angaben.....	44
Betrieb.....	31	Einbauerklärung für teilweise fertiggestellte Maschinen.....	45
Wartung.....	35	Gewährleistung.....	46
Fehlerbehebung.....	42		

Einleitung

California Proposition 65

WARNING

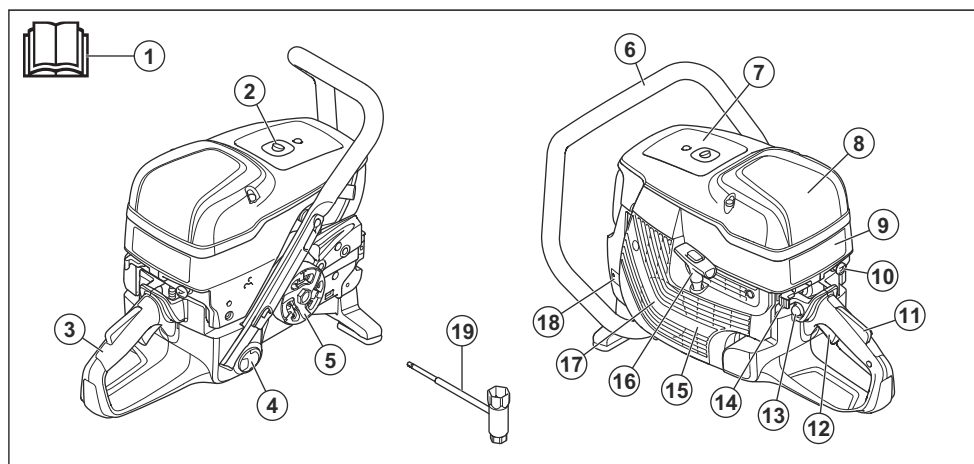
The engine exhaust from this product contains chemicals known to the State of California to cause cancer, birth defects or other reproductive harm.

Gerätebeschreibung

Dieses Antriebsaggregat ist kein vollständiges Gerät.
Dieses Antriebsaggregat wird von Erstausrüstern

(OEMs) zur Herstellung eines speziellen handgeführten
Trennschleifers mit hoher Drehzahl oder anderer Geräte
in dieser Kategorie verwendet.

Geräteübersicht



1. Bedienungsanleitung
2. Dekompressionsventil
3. Hinterer Griff

4. Kraftstofftankdeckel
5. Getriebe und Kupplung
6. Vorderer Handgriff

7. Informations- und Warnaufkleber
8. Luftfilterdeckel
9. Aufkleber mit Start-Anweisungen
10. Choke-Hebel
11. Gashebelsperre
12. Gashebel
13. Kraftstoffpumpe
14. Start-/Stopp-Schalter
15. Lufteinlass
16. Startseilhandgriff
17. Startvorrichtungsgehäuse
18. Typenschild
19. Kombischlüssel



Verwenden Sie keine kreisrunden Sägeklängen.



Choke



Kraftstoffpumpe



Dekompressionsventil



Startseilhandgriff



Verwenden Sie eine Kraftstoffmischung aus Benzin und Öl.

Symbole auf dem Gerät



WARNUNG: Dieses Gerät kann gefährlich sein und schwere oder tödliche Verletzungen des Bedieners oder anderer Personen verursachen. Gehen Sie vorsichtig vor, und verwenden Sie das Gerät ordnungsgemäß.



Lesen Sie die Bedienungsanleitung sorgfältig durch, und machen Sie sich mit den Anweisungen vertraut, bevor Sie das Gerät verwenden.



Tragen Sie einen zugelassenen Schutzhelm, Gehörschutz und Augenschutz und Atemschutz. Siehe *Persönliche Schutzausrüstung auf Seite 28*.



Beim Trennen entsteht Staub. Dieser Staub kann bei Einatmen Verletzungen verursachen. Tragen Sie einen zugelassenen Atemschutz. Atmen Sie die Abgase nicht ein. Sorgen Sie immer für gute Belüftung.



WARNUNG! Rückschläge können plötzlich, schnell und sehr heftig sein und lebensbedrohliche Verletzungen hervorrufen. Lesen Sie die Anweisungen durch, und stellen Sie sicher, dass Sie diese verstanden haben, bevor Sie das Gerät verwenden.



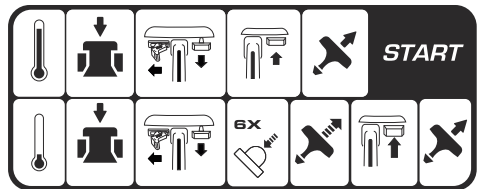
Funken von der Trennscheibe können einen Brand in Kraftstoff, Holz, Kleidung, trockenem Gras oder anderen brennbaren Materialien verursachen.



Stellen Sie sicher, dass die Trennscheibe keine Risse oder anderen Beschädigungen aufweist.

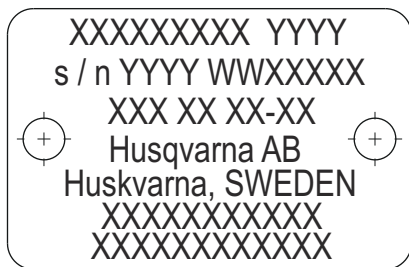
Hinweis: Sonstige Symbole/Aufkleber auf dem Gerät beziehen sich auf spezielle Zertifizierungsanforderungen, die in bestimmten Ländern gelten.

Aufkleber mit Start-Anweisungen



Eine Anleitung finden Sie in *So starten Sie das Gerät bei kaltem Motor auf Seite 32* und in *So starten Sie das Produkt bei warmem Motor auf Seite 33*.

Typenschild



Reihe 1: Marke, Modell (X, Y)

Reihe 2: Seriennr. mit Herstellungsdatum (Y, W, X):
Jahr, Woche, Folger.

Reihe 3: Produktnr. (X)

Reihe 4: Hersteller

Reihe 5: Herstelleradresse

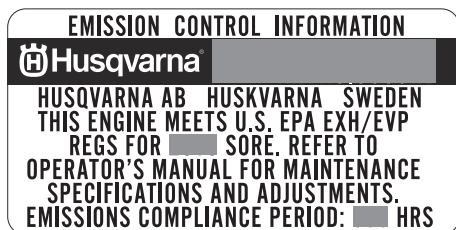
Reihen 6–7: EU-Typenzulassung oder chinesische
MEIN-Nummer

Emissionen nach Euro V



WARNUNG: Bei jeglichen Manipulationen des Motors erlischt die EU-Typgenehmigung für dieses Produkt.

EPA



Sicherheit

Sicherheitsdefinitionen

Warnungen, Vorsichtsmaßnahmen und Hinweise werden verwendet, um auf besonders wichtige Teile der Bedienungsanleitung hinzuweisen.



WARNUNG: Wird verwendet, wenn bei Nichtbeachtung der Anweisungen in diesem Handbuch die Gefahr von Verletzung oder Tod des Bedieners oder anderer Personen besteht.

Die sogenannte "Emissions Compliance Period", auf die auf dem amerikanischen "Emissions Compliance Label" hingewiesen wird, umfasst die Anzahl an Betriebsstunden, innerhalb welcher eine Maschine der US-bundesstaatlichen Vorgabe zur Emissionsbegrenzung entspricht. Wartung, Austausch oder Reparatur der Geräte zur Emissionsregulierung können durch eine Reparaturwerkstatt für Kleinmotoren oder Einzelperson durchgeführt werden.

CALIFORNIA AIR RESOURCES BOARD (CARB)

Hinweis: Gemäß den CARB-Standards ist diese Maschine eine durch Vorkaufsrecht erworbene Offroad-Anwendung. Die US-Umweltschutzbehörde besitzt das alleinige Recht, Emissionsstandards für durch Vorkaufsrecht erworbene Maschinen aufzustellen.

Produkthaftung

Im Sinne der Produkthaftungsgesetze übernehmen wir keine Haftung für Schäden, die unser Gerät verursacht, wenn...

- das Gerät nicht ordnungsgemäß repariert wird.
- das Gerät mit Teilen repariert wird, die nicht vom Hersteller stammen oder nicht vom Hersteller zugelassen sind.
- ein Zubehörteil mit dem Gerät verwendet wird, das nicht vom Hersteller stammt oder nicht vom Hersteller zugelassen ist.
- das Gerät nicht bei einem zugelassenen Service Center oder von einem zugelassenen Fachmann repariert wird.



ACHTUNG: Wird verwendet, wenn bei Nichtbeachtung der Anweisungen in diesem Handbuch die Gefahr von Schäden am Gerät, an anderen Materialien oder in der Umgebung besteht.

Hinweis: Für weitere Informationen, die in bestimmten Situationen nötig sind.

Abgase – Sicherheit



WARNUNG: Lesen Sie die folgenden Warnhinweise, bevor Sie das Produkt benutzen.

- Die Abgase des Motors enthalten Kohlenmonoxid – ein geruchloses, giftiges und sehr gefährliches Gas. Das Einatmen von Kohlenmonoxid kann tödlich sein. Da Kohlenmonoxid geruchs- und farblos ist, kann es nicht wahrgenommen werden. Bei einer Kohlenmonoxidvergiftung kann es zu Schwindelsymptomen kommen, aber es ist auch möglich, dass eine Person ohne Vorwarnung bewusstlos wird, wenn die Menge oder Konzentration an Kohlenmonoxid dafür hoch genug ist.
- Abgase enthalten auch unverbrannte Kohlenwasserstoffe einschließlich Benzen. Das Einatmen über einen längeren Zeitraum kann zu gesundheitlichen Problemen führen.
- Abgase, die Sie sehen oder riechen können, enthalten auch Kohlenmonoxid.
- Verwenden Sie ein Gerät mit Verbrennungsmotor nicht in Innenräumen oder in Bereichen ohne ausreichende Luftzufuhr.
- Atmen Sie die Abgase nicht ein.
- Stellen Sie sicher, dass der Arbeitsbereich ausreichend belüftet ist. Das ist besonders wichtig, wenn Sie das Gerät in Gräben oder anderen engen Arbeitsbereichen verwenden, wo sich Abgase leicht sammeln können.

Persönliche Schutzausrüstung



WARNUNG: Lesen Sie die folgenden Warnhinweise, bevor Sie das Gerät verwenden.

- Tragen Sie während des Betriebs immer eine zugelassene persönliche Schutzausrüstung. Die persönliche Schutzausrüstung beseitigt nicht die Unfallgefahr, begrenzt aber den Umfang der Verletzungen und Schäden. Lassen Sie sich bei der Wahl der Schutzausrüstung von einem Fachhändler beraten.
- Verwenden Sie einen zugelassenen Schutzhelm.
- Tragen Sie einen zugelassenen Gehörschutz. Eine längerfristige Beschallung mit Lärm kann zu bleibenden Gehörschäden führen. Achten Sie immer genau auf Warnsignale oder Rufe, wenn Sie den Gehörschutz tragen. Nehmen Sie den Gehörschutz immer ab, sobald der Motor abgestellt ist.
- Tragen Sie einen zugelassenen Augenschutz, um das Verletzungsrisiko durch geworfene Gegenstände zu verringern. Bei der Benutzung eines Gesichtsschutzes ist auch eine zugelassene Schutzbrille zu tragen. Zugelassene Schutzbrillen sind in diesem Falle diejenigen, die die Normen ANSI Z87.1 für die USA bzw. EN 166 für EU-Länder

erfüllen. Visiere müssen der Norm EN 1731 entsprechen.

- Tragen Sie Sicherheitshandschuhe.
- Tragen Sie einen zugelassenen Atemschutz. Die Verwendung von Fräsmaschinen, Schleifmaschinen und Bohrern, die Material abschleifen oder umformen, kann Staub und Ausdünstungen verursachen, die gefährliche Chemikalien enthalten können. Überprüfen Sie die Beschaffenheit des Materials, das Sie bearbeiten wollen, und tragen Sie einen geeigneten Atemschutz.
- Tragen Sie eng anliegende, strapazierfähige und bequeme Kleidung, die volle Bewegungsfreiheit gewährt. Durch Schneiden werden Funken erzeugt, die Ihre Kleidung entzünden können. Husqvarna empfiehlt das Tragen von feuerfester Baumwolle oder schwerem Jeansstoff. Tragen Sie keine Kleidung aus Materialien wie Nylon, Polyester oder Viskose. Im Falle einer Entzündung kann dieses Material schmelzen und an der Haut kleben bleiben. Tragen Sie keine kurzen Hosen.
- Tragen Sie Stiefel mit Stahlkappe und rutschfester Sohle.
- Ein Erste-Hilfe-Set sollte immer griffbereit sein.



- Funken können vom Schalldämpfer oder der Trennscheibe kommen. Es sollte immer ein Feuerlöscher vorhanden sein.

Sicherheitsvorrichtungen am Gerät

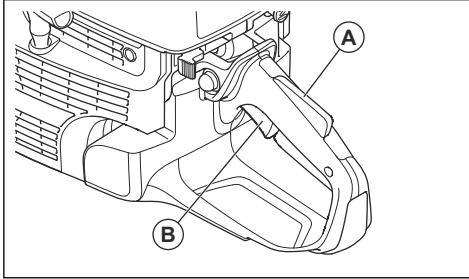


WARNUNG: Lesen Sie die folgenden Warnhinweise, bevor Sie das Gerät benutzen.

- Benutzen Sie kein Gerät mit defekten Sicherheitsvorrichtungen.
- Führen Sie regelmäßig eine Überprüfung der Sicherheitsvorrichtungen durch. Wenn die Sicherheitsvorrichtungen defekt sind, wenden Sie sich an Ihre autorisierte Husqvarna-Servicewerkstatt.
- Nehmen Sie keine Modifizierungen der Sicherheitsvorrichtungen vor.
- Verwenden Sie das Gerät nicht, wenn Schutzbleche, Schutzabdeckungen, Sicherheitsschalter oder andere Schutzvorrichtungen nicht angebracht oder defekt sind.

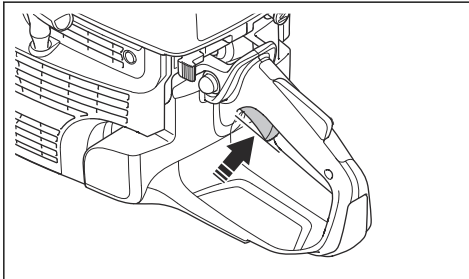
Gashebelsperre

Die Gashebelsperre verhindert ein versehentliches Auslösen des Gashebels. Wenn Sie mit Ihrer Hand um den Griff fassen und die Gashebelsperre (A) betätigen, wird der Gashebel (B) freigegeben. Wenn Sie den Handgriff loslassen, werden Gashebel und Gashebelsperre wieder in ihre Ausgangsstellung zurückgestellt. Dadurch wird der Gashebel im Leerlauf gesperrt.

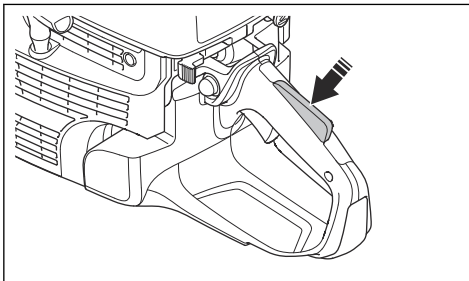


So prüfen Sie die Gashebelsperre

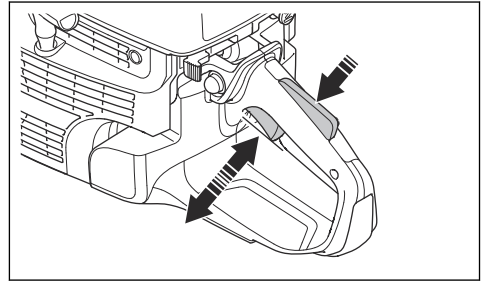
1. Stellen Sie sicher, dass der Gashebel in der Leerlaufstellung verriegelt ist, wenn die Gashebelsperre freigegeben wird.



2. Drücken Sie die Gashebelsperre, und kontrollieren Sie, ob sie beim Loslassen zurückkehrt.



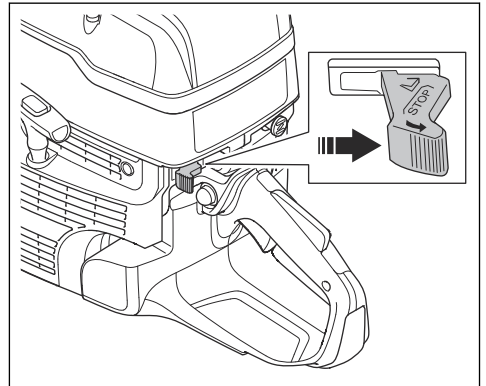
3. Prüfen Sie, ob sich der Gashebel und die Gashebelsperre frei bewegen lassen und ob die Rückholfedern korrekt funktionieren.



4. Starten Sie das Gerät, und lassen Sie es auf Vollgas laufen.
5. Lassen Sie den Gashebel los, und vergewissern Sie sich, dass die Trennscheibe völlig zum Stillstand kommt.
6. Wenn sich die Trennscheibe im Leerlauf dreht, müssen Sie die Leerlaufdrehzahl einstellen. Siehe *So stellen Sie die Leerlaufdrehzahl ein auf Seite 41.*

So prüfen Sie den Start-/Stopp-Schalter

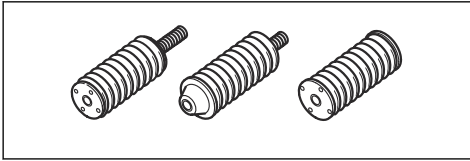
1. Starten Sie den Motor.
2. Schalten Sie den Start-/Stopp-Schalter in die Position „STOP“. Der Motor muss sich automatisch abstellen.



Antivibrationssystem

Das Gerät ist mit einem Antivibrationssystem ausgerüstet, das Vibrationen wirkungsvoll dämpft und so für angenehmere Arbeitsbedingungen sorgt. Das Antivibrationssystem reduziert die Übertragung von

Vibrationen zwischen Motoreinheit/Schneidausrüstung und dem Handgriffssystem des Gerätes.



So prüfen Sie das Antivibrationssystem



WARNUNG: Stellen Sie sicher, dass der Motor ausgeschaltet ist und dass sich der Stoppschalter in der Stellung STOP befindet.

1. Kontrollieren Sie, dass die Antivibrationseinheiten keine Risse oder Deformationen aufweisen. Ersetzen Sie die Antivibrationseinheiten, wenn sie beschädigt sind.
2. Kontrollieren Sie, ob die Antivibrationseinheiten zwischen Motoreinheit und Handgriffeinheit korrekt verankert sind.

Schalldämpfer

Der Schalldämpfer senkt den Geräuschpegel so weit wie möglich und hält die Abgase des Motors vom Anwender fern.

Verwenden Sie das Gerät nicht, wenn der Schalldämpfer fehlt oder defekt ist. Ein defekter Schalldämpfer erhöht den Geräuschpegel und die Brandgefahr.



WARNUNG: Der Schalldämpfer wird während und nach Gebrauch und wenn der Motor im Leerlauf läuft, sehr heiß. Seien Sie in der Nähe von entzündlichen Materialien und/oder Dämpfen besonders vorsichtig, um Brandgefahr zu verhindern.

So prüfen Sie den Schalldämpfer

- Überprüfen Sie den Schalldämpfer regelmäßig, um sicherzustellen, dass er richtig angebracht und nicht beschädigt ist.

Sicherer Umgang mit Kraftstoff

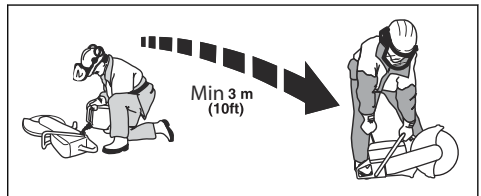


WARNUNG: Lesen Sie die folgenden Warnhinweise, bevor Sie das Gerät benutzen.

- Kraftstoff ist feuergefährlich; durch die ausströmenden Dämpfe besteht Explosionsgefahr. Um Verletzungen, Feuer oder Explosionen zu vermeiden, seien Sie beim Umgang mit Kraftstoff vorsichtig.
- Betanken Sie das Produkt nur im Freien, wo der Luftstrom ausreicht. Atmen Sie die Kraftstoffdämpfe

nicht ein. Die Kraftstoffdämpfe sind giftig und können Verletzungen, Feuer und Explosionen verursachen.

- Entfernen Sie nicht den Tankdeckel oder füllen den Kraftstofftank, wenn der Motor eingeschaltet ist.
- Lassen Sie den Motor vor dem Auftanken abkühlen.
- Rauchen Sie nicht in der Nähe des Kraftstoffs oder des Motors.
- Stellen Sie keine heißen Gegenstände in der Nähe des Kraftstoffs oder des Motors ab.
- Füllen Sie Kraftstoff nicht in der Nähe von Funken oder Feuer ein.
- Öffnen Sie vor dem Nachfüllen den Tankdeckel langsam, und lassen Sie den Druck vorsichtig entweichen.
- Kraftstoff auf der Haut kann Verletzungen verursachen. Wenn Kraftstoff auf Ihre Haut gelangt, waschen Sie diesen mit Wasser und Seife ab.
- Wechseln Sie sofort die Kleidung, wenn Sie Kraftstoff darauf verschütten.
- Schrauben Sie den Kraftstofftankdeckel fest zu. Wenn der Kraftstofftankdeckel nicht richtig und fest verschlossen ist, können Vibrationen im Gerät diesen lösen und ein Austreten von Kraftstoff und Kraftstoffdämpfen verursachen. Kraftstoff und Kraftstoffdämpfe stellen eine Brandgefahr dar.
- Bevor Sie das Gerät starten, entfernen Sie es mindestens 3 m/10 ft. vom Auffüllort.



- Starten Sie das Gerät nicht, wenn Kraftstoff oder Öl darauf verschüttet wurde. Entfernen Sie Kraftstoff oder Öl an unerwünschten Stellen vom Gerät, und lassen Sie das Gerät trocknen, bevor Sie den Motor starten.
- Überprüfen Sie den Motor regelmäßig auf Undichtigkeiten. Starten Sie den Motor bei einer Leckage im Kraftstoffsystem nicht, bis die Undichtigkeiten repariert werden.
- Bewahren Sie Kraftstoff nur in zugelassenen Behältern auf.
- Wenn Sie das Gerät und den Kraftstoff lagern, stellen Sie sicher, dass Kraftstoff und Kraftstoffdämpfe keinen Schaden, Feuer oder Explosionen verursachen können.
- Lassen Sie den Kraftstoff im Freien und abseits von Feuer und Funken in einen für Kraftstoff zugelassenen Behälter ab.

Sicherheitshinweise für die Wartung



WARNUNG: Lesen Sie die folgenden Warnhinweise, bevor Sie das Gerät benutzen.

- Stellen Sie sicher, dass der Motor ausgeschaltet ist und dass sich der Stoppschalter in der Stellung STOP befindet.
- Tragen Sie eine persönliche Schutzausrüstung. Siehe *Persönliche Schutzausrüstung auf Seite 28*.
- Wenn die Wartung nicht ordnungsgemäß und regelmäßig erfolgt, erhöht sich die

Verletzungsgefahr und das Risiko für eine Beschädigung des Produkts.

- Führen Sie nur Wartungsarbeiten durch, die gemäß dieser Betriebsanleitung vorgegeben sind. Lassen Sie alle anderen Wartungsarbeiten von einem autorisierten Servicecenter durchführen.
- Lassen Sie das Gerät regelmäßig von einer autorisierten Husqvarna Servicewerkstatt warten.
- Ersetzen Sie beschädigte, abgenutzte oder defekte Teile.
- Verwenden Sie immer Originalzubehör.

Betrieb

Einleitung



WARNUNG: Lesen Sie vor Gebrauch des Geräts das Kapitel über Sicherheit, und machen Sie sich damit vertraut.

Kraftstoff

Dieses Produkt verfügt über einen Zweitaktmotor.



ACHTUNG: Die Verwendung eines falschen Kraftstoffs kann zu einer Beschädigung des Motors führen. Verwenden Sie eine Mischung aus Benzin und Zweitaktöl.

Zweitaktöl

- Verwenden Sie für beste Ergebnisse und die beste Leistung Husqvarna Zweitaktöl.
- Wenn Husqvarna Zweitaktöl nicht verfügbar ist, verwenden Sie ein qualitativ hochwertiges Zweitaktöl für luftgekühlte Motoren. Wenden Sie sich an Ihren Kundendienst zur Auswahl der richtigen Ölsorte.



ACHTUNG: Verwenden Sie kein Zweitaktöl für wassergekühlte Außenbordmotoren (auch Outboardoil genannt). Verwenden Sie kein Öl für Viertaktmotoren.

Vorgemischter Kraftstoff

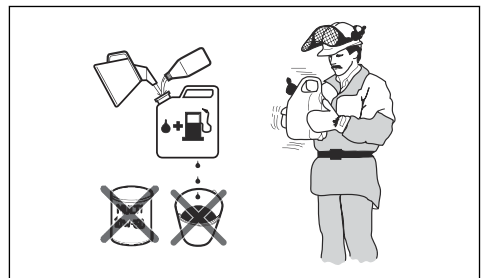
- Verwenden Sie Husqvarna vorgemischten Alkylatkraftstoff. Dies sorgt für die beste Leistung und eine Verlängerung der Lebensdauer des Motors. Im Vergleich zu herkömmlichem Kraftstoff enthält dieser Kraftstoff weniger gesundheitsschädliche Substanzen, wodurch der Ausstoß schädlicher Abgase verringert wird. Die Menge von Rückständen nach der Verbrennung ist bei diesem Kraftstoff niedriger. Dadurch bleiben die Bauteile des Motors sauberer.

So mischen Sie Benzin und Zweitaktöl

Benzin, Liter	Zweitaktöl, Liter
	2 % (50:1)
5	0,10
10	0,20
15	0,30
20	0,40
US-Gallonen	Flüssige US-Unzen
1	2 ½
2 1/2	6 ½
5	12 ¾



ACHTUNG: Beim Mischen kleiner Kraftstoffmengen wirken sich auch kleine Abweichungen bei der Ölmenge stark auf das Mischungsverhältnis aus. Um das korrekte Mischungsverhältnis sicherzustellen, muss die beizumischende Ölmenge genau abgemessen werden.



1. Füllen die Hälfte des Benzins in einen sauberen Kraftstoffbehälter.
2. Fügen Sie die gesamte Menge Öl hinzu.
3. Schütteln Sie die Kraftstoffmischung.
4. Geben Sie dann den Rest des Benzins in den Behälter dazu.
5. Schütteln Sie die Kraftstoffmischung sorgfältig.



ACHTUNG: Mischen Sie Kraftstoff höchstens für einen Monat im Voraus.

Kraftstoff einfüllen



ACHTUNG: Verwenden Sie kein Benzin mit einer geringeren Oktanzahl als 90 RON (87 AKI). Dies kann das Gerät beschädigen.



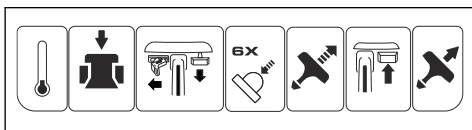
ACHTUNG: Verwenden Sie kein Benzin mit einer höheren Ethanolkonzentration als 10 % (E10). Dies kann das Gerät beschädigen.

Hinweis: Unter Umständen ist eine Vergasereinstellung bei einer Änderung des Kraftstofftyps erforderlich.

- Verwenden Sie Benzin mit einer höheren Oktanzahl, wenn Sie das Gerät häufig und bei kontinuierlich hoher Motordrehzahl verwenden.

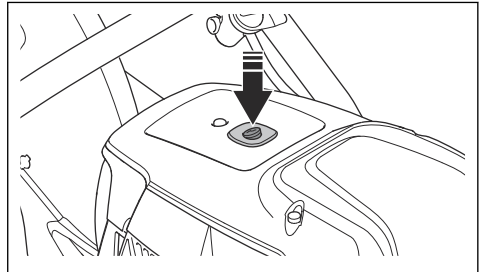
1. Öffnen Sie den Tankdeckel langsam, damit der Druck entweichen kann.
2. Füllen Sie langsam mit einem Kraftstoffkanister auf. Wenn Sie Kraftstoff verschütten, entfernen Sie ihn mit einem Tuch und lassen Sie den verbleibenden Treibstoff trocknen.
3. Säubern Sie den Bereich um den Tankdeckel herum.
4. Schrauben Sie den Kraftstofftankdeckel fest zu. Wenn der Tankverschluss nicht fest zugeschraubt ist, besteht Feuergefahr.
5. Bewegen Sie das Produkt vor dem Starten mindestens 3 m von der Stelle fort, an der Sie den Tank befüllt hatten.

So starten Sie das Gerät bei kaltem Motor

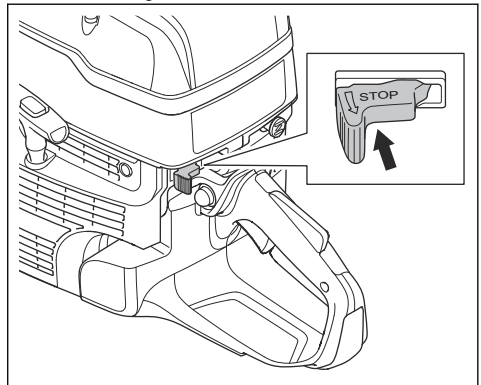


WARNUNG: Stellen Sie sicher, dass die Trennscheibe sich frei drehen kann. Sie dreht sich, wenn der Motor anspringt.

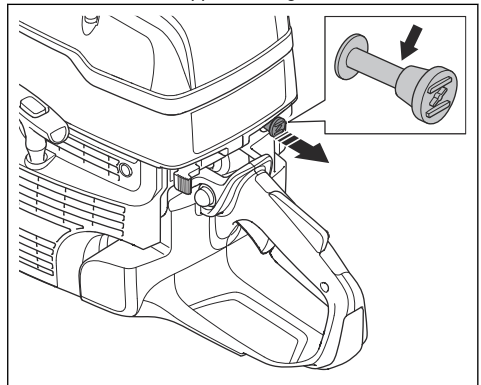
1. Drücken Sie das Dekompressionsventil, um den Druck im Zylinder zu verringern. Das Dekompressionsventil geht zurück in die Ausgangsposition, wenn das Gerät startet.



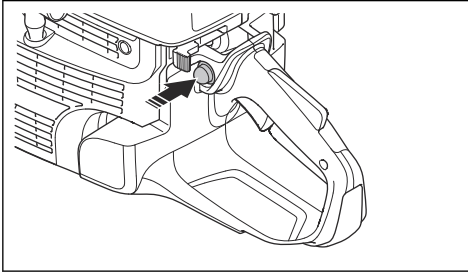
2. Stellen Sie sicher, dass sich der Stoppschalter in linker Stellung befindet.



3. Ziehen Sie den Choke-Hebel vollständig heraus, um die Startdrosselklappenstellung einzustellen.



4. Drücken Sie die Kraftstoffpumpenblase 6 Mal, bis sie vollständig mit Kraftstoff gefüllt ist.

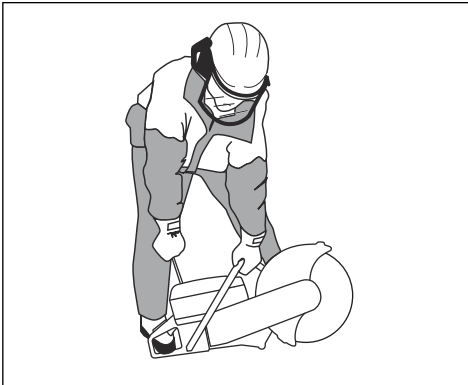


5. Halten Sie den vorderen Handgriff mit der linken Hand fest.
6. Treten Sie mit dem rechten Fuß in den hinteren Griff, und drücken Sie das Gerät gegen den Boden.



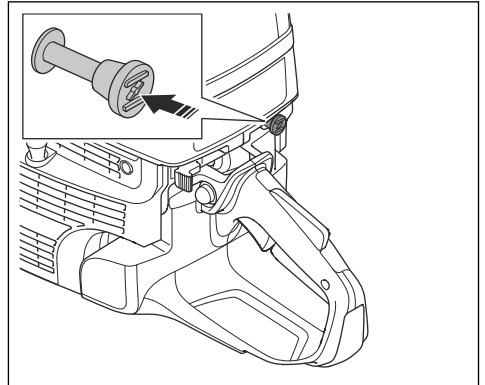
WARNUNG: Wickeln Sie das Starterseil nicht um Ihre Hand.

7. Ziehen Sie das Starterseil langsam mit der rechten Hand, bis Sie einen Widerstand spüren, wenn die Starterklinken einrasten. Ziehen Sie dann kontinuierlich und schnell.

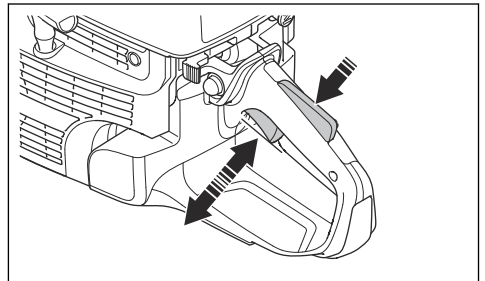


ACHTUNG: Ziehen Sie das Starterseil nicht ganz heraus, und lassen Sie den Startseilhandgriff in herausgezogener Lage nicht los. Dies kann das Gerät beschädigen.

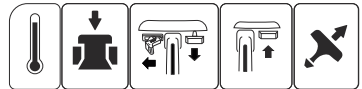
8. Drücken Sie den Choke-Hebel, wenn der Motor startet. Wenn der Choke herausgezogen wird, stoppt der Motor nach einigen Sekunden. Falls der Motor ohnehin aussetzt, ziehen Sie noch einmal am Startseilhandgriff.



9. Drücken Sie den Gashebel, um das Startgas auszuschalten. Das Gerät geht in den Leerlauf über.

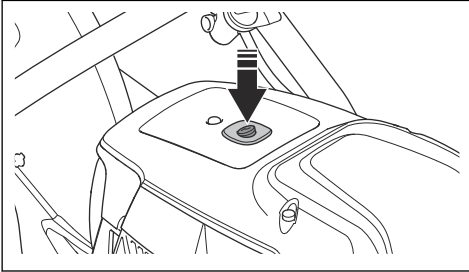


So starten Sie das Produkt bei warmem Motor

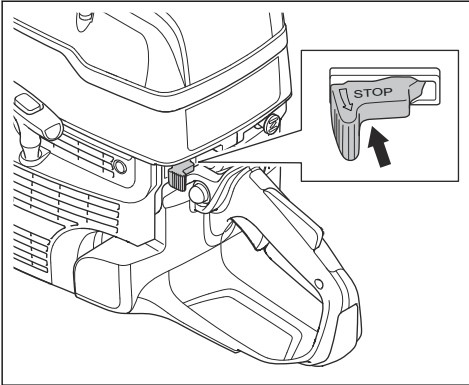


WARNUNG: Stellen Sie sicher, dass die Trennscheibe sich frei drehen kann. Sie dreht sich, wenn der Motor anspringt.

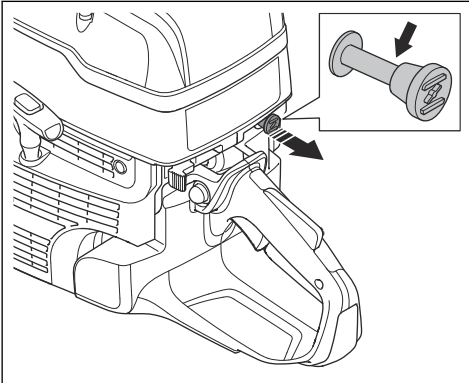
1. Drücken Sie das Dekompressionsventil, um den Druck im Zylinder zu verringern. Das Dekompressionsventil geht zurück in die Ausgangsposition, wenn das Gerät startet.



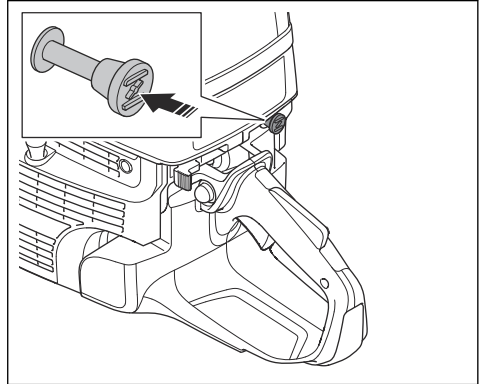
2. Stellen Sie sicher, dass sich der Stoppschalter in linker Stellung befindet.



3. Ziehen Sie den Choke-Hebel vollständig heraus, um die Startdrosselklappenstellung einzustellen.



4. Drücken Sie den Choke-Hebel, um den Choke zu deaktivieren. Das Startgas bleibt in Position.

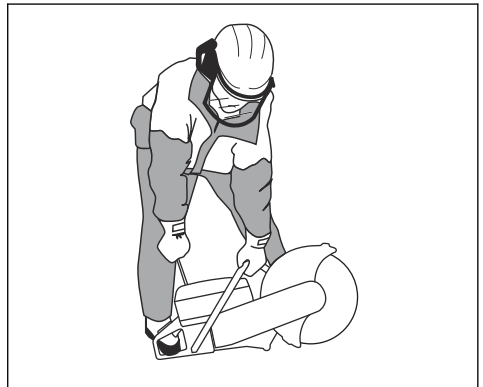


5. Halten Sie den vorderen Handgriff mit der linken Hand fest.
6. Treten Sie mit dem rechten Fuß in den hinteren Griff, und drücken Sie das Gerät gegen den Boden.



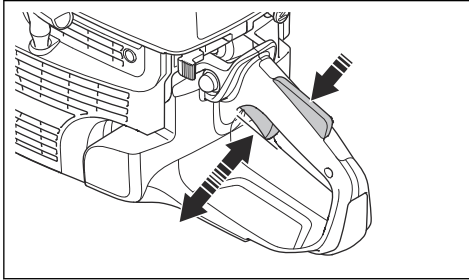
WARNUNG: Wickeln Sie das Starterseil nicht um Ihre Hand.

7. Ziehen Sie das Starterseil langsam, bis Sie einen Widerstand spüren, wenn die Starterklinken einrasten. Ziehen Sie dann kontinuierlich und schnell.



ACHTUNG: Ziehen Sie das Starterseil nicht ganz heraus, und lassen Sie den Startseilhandgriff in herausgezogener Lage nicht los. Dies kann das Gerät beschädigen.

8. Drücken Sie den Gashebel, um das Startgas auszuschalten. Das Gerät geht in den Leerlauf über.



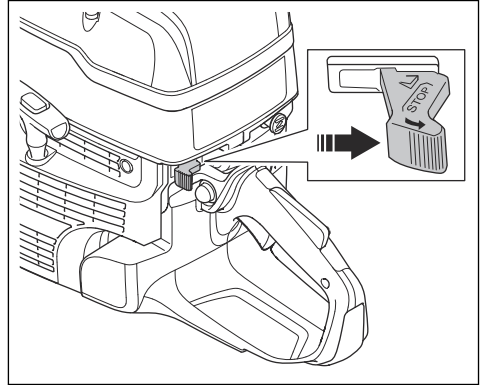
So stoppen Sie das Gerät



WARNUNG: Nach Ausschalten des Motors dreht sich die Trennscheibe noch eine Zeit lang weiter. Achten Sie dabei darauf, dass sich die Trennscheibe störungsfrei drehen kann, bis die Drehbewegung endgültig aufhört. Wenn die Trennscheibe schnell angehalten werden muss, lassen Sie die

Trennscheibe leicht eine harte Oberfläche berühren. Es besteht die Gefahr von schweren Verletzungen.

- Bewegen Sie den Stoppschalter nach rechts, um den Motor zu stoppen.



Wartung

Einleitung



WARNUNG: Lesen Sie vor dem Warten des Geräts das Kapitel über Sicherheit, und machen Sie sich damit vertraut.

Für alle Wartungs- und Reparaturarbeiten am Produkt ist eine spezielle Schulung erforderlich. Wir garantieren, dass professionelle Reparaturen und Wartungsarbeiten zur Verfügung stehen. Wenn Ihr Händler keine Servicewerkstatt ist, sprechen Sie mit ihm, um Informationen über die nächste Servicewerkstatt zu erhalten.

Wenden Sie sich für Ersatzteile an einen Händler oder eine Servicewerkstatt von Husqvarna.

Wartungsplan

Der Wartungsplan enthält die für das Gerät erforderlichen Wartungspunkte. Die Wartungsintervalle werden anhand der täglichen Nutzung des Geräts berechnet.

Für Wartungsarbeiten, die mit * gekennzeichnet sind, siehe Anweisungen in *Sicherheitsvorrichtungen am Gerät auf Seite 28*.

Wartungspunkt	Täglich	Wöchentlich	Monatlich
Außenflächen des Geräts reinigen.	X		
Kaltlufteinlass reinigen.	X		
Zündkerze reinigen.			X
Kraftstofftank reinigen.			X
Allgemeine Inspektion durchführen.	X		
Gashebelsperre überprüfen*.	X		
Stoppschalter überprüfen*.	X		
Auf Kraftstoffleckagen prüfen.	X		

Wartungspunkt	Täglich	Wöchentlich	Monatlich
Antivibrationssystem überprüfen*.		X	
Schalldämpfer überprüfen*.		X	
Vergaser überprüfen.		X	
Startvorrichtungsgehäuse überprüfen.		X	
Kraftstoffsystemüberprüfen.			X
Luftfilterprüfen.			X
Antriebsrad und Kupplungüberprüfen.			X

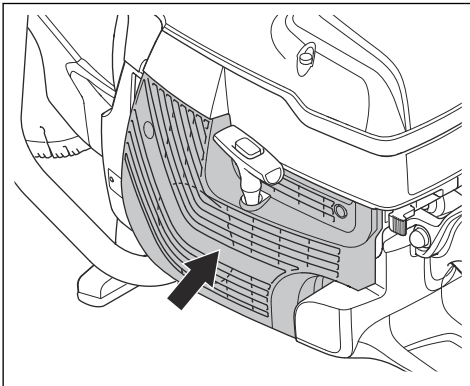
Außen reinigen

- Spülen Sie das Gerät äußerlich nach jedem Arbeitstag mit sauberem Wasser. Falls erforderlich, verwenden Sie eine Bürste.

So reinigen Sie den Kaltlufteinlass

Hinweis: Bei einem verschmutzten oder verstopften Lufteinlass wird das Gerät zu heiß. Dies kann Schäden an Zylinder und Kolben zur Folge haben.

- Reinigen Sie den Kaltlufteinlass, falls erforderlich.



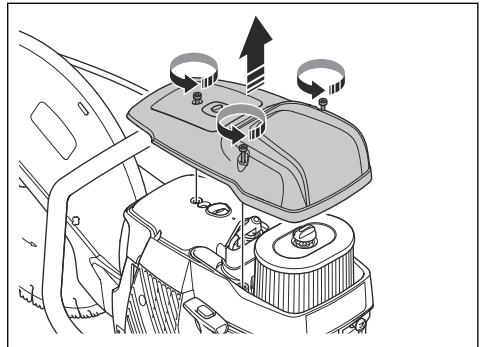
- Entfernen Sie die Blockierung, Schmutz und Staub mit einer Bürste.

So überprüfen Sie die Zündkerze

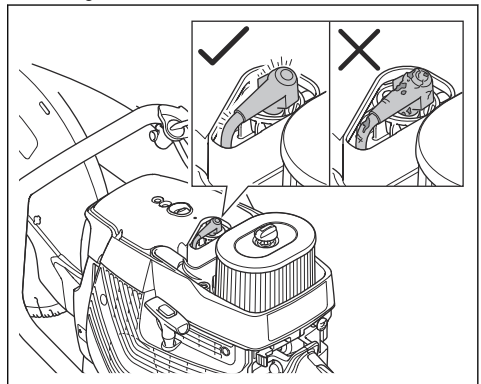
Hinweis: Verwenden Sie immer den vom Hersteller empfohlenen Zündkerzentyp! Eine ungeeignete Zündkerze kann Schäden an Kolben und Zylinder verursachen. Angaben zur empfohlenen Zündkerze siehe *Technische Daten auf Seite 44*.

Wenn das Gerät eine zu geringe Leistung liefert, nur schwer gestartet werden kann oder unbefriedigend im Leerlauf läuft, überprüfen Sie die Zündkerze.

1. Lösen Sie die 3 Schrauben des Luftfilterdeckels, und entfernen Sie den Luftfilterdeckel.

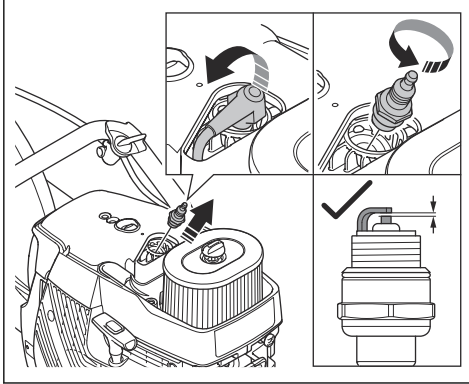


2. Stellen Sie sicher, dass Zündkappe und -kabel unversehrt sind, um die Gefahr von elektrischen Schlägen auszuschließen.



3. Reinigen Sie die Zündkerze, wenn sie schmutzig ist.

4. Stellen Sie sicher, dass der Elektrodenabstand 0,5 mm beträgt.
5. Wenn es notwendig ist, ersetzen Sie die Zündkerze.



So führen Sie eine allgemeine Inspektion durch

- Stellen Sie sicher, dass alle Muttern und Schrauben am Gerät richtig angezogen sind.

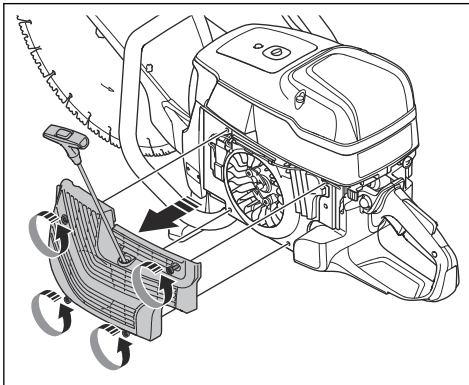
Startvorrichtungsgehäuse



WARNUNG: Seien Sie immer vorsichtig, und verwenden Sie immer einen Augenschutz, wenn Sie die Rückzugfeder oder das Startseil ersetzen. Die Rückzugfeder ist gespannt, wenn sie im Startvorrichtungsgehäuse aufgewickelt ist. Die Rückzugfeder kann herauspringen und Verletzungen verursachen.

So entfernen Sie das Startvorrichtungsgehäuse

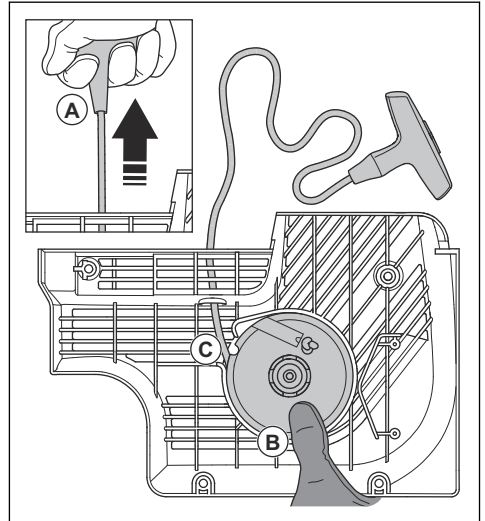
1. Lösen Sie die 4 Schrauben am Startvorrichtungsgehäuse.



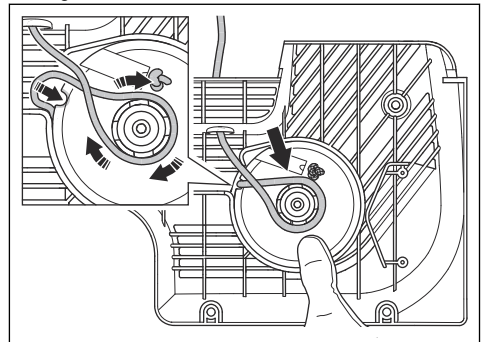
2. Entfernen Sie das Startvorrichtungsgehäuse.

So ersetzen Sie ein beschädigtes Starterseil

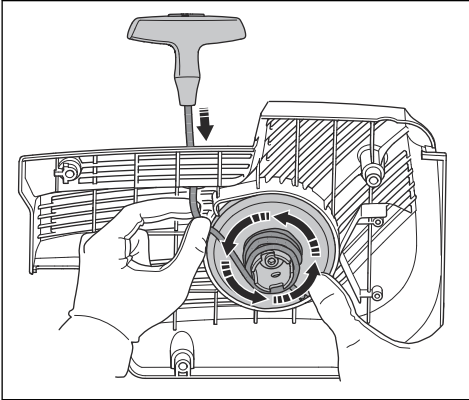
1. Ziehen Sie das Starterseil ca. 30 cm heraus (A).



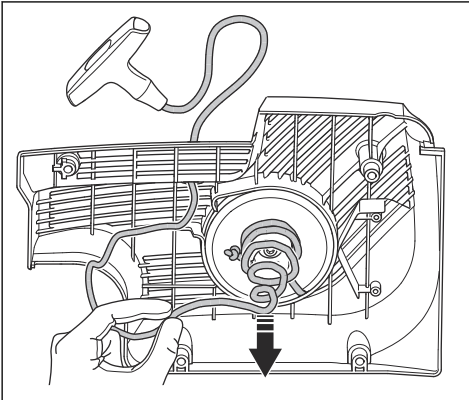
2. Halten Sie die Starterseilrolle (B) mit dem Daumen.
3. Legen Sie das Starterseil in die Aussparung (C) an der Starterrolle.
4. Legen Sie das Starterseil um die Metallhülse.



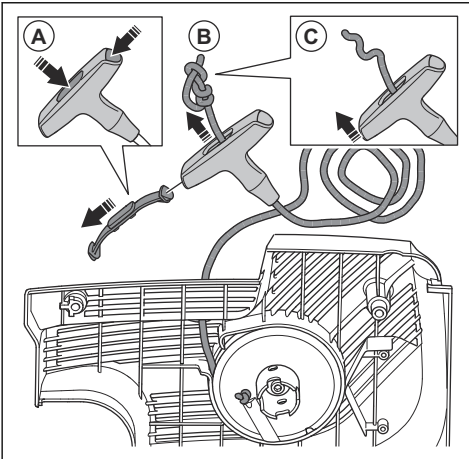
5. Lassen Sie die Startrolle langsam drehen, damit das Starterseil auf der Metallhülse aufgewickelt wird.



6. Ziehen Sie am Starterseil, um es von der Metallhülse zu lösen.



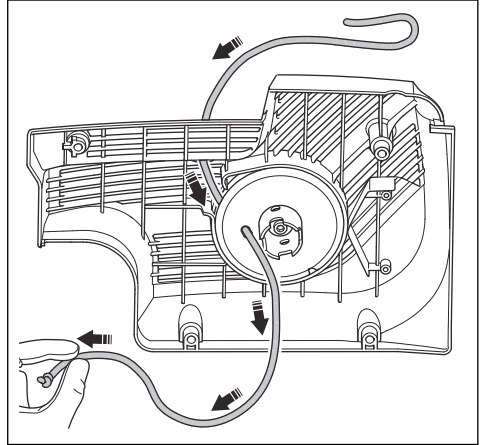
7. Entfernen Sie die Abdeckung am Starterseilgriff (A).



8. Ziehen Sie das Starterseil durch den Griff (B).

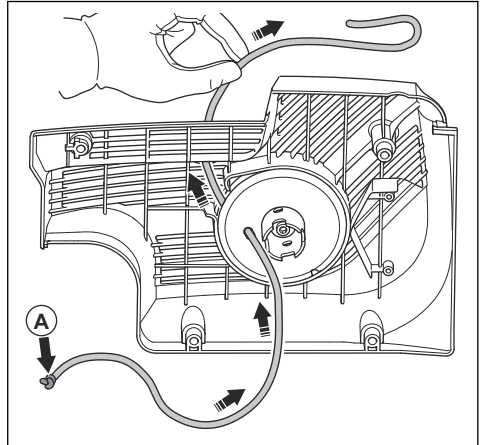
9. Lösen Sie den Knoten (C).

10. Entfernen Sie das verbleibende Starterseil.

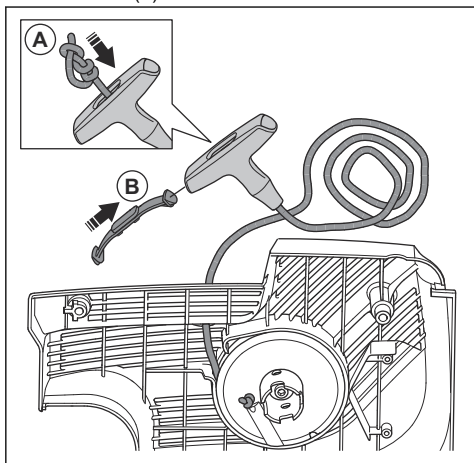


11. Prüfen Sie, ob die Rückzugfeder sauber und unbeschädigt ist.

12. Legen Sie ein neues Starterseil (A) in das Loch im Startvorrichtungsgehäuse.



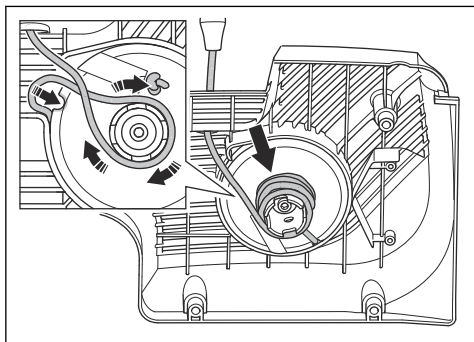
13. Ziehen Sie das Starterseil durch den Starterseilgriff, und machen Sie einen Knoten am Ende des Starterseils (A).



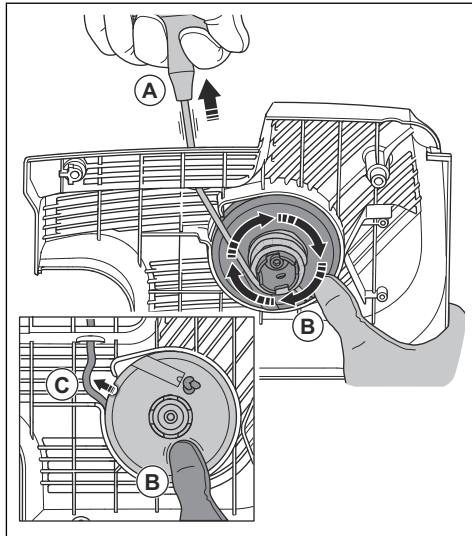
14. Befestigen Sie die Abdeckung am Starterseilgriff (B).
 15. Stellen Sie die Spannung der Rückzugfeder ein. Siehe *So stellen Sie die Spannung der Rückzugfeder ein auf Seite 39*.

So stellen Sie die Spannung der Rückzugfeder ein

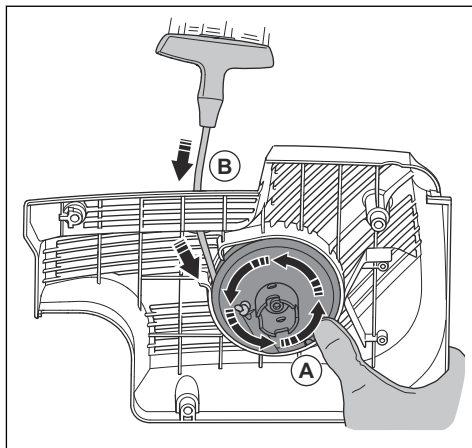
1. Ziehen Sie das Starterseil heraus.
2. Legen Sie das Starterseil in die Aussparung, und wickeln Sie es um die Metallhülse.



3. Ziehen Sie das Starterseil (A) heraus.



4. Legen Sie Ihren Daumen auf die Starterseilrolle (B), um das Starterseil herausgezogen zu halten.
5. Lösen Sie das Starterseil aus der Aussparung (C).
6. Entfernen Sie Ihren Daumen, um die Starterseilrolle (A) zu lösen, und lassen Sie das Starterseil (B) auf der Rolle aufwickeln.



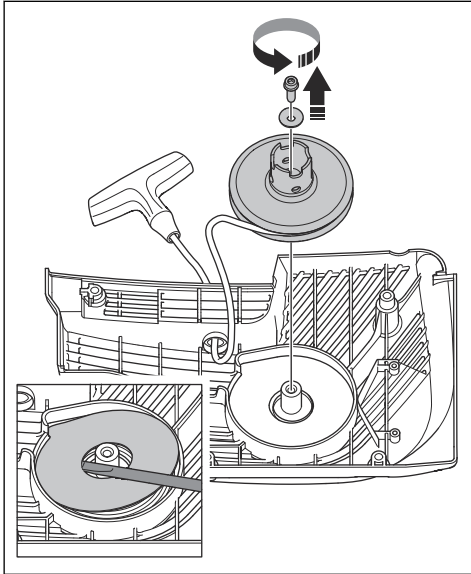
7. Ziehen Sie das Starterseil vollständig heraus, um zu überprüfen, ob sich die Rückzugfeder nicht in ihrer Endposition befindet. Achten Sie darauf, dass die Seilrolle um mindestens eine halbe Umdrehung gedreht werden kann, bevor die Rückzugfeder die Bewegungen stoppt.

So entfernen Sie die Federeinheit



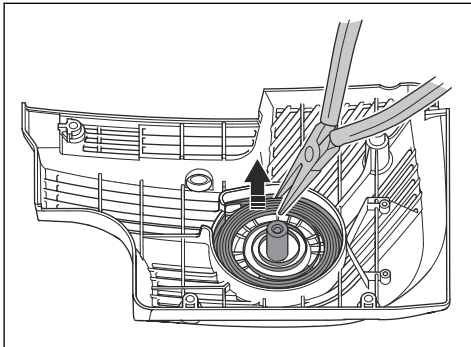
WARNUNG: Tragen Sie immer einen Augenschutz, wenn Sie die Federeinheit zerlegen. Es besteht das Risiko einer Augenverletzung, insbesondere wenn eine Feder gebrochen ist.

1. Entfernen Sie die Schraube in der Mitte der Starterseilrolle und die Starterseilrolle. Entfernen Sie vorsichtig die Abdeckung.



Die Rückzugfeder befindet sich im Startvorrichtungsgehäuse unter Spannung.

2. Entfernen Sie vorsichtig die Feder. Verwenden Sie eine Zange.



So schmieren Sie die Federeinheit

- Schmieren Sie die Rückzugfeder mit dünnflüssigem Öl.

Federeinheit anbringen

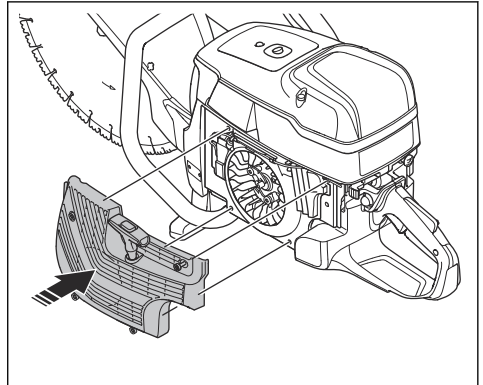
- Die Montage erfolgt in umgekehrter Reihenfolge von *So entfernen Sie die Federeinheit auf Seite 40*.

So installieren Sie das Startvorrichtungsgehäuse

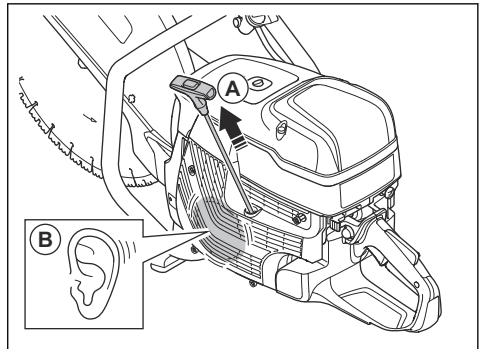


ACHTUNG: Die Starterklinken müssen in die richtige Position gegen die Seilrollenhülse kommen.

1. Legen Sie die Startvorrichtung gegen das Gerät.

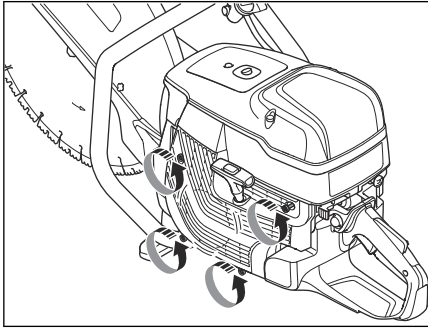


2. Installieren Sie die Starterklinken in der richtigen Position gegen die Seilrollenhülse. Ziehen Sie das Starterseil ca. 0,5 m heraus (A). Wenn die Position korrekt ist, hören Sie ein Klickgeräusch (B).



3. Lassen Sie das Starterseil langsam los.

- Ziehen Sie die 4 Schrauben an der Startvorrichtung an.



Vergaser überprüfen

Hinweis: Der Vergaser hat starre Nadeln, um sicherzustellen, dass das Gerät immer die richtige Mischung aus Kraftstoff und Luft erhält.

- Überprüfen Sie den Luftfilter. Siehe *So überprüfen Sie den Luftfilter auf Seite 41*
- Wenn dies notwendig ist, ersetzen Sie den Luftfilter.
- Wenn der Motor weiterhin an Leistung oder Drehzahl verliert, wenden Sie sich an Ihren Husqvarna Servicehändler.

Kraftstoffsystem überprüfen

- Vergewissern Sie sich, dass der Kraftstofftankdeckel und seine Dichtung nicht beschädigt sind.
- Überprüfen Sie den Kraftstoffschlauch. Ersetzen Sie den Kraftstoffschlauch bei Beschädigung.

So stellen Sie die Leerlaufdrehzahl ein

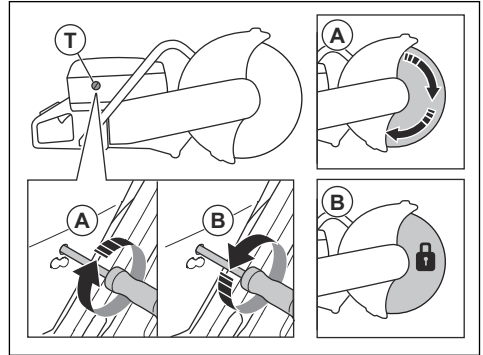


WARNUNG: Wenn sich die Trennscheibe im Leerlauf dreht, wenden Sie sich an Ihren Servicehändler. Sie dürfen das Gerät nicht einsetzen, bis die Leerlaufdrehzahl korrekt eingestellt oder repariert wurde.

Hinweis: Informationen zur empfohlenen Leerlaufdrehzahl finden Sie unter *Technische Daten auf Seite 44*.

- Starten Sie den Motor.
- Überprüfen Sie die Leerlaufdrehzahl. Bei richtig eingestelltem Vergaser stoppt die Trennscheibe, wenn der Motor im Leerlauf läuft.

- Stellen Sie die Leerlaufdrehzahl mit der T-Schraube ein.



- Drehen Sie die Schraube im Uhrzeigersinn, bis die Trennscheibe sich zu drehen beginnt (A).
- Drehen Sie die Schraube gegen den Uhrzeigersinn, bis die Trennscheibe aufhört, sich zu drehen (B).

Kraftstofffilter

Der Kraftstofffilter sitzt im Kraftstofftank. Der Kraftstofffilter verhindert eine Verunreinigung des Kraftstofftanks, wenn der Kraftstofftank gefüllt ist. Der Kraftstofffilter muss jährlich oder häufiger ausgetauscht werden, wenn er verstopft ist.



ACHTUNG: Reinigen Sie den Kraftstofffilter nicht.

So überprüfen Sie den Luftfilter

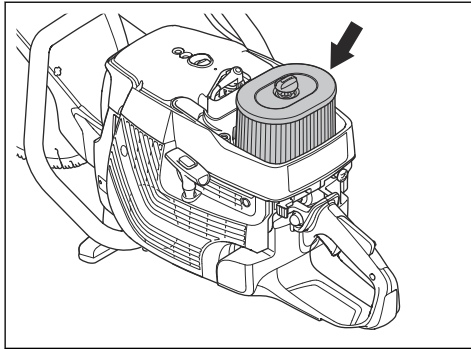


ACHTUNG: Seien Sie vorsichtig, wenn Sie den Luftfilter entfernen. Partikel, die in den Vergasereinlass fallen, können zu Schäden führen.

Prüfen Sie den Luftfilter, wenn die Motorleistung abnimmt.

- Lösen Sie die 3 Schrauben am Luftfilterdeckel.
- Entfernen Sie den Luftfilterdeckel.

3. Überprüfen Sie den Luftfilter.



4. Ersetzen Sie den Luftfilter bei Bedarf. Siehe *So ersetzen Sie den Luftfilter auf Seite 42.*
5. Ersetzen Sie den Luftfilterdeckel.
6. Ziehen Sie die 3 Schrauben an.

So ersetzen Sie den Luftfilter



ACHTUNG: Reinigen Sie den Luftfilter nicht mit Druckluft. Der Luftfilter besteht aus Papier und kann leicht beschädigt werden.

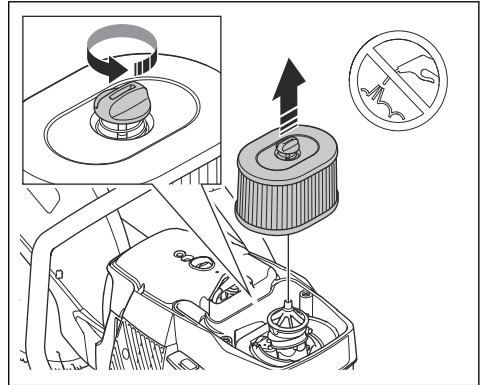


WARNUNG: Tragen Sie einen zugelassenen Atemschutz, wenn Sie den Luftfilter reinigen oder ersetzen. Entsorgen Sie gebrauchte Luftfilter ordnungsgemäß.

Der Staub im Luftfilter gefährdet Ihre Gesundheit.

Hinweis: Ersetzen Sie den Luftfilter nur, wenn er beschädigt ist.

1. Lösen Sie die 3 Schrauben am Luftfilterdeckel.
2. Entfernen Sie den Luftfilterdeckel.
3. Lösen Sie die Schraube auf dem Luftfiltergehäuse, und entfernen Sie sie.



4. Entfernen Sie den Luftfilter.
5. Installieren Sie den neuen Luftfilter.
6. Ersetzen Sie das Luftfiltergehäuse.
7. Ziehen Sie die Schraube auf dem Luftfiltergehäuse fest.
8. Ersetzen Sie den Luftfilterdeckel.
9. Ziehen Sie die 3 Schrauben fest.

Fehlerbehebung

Störung	Ursache	Mögliche Abhilfe
Das Gerät springt nicht an.	Der Startvorgang wird nicht ordnungsgemäß durchgeführt.	Siehe <i>So starten Sie das Gerät bei kaltem Motor auf Seite 32</i> und <i>So starten Sie das Produkt bei warmem Motor auf Seite 33.</i>
	Stoppsschalter in der rechten Stellung (STOP).	Stellen Sie sicher, dass sich der Stoppsschalter (STOP) in der linken Stellung befindet.
	Kein Kraftstoff im Kraftstofftank.	Kraftstoff einfüllen.
	Die Zündkerze ist defekt.	Die Zündkerze ersetzen.
	Die Kupplung ist defekt.	An die Servicewerkstatt wenden.
Die Trennscheibe dreht sich im Leerlauf.	Die Motordrehzahl ist zu hoch.	Die Leerlaufdrehzahl einstellen.
	Die Kupplung ist defekt.	An die Servicewerkstatt wenden.

Störung	Ursache	Mögliche Abhilfe
Die Trennscheibe dreht sich nicht, wenn der Bediener Gas gibt.	Der Riemen ist zu locker oder defekt.	Den Riemen spannen oder durch einen neuen ersetzen.
	Die Kupplung ist defekt.	An die Servicewerkstatt wenden.
	Die Trennscheibe ist falsch installiert.	Sicherstellen, dass die Trennscheibe richtig installiert ist.
Das Gerät hat keine Leistung, wenn der Bediener versucht, Gas zu geben.	Der Luftfilter ist verstopft.	Den Luftfilter überprüfen. Diesen ggf. austauschen.
	Der Kraftstofffilter ist verstopft.	Den Kraftstofffilter ersetzen.
	Der Kraftstoffankfluss ist blockiert.	An die Servicewerkstatt wenden.
Die Vibrationen sind zu stark.	Die Trennscheibe ist falsch installiert.	Sicherstellen, dass die Trennscheibe ordnungsgemäß installiert und unbeschädigt ist.
	Die Trennscheibe ist defekt.	Die Trennscheibe ersetzen und sicherstellen, dass sie nicht defekt ist.
	Eine Antivibrationseinheit ist defekt.	An die Servicewerkstatt wenden.
Die Temperatur des Geräts ist zu hoch.	Der Luftfeinlass oder die Zylinderflansche sind blockiert.	Den Luftfeinlass und die Zylinderflansche reinigen.
	Die Treibriemenspannung des Antriebs ist nicht ausreichend.	Den Riemen prüfen. Die Spannung einstellen.
	Die Kupplung ist defekt.	Immer mit voll geöffneter Gaszufuhr arbeiten.
Die Kupplung prüfen. An die Servicewerkstatt wenden.		
Die Leistung oder die Drehzahl des Motors fällt ab.	Der Luftfilter ist verstopft.	Den Luftfilter überprüfen. Siehe <i>So überprüfen Sie den Luftfilter auf Seite 41.</i>

Transport, Lagerung und Entsorgung

Transport und Lagerung

- Für die Lagerung und den Transport des Produkts und des Kraftstoffs ist darauf zu achten, dass keine Lecks oder Dämpfe vorhanden sind. Funken oder offene Flammen, zum Beispiel von elektrischen Geräten oder einem Boiler, können ein Feuer auslösen.
- Verwenden Sie für die Lagerung und den Transport von Kraftstoff immer zugelassene Behälter.
- Leeren Sie den Kraftstofftank, bevor Sie das Produkt über einen längeren Zeitraum einlagern. Entsorgen Sie den Kraftstoff in einer geeigneten Abfallentsorgungsstelle.
- Sichern Sie das Produkt während des Transports ab, um Schäden und Unfälle zu vermeiden.

- Bewahren Sie das Produkt in einem verschlossenen Bereich auf, um einen unerlaubten Zugriff durch Kinder oder andere Personen zu verhindern.
- Bewahren Sie das Produkt an einem trockenen und frostfreien Raum auf.

Entsorgung

- Befolgen Sie die örtlichen Recyclinganforderungen und geltenden Vorschriften.
- Entsorgen Sie alle Chemikalien, z. B. Öl oder Kraftstoff, in einer Servicewerkstatt oder in einer geeigneten Abfallentsorgungsstelle.
- Wenn Sie das Produkt nicht mehr benutzen, senden Sie es an einen Husqvarna-Händler, oder entsorgen Sie es in einer Wiederverwertungsanlage.

Technische Angaben

Technische Daten

Hubraum, Zoll ³ /cm ³	7,3/119
Bohrung, Zoll/mm	2,4/60
Hublänge, Zoll/mm	1,7/42
Leerlaufdrehzahl, U/min	2.700
Weit offener Gashebel, keine Last, U/min	9.300 (+/-150)
Leistung, PS/kW bei U/min	7,9/5,8 bei 8400
Zündkerze	NGK BPMR 7A
Elektrodenabstand, Zoll/mm	0,02/0,5
Füllmenge Kraftstofftank, US fl oz/l	40/1,2
Gewicht, Trennschleifer ohne Kraftstoff und Trennscheibe, 14 Zoll (350 mm), lb/kg	22,4/10,2
Geräuschemissionen ³	
Gemessener Schalleistungspegel dB (A)	116
Schalleistungspegel, garantiert L _{WA} dB (A)	117
Schalldruckpegel ⁴	
Äquivalenter Schalldruckpegel am Ohr des Bedieners, dB (A)	104

Erklärung zur Geräuschentwicklung

Diese erklärten Werte wurden in Laborversuchen in Übereinstimmung mit der aufgeführten Richtlinie oder Norm ermittelt und eignen sich für einen Vergleich mit Wertdeklarationen anderer Geräte, die nach der gleichen Richtlinie bzw. Norm geprüft wurden. Diese Wertdeklarationen eignen sich nicht zur Verwendung in Risikobewertungen, zudem können die an einzelnen Arbeitsplätzen gemessenen Werte höher sein. Die tatsächlichen Belastungswerte und das Gefährdungsrisiko eines individuellen Benutzers sind immer spezifisch und davon abhängig, wie der Benutzer arbeitet, bei welchem Material das Gerät eingesetzt wird, sowie von der Belastungszeit, dem Gesundheitszustand des Benutzers und dem Gerätezustand.

³ Umweltbelastende Geräuschemission werden gemessen als Schalleistung (L_{WA}) gemäß Richtlinie 2000/14/EC. Die Differenz zwischen garantiertem und gemessenem Schalleistungspegel besteht darin, dass beim garantierten Schalleistungspegel eine Streuung im Messergebnis und Variationen zwischen verschiedenen Einheiten des gleichen Geräts gemäß der Richtlinie 2000/14/EC berücksichtigt werden.

⁴ Äquivalente Schalldruckpegel, nach EN ISO-Norm ISO 19432, werden berechnet als die zeitgewichtete energetische Summe der Schalldruckpegel bei verschiedenen Betriebsarten. Berichten zufolge liegt der Schalldruckpegel für dieses Gerät normalerweise bei einer Ausbreitungsklasse (Standardabweichung) von 1 dB (A).

Einbauerklärung für teilweise fertiggestellte Maschinen

Einbauerklärung für teilweise fertiggestellte Maschinen

Wir, **Husqvarna AB**, SE-561 82 Huskvarna, SCHWEDEN, Tel. +46-36-146500, erklären in alleiniger Verantwortung, dass das Gerät Folgendem genügt:

Beschreibung	Antriebssystem für tragbare Schneidmaschine
Marke	Husqvarna
Typ/Modell	K1270 II R
Identifizierung	Seriennummern ab 2019

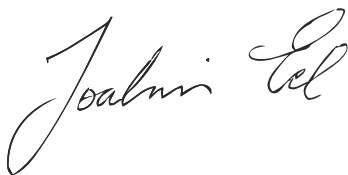
entsprechen vollständig den relevanten Teilen der EU-Richtlinien:

Richtlinie/Vorschrift	Beschreibung
2006/42/EG	„Maschinenrichtlinie“
2014/30/EG	„über EMV-Richtlinie“

Die relevanten Teile der Richtlinie werden in der technischen Dokumentation gemäß 2006/42/EG Teil B von Anhang VII genauer definiert und können in begründeten Fällen in digitaler Form für alle zuständigen Behörden zugänglich gemacht werden.

Die teilweise fertiggestellte Maschine darf erst in Betrieb genommen werden, wenn das Endprodukt, in welches sie integriert werden soll, offiziell den Bestimmungen der geltenden Richtlinien entspricht.

Partille, 2019-12-20



Joakim Ed

Vice President, Concrete Sawing, Drilling & Light Demolition

Husqvarna AB, Construction Division

Verantwortlich für die technische Dokumentation

Gewährleistung

BUNDESSTAATLICHE GARANTIEERKLÄRUNG ZUR ABGASKONTROLLE

IHRE GARANTIEANSPRÜCHE UND PFLICHTEN

Die EPA (US Environmental Protection Agency), Environment Canada und freuen sich, Ihnen für Ihren Kleinmotor aus dem Jahr 2009 und später eine Gewährleistung für das Emissionskontrollsystem ausstellen zu können. In den USA und in Kanada müssen Kleinmotoren, die nicht für den Straßeneinsatz vorgesehen sind, so entwickelt, hergestellt und ausgestattet sein, dass diese die strengen nationalen Abgasvorschriften erfüllen. muss eine Gewährleistung auf das Abgasregelungssystem Ihres Kleinmotors, der nicht für den Straßeneinsatz vorgesehen ist, für die unten angegebene Dauer geben, vorausgesetzt, das Gerät wurde nicht missbräuchlich verwendet, vernachlässigt oder falsch gewartet. Das Abgasregelungssystem enthält Teile wie Vergaser und Zündanlage. Im Garantiefall repariert Ihren Kleinmotor, der nicht für den Straßeneinsatz vorgesehen ist, kostenlos. Zu den von der Garantie abgedeckten Kosten gehören solche für Diagnose, Ersatzteile und Arbeitszeit.

GARANTIELEISTUNG DES HERSTELLERS

Kleinmotoren aus den Jahren 2009 und später werden mit einer zweijährigen Gewährleistung ausgeliefert. Sollte bei einem emissionsbezogenen Teil Ihres Motors (siehe oben) ein Defekt auftreten, wird dieses Teil von repariert oder ausgetauscht.

GARANTIEVERPFLICHTUNGEN DES EIGENTÜMERS

Als Eigentümer des Kleinmotors sind Sie für die Durchführung der erforderlichen Wartungsarbeiten verantwortlich, die in Ihrer Bedienungsanleitung aufgeführt sind. empfiehlt, alle Belege über die an Ihrem Kleinmotor durchgeführten Wartungsarbeiten aufzubewahren. Allerdings kann Garantieansprüche nicht allein aus dem Grund verweigern, dass nicht alle Belege vorliegen oder nicht alle Wartungsarbeiten planmäßig durchgeführt wurden. Als Eigentümer des Kleinmotors sollten Sie sich allerdings bewusst sein, dass Garantieansprüche verweigern kann, wenn Ihr Kleinmotor oder ein Teil davon aufgrund von falscher Anwendung, Vernachlässigung, unsachgemäßer Wartung, unzulässigen Änderungen oder der Verwendung von Teilen, die nicht vom Originalgerätehersteller hergestellt oder genehmigt wurden, beschädigt wurde. Sie sind dafür verantwortlich, Ihren Kleinmotor einem durch autorisierten Servicehändler zu übergeben, sobald ein Problem vorliegt. Die notwendigen Reparaturen werden innerhalb eines angemessenen Zeitraums durchgeführt (nicht mehr als 30 Tage). Wenden Sie sich bei Fragen zu Ihren Garantieansprüchen und Pflichten an den

nächsten autorisierten Wartungshändler oder an ,
Telefon 1-800-487-5951 bzw. .

BEGINN DATUM DER GARANTIE

Der Garantiezeitraum beginnt an dem Tag, an dem der Kleinmotor geliefert wird.

LÄNGE DER GARANTIELEISTUNG

garantiert dem Erstbesitzer und allen nachfolgenden Käufern, dass der Motor frei von Material- und Verarbeitungsfehlern ist, die den Ausfall eines von der Garantie abgedeckten Teils verursachen, für einen Zeitraum von zwei Jahren.

WAS IST ABGEDECKT?

REPARATUR ODER AUSTAUSCH VON TEILEN: Die Reparatur oder der Austausch eines von der Garantie abgedeckten Teils wird bei einem zugelassenen -Servicehändler kostenlos durchgeführt. Wenn Sie Fragen zu Ihrer Garantie haben, wenden Sie sich an den Kundendienst unter 1-800-487-5951 oder besuchen Sie .

GARANTIEZEITRAUM: Ein von der Garantie abgedecktes Teil, das nicht für einen Austausch vorgesehen ist, wie im Wartungsplan in den mitgelieferten schriftlichen Anweisungen gefordert, oder für das im Wartungsplan „Reparatur oder Austausch bei Bedarf“ bei den regelmäßigen Wartungen vorgesehen ist, wird für 2 Jahre von der Garantie abgedeckt. Jedes von der Garantie abgedeckte Teil, das gemäß dem Wartungsplan ausgetauscht werden soll, wird für die Zeitspanne bis zum ersten geplanten Austauschzeitpunkt dieses Teils durch die Gewährleistung abgedeckt.

DIAGNOSE: Dem Eigentümer dürfen diagnostische Arbeiten, die zu der Feststellung führen, dass ein von der Garantie abgedecktes Teil tatsächlich defekt ist, nicht in Rechnung gestellt werden, vorausgesetzt, diese diagnostischen Arbeiten werden bei einem zugelassenen -Servicehändler durchgeführt.

FOLGESCHÄDEN: kann für Schäden an anderen Motorkomponenten haften, die innerhalb des Garantiezeitraums durch den Ausfall eines von der Garantie abgedeckten Teils verursacht werden.

WAS IST NICHT ABGEDECKT?

Alle Störungen durch Missbrauch, Vernachlässigung oder unsachgemäße Wartung sind nicht abgedeckt.

ZUSÄTZLICHE ODER VERÄNDERTE TEILE: Die Verwendung sämtlicher zusätzlicher oder veränderter Teile kann ein Grund für die Zurückweisung eines Garantieanspruchs sein. haftet nicht für Schäden an von der Garantie abgedeckten Teilen, die durch die Verwendung von zusätzlichen oder veränderten Teilen verursacht wurden.

SO STELLEN SIE EINEN ANTRAG

Wenden Sie sich bei Fragen zu Ihren Garantieansprüchen und Pflichten an den nächsten autorisierten Wartungshändler oder an , Telefon 1-800-487-5951 bzw. .

WO FINDEN SIE GEWÄHRLEISTUNGSSERVICES?

Alle von autorisierten Servicehändler bieten Garantieservices und Reparaturen an.

WARTUNG, AUSTAUSCH UND REPARATUR VON EMISSIONSBEZOGENEN TEILEN

Jedes von genehmigte Ersatzteil, das während einer Wartung im Rahmen der Garantie oder der Reparatur eines emissionsbezogenen Teils verwendet wird, wird dem Eigentümer kostenlos zur Verfügung gestellt, wenn das Teil von der Garantie abgedeckt ist.

ERSATZTEILLISTE EMISSIONSKONTROLLGARANTIE

1. Vergaser und interne Komponenten.
2. Einlassleitung, Luftfilterhalter und Vergaserschrauben.
3. Luftfilter und Kraftstofffilter sind bis zum Wartungsplan abgedeckt.
4. Zündanlage
 - a. Zündkerze, bis zum Wartungsplan abgedeckt.
 - b. Zündmodul
5. Zündmodul.

WARTUNGSERKLÄRUNG

Der Eigentümer ist dafür verantwortlich, dass das Gerät entsprechend den Wartungsanweisungen der Bedienungsanleitungen gewartet wird.

Contenido

Introducción.....	48	Transporte, almacenamiento y eliminación.....	67
Seguridad.....	50	Datos técnicos.....	68
Funcionamiento.....	53	Declaración de incorporación de una cuasimáquina.....	69
Mantenimiento.....	58	Garantía.....	70
Resolución de problemas.....	66		

Introducción

Proposición 65 de California



WARNING

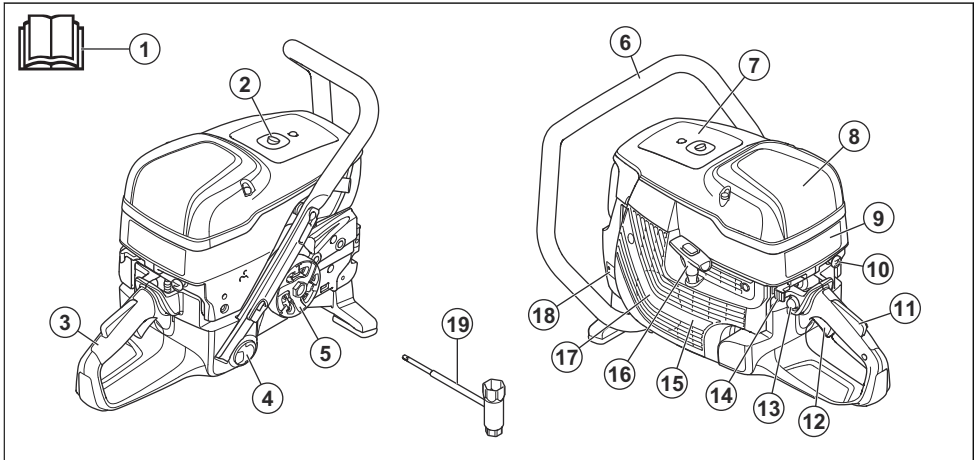
The engine exhaust from this product contains chemicals known to the State of California to cause cancer, birth defects or other reproductive harm.

Descripción del producto

Esta unidad de alimentación no es un producto completo. Los fabricantes del equipo original (OEM)

utilizan esta unidad de alimentación para montar una cortadora manual de alta velocidad especial u otro equipo de esa categoría.

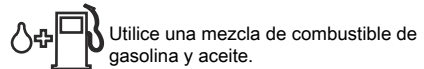
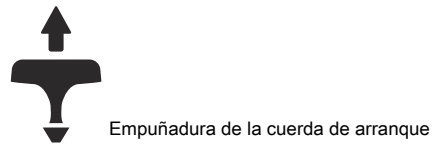
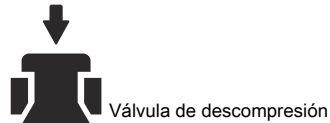
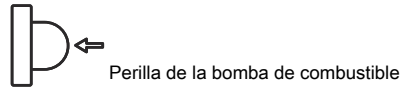
Descripción del producto



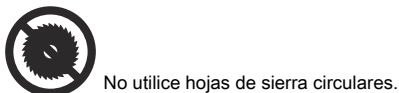
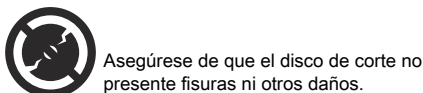
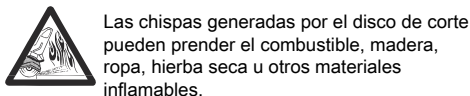
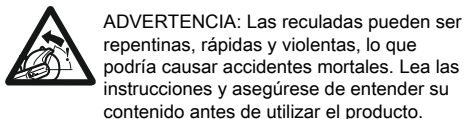
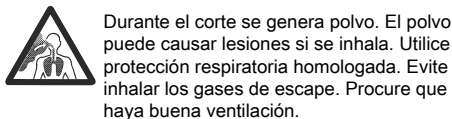
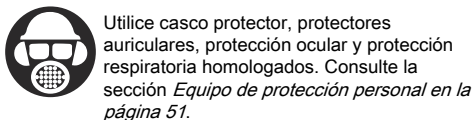
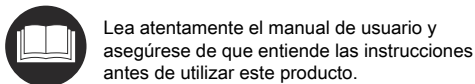
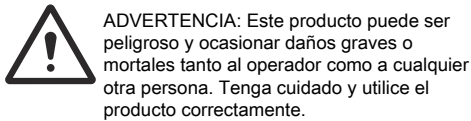
1. Manual de usuario
2. Válvula de descompresión
3. Mango trasero

4. Tapón del depósito de combustible
5. Engranaje y embrague
6. Mango delantero

7. Etiqueta adhesiva de información y advertencia
8. Cubierta del filtro de aire
9. Etiqueta de instrucciones de arranque
10. Control del estrangulador
11. Válvula de descompresión
12. Gatillo del acelerador
13. Perilla de la bomba de combustible
14. Interruptor de parada
15. Toma de aire
16. Empuñadura de la cuerda de arranque
17. Cuerpo del mecanismo de arranque
18. Placa de identificación
19. Llave combinada

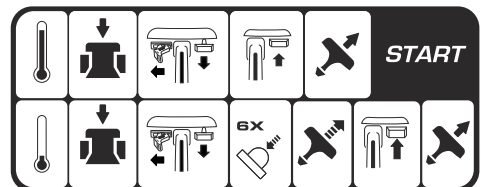


Símbolos que aparecen en el producto



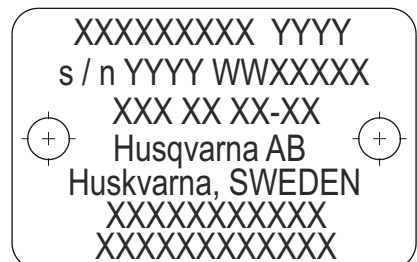
Nota: Los demás símbolos/etiquetas que aparecen en el producto corresponden a requisitos de homologación especiales para algunos mercados.

Etiqueta de instrucciones de arranque



Consulte *Arranque del producto con el motor frío en la página 55* y *Arranque del producto con el motor caliente en la página 56* para ver las instrucciones.

Placa de identificación



Fila 1: Marca, Modelo (X, Y)

Fila 2: N.º de serie con fecha de fabricación (A, S, X):
Año, semana, n.º de secuencia

Fila 3: N.º de producto (X)

Fila 4: Fabricante

Fila 5: Dirección del fabricante

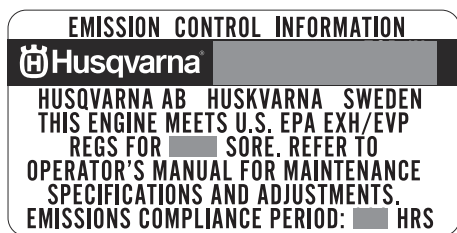
Filas 6-7: Homologación de la UE o número MEIN chino

Emisiones Euro V



ADVERTENCIA: La manipulación del motor anula la homologación de la UE de este producto.

EPA



El período de cumplimiento de la etiqueta de la normativa sobre emisiones indica el número de horas

de funcionamiento para las que se ha demostrado que el motor cumple los requisitos de emisiones federales. El mantenimiento, sustitución o reparación de los dispositivos y sistemas de control de emisiones pueden realizarlo cualquier persona o taller especializados en la reparación de motores no destinados para su uso en automóviles.

JUNTA DE RECURSOS DEL AIRE DE CALIFORNIA (CARB)

Nota: Esta máquina está considerada una aplicación de prevención según las normativas de la CARB. La EPA de EE. UU. es la única autoridad facultada para establecer normativas sobre emisiones para equipos de construcción de prevención.

Responsabilidad sobre el producto

Como se estipula en las leyes de responsabilidad del producto, no nos hacemos responsables de los daños y perjuicios causados por nuestro producto si:

- El producto se ha reparado incorrectamente.
- El producto se ha reparado con piezas que no eran del fabricante o no autorizadas por el fabricante.
- El producto tiene un accesorio que no es del fabricante o no está autorizado por este.
- El producto no se ha reparado en un centro de servicio autorizado o por un organismo homologado.

Seguridad

Definiciones de seguridad

Las advertencias, precauciones y notas se utilizan para destacar información especialmente importante del manual.



ADVERTENCIA: Indica un riesgo de lesiones o incluso de muerte del usuario o de las personas cercanas si no se respetan las instrucciones del manual.



PRECAUCIÓN: Indica un riesgo de daños en el producto, otros materiales o el área adyacente si no se respetan las instrucciones del manual.

Nota: Se usa para proporcionar más información necesaria en una situación determinada.

Seguridad de los gases de escape



ADVERTENCIA: Lea las siguientes instrucciones de advertencia antes de utilizar el producto.

- Los gases de escape del motor contienen monóxido de carbono, que es un gas inodoro, tóxico y muy peligroso. La inhalación de monóxido de carbono puede causar la muerte. Como el monóxido de carbono es inodoro y no se puede ver, no es posible detectarlo. Uno de los síntomas de la intoxicación por monóxido de carbono es el mareo, pero es posible quedar inconsciente sin darse cuenta si la concentración o la cantidad de monóxido de carbono son suficientes.
- Los gases de escape también contienen hidrocarburos sin quemar, incluido benceno. La inhalación prolongada puede causar problemas de salud.
- Los gases de escape que sí se pueden ver u oler también contienen monóxido de carbono.
- No utilice un producto con motor de combustión en interiores ni en zonas que no estén bien ventiladas.
- No inhale los gases de escape.
- Asegúrese de que el flujo de aire de la zona de trabajo es suficiente. Esto es muy importante cuando se utiliza el producto en zanjas u otras áreas de trabajo pequeñas en las que los gases de escape se pueden acumular fácilmente.

Equipo de protección personal



ADVERTENCIA: Lea las siguientes instrucciones de advertencia antes de utilizar el producto.

- Utilice siempre un equipo de protección personal homologado durante el uso del producto. El equipo de protección personal no elimina el riesgo de lesiones, pero reduce su efecto en caso de accidente. Pida a su distribuidor que le asesore en la elección del equipo.
- Utilice un casco protector homologado.
- Utilice protección auditiva homologada. La exposición prolongada al ruido puede causar daños crónicos en el oído. Cuando use protectores auriculares, preste atención a las señales o llamadas de advertencia. Quitese siempre la protección de oídos en cuanto se detenga el motor.
- Utilice protección ocular homologada para reducir el riesgo de lesiones debido a objetos que puedan salir despedidos. Si utiliza un protector facial, debe utilizar también gafas protectoras homologadas. Por gafas protectoras homologadas se entienden las que cumplen con la norma ANSI Z87.1 para EE.UU. o EN 166 para países de la UE. El visor debe cumplir con la norma EN 1731.
- Use guantes resistentes.
- Utilice protección respiratoria homologada. El uso de productos como cortadoras, amoladoras o taladradoras que lijan o sueltan material pueden generar polvo y vapores que pueden contener productos químicos perniciosos. Compruebe la naturaleza del material que pretende procesar y utilice una máscara respiratoria adecuada.
- Utilice prendas de vestir ceñidas, resistentes y cómodas que permitan libertad de movimientos total. El proceso de corte genera chispas que podrían prender fuego a la ropa. Husqvarna recomienda que lleve ropa de algodón piroretardante o de tejidos vaqueros duros. No lleve ropa de materiales como nailon, poliéster o rayón. Si estos materiales empezaran a arder, podrían derretirse y adherirse a la piel. No lleve pantalones cortos.
- Use botas con puntera de acero y suela antideslizante.
- Tenga siempre a mano el kit de primeros auxilios.



- Las chispas podrían proceder del silenciador o del disco de corte. Tenga siempre un extintor de incendios a su disposición.

Dispositivos de seguridad en el producto

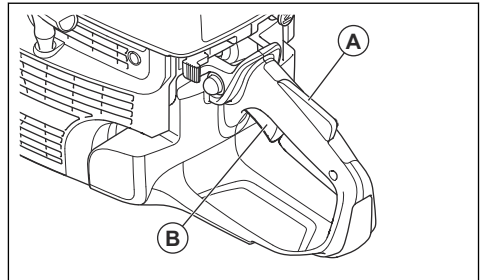


ADVERTENCIA: Lea las siguientes instrucciones de advertencia antes de utilizar el producto.

- No utilice un producto que tenga dispositivos de seguridad defectuosos.
- Realice una comprobación de los dispositivos de seguridad con frecuencia. Si los dispositivos de seguridad están defectuosos, hable con su taller de servicio Husqvarna homologado.
- No modifique los dispositivos de seguridad.
- No utilice el producto si las placas protectoras, las cubiertas de protección, los interruptores de seguridad u otros dispositivos de protección no están instalados o están dañados.

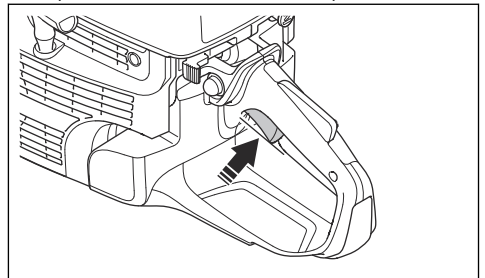
Bloqueo del acelerador

El bloqueo del acelerador evita el uso accidental del acelerador. Si coloca la mano en el mango y presiona el bloqueo del acelerador (A), se desbloqueará el acelerador (B). Al soltar el mango, el acelerador y el bloqueo del acelerador vuelven a sus posiciones iniciales. Esta función bloquea el acelerador cuando el producto se encuentra a ralentí.

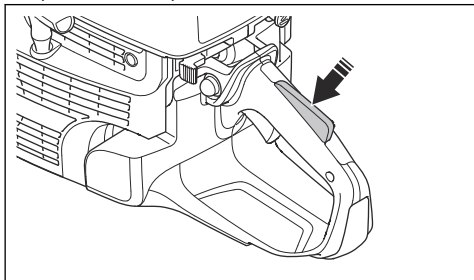


Comprobación del bloqueo del acelerador

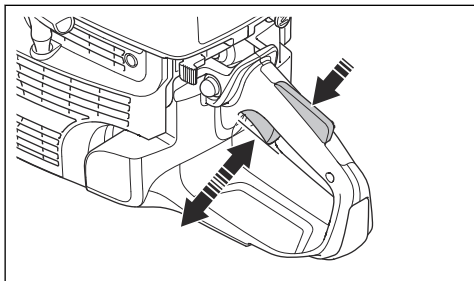
1. Asegúrese de que el acelerador está bloqueado en la posición de ralentí cuando el bloqueo se suelta.



2. Presione el bloqueo del acelerador y asegúrese de que vuelve a su posición al soltarlo.



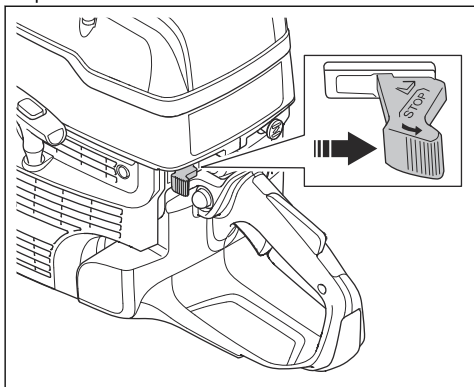
3. Compruebe que el acelerador y el bloqueo del acelerador se muevan con facilidad y que los muelles de retorno funcionen correctamente.



4. Ponga en marcha el producto y acelere al máximo.
5. Suelte el acelerador y compruebe que el disco de corte se detiene y que permanece inmóvil.
6. Si el disco de corte gira en la posición de ralentí, ajuste el régimen de ralentí. Consulte la sección *Para ajustar el régimen de ralentí en la página 64.*

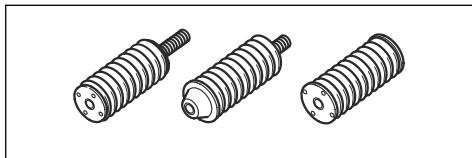
Comprobación del interruptor de parada

1. Arranque el motor.
2. Ponga el interruptor de parada en la posición de parada. El motor se debe detener.



Sistema amortiguador de vibraciones

Su producto incorpora un sistema amortiguador de vibraciones diseñado para reducir al máximo posible las vibraciones y optimizar la comodidad de uso. El sistema amortiguador de vibraciones del producto reduce la transmisión de las vibraciones de la unidad de motor y el equipo de corte a la unidad de empuñadura del producto.



Comprobación del sistema amortiguador de vibraciones



ADVERTENCIA: Asegúrese de que el motor está apagado y de que el botón de parada se encuentra en la posición de parada.

1. Asegúrese de que no los amortiguadores de vibraciones no presenten fisuras ni deformación. Sustituya los amortiguadores de vibraciones si están dañados.
2. Compruebe que los amortiguadores de vibraciones estén bien montados entre la parte del motor y la parte de los mangos.

Silenciador

El silenciador mantiene al mínimo los niveles de ruido y aparta los gases de escape del operador.

No utilice el producto si el silenciador no está instalado o está defectuoso. Un silenciador defectuoso aumenta el nivel de ruido y el riesgo de incendio.



ADVERTENCIA: El silenciador se calienta mucho durante y después de su uso, y cuando el motor funciona a ralentí. Tenga cuidado cerca de materiales inflamables o gases para evitar incendios.

Comprobación del silenciador

- Examine el silenciador con frecuencia para asegurarse de que está montado correctamente y que no está dañado.

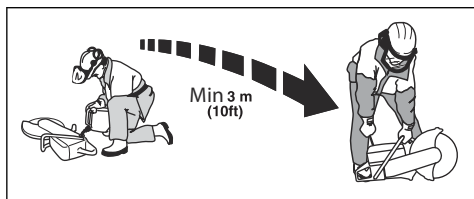
Seguridad en el uso del combustible



ADVERTENCIA: Lea las siguientes instrucciones de advertencia antes de utilizar el producto.

- El combustible es inflamable y los vapores son explosivos. Tenga cuidado con el combustible para evitar lesiones, incendios y explosiones.

- Reposte el producto al aire libre, en un lugar bien ventilado. No inhale los vapores del combustible. Los vapores de combustible son tóxicos y pueden provocar lesiones, incendios y explosiones.
- No retire el tapón de combustible ni llene el depósito de combustible cuando el motor esté en marcha.
- Deje que el motor se enfríe antes de repostar combustible.
- No fume cerca del combustible o el motor.
- No coloque objetos calientes cerca del combustible ni del motor.
- No reposte combustible cerca de chispas o llamas.
- Antes de repostar, abra la tapa del depósito de combustible lentamente y deje salir el exceso de presión con cuidado.
- En contacto con la piel, el combustible puede provocar lesiones. Si el combustible entra en contacto con la piel, utilice agua y jabón para eliminarlo.
- Si derrama combustible sobre la ropa, cámbiese inmediatamente.
- Apriete el tapón del depósito de combustible completamente. Si el tapón del depósito de combustible no está bien apretado, las vibraciones del producto pueden aflojarlo y provocar fugas de combustible y vapores de combustible. El combustible y los vapores de combustible son un riesgo de incendio.
- Antes de poner en marcha el producto, colóquelo a una distancia mínima de 3 m (10 pies) desde donde haya repostado.



- No arranque el producto si está manchado con combustible o aceite. Limpie el combustible y el

aceite no deseados y deje que el producto se seque antes de arrancar el motor.

- Examine frecuentemente si hay fugas en el motor. Si hay fugas en el sistema de combustible, no arranque el motor hasta que se reparen las fugas.
- Almacene el combustible solo en recipientes homologados.
- Cuando el producto y el combustible estén almacenados, asegúrese de que ni el combustible ni los vapores que desprende puedan causar daños, incendios ni explosiones.
- Vacíe el combustible en un depósito homologado al aire libre y lejos de llamas y chispas.

Instrucciones de seguridad para el mantenimiento



ADVERTENCIA: Lea las siguientes instrucciones de advertencia antes de utilizar el producto.

- Asegúrese de que el motor está apagado y de que el botón de parada se encuentra en la posición de parada.
- Utilice el equipo de protección personal. Consulte la sección *Equipo de protección personal en la página 51*.
- Si el mantenimiento no se realiza correctamente y de forma regular, aumenta el riesgo de lesiones y daños en el producto.
- Realice únicamente las tareas de mantenimiento que se indican en este manual de usuario. Lleve el producto a un centro de servicio autorizado para que realicen el resto de tareas de mantenimiento.
- Lleve el producto a un taller de servicio Husqvarna autorizado para realizar el mantenimiento de forma regular.
- Cambie las piezas dañadas, desgastadas o rotas.
- Utilice siempre accesorios originales.

Funcionamiento

Introducción

motor. Utilice una mezcla de gasolina y aceite para motores de dos tiempos.



ADVERTENCIA: Asegúrese de leer y comprender el capítulo sobre seguridad antes de usar el producto.

Carburante

Este producto tiene un motor de dos tiempos.



PRECAUCIÓN: Un tipo de combustible incorrecto puede producir daños en el

Aceite para motores de dos tiempos

- Para obtener los mejores resultados y un rendimiento óptimo, utilice aceite para motores de dos tiempos Husqvarna.
- Si no se dispone de aceite para motores de dos tiempos Husqvarna, puede utilizarse un aceite para motores de dos tiempos de buena calidad para motores refrigerados por aire. Póngase en contacto con su taller de servicio para seleccionar el aceite correcto.



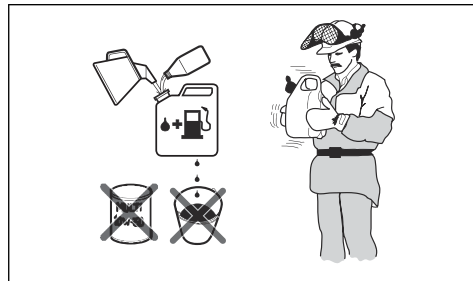
PRECAUCIÓN: No utilice nunca aceite para motores de dos tiempos motores fueraborda refrigerados por agua. No utilice aceite para motores de cuatro tiempos.

Combustible premezclado

- Utilice gasolina de alquilato premezclada Husqvarna para mejorar el rendimiento y prolongar la vida útil del motor. Este combustible contiene menos productos químicos peligrosos que la gasolina tradicional, lo que reduce los gases de escape tóxicos. Con este combustible, se reduce la cantidad de residuos de la combustión, lo que ayuda a mejorar el nivel de limpieza de los componentes del motor.

Mezcla de gasolina y aceite para motores de dos tiempos

Gasolina, litros	Aceite para motores de dos tiempos, litros
	2 % (50:1)
5	0,10
10	0,20
15	0,30
20	0,40
Galón estadounidense	Onza líquida estadounidense
1	2 ½
2 1/2	6 ½
5	12 ¾



- Agregue la mitad de la cantidad de gasolina a un recipiente limpio homologado para combustible.
- Añada la cantidad total de aceite.
- Agite la mezcla de combustible.
- Añada el resto de gasolina al recipiente.
- Agite bien la mezcla de combustible.



PRECAUCIÓN: No mezcle combustible para más de 1 mes como máximo.

Repotaje de combustible



PRECAUCIÓN: No utilice gasolina con un octanaje inferior a 90 octanos RON (87 AKI). Esto provoca daños en el producto.



PRECAUCIÓN: No utilice gasolina con una concentración de etanol de más del 10 % (E10). Esto provoca daños en el producto.

Nota: En algunas condiciones, es necesario realizar un ajuste del carburador al cambiar el tipo de combustible.

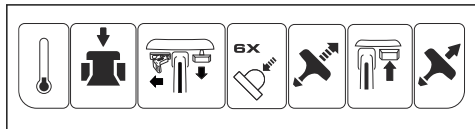
- Utilice gasolina con un mayor octanaje si utiliza con frecuencia el producto a un régimen del motor alto de manera continua.

- Abra el tapón del depósito de combustible lentamente para liberar la presión.
- Llene lentamente con una lata de combustible. Si derrama combustible, límpielo con un paño y deje que el combustible restante se seque.
- Limpie la zona de alrededor del tapón del depósito de combustible.
- Apriete el tapón del depósito de combustible completamente. Si el tapón del depósito de combustible no se aprieta, existe riesgo de incendio.
- Antes de arrancarlo, lleve el producto a 3 m (10 pies) de distancia como mínimo del punto en el que llenó el depósito.



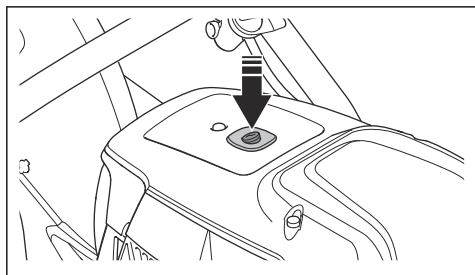
PRECAUCIÓN: Los errores, por pequeños que sean, pueden influir en la proporción de la mezcla considerablemente si mezcla pequeñas cantidades de combustible. Mida cuidadosamente la cantidad de aceite para asegurarse de obtener la mezcla adecuada.

Arranque del producto con el motor frío

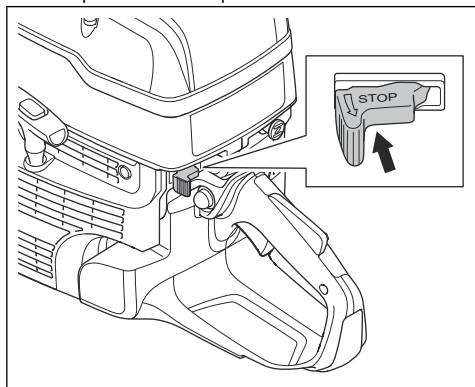


ADVERTENCIA: Asegúrese de que el disco de corte pueda girar libremente. Comienza a girar cuando arranca el motor.

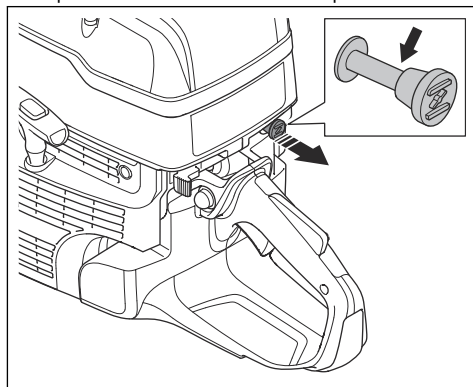
1. Presione la válvula de descompresión para reducir la presión del cilindro. La válvula de descompresión vuelve a la posición inicial cuando el producto arranca.



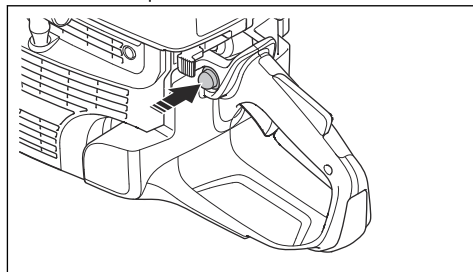
2. Asegúrese de que el botón de parada se encuentra en la posición de la izquierda.



3. Tire completamente del estrangulador hasta llegar a la posición de aceleración de arranque.



4. Presione la perilla de la bomba de combustible 6 veces hasta que se llene de combustible.

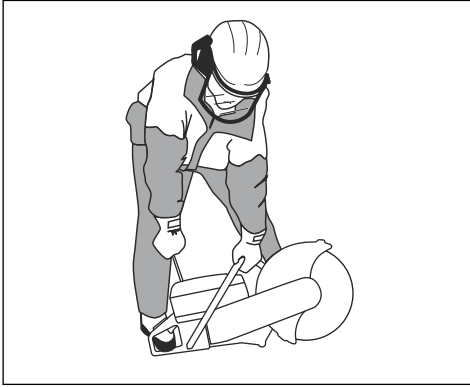


5. Agarre el mango delantero con la mano izquierda.
6. Pise la parte inferior del mango trasero con el pie derecho para presionar el producto contra el suelo.



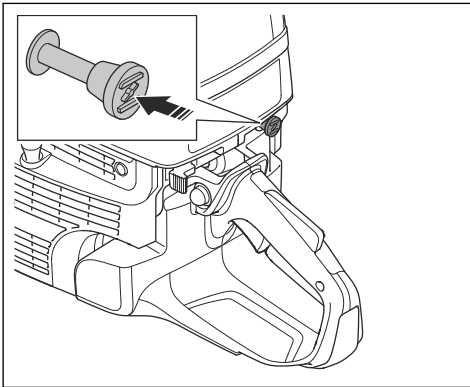
ADVERTENCIA: No se enrolle la cuerda de arranque alrededor de la mano.

- Tire lentamente de la cuerda de arranque con la mano derecha hasta que note resistencia a medida que se acoplan los ganchos de arranque. A continuación, tire de forma continua y rápida.

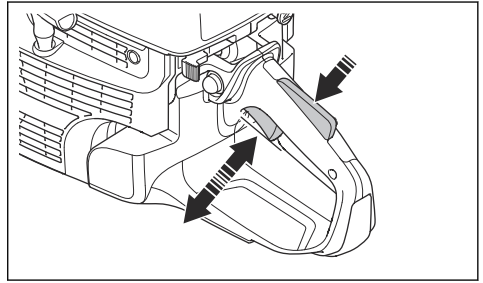


PRECAUCIÓN: No extraiga la cuerda de arranque al máximo y no suelte la empuñadura de arranque de cuerda cuando esté extraída. Esto puede provocar daños en el producto.

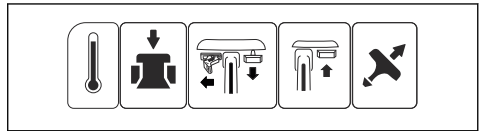
- Cuando el motor se encienda, oprima inmediatamente el estrangulador. Si se tira del estrangulador, el motor se detendrá tras algunos segundos. Si el motor se detiene, tire de nuevo de la empuñadura de la cuerda de arranque.



- Empuje el acelerador para desacoplar la aceleración de arranque y ajuste el producto al régimen de ralentí.

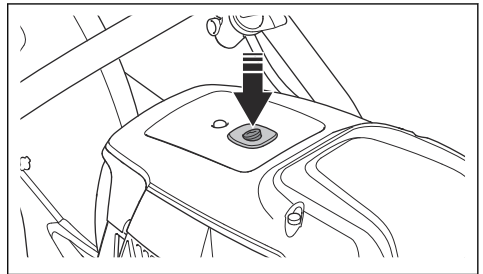


Arranque del producto con el motor caliente

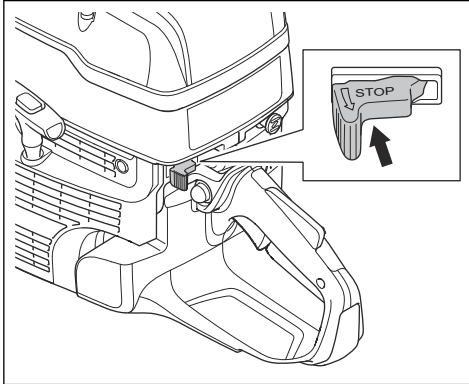


ADVERTENCIA: Asegúrese de que el disco de corte pueda girar libremente. Comienza a girar cuando arranca el motor.

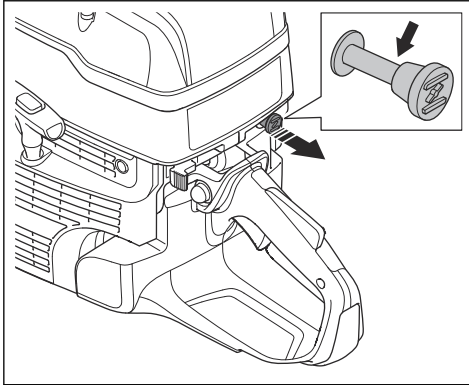
- Presione la válvula de descompresión para reducir la presión del cilindro. La válvula de descompresión vuelve a la posición inicial cuando el producto arranca.



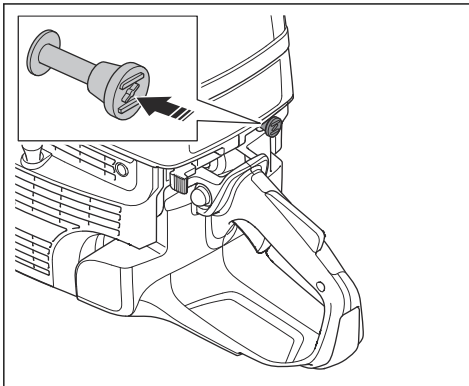
2. Asegúrese de que el botón de parada se encuentra en la posición de la izquierda.



3. Tire completamente del estrangulador hasta llegar a la posición de aceleración de arranque.



4. Empuje el estrangulador para desactivarlo. El acelerador de arranque permanece en su posición.

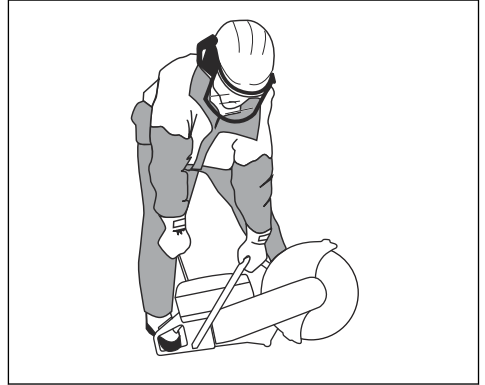


5. Agarre el mango delantero con la mano izquierda.
6. Pise la parte inferior del mango trasero con el pie derecho para presionar el producto contra el suelo.



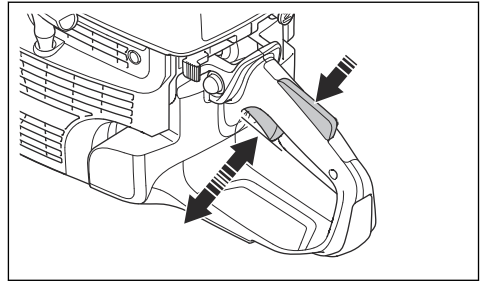
ADVERTENCIA: No se enrolle la cuerda de arranque alrededor de la mano.

7. Tire lentamente de la cuerda de arranque hasta que note resistencia a medida que se acoplan los ganchos de arranque. A continuación, tire de forma continua y rápida.



PRECAUCIÓN: No extraiga la cuerda de arranque al máximo y no suelte la empuñadura de arranque de cuerda cuando esté extraída. Esto puede provocar daños en el producto.

8. Empuje el acelerador para desacoplar la aceleración de arranque y ajuste el producto al régimen de ralentí.

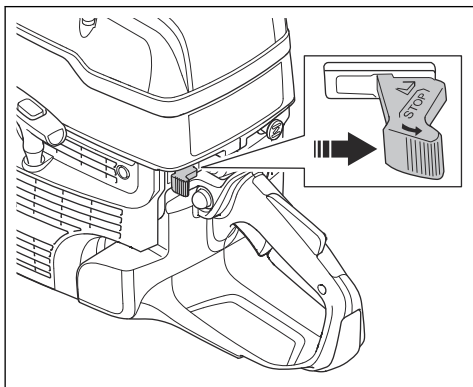


Parada del producto



ADVERTENCIA: El disco de corte sigue girando unos instantes cuando el motor se para. Asegúrese de que el disco de corte puede girar libremente hasta que se detenga por completo. Si es necesario detener el disco de corte rápidamente, ponga levemente en contacto el disco de corte con una superficie dura. Riesgo de lesiones graves.

- Mueva el botón de parada hacia la derecha para detener el motor.



Mantenimiento

Introducción



ADVERTENCIA: Asegúrese de leer y comprender el capítulo sobre seguridad antes de realizar tareas de mantenimiento en el producto.

Para todos los trabajos de mantenimiento y reparación del producto, es necesario realizar una formación especial. Le ofrecerán un servicio y reparaciones de calidad profesional. Si su distribuidor no es un taller de servicio, pídale información sobre el taller de servicio más cercano.

Si necesita piezas de repuesto, póngase en contacto con su distribuidor o taller de servicio Husqvarna.

Programa de mantenimiento

El programa de mantenimiento muestra el mantenimiento necesario del producto. Los intervalos se calculan a partir de uso diario del producto.

Para las tareas de mantenimiento identificadas con un *, consulte las instrucciones de *Dispositivos de seguridad en el producto en la página 51*.

Mantenimiento	Diario	Semanal	Mensual
Inspeccione las superficies externas del producto.	X		
Limpie la toma de aire frío.	X		
Limpie la bujía.			X
Limpie el depósito de combustible.			X
Realice una inspección general.	X		
Compruebe el fiador del acelerador*.	X		
Compruebe el interruptor de parada*.	X		
Compruebe si hay fugas de combustible.	X		
Revise el sistema amortiguador de vibraciones*.		X	

Mantenimiento	Diario	Semanal	Mensual
Inspeccione el silenciador*.		X	
Examine el carburador.		X	
Inspeccione el cuerpo del mecanismo de arranque.		X	
Inspeccione el sistema de combustible.			X
Examine el filtro de aire.			X
Inspeccione el engranaje de transmisión y el embrague.			X

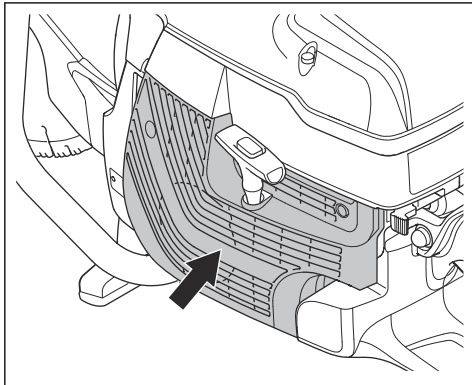
Para limpiar de forma externa

- Enjuague el exterior del producto con agua limpia tras cada día de funcionamiento. Si es necesario, utilice un cepillo.

Para limpiar la toma de aire frío

Nota: Una toma de aire sucia o bloqueada calentará demasiado el producto. Esto puede provocar daños en el pistón y en el cilindro.

- Limpie la toma de aire frío si es necesario.



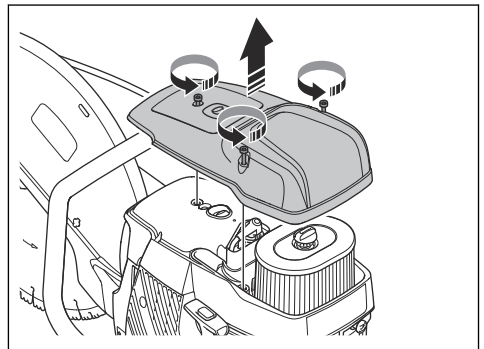
- Elimine las obstrucciones, la suciedad y el polvo con un cepillo.

Para examinar la bujía

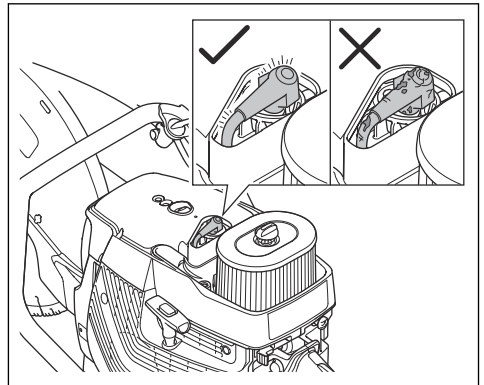
Nota: Utilice siempre el tipo de bujía recomendado. Una bujía incorrecta puede dañar el pistón y el cilindro. Para conocer las bujías recomendadas, consulte *Datos técnicos en la página 68*.

Si el producto funciona con baja potencia, cuesta encenderlo o funciona deficientemente a ralentí, revise la bujía.

1. Afloje los 3 tornillos de la cubierta del filtro de aire y retire dicha cubierta.

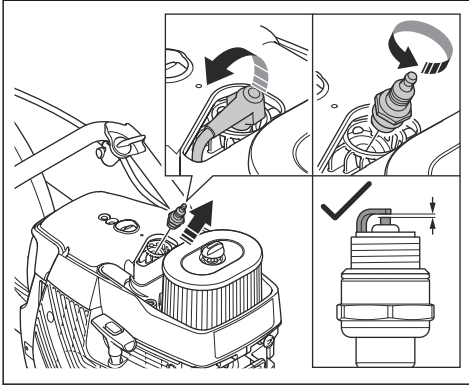


2. Verifique que la pipa de la bujía y el cable de encendido estén en perfecto estado para evitar el riesgo de descarga eléctrica.



3. Limpie la bujía si está sucia.
4. Compruebe que la distancia entre los electrodos sea de 0,5 mm.

5. Si es necesario, cambie la bujía.



Para realizar una inspección general

- Asegúrese de que todas las tuercas y los tornillos del producto estén apretados correctamente.

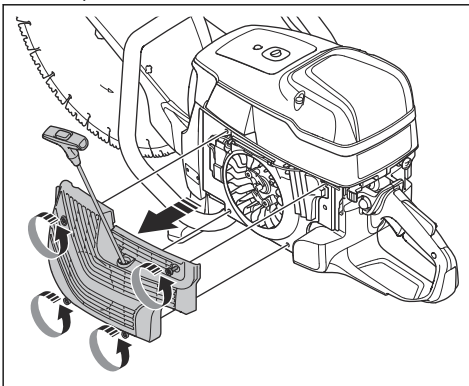
Cuerpo del mecanismo de arranque



ADVERTENCIA: Debe tener siempre cuidado y usar protección ocular al sustituir el muelle de retorno o la cuerda de arranque. El muelle de retorno estará tensado si está enrollado en el cuerpo del mecanismo de arranque. El muelle de retorno puede salir despedido y causar lesiones.

Para retirar el cuerpo del mecanismo de arranque

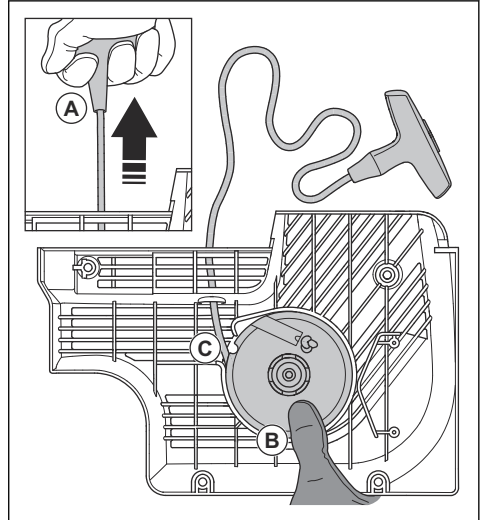
1. Afloje los 4 tornillos del cuerpo del mecanismo de arranque.



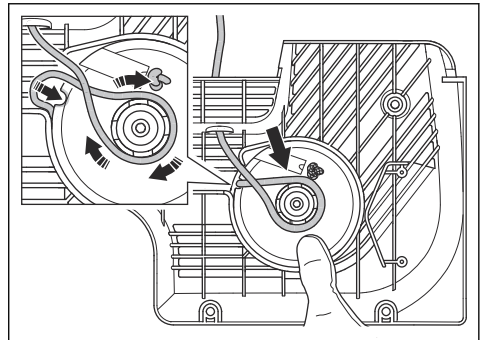
2. Retire el cuerpo del mecanismo de arranque.

Para sustituir una cuerda de arranque dañada

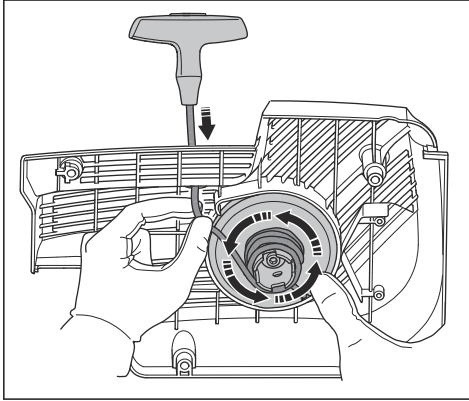
1. Saque la cuerda de arranque aproximadamente 30 cm (A).



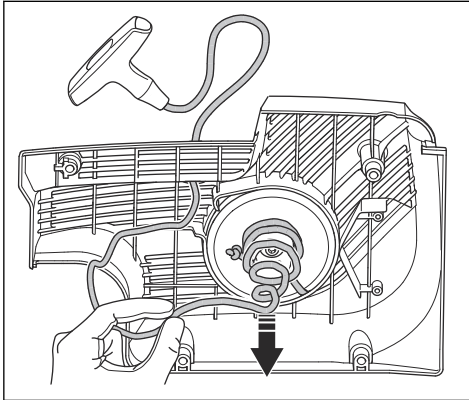
2. Sujete la polea de la cuerda de arranque (B) con el pulgar.
3. Coloque la cuerda de arranque en la muesca (C) de la polea.
4. Coloque la cuerda de arranque alrededor del manguito metálico.



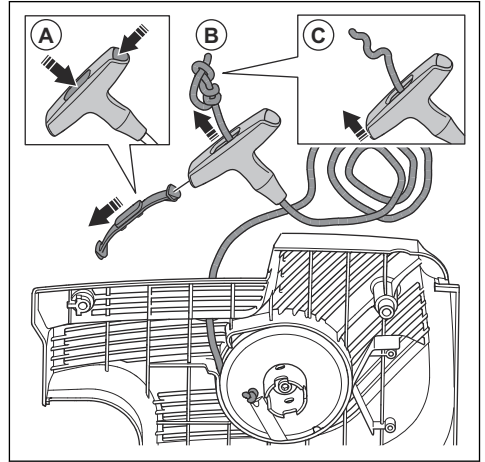
5. Deje que la polea de arranque gire lentamente para que la cuerda de arranque se enrolle en el manguito metálico.



6. Tire de la cuerda de arranque para soltarla del manguito metálico.



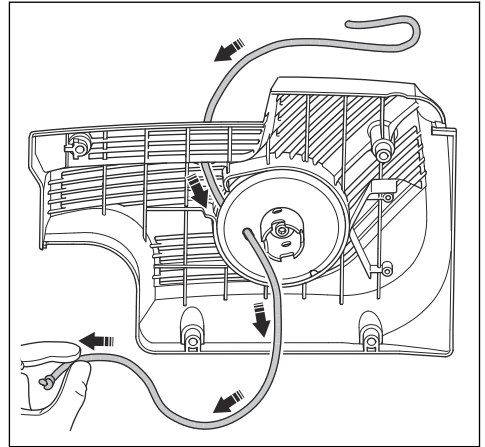
7. Retire la cubierta de la empuñadura de la cuerda de arranque (A).



8. Tire de la cuerda de arranque y pásela por la empuñadura (B).

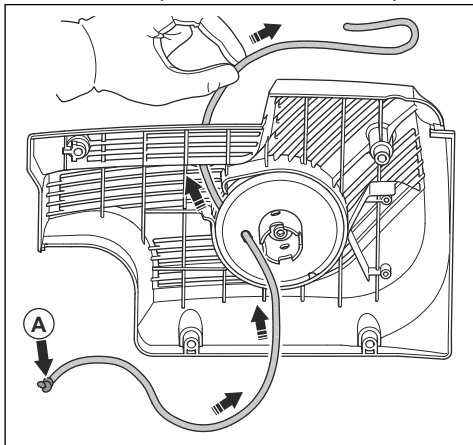
9. Suelte el nudo (C).

10. Retire la cuerda de arranque.

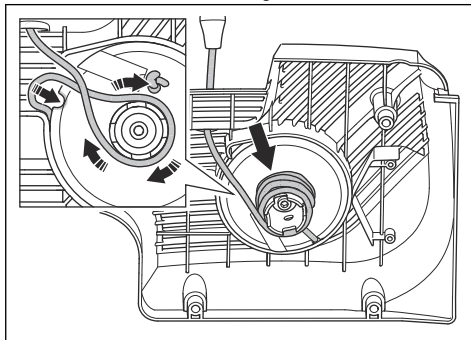


11. Asegúrese de que el muelle de retorno esté limpio y no esté dañado.

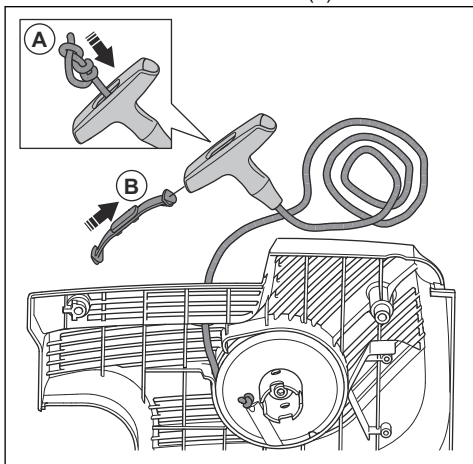
12. Coloque una cuerda de arranque (A) nueva en el orificio del cuerpo del mecanismo de arranque.



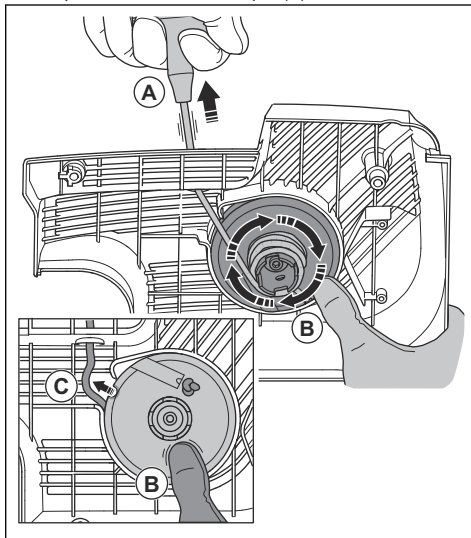
2. Coloque la cuerda de arranque en la muesca y enróllela alrededor del mango metálico.



13. Pase la cuerda de arranque a través de la empuñadura de la cuerda de arranque y haga un nudo en el extremo de la cuerda (A).



3. Saque la cuerda de arranque (A).



4. Coloque el pulgar sobre la p Polea de arranque (B) para mantener fuera la cuerda de arranque.

5. Suelte la cuerda de arranque de la muesca (C).

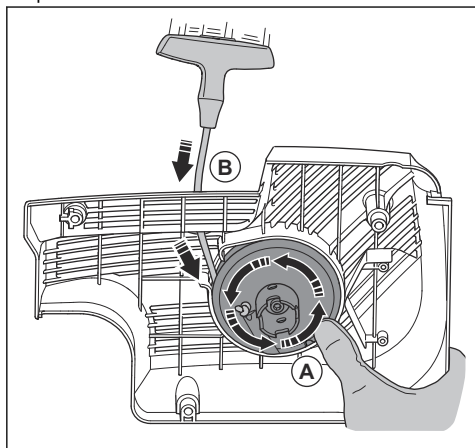
14. Monte la cubierta en la empuñadura de la cuerda de arranque (B).

15. Ajuste la tensión del muelle de retorno. Consulte la sección *Para ajustar la tensión del muelle de retorno en la página 62.*

Para ajustar la tensión del muelle de retorno

1. Saque la cuerda de arranque.

6. Quite el pulgar para soltar la polea de arranque (A) y deje que la cuerda de arranque (B) se enrolle en la polea.



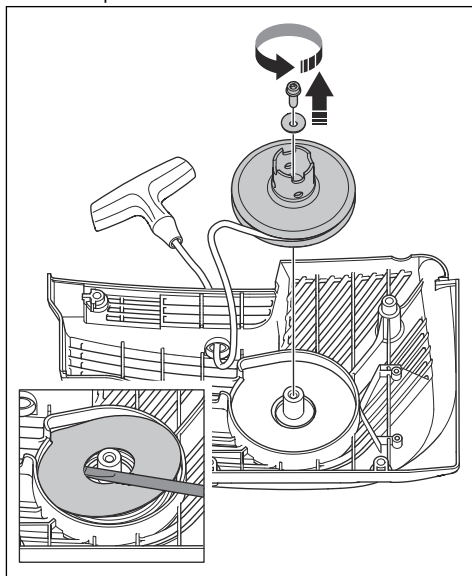
7. Saque la cuerda de arranque por completo para comprobar que el muelle de retorno no se encuentra en la posición final. Asegúrese de que la polea puede girarse medio giro o más antes de que el muelle de retorno detenga los movimientos.

Para retirar el conjunto del muelle



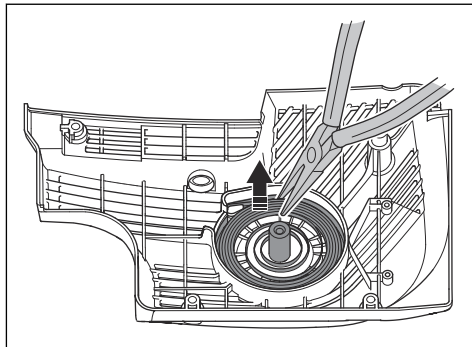
ADVERTENCIA: Use siempre protección ocular cuando desmonte el conjunto del muelle. Hay riesgo de lesiones oculares, especialmente si se rompe un muelle.

1. Retire el perno del centro de la polea de arranque y retire la polea. Retire con cuidado la cubierta.



El muelle de retorno tiene tensión en el cuerpo del mecanismo de arranque.

2. Retire con cuidado el muelle. Utilice unos alicates.



Lubricación del conjunto del muelle

- Lubrique el muelle de retorno con aceite claro.

Para montar el conjunto del muelle

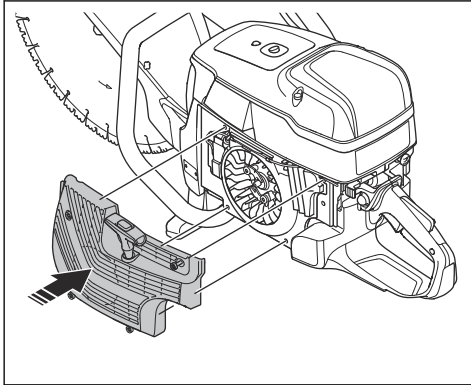
- Para el montaje, efectúe el procedimiento *Para retirar el conjunto del muelle en la página 63* en orden inverso.

Para instalar el cuerpo del mecanismo de arranque

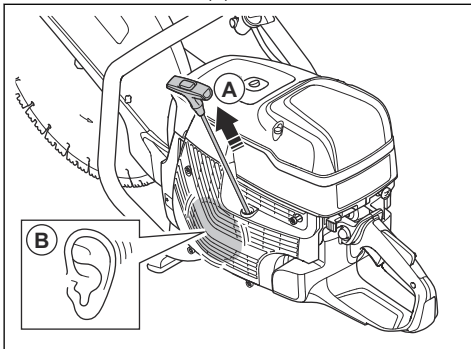


PRECAUCIÓN: Los ganchos de arranque deben estar en la posición correcta contra el manguito de la polea.

1. Coloque el mecanismo de arranque junto al producto.

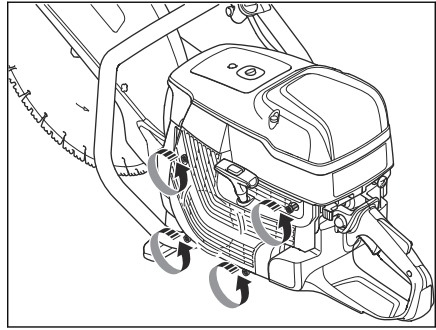


2. Inserte los ganchos del mecanismo de arranque en la posición correcta del manguito de la polea de arranque. Saque la cuerda de arranque aproximadamente 0,5 m (A). Si la posición es correcta, oirá un clic (B).



3. Suelte la cuerda de arranque lentamente.

4. Apriete los 4 tornillos del mecanismo de arranque.



Para examinar el carburador

Nota: El carburador tiene agujas rígidas para garantizar que el producto recibe siempre la mezcla correcta de combustible y aire.

1. Examine el filtro de aire. Consulte *Para examinar el filtro de aire en la página 65*
2. Si es necesario, sustituya el filtro de aire.
3. Si el motor sigue perdiendo potencia o régimen, póngase en contacto con su distribuidor Husqvarna.

Para examinar el sistema de combustible

1. Asegúrese de que el tapón del depósito de combustible y la junta no estén dañados.
2. Examine la manguera de combustible. Sustituya la manguera de combustible si está dañada.

Para ajustar el régimen de ralentí

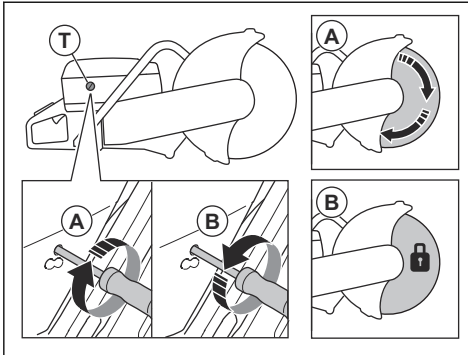


ADVERTENCIA: Si el disco de corte gira a ralentí, póngase en contacto con su distribuidor. No utilice el producto hasta que el régimen de ralentí esté correctamente ajustado o reparado.

Nota: Para obtener información sobre el régimen recomendado de ralentí, consulte *Datos técnicos en la página 68*.

1. Arranque el motor.
2. Examine el régimen de ralentí. Si el carburador está correctamente ajustado, el disco de corte se detiene cuando el motor está en ralentí.

3. Utilice el tornillo T para ajustar el régimen de ralentí.



- Gire el tornillo hacia la derecha hasta que comience a girar el disco (A).
- Gire el tornillo hacia la izquierda hasta que el disco deje de girar (B).

Filtro de combustible

El filtro de combustible se instala en el depósito de combustible. El filtro de combustible evita la contaminación del depósito de combustible cuando el depósito de combustible se llena. El filtro de combustible debe sustituirse anualmente o con mayor frecuencia si está obstruido.



PRECAUCIÓN: No limpie el filtro de combustible.

Para examinar el filtro de aire

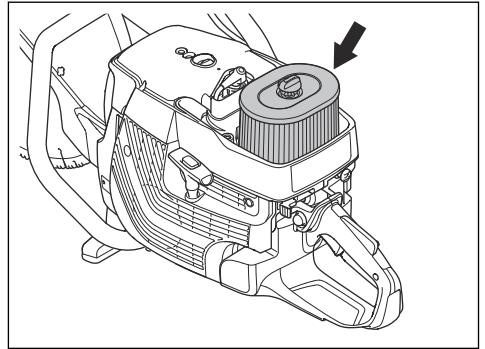


PRECAUCIÓN: Tenga cuidado al desmontar el filtro de aire. Las partículas que accedan a la entrada del carburador pueden causar daños.

Examine el filtro de aire si se reduce la potencia del motor.

- Afloje los 3 tornillos de la cubierta del filtro de aire.
- Saque la cubierta del filtro de aire.

3. Examine el filtro de aire.



- Si es necesario, sustituya el filtro de aire. Consulte la sección *Para sustituir el filtro de aire en la página 65*.
- Sustituya la cubierta del filtro de aire.
- Apriete los 3 tornillos.

Para sustituir el filtro de aire



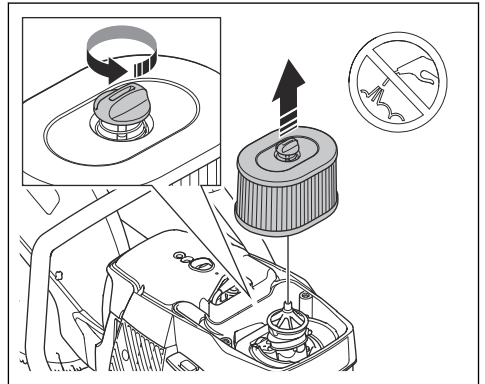
PRECAUCIÓN: No limpie el filtro de aire con aire comprimido. El filtro de aire está hecho de papel y puede dañarse fácilmente.



ADVERTENCIA: Use una protección respiratoria homologada al limpiar o sustituir el filtro de aire. Deseche correctamente los filtros de aire usados. El polvo del filtro de aire es peligroso para la salud.

Nota: Cambie el filtro de aire solo si está dañado.

- Afloje los 3 tornillos de la cubierta del filtro de aire.
- Saque la cubierta del filtro de aire.
- Afloje el tornillo de la caja del filtro de aire y retírela.



- Retire el filtro de aire.

5. Instale el nuevo filtro de aire.
6. Sustituya la caja del filtro de aire.

7. Apriete el tornillo de la caja del filtro de aire.
8. Sustituya la cubierta del filtro de aire.
9. Apriete los 3 tornillos.

Resolución de problemas

Problema	Causa	Medidas a tomar
El producto no arranca.	El procedimiento de arranque se ha realizado de forma incorrecta.	Consulte <i>Arranque del producto con el motor frío en la página 55</i> y <i>Arranque del producto con el motor caliente en la página 56</i> .
	El interruptor de parada está en la posición derecha (STOP).	Asegúrese de que el mando de parada (STOP) se encuentra en la posición de la izquierda.
	No hay combustible en el depósito de combustible.	Llénelo con combustible.
	La bujía está defectuosa.	Cambie la bujía.
	El embrague está defectuoso.	Póngase en contacto con su taller de servicio.
El disco de corte gira a ralentí.	El régimen de ralentí es demasiado alto.	Ajuste el régimen de ralentí.
	El embrague está defectuoso.	Póngase en contacto con su taller de servicio.
El disco de corte no gira cuando el operario acelera.	La correa está demasiado suelta o defectuosa.	Apriete la correa o sustitúyala por una nueva.
	El embrague está defectuoso.	Póngase en contacto con su taller de servicio.
	El disco de corte no se ha instalado correctamente.	Asegúrese de que el disco de corte está correctamente instalado.
El producto no tiene potencia cuando el operario intenta acelerar.	El filtro de aire está obstruido.	Examine el filtro de aire. Si es necesario, sustitúyalo.
	El filtro de combustible está obstruido.	Sustituya el filtro de combustible.
	El flujo del depósito de combustible está bloqueado.	Póngase en contacto con su taller de servicio.
Los niveles de vibraciones son demasiado altos.	El disco de corte no se ha instalado correctamente.	Asegúrese de que el disco de corte está instalado correctamente y de que no está dañado.
	El disco de corte está defectuoso.	Sustituya el disco de corte y asegúrese de que no está dañado.
	Un amortiguador de vibraciones está defectuoso.	Póngase en contacto con su taller de servicio.

Problema	Causa	Medidas a tomar
La temperatura del producto es demasiado alta..	La toma de aire o las bridas del cilindro están bloqueadas.	Limpié la toma de aire y las bridas del cilindro.
	La tensión de la correa de transmisión no es suficiente.	Compruebe la correa. Ajuste la tensión.
	El embrague está defectuoso.	Corte siempre a pleno gas.
Examine el embrague. Póngase en contacto con su taller de servicio.		
El motor pierde potencia o velocidad.	El filtro de aire está obstruido.	Examine el filtro de aire. Consulte la sección <i>Para examinar el filtro de aire en la página 65.</i>

Transporte, almacenamiento y eliminación

Transporte y almacenamiento

- Para el transporte y almacenamiento del producto y del combustible, asegúrese de que no haya fugas ni humos. Las chispas o llamas abiertas, por ejemplo, de dispositivos eléctricos o calderas, pueden producir un incendio.
- Use siempre recipientes homologados para el transporte y almacenamiento de combustible.
- Vacíe el depósito de combustible antes de poner el producto en almacenamiento durante un largo período de tiempo. Deseche el combustible en una ubicación adecuada para su eliminación.
- Asegure el producto durante el transporte para evitar daños y accidentes.
- Mantenga el producto en un área cerrada para impedir el acceso a niños o personas no autorizadas.
- Mantenga el producto en un lugar seco y al abrigo de las heladas.

Eliminación

- Respete los requisitos de reciclaje locales y las normas aplicables.
- Deseche todos los productos químicos, como el aceite o el combustible, en un centro de servicio o una ubicación adecuada para su eliminación.
- Cuando ya no use el producto, envíelo a un distribuidor Husqvarna o deséchelo en un punto de reciclaje.

Datos técnicos

Datos técnicos

Cilindrada, pulg. ³ /cm ³	7,3/119
Diámetro del cilindro, pulg./mm	2,4/60
Longitud de recorrido, pulg./mm	1,7/42
Régimen de ralentí, rpm	2700
Acelerador al máximo, sin carga, rpm	9300 (+/- 150)
Potencia, CV/kW a rpm	7,9/5,8 a 8400
Bujía	NGK BPMR 7A
Distancia entre los electrodos, pulg./mm	0,02/0,5
Capacidad del depósito de combustible, onzas líq. EE. UU./litros	40/1,2
Peso de cortadora sin combustible y disco de corte de 14 pulg. (350 mm), lb/kg	22,4/10,2
Emisiones de ruido ⁵	
Nivel de potencia acústica, dB(A) medidos	116
Nivel de potencia acústica garantizado L _{WA} dB (A)	117
Niveles acústicos ⁶	
Nivel de presión sonora equivalente en el oído del operario, dB(A)	104

Declaración sobre ruidos

Estos valores declarados se obtuvieron en pruebas de laboratorio conforme a las normas o directivas indicadas y pueden usarse para compararlos con los valores declarados de otros productos que se hayan probado conforme a las mismas normas o directivas. Estos valores declarados no deben usarse a la hora de evaluar el riesgo. Los valores medidos en un lugar de trabajo determinado pueden ser más altos. Los valores reales de exposición y el daño que pueda sufrir una persona en particular variarán en cada caso y dependerán de la manera en la que el usuario trabaje, el material que se esté usando, el tiempo de exposición, el estado de salud del usuario y el estado del producto.

⁵ Emisiones sonoras en el entorno medidas como potencia acústica (L_{WA}) según la directiva 2000/14/EC. La diferencia entre la potencia acústica garantizada y medida es que la potencia acústica garantizada incluye la dispersión en el resultado de la medición y las variaciones entre diferentes unidades del mismo producto según la directiva 2000/14/EC.

⁶ El nivel de presión acústica equivalente, según la norma EN ISO 19432, se calcula como la suma de energía, ponderada en el tiempo, de los niveles de presión acústica en diferentes condiciones de trabajo. Los datos de nivel de presión acústica equivalente del producto que se han recogido tienen una dispersión estadística típica (desviación estándar) de 1 dB(A).

Declaración de incorporación de una cuasimáquina

Declaración de incorporación de una cuasimáquina

Nosotros, **Husqvarna AB**, SE-561 82 Huskvarna (Suecia), tel. +46 -36 -146500, declaramos bajo nuestra exclusiva responsabilidad que el producto:

Descripción	Sistema de transmisión para cortadora de mano
Marca	Husqvarna
Tipo/Modelo	K1270 II R
Identificación	Números de serie a partir del año 2019

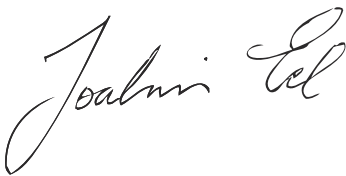
cumple con las partes pertinentes de las directivas de la UE:

Directiva/Norma	Descripción
2006/42/CE	"relativa a las máquinas"
2014/30/UE	"relativa a la compatibilidad electromagnética"

Las partes pertinentes de la directiva se definen más precisamente en la documentación técnica elaborada conforme a 2006/42/EC, parte B del Anexo VII y, por una causa justificada, pueden ponerse a disposición de cualquier autoridad pertinente en formato digital.

Esta cuasimáquina solo debe entrar en funcionamiento una vez que la máquina final a la que se vaya a incorporar haya sido declarada en conformidad con las disposiciones de las directivas aplicables.

Partille, 2019-12-20



Joakim Ed

Vicepresidente, Concrete Sawing, Drilling & Light Demolition

Husqvarna AB, Construction Division

Responsable de la documentación técnica

Garantía

DECLARACIÓN FEDERAL DE GARANTÍA DE CONTROL DE EMISIONES

SUS DERECHOS Y OBLIGACIONES EN VIRTUD LA GARANTÍA

La EPA (Agencia de protección medioambiental estadounidense), el Ministerio de Medio Ambiente de Canadá y se complacen en explicarle la garantía del sistema de control de emisiones de su motor pequeño no destinado para uso en automóviles, modelo de 2009 o posterior. En Estados Unidos y Canadá los nuevos motores pequeños no destinados para uso en automóviles deben diseñarse, construirse y equiparse de forma que cumplan con las estrictas regulaciones federales sobre emisiones. Deberá garantizar el sistema de control de emisiones de su motor pequeño no destinado para uso en automóviles por el período especificado a continuación, siempre que su equipo no haya sido tratado de manera indebida o negligente, ni haya recibido un mantenimiento inadecuado. El sistema de control de emisiones incluye partes como el carburador y el sistema de encendido. Siempre que se cumpla alguna de las condiciones cubiertas por la garantía, reparará su motor pequeño no destinado para uso en automóviles sin ningún coste para usted. Los gastos cubiertos por la garantía incluyen el diagnóstico, las piezas y la mano de obra.

COBERTURA DE LA GARANTÍA DEL FABRICANTE

Los motores pequeños no destinados para uso en automóviles, modelo de 2009 o superior, tienen dos años de garantía. Si alguna pieza del motor relacionada con las emisiones (indicadas anteriormente) está defectuosa, se encargará de repararla o sustituirla.

RESPONSABILIDADES DEL PROPIETARIO PARA LA GARANTÍA

Como propietario de un motor pequeño no destinado para uso en automóviles, usted es responsable de llevar a cabo el mantenimiento correspondiente que se indica en el manual de usuario. Le recomienda que guarde todos los recibos relacionados con el mantenimiento de su motor pequeño no destinado para uso en automóviles, si bien no podrá negarle su derecho a la garantía por el mero hecho de no tenerlos o de no haber cumplido con el mantenimiento programado. Como propietario de un motor pequeño no destinado para uso en automóviles, debe saber que puede denegarle la cobertura de la garantía si su motor pequeño no destinado para uso en automóviles o una parte de él ha fallado como resultado de uso indebido, negligencia, mantenimiento inadecuado, modificaciones no aprobadas, o el uso de piezas no fabricadas u homologadas por el fabricante de equipo original. Usted es responsable de llevar su motor pequeño no destinado para uso en automóviles a un centro de

reparación autorizado por tan pronto como surja un problema. Las reparaciones de la garantía deben finalizarse en un plazo de tiempo razonable que en ningún caso excederá los 30 días. Si tiene alguna pregunta sobre los derechos y responsabilidades que le confiere la garantía, póngase en contacto con el taller de servicio autorizado más cercano o llame a al 1-800-487-5951. También puede visitar .

FECHA DE INICIO DE LA GARANTÍA

El período de garantía empieza en la fecha en la que se adquiere el motor pequeño no destinado para uso en automóviles.

DURACIÓN DE LA COBERTURA

garantiza al propietario inicial y a cada comprador posterior que el motor no presenta defectos en sus materiales y mano de obra que causen fallos en una pieza con una garantía de dos años.

LO QUE CUBRE LA GARANTÍA

REPARACIÓN O SUSTITUCIÓN DE PIEZAS: La reparación o sustitución de cualquier pieza en garantía se llevará a cabo sin coste alguno para el propietario en un taller de servicio autorizado. Si tiene cualquier pregunta relacionada con la cobertura de la garantía, póngase en contacto con el servicio de llamando al 1-800-487-5951 o visite .

PERIODO DE GARANTÍA: Todas las piezas en garantía que no requieran ningún cambio según el programa de mantenimiento, o bien que simplemente se sometan a una inspección habitual para "reparar o cambiar en caso necesario", estarán garantizadas durante 2 años. Cualquier pieza en garantía que deba cambiarse según el programa de mantenimiento estará garantizada para el período de tiempo previo al primer cambio programado para esa pieza.

DIAGNÓSTICO: El propietario no deberá pagar las tareas de diagnóstico necesarias para determinar que una pieza en garantía está defectuosa, siempre y cuando dichas tareas sean llevadas a cabo por un taller de servicio autorizado.

DAÑOS CONSECUCENCIALES: puede ser responsable de los daños en otros componentes del motor provocados por el fallo de una pieza en garantía que todavía esté en período de garantía.

LO QUE NO CUBRE LA GARANTÍA

Los fallos causados por uso indebido, negligencia o mantenimiento inadecuado no están cubiertos.

PIEZAS AÑADIDAS O MODIFICADAS: La utilización de cualquier pieza añadida o modificada será motivo suficiente para no atender una solicitud de garantía. no tiene la responsabilidad de ofrecer cobertura por fallos de piezas en garantía causados por la utilización de piezas añadidas o modificadas.

CÓMO PRESENTAR UNA SOLICITUD

Si tiene alguna pregunta sobre los derechos y responsabilidades que le confiere la garantía, póngase en contacto con el taller de servicio autorizado más cercano o llame a al 1-800-487-5951. También puede visitar .

DÓNDE OBTENER SERVICIO DE GARANTÍA

Los servicios de garantía o de reparación se ofrecerán en todos los talleres de servicio autorizados de .

MANTENIMIENTO, REPARACIÓN Y SUSTITUCIÓN DE PIEZAS RELACIONADAS CON EL SISTEMA DE CONTROL DE EMISIONES

Cualquier pieza de repuesto autorizada por utilizada en tareas de mantenimiento o reparación de garantía en piezas relacionadas con las emisiones, se suministrará sin coste alguno para el propietario si la pieza está en garantía.

LISTADO DE PIEZAS DE CONTROL DE EMISIONES CUBIERTAS POR LA GARANTÍA

1. Carburador y piezas internas.
2. Tubo de admisión, soporte del filtro de aire y pernos del carburador.
3. Filtro de aire y filtro de combustible cubiertos hasta el programa de mantenimiento.
4. Sistema de encendido
 - a. Bujía, cubierta hasta el programa de mantenimiento.
 - b. Módulo de encendido.
5. Módulo de encendido.

DECLARACIÓN DE MANTENIMIENTO

El propietario es responsable de llevar a cabo el mantenimiento que se indica en el manual de usuario.

Sommaire

Introduction.....	72	Transport, entreposage et mise au rebut.....	91
Sécurité.....	74	Caractéristiques techniques.....	92
Utilisation.....	78	Déclaration d'intégration de quasi-machine.....	93
Entretien.....	82	Garantie.....	94
Dépannage.....	90		

Introduction

Loi Proposition 65 (Californie)



WARNING

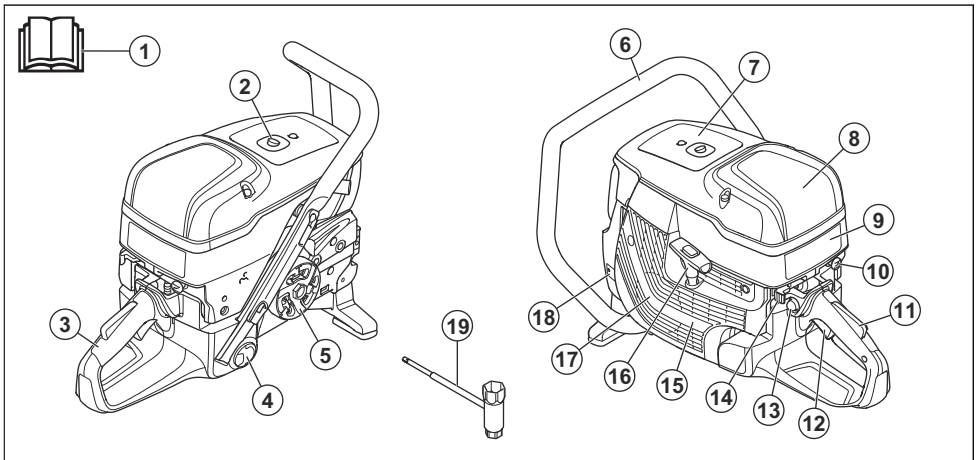
The engine exhaust from this product contains chemicals known to the State of California to cause cancer, birth defects or other reproductive harm.

Description du produit

Cette unité électrique n'est pas un produit complet. Les fabricants d'équipement d'origine (OEM) utilisent cette

unité électrique pour assembler des découpeuses portatives spéciales à grande vitesse ou d'autres équipements de cette catégorie.

Aperçu du produit



1. Manuel de l'opérateur
2. Vis de tendeur de chaîne
3. Poignée arrière

4. Bouchon du réservoir d'essence
5. Pignon et embrayage
6. Poignée avant

7. Autocollant d'information et d'avertissement
8. Couvercle de filtre à air
9. Autocollant des instructions de démarrage
10. Starter
11. Blocage de la commande d'accélération
12. Gâchette d'accélération
13. Poire de la pompe à carburant
14. Bouton d'arrêt
15. Prise d'air
16. Poignée du câble du démarreur
17. Corps du lanceur
18. Plaque d'identification
19. Clé mixte

Symboles concernant le produit



AVERTISSEMENT : ce produit peut être dangereux et causer des blessures graves, voire mortelles, à l'opérateur ou à d'autres personnes. Soyez prudent et utilisez le produit correctement.



Lisez le manuel d'utilisation et assurez-vous de bien comprendre les instructions avant d'utiliser ce produit.



Utilisez un casque de protection, des protège-oreilles, des protections pour les yeux et une protection respiratoire homologués. Reportez-vous à la section *Équipement de protection individuel à la page 75*.



De la poussière se forme lors de la découpe. La poussière peut occasionner des lésions si elle est inhalée. Portez une protection respiratoire homologuée. Évitez d'inhaler les gaz d'échappement. Veillez à disposer d'une bonne ventilation.



AVERTISSEMENT ! Les rebonds peuvent être soudains, rapides et violents et peuvent générer des blessures pouvant être mortelles. Lisez et assimilez les instructions du manuel avant d'utiliser le produit.



Les étincelles provenant de la lame de coupe peuvent enflammer du carburant, des bois, des vêtements, de l'herbe sèche ou d'autres matériaux inflammables.



Assurez-vous que la lame de coupe ne présente aucune trace de fissures ou de dommages.



N'utilisez pas de lames d'éclaircissage.



Starter



Poire de la pompe à carburant



Vis de tendeur de chaîne



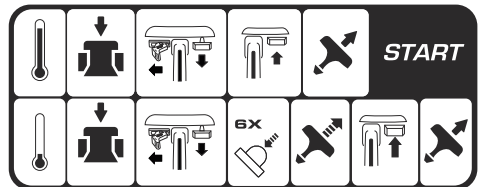
Poignée du câble du démarreur



Utilisez un carburant à base d'essence et d'huile.

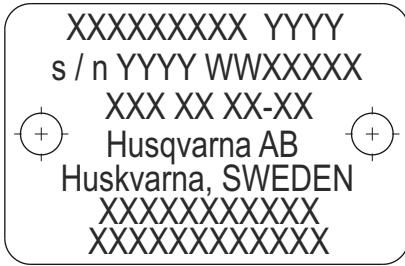
Remarque: les autres symboles/autocollants présents sur le produit concernent des exigences de certification spécifiques à certains marchés.

Autocollant des instructions de démarrage



Reportez-vous aux sections *Démarrage du produit lorsque le moteur est froid à la page 79* et *Démarrage du produit lorsque le moteur est chaud à la page 80* pour connaître les instructions.

Plaque d'identification



Rangée 1 : Marque, modèle (X, Y)

Rangée 2 : N° de série avec date de fabrication (Y, W, X) : Année, semaine, n° de séquence

Rangée 3 : N° de produit (X)

Rangée 4 : Fabricant

Rangée 5 : Adresse du fabricant

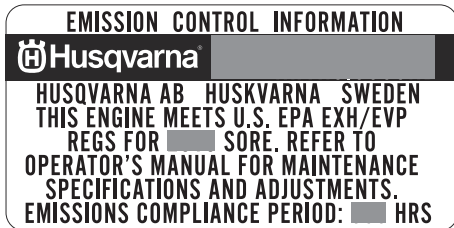
Lignes 6-7 : Homologation de type UE ou numéro MEIN chinois

Émissions Euro V



AVERTISSEMENT: toute altération du moteur a pour effet d'annuler l'homologation de type UE de ce produit.

EPA



La période de conformité aux normes en matière d'émissions mentionnée sur l'étiquette relative aux émissions se rapporte au nombre d'heures de fonctionnement du moteur répondant aux exigences fédérales. N'importe quel atelier de réparation de moteurs hors route ou réparateur peut effectuer l'entretien, le remplacement et la réparation des dispositifs et du système de contrôle des émissions.

Commission californienne chargée de la qualité de l'air (CARB)

Remarque: Cette machine est considérée comme une application tout-terrain de présérie selon les normes CARB. L'EPA aux États-Unis est la seule entité habilitée à établir des normes antipollution pour les équipements de construction de présérie.

Responsabilité

Conformément à la loi sur la responsabilité du fait des produits, nous déclinons toute responsabilité pour tout dommage causé par notre produit si :

- le produit n'est pas correctement réparé ;
- le produit est réparé avec des pièces qui ne proviennent pas du fabricant ou qui ne sont pas homologuées par le fabricant ;
- le produit est équipé d'un accessoire qui ne provient pas du fabricant ou qui n'est pas homologué par le fabricant ;
- le produit n'est pas réparé par un centre d'entretien agréé ou par une autorité homologuée.

Sécurité

Définitions de sécurité

Des avertissements, des recommandations et des remarques sont utilisés pour souligner des parties spécialement importantes du manuel.



AVERTISSEMENT: Symbole utilisé en cas de risque de blessures ou de mort pour l'opérateur ou les personnes à proximité si les instructions du manuel ne sont pas respectées.



REMARQUE: Symbole utilisé en cas de risque de dommages pour le produit, d'autres matériaux ou les environs si les instructions du manuel ne sont pas respectées.

Remarque: Symbole utilisé pour donner des informations supplémentaires pour une situation donnée.

Sécurité relative aux gaz d'échappement



AVERTISSEMENT: Lisez les instructions qui suivent avant d'utiliser le produit.

- Les gaz d'échappement du moteur contiennent du monoxyde de carbone, un gaz inodore, toxique et très dangereux. Respirer du monoxyde de carbone peut être mortel. Le monoxyde de carbone est inodore et invisible ; il est impossible de le sentir. Le monoxyde de carbone provoque des symptômes d'intoxication, notamment des vertiges, mais il est possible qu'une personne devienne rapidement inconsciente si la quantité ou la concentration de monoxyde de carbone est suffisante.
- Les gaz d'échappement contiennent également des hydrocarbures non brûlés, dont du benzène. À long terme, l'inhalation des gaz d'échappement peut entraîner des problèmes de santé.
- Les gaz d'échappement pouvant être vus ou sentis contiennent également du monoxyde de carbone.
- N'utilisez pas un produit doté d'un moteur à combustion à l'intérieur ou dans les zones insuffisamment ventilées.
- Ne respirez pas les gaz d'échappement.
- Assurez-vous que la zone de travail est suffisamment ventilée. Ceci est particulièrement important lorsque vous utilisez le produit dans des tranchées ou d'autres petites zones de travail, où les gaz d'échappement peuvent facilement s'accumuler.

Équipement de protection individuel



AVERTISSEMENT: Lisez les instructions qui suivent avant d'utiliser le produit.

- Portez toujours un équipement de protection individuel homologué pendant le fonctionnement. L'équipement de protection individuelle n'élimine pas les risques mais réduit la gravité des blessures en cas d'accident. Demandez conseil à votre atelier d'entretien afin de choisir un équipement adéquat.
- Utilisez un casque de protection homologué.
- Utilisez des protège-oreilles agréés. Une exposition prolongée au bruit risque de causer des lésions auditives permanentes. Soyez attentif aux signaux ou cris d'avertissement lorsque vous portez des protège-oreilles. Enlevez toujours vos protège-oreilles dès que le moteur s'arrête.
- Portez des lunettes de protection approuvées afin de réduire le risque de blessures provoquées par des objets projetés. L'utilisation d'un écran facial doit toujours s'accompagner du port de lunettes de protection homologuées. Par lunettes de protection homologuées, on entend celles qui sont en conformité avec les normes ANSI Z87.1 (États-Unis)

ou EN 166 (pays de l'UE). La visière doit être conforme à la norme EN 1731.

- Utilisez des gants de travail épais.
- Portez une protection respiratoire homologuée. L'utilisation de produits tels que les fraises, les meuleuses ou les foreuses pour poncer ou découper un matériau peut produire de la poussière et des vapeurs susceptibles de contenir des substances chimiques dangereuses. Vérifiez la nature du matériau que vous souhaitez travailler et utilisez un masque respiratoire approprié.
- Portez des vêtements confortables, robustes et serrés qui permettent une liberté totale de mouvement. La découpe crée des étincelles qui peuvent enflammer les vêtements. Husqvarna vous recommande de porter du coton ignifugé ou du denim épais. Ne portez pas de vêtements composés de matières comme le nylon, le polyester ou la rayonne. Si elles s'enflamment, ces matières peuvent fondre et adhérer à la peau. Ne portez pas de short.
- Utilisez des bottes avec embouts en acier et semelle antidérapante.
- Ayez toujours une trousse de premiers secours à portée de mains.



- Des étincelles peuvent être projetées par le silencieux ou la lame de coupe. Ayez toujours un extincteur à portée de mains.

Dispositifs de sécurité sur le produit

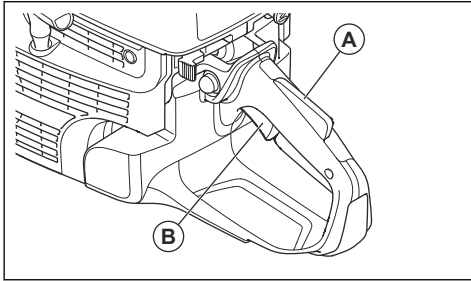


AVERTISSEMENT: Lisez les instructions qui suivent avant d'utiliser le produit.

- N'utilisez pas un produit avec des dispositifs de sécurité défectueux.
- Contrôlez les dispositifs de sécurité régulièrement. Si les dispositifs de sécurité sont défectueux, parlez-en à votre agent d'entretien Husqvarna homologué.
- Ne modifiez pas les dispositifs de sécurité.
- N'utilisez pas le produit si des plaques de protection, des capots de protection, des interrupteurs de sécurité ou d'autres dispositifs de protection ne sont pas fixés ou sont défectueux.

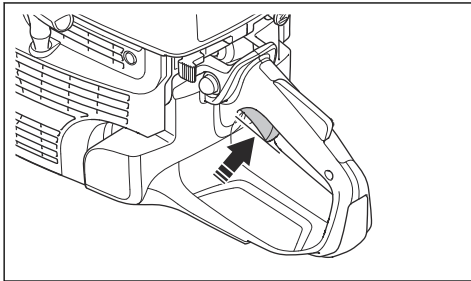
Blocage de la gâchette d'accélération

Le blocage de la gâchette d'accélération empêche toute activation accidentelle de cette dernière. Placez votre main dans la poignée et appuyez sur le blocage de la gâchette d'accélération (A) pour libérer la gâchette (B). Relâchez la poignée pour remettre la gâchette d'accélération et son blocage en position initiale. Cette fonction bloque la gâchette d'accélération au régime de ralenti.

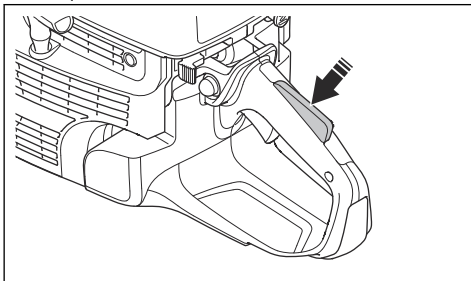


Pour contrôler le blocage de la gâchette d'accélération

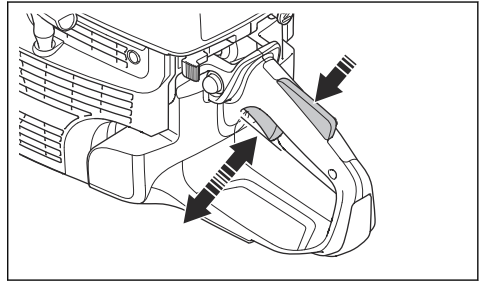
1. Vérifiez que la gâchette d'accélération est bloquée en position de ralenti lorsqu'elle est déverrouillée.



2. Appuyez sur le blocage de la gâchette d'accélération et assurez-vous qu'il retourne à sa position initiale lorsque vous le relâchez.



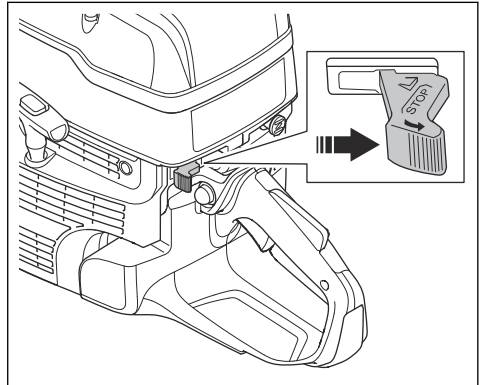
3. Assurez-vous que la gâchette d'accélération et son blocage se déplacent librement et que les ressorts de rappel fonctionnent correctement.



4. Démarrez le produit et faites-le fonctionner à plein régime.
5. Relâchez la gâchette d'accélération et vérifiez que la lame de coupe s'arrête et reste immobile.
6. Si la lame de coupe tourne au ralenti, réglez le régime de ralenti. Reportez-vous à la section *Pour régler le régime de ralenti à la page 88*.

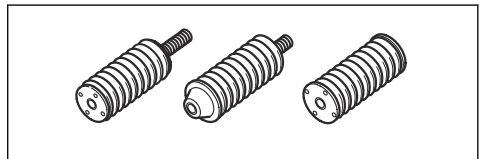
Vérification de l'interrupteur d'arrêt

1. Démarrez le moteur.
2. Mettez l'interrupteur d'arrêt en position ARRÊT. Le moteur doit s'arrêter.



Système anti-vibrations

Le produit est équipé d'un système anti-vibrations conçu pour assurer une utilisation aussi confortable que possible. Le système anti-vibrations du produit réduit la transmission des vibrations de l'unité moteur/l'équipement de coupe à l'unité que constituent les poignées.



Pour contrôler le système anti-vibrations



AVERTISSEMENT: Vérifiez que le moteur est éteint et que le bouton d'arrêt est en position STOP.

1. Assurez-vous que les dispositifs anti-vibrations ne sont pas fissurés ni déformés. Remplacez le système d'amortissement des vibrations s'ils sont endommagés.
2. Assurez-vous que les dispositifs anti-vibrations sont fixés correctement sur le moteur et les poignées.

Silencieux

Le silencieux est conçu pour réduire au maximum le niveau sonore et rejeter les gaz d'échappement loin de l'utilisateur.

N'utilisez pas la machine si le silencieux est manquant ou défectueux. Un silencieux en mauvais état augmente le niveau sonore et le risque d'incendie.



AVERTISSEMENT: Le silencieux devient très chaud pendant et après utilisation et lorsque le moteur fonctionne au régime de ralenti. Soyez vigilant à proximité des matériaux inflammables et/ou des fumées pour prévenir tout risque d'incendie.

Pour contrôler le silencieux

- Examinez le silencieux régulièrement pour s'assurer qu'il est correctement fixé et qu'il n'est pas endommagé.

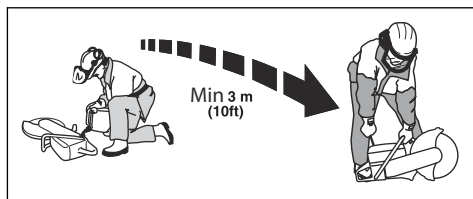
Sécurité carburant



AVERTISSEMENT: Lisez les instructions qui suivent avant d'utiliser le produit.

- Le carburant est inflammable et ses vapeurs sont explosives. Faites attention lors de la manipulation du carburant pour éviter tout risque de blessures, d'incendie et d'explosion.
- Faites le plein de carburant uniquement à l'extérieur, là où le débit d'air est suffisant. Ne respirez pas les vapeurs de carburant. Les vapeurs de carburant sont toxiques et peuvent causer des blessures, un incendie ou une explosion.
- Ne retirez pas le bouchon du réservoir de carburant et ne remplissez pas le réservoir quand le moteur tourne.
- Laissez le moteur se refroidir avant de faire le plein.
- Ne fumez pas à proximité du carburant ou du moteur.
- Ne mettez pas d'objets chauds à proximité du carburant ou du moteur.
- Ne faites pas le plein de carburant à proximité d'étincelles ou de flammes.

- Avant de faire le plein, ouvrez le bouchon du réservoir de carburant lentement et relâchez la pression avec précaution.
- La présence de carburant sur la peau peut causer des blessures. Si votre peau entre en contact avec le carburant, lavez les parties qui ont été en contact avec de l'eau et du savon.
- Si vous avez renversé du carburant sur vos vêtements, changez de vêtements immédiatement.
- Serrez complètement le bouchon du réservoir de carburant. Si le bouchon du réservoir de carburant n'est pas correctement serré, les vibrations dans le produit peuvent le desserrer et provoquer des fuites et de vapeurs de carburant. Le carburant et les vapeurs de carburant présentent un risque d'incendie.
- Avant de démarrer le produit, éloignez-le d'au moins 3 m/10 pi de l'endroit où vous effectuez l'appoint de carburant.



- Ne démarrez pas le produit si du carburant ou de l'huile a été renversé(e) sur le produit. Retirez le carburant et l'huile moteur indésirables et laissez sécher le produit avant de démarrer le moteur.
- Vérifiez régulièrement s'il y a des fuites de moteur. S'il y a des fuites dans le système de carburant, ne démarrez pas le moteur jusqu'à ce que les fuites soient réparées.
- Conservez le carburant uniquement dans des récipients homologués.
- Lorsque le produit et le carburant sont stockés, assurez-vous que le carburant et les vapeurs de carburant ne peuvent pas provoquer de dégâts, un incendie ou une explosion.
- Videz le carburant dans un récipient homologué à l'extérieur et loin de toute étincelle et flamme.

Consignes de sécurité pour l'entretien



AVERTISSEMENT: Lisez les instructions qui suivent avant d'utiliser le produit.

- Vérifiez que le moteur est éteint et que le bouton d'arrêt est en position STOP.
- Utilisez un équipement de protection personnelle. Reportez-vous à la section *Équipement de protection individuel* à la page 75.
- Si l'entretien n'est pas effectué correctement et régulièrement, le risque de blessures et d'endommagement du produit augmente.

- Effectuez uniquement les tâches d'entretien décrites dans le présent manuel de l'opérateur. Laissez un centre d'entretien homologué se charger de toutes les autres opérations d'entretien.
- Demandez à un Husqvarna atelier spécialisé d'effectuer régulièrement l'entretien du produit.
- Remplacez les pièces endommagées, usées ou cassées.
- Utilisez uniquement des accessoires d'origine.

Utilisation

Introduction



AVERTISSEMENT: Assurez-vous de lire et de comprendre le chapitre dédié à la sécurité avant d'utiliser l'appareil.

Carburant

Ce produit est équipé d'un moteur à deux temps.



REMARQUE: L'utilisation d'un type de carburant inadéquat peut endommager le moteur. Utilisez un mélange d'essence et d'huile deux temps.

Huile deux temps

- Pour un résultat et un fonctionnement optimaux, utilisez de l'huile deux temps Husqvarna.
- Si l'huile deux temps Husqvarna n'est pas disponible, utilisez une huile deux temps de haute qualité pour moteurs refroidis à l'air. Contactez votre atelier d'entretien pour sélectionner l'huile appropriée.



REMARQUE: N'utilisez pas d'huile deux temps pour les moteurs hors-bord refroidis par eau (huile outboard). N'utilisez pas d'huile pour moteurs à quatre temps.

Carburant prémélangé

- Utilisez Husqvarna un carburant alkylate prémélangé pour des performances optimales et une plus longue durée de vie du moteur. Ce carburant contient des produits chimiques moins dangereux par rapport au carburant normal, ce qui réduit la quantité de gaz d'échappement dangereux. Ce carburant génère une faible quantité de résidus, ce qui permet de garder les composants du moteur propres plus longtemps.

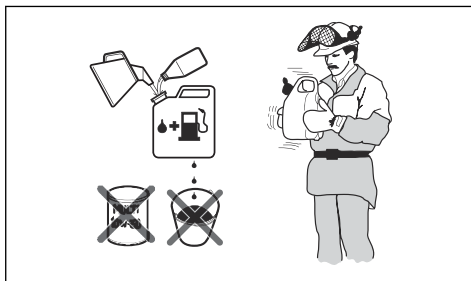
Pour mélanger l'essence et l'huile deux temps

Essence, en litres	Huile deux temps, en litres
	2 % (50:1)
5	0,10
10	0,20

15	0,30
20	0,40
Gallon américain	Oz liq. américaine
1	2 ½
2 1/2	6 ½
5	12 ¾



REMARQUE: lorsque vous mélangez de faibles quantités de carburant, de petites erreurs peuvent influencer considérablement sur le rapport de mélange. Mesurez soigneusement la quantité d'huile et assurez-vous que vous obtenez le mélange correct.



1. Remplissez la moitié de la quantité d'essence dans un récipient propre et adapté pour l'essence.
2. Ajoutez la quantité totale d'huile.
3. Mélangez en secouant le mélange de carburant.
4. Ajoutez le reste de l'essence dans le récipient.
5. Mélangez avec précaution en secouant le récipient.



REMARQUE: Ne mélangez jamais plus d'un mois de carburant à chaque fois.

Pour remplir le réservoir de carburant



REMARQUE: N'utilisez pas d'essence avec un indice d'octane inférieur à 90 RON

(87 AKI). Le produit risque d'être endommagé.

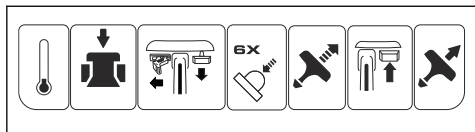


REMARQUE: N'utilisez pas d'essence avec une concentration d'éthanol (E10) supérieure à 10 %. Le produit risque d'être endommagé.

Remarque: Le carburateur doit être réglé dans certaines conditions lorsque vous modifiez le type de carburant.

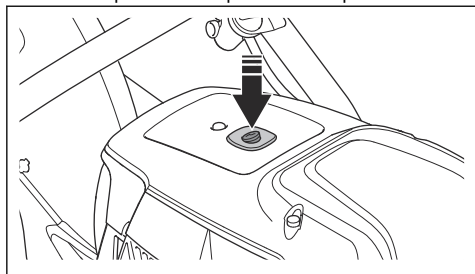
- Utilisez de l'essence avec un numéro d'octane supérieur si vous utilisez fréquemment le produit à une vitesse du moteur élevée en continu.
1. Ouvrez lentement le couvercle du réservoir de carburant pour relâcher la pression.
 2. Remplissez lentement le réservoir à l'aide d'un bidon de carburant. Si vous renversez du carburant, essuyez-le à l'aide d'un chiffon et laissez le carburant restant sécher.
 3. Essuyez le pourtour du bouchon du réservoir de carburant.
 4. Serrez complètement le bouchon du réservoir de carburant. Si le bouchon du réservoir de carburant n'est pas serré, il y a un risque d'incendie.
 5. Déplacez le produit à un minimum de 3 m (10 ft) de l'endroit où a été fait le plein de carburant avant de démarrer le produit.

Démarrage du produit lorsque le moteur est froid

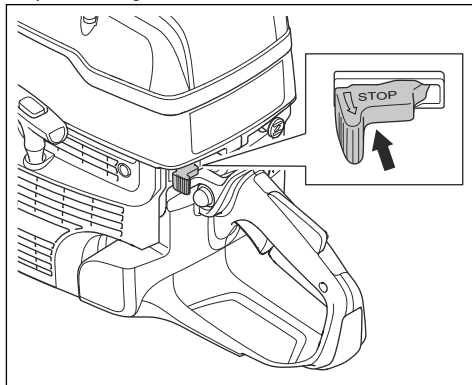


AVERTISSEMENT: Vérifiez que la lame tourne librement. Elle commence à tourner lorsque le moteur démarre.

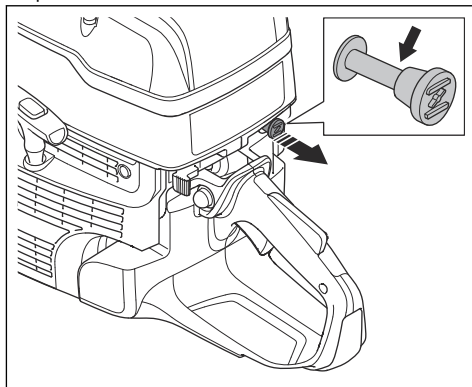
1. Appuyez sur le décompresseur pour réduire la pression dans le cylindre. Une fois le produit démarré, le décompresseur revient automatiquement à sa position de départ.



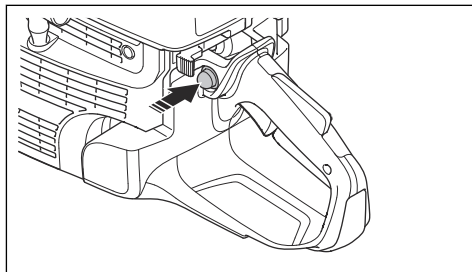
2. Veillez à ce que le bouton d'arrêt (STOP) soit sur la position de gauche.



3. Tirez complètement sur le starter pour régler la position de ralenti accéléré.



4. Appuyez 6 fois sur la poire de la pompe à carburant jusqu'à ce qu'elle soit entièrement remplie de carburant.

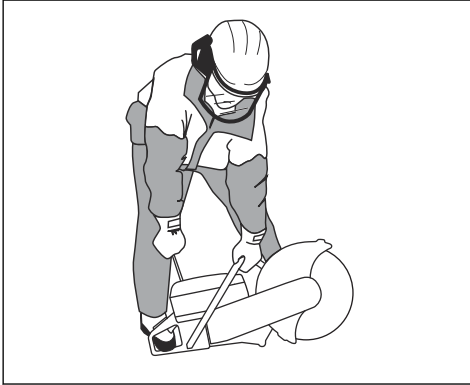


5. Maintenez la poignée avant avec la main gauche.
6. Placez votre pied droit sur la partie inférieure de la poignée arrière pour plaquer le produit contre le sol.



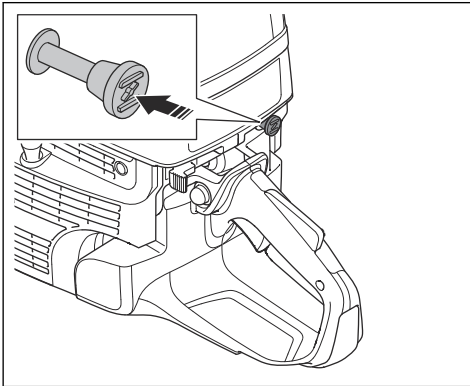
AVERTISSEMENT: N'enroulez pas le câble du démarreur autour de votre main.

7. Tirez lentement le câble du démarreur de la main droite jusqu'à sentir une résistance en tant que les cliquets s'enclenchent. Tirez ensuite sans interruption et rapidement.

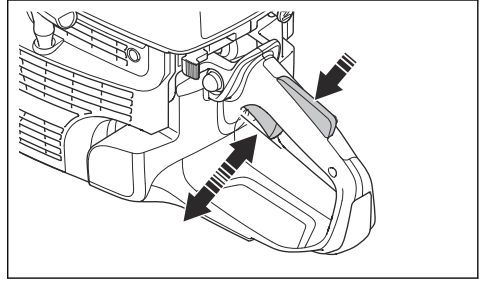


REMARQUE: Ne sortez pas complètement le câble du démarreur et ne relâchez pas la poignée lorsque le câble est complètement sorti. Cela peut endommager le produit.

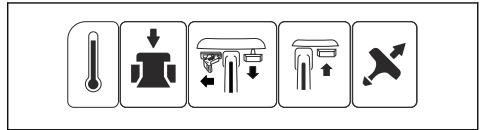
8. Appuyez sur le starter lorsque le moteur démarre. Si le starter est tiré, le moteur s'arrête après quelques secondes. Si le moteur s'arrête, tirez à nouveau sur la poignée du câble du démarreur.



9. Appuyez sur la gâchette d'accélération pour désengager le ralenti accéléré ; la machine tourne alors au ralenti.

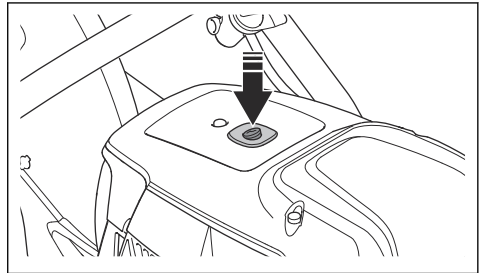


Démarrage du produit lorsque le moteur est chaud

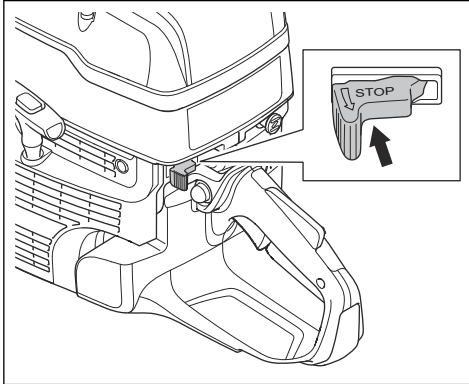


AVERTISSEMENT: Vérifiez que la lame tourne librement. Elle commence à tourner lorsque le moteur démarre.

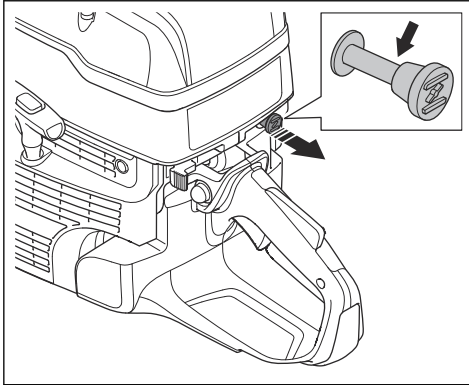
1. Appuyez sur le décompresseur pour réduire la pression dans le cylindre. Une fois le produit démarré, le décompresseur revient automatiquement à sa position de départ.



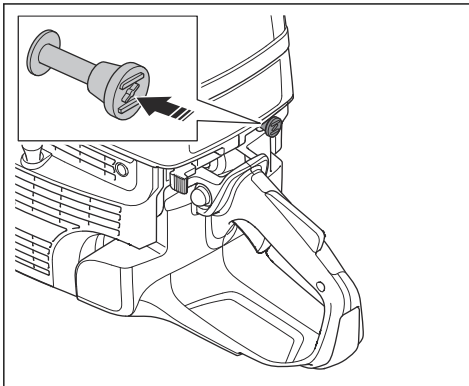
2. Veillez à ce que le bouton d'arrêt (STOP) soit sur la position de gauche.



3. Tirez complètement sur le starter pour régler la position de ralenti accéléré.



4. Appuyez sur le starter pour désactiver la commande. Le ralenti accéléré reste en position.

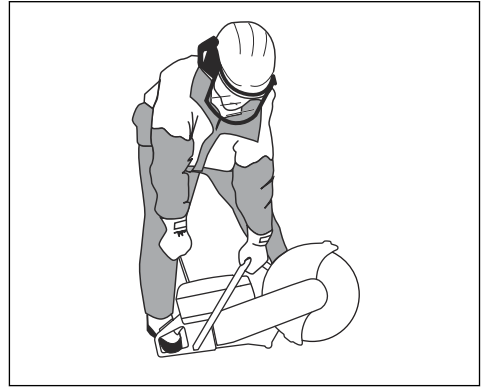


5. Maintenez la poignée avant avec la main gauche.
6. Placez votre pied droit sur la partie inférieure de la poignée arrière pour plaquer le produit contre le sol.



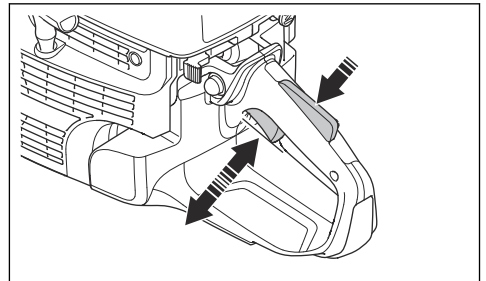
AVERTISSEMENT: N'enroulez pas le câble du démarreur autour de votre main.

7. Tirez lentement le câble du démarreur jusqu'à sentir une résistance lorsque les cliquets s'enclenchent. Tirez ensuite sans interruption et rapidement.



REMARQUE: Ne sortez pas complètement le câble du démarreur et ne relâchez pas la poignée lorsque le câble est complètement sorti. Cela peut endommager le produit.

8. Appuyez sur la gâchette d'accélération pour désengager le ralenti accéléré ; la machine tourne alors au ralenti.

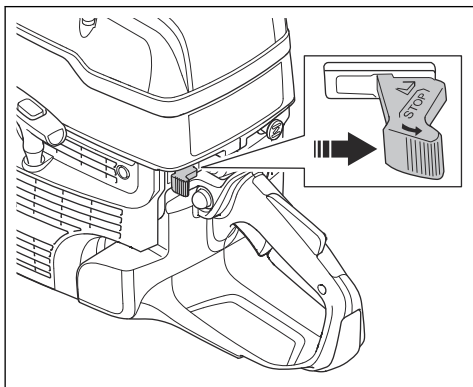


Pour arrêter le produit



AVERTISSEMENT: La lame de coupe continue de tourner pendant un moment après l'arrêt du moteur. Assurez-vous que la lame de coupe tourne librement jusqu'à l'arrêt complet. S'il est nécessaire d'arrêter rapidement la lame de coupe, laissez-la légèrement toucher une surface dure. Risque de blessures graves.

- Pour arrêter le moteur, déplacez l'interrupteur d'arrêt vers la droite.



Entretien

Introduction



AVERTISSEMENT: assurez-vous de lire et de comprendre le chapitre sur la sécurité avant de procéder à l'entretien du produit.

Une formation spécifique est nécessaire pour effectuer tous les travaux d'entretien et de réparation du produit. Nous garantissons la disponibilité de réparations et d'un entretien professionnels. Si votre concessionnaire n'est pas un atelier spécialisé, demandez-lui des informations à propos de l'atelier spécialisé le plus proche.

Pour les pièces de rechange, contactez Husqvarna votre concessionnaire ou votre atelier spécialisé

Calendrier d'entretien

Le calendrier d'entretien indique les opérations d'entretien nécessaires pour le produit. Les intervalles sont calculés pour une utilisation quotidienne du produit.

Pour les travaux d'entretien suivis d'un astérisque (*), reportez-vous aux instructions dans la section *Dispositifs de sécurité sur le produit à la page 75.*

Entretien	Au quotidien	Toutes les semaines	Une fois par mois
Nettoyez les surfaces extérieures du produit.	X		
Nettoyez la prise d'air froid.	X		
Nettoyez la bougie.			X
Nettoyer le réservoir de carburant.			X
Faites une inspection générale.	X		
Examinez le blocage de la commande d'accélération*.	X		
Contrôlez l'interrupteur d'arrêt*.	X		
Vérifiez l'absence de fuites de carburant.	X		
Contrôlez le système anti-vibrations*.		X	

Entretien	Au quotidien	Toutes les semaines	Une fois par mois
Inspectez le silencieux*.		X	
Examinez le carburateur.		X	
Déposez le corps du lanceur.		X	
Inspectez le système de carburant.			X
Vérifiez le filtre à air.			X
Examinez le pignon d'entraînement et l'embrayage.			X

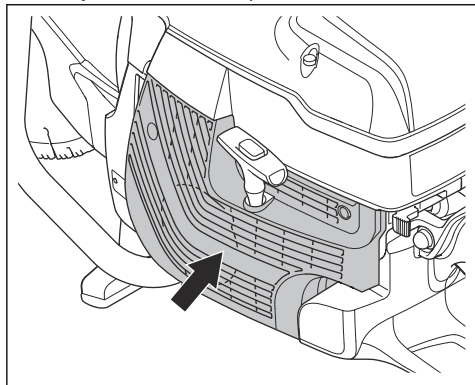
Nettoyage des surfaces extérieures

- Aspergez l'extérieur du produit avec de l'eau propre après chaque journée d'utilisation. Utilisez si nécessaire une brosse.

Nettoyage de la prise d'air froid

Remarque: Une prise d'air sale ou bouchée peut provoquer une surchauffe du produit. Ceci peut endommager le piston et le cylindre.

- Nettoyez si nécessaire la prise d'air froid.



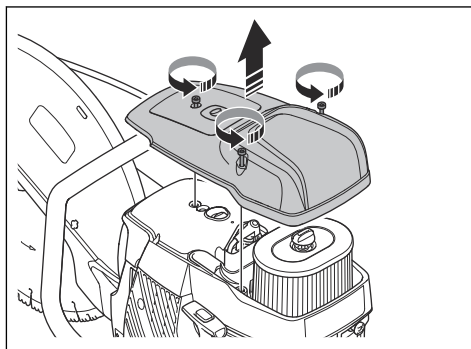
- Éliminez l'obstruction, la saleté et la poussière à l'aide d'une brosse.

Pour vérifier la bougie

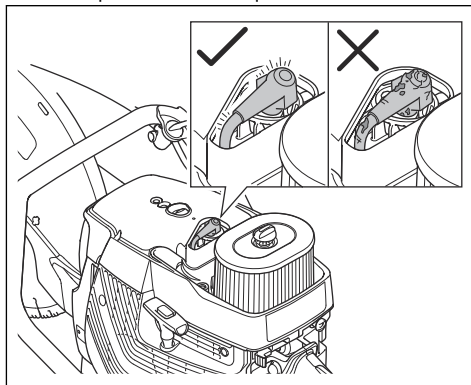
Remarque: Utilisez toujours le type de bougie recommandé. L'utilisation d'une bougie incompatible peut endommager le piston/le cylindre. Pour connaître les bougies recommandées, consultez la section *Caractéristiques techniques à la page 92*.

Inspectez la bougie si le produit est déchargé, s'il ne démarre pas facilement ou s'il ne fonctionne pas correctement au régime de ralenti.

- Desserrez les 3 vis qui maintiennent en place le couvercle du filtre à air et retirez-le.

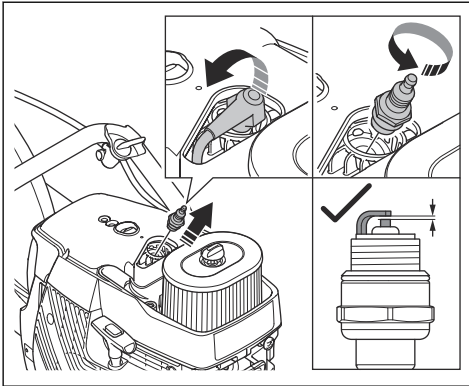


- Vérifiez que le chapeau de bougie et le câble d'allumage ne sont pas endommagés afin d'éviter tout risque de choc électrique.



- Nettoyez la bougie si elle est sale.
- Assurez-vous que l'écartement des électrodes est de 0,5 mm.

5. Changez au besoin la bougie.



Pour faire une inspection générale

- Assurez-vous que l'ensemble des vis et des écrous du produit sont correctement serrés.

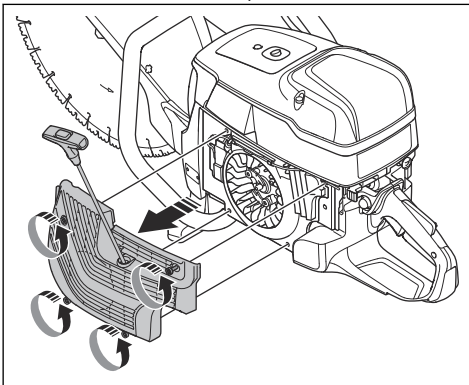
Corps du lanceur



AVERTISSEMENT: Soyez toujours vigilant et utilisez toujours des lunettes de protection lorsque vous changez le ressort de rappel ou le câble du lanceur. Une tension est exercée dans le ressort de rappel lorsqu'il est enroulé dans le corps du lanceur. Le ressort de rappel peut sauter et causer des blessures.

Désinstallation du corps du lanceur

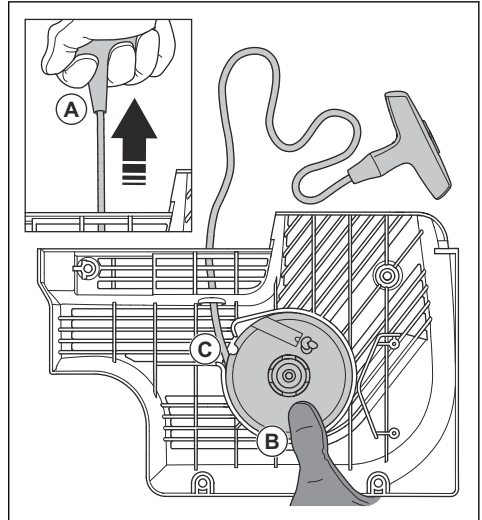
1. Desserrez les 4 vis du corps du lanceur.



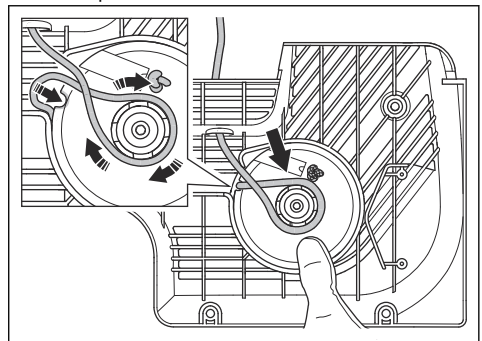
2. Déposez le corps du lanceur.

Changement d'un câble de démarreur endommagé

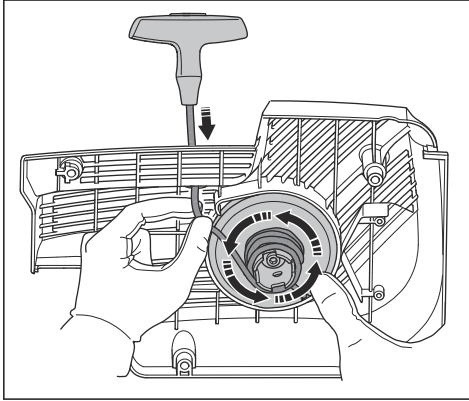
1. Faites sortir le cordon du lanceur d'environ 30 cm (A).



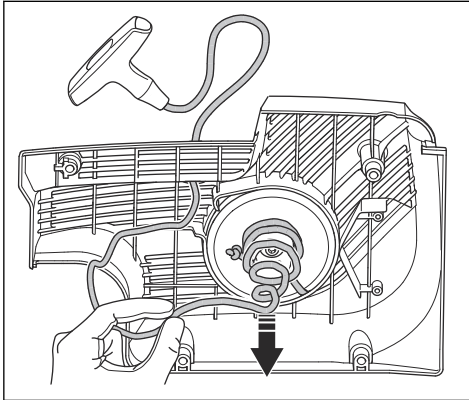
2. Tenez la poulie du cordon du lanceur (B) avec votre pouce.
3. Dégagez le cordon du lanceur de l'encoche (C) de la poulie du lanceur.
4. Placez le cordon du lanceur autour du manchon métallique.



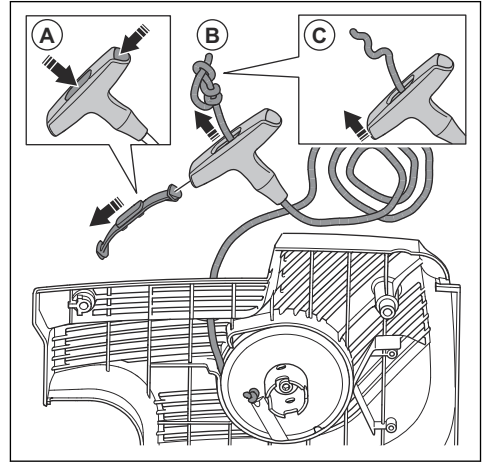
5. Laissez la poulie du lanceur tourner lentement et le cordon du lanceur s'enrouler sur le manchon métallique.



6. Tirez sur le cordon du lanceur pour le dégager du manchon métallique.



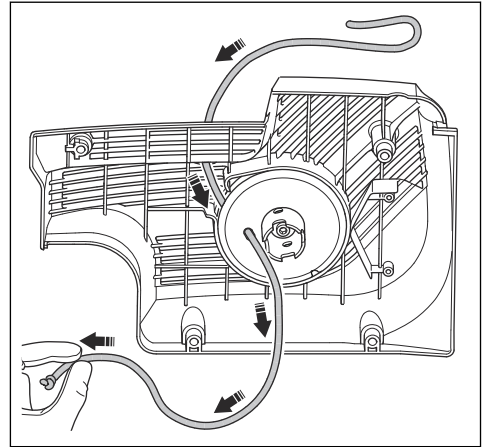
7. Déposez le cache situé sur la poignée du cordon du lanceur (A).



8. Faites passer le cordon du lanceur dans la poignée (B).

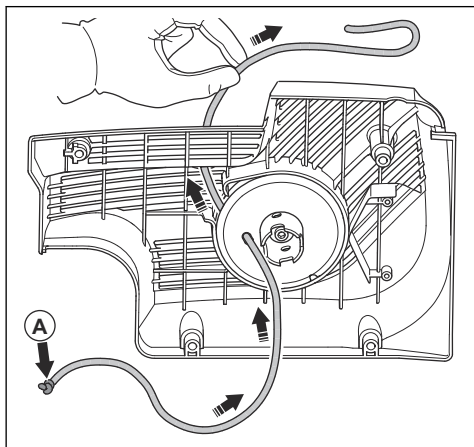
9. Relâchez le nœud (C).

10. Retirez le cordon du lanceur.

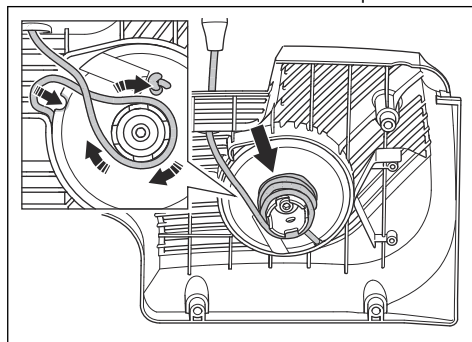


11. Vérifiez que le ressort de rappel est propre et intact.

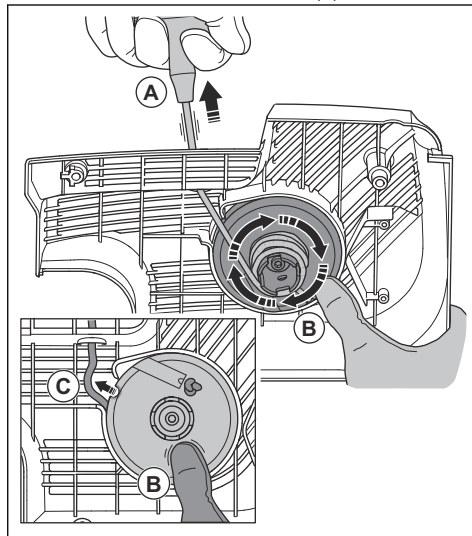
12. Placez un cordon de lanceur neuf (A) dans le trou du carter de lanceur.



2. Placez le cordon du lanceur dans l'encoche et enroulez-le autour du manchon métallique.

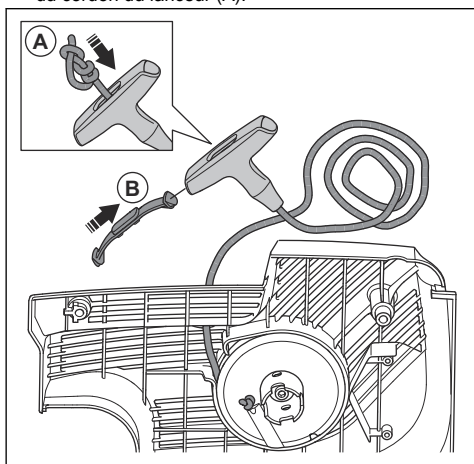


3. Faites sortir le cordon du lanceur (A).



4. Placez votre pouce sur la poulie du lanceur (B) pour maintenir le cordon du lanceur tiré.
5. Dégagez le cordon du lanceur de l'encoche (C).

13. Tirez le cordon du lanceur à travers la poignée du cordon du lanceur et réalisez un nœud à l'extrémité du cordon du lanceur (A).



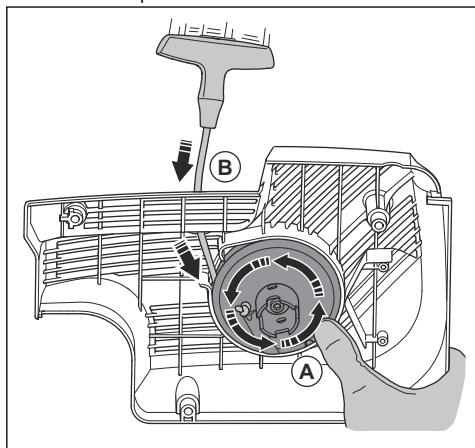
14. Fixez le cache sur la poignée du cordon du lanceur (B).

15. Réglez la tension du ressort de rappel. Reportez-vous à la section *Réglage de la tension du ressort de rappel à la page 86*.

Réglage de la tension du ressort de rappel

1. Faites sortir le cordon du lanceur.

6. Retirez votre pouce pour libérer la poulie du lanceur (A) et laissez le cordon du lanceur (B) s'enrouler autour de la poulie.



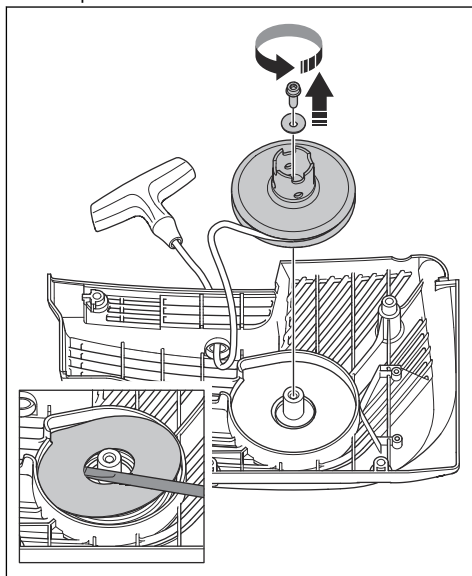
7. Tirez complètement sur le cordon du lanceur pour vérifier que le ressort de rappel n'est pas dans sa position finale. Assurez-vous que la poulie du lanceur peut être tournée au moins un demi-tour avant que le ressort de rappel n'arrête les mouvements.

Démontage du système à ressort



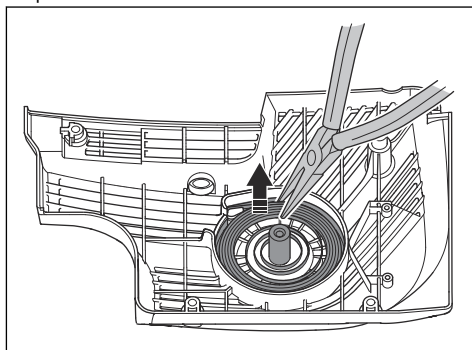
AVERTISSEMENT: Utilisez toujours des protections pour les yeux lorsque vous démontez le système à ressort. Il existe un risque de blessure aux yeux, surtout si un ressort est cassé.

1. Déposez le boulon au centre de la poulie du lanceur, puis déposez la poulie du lanceur. Déposez le cache avec précaution.



Le ressort de rappel est sous tension dans le corps du lanceur.

2. Déposez le ressort avec précaution. Utilisez une pince.



Lubrification de l'ensemble à ressort

- Lubrifiez le ressort de rappel avec de l'huile fluide.

Fixation du système à ressort

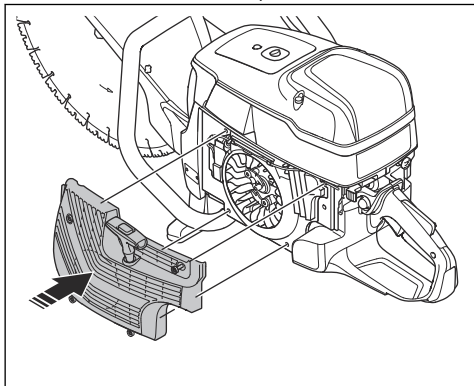
- Le montage s'effectue dans l'ordre inverse de *Démontage du système à ressort à la page 87.*

Installation du corps du lanceur

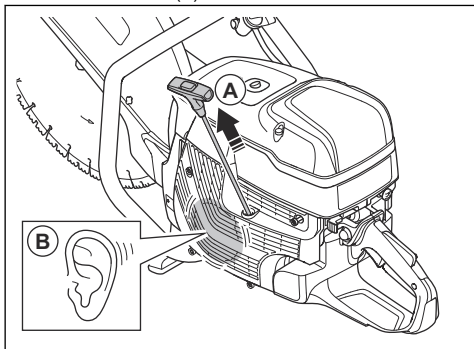


REMARQUE: Les cliquets du lanceur doivent être plaqués contre le manchon de la poulie.

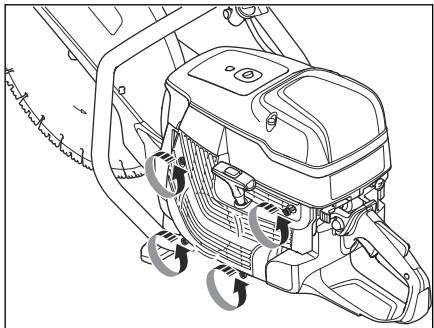
1. Placez le lanceur contre le produit.



2. Installez les cliquets du lanceur contre le manchon de la poulie. Faites sortir le cordon du lanceur d'environ 0,5 m. (A). Si la position est correcte, vous entendez un clic (B).



3. Relâchez lentement le cordon du lanceur.
4. Serrez les 4 vis du lanceur



Inspection du carburateur

Remarque: Le carburateur possède des aiguilles rigides de manière à garantir que le produit reçoit toujours le bon mélange d'air et de carburant.

1. Vérifiez le filtre à air. Reportez-vous à *Inspection du filtre à air à la page 89*
2. Changez au besoin le filtre à air.
3. Si la puissance ou la vitesse du moteur continue de baisser, prenez contact avec le service Husqvarna après-vente local.

Pour examiner le système de carburant

1. Vérifiez que le bouchon du réservoir à essence et son joint ne sont pas endommagés.
2. Vérifiez le tuyau de carburant. Remplacez le tuyau s'il est endommagé.

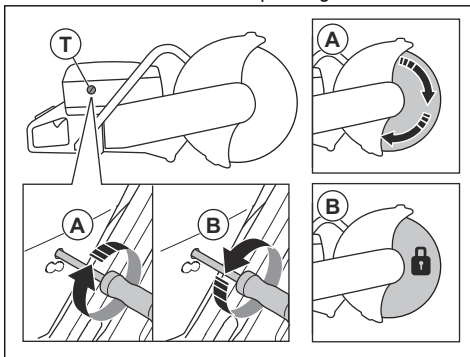
Pour régler le régime de ralenti



AVERTISSEMENT: Si la lame de coupe tourne au ralenti, contactez le service après-vente. N'utilisez pas le produit tant que le ralenti n'est pas correctement réglé ou réparé.

Remarque: Pour connaître le régime de ralenti recommandé, reportez-vous à la section *Caractéristiques techniques à la page 92*.

1. Démarrez le moteur.
2. Vérifiez le régime de ralenti. Lorsque le carburateur est correctement réglé, la lame de coupe s'arrête lorsque le moteur tourne au ralenti.
3. Utilisez la vis à tête fraisée pour régler le ralenti.



- a) Tournez la vis dans le sens des aiguilles d'une montre jusqu'à ce que la lame commence à tourner (A).
- b) Tournez la vis dans le sens contraire des aiguilles d'une montre jusqu'à ce que la lame s'arrête (B).

Filtere à carburant

Le filtre à carburant se trouve à l'intérieur du réservoir de carburant. Le filtre à carburant empêche la contamination du réservoir de carburant lorsque celui-ci est rempli. Le filtre à carburant doit être changé tous les ans ou plus fréquemment, s'il est encrassé.



REMARQUE: Ne nettoyez pas le filtre à carburant.

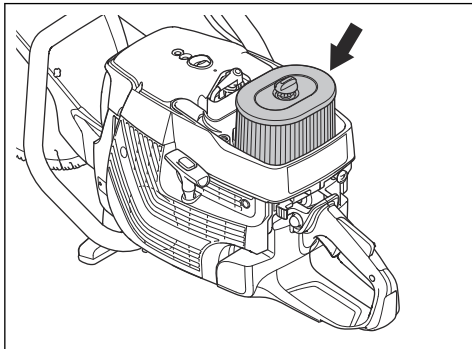
Inspection du filtre à air



REMARQUE: Veillez à démonter le filtre à air délicatement. Les particules qui tombent dans l'admission du carburateur peuvent l'endommager.

Inspectez l'état du filtre à air si la puissance du moteur diminue.

1. Desserrez les 3 vis qui maintiennent en place le cache du filtre à air.
2. Retirez le couvercle du filtre à air.
3. Vérifiez le filtre à air.



4. Changez au besoin le filtre à air. Reportez-vous à la section *Pour remplacer le filtre à air à la page 89*.
5. Remettez en place le cache du filtre à air.
6. Serrez les 3 vis.

Pour remplacer le filtre à air



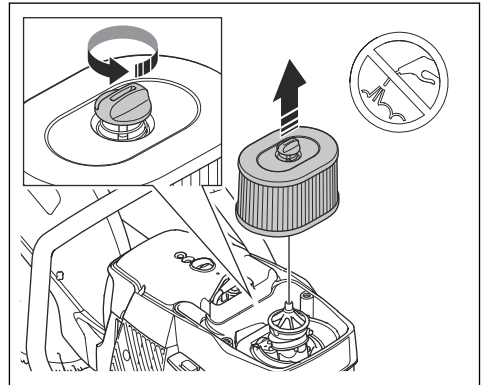
REMARQUE: Ne nettoyez pas le filtre à air à l'air comprimé. Le filtre à air est en papier, ce qui le rend donc très fragile.



AVERTISSEMENT: utilisez une protection respiratoire homologuée lorsque vous nettoyez ou remplacez le filtre à air. Mettez au rebut les filtres à air usés de manière appropriée. La poussière présente dans le filtre à air est dangereuse pour la santé.

Remarque: Ne changez le filtre à air que s'il est endommagé.

1. Desserrez les 3 vis qui maintiennent en place le cache du filtre à air.
2. Retirez le couvercle du filtre à air.
3. Desserrez la vis maintenant en place la poulie du filtre à air et déposez-la.



4. Retirez le filtre à air.
5. Installez le filtre à air neuf.
6. Remettez en place le carter du filtre à air.
7. Serrez complètement la vis sur le carter du filtre à air.
8. Remettez en place le cache du filtre à air.
9. Serrez les 3 vis.

Dépannage

Problème	Cause	Solutions possibles
Le produit ne démarre pas.	La procédure de démarrage est effectuée correctement.	Reportez-vous à <i>Démarrage du produit lorsque le moteur est froid à la page 79</i> et <i>Démarrage du produit lorsque le moteur est chaud à la page 80</i> .
	Le bouton d'arrêt est dans la bonne position (STOP).	Veiller à ce que le bouton d'arrêt (STOP) soit sur sa position de gauche.
	Le réservoir de carburant ne contient pas de carburant.	Faites le plein de carburant.
	La bougie d'allumage est défectueuse.	Remplacez la bougie.
	L'embrayage est défectueux.	Contactez votre agent d'entretien.
La lame de coupe tourne au ralenti.	Le ralenti est trop élevé.	Réglez le ralenti.
	L'embrayage est défectueux.	Contactez votre agent d'entretien.
La lame de coupe ne tourne pas lorsque l'opérateur accélère.	La courroie est trop détendue ou défectueuse.	Tendez la courroie ou remplacez-la par une neuve.
	L'embrayage est défectueux.	Contactez votre agent d'entretien.
	La lame de coupe est mal installée.	Vérifiez que la lame de coupe est installée correctement.
Le produit n'est pas sous tension lorsque l'opérateur essaie d'accélérer.	Le filtre à air est bouché.	Vérifiez le filtre à air. S'il est défectueux, remplacez-le.
	Le filtre à carburant est bouché.	Remplacez le filtre à carburant.
	Le débit du réservoir de carburant est bloqué.	Contactez votre agent d'entretien.
Les niveaux de vibration sont trop élevés.	La lame de coupe est mal installée.	Vérifiez que la lame de coupe est bien fixée et qu'elle n'est pas endommagée.
	La lame de coupe est défectueuse.	Déposez la lame de coupe et assurez-vous qu'elle n'est pas défectueuse.
	Une unité anti-vibrations est défectueuse.	Contactez votre agent d'entretien.
La température du produit est trop élevée.	La prise d'air ou les brides de cylindre sont bouchées.	Nettoyez la prise d'air et les brides de cylindre.
	La tension de la courroie d'entraînement n'est pas suffisante.	Inspectez la courroie. Réglez la tension.
	L'embrayage est défectueux.	Toujours couper à plein régime. Examinez l'embrayage. Contactez votre agent d'entretien.

Problème	Cause	Solutions possibles
La puissance ou la vitesse du moteur diminue.	Le filtre à air est bouché.	Vérifiez le filtre à air. Reportez-vous à la section <i>Inspection du filtre à air à la page 89.</i>

Transport, entreposage et mise au rebut

Transport et stockage

- Pour le stocker et transporter le produit et le carburant, assurez-vous qu'il n'y a pas de fuite ou de vapeurs. Les étincelles ou les flammes nues produites par exemple par des appareils électriques ou chaudières peuvent provoquer un incendie.
- Utilisez uniquement des récipients homologués pour le transport et le stockage de carburant.
- Videz le réservoir de carburant avant de remiser le produit pendant une longue période. Mettez le carburant au rebut dans une déchetterie appropriée.
- Sécurisez le produit lors de son transport pour éviter tout dommage ou accident.
- Conservez le produit dans un endroit verrouillé afin que des enfants ou personnes qui ne sont pas autorisées à l'utiliser ne puissent pas y avoir accès.
- Conservez le produit dans un endroit sec et à l'abri du gel.

Mise au rebut

- Respectez les consignes locales de recyclage et la réglementation en vigueur.
- Mettez au rebut tous les produits chimiques tels que l'huile ou le carburant à un centre d'entretien ou à une déchetterie appropriée.
- Lorsque vous n'utilisez plus le produit, renvoyez-le à un Husqvarnaconcessionnaire ou mettez-le au rebut dans une déchetterie.

Caractéristiques techniques

Caractéristiques techniques

Cylindrée, po ³ /cm ³	7,3/119
Alésage du cylindre, po/mm	2,4/60
Course, po/mm	1,7/42
Régime de ralenti, tr/min	2 700
Pleins gaz, sans charge, régime en tr/min	9 300 (+/- 150)
Alimentation, ch/kW à tr/min	7,9/5,8 à 8 400
Bougie	NGK BPMR 7A
Écartement des électrodes, po/mm	0,02/0,5
Capacité du réservoir de carburant, fl oz US/l	40/1,2
Poids, découpeuse sans carburant et lame de coupe de 14 po. (350 mm), lb/kg	22,4/10,2
Émissions sonores ⁷	
Niveau de puissance sonore mesuré dB(A)	116
Niveau de puissance sonore, garanti L _{WA} dB (A)	117
Niveaux sonores ⁸	
Niveau de pression sonore équivalent à l'oreille de l'utilisateur, en dB (A)	104

Déclaration relative au bruit

Ces valeurs déclarées ont été obtenues grâce à des essais types effectués en laboratoire conformément à la directive ou aux normes mentionnées. Elles conviennent à l'établissement d'une comparaison avec les valeurs déclarées d'autres produits testés conformément aux mêmes normes ou à la même directive. Ces valeurs ne sont pas adaptées à une utilisation à des fins d'évaluations des risques ; les valeurs mesurées dans différents lieux de travail peuvent être plus élevées. Les valeurs d'exposition réelles et les risques de blessures rencontrés par chaque utilisateur sont uniques et dépendent de la manière dont l'utilisateur travaille, dans quel matériau le produit est utilisé, mais aussi de la durée d'exposition, de la condition physique de l'utilisateur et de l'état du produit.

⁷ Les émissions sonores dans l'environnement sont mesurées comme puissance sonore (L_{WA}) conformément à la directive 2000/14/EC. Le niveau de puissance sonore garanti diffère du niveau mesuré car il prend en compte la dispersion dans les résultats mesurés ainsi que les variations d'une unité à l'autre du même produit, conformément à la directive 2000/14/EC.

⁸ Le niveau de pression sonore équivalent, selon la norme EN ISO 19432, correspond à la somme d'énergie pondérée en fonction du temps pour divers niveaux de pression sonore à différents régimes. Les données reportées pour le niveau de pression sonore équivalent pour le produit montrent une dispersion statistique type (déviations standard) de 1 dB (A).

Déclaration d'intégration de quasi-machine

Déclaration d'intégration de quasi-machine

Nous, **Husqvarna AB**, SE-561 82 Huskvarna, SUÈDE,
Tél. +46-36-146500, déclarons sous notre seule
responsabilité que le produit :

Description	Système d'entraînement pour découpeuse portative
Marque	Husqvarna
Type/Modèle	K1270 II R
Identification	Numéros de série à partir de 2019 et ultérieurs

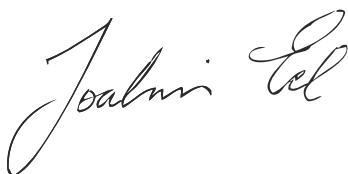
est entièrement conforme aux sections pertinentes des
directives de l'UE :

Directive / Réglementation	Description
2006/42/EC	« relative aux machines »
2014/30/UE	« relative à la compatibilité électromagnétique »

Les sections pertinentes des directives sont définies
plus précisément dans la documentation technique
conformément à la partie B de l'annexe VII de la
directive 2006/42/CE et peuvent, pour des motifs
justifiés, être disponibles en version numérique pour les
autorités compétentes.

La quasi-machine ne peut être mise en service avant
que la machine finale, à laquelle elle doit être intégrée,
ne soit déclarée conforme aux prescriptions des
directives en vigueur.

Partille, 2019-12-20



Joakim Ed

Vice-président, découpe et forage de béton et
démolition légère

Husqvarna AB, division Construction

Responsable de la documentation technique

Garantie

DÉCLARATION DE GARANTIE FÉDÉRALE DU CONTRÔLE DES ÉMISSIONS

DROITS ET OBLIGATIONS CONFÉRÉS PAR VOTRE GARANTIE

L'EPA (agence américaine de protection de l'environnement, Environmental Protection Agency), Environnement Canada et ont le plaisir de vous présenter la garantie du système de contrôle des émissions de votre petit moteur hors-route 2009 ou ultérieur. Aux États-Unis et au Canada, les nouveaux petits moteurs hors-route doivent être conçus, fabriqués et équipés de façon à répondre aux normes fédérales strictes anti-pollution. doit garantir le système de contrôle des émissions de votre petit moteur hors-route pour la période indiquée ci-dessous, dans la mesure où celui-ci n'a pas fait l'objet d'une utilisation abusive, d'une négligence ou d'un entretien inapproprié. Votre système de contrôle des émissions comprend des pièces telles que le carburateur et le système d'allumage. Si une condition de garantie existe, réparera gratuitement votre petit moteur hors-route. Les frais couverts par la garantie incluent le diagnostic, les pièces et la main-d'œuvre.

COUVERTURE DE GARANTIE DU FABRICANT

Les petits moteurs hors-route 2009 ou ultérieurs sont garantis pendant deux ans. Si une pièce de votre moteur liée aux émissions (cf. liste ci-dessous) est défectueuse, la réparera ou la remplacera.

RESPONSABILITÉS DU PROPRIÉTAIRE CONCERNANT LA GARANTIE

En tant que propriétaire d'un petit moteur hors route, vous êtes responsable de la bonne exécution des opérations d'entretien prévues indiquées dans les instructions d'utilisation. vous recommande de conserver tous les reçus concernant l'entretien de votre petit moteur hors route, mais ne peut pas refuser d'appliquer la garantie en se basant uniquement sur l'absence de reçus ou votre non-respect du programme d'entretien. En tant que propriétaire du petit moteur hors route, sachez que peut refuser d'appliquer la garantie si votre petit moteur hors route ou l'une de ses pièces a connu une défaillance en raison d'une utilisation abusive, d'une négligence, d'un entretien inapproprié, de modifications non autorisées ou de l'utilisation de pièces non conçues ou approuvées par le fabricant de l'équipement d'origine. Il est de votre responsabilité d'apporter votre petit moteur hors route au sein d'un atelier d'entretien agréé dès qu'un problème survient. Les réparations sous garantie doivent être effectuées dans un délai raisonnable, de 30 jours maximum. Si vous avez des questions concernant vos droits et responsabilités dans le cadre de la garantie, vous devez contacter votre

atelier d'entretien agréé le plus proche ou appeler au 1-800-487-5951 ou visiter .

DATE DE DÉBUT DE LA GARANTIE

La période de garantie commence à la date de livraison du petit moteur hors route.

DURÉE DE LA GARANTIE

garantit au propriétaire initial et à chaque acheteur ultérieur que le moteur est exempt de défaut matériel ou de fabrication qui pourraient causer des défauts aux pièces sous garantie, et ce pour une période de deux ans.

SONT COUVERTS

LA RÉPARATION OU LE REMPLACEMENT DE PIÈCES : La réparation ou le remplacement de toute pièce sous garantie sera effectué sans aucuns frais pour le propriétaire au sein d'un atelier d'entretien agréé . Si vous avez des questions sur la garantie, nous vous invitons à contacter le service à 1-800-487-5951 ou à consulter le site .

PÉRIODE DE GARANTIE : toute pièce sous garantie dont le remplacement n'est pas prévu dans le manuel d'entretien ou pour laquelle il est seulement prévu une inspection régulière en vue de « réparer ou remplacer si nécessaire » est garantie pendant 2 ans. Toute pièce sous garantie dont le remplacement est prévu dans le manuel d'entretien est garantie uniquement pour la période allant jusqu'au premier remplacement prévu de cette pièce.

DIAGNOSTIC : Le propriétaire ne sera pas tenu de payer le diagnostic visant à déterminer si la pièce sous garantie est défectueuse si le diagnostic est effectué dans un atelier d'entretien agréé .

DOMMAGES INDIRECTS : pourra être tenu responsable des dommages causés à d'autres pièces du moteur en raison de la défaillance d'une pièce encore couverte par la garantie.

NE SONT PAS COUVERTS

Toutes les pannes résultant d'une utilisation abusive, d'une négligence ou d'un entretien inapproprié.

PIÈCES COMPLÉMENTAIRES OU MODIFIÉES : l'ajout ou la modification de pièces peut constituer un motif de refus de prise en charge par la garantie. n'est pas tenu de couvrir les défaillances des pièces sous garantie causées par l'ajout ou la modification de pièces.

COMMENT DÉPOSER UNE RÉCLAMATION AU TITRE DE LA GARANTIE

Si vous avez des questions concernant vos droits et responsabilités dans le cadre de la garantie, vous devez contacter votre atelier d'entretien agréé le plus proche ou appeler au 1-800-487-5951 ou visiter .

OÙ BÉNÉFICIER DU SERVICE DE GARANTIE

Les entretiens ou réparations au titre de la garantie peuvent être effectués dans tous les ateliers d'entretien agréés .

ENTRETIEN, REMPLACEMENT ET RÉPARATION DE PIÈCES LIÉES AUX ÉMISSIONS

Toute pièce de rechange homologuée par utilisée dans la réalisation de l'entretien ou de la réparation de pièces liées aux émissions sera fournie gratuitement au propriétaire si la pièce est sous garantie.

LISTE DES PIÈCES GARANTIES DU SYSTÈME DE CONTRÔLE DES ÉMISSIONS

1. Carburateur et pièces internes.
2. Tuyau d'admission, support du filtre à air et boulons du carburateur.
3. Filtres à air et à carburant, couverts si le calendrier de maintenance est respecté.
4. Système d'allumage
 - a. Bougie d'allumage, couverte si le calendrier de maintenance est respecté.
 - b. Module d'allumage
5. Module d'allumage.

DÉCLARATION D'ENTRETIEN

Il incombe au propriétaire du produit d'assurer son entretien conformément aux indications figurant dans le manuel d'utilisation.

Sommario

Introduzione.....	96	Trasporto, stoccaggio e smaltimento.....	115
Sicurezza.....	98	Dati tecnici.....	116
Utilizzo.....	102	Dichiarazione di incorporazione del macchinario parzialmente assemblato.....	117
Manutenzione.....	106	Garanzia.....	118
Ricerca dei guasti.....	114		

Introduzione

California Proposition 65



WARNING

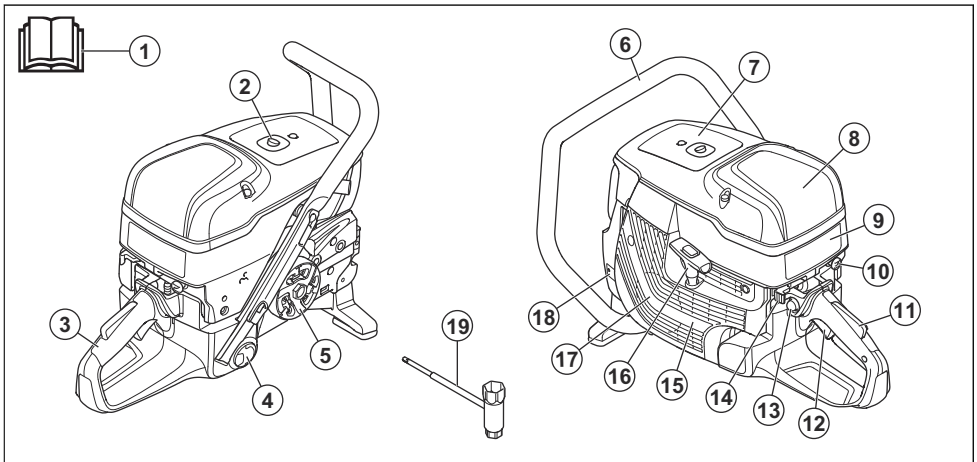
The engine exhaust from this product contains chemicals known to the State of California to cause cancer, birth defects or other reproductive harm.

Descrizione del prodotto

Questo gruppo di potenza non è un prodotto completo. I produttori di apparecchiature originali (OEM) utilizzano

questo gruppo di potenza per assemblare una speciale mototroncatrice portatile ad alta velocità o altre apparecchiature di questa categoria.

Panoramica del prodotto



1. Manuale operatore
2. Valvola di decompressione
3. Impugnatura posteriore

4. Tappo del serbatoio del carburante
5. Ingranaggio e frizione
6. Impugnatura anteriore

7. Decalcomania di informazioni e avvertenza
8. Coperchio del filtro dell'aria
9. Decalcomania delle istruzioni di avviamento
10. Comando della valvola dell'aria
11. Fermo dell'acceleratore
12. Grilletto dell'acceleratore
13. Primer del carburante
14. Interruttore di arresto
15. Presa d'aria
16. Impugnatura della fune di avviamento
17. Carter di avviamento
18. Piastrina modello
19. Chiave universale

Simboli riportati sul prodotto



AVVERTENZA: questo prodotto può essere pericoloso e causare lesioni gravi o mortali all'operatore o a terzi. Prestare attenzione e utilizzare il prodotto correttamente.



Leggere attentamente il Manuale dell'operatore e accertarsi di aver compreso le istruzioni prima di utilizzare questo prodotto.



Utilizzare elmetto protettivo, cuffie protettive e protezione per gli occhi omologati. Fare riferimento a *Abbigliamento protettivo personale alla pagina 99*.



Durante il taglio si forma della polvere. La polvere può provocare lesioni se inalata. Utilizzare una protezione respiratoria omologata. Evitare l'inalazione dei fumi di scarico. Accertarsi che ci sia una buona ventilazione dell'ambiente.



AVVERTENZA! I rimbalzi possono essere improvvisi e violenti e causare lesioni, anche molto gravi. Prima di usare il prodotto, leggere le istruzioni per l'uso e accertarsi di averne compreso il contenuto.



Le scintille provenienti dal disco di taglio possono provocare incendi nel carburante, nel legno, negli abiti, nell'erba secca o in altri materiali infiammabili.



Assicurarsi che il disco di taglio non presenti incrinature o altri danni.



Non utilizzare lame per sfrascatura.



Valvola dell'aria



Primer del carburante



Valvola di decompressione



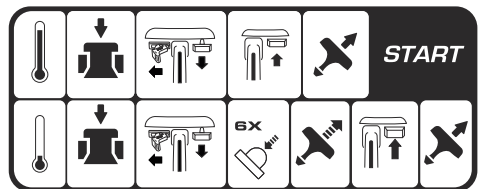
Impugnatura della fune di avviamento



Utilizzare una miscela di benzina e olio.

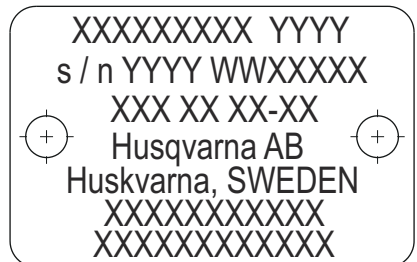
Nota: gli altri simboli/decalcomanie applicati sul prodotto riguardano particolari requisiti necessari per ottenere la certificazione in alcuni mercati.

Decalcomania delle istruzioni di avviamento



Fare riferimento a *Avviamento del prodotto con il motore freddo alla pagina 103* e *Per avviare il prodotto con motore caldo alla pagina 104* per le istruzioni.

Piastrina modello



Riga 1: Marca, modello (X, Y)

Riga 2: Numero di serie con data di fabbricazione (Y, W, X): Anno, settimana, sequenza n.

Riga 3: Codice prodotto (X)

Riga 4: Produttore

Riga 5: Indirizzo del produttore

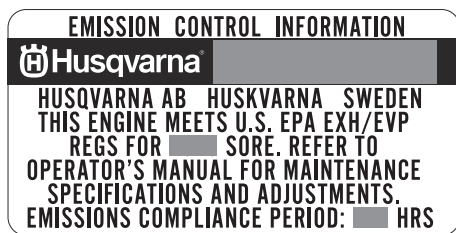
Riga 6-7: Omologazione di tipo UE o numero cinese MEIN

Emissioni Euro V



AVVERTENZA: La manomissione del motore rende nulla l'omologazione UE del prodotto.

EPA



Il Periodo di conformità alle emissioni cui fa riferimento l'etichetta di Conformità alle emissioni indica il numero di

ore di funzionamento per cui il motore ha dimostrato conformità ai requisiti sulle emissioni secondo le leggi federali in vigore sulle emissioni. La manutenzione, la sostituzione o la riparazione dei dispositivi di controllo delle emissioni e del sistema possono essere eseguite da qualsiasi tecnico o centro riparazioni di motori non da strada.

CALIFORNIA AIR RESOURCES BOARD (CARB)

Nota: Questa macchina è considerata un'unità fuori strada esente dalle norme CARB. Negli Stati Uniti solo l'EPA, l'Agenzia per la protezione dell'ambiente, ha l'autorità di fissare le norme sulle emissioni per le apparecchiature da costruzioni esentate da tali standard.

Responsabilità del prodotto

Come indicato nelle leggi vigenti in materia di responsabilità obbligatoria sul prodotto, non siamo responsabili per eventuali danni causati dal nostro prodotto se:

- Il prodotto viene riparato in modo errato.
- Il prodotto viene riparato con parti che non provengono o non sono omologate dal produttore.
- Il prodotto contiene un accessorio che non proviene o non è omologato dal produttore.
- Il prodotto non viene riparato presso un centro di assistenza autorizzato o presso un'autorità competente.

Sicurezza

Definizioni di sicurezza

Le avvertenze, le precauzioni e le note sono utilizzate per evidenziare le parti importanti del manuale.



AVVERTENZA: Utilizzato se è presente un rischio di lesioni o morte dell'operatore o di passanti nel caso in cui le istruzioni del manuale non vengano rispettate.



ATTENZIONE: Utilizzato se è presente un rischio di danni al prodotto, ad altri materiali oppure alla zona adiacente nel caso in cui le istruzioni del manuale non vengano rispettate.

Nota: Utilizzato per fornire ulteriori informazioni necessarie in una determinata situazione.

Sicurezza dei fumi di scarico



AVVERTENZA: leggere le seguenti avvertenze prima di utilizzare il prodotto.

- I fumi di scarico del motore contengono monossido di carbonio, un gas inodore, velenoso e altamente pericoloso. L'inalazione di monossido di carbonio può causare la morte. Poiché il monossido di carbonio è inodore e non può essere visto, non è possibile rilevarlo. Sintomo dell'avvelenamento da monossido di carbonio sono le vertigini, ma è possibile che una persona perda conoscenza senza preavviso in presenza di una sufficiente quantità o di concentrazione di monossido di carbonio.
- I fumi di scarico contengono anche idrocarburi incombusti, tra cui il benzene. L'inalazione a lungo termine della polvere può causare problemi alla salute.
- Anche i fumi di scarico che si possono vedere o odorare contengono monossido di carbonio.

- Non utilizzare un prodotto del motore a combustione in interni o in aree che non dispongono di un flusso d'aria sufficiente.
- Non respirare i fumi di scarico.
- Assicurarsi che il flusso d'aria nell'area di lavoro sia sufficiente. Questa misura è molto importante quando si utilizza il prodotto in fossi o in altre aree di lavoro ristrette in cui i fumi di scarico possono accumularsi facilmente.
- Tenere sempre a portata di mano la cassetta di primo soccorso.



Abbigliamento protettivo personale



AVVERTENZA: leggere le seguenti avvertenze prima di utilizzare il prodotto.

- Utilizzare sempre abbigliamento protettivo personale omologato durante il funzionamento. L'uso di abbigliamento protettivo personale non elimina il rischio di lesioni, ma ne riduce la gravità in caso di incidente. Chiedere consiglio al proprio rivenditore di fiducia per la scelta dei dispositivi adeguati.
- Utilizzare un elmetto protettivo omologato.
- Usare cuffie protettive omologate. Una lunga esposizione al rumore può comportare lesioni permanenti all'udito. Far sempre attenzione a segnali di allarme o chiamate quando si utilizzano le cuffie protettive. Togliere sempre le cuffie protettive immediatamente all'arresto del motore.
- Indossare protezione per gli occhi omologata per ridurre il rischio di lesioni dovute al lancio di oggetti. Se si utilizza lo schermo facciale è necessario anche l'uso di occhiali protettivi omologati. Con il termine occhiali protettivi omologati si intendono occhiali che siano conformi alle norme ANSI Z87.1 per gli USA o EN 166 per i paesi EU. La visiera deve essere conforme alla norma EN 1731
- Utilizzare dei guanti da lavoro spessi.
- Utilizzare protezione respiratoria omologata. L'utilizzo di prodotti quali taglienti, affilatrici, trapani, che levigano o modellano il materiale possono generare polveri e vapori contenenti sostanze chimiche nocive. Verificare la natura del materiale che si intende lavorare e utilizzare un'apposita maschera di ventilazione.
- Indossare abbigliamento aderente, resistente e confortevole che permetta completa libertà nei movimenti. Le operazioni di taglio generano scintille che possono incendiare gli indumenti. Husqvarna consiglia di indossare indumenti di cotone ignifugo o jeans pesanti. Non indossare indumenti realizzati in materiali come ad esempio il nylon, il poliestere o il rayon. Se incendiati, tali materiali possono sciogliersi e aderire alla pelle. Non indossare bermuda.
- Utilizzare stivali con calotta di acciaio e suola antiscivolo.

- Le scintille possono provenire dalla marmitta o dal disco di taglio. Tenere sempre un estintore disponibile.

Dispositivi di sicurezza sul prodotto

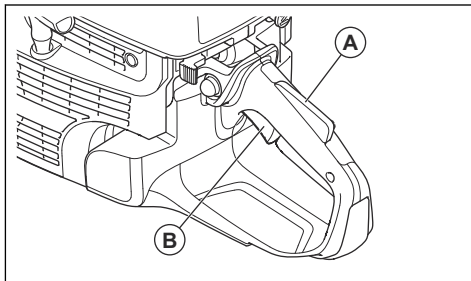


AVVERTENZA: leggere le seguenti avvertenze prima di utilizzare il prodotto.

- Non utilizzare un prodotto con dispositivi di sicurezza difettosi.
- Effettuare regolarmente un controllo dei dispositivi di sicurezza. Se i dispositivi di sicurezza sono difettosi, rivolgersi alla propria officina autorizzata Husqvarna.
- Non modificare i dispositivi di sicurezza.
- Non utilizzare il prodotto se le piastre di protezione, le coperture, gli interruttori di sicurezza o altri dispositivi di protezione sono difettosi o non sono collegati.

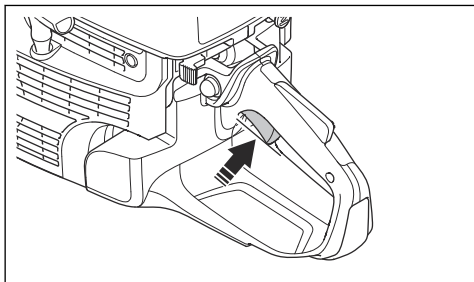
Blocco del grilletto acceleratore

Il blocco del grilletto dell'acceleratore previene l'azionamento accidentale del grilletto dell'acceleratore. Se si mette la mano intorno all'impugnatura e si preme il blocco del grilletto acceleratore (A), si rilascia il grilletto dell'acceleratore (B). Rilasciando l'impugnatura, il grilletto dell'acceleratore e il blocco del grilletto dell'acceleratore ritornano entrambi alla posizione iniziale. Questa funzione blocca il grilletto dell'acceleratore a regime minimo.

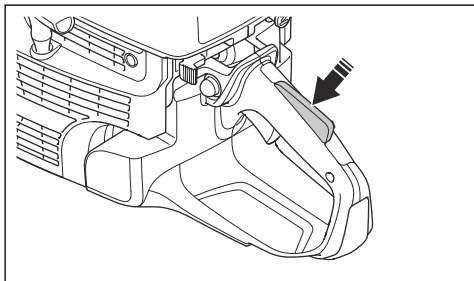


Controllo del blocco del grilletto acceleratore

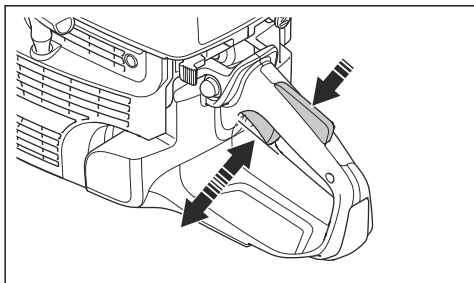
1. Assicurarsi che il grilletto dell'acceleratore sia bloccato sul minimo quando il relativo blocco viene rilasciato.



2. Premere il blocco dell'acceleratore e accertarsi che ritorni nella posizione iniziale quando viene rilasciato.



3. Controllare che il grilletto dell'acceleratore e il relativo blocco si muovano liberamente e che le molle di richiamo funzionino correttamente.

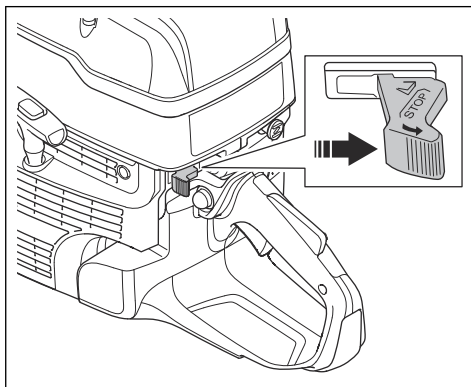


4. Avviare il prodotto e accelerare al massimo.
5. Rilasciare il comando dell'acceleratore e accertarsi che il disco di taglio si arresti e rimanga fermo.
6. Se il disco di taglio ruota nella posizione di minimo, regolare il regime minimo. Fare riferimento a *Regolazione del regime minimo alla pagina 112.*

Controllo dell'interruttore di arresto

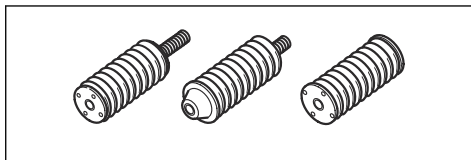
1. Avviare il motore.

2. Portare l'interruttore di arresto nella posizione STOP. Il motore deve arrestarsi.



Sistema di smorzamento delle vibrazioni

Il sistema di smorzamento delle vibrazioni adottato minimizza le vibrazioni e semplifica l'utilizzo della macchina. Il sistema di smorzamento delle vibrazioni della macchina ne riduce la propagazione tra gruppo motore/gruppo di taglio e impugnatura.



Controllo del sistema di smorzamento delle vibrazioni



AVVERTENZA: Accertarsi che il motore sia spento e che l'interruttore di arresto sia in posizione di STOP.

1. Accertarsi che non vi siano crepe o deformazioni sulle unità di smorzamento delle vibrazioni. Sostituire le unità antivibranti se sono danneggiate.
2. Controllare che le unità antivibranti siano correttamente fissate al gruppo motore e all'impugnatura.

Marmitta

La marmitta assicura il minimo livello acustico e allontana i fumi di scarico dall'operatore.

Non utilizzare il prodotto se la marmitta è mancante o difettosa. Una marmitta difettosa aumenta il livello acustico e il rischio di incendio.



AVVERTENZA: La marmitta si surriscalda durante e dopo l'uso e quando il motore funziona al regime minimo. Prestare

attenzione in prossimità di materiali infiammabili e/o fumi per evitare incendi.

Controllo della marmitta

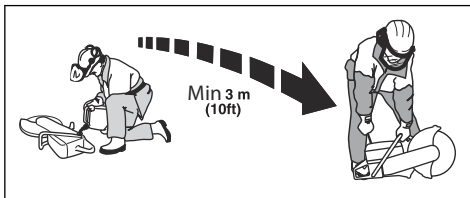
- Esaminare la marmitta periodicamente per assicurarsi che sia collegata correttamente e che non sia danneggiata.

Sicurezza nell'uso del carburante



AVVERTENZA: leggere le seguenti avvertenze prima di utilizzare il prodotto.

- Il carburante è infiammabile e i vapori sono esplosivi. Prestare attenzione al carburante per evitare lesioni, incendi ed esplosioni.
- Rifornire il prodotto solo all'aperto, dove è presente un flusso d'aria sufficiente. Non respirare i vapori del carburante. I vapori del carburante sono velenosi e possono causare lesioni, incendi ed esplosioni.
- Non rimuovere il tappo del carburante, né rabboccare il serbatoio del carburante a motore acceso.
- Lasciare che il motore si raffreddi prima di effettuare il rifornimento.
- Non fumare in prossimità del carburante o del motore.
- Non posizionare oggetti caldi in prossimità del carburante o del motore.
- Non effettuare il rifornimento di carburante in prossimità di scintille o fiamme.
- Prima di effettuare il rifornimento, aprire lentamente il tappo del serbatoio del carburante e rilasciare la pressione con cautela.
- Il carburante sulla pelle può causare lesioni. In caso di contatto del carburante con il corpo, rimuoverlo con acqua e sapone.
- In caso di perdite di carburante sugli indumenti, cambiarsi immediatamente.
- Stringere a fondo il tappo del serbatoio del carburante. Se il tappo del serbatoio del carburante non è serrato correttamente, le vibrazioni del prodotto possono allentarlo e causare perdite di carburante e fumi. I fumi e il carburante costituiscono un rischio di incendio.
- Prima di avviare il prodotto, spostarlo a minimo 3 m/10 ft dal punto di rifornimento.



- Non avviare il prodotto nel caso in cui su di esso sia presente del carburante o dell'olio. Rimuovere il carburante e l'olio indesiderati e lasciare asciugare il prodotto prima di avviare il motore.
- Esaminare regolarmente il motore per verificare la presenza di eventuali perdite. In caso di perdite del sistema di alimentazione, non avviare il motore fino a quando le perdite non sono state riparate.
- Conservare il carburante solo in contenitori omologati.
- Quando il prodotto e il carburante sono stoccati, assicurarsi che il carburante e i vapori non possano causare danni, incendi o esplosioni.
- Versare il carburante in un contenitore omologato, all'aperto e lontano da scintille e fiamme libere.

Istruzioni di sicurezza per la manutenzione



AVVERTENZA: leggere le seguenti avvertenze prima di utilizzare il prodotto.

- Accertarsi che il motore sia spento e che l'interruttore di arresto sia in posizione di STOP.
- Usare sempre abbigliamento protettivo personale. Fare riferimento a *Abbigliamento protettivo personale alla pagina 99*.
- Se la manutenzione non viene eseguita correttamente e con regolarità, aumenta il rischio di lesioni personali e danni al prodotto.
- Eseguire esclusivamente gli interventi di manutenzione riportati nel presente manuale operatore. Rivolgersi a un Centro assistenza autorizzato per tutti gli altri interventi.
- Rivolgersi a un'officina Husqvarna autorizzata per far svolgere regolarmente interventi di manutenzione sul prodotto.
- Sostituire le parti danneggiate, usurate o rotte.
- Utilizzare sempre accessori originali.

Utilizzo

Introduzione



AVVERTENZA: Leggere e comprendere il capitolo sulla sicurezza prima di utilizzare la macchina.

1	2 ½
2 1/2	6 ½
5	12 ¾

Carburante

Questo prodotto è dotato di un motore a due tempi.



ATTENZIONE: Un carburante di tipo errato può causare danni al motore. Utilizzare una miscela di benzina e olio per motori a due tempi.



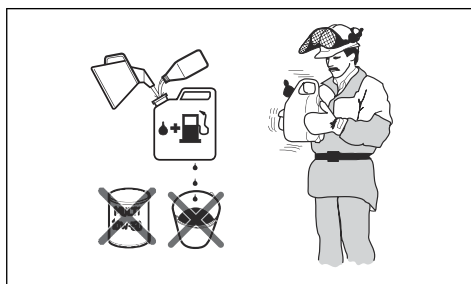
ATTENZIONE: Piccoli errori possono influenzare drasticamente il rapporto della miscela quando si miscelano piccole quantità di carburante. Misurare con precisione la quantità d'olio e accertarsi di ottenere la giusta miscela.

Olio per motori a due tempi

- Per risultati e prestazioni ottimali, utilizzare l'olio per motori a due tempi Husqvarna.
- Se l'olio per motori a due tempi Husqvarna non è disponibile, utilizzare un olio per motori a due tempi raffreddati ad aria di buona qualità. Rivolgetevi al vostro rivenditore addetto all'assistenza per selezionare il tipo di olio.



ATTENZIONE: Non usare mai olio per motori fuoribordo a due tempi raffreddati ad acqua. Non utilizzare olio per motori a quattro tempi.



1. Riempire metà della quantità di benzina in un contenitore pulito per carburante.
2. Aggiungere la quantità totale di olio.
3. Mescolare la miscela.
4. Aggiungere la quantità residua di benzina nel contenitore.
5. Mescolare agitando con cura la miscela di carburante.

Carburante premiscelato

- Utilizzare carburante alchilato premiscelato Husqvarna per garantire le migliori prestazioni e prolungare la durata del motore. Questo carburante contiene sostanze chimiche meno pericolose rispetto al normale carburante, che riduce le emissioni di scarico pericolose. Con questo carburante, che mantiene i componenti del motore più puliti, la quantità di residui dopo la combustione è inferiore.



ATTENZIONE: Non mescolare il carburante più di 1 volta al mese.

Per miscelare benzina e olio per motori a due tempi

Benzina, litri	Olio a due tempi, litri
	2% (50:1)
5	0,10
10	0,20
15	0,30
20	0,40
Gallone americano	Stati Uniti fl. oz.

Per il rifornimento del carburante



ATTENZIONE: Non utilizzare mai benzina con un numero di ottani inferiore a 90 RON (87 AKI). Può causare danni al prodotto.

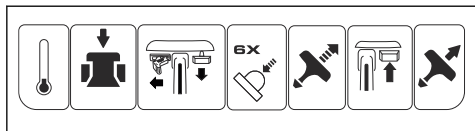


ATTENZIONE: Non utilizzare benzina con una concentrazione di etanolo superiore al 10% (E10). Può causare danni al prodotto.

Nota: In alcune condizioni è necessario regolare il carburatore quando si cambia il tipo di carburante.

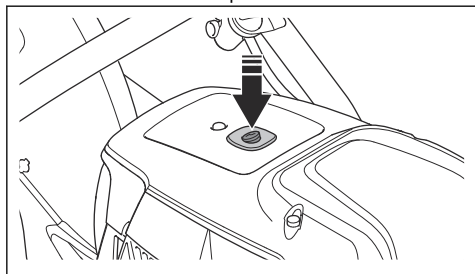
- Utilizzare benzina con numero di ottani superiore se si utilizza frequentemente il prodotto a un regime motore elevato continuo.
1. Aprire lentamente il tappo del serbatoio del carburante per rilasciare la pressione.
 2. Riempire lentamente il serbatoio con una tanica di carburante. Se si versa del carburante, rimuoverlo con un panno e lasciare asciugare eventuali residui.
 3. Pulire l'area intorno al tappo del serbatoio del carburante.
 4. Stringere completamente il tappo del serbatoio del carburante. Se il tappo del serbatoio carburante non è serrato, vi è il rischio di incendio.
 5. Prima dell'avviamento, spostare il prodotto di almeno 3 m (10 ft) dal punto in cui è stato riempito il serbatoio del carburante.

Avviamento del prodotto con il motore freddo

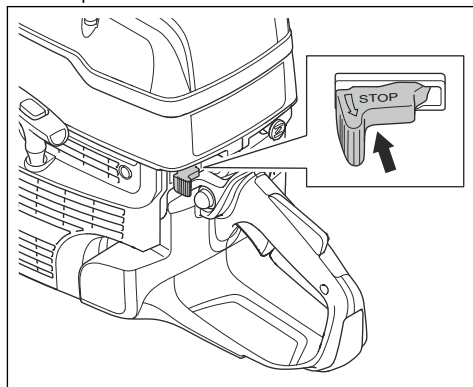


AVVERTENZA: Accertarsi che il disco di taglio possa ruotare liberamente. Comincia a ruotare quando si avvia il motore.

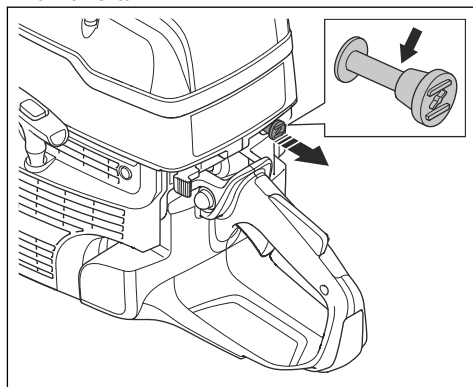
1. Spingere la valvola di decompressione per diminuire la pressione nel cilindro. Una volta avviato il prodotto, la valvola di decompressione ritorna automaticamente nella posizione iniziale.



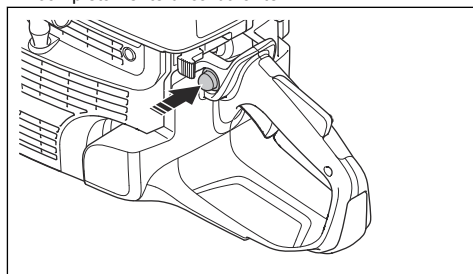
2. Assicurarsi che l'interruttore di ARRESTO si trovi nella posizione a sinistra.



3. Tirare il comando della valvola dell'aria completamente e portarlo in posizione di avviamento.



4. Premere 6 volte sul primer finché non si riempie completamente di carburante.

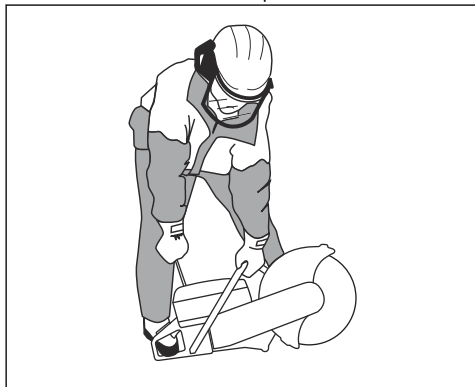


5. Afferrare saldamente l'impugnatura anteriore con la sinistra.
6. Porre il piede destro sulla sezione inferiore dell'impugnatura posteriore e premere il prodotto contro il terreno.



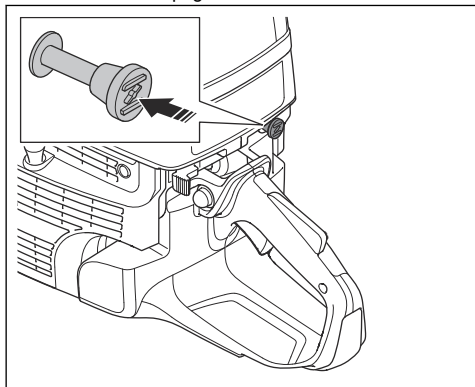
AVVERTENZA: Non avvolgere il cavo di avviamento attorno alla mano.

7. Tirare lentamente la fune di avviamento con la mano destra finché non si avverte una certa resistenza quando i ganci del motorino si innestano. Quindi tirare in modo continuo e rapidamente.

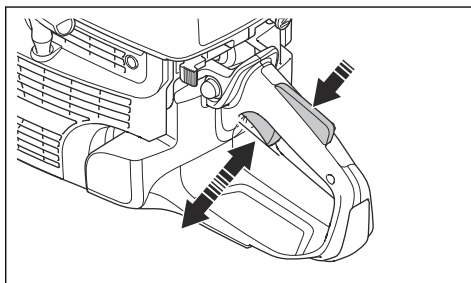


ATTENZIONE: Non estrarre completamente la fune di avviamento e non lasciare la fune di avviamento quando la fune stessa è completamente estratta. Ciò può causare danni al prodotto.

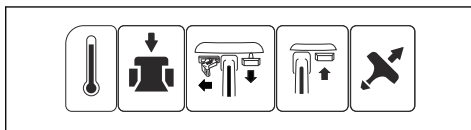
8. Quando si avvia il motore, spingere gradualmente il comando della valvola dell'aria. Se il comando dell'aria viene estratto, il motore si arresta dopo alcuni secondi. Se il motore si arresta, tirare nuovamente l'Impugnatura della fune di avviamento.



9. Premere il grilletto acceleratore per disinserire l'acceleratore di avviamento e il prodotto girerà al minimo.

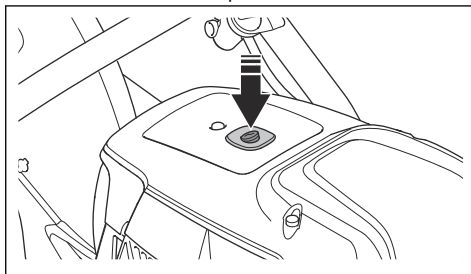


Per avviare il prodotto con motore caldo

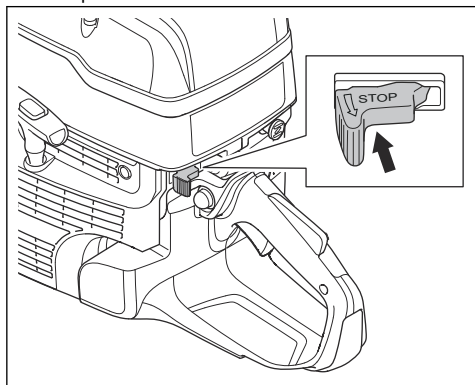


AVVERTENZA: Accertarsi che il disco di taglio possa ruotare liberamente. Comincia a ruotare quando si avvia il motore.

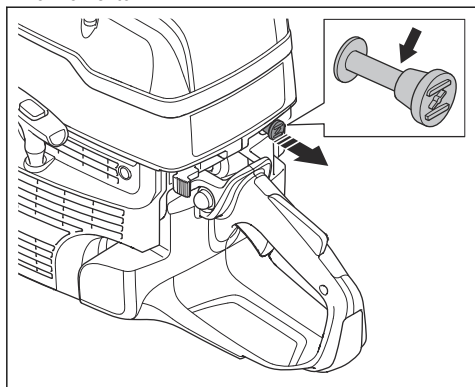
1. Spingere la valvola di decompressione per diminuire la pressione nel cilindro. Una volta avviato il prodotto, la valvola di decompressione ritorna automaticamente nella posizione iniziale.



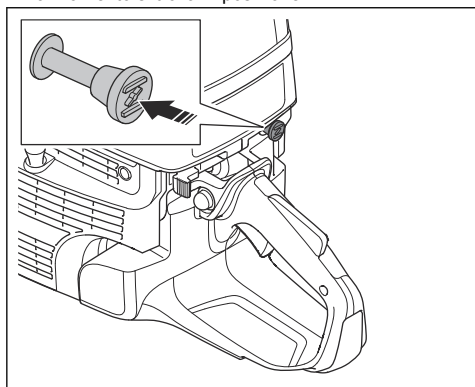
2. Assicurarsi che l'interruttore di ARRESTO si trovi nella posizione a sinistra.



3. Tirare il comando della valvola dell'aria completamente e portarlo in posizione di avviamento.



4. Spingere il comando della valvola dell'aria per disattivare il comando dell'aria. L'acceleratore di avviamento si trova in posizione.



5. Afferrare saldamente l'impugnatura anteriore con la sinistra.
6. Porre il piede destro sulla sezione inferiore dell'impugnatura posteriore e premere il prodotto contro il terreno.



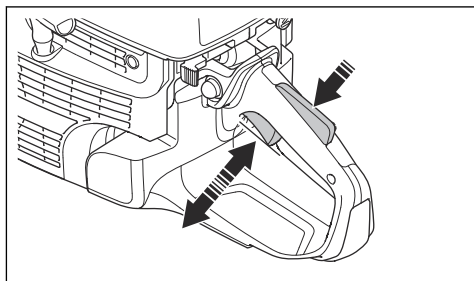
AVVERTENZA: Non avvolgere il cavo di avviamento attorno alla mano.

7. Tirare lentamente la fune di avviamento finché non si avverte una certa resistenza quando i ganci del motorino si innestano. Quindi tirare in modo continuo e rapidamente.



ATTENZIONE: Non estrarre completamente la fune di avviamento e non lasciare la fune di avviamento quando la fune stessa è completamente estratta. Ciò può causare danni al prodotto.

8. Premere il grilletto acceleratore per disinserire l'acceleratore di avviamento e il prodotto girerà al minimo.



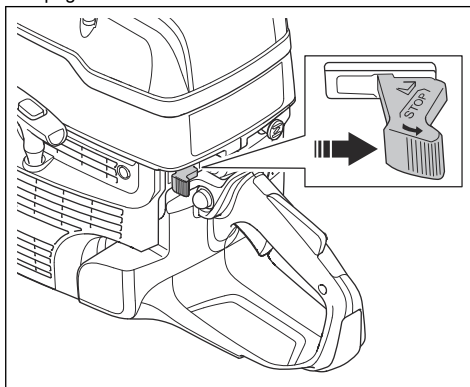
Arresto del prodotto



AVVERTENZA: Il disco di taglio continua a ruotare ancora dopo l'arresto del motore. Accertarsi che il disco di taglio possa ruotare liberamente finché non si arresta completamente. Se è necessario arrestare

rapidamente il disco di taglio, lasciare che tocchi leggermente una superficie dura. Rischio di gravi lesioni.

- Spostare l'interruttore di arresto verso destra per spegnere il motore.



Manutenzione

Introduzione



AVVERTENZA: Leggere attentamente il capitolo sulla sicurezza prima di eseguire la manutenzione del prodotto.

Per tutti gli interventi di assistenza e riparazione sul prodotto, è necessaria una formazione specifica. Garantiamo la disponibilità per riparazioni e assistenza professionali. Se non avete acquistato il prodotto presso un rivenditore dotato di officina, informatevi sull'ubicazione della più vicina officina autorizzata.

Per le parti di ricambio, rivolgersi Husqvarna al proprio concessionario o all'addetto all'assistenza.

Programma di manutenzione

Il programma di manutenzione mostra la manutenzione obbligatoria del prodotto. Gli intervalli sono calcolati sulla base di un uso quotidiano del prodotto.

Per gli interventi di manutenzione contrassegnati con il simbolo *, vedere le istruzioni in *Dispositivi di sicurezza sul prodotto alla pagina 99*.

Manutenzione	Giornaliera	Una volta a settimana	Una volta al mese
Pulire le superfici esterne del prodotto.	X		
Pulire la presa d'aria fredda.	X		
Pulire la candela.			X
Pulire il serbatoio carburante.			X
Effettuare un'ispezione generale.	X		
Controllare il fermo dell'acceleratore*.	X		
Controllare l'interruttore di arresto*.	X		
Verificare la presenza di perdite di carburante.	X		

Manutenzione	Giornaliera	Una volta a settimana	Una volta al mese
Controllare il sistema di smorzamento delle vibrazioni*.		X	
Controllare la marmitta*.		X	
Esaminare il carburatore.		X	
Controllare il carter di avviamento.		X	
Controllare il sistema di alimentazione.			X
Controllare il filtro dell'aria.			X
Controllare l'ingranaggio della trasmissione e la frizione.			X

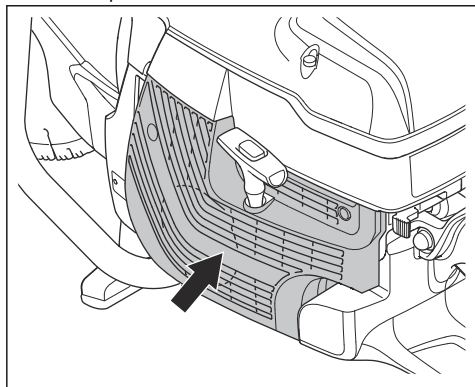
Pulizia esterna

- Lavare con abbondante acqua pulita il prodotto esternamente dopo ogni giornata di lavoro. Se necessario, utilizzare una spazzola.

Pulizia della presa d'aria fredda

Nota: L'aspirazione dell'aria sporca o ostruita rende il prodotto troppo caldo. Questa operazione può provocare danni al pistone e al cilindro.

- Pulire la presa d'aria fredda se necessario.



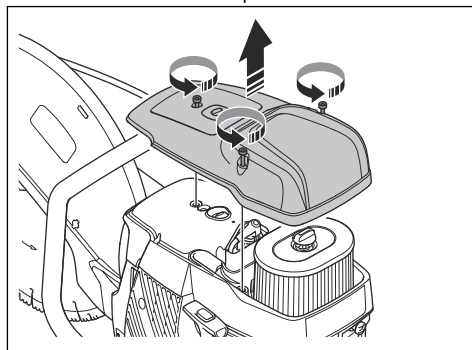
- Rimuovere ostruzioni, sporcizia e polvere con una spazzola.

Controllo della candela

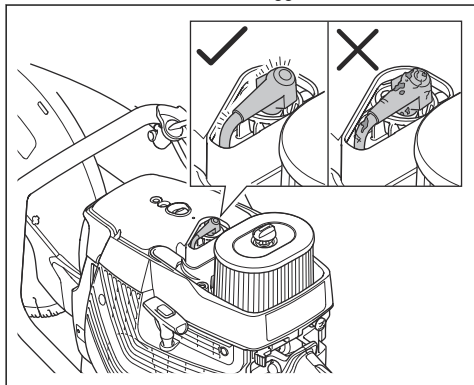
Nota: Usare candele originali o del tipo raccomandato. L'uso di candele non corrette può danneggiare cilindro e pistone. Per la candela consigliata, fare riferimento a *Dati tecnici alla pagina 116*.

Controllare la candela se il prodotto presenta una potenza insoddisfacente, difficoltà di avviamento o un funzionamento irregolare al regime minimo.

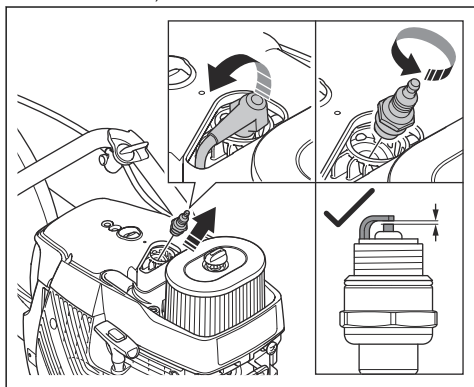
1. Allentare le 3 viti che fissano il coperchio del filtro dell'aria e rimuovere il coperchio.



- Per evitare il rischio di scossa elettrica assicurarsi che il cappuccio della candela e il cavo di accensione non siano danneggiati.



- Pulire la candela se sporca.
- Assicurarsi che la distanza tra gli elettrodi sia di 0,5 mm.
- Se necessario, sostituire la candela.



Ispezione generale

- Controllare che tutti i dadi e le viti del prodotto siano serrati correttamente.

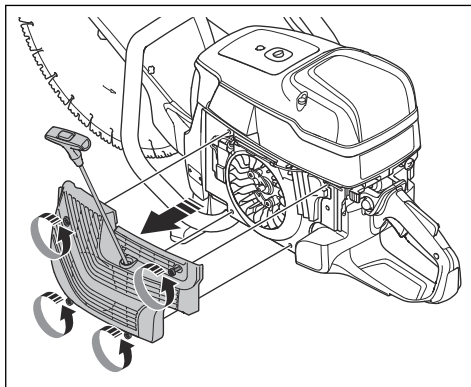
Carter di avviamento



AVVERTENZA: Prestare sempre attenzione e indossare sempre occhiali protettivi quando si sostituisce la molla di ritorno o la fune di avviamento. La molla di ritorno è tesa quando è avvolta nel carter di avviamento. La molla di ritorno può staccarsi e causare lesioni.

Rimozione del carter di avviamento

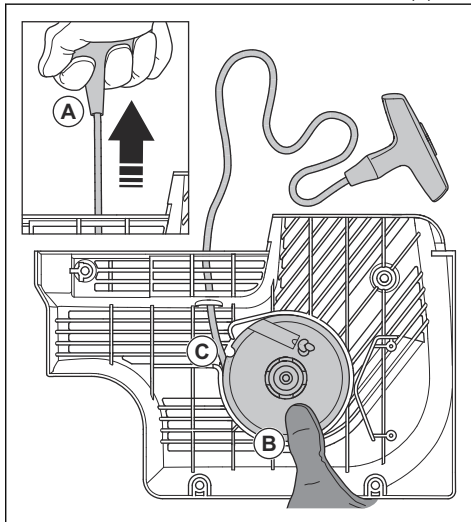
- Allentare le 4 viti del carter di avviamento.



- Rimuovere il carter di avviamento.

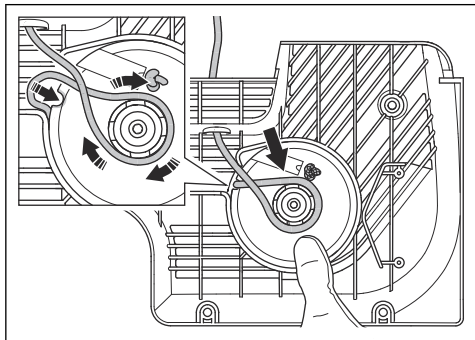
Sostituzione di una fune di avviamento danneggiata

- Estrarre la fune di avviamento di circa 30 cm (A).

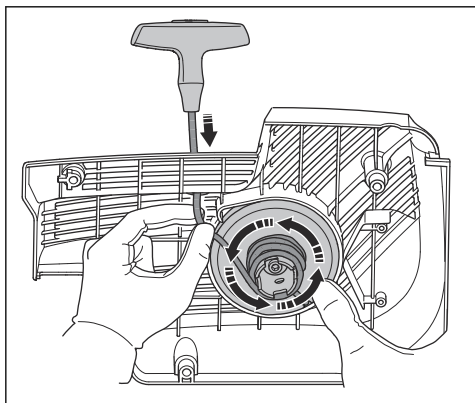


- Bloccare la puleggia della fune di avviamento (B) con il pollice.
- Posizionare la fune di avviamento nell'incavo (C) della puleggia di avviamento.

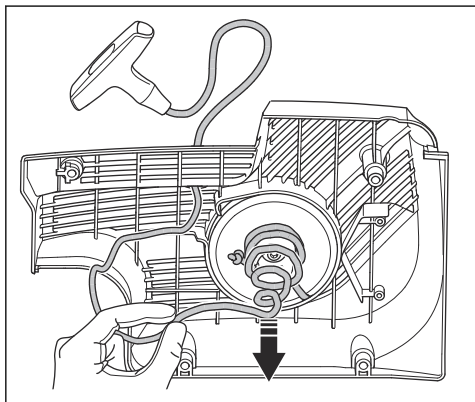
4. Posizionare la fune di avviamento intorno al manicotto di metallo.



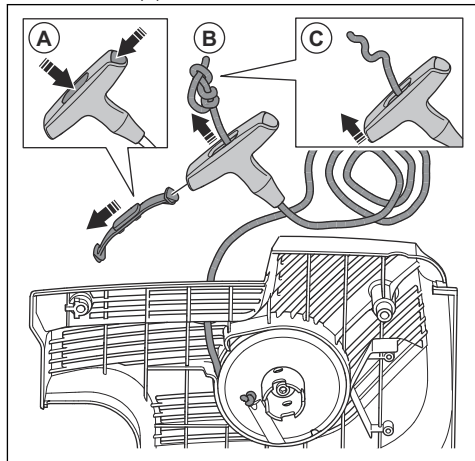
5. Far ruotare lentamente la puleggia e la fune di avviamento si avvolge intorno al manicotto di metallo.



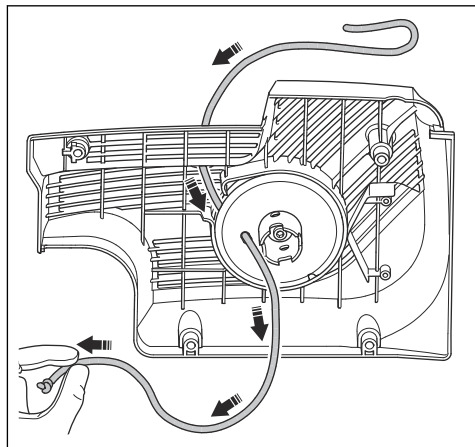
6. Tirare la fune di avviamento per sganciarla dal manicotto di metallo.



7. Rimuovere il coperchio sull'impugnatura di avviamento (A).

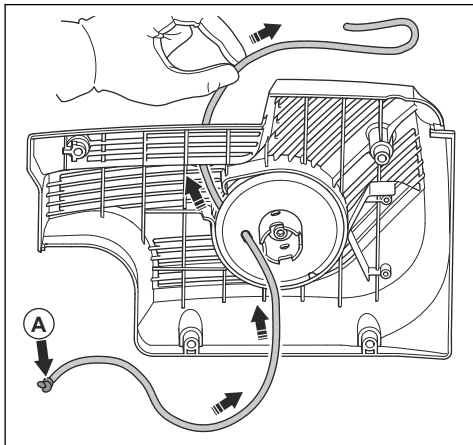


8. Tirare la fune di avviamento con l'impugnatura (B).
9. Sciogliere il nodo (C).
10. Rimuovere la fune di avviamento.

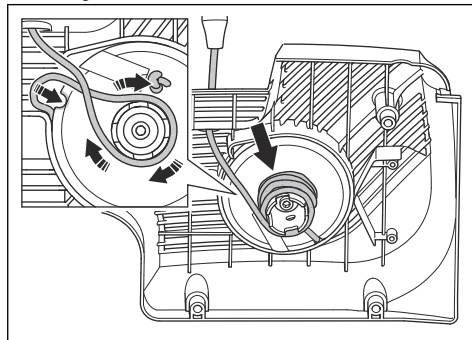


11. Accertarsi che la molla di ritorno sia pulita e integra.

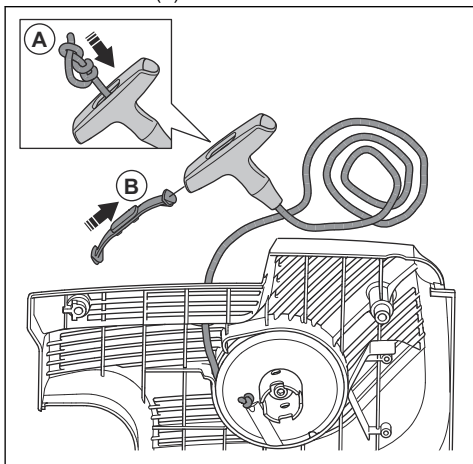
12. Inserire una nuova fune di avviamento (A) nel foro del carter di avviamento.



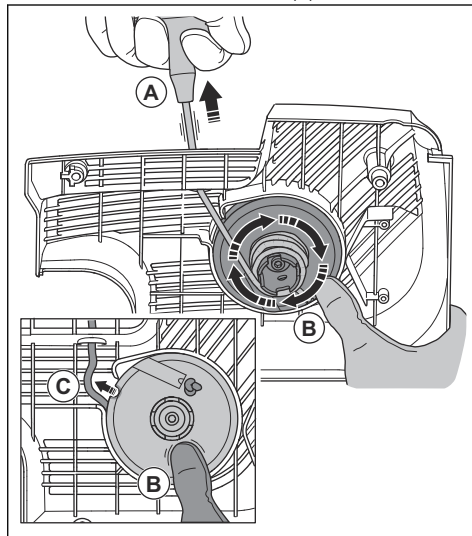
2. Inserire la fune di avviamento nella tacca e avvolgerla intorno al manicotto di metallo.



13. Tirare la fune di avviamento attraverso la relativa impugnatura e fare un nodo all'estremità della fune di avviamento (A).



3. Estrarre la fune di avviamento (A).



14. Fissare il coperchio sull'impugnatura di avviamento (B).

15. Regolare il tensionamento della molla di ritorno. Fare riferimento a *Regolazione del tensionamento della molla di ritorno alla pagina 110*.

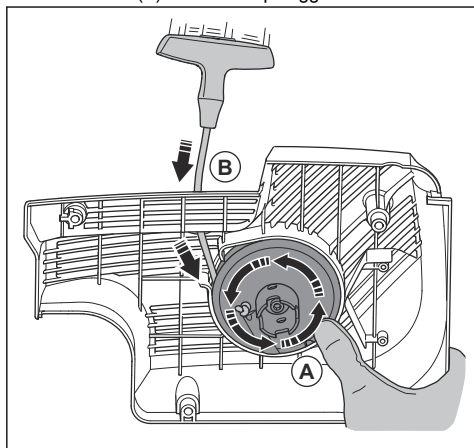
4. Posizionare il pollice sulla puleggia di avviamento (B) per mantenere la fune estratta.

5. Sganciare la fune di avviamento dalla tacca (C).

Regolazione del tensionamento della molla di ritorno

1. Estrarre la fune di avviamento.

6. Togliere il pollice per rilasciare la puleggia di avviamento (A) e lasciare avvolgere la fune di avviamento (B) intorno alla puleggia.



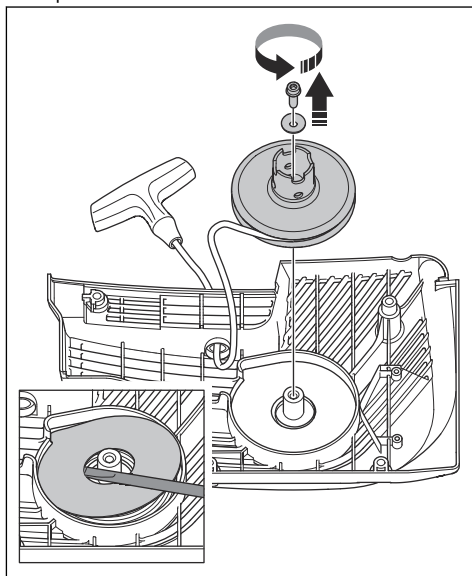
7. Estrarre completamente la fune di avviamento per controllare che la molla di ritorno non si trovi nella posizione finale. Accertarsi che la puleggia di avviamento ruoti di mezzo giro o più prima che la molla di ritorno arresti i movimenti.

Rimozione del gruppo molla



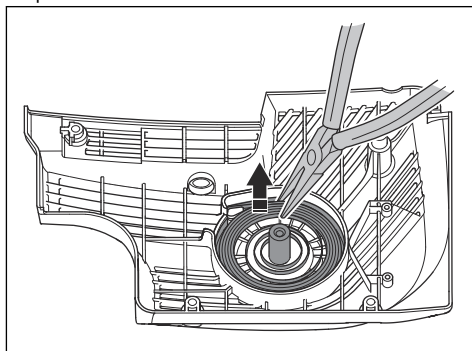
AVVERTENZA: Utilizzare sempre una protezione per gli occhi quando si smonta il gruppo molla. Vi è rischio di lesioni agli occhi, in particolare se una molla è rotta.

1. Rimuovere il bullone al centro della puleggia di avviamento e rimuovere quest'ultima. Rimuovere il coperchio con cautela.



La molla di ritorno è tesa nel carter di avviamento.

2. Rimuovere con cautela la molla. Utilizzare un paio di pinze.



Lubrificazione del gruppo molla

- Lubrificare la molla con olio fine da macchina.

Fissaggio del gruppo molla

- Assemblare, seguendo i passaggi nell'ordine inverso *Rimozione del gruppo molla alla pagina 111.*

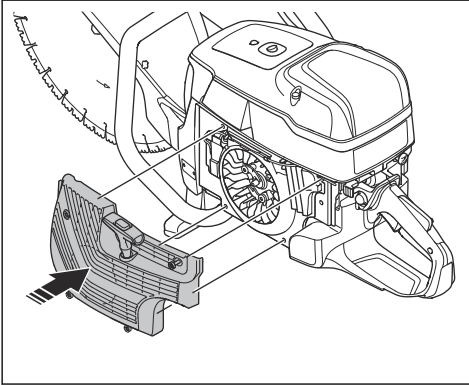
Installazione del carter di avviamento



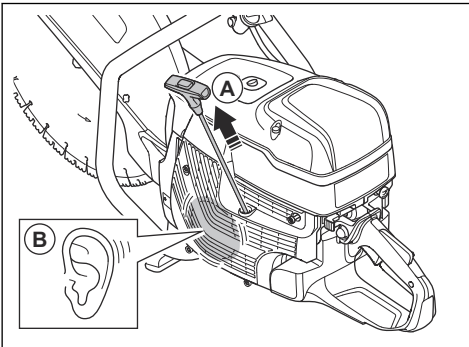
ATTENZIONE: I ganci del motorino di avviamento devono arrivare nella posizione

corretta contro il manicotto della puleggia di avviamento.

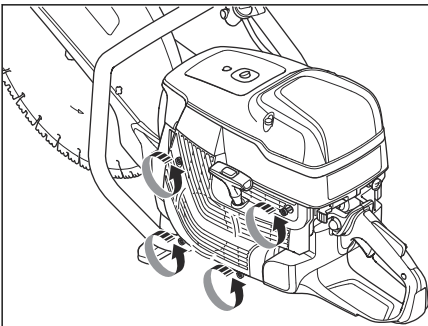
1. Posizionare il motorino di avviamento contro il prodotto.



2. Installare i ganci del motorino di avviamento nella posizione corretta contro il manicotto della puleggia di avviamento. Estrarre la fune di avviamento di circa 0,5 m. (A). Se la posizione è corretta, si avverte un clic (B).



3. Rilasciare lentamente la fune di avviamento.
4. Serrare le 4 viti del motorino di avviamento.



Esame del carburatore

Nota: Il carburatore ha puntine rigide per garantire che il prodotto riceva sempre la corretta miscela di carburante e aria.

1. Controllare il filtro dell'aria. Vedere *Esame del filtro dell'aria alla pagina 113*
2. Se necessario, sostituire il filtro dell'aria.
3. Se il motore continua a diminuire in potenza o velocità, rivolgersi al proprio concessionario Husqvarna.

Per controllare il sistema di alimentazione

1. Controllare che il tappo del serbatoio del carburante e la relativa guarnizione non siano danneggiati.
2. Esaminare il tubo pescante. Se danneggiato, sostituire il tubo pescante.

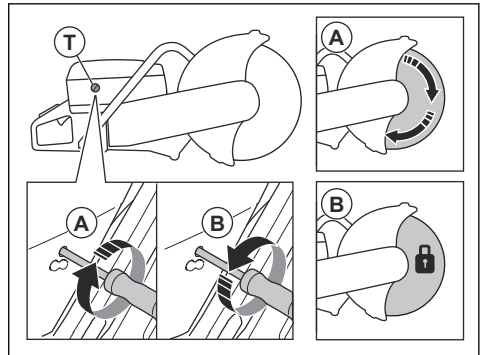
Regolazione del regime minimo



AVVERTENZA: Se il disco di taglio gira al regime minimo, rivolgersi al proprio concessionario. Non utilizzare il prodotto fino a quando il regime minimo non è correttamente regolato o riparato.

Nota: Per informazioni sul regime minimo, fare riferimento a *Dati tecnici alla pagina 116*.

1. Avviare il motore.
2. Controllare il regime del minimo. Quando il carburatore è regolato correttamente, il disco di taglio si arresta quando il motore è al regime minimo.
3. Usare la vite a T per regolare il regime minimo.



- a) Girare la vite in senso orario fino a quando il disco non comincia a ruotare (A).
- b) Girare la vite in senso antiorario fino a quando il disco non smette di ruotare (B).

Filtro del carburante

Il filtro del carburante si trova dentro il serbatoio del carburante. Il filtro del carburante impedisce la contaminazione del serbatoio del carburante quando il serbatoio stesso viene riempito. Il filtro del carburante deve essere sostituito una volta l'anno o più frequentemente se è intasato.



ATTENZIONE: Non pulire il filtro del carburante.

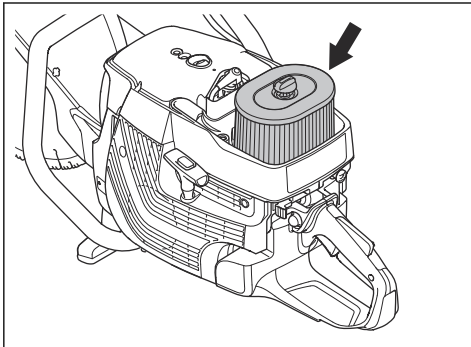
Esame del filtro dell'aria



ATTENZIONE: Prestare attenzione quando si rimuove il filtro dell'aria. Le particelle che cadono nella presa del carburatore possono provocare danni.

Esaminare il filtro dell'aria se la potenza del motore diminuisce.

1. Allentare le 3 viti che fissano il coperchio del filtro dell'aria.
2. Rimuovere il coperchio del filtro dell'aria.
3. Controllare il filtro dell'aria.



4. Se necessario, sostituire il filtro dell'aria. Fare riferimento a *Sostituzione del filtro dell'aria alla pagina 113*.
5. Sostituire il coperchio del filtro dell'aria.

6. Serrare le 3 viti.

Sostituzione del filtro dell'aria



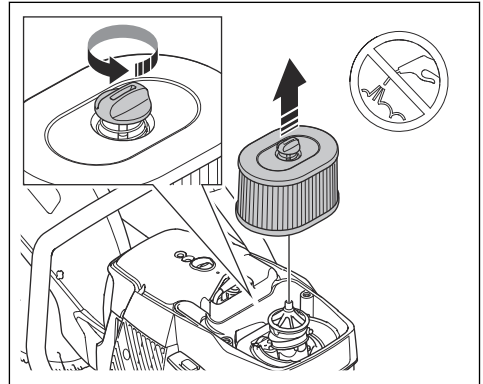
ATTENZIONE: Non pulire il filtro dell'aria con aria compressa. Il filtro dell'aria è in carta e si danneggia facilmente.



AVVERTENZA: utilizzare una protezione respiratoria omologata per pulire o sostituire il filtro dell'aria. Smaltire correttamente i filtri dell'aria usati. La polvere presente nel filtro dell'aria è pericolosa per la salute.

Nota: Sostituire il filtro dell'aria solo se danneggiato.

1. Allentare le 3 viti che fissano il coperchio del filtro dell'aria.
2. Rimuovere il coperchio del filtro dell'aria.
3. Allentare la vite sull'alloggiamento del filtro dell'aria e rimuoverlo.



4. Rimuovere il filtro dell'aria.
5. Montare il nuovo filtro dell'aria.
6. Sostituire l'alloggiamento del filtro dell'aria.
7. Serrare la vite dell'alloggiamento del filtro dell'aria.
8. Sostituire il coperchio del filtro dell'aria.
9. Serrare le 3 viti.

Ricerca dei guasti

Problema	Causa	Soluzioni possibili
Il prodotto non si avvia.	La procedura di avviamento è stata eseguita in modo errato.	Fare riferimento a <i>Avviamento del prodotto con il motore freddo alla pagina 103</i> e <i>Per avviare il prodotto con motore caldo alla pagina 104</i> .
	L'interruttore di arresto è nella posizione destra (STOP).	Accertarsi che l'interruttore di arresto (STOP) si trovi nella posizione sinistra.
	Non è presente carburante nel serbatoio.	Riempire di carburante.
	La candela è difettosa.	Sostituire la candela.
	La frizione è difettosa.	Consultare un rappresentante dell'officina.
Il disco di taglio ruota al regime minimo.	Il regime del minimo è troppo alto.	Regolare il regime minimo.
	La frizione è difettosa.	Consultare un rappresentante dell'officina.
Il disco di taglio non gira quando l'operatore accelera.	La cinghia è allentata o è difettosa.	Tendere la cinghia o sostituirla con una nuova.
	La frizione è difettosa.	Consultare un rappresentante dell'officina.
	Il disco di taglio è installato in modo errato.	Accertarsi che il disco di taglio sia installato correttamente.
Il prodotto non ha potenza quando l'operatore cerca di accelerare.	Il filtro dell'aria è ostruito.	Controllare il filtro dell'aria. Se necessario, procedere alla sostituzione.
	Il filtro del carburante è intasato.	Sostituire il filtro del carburante.
	Lo sfiato del serbatoio carburante è bloccato.	Consultare un rappresentante dell'officina.
Livelli di vibrazione troppo elevati.	Il disco di taglio è installato in modo errato.	Accertarsi che il disco di taglio funzioni correttamente e che non sia danneggiato.
	Il disco di taglio è difettoso.	Sostituire il disco di taglio e accertarsi che non sia danneggiato.
	Un'unità antivibrante è difettosa.	Consultare un rappresentante dell'officina.
La temperatura del prodotto è troppo elevata.	La presa d'aria o le flange del cilindro sono bloccate.	Pulire la presa d'aria e le flange del cilindro.
	Il tensionamento della cinghia di trasmissione non è sufficiente.	Controllare la cinghia. Regolare la tensione.
	La frizione è difettosa.	Tagliare sempre alla massima velocità.
Esaminare la frizione. Consultare un rappresentante dell'officina.		

Problema	Causa	Soluzioni possibili
Il motore diminuisce in potenza o regime.	Il filtro dell'aria è ostruito.	Controllare il filtro dell'aria. Fare riferimento a <i>Esame del filtro dell'aria alla pagina 113.</i>

Trasporto, stoccaggio e smaltimento

Trasporto e conservazione

- Per trasportare e conservare il prodotto e il carburante, accertarsi che non vi siano perdite o fumi. Scintille o fiamme aperte, provocate ad esempio da dispositivi elettrici o caldaie, possono innescare un incendio.
- Utilizzare sempre contenitori approvati per la conservazione e il trasporto del carburante.
- Svuotare il serbatoio del carburante prima di riporre il prodotto per un lungo periodo di tempo. Smaltire il carburante presso un apposito centro di smaltimento
- Fissare in sicurezza il prodotto durante il trasporto per evitare danni o incidenti.
- Conservare il prodotto in un'area chiusa a chiave per impedire l'accesso a bambini o persone non autorizzate.
- Conservare il prodotto in un luogo asciutto e al riparo dal gelo.

Smaltimento

- Rispettare le norme locali sul riciclaggio e le normative vigenti.
- Smaltire tutte le sostanze chimiche, quali olio o carburante, presso un centro assistenza o un centro di smaltimento idoneo.
- Quando il prodotto non è più in uso, inviarlo a un rivenditore Husqvarna o smaltirlo presso un impianto di riciclo.

Dati tecnici

Dati tecnici

Cilindrata, cu.in/cm ³	7,3/119
Alesaggio, poll./mm	2,4/60
Corsa, poll./mm	1,7/42
Regime minimo, giri/min	2700
Acceleratore al massimo - assenza di carico, giri/min	9300 (+/- 150)
Potenza, hp/kW @ giri/min	7,9/5,8 @8400
Candela	NGK BPMR 7A
Distanza tra gli elettrodi, pollici/mm	0,02/0,5
Capacità del serbatoio del carburante, US fl oz/litri	40/1,2
Peso, mototroncatrice senza carburante e disco di taglio 14 poll. (350 mm), lb/kg	22,4/10,2
Emissioni di rumore ⁹	
Livello acustico, misurato dB (A)	116
Livello di potenza acustica, garantito L _{WA} dB (A)	117
Livelli di rumorosità ¹⁰	
Livello di pressione acustica equivalente all'orecchio dell'operatore, dB(A)	104

Dichiarazione sulla rumorosità

Questi valori dichiarati sono stati ottenuti mediante test di laboratorio in conformità alla direttiva o agli standard indicati e sono adatti per il confronto con i valori dichiarati di altri prodotti testati in conformità alla stessa direttiva o agli stessi standard. Questi valori dichiarati non sono adatti per l'uso nelle valutazioni dei rischi e i valori misurati nei singoli luoghi di lavoro possono essere più elevati. I valori di esposizione effettivi e il rischio di danni riscontrati da un singolo utente sono unici e dipendono dal modo in cui l'utente lavora, dal materiale utilizzato, dal tempo di esposizione e dalle condizioni fisiche dell'utente e del prodotto.

⁹ Emissioni di rumore nell'ambiente misurate come potenza sonora (L_{WA}) in base alla direttiva 2000/14/EC. La differenza tra potenza acustica misurata e garantita è che la potenza acustica garantita comprende anche la dispersione nel risultato di misurazione e le variazioni tra le diverse unità dello stesso modello come da Direttiva 2000/14/EC.

¹⁰ Il livello di pressione acustica equivalente, ai sensi della norma EN ISO 19432, è calcolato come la quantità di energia, in media ponderata rispetto al tempo, dei livelli di pressione acustica in diverse condizioni di esercizio. I dati riportati per il livello di pressione acustica equivalente del prodotto hanno una dispersione statistica tipica (deviazione standard) di 1 dB (A).

Dichiarazione di incorporazione del macchinario parzialmente assemblato

Dichiarazione di incorporazione del macchinario parzialmente assemblato

Noi, **Husqvarna AB**, SE -561 82 Huskvarna, SVEZIA,
Tel. +46 -36 -146500 dichiariamo sotto la nostra
esclusiva responsabilità che il prodotto:

Descrizione	Sistema di trasmissione per troncatrice portatile
Marchio	Husqvarna
Tipo/Modello	K1270 II R
Identificazione	Numeri di serie a partire da 2019 e successivi

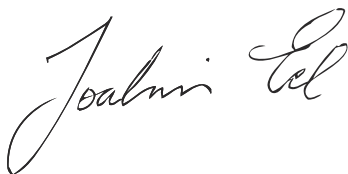
è pienamente conforme alle parti pertinenti delle
direttive UE:

Direttiva/norma	Descrizione
2006/42/CE	"sulle macchine"
2014/30/UE	"sulla compatibilità elettromagnetica"

Le parti pertinenti della direttiva sono definite in modo più preciso nella documentazione tecnica compilata in conformità alla normativa 2006/42/EC Parte B dell'Allegato VII e, con un motivo giustificato, possono essere disponibili in forma digitale per qualsiasi autorità competente.

Il presente macchinario parzialmente assemblato non deve essere messo in servizio finché il macchinario definitivo in cui dovrà essere incorporato non sarà dichiarato conforme alle disposizioni della direttiva applicabile.

Partille, 2019-12-20



Joakim Ed

Vicepresidente, Concrete Sawing, Drilling & Light
Demolition

Husqvarna AB, Construction Division

Responsabile della documentazione tecnica

Garanzia

DICHIARAZIONE DI GARANZIA FEDERALE SUL CONTROLLO DELLE EMISSIONI

DIRITTI E DOVERI RELATIVI DELLA GARANZIA

L'EPA (l'agenzia per la protezione dell'ambiente degli USA), Environment Canada e hanno il piacere di illustrare la garanzia sul sistema di controllo delle emissioni per i piccoli motori non da strada prodotti nel 2009 e negli anni successivi. Negli USA e in Canada, i nuovi piccoli motori non da strada devono essere progettati, realizzati ed equipaggiati in modo da rispettare le severe norme anti-smog federali. deve garantire il sistema di controllo delle emissioni presente sul piccolo motore non da strada per il periodo di tempo elencato di seguito, a condizione che non vi siano state omissioni, utilizzo o manutenzione impropri dell'unità. Il sistema di controllo delle emissioni include componenti quali il carburatore e l'impianto di accensione. Laddove sussista una condizione legittima di riparazione in garanzia, riparerà il piccolo motore non da strada senza costi aggiuntivi. Le spese coperte da garanzia comprendono diagnostica, parti di ricambio e manodopera.

COPERTURA DELLA GARANZIA DEL COSTRUTTORE

I piccoli motori non da strada prodotti nel 2009 e negli anni successivi sono garantiti per due anni. Se parti del vostro motore relative alle emissioni (come da elenco precedente) sono difettose, verranno sostituite o riparate da .

RESPONSABILITÀ IN GARANZIA DEL PROPRIETARIO

Come proprietari del piccolo motore non da strada, si è responsabili dell'esecuzione degli interventi di manutenzione richiesti, elencati nel manuale dell'operatore. raccomandando di conservare tutte le ricevute relative agli interventi di manutenzione eseguiti sul piccolo motore non da strada, ma non può rifiutare un intervento in garanzia solo per la mancanza delle ricevute oppure perché il proprietario non abbia espletato tutti gli interventi di manutenzione previsti. Tuttavia, come proprietari di piccoli motori non da strada, si deve tenere presente che può rifiutare la copertura della garanzia se il piccolo motore non da strada o una parte di esso presenta guasti a causa di uso improprio, abuso, trascuratezza, manutenzione non corretta, modifiche non approvate o utilizzo di componenti non realizzati o approvati dal produttore originale dell'apparecchiatura. L'operatore ha la responsabilità di presentare il piccolo motore non da strada a un rivenditore autorizzato in assistenza non appena si presenta un problema. Le riparazioni in garanzia devono essere completate in un arco di tempo ragionevole, che non superi i 30 giorni. Per qualsiasi

domanda relativa a diritti e responsabilità della garanzia, contattare il rivenditore autorizzato con assistenza più vicino o contattare al numero 1-800-487-5951 o visitare .

DATA DI INIZIO GARANZIA

Il periodo di garanzia ha inizio dalla data di consegna del piccolo motore non da strada.

PERIODO DI COPERTURA

garantisce all'acquirente iniziale e a ciascun proprietario successivo che il motore è privo di difetti relativi ai materiali e alla manodopera che possano essere all'origine di guasti riguardanti una parte in garanzia per un periodo di due anni.

PARTI COPERTE IN GARANZIA

RIPARAZIONE O SOSTITUZIONE DI PARTI: La riparazione o la sostituzione di qualunque parte in garanzia verrà eseguita senza costi aggiuntivi per il proprietario presso un rivenditore autorizzato con assistenza . Per eventuali domande riguardanti la copertura della garanzia, è necessario contattare il servizio in 1-800-487-5951 oppure visitare .

PERIODO DI GARANZIA: Qualunque parte in garanzia di cui non sia programmata la sostituzione nel programma di manutenzione o per cui solo la revisione ordinaria prevede la riparazione o la sostituzione se necessaria, è coperta da garanzia per 2 anni. Qualunque parte in garanzia di cui sia programmata la sostituzione nel programma di manutenzione, è garantita fino al primo intervento di sostituzione programmato per quella parte.

DIAGNOSTICA: L'acquirente non è tenuto a farsi carico delle spese di diagnosi eseguita allo scopo di determinare se il pezzo in garanzia è effettivamente difettoso, qualora il lavoro di diagnosi viene eseguito da un rivenditore con assistenza approvato .

DANNI CONSEQUENZIALI: è responsabile per i danni ad altri componenti del motore causati dal guasto di un pezzo soggetto a garanzia.

PARTI NON COPERTE IN GARANZIA

Tutti i guasti causati da abuso, negligenza o manutenzione impropria non sono coperti.

PARTI AGGIUNTIVE O MODIFICATE: L'utilizzo di parti aggiuntive o modificate può essere considerato motivo per respingere una richiesta di garanzia. non è responsabile per coprire i guasti di parti in garanzia causati dall'uso di parti aggiuntive o modificate.

COME PRESENTARE UN RECLAMO

Per qualsiasi domanda relativa a diritti e responsabilità della garanzia, contattare il rivenditore autorizzato con assistenza più vicino o contattare al numero 1-800-487-5951 o visitare .

DOVE RICHIEDERE ASSISTENZA IN GARANZIA

Gli interventi di manutenzione o di riparazione devono essere effettuati tutti presso rivenditori autorizzati con assistenza.

MANUTENZIONE, RIPARAZIONE O SOSTITUZIONE DI PARTI CORRELATE ALLE EMISSIONI

Qualsiasi parte di ricambio approvata utilizzata per gli interventi di riparazione o manutenzione in garanzia sui componenti relativi alle emissioni, verrà fornita senza costi aggiuntivi per il proprietario se è coperta da garanzia.

ELENCO RICAMBI IN GARANZIA RELATIVI ALLE EMISSIONI

1. Carburatore e componenti interni.
2. Tubo di aspirazione, supporto del filtro dell'aria e bulloni del carburatore.
3. Filtro d'aria e filtro carburante coperti per l'intero programma di manutenzione.
4. Impianto di accensione
 - a. Candela, coperta per l'intero programma di manutenzione.
 - b. Modulo accensione
5. Modulo accensione.

DICHIARAZIONE RELATIVA ALLA MANUTENZIONE

Il proprietario è responsabile dell'esecuzione delle operazioni di manutenzione raccomandate nel manuale dell'operatore

内容

简介.....	120	运输、存放和废弃处理.....	136
安全性.....	122	技术参数.....	137
操作.....	125	半成品机械设备装入声明.....	138
维护.....	128	保修.....	139
故障排除.....	135		

简介

加州 65 号提案



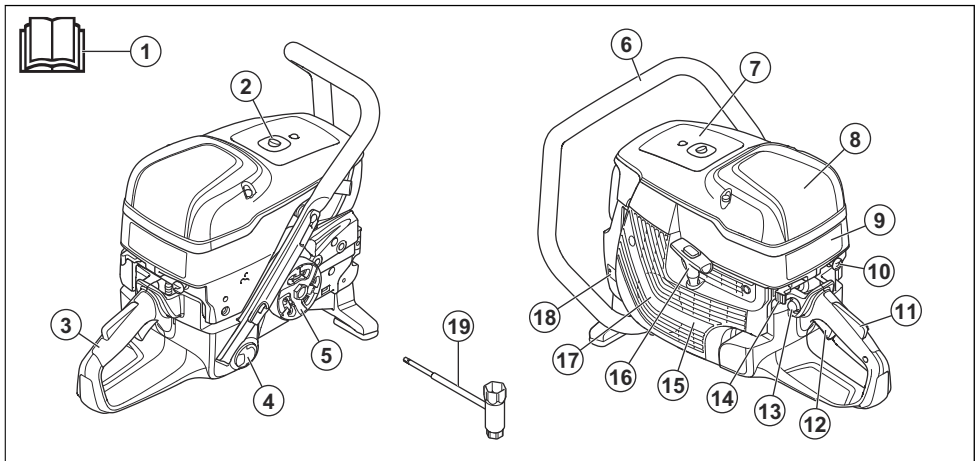
WARNING

The engine exhaust from this product contains chemicals known to the State of California to cause cancer, birth defects or other reproductive harm.

产品说明

动力单元并不是一个完整的产品。原始设备制造商 (OEM) 将此动力单元用于组装一种特别的高速手持式切割锯，或同类的其他设备。

产品概览



1. 操作手册
2. 减压阀

3. 后手柄
4. 燃油箱盖

5. 齿轮和离合器
6. 前手柄
7. 信息和警告标识
8. 空气滤清器外壳
9. 启动说明标识
10. 风门拉杆
11. 油门锁
12. 油门扳机
13. 注油泵球囊
14. 停止开关
15. 进气口
16. 启动绳把手
17. 启动器箱体
18. 铭牌
19. 组合扳手

本产品上的符号



警告：本产品可能会带来危险，会对操作员或其他人造成严重伤害或死亡。请多加小心，并正确使用本产品。



请认真阅读本操作手册，确保在充分理解各项说明之后再使用本产品。



请使用获得批准的保护头盔、听觉保护装置、眼部保护装置和呼吸保护装置。请参阅个人防护装备在第 122 页上。



切割时会形成粉尘。吸入粉尘会造成伤害。请使用经过批准的呼吸保护装置。避免吸入废气。务必通风良好。



警告！切割时会产生突然、快速且猛烈的反弹，会导致致命伤害。使用本产品前请阅读并理解手册中的说明。



切割锯片产生的火花可能会使燃油、木材、衣服、干草或其他易燃材料着火。



确保切割锯片没有裂缝或其他损坏。



不得使用圆锯片。



风门



注油泵球囊



减压阀



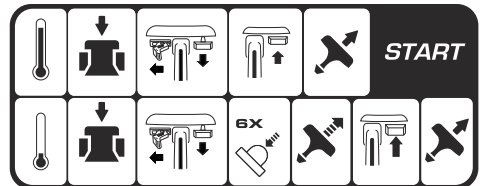
启动绳把手



使用由汽油和机油组成的混合燃油。

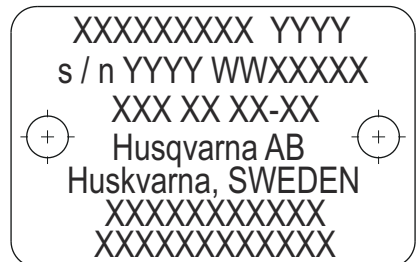
注意：有关本产品上的其他符号/标识，请参阅适用于某些市场的特殊认证要求。

启动说明标识



有关说明，请参阅在冷引擎情况下启动产品在第 126 页上和 在热引擎情况下启动产品在第 127 页上。

铭牌



第 1 行：品牌，型号 (X, Y)

第 2 行：序列号，含制造日期（Y、W、X）：年、周、序号

第 3 行：产品编号 (X)

第 4 行：制造商

第 5 行：制造商地址

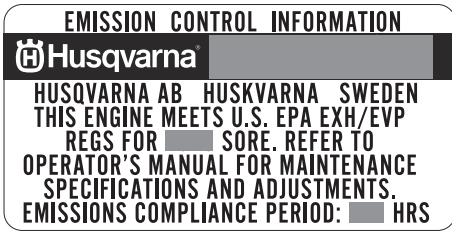
第 6-7 行：欧盟型式认证或中国 MEIN 编号

欧五排放



警告：对发动机进行篡改将使本产品的 EU 型式检验失效。

EPA



排放合规性标签上所述之合规排放期限表示发动机满足联邦排放要求的工作小时数。排放控制设备和系统的维护、更换或维修可由任何非公路发动机维修机构或个人执行。

加州空气资源委员会 (CARB)

注意：对于 CARB 标准而言，此机器被视作非公路应用的替代机器。美国 EPA 拥有为替代型建筑设备制定排放标准的唯一权利。

产品责任

如产品责任法律中所引用的，在以下情况下，我们对我们的产品所导致的损坏不承担责任：

- 未正确修理产品。
- 使用并非来自制造商或者未获得制造商批准的零部件修理产品。
- 产品具有并非来自制造商或者未获得制造商批准的附件。
- 未在获得批准的服务中心修理产品，或者并非由获得批准的机构修理产品。

安全性

安全定义

本手册使用了“警告”、“小心”和“注意”来指出特别重要的内容。



警告：当不遵守手册中的说明可能会给操作员或周围人员带来伤害或死亡风险时，会使用此标志。



小心：当不遵守手册中的说明可能会对产品、其他材料或附近区域造成损坏时，会使用此标志。

注意：用于提供特定状况下所需的更多信息。

废气安全



警告：请在使用本产品前阅读下面的警告说明。

- 发动机排出的废气中含有一氧化碳，这是一种极危险的无味有毒气体。吸入一氧化碳可能会导致死亡。由于一氧化碳没有气味且无法看到，因此人们无法感觉到它。一氧化碳中毒的症状是头晕，但如果一氧化碳的数量或浓度足够大，则人员可能会毫无征兆地失去知觉。

- 废气浓烟还包含未燃尽的碳氢化合物，包括苯。长期吸入会引起健康问题。
- 您可以看到或闻到的废气中也包含一氧化碳。
- 请勿在室内或没有足够气流的区域使用内燃机产品。
- 请勿吸入废气浓烟。
- 确保工作区域通风良好。当您在沟渠或容易积聚废气浓烟的其他小型工作区域中操作产品时，这一点非常重要。

个人防护装备



警告：请在使用本产品前阅读下面的警告说明。

- 在操作过程中，务必使用经认可的个人防护装备。个人防护装备不能避免受伤，但当意外发生时，可降低伤害程度。请向保养代理商咨询以选择正确的防护装备。
- 请使用获得批准的保护头盔。
- 请使用获得批准的听力保护装备。长期接触噪音可能会导致永久性听力损伤。配戴听觉保护设备时，请留意警告信号或呼喊声。一旦引擎停机，便取下听觉保护设备。
- 请使用获得批准的眼部保护装备，以降低被抛出物体导致伤害的风险。如果使用防护面罩，必须同时配戴经批准的护目镜。在美国，经批准的护目镜必须符合 ANSI Z87.1 标准；在欧盟国家/地区，必须符合 EN 166。面具必须符合 EN 1731 标准。

- 请佩戴耐磨手套。
- 请使用获得批准的呼吸保护装置。使用切割机、砂轮、电钻等产品时，磨砂或成形材料产生的粉尘和蒸汽可能含有有害的化学物质。请检查加工材料的性质，然后使用合适的通气口罩。
- 使用紧身、耐穿并能保证活动自如的舒适衣物。切割产生火花，可能会点燃衣物。Husqvarna 建议穿着阻燃棉布或厚牛仔布衣服。请勿穿着尼龙、聚酯或人造纤维等材质做成的衣物。这些材质在燃烧时可能融化并粘到皮肤上。请勿穿着短裤。
- 请穿上带有钢制鞋头与防滑鞋底的靴子。
- 附近应始终备有急救箱。



- 消音器或切割锯片可能会产生火花。始终配备灭火装置。

产品上的安全装置

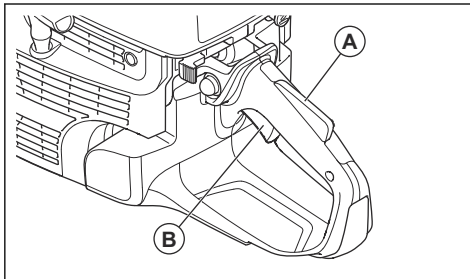


警告： 请在使用本产品前阅读下面的警告说明。

- 切勿在安全装置有故障的情况下使用产品。
- 定期检查安全装置。如果安全装置有故障，请联系 Husqvarna 经过批准认证的保养厂。
- 切勿改动安全装置。
- 如果防护板、防护罩、安全开关或其他防护装备有故障或未安装，则不得使用本产品。

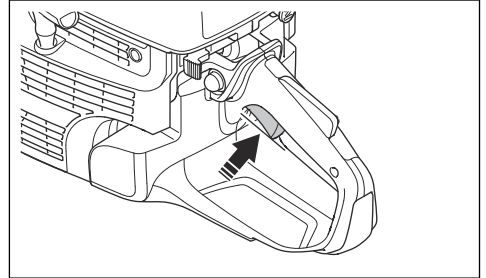
油门扳机锁

油门扳机锁可防止意外操作油门扳机。如果您用手握住手柄并按下油门扳机锁 (A)，则会释放油门扳机 (B)。松开手柄后，油门扳机和油门扳机锁均会返回原位。此功能将油门扳机锁定在怠速位置。

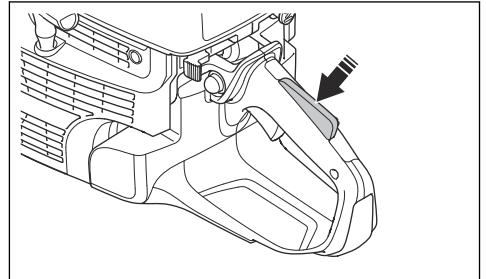


检查油门扳机锁

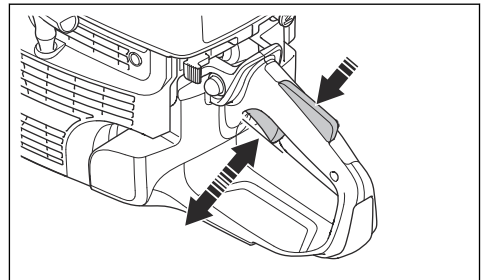
1. 确保在松开油门扳机锁后，油门扳机锁止在怠速位置。



2. 按下油门扳机锁，并确保当您松开手后它会返回。



3. 确保油门扳机和油门扳机锁活动自如，且复位弹簧操作正常。

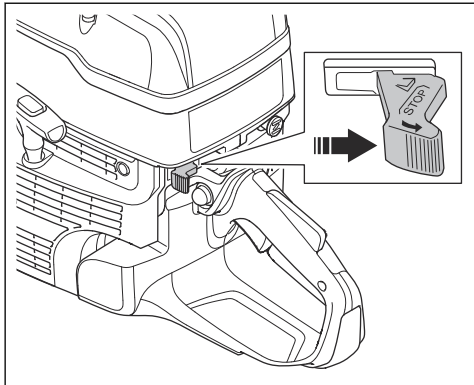


4. 启动本产品，并全开油门。
5. 松开油门控制，确保切割锯片停止并保持静止不动。
6. 如果切割锯片在怠速位置转动，则调整怠速。请参阅调整怠速在第 134 页上。

检查停止开关

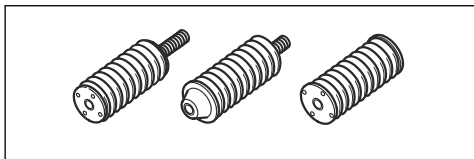
1. 启动引擎。

2. 将停止开关推至“停止”位置。引擎必须停止。



防振系统

本产品配备有减振系统，用于最大限度减少振动，使操作更加轻松。本产品的减振系统可降低引擎单元/切割设备与产品手柄之间的振动传递。



检查防振系统



警告： 确保引擎已关闭且停止开关处于“停止”位置。

1. 确保防振装置未裂开或变形。更换损坏的防振装置。
2. 确保防振装置已正确安装在引擎和把手上。

消音器

消音器用于最大程度降低噪音并将引擎的废气浓烟导离操作人员。

如果消音器缺失或有缺陷，请勿使用本产品。消音器损坏时噪音会增大，并且有导致起火的风险。



警告： 消音器在使用期间和之后以及当引擎以怠速运转时会变得很烫。务必当心附近的易燃材料和/或烟雾，以防引起火灾。

检查消音器

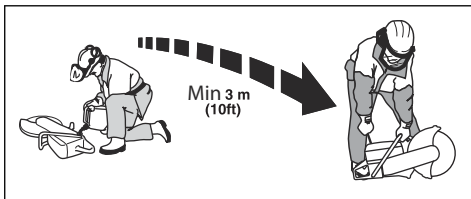
- 定期检查消音器，确保其安装正确且无损坏。

燃油安全须知



警告： 请在使用本产品前阅读下面的警告说明。

- 燃油易燃，其油气容易爆炸。请小心使用柴油以防受伤、着火和引起爆炸。
- 仅在通风良好的室外为产品加油。请勿吸入油气。油气有毒，并且可能导致伤害、火灾和爆炸。
- 请勿在引擎运转期间拧下燃油箱盖或给燃油箱加油。
- 待引擎冷却下来后再加油。
- 切勿在燃油或引擎附近吸烟。
- 请勿在燃油或发动机附近放置高温物体。
- 请勿在火花或明火附近加油。
- 重新加注燃油之前，缓缓打开燃油箱盖，并小心释放压力。
- 燃油溅到皮肤上可能会造成伤害。如果燃油溅到皮肤上，必须使用肥皂和水洗净。
- 如果燃油溅到衣物上，请立即更换衣物。
- 完全拧紧燃油箱盖。如果燃油箱盖未正确上紧，产品振动会使其松动，并导致燃油和油气泄漏。燃油和油气有失火危险。
- 在启动产品之前，请将产品移至距离加油处至少 3 m/10 ft 的位置。



- 如果产品上溅有燃油或机油，切勿启动产品。在启动引擎之前，请去除多余的燃油和机油，并让产品干燥。
- 定期检查引擎是否有泄漏。如果燃油系统存在泄漏，则在泄漏修复之前不要启动引擎。
- 仅将燃油存放在获得批准的容器内。
- 存放产品和燃油时，确保燃油和油气不会造成损坏、火灾和爆炸。
- 在室外将燃油排入获得批准的容器中，并且应远离火花和明火。

维护安全须知



警告： 请在使用本产品前阅读下面的警告说明。

- 确保引擎已关闭且停止开关处于“停止”位置。
- 使用个人防护装备。请参阅 **个人防护装备** 在第 122 页上。
- 如未正确和定期地进行维护，导致伤害的风险和损坏产品的风险将会增加。
- 只能进行本操作手册中说明的维护工作。让获得批准的保养厂执行所有其他保养工作。
- 由许可的 Husqvarna 保养厂定期对本产品进行保养。
- 更换已经损坏、磨损或破损的零件。
- 必须使用原厂零件。

操作

引言



警告：请先仔细阅读并充分理解安全须知章节，再使用产品。

燃油

本产品配备一个二冲程引擎。



小心：燃油类型不正确会导致引擎损坏。使用汽油和二冲程引擎机油组成的混合燃油。

二冲程机油

- 为获得最佳结果和性能，请使用 Husqvarna 二冲程机油。
- 如果无法获得 Husqvarna 二冲程机油，请使用风冷式引擎专用的优质二冲程机油。请联系保养代理商以选择正确的机油。



小心：切勿使用水冷式舷外引擎专用的二冲程机油，即所谓的舷外机油。切勿使用四冲程引擎专用的机油。

预混合燃油

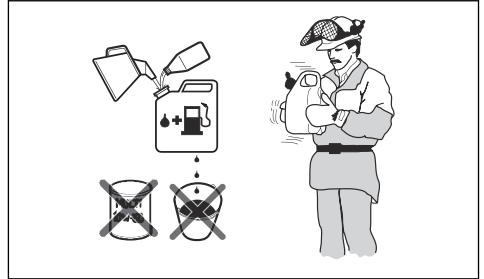
- 使用 Husqvarna 预混合烷基化燃油，以获得最佳性能和延长引擎寿命。与普通燃油相比，这种燃油中所含的有害化学物质更少，可以减少有害废气的排放。这种燃料燃烧后残留物质数量更低，可保持引擎部件更加清洁。

混合汽油和二冲程机油

汽油，升	二冲程机油，升
	2% (50:1)
5	0.10
10	0.20
15	0.30
20	0.40
美制加仑	美制液体盎司
1	2 ½
2 1/2	6 ½
5	12 ½



小心：混合少量燃油时，微小误差也会显著影响混合物的比例。小心测量机油量，确保获得正确的混合燃油。



1. 向干净的燃油容器中加入一半的汽油。
2. 加入全部机油。
3. 摇匀混合燃油。
4. 接着向容器中加入另一半汽油。
5. 小心摇匀混合燃油。



小心：切勿一次混合超过一个月的燃油。

添加燃油



小心：切勿使用辛烷值低于 90 RON (87 AKI) 的汽油。否则会损坏产品。

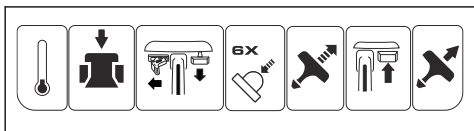


小心：切勿使用乙醇浓度超过 10% (E10) 的汽油。否则会损坏产品。

注意：在更换燃油类型时，在某些情况下需要调整化油器。

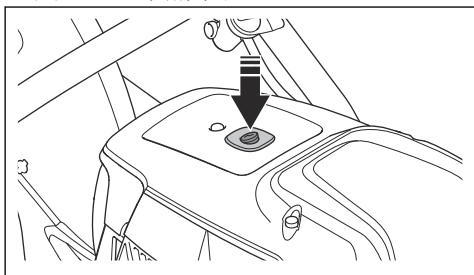
- 如果频繁地持续高速使用产品，请使用辛烷值更高的汽油。
1. 缓慢打开燃油箱盖以释放压力。
 2. 用燃油罐慢慢加油。如果有燃油溅出，请用布擦拭，然后让剩余的燃油挥发掉。
 3. 将燃油箱盖四周清理干净。
 4. 完全拧紧燃油箱盖。如果燃油箱盖没有拧紧，则有失火的风险。
 5. 启动之前，将产品从加油位置移开至少 3 m (10 ft)。

在冷引擎情况下启动产品

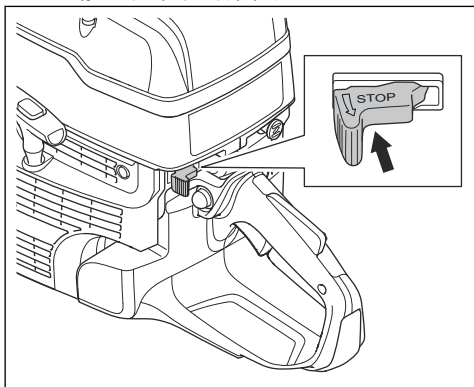


警告： 确保切割锯片转动自如。引擎启动时，切割锯片开始转动。

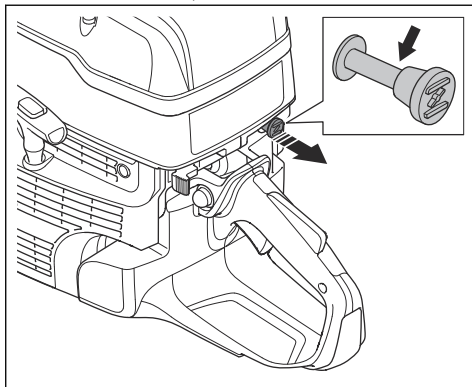
1. 按下减压阀以降低气缸中的压力。当产品启动后，减压阀会返回至初始位置。



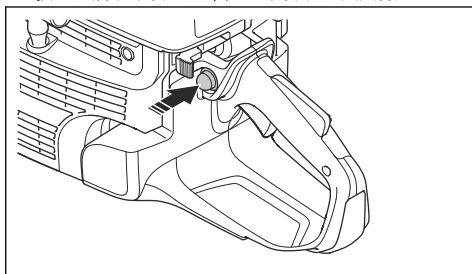
2. 确定“停止”开关位于左侧位置。



3. 将风门拉杆拉到底，以获得启动油门位置。



4. 按动注油泵球囊 6 次，直至球囊中注满燃油。



5. 用左手握紧前侧把手。
6. 将右脚放在后手柄较低的部分上，以将产品推到地上。



警告： 切勿将启动绳绕在手上。

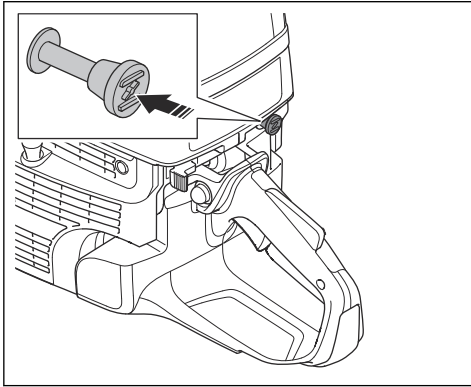
7. 用右手慢慢拉动启动绳，直到在启动器棘爪接合时感觉到阻力。然后连续快速地拉动。



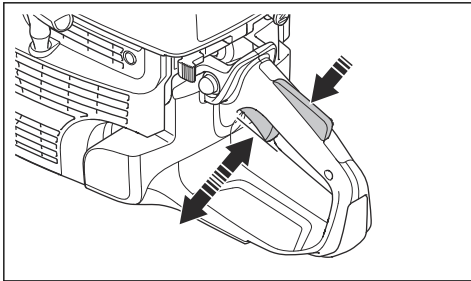


小心： 不要将启动绳拉到底，也不要启动绳拉出时放开启动绳把手。这可能导致损坏产品。

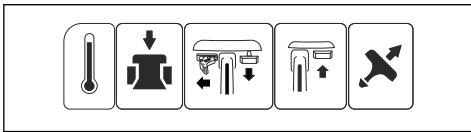
8. 引擎启动后，推动风门拉杆。如果将风门拉出，引擎将在几秒钟后停止。如果引擎停止，再次拉动启动绳把手。



9. 推动油门扳机以松开启动油门，并将本产品设定在怠速位置。

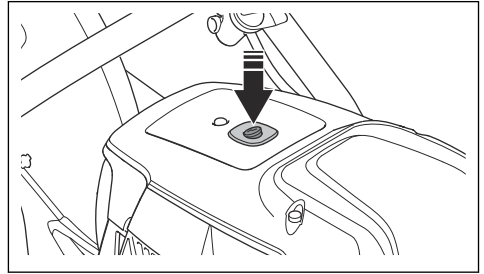


在热引擎情况下启动产品

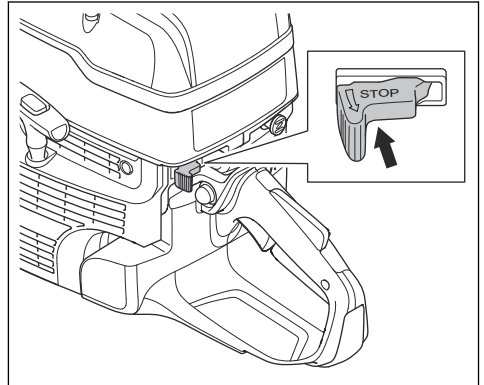


警告： 确保切割锯片转动自如。引擎启动时，切割锯片开始转动。

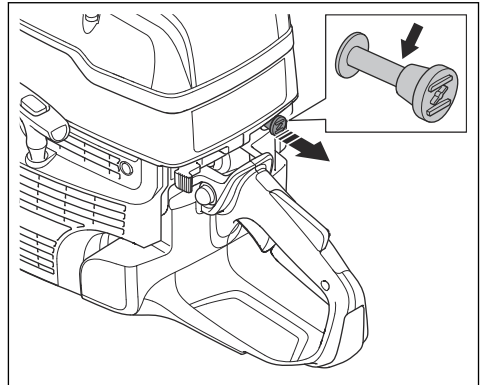
1. 按下减压阀以降低气缸中的压力。当产品启动后，减压阀会返回至初始位置。



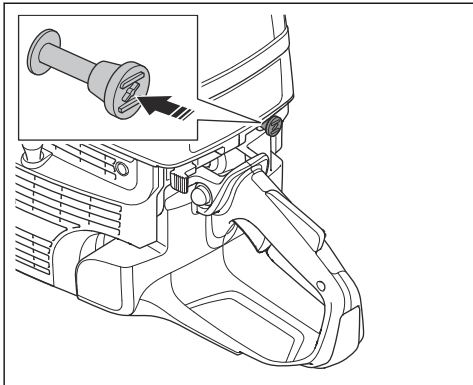
2. 确定“停止”开关位于左侧位置。



3. 将风门拉杆拉到底，以获得启动油门位置。



4. 推动风门拉杆以禁用风门。启动油门将保持在位。

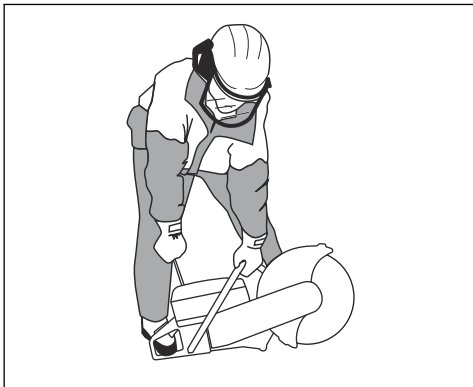


5. 用左手握紧前侧把手。
6. 将右脚放在后手柄较低的部分上，以将产品推到地上。



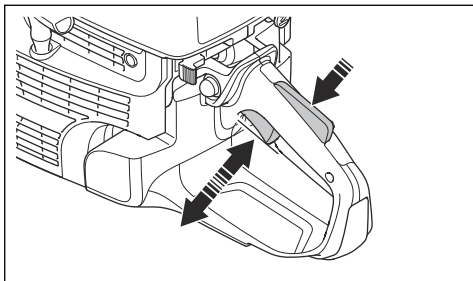
警告：切勿将启动绳绕在手上。

7. 慢慢拉动启动绳，直到在启动器棘爪接合时感觉到阻力。然后连续快速地拉动。



小心：不要将启动绳拉到底，也不要启动绳拉出时放开启动绳把手。这可能导致损坏产品。

8. 推动油门扳机以松开启动油门，并将本产品设定在怠速位置。

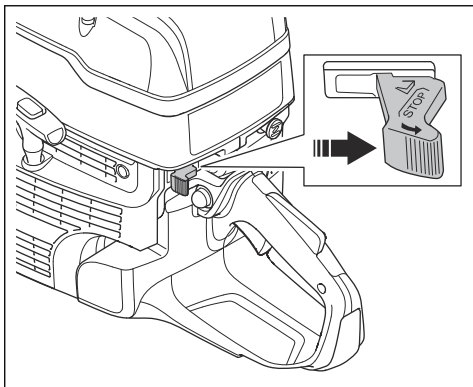


关停产品



警告：当发动机停止后，切割锯片将继续旋转一段时间。确保切割锯片可以自如地转动，直到其完全停下来。如果需要快速停止切割锯片，请让切割锯片轻轻接触坚硬的表面。存在严重伤害的风险。

- 将“停止”开关向右移动以停止引擎。



维护

引言



警告：请仔细阅读和充分理解安全须知章节的内容，再对产品执行维护作业。

要对本产品执行任何保养和维修工作，都需要经过特殊培训。我们保证提供专业的维修和保养。如果您的经销商不是保养代理商，请联系该经销商以获取离您最近的保养代理商的信息。

如需备件，请咨询您的 Husqvarna 经销商或保养厂。

维护时间表

维护时间表显示了产品的必要维护。时间间隔在产品每天使用的情况下计算得出。

对于带有 * 标记的维护作业，请参阅产品上的安全装置在第 123 页上的说明。

维护	每天	每周	每月
清洁产品的外表面。	X		
清洁冷空气吸入口。	X		
清洁火花塞。			X
清洁燃油箱。			X
执行一般性检查。	X		
检查油门锁*。	X		
检查停止开关*。	X		
检查燃油泄漏问题。	X		
检查防振系统*。		X	
检查消音器*。		X	
检查化油器。		X	
检查启动器箱体。		X	
检查燃油系统。			X
检查空气滤清器。			X
检查驱动齿轮和离合器。			X

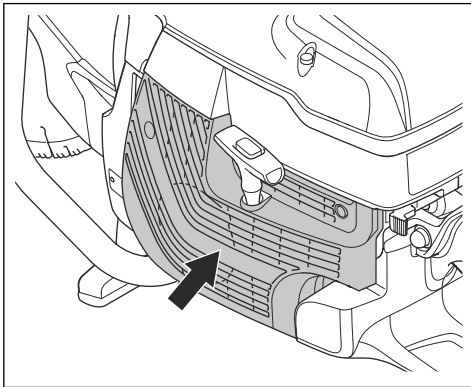
外部清洁

- 每天运行后，用清水从外部冲洗产品。如有必要，使用刷子。

清洁冷空气吸入口

注意：空气吸入口脏污或堵塞会导致产品过热。这可能会导致活塞和气缸损坏。

- 必要时清洁冷空气吸入口。



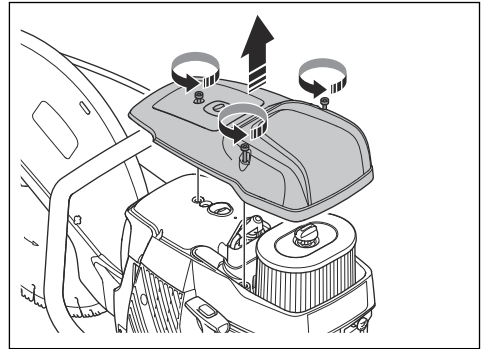
- 使用刷子去除堵塞物、污垢和灰尘。

检查火花塞

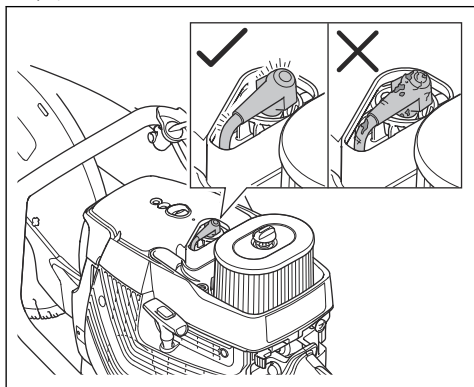
注意：务必使用建议的火花塞类型。使用不正确的火花塞会损坏活塞和气缸。有关建议使用的火花塞，请参阅技术参数在第 137 页上。

如果产品动力不足，请检查火花塞是否不容易启动或者急速运行是否不满意。

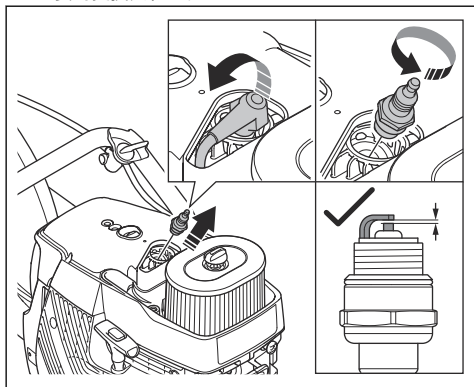
1. 拧松空气滤清器外壳上的 3 颗螺丝，拆下空气滤清器外壳。



2. 确保火花塞帽和点火线完好无损，以免出现电击风险。



3. 火花塞如玷污应予以清洁。
4. 确保电极间隙为 0.5 mm。
5. 必要时更换火花塞。



进行一般性检查

- 确保产品上的所有螺母和螺丝都已正确上紧。

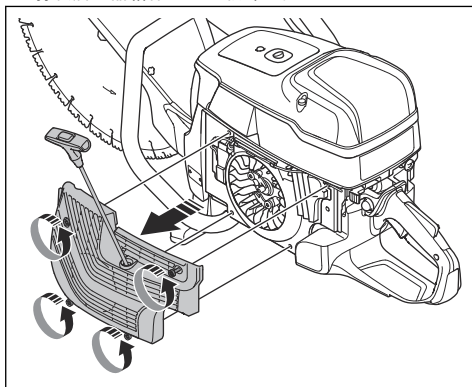
启动器壳体



警告： 更换复位弹簧或启动绳时，务必小心谨慎并始终使用眼部防护装备。当复位弹簧绕在启动器箱体中时，复位弹簧中存在张力。复位弹簧可能弹出并造成伤害。

拆下启动器箱体

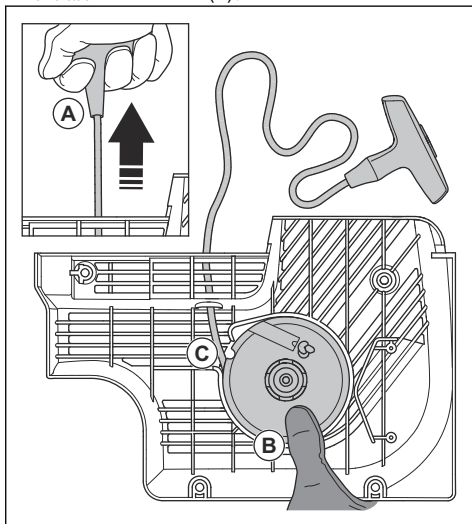
1. 拧松启动器箱体上的 4 颗螺丝。



2. 拆下启动器箱体。

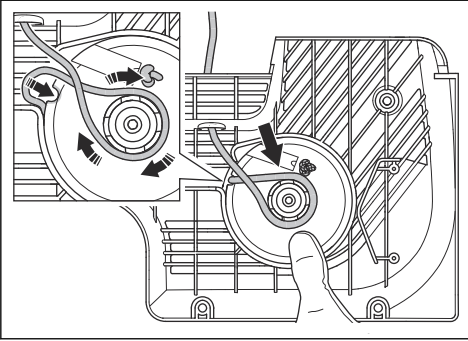
更换损坏的启动绳

1. 拉出启动绳约 30 cm (A)。

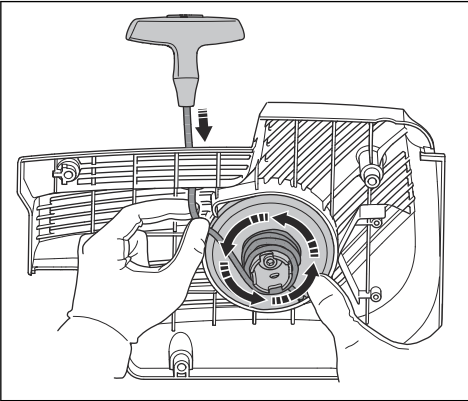


2. 用拇指按住启动绳滑轮。
3. 将启动绳置于启动器滑轮内的凹槽 (C) 中。

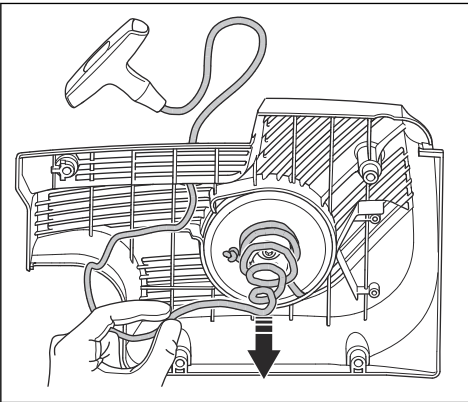
4. 将启动绳绕在金属套筒上。



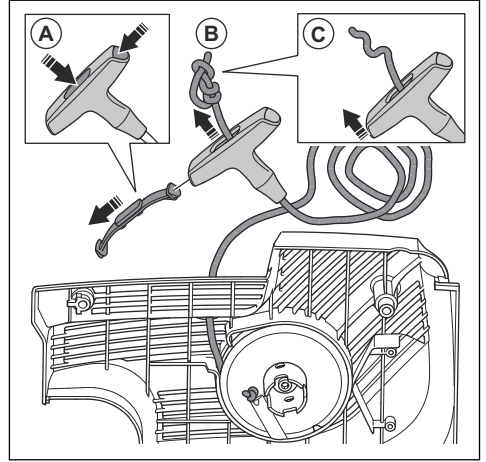
5. 让启动器滑轮缓慢旋转，启动绳缠绕在金属套筒上。



6. 拉动启动绳以将其从金属套筒上松开。



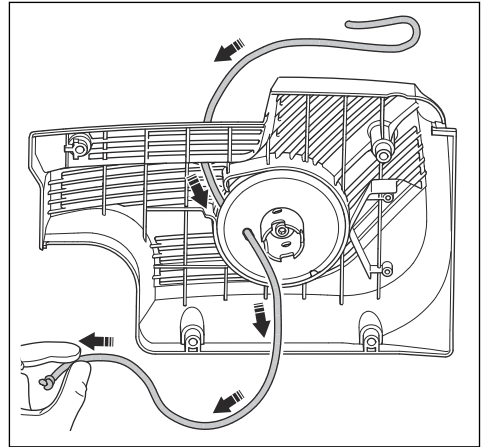
7. 拆下启动绳把手 (A) 上的盖子。



8. 向上拉动启动绳穿过把手 (B)。

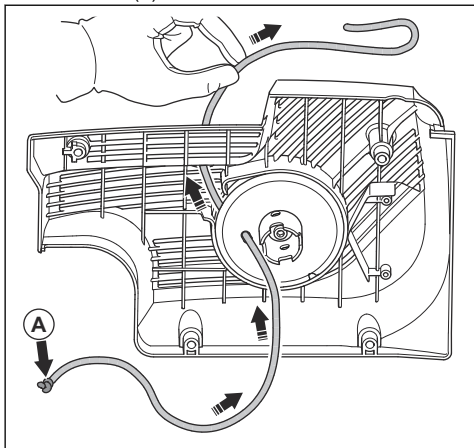
9. 松开绳结 (C)。

10. 拆下启动绳。

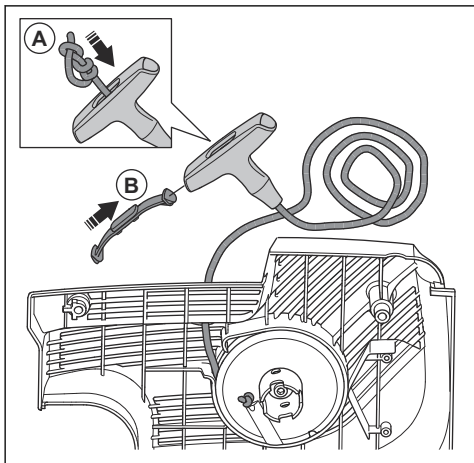


11. 确保复位弹簧保持清洁且未损坏。

12. 将新启动绳 (A) 置于启动器箱体内部的孔中。



13. 拉动启动绳穿过启动绳把手，并在启动绳 (A) 的末端打一个结。



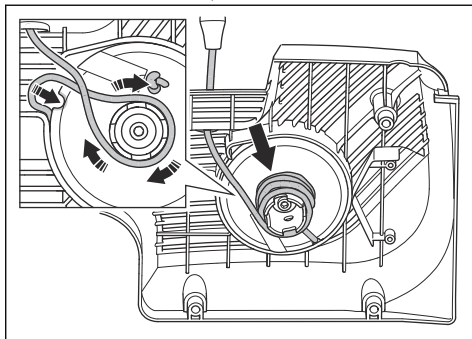
14. 将盖子安装到启动绳把手 (B) 上。

15. 调节复位弹簧的张紧度。请参阅 *调整复位弹簧的张紧度* 在第 132 页上。

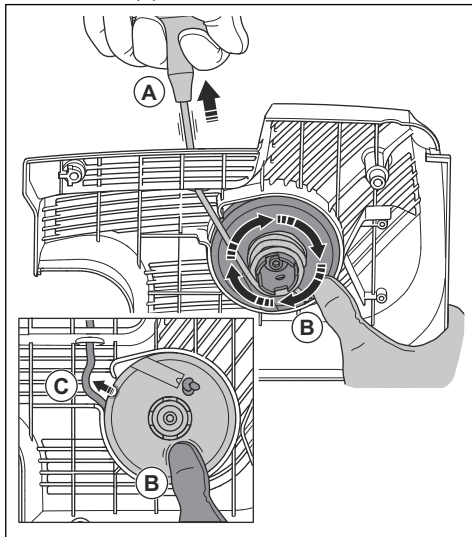
调整复位弹簧的张紧度

1. 拉出启动绳。

2. 将启动绳放入凹槽中，然后将其缠绕在金属套筒上。



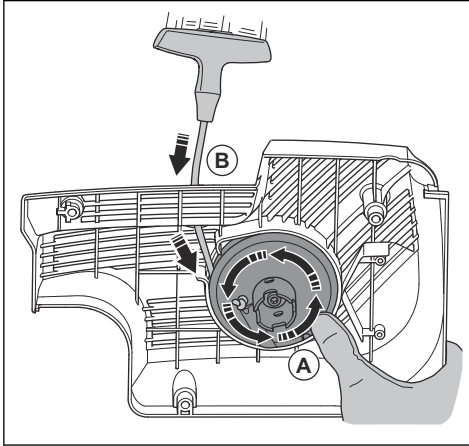
3. 拉出启动绳 (A)。



4. 将拇指放在启动器滑轮 (B) 上，以保持启动绳拉出。

5. 从凹槽 (C) 中松开启动绳。

- 移开拇指，以松开启动器滑轮 (A)，并让启动绳 (B) 缠绕在启动器滑轮上。



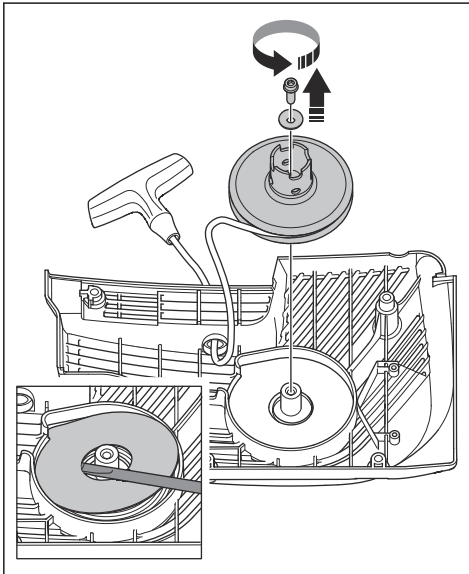
- 完全拉出启动绳，以检查复位弹簧是否处于其末端位置。确保在复位弹簧停止移动之前，启动器滑轮可以转动半圈或更多圈。

拆下弹簧总成



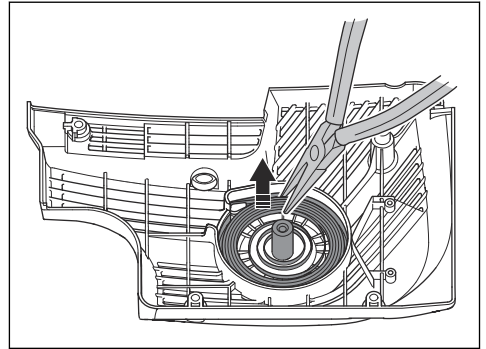
警告： 拆卸弹簧总成时，请始终使用眼部防护装备。存在眼部受伤的风险，尤其是弹簧断裂时。

- 拆下位于启动器滑轮中心的螺栓，然后拆下启动器滑轮。小心拆下盖子。



复位弹簧在启动器箱体中具有张力。

- 小心地拆下弹簧。使用一副钳子进行拆卸。



润滑弹簧总成

- 用轻油润滑复位弹簧。

安装弹簧总成

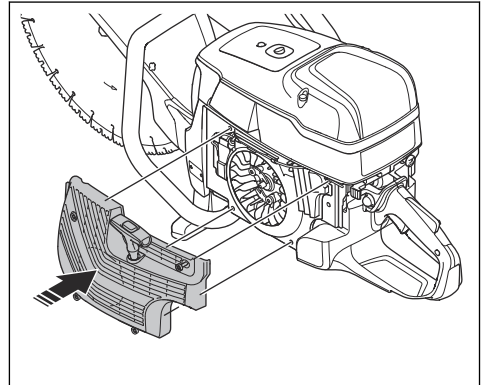
- 按照与拆下弹簧总成在第 133 页上操作相反的顺序进行装配。

安装启动器箱体

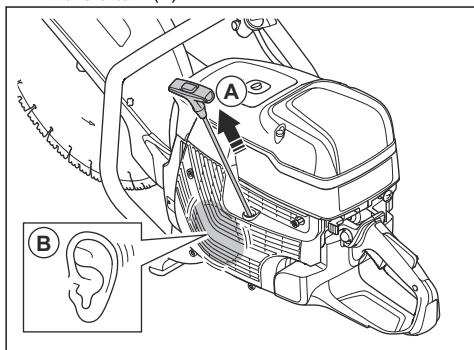


小心： 启动器棘爪必须进入到正确的位置，紧靠在启动器滑轮套筒上。

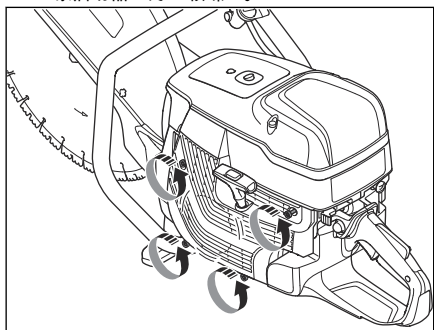
- 将启动器紧靠在产品上。



- 将启动器棘爪安装到正确的位置，紧靠在启动器滑轮套筒上。拉出启动绳约 0.5 m (A)。如果位置正确，您会听到咔嗒声 (B)。



- 缓缓释放启动绳。
- 上紧启动器上的 4 颗螺丝。



检查化油器

注意：化油器具有刚性针阀，以确保产品始终接收到正确的燃油和空气混合物。

- 检查空气滤清器。请参阅 [检查空气滤清器在第 134 页上](#)
- 必要时更换空气滤清器。
- 如果引擎的功率或速度持续下降，请咨询您的 Husqvarna 维修经销商。

检查燃油系统

- 检查燃油箱盖及其密封件是否损坏。
- 检查油管。更换损坏的油管。

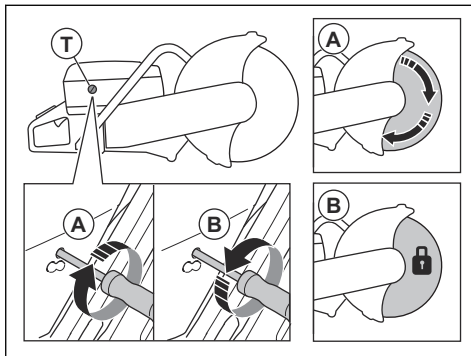
调整怠速



警告：如果切割锯片以怠速旋转，请咨询您的维修经销商。在未正确调整或解决怠速问题之前，请勿使用产品。

注意：有关建议的怠速，请参阅 [技术参数在第 137 页上](#)。

- 启动引擎。
- 检查怠速。正确调整化油器后，当引擎处于怠速时，切割锯片停止。
- 使用 T 形螺丝调节速度。



- 顺时针转动螺丝，直到锯片开始旋转 (A)。
- 逆时针转动螺丝，直到锯片停止旋转 (B)。

燃油滤清器

燃油滤清器安装在燃油箱中。燃油滤清器可防止为燃油箱加油时燃油箱受到污染。燃油滤清器必须每年更换一次，如果堵塞，则必须更频繁地更换。



小心：切勿清洁燃油滤清器。

检查空气滤清器

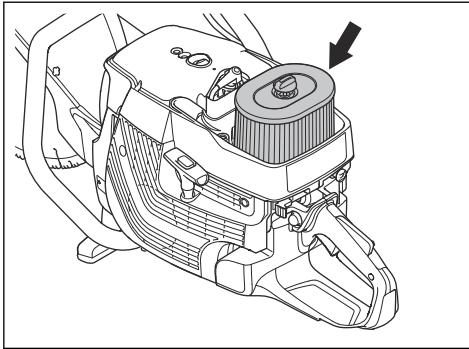


小心：拆下空气滤清器时要小心谨慎。落入化油器入口中的颗粒可能会导致损坏。

如果引擎功率下降，则检查空气滤清器。

- 拧松空气滤清器外壳上的 3 颗螺丝。
- 拆下空气滤清器外壳。

3. 检查空气滤清器。



4. 必要时更换空气滤清器。请参阅 **更换空气滤清器** 在第 135 页上。
5. 更换空气滤清器外壳。
6. 拧紧 3 颗螺丝。

更换空气滤清器



小心： 请勿用压缩空气清洁空气滤清器。空气滤清器由纸制成，很容易损坏。

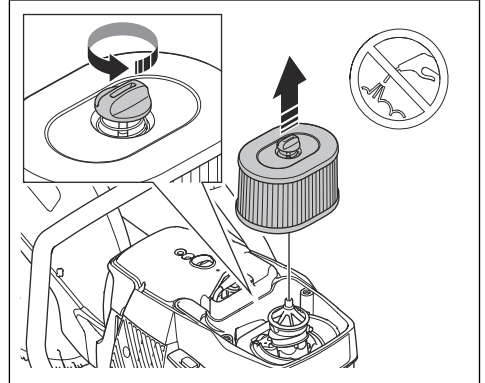


警告： 清洁或更换空气滤清器时，请使用获得批准的呼吸保护装置。正确弃置用过的空

气滤清器。空气滤清器中的灰尘对您的健康有害。

注意： 更换损坏的空气滤清器。

1. 拧松空气滤清器外壳上的 3 颗螺丝。
2. 拆下空气滤清器外壳。
3. 拧松空气滤清器室上的螺丝并将其拆下。



4. 拆下空气滤清器。
5. 安装新的空气滤清器。
6. 更换空气滤清器室。
7. 上紧空气滤清器室上的螺丝。
8. 更换空气滤清器外壳。
9. 拧紧 3 颗螺丝。

故障排除

问题	原因	可能的解决方案
产品不能启动。	启动程序未正确完成。	请参阅 在冷引擎情况下启动产品 在第 126 页上和 在热引擎情况下启动产品 在第 127 页上。
	停止开关位于右侧 (停止) 位置。	确定停止开关 (STOP) 位于左侧位置。
	燃油箱内没有燃油。	加注燃油。
	火花塞有故障。	更换火花塞。
	离合器有故障。	请联系保养厂。
切割锯片在怠速时转动。	怠速过高。	调节怠速。
	离合器有故障。	请联系保养厂。
当操作员加大油门时，切割锯片不旋转。	皮带过松或出故障。	张紧皮带或更换新皮带。
	离合器有故障。	请联系保养厂。
	切割锯片安装不正确。	确保切割锯片已正确安装。

问题	原因	可能的解决方案
当操作员尝试加大油门时，产品无动力。	空气滤清器堵塞。	检查空气滤清器。必要时请予以更换。
	燃油滤清器堵塞。	更换燃油滤清器。
	燃油箱油管堵塞。	请联系保养厂。
振动级别过高。	切割锯片安装不正确。	确保切割锯片已正确安装且未损坏。
	切割锯片故障。	更换切割锯片并确保其未损坏。
	防振装置故障。	请联系保养厂。
产品温度过高。	空气吸入口或气缸法兰堵塞。	清洁空气吸入口和气缸法兰。
	驱动皮带张力不足。	检查皮带。调节张紧度。
	离合器有故障。	务必在全开油门状态下执行切割。
		检查离合器。请联系保养厂。
引擎功率或速度降低。	空气滤清器堵塞。	检查空气滤清器。请参阅检查空气滤清器在第 134 页上。

运输、存放和废弃处理

运输及存放

- 存放和运输产品和燃油时，确保不存在泄漏或烟雾。火花或明火（例如来自电气设备或锅炉等）可能引发火灾。
- 务必使用获得批准的容器存放和运输燃油。
- 将产品长期存放前，先清空燃油箱。在适当的处置地点处理燃油
- 在运输过程中安全地固定产品，以防止损坏和发生事故。
- 将产品放在上锁的区域，以防止儿童或他人擅自触碰。
- 将本产品存放在干燥、防冻的区域。

废弃处理

- 遵守当地的回收要求和适用的法规。
- 请在服务中心或相应的处置地点处理机油或燃油等所有化学品。
- 当产品不再可用时，将其发送给 Husqvarna 经销商或送至回收点处理。

技术参数

技术参数

气缸排量, cu.in./cm ³	7.3/119
缸径, in./mm	2.4/60
行程, in./mm	1.7/42
怠速, rpm	2700
全开油门, 无负载, rpm	9300 (+/- 150)
功率, hp/kW @rpm	7.9/5.8 @8400
火花塞	NGK BPMR 7A
电极间隙, in./mm	0.02/0.5
燃油箱容量, 美制液量盎司/升	40/1.2
切割锯重量 (不带燃油和 14in.(350mm) 切割锯片), lb/kg	22.4/10.2
噪音排放 ¹¹	
声功率级 (测量值), dB (A)	116
声功率级保证值, L _{WA} dB (A)	117
声压级 ¹²	
操作人员耳边的等效声压级, dB(A)	104

噪音声明

这些标称值是根据所述指令或标准通过实验室型式试验获得的, 适合与根据相同指令或标准测试的其他产品的标称值进行比较。这些标称值不适用于风险评估, 在单个工作场所测量的值可能会更高。单个用户的实际接触值和遭受的伤害风险具有独特性, 具体取决于用户的工作方式、产品切割的材料、用户接触时间和身体状况以及产品状况。

¹¹ 环境噪音释放以声功率 (L_{WA}) 测量, 依据指令 2000/14/EC。保证声功率与测定声功率之间存在差异, 这是因为保证声功率按照指令 2000/14/EC 的要求包含了测量结果中的离散以及相同产品不同装置之间的偏差。

¹² 根据 EN ISO 19432, 等效声压级计算为不同作业条件下不同声压级的时间加权能量总值。本产品的等效声压级的报告数据中具有 1 dB (A) 的典型统计离散 (标准偏差)。

半成品机械设备装入声明

半成品机械设备装入声明

我们 (Husqvarna AB, SE-561 82 Huskvarna,
SWEDEN, 电话 +46-36-146500) 谨此声明, 本产品 :

描述	用于便携式切割机的驱动系统
品牌	Husqvarna
类型/型号	K1270 II R
标识	序列号自 2019 年起

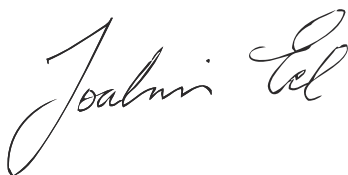
完全符合欧盟指令的相关部分 :

指令/法规	描述
2006/42/EC	"关于机械"
2014/30/EU	"关于电磁兼容性"

该指令的相关部分在符合 2006/42/EC 附录 VII 的 B 部分规定的技术文档中进行了更准确的定义, 在有正当理由的情况下能够以数字形式提供给任何相关机构。

在遵照适用指令的规定对半成品机械设备将要装入的最终机械设备进行申报之前, 不得将该半成品机械设备投入使用。

Partille, 2019-12-20



Joakim Ed

混凝土锯切、钻孔和轻型拆除部门副总裁

Husqvarna AB, Construction 事业部

技术文档负责人

联邦排放控制保修声明

您的保修权利和义务

EPA（美国环保署）、Environment Canada 和 很乐意阐述有关 2009 和后续型号小型非公路用引擎的排放控制系统保修。在美国和加拿大，小型非公路用新引擎的设计、制造和装配必须满足联邦政府的严格防烟雾标准。只要您没有滥用、疏忽或不正确地维护您的小型非公路用引擎，就必须在下列期限内为小型非公路用引擎上的排放控制系统提供保修。您的排放控制系统包括化油器和点火系统等零件。只要满足保修条件，将免费为您维修小型非公路用引擎。保修覆盖的费用包括诊断、零件和人力成本。

制造商保修范围

2009 和后续型号小型非公路用引擎保修两年。如果您的引擎中（如上所列）与排放相关的任何零件有缺陷，该零件将由（进行维修或更换。

所有者的保修责任

作为小型非公路用引擎的所有者，您有责任执行说明书中列出的维护任务。建议您保留涉及小型非公路用引擎维护的所有收据，但是不会仅仅因为您没有收据或未能确保执行所有计划的维护而拒绝保修。但是，作为小型非公路用引擎的所有者，您应当注意：如果由于滥用、疏忽或不正确的维护、未经批准进行改造或使用非原始设备制造商生产的零件或未经原始设备制造商批准的零件而导致您的小型非公路用引擎或其零件发生故障，可能会拒绝保修。出现问题时，您有责任立即将您的小型非公路用引擎送至授权保养厂。保修维修应在合理的时间内完成，不得超过 30 天。如果您对保修权利和责任有任何疑问，请联系离您最近的授权保养厂或通过致电 1-800-487-5951 联系，或者访问。

保修生效日期

保修期开始于小型非公路用引擎的交货日期。

保修范围

向最初所有者和每一位后续购买者保证，引擎在两年内不存在会导致保修零件出现故障的材料和工艺方面的缺陷。

承保范围

零件维修或更换：为所有者免费维修或更换任意保修零件必须在经授权的保养厂进行。如果您对保修范围有任何疑问，请通过 1-800-487-5951 联系 服务部门，或者访问。

保修期：对于不要求在必要维护中按计划更换或者仅要求按计划进行定期检查并“在有必要时进行维修或更换”的任何保修零件，保修期为 2 年。对于要求在必要维护中按计划更换的任何保修零件，该零件的保修不得在第一次计划更换的时间点之前过期。

诊断：如果在一家经授权的保养厂执行诊断工作，不得向所有者收取因确定保修零件存在缺陷的诊断工作而产生的费用。

间接损害：对于在保修期内因保修零件故障导致的其他引擎部件损坏，可能需要承担赔偿责任。

非承保范围

由于滥用、疏忽或不正确维护导致的所有故障不在承保范围内。

加装或改造的零件：使用加装或改造的零件可能构成保修索赔遭拒的理由。对于因使用加装或改造的零件而导致保修零件发生故障，将不予保修。

如何提交索赔

如果您对保修权利和责任有任何疑问，请联系离您最近的授权保养厂或通过致电 1-800-487-5951 联系，或者访问。

获取保修服务的位置

保修或维修服务必须由授权保养厂提供。

排放相关零件的维护、更换和维修

在对与排放相关的零件进行任何保修维护或维修时如需使用任何经批准的更换零件，只要原零件在保修期内，就不会向所有者收取任何费用。

排放控制保修零件清单

1. 化油器和内部零件。
2. 进气管、空气滤清器支架和化油器螺钉。
3. 空气滤清器和燃油滤清器，最多覆盖维护时间表。
4. 点火系统
 - a. 火花塞，最多覆盖维护时间表。
 - b. 点火模块
5. 点火模块。

维护声明

所有者负责执行说明书中规定的所有必要维护作业。



www.husqvarnacp.com

Original instructions
Originalanweisungen
Instrucciones originales

Instructions d'origine
Istruzioni originali
原始说明

1142230-38



2020-01-14