

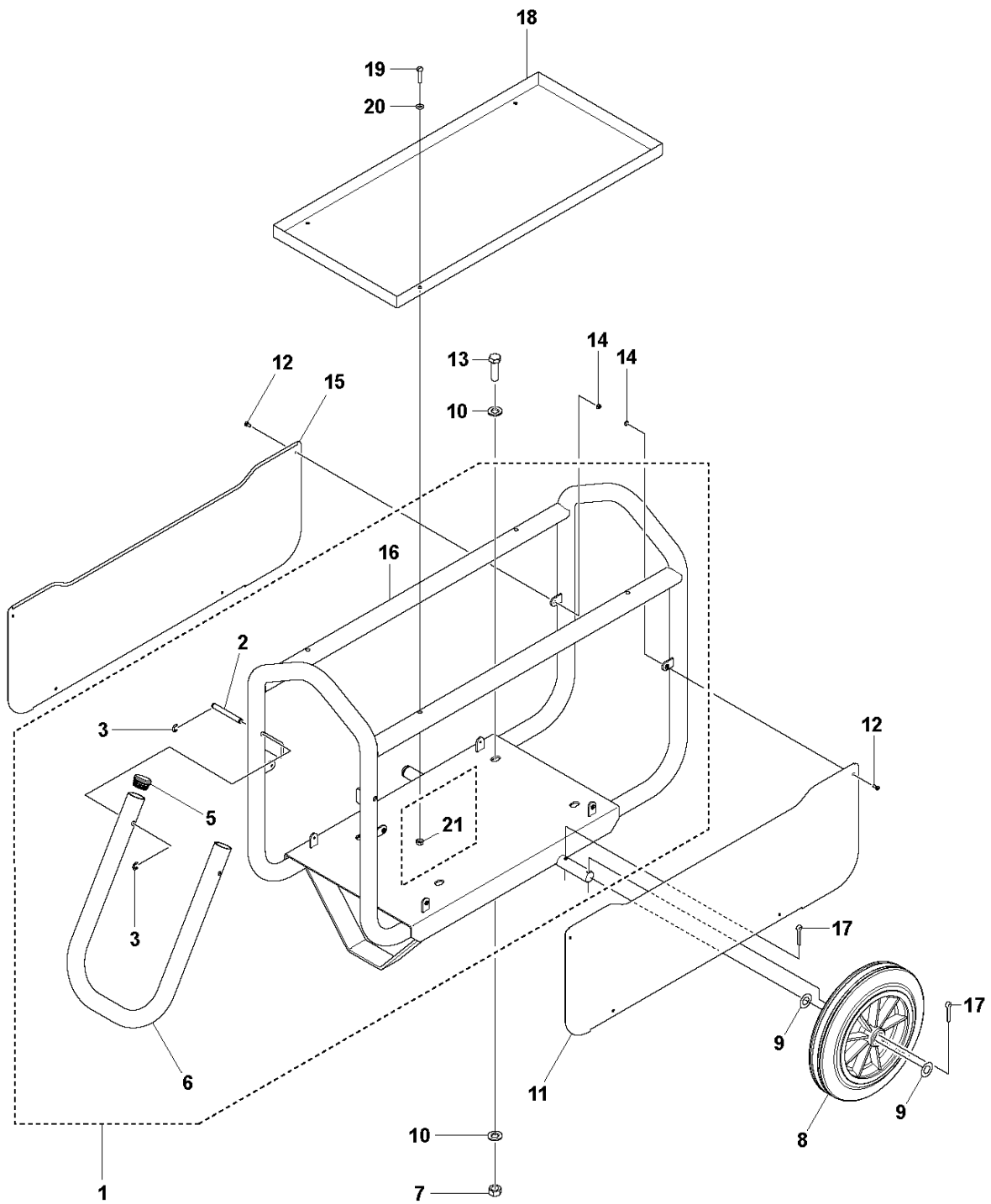


SPARE PARTS LIST

DRIVE UNITS

CF 67 T CI4P, 2020-06

A CF 67 T CI4P
FRAME

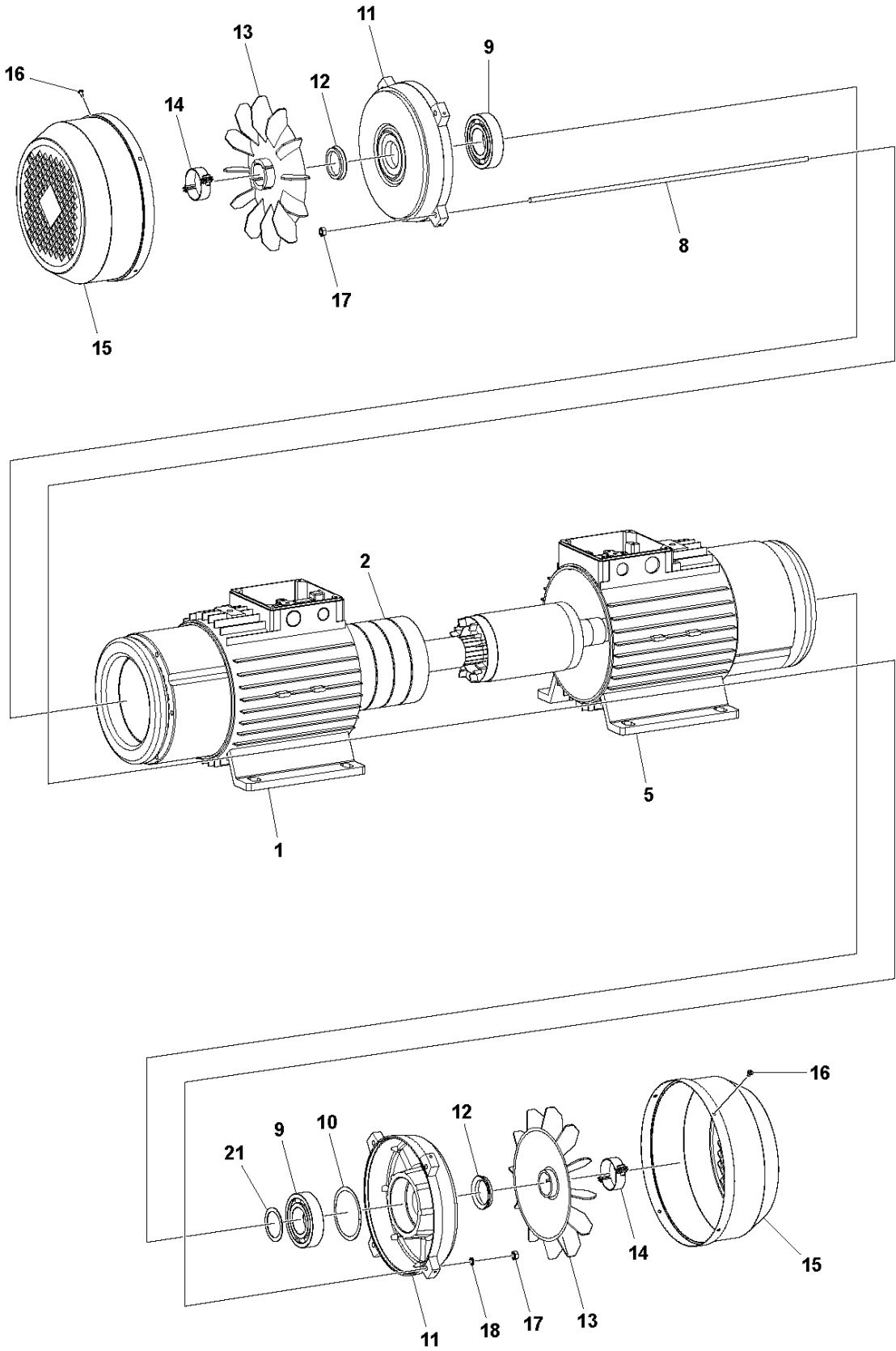


FRAME

CF 67 T CI4P, 2020-06

Ref	Part No	Description	Remark	QTY KIT	
1	599 89 47-01	FRAME		1	
2	594 78 64-01	AXLE	Pin, 8x68, Zn	2	1
3	594 26 65-01	RING	Type RS, size 7	4	1
5	594 81 26-01	PLUG	Ø30	2	1
6	599 89 49-01	HANDLE		1	1
7	599 94 19-01	NUT	M12, ISO7040, Zn	4	
8	594 37 11-01	WHEEL		2	
9	595 06 70-01	WASHER	Washer, M20, DIN125, Zn	4	
10	595 11 34-01	WASHER		8	
11	599 89 51-01	PLATE		1	
12	599 94 21-01	SCREW		8	
13	595 19 34-01	SCREW		4	
14	595 06 92-01	LOCK NUT	M4, ISO10511, A2	8	
15	599 89 51-02	PLATE		1	
16	599 89 46-01	FRAME		1	1
17	599 89 50-01	PIN	Pin, 4x32, Zn	4	
18	599 95 64-02	SUPPORT PLATE		1	
19	595 05 59-01	SCREW	M6, ISO 4014	4	
20	595 03 64-01	WASHER	φ6.4x18x1.6, ISO 7093, Steel, Fzb	4	
21	595 18 71-01	LOCK NUT	M6, ISO 7040	4	

B CF 67 T CI4P
FREQUENCY CONVERTER

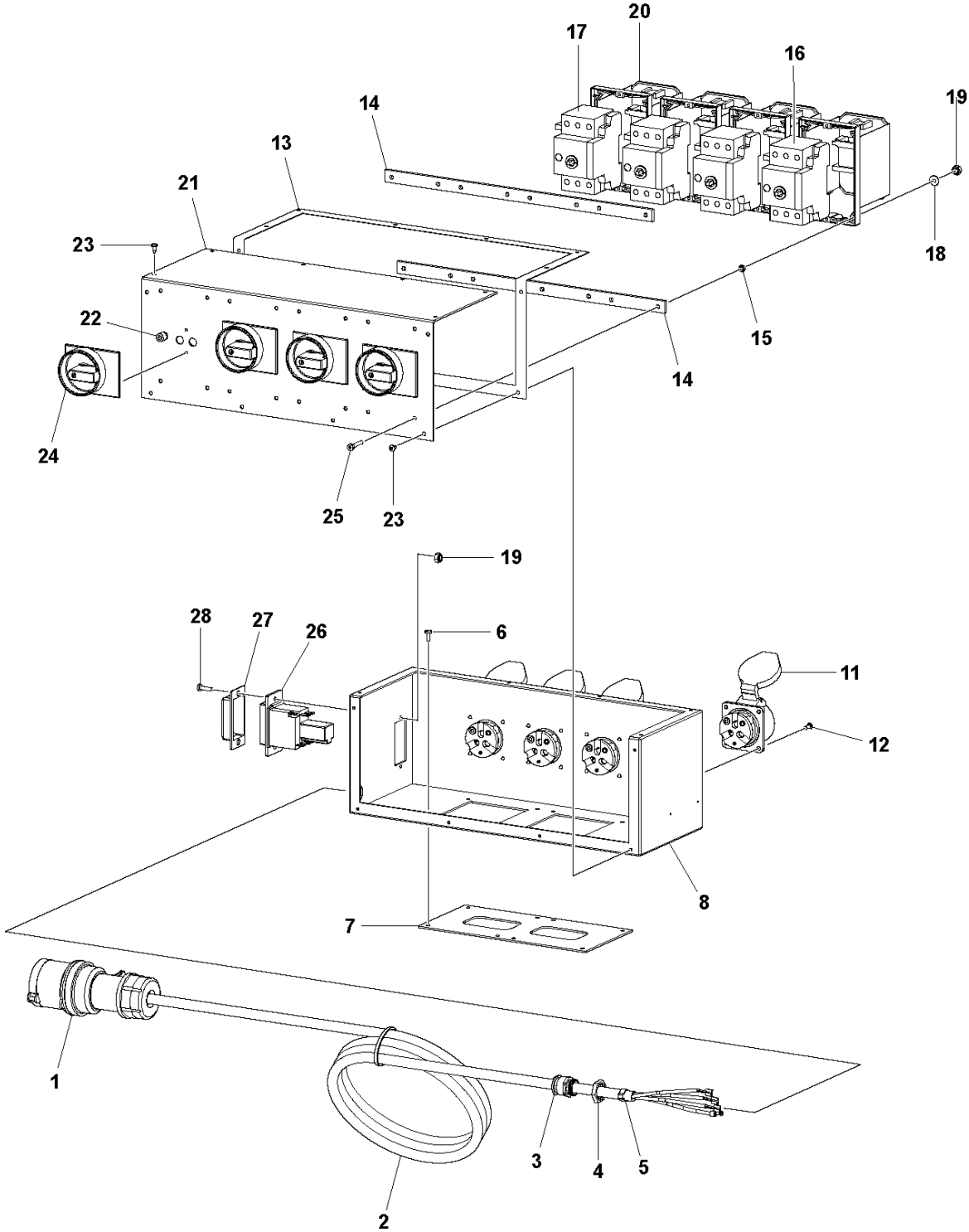


FREQUENCY CONVERTER

CF 67 T CI4P, 2020-06

Ref	Part No	Description	Remark	QTY KIT
1	596 06 62-02	HOUSING	CF67T 400V, CF67T CI4P	1
2	595 19 46-01	ROTOR		1
5	594 62 52-02	MOTOR HOUSING	CF67T 400V, CF67T CI4P	1
8	595 47 33-01	SCREW	Treated rod	4
9	594 61 81-01	BEARING		2
10	595 47 34-01	WASHER		1
11	599 89 52-01	FLANGE		2
12	595 47 35-01	GASKET		2
13	594 61 82-01	FAN		2
14	594 61 83-01	RING		2
15	594 62 53-02	FAN COVER		2
16	599 14 25-01	SCREW	ST3.5x9.5, ISO7049, A2	8
17	595 18 08-01	NUT	M6, ISO4032, ZnB	4
18	599 14 24-01	SPRING WASHER	M5, DIN7980, Grower	8
21	529 33 65-01	WASHER		1

D CF 67 T CI4P
TERMINAL BOX



TERMINAL BOX

CF 67 T CI4P, 2020-06

Ref	Part No	Description	Remark	QTY KIT
1	595 44 49-01	PLUG		1
2	594 83 79-01	CABLE		1
3	595 19 48-01	CABLE		1
4	596 06 76-01	NUT		1
5	595 52 44-01	BRACKET		1
6	599 14 26-02	SCREW	M4x12, ISO7045, ZnB	8
7	595 19 47-01	GASKET		1
8	599 89 53-01	HOUSING		1
11	594 27 38-01	SOCKET	Outlet 42V/32A	4
12	599 14 25-03	SCREW	ST3,9x13, ISO7049, A2	16
13	599 89 54-01	COVER		1
14	599 89 56-01	SUPPORT PLATE		2
15	595 99 25-01	NUT	Nut, DIN934, M4, ZN	16
16	599 89 57-01	CIRCUIT BREAKER		4
17	594 29 14-01	CONTACT		4
18	595 11 32-01	WASHER	M4, ISO4014, Zn, HB200	16
19	595 35 19-01	LOCK NUT	M4, ISO7040, Zn	18
20	599 89 58-01	BOX		4
21	599 89 59-01	COVER		1
22	599 89 60-01	CAP		4
23	599 14 25-02	SCREW	ST3,9x9.5, ISO7049, A2	12
24	594 79 49-01	UNIT		4
25	525 76 09-05	SCREW ITXSCM	M4x25, ISO7045, Zn	16
26	594 61 87-01	SWITCH		1
27	594 61 84-01	DIAPHRAGM		1
28	599 14 26-01	SCREW	M4x16, ISO7045, ZnB	2

D CF 67 T CI4P
DECALS



DECALS

CF 67 T CI4P, 2020-06

Ref	Part No	Description	Remark	QTY KIT
1	595 19 69-01	DECAL	Label Husqvarna	2
2	599 82 78-01	DECAL	Label CF 67T CI4P	2