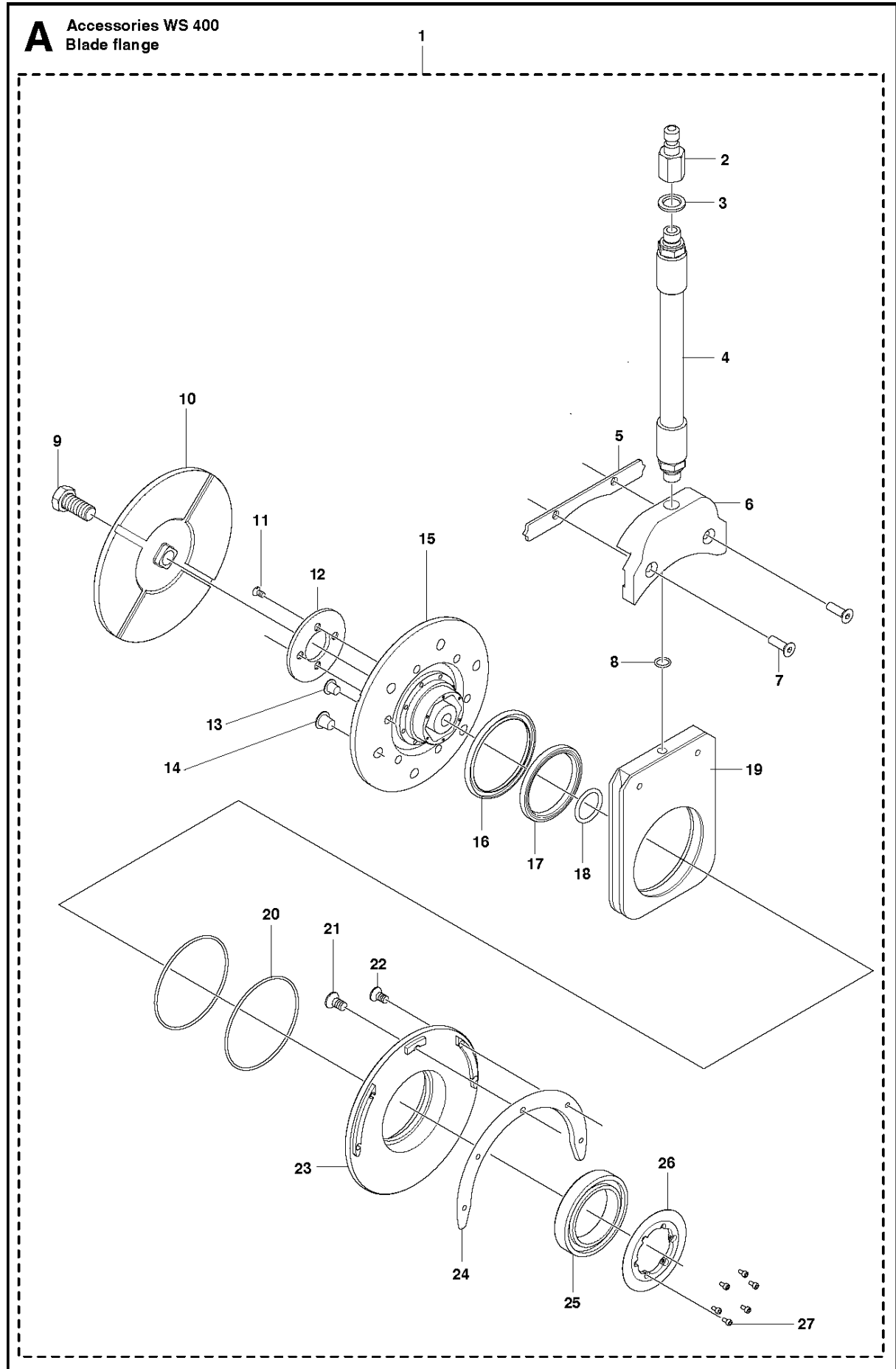




SPARE PARTS LIST

ACCESSORIES AND TOOLS

WS440 HF, WS460, WS462, WS463,
WS482 HF

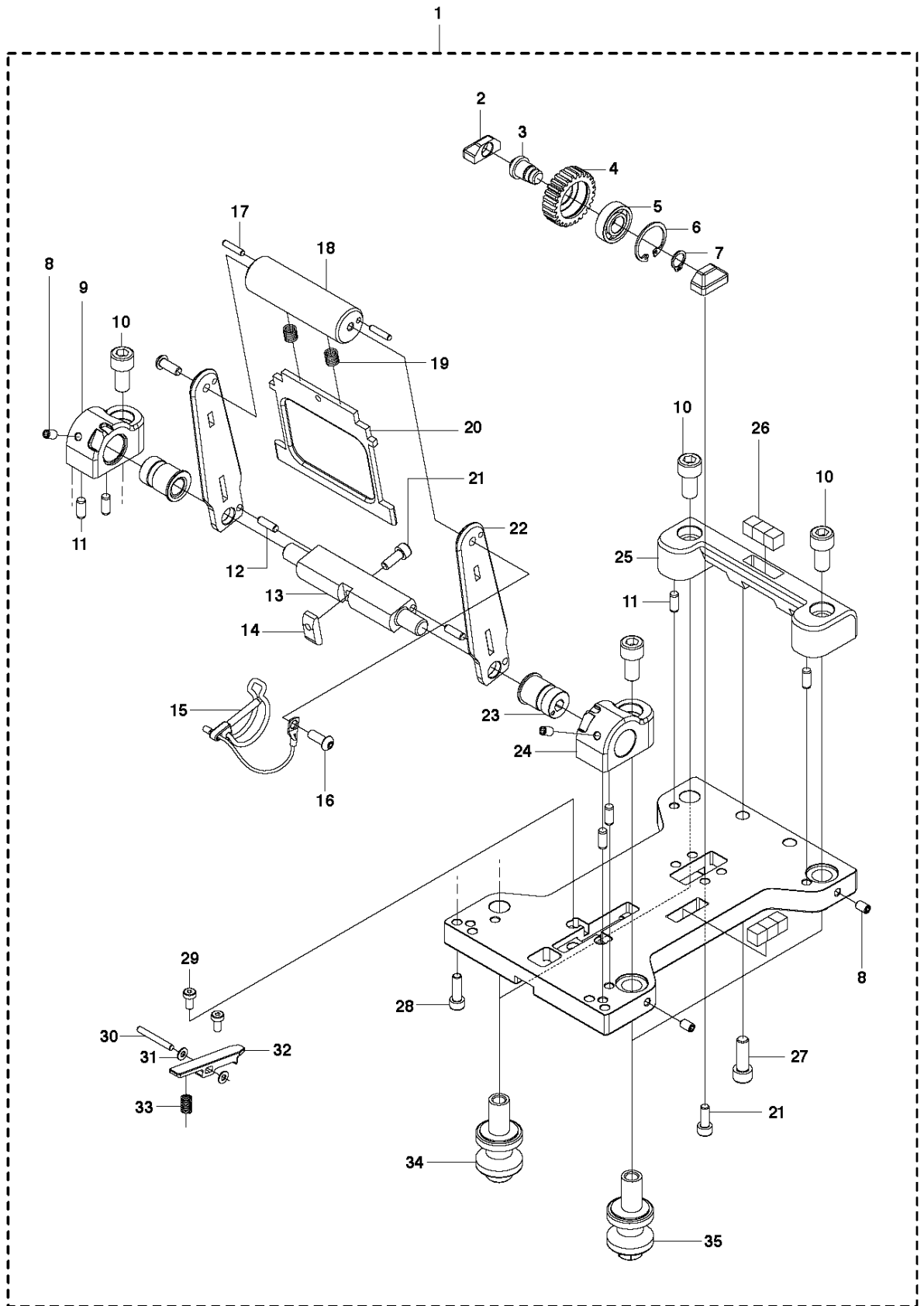


BLADE FLANGE

WS440 HF, WS460, WS462, WS463, WS482 HF

Ref	Part No	Description	Remark	QTY KIT	
1	574 82 95-01	FLANGE	For 1" blade bore Fiberglass	1	
1	574 82 95-02	FLANGE	For 60mm blade bore - Fiberglass	1	
1	574 82 95-03	FLANGE	For flushcut. holes - 130 - Fiberglass	1	
1	574 82 95-04	FLANGE	For 1" blade bore - Aluminium	1	
1	574 82 95-05	FLANGE	For 60mm blade bore - Aluminium	1	
1	574 82 95-06	FLANGE	For flushcut. holes - 130 - Aluminium	1	
2	531 11 82-18	QUICK COUPLING		1	1
3	740 38 27-01	SEALING WASHER		1	1
4	531 12 30-95	HOSE		1	1
5	587 17 14-01	POINTER		1	1
6	587 16 96-01	CONNECTION		1	1
7	725 63 70-51	SCREW IHCSFM		2	1
8	740 42 07-00	O-RING		1	1
9	531 11 92-02	SCREW		1	1
10	531 12 30-33	FLANGE		1	1
11	723 53 66-51	SCREW	NOT ON 1"	4	1
12	531 12 30-48	SPACER	NOT ON 1"	1	1
13	531 11 95-17	PLUG	PLUG For M8	6	1
14	531 11 95-93	PLUG	PLUG For M10	6	1
15	577 53 22-01	FLANGE	1" and 60 mm flange	1	1
15	577 53 28-01	FLANGE	Flange 130	1	1
16	505 21 63-01	RADIAL SEAL		1	1
17	574 45 23-01	SEAL		1	1
18	740 44 05-00	O-RING		1	1
19	574 43 55-01	BLOCK	For Aluminium Guards	1	1
19	587 16 89-01	BLOCK	For Fiberglass Guards	1	1
20	574 45 25-01	O-RING		2	1
21	725 63 66-51	SCREW IHCSFM		1	1
22	725 63 27-51	SCREW IHCSFM		4	1
23	574 43 13-01	HUB		1	1
24	531 12 30-51	PLATE		1	1
25	582 74 22-01	BALL BEARING		1	1
26	577 53 16-02	STOP WASHER		1	1
27	577 53 29-01	SCREW		6	1
28	725 64 47-51	SCREW IHCSFM	M8 Screw for flush cut blade	6	
28	725 64 89-51	SCREW IHCSFM	M10 Screw for flush cut blade	6	

B Accessories WS 400
Saw carriage



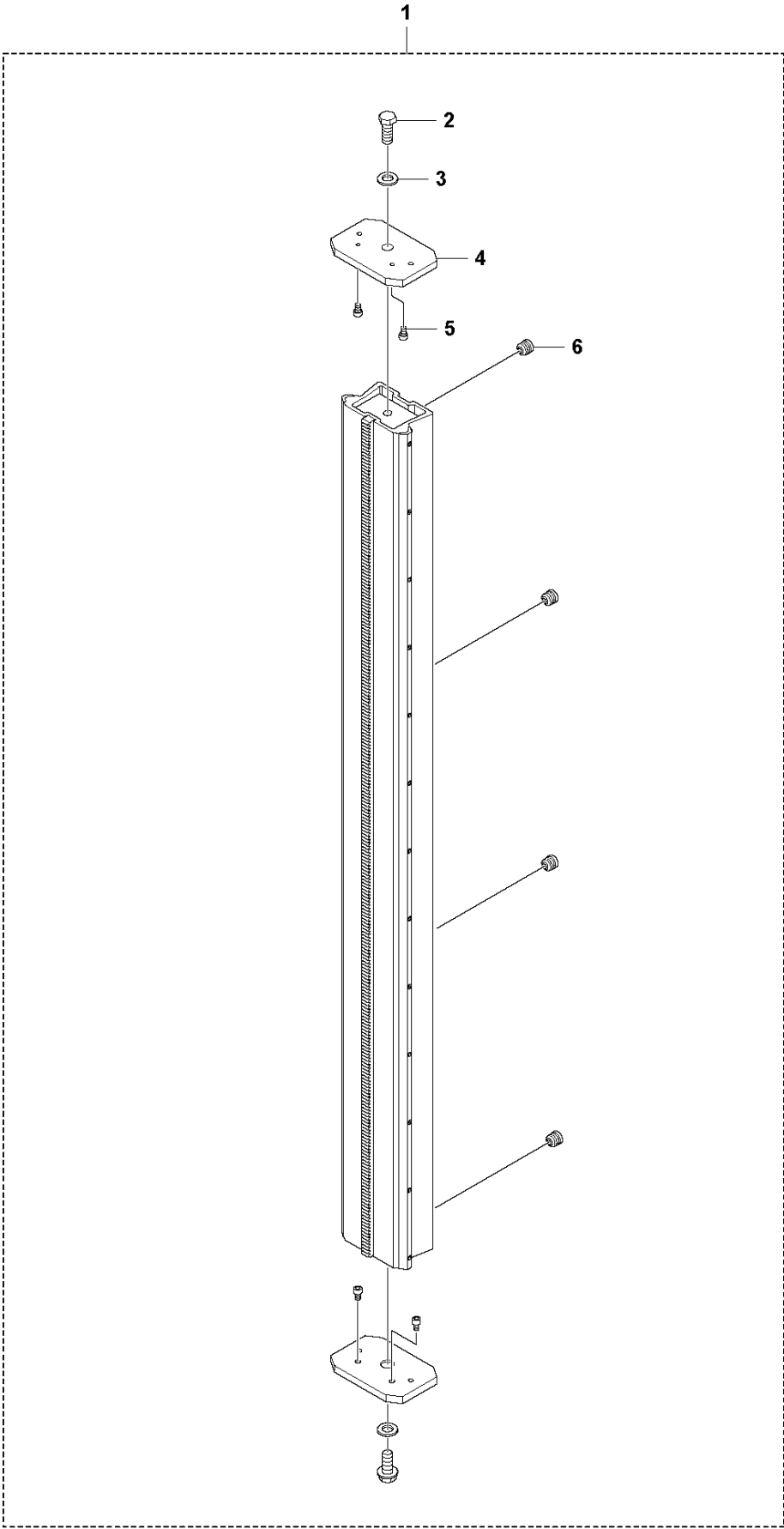
SAW CARRIAGE

WS440 HF, WS460, WS462, WS463, WS482 HF

Ref	Part No	Description	Remark	QTY KIT
1	584 64 21-01	CARRIAGE		1
2	531 12 30-16	SHAFT		2
3	531 12 30-15	AUTOMATIC FEEDING SYSTEM		1
4	531 12 30-17	GEAR WHEEL		1
5	580 43 28-01	BEARING		1
6	735 31 28-10	CIRCLIP		1
7	531 11 95-88	CLIP		1
8	728 83 64-05	SCREW IHSETM		4
9	578 84 84-01	HOLDER		1
10	725 54 91-01	SCREW IHSCM		4
11	725 53 68-01	SCREW IHSCM		6
12	720 13 08-50	PARALLEL PIN		2
13	531 12 30-11	SHAFT		1
14	531 12 30-13	COTTER		1
15	580 39 62-01	LOCKING PIN		1
16	531 11 94-26	SCREW		2
17	720 12 71-50	PARALLEL PIN		2
18	531 12 30-09	HANDLE		1
19	531 11 94-54	SPRING		2
20	531 12 30-12	HANDLE		1
21	725 53 68-01	SCREW IHSCM		5
22	531 12 30-10	BAR		2
23	580 44 83-01	SLEEVE		2
24	578 84 83-01	HOLDER		1
25	578 84 85-01	SOCKET		1
26	531 11 94-53	BLOCK		2
27	725 54 53-01	SCREW IHSCM		2
28	725 53 70-01	SCREW IHSCM		4
29	531 11 93-89	SCREW		2
30	505 25 52-01	PARALLEL PIN		1
31	734 11 35-71	WASHER		2
32	505 12 59-01	ROCKER LEVER		1
33	505 12 60-01	SPRING		1
34	584 63 16-01	WHEEL	Concentric, incl. Pos.10	2
35	584 63 15-01	WHEEL	Eccentric, incl. Pos.10	2

C Asseccories WS 400

Track

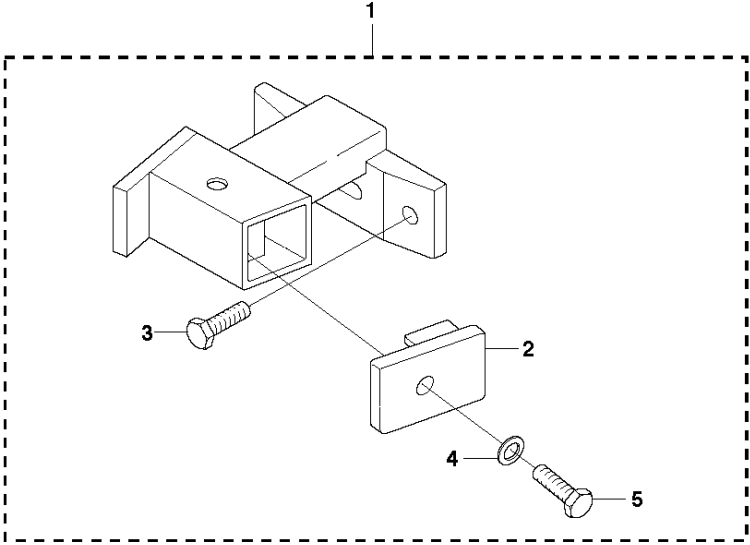


TRACK SYSTEM

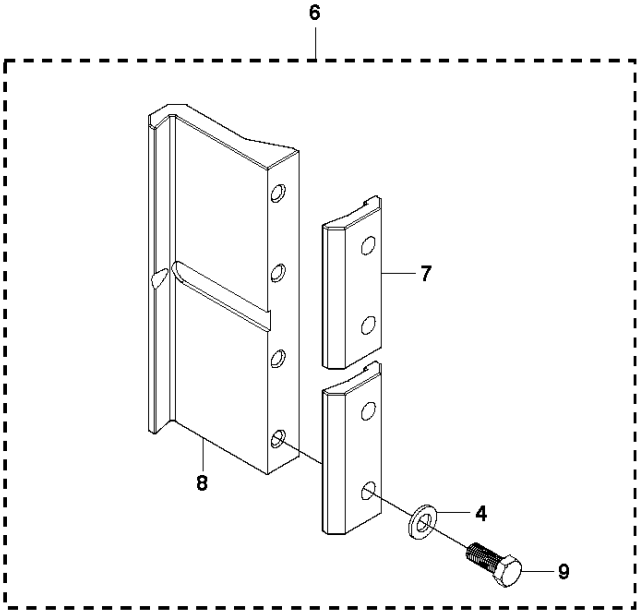
WS440 HF, WS460, WS462, WS463, WS482 HF

Ref	Part No	Description	Remark	QTY KIT	
1	591 14 90-01	PROFILE	1,2 m	1	
1	591 14 90-02	PROFILE	2,0 m	1	
1	591 14 90-03	PROFILE	2,2 m	1	
2	531 11 92-03	SCREW		2	1
3	531 11 91-83	WASHER		2	1
4	531 12 20-70	PLATE		2	1
5	725 53 64-01	SCREW IHSCM		4	1
6	531 11 91-52	RUBBER PLUG	1,2 m	4	1
6	531 11 91-52	RUBBER PLUG	2,0 m	6	1
6	531 11 91-52	RUBBER PLUG	2,2 m	7	1

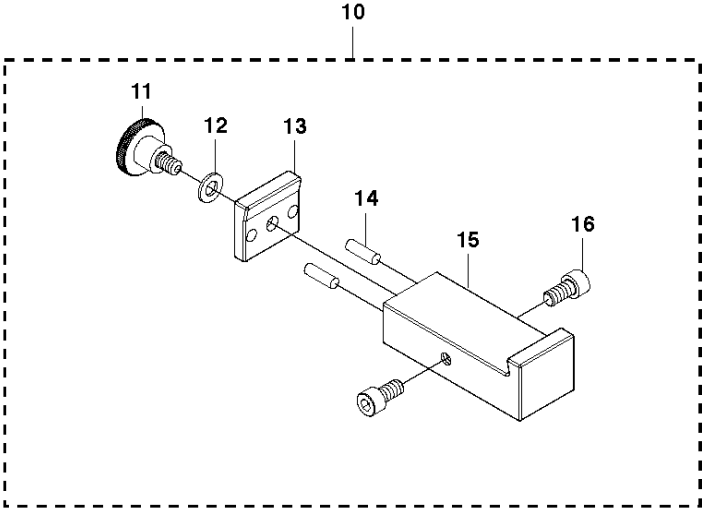
D Accessories WS 400
Mounting bracket



Coupling link complete



Track holder complete

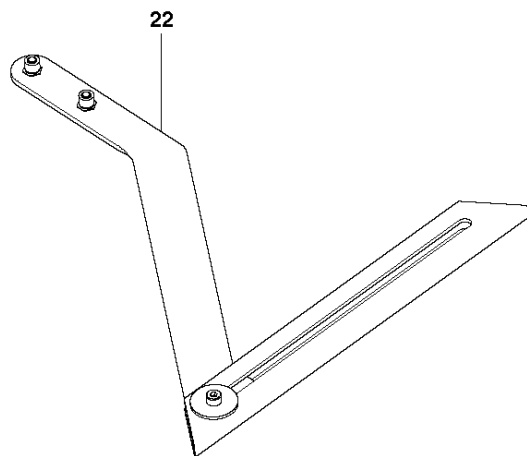
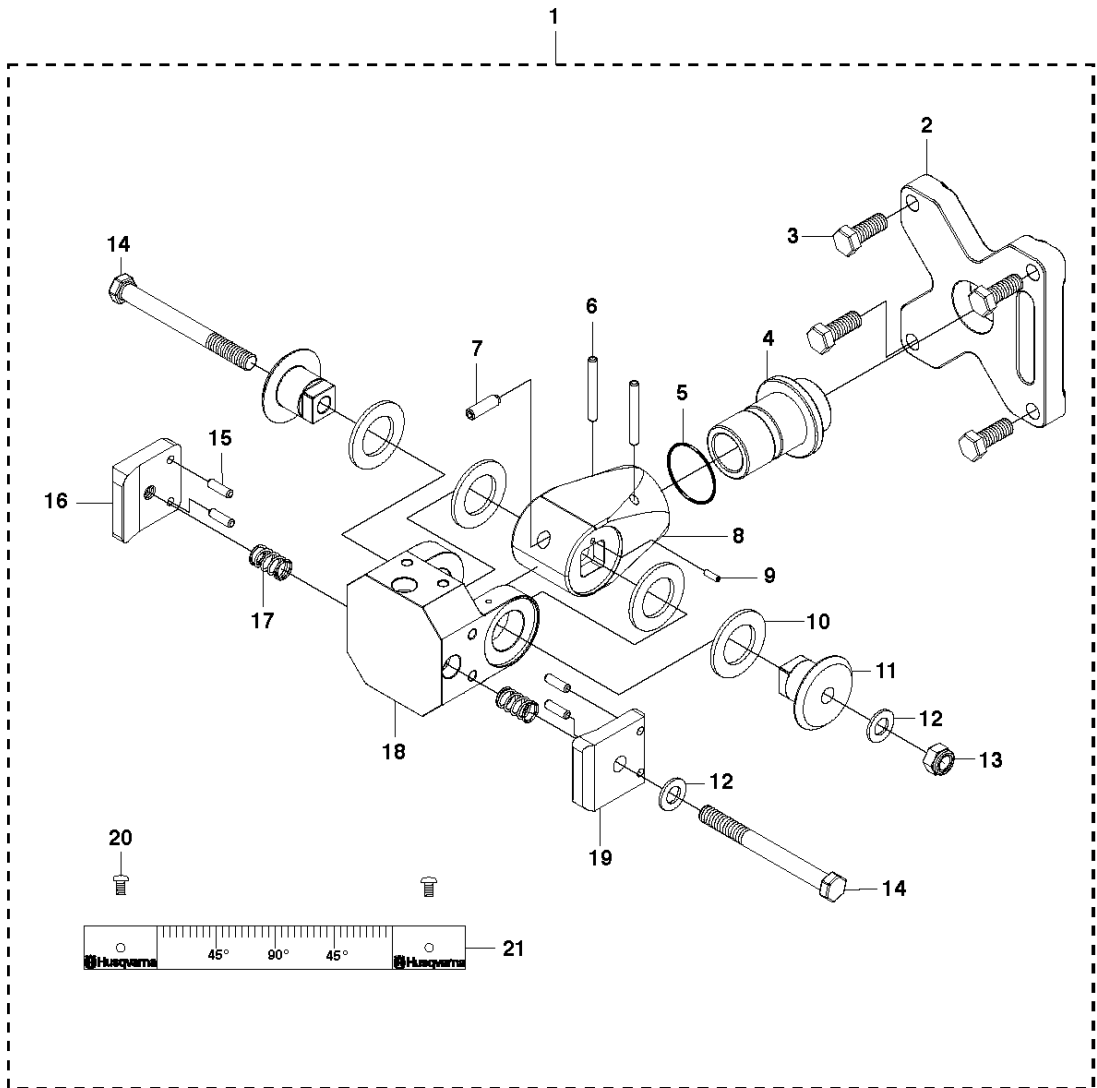


ASSEMBLY

WS440 HF, WS460, WS462, WS463, WS482 HF

Ref	Part No	Description	Remark	QTY KIT
1	531 11 32-46	BRACKET		1
2	531 12 21-18	WASHER		1
3	531 11 92-02	SCREW		2
4	531 11 91-83	WASHER		5
5	725 25 43-51	SCREW EHHM		1
6	531 11 32-47	COUPLING		1
7	531 12 30-97	PLATE		2
8	531 12 30-96	COUPLING		1
9	531 11 92-03	SCREW		4
10	531 11 32-48	HOLDER ASSY		1
11	531 11 94-56	SCREW		1
12	734 11 63-01	WASHER		1
13	531 12 30-76	PLATE		1
14	720 13 52-51	PARALLEL PIN		2
15	531 12 30-75	BRACKET		1
16	531 11 92-35	SCREW		2

E Accessories WS 400
Mounting bracket Universal
compl. 531 11 32-00

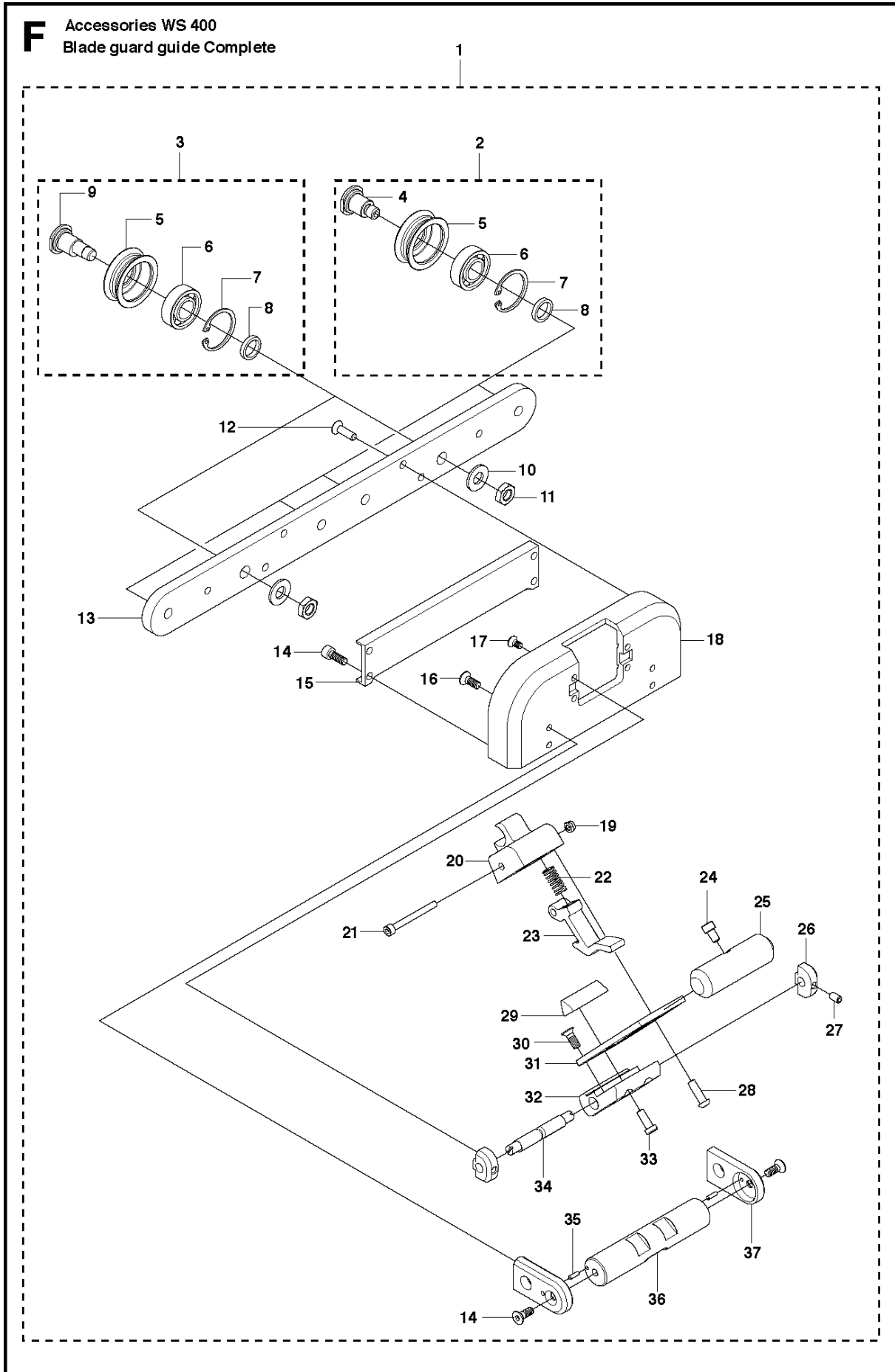


ASSEMBLY

WS440 HF, WS460, WS462, WS463, WS482 HF

Ref	Part No	Description	Remark	QTY KIT
1	531 11 32-00	BRACKET		1
2	531 12 24-54	CONSOLE		1
3	531 11 92-03	SCREW		4
4	531 12 24-55	AXLE		1
5	531 11 94-20	O-RING		1
6	720 13 65-51	PARALLEL PIN		2
7	576 65 89-01	SCREW		1
8	531 12 24-56	MOUNT		1
9	728 83 27-05	SCREW IHSETM		1
10	531 12 23-57	CLUTCH		4
11	531 12 24-60	CLUTCH		2
12	531 11 91-83	WASHER		1
13	732 25 22-71	HEXAGON LOCKING NUT		1
14	725 25 56-51	SCREW EHHM		2
15	720 13 53-50	PARALLEL PIN		4
16	531 12 24-59	NUT		1
17	531 11 93-64	SPRING		2
18	531 12 24-57	BRACKET		1
19	531 12 24-58	WASHER		1
20	531 11 95-86	SCREW		4
21	504 10 02-01	SCALE		2
22	531 11 32-65	POINTER		1

F Accessories WS 400
Blade guard guide Complete

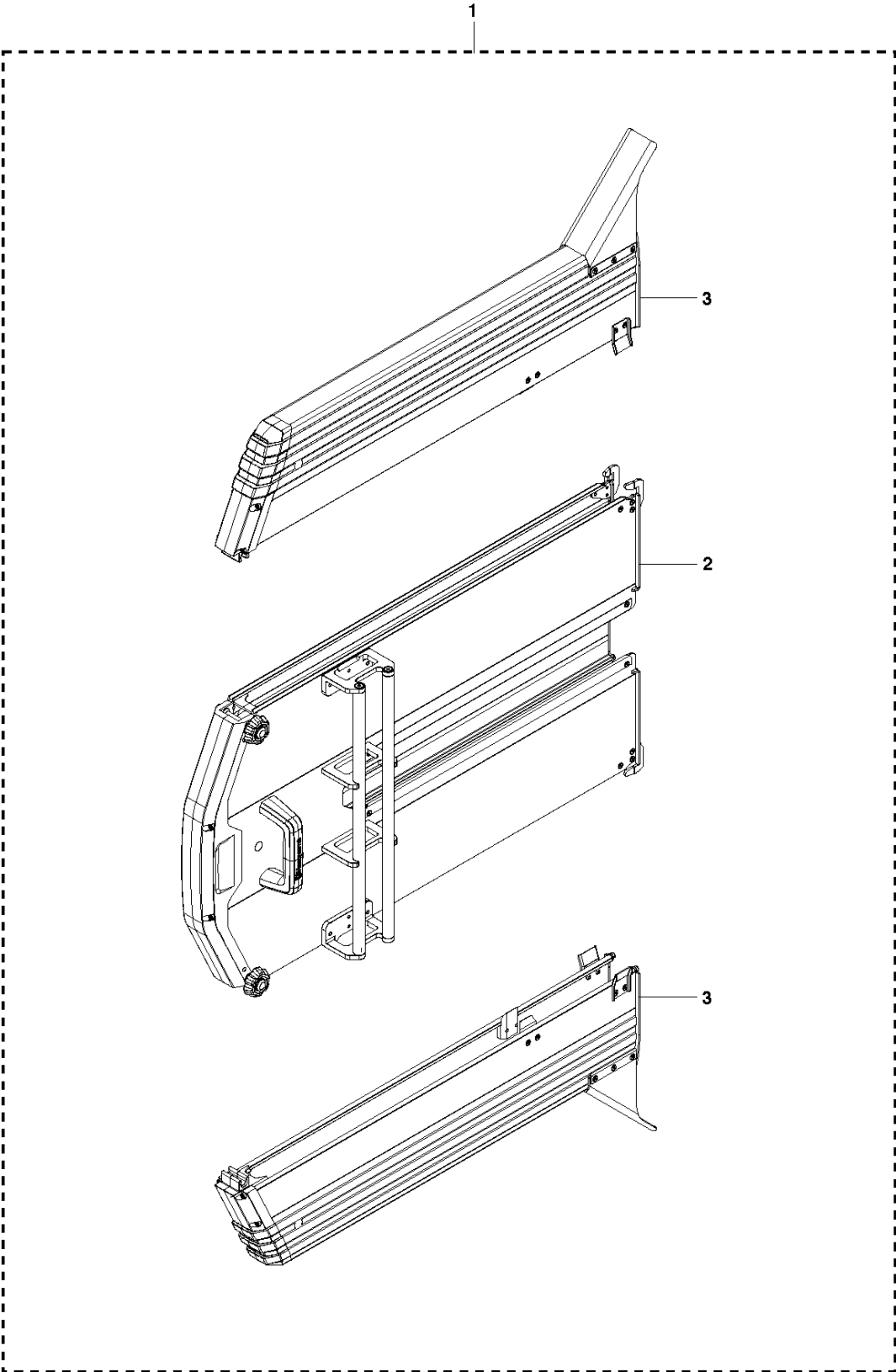


BLADE GUARD GUIDE

WS440 HF, WS460, WS462, WS463, WS482 HF

Ref	Part No	Description	Remark	QTY KIT
1	580 67 77-01	BLADE GUARD		1
2	580 67 76-01	WHEEL ASSY		4
3	580 67 76-02	WHEEL ASSY		2
4	531 12 23-58	WHEEL		4
5	531 12 21-83	WHEEL		6
6	580 43 29-01	BEARING		6
7	735 31 33-10	CIRCLIP		6
8	531 12 23-38	SPACER RING		6
9	531 12 21-82	WHEEL		2
10	531 11 91-81	WASHER		2
11	731 43 20-01	HEXAGON THIN NUT		2
12	725 63 70-51	SCREW IHCSFM		4
13	531 12 30-65	GUIDE RAIL		1
14	725 63 68-51	SCREW IHCSFM		4
15	531 12 30-66	COVER		1
16	725 63 30-51	SCREW IHCSFM		4
17	725 63 27-51	SCREW IHCSFM		4
18	505 11 29-01	HOLDER		1
19	732 25 14-01	HEXAGON LOCKING NUT		1
20	505 11 34-01	SNAP LOCKING		1
21	725 53 41-01	SCREW IHSCM		1
22	505 11 40-01	SPRING		1
23	505 11 35-01	HOOK		1
24	725 53 62-01	SCREW IHSCM		1
25	531 12 30-70	HANDLE		1
26	505 11 39-01	SHAFT SEAT		2
27	505 18 66-01	SCREW		2
28	531 11 95-89	SCREW		4
29	505 11 33-01	BEAM		1
30	725 53 68-01	SCREW IHSCM		2
31	505 11 31-01	HANDLE BRACKET		1
32	505 11 30-01	ECCENTRIC		1
33	505 18 65-01	SCREW		2
34	531 12 30-71	SHAFT		1
35	505 18 64-01	PARALLEL PIN		2
36	505 11 38-01	HANDLE		1
37	510 11 15-01	HANDLE HOLDER		2

G1 Accessories WS 400
Blade guard 800 mm

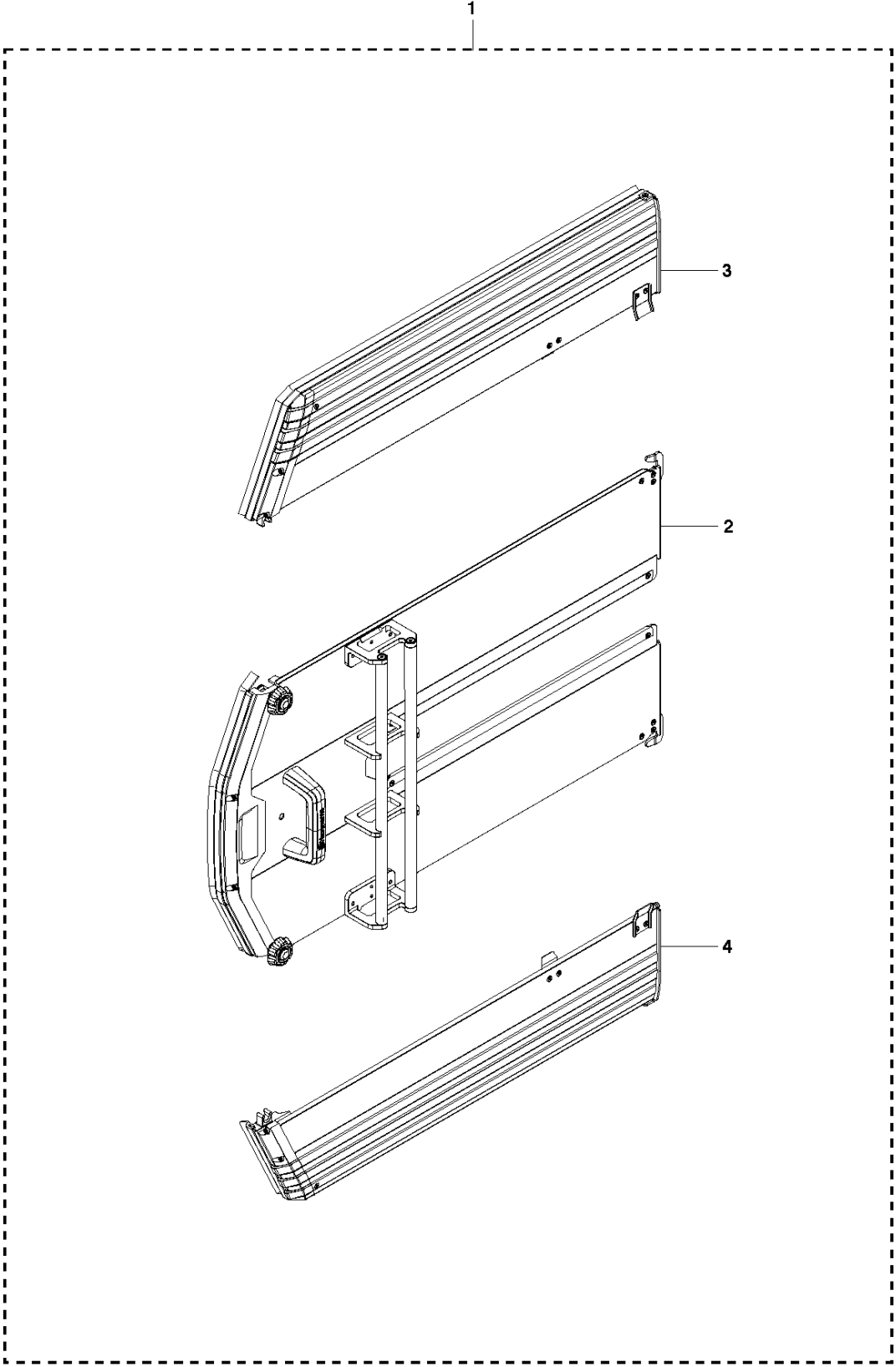


GUARDS 800mm

WS440 HF, WS460, WS462, WS463, WS482 HF

Ref	Part No	Description	Remark	QTY KIT
1	577 65 97-01	BLADE GUARD	800 mm	1
2	577 65 98-01	BLADE GUARD	800 mm	1
3	577 66 00-01	GABLE	800 mm	2

G2 Accessories WS 400
Blade guard FLUSH 800 mm

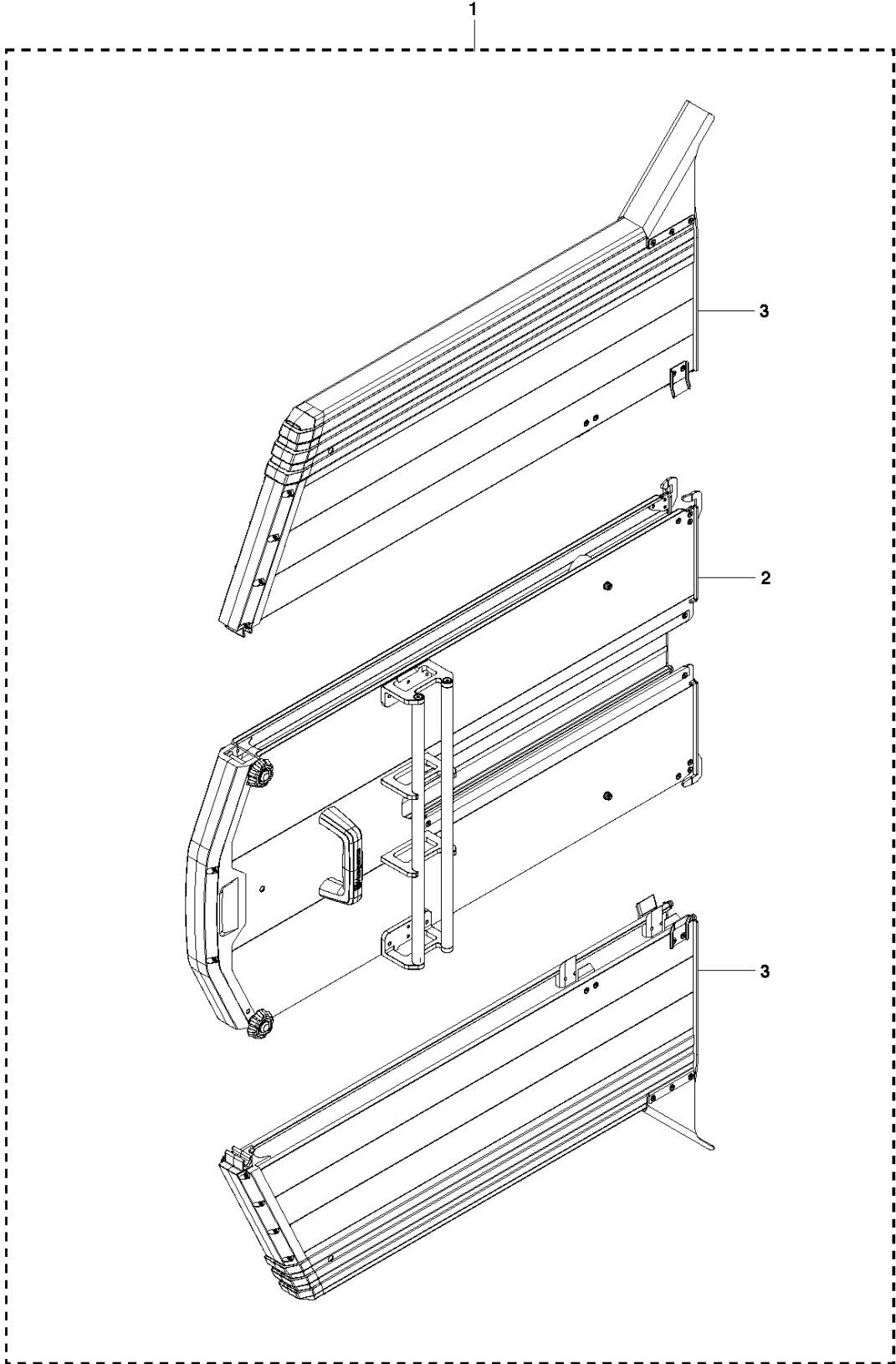


GUARDS 800mm

WS440 HF, WS460, WS462, WS463, WS482 HF

Ref	Part No	Description	Remark	QTY KIT
1	577 74 23-01	BLADE GUARD	800 mm	1
2	577 74 27-01	BLADE GUARD	800 mm	1
3	577 74 29-01	GABLE	RIGHT 800 mm	1
4	577 74 28-01	GABLE	LEFT 800 mm	1

H1 Accessories WS 400
Blade guard 1000 mm

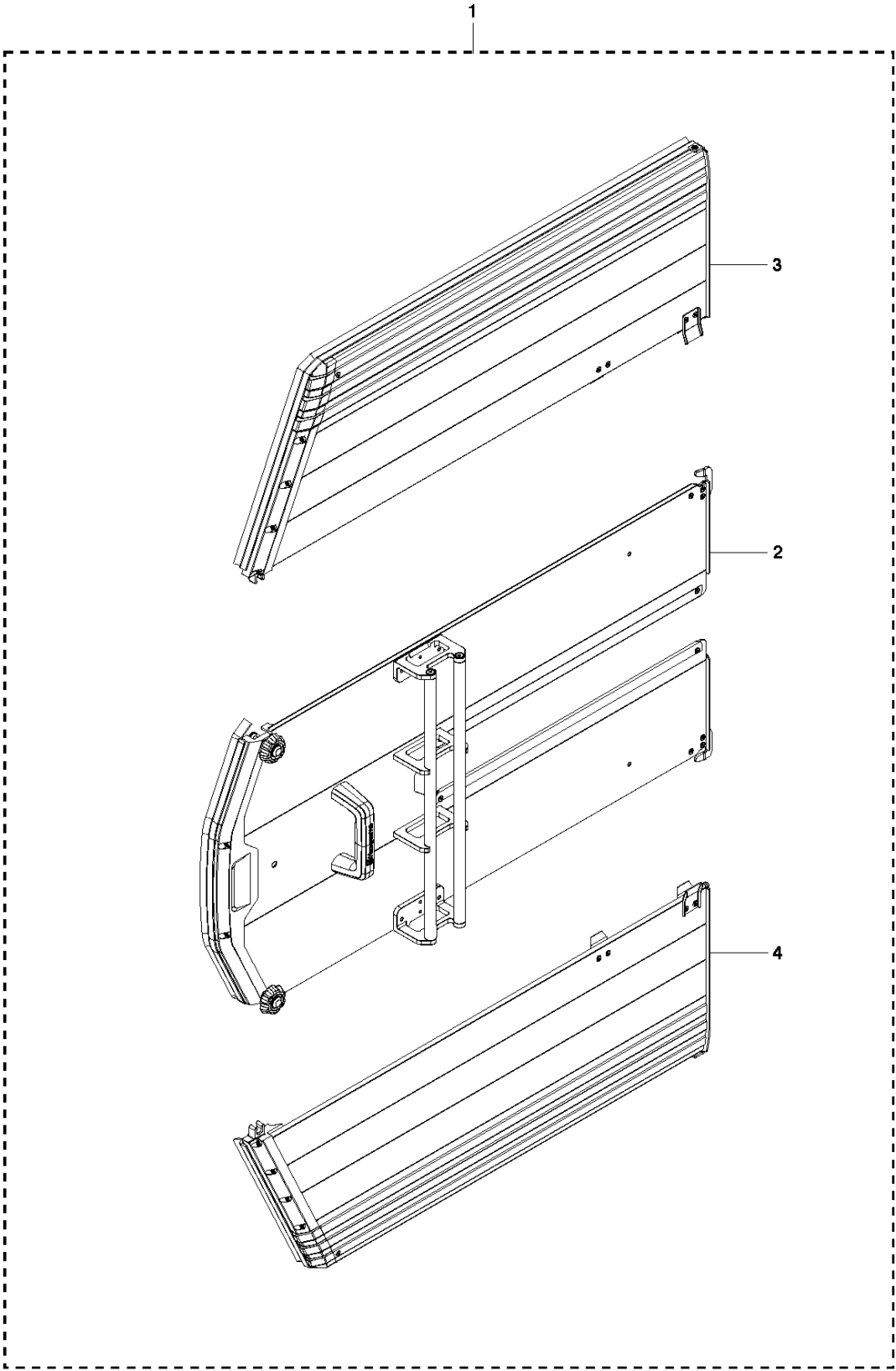


GUARDS 1000mm

WS440 HF, WS460, WS462, WS463, WS482 HF

Ref	Part No	Description	Remark	QTY KIT
1	577 66 01-01	BLADE GUARD	1000 mm	1
2	577 66 02-01	BLADE GUARD	1000 mm	1
3	577 66 03-01	GABLE	1000 mm	2

H2 Accessories WS 400
Blade guard FLUSH 1000 mm



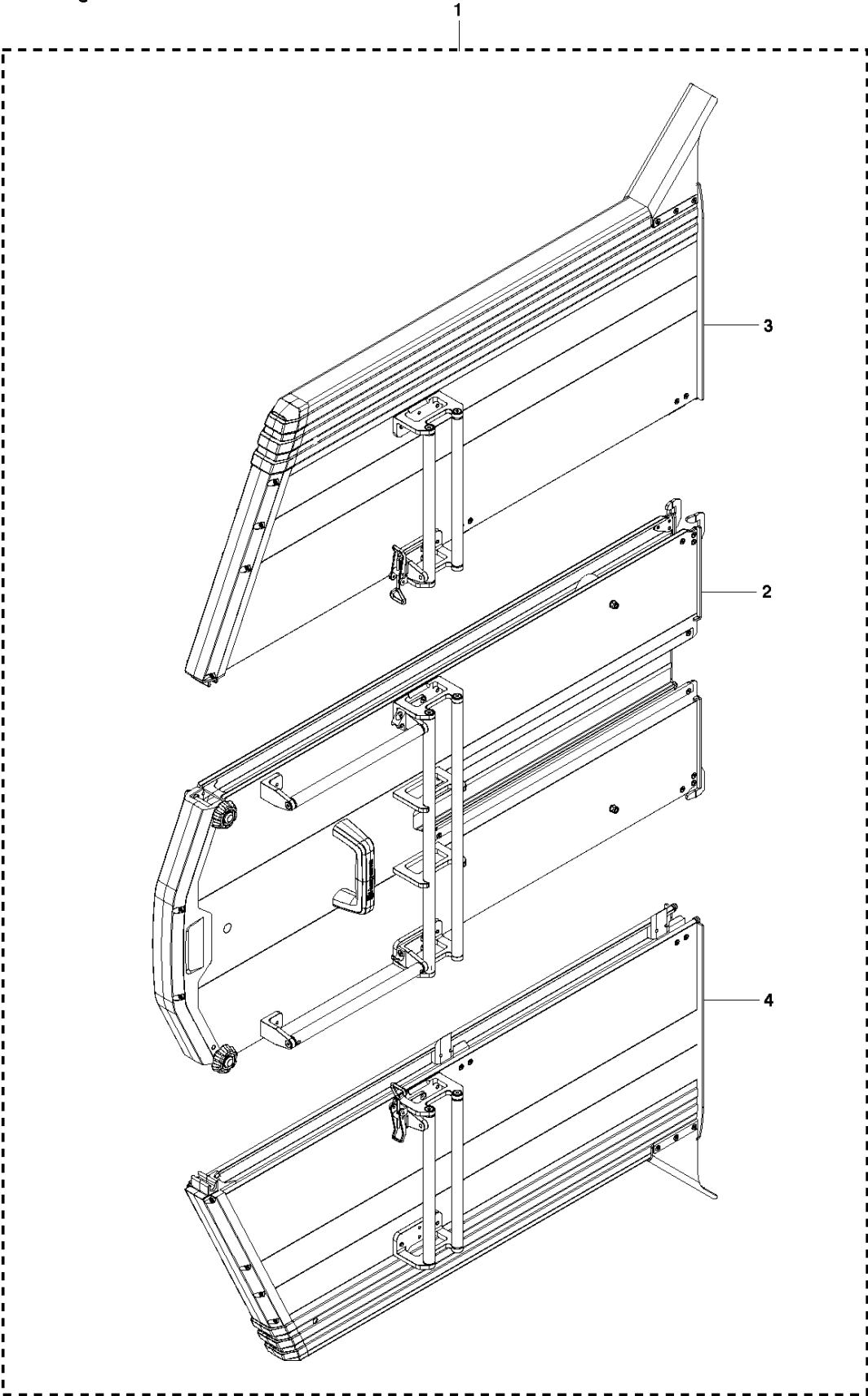
GUARDS 1000mm

WS440 HF, WS460, WS462, WS463, WS482 HF

Ref	Part No	Description	Remark	QTY KIT
1	577 74 24-01	BLADE GUARD	1000 mm	1
2	577 90 30-01	BLADE GUARD	1000 mm	1
3	577 74 32-01	GABLE	RIGHT 1000 mm	1
4	577 74 30-01	GABLE	LEFT 1000 mm	1

11

Accessories WS 400
Blade guard 1200 mm



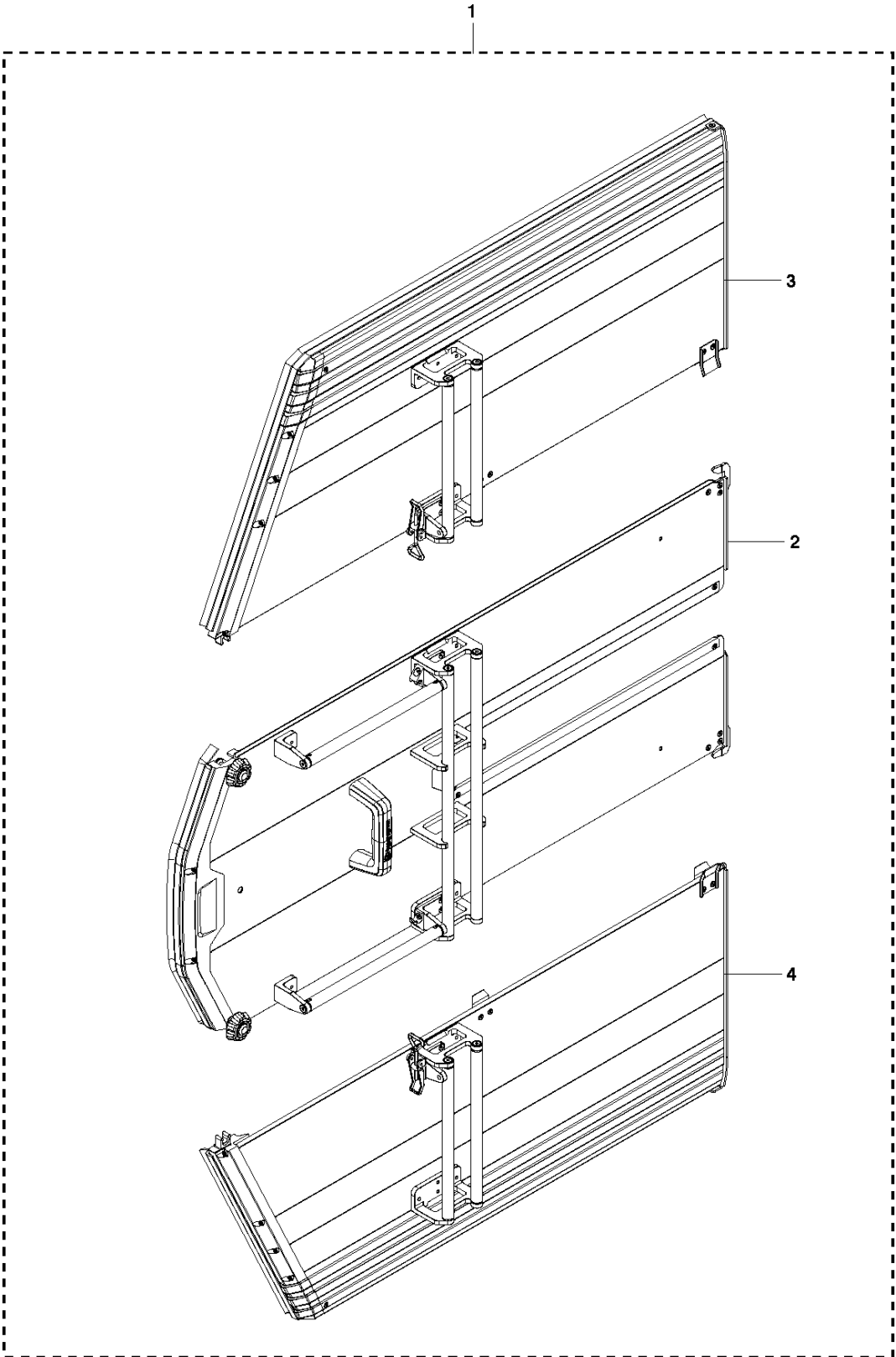
GUARDS 1200mm

WS440 HF, WS460, WS462, WS463, WS482 HF

Ref	Part No	Description	Remark	QTY KIT
1	577 66 04-01	BLADE GUARD	1200 mm	1
2	577 66 05-01	BLADE GUARD	1200 mm	1
3	577 66 07-01	GABLE	RIGHT 1200 mm	1
4	577 66 09-01	GABLE	LEFT 1200 mm	1

12

Accessories WS 400
Blade guard FLUSH 1200 mm

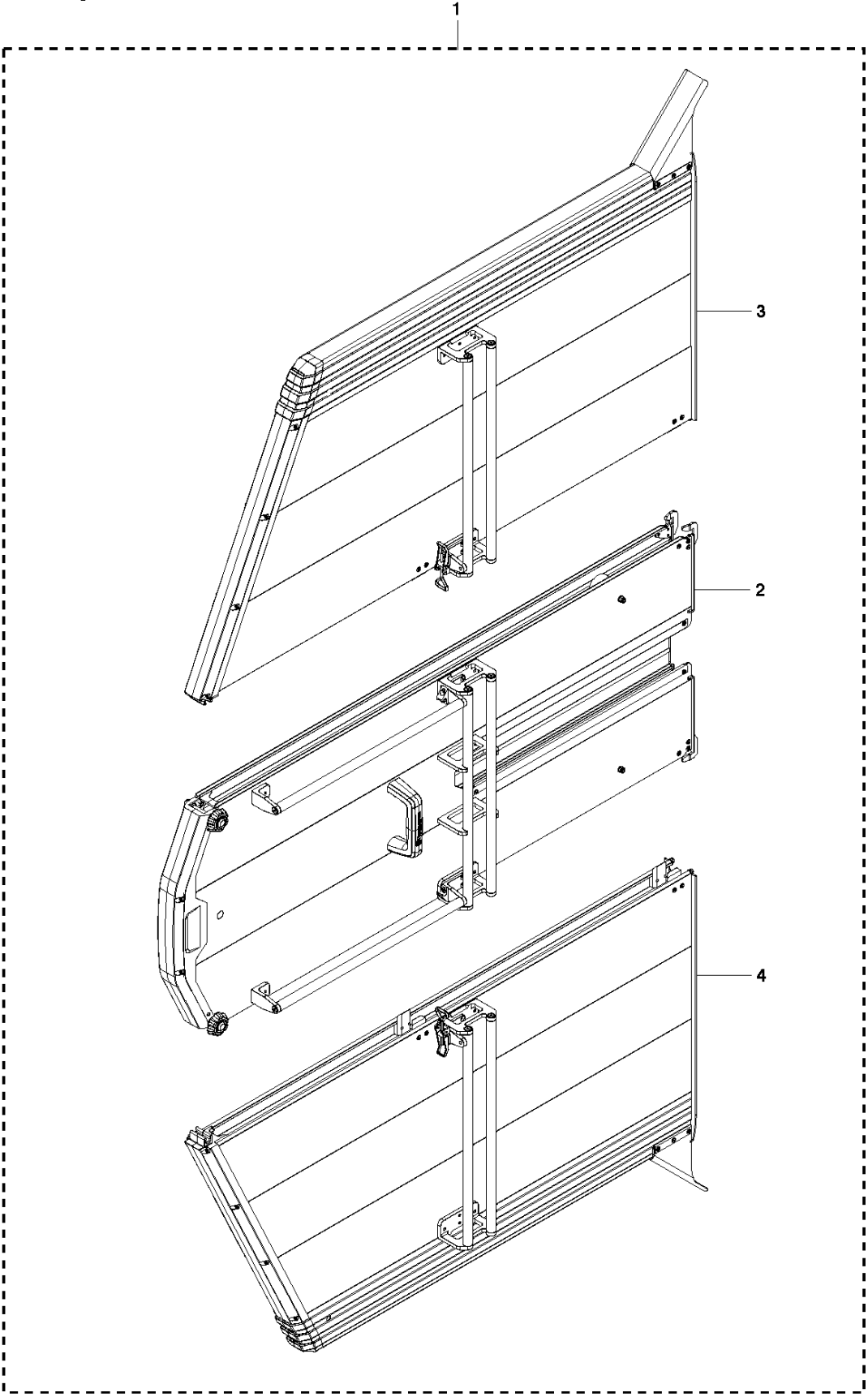


GUARDS 1200mm

WS440 HF, WS460, WS462, WS463, WS482 HF

Ref	Part No	Description	Remark	QTY KIT
1	577 74 25-01	BLADE GUARD	1200 mm	1
2	577 74 33-01	BLADE GUARD	1200 mm	1
3	577 74 35-01	GABLE	RIGHT 1200 mm	1
4	577 74 34-01	GABLE	LEFT 1200 mm	1

J1 Accessories WS 400
Blade guard 1600 mm

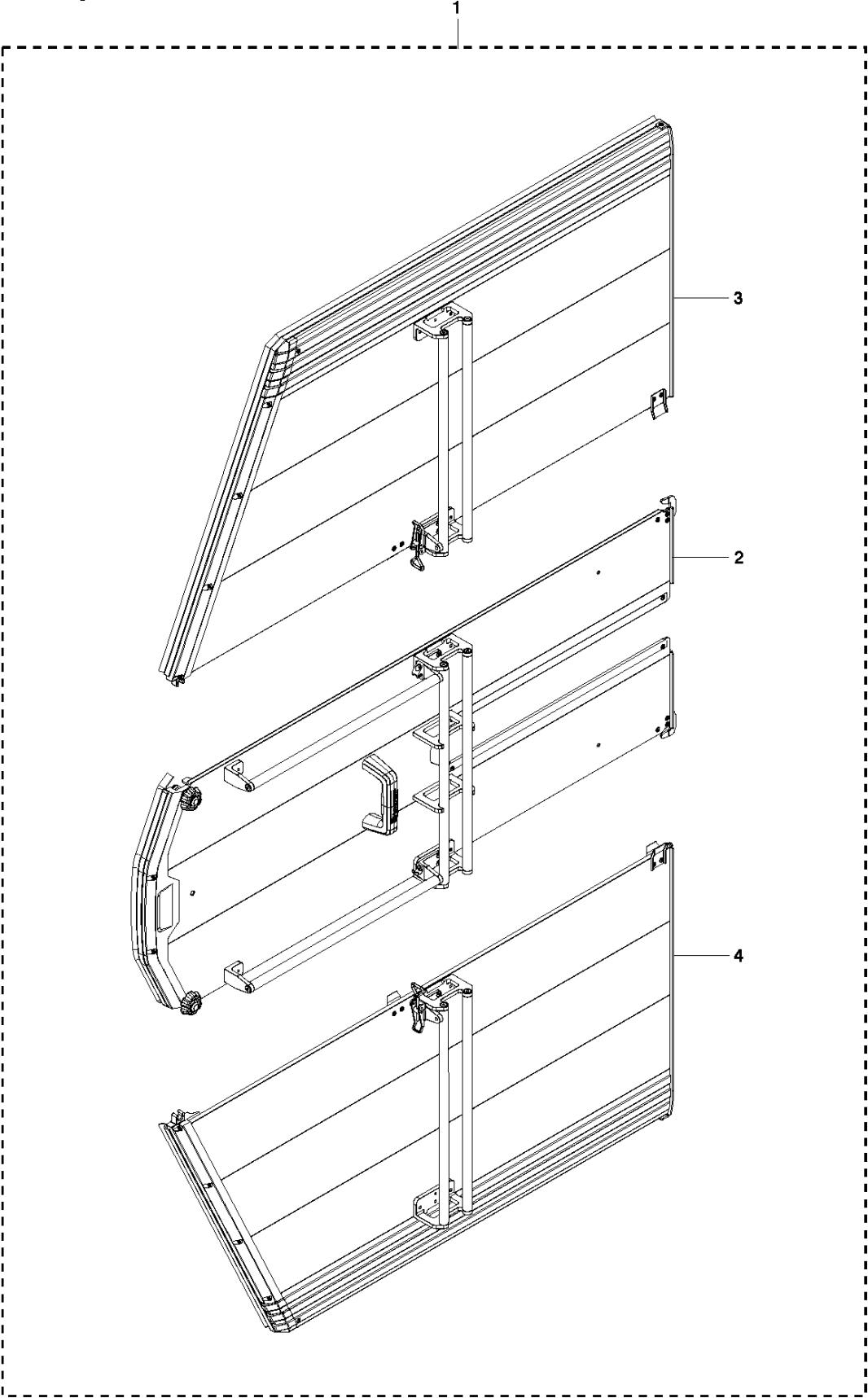


GUARDS 1600mm

WS440 HF, WS460, WS462, WS463, WS482 HF

Ref	Part No	Description	Remark	QTY KIT
1	577 66 10-01	BLADE GUARD	1600 mm	1
2	577 66 11-01	BLADE GUARD	1600 mm	1
3	577 66 12-01	GABLE	RIGHT 1600 mm	1
4	577 66 14-01	GABLE	LEFT 1600 mm	1

J2 Accessories WS 400
Blade guard FLUSH 1600 mm

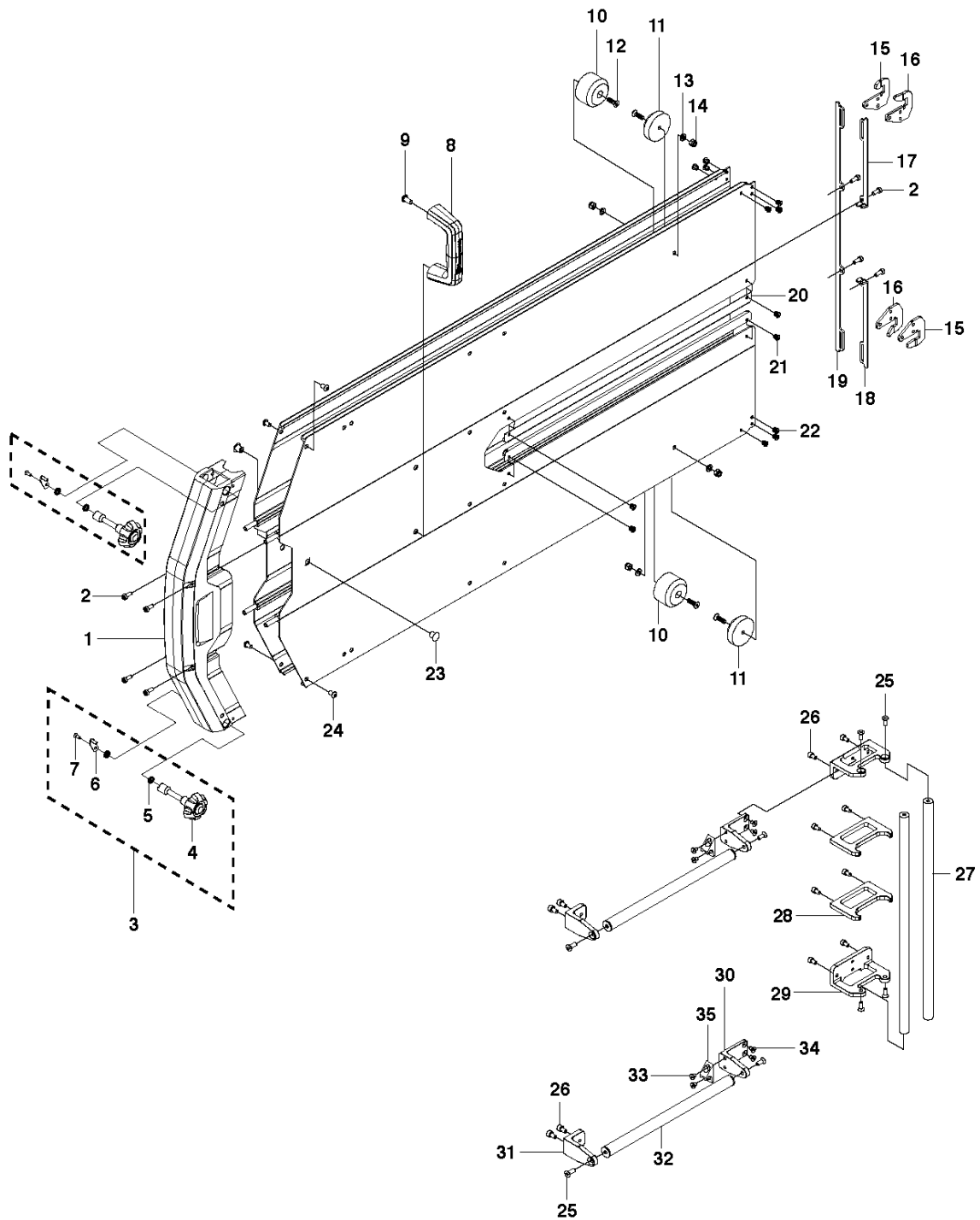


GUARDS 1600mm

WS440 HF, WS460, WS462, WS463, WS482 HF

Ref	Part No	Description	Remark	QTY KIT
1	577 74 26-01	BLADE GUARD	1600 mm	1
2	577 90 31-01	BLADE GUARD	1600 mm	1
3	577 74 37-01	GABLE	RIGHT 1600 mm	1
4	577 74 36-01	GABLE	LEFT 1600 mm	1

K Accessories WS 400
Blade guard Centre section



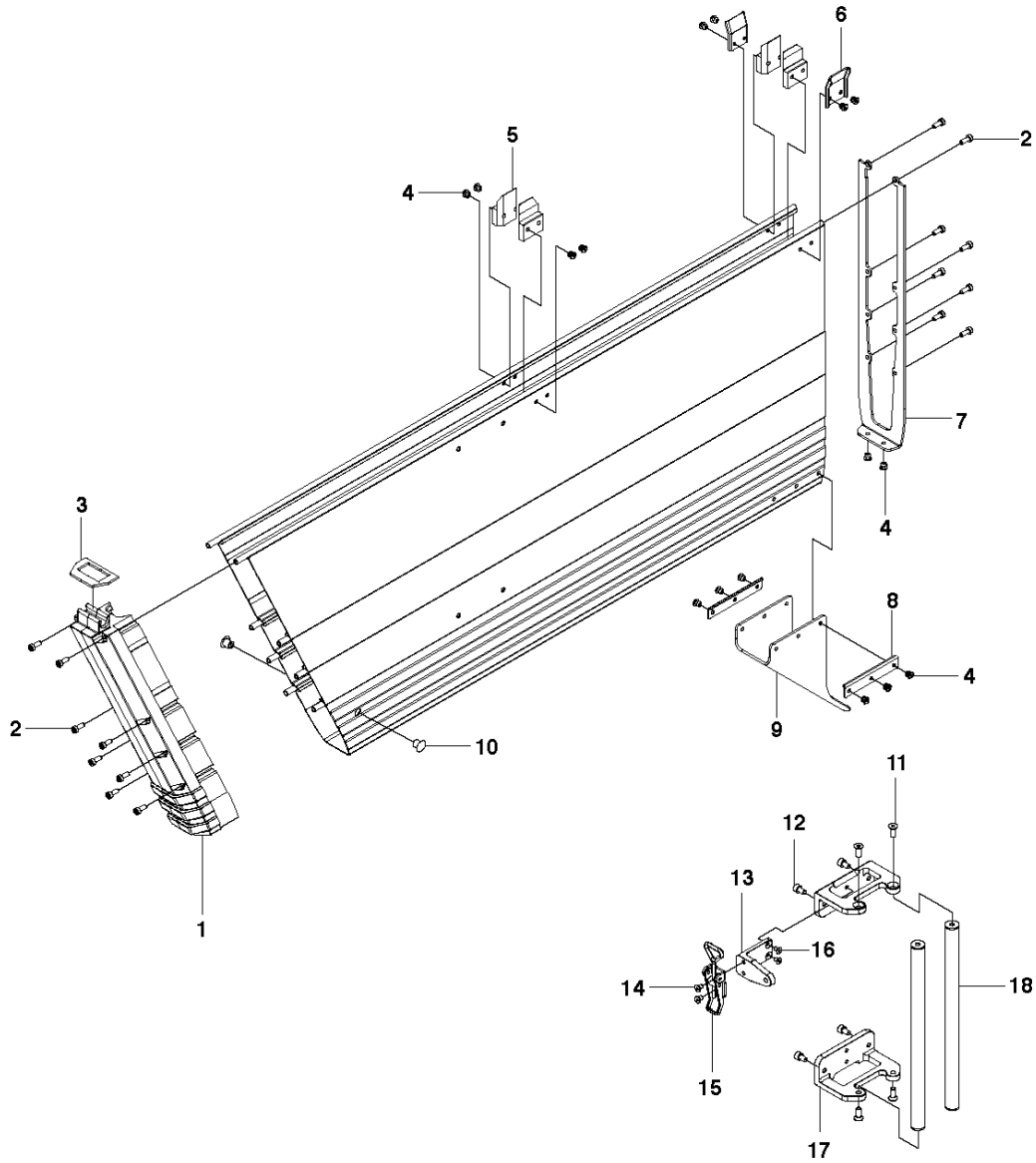
BLADE GUARD CENTRE

WS440 HF, WS460, WS462, WS463, WS482 HF

Ref	Part No	Description	Remark	QTY KIT
1	577 44 62-02	FITTING		
2	504 90 94-14	SCREW ITXSCT		
3	586 96 16-01	KNOB		
4	587 09 01-01	KNOB		
5	580 96 45-01	V-RING		
6	580 26 22-01	HOOK		
7	580 32 73-01	SCREW		
8	541 40 49-09	HANDLE		
9	579 56 61-01	SCREW		
10	531 12 21-68	GUIDE		
11	531 12 21-69	GUIDE		
12	725 63 70-51	SCREW IHCSFM		
13	734 11 52-01	WASHER		
14	732 25 16-01	HEXAGON LOCKING NUT		
15	577 48 49-01	HITCH		
16	577 48 48-01	HITCH		
17	577 61 31-01	LINK		
18	577 61 30-01	LINK		
19	577 61 29-01	LINK		
20	577 71 08-01	GUIDE BAR		
21	581 28 51-01	RIVET		
22	578 98 77-01	RIVET		
23	580 96 46-01	RUBBER PLUG		
24	579 56 60-01	SCREW		
25	579 56 58-01	SCREW		
26	579 56 59-01	SCREW		
27	531 12 30-63	RAIL		
28	577 69 93-01	FIXTURE		
29	577 69 92-01	FIXTURE		
30	580 68 76-01	ANGLE BRACKET		
31	580 68 76-02	ANGLE BRACKET		
32	577 44 55-01	GUIDE RAIL		
32	531 12 30-63	RAIL		
33	586 87 05-01	SCREW IHCSFM		
34	725 63 28-51	SCREW IHCSFM		
35	579 52 07-01	HOOK		



Accessories WS 400
Blade guard Gable section

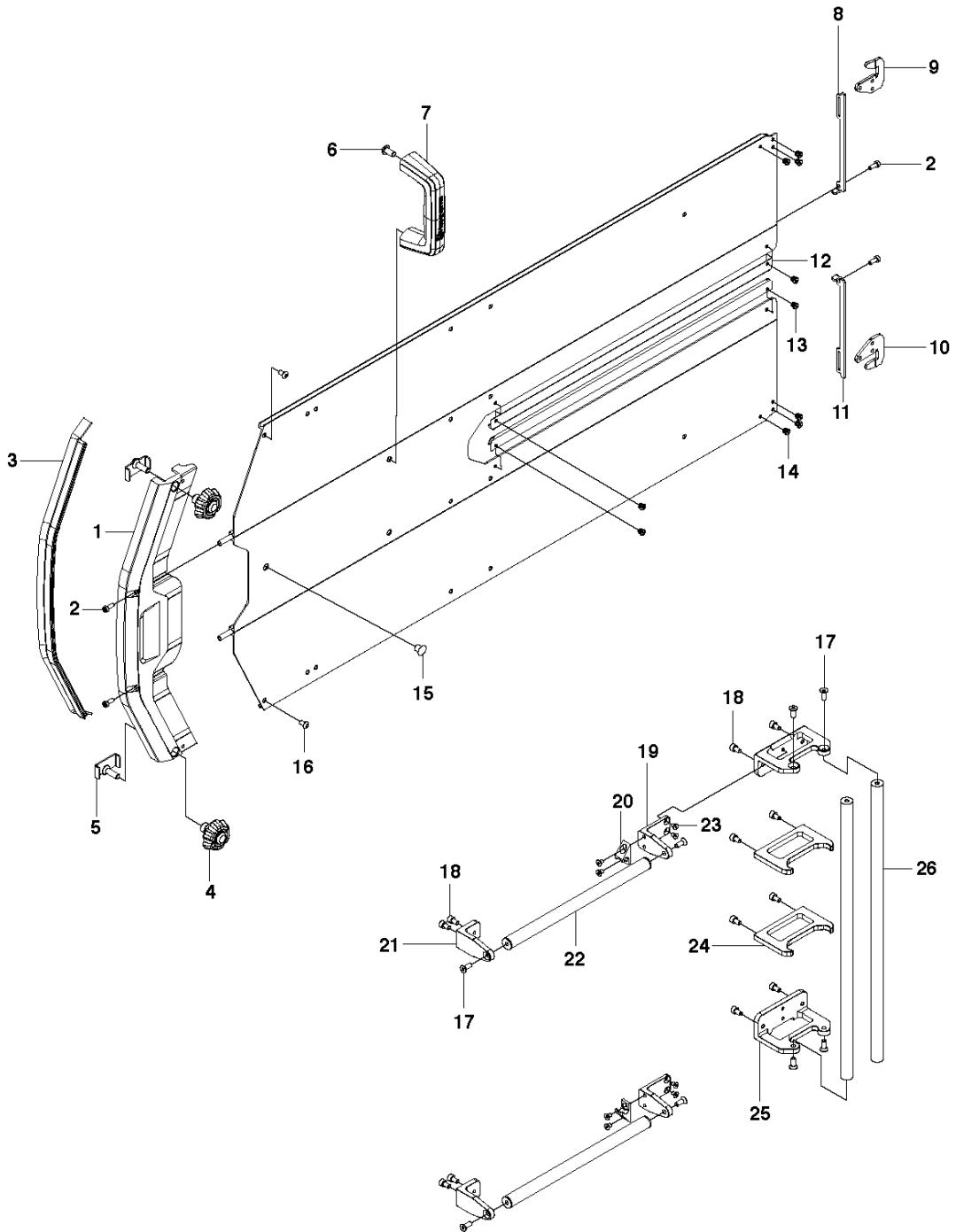


BLADE GUARD GABLE

WS440 HF, WS460, WS462, WS463, WS482 HF

Ref	Part No	Description	Remark	QTY KIT
1	577 44 63-07	GABLE	800 mm	1
1	577 44 64-05	GABLE	1000 mm	1
1	577 44 65-05	GABLE	1200 mm	1
1	577 44 67-05	GABLE	1600 mm	1
2	504 90 94-14	SCREW ITXSCT	(8 pcs on 800 mm)	16
3	580 95 79-01	GASKET		1
4	578 98 77-01	RIVET		16
5	579 43 67-01	GUIDE PLATE		4
6	580 32 33-01	GUIDE		2
7	577 61 36-02	CAP	800 mm	1
7	577 61 37-02	COVER	1000 mm	1
7	577 61 38-02	COVER	1200 mm	1
7	577 61 39-02	COVER	1600 mm	1
8	577 48 56-01	WASHER		2
9	577 61 40-01	SPRAY GUARD		1
10	580 96 46-01	RUBBER PLUG		2
11	579 56 58-01	SCREW		4
12	579 56 59-01	SCREW		4
13	580 68 76-01	ANGLE BRACKET		1
14	586 87 05-01	SCREW IHCSFM		2
15	531 11 90-80	SNAP LOCKING		1
16	725 63 28-51	SCREW IHCSFM		2
17	577 69 92-01	FIXTURE		2
18	577 44 55-01	GUIDE RAIL	1200 mm	2
18	531 12 30-63	RAIL	1600 mm	2

M Accessories WS 400
Blade guard FLUSH Centre section



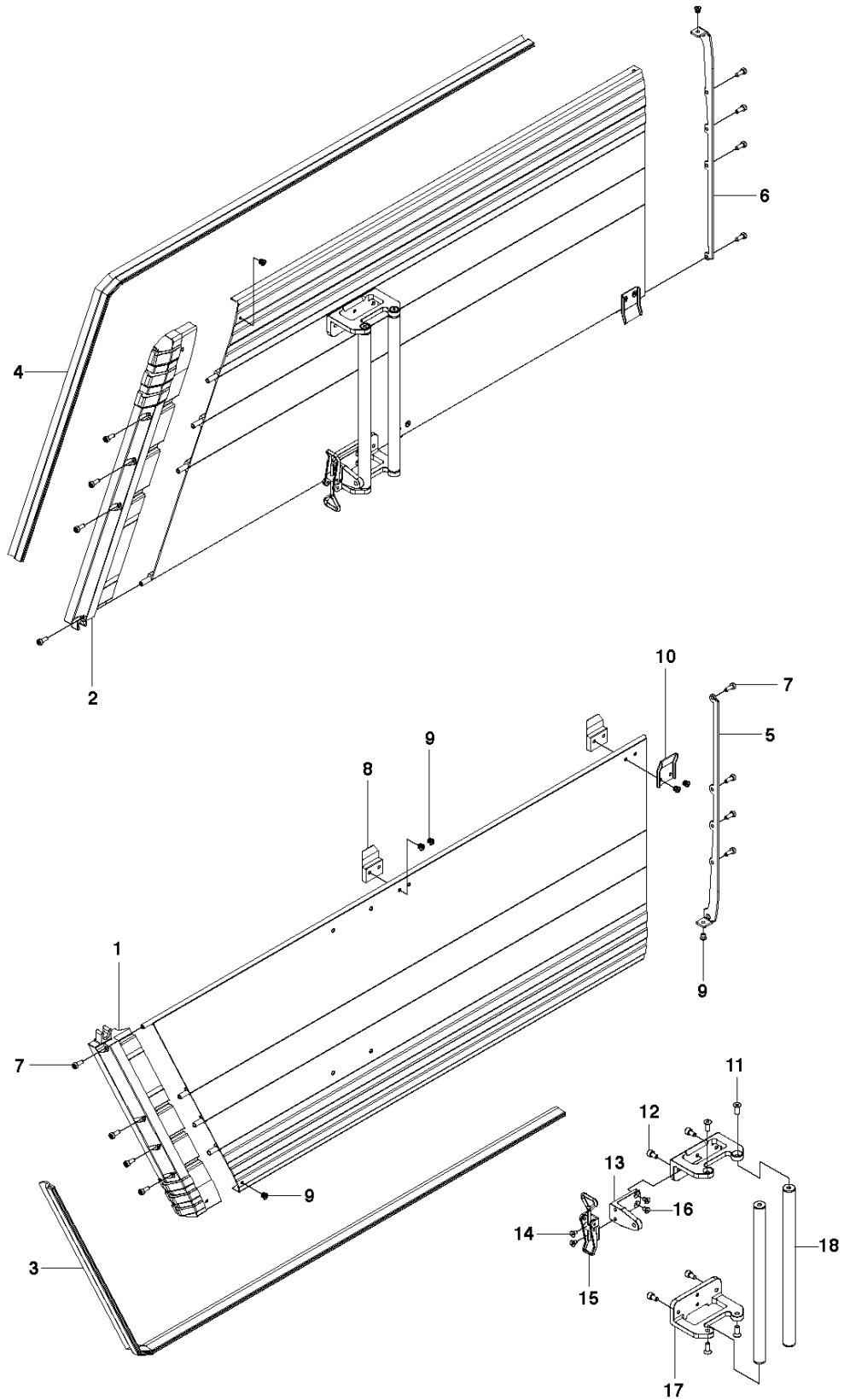
BLADE GUARD FLUSH CENTRE

WS440 HF, WS460, WS462, WS463, WS482 HF

Ref	Part No	Description	Remark	QTY KIT
1	577 44 62-03	FITTING	800-1600 mm	1
2	504 90 94-14	SCREW ITXSCT		4
3	577 74 50-01	STRIP		1
4	580 68 18-01	KNOB		2
5	585 52 75-01	HOLDER		2
6	579 56 61-01	SCREW		2
7	541 40 49-09	HANDLE		1
8	577 61 31-01	LINK		1
9	577 48 48-01	HITCH		1
10	577 48 49-01	HITCH		1
11	577 61 30-01	LINK		1
12	577 71 08-01	GUIDE BAR		2
13	581 28 51-01	RIVET		4
14	578 98 77-01	RIVET		6
15	580 96 46-01	RUBBER PLUG		1
16	579 56 60-01	SCREW		2
17	579 56 58-01	SCREW		8
18	579 56 59-01	SCREW		10
19	580 68 76-01	ANGLE BRACKET		2
20	579 52 07-01	HOOK		2
21	580 68 76-02	ANGLE BRACKET		2
22	577 44 55-01	GUIDE RAIL	1200 mm	2
22	531 12 30-63	RAIL	1600 mm	2
23	725 63 28-51	SCREW IHCSFM		4
24	577 69 93-01	FIXTURE		2
25	577 69 92-01	FIXTURE		2
26	531 12 30-63	RAIL		2

N

Accessories WS 400
Blade guard FLUSH Gable section

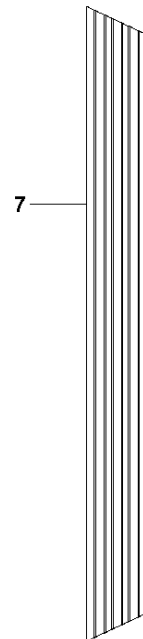
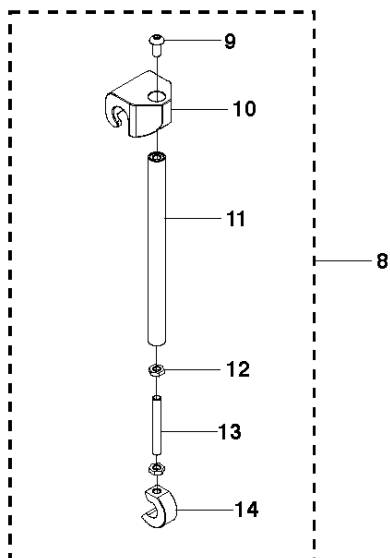
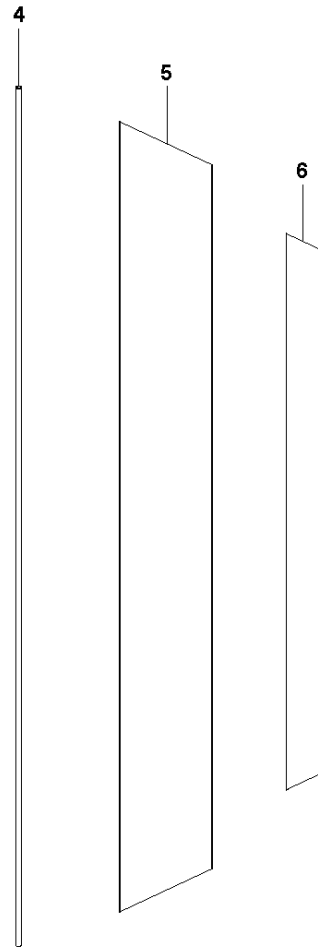
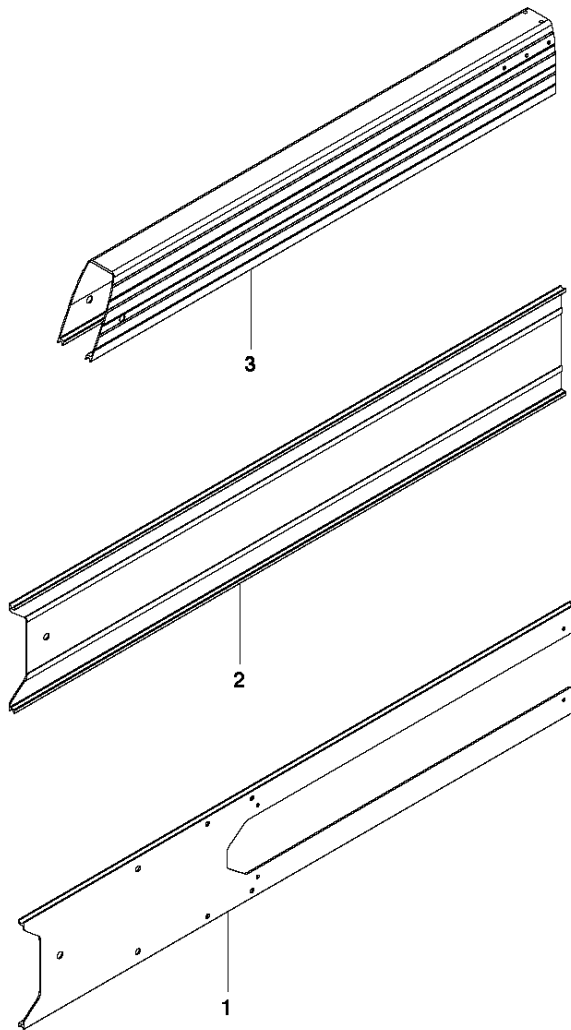


BLADE GUARD FLUSH GABLE

WS440 HF, WS460, WS462, WS463, WS482 HF

Ref	Part No	Description	Remark	QTY KIT
1	577 44 63-03	GABLE	LEFT 800 mm	1
1	577 44 64-03	GABLE	LEFT 1000 mm	1
1	577 44 65-03	GABLE	LEFT 1200 mm	1
1	577 44 67-03	GABLE	LEFT 1600 mm	1
2	577 44 63-04	GABLE	RIGHT 800 mm	1
2	577 44 64-04	GABLE	RIGHT 1000 mm	1
2	577 44 65-04	GABLE	RIGHT 1200 mm	1
2	577 44 67-04	GABLE	RIGHT 1600 mm	1
3	577 74 51-03	COVER	LEFT 800 mm	1
3	577 74 51-04	COVER	LEFT 1000 mm	1
3	577 74 51-05	COVER	LEFT 1200 mm	1
3	577 74 51-06	COVER	LEFT 1600 mm	1
4	577 74 52-03	COVER	RIGHT 800 mm	1
4	577 74 52-04	COVER	RIGHT 1000 mm	1
4	577 74 52-05	COVER	RIGHT 1200 mm	1
4	577 74 52-06	COVER	RIGHT 1600 mm	1
5	577 74 40-01	COVER	LEFT 800 mm	1
5	577 74 42-01	COVER	LEFT 1000 mm	1
5	577 74 44-01	COVER	LEFT 1200 mm	1
5	577 74 46-01	COVER	LEFT 1600 mm	1
6	577 74 41-01	COVER	RIGHT 800 mm	1
6	577 74 43-01	COVER	RIGHT 1000 mm	1
6	577 74 45-01	COVER	RIGHT 1200 mm	1
6	577 74 47-01	COVER	RIGHT 1600 mm	1
7	504 90 94-14	SCREW ITXSCT	(4 pcs on 800 mm)	8
8	579 43 67-01	GUIDE PLATE		2
9	578 98 77-01	RIVET		6
10	580 32 33-01	GUIDE		1
11	579 56 58-01	SCREW		4
12	579 56 59-01	SCREW		4
13	580 68 76-01	ANGLE BRACKET		1
14	586 87 05-01	SCREW IHCSFM		2
15	531 11 90-80	SNAP LOCKING		1
16	725 63 28-51	SCREW IHCSFM		2
17	577 69 92-01	FIXTURE		2
18	577 44 55-01	GUIDE RAIL	1200 mm	2
18	531 12 30-63	RAIL	1600 mm	2

O Accessories WS 400
Blade guard parts

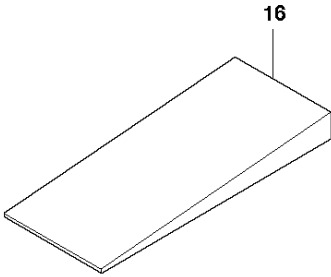
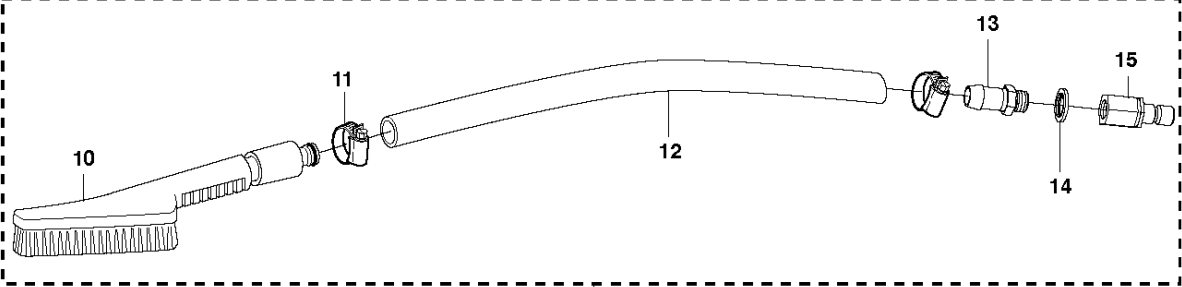
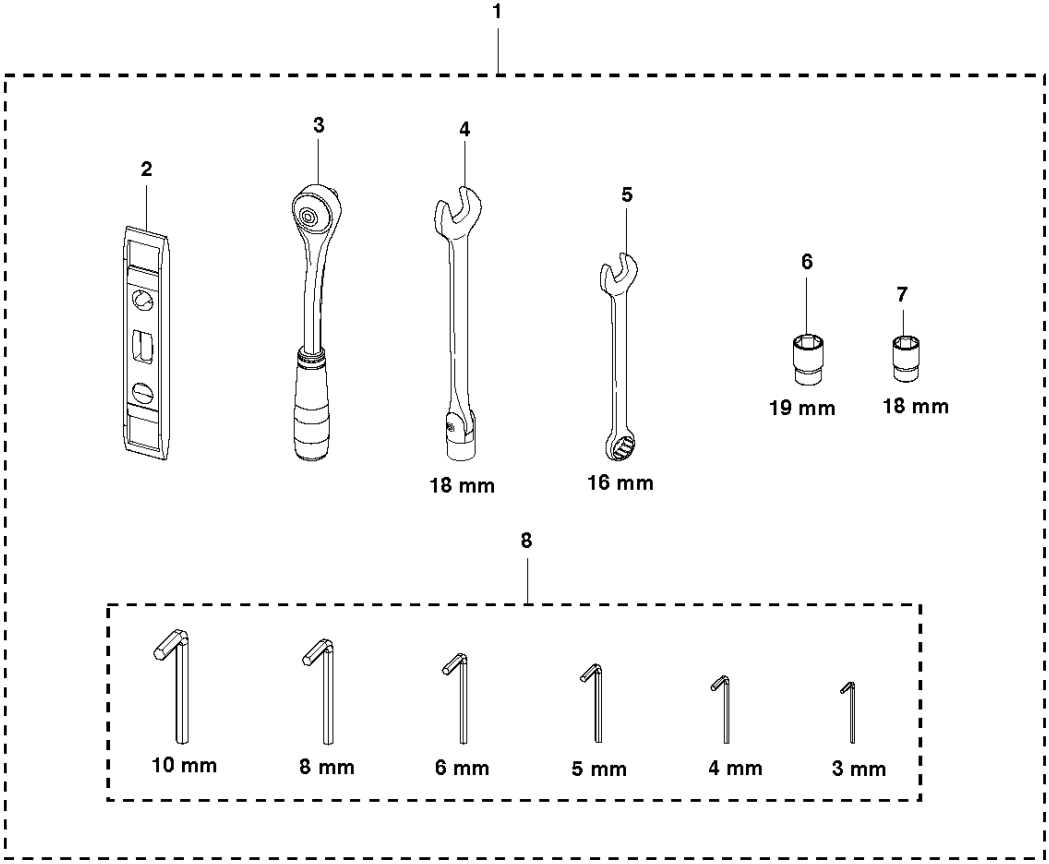


BLADE GUARD PARTS

WS440 HF, WS460, WS462, WS463, WS482 HF

Ref	Part No	Description	Remark	QTY KIT
1	576 14 15-08	BAFFLE PLATE	INNER 800 mm	1
1	576 14 15-12	BAFFLE PLATE	INNER 1000 mm	1
1	576 14 15-16	BAFFLE PLATE	INNER 1200 mm	1
1	576 14 15-30	BAFFLE PLATE	INNER 1600 mm	1
2	576 14 15-31	BAFFLE PLATE	OUTER UNIVERSAL	1
3	581 11 35-02	PROFILE	800 mm	1
3	581 11 35-03	PROFILE	1000 mm	1
3	581 11 35-04	PROFILE	1200 mm	1
3	581 11 35-05	PROFILE	1600 mm	1
4	576 25 00-26	FRAME	UNIVERSAL (1334 mm)	1
5	587 04 70-01	PROFILE	UNIVERSAL	1
6	587 04 73-01	PROFILE	UNIVERSAL	1
7	587 04 72-01	PROFILE	UNIVERSAL	1
8	581 00 61-01	STRUT		1
9	531 11 95-24	SCREW		1
10	580 97 65-01	HOOK		1
11	580 90 22-01	ARBOR SHAFT		1
12	731 43 20-01	HEXAGON THIN NUT		2
13	531 11 95-46	PIN		1
14	531 12 31-69	CLAMP		1

P Accessories WS 400
Tools



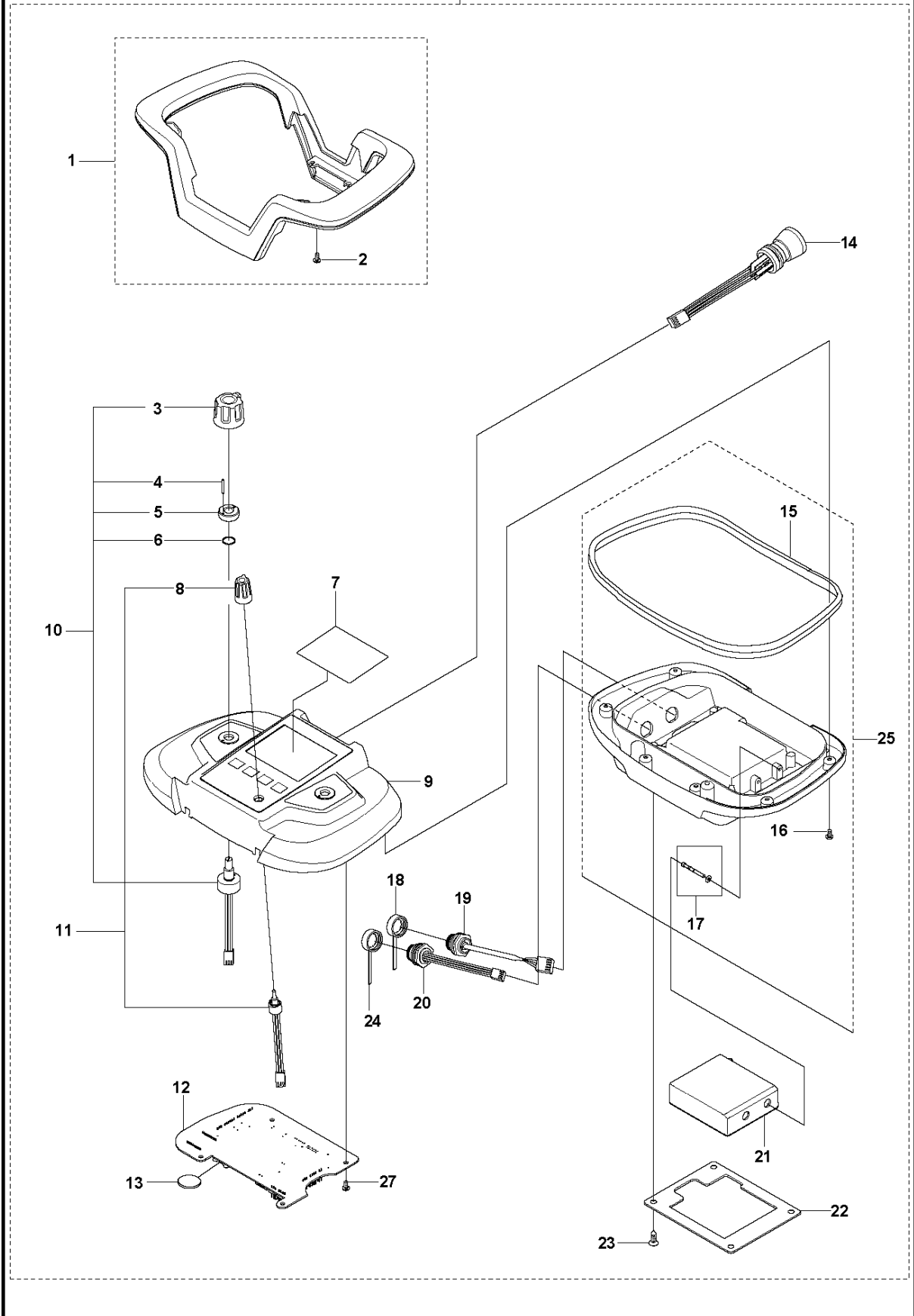
TOOLS

WS440 HF, WS460, WS462, WS463, WS482 HF

Ref	Part No	Description	Remark	QTY KIT
1	501 37 52-01	TOOL KIT		1
2	531 11 95-31	TOOL		1
3	531 11 95-32	TOOL		1
4	531 11 90-65	WRENCH		1
5	531 11 95-33	TOOL		1
6	531 11 95-41	SOCKET		1
7	531 11 95-34	SERVICE TOOLS		1
8	525 45 52-01	HEX KEY		1
9	531 11 32-68	BRUSH		1
10	531 11 95-53	BRUSH		1
11	531 11 90-15	CLAMP		1
12	531 11 83-18	HOSE KIT		1
13	531 11 83-25	NIPPLE		1
14	740 38 27-01	SEALING WASHER		1
15	531 11 82-18	QUICK COUPLING		1
16	585 02 20-01	WEDGE		6

Q WS 440HF, WS 460, WS 462, WS 463, WS 482HF
REMOTE CONTROL

26



REMOTE CONTROL

WS440 HF, WS460, WS462, WS463, WS482 HF

Ref	Part No	Description	Remark	QTY KIT	
1	576 25 34-01	HANDLE ASSY		1	
2	578 77 61-01	SCREW ITXPANT		4	1
3	576 25 94-01	TURNING KNOB ASSY		2	10
4	720 11 90-00	PARALLEL PIN		2	10
5	576 26 14-01	NUT		2	10
6	576 26 16-01	O-RING		2	10
7	585 30 68-01	PROTECTION		1	
8	577 73 55-01	KNOB		1	11
9	585 96 39-01	DISPLAY	Also includes pos 18	1	
10	577 70 95-01	CONTROL		2	
11	577 70 94-01	CONTROL		1	
12	581 00 08-02	PRINTED CIRCUIT ASSY		1	
13	577 76 37-01	BATTERY		1	
14	576 81 51-01	SWITCH		1	
15	576 88 80-02	SEALING STRIP		1	25
16	578 77 61-02	SCREW ITXPANT		8	25
17	577 71 10-01	SPRING PIN		2	25
18	575 24 22-01	LID		1	
19	575 22 93-01	CONTACT	USB	1	
20	576 87 78-02	CONTACT	CAN	1	
21	587 31 16-01	BATTERY		1	
22	510 10 85-01	PLATE		1	
23	523 00 52-01	SCREW CRCSFT		4	
24	585 47 86-01	RUBBER PLUG		1	
25	586 18 04-01	COVER		1	
26	578 28 48-02	REMOTE CONTROL		1	
27	729 52 55-75	SCREW CRPANT		4	