

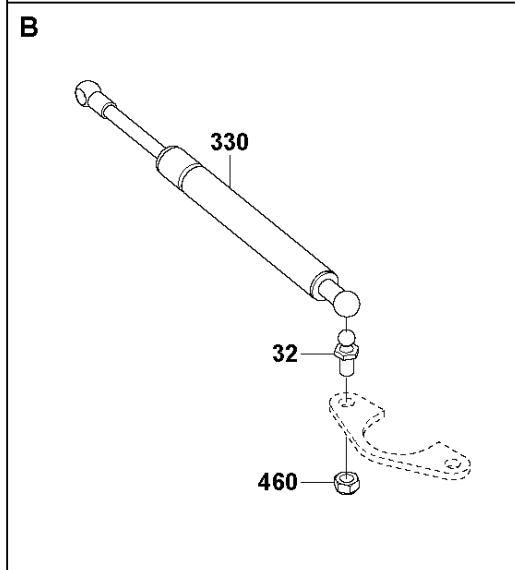
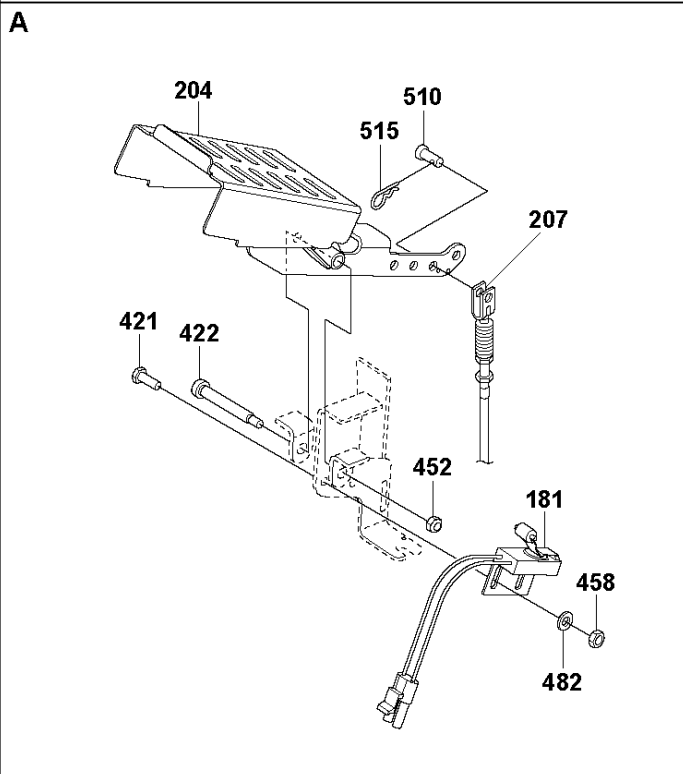
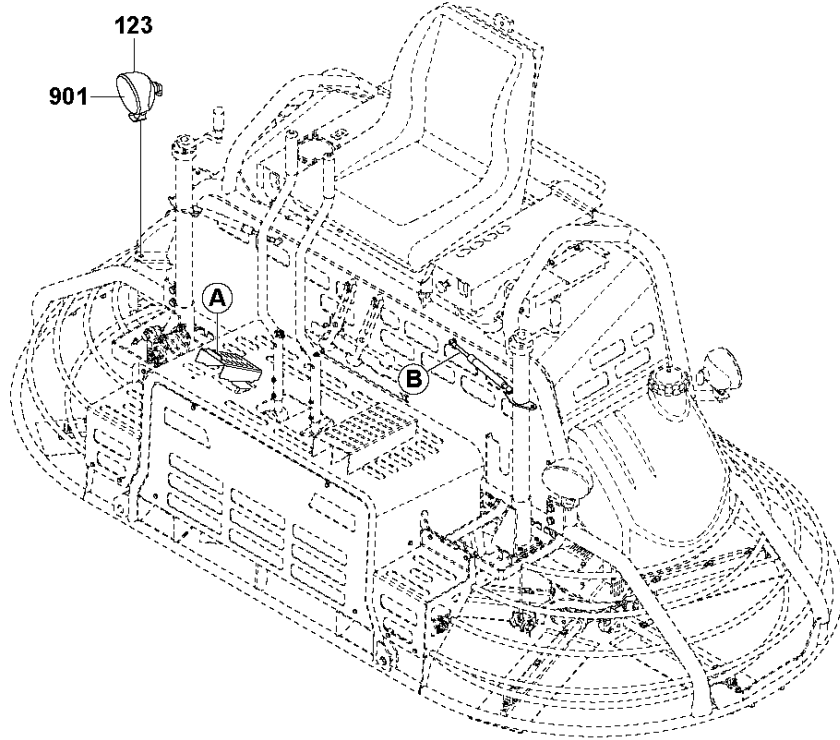


# SPARE PARTS LIST

## TROWELS

CRT48-35L EU, 970461602, 2020-02

**A** CRT48-35L EU  
LIGHTS, PEDAL & SPRING ASSY

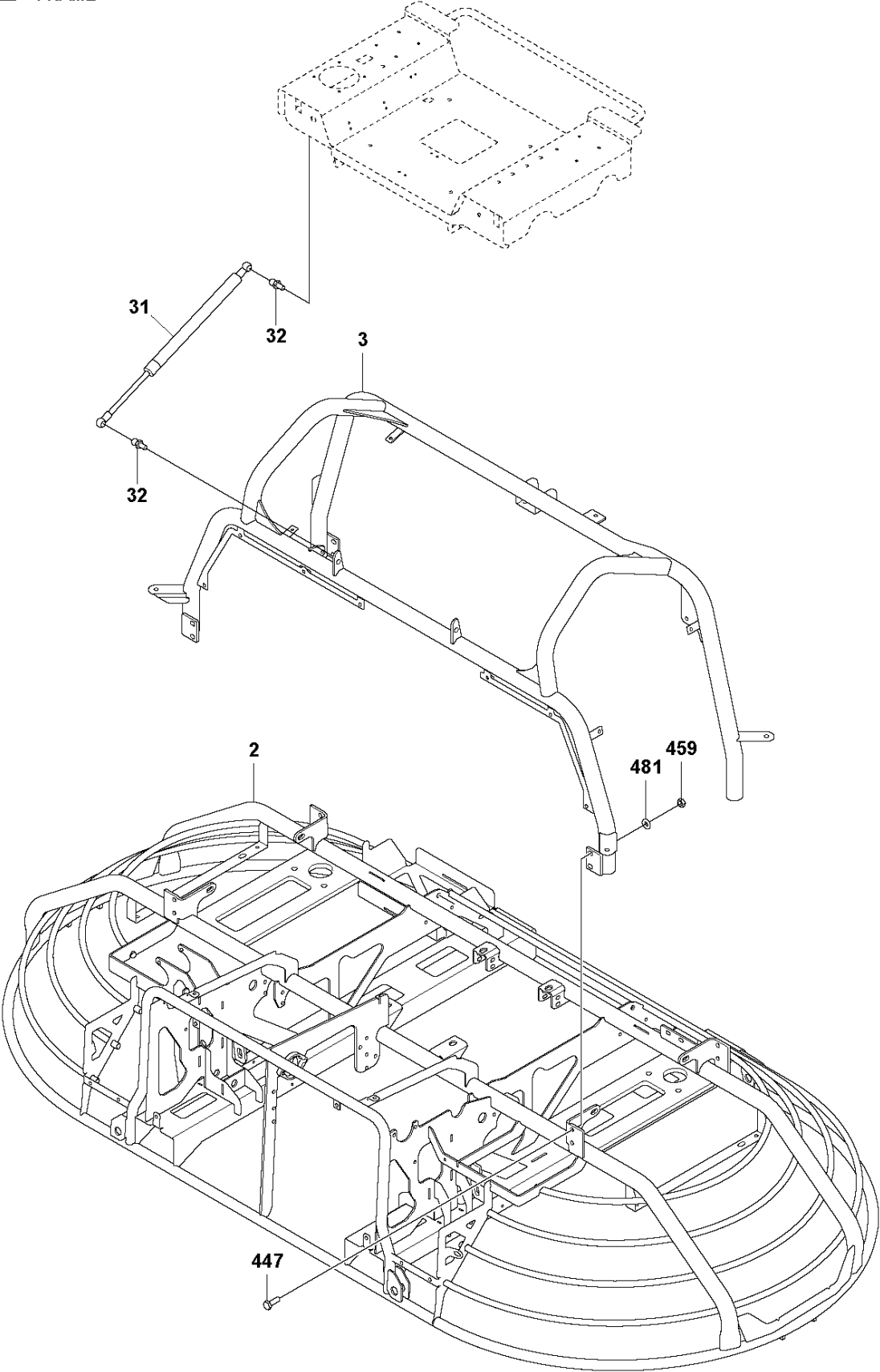


## LIGHTS, PEDAL &amp; SPRING ASSY

CRT48-35L EU, 970461602, 2020-02

Ref	Part No	Description	Remark	QTY KIT
32	599 16 87-01	STUD	M8x10	4
123	599 04 10-01	LIGHT		4
181	598 99 46-01	SWITCH		1
204	599 03 56-01	LEVER		1
207	599 04 06-01	CABLE	Throttle cable	1
330	599 04 85-01	CYLINDER		2
421	725 23 29-71	SCREW EHHM	M5x16 ISO4017 8.8 ZPB, 6Nm/4ft.lbs	2
422	599 17 18-01	SCREW	M6x50	1
452	531 20 84-91	NUT	M6 ISO10511	1
458	732 21 14-01	LOCK NUT	M5 ISO10512	2
460	576 64 57-04	NUT FLANGE	M8	4
482	734 11 46-01	WASHER	M5 ISO7089 200HV ZPB	2
510	599 16 52-01	PIN	Clevis pin 1/4"x1/2"	1
515	599 16 35-01	PIN	Cotter pin 1-3/16"x0,073"	1
901	599 46 35-01	BULB		4

**B** CRT48-35L EU  
FRAME

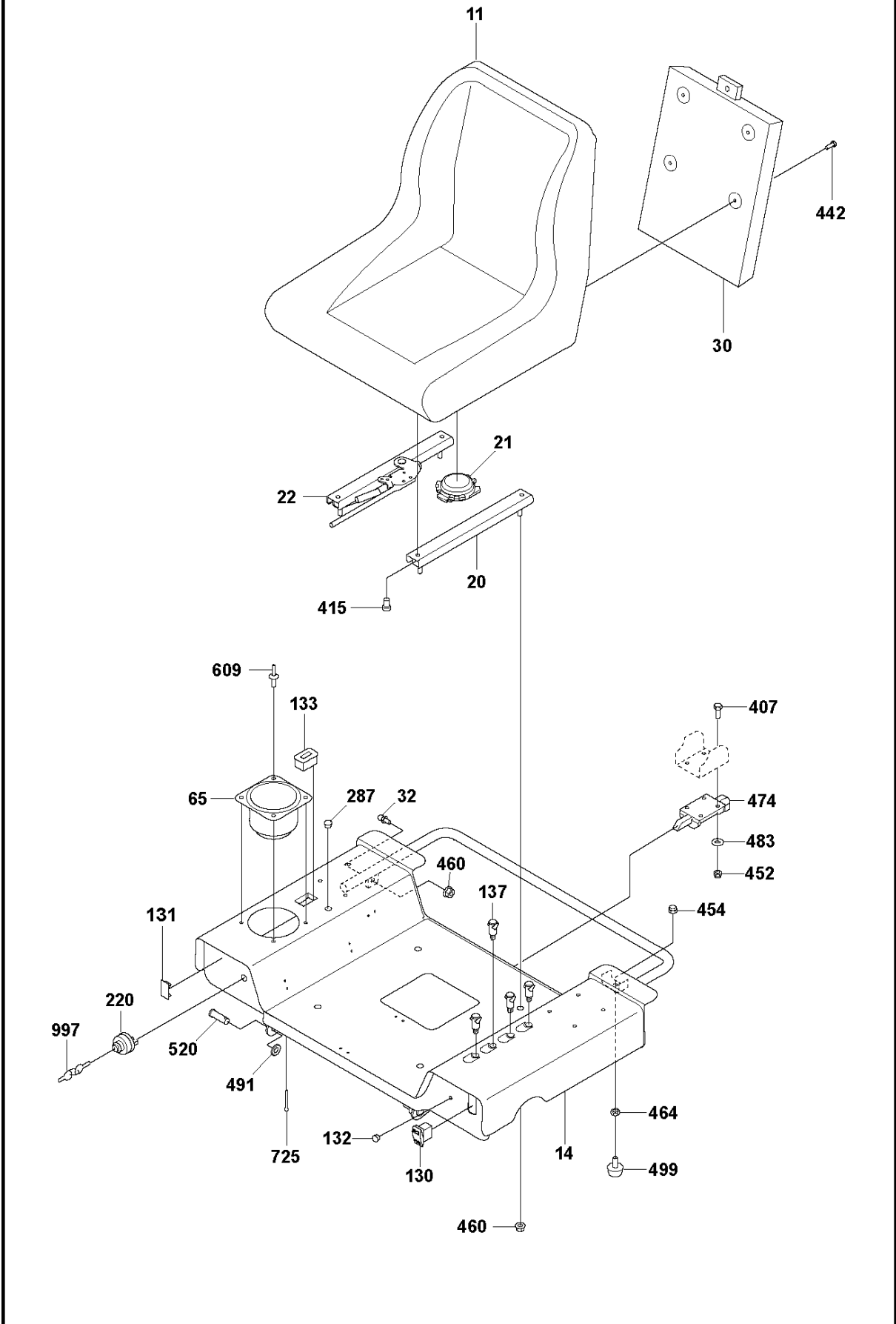


## FRAME

CRT48-35L EU, 970461602, 2020-02

Ref	Part No	Description	Remark	QTY KIT
2	599 01 92-01	FRAME	Lower frame	1
3	599 12 25-01	FRAME	Upper frame	1
31	599 03 31-01	CYLINDER		1
32	599 16 87-01	STUD	M8x10	2
447	725 24 95-71	SCREW EHHM	M10x30 ISO4017 8.8 ZPB, 49Nm/36ft.lbs	8
459	732 21 20-51	NUT	M10 ISO7042	8
481	734 11 72-01	WASHER	M10 ISO7089 200HV ZPB	8

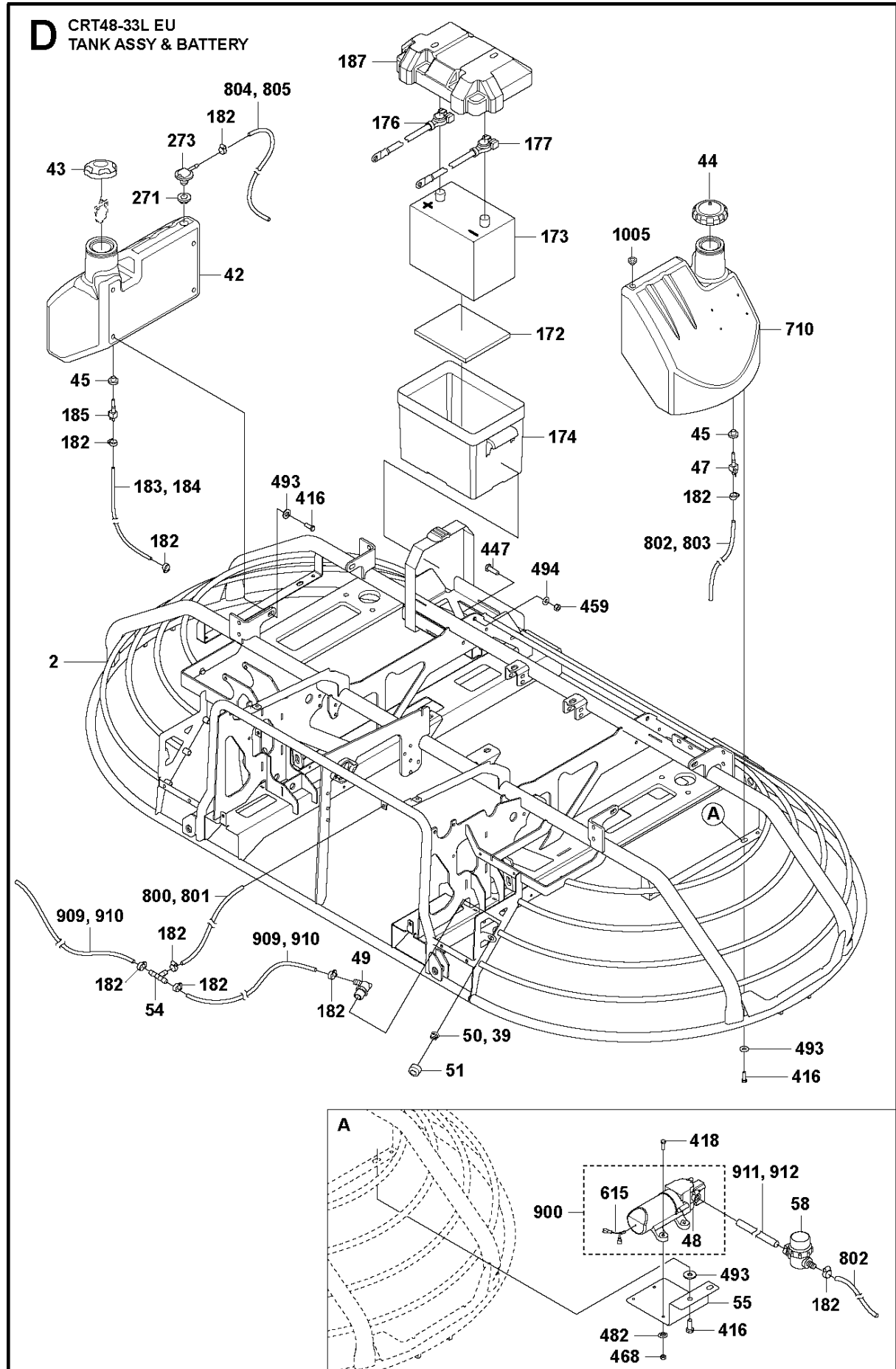
**C** CRT48-35L EU  
SEAT ASSY



## SEAT ASSY

CRT48-35L EU, 970461602, 2020-02

Ref	Part No	Description	Remark	QTY KIT
11	599 10 41-01	SEAT		1
14	599 04 52-01	PLATE		1
20	599 04 09-01	BRACKET		1
21	599 02 69-01	SWITCH	Seat switch	1
22	599 02 64-01	BRACKET		1
30	598 98 85-01	HOLDER		1
32	599 16 87-01	STUD	M8x10	1
65	598 99 29-01	INSERT		1
130	599 07 08-01	SWITCH	Light switch	1
131	599 04 03-01	COVER	Cover	1
132	599 04 80-01	PLUG		1
133	598 99 43-01	HOUR METER	Hour meter	1
137	599 04 44-01	LIGHT	Indicator light	4
220	599 00 27-01	SWITCH	Ignition switch	1
287	599 00 37-01	PLUG	Push-in plug 9/16"	1
407	725 23 70-71	SCREW EHHM	M6x20 ISO4017 8.8 ZPB, 10Nm/7ft.lbs	4
415	725 54 49-01	SCREW IHSCM	M8x16 ISO4762 8.8 ZPB, 22Nm/16ft.lbs	4
442	599 16 91-01	SCREW	#10X3/4, TYP B, SLT FLG HX	4
452	531 20 84-91	NUT	M6 ISO10511	4
454	522 91 94-01	LOCK NUT	M8 ISO10511	2
460	576 64 57-04	NUT FLANGE	M8, 22Nm/16ft.lbs	5
464	599 16 03-01	NUT	M8 ISO4035	2
474	599 06 20-01	LATCH	Latch	1
483	599 16 02-01	WASHER		4
491	734 11 78-01	WASHER	M12 ISO7089 200HV ZPB	2
499	598 98 97-01	BUMPER	30 x 15	2
520	599 17 33-01	PIN	Clevis pin 1/2"x1"	2
609	599 16 79-01	RIVET	Rivet	4
725	599 16 01-01	PIN	Cotter pin 3,2 x 25 ISO1234	2
997	599 16 42-01	KEY	Key-ring w/o keys	1

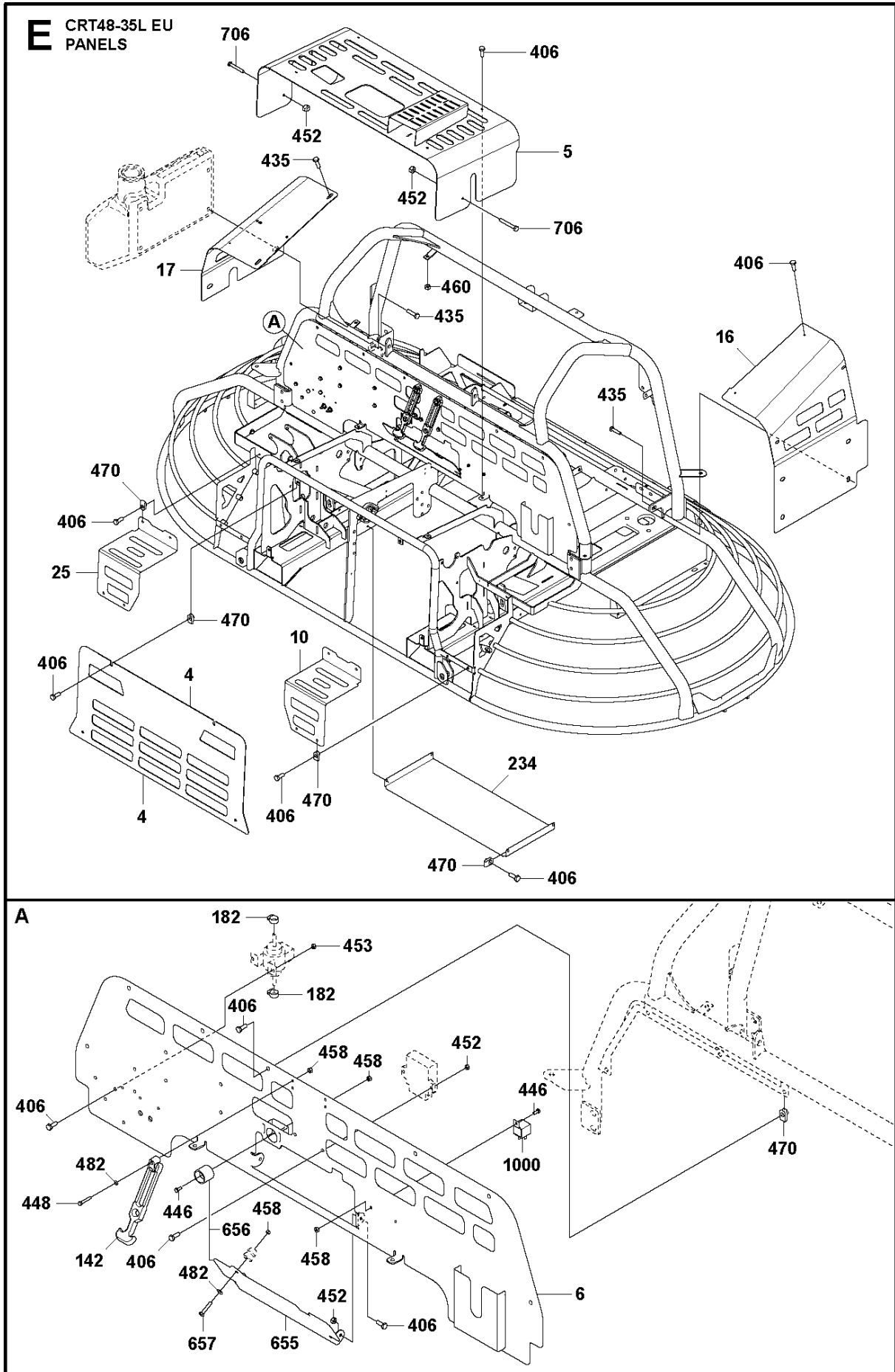




## TANK ASSY &amp; BATTERY

CRT48-35L EU, 970461602, 2020-02

Ref	Part No	Description	Remark	QTY	KIT
2	599 01 92-01	FRAME		1	
39	598 99 88-01	VALVE		1	
42	599 13 13-02	TANK		1	
43	599 11 24-01	CAP		1	
44	599 03 02-01	CAP		1	
45	598 99 04-01	BUSHING		2	
47	599 06 17-01	VALVE		1	
48	599 06 16-01	PUMP		1	900
49	598 99 39-01	ELBOW		2	
50	598 99 40-01	JET		2	
51	598 99 41-01	FITTING		2	
54	599 16 90-01	FITTING		1	
55	599 06 15-01	BRACKET		1	
58	599 06 18-01	SCREEN		1	
172	598 98 80-01	PAD		1	
173	599 04 95-01	BATTERY		1	
174	598 99 99-01	BOX		1	
176	599 12 48-01	CABLE	61"	1	
177	599 03 62-01	CABLE	16"	1	
182	599 16 17-01	CLAMP	0,21"-0,63"	12	
183	599 46 37-03	FUEL HOSE	55"	1	
184	599 46 56-05	LOOM	53"	1	
185	599 00 05-01	VALVE		1	
187	599 00 33-01	CAP		1	
271	599 06 88-01	GROMMET		1	
273	599 07 12-01	FITTING		1	
416	725 24 51-01	SCREW		3	
418	725 22 95-71	SCREW EHHM	M4x20, 3Nm/2ft.lbs	4	
447	725 24 95-71	SCREW EHHM		1	
459	576 64 57-05	NUT FLANGE	M10	1	
468	599 15 98-01	LOCK NUT	M4, 3Nm/2ft.lbs (S3)	4	
482	734 11 46-01	WASHER	M5 ISO7089 200HV ZPB	4	
493	734 11 65-41	WASHER	M8 ISO7093 ZPB	3	
494	599 16 75-01	LOCKWASHER	M10	1	
615	599 16 65-01	TERMINAL		2	900
710	599 13 12-02	TANK		1	
800	599 46 55-04	HOSE	70"	1	
801	599 46 56-06	LOOM	68"	1	
802	599 46 55-01	HOSE	3,5"	1	
803	599 46 56-03	LOOM	30"	1	
804	599 46 37-02	FUEL HOSE	45"	1	
805	599 46 56-04	LOOM	43"	1	
900	599 46 31-01	WATER PUMP KIT	Water pump kit	1	
909	599 46 55-03	HOSE	24.5"	2	
910	599 46 56-02	LOOM	23,5"	2	
911	599 46 55-02	HOSE	5"	1	
912	599 46 56-01	LOOM	3"	1	
1005	599 07 10-01	PLUG		1	

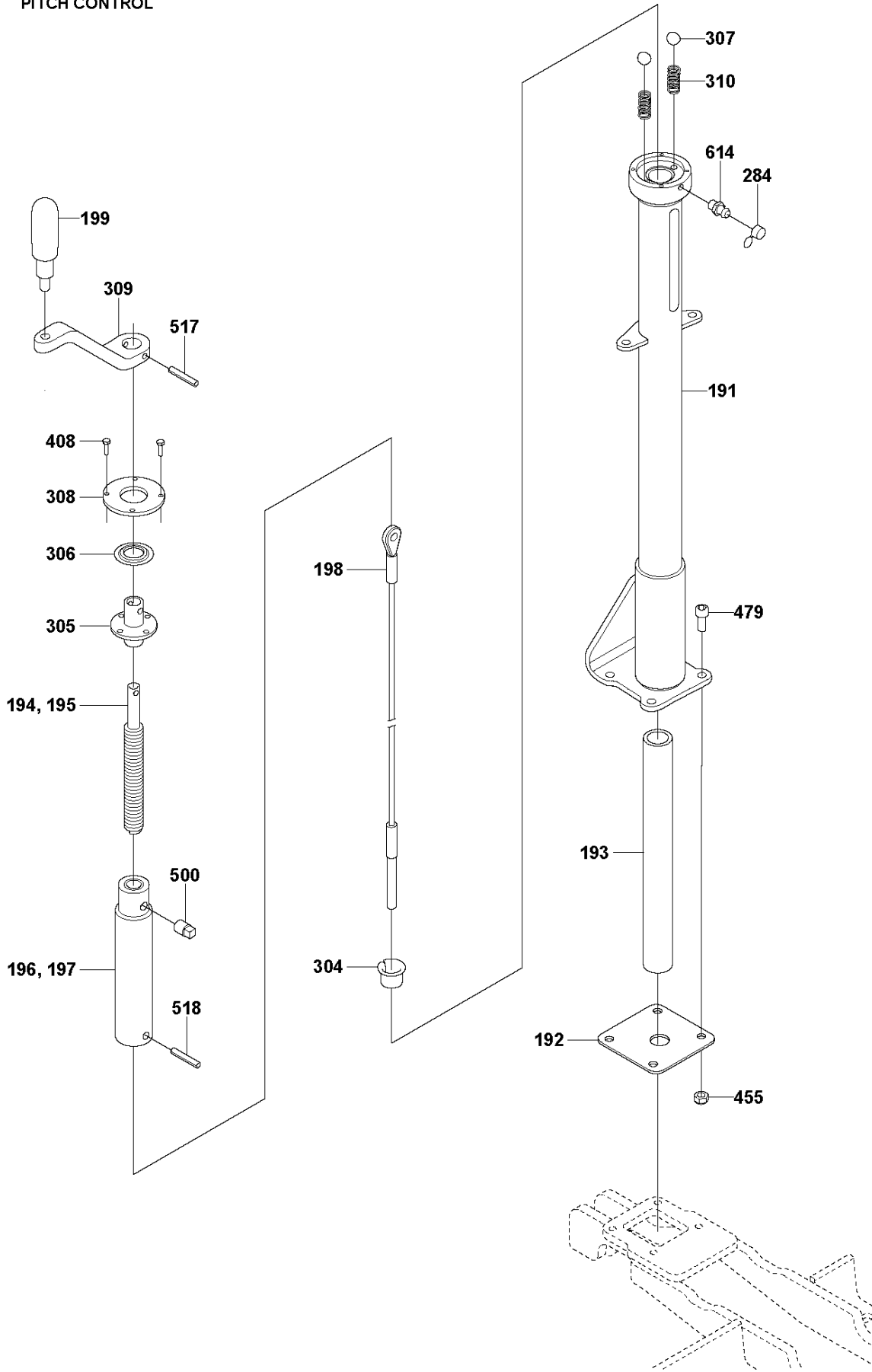


## PANELS

CRT48-35L EU, 970461602, 2020-02

Ref	Part No	Description	Remark	QTY KIT
4	599 13 01-02	PLATE		1
5	599 02 16-01	PLATE		1
6	599 13 07-02	PANEL ASSY		1
10	599 02 18-01	PLATE		1
16	599 12 23-01	PANEL		1
17	599 12 21-01	PANEL		1
25	599 03 33-01	PLATE		1
142	599 04 83-01	LATCH		2
182	599 16 17-01	CLAMP	0,21"-0,63"	2
234	599 03 23-01	GUARD		1
406	585 98 06-01	SCREW EHHFM	M6x16 ISO1665 8.8 ZPB, 9Nm/7ft.lbs	32
435	506 57 01-03	SCREW EHHFM	M8x16 ISO1665 8.8 ZPB, 25Nm/18ft.lbs	10
446	725 23 27-71	SCREW EHHM	M5x12 ISO4017 8.8 ZPB, 6Nm/4ft.lbs	1
448	725 23 35-51	SCREW EHHM	M5x30 ISO4014 8.8 ZPB	4
452	531 20 84-91	NUT	M6 ISO10511	6
453	593 35 64-01	NUT	M6	6
458	732 21 14-01	LOCK NUT	M5 ISO10512	4
460	576 64 57-04	NUT FLANGE	M8	2
470	599 16 68-01	LOCK NUT	M6	18
482	734 11 46-01	WASHER	M5 ISO7089 200HV ZPB	4
655	599 13 11-02	COVER		1
656	599 07 06-01	LATCH		1
657	593 16 74-01	SCREW	M5x25 ISO4017 8.8 ZPB, 6Nm/4ft.lbs	1
706	725 23 80-51	SCREW EHHM	M6x50 ISO4014 8.8 ZPB, 9Nm/7ft.lbs	2
1000	599 46 34-01	RELAY	50A, 12V	2

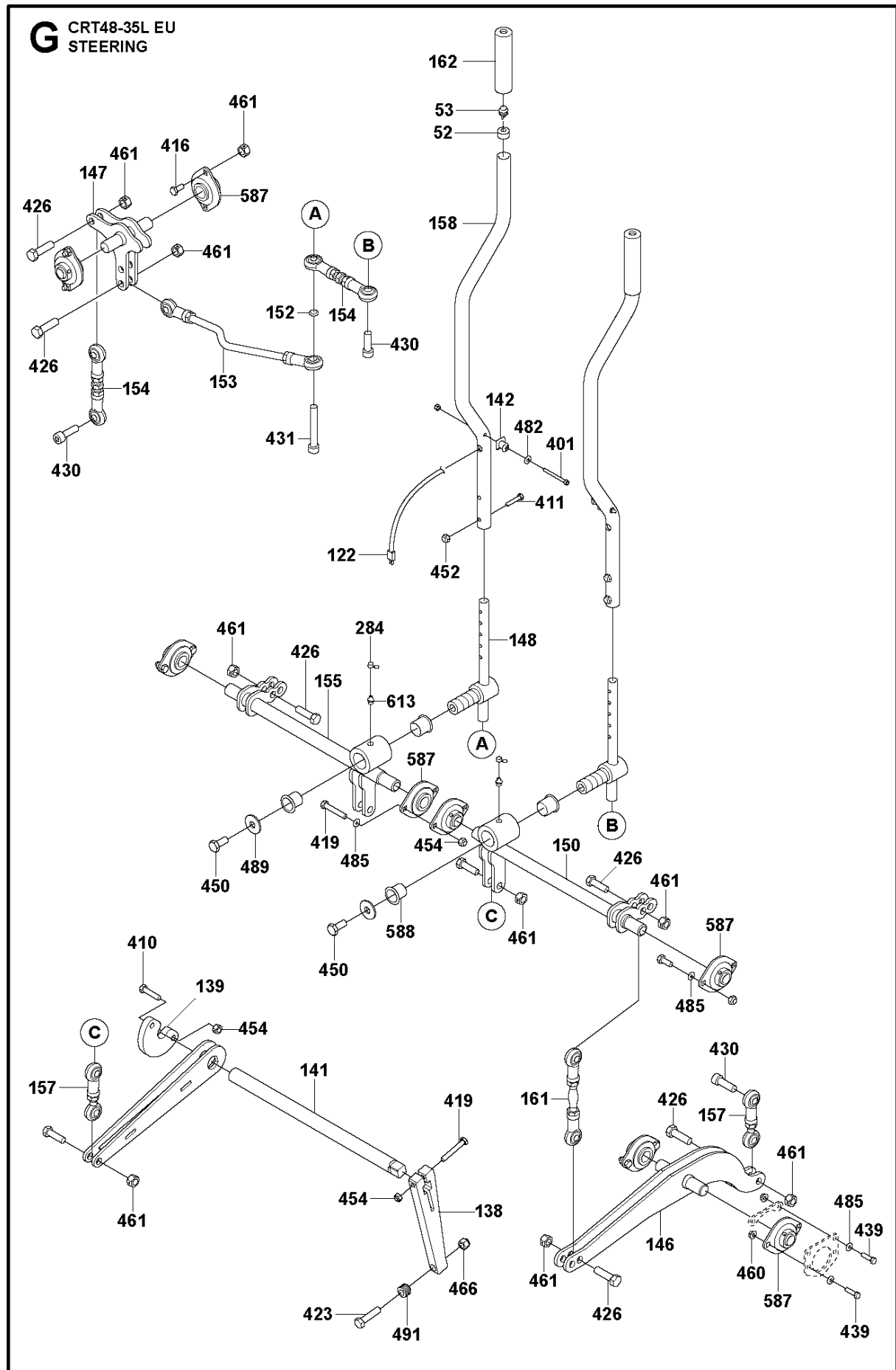
**F** CRT48-35L EU  
PITCH CONTROL



## PITCH CONTROL

CRT48-35L EU, 970461602, 2020-02

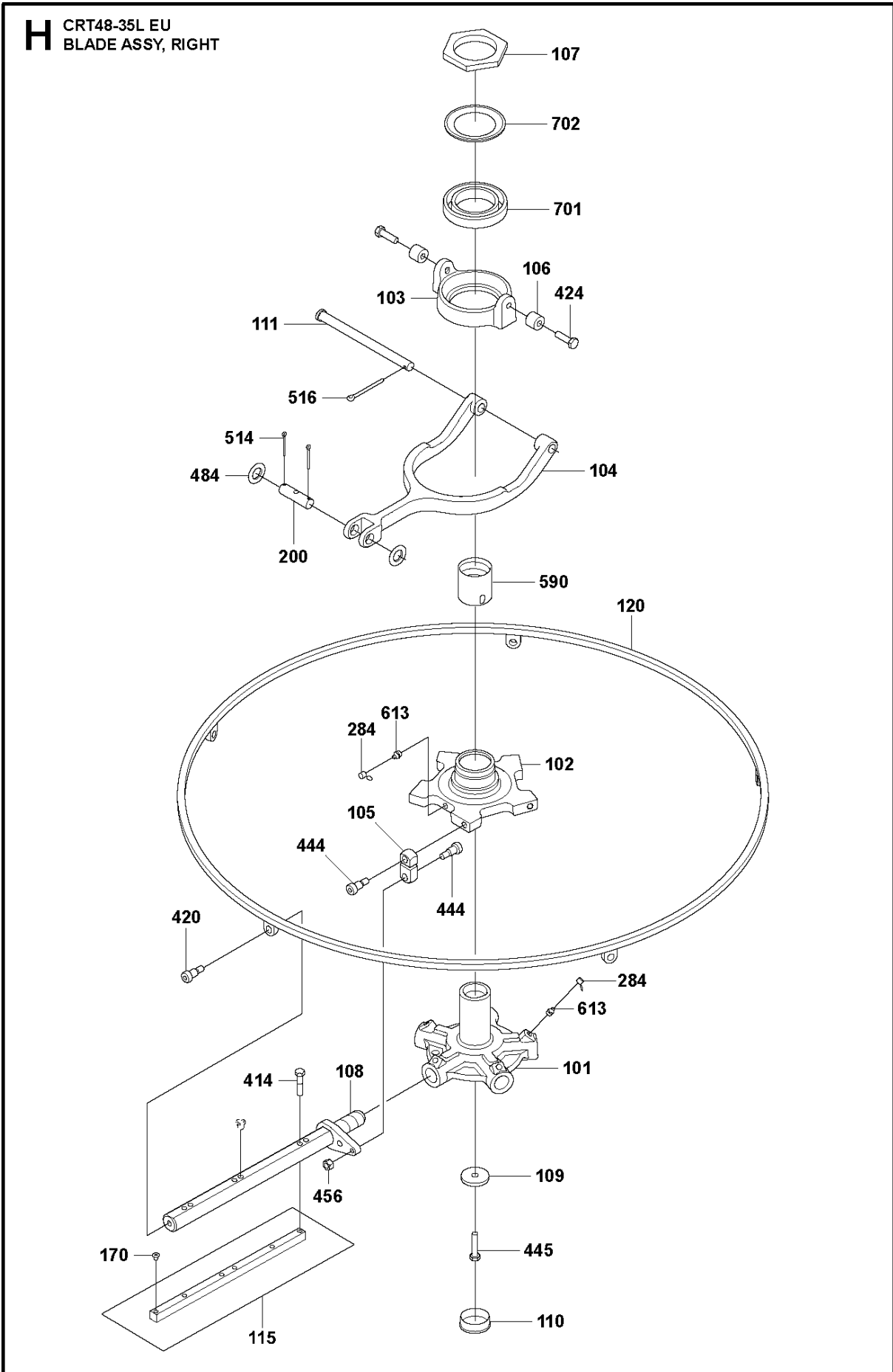
Ref	Part No	Description	Remark	QTY KIT
191	599 00 42-01	TUBE		1
192	599 06 24-01	PLATE		1
193	599 06 25-01	TUBE		1
194	599 16 94-01	ROD	Right hand thread	1
195	599 16 95-01	ROD	Left hand thread	1
196	599 00 46-01	TUBE	Right hand thread	1
197	599 00 47-01	TUBE	Left hand thread	1
198	599 00 48-01	CABLE	Pitch cable	1
199	599 00 51-01	HANDLE	Handle, 24Nm/18ft.lbs	1
284	599 16 92-01	CAP	Cap	1
304	599 00 43-01	BUSHING		1
305	599 00 44-01	HUB		1
306	599 16 93-01	RING	Nilos ring	1
307	599 16 96-01	BALL		2
308	599 00 49-01	PLATE		1
309	599 04 74-01	CRANK		1
310	599 00 41-01	SPRING		2
408	599 16 82-01	SCREW	M4x14 ISO4017 8.8 ZPB, 3Nm/2ft.lbs	4
455	596 04 03-01	LOCK NUT	5/16"-24"	1
479	725 54 51-01	SCREW IHSCM	M8x20 ISO4762 8.8 ZPB, 22Nm/16ft.lbs	4
500	599 17 31-01	PIPE	Pipe plug 1/8" sq.hd. Plated"	1
517	599 16 33-01	PIN	1/4"x1-1/2"	1
518	599 16 00-01	PIN	Roll pin 8x36 ISO8752	1
614	599 17 66-01	FITTING	Grease fitting AM6 DIN71412	1



## STEERING

CRT48-35L EU, 970461602, 2020-02

Ref	Part No	Description	Remark	QTY KIT
52	599 00 13-01	CAP		1
53	599 00 12-01	SWITCH		1
122	598 99 97-01	WIRING		1
138	599 04 62-01	LEVER		2
139	599 04 70-01	BRACKET		2
141	599 04 65-01	SHAFT		2
142	599 04 83-01	LATCH		2
146	599 02 22-01	BRACKET		2
147	599 00 20-01	BRACKET		1
148	599 00 17-01	PIVOT		2
150	599 02 24-01	LINK		1
152	599 04 71-01	SPACER		1
153	599 01 62-01	LINK		1
154	599 01 60-01	LINK		2
155	599 02 27-01	LINK		1
157	599 03 84-01	LINK		4
158	599 03 35-01	HANDLE		2
161	599 01 61-01	LINK		2
162	598 99 96-01	HANDLE	Handle grip	2
284	599 16 92-01	CAP	Cap	2
401	599 17 37-01	SCREW	M5x50	2
410	599 16 98-01	SCREW	M8x40, 24Nm/18ft.lbs	2
411	725 23 76-51	SCREW EHHM	M6x35 ISO4014 8.8 ZPB, 10Nm/7ft.lbs	4
416	725 24 51-01	SCREW	8x20 hx.hd. 24Nm/18ft.lbs	8
419	725 24 62-51	SCREW EHHM	M8x55 ISO4014 8.8 ZPB, 24Nm/18ft.lbs	4
423	599 17 71-01	SCREW	M12x90 10.9, 85Nm/63ft.lbs	2
426	599 17 25-01	SCREW	1/2"-20x1-3/4" HX. HD., 85Nm/63ft.lbs	12
430	587 42 88-01	BOLT	1/2"-20x1-1/2" SOC. HD., 85Nm/63ft.lbs	4
431	599 17 30-01	SCREW	1/2"-20x2-1/2" SOC. HD., 85Nm/63ft.lbs	1
439	725 24 53-76	SCREW EHHM	M8x25 ISO4017 10.9 ZPB, 35Nm/26ft.lbs	16
450	585 23 59-01	SCREW EHHFM	M12x25 DIN 933 S3, 86Nm/63ft.lbs	2
452	531 20 84-91	NUT	M6 ISO10511	4
454	522 91 94-01	LOCK NUT	M8 ISO10511	10
460	576 64 57-04	NUT FLANGE	M8	8
461	587 65 39-03	NUT	1/2"-20"	12
466	502 04 55-01	NUT	M12 ISO10511	2
482	734 11 46-01	WASHER	M5 ISO7089 200HV ZPB	2
485	734 11 63-01	WASHER	M8 ISO7089 200HV ZPB	18
489	734 11 80-41	WASHER	M12 ISO7093 ZPB	2
491	734 11 78-01	WASHER	M12 ISO7089 200HV ZPB	12
587	598 99 69-01	BEARING	0,875", 10Nm/7ft.lbs	10
588	598 99 31-01	BEARING	1" ID	4
613	599 16 21-01	FITTING	Grease fitting AM10 DIN71412	2



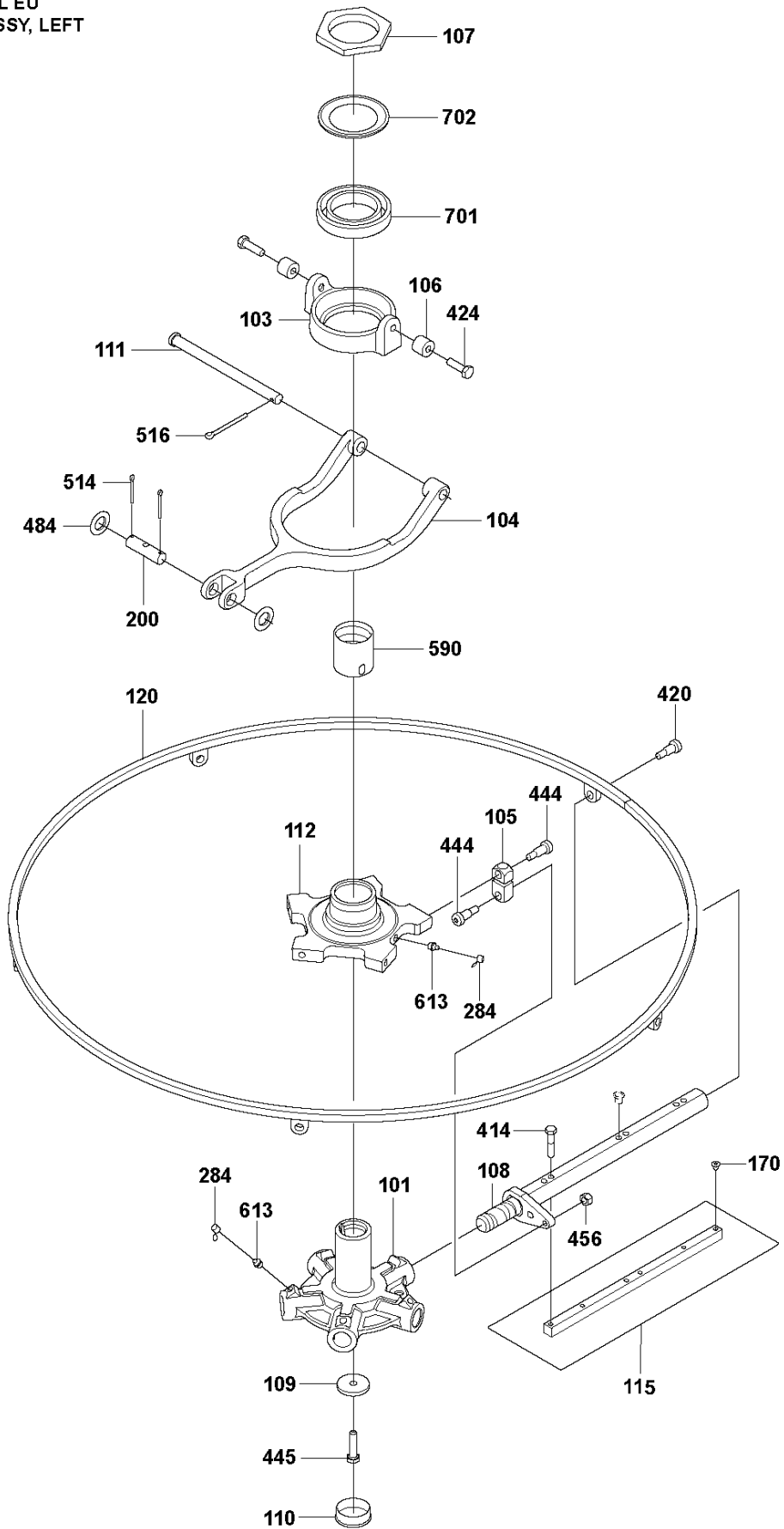


## BLADE ASSY, RIGHT

CRT48-35L EU, 970461602, 2020-02

Ref	Part No	Description	Remark	QTY KIT
101	599 07 49-01	HUB		1
102	599 00 10-01	RING	Blade lifting ring, right	1
103	598 99 94-01	HOLDER		1
104	598 99 90-01	YOKE		1
105	598 99 33-01	LINK		5
106	598 99 34-01	TUBE		2
107	598 99 87-01	CAP	24Nm/18ft.lbs (S1)	1
108	599 10 77-01	SHAFT		5
109	599 16 60-01	WASHER		1
110	598 99 58-01	PLUG		1
111	599 16 78-01	SHAFT		1
115	598 92 98-01	BLADE SET	Finishing blades 48", set of 4 pcs.	2
120	599 01 32-01	RING		1
170	599 16 34-01	PLUG		5
200	598 99 35-01	MOUNT		1
284	599 16 92-01	CAP	Cap	7
414	599 16 71-01	SCREW	5/16"-18x1-5/8" HHCS GR5, 24Nm/18ft.lbs	15
420	599 16 30-01	SCREW	1/2"x1/2" shoulder, 24Nm/18ft.lb	5
424	725 24 97-51	SCREW	M10x35 ISO4017 8.8 ZPB, 49, Nm/36ft.lbs	2
444	599 16 50-01	SCREW	1/2"x3/4"x1-3/8" shoulder, 24Nm/18ft.lb	10
445	725 25 00-51	SCREW EHHM	M10 x 45, 49Nm/36ft.lbs (DIN931 S3)	1
456	596 04 02-01	HEXAGON NUT		4
484	542 17 30-35	WASHER	M20 ISO7089 200HV ZPB	2
514	599 16 49-01	PIN	Cotter pin 1/8"x 1-1/2"	2
516	599 16 51-01	PIN	Cotter pin 3/16"x2"	1
590	598 99 91-01	BUSHING		1
613	599 16 21-01	FITTING	Grease fitting AM10 DIN71412	7
701	598 43 19-01	BALL BEARING	6014 2RS1 C3	1
702	599 16 72-01	RING	Nilos ring 6014 ZAV	1

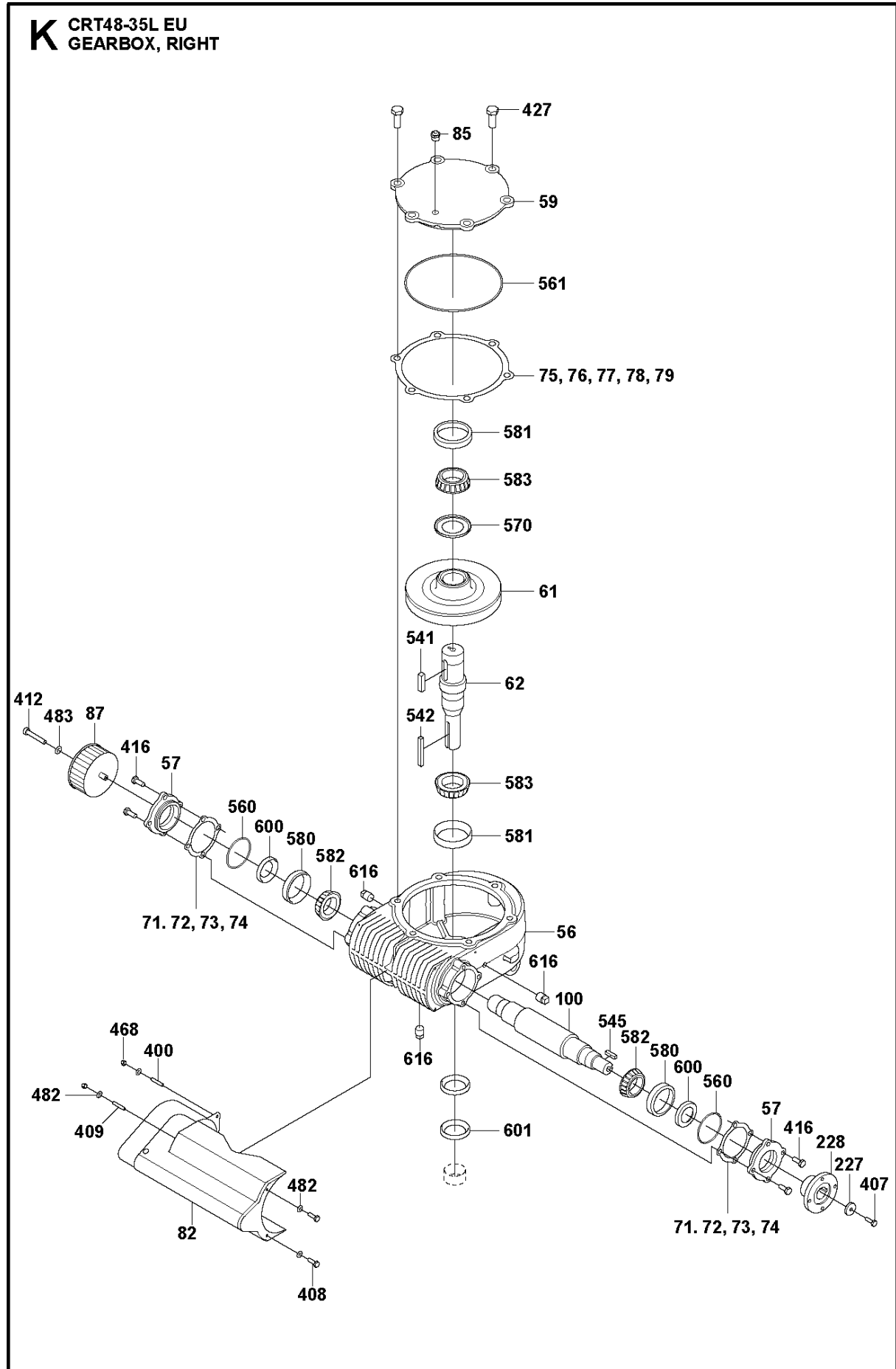
**J** CRT48-35L EU  
BLADE ASSY, LEFT



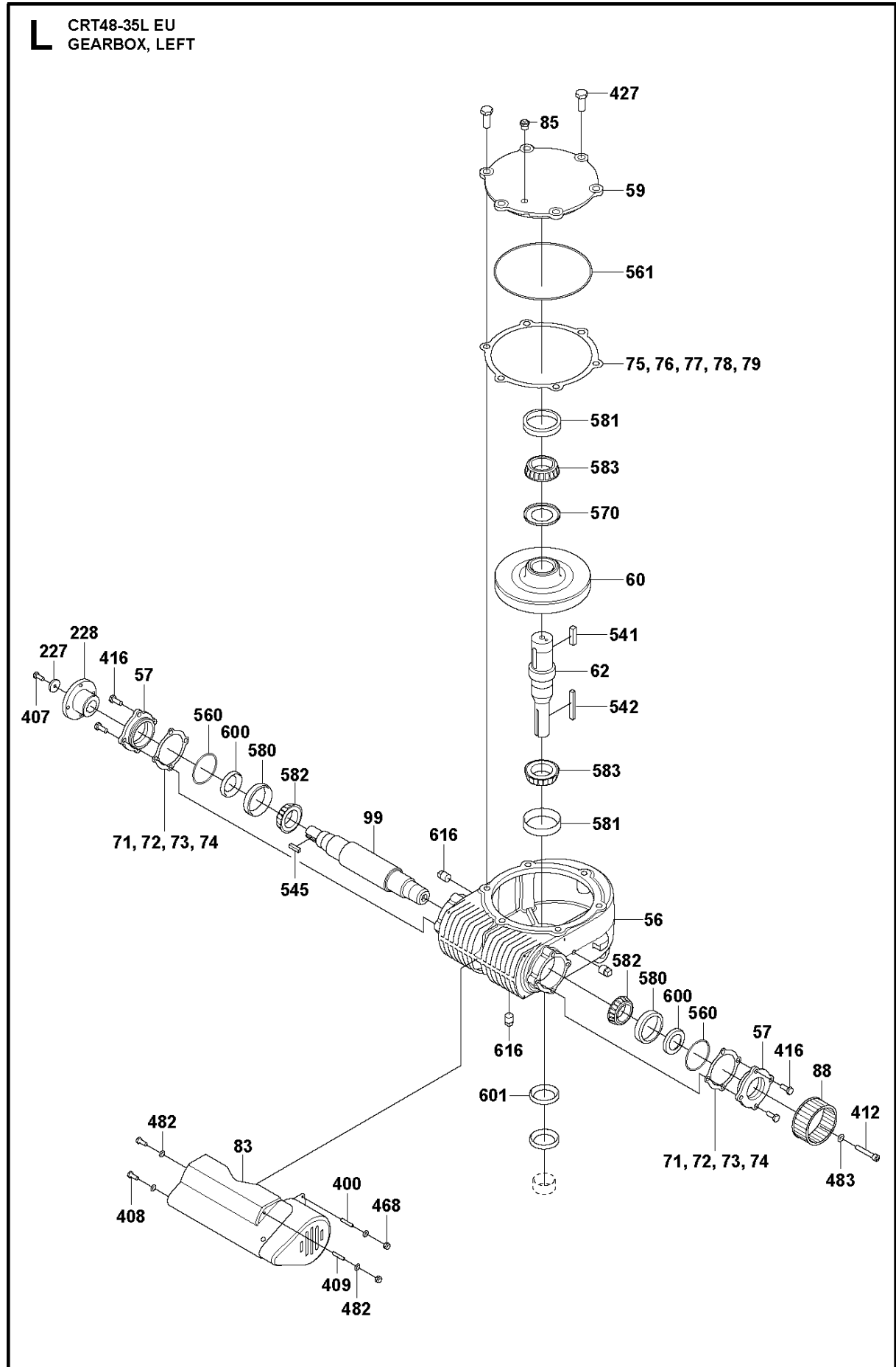
## BLADE ASSY, LEFT

CRT48-35L EU, 970461602, 2020-02

Ref	Part No	Description	Remark	QTY KIT
101	599 07 49-01	HUB		1
103	598 99 94-01	HOLDER		1
104	598 99 90-01	YOKE		1
105	598 99 33-01	LINK		5
106	598 99 34-01	TUBE		2
107	598 99 87-01	CAP	24Nm/18ft.lbs (S1)	1
108	599 10 77-01	SHAFT		5
109	599 16 60-01	WASHER		1
110	598 99 58-01	PLUG		1
111	599 16 78-01	SHAFT		1
112	599 00 11-01	RING	Blade lifting ring, left	1
115	598 92 98-01	BLADE SET	Finishing blades 48", set of 4 pcs.	2
120	599 01 32-01	RING		1
170	599 16 34-01	PLUG		5
200	598 99 35-01	MOUNT		1
284	599 16 92-01	CAP	Cap	7
414	599 16 71-01	SCREW	5/16"-18x1-5/8" HHCS GR5, 24Nm/18ft.lbs	15
420	599 16 30-01	SCREW	1/2"x1/2" shoulder, 24Nm/18ft.lb	5
424	725 24 97-51	SCREW	M10x35 ISO4017 8.8 ZPB, 49, Nm/36ft.lbs	2
444	599 16 50-01	SCREW	1/2"x3/4"x1-3/8" shoulder, 24Nm/18ft.lb	10
445	725 25 00-51	SCREW EHHM	M10 x 45, 49Nm/36ft.lbs (DIN931 S3)	1
456	596 04 02-01	HEXAGON NUT		4
484	542 17 30-35	WASHER	M20 ISO7089 200HV ZPB	2
514	599 16 49-01	PIN	Cotter pin 1/8"x 1-1/2"	2
516	599 16 51-01	PIN	Cotter pin 3/16"x2"	1
590	598 99 91-01	BUSHING		1
613	599 16 21-01	FITTING	Grease fitting AM10 DIN71412	7
701	598 43 19-01	BALL BEARING	6014 2RS1 C3	1
702	599 16 72-01	RING	Nilos ring 6014 ZAV	1



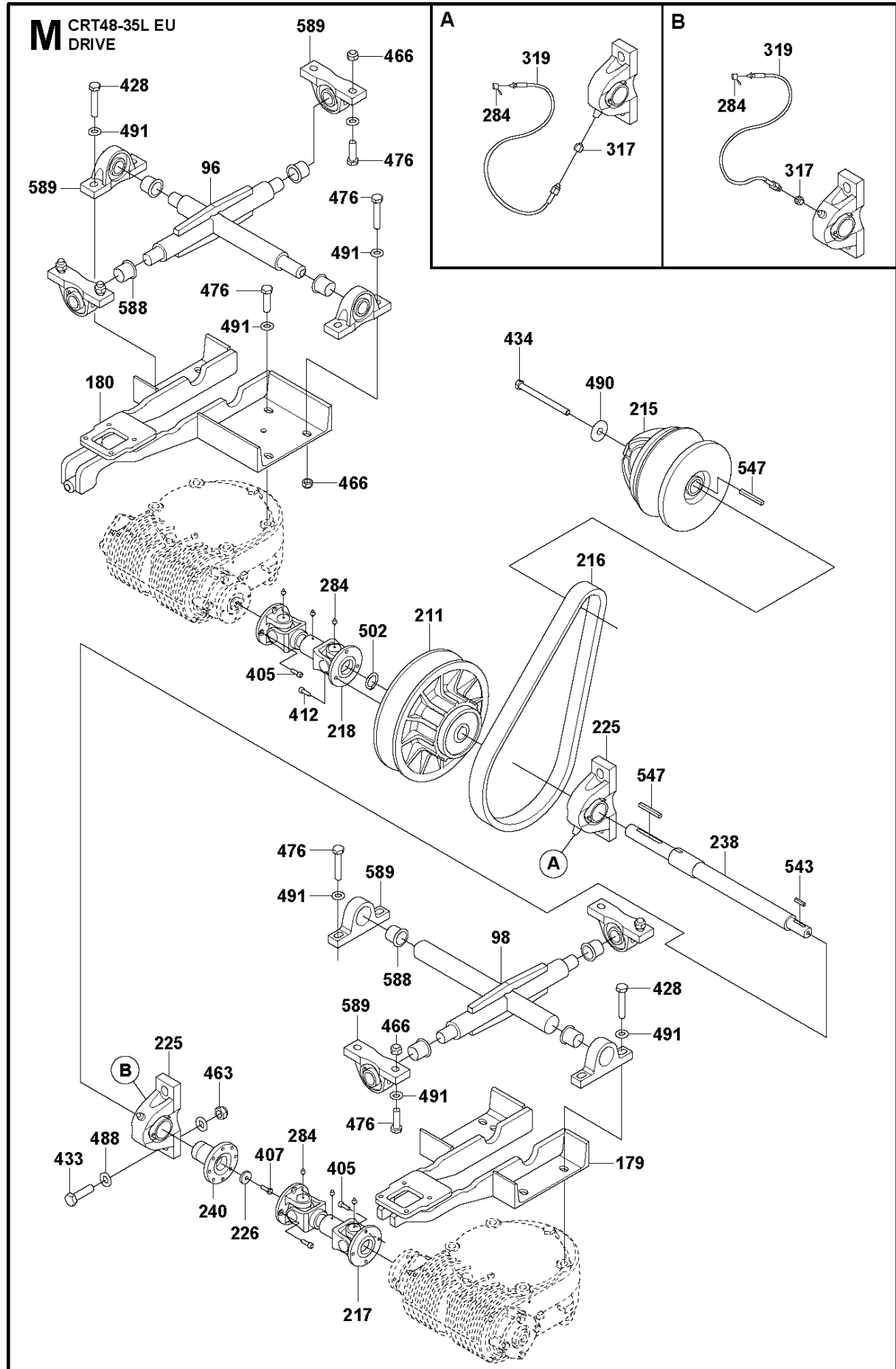
Ref	Part No	Description	Remark	QTY KIT
56	598 99 21-01	GEARBOX		1
57	598 99 22-01	COVER		2
59	598 99 15-01	COVER		1
61	598 99 16-01	GEAR	Wormgear, right hand	1
62	598 99 92-01	SHAFT		1
71	599 01 71-01	SHIM	0,007"	1
72	599 01 72-01	SHIM	0,009"	1
73	599 01 73-01	SHIM	0,012"	2
74	599 01 74-01	SHIM	0,022"	1
75	599 01 65-01	SHIM	0,007"	1
76	599 01 66-01	SHIM	0,009"	1
77	599 01 67-01	SHIM	0,012"	1
78	599 01 68-01	SHIM	0,022"	2
79	599 01 69-01	SHIM	0,032"	2
82	598 99 27-01	COVER		1
85	599 17 05-01	VALVE		1
87	598 99 25-01	FAN		1
100	598 99 51-01	WORM GEAR		1
227	599 16 58-01	WASHER	1-1/8"x0,281"x0,187"	1
228	599 12 54-01	FITTING		1
400	599 16 74-01	STUD	M4x20 DIN976	2
407	725 23 70-71	SCREW EHHM	M6x20 ISO4017 8.8 ZPB, 10Nm/7ft.lbs	1
408	599 16 82-01	SCREW	M4x14 ISO4017 8.8 ZPB, 3Nm/2ft.lbs	2
409	599 16 81-01	STUD	M4x25 DIN976	2
412	725 53 78-01	SCREW IHSCM	M6x40 ISO4762 8.8 ZPB	1
416	725 24 51-01	SCREW	24Nm/18ft.lbs (S3)	8
427	598 74 98-01	SCREW	M12 x 35, 85Nm/63ft.lbs (DIN933 S3)	2
468	599 15 98-01	LOCK NUT	3Nm/2ft.lbs (S3)	2
482	734 11 46-01	WASHER	M5 ISO7089 200HV ZPB	4
483	599 16 02-01	WASHER		1
541	599 16 48-01	KEY	Square key 3/8"x1-1/2" 4140 320BHN"	1
542	599 16 76-01	KEY	Square key 3/8"x4"	1
545	599 16 15-01	KEY	Square key 1/4"x1"	1
560	598 99 23-01	O-RING	2-3/8"x3/32 NBR 70 Shore	2
561	598 99 24-01	O-RING	7-1/4"x1/8" NBR 70 Shore	1
570	599 16 45-01	SEAL	2,78 x 1,625	1
580	599 16 46-01	BEARING		2
581	599 16 47-01	BEARING		2
582	598 99 47-01	BEARING		2
583	599 16 56-01	BEARING		2
600	599 04 75-01	SEAL	1,313x2,066x0,31	2
601	599 04 76-01	SEAL	1,625x2,252x0,31	2
616	599 17 10-01	PLUG	3/8in NPTF (S8)	3



## GEARBOX, LEFT

CRT48-35L EU, 970461602, 2020-02

Ref	Part No	Description	Remark	QTY KIT
56	598 99 21-01	GEARBOX		1
57	598 99 22-01	COVER		2
59	598 99 15-01	COVER		1
60	598 99 18-01	GEAR	Wormgear, left hand	1
62	598 99 92-01	SHAFT		1
71	599 01 71-01	SHIM	0,007"	1
72	599 01 72-01	SHIM	0,009"	1
73	599 01 73-01	SHIM	0,012"	2
74	599 01 74-01	SHIM	0,022"	1
75	599 01 65-01	SHIM	0,007"	1
76	599 01 66-01	SHIM	0,009"	1
77	599 01 67-01	SHIM	0,012"	1
78	599 01 68-01	SHIM	0,022"	2
79	599 01 69-01	SHIM	0,032"	2
83	598 99 30-01	COVER		1
85	599 17 05-01	VALVE		1
88	598 99 26-01	FAN		1
99	598 99 50-01	WORM GEAR		1
227	599 16 58-01	WASHER	1-1/8"x0,281"x0,187"	1
228	599 12 54-01	FITTING		1
400	599 16 74-01	STUD	M4x20 DIN976	2
407	725 23 70-71	SCREW EHHM	M6x20 ISO4017 8.8 ZPB, 10Nm/7ft.lbs	1
408	599 16 82-01	SCREW	M4x14 ISO4017 8.8 ZPB, 3Nm/2ft.lbs	2
409	599 16 81-01	STUD	M4x25 DIN976	2
412	725 53 78-01	SCREW IHSCM	M6x40 ISO4762 8.8 ZPB	1
416	725 24 51-01	SCREW	24Nm/18ft.lbs (S3)	8
427	598 74 98-01	SCREW	M12 x 35, 85Nm/63ft.lbs (DIN933 S3)	2
468	599 15 98-01	LOCK NUT	3Nm/2ft.lbs (S3)	2
482	734 11 46-01	WASHER	M5 ISO7089 200HV ZPB	4
483	599 16 02-01	WASHER		1
541	599 16 48-01	KEY	Square key 3/8"x1-1/2" 4140 320BHN	1
542	599 16 76-01	KEY	Square key 3/8"x4"	1
545	599 16 15-01	KEY	Square key 1/4"x1"	1
560	598 99 23-01	O-RING	2-3/8"x3/32 NBR 70 Shore	2
561	598 99 24-01	O-RING	7-1/4"x1/8" NBR 70 Shore	1
570	599 16 45-01	SEAL	2,78x1,625	1
580	599 16 46-01	BEARING		2
581	599 16 47-01	BEARING		2
582	598 99 47-01	BEARING		2
583	599 16 56-01	BEARING		2
600	599 04 75-01	SEAL	1,313x2,066x0,31	2
601	599 04 76-01	SEAL	1,625x2,252x0,31	2
616	599 17 10-01	PLUG	3/8in NPTF (S8)	3



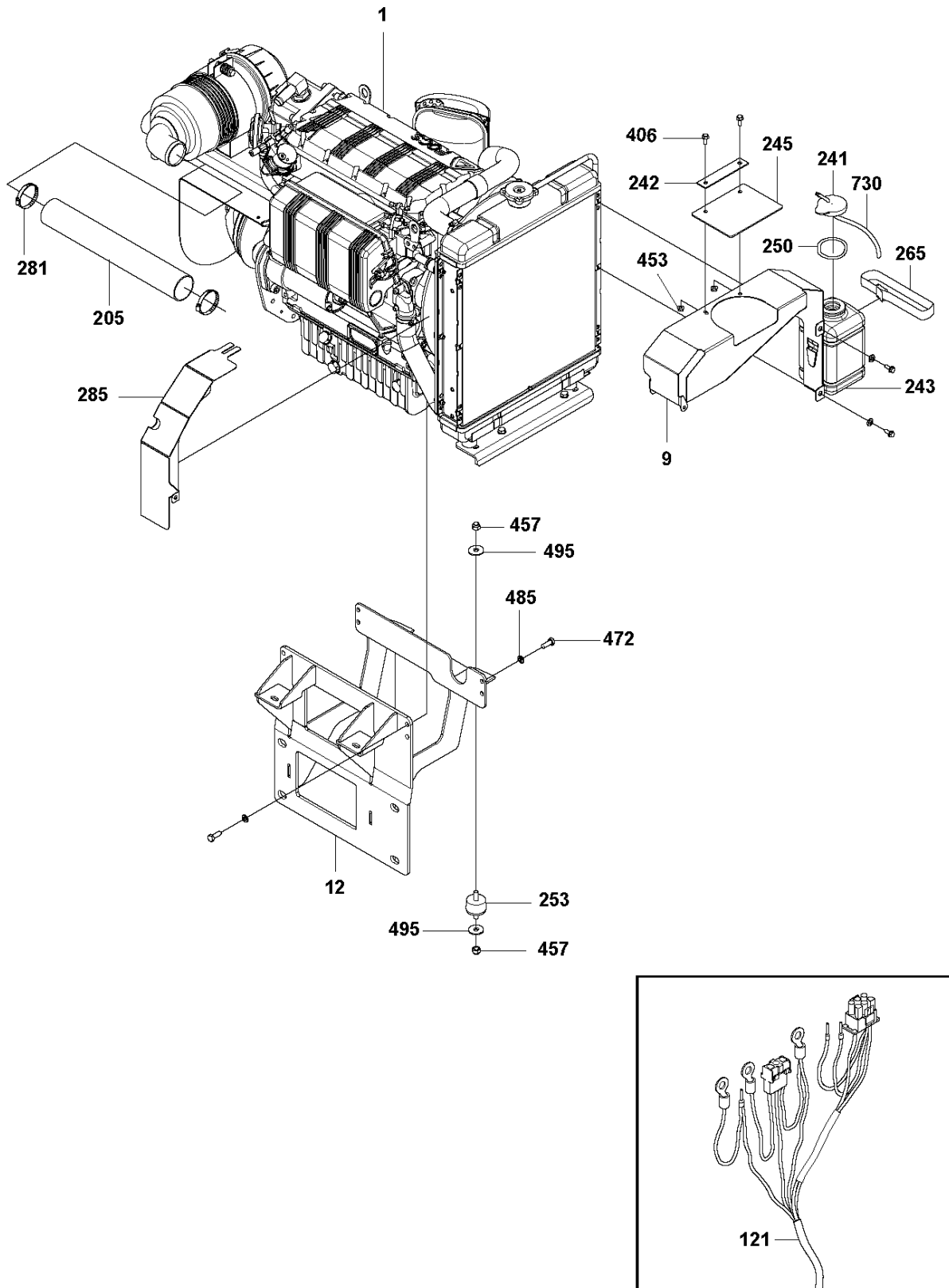


## DRIVE

CRT48-35L EU, 970461602, 2020-02

Ref	Part No	Description	Remark	QTY KIT
96	599 05 83-01	LEVER	Right cross	1
98	599 05 84-01	LEVER	Left cross	1
179	599 00 88-01	BRACKET	Gearbox bracket, left	1
180	599 02 29-01	BRACKET	Gearbox bracket, right	1
211	599 03 27-01	CLUTCH		1
215	599 03 28-01	CLUTCH		1
216	599 03 26-01	BELT	13-1/4"	1
217	598 99 52-01	JOINT		1
218	599 02 17-01	JOINT		1
225	598 99 45-01	BEARING		2
226	599 16 54-01	WASHER	1"x0,265"x0,1795"	1
238	599 12 36-01	SHAFT		1
240	598 99 48-01	FITTING		1
284	599 16 92-01	CAP	Cap	8
317	599 17 29-01	FITTING		2
319	599 08 34-01	HOSE	41"	2
405	725 53 70-01	SCREW IHSCM	M6x20 ISO4762 8.8 ZPB, 9Nm/7ft.lbs	12
407	725 23 70-71	SCREW EHHM	M6x20 ISO4017 8.8 ZPB, 10Nm/7ft.lbs	1
412	725 53 78-01	SCREW IHSCM	M6x40 ISO4762 8.8 ZPB	3
428	725 25 45-51	SCREW EHHM	M12x65 ISO4014 8.8 ZPB, 85Nm/63ft.lbs	4
433	597 97 91-01	SCREW	M14x50 ISO4017 8.8 ZPB, 135Nm/100ft.lbs	4
434	599 17 36-01	SCREW	7/16"-20x5" SAE GR5	1
463	598 55 65-01	NUT	M14 ISO10511	4
466	502 04 55-01	NUT	M12 ISO10511	12
476	725 25 41-71	SCREW EHHM	M12x45 ISO4017 8.8 ZPB, 10Nm/7ft.lbs	16
488	599 16 57-01	WASHER	M14 ISO7089 200HV ZPB	8
490	599 16 44-01	WASHER	0,531x1,625x0,12	1
491	734 11 78-01	WASHER	M12 ISO7089 200HV ZPB	20
502	599 16 55-01	RETAINER RING	1"	1
543	599 16 32-01	KEY	Square key 3/16"x1"	2
547	599 17 24-01	KEY	Square key 1/4"x2-1/2"	2
588	598 99 31-01	BEARING	1in ID	6
589	599 01 26-01	BLOCK		6

**N** CRT48-35L EU  
ENGINE INSTALLATION

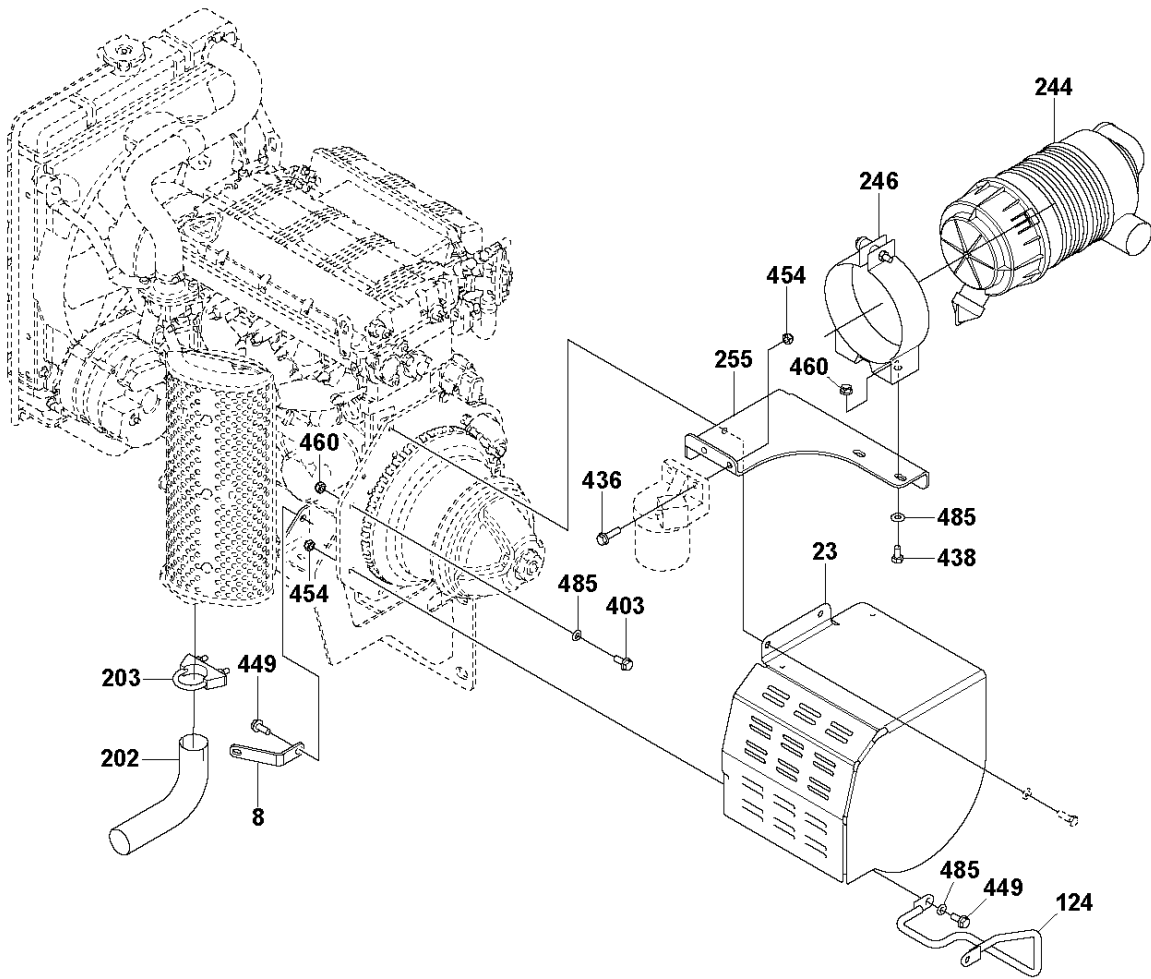


## ENGINE INSTALLATION

CRT48-35L EU, 970461602, 2020-02

Ref	Part No	Description	Remark	QTY KIT
1	599 02 28-01	ENGINE		1
9	599 04 41-01	SHIELD		1
12	599 01 77-01	BRACKET		1
121	599 03 34-01	WIRE		1
205	599 04 51-01	HOSE	2.0"x375mm	1
241	599 03 43-01	CAP		1
242	599 04 47-01	PLATE		1
243	599 03 42-01	BOTTLE		1
245	599 04 45-01	SHIELD		1
250	599 06 45-01	GASKET		1
253	598 99 98-01	BUMPER		4
265	599 17 32-01	CABLE		2
281	599 16 41-01	CLAMP	1.56"-2.50"	2
285	599 04 77-01	SHIELD		1
406	585 98 06-01	SCREW EHHFM	M6x16 ISO1665 8.8 ZPB, 9Nm/7ft.lbs	5
453	593 35 64-01	NUT	M6	2
457	539 20 02-82	NUT	3/8"-16"	8
472	599 17 23-01	SCREW		8
485	734 11 63-01	WASHER	M8 ISO7089 200HV ZPB	8
495	599 15 99-01	WASHER	B10,5 (DIN9021)	8
730	599 07 55-01	HOSE		1

**P** CRT48-35L EU  
ENGINE COMPARTMENT

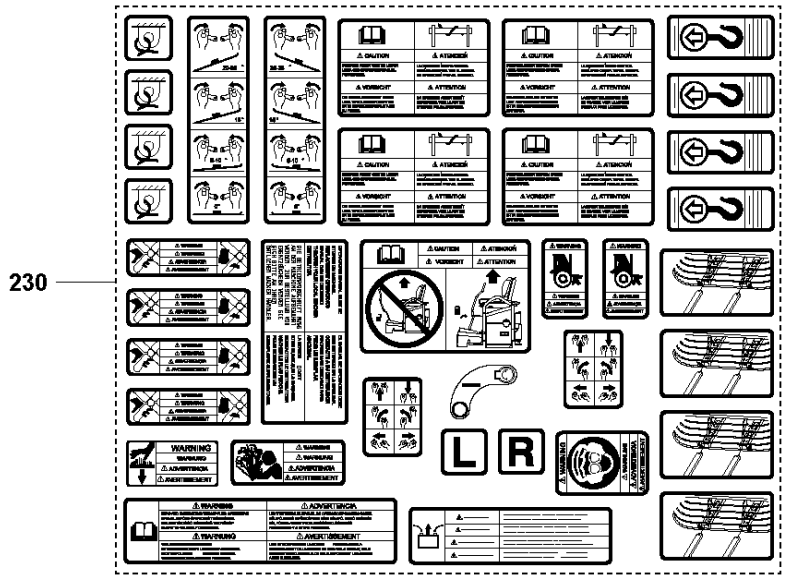


## ENGINE COMPARTMENT

CRT48-35L EU, 970461602, 2020-02

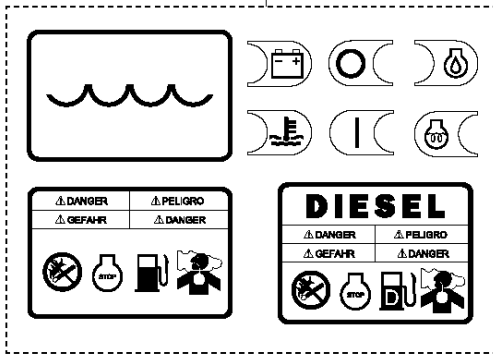
Ref	Part No	Description	Remark	QTY KIT
8	599 03 96-01	BRACKET		1
23	599 02 62-01	BELT GUARD		1
124	599 03 63-01	CABLE		1
202	599 04 79-01	PIPE		1
203	599 16 39-01	CLAMP		1
244	599 00 70-01	FILTER		1
246	599 00 78-01	CLAMP	5.72"	1
255	599 02 61-01	BRACKET		1
403	725 24 53-71	SCREW EHHM	M8x25 ISO4017 8.8 ZPB, 31Nm/23ft.lbs	1
436	585 97 28-01	SCREW EHHFM	M8x30 ISO1665 8.8 ZPB, 44Nm/32ft.lbs	2
438	725 24 59-51	SCREW EHHM	M8x40 ISO4014 8.8 ZPB, 25Nm/18ft.lbs	2
449	506 57 01-04	SCREW EHHFM	M8x20 ISO1665 8.8 ZPB, 24Nm/18ft.lbs	4
454	522 91 94-01	LOCK NUT	M8 ISO10511	5
460	576 64 57-04	NUT FLANGE	M8	4
485	734 11 63-01	WASHER	M8 ISO7089 200HV ZPB	7

**Q** CRT48-35L EU  
DECALS

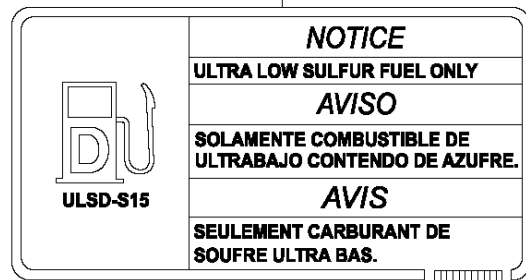


230

235



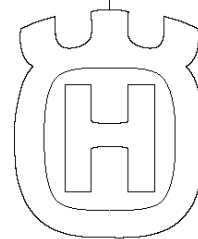
237



801

**CRT48**

800



810

**Husqvarna**<sup>®</sup>

DECALS

CRT48-35L EU, 970461602, 2020-02

Ref	Part No	Description	Remark	QTY KIT
230	599 04 73-01	LABEL		1
235	599 04 31-01	LABEL		1
237	599 07 76-01	LABEL		1
800	599 23 50-01	DECAL		1
801	599 23 49-01	DECAL		1
810	599 23 48-01	DECAL		2