



 **Husqvarna**[®]



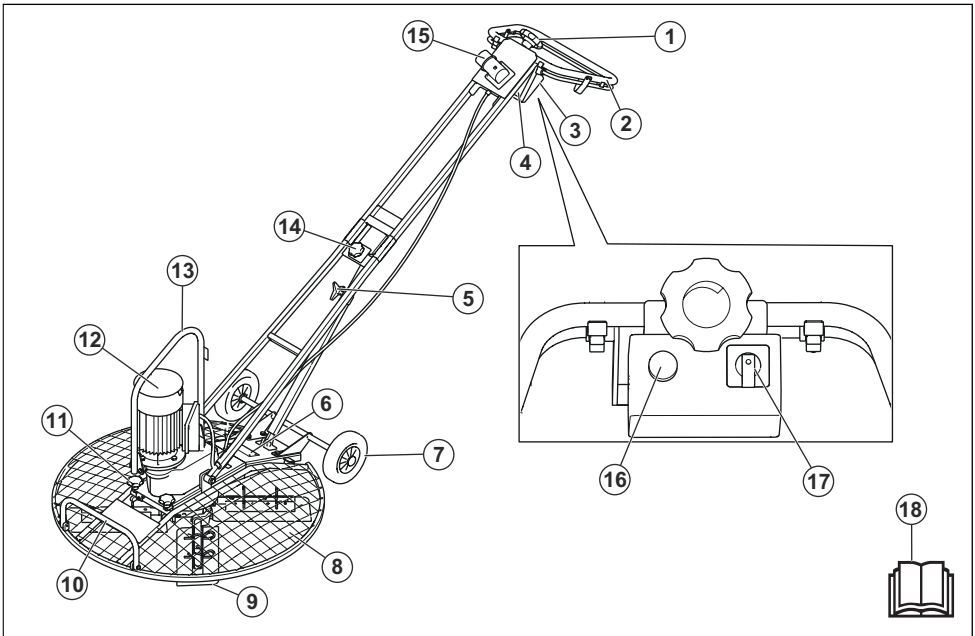
BG Combi

Contents

Introduction.....	2	Troubleshooting.....	13
Safety.....	4	Transportation, storage and disposal.....	14
Operation.....	7	Technical data.....	16
Maintenance.....	10	EC Declaration of Conformity.....	20

Introduction

Product overview



1. Blade adjustment knob
2. Quick stop handle
3. Electrical box
4. Magnetic switch
5. Height adjustment knob
6. Rating plate
7. Transport wheels
8. Protection ring
9. Blade
10. Lift handle
11. Locking knobs for protection ring
12. Electric motor
13. Lifting eye
14. Knob for transport position of the handle

15. Socket for power cord
16. Start button
17. Speed switch with phase converter
18. Operator's manual

Product description

This product is a pedestrian-controlled trowel, which is a concrete smoothing machine. It has an electric motor.

The diameter of the operation position can be adjusted in 3 different positions.

The product can be used with the optional accessory floating disc.

Intended use

The product is for professional operation only. The product is used to give a smooth surface on wet concrete floors. Do not use the product for other tasks.

Symbols on the product



WARNING: This product can be dangerous and cause serious injury or death to the operator or others. Be careful and use the product correctly.



Read the manual carefully and make sure that you understand the instructions before you use the product.



Use hearing protection.



Risk of injury. Be careful around the drive belt.



Hot surface.



Keep your hands away from this area.



Keep your hands and feet away from the blades.



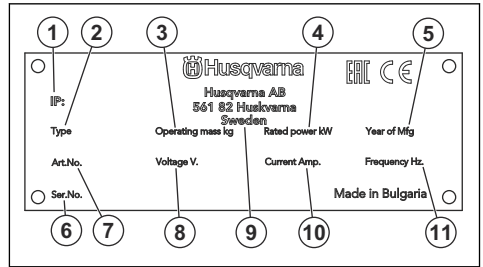
Lifting point on the safety frame.



This product is in compliance with applicable EC directives.

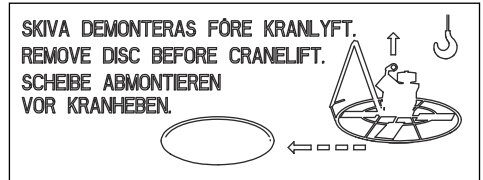
Note: Other symbols/decals on the product refer to special certification requirements for some markets.

Rating plate

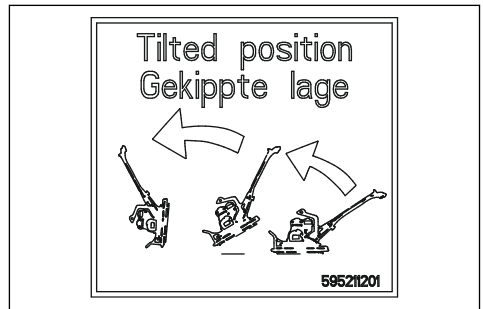


1. IP classification
2. Product type
3. Product weight
4. Rated power
5. Production year
6. Serial number
7. Product number
8. Voltage, V
9. Manufacturer
10. Current, A
11. Frequency, Hz

Safety labels



Remove the floating disc before you lift the product.



Set the product in maintenance position. Refer to *To set the product in maintenance position* on page 10.

Product liability

As referred to in the product liability laws, we are not liable for damages that our product causes if:

- the product is incorrectly repaired.

- the product is repaired with parts that are not from the manufacturer or not approved by the manufacturer.
- the product has an accessory that is not from the manufacturer or not approved by the manufacturer.
- the product is not repaired at an approved service center or by an approved authority.

Safety

Safety definitions

Warnings, cautions and notes are used to point out specially important parts of the manual.



WARNING: Used if there is a risk of injury or death for the operator or bystanders if the instructions in the manual are not obeyed.



CAUTION: Used if there is a risk of damage to the product, other materials or the adjacent area if the instructions in the manual are not obeyed.

Note: Used to give more information that is necessary in a given situation.

General safety instructions



WARNING: Read the warning instructions that follow before you use the product.

- This product is a dangerous tool if you are not careful or if you use the product incorrectly. This product can cause serious injury or death to the operator or others. Before you use the product, you must read and understand the contents of this operator's manual.
- Save all warnings and instructions.
- Comply with all applicable laws and regulations.
- The operator and the employer of the operator must know and prevent the risks during operation of the product.
- Do not let a person operate the product unless they read and understand the contents of the operator's manual.
- Do not operate the product unless you receive training before use. Make sure that all operators receive training.
- Do not let a child operate the product.
- Only let approved persons operate the product.
- The operator is responsible for accidents that occur to other persons or their property.
- Do not use the product if you are tired, ill, or under the influence of alcohol, drugs or medicine.
- Always be careful and use your common sense.
- This product produces an electromagnetic field during operation. This field can under some

circumstances interfere with active or passive medical implants. To decrease the risk of serious injury or death, we recommend persons with medical implants to speak to their physician and the medical implant manufacturer before operating this product.

- Keep the product clean. Make sure that you can clearly read signs and decals.
- Do not use the product if it is defective.
- Do not do modifications to this product.
- Do not operate the product if it is possible that other persons have done modifications to the product.

Electrical safety



WARNING: Read the warning instructions that follow before you use the product.

- The power plug must agree with the power outlet. Do not do modifications to the plug. Do not use adapter plugs with grounded products. Power plugs without modifications, and correct power outlets decrease the risk of electrical shock.
- Do not pull the power cord to move the product.
- Pull the power plug to disconnect the power cord. Do not pull the power cord.
- Make sure that the power cord does not catch in doors, fences or equivalent obstacles that can cause damage to the power cord.
- Do a check that the power cord and the power plug are in good condition and not damaged.
- Do not connect a damaged power cord to the product.
- Do not touch the power cord if it becomes damaged during operation of the product. Disconnect the power cord from the power outlet.
- Keep the power cord away from water, oil, sharp edges and moving parts.
- Keep the product away from rain and wet conditions. The risk of electrical shock increases if water goes into the product.
- Use a power supply with RCD (residual-current device) protection if you operate the product in a moist environment. An RCD decreases the risk of electrical shock.

Safety instructions for operation



WARNING: Read the warning instructions that follow before you use the product.

- Make sure that you know how to stop the product quickly in an emergency.
- The operator must have the physical strength that is necessary to operate the product safely.
- Use personal protective equipment. Refer to *Personal protective equipment on page 6*.
- Make sure that only approved persons are in the work area.
- Keep the work area clean and bright.
- Make sure that you are in a safe and stable position during operation.
- Make sure that there is no risk that you or the product can fall from a height.
- Make sure that there is no grease or oil on the handle.
- Do not use the product in areas where fire or explosions can occur.
- The product can cause objects to eject at high speed. Make sure that all persons in the work area use approved personal protective equipment. Remove loose objects from the work area.
- Before you go away from the product, stop the product and disconnect the power source.
- Make sure that the power outlet voltage agrees with the voltage that is given on the rating plate of the product.
- Make sure that clothes, long hair and jewelry do not get caught in moving parts.
- Do not sit on the product.
- Do not hit the product.
- Make sure that you or other persons cannot get caught in and fall on cables, hoses and shafts in the work area.
- Before you operate the product, find out if there are hidden wires, electrical cables or other sources of electricity. Do not operate the product unless you know that it is in a safe work area.

Vibration safety



WARNING: Read the warning instructions that follow before you use the product.

- During operation of the product, vibrations go from the product to the operator. Regular and frequent operation of the product can cause or increase the degree of injuries to the operator. Injuries can occur in fingers, hands, wrists, arms, shoulders, and/or nerves and blood supply or other body parts. The injuries can be debilitating and/or permanent, and can increase gradually during weeks, months or

years. Possible injuries include damage to the blood circulation system, the nervous system, joints, and other body structures.

- Symptoms can occur during operation of the product or at other times. If you have symptoms and continue to operate the product, the symptoms can increase or become permanent. If these or other symptoms occur, get medical aid:
 - Numbness, loss of feeling, tingling, pricking, pain, burning, throbbing, stiffness, clumsiness, loss of strength, changes in skin color or condition.
- Symptoms can increase in cold temperatures. Use warm clothing and keep your hands warm and dry when you operate the product in cold environments.
- Do maintenance on and operate the product as given in the operator's manual, to keep a correct vibration level.
- The product has a vibration damping system that decreases the vibrations from the handles to the operator. Let the product do the work. Do not push the product with force. Hold the product at the handles lightly, but make sure that you control the product and operate it safely. Do not push the handles into the end stops more than necessary.
- Keep your hands on the handle or handles only. Keep all other body parts away from the product.
- Stop the product immediately if strong vibrations suddenly occurs. Do not continue the operation before the cause of the increased vibrations is removed.

Dust safety



WARNING: Read the warning instructions that follow before you use the product.

- Operation of the product can cause dust in the air. Dust can cause serious injury and permanent health problems. Silica dust is regulated as harmful by several authorities. These are examples of such health problems:
 - The fatal lung diseases chronic bronchitis, silicosis and pulmonary fibrosis
 - Cancer
 - Birth defects
 - Skin inflammation
- Use correct equipment to decrease the quantity of dust and fumes in the air and to decrease dust on work equipment, surfaces, clothing and body parts. Examples of controls are dust collection systems and water sprays to bind dust. Decrease dust at the source where possible. Make sure that the equipment is correctly installed and used and that regular maintenance is done.
- Use approved respiratory protection. Make sure that the respiratory protection is applicable for the dangerous materials in the work area.

- Make sure that the airflow is sufficient in the work area.
- If it is possible, point the exhaust of the product where it cannot cause dust to go into the air.

- Do a check of the safety devices regularly. If the safety devices are defective, speak to your Husqvarna service agent.

Noise safety



WARNING: Read the warning instructions that follow before you use the product.

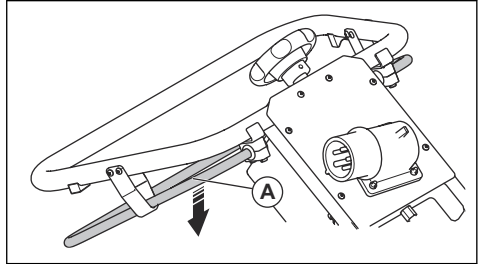
- High noise levels and long-term exposure to noise can cause noise-induced hearing loss.
- To keep the noise level to a minimum, do maintenance on and operate the product as given in the operator's manual.
- Use approved hearing protection while you operate the product.
- Listen for warning signals and voices when you use hearing protection. Remove the hearing protection when the product is stopped, unless hearing protection is necessary for the noise level in the work area.

Quick stop function

The blades stop immediately when you release the quick stop handle.

To do a check of the quick stop function

1. Start the motor. Refer to *To start the product on page 7*.
2. Release the quick stop handle (A). The motor stops.



Personal protective equipment



WARNING: Read the warning instructions that follow before you use the product.

- Always use approved personal protective equipment when you operate the product. Personal protective equipment cannot fully prevent injury but it decreases the degree of injury if an accident does occur. Let your dealer help you select the correct personal protective equipment.
- Regularly do a check of the condition of the personal protective equipment.
- Use an approved protective helmet.
- Use approved hearing protection.
- Use approved respiratory protection.
- Use approved eye protection with side protection.
- Use protective gloves.
- Use boots with steel toe-cap and non-slip sole.
- Use approved work clothing or equivalent close-fitting clothing that has long sleeves and long legs.

Safety instructions for operation near edges



WARNING: Read the warning instructions that follow before you use the product.

- There is a risk that the product falls when you operate it near an edge. Always keep a minimum of $\frac{2}{3}$ of the product on a surface that is sufficiently stable to hold the product weight.
- If the product falls, stop the motor before you lift the product back to a surface that is sufficiently stable. Refer to *To lift the product on page 15*.

Fire extinguisher

- Keep a fire extinguisher near during operation.
- Use a powder fire extinguisher of "ABE" class or a carbon dioxide fire extinguisher of "BE" type.

Safety instructions for maintenance



WARNING: Read the warning instructions that follow before you use the product.

- If the maintenance is not done correctly and regularly, the risk of injury and damage to the product increases.
- Use personal protective equipment. Refer to *Personal protective equipment on page 6*.
- Clean the product to remove dangerous material before you do the maintenance.
- Disconnect the product from the power source before you do the maintenance.
- Do not do modifications to the product. Modifications that are not approved by the manufacturer can cause serious injury or death.
- Always use original accessories and spare parts. Accessories and spare parts that are not approved

Safety devices on the product



WARNING: Read the warning instructions that follow before you use the product.

- Do not use a product with defective safety devices.

by the manufacturer, can cause serious injury or death.

- Replace damaged, worn or broken parts.
- Only do the maintenance as given in this operator's manual. Let an approved service agent do all other servicing.

- After maintenance, do a check of the vibration level in the product. If it is not correct, speak to an approved service agent.
- Let an approved service agent do servicing on the product regularly.

Operation

Introduction



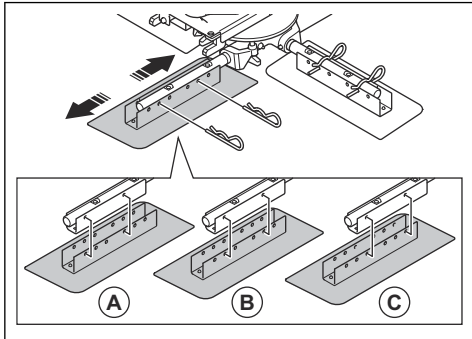
WARNING: Read and understand the safety chapter before you use the product.

To do before you operate the product

- Read the operator's manual carefully and make sure that you understand the instructions.
- Read the motor manual that is supplied by the motor manufacturer.
- Connect the product to a grounded mains outlet.
- Make sure that the mains voltage agrees with the rating plate on the product.
- Set the handle at an applicable operation height.
- Make sure that the protection ring is correctly installed. Refer to *To attach the protection ring on page 13*.
- Make sure that the correct protection ring is installed for the selected operation position.
- Do the daily maintenance. Refer to *Maintenance schedule on page 10*.

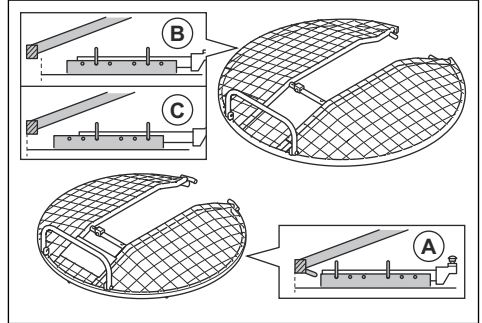
To select position for troweling operation

1. Put the locking pins in the related hole for the selected width. Select between these diameters:



- A: 850 mm/33.5 in.
- B: 950 mm/37.4 in.
- C: 1020 mm/40.2 in.

2. Install a protection ring of the correct dimension for the selected width. Select between these diameters:



- A: 855 mm/33.7 in.
- B: 950 mm/37.4 in.
- C: 1000 mm/39.4 in.

To install the floating disc

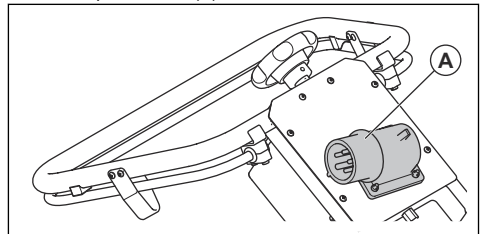
1. Put the floating disc on a hard flat surface.
2. Put the product on top of the floating disc.
3. Align the center of the blade assembly with the center of the floating disc.
4. Turn the floating disc until the blades engage in the brackets on the floating disc.



CAUTION: Make sure that the floating disc is correctly installed before you operate the product. An incorrectly installed floating disc does not give a smooth result.

To start the product

1. Connect the plug of the power cord into the socket for the power cord (A).

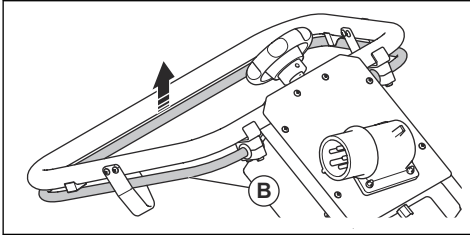


2. Connect the power cord to a 3-phase power outlet 400 V, 16 A fuse.

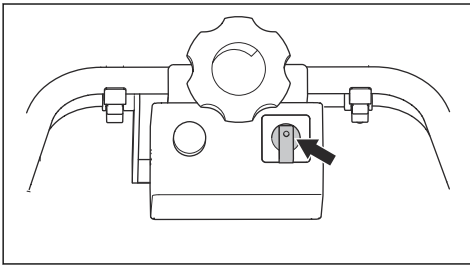


WARNING: Make sure that the power outlet has RCD protection.

3. Pull the quick stop handle (B) until it is against the handle. Keep the quick stop handle in this position during operation.

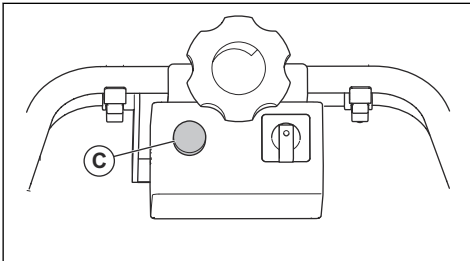


4. Turn the speed switch to set the operation speed. Position 1 gives 60 rpm and position 2 gives 120 rpm.



Note: If the speed switch is set to position 0, the product stops. If the quick stop handle is engaged, the product starts again if the speed switch is set to position 1 or 2. To stop the product correctly, refer to *To stop the product on page 9*.

5. Push the start button (C) and hold the handle tightly.



- a) If the phase sequence is incorrect, the direction of rotation becomes incorrect. If the direction of rotation is incorrect, the motor and gearbox disengages. If this occurs, select the opposite position 1 or 2 on the speed switch.

Working techniques

The floating operation removes dents on the concrete surface. The concrete surface must be sufficiently hard before the floating operation. The concrete surface is sufficiently hard when a shoe gives only a small recess on the concrete surface.

When the floating operation is completed, the concrete surface is prepared for the troweling operation. The troweling operation increases the density of the concrete surface and makes it smooth and hard.



CAUTION: Look for loose stones on the concrete surface during operation. Loose stones can make marks that are not easy to remove from the concrete surface.

To do the floating operation

1. Start the motor. Refer to *To start the product on page 7*.
2. Turn the blade adjustment knob until there is tension in the cable.
3. Move the product across the concrete surface.
4. Stop the product and remove it from the concrete surface.



CAUTION: Do not let the product stay stationary on the concrete surface. This can cause marks and damages to the concrete surface. When the product stops, immediately lift the product from the concrete surface.

To do the troweling operation

1. Start the motor. Refer to *To start the product on page 7*.
2. Turn the blade adjustment knob until there is tension in the cable.
3. Move the product across the concrete surface.
 - a) Turn the speed selection switch to position 1 or 2. Position 1 gives 60 rpm. Position 2 gives 120 rpm.



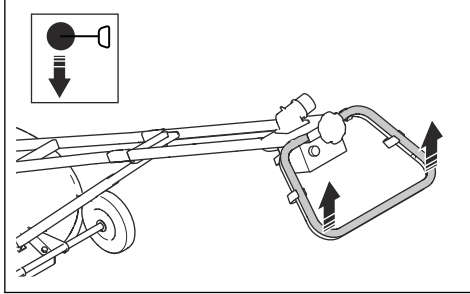
CAUTION: Adjust the speed for the condition of the surface. Too high speed can cause damage to the surface.

- b) Adjust the blade adjustment knob as necessary during operation.
4. Stop the product and remove it from the concrete surface.
 5. Wait until the concrete is sufficiently set.
 6. Do the procedure again and again until the concrete surface has a satisfactory finish and is fully set.

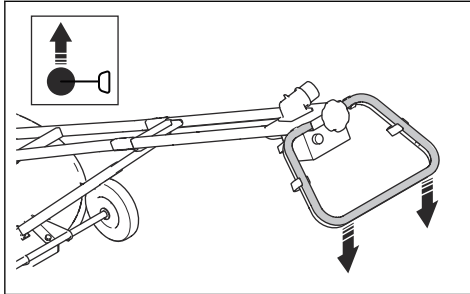
Note: The period of time between troweling operation is calculated from how quickly the concrete sets.

To move the product in different directions

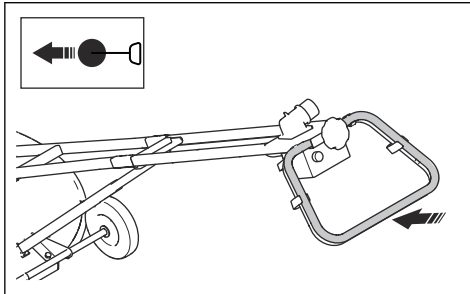
- To turn to the left, lift the handle.



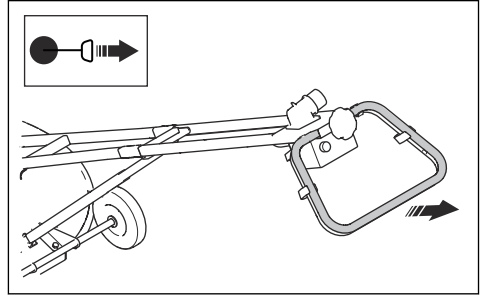
- To turn to the right, push the handle down.



- To move the product forward, push the handle forward.



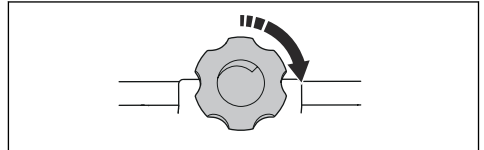
- To move the product rearward, pull the handle rearward.



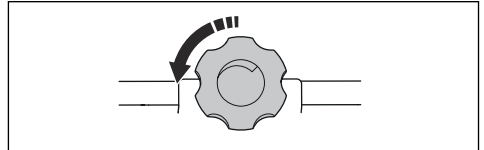
To adjust the blade angle

The blade angle is adjusted gradually.

1. To increase the blade angle, turn the blade adjustment knob clockwise.

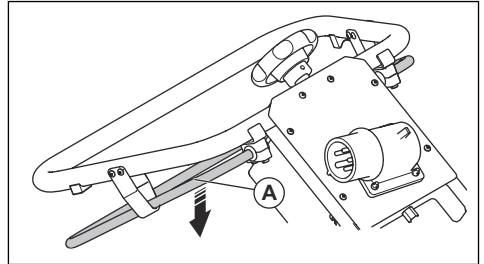


2. To decrease the blade angle, turn the blade adjustment knob counterclockwise.



To stop the product

1. Release the quick stop handle (A). The motor stops.



2. Disconnect the power cord from the power source.



WARNING: Always disconnect the power cord from the power source when the product is not in operation.

Maintenance

Introduction



WARNING: Read and understand the safety chapter before you do maintenance on the product.

For all servicing and repair work on the product, special training is necessary. We guarantee that professional repairs and servicing is available. If your dealer is not a service agent, speak to them for information about the nearest service agent.

For spare parts, speak to your Husqvarna dealer or service agent.

Maintenance schedule

* = General maintenance done by the operator. The instructions are not given in this operator's manual.

X = The instructions are given in this operator's manual.

Maintenance	Before use, each 10 h	After the first 20 h	Yearly, each 500 h
Make sure that there are no oil leaks.	*		
Clean the product.	X		
Make sure that nuts and screws are tightened.	*		
Lubricate the blade shafts after the product is cleaned.	X	X	
Make sure that the controls can move smoothly.	*		
Examine the wires for damage and make sure that they are correctly adjusted.	*		
Clean the blade shaft.			X
Clean the pressure plate.			X

To clean the product



CAUTION: Do not use a high-pressure washer to clean the product.

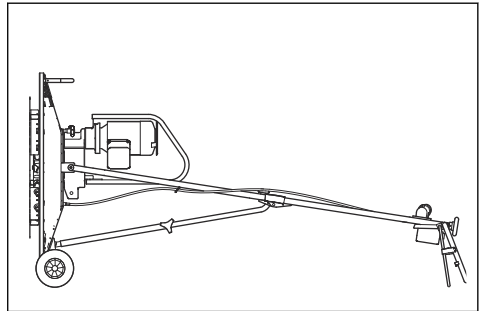
- Remove concrete from the surfaces of the product after each operation before the concrete becomes hard.
- Use running water from a hose to clean the product.



CAUTION: Do not point the water directly at the electrical box for the quick stop or the motor.

- Remove grease and oil from the handle.

- Tilt the product rearward until it is stable on the handle and the transport wheels.



To set the product in maintenance position

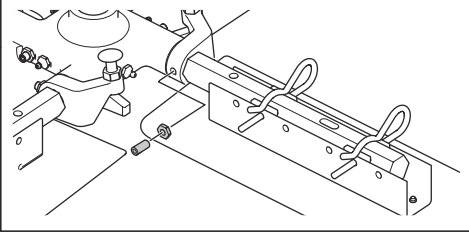


WARNING: Disconnect the power cord from the power source to prevent accidental start.

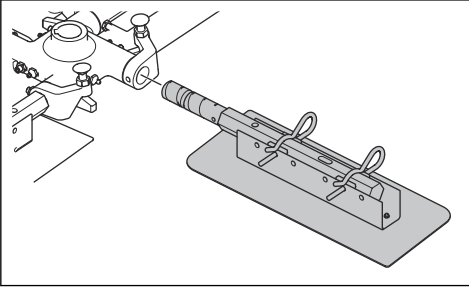
The maintenance position is used for all maintenance procedures in the blade area below the product.

To clean or replace the blade shafts

1. Remove the nuts and screws from the blade shafts.



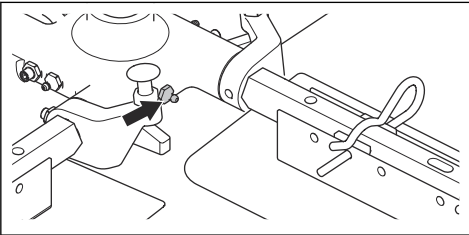
2. Pull the blade shafts from the hub.



3. Replace damaged blade shafts.
4. Clean the contact surfaces on the blade shafts and the hub.
5. Lubricate the contact surfaces and install the blade shafts.

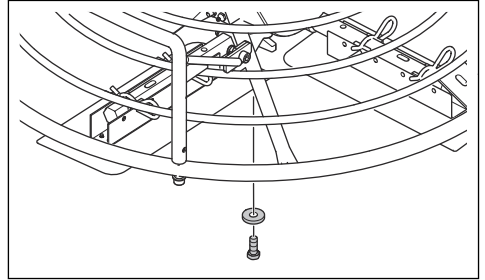
To lubricate the blade shafts

- Push grease through the grease nipples until grease comes out around the blade shafts.

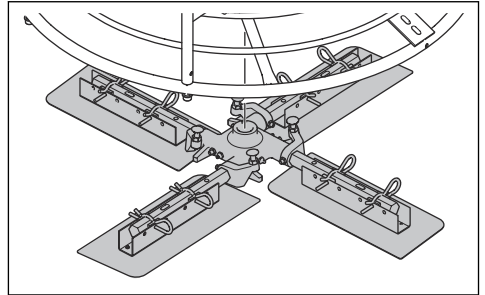


To clean or replace the bearing for the pressure plate

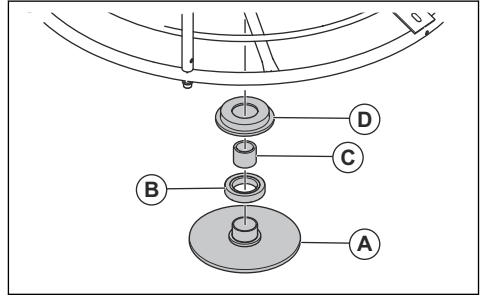
1. Remove the screw and washer.



2. Remove the blade assembly. Use a puller if the blade assembly is not easy to remove.



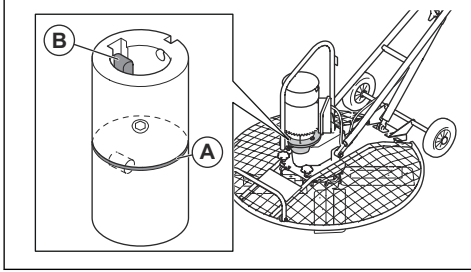
3. Remove the pressure plate (A), the ball bearing (B), the bushing (C) and bearing plate (D).



4. Clean the surfaces of all parts and lubricate carefully.
5. Lubricate the ball bearing with grease. Refer to *Technical data on page 16* for correct type of grease.
6. Assemble in the opposite sequence.

To repair the coupling between the motor and the gearbox

- Make sure that the dimension (A) is between 0.5-1.5 mm/0.02-0.06 in.



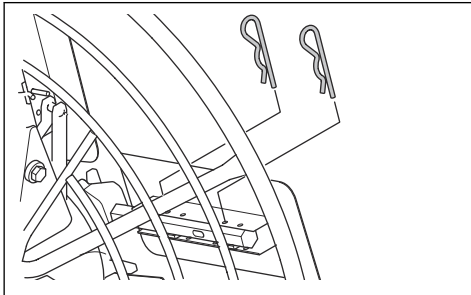
- Make sure that the groove in the connector (B) points down. Also examine that the head of the screw touches the lower connector.

To replace the blades



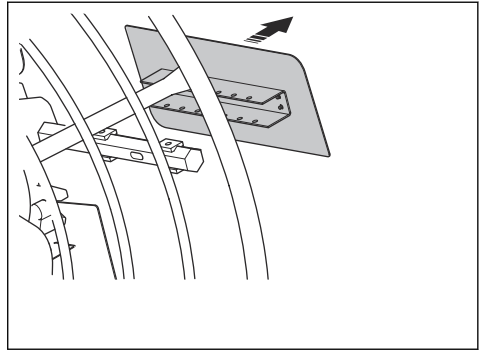
WARNING: Before you replace the blades, stop the product and disconnect the power cord from the power supply.

1. Set the product in maintenance position. Refer to *To set the product in maintenance position on page 10.*
2. Loosen the blades.
 - a) For blades that have a quick release function, pull out the spring clips.

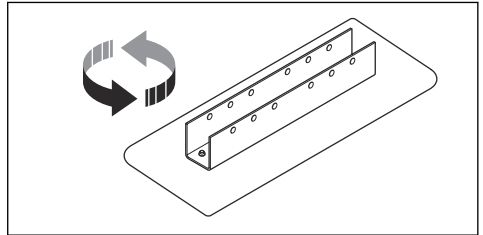


- b) For blades that do not have a quick release function, remove the screws.

3. Replace the blades.



- a) If the blade has wear on 1 edge only, turn the blade 180 degrees and put it back.



- b) If the blade has wear on the front and the rear edge, replace with a new blade.
4. Lubricate the blade shafts. Refer to *To lubricate the blade shafts on page 11.*



CAUTION: Make sure that the blades are correctly installed before you operate the product. Incorrectly installed blades do not give a smooth result.

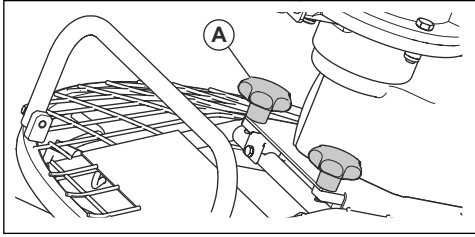
To remove the protection ring



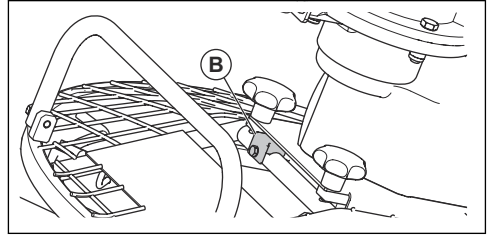
WARNING: Before you remove the protection ring, stop the product and disconnect the power cord from the power source.

1. Set the product in maintenance position. Refer to *To set the product in maintenance position on page 10.*

- Loosen the locking knobs for the protection ring (A) by 8-10 mm/0.31-0.39 in.



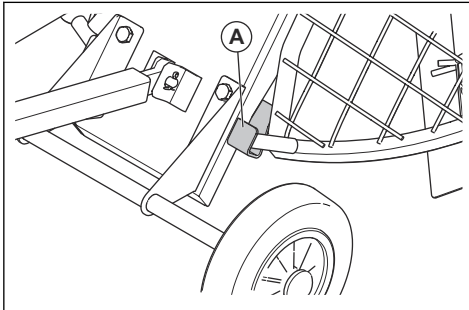
- Tighten the locking knobs for the protection ring.
- Make sure that the magnet (B) closes the circuit.



- Remove the protection ring.

To attach the protection ring

- Set the product in maintenance position. Refer to *To set the product in maintenance position on page 10.*
- Push down the protection ring until it touches the stops (A).



- If the magnet of the magnetic switch is replaced, make sure that there is a clearance of 0-2 mm/0-0.08 in.

Troubleshooting

Problem	Cause	Solution
The product does not start.	No power supply or 1-phase has no voltage.	Examine the power cord, all 3 phases and the fuse. Replace damaged parts.
	No control of the current supply.	Make sure that the magnet on the protection ring closes the circuit correctly.
	No current supply to the electric motor.	Examine the electric components, magnetic switch, cables, contactors, capacitors and start button. Replace damaged parts.
The blades do not rotate.	The direction of rotation is incorrect.	Change the position of the speed switch.
The blades rotate too slowly when the quick stop handle is engaged.	The clutch does not operate correctly.	Set the speed switch to position 2.

Problem	Cause	Solution
The blades do not rotate smoothly.	The floating disc is used and the concrete is too wet.	Let the concrete dry some more before you operate the product.
	The motor is defective.	Repair or replace the motor.
	The transmission is defective.	Repair or replace the transmission.
The product shakes.	1 or more of the blades are bent or defective.	Replace damaged blades.
	1 or more of the blades do not move correctly in the hub.	Remove the blades. Clean and lubricate all contact surfaces.
	The pressure plate is bent or defective.	Replace the pressure plate.
The blade adjustment system is defective.	1 or more of the blades do not move correctly in the hub.	Remove the blades. Clean and lubricate all contact surfaces.
	The pressure plate does not move vertically.	Disassemble the blade assembly. Clean and lubricate all contact surfaces.
	The blade adjustment control on the handlebar is defective.	Examine all parts of the blade adjustment control for damage and replace if it is necessary.

Transportation, storage and disposal

Transportation

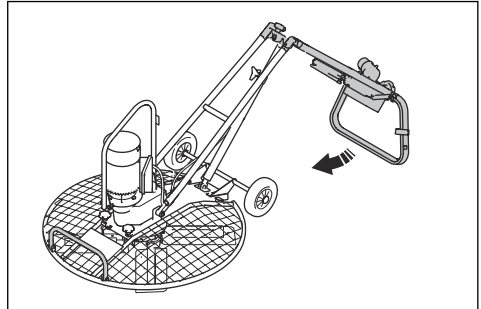


WARNING: Be careful during transportation. The product is heavy and can cause injury if it falls.

- Fold the handle. Refer to *To set the product in transport position* on page 14.
- If an optional floating disc is installed, remove it before transportation.
- When you use a vehicle for transportation of the product, make sure that the product is sufficiently attached and cannot move. Attach 1 tie-down strap to the operation handle and the vehicle. Attach 1 tie-down strap to the support frame for maintenance position and the vehicle.
- Do not put the product on its side during transportation. The bottom side of the product must always be down.

To set the product in transport position

- Pull the knob on the central hinge and fold the handle rearward.



To move the product on the transport wheels

1. Tilt the product rearward until the transport wheels are on the ground.
2. Hold the product at the operation handle and move it forward or rearward as necessary.



CAUTION: The transport wheels are for short distance transportation only.

To lift the product



WARNING: Make sure that the lifting equipment has the correct specification to lift the product safely. The rating plate on the product shows the product weight.

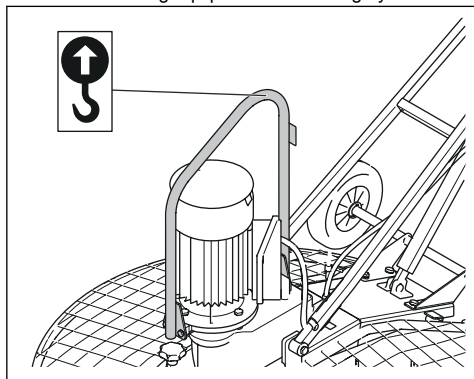


WARNING: Do not lift a damaged product. Make sure that the lifting eye is correctly installed and not damaged.



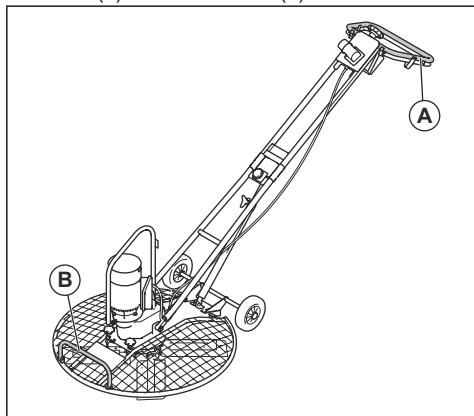
WARNING: Do not walk or stay below or near a lifted product.

- Attach the lifting equipment to the lifting eye.



WARNING: Do not use metal hooks, chains or other lifting equipment with rough edges that can cause damage to the lifting eye.

- To lift the product manually, hold the operation handle (A) and the lift handle (B).



CAUTION: Do not lift the product at the protection ring.

Storage

- Clean the product before storage.
- Keep the product in a dry and frost-free area.
- Keep the product in a locked area to prevent access for children or persons that are not approved.

Disposal of the product

- Obey the local recycling requirements and applicable regulations.
- When the product no longer is used, send it to a Husqvarna dealer or discard it at a recycling location.

Technical data

Technical data

Motor type	400V-3-50 Hz
Motor power, kW	1.6/2.4
Blade speed, rpm	60/120
Rated current, A	5.4
Type of handle	Long
Type of blade angle adjustment	Twist pitch
Type of blade arms	Quick release/Bolt on
Grease, shaft for blade adjustments	Shell Gadus S2 or equivalent
Gearbox oil	Synthetic Mobil SHC 634

For further information and questions about this specific motor, refer to the motor manual or the web site of the motor manufacturer.

Weight	Diameter 850 mm/33.5 in.	Diameter 1020 mm/40.2 in.
Operation weight, EN500, kg/lb	86/190	88/194

Noise emissions	
Sound power level L_w measured, dB(A) rel 1pW ¹	92
Sound pressure level L_p at the operators ear, dB(A) ²	77

Vibration levels ³	
Vibration, three axes values, level a_n , m/s ²	1.4

Weights and dimensions for options	Diameter 850 mm/33.5 in.	Diameter 1020 mm/40.2 in.
Floating disc, kg/lbs	13/28.6	13/28.6, 16/35.3, 19/41.9
Floating disc, mm/in.	865/34	865/34, 965/38, 1015/40
Trowel blades, four units, kg/lbs	9/19.8	9/19.8

¹ Measured sound power level L_w according to EN ISO 3744.

² Sound pressure level L_p according to EN ISO 11201, EN 12649. Uncertainty K_{pA} 2.5 dB(A).

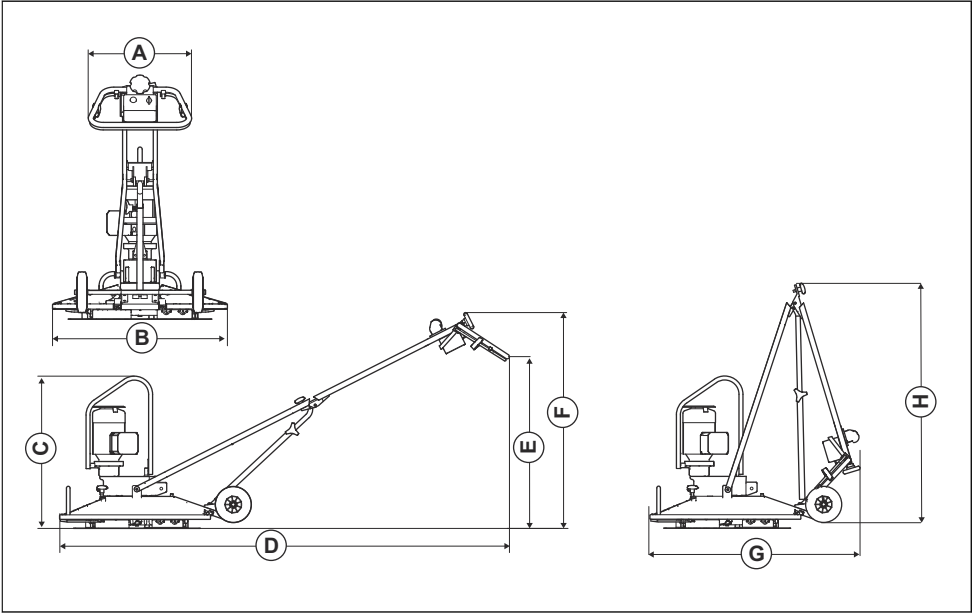
³ **Vibration value determined according to EN 12649.**

Weights and dimensions for options	Diameter 850 mm/33.5 in.	Diameter 1020 mm/40.2 in.
Trowel blade, mm/in.	850/33.5	850/33.5, 915/36, 980/38.6
Protection ring, mm/in.	850/33.5	1020/40.2

Noise and vibration declaration statement

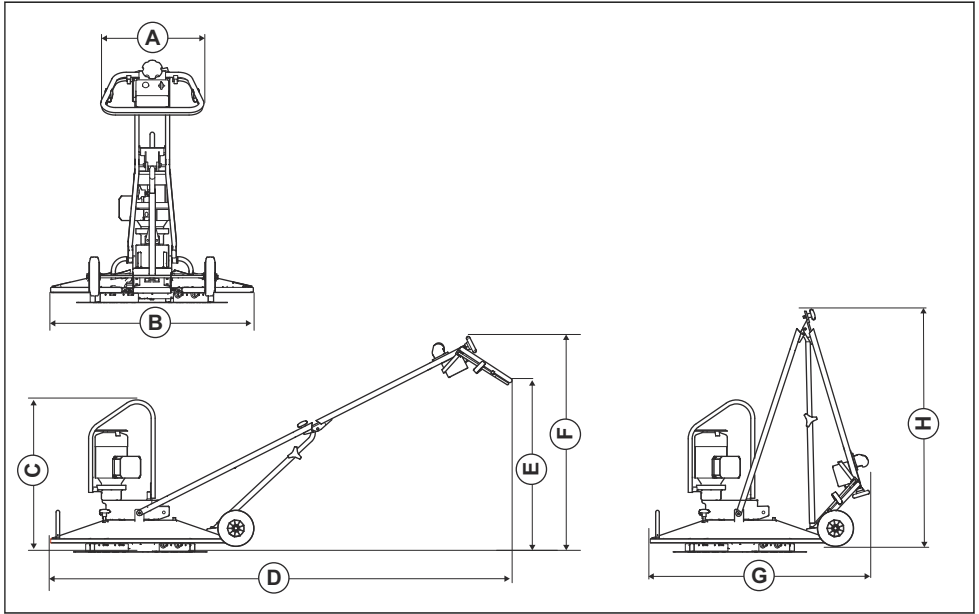
These declared values were obtained by laboratory type testing in accordance with the stated directive or standards and are suitable for comparison with the declared values of other products tested in accordance with the same directive or standards. These declared values are not suitable for use in risk assessments and values measured in individual work places may be higher. The actual exposure values and risk of harm experienced by an individual user are unique and depend upon the way the user works, in what material the product is used, as well as upon the exposure time and the physical condition of the user, and the condition of the product.

Product dimensions (diameter 850 mm/33.5 in.)



A	Handle width, mm/in.	505/19.9	E	Handle height, mm/in.	950/37.4
B	Width of blade assembly, mm/in.	855/33.7	F	Height at blade adjustment knob, mm/in.	1194/47.0
C	Height at lifting point on the lifting eye, mm/in.	842/33.1	G	Length with handle folded, mm/in.	1154/45.4
D	Length including handle, mm/in.	2488/98.0	H	Height with handle folded, mm/in.	1351/53.2

Product dimensions (diameter 1020 mm/40.2 in.)



A	Handle width, mm/in.	505/19.9	E	Handle height, mm/in.	950/37.4
B	Width of blade assembly, mm/in.	1000/39.4	F	Height at blade adjustment knob, mm/in.	1194/47.0
C	Height at lifting point on the lifting eye, mm/in.	842/33.1	G	Length with handle folded, mm/in.	1227/48.3
D	Length including handle, mm/in.	2561/100.8	H	Height with handle folded, mm/in.	1351/53.2

EC Declaration of Conformity

EC Declaration of Conformity

We, **Husqvarna AB**, SE-561 82 Huskvarna, Sweden, tel:
+46-36-146500, declare on our sole responsibility that
the product:

Description	Concrete Smoothing Machine, Trowel
Brand	Husqvarna
Type/Model	BG Combi
Identification	Serial numbers dating from 2019 and onwards

complies fully with the following EU directives and
regulations:

Directive/Regulation	Description
2006/42/EC	"relating to machinery"
2014/30/EU	"relating to electromagnetic compatibility"
2011/65/EU	"relating to restriction of hazardous substances"

and that the following harmonized standards and/or
technical specifications are applied;

EN 12649:2008+A1:2011

Partille, 2019-12-06



Martin Huber
R&D Director, Concrete Surfaces & Floors
Husqvarna AB, Construction Division
Responsible for technical documentation



www.husqvarnacp.com

Original instructions

1140657-26



2020-04-16