



Husqvarna®



- FR** **Manuel d'utilisation** - Lire attentivement et bien assimiler le manuel d'utilisation avant d'utiliser la machine.
- GB** **Operator's manual** - Please read the operator's manual carefully and make sure you understand the instructions before using the machine.
- DE** **Bedienungsanweisung** - Lesen Sie die Bedienungsanweisung sorgfältig durch und machen Sie sich mit dem Inhalt vertraut, bevor Sie das Gerät benutzen.
- IT** **Istruzioni per l'uso** - Prima di usare la macchina, leggere per intero le istruzioni per l'uso e accertarsi di averne compreso il contenuto.
- ES** **Manual de instrucciones** - Lea detenidamente el manual de instrucciones y asegúrese de entender su contenido antes de utilizar la máquina.
- NL** **Gebruiksaanwijzing** - Neem de gebruiksaanwijzing grondig door en gebruik de machine niet voor u alles duidelijk heeft begrepen.
- SE** **Bruksanvisning** - Läs igenom bruksanvisningen noggrant och förstå innehållet innan du använder maskinen.
- PT** **Instruções para o uso** - Leia as instruções para o uso com toda a atenção e compreenda o seu conteúdo antes de fazer uso da máquina.



**FS 413**



# CONTENTS and INTRODUCTION

Section	Contents	Page
Contents & Introduction.....		3
Symbols and Decals.....		4-8
Safety Instructions.....		9-13
Parts Identification (What Is What).....		14-15
Assembly.....		16-20
Operation .....		21-25
Maintenance & Lubrication .....		27-28
Trouble Shooting Guide.....		29
Wiring diagram.....		30
Technical Data.....		31-32
Accessories.....		33
Conformity Certificates.....		34
Contact Information.....		35

## Introduction

Thank you for purchasing your new machine from Husqvarna Construction Products. We have provided important safety messages in this manual and on the machine. Please read these messages carefully. A safety message alerts you to potential hazards that could hurt you or others. Each safety message is preceded by a symbol or the safety alert symbol (⚠) and one of two words, **WARNING**, or **CAUTION**.

These signal words mean:

**⚠ WARNING:** Indicates a hazardous situation which, if not avoided COULD result in death or serious injury.

**⚠ CAUTION:** Indicates a hazardous situation, which, if not avoided, COULD result in minor or moderate injury. It may also be used to alert against unsafe practices.



Each message tells you what the hazard is, what can happen, and what you can do to avoid or reduce injury. Other important messages are preceded by the word **NOTICE**.

**NOTICE** means:

**NOTICE:** Indicates a hazardous situation which, if not avoided, could result in property damage. Your machine or other property can be damaged if you don't follow this instruction.

The safety labels should be periodically inspected and cleaned by the user to maintain good legibility at a safe viewing distance. If the label is worn, damaged, or is illegible, it should be replaced.

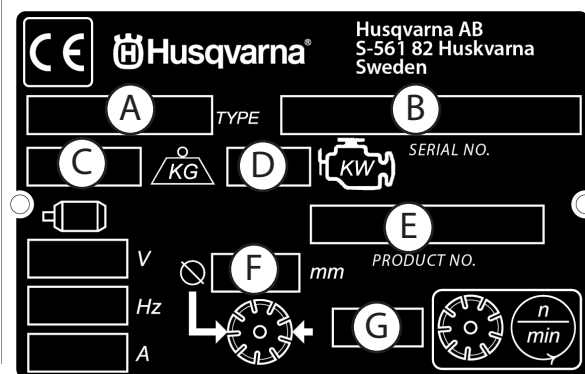
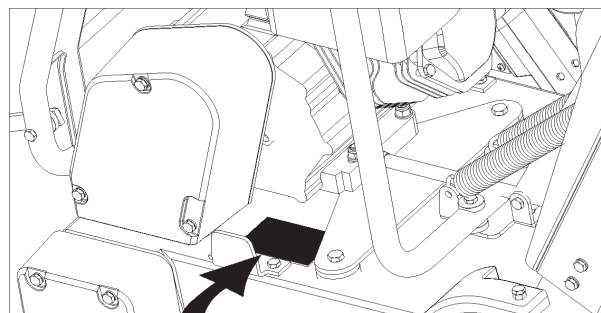
**⚠ WARNING!**

Before operating machine, read and understand this entire operation manual & engine operation manual supplied with engine.

Be familiar with machine before operation!

**Model Identification:** Record machine serial number plate information below for future reference



**A. Model:** \_\_\_\_\_

**B. Manufacturing date, year, week, serial number:** \_\_\_\_\_

C. Mass of Machine (kg) \_\_\_\_\_

D. Engine Power (KW) \_\_\_\_\_

E. Product Number \_\_\_\_\_

F. Blade Diameter (mm) \_\_\_\_\_

G. Blade Speed (Revolutions / Minute) \_\_\_\_\_

Other information not shown on machine serial plate:

**Engine Serial No:** \_\_\_\_\_

See Engine Operation Manual for location.

**Purchase Date:** \_\_\_\_\_

## SYMBOLS and DECALS



Please read the instructions for use prior to operating the machine for the first time.



This symbol indicates that the machine is in conformance with the applicable European directive.



Mandatory



Indication



Prohibition



Warning Triangle



Wear Eye Protection



Wear Breathing Protection



The use of hearing protection is mandatory



Wear Head Protection



Wear Safety Shoes



Wear Appropriate Clothing



Remove the blade prior to Hoisting, Loading, Unloading and Transporting the Machine.



Machine Stop, Transmission Stop



Use In Well Ventilated Area



Do Not Use In Flammable Areas



Machinery Hazard, Keep hands and Feet Clear.



Muffler Hot. May Cause Burns and / or Ignition of Material. Avoid Contact.



Danger, Poison Exhaust Gas



No Non-working Personnel In Area



No Smoking



Do Not Operate Without Blade Guard in Place



Always Keep All Guards In Place



Water Supply On



Water Supply Off



Water Supply

## SYMBOLS and DECALS



Blade Water Safety Switch



Engine Coolant Temperature



Keep Work Area Clean/Well Lit, Remove All Safety Hazards



Dangerously High Noise Level



Pay Extreme Attention to The Care And Protection Of The Machine Before Starting Up



Remove Tools From Area and Machine



Engine Oil Pressure



Oil Required



Dipstick, Maintain Proper Oil Level



Lubrication Point



High Speed



Low Speed



Electrical Switch-Off



Electrical Switch-On



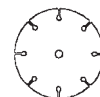
Electrical Switch-Start



Repairs Are To Be Done By An Authorized Dealer Only



Headlight



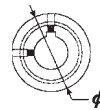
Diamond Blade



Blade Diameter



Blade Engagement



Pulley diameter



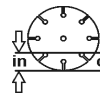
Number of Revolutions Per Minute, Rotational Speed



Blade Flange Diameter



Blade Depth Stop



Cutting Depth Indicator – Depth of Cut



Parking Brake



Parking Brake Applied

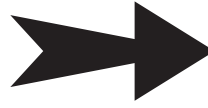


Parking Brake Released

## SYMBOLS and DECALS



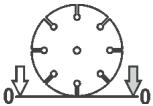
Machine Mass (Kilograms)



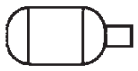
Arrow on tool guard indicating the direction of tool rotation.



Positive Battery Terminal



Blade Depth Indicator – Zero



Electric Motor



Engine



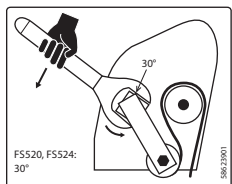
Engine Speed Revolutions/Minute



Engine Start



Unleaded Fuel Only



30° Wrench



Noise emission to the environment according to the European Community's Directive. The machine's emission is specified in the Technical data chapter and on the label.

---

## SYMBOLS and DECALS

---



P/N 542 19 07-33  
Location: Front of Cowl

# FS 413

P/N 542 19 07-112  
Location: Left and Right Side of Frame  
(FS 413 Only)

For local service, please contact your local Husqvarna Construction Products representative.

Para efectuar un servicio local, póngase en contacto con su representante local de Husqvarna Construction Products.

Pour toute réparation, contacter le représentant local de Husqvarna Construction Products.

Für Service vor Ort wenden Sie sich bitte an Ihren örtlichen Vertreter von Husqvarna Construction Products.

Neem voor plaatselijke service contact op met uw plaatselijke vertegenwoordiger van de constructieproducten van Husqvarna.

Per assistenza, rivolgersi al rappresentante di zona della Husqvarna Construction Products.

För service på platsen, kontakta din lokala representant för Husqvarna Construction Products.

Para obter serviço técnico local, contactar o representante da Husqvarna Construction Products local.

#### Europa / Europe:

Husqvarna  
Construction Products  
SE-433 81 Partille, Sweden  
Tel: +46 31 94 90 00  
Fax: +46 31 94 90 50

#### Asia Pacific:

Husqvarna  
Construction Products,  
Australia Pty Ltd  
25-31 Kinkaid Avenue,  
North Plympton, Adelaide,  
South Australia 5037  
Tel: +61 (0)8 8375 1000  
Fax: +61 (0)8 8371 0990

#### The Americas:

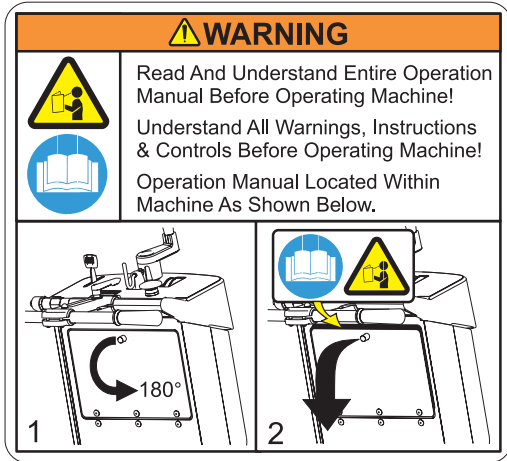
Husqvarna Construction Products,  
North America  
17400 West 119th Street,  
Olathe, Kansas 66061 USA  
Toll-Free Telephone: 800-288-5040,  
Telephone: 913-928-1300  
Fax: 913-438-7938

P/N 542 19 06-46 Local Service  
Location: Side of Frame



P/N 542 19 05-88  
Location: Depth Gauge

# SYMBOLS and DECALS



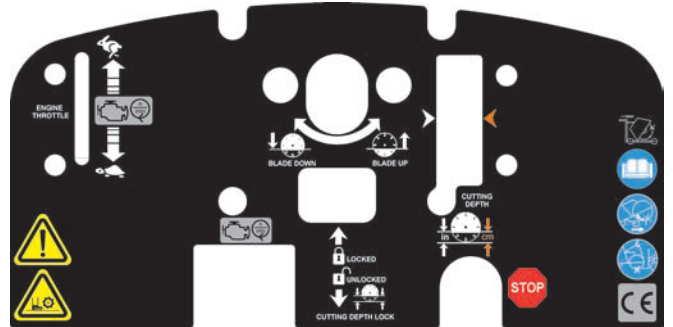
P/N 542 19 05-93  
Location: Rear of Cowl



P/N 542 16 90-65  
Location: Top of Belt Guard



P/N 542 19 06-17  
Location: Water Tank (If Equipped)



P/N 502 24 01-05  
Location: Top of Cowl



P/N 542 19 06-38  
Location: Rear of Cowl

PATENT PENDING

P/N 542 16 12-35  
Location: Upper Right Hand Frame



# SAFETY INSTRUCTIONS

## General use

<b>WARNING!</b>	
	Before operating machine, read and understand this entire operation manual & engine operation manual supplied with engine.
	Be familiar with machine before operation!

 	<p><b>Operator must wear personal protective equipment &amp; clothing appropriate to the work he is doing.</b></p> <p><b>Personal protective equipment, such as hearing &amp; eye protection, is mandatory.</b></p>
------	---

	The working area must be completely clear, well lit and all safety hazards removed.
--	---

	Any persons not involved in the work, should leave the area.
--	--

	<b>WARNING! The bladeshaft rotates when the engine is cranked or started.</b>
--	---

	<b>WARNING! Do not contact the tool when machine is in operation.</b>
--	---

## Fuel Safety:

	<b>WARNING! Take care when handling fuel. Bear in mind the risk of fire, explosion and inhaling fumes.</b>
--	--

- Only store fuel in containers approved for the purpose.
- Only refuel machine with engine OFF. Never remove fuel cap and fill the fuel tank while the engine is running.
- Always refuel in a well ventilated area.
- Never fill a fuel tank indoors.
- Allow engine to cool before refueling.

	<b>Never fuel machine in vicinity of sparks or flames. Do not use machine in flammable area.</b>
--	--

	<b>Do not smoke while fueling or using the machine.</b>
--	---

- Move machine 10 feet (3 meters) from refueling point before starting engine.
- Never start the machine:
  - 1) If fuel has been spilled on the machine. Wipe off spillage and allow remaining fuel to evaporate.
  - 2) If you have spilled fuel on yourself or your clothes. Use soap and water to wash any part of your body that has come in contact with fuel.
  - 3) If the machine is leaking fuel. Check regularly for leaks from the fuel cap and fuel lines.
- Store and transport machine and fuel so that there is no risk of any leakage or fumes coming into contact with sparks or flames, for example, electrical machinery or electric motors, electrical relays / switches, or boilers.

## DUST WARNING

**Cutting, especially when DRY cutting, generates dust that comes from the material being cut, which frequently contains silica.** Silica is a basic component of sand, quartz, brick clay, granite and numerous other minerals and rocks. Exposure to excessive amount of such dust can cause:

- Respiratory diseases (affecting your ability to breath), including chronic bronchitis, silicosis and pulmonary fibrosis from exposure to silica. These diseases may be fatal;
  - Skin irritation and rash; and
  - Cancer according to NTP\* and IARC\*
- \* National Toxicology Program, International Agency for Research on Cancer

### Take precautionary steps

- Avoid inhalation of and skin contact with dust, mist and fumes;
- Wet cut when feasible, to minimize dust;
- Wear and ensure that all bystanders wear appropriate respiratory protection such as dust masks designed to filter out microscopic particles. (See OSHA 29 CFR Part 1910.1200)

### California Prop 65 Warning:

Use of this product can cause exposure to materials known to the State of California to cause cancer and/or birth defects or other reproductive harm.

---

## SAFETY INSTRUCTIONS

---



### WARNING POISON EXHAUST GAS



**THIS SAW IS SHIPPED FROM THE FACTORY *WITHOUT A CATALYTIC CONVERTER*.** THE ENGINE PRODUCES CARBON MONOXIDE EXHAUST EMISSIONS AND IS ***NOT SAFE*** FOR USE IN ENCLOSED AREAS. USE OF A CATALYTIC CONVERTER REDUCES THE CARBON MONOXIDE EXHAUST EMISSIONS, BUT STILL IS ***NOT SAFE*** FOR USE IN ENCLOSED AREAS.

USE ONLY IN WELL-VENTILATED AREAS. WORKSITE AIR QUALITY MUST COMPLY WITH OSHA 29 CFR 1910.1000 PER TABLE Z-1, LIMITS FOR AIR CONTAMINANTS.

MONITOR WORKSPACE AIR QUALITY TO INSURE COMPLIANCE. FAILURE TO COMPLY WILL RESULT IN DANGER TO LIFE AND CAUSE PERMANENT INJURY OR DEATH.

#### General Information

Carbon monoxide (CO) has the distinction of being one of the few commonly encountered industrial gasses that is both highly toxic (poison) and odorless. When inhaled, CO acts as a chemical asphyxiant by preferentially combining with hemoglobin in the blood stream. As a result, the hemoglobin is not able to transport its normal amount of oxygen, which results in under-oxygenation of tissues. Symptoms of low-level CO exposure include headaches, dizziness, confusion, and nausea. **However, loss of consciousness, permanent injury and death may result from continued or more intense exposure.** Because of the health hazards associated with CO inhalation, the Occupational Safety and Health Administration (OSHA) have imposed personal exposure limits. The OSHA exposure limits, which are specified in the 29 CFR 1910.1000 (1998 Revision), allow for a 200 PPM Ceiling Limit and a TWA of 35 PPM per 8-hour shift/40-hr workweek. It is strongly recommended that the OSHA 29 CFR 1910.1000 (Code of Federal Regulations) be consulted for more information on exposure limits for various hazardous materials. If CO Poisoning is suspected immediately remove the victim to fresh air and obtain emergency medical attention.

#### Proper Ventilation:

**THIS SAW IS SHIPPED FROM THE FACTORY *WITHOUT A CATALYTIC CONVERTER*.** It is important to be aware that saws with catalytic converters reduce CO and hydrocarbon (HC) emissions. The exhaust still contains CO. If the workspace is too confined or under-ventilated, CO may accumulate until it eventually exceeds OSHA limits. When this happens, action must be taken to remove workers from areas of high concentration. Operators and work area supervisors should take precautions to insure adequate ventilation of the workspace at all times. Carbon monoxide detection monitors should be used to determine that adequate ventilation exists.



### WARNING HEARING HAZARD

DURING NORMAL USE OF THIS MACHINE, OPERATOR MAY BE EXPOSED TO A NOISE LEVEL EQUAL TO **85 dB (A)** OR GREATER. TEMPORARY AND/OR PERMANENT DAMAGE TO HEARING MAY RESULT. HEARING PROTECTION REQUIRED.

---

## SAFETY INSTRUCTIONS

---

### SAFETY FIRST!



## WARNINGS

### DO's AND DO NOT's



**WARNING: FAILURE TO COMPLY WITH THESE WARNINGS AND OPERATING INSTRUCTIONS COULD RESULT IN DEATH OR SERIOUS BODILY INJURY.**

---

#### DO

---

- DO Read this entire operator's manual before operating this machine. Read and understand all warnings, instructions, controls, and symbol definitions contained in this manual, and on the machine.
- DO always give a copy of this manual to the equipment user. If you need extra copies, call TOLL FREE 1-800-288-5040 in USA, or +1-913-928-1300 for International, or see "contact information" section of this manual.
- DO keep all guards in place and in good condition.
- DO wear safety approved hearing, eye, head and respiratory protection.
- DO read and understand all warnings and instructions on the machine.
- DO keep all parts of your body away from the blade and all other moving parts.
- DO know how to stop the machine quickly in case of emergency.
- DO shut off the engine and allow it to cool before refueling or doing maintenance.
- DO inspect the blade, flanges and shafts for damage before installing the blade.
- DO use the blade flange size shown for each blade size.
- DO use only steel center diamond blades manufactured for use on concrete saws.
- DO use only the blade flanges supplied with the saw. Never use damaged or worn blade flanges.
- DO use only blades marked with a maximum operating speed greater than the blade shaft speed. Verify speed by checking blade shaft rpm and pulley diameters and blade flange diameters.
- DO verify saw drive configuration by checking blade shaft RPM, pulley diameters, and blade flange diameter.
- DO read all safety materials and instructions that accompany any blade used with this machine.
- DO inspect each blade carefully before using it. If there are any signs of damage or unusual wear, **DO NOT USE THE BLADE.**
- DO mount the blade solidly and firmly, Wrench tighten the arbor nut.
- DO make sure the blade and flanges are clean and free of dirt and debris before mounting the blade on the saw.
- DO use the correct blade for the type of work being done. Check with blade manufacturer if you do not know if blade is correct.
- DO use caution and follow the instructions when loading and unloading the machine.
- DO operate this machine only in well ventilated areas. Breathing Poison Exhaust Gas could result in death.
- DO instruct bystanders on where to stand while the machine is in operation.
- DO establish a training program for all operators of this machine.
- DO clear the work area of unnecessary people. Never allow anyone to stand in front of or behind the blade while the engine is running.
- DO make sure the blade is not contacting anything before starting the engine.
- DO use caution when lifting and transporting this machine.
- DO always tie down the machine when transporting.
- DO use caution and follow instructions when setting up or transporting the machine.
- DO have all service performed by competent service personnel
- DO verify the blade arbor hole matches the machine spindle before mounting the blade.
- DO always check for buried hazards, such as electrical or gas lines before sawing. Always contact local utilities before operation in unknown areas.
- DO move the machine at least 10 feet (3 meters) from the fueling point before starting the engine and make sure the fuel cap is on the machine and properly tightened.
- DO lift machine only from specified lifting point.
- DO clean the machine after each day's use.
- DO use the proper blade flange size for each blade size. Never use damaged or worn blade flanges.
- DO use caution when handling fuel.
- DO only cut in a straight line, and only saw as deep as the job specifications require.

---

## SAFETY INSTRUCTIONS

---

### SAFETY FIRST!



### WARNINGS DO's AND DO NOT's



**WARNING: FAILURE TO COMPLY WITH THESE WARNINGS AND OPERATING INSTRUCTIONS COULD RESULT IN DEATH OR SERIOUS BODILY INJURY.**

#### DO NOT

- DO NOT** operate this machine unless you have read and understood this operator's manual.
- DO NOT** operate this machine without the blade guard, or other protective guards in place.
- DO NOT** stand behind or in front of the blade path while the engine is running.
- DO NOT** leave this machine unattended while the engine is running.
- DO NOT** work on this machine while the engine is running.
- DO NOT** operate this machine when you are tired, fatigued or under the influence of drugs or alcohol.
- DO NOT** use a wet blade without adequate water supply to the blade.
- DO NOT** exceed maximum blade speed shown for each blade size. Excessive speed could result in blade breakage.
- DO NOT** operate the machine if you are uncertain of how to run the machine.
- DO NOT** use damaged equipment or blades.
- DO NOT** touch or try to stop a moving blade with your hand.
- DO NOT** cock, jam, wedge or twist the blade in a cut.
- DO NOT** transport a cutting machine with the blade mounted on the machine.
- DO NOT** use a blade that has been dropped or damaged.
- DO NOT** use carbide tipped blades.
- DO NOT** touch a dry cutting diamond blade immediately after use. These blades require several minutes to cool after each cut.
- DO NOT** use damaged or worn blade flanges.
- DO NOT** allow other persons to be near the machine when starting, refueling, or when the machine is in operation.
- DO NOT** operate this machine in an enclosed area. Breathing Poison Exhaust Gas could result in death.
- DO NOT** operate this machine in the vicinity of anything that is flammable. Sparks could cause a fire or an explosion.
- DO NOT** allow blade exposure from the guard to be more than 180 degrees.
- DO NOT** operate this machine with the belt guards or blade guard removed.
- DO NOT** operate this machine unless you are specifically trained for its operation.
- DO NOT** use a blade that has been over heated (Core has a bluish color).
- DO NOT** jam material into the blade.
- DO NOT** grind on the side of the blade.
- DO NOT** tow this machine behind a vehicle.
- DO NOT** operate this machine with the any guards or shields removed.
- DO NOT** cut deeper than 1" per pass with a dry blade. Step cut to achieve deeper cuts.
- DO NOT** operate this machine while under the influence of drugs or alcohol.

\*\*\*\*\*

This saw was designed for certain applications only. **DO NOT** modify this saw or use for any application other than for which it was designed. If you have any questions relative to its application, **DO NOT** use the saw until you have written Husqvarna Construction Products and we have advised you.

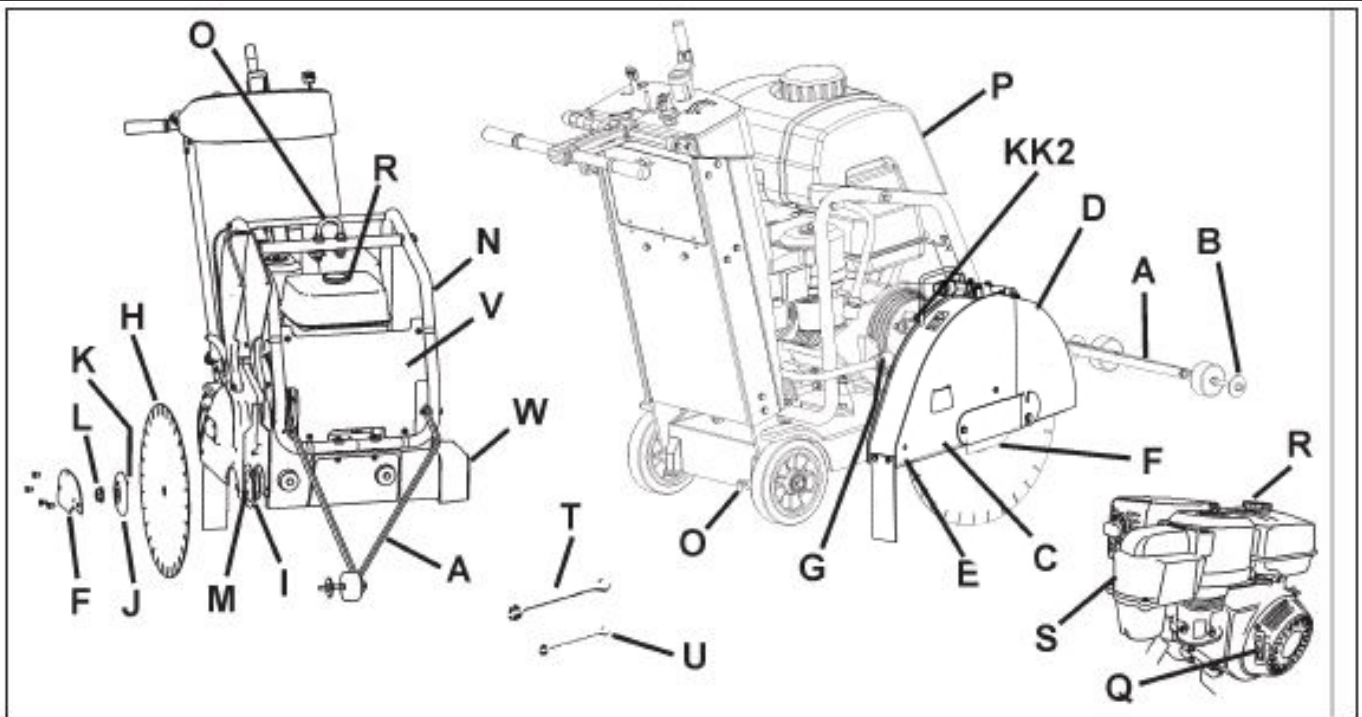
Husqvarna Construction Products North America  
17400 West 119th Street, Olathe, Kansas 66061 USA

---

## NOTES

---

## PARTS IDENTIFICATION (WHAT IS WHAT)



**A. Front Pointer:** Use to Guide machine in a straight line.

**B. Guide Wheel:** On Front Pointer (A). Align to cutting line and Blade (H) to produce straight cuts.

**C. Blade Guard:** Covers Blade (H). Must always be in place when operating machine! Note tool direction as marked on guard with an arrow.

**D. Blade Guard Front:** Part of Blade Guard. Can be raised to install Blade (H).

**E. Blade Guard Rear Bolt:** Holds Blade Guard (C) in position. Must be removed and relocated if Blade Guard (C) is moved.

**F. Blade Guard Latch Plate:** Covers Outer Flange (J).

**G. Water Hose Disconnect (G):** Connects Blade Guard (C) to Water Control Valve (KK) or Water Tank (P). Can be used when Blade Guard (C) is mounted to left or right side of machine

**H. Blade:** Tool that cuts asphalt or concrete material – not included with machine.

**I. Inner Flange:** Arbor on which the Blade (H) is mounted. Replace if Damaged or worn.

**J. Outer Flange:** Used to hold Blade (H) in position. Contains Locking Pin (K) that must go through Blade (H). Replace if damaged or worn.

**K. Locking Pin:** Holds Blade (H) in position. Replace if Damaged or worn.

**L. Blade Shaft Nut (L1 / L2):** Holds Outer Flange (J) to machine. Nut (L1) on right side of machine has Left Hand threads. Nut (L2)(not shown) on left side of machine has Right Hand threads.

**M. Blade Arbor:** Blade (H) mounts on this surface.

**N. Water Tank / Lifting Point Support:** Holds Water Tank (P). Supports Lifting Point (O).

**O. Lifting Point:** Lift machine only from this point!

**P. Water Tank (If Equipped):** 25 Liter (6.6 U.S. Gallon) water capacity. Fill only with water! Do not fill with gasoline or other flammable substances! Use only for dust suppression when cutting dry. Use only with laser welded (dry) Diamond Blades (H).

**Q. Engine Starting Rope:** Use to start engine. See engine operation manual.

**R. Engine Fuel Tank:** Fuel fill point. See engine operation manual.

**S. Engine Air Cleaner:** Check daily. Clean every four (4) hours if cutting in dusty conditions. See engine operation manual.

**T. Blade Shaft Wrench (27mm):** Use for installing and removing Blade (H). Store in Tool Compartment (BB).

**U. Wrench (13mm):** Use for many maintenance items on machine. Store in Tool Compartment (BB).

**V. Front Cover:** Clips to Water Tank Support (N). Open to turn Engine Start Switch (DD) ON (1) or OFF (0).

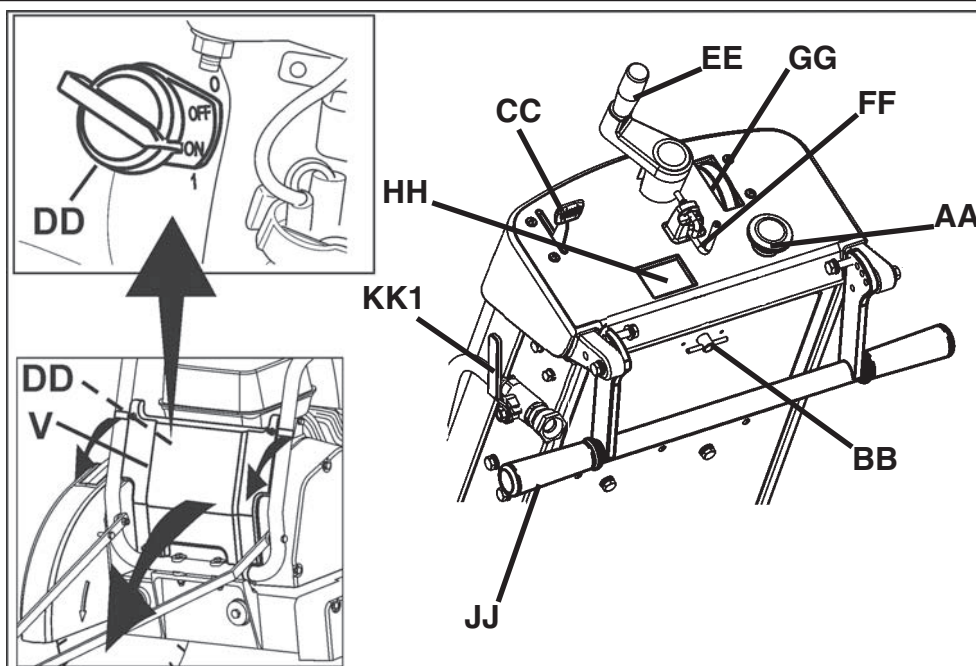
**W. Shaft Guard:** Protects Inner Flange (I). Always installed on opposite side of frame to Blade Guard (C).

**X. Depth Control Grease Fitting:** Not Shown. See Maintenance section of this document.

**Y. Blade Guard Mounting Spade:** Holds Blade Guard (C) in position.

**Z. Engine Oil Dipstick:** Use to check engine oil level (Not Shown – See Operation Section of this document).

## PARTS IDENTIFICATION (WHAT IS WHAT)



**AA. Machine Stop :** Depress Switch to STOP engine in emergencies. Reset by pulling outward (pull up) to allow re-starting of machine.

**BB. Tool Compartment:** Contains Operation Manual, Parts List, & two wrenches (T & U) (13mm & 27mm). Open by turning knob 180 degrees. Always return Operation Manual to this area for future reference.

**CC. Engine Throttle:** Controls Engine speed (RPM). Push forward to increase engine speed. Pull backwards to decrease engine speed. All sawing is done at maximum engine speed.

**DD. Engine Start Switch:** Located on engine, behind Front Cover (V). Must be ON (1) to start engine. Use to turn engine OFF ("0") in non-emergency situations.

**EE. Blade Depth Control:** Turn Counter-Clockwise to raise Diamond Blade (H) and Clockwise to lower Diamond Blade (H).

**FF. Blade Depth Stop:** To Lock Blade Depth Control (EE) in position. Pull Blade Depth Stop toward rear of machine and turn 90 degrees to lock in open position.

**GG. Blade Depth Indicator:** Shows cutting depth of Diamond Blade (H) in centimeters (orange color) and inches (white color). Operation: With engine OFF ("0"), lower Diamond Blade (H) until in contacts the cutting surface. Rotate Blade Depth Indicator to align "0" with arrows. Raise Saw. When saw is lowered into cut, current cutting depth is shown.

**HH. Engine Tachometer (RPM):** Shows engine speed in revolutions per minute if engine is running. Shows total operation time when engine is OFF ("0"). Total operation time shown in minutes from 0-59 minutes, and hours for 60+ minutes.

II. ---

**JJ. Rear Handle:** Operator position is behind machine with both hands on Rear Handle. Handle is adjustable to several positions.

**KK1. Water Control Valve:** Controls water flow to blade. Located on Left side of machine, near Rear Handle (RR). Not used with the water tank (if equipped).

**KK2. Blade Guard Water Control Valve:** Controls the water flow to the blade. Located on blade guard. Used with water tank (if equipped).

**LL. Belt Guard (Not Shown):** Covers engine drive belt.

**MM. Belt Drive Idler:** Used to hold tension on Blade Shaft Drive Belt.

**NN. Oil Drain Hose:** Use to remove oil from engine.

**OO. Parking Brake (EU units only):** Use to hold machine in parked position. Located at Right Rear Wheel, at rear of machine. Operation: To engage, rotate lever upward, so rod is allowed to move inward. To dis-engage, pull rod inward and rotate downward so rod is fixed in the inward position.

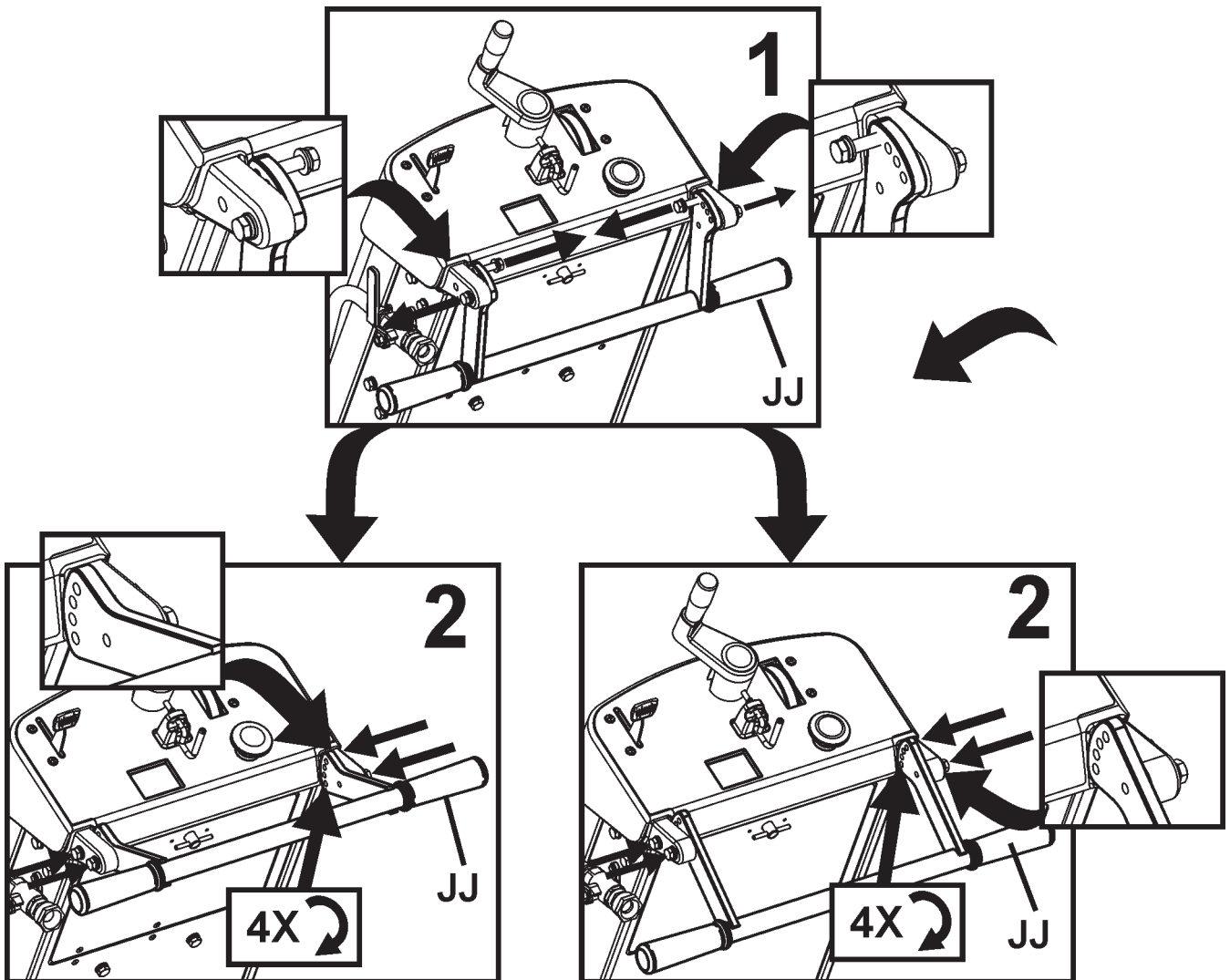
---

# ASSEMBLY

---

Assemble the following items before operating machine for the first time.

**Re-Position Rear Handle (JJ):** Rear Handle (JJ) is shipped in storage position shown. It must be repositioned to use the machine.



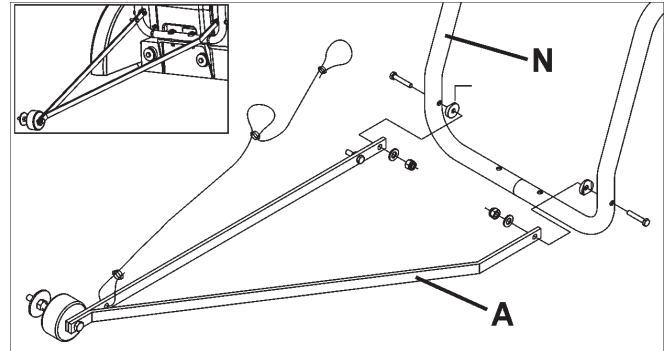


# ASSEMBLY

## Install Front Pointer (A):

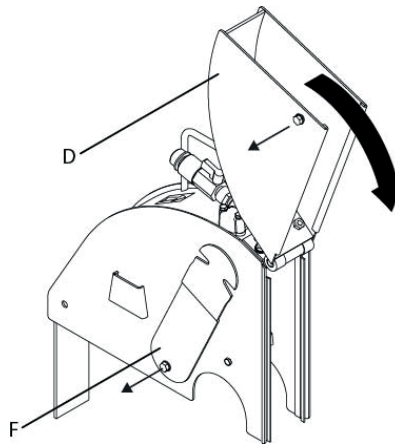
1. Using screws, washers and nuts installed in the Front Pointer (A), install onto tube frame of Water Tank Support (N). Adjust locking nuts to allow Pointer (A) to pivot freely.
2. Route pointer rope to avoid hot surfaces. Two loops in rope allow attachment to Rear Handle (JJ).

**Note:** “*Single Pointer*” (A) shown. Some regions have “*Dual Pointer*” as standard equipment. For all regions, Dual Pointer is available as an accessory. See “accessories” section of this document, or spare parts list for more information.



## Blade Guard Front (D):

1. Using 13mm Wrench (U) provided, remove two (2) M8 screws located in front of and below Blade Guard Latch Plate (F), and the M8 screw in Blade Guard Front (D) [as indicated by arrows]. Loosen, but do not remove, remaining screw Blade Guard Latch Plate (F). Rotate Blade Guard Latch Plate (F), and Blade Guard Front (D) downward.

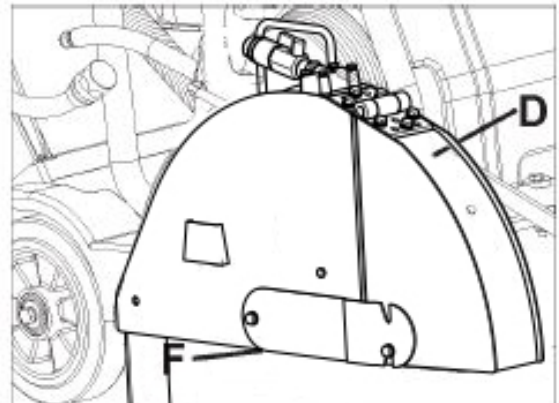


### **! WARNING!**

Blade Guard Latch Plate (F) Must Be Installed before operation. Failure to install before operating machine could create a Hazardous situation!

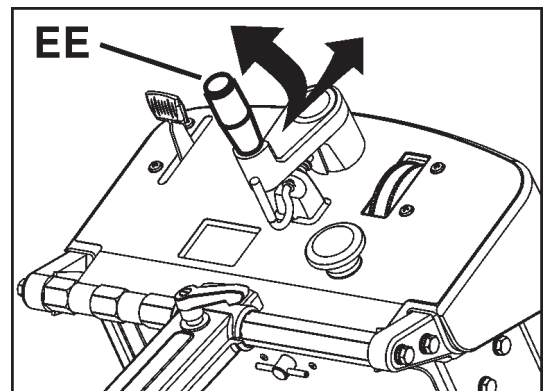
Always keep all guards in place when operating machine!

2. Reinstall three (3) M8 screws in Blade Guard Latch Plate (F) as shown in the diagram at the right. Use the 13mm Wrench (U) (supplied) to securely tighten the four (4) M8 bolts that hold the Blade Guard Latch Plate (F) in position.



## Re-Position Blade Depth Control Handle (EE):

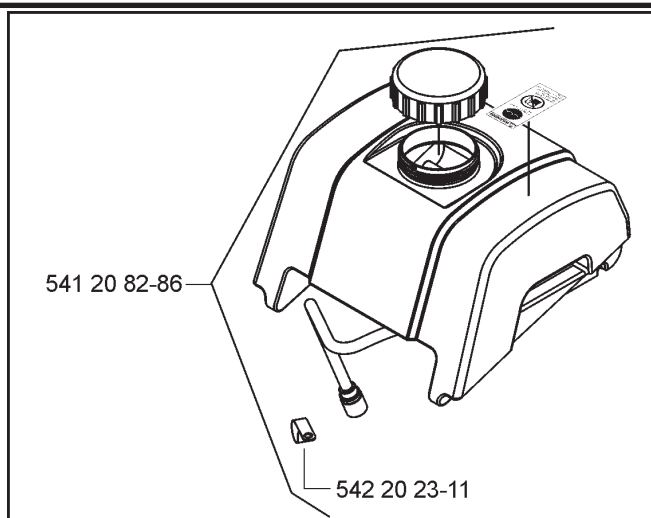
Pull outward on Blade Depth Control Handle (EE) and rotate 90 degrees until it snaps in position shown.



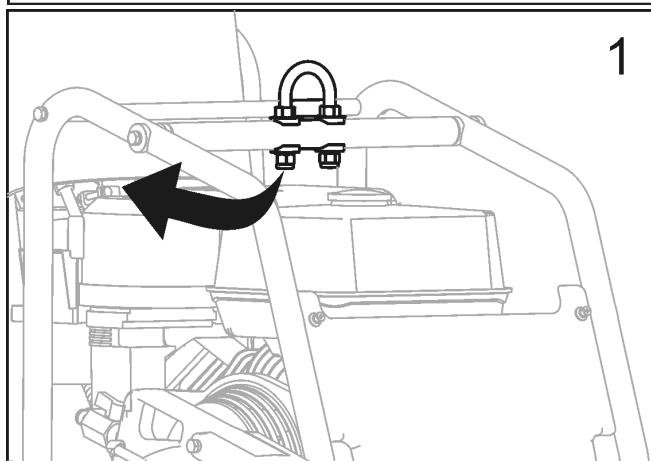
# ASSEMBLY

## Install Water Tank (P) (if equipped):

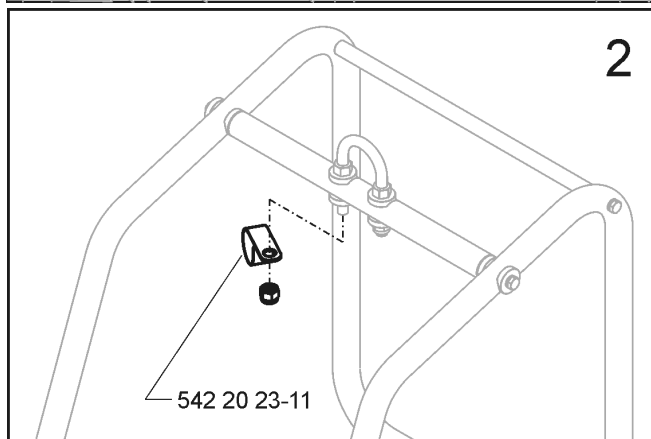
- A factory installed water tank is available in some regions. An optional water tank kit is available for all regions.
- If water tank was previously installed on machine, read these instructions to verify that installation is correct. Follow all WARNINGS for installation and use of the Water Tank.
- Verify the contents of the Water Tank Kit See Diagram at right.



1. Temporarily remove the right hand (same side of machine as engine starter rope) NUT from Lifting Eye (O). See diagram at right.



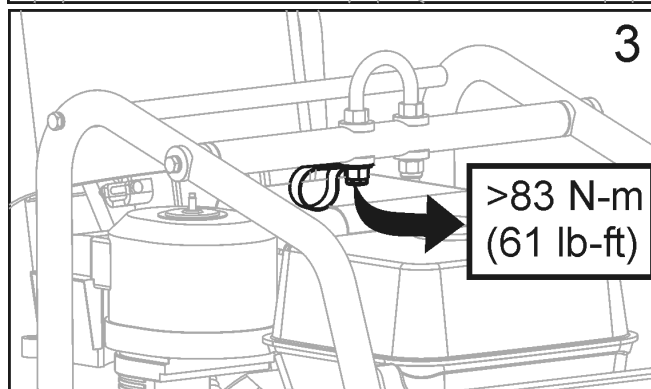
2. Install CLAMP supplied in Water Tank Kit (P), and then reinstall the NUT. See diagram at right.



3. Torque as specified below, and diagram at right.

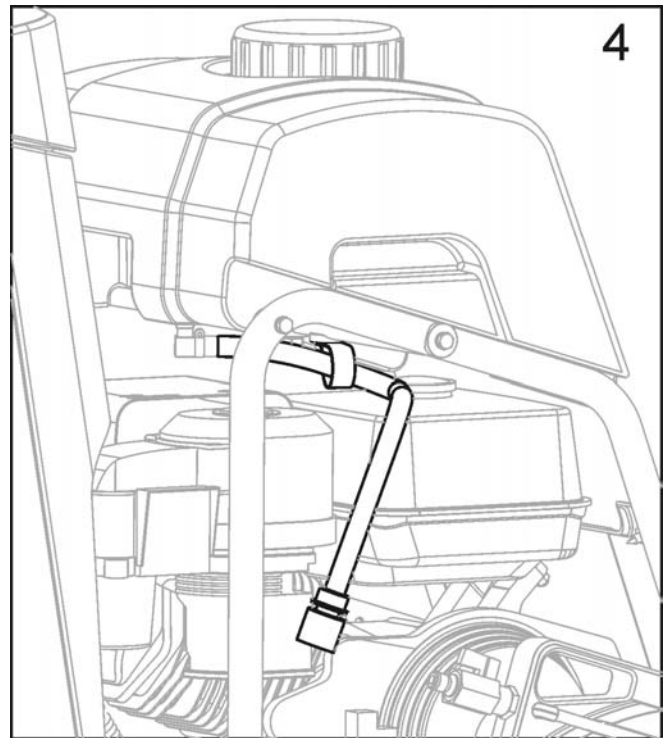
<b>NOTICE</b>
<b>Torque Lifting Eye NUT to 83 N-m (61 lb-ft) minimum.</b>

<b>⚠ WARNING!</b>
Torque NUT as specified, else failure of LIFTING EYE (O) could occur. Injury or death could occur if LIFTING EYE fails while lifting machine.



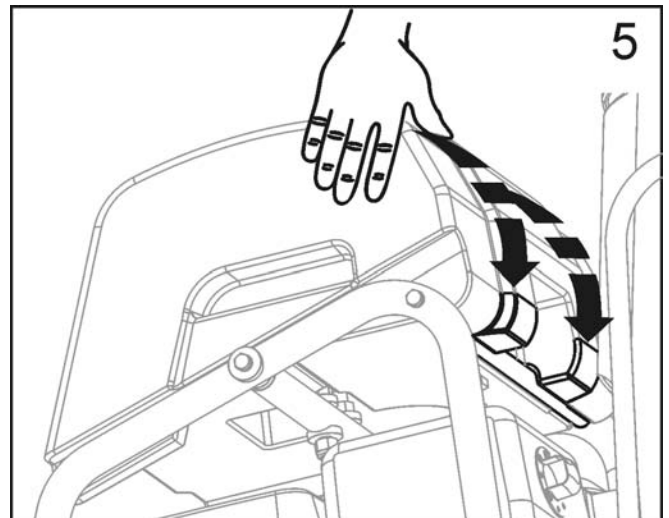
## ASSEMBLY

4. Position Water Tank, and route Water Tank Hose as shown in Diagram at right.

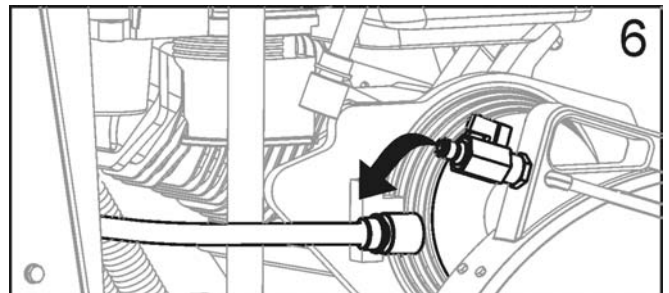


5. Align rear bar and recessed area at rear of water tank.

- Press down firmly on water tank so it snaps in position onto rear bar.
- When properly installed, water tank should pivot freely on rear bar.



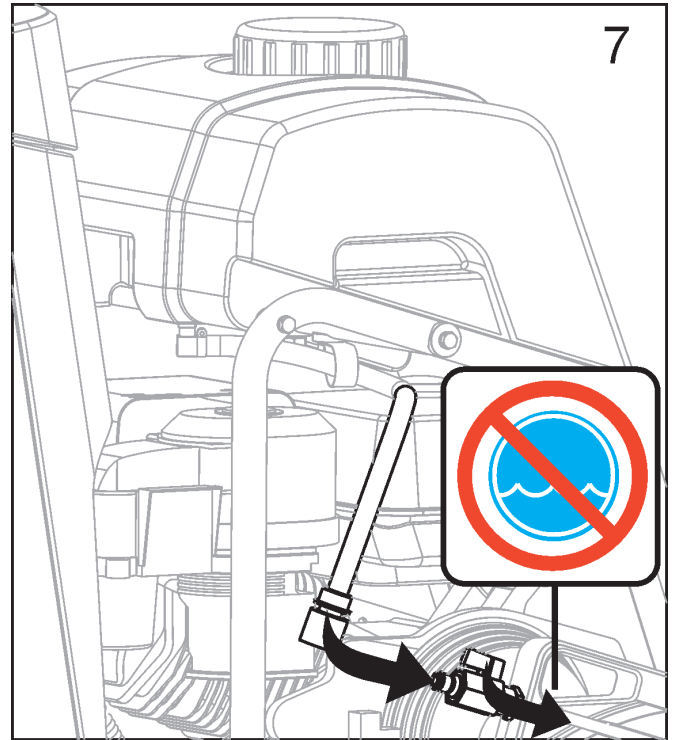
6. Disconnect existing water hose from blade guard. This is the water hose from water control valve mounted on saw.



## ASSEMBLY

7. Connect Water tank hose to blade guard water valve.

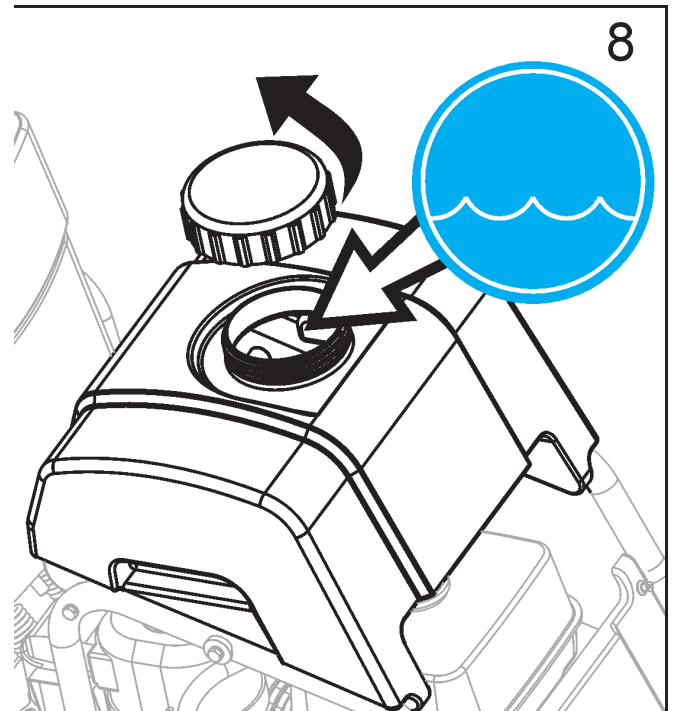
- Verify that blade guard water valve is in the OFF position.
- The water tank hose is now assembled to the saw.



### Filling Water Tank:

8. Remove the cap by turning counter clockwise. See diagram at right.

- Fill water tank only with water. Read all WARNINGS before using water tank.
- Re-install the cap by turning clockwise.
- Water tank is designed only to suppress airborne concrete dust, and should only be used with “dry” cutting diamond blades.



### WARNING!

DO NOT use conventional (wet) diamond blades with water tank as water source. Water flow is not sufficient to properly cool blade!

Fill Water Tank Only With Water!

Never fill Water Tank (P) with flammable liquids or gasoline, else injury or death could occur!

# OPERATION

## Before Operation:

**Use:** This machine is used only for wet or dry sawing of old and new concrete and asphalt.

### **WARNING!**

DO NOT use for dry cutting in European Union (EU) regions. Machine is not equipped with a dust port.

**Tools:** Use machine only with the following tools (H): Water Cooled Diamond Blades. Reinforced Abrasive Blades or Dry Cutting Diamond blades should NOT be used with in European Union (EU) regions because this machine, as supplied, does not include a dust collector port.

Diameter: 300 mm (12") – 500 mm (20").

Bore: 25.4mm (1.00").

### **WARNING!**

DO NOT use carbide, wood saw, or circular saw blades on this machine, else injury or death could occur.

## Re-Locating the Blade Guard (C) - If Required:

Blade Guard (C) is factory installed on right hand side of machine, but can be relocated to left side. This may allow cutting closer to obstacles, if approaching them from the opposite direction is not possible.

1. Use 13mm Wrench (U) to remove Blade Guard Rear Bolt (E) from Blade Guard (C).
2. Push back collar to separate Water Hose Disconnect (G). Male half remains with Blade Guard (C). Female half remains with Water Tank (P) or Water Control Valve (KK).
3. Lift Blade Guard (C) upward, and off of Blade Guard Mounting Spade (Y).
4. Use 13mm Wrench (U) to remove four (4) screws that attach Blade Guard Latch Plate (F). Re-attach the Blade Guard Latch Plate (F) to the left hand side of Blade Guard (C).
5. Remove and relocate Shaft Guard (W) from left hand side of machine to right hand side.
6. Lower Blade Guard (C) onto Blade Guard Mounting Spade (Y) on left hand side of machine.
7. Re-Install Rear Bolt (E) in Blade Guard (C).
8. Re-Attach Water Hose Disconnect (G) from Blade Guard (C) to Water Tank (P) or Water Valve (KK). Take care that relocated hose will not contact muffler.
9. Relocate and realign Front Pointer (A) so Guide Wheel (B) is on left side of machine.

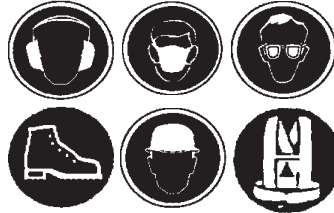
### **WARNING!**



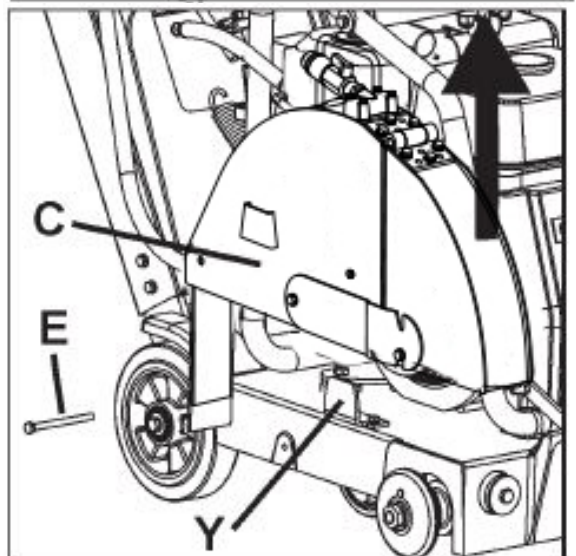
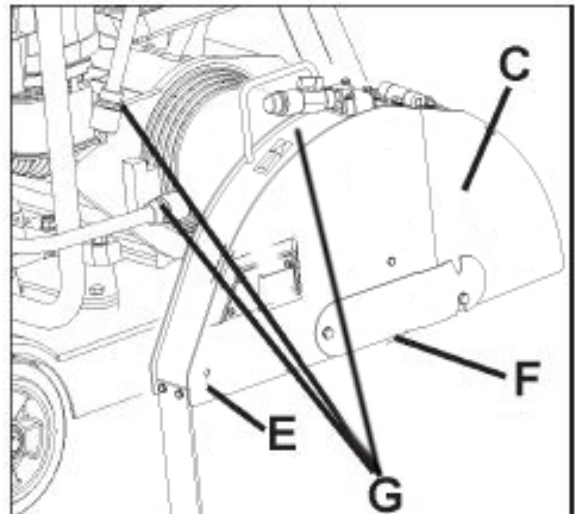
Before operating machine, read and understand this entire operation manual & engine operation manual supplied with engine.



Be familiar with machine before operation!



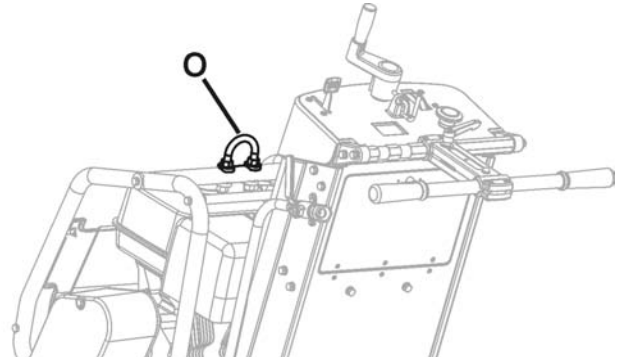
**Operator must wear personal protective equipment & clothing appropriate to the work he is doing. Personal protective equipment, such as hearing & eye protection, is mandatory.**



# OPERATION

## Transporting & Lifting Machine:

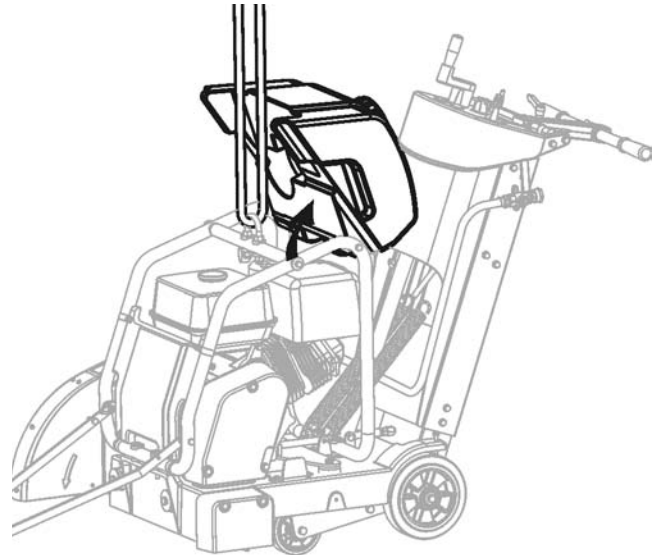
- Lift machine only from Lifting Point (O).
- Always remove Blade (H) before lifting, loading, or transporting.
- Use a proper lifting strap rated for at least the maximum mass of the machine. The nominal and maximum mass of the machine are shown in the TECHNICAL DATA section of this document.



**Remove Blade (H) before lifting, loading, or transporting machine.**

## Lifting machine equipped with Water Tank:

- Before lifting a machine equipped with a water tank:
  1. Empty water from tank.
  2. Remove Blade.
  3. Lower machine until frame is parallel to ground.
  4. Pivot front of water tank upward until it rests against aluminum cowl top. Do not rest water tank cap against plastic cowl front - damage during lifting could occur.
  5. Attach proper lifting strap to Lifting Point (O).
  6. Test Lift machine at a low level (just a few centimeters) to verify tank remains secured to machine, and will not be damaged or cause damage.
  7. If water tank equipped machine can not be lifted without damage to the machine or tank, remove water tank before lifting.

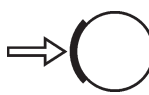


### NOTICE

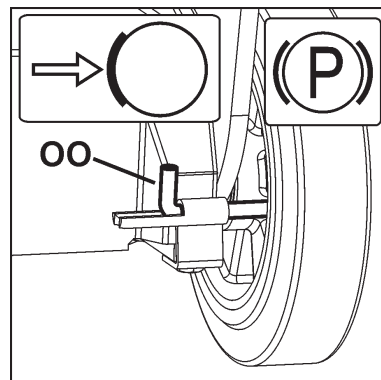
Water tank or saw could be damaged if saw is not lifted properly. Closely monitor for damage while lifting machine.

## Parking Machine:

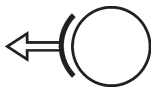
- Machines used in some regions are equipped with a Parking Brake.
- Parking brake is designed to hold machine in position on a slope of 10 degrees or less, with rear of machine on downhill side of slope (maximum weight on braked wheel).

 **Parking Brake - Engage (See Diagram):** Move parking brake lever (OO) from the dis-engaged position:

1. Pull lever (OO) toward center of machine.
2. Rotate lever (OO) upward 180 degrees.
3. A spring allows lever (OO) to move toward outside of machine, to engage against wheel hub.

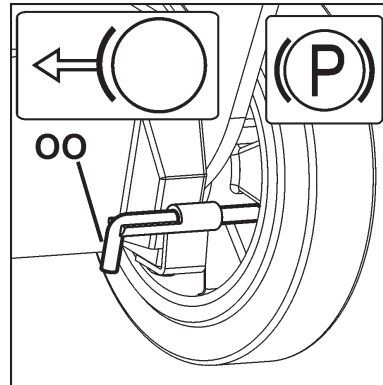


# OPERATION



**Parking Brake - Dis-engage (See Diagram):** Parking brake must be dis-engaged to operate machine.

1. Pull lever (OO) toward center of machine.
2. Rotate lever (OO) downward 180 degrees and release to lock in position.

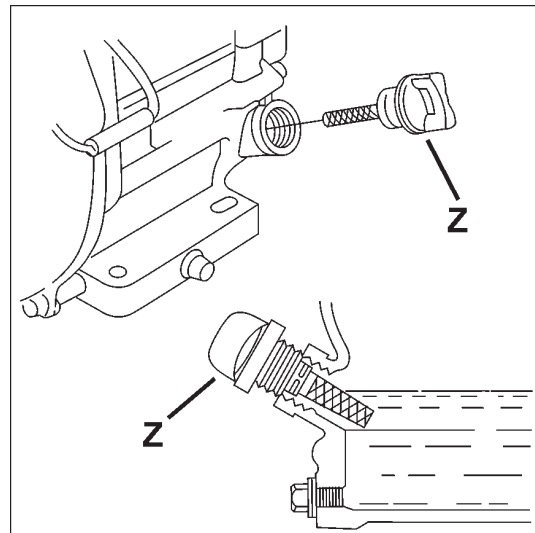


## Gasoline Engine Models:

Refer to the engine operating manual for proper engine operation.

**FUEL:** Unleaded gasoline is recommended. See engine operation manual for more information.

**OIL:** Check that engine oil level is correct using the Engine Oil Dipstick (Z). When checking the engine oil level, the Engine Oil Dipstick (Z) should not be screw into the port. Because the engine often operates at an angle, check oil level with engine horizontal. Check frequently to ensure that oil level never falls below lower mark on dipstick. 10W30 oil is recommended. See engine operation manual for more information.



## NOTICE

If engine is equipped with a low oil shutdown system, engine will not start if oil level is low. Also, engine may stop if maximum angle of operation is exceeded. See engine operation manual.

## All Models:

Front Pointer (A) must be checked for alignment with blade. Lay a straight edge along Inner Flange (I). Align Front Pointer (A) to straight edge. If required, adjust Front Pointer (A) by loosening nuts that hold Guide Wheel (B) in place. Align Guide Wheel (B) to straight edge and re-tighten nuts.

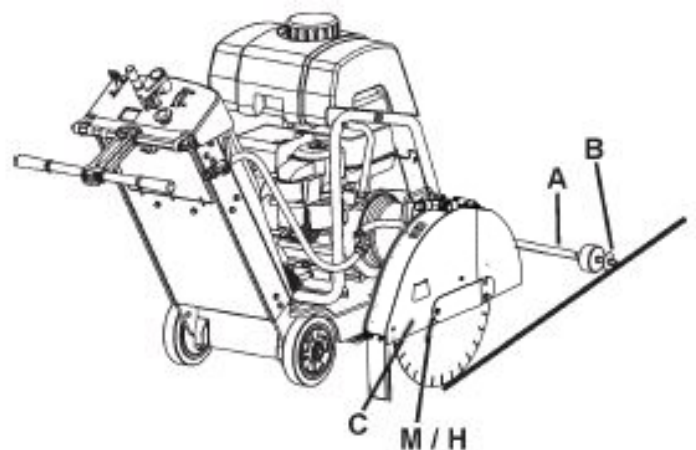
Check that water tubing in the Blade Guard (C) is open and that each side of blade has an adequate supply of water.

Test the water supply for pressure and quantity (flow) before starting the saw.

Saw only as deep as the job specifications require. Sawing deeper than required will add excessive wear the blade and machine.

Cut in increments of 50mm (2 inches) deep until cutting depth specification is reached. This is known as "step cutting".

Saw only in a straight line. Mark cutting line clearly so saw operator can follow line without difficulty. Saw should NOT be twisted from side to side to force blade back on line.



# OPERATION

## Fitting the Diamond Blade (H):

### WARNING!

Check that the blade, blade flanges and blade flange arbor are undamaged. Clean the contact surfaces of the blade and the blade flanges. Make sure the blade and the flanges are clean and free of dirt and debris before mounting the blade on the machine.



Install Diamond Blade (H) at job site. Do not transport the machine with the Diamond Blade (H) installed.

1. Open Front Cover (V).
2. Set Engine Start Switch (DD) to OFF ("0") position.
3. Raise Diamond Blade (H) to highest position by turning Blade Depth Control (EE) Counter-Clockwise.
4. Use 13mm Wrench (U) located in Tool Compartment (BB), to loosen and remove four (4) M8 bolts that attach Blade Guard Latch Plate (F). Temporarily remove Blade Guard Latch Plate (F).
5. Raise Blade Guard Front (D).
6. Using the 27mm Blade Shaft Wrench (T), loosen and remove the Blade Shaft Nut (L) that secures the Outer Flange (J) in position.

### NOTICE

Blade Shaft Nut (L1) on right hand side of machine has left hand threads. To loosen, turn clockwise.

Blade Shaft Nut (L2)(not shown) on left hand side of machine has right hand threads. To loosen, turn counter-clockwise.

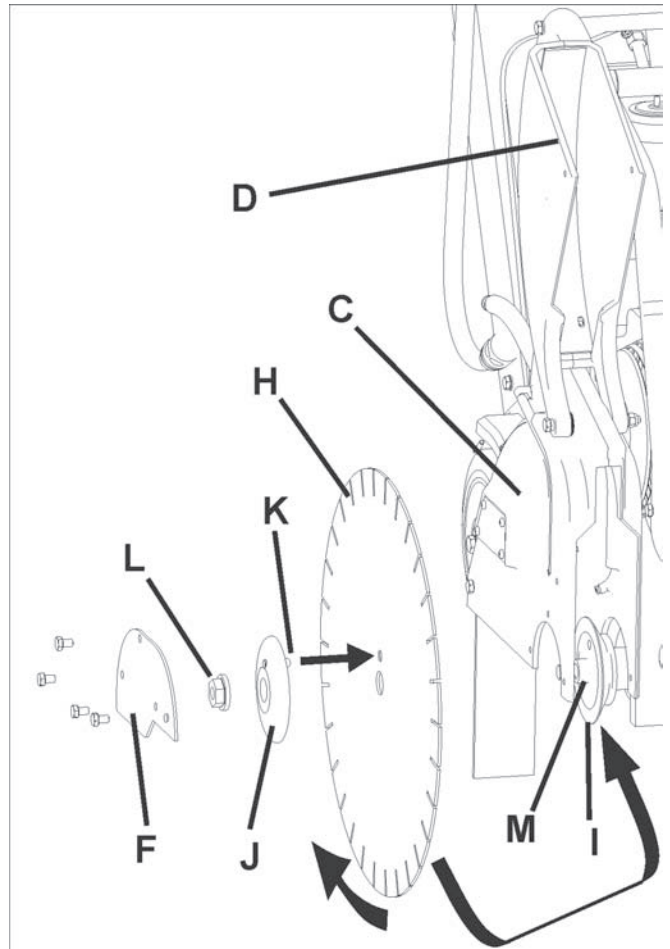
7. Remove Outer Flange (J).
8. Check that Blade Shaft Arbor (M), Inner Flange (I), and Outer Flange (J) are clean and free of foreign objects.
9. Fit Diamond Blade (H) onto Blade Shaft Arbor (M). Direction of rotation is shown by arrows on Diamond Blade (H) and Blade Guard Front (D). See diagram at right.
10. Install Outer Flange (J) onto Blade Shaft Arbor (M). Make sure that Locking Pin (K) passes through Diamond Blade (H) and into Inner Flange (I).
11. Rotate Outer Flange (J) and Diamond Blade (H) in opposite direction of blade rotation to remove backlash.
12. Install Blade Shaft Nut (L). Tighten using 27mm Blade Shaft Wrench (T).

### NOTICE

Blade Shaft Nut (L1) on right hand side of machine has left hand threads. To tighten, turn counter-clockwise. Torque to 45 N•m (33 lb-ft) - minimum.

Blade Shaft Nut (L2)(not shown) on left hand side of machine has right hand threads. To tighten, turn clockwise. Torque to 45 N•m (33 lb-ft) - minimum.

13. Lower Blade Guard Front (D).
14. Re-install and tighten Blade Guard Latch Plate (F).



### WARNING!

USE ONLY Blades (H) marked with a maximum operating speed greater than blade shaft speed of machine.

DO NOT operate machine without proper guard over Diamond Blade (H)!

DO NOT operate machine with Front Blade Guard (D) raised!

Blade (H) exposure MUST NOT exceed 180 degrees when operating machine!

Contact Surfaces of Blade Shaft Arbor (M), Inner Flange (I), and Outer Flange (J) MUST BE undamaged, clean and free of foreign objects.

DO NOT not transport machine with Blade (H) installed.

DO NOT use conventional (wet) Diamond Blades (H) without water.

READ operation instructions supplied with Blade (H).

DO NOT install Blade (H) unless power source is in OFF (0) position, and dis-connected from power supply.



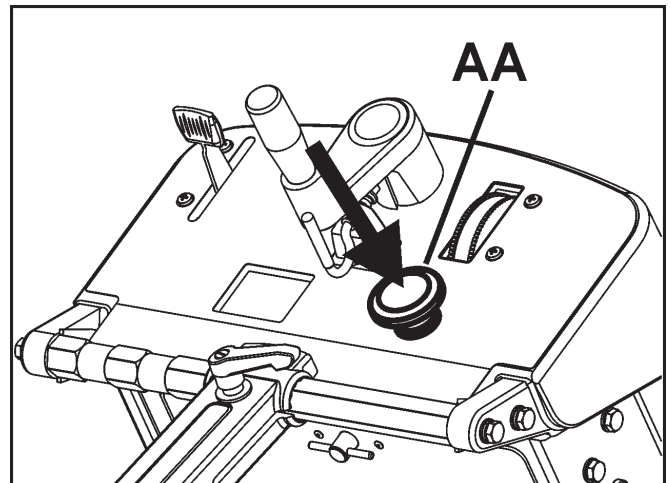
# OPERATION

## Starting and cutting with machine:

- Using the Depth Control (EE), raise Diamond Blade (H) as high as possible so it will not strike pavement when maneuvering. Pull out on Blade Depth Stop (FF) if required.
  - Dis-engage parking brake (if equipped).
  - Maneuver machine into position near line to be cut.
  - Lower Front Pointer (A) onto cutting surface.
  - Set Depth Indicator (GG) (use if desired):
    - 1) Lower machine until diamond blade contacts cutting surface.
    - 2) Set Depth Indicator (GG) dial to align indicator arrows with zero (0). Orange color indicates cutting depth in centimeters. White color indicates inches.
    - 3) Raise saw to maximum height. Now as Diamond Blade (H) is lowered, Depth Indicator (GG) will show cutting depth.
    - 4) Return Diamond Blade (H) to fully raised position.
      - Verify that both Machine Stop (AA) AND Engine Start Switch (DD) are in "ON" position. Machine Stop (AA) should be in outer position (pulled outward from cowl). Engine Start Switch (DD) must be turned to "1" (ON) position.
      - Start Engine. See engine manual for more information.
      - Visually verify that tool rotation matches directional arrow on blade guard.
      - Open Water Control Valve (KK) FULL open. Verify full water flow, and then adjust for proper amount of water on the blade BEFORE you lower the Blade.
      - Make final adjustments to align saw with cutting line. Verify that Guide Wheel (B), and Diamond Blade (H) are both on the cutting line.
- If water supply is interrupted, stop cutting immediately. Damage to Diamond Blade (H) could occur.**
- Lower Diamond Blade (H) into the cut by slowly turning Blade Depth Control (EE) COUNTER-CLOCKWISE.
  - When desired depth of cut is reached, push Blade Depth Stop (FF) down to lock it to Blade Depth Control (EE) (if desired).
  - Gently push Rear Handle (JJ) to propel machine forward. Watch Diamond Blade (H) and Guide Wheel (B) carefully to assure that machine stays on cutting line.
  - When cut is complete, dis-engage Blade Depth Stop (FF).
  - Raise Diamond Blade (H) out of cut by slowly turning Blade Depth Control (EE) CLOCKWISE.
  - Close Water Control Valve (KK).
  - Turn engine to "0" (OFF) position using the Engine Start Switch (DD).

### NOTICE

If an urgent situation arises during cutting operations STOP machine immediately using Machine Stop (AA).



For STOP of machine, press down MACHINE STOP (AA).

---

## MAINTENANCE & LUBRICATION

---

### SCHEDULED MAINTENANCE QUICK REFERENCE:

Before performing any maintenance, ALWAYS park the machine on a level surface with the engine “OFF” and the engine switch set in the “OFF” position. Let the machine cool down! Other maintenance and repairs should only be carried out by a qualified technician.

#### **SERVICE DAILY:**

1. Check engine oil level.
2. Check blade guard for damage.
3. Check engine air filter, replace if dirty. Service sooner if used in dusty conditions.
4. Clean machine daily.

#### **SERVICE EVERY 50 HOURS:**

1. Replace engine oil and filter.
2. Clean engine/motor air fins.
3. Lubricate Depth Control Grease Fitting (X).
4. Check wheels for wear or damage.
5. Check blade drive belt tension.

#### **Replacing Engine Air Filter (S):**

If the engine seems weak, produces black smoke or runs unevenly, the air filter may be clogged. For this reason, it is important to clean and replace the air filter regularly. Check engine manual for detailed instructions.

#### **CAUTION!**

The filter must not be cleaned with compressed air, this will damage the filter. Filters can be vacuumed out for cleaning but avoid hitting or dragging items across the surface as this will damage the filter.

Paper filters are to be disposed of correctly and replaced.

A polyester filter can be cleaned via vacuuming or low pressure washing.

Do not use high pressure washing, this will damage the filter.

A damaged filter must always be replaced.

A washed filter must be 100% dry before being placed back onto the equipment.

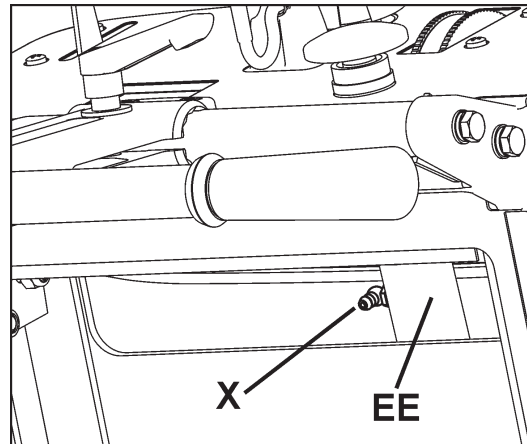
# MAINTENANCE & LUBRICATION

## LUBRICATION:



**Depth Control Grease Fitting (X):** A grease fitting allows lubrication of Blade Depth Control (EE) screw. To access this grease fitting:

- Raise the Diamond Blade (H) to maximum height. Open Tool Compartment (BB), temporarily remove operation manual bag.
- Grease fitting (X) is located near top of Blade Depth Control (EE) Tube.
- Add Grease to the fitting. Raise and lower the machine a few times to circulate the grease through the tube.
- Replace Operation Manual Bag, close Tool Compartment (BB) door.



## Engine Oil:

### Checking Engine Oil:



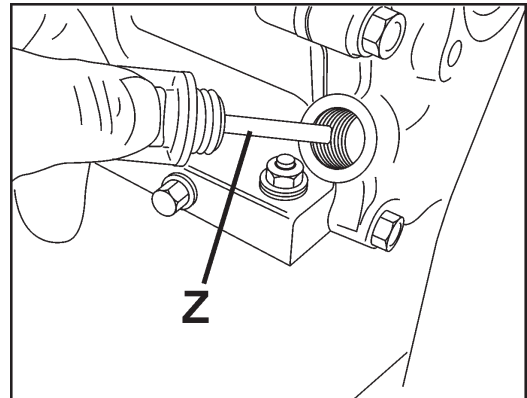
Check that engine oil level is correct.



Engine Oil Dipstick (Z) is located on front of engine. Refill engine oil in dipstick hole. When checking oil level, Engine Oil Dipstick (Z) should not be screwed in.

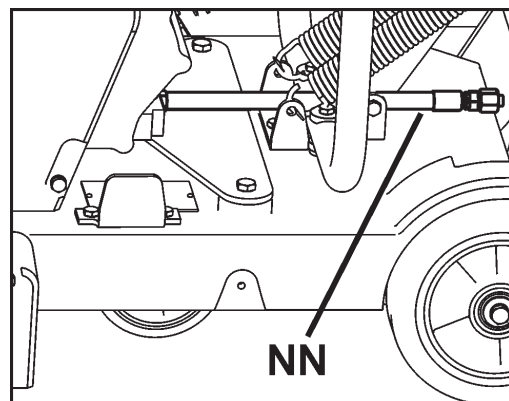
Because engine often operates at an angle, check oil level with engine horizontal. Check frequently to ensure that oil level never falls below lower mark on dipstick. 10W30 oil is recommended.

See engine operation manual for more information.



### Changing Engine Oil:

- Turn machine Start Switch (DD) to OFF (0) position. Let engine cool. Use Depth Control (EE) to tilt machine slightly backwards.
- Reposition Oil Drain Hose (NN) to side of machine. Set a suitable container, large enough to hold engine oil capacity, beside machine to catch oil.
- Open end of Oil Drain Hose (NN), and let oil drain into container. After oil is drained, replace Oil Drain Hose (NN) end, tighten securely, return hose to original position.
- Fill engine with recommended quantity of oil - see engine manual for details.
- Dispose of used oil in an environmentally safe manner.



## MAINTENANCE & LUBRICATION

**Blade Shaft Drive Belt Tension:** Drive Belt should be re-tensioned after first few hours of operation. Belt Drive Idler (MM) holds tension on Drive Belt.

### Tools Required:

- 13mm Wrench (Included with machine).
- 3/8" (9.53mm) Drive Torque Wrench (Not Included)
- 14mm Wrench (Not included with machine).

1. Use 13mm Wrench (U), to remove three (3) M8 bolts that attach Belt Guard (LL). Remove Guard (LL).

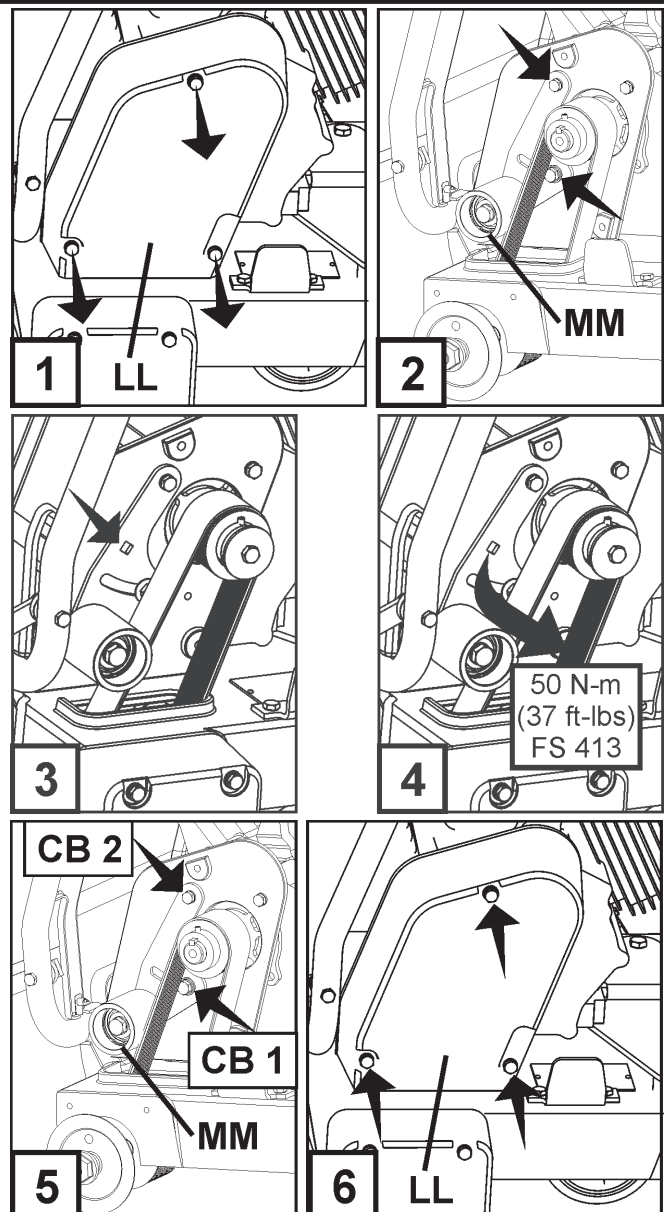
2. Use the 13mm & 14mm wrenches to slightly loosen the two (2) bolts that secure the Belt Drive Idler (MM) [bolts indicated by (2) arrows].

3. Attach Torque Wrench to square hole in Belt Drive Idler (MM).

4. Apply a torque to Drive Idler (MM) so that Drive Idler (MM) is forced against the V-Belt. Torque to the value shown in diagram 4.

5. Tighten center bolt (CB1) to hold Drive Idler (MM) in position, then tighten remaining bolt (CB2).

6. Reinstall Belt Guard (LL). Use 13mm Wrench (U), to tighten three (3) M8 bolts that attach Belt Guard (LL).



### Governor Speed

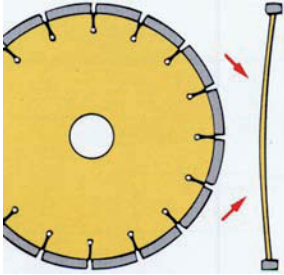
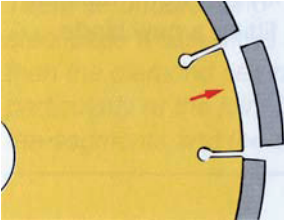
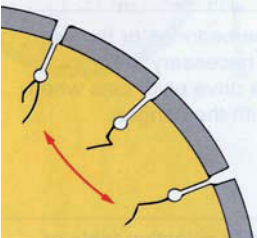


It is critical that Governor and throttle on all internal combustion engines be adjusted properly. Engine speed is preset at factory for proper sawing speed. It is NOT normally necessary to change this setting. It should be periodically verified after machine is placed into service. To change the Governor setting, refer to the engine manual.

### **! WARNING!**

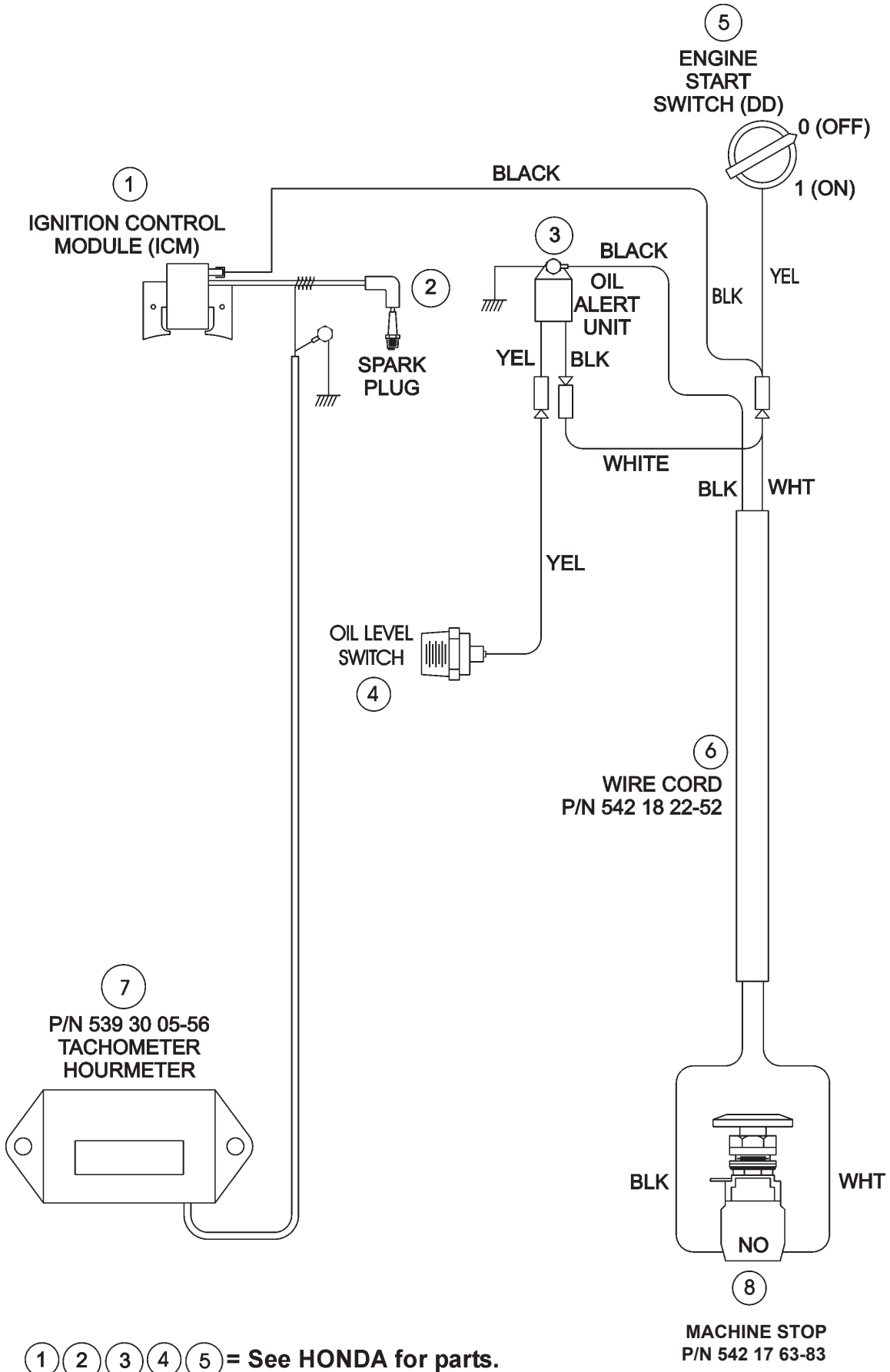
**Overspeeding Diamond Blade (H) can result in blade breakage and/or personal injury to operator and bystanders! To assure proper Governor adjustment, determine correct blade shaft speed (RPM) from the adjacent chart. Follow engine manufacturer's instruction procedure for Governor and throttle setting.**

## TROUBLE SHOOTING GUIDE

Engine Will Not Start:	
Cause	Action
Electrical switches not in correct position.	Check that BOTH Machine Stop (AA) and Engine Start Switch (DD) are in "ON" position. Machine Stop (AA) should be pulled outward from cowl, and Engine Start Switch (DD) turned to "1" (ON) position.
Fuel valve closed.	Open the fuel valve.
Choke valve open.	Close the choke with cold engine.
Fuel tank empty.	Fill with fuel.
Contamination, or water ice in fuel system.	Clean tank, fuel lines and carburetor. Fill tank with fresh fuel.
Buildup on spark plug electrodes.	Check electrode gap and clean.
Engine has no power or runs unevenly. Air filter Clogged.	Clean or replace the air filter.

Diamond Blade Trouble Shooting:	
Problem	Cause & Action
<p>Loss of Tension in Diamond Blade</p> 	<p>Blade being used on misaligned saw. Check for proper saw alignment.</p> <p>Blade is excessively "hard" for material being cut, creating stress on steel blade center. Check that blade is correct for material being cut.</p> <p>Different diameter or undersize blade flanges creates uneven pressure on blade center. Use proper size flange on each side of blade. Never use worn or damaged flanges.</p> <p>Blade operated at improper speed (R.P.M.). Make certain blade shaft is turning at the proper speed (R.P.M.) for blade size. Check R.P.M. using a tachometer.</p> <p>Blade improperly mounted on arbor. Could become bent when flanges are tightened.</p>
<p>Segment Loss</p> 	<p>Blade is too "hard" for material being cut. Use "softer" blade specification.</p> <p>Overheated blade, detected as "blue" color on steel center. Check that water supply is adequate and not blocked.</p> <p>Saw is twisted while cutting. Saw only in a straight line.</p> <p>Blade Bore is worn to an eccentric shape (ovalized). Replace worn blade and worn spindle.</p> <p>Segment knocked off during mounting or transport. Avoid rough handling of diamond blade. Never transport the machine with the diamond blade mounted.</p>
<p>Cracked Blade Core</p> 	<p>Blade is too "hard" for material being cut. Use "softer" blade specification.</p> <p>Overheated blade, detected as "blue" color on steel center. Check that water supply is adequate and not blocked.</p> <p>Saw is twisted while cutting. Saw only in a straight line.</p> <div style="border: 1px solid black; padding: 5px; margin-top: 10px;"> <p style="text-align: center;"><b>! WARNING!</b></p> <div style="display: flex; align-items: center;">  <p>DO NOT use damaged diamond blades! Death or injury could occur if machine is operated using damaged diamond blades!</p> </div> </div>
<p>Cracked Blade Segments</p> 	<p>Blade is too "hard" for material being cut. Use "softer" blade specification.</p> <p>Blade operated at improper speed (R.P.M.). Make certain blade shaft is turning at the proper speed (R.P.M.) for blade size. Check R.P.M. using a tachometer.</p>

# WIRING DIAGRAM





# TECHNICAL DATA

Machine Mass	
Nominal Mass, kg (lb)	142 (313)
Maximum Mass, kg (lb)	158 (348)

Blade Shaft and Engine Speed	
Blade shaft, RPM	2700
Engine, RPM	3600

Water Tank Capacity	
Litres	US Gallons (U.K. Gallons)
25	6.6 (5.5)

Cutting Depth	
Blade Size, mm (inch)	Maximum Blade Cutting Depth, mm (inch)
500 (20)	189 (7,6)

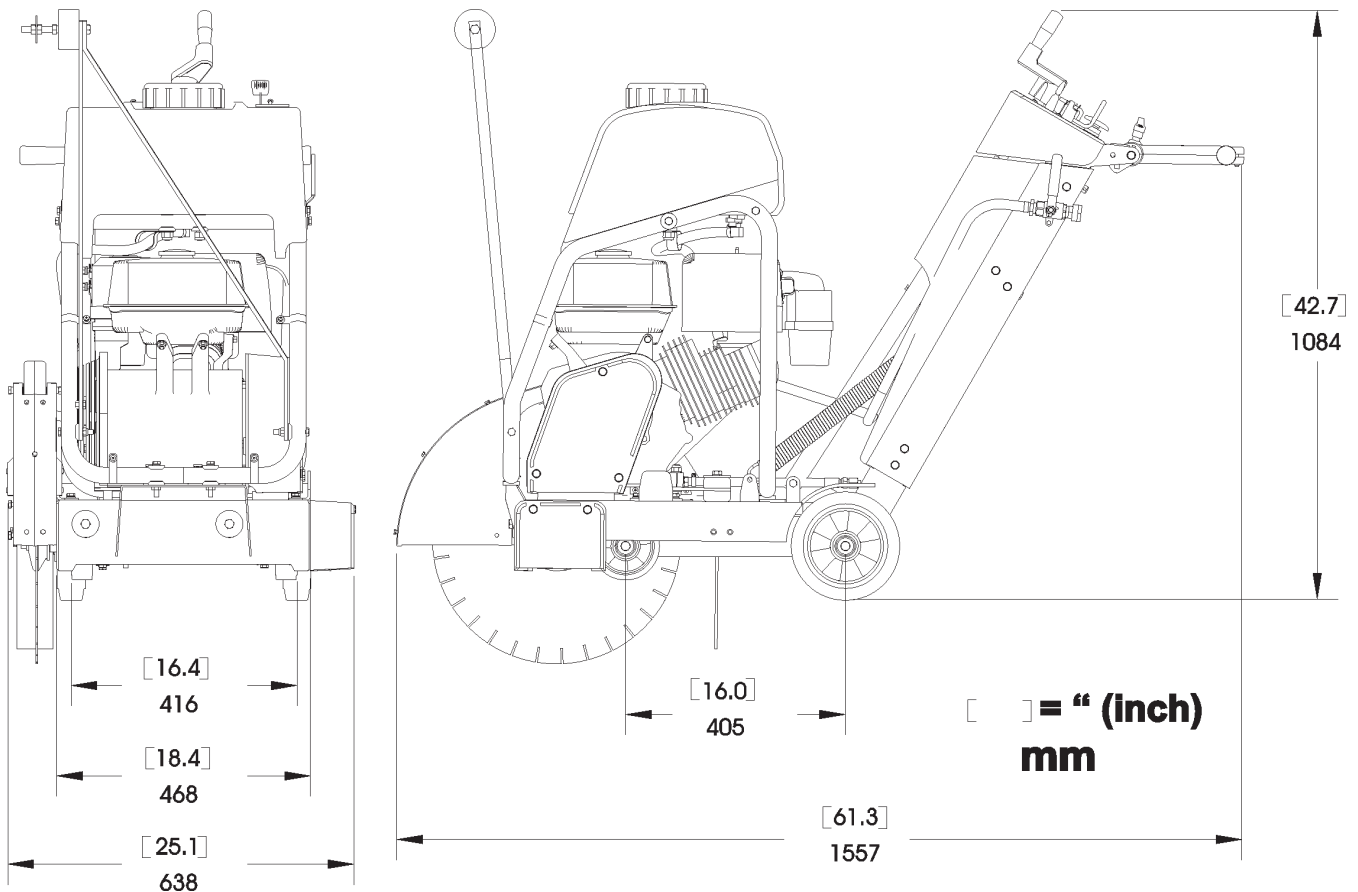
Arbor and Blade Flange Size	
Arbor size, mm (inch)	25,4 (1)
Blade flange diameter, mm (inch)	114 (4,5)

Noise emissions (see note 1)	
Sound power level, measured dB(A)	108
Sound power level, guaranteed dB(A)	110
Sound levels (see note 2)	
Sound pressure level at the operators ear, dB(A)	88
Vibration levels, $a_{hv}$ (see note 3)	
Handle right, $m/s^2$	2,4
Handle left, $m/s^2$	1,9

Note 1: Noise emissions in the environment measured as sound power ( $L_{WA}$ ) in conformity with EC directive 2000/14/EC.

Note 2: Noise pressure level according to EN 13862. Reported data for noise pressure level has a typical statistical dispersion (standard deviation) of 4.0 dB(A).

Note 3: Vibration level according to EN 13862. Reported data for vibration level has a typical statistical dispersion (standard deviation) of 1.5  $m/s^2$



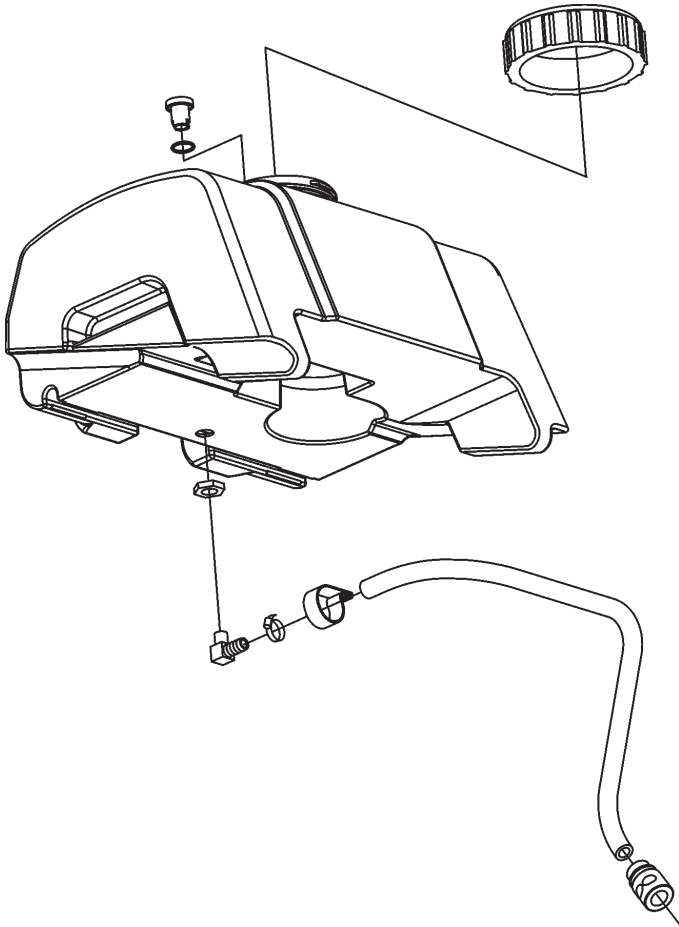


---

## ACCESSORIES

---

### Water Tank Assembly 541 20 82-86 Complete Kit



---

# CONFORMITY CERTIFICATES

---

**American National Standards Institute** : For units used in the United States, this machine has been designed to comply with American National Standards Institute ANSI B7.1-2000, "Safety Requirements for the Use, Care and Protection of Abrasive Wheels". This standard can be purchased by contacting the American National Standards Institute at the address shown below:

American National Standards Institute  
25 West 43rd Street, 4th Floor  
New York, NY 10036

Telephone: 212.642.4900  
Fax: 212.398.0023  
www.ansi.org

**CALIFORNIA AIR RESOURCES BOARD (CARB)**: This machine is considered a preempt Off-Road Application as relating to CARB standards. Under construction equipment, and in particular, as a concrete saw (Saws: concrete, masonry, cutoff), with engine power less than 19KW (25 hp), CARB standards do not apply to this machine.

For more information see the website

<http://www.arb.ca.gov/msprog/offroad/preempt.htm>

## EC Declaration of Conformity

### (Applies to Europe only)

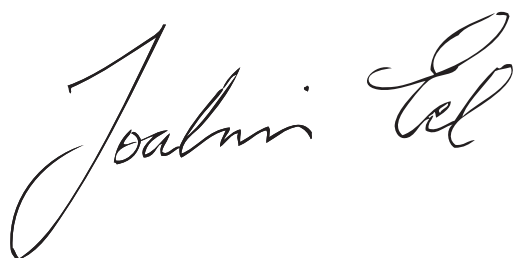
**Husqvarna AB**, SE-561 82 Huskvarna, Sweden, tel +46-36-146500, declares under sole responsibility that the flat saws **Husqvarna FS 413** from 2016's serial numbers and onwards (the year is clearly stated in plain text on the rating plate with subsequent serial number), complies with the requirements of the COUNCIL'S DIRECTIVES:

- of May 17, 2006 "relating to machinery" **2006/42/EC**.
- of February 26, 2014 "relating to electromagnetic compatibility" **2014/30/EU**.
- of May 8, 2000 "relating to the noise emissions in the environment" **2000/14/EC**.

The following standards have been applied: **EN ISO 12100:2010, CISPR12:2007+Amd1:2009, EN55012:2007+A1:2009, EN13862+A1:2009, EN ISO 14982:2009.**

SMP Svensk Maskinprovning AB, Box 7035, SE-750 07 Uppsala, Sweden, has performed voluntary type examination in accordance with the machinery directive (2006/42/EC) on behalf of Husqvarna AB. The certificate has the number: **SEC/17/2478**

Gothenburg 26 February 2016



Joakim Ed

Global R&D Director

Construction Equipment Husqvarna AB

(Authorized representative for Husqvarna AB and responsible for technical documentation.)

---

## CONTACT INFORMATION

---



### **Construction Products, North America**

#### **Corporate Office**

17400 West 119th Street, Olathe, Kansas 66061 USA

Corporate Office: 913-928-1000

Corp. Office Fax: 913-438-7951

**[www.husqvarna.com](http://www.husqvarna.com)**

For local service, please contact your local Husqvarna Construction Products representative.

Para efectuar un servicio local, póngase en contacto con su representante local de Husqvarna Construction Products.

Pour toute réparation, contacter le représentant local de Husqvarna Construction Products.

Für Service vor Ort wenden Sie sich bitte an Ihren örtlichen Vertreter von Husqvarna Construction Products.

Neem voor plaatselijke service contact op met uw plaatselijke vertegenwoordiger van de constructieproducten van Husqvarna.

Per assistenza, rivolgersi al rappresentante di zona della Husqvarna Construction Products.

För service på platsen, kontakta din lokala representant för Husqvarna Construction Products.

Para obter serviço técnico local, contactar o representante da Husqvarna Construction Products

### **Europa / Europe:**

#### **Husqvarna Construction Products**

SE-433 81 Partille, Sweden

Tel: +46 31 94 90 00

Fax: +46 31 94 90 50

### **Asia Pacific:**

#### **Husqvarna Construction Products, Australia Pty Ltd**

25-31 Kinkaid Avenue,

North Plympton, Adelaide,

South Australia 5037

Tel: +61 (0)8 8375 1000

Fax: +61 (0)8 8371 0990

### **The Americas:**

#### **Husqvarna Construction Products, North America**

17400 West 119th Street, Olathe, Kansas 66061 USA

Toll-Free Telephone: 800-288-5040, Telephone: 913-928-1300

Fax: 913-438-7938



# CONTENIDO e INTRODUCCIÓN

Sección	Contenido	Página
Contenido e introducción.....		37
Símbolos y calcomanías.....		38-42
Instrucciones de seguridad.....		43-46
Identificación de piezas (qué es qué).....		48-49
Ensamblado .....		50-54
Funcionamiento.....		55-59
Mantenimiento y lubricación .....		60-62
Guía para la determinación y resolución de problemas .....		63
Diagrama de cableado .....		64
Datos técnicos .....		65-66
Accesorios .....		67
Certificados de cumplimiento .....		68
Información de contacto.....		69

## Introducción

Gracias por comprar su nueva máquina de Husqvarna Construction Products. En este manual y en la propia máquina proporcionamos mensajes importantes sobre seguridad. Lea detenidamente estos mensajes. Un mensaje de seguridad le avisa sobre los posibles peligros que pueden ser perjudiciales para usted o para otras personas. Cada mensaje de seguridad viene precedido por un símbolo o por el símbolo de seguridad (⚠) y una de dos palabras: **ADVERTENCIA** o **PRECAUCIÓN**.

Estas palabras significan:

**⚠ ADVERTENCIA:** Indica una situación peligrosa que, si no se evita, PODRÍA resultar en lesiones graves o la muerte.

**⚠ PRECAUCIÓN:** Indica una situación peligrosa que, si no se evita, PODRÍA resultar en lesiones leves o moderadas. También se puede utilizar para alertar contra prácticas inseguras.

Cada mensaje indica cuál es el riesgo, lo que puede suceder y lo que puede hacer para evitar o reducir las lesiones. Otros mensajes importantes van precedidos por la palabra **AVISO**.

**AVISO** significa:

**AVISO:** Indica una situación peligrosa que, si no se evita, podría resultar en daños materiales. Su máquina u otro material se puede dañar si no se siguen estas instrucciones.

El usuario debe inspeccionar y limpiar periódicamente las etiquetas de seguridad para mantener una buena legibilidad a una distancia de visualización segura. Si la etiqueta está desgastada, dañada o es ilegible, se debe cambiar.

## ⚠ ADVERTENCIA

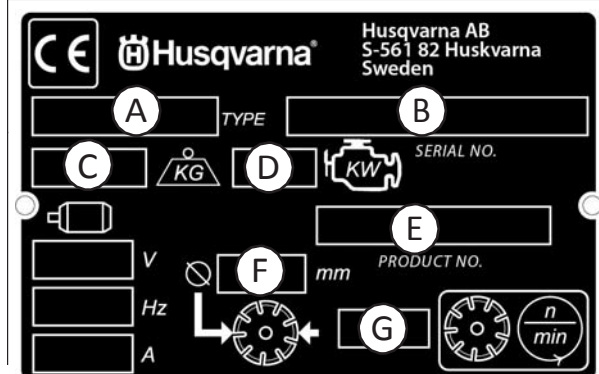
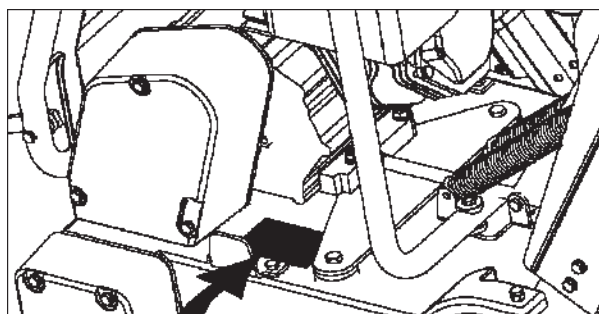


Antes de utilizar la máquina, lea y comprenda todo este manual de funcionamiento y el manual de usuario de motor suministrados con el motor.



Familiarícese con la máquina antes del funcionamiento.

**Identificación del modelo:** Anote la información de la placa de número de serie de la máquina siguiente para futuras referencias



**A. Modelo:** \_\_\_\_\_

**B. Fecha de fabricación, año, semana, número de serie:** \_\_\_\_\_

C. Masa de la máquina (kg) \_\_\_\_\_

D. Potencia del motor (KW) \_\_\_\_\_

E. Número de producto \_\_\_\_\_

F. Diámetro de la hoja (mm) \_\_\_\_\_

G. Velocidad de la hoja (revoluciones/minuto) \_\_\_\_\_

Otra información no mostrada en la placa de serie de la máquina:

**N.º de serie del motor:** \_\_\_\_\_

Consulte el manual de usuario de motor para ver la ubicación.

**Fecha de compra:** \_\_\_\_\_

## SÍMBOLOS y CALCOMANÍAS



Lea las instrucciones de uso antes de operar la máquina por primera vez.



Este símbolo indica que la máquina cumple con las directivas pertinentes de la Unión Europea.



Obligatorio



Indicación



Prohibición



Triángulo de advertencia



Usar gafas protectoras



Usar protección respiratoria



Es obligatorio utilizar protección auditiva



Usar casco de protección



Usar calzado protector



Usar indumentaria apropiada



Quite la cuchilla antes de levantar, cargar, descargar y transportar la máquina



Parada de la máquina, detener la transmisión



Usar en un área bien ventilada



No usar en áreas inflamables



Maquinaria peligrosa, mantenga las manos y los pies alejados



Silenciador caliente. Puede causar quemaduras y / o incendiar materiales. Evítese el contacto



Advertencia, gas de escape tóxico



Área limitada para el personal de trabajo



No fumar



No operar sin el protector de cuchilla instalado



Siempre mantenga todos los protectores instalados



Suministro de agua Encendido (ON)



Suministro de agua Apagado



Suministro de agua

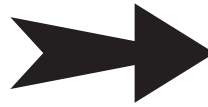
## SÍMBOLOS y CALCOMANÍAS

	Conmutador de seguridad de agua de la cuchilla		Interruptor eléctrico – Arranque (Start).
	Temperatura del refrigerante del motor		Las reparaciones se deben realizar exclusivamente por un distribuidor autorizado
	Mantenga el área de trabajo limpia / bien iluminada, quite todo elemento que ponga en riesgo la seguridad		Luz alta
	Nivel de ruido peligrosamente elevado		Cuchilla adiamantada
	Preste mucha atención al cuidado y protección de la máquina antes de ponerla en marcha		Diámetro de la cuchilla
	Quite toda herramienta del área o de la máquina		Enganche de la cuchilla
	Presión de aceite del motor		Diámetro de la polea
	Añada aceite		Revoluciones por minuto, velocidad de rotación
	Varilla de medición, mantenga el nivel de aceite correcto		Diámetro de la brida de la cuchilla
	Punto de lubricación		Tope de profundidad de la cuchilla
	Alta velocidad		Indicador de profundidad de corte - Profundidad de corte
	Baja velocidad		Freno de estacionamiento
	Interruptor eléctrico – Apagado (OFF)		Freno de estacionamiento activado
	Interruptor eléctrico – Encendido (ON)		Freno de estacionamiento desactivado

## SÍMBOLOS y CALCOMANÍAS



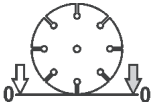
Peso de la máquina (kilogramos)



La flecha en el protector de la herramienta indica la dirección de la rotación.



Terminal positivo de la batería



Indicador de profundidad de la cuchilla – Cero



Motor eléctrico



Motor



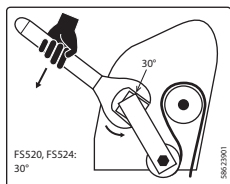
Velocidad del motor,  
revoluciones / minuto



Puesta en marcha del motor



Usar combustible sin plomo solamente



Llave de 30°



Las emisiones sonoras en el entorno según la directiva de la Comunidad Europea. Las emisiones de la máquina se indican en el capítulo “Datos técnicos” y en la etiqueta.



## SÍMBOLOS y CALCOMANÍAS



Referencia 542 19 07-33  
Ubicación: Parte delantera de la cubierta

### FS 413

Referencia 542 19 07-112  
Ubicación: Lado derecho e izquierdo del bastidor (solo FS 413)

For local service, please contact your local Husqvarna Construction Products representative.

Para efectuar un servicio local, póngase en contacto con su representante local de Husqvarna Construction Products.

Pour toute réparation, contacter le représentant local de Husqvarna Construction Products.

Für Service vor Ort wenden Sie sich bitte an Ihren örtlichen Vertreter von Husqvarna Construction Products.

Neem voor plaatselijke service contact op met uw plaatselijke vertegenwoordiger van de constructieproducten van Husqvarna.

Per assistenza, rivolgersi al rappresentante di zona della Husqvarna Construction Products.

För service på platsen, kontakta din lokala representant för Husqvarna Construction Products.

Para obter serviço técnico local, contactar o representante da Husqvarna Construction Products local.

**Europa / Europe:**  
Husqvarna  
Construction Products  
SE-433 81 Partille, Sweden  
Tel: +46 31 94 90 00  
Fax: +46 31 94 90 50

**Asia Pacific:**  
Husqvarna  
Construction Products,  
Australia Pty Ltd  
25-31 Kinkaid Avenue,  
North Plympton, Adelaide,  
South Australia 5037  
Tel: +61 (0)8 8375 1000  
Fax: +61 (0)8 8371 0990

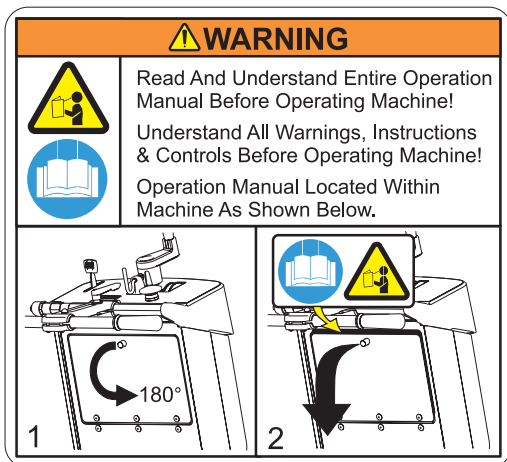
**The Americas:**  
Husqvarna Construction Products,  
North America  
17400 West 119th Street,  
Olathe, Kansas 66061 USA  
Toll-Free Telephone: 800-288-5040,  
Telephone: 913-928-1300  
Fax: 913-438-7938

Mantenimiento local para la referencia  
542 19 06-46  
Ubicación: Lado del bastidor



Referencia 542 19 05-88  
Ubicación: Calibrador de profundidad

# SÍMBOLOS y CALCOMANÍAS



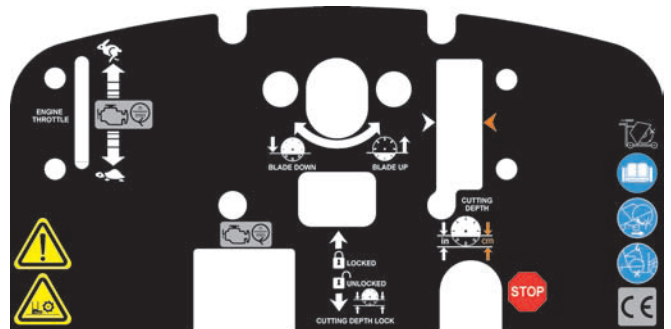
Referencia 542 19 05-93  
Ubicación: Parte trasera de la cubierta



Referencia 542 16 90-65  
Ubicación: Parte superior de la protección de la correa



Referencia 542 19 06-17  
Ubicación: Depósito de agua (si está equipado)



Referencia 502 24 01-05  
Ubicación: Parte superior de la cubierta



Referencia 542 19 06-38  
Ubicación: Parte trasera de la cubierta


PATENT PENDING


Referencia 542 16 12-35  
Ubicación: Bastidor superior derecho.




# INSTRUCCIONES DE SEGURIDAD

## Uso general




**⚠ ¡ADVERTENCIA!**


 Antes de operar la máquina, lea íntegramente y comprenda este manual de operación y el manual de operación del motor provisto con el mismo.


 ¡Familiarícese con la máquina antes de utilizarla!


  


**El operario debe llevar equipo y ropa de protección personal adecuada para el trabajo que realiza. El equipo protección personal, como protección auricular y ocular, es obligatorio.**


 **La zona de trabajo debe estar totalmente despejada, bien iluminada y no debe presentar ningún peligro de seguridad.**

 **Cualquier persona no relacionada con el trabajo debe salir de la zona.**


 **¡ADVERTENCIA! El eje de disco gira cuando se arranca el motor.**


 **¡ADVERTENCIA! No entre en contacto con la herramienta cuando la máquina esté en funcionamiento.**

## Seguridad sobre el combustible:

 **¡ADVERTENCIA! Preste atención al manipular combustible. Recuerde que existen riesgos de incendio, explosión e inhalación de vapores.**

- Almacene el combustible en los recipientes homologados para ello.
- Haga el repostaje de la máquina solo con el motor APAGADO. Nunca retire el tapón de combustible ni llene el depósito de combustible mientras el motor esté en marcha.
- Haga siempre el repostaje en una zona bien ventilada
- Nunca llene un depósito de combustible en interiores
- Deje que el motor se enfríe antes de repostar.

 **Nunca realice el repostaje de la máquina en las proximidades de chispas o llamas. No utilice la máquina en una zona.**

 **No fume mientras realiza el repostaje o utiliza la máquina.**

- Aleje la máquina 3 metros de la zona de repostaje antes de poner en marcha el motor
- Nunca arranque la máquina:
  - 1) Si el combustible se ha derramado sobre la máquina. Seque cualquier residuo y espere a que se evaporen los restos de combustible.
  - 2) Si ha derramado combustible sobre sí mismo o su ropa. Utilice jabón y agua para lavarse las partes del cuerpo que han entrado en contacto con el combustible.
  - 3) Si hay fugas de combustible en la máquina. Compruebe regularmente si hay fugas en la tapa del depósito o en los conductos de combustible.
- Almacene y transporte la máquina y el combustible de manera que eventuales fugas o vapores no puedan entrar en contacto con chispas o llamas, por ejemplo, máquinas eléctricas, motores eléctricos, contactos eléctricos/interruptores de corriente o calderas



## ADVERTENCIA SOBRE EL POLVO

**Al cortar, especialmente cuando se corta en seco, se genera polvo procedente del material que se está cortando y, con frecuencia, este contiene sílice.** El sílice es un componente básico de la arena, el cuarzo, la arcilla de los ladrillos, el granito y otros muchos minerales y rocas. La exposición a una cantidad excesiva de este polvo puede causar

- Enfermedades respiratorias (que afecten a su capacidad de respirar), incluidas bronquitis crónica, silicosis y fibrosis pulmonar producidas por la exposición al sílice. Estas enfermedades pueden ser mortales
- Irritación de la piel y urticaria;
- Cáncer, según el NTP\* y el IARC\*

\* Programa Nacional de Toxicología, Organismo Internacional de Investigaciones sobre el Cáncer de EE. UU

Tome medidas preventivas

- Evite la inhalación y el contacto con la piel de polvo, vapor y humos.
- Corte en húmedo siempre que sea posible para reducir al mínimo el polvo.
- Lleve y asegúrese de que todas las personas a su alrededor lleven la protección respiratoria adecuada, como mascarillas diseñadas para filtrar partículas microscópicas. (Consulte la normativa OSHA 29 CFR Parte 1910.1200)

### Advertencia Prop 65 de California:

El uso de este producto puede causar la exposición a materiales que, según el estado de California, pueden causar cáncer y/o defectos de nacimiento y otros daños reproductivos.

## INSTRUCCIONES DE SEGURIDAD



### ADVERTENCIA GAS DE ESCAPE TÓXICO



#### **ESTA SIERRA SE ENVÍA DE FÁBRICA SIN CONVERTOR CATALÍTICO.**

EL MOTOR PRODUCE EMISIONES DE ESCAPE DE MONÓXIDO DE CARBONO Y NO ES SEGURO UTILIZARLO EN ÁREAS CERRADAS. AUNQUE EL USO DE UN CONVERTOR CATALÍTICO DISMINUYE LAS EMISIONES DE ESCAPE DE MONÓXIDO DE CARBONO, NO ES SEGURO UTILIZAR LA MÁQUINA EN ÁREAS CERRADAS.

UTILÍCESE SOLAMENTE EN ÁREAS BIEN VENTILADAS. LA CALIDAD DEL AIRE EN EL ÁREA DE TRABAJO DEBE CUMPLIR CON LAS INDICACIONES DE OSHA 29 CFR 1910.1000 SEGÚN LA TABLA Z-1, LÍMITES DE CONTAMINANTES DEL AIRE.

SUPERVISE LA CALIDAD DEL AIRE DEL ÁREA DE TRABAJO PARA ASEGURARSE DE QUE CUMPLA CON LAS REGLAMENTACIONES. DE LO CONTRARIO SE PUEDEN PRODUCIR RIESGOS MORTALES Y CAUSAR LESIONES PERMANENTES O MUERTE.

#### Información general

El monóxido de carbono (CO) tiene la particularidad de ser uno de los pocos gases que se usan comúnmente en la industria y que es a la vez elevadamente tóxico (venenoso) e inodoro. Cuando se inhala, el CO actúa como un químico asfixiante al combinarse particularmente con la hemoglobina en el torrente sanguíneo. Como resultado, la hemoglobina no puede transportar la cantidad normal de oxígeno, lo cual resulta en la oxigenación insuficiente de los tejidos. Entre los síntomas de exposición a niveles bajos de CO se incluye dolores de cabeza, mareos, confusión y náusea. **No obstante, la exposición continua o a niveles más elevados puede resultar en pérdida de conocimiento, lesiones permanentes y muerte.** Dados los riesgos a la salud relativos a la inhalación de CO, la Secretaría de Seguridad y Sanidad Ocupacional (OSHA) ha impuesto límites de exposición personal. Los límites de exposición de la OSHA, que se especifican en 29 CFR 1910.1000 (Revisión 1998), permiten un límite superior de 200 PPM y un peso ponderado promedio (TWA, por sus siglas en inglés) de 35 PPM por turno de 8 horas/semana laboral de 40 horas. Se recomienda especialmente consultar el OSHA 29 CFR 1910.1000 (Código de reglamentaciones federales) para obtener más información sobre los límites de exposición a diversos materiales peligrosos. Ante sospecha de intoxicación por CO, traslade a la víctima inmediatamente al aire fresco y busque atención médica de emergencia.

#### Ventilación adecuada:

**ESTA SIERRA SE ENVÍA DE FÁBRICA SIN UN CONVERTOR CATALÍTICO.** Es importante saber que las sierras con convertidores catalíticos reducen las emisiones de CO e hidrocarburos (HC). El escape contiene aún CO. Si el espacio de trabajo es muy reducido o no cuenta con la ventilación adecuada, el CO se puede acumular hasta finalmente sobrepasar los límites estipulados por la OSHA. En dichos casos se deben tomar las medidas necesarias para quitar a los trabajadores de las áreas con concentraciones elevadas. Los operadores y los supervisores del área de trabajo deben tomar las precauciones necesarias para asegurar la adecuada ventilación del área en todo momento. Se deben utilizar monitores para la detección de monóxido de carbono a fin de determinar si se cuenta con la ventilación adecuada.



### ADVERTENCIA RIESGOS AUDITIVOS

DURANTE EL USO NORMAL DE ESTA MÁQUINA EL OPERADOR PODRÁ ESTAR EXPUESTO A NIVELES DE RUIDO DE **85 dB (Acústicos)** O SUPERIORES. SE PUEDEN PRODUCIR DAÑOS AUDITIVOS TEMPORALES Y/O PERMANENTES. SE REQUIERE EL USO DE PROTECCIÓN AUDITIVA.

# INSTRUCCIONES DE SEGURIDAD

## ¡LA SEGURIDAD ES LO PRIMERO!



### ADVERTENCIAS LOS SÍ Y LOS NO



**ADVERTENCIA: EL INCUMPLIMIENTO DE ESTAS ADVERTENCIAS E INSTRUCCIONES DE OPERACIÓN PUEDE RESULTAR EN MUERTE O ACCIDENTES PERSONALES GRAVES.**

#### SÍ

- SÍ Lea íntegramente este manual del operador antes de utilizar la máquina. Lea y asegúrese de comprender todas las advertencias, instrucciones, controles y definiciones de símbolos que se incluyen en este manual y en la máquina.
- SÍ Siempre provea una copia de este manual al usuario del equipo. Si necesita copias adicionales, llame GRATIS al 1-800-288-288-5040 (en los Estados Unidos) o al + 1-913-928-1300 (desde el extranjero), o consulte la sección "Información de contacto" en este manual.
- SÍ Mantenga todo los protectores en su sitio y en buen estado.
- SÍ Utilice protección aprobada para los oídos, ojos, cabeza y sistema respiratorio.
- SÍ Lea y comprenda todas las advertencias e instrucciones de la máquina.
- SÍ Mantenga toda parte de su cuerpo alejada de la máquina y de toda otra pieza móvil.
- SÍ Sepa cómo detener la máquina rápidamente en caso de una emergencia.
- SÍ Apague el motor y deje que se enfríe antes de volver a cargar combustible o de realizar tareas de mantenimiento.
- SÍ Antes de instalar la cuchilla, inspecciónela, al igual que las bridas y ejes, para determinar si hay daños.
- SÍ Utilice el tamaño de brida para cuchilla ilustrado para cada medida de cuchilla.
- SÍ Utilice solamente cuchillas adiamantadas con centro de acero para usar con sierras para hormigón.
- SÍ Utilice solamente las bridas para cuchilla provistas con la sierra. Nunca utilice bridas para cuchillas que estén dañadas o gastadas.
- SÍ Utilice solamente cuchillas indicadas para una velocidad máxima de operación superior a la velocidad del eje de la cuchilla. Para verificar la velocidad, controle las revoluciones por minuto del eje de la cuchilla y los diámetros de la polea y de la brida de la cuchilla.
- SÍ Para verificar la configuración del accionador, controle las revoluciones por minuto del eje de la cuchilla, el diámetro de las poleas y el diámetro de la brida de la cuchilla.
- SÍ Lea los materiales e instrucciones de seguridad que acompañan cada cuchilla que se utilice con esta máquina.
- SÍ Inspeccione cada cuchilla cuidadosamente antes de utilizarla. Ante signos de daños o desgaste inusual, **NO USE LA CUCHILLA.**
- SÍ Monte la cuchilla fuerte y firmemente, apriete la tuerca del eje con una llave.
- SÍ Antes de montar la cuchilla en la sierra, asegúrese de que tanto la cuchilla como las bridas estén limpias y sin restos de polvo y suciedad.
- SÍ Use la cuchilla correcta para el tipo de trabajo a realizar. Consulte con el fabricante de la cuchilla para saber si ésta es correcta o no.
- SÍ Tenga cuidado y siga las instrucciones al cargar y descargar la máquina.
- SÍ Opere esta máquina solamente en áreas bien ventiladas. La inhalación de gases de escape tóxicos puede causar la muerte.
- SÍ Indique a las personas en el área en dónde se deben ubicar cuando la máquina está en funcionamiento.
- SÍ Establezca un programa de capacitación para todos los operadores de esta máquina.
- SÍ Solicite a toda persona no involucrada en el trabajo que se retire del área. Nunca permita que una persona se sitúe delante o detrás de la cuchilla cuando el motor está en funcionamiento.
- SÍ Antes de arrancar el motor, asegúrese de que la cuchilla no esté en contacto con ningún elemento.
- SÍ Tenga cuidado al levantar y transportar la máquina.
- SÍ Siempre ate la máquina al transportarla.
- SÍ Tenga cuidado y siga las instrucciones al preparar o transportar la máquina.
- SÍ Asegúrese de que el servicio y mantenimiento sea realizado por personal competente.
- SÍ Antes de montar la cuchilla, verifique que el agujero para el árbol coincida con el husillo de la máquina.
- SÍ Antes de comenzar a cortar, verifique siempre que no haya riesgos ocultos, como conductos eléctricos o de gas. Póngase siempre en contacto con las empresas de servicios públicos locales antes de operar la máquina en áreas desconocidas.
- SÍ Desplace la máquina a 3 metros (10 pies) como mínimo del punto de abastecimiento de combustible antes de poner en marcha el motor, y asegúrese de que la tapa de combustible está en la máquina y debidamente apretada.
- SÍ Sólo levante la máquina desde el punto de izado indicado.
- SÍ Limpie la máquina todos los días después de usarla.
- SÍ Utilice el tamaño de brida adecuado para cada medida de cuchilla. No utilice nunca bridas para cuchillas que estén dañadas o gastadas.
- SÍ Tenga cuidado al manipular combustible.
- SÍ Sólo corte en línea recta y a la profundidad que requieran las especificaciones del trabajo.

## INSTRUCCIONES DE SEGURIDAD

### ¡LA SEGURIDAD ES LO PRIMERO!



### ADVERTENCIAS LOS SÍ Y LOS NO



**ADVERTENCIA: EL INCUMPLIMIENTO DE ESTAS ADVERTENCIAS E INSTRUCCIONES DE OPERACIÓN PUEDE RESULTAR EN MUERTE O ACCIDENTES PERSONALES GRAVES.**

#### NO

- NO** Opere la máquina si no ha leído y comprendido el manual del operador.
- NO** Opere la máquina si el protector de la cuchilla u otros elementos protectores no están en su sitio.
- NO** Permanezca detrás o delante del recorrido de la cuchilla cuando el motor está en funcionamiento.
- NO** Deje la máquina sin supervisar cuando el motor está en funcionamiento.
- NO** Realice tareas de mantenimiento en la máquina cuando el motor está en funcionamiento.
- NO** Opere la máquina si está cansado, fatigado o bajo la influencia de drogas o alcohol.
- NO** Use una cuchilla para cortes húmedos sin contar con el suministro de agua correspondiente para la misma.
- NO** Sobrepase la velocidad que se indica para cada tamaño de cuchilla. La velocidad excesiva puede resultar en la rotura de la cuchilla.
- NO** Opere la máquina si no está seguro cómo manejarla.
- NO** Use equipo o cuchillas dañadas.
- NO** Toque o trate de detener una cuchilla en movimiento con la mano.
- NO** Incline, presione, bloquee o tuerza la cuchilla en un corte.
- NO** Transporte la máquina cortadora sin antes quitarle la cuchilla.
- NO** Use una cuchilla si se ha caído o está dañada.
- NO** Use cuchillas con puntas de carburo metálico.
- NO** Toque una cuchilla adiamantada de corte en seco inmediatamente después usarla. Estas cuchillas necesitan varios minutos para enfriarse después de cada corte.
- NO** Utilice bridas para cuchillas que estén dañadas o gastadas.
- NO** Permita que otras personas estén cerca de la máquina durante el arranque, recarga de combustible o cuando la máquina está en funcionamiento.
- NO** Opere la máquina en un área cerrada. La inhalación de gases de escape tóxicos puede causar la muerte.
- NO** Opere la máquina cerca de elementos inflamables. Las chispas pueden causar un incendio o una explosión.
- NO** Permita que la cuchilla sobresalga más de 180° de la protección.
- NO** Opere la máquina sin la protección de la correa o de la cuchilla.
- NO** Opere la máquina si no está capacitado específicamente para operarla.
- NO** Use una cuchilla que ha sido recalentada (el núcleo tiene un color azulado).
- NO** Acumule material en la cuchilla.
- NO** Haga cortes con el lateral de la cuchilla.
- NO** Remolque la máquina detrás de un vehículo
- NO** Opere la máquina si se quitado alguna protección.
- NO** Haga cortes de más de 2,5 cm. de profundidad por pase con una cuchilla para cortes en seco Para cortes profundos hágalo en varios pasos.
- NO** Opere la máquina si está bajo la influencia de drogas o alcohol.

\*\*\*\*\*

Esta sierra ha sido diseñada para ciertas aplicaciones solamente. **NO** modifique la sierra ni la utilice para aplicaciones diferentes de las que fuera diseñada. Ante toda pregunta sobre su aplicación, **NO** use la sierra sin antes consultar por escrito con Husqvarna Construction Products y aguarde nuestra respuesta.

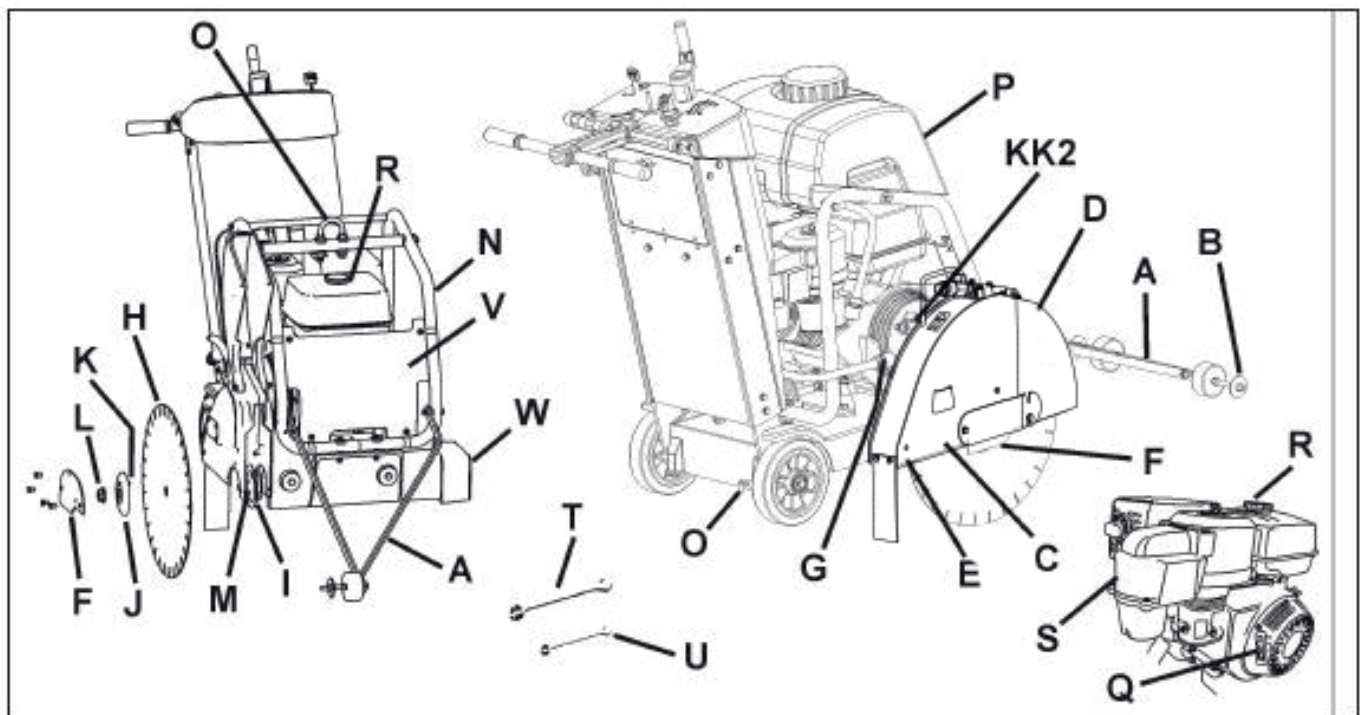
Husqvarna Construction Products North America  
17400 West 119th Street, Olathe, Kansas 66061 Estados Unidos

---

## NOTAS

---

## IDENTIFICACIÓN DE LAS PIEZAS (QUÉ ES QUÉ)



**A. Puntero delantero:** úselo para guiar la máquina en línea recta.

**B. Rueda de guía:** ubicada en el puntero delantero (A). Alinéela con la línea de corte y con la cuchilla (H) para obtener cortes rectos.

**C. Protección de la cuchilla:** cubre la cuchilla (H). ¡Debe estar siempre en su sitio al operar la máquina! Observe la dirección de la herramienta según se marca en la protección con una flecha.

**D. Protección delantera de la cuchilla:** forma parte de la protección de la cuchilla. Se puede levantar para instalar la cuchilla (H).

**E. Tornillo trasero de la protección de la cuchilla:** mantiene la protección de la cuchilla (C) en su sitio. Se debe quitar y volver a colocar si se desplaza la protección de la cuchilla (C).

**F. Placa de cierre de la protección de la cuchilla:** cubre la brida exterior (J).

**G. Desconexión de la manguera de agua (G):** conecta la protección de la cuchilla (C) a la válvula de control de agua (KK) o al tanque de agua (P). Se puede utilizar cuando la protección de la cuchilla (C) se monta en el lado izquierdo o derecho de la máquina.

**H. Cuchilla:** herramienta para cortar asfalto o hormigón (no se incluye con la máquina).

**I. Brida interior:** árbol en el cual se monta la cuchilla (H). Se debe cambiar si está dañado o gastado.

**J. Brida exterior:** se utiliza para sujetar la cuchilla (H) en su sitio. Contiene un pasador de seguridad (K) que debe pasar por la cuchilla (H). Se debe cambiar si está dañado o gastado.

**K. Pasador de seguridad:** mantiene la cuchilla (H) en su sitio. Se debe cambiar si está dañado o gastado.

**L. Tuerca del eje de la cuchilla (L1 / L2):** sujeta la brida exterior (J) a la máquina. La tuerca (L1) en el lado derecho de la máquina lleva roscas en sentido antihorario. La tuerca (L2) (no se ilustra) en el lado izquierdo de la máquina lleva roscas en sentido horario.

48

**M. Árbol de la cuchilla:** la cuchilla (H) se monta en esta superficie.

**N. Tanque de agua / Soporte del punto de izado:** sujeta el tanque de agua (P). Soporta el punto de izado (O).

**O. Punto de izado:** ¡levante la máquina solamente desde este punto!

**P. Tanque de agua (si se incluye):** 25 litros (6,6 galones EE.UU.) de capacidad de agua. ¡Llene con agua solamente! ¡No llene con gasolina u otras sustancias inflamables! Use solamente para suprimir el polvo durante los cortes en seco. Use solamente con cuchillas adiamantadas (H) soldadas con láser (en seco).

**Q. Cuerda de arranque del motor:** use para poner en marcha el motor. Consulte el manual de operación del motor.

**R. Tanque de combustible del motor:** punto de llenado de combustible. Consulte el manual de operación del motor.

**S. Limpiador de aire del motor:** contrólole diariamente. Límpielo cada cuatro (4) horas cuando corte en condiciones de mucho polvo. Consulte el manual de operación del motor.

**T. Llave del eje de la cuchilla (27 mm):** úsela para instalar y quitar la cuchilla (H). Guárdela en el compartimiento de herramientas (BB).

**U. Llave (13 mm):** úsela para el mantenimiento de varios elementos de la máquina. Guárdela en el compartimiento de herramientas (BB).

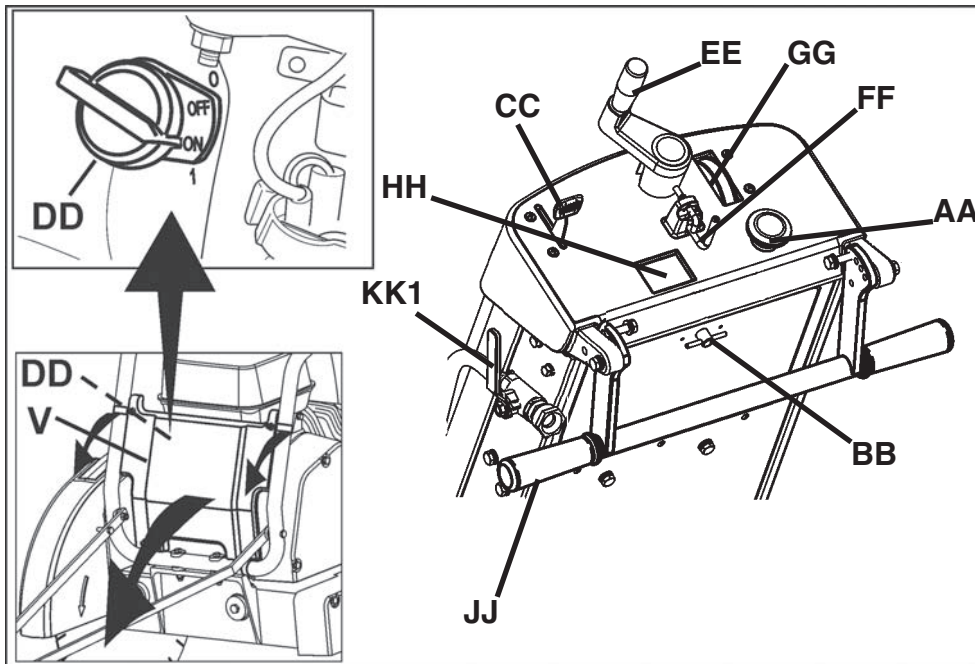
**V. Cubierta delantera:** se engancha al soporte del tanque de agua (N). Ábrala para girar el interruptor de arranque del motor (DD) de ENCENDIDO (ON) (1) o APAGADO (OFF) (0).

**W. Protección del eje:** protege la brida interior (I). Siempre va instalado en el lado opuesto al cuadro de la protección de la cuchilla (C).

**X. Accesorio de engrase para el control de profundidad:** no se ilustra. Consultar la sección mantenimiento de este documento.



## IDENTIFICACIÓN DE LAS PIEZAS (QUÉ ES QUÉ)



**Y. Espada de montaje de la protección de la cuchilla:** mantiene la protección de la cuchilla (C) en su sitio.

**Z. Varilla de medición de aceite del motor:** úsela para controlar el nivel de aceite del motor (no se ilustra, consulte la sección Operación de este documento).

**AA Parada de la máquina:** oprima el interruptor para DETENER el motor en caso de emergencias. Para restaurar, tire hacia fuera (levántelo) para volver a arrancar la máquina.

**BB. Compartimento de herramientas:** contiene el manual de operación, la lista de piezas y dos llaves (T y U) (13 mm y 27 mm). Para abrir, gire la perilla 180 grados. Siempre vuelva a colocar el manual de operación en este sitio para consultas futuras.

**CC. Acelerador del motor:** controla la velocidad del motor (RPM). Para aumentar la velocidad del motor, empuje hacia delante. Para disminuir la velocidad del motor, tire hacia atrás. Todas las operaciones de corte se realizan con el motor a velocidad máxima.

**DD. Interruptor de arranque del motor:** se encuentra en el motor, detrás de la cubierta delantera (V). Debe estar en posición ENCENDIDO (ON) para arrancar el motor. Úselo para APAGAR (OFF) el motor ("0") en situaciones que no sean de emergencia.

**EE. Control de profundidad de la cuchilla:** gírelo en sentido antihorario para levantar la cuchilla adiamantada (H), y en sentido horario para bajarla.

**FF. Tope de profundidad de la cuchilla:** utilícelo para trabar el control de profundidad de la cuchilla (EE) en su sitio. Tire del tope de profundidad de la cuchilla hacia la parte posterior de la máquina y gírelo 90 grados para trabarlo en posición abierta.

**GG. Indicador de profundidad de la cuchilla:** muestra la profundidad de corte de la cuchilla adiamantada (H) en centímetros (anaranjado) y en pulgadas (blanco).  
Funcionamiento: con el motor en posición APAGADO/OFF ("0"), baje la cuchilla adiamantada (H) hasta que toque la superficie de corte. Gire el indicador de profundidad de la cuchilla para que el "0" quede alineado con las flechas. Levante la sierra. Cuando la sierra baja hasta el corte, el indicador muestra la profundidad de corte actual.

**HH. Tacómetro de motor (RPM):** muestra la velocidad del motor en revoluciones por minuto cuando el motor está en funcionamiento. Muestra el tiempo total de funcionamiento/operación cuando el motor está APAGADO/OFF ("0"). El tiempo total de funcionamiento se muestra en una escala de 0 a 59 minutos y en horas para períodos de más de 60 minutos.

II. - - -

**JJ. Manubrio trasero:** el operador se ubica detrás de la máquina con ambas manos sobre el manubrio trasero. El manubrio se puede ajustar en varias posiciones.

**KK1. Válvula de control de agua:** controla el caudal de agua a la cuchilla. Se encuentra en el lateral izquierdo de la máquina, cerca del manubrio trasero (RR). No se utiliza con el tanque de agua (de incluirse).

**KK2. Válvula de control de agua de protección de la cuchilla:** controla el caudal de agua a la cuchilla. Se encuentra en la protección de la cuchilla. Se utiliza con el tanque de agua (de incluirse).

**LL. Protección de la correa (no se ilustra):** cubre la correa de transmisión del motor.

**MM. Polea de transmisión de la correa en V:** se usa para mantener la tensión de la correa en V del eje motor de la cuchilla.

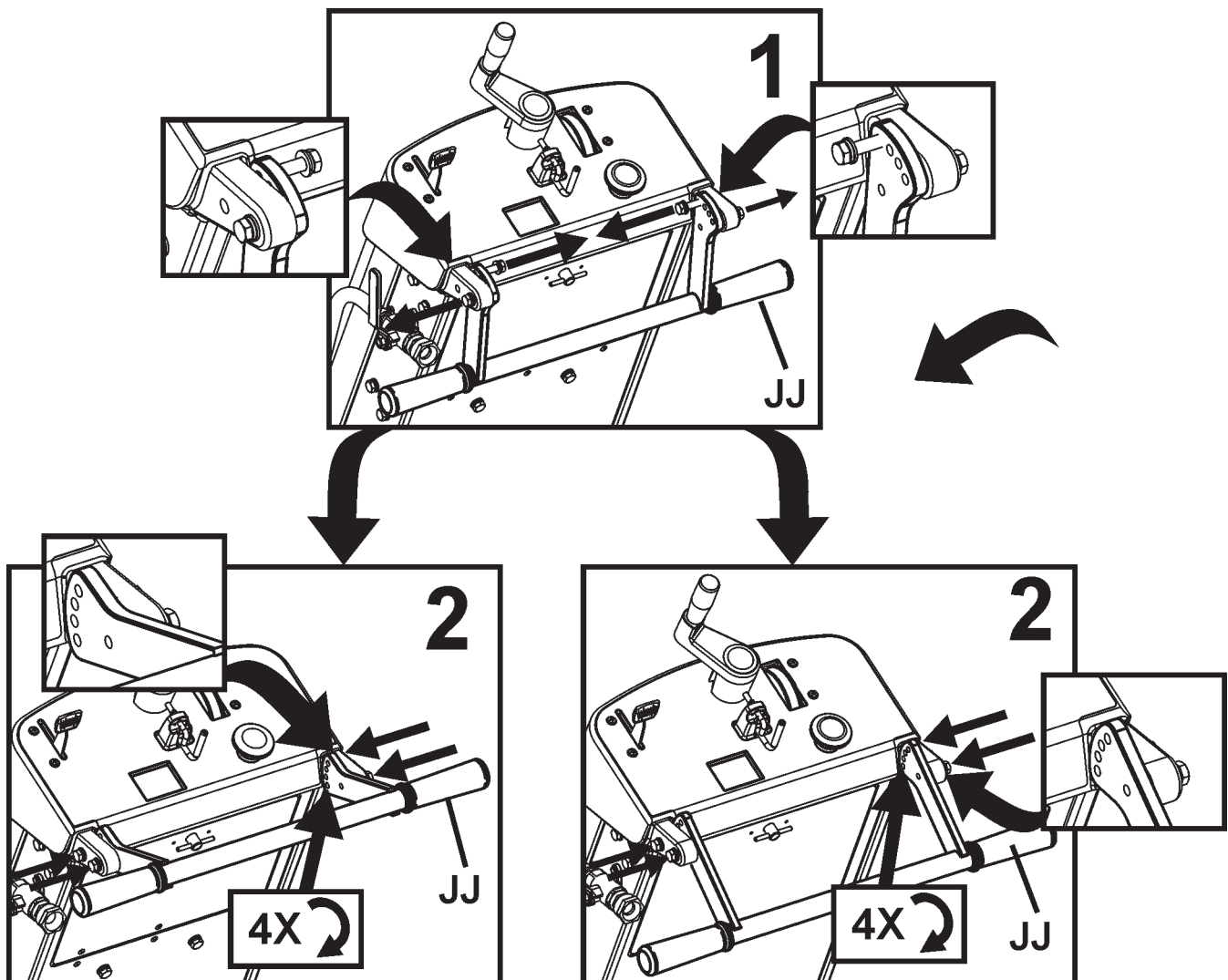
**NN. Manguera de drenaje de aceite:** se usa para quitar el aceite del motor.

**OO. Freno de estacionamiento (solamente en unidades de la Unión Europea):** se usa para mantener la máquina en posición de estacionamiento. Se encuentra en la rueda posterior derecha, en la parte trasera de la máquina. Funcionamiento: para activar, rote la palanca hacia arriba de manera que la vara se pueda mover hacia adentro. Para desactivar, tire de la vara hacia adentro y rote hacia abajo, de manera tal que quede fija hacia adentro.

## ENSAMBLADO

Antes de operar la máquina por primera vez ensamble los elementos siguientes.

**Vuelva a posicionar el manubrio trasero (JJ):**  
la máquina se envía con el manubrio trasero (JJ) en posición de guardado, tal como se ilustra. Para usar la máquina, el manubrio se debe volver a posicionar.



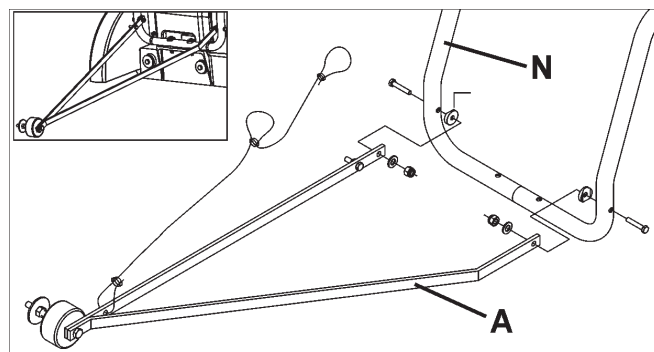
## ENSAMBLADO

### Instale el puntero delantero (A):

1. Use los tornillos, arandelas y tuercas del puntero delantero (A) e instálelos en el cuadro tubular del soporte del tanque de agua (N). Ajuste las contratuercas de manera tal que el puntero (A) pivote libremente.

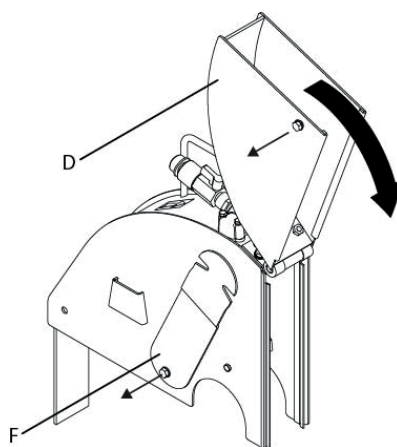
2. Disponga la cuerda del puntero de manera tal que no pase por superficies calientes. Los dos bucles de la cuerda permiten engancharla al manubrio trasero (JJ).

**Nota:** Se ilustra el “*puntero simple*” (A). En algunas regiones el “*puntero doble*” se ofrece como equipo estándar. El puntero doble se ofrece en todas partes como accesorio adicional. Para más información, consulte la sección “*accesorios*” de este documento o la lista de piezas de repuesto.



### Protección delantera de la cuchilla (D):

1. Con la llave de 13 mm (U) incluida, quite los dos (2) tornillos M8 situados en la parte delantera y debajo de la placa de pestillo de la protección de la hoja (F), y el tornillo M8 de parte frontal de la protección de la hoja (D) [como se indica con flechas]. Afloje, pero no quite, el tornillo restante de la placa de pestillo de la protección de la hoja (F). Gire la placa de pestillo de la protección de la hoja (F) y la parte frontal de la protección de la hoja (D) hacia abajo

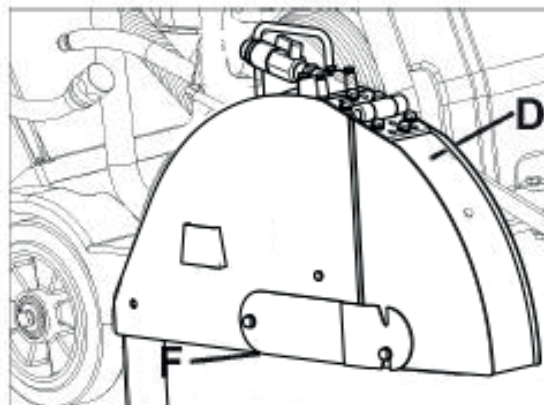


### ¡ADVERTENCIA!

La placa de pestillo de la protección de la hoja (F) debe estar instalada antes del uso. Si no se instala antes del uso de la máquina, se podría producir una situación peligrosa.

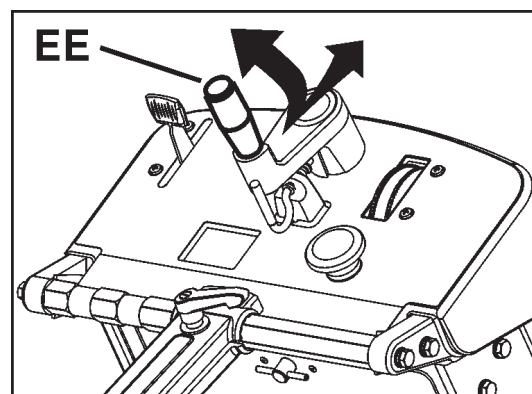
Mantenga siempre todas las protecciones en su lugar cuando utilice la máquina

2. Vuelva a instalar los tres (3) tornillos M8 en la placa de pestillo de la protección de la hoja (F), como se indica en el diagrama de la derecha. Utilice la llave de 13 mm (U) (incluida) para apretar bien los cuatro (4) pernos M8 que fijan la placa de pestillo de la protección de la hoja (F) en su posición



### Vuelva a colocar el mango de control de profundidad de la hoja (EE):

Tire de la manija de control de profundidad de la cuchilla (EE) hacia fuera y gire 90 grados hasta que calce en la posición ilustrada.



## ENSAMBLADO

### Instale el tanque de agua (P) (de incluirse):

- En algunas regiones se ofrece un tanque de agua instalado de fábrica. En todos los lugares se ofrece un equipo de tanque de agua opcional.

- Si el tanque de agua se instaló previamente en la máquina, lea estas instrucciones para verificar que se haya instalado correctamente. Obedezca todas las ADVERTENCIAS de instalación y uso del tanque de agua.

- Verifique el contenido del equipo del tanque de agua. Consulte el diagrama de la derecha.

1. Quite provisoriamente la TUERCA de la derecha (del mismo lado de la cuerda de arranque de la máquina) del ojo de izado (O). Consulte el diagrama de la derecha.

2. Instale la ABRAZADERA suministrada con el equipo del tanque (P) y luego vuelva a instalar la TUERCA. Consulte el diagrama de la derecha.

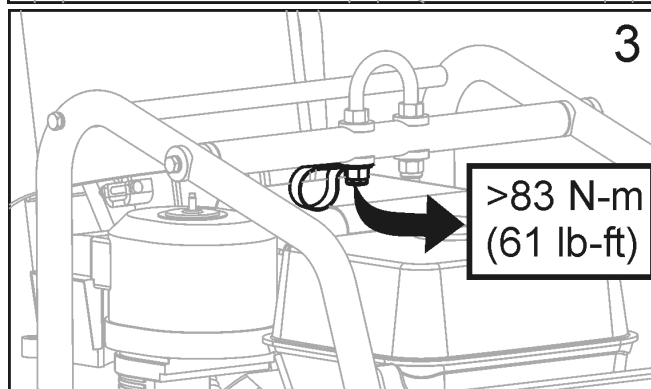
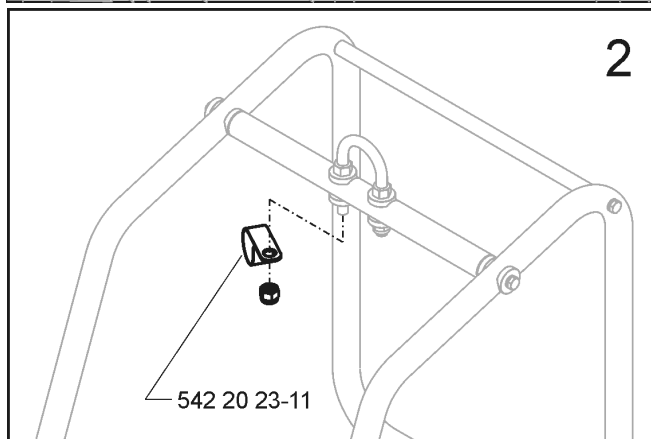
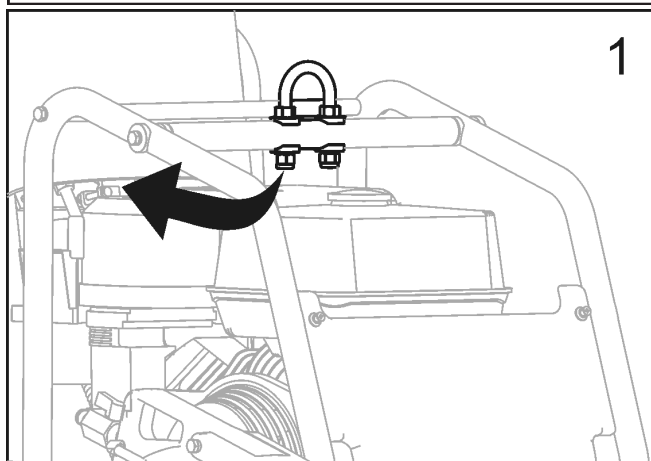
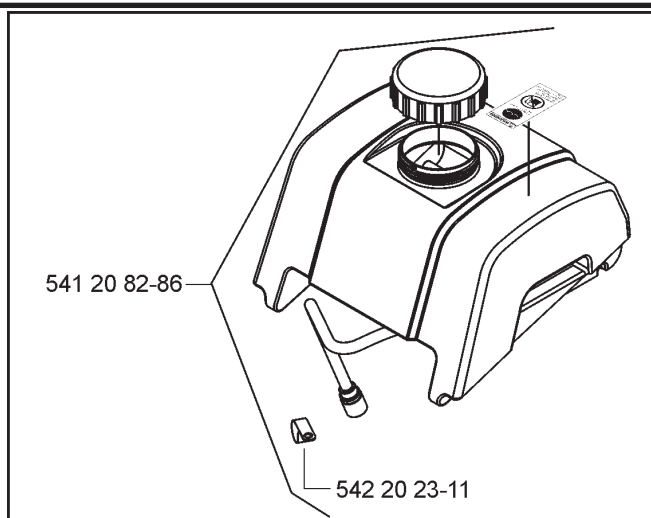
3. Apriete según se indica a continuación y en el diagrama de la derecha.

#### AVISO

Apriete la TUERCA del ojo de izado a 83 N-M (61 libras/pie), como mínimo.

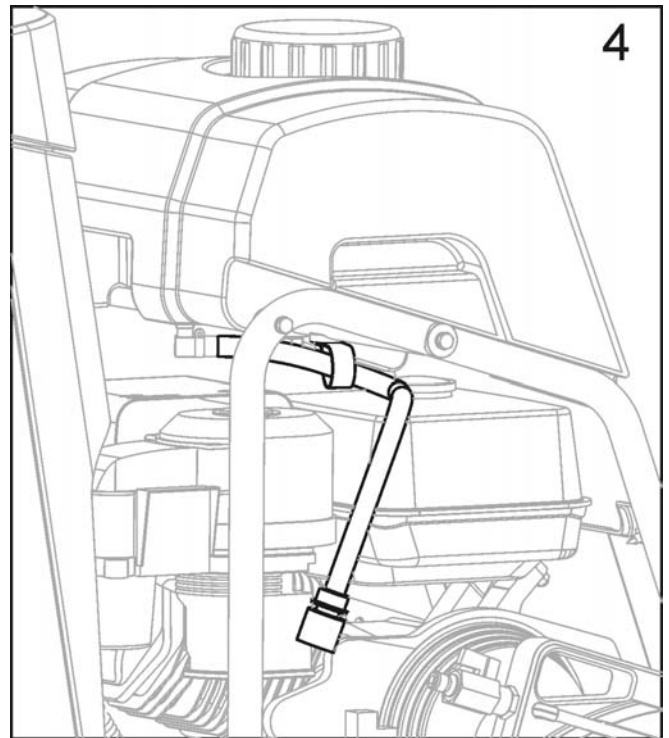
#### ⚠ ¡ADVERTENCIA!

Apriete la TUERCA de acuerdo con las especificaciones, de lo contrario puede fallar el OJO DE IZADO (O). Toda falla en el OJO DE IZADO puede ser causa de accidentes o muerte al levantar la máquina.



## ENSAMBLADO

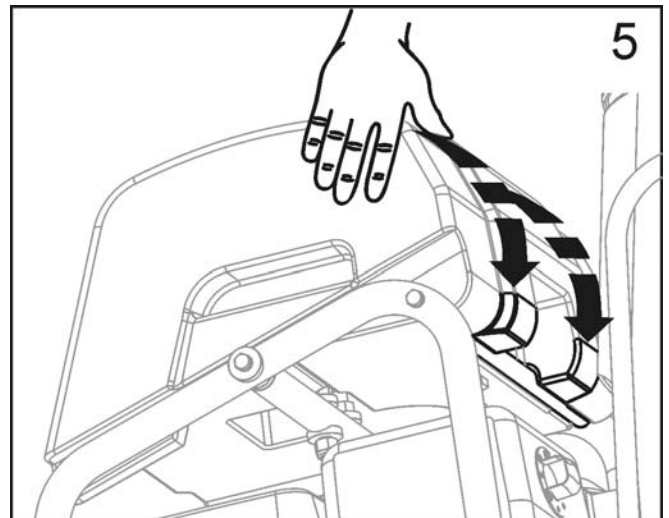
4. Presente el tanque de agua y pase la manguera correspondiente tal como se ilustra en el diagrama de la derecha.



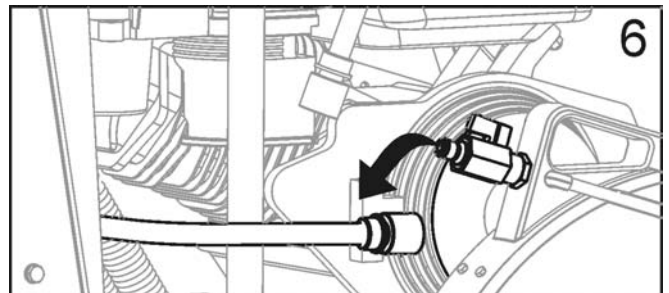
5. Alinee la barra trasera y el área ahuecada en la parte posterior del tanque de agua.

- Apriete firmemente el tanque de agua para calzarlo en su sitio en la barra trasera.

- Cuando se instala correctamente, el tanque de agua debe pivotar libremente en la barra trasera.



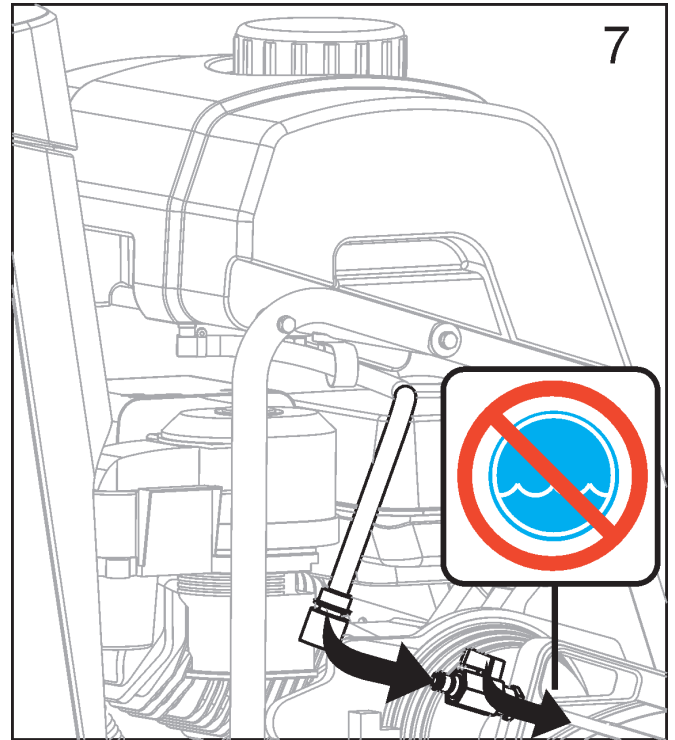
6. Desconecte la manguera de agua de la protección de lacuchilla. Ésta es la manguera de la válvula de control de agua montada en la sierra.



## ENSAMBLADO

7. Conecte la manguera del tanque de agua a la válvula de agua de la protección de la cuchilla.

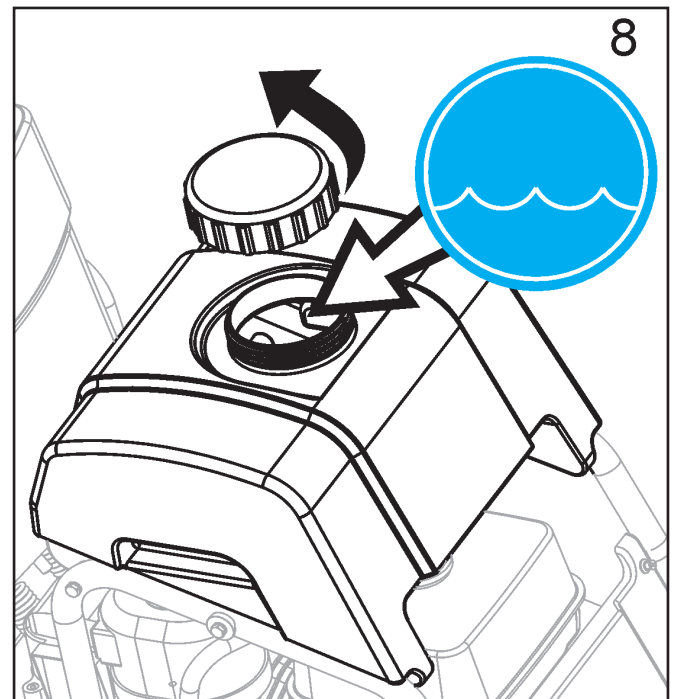
- Verifique que la válvula de agua de la protección de la cuchilla esté en posición CERRADA (OFF).
- El tanque de agua queda ya montado en la sierra.



### Llenado del tanque de agua:

8. Gire la tapa en sentido antihorario para quitarla. Consulte el diagrama de la derecha.

- Llene el tanque solamente con agua. Lea todas las ADVERTENCIAS antes de usar el tanque de agua.
- Gire la tapa en sentido horario para cerrarla.
- El tanque de agua se usa exclusivamente para eliminar las partículas de polvo de hormigón, y se debe usar solamente con cuchillas adiamantadas "secas"..



### ⚠ ¡ADVERTENCIA!

NO utilice cuchillas estándar (húmedas) cuando use el tanque como suministro de agua. ¡El caudal de agua no es suficiente para enfriar la cuchilla debidamente!

Llene el tanque solamente con agua.

Nunca llene el tanque de agua (P) con líquidos inflamables o gasolina, de lo contrario se pueden producir accidentes o incluso la muerte.

# FUNCIONAMIENTO

## Antes de poner en funcionamiento:

**Uso:** esta máquina se debe usar solamente para cortes en seco o húmedos de asfalto u hormigón, tanto viejo como nuevo.

### ⚠ ¡ADVERTENCIA!

NO utilizar para cortes en seco en regiones de la Unión Europea (EU) La máquina no incluye un puerto para polvo.

**Herramientas:** use la máquina solamente con las herramientas siguientes (H): cuchillas adiamantadas enfriadas con agua. En la Unión Europea (UE) NO se deben usar cuchillas abrasivas reforzadas o cuchillas adiamantadas para corte en seco, puesto que esta máquina se provee sin un puerto de recolección de polvos.  
Diámetro: 300 mm (12 pulgadas) – 500 mm (20 pulgadas).  
Perforación: 25,4 mm (1,00 pulgadas)

### ⚠ ¡ADVERTENCIA!

NO use cuchillas de carburo metálico, cuchillas para madera o circulares en esta máquina, de lo contrario se pueden producir accidentes e incluso la muerte.

## Reubicación de la protección de la cuchilla (C), si fuera necesario:

La protección de la cuchilla (C) se instala en fábrica en el lado derecho de la máquina, pero se puede colocar en el lado izquierdo. De esta manera podrá cortar más cerca de los obstáculos cuando no sea posible acercarse a ellos desde el lado opuesto.

1. Con la llave de 13 mm (U) quite el tornillo trasero (E) de la protección de la cuchilla (C).
2. Empuje el collarín trasero para separar la desconexión de la manguera de agua (G). La mitad macho permanece en la protección de la cuchilla (C). La mitad hembra permanece en el tanque de agua (P) o en la válvula de control de agua (KK).
3. Levante la protección de la cuchilla (C) y quítela de la espada de montaje de la protección de la cuchilla (Y).
4. Con la llave de 13 mm (U) quite los cuatro (4) tornillos que sujetan la placa de cierre (F) de la protección de la cuchilla. Vuelva a colocar la placa de cierre (F) en el lado izquierdo de la protección de la cuchilla (C).
5. Quite la protección del eje (W) del lado izquierdo y colóquela en el lado derecho.
6. Baje la protección de la cuchilla (C) hasta la espada de montaje (Y), en el lado izquierdo de la máquina.
7. Vuelva a instalar el tornillo trasero (E) en la protección de la cuchilla (C).
8. Vuelva a conectar la desconexión de la manguera de agua (G) de la protección de la cuchilla (C) al tanque de agua (P) o a la válvula de agua (K). Al volver a colocar la manguera observe que ésta no toque el silenciador.
9. Vuelva a colocar el puntero delantero (A) y realínelo, de manera que la rueda de guía (B) quede en el lado izquierdo de la máquina.

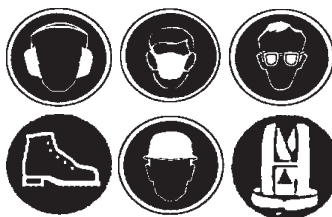
### ⚠ ¡ADVERTENCIA!



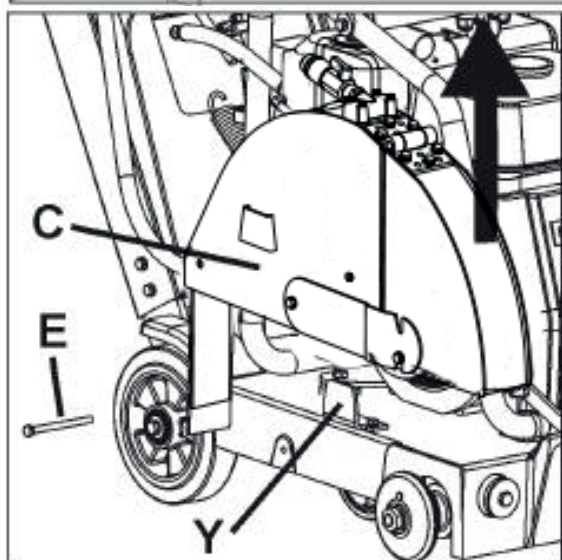
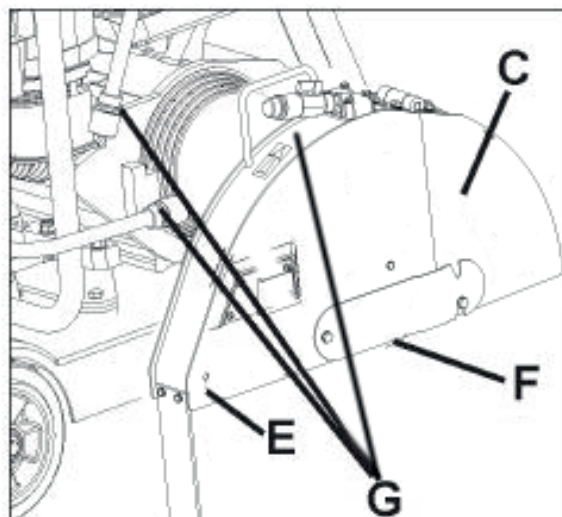
Antes de operar la máquina, lea íntegramente y comprenda este manual de operación y el manual de operación del motor provisto con el mismo.



¡Familiarícese con la máquina antes de utilizarla!



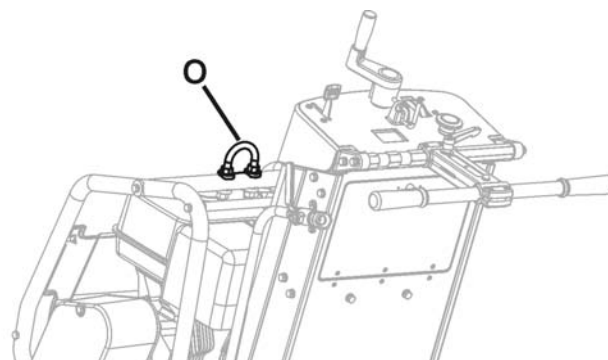
El operador debe utilizar equipo protector personal e indumentaria acorde al tipo de trabajo a realizar. Es obligatorio el uso de equipo protector personal, como protección auditiva y ocular.



# FUNCIONAMIENTO

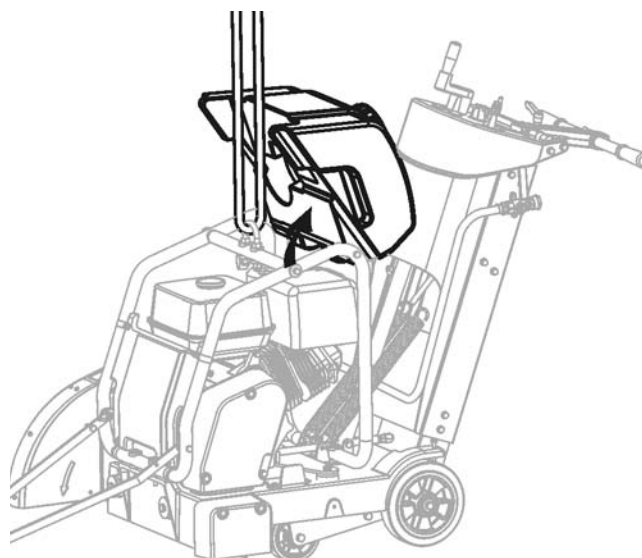
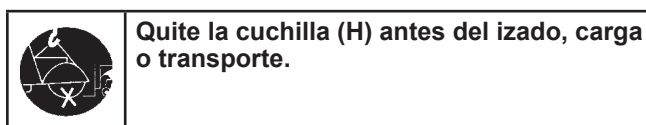
## Transporte e izado de la máquina:

- Sólo levante la máquina desde el punto de izado (O).
- Siempre quite la cuchilla (H) antes de levantar, cargar o transportar la máquina.
- Use una banda de izado debidamente clasificada para levantar como mínimo el peso máximo de la máquina. El peso nominal y máximo de la máquina se indican en la sección DATOS TÉCNICOS de este documento.



## Izado de la máquina equipada con el tanque de agua:

- Antes de levantar una máquina equipada con un tanque de agua:
  1. Desagote el tanque.
  2. Quite la cuchilla.
  3. Baje la máquina hasta que el cuadro esté paralelo al suelo.
  4. Pivote la parte delantera del tanque de agua hacia arriba hasta que se apoye contra el tope de aluminio de la cubierta del motor. No apoye la tapa del tanque de agua sobre la parte delantera plástica de la cubierta del motor, de lo contrario se pueden producir daños durante el izado.
  5. Conecte la banda de izado adecuada al punto de izado (O).
  6. Haga una prueba de izado a poca altura (sólo unos centímetros) para verificar que el tanque permanece debidamente conectado a la máquina y que no se dañará ni causará accidentes.
  7. Si no es posible levantar la máquina sin que se produzcan daños a ésta o al tanque, quite este último antes del izado.

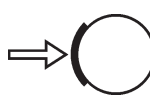


### AVISO

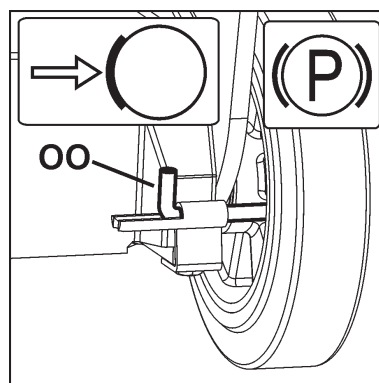
Si la sierra no se iza debidamente, se puede dañar el tanque o la sierra. Supervise atentamente el izado para que no se produzcan daños.

## Estacionamiento de la máquina:

- Las máquinas utilizadas en algunas regiones cuentan con un freno de estacionamiento.
- Este freno cumple la función de mantener la máquina en su sitio en una pendiente de 10 grados o inferior. La parte trasera de la máquina se debe orientar cuesta abajo (con el peso máximo en la rueda frenada).

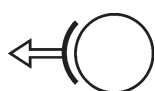
 **Freno de estacionamiento - Activación (Véase diagrama)** Mueva la palanca del freno de estacionamiento (OO) desde la posición desactivada.

1. Tire de la palanca (OO) hacia el centro de la máquina.
2. Gire la palanca (OO) hacia arriba 180 grados.
3. Un resorte permite que la palanca (OO) se mueva hacia el lado externo de la máquina para activar el cubo de la rueda.





## FUNCIONAMIENTO



### Freno de estacionamiento- Desactivación (Véase diagrama)

Para operar la máquina, desactive el freno de estacionamiento.

1. Tire de la palanca (OO) hacia el centro de la máquina.
2. Rote la palanca (OO) hacia abajo 180 grados y suéltela para trabarla en su sitio.

### Modelos con motor a gasolina:

Para el correcto funcionamiento, consulte el manual de operación del motor.

**COMBUSTIBLE:** se recomienda el uso de gasolina sin plomo. Para más información, consulte el manual de operación del motor.

**ACEITE:** con la varilla de medición de aceite (Z) controle que el nivel aceite del motor sea correcto. Al controlar el nivel de aceite, no enrosque la varilla de medición de aceite (Z) en el puerto. Puesto que el motor opera frecuentemente en ángulo, se recomienda verificar el nivel de aceite con el motor en posición horizontal. Controle con frecuencia para asegurarse de que el nivel de aceite nunca está por debajo de la marca inferior de la varilla de medición. Se recomienda el uso de aceite 10W30. Para más información, consulte el manual de operación del motor.

### AVISO

Si el motor está equipado con un sistema de apagado por bajo nivel de aceite, éste no arrancará si el nivel de aceite es bajo. Asimismo, el motor podría detenerse si se sobrepasa el ángulo máximo de operación. Consulte el manual de operación del motor.

### Todos los modelos:

Se debe controlar el puntero delantero (A) para verificar que esté alineado con la cuchilla. Coloque una regla junto a la brida interior (I). Alinee el puntero delantero (A) con la regla. Si fuera necesario ajustar el puntero delantero (A), afloje las tuercas que sujetan la rueda de guía (B) en su sitio. Alinee la rueda de guía (B) a la regla y vuelva a apretar las tuercas.

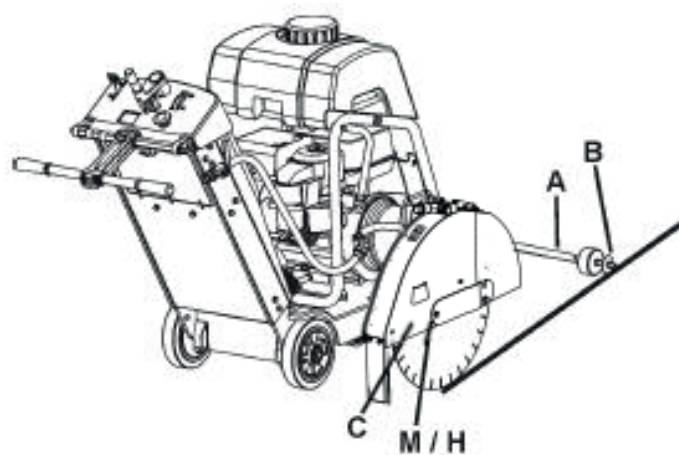
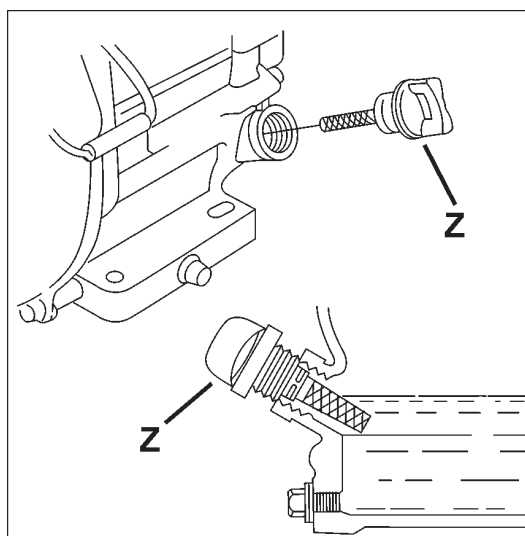
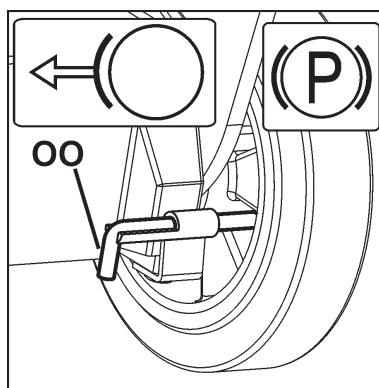
Controle que la tubería de agua de la protección de la cuchilla (C) esté abierta y que cada lado de la cuchilla cuente con el suministro adecuado de agua.

Antes de arrancar la sierra, compruebe que el suministro de agua tiene la presión y cantidad (caudal) debidos.

Corte solamente a la profundidad que requieren las especificaciones del trabajo. Los cortes a mayor profundidad que la requerida producirán el desgaste excesivo de la cuchilla y de la máquina.

Corte en incrementos de 50 mm (2 pulgadas) de profundidad hasta alcanzar las especificaciones de corte. Este proceso se conoce como "corte por pasos".

Corte solamente en línea recta. Marque claramente la línea de corte para que el operador de la sierra pueda seguirla sin dificultad. NO se debe inclinar la sierra de lado a lado para forzar la cuchilla en la línea.



## FUNCIONAMIENTO

### Colocación de la cuchilla adiamantada (H):



Instale la cuchilla adiamantada (H) en la obra. No transporte la máquina con la cuchilla adiamantada (H) instalada.

1. Abra la cubierta delantera (V).
2. Coloque el interruptor de arranque del motor (DD) en la posición APAGADO / OFF ("0").
3. Gire el control de profundidad de la cuchilla (EE) en sentido antihorario para levantar la cuchilla adiamantada (H) hasta la posición más alta.
4. Con la llave de 13 mm (U), ubicada en el compartimento de herramientas (BB), quite los cuatro (4) tornillos M8 que sujetan la placa de cierre (F) de la protección de la cuchilla. Quite provisoriamente la placa de cierre (F) de la protección de la cuchilla.
5. Levante la protección delantera de la cuchilla (D):
6. Use la llave de 27 mm para el eje de la cuchilla (T) para aflojar y quitar la tuerca del eje de la cuchilla (L) que asegura la brida exterior (J) en su sitio.
7. Quite la brida exterior (J).

#### AVISO

La tuerca del eje de la cuchilla (L1), en el lado derecho de la máquina, lleva roscas de sentido antihorario. Gírela en sentido horario para aflojarla.

La tuerca del eje de la cuchilla (L2) (no se ilustra) en el lado izquierdo de la máquina lleva roscas de sentido horario. Gírela en sentido antihorario para aflojarla.

8. Controle que el árbol del eje de la cuchilla (M), la brida interior (I) y la brida exterior (J) estén limpias y libres de objetos extraños.
9. Coloque la cuchilla adiamantada (H) en el árbol del eje de la cuchilla (M). Las flechas en la cuchilla adiamantada (H) y en el frente de la protección de la cuchilla (D) ilustran la dirección de rotación. Consulte el diagrama de la derecha.
10. Coloque la brida exterior (J) en el árbol del eje de la cuchilla (M). Asegúrese de que el pasador de seguridad pase por la cuchilla adiamantada (H) hasta penetrar en la brida interior (I).
11. Rote la brida exterior (J) y la cuchilla adiamantada (H) en dirección opuesta a la rotación de la cuchilla para eliminar el huelgo.
12. Instale la tuerca del eje de la cuchilla (L). Para apretar, use la llave de 27 mm (T) del eje de la cuchilla.

#### AVISO

La tuerca del eje de la cuchilla (L1), en el lado derecho de la máquina, lleva roscas de sentido horario. Gírela en sentido antihorario para apretarla. Apriete a 45 N•m (33 libras/pie) como mínimo.

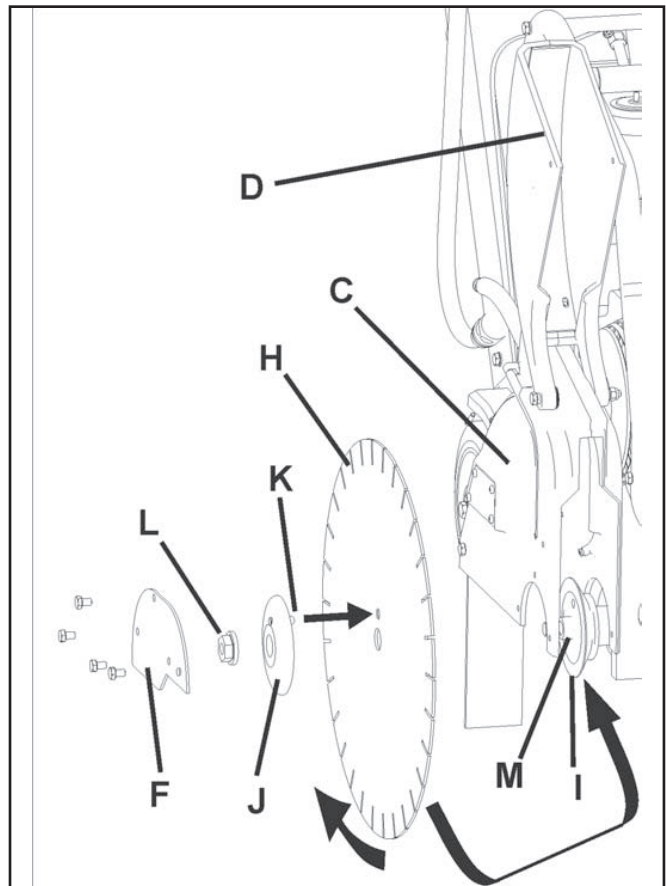
La tuerca del eje de la cuchilla (L2) (no se ilustra), en el lado izquierdo de la máquina, lleva roscas de sentido horario. Gírela en sentido antihorario para apretarla. Apriete a 45 N•m (33 libras/pie) como mínimo.

13. Baje la protección delantera de la cuchilla (D):
14. Vuelva a instalar la placa de cierre (F) de la protección de la cuchilla y apriétela.

### ⚠ ¡ADVERTENCIA!

Compruebe que la hoja, las bridas de la hoja y el árbol de las bridas no están dañados. Limpie las superficies de contacto de la hoja y de las bridas de esta.

Asegúrese de que la hoja y las bridas están limpias y sin suciedad ni desechos antes de montar la hoja en la máquina.



### ⚠ ¡ADVERTENCIA!

UTILICE SOLAMENTE cuchillas (H) clasificadas para una velocidad máxima de operación superior a la velocidad del eje de la cuchilla de la máquina.

¡NO opere la máquina sin la debida protección sobre la cuchilla adiamantada (H)!

¡NO opere la máquina con la protección delantera de la cuchilla (D) en posición levantada!

¡Durante la operación de la máquina, la cuchilla (H) NO DEBE sobrepasar los 180 grados de exposición!

Las superficies de contacto del árbol del eje (M), de la brida interior (I) y de la brida exterior (J) DEBEN ESTAR sin daños, limpias y libres de objetos extraños.

NO transporte la máquina con la cuchilla (H) instalada.

NO use cuchilladas adiamantadas (H) convencionales (para cortes húmedos) sin agua.

LEA las instrucciones provistas con la cuchilla (H).

NO instale la cuchilla (H) si la fuente de energía no está en la posición APAGADO/OFF (0) y desconectada del suministro de energía.

## FUNCIONAMIENTO

### Arranque de la máquina y proceso de corte:

- Con el control de profundidad (EE), levante la cuchilla adiamantada (H) a la mayor altura posible para evitar que al maniobrar choque con el pavimento. Si fuera necesario, tire del tope de profundidad de la cuchilla (FF).
- Desactive el freno de estacionamiento (si se incluye).
- Coloque la máquina en posición, cerca de la línea a cortar.
- Baje el puntero delantero (A) hasta la superficie de corte.
- Ajuste el indicador de profundidad (GG) (úselo si lo desea):

1) Baje la máquina hasta que la cuchilla adiamantada toque la superficie de corte.

2) Ajuste el dial del indicador de profundidad (GG) hasta que la flecha de éste quede en línea con el cero (0). El color naranja indica la profundidad de corte en centímetros. El color blanco indica la profundidad en pulgadas.

3) Levante la sierra hasta la altura máxima. Ahora, con la cuchilla adiamantada (H) en posición baja, el indicador de profundidad (GG) mostrará la profundidad de corte.

4) Vuelva a colocar la cuchilla adiamantada (H) en la posición más alta.

- Verifique que tanto el interruptor de parada de la máquina (AA) como el interruptor de arranque del motor (DD) estén en la posición de ENCENDIDO / ON. El interruptor de parada de la máquina (AA) debe estar en la posición externa (hacia afuera de la cubierta del motor). El interruptor de arranque del motor (DD) debe estar de la posición "1" (ENCENDIDO/ON).
- Arranque el motor. Para más información, consulte el manual de operación del motor.
- Verifique visualmente que la rotación de la herramienta concuerde con la fecha de dirección de la protección de la cuchilla.
- Abra COMPLETAMENTE la válvula de control de agua (KK). Verifique el caudal de agua máximo y luego ajústelo para obtener la cantidad de agua necesaria en la cuchilla ANTES de bajarla.
- Haga los ajustes finales para alinear la sierra con la línea de corte. Verifique que tanto la rueda de guía (B) como la cuchilla adiamantada (H) estén en la línea de corte.

**Si se interrumpe el suministro de agua, detenga el cortado de inmediato. Se pueden producir daños en la cuchilla adiamantada (H).**

- Para bajar la cuchilla adiamantada (H) hasta el corte, gire lentamente el control de profundidad de corte (EE) de la cuchilla en SENTIDO ANTIHORARIO.
- Una vez que obtenga la profundidad de corte deseada, oprima el tope de profundidad de la cuchilla (FF) para trabarlo con el control de profundidad (EE) (si lo desea).
- Presione suavemente el manubrio trasero (JJ.) para impulsar la máquina hacia adelante. Observe atentamente la cuchilla adiamantada (H) y la rueda de guía (B) para asegurarse que la máquina permanece en la línea de corte.
- Después de completar el corte, desenganche el tope de profundidad de la cuchilla (FF).

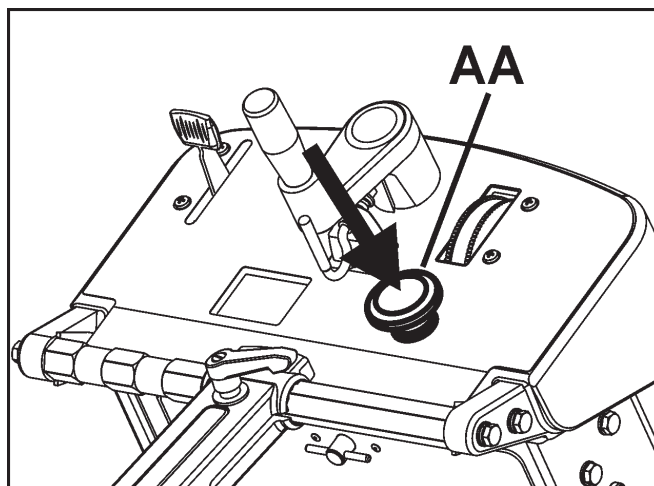
- Para quitar la cuchilla adiamantada (H) del corte, gire el control de profundidad de corte de la cuchilla (EE) en SENTIDO HORARIO.

- Cierre la válvula de control de agua (KK).

- Use el interruptor de arranque del motor (DD) para poner el motor en la posición "0" (APAGADO/OFF).

### AVISO

**Ante una situación de emergencia durante las operaciones de corte DETENGA la máquina inmediatamente con el interruptor de parada de la máquina (AA).**



**Para PARAR la máquina, presione el botón PARADA DE LA MÁQUINA (AA).**

---

# MANTENIMIENTO Y LUBRICACIÓN

---

## REFERENCIA RÁPIDA DE MANTENIMIENTO PROGRAMADO:

Antes de realizar tareas de mantenimiento, SIEMPRE recuerde estacionar la máquina en una superficie nivelada, con el motor “y el interruptor de motor en la posición “APAGADO / OFF”. ¡Deje que la máquina se enfríe! Las tareas de mantenimiento y reparaciones adicionales deben ser realizadas solamente por un técnico cualificado.

### **SERVICIO DIARIO:**

1. Controle el nivel de aceite del motor.
2. Controle la protección de la cuchilla para determinar si hay daños.
3. Controle el filtro de aire del motor, cámbielo si está sucio. Si usa la máquina bajo condiciones de mucho polvo, realice el mantenimiento con más frecuencia.
4. Limpie la máquina periódicamente.

### **SERVICIO CADA 50 HORAS:**

1. Cambie el aceite y el filtro de aceite del motor.
2. Limpie el motor / aletas de aire del motor.
3. Lubrique el accesorio de engrase del control de profundidad (X).
4. Controle las ruedas para determinar si están gastadas o dañadas.

### **Cambio del filtro de aire del motor (S):**

Si el motor parece débil, produce humo negro o funciona intermitentemente, puede ser que el filtro de aire esté atascado. Por este motivo, es importante limpiar y sustituir el filtro de aire periódicamente. Consulte el manual del motor para obtener instrucciones detalladas



### **ATENCIÓN**

**El filtro no debe limpiarse con aire comprimido, ya que puede resultar dañado. Los filtros pueden limpiarse con un aspirador, pero evite golpear su superficie o arrastrar elementos por ella, ya que puede dañar el filtro.**

**Los filtros de papel deben desecharse correctamente y sustituirse.**

**Un filtro de poliéster pueden limpiarse con una aspiradora o mediante un lavado a baja presión.**

**No utilice lavados a alta presión, ya que puede dañar el filtro.**

**Cambie siempre los filtros que estén dañados.**

**Un filtro lavado debe estar totalmente seco antes de volver a colocarlo de nuevo en el equipo.**

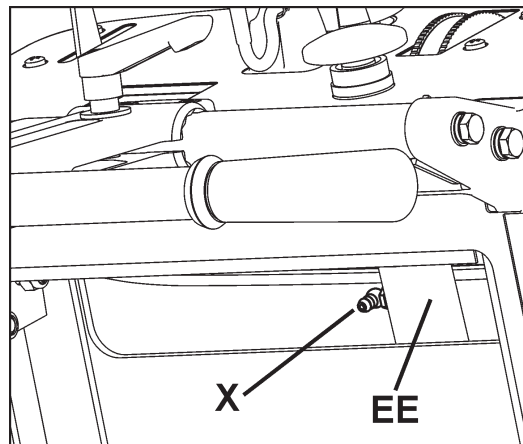
# MANTENIMIENTO Y LUBRICACIÓN

## LUBRICACIÓN:



**Accesorio de engrase para el control de profundidad (X):** un accesorio de engrase que permite la lubricación del tornillo de control de profundidad (EE) de la cuchilla. Para acceder a este accesorio de profundidad:

- Levante la cuchilla adiamantada (H) hasta la altura máxima. Abra el compartimento de herramientas (BB), quite provisoriamente la bolsa que contiene el manual.
- El accesorio de engrase (X) se encuentra cerca de la parte superior del tubo de control de profundidad (EE) de la cuchilla.
- Añada grasa al accesorio. Levante y baje la máquina unas cuantas veces para hacer circular la grasa por el tubo.
- Vuelva a colocar la bolsa del manual de operación, cierre la puerta del compartimento de herramientas (BB).



## Aceite del motor:

### Controle el aceite del motor:



Controle que el aceite del motor esté al nivel correcto.



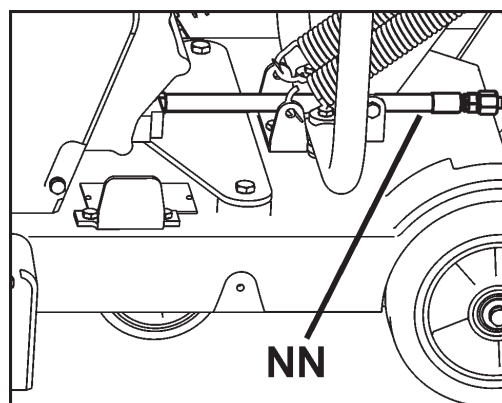
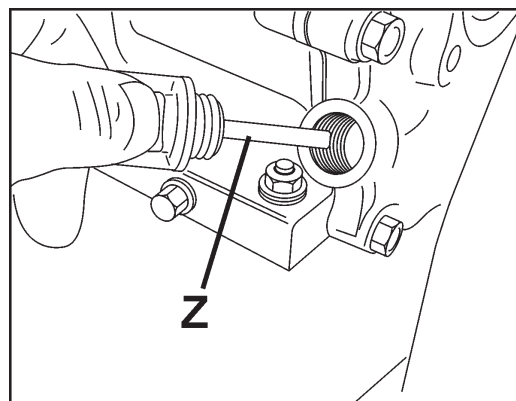
La varilla de medición de aceite (Z) se encuentra en la parte delantera del motor. Cargue aceite en el agujero de la varilla de medición de aceite. Al controlar el nivel de aceite, se debe atornillar la varilla de medición (Z).

Puesto que el motor opera frecuentemente en ángulo, verifique el nivel de aceite con el motor en posición horizontal. Controle con frecuencia para asegurarse de que el nivel de aceite nunca esté por debajo de la marca inferior de la varilla de medición. Se recomienda el uso de aceite 10W30.

Para más información, consulte el manual de operación del motor.

### Recambio de aceite del motor:

- Gire el interruptor de arranque del motor (DD) a la posición APAGADO / OFF ("0"). Deje que el motor se enfríe. Use el control de profundidad (EE) para inclinar ligeramente la máquina hacia atrás.
- Vuelva a colocar la manguera de drenaje de aceite (NN) en el costado de la máquina. Disponga de un recipiente adecuado, lo suficientemente amplio como para recibir el contenido de aceite del motor, detrás de la máquina para recoger el aceite.
- Abra el extremo de la manguera de drenaje de aceite (NN) y descargue el aceite en el recipiente. Después de drenar el aceite, vuelva a colocar el extremo de la manguera de drenaje de aceite (NN), apriétela firmemente y vuelva a colocar la manguera en su posición original.
- Llene el motor con la cantidad de aceite recomendada—para más detalles, consulte el manual del motor.
- Disponga el aceite usado de acuerdo con las normas de seguridad ambientales.



## MANTENIMIENTO Y LUBRICACIÓN

**Tensión de la correa de transmisión del eje de la cuchilla:** después de unas pocas horas de uso se debe volver a ajustar la tensión de la correa de transmisión. El piñón de la correa de transmisión (MM) mantiene la tensión de la misma.

### Herramientas necesarias:

- Llave de 13 mm (se incluye con la máquina)
- Llave aprieta tuercas de 9,53 mm (3/8 pulgada) (no se incluye)
- Llave de 14 mm (no se incluye con la máquina)

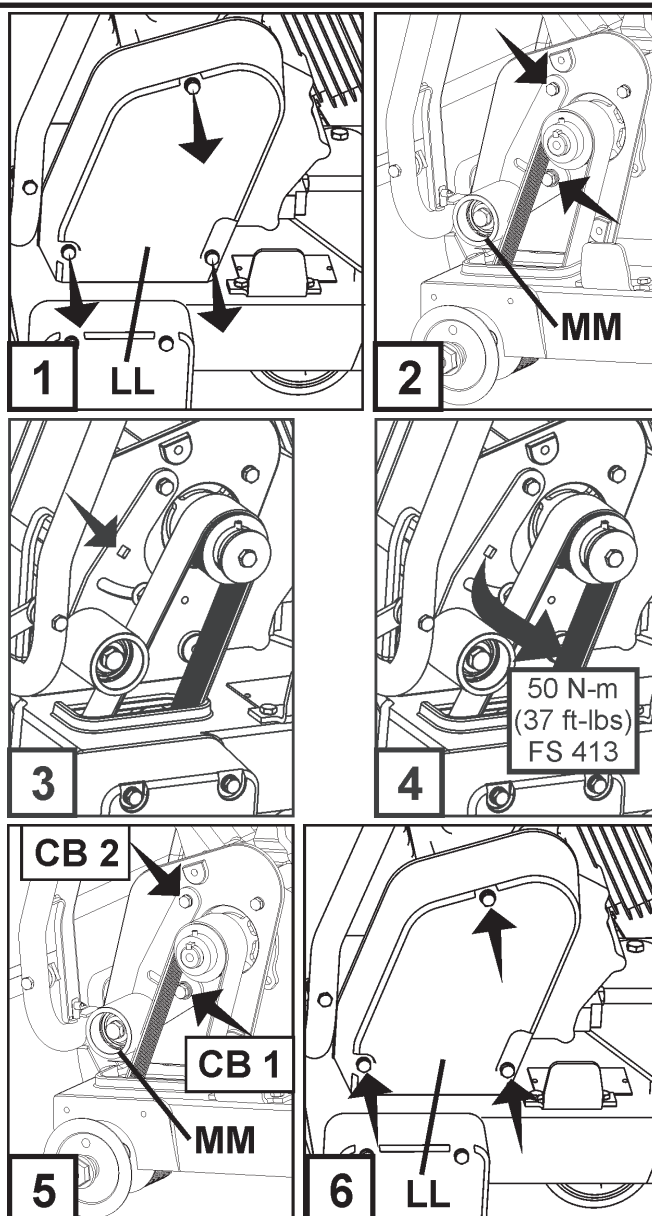
1. Con la llave de 13 mm (U), quite los 3 (tres) tornillos M8 que sujetan la protección de la cuchilla (LL). Quite la protección de la cuchilla (LL).
2. Use las llaves de 13 y 14 mm para aflojar ligeramente los dos (2) tornillos que sujetan el piñón de la correa de transmisión (MM) [los tornillos indicados con (2) flechas].
3. Coloque la llave de ajuste en el agujero cuadrado del piñón de la correa de transmisión (MM).
4. Apriete el piñón (MM) para que quede contra la correa en V. Apriete al valor de torsión que se indica en el diagrama 4.

5. Apriete el tornillo central (CB1) para sujetar el piñón de transmisión (MM) en su sitio, luego apriete el tornillo restante (CB2).

6. Vuelva a instalar la protección de la cuchilla (LL). Con la llave de 13 mm (U), apriete los 3 (tres) tornillos M8 que sujetan la protección de la cuchilla (LL).

### Velocidad del regulador

Es sumamente importante que el Regulador y el acelerador de todos los motores de combustión interna se ajusten debidamente. La velocidad del motor se preconfigura en fábrica para proveer la velocidad de corte correcta. Normalmente NO es necesario hacer modificaciones. Se debe verificar periódicamente después de realizar mantenimiento en la máquina. Para cambiar la configuración del regulador consulte el manual del motor.



### ⚠ ¡ADVERTENCIA!

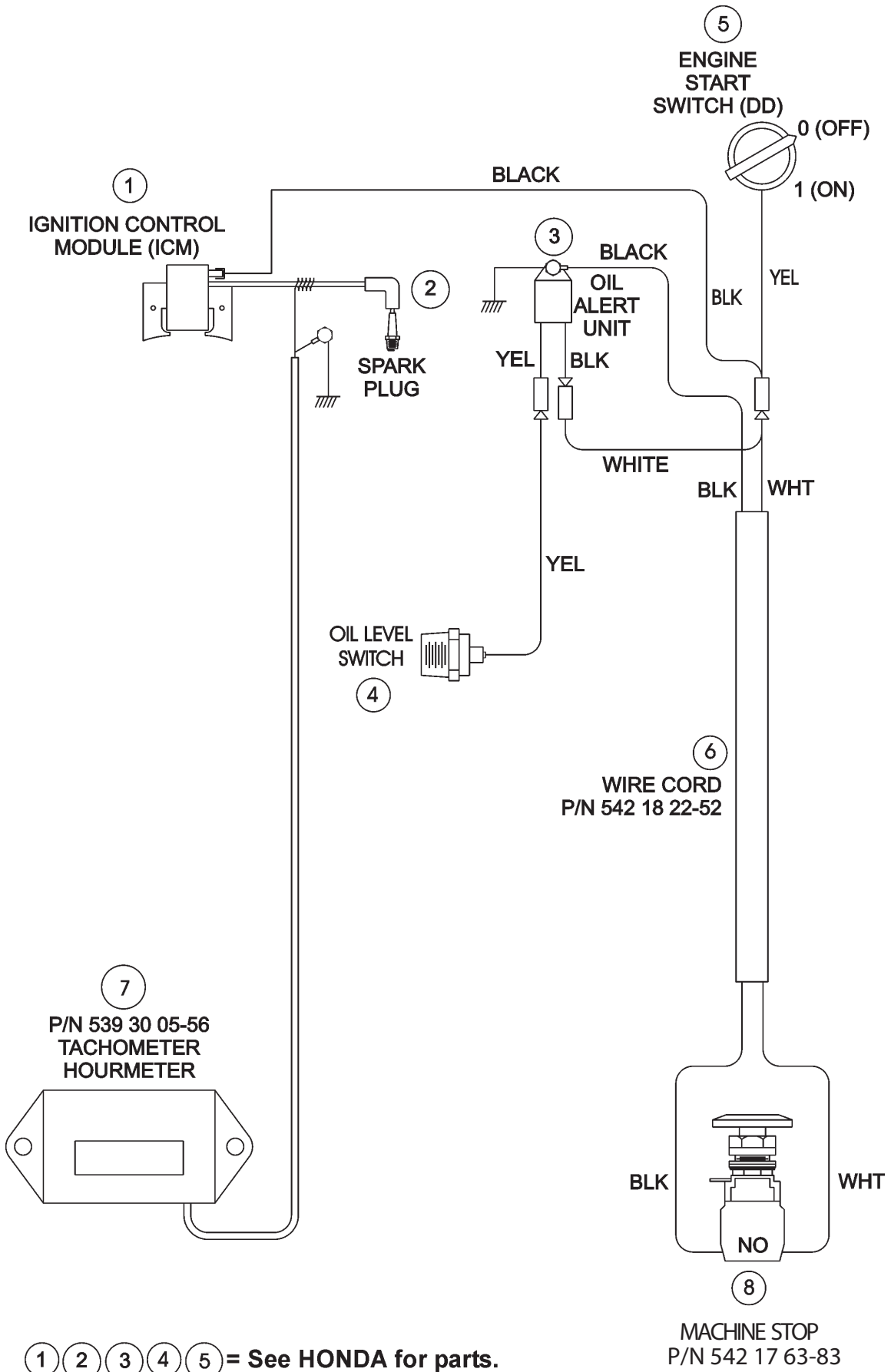
El exceso de velocidad en la cuchilla adiamantada (H) puede resultar en la rotura de la misma y/o accidentes personales, tanto para el operador como para otras personas en el área. Para asegurarse de que el control esté debidamente ajustado, consulte la planilla adjunta para determinar la velocidad correcta del eje de la cuchilla (RPM). Prosiga de acuerdo a las instrucciones del fabricante para configurar el regulador y el acelerador.

# GUÍA PARA LA DETERMINACIÓN Y RESOLUCIÓN DE PROBLEMAS

El motor no arranca:	
Causa	Acción
Los interruptores eléctricos no están en la posición correcta.	Verifique que TANTO el interruptor de parada de la máquina (AA) COMO el interruptor de arranque del motor (DD) estén en la posición de ENCENDIDO / ON. El interruptor de parada de la máquina (AA) se debe tirar hacia afuera desde la cubierta, y el interruptor de arranque del motor (DD) se debe girar a la posición "1" (ENCENDIDO/ON).
La válvula de combustible está cerrada.	Abra la válvula de combustible.
La válvula de inducción está abierta.	Cierre la válvula de inducción cuando el motor esté frío.
El tanque de combustible está vacío.	Llene el tanque con combustible.
Contaminación o agua en el sistema de combustible.	Limpie el tanque, las líneas de combustible y el carburador. Llene el tanque con combustible nuevo.
Acumulación en los electrodos de la bujía de encendido.	Controle el huelgo del electrodo y límpielo.
El motor no arranca o funciona inestablemente. El filtro de aire está bloqueado.	Limpie o cambie el filtro de aire.

Determinación y resolución de problemas para la cuchilla adiamantada:	
Problema	Causa y acción
<p>Pérdida de tensión en la cuchilla adiamantada</p> 	<p>La cuchilla se usa en una sierra no alineada debidamente. Controle la alineación correcta de la sierra.</p> <p>La cuchilla es demasiado "dura" para el material a cortar, lo cual crea tensión en el núcleo de la cuchilla de acero. Verifique que utiliza la cuchilla correcta para el material a cortar.</p> <p>Un diámetro incorrecto o el uso de bridas para cuchillas de dimensión menor al debido producen presión despareja en el centro de la cuchilla. Use bridas de la dimensión correcta en cada lado de la cuchilla. Nunca utilice bridas para cuchillas dañadas o gastadas.</p> <p>La cuchilla se usa a una velocidad incorrecta (RMP). Asegúrese de que el eje de la cuchilla gire a la velocidad correcta (RMP) para el tamaño de cuchilla correspondiente. Controle las RPM con el tacómetro.</p> <p>La cuchilla no está montada correctamente en el árbol. Se puede pandear al apretar las bridas.</p>
<p>Pérdida de segmento</p> 	<p>La cuchilla es muy "dura" para el material a cortar. Use una cuchilla más "blanda".</p> <p>Cuchilla sobrecalentada, se observa un color "azulado" en el centro de la cuchilla. Controle que el suministro de agua sea correcto y que no esté bloqueado.</p> <p>La sierra está torcida durante el corte. Corte solamente en línea recta.</p> <p>El agujero de la cuchilla está desgastado y con forma excéntrica (ovalado). Cambie la cuchilla y el vástago desgastados.</p> <p>Segmento dañado durante el montaje o transporte. Evite manipular bruscamente la cuchilla adiamantada. Nunca transporte la máquina sin antes quitar la cuchilla adiamantada.</p>
<p>Núcleo de la cuchilla rajado</p> 	<p>La cuchilla es muy "dura" para el material a cortar. Use una cuchilla más "blanda".</p> <p>Cuchilla sobrecalentada, se observa un color "azulado" en el centro de la cuchilla. Controle que el suministro de agua sea correcto y que no esté bloqueado.</p> <p>La sierra está torcida durante el corte. Corte solamente en línea recta.</p> <div style="border: 1px solid black; padding: 5px; text-align: center;"> <p><b>⚠ ¡ADVERTENCIA!</b></p> <p>  <b>¡NO use cuchillas adiamantadas dañadas!</b>  <b>¡El uso de la máquina con una cuchilla adiamantada dañada puede resultar en accidentes personales o muerte!</b> </p> </div>
<p>Segmentos de cuchilla rajados</p> 	<p>La cuchilla es muy "dura" para el material a cortar. Use una cuchilla más "blanda".</p> <p>La cuchilla se usa a una velocidad incorrecta (RMP). Asegúrese de que el eje de la cuchilla gire a la velocidad correcta (RMP) para el tamaño de cuchilla correspondiente. Controle las RPM con el tacómetro.</p>

# DIAGRAMA DE CABLEADO







# DONNÉES TECHNIQUES

Masa de la máquina	
Masa nominal, kg (lb)	142 (313)
Masa máxima, kg (lb)	158 (348)

Eje de la hoja y régimen del motor	
Eje de la hoja, RPM	2700
Motor, RPM	3600

Capacidad del depósito de agua	
Litres	Galones de EE. UU. (galones del Reino Unido)
25	6.6 (5.5)

Profundidad de corte	
Tamaño de la hoja, mm (pulg.)	Profundidad máxima de corte de la hoja, mm (pulg.)
500 (20)	189 (7,6)

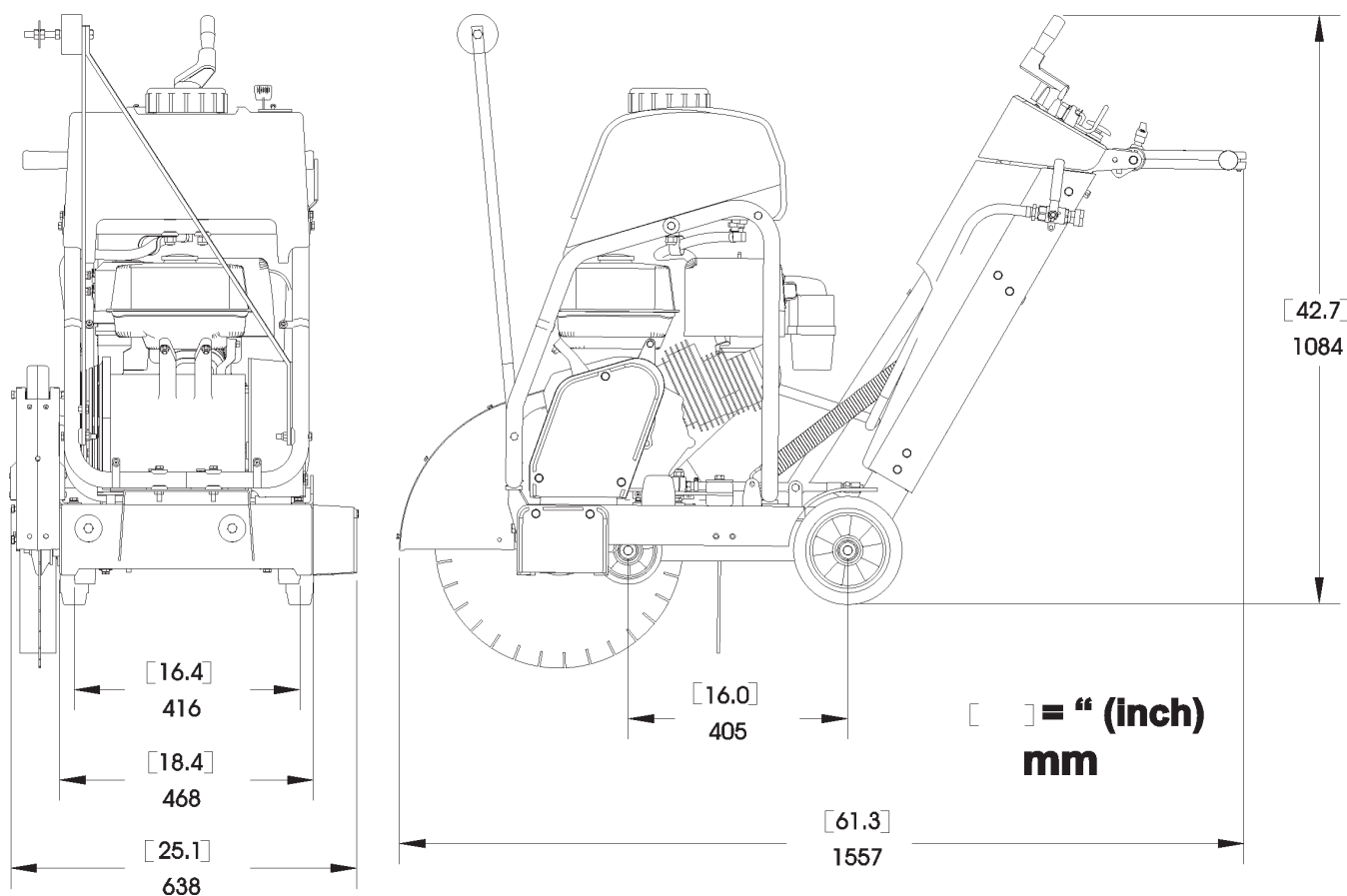
Tamaño del árbol y de la brida de la hoja	
Tamaño del árbol, mm (pulg.)	25,4 (1)
Diámetro de la brida de a hoja, mm (pulg.)	114 (4,5)

Emisiones de ruido (consulte la nota 1)	
Nivel de potencia acústica medida, dB(A)	108
Nivel de potencia acústica garantizada, dB(A)	110
Niveles acústicos (consulte la nota 2)	
Nivel de presión sonora en el oído del operario, dB(A)	88
Niveles de vibración, $a_{hv}$ (consulte la nota 3)	
Mango derecho, $m/s^2$	2,4
Mango izquierdo, $m/s^2$	1,9

Nota 1: Emisiones sonoras en el entorno medidas como potencia acústica (LWA) según la directiva 2000/14/CE.

Nota 2: Nivel de presión sonora conforme a la norma EN 13862. Los datos referidos del nivel de presión sonora tienen una dispersión estadística habitual (desviación estándar) de 4,0 dB(A).

Nota 3: Nivel de vibración conforme a EN 13862. Los datos referidos del nivel de vibración poseen una dispersión estadística habitual (desviación típica) de 1,5  $m/s^2$ .

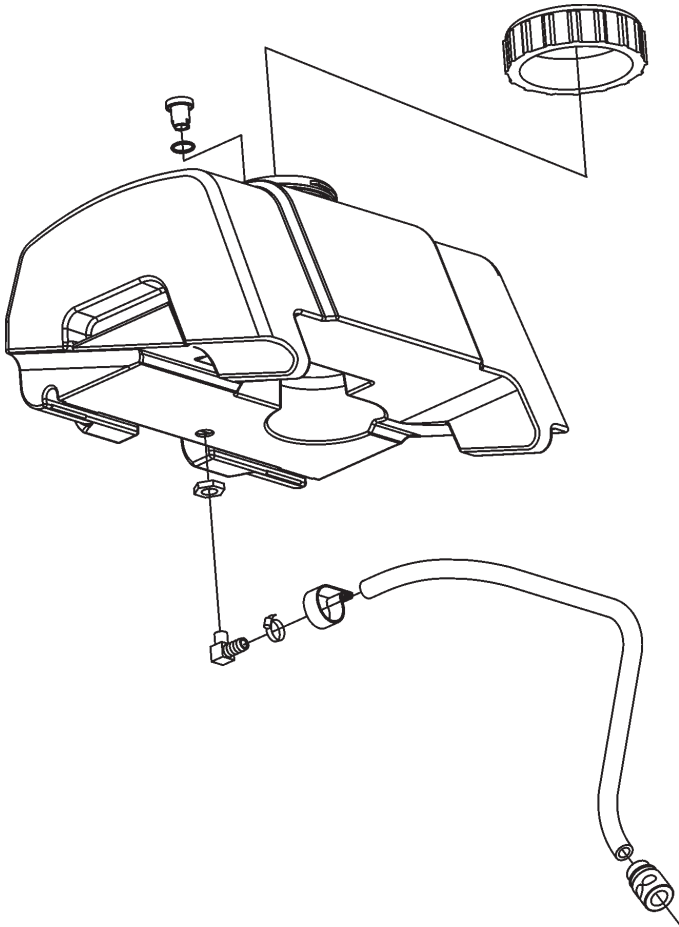


---

## ACCESORIOS

---

Ensamblado del tanque de agua  
Conjunto completo 541 20 82-86



---

# CERTIFICADOS DE CUMPLIMIENTO

---

**Instituto Estadounidense de Normas Nacionales (American National Standards Institute):** para unidades utilizadas en los Estados Unidos, esta máquina ha sido diseñada en cumplimiento de la norma ANSI B7.1-2000, "Requisitos de seguridad para el uso, cuidado y protección de ruedas abrasivas" del Instituto Estadounidense de Normas Nacionales (ANSI). Para adquirir esta norma comuníquese con el Instituto Estadounidense de Normas Nacionales en la siguiente dirección:

American National Standards Institute  
25 West 43rd Street, 4th Floor  
Nueva York, NY 10036

Teléfono: 212.642.4900  
Fax: 212.398.0023

**COMISIÓN DE RECURSOS DE AIRE DE CALIFORNIA (CARB/CALIFORNIA AIR RESOURCES BOARD)** De acuerdo con las normas CARB, esta máquina se considera como aplicación para uso fuera de la vía pública. Bajo equipos de construcción y en particular como sierra para hormigón (Sierras: hormigón, mampostería, recortes), con motor de potencia inferior a 19 KW (25 CV), las normas CARB no corresponden a esta máquina.

Para mayor información, consulte el sitio web <http://www.arb.ca.gov/msprog/offroad/preempt.htm>

## DECLARACIÓN CE DE CONFORMIDAD

(Aplicable solo para Europa)

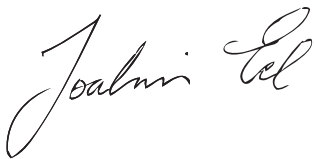
**Husqvarna AB**, SE-561 82 Huskvarna (Suecia), tel +46-36-146500, declara bajo su única responsabilidad que las cortadoras de suelo **Husqvarna FS 413** a partir de los números de serie del año 2016 en adelante (el año se indica claramente en la placa de características, a continuación del número de serie) cumplen los requisitos de las DIRECTIVAS DEL CONSEJO:

- de 17 de mayo de 2006 "relativa a máquinas", 2006/42/CE.
- de 26 de febrero de 2014 "relativa a compatibilidad electromagnética", 2014/30/UE.
- de 08 de mayo de 2000 "relativa a emisiones sonoras en el entorno", 2000/14/CE.

Se han aplicado las normas siguientes: EN ISO 12100:2010, CISPR12:2007+Amd1:2009, EN55012:2007+A1:2009, EN13862+A1:2009, EN ISO 14982:2009.

SMP Svensk Maskinprovning AB, Box 7035, SE-750 07 Uppsala, Suecia, ha efectuado un examen de tipo voluntario conforme a la Directiva sobre máquinas (2006/42/CE), para Husqvarna AB. El certificado tiene el número: SEC/17/2478

Gotemburgo, 26 de febrero de 2016



Joakim Ed  
Director mundial de I+D  
Equipos de construcción Husqvarna AB  
(Representante autorizado de Husqvarna AB y responsable de la documentación técnica)

---

## INFORMACIÓN DE CONTACTO

---



### **Husqvarna Construction Products, North America**

#### **Sede Social**

17400 West 119th Street, Olathe, Kansas 66061 Estados Unidos

Sede Social: 913-928-1000

Fax de la sede social: 913-438-7951

**[www.husqvarna.com](http://www.husqvarna.com)**

Para efectuar un servicio local, póngase en contacto con su representante local de Husqvarna Construction Products.

### **Europa / Europe:**

#### **Husqvarna Construction Products**

SE-433 81 Partille, Sweden

Tel: +46 31 94 90 00

Fax: +46 31 94 90 50

### **Asia (Pacífico):**

#### **Husqvarna Construction Products, Australia Pty Ltd**

25-31 Kinkaid Avenue,  
North Plympton, Adelaide,  
Australia del sur 5037

Tel:+61 (0)8 8375 1000

Fax:+61 (0)8 8371 0990

### **América:**

#### **Husqvarna Construction Products, North America**

17400 West 119th Street, Olathe, Kansas 66061 Estados Unidos

Teléfono gratuito: 800-288-5040, Teléfono: 913-928-1300

Fax: 913-438-7938



# SOMMAIRE et INTRODUCTION

Section	Sommaire	Page
Sommaire et introduction		71
Symboles et autocollants		72-76
Instructions de sécurité		77-80
Identification des pièces		82-83
Assemblage		84-88
Fonctionnement		89-93
Entretien et lubrification		94-96
Guide de dépannage		97
Schéma de câblage		98
Données techniques		99-100
Accessoires		101
Certificats de conformité		102
Informations de contact		103

## Introduction

Merci d'avoir acheté cette nouvelle machine Husqvarna Construction Products. Nous avons placé des messages de sécurité importants dans ce manuel et sur la machine. Ces messages doivent être lus avec attention. Un message de sécurité met en garde contre des dangers potentiels susceptibles de blesser l'utilisateur ou d'autres personnes. Chaque message de sécurité est précédé d'un symbole ou du symbole de mise en garde (⚠) et du terme **AVERTISSEMENT** ou **ATTENTION**.

Ces termes de mise en garde signifient :

**⚠ AVERTISSEMENT** : Signale une situation dangereuse qui, si elle n'est pas évitée, POURRAIT entraîner la mort ou des blessures graves.

**⚠ ATTENTION** : Signale une situation dangereuse qui, si elle n'est pas évitée, POURRAIT entraîner des blessures légères à modérées. Il sert également à mettre en garde contre certaines pratiques peu sûres.

Chaque message indique quel est le danger, ce qui peut se produire et ce qui peut être fait pour éviter ou réduire les dommages. D'autres messages importants sont précédés du terme **AVIS**.

**AVIS** signifie :

**AVIS** : Signale une situation dangereuse qui, si elle n'est pas évitée, pourrait entraîner des dégâts matériels. La machine ou d'autres biens matériels peuvent être endommagés si ces instructions ne sont pas respectées.

Les étiquettes de sécurité doivent être contrôlées et nettoyées par l'utilisateur à intervalles réguliers pour maintenir une bonne lisibilité à une distance sûre. Changer l'étiquette si elle est usée, endommagée ou illisible.

## ⚠ AVERTISSEMENT !

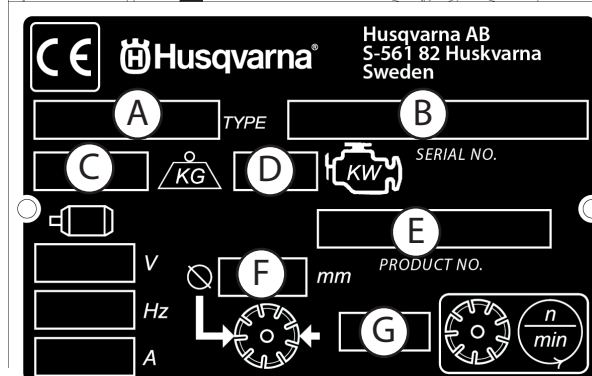
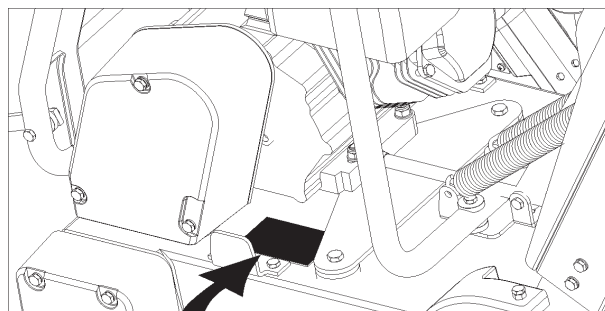


Avant d'utiliser la machine, lire et comprendre ce manuel d'utilisation en entier et le manuel d'utilisation du moteur fourni avec le moteur.



Veiller à se familiariser avec la machine avant utilisation !

**Identification du modèle** : Consigner ci-dessous les renseignements de la plaque signalétique de la machine pour référence ultérieure.



- A. Modèle : \_\_\_\_\_
- B. Date de fabrication, année, semaine, numéro de série : \_\_\_\_\_
- C. Masse de la machine (kg) \_\_\_\_\_
- D. Puissance du moteur (KW) \_\_\_\_\_
- E. Référence de produit \_\_\_\_\_
- F. Diamètre du disque (mm) \_\_\_\_\_
- G. Vitesse du disque (tours/minute) \_\_\_\_\_

Autres renseignements ne figurant pas sur la plaque signalétique :

N° de série moteur : \_\_\_\_\_

Voir l'emplacement dans le manuel d'utilisation du moteur.

Date d'achat : \_\_\_\_\_

## SYMBOLES et AUTOCOLLANTS



Veiller à lire les instructions d'utilisation avant d'utiliser la machine pour la première fois.



Ce symbole indique que la machine est conforme à la directive européenne applicable.



Obligatoire



Indication



Interdiction



Triangle d'avertissement



Porter une protection des yeux



Porter une protection respiratoire



L'utilisation d'une protection des oreilles est obligatoire



Porter une protection de la tête



Porter des chaussures de sécurité



Porter des vêtements appropriés



Déposer le disque avant de soulever, charger, décharger et transporter la machine.



Arrêt de la machine, débrayage de la transmission



Utiliser dans un endroit bien aéré



Ne pas utiliser dans des lieux où se trouvent des matières inflammables



Risques présentés par la machine ; garder les mains et les pieds éloignés.



Silencieux très chaud. Risque de brûlures et/ou d'inflammation de matières. Éviter le contact.



Avertissement, gaz d'échappement toxiques



Pas de spectateurs à proximité



Ne pas fumer



Ne pas utiliser si la protection de disque n'est pas en place



Toujours laisser toutes les protections en place



Alimentation en eau ouverte




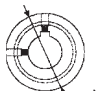

Alimentation en eau fermée



Alimentation en eau



## SYMBOLES et AUTOCOLLANTS

	Interrupteur de sécurité de l'eau du disque		Commutateur électrique - Démarrage
	Température du liquide de refroidissement du moteur		Les réparations ne doivent être effectuées que par un concessionnaire agréé
	Maintenir la zone de travail propre et bien éclairée ; enlever tout ce qui constitue un danger		Phare
	Niveau de bruit élevé, dangereux		Disque diamanté
	Accorder une très grande attention à l'entretien et aux protections de la machine avant de la mettre en marche		Diamètre du disque
	Enlever les outils de la zone de travail et de la machine		Embrayage du disque
	Pression d'huile moteur		Diamètre de poulie
	Huile nécessaire		Nombre de tours par minute, vitesse de rotation
	Jauge de niveau ; maintenir le niveau d'huile correct		Diamètre du flasque de disque
	Point de lubrification		Butée de profondeur du disque
	Haut régime		Indicateur de profondeur de sciage – profondeur d'entaille
	Bas régime		Frein de stationnement
	Commutateur électrique - Arrêt		Frein de stationnement appliqué (engagé)
	Commutateur électrique - Marche		Frein de stationnement libéré (désengagé)

## SYMBOLES et AUTOCOLLANTS



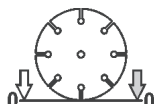
Masse de la machine (kg)



Flèche sur la protection de l'outil indiquant le sens de rotation de l'outil.



Borne positive de batterie



Indicateur de profondeur de disque – zéro



Moteur électrique



Moteur



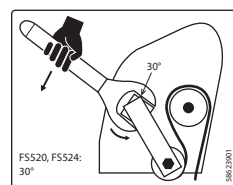
Régime moteur, tours/minute



Démarrage du moteur



Carburant sans plomb uniquement



Clé à 30°



Émissions sonores dans l'environnement selon la directive de la Communauté européenne. Les émissions de la machine sont indiquées au chapitre Caractéristiques techniques et sur les autocollants

## SYMBOLES et AUTOCOLLANTS



N° réf. 542 19 07-33  
Lieu : Avant du capot

### FS 413

N° réf. 542 19 07-112  
Lieu : Côtés gauche et  
droit du châssis  
(FS 413 uniquement)

For local service, please contact your local Husqvarna Construction Products representative.

Para efectuar un servicio local, póngase en contacto con su representante local de Husqvarna Construction Products.

Pour toute réparation, contacter le représentant local de Husqvarna Construction Products.

Für Service vor Ort wenden Sie sich bitte an Ihren örtlichen Vertreter von Husqvarna Construction Products.

Neem voor plaatselijke service contact op met uw plaatselijke vertegenwoordiger van de constructieproducten van Husqvarna.

Per assistenza, rivolgersi al rappresentante di zona della Husqvarna Construction Products.

För service på platsen, kontakta din lokala representant för Husqvarna Construction Products.

Para obter serviço técnico local, contactar o representante da Husqvarna Construction Products local.

#### Europa / Europe:

Husqvarna  
Construction Products  
SE-433 81 Partille, Sweden  
Tel: +46 31 94 90 00  
Fax: +46 31 94 90 50

#### Asia Pacific:

Husqvarna  
Construction Products,  
Australia Pty Ltd  
25-31 Kinkaid Avenue,  
North Plympton, Adelaide,  
South Australia 5037  
Tel: +61 (0)8 8375 1000  
Fax: +61 (0)8 8371 0990

#### The Americas:

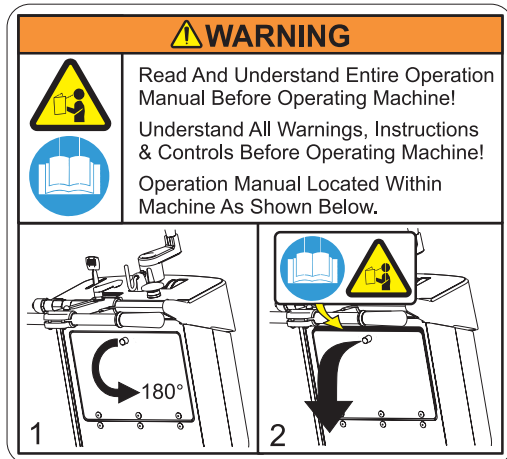
Husqvarna Construction Products,  
North America  
17400 West 119th Street,  
Olathe, Kansas 66061 USA  
Toll-Free Telephone: 800-288-5040,  
Telephone: 913-928-1300  
Fax: 913-438-7938

Service local n° réf. 542 19 06-46  
Lieu : Côté du châssis



N° réf. 542 19 05-88  
Lieu : Jauge de profondeur

## SYMBOLES et AUTOCOLLANTS



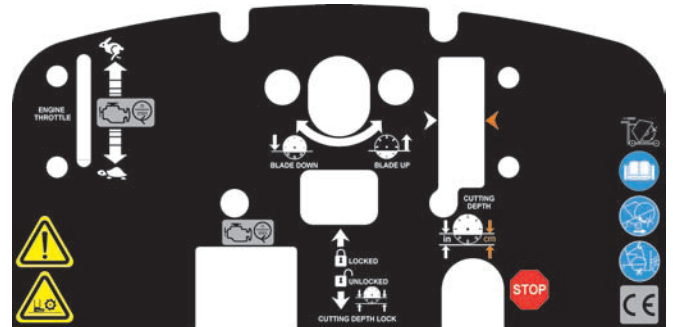
N° réf. 542 19 05-93  
Lieu : Arrière du capot



N° réf. 542 16 90-65  
Lieu : Partie supérieure  
du carter de courroie



N° réf. 542 19 06-17  
Lieu : Réservoir d'eau  
(selon équipement)



N° réf. 502 24 01-05  
Lieu : Partie supérieure du capot



N° réf. 542 19 06-38  
Lieu : Arrière du capot

PATENT PENDING

N° réf. 542 16 12-35  
Lieu : Montant droit  
supérieur du châssis

# INSTRUCTIONS DE SÉCURITÉ

## Généralités

### **AVERTISSEMENT !**



Avant d'utiliser la machine, lire et comprendre ce manuel d'utilisation en entier et le manuel d'utilisation du moteur fourni avec le moteur.



Veiller à se familiariser avec la machine avant utilisation !



L'utilisateur doit porter un équipement de protection individuelle et des vêtements adaptés au travail à effectuer. L'équipement de protection individuelle, notamment protection des yeux et des oreilles, est obligatoire.



La zone de travail doit être entièrement propre, bien éclairée et tout risque de sécurité supprimé



Toute personne qui n'est pas directement concernée par le travail doit s'éloigner.



**AVERTISSEMENT !** Le disque tourne lorsque le moteur démarre ou a démarré



**AVERTISSEMENT !** Ne pas toucher l'outil lorsque la machine est en marche.

## Carburant :



**AVERTISSEMENT !** Manipuler le carburant avec précaution. Être conscient des risques d'incendie, d'explosion et d'inhalation de vapeurs.

- Conserver le carburant exclusivement dans des récipients prévus à cet effet.
- Effectuer le plein de carburant uniquement avec le moteur à l'ARRÊT. Ne jamais enlever le bouchon du réservoir et remplir le réservoir de carburant avec le moteur en marche.
- Toujours effectuer le plein dans un endroit bien ventilé.
- Ne jamais remplir le réservoir à l'intérieur d'un bâtiment.
- Laisser le moteur refroidir avant d'effectuer le plein.



**Ne jamais effectuer le plein à proximité de flammes ou d'étincelles. Ne pas utiliser la machine à proximité de matières inflammables.**



**Ne pas fumer durant le plein de carburant ou l'utilisation de la machine.**

- Déplacer la machine de 3 mètres depuis l'endroit où est effectué le plein avant de démarrer le moteur.
- Ne jamais démarrer la machine :
  - 1) Si du carburant a été déversé sur la machine. Essuyer tout déversement et laisser le carburant s'évaporer.
  - 2) Si du carburant a été déversé sur les vêtements ou sur soi-même. Laver à l'eau et au savon toute partie du corps qui est venue au contact du carburant.
  - 3) Si la machine présente une fuite de carburant. Contrôler régulièrement l'étanchéité du bouchon de réservoir et des conduites de carburant.
- Entreposer et transporter la machine et le carburant de manière à empêcher toute fuite ou vapeur de carburant de venir au contact d'étincelles ou de flammes, notamment de machines ou moteurs électriques, relais/commutateurs électriques ou chaudières.



## **AVERTISSEMENT CONCERNANT LA POUSSIÈRE**

Le sciage et surtout le sciage À SEC produisent de la poussière dégagée par le matériau taillé, qui contient fréquemment de la silice. La silice est un élément de base du sable, du quartz, de la terre argileuse, du granit et de nombreux autres minéraux et roches. L'exposition à une quantité excessive d'une telle poussière peut causer :

- Maladies respiratoires (affectant la capacité de respirer), notamment bronchite chronique, silicose et fibrose pulmonaire résultant de l'exposition à la silice. Ces maladies peuvent être mortelles.
- Irritation de la peau et rougeurs
- Cancer, selon NTP\* et CIRC\*

\* National Toxicology Program, Centre international de recherche sur le cancer

Prendre des mesures de précaution

- Éviter l'inhalation de poussière, vapeurs et émanations ainsi que leur contact avec la peau ;
- Pour minimiser la poussière, scier à l'eau autant que possible ;
- Porter et s'assurer que toutes les personnes présentes portent une protection respiratoire appropriée telle que masque antipoussière conçu pour filtrer les particules microscopiques (voir la réglementation 29 CFR Part 1910.1200 de l'OSHA).

### **Proposition 65 de Californie – Avertissement :**

L'utilisation de ce produit peut provoquer une exposition à des substances reconnues, par l'état de Californie, comme pouvant causer le cancer et/ou des malformations congénitales ou d'autres effets néfastes sur l'appareil reproducteur.

## INSTRUCTIONS DE SÉCURITÉ



### AVERTISSEMENT GAZ D'ÉCHAPPEMENT TOXIQUES



**CETTE SCIE EST EXPÉDIÉE DE L'USINE SANS CONVERTISSEUR CATALYTIQUE.**  
CE MOTEUR DÉGAGE DES GAZ D'ÉCHAPPEMENT CONTENANT DE L'OXYDE DE CARBONE ET IL EST **DANGEREUX** DE L'UTILISER DANS DES ENDROITS CLOS. L'EMPLOI D'UN CONVERTISSEUR CATALYTIQUE RÉDUIT LES ÉMISSIONS D'OXYDE DE CARBONE DANS LES GAZ D'ÉCHAPPEMENT, MAIS IL EST TOUJOURS **DANGEREUX** DE L'UTILISER DANS DES ENDROITS CLOS.

NE L'UTILISER QUE DANS DES ENDROITS BIEN VENTILÉS. LA QUALITÉ DE L'AIR DU CHANTIER DOIT ÊTRE CONFORME À LA RÉGLEMENTATION 29 CFR 1910.1000 DE L'OSHA, TABLEAU Z-1, LIMITES DE CONTAMINANTS DE L'AIR.

SURVEILLER LA QUALITÉ DE L'AIR DU CHANTIER POUR VÉRIFIER LA CONFORMITÉ. LE NON-RESPECT DES LIMITES ADMISES CONSTITUERA UNE MENACE POUR LA VIE ET PROVOQUERA DES LÉSIONS IRRÉVERSIBLES GRAVES OU MORTELLES.

#### Information générale

Le monoxyde de carbone (CO) est l'un des quelques gaz industriels fréquemment rencontrés à être à la fois fortement toxique (poison) et inodore. Lorsqu'il est inhalé, le CO devient un asphyxiant chimique car il se combine de manière préférentielle à l'hémoglobine du sang. L'hémoglobine ne peut alors plus transporter la quantité normale d'oxygène et les tissus sont ainsi privés d'oxygène. Parmi les symptômes d'une exposition à une faible dose d'oxyde de carbone, on note des maux de tête, des vertiges, une confusion et des nausées. **Toutefois, une exposition continue ou plus intense peut provoquer une perte de conscience, des lésions irréversibles et la mort.** En raison des dangers pour la santé associés à l'inhalation de CO, l'Occupational Safety and Health Administration (OSHA) (É.-U.) (direction de la sécurité et de l'hygiène du travail) a imposé des limites d'exposition personnelles. Ces limites d'exposition de l'OSHA spécifiées dans 29 CFR 1910.1000 (révision 1998) autorisent une valeur maximale de 200 ppm et une valeur limite d'exposition pondérée dans le temps (TWA) de 35 ppm par quart de 8 heures pour une semaine de travail de 40 heures. Il est fortement recommandé de consulter le règlement 29 CFR 1910.1000 de l'OSHA (Code de réglementations fédérales), ou l'organisme local approprié, pour plus d'informations sur les limites d'exposition aux diverses substances dangereuses. En cas de suspicion d'intoxication au CO, amener immédiatement la victime à l'air frais et obtenir une assistance médicale d'urgence.

#### Ventilation correcte :

**CETTE SCIE EST EXPÉDIÉE DE L'USINE SANS CONVERTISSEUR CATALYTIQUE.** Il est important de savoir que les scies équipées de convertisseurs catalytiques ont des émissions de monoxyde de carbone et d'hydrocarbure réduites. Mais les gaz d'échappement contiennent toujours de l'oxyde de carbone. Si l'espace de travail est trop confiné ou mal ventilé, le monoxyde de carbone risque de s'accumuler et de dépasser les limites admissibles. Dans ce cas, le personnel doit s'éloigner des zones de forte concentration. Les opérateurs et le personnel d'encadrement doivent prendre des précautions nécessaires pour garantir en permanence une ventilation suffisante de l'espace de travail. Des détecteurs de monoxyde de carbone doivent être utilisés pour s'assurer que la ventilation est suffisante.



### AVERTISSEMENT DANGER POUR L'OUÏE

DURANT L'UTILISATION NORMALE DE CETTE MACHINE, L'OPÉRATEUR PEUT ÊTRE EXPOSÉ À UN NIVEAU DE BRUIT ÉGAL OU SUPÉRIEUR À **85 dB (a)**. IL PEUT EN RÉSULTER DES DOMMAGES TEMPORAIRES ET/OU IRRÉVERSIBLES. DISPOSITIF DE PROTECTION ANTIBRUIT REQUIS.

# INSTRUCTIONS DE SÉCURITÉ

## SÉCURITÉ D'ABORD !



### CONSIGNES DE SÉCURITÉ A FAIRE ET À NE PAS FAIRE



**AVERTISSEMENT : LE NON-RESPECT DE CES CONSIGNES DE SÉCURITÉ ET DES INSTRUCTIONS D'UTILISATION RISQUE D'ENTRAÎNER DES BLESSURES GRAVES OU MORTELLES.**

#### A FAIRE

- A FAIRE** Lire ce manuel d'utilisation en entier avant d'utiliser cette machine. Lire et comprendre tous les avertissements, instructions, commandes et définitions de symboles figurant dans ce manuel et sur la machine.
- A FAIRE** Toujours donner un exemplaire de ce manuel à l'utilisateur du matériel. Pour obtenir des exemplaires supplémentaires, téléphoner au 1-800-288-5040 aux États Unis ou au +1-913-928-1300 en dehors ou consulter la section « Informations de contact » de ce manuel.
- A FAIRE** Garder toutes les protections à leur place et en bon état.
- A FAIRE** Porter des dispositifs de protection des oreilles, des yeux, de la tête et des voies respiratoires homologués.
- A FAIRE** Lire et comprendre tous les avertissements et instructions figurant sur la machine.
- A FAIRE** Tenir toutes les parties du corps à l'écart du disque et autres pièces en mouvement.
- A FAIRE** Savoir comment arrêter rapidement la machine en cas d'urgence.
- A FAIRE** Arrêter le moteur et le laisser refroidir avant d'effectuer le plein de carburant ou une opération d'entretien.
- A FAIRE** Inspecter le disque, les flasques et les axes pour vérifier qu'ils ne sont pas endommagés avant d'installer le disque.
- A FAIRE** Utiliser la taille de flasque de disque spécifiée pour chaque taille de disque.
- A FAIRE** Utiliser uniquement des disques diamantés à âme acier fabriqués pour une utilisation sur les scies à béton.
- A FAIRE** Utiliser uniquement les flasques de disque fournis avec la scie. Ne jamais utiliser de flasques de disque endommagés ou usés.
- A FAIRE** Utiliser uniquement des disques marqués avec une vitesse maximale de fonctionnement supérieure à la vitesse de l'axe du disque. Vérifier la vitesse en vérifiant la vitesse de rotation de l'axe du disque, le diamètre des poulies et le diamètre des flasques de disque.
- A FAIRE** Vérifier la configuration de l'entraînement de scie en vérifiant la vitesse de l'axe de disque, le diamètre des poulies et le diamètre des flasques de disque.
- A FAIRE** Lire toutes les consignes de sécurité et instructions accompagnant tout disque utilisé avec cette machine.
- A FAIRE** Inspecter soigneusement chaque disque avant de l'utiliser. S'il paraît endommagé ou présente une usure inhabituelle, **NE PAS UTILISER LE DISQUE.**
- A FAIRE** Monter le disque solidement et fermement ; serrer l'écrou du mandrin avec une clé.
- A FAIRE** S'assurer que le disque et les flasques sont propres et exempts de saleté et de débris avant de monter le disque sur la scie.
- A FAIRE** Utiliser le disque approprié au type de travail à effectuer. En cas de doute sur le disque à utiliser, demander conseil au fabricant de disques.
- A FAIRE** Faire preuve de prudence et suivre les instructions pour charger et décharger la machine.
- A FAIRE** N'utiliser cette machine que dans des endroits bien ventilés. L'inhalation de gaz d'échappement toxiques peut provoquer la mort.
- A FAIRE** Indiquer aux personnes présentes l'endroit où elles doivent se tenir lorsque la machine est en marche.
- A FAIRE** Établir un programme de formation pour tous les opérateurs de cette machine.
- A FAIRE** Demander aux personnes qui ne sont pas indispensables de s'éloigner du chantier. Ne jamais autoriser qui que ce soit à se tenir devant ou derrière le disque lors du fonctionnement du moteur.
- A FAIRE** Vérifier que le disque ne touche rien avant de faire démarrer le moteur.
- A FAIRE** Rester prudent lors du levage et du transport de cette machine.
- A FAIRE** Toujours bien arrimer la machine avant de la transporter.
- A FAIRE** Faire preuve de prudence et suivre les instructions pour mettre en place et transporter la machine.
- A FAIRE** Toutes les opérations d'entretien/réparation doivent être effectuées par un personnel compétent.
- A FAIRE** Vérifier que le trou de mandrin du disque correspond à la broche de la machine avant de monter le disque.
- A FAIRE** Toujours vérifier l'absence de dangers enterrés, tels que conduites de gaz ou d'électricité, avant le sciage. Toujours consulter les compagnies de service public locales avant de travailler dans une zone non connue.
- A FAIRE** Éloigner la machine d'au moins 3 mètres du lieu où est effectué le plein de carburant avant **de faire démarrer** le moteur et vérifier que le bouchon du réservoir est bien refermé et serré.
- A FAIRE** Soulever la machine uniquement par les points de levage indiqués.
- A FAIRE** Nettoyer la machine après chaque journée d'utilisation.
- A FAIRE** Utiliser la taille de flasque de disque spécifiée pour chaque taille de disque. Ne jamais utiliser de flasques de disque endommagés ou usés.
- A FAIRE** Manipuler le carburant avec précaution.
- A FAIRE** Scier uniquement en ligne droite et pas plus profondément qu'il n'est nécessaire pour le travail.

# INSTRUCTIONS DE SÉCURITÉ

## SÉCURITÉ D'ABORD !



### CONSIGNES DE SÉCURITÉ A FAIRE ET À NE PAS FAIRE



**AVERTISSEMENT : LE NON-RESPECT DE CES CONSIGNES DE SÉCURITÉ ET DES INSTRUCTIONS D'UTILISATION RISQUE D'ENTRAÎNER DES BLESSURES GRAVES OU MORTELLES.**

#### A NE PAS FAIRE

- NE PAS** utiliser cette machine avant d'avoir lu le manuel d'utilisation et compris ses instructions.
- NE PAS** utiliser cette machine si la protection de disque et les autres dispositifs de protection ne sont pas en place.
- NE PAS** se tenir derrière ni devant le disque durant la marche du moteur.
- NE PAS** laisser cette machine sans surveillance avec le moteur en marche.
- NE PAS** travailler sur cette machine avec le moteur en marche.
- NE PAS** utiliser cette machine alors qu'on est fatigué ou sous l'influence de drogues ou d'alcool.
- NE PAS** utiliser de disque de sciage à l'eau sans une alimentation en eau adéquate au disque.
- NE PAS** faire tourner le disque à une vitesse supérieure à la vitesse maximum spécifiée pour chaque taille de disque. Une vitesse excessive pourrait faire casser le disque.
- NE PAS** utiliser la machine en cas de doutes sur la manière de l'utiliser.
- NE PAS** utiliser de matériel ni de disques endommagés.
- NE PAS** toucher ni essayer d'arrêter un disque en mouvement avec la main.
- NE PAS** enrayer, coincer, bloquer ni tordre le disque dans une entaille.
- NE PAS** transporter une scie lorsque le disque y est monté.
- NE PAS** utiliser un disque qui est tombé ou a été endommagé.
- NE PAS** utiliser de disques à pointes en carbure.
- NE PAS** toucher un disque diamanté de sciage à sec immédiatement après son utilisation. Ces disques mettent plusieurs minutes à refroidir après chaque sciage.
- NE PAS** utiliser de flasques de disque endommagés ou usés.
- NE PAS** autoriser d'autres personnes à se tenir près de la machine lors du démarrage, du plein de carburant ni de son fonctionnement.
- NE PAS** utiliser cette machine dans un endroit clos. L'inhalation de gaz d'échappement toxiques pourrait provoquer la mort.
- NE PAS** utiliser cette machine à proximité de matières inflammables. Des étincelles pourraient provoquer un feu ou une explosion.
- NE PAS** laisser le disque exposé hors de la protection sur plus de 180 degrés.
- NE PAS** utiliser cette machine lorsque les protège-courroies ou le protège-disque sont enlevés.
- NE PAS** utiliser cette machine si l'on n'a pas été spécialement formé pour son utilisation.
- NE PAS** utiliser un disque qui a surchauffé (âme de couleur bleuâtre).
- NE PAS** coincer de matériaux dans le disque.
- NE PAS** meuler sur le côté du disque.
- NE PAS** remorquer cette machine derrière un véhicule.
- NE PAS** utiliser cette machine lorsque des protections ou carters sont enlevés.
- NE PAS** effectuer d'entaille de plus de 2,5 cm de profondeur par passe avec un disque de sciage à sec. Procéder par étapes pour effectuer des entailles plus profondes.
- NE PAS** utiliser cette machine alors qu'on est sous l'influence de drogues ou d'alcool.

\*\*\*\*\*

Cette scie a été conçue uniquement pour certaines applications. **NE PAS** la modifier ni l'utiliser dans une application pour laquelle elle n'a pas été conçue. Pour toute question relative aux applications, **NE PAS** utiliser la scie avant d'avoir écrit à Husqvarna Construction Products et obtenu notre avis.

Husqvarna Construction Products North America  
17400 West 119th Street, Olathe, Kansas 66061 ÉTATS-UNIS

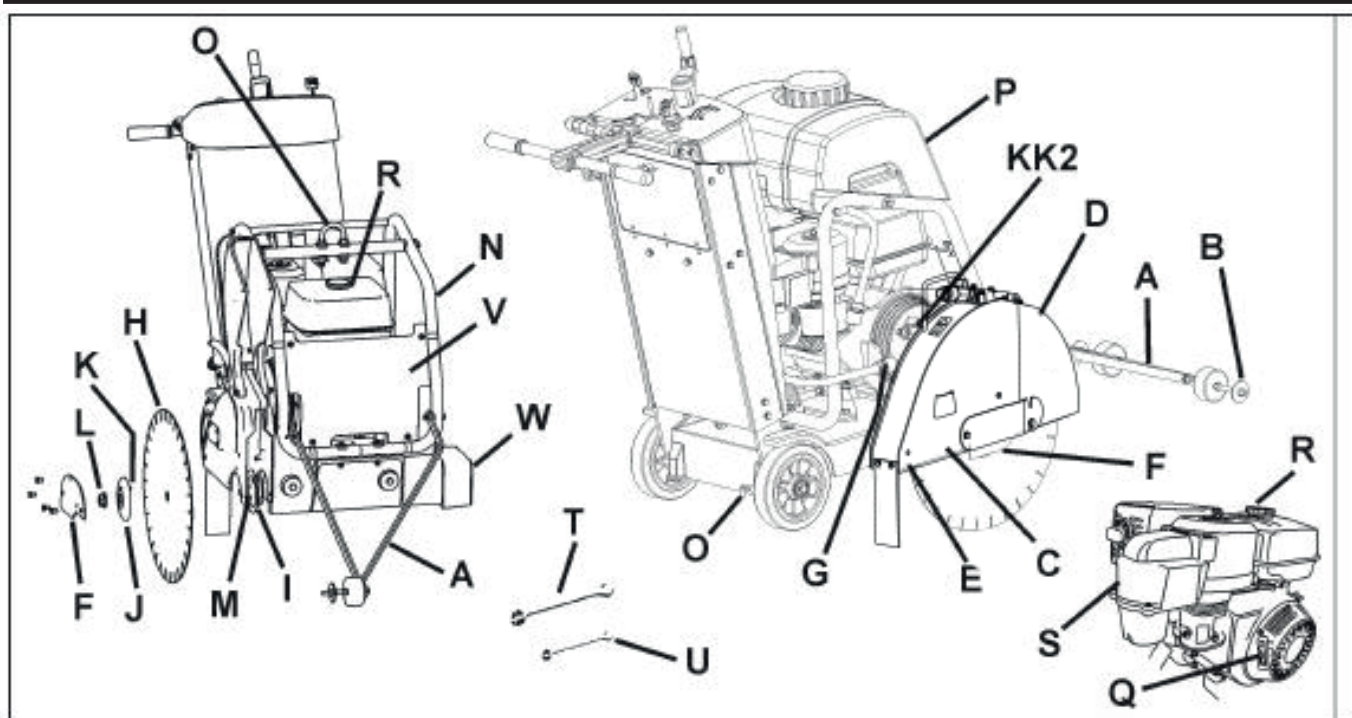


---

## NOTES

---

## IDENTIFICATION DES PIÈCES



**A. Flèche avant** : Sert à guider la machine en ligne droite.

**B. Galet guide** : Sur la flèche avant (A). S'aligne sur la ligne de coupe et sur le disque (H) pour produire des coupes droites.

**C. Protège-disque** : Couvre le disque (H). Doit toujours être en place lors de l'utilisation de la machine ! Noter le sens de l'outil, indiqué par une flèche sur le protège-disque.

**D. Avant du protège-disque** : Un élément du protège-disque. Se soulève pour poser le disque (H).

**E. Boulon arrière du protège-disque** : Tient le protège-disque (C) en place. Doit être déposé et repositionné pour déplacer le protège-disque (C).

**F. Plaquette d'accrochage du protège-disque** : Couvre le flasque extérieur (J).

**G. Raccord de flexible d'eau (G)** : Raccorde le protège-disque (C) au robinet d'eau (KK) ou au réservoir d'eau (P). Peut s'utiliser lorsque le protège-disque (C) est monté sur le côté droit ou gauche de la machine

**H. Disque** : Outil qui coupe l'asphalte ou le béton – non fourni avec la machine.

**I. Flasque intérieur** : Mandrin sur lequel est monté le disque (H). Le changer s'il est usé ou endommagé.

**J. Flasque extérieur** : Sert à tenir le disque (H) en place. Contient la goupille de verrouillage (K), qui doit traverser le disque (H). Le changer s'il est usé ou endommagé.

**K. Goupille de verrouillage** : Tient le disque (H) en place. La changer si elle est usée ou endommagée.

**L. Écrou d'axe de disque (L1 / L2)** : Sert à fixer le flasque extérieur (J) sur la machine. L'écrou (L1) sur le côté droit de la machine a un filetage à gauche. L'écrou (L2) (non représenté) sur le côté gauche de la machine a un filetage à droite.

**M. Mandrin de disque** : Le disque (H) se monte sur cette surface. N. Support de réservoir d'eau / point de levage : Soutient le réservoir d'eau (P). Soutient le point de levage (O).

**O. Point de levage** : Soulever la machine par ce point uniquement !

**P. Réservoir d'eau (le cas échéant)** : Capacité de 25 litres. Remplir d'eau uniquement ! Ne pas remplir d'essence ou autres substances inflammables ! Utiliser uniquement pour la suppression de poussière lors du coupage à sec. Utiliser uniquement avec des disques diamantés (H) soudés au laser (sec).

**Q. Cordon de démarrage du moteur** : Sert à démarrer le moteur. Voir le manuel d'utilisation du moteur.

**R. Réservoir de carburant du moteur** : Point de remplissage en carburant. Voir le manuel d'utilisation du moteur.

**S. Filtre à air du moteur** : Vérifier chaque jour. Nettoyer toutes les quatre (4) heures si la coupe se fait dans des conditions poussiéreuses. Voir le manuel d'utilisation du moteur.

**T. Clé d'axe de disque (27 mm)** : S'utiliser pour poser et déposer le disque (H). Ranger dans le compartiment à outils (BB).

**U. Clé (13 mm)** : S'utilise pour diverses opérations d'entretien de la machine. Ranger dans le compartiment à outils (BB).

**V. Cache avant** : S'accroche au support de réservoir d'eau (N). Ouvrir pour mettre le contacteur de démarrage du moteur (DD) en position de MARCHE (1) ou d'ARRÊT (0).

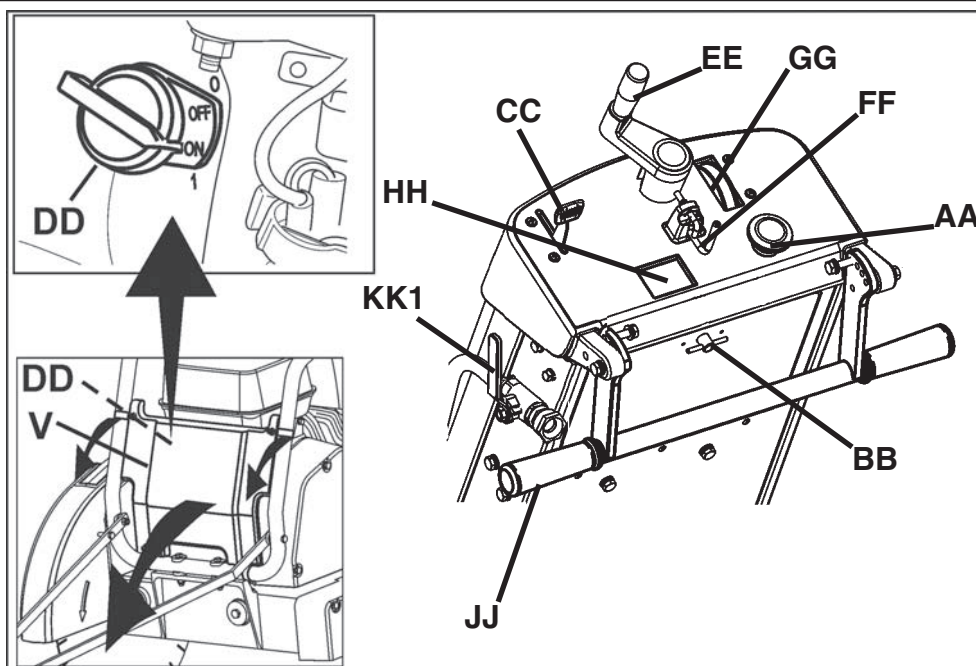
**W. Protège-axe** : Protège le flasque intérieur (I). Se pose toujours du côté du châssis opposé au protège-disque (C).

**X. Graisseur de commande de profondeur** : Non représenté. Voir la section Entretien de ce document.

**Y. Bride de fixation du protège-disque** : Tient le protège-disque (C) en place.

**Z. Jauge d'huile du moteur** : utilisée pour vérifier le niveau d'huile du moteur (non illustrée - Voir le chapitre Fonctionnement du présent document)

## IDENTIFICATION DES PIÈCES



**AA. Arrêt de la machine :** Enfoncer l'interrupteur pour ARRÊTER le moteur en cas d'urgence. Se réarme en tirant le bouton vers l'extérieur (vers le haut) pour permettre le redémarrage de la machine.

**BB. Compartiment à outils :** Contient le manuel d'utilisation, la liste des pièces détachées et deux clés (T et U) (13 mm et 27 mm). S'ouvre en tournant le bouton de 180 degrés. Toujours remettre le manuel d'utilisation à cet endroit pour consultation ultérieure.

**CC. Accélérateur du moteur :** Commande le régime moteur (tr/min). Pousser la manette vers l'avant pour augmenter le régime du moteur. La tirer vers soi pour le réduire. Le sciage se fait toujours au régime moteur maximum.

**DD. Contacteur de démarrage du moteur :** Situé sur le moteur, derrière le cache avant (V). Doit être en position de MARCHE (1) pour démarrer le moteur. S'utilise pour mettre le moteur à l'ARRÊT (0) dans les situations normales.

**EE. Commande de profondeur de disque :** Tourner dans le sens des aiguilles d'une montre pour abaisser le disque diamanté (H) et dans le sens inverse pour le relever.

**FF. Butée de profondeur du disque :** Permet de verrouiller la commande de profondeur de disque (EE) dans sa position. Tirer la butée de profondeur de disque vers l'arrière de la machine et la tourner de 90 degrés pour la verrouiller en position ouverte.

**GG. Indicateur de profondeur du disque :** Indique la profondeur de coupe du disque diamanté (H) en centimètres (couleur orange) et en pouces (couleur blanche). Utilisation : Le moteur étant à l'ARRÊT (0), abaisser le disque diamanté (H) jusqu'à toucher la surface à couper. Tourner l'indicateur de profondeur de disque de manière à aligner le « 0 » avec les flèches. Relever le disque. Lorsque le disque est abaissé durant le sciage, la profondeur de coupe en cours est indiquée.

**HH. Tachymètre du moteur (tr/min) :** Affiche le régime du moteur en tours par minute lorsque le moteur est en marche. Affiche la durée d'utilisation totale lorsque le moteur est à l'arrêt (0). La durée d'utilisation totale est indiquée en minutes de 0 à 59 minutes, puis en heures au-delà de 60 minutes.

II. ---

**JJ. Guidon :** L'opérateur se place derrière la machine avec les deux mains sur le guidon. Le guidon peut être réglé dans diverses positions.

**KK1. Robinet d'eau :** Commande le débit d'eau vers le disque. Placé sur le côté gauche de la machine, près du guidon arrière (RR). Ne s'utilise pas avec le réservoir d'eau (le cas échéant).

**KK2. Robinet d'eau du protège-disque :** Commande le débit d'eau vers le disque. Placé sur le protège-disque. S'utilise avec le réservoir d'eau (le cas échéant).

**LL. Protège-courroie (non représenté) :** Couvre la courroie d'entraînement du moteur.

**MM. Tendeur de courroie trapézoïdale :** Sert à maintenir la tension de la courroie d'entraînement de l'axe de disque.

**NN. Flexible de vidange d'huile :** S'utilise pour vider l'huile du moteur.

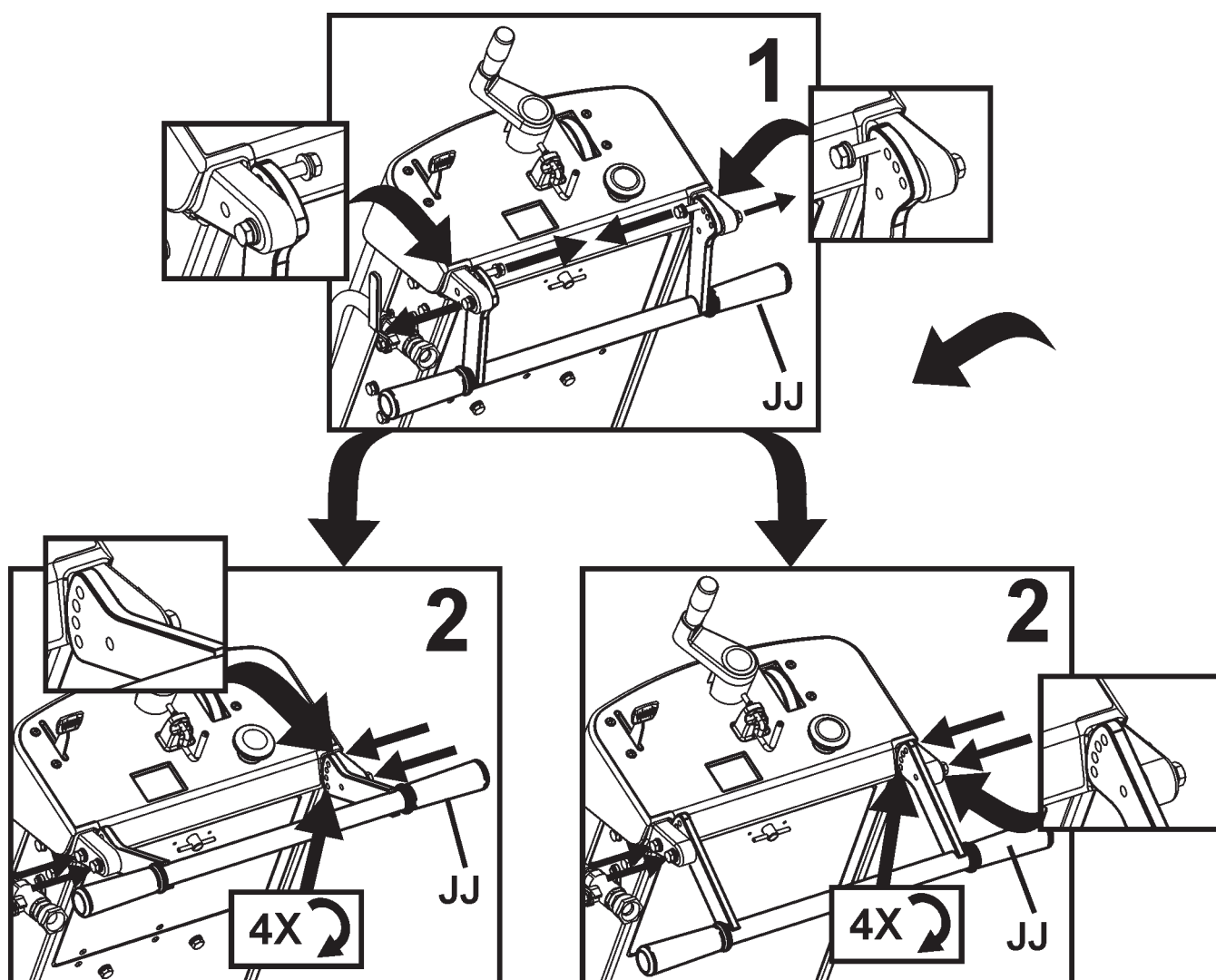
**OO. Frein de stationnement (modèles UE uniquement) :** Sert à immobiliser la machine en position de stationnement. Placé sur la roue arrière droite, à l'arrière de la machine. Utilisation : Pour engager, tourner le levier vers le haut pour permettre à la tige d'avancer vers l'intérieur. Pour libérer, tirer la tige vers l'intérieur et la tourner vers le bas pour la fixer en position intérieure.

## ASSEMBLAGE

Assembler les éléments suivants avant d'utiliser la machine pour la première fois.

### Mettre le guidon (JJ) en position correcte :

Le guidon (JJ) est livré dans la position de rangement montrée sur l'illustration. Il doit être relevé pour pouvoir utiliser la machine.

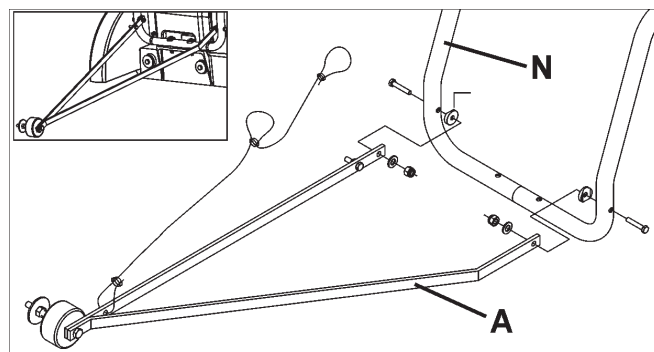


## ASSEMBLAGE

### Poser la flèche avant (A) :

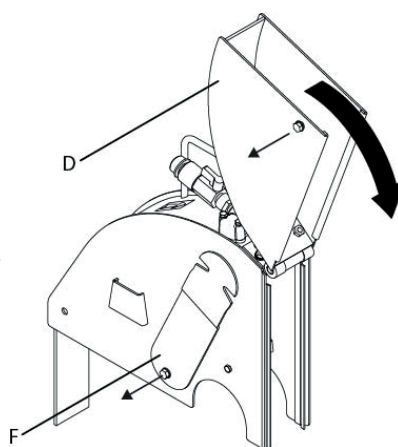
1. À l'aide des vis, rondelles et écrous fournis, poser la flèche avant (A) sur le cadre tubulaire du support de réservoir d'eau (N). Ajuster les écrous-freins de manière à permettre à la flèche (A) de pivoter librement.
2. Faire passer la corde de la flèche à l'écart des surfaces chaudes. Les deux boucles dans la corde permettent de l'attacher au guidon (JJ).

**Remarque :** « *Flèche simple* » (A) montrée sur l'illustration. Dans certaines régions, une « *flèche double* » est montée de série. La flèche double est disponible dans toutes les régions en tant qu'accessoire. Pour plus de renseignements, voir la section Accessoires de ce document ou la liste des pièces détachées.



### Avant du protège-disque (D) :

1. À l'aide de la clé de 13 mm (U) fournie, déposer les deux (2) vis M8 situées à l'avant et sous la plaquette d'accrochage de protège-disque (F) et la vis M8 dans l'avant de protège-disque (D) [indiquées par des flèches]. Desserrer sans la déposer la vis restante sur la plaquette d'accrochage de protège-disque (F). Faire tourner la plaquette d'accrochage (F) et l'avant de protège-disque (D) vers le bas.

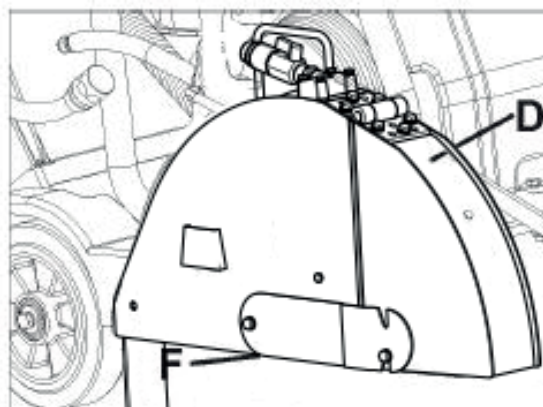


### AVERTISSEMENT !

La plaquette d'accrochage de protège-disque (F) doit être en place avant utilisation. L'utilisation de la machine sans cette pièce peut produire une situation dangereuse !

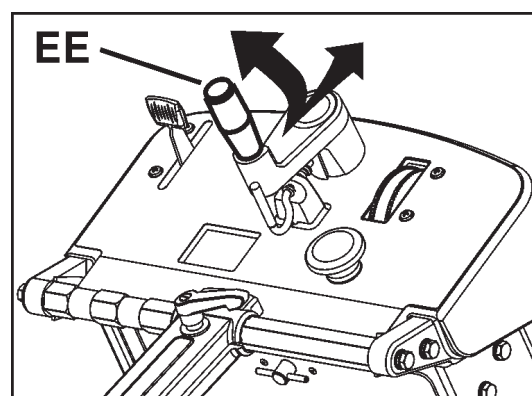
Toujours garder les protections en place durant l'utilisation de la machine !

2. Remettre les trois (3) vis M8 en place dans la plaquette d'accrochage (F) comme indiqué sur l'illustration à droite. À l'aide de la clé de 13 mm (U) (fournie), bien serrer les quatre (4) vis M8 de fixation de la plaquette d'accrochage de protège-disque (F).



### Placement de la manette de commande de profondeur de disque (EE) en position correcte :

Tirer la manette de commande de profondeur de disque (EE) et la tourner de 90 degrés jusqu'à ce qu'elle s'enclenche dans la position représentée.



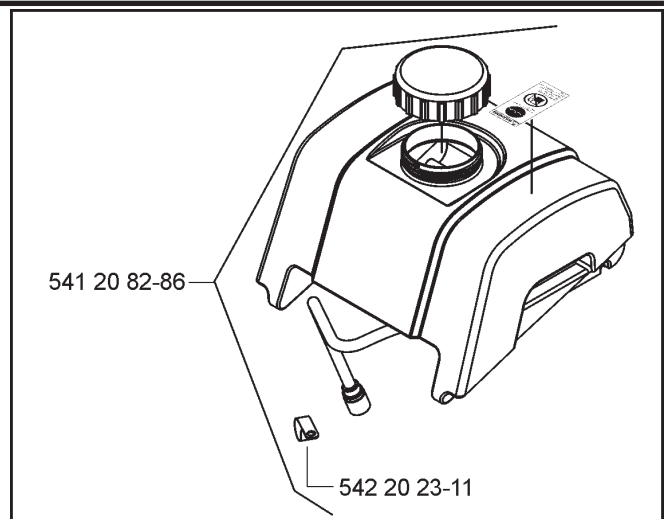
# ASSEMBLAGE

## Poser le réservoir d'eau (P) (le cas échéant) :

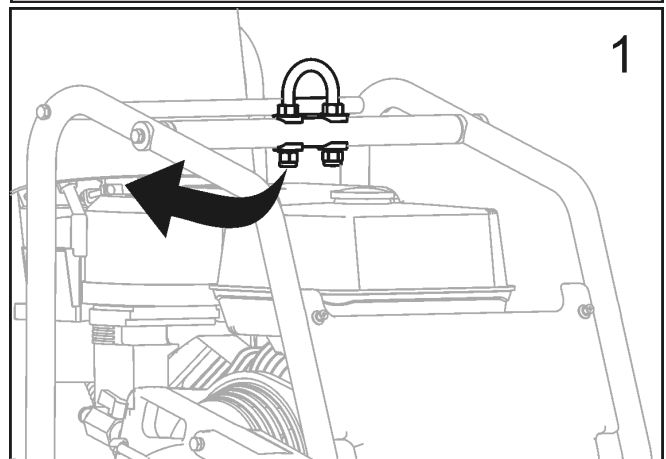
- Dans certaines régions, la machine peut être livrée avec un réservoir d'eau installé. Le réservoir d'eau est proposé sous forme de nécessaire en option dans toutes les régions.

- Si un réservoir d'eau est déjà posé sur la machine, lire ces instructions pour vérifier que la pose est correcte. Respecter tous les AVERTISSEMENTS concernant la pose et l'utilisation du réservoir d'eau.

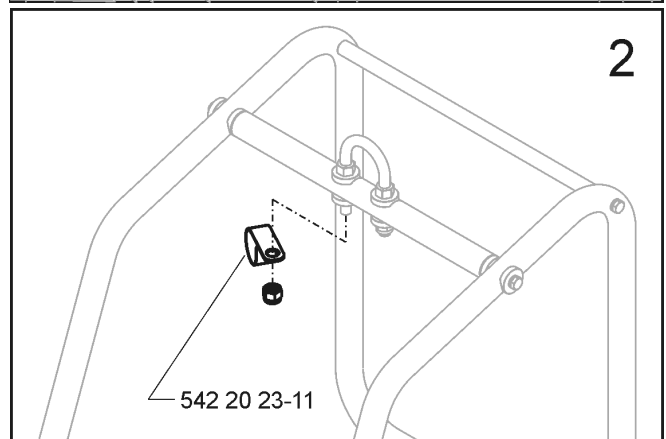
- Vérifier le contenu du nécessaire de réservoir d'eau. Voir l'illustration à droite.



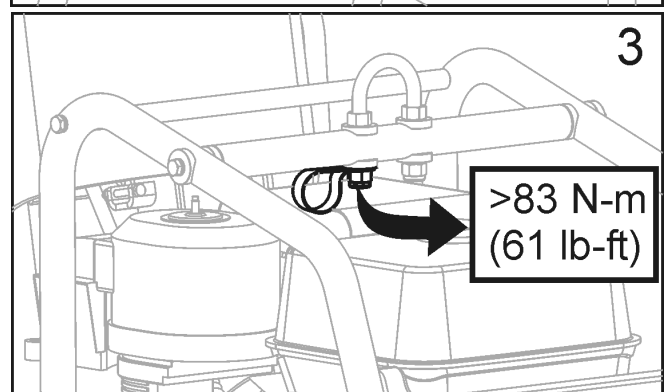
1. Déposer provisoirement l'ÉCROU du côté droit de l'étrier de levage (O) (même côté de la machine que la corde de démarrage). Voir l'illustration à droite.



2. Poser le COLLIER fourni avec le réservoir d'eau (P) puis remettre l'ÉCROU en place. Voir l'illustration à droite.



3. Serrer au couple indiqué ci-dessous et sur l'illustration à droite.



### AVIS

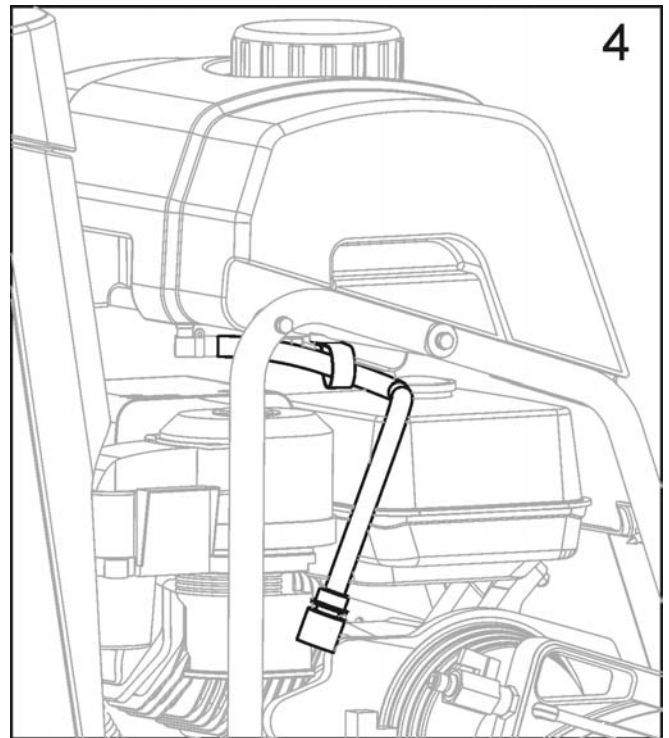
Serrer l'ÉCROU de l'étrier de levage à 83 Nm (61 lb-ft) minimum.

### ⚠ AVERTISSEMENT !

Pour écarter les risques de défaillance de l'ÉTRIER DE LEVAGE (O), serrer l'ÉCROU comme indiqué. Une défaillance de l'ÉTRIER DE LEVAGE durant le levage de la machine peut provoquer des blessures ou la mort.

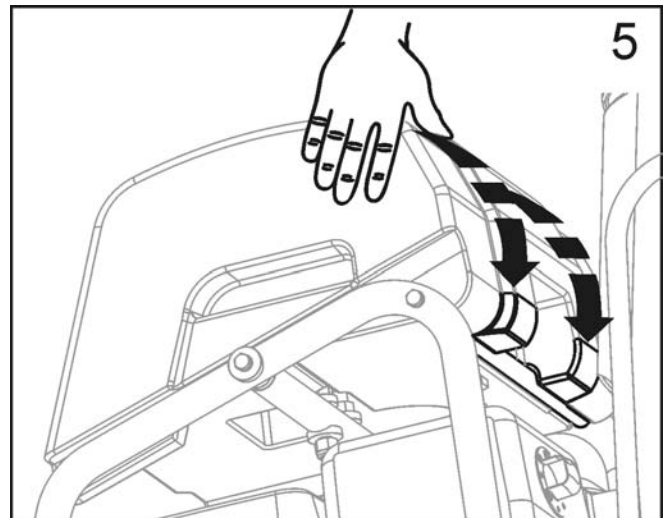
## ASSEMBLAGE

4. Mettre le réservoir d'eau en place et acheminer le flexible d'eau comme sur l'illustration à droite.

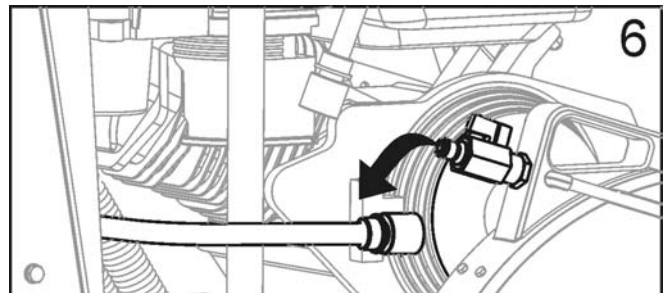


5. Aligner la barre arrière et le renforcement à l'arrière du réservoir d'eau.

- Pousser fermement le réservoir vers le bas pour l'enclencher sur la barre arrière.
- Lorsqu'il est correctement en place, le réservoir d'eau doit pivot librement sur la barre arrière.



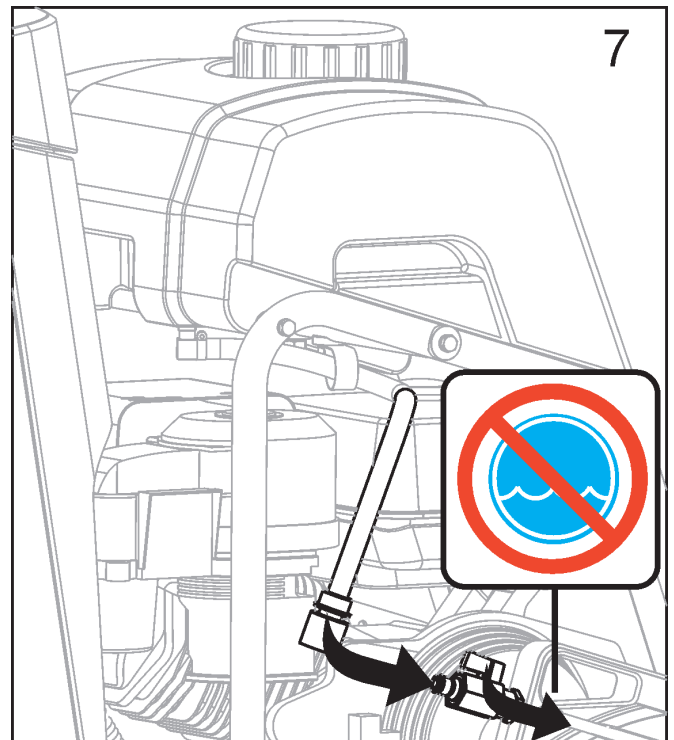
6. Débrancher le flexible d'eau existant du protège-disque. Il s'agit du flexible d'eau provenant du robinet d'eau monté sur la machine.



## ASSEMBLAGE

7. Raccorder le flexible du réservoir d'eau au robinet d'eau du protège-disque.

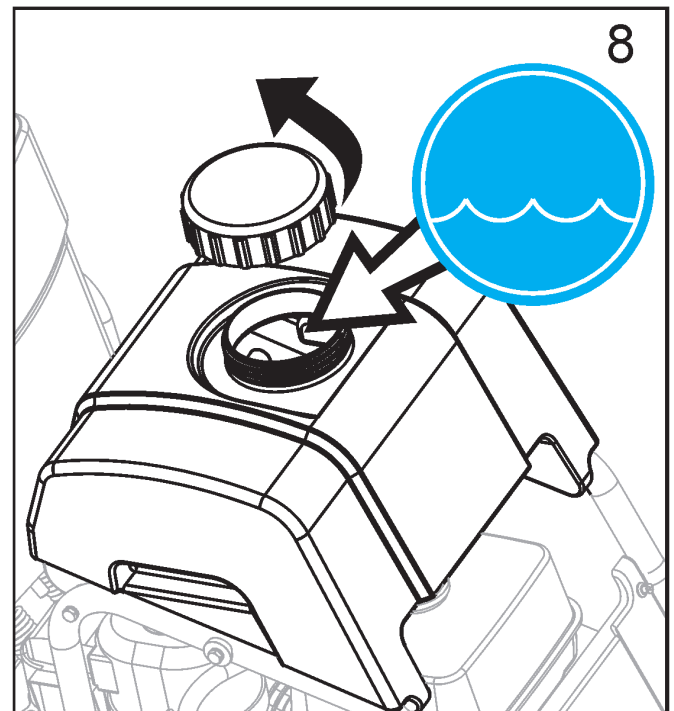
- Vérifier que le robinet d'eau du protège-disque est FERMÉ.
- Le réservoir d'eau est à présent installé sur la machine.



### Remplir le réservoir d'eau :

8. Enlever le bouchon en le tournant dans le sens inverse des aiguilles d'une montre. Voir l'illustration à droite.

- Remplir le réservoir d'eau uniquement avec de l'eau. Lire tous les AVERTISSEMENTS avant d'utiliser le réservoir d'eau.
- Remettre le bouchon en place en tournant dans le sens des aiguilles d'une montre.
- Le réservoir d'eau est conçu pour supprimer la poussière de béton en suspension dans l'air et doit être utilisé uniquement avec des disques diamantés de sciage « à



### AVERTISSEMENT !

NE PAS utiliser de disques diamantés classiques (humides) avec le réservoir d'eau en guise de source d'eau. Le débit d'eau n'est pas suffisant pour refroidir correctement le disque !

Remplir le réservoir d'eau uniquement avec de l'eau !!

Ne jamais remplir le réservoir d'eau (P) d'essence ou autres liquides inflammables, sous peine de risquer des blessures ou la mort !



# UTILISATION

## Avant utilisation

**Emploi :** Cette machine est uniquement destinée au sciage humide ou sec de béton et d'asphalte neufs et anciens.

### **⚠ AVERTISSEMENT !**

NE PAS l'utiliser pour le découpage à sec dans les pays de l'Union européenne (UE). La machine n'est pas équipée d'une prise à poussière.

**Outils :** Utiliser la machine exclusivement avec les outils suivants (H) : Disques diamantés refroidis à l'eau. Ne PAS utiliser de disques abrasifs renforcés ni de disques diamantés de sciage à sec dans les pays de l'Union européenne (UE) par ce que cette machine, telle qu'elle est livrée, ne comporte pas de prise pour collecteur de poussière.

Diamètre : 300 mm (12") – 500 mm (20").

Alésage : 25,4mm (1,00").

### **⚠ AVERTISSEMENT !**

NE PAS utiliser de lames en carbure, pour scies à bois ou scies circulaires sur cette machine, sous peine de risquer des blessures ou la mort.

### **Déplacement du protège-disque (C) - Si nécessaire :**

Le protège-disque (C) est monté d'usine sur le côté droit de la machine, mais peut être placé sur le côté gauche. Ceci peut permettre de découper plus près de certains obstacles lorsqu'il n'est pas possible de les approcher depuis la direction opposée.

1. À l'aide de la clé de 13 mm (U), déposer le boulon arrière (E) du protège-disque (C).
2. Pousser le collier vers l'arrière pour détacher le raccord de flexible d'eau (G). La partie mâle reste sur le protège-disque (C). La partie femelle reste sur le réservoir d'eau (P) ou sur le robinet d'eau (KK).
3. Soulever le protège-disque (C) vers le haut pour le séparer de sa bride de fixation (Y).
4. À l'aide de la clé de 13 mm (U) déposer les quatre (4) vis de fixation de la plaquette d'accrochage de protège-disque (F). Rattacher la plaquette d'accrochage (F) sur le côté gauche du protège-disque (C).
5. Déposer et déplacer le protège-axe (W) du côté gauche au côté droit de la machine.
6. Abaisser le protège-disque (C) sur la bride de fixation de protège-disque (Y) du côté gauche de la machine.
7. Remettre le bouton arrière (E) en place dans le protège-disque (C).
8. Rattacher le raccord de flexible d'eau (G) du protège-disque (C) au réservoir d'eau (P) ou au robinet d'eau (K). Prendre garde à ce que le flexible ne touche pas le silencieux.
9. Déplacer et réaligner la flèche avant (A) de manière à avoir le galet guide (B) sur le côté gauche de la machine.

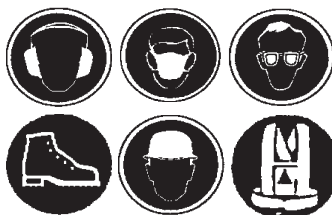
### **⚠ AVERTISSEMENT !**



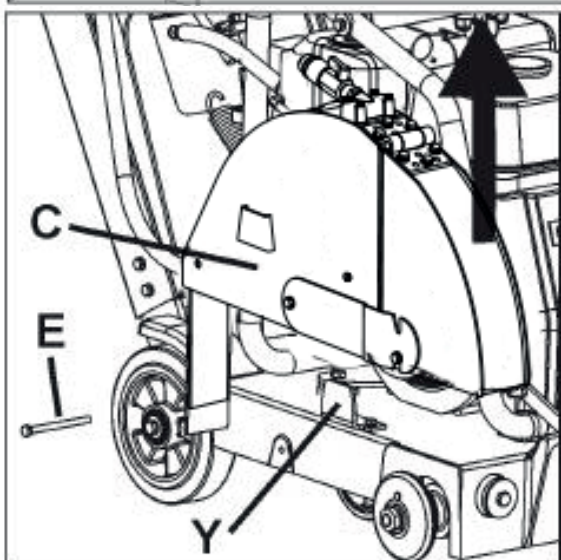
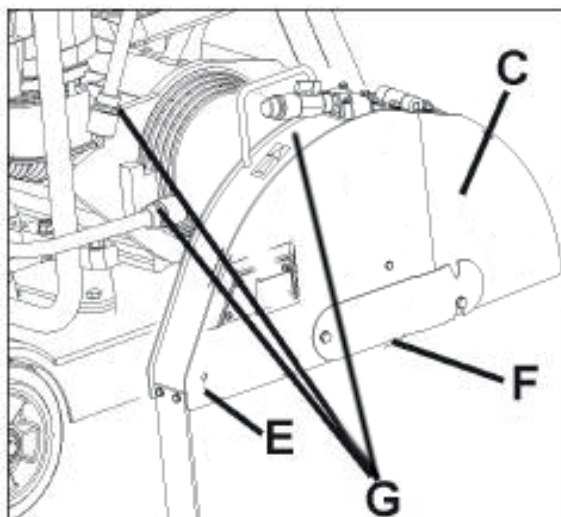
Avant d'utiliser la machine, lire et comprendre ce manuel d'utilisation en entier et le manuel d'utilisation du moteur fourni avec le moteur.



Veiller à se familiariser avec la machine avant utilisation !



L'utilisateur doit porter un équipement de protection individuelle et des vêtements adaptés au travail à effectuer. L'équipement de protection individuelle, notamment protection des yeux et des oreilles, est obligatoire.



# UTILISATION

## Transport et levage de la machine :

- Soulever la machine uniquement par le point de levage (O).
- Toujours déposer le disque (H) avant de lever, charger ou transporter la machine.
- Utiliser une sangle de levage d'une capacité nominale au moins égale à la masse maximale de la machine. Les masses nominale et maximale de la machine figurent dans la section DONNÉES TECHNIQUES de ce document.

## Levage d'une machine équipée d'un réservoir d'eau :

- Avant de lever une machine équipée d'un réservoir d'eau :

1. Vider l'eau du réservoir.
2. Déposer le disque.
3. Abaisser la machine jusqu'à ce que le châssis soit parallèle au sol.
4. Pivoter l'avant du réservoir d'eau vers le haut jusqu'à l'appuyer contre le dessus du capot en aluminium. Ne pas appuyer le bouchon du réservoir d'eau contre l'avant du capot en plastique - ceci pourrait causer des dommages durant le levage.
5. Attacher une sangle adaptée au point de levage (O).
6. Faire un essai de levage de la machine à faible hauteur (quelques centimètres seulement) pour vérifier que le réservoir reste attaché à la machine et ne sera pas endommagé ni ne causera de dommages.
7. Si une machine équipée d'un réservoir d'eau ne peut pas être levée sans endommager le réservoir ou la machine, déposer le réservoir d'eau avant le levage.

### AVIS

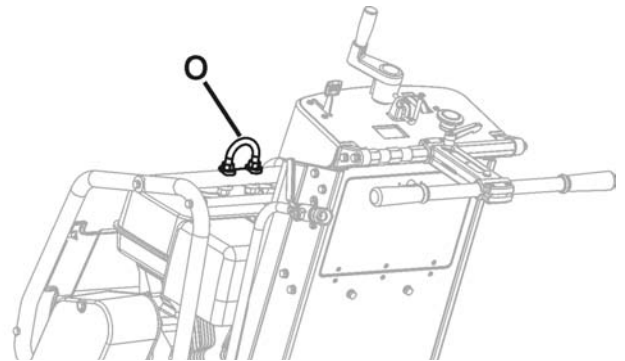
Le réservoir d'eau ou la machine peuvent être endommagés si la machine n'est pas levée comme il se doit. Observer le levage avec attention pour éviter tout dommage.

## Stationner la machine :

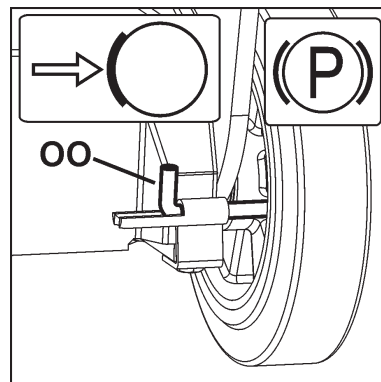
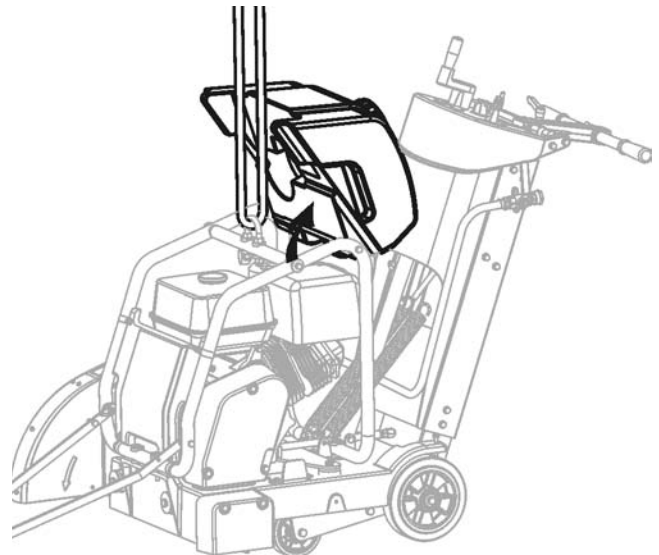
- Dans certaines régions du monde, les machines sont équipées d'un frein de stationnement.
- Le frein de stationnement est conçu pour maintenir la machine immobile sur une pente de 10 degrés ou moins, l'arrière de la machine étant vers l'aval (poids maximum sur la roue freinée).

 **Frein de stationnement - Engager (voir illustration) :** Sortir le levier de frein de stationnement (OO) de sa position désengagée :

1. Tirer le levier (OO) vers le centre de la machine.
2. Tourner le levier (OO) de 180 degrés vers le haut.
3. Une ressort permet au levier (OO) d'avancer vers l'extérieur de la machine pour s'engager contre le moyeu de la roue.



Déposer le disque (H) avant de lever, charger ou transporter la machine.

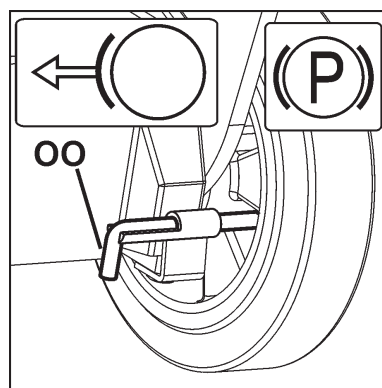


## UTILISATION



**Frein de stationnement - Libérer (voir illustration)** Le frein de stationnement doit être libéré pour pouvoir faire fonctionner la machine.

1. Tirer le levier (OO) vers le centre de la machine.
2. Tourner le levier (OO) de 180 degrés vers le bas et le relâcher pour l'enclencher dans cette position.

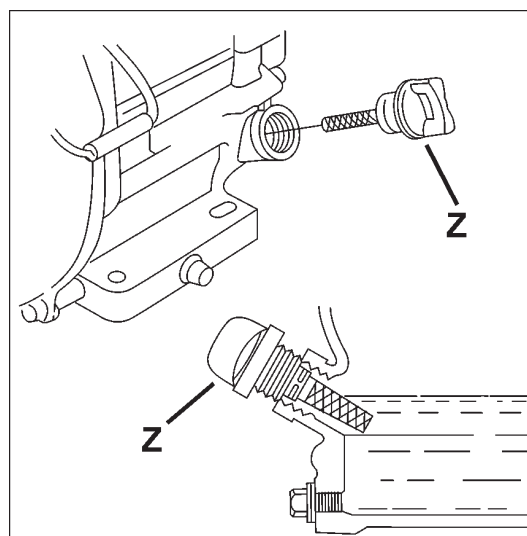


### Modèles à moteur essence :

Voir le fonctionnement du moteur dans le manuel d'utilisation du moteur.

**CARBURANT** : L'essence sans plomb est conseillée. Pour plus de renseignements, consulter le manuel du moteur.

**HUILE** : À l'aide de la jauge d'huile (Z), vérifier que le niveau d'huile moteur est correct. Lors du contrôle du niveau d'huile moteur, ne pas visser la jauge d'huile (Z) dans l'orifice. Bien que le moteur fonctionne souvent en position inclinée, vérifier le niveau d'huile avec le moteur horizontal. Contrôler souvent pour s'assurer que le niveau d'huile ne passe jamais en dessous du repère inférieur sur la jauge d'huile. L'huile 10W30 est conseillée. Pour plus de renseignements, consulter le manuel du moteur.



### AVIS

Si le moteur est équipé d'un système d'arrêt du moteur pour bas niveau d'huile, le moteur ne démarre pas lorsque le niveau d'huile est insuffisant. Le moteur peut également s'arrêter si l'inclinaison d'utilisation maximum est dépassée. Voir le manuel d'utilisation du moteur.

### Tous modèles :

Vérifier l'alignement de la flèche avant (A) avec le disque. Placer une règle contre le flasque intérieur (I). Aligner la flèche avant (A) sur la règle. Le cas échéant, ajuster la flèche avant (A) en desserrant les écrous de fixation du galet guide (B). Aligner le galet guide (B) sur la règle et resserrer les écrous.

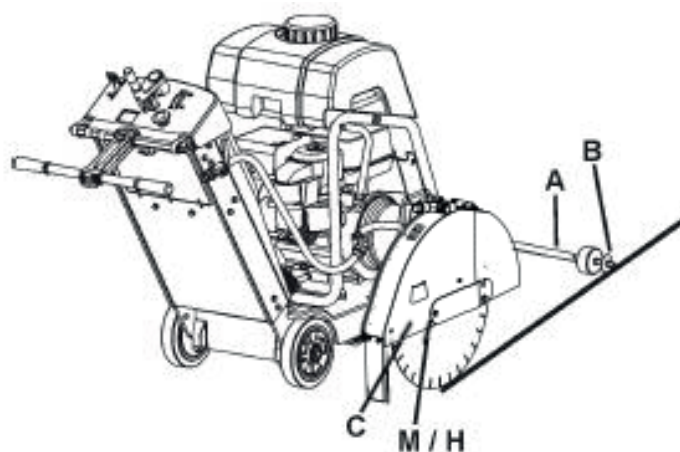
Vérifier que la tubulure d'eau dans le protège-disque (C) est ouverte et que chaque côté du disque reçoit suffisamment d'eau.

Contrôler la pression et le volume (débit) de l'alimentation en eau avant de démarrer la machine.

Ne pas scier plus profondément qu'il n'est nécessaire pour le travail. Un sciage plus profond que nécessaire ajoute à l'usure du disque et de la machine.

Scier par passes successives de 50 mm de profond jusqu'à atteindre la profondeur de sciage spécifiée. Ceci est le « sciage par degrés ».

Scier uniquement en ligne droite. Tracer clairement la ligne de coupe afin que l'opérateur de la machine puisse la suivre sans difficulté. NE PAS dévier la machine d'un côté à l'autre pour forcer le réalignement du disque.



## UTILISATION

### Pose du disque diamanté (H) :



Le disque diamanté (H) se met en place sur le chantier. Ne pas transporter la machine avec le disque diamanté (H) en place.

1. Ouvrir le cache avant (V).
2. Mettre le contacteur de démarrage du moteur (DD) en position d'ARRÊT (0).
3. Relever le disque diamanté (H) jusqu'à sa position la plus haute en tournant la commande de profondeur de disque (EE) dans le sens des aiguilles d'une montre.
4. À l'aide de la clé de 13 mm (U) rangée dans le compartiment à outils (BB), desserrer et déposer les quatre (4) boulons de fixation de la plaquette d'accrochage de protège-disque (F). Déposer provisoirement la plaquette d'accrochage de protège-disque (F).
5. Relever l'avant du protège-disque (D).
6. À l'aide de la clé d'axe de disque de 27 mm (T), desserrer et déposer l'écrou d'axe de disque (L) qui maintient le flasque extérieur (J) en place.
7. Déposer le flasque extérieur (J).

#### AVIS

L'écrou d'axe de disque (L1) sur le côté droit de la machine a un filetage à gauche. Pour desserrer, tourner dans le sens des aiguilles d'une montre.

L'écrou d'axe de disque (L2) (non représenté) sur le côté gauche de la machine a un filetage à droite. Pour desserrer, tourner dans le sens inverse des aiguilles d'une montre.

8. Vérifier que le mandrin d'axe de disque (M), le flasque intérieur (I) et le flasque extérieur (J) sont propres et exempts de corps étrangers.
9. Enfiler le disque diamanté (H) sur le mandrin d'axe (M). Le sens de rotation est indiqué par des flèches sur le disque diamanté (H) et l'avant de protège-disque (D). Voir l'illustration à droite.
10. Poser le flasque extérieur (J) sur le mandrin d'axe de disque (M). Vérifier que la goupille de verrouillage (K) traverse le disque diamanté (H) et s'engage dans le flasque intérieur (I).
11. Tourner le flasque extérieur (J) et le disque diamanté (H) dans le sens opposé à celui de la rotation du disque pour éliminer le jeu.
12. Poser l'écrou d'axe de disque (L). Serrer à l'aide de la clé d'axe de disque de 27 mm (T).

#### AVIS

L'écrou d'axe de disque (L1) sur le côté droit de la machine a un filetage à gauche. Pour serrer, tourner dans le sens inverse des aiguilles d'une montre. Serrer à un couple de 45 Nm (33 lb-ft) au minimum.

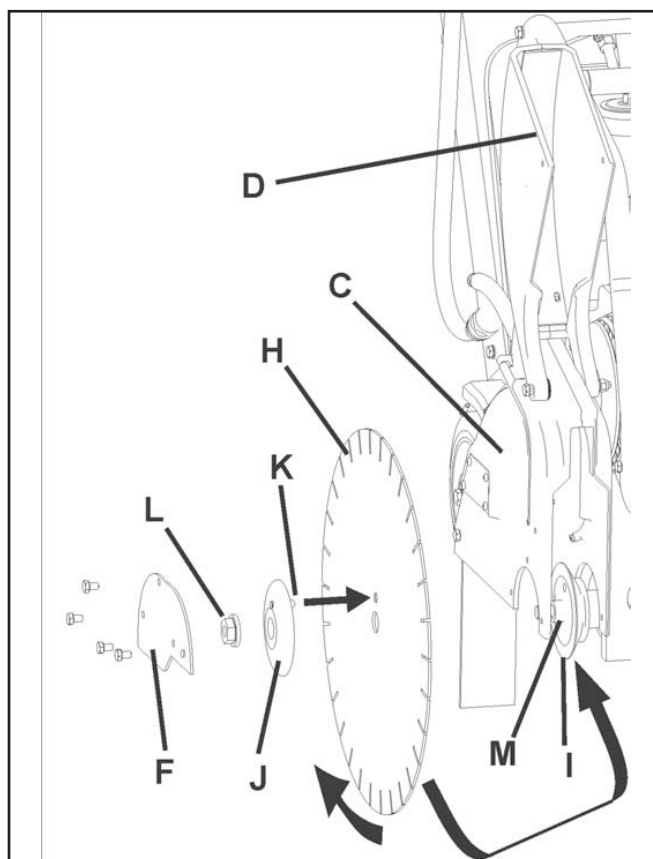
L'écrou d'axe de disque (L2) (non représenté) sur le côté gauche de la machine a un filetage à droite. Pour serrer, tourner dans le sens des aiguilles d'une montre. Serrer à un couple de 45 Nm (33 lb-ft) au minimum.

13. Abaisser l'avant du protège-disque (D).
14. Remonter et serrer la plaquette d'accrochage de protège-disque (F).

92

### ⚠ AVERTISSEMENT !

Assurez-vous que le disque, les brides de disques et le mandrin de bride de disque ne sont pas endommagés. Nettoyez les surfaces de contact du disque et des brides du disque. Assurez-vous que le disque et les brides sont propres et exempts de poussières et de saletés avant le montage de la bride sur la machine.



### ⚠ AVERTISSEMENT !

UTILISER UNIQUEMENT des disques (H) marqués d'une vitesse maximale d'exploitation supérieure à la vitesse de l'axe de disque.  
NE PAS utiliser la machine sans protection adaptée sur le disque diamanté (H).  
NE PAS utiliser la machine avec l'avant de protège-disque (D) relevé.

La portion de disque (H) exposée NE DOIT PAS dépasser 180 degrés durant la marche de la machine. Les surfaces de contact du mandrin d'axe de disque (M), la bride intérieure (I), et la bride extérieure (J) DOIVENT ÊTRE en bon état, propres et exempts de corps étrangers.

NE PAS transporter la machine avec le disque (H) en place.

NE PAS utiliser de disques diamantés (H) classiques (humides) sans eau.

LIRE les instructions d'utilisation fournies avec le disque (H).

NE PAS installer le disque (H) sauf si l'interrupteur d'alimentation est en position ARRÊT (0) et débranché de l'alimentation électrique.

## UTILISATION

### Démarrer et scier avec la machine :

- À l'aide de la commande de profondeur (EE), relever le disque diamanté (H) aussi haut que possible afin de ne pas heurter le sol en manœuvrant. Tirer la butée de profondeur (FF) au besoin.
- Libérer le frein de stationnement (le cas échéant).
- Mettre la machine en position près de la ligne de coupe.
- Abaisser la flèche avant (A) jusqu'à la surface de coupe.
- Régler l'indicateur de profondeur (GG) (emploi facultatif) :

1) Abaisser la machine jusqu'à ce que le disque diamanté touche la surface à couper.

2) Régler le cadran de l'indicateur de profondeur (GG) de manière à aligner les flèches sur le zéro (0). La couleur orange correspond à la profondeur de coupe en centimètres. La couleur blanche indique la profondeur en pouces.

3) Relever la scie jusqu'à sa hauteur maximale. À présent, lorsque le disque diamanté (H) est abaissé, l'indicateur de profondeur (GG) affiche la profondeur de coupe.

4) Ramener le disque diamanté (H) à sa position haute.

- Vérifier que Arrêt de la machine (AA) ET le contacteur de démarrage du moteur (DD) sont tous deux en position de MARCHE. L'interrupteur d'arrêt d'urgence (AA) doit être en position sortie (tiré vers l'extérieur du capot). Le contacteur de démarrage du moteur (DD) doit être en position « 1 » (MARCHE).
- Démarrer le moteur. Pour plus de renseignements, consulter le manuel du moteur.
- Vérifier visuellement que la rotation de l'outil correspond au sens de la flèche figurant sur le protège-disque.
- Ouvrir le robinet d'eau (KK) au MAXIMUM. Vérifier le débit d'eau maximum puis ajuster la quantité d'eau sur disque AVANT d'abaisser le disque.
- Effectuer l'alignement final de la scie par rapport à la ligne de coupe. Vérifier que le galet guide (B) et le disque diamanté (H) sont tous deux sur la ligne de coupe.

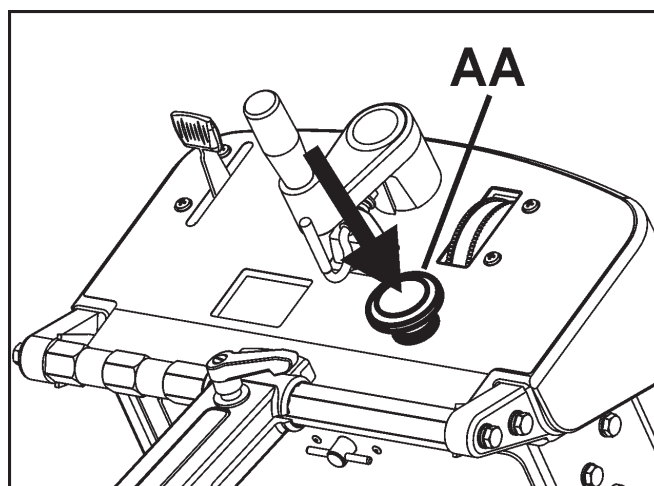
**Si l'arrivée d'eau est interrompue, arrêter immédiatement le sciage. Le sciage sans eau peut endommager le disque diamanté (H).**

- Abaisser le disque diamanté (H) dans la surface à couper en tournant lentement la commande de profondeur de disque (EE) dans le SENS INVERSE DES AIGUILLES D'UNE MONTRE.
- Lorsque la profondeur de coupe souhaitée est atteinte, enfoncer la Butée de profondeur du disque (FF) pour l'engager dans la commande de profondeur de disque (EE) (facultatif).
- Pousser sur le guidon (JJ) sans forcer pour faire avancer la machine. Observer le disque diamanté (H) et le galet guide (B) avec attention pour maintenir la machine sur la ligne de coupe.

- Lorsque la coupe est terminée, dégager la butée de profondeur du disque (FF).
- Relever le disque diamanté (H) hors du trait de sciage en tournant lentement la commande de profondeur de disque (EE) dans le SENS DES AIGUILLES D'UNE MONTRE.
- Fermer le robinet d'eau (KK).
- Couper le moteur en mettant le contacteur de démarrage du moteur (DD) en position « 0 » (ARRÊT).

### AVIS

**Si une situation d'urgence se produit durant le sciage, ARRÊTER immédiatement la machine à l'aide de Arrêt de la machine (AA).**



**STOP**

**Pour ARRÊTER la machine appuyez sur le bouton ARRÊT DE LA MACHINE (AA).**

---

# ENTRETIEN ET LUBRIFICATION

---

## GUIDE RAPIDE D'ENTRETIEN COURANT :

Avant toute opération d'entretien, TOUJOURS stationner la machine sur une surface horizontale, avec le moteur à l'ARRÊT et le contacteur du moteur en position d'ARRÊT. Laisser la machine refroidir ! Les autres opérations d'entretien et de réparations doivent être confiées à un technicien qualifié.

### À FAIRE CHAQUE JOUR :

1. Vérifier le niveau d'huile moteur.
2. Vérifier que le protège-disque n'est pas endommagé.
3. Contrôler le filtre à air du moteur, le changer s'il est sale. Le faire plus souvent dans des conditions très poussiéreuses.
4. Nettoyer la machine chaque jour.

### À FAIRE TOUTES LES 50 HEURES :

1. Changer l'huile moteur et le filtre à huile.
2. Nettoyer les ailettes du moteur.
3. Graisser la commande de profondeur.
4. Vérifier l'état général et l'usure des roues.
5. Vérifier la tension de la courroie d'entraînement du disque.

### Remplacement du filtre à air du moteur (S)

Si le moteur semble faible, dégage de la fumée noire ou tourne de façon irrégulière, il se peut que le filtre à air soit bouché. C'est pourquoi il est important de nettoyer et de remplacer le filtre à air régulièrement.

Reportez-vous au manuel du moteur pour obtenir des instructions détaillées



### **MISE EN GARDE !**

Le filtre ne doit pas être nettoyé avec de l'air comprimé, cela risquerait d'endommager le filtre. Les filtres peuvent être aspirés à condition qu'aucun élément n'entre en contact avec leur surface pour éviter tout endommagement.

Les filtres en papier doivent être correctement mis au rebut et remplacés.

Un filtre en polyester peut être aspiré ou nettoyé à basse pression.

N'effectuez pas de nettoyage à haute pression pour éviter tout endommagement du filtre.

Un filtre endommagé doit toujours être remplacé.

Le filtre nettoyé doit être parfaitement sec avant d'être reposé dans l'équipement.

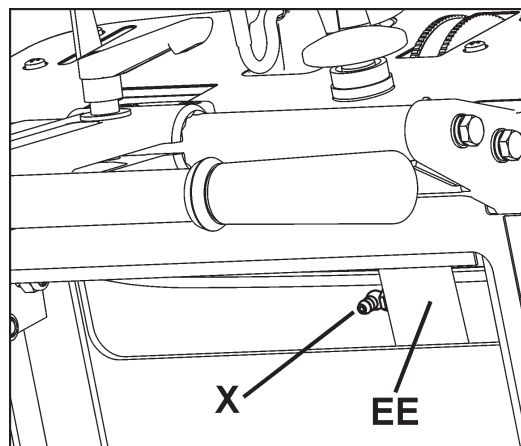
# ENTRETIEN ET LUBRIFICATION

## LUBRIFICATION :



**Graisseur de la commande de profondeur (X) :** Un graisseur est prévu pour le graissage de la vis de commande de profondeur du disque (EE). Pour accéder au graisseur :

- Relever le disque diamanté (H) jusqu'à sa hauteur maximale. Ouvrir le compartiment à outils (BB) et sortir provisoirement la pochette du manuel d'utilisation.
- Le graisseur (X) se trouve près du sommet du tube de la commande de profondeur de disque (EE).
- Pomper de la graisse dans le graisseur. Relever et abaisser le disque plusieurs fois pour faire circuler la graisse dans le tube.
- Remettre la pochette du manuel d'utilisation en place et refermer le compartiment à outils (BB).



## Huile moteur :

### Contrôle de l'huile moteur :



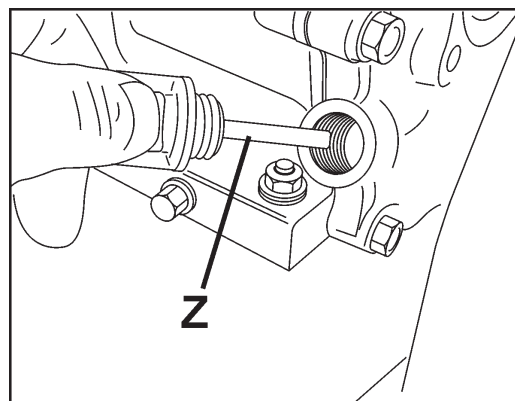
Vérifier que le niveau d'huile moteur est correct.



La jauge d'huile moteur (Z) se trouve sur l'avant du moteur. Compléter le niveau par l'orifice de la jauge d'huile. Lors du contrôle du niveau d'huile, ne pas visser la jauge d'huile moteur (Z).

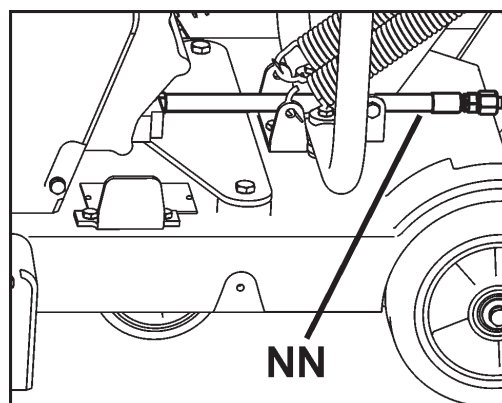
Bien que le moteur fonctionne souvent en position inclinée, vérifier le niveau d'huile avec le moteur horizontal. Contrôler souvent pour s'assurer que le niveau d'huile ne passe jamais en dessous du repère inférieur sur la jauge d'huile. L'huile 10W30 est conseillée.

Pour plus de renseignements, consulter le manuel du moteur.



### Changer l'huile moteur :

- Mettre le contacteur de démarrage du moteur (DD) en position d'ARRÊT (0). Laisser le moteur refroidir. Utiliser la commande de profondeur (EE) pour incliner la machine légèrement vers l'arrière.
- Déplacer le flexible de vidange d'huile (NN) vers le côté de la machine. Placer un récipient adapté, d'une capacité suffisante pour contenir toute l'huile du moteur, à côté de la machine pour recueillir l'huile.
- Ouvrir l'embout du flexible de vidange d'huile (NN) et laisser l'huile s'écouler dans le récipient. Une fois l'huile vidangée, reboucher le flexible de vidange, bien serrer et remettre le flexible dans sa position d'origine.
- Remplir le moteur avec la quantité d'huile préconisée - voir les détails dans le manuel du moteur.
- Éliminer l'huile usagée de façon écologiquement acceptable.



## ENTRETIEN ET LUBRIFICATION

**Tension de la courroie d'entraînement de l'axe de disque :** La courroie d'entraînement doit être retendue au bout des quelques premières heures de marche. Le tendeur de courroie (MM) maintient la tension de la courroie d'entraînement.

### Outillage nécessaire :

1. À l'aide de la clé de 13 mm (U), déposer les trois (3) boulons M8 de fixation du protège-courroie (LL). Déposer le protège-courroie (LL).

2. À l'aide des clés de 13 mm et de 14 mm, desserrer légèrement les deux (2) boulons de fixation du tendeur de courroie (MM) [boulons indiqués par les (2) flèches].

3. Poser la clé dynamométrique sur l'orifice carré du tendeur de courroie (MM).

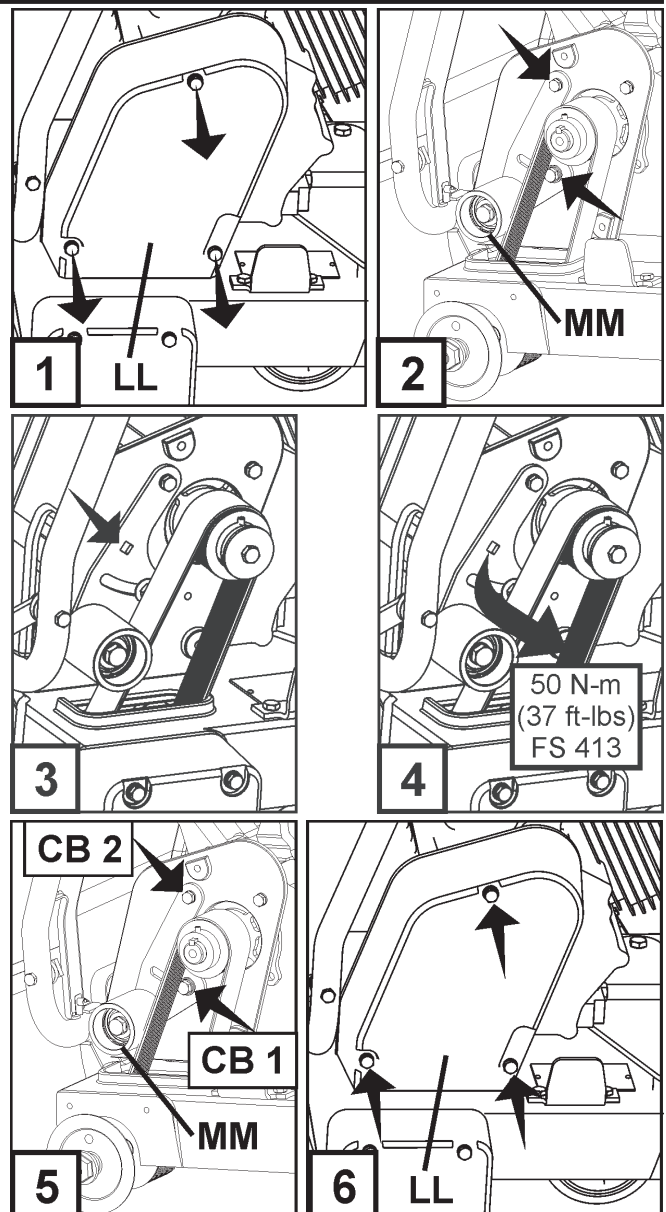
4. Appliquer un couple au tendeur (MM) de manière à pousser le tendeur (MM) contre la courroie trapézoïdale. Serrer au couple indiqué à la figure 4.

5. Serrer le boulon central (CB1) pour immobiliser le tendeur de courroie (MM), puis serrer l'autre boulon (CB2).

6. Remettre le protège-courroie (LL) en place. À l'aide de la clé de 13 mm (U), serrer les trois (3) boulons M8 de fixation du protège-courroie (LL).

### Vitesse du régulateur

Il est essentiel que le régulateur et la commande des gaz soient correctement réglés sur les moteurs à combustion interne. Le régime du moteur est préréglé à l'usine pour produire une vitesse de sciage correcte. Il n'est normalement PAS nécessaire de modifier ce réglage. Le vérifier à intervalles réguliers après la mise en service de la machine. Pour modifier le réglage du régulateur, se reporter au manuel du moteur.



### AVERTISSEMENT !

Une vitesse excessive du disque diamanté (H) peut entraîner une rupture du disque et des blessures de l'opérateur et autres personnes présentes ! Pour assurer un réglage correct du régulateur, déterminer la bonne vitesse de l'axe de disque (en tr/min) à l'aide de la table ci-contre. Suivre les instructions de réglage du régulateur et de la commande des gaz fournies par le fabricant du moteur.

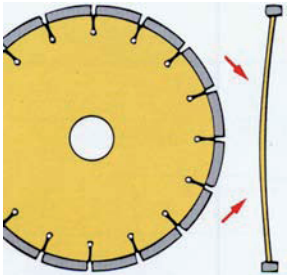
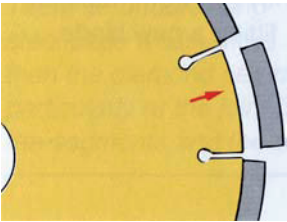
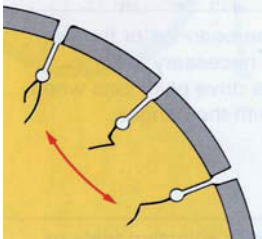



## GUIDE DE DÉPANNAGE

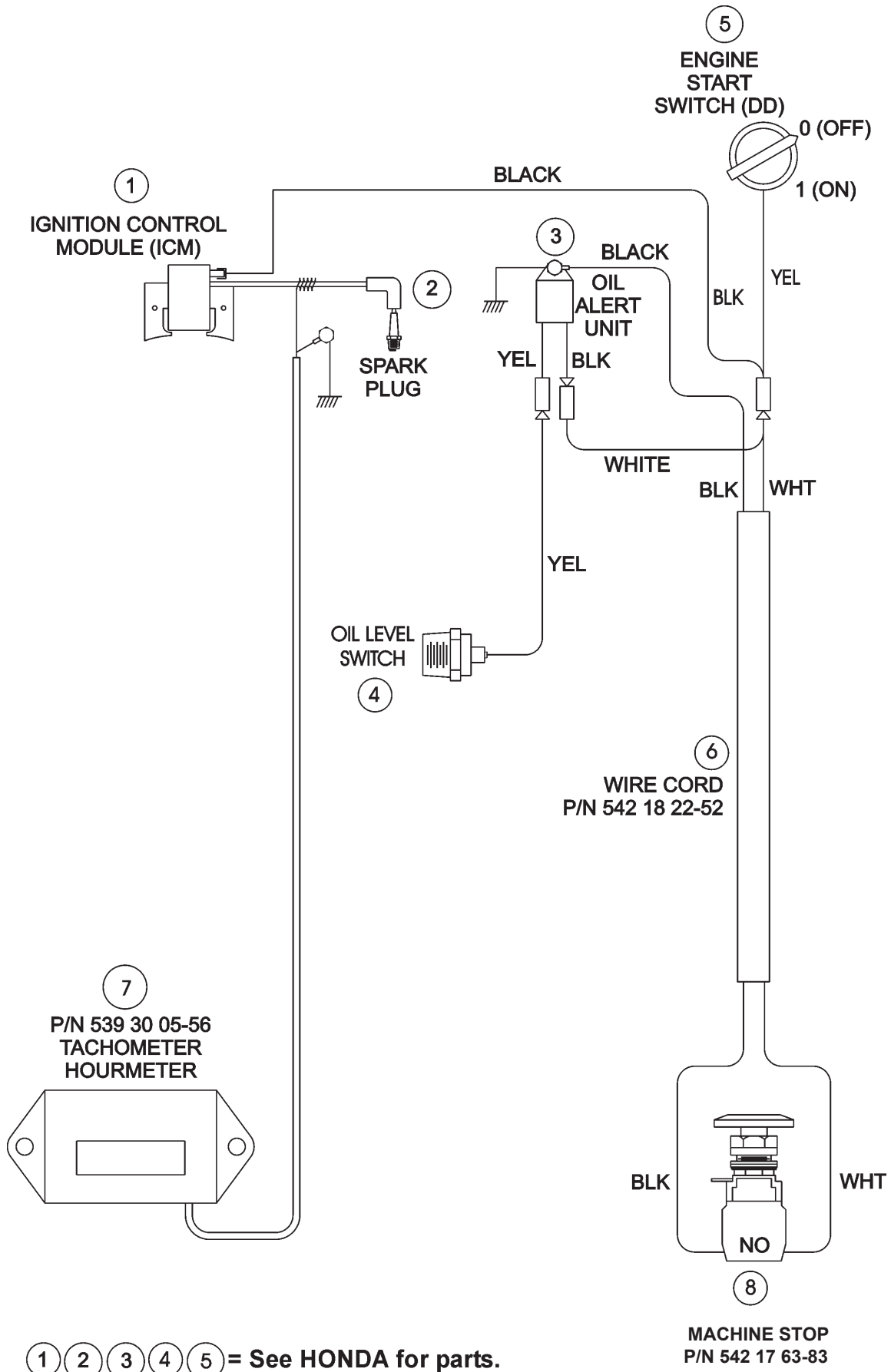
### Le moteur ne démarre pas :

Cause	Action
Commutateurs électriques pas dans la bonne position.	Vérifier que Arrêt de la machine (AA) ET le contacteur de démarrage (DD) sont TOUS DEUX en position de MARCHE. Arrêt de la machine (AA) doit être tiré vers l'extérieur du capot et le contacteur de démarrage (DD) en position « 1 » (MARCHE).
Le robinet de carburant est fermé.	Ouvrir le robinet de carburant.
Volet de départ ouvert.	Fermer le volet départ (starter) si le moteur est froid.
Réservoir de carburant vide.	Faire le plein de carburant.
Contamination ou glace dans le circuit d'essence.	Nettoyer le réservoir, les conduites de carburant et le carburateur. Remplir de carburant propre.
Électrodes de bougies encrassées.	Nettoyer et contrôler l'écartement des électrodes.
Le moteur manque de puissance ou ne tourne pas régulièrement. Filtre à air encrassé.	Nettoyer ou changer le filtre à air.

### Dépannage du disque diamanté :

Problème	Cause et action
Perte de tension du disque diamanté 	<p>Le disque est utilisé sur une scie mal alignée. Contrôler l'alignement de la scie.</p> <p>Le disque est trop « dur » pour le matériau scié, ce qui produit des contraintes sur l'âme de disque en acier. Vérifier que le disque convient pour le matériau scié.</p> <p>Des flasques de disque de différents diamètres ou trop petits produisent une pression inégale sur l'âme du disque. Utiliser des flasques de format correct de part et d'autre du disque. Ne jamais utiliser de flasques usés ou endommagés.</p> <p>Disque utilisé à une vitesse incorrecte (tr/min). S'assurer que l'axe de disque tourne à la vitesse correcte pour la taille du disque. Contrôler la vitesse de rotation à l'aide d'un tachymètre.</p> <p>Disque mal posé sur le mandrin. Il peut se voiler lorsque les flasques sont serrés.</p>
Perte de segments 	<p>Disque trop « dur » pour le matériau scié. Utiliser un disque plus « tendre ».</p> <p>Surchauffe du disque, indiquée par un « bleuissement » de l'âme. Vérifier que l'arrivée d'eau est suffisante et qu'elle n'est pas obstruée.</p> <p>La scie est déviée durant le sciage. Scier uniquement en ligne droite.</p> <p>L'alésage du disque est usé de façon excentrique (oval). Changer le disque et la broche usée.</p> <p>Segment heurté durant la pose ou le transport. Manipuler le disque diamanté avec précaution. Ne jamais transporter la machine avec le disque diamanté en place.</p>
Âme de disque fissurée 	<p>Disque trop « dur » pour le matériau scié. Utiliser un disque plus « tendre ».</p> <p>Surchauffe du disque, indiquée par un « bleuissement » de l'âme. Vérifier que l'arrivée d'eau est suffisante et qu'elle n'est pas obstruée.</p> <p>La scie est déviée durant le sciage. Scier uniquement en ligne droite.</p> <div style="border: 1px solid black; padding: 5px; text-align: center;"> <p><b>⚠ AVERTISSEMENT !</b></p> <p><b>NE PAS utiliser de disque diamanté endommagé !</b> L'utilisation de la machine avec un disque diamanté endommagé présente un danger de blessure, voire de mort !</p> </div>
Segments de disque fissurés 	<p>Disque trop « dur » pour le matériau scié. Utiliser un disque plus « tendre ».</p> <p>Disque utilisé à une vitesse incorrecte (tr/min). S'assurer que l'axe de disque tourne à la vitesse correcte pour la taille du disque. Contrôler la vitesse de rotation à l'aide d'un tachymètre.</p>

# SCHÉMA DE CÂBLAGE





# DONNÉES TECHNIQUES

Masse de la machine	
Masse nominale, kg (lb)	142 (313)
Masse maximale, kg (lb)	158 (348)

Vitesse d'axe de disque et du moteur	
Vitesse d'axe de disque, tr/min	2700
Vitesse du moteur, tr/min	3600

Capacité du réservoir d'eau	
Litres	Gallons É.U. (Gallons R.-U.)
25	6,6 (5,5)

Profondeurs de coupe	
Dimension du disque, mm (pouces)	Profondeur de coupe maximale, mm (pouces)
500 (20)	189 (7,6)

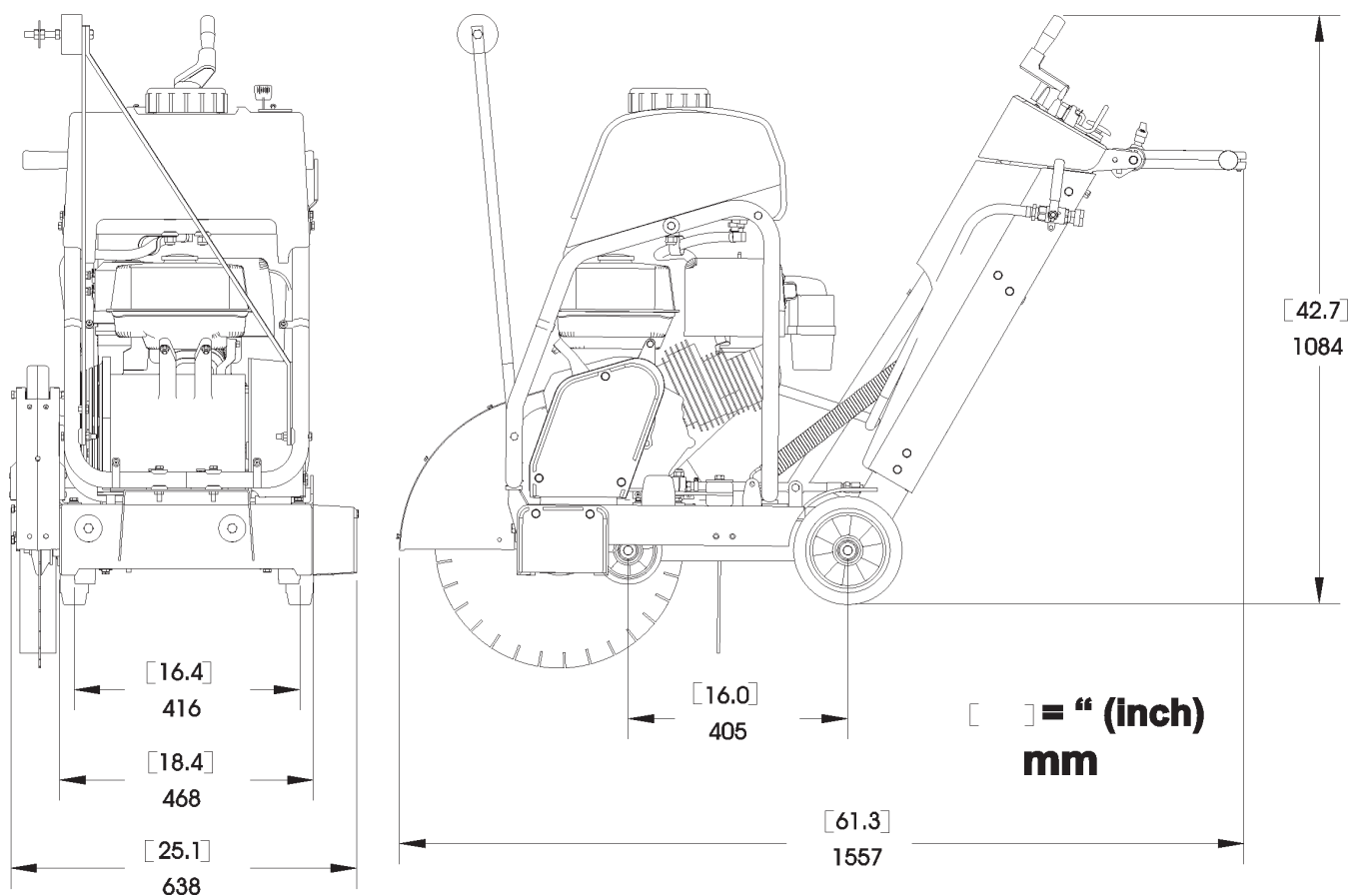
Dimensions du mandrin et de la bride de disque	
Dimensions du mandrin, mm (pouces)	25,4 (1)
Diamètre de bride de disque, mm (pouces)	114 (4,5)

Émissions sonores (voir remarque 1)	
Niveau de puissance sonore mesuré dB(A)	108
Niveau de puissance sonore garanti, dB(A)	110
Niveaux sonores (voir remarque 2)	
Niveau de pression sonore à l'oreille de l'utilisateur, dB(A)	88
Niveaux de vibrations équivalents, <sub>ahv</sub> (voir remarque 3)	
Poignée droite, m/s <sup>2</sup>	2,4
Poignée gauche, m/s <sup>2</sup>	1,9

Remarque 1 : Émissions sonores dans l'environnement mesurées en tant que puissance acoustique (LWA) selon la directive européenne 2000/14/CE.

Remarque 2 : Niveau de pression sonore conformément à EN 13862. Les données reportées pour le niveau de pression sonore montrent une dispersion statistique type de déviation (standard) de 4,0 dB (A).

Remarque 3 : Niveau de vibration conformément à EN 13862. Les données reportées pour le niveau de vibrations montrent une dispersion statistique type (déviation standard) de 1,5 m/s<sup>2</sup>

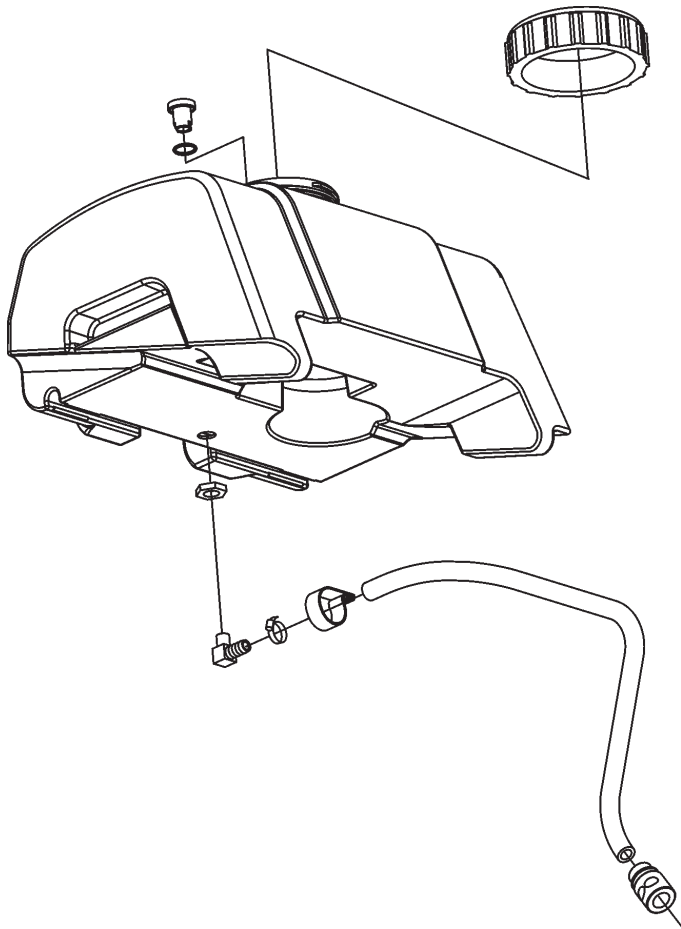


---

## ACCESSOIRES

---

Réservoir d'eau  
541 20 82-86 Kit complet



---

# CERTIFICATS DE CONFORMITÉ

---

**American National Standards Institute** : Pour les appareils utilisés aux États-Unis, cette machine a été conçue en conformité avec la norme ANSI B7.1-2000, « Safety Requirements for the Use, Care and Protection of Abrasive Wheels » de l'American National Standards Institute. Pour acheter un exemplaire de cette norme, contacter l'American National Standards Institute à l'adresse ci-dessous :

American National Standards Institute  
25 West 43rd Street, 4th Floor  
New York, NY 10036

Téléphone : 212.642.4900  
Fax: 212.398.0023  
www.ansi.org

**CALIFORNIA AIR RESOURCES BOARD (CARB)**: Cette machine est considérée une application hors route en vertu des normes CARB. En tant que matériel de chantier et, en particulier, que scie à béton (Scies : béton, maçonnerie, coupe) de puissance moteur inférieure à 19 kW (25 hp), les normes CARB ne s'appliquent pas à cette machine.

Pour plus de renseignements, consulter le site Web <http://www.arb.ca.gov/msprog/offroad/preempt.htm>

## Déclaration de conformité CE

(Concerne seulement l'Europe)

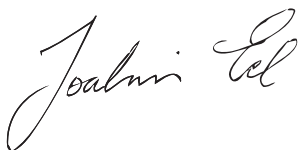
**Husqvarna AB**, SE-561 82 Huskvarna, Suède, tél. +46-36-146500, déclarons, sous notre seule responsabilité, que la scie de sol **Husqvarna FS 413** à partir des numéros de série de l'année de fabrication 2016 et ultérieurement (l'année est clairement indiquée sur la plaque signalétique et suivie d'un numéro de série), est conforme aux dispositions des DIRECTIVES EUROPÉENNES:

- du 17 mai 2006 "relative aux machines" 2006/42/CE
- du 26 février 2014 "relative à la compatibilité électromagnétique" 2014/30/UE
- du 8 mai 2000 "émissions sonores dans l'environnement" 2000/14/CE

Les normes harmonisées suivantes ont été appliquées : EN ISO 12100:2010, CISPR12:2007+Amd1:2009, EN55012:2007+A1:2009, EN13862+A1:2009, EN ISO 14982:2009.

SMP Svensk Maskinprovning AB, Box 7035, SE-750 07 Uppsala, Suède, a procédé à des examens de type volontaire conformément à la directive machines (2006/42/CE), pour le compte de Husqvarna AB.  
Le certificat porte le numéro : SEC/17/2478

Göteborg, le 26 février 2016



Joakim Ed  
Directeur général R&D  
Équipements de Construction Husqvarna AB  
(Représentant autorisé d'Husqvarna AB et responsable de la documentation technique.)

---

## INFORMATIONS DE CONTACT

---



### **Construction Products, North America**

#### **Corporate Office**

17400 West 119th Street, Olathe, Kansas 66061 USA

Corporate Office: 913-928-1000

Corp. Office Fax: 913-438-7951

**[www.husqvarna.com](http://www.husqvarna.com)**

Pour toute réparation, contacter le représentant local de Husqvarna Construction Products.

### **Europe :**

#### **Husqvarna Construction Products**

SE-433 81 Partille, Suède

Tél.: +46 31 94 90 00

Fax : +46 31 94 90 50

### **Asie Pacifique :**

#### **Husqvarna Construction Products, Australia Pty Ltd**

25-31 Kinkaid Avenue,

North Plympton, Adelaide,

South Australia 5037

Tél.: +61 (0)8 8375 1000

Fax :+61 (0)8 8371 0990

### **Amérique :**

#### **Husqvarna Construction Products, North America**

17400 West 119th Street, Olathe, Kansas 66061 USA

Téléphone sans frais : 800-288-5040, Téléphone : 913-928-1300

Fax : 913-438-7938





# INHALTSVERZEICHNIS und EINLEITUNG

Inhaltsverzeichnis	
Kapitel	Seite
Inhaltsverzeichnis und Einleitung .....	3
Symbole und Aufkleber .....	4-8
Sicherheitshinweise .....	9-13
Beschreibung der einzelnen Teile.....	14-15
Zusammenbau .....	16-20
Betrieb .....	21-25
Wartung und Schmierung.....	27-28
Fehlersuche .....	29
Schaltbild .....	30
Technische Daten .....	31-32
Zubehör .....	33
Konformitätsbescheinigungen.....	34
Kontaktinformationen .....	35

## Einleitung

Wir danken Ihnen für den Kauf dieser neuen Maschine von Husqvarna Construction Products. In diesem Handbuch und auf der Maschine befinden sich wichtige Sicherheitshinweise. Lesen Sie diese Hinweise bitte sorgfältig. Ein Sicherheitshinweis warnt Sie vor potenziellen Gefahren, die zu Verletzungen für Sie selbst oder andere führen können. Vor jedem Sicherheitshinweis steht ein Symbol oder Warnzeichen (⚠) und eines der beiden Wörter **ACHTUNG** oder **VORSICHT**.

Diese Signalwörter haben folgende Bedeutung:

**⚠ ACHTUNG:** Weist auf eine Gefahrensituation hin, die, falls sie nicht vermieden wird, den Tod oder schwere Verletzungen verursachen KÖNNTE

**⚠ VORSICHT:** Weist auf eine Gefahrensituation hin, die, falls sie nicht vermieden wird, leichte oder mittelschwere Verletzungen verursachen KÖNNTE. Dieser Hinweis kann auch vor unsicheren Praktiken warnen.

Jeder Hinweis informiert Sie darüber, was passieren kann und was Sie zum Vermeiden oder Verringern einer Verletzungsgefahr tun können. Vor anderen wichtigen Hinweisen steht das Wort **ANMERKUNG**.

**ANMERKUNG** bedeutet Folgendes:

**ANMERKUNG:** Weist auf eine Gefahrensituation hin, die, falls sie nicht vermieden wird, zu Sachbeschädigung führen kann. Ihre Maschine oder anderes Eigentum kann beschädigt werden, wenn Sie diese Anweisung nicht befolgen.

Die Sicherheitsaufkleber sind vom Benutzer regelmäßig zu prüfen und zu reinigen, damit sie aus einem sicheren Abstand gut lesbar bleiben. Wenn ein Aufkleber abgenutzt, beschädigt oder unleserlich ist, muss er ersetzt werden.

## ⚠ ACHTUNG!

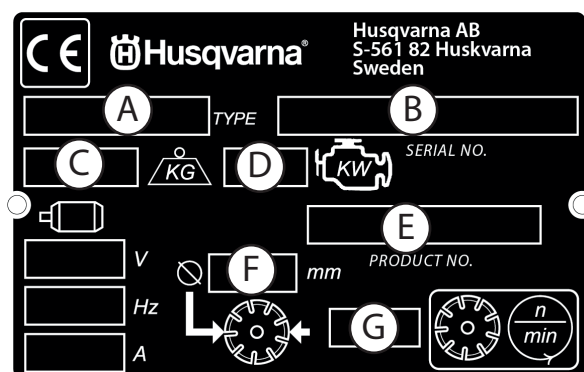
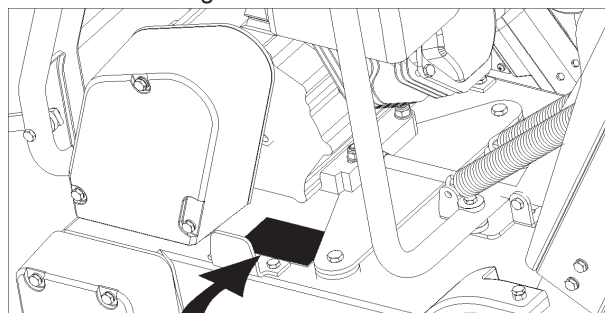


Lesen Sie vor der Bedienung der Maschine diese Bedienungsanleitung und die mit dem Motor gelieferte Betriebsanleitung gründlich.



Machen Sie sich vor dem Betrieb mit der Maschine vertraut!

**Modellkennzeichnung:** Notieren Sie nachstehend die Daten der Seriennummerplakette der Maschine für die spätere Verwendung:



A. Modell: \_\_\_\_\_

B. Herstellungsdatum, Jahr, Woche, Seriennummer: \_\_\_\_\_

C. Gewicht der Maschine (kg) \_\_\_\_\_

D. Motorleistung (KW) \_\_\_\_\_

E. Artikelnummer \_\_\_\_\_

F. Klingendurchmesser (mm) \_\_\_\_\_

G. Drehzahl der Klinge (Umdrehungen pro Minute, U/min) \_\_\_\_\_

Weiter Informationen, die sich nicht auf der Seriennummerplakette befinden:

**Motorseriennr.:** \_\_\_\_\_

Anbringungsort ist in der Betriebsanleitung des Motors angegeben.

**Kaufdatum:** \_\_\_\_\_

## SYMBOLS und AUFKLEBER



Lesen Sie bitte vor der ersten Inbetriebnahme der Maschine die Bedienungsanleitung.



Dieses Symbol zeigt, dass die Maschine die jeweilige EU-Richtlinie erfüllt.



Zwingend



Angabe



Verbot



Warnzeichen



Augenschutz tragen



Atemschutz benutzen



Gehörschutz vorgeschrieben



Schutzhelm tragen



Sicherheitsschuhe tragen



Vorgeschriebene Kleidung tragen



Trennscheibe vor dem Anheben, Verladen, Abladen und Transportieren der Maschine ausbauen.



Maschinen-stopp, Getriebe schaltung.



In gut belüftetem Bereich verwenden



Nicht in feuergefährdeten Bereichen verwenden.



Warnung vor Handverletzung durch Maschinen, Hände und Füße fernhalten.



Heißer Auspuff. Kann zu Verbrennungen und/oder Entzündung von Material führen. Berührung vermeiden.



Warnung vor giftigen Abgasen.



Kein Zutritt für Unbeteiligte.



Rauchen verboten



Nur mit angebrachter Trennscheibenschutzabdeckung verwenden



Schutzabdeckungen müssen angebracht sein



Wasserzufuhr eingeschaltet



Wasserzufuhr ausgeschaltet



Wasserzufuhr

## SYMBOLS und AUFKLEBER



Sicherheitsschalter für Wasserzufuhr zur Trennscheibe.



Motorkühlmitteltemperatur



Arbeitsbereich muss sauber u. gut beleuchtet sein; sämtliche Gefahrenquellen beseitigen.



Gefährlich hoher Lärmpegel.



Vor der Inbetriebnahme sorgfältig auf die Pflege und den Schutz der Maschine achten.



Werkzeuge aus dem Arbeitsbereich und von der Maschine entfernen.



Motoröldruck



Öl nachfüllen



Ölmesstab, korrekten Ölstand beachten.



Schmierpunkt



Hohe Drehzahl



Niedrige Drehzahl



Elektrischer Ausschalter



Elektrischer Einschalter



Elektrischer Startschalter



Reparaturen dürfen nur vom Vertragshändler durchgeführt werden.



Scheinwerfer



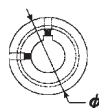
Diamanttrennscheibe



Trennscheibendurchmesser



Einrücken der Trennscheibe



Riemenscheibendurchmesser



Umdrehungen pro Minute, Umdrehungsgeschwindigkeit.



Trennscheibenflanschdurchmesser



Trennscheiben-Tiefenanschlag



Schneidtiefeanzeige - Schnitttiefe



Feststellbremse



Feststellbremse angezogen (eingerrückt)



Feststellbremse freigegeben (ausgerückt)

## SYMBOLE und AUFKLEBER



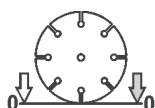
Gewicht der Maschine (kg)



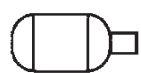
Der Pfeil auf dem Werkzeugschutz gibt die Rotationsrichtung des Werkzeugs an.



Positive Batterieklemme



Trennscheibentiefeanzeige – Null



Elektromotor



Motor



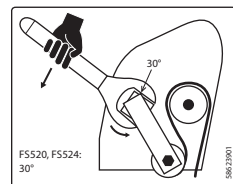
Motordrehzahl in U/min



Motoranlasser



Nur unverbleites Benzin



30°-Schraubenschlüssel



Umweltbelastende Geräuschemissionen gemäß der Richtlinie der Europäischen Gemeinschaft. Die Emission des Gerätes ist im Abschnitt „Technische Daten“ und auf dem Geräteschild angegeben.

## SYMBOLS und AUFKLEBER



P/N 542 19 07-33  
Stelle: Vorderseite der Verkleidung

### FS 413

P/N 542 19 07-112  
Stelle: Linke und rechte Seite  
des Rahmens (nur FS 413)

For local service, please contact your local Husqvarna Construction Products representative.

Para efectuar un servicio local, póngase en contacto con su representante local de Husqvarna Construction Products.

Pour toute réparation, contacter le représentant local de Husqvarna Construction Products.

Für Service vor Ort wenden Sie sich bitte an Ihren örtlichen Vertreter von Husqvarna Construction Products.

Neem voor plaatselijke service contact op met uw plaatselijke vertegenwoordiger van de constructieproducten van Husqvarna.

Per assistenza, rivolgersi al rappresentante di zona della Husqvarna Construction Products.

För service på platsen, kontakta din lokala representant för Husqvarna Construction Products.

Para obter serviço técnico local, contactar o representante da Husqvarna Construction Products local.

#### Europa / Europe:

Husqvarna  
Construction Products  
SE-433 81 Partille, Sweden  
Tel: +46 31 94 90 00  
Fax: +46 31 94 90 50

#### Asia Pacific:

Husqvarna  
Construction Products,  
Australia Pty Ltd  
25-31 Kinkaid Avenue,  
North Plympton, Adelaide,  
South Australia 5037  
Tel: +61 (0)8 8375 1000  
Fax: +61 (0)8 8371 0990

#### The Americas:

Husqvarna Construction Products,  
North America  
17400 West 119th Street,  
Olathe, Kansas 66061 USA  
Toll-Free Telephone: 800-288-5040,  
Telephone: 913-928-1300  
Fax: 913-438-7938

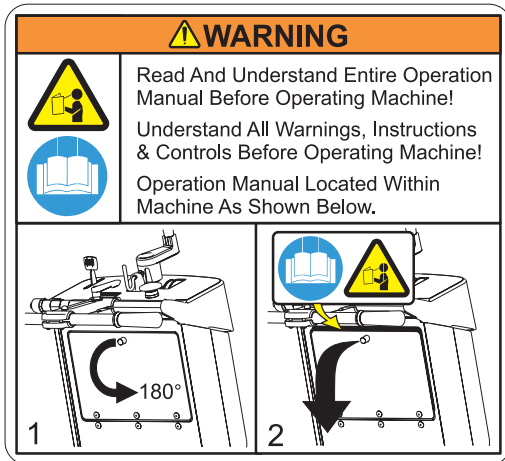
P/N 542 19 06-46 Lokaler Service  
Stelle: Rahmenseite

P/N 542 19 05-88



P/N 542 19 05-88  
Stelle: Tiefenmesser

# SYMBOLS und AUFKLEBER



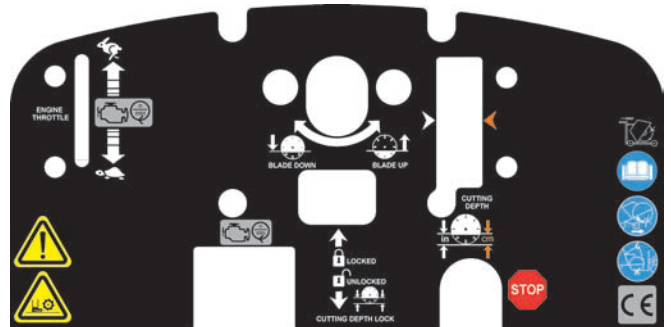
P/N 542 19 05-93  
Stelle: Rückseite der Verkleidung



P/N 542 16 90-65  
Stelle: Obere Seite des Riemenschutzes



P/N 542 19 06-17  
Stelle: Wassertank  
(falls vorhanden)



P/N 502 24 01-05  
Stelle: Oberseite der Verkleidung






P/N 542 19 06-38  
Stelle: Rückseite der Verkleidung

PATENT PENDING


P/N 542 16 12-35  
Stelle: Oben rechts am Rahmen


# SICHERHEITSHINWEISE


## Allgemeiner Betrieb


 <b>ACHTUNG!</b>	
	Lesen Sie vor der Bedienung der Maschine diese Bedienungsanleitung und die mit dem Motor gelieferte Betriebsanleitung gründlich.
	Machen Sie sich vor dem Betrieb mit der Maschine vertraut!

  	<b>Der Bediener muss Schutzausrüstung und Schutzkleidung tragen, die der auszuführenden Arbeit entsprechen. Schutzausrüstung wie Gehör- und Augenschutz ist zwingend vorgeschrieben.</b>
  	


	<b>Der Arbeitsbereich muss aufgeräumt, gut beleuchtet und frei von sämtlichen Gefahrenquellen sein.</b>
---	---

	<b>Unbeteiligte Personen dürfen sich nicht im Arbeitsbereich aufhalten.</b>
--	---

	<b>ACHTUNG! Die Klingenwelle dreht sich, wenn der Motor angelassen oder gestartet wird.</b>
---	---


	<b>ACHTUNG! Das Werkzeug nicht anfassen, wenn die Maschine in Betrieb ist.</b>
---	--

## Kraftstoffsicherheit:

	<b>ACHTUNG! Beim Umgang mit Kraftstoff Vorsicht walten lassen. Dabei an die Feuer- und Explosionsgefahr sowie das Einatmen schädlicher Dämpfe denken.</b>
---	---

- Kraftstoff darf nur in den dafür zugelassenen Behältern aufbewahrt werden.
- Zum Betanken immer die Maschine ausschalten. Den Tankdeckel nie bei laufender Maschine abnehmen und Kraftstoff nachfüllen.
- Immer in einem gut belüfteten Bereich auftanken.
- Den Tank nie in geschlossenen Räumen mit Kraftstoff befüllen.
- Den Motor vor dem Auftanken abkühlen lassen.

	<b>Die Maschine nie in der Nähe von Funken oder Flammen auftanken. Die Maschine nicht in feuergefährdeten Bereichen verwenden.</b>
---	--

	<b>Beim Betanken oder Betreiben der Maschine nicht rauchen.</b>
---	---

- Vor dem Anlassen des Motors die Maschine 3 m vom Ort des Auftankens wegbewegen.
- Die Maschine nie in den folgenden Fällen in Betrieb nehmen:
  - 1) Wenn Kraftstoff auf ihr verschüttet wurde. Verschütteten Kraftstoff aufwischen und Kraftstoffreste verdunsten lassen.
  - 2) Wenn Kraftstoff auf Sie selbst oder Ihre Kleidung geraten ist. Körperteile, die mit Kraftstoff in Berührung gekommen sind, mit Seife und Wasser waschen.
  - 3) Wenn Kraftstoff aus der Maschine ausläuft. Regelmäßig darauf achten, ob Kraftstoff aus dem Tankdeckel und den Kraftstoffleitungen entweicht.
- Die Maschine so lagern und transportieren, dass leckender oder verdunstender Kraftstoff nicht mit Funken oder Flammen in Berührung kommt. Dazu gehören elektrische Maschinen oder Elektromotoren, elektrische Relais bzw. Schalter oder Erhitzer.

## STAUBWARNUNG

**Bei Schneidarbeiten, vor allem wenn TROCKEN geschnitten wird, entsteht Staub von dem Material, das geschnitten wird. Dieser Staub enthält häufig Kieselerde.** Kieselerde ist ein Grundbestandteil von Sand, Quarz, Ziegelton, Granit und zahlreichen anderen Materialien und Steinen. Große Mengen dieses Stoffes können folgende Auswirkungen haben:

- Erkrankungen der Atemwege (Beeinträchtigung der Atmung) einschließlich chronische Bronchitis, Silikose, Lungenfibrose durch Einwirkung der Kieselerde. Diese Erkrankungen können tödlich sein.
  - Hautreizungen und -ausschläge sowie
  - Krebs gem. NTP\* und IARC\*
- \* National Toxicology Program, International Agency for Research on Cancer

### Vorsichtsmaßnahmen

- Das Einatmen von Staub, Nebel und Dämpfen sowie den Hautkontakt damit vermeiden.
- Zur Vermeidung von Staub nach Möglichkeit nass schneiden
- Tragen Sie selbst einen geeigneten Atemschutz wie z. B. eine Staubmaske zum Filtern mikroskopischer Partikel und achten Sie darauf, dass Beistehende dies ebenfalls tun. (Siehe OSHA 29 CFR Part 1910.1200)

### California Prop 65 Warnung:

Die Verwendung dieses Produkts kann entsprechend den dem Bundesstaat Kalifornien vorliegenden Informationen Stoffe freisetzen, die Krebs und/oder Geburtsfehler oder weitere erblich bedingte Schäden verursachen.

## SICHERHEITSHINWEISE



### ACHTUNG GIFTIGE ABGASE



**DIE SÄGE WIRD VOM WERK OHNE ABGASKATALYSATOR VERSANDT.**  
DIE MASCHINE ERZEUGT KOHLENMONOXID-ABGASE UND **DARF NICHT** IN GESCHLOSSENEN RÄUMEN VERWENDET WERDEN. DIE VERWENDUNG EINES ABGASKATALYSATORS VERRINGERT DIE KOHLENMONOXIDEMISSIONEN, JEDOCH IST DER EINSATZ DER MASCHINE IN GESCHLOSSENEN RÄUMEN TROTZDEM **NICHT SICHER**.

NUR IN GUT BELÜFTETEN BEREICHEN VERWENDEN. DIE LUFTQUALITÄT AM ARBEITSPLATZ MUSS DER OSHA-BESTIMMUNG 29 CFR 1910.1000 PER TABELLE Z-1, GRENZEN DER LUFTVERSCHMUTZUNG, ENTSPRECHEN.

DIE LUFTQUALITÄT AM ARBEITSPLATZ IST AUF EINHALTUNG DIESER RICHTLINIE ZU ÜBERPRÜFEN. DIE NICHTBEACHTUNG IST LEBENSGEFÄHRLICH UND VERURSACHT CHRONISCHE VERLETZUNGEN ODER DEN TOD.

#### Allgemeine Informationen

Kohlenmonoxid (CO) ist eines der wenigen weit verbreiteten industriellen Gase, das sowohl stark giftig als auch geruchlos ist. Kohlenmonoxid wirkt nach dem Einatmen als ein chemischer, Asphyxie hervorrufender Stoff, der sich vorzugsweise im Blutstrom mit Hämoglobin verbindet. Daraufhin kann das Hämoglobin dann nicht mehr die normale Sauerstoffmenge transportieren und es kommt zu einer unzureichenden Sauerstoffversorgung des Gewebes. Die Symptome der geringgradigen CO-Einwirkung sind Kopfschmerzen, Schwindelgefühl, Verwirrung und Übelkeit. **Die fortgesetzte oder stärkere Einwirkung von Kohlenmonoxid kann jedoch Bewusstseinsverlust, chronische Verletzungen und den Tod zur Folge haben.** Aufgrund der gesundheitlichen Gefahren im Zusammenhang mit der Einatmung von Kohlenmonoxid hat OSHA (Occupational Safety and Health Administration) Grenzen für die zulässigen Expositionswerte aufgestellt. Die OSHA-Expositionsgrenzwerte, die in 29 CFR 1910.1000 (1998 Revision) festgelegt sind, erlauben eine Obergrenze von 200 PPM und einen zeitlichen Mittelwert von 35 PPM je 8-Stunden-Schicht/40-Stunden-Woche. Das Nachschlagen in OSHA 29 CFR 1910.1000 (Code of Federal Regulations) wird dringend empfohlen; darin befinden sich weitere Informationen über Expositionsgrenzwerte für verschiedene Gefahrenstoffe. Bei Verdacht auf CO-Vergiftung das Opfer sofort an die frische Luft bringen und den Notarzt benachrichtigen.

#### Richtige Entlüftung:

**DIE SÄGE WIRD VOM WERK OHNE ABGASKATALYSATOR VERSANDT.** Man darf nicht vergessen, dass Sägen mit Abgaskatalysator zwar die Kohlenmonoxid- und Kohlenwasserstoffemissionen (CO und HC) verringern, die Abgase jedoch immer noch Kohlenmonoxid enthalten. Wenn der Arbeitsplatz nicht ausreichend groß oder unzureichend belüftet ist, kann eine CO-Ansammlung entstehen, die schließlich die OSHA-Grenzwerte übersteigt. Sollte dies eintreten, müssen die Arbeiter den Bereich mit der hohen Konzentration verlassen. Bediener und Aufsichtspersonal von Arbeitsbereichen müssen Vorsichtsmaßnahmen treffen, damit die ausreichende Belüftung des Arbeitsplatzes jederzeit sichergestellt ist. Kohlenmonoxid-detektoren sind zu verwenden, um zu prüfen, ob die Belüftung ausreichend ist.



### ACHTUNG GEFAHR VON GEHÖRSCHÄDEN

WÄHREND DES NORMALEN BETRIEBS DIESER MASCHINE KANN DER BEDIENER EINEM LÄRMPEL VON **85 dB (A)** ODER DARÜBER AUSGESETZT SEIN. DIES KANN VORÜBERGEHENDEN ODER DAUERHAFTEN GEHÖRSCHADEN VERURSACHEN. GEHÖRSCHUTZ ERFORDERLICH.



---

# SICHERHEITSHINWEISE

---

## SICHERHEIT IST OBERSTES GEBOT!



### WARNHINWEISE RICHTLINIEN



## **ACHTUNG: DIE NICHTBEACHTUNG DIESER WARNHINWEISE UND BETRIEBSANWEISUNGEN KANN DEN TOD ODER SCHWERE VERLETZUNGEN ZUR FOLGE HABEN.**

### **RICHTIGE VORGEHENSWEISE**

- RICHTIG:** Lesen Sie die gesamte Bedienungsanleitung, bevor Sie die Maschine in Betrieb nehmen. Achten Sie dabei besonders auf alle Warnhinweise, Anweisungen sowie die Beschreibungen der Bedienungselemente und Symbole in diesem Handbuch und an der Maschine.
- RICHTIG:** Geben Sie der Person, die diese Maschine bedient, immer die Bedienungsanleitung. Falls Sie zusätzliche Exemplare benötigen, rufen Sie bitte innerhalb der USA die Telefonnummer 1-800-288-5040 oder außerhalb der USA +1-913-928-1300 an. Weitere Informationen finden Sie auch unter „Kontaktinformationen“ in diesem Handbuch.
- RICHTIG:** Achten Sie darauf, dass alle Schutzabdeckungen angebracht und in gutem Zustand sind.
- RICHTIG:** Tragen Sie einen sicherheitstechnisch zugelassenen Gehör-, Augen-, Kopf- und Atemschutz.
- RICHTIG:** Achten Sie besonders auf alle Warnhinweise und Anweisungen auf der Maschine.
- RICHTIG:** Halten Sie alle Körperteile von der Trennscheibe und allen anderen beweglichen Teilen fern.
- RICHTIG:** Finden Sie heraus, wie Sie die Maschine in Notfällen sofort ausschalten können.
- RICHTIG:** Vor dem Betanken oder vor Wartungsarbeiten die Maschine zuerst ausschalten und abkühlen lassen.
- RICHTIG:** Überprüfen Sie Trennscheibe, Flansche und Wellen auf Schäden, bevor Sie die Trennscheibe einbauen.
- RICHTIG:** Wählen Sie für jede Trennscheibe die jeweils abgebildete Flanschgröße.
- RICHTIG:** Verwenden Sie nur Diamanttrennscheiben mit Stahlkern, die für die Verwendung mit Betonsägen vorgesehen sind.
- RICHTIG:** Verwenden Sie nur die Trennscheibenflansche, die mit der Säge geliefert wurden. Verwenden Sie niemals beschädigte oder abgenutzte Trennscheibenflansche.
- RICHTIG:** Verwenden Sie nur Trennscheiben, die für eine maximale Betriebsdrehzahl gekennzeichnet sind, die über der Drehzahl der Trennscheibenwelle liegt. Bestätigen Sie die Drehzahl durch Überprüfen der Drehzahl der Trennscheibenwelle sowie der Durchmesser der Riemenscheiben und Trennscheibenflansche.
- RICHTIG:** Bestätigen Sie die Konfiguration des Sägenantriebs durch Überprüfen der Drehzahl der Trennscheibenwelle sowie der Durchmesser der Riemenscheiben und Trennscheibenflansche.
- RICHTIG:** Lesen Sie alle Sicherheitshinweise und Anleitungen, die allen für diese Maschine verwendeten Trennscheiben beiliegen.
- RICHTIG:** Unterziehen Sie jede Trennscheibe vor der Verwendung einer sorgfältigen Prüfung. **VERWENDEN SIE DIE TRENNSCHEIBE NICHT**, fall Sie Anzeichen für Schäden oder vorzeitigen Verschleiß feststellen.
- RICHTIG:** Bringen Sie die Trennscheibe sicher und fest an. Ziehen Sie die Dornmutter mit einem Schlüssel an.
- RICHTIG:** Stellen Sie sicher, dass Trennscheiben und Flansche sauber und frei von Schmutz und Ablagerungen sind, bevor Sie die Trennscheibe in die Säge einbauen.
- RICHTIG:** Verwenden Sie die korrekte Trennscheibe für die auszuführende Arbeit. Wenden Sie sich an der Hersteller der Trennscheibe, wenn Sie nicht sicher sind, ob Sie die richtige Trennscheibe verwenden.
- RICHTIG:** Lassen Sie beim Verladen und Abladen der Maschine Vorsicht walten und halten Sie sich an die Anweisungen.
- RICHTIG:** Betreiben Sie die Maschine nur in gut belüfteten Bereichen. Das Einatmen giftiger Abgase kann zum Tod führen.
- RICHTIG:** Erklären Sie Umstehenden, wo sie sich während des Einsatzes der Maschine aufhalten sollen.
- RICHTIG:** Führen Sie ein Schulungsprogramm für alle neuen Bediener der Maschine durch.
- RICHTIG:** Bitten Sie nicht erforderliche Leute, den Arbeitsbereich zu verlassen. Erlauben Sie niemand, sich vor oder hinter der Trennscheibe aufzuhalten, während die Maschine in Betrieb ist.
- RICHTIG:** Achten Sie darauf, dass die Trennscheibe vor dem Einschalten der Maschine nichts berührt.
- RICHTIG:** Lassen Sie beim Anheben und Transportieren der Maschine Vorsicht walten.
- RICHTIG:** Zurren Sie die Maschine beim Transport immer fest.
- RICHTIG:** Lassen Sie beim Einrichten oder Transportieren der Maschine Vorsicht walten und halten Sie sich an die Anweisungen.
- RICHTIG:** Lassen Sie sämtliche Wartungsarbeiten von ausgebildetem Wartungspersonal durchführen.
- RICHTIG:** Achten Sie vor dem Einbau der Trennscheibe darauf, dass die Dornmutterbohrung an der Trennscheibe auf die Spindel der Maschine passt.
- RICHTIG:** Achten Sie immer auf verborgene Gefahren wie z. B. Strom- oder Gasleitungen, bevor Sie mit dem Schneiden beginnen. Wenden Sie sich vor dem Einsatz in unbekanntem Gegenden immer an die zuständigen Versorgungsbetriebe.
- RICHTIG:** Bewegen Sie die Maschine vor dem Anlassen des Motors mindestens 3 m vom Ort des Auftankens weg und vergewissern Sie sich, dass der Tankdeckel angebracht und richtig festgezogen ist.
- RICHTIG:** Die Maschine nur an der dafür vorgesehenen Hebeöse anheben.
- RICHTIG:** Reinigen Sie die Maschine nach jedem Einsatz.
- RICHTIG:** Wählen Sie für jede Trennscheibe die richtige Flanschgröße. Verwenden Sie niemals beschädigte oder abgenutzte Trennscheibenflansche.
- RICHTIG:** Lassen Sie bei der Handhabung von Kraftstoff Vorsicht walten.
- RICHTIG:** Schneiden Sie nur in gerader Linie und sägen Sie nur so tief, wie es für den Auftrag erforderlich ist.

---

## SICHERHEITSHINWEISE

---

### SICHERHEIT IST OBERSTES GEBOT!



### WARNHINWEISE RICHTLINIEN



**ACHTUNG:** DIE NICHTBEACHTUNG DIESER WARNHINWEISE UND BETRIEBSANWEISUNGEN KANN DEN TOD ODER SCHWERE VERLETZUNGEN ZUR FOLGE HABEN

### FALSCH E VORGEHENSWEISE

- FALSCH** Betreiben Sie diese Maschine nicht, ohne vorher die Bedienungsanleitung gründlich zu lesen.
- FALSCH** Betreiben Sie die Maschine nicht ohne Trennscheibenschutzabdeckung oder andere Schutzvorrichtungen.
- FALSCH** Stehen Sie nicht bei laufendem Motor vor oder hinter der Trennscheibe.
- FALSCH** Lassen Sie die Maschine bei laufendem Motor nie unbeaufsichtigt.
- FALSCH** Führen Sie nie bei laufendem Motor Arbeiten an der Maschine aus.
- FALSCH** Betreiben Sie die Maschine nie, wenn Sie müde und erschöpft sind oder unter dem Einfluss von Drogen oder Alkohol stehen.
- FALSCH** Verwenden Sie keine Nasstrennscheibe ohne ausreichende Wasserzufuhr.
- FALSCH** Überschreiten Sie nicht die für jede Trennscheibengröße angegebene Höchstdrehzahl. Bei überhöhten Drehzahlen könnte die Trennscheibe brechen.
- FALSCH** Betreiben Sie die Maschine nicht, wenn Sie nicht sicher sind, wie sie funktioniert.
- FALSCH** Verwenden Sie keine beschädigten Geräte oder Trennscheiben.
- FALSCH** Versuchen Sie nicht, eine sich drehende Trennscheibe mit der Hand zu berühren oder anzuhalten.
- FALSCH** Versuchen Sie nicht, eine in der Schneidrinne befindliche Trennscheibe zu spannen, zu verklemmen, einzukeilen oder zu verdrehen.
- FALSCH** Transportieren Sie die Maschine nicht mit eingebauter Trennscheibe.
- FALSCH** Verwenden Sie keine Trennscheiben, die heruntergefallen oder beschädigt sind.
- FALSCH** Verwenden Sie keine hartmetallbestückten Trennscheiben.
- FALSCH** Berühren Sie eine Diamant-Trockentrennscheibe nicht unmittelbar nach der Verwendung. Diese Trennscheiben müssen nach jedem Einsatz erst ein paar Minuten lang abkühlen.
- FALSCH** Verwenden Sie keine beschädigten oder abgenutzten Trennscheibenflansche.
- FALSCH** Halten Sie andere Personen beim Anlassen, Auftanken oder während des Betriebs der Maschine fern.
- FALSCH** Betreiben Sie die Maschine nicht in geschlossenen Räumen. Das Einatmen giftiger Abgase kann zum Tod führen.
- FALSCH** Betreiben Sie die Maschine nicht in der Nähe von brennbaren Stoffen. Funken könnten ein Feuer oder eine Explosion verursachen.
- FALSCH** Die Trennscheibe darf maximal 180 Grad aus der Schutzabdeckung herausragen.
- FALSCH** Betreiben Sie die Maschine nicht ohne Riemenabdeckung oder Trennscheibenabdeckung.
- FALSCH** Betrieben Sie die Maschine nicht, ohne dass Sie in deren Bedienung unterwiesen worden sind.
- FALSCH** Verwenden Sie keine überhitzte Trennscheibe (Kern ist bläulich).
- FALSCH** Klemmen Sie kein Material in die Trennscheibe.
- FALSCH** Schleifen Sie die Seite der Trennscheibe nicht.
- FALSCH** Schleppen Sie die Maschine nicht mit einem Fahrzeug.
- FALSCH** Betreiben Sie die Maschine nicht ohne Schutzabdeckungen.
- FALSCH** Schneiden Sie nicht tiefer als 2,5 cm am pro Durchgang mit einer trockenen Trennscheibe. Schneiden Sie schrittweise, um eine größere Schnitttiefe zu erzielen.
- FALSCH** Betreiben Sie die Maschine nicht, wenn Sie unter dem Einfluss von Drogen oder Alkohol stehen.

\*\*\*\*\*

Diese Säge wurde nur für bestimmte Anwendungen entwickelt. Führen Sie KEINE Änderungen an der Säge durch und verwenden Sie sie nur für die vorgesehenen Anwendungen. Falls Sie Fragen bezüglich der Anwendung haben, verwenden Sie die Säge ERST DANN, nachdem Sie an Husqvarna Construction Products geschrieben und entsprechende Informationen erhalten haben.

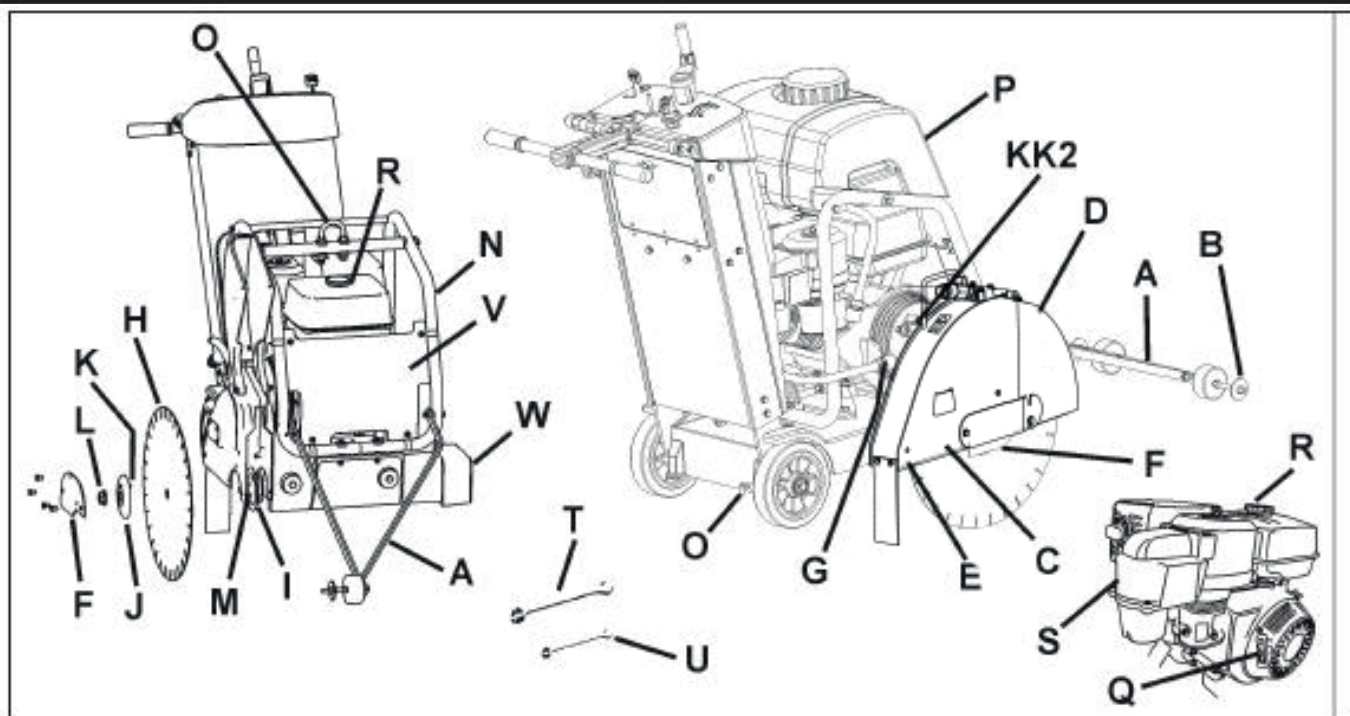
Husqvarna Construction Products North America  
17400 West 119th Street, Olathe, Kansas 66061 USA

---

## NOTIZEN

---

## BESCHREIBUNG DER EINZELNEN TEILE



**A. Frontmarkierer:** Zum Führen der Maschine in einer geraden Linie.

**B. Führungsrad:** Am Frontmarkierer (A). Zwecks gerader Schnitte mit Schnittlinie und Trennscheibe (H) ausrichten.

**C. Trennscheibenschutz:** Bedeckt die Trennscheibe (H). Muss beim Betrieb der Maschine immer angebracht sein! Laufrichtung des Werkzeugs mit Pfeil auf der Schutzabdeckung angegeben.

**D. Trennscheibenschutz-Vorderteil:** Teil des Trennscheibenschutzes. Lässt sich zum Montieren der Trennscheibe (H) anheben.

**E. Hintere Schraube des Trennscheibenschutzes:** Befestigt den Trennscheibenschutz (C) in seiner Stellung. Muss zum Abnehmen des Trennscheibenschutzes (C) entfernt werden.

**F. Verriegelungsplatte des Trennscheibenschutzes:** Bedeckt den Außenflansch (J).

**G. Wasserschlauchanschluss (G):** Verbindet den Trennscheibenschutz (C) mit dem Wasserventil (KK) oder Wassertank (P). Kann mit links oder rechts montiertem Trennscheibenschutz (C) verwendet werden.

**H. Trennscheibe:** Werkzeug zum Schneiden von Asphalt oder Beton – nicht im Lieferumfang inbegriffen.

**I. Innenflansch:** Halter, auf den die Trennscheibe (H) aufgesteckt ist. Bei Abnutzungserscheinungen oder Schäden auswechseln.

**J. Außenflansch:** Hält die Trennscheibe (H) in ihrer Position. Enthält den Verriegelungsstift (K), der durch die Trennscheibe (H) gesteckt werden muss. Bei Abnutzungserscheinungen oder Schäden auswechseln.

**K. Verriegelungsstift (K):** Befestigt die Trennscheibe (H) in ihrer Stellung. Bei Abnutzungserscheinungen oder Schäden auswechseln.

**L. Mutter der Trennscheibenwelle (L1 / L2):** Zur Befestigung des Außenflansches (J) an der Maschine. Die Mutter (L1) auf der rechten Seite der Maschine hat Linksgewinde. Die Mutter (L2) auf der linken Seite der Maschine hat Rechtsgewinde.

**M. Trennscheibenhalter:** Befestigungsfläche der Trennscheibe (H).

**N. Wassertank-/Hebeösenhalterung:** Zur Befestigung des Wassertanks (P). Befestigungsstelle der Hebeöse (O).

**O. Hebeöse:** Die Maschine nur von dieser Stelle anheben!

**P. Wassertank (falls zutreffend):** Fassungsvermögen 25 Liter. Nur mit Wasser befüllen! Nicht mit Benzin oder anderen brennbaren Flüssigkeiten füllen! Nur beim Trockenschneiden zur Staubunterdrückung verwenden. Nur mit lasergeschweißten (trockenen) Diamanttrennscheiben (H) verwenden.

**Q. Motorstartseil:** Zum Anlassen des Motors. Siehe Betriebsanleitung des Motors.

**R. Kraftstofftank:** Zum Einfüllen von Kraftstoff. Siehe Betriebsanleitung des Motors.

**S. Motorluftfilter:** Täglich prüfen. Beim Schneiden unter staubigen Bedingungen alle vier (4) Stunden reinigen. Siehe Betriebsanleitung des Motors.

**T. Schlüssel für die Trennscheibenwelle (27 mm):** Für den Ein- und Ausbau der Trennscheibe (H). Im Werkzeugfach (BB) aufbewahren.

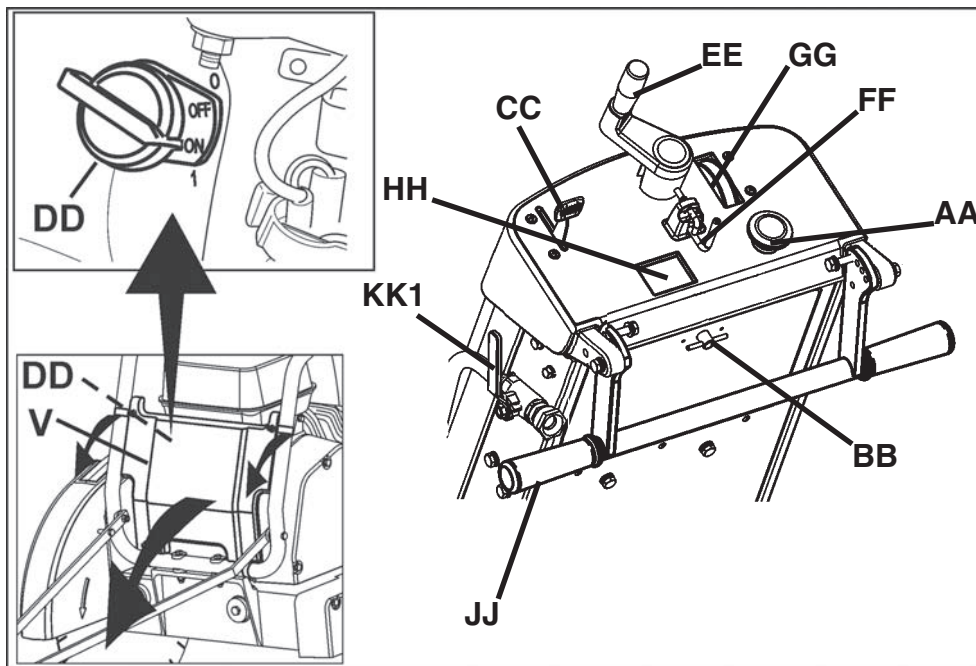
**U. Schlüssel (13 mm):** Für die Wartung vieler Maschinenteile. Im Werkzeugfach (BB) aufbewahren.

**V. Vordere Abdeckung:** Wird an die Wassertankhalterung (N) angeklemt. Zum Ein- (1) oder Ausschalten (0) des Motorschalters (DD) öffnen.

**W. Wellenabdeckung:** Schützt den Innenflansch (I). Immer auf der Seite des Rahmens angebracht, die dem Trennscheibenschutz (C) gegenüber liegt.

**X. Schmiernippel der Tiefeneinstellung:** Nicht abgebildet. Siehe Wartungskapitel in diesem Handbuch.

## BESCHREIBUNG DER EINZELNEN TEILE



**Y. Befestigungslasche für den Trennscheibenschutz:**  
Befestigt den Trennscheibenschutz (C) in seiner Stellung.

**Z. Ölmesstab:** Zum Prüfen des Motorölstands (Nicht abgebildet – Siehe Betriebskapitel in diesem Handbuch).

**AA. Maschinen-Stopp:** Bei Notfällen diesen Schalter drücken, um die Maschine abzustellen. Zum Zurücksetzen herausziehen (nach oben ziehen), damit die Maschine wieder gestartet werden kann.

**BB. Werkzeugfach:** Enthält die Betriebsanleitung, die Teileliste u. zwei Schlüssel (T u. U) (13 mm u. 27 mm). Zum Öffnen den Knopf um 180 Grad drehen. Die Betriebsanleitung immer ins Werkzeugfach zurücklegen.

**CC. Gashebel des Motors:** Zum Einstellen der Motordrehzahl (U/min). Zum Erhöhen der Drehzahl nach vorn schieben. Zum Verringern der Drehzahl nach hinten ziehen. Zum Sägen immer die Höchstdrehzahl einstellen.

**DD. Anlassschalter des Motors:** Am Motor, unter der vorderen Abdeckung (V). Muss zum Starten des Motors eingeschaltet (1) sein. Dient zum Ausschalten (0) des Motors beim normalen Betrieb.

**EE. Tiefeneinstellung der Trennscheibe:** Zum Anheben der Diamanttrennscheibe (H) gegen den Uhrzeigersinn drehen und im Uhrzeigersinn, um die Diamanttrennscheibe (H) abzusenken.

**FF. Trennscheiben-Tiefenanschlag:** Zum Verriegeln der Trennscheiben-Tiefeneinstellung (EE) wie folgt vorgehen: Den Trennscheiben-Tiefenanschlag zur Rückseite der Maschine hin ziehen und um 90 Grad drehen, um ihn in der geöffneten Stellung zu arretieren.

**GG. Trennscheiben-Tiefenanzeige:** Zeigt die Schnitttiefe der Diamanttrennscheibe (H) in Zentimeter (orange) und Zoll (weiß) an. Bedienung: Bei ausgeschalteter (0) Maschine die Diamanttrennscheibe (H) absenken, bis sie die zu schneidende Fläche berührt. Die Trennscheiben-Tiefenanzeige drehen, bis die „0“ mit den Pfeilen ausgerichtet ist. Die Säge anheben. Wenn die Säge in den Schnitt abgesenkt wird, wird die Schnitttiefe angezeigt.

**HH. Motordrehzahlmesser (U/min):** Zeigt die Motordrehzahl in Umdrehungen pro Minute an, während der Motor läuft. Zeigt die Gesamtbetriebsdauer bei ausgeschaltetem (0) Motor an. Die Gesamtbetriebsdauer wird in Minuten (0-59 Minuten) und Stunden (ab 60+ Minuten) angezeigt.

II. - - -

**JJ. Hinterer Griff:** Der Bediener steht hinter der Maschine mit beiden Händen am hinteren Griff. Der Griff ist auf mehrere Positionen einstellbar.

**KK1. Wasserventil:** Reguliert den Wasserfluss zur Trennscheibe. Befindet sich auf der linken Seite der Maschine in der Nähe des hinteren Griffs (RR). Wird nicht mit dem Wassertank (falls zutreffend) verwendet.

**KK2. Wasserventil des Trennscheibenschutzes:** Reguliert den Wasserfluss zur Trennscheibe. Befindet sich am Trennscheibenschutz. Wird mit dem Wassertank (falls zutreffend) verwendet.

**LL. Riemenabdeckung (nicht abgebildet):** Deckt den Motorkeilriemen ab.

**MM. Keilriemen-Spannrolle:** Zum Spannen des Keilriemens der Trennscheibenwelle.

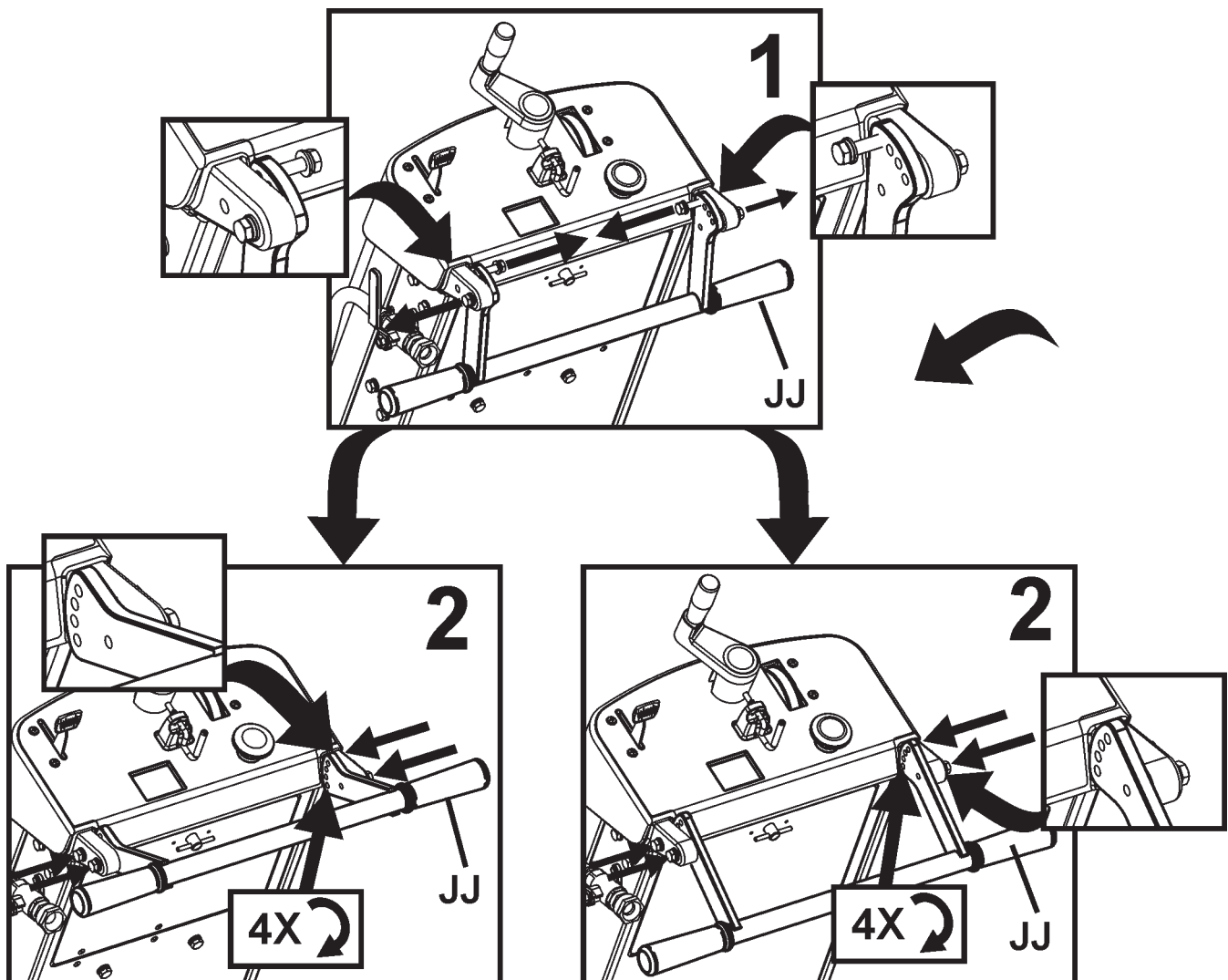
**NN. Ölablassschlauch:** Zum Ablassen des Motoröls.

**OO. Feststellbremse (nur EU-Modelle):** Zum Sichern der geparkten Maschine. Am rechten Hinterrad, an der Rückseite der Maschine. Bedienung: Zum Anziehen der Bremse den Hebel nach oben drehen, damit sich die Stange nach innen drehen kann. Zum Freigeben der Bremse die Stange nach innen ziehen und dabei nach unten drehen, damit die Stange in der nach innen weisen Stellung festgestellt ist.

## Zusammenbau

Vor der ersten Inbetriebnahme der Maschine sind die folgenden Teile zusammenzubauen:

**Positionieren des hinteren Griffs (JJ):** Der hintere Griff (JJ) befindet sich wie abgebildet in der Versandposition. Zum Verwenden der Maschine muss er richtig eingestellt werden.

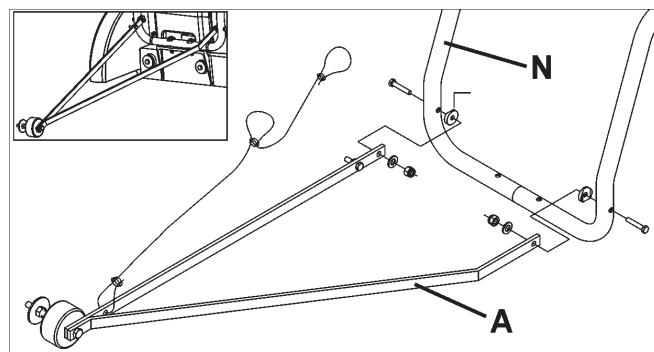


## Zusammenbau

### Montage des Frontmarkierers (A):

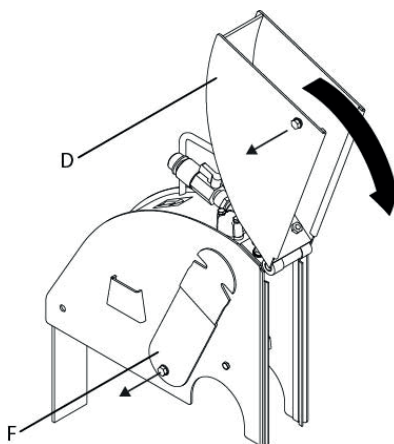
1. Montieren Sie den Frontmarkierer (A) mit den vorhandenen Schrauben, Unterlegscheiben und Muttern am Rohrahmen der Wassertankhalterung (N). Stellen Sie die Sicherungsmuttern so ein, dass sich der Frontmarkierer (A) frei bewegen kann.
2. Verlegen Sie das Seil des Frontmarkierers so, dass es keine heißen Flächen berührt. Das Seil kann mit den beiden Schlaufen am hinteren Griff (JJ) befestigt werden.

**Hinweis:** „*Einzelmarkierer*“ (A) abgebildet. Für manche Regionen gehört ein „*Doppelmarkierer*“ zur Standardausstattung. Der Doppelmarkierer ist für alle Regionen als Sonderausstattung erhältlich. Weitere Informationen finden Sie im Kapitel „Zubehör“ in dieser Betriebsanleitung oder in der Ersatzteilliste.



### Trennscheibenschutz-Vorderteil (D):

1. Entfernen Sie die zwei (2) M8-Schrauben an der Vorderseite und der Unterseite der Verriegelungsplatte des Trennscheibenschutzes (F) mit dem mitgelieferten 13-mm-Schlüssel (U) sowie die M8-Schraube an der Vorderseite des Trennscheibenschutzes (D) [in Pfeilrichtung]. Lockern Sie die übrige Schraube der Verriegelungsplatte des Trennscheibenschutzes (F), aber entfernen Sie sie nicht. Drehen Sie die Verriegelungsplatte des Trennscheibenschutzes (F) und das Vorderteil des Trennscheibenschutzes (D) nach unten.

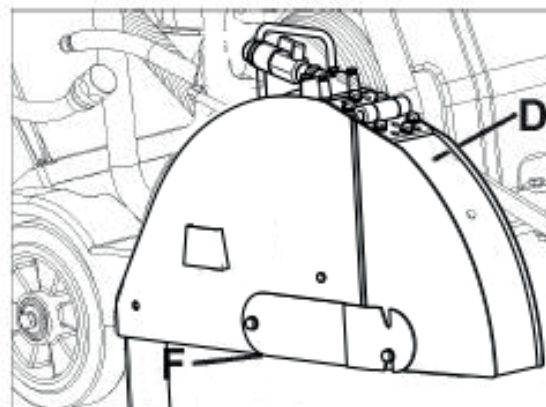


### ! ACHTUNG!

Die Verriegelungsplatte des Trennscheibenschutzes (F) muss vor der Inbetriebnahme angebracht werden. Falls dies nicht geschieht, könnte eine Gefahrensituation entstehen.

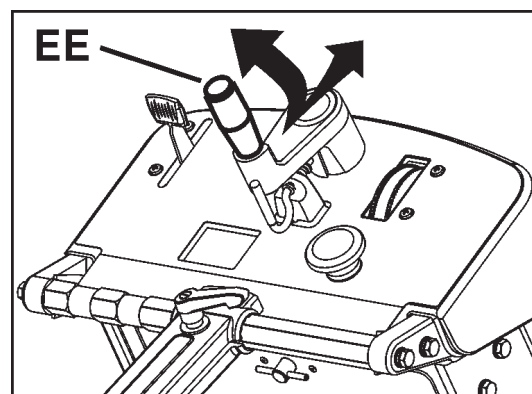
Während des Betriebs müssen alle Schutzabdeckungen angebracht sein!

2. Bringen Sie die drei (3) M8-Schrauben wieder - wie in der Abbildung rechts gezeigt - an der Verriegelungsplatte des Trennscheibenschutzes (F) an. Ziehen Sie die vier (4) M8-Schrauben, mit denen die Verriegelungsplatte des Trennscheibenschutzes (F) in ihrer Position gehalten wird, mit dem (mitgelieferten) 13-mm-Schlüssel fest an.



### Positionieren des Griffs für die Tiefeneinstellung der Trennscheibe (EE):

Ziehen Sie den Griff für die Tiefeneinstellung der Trennscheibe (EE) nach außen und drehen Sie ihn um 90 Grad, bis er in die abgebildete Stellung einrastet.



## Zusammenbau

### Einbau des Wassertanks (P) (falls zutreffend):

- Für manche Regionen ist die Maschine ab Werk mit einem Wassertank ausgerüstet. Ein wahlweiser Wassertank ist für alle Regionen als Einbausatz lieferbar.

- Wenn der Wassertank bereits an der Maschine angebracht ist, sollten Sie diese Anleitung lesen, um zu prüfen, ob er korrekt montiert wurde. Beachten Sie sämtliche **WARNHINWEISE** für den Einbau und die Verwendung des Wassertanks.

- Überprüfen Sie den Inhalt des Wassertank-Einbausatzes. Siehe Abbildung rechts.

1. Nehmen Sie vorübergehend die rechte **MUTTER** (auf derselben Seite der Maschine wie das Startseil) von der Hebeöse (O) ab. Siehe Abbildung rechts.

2. Bringen Sie die **KLAMMER** aus dem Wassertank-Einbausatz (P) an und bringen Sie dann die **MUTTER** wieder an. Siehe Abbildung rechts.

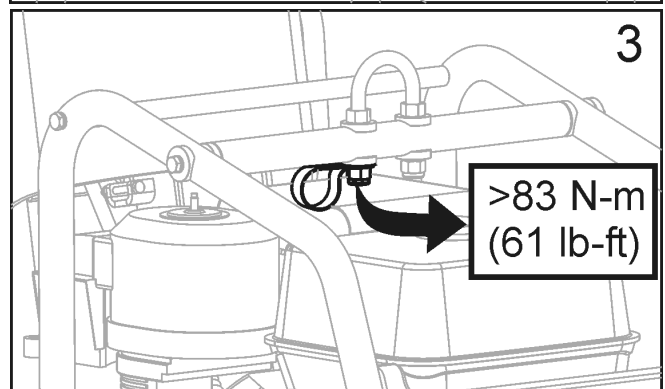
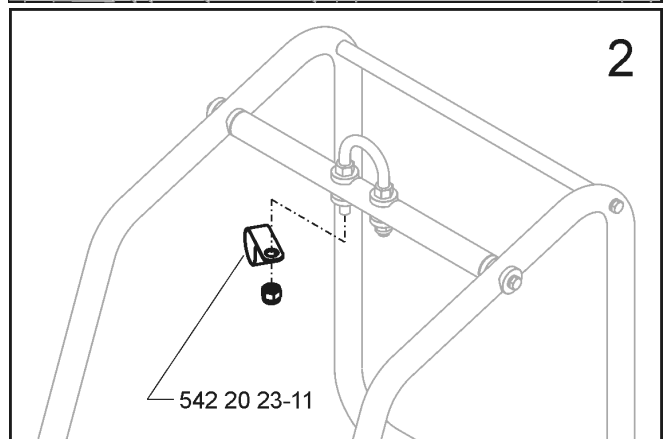
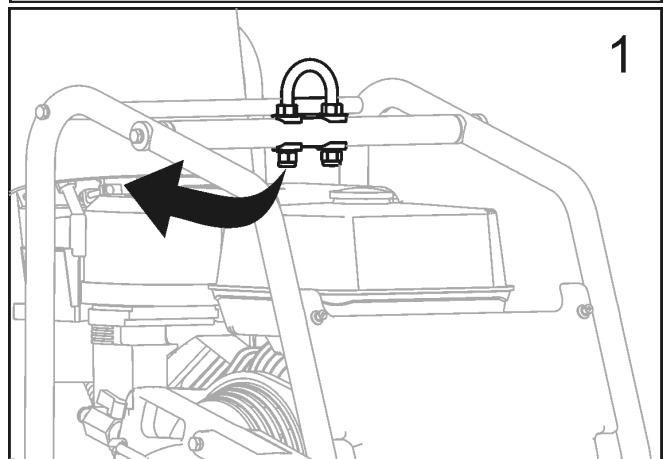
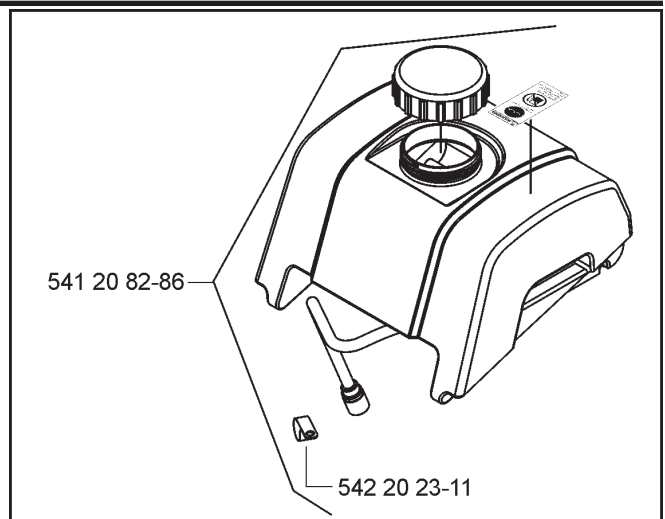
3. Ziehen Sie sie gemäß den Angaben unten und in der rechten Abbildung an.

#### ANMERKUNG

**MUTTER** der Hebeöse auf mindestens **83 Nm (61 lb-ft)** anziehen..

#### **⚠ ACHTUNG!**

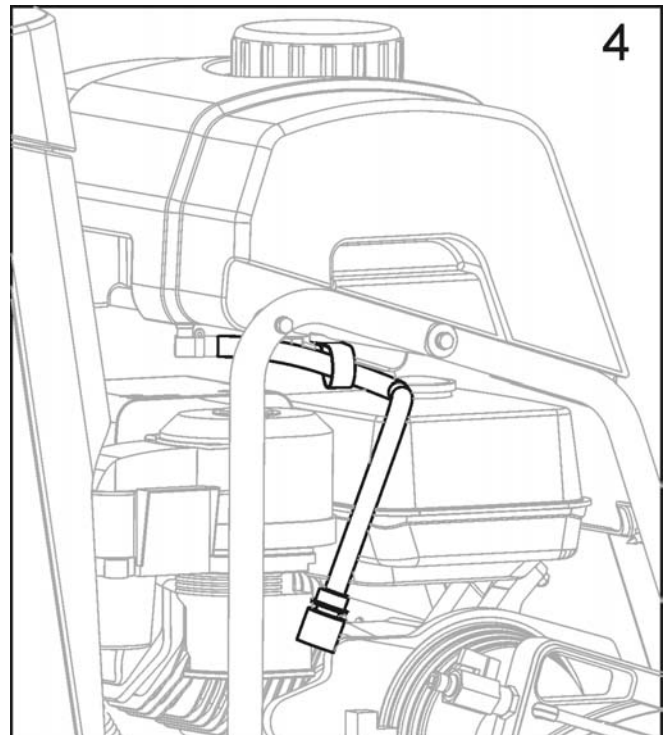
**MUTTER** wie vorgeschrieben anziehen, da sich sonst die **HEBEÖSE (O)** lösen könnte. Das Lösen der Hebeöse während des Anhebens der Maschine kann Verletzungen oder den Tod zur Folge haben.





## Zusammenbau

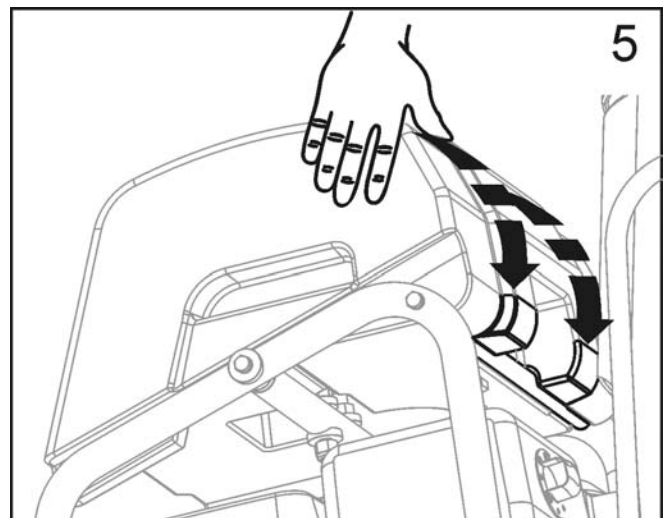
4. Bringen Sie den Wassertank an und verlegen Sie den Wasserschlauch gemäß der Abbildung rechts.



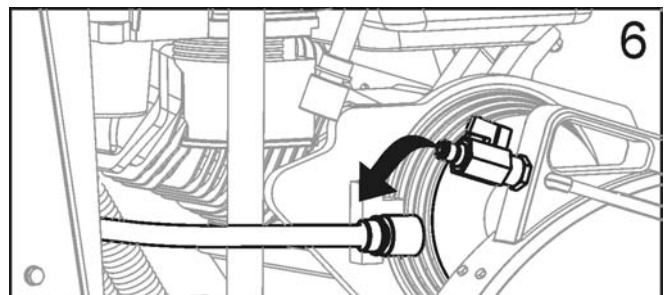
5. Richten Sie den hinteren Holm und die Einkerbung im Wassertank aufeinander aus.

- Drücken Sie den Wassertank fest nach unten, bis er auf dem hinteren Holm einrastet.

- Wenn der Wassertank korrekt eingebaut wurde, sollte er sich frei auf dem hinteren Holm schwenken lassen.



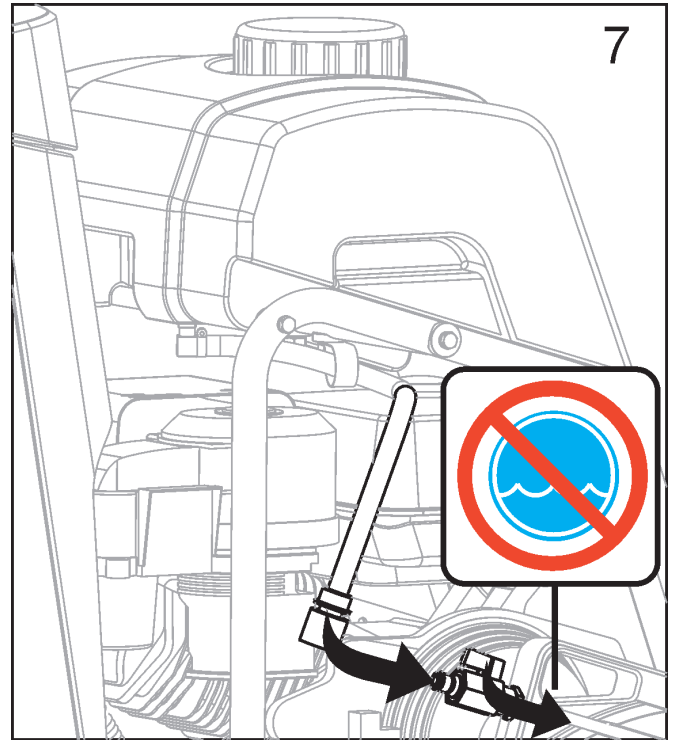
6. Trennen Sie den vorhandenen Schlauch vom Trennscheibenschutz ab. Dies ist der Wasserschlauch von dem an der Säge montierten Wasserventil.



## Zusammenbau

7. Schließen Sie den Schlauch des Wassertanks an das Wasserventil des Trennscheibenschutzes an.

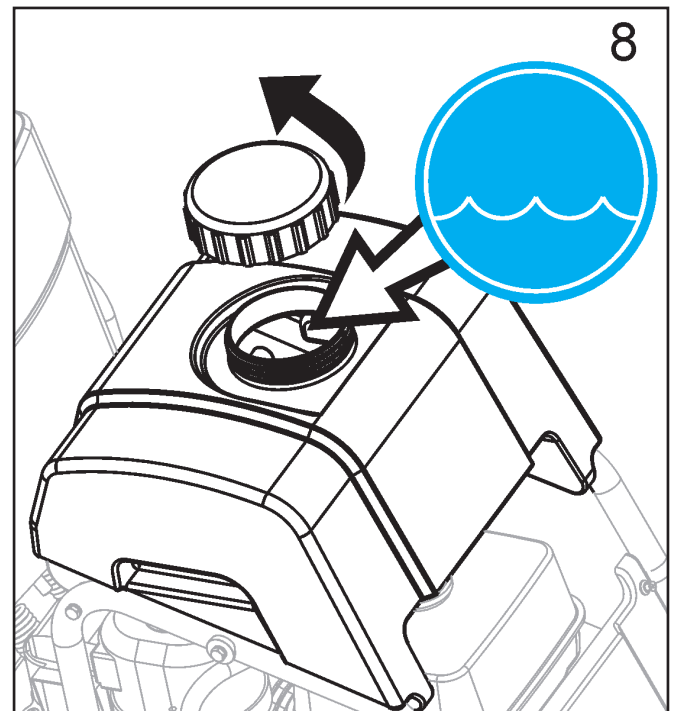
- Stellen Sie sicher, dass das Wasserventil des Trennscheibenschutzes auf AUS gestellt ist.
- Der Wassertank ist nun auf der Säge montiert.



### Füllen des Wassertanks:

8. Drehen Sie den Deckel gegen den Uhrzeigersinn und nehmen Sie ihn ab. Siehe Abbildung rechts.

- Füllen Sie den Tank nur mit Wasser. Lesen Sie vor Verwendung des Wassertanks alle **WARNHINWEISE**.
- Drehen Sie den Deckel beim Wiederanbringen im Uhrzeigersinn.
- Der Wassertank ist nur für die Unterdrückung von schwebendem Betonstaub vorgesehen und sollte nur mit Diamant-Trockentrennscheiben verwendet werden.



### **ACHTUNG!**

KEINE herkömmlichen Diamant-Nasstrennscheiben mit dem Wassertank als Wasserquelle verwenden. Der Wasserfluss reicht nicht zum Kühlen der Trennscheibe aus!

Den Tank nur mit Wasser füllen

Den Wassertank (P) nie mit brennbaren Flüssigkeiten wie z. B. Benzin füllen; dies könnte Verletzungen oder den Tod zur Folge haben!

# BETRIEB

## Vor der Inbetriebnahme:

**Verwendungszweck:** Diese Maschine dient nur zum nassen oder trockenen Sägen von altem und frischem Beton sowie Asphalt.

### **⚠ ACHTUNG!**

NICHT zum Trockenschneiden in Ländern der EU verwenden. Die Maschine verfügt nicht über einen Staubaustritt.

**Werkzeuge:** Verwenden Sie die Maschine nur mit den folgenden Werkzeugen (H): wassergekühlte Diamanttrennscheiben. Armierte Trennscheiben oder Diamant-Trockentrennscheiben dürfen in Ländern der EU NICHT verwendet werden, weil diese Maschine in der gelieferten Ausführung keine Austrittsöffnung für die Staubsammlung hat.

Durchmesser: 300 mm (12") – 500 mm (20").

Bohrung: 25,4 mm (1.00").

### **⚠ ACHTUNG!**

KEINE Hartmetall-, Holzsägen- oder Kreissägenblätter mit dieser Maschine verwenden; dies könnte Verletzungen oder den Tod zur Folge haben!

## Umsetzen des Trennscheibenschutzes (C) - Falls erforderlich:

Der Trennscheibenschutz (C) ist ab Werk auf der rechten Seite der Maschine angebracht, er kann jedoch auf die linke Seite umgesetzt werden. Dadurch kann man näher an Hindernissen schneiden, wenn man nicht von der entgegengesetzten Richtung herankommt.

1. Entfernen Sie die hintere Schraube (E) des Trennscheibenschutzes (C) mit dem 13-mm-Schlüssel.
2. Schieben Sie die Manschette zurück, um den Wasseranschluss (G) zu trennen. Das Einsteckende bleibt beim Trennscheibenschutz (C). Der Steckhülseenteil bleibt beim Wassertank (P) oder beim Wasserventil (KK).
3. Heben Sie den Trennscheibenschutz (C) nach oben und von der Befestigungslasche (Y) weg.
4. Entfernen Sie die vier (4) Schrauben der Verriegelungsplatte des Trennscheibenschutzes (F) mit dem 13-mm-Schlüssel (U). Bringen Sie die Verriegelungsplatte des Trennscheibenschutzes (F) auf der linken Seite des Trennscheibenschutzes (C) an.
5. Nehmen Sie die Wellenabdeckung (W) von der linken Seite der Maschine ab und bringen Sie sie auf der rechten Seite an.
6. Senken Sie den Trennscheibenschutz (C) auf die Befestigungslasche (Y) an der linken Seite der Maschine ab.
7. Bringen Sie die hintere Schraube (E) wieder am Trennscheibenschutz (C) an.
8. Bringen Sie den Wasserschlauchanschluss (G) zwischen dem Trennscheibenschutz (C) und dem Wassertank (P) oder dem Wasserventil (KK) wieder an. Achten Sie darauf, dass der neu verlegte Schlauch den Auspuff nicht berührt.
9. Setzen Sie den Frontmarkierer (A) um und richten Sie ihn aus, damit sich das Führungsrad (B) auf der linken Seite der Maschine befindet.

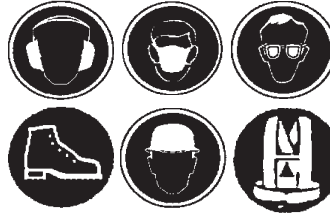
### **⚠ ACHTUNG!**



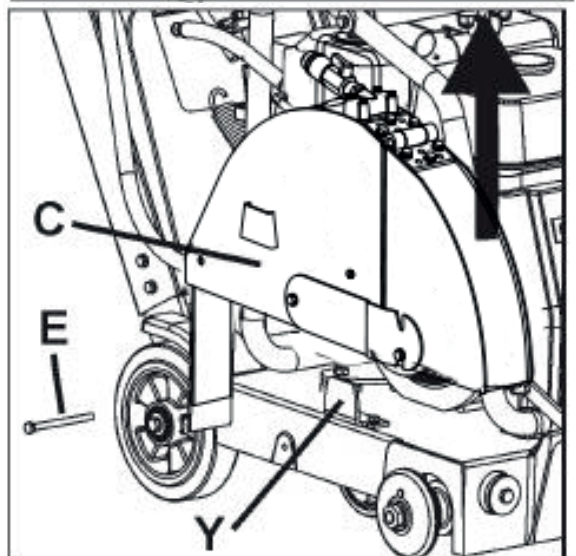
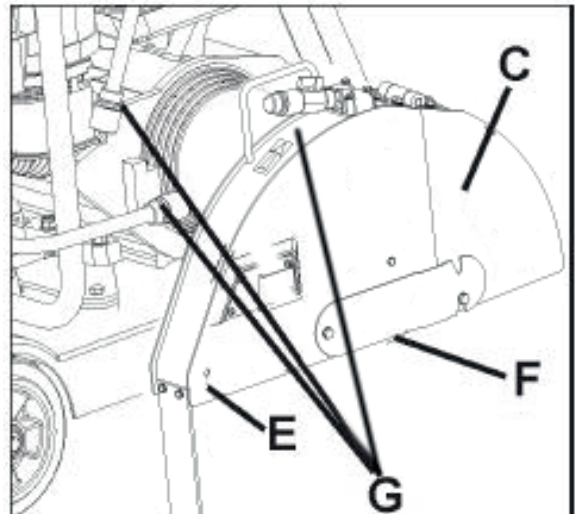
Lesen Sie vor der Bedienung der Maschine diese Bedienungsanleitung und die mit dem Motor gelieferte Betriebsanleitung gründlich.



Machen Sie sich vor dem Betrieb mit der Maschine vertraut!



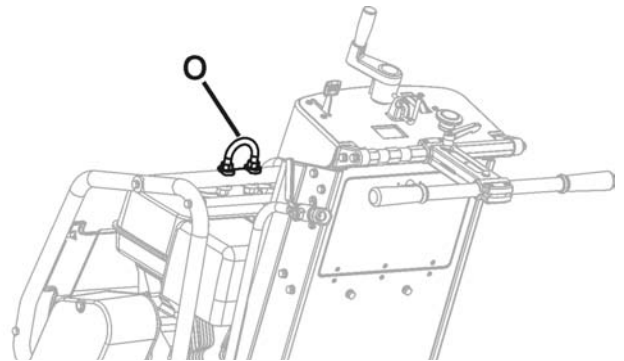
Der Bediener muss Schutzausrüstung und Schutzkleidung tragen, die der auszuführenden Arbeit entsprechen. Schutzausrüstung wie Gehör- und Augenschutz ist zwingend vorgeschrieben.



# BETRIEB

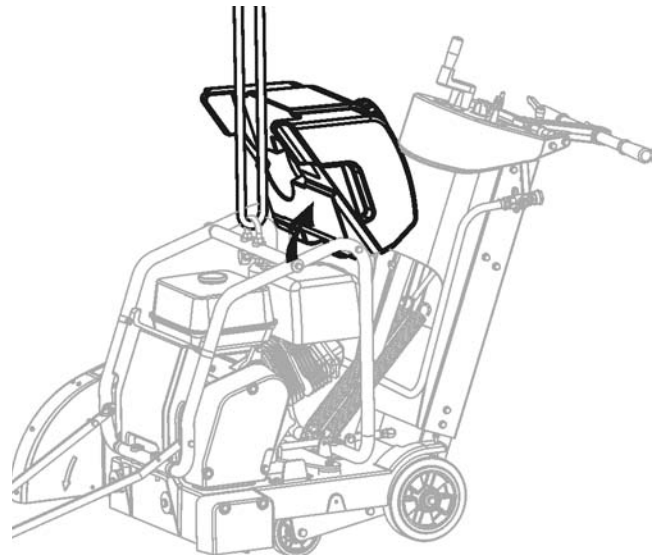
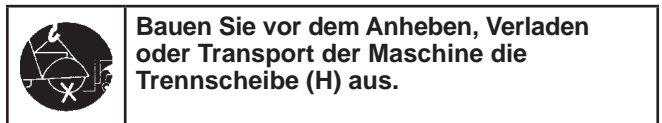
## Transport und Anheben der Maschine:

- Die Maschine nur an der Hebeöse (O) anheben.
- Bauen Sie vor dem Anheben, Verladen oder Transport der Maschine immer die Trennscheibe aus.
- Verwenden Sie ein geeignetes Hebegeschirr, das mindestens für das Höchstgewicht der Maschine ausgelegt ist. Nenngewicht und Höchstgewicht der Maschine sind im Kapitel TECHNISCHE DATEN dieser Anleitung zu finden.



## Anheben einer Maschine mit Wassertank:

- Vor dem Anheben einer Maschine mit Wassertank müssen Sie:
  1. Das Wasser aus dem Tank entleeren.
  2. Die Trennscheibe ausbauen.
  3. Die Maschine absenken, bis der Rahmen parallel zum Boden positioniert ist.
  4. Die Vorderseite des Wassertanks nach oben schwenken, bis der Tank an der Aluminiumabdeckung anliegt. Der Wassertankdeckel darf nicht auf der Plastikabdeckung aufliegen, sonst könnten beim Anheben Schäden entstehen.
  5. Ein geeignetes Hebegeschirr an der Hebeöse (O) befestigen.
  6. Die Maschine probeweise etwas anheben (nur einige Zentimeter), um sicherzustellen, dass sich der Tank nicht von der Maschine löst und dadurch beschädigt wird oder selbst Schäden verursacht.
  7. Wenn eine mit einem Wassertank ausgestattete Maschine nicht ohne Beschädigung der Maschine oder des Tanks angehoben werden kann, muss der Tank vor dem Anheben abgenommen werden.




### ANMERKUNG

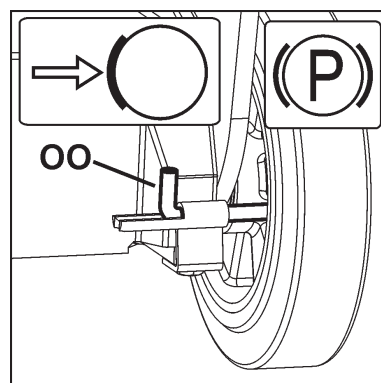
Durch das unsachgemäße Anheben der Säge können Wassertank und Säge beschädigt werden. Beim Anheben der Maschine auf Schäden achten.

## Parken der Maschine:

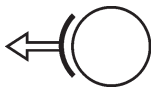
- Maschinen für manche Regionen sind mit einer Feststellbremse ausgerüstet.
- Die Feststellbremse sichert die Maschine an einem Hang von höchstens 10 Grad, wobei sich das rückwärtige Ende der Maschine hangabwärts befindet (Höchstlast auf dem gebremsten Rad).

 **Anziehen der Feststellbremse (Siehe Abbildung)** So ziehen Sie den Hebel (OO) der Feststellbremse aus der Freigabestellung:

1. Ziehen Sie den Hebel (OO) zur Mitte der Maschine.
2. Drehen Sie den Hebel (OO) um 180 Grad nach oben.
3. Mithilfe einer Feder bewegt sich der Hebel (OO) zur Außenseite der Maschine und rückt auf der Radnabe ein.



# BETRIEB



## Freigeben der Feststellbremse

(Siehe Abbildung) Für den Betrieb der Maschine muss die Feststellbremse freigegeben sein.

1. Ziehen Sie den Hebel (OO) zur Mitte der Maschine.
2. Drehen Sie den Hebel (OO) um 180 Grad nach unten und geben Sie ihn frei, damit er arretiert wird.

## Modelle mit Benzinmotor:

Siehe Betriebsanleitung des Motors.

**KRAFTSTOFF:** Wir empfehlen unverbleites Benzin. Weitere Informationen befinden sich in der Betriebsanleitung des Motors.

**ÖL:** Prüfen Sie den Ölstand mithilfe des Ölmesstabs (Z). Schrauben Sie den Ölmesstab (Z) zum Prüfen des Ölstands nicht in die Einfüllöffnung hinein. Weil die Maschine oft in angewinkelter Stellung betrieben wird, sollten Sie den Ölstand bei waagerechter Stellung der Maschine prüfen. Prüfen Sie den Ölstand oft, damit der Ölstand nie unter die Markierung am Ölmesstab sinkt. Wir empfehlen die Verwendung von 10W30 Öl. Weitere Informationen befinden sich in der Betriebsanleitung des Motors.

## ANMERKUNG

Wenn der Motor über ein Abschaltssystem bei niedrigem Ölstand verfügt, startet er nicht, wenn der Ölstand zu niedrig ist. Der Motor kann sich auch abschalten, wenn der maximale Arbeitswinkel überschritten wird. Siehe Betriebsanleitung des Motors.

## Alle Modelle:

Prüfen Sie, ob der Frontmarkierer (A) auf die Trennscheibe ausgerichtet ist. Legen Sie eine Richtlatte am Innenflansch (I) an. Richten Sie den Frontmarkierer (A) auf die Richtlatte aus. Bei Bedarf richten Sie den Frontmarkierer (A) aus, indem Sie die Befestigungsmuttern des Führungsrad (B) lockern. Richten Sie das Führungsrad (B) auf die Richtlatte aus und ziehen Sie die Muttern wieder an.

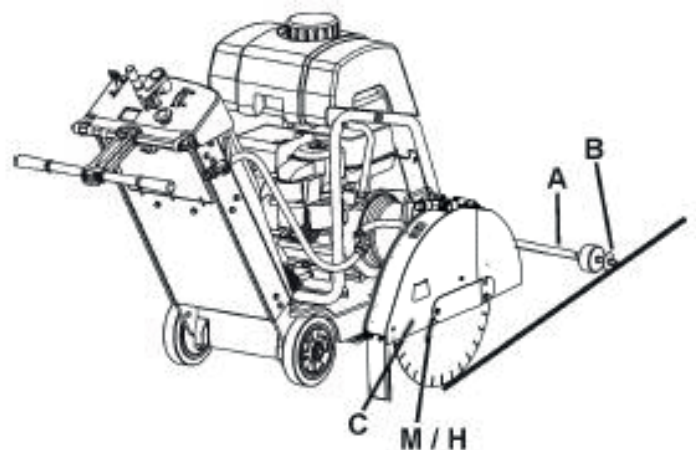
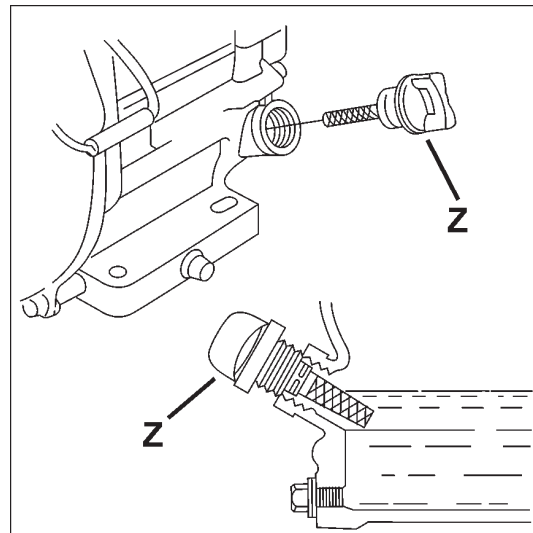
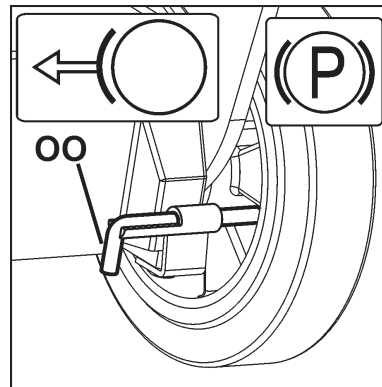
Prüfen Sie, ob die Wasserleitung im Trennscheibenschutz (C) offen ist und dass auf beiden Seiten der Trennscheibe eine ausreichende Wasserzufuhr besteht.

Prüfen Sie die Wasserzufuhr vor Inbetriebnahme der Säge auf Druck und Wassermenge (Fluss).

Sägen Sie nur so tief, wie es für den Auftrag erforderlich ist. Wenn Sie tiefer sägen, nutzen sich Trennscheibe und Maschine übermäßig ab.

Schneiden Sie in Stufen zu jeweils 50 mm, bis die erforderliche Schnitttiefe erreicht ist. Dies wird als „stufenweises“ Schneiden bezeichnet.

Sägen Sie nur in gerader Linie. Markieren Sie die Schnittlinie deutlich, damit der Bediener der Säge gut folgen kann. Die Säge darf NICHT seitlich hin- und hergedreht werden, damit die Trennscheibe wieder geradeaus läuft.



# BETRIEB

## Anbringen der Diamanttrennscheibe (H):

### ACHTUNG

Die Mutter der Trennscheibenwelle (L1) auf der rechten Seite der Maschine hat Linksgewinde. Zum Lösen im Uhrzeigersinn drehen.

Die Mutter der Trennscheibenwelle (L2) (nicht abgebildet) auf der linken Seite der Maschine hat Rechtsgewinde. Zum Lösen gegen den Uhrzeigersinn drehen.



Diamanttrennscheibe (H) an der Einsatzstelle anbringen. Die Maschine nicht mit eingebauter Diamanttrennscheibe (H) transportieren.

1. Öffnen Sie die vordere Abdeckung (V).
2. Stellen Sie den Anlassschalter (DD) des Motors auf AUS (0).
3. Heben Sie die Diamanttrennscheibe in die höchste Stellung an, indem Sie die Tiefeneinstellung (EE) gegen den Uhrzeigersinn drehen.
4. Lösen und entfernen Sie die vier (4) M8-Schrauben der Verriegelungsplatte des Trennscheibenschutzes (F) mit dem 13-mm-Schlüssel (U), der sich im Werkzeugfach (BB) befindet. Bauen Sie die Verriegelungsplatte des Trennscheibenschutzes (F) vorübergehend aus.
5. Heben Sie das Trennscheibenschutz-Vorderteil (D) an:
6. Lösen und entfernen Sie die Mutter der Trennscheibenwelle (L), mit der der Außenflansch (J) befestigt ist, mit dem 27-mm-Schlüssel für die Trennscheibenwelle (T).

### ANMERKUNG

Die Mutter der Trennscheibenwelle (L1) auf der rechten Seite der Maschine hat Linksgewinde. Zum Lösen im Uhrzeigersinn drehen.

Die Mutter der Trennscheibenwelle (L2) (nicht abgebildet) auf der linken Seite der Maschine hat Rechtsgewinde. Zum Lösen gegen den Uhrzeigersinn drehen.

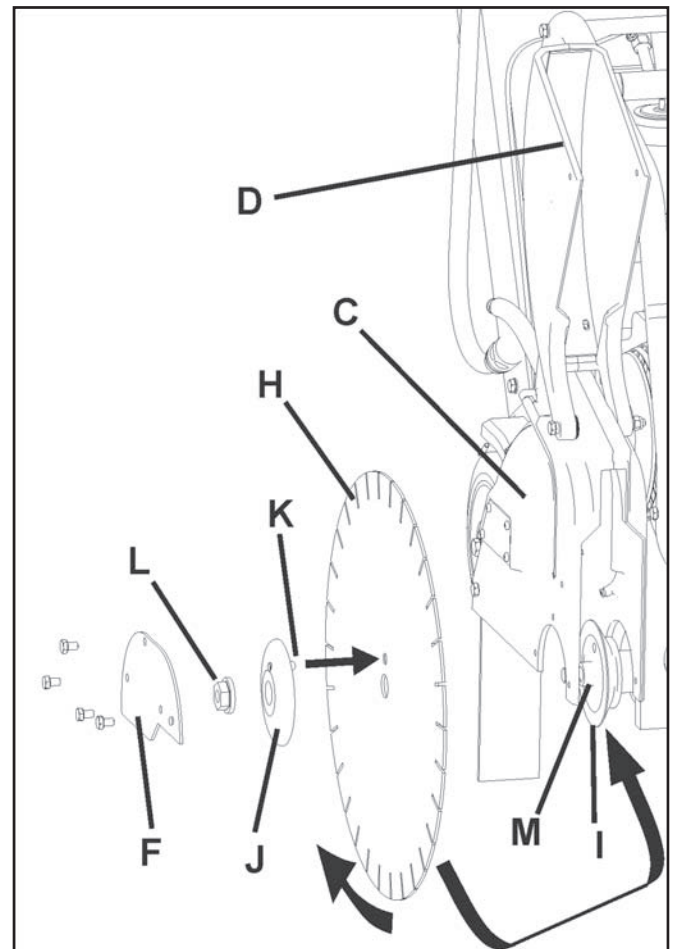
7. Nehmen Sie den Außenflansch (J) ab.
8. Stellen Sie sicher, dass der Halter der Trennscheibenwelle (M) sowie der Innenflansch (I) und Außenflansch (J) sauber und frei von Fremdkörpern sind.
9. Setzen Sie die Diamanttrennscheibe (H) auf den Halter der Trennscheibenwelle (M). Die Drehrichtung wird durch Pfeile auf der Diamanttrennscheibe (H) und am Vorderteil des Trennscheibenschutzes (D) angezeigt. Siehe Abbildung rechts.
10. Setzen Sie den Außenflansch (J) auf den Halter der Trennscheibenwelle (M). Achten Sie darauf, dass der Verriegelungsstift (K) durch die Diamanttrennscheibe (H) und den Innenflansch (I) gesteckt wird.
11. Drehen Sie den Außenflansch (J) und die Diamanttrennscheibe (H) in die entgegengesetzte Richtung der Drehrichtung, damit kein Spiel besteht.
12. Bringen Sie die Mutter der Trennscheibenwelle (L) an. Ziehen Sie sie mit dem 27-mm-Schlüssel für die Trennscheibenwelle (T) fest.

### ANMERKUNG

Die Mutter der Trennscheibenwelle (L1) auf der rechten Seite der Maschine hat Linksgewinde. Zum Anziehen gegen den Uhrzeigersinn drehen. Auf einen Mindestwert von 45 Nm (33 lb-ft) anziehen.

Die Mutter der Trennscheibenwelle (L2) (nicht abgebildet) auf der linken Seite der Maschine hat Rechtsgewinde. Zum Anziehen im Uhrzeigersinn drehen. Auf einen Mindestwert von 45 Nm (33 lb-ft) anziehen.

13. Senken Sie das Trennscheibenschutz-Vorderteil (D) ab.
14. Bringen Sie die Verriegelungsplatte des Trennscheibenschutzes (F) wieder mit den Befestigungsschrauben an.



# BETRIEB

## **! ACHTUNG!**

Verwenden Sie NUR Trennscheiben (H), die für eine maximale Betriebsdrehzahl gekennzeichnet sind, die über der Drehzahl der Trennscheibenwelle der Maschine liegt.

Die Maschine NICHT ohne die Schutzabdeckung der Diamanttrennscheibe (H) in Betrieb nehmen.

Die Maschine NICHT in Betrieb nehmen, wenn der vordere Trennscheibenschutz (D) angehoben ist!

Die Trennscheibe (H) DARF während des Betriebs der Maschine NICHT weiter als 180 Grad herausragen.

Die Kontaktflächen des Halters der Trennscheibenwelle (M) sowie des Innenflansches (I) und Außenflansches (J) MÜSSEN unbeschädigt, sauber und frei von Fremdkörpern sein.

Die Maschine NICHT mit eingebauter Trennscheibe (H) transportieren.

Herkömmliche Diamant-Nasstrennscheiben (H) NICHT ohne Wasser verwenden.

Die Bedienungsanleitung für die Trennscheibe (H) LESEN.

Die Trennscheibe (H) NUR DANN einbauen, wenn sich der Betriebsschalter in der AUS-Stellung (0) befindet und die Stromzufuhr abgetrennt ist.

### Schneidbeginn:

- Heben Sie die Diamanttrennscheibe (H) mithilfe der Tiefeneinstellung (EE) so hoch wie möglich an, damit die Trennscheibe beim Manövrieren nicht auf dem Boden aufschlägt. Ziehen Sie bei Bedarf den Trennscheiben-Tiefenanschlag (FF) heraus.
- Geben Sie die Feststellbremse frei (falls zutreffend).
- Bringen Sie die Maschine nahe bei der zu schneidenden Linie in Stellung.
- Senken Sie den Frontmarkierer (A) auf die Schneidfläche ab.
- Stellen Sie die Tiefenanzeige (GG) ein (falls erwünscht):
  - 1) Senken Sie die Maschine ab, bis die Diamanttrennscheibe die Schneidfläche berührt.
  - 2) Stellen Sie die Skalenscheibe der Tiefenanzeige (GG) so ein, dass die Pfeile auf Null (0) ausgerichtet sind. Orange zeigt die Schnitttiefe in Zentimeter an. Die Tiefe in Zoll wird in Weiß angezeigt.
  - 3) Heben Sie die Säge in die höchste Stellung an. Wenn jetzt die Diamanttrennscheibe (H) abgesenkt wird, zeigt die Tiefenanzeige (GG) die Schnitttiefe an.
  - 4) Heben Sie die Diamanttrennscheibe (H) wieder vollständig an.
- Stellen Sie sicher, dass sich der Maschinen-Stopp (AA) UND der Anlassschalter des Motors (DD) in der „EIN“-Stellung befinden. Der Maschinen-Stopp (AA) sollte sich in der äußersten Stellung befinden (von der Abdeckung nach außen gezogen). Der Anlassschalter des Motors (DD) muss auf „1“ (EIN) gestellt sein.
- Lassen Sie den Motor an. Weitere Informationen befinden sich in der Betriebsanleitung des Motors.
- Stellen Sie mittels Sichtprüfung fest, ob die Werkzeugdrehrichtung mit den Pfeilen am Trennscheibenschutz übereinstimmt.

• Drehen Sie das Wasserventil (KK) GANZ auf. Wenn das Wasser richtig fließt, stellen Sie den Fluss auf die korrekte Menge ein, BEVOR Sie die Trennscheibe absenken.

• Nehmen Sie die endgültige Einstellung vor, um die Säge auf die Schnittlinie auszurichten. Stellen Sie sicher, dass sich sowohl das Führungsrad (B) als auch die Diamanttrennscheibe (H) auf der Schnittlinie befinden.

Beenden Sie das Schneiden sofort, falls die Wasserzufuhr unterbrochen wird. Die Diamanttrennscheibe (H) könnte sonst beschädigt werden.

• Senken Sie die Diamanttrennscheibe (H) langsam in die Schnittlinie, indem Sie die Tiefeneinstellung (EE) langsam GEGEN DEN UHRZEIGERSINN drehen.

• Bei Erreichen der gewünschten Schnitttiefe drücken Sie den Trennscheiben-Tiefenanschlag (FF) nach unten, um ihn auf dem Stand der Tiefeneinstellung (EE) zu verriegeln (falls erwünscht).

• Drücken Sie leicht auf den hinteren Griff (JJ), damit sich die Maschine nach vorn bewegt. Beobachten Sie die Diamanttrennscheibe (H) und das Führungsrad (B) sorgfältig, um sicherzustellen, dass die Maschine die Schnittlinie einhält.

• Rücken Sie den Trennscheiben-Tiefenanschlag (FF) aus, wenn der Schneidvorgang beendet ist.

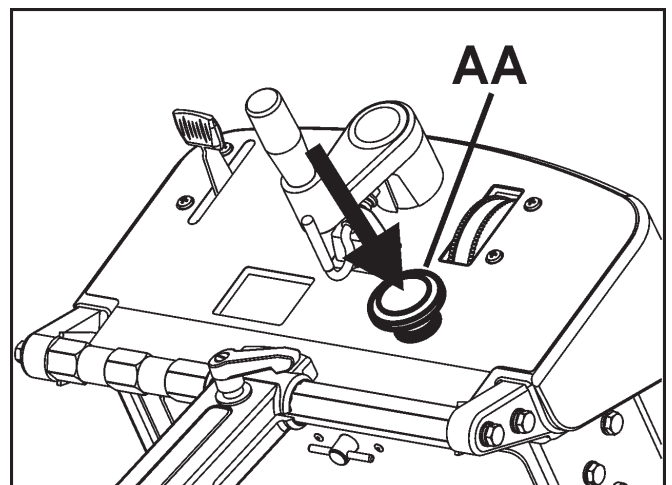
• Heben Sie die Diamanttrennscheibe (H) langsam aus der Schnittlinie, indem Sie die Tiefeneinstellung (EE) langsam IM UHRZEIGERSINN drehen.

• Schließen Sie das Wasserventil (KK).

• Stellen Sie den Anlassschalter des Motors (DD) auf „0“ (AUS), um den Motor auszuschalten.

### ANMERKUNG

**Schalten Sie die Maschine mit dem Maschinen-Stopp (AA) sofort ab (STOP), falls während des Schneidvorgangs ein Notfall eintritt.**



**Drücken Sie den Knopf „Maschinen-Stopp (AA)“, um die Maschine anzuhalten**

---

## WARTUNG und SCHMIERUNG

---

### PLANMÄSSIGE WARTUNG – KURZÜBERSICHT:

Die Maschine vor dem Durchführen von Wartungsarbeiten **IMMER** auf einer ebenen Fläche abstellen. Dabei muss der Motor abgeschaltet und der Schalter in der „AUS“-Stellung sein. Maschine abkühlen lassen! Andere Wartungs- und Reparaturarbeiten sollten nur von einem qualifizierten Mechaniker durchgeführt werden.

#### TÄGLICH:

1. Motorölstand prüfen.
2. Trennscheibenschutz auf Abnutzung überprüfen.
3. Motorluftfilter prüfen und bei Verschmutzung auswechseln. Bei der Verwendung unter staubigen Bedingungen öfters warten.
4. Maschine täglich reinigen.

#### ALLE 50 STUNDEN:

1. Motoröl und -filter auswechseln.
2. Motor bzw. Motorrippen reinigen.
3. Schmiernippel der Tiefeneinstellung (X) schmieren.
4. Räder auf Verschleiß oder Schäden überprüfen.
5. Riemenspannung des Trennscheibenantriebs prüfen.

#### **Auswechseln des Motorluftfilters (S):**

Wenn der Motor leistungsschwach zu sein scheint, schwarzen Rauch abgibt oder ungleichmäßig läuft, ist eventuell der Luftfilter verstopft. Aus diesem Grund ist es wichtig, den Luftfilter regelmäßig zu reinigen und zu ersetzen. Detaillierte Anweisungen finden Sie im Motorhandbuch.



#### **ACHTUNG!**

Der Filter darf nicht mit Druckluft gereinigt werden, da er hierdurch beschädigt wird. Filter können durch Absaugen gereinigt werden. Schlagen oder ziehen Sie keine Gegenstände über die Oberfläche, da der Filter hierdurch beschädigt wird. Papierfilter sind ordnungsgemäß zu entsorgen und auszutauschen. Polyesterfilter können durch Absaugen oder Niederdruckreinigung gereinigt werden. Verwenden Sie keinen Hochdruckreiniger, da der Filter hierdurch beschädigt wird. Ein beschädigter Filter muss immer ausgewechselt werden. Der gereinigte Filter muss vollständig getrocknet sein, bevor er wieder in das Gerät eingesetzt werden darf.



# WARTUNG und SCHMIERUNG

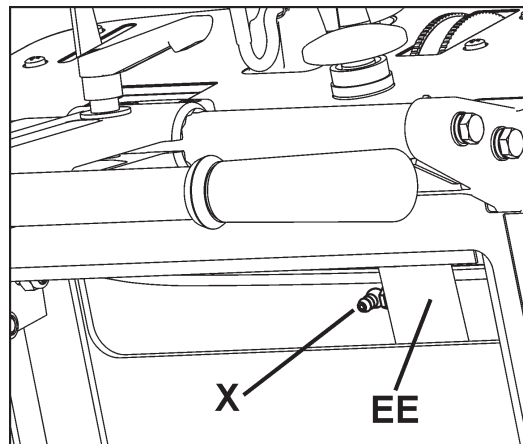
## SCHMIERUNG:



### Schmiernippel der Tiefeneinstellung (X):

Über den Schmiernippel lässt sich die Schraube der Trennscheiben-Tiefeneinstellung (EE) schmieren. Zugang zum Schmiernippel:

- Bringen Sie die Diamanttrennscheibe (H) in die höchste Stellung. Öffnen Sie das Werkzeugfach (BB) und nehmen Sie den Beutel mit der Betriebsanleitung vorübergehend heraus.
- Der Schmiernippel (X) befindet sich an der Oberseite des Rohrs der Tiefeneinstellung (EE).
- Drücken Sie Schmierfett in den Schmiernippel. Damit sich das Schmierfett im Rohr verteilt, müssen Sie die Maschine ein paar Mal anheben und absenken.
- Legen Sie die Betriebsanleitung wieder zurück und schließen Sie die Klappe des Werkzeugfachs (BB).



## Motoröl:

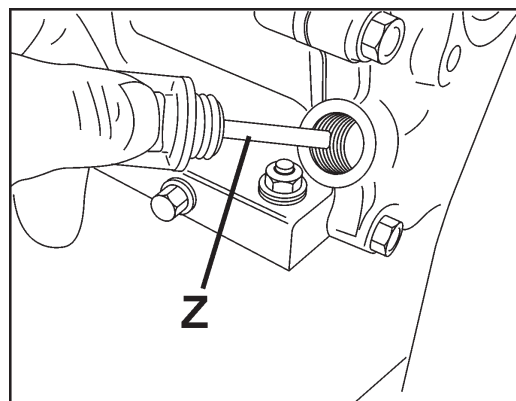
### Prüfen des Motorölstands:



Prüfen Sie den Ölstand.



Der Ölmesstab (Z) befindet sich an der Vorderseite der Maschine. Füllen Sie Motoröl durch die Öffnung des Ölmesstabs nach. Zum Messen des Ölstands darf der Ölmesstab (Z) nicht eingeschraubt werden.

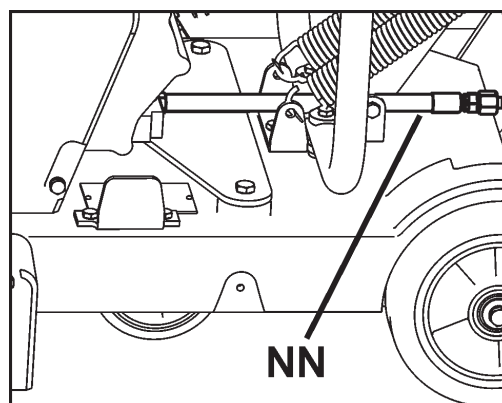


Weil die Maschine oft in angewinkelter Stellung betrieben wird, sollten Sie den Ölstand bei waagerechter Stellung der Maschine prüfen. Prüfen Sie den Ölstand oft, damit der Ölstand nie unter die Markierung am Ölmesstab sinkt. Wir empfehlen die Verwendung von 10W30 Öl.

Weitere Informationen befinden sich in der Betriebsanleitung des Motors.

### Wechseln des Motoröls:

- Stellen Sie den Anlassschalter (DD) des Motors auf AUS (0). Lassen Sie die Maschine abkühlen. Kippen Sie die Maschine mithilfe der Tiefeneinstellung (EE) leicht nach hinten.
- Bringen Sie den Ölablassschlauch (NN) auf die linke Seite der Maschine. Stellen Sie einen Behälter mit ausreichendem Fassungsvermögen zum Auffangen des Motoröls neben die Maschine.
- Öffnen Sie das Ende des Ölablassschlauchs (NN) und lassen Sie das Öl in den Behälter ab. Verschließen Sie nach Ablassen des Öls das Ende des Ölablassschlauchs (NN) und bringen Sie den Schlauch wieder in seiner ursprünglichen Stellung an.
- Füllen Sie den Motor mit der empfohlenen Ölmenge - siehe Betriebsanleitung des Motors bzgl. weiterer Informationen.
- Entsorgen Sie das Öl auf umweltschonende Weise.



# WARTUNG und SCHMIERUNG

## Spannung des Antriebsriemens der

**Trennscheibenwelle:** Der Antriebsriemen muss nach den ersten paar Betriebsstunden nachgespannt werden. Der Antriebsriemen wird mit der Spannrolle (MM) gespannt.

### Erforderliche Werkzeuge:

- 13-mm-Schlüssel (im Lieferumfang inbegriffen).
- 3/8" (9,53 mm)-Antriebs-Drehmomentschlüssel (nicht im Lieferumfang inbegriffen).
- 14-mm-Schlüssel (im Lieferumfang inbegriffen).

1. Schrauben Sie die drei (3) M8-Schrauben der Riemenabdeckung (LL) mit dem 13-mm-Schlüssel ab. Heben Sie die Abdeckung (LL) ab.

2. Lockern Sie die zwei (2) Schrauben der Spannrolle (MM) mit den 13- und 14-mm-Schlüsseln geringfügig [Schrauben mit den zwei (2) Pfeilen gekennzeichnet].

3. Setzen Sie den Drehmomentschlüssel in der quadratischen Öffnung der Spannrolle (MM) an.

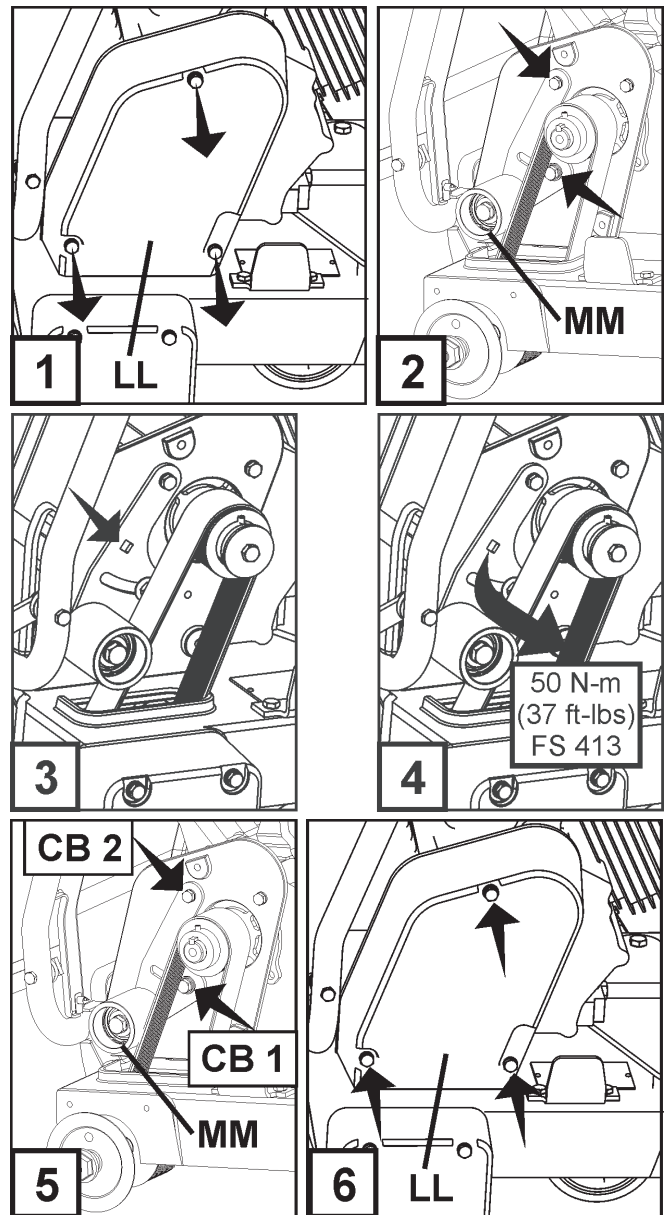
4. Ziehen Sie die Spannrolle (MM) etwas an, damit diese gegen den Keilriemen gedrückt wird. Verwenden Sie das in Abbildung 4 dargestellte Drehmoment.

5. Ziehen Sie die mittlere Schraube (CB1) an, damit die Spannrolle (MM) festgestellt ist, und ziehen Sie dann die verbleibende Schraube (CB2) an.

6. Bringen Sie die Riemenabdeckung (LL) wieder an. Ziehen Sie die drei (3) M8-Schrauben der Riemenabdeckung (LL) mit dem 13-mm-Schlüssel an.

### Reglerdrehzahl

Bei allen Verbrennungsmotoren müssen Regler und Gashebel richtig eingestellt sein. Die Motordrehzahl ist vom Werk eingestellt, um die korrekte Sägedrehzahl zu gewährleisten. Diese Einstellung muss normalerweise NICHT geändert werden. Sie sollte nur in regelmäßigen Abständen überprüft werden, nachdem die Maschine in Betrieb genommen wurde. Informationen zur Einstellung des Reglers sind in der Betriebsanleitung zu finden.

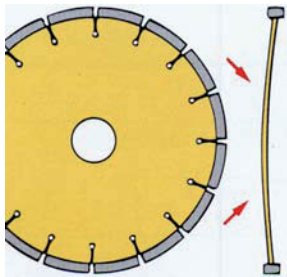
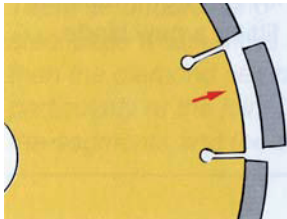
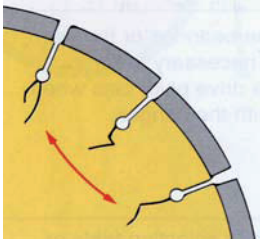




### **! ACHTUNG!**

Durch überhöhte Drehzahlen kann die Diamanttrennscheibe (H) brechen und/oder das Bedienungspersonal und Umstehende verletzt werden! Um die ordnungsgemäße Reglereinstellung sicherzustellen, ist die korrekte Trennscheibendrehzahl (U/min) der nebenstehenden Tabelle zu entnehmen. In Bezug auf die Regler- und Gashebeleinstellung sind die Anweisungen des Motorherstellers zu befolgen.

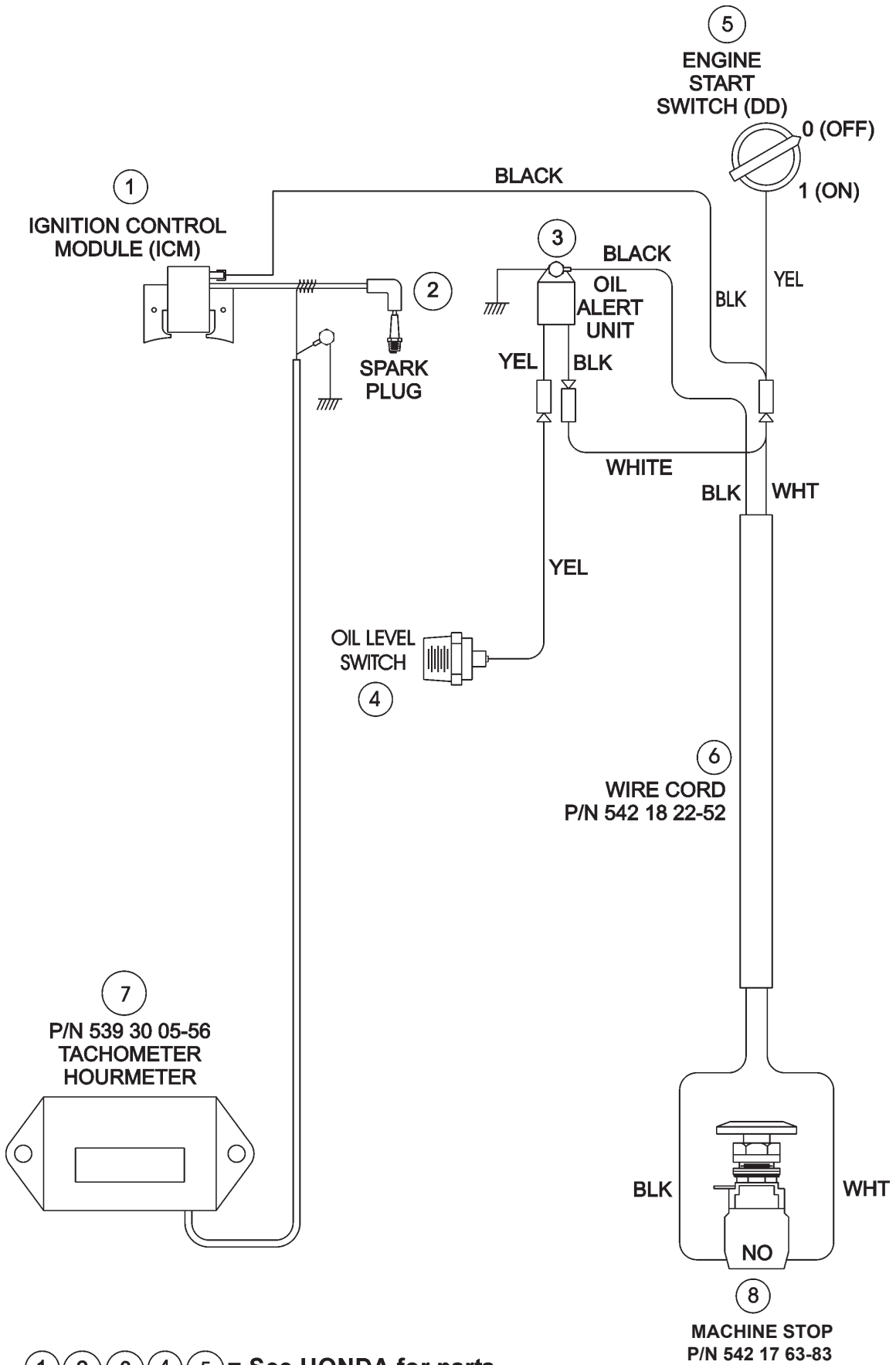
# FEHLERSUCHE

<b>Motor startet nicht:</b>	
<b>Ursache</b>	<b>Maßnahme</b>
Elektrische Schalter befinden sich in der falschen Stellung.	Stellen Sie sicher, dass sich der Maschinen-Stopp (AA) UND der Anlassschalter des Motors (DD) in der „EIN“-Stellung befinden. Der Maschinen-Stopp (AA) sollte von der Abdeckung nach außen gezogen sein und der Anlassschalter des Motors (DD) muss auf „1“ (EIN) gestellt sein.
Kraftstoffventil geschlossen.	Kraftstoffventil öffnen.
Starterklappe geöffnet.	Starterklappe bei kaltem Motor schließen.
Kraftstofftank leer.	Kraftstoff auffüllen.
Verschmutzung oder Wasser/Eis im Kraftstoffsystem.	Tank, Kraftstoffleitungen und Vergaser reinigen. Tank mit frischem Kraftstoff füllen.
Ablagerungen an den Zündkerzenelektroden.	Elektrodenabstand prüfen und Elektroden reinigen.
Motor läuft ungleichmäßig und nicht mit voller Leistung. Luftfilter verstopft.	Luftfilter reinigen oder auswechseln.

<b>Fehlerbehebung bei der Diamanttrennscheibe:</b>	
<b>Problem</b>	<b>Ursache u. Maßnahme</b>
Unzureichende Spannung der Diamanttrennscheibe 	Trennscheibe an falsch ausgerichteter Säge verwendet. Die Ausrichtung der Säge prüfen. Trennscheibe ist zu „hart“ für das zu schneidende Material; dadurch wird der Stahlkern der Trennscheibe zu stark belastet. Sicherstellen, dass die richtige Trennscheibe für das zu schneidende Material verwendet wird. Unterschiedliche Durchmesser oder zu klein dimensionierte Trennscheibenflansche üben einen ungleichmäßigen Druck auf den Kern der Trennscheibe aus. Auf beiden Seiten der Trennscheibe die richtige Flanschgröße verwenden. Verwenden Sie niemals beschädigte oder abgenutzte Flansche. Trennscheibe läuft nicht mit der korrekten Drehzahl (U/min). Stellen Sie sicher, dass sich die Trennscheibenwelle mit der für die Trennscheibengröße richtigen Drehzahl (U/min) dreht. Die Umdrehungszahl (U/min) mit einem Drehzahlmesser prüfen. Trennscheibe falsch auf dem Halter montiert. Kann sich beim Festziehen der Flansche verbiegen.
Segmentverlust 	Trennscheibe ist zu „hart“ für das zu schneidende Material. Eine „weichere“ Trennscheibe verwenden. Überhitzte Trennscheibe, erkennbar an der „blauen“ Farbe des Stahlkerns. Sicherstellen, dass die Wasserzufuhr ausreicht und nicht blockiert ist. Säge verwirft sich beim Schneiden. Sägen Sie nur in gerader Linie. Trennscheibenbohrung hat durch Abnutzung eine exzentrische Form angenommen (oval). Verschlossene Trennscheibe und Spindel ersetzen. Segment beim Montieren oder Transport herausgebrochen. Vorsichtig mit der Diamanttrennscheibe umgehen. Transportieren Sie die Maschine nie mit eingebauter Trennscheibe.
Riss im Trennscheibenkern 	Trennscheibe ist zu „hart“ für das zu schneidende Material. Eine „weichere“ Trennscheibe verwenden. Überhitzte Trennscheibe, erkennbar an der „blauen“ Farbe des Stahlkerns. Sicherstellen, dass die Wasserzufuhr ausreicht und nicht blockiert ist. Säge verwirft sich beim Schneiden. Sägen Sie nur in gerader Linie.
Risse in den Trennscheibensegmenten 	Trennscheibe ist zu „hart“ für das zu schneidende Material. Eine „weichere“ Trennscheibe verwenden.

<b>⚠ ACHTUNG!</b>	
	KEINE beschädigten Diamanttrennscheiben verwenden! Das Betreiben der Maschine mit beschädigten Diamanttrennscheiben kann Todesfälle oder Verletzungen zur Folge haben.

# SCHALTBILD



① ② ③ ④ ⑤ = See HONDA for parts.



# TECHNISCHE DATEN

Maschinengewicht	
Nenngewicht, kg	142
Höchstgewicht, kg	158

Klingenwelle und Motordrehzahl	
Klingenwelle, U/min	2700
Motordrehzahl, U/min	3600

Volumen des Wassertanks	
Liter	US-Gallone (britische Gallone)
25	6.6 (5.5)

Schnittiefe	
Klingengröße, mm	Maximale Klingenschnitttiefe, mm
500	189

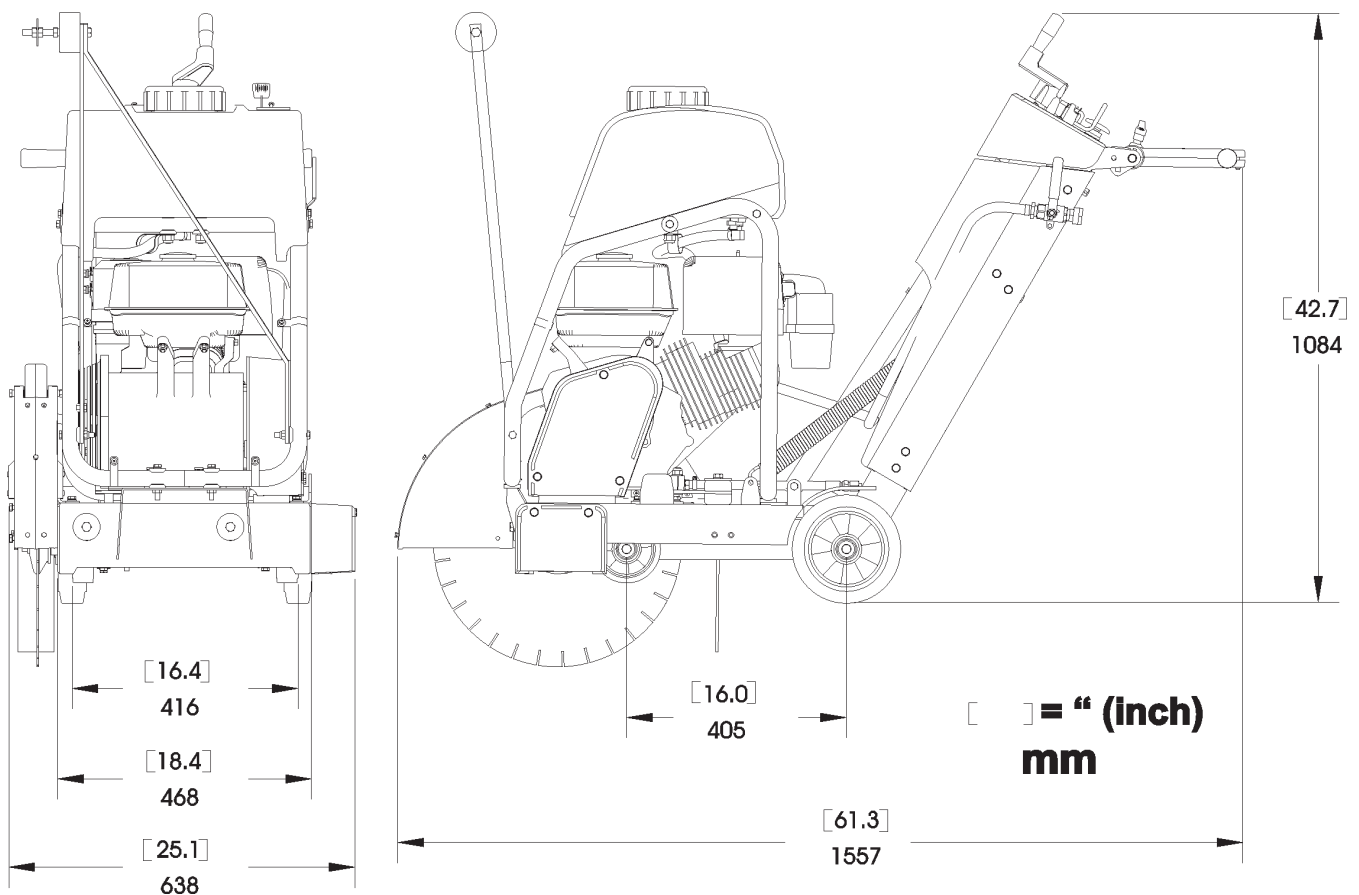
Größe des Dorns und Klingensflansches	
Dorngröße, mm	25,4
Klingensflanschdurchmesser, mm	114

Geräuschemissionen (siehe Hinweis 1)	
Gemessene Schalleistung dB(A)	108
Garantierte Schalleistung dB(A)	110
Lautstärke (siehe Hinweis 2)	
Schalldruckpegel am Ohr des Bediener, dB(A)	88
Vibrationspegel, $a_{hv}$ (siehe Hinweis 3)	
Griff rechts, $m/s^2$	2,4
Griff links, $m/s^2$	1,9

Hinweis 1: Umweltbelastende Geräuschemissionen, gemessen als Schalleistung (LWA) gemäß EG-Richtlinie 2000/14/EG.

Hinweis 2: Schalldruckpegel gemäß EN 13862. Berichten zufolge liegt der Schalldruckpegel normalerweise bei einer Ausbreitungsklasse (standardmäßige Ausbreitung) von 4,0 dB (A).

Hinweis 3: Vibrationspegel gemäß EN 13862. Berichten zufolge liegt der Vibrationspegel normalerweise bei einer Ausbreitungsklasse (Standardabweichung) von 1,5  $m/s^2$ .

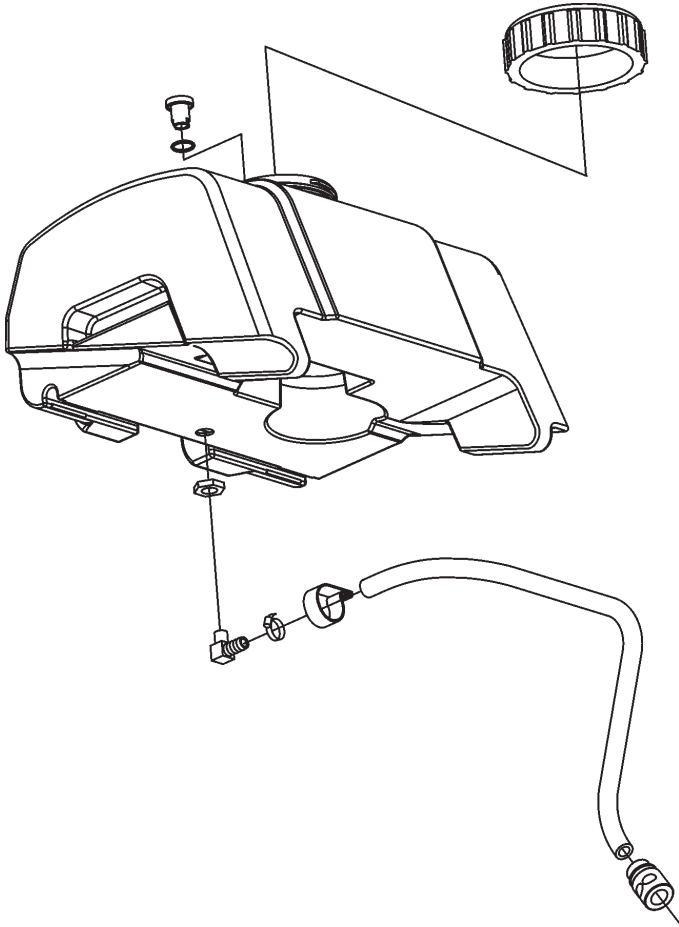


---

## ZUBEHÖR

---

### Wassertank 541 20 82-86 Kompletter Satz



---

# KONFORMITÄTSBESCHEINIGUNGEN

---

**American National Standards Institute** : Für Geräte, die in den USA verwendet werden, wird bestätigt, dass diese Maschine der folgenden Bestimmung entspricht: American National Standards Institute ANSI B7.1-2000, "Safety Requirements for the Use, Care and Protection of Abrasive Wheels". Dieser Standard kann vom American National Standards Institute an der folgenden Adresse bezogen werden:

American National Standards Institute  
25 West 43rd Street, 4th floor  
New York, NY 10036

Telefon: 212.642.4900  
Fax: 212.398.0023  
www.ansi.org

**CALIFORNIA AIR RESOURCES BOARD (CARB)**: Diese Maschine wird in Bezug auf die CARB-Standards als „preempt Off-Road“-Anwendung angesehen. In Bezug auf Baumaschinen und insbesondere als Betonsäge (Saws: concrete, masonry, cutoff) mit einer Motorleistung unter 19 kW (25 PS) treffen die CARB-Standards nicht auf diese Maschine zu.

Weitere Informationen befinden sich auf der Website <http://www.arb.ca.gov/msprog/offroad/preempt.htm>

## DE - EG-KONFORMITÄTSERKLÄRUNG

(nur für Europa)

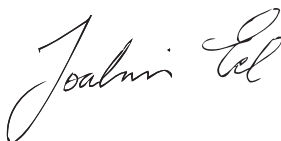
**Husqvarna AB**, SE-561 82 Huskvarna, Schweden, Tel.: +46 36 146500, erklärt unter alleiniger Verantwortung, dass die Fugenschneider **Husqvarna FS 413** einschließlich aller Geräte mit 2016er-Seriennummern oder folgenden (das Jahr und die Seriennummer sind deutlich auf dem Typenschild jeder Maschine erkennbar) den Anforderungen der COUNCIL'S DIRECTIVES (offizielle Richtlinien) entspricht:

- "Maschinen-Richtlinie" 2006/42/EG vom 17. Mai 2006
- Richtlinie "über elektromagnetische Verträglichkeit", 2014/30/EU vom 26. Februar 2014
- vom 8. Mai 2000 „über umweltbelastende Geräuschemissionen von zur Verwendung im Freien vorgesehenen Geräten und Maschinen“ 2000/14/EG.

Die folgenden Normen werden erfüllt: EN ISO 12100:2010, CISPR12:2007+Amd1:2009, EN55012:2007+A1:2009, EN13862+A1:2009, EN ISO 14982:2009

SMP Svensk Maskinprovning AB, Fyrisborgsgatan 7035, SE-750 07 Uppsala, Schweden, hat die EG-Typenprüfung gemäß der Maschinen-Richtlinie (2006/42/EG) für Husqvarna AB durchgeführt. Das Prüfzertifikat hat die Nummer: SEC/17/2478

Göteborg, 26. Februar 2016



Joakim Ed  
Global R&D Director  
Construction Equipment Husqvarna AB  
(Bevollmächtigter Vertreter für Husqvarna AB, verantwortlich für die technische Dokumentation)



---

## KONTAKTINFORMATIONEN

---



### **Construction Products, North America**

#### **Hauptsitz**

17400 West 119th Street, Olathe, Kansas 66061 USA

Telefon: 913-928-1000

Fax: 913-438-7951

[www.husqvarna.com](http://www.husqvarna.com)

Für Service vor Ort wenden Sie sich bitte an Ihren örtlichen Vertreter von Husqvarna Construction Products.

### **Europa:**

#### **Husqvarna Construction Products**

SE-433 81 Partille, Sweden

Tel: +46 31 94 90 00

Fax: +46 31 94 90 50

### **Asiatisch-Pazifischer Raum:**

#### **Husqvarna Construction Products, Australia Pty Ltd**

25-31 Kinkaid Avenue,  
North Plympton, Adelaide,  
South Australia 5037

Tel.: +61 (0)8 8375 1000

Fax: +61 (0)8 8371 0990

### **Amerika:**

#### **Husqvarna Construction Products, North America**

17400 West 119th Street, Olathe, Kansas 66061 USA

Gebührenfreie Telefonnummer: 800-288-5040, Telefonnr.: 913-928-1300

Fax: 913-438-7938



# INHOUD en INLEIDING

Inhoud	Pagina
Hoofdstuk	
Inhoud & inleiding .....	37
Symbolen en labels .....	38-42
Veiligheidsinstructies.....	43-46
Onderdelenidentificatie (wat is wat) .....	48-49
Montage.....	50-54
Bediening .....	55-59
Onderhoud & smering.....	60-62
Probleemoplossing .....	63
Bedradingdiagram.....	64
Technische gegevens .....	65-66
Accessoires .....	67
Nalevingcertificaten .....	68
Contactgegevens.....	69

## Inleiding

Dank u voor de aankoop van uw nieuwe machine van Husqvarna Construction Products. Wij hebben belangrijke veiligheidsboodschappen voorzien in deze handleiding en op de machine. Lees deze boodschappen aandachtig. Een veiligheidsboodschap verwoordt u van mogelijke gevaren die u of anderen zouden kunnen verwonden. Elke veiligheidsboodschap wordt voorafgegaan door een symbool of het veiligheidssymbool (⚠) en door één of twee woorden, **WAARSCHUWING** of **LET OP**.

Deze waarschuwende woorden betekenen:

**⚠ WAARSCHUWING:** Wijst op een gevaarlijke situatie die, indien niet vermeden, tot de dood of een ernstig letsel ZOU KUNNEN leiden.

**⚠ LET OP:** Wijst op een gevaarlijke situatie die, indien niet vermeden, tot een minder ernstig of matig letsel ZOU KUNNEN leiden. Deze boodschap kan ook op mogelijke onveilige praktijken wijzen.

Elke boodschap vermeldt wat het gevaar is, wat er kan gebeuren en wat u kunt doen om een letsel te vermijden of beperken. Andere belangrijke boodschappen worden voorafgegaan door het woord **VERWITTIGING**.

**VERWITTIGING** betekent het volgende:

**VERWITTIGING:** Wijst op een gevaarlijke situatie die, indien niet vermeden, tot schade aan eigendom zou kunnen leiden. Uw machine of ander eigendom kan worden beschadigd als u deze instructie niet volgt.

De gebruiker dient de veiligheidslabels regelmatig te inspecteren en reinigen voor een goede leesbaarheid vanaf een veilige afstand. Als een label versleten, beschadigd of onleesbaar blijkt, dan moet deze worden vervangen.

## ⚠ WAARSCHUWING!

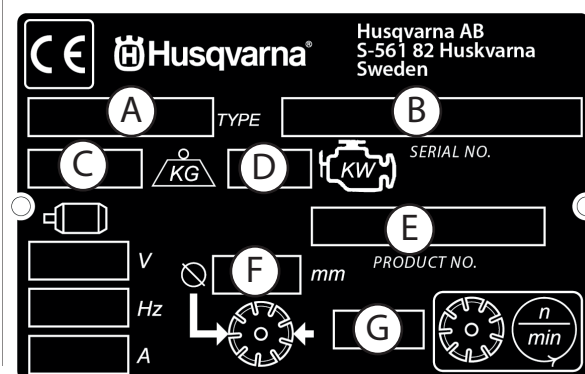
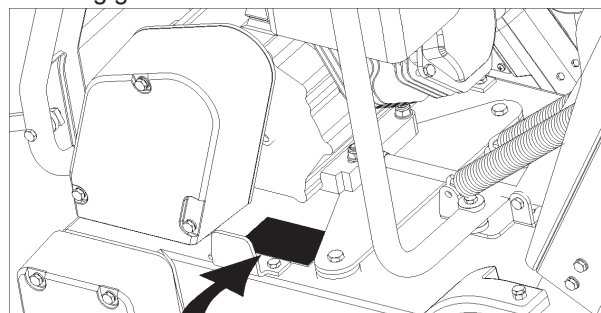


Lees en begrijp de inhoud van deze volledige bedieningshandleiding en van de handleiding die met de motor wordt meegeleverd, alvorens de machine te bedienen.



Raak vertrouwd met de machine alvorens deze te bedienen!

**Modelidentificatie:** Noteer de gegevens op het serienummerplaatje van de machine hieronder voor toekomstig gebruik.



A. Model: \_\_\_\_\_

B. Productiedatum, jaar, week, serienummer: \_\_\_\_\_

C. Gewicht van de machine (kg) \_\_\_\_\_

D. Motorvermogen (KW) \_\_\_\_\_

E. Productnummer \_\_\_\_\_

F. Zaagbladdiameter (mm) \_\_\_\_\_

G. Zaagbladsnelheid (omwentelingen per minuut) \_\_\_\_\_

Andere gegevens die niet op het serienummerplaatje worden weergegeven:

**Serienummer motor:** \_\_\_\_\_

Zie bedieningshandleiding van motor voor locatie.

**Aankoopdatum:** \_\_\_\_\_

## SYMBOLLEN en LABELS



Lees de gebruiksinstructies alvorens de machine voor de eerste maal te bedienen.



Dit symbool geeft aan dat de machine overeenstemt met de toepasselijke Europese richtlijn.



Verplicht



Aanwijzing



Verbod



Waarschuwingsdriehoek



Draag een veiligheidsbril



Draag een ademhalingsmasker



Het gebruik van oorbescherming is verplicht



Draag een veiligheidshelm



Draag veiligheidsschoenen



Draag de gepaste kleding



Verwijder het blad alvorens de machine te hijsen, laden, lossen en vervoeren



Machinestop, transmissiestop



Gebruik in een goed geventileerde ruimte



Gebruik niet in brandbare ruimten



Machinegevaar; houd handen en voeten uit de buurt



Demper heet. Kan brandwonden en/of ontbranding van materiaal veroorzaken. Vermijd aanraking.



Gevaar; giftig uitlaatgas



Geen niet-werkend personeel in de buurt



Verboden te roken



Bedien niet zonder gemonteerde bladafdekking



Houd alle afdekkingen steeds op hun plaats



Watertoevoer ingeschakeld








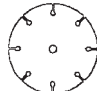










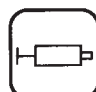


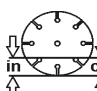








Watertoevoer uitgeschakeld



Watertoevoer

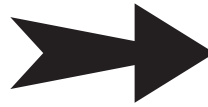
## SYMBOLLEN en LABELS

	Veiligheidsschakelaar bladwater		Elektrische startschakelaar
	Temperatuur motorkoelmiddel		Reparaties mogen alleen door een goedgekeurde dealer worden uitgevoerd
	Houd werkgebied zuiver / goed verlicht. Verwijder alle veiligheidsgevaaren.		Koplamp
	Gevaarlijk hoog geluidsniveau		Diamantblad
	Let zeer goed op de nodige zorg en bescherming van de machine vóór het starten		Bladdiameter
	Verwijder gereedschap uit het gebied en van de machine		Bladkoppeling
	Motoroliedruk		Diameter riemschijf
	Olie vereist		Aantal omwentelingen per minuut; rotatiesnelheid
	Peilstok; onderhoud correct olieniveau		Diameter bladflens
	Smeerpunt		Bladdieptestop
	Hoge snelheid		Indicator snijdiepte – diepte van insnijding
	Lage snelheid		Handrem
	Elektrische UIT-schakelaar		Handrem aangetrokken (gekoppeld)
	Elektrische AAN-schakelaar		Handrem losgelaten (ontkoppeld)

## SYMBOLLEN en LABELS



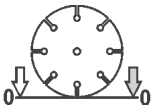
Machinegewicht (kilogram)



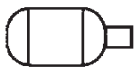
De pijl op de gereedschapsbescherming geeft de draairichting van het gereedschap aan.



Positieve accuklem



Indicator bladdiepte – nul



Elektrische motor



Motor



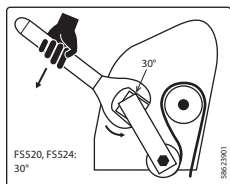
Motorsnelheid in omwentelingen / minuut



Motorstart



Alleen loodvrije benzine



30°-sleutel



Geluidsemissie naar de omgeving volgens de richtlijn van de Europese Gemeenschap. De emissie van de machine staat vermeld in het hoofdstuk "Technische gegevens" en op het label

## SYMBOLLEN en LABELS



P/N 542 19 07-33  
Locatie: Voorkant van kap

### FS 413

P/N 542 19 07-112  
Locatie: Linker- en  
rechterkant van het frame  
(alleen FS 413)

For local service, please contact your local Husqvarna Construction Products representative.

Para efectuar un servicio local, póngase en contacto con su representante local de Husqvarna Construction Products.

Pour toute réparation, contacter le représentant local de Husqvarna Construction Products.

Für Service vor Ort wenden Sie sich bitte an Ihren örtlichen Vertreter von Husqvarna Construction Products.

Neem voor plaatselijke service contact op met uw plaatselijke vertegenwoordiger van de constructieproducten van Husqvarna.

Per assistenza, rivolgersi al rappresentante di zona della Husqvarna Construction Products.

För service på platsen, kontakta din lokala representant för Husqvarna Construction Products.

Para obter serviço técnico local, contactar o representante da Husqvarna Construction Products local.

**Europa / Europe:**  
Husqvarna  
Construction Products  
SE-433 81 Partille, Sweden  
Tel: +46 31 94 90 00  
Fax: +46 31 94 90 50

**Asia Pacific:**  
Husqvarna  
Construction Products,  
Australia Pty Ltd  
25-31 Kinkaid Avenue,  
North Plympton, Adelaide,  
South Australia 5037  
Tel: +61 (0)8 8375 1000  
Fax: +61 (0)8 8371 0990

**The Americas:**  
Husqvarna Construction Products,  
North America  
17400 West 119th Street,  
Olathe, Kansas 66061 USA  
Toll-Free Telephone: 800-288-5040,  
Telephone: 913-928-1300  
Fax: 913-438-7938

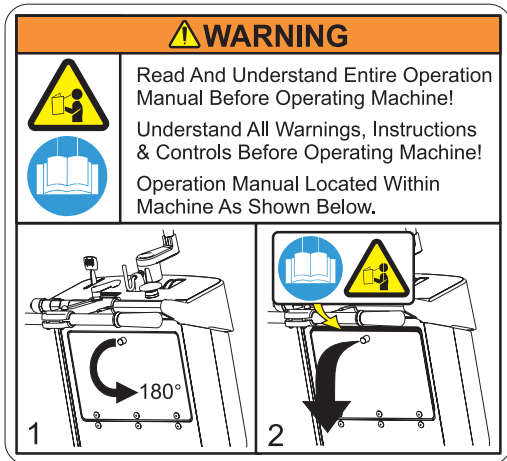
P/N 542 19 06-46 plaatselijke  
service  
Locatie: Zijkant frame

P/N 542 19 05-88



P/N 542 19 05-88  
Locatie: Dieptemeting

# SYMBOLEN en LABELS



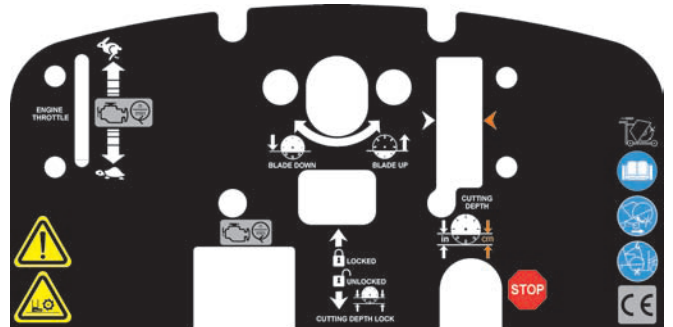
P/N 542 19 05-93  
Locatie: Achterkant van kap



P/N 542 16 90-65  
Locatie: Bovenkant van de riembescherming



P/N 542 19 06-17  
Locatie: Watertank (indien aanwezig)



P/N 502 24 01-05  
Locatie: Bovenkant van kap



P/N 542 19 06-38  
Locatie: Achterkant van kap

PATENT PENDING

P/N 542 16 12-35  
Locatie: Bovenste rechterframe



# VEILIGHEIDSLINSTRUCTIES

## Algemeen gebruik

 <b>WAARSCHUWING!</b>	
	Lees en begrijp de inhoud van deze volledige bedieningshandleiding en van de handleiding die met de motor wordt meegeleverd, alvorens de machine te bedienen.
	Raak vertrouwd met de machine alvorens deze te bedienen!

  	<b>De operator moet persoonlijke veiligheidsuitrusting &amp; -kleding gebruiken, die geschikt is voor het werk dat hij uitvoert. Persoonlijke veiligheidsuitrusting, zoals oor- en oogbescherming, is verplicht.</b>
  	

	<b>Het werkgebied moet helemaal zuiver en goed verlicht zijn, en alle veiligheidsgevaaren moeten verwijderd zijn.</b>
---	---

	<b>Personen die niet bij het werk betrokken zijn, moeten het gebied verlaten.</b>
--	---

	<b>WAARSCHUWING! De zaagbladas draait wanneer de motor wordt getornd of gestart.</b>
---	--

	<b>WAARSCHUWING! Raak het gereedschap niet aan terwijl de machine in werking is.</b>
---	--

## Brandstofveiligheid:

	<b>WAARSCHUWING! Wees voorzichtig wanneer u brandstof hanteert. Houd rekening met het risico op brand, ontploffing en inademing van dampen.</b>
---	---

- Berg brandstof alleen op in vaten die voor dit doeleinde zijn goedgekeurd.
- Voeg alleen brandstof toe wanneer de motor van de machine UIT is. U mag de brandstofdop nooit verwijderen en de brandstoftank nooit vullen terwijl de motor loopt.
- Vul de brandstof altijd aan in een goed geventileerde ruimte.
- Vul een brandstoftank nooit in een gesloten ruimte.
- Laat de motor afkoelen alvorens brandstof aan te vullen.

	<b>Vul nooit brandstof aan in de buurt van vonken of vlammen. Gebruik de machine niet in een brandbaar gebied.</b>
---	--

	<b>Rook niet terwijl u de brandstof aanvult of de machine gebruikt.</b>
---	---

- Verwijder de machine 3 meter (10 ft) van de brandstofbron alvorens de motor te starten.
- Start de machine nooit:
  - 1) Als brandstof op de machine is gemorst. Veeg de gemorste brandstof weg en geef de resterende brandstof wat tijd om te verdampen.
  - 2) Als u brandstof op uzelf of uw kleding heeft gemorst. Gebruik zeep en water om het lichaamsdeel te wassen dat in aanraking is gekomen met de brandstof.
  - 3) Als brandstof uit de machine lekt. Controleer regelmatig op lekken van de brandstofdop en brandstofleiding.
- De machine en brandstof moeten zodanig worden opgeborgen en vervoerd dat er geen risico bestaat op de aanraking van lekken of dampen met vonken of vlammen van, bijvoorbeeld, elektrische machines of elektrische motoren, elektrische relais / schakelaars of boilers.

## STOFWAARSCHUWING

Tijdens het snijden, vooral **DROOG** snijden, wordt stof opgewekt door het materiaal dat gesneden wordt, en dit stof bevat meestal silica. Silica is een basiscomponent van zand, kwarts, tichelaarde, graniet en talrijke andere mineralen en stenen. Blootstelling aan een overmatige hoeveelheid van dit stoftype kan de volgende problemen met zich meebrengen:

- Ademhalingsziekten (die uw ademhalingsvrijheid beïnvloeden), waaronder chronische bronchitis, silicose en longfibrose door blootstelling aan silica. Deze ziekten kunnen dodelijk zijn.
- Huidirritatie en uitslag
- Kanker volgens het NTP\* en IARC\*  
\* Nationaal Toxicologisch Programma, Internationaal Agentschap voor Kankeronderzoek

Neem voorzorgsmaatregelen

- Vermijd inademing en aanraking van de huid met stof, nevel en dampen.
- Zaag nat wanneer mogelijk, om het stof tot een minimum te beperken.
- Draag de gepaste ademhalingsbescherming en verzeker dat alle omstanders de gepaste ademhalingsbescherming dragen, zoals stofmaskers die ontworpen zijn om microscopische deeltjes buiten te houden. (Zie OSHA 29 CFR Deel 1910.1200)

### Waarschuwing – California Prop 65:

Het gebruik van dit product kan blootstelling veroorzaken aan materialen die door de staat Californië als kankerverwekkend worden beschouwd en/of geboortedefecten of andere reproductieschade kunnen veroorzaken.

## VEILIGHEIDSIINSTRUCTIES



### WAARSCHUWING GIFTIG UITLAATGAS



**DEZE ZAAG WORDT ZONDER KATALYSATOR VANUIT DE FABRIEK VERZONDEN.** DE MOTOR PRODUCEERT UITLAATGASSEN MET KOOLMONOXIDE EN IS **NIET VEILIG** VOOR GEBRUIK IN GESLOTEN RUIMTEN. HET GEBRUIK VAN EEN KATALYSATOR VERMINDERT HET NIVEAU VAN DE KOOLMONOXIDE IN DE UITLAATGASSEN, MAAR HET IS NOG STEEDS **NIET VEILIG** VOOR GEBRUIK IN GESLOTEN RUIMTEN.

GEBRUIK ALLEEN IN GOED GEVENTILEERDE RUIMTEN. DE LUCHTKWALITEIT VAN DE WERKRUIMTE MOET OVEREENSTEMMEN MET OSHA 29 CFR 1910.1000 VOLGENS TABEL Z-1, GRENZEN VOOR LUCHTVERVUILERS.

CONTROLEER DE LUCHTKWALITEIT VAN DE WERKRUIMTE OM OVEREENKOMST TE VERZEKEREN. GEBREK AAN OVEREENKOMST ZAL RESULTEREN IN LEVENSGEVAAR EN EEN PERMANENT LETSEL OF DE DOOD VEROORZAKEN.

#### Algemene informatie

Koolmonoxide (CO) onderscheidt zich als één van de weinige, vaak voorkomende industriële gassen die zowel zeer giftig (gif) als geurloos zijn. Bij inademing handelt CO als een chemisch verstikkingsmiddel in combinatie met hemoglobine in de bloedstroom. Hierdoor kan de hemoglobine niet de normale hoeveelheid zuurstof vervoeren, waardoor de weefsels niet voldoende zuurstof krijgen. Symptomen van een geringe blootstelling aan CO zijn onder andere hoofdpijn, duizeligheid, verwarring en misselijkheid. **Een langere of intensere blootstelling kan echter leiden tot verlies van bewustzijn, permanente letsels en de dood.** Omwille van de gezondheidsgevaaren bij de inademing van CO heeft de OSHA (Occupational Safety & Health Administration) persoonlijke blootstellinggrenzen opgelegd. De grenswaarden van de OSHA, die gespecificeerd zijn in 29 CFR 1910.1000 (1998 revisie), laten maximaal 200 PPM toe en een TWA (tijdsgewogen gemiddelde) van 35 PPM per 8-uur ploeg/40-uur werkweek. Het is zeker aan te raden de OSHA 29 CFR 1910.1000 (Code van Federale Reguleringen) te raadplegen voor meer informatie over blootstellinggrenzen voor verschillende gevaarlijke materialen. Als een CO-vergiftiging wordt vermoed, breng het slachtoffer dan onmiddellijk in de frisse lucht en roep de hulp in van een medische nooddienst.

#### Gepaste ventilatie:

**DEZE ZAAG WORDT ZONDER KATALYSATOR VANUIT DE FABRIEK VERZONDEN.** Het is belangrijk dat u weet dat zagen met katalysators de hoeveelheid CO en koolwaterstof (HC) in de uitlaatgassen verminderen. Het uitlaatgas bevat echter nog steeds CO. Als de werkplaats te zeer ingesloten is of niet voldoende geventileerd, dan is het mogelijk dat CO zich opstapelt totdat de OSHA-grenswaarden uiteindelijk worden bereikt. Wanneer dit gebeurt, moeten maatregelen worden getroffen om werknemers te verwijderen uit de ruimten met een hoge concentratie. Operators en supervisors van het werkgebied moeten voorzorgsmaatregelen treffen om te verzekeren dat de werkplaats steeds een gepaste ventilatie krijgt. Een detector voor koolmonoxide moet worden gebruikt om te bepalen of de gepaste ventilatie bestaat.



### WAARSCHUWING GEHOORGEVAAR

TIJDENS EEN NORMAAL GEBRUIK VAN DEZE MACHINE IS HET MOGELIJK DAT DE OPERATOR WORDT BLOOTGESTELD AAN EEN GELUIDSNIVEAU DAT GELIJK IS AAN **85 dB (A)** OF HOGER. HET GEHOOR KAN TIJDELIJK EN/OF PERMANENT WORDEN BESCHADIGD. OORBESCHERMING IS VEREIST.

---

# VEILIGHEIDSINSTRUCTIES

---

## VEILIGHEID VOOR ALLES!



### WAARSCHUWINGEN WAT MOET EN WAT NIET MAG



#### WAARSCHUWING: HET NIET NALEVEN VAN DEZE WAARSCHUWINGEN EN BEDIENINGSINSTRUCTIES ZOU KUNNEN LEIDEN TOT DE DOOD OF EEN ERNSTIG LICHAAMELIJK LETSEL.

#### WAT MOET

- Lees** deze volledige bedieningshandleiding voordat u deze machine bedient. Lees en begrijp alle waarschuwingen, instructies, controles en symbooldefinities die in deze handleiding en op de machine zijn voorzien.
- Geef** steeds een exemplaar van deze handleiding aan de gebruiker van de apparatuur. Als u extra exemplaren nodig heeft, bel dan het gratis nummer 1 800 288-5040 vanuit de USA of +1-913-928-1300 voor internationale klanten, of raadpleeg het hoofdstuk CONTACTGEGEVENS in deze handleiding.
- Houd** alle afdekkingen op hun plaats en in een goede conditie.
- Draag** de goedgekeurde bescherming voor oren, ogen, hoofd en ademhaling.
- Lees** en begrijp alle waarschuwingen en instructies op de machine.
- Houd** alle lichaamsdelen uit de buurt van het blad en van alle andere bewegende onderdelen.
- Weet** hoe u de machine snel kunt stoppen in een noodgeval.
- Schakel** de motor uit en laat hem afkoelen voordat u brandstof aanvult of onderhoudstaken uitvoert.
- Inspecteer** het blad, de flenzen en assen op schade voordat u het blad installeert.
- Gebruik** de aangegeven bladflensgrootte voor elke bladgrootte.
- Gebruik** alleen diamantbladen met een stalen centrum, vervaardigd voor gebruik op betonzagen.
- Gebruik** alleen de bladflenzen die met de zaag zijn meegeleverd. Gebruik nooit beschadigde of versleten bladflenzen.
- Gebruik** alleen bladen die gemarkeerd zijn met een maximale bedrijfssnelheid die hoger is dan de snelheid van de bladas. Verifieer de snelheid door het aantal omwentelingen per minuut van de bladas te controleren, evenals de diameters van de riemschijven en de bladflenzen.
- Verifieer** de configuratie van de zaagaandrijving door de omwentelingen per minuut van de bladas te controleren, evenals de diameters van de riemschijven en de bladflenzen.
- Lees** alle veiligheidsdocumenten en instructies meegeleverd met alle bladen die met deze machine worden gebruikt.
- Inspecteer** elk blad aandachtig voordat u het gebruikt. **GEBRUIK HET BLAD NIET** als er tekenen zijn van schade of ongewone slijtage.
- Monteer** het blad degelijk en stevig. Draai de doornmoer vast met een moersleutel.
- Controleer** of blad en flenzen zuiver zijn en vrij van vuil en afval voordat u het blad op de zaag monteert.
- Gebruik** het correcte blad voor het werk dat u gaat doen. Raadpleeg de fabrikant van het blad als u niet zeker bent of u het juiste blad heeft.
- Wees** voorzichtig en volg de instructies wanneer u de machine laadt en lost.
- Bedien** deze machine alleen in goed geventileerde ruimten. Inademing van giftig uitlaatgas kan dodelijk zijn.
- Zeg** aan omstanders waar zij moeten staan wanneer de machine in werking is.
- Richt** een programma op voor de opleiding van alle operators van deze machine.
- Vermijd** onnodige mensen in de werkomgeving. Sta nooit toe dat iemand voor of achter het blad staat terwijl de motor loopt.
- Vergewis** u ervan dat het blad niets raakt voordat u de motor start.
- Wees** voorzichtig wanneer u deze machine hijst en vervoert.
- Maak** de machine altijd vast voordat u haar vervoert.
- Wees** voorzichtig en volg de instructies wanneer u de machine installeert of vervoert.
- Wees** zeker dat alle onderhoudstaken worden uitgevoerd door bekwaam onderhoudspersoneel.
- Verifieer** of het doorgat op het blad overeenstemt met de machinespil voordat u het blad monteert.
- Controleer** altijd of er geen gevaren, zoals elektriciteitskabels of gasleidingen, begraven zijn, voordat u zaagt. Raadpleeg het lokale nutsbedrijf voordat u in onbekende gebieden werkt.
- Verwijder** de machine minstens 3 meter (10 ft) van de brandstofbron voordat u de motor start en controleer of de brandstofdop geplaatst is en goed is vastgedraaid.
- Hijs** de machine alleen via het gespecificeerde hijspunt.
- Reinig** de machine na elke dag in gebruik.
- Gebruik** de juiste bladflensgrootte voor elke bladgrootte. Gebruik nooit beschadigde of versleten bladflenzen.
- Wees** voorzichtig wanneer u brandstof hanteert.
- Zaag** alleen in een rechte lijn en zaag slechts zo diep als nodig volgens de opdrachtspecificaties.

---

## VEILIGHEIDSINSTRUCTIES

---

### VEILIGHEID VOOR ALLES!



## WAARSCHUWINGEN WAT MOET EN WAT NIET MAG



**WAARSCHUWING: HET NIET NALEVEN VAN DEZE WAARSCHUWINGEN EN BEDIENINGSINSTRUCTIES ZOU KUNNEN LEIDEN TOT DE DOOD OF EEN ERNSTIG LICHAAMELIJK LETSEL.**

### WAT NIET MAG

- Bedien** deze machine **NIET** tenzij u de bedieningshandleiding heeft gelezen en begrepen.
- Bedien** deze machine **NIET** zonder dat de bladafdekking of andere beschermende afdekkingen zijn geplaatst.
- Sta NIET** achter of vóór het bladpad terwijl de motor loopt.
- Laat** deze machine **NIET** onbeheerd achter terwijl de motor loopt.
- Werk NIET** aan deze machine terwijl de motor loopt.
- Bedien** deze machine **NIET** wanneer u moe, vermoeid of onder de invloed van drugs of alcohol bent.
- Gebruik GEEN** blad voor nat zagen zonder dat het blad voldoende water toegediend krijgt.
- Overschrijd** de maximaal aangegeven bladsnelheid voor elke bladgrootte **NIET**. Het blad zou kunnen breken als gevolg van overmatige snelheid.
- Bedien** de machine **NIET** als u niet precies weet hoe dat moet.
- Gebruik GEEN** beschadigde apparatuur of bladen.
- Raak** een bewegend blad **NIET** aan of probeer het **NIET** te stoppen met uw hand.
- Buig**, knel, klem of verdraai het blad **NIET** in een insnijding.
- Vervoer** een snijmachine **NIET** terwijl het blad op de machine is gemonteerd.
- Gebruik GEEN** blad dat gevallen of beschadigd is.
- Gebruik GEEN** bladen met hardmetalen randen.
- Raak** een droog zegend diamantblad **NIET** onmiddellijk na gebruik aan. Deze bladen moeten enkele minuten afkoelen na elke insnijding.
- Gebruik GEEN** beschadigde of versleten bladflenzen.
- Laat GEEN** andere personen in de buurt van de machine komen tijdens het starten, aanvullen van brandstof of wanneer de machine in werking is.
- Bedien** deze machine **NIET** in een ingesloten ruimte. Inademing van giftig uitlaatgas kan dodelijk zijn.
- Gebruik** deze machine **NIET** in de buurt van iets wat brandbaar is. Vonken kunnen brand of een ontploffing veroorzaken.
- Laat NIET** toe dat meer dan 180 graden van het blad uit de afdekking is blootgesteld.
- Bedien** deze machine **NIET** zonder dat de riemafdekkingen of bladafdekking geplaatst zijn.
- Bedien** deze machine **NIET** tenzij u werd opgeleid om dit te doen.
- Gebruik GEEN** blad dat oververhit werd (kern heeft een blauwachtige kleur).
- Knel GEEN** materiaal in het blad.
- Slijp** de zijkant van het blad **NIET**.
- Sleep** deze machine **NIET** achter een voertuig.
- Bedien** deze machine **NIET** wanneer enige afdekkingen of schermen verwijderd zijn.
- Snij NIET** dieper dan 1" per insnijding bij het droog zagen. Werk stapsgewijs voor diepere insnijdingen.
- Bedien** deze machine **NIET** onder invloed van drugs of alcohol.

\*\*\*\*\*

Deze zaag is slechts ontworpen voor bepaalde toepassingen. Wijzig deze zaag **NIET** of gebruik haar **NIET** voor een andere toepassing dan deze waarvoor zij ontworpen is. Als u vragen heeft over de toepassing van de zaag, gebruik deze dan **NIET** totdat u naar Husqvarna Construction Products heeft geschreven en wij u hebben geadviseerd.

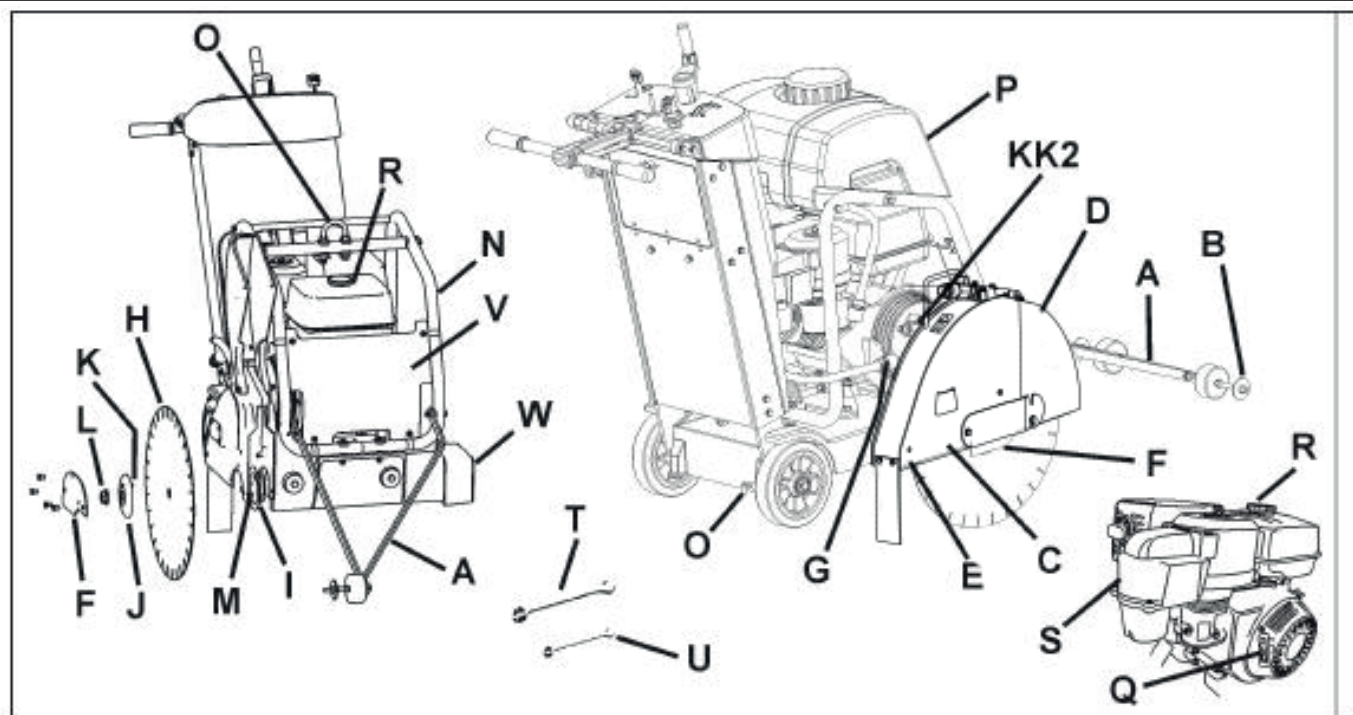
Husqvarna Construction Products North America  
17400 West 119th Street, Olathe, Kansas 66061 USA

---

## AANTEKENINGEN

---

## ONDERDELENIDENTIFICATIE (WAT IS WAT)



**A. Voorgeleider:** Gebruik deze om de machine in een rechte lijn te leiden.

**B. Geleidewiel:** Op de Voorgeleider (A). Breng op één lijn met snijlijn en Blad (H) om rechte insnijdingen te maken.

**C. Bladafdekking:** Dekt het Blad (H) af. Moet altijd geplaatst zijn wanneer de machine wordt bediend! De richting van het gereedschap is op de afdekking aangegeven met een pijl.

**D. Voorzijde bladafdekking:** Onderdeel van Bladafdekking. Kan worden opgetild om het Blad (H) te installeren.

**E. Achterbout bladafdekking:** Houdt de Bladafdekking (C) op haar plaats. Moet worden verwijderd en opnieuw geplaatst nadat de Bladafdekking (C) is verplaatst.

**F. Veerslotplaat bladafdekking:** Dekt Buitenflens (J) af.

**G. Koppeling waterslang (G):** Verbindt de Bladafdekking (C) op het Watercontroleventiel (KK) of Waterreservoir (P). Kan zowel worden gebruikt wanneer de Bladafdekking (C) op de linker- of rechterzijde van de machine is gemonteerd.

**H. Blad:** Gereedschap dat asfalt of betonmateriaal snijdt – niet met de machine meegeleverd.

**I. Binnenflens:** Doorn waarop het Blad (H) wordt gemonteerd. Vervang indien beschadigd of versleten.

**J. Buitenflens:** Wordt gebruikt om het Blad (H) op zijn plaats te houden. Bevat een Borgpin (K) die doorheen het Blad (H) moet gaan. Vervang indien beschadigd of versleten.

**K. Borgpin:** Houdt het Blad (H) op zijn plaats. Vervang indien beschadigd of versleten.

**L. Bladsmoer (L1 / L2):** Houdt Buitenflens (J) op de machine. Moer (L1) op de rechterzijde van de machine heeft een linker schroefdraad. Moer (L2) (niet afgebeeld) op de linkerzijde van de machine heeft een rechter schroefdraad.

**M. Bladdoorn:** Het Blad (H) wordt op dit oppervlak gemonteerd.

**N. Drager waterreservoir / hijspunt:** Draagt het Waterreservoir (P). Ondersteunt het Hijspunt (O).

**O. Hijspunt:** Hijs de machine alleen vanaf dit punt!

**P. Waterreservoir (indien aanwezig):** 25 liter (6,6 U.S. Gallon) watercapaciteit. Vul alleen met water! Niet met benzine of andere brandbare stoffen vullen! Gebruik alleen om het stof te onderdrukken bij droog zagen. Gebruik alleen met lasergelaste (droge) Diamantbladen (H).

**Q. Startkoord:** Gebruik dit om de motor te starten. Zie de bedieningshandleiding van de motor.

**R. Brandstoftank motor:** Vulpunt van motor. Zie bedieningshandleiding van motor.

**S. LuchtfILTER motor:** Controleer dagelijks. Zuiver om de vier (4) uur indien u in stoffige omstandigheden zaagt. Zie de bedieningshandleiding van de motor.

**T. Moersleutel bladas (27mm):** Gebruik deze om het Blad (H) te installeren en verwijderen. Berg op in het Gereedschapskastje (BB).

**U. Moersleutel (13mm):** Gebruik deze voor talrijke onderhoudstaken op de machine. Berg op in het Gereedschapskastje (BB).

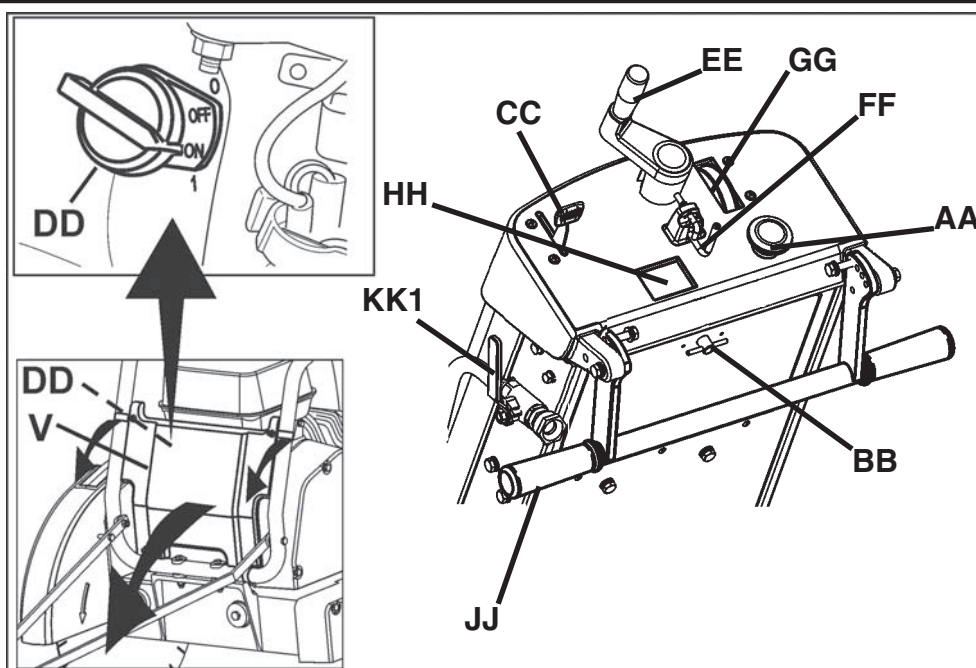
**V. Voorafdekking:** Klemt vast op de Drager v/h waterreservoir (N). Open deze om de Startschakelaar v/d motor (DD) AAN (1) of UIT (0) te schakelen.

**W. Asafdekking:** Beschermt de Binnenflens (I). Steeds tegenover de Bladafdekking (C) op het frame geïnstalleerd.

**X. Smeerfitting bladdieptehendel:** Niet afgebeeld. Zie het hoofdstuk ONDERHOUD in deze handleiding.

**Y. Montageplaat bladafdekking:** Houdt de Bladafdekking (C) op haar plaats.

## ONDERDELENIDENTIFICATIE (WAT IS WAT)



**Z. Peilstok motorolie:** Gebruik deze om het olieniveau te controleren. (Niet afgebeeld – zie het hoofdstuk BEDIENING in deze handleiding).

**AA. Machinestop:** Druk deze knop in om de motor te STOPPEN in noodgevallen. Stel hem terug door hem naar buiten (omhoog) te trekken, zodat de machine opnieuw kan worden gestart.

**BB. Gereedschapskastje:** Bevat Bedieningshandleiding, Onderdelenlijst & twee moersleutels (T & U) (13mm & 27mm). Open het door de knop 180 graden te draaien. Berg de Bedieningshandleiding altijd hier op voor toekomstige raadpleging.

**CC. Smoorhendel motor:** Controleert de motorsnelheid (omw./min.). Duw naar voren om de motorsnelheid te verhogen. Trek naar achteren om de motorsnelheid te verlagen. Alle zaagacties worden uitgevoerd aan de maximale motorsnelheid.

**DD. Startschakelaar motor:** Bevindt zich op de motor achter de Voorafdekking (V). Moet op AAN (1) staan om de motor te starten. Gebruik deze schakelaar om de motor UIT ("0") te schakelen wanneer er geen noodgeval is.

**EE. Bladdieptehendel:** Draai naar links om het Diamantblad (H) op te heffen en naar rechts om het Diamantblad (H) te laten zakken.

**FF. Stopschakelaar bladdiepte:** Dient om de Bladdieptehendel (EE) in een positie te vergrendelen. Trek de Stopschakelaar v/d bladdiepte naar de achterzijde van de machine en draai hem 90 graden om deze in de open positie te vergrendelen.

**GG. Indicator bladdiepte:** Geeft de snijdiepte van het Diamantblad (H) weer in centimeter (oranje) en inches (wit). Bediening: Met de motor op UIT ("0"), laat het Diamantblad (H) zakken totdat het het snijoppervlak raakt. Draai de Indicator v/d bladdiepte zodanig dat de pijlen naar "0" wijzen. Hef de zaag omhoog. Wanneer u de zaag in de insnijding laat zakken, wordt de huidige snijdiepte weergegeven.

**HH. Tachometer motor (omw./min.):** Geeft de motorsnelheid weer in omwentelingen per minuut als de motor loopt. Geeft de totale bedieningstijd weer wanneer de motor UIT ("0") is geschakeld. Totale bedieningstijd weergegeven in minuten voor 0-59 minuten en in uren voor 60+ minuten.

**II. Instelknop handgreep:** Gebruikt om de handgreep in de links-rechtspositie te vergrendelen.

**JJ. Achterhandgreep:** De operator bevindt zich achter de machine met beide handen op de Achterhandgreep. De Handgreep kan in verschillende posities worden ingesteld.

**KK1. Watercontroleventiel:** Controleert de waterstroom naar het blad. Bevindt zich op de linkerkant van de machine, in de buurt van de Achterhandgreep (RR). Wordt niet met het waterreservoir (indien aanwezig) gebruikt.

**KK2. Watercontroleventiel bladafdekking:** Controleert de waterstroom naar het blad. Bevindt zich op de bladafdekking. Wordt met het waterreservoir (indien aanwezig) gebruikt.

**LL. Riemafdekking (niet afgebeeld):** Dekt de aandrijfriem van de motor af.

**MM. Spanwiel V-riemaandrijving:** Gebruikt om de spanning op de V-riem van de bladasaandrijving te onderhouden.

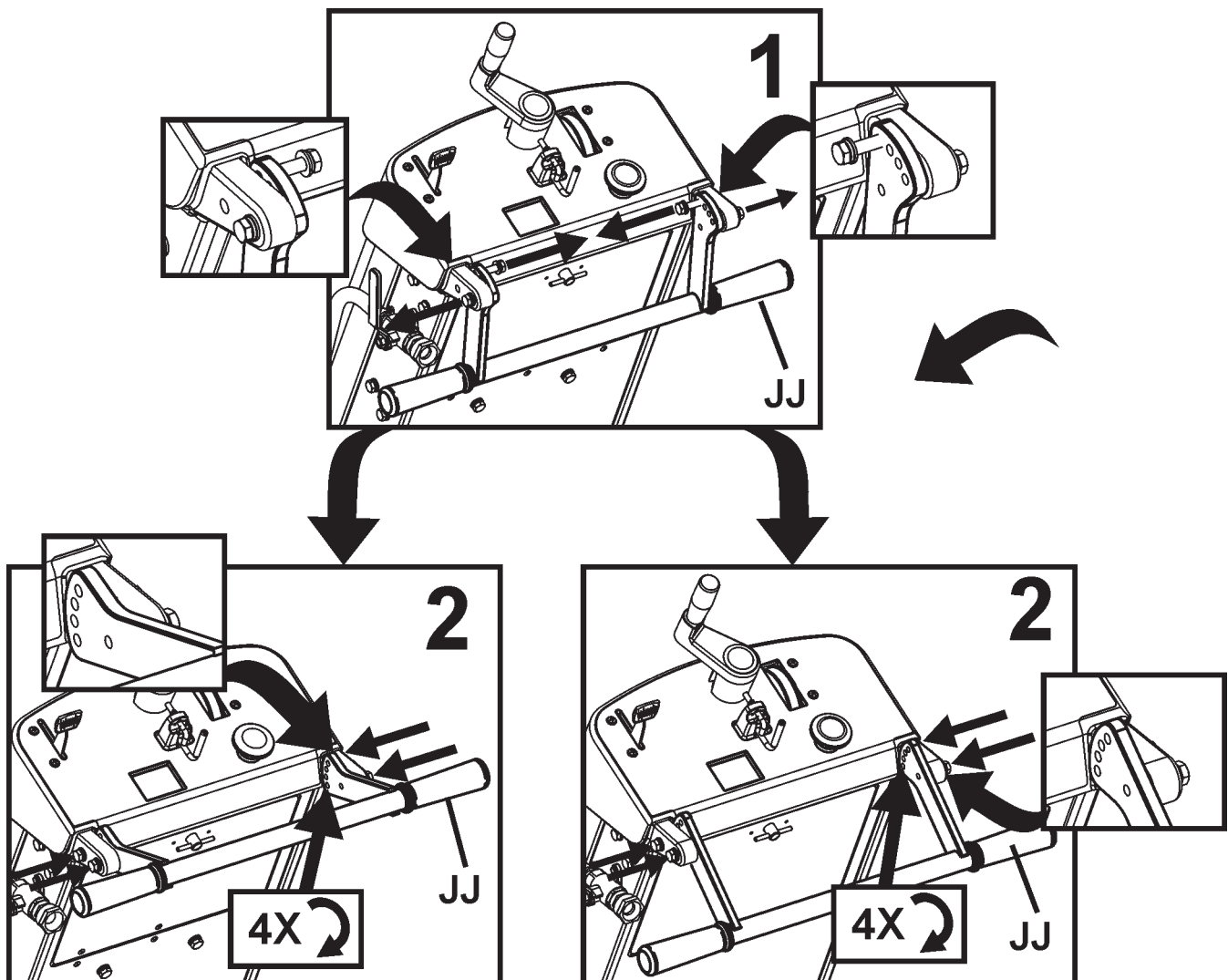
**NN. Slang olieafvoer:** Gebruikt om olie uit de motor te verwijderen.

**OO. Handrem (alleen eenheden voor EU):** Gebruikt om de machine in de geparkeerde positie te houden. Bevindt zich op het rechter achterwiel van de machine. Bediening: Om de rem aan te trekken, roteer de hendel naar omhoog zodat de stang naar binnen kan bewegen. Om de rem los te koppelen, trek de stang naar binnen en roteer deze naar beneden zodat de stang in de binnenwaartse positie wordt bevestigd.

# MONTAGE

Monteer de volgende onderdelen alvorens de machine voor de eerste maal te bedienen.

**Achterhandgreep (JJ) afstellen:** De Achterhandgreep (JJ) wordt in de opbergpositie verscheept (zie afbeelding). Hij moet worden verplaatst om de machine te kunnen gebruiken.



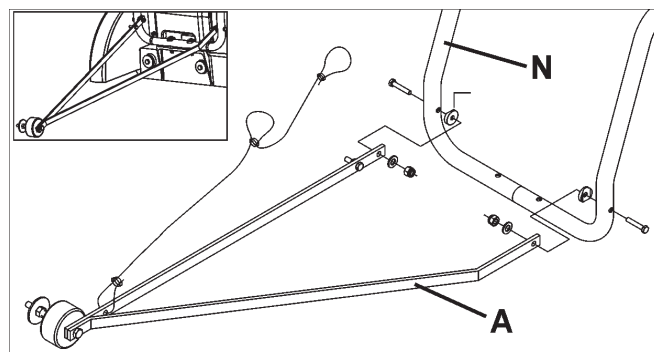


## MONTAGE

### Voorgeleider (A) installeren:

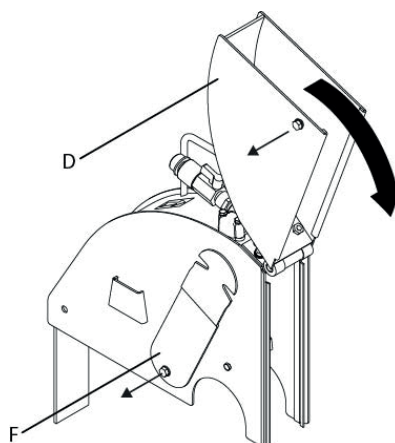
1. Gebruik de schroeven, afdichtingringen en moeren in de Voorgeleider (A) om deze op het buisframe van de Waterreservoirdrager (N) te installeren. Stel de borgmoeren af zodat de Geleider (A) vrij kan zwenken.
2. Leid het touw van de geleider zodanig dat het geen hete oppervlakken raakt. Het touw kan met zijn twee lussen aan de Achterhandgreep (JJ) worden bevestigd.

**NB:** "Enkele geleider" (A) afgebeeld. Sommige gebieden hebben een "Dubbele geleider" als standaarduitrusting. De Dubbele geleider is verkrijgbaar als een accessoire voor alle gebieden. Zie het hoofdstuk ACCESSOIRES van deze handleiding of de lijst met reserveonderdelen voor meer informatie.



### Voorzijde bladafdekking (D):

1. Gebruik de meegeleverde 13mm Moersleutel (U) om de twee (2) M8 schroeven voor en onder de Veerslotplaat v/d bladafdekking (F) en de M8 schroef in de Voorzijde v/d bladafdekking (D) te verwijderen [zoals aangegeven door de pijlen]. Draai de resterende schroef van de Veerslotplaat v/d bladafdekking (F) wat losser, maar verwijder deze niet. Roteer de Veerslotplaat v/d bladafdekking (F) en de Voorzijde v/d bladafdekking (D) naar beneden.

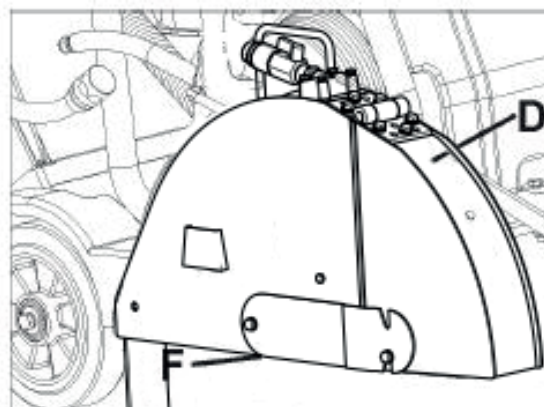


### WAARSCHUWING!

De Veerslotplaat v/d bladafdekking (F) moet vóór de bediening worden geïnstalleerd. Als deze niet wordt geïnstalleerd alvorens de machine wordt bediend, dan zou een gevaarlijke situatie kunnen ontstaan!

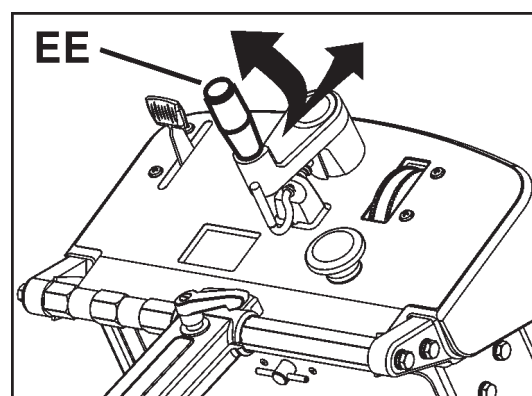
Houd steeds alle afdekkingen op hun plaats tijdens het bedienen van de machine!

2. Plaats de drie (3) M8 schroeven opnieuw in de Veerslotplaat v/d bladafdekking (F), zoals afgebeeld in de afbeelding hiernaast. Gebruik de (meegeleverde) 13mm Moersleutel (U) om de vier (4) M8 bouten, die de Veerslotplaat v/d bladafdekking (F) op haar plaats houden, stevig vast te zetten.



### Bladdieptehendel (EE) verplaatsen:

Trek de Bladdieptehendel (EE) naar buiten en roteer deze 90 graden totdat hij op zijn plaats springt, zoals afgebeeld.



# MONTAGE

## Waterreservoir (P) installeren (indien aanwezig):

- Een in de fabriek geïnstalleerd waterreservoir is in sommige gebieden verkrijgbaar. Een optionele waterreservoirkit is verkrijgbaar voor alle gebieden.
- Als het waterreservoir eerder op de machine was geïnstalleerd, lees deze instructies dan om te verifiëren of de installatie wel correct is. Volg alle WAARSCHUWINGEN voor de installatie en het gebruik van het Waterreservoir.
- Verifieer de inhoud van de Waterreservoirkit volgens de afbeelding hiernaast.

1. Verwijder de rechter MOER (zelfde kant van machine als startkoord van motor) tijdelijk van het Hijsog (O). Zie de afbeelding hiernaast.

2. Installeer de KLEM die met de Waterreservoirkit (P) is meegeleverd en plaats de MOER opnieuw. Zie de afbeelding hiernaast.

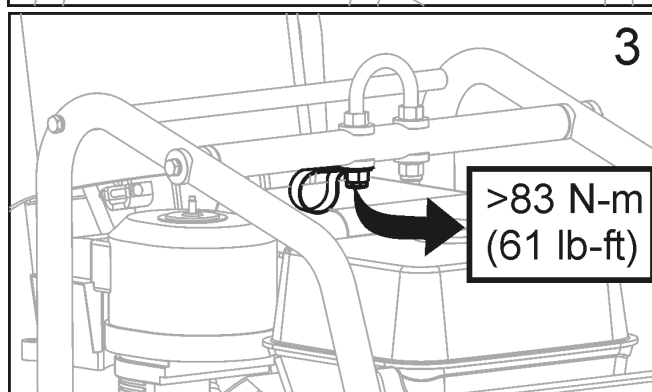
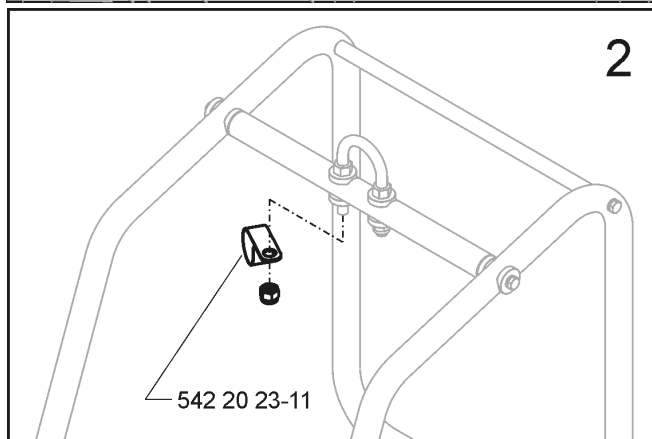
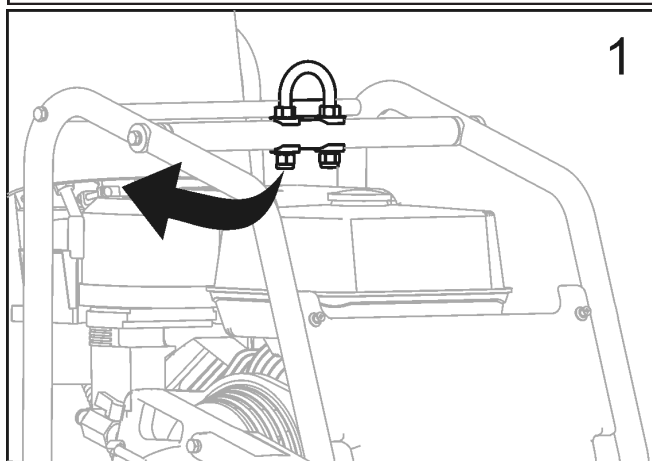
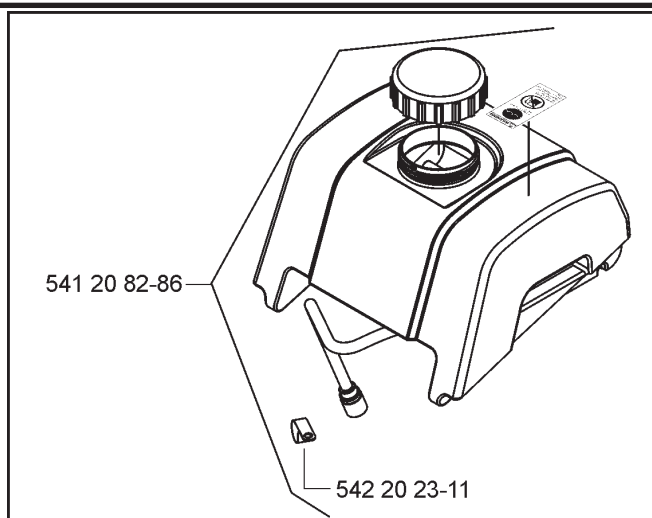
3. Gebruik het hieronder gespecificeerde of hiernaast afgebeelde draaimoment.

### VERWITTIGING

Draaimoment van MOER voor Hijsog  
is minimaal 83 N-m (61 lb-ft).

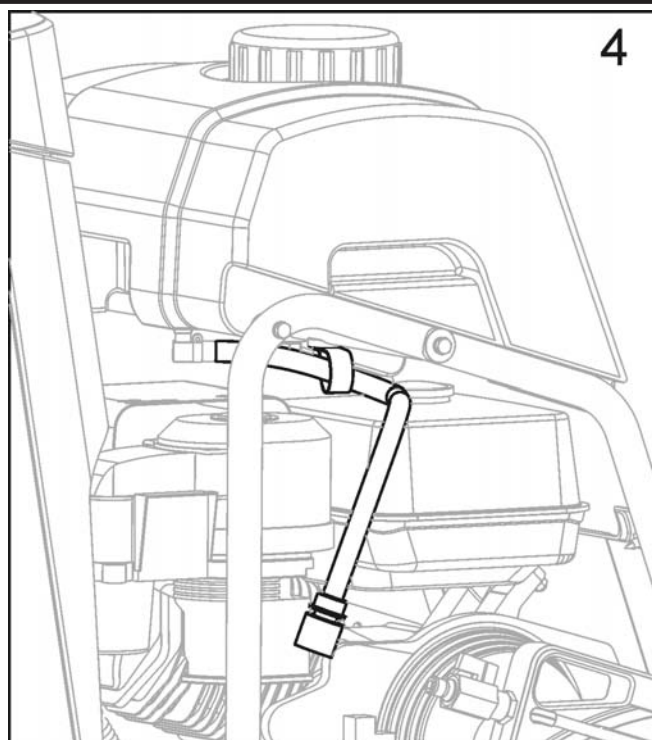
### ⚠ WAARSCHUWING!

Zorg ervoor dat de MOER het gespecificeerde draaimoment heeft, want anders zou het kunnen dat het HIJSOOG (O) niet correct werkt. Letsels of de dood zouden kunnen resulteren als het HIJSOOG niet correct werkt wanneer de machine wordt gehesen.



## MONTAGE

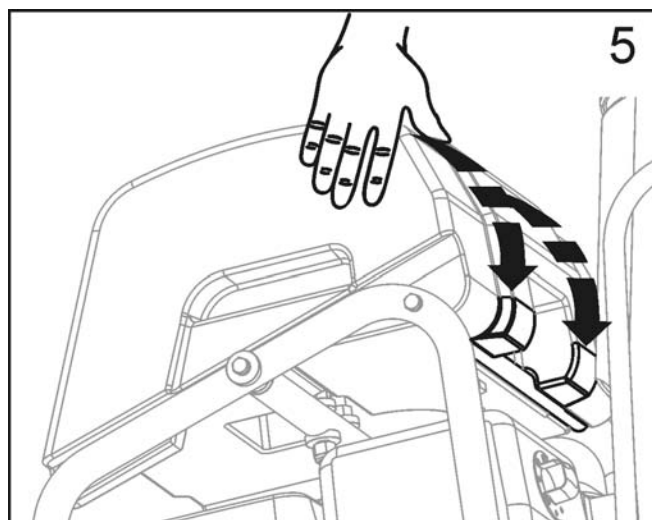
4. Plaats het Waterreservoir en leid de Slang v/h waterreservoir zoals hiernaast is afgebeeld.



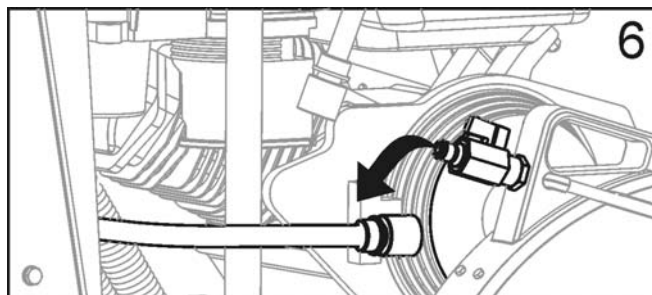
5. Breng de achterstaaf en het verzonken deel op één lijn aan de achterzijde van het waterreservoir.

- Druk het waterreservoir stevig naar beneden zodat het op de achterstaaf vastgrijpt.

- Wanneer correct geïnstalleerd, zou het waterreservoir vrij op de achterstaaf moeten zwenken.



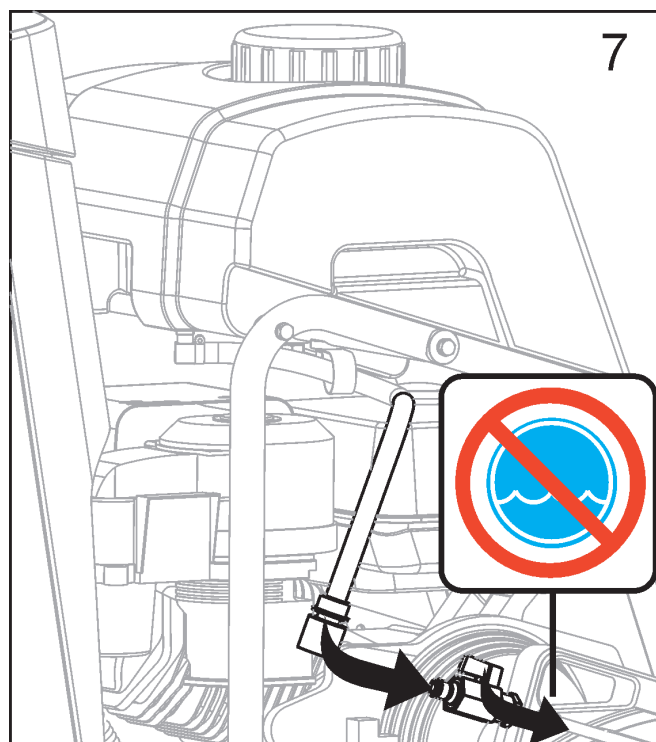
6. Ontkoppel de bestaande waterslang van de bladafdekking. Dit is de waterslang van het watercontroleventiel dat op de zaag is gemonteerd.



## MONTAGE

7. Sluit de slang van het Waterreservoir aan op het waterventiel van de bladafdekking.

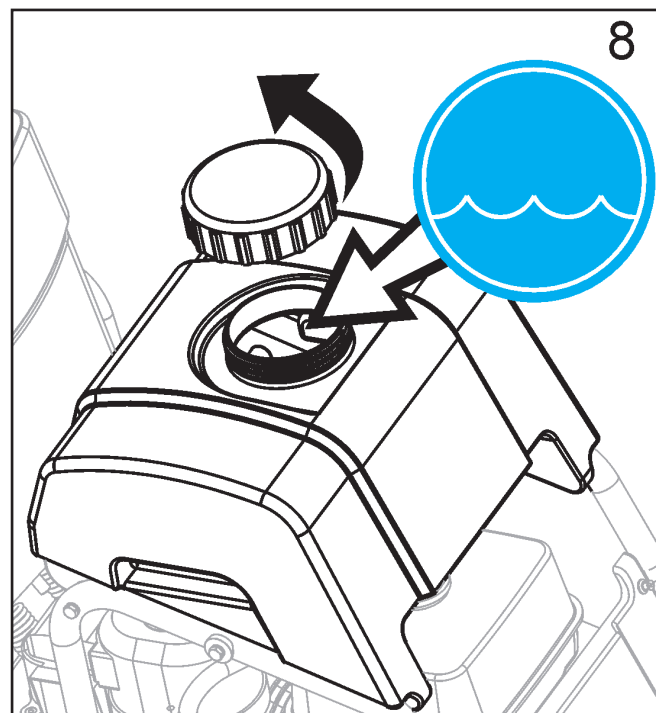
- Verifieer of het waterventiel van de bladafdekking UIT is geschakeld.
- De slang van het waterreservoir is nu aangesloten op de zaag.



### Het waterreservoir vullen:

8. Neem de dop weg door deze naar links te draaien. Zie de afbeelding hiernaast.

- Vul het waterreservoir uitsluitend met water. Lees alle WAARSCHUWINGEN alvorens het waterreservoir te gebruiken.
- Plaats de dop terug door deze naar rechts te draaien.
- Het waterreservoir is uitsluitend ontworpen om betonstof in de lucht te onderdrukken en moet alleen worden gebruikt met diamantbladen die "droog" snijden.



### WAARSCHUWING!

Gebruik GEEN conventionele (natte) diamantbladen met het waterreservoir als waterbron. De waterstroom is niet krachtig genoeg om het blad correct af te koelen!

Vul het Waterreservoir alleen met water!

Vul het Waterreservoir (P) nooit met brandbare vloeistoffen of benzine, want deze zouden letsels of de dood kunnen veroorzaken!

## BEDIENING

### Vóór de bediening:

**Gebruik:** Deze machine wordt alleen voor het nat of droog zagen van oud of nieuw beton en asfalt gebruikt.

#### **WAARSCHUWING!**

Gebruik NIET voor droog zagen in gebieden binnen de Europese Unie (EU). De machine is niet uitgerust met een stofpoort.

**Gereedschap:** Gebruik de machine uitsluitend met de volgende Bladen (H): watergekoelde diamantbladen. Versterkte slijpbladen of droog snijdende diamantbladen mogen NIET in gebieden binnen de Europese Unie (EU) worden gebruikt omdat deze machine niet standaard met een stofopvangende poort wordt geleverd.

Diameter: 300 mm (12") – 500 mm (20").

Boorgat: 25,4mm (1,00").

#### **WAARSCHUWING!**

Gebruik GEEN geharde metalen, houtzaag- of cirkelzaagbladen op deze machine, want deze zouden letsels of de dood kunnen veroorzaken.

### Bladafdekking (C) verplaatsen – indien vereist:

De Bladafdekking (C) wordt in de fabriek op de rechterzijde van de machine geïnstalleerd, maar kan naar de linkerzijde worden verplaatst. Dit zou het zagen in de buurt van obstakels kunnen vergemakkelijken, als deze onmogelijk vanuit de andere richting kunnen worden benaderd.

1. Gebruik de 13mm Moersleutel (U) om de Achterbout v/d bladafdekking (E) van de Afdekking (C) te verwijderen.
2. Duw de kraag naar achteren om de Koppeling v/d waterslang (G) los te maken. De helft met buitendraad blijft bij de Bladafdekking (C). De helft met binnendraad blijft bij het Waterreservoir (P) of Watercontroleventiel (KK).
3. Hef de Bladafdekking (C) omhoog en van de Montageplaat v/d bladafdekking (Y).
4. Gebruik de 13mm Moersleutel (U) en verwijder de vier (4) schroeven die de Veerslotplaat v/d bladafdekking (F) vasthouden. Bevestig de Veerslotplaat v/d bladafdekking (F) op de linkerzijde van de Bladafdekking (C).
5. Verwijder de Asafdekking (W) en verplaats deze van de linkerzijde van de machine naar de rechterzijde.
6. Laat de Bladafdekking (C) zakken op de Montageplaat v/d bladafdekking (Y) op de linkerzijde van de machine.
7. Plaats de Achterbout (E) opnieuw in de Bladafdekking (C).
8. Bevestig de Koppeling v/d waterslang (G) op de Bladafdekking (C) met het Waterreservoir (P) of Waterventiel (KK). Let op dat de opnieuw gekoppelde slang de demper niet raakt.
9. Plaats de Voorgeleider (A) terug en stel deze opnieuw af zodat het Geleidewiel (B) zich aan de linkerzijde van de machine bevindt.

#### **WAARSCHUWING!**



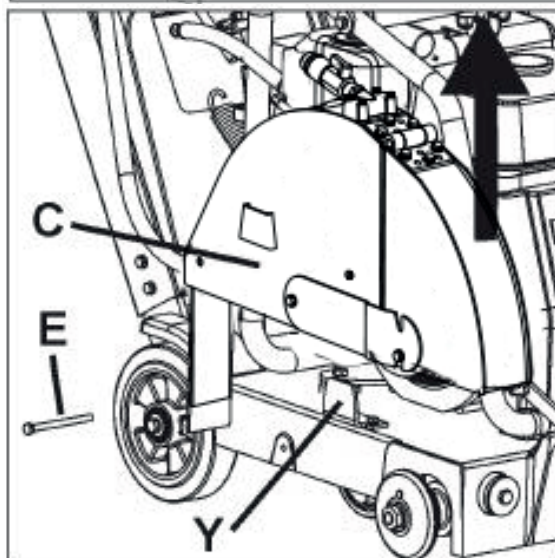
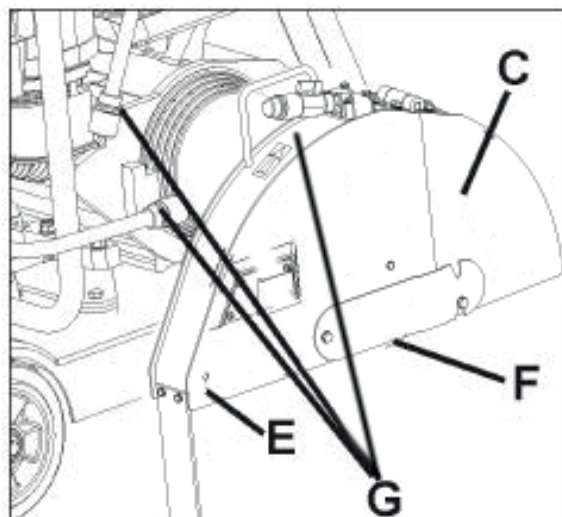
Lees en begrijp de inhoud van deze volledige bedieningshandleiding en van de handleiding die met de motor wordt meegeleverd, alvorens de machine te bedienen.



Raak vertrouwd met de machine alvorens deze te bedienen!



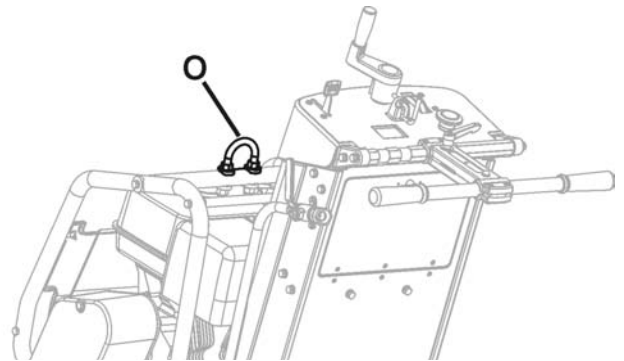
De operator moet persoonlijke veiligheidsuitrusting & -kleding gebruiken, die geschikt is voor het werk dat hij uitvoert. Persoonlijke veiligheidsuitrusting, zoals oor- en oogbescherming, is verplicht.



# BEDIENING

## Machine vervoeren & hijsen:

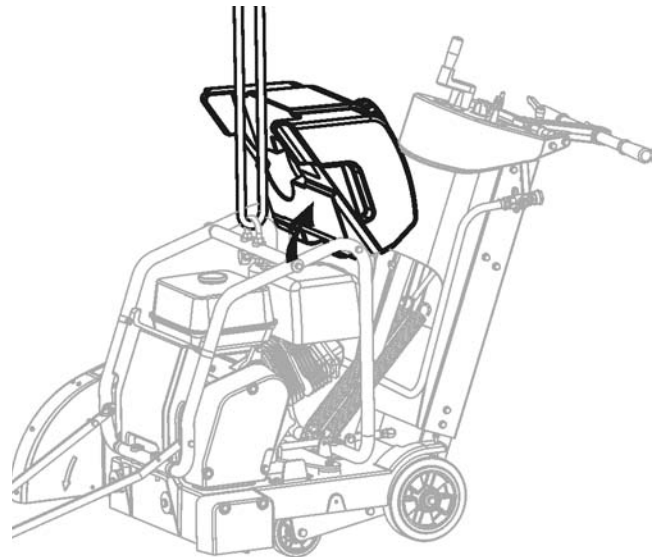
- Hijs de machine alleen vanaf het Hijspunt (O).
- Verwijder steeds het Blad (H) alvorens te hijsen, laden of vervoeren.
- Gebruik een gepaste hijsriem die minstens het maximale gewicht van de machine kan dragen. Het nominale en maximale gewicht van de machine zijn weergegeven in het hoofdstuk TECHNISCHE GEGEVENS van deze handleiding.



	<b>Verwijder het Blad (H) alvorens de machine te hijsen, laden of vervoeren.</b>
---	--

## Machine met waterreservoir hijsen:

- Alvorens een machine met een waterreservoir te hijsen:
  1. Ledig het reservoir.
  2. Verwijder het Blad.
  3. Laat de machine zakken totdat het frame parallel is met de grond.
  4. Zwenk de voorzijde van het waterreservoir naar omhoog totdat het tegen de bovenzijde van de aluminium kap rust. Laat de dop van het waterreservoir niet tegen een plastic kap rusten – deze zou kunnen worden beschadigd tijdens het hijsen.
  5. Bevestig een gepaste hijsriem aan het Hijspunt (O).
  6. Test de hijsmachine op een laag niveau (slechts een paar centimeter), om te controleren of het reservoir stevig op de machine blijft zitten en niet beschadigd kan worden of geen schade kan berokkenen.
  7. Als de met waterreservoir uitgeruste machine niet kan worden gehesen zonder de machine of het reservoir te beschadigen, verwijder dan het waterreservoir voordat u de machine hijst.

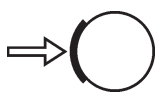


### VERWITTINGING

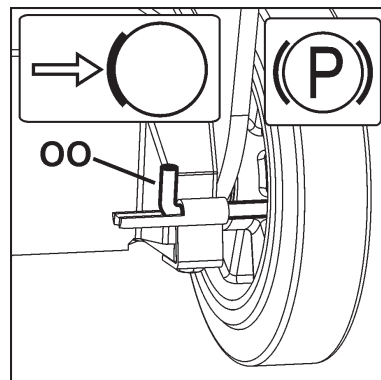
Het waterreservoir of de zaag kunnen schade oplopen als de zaag niet correct wordt gehesen. Controleer zorgvuldig op schade terwijl de machine wordt gehesen.

## Machine parkeren:

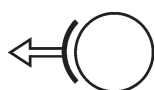
- De machines in sommige gebieden zijn uitgerust met een Handrem.
- De Handrem is bestemd om de machine op haar plaats te houden op een helling van 10 graden of minder, met de achterkant van de machine naar beneden gericht (maximumgewicht op geremd wiel).

 **Handrem – koppelen (zie afbeelding):**  
Breng de hendel van de Handrem (OO) uit de ontkoppelde positie:

1. Trek de hendel (OO) naar het midden van de machine.
2. Roteer de hendel (OO) 180 graden naar omhoog.
3. Een veer beweegt de hendel (OO) naar de buitenzijde van de machine om de rem tegen de wielnaaf te koppelen.

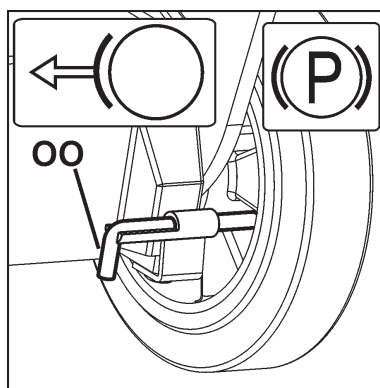


## BEDIENING



**Handrem - ontkoppelen (zie afbeelding):**  
De handrem moet worden ontkoppeld om de machine te bedienen.

1. Trek de hendel (OO) naar het midden van de machine.
2. Roteer de hendel (OO) 180 graden naar omlaag en laat hem los, zodat hij op zijn plaats vergrendelt.

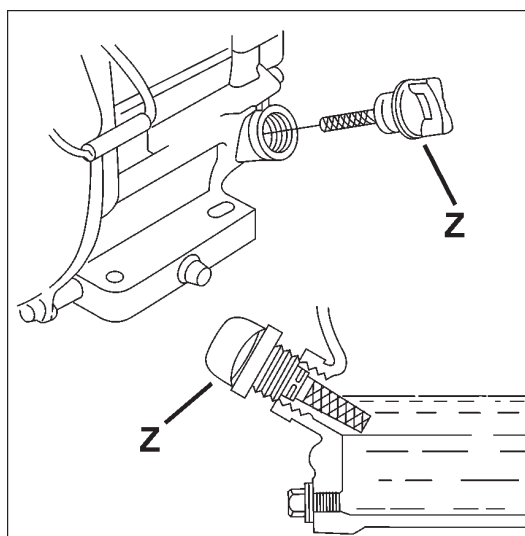


### Modellen met benzinemotor:

Raadpleeg de bedieningshandleiding van de motor voor de correcte bediening van de motor.

**BRANDSTOF:** Loodvrije benzine is aanbevolen. Zie de bedieningshandleiding van de motor voor meer informatie.

**OLIE:** Controleer of het niveau van de motorolie correct is met behulp van de Peilstok v/d motorolie (Z). Wanneer u het niveau van de motorolie controleert, mag de Peilstok v/d motorolie (Z) niet in de opening worden geschroefd. Omdat de motor vaak in een hoek werkt, moet u het olieniveau met de motor in de horizontale positie controleren. Controleer regelmatig om te verzekeren dat het olieniveau nooit onder de laagste markering van de peilstok valt. 10W30 olie is aanbevolen. Zie de bedieningshandleiding van de motor voor meer informatie.



### VERWITTING

Als de motor is uitgerust met een uitschakelsysteem bij lage olie, dan zal de motor niet starten als het olieniveau te laag is. De motor kan ook stoppen wanneer de maximale werkingshoek wordt overschreden. Zie de bedieningshandleiding van de motor.

### Alle modellen:

Controleer of de Voorgeleider (A) op een lijn ligt met het blad. Leg een rechte lat langs de Binnenflens (I). Breng de Voorgeleider (A) op een lijn met deze rechte lat. Indien vereist, stel de Voorgeleider (A) af door de moeren die het Geleidewiel (B) op zijn plaats houden, te lossen. Breng het Geleidewiel (B) tot aan de rechte lat en zet de moeren opnieuw vast.

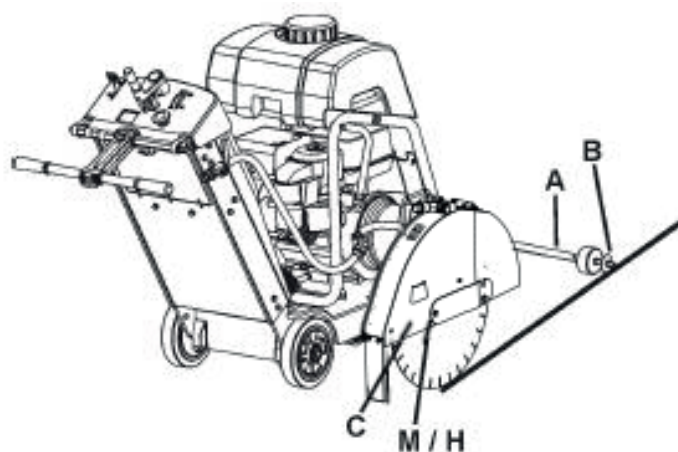
Controleer of de waterslang in de Bladafdekking (C) open is en of elke zijde van het blad voldoende water krijgt.

Test de druk en hoeveelheid (stroom) van de watertoevoer alvorens te beginnen zagen.

Zaag alleen tot op de gespecificeerde diepte. Wanneer dieper dan vereist wordt gezaagd, zullen het blad en de machine overmatige slijtage ondervinden.

Snij in stappen van 50mm (2 inches) totdat de gespecificeerde diepte is bereikt. Dit wordt "stapsgewijs snijden" genoemd.

Zaag alleen in een rechte lijn. Markeer de snijlijn duidelijk zodat de operator van de zaag deze zonder problemen kan volgen. De zaag mag NIET zijlings worden gebogen om het blad opnieuw op de lijn te forceren.



# BEDIENING

## Diamantblad (H) installeren:

### **! WAARSCHUWING!**

Controleer of het zaagblad, de zaagbladflenzen en de zaagbladflensspil onbeschadigd zijn. Reinig de contactoppervlakken van het zaagblad en de zaagbladflenzen. Zorg ervoor dat het zaagblad en de flenzen schoon zijn en vrij van vuil en stof voordat u het zaagblad op de machine bevestigt.



Installeer het Diamantblad (H) in het werkgebied. Vervoer de machine niet met het Diamantblad (H) geïnstalleerd.

1. Open de Voorafdekking (V).
2. Schakel de Startschakelaar v/d motor (DD) op UIT ("0").
3. Breng het Diamantblad (H) in zijn hoogste positie door de Bladdieptehendel (EE) naar links te draaien.
4. Gebruik de 13mm Moersleutel (U) in het Gereedschapskastje (BB) om de vier (4) M8 bouten, die de Veerslotplaat v/d bladafdekking (F) vasthouden, te lossen en verwijderen. Verwijder de Veerslotplaat v/d bladafdekking (F) tijdelijk.
5. Breng de Voorzijde v/d bladafdekking (D) naar omhoog.
6. Gebruik de 27mm Moersleutel v/d bladas (T) om de Bladasmoer (L), die de Buitenflens (J) op zijn plaats houdt, te lossen en verwijderen.

### VERWITTINGING

De Bladasmoer (L1) op de rechterzijde van de machine heeft een linker schroefdraad. Om deze te lossen, moet u haar naar rechts draaien.

De Bladasmoer (L2) (niet afgebeeld) op de linkerzijde van de machine heeft een rechter schroefdraad. Om deze te lossen, moet u haar naar links draaien.

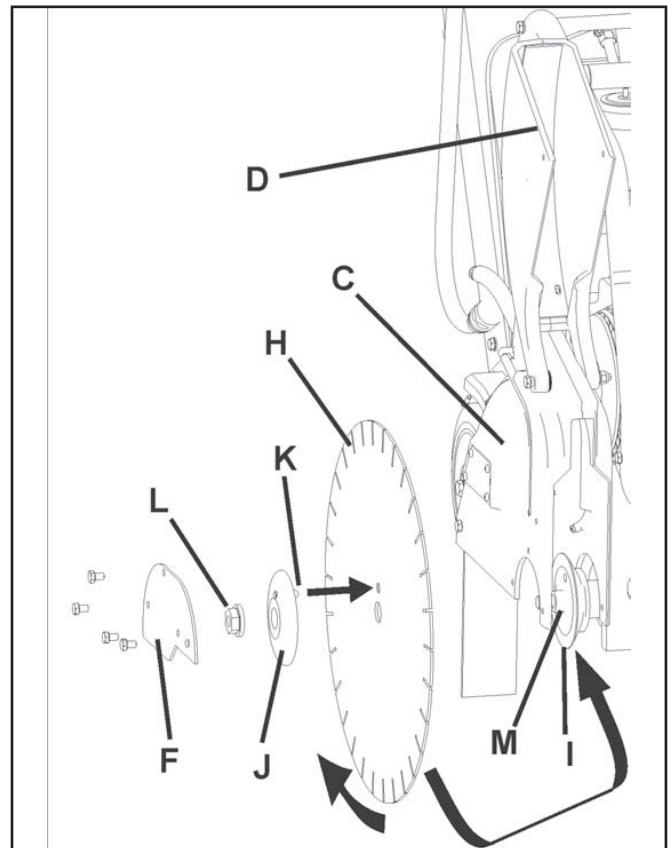
7. Verwijder de Buitenflens (J).
8. Controleer of de Doorn v/d bladas (M), Binnenflens (I) en Buitenflens (J) zuiver zijn en vrij van vreemde objecten.
9. Installeer het Diamantblad (H) op de Doorn v/d bladas (M). De draairichting is aangegeven door pijlen op het Diamantblad (H) en de Voorzijde v/d bladafdekking (D). Zie de afbeelding hiernaast.
10. Installeer de Buitenflens (J) op de Doorn v/d bladas (M). Let hierbij op dat de Borgpin (K) doorheen het Diamantblad (H) en de Binnenflens (I) gaat.
11. Roteer de Buitenflens (J) en het Diamantblad (H) in de tegenovergestelde richting van de bladrotatie om speling te verwijderen.
12. Installeer de Bladasmoer (L) en zet deze vast met de 27mm Moersleutel v/d bladas (T).

### VERWITTINGING

De Bladasmoer (L1) op de rechterzijde van de machine heeft een linker schroefdraad. Om deze vast te zetten, moet u haar naar links draaien. Draaimoment van minimum 45 N-m (33 lb-ft).

De Bladasmoer (L2) (niet afgebeeld) op de linkerzijde van de machine heeft een rechter schroefdraad. Om deze vast te zetten, moet u haar naar rechts draaien. Draaimoment van minimum 45 N-m (33 lb-ft).

13. Laat de Voorzijde v/d bladafdekking (D) zakken.
14. Plaats de Veerslotplaat v/d bladafdekking (F) terug en zet deze vast.



### **! WAARSCHUWING!**

GEBRUIK ALLEEN Bladen (H) die gemarkeerd zijn met een maximale bedrijfsnelheid die hoger is dan de snelheid van de bladas van de machine.

Bedien de machine NIET zonder dat de gepaste afdekking over het Diamantblad (H) is geplaatst! Bedien de machine NIET terwijl de Voorzijde v/d bladafdekking (D) omhoog staat!

NIET meer dan 180 graden van het Blad (H) mag worden blootgesteld tijdens de bediening van de machine!

Contactoppervlakken van zaagbladasspil (M), binnenste flens (I) en buitenste flens (J) MOETEN onbeschadigd zijn, schoon en vrij van vreemde objecten.

Vervoer de machine NIET als het Blad (H) is geïnstalleerd.

Gebruik conventionele (natte) Diamantbladen (H) NIET zonder water.

LEES de met het Blad (H) meegeleverde bedieningsinstructies.

Installeer het Blad (H) NIET tenzij de stroombron UIT (0) is geschakeld en van de voedingsbron is losgekoppeld.



# BEDIENING

## Starten en snijden met de machine:

- Gebruik de Bladdieptehendel (EE) om het Diamantblad (H) zo hoog mogelijk te heffen, zodat het de grond niet zal raken tijdens het besturen. Trek de Stopschakelaar v/d bladdiepte (FF) uit, indien vereist.

- Ontkoppel de handrem (indien aanwezig).

- Breng de machine op haar plaats bij de te snijden lijn.

- Laat de Voorgeleider (A) op het snijoppervlak zakken.

- Stel de Indicator v/d bladdiepte (GG) in (indien gewenst):

- 1) Laat de machine zakken totdat het diamantblad het snijoppervlak raakt.

- 2) Draai de Indicator v/d bladdiepte (GG) zodanig dat de pijlen naar nul (0) wijzen. De oranje cijfers geven de diepte weer in centimeter. De witte cijfers geven inches.

- 3) Hef de zaag tot op de maximale hoogte. Wanneer het Diamantblad (H) nu naar beneden wordt gebracht, zal de Indicator v/d bladdiepte (GG) de snijdiepte weergeven.

- 4) Breng het Diamantblad (H) weer helemaal naar omhoog.

- Controleer of ZOWEL de machinestopknop (AA) ALS de Startschakelaar v/d motor (DD) op "AAN" staan. De Machinestopknop (AA) zou naar buiten moeten zijn getrokken (van de kap). De Startschakelaar v/d motor (DD) zou op "1" (AAN) moeten staan.

- Start de motor. Zie de handleiding van de motor voor meer informatie.

- Controleer visueel of de rotatie van het gereedschap overeenstemt met de pijl op de bladafdekking.

- Open het Watercontroleventiel (KK) HELEMAAL. Verifieer de totale waterstroom en pas deze aan voor de correcte hoeveelheid water op het blad, VOORDAT u het Blad laat zakken.

- Doe de laatste afstellingen om de zaag op een lijn te brengen met de snijlijn. Controleer of zowel het Geleidewiel (B) als het Diamantblad (H) op de snijlijn staan.

**Als de watertoevoer wordt onderbroken, stop dan onmiddellijk met zagen. Het Diamantblad (H) zou schade kunnen oplopen.**

- Laat het Diamantblad (H) in de insnijding zakken door de Bladdieptehendel (EE) langzaam naar LINKS te draaien.

- Wanneer de gewenste snijdiepte is bereikt, duw de Stopschakelaar v/d bladdiepte (FF) dan naar beneden om de Bladdieptehendel (EE) te vergrendelen (indien gewenst).

- Duw zachtjes tegen de Achterhandgreep (JJ) om de machine naar voren te stoten. Bekijk het Diamantblad (H) en het Geleidewiel (B) aandachtig om te verzekeren dat de machine op de snijlijn blijft.

- Ontkoppel de Stopschakelaar v/d bladdiepte (FF) wanneer de insnijding voltooid is.

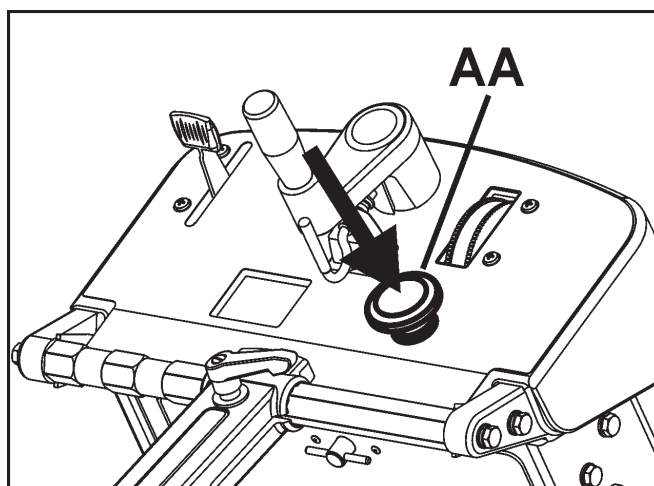
- Hef het Diamantblad (H) uit de insnijding door de Bladdieptehendel (EE) langzaam naar RECHTS te draaien.

- Sluit het Watercontroleventiel (KK).

- Schakel de motor op "0" (UIT) met behulp van de Startschakelaar v/d motor (DD).

## VERWITTING

**Als een dringende situatie ontstaat tijdens de snijwerkzaamheden, STOP de machine dan onmiddellijk met behulp van de Machinestopknop (AA).**



**Om de machine te STOPPEN drukt u op MACHINESTOPKNOP (AA) in.**

---

## ONDERHOUD & SMERING

---

### BEKNOPT ONDERHOUDSSCHEMA:

Parkeer de machine **ALTIJD** op een vlak oppervlak met de motor op “UIT” en de Startschakelaar op “UIT” alvorens onderhoudstaken uit te voeren. Laat de machine afkoelen! Andere onderhoudstaken en reparaties mogen uitsluitend door een bevoegde technicus worden uitgevoerd.

#### DAGELIJKS ONDERHOUD:

1. Controleer het olieniveau van de motor.
2. Controleer de bladafdekking op schade.
3. Controleer het luchtfilter van de motor en vervang het indien vuil. Onderhoud vaker indien gebruikt in stoffige omstandigheden.
4. Reinig de machine dagelijks.

#### ONDERHOUD NA 50 UUR:

1. Vervang motorolie en filter.
2. Reinig motor en luchtvinnen van motor.
3. Smeer de Smeerfitting v/d bladdieptehendel (X).
4. Controleer de wielen op slijtage of schade.
5. Controleer de spanning van de bladaandrijving.

#### **Luchtfilter van motor (S) vervangen:**

Als de motor zwak lijkt, zwarte rook produceert of ongelijkmatig loopt, is het luchtfilter mogelijk verstopt. Om deze reden is het belangrijk om het luchtfilter regelmatig te reinigen en te vervangen. Controleer de gebruiksaanwijzing van de motor voor gedetailleerde instructies.



#### **WAARSCHUWING!**

Het filter mag niet met perslucht worden gereinigd, hierdoor raakt het filter beschadigd. Filters kunnen met een stofzuiger worden gereinigd. Pas hierbij op dat het oppervlak niet wordt geraakt en dat er geen voorwerpen door het oppervlak komen, hierdoor raakt het filter beschadigd.

Papieren filters moeten correct worden afgedankt en vervangen.

Een polyester filter kan door stofzuigen worden gereinigd of door lagedrukreiniging.

Gebruik geen hogedrukreiniging, hierdoor raakt het filter beschadigd.

Een beschadigd filter moet altijd vervangen worden.

Een gereinigd filter moet 100% droog zijn voordat het weer op de machine wordt aangebracht.

## ONDERHOUD & SMERING

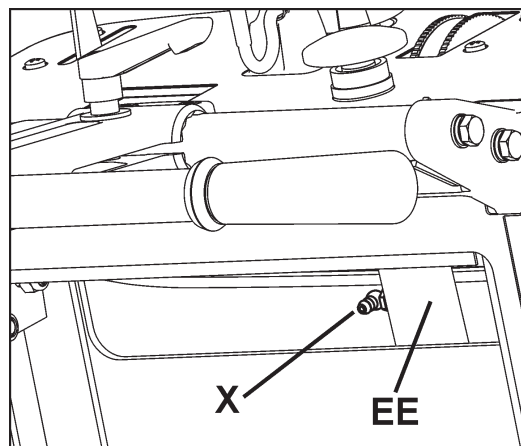
### SMERING:



#### Smeerfitting v/d bladdieptehendel (X):

De schroef van de Bladdieptehendel (EE) kan worden gesmeerd via een smeefitting. Voor toegang tot deze smeefitting:

- Hef het Diamantblad (H) helemaal omhoog. Open het Gereedschapskastje (BB) en verwijder de zak met de bedieningshandleiding tijdelijk.
- De Smeerfitting (X) bevindt zich aan de bovenzijde van de buis van de Bladdieptehendel (EE).
- Vul de fitting aan met smeermiddel. Breng de machine een aantal keer naar omhoog en weer naar omlaag om het smeermiddel doorheen de buis te laten circuleren.
- Plaats de zak met de bedieningshandleiding opnieuw in het Gereedschapskastje (BB) en sluit het deurtje.



### Motorolie:

#### Motorolie controleren:



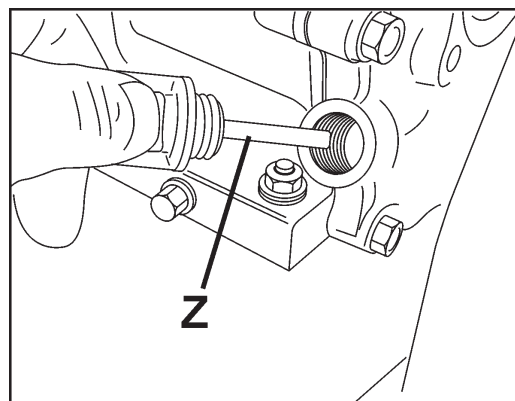
Controleer of het niveau van de motorolie correct is.



De Peilstok v/d motorolie (Z) bevindt zich op de voorzijde van de motor. Vul de olie aan via het gat van de peilstok. De Peilstok v/d motorolie (Z) mag niet worden ingeschroefd om het olieniveau te controleren.

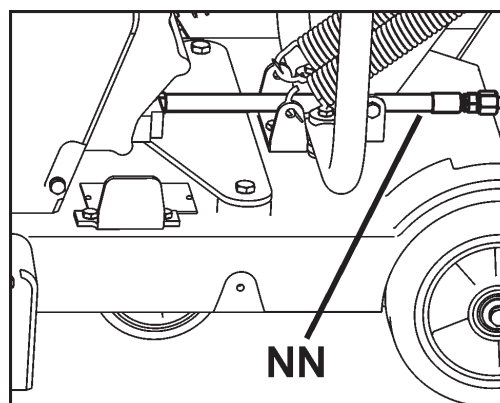
Omdat de motor vaak op een helling werkt, moet het olieniveau worden gecontroleerd met de motor in een horizontale positie. Controleer regelmatig om te verzekeren dat het olieniveau nooit onder de laagste markering op de peilstok valt. 10W30 olie is aanbevolen.

Zie de bedieningshandleiding van de motor voor meer informatie.



#### Motorolie vervangen:

- Schakel de Startschakelaar (DD) van de machine op UIT (0). Laat de motor afkoelen. Gebruik de Bladdieptehendel (EE) om de machine lichtjes naar achteren te kantelen.
- Plaats de Olieafvoerslang (NN) op de zijkant van de machine. Plaats naast de machine een gepaste opvangbak, die groot genoeg is voor de totale olie-inhoud, om de olie op te vangen.
- Open het uiteinde van de Olieafvoerslang (NN) en laat de olie in de opvangbak afvoeren. Nadat de olie is afgevoerd, plaats het uiteinde van de Olieafvoerslang (NN) terug, zet het stevig vast en breng de slang terug in haar oorspronkelijke positie.
- Vul de motor met de aanbevolen hoeveelheid olie – zie de handleiding van de motor voor deze gegevens.
- Verwijder de gebruikte olie op een milieuvriendelijke manier.



## ONDERHOUD & SMERING

**Spanning van de aandrijfriem van de bladas:** De Aandrijfriem moet worden aangespannen na de eerste uren in gebruik. Het Spanwiel v/d riemaandrijving (MM) houdt de Aandrijfriem gespannen.

### Vereist gereedschap:

- 13mm Moersleutel (met de machine meegeleverd).
- 9,53mm (3/8") Momentsleutel (niet meegeleverd).
- 14mm Moersleutel (niet met de machine meegeleverd).

1. Gebruik de 13mm Moersleutel (U) om de drie (3) M8 bouten die de Riemaafdekking (LL) vasthouden, te verwijderen. Verwijder de Afdekking (LL).

2. Gebruik de 13mm & 14mm moersleutels om de twee (2) bouten die het Spanwiel v/d riemaandrijving (MM) vasthouden, lichtjes los te draaien [de bouten zijn door de (2) pijlen aangegeven].

3. Bevestig de Momentsleutel op het vierkante gat in het Spanwiel v/d riemaandrijving (MM).

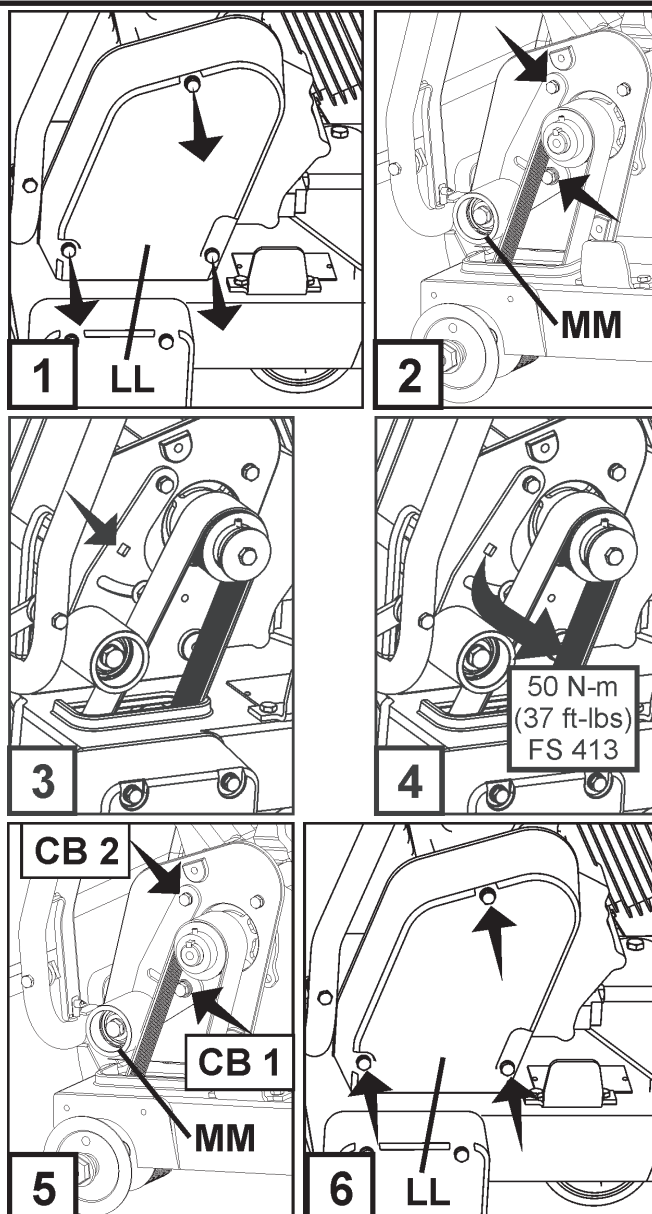
4. Draai het Spanwiel (MM) zodanig vast dat het tegen de V-riem wordt geforceerd. Het draaimoment wordt weergegeven in afbeelding 4.

5. Zet de middelste bout (CB1) vast om het Spanwiel (MM) op zijn plaats te houden en zet vervolgens de andere bout (CB2) vast.

6. Installeer de Riemaafdekking (LL). Gebruik de 13mm Moersleutel (U) om de drie (3) M8 bouten die de Riemaafdekking (LL) vasthouden, vast te zetten.

### Regulateursnelheid

Het is van essentieel belang dat de Reguleur en smoorhendel op alle verbrandingsmotoren correct worden afgesteld. De motorsnelheid wordt op voorhand in de fabriek ingesteld voor de correcte zaagsnelheid. Normaal gezien is het NIET noodzakelijk om deze instelling te veranderen. Zij zou wel regelmatig moeten worden geverifieerd nadat de machine een onderhoudsbeurt heeft ondergaan. Raadpleeg de motorhandleiding om de instelling van de Reguleur te veranderen.



### **⚠ WAARSCHUWING!**

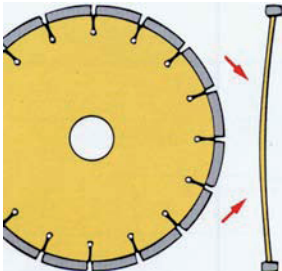
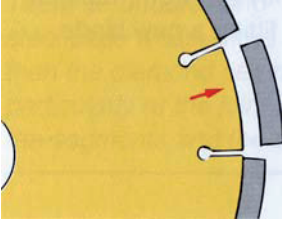
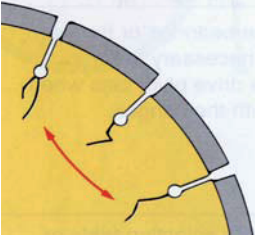


Een overmatige snelheid kan het Diamantblad (H) doen breken en/of de operator of omstanders verwonden! Bepaal de juiste bladassnelheid (omw./min.) uit de tabel hiernaast, om te verzekeren dat de Reguleur correct is ingesteld. Volg de instructieprocedure van de motorfabrikant voor het instellen van de Reguleur en smoorhendel.

# PROBLEEMOPLOSSING

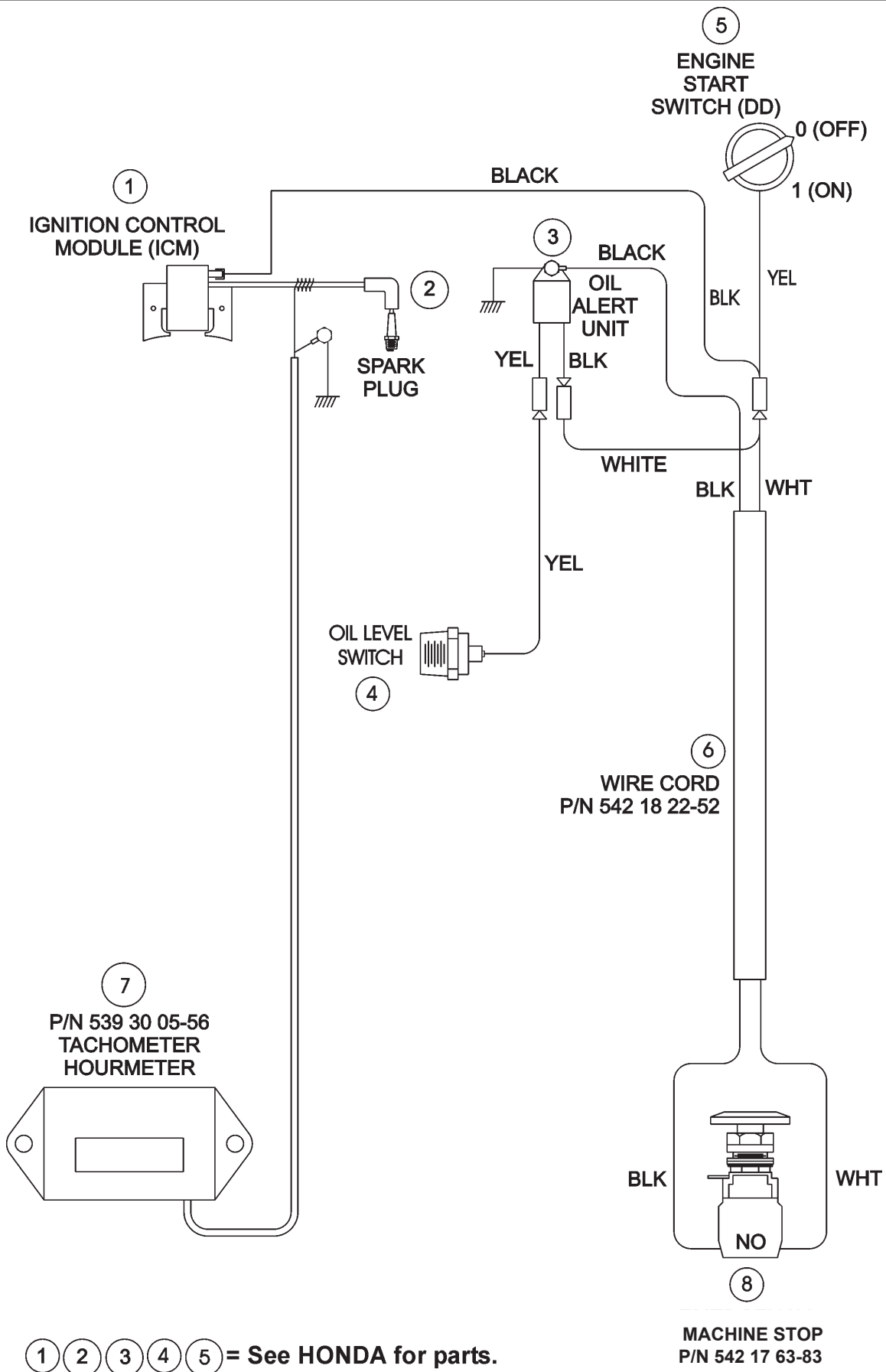
## De motor start niet:

Oorzaak	Maatregel
Elektrische schakelaars niet in juiste stand.	Controleer of ZOWEL Machinestopknop (AA) ALS Startschakelaar motor (DD) op "AAN" staan. Machinestopknop (AA) zou uit kap moeten zijn getrokken en Startschakelaar motor (DD) zou op "1" (AAN) moeten staan.
Brandstofventiel gesloten.	Open brandstofventiel.
Chokeventiel open.	Sluit chokeventiel wanneer motor koel is.
Brandstoftank leeg.	Vul aan met brandstof.
Vuil of waterijs in het brandstofsysteem.	Reinig tank, brandstofleidingen en carburator. Vul tank met verse brandstof.
Opeenhoping op elektroden van bougie.	Controleer elektrodeopening en reinig.
Motor heeft geen kracht of loopt onregelmatig. Luchtfilter verstopt.	Reinig of vervang luchtfilter.

## Probleemoplossing voor diamantblad:

Probleem	Oorzaak & maatregel
Spanningsverlies in diamantblad 	<p>Blad wordt op fout uitgelijnde zaag gebruikt. Controleer of de zaag correct is uitgelijnd.</p> <p>Blad is te "hard" voor het te snijden materiaal, waardoor het stalen bladcentrum te veel stress ondervindt. Controleer of het blad juist is voor het te snijden materiaal.</p> <p>Verschillende diameter of ondermaatse bladflenzen creëren oneven druk op het bladcentrum. Gebruik de gepaste flensgrootte op elke zijde van blad. Gebruik nooit versleten of beschadigde flenzen.</p> <p>Blad wordt aan ongepaste snelheid (omw./min.) bediend. Vergewis u ervan dat bladas aan juiste snelheid (omw./min.) draait. Controleer rotatiesnelheid met behulp van een tachometer.</p> <p>Blad niet correct op doorn gemonteerd. Zou kunnen buigen wanneer flenzen worden vastgezet.</p>
Segmentverlies 	<p>Blad is te "hard" voor te snijden materiaal. Gebruik "zachtere" bladspecificatie.</p> <p>Oververhit blad gedetecteerd als "blauwe" kleur op stalen centrum. Controleer of watertoevoer voldoende en niet verstopt is.</p> <p>Zaag wordt gebogen tijdens snijden. Zaag alleen in rechte lijn.</p> <p>Boorgat van blad is versleten en heeft excentrische vorm (ovaal). Vervang versleten blad en versleten spil.</p> <p>Segment afgestoten tijdens montage of vervoer. Vermijd ruwe hantering van diamantblad. Vervoer machine nooit met diamantblad gemonteerd.</p>
Gebarsten bladkern 	<p>Blad is te "hard" voor te snijden materiaal. Gebruik "zachtere" bladspecificatie.</p> <p>Oververhit blad gedetecteerd als "blauwe" kleur op stalen centrum. Controleer of watertoevoer voldoende en niet verstopt is.</p> <p>Zaag wordt gebogen tijdens snijden. Zaag alleen in rechte lijn.</p> <div style="border: 1px solid black; padding: 5px; margin-top: 10px;"> <p style="text-align: center;"><b>⚠ WAARSCHUWING!</b></p> <p> Gebruik <b>GEEN</b> beschadigde diamantbladen! Als de machine met beschadigde diamantbladen wordt gebruikt, zou dit de dood of letsels kunnen veroorzaken!</p> </div>
Gebarsten bladsegmenten 	<p>Blad is te "hard" voor te snijden materiaal. Gebruik "zachtere" bladspecificatie.</p> <p>Blad wordt aan ongepaste snelheid (omw./min.) bediend. Vergewis u ervan dat bladas aan juiste snelheid (omw./min.) draait. Controleer rotatiesnelheid met behulp van een tachometer.</p>

# BEDRADINGDIAGRAM





# TECHNISCHE GEGEVENS

Gewicht machine	
Nominaal gewicht in kg (lb)	142
Maximumgewicht in kg (lb)	158

Zaagbladas en motorsnelheid	
Zaagbladas, tpm	2700
Motor, tpm	3600

Capaciteit watertank	
Liter	US gallon (UK gallon)
25	6.6 (5.5)

Zaagdiepte	
Zaagbladmaat, mm	Maximale bladzaagdiepte, mm
500	189

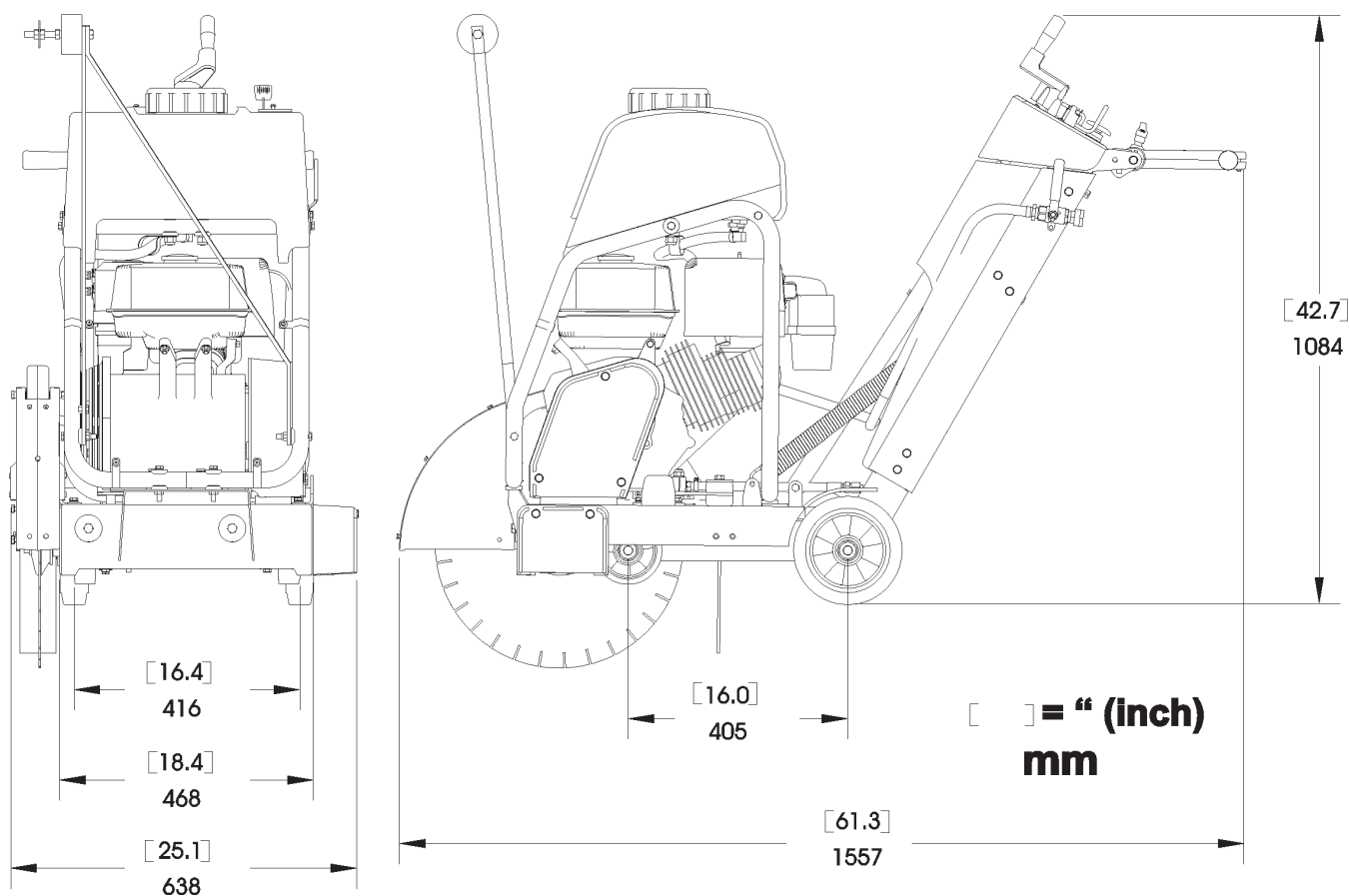
Maat spil en zaagbladflens	
Maat spil, mm	25,4
Diameter zaagbladflens, mm	114

Geluidsemissies (zie opmerking 1)	
Geluidsvermogeniveau, gemeten dB(A)	108
Geluidsvermogeniveau, gegarandeerd dB(A)	110
Geluidsniveaus (zie opmerking 2)	
Geluidsdruk niveau bij het oor van de gebruiker, dB(A)	88
Trillingsniveaus, <sub>ahv</sub> (zie opmerking 3)	
Hendel rechts, m/s <sup>2</sup>	2,4
Hendel links, m/s <sup>2</sup>	1,9

Opmerking 1: Geluidsemissies in de omgeving gemeten als geluidsvermogen (LWA) volgens EG-richtlijn 2000/14/EG.

Opmerking 2: Geluidsdruk niveau volgens EN 13862. De gerapporteerde gegevens voor het geluidsdruk niveau vertonen een typische statische spreiding (standaardafwijking) van 4,0 dB(A).

Opmerking 3: Trillingsniveau volgens EN 13862. De gerapporteerde gegevens voor een trillingsniveau vertonen een typische statische spreiding (standaardafwijking) van 1,5 m/s<sup>2</sup>



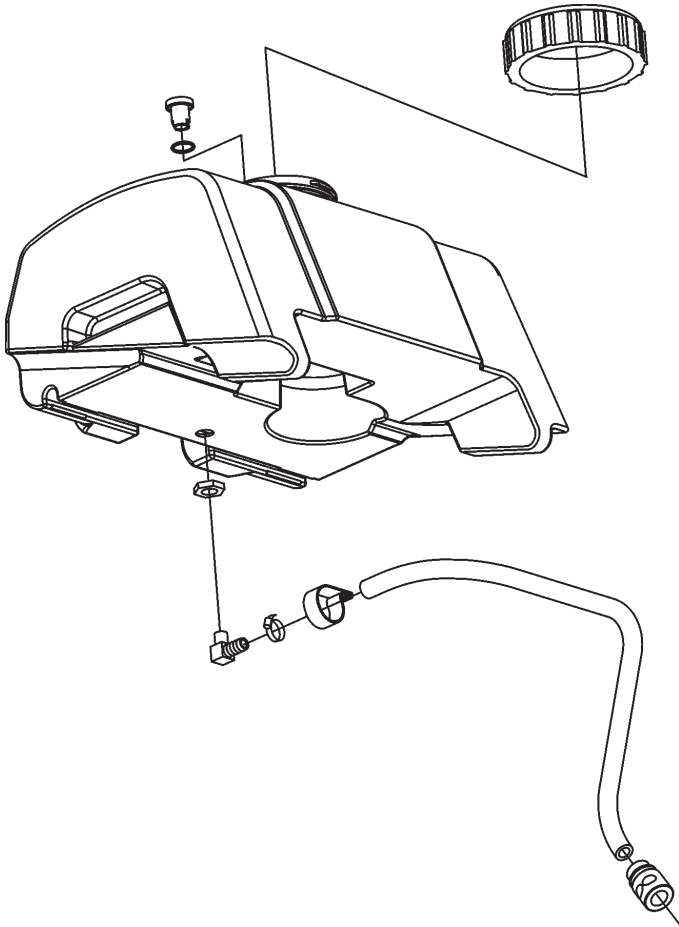


---

## ACCESSORIES

---

### Waterreservoirassemblage 541 20 82-86 Complete kit



---

# NALEVINGCERTIFICATEN

---

**American National Standards Institute:** Voor eenheden die in de Verenigde Staten worden gebruikt, werd deze machine ontworpen overeenkomstig ANSI B7.1-2000, "Veiligheidsvereisten voor het gebruik, de zorg en bescherming van slijpschijven". Deze norm kan van het American National Standards Institute worden gekocht via het onderstaande adres:

American National Standards Institute  
25 West 43rd Street, 4th oor  
New York, NY 10036

Telefoon: +1 212.642.4900  
Fax: 212.398.0023  
www.ansi.org

**CALIFORNIA AIR RESOURCES BOARD (CARB):** Deze machine wordt beschouwd als een preëemptieve terreintoepassing voor wat de CARB-normen aangaat. Als constructieapparatuur, en in het bijzonder, als betonzag (zaagt: beton, metselwerk, afsteek), met een motorvermogen van minder dan 19KW (25 hp), zijn de CARB-normen niet van toepassing op deze machine.

Voor meer informatie, zie de website

<http://www.arb.ca.gov/msprog/offroad/preempt.htm>

## EG-conformiteitsverklaring

(Alleen geldig voor Europa)

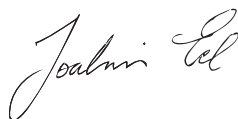
**Husqvarna AB**, SE-561 82 Husqvarna, Zweden, tel +46-36-146500, verklaart onder alleenverantwoordelijkheid dat de vloerzagen **Husqvarna FS 413** met serienummers van 2016 en later (het jaartal staat duidelijk op het productplaatje vermeld, gevolgd door het serienummer), voldoen aan de eisen die in de RICHTLIJNEN VAN DE RAAD zijn opgenomen:

- van 17 mei 2006 "betreffende machines" 2006/42/EG.
- van 26 februari 2014 "betreffende elektromagnetische compatibiliteit" 2014/30/EU.
- van 8 mei 2000 "betreffende de geluidsemissies in het milieu" 2000/14/EG.

De volgende normen zijn van toepassing: EN ISO 12100:2010, CISPR12:2007+wijzigingsblad1:2009, EN55012:2007+A1:2009, EN13862+A1:2009 en ISO 14982:2009.

SMP Svensk Maskinprovning AB, Box 7035, SE-750 07 Uppsala, Zweden, heeft namens Husqvarna AB een niet-verplicht typeonderzoek uitgevoerd overeenkomstig de machinerichtlijn (2006/42/EG). Het certificaat heeft nummer: SEC/17/2478

Gothenburg, 26 februari 2016



Joakim Ed  
Global R&D Director  
Construction Equipment Husqvarna AB  
(Geautoriseerde vertegenwoordiger voor Husqvarna AB en verantwoordelijk voor de technische documentatie.)

---

## CONTACTGEGEVENS

---



### **Construction Products, North America**

#### **Hoofdkantoor**

17400 West 119th Street, Olathe, Kansas 66061 USA

Tel. hoofdkantoor: +1 913-928-1000

Fax hoofdkantoor: +1 913-438-7951

**[www.husqvarna.com](http://www.husqvarna.com)**

Neem voor plaatselijke service contact op met uw plaatselijke vertegenwoordiger van Husqvarna Construction Products.

### **Europa / Europe:**

#### **Husqvarna Construction Products**

SE-433 81 Partille, Sweden

Tel: +46 31 94 90 00

Fax: +46 31 94 90 50

### **Asia Pacific:**

#### **Husqvarna Construction Products, Australia Pty Ltd**

25-31 Kinkaid Avenue,  
North Plympton, Adelaide,  
South Australia 5037

Tel:+61 (0)8 8375 1000

Fax:+61 (0)8 8371 0990

### **The Americas:**

#### **Husqvarna Construction Products, North America**

17400 West 119th Street, Olathe, Kansas 66061 USA

Toll-Free Telephone: 800-288-5040, Telephone: 913-928-1300

Fax: 913-438-7938



# INDICE E INTRODUZIONE

Capitolo	Indice	Pagina
Indice e introduzione.....		71
Simboli e adesivi .....		72–76
Istruzioni per la sicurezza.....		77–80
Identificazione dei componenti .....		82–83
Montaggio .....		84–88
Funzionamento .....		89–93
Manutenzione e lubrificazione .....		94–96
Ricerca guasti.....		97
Schema circuitale .....		98
Dati tecnici .....		99–100
Accessori .....		101
Certificate di conformità .....		102
Recapiti.....		103

## Introduzione

Grazie per l'acquisto di questa macchina Husqvarna Construction Products. Sia nel presente manuale che sulla macchina sono riportati messaggi importanti per la sicurezza; leggerli attentamente. Ogni messaggio segnala rischi che possono causare infortuni all'operatore o a terzi ed è preceduto dal simbolo (⚠) e dalla parola **AVVERTENZA** o **ATTENZIONE**.

Il significato di queste parole è il seguente:

**⚠ AVVERTENZA:** indica una situazione di pericolo che se non evitata POTREBBE causare un infortunio grave, anche mortale.

**⚠ ATTENZIONE:** indica una situazione di pericolo che se non evitata POTREBBE causare lesioni personali lievi o moderate. Può anche segnalare di astenersi da prassi pericolose.

Ciascun messaggio descrive il tipo di rischio, le possibili conseguenze e cosa si può fare per prevenire infortuni o limitarne la gravità. Altri messaggi importanti sono preceduti dalla parola **AVVISO**.

**AVVISO** indica quanto segue.

**AVVISO:** indica una situazione di pericolo che se non evitata potrebbe causare danni alle cose. Se non si seguono le istruzioni pertinenti, la macchina o altri oggetti possono subire danni.

Gli adesivi di sicurezza devono essere ispezionati periodicamente e puliti affinché rimangano leggibili a distanza di sicurezza. Se un adesivo è usurato, danneggiato o illeggibile, deve essere sostituito.

## ⚠ AVVERTENZA

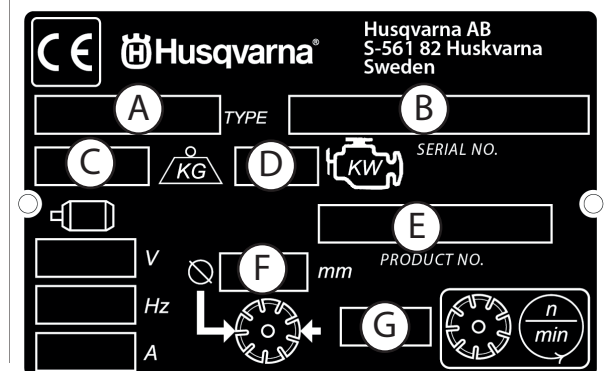
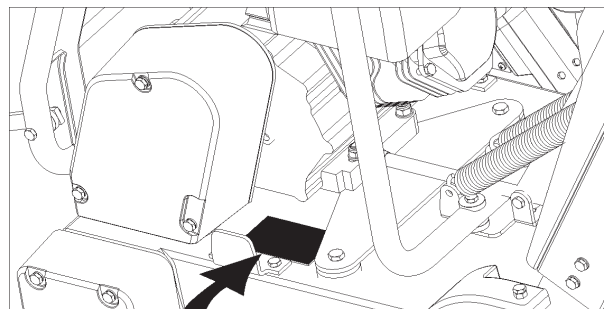


Prima di usare la macchina, leggere attentamente il presente manuale e il manuale del motore, fornito con quest'ultimo.



Familiarizzarsi con la macchina prima di usarla.

**Identificazione del modello:** annotare nelle righe sottostanti i dati di targa della macchina.



**A. Modello:** \_\_\_\_\_

**B. Data di fabbricazione, anno, mese e numero di serie:** \_\_\_\_\_

C. Peso macchina (kg) \_\_\_\_\_

D. Potenza motore (kW) \_\_\_\_\_

E. Codice prodotto \_\_\_\_\_

F. Diametro lama (mm) \_\_\_\_\_

G. Velocità lama (giri/minuto) \_\_\_\_\_

Altre informazioni non riportate sulla targa dati:

**Numero di serie del motore:** \_\_\_\_\_

per individuarlo consultare il manuale del motore.

**Data di acquisto:**

## SIMBOLI e ADESIVI



Leggere le istruzioni per l'uso prima di azionare la macchina per la prima volta.



La macchina soddisfa i requisiti della pertinente direttiva dell'Unione Europea.



Obbligatorio



Indicazione



Divieto



Avvertenza



Protezione obbligatoria degli occhi



Protezione obbligatoria delle vie respiratorie



Protezione obbligatoria dell'udito



Casco di protezione obbligatorio



Calzature di sicurezza obbligatorie



Indumenti di protezione obbligatori



Rimuovere il disco prima di sollevare, caricare, scaricare o trasportare la macchina.



Arresto macchina; arresto della trasmissione.



Usare in un'area ben ventilata.



Non usare in aree infiammabili.



Pericolo dovuto alla presenza di macchine; tenere lontane le mani e i piedi.



Marmitta rovente; può causare ustioni e/o l'accensione di materiale. Evitare il contatto.



Pericolo: gas di scarico velenosi.



Vietato l'accesso ai non addetti ai lavori.



Vietato fumare



Non usare se il carter del disco non è nella giusta posizione.



Tenere sempre tutti i carter nella giusta posizione.



Circuito di mandata acqua inserito



Circuito di mandata acqua disinserito



Circuito di mandata acqua

## SIMBOLI e ADESIVI



Interruttore di sicurezza dell'acqua per il disco



Temperatura liquido di raffreddamento motore



Mantenere l'area di lavoro pulita e ben illuminata. Eliminare tutti i rischi per la sicurezza.



Rumorosità pericolosa per l'udito



Fare estrema attenzione alla cura e protezione della macchina prima di avviarla.



Rimuovere eventuali attrezzi dall'area di lavoro e dalla macchina.



Pressione olio motore



Aggiungere olio



Astina di livello; mantenere l'olio al giusto livello.



Punto di lubrificazione



Alto regime



Basso regime



Interruttore generale - Off



Interruttore generale - On



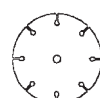
Interruttore generale - Avvio



Le riparazioni devono essere eseguite solo da un rivenditore autorizzato.



Fari



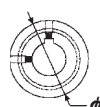
Disco diamantato



Diametro del disco



Inserimento del disco



Diametro della puleggia



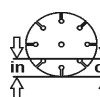
Velocità di rotazione: numero di giri al minuto.



Diametro flangia del disco



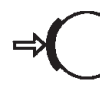
Arresto profondità disco



Indicatore profondità di taglio



Freno di stazionamento



Freno di stazionamento inserito



Freno di stazionamento disinserito

## SIMBOLI e ADESIVI



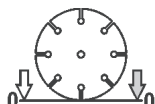
Peso della macchina (chilogrammi)



La freccia sulla protezione dell'utensile indica il senso di rotazione.



Terminale positivo della batteria



Indicatore di profondità disco – Zero



Motore elettrico



Motore a scoppio



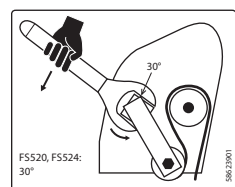
Regime motore (giri/min.)



Avvio del motore



Solo benzina senza piombo



Chiave da 30°



Emissioni di rumore nell'ambiente in base alla direttiva della Comunità Europea. Le emissioni della macchina sono specificate nel capitolo Dati tecnici e sull'etichetta.



## SIMBOLI e ADESIVI



P/N 542 19 07-33

Ubicazione: Parte anteriore del carter

### FS 413

P/N 542 19 07-112

Ubicazione: Lato sinistro e destro del telaio (solo FS 413)

For local service, please contact your local Husqvarna Construction Products representative.

Para efectuar un servicio local, póngase en contacto con su representante local de Husqvarna Construction Products.

Pour toute réparation, contacter le représentant local de Husqvarna Construction Products.

Für Service vor Ort wenden Sie sich bitte an Ihren örtlichen Vertreter von Husqvarna Construction Products.

Neem voor plaatselijke service contact op met uw plaatselijke vertegenwoordiger van de constructieproducten van Husqvarna.

Per assistenza, rivolgersi al rappresentante di zona della Husqvarna Construction Products.

För service på platsen, kontakta din lokala representant för Husqvarna Construction Products.

Para obter serviço técnico local, contactar o representante da Husqvarna Construction Products local.

**Europa / Europe:**  
Husqvarna  
Construction Products  
SE-433 81 Partille, Sweden  
Tel: +46 31 94 90 00  
Fax: +46 31 94 90 50

**Asia Pacific:**  
Husqvarna  
Construction Products,  
Australia Pty Ltd  
25-31 Kinkaid Avenue,  
North Plympton, Adelaide,  
South Australia 5037  
Tel: +61 (0)8 8375 1000  
Fax: +61 (0)8 8371 0990

**The Americas:**  
Husqvarna Construction Products,  
North America  
17400 West 119th Street,  
Olathe, Kansas 66061 USA  
Toll-Free Telephone: 800-288-5040,  
Telephone: 913-928-1300  
Fax: 913-438-7938

P/N 542 19 06-46 Assistenza  
Ubicazione: Lato del telaio

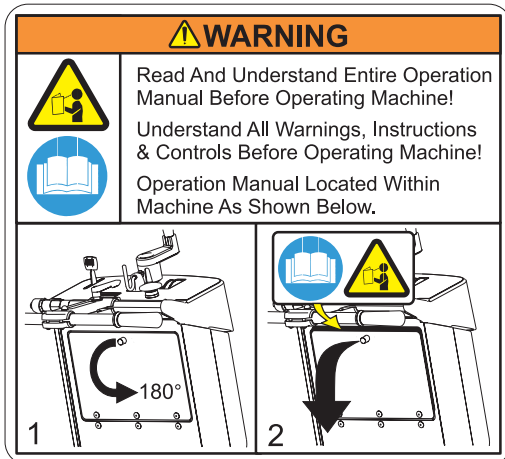
P/N 542 19 05-88



P/N 542 19 05-88

Ubicazione: Misuratore di profondità

## SIMBOLI e ADESIVI



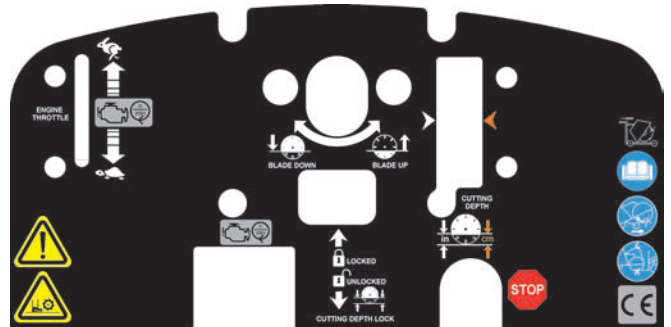
P/N 542 19 05-93  
Ubicazione: Parte posteriore del carter



P/N 542 16 90-65  
Ubicazione: Parte superiore del carter della cinghia



P/N 542 19 06-17  
Ubicazione: Serbatoio d'acqua (se in dotazione)



P/N 502 24 01-05  
Ubicazione: Parte superiore del carter



P/N 542 19 06-38  
Ubicazione: Parte posteriore del carter

PATENT PENDING

P/N 542 16 12-35  
Ubicazione: Telaio lato superiore destro

# ISTRUZIONI PER LA SICUREZZA

## Usò generale

### **AVVERTENZA**



Prima di usare la macchina, leggere attentamente il presente manuale e il manuale del motore, fornito con quest'ultimo.



Familiarizzarsi con la macchina prima di usarla.



**L'operatore deve indossare un equipaggiamento di protezione personale e indumenti adatti al lavoro da eseguire. È obbligatorio l'uso di un equipaggiamento di protezione personale, come dispositivi di protezione dell'udito e degli occhi.**



**L'area di lavoro deve essere sgombra da ostacoli, ben illuminata e libera da eventuali pericoli per la sicurezza.**



**Tutti i non addetti ai lavori devono lasciare l'area.**



**AVVERTENZA! L'albero della lama gira quando il motore viene messo in moto o avviato.**



**AVVERTENZA. Non toccare l'attrezzo mentre la macchina è in funzione.**

## Sicurezza relativa al carburante



**AVVERTENZA. Fare attenzione durante i rifornimenti; tenere presente il rischio di incendio, esplosione e di inalazione dei fumi.**

- Conservare il carburante solo in contenitori approvati per l'uso.
- Fare rifornimento solo a motore fermo; non togliere mai il tappo del serbatoio e fare rifornimento mentre il motore è in funzione.
- Fare sempre rifornimento in un'area ben ventilata.
- Non riempire mai un serbatoio del carburante in un locale chiuso.
- Lasciare raffreddare il motore prima di fare rifornimento.



**Non fare rifornimento in prossimità di scintille o fiamme e non usare la macchina in un'area infiammabile.**



**Non fumare mentre si fa rifornimento o si usa la macchina.**

- Prima di avviare il motore, spostare la macchina a una distanza di 3 metri dal punto di rifornimento.
- Non avviare la macchina se esiste una delle seguenti condizioni:
  - 1) Si è versato del carburante sulla macchina. Eliminare il carburante versatosi e lasciare evaporare il carburante rimasto sulla macchina.
  - 2) Si è versato carburante su sé stessi o sugli indumenti. Usare acqua e sapone per pulire qualsiasi parte del corpo che è andata a contatto del carburante.
  - 3) La macchina perde carburante. Controllare regolarmente se ci sono perdite dal tappo del serbatoio e dalle tubazioni.
- Conservare e trasportare la macchina e il carburante in modo che non esista alcun rischio che perdite o fumi possano andare a contatto di sorgenti di scintille o fiamme, ad esempio macchine elettriche o motori elettrici, interruttori, relè o caldaie.



## **AVVERTENZA RELATIVA ALLA POLVERE**

**Le operazioni di taglio, specialmente quando eseguite A SECCO, creano polvere che viene rilasciata dal materiale tagliato e che spesso contiene silice.** La silice è uno dei componenti fondamentali della sabbia, del quarzo, dell'argilla, del granito e di numerosi altri minerali e rocce. L'esposizione a quantità eccessive di polvere di silice può causare:

- malattie dell'apparato respiratorio – come bronchite cronica, silicosi e fibrosi polmonare – che possono essere letali;
- irritazioni ed eruzioni cutanee;
- cancro, secondo il NTP\* e l'IARC\*.

\* National Toxicology Program e International Agency for Research on Cancer

Prendere le seguenti precauzioni:

- evitare l'inalazione e il contatto con la pelle di polvere, nebbia e fumi di silice;
- quando possibile eseguire il taglio con acqua, per ridurre al minimo la polvere;
- indossare, e accertarsi che tutti gli astanti indossino, dispositivi adatti di protezione dell'apparato respiratorio, come maschere antipolvere dotate di filtri delle particelle microscopiche, conformi alle norme CE (vedere anche le norme USA OSHA 29 CFR Part 1910.1200)

### **Avvertenza relativa alla legge della California Proposition 65**

L'uso di questo prodotto può causare esposizione a sostanze che, in base alle analisi condotte dallo Stato della California, possono causare cancro e/o difetti del nascituro o altri problemi dell'apparato riproduttivo.

## ISTRUZIONI PER LA SICUREZZA



### AVVERTENZA GAS DI SCARICO VELENOSI



#### QUESTA SEGATRICE VIENE SPEDITA DALLA FABBRICA SENZA UN CONVERTITORE CATALITICO.

IL MOTORE GENERA EMISSIONI DI SCARICO CONTENENTI OSSIDO DI CARBONIO E IL SUO USO **NON È SICURO** IN LUOGHI CHIUSI. L'IMPIEGO DI UN CONVERTITORE CATALITICO RIDUCE LA QUANTITÀ DI OSSIDO DI CARBONIO USCENTE ALLO SCARICO, MA CIÒ NONOSTANTE IL SUO USO **NON È SICURO** IN LUOGHI CHIUSI.

USARE LA MACCHINA SOLO IN AREE BEN VENTILATE. LA QUALITÀ DELL'ARIA DEVE SODDISFARE LE SPECIFICHE USA OSHA 29 CFR 1910.1000, TABELLA Z-1, RELATIVE AI LIMITI DELLE PARTICELLE INQUINANTI PRESENTI NELL'ARIA.

MONITORARE LA QUALITÀ DELL'ARIA DEL LUOGO DI LAVORO PER ASSICURARE LA CONFORMITÀ ALLE NORME. LA MANCATA OSSERVANZA DI QUESTE ISTRUZIONI METTE A RISCHIO DI VITA E CAUSA LESIONI PERMANENTI, ANCHE MORTALI.

#### Informazioni generali

L'ossido di carbonio (CO) si caratterizza per essere uno dei pochi gas industriali comunemente presenti a essere sia altamente tossico (velenoso) sia inodore. Quando viene inalato, il CO agisce come un asfissiante chimico combinandosi con l'emoglobina presente nel sangue: l'emoglobina non è più in grado di trasportare la normale quantità di ossigeno e quindi i tessuti vengono ossigenati in misura insufficiente. I sintomi dell'esposizione a bassi livelli di CO sono mal di testa, vertigini, stato confusionale e nausea. **Tuttavia, un'esposizione continuata o più intensa può causare svenimento, lesioni permanenti e la morte.** A causa dei rischi per la salute risultanti dall'inalazione di CO, l'OSHA (Occupational Safety and Health Administration) – l'ente USA per la tutela della salute dei lavoratori – ha stabilito dei limiti per l'esposizione personale, riportati nella norma 29 CFR (Code of Federal Regulations) 1910.1000 (Revisione del 1998); il limite massimo è di 200 ppm, mentre il TWA (limite pesato nell'arco di 8 ore) è di 35 ppm per turni di 8 ore in una settimana lavorativa di 40 ore. Si raccomanda vivamente di consultare la norma OSHA 29 CFR 1910.1000 per ulteriori informazioni sui limiti di esposizione relativi a varie sostanze pericolose. Se si sospetta avvelenamento da CO, portare immediatamente la vittima all'aria fresca e richiedere assistenza medica di emergenza.

#### Ventilazione appropriata

**QUESTA SEGATRICE VIENE SPEDITA DALLA FABBRICA SENZA UN CONVERTITORE CATALITICO.** È importante tenere presente che le segatrici dotate di convertitore catalitico riducono le emissioni di CO e idrocarburi (HC), ma che i gas di scarico contengono ancora CO. Se nel luogo di lavoro non c'è ricambio d'aria o la ventilazione è insufficiente, il CO può accumularsi fino a superare i limiti OSHA e in tal caso occorre adottare misure volte ad allontanare i lavoratori dalle aree di concentrazione elevata. Gli operatori e i supervisori devono prendere le precauzioni necessarie ad assicurare una ventilazione adeguata e costante del luogo di lavoro. Occorre impiegare rivelatori dell'ossido di carbonio per verificare che sia in atto una ventilazione adeguata.



### AVVERTENZA PERICOLO PER L'UDITO

DURANTE L'USO NORMALE DI QUESTA MACCHINA, L'OPERATORE PUÒ ESSERE ESPORTO A LIVELLI DI RUMORE UGUALI O MAGGIORI DI **85 dB(A)**; NE POSSONO CONSEGUIRE DANNI TEMPORANEI O PERMANENTI ALL'APPARATO UDITIVO. È OBBLIGATORIO USARE DISPOSITIVI DI PROTEZIONE DELL'UDITO.

---

# ISTRUZIONI PER LA SICUREZZA

---

## SICUREZZA ANZITUTTO.



### AVVERTENZE

### COSE DA FARE E DA NON FARE



## AVVERTENZA: LA MANCATA OSSERVANZA DI QUESTE AVVERTENZE E ISTRUZIONI PER L'USO POTREBBE CAUSARE UN INFORTUNIO GRAVE, ANCHE MORTALE.

### COSE DA FARE

**LEGGERE** per intero il presente manuale prima di usare la macchina. Leggere attentamente tutte le avvertenze, le istruzioni, le descrizioni dei comandi e le definizioni dei simboli riportate nel manuale e sulla macchina.

**CONSEGNARE** sempre una copia del manuale all'utente della macchina. Se occorrono altre copie, chiamare il numero verde 1 800 288-5040 negli Stati Uniti o il numero 001-913-928-1300 da fuori degli Stati Uniti o consultare la sezione "Recapiti" del manuale.

**MANTENERE** tutti i carter nella giusta posizione e in buone condizioni.

**USARE** dispositivi approvati di protezione dell'udito, degli occhi, della testa e dell'apparato respiratorio.

**LEGGERE** attentamente tutte le avvertenze e le istruzioni riportate sulla macchina.

**MANTENERE** tutte le parti del corpo lontane dal disco e da tutti gli altri componenti in movimento.

**SAPERE** come arrestare la macchina rapidamente in caso di emergenza.

**ARRESTARE** motore e lasciarlo raffreddare prima di fare rifornimento o eseguire la manutenzione.

**ISPEZIONARE** il disco, le flange e gli alberi per rilevare eventuali danni, prima di installare il disco.

**USARE** la flangia di dimensioni specificate secondo le dimensioni del disco adoperato.

**USARE** solo dischi diamantati con centro in acciaio, costruiti per l'uso in segatrici per calcestruzzo.

**USARE** solo le flange da disco fornite con la segatrice; non usare mai flange danneggiate o usurate.

**USARE** solo dischi contrassegnati con un valore della massima velocità di esercizio maggiore della velocità dell'albero del disco; verificare la velocità controllando il valore giri/min. dell'albero del disco, il diametro della puleggia e quello della flangia del disco.

**VERIFICARE** la configurazione del sistema di azionamento della segatrice controllando il valore giri/min. dell'albero del disco, il diametro della puleggia e quello della flangia del disco.

**LEGGERE** tutte le istruzioni e la documentazione per la sicurezza allegate ai dischi da usare con questa macchina.

**ISPEZIONARE** attentamente ciascun disco prima di usarlo; se si rilevano segni di danni o usura insolita, **NON USARE IL DISCO.**

**MONTARE** il disco fissandolo bene; usare una chiave per serrare il dado del perno portante.

**VERIFICARE** che il disco e la flangia siano puliti e senza detriti prima di fissare il disco alla segatrice.

**USARE** il disco adatto al tipo di lavoro da eseguire; consultare il fabbricante se non si è sicuri che il disco non sia adatto.

**FARE** attenzione e seguire le istruzioni quando si carica o scarica la macchina.

**USARE** la macchina solo in aree ben ventilate; l'inalazione dei gas di scarico, velenosi, può causare la morte.

**INDICARE** agli astanti dove sostare mentre la macchina è in funzione.

**PREPARARE** un programma di addestramento per tutti gli operatori della macchina.

**FARE** allontanare dall'area di lavoro i non addetti. Non permettere mai a nessuno di sostare davanti o dietro il disco mentre il motore è in funzione.

**VERIFICARE** che il disco non sia a contatto di alcun oggetto prima di avviare il motore.

**FARE** attenzione quando si solleva e si trasporta la macchina.

**ASSICURARE** sempre la macchina al mezzo di trasporto prima di trasportarla.

**FARE** attenzione e seguire le istruzioni quando si predispose o si trasporta la macchina.

**RIVOLGERSI** a personale qualificato per fare eseguire la manutenzione della macchina.

**VERIFICARE** che il foro sul disco per il perno portante corrisponda al diametro del perno prima di fissare il disco.

**CONTROLLARE** sempre, prima di procedere al taglio, se ci sono oggetti pericolosi interrati, come linee elettriche o del gas. Contattare sempre le società di utenza prima di operare in aree ignote.

**SPOSTARE** la macchina a una distanza di almeno 3 metri dal punto di rifornimento prima di avviare il motore e accertarsi che il tappo del serbatoio del carburante sia serrato bene.

**SOLLEVARE** la macchina solo dal punto specificato.

**PULIRE** la macchina al termine della giornata di lavoro.

**USARE** una flangia di dimensioni corrispondenti a quelle del disco adoperato; non usare mai flange danneggiate o usurate.

**FARE** attenzione quando si fa rifornimento di carburante.

**ESEGUIRE** il taglio solo in senso rettilineo e solo alla profondità specificata per il lavoro.

# ISTRUZIONI PER LA SICUREZZA

## SICUREZZA ANZITUTTO.



### AVVERTENZE COSE DA FARE E DA NON FARE



**AVVERTENZA: LA MANCATA OSSERVANZA DI QUESTE AVVERTENZE E ISTRUZIONI PER L'USO POTREBBE CAUSARE UN INFORTUNIO GRAVE, ANCHE MORTALE.**

#### COSE DA NON FARE

- NON** usare la macchina senza avere prima letto attentamente il presente manuale.
- NON** usare la macchina se il copridisco o altri carter non sono nella giusta posizione.
- NON** sostare dietro o davanti al percorso del disco mentre il motore è in funzione.
- NON** lasciare la macchina incustodita mentre il motore è in funzione.
- NON** eseguire lavori sulla macchina mentre il motore è in funzione.
- NON** usare la macchina se si è stanchi o affaticati oppure se si è sotto l'effetto di bevande alcoliche o farmaci.
- NON** usare un disco raffreddato ad acqua se non si può assicurare una mandata d'acqua sufficiente.
- NON** eccedere la massima velocità del disco specificata per le sue dimensioni; una velocità eccessiva può causarne la rottura.
- NON** usare la macchina se non si è sicuri di come usare i comandi.
- NON** usare dischi o attrezzature danneggiate.
- NON** toccare un disco in movimento né cercare di arrestarlo con le mani.
- NON** sollevare, spingere, incuneare o girare il disco mentre è inserito in un taglio.
- NON** trasportare una macchina da taglio con il disco fissato alla macchina stesa.
- NON** usare un disco che è caduto o danneggiato.
- NON** usare dischi con punte al carburo.
- NON** toccare un disco diamantato per taglio a secco immediatamente dopo l'uso; i dischi di questo tipo richiedono alcuni minuti per raffreddarsi dopo ciascun taglio.
- NON** usare flange per dischi danneggiati o usurati.
- NON** permettere a terzi di sostare presso la macchina quando la si avvia, si fa rifornimento o mentre essa è in funzione.
- NON** usare la macchina solo in un luogo chiuso; l'inalazione dei gas di scarico, velenosi, può causare la morte.
- NON** usare la macchina in prossimità di qualunque oggetto o sostanza infiammabile; le scintille possono causare un incendio o un'esplosione.
- NON** permettere che la parte di disco non coperta dal carter superi i 180 gradi.
- NON** usare la macchina se i carter delle cinghie o del disco sono rimossi.
- NON** usare la macchina se non si è ricevuto un addestramento apposito.
- NON** usare un disco surriscaldato (indicato dal colore bluastro della parte centrale).
- NON** fare incastrare materiale nel disco.
- NON** usare la parte laterale del disco sul materiale da tagliare.
- NON** rimorchiare la macchina con un veicolo.
- NON** usare la macchina se un carter qualsiasi è rimosso.
- NON** eseguire un taglio più profondo di 2,5 cm per passata con un disco a secco; fare più passate per effettuare tagli più profondi.
- NON** usare la macchina se si è sotto l'effetto di bevande alcoliche o farmaci.

\*\*\*\*\*

Questa segatrice è stata concepita solo per certi impieghi. **NON** modificarla né utilizzarla per applicazioni diverse da quelle per le quali è stata progettata. In caso di dubbi relativi all'impiego della segatrice, **NON** adoperarla senza avere prima consultato Husqvarna Construction Products al seguente indirizzo.

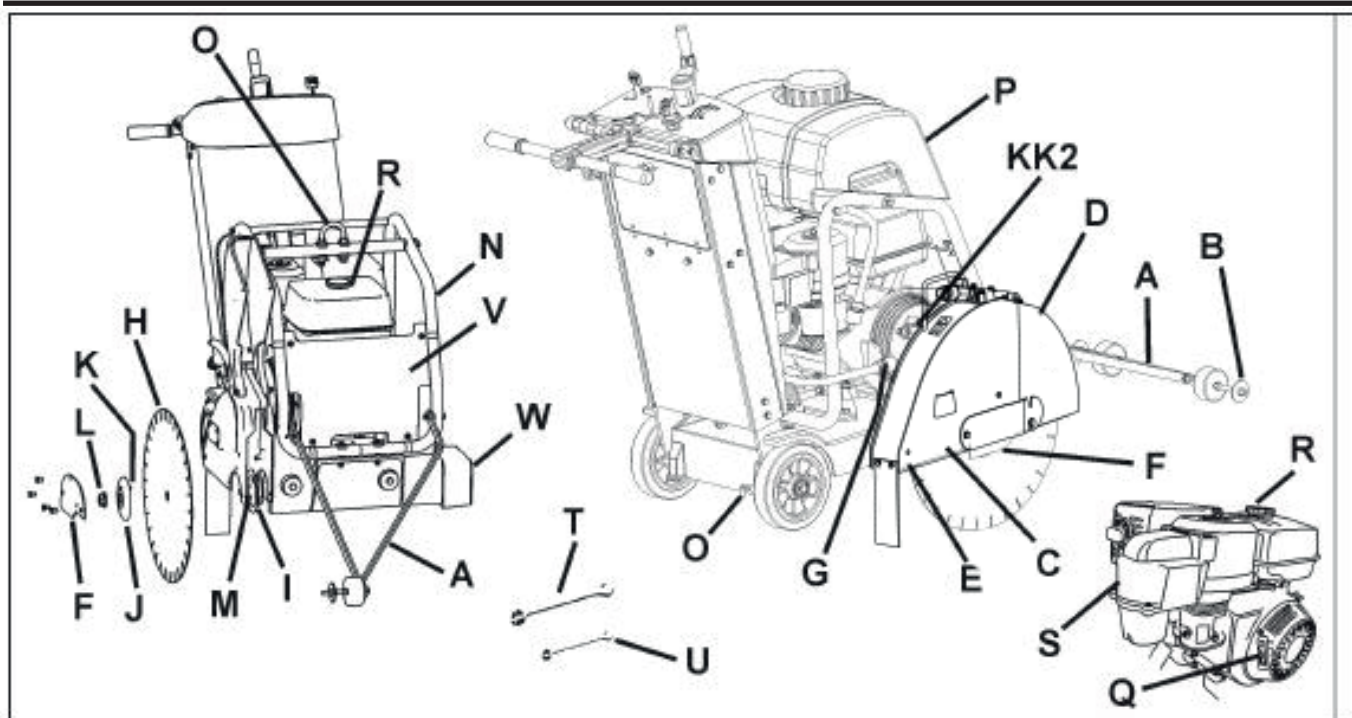
Husqvarna Construction Products North America  
17400 West 119th Street, Olathe, Kansas 66061 USA

---

## ANNOTAZIONI

---

## IDENTIFICAZIONE DEI COMPONENTI



**A. Puntatore:** serve a guidare la macchina lungo un percorso rettilineo.

**B. Rotella di guida:** situata sul puntatore (A); allinearla alla traccia da effettuare e al disco (H) per eseguire tagli rettilinei.

**C. Carter disco:** copre il disco (H). Deve essere sempre nella giusta posizione quando si usa la macchina. Osservare il senso di rotazione del disco, contrassegnato sul carter da una freccia.

**D. Sezione anteriore carter disco:** può essere sollevata, per fissare il disco (H).

**E. Vite posteriore carter disco:** mantiene fissato il carter (C); va tolta e reinserita se si deve spostare il carter.

**F. Piastra chiusura carter disco:** copre la flangia esterna (J).

**G. Raccordo tubo flessibile acqua (G):** collega il carter (C) alla valvola dell'acqua (KK) o alla tanica dell'acqua (P); può essere adoperato con il carter fissato sul lato sinistro o su quello destro della macchina.

**H. Disco:** utensile da taglio per asfalto o calcestruzzo; non fa parte della dotazione della macchina.

**I. Flangia interna:** flangia con perno portante su cui si inserisce il disco (H); sostituirla se è danneggiata o usurata.

**J. Flangia esterna:** serve a fissare il disco (H); è dotata di una spina di bloccaggio (K) che va inserita nel disco (H). Sostituire la flangia se è danneggiata o usurata.

**K. Spina di bloccaggio:** serve a fissare il disco (H); sostituirla se è danneggiata o usurata.

**L. Dado perno portante disco (L1 / L2):** serve a fissare la flangia esterna (J) alla macchina. Il dado (L1) sul lato destro della macchina ha filettatura sinistrorsa, mentre il dado (L2) (non illustrato) sul lato sinistro della macchina ha filettatura destrorsa.

**M. Perno portante disco:** in disco (H) va inserito in questo perno.

**N. Supporto anello di sollevamento e tanica acqua:** sostiene la tanica dell'acqua (P) e l'anello di sollevamento (O).

**O. Anello di sollevamento:** sollevare la macchina solo da questo punto.

**P. Tanica acqua (se in dotazione):** ha una capacità di 25 litri. Riempirla solo con acqua; non versarvi benzina o altre sostanze infiammabili. Va adoperata solo per eliminare la polvere quando si eseguono tagli a secco; usarla solo con dischi diamantati saldati a laser (per taglio a secco).

**Q. Cordicella avvio motore:** serve per l'avviamento a strappo. Consultare il manuale del motore.

**R. Serbatoio carburante:** per istruzioni sul rifornimento consultare il manuale del motore.

**S. Filtro aria motore:** controllarlo giornalmente; pulirlo ogni quattro ore se si opera in condizioni polverose. Consultare il manuale del motore.

**T. Chiave perno portante disco (27 mm):** serve a fissare e rimuovere il disco (H); riporla nel vano portattrezzi (BB).

**U. Chiave (13 mm):** serve per eseguire la manutenzione di numerosi componenti della macchina; riporla nel vano portattrezzi (BB).

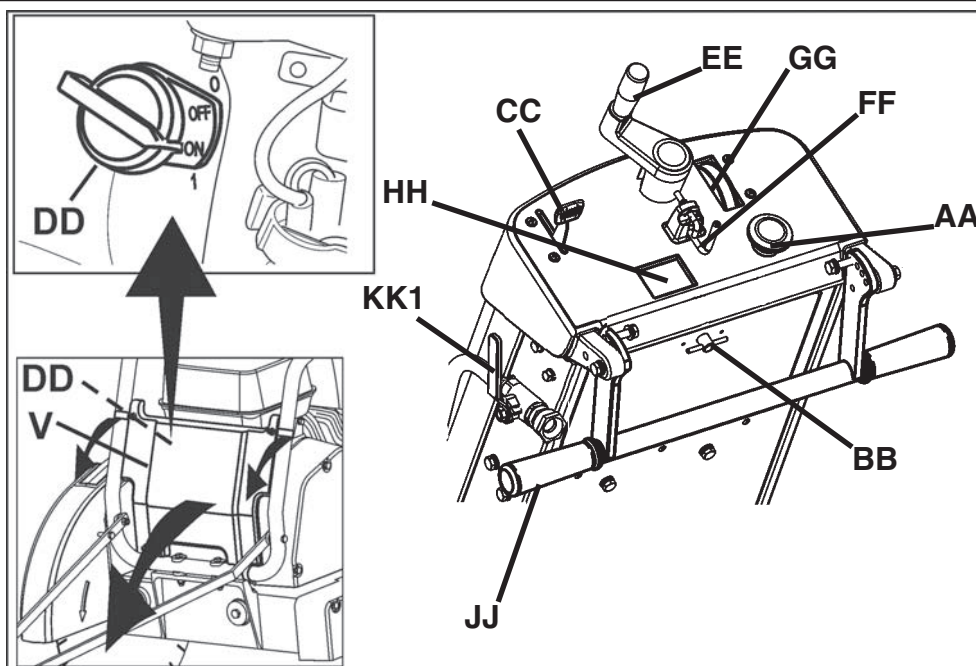
**V. Copertura anteriore:** si aggancia al supporto della tanica dell'acqua (N); aprirla per portare l'interruttore del motore (DD) sulla posizione ON (1) o OFF (0).

**W. Carter albero:** protegge la flangia interna (I); va inserito sempre sul lato del telaio opposto al carter del disco (C).

**X. Ingrassatore manovella di regolazione profondità:** non illustrato; consultare il capitolo "Manutenzione e lubrificazione".



## IDENTIFICAZIONE DEI COMPONENTI



**Y. Staffa carter disco:** blocca il carter (C) nella giusta posizione.

**Z. Astina di livello olio motore:** serve a controllare il livello dell'olio (non illustrata; consultare la sezione "Funzionamento").

**AA. Arresto macchina:** premerlo per arrestare il motore in situazioni di emergenza; ripristinarlo tirandolo in fuori prima di riavviare la macchina.

**BB. Vano portattrezzi:** serve a custodire il manuale dell'operatore, l'elenco dei componenti e le due chiavi T e U (da 13 mm e 27 mm); aprirlo girando il pomello di 180 gradi. Riporre sempre il manuale in questo vano per consultarlo quando necessario.

**CC. Leva del gas:** serve a regolare il regime motore; spingerla in avanti per aumentare il regime, tirarla indietro per diminuirlo. Le operazioni di taglio vanno eseguite al massimo regime motore.

**DD. Interruttore del motore:** è situato sul motore, dietro la copertura anteriore (V); deve essere nella posizione ON (1) perché si possa avviare il motore. Portarlo nella posizione OFF ("0") per arrestare il motore durante il normale uso.

**EE. Manovella regolazione profondità disco:** girarla in senso antiorario per sollevare il disco (H) o in senso orario per abbassarlo.

**FF. Arresto profondità disco:** serve a bloccare la manovella (EE) nella posizione desiderata. Per bloccare, tirare l'arresto verso la parte posteriore della macchina e girarlo di 90 gradi.

**GG. Indicatore profondità disco:** mostra la profondità del disco (H) in centimetri (colore arancione) o pollici (colore bianco). Modalità d'uso: con l'interruttore motore nella posizione OFF ("0"), abbassare il disco (H) finché è a contatto della superficie da tagliare; girare l'indicatore sino ad allineare lo "0" con le frecce e sollevare il disco. Quando si abbassa il disco nella traccia eseguita, viene indicata l'attuale profondità di taglio.

**HH. Tachimetro motore (giri/min.):** indica il regime del motore in giri al minuto mentre il motore è in funzione, il tempo totale di funzionamento quando il motore è fermo (interruttore nella posizione OFF ["0"]). Il tempo totale è mostrato in minuti da 0 a 59 e in ore se più lungo.

II. - - -

**JJ. Stegola:** l'operatore manovra la macchina tenendo entrambe le mani sulla stegola, regolabile su diverse posizioni.

**KK1. Valvola dell'acqua:** regola il flusso dell'acqua sul disco; è situata sul lato sinistro della macchina, accanto alla stegola (RR). Non va adoperata con la tanica dell'acqua (se in dotazione).

**KK2. Valvola dell'acqua:** regola il flusso dell'acqua sul disco; è situata sul carter del disco. Va adoperata con la tanica dell'acqua (se in dotazione).

**LL. Carter cinghia (non illustrato):** copre la cinghia di trasmissione motore.

**MM. Tenditore cinghia trapezoidale:** mantiene alla giusta tensione la cinghia trapezoidale di trasmissione dell'albero del disco.

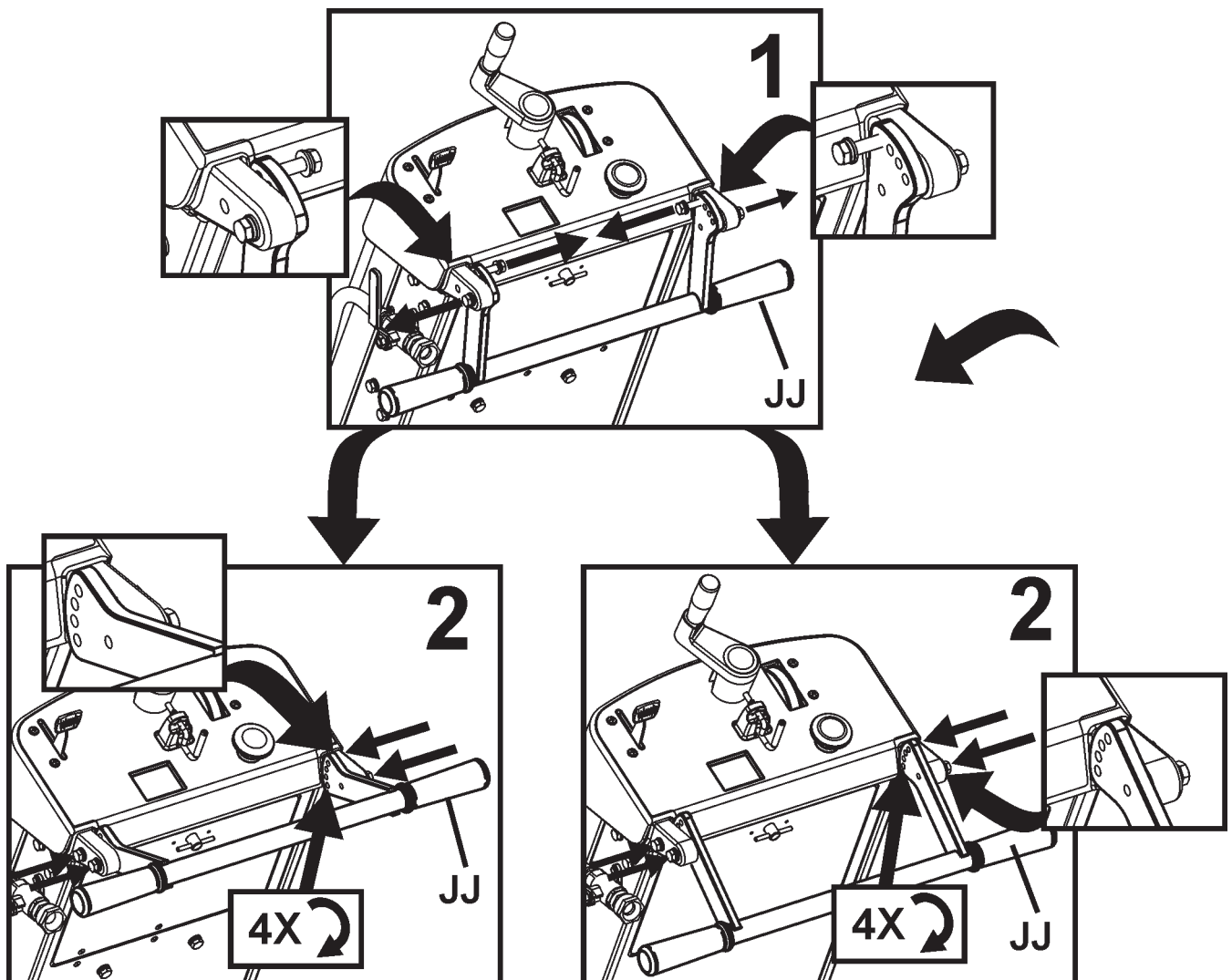
**NN. Tubo flessibile scarico olio:** serve a scaricare l'olio dal motore.

**OO. Freno di stazionamento (solo per i modelli per l'Unione Europea):** serve a immobilizzare la macchina; è situato sulla ruota posteriore destra. Modalità d'uso: per inserire il freno girare la leva in su, in modo che lo stelo possa muoversi verso l'interno; per disinserirlo girare la leva in giù in modo da retrarre lo stelo.

# MONTAGGIO

Montare i seguenti componenti prima di usare la macchina per la prima volta.

**Posizionamento della stegola (JJ):** la stegola viene spedita nella posizione ripiegata, come illustrato, e deve essere sistemata nella posizione adatta per l'uso della macchina.

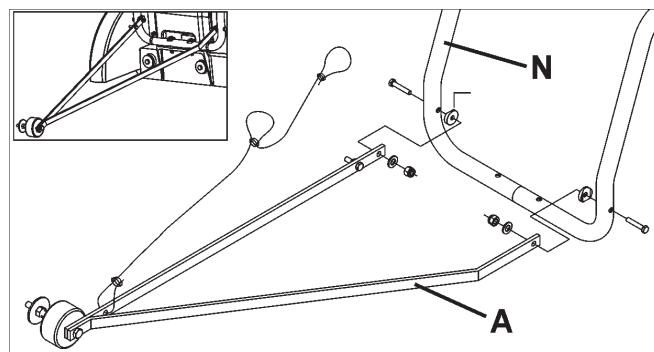


# MONTAGGIO

## Installazione del puntatore (A)

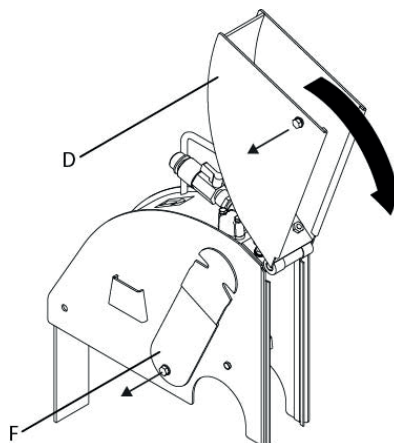
1. Usando le viti, le rondelle e i dadi inseriti nel puntatore, inserirlo sul telaio tubolare del supporto della tanica dell'acqua (N) e serrare i dadi in modo che il puntatore possa ruotare liberamente.
2. Sistemare la cordicella del puntatore in modo da evitare superfici ad alta temperatura; due capi sulla cordicella consentono di fissarla alla stegola (JJ).

**Nota bene:** è illustrato il **puntatore singolo (A)**. In alcune regioni la dotazione standard prevede un **puntatore doppio**, disponibile come accessorio per tutte le regioni. Per ulteriori informazioni consultare la sezione "Accessori" o l'elenco dei ricambi.



## Sezione anteriore carter disco (D)

1. Usando la chiave da 13 mm in dotazione (U), togliere le due viti M8 situate sulla parte anteriore e inferiore della piastra di chiusura del carter del disco (F) e la vite M8 dalla sezione anteriore (D) [come indicato dalle frecce]. Allentare, ma non togliere, la vite rimanente della piastra di chiusura. Girare quest'ultima e la sezione anteriore verso il basso.

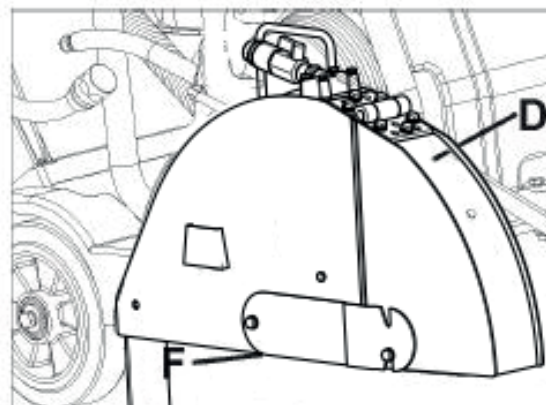


### AVVERTENZA

Prima di usare la macchina occorre installare la piastra di chiusura del carter del disco (F). Se non si prende questa precauzione si potrebbe creare una situazione di pericolo.

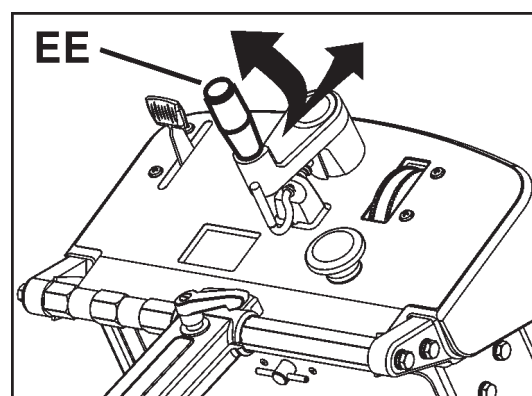
Mantenere sempre tutti i carter nella giusta posizione quando si usa la macchina.

2. Reinserrire le tre viti M8 nella piastra di chiusura (F), come illustrato nella figura a destra. Usare la chiave da 13 mm per serrare le quattro viti M8 di fissaggio della piastra di chiusura.



## Spostamento della manovella di regolazione profondità disco (EE)

Tirare in fuori la manovella (EE) e girarla di 90 gradi finché non si blocca con uno scatto nella posizione illustrata.



# MONTAGGIO

## Installazione della tanica dell'acqua (P) (se in dotazione)

• In alcune regioni è disponibile una tanica dell'acqua installata in fabbrica. In tutte le regioni è disponibile un kit opzionale per la tanica dell'acqua.

• Se la tanica dell'acqua è già installata, leggere queste istruzioni per verificare l'installazione. Seguire tutte le AVVERTENZE per l'installazione e l'uso della tanica dell'acqua.

• Verificare il contenuto del kit per la tanica dell'acqua; vedere la figura a destra.

1. Togliere temporaneamente il dado destro (sullo stesso lato della macchina su cui si trova la cordicella di avviamento del motore) dall'anello di sollevamento (O); vedere la figura a destra.

2. Inserire la fascetta fornita con il kit per la tanica dell'acqua e reinserire il dado; vedere la figura a destra.

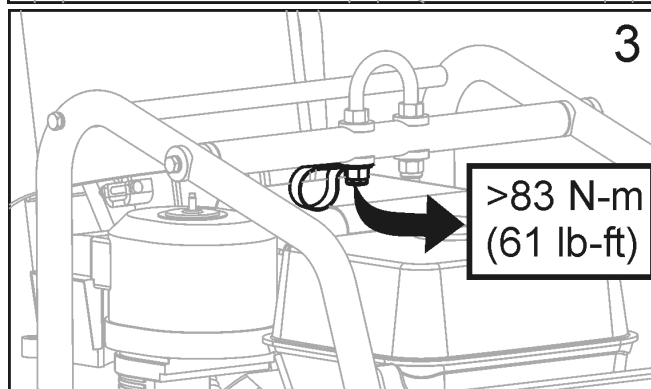
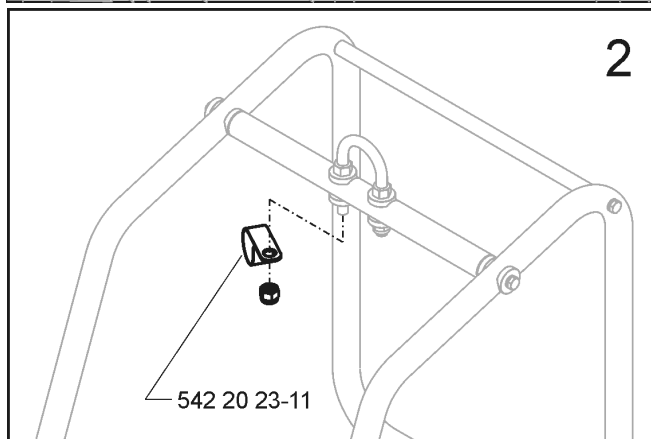
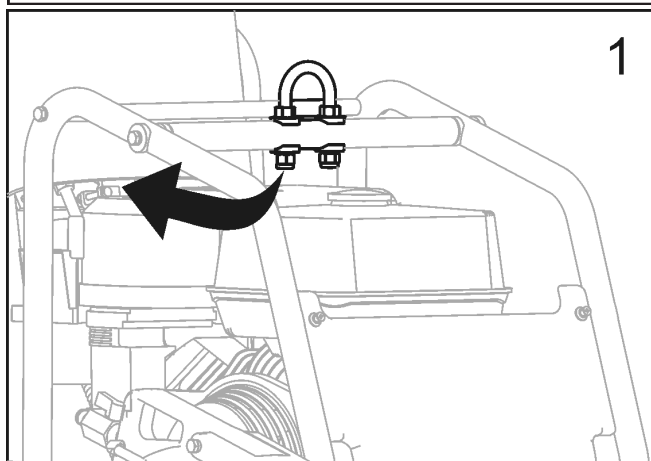
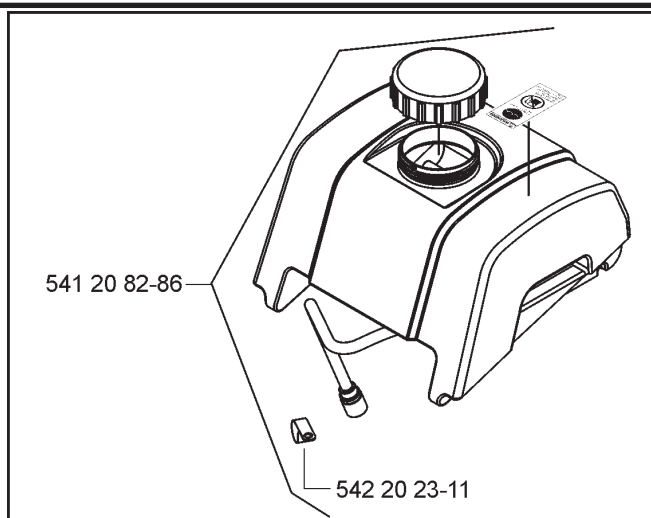
3. Serrare alla coppia specificata sotto e nella figura a destra.

### AVVISO

Serrare il dado dell'anello di sollevamento a una coppia di almeno 83 N-m.

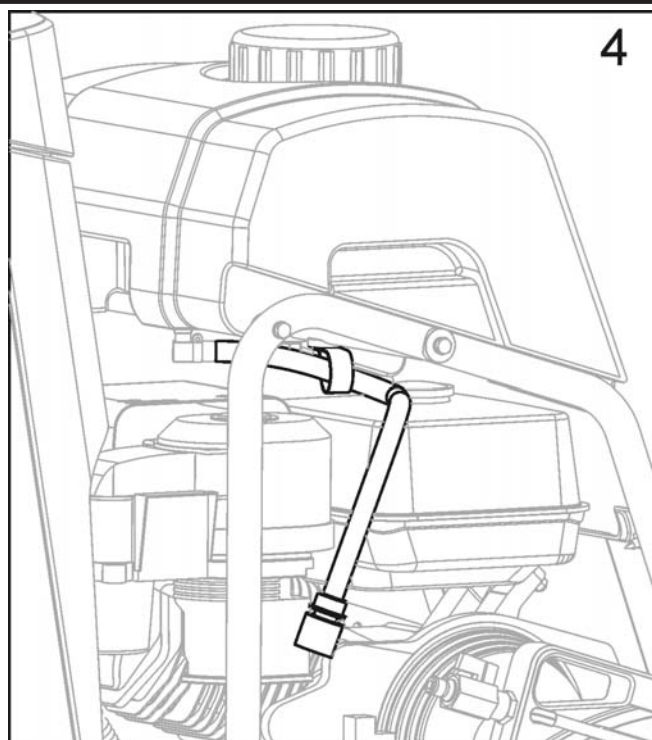
### ⚠ AVVERTENZA

Serrare il dado alla coppia specificata, altrimenti l'anello di sollevamento (O) potrebbe spezzarsi; se l'anello si spezza mentre si solleva la macchina, si può subire un infortunio grave, anche mortale.



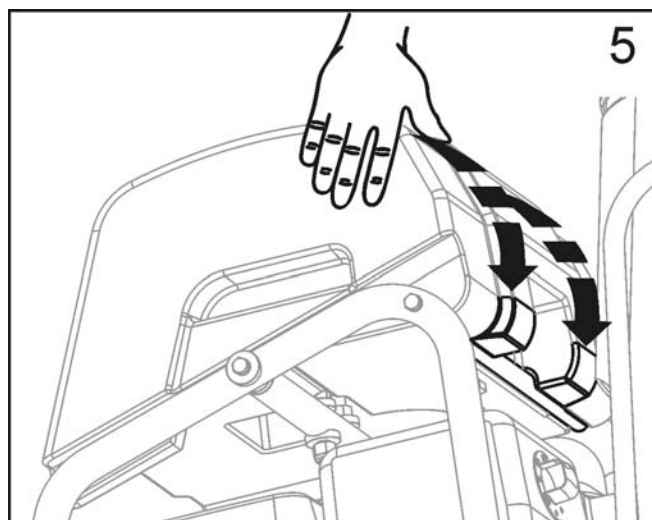
## MONTAGGIO

4. Collocare la tanica dell'acqua e il tubo flessibile come illustrato nella figura a destra.

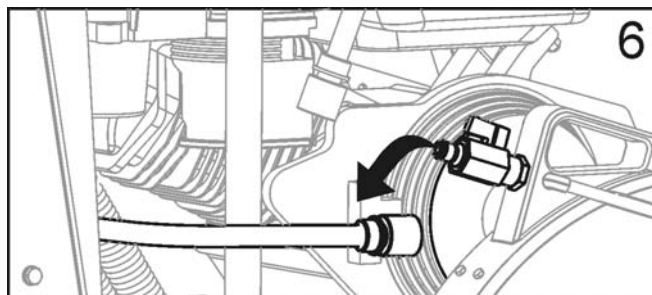


5. Allineare la barra posteriore e l'area incassata sulla parte posteriore della tanica.

- Premere con decisione sulla tanica in modo che si blocchi con uno scatto sulla barra posteriore.
- Se installata correttamente, la tanica deve ruotare liberamente sulla barra posteriore.



6. Scollegare dal carter del disco il tubo flessibile già presente, che va collegato alla valvola dell'acqua installata sulla segatrice.

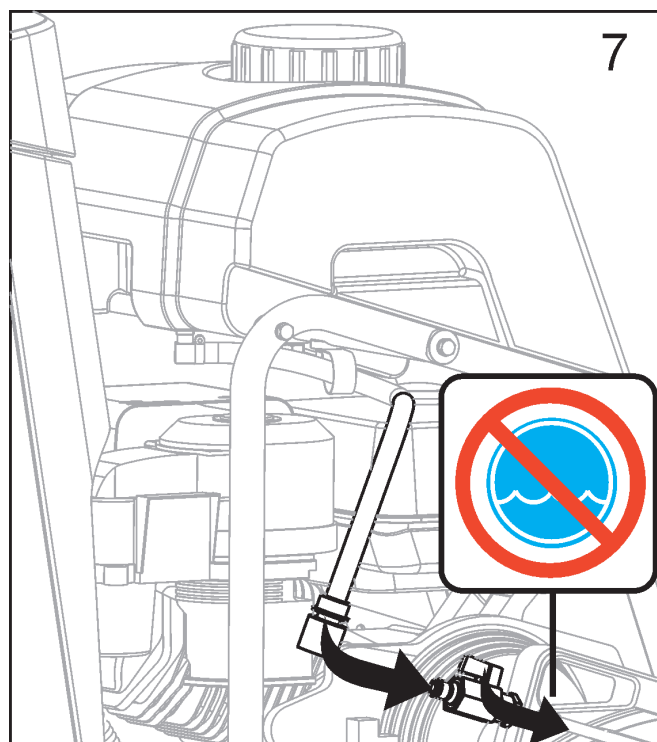


## MONTAGGIO

7. Collegare il tubo flessibile della tanica alla valvola dell'acqua.

- Verificare che la valvola dell'acqua sia chiusa.

- A questo punto la tanica dell'acqua è montata sulla segatrice.



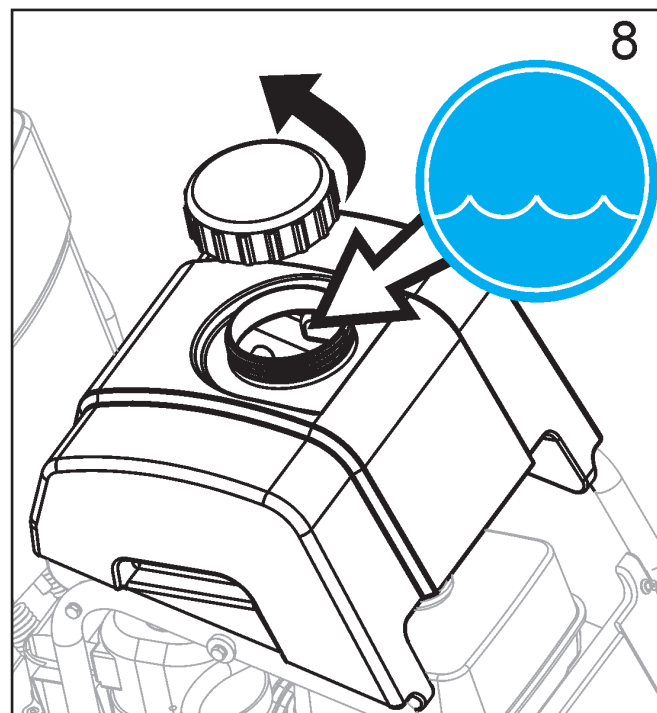
### Rabbocco della tanica dell'acqua

8. Togliere il tappo girandolo in senso antiorario; vedere la figura a destra.

- Riempire la tanica solo con acqua. Leggere tutte le AVVERTENZE prima di usare la tanica dell'acqua.

- Riposizionare il tappo girandolo in senso orario.

- La tanica dell'acqua è concepita solo per eliminare la polvere di calcestruzzo presente nell'aria e va adoperata solo con dischi diamantati per taglio a secco.



### AVVERTENZA

NON usare dischi diamantati convenzionali (per taglio con acqua) utilizzando la tanica per la mandata di acqua; il flusso ottenibile dalla tanica non è sufficiente per raffreddare in modo adeguato il disco.

Riempire la tanica solo con acqua.

Non riempire mai la tanica dell'acqua (P) con benzina o liquidi infiammabili; potrebbe verificarsi un infortunio, anche mortale.

# FUNZIONAMENTO

## Prima dell'uso

**Impiego:** questa macchina va adoperata solo per il taglio a secco o con acqua di asfalto e calcestruzzo, vecchio o nuovo.

### AVVERTENZA

NON usare la macchina per il taglio a secco nelle regioni dell'Unione Europea; la macchina non è dotata di un'apertura di raccolta polvere.

**Utensili:** usare la macchina solo con i seguenti utensili (H): dischi diamantati raffreddati ad acqua, dischi abrasivi rinforzati o dischi diamantati per taglio a secco. I dischi diamantati NON devono essere adoperati nelle regioni dell'Unione Europea dato che la macchina, come fornita, non include un'apertura di raccolta polvere.

Diametro: 300 mm – 500 mm.

Foro: 25,4 mm.

### AVVERTENZA

NON utilizzare su questa macchina dischi per seghe circolari o da legno né dischi in carburo, in quanto si potrebbe subire un infortunio grave, anche mortale.

## Spostamento del carter del disco (C) – Se necessario

Il carter del disco (C) in fabbrica viene installato sul lato destro della macchina, ma si può spostarlo sul lato sinistro per eseguire il taglio più vicino a ostacoli, se non è possibile avvicinare la macchina dal lato opposto.

1. Usare la chiave da 13 mm (U) per togliere la vite posteriore (E) dal carter (C).
2. Spingere indietro il collare per separare il raccordo del tubo flessibile dell'acqua (G); la metà maschio rimane sul carter (C), mentre la metà femmina rimane sulla tanica dell'acqua (P) o sulla valvola dell'acqua (KK).
3. Sollevare il carter (C) staccandolo dalla staffa (Y).
4. Usare la chiave da 13 mm per togliere le quattro viti di fissaggio della piastra di chiusura del carter (F) e fissarla sul lato sinistro del carter.
5. Rimuovere il carter dell'albero (W) dal lato sinistro della macchina e spostarlo sul lato destro.
6. Abbassare il carter del disco (C) sulla staffa (Y) situata sul lato sinistro della macchina.
7. Reinscrivere la vite posteriore (E) nel carter (C).
8. Ricollegare il raccordo (G) dal carter (C) alla tanica dell'acqua (P) o alla valvola dell'acqua (K), facendo attenzione a evitare che il tubo flessibile spostato non sia a contatto della marmitta.
9. Spostare e riallineare il puntatore (A) in modo che la rotella di guida (B) sia sul lato sinistro della macchina.

### AVVERTENZA



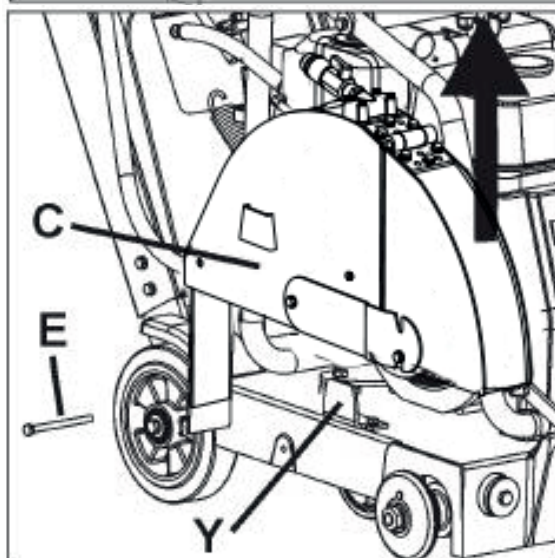
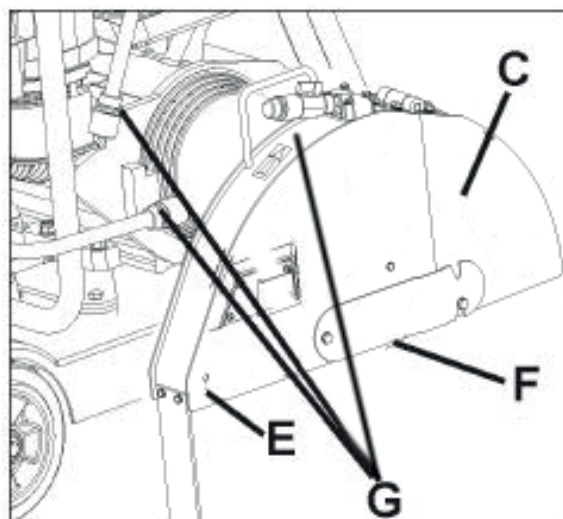
Prima di usare la macchina, leggere attentamente il presente manuale e il manuale del motore, fornito con quest'ultimo.



Familiarizzarsi con la macchina prima di usarla.



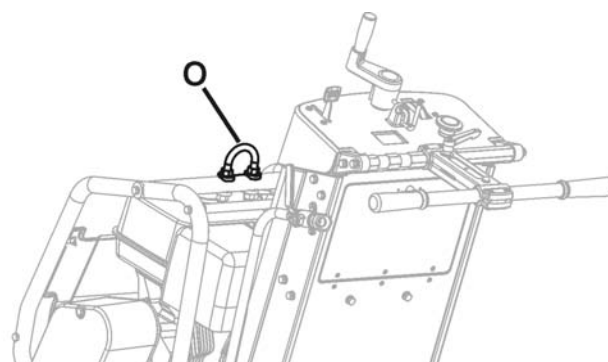
L'operatore deve indossare un equipaggiamento di protezione personale e indumenti adatti al lavoro da eseguire. È obbligatorio l'uso di un equipaggiamento di protezione personale, come dispositivi di protezione dell'udito e degli occhi.



# FUNZIONAMENTO

## Trasporto e sollevamento della macchina

- Sollevare la macchina solo dall'apposito punto (O).
- Rimuovere sempre il disco (H) prima di sollevare, caricare o trasportare la macchina.
- Usare una braca adatta, di portata pari ad almeno il peso massimo della macchina. Il peso nominale e quello massimo della macchina sono riportati nel capitolo "Dati tecnici".

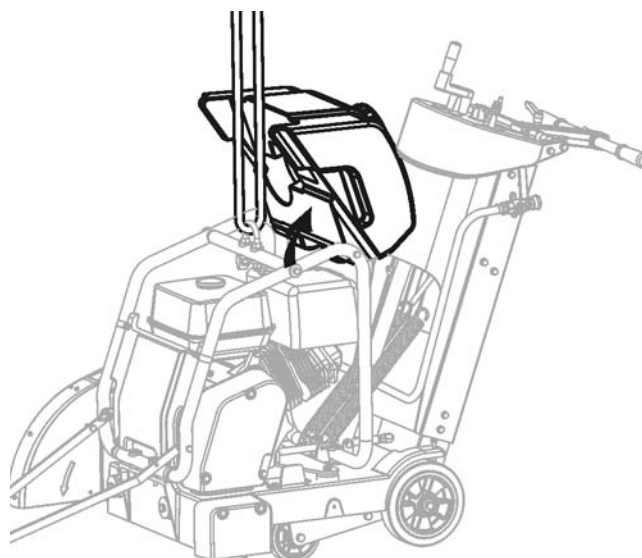


## Sollevamento della macchina dotata di tanica dell'acqua

- Prima di sollevare una macchina dotata di tanica dell'acqua:
  1. Svuotare la tanica.
  2. Rimuovere il disco.
  3. Abbassare la macchina finché il telaio è parallelo al suolo.
  4. Girare la parte anteriore della tanica verso l'alto finché poggia contro la parte superiore in alluminio del cofano; non poggiarla contro la parte superiore di plastica del cofano perché si possono causare danni durante il sollevamento.
  5. Fissare una braca adatta all'anello di sollevamento (O).
  6. Fare una prova sollevando la macchina solo di alcuni centimetri per accertarsi che la tanica rimanga fissata alla macchina e non possa essere danneggiata né causare danni.



**Rimuovere il disco (H) prima di sollevare, caricare o trasportare la macchina.**

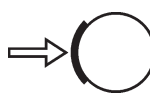


### AVVISO

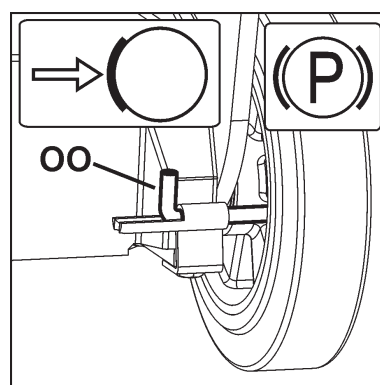
La tanica dell'acqua o la segatrice si può danneggiare se non si solleva quest'ultima correttamente; controllare attentamente se esiste il rischio di danni durante il sollevamento.

## Immobilizzazione della macchina

- Le macchine commercializzate in alcune regioni sono dotate di freno di stazionamento.
- Il freno di stazionamento può immobilizzare la macchina su un pendio con pendenza non superiore a 10 gradi, con la parte posteriore della macchina sul lato in discesa del pendio (massimo peso applicato alla ruota frenata).

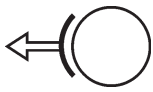
 **Freno di stazionamento - Inserimento (Vedi Figura)** Spostare la leva del freno (OO) dalla posizione di disinserimento:

1. Tirare la leva (OO) verso il centro della macchina.
2. Girare la leva (OO) in su di 180 gradi.
3. Una molla consente alla leva (OO) di spostarsi verso l'esterno della macchina, per bloccarsi contro il mozzo della ruota.



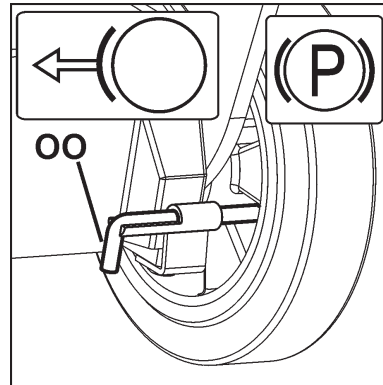


# FUNZIONAMENTO



**Freno di stazionamento - Disinserimento (Vedi Figura)** Per usare la macchina è necessario che il freno di stazionamento sia disinserito.

1. Tirare la leva (OO) verso il centro della macchina.
2. Girare la leva (OO) in giù di 180 gradi e rilasciarla: la leva rimane bloccata.

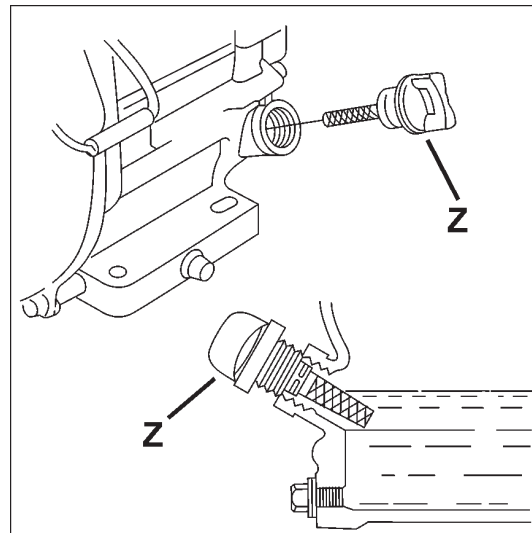


## Modelli con motore a benzina

Per informazioni sul funzionamento del motore consultarne il manuale per l'uso.

**CARBURANTE:** si raccomanda benzina senza piombo; per ulteriori informazioni consultare il manuale del motore.

**OLIO:** controllarne il livello mediante l'apposita astina (Z); non avvitare per eseguire il controllo. Poiché il motore funziona spesso ad angolo, controllare il livello dell'olio con il motore in orizzontale. Controllare spesso, per accertarsi che il livello non scenda mai sotto il segno inferiore sull'astina. Si raccomanda olio 10W30. Per ulteriori informazioni consultare il manuale del motore.



## AVVISO

Se il motore è dotato di un sistema di arresto da basso livello dell'olio, non si avvia se il livello è troppo basso. Inoltre il motore può arrestarsi se si supera l'angolo massimo di funzionamento. Consultare il manuale del motore.

## Tutti i modelli

Verificare che il puntatore (A) sia allineato con il disco: collocare un righello lungo la flangia interna (I) e allineare il puntatore al righello. Se necessario, regolare la posizione del puntatore allentando i dadi di fissaggio della rotella di guida (B); allinearla al righello e serrare i dadi.

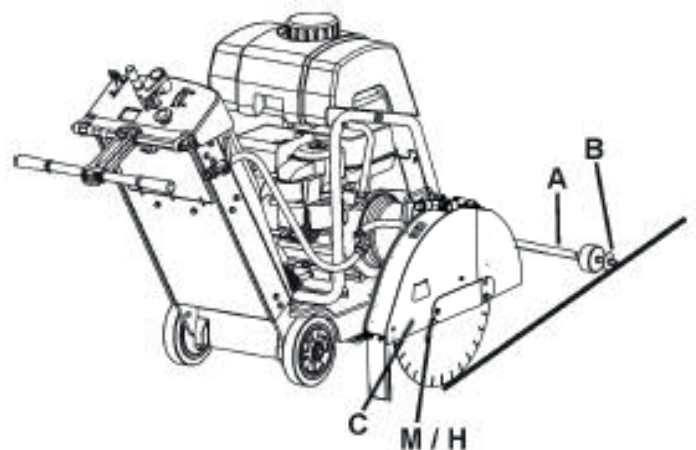
Verificare che il tubo dell'acqua sul carter del disco (C) sia aperto e che ciascun lato del disco riceva una quantità adeguata d'acqua.

Verificare la pressione e la portata dell'acqua prima di azionare la segatrice.

Eseguire i tagli solo alla profondità specificata per il lavoro; tagli più profondi del necessario causano un'usura eccessiva del disco e della macchina.

Eseguire il taglio in modo incrementale, ossia aumentando la profondità di 50 mm alla volta sino a raggiungere la profondità desiderata.

Eseguire i tagli solo in senso rettilineo. Contrassegnare chiaramente la traccia da effettuare in modo che l'operatore la possa seguire facilmente. La segatrice NON deve essere girata lateralmente per forzare il disco lungo la traccia.



## FUNZIONAMENTO

### Installazione del disco diamantato (H)

#### AVVERTENZA

Verificare che la lama, le relative flange e l'alberino non presentino danni. Pulire le superfici di contatto della lama e delle relative flange. Assicurarsi che la lama e le relative flange siano pulite e prive di sporcizia e detriti prima di montare la lama sulla macchina.



Installare il disco diamantato (H) presso il cantiere; non trasportare la macchina con il disco già installato.

1. Aprire la copertura anteriore (V).
2. Portare l'interruttore del motore (DD) sulla posizione OFF ("0").
3. Sollevare il disco diamantato (H) alla posizione più alta girandone la manovella di regolazione profondità (EE) in senso antiorario.
4. Usare la chiave da 13 mm (U) riposta nel vano portattrezzi (BB) per togliere le quattro viti di fissaggio della piastra di chiusura del carter del disco (F) e rimuovere temporaneamente la piastra.
5. Sollevare la sezione anteriore del carter del disco (D).
6. Usando la chiave da 27 mm per il perno portante del disco (T), togliere il dado (L) di fissaggio della flangia esterna (J).

#### AVVISO

Il dado del perno portante del disco (L1) situato sul lato destro della macchina ha filettatura sinistrorsa; per allentarlo girarlo in senso orario.

Il dado del perno portante del disco (L2) (non illustrato) situato sul lato sinistro della macchina ha filettatura destrorsa; per allentarlo girarlo in senso antiorario.

7. Rimuovere la flangia esterna (J).
8. Verificare che il perno portante del disco (M), la flangia interna (I) e quella esterna (J) siano puliti e senza oggetti estranei.
9. Inserire il disco diamantato (H) sul perno portante (M). Il senso di rotazione è indicato da frecce sul disco e sulla sezione anteriore del carter (D). Vedere la figura a destra.
10. Inserire la flangia esterna (J) sul perno portante (M), accertandosi che la spina di bloccaggio (K) s'infilii nel disco (H) e nella flangia interna (I).
11. Fare ruotare la flangia esterna (J) e il disco (H) in senso opposto a quello di normale rotazione del disco, per eliminare il gioco.
12. Inserire il dado del perno portante (L) e serrarlo mediante la chiave da 27 mm (T).

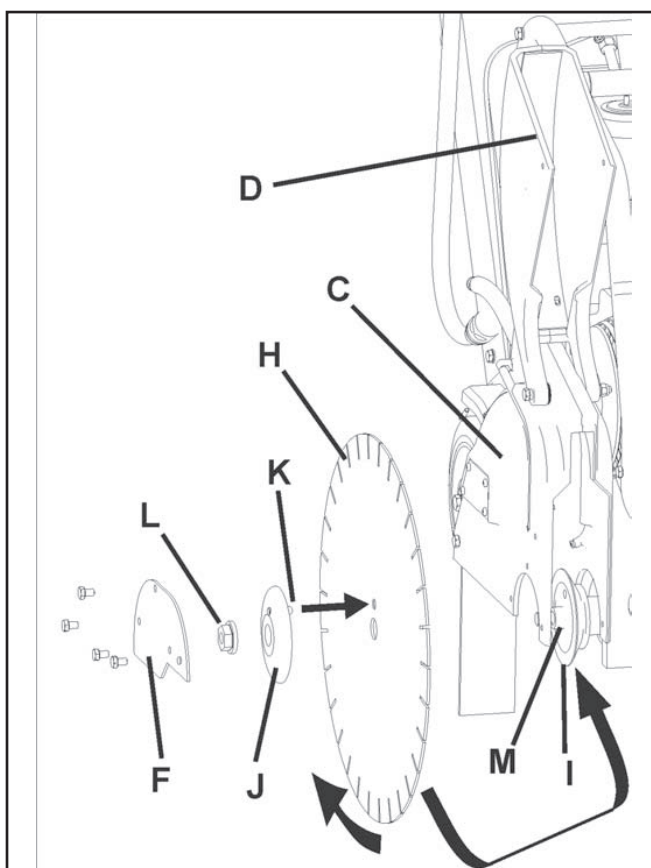
#### AVVISO

Il dado del perno portante del disco (L1) situato sul lato destro della macchina ha filettatura sinistrorsa; per serrarlo girarlo in senso antiorario. Serrare a una coppia di almeno 45 N·m.

Il dado del perno portante del disco (L2) (non illustrato) situato sul lato sinistro della macchina ha filettatura destrorsa; per serrarlo girarlo in senso orario. Serrare a una coppia di almeno 45 N·m.

13. Abbassare la sezione anteriore del carter del disco (D).

14. Reinscrivere e serrare la piastra di chiusura del carter del disco (F).



#### AVVERTENZA

USARE SOLO dischi (H) contrassegnati con un valore della massima velocità di esercizio maggiore della velocità dell'albero del disco.

NON usare la macchina se il disco diamantato (H) non è protetto dal carter.

NON usare la macchina con la sezione anteriore del carter del disco (D) sollevata.

Il disco (H) NON DEVE essere esposto per più di 180 gradi quando si usa la macchina.

Le superfici di contatto del perno portante del disco (M), la flangia interna (I) e quella esterna (J) DEVONO ESSERE senza danni, pulite e senza oggetti estranei.

NON trasportare la macchina con il disco (H) installato.

NON usare dischi diamantati convenzionali (per taglio con acqua) senza acqua.

LEGGERE le istruzioni per l'uso allegate al disco (H).

NON installare il disco (H) se l'interruttore del motore non è nella posizione OFF (0) e scollegato dal circuito di alimentazione.

## FUNZIONAMENTO

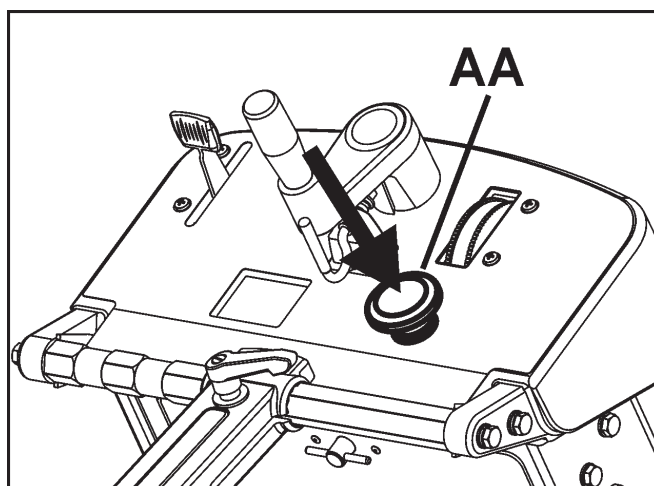
### Avvio ed esecuzione del taglio con la macchina

- Usando la manovella di regolazione profondità (EE), sollevare il disco diamantato (H) quanto più possibile in modo che non urti il suolo mentre si manovra la macchina. Se necessario tirare in fuori l'arresto di profondità disco (FF).
  - Disinserire il freno di stazionamento (se in dotazione).
  - Portare la macchina presso la traccia da effettuare.
  - Abbassare il puntatore (A) sulla superficie da tagliare.
  - Regolare l'indicatore di profondità (GG) (usarlo facoltativamente):
    - 1) Abbassare il disco finché è a contatto della superficie da tagliare.
    - 2) Girare l'indicatore di profondità (GG) sino ad allinearne le frecce con lo zero (0). Il colore arancione indica la profondità di taglio in centimetri; il colore bianco, in pollici.
    - 3) Sollevare il disco diamantato (H) alla massima altezza; quindi a mano a mano che lo si abbassa, l'indicatore (GG) mostra la profondità di taglio.
    - 4) Riportare il disco diamantato (H) alla posizione di sollevamento completo.
  - Verificare che SIA il pulsante di arresto macchina (AA) SIA l'interruttore del motore (DD) siano nella posizione "in funzione": il pulsante deve essere sollevato (in fuori rispetto al cofano) e l'interruttore deve essere nella posizione ON ("1").
  - Avviare il motore. Per ulteriori informazioni consultarne il manuale per l'uso.
  - Verificare visivamente che il senso di rotazione del disco corrisponda a quello indicato dalla freccia sul carter del disco.
  - Aprire **COMPLETAMENTE** la valvola dell'acqua (KK). Verificare che la portata sia al valore massimo e poi regolarla in modo che il disco sia raggiunto da una quantità adeguata d'acqua **PRIMA** di abbassarlo.
  - Eseguire le regolazioni finali per allineare il disco alla traccia da effettuare; verificare che la rotella di guida (B) e il disco (H) siano entrambi sulla traccia.
- Se cessa d'acqua, interrompere immediatamente il taglio, altrimenti il disco diamantato di può danneggiare.**
- Abbassare il disco diamantato (H) nel taglio girando lentamente la manovella di regolazione profondità (EE) **IN SENSO ANTIORARIO**.
  - Una volta raggiunta la profondità di taglio desiderata, spingere in giù l'arresto di profondità disco (FF) per bloccarlo contro la manovella di regolazione profondità (EE) (facoltativamente).
  - Spingere delicatamente la stegola (JJ) per fare avanzare la macchina. Osservare attentamente il disco diamantato (H) e la rotella di guida (B) per accertarsi che la macchina rimanga sulla traccia da effettuare.

- Completato il taglio, sbloccare l'arresto di profondità disco (FF).
- Sollevare il disco diamantato (H) fuori del taglio girando lentamente la manovella di regolazione profondità (EE) **IN SENSO ORARIO**.
- Chiudere la valvola dell'acqua (KK).
- Arrestare il motore portandone l'interruttore (DD) nella posizione OFF ("0").

### AVVISO

In caso di emergenza durante l'operazione di taglio, **ARRESTARE** immediatamente la macchina azionando l'apposito pulsante (AA).



Per l'arresto della macchina, premere **ARRESTO MACCHINA (AA)**.

---

# MANUTENZIONE e LUBRIFICAZIONE

---

## GUIDA RAPIDA ALLA MANUTENZIONE PROGRAMMATA

Prima di eseguire qualsiasi operazione di manutenzione, parcheggiare **SEMPRE** la macchina in piano a motore fermo e con l'interruttore del motore nella posizione **OFF**. Lasciare raffreddare la macchina. Altre operazioni di manutenzione ed eventuali riparazioni devono essere effettuate solo da un tecnico qualificato.

### MANUTENZIONE GIORNALIERA

1. Controllare il livello dell'olio motore.
2. Controllare se il carter del disco è danneggiato.
3. Controllare il filtro dell'aria del motore e sostituirlo se sporco. Controllarlo più spesso se si opera in condizioni polverose.
4. Pulire la macchina alla fine della giornata.

### **Sostituzione del filtro dell'aria del motore (S)**

Se il motore sembra poco potente, produce fumo nero o marcia in modo irregolare, il filtro dell'aria potrebbe essere intasato. Per questo motivo, è importante pulire e sostituire il filtro dell'aria regolarmente. Fare riferimento al manuale del motore per istruzioni dettagliate

### MANUTENZIONE OGNI 50 ORE

1. Sostituire l'olio e il filtro del motore.
2. Pulire le alette di raffreddamento del motore (elettrico/a benzina).
3. Lubrificare l'ingrassatore della manovella di regolazione profondità (X).
4. Controllare se le ruote sono usurate o danneggiate.
5. Controllare la tensione della cinghia di trasmissione del disco.



### **AVVERTENZA**

Il filtro non deve essere pulito con aria compressa, per evitare di danneggiarlo. Per la pulizia, i filtri possono essere aspirati, evitando di colpire o trascinare i componenti a livello della superficie per non danneggiarli.

I filtri di carta devono essere smaltiti correttamente e sostituiti.

Un filtro in poliestere può essere pulito tramite aspirazione o lavaggio a bassa pressione.

Non utilizzare un lavaggio ad alta pressione, il filtro si danneggia.

Sostituire sempre i filtri danneggiati.

Il filtro deve essere lavato completamente a secco prima di essere riposto sull'apparecchio.

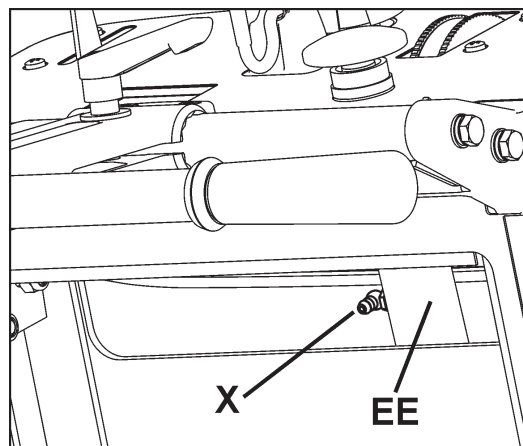
# MANUTENZIONE e LUBRIFICAZIONE

## LUBRIFICAZIONE



**Ingrassatore manovella di regolazione profondità (X):** questo ingrassatore consente di lubrificare la manovella di regolazione della profondità del disco (EE). Per accedere all'ingrassatore procedere come segue.

- Sollevare il disco diamantato (H) alla massima altezza. Aprire il vano portattrezzi (BB) e rimuovere temporaneamente la busta del manuale.
- L'ingrassatore (X) è situato presso la parte superiore del tubo della manovella di regolazione profondità (EE).
- Introdurre del grasso nell'ingrassatore. Sollevare e abbassare la macchina ripetutamente per fare circolare il grasso nel tubo.
- Riposizionare la busta del manuale e chiudere lo sportello del vano portattrezzi (BB)..



## Olio motore

### Controllo del livello dell'olio motore



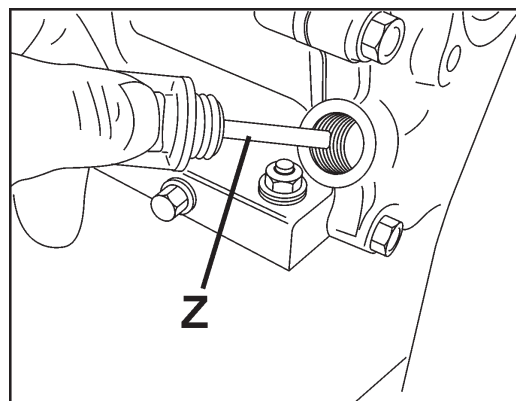
Verificare il livello dell'olio motore.



L'astina di livello (Z) è situata sulla parte anteriore del motore. Estrarla per introdurre l'olio di rabbocco. Quando si controlla il livello dell'olio l'astina non va avvitata.

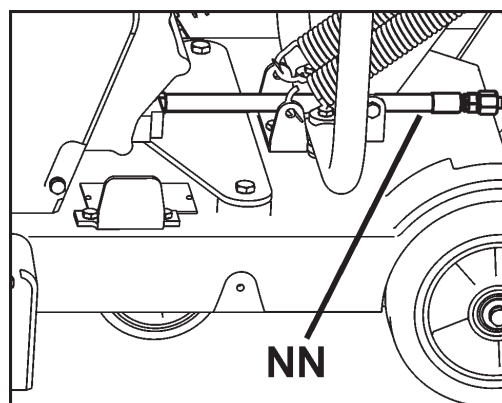
Poiché il motore funziona spesso ad angolo, controllare il livello dell'olio con il motore in orizzontale. Controllare spesso, per accertarsi che il livello non scenda mai sotto il segno inferiore sull'astina. Si raccomanda olio 10W30.

Per ulteriori informazioni consultare il manuale del motore.



### Cambio dell'olio motore

- Portare l'interruttore del motore (DD) sulla posizione OFF ("0") e lasciare raffreddare il motore. Usare la manovella di regolazione profondità (EE) per inclinare leggermente la macchina all'indietro.
- Spostare il tubo flessibile di scarico dell'olio (NN) sulla parte laterale della macchina. Collocare un contenitore adatto, di capacità sufficiente per l'olio del motore, accanto alla macchina per raccogliere l'olio.
- Aprire l'estremità del tubo flessibile di scarico dell'olio (NN), e lasciare defluire l'olio nel contenitore. Una volta scaricato l'olio, riposizionare il tappo del tubo flessibile, serrandolo bene, e rimettere il tubo nella posizione originale.
- Riempire il motore della quantità raccomandata di olio; per informazioni dettagliate consultare il manuale del motore.
- Smaltire l'olio usato senza inquinare l'ambiente.



## MANUTENZIONE e LUBRIFICAZIONE

**Tensione della cinghia di trasmissione dell'albero del disco:** la tensione della cinghia va regolata dopo alcune ore di funzionamento. La tensione è mantenuta al giusto valore dal tenditore (MM).

### Attrezzi necessari

- Chiave da 13 mm (in dotazione alla macchina).
- Chiave dinamometrica da 3/8" (9,53 mm) (non inclusa).
- Chiave da 14 mm (non inclusa).

1. Usare la chiave da 13 mm (U) per togliere le tre viti M8 di fissaggio del carter del disco (LL) e rimuovere il carter.

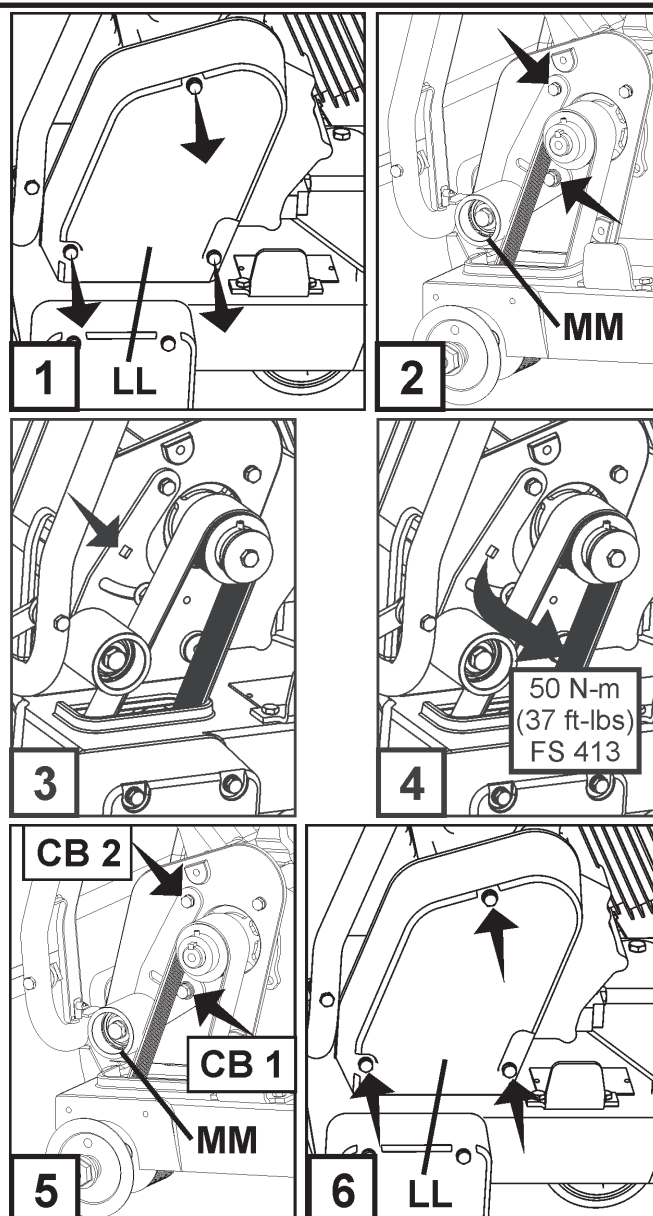
2. Usare le chiavi da 13 mm e 14 mm per allentare leggermente le due viti di fissaggio del tenditore (MM) [le viti sono indicate da due frecce].

3. Inserire la chiave dinamometrica nel foro quadrato del tenditore (MM).

4. Applicare una coppia al tenditore (MM) in modo da forzarlo contro la cinghia trapezoidale. Serrare al valore indicato nella figura 4.

5. Serrare la vite centrale (CB1) per fissare il tenditore (MM) e poi serrare l'altra vite (CB2).

6. Riposizionare il carter del disco (LL) e usare la chiave da 13 mm (U) per serrare le tre viti M8 di fissaggio del carter.



### Velocità del regolatore

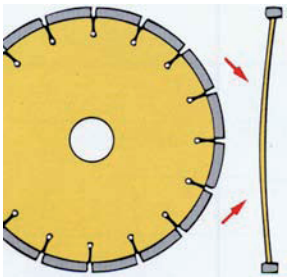
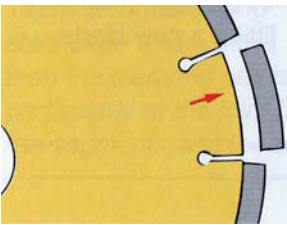
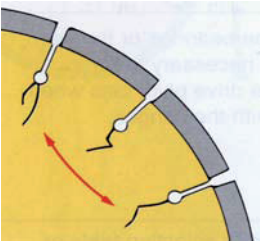

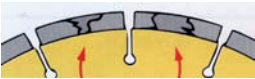
In qualsiasi motore a combustione interna, è essenziale che il regolatore e l'acceleratore siano registrati correttamente. Il regime del motore è stato impostato in fabbrica sul valore adatto per le operazioni di segatura e in genere NON è necessario modificarlo; tuttavia occorre verificarlo periodicamente una volta messa la macchina in servizio. Per registrare il regolatore consultare il manuale del motore.

### AVVERTENZA

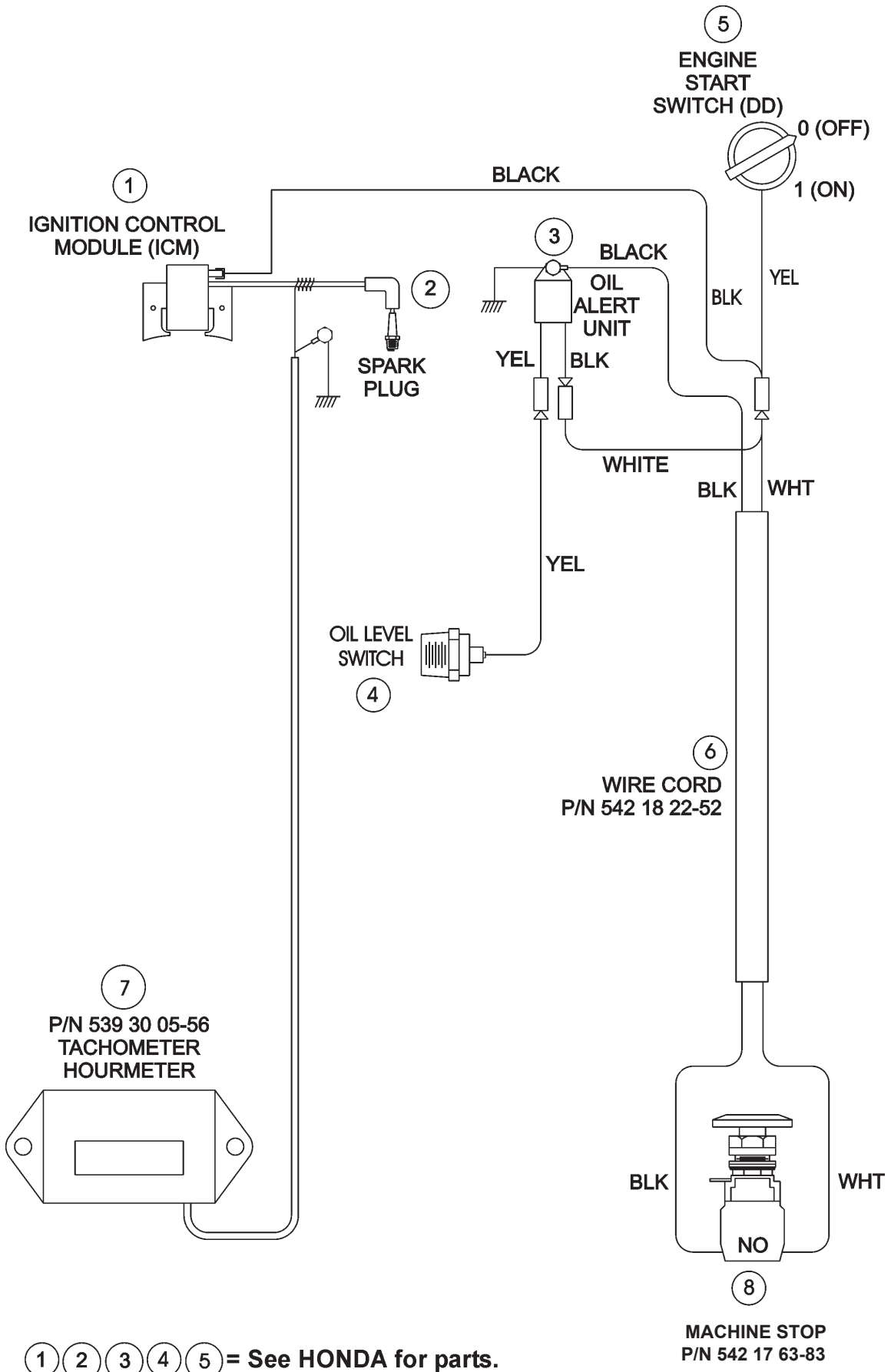
Facendo ruotare il disco diamantato (H) a velocità eccessiva se ne può causare la rottura e provocare un infortunio all'operatore o agli astanti. Per accertarsi che il regolatore sia registrato correttamente, determinare la giusta velocità di rotazione dell'albero del disco dalla tabella adiacente. Seguire le istruzioni del fabbricante del motore per quanto riguarda la registrazione del regolatore e dell'acceleratore.

## RICERCA GUASTI

<b>Il motore non si avvia</b>	
<b>Causa</b>	<b>Soluzione</b>
Interruttori elettrici in posizioni sbagliate	Verificare che SIA il pulsante di arresto macchina (AA) SIA l'interruttore del motore (DD) siano nella posizione "in funzione": il pulsante deve essere sollevato (in fuori rispetto al cofano) e l'interruttore deve essere nella posizione ON ("1").
Valvola del carburante chiusa.	Aprirla
Starter disinserito.	Inserirlo se il motore è freddo.
Serbatoio del carburante vuoto.	Fare rifornimento.
Impurità o acqua ghiacciata nel circuito di alimentazione	Pulire il serbatoio, le tubazioni di alimentazione e il carburatore; rabboccare il serbatoio con carburante pulito.
Accumuli sugli elettrodi della candela.	Controllare la distanza tra gli elettrodi e pulirli.
Il motore non eroga potenza o funziona in modo irregolare; filtro dell'aria intasato.	Pulire o sostituire il filtro dell'aria.

<b>Ricerca guasti del disco diamantato</b>	
<b>Problema</b>	<b>Causa e soluzione</b>
<p>Perdita di tensione sul disco diamantato</p> 	<p>Il disco è adoperato su una segatrice disallineata. Verificare l'allineamento.</p> <p>Il disco è troppo duro per il materiale da tagliare e quindi si generano sollecitazioni eccessive sul centro in acciaio del disco. Verificare che il disco sia adatto al materiale da tagliare.</p> <p>Se le flange del disco sono sottodimensionate o di diametri diversi, sul centro del disco si genera una pressione disuniforme. Adoperare sempre flange delle giuste dimensioni su ciascun lato del disco e non usare mai flange usurate o danneggiate.</p> <p>Il disco ruota a velocità sbagliata. Verificare che l'albero del disco ruoti alla velocità adatta al diametro del disco; controllare la velocità mediante un tachimetro.</p> <p>Il disco è fissato erroneamente al perno portante; potrebbe piegarsi quando si serrano le flange.</p>
<p>Perdita di segmenti</p> 	<p>Il disco è troppo duro per il materiale da tagliare. Usare un disco di durezza inferiore.</p> <p>Surriscaldamento del disco (indicato dal colore bluastro della parte centrale in acciaio). Verificare che la portata dell'acqua sia adeguata e non esistano ostruzioni al flusso dell'acqua.</p> <p>La segatrice viene girata durante il taglio. Eseguire le operazioni di segatura solo in senso rettilineo.</p> <p>Il foro del disco è usurato e si è ovalizzato. Sostituire il disco e il perno portante usurati.</p> <p>Si sono staccati segmenti durante il fissaggio o il trasporto. Maneggiare con cautela il disco diamantato e non trasportare mai la macchina con il disco installato.</p>
<p>Parte centrale del disco incrinata</p> 	<p>Il disco è troppo duro per il materiale da tagliare. Usare un disco di durezza inferiore.</p> <p>Surriscaldamento del disco (indicato dal colore bluastro della parte centrale in acciaio). Verificare che la portata dell'acqua sia adeguata e non esistano ostruzioni al flusso dell'acqua.</p> <p>La segatrice viene girata durante il taglio. Eseguire le operazioni di segatura solo in senso rettilineo.</p> <div style="border: 1px solid black; padding: 5px; margin-top: 10px;"> <p style="text-align: center;"><b>! AVVERTENZA</b></p> <div style="display: flex; align-items: center;">  <p>NON usare dischi con punte al carburo. Se si usa la macchina con dischi diamantati danneggiati si può provocare un infortunio, anche mortale.</p> </div> </div>
<p>Segmenti incrinati</p> 	<p>Il disco è troppo duro per il materiale da tagliare. Usare un disco di durezza inferiore.</p> <p>Il disco ruota a velocità sbagliata. Verificare che l'albero del disco ruoti alla velocità adatta al diametro del disco; controllare la velocità mediante un tachimetro.</p>

# SCHEMA CIRCUITALE



① ② ③ ④ ⑤ = See HONDA for parts.





# DATI TECNICI

Peso della macchina	
Peso nominale, kg (lb)	142 (313)
Peso massimo, kg (lb)	158 (348)

Regime del motore e dell'albero della lama	
Albero della lama, giri/min	2700
Regime motore, giri/min	3600

Capacità serbatoio d'acqua	
Litri	Galloni US (Galloni Regno Unito)
25	6.6 (5.5)

Profondità di taglio	
Dimensioni della lama, mm (pollici)	Profondità di taglio massima della lama, mm (pollici)
500 (20)	189 (7,6)

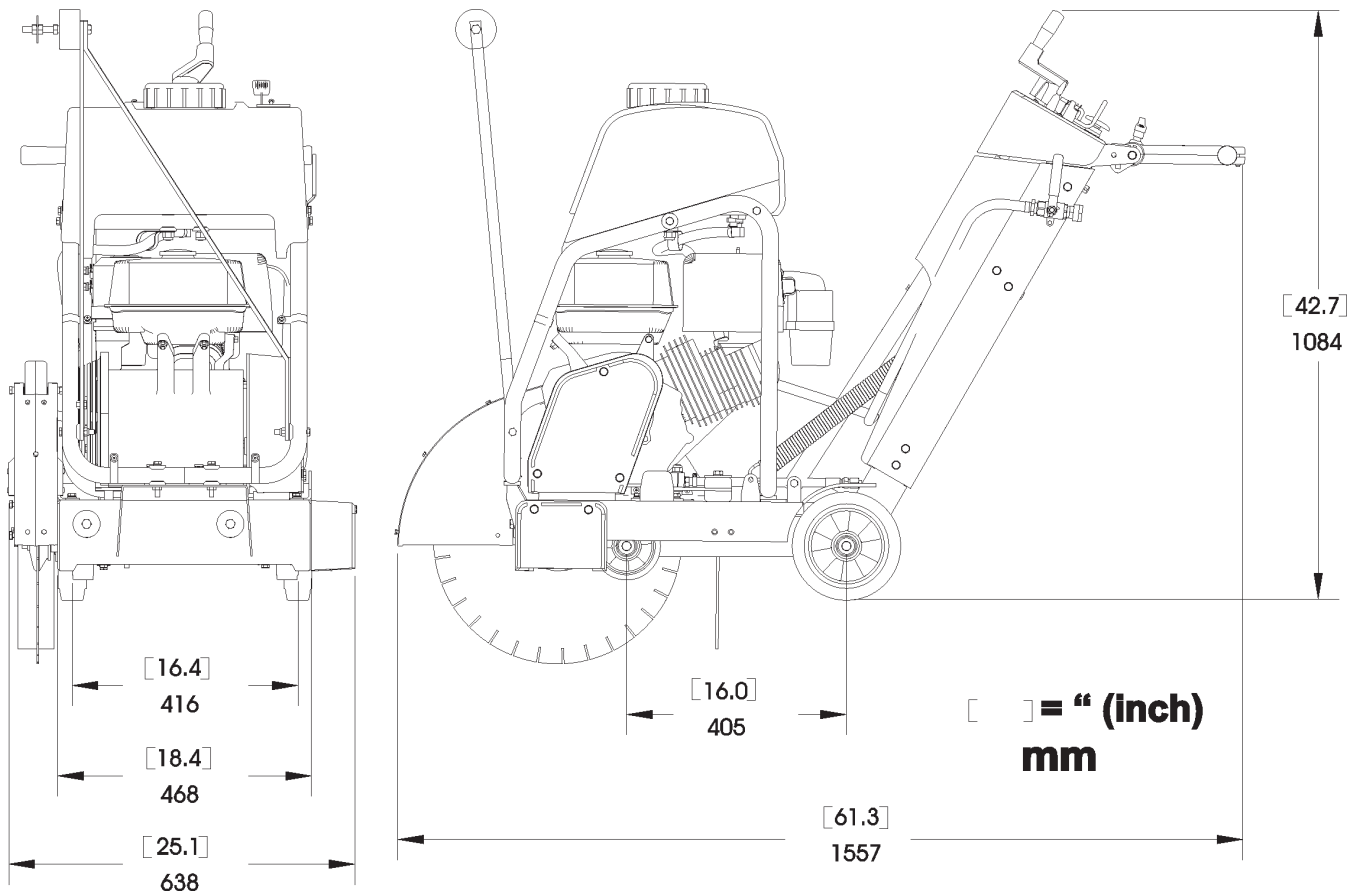
Dimensione dell'alberino e della flangia lama	
Dimensione alberino, mm (pollici)	25,4 (1)
Diametro della flangia lama, mm (pollici)	114 (4,5)

Emissioni di rumore (vedi nota 1)	
Livello potenza acustica, misurato dB(A)	108
Livello potenza acustica, garantito dB(A)	110
Livelli di rumorosità (vedi nota 2)	
Livello di pressione sonora all'orecchio dell'operatore, dB(A)	88
Livelli di vibrazione, $a_{hv}$ (vedere nota 3)	
Impugnatura destra, $m/s^2$	2,4
Impugnatura sinistra, $m/s^2$	1,9

Nota 1: emissioni di rumore nell'ambiente misurate come potenza sonora (LWA) in base alla direttiva CE 2000/14/CE.

Nota 2: Livello di pressione acustica in ottemperanza alla norma EN 13862. I dati riportati per il livello di pressione acustica hanno una dispersione statistica tipica (deviazione standard) di 4,0 dB(A).

Nota 3: Livello di vibrazioni in ottemperanza alla norma EN 13862. I dati riportati sul livello di vibrazioni presentano un valore di dispersione tipico (deviazione standard) di 1,5  $m/s^2$

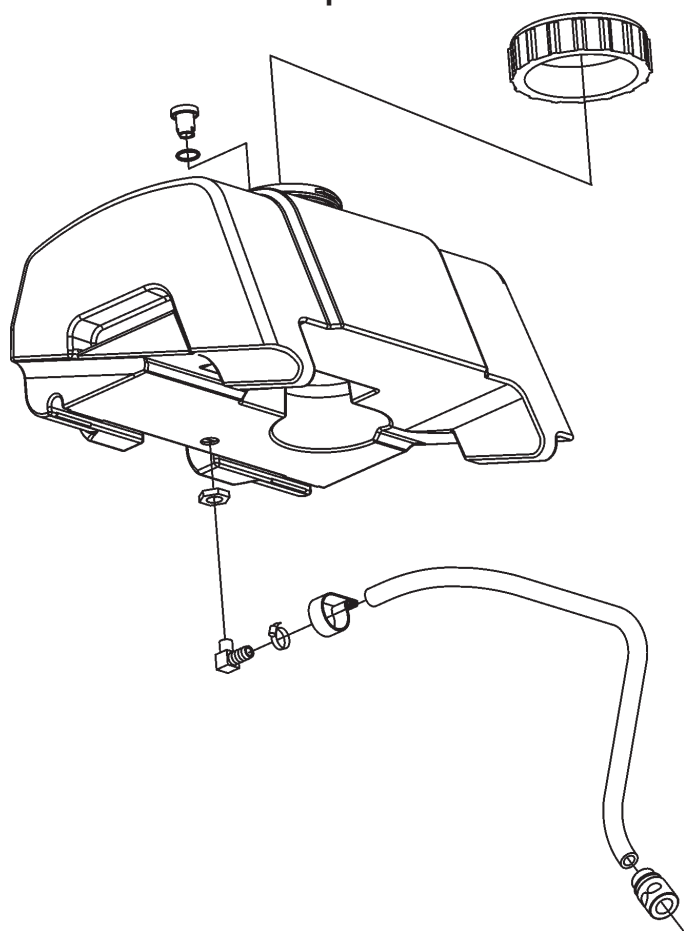


---

## ACCESSORI

---

Tanica acqua  
541 20 82-86 Kit completo



---

# CERTIFICATI DI CONFORMITÀ

---

**American National Standards Institute:** Le macchine commercializzate negli Stati Uniti sono conformi alla norma ANSI (American National Standards Institute) B7.1-2000, "Safety Requirements for the Use, Care and Protection of Abrasive Wheels", che può essere acquistata rivolgendosi all'American National Standards Institute ai seguenti recapiti:

American National Standards Institute  
25 West 43rd Street, 4th floor  
New York, NY 10036

Telefono: 001 212.642.4900  
Fax: 001 212.398.0023  
www.ansi.org

**CALIFORNIA AIR RESOURCES BOARD (CARB):** Questa macchina è considerata un'unità fuori strada esente dalle norme CARB. In quanto macchina da costruzione, e specificamente come segatrice per calcestruzzo (categoria: Segatrici per calcestruzzo, muratura, asfalto), con potenza del motore inferiore a 19 kW (25 CV), ad essa non si applicano le norme CARB.

Per ulteriori informazioni visitare il sito

<http://www.arb.ca.gov/msprog/offroad/preempt.htm>

## DICHIARAZIONE DI CONFORMITÀ CE

(Solo per l'Europa)

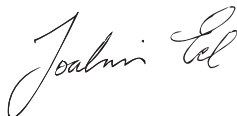
**Husqvarna AB**, SE-561 82 Huskvarna, Svezia, tel +46-36-146500, dichiara sotto la sua responsabilità che le motoseghe piatte **Husqvarna FS 413** con numero di serie a partire dal 2016 (l'anno è chiaramente indicato nel testo sulla targhetta dati di funzionamento con il numero di serie di seguito) sono conformi alla DIRETTIVA DEL CONSIGLIO:

- del 17 maggio, 2006 "sulle macchine" 2006/42/CE.
- del 26 febbraio, 2014 "sulla compatibilità elettromagnetica" 2014/30/CE.
- dell'8 maggio, 2000 "sulle emissioni di rumore nell'ambiente" 2000/14/CE.

Sono state applicate le seguenti norme: EN ISO 12100:2010, CISPR12:2007+Amd1:2009, EN55012:2007+A1:2009, EN13862+A1:2009, EN ISO 14982:2009.

SMP Svensk Maskinprovning AB, Box 7035, SE-750 07 Uppsala, Svezia, ha eseguito l'omologazione volontaria in base alla direttiva macchine (2006/42/CE) per conto di Husqvarna AB. Il certificato porta il numero: SEC/17/2478

Gothenburg 26 febbraio 2016



Joakim Ed  
Global R&D Director  
Attrezzature per l'edilizia Husqvarna AB  
(Rappresentante autorizzato per Husqvarna AB e responsabile della documentazione tecnica)

---

## RECAPITI

---



### **Construction Products North America**

#### **Sede centrale**

17400 West 119th Street, Olathe, Kansas 66061 USA

Telefono: 001 913-928-1000

Fax: 001 913-438-7951

**[www.husqvarna.com](http://www.husqvarna.com)**

Per assistenza, rivolgersi al rappresentante di zona della Husqvarna Construction Products.

### **Europa**

#### **Husqvarna Construction Products**

SE-433 81 Partille, Svezia

Tel: +46 31 94 90 00

Fax: +46 31 94 90 50

### **Asia - Pacifico**

#### **Husqvarna Construction Products, Australia Pty Ltd**

25-31 Kinkaid Avenue,  
North Plympton, Adelaide,  
Australia 5037

Tel:+61 (0)8 8375 1000

Fax:+61 (0)8 8371 0990

### **Americhe**

#### **Husqvarna Construction Products North America**

17400 West 119th Street, Olathe, Kansas 66061 USA

Telefono (numero verde): 800-288-5040, Telefono (chiamate internazionali): 001 913-928-1300

Fax: 001 913-438-7938



# ÍNDICE e INTRODUÇÃO

Secção	Índice	Página
Índice e introdução.....		105
Símbolos e autocolantes .....		106–110
Instruções de segurança .....		111–115
Identificação e descrição das peças .....		117–118
Montagem.....		119–123
Funcionamento.....		124–128
Manutenção e lubrificação .....		129–131
Guia de resolução de problemas .....		132
Diagrama das ligações.....		133
Dados técnicos .....		134–135
Acessórios .....		136
Certificados de conformidade.....		137
Informações de contacto .....		138

## Introdução

Os nossos agradecimentos por ter comprado esta nova máquina da Husqvarna Construction Products. Oferecemos mensagens de segurança importantes não só neste manual, mas também na máquina. Estas mensagens devem ser lidas com atenção. Uma mensagem de segurança chama a atenção sobre os possíveis perigos susceptíveis de ferir o utilizador ou outras pessoas. Cada mensagem de segurança é precedida por um símbolo ou pelo símbolo de alerta de segurança (▲) e pelo termo **ADVERTÊNCIA** ou **ATENÇÃO**.

Estes termos de aviso significam:

**▲ADVERTÊNCIA:** Assinala uma situação perigosa que, se não for evitada, PODERIA provocar a morte ou lesões graves.

**▲ATENÇÃO:** Assinala uma situação perigosa que, se não for evitada, PODERIA provocar lesões que podem ser leves ou moderadas. Também pode servir para alertar contra certas práticas pouco seguras.

Cada mensagem indica qual é o perigo, o que pode acontecer e o que o utilizador pode fazer para evitar ou reduzir as lesões. Outras mensagens importantes são precedidas pelo termo **AVISO**.

**AVISO** significa:

**AVISO:** Assinala uma situação perigosa que, se não for evitada, poderia provocar danos materiais. A máquina ou outros bens materiais podem danificar-se se estas instruções não forem respeitadas.

As etiquetas de segurança devem ser inspeccionadas e limpas pelo utilizador a intervalos regulares para manter uma boa legibilidade a uma distância segura. A etiqueta deve ser mudada se estiver gasta, danificada ou ilegível.

## ▲ADVERTÊNCIA!

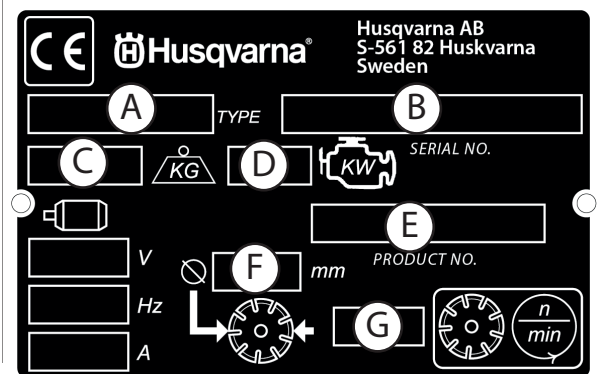
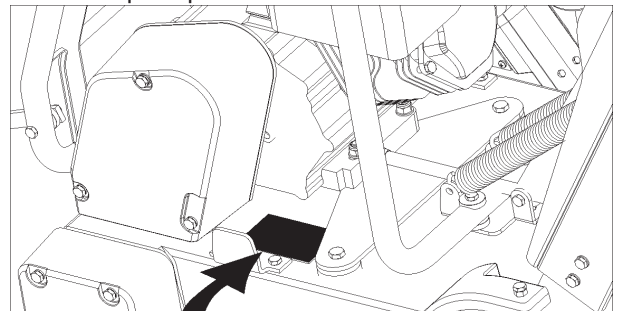


Antes de utilizar a máquina, o utilizador deve ler e compreender este manual de funcionamento na íntegra e o manual de funcionamento do motor fornecido com o mesmo.



O utilizador deve familiarizar-se com a máquina antes da utilização e funcionamento!

**Identificação do modelo:** Registrar a seguir as informações da placa sinalética com o número de série da máquina para futura consulta



A. Modelo: \_\_\_\_\_

B. Data de fabrico, ano, semana, número de série \_\_\_\_\_

C. Massa da máquina (kg) \_\_\_\_\_

D. Potência do motor (KW) \_\_\_\_\_

E. Número do produto \_\_\_\_\_

F. Diâmetro da lâmina (mm) \_\_\_\_\_

G. Velocidade do disco (rotações/minuto) \_\_\_\_\_

Outras informações que não figuram sobre a placa sinalética:

Nº de série do motor: \_\_\_\_\_

Consultar a localização no manual de funcionamento do motor.

Data da compra: \_\_\_\_\_

## SÍMBOLOS e AUTOCOLANTES



Ler as instruções de utilização antes de utilizar a máquina pela primeira vez.



Este símbolo indica que a máquina está em conformidade com as directivas europeias aplicáveis.



Obrigatório



Indicação



Proibição



Triângulo de advertência



Usar óculos de protecção para os olhos



Usar protecção respiratória



A utilização de protecção para os ouvidos é obrigatória



Usar protecção para a cabeça



Usar calçado de segurança



Usar o vestuário adequado



Retirar o disco (lâmina) antes de levantar, carregar, descarregar e transportar a máquina.



Paragem de máquina, paragem da transmissão.



Utilizar em local bem ventilado



Não utilizar em locais onde se encontram materiais inflamáveis.



Maquinaria perigosa, manter os pés e as mãos afastados da máquina.



Silencioso quente. Risco de causar queimaduras e / ou de incendiar materiais inflamáveis. Evitar o contacto.



Advertência, gases de escape tóxicos.



Área limitada ao pessoal de trabalho.



Não fumar



Não utilizar sem a protecção do disco na posição devida



Manter sempre todas as protecções na posição devida



Alimentação da água aberta (On)



Alimentação da água fechada (Off)



Alimentação da água



## SÍMBOLOS e AUTOCOLANTES



Interruptor de segurança da água do disco



Temperatura do líquido de refrigeração do motor



Manter a zona de trabalho limpa e bem iluminada; retirar tudo o que ponha em risco a segurança.



Nível de ruído perigosamente elevado



Prestar uma grande atenção ao cuidado e à protecção da máquina antes de pô-la a funcionar.



Retirar as ferramentas da zona de trabalho e da máquina.



Pressão do óleo do motor



É necessário óleo



Indicador do nível de óleo; manter o nível de óleo correcto.



Ponto de lubrificação.



Alta velocidade



Baixa velocidade



Interruptor eléctrico – desligado (OFF)



Interruptor eléctrico – ligado (ON)



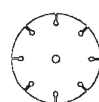
Interruptor eléctrico – arranque



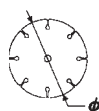
As reparações devem ser efectuadas exclusivamente por um representante devidamente autorizado.



Farol dianteiro



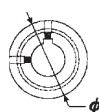
Disco de diamante



Diâmetro do disco



Embraiagem do disco



Diâmetro da polia



Número de rotações por minuto, velocidade da rotação



Diâmetro da flange do disco



Fim da profundidade do disco



Indicador de profundidade do corte – profundidade do corte



Travão de estacionamento



Travão de estacionamento aplicado (activado)



Travão de estacionamento liberto (desactivado)

## SÍMBOLOS e AUTOCOLANTES



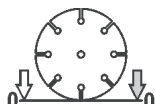
Peso da máquina (quilogramas)



A seta na proteção da ferramenta indica a direção da rotação da ferramenta.



Borne positivo da bateria



Indicador da profundidade do disco – zero



Motor eléctrico



Motor



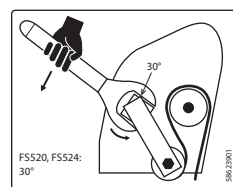
Velocidade do motor, rotações / minuto.



Arranque do motor.



Usar unicamente carburante sem chumbo



Chave de 30°



Emissões de ruído para o meio ambiente conforme diretiva da Comunidade Europeia. A emissão da máquina é indicada no capítulo de Especificações técnicas e na etiqueta.

## SÍMBOLOS e AUTOCOLANTES



P/N 542 19 07-33  
Localização: Dianteira da  
carenagem

### FS 413

P/N 542 19 07-112  
Localização: Do lado  
esquerdo e direito da  
estrutura (apenas FS 413)

For local service, please contact your local  
Husqvarna Construction Products representative.

Para efectuar un servicio local, póngase en  
contacto con su representante local de  
Husqvarna Construction Products.

Pour toute réparation, contacter le représentant  
local de Husqvarna Construction Products.

Für Service vor Ort wenden Sie sich bitte an  
Ihren örtlichen Vertreter von  
Husqvarna Construction Products.

Neem voor plaatselijke service contact op met uw  
plaatselijke vertegenwoordiger van de  
constructieproducten van Husqvarna.

Per assistenza, rivolgersi al rappresentante di  
zona della Husqvarna Construction Products.

För service på platsen, kontakta din lokala  
representant för Husqvarna Construction Products.

Para obter serviço técnico local,  
contactar o representante da  
Husqvarna Construction Products local.

**Europa / Europe:**  
Husqvarna  
Construction Products  
SE-433 81 Partille, Sweden  
Tel: +46 31 94 90 00  
Fax: +46 31 94 90 50

**Asia Pacific:**  
Husqvarna  
Construction Products,  
Australia Pty Ltd  
25-31 Kinkaid Avenue,  
North Plympton, Adelaide,  
South Australia 5037  
Tel: +61 (0)8 8375 1000  
Fax: +61 (0)8 8371 0990

**The Americas:**  
Husqvarna Construction Products,  
North America  
17400 West 119th Street,  
Olathe, Kansas 66061 USA  
Toll-Free Telephone: 800-288-5040,  
Telephone: 913-928-1300  
Fax: 913-438-7938

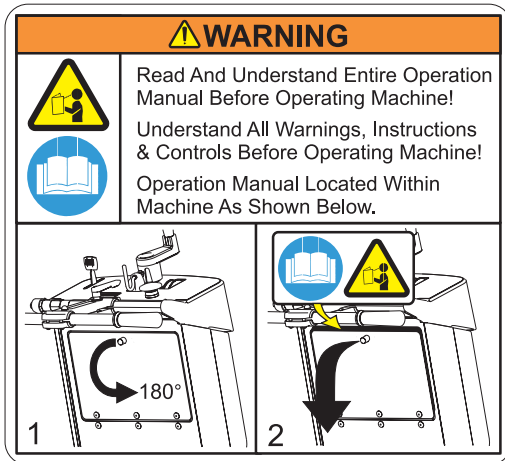
P/N 542 19 06-46 Assistência local  
Localização: Lado da estrutura

P/N 542 19 05-88

Inch 0 1 2 3 4 5 6 7 7.6  
cm 0 2.5 5 7.5 10 12.5 15 17.5 19

P/N 542 19 05-88  
Localização: Calibre de  
profundidade

# SÍMBOLOS e AUTOCOLANTES



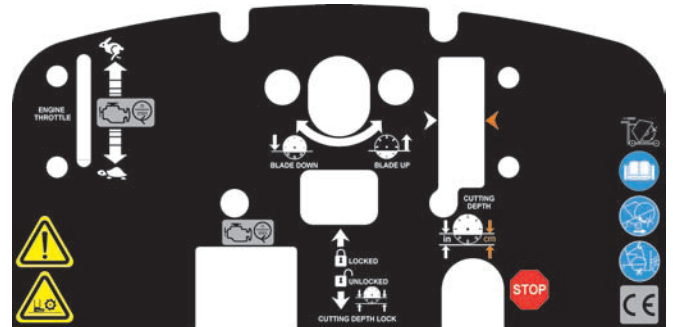
P/N 542 19 05-93  
Localização: Traseira da carenagem



P/N 542 16 90-65  
Localização: Parte superior da proteção da correia



P/N 542 19 06-17  
Localização: Reservatório de água (se equipado)



P/N 502 24 01-05  
Localização: Parte superior da carenagem






P/N 542 19 06-38  
Localização: Traseira da carenagem

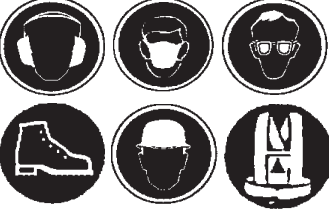
PATENT PENDING


P/N 542 16 12-35  
Localização: Parte superior da estrutura do lado direito


# INSTRUÇÕES DE SEGURANÇA


## Generalidades


 <b>ADVERTÊNCIA!</b>	
	Antes de utilizar a máquina, o utilizador deve ler e compreender este manual de funcionamento na íntegra e o manual de funcionamento do motor fornecido com o mesmo.
	Queira familiarizar-se com a máquina antes da utilização e funcionamento!

	<b>O utilizador deve usar um equipamento de protecção individual e vestuário adaptado ao trabalho a efectuar. É obrigatória a utilização do equipamento de protecção individual, nomeadamente a protecção dos olhos e dos ouvidos.</b>
---	--


	A área de trabalho deve estar completamente liberta, bem iluminada e sem elementos que constituam um risco para a segurança.
--	--

	Todas as pessoas que não estejam directamente envolvidas no trabalho devem abandonar a área.
---	--


	<b>ADVERTÊNCIA! O eixo da lâmina roda quando o motor arranca ou é iniciado.</b>
---	---


	<b>ADVERTÊNCIA! Não tocar na ferramenta quando a máquina estiver em funcionamento.</b>
---	--

## Segurança sobre o carburante:

	<b>ADVERTÊNCIA! Manipular o carburante com precaução. Ter em conta os riscos de incêndio, de explosão e de inalação de vapores.</b>
---	---

- Armazenar o carburante exclusivamente nos recipientes previstos para esse efeito.
- Efectuar o enchimento de carburante unicamente com o motor DESLIGADO (OFF). Nunca retirar a tampa do depósito e encher o depósito de carburante com o motor em funcionamento.
- Efectuar sempre o enchimento de carburante numa área bem ventilada.
- Nunca encher o depósito de carburante dentro de um recinto fechado.
- Deixar arrefecer o motor antes de efectuar o enchimento de carburante.

	<b>Nunca encher a máquina de carburante na proximidade de chamas ou de faíscas. Não utilizar a máquina na proximidade de uma área inflamável.</b>
---	---

	<b>Não fumar durante o enchimento de carburante ou a utilização da máquina.</b>
--	---

- Afastar a máquina cerca de 3 metros (10 pés) da área onde tiver sido efectuado o enchimento de carburante antes de pôr o motor a funcionar.
- Nunca pôr a máquina em funcionamento sob as condições seguintes:
  - 1) Se tiver sido derramado carburante sobre a máquina. Limpar o carburante derramado e deixar que o resto do carburante se evapore.
  - 2) Se tiver sido derramado carburante sobre o vestuário ou sobre o utilizador. Lavar com água e sabão todas as partes do corpo que tenham entrado em contacto com o carburante.
  - 3) Se a máquina tiver uma fuga de carburante. Verificar regularmente se existem fugas da tampa do depósito ou das condutas de carburante.
- Armazenar e transportar a máquina e o carburante de maneira que não exista o risco de qualquer fuga ou de vapores de carburante entrarem em contacto com chamas ou faíscas, nomeadamente de máquinas ou motores eléctricos, relés e interruptores eléctricos, ou caldeiras.

---

## INSTRUÇÕES DE SEGURANÇA

---



### ADVERTÊNCIA SOBRE A POEIRA

**Os cortes e sobretudo os cortes A SECO produzem poeira ou pó que se desprende do material cortado, que muitas vezes contém sílica.** A sílica é um componente de base da areia, do quartzo, da terra argilosa, do granito e de numerosos outros minerais e rochas. A exposição a uma quantidade excessiva de uma tal poeira pode causar:

- Doenças respiratórias (que afectam a capacidade de respirar), nomeadamente a bronquite crónica, a silicose e a fibrose pulmonar resultante da exposição à sílica. Estas doenças podem ser mortais.
- Irritação da pele e erupções cutâneas; e
- Cancro, segundo o NTP\* e o IARC\*  
\* National Toxicology Program (Programa de Toxicologia Nacional), International Agency for Research on Cancer (Agência Internacional para a Investigação sobre o Cancro)

Tomar medidas de precaução

- Evitar a inalação de poeira, vapores e emanações, assim como o seu contacto com a pele;
- Para minimizar a poeira, serrar com água ou fazer cortes húmidos sempre que seja possível;
- Usar e assegurar-se de que todas as pessoas presentes usem uma protecção respiratória apropriada, tal como uma máscara anti-poeira concebida para filtrar as partículas microscópicas (ver a regulamentação 29 CFR Part 1910.1200 da OSHA [Direcção de Segurança e Saúde no Trabalho]).

#### **Advertência Prop 65 da Califórnia:**

A utilização deste produto pode provocar uma exposição a substâncias reconhecidas, pelo estado da Califórnia, como podendo causar cancro e/ou malformações congénitas ou outros efeitos nocivos sobre o aparelho reprodutivo.

## INSTRUÇÕES DE SEGURANÇA



### ADVERTÊNCIA GASES DE ESCAPE TÓXICOS



**ESTA SERRA É ENVIADA DA FÁBRICA SEM CONVERTOR CATALÍTICO.**  
ESTE MOTOR PRODUZ EMISSÕES DE ESCAPE CONTENDO MONÓXIDO DE CARBONO E **NÃO É SEGURO** UTILIZÁ-LO EM RECINTOS FECHADOS. A UTILIZAÇÃO DE UM CONVERTOR CATALÍTICO REDUZ AS EMISSÕES DE MONÓXIDO DE CARBONO NOS GASES DE ESCAPE, MAIS É SEMPRE **PERIGOSO** UTILIZAR EM RECINTOS FECHADOS.

UTILIZAR APENAS EM RECINTOS BEM VENTILADOS. A QUALIDADE DO AR DA ÁREA DE TRABALHO DEVE SER CONFORME A REGULAMENTAÇÃO 29 CFR 1910.1000 DA OSHA, SEGUNDO A TABELA Z-1, LIMITES DE CONTAMINANTES DO AR.

CONTROLAR A QUALIDADE DO AR DA ÁREA DE TRABALHO PARA VERIFICAR A CONFORMIDADE ÀS REGULAMENTAÇÕES. A NÃO OBSERVÂNCIA DOS LIMITES PERMITIDOS CONSTITUIRÁ UMA AMEAÇA À VIDA E PROVOCARÁ LESÕES IRREVERSÍVEIS GRAVES OU A MORTE.

#### Informação geral

O monóxido de carbono (CO) é um dos poucos gases industriais frequentemente encontrados que é simultaneamente extremamente tóxico (venenoso) e inodoro. Quando é inalado, o CO actua como um asfixiante químico porque se combina de forma preferencial com a hemoglobina na corrente sanguínea. Como consequência, a hemoglobina não pode transportar a quantidade normal de oxigénio e os tecidos são assim privados de oxigenação suficiente. Entre os sintomas de uma exposição a níveis baixos de monóxido de carbono, contam-se dores de cabeça, tonturas, confusão e náuseas. **No entanto, uma exposição contínua ou mais intensa pode provocar uma perda de consciência, lesões permanentes e morte.** Devido aos perigos para a saúde associados à inalação de CO, a Occupational Safety and Health Administration (OSHA) (EUA) (Direcção de Segurança e Saúde no Trabalho) impôs limites de exposição pessoal. Estes limites de exposição da OSHA, que são especificados na 29 CFR 1910.1000 (revisão de 1998) autorizam um valor máximo de 200 ppm e um valor limite de exposição ponderada no tempo (TWA) de 35 ppm por turno de 8 horas durante uma semana de trabalho de 40 horas. É altamente recomendado consultar a regulamentação 29 CFR 1910.1000 da OSHA (Código de regulamentações federais), ou o organismo local apropriado, para obter mais informações sobre os limites de exposição às diversas substâncias perigosas. Em caso de suspeita de intoxicação por CO, levar imediatamente a vítima para o ar fresco e obter assistência médica de urgência.

#### Ventilação adequada:

**ESTA SERRA É ENVIADA DA FÁBRICA SEM UM CONVERTOR CATALÍTICO.** É importante saber que as serras equipadas de conversores catalíticos têm emissões de monóxido de carbono (CO) e de hidrocarbonetos (HC) reduzidas. Mas os gases de escape ainda contêm monóxido de carbono. Se a área de trabalho é demasiado confinada ou mal ventilada, o monóxido de carbono pode acumular-se e ultrapassar os limites admissíveis. Nesse caso, o pessoal deve afastar-se das áreas com concentrações elevadas. Os operadores e o pessoal supervisor da área de trabalho devem tomar as precauções necessárias para garantir sempre uma ventilação adequada da área de trabalho. Devem utilizar-se detectores de monóxido de carbono para determinar se existe uma ventilação adequada.



### ADVERTÊNCIA PERIGO PARA A AUDIÇÃO

DURANTE A UTILIZAÇÃO NORMAL DESTA MÁQUINA, O OPERADOR PODE SER EXPOSTO A UM NÍVEL DE RUÍDO IGUAL OU SUPERIOR A 85 dB (a). DAÍ PODEM RESULTAR DANOS AUDITIVOS TEMPORÁRIOS E/OU PERMANENTES. É EXIGIDO UM DISPOSITIVO DE PROTECÇÃO AUDITIVA CONTRA OS RUÍDOS.

# INSTRUÇÕES DE SEGURANÇA

## A SEGURANÇA ACIMA DE TUDO!

### **ADVERTÊNCIAS DE SEGURANÇA OS SINS E OS NÃO S**

 **ADVERTÊNCIA: A NÃO OBSERVÂNCIA DESTAS ADVERTÊNCIAS DE SEGURANÇA E DAS INSTRUÇÕES DE UTILIZAÇÃO PODERÃO PROVOCAR A MORTE OU LESÕES CORPORAIS GRAVES.**

#### **OS SINS**

- SIM** Ler este manual de funcionamento na íntegra antes de utilizar esta máquina. Ler e compreender todas as advertências, instruções, controlos e definições de símbolos que figuram neste manual e sobre a máquina.
- SIM** Entregar sempre um exemplar deste manual ao utilizador do equipamento. Para obter exemplares adicionais, telefonar para o número 1-800-288-5040 nos Estados Unidos ou para o número +1-913-928-1300 no estrangeiro ou consultar a secção de “Informações de contacto” deste manual.
- SIM** Manter todas as protecções no devido lugar e em bom estado.
- SIM** Usar os dispositivos aprovados de protecção dos ouvidos, dos olhos, da cabeça e das vias respiratórias.
- SIM** Ler e compreender todas as advertências e instruções que figuram sobre a máquina.
- SIM** Manter todas as partes do corpo afastadas do disco e de outras peças em movimento.
- SIM** Saber como parar a máquina rapidamente em caso de emergência.
- SIM** Parar o motor e deixar que este arrefeça antes de efectuar o enchimento de carburante ou uma operação de manutenção.
- SIM** Inspeccionar o disco, as flanges e os eixos para verificar que não tenham danos, antes de instalar o disco.
- SIM** Utilizar o tamanho de flange de disco especificado para cada tamanho de disco.
- SIM** Utilizar unicamente discos de diamante com o centro em aço fabricados para uma utilização com as serras para betão.
- SIM** Utilizar unicamente as flanges de disco fornecidas com a serra. Nunca utilizar flanges de disco danificadas ou gastas.
- SIM** Utilizar unicamente discos marcados com uma velocidade máxima de funcionamento superior à velocidade do eixo do disco. Verificar a velocidade conferindo a velocidade da rotação do eixo do disco, os diâmetros das polias e os diâmetros das flanges do disco.
- SIM** Verificar a configuração do accionamento da máquina conferindo a velocidade da rotação do eixo do disco, os diâmetros das polias e o diâmetro da flange do disco.
- SIM** Ler todas as advertências de segurança e instruções que acompanham todos os discos utilizados com esta máquina.
- SIM** Inspeccionar cuidadosamente cada disco antes de o utilizar. Se existirem quaisquer sinais de danos ou de desgaste invulgar, **NÃO UTILIZAR O DISCO.**
- SIM** Montar o disco solidamente e com firmeza; apertar a porca de aperto com uma chave de porcas.
- SIM** Assegurar-se de que o disco e as flanges estão limpos e sem sujidade nem detritos, antes de montar o disco na serra.
- SIM** Utilizar o disco apropriado para o tipo de trabalho a realizar. Em caso de dúvida sobre o disco a utilizar, consultar o fabricante dos discos.
- SIM** Proceder com cuidado e seguir as instruções para carregar e descarregar a máquina.
- SIM** Não utilizar esta máquina senão em locais bem ventilados. A inalação de gases de escape tóxicos pode provocar a morte.
- SIM** Indicar às pessoas presentes, a que proximidade devem estar quando a máquina estiver em funcionamento.
- SIM** Estabelecer um programa de formação e treino para todos os operadores desta máquina.
- SIM** Pedir às pessoas que não são indispensáveis que se afastem da área de trabalho. Nunca permitir que ninguém se ponha em frente ou atrás do disco enquanto o motor estiver a funcionar.
- SIM** Certificar-se de que o disco não toca em nada antes de fazer arrancar o motor.
- SIM** Proceder com cuidado ao levantar e transportar esta máquina.
- SIM** Prender sempre bem a máquina antes de transportá-la.
- SIM** Proceder com cuidado e seguir as instruções para preparar e transportar a máquina.
- SIM** Assegurar-se de que todas as operações de manutenção/reparação sejam efectuadas por pessoal competente.
- SIM** Verificar se o orifício do eixo do disco corresponde ao fuso da máquina antes de montar o disco.
- SIM** Verificar sempre a ausência de perigos ocultos, tais como condutas de gás ou de electricidade, antes de proceder aos cortes. Consultar sempre os serviços públicos locais antes de trabalhar em zonas desconhecidas.
- SIM** Afastar a máquina pelo menos 3 metros (10 pés) do local onde foi efectuado o enchimento de carburante antes de fazer arrancar o motor e verificar se a tampa do depósito está na máquina e devidamente fechada.
- SIM** Levantar a máquina unicamente pelos pontos de levantamento indicados.
- SIM** Limpar a máquina todos os dias depois de cada utilização.
- SIM** Utilizar o tamanho adequado de flange de disco especificado para cada tamanho de disco. Nunca utilizar flanges de disco danificadas ou gastas.
- SIM** Manipular o carburante com precaução.
- SIM** Cortar unicamente a direito e nunca com mais profundidade do que seja necessário e especificado para cada trabalho.



# INSTRUÇÕES DE SEGURANÇA

## A SEGURANÇA ACIMA DE TUDO!

### **ADVERTÊNCIAS** **DE SEGURANÇA OS SINS E OS NÃOS**

 **ADVERTÊNCIA: A NÃO OBSERVÂNCIA DESTAS ADVERTÊNCIAS DE SEGURANÇA E DAS INSTRUÇÕES DE UTILIZAÇÃO PODERÃO PROVOCAR A MORTE OU LESÕES CORPORAIS GRAVES.**

### OS NÃOS

- NÃO** utilizar esta máquina antes de ter lido o manual de funcionamento e de ter compreendido as suas instruções.
- NÃO** utilizar esta máquina se a protecção do disco e os outros dispositivos de protecção não estiverem devidamente instalados.
- NÃO** permanecer nem atrás nem à frente do disco, enquanto o motor estiver a trabalhar.
- NÃO** deixar esta máquina sem supervisão com o motor a trabalhar.
- NÃO** realizar trabalhos de manutenção nesta máquina com o motor em funcionamento.
- NÃO** utilizar esta máquina quando estiver cansado ou sob a influência de drogas, ou de álcool.
- NÃO** utilizar um disco de corte com água sem uma alimentação de água adequada do disco.
- NÃO** fazer rodar o disco a uma velocidade superior à velocidade máxima especificada para cada tamanho de disco. Uma velocidade excessiva poderia provocar a quebra do disco.
- NÃO** utilizar a máquina caso tenha dúvidas sobre a forma como deve utilizá-la.
- NÃO** utilizar equipamento nem discos danificados.
- NÃO** tocar nem tentar fazer parar um disco em movimento com a mão.
- NÃO** inclinar, comprimir, bloquear nem torcer o disco durante os cortes.
- NÃO** transportar uma serra com o disco montado na máquina.
- NÃO** utilizar um disco que tenha caído ou que esteja danificado.
- NÃO** utilizar discos com pontas de carboneto metálico.
- NÃO** tocar num disco de diamante para cortes a seco imediatamente após a sua utilização. Estes discos levam vários minutos a arrefecer depois de cada corte.
- NÃO** utilizar flanges de disco danificadas ou gastas.
- NÃO** permitir que outras pessoas fiquem perto da máquina durante o arranque, o enchimento de carburante ou enquanto a máquina estiver a funcionar.
- NÃO** utilizar esta máquina num local fechado. A inalação de gases de escape tóxicos poderia provocar a morte.
- NÃO** utilizar esta máquina na proximidade de materiais inflamáveis. As faíscas poderiam provocar um incêndio ou uma explosão.
- NÃO** deixar o disco exposto fora da protecção a mais de 180 graus.
- NÃO** utilizar esta máquina quando as protecções das correias ou a protecção do disco tiverem sido retiradas.
- NÃO** utilizar esta máquina, a menos que tenha sido especificamente treinado para a sua utilização.
- NÃO** utilizar um disco que tenha sido sobreaquecido (a parte central tem uma cor azulada).
- NÃO** introduzir à força material no disco.
- NÃO** fazer cortes com o lado do disco.
- NÃO** rebocar esta máquina atrás de um veículo.
- NÃO** utilizar esta máquina quando as protecções ou salvaguardas estiverem removidas.
- NÃO** efectuar cortes com mais de 2,5 cm de profundidade por passagem com um disco para cortes a seco. Proceder por etapas para efectuar cortes mais profundos.
- NÃO** utilizar esta máquina enquanto estiver sob a influência de drogas, ou de álcool.

\*\*\*\*\*

Esta serra foi concebida unicamente para certas aplicações. **NÃO** modificar esta serra nem utilizá-la em aplicações para as quais não tenha sido concebida. Se necessitar de quaisquer esclarecimentos relativos às aplicações, **NÃO** utilizar a serra antes de consultar por escrito a Husqvarna Construction Products e de ter recebido as devidas respostas.

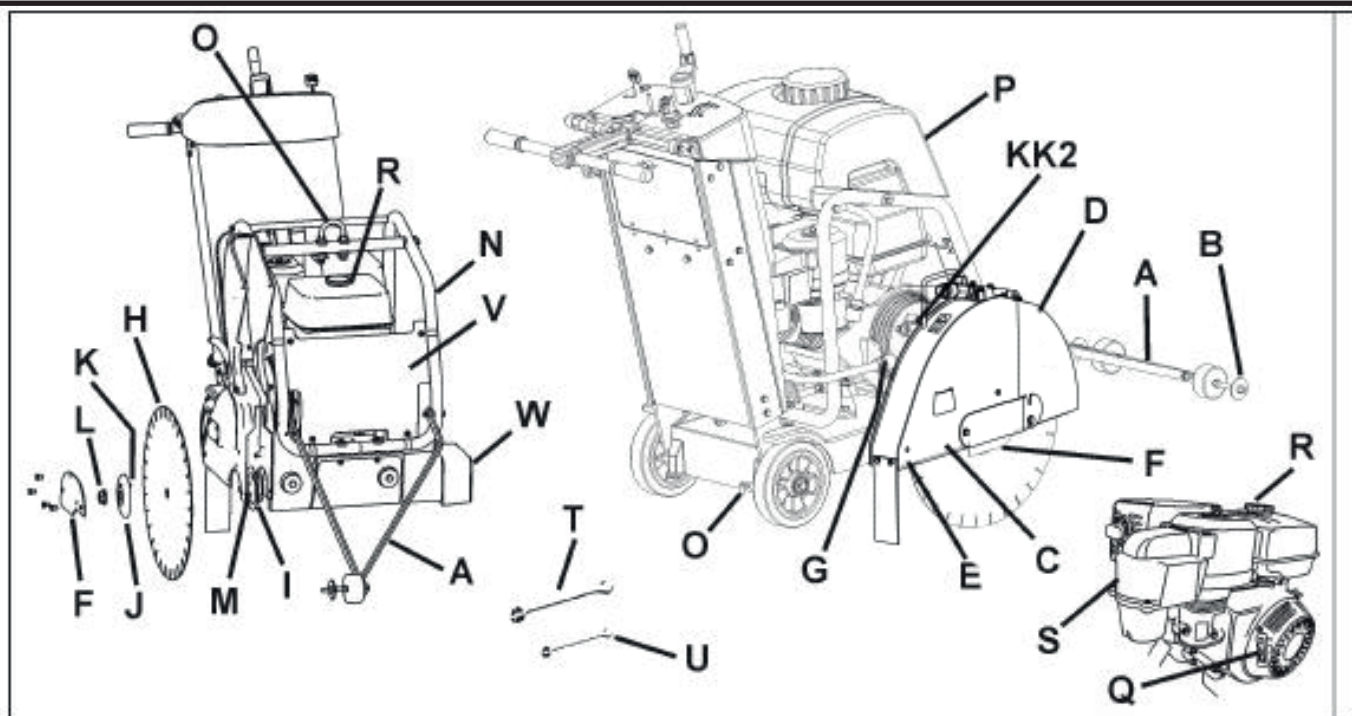
Husqvarna Construction Products North America  
17400 West 119th Street, Olathe, Kansas 66061 USA

---

## NOTAS

---

## IDENTIFICAÇÃO E DESCRIÇÃO DAS PEÇAS



**A. Ponteiro da frente:** Serve para guiar a máquina em linha recta.

**B. Roda directriz:** Colocada no ponteiro da frente (A). Alinha-se com a linha de corte e com o disco (H) para produzir cortes direitos.

**C. Protecção do disco:** Cobre o disco (H). Deve estar sempre devidamente colocada durante a utilização da máquina! Notar o sentido da ferramenta, tal como indicado com uma seta sobre a protecção do disco.

**D. Frente da protecção do disco:** Uma parte da protecção do disco. Pode levantar-se para instalar o disco (H).

**E. Parafuso traseiro da protecção do disco:** Mantém a protecção do disco no devido lugar (C). Deve retirar-se e voltar a colocar se a protecção do disco for movida (C).

**F. Placa de engate da protecção do disco:** Cobre a flange exterior (J).

**G. Conexão do tubo flexível para a água (G):** Conecta a protecção do disco (C) à válvula de controlo da água (KK) ou ao depósito da água (P). Pode utilizar-se quando a protecção do disco (C) está montada sobre o lado direito ou esquerdo da máquina.

**H. Disco:** Ferramenta que corta o asfalto ou o betão – não é fornecido juntamente com a máquina.

**I. Flange interior:** Eixo sobre o qual o disco está montado (H). Substituir se estiver danificado ou gasto.

**J. Flange exterior:** Serve para manter o disco (H) na posição devida. Contém o pino de fixação (K), que deve atravessar o disco (H). Substituir se estiver danificado ou gasto.

**K. Pino de fixação:** Mantém o disco (H) na posição devida. Substituir se estiver danificado ou gasto.

**L. Porca do eixo do disco (L1 / L2):** Serve para fixar a flange exterior (J) à máquina. A porca (L1), do lado direito da máquina tem roscas no sentido contrário aos ponteiros do relógio. A porca (L2) (não mostrada), do lado esquerdo da máquina tem roscas no sentido dos ponteiros do relógio.

**M. Mandril do eixo do disco:** O disco (H) monta-se sobre esta superfície.

**N. Suporte do depósito de água / ponto de levantamento:** Suporta o depósito de água (P). Suporta o ponto de levantamento (O).

**O. Ponto de levantamento:** Levantar a máquina unicamente por este ponto!

**P. Depósito de água (se incluído):** Capacidade de 25 litros. Encher apenas de água! NÃO encher de gasolina nem de outras substâncias inflamáveis! Utilizar unicamente para suprimir a poeira durante os cortes a seco. Utilizar unicamente com discos de diamante (H) soldados a laser (a seco).

**Q. Corda de arranque do motor:** Serve para o arranque do motor. Consultar o manual de funcionamento do motor.

**R. Depósito de carburante do motor:** Ponto de enchimento de carburante. Consultar o manual de funcionamento do motor.

**S. Filtro para o ar do motor:** Inspeccionar diariamente. Limpar de quatro (4) em quatro (4) horas se o corte se efectuar em condições com muito pó. Consultar o manual de funcionamento do motor.

**T. Chave do eixo do disco (27 mm):** Utilizar para instalar e retirar o disco (H). Guardar no compartimento para as ferramentas (BB).

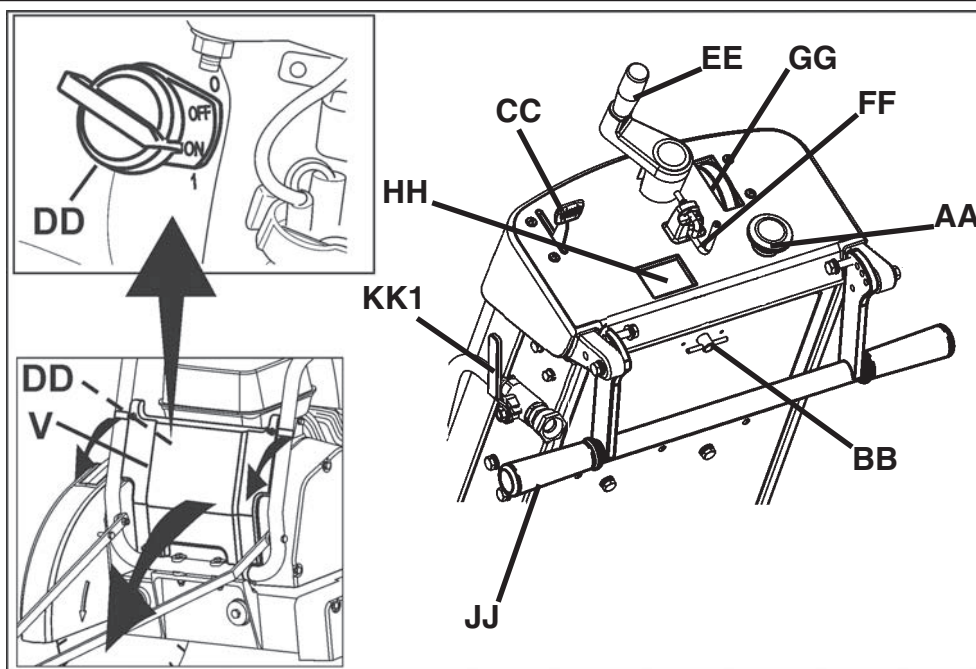
**U. Chave (13 mm):** Utilizar para várias operações de manutenção da máquina. Guardar no compartimento para as ferramentas (BB).

**V. Cobertura da frente:** Prende-se ao suporte do depósito de água (N). Abrir para ligar ou desligar o interruptor de arranque do motor (DD), na posição de LIGADO (ON) (1) ou de DESLIGADO (OFF) (0).

**W. Protecção do eixo:** Protege a flange interior (I). Instala-se sempre do lado do chassis oposto à protecção do disco (C).

**X. Acessório de lubrificação do controlo da profundidade:** Não mostrado. Ver a secção de Manutenção deste documento.

## IDENTIFICAÇÃO E DESCRIÇÃO DAS PEÇAS



**Y. Junta de fixação da protecção do disco:** Mantém a protecção do disco (C) na posição devida.

**Z. Indicador do nível de óleo do motor:** Serve para verificar o nível do óleo do motor (não mostrado – ver a secção de Funcionamento deste documento).

**AA. Paragem de máquina:** Premir o interruptor para fazer PARAR o motor em caso de emergência. Reconfigurar puxando o botão para fora (puxar para cima) para permitir que a máquina arranque de novo.

**BB. Compartimento para as ferramentas:** Contém o manual de funcionamento, a lista das peças soltas e duas chaves (T e U) (13 mm e 27 mm). Abre-se rodando o botão a 180 graus. Repor sempre o manual de funcionamento neste local para futura consulta.

**CC. Acelerador do motor:** Controla a velocidade do motor (rotações por minuto). Puxar a maneta para a frente para aumentar a velocidade do motor. Puxar para trás para reduzir a velocidade do motor. As operações de corte fazem-se sempre com o motor na velocidade máxima.

**DD. Interruptor de arranque do motor:** Situado sobre o motor, por trás da cobertura da frente (V). Deve estar na posição de LIGADO (ON) (1) para o arranque do motor. Utiliza-se para desligar o motor na posição de DESLIGADO (OFF) (0) em situações normais.

**EE. Controle da profundidade do disco:** Rodar para a esquerda para fazer subir o disco de diamante (H) e para a direita para fazer baixar o disco de diamante (H).

**FF. Bloqueio da profundidade do disco:** Para bloquear o controle da profundidade do disco (EE) na posição devida. Puxar pelo bloqueio de profundidade do disco em direcção à parte de trás da máquina e rodar a 90 graus para a bloquear na posição aberta.

**GG. Indicador da profundidade do disco:** Indica a profundidade do corte do disco de diamante (H) em centímetros (cor de laranja) e em polegadas (cor branca). Funcionamento: Com o motor na posição de desligado (OFF) (0), baixar o disco de diamante (H) até este tocar na superfície a cortar. Fazer rodar o indicador de profundidade do disco de forma a alinhar o “0” com as setas.

Levantar a serra. Quando o disco está baixado durante o corte, a profundidade actual do corte está indicada.

**HH. Tacómetro do motor (RPM):** Mostra a velocidade do motor em rotações por minuto quando o motor está a funcionar. Mostra a duração total da utilização quando o motor está na posição de DESLIGADO (OFF) (0). A duração da utilização total está indicada em minutos de 0 a 59 minutos e depois em horas para além de 60 minutos.

**II. ---**

**JJ. Manípulo traseiro:** A posição do operador é atrás da máquina com as duas mãos sobre o manípulo traseiro. O manípulo pode ser ajustado para várias posições.

**KK1. Válvula de controlo da água:** Controla o fluxo da água para o disco. Está localizada sobre o lado esquerdo da máquina, perto do manípulo traseiro (RR). Não se utiliza com o depósito de água (se incluído).

**KK2. Válvula de controlo da água da protecção do disco:** Controla o fluxo da água para o disco. Está localizada sobre a protecção do disco. Utiliza-se com o depósito de água (se incluído).

**LL. Protecção da correia (não mostrado):** Cobre a correia de transmissão do motor.

**MM. Polia de tensão da correia em V:** Serve para manter a tensão da correia em V de transmissão do eixo do disco.

**NN. Tubo flexível de drenagem de óleo:** Utiliza-se para esvaziar o óleo do motor.

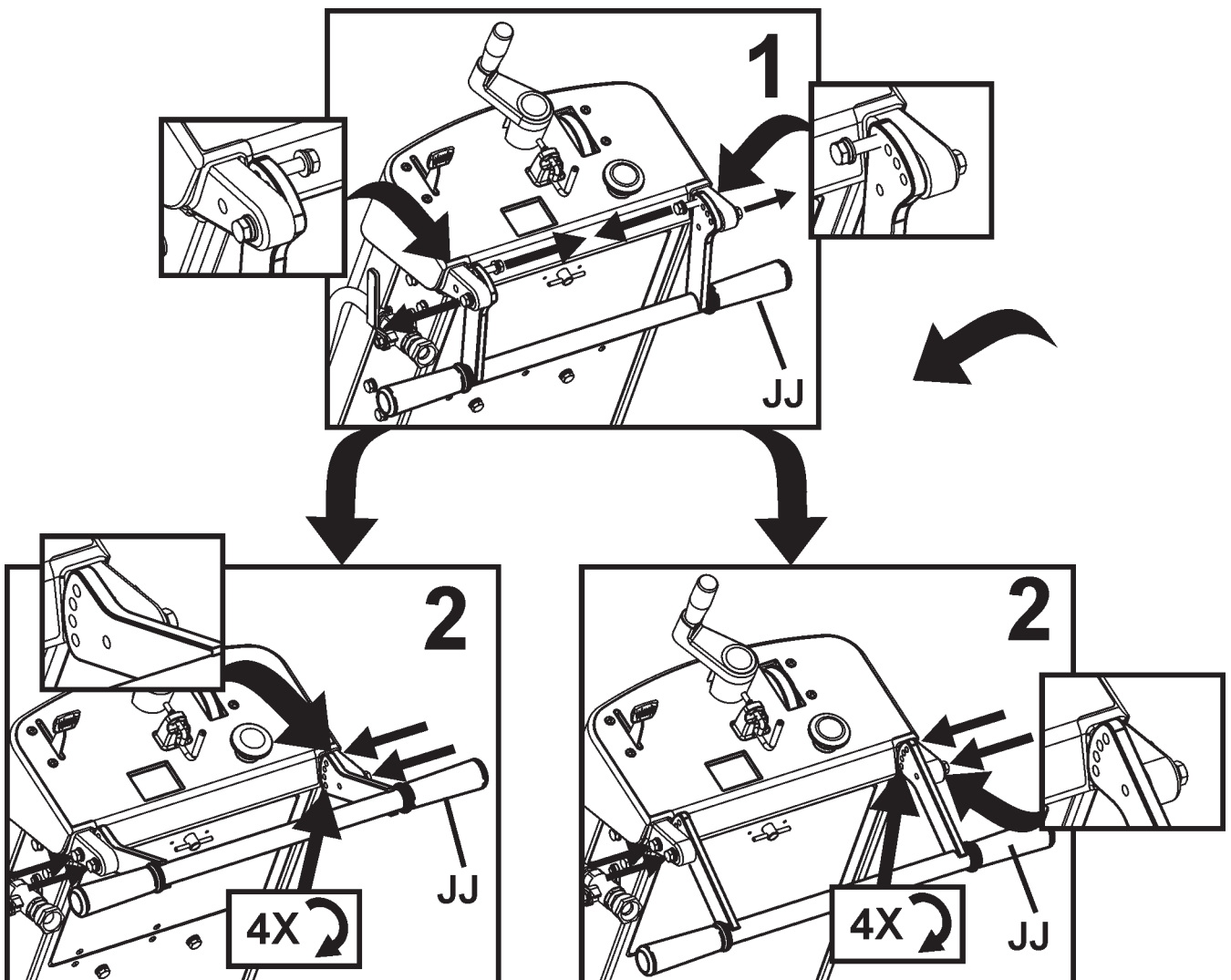
**OO. Travão de estacionamento (unicamente nos modelos da União Europeia):** Serve para imobilizar a máquina em posição de estacionamento. Está localizado sobre a roda direita, na parte de trás da máquina. Funcionamento: Para activar, rodar a alavanca para cima, a fim de permitir que a vareta avance para dentro. Para desactivar, puxar a vareta para dentro e rodá-la para baixo, a fim de fixá-la na posição para dentro.

## MONTAGEM

Proceder à montagem dos elementos que se seguem, antes de utilizar a máquina pela primeira vez.

### Colocar o manipulador traseiro (JJ) na posição correcta:

A máquina é enviada com o manipulador traseiro (JJ) na posição de armazenamento, tal como se mostra na ilustração. Para utilizar a máquina o manipulador deve reposicionar-se.



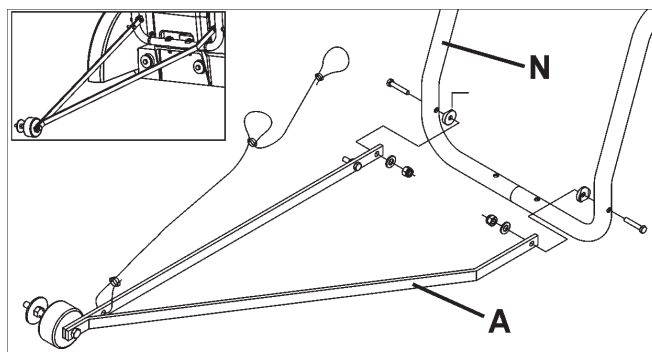
# MONTAGEM

## Instalar o ponteiro da frente (A):

1. Usar os parafusos, as anilhas e as porcas fornecidos no ponteiro da frente (A) e instalar sobre a estrutura tubular do suporte do depósito de água (N). Ajustar as porcas de travamento de forma que o ponteiro (A) possa pivotar livremente.

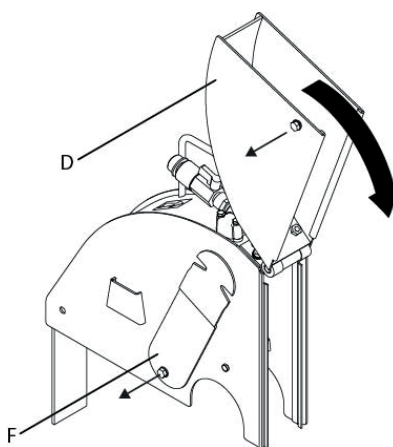
2. Fazer passar a corda do ponteiro de forma a evitar superfícies quentes. As duas laçadas da corda permitem prendê-la ao manípulo traseiro (JJ).

**Nota:** “*Ponteiro simples*” (A) mostrado na ilustração. Em algumas regiões, um “*ponteiro duplo*” é fornecido como equipamento normal. O ponteiro duplo está disponível em todas as regiões como acessório. Para obter mais informações, consultar a secção de “Acessórios” deste documento ou a lista das peças sobresselentes.



## Frente da protecção do disco (D):

1. Com a chave de 13 mm (U) fornecida, retirar os dois (2) parafusos M8 situados na frente e debaixo da placa de engate da protecção do disco (F) e o parafuso M8 na frente da protecção do disco (D) [tal como indicam as setas]. Afrouxar os parafusos restantes (mas não os remover) da placa de engate da protecção do disco (F). Fazer rodar a placa de engate da protecção do disco (F) e a frente da protecção do disco (D) para baixo.

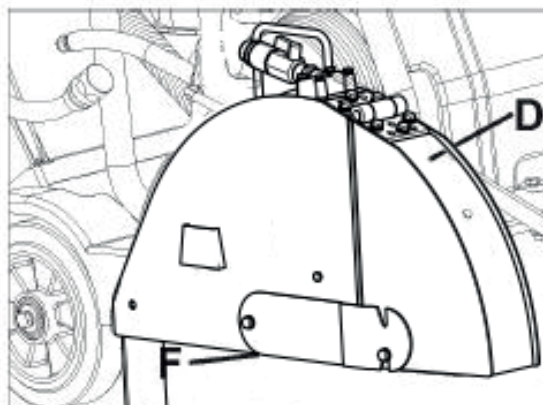


## ADVERTÊNCIA!

A placa de engate de protecção do disco (F) deve ser instalada antes do funcionamento da máquina. A utilização da máquina sem esta peça pode produzir uma situação perigosa!

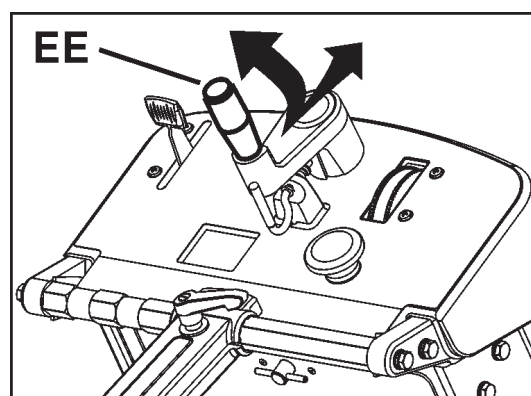
Manter sempre todas as protecções nas posições devidas, durante a utilização da máquina !

2. Recolocar os três (3) parafusos M8 na placa de engate da protecção do disco (F), tal como indicado no diagrama da direita. Com a chave de 13 mm (U) (fornecida), apertar bem os quatro (4) parafusos M8 de fixação da placa de engate de protecção do disco (F) na posição devida.



## Recolocar o manípulo de controlo da profundidade do disco (EE) na posição correcta:

Puxar para fora o manípulo de controlo da profundidade do disco (EE) e rodá-la 90 graus até que este se encaixe na posição ilustrada.



# MONTAGEM

## Instalar o depósito de água (P) (se incluído):

- Em algumas regiões, a máquina pode ser entregue com um depósito de água instalado na fábrica. Um kit de depósito de água opcional está disponível em todas as regiões.
- Se o depósito de água tiver sido instalado previamente na máquina, ler estas instruções para verificar se a instalação está correcta. Respeitar todas as ADVERTÊNCIAS referentes à instalação e à utilização do depósito de água.
- Verificar o conteúdo do kit do depósito de água. Consultar o diagrama da direita.

1. Retirar provisoriamente a PORCA do lado direito do olhal de suspensão (O) (do mesmo lado da corda de arranque da máquina). Consultar o diagrama da direita.

2. Instalar o DISPOSITIVO DE FIXAÇÃO fornecido com o kit do depósito de água (P) e, em seguida, voltar a instalar a PORCA. Consultar o diagrama da direita.

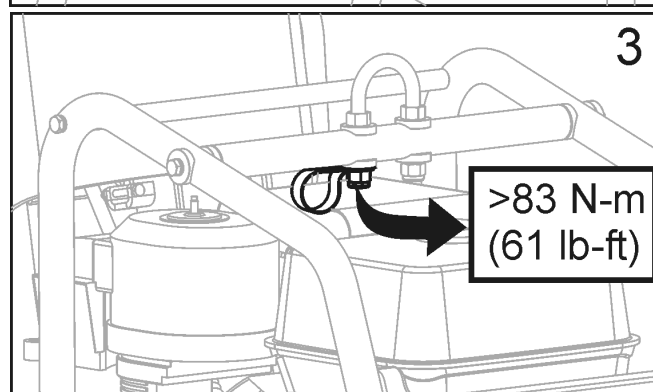
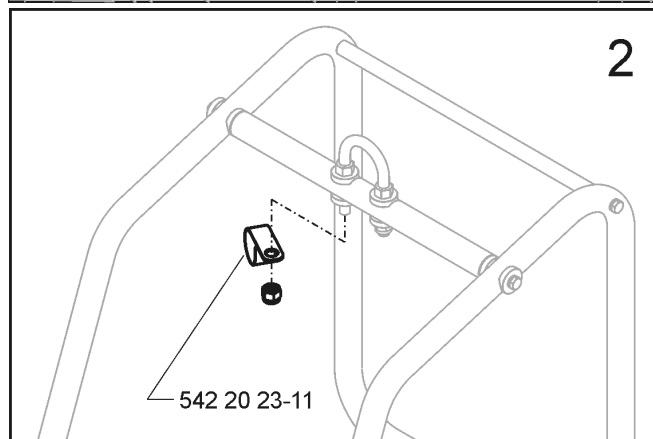
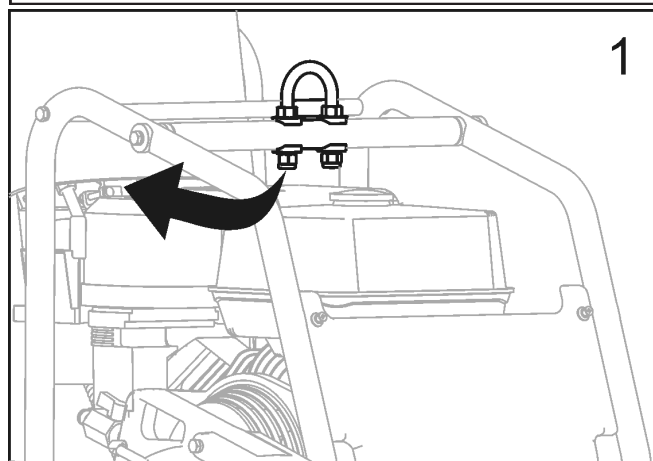
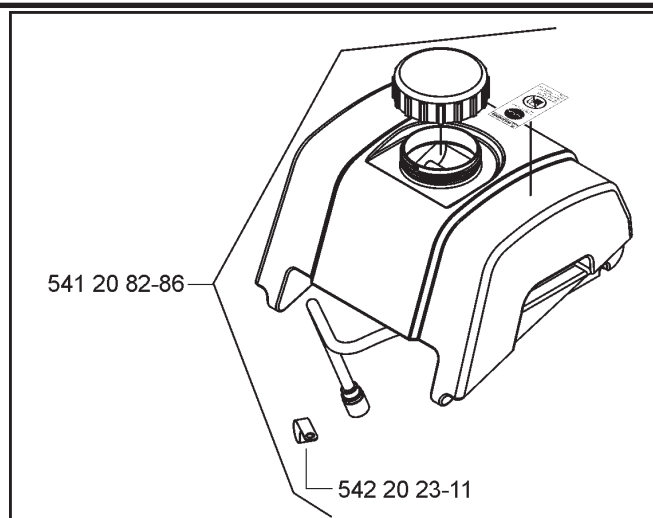
3. Apertar segundo se indica abaixo e no diagrama da direita.

### AVISO

Apertar a PORCA do olhal de suspensão a 83 N.m (61 libras/pés), como mínimo.

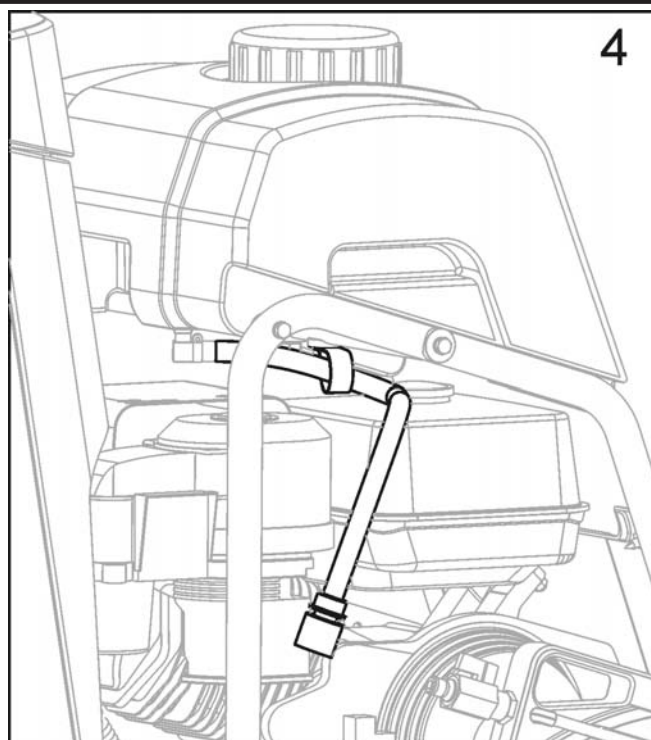
### ⚠ ADVERTÊNCIA!

Para evitar o risco de falha do OLHAL DE SUSPENSÃO (O), apertar a PORCA como indicado. Uma falha do OLHAL DE SUSPENSÃO durante o levantamento da máquina pode causar lesões ou a morte.



## MONTAGEM

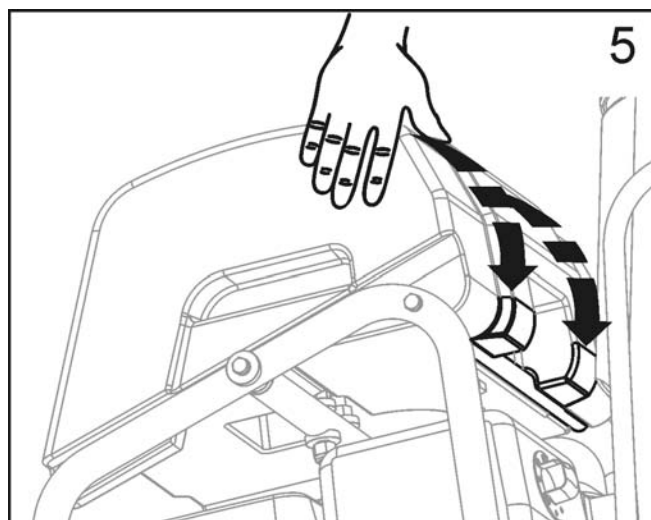
4. Posicionar o depósito de água e encaminhar o tubo flexível para a água como se indica no diagrama da direita.



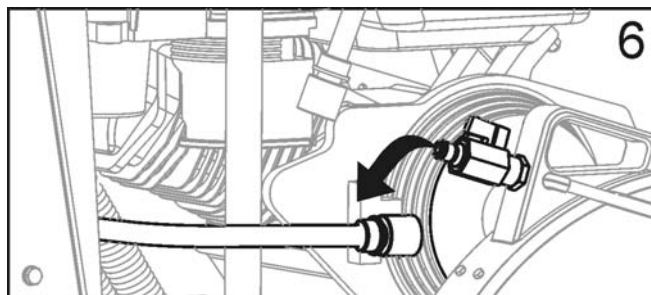
5. Alinhar a barra traseira e a zona em recesso na parte de trás do depósito de água.

- Pressionar com firmeza no depósito de água para baixo para o encaixar na posição devida sobre a barra traseira.

- Quando estiver correctamente instalado, o depósito de água deve pivotar livremente sobre a barra traseira.



6. Desconectar o tubo flexível para a água (existente) da protecção do disco. Este é o tubo flexível para a água proveniente da válvula de controlo da água montada na serra.

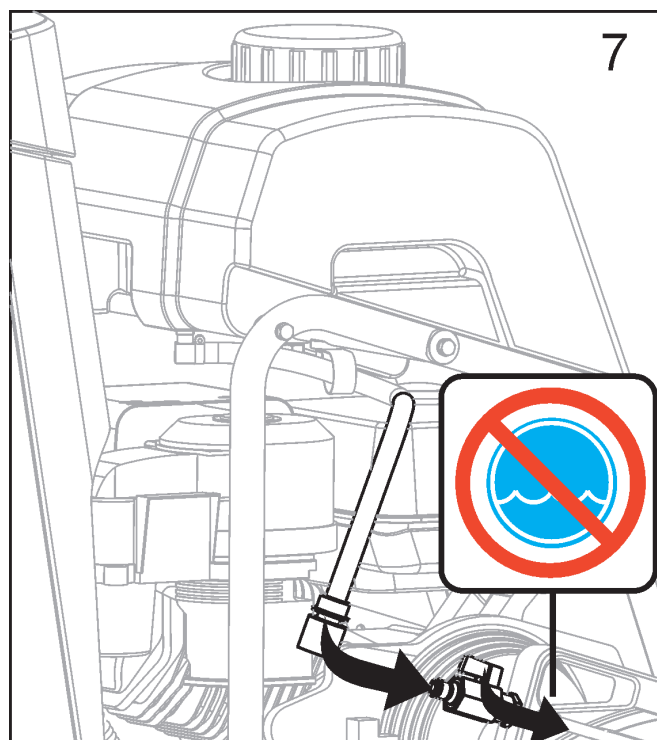




## MONTAGEM

7. Conectar o tubo flexível do depósito de água à válvula de água da protecção do disco.

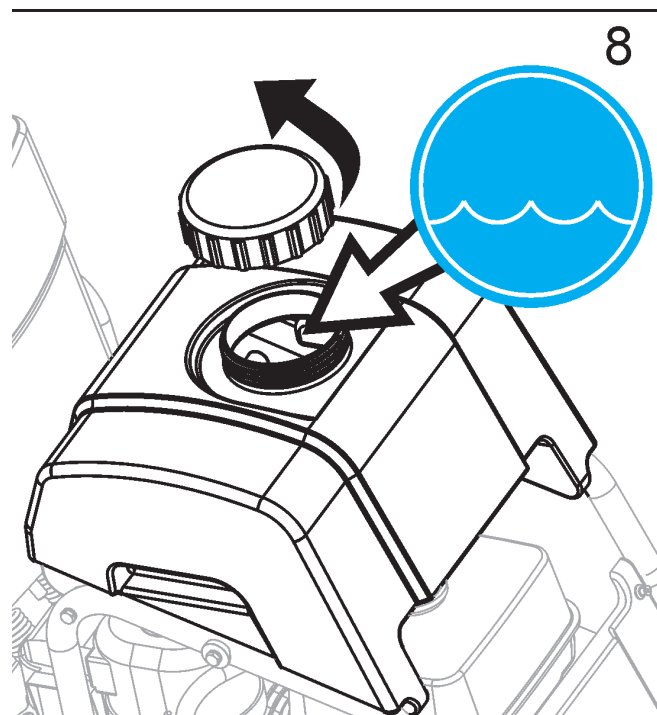
- Verificar se a válvula de água da protecção do disco está FECHADA (posição OFF).
- O depósito de água está agora instalado na serra.



### Encher o depósito de água:

8. Retirar a tampa rodando-a no sentido contrário ao dos ponteiros do relógio. Consultar o diagrama da direita.

- Encher o depósito unicamente com água. Ler todas as ADVERTÊNCIAS antes de utilizar o depósito de água.
- Repor a tampa rodando-a no sentido dos ponteiros do relógio.
- O depósito de água foi concebido exclusivamente para eliminar a poeira de betão em suspensão no ar e deve utilizar-se unicamente com discos de diamante para cortes "a seco".



### ADVERTÊNCIA!

NÃO utilizar discos de diamante convencionais (para cortes húmidos) com o depósito de água como fornecimento de água. O fluxo de água não é suficiente para arrefecer correctamente o disco!

Encher o depósito de água unicamente com água!

Nunca encher o depósito de água (P) com gasolina ou outros líquidos inflamáveis, sob pena de ocorrência de lesões ou morte!

# FUNIONAMENTO

## Antes do funcionamento

**Utilização:** Esta máquina deve utilizar-se unicamente para cortes húmidos ou a seco de betão e de asfalto, tanto antigos como novos.

### ⚠ ADVERTÊNCIA!

NÃO utilizar para cortes a seco nos países da União Europeia (UE). A máquina não está equipada com uma porta para um colector de poeira.

**Ferramentas:** Utilizar a máquina exclusivamente com as ferramentas seguintes (H): Discos de diamante arrefecidos com água. NÃO utilizar discos abrasivos reforçados nem discos de diamante para cortes a seco nos países da União Europeia (UE) porque esta máquina, tal como é fornecida, não comporta uma porta para um colector de poeira.

Diâmetro: 300 mm (12 polegadas) – 500 mm (20 polegadas).

Perfuração: 25,4 mm (1,00 polegadas).

### ⚠ ADVERTÊNCIA!

NÃO utilizar discos de carboneto metálico, discos para serras de madeira ou para serras circulares nesta máquina, sob pena de ocorrência de lesões ou morte.

## Recolocação da protecção do disco (C), caso seja necessário:

A protecção do disco (C) é instalada na fábrica no lado direito da máquina, mais pode ser recolocada no lado esquerdo. Isto pode permitir cortar mais perto de certos obstáculos quando não for possível acercar-se destes a partir da direcção oposta.

1. Utilizar a chave de 13 mm (U), para retirar o parafuso traseiro (E) da protecção do disco (C).
2. Puxar a coleira para trás para separar a conexão do tubo flexível para a água (G). A parte macho permanece na protecção do disco (C). A parte fêmea permanece no depósito de água (P) ou na válvula de controlo da água (KK).
3. Levantar a protecção do disco (C) para cima para separá-la da sua junta de fixação (Y).
4. Com a chave de 13 mm (U) retirar os quatro (4) parafusos de fixação da placa de engate da protecção do disco (F). Voltar a colocar a placa de engate (F) sobre o lado esquerdo da protecção do disco (C).
5. Retirar e voltar a colocar a protecção do eixo (W) do lado esquerdo para o lado direito da máquina.
6. Baixar a protecção do disco (C) sobre a junta de fixação de protecção do disco (Y) do lado esquerdo da máquina.
7. Voltar a instalar o parafuso traseiro (E) na protecção do disco (C).
8. Voltar a conectar a conexão do tubo flexível para a água (G) da protecção do disco (C) para o depósito de água (P) ou válvula de água (K). Proceder com cuidado para que o tubo flexível para a água não toque no silencioso.
9. Voltar a colocar e a alinhar o ponteiro da frente (A) de forma que a roda directriz (B) esteja no lado esquerdo da máquina.

### ⚠ ADVERTÊNCIA!



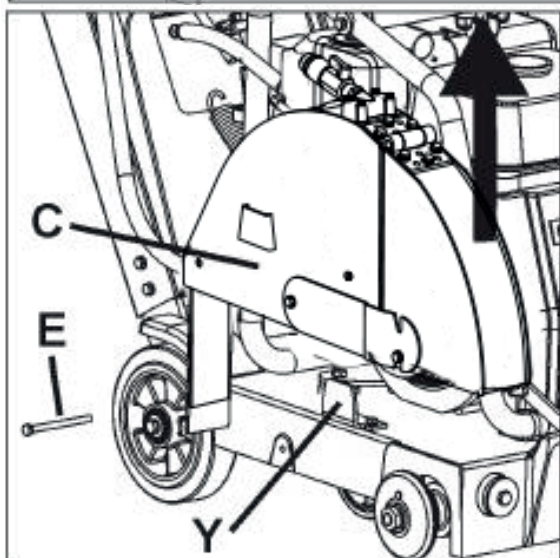
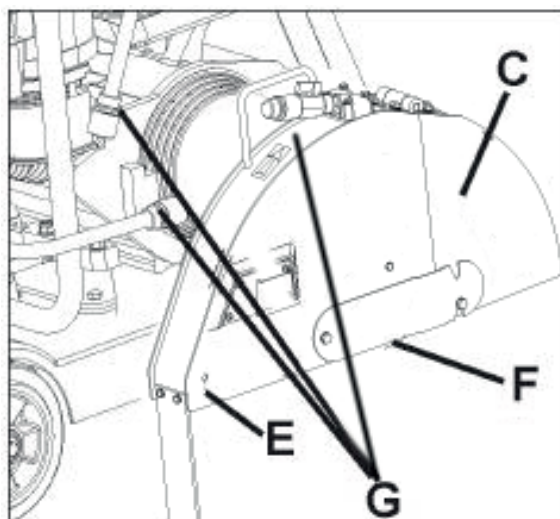
Antes de utilizar a máquina, o utilizador deve ler e compreender este manual de funcionamento na íntegra e o manual de funcionamento do motor fornecido com o mesmo.



Queira familiarizar-se com a máquina antes da utilização e funcionamento!



O utilizador deve usar um equipamento de protecção individual e vestuário adaptado ao trabalho a efectuar. É obrigatória a utilização do equipamento de protecção individual, nomeadamente a protecção dos olhos e dos ouvidos.



# FUNCCIONAMENTO

## Transporte e levantamento da máquina:

- Levantar a máquina unicamente a partir do ponto de levantamento (O).
- Retirar sempre o disco (H) antes de levantar, carregar ou transportar a máquina.
- Utilizar uma banda de levantamento com uma capacidade nominal que seja pelo menos igual ao peso máximo da máquina. O peso nominal e o peso máximo da máquina figuram na secção de DADOS TÉCNICOS deste documento.

## Levantamento de uma máquina equipada com um depósito de água:

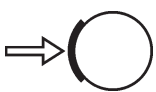
- Antes de levantar uma máquina equipada com um depósito de água:
  1. Esvaziar a água do depósito.
  2. Retirar o disco.
  3. Baixar a máquina até que o chassis esteja paralelo ao solo.
  4. Pivotar a parte da frente do depósito de água para cima até que fique apoiada contra o cimo da cobertura de alumínio. Não apoiar a tampa do depósito de água contra a parte da frente da cobertura de plástico, sob a pena de causar danos durante o levantamento.
  5. Prender a banda de levantamento adequada ao ponto de levantamento (O).
  6. Experimentar proceder ao levantamento da máquina a uma altura baixa (apenas alguns centímetros) para verificar se o depósito continua preso à máquina e não se danificará nem causará danos.
  7. Se uma máquina equipada com um depósito de água não puder ser levantada sem danificar o depósito ou a máquina, retirar o depósito de água antes de proceder ao levantamento.

### AVISO

O depósito de água ou a máquina podem sofrer danos, se a máquina não for levantada correctamente. Supervisionar o levantamento com atenção para evitar quaisquer danos.

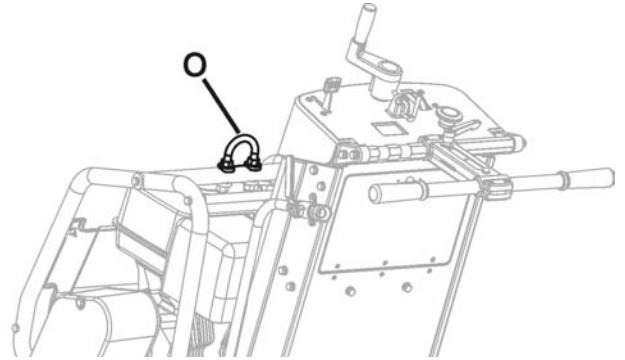
## Estacionar a máquina:

- As máquinas utilizadas em certas regiões do mundo estão equipadas com um travão de estacionamento.
- O travão de estacionamento foi concebido para manter a máquina imóvel sobre uma inclinação de 10 graus ou menos, com a parte de trás da máquina virada para o lado da encosta abaixo (com o peso máximo sobre a roda travada).

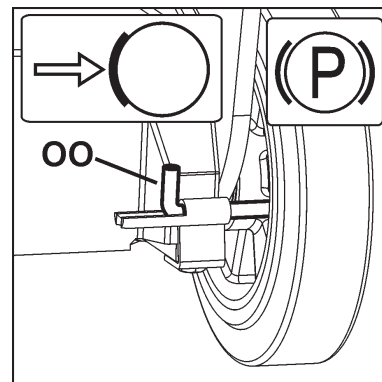
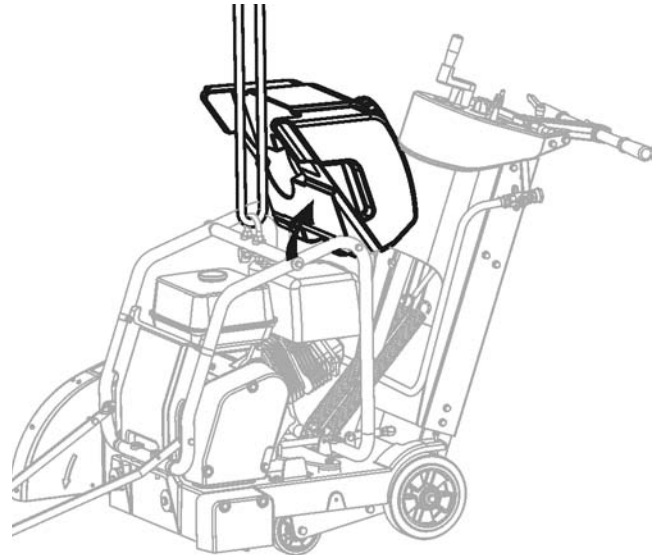


**Travão de estacionamento - Activação (consultar o diagrama):** Mudar a alavanca do travão de estacionamento (OO) da sua posição de desactivada:

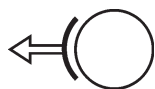
1. Puxar a alavanca (OO) para o centro da máquina.
2. Rodar a alavanca (OO) para cima 180 graus.
3. Uma mola permite que a alavanca (OO) se mova para o exterior da máquina para activar o cubo da roda.



Retirar o disco (H) antes de levantar, carregar ou transportar a máquina.

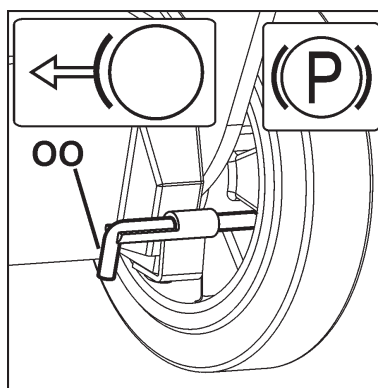


## FUNCIONAMENTO



**Travão de estacionamento - Desactivação (consultar o diagrama)** O travão de estacionamento deve ser desactivado para operar a máquina.

1. Puxar a alavanca (OO) para o centro da máquina.
2. Rodar a alavanca (OO) 180 graus para baixo e soltá-la para encaixá-la nesta posição.

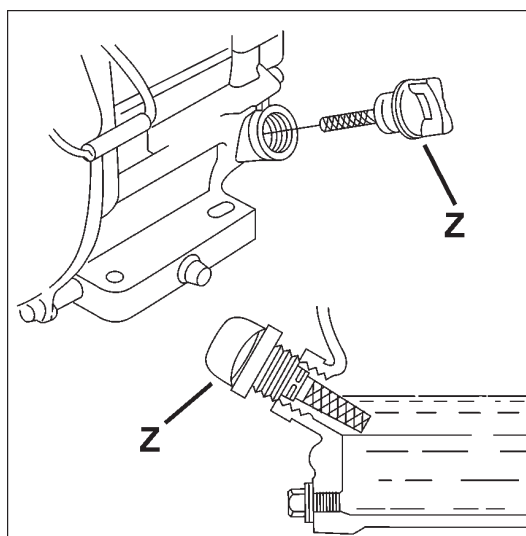


### Modelos com motor a gasolina:

Consultar o manual de funcionamento do motor para se informar sobre o funcionamento correcto do motor.

**CARBURANTE:** Recomenda-se a utilização de gasolina sem chumbo. Para obter mais informações, consultar o manual de funcionamento do motor.

**ÓLEO:** Com o indicador do nível de óleo (Z), verificar se o nível de óleo do motor está correcto. Durante a verificação do nível de óleo do motor, o indicador do nível de óleo do motor (Z) não deve ser enroscado no orifício. Dado que o motor funciona muitas vezes numa posição inclinada, verificar o nível de óleo com o motor na horizontal. Controlar com frequência para garantir que o nível de óleo nunca desça abaixo da marca inferior do indicador do nível de óleo. Recomenda-se usar o óleo 10W30. Para obter mais informações, consultar o manual do funcionamento do motor.



### AVISO

Se o motor estiver equipado com um sistema de paragem do motor devido a um nível baixo de óleo, o motor não arrancará quando o nível de óleo for insuficiente. O motor também pode parar se o ângulo máximo de utilização for ultrapassado. Consultar o manual do funcionamento do motor.

### Todos os modelos:

Verificar o alinhamento do ponteiro da frente (A) com o disco. Colocar uma régua ao longo da flange interior (I). Alinhar o ponteiro da frente (A) com a régua. Se incluído, ajustar o ponteiro da frente (A) afrouxando as porcas de fixação da roda directriz (B). Alinhar a roda directriz (B) com a régua e voltar a apertar as porcas.

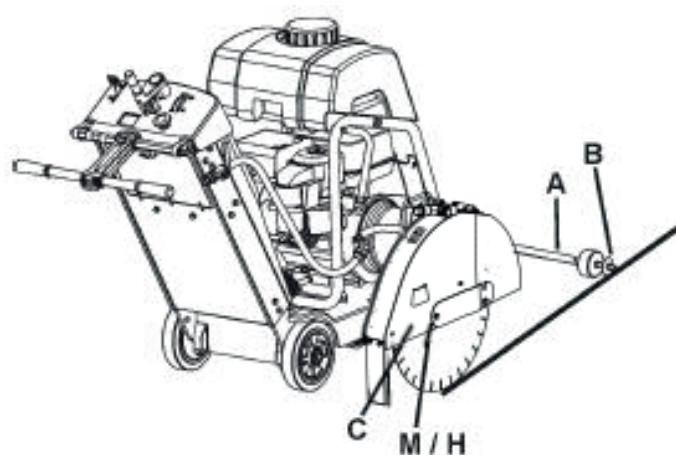
Verificar se o tubo para a água na protecção do disco (C) está aberto e se cada lado do disco recebe água suficiente.

Controlar a pressão e o volume (fluxo) de alimentação da água antes de proceder ao arranque da máquina.

NÃO serrar mais profundamente do que aquilo que seja exigido pelas especificações do trabalho. Um corte mais profundo do que necessário provocará um desgaste excessivo do disco e da máquina.

Cortar em incrementos sucessivos de 50 mm (2 polegadas) de profundidade ou até alcançar a profundidade do corte especificada. Este processo é conhecido por "corte por etapas".

Serrar unicamente em linha recta. Marcar claramente a linha de corte para que o operador da máquina a possa seguir sem dificuldade. NÃO torcer nem desviar a máquina de um lado para o outro para forçar o realinhamento do disco.



## FUNCIONAMENTO

### Colocação do disco de diamante (H):

#### ADVERTÊNCIA!

Verifique se a lâmina, os flanges da lâmina e o eixo do flange da lâmina estão danificados. Limpe as superfícies de contacto da lâmina e os flanges da lâmina. Certifique-se de que a lâmina e os flanges estão limpos e isentos de sujidade e resíduos antes de montar a lâmina na máquina.



O disco de diamante (H) deve instalar-se no local da obra. Não transportar a máquina com o disco de diamante (H) instalado.

1. Abrir a cobertura da frente (V).
2. Colocar o interruptor de arranque do motor (DD) na posição de DESLIGADO (OFF) (0).
3. Levantar o disco de diamante (H) para a sua posição mais alta rodando o controlo da profundidade de disco (EE) no sentido contrário ao dos ponteiros do relógio.
4. Com a chave de 13 mm (U), localizada no compartimento para as ferramentas (BB), afrouxar e retirar os quatro (4) parafusos de fixação da placa de engate da protecção do disco (F). Retirar provisoriamente a placa de engate da protecção do disco (F).
5. Levantar a frente da protecção do disco (D).
6. Com a chave do eixo do disco de 27 mm (T), afrouxar e retirar a porca do eixo do disco (L) que segura a flange exterior (J) na posição devida.

#### AVISO

A porca do eixo do disco (L1), do lado direito da máquina tem roscas em sentido contrário ao dos ponteiros do relógio. Para afrouxar, rodar no sentido dos ponteiros do relógio.

A porca do eixo do disco (L2) (não mostrada), do lado esquerdo da máquina tem roscas no sentido dos ponteiros do relógio. Para afrouxar, rodar no sentido contrário ao dos ponteiros do relógio.

7. Retirar a flange exterior (J).
8. Verificar se o mandril do eixo do disco (M), a flange interior (I) e a flange exterior (J) estão limpas e isentas de objectos estranhos.
9. Colocar o disco de diamante (H) sobre o mandril do eixo do disco (M). O sentido da rotação está indicado pelas setas no disco de diamante (H) e na frente da protecção do disco (D). Consultar o diagrama da direita.
10. Instalar a flange exterior (J) sobre o mandril do eixo do disco (M). Verificar se o pino de fixação (K) passa pelo disco de diamante (H) até penetrar na flange interior (I).

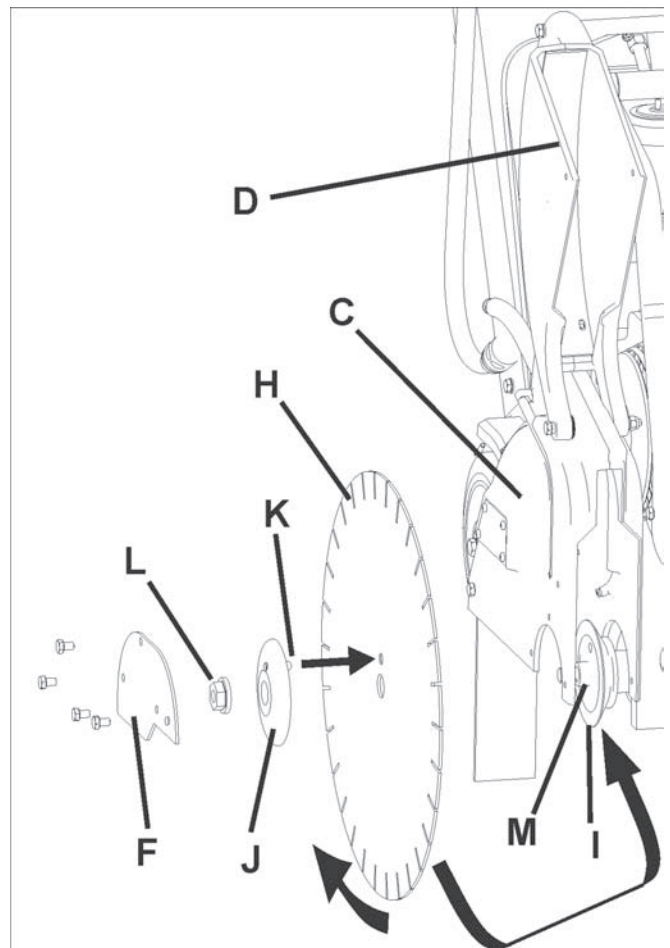
11. Rodar a flange exterior (J) e o disco de diamante (H) no sentido oposto ao da rotação do disco para evitar o recuo.
12. Instalar a porca do eixo do disco (L). Apertar com a chave do eixo do disco de 27 mm (T).

#### AVISO

A porca do eixo do disco (L1), do lado direito da máquina tem roscas em sentido contrário ao dos ponteiros do relógio. Para apertar, rodar no sentido contrário ao dos ponteiros do relógio. Apertar a 45 N.m (33 libras / pés) como mínimo.

A porca do eixo do disco (L2) (não mostrada), do lado esquerdo da máquina tem roscas no sentido dos ponteiros do relógio. Para apertar, rodar no sentido dos ponteiros do relógio. Apertar a 45 N.m (33 libras / pés) como mínimo.

13. Baixar a frente da protecção do disco (D).
14. Voltar a instalar e apertar a placa de engate da protecção do disco (F).



## FUNCIONAMENTO

### **⚠️ ADVERTÊNCIA!**

UTILIZAR UNICAMENTE discos (H) marcados com uma velocidade máxima de funcionamento superior à velocidade do eixo do disco.

NÃO utilizar a máquina sem a devida protecção sobre o disco de diamante (H)!

NÃO utilizar a máquina com a frente da protecção do disco (D) levantada!

Durante o funcionamento da máquina, a parte do disco (H) exposta NÃO DEVE ultrapassar 180 graus!

As superfícies de contacto da haste do eixo da lâmina (M), do flange interior (I), e do flange exterior (J) DEVEM ESTAR intactas, limpas e livres de objetos estranhos

NÃO transportar a máquina com o disco (H) instalado.

NÃO utilizar discos de diamante (H) convencionais (para cortes húmidos) sem água.

LER as instruções de funcionamento fornecidas com o disco (H).

NÃO instalar o disco (H) a menos que o interruptor da fonte de alimentação esteja na posição de DESLIGADO (OFF) (0) e desconectada do fornecimento de energia eléctrica.

### **Arranque da máquina e processo de corte:**

- Com o controlo da profundidade (EE), levantar o disco de diamante (H) o mais alto que seja possível, a fim de evitar que bata no pavimento, ao manobrar a máquina. Se necessário, puxar pelo bloqueio de profundidade do disco (FF).

- Desactivar o travão de estacionamento (se incluído).

- Colocar a máquina na posição devida perto da linha de corte.

- Baixar o ponteiro da frente (A) até à superfície do corte.

- Regular o indicador de profundidade (GG) (se desejar):

- 1) Baixar a máquina até que o disco de diamante toque na superfície a cortar.

- 2) Regular o marcador do indicador de profundidade (GG) de forma a alinhar as setas com o zero (0). A cor laranja indica a profundidade do corte em centímetros. A cor branca indica a profundidade em polegadas.

- 3) Levantar a serra até à sua altura máxima. Agora, com o disco de diamante (H) na posição baixa, o indicador de profundidade (GG) mostrará a profundidade do corte.

- 4) Voltar a colocar o disco de diamante (H) na posição mais alta.

- Verificar se o interruptor de paragem de máquina (AA) e o interruptor de arranque do motor (DD) estão AMBOS na posição de LIGADOS (ON). O interruptor de paragem de máquina (AA) deve estar na posição de saída (puxado para fora da cobertura do motor). O interruptor de arranque do motor (DD) deve estar na posição de "1" (LIGADO / ON).

- Proceder ao arranque do motor. Para obter mais informações, consultar o manual do motor.

- Verificar visualmente se a rotação da ferramenta corresponde ao sentido da seta que figura sobre a protecção do disco.

- Abrir COMPLETAMENTE a válvula de controlo da água (KK). Verificar o fluxo máximo da água e, em seguida ajustar a quantidade de água adequada sobre o disco ANTES de baixar o disco.

- Fazer os ajustes finais para alinhar a serra com a linha de corte. Verificar se a roda directriz (B) e o disco de diamante (H) estão ambos sobre a linha de corte.

**Se o fornecimento de água for interrompido, interromper imediatamente o corte. O corte sem água pode danificar o disco de diamante (H).**

- Para fazer baixar o disco de diamante (H) até à superfície a cortar, rodar lentamente o controlo da profundidade do disco (EE) no SENTIDO CONTRÁRIO AO DOS PONTEIROS DO RELÓGIO.

- Assim que se obtenha a profundidade de corte pretendida, carregar no bloqueio de profundidade do disco (FF) para travá-lo no controlo da profundidade do disco (EE) (se desejar).

- Premir suavemente sobre o manípulo traseiro (JJ) sem forçar, para fazer avançar a máquina. Observar atentamente o disco de diamante (H) e a roda directriz (B) para manter a máquina sobre a linha de corte.

- Quando o corte estiver acabado, desenganchar o bloqueio de profundidade do disco (FF).

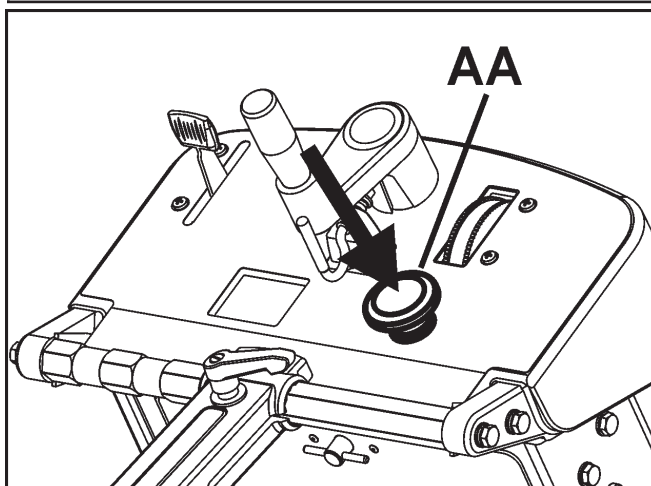
- Levantar o disco de diamante (H) para fora do corte rodando lentamente o controlo da profundidade do disco (EE) no SENTIDO DOS PONTEIROS DO RELÓGIO.

- Fechar a válvula de água (KK).

- Usar o interruptor de arranque do motor (DD), para por o motor na posição "0" (DESLIGADO / OFF).

### **AVISO**

**Se surgir uma situação de emergência durante as operações de corte, PARAR imediatamente a máquina com o interruptor de paragem de máquina (AA).**



**STOP**

**Para parar a máquina, prima o botão de PARAGEM DE MÁQUINA (AA).**

---

# MANUTENÇÃO E LUBRIFICAÇÃO

---

## GUIA RÁPIDO DE MANUTENÇÃO PROGRAMADA:

Antes de qualquer operação de manutenção, estacionar **SEMPRE** a máquina sobre uma superfície horizontal, com o motor na posição de **DESLIGADO (OFF)** e o interruptor do motor na posição de **DESLIGADO (OFF)**. Deixar que a máquina arrefeça! As outras operações de manutenção e reparações adicionais devem ser realizadas apenas por um técnico qualificado..

### SERVIÇO DIÁRIO:

1. Verificar o nível de óleo do motor.
2. Inspeccionar a protecção do disco para verificar se não tem danos.
3. Inspeccionar o filtro de ar do motor e substituí-lo se estiver sujo. Fazê-lo com mais frequência se a máquina for utilizada em condições de muito pó.
4. Limpar a máquina todos os dias.

### SERVIÇO CADA 50 HORAS:

1. Mudar o óleo do motor e o filtro do óleo.
2. Limpar o motor e as aletas de ar do motor.
3. Lubrificar o acessório de lubrificação do controlo da profundidade.
4. Inspeccionar as rodas para determinar o desgaste ou danos.
5. Verificar a tensão da correia de transmissão do disco.

### **Substituição do filtro de ar do motor (S):**

Se o motor parecer com pouca potência, produzir fumo preto ou funcionar irregularmente, o filtro de ar pode estar entupido. Por isso, é importante limpar e substituir o filtro de ar regularmente. Consulte o manual do motor para obter instruções detalhadas.



### **ADVERTÊNCIA!**

O filtro não pode ser limpo com ar comprimido; caso contrário, é danificado. Os filtros podem ser aspirados para limpeza, mas evite atingir ou arrastar itens através da superfície; caso contrário, o filtro é danificado.

Os filtros de papel devem ser eliminados corretamente e substituídos.

Um filtro de poliéster pode ser limpo por aspiração ou lavagem de baixa pressão.

Não utilize a lavagem a alta pressão, pois danificará o filtro.

Um filtro danificado deve ser sempre substituído.

Um filtro lavado tem de estar 100% seco antes de voltar a ser colocado no equipamento.

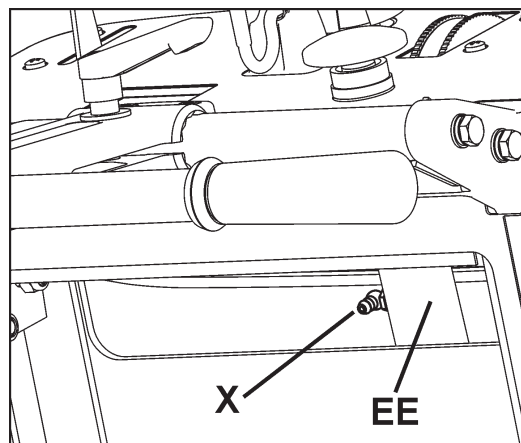
# MANUTENÇÃO E LUBRIFICAÇÃO

## LUBRIFICAÇÃO:



**Acessório de lubrificação do controlo da profundidade (X):** Um acessório de lubrificação que permite a lubrificação do parafuso de controlo da profundidade do disco (EE). Para aceder a este acessório de lubrificação:

- Levantar o disco de diamante (H) até à sua altura máxima. Abrir o compartimento para as ferramentas (BB) e retirar provisoriamente o saco que contém o manual de funcionamento.
- O acessório de lubrificação (X) encontra-se perto da parte superior do tubo de controlo da profundidade do disco (EE).
- Adicionar massa lubrificante ao acessório de lubrificação. Levantar e baixar a máquina várias vezes para fazer circular a massa lubrificante através do tubo.
- Voltar a colocar o saco do manual de funcionamento e fechar o compartimento de ferramentas (BB).



## Óleo do motor:

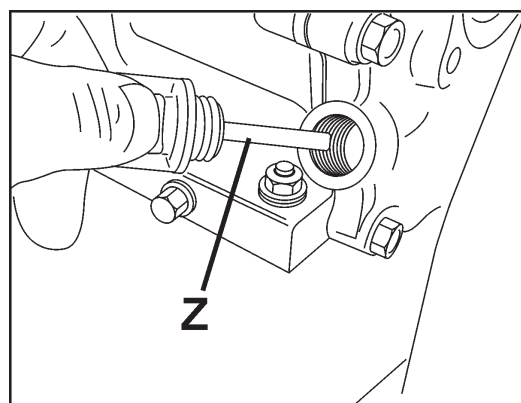
### Controlo do óleo do motor:



Verificar se o nível do óleo do motor está correcto.



O indicador de óleo do motor (Z) encontra-se na parte da frente do motor. Encher de óleo até ao nível desejado, através do orifício do indicador de óleo. Quando verificar o nível do óleo, o indicador do óleo do motor (Z) não deve estar aparafusado.

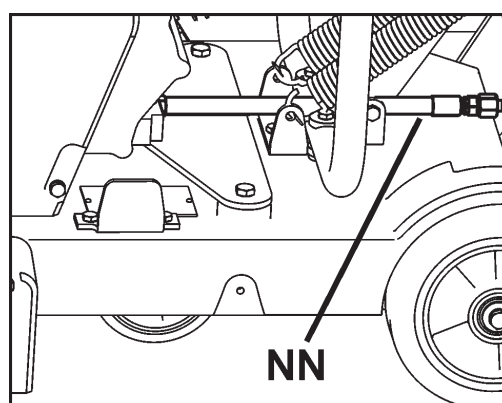


Dado que o motor funciona frequentemente a um ângulo de inclinação, verificar o nível do óleo com o motor na posição horizontal. Controlar com frequência para se assegurar de que o nível do óleo nunca desce abaixo da marca inferior existente sobre o indicador de óleo. Recomenda-se a utilização do óleo 10W30.

Para obter mais informações, consultar o manual de funcionamento do motor.

### Mudar o óleo do motor:

- Rodar o interruptor de arranque do motor (DD) para a posição de DESLIGADO (OFF) (0). Deixar o motor arrefecer. Utilizar o controlo da profundidade (EE) para inclinar a máquina ligeiramente para trás.
- Voltar a colocar o tubo flexível de drenagem do óleo (NN) ao lado da máquina. Colocar um recipiente adequado, com uma capacidade suficiente para conter todo o óleo do motor, ao lado da máquina para recolher o óleo.
- Abrir a extremidade do tubo flexível de drenagem do óleo (NN) e deixar o óleo verter para dentro do recipiente. Assim que o óleo tenha drenado, voltar a fechar o tubo flexível de drenagem do óleo (NN), apertar bem e repor o tubo flexível na sua posição inicial.



- Encher o motor com a quantidade de óleo recomendada; consultar o manual de funcionamento do motor para obter mais detalhes.
- Eliminar o óleo usado de uma forma ecologicamente aceitável.



## MANUTENÇÃO E LUBRIFICAÇÃO

**Tensão da correia de transmissão do eixo do disco:** Depois de algumas horas de funcionamento, deve reajustar-se a tensão da correia de transmissão. A polia da correia (MM) mantém a tensão da correia de transmissão.

### Ferramentas necessárias:

- Chave de 13 mm (fornecida com a máquina).
- Chave dinamométrica para apertar porcas de 9,53 mm (3/8 polegadas) (não incluída).
- Chave de 14 mm (não fornecida com a máquina).

1. Com a chave de 13 mm (U), retirar os três (3) parafusos M8 de fixação da protecção da correia (LL). Retirar a protecção da correia (LL).

2. Com as chaves de 13 mm e de 14 mm, afrouxar ligeiramente os dois (2) parafusos de fixação da polia da correia de transmissão (MM) [os parafusos indicados pelas duas (2) setas].

3. Colocar a chave dinamométrica sobre o orifício quadrado da polia da correia de transmissão (MM).

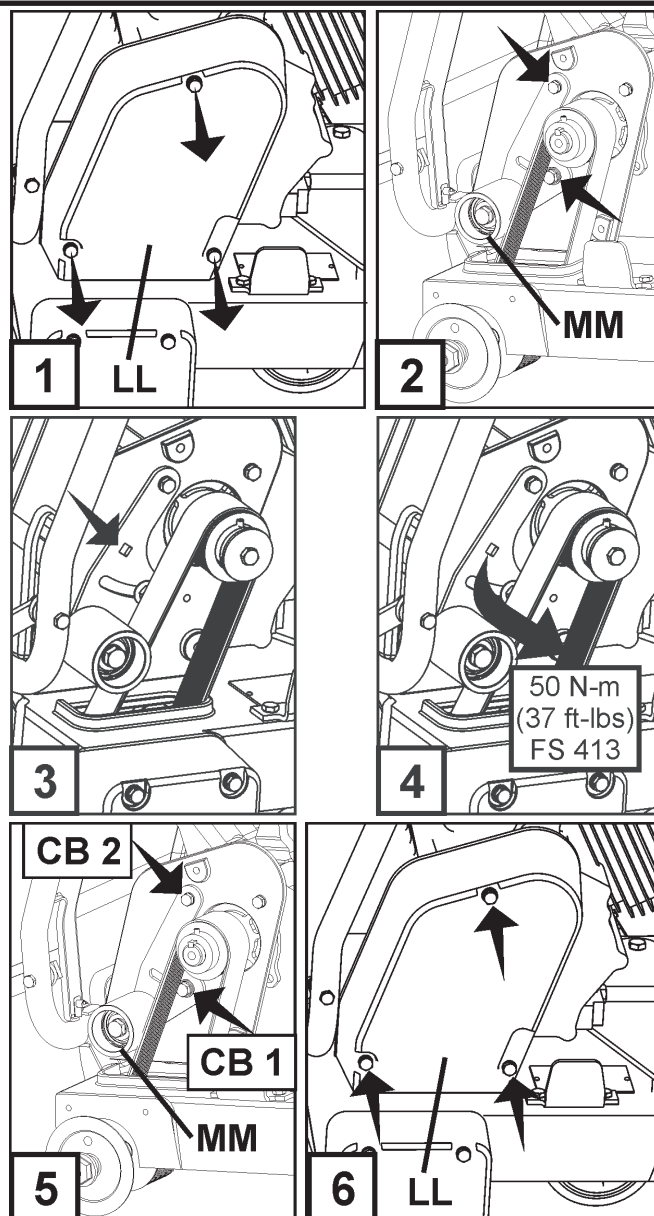
4. Apertar a polia da correia (MM) de forma que a polia da correia (MM) seja empurrada contra a correia em V. Apertar para o valor de torção indicado no diagrama 4.

5. Apertar o parafuso central (CB1) para segurar a polia da correia de transmissão (MM) na posição devida e, em seguida apertar o parafuso restante (CB2).

6. Voltar a instalar a protecção da correia (LL). Com a chave de 13 mm (U), apertar os três (3) parafusos M8 de fixação da protecção da correia (LL).

### Velocidade do regulador

É extremamente importante que o regulador e o acelerador de todos os motores de combustão interna estejam devidamente ajustados. A velocidade do motor é pré-configurada na fábrica para produzir uma velocidade de corte correcta. Normalmente, NÃO é necessário modificar esta configuração, que se deve verificar a intervalos regulares depois da máquina começar a ser utilizada. Para modificar a configuração do regulador, consultar o manual de funcionamento do motor.



### ⚠ ADVERTÊNCIA!

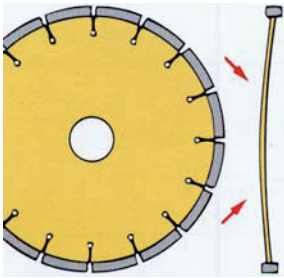
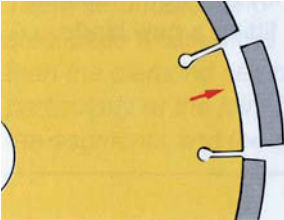
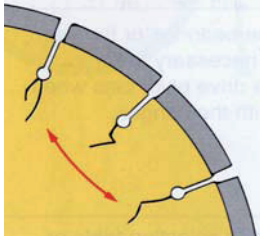


O excesso de velocidade do disco de diamante (H) pode provocar uma quebra do disco e e/ou lesões pessoais, tanto ao operador como a outras pessoas presentes! Para assegurar que o regulador está devidamente ajustado, consultar a tabela ao lado, para determinar a velocidade correcta do eixo do disco (RPM). Seguir as instruções do fabricante para configurar o ajustamento do regulador e do acelerador do motor.

## GUIA DE RESOLUÇÃO DE PROBLEMAS

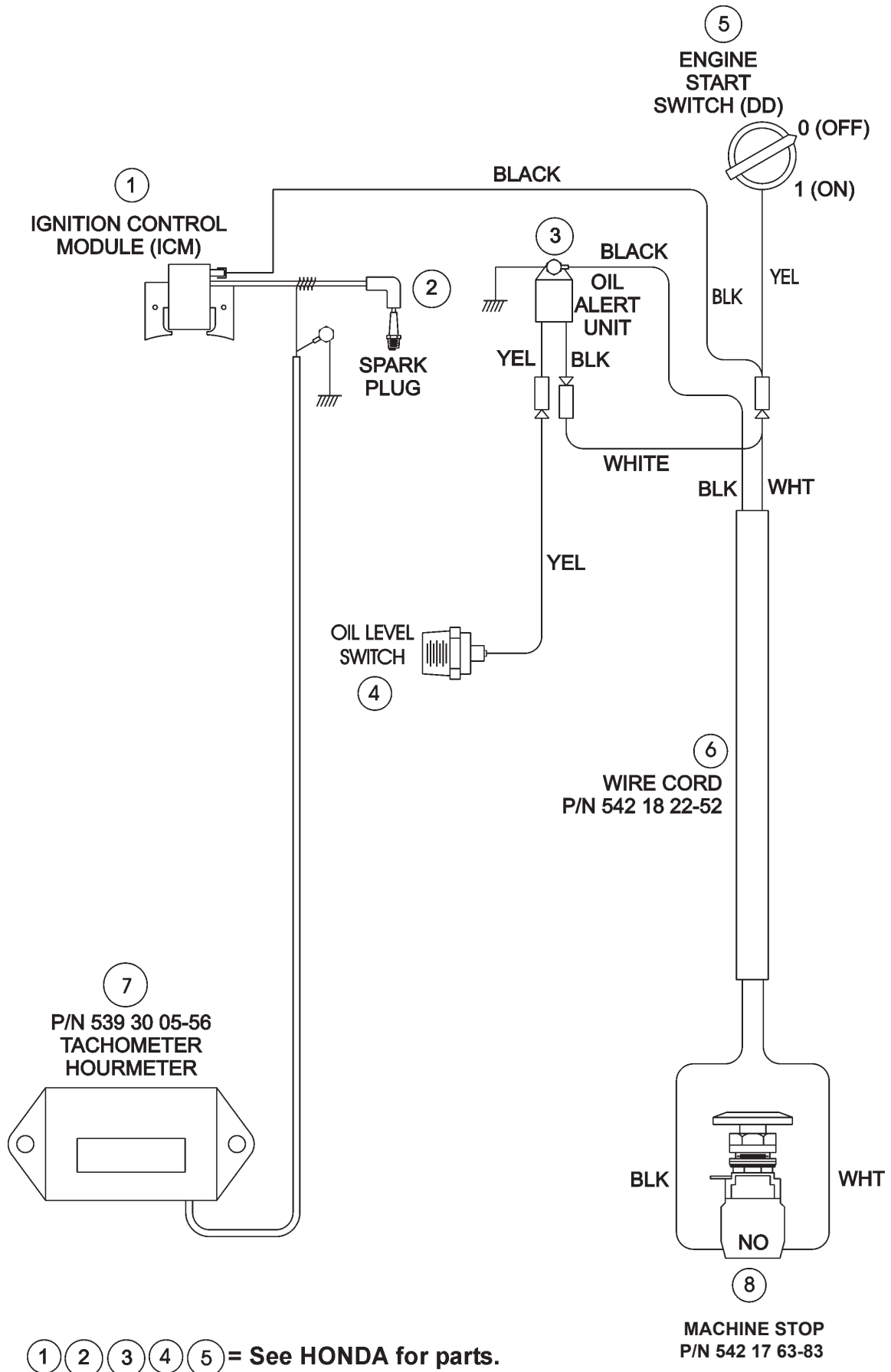
### O motor não arranca:

Causa	Acção
Os interruptores eléctricos não estão na posição correcta.	Verificar se o interruptor de paragem de máquina (AA) e o interruptor de arranque do motor (DD) estão AMBOS na posição de LIGADO (ON). O interruptor de paragem de máquina (AA) deve estar puxado para fora da cobertura e o interruptor de arranque do motor (DD) na posição de "1" (LIGADO / ON).
A válvula de carburante está fechada.	Abrir a válvula de carburante.
A válvula do obturador de arranque está aberta.	Fechar a válvula do obturador de arranque quando o motor estiver frio.
O depósito de carburante está vazio.	Encher o depósito de carburante.
Contaminação ou água gelada no sistema de gasolina.	Limpar o depósito, as condutas de carburante e o carburador. Encher o depósito de carburante limpo.
Acumulação nos eléctrodos das velas de ignição.	Limpar e controlar o afastamento dos eléctrodos.
O motor não arranca ou funciona irregularmente. O filtro de ar está entupido.	Limpar ou substituir o filtro de ar.

### Resolução de problemas do disco de diamante :

Problema	Causa e acção
<p>Perda de tensão do disco de diamante</p> 	<p>O disco está a ser utilizado sobre uma serra mal alinhada. Controlar o alinhamento da serra.</p> <p>O disco é excessivamente "duro" para o material a cortar, o que cria tensão no centro do disco de aço. Verificar se o disco é adequado para o material a cortar.</p> <p>As flanges de disco de diferentes diâmetros ou demasiado pequenas produzem uma pressão desigual sobre o centro do disco. Utilizar flanges de dimensões adequadas de cada lado do disco. Nunca utilizar flanges gastas ou danificadas.</p> <p>O disco utiliza-se a uma velocidade incorrecta (RPM). Assegurar-se de que o eixo do disco roda à velocidade correcta (RPM) para o tamanho de disco correspondente. Verificar as rotações por minuto com um taquímetro.</p> <p>O disco não está colocado correctamente sobre o mandril. Pode-se dobrar ou arquear quando as flanges são apertadas.</p>
<p>Perda de segmentos</p> 	<p>O disco é excessivamente "duro" para o material a cortar. Utilizar um disco mais "brando".</p> <p>Sobreaquecimento do disco, indicado por uma cor "azulada" no centro do disco. Verificar se o fornecimento de água é suficiente e se não está bloqueado.</p> <p>A serra está torcida durante o corte. Serrar unicamente em linha recta.</p> <p>O diâmetro interno do disco está desgastado e com uma forma excêntrica (oval). Substituir o disco e o fuso gastos.</p> <p>Segmento danificado durante a montagem ou o transporte. Evitar manipular o disco de diamante com brusquidão. Nunca transportar a máquina com o disco de diamante montado.</p>
<p>Núcleo do disco com fissuras</p> 	<p>O disco é excessivamente "duro" para o material a cortar. Utilizar um disco mais "brando".</p> <p>Sobreaquecimento do disco, indicado por uma cor "azulada" no centro do disco. Verificar se o fornecimento de água é suficiente e se não está bloqueado.</p> <p>A serra está torcida durante o corte. Serrar unicamente em linha recta.</p> <div style="border: 1px solid black; padding: 5px; margin-top: 10px;"> <p style="text-align: center;"><b>! ADVERTÊNCIA!</b></p> <div style="display: flex; align-items: center;">  <p>NÃO utilizar discos de diamante danificados! A utilização da máquina com um disco de diamante danificado pode provocar lesões pessoais ou a morte!</p> </div> </div>
<p>Segmentos do disco com fissuras</p> 	<p>O disco é excessivamente "duro" para o material a cortar. Utilizar um disco mais "brando".</p> <p>O disco utiliza-se a uma velocidade incorrecta (RPM). Assegurar-se de que o eixo do disco roda à velocidade correcta (RPM) para o tamanho do disco. Verificar as rotações por minuto com um taquímetro.</p>

# DIAGRAMA DAS LIGAÇÕES





# DADOS TÉCNICOS

Massa da máquina	
Massa nominal, kg (lb)	142 (313)
Massa máxima, kg (lb)	158 (348)

Eixo da lâmina e velocidade do motor	
Eixo da lâmina, RPM	2700
Motor, RPM	3600

Capacidade do depósito de água	
Litros	Galões americanos (galões britânicos)
25	6.6 (5.5)

Profundidade de corte	
Tamanho da lâmina, mm (polegadas)	Profundidade de corte máxima da lâmina, mm (polegadas)
500 (20)	189 (7,6)

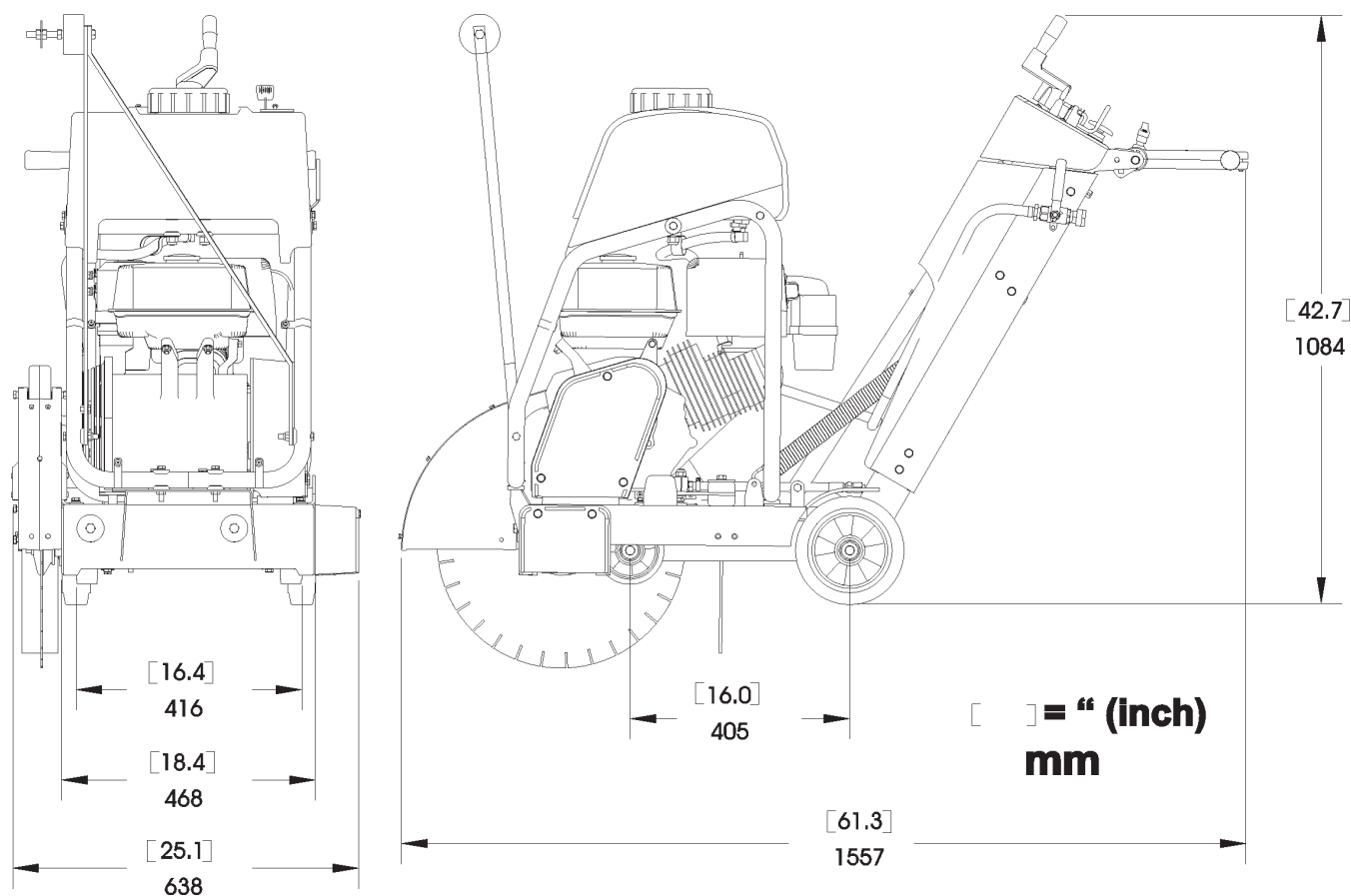
Tamanho da haste e do flange da lâmina	
Tamanho da haste, mm (polegadas)	25,4 (1)
Diâmetro do flange da lâmina, mm (polegadas)	114 (4,5)

Emissões de ruído (ver nota 1)	
Nível de potência sonora, dB(A) medidos	108
Nível de potência sonora, dB(A) garantidos	110
Níveis de som (ver nota 2)	
Nível de pressão sonora ao nível do ouvido do operador, dB(A)	88
Níveis de vibração, <sub>ahv</sub> (ver nota 3)	
Punho direito, m/s <sup>2</sup>	2,4
Punho esquerdo, m/s <sup>2</sup>	1,9

Nota 1: Emissões de ruído para as imediações, medidas sob forma de potência sonora (LWA) em conformidade com a Diretiva CE 2000/14/CE.

Nota 2: Nível de ruído em conformidade com a norma EN 13862. Os dados comunicados relativamente ao nível de pressão têm uma dispersão estatística standard (desvio padrão) de 4,0 dB(A).

Nota 3: Nível de vibração em conformidade com a norma EN 13862. Os dados comunicados relativamente ao nível de vibração têm uma dispersão estatística standard (desvio padrão) de 1,5 m/.s<sup>2</sup>

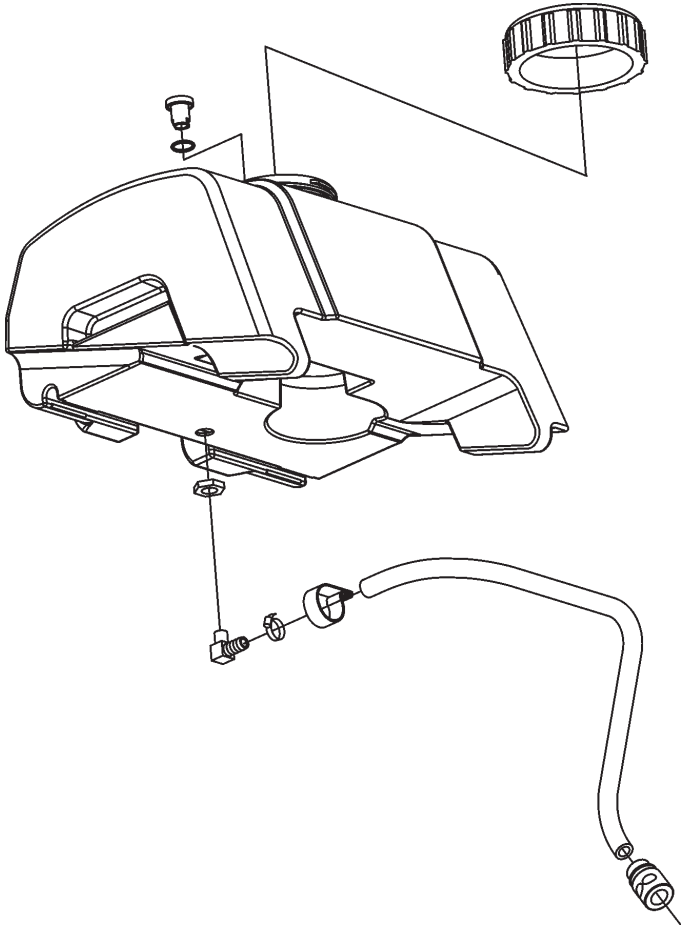


---

## ACESSÓRIOS

---

Conjunto do depósito de água  
Conjunto completo 541 20 82-86



---

# CERTIFICADOS DE CONFORMIDADE

---

**American National Standards Institute [Instituto Nacional Americano de Normas]:** Para os aparelhos utilizados nos Estados Unidos, esta máquina foi concebida em conformidade com a norma ANSI B7.1-2000, "Safety Requirements for the Use, Care and Protection of Abrasive Wheels" ["Requisitos de segurança para utilização, cuidado e protecção de rodas abrasivas"], do American National Standards Institute (ANSI). Para adquirir um exemplar desta norma, contactar o American National Standards Institute através do seguinte endereço:

American National Standards Institute  
25 West 43rd Street, 4th floor  
New York, NY 10036

Telefone: 212.642.4900  
Fax: 212.398.0023  
www.ansi.org

**CALIFORNIA AIR RESOURCES BOARD (CARB) [COMISSÃO DE RECURSOS DE AR DA CALIFÓRNIA]:** Esta máquina é considerada como uma aplicação para uso fora da via pública, segundo as normas CARB. Como material de construção e, em particular, como serra para betão (Serras: betão, maçonaria, corte), com motor de potência inferior a 19 KW (25 CV), as normas CARB não se aplicam a esta máquina.

Para obter mais informações, consultar o website: <http://www.arb.ca.gov/msprog/offroad/preempt.htm>

## CERTIFICADO CE DE CONFORMIDADE

(Válido unicamente na Europa)

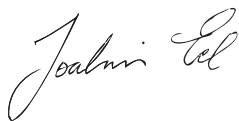
A **Husqvarna AB**, SE-561 82 Huskvarna, Suécia, tel. +46-36-146500, declara sob sua exclusiva responsabilidade que a serra plana **Husqvarna FS 413** com números de série do ano 2016 e seguintes (o ano é claramente identificado na etiqueta de tipo, seguido de um número de série) cumprem as disposições da DIRETIVA do CONSELHO:

- de 17 de maio de 2006, "referente a máquinas" 2006/42/CE.
- de 26 de fevereiro de 2014, "referente à compatibilidade eletromagnética", 2014/30/UE.
- de 8 de maio de 2000, "referente a emissões de ruído para o ambiente" 2000/14/CE.

Foram respeitadas as seguintes normas: EN ISO 12100:2010, CISPR12:2007+Amd1:2009, EN55012:2007+A1:2009, EN13862+A1:2009, EN ISO 14982:2009.

A SMP Svensk Maskinprovning AB, Fyrisborgsgatan 7035, SE--750 07 Uppsala, Suécia, efetuou o exame de tipo voluntário de acordo com o disposto na diretiva Máquinas (2006/42/CE), a pedido da Husqvarna AB. O certificado tem o número: SEC/17/2478

Gotemburgo, 26 de fevereiro de 2016



Joakim Ed  
Diretor global de I&D  
Equipamento de construção da Husqvarna AB  
(Representante autorizado da Husqvarna AB e responsável pela documentação técnica.)

---

## INFORMAÇÕES DE CONTACTO

---



**Construction Products, North America**

**Corporate Office**

17400 West 119th Street, Olathe, Kansas 66061 EUA

Telefone da sede social: 913-928-1000

Fax da sede social: 913-438-7951

[www.husqvarna.com](http://www.husqvarna.com)

Para obter serviço técnico local, contactar o representante da Husqvarna Construction Products

### **Europa / Europe:**

**Husqvarna Construction Products**

SE-433 81 Partille, Sweden

Tel: +46 31 94 90 00

Fax: +46 31 94 90 50

### **Asia Pacific:**

**Husqvarna Construction Products, Australia Pty Ltd**

25-31 Kinkaid Avenue,  
North Plympton, Adelaide,  
South Australia 5037

Tel:+61 (0)8 8375 1000

Fax:+61 (0)8 8371 0990

### **The Americas:**

**Husqvarna Construction Products, North America**

17400 West 119th Street, Olathe, Kansas 66061 USA

Toll-Free Telephone: 800-288-5040, Telephone: 913-928-1300

Fax: 913-438-7938



# INNEHÅLLSFÖRTECKNING och INTRODUKTION

Innehållsförteckning	
Avsnitt	Sida
Innehållsförteckning och introduktion .....	139
Symboler och dekaler .....	140-144
Säkerhetsanvisningar .....	145-148
Delar (Vad är vilket) .....	150-151
Montering .....	152-156
Drift .....	157-161
Underhåll och smörjning .....	162-164
Felsökning .....	165
Kopplingschema .....	166
Tekniska data .....	167-168
Tillbehör .....	169
Konformitetscertifikat .....	170
Kontaktinformation .....	171

## Introduktion

Tack för att du köpt din nya maskin från Husqvarna Construction Products. Det finns viktiga säkerhetsmeddelanden i denna bruksanvisning och på maskinen. Läs dessa meddelanden noga. Ett säkerhetsmeddelande uppmärksammar dig på eventuella risker som kan skada dig eller andra. Varje säkerhetsmeddelande föregås av en symbol eller varningssymbolen (⚠) och ett av två ord, **VARNING** eller **VAR FÖRSIKTIG**.

Dessa varningar betyder:

**⚠ VARNING:** Indikerar en farlig situation som, om den inte undviks, KAN resultera i död eller allvarlig skada.

**⚠ VAR FÖRSIKTIG:** Indikerar en farlig situation som, om den inte undviks, KAN resultera i mindre eller måttlig skada. Varningen kan även användas till att göra dig uppmärksam på osäker praxis.

Varje säkerhetsmeddelande anger vad som är farligt, vad som kan hända och vad du kan göra för att undvika eller minska skada. Andra viktiga meddelanden föregås av ordet **OBS**.

**OBS** betyder:

**OBS!** Indikerar en farlig situation som, om den inte undviks, kan resultera i skada på egendom. Din maskin eller annan egendom kan skadas om du inte följer denna anvisning.

Säkerhetsetiketterna ska inspekteras och rengöras regelbundet av användaren så att de är lätta att läsa på ett säkert avstånd. Om en etikett är sliten, skadad eller inte går att läsa ska den bytas ut.

## ⚠ VARNING!

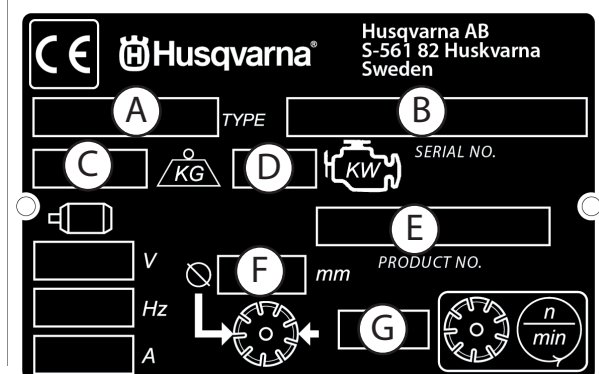
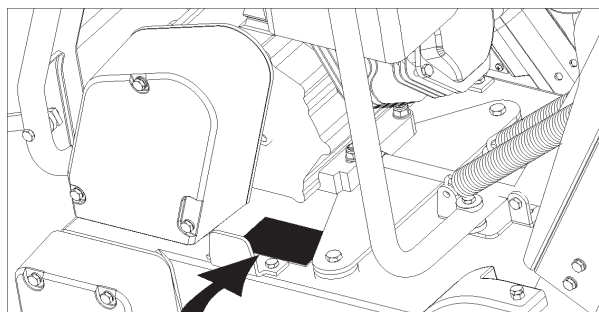


Innan du kör maskinen ska du läsa och förstå hela bruksanvisningen och motorns bruksanvisning, som medföljer motorn.



Bli bekant med maskinen före drift!

**Modellidentification:** Kopiera informationen på maskinens märkplåt nedan för framtida bruk.



A. Modell: \_\_\_\_\_

B. Tillverkningsdatum, år, vecka, serienummer: \_\_\_\_\_

C. Maskinens vikt (kg) \_\_\_\_\_

D. Motoreffekt (KW) \_\_\_\_\_

E. Produktnummer \_\_\_\_\_

F. Klingdiameter (mm) \_\_\_\_\_

G. Klingans hastighet (varv/minut) \_\_\_\_\_

Annan information som inte visas på maskinens märkplåt:

**Motorns serienummer:** \_\_\_\_\_

Se motorns bruksanvisning beträffande placering.

**Inköpsdatum:** \_\_\_\_\_

## SYMBOLER och DEKALER



Läs bruksanvisningen innan du kör maskinen för första gången



Denna symbol visar att maskinen uppfyller tillämpligt europeiskt direktiv.



Obligatoriskt



Indikation



Förbud



Varningstriangel



Använd ögonskydd.



Använd andningsskydd.



Användning av hörselskydd är obligatoriskt.



Använd skydd för huvudet.



Använd säkerhetsskor.



Använd lämplig klädsel.



Ta bort bladet innan du hissar, lastar, lossar och transporterar maskinen.



Maskinstopp, Transmissionsstopp.



Använd i väl ventilerat område



ANVÄND EJ i brandfarliga områden.



Maskinfara, håll händer och fötter borta.



Het ljuddämpare. Kan orsaka brännskador och eller tända material. Undvik kontakt.



Varning, giftiga avgaser.



Håll åskådare borta.



Rökning förbjuden



KÖR INTE utan bladskydd på plats



Håll alltid alla skydd på plats



Vattenförsörjning På



Vattenförsörjning Av



Vattenförsörjning

## SYMBOLER och DEKALER



Bladvattensäkerhetsbrytare.



Motorns kylvätsketemperatur.



Håll arbetsområdet rent och väl upplyst. Avlägsna alla faror.



Farligt hög ljudnivå.



Var extremt noga med skötsel och skydd av maskinen innan du startar den.



Avlägsna verktyg från området och maskinen.



Motorns oljetryck.



Olja krävs



Oljesticka, håll rätt oljenivå



Smörjpunkt



Hög hastighet



Låg hastighet



Elektrisk brytare - Av



Elektrisk brytare - På



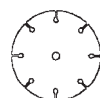
Elektrisk brytare - Start



Reparationer ska utföras endast av en auktoriserad återförsäljare.



Strålkastare.



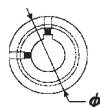
Diamantblad.



Bladdiameter.



Bladingrepp



Remskivans diameter.



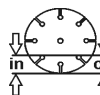
Antal varv per minut, varvhastighet.



Bladets flänsdiameter.



Bladdjupstopp.



Skärdjupindikator – skärdjup.



Parkeringsbroms.



Parkeringsbroms på (inkopplad).



Parkeringsbroms av (urkopplad).

## SYMBOLER och DEKALER



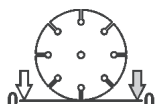
Maskinvikt (kilogram).



Pilen på verktygsskyddet anger riktningen för verktygets rotation.



Positiv batteripol.



Bladdjupsindikator – Noll.



Elektrisk motor.



Motor.



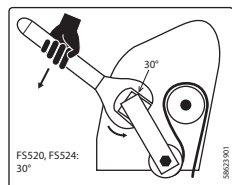
Motorhastighet varv/minut.



Motorstart.



Endast blyfritt bränsle.



30° skiftnyckel



Bulleremissioner till omgivningen enligt Europeiska Gemenskapens direktiv. Maskinens emission anges i avsnittet Tekniska data och på etiketten.

## SYMBOLER och DEKALER



P/N 542 19 07-33  
Plats: Kåpens framsida

### FS 413

P/N 542 19 07-112  
Plats: Vänster och höger  
sida av ramen (endast FS 413)

For local service, please contact your local Husqvarna Construction Products representative.

Para efectuar un servicio local, póngase en contacto con su representante local de Husqvarna Construction Products.

Pour toute réparation, contacter le représentant local de Husqvarna Construction Products.

Für Service vor Ort wenden Sie sich bitte an Ihren örtlichen Vertreter von Husqvarna Construction Products.

Neem voor plaatselijke service contact op met uw plaatselijke vertegenwoordiger van de constructieproducten van Husqvarna.

Per assistenza, rivolgersi al rappresentante di zona della Husqvarna Construction Products.

För service på platsen, kontakta din lokala representant för Husqvarna Construction Products.

Para obter serviço técnico local, contactar o representante da Husqvarna Construction Products local.

#### Europa / Europe:

Husqvarna  
Construction Products  
SE-433 81 Partille, Sweden  
Tel: +46 31 94 90 00  
Fax: +46 31 94 90 50

#### Asia Pacific:

Husqvarna  
Construction Products,  
Australia Pty Ltd  
25-31 Kinkaid Avenue,  
North Plympton, Adelaide,  
South Australia 5037  
Tel: +61 (0)8 8375 1000  
Fax: +61 (0)8 8371 0990

#### The Americas:

Husqvarna Construction Products,  
North America  
17400 West 119th Street,  
Olathe, Kansas 66061 USA  
Toll-Free Telephone: 800-288-5040,  
Telephone: 913-928-1300  
Fax: 913-438-7938

P/N 542 19 06-46 Lokal service  
Plats: Sidan av ramen

P/N 542 19 05-88

Inch

0

1

2

3

4

5

6

7

Inch

7.6

cm

0

2.5

5

7.5

10

12.5

15

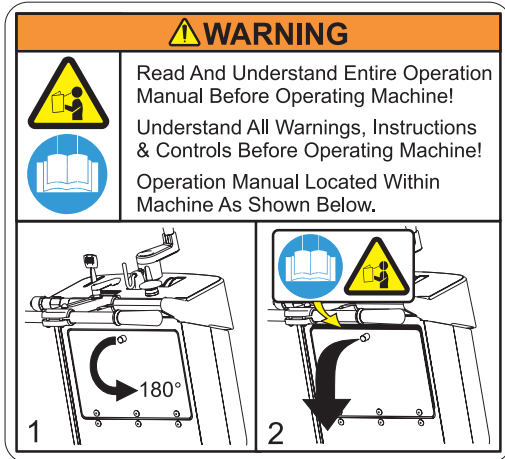
17.5

19

cm

P/N 542 19 05-88  
Plats: Underställning

# SYMBOLER och DEKALER



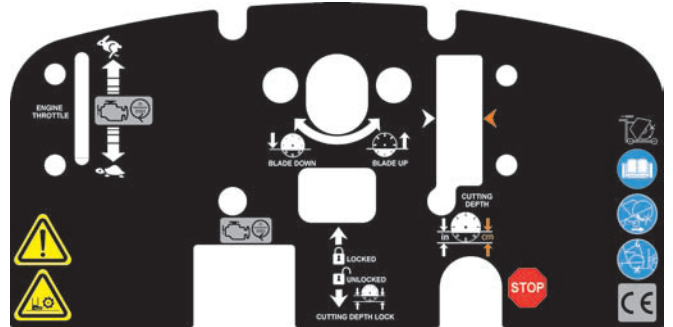
P/N 542 19 05-93  
Plats: Baksidan av kåpan



P/N 542 16 90-65  
Plats: Ovanpå remkåpan



P/N 542 19 06-17  
Plats: Vattentanken  
(om tillämpligt)



P/N 502 24 01-05  
Plats: Ovanpå kåpan



P/N 542 19 06-38  
Plats: Baksidan av kåpan

PATENT PENDING

P/N 542 16 12-35  
Plats: Överst till höger  
på ramen

# SÄKERHETSANVISNINGAR

## Allmän användning

### **VARNING!**



Innan du kör maskinen ska du läsa och förstå hela bruksanvisningen och motorns bruksanvisning, som medföljer motorn.



Bli bekant med maskinen före drift!



Operatören måste ha på sig personlig skyddsutrustning och -kläder som lämpar sig för arbetet. Personlig skyddsutrustning, t.ex. hörsel och ögonskydd, är obligatorisk.



Arbetsområdet måste vara helt fritt, väl upplyst och alla faror avlägsnade.



Alla personer som inte har med arbetet att göra ska lämna området.



**VARNING!** Klingaxeln roterar när motorn dras igång eller startas.



**VARNING!** Ta inte i verktyget när maskinen kör.

## Bränslesäkerhet:



**VARNING!** Var försiktig när du hanterar bränsle. Var uppmärksam på risken för brand, explosion och att andas in ångor.

- Förvara bränsle endast i behållare som är godkända för ändamålet.
- Fyll på bränsle endast med motorn AV. Avlägsna aldrig bränslelocket och fyll på tanken medan motorn går.
- Fyll alltid på bränsle i ett väl ventilerat område.
- Fyll aldrig en bränsletank inomhus.
- Låt motorn kallna innan du fyller på bränsle.



**Fyll aldrig på bränsle i närheten av gnistor eller flammor. Använd inte maskinen i ett brandfarligt område.**



**Rök inte medan du fyller på bränsle eller använder maskinen.**

- Flytta maskinen 3 meter från tankningsstället innan du startar motorn.
- Starta aldrig maskinen:
  - 1) Om bränsle har spillts på maskinen. Torka upp spill och vänta tills återstående bränsle har avdunstat.
  - 2) Om du har spillt bränsle på dig själv eller dina kläder. Använd tvål och vatten till att tvätta den del av din kropp som har fått kontakt med bränsle.
  - 3) Om maskinen läcker bränsle. Kontrollera regelbundet att bränslelocket och bränsleledningarna inte läcker.
- Förvara och transportera maskin och bränsle så att det inte finns någon risk för att läckage eller ångor får kontakt med gnistor eller flammor, till exempel, elektriska maskiner eller elektriska motorer, elektriska reläer / brytare, eller värmare.



## DAMMVARNING

**Skärning, särskilt TORR skärning, skapar damm som kommer från det material som skärs. Detta innehåller ofta kiselsyra.** Kiselsyra är en grundkomponent i sand, kvarts, tegellera, granit och många andra mineral och bergarter. Om man utsätts för alltför mycket sådant damm kan det orsaka:

- RLUftvägssjukdomar (som påverkar din förmåga att andas), innefattar kronisk luftrörskatarr, stendammslunga och lungfibros pga exponering till kiselsyra. Dessa sjukdomar kan vara dödliga;
- Irritation och utslag på huden; och
- Cancer enligt NTP\* och IARC\*

\* National Toxicology Program, International Agency for Research on Cancer

Vidtag försiktighetsåtgärder

- AUndvik att andas in, samt hudkontakt med damm, dimma och ångor;
- Skär vått när det är möjligt, för att undvika damm;
- Ha på dig och se till att alla i närheten har på sig lämpliga andningsskydd, t.ex. dammaskar som är utformade för att filtrera bort mikroskopiska partiklar. (Se OSHA 29 CFR Part 1910.1200)

### Varning enligt Kaliforniens Proposition 65:

Användande av denna produkt kan orsaka exponering till material som staten Kalifornien vet kan orsaka cancer och/eller missbildningar eller andra fosterskador.

## SÄKERHETSANVISNINGAR



### VARNING GIFTIGA AVGASER



**DENNA SÅG LEVERERAS FRÅN FABRIKEN UTAN NÅGON KATALYTISK AVGASRENARE.** MOTORN PRODUCERAR KOLOS I AVGASERNA OCH ÄR **INTE SÄKER** FÖR ANVÄNDNING I SLUTNA OMRÅDEN. ANVÄNDNING AV EN KATALYTISK AVGASRENARE MINSKAR KOLOSET I AVGASERNA, MEN MOTORN ÄR FORTFARANDE **INTE SÄKER** FÖR ANVÄNDNING I SLUTNA OMRÅDEN.

ANVÄND ENDAST I VÄL VENTILERADE OMRÅDEN. LUFTKVALITETEN PÅ ARBETSPLATSEN MÅSTE UPPFYLLA AMERIKANSKA OSHA 29 CFR 1910.1000 PER TABELL Z-1, GRÄNSER FÖR LUFTFÖRORENINGAR.

ÖVERVAKA LUFTENS KVALITET PÅ ARBETSPLATSEN FÅR ATT SÄKERSTÄLLA UPPFYLLELSE. FÖRSUMMELSE ATT UPPFYLLA DETTA MEDFÖR FARA FÖR LIVET OCH PERMANENT SKADA ELLER DÖD.

#### Allmän information

Kolos, koloxid (CO) utmärker sig genom att vara en av de få vanligt förekommande industriella gaser som både är mycket giftig och luktfri. När det andas in fungerar kolos som ett kemiskt kvävmedel genom att förenas permanent med hemoglobin i blodomloppet. Resultatet blir att hemoglobin inte kan transportera sin normala mängd syre, vilket i sin tur gör att vävnader inte syrsätts som de ska. Symptom på lätt kolosförgiftning omfattar huvudvärk, yrsel, förvirring, och illamående. **Men fortsatt eller mer intensiv exponering leder till medvetlöshet, permanent skada och död.** På grund av de hälsorisker som medföljer inandning av kolos, har amerikans Occupational Safety and Health Administration (OSHA) etablerat gränser för personlig exponering. OSHA:s exponeringsgränser, som specificeras i skriften 29 CFR 1910,1000 (1998 Revision), tillåter upp till 200 PPM och ett TWA av 35 PPM per 8-timmars skift/40 timmars arbetsvecka. Vi rekommenderar starkt att OSHA 29 CFR 1910.1000 (Code of Federal Regulations) konsulteras för att få ytterligare information om exponeringsgränser för olika farliga material. Om du misstänker kolosförgiftning ska du genast avlägsna offret ut till friska luften och skaffa läkarvård.

#### Rätt ventilation:

**DENNA SÅG LEVERERAS FRÅN FABRIKEN UTAN NÅGON KATALYTISK AVGASRENARE.** Det är viktigt att vara medveten om att sågar med katalytisk avgasrenare minskar utsläpp av kolos (CO) och kolväte (HC). Men avgaserna innehåller fortfarande kolos, CO. Om arbetsplatsen är alltför begränsad eller inte tillräckligt ventilerad kan kolos ackumuleras tills det så småningom överskrider OSHA:s gränser. När detta inträffar måste man avlägsna arbetare från områden med hög koncentration. Operatörer och arbetsledare ska vidta försiktighetsåtgärder för att säkerställa tillräcklig ventilation av arbetsplatsen hela dagen. Kolosavkännare ska användas för att bestämma att ventilationen är tillräcklig.



### VARNING FARA FÖR HÖRSELN

UNDER NORMAL ANVÄNDNING AV DENNA MASKIN KAN OPERATÖREN UTSÄTTAS FÖR EN LJUDNIVÅ SOM ÄR **85 dB (A)** ELLER HÖGRE. RESULTATET KAN BLI TEMPORÄR OCH/ELLER PERMANENT SKADA PÅ HÖRSELN. HÖRSELSKYDD ERFORDRAS.



# SÄKERHETSANVISNINGAR

## SÄKERHET FÖRST!



### VARNINGAR GÖR OCH GÖR EJ



#### **VARNING: FÖRSUMMELSE ATT IAKTTA DESSA VARNINGAR OCH BRUKS- ANVISNINGAR KAN LEDA TILL DÖD ELLER ALLVARLIG KROPPSSKADA.**

#### **GÖR**

- GÖR** Läs hela den här bruksanvisningen innan du kör denna maskin. Läs och förstå alla varningar, anvisningar, reglage, och symboldefinitioner som visas i denna bruksanvisning och på maskinen.
- GÖR** Ge alltid en kopia av denna bruksanvisning till personen som använder utrustningen. Om du behöver extra kopior, ring (gratis inom USA) +1 800 288-5040, eller +1 913 928-1300 för internationella samtal, eller se avsnittet "Kontaktinformation" i denna bruksanvisning.
- GÖR** Håll alla skydd på plats och i gott skick.
- GÖR** Ha på dig godkända säkerhetsskydd för hörseln, ögonen, huvudet och andningen.
- GÖR** Läs och förstå alla varningar och anvisningar på maskinen.
- GÖR** Håll alla delar av din kropp borta från bladet och alla andra rörliga delar.
- GÖR** Vet hur man stoppar maskinen snabbt i nödfall.
- GÖR** Slå av motorn och låt den kallna innan du fyller på bränsle eller utför underhåll.
- GÖR** Se till att bladet, flänsar och axeln inte är skadade innan du installerar bladet.
- GÖR** Använd den bladflänsstorlek som visas för varje bladstorlek.
- GÖR** Använd endast diamantblad med stål i mitten som är gjorda för användning med betongsågar.
- GÖR** Använd endast de bladflänsar som medföljer sågen. Använd aldrig skadade eller slitna bladflänsar.
- GÖR** Använd endast blad som är märkta med en maximal drifhastighet som är större än bladaxelns hastighet. Bekräfta hastighet genom att kontrollera bladaxelvarvtal och diametrar på remskiva och bladflänsar.
- GÖR** Verifiera sågens driftkonfiguration genom att kontrollera bladaxelvarvtal, remskivornas diametrar och bladets flänsdiameter.
- GÖR** Läs alla säkerhetsmaterial och anvisningar som medföljer blad som används med denna maskin.
- GÖR** Inspektera varje blad noga innan du använder det. Om det finns några tecken på skada eller ovanligt slitage, **ANVÄND INTE BLADET.**
- GÖR** Montera bladet stadigt och fast. Dra åt spindelmuttern med en nyckel.
- GÖR** Säkerställ att bladet och flänsar är rena och fria från smuts och skräp innan du monterar bladet på sågen.
- GÖR** Använd rätt blad för den sorts arbete som utförs. Kontrollera med bladets tillverkare om du inte vet om det är rätt blad.
- GÖR** Var försiktig och följ anvisningarna när du laddar och lossar maskinen.
- GÖR** Kör denna maskin endast in väl ventilerade områden. Att andas giftiga avgaser kan leda till döden.
- GÖR** Säg till åskådare var de får stå när maskinen kör.
- GÖR** Etablera ett utbildningsprogram för alla operatörer för denna maskin.
- GÖR** Kör bort onödiga personer från arbetsområdet. Låt aldrig någon stå framför eller bakom bladet medan motorn går.
- GÖR** Säkerställ att bladet inte har kontakt med någonting innan du startar motorn.
- GÖR** Var försiktig när du lyfter och transporterar denna maskin.
- GÖR** Surra alltid fast maskinen under transport.
- GÖR** Var försiktig och följ anvisningar när du ställer i ordning eller transporterar maskinen.
- GÖR** Få all service utförd av kompetent servicepersonal
- GÖR** Verifiera att bladets spindelhål matchar maskinens spindel innan du monterar bladet.
- GÖR** Kontrollera alltid om det finns några begrävda faror, t.ex. gasledning, innan du sågar. Kontakta alltid lokala el- och gas- och telefonbolag innan du kör i okända områden.
- GÖR** Flytta maskinen minst 3 meter från tankstället innan du startar motorn och säkerställ att bränslelocket är på maskinen och ordentligt åtdraget.
- GÖR** Lyft maskinen endast med den specificerade lyftpunkten
- GÖR** Rengör maskinen efter varje dags användning.
- GÖR** Använd rätt bladflänsstorlek för varje bladstorlek. Använd aldrig skadade eller slitna bladflänsar.
- GÖR** Var försiktig när du hanterar bränsle.
- GÖR** Skär endast i raka snitt och såga bara så djupt som jobbspecifikationen kräver.

# SÄKERHETSANVISNINGAR

## SÄKERHET FÖRST!



### VARNINGAR GÖR OCH GÖR EJ



**VARNING: FÖRSUMMELSE ATT IAKTTA DESSA VARNINGAR OCH BRUKS-  
ANVISNINGAR KAN LEDA TILL DÖD ELLER ALLVARLIG KROPPSSKADA.**

### GÖR EJ

- GÖR EJ** Kör inte denna maskin om du inte har läst och förstått denna bruksanvisning.
- GÖR EJ** Kör inte denna maskin utan bladskyddet, eller andra skydd på plats.
- GÖR EJ** Stå inte framför eller bakom bladets riktning medan motorn går.
- GÖR EJ** Lämna inte denna maskin utan tillsyn medan motorn går.
- GÖR EJ** Arbeta inte på denna maskin medan motorn går.
- GÖR EJ** Kör inte denna maskin när du är trött, utmattad eller påverkad av mediciner eller alkohol.
- GÖR EJ** Använd inte ett vått blad utan tillräcklig vattenförsörjning till bladet.
- GÖR EJ** Överskrid inte maximum bladhastighet som visas för varje bladstorlek. Alltför stor hastighet kan leda till att blad brister.
- GÖR EJ** Kör inte maskinen om du är osäker på hur man hanterar den.
- GÖR EJ** Använd inte skadad utrustning eller blad.
- GÖR EJ** Rör inte vid eller stoppa ett blad som rör sig med handen.
- GÖR EJ** Spänn, kläm, bänd eller vrid inte bladet i ett skär.
- GÖR EJ** Transportera inte en skärmaskin med bladet monterat på maskinen.
- GÖR EJ** Använd inte ett blad som har tappats eller skadats.
- GÖR EJ** Använd inte hårdmetallbestyckade blad.
- GÖR EJ** Rör inte vid ett torrskärande diamantblad omedelbart efter användning. Dessa blad behöver kallna i flera minuter efter varje skär.
- GÖR EJ** Använd inte skadade eller slitna bladflänsar.
- GÖR EJ** Låt inte andra människor vara nära maskinen när du startar, fyller på bränsle, eller när maskinen kör.
- GÖR EJ** Kör inte denna maskin i ett slutet område. Att andas giftiga avgaser kan leda till döden.
- GÖR EJ** Kör inte denna maskin i närheten av något som är brandfarligt. Gnistor kan skapa brand eller en explosion.
- GÖR EJ** Låt inte bladet sticka fram från skyddet mer än 180 grader.
- GÖR EJ** Kör inte denna maskin med remskydden eller bladskyddet borta.
- GÖR EJ** Kör inte denna maskin om du inte har blivit speciellt utbildad på dess drift.
- GÖR EJ** Använd inte ett blad som har blivit överhettat (Kärnan får en blå skiftning).
- GÖR EJ** Kläm inte in material i bladet.
- GÖR EJ** Slipa inte på sidan av bladet.
- GÖR EJ** Bogsera inte denna maskin efter ett fordon.
- GÖR EJ** Kör inte denna maskin med några skydd eller skärmar borta.
- GÖR EJ** Skär inte djupare än 2,5 cm per pass med ett torrt blad. Skär i steg för att skapa djupare skåror.
- GÖR EJ** Kör inte denna maskin när du är påverkad av mediciner eller alkohol.

\*\*\*\*\*

Denna såg utformades endast för vissa tillämpningar. Modifiera INTE denna såg eller använd den för någon tillämpning annat än vad den konstruerades för. Om du har några frågor beträffande dess tillämpning, använd INTE sågen förrän du har skrivit till Husqvarna Construction Products och vi har givit råd.

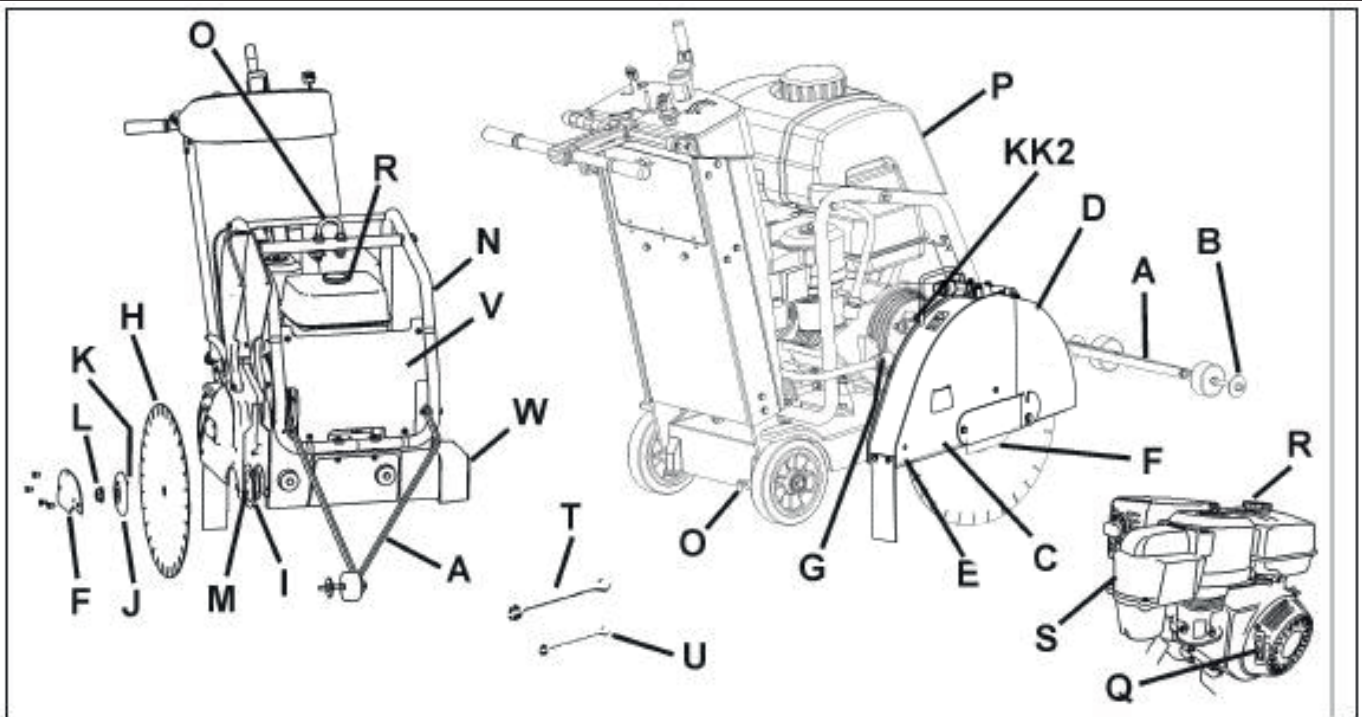
Husqvarna Construction Products North America  
17400 West 119th Street, Olathe, Kansas 66061 USA

---

## ANTECKNINGAR

---

## DELAR (VAD ÄR VILKET)



**A. Främre pekare:** Används till att styra maskinen rakt.

**B. Ledhjul:** På främre pekare (A). Rikta in mot skärlinje och Blad (H) så att du skapar raka skär.

**C. Bladskydd:** Täcker bladet (H). Måste alltid vara på plats när maskinen körs! OBS! verktygets riktning är märkt på skyddet med en pil.

**D. Bladskyddets framdel:** Del av bladskydd. Kan höjas för att installera bladet (H).

**E. Bladskyddets bakre bult:** Håller bladskyddet (C) på plats. Måste avlägsnas och placeras om när bladskyddet (C) flyttas.

**F. Bladskyddets låsplåt:** Täcker den yttre flänsen (J).

**G. Vattenslangens snabbkoppling (G):** Ansluter bladskyddet (C) till vattenventilen (KK) eller vattentanken (P). Kan användas när bladskyddet (C) är monterat på vänster eller höger sida av maskinen

**H. Blad:** Verktyg som skär asfalt- eller betongmaterial – medföljer inte maskinen.

**I. Inre fläns:** Spindel på vilken bladet (H) är monterat. Byt om skadad eller sliten.

**J. Yttre fläns:** Används till att hålla bladet (H) på plats. Innehåller låsstift (K) som måste gå genom bladet (H). Byt om skadad eller sliten.

**K. Låsstift:** Håller bladet (H) på plats. Byt om skadad eller sliten.

**L. Bladaxelmutter (L1 / L2):** Håller yttre fläns (J) på maskinen. Muttern (L1) på maskinens högra sida har vänstergångor. Muttern (L2) (visas ej) på maskinens vänstra sida har hörgångor.

**M. Bladspindel:** Bladet (H) monteras på denna yta.

**N. Vattentank / Stöd för lyftpunkt:** Håller vattentanken (P). Stöder lyftpunkten (O).

**O. Lyftpunkt:** Lyft maskinen endast vid denna punkt!

**P. Vattentank (Om så utrustad):** 25 liter (6,6 U.S. Gallon) vattenkapacitet. Fyll endast med vatten! Fyll inte med bensin eller andra brandfarliga ämnen! Använd endast för att damnedslagning vid torr skärning. Använd endast med lasersvetsade (torra) diamantblad (H).

**Q. Snodd för motorstart:** Använd till att starta motorn. Se motorns bruksanvisning.

**R. Motorbränsletank:** Bränslepåfyllningspunkt. Se motorns bruksanvisning.

**S. Motorluftrenare:** Kontrollera dagligen. Rengör var fjärde (4) timma om du skär under dammiga omständigheter. Se motorns bruksanvisning.

**T. Bladaxelnnyckel (27 mm):** Använd till att installera och ta bort bladet (H). Förvara i verktygslådan (BB).

**U. Nyckel (13 mm):** Använd för diverse underhåll på maskinen. Förvara i verktygslådan (BB).

**V. Främre kåpa:** Fästs vid vattentankstödet (N). Öppna för att slå motorns startbrytare (DD) PÅ (1) eller AV (0).

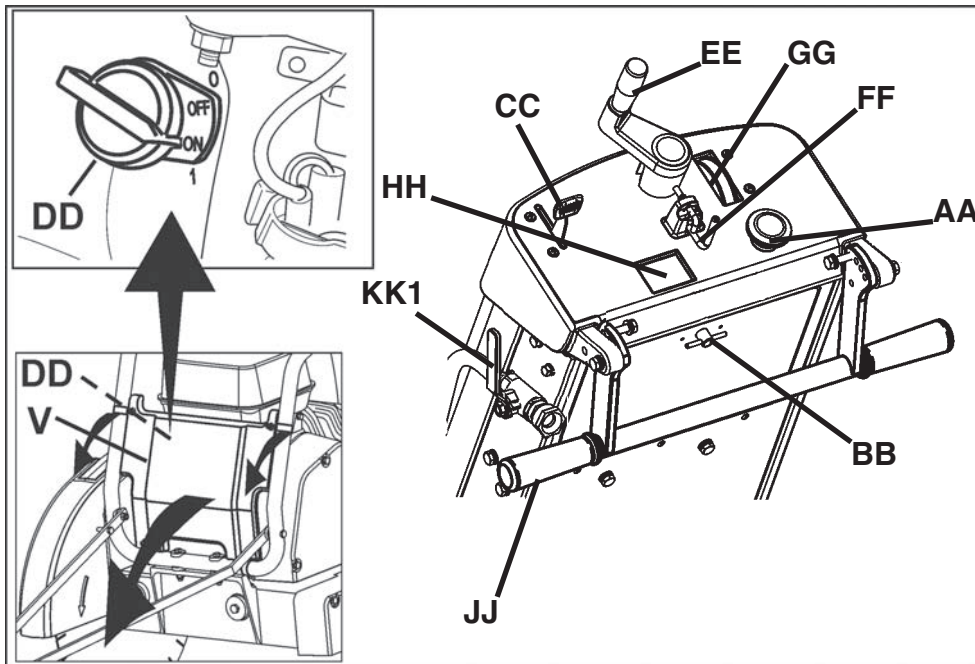
**W. Axelskydd:** Skyddar den inre flänsen (I). Installeras alltid på motsatt sida mot bladskyddet (C).

**X. Smörjnippel för bladdjupreglage:** Visas ej. Se avsnittet Underhåll i detta dokument.

**Y. Bladskyddets monteringspade:** Håller bladskyddet (C) på plats.

**Z. Oljesticka:** Använd till att kontrollera motoroljans nivå (visas ej – se avsnittet Drift i detta dokument).

## DELAR (VAD ÄR VILKET)



**AA. Maskinstopp:** Tryck på brytaren för att STOPPA motorn i nödfall. Återställ genom att dra ut (dra upp) så att maskinen kan starta om.

**BB. Verktygslåda:** Innehåller bruksanvisningen, reservdelslista, och två nycklar (T och U) (13 mm och 27 mm). Öppna genom att vrida 180 grader. Lägg alltid tillbaka bruksanvisningen hit för framtida bruk.

**CC. Motorns gasreglage:** Reglerar motorns hastighet (RPM). Tryck framåt om du vill öka motorns hastighet. Dra bakåt om du vill minska motorns hastighet. All sågning görs vid maximal motorhastighet.

**DD. Motorns startbrytare:** Placerad på motorn, bakom den främre kåpan (xxx). Måste vara PÅ (1) för att starta motorn. Använd reglaget till att slå AV motorn ("0") när det inte är något nödfall.

**EE. Bladdjupreglage:** Vrid moturs för att höja diamantbladet (H) och medurs för att sänka diamantbladet (H).

**FF. Bladdjupstopp:** Lås bladdjupreglaget (EE) på plats så här. Dra bladdjupstoppet bakåt och vrid 90 grader för att låsa i öppet läge.

**GG. Bladdjupsindikator:** Visar diamantbladets (H) skärdjup in centimeter (orange färg) och tum (vit färg). Drift: Med motorn AV ("0"), sänk diamantbladet (H) tills det kommer i kontakt med skärytan. Vrid bladdjupsindikatorn så att du riktar in "0" mot pilarna. Höj sågen. När sågen sänks in i skäret visas aktuellt skärdjup.

**HH. Motorvarvräknare (RPM):** Visar motorns hastighet in varv per minut om motorn går. Visar total drifttid när motorn är AV ("0"). Total drifttid visas in minuten från 0 till 59 minuter, och timmar för mer än 60 minuter.

II. ---

**JJ. Bakre handtag:** Operatörens plats är bakom maskinen med båda händerna på det bakre handtaget. Handtaget är justerbart till flera lägen.

**KK1. Vattenventil:** Reglerar vattenflödet till bladet. Finns på vänster sida av maskinen, nära det bakre handtaget (RR). Används inte med vattentanken (om så utrustad).

**KK2. Bladskyddets vattenventil:** Reglerar vattenflödet till bladet. Placerad på bladskyddet. Används med vattentanken (om så utrustad).

**LL. Remskydd (visas ej):** Täcker motorns drivrem.

**MM. Kilremmens mellanrulle:** Används till att hålla spänningen på bladaxeldrevets kilrem.

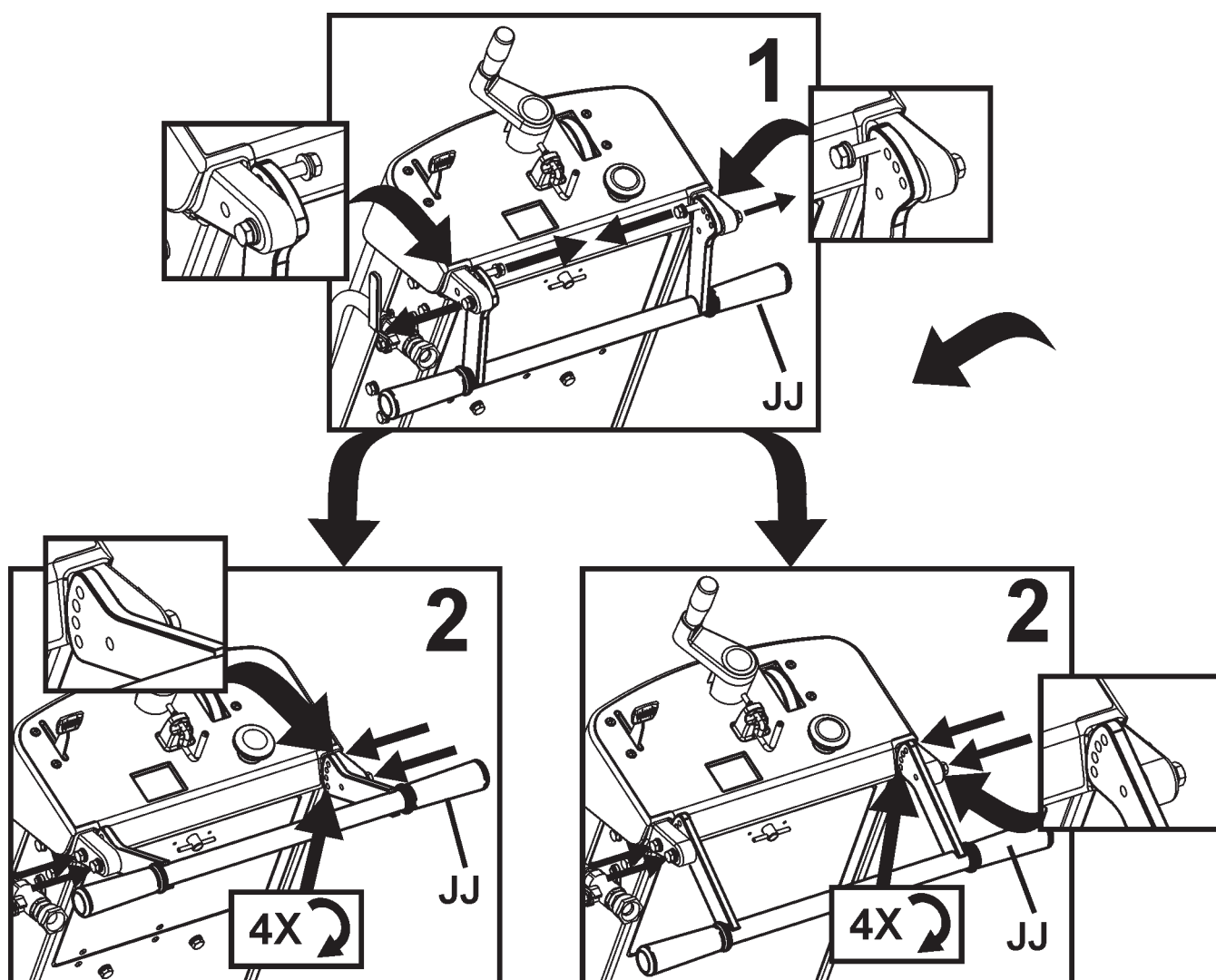
**NN. Oljedräneringsslang:** Använd till att avlägsna olja från motor.

**OO. Parkeringsbroms (endast EU-enheter):** Använd till att hålla maskinen i parkerat läge. Finns vid höger bakhjul, baktill på maskinen. Funktion: För att dra åt, vrid spaken uppåt så att staven kan röra sig inåt. För att lossa den, dra staven inåt och vrid nedåt så att staven låses i det inre läget.

# MONTERING

Montera följande saker innan du kör maskinen första gången.

**Placera om det bakre handtaget (JJ):** Det bakre handtaget (JJ) levereras i ett förvaringsläge som bilden visar. Det måste flyttas innan maskinen kan användas.

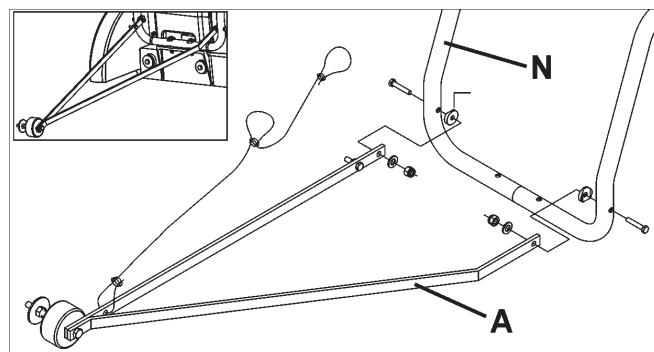


# MONTERING

## Installera främre pekare (A):

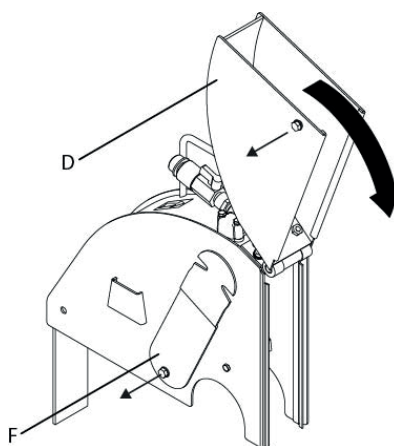
1. Använd skruvar, brickor och muttrar som finns på den främre pekaren (A.) till att installera den på vattentankstödets rörram (N). Justera låsmuttrar så att pekaren (A.) kan svänga fritt.
2. Dra pekarens rep så att det undgår heta ytor. Två slingor i repet gör att det kan fästas vid det bakre handtaget (JJ).

**OBS!** "Enkel pekare" (A) visas. I vissa regioner är "Dubbel pekare" standardutrustning. I alla regioner finns dubbel pekare som tillbehör. Se avsnittet "tillbehör" i detta dokument, eller reservdelslistan, för ytterligare information.



## Bladskyddets framdel (D):

1. Använd medföljande 13 mm nyckel (U) till att avlägsna två (2) M8-skruvar framför och under bladskyddets låsplåt (F), och M8-skraven i bladskyddets framdel (D) [som visas av pilarna]. Lossa, men avlägsna inte, den återstående skruven på bladskyddets låsplåt (F). Vrid bladskyddets låsplåt (F) och bladskyddets framdel (D) nedåt.

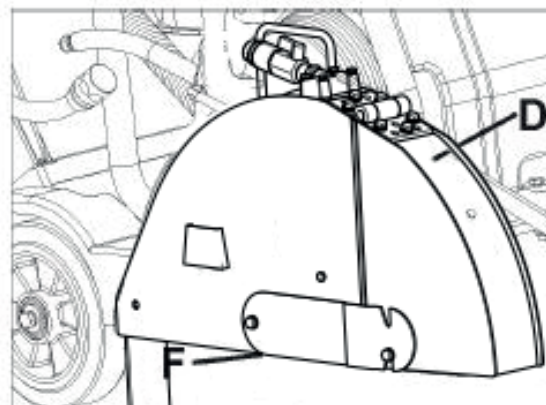


### ⚠ VARNING!

Bladskyddets låsplåt (F) måste installeras innan du kör. Försummelse att installera innan du kör maskinen kan skapa en farlig situation!

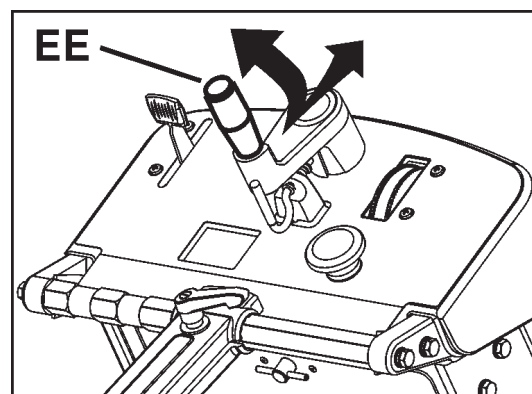
Håll alltid alla skydd på plats när du kör maskinen!

2. Sätt tillbaka de tre (3) M8-skrivarerna i bladskyddets låsplåt (F) som visas i diagrammet till höger. Använd (medföljande) 13 mm nyckel (U) till att dra åt de fyra (4) M8-skrivarerna ordentligt, som håller bladskyddets låsplåt (F) på plats.



## Placera om bladdjupreglagets handtag (EE):

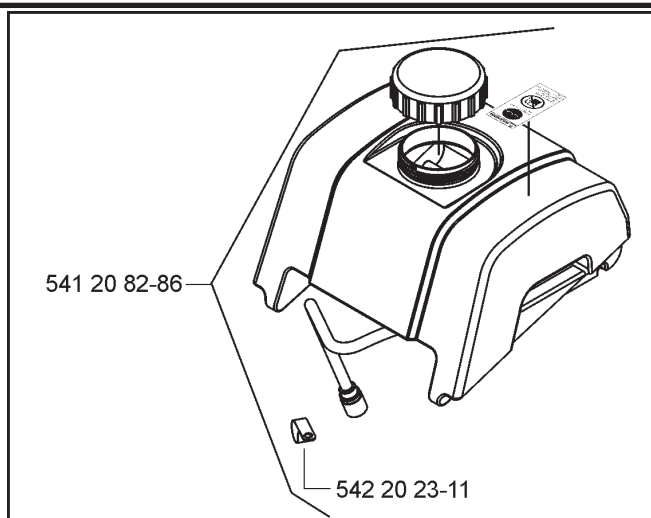
Dra utåt på bladdjupreglagets handtag (EE) och vrid 90 grader tills det snäpper på plats som bilden visar.



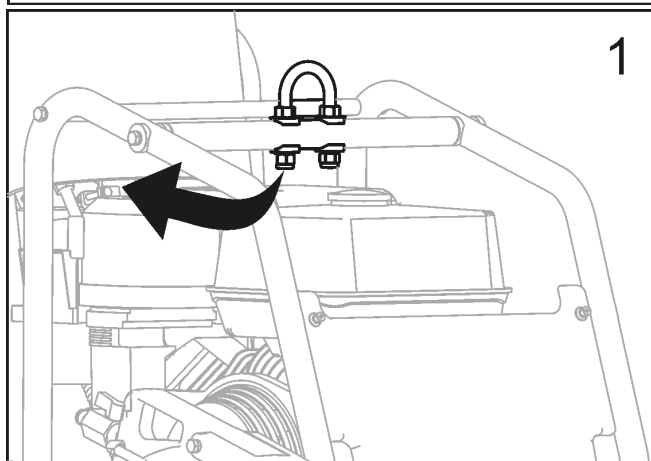
## MONTERING

### Installera vattentanken (P) (om så utrustad):

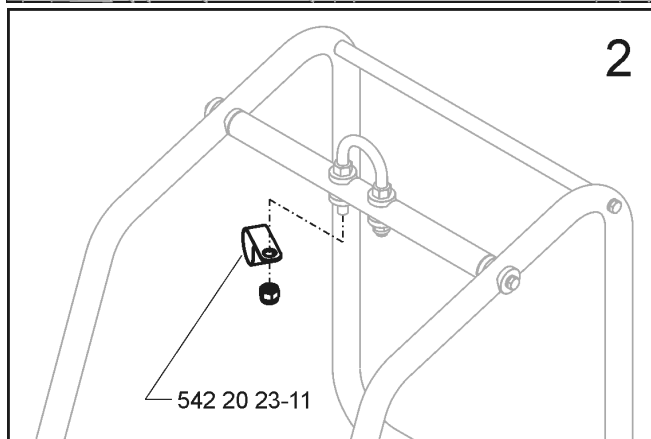
- En fabriksinstallerad vattentank finns att få i vissa regioner. En vattentanksats finns som tillval i alla regioner.
- Om en vattentank redan finns installerad på maskinen, läs dessa anvisningar för att verifiera att installationen är riktig. Iakttag alla VARNINGAR beträffande installation och användning av vattentanken.
- Verifiera innehållet i vattentanksatsen. Se bilden till höger.



1. Avlägsna tillfälligt den högra (samma sida av maskinen som motorns startsnodd) MUTTERN från lyftögat (O). Se bilden till höger.



2. Installera KLÄMMAN som medföljer vattentanksatsen (P) och sätt sedan tillbaka MUTTERN. Se bilden till höger.



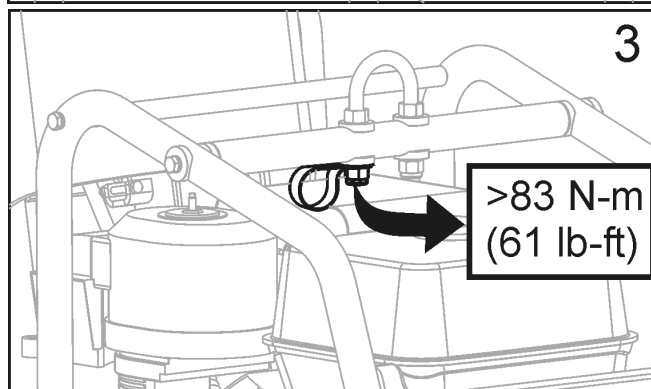
3. Dra åt enligt specifikationen nedan och bilden till höger.

#### OBS!

Dra åt lyftögats MUTTER till minst 83 Nm (61 lb-ft).

#### VARNING!

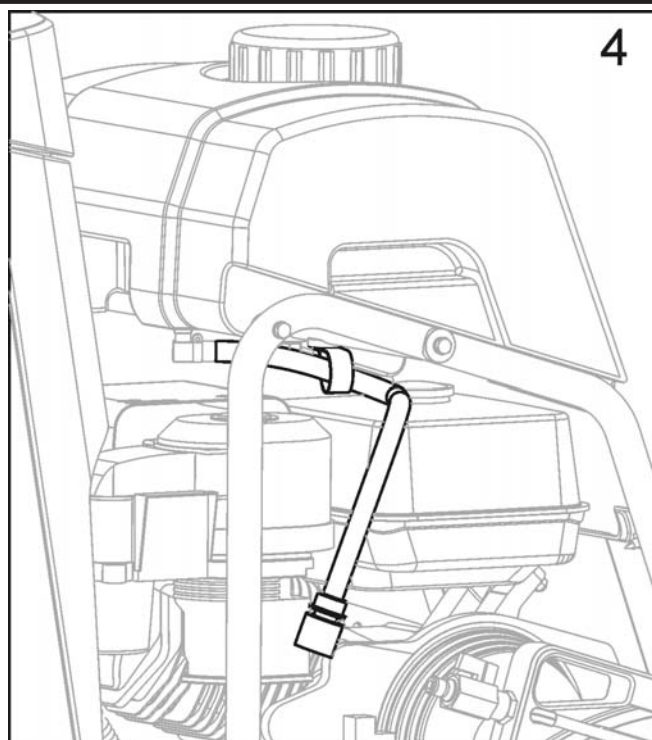
Dra åt MUTTERN enligt specifikationen, annars kan LYFTÖGAT (O) brista. Personskada eller död kan inträffa om lyftögat brister medan maskinen lyftes.





## MONTERING

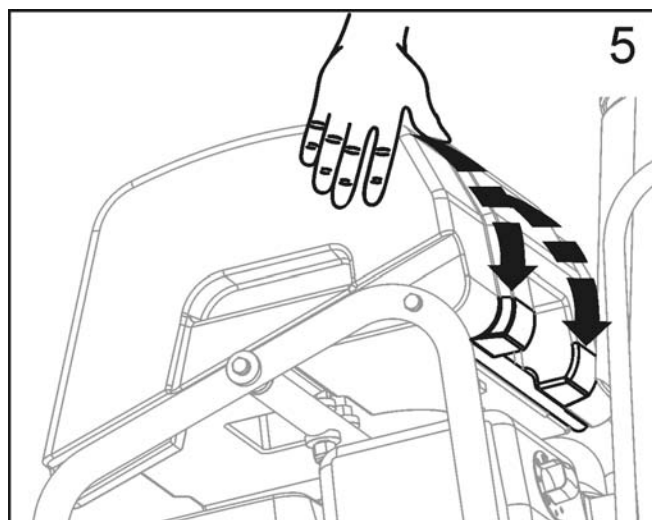
4. Placera vattentanken och dra vattentankslangen som visas i bilden till höger.



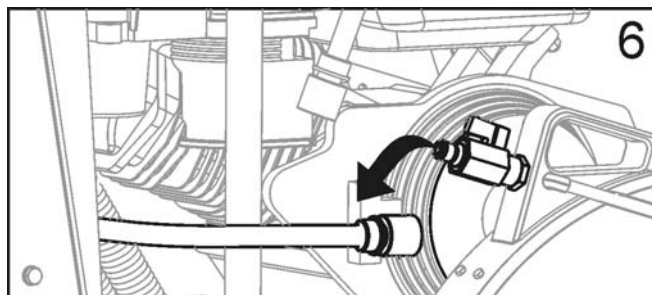
5. Rikta in den bakre staven mot fördjupningarna baktill på vattentanken.

- Tryck ned hårt på vattentanken så att den snäpper på plats på den bakre staven.

- När den är installerad på rätt sätt ska vattentanken svänga fritt på den bakre staven.



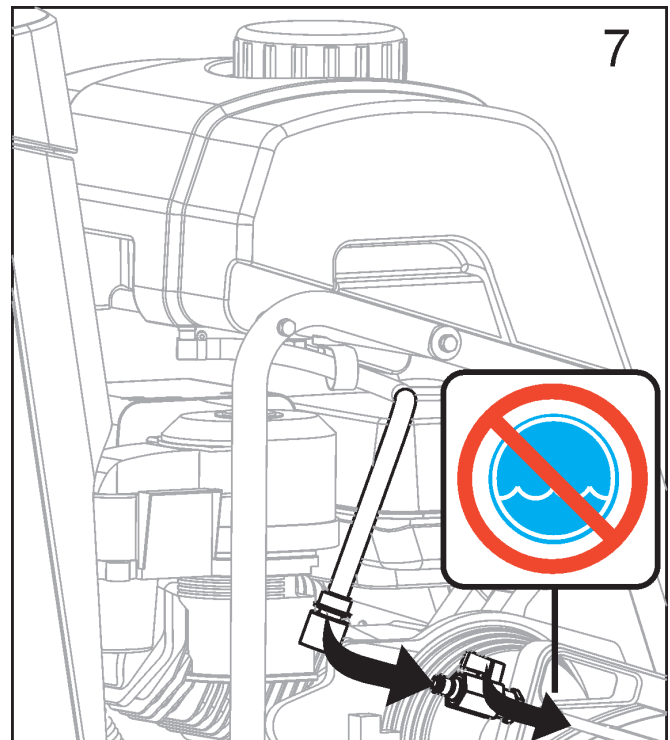
6. Koppla loss existerande vattenslang från bladskyddet. Detta är vattenslangens från vattenventilen monterad på sågen.



## MONTERING

7. Anslut vattentankslangen till bladskyddets vattenventil.

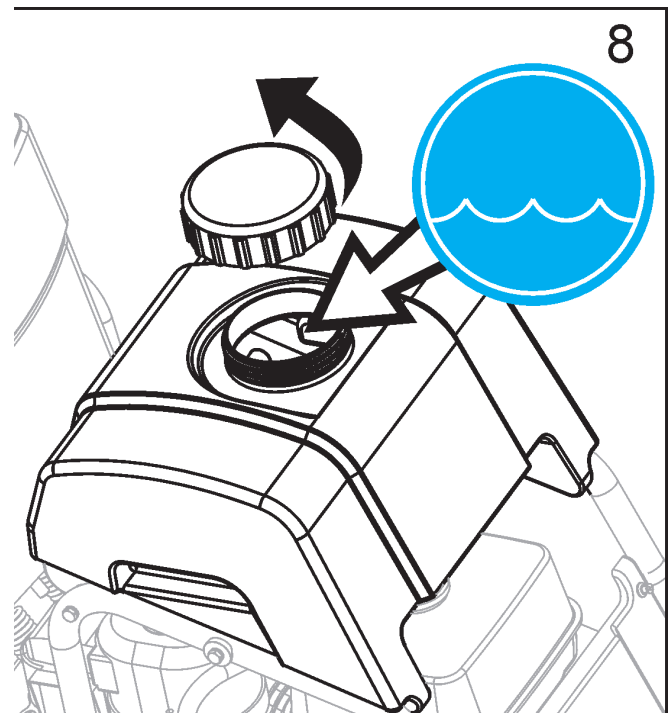
- Verifiera att bladskyddets vattenventil står i läget AV.
- Vattentanken är nu monterad på sågen.



### Fylla vattentanken:

8. Avlägsna locket genom att vrida det moturs. Se bilden till höger.

- Fyll vattentanken endast med vatten. Läs alla VARNINGAR innan du använder vattentanken.
- Sätt tillbaka locket genom att vrida det medurs.
- Vattentanken är utformad endast för att slå ned luftburet betongdamm och skall endast användas med "torra" diamanblad.



### VARNING!

ANVÄND INTE vanliga (våta) diamanblad med vattentanken som vattenkälla. Vattenflödet är inte tillräckligt för att kyla bladet!

Fyll vattentanken endast med vatten!

Fyll aldrig vattentanken (P) med brandfarliga vätskor eller bensin. Det kan orsaka personskada eller död!

## DRIFT

### Före körning:

**Användning:** Denna maskin används endast för våt eller torr sågning av gammal och ny betong och asfalt.

### ⚠ VARNING!

ANVÄND INTE för torr skärning i regioner inom EU. Maskin är inte utrustad med en dammport.

**Verktyg:** Använd maskinen endast med följande verktyg (H): Vattenkylda diamantblad. Armerade slipblad eller torrsårande diamantblad skall INTE användas inom regioner i EU eftersom denna maskin, så som den levereras, har inte en dammsamlare port.

Ytterdiameter: 300 mm (12") – 500 mm (20").

Spindeldiameter: 25,4 mm (1,00 tum).

### ⚠ VARNING!

ANVÄND INTE hårdemallblad, träsågsblad, eller blad för cirkelsågar på denna maskin. Det kan orsaka personskada eller död.

### Flytta bladskyddet (C) - Om så erfordras:

Bladskyddet (C) är fabriksinstallerat på maskinens högra sida, men det kan flyttas till vänster sida. Detta kan göra det möjligt att skära närmare hinder, om det inte går att närma sig från andra hållet.

1. Använd 13 mm nyckel (U) till att avlägsna bladskyddets bakre bult (E) från bladskyddet (C).
2. Tryck tillbaka hylsan för att sära på vattenslangens snabbkoppling (G). Han-delen stannar med bladskyddet (C). Hon-delen stannar med vattentanken (P) eller vattenventilen (KK).
3. Lyft bladskyddet (C) uppåt och bort från bladskyddets monteringspade (Y).
4. Använd 13 mm nyckel (U) till att avlägsna fyra (4) skruvar som håller bladskyddets låsplåt (F). Sätt tillbaka bladskyddet låsplåt (F) på bladskyddets (C) vänstra sida.
5. Avlägsna och flytta axelskyddet (W) från vänstra sidan av maskinen till högra sidan.
6. Sänk ner bladskyddet (C) på bladskyddets monteringspade (Y) på vänstra sidan av maskinen.
7. Sätt tillbaka bakre bulten (E) i bladskyddet (C).
8. Sätt tillbaka vattenslangens snabbkoppling (G.) från bladskyddet (C) till vattentanken (P) eller vattenventilen (K). Var noga med att den flyttade slangen inte kommer nära ljuddämparen.
9. Flytta och rikta in den främre pekaren (A) så att ledhjulet (B) sitter på vänster sida av maskinen.

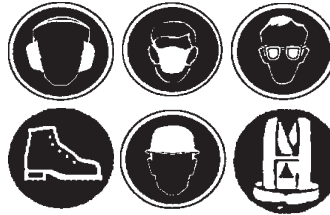
### ⚠ VARNING!



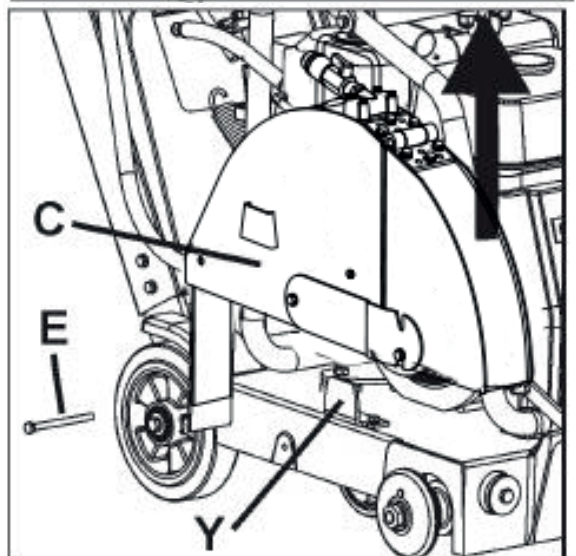
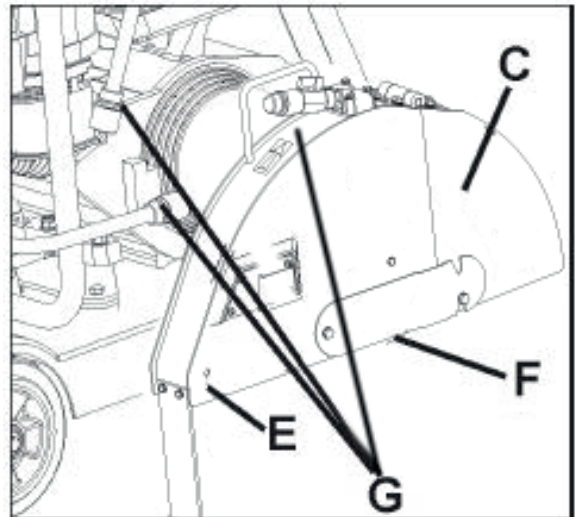
Innan du kör maskinen ska du läsa och förstå hela bruksanvisningen och motorns bruksanvisning, som medföljer motorn.



Bli bekant med maskinen före drift!



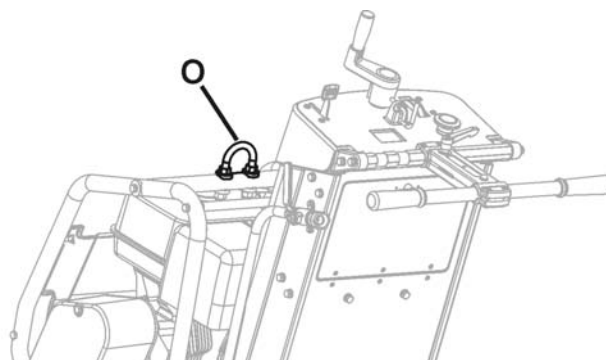
Operatören måste ha på sig personlig skyddsutrustning och -kläder som lämpar sig för arbetet. Personlig skyddsutrustning, t.ex. hörsel och ögonskydd, är obligatorisk.



## DRIFT

### Transportera och lyfta maskinen:

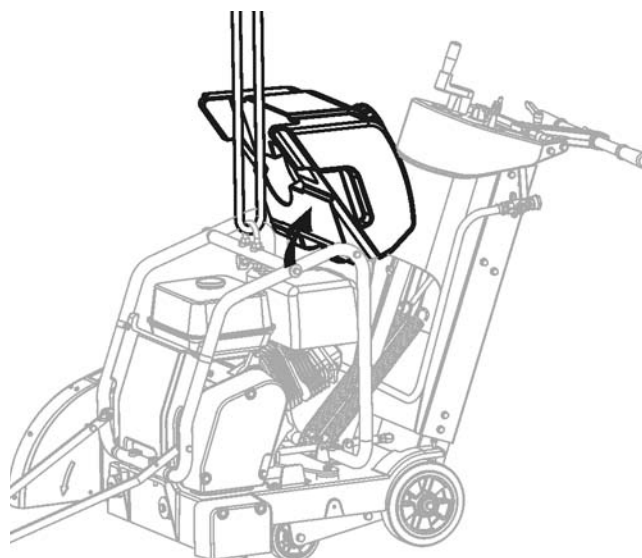
- Lyft maskinen endast vid lyftpunkten (O).
- Avlägsna alltid bladet (H) innan du lyfter, lastar, eller transporterar.
- Använd en korrekt lyftstropp som är märkt minst för maskinens maximala vikt. Maskinens nominella och maximala vikt visas i avsnittet TEKNISKA DATA i detta dokument.



Avlägsna bladet (H) innan du lyfter, lastar, eller transporterar maskinen.

### Lyfta maskin som är utrustad med vattentank:

- Innan du lyfter en maskin som är utrustad med en vattentank:
  1. Töm vatten ur tanken.
  2. Avlägsna bladet.
  3. Sänk maskinen tills ramen är parallell med marken.
  4. Sväng främre delen av vattentanken uppåt tills den vilar mot aluminiumtorpedens topp. Vila inte vattentankens lock mot torpedens plast framtill - den blir skadad av lyftet.
  5. Fäst korrekt lyftstropp vid lyftpunkten (O).
  6. Gör ett provlyft med maskinen till en låg höjd (bara ett par centimeter) för att bekräfta att tanken är ordentligt fäst vid maskinen, och inte kommer att bli skadad eller orsaka skada.
  7. Om en maskin som är utrustad med en vattentank inte kan lyftas utan skada på maskinen eller tanken, avlägsna vattentanken innan du lyfter.

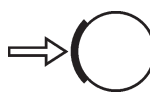


### OBS!

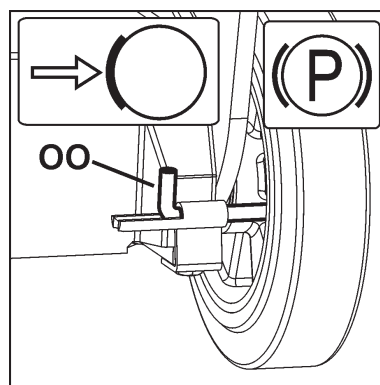
Vattentanken eller sågen kan skadas om sågen inte lyfts på rätt sätt. Se noga upp med skador medan du lyfter maskinen.

### Parkera maskinen:

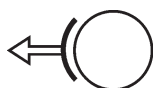
- Maskiner som används i vissa regioner är utrustade med en parkeringsbroms.
- Parkeringsbromsen är konstruerad för att hålla maskinen på plats på en sluttning av 10 grader eller mindre, med maskinens bakände vänd nedåt sluttningen (maximal vikt på bromsade hjul).

 **Parkeringsbroms - Koppla in (Se bilden)**  
För parkeringsbromsspaken (OO) från det fränkopplade läget:

1. Dra spaken (OO) mot maskinens mitt.
2. Vrid spaken (OO) uppåt 180 grader.
3. En fjäder tillåter spaken (OO) att föras mot maskinens utsida, så att den kopplas in i hjulnavet.



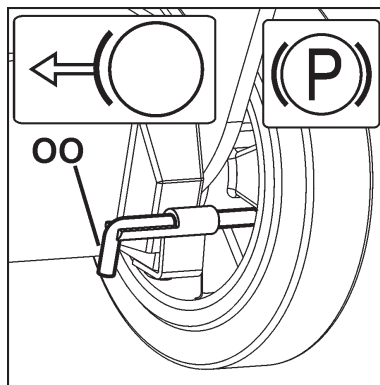
## DRIFT



### Parkeringsbroms - Koppla ur (Se bilden)

Parkeringsbromsen måste kopplas ur innan du kan köra maskinen.

1. Dra spaken (OO) mot maskinens mitt.
2. Vrid spaken (OO) nedåt 180 grader och släpp den så att den låses på plats.

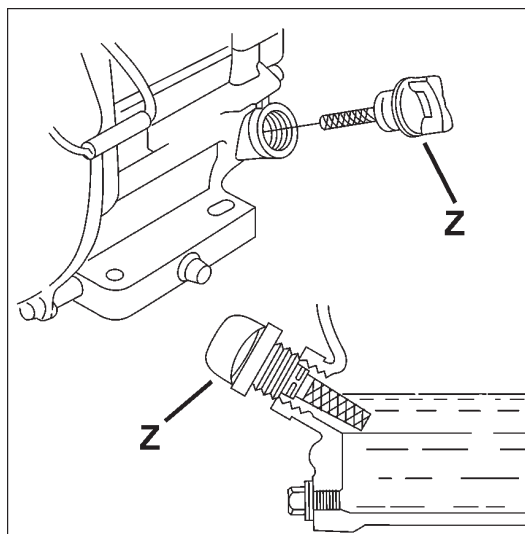


### Bensinmotormodeller:

Se motorns bruksanvisning för rätt drift av motorn.

**BRÄNSLE:** Blyfri bensin rekommenderas. Se motorns bruksanvisning för ytterligare information.

**OLJA:** Kontrollera att motoroljans nivå är korrekt med oljestickan (Z). När du kontrollerar motoroljans nivå ska oljestickan (Z) inte skruvas in i hålet. Eftersom motorn ofta körs i vinkel mot marken ska du kontrollera oljans nivå med motorn horisontell. Kontrollera ofta för att säkerställa att oljenivån aldrig sjunker under det lägre märket på oljestickan. 10W30 olja rekommenderas. Se motorns bruksanvisning för ytterligare information.



### OBS!

Om motorn är utrustad med ett system som slår av den vid låg motoroljenivå kommer motorn inte att starta om oljenivån är låg. Dessutom kan motorn stanna om dess maximala körvinkel överskrids. Se motorns bruksanvisning.

### Alla modeller:

Den främre pekarens (A) inriktning mot bladet måste kontrolleras. Lägga en rak kant utefter den inre flänsen (I). Rikta in den främre pekaren (A) mot den raka kanten. Om så erfordras, justera den främre pekaren (A) genom att lossa muttrarna som håller ledhjulet (B) på plats. Rikta in ledhjulet (B) mot den raka kanten och dra åt muttrarna igen.

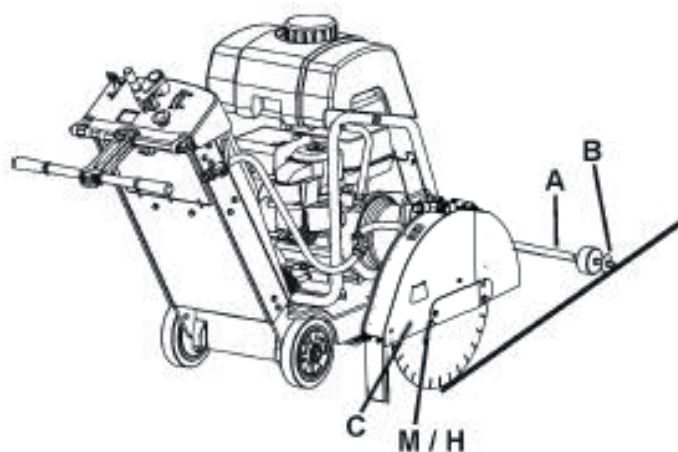
Kontrollera att vattenrör i bladskyddet (C) är öppna och att varje sida av bladet har tillräcklig tillförsel av vatten.

Testa vattenförsörjningen beträffande tryck of mängd (flöde) innan du startar sågen.

Såga bara så djupt som jobbspecifikationen kräver. Om du sågar djupare än vad som erfordras slits bladet och maskinen onödigt mycket.

Skär i steg om 50 mm (2 tum) djupt tills skärdjupspecifikationen har uppnåtts. Detta kallas "stegskärning".

Såga bara i rak linje. Märk skärlinjen tydligt så att sågoperatören kan följa linjen utan svårighet. Sågen ska INTE vridas från sida till sida för att tvinga bladet tillbaka på linjen.



## DRIFT

### Sätta på diamantbladet (H):

#### **! VARNING!**

Kontrollera att klingan, klingflänsarna och klingflänsens spindel är hela. Rengör klingans och klingflänsarnas kontaktytor. Se till att klingan och klingflänsarna är rena och fria från smuts och skräp innan du monterar klingan på maskinen.



Installera diamantbladet (H) på arbetsplatsen. Transportera inte maskinen med diamantbladet (H) installerat.

1. Öppna den främre kåpan (V).
2. Ställ motorns startbrytare (DD) i läget AV ("0").
3. Hög diamantbladet (H) till det högsta läget genom att vrida bladdjupreglaget (EE) moturs.
4. Använd 13 mm nyckel (U) i verktygslådan (BB), till att lossa och avlägsna fyra (4) M8-skruvar som håller bladskyddets låsplåt (F). Avlägsna temporärt bladskyddets låsplåt (F).
5. Hög bladskyddets framdel (D).
6. Använd 27 mm bladaxelnnyckel (T) till att lossa och avlägsna bladaxelmuttern (L) som håller den yttre flänsen (J) på plats.

#### **OBS!**

Bladaxelmuttern (L1) på maskinens högra sida har vänstergångor. Vrid medurs för att lossa den.

Bladaxelmuttern (L2) (visas ej) på maskinens vänstra sida har högergångor. Vrid moturs för att lossa den.

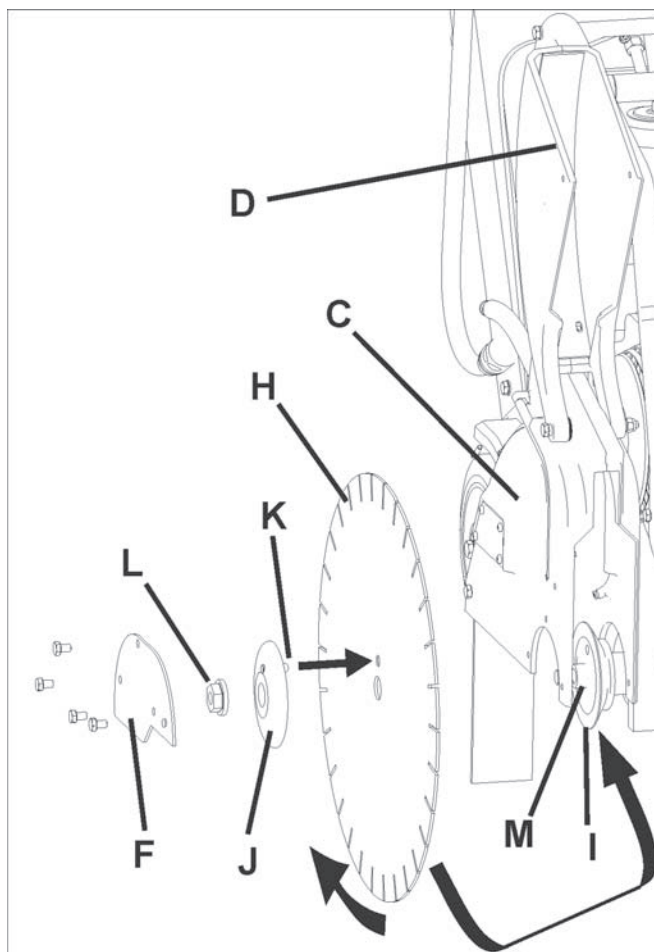
7. Avlägsna den yttre flänsen (J).
8. Kontrollera att bladaxelspindeln (M), den inre flänsen (I), och den yttre flänsen (J) är rena och fria från främmande föremål.
9. Passa diamantbladet (H) på bladaxelspindeln (M). Rotationsriktningen visas av pilar på diamantbladet (H) och bladskyddets framdel (D). Se bilden till höger.
10. Installera den yttre flänsen (J) på bladaxelspindeln (M). Säkerställ att låsstiftet (K) passerar genom diamantbladet (H) och in i den inre flänsen (I).
11. Vrid den yttre flänsen (J) och diamantbladet (H) i motsatt riktning mot bladets blad rotation för att avlägsna glapp.
12. Installera bladaxelmuttern (L). Dra åt med 27 mm bladaxelnnyckel (T).

#### **OBS!**

Bladaxelmuttern (L1) på maskinens högra sida har vänstergångor. Vrid moturs för att dra åt den. Dra åt till 45 N•m (33 lb-ft) - minimum.

Bladaxelmuttern (L2) (visas ej) på maskinens vänstra sida har högergångor. Vrid medurs för att dra åt den. Dra åt till 45 N•m (33 lb-ft) - minimum.

13. Sänk bladskyddets framdel (D).
14. Sätt tillbaka och dra åt bladskyddets låsplåt (F).



#### **! VARNING!**

ANVÄND ENDAST blad (H) som är märkta med en maximal drifhastighet som är större än maskinens bladaxelhastighet.

KÖR INTE maskinen utan rätt skydd över diamantbladet (H)!

KÖR INTE maskinen med det främre bladskyddet (D) höjt!

Bladets (H) exponering FÅR INTE överstiga 180 grader när maskinen körs!

Kontaktytorna på bladaxelspindeln (M), den inre flänsen (I), och den yttre flänsen (J) MÅSTE VARA oskadade, rena och fria från främmande föremål.

Transportera INTE maskinen med bladet (H) installerat.

Använd inte vanliga (våta) diamantblad (H) utan vatten.

LÄS bruksanvisningen som medföljer bladet (H).

Installera INTE bladet (H) annat än om kraftkällan står i läget AV (0) och är bortkopplad från kraftförsörjning.

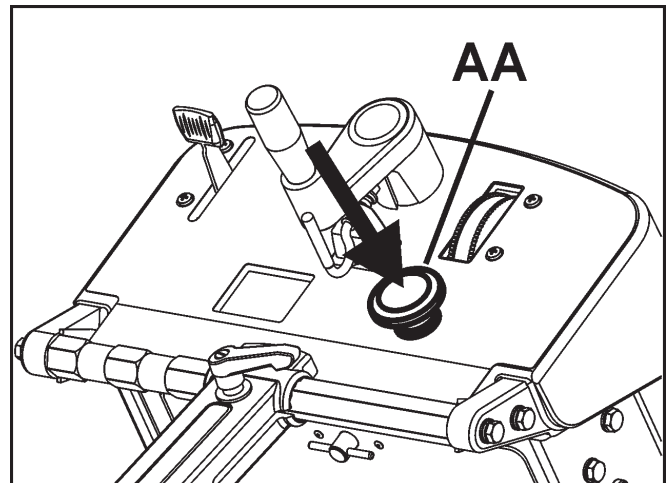
# DRIFT

## Starta och skära med maskinen:

- Använd bladdjupreglaget (EE), till att höja diamantbladet (H) så högt som möjligt så att det inte slår i marken när du manövrerar. Dra ut bladdjupstoppet (FF) om så erfordras.
  - Lossa parkeringsbromsen (om så utrustad).
  - Manövrera maskinen i läge nära linjen som ska skäras.
  - Sänk främre pekaren (A) till skärytan.
  - Ställ in djupindikatorn (GG) (använd om så önskas):
    - 1) Sänk maskinen tills diamantbladet kommer i kontakt med skärytan.
    - 2) Ställ in djupindikatorns (GG) visare så att du riktar in indikatorns pilar med nollan (0). Orange färg indikerar skärdjup i centimeter. Vit färg indikerar tum.
    - 3) Höj sågen till maximal höjd. Nu när diamantbladet (H) sänks, visar djupindikatorn (GG) skärdjupet.
    - 4) För tillbaka diamantbladet (H) till helt upphöjt läge.
  - Verifiera att både maskinstoppet (AA) OCH motorns startbrytare (DD) står i läget "PÅ". Maskinstoppet (AA) ska stå i det yttre läget (utdragen från torpeden). Motorstartbrytaren (DD) måste stå i läget "1" (PÅ).
  - Starta motorn. Se motorns bruksanvisning för ytterligare information.
  - Verifiera visuellt att verktygets rotation matchar riktningsspilen på bladskyddet.
  - Öppna vattenventilen (KK) HELT. Verifiera fullt vattenflöde och justera sedan så att du får lagom mycket vatten på bladet INNAN du sänker bladet.
  - Gör slutjusteringar så att du riktar in sågen mot skärlinjen. Verifiera att ledhjulet (B) och diamantbladet (H) båda står på skärlinjen.
- Om vattenförsörjningen avbryts ska du stoppa skäret omedelbart. Diamantbladet (H) kan bli skadat.
- Sänk diamantbladet (H) in i skäret genom att långsamt vrida bladdjupreglaget (EE) MOTURS.
  - När du har nått önskat skärdjup ska du trycka ned bladdjupstoppet (FF) så att du låser det på önskat bladdjup (EE) (om så önskas).
  - Tryck mjukt på det bakre handtaget (JJ) för att köra maskinen framåt. Titta noga på diamantbladet (H) och ledhjulet (B) så att maskinen håller sig på skärlinjen.
  - När skäret är färdigt ska du lossa bladdjupstoppet (FF).
  - Höj diamantbladet (H) ut ur skäret genom att långsamt vrida bladdjupreglaget (EE) MEDURS.
  - Stäng vattenventilen (KK).
  - Slå av motorn till läget "0" (AV) med motorns startbrytare (DD).

### OBS!

Om en brådskande situation uppstår medan du skär ska du **STOPPA** maskinen omedelbart med maskinstopp (AA).



Stoppa maskinen genom att tryck på **MASKINSTOPP (AA)**.

---

## UNDERHÅLL OCH SMÖRJNING

---

### SNABBREFERENS TILL REGELBUNDET UNDERHÅLL:

Innan du utför något underhåll, parkera ALLTID maskinen på en horisontell yta med motorn "AV" och motorbrytaren i läget "AV". Låt maskinen kallna! Annat underhåll och reparationer skall endast utföras av en kvalificerad tekniker.

#### **SERVICE VARJE DAG:**

1. Kontrollera motoroljans nivå.
2. Kontrollera att bladskyddet inte är skadat.
3. Kontrollera motorns luftfilter, byt det om det är smutsigt. Utför service tidigare om sågen körs under dammiga omständigheter.
4. Rengör maskinen dagligen.

#### **SERVICE VAR 50:e TIMMA:**

1. Byt ut motorolja och filter.
2. Rengör motor/motorns luftfenor.
3. Smörj bladdjupreglagets smörjnippel (X).
4. Kontrollera om hjulen är slitna eller skadade.
5. Kontrollera bladets drivremspänning.

#### **Byta ut motorns luftfilter (S):**

Om motorn känns svag, ryker svart eller går ojämnt kan orsaken vara att luftfiltret är igensatt. Det är därför viktigt att rengöra och byta luftfiltret regelbundet. Läs motorns bruksanvisning för detaljerade anvisningar.



#### **VARNING!**

Filtret får inte rengöras med tryckluft, eftersom det kan skada filtret. Filtret kan rengöras genom dammsugning, men undvik att stöta i eller dra objekt över ytan eftersom det kan skada filtret.

Pappersfilter ska kasseras på rätt sätt och bytas ut.

Ett polyesterfilter kan rengöras genom dammsugning eller spolning med lågt tryck.

Använd inte högtryckstvätt, eftersom det kan skada filtret.

Ett skadat filter måste alltid bytas ut.

Ett rengjort filter måste vara 100 % torrt innan det sätts i utrustningen igen.



# UNDERHÅLL OCH SMÖRJNING

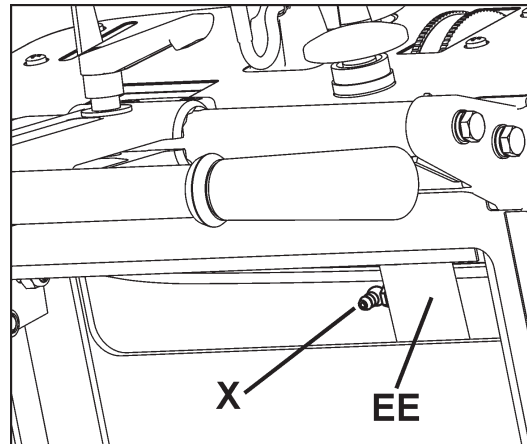
## SMÖRJNING:



### Smörjnippel för bladdjupreglage (X):

En smörjnippel gör att du kan smörja bladdjupreglagets (EE) skruv. Så här kommer du åt denna smörjnippel:

- Höj diamantbladet (H) till maximal höjd. Öppna verktyglådan (BB), och avlägsna temporärt påsen med bruksanvisningen.
- Smörjnippeln (X) finns nära toppen av bladdjupreglagets (EE) rör.
- Tryck in fett i nippeln. Höj och sänk maskinen ett par gånger så att fett cirkulerar i röret.
- Lägg tillbaka påsen med bruksanvisningen, stäng verktyglådan (BB) lock.



## Motorolja:

### Kontrollera motorolja:



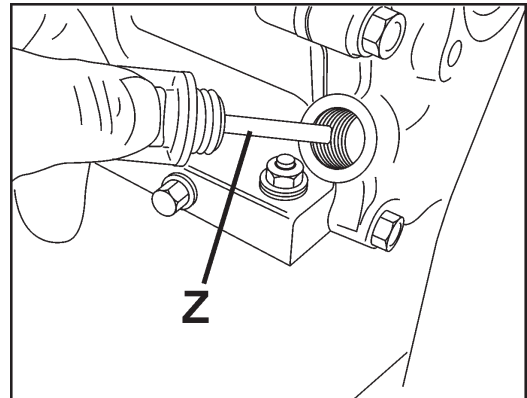
Kontrollera att motoroljans nivå är korrekt.



Oljestickan (Z) är placerad framtill på motorn. Fyll på motorolja in oljestickans hål. När du kontrollerar oljenivån ska oljestickan (Z) inte vara iskruvad.

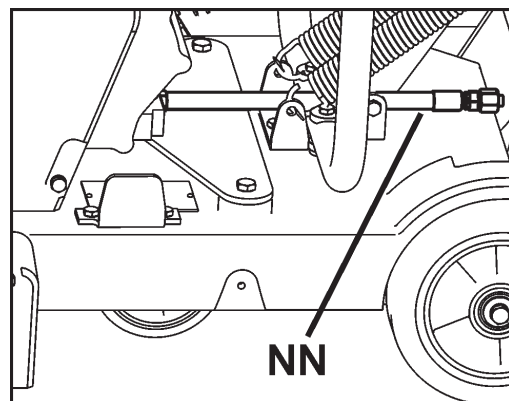
Eftersom motorn ofta körs i vinkel mot marken ska du kontrollera oljans nivå med motorn horisontell. Kontrollera ofta för att säkerställa att oljenivån aldrig sjunker under det lägre märket på oljestickan. 10W30 olja rekommenderas.

Se motorns bruksanvisning för ytterligare information.



### Byta motorolja:

- Ställ motorns startbrytare (DD) i läget AV. Låt motorn kallna. Använd bladdjupreglaget (EE) till att luta maskinen något bakåt.
- Flytta oljedraineringsslangen (NN) till maskinens sida. Placera en lämplig behållare, stor nog för all motoroljan, bredvid maskinen för att fånga upp olja.
- Öppna oljedraineringsslangens (NN) ände och låt olja tömmas i behållaren. När oljan har tömts ut, sätt tillbaka oljedraineringsslangens (NN) ände, dra åt ordentligt, och flytta tillbaka slangen till sin ursprungliga plats.
- Fyll motorn med rekommenderad mängd olja - se motorns bruksanvisning för detaljinformation.
- Bortskaffa begagnad olja på ett miljövänligt sätt.



## UNDERHÅLL OCH SMÖRJNING

**Bladaxeldrevets remspänning:** Drivremmen ska efterspännas efter de första timmarnas körning. Remmens mellanrulle (MM) håller spänning på drivremmen.

### Verktyg som erfordras:

- 13 mm nyckel (Medföljer maskinen).
- 3/8 tum (9,53 mm) momentnyckel (medföljer inte).
- 13 mm nyckel (Medföljer maskinen).

1. Använd 13 mm nyckel (U) till att avlägsna tre (3) M8-skrivar som håller remskyddet (LL). Avlägsna skyddet (LL).

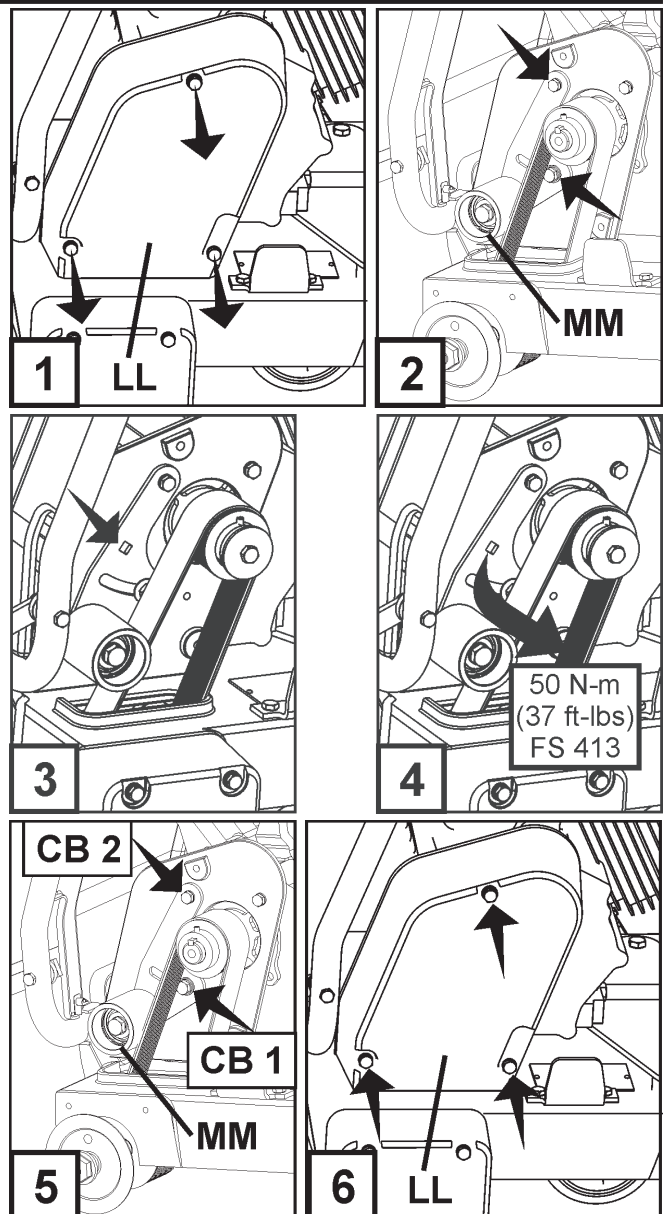
2. Använd 13 mm och 14 mm nyckel till att något lossa de två (2) bultarna som håller remmens mellanrulle (MM) [bultarna indikeras av (2) pilar].

3. Fäst momentnyckel i fyrkanthålet i remdrevets mellanrulle (MM).

4. Momentdrag mellanrullen (MM) så att mellanrullen (MM) tvingas mot kilremmen. Dra åt till det värde som visas i bild 4.

5. Dra åt mittbulten (CB1) så att den håller mellanrullen (MM) på plats och dra sedan åt den andra bulten (CB2).

6. Sätt till baka remskyddet (LL). Använd 13 mm nyckel (U) till att dra åt tre (3) M8-skrivar som håller remskyddet (LL).



### Regulatorhastighet

Det är mycket viktigt att hastighetsregulator och gasreglaget på alla förbränningsmotorer justeras korrekt. Motors hastighet är satt vid fabriken för korrekt sågningshastighet. Normalt är det INTE nödvändigt att ändra denna inställning. Den ska verifieras regelbundet när maskinen har tagits i bruk. Om du vill ändra hastighetsregulatorns inställning, se motors bruksanvisning.

### VARNING!

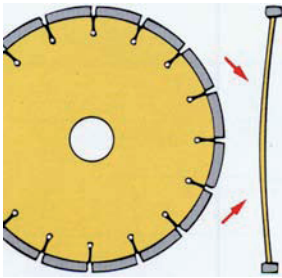
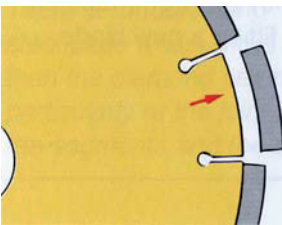
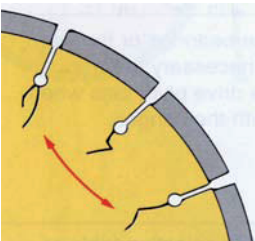
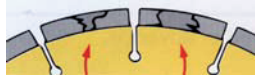
Om diamantbladet (H) körs för fort kan det göra att bladet brister och/eller personlig skada på operatören och andra i närheten! För att säkerställa riktig justering av hastighetsregulatorn, bestäm korrekt bladaxelhastighet (RPM) i tabellen här bredvid. Följ motortillverkarens anvisning om hur man ställer in hastighetsregulatorn och gasreglaget.

# FELSÖKNING

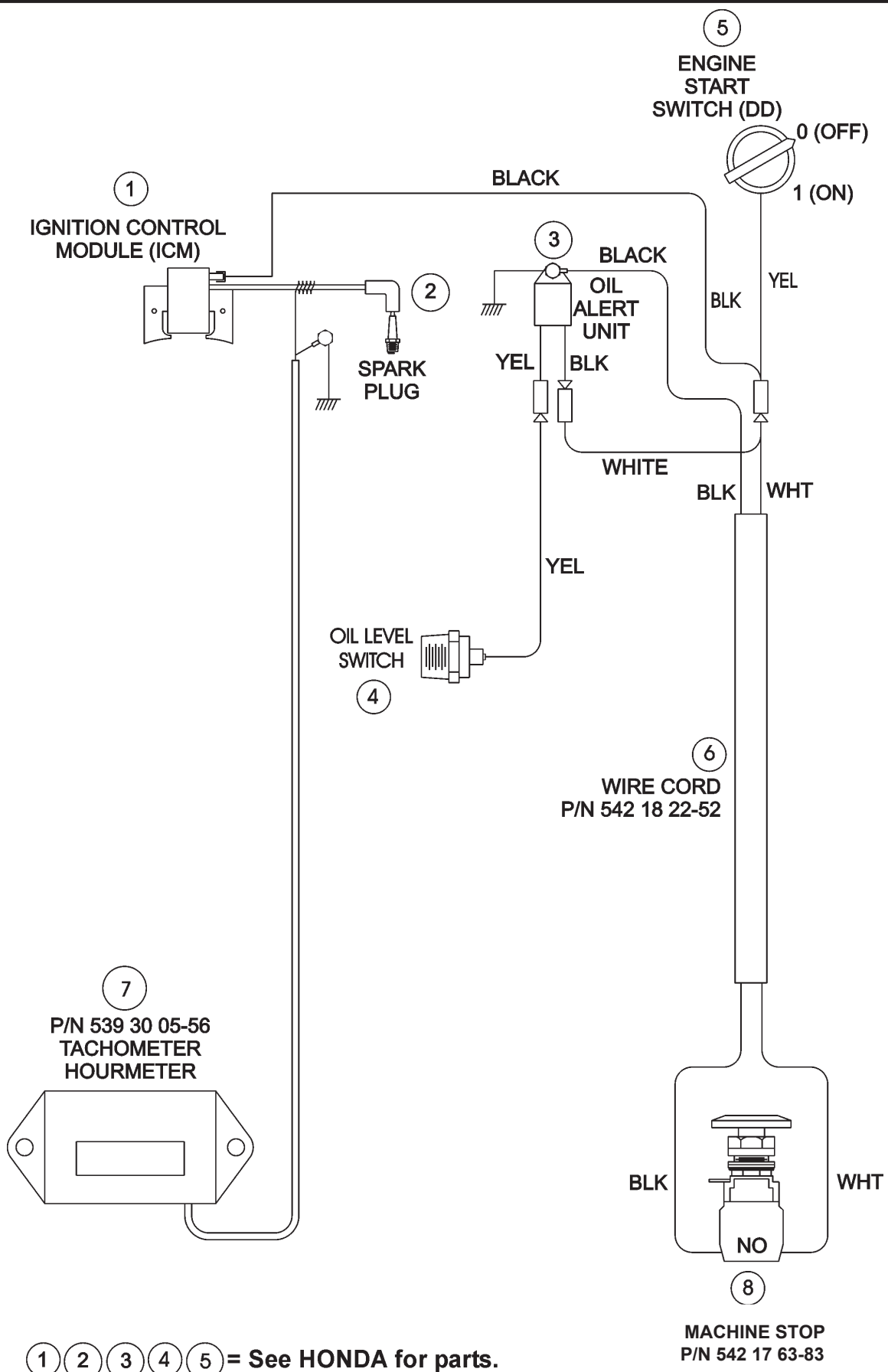
## Motorn startar inte:

Orsak	Åtgärd
Strömbrytare står inte i rätt läge.	Kontrollera att BÅDE maskinstopp (AA) och motorns startbrytare (DD) står i läget "PÅ". Maskinstoppet (AA) ska vara utdragen från torpeden, och motorstartbrytaren (DD) vriden till läget "1" (PÅ).
Bränsleventilen stängd.	Öppna bränsleventilen.
Chokeventilen öppen.	Stäng choken när motorn är kall.
Bränsletanken tom.	Fyll på bränsle.
Förorening eller is i bränslesystemet	Rengör tanken, bränsleledningar och förgasaren. Fylla tanken med färskt bränsle.
Anhopning på tändstiftselektroder.	Kontrollera elektrodgap och gör rent.
Motorn har ingen kraft eller kör ojämnt. Luftfilter igensatt.	Rengör eller byt ut luftfiltret.

## Felsökning av diamantbladet:

Problem	Orsak och åtgärd
<p>Förlust av spänning i diamantbladet</p> 	<p>Bladet används på en såg som är fel inriktad. Kontrollera sågens inriktning.</p> <p>Bladet är alltför "hårt" för det material som skärs, vilket skapar stress på stålbladets mitt. Kontrollera att det är rätt blad för det material som skärs.</p> <p>Olika diameter eller bladflänsar som är för små skapar ojämnt tryck på bladets mitt. Använd fläns med rätt storlek på varje sida av bladet. Använd aldrig slitna eller skadade flänsar.</p> <p>Bladet körs med fel hastighet (R.P.M.). Säkerställ att bladaxeln kör med rätt hastighet (RPM) för bladstorlek. Kontrollera varvtalet med en varvräknare.</p> <p>Bladet är felaktigt monterat på spindeln. Det kan böjas när flänsarna dras åt.</p>
<p>Förlust av segment</p> 	<p>Bladet är alltför "hårt" för det material som skärs. Använd "mjukare" bladspecifikation.</p> <p>Överhettat blad, vilket syns på den "blå" färgen på stålets mitt. Kontrollera att vattenförsörjningen är tillräcklig och inte blockerad.</p> <p>Sågen vrids medan den skär. Såga bara i rak linje.</p> <p>Bladets spindelhål har blivit slitet så att det inte är runt. Byt ut slitet blad och sliten spindel.</p> <p>Segment har slagits av under montering eller transport. Undvik våldsam hantering av diamantblad. Transportera aldrig maskinen med diamantbladet monterat.</p>
<p>Sprucken bladkärna</p> 	<p>Bladet är alltför "hårt" för det material som skärs. Använd "mjukare" bladspecifikation.</p> <p>Överhettat blad, vilket syns på den "blå" färgen på stålets mitt. Kontrollera att vattenförsörjningen är tillräcklig och inte blockerad.</p> <p>Sågen vrids medan den skär. Såga bara i rak linje.</p> <div style="border: 1px solid black; padding: 5px; margin-top: 10px;"> <p style="text-align: center;"><b>! VARNING!</b></p> <p>Använd <b>INTE</b> skadade diamantblad! Död eller personskada kan inträffa om maskinen körs med skadade diamantblad!</p> </div>
<p>Spruckna bladsegment</p> 	<p>Bladet är alltför "hårt" för det material som skärs. Använd "mjukare" bladspecifikation.</p> <p>Bladet körs med fel hastighet (R.P.M.). Säkerställ att bladaxeln kör med rätt hastighet (RPM) för bladstorlek. Kontrollera varvtalet med en varvräknare.</p>

# KOPPLINGSHEMA





# TEKNISKA DATA

Maskinens vikt	
Nominell vikt, kg (lb)	142 (313)
Max vikt, kg (lb)	158 (348)

Klingaxel och motorvarvtal	
Klingaxel, v/min	2700
Motorns varvtal	3600

Vattentankens kapacitet	
Liter	US gallon (brittiska gallon)
25	6.6 (5.5)

Skärdjup	
Klingdiameter, mm (tum)	Maximalt skärdjup hos klingan, mm (tum)
500 (20)	189 (7,6)

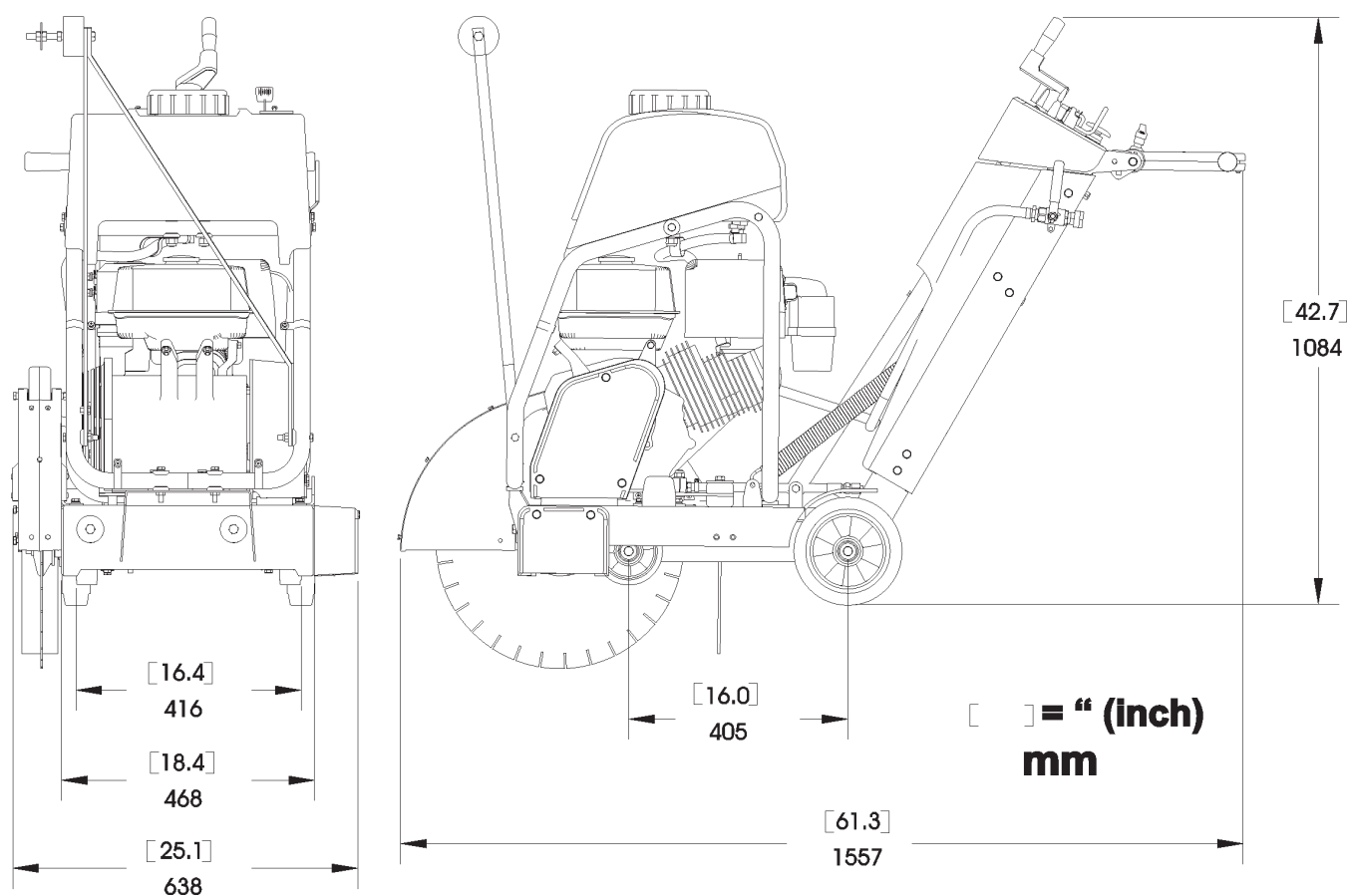
Centrumhålets och klingflänsens storlek	
Centrumhålets storlek, mm (tum)	25,4 (1)
Klingflänsens diameter, mm (tum)	114 (4,5)

Bulleremission (se anmärkning 1)	
Ljudeffektnivå, uppmätt dB(A)	108
Ljudeffektnivå, garanterad dB(A)	110
Ljudnivå (se anmärkning 2)	
Ljudtrycksnivå vid användarens öra, dB(A)	88
Vibrationsnivåer <sub>ahv</sub> (se anmärkning 3)	
Handtag, höger, m/s <sup>2</sup>	2,4
Handtag, vänster, m/s <sup>2</sup>	1,9

Anm. 1: Emission av buller till omgivningen uppmätt som ljudeffekt (LWA) enligt EU-direktiv 2000/14/EC.

Anm. 2: Ljudtrycksnivå enligt EN 13862. Redovisade data för ljudtrycksnivå har ett typiskt spridningsmått (standardavvikelse) på 4,0 dB(A).

Anm. 3: Vibrationsnivå enligt EN 13862. Rapporterade data för vibrationsnivå har en typisk statistisk spridning (standardavvikelse) på 1,5 m/s<sup>2</sup>.

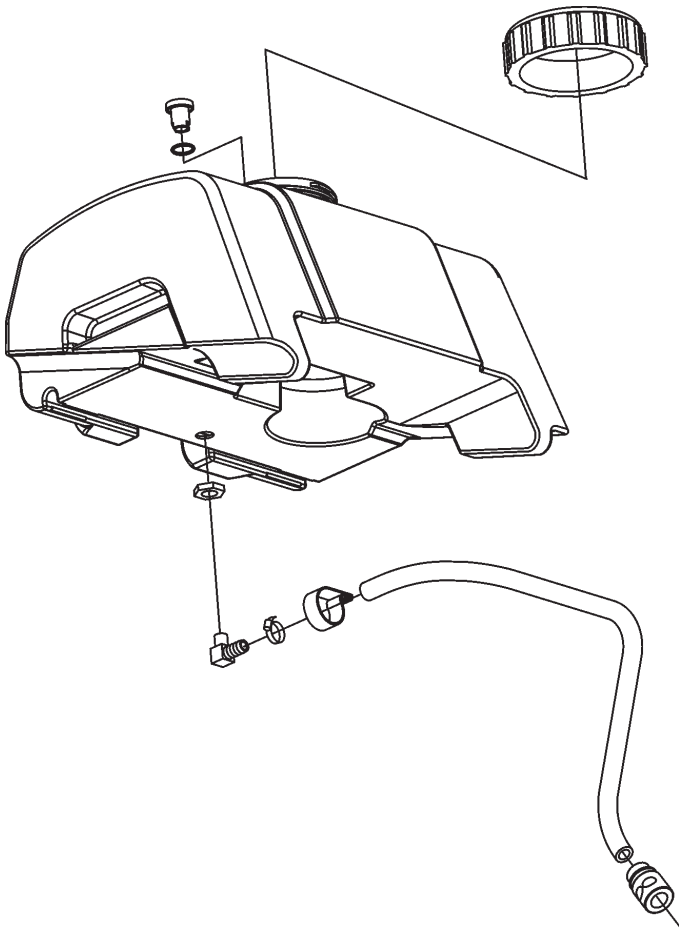


---

## TILLBEHÖR

---

### Vattentankenhet 541 20 82-86 Komplettsats



---

# KONFORMITETSCERTIFIKAT

---

**American National Standards Institute:** För enheter som används i USA har denna maskin utformats för att uppfylla American National Standards Institute: ANSI B7.1-2000, "Safety Requirements for the Use, Care and Protection of Abrasive Wheels (Säkerhetskrav för användning, skötsel och skydd av sliphjul). Denna standard kan köpas genom att ta kontakt med American National Standards Institute på adressen nedan:

American National Standards Institute  
25 West 43rd Street, 4th floor  
New York, NY 10036

Telefon: +1 212.642.4900  
Fax: +1 212.398.0023  
www.ansi.org

**CALIFORNIA AIR RESOURCES BOARD (CARB):** Denna maskin anses vara en undantagen tillämpning vad beträffar CARB-standarder. Under byggnadsutrustning, och särskilt, som betongsågar (Sågar: betong, murverk, skärning), med motoreffekt mindre än 19 KW (25 hp), CARB-standarder gäller ej för denna maskin.

För ytterligare information, se webbsajten

<http://www.arb.ca.gov/msprog/offroad/preempt.htm>

## EG-FÖRSÄKRAN OM ÖVERENSSTÄMMELSE

(Gäller endast Europa)

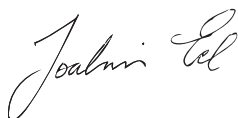
**Husqvarna AB**, SE-561 82 Huskvarna, Sverige, tel: +46-36-146500, försäkrar härmed att golvsågarna **Husqvarna FS 413** från 2016 års serienummer och framåt (året anges i klartext på typskylten plus ett efterföljande serienummer), motsvarar föreskrifterna i RÅDETS DIREKTIV:

- av den 17 maj 2006 "angående maskiner" 2006/42/EG.
- av den 26 februari 2014 "angående elektromagnetisk kompatibilitet" 2014/30/EU.
- av den 8 maj 2000 "angående emission av buller i miljön" 2000/14/EC.

Följande standarder har tillämpats: EN ISO 12100:2010, CISPR12:2007+Amd1:2009, EN55012:2007+A1:2009, EN13862+A1:2009, EN ISO 14982:2009.

SMP Svensk Maskinprovning AB, Box 7035, SE-750 07 Uppsala, Sverige, har utfört frivilliga experiment enligt maskindirektivet (2006/42/EC) åt Husqvarna AB. Certifikatet har nummer: SEC/17/2478

Göteborg den 26 februari 2016



Joakim Ed  
Global R&D Director  
Construction Equipment Husqvarna AB  
(Bemyndigad representant för Husqvarna AB samt ansvarig för tekniskt underlag.)



---

## KONTAKTINFORMATION

---



### **Construction Products, North America**

#### **Corporate Office**

17400 West 119th Street, Olathe, Kansas 66061 USA

Corporate Office: 913-928-1000

Corp. Office Fax: 913-438-7951

[www.husqvarna.com](http://www.husqvarna.com)

För service på platsen, kontakta din lokala representant för Husqvarna Construction Products.

### **Europa / Europe:**

#### **Husqvarna Construction Products**

SE-433 81 Partille, Sweden

Tel: +46 31 94 90 00

Fax: +46 31 94 90 50

### **Asia Pacific:**

#### **Husqvarna Construction Products, Australia Pty Ltd**

25-31 Kinkaid Avenue,  
North Plympton, Adelaide,  
South Australia 5037

Tel:+61 (0)8 8375 1000

Fax:+61 (0)8 8371 0990

### **Nord- och Sydamerika:**

#### **Husqvarna Construction Products, North America**

17400 West 119th Street, Olathe, Kansas 66061 USA

Gratis telefon inom USA: +1 800 288 5040, Telefon: +1 913 928 1300

Fax: +1 913 438 7938







[www.husqvarnacp.com](http://www.husqvarnacp.com)

**FR** - Instructions d'origine, **GB** - Original instructions, **DE** - Originalanweisungen, **IT** - Istruzioni originali, **ES** - Instrucciones originales, **NL** - Originele instructies, **SE** - Bruksanvisning i original, **PT** - Instruções originais.

1156784-94



2017-09-20 Rev 2