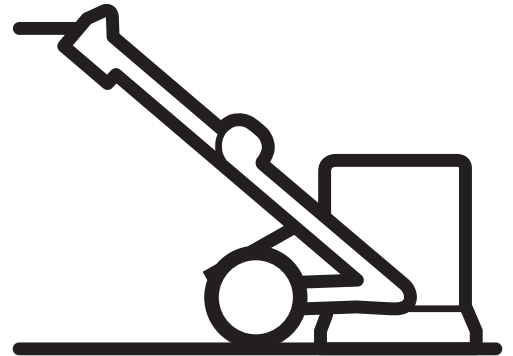




Husqvarna®



HTC T6/RT6/X6/RX6

Husqvarna, 2020-12-11

Operator's manual, EN

Dear customer, Thank you for choosing a Husqvarna quality product. We hope that you will genuinely enjoy it. Please note that the enclosed manual contains HTC Floor Systems references. The Husqvarna Group is vouching for the quality of this product. If you have any questions, please do not hesitate to contact our local sales or service point, or visit www.husqvarnacp.com.

Husqvarna AB
SE-561 82 Huskvarna, Sweden

Manual de usuario (ES)

Estimado cliente: Gracias por elegir un producto Husqvarna de alta calidad. Esperamos que lo disfrute mucho. Tenga en cuenta que el manual incluido incluye referencias a HTC Floor Systems. El grupo Husqvarna se esfuerza en conseguir un producto de alta calidad. Si tiene alguna pregunta, no dude en ponerse en contacto con nuestro punto de venta o proveedor de servicios local, o visite www.husqvarnacp.com.

Husqvarna AB
SE-561 82 Huskvarna (Suecia)

Manuel de l'opérateur, FR

Cher client, Nous vous remercions d'avoir choisi un produit de qualité Husqvarna. Nous espérons que vous l'appréciez vraiment. Veuillez noter que le manuel ci-joint contient des références HTC Floor Systems. Le Groupe Husqvarna garantit la qualité de ce produit. Si vous avez des questions, n'hésitez pas à contacter notre revendeur local ou prestataire de services, ou à visiter le site www.husqvarnacp.com.

Husqvarna AB
SE-561 82 Huskvarna, Suède

1142575-49



EC Declaration of Conformity

We, **Husqvarna AB**, SE 561 82 Huskvarna, SWEDEN, Tel. +46 36 146500 declare on our sole responsibility that the product:

Description	Polish & Grind Equipment
Brand	HUSQVARNA
Type / Model	HTC T6, HTC X6
Identification	Serial numbers dating from 2020 and onwards

complies fully with the following EU directives and regulations:

Directive/Regulation	Description
2006/42/EC	"relating to machinery"
2014/30/EU	"relating to electromagnetic compatibility"
2011/65/EU	"relating to restriction of hazardous substances"

and that the following standards and/or technical specifications are applied;

EN 60335-1:2012/A11:2014/AC:2014

EN 60335-2-72:2012

EN 61000-6-2:2005 + AC :2005

EN 61000-6-4:2007+A1:2011

Partille, 2020-10-16



Martin Huber

R&D Director, Concrete Surfaces & Floors
Husqvarna AB, Construction Division

Responsible for technical documentation

EC Declaration of Conformity

We, **Husqvarna AB**, SE 561 82 Huskvarna, SWEDEN, Tel. +46 36 146500 declare on our sole responsibility that the product:

Description	Polish & Grind Equipment
Brand	HUSQVARNA
Type / Model	HTC RT6, HTC RX6
Identification	Serial numbers dating from 2020 and onwards

complies fully with the following EU directives and regulations:

Directive/Regulation	Description
2006/42/EC	"relating to machinery"
2014/53/EU	"relating to radio equipment"
2011/65/EU	"relating to restriction of hazardous substances"

and that harmonized standards and/or technical specifications are applied as follows;

EN 60335-1:2012/A11:2014/AC:2014

EN 60335-2-72:2012

EN IEC 61000-6-2:2005 + AC:2005

EN 61000-6-4:2007+A1:2011

ETSI EN 301 489-1 V2.2.0

ETSI EN 301 489-17 V3.2.0

ETSI EN 300 328 V2.1.1

Partille, 2020-10-16



Martin Huber

R&D Director, Concrete Surfaces & Floors
Husqvarna AB, Construction Division

Responsible for technical documentation

Standards

As the manufacturer, we hereby declare under our sole responsibility that the above product with serial numbers from 2016 onward conforms to the applicable regulations in:

EN 60335-1:2012	Household and similar electrical appliances - Safety - Part 1: General requirements.
EN 60335-1:2012 + A11:2014	Household and similar electrical appliances - Safety - Part 1: General requirements.
EN 60335-2-72:2012	Household and similar electrical appliances - Safety - Part 2-72: Particular requirements for floor treatment machines with or without traction drive, for commercial use.
EN 62233:2008	Measurement methods for electromagnetic fields of household appliances and similar apparatus with regard to human exposure.
EN 61000-6-4:2007 + A1:2001	EMC
FCC CFR 47 Part 15 (2016)	EMC
EN 61000-6-2 (2005)	EMC
DIRECTIVE 2006/42/EC	Machinery directive.
DIRECTIVE 2014/30/EC	EMC
DIRECTIVE 2014/35/EC	LVD

ISO 5349-1:2001	Mechanical vibration -- Measurement and evaluation of human exposure to hand-transmitted vibration -- Part 1: General requirements.
ISO 5349-2:2001	Mechanical vibration -- Measurement and evaluation of human exposure to hand-transmitted vibration -- Part 2: Practical guidance for measurement at the workplace.
ISO 20643:2005	Mechanical vibration -- Hand-held and hand-guided machinery -- Principles for evaluation of vibration emission.
ISO 3744:2010	Acoustics -- Determination of sound power levels and sound energy levels of noise sources using sound pressure -- Precision methods for reverberation test rooms.
ISO 11201:2010	Acoustics -- Noise emitted by machinery and equipment -- Determination of emission sound pressure levels at a work station and at other specified positions applying approximate environmental corrections.

The product was CE marked in 2016. The technical documentation is available from the manufacturer.

Table of contents

1	Introduction.....	9
1.1	General.....	9
1.2	Liability.....	9
1.3	Warranty	9
2	Safety.....	10
2.1	Symbols that are used.....	10
2.2	Safety rules.....	10
3	Information about the machine	13
3.1	Unpacking the equipment.....	13
3.2	Transport	13
3.2.1	Transport	13
3.2.2	Lifting.....	13
3.2.3	Movement.....	13
3.2.4	Hanging the cover	15
3.2.5	Support wheel	16
3.3	Storage.....	16
3.4	Machine name plate	17
3.5	Hand and arm vibrations	18
3.6	Sound power level	18
4	Machine description.....	19
4.1	General machine description.....	19
4.2	Storage compartment.....	22
4.3	Control cabinet	24
4.4	Description of Controls – Control Panel (HMI)	25
4.5	Information Panel	27
4.6	Connection Panel	30
5	Operation.....	31
5.1	General.....	31
5.2	Handle setting.....	31
5.3	Handling weights	33
5.4	Cable and Hose Strain Relief Device	35
5.5	Access to Grinding Tools	35
5.6	Fitting Grinding Tools.....	36
6	Grinding	38
6.1	Manoeuvring via the Control Panel	38
6.1.1	Manual Driving	39
6.1.2	Emergency Stop Switch	39
6.2	Making Operation Easier	40
7	Accessories	41
7.1	Radio package.....	41
7.1.1	Description of Controls – Remote Control.....	41
7.1.2	Radio Receiver	44
7.1.3	Charging	45
7.1.4	Operation.....	45
7.1.5	Locking the Wheels	46

7.2	Radio Control.....	47
7.3	GPS Tracker	48
7.3.1	Start Up	48
7.3.2	Registration	49
7.3.3	Use	49
7.3.4	GSM card	50
7.3.5	Remote Control	50
7.4	Water package.....	51
7.4.1	Mist Cooler System	51
7.4.2	Wet grinding	52
8	Maintenance and repair	54
8.1	General.....	54
8.2	Cleaning	54
8.3	Prior to each new grinding process	55
8.4	Daily.....	55
8.5	Every week.....	55
8.6	Repairs	55
8.7	Spare parts.....	56
8.8	Warranty	56
9	Troubleshooting.....	57
9.1	General.....	57
9.2	The machine will not start	57
9.3	Fuse or earth fault breaker trip frequently	58
9.4	The machine cannot cope	58
9.5	Warnings and Error Messages	59
9.5.1	Warnings	59
9.5.2	Error Messages	61
10	Technical Data	63
11	Environment.....	73
11.1	Chassis.....	73
11.2	Grinding head.....	73
11.3	Electrical system	74
11.4	Recycling.....	74

1 Introduction

1.1 General

HTC's machines are used for processing floor surfaces. The machine's area of application depends on the choice of tool.

In addition to use and general functions, this manual explains the applications and maintenance of your HTC machine. Contact your local retailer for further information. For contact information, see the start of the manual.

1.2 Liability

Even though every effort has been made to make this manual as complete and accurate as possible, we bear no responsibility for incorrect or missing information. HTC reserves the right to change descriptions in this manual without giving prior notice.

This manual is protected by the Copyright Act and no part of it may be copied or used in any other way without the written approval of HTC.

1.3 Warranty

This warranty only covers manufacturing defects. HTC bears no responsibility for damage that arises or occurs during transportation, unpacking or use. In no instance and under no circumstances shall the manufacturer be held responsible for damage and defects caused by incorrect use, corrosion or use outside the prescribed specifications. The manufacturer is not responsible for indirect damage or costs under any circumstances. For complete information on the manufacturer's warranty period, see HTC's current warranty terms.

Local distributors may have special warranty terms specified in their terms of sale, delivery and warranty. If there is any uncertainty regarding warranty terms, please contact your retailer.

2 Safety

This chapter includes the safety rules that must be observed when using HTC's machines.

2.1 Symbols that are used

The symbols below are used in this manual to show the need for extra care when using the machine.



WARNING

This symbol means **Warning!** and indicates a risk of personal injury or material damage.

If the warning is not observed, this could result in death or serious personal injury.



NOTE

This symbol means **Note!** and indicates a risk of material damage in the event of incorrect use.



TIP

This symbol means **Tips!** and indicates tips and advice on effective use of the machine or ways of reducing wear and tear to the machine.

2.2 Safety rules

Users of machines from HTC have the ultimate responsibility for ensuring that everybody who works with or in the vicinity of the equipment follow all applicable safety rules. Safety measures must meet the requirements that apply for this type of equipment. Apart from the standard rules that apply in the workplace, the recommendations in this manual shall also be observed.

All work must be performed by trained personnel. Users of machines from HTC must have read through the dedicated manual for the machine. Incorrect use of the equipment could result in situations that could cause harm to the operator, the surroundings or the machine.

**WARNING**

Training is required.

Risk for personal injury and mechanical damage.

Children should be kept under supervision to prevent them from playing with the machine.

The machine must not be operated by children or in the vicinity of children. The machine must not be used by those with impaired physical, sensory or mental abilities or by those who lack the knowledge that is required for using the machine.

Machines from HTC may only be used in the way recommended by HTC.

Machines from HTC may only be used for commercial purposes.

Anyone using the machine shall know about:

- its functions
- location of emergency stops
- the safety rules for the work

The operator shall ensure that:

- No unauthorised person is stationed within the work area when the machine is started up

The workplace shall:

- be suitable for the purpose
- be secured from loose objects that can be thrown out by the machine
- be free from protruding bolts etc. on the surface to be processed

Individuals in the workplace shall always use the recommended personal protective equipment and wear suitable clothing:

- safety goggles
- protective gloves
- steel toe safety shoes
- hearing protection
- respiratory mask
- do not wear loose fitting clothing or anything that can catch, such as scarves, bracelets, rings, etc.

General precautions:

- Check the machine is connected to an earthed wall socket.
- Work on live parts shall only be performed by qualified personnel.
- Suitable fire extinguishers shall be clearly marked and close to hand.
- Maintenance of the equipment must not be performed during operation.

The machine is only tested for use up to 2000 metres above sea level.



	⚠ DANGER
	HIGH VOLTAGE Disconnect power before servicing.
	⚠ WARNING
	To reduce the risk of fire, use only commercially available floor cleaners and waxes intended for machine application.
	⚠ WARNING
	Risk of explosion. Floor sanding can result in an explosive mixture of fine dust and air. Use floor sanding machine only in well ventilated area.
	⚠ CAUTION
	Moving Parts – To reduce the risk of injury, unplug before servicing.

G003338

This information decal is affixed clearly visible on the machine's electrical cabinet.

3 Information about the machine

3.1 Unpacking the equipment

Check the packaging and equipment carefully on delivery for any possible transport damage. If there is any sign of damage, contact the retailer and report the damage. Report packaging damage to the transport company as well.

Check that the delivery matches the order. If there are any questions, contact the retailer.

3.2 Transport



WARNING

Risk for personal injury and mechanical damage



NOTE

During moving, transport and lifting, the weights shall be in position 1, see Handling Weights.

3.2.1 Transport

Always make sure that the machine is securely anchored to its surroundings and that the grinding head is lowered on to the surface. Tighten the securing straps, or other equipment used for anchoring during transport over non-moving parts, e.g. the machine's chassis.

3.2.2 Lifting

The machine can also be lifted using the lifting eyes provided or using other approved lifting equipment. In which case, make sure that the weights are locked in the forward position and that the handle is in its back position, see Handling weights page 33 and Handle setting page 31. When lifting the machine, lifting straps must be used.

3.2.3 Movement

When moving on sloping surfaces, e.g. loading ramps, the machine should be secured in the lifting eyes, for example, using a winch. This is a safety measure in case the machine starts to roll out of control or tip over. The weights should be in position 1, see Handling weights page 33. Otherwise, there is a risk that the machine tips backwards. Ensure there is no one below the machine during movement on sloping surfaces.



G003256

Fixing points for lifting and securing.

3.2.4 Hanging the cover

During transport or work with HTC grouting, the cover can be hung up so it does not drag on the surface.

Lift up the cover and secure it with the rubber straps to secure the cover in the raised position.

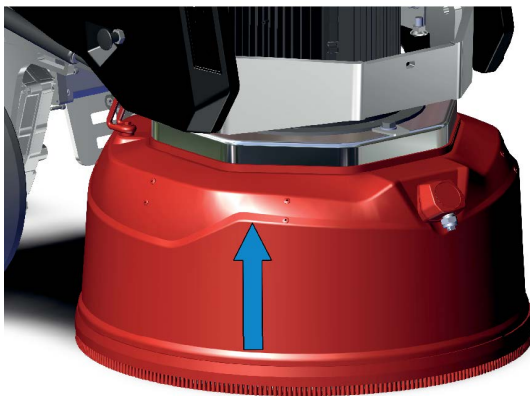


WARNING

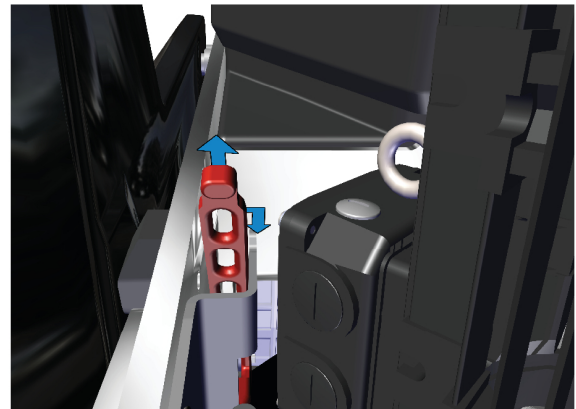
Moving parts. High noise level.

Risk for personal injury.

Always use the recommended personal protective equipment.



G003166



G003104



G003105



G003167

3.2.5 Support wheel



G003412

To ease movement, a support wheel can be firmly mounted on the machine.



G003413

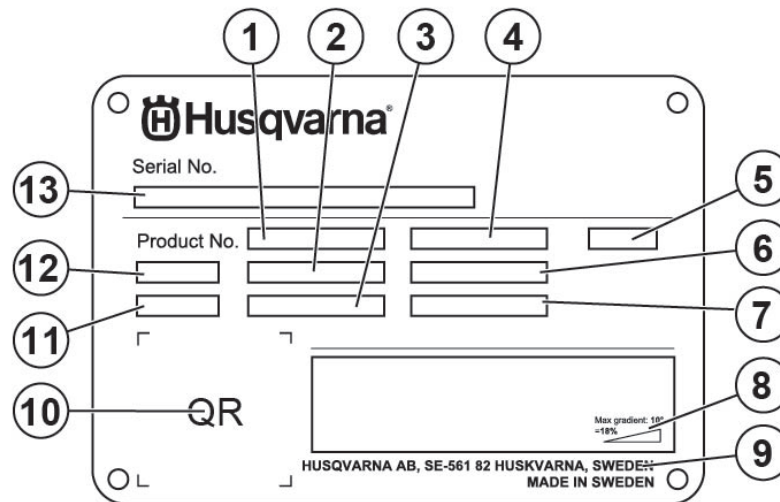
The support wheel can be mounted during grinding.

3.3 Storage

The machine should be stored in a heated, dry area when not in use. It may be damaged by condensation and cold.

3.4 Machine name plate

The machine name plate provides the following information. The model and serial number must be specified when ordering spare parts for the machine.



1. Product number
2. Product weight
3. Rated power
4. Rated voltage
5. Enclosure
6. Rated current
7. Frequency
8. Maximum slope angle
9. Manufacturer
10. Scannable code
11. Production year
12. Model
13. Serial number

3.5 Hand and arm vibrations

Hand and arm-weighted vibration levels [m/s²] for HTC DURATIQ have been measured using equipment approved in accordance with ISO 5349-1:2001. The uncertainty of measurement for the measuring equipment is given as $\pm 2\%$.

The machine has been tested in accordance with ISO 5349-2:2001 and ISO 20643:2005 in order to identify the operations that contribute to the most frequent vibration exposures. At vibration levels > 2.5 m/s² the exposure time should be limited in accordance with the table below. For vibration levels > 5 m/s² immediate measures must be taken by the employer to ensure that the exposure time does not exceed the time specified in the table below.

Identified work conditions	Measured values [m/s ²]	Daily permitted exposure (number of hours)
Grinding/polishing	< 2.5 m/s ²	> 10 h

3.6 Sound power level

This machine has been tested for noise in accordance with ISO 3744:2010 and ISO 11201. Measured using class 1 instruments as sound level meters. For information about sound level power, see chapter Technical Data page 63.

4 Machine description

4.1 General machine description

A grinding machine from HTC has been developed for processing various types of floor. It is used to grind, coarse grind, prepare and polish concrete, natural stone and terrazzo floors or other materials specified in this manual or material recommended by HTC.

Some grinding machines can be equipped with radio control. Radio control is an accessory that eases the work considerably.

The machine is constructed from a number of main components, see below page 20.

The handle can be set in a number of different tilt positions. Choose a position that suits you best, when the machinery is to be operated manually.

The machine's grinding head can be equipped with one of several different grinding discs that are covered by a sealed sloping cover against the floor. The cover together with the connected vacuum system provide the conditions needed for a good work environment. The cover ensures that the operator does not come into contact with rotating mechanical parts and exposure to dust is minimised. Because the cover is floating, the dust uptake is optimised since it is always in contact with the surface.

Always make sure that a dust extractor is connected to the grinder during dry grinding to prevent as far as possible exposure to dust particles of operators, people in the vicinity, the grinder and other equipment.



WARNING

Dust.

Risk for personal injury.

The dust that is sucked up may be harmful if inhaled. Follow local regulations and use breathing protection.

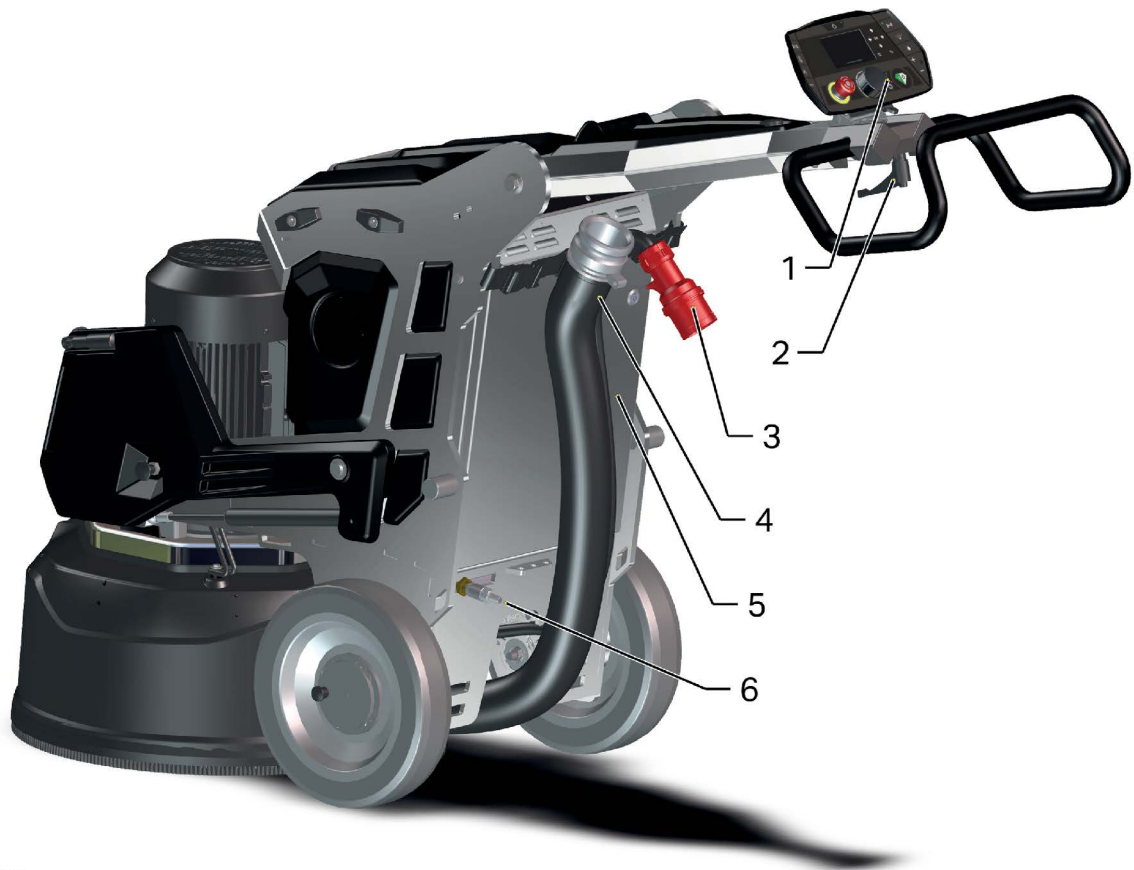
The machine can be easily equipped with a large number of tools, depending on the floor material to be ground. For more information about different tools, see HTC's website www.htc-floorsystems.com.

Some grinding machines can be equipped with a Mist Cooler system for effective cooling of the grinding tools. This system enables a very fine water mist to be diffused through a nozzle over the floor surface, which cools the tools and thereby makes the grinding more effective.



G003218

No.	Description
1	Storage hatch
2	Handlebar locking rough adjustment
3	Storage hatch
4	Lifting point
5	Fixing point for support wheel and securing the load
6	Nozzle for Mist Cooler System
7	Handlebar
8	Handlebar locking fine adjustment
9	Service hatch
10	Weight handle
11	Weight
12	Weight locking
13	Grinding head
14	Wheel lock for driving



G003183

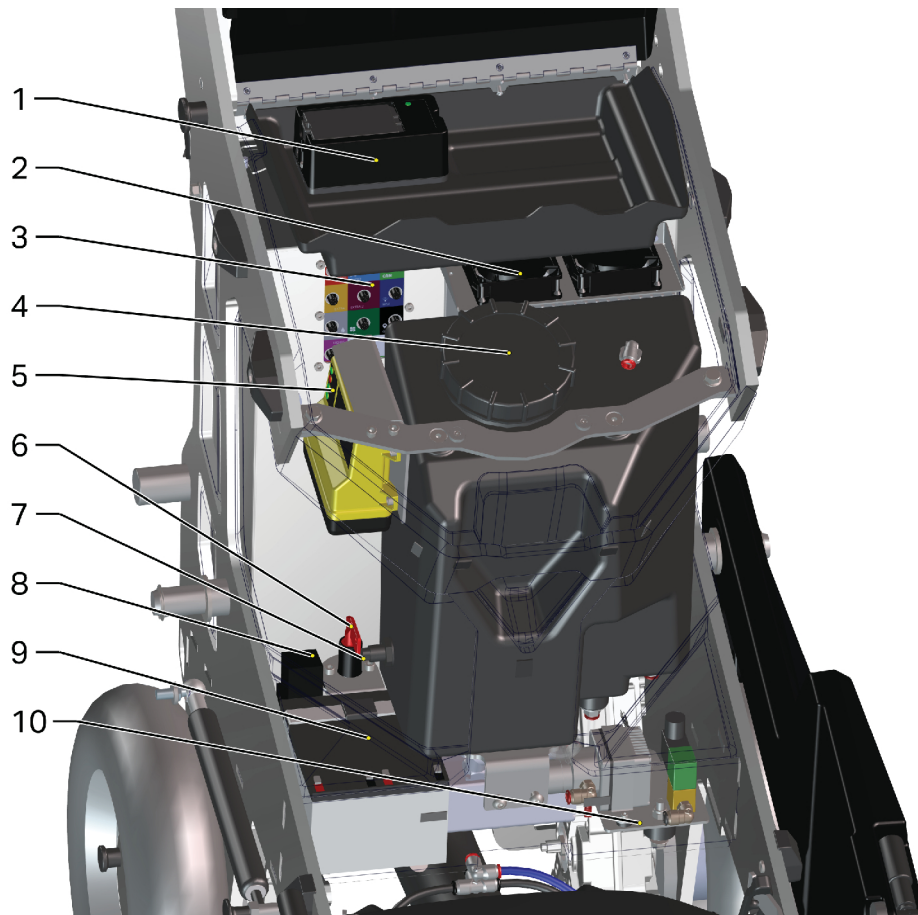
No.	Description
1	Control panel
2	Handle lock
3	Electrical connection
4	Connection, dust extractor
5	Control cabinet
6	Water quick release coupling

4.2 Storage compartment



G003264

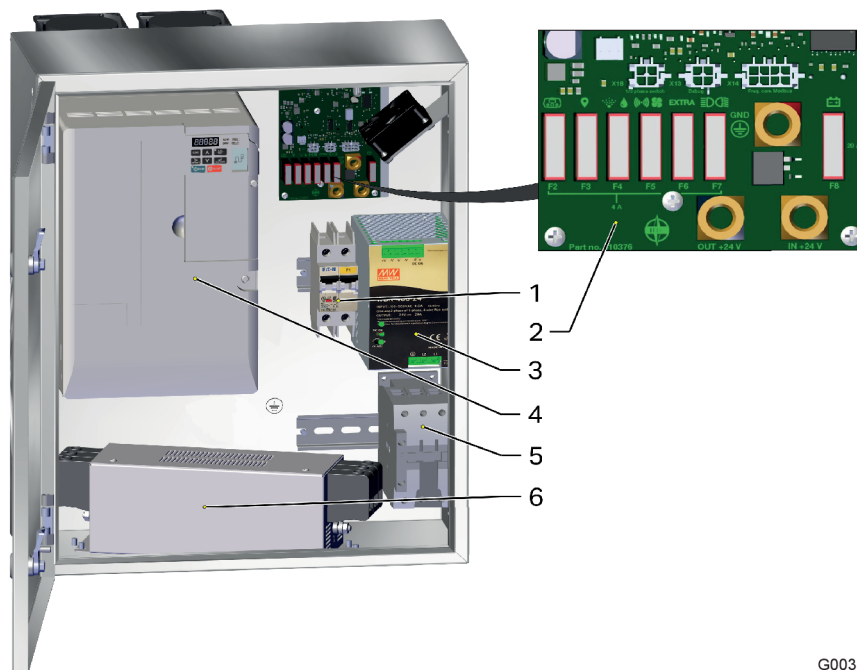
No.	Description
1	Storage compartment
2	
3	Service hatches
4	



G003288

No.	Description	Accessories
1	Battery charger for remote control	Radio package
2	Cooling fans	
3	Connection panel for accessories	
4	Water tank	Water package
5	Radio receiver	Radio package
6	Battery disconnecter	Radio package
7	Water level sensor	Water package
8	Relay	Radio package
9	Battery	Radio package
10	Mist Cooler system pump / proportional valve water supply	Water package

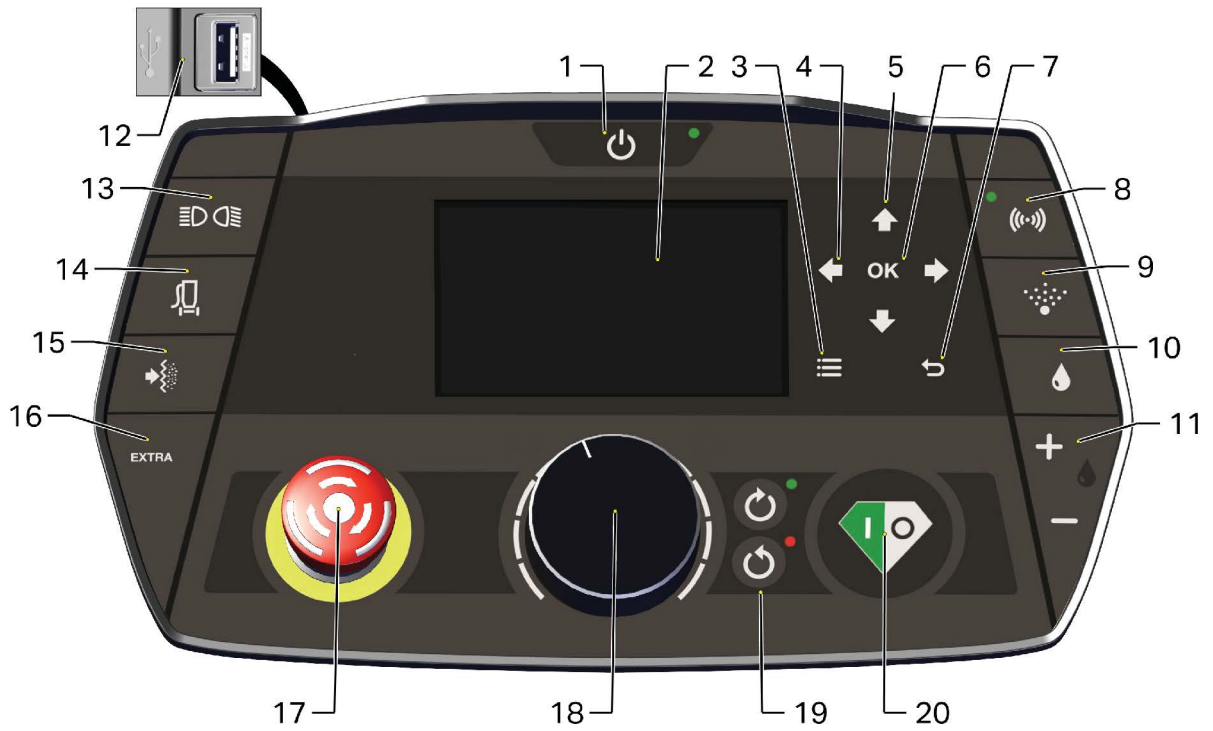
4.3 Control cabinet



G003371

No.	Designation	Description
1	F1	Miniature circuit breakers 2 x 5A for Power Supply
2	Mainboard	
	F2	Fuse 4A, Control Panel
	F3	Fuse 4A, GPS
	F4	Fuse 4A, Water / Mist System
	F5	Fuse 4A, Radio / Cooling Fans,
	F6	Fuse 4A, Extra
	F7	Fuse 4A, Accessory
	F8	Main Fuse 20A, Control Voltage
3	U2	Power Supply
4	U1	Frequency Converter
5	K1	Contact
6	Z1	EMC Filter

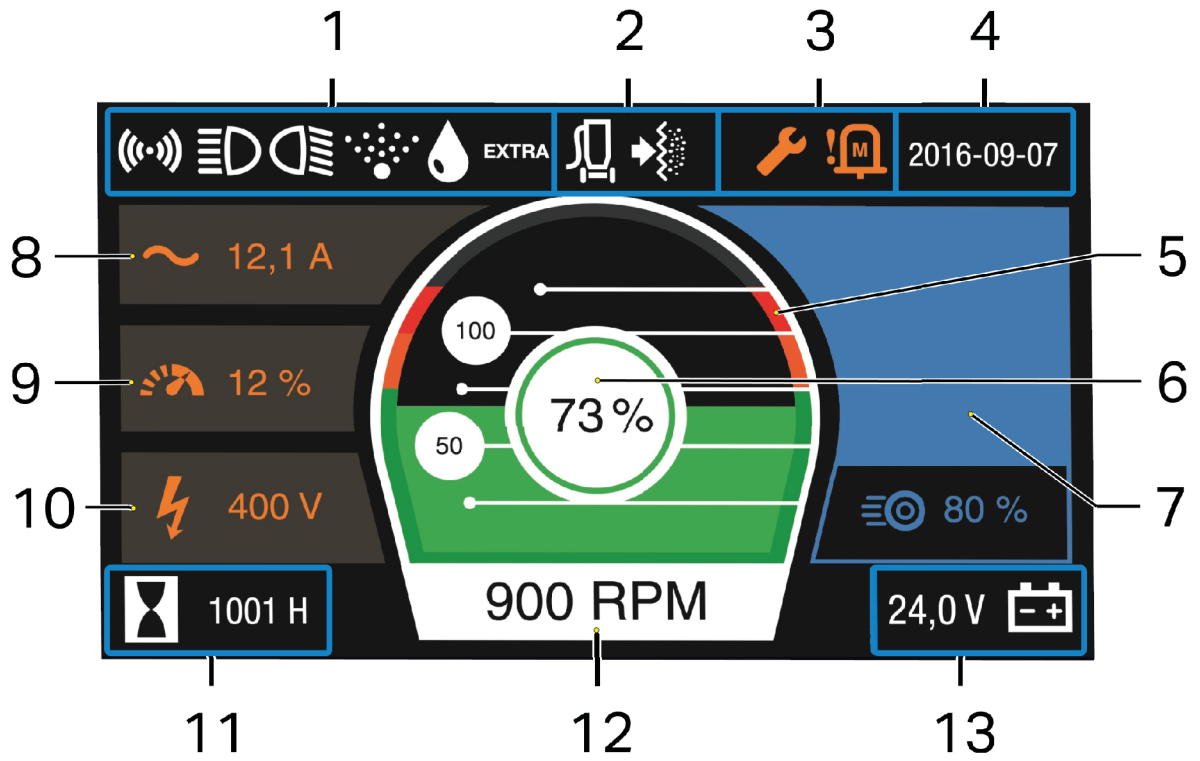
4.4 Description of Controls – Control Panel (HMI)












G003353



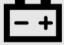
No.	Function	Description
1	On / Off	To start / stop the machine
2	Information Panel	See Information Panel page 27 .
3	Menu Buttons	Menu
4		Right / Left – Menu navigation as well as changing the operation gauge.
5		Up / Down – Menu navigation as well as Night Panel on/off.
6		OK – Menu navigation as well as zeroing the trip meter on long press.
7		Back
8	Radio Communication	On / Off
9	Mist Cooler System	On / Off
10	Water Supply	On / Off
11		Increase or Decrease
12	USB Port	E.g. Mobile phone charging
13	Accessories	See the instructions for accessories
14	Vacuum Clean Control	Future Options
15		
16	EXTRA	On / Off
17	Emergency stop	See Emergency Stop Switch page 39 .
18	Grinding Speed	Increase or decrease the grinding speed.
19	Grinding Direction	Clockwise / Anticlockwise.
20	Grinding	Start / Stop.

4.5 Information Panel

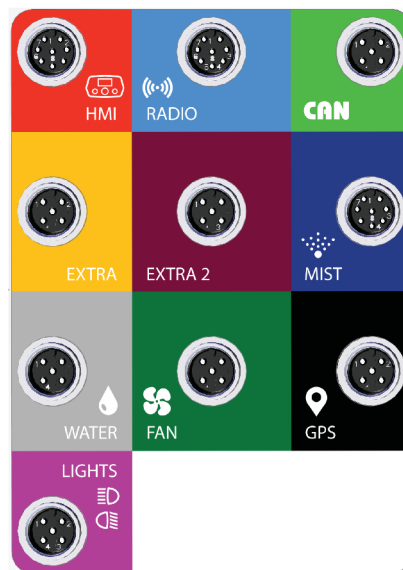


G003354











No.	Symbol	Name	Explanation
1		Radio	Lit when the machine is in radio mode. When in radio mode, only the Emergency Stop Button and the Radio Button on the machine's control panel function.
		Accessories	Lit when the accessory is activated.
		Accessories	Lit when the accessory is activated.
		Mist Cooler System	Lit when the Mist Cooler System is active. Colour changes to yellow when the water level in the tank is low.
		Water Supply	Lit when the water supply is active.
		Extra	Lit when the output Extra is active.
2		Vacuum Cleaner	Future selections
3		Service	Service shines orange 50 h or 2 weeks prior to service. Turns red once the service interval has been exceeded.
		Warning	Warning symbol is lit when warning or fault occurs. Symbol indicates type of fault.
4		Time	Shows time and date.
5		Power Meter – Available power	Show the amount of power available.
6		Power Meter – Power used	The level indicator and the ring around the value change colour depending on how much of the available power is being used. The ring is green when the grinding power is 0-100%, yellow 100-115% and red from 115%.
7		Water Flow / Propulsion Speed	Water Flow 0-100% / Propulsion Speed 0-15 m/min.
8		Current	Shows motor current.
9		Overload / Overload Protection	Overload indication, warns at 90%. The machine switches off at 100%.

No.	Symbol	Name	Explanation
10		Voltage	Shows the mains voltage.
11		Operation Gauge	Shows operating time h, distance m and energy kWh.
12		Grinding Speed	Shows the rotational speed of the grinding discs.
13		Control Voltage	Shows the machine's control voltage. Shows battery voltage when the machine is operated on batteries only.

4.6 Connection Panel



G003396

Symbol	Connection for
	Control panel
	Radio Receiver
	CAN bus
	Extra equipment, 24 V
	Extra 2. Used for future equipment
	Mist Cooler System
	Water supply valve
	Cooling fans
	GPS
	Accessories

5 Operation

5.1 General

The following section describes how to change tools and how to operate the grinding machine. This section does not deal with the technical aspects of grinding, such as selection of grinding tools, etc.

For choice of tool, go to HTC's website www.htc-floorsystems.com for more information.

5.2 Handle setting



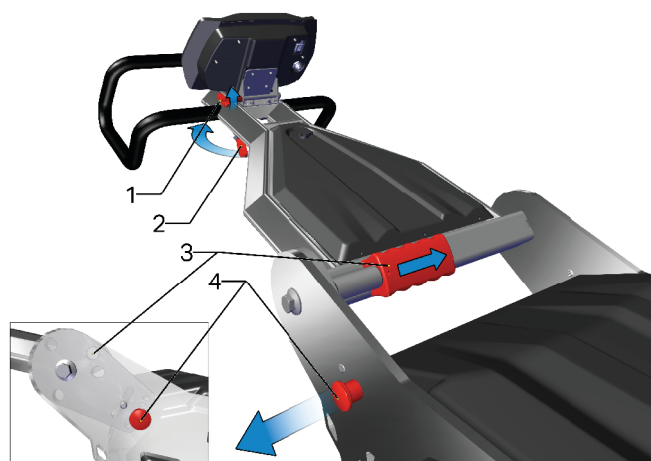
WARNING

Risk of crushing.
Risk for personal injury.



NOTE

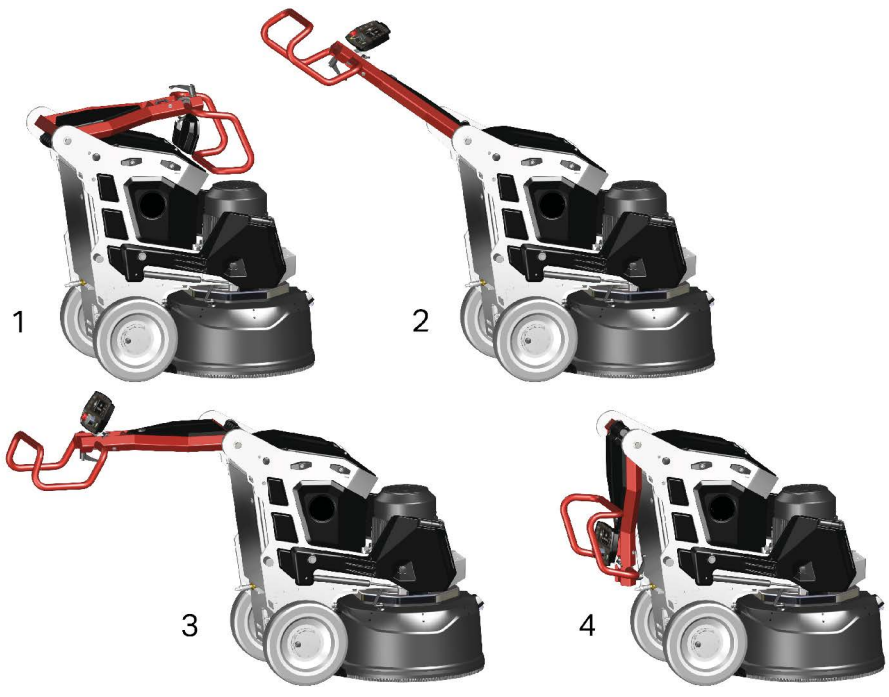
Ensure that the handle lock locks properly in the position wanted when adjusting the handle.



G003430

No.	Description
1	HMI adjustment
2	Handle adjustment
3	Handlebar rough adjustment
4	Handlebar fine adjustment

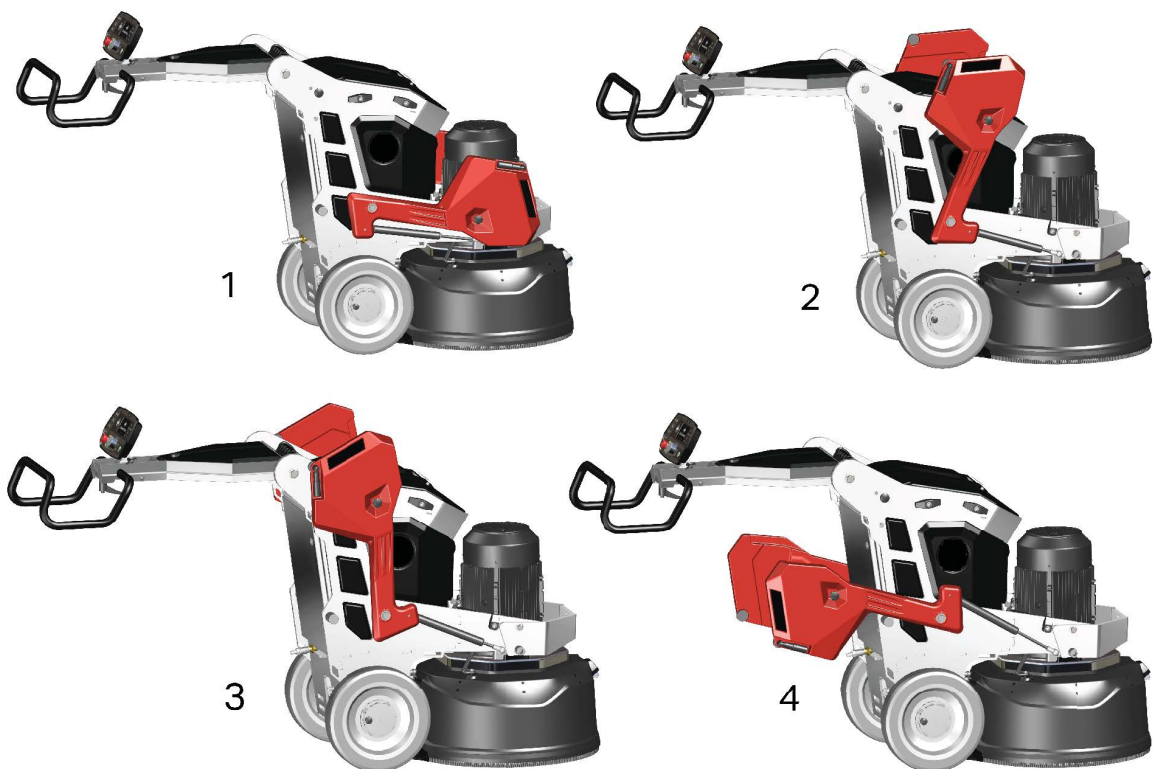
Place in the right working height using the various settings.



G003208

No.	Description
1	Handle position 1
2	Handle position 2
3	Handle position 3
4	Handle position 4

5.3 Handling weights



G003185

No.	Weights in the different positions
1	Weight position 1
2	Weight position 2
3	Weight position 3
4	Weight position 4

The machine is equipped with two weights to make it easy to move the machine's centre of gravity. Each weight is provided with a locking pin with which the weights can be lowered and locked into three positions as well as backwards.

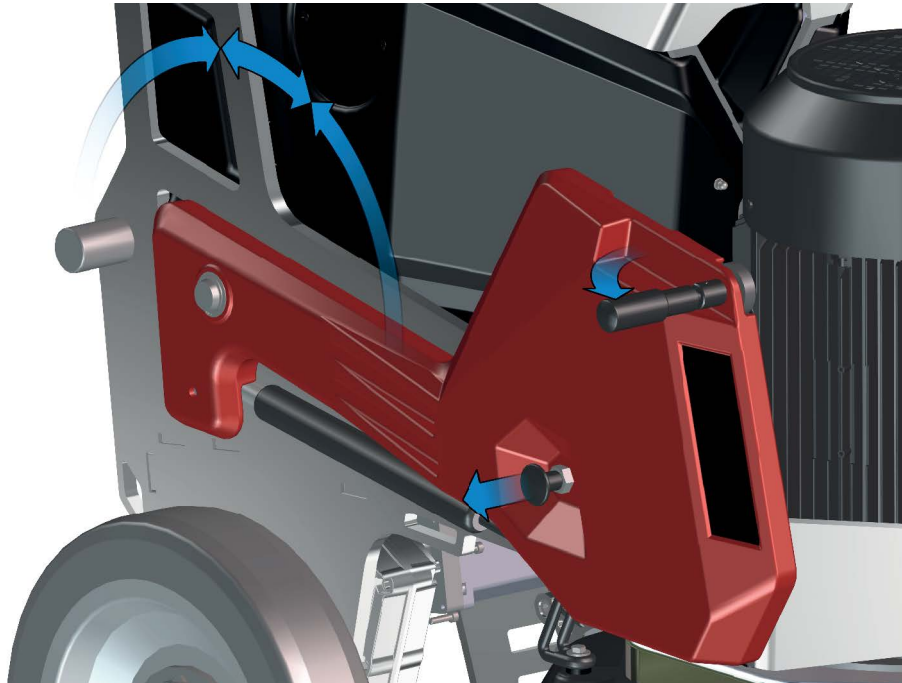
- Pull the pin outwards and take hold of the handle and move the weight. Release the pin and it fastens in the next fixed position.

**WARNING**

Risk of crushing.

Risk for personal injury.

Ensure that the pin locks in the position wanted when adjusting the weights. Ensure that there is no gap at the sides when the weight is locked. Risk for the lock releasing.

**TIP**

If the machine is heavy to operate, it may be due to the placing of the weights. Fold the weights up or back to unload the grinding head.

In order for the grinding pressure to be maximised, the weights shall be placed in position 1 and to be minimised in position 4, see page 33 and Technical Data.

If the machine feels heavy to operate, it may be due to the placing of the weights. Raise the weights to position 2, position 3 or position 4 to relieve the grinding head. Ensure that the weights are in the same position on both sides to prevent the risk of uneven grinding.

5.4 Cable and Hose Strain Relief Device

There are two alternative cable and hose strain relief devices on the machine. Use the one that is most suitable for the work situation in question. Ensure that the grinding cover is not affected by tension in the hose.



5.5 Access to Grinding Tools



WARNING

Risk of crushing.

Risk for personal injury and mechanical damage.

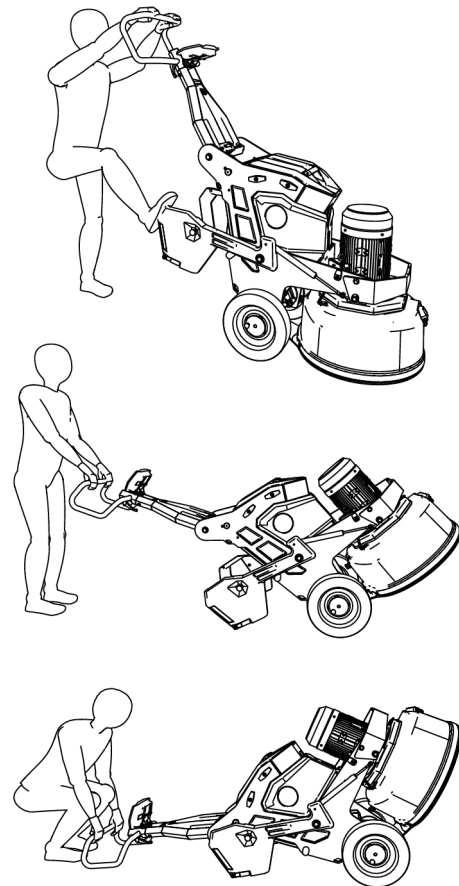
Disconnect the power prior to cleaning, maintenance, change of tools and repair.

Raise the handle to the third position in accordance with the Handle Settings page 32.

Lower the weights back and place a foot on one of the weights. See Handle Settings page 32.

The machine may be heavy. Using the fine adjustment makes it easier to adjust the settings, see Handle Settings page 32.

Carefully, tip the machine backwards, until the weights reach the floor.



G003266

Tip the machine further back, until all of the machine reaches the floor.

Ensure that the machine lies supported on the handle.

5.6 Fitting Grinding Tools



WARNING

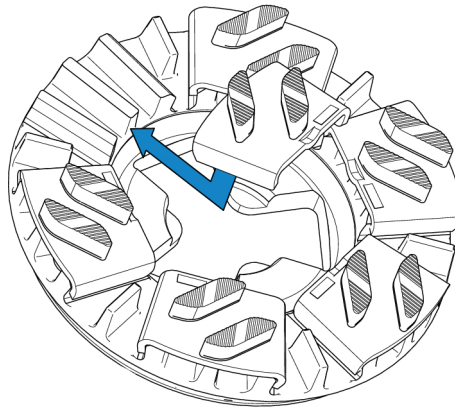
High Temperature
Risk for Dust



NOTE

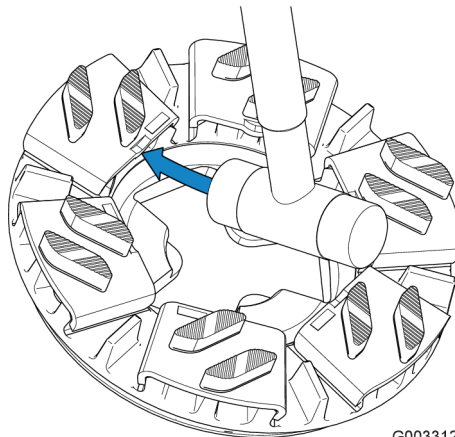
Note the direction of rotation of the grinding discs.

Slide the new grinding tool diagonally, from above, down into the appropriate guide slot on the tool holder. Then push the tool fully into the guide slot.



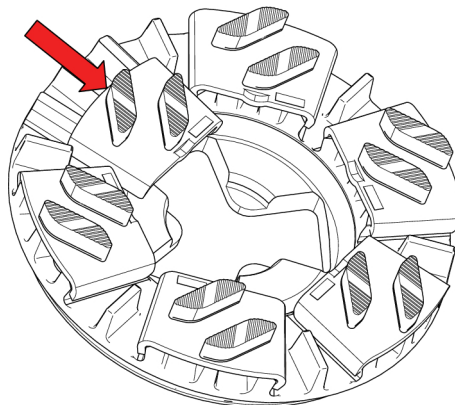
G003311

Lock the grinding tool into the tool holder by giving it a few light taps with a hammer.



G003312

When changing the grinding tool, loosen it by giving it a few light taps with a hammer so the locking mechanism releases. Then draw the tool up out of the guide slot.



G003310

6 Grinding

Connect a dust extractor to the machine. For available models of dust extractors, go to HTC's website www.htc-floorsystems.com for more information.

Place the handle to the working position, see page 32.



WARNING

Risk for personal injury.

Do not let the cable come into contact with the rotating tools.



NOTE

Inspect the floor carefully and remove any objects sticking up, such as, for example, reinforcement rods or bolts, and any debris that could get stuck in the machine or be thrown out.

6.1 Manoeuvring via the Control Panel

During manual grinding, the machine is run forwards across the floor surface and the processing is controlled via the control panel.

For description of the control panel, see Description of Controls – Control Panel (HMI), see Description of Controls – Control Panel (HMI) page 25.

6.1.1 Manual Driving



G003372

Make sure the emergency stop switch (1) is not activated. If not, turn clockwise according to arrows on the switch.

Press the button *on/off* (2).

Start the dust extractor, if dry grinding is to be done.

Choose direction of rotation (3).

Set the speed for the grinding discs using the knob (4).

Start the grinding by pressing on (5).

When the machine is not in use, press on/off for 3 seconds, to switch the machine off.

6.1.2 Emergency Stop Switch

The emergency stop switch should only be used in an emergency, because it shortens the service life of the machine's electrical components.

When the emergency stop switch is pressed, the power to all electrical moving parts on the machine is turned off. Reset by turning the switch clockwise. The machine can then be restarted.

6.2 Making Operation Easier

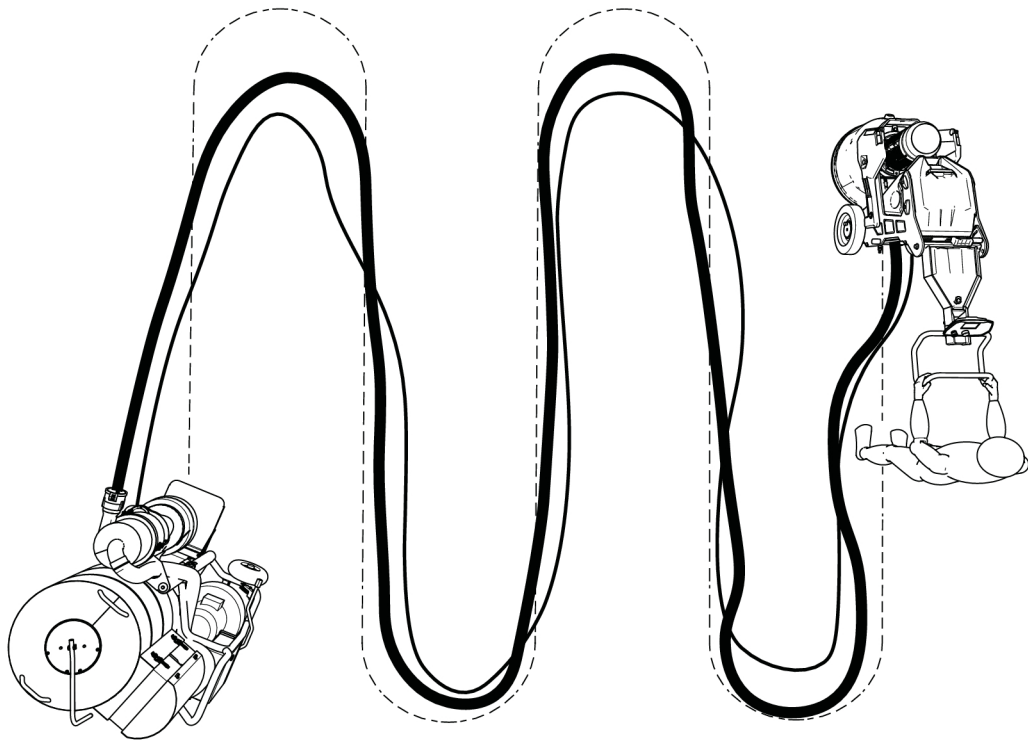


WARNING

Risk for personal injury.

Do not let the cable come into contact with the rotating tools.

In order to keep the suction hose for the dust extractor and the power cable out of the working area and/or path of the machine, the hose and cable can be arranged as shown in the picture below.



G003145



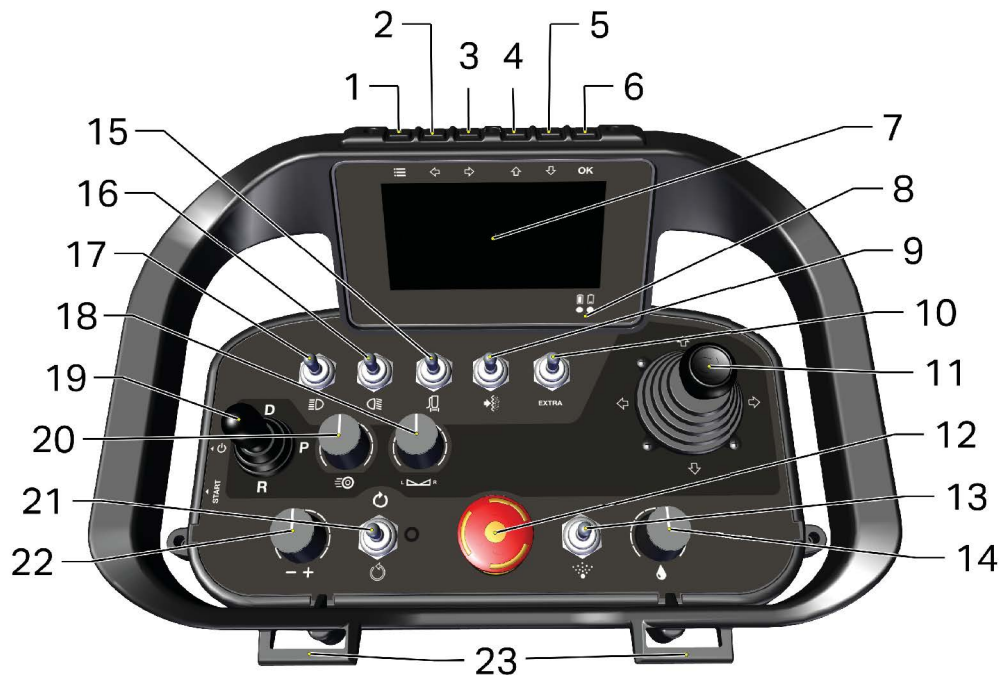
TIP

By arranging the hose and cable as shown in the picture, you avoid disruptive stoppages caused by having to re-position the cable and hose.

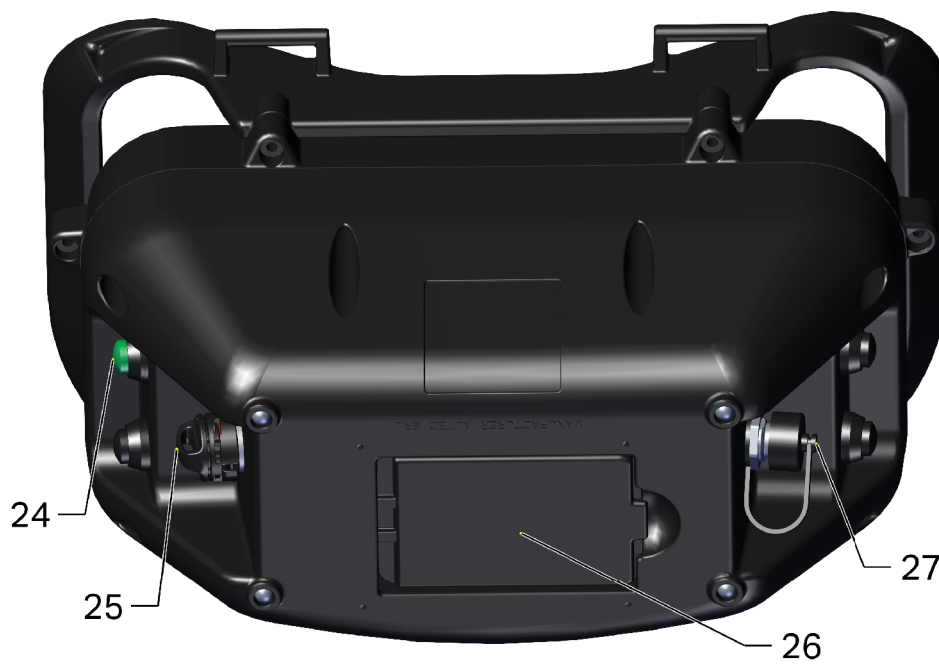
7 Accessories

7.1 Radio package

7.1.1 Description of Controls – Remote Control



G003362

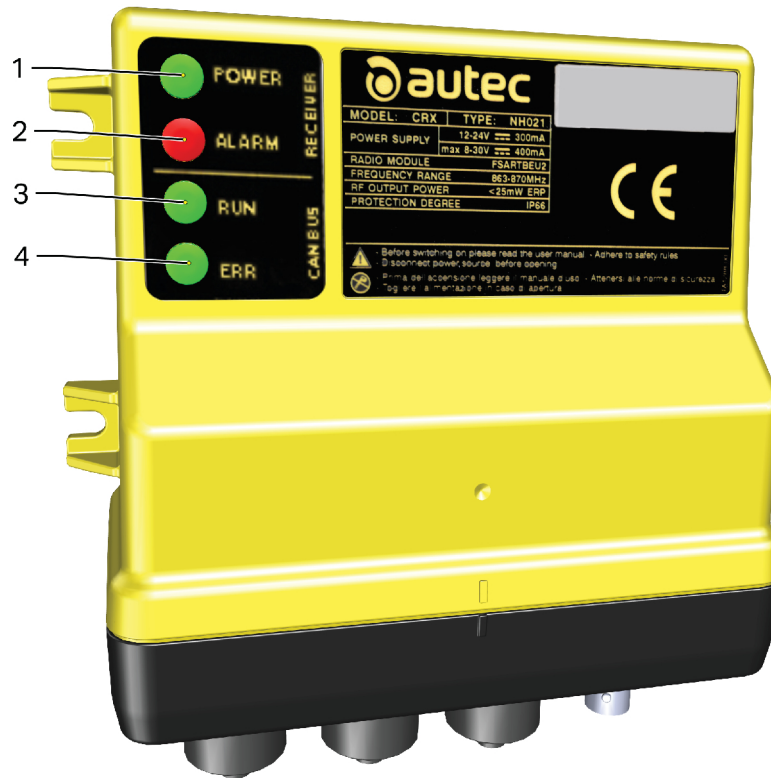


G003363

No.	Function	Description
1	Menu Buttons	Future Functions
2		Right / Left – Menu navigation as well as changing the operation gauge.
3		
4		Right / Left – Menu navigation as well as changing the screensaver.
5		
6		Future Functions
7	Display	See Information Panel page 27 .
8	Green LED	Is not lit when the unit is switched off.
		Flashes rapidly when the unit is in operation but does not have radio link.
		Flashes slowly when the unit is in operation and has radio communication.
	Red LED	Is not lit where there isn't a fault on the unit.
		It is lit when the emergency stop is depressed, driving control or grinding direction are in the wrong position. Flashes when the battery level is low.
9	Vacuum Clean Control	Future Options.
10	EXTRA	On/Off.
11	Joystick	Steering right and left as well as control of speed and direction.
12	EMERGENCY STOP	See Emergency Stop Switch page 39 .
13	Mist on/off	On/Off.
14	Water Supply	On/Off as well as adjustment of water quantity.
15	Vacuum Clean Control	Future Options.
16	Lighting rear	Accessory.
17	Lighting front	Accessory.
18	Offset (L - R)	Adjust left or right to compensate drift.
19	Driving Control	Control for driving forwards D , backwards R or parking brake P .
20	Walking Speed	Adjustment of the Propulsion Speed.
21	Grinding Direction	Control for grinding: Grinding clockwise, grinding off, grinding anticlockwise. For grinding anticlockwise, the control must be lifted to get it in position.

No.	Function	Description
22	Grinding Speed	Adjustment of the Grinding Speed
23	Hanging Bracket	For belt or shoulder hook.
24	Radio Communication	Start radio communication.
25	S-key	Radio Off/On. As well as key code for the radio.
26	Battery	For charging see: Battery Charging Charging page 45 .
27	Socket Cable Control	Cable control in environments where the radio control is not an alternative.

7.1.2 Radio Receiver



G003424

No.	LED	Lamp	Explanation
1	POWER	Is not lit	The receiver is not powered up.
		Lit	The receiver is powered up but does not have radio link.
		Flashes	The receiver is powered up and has radio link.
2	ALARM	Is not lit	The receiver is working correctly.
		Lit	Not working correctly.
		Flashes	Fault in emergency stop loop.
3	RUN	Is not lit	CAN communication is inactive.
		Lit	The receiver is not transmitting CAN bus commands.
		Flashes	The receiver has contact with the CAN bus network.
4	ERR	Is not lit	CAN bus is OK.
		Lit	CAN bus cannot contact CAN bus controller.
		Flashes	CAN bus is not working.

7.1.3 Charging

Machine Battery

If the battery disconnecter is closed (turned clockwise), the machine battery is charged.

The battery disconnecter should be closed when the machine is propelled using the remote control.

The battery disconnecter can be left closed when the machine is connected to the mains.

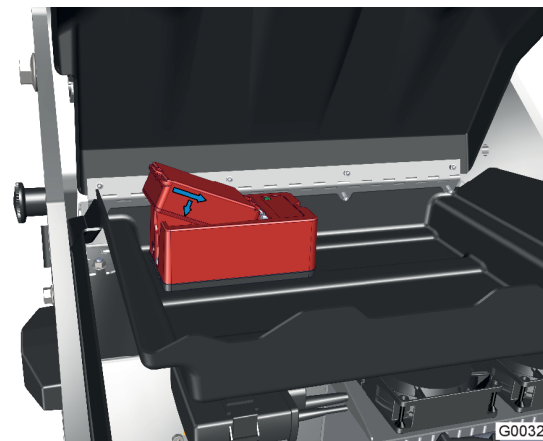
When the machine is not in use as well as during transport and storage, the battery disconnecter should be open.



G003306

Radio Battery

The remote control's battery is charged in the battery charger when the machine is connected to the mains electric and also by the machine batteries.



G003220

7.1.4 Operation

During radio control, the machine is manoeuvred via the remote control. For description of the remote control, see Description of Controls – Remote Control page 41.

When driving via the radio control, the machine is driven forwards with the help of the drive motors. From a work environment perspective, driving via the remote control is recommended.

Check that the wheel lock is disconnected before driving, see Locking the Wheels page 46.



WARNING

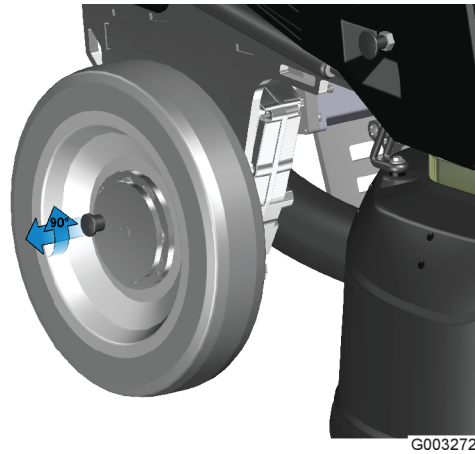
Risk for personal injury and mechanical damage.

Always keep the machine under supervision.

7.1.5 Locking the Wheels

Machines with radio control are equipped with a locking mechanism on each wheel. Wheel locking is used to lock and release the machine's wheels from their drive motors. In the locked position, the drive motors are connected to the wheels, this means that the machine can only be moved by using the drive motors via the operating panel or the remote control.

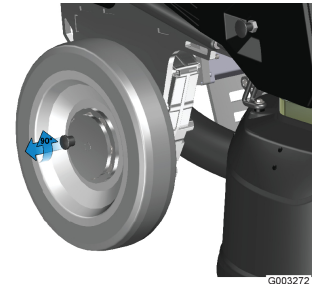
Release the wheels by pulling the locking pin straight out. Turn the locking pin 90 degrees and release it for the secured position.



7.2 Radio Control

Lock/Release Wheel Locking

See Locking the Wheels page [46](#).



G003272

Battery Disconnecter

Switch on the battery disconnecter, see Charging page [45](#).

Remote Control

Ensure that the emergency stop switch (5) is disconnected as well as that the D-P-R control is in position P and the grinding switch is in position 0.

Turn the button *On/Off* (6) and wait for the display on the remote control to start up.

Check the battery level (7) by the display. In the case of low battery level, change battery. The battery is charged in the machine, see Storage compartment page [22](#)



G003240

Control Panel

Press the button for radio communication (1) on the control panel.

The lamp by the button (2) and the symbol on the display (3) on the control panel lights up.

Remote Control

Press the button for radio communication (8), a contact is now created between the remote control and the machine.

When the radio communication is created, the flashing frequency on LED (7) increases to 1/sec.

The machine is now in radio mode and, on the control panel, only the emergency stop switch (4) and the radio button (1) function.



G003237

Grinding

Set the grinding speed using the knob (10). The set value can be seen on the display.

Set the propulsion speed using the knob (11). The set value can be seen on the display.

Choose direction of rotation (12) for grinding. The machine starts grinding.

Select driving direction with the lever FWD/REV (13).

Control the speed (15) as needed. Can increase 2x and change direction at the same speed as max.

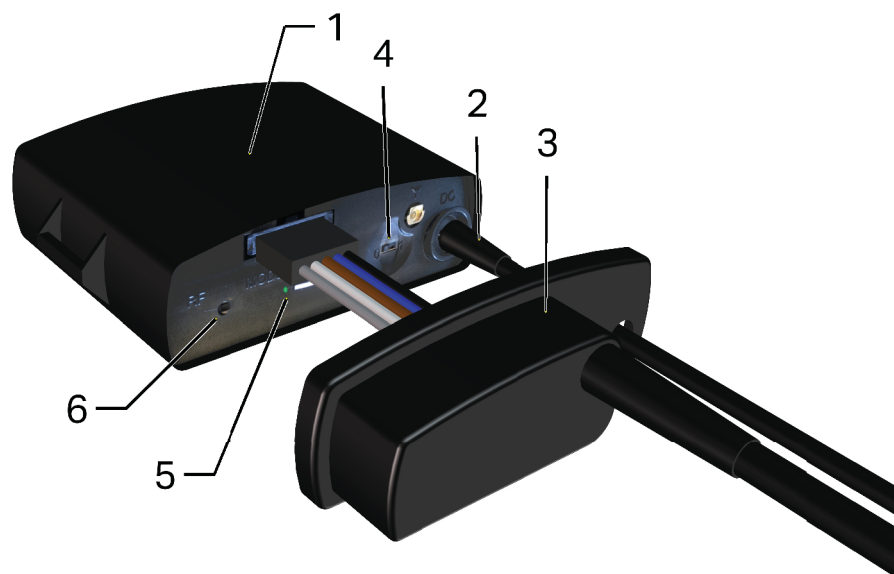
Adjust the offset for grinding using the knob (14) as needed.



7.3 GPS Tracker

7.3.1 Start Up

- 1 Start up outdoors so the GPS tracker has free sight for positioning.
- 2 Start the grinding machine with the *On/Off* button.
- 3 Remove the GPS tracker (1) from the holder and push in the voltage cable (2) at the same time as the cover comes loose (3).
- 4 Start the GPS tracker by moving the power switch (4) on the GPS tracker to position 1. Wait until the green diode (6) lights up. Start up can take up to 30 seconds.
- 5 Replace the cover (3) making sure at the same time that it seals.
- 6 Replace the GPS tracker in the holder on the grinding machine. Make sure that the cabling is not lying against a cooling flange or fan.



- 7 The GPS tracker searches for its position for approx. 2 minutes. This is **not** indicated by any diode.
- 8 Ring the GPS tracker's mobile number (see enclosed envelope) using any mobile phone. After a couple of signals, the call is disconnected and within a few minutes you receive a text message with date, time (GMT), position and a link to a map where the position of the GPS tracker is marked (needs Internet connection).
- 9 Charge the GPS tracker's internal battery by keeping the grinding machine connected to the mains electric for at least 8 h.

7.3.2 Registration



NOTE

Until the GPS tracker is registered, alarm functions cannot be activated and anybody can trace the position of the GPS tracker.



NOTE

A SIM card with SEK 100 from Telenor is enclosed. In countries outside Sweden, it may be easiest and simplest to acquire a SIM card from a local operator to reduce costs and to simplify handling.

Register your GPS tracker on <https://db.redknows.com/MiniFinder/default.php>.

The following information should be registered:

- The mobile number that will have access to the GPS tracker.
- Size of Geofence alarm.
- Sensitivity of the Vibration Sensor.
- The awake time of the GPS (how frequently the position will be checked).
- The unit in which the speed will be given.
- Positions in text message on map on mobile or long & lat.
- Activate the alarm function so the GPS gives an alarm when the voltage to which it is connected
 - is less than a selected level.
 - Activates an alarm on loss of external voltage.

7.3.3 Use

The following functionality is obtained with the GPS tracker.

- Locks the grinding machine for unauthorised users (same as code alarm on screen).
- Traces the grinding machine, obtains the machine's position.
- Vibration alarm, activated if the machine is disturbed.
- Geofence alarm, activated if the machine moves outside a defined area.
- Voltage alarm, gives an alarm if the machine's battery is less than 24 V, disconnected or if the GPS tracker's internal battery level is <20%.

- SOS, signal sent to defined telephone number.

All commands can be given using both the remote control and via text message, however, with one large difference.

When the remote control is used to activate Geofence alarm or sensor alarm, the machine is locked. The machine is unlocked using the remote control's standby or with PIN code (see machine manual).

Alarm is given via text message to the mobile numbers that are entered on the GPS tracker's website. For further information, consult the GPS tracker manual.

7.3.4 GSM card

The GPS tracker communicates via GSM and requires a SIM card to work. The SIM card enclosed in the packaging, when you buy the alarm in Sweden, is prepared so you can start your alarm at once.

If you choose to use another SIM card than that enclosed on purchase, remember to adapt the card as follows:

- The SIM card must have number presentation.
- Mobile answering machine (voice mail) must be **switched off**.
- The SIM card must **not** have a PIN code.

Most SIM cards work excellently with the GPS tracker, except for dedicated 3G operators. With prepaid calling cards you avoid fixed monthly fees, but a SIM card connected to a subscriptions is just as good.

When buying a SIM card, check that it has the right prerequisites by placing it in a mobile phone.

- Deactivating the PIN code is usually done from the settings in the telephone's menu. Contact your telephone operator if you need help.
- You can see if the card has number presentation and mobile answering machine by calling the number from another telephone – check if the number is presented in the display and if the mobile answering machine is activated.

7.3.5 Remote Control

Do as follows:

- 1 Check that the GPS tracker has started (the power switch is in position 1).
- 2 Press the remote control learning button (6). A green LED (RF LED) next to the remote control learning button lights up.
- 3 While the green RF LED is still lit, press any button on the remote control. The RF LED goes off and on to confirm that the pairing succeeded.
- 4 Wait until the green RF LED goes out.
- 5 The pairing is now completed and the remote control can be used.

Test that the pairing succeeded by pressing any button on the remote control, a green LED adjoining the text *RF* on the GPS tracker should light up and go out when any button on the remote control is pressed.

Teaching More than One Remote Control

While the RF LED is lit according to step 3 above, press any button on all remote controls that are to be paired with the GPS tracker. Check that the RF LED goes out and lights up to confirm the pairing when the button on the remote control is pressed in.

7.4 Water package

7.4.1 Mist Cooler System

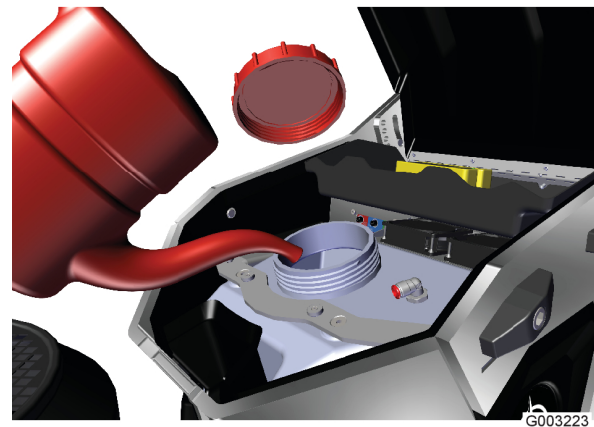
Machines from HTC can be equipped with a Mist Cooler system for effective cooling of the grinding tools. The Mist Cooler System can be offered as a retrofit.

The Mist Cooler System creates a very finely divided water mist that is distributed on the floor surface through a nozzle. The system is used to obtain a better performance during grinding, while it is possible to grind dry and use a standard dust extractor for the dust. This cools the tools and makes grinding more effective. The Mist Cooler System reduces the risk of the diamond tools "glazing over".

The system uses the water in the tank. When the water level is low, the mist symbol changes colour to yellow.

Grinding

Attach the appropriate tool to the machine.
 Set the handle to the working position.
 Fill the tank with cold water.



G003223

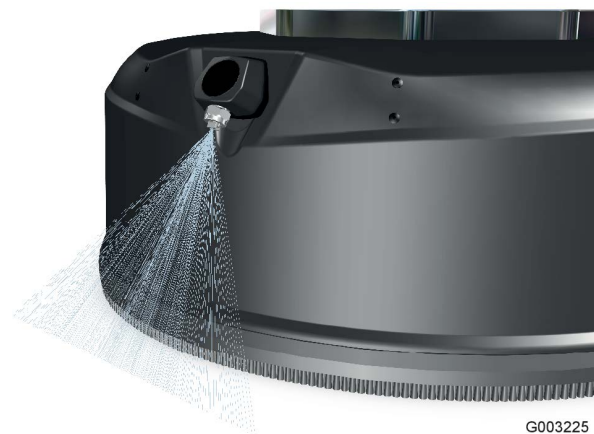
Start the Mist Cooler System by pressing the button on the control panel. When the system is active, the symbol on the display for the Mist Cooler System is lit.

When grinding is finished, the Mist Cooler System also switches off. If the Mist Cooler System is still active, this is indicated by a flashing symbol. Press again to activate.



G003252

Switch off the Mist Cooler System by pressing the same button once grinding is finished.



G003225

7.4.2 Wet grinding



NOTE

Make sure the water supply is only on during grinding. Always use liquid suction when wet grinding.

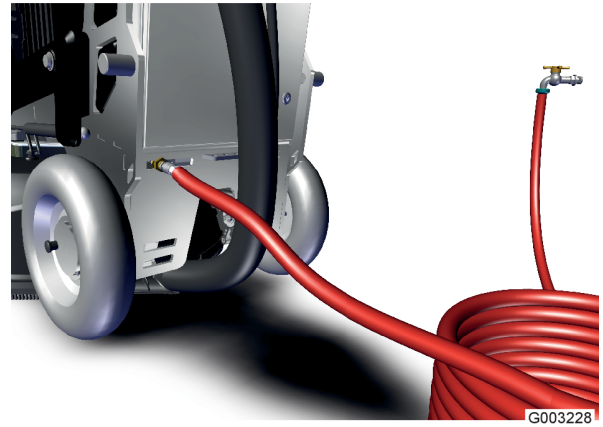
Wet grinding with water is used when grinding difficult to grind floors. It is also used to obtain a greater performance or lower temperature during grinding.

Grinding

Set the handle to the working position. See page 32.

Connect the water using the quick release coupling on the rear of the machine. For pressure and maximum flows, see Technical Data page 63.

An electrically controlled proportional valve controls the water flow.



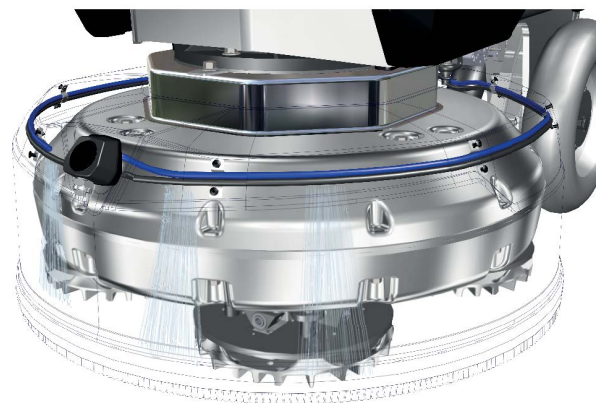
G003228

Start the water flow by pressing the button on the control panel. Increase and decrease the water flow using + and - respectively.



G003253

The water is distributed via slits in the hose under the cover.



G003229

8 Maintenance and repair

8.1 General



WARNING

Moving parts. High noise level.

Risk for personal injury.

Always use the recommended personal protective equipment.



WARNING

Electrical current.

Risk for personal injury and mechanical damage.

Disconnect the power prior to cleaning, maintenance, change of tools and repair.

8.2 Cleaning



NOTE

Damage due to damp.

Risk for mechanical damage.

During cleaning, only use cold water without chemicals.

Only use high-pressure washer on grinding head.

- Always clean the machine after use. Only use high-pressure washer on grinding head and hose and sponge on the rest of the machine.
- Vacuum clean the electrical cabinet, cooling fan and cooling flange.

8.3 Prior to each new grinding process

- Check the tool holder and grinding holder to ensure that no damage or cracks have arisen. Replace parts, if there is any damage.

8.4 Daily

- Check the emergency stop function.
- Check the radio's emergency stop function.
- Check for wear to the grinding tools – abnormal or uneven wear may indicate a damaged grinding holder.
- Check the tool holder and grinding holder to ensure that no damage has arisen. Replace the parts, if there is any damage.
- Check the connection of hose and cables. Adjust if necessary.

8.5 Every week

- Clean machine and remote control.
- Check the handle's three different locking functions. Replace the bushes, if necessary.
- Check the locking function of the weights and the function of the positioning blocks, replace if necessary.
- Check the grinding holders.
- Check warning decal.
- Check the fastening between chassis and grinding head – gap, wear, dry cracks. Replace the bushes, if necessary.
- Check the grinding cover – seal, wear, cracks, brush list, extraction, hoses, couplings.
- Electrical cabinet – check seals.
- Electrical cables – check wear and attachment.
- Check the radio's rubber bellows on the joystick and switches. Replace, if necessary.

8.6 Repairs

All repairs that may need to be performed must be done by one of the HTC authorised service centres. Contact your retailer if your machine requires servicing. For contact information, see the start of the manual.

8.7 Spare parts

To ensure rapid delivery of spare parts, always specify the model, the machine's serial number and the spare part number when ordering.

Information on the model and serial number can be found on the machine's name plate.

Information on spare part numbers can be found in the machine's spare parts list, which is available to read or print out from the enclosed digital media. If you have any questions, please contact your nearest HTC retailer.

Only original tools and spare parts from HTC may be used. Otherwise, the warranty will be invalid.

8.8 Warranty

In order for the warranty to be valid, only original HTC parts should be used.

9 Troubleshooting

9.1 General

This chapter describes faults that may occur and how to deal with these faults. If the faults cannot be dealt with, or if there are other faults, contact your nearest retailer. For contact information, see the start of the manual.

Fault description	Cause	Instruction user
Fault code is shown in HMI.	One of the machine's alarm systems has been activated.	For more information see Warnings and Error Messages.
The machine loses contact with other units.	The CAN bus signal is broken.	Check cable connections on the connection panel.

9.2 The machine will not start

Error source	Cause	Instruction user
Electrical supply	Fault on supply, e.g. fuses, earth fault breakers or connecting cables	Check correct voltage on incoming phase/phases.
Power supply	Power supply indication is not lit	Check miniature circuit breaker F1.
Mainboard	Main circuit board is not lit	Check fuse.
Fuse	Standby LED on the control panel Panel is not lit	Check fuse F2 and F8.

9.3 Fuse or earth fault breaker trip frequently

Fault description	Cause	Instruction user
Earth fault breaker trips.	EMC filter, cabling or converter	Too high a leakage current/earth fault.
Fuse trips.	Too high a load or too small fuses	Check size of fuses and inertia.
		Reduce the machine's load by reducing the grinding pressure, lower the revs per minute or by changing tool. See the machine's power meter.

9.4 The machine cannot cope

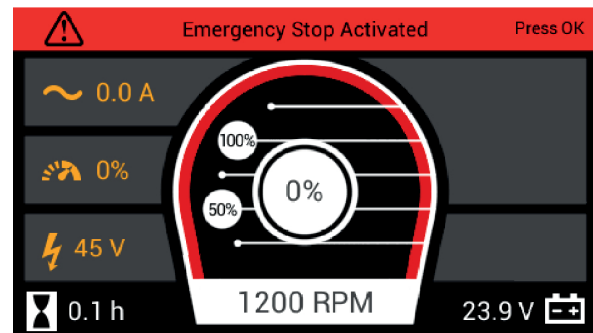
Fault description	Cause	Instruction user
The machine cannot cope	Too high a load	Reduce the grinding pressure.
		If the machine runs at high speed, lower the revs per minute so the machine becomes stronger. See meter for available power.
		Voltage drop, check the voltage meter during grinding.
		Too sticky a coating on the surface being processed.
		Run half of the machine on the surface to be cleaned and half on the clean surface. This removes any residue from the tools.
		Check the tools. Ensure that the correct tools are used, that they are in working order and that they are correctly fitted.

9.5 Warnings and Error Messages










9.5.1 Warnings

The error messages and warnings are shown on the display on the machine and/or remote control. A warning message is displayed in yellow on the display, the machine can still be used. If the warning is known, the field shows a warning symbol as well as a description for the specific warning. Press OK to erase the field. A small warning symbol will continue to be visible in the symbol field as long as the warning is active. The warning is registered in the machine's log.












An error message is displayed in red on the display, the machine stops. If the error is known, the field shows a warning symbol as well as a description for the specific error. Press *OK* to attempt to reset the error. The error is registered in the machine's log.







G003286

Symbol	Warning	Fault description	Action
	CONTROL VOLTAGE LOW	Low control voltage.	Check PSU. Check battery voltage.
	GENERIC INVERTER WARNING (error code)	Converter indicates error.	Go to the HTC Support website.
	HEATSINK TEMPERATURE HIGH	Frequency converter overheats.	Check the function of the fans. Clean fans/cooling flange. Check voltage level during operation. Reduce the grinding power.
	MOTOR OVERLOAD	Grinding motor overloaded. Overload meter exceeds 90%.	Reduce the motor's load, see meter for motor current.
	MOTOR TEMPERATURE HIGH	Grinding motor overheats.	Check the motor's cooling fan. Reduce the motor's load, see meter for motor current.
	POWER UNIT TEMPERATURE HIGH	High temperature in electrical cabinet.	Clean fans and cooling flange. Check that the fans are rotating (rotating during grinding and 1 min after finished grinding as well as when needed). Let the machine cool down.
	SERVICE	Machine service.	Book service at Authorised Workshop.
	WATER LEVEL LOW	Low water level in tank.	Top up water. Check level sensor.
	VOLTAGE LOW	Low input voltage to machine.	Check voltage level during operation. Check cable area. Check electrical supply.

9.5.2 Error Messages

Symbol	Error Message	Fault description	Action
	CANBUS ERROR	Error on CAN bus.	Check cabling. Check units connected to HMI.
	EMERGENCY STOP ACTIVATED	Emergency stop activated.	Reset emergency stop. Check the remote control and reconnect radio with the connection button. See Radio Control Radio Control page 0
	GENERIC INVERTOR ERROR	Generic error converter, radio, left/right drive motor.	Go to the HTC Support website.
	GENERIC..... ERROR (error code)	Generic error converter, radio, left/right drive motor.	Go to the HTC Support website.
	HEATSINK TEMPERATURE HIGH	Cooling flange for frequency converter is overheated.	Let the frequency converter cool down.
	INVERTER OVERLOAD	The converter is overloaded.	Let the machine cool down.
	LEFT DRIVE MOTOR VOLTAGE LOW / RIGHT DRIVE MOTOR VOLTAGE LOW	Low voltage left drive motor.	Check control voltage. Check battery voltage. Check cabling to drive motors. Check voltage on relay outputs.
	MOTOR NOT CONNECTED	Break in grinding motor/grinding motor cabling.	Check grinding motor cabling. Check measure grinding motor.
	MOTOR OVERHEAT	Grinding motor is overheated.	Let the motor cool down.
	MOTOR OVERLOAD	Grinding motor becomes overloaded. Overload meter up to 100%.	Let the machine cool down.
	MOTOR SHORT CIRCUIT	Grinding motor short-circuited.	Check grinding motor cabling. Insulation measure grinding motor.

Symbol	Error Message	Fault description	Action
	OVERVOLTAGE	Input voltage too high.	Error on incoming supply.
	PHASE LOSS	Phase error incoming supply.	Incoming supply has lost one or more phases. Check incoming supply.
	RADIO VOLTAGE LOW	Low voltage radio receiver.	Check control voltage. Check battery voltage. Check cabling to radio receiver.
	UNDERVOLTAGE	Low voltage.	Check cable area and cable length. Error on incoming supply. Emergency stop activated.

10 Technical Data

	DURATIQ T6	DURATIQ T6	DURATIQ T6	DURATIQ T6
Output	6 kW / 8 hp	7.5 kW / 10 hp		
Current	50 A	30 A	15 A	
Frequency	50-60 Hz			
Voltage	1x200-240 V +-10%	3x200-240 V +-10%	3x380-415 V +-10%	3x440-480 V +-10%
Control voltage	24 V			
Total machine weight	384 kg / 846 lbs			
Chassis weight (including weights)	229 kg / 504 lbs			
Weight, grinding head	108 kg / 238 lbs			
Weights	72 kg / 158 lbs			
Grinding diameter	600 mm / 24 inch			
Grinding pressure position 1	200 kg / 440 lbs			
Grinding pressure position 2	156 kg / 343 lbs			
Grinding pressure position 3	132 kg / 291 lbs			
Grinding pressure position 4	92 kg / 202 lbs			
RPM, grinding discs	450-1500 rpm			
Grinding discs	3 x 230 mm / 3 x 9 inch			

	DURATIQ T6	DURATIQ T6	DURATIQ T6	DURATIQ T6
Rec. minimum cable area	16 mm ² 6 AWG	6 mm ² 10 AWG		2.5 mm ² 14 AWG
Storage temp. (short term, e.g. transport)	-20 – +60 °C - 4 – +140 °F			
Working temp.	-10° – +40 °C +14 – +104 °F			
Humidity	Max. 95% but no condensation			
Sound pressure level, according to ISO 11201	82 – 88 dBA			
Sound power level, according to ISO 3744	94 – 100 dBA			
Vibrations, Floor preparation (T-Rex)	1.43 m/s ²			
Permitted daily exposure, Floor preparation (T-Rex)	> 10 h			

	DURATIQ RT6	DURATIQ RT6	DURATIQ RT6	DURATIQ RT6
Output	6 kW / 8 hp	7.5 kW / 10 hp		
Current	50 A	30 A	15 A	
Frequency	50-60Hz			
Voltage	1x200-240 V +-10%	3x200-240 V +-10%	3x380-415 V +- 10%	3x440-480 V +-10%
Control voltage	24 V			
Total machine weight	423 kg / 932 lbs			
Chassis weight (including weights)	268 kg / 590 lbs			
Weight, grinding head	108 kg / 238 lbs			
Weights	72 kg / 158 lbs			
Grinding diameter	600 mm / 24 inch			
Grinding pressure position 1	205 kg / 451 lbs			
Grinding pressure position 2	161 kg / 354 lbs			
Grinding pressure position 3	137 kg / 302 lbs			
Grinding pressure position 4	96 kg / 211 lbs			
RPM, grinding discs	450-1500 rpm			
Grinding discs	3 x 230 mm / 3 x 9 inch			
Rec. minimum cable area	16 mm ² 6 AWG	6 mm ² 10 AWG	2.5 mm ² 14 AWG	
Storage temp. (short term, e.g. transport)	-20° – +60 °C - 4 – +140 °F			

	DURATIQ RT6	DURATIQ RT6	DURATIQ RT6	DURATIQ RT6
Working temp.	-10° – +40 °C +14 – +104 °F			
Humidity	Max. 95% but no condensation			
Sound pressure level, according to ISO 11201	82 – 88 dBA			
Sound power level, according to ISO 3744	94 – 100 dBA			
Vibrations, Floor preparation (T-Rex)	1.43 m/s ²			
Permitted daily exposure, Floor preparation (T-Rex)	> 10 h			
Propulsion speed	28.5 m/min 93.5 ft/min			
Frequency is dependent on rules in different countries (transmitter/receiver)	870 MHz, 915 MHz, 447 MHz, 434 MHz, 429 MHz			

	DURATIQ X6	DURATIQ X6	DURATIQ X6	DURATIQ X6
Output	6 kW / 8 hp	7.5 kW / 10 hp		
Current	50 A	30 A	15 A	
Frequency	50-60 Hz			
Voltage	1x200-240 V +-10%	3x200-240 V +-10%	3x380-415 V +-10%	3x440-480 V +-10%
Control voltage	24 V			
Total machine weight	399 kg / 879 lbs			
Chassis weight (including weights)	229 kg / 504 lbs			
Weight, grinding head	123 kg / 271 lbs			
Weights	72 kg / 158 lbs			
Grinding diameter	600 mm / 24 inch			
Grinding pressure position 1	214 kg / 471 lbs			
Grinding pressure position 2	171 kg / 376 lbs			
Grinding pressure position 3	147 kg / 324 lbs			
Grinding pressure position 4	107 kg / 235 lbs			
RPM, grinding discs	450-1500 rpm			
Grinding discs	4 x 230 mm / 4 x 9 inch			
Rec. minimum cable area	16 mm ² 6 AWG	6 mm ² 10 AWG	2.5 mm ² 14 AWG	
Storage temp. (short term, e.g. transport)	-20° – +60 °C - 4 – +140 °F			

	DURATIQ X6	DURATIQ X6	DURATIQ X6	DURATIQ X6
Working temp.	-10° – +40 °C +14 – +104 °F			
Humidity	Max. 95% but no condensation			
Sound pressure level, according to ISO 11201	82 – 88 dBA			
Sound power level, according to ISO 3744	94 – 100 dBA			
Vibrations, Floor preparation (T-Rex)	1.62 m/s ²			
Permitted daily exposure, Floor preparation (T-Rex)	> 10 h			

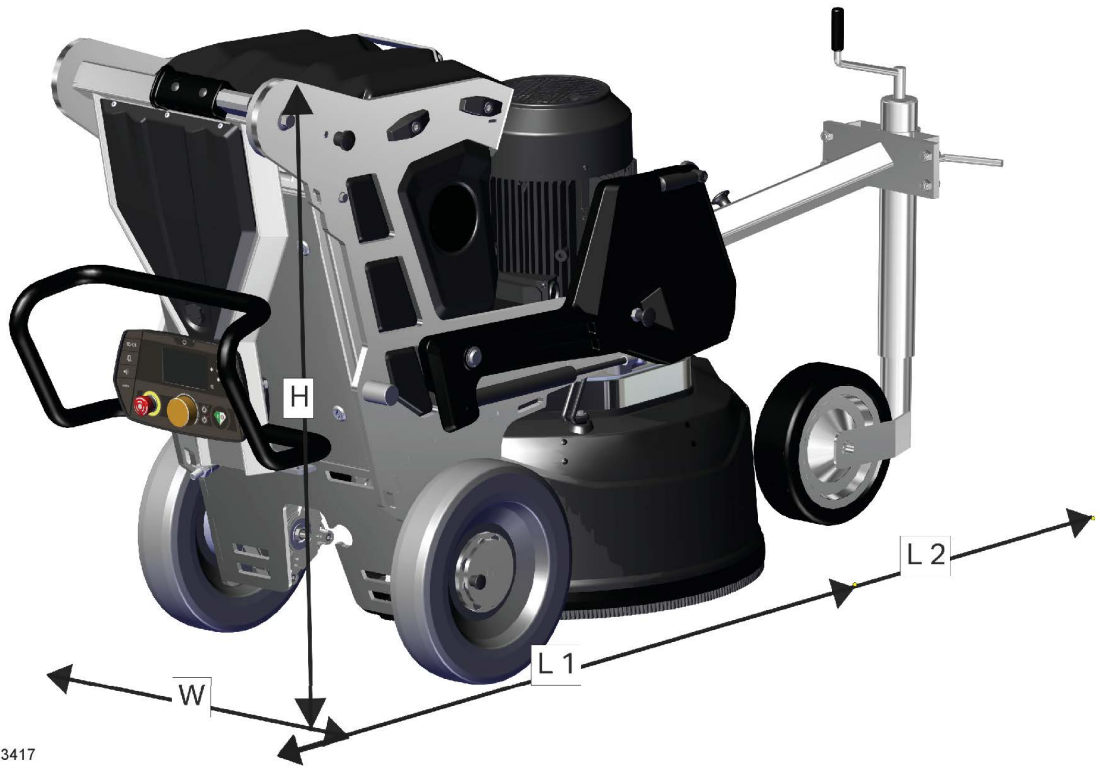
	DURATIQ RX6	DURATIQ RX6	DURATIQ RX6	DURATIQ RX6
Output	6 kW / 8 hp	7.5 kW / 10 hp		
Current	50 A	30 A	15 A	
Frequency	50-60 Hz			
Voltage	1x200-240 V +-10%	3x200-240 V +-10%	3x380-415 V +-10%	3x440-480 V +-10%
Control voltage	24 V			
Total machine weight	441 kg / 972 lbs			
Chassis weight (including weights)	268 kg / 590 lbs			
Weight, grinding head	123 kg / 271 lbs			
Weights	72 kg / 158 lbs			
Grinding diameter	600 mm / 24 inch			
Grinding pressure position 1	223 kg / 491 lbs			
Grinding pressure position 2	177 kg / 390 lbs			
Grinding pressure position 3	153 kg / 337 lbs			
Grinding pressure position 4	112 kg / 246 lbs			
RPM, grinding discs	450-1500 rpm			
Grinding discs	4 x 230 mm / 4 x 9 inch			
Rec. minimum cable area	16 mm ² 6 AWG	6 mm ² 10 AWG	2.5 mm ² 14 AWG	
Storage temp. (short term, e.g. transport)	-20° – +60 °C - 4 – +140 °F			

	DURATIQ RX6	DURATIQ RX6	DURATIQ RX6	DURATIQ RX6
Working temp.	-10° – +40 °C +14 – +104 °F			
Humidity	Max. 95% but no condensation			
Sound pressure level, according to ISO 11201	82 – 88 dBA			
Sound power level, according to ISO 3744	94 – 100 dBA			
Vibrations, Floor preparation (T-Rex)	1.62 m/s ²			
Permitted daily exposure, Floor preparation (T-Rex)	> 10 h			
Propulsion speed	28.5 m/min 93.5 ft/min			
Frequency is dependent on rules in different countries (transmitter/receiver)	870 MHz, 915 MHz, 447 MHz, 434 MHz, 429 MHz			



G003416

Dimensions	H	W	L1
Grinding position	1346 mm 53 inch	657 mm 26 inch	2018 mm 79.5 inch



Dimensions	H	W	L1	L2
Transport position	1054 mm 41.5 inch	657 mm 26 inch	1385 mm 54.5 inch	1958 mm 77 inch

11 Environment

HTC's products are constructed mainly of recyclable metal and plastic. The main materials used are listed below.

11.1 Chassis

Machine part	Material	Waste management
Chassis	Metal	Metal recycling ¹⁾
Handle	Plastic covered steel	Metal recycling ¹⁾
Wheels	Rubber	Metal recycling / Combustible
Cover	Plastic, ABS	Combustible
Fixed parts	Metal	Metal recycling ¹⁾
Hose connections	Metal, aluminium	Metal recycling ¹⁾
Hoses	Plastic, PUR and PVC	Combustible
Support blocks	Plastic, POM	Combustible
Hose guide	Plastic, PP/PA	Combustible

¹⁾ If possible, different metals should be separated.

11.2 Grinding head

Machine part	Material	Waste management
Housing halves	Aluminium	Metal recycling ¹⁾
Grinding cover	Plastic, ABS and TPU	Plastic recycling / Combustible
Other components	Steel	Metal recycling ¹⁾

¹⁾ If possible, different metals should be separated.

11.3 Electrical system

Machine part	Material	Waste management
Control cabinet	Steel	Metal recycling ¹⁾
Cables	Copper conductors with PVC / Nylon covering	Metal recycling ¹⁾
Electrical components		Electronic waste

1) If possible, different metals should be separated.

11.4 Recycling

The machine or machine components can be returned to HTC Sweden AB.



G003127

The machine or machine components can be returned to HTC Sweden AB. For recycling and scrapping of components, see the applicable national regulations for each country. Used electrical and electronic products, including all types of batteries, are to be left at dedicated collection points for recycling (according to Directive 2012/19/EU and 2006/66/EC).

Declaración de conformidad CE

Nosotros, **Husqvarna AB**, SE 561 82 Huskvarna, SUECIA, Tel. +46 36 146500, declaramos bajo nuestra exclusiva responsabilidad que el producto:

Descripción	Amoladora pulidora
Marca	HUSQVARNA
Tipo/Modelo	HTC RT6, HTC RX6
Identificación	Número de serie a partir del año 2020 y en adelante

Cumple las siguientes directivas y normas de la UE:

Directiva/Norma	Descripción
2006/42/CE	"relativa a las máquinas"
2014/53/UE	"relativa a equipos de radio"
2011/65/UE	"relativa a restricción de sustancias peligrosas"

Y que se aplican las especificaciones técnicas o los estándares siguientes:

EN 60335-1:2012/A11:2014/AC:2014

EN 60335-2-72:2012

EN IEC 61000-6-2: 2005 + AC:2005

EN 61000-6-4:2007+A1:2011

ETSI EN 301 489-1 V2.2.0

ETSI EN 301 489-17 V3.2.0

ETSI EN 300 328 V2.1.1

Partille, 16/10/2020



Martin Huber

Director de I+D, superficies de hormigón y suelos
Husqvarna AB, División de Construcción

Responsable de la documentación técnica

Declaración de conformidad CE

Nosotros, **Husqvarna AB**, SE 561 82 Huskvarna, SUECIA, Tel. +46 36 146500, declaramos bajo nuestra exclusiva responsabilidad que el producto:

Descripción	Amoladora pulidora
Marca	HUSQVARNA
Tipo/Modelo	HTC T6, HTC X6
Identificación	Número de serie a partir del año 2020 y en adelante

Cumple las siguientes directivas y normas de la UE:

Directiva/Norma	Descripción
2006/42/CE	"relativa a las máquinas"
2014/30/UE	"relativa a la compatibilidad electromagnética"
2011/65/EU	"relativa a restricción de sustancias peligrosas"

Y que se aplican las especificaciones técnicas o los estándares siguientes:

EN 60335-1:2012/A11:2014/AC:2014

EN 60335-2-72:2012

EN 61000-6-2:2005 + AC :2005

EN 61000-6-4:2007+A1:2011

Partille, 16/10/2020



Martin Huber

Director de I+D, superficies de hormigón y suelos
Husqvarna AB, División de Construcción

Responsable de la documentación técnica

Normas

Como fabricantes aseguramos por la presente bajo responsabilidad propia que el producto indicado arriba con número de serie desde 2016 y en adelante cumple con las disposiciones aplicables de:

EN 60335-1:2012	Aparatos electrodomésticos y similares - Seguridad - Parte 1: Requisitos generales.
EN 60335-1:2012 + A11:2014	Aparatos electrodomésticos y similares - Seguridad - Parte 1: Requisitos generales.
EN 60335-2-72:2012	Aparatos electrodomésticos y similares - Seguridad - Parte 2-72: Requisitos particulares para máquinas de tratamiento de suelos con o sin mecanismo de tracción, para uso comercial.
EN 62233:2008	Métodos de medición para campos magnéticos de aparatos electrodomésticos y similares con respecto a la exposición humana.
EN 61000-6-4:2007 + A1:2001	CEM
FCC CFR 47 Parte 15 (2016)	CEM
EN 61000-6-2 (2005)	CEM
DIRECTIVA 2006/42/CE	Directiva de máquinas.
DIRECTIVA 2014/30/CE	CEM
DIRECTIVA 2014/35/CE	DBT

ISO 5349-1:2001	Vibración mecánica -- Medición y evaluación de exposición humana a vibraciones transmitidas a las manos -- Parte 1: Requisitos generales.
ISO 5349-2:2001	Vibración mecánica -- Medición y evaluación de exposición humana a vibraciones transmitidas a las manos -- Parte 2: Guía práctica para medición en el lugar de trabajo.
ISO 20643:2005	Vibración mecánica -- Máquinas de mano y guiadas manualmente -- Principios para evaluación de emisiones de vibraciones.
ISO 3744:2010	Acústica -- Determinación de niveles de potencia acústica y niveles de energía acústica de fuentes de ruido usando presión acústica -- Métodos de precisión para salas de pruebas de reverberación.
ISO 11201:2010	Acústica -- Ruido emitido por máquinas y equipos -- Determinación de niveles de presión acústica en una estación de trabajo y otras posiciones especificadas aplicando correcciones de entorno aproximadas.

El producto obtuvo el marcado CE en el año 2016. La documentación técnica la tiene el fabricante.

Tabla de contenido

1	Introducción	82
1.1	Generalidades	82
1.2	Responsabilidad.....	82
1.3	Garantía.....	82
2	Seguridad	83
2.1	Símbolos utilizados.....	83
2.2	Reglas de seguridad	83
3	Información sobre la máquina	86
3.1	Desembalaje del equipo	86
3.2	Transporte	86
3.2.1	Transporte	86
3.2.2	Elevación	86
3.2.3	Traslado	86
3.2.4	Suspensión de la cubierta	88
3.2.5	Ruedas de apoyo	89
3.3	Almacenaje.....	89
3.4	Placa de características de la máquina.....	90
3.5	Vibraciones en manos y brazos	91
3.6	Nivel de potencia acústica.....	91
4	Descripción de la máquina	92
4.1	Descripción general de la máquina	92
4.2	Compartimento de almacenaje	95
4.3	Armario eléctrico	97
4.4	Descripción de mandos - panel de control (HMI)	98
4.5	Panel de información.....	100
4.6	Panel de conexión	103
5	Manejo	104
5.1	Generalidades	104
5.2	Ajuste del manillar	104
5.3	Manipulación de masas.....	106
5.4	Descarga de cables y manguera.....	108
5.5	Acceso a herramientas de pulido	109
5.6	Montaje de la herramienta de pulido	109
6	Pulido	112
6.1	Manejo con el panel de control.....	112
6.1.1	Operación manual	113
6.1.2	Interruptor de parada de emergencia.....	113
6.2	Facilitar el manejo	114
7	Accesorios	115
7.1	Conjunto de radio	115
7.1.1	Descripción de mandos - Mando a distancia	115
7.1.2	Receptor de radio	118
7.1.3	Carga.....	119
7.1.4	Manejo.....	119
7.1.5	Acoplamiento de ruedas.....	120

7.2	Mando por radio	121
7.3	GPS - Rastreador	122
7.3.1	Puesta en servicio	122
7.3.2	Registro	121
7.3.3	Uso	122
7.3.4	Tarjeta GSM.....	122
7.3.5	Mando a distancia	125
7.4	Conjunto para agua	126
7.4.1	Sistema "Mist Cooler"	126
7.4.2	Pulido húmedo.....	128
8	Mantenimiento y reparación.....	130
8.1	Generalidades	130
8.2	Limpieza	130
8.3	Antes de cada pulido nuevo	131
8.4	Diariamente	131
8.5	Semanalmente	131
8.6	Reparación	131
8.7	Piezas de repuesto.....	132
8.8	Garantía.....	132
9	Localización y corrección de averías	133
9.1	Generalidades	133
9.2	La máquina no arranca	133
9.3	El fusible o el interruptor accionado por pérdida a tierra se disparan a menudo.....	134
9.4	La máquina no tiene potencia suficiente	135
9.5	Advertencias y mensajes de fallo	136
9.5.1	Advertencias.....	136
9.5.2	Mensajes de fallo.....	138
10	Datos técnicos	140
11	Medio ambiente	150
11.1	Chasis.....	150
11.2	Cabezal de pulido.....	150
11.3	Sistema eléctrico	151
11.4	Reciclado.....	151

1 Introducción

1.1 Generalidades

Las máquinas HTC se usan para pulido de suelos. Las aplicaciones de una máquina dependen de las herramientas utilizadas.

Este manual describe el manejo, las funciones generales, las aplicaciones y el mantenimiento de la máquina HTC. Para más información, ponerse en contacto con el distribuidor. Para datos de contacto, ver el principio del manual.

1.2 Responsabilidad

Aunque se han tomado todas las medidas posibles para que la información contenida en este manual sea correcta y completa, no asumimos responsabilidad alguna por posibles errores o por falta de información. HTC se reserva el derecho a modificar sin previo aviso las descripciones contenidas en este manual.

Este manual está protegido por la ley propiedad intelectual y no está permitido copiar ni utilizar de forma alguna ninguna parte del mismo sin la aprobación por escrito de HTC.

1.3 Garantía

La garantía sólo abarca fallos de fabricación. HTC no acepta responsabilidad alguna por daños producidos o causados durante el transporte, el desembalaje o la utilización. En ningún caso y por ningún concepto se hará al fabricante responsable de daños y averías producidos por utilización errónea, corrosión o utilización no incluida en las especificaciones indicadas. El fabricante no se responsabiliza en ningún caso por daños o costes indirectos. Para información completa sobre el periodo de garantía que concede el fabricante, ver las reglas de garantía vigentes de HTC.

Los distribuidores locales pueden tener condiciones de garantía especiales especificadas en sus propias condiciones de venta, condiciones de entrega y condiciones de garantía. En caso de que algo no esté claro en cuanto a las condiciones de garantía, consultar con el distribuidor al que se adquirió el equipo.

2 Seguridad

Este capítulo trata de las reglas de seguridad que deben observarse al utilizar máquinas HTC.

2.1 Símbolos utilizados

Los símbolos siguientes se usan en este manual para indicar que es necesario proceder con especial cuidado al usar la máquina.



¡ADVERTENCIA!

Este símbolo significa **¡Advertencia!** e indica que hay riesgo de daños personales o materiales.

La inobservancia de la advertencia comporta peligro de muerte o daños personales graves.



¡NOTA!

Este símbolo significa **¡Observar!** e indica que puede haber riesgo de daños materiales en caso de empleo erróneo.



CONSEJO

Este símbolo significa **¡Consejo!** e indica consejos sobre medidas que facilitan el trabajo o reducen el desgaste de la máquina.

2.2 Reglas de seguridad

Los usuarios de máquinas HTC tienen la responsabilidad última de procurar que todas las personas que trabajan en o cerca del equipo observen las reglas de seguridad aplicables. Las medidas de seguridad deben cumplir con los requisitos vigentes para este tipo de equipos. Además de las reglas normales vigentes en el lugar de trabajo, también deben seguirse las recomendaciones contenidas en este manual.

Todos los trabajos debe efectuarlos personal cualificado. Los usuarios de máquinas HTC deben haber leído el manual de la máquina pertinente. El uso incorrecto del equipo puede crear situaciones que puedan causar daños en el operador, el entorno o la máquina.

**¡ADVERTENCIA!**

Es necesaria formación.

Riesgo de daños personales y materiales.

Los niños deben ser vigilados para impedir que jueguen con la máquina.

La máquina no debe ser utilizada por niños ni cerca de niños. La máquina no debe ser utilizada por personas con capacidad física, sensorial o psíquica limitada, ni por personas que no tengan los conocimientos necesarios para el empleo de la máquina.

Las máquinas HTC sólo deben utilizarse de la forma recomendada por HTC.

Las máquinas HTC sólo deben utilizarse para uso comercial.

Todos los que utilizan la máquina deben conocer:

- sus funciones
- la ubicación del interruptor de parada de emergencia
- las reglas de seguridad pertinentes para el trabajo

El operador debe asegurar que:

- no haya personas no autorizadas dentro de la zona de trabajo al arrancar la máquina

El lugar de trabajo debe:

- estar destinado a la finalidad
- estar asegurado contra objetos sueltos que pueda lanzar la máquina
- estar libre de pernos sobresalientes, etcétera, en la superficie que se va a pulir

Las personas presentes en el lugar de trabajo deben usar siempre el equipo de seguridad personal recomendado y ropa adecuada:

- gafas protectoras
- guantes protectores
- calzado con puntera de acero
- protección auditiva
- máscara respiratoria
- no usar ropas sueltas ni cosas que puedan atascarse; como pañuelos de cuello, pulseras, anillos, etc.

Reglas generales de precaución:

- Comprobar que la máquina está conectada a un enchufe con pérdida a tierra.
- Los trabajos con partes con corriente sólo debe efectuarlos personal cualificado.
- Debe haber equipo de extinción de incendios adecuado, claramente marcado y a mano.
- No deben efectuarse tareas de mantenimiento con el equipo funcionando.

La máquina sólo está probada para usar hasta 2.000 metros sobre el nivel del mar.



	⚠ DANGER
	HIGH VOLTAGE Disconnect power before servicing.
	⚠ WARNING
	To reduce the risk of fire, use only commercially available floor cleaners and waxes intended for machine application.
	⚠ WARNING
	Risk of explosion. Floor sanding can result in an explosive mixture of fine dust and air. Use floor sanding machine only in well ventilated area.
	⚠ CAUTION
	Moving Parts – To reduce the risk of injury, unplug before servicing.

G003338

Esta pegatina informativa está colocada en un lugar visible en el armario eléctrico de la máquina.

3 Información sobre la máquina

3.1 Desembalaje del equipo

Controlar concienzudamente si el embalaje o el equipo están dañados en la entrega. Si hay señales de daños, ponerse en contacto con el concesionario y comunicar el daño. Comunicar los daños exteriores también a la empresa transportista.

Comprobar que la entrega concuerda con el pedido. Para consultas, ponerse en contacto con el concesionario.

3.2 Transporte



¡ADVERTENCIA!

Riesgo de daños personales y materiales.



¡NOTA!

Para el traslado, transporte y elevación, las masas deben estar en la posición 1; ver el capítulo “Manipulación de masas”.

3.2.1 Transporte

Procurar siempre que la máquina esté bien fijada en su entorno y que el cabezal de pulido esté bajado contra la base de apoyo. Apretar las cintas de sujeción (u otros equipos usados para la fijación durante el transporte) sobre partes no móviles; por ejemplo, el chasis de la máquina.

3.2.2 Elevación

La máquina también se puede elevar con el cáncamo pertinente o con otro equipo de elevación homologado. Las masas deben estar fijadas en posición delantera y el manillar debe estar en su posición trasera; ver Manipulación de masas página 33 y Ajuste del manillar página 31. Para elevar la máquina deben usarse estrobo.

3.2.3 Traslado

Para el traslado en una superficie inclinada (por ejemplo, una rampa de carga), la máquina debe estar sujeta en el cáncamo de elevación con, por ejemplo, un gúinche. Ésta es una medida de seguridad en caso de que la máquina empiece a rodar de forma descontrolada o vuelque. Las masas deben estar colocadas. 1; de lo contrario hay riesgo de que la máquina vuelque hacia atrás. Procurar que no haya nadie bajo la máquina al trasladarla en una superficie inclinada.



G003256

Puntos de fijación para elevación y sujeción.

3.2.4 Suspensión de la cubierta

Para el transporte o trabajos con HTC Grouting, la cubierta puede suspenderse para no arrastrar en la base.

Elevar la cubierta y fijarla con los estrobo de goma para bloquearla en posición suspendida.

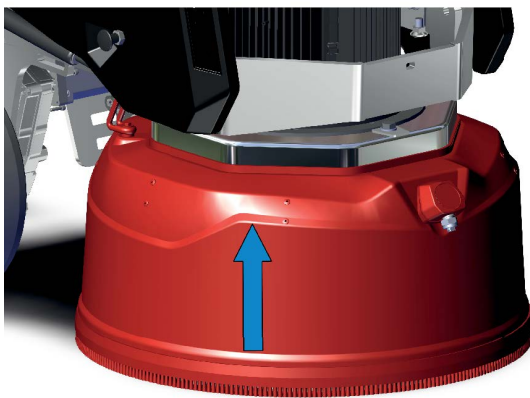


¡ADVERTENCIA!

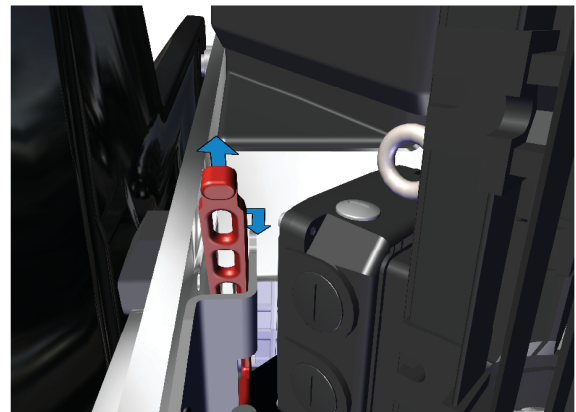
Partes móviles. Nivel sonoro alto.

Riesgo de daños personales.

Usar siempre el equipo de seguridad recomendado.



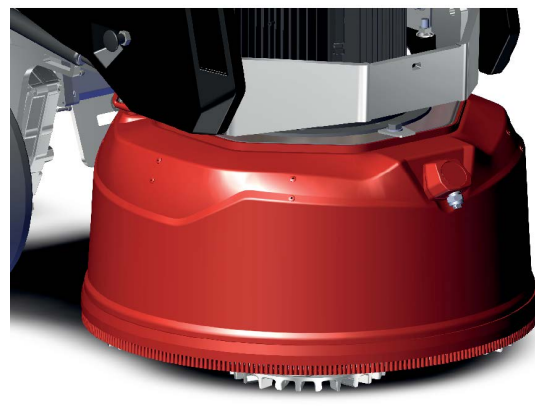
G003166



G003104



G003105



G003167

3.2.5 Ruedas de apoyo



Para facilitar el traslado de la máquina puede montarse una rueda de apoyo.



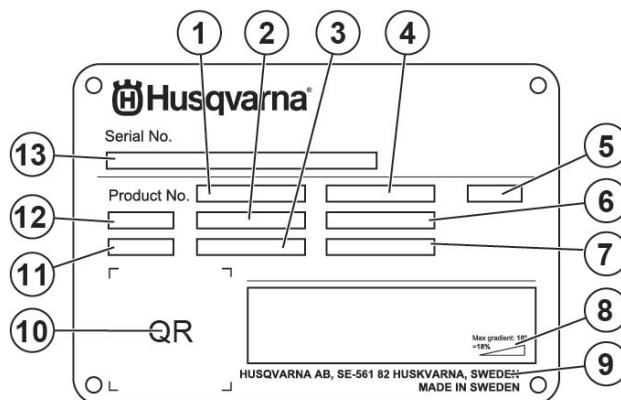
La rueda de apoyo puede estar montada mientras se pule.

3.3 Almacenaje

La máquina se debe almacenar en un lugar seco y calefaccionado cuando no se utiliza. De lo contrario, la máquina puede dañarse por efecto de la condensación y el frío.

3.4 Placa de características de la máquina

La placa de características de la máquina contiene los datos indicados abajo. Es necesario indicar los números de modelo y de serie en los pedidos de piezas de repuesto para la máquina.



1. Número de producto
2. Peso del producto
3. Potencia nominal
4. Tensión nominal
5. Caja
6. Corriente nominal
7. Frecuencia
8. Ángulo máximo de pendiente
9. Fabricante
10. Código escaneable
11. Año de fabricación
12. Modelo
13. Número de serie

3.5 Vibraciones en manos y brazos

El nivel de vibraciones en manos y brazos [m/s^2] para HTC DURATIQ se ha medido con equipos homologados según la norma ISO 5349-1:2001. La inseguridad de medición controlada para los aparatos de medición es de ± 2 %.

La máquina ha sido probada según las normas ISO 5349-2:2001 y ISO 20643:2005 para identificar las operaciones que contribuyen a las exposiciones a vibraciones más frecuentes. A niveles de vibraciones de $> 2,5 m/s^2$ debe limitarse el tiempo de exposición según la tabla abajo. A niveles de vibraciones de $> 5 m/s^2$, el patrono debe tomar medidas inmediatas para evitar que el tiempo de exposición sobrepase el tiempo indicado en la tabla abajo.

Condiciones de trabajo identificadas	Valores medidos [m/s^2]	Exposición diaria permitida (número de horas)
Pulido/alisado	$< 2,5 m/s^2$	$> 10 h$

3.6 Nivel de potencia acústica

La máquina está probada de conformidad con las normas ISO 3744:2010 y ISO 11201 en materia de ruido. Medición hecha con un sonómetro clase 1 para medidores de nivel sonoro. Para información sobre el nivel de potencia acústica, ver el capítulo Datos técnicos página [67](#).

4 Descripción de la máquina

4.1 Descripción general de la máquina

Una pulidora HTC ha sido desarrollada para el pulido de diferentes tipos de suelos. La máquina se utiliza para alisar, sanear, desbastar y pulir suelos de hormigón, piedra natural y terrazo u otros materiales indicados en este manual o los materiales recomendados por HTC.

Algunas pulidoras pueden equiparse con mando por radio. La radio es un accesorio que facilita considerablemente el trabajo.

La máquina consta de varios componentes principales, ver abajo página 20.

El manillar se puede ajustar en varias posiciones de inclinación. Elegir la posición óptima cuando la máquina vaya a manejarse manualmente.

El cabezal de pulido de la máquina puede estar equipado con diferentes números de discos de pulir tapados por una cubierta que sella herméticamente contra el suelo. La cubierta y el sistema de aspiración acoplado contribuyen a un buen entorno laboral. La cubierta garantiza que el operador no pueda entrar en contacto con partes rotativas de la máquina y minimiza la exposición a polvo. La cubierta es flotante, lo que optimiza la absorción de polvo porque siempre está en contacto con el suelo.

Al hacer trabajos de pulido en seco, debe haber siempre un separador de polvo conectado a la pulidora para evitar tanto como sea posible la exposición a partículas de polvo del operador, personas que están cerca, la pulidora y otros equipos.



¡ADVERTENCIA!

Polvo.

Riesgo de daños personales.

El polvo que se aspira puede ser nocivo si se inhala. Cumplir la normativa local y usar máscara respiratoria.

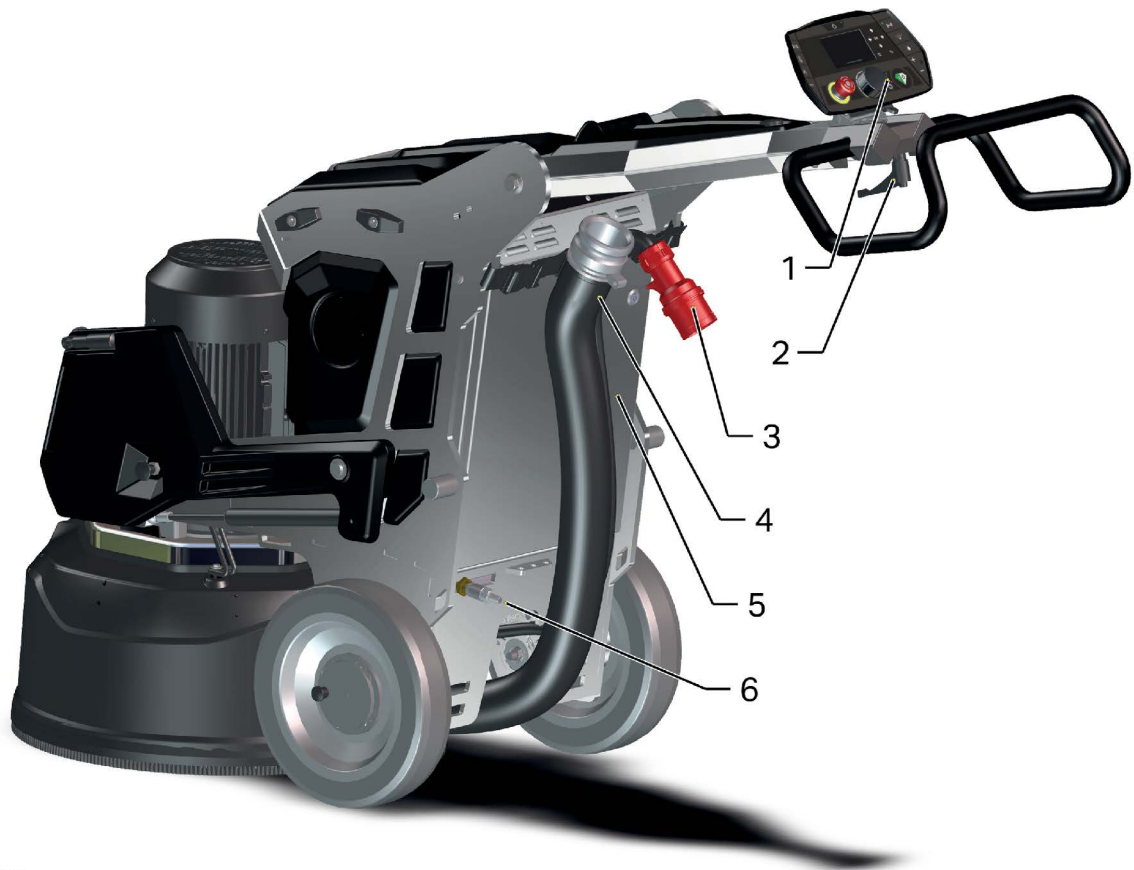
La máquina puede equiparse fácilmente con un gran número de herramientas en función del material de suelo que se va a pulir. Para información sobre diferentes herramientas, ver la web de HTC: www.htc-floorsystems.com.

Algunas pulidoras se pueden equipar con el sistema "Mist Cooler" para una refrigeración eficaz de las herramientas de pulido. El sistema tiene una boquilla que esparce neblina de agua muy fina sobre la superficie del suelo para enfriar las herramientas y aumentar la eficacia de pulido.



G003218

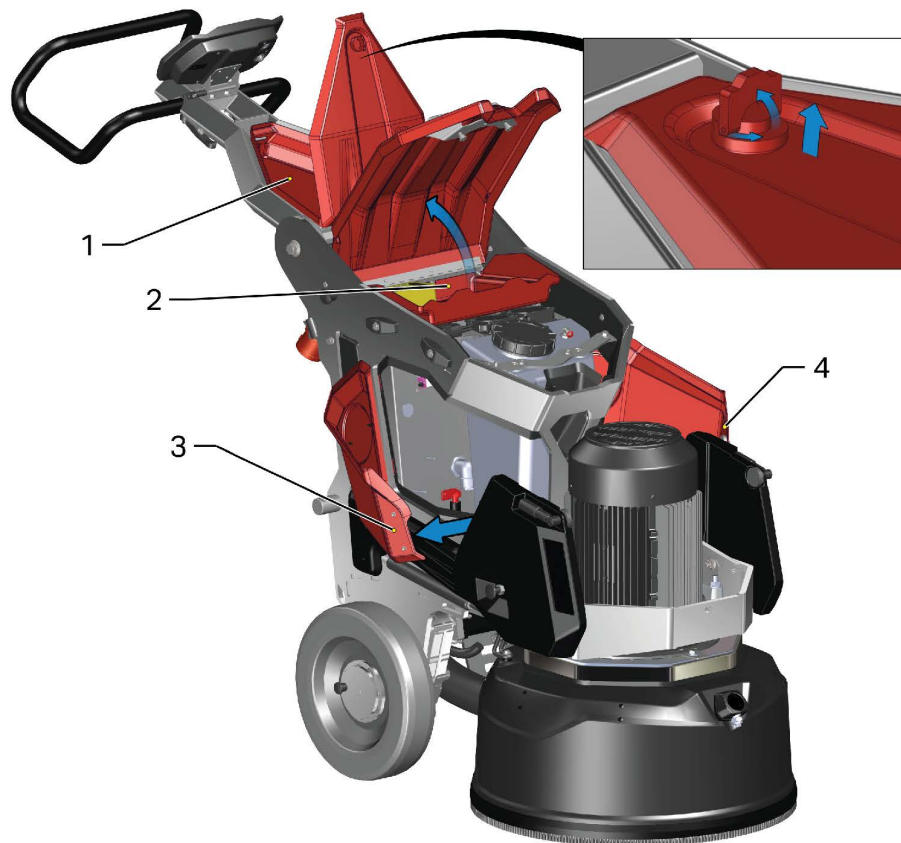
Núm.	Descripción
1	Compartimento de almacenaje
2	Brazo de manillar, bloqueo, ajuste aproximado
3	Compartimento de almacenaje
4	Punto de izada
5	Punto de fijación para rueda de apoyo y sujeción de carga
6	Boquilla del sistema "Mist Cooler"
7	Brazo de manillar
8	Brazo de manillar, bloqueo, ajuste preciso
9	Tapa de servicio
10	Empuñadura de masa
11	Peso
12	Bloqueo de masa
13	Cabezal de pulido
14	Acoplamiento de ruedas para propulsión



G003183

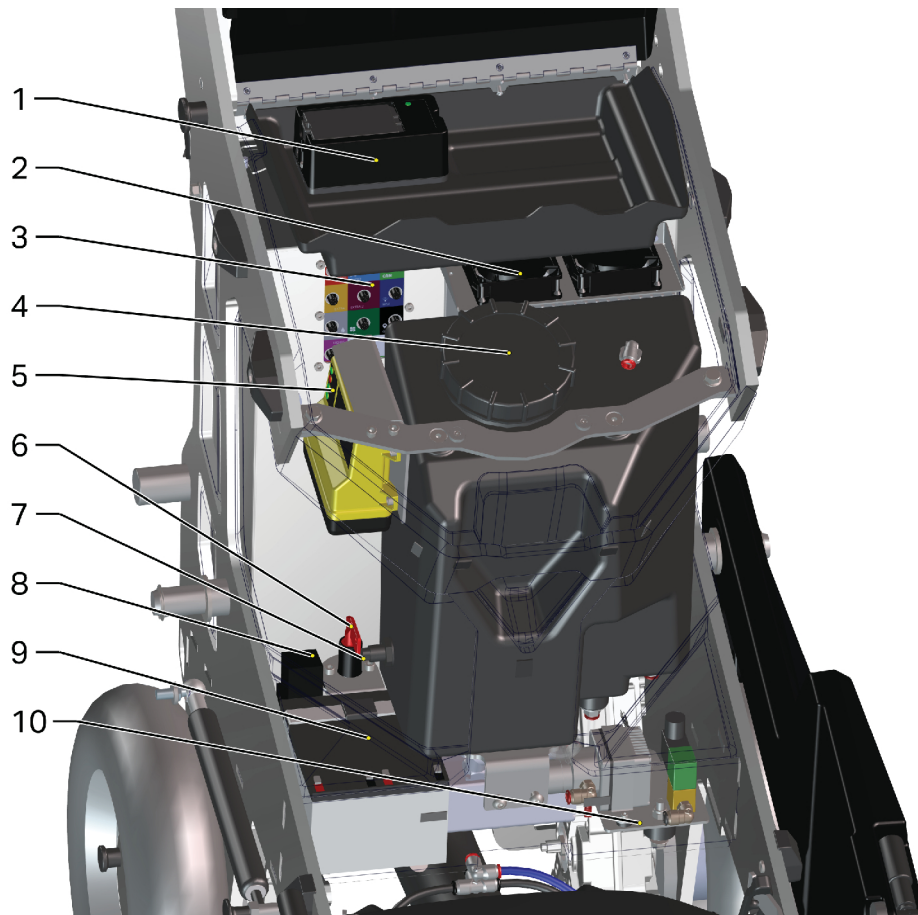
Núm.	Descripción
1	Panel de control
2	Bloqueo del manillar
3	Conexión eléctrica
4	Conexión de separador de polvo
5	Armario eléctrico
6	Acoplamiento rápido de agua

4.2 Compartimento de almacenaje



G003264

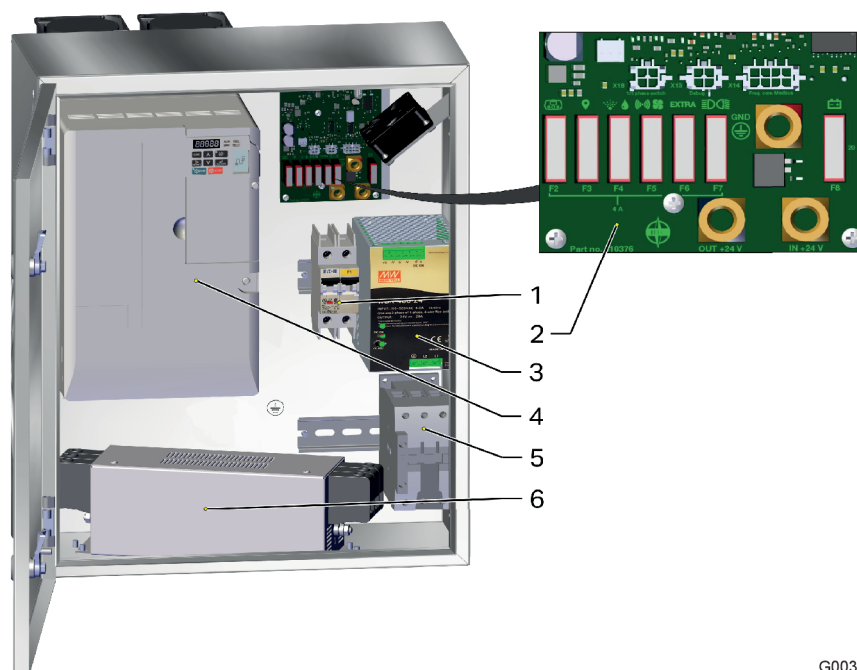
Núm.	Descripción
1	Compartimento de almacenaje
2	
3	Tapas de servicio
4	



G003288

Núm.	Descripción	Accesorios
1	Cargador de baterías para mando a distancia	Conjunto de radio
2	Ventiladores de refrigeración	
3	Panel de conexión para accesorios	
4	Depósito de agua	Conjunto para agua
5	Receptor de radio	Conjunto de radio
6	Disyuntor de batería	Conjunto de radio
7	Sensor de nivel de agua	Conjunto para agua
8	Relé	Conjunto de radio
9	Batería	Conjunto de radio
10	Bomba / válvula proporcional de alimentación de agua, sistema "Mist Cooler"	Conjunto para agua

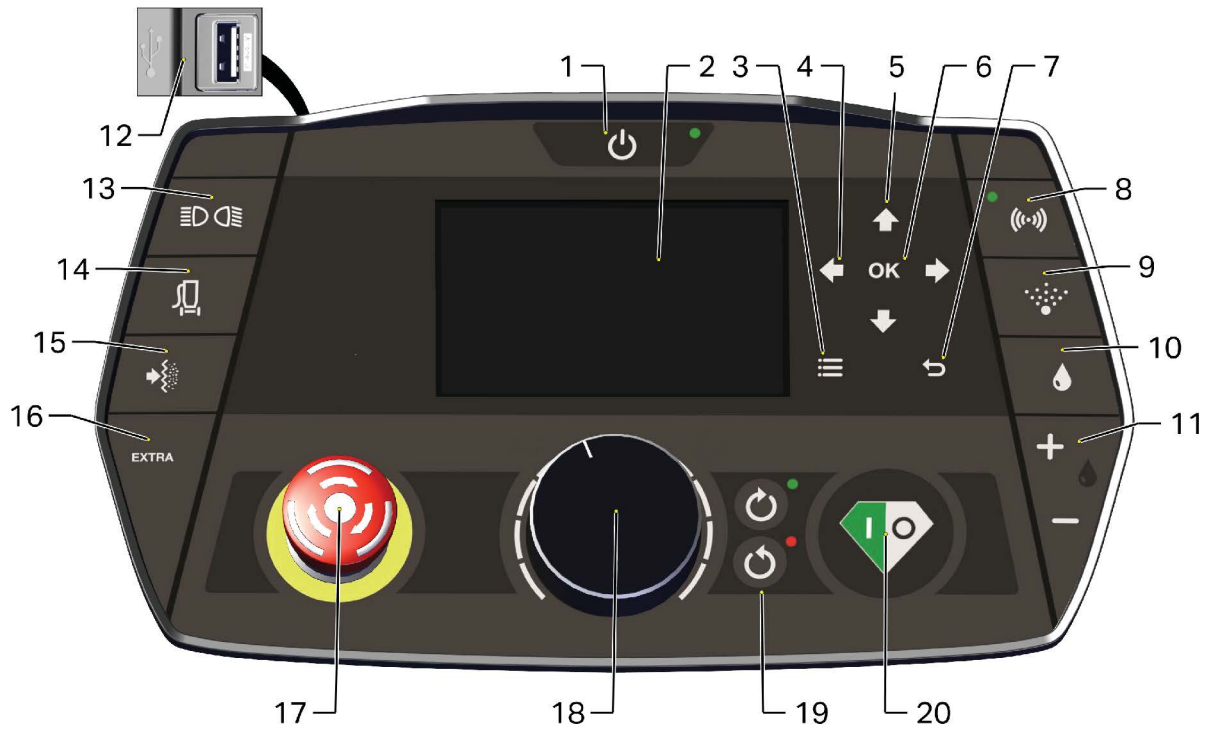
4.3 Armario eléctrico



G003371

Núm.	Designación	Descripción
1	F1	Microrruptor 2 x 5A para alimentación eléctrica
2	Placa principal	
	F2	Fusible de 4A, panel de control
	F3	Fusible de 4A, GPS
	F4	Fusible de 4A, agua / sistema "Mist Cooler"
	F5	Fusible de 4A, radio / ventiladores de refrigeración,
	F6	Fusible de 4A, extra
	F7	Fusible de 4 A, accesorio
	F8	Fusible principal de 20A, tensión de funcionamiento
3	U2	Alimentación eléctrica
4	U1	Convertidor de frecuencia
5	K1	Contactador
6	Z1	Filtro EMC

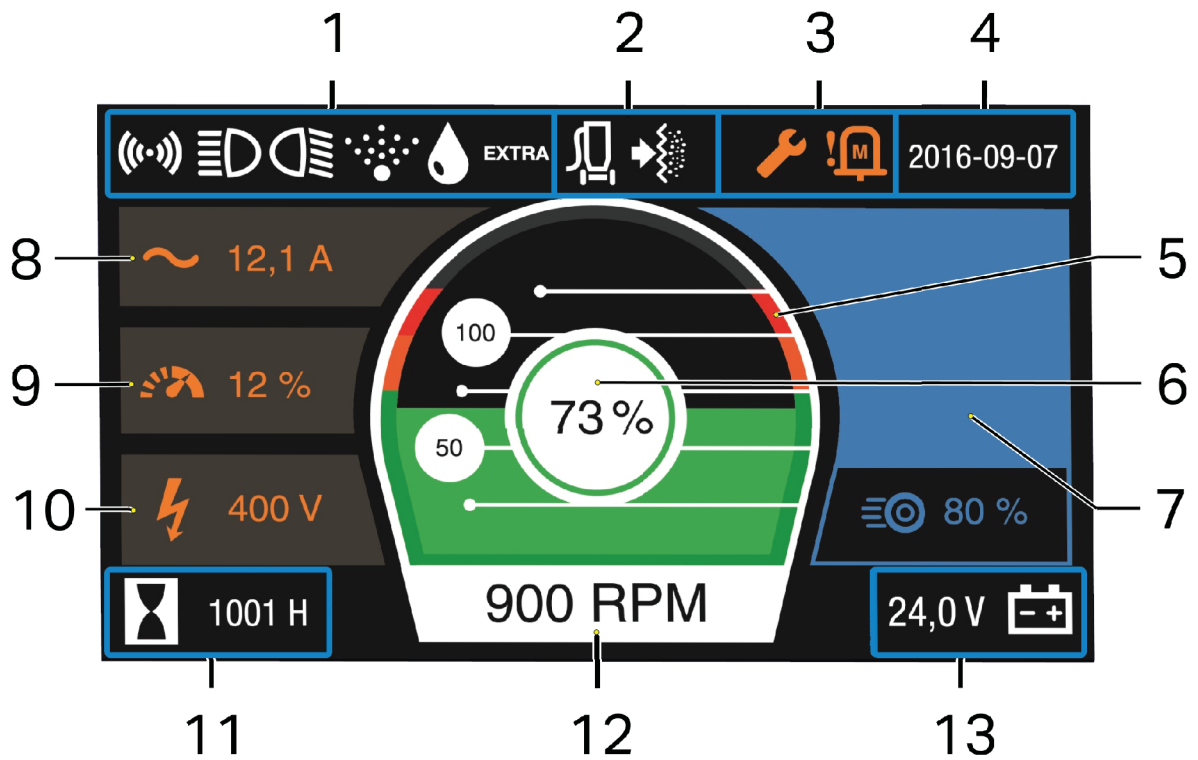
4.4 Descripción de mandos - panel de control (HMI)








G003353

Núm.	Funcionamiento	Descripción
1	Desc. / Con.	Para arrancar / parar la máquina
2	Panel de información	Ver Panel de información página 27 .
3	Botones de menú	Menú
4		Derecha / Izquierda - Navegación en menú y cambio de odómetro.
5		Arriba / Abajo - Navegación en menú y encendido/apagado de panel nocturno.
6		OK - Navegación en menú; con pulsación larga pone a cero el odómetro.
7		Atrás
8	Comunicación por radio	Desc. / Con.
9	Sistema "Mist Cooler"	Desc. / Con.
10	Alimentación de agua	Desc. / Con.
11		Aumentar o reducir
12	Toma USB	P.ej., carga de teléfono móvil
13	Accesorios	Ver las instrucciones de accesorios
14	Mando de aspiradora	Opciones futuras
15		
16	EXTRA	Desc. / Con.
17	Parada de emergencia	Ver Interruptor de parada de emergencia página 40 .
18	Velocidad de pulido	Aumentar o reducir la velocidad de pulido.
19	Dirección de pulido	A derechas / izquierdas.
20	Pulido	Arranque / parada.

4.5 Panel de información

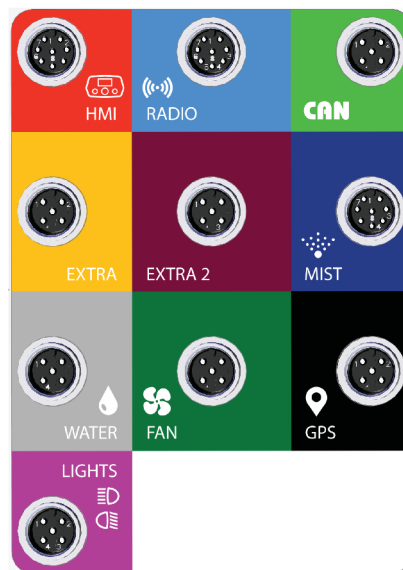


G003354











Núm.	Símbolo	Denominación	Explicación
1		Radio	Se enciende cuando la máquina está en modo de radio. En modo de radio sólo funcionan el botón de parada de emergencia y el botón de radio en el panel de control de la máquina.
		Accesorios	Se enciende cuando el accesorio está activado.
		Accesorios	Se enciende cuando el accesorio está activado.
		Sistema "Mist Cooler"	Se enciende cuando está activado el sistema "Mist Cooler". Cambia a color amarillo cuando el nivel de agua en el depósito es bajo.
		Alimentación de agua	Se enciende cuando está activada la alimentación de agua.
	EXTRA	Extra	Se enciende cuando está activada la salida extra.
2		Aspiradora	Opción futura.
3		Servicio	La lámpara de servicio se enciende en color naranja 50 horas o 2 semanas antes del servicio. Cambia a color rojo cuando se sobrepasa el intervalo de servicio.
		Advertencia	El símbolo de advertencia se enciende cuando hay advertencia o se produce una avería. El símbolo indica el tipo de avería.
4		Tiempo	Muestra la hora y la fecha.
5		Potenciómetro - Potencia disponible	Muestra la cantidad de potencia disponible.
6		Potenciómetro - Potencia utilizada	El indicador de nivel y el anillo alrededor del valor cambian de color en función de la cantidad de potencia disponible que se utiliza. El anillo tiene color verde cuando el efecto de pulido es 0 - 100 %, amarillo cuando es 100 - 115 % y rojo desde 115 %.
7		Caudal de agua / velocidad de propulsión	Caudal de agua 0-100 % / velocidad de propulsión 0-15 m/min.

Núm.	Símbolo	Denominación	Explicación
8		Amperaje	Muestra el amperaje del motor.
9		Sobrecarga / protección contra sobrecarga	Indicación de sobrecarga, advierte al 90%. La máquina se para a 100%.
10		Tensión	Muestra la tensión de red
11		Odómetro	Muestra el tiempo de funcionamiento en horas, la distancia en metros y la energía en kWh.
12		Velocidad de pulido	Muestra el régimen de revoluciones de los discos de pulir.
13		Tensión de funcionamiento	Muestra la tensión de funcionamiento de la máquina. Muestra la tensión de batería cuando la máquina funciona sólo con baterías.

4.6 Panel de conexión



G003396

Símbolo	Conexión para
	Panel de control
	Receptor de radio
	Bus CAN
	Equipo extra, 24 V
	Extra 2. Para equipos futuros.
	Sistema "Mist Cooler"
	Válvula de alimentación de agua.
	Ventiladores de refrigeración
	GPS
	Accesorios

5 Manejo

5.1 Generalidades

El capítulo siguiente describe la forma de cambiar herramientas y manejar la pulidora. No trata de aspectos de técnica de pulido como la elección de herramientas de pulido, etc.

Para información detallada sobre elección de herramientas, visitar la web de HTC www.htc-floorsystems.com.

5.2 Ajuste del manillar



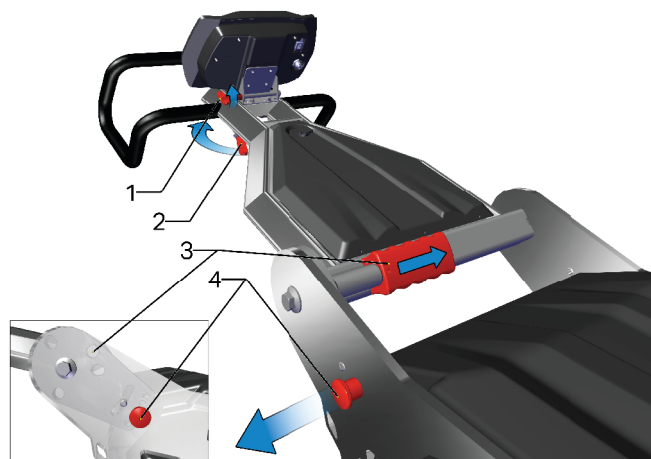
¡ADVERTENCIA!

Riesgo de aplastamiento.
Riesgo de daños personales.



¡NOTA!

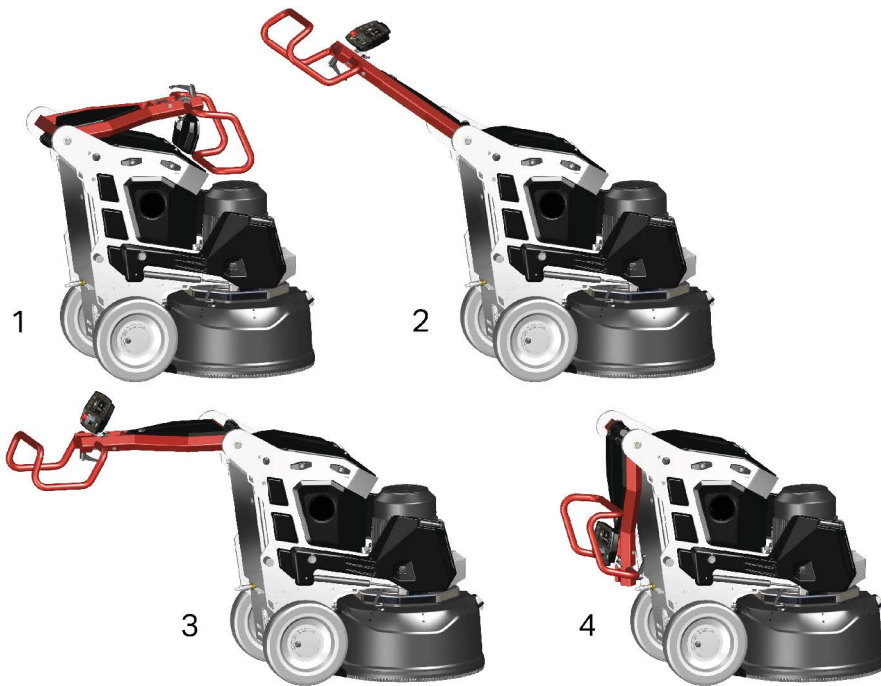
Al ajustar el manillar, comprobar que el bloqueo de manillar bloquea bien en la posición deseada.



G003430

Núm.	Descripción
1	Ajuste de HMI
2	Ajuste del manillar
3	Brazo de manillar, ajuste aproximado
4	Brazo de manillar, ajuste preciso

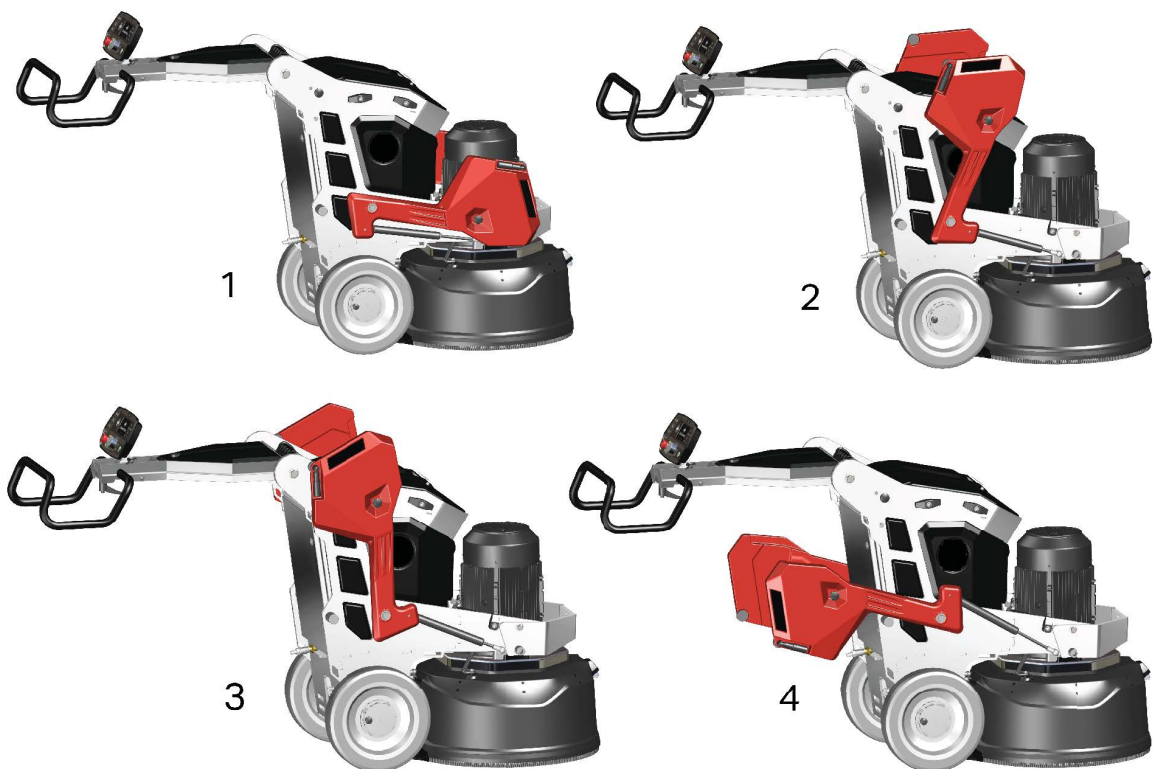
Ajustar la altura de trabajo correcta con los diferentes ajustes.



G003208

Núm.	Descripción
1	Posición de manillar 1
2	Posición de manillar 2
3	Posición de manillar 3
4	Posición de manillar 4

5.3 Manipulación de masas



G003185

Núm.	Masas en diferentes posiciones
1	Posición de masa 1
2	Posición de masa 2
3	Posición de masa 3
4	Posición de masa 4

La máquina tiene dos masas que se usan para trasladar fácilmente el centro de gravedad. Cada masa tiene un pasador de bloqueo para colocarla y bloquearla en tres posiciones y atrás.

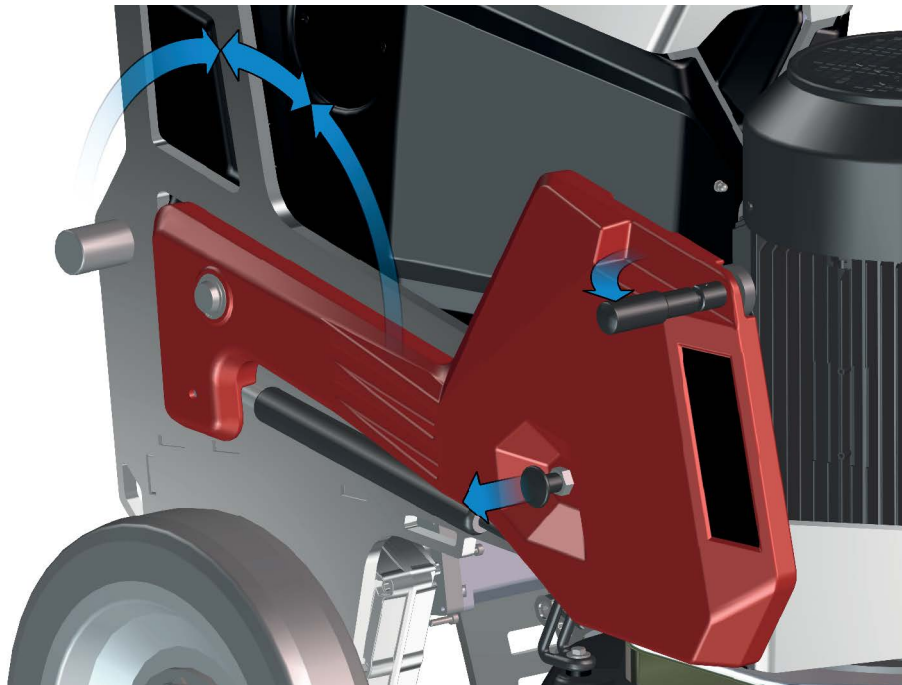
- Tirar del pasador hacia fuera, agarrar la empuñadura y mover la masa. Soltar el pasador y se fijará en la siguiente posición fija.

**¡ADVERTENCIA!**

Riesgo de aplastamiento.

Riesgo de daños personales.

Comprobar que el pasador bloquea en la posición deseada de las masas. Comprobar que no haya ningún juego lateral cuando la masa está bloqueada. Riesgo de que se suelte el bloqueo.

**CONSEJO**

Si la máquina se mueve con lentitud, puede deberse a la ubicación de las masas. Colocar las masas arriba o atrás para descargar el cabezal de pulido.

Para obtener la presión de pulido más alta, las masas deben colocarse en la posición 1, y para la presión más baja en la posición 4; ver página 33 y los datos técnicos.

Si parece que la máquina se mueve con lentitud, puede deberse a la ubicación de las masas. Elevar las masas a las posiciones 2, 3 ó 4 para descargar el cabezal de pulido. Las masas deben estar en la misma posición en ambos lados para evitar el riesgo de pulido irregular.

5.4 Descarga de cables y manguera

La máquina tiene dos descargas alternativas de cables y manguera. Usar la más adecuada para la situación actual de trabajo. Procurar que la cubierta de pulido no sea afectada por el arrastre de la manguera.



G003307



G003308

5.5 Acceso a herramientas de pulido



¡ADVERTENCIA!

Riesgo de aplastamiento.

Riesgo de daños personales y materiales.

Cortar la corriente antes de efectuar trabajos de limpieza, mantenimiento, cambio de herramientas y reparación.

Colocar el manillar en la tercera posición, según se indica en “Ajustes del manillar” página 32.

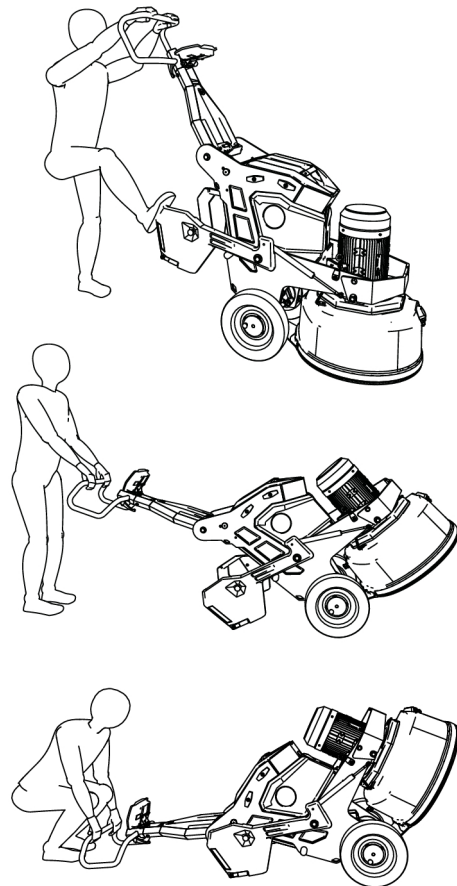
Mover las masas hacia atrás y pisar una de las masas. Ver “Ajustes del manillar” página 32.

La máquina puede ser pesada. Hacer un ajuste preciso para facilitar el trabajo; ver “Ajustes del manillar” página 32.

Inclinar la máquina cuidadosamente hacia atrás, hasta que las masas lleguen al suelo.

Inclinar más la máquina hacia atrás, hasta que toda la máquina llegue al suelo.

Poner la máquina apoyada en el manillar.



G003266

5.6 Montaje de la herramienta de pulido



¡ADVERTENCIA!

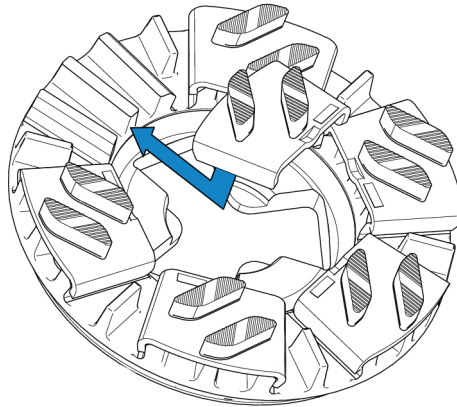
Temperatura alta

Riesgo de polvo

**¡NOTA!**

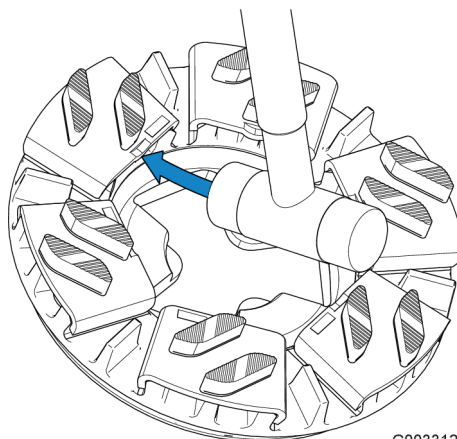
Prestar atención al sentido de rotación de los discos de pulir.

Bajar la herramienta de pulido nueva oblicuamente hasta la ranura guía del portaherramientas. A continuación, insertar la herramienta completamente en la ranura guía.



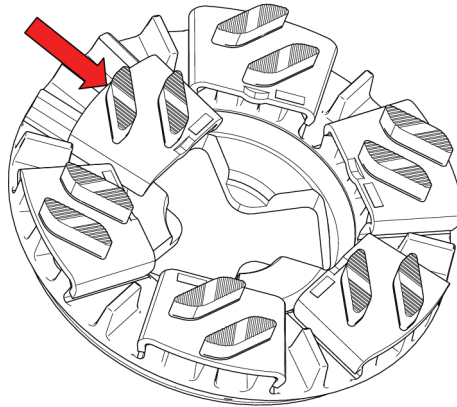
G003311

Bloquear la herramienta de pulido en el portaherramientas, golpeando suavemente con un martillo.



G003312

Para cambiar la herramienta de pulido, soltarla golpeando suavemente con un martillo para que se suelte el bloqueo. A continuación, levantar la herramienta para sacarla de la ranura guía.



G003310

6 Pulido

Acoplar el separador de polvo en la máquina. Para información detallada sobre modelos de separador de polvo, visitar la web de HTC www.htc-floorsystems.com.

Poner el manillar en posición de trabajo, ver página 32.



¡ADVERTENCIA!

Riesgo de daños personales.

No dejar que el cable entre en contacto con las herramientas rotativas.



¡NOTA!

Inspeccionar el suelo cuidadosamente y quitar eventuales objetos sobresalientes como hierros de armado o pernos, así como suciedad suelta que pueda adherirse a la máquina o ser lanzada.

6.1 Manejo con el panel de control

Para pulido manual, la máquina se mueve hacia delante sobre la superficie del suelo y el efecto de pulido se regula con el panel de control.

Para una descripción del panel de control, ver “Descripción de mandos - panel de control (HMI)” Descripción de mandos - panel de control (HMI) página 25.

6.1.1 Operación manual



Comprobar que el interruptor de parada de emergencia (1) está desconectado. En caso contrario, girar a derechas según las flechas en el interruptor.

Pulsar el botón *on/off* (2).

Activar el separador de polvo si se va a hacer pulido en seco.

Elegir el sentido de rotación (3).

Ajustar la velocidad de los discos de pulir con la manija (4).

Iniciar el pulido, pulsando (5).

Cuando la máquina no se va a utilizar, pararla pulsando el botón "on/off" durante 3 segundos.

6.1.2 Interruptor de parada de emergencia

El interruptor de parada de emergencia sólo se debe usar en casos de emergencia, puesto que acorta la vida útil de componentes eléctricos de la máquina.

Cuando se pulsa el interruptor de parada de emergencia, se corta la electricidad de todas las partes móviles de la máquina. Restablecer el interruptor de parada de emergencia, girándolo a derechas. A continuación se puede reanunciar la máquina.

6.2 Facilitar el manejo

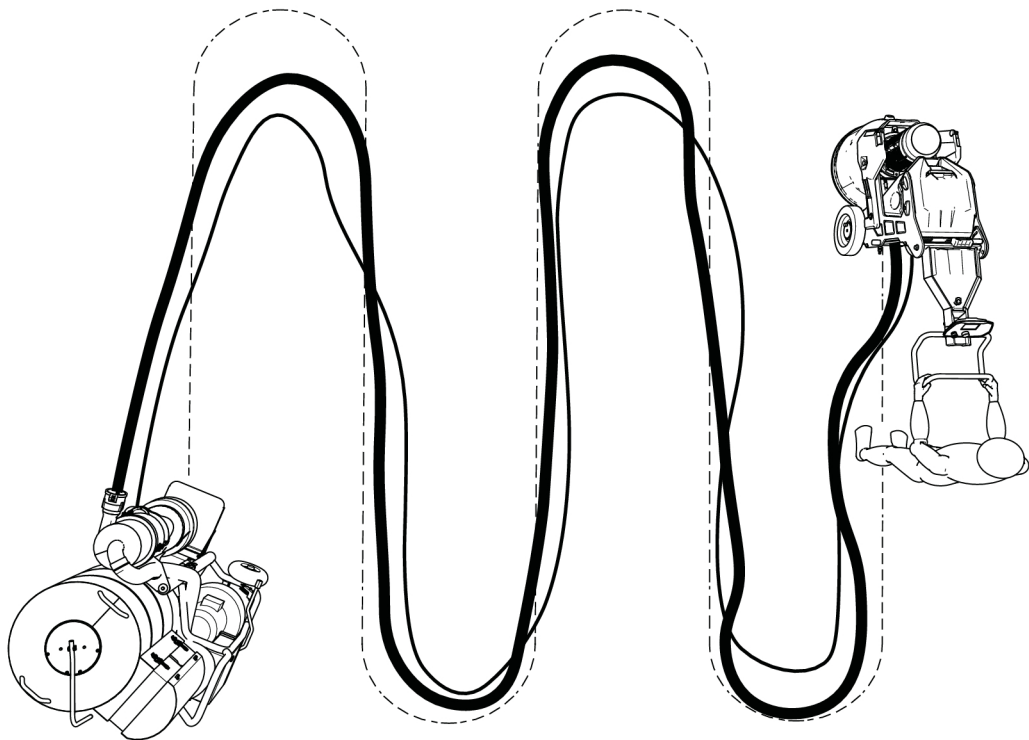


¡ADVERTENCIA!

Riesgo de daños personales.

No dejar que el cable entre en contacto con las herramientas rotativas.

Para evitar que la manguera de aspiración del separador de polvo y el cable de red se pongan en la zona de trabajo o en la línea de avance de la máquina, se recomienda colocarlos como en la imagen abajo.



G003145



CONSEJO

Colocando la manguera y el cable como en la imagen se evitan paradas molestas para apartarlos.

7 Accesorios

7.1 Conjunto de radio

7.1.1 Descripción de mandos - Mando a distancia



G003362

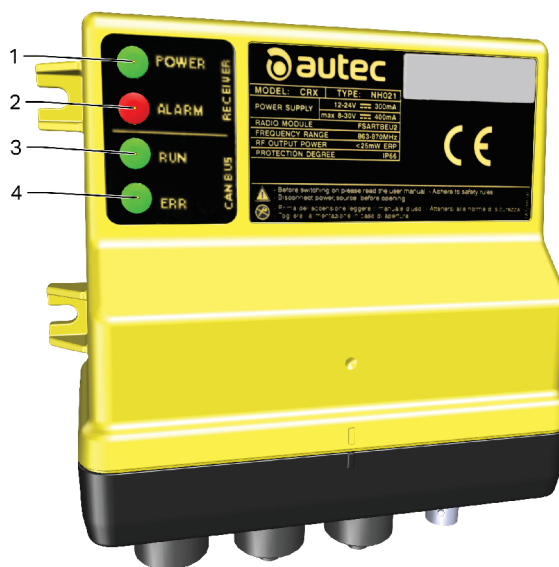


G003363

Núm.	Funcionamiento	Descripción
1	Botones de menú	Función futura.
2		Derecha / Izquierda - Navegación en menú y cambio de odómetro.
3		Arriba / Abajo - Navegación en menú y cambio de salvapantalla.
4		
5		Función futura.
6		
7	Display	Ver Panel de información página 27 .
8	LED verde	No se enciende cuando la unidad está desactivada.
		Destella rápidamente cuando la unidad funciona sin enlace de radio.
		Destella lentamente cuando la unidad funciona y tiene comunicación por radio.
	LED rojo	No se enciende cuando no hay ninguna avería en la unidad.
		Se enciende cuando la parada de emergencia está pulsada o el mando de operación o el sentido de pulido están en modo de avería. Destella cuando el nivel de batería es bajo.
9	Mando de aspiradora	Opciones futuras.
10	EXTRA	Desc. / Con.
11	Joystick	Dirección a la derecha e izquierda y regulación de la velocidad y el sentido de rotación.
12	PARADA DE EMERGENCIA	Ver Interruptor de parada de emergencia página 40 .
13	Desactivación / activación del sistema "Mist Cooler"	Desc. / Con.
14	Alimentación de agua	Desactivación / activación y ajuste de la cantidad de agua.
15	Mando de aspiradora	Opciones futuras.
16	Iluminación trasera	Accesorio.
17	Iluminación delantera	Accesorio.
18	Offset (L - R)	Ajuste izquierdo o derecho para compensar el decalaje.

Núm.	Funcionamiento	Descripción
19	Mando de conducción	Mando para avanzar D , retroceder R o freno de estacionamiento P .
20	Velocidad de marcha	Ajuste de la velocidad de propulsión.
21	Dirección de pulido	Mando para pulido. Pulido a derechas, pulido desactivado, pulido a izquierdas. Para pulir a izquierdas, hay que elevar el mando para ponerlo en posición.
22	Velocidad de pulido	Ajuste de la velocidad de pulido.
23	Soporte de suspensión	Para correa o gancho de hombro.
24	Comunicación por radio	Iniciar la comunicación por radio.
25	Llave S	Desconexión / conexión de la radio. Llave de código para la radio.
26	Batería	Para la carga, ver: Carga de batería Carga página 46 .
27	Toma, mando por cable	Mando por cable en entornos donde el mando por radio no es posible.

7.1.2 Receptor de radio



G003442

Núm.	LED	Lámpara	Explicación
1	POWER	No se enciende	El receptor no está energizado.
		Se enciende	El receptor tiene electricidad pero no tiene enlace de radio.
		Destella	El receptor tiene electricidad y enlace de radio.
2	ALARM	No se enciende	El receptor funciona correctamente.
		Se enciende	No funciona correctamente.
		Destella	Falla en el bucle de parada de emergencia.
3	RUN	No se enciende	Comunicación CAN inactiva.
		Se enciende	El receptor no envía comandos de bus CAN.
		Destella	El receptor tiene contacto con la red de bus CAN.
4	ERR	No se enciende	El bus CAN está bien.
		Se enciende	El bus CAN no tiene contacto con el controlador de bus CAN:
		Destella	El bus CAN no funciona.

7.1.3 Carga

Batería de máquina

La batería de la máquina se carga si el disyuntor de batería está conectado (girado a derechas).

El disyuntor de batería debe estar conectado cuando la máquina se mueve con el mando a distancia.

El disyuntor de batería puede dejarse conectado cuando la máquina está conectada a electricidad.

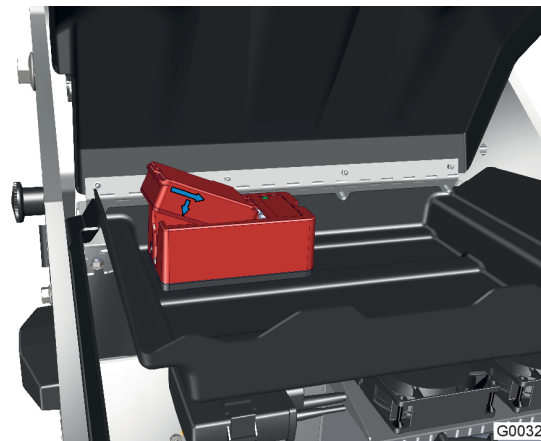
Cuando la máquina no se usa y para transporte y almacenaje, el disyuntor de batería debe estar desconectado.



G003306

Batería de radio

La batería del mando a distancia se carga en el cargador de baterías cuando la máquina está conectada a la red eléctrica y también se carga con las baterías de la máquina.



G003220

7.1.4 Manejo

En el mando por radio, la máquina se maneja con el mando a distancia. Para una descripción del mando a distancia, ver Descripción de mandos - Mando a distancia página [42](#).

Cuando se maneja con el mando a distancia, la máquina es propulsada por los motores propulsores. Desde el punto de vista del entorno laboral se recomienda manejar con la máquina el mando a distancia.

Antes del manejo, comprobar que los bloqueos de ruedas están acoplados, ver Acoplamiento de ruedas página [47](#).

**¡ADVERTENCIA!**

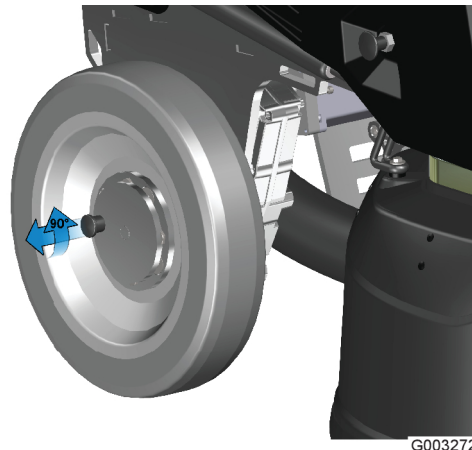
Riesgo de daños personales y materiales.

Vigilar siempre la máquina.

7.1.5 Acoplamiento de ruedas

Las máquinas con mando por radio tienen un mecanismo de acoplamiento en cada rueda. El acoplamiento de ruedas se usa para acoplar o desacoplar las ruedas de la máquina de sus motores propulsores. En la posición acoplada, los motores propulsores tienen contacto con las ruedas y sólo es posible mover la máquina activando los motores propulsores mediante el panel de mando o el mando a distancia.

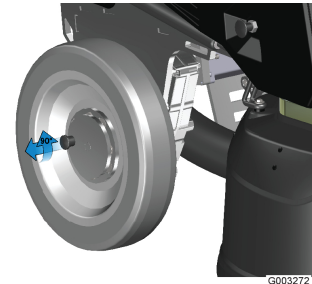
Desacoplar las ruedas tirando del pasador de bloqueo recto hacia fuera. Girar el pasador de bloqueo 90 grados y soltarlo en posición fijada.



7.2 Mando por radio

Acoplar / desacoplar el acoplamiento de ruedas

Ver Acoplamiento de ruedas página 47.



G003272

Disyuntor de batería

Conectar el disyuntor de batería, ver Carga página 46.

Mando a distancia

El interruptor de parada de emergencia (5) debe estar desconectado, el mando D-P-R debe estar en la posición P y el interruptor deslizante debe estar en la posición 0.

Girar el botón "On/Off" (6) y esperar a que se active el display en el mando a distancia.

Controlar el nivel de batería (7) en el display. Si el nivel de batería es bajo, cambiar la batería. La batería se carga en la máquina, ver Compartimento de almacenaje página 22



G003240

Panel de mando

Pulsar el botón para comunicación por radio (1) en el panel de mando.

Se encienden la lámpara en el botón (2) y el símbolo en el display (3) en el panel de mando.

Mando a distancia

Pulsar el botón para comunicación por radio (8); se establece contacto entre el mando a distancia y la máquina.

Cuando se ha establecido la comunicación por radio, la frecuencia de destello del LED (7) aumenta a 1 segundo.

Ahora la máquina está en modo de radio y en el panel de mando sólo funcionan el interruptor de parada de emergencia (4) y el botón de radio (1).



G003237

Pulido

Ajustar la velocidad de pulido con la manija (10): el valor ajustado se muestra en el display.

Ajustar la velocidad de propulsión con la manija (11): el valor ajustado se muestra en el display.

Elegir el sentido de rotación (12) para pulido. La máquina empieza a pulir.

Elegir la dirección de marcha con la palanca FWD/REV (13).

Regular la velocidad (15) si es necesario. Puede aumentar 2x y cambiar de dirección en la misma velocidad que la máxima.

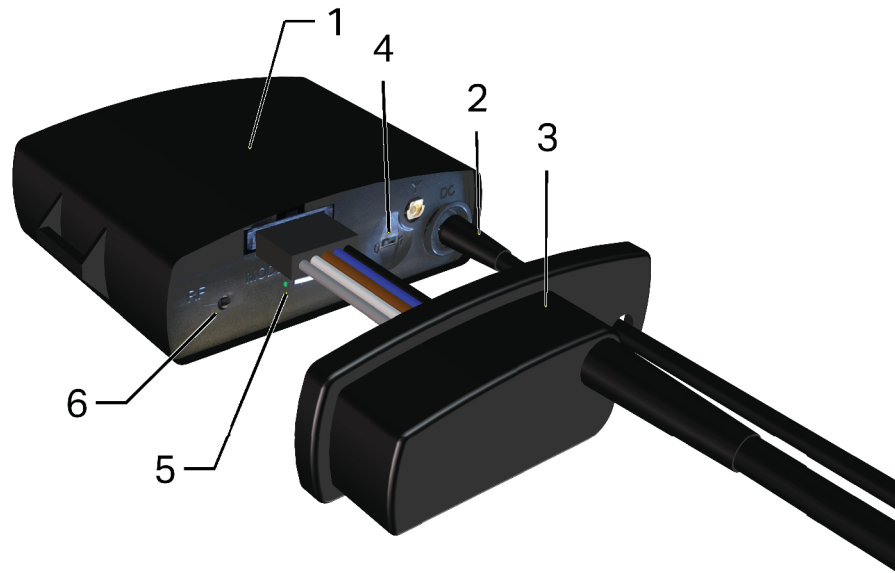
Ajustar el decalaje de pulido con la manija (14), si es necesario.



7.3 GPS - Rastreador

7.3.1 Puesta en servicio

- 1 Hacer la puesta en servicio a la intemperie, de modo que el rastreador GPS tenga visibilidad libre para posicionamiento.
- 2 Activar la máquina pulidora "On/Off" con el botón de activación.
- 3 Soltar el rastreador GPS (1) del soporte e introducir el cable eléctrico (2) al mismo tiempo que se suelta la tapa (3).
- 4 Activar el rastreador GPS poniendo el interruptor (4) del mismo en la posición 1. Esperar hasta que el diodo verde (6) se encienda. La puesta en servicio puede tardar hasta 30 segundos.
- 5 Montar la tapa (3), comprobando que cierra herméticamente.
- 6 Montar el rastreador GPS en el soporte en la máquina pulidora. Comprobar que no hay cables tocando en aletas de refrigeración o en el ventilador.



- 7 El rastreador GPS busca posición durante aproximadamente 2 segundos. Esto **no** es indicado por diodo.
- 8 Llamar al número de teléfono móvil del rastreador GPS (ver el sobre adjunto) con cualquier teléfono móvil. Después de un par de señales la llamada se desconecta y transcurridos unos minutos se recibe un SMS con la fecha, la hora (GMT), la posición y un enlace con un mapa en que está marcada la posición del rastreador GPS (se requiere conexión a internet).
- 9 Cargar la batería interna del rastreador GPS manteniendo la máquina pulidora enchufada a la red eléctrica durante por lo menos 8 horas.

7.3.2 Registro



¡NOTA!

Antes de registrar el rastreador GPS no es posible activar ninguna función de alarma y cualquiera puede rastrear la posición del rastreador GPS.



¡NOTA!

Se adjunta una tarjeta SIM de Telenor cargada con 100 SEK. Fuera de Suecia puede ser más sencillo y rápido obtener una tarjeta SIM de un operador local para reducir costes y facilitar el manejo.

Registrar el rastreador en <https://db.redknows.com/MiniFinder/default.php>.

Datos que se debe registrar:

- Números de teléfono móvil que deben tener acceso al rastreador GPS.
- Tamaño de la alarma Geofence.
- Sensibilidad del sensor de vibraciones.
- Tiempo de GPS despierto (frecuencia con que debe controlarse la posición).
- Unidad en que se debe indicar la velocidad.
- Indicaciones de posición en SMS en mapa en teléfono móvil o lat. & larga.
- Activar la función de alarma para que el rastreador GPS alarme cuando la tensión a la que se conecta
- es inferior a un nivel determinado.
- Activar la alarma cuando se corta la tensión exterior.

7.3.3 Uso

Funcionalidad que se obtiene con el rastreador GPS.

- Bloquear la máquina pulidora para usuarios no autorizados (igual que la cerradura de código en la pantalla).
- Rastrear la máquina pulidora y obtener su posición.
- Activación de la alarma de vibración si se perturba la máquina.
- Activación de la alarma Geofence si la máquina se desplaza fuera de una zona determinada.
- Activación de la alarma de tensión si el nivel de batería de la máquina es inferior a 24 V, si se desconecta o si el nivel de batería interna del rastreador GPS es <20%.
- SOS envía señal a un número de teléfono determinado.

Todos los comandos se pueden dar con el mando a distancia y mediante SMS, aunque con una gran diferencia.

Cuando se usa el mando a distancia para activar la alarma Geofence o la alarma de sensor, la máquina se bloquea. La máquina se desbloquea con la espera del mando a distancia o con un código PIN (ver el manual de la máquina).

La alarma se da mediante SMS al número de teléfono móvil indicado en la web del rastreador GPS. Para más información, ver el manual del rastreador GPS.

7.3.4 Tarjeta GSM

El rastreador GPS comunica mediante GSM y requiere una tarjeta SIM para funcionar. La tarjeta SIM incluida en el envase cuando se adquiere la alarma en Suecia está preparada para poder activar la alarma inmediatamente.

Si se decide usar una tarjeta SIM distinta a la incluida en la entrega, hay que adaptar la tarjeta de esta forma:

- La tarjeta SIM debe tener presentación de número.
- El buzón de voz debe estar **desactivado**.
- La tarjeta SIM **no** debe tener código PIN.

La mayoría de tarjetas SIM funcionan perfectamente con el rastreador GPS, excepto las de operadores 3G puros. Con una tarjeta de pago al contado se evitan tasas mensuales, pero también se puede usar una tarjeta SIM conectada a una suscripción.

Al adquirir una tarjeta SIM, comprobar que cumple con los requisitos necesarios, colocándola en un teléfono móvil.

- La desactivación del código PIN se hace normalmente en la configuración del menú del teléfono. Si se necesita ayuda, ponerse en contacto con el operador telefónico.
- Para comprobar si la tarjeta tiene presentación de número y buzón de voz, llamar al número desde otro teléfono: ver si el número se presenta en el display y si se activa el buzón de voz.

7.3.5 Mando a distancia

Procedimiento:

- 1 Comprobar que el rastreador GPS está activado (interruptor en la posición 1).
- 2 Pulsar el botón de aprendizaje (6) del mando a distancia. Se enciende un LED verde (RF) junto al botón de aprendizaje del mando a distancia.
- 3 Mientras el LED RF está encendido, pulsar un botón optativo en el mando a distancia. El LED RF se apaga y enciende para confirmar que el apareamiento se ha hecho correctamente.
- 4 Esperar a que se apague el LED RF verde.
- 5 Ahora el apareamiento ha terminado y se puede usar el mando a distancia.

Comprobar que el apareamiento se ha hecho correctamente, pulsando un botón del mando a distancia: debe encenderse un LED verde junto al acrónimo *RF* en el rastreador GPS; que se apagará cuando se pulse un botón en el mando a distancia.

Aprendizaje de varios mandos a distancia

Mientras el LED RF está encendido según el paso 3 arriba, pulsar un botón optativo en todos los mandos a distancia que se aparearán con el rastreador GPS. Comprobar que el LED RF se apaga y enciende para confirmar el apareamiento cuando se pulsa el botón en el mando a distancia.

7.4 Conjunto para agua

7.4.1 Sistema “Mist Cooler”

Las máquinas HTC pueden estar equipadas con el sistema “Mist Cooler” para una refrigeración eficaz de las herramientas de pulido. El sistema “Mist Cooler” también se ofrece como equipo complementario y puede pedirse posteriormente.

El sistema “Mist Cooler” distribuye una neblina de agua muy fina con una boquilla sobre la superficie del suelo. El sistema se usa para mejorar el rendimiento de pulido, además de pulir en seco y usar un separador de polvo común para recoger el polvo que se produce. Esto enfría las herramientas y aumenta la eficacia de pulido. El sistema “Mist Cooler” reduce el riesgo de “acristalado” de las herramientas de diamante.

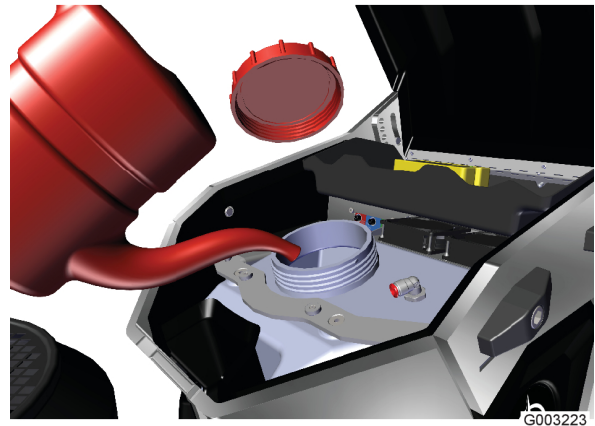
El sistema usa agua del depósito. Cuando el nivel de agua es bajo, el color del símbolo de neblina cambia a amarillo.

Pulido

Montar la herramienta deseada en la máquina.

Ajustar el manillar a la posición de trabajo.

Llenar el depósito con agua fría.



G003223

Activar el sistema "Mist Cooler", pulsando el botón en el panel de control. Cuando el sistema está activado, se enciende el símbolo del sistema "Mist Cooler" en el display.

Cuando se desactiva el pulido, también se desactiva el sistema "Mist Cooler". Si el sistema "Mist Cooler" sigue activado, se indica con destello del símbolo. Pulsar de nuevo para activar.



G003252

Desactivar el sistema "Mist Cooler", pulsando el mismo botón al terminar el pulido.



G003225

7.4.2 Pulido húmedo



¡NOTA!

Nota: la alimentación de agua sólo debe estar activada al pulir. Utilizar siempre una aspiradora húmeda para el pulido húmedo.

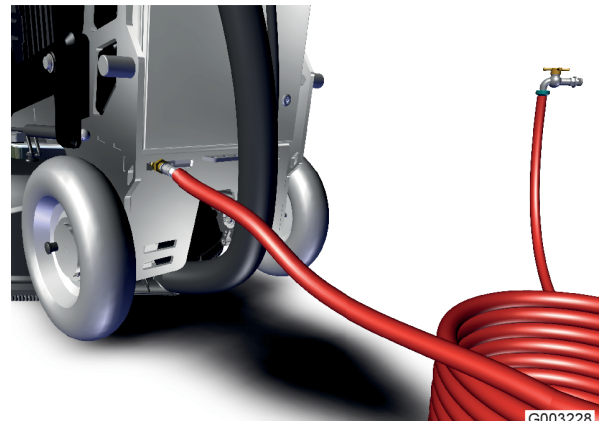
El pulido húmedo con agua se usa para suelos difíciles de pulir. También se usa para conseguir un rendimiento mayor o reducir la temperatura de pulido.

Pulido

Ajustar el manillar a la posición de trabajo. Ver página 32.

Conectar el agua con el acoplamiento rápido en la parte trasera de la máquina. Para presiones y caudales máximos, ver Datos técnicos página 67.

El caudal de agua es regulado por una válvula proporcional con control eléctrico.

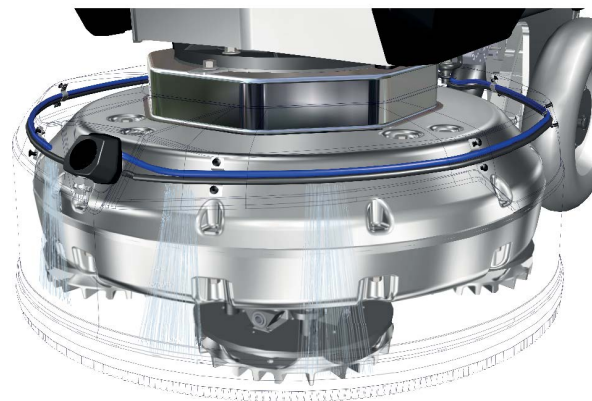


Activar la alimentación de agua, pulsando el botón en el panel de control. Aumentar y reducir el caudal de agua con + el mando pertinente -.



G003253

El agua sale por ranuras en la manguera debajo de la cubierta.



G003229

8 Mantenimiento y reparación

8.1 Generalidades



¡ADVERTENCIA!

Partes móviles. Nivel sonoro alto.

Riesgo de daños personales.

Usar siempre el equipo de seguridad recomendado.



¡ADVERTENCIA!

Corriente eléctrica.

Riesgo de daños personales y materiales.

Cortar la corriente antes de efectuar trabajos de limpieza, mantenimiento, cambio de herramientas y reparación.

8.2 Limpieza



¡NOTA!

Daño por humedad.

Riesgo de daños en la máquina.

Para limpiar, usar sólo agua fría sin productos químicos.

El lavado a alta presión sólo debe usarse en el cabezal de pulido.

- Limpiar siempre la máquina después de usarla. El lavado a alta presión sólo debe usarse en el cabezal de pulido. Limpiar el resto de la máquina con manguera y esponja.
- Usar una aspiradora para limpiar el armario eléctrico, el ventilador de refrigeración y las aletas de refrigeración.

8.3 Antes de cada pulido nuevo

- Revisar el portaherramientas y el soporte de disco de pulido para comprobar que no se han producido daños ni grietas. Si se han producido daños, cambiar las piezas dañadas.

8.4 Diariamente

- Controlar la función de parada de emergencia.
- Controlar la función de parada de emergencia de la radio.
- Controlar el desgaste de las herramientas de pulido: un desgaste anormal o irregular puede indicar que hay soportes de discos de pulir deteriorados.
- Revisar el portaherramientas y el soporte de disco de pulir para comprobar que no se han producido daños. Si se han producido daños, cambiar las piezas dañadas.
- Revisar la manguera y la fijación de cable. Ajustar en caso necesario.

8.5 Semanalmente

- Limpiar la máquina y el mando a distancia.
- Controlar las tres funciones de bloqueo del manillar. Cambiar los bujes si es necesario.
- Revisar el bloqueo de las masas y los tacos de posicionamiento. Cambiarlos si es necesario.
- Revisar los soportes de discos de pulir.
- Revisar la pegatina de advertencia.
- Controlar la fijación entre chasis y cabezal de pulido en cuanto a juego, desgaste y grietas de secado. Cambiar los bujes si es necesario.
- Revisar la cubierta de pulido en cuanto a estanqueidad, desgaste, grietas, barra de cepillo, aspiradora, mangueras y conexiones.
- Armario eléctrico: revisar las juntas.
- Cables eléctricos: controlar el desgaste y la fijación.
- Revisar los fuelles de goma de la radio en el joystick y los interruptores. Cambiarlos si es necesario.

8.6 Reparación

Todas las reparaciones que puedan ser necesarias debe hacerlas un centro de servicio autorizado de HTC. Para trabajos de servicio, ponerse en contacto con el concesionario. Para datos de contacto, ver el principio del manual.

8.7 Piezas de repuesto

Para asegurar la entrega rápida de piezas de repuesto, indicar siempre en el pedido el modelo, el número de serie de la máquina y la referencia de cada pieza.

El modelo y el número de serie están indicados en la placa de características de la máquina.

Las referencias de piezas de repuesto están en el listado de piezas de repuesto de la máquina que se puede leer o imprimir con los medios digitales adjuntos. Para consultas, contactar con el concesionario más cercano de HTC.

Sólo se deben utilizar herramientas originales y piezas de repuesto originales de HTC. De lo contrario, no es válida la garantía.

8.8 Garantía

Para que la garantía sea válida, sólo deben usarse piezas de repuesto originales de HTC.

9 Localización y corrección de averías

9.1 Generalidades

En este capítulo se describen averías que pueden producirse y la forma de arreglarlas. Si no es posible arreglar averías o si se producen otras averías no indicadas aquí, contactar con el concesionario más cercano. Para datos de contacto, ver el principio del manual.

Descripción de la avería	Motivo	Instrucción de usuario
El código de avería se muestra en HMI.	Se ha activado algún sistema de alarma de la máquina.	Para más información, ver "Advertencias y mensajes de fallo".
La máquina pierde el contacto con diferentes unidades.	Se ha interrumpido la señal del bus CAN.	Revisar las conexiones de cables en el panel de conexión.

9.2 La máquina no arranca

Fuente de la avería	Motivo	Instrucción de usuario
Alimentación eléctrica	Falla en la alimentación: por ejemplo, fusibles, interruptor accionado por pérdida a tierra o cables de empalme.	Comprobar que hay la tensión correcta en la fase/s entrante/s.
Alimentación eléctrica	No se enciende el indicador de alimentación eléctrica	Revisar el microrruptor F1.
Placa principal	No se enciende el indicador de placa de circuitos principal.	Revisar el fusible.
Fusible	No se enciende el LED de espera en el panel de control.	Revisar los fusibles F2 y F8.

9.3 El fusible o el interruptor accionado por pérdida a tierra se disparan a menudo

Descripción de la avería	Motivo	Instrucción de usuario
Se dispara el interruptor accionado por pérdida a tierra.	Filtro EMC, cableado o convertidor	Corriente de fuga / avería de puesta a tierra.
Se dispara el fusible.	Carga demasiado alta o fusibles demasiado pequeños	Controlar el tamaño y el retardo del fusible.
		Reducir la carga de la máquina reduciendo la presión de pulido o el régimen de revoluciones, o cambiando herramientas. Ver el potenciómetro de la máquina.

9.4 La máquina no tiene potencia suficiente

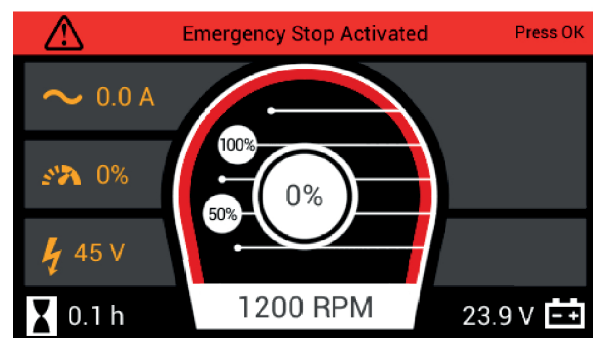
Descripción de la avería	Motivo	Instrucción de usuario
La máquina no tiene potencia suficiente	Carga demasiado alta	Reducir la presión de pulido.
		Si la máquina funciona a régimen de revoluciones alto, reducirlo y aumentará la potencia de la máquina. Ver el potenciómetro para la potencia disponible.
		Caída de tensión: ver el voltímetro durante el pulido.
		Revestimiento demasiado duro en la superficie que se pule.
		Pasar media máquina por la superficie a sanear y media máquina por la superficie limpia. Así se limpian eventuales restos de revestimiento de las herramientas.
Revisar las herramientas. Comprobar que se utilizan las herramientas adecuadas, que las herramientas están en buen estado de funcionamiento y que están correctamente montadas.		

9.5 Advertencias y mensajes de fallo









9.5.1 Advertencias


Los mensajes de fallo y las advertencias se muestran en el display de la máquina y/o el mando a distancia. Se muestra un mensaje de advertencia en color amarillo en el display: se puede seguir usando la máquina. Si la advertencia es conocida, el campo muestra un símbolo de advertencia y una descripción de la advertencia específica. Pulsar "OK" para borrar el campo. Se seguirá mostrando un símbolo de advertencia pequeño en el campo de símbolo mientras la advertencia esté activa. La advertencia se registra en el registro de la máquina.

Se muestra un mensaje de fallo de color rojo en el display: la máquina se para. Si el fallo es conocido, el campo muestra un símbolo de advertencia y una descripción del fallo específico. Pulsar "OK" para intentar arreglar la avería. La avería se registra en el registro de la máquina.














G003286

Símbolo	Advertencia	Descripción de la avería	Medida correctora
	CONTROL VOLTAGE LOW	Tensión de funcionamiento baja.	Controlar la PSU. Controlar la tensión de batería.
	GENERIC INVERTER WARNING (error code)	El convertidor indica fallo.	Ir a la web de soporte de HTC.
	HEATSINK TEMPERATURE HIGH	El convertidor de frecuencia se sobrecalienta.	Controlar el funcionamiento de los ventiladores. Limpiar los ventiladores / las aletas refrigerantes. Controlar la tensión durante el funcionamiento. Reducir la potencia de pulido.
	MOTOR OVERLOAD	Motor de pulir sobrecargado. Medidor de sobrecarga sobre 90%.	Reducir la carga del motor; ver amperímetro del motor.
	MOTOR TEMPERATURE HIGH	El motor de pulir se sobrecalienta.	Revisar el ventilador refrigerante del motor. Reducir la carga del motor; ver amperímetro del motor.
	POWER UNIT TEMPERATURE HIGH	Temperatura alta en el armario eléctrico.	Limpiar los ventiladores y las aletas refrigerantes. Comprobar que los ventiladores giran (durante el pulido y 1 minuto después de terminar el pulido, así como cuando es necesario). Dejar que la máquina se enfríe.
	SERVICE	Servicio de la máquina.	Pedir servicio a un taller autorizado.
	WATER LEVEL LOW	Nivel de agua bajo en el depósito.	Llenar de agua. Controlar el sensor de nivel.

Símbolo	Advertencia	Descripción de la avería	Medida correctora
	VOLTAGE LOW	Tensión entrante baja en la máquina.	Controlar la tensión durante el funcionamiento. Controlar el área de cable. Controlar la alimentación eléctrica.

9.5.2 Mensajes de fallo

Símbolo	Mensaje de fallo	Descripción de la avería	Medida correctora
	CANBUS ERROR	Fallo en el bus CAN.	Revisar el cableado. Revisar las unidades conectadas a HMI.
	EMERGENCY STOP ACTIVATED	Parada de emergencia activada.	Restablecer la parada de emergencia. Controlar el mando a distancia y reconectar la radio con el botón de conexión. Ver "Mando por radio" Mando por radio página 0
	GENERIC INVERTOR ERROR	Fallo genérico en convertidor, radio, motor de propulsión derecho / izquierdo.	Ir a la web de soporte de HTC.
	GENERIC..... ERROR (error code)	Fallo genérico en convertidor, radio, motor de propulsión derecho / izquierdo.	Ir a la web de soporte de HTC.
	HEATSINK TEMPERATURE HIGH	Aleta refrigerante del convertidor de frecuencia sobrecalentada.	Dejar que el convertidor de frecuencia se enfríe.
	INVERTER OVERLOAD	El convertidor se sobrecarga.	Dejar que la máquina se enfríe.

Símbolo	Mensaje de fallo	Descripción de la avería	Medida correctora
	LEFT DRIVE MOTOR VOLTAGE LOW / RIGHT DRIVE MOTOR VOLTAGE LOW	Tensión baja en el motor de propulsión izquierdo.	Controlar la tensión de funcionamiento. Controlar la tensión de batería. Revisar el cableado de los motores de propulsión. Controlar la tensión en las salidas de relé.
	MOTOR NOT CONNECTED	Interrupción en el motor de pulir / cableado del motor de pulir.	Revisar el cableado del motor de pulir. Hacer una medición de control del motor de pulir.
	MOTOR OVERHEAT	El motor de pulir está sobrecalentado.	Dejar que el motor se enfríe.
	MOTOR OVERLOAD	El motor de pulir se sobrecarga. Medidor de sobrecarga en 100%.	Dejar que la máquina se enfríe.
	MOTOR SHORT CIRCUIT	Cortocircuito en el motor de pulir.	Revisar el cableado del motor de pulir. Medir el aislamiento del motor de pulir.
	OVERVOLTAGE	Tensión entrante demasiado alta.	Fallo en la alimentación entrante.
	PHASE LOSS	Falla de fase en la alimentación entrante.	La alimentación entrante ha perdido una o varias fases. Falla de fase en la alimentación entrante.
	RADIO VOLTAGE LOW	Tensión baja en el receptor de radio.	Controlar la tensión de funcionamiento. Controlar la tensión de batería. Revisar el cableado del receptor de radio.
	UNDERVOLTAGE	Tensión baja.	Controlar el área y la longitud de cable. Fallo en la alimentación entrante. Parada de emergencia activada.

10 Datos técnicos

	DURATIQ T6	DURATIQ T6	DURATIQ T6	DURATIQ T6
Potencia	6 kW / 8 CV	7,5 kW / 10 CV		
Amperaje	50 A	30 A	15 A	
Frecuencia	50-60 Hz			
Tensión	1x200-240 V +-10 %	3x200-240 V +-10 %	3x380-415 V +-10 %	3x440-480 V +-10 %
Tensión de control	24 V			
Peso total de la máquina	384 kg / 846 lbs			
Peso del chasis (incluso masas)	229 kg / 504 lbs			
Peso del cabezal de pulido	108 kg / 238 lbs			
Masas	72 kg / 158 lbs			
Diámetro de pulido	600 mm / 24 pulg.			
Presión de pulido, pos. 1	200 kg / 440 lbs			
Presión de pulido, pos. 2	156 kg / 343 lbs			
Presión de pulido, pos. 3	132 kg / 291 lbs			
Presión de pulido, pos. 4	92 kg / 202 lbs			
Régimen de revoluciones, discos de pulir	450-1.500 r.p.m.			
Discos de pulir	3 x 230 mm / 3 x 9 pulg.			
Área de cable mínima recomendada	16 mm ² 6 AWG	6 mm ² 10 AWG	2,5 mm ² 14 AWG	

	DURATIQ T6	DURATIQ T6	DURATIQ T6	DURATIQ T6
Temperatura de almacenaje (tiempo corto, p. ej. transporte)	-20 – +60 °C - 4 – +140 °F			
Temp. de trabajo	-10° – +40 °C +14 – +104 °F			
Humedad del aire	Máximo 95% pero sin condensación			
Nivel de presión acústica, según ISO 11201	82 – 88 dBA			
Nivel de potencia acústica, según ISO 3744	94 – 100 dBA			
Vibraciones, preparación de suelos (T-Rex)	1,43 m/s ²			
Exposición diaria permitida, preparación de suelos (T-Rex)	>10 h			

	DURATIQ RT6	DURATIQ RT6	DURATIQ RT6	DURATIQ RT6
Potencia	6 kW / 8 CV	7,5 kW / 10 CV		
Amperaje	50 A	30 A	15 A	
Frecuencia	50–60Hz			
Tensión	1x200-240 V +-10 %	3x200-240 V +-10 %	3x380-415 V +- 10 %	3x440-480 V +-10 %
Tensión de control	24 V			
Peso total de la máquina	423 kg / 932 lbs			
Peso del chasis (incluso masas)	268 kg / 590 lbs			
Peso del cabezal de pulido	108 kg / 238 lbs			
Masas	72 kg / 158 lbs			
Diámetro de pulido	600 mm / 24 pulg.			
Presión de pulido, pos. 1	205 kg / 451 lbs			
Presión de pulido, pos. 2	161 kg / 354 lbs			
Presión de pulido, pos. 3	137 kg / 302 lbs			
Presión de pulido, pos. 4	96 kg / 211 lbs			
Régimen de revoluciones, discos de pulir	450-1.500 r.p.m.			
Discos de pulir	3 x 230 mm / 3 x 9 pulg.			
Área de cable mínima recomendada	16 mm ² 6 AWG	6 mm ² 10 AWG	2,5 mm ² 14 AWG	
Temperatura de almacenaje (tiempo corto, p. ej. transporte)	-20° – +60 „03 - 4 – +140 °F			

	DURATIQ RT6	DURATIQ RT6	DURATIQ RT6	DURATIQ RT6
Temp. de trabajo	-10° – +40 °C +14 – +104 °F			
Humedad del aire	Máximo 95% pero sin condensación			
Nivel de presión acústica, según ISO 11201	82 – 88 dBA			
Nivel de potencia acústica, según ISO 3744	94 – 100 dBA			
Vibraciones, preparación de suelos (T-Rex)	1,43 m/s ²			
Exposición diaria permitida, preparación de suelos (T-Rex)	>10 h			
Velocidad de cond.	28,5 m/min 93,5 pies/min			
La frecuencia depende de la normativa de cada país (transmisor / receptor)	870 MHz, 915 MHz, 447 MHz, 434 MHz, 429 MHz			

	DURATIQ X6	DURATIQ X6	DURATIQ X6	DURATIQ X6
Potencia	6 kW / 8 CV	7,5 kW / 10 CV		
Amperaje	50 A	30 A	15 A	
Frecuencia	50–60 Hz			
Tensión	1x200-240 V +-10 %	3x200-240 V +-10 %	3x380-415 V +-10 %	3x440-480 V +-10 %
Tensión de control	24 V			
Peso total de la máquina	399 kg / 879 lbs			
Peso del chasis (incluso masas)	229 kg / 504 lbs			
Peso del cabezal de pulido	123 kg / 271 lbs			
Masas	72 kg / 158 lbs			
Diámetro de pulido	600 mm / 24 pulg.			
Presión de pulido, pos. 1	214 kg / 471 lbs			
Presión de pulido, pos. 2	171 kg / 376 lbs			
Presión de pulido, pos. 3	147 kg / 324 lbs			
Presión de pulido, pos. 4	107 kg / 235 lbs			
Régimen de revoluciones, discos de pulir	450-1.500 r.p.m.			
Discos de pulir	4 x 230 mm / 4 x 9 pulg.			
Área de cable mínima recomendada	16 mm ² 6 AWG	6 mm ² 10 AWG	2,5 mm ² 14 AWG	
Temperatura de almacenaje (tiempo corto, p. ej. transporte)	-20° – +60 „03 - 4 – +140 °F			

	DURATIQ X6	DURATIQ X6	DURATIQ X6	DURATIQ X6
Temp. de trabajo	-10° – +40 °C +14 – +104 °F			
Humedad del aire	Máximo 95% pero sin condensación			
Nivel de presión acústica, según ISO 11201	82 – 88 dBA			
Nivel de potencia acústica, según ISO 3744	94 – 100 dBA			
Vibraciones, preparación de suelos (T-Rex)	1,62 m/s ²			
Exposición diaria permitida, preparación de suelos (T-Rex)	>10 h			

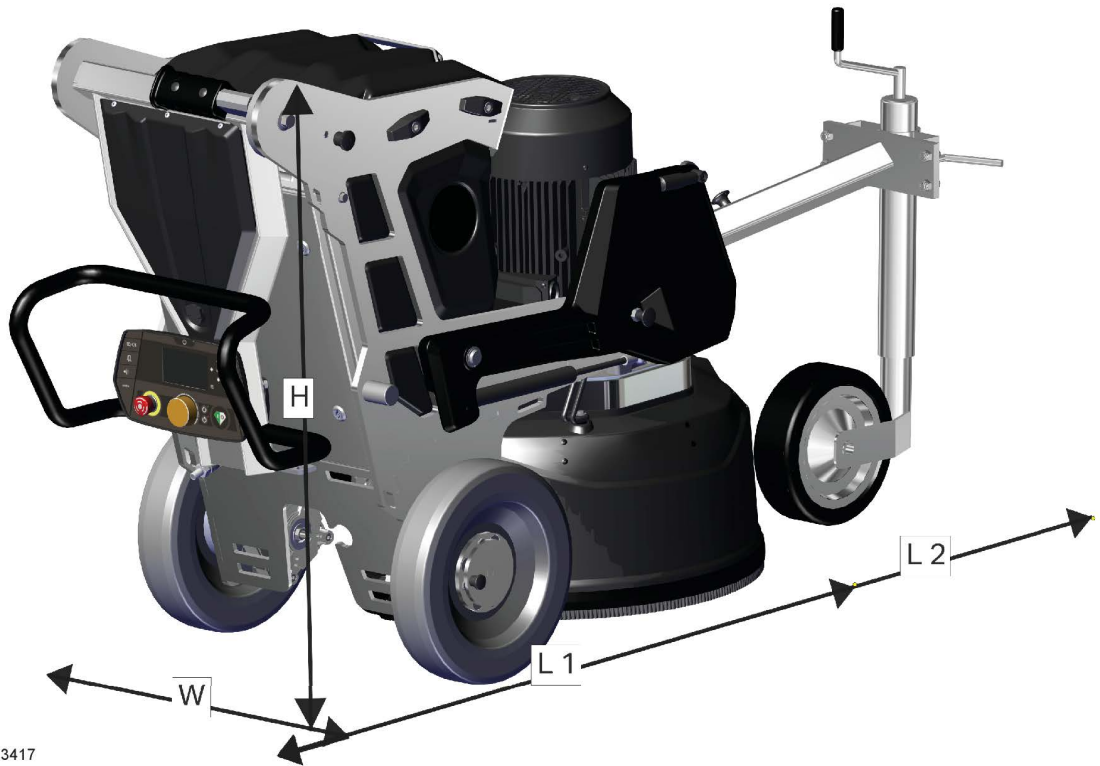
	DURATIQ RX6	DURATIQ RX6	DURATIQ RX6	DURATIQ RX6
Potencia	6 kW / 8 CV	7,5 kW / 10 CV		
Amperaje	50 A	30 A	15 A	
Frecuencia	50–60 Hz			
Tensión	1x200-240 V +-10 %	3x200-240 V +-10 %	3x380-415 V +-10 %	3x440-480 V +-10 %
Tensión de control	24 V			
Peso total de la máquina	441 kg / 972 lbs			
Peso del chasis (incluso masas)	268 kg / 590 lbs			
Peso del cabezal de pulido	123 kg / 271 lbs			
Masas	72 kg / 158 lbs			
Diámetro de pulido	600 mm / 24 pulg.			
Presión de pulido, pos. 1	223 kg / 491 lbs			
Presión de pulido, pos. 2	177 kg / 390 lbs			
Presión de pulido, pos. 3	153 kg / 337 lbs			
Presión de pulido, pos. 4	112 kg / 246 lbs			
Régimen de revoluciones, discos de pulir	450-1.500 r.p.m.			
Discos de pulir	4 x 230 mm / 4 x 9 pulg.			
Área de cable mínima recomendada	16 mm ² 6 AWG	6 mm ² 10 AWG	2,5 mm ² 14 AWG	
Temperatura de almacenaje (tiempo corto, p. ej. transporte)	-20° – +60 „03 - 4 – +140 °F			

	DURATIQ RX6	DURATIQ RX6	DURATIQ RX6	DURATIQ RX6
Temp. de trabajo	-10° – +40 °C +14 – +104 °F			
Humedad del aire	Máximo 95% pero sin condensación			
Nivel de presión acústica, según ISO 11201	82 – 88 dBA			
Nivel de potencia acústica, según ISO 3744	94 – 100 dBA			
Vibraciones, preparación de suelos (T-Rex)	1,62 m/s ²			
Exposición diaria permitida, preparación de suelos (T-Rex)	>10 h			
Velocidad de cond.	28,5 m/min 93,5 pies/min			
La frecuencia depende de la normativa de cada país (transmisor / receptor)	870 MHz, 915 MHz, 447 MHz, 434 MHz, 429 MHz			



G003416

Tamaño	H	W	L1
Posición de pulido	1.346 mm 53 pulg.	657 mm 26 pulg.	2.018 mm 79,5 pulg.



G003417

Tamaño	H	W	L1	L2
Posición de transporte	1.054 mm 41,5 pulg.	657 mm 26 pulg.	1.385 mm 54,5 pulg.	1.958 mm 77 pulg.

11 Medio ambiente

Los productos de HTC están contruidos en su mayor parte con metales y plásticos reciclables. A continuación se indican los principales materiales utilizados.

11.1 Chasis

Pieza de máquina	Material	Manipulación de residuos
Chasis	Metal	Reciclado de metales ¹⁾
Manillar	Acero revestido de plástico	Reciclado de metales ¹⁾
Rueda	Caucho	Reciclado de metales/incinerables
Cubierta	Plástico, ABS	Incinerable
Elementos de fijación	Metal	Reciclado de metales ¹⁾
Conexiones de mangueras	Metal, aluminio	Reciclado de metales ¹⁾
Mangueras	Plástico, PUR y PVC	Incinerable
Calzos de apoyo	Plástico, POM	Incinerable
Guía de manguera	Plástico, PP/PA	Incinerable

¹⁾ Los metales diferentes deben separarse si es posible.

11.2 Cabezal de pulido

Pieza de máquina	Material	Manipulación de residuos
Mitades de caja	Aluminio	Reciclado de metales ¹⁾
Cubierta de discos de pulir	Plástico, ABS y TPU	Reciclado de plástico/incinerable
Otras piezas	Acero	Reciclado de metales ¹⁾

¹⁾ Los metales diferentes deben separarse si es posible.

11.3 Sistema eléctrico

Pieza de máquina	Material	Manipulación de residuos
Armario eléctrico	Acero	Reciclado de metales ¹⁾
Cables	Conductor de cobre con vaina de PVC/nilón	Reciclado de metales ¹⁾
Componentes eléctricos		Chatarra electrónica

¹⁾ Los metales diferentes deben separarse si es posible.

11.4 Reciclado

La máquina o componentes de la misma también se pueden devolver a HTC Sweden AB.



G003127

La máquina o componentes de la misma también se pueden devolver a HTC Sweden AB. En lo referente al reciclado y desguace de componentes; ver la normativa vigente en el país pertinente. Los productos eléctricos y electrónicos, como baterías de todo tipo, deben depositarse en un centro de recogida específico para reciclado (según las Directivas 2012/19/UE y 2006/66/CE).

Déclaration de conformité CE

Nous, **Husqvarna AB**, SE 561 82 Huskvarna, SUÈDE, Tél. +46 36 146500, déclarons sous notre seule responsabilité que le produit représenté :

Description	Système de polissage et de surfacage
Marque	HUSQVARNA
Type/Modèle	HTC RT6, HTC RX6
Identification	Numéros de série de l'année 2020 et ultérieurs

est entièrement conforme à la réglementation et aux directives de l'UE suivantes :

Directive/Réglementation	Description
2006/42/EC	« relative aux machines »
2014/53/UE	« relative aux équipements radio »
2011/65/UE	« relative à la limitation de l'utilisation de certaines substances dangereuses »

et que les normes et/ou les spécifications techniques suivantes sont appliquées :

EN 60335-1:2012/A11:2014/AC:2014

EN 60335-2-72:2012

EN IEC 61000-6-2: 2005 + AC:2005

EN 61000-6-4:2007+A1:2011

ETSI EN 301 489-1 V2.2.0

ETSI EN 301 489-17 V3.2.0

ETSI EN 300 328 V2.1.1

Partille, le 16/10/2020



Martin Huber

Directeur R&D, surfaces et sols en béton
Husqvarna AB, division Construction

Responsable de la documentation technique

Déclaration de conformité CE

Nous, **Husqvarna AB**, SE 561 82 Huskvarna, SUÈDE, Tél. +46 36 146500, déclarons sous notre seule responsabilité que le produit représenté :

Description	Système de polissage et de surfaçage
Marque	HUSQVARNA
Type/Modèle	HTC T6, HTC X6
Identification	Numéros de série de l'année 2020 et ultérieurs

est entièrement conforme à la réglementation et aux directives de l'UE suivantes :

Directive/Réglementation	Description
2006/42/EC	« relative aux machines »
2014/30/UE	« relative à la compatibilité électromagnétique »
2011/65/UE	« relative à la limitation de l'utilisation de certaines substances dangereuses »

et que les normes et/ou les spécifications techniques suivantes sont appliquées :

EN 60335-1:2012/A11:2014/AC:2014

EN 60335-2-72:2012

EN 61000-6-2:2005 + AC :2005

EN 61000-6-4:2007+A1:2011

Partille, le 16/10/2020



Martin Huber

Directeur R&D, surfaces et sols en béton
Husqvarna AB, division Construction

Responsable de la documentation technique

Normes

Le fabricant déclare par la présente, sous sa seule responsabilité, que le produit ci-dessus portant un numéro de série 2016 ou postérieur, est conforme aux dispositions applicables des normes et directives suivantes :

EN 60335-1:2012	Appareils électrodomestiques et analogues - Sécurité - Partie 1 : exigences générales.
EN 60335-1:2012 + A11:2014	Appareils électrodomestiques et analogues - Sécurité - Partie 1 : exigences générales.
EN 60335-2-72:2012	Appareils électrodomestiques et analogues - Sécurité - Partie 2-72 : Exigences particulières pour les machines de traitements des sols avec ou sans commande de dispositif de déplacement, à usage commercial.
EN 62233:2008	Méthodes de mesure des champs électromagnétiques des appareils électrodomestiques et similaires en relation avec l'exposition humaine.
EN 61000-6-4:2007 + A1:2001	CEM
FCC CFR 47 Partie 15 (2016)	CEM
EN 61000-6-2 (2005)	CEM
DIRECTIVE 2006/42/CE	Directive « Machines ».
DIRECTIVE 2014/30/CE	CEM
DIRECTIVE 2014/35/CE	Directive « Basse tension ».

ISO 5349-1:2001	Vibrations mécaniques - Mesurage et évaluation de l'exposition des individus aux vibrations transmises par la main - Partie 1 : exigences générales.
ISO 5349-2:2001	Vibrations mécaniques - Mesurage et évaluation de l'exposition des individus aux vibrations transmises par la main - Partie 2 : guide pratique pour le mesurage sur le lieu de travail.
ISO 20643:2005	Vibration mécanique - Machines tenues et guidées à la main - Principes pour l'évaluation d'émission de vibration.
ISO 3744:2010	Acoustique - Détermination des niveaux de puissance acoustique et des niveaux d'énergie acoustique émis par les sources de bruit à partir de la pression acoustique - Méthodes d'expertise pour des conditions approchant celles du champ libre sur plan réfléchissant.
ISO 11201:2010	Acoustique - Bruit émis par les machines et équipements - Détermination des niveaux de pression acoustique d'émission au poste de travail et en d'autres positions spécifiées dans des conditions approchant celles du champ libre sur plan réfléchissant avec des corrections d'environnement négligeables.

Ce produit a reçu la marque CE en 2016. La documentation technique se trouve chez le fabricant.

Table des matières

1	Introduction	158
1.1	Généralités	158
1.2	Responsabilités	158
1.3	Garantie.....	158
2	Sécurité	159
2.1	Symboles utilisés.....	159
2.2	Consignes de sécurité	159
3	Informations concernant la machine	162
3.1	Déballage de l'équipement	162
3.2	Transport	162
3.2.1	Transport	162
3.2.2	Levage	162
3.2.3	Déplacement	162
3.2.4	Suspension du capot de ponçage	164
3.2.5	Roue d'appui	165
3.3	Stockage.....	165
3.4	Plaque signalétique	166
3.5	Vibrations aux mains et aux bras	167
3.6	Niveau de puissance acoustique.....	167
4	Description de la machine	168
4.1	Description générale de la machine	168
4.2	Compartiment de rangement.....	171
4.3	Coffret électrique	173
4.4	Description des leviers - Panneau de commande (IHM)	174
4.5	Écran d'information.....	176
4.6	Panneau de raccordement	179
5	Utilisation	180
5.1	Généralités	180
5.2	Réglage de l'inclinaison de la poignée	180
5.3	Maniement des poids	183
5.4	Supports de câble et de flexible	185
5.5	Accès aux outils de ponçage.....	185
5.6	Mise en place de l'outil de ponçage	186
6	Ponçage	188
6.1	Conduite avec le panneau de commande	188
6.1.1	Conduite manuelle.....	189
6.1.2	Arrêt d'urgence	189
6.2	Faciliter la conduite.....	190
7	Accessoires	191
7.1	Pack de radiocommande	191
7.1.1	Description des leviers - Télécommande	191
7.1.2	Récepteur radio	194
7.1.3	Chargement.....	195
7.1.4	Utilisation	195
7.1.5	Verrouillage des roues.....	196

7.2	Radioguidage	197
7.3	Traqueur GPS.....	198
7.3.1	Mise en marche.....	198
7.3.2	Enregistrement	199
7.3.3	Utilisation	200
7.3.4	Carte GSM	200
7.3.5	Commande à distance.....	201
7.4	Pack d'eau	202
7.4.1	Mist Cooler System	202
7.4.2	Ponçage humide.....	204
8	Entretien et réparations	206
8.1	Généralités	206
8.2	Nettoyage	206
8.3	Avant chaque ponçage	207
8.4	Tous les jours.....	207
8.5	Une fois par semaine.....	207
8.6	Réparations	207
8.7	Pièces de rechange.....	208
8.8	Garantie.....	208
9	Recherche des pannes	209
9.1	Généralités	209
9.2	La machine ne démarre pas	209
9.3	Déclenchement fréquent des fusibles ou de l'interrupteur différentiel.....	210
9.4	La machine manque de puissance.....	211
9.5	Avertissements et notification des défauts	212
9.5.1	Avertissements	212
9.5.2	Notification des défauts	214
10	Fiche technique	216
11	Environnement	226
11.1	Châssis.....	226
11.2	Tête de ponçage.....	226
11.3	Équipement électrique.....	227
11.4	Recyclage.....	227

1 Introduction

1.1 Généralités

Les machines HTC sont utilisées pour le traitement des sols. L'outil choisi détermine le champ d'utilisation de la machine.

Outre les le fonctionnement et les fonctions générales, ce manuel aborde les champs d'utilisation et l'entretien de votre machine HTC. Pour tout complément d'informations, contactez votre revendeur. Pour les informations concernant les contacts, reportez-vous au début de ce manuel.

1.2 Responsabilités

Même si toutes les mesures nécessaires pour que les informations fournies par ce manuel soient correctes et compréhensibles, nous n'acceptons aucune responsabilité pour toute erreur ou élément d'information manquant. HTC se réserve le droit de modifier les descriptions incluses dans ce manuel sans avis préalable.

Ce manuel est protégé par la loi sur les droits d'auteur ; aucune partie ne peut être copiée ou utilisée de quelque manière que ce soit sans l'autorisation écrite de HTC.

1.3 Garantie

La garantie ne couvre que les défauts de fabrication. HTC n'assume aucune responsabilité pour les dommages, survenus au cours ou à l'occasion du transport, du déballage ou de l'utilisation. Le fabricant ne pourra, en quelques circonstances que ce soit, être tenu responsable des dommages ou des pannes causés par une utilisation erronée, la corrosion ou une utilisation autre que celle prévue par les spécifications. Le fabricant n'est responsable en aucun cas des dommages ou coûts indirects. Pour le détail complet concernant la période de garantie du fabricant, reportez-vous aux dispositions de garantie en vigueur de HTC.

Le distributeur local peut avoir des conditions spéciales de garantie qui sont précisées dans ses conditions de vente, de livraison et de garantie. Pour toute clarification des conditions de garantie, veuillez contacter votre revendeur.

2 Sécurité

Ce chapitre comporte les règles de sécurité à adopter lors de l'utilisation des machines HTC.

2.1 Symboles utilisés

Les symboles ci-dessous sont utilisés dans ce manuel afin d'indiquer lorsqu'une vigilance particulière est nécessaire lors de l'utilisation de la machine.



AVERTISSEMENT !

Ce symbole signifie **Avertissement !** et signifie qu'il existe un risque d'accident corporel ou de dommage matériel.

L'inobservation d'un avertissement peut entraîner des dommages corporels graves pouvant être mortels.



REMARQUE !

Ce symbole indique **Remarque !** et signifie qu'une utilisation erronée de la machine pourrait endommager le matériel.



CONSEIL

Ce symbole signifie **Astuce !** et accompagne des conseils et astuces qui réduiront l'usure de votre machine ou faciliteront votre travail avec celle-ci.

2.2 Consignes de sécurité

Les utilisateurs de machines HTC ont la responsabilité finale de veiller à ce que toutes les personnes qui travaillent avec ou à proximité des machines, respectent toutes les instructions de sécurité applicables. Les mesures de sécurité doivent répondre aux exigences applicables à ce type d'équipement. Les recommandations du présent manuel doivent s'ajouter aux règles standard sur le lieu de travail.

Toutes les tâches doivent être effectuées par un personnel formé. Les utilisateurs de machines HTC doivent avoir lu l'intégralité du manuel correspondant aux machines utilisées. Une utilisation non conforme de l'équipement peut être à l'origine de situations susceptibles d'occasionner des blessures pour l'opérateur ou des dommages à l'environnement ou à la machine.

**AVERTISSEMENT !**

Une formation est indispensable.

Risques de dommages corporels et matériels.

Les enfants doivent rester sous surveillance et ne doivent pas jouer avec la machine.

La machine ne doit pas être utilisée par les enfants ou à proximité de ceux-ci. La machine ne doit pas être utilisée par des personnes avec des capacités physiques, sensorielles ou psychiques réduites, ou par des personnes ne disposant pas des connaissances requises pour l'utilisation de la machine.

L'utilisation des machines HTC doit impérativement suivre les recommandations de HTC.

Les machines HTC sont réservées à une utilisation commerciale.

Toutes les personnes utilisant une machine doivent connaître :

- son fonctionnement
- l'emplacement de l'interrupteur de secours
- les règles de sécurité applicables à la tâche

L'opérateur doit s'assurer que :

- aucune personne non autorisée ne se trouve dans la zone de travail lors de la mise en marche de la machine

Le lieu de travail :

- doit être adapté à l'objectif
- doit être protégé contre les objets non fixés susceptibles d'être projetés par la machine
- ne doit pas comporter de boulons protubérants et autres, sur la surface à traiter

Les personnes se trouvant sur le lieu de travail doivent toujours utiliser les équipements de sécurité recommandés et porter les vêtements suivants :

- lunettes de protection
- gants de protection
- chaussures de sécurité avec embout métallique
- casque anti-bruit
- protection respiratoire
- et ne pas porter de vêtements lâches ou d'accessoires susceptibles de se coincer, comme des écharpes, bracelets, bagues, etc.

Mesures générales de sécurité :

- Vérifiez que la machine est branchée à une prise avec terre.
- Seul un personnel habilité peut intervenir sur les pièces sous tension.

- Un équipement de lutte contre l'incendie doit être clairement signalé et être à portée de main.
- La maintenance ne doit pas être effectuée sur un équipement en marche.

La machine n'a été testée que pour une utilisation jusqu'à 2000 mètres au-dessus du niveau de la mer.



	⚠ DANGER
	HIGH VOLTAGE Disconnect power before servicing.
	⚠ WARNING
	To reduce the risk of fire, use only commercially available floor cleaners and waxes intended for machine application.
	⚠ WARNING
	Risk of explosion. Floor sanding can result in an explosive mixture of fine dust and air. Use floor sanding machine only in well ventilated area.
	⚠ CAUTION
	Moving Parts – To reduce the risk of injury, unplug before servicing.

G003338

Cet autocollant d'information est apposé à un emplacement visible sur le coffret électrique de la machine.

3 Informations concernant la machine

3.1 Déballage de l'équipement

Vérifiez soigneusement que l'emballage ou l'équipement ne présente pas de signes de dommages à la livraison. En cas de signes de dommages, contactez le revendeur pour l'en informer. Signalez également les dommages extérieurs à l'entreprise de transport.

Vérifiez que la livraison est conforme à la commande. Pour toute question, veuillez contacter le revendeur.

3.2 Transport



AVERTISSEMENT !

Risques de dommages corporels et matériels



REMARQUE !

Lors de tout déplacement, transport et du levage, les poids doivent être en position 1, voir la partie maniement des poids.

3.2.1 Transport

Vérifiez toujours que la machine est solidement ancrée à son support et que la tête de ponçage est abaissée sur le sol. Serrez les sangles ou tout autre équipement utilisé pour l'amarrage durant le transport, sur des parties non mobiles comme par exemple le châssis de la machine.

3.2.2 Levage

La machine peut également être levée par l'anneau de levage prévu à cet effet ou à l'aide de tout engin de levage homologué. Assurez-vous dans ce cas que les poids sont verrouillés en position avant et que la poignée est en position arrière, voir Maniement des poids page [34](#) et Réglage de l'inclinaison de la poignée page [31](#). Utilisez des sangles pour le levage de la machine.

3.2.3 Déplacement

Lors du déplacement sur une surface inclinée, comme une rampe de chargement, la machine doit être arrimée par l'anneau de levage à un treuil, par exemple. Ceci est une mesure de précaution au cas où la machine viendrait à se déplacer de manière intempestive ou à basculer. Les poids doivent être en position 1, afin que la machine ne risque pas de

basculer en arrière. Veillez à ce que personne ne se trouve au-dessous de la machine lors d'un déplacement sur une surface en pente.



G003256

Points de fixation pour le levage et l'arrimage.

3.2.4 Suspension du capot de ponçage

Lors du transport ou d'une tâche avec HTC Grouting, le capot peut être suspendu afin de ne pas rayer le sol.

Soulevez le capot et fixez-le à l'aide des sangles en caoutchouc afin de le bloquer en position suspendue.

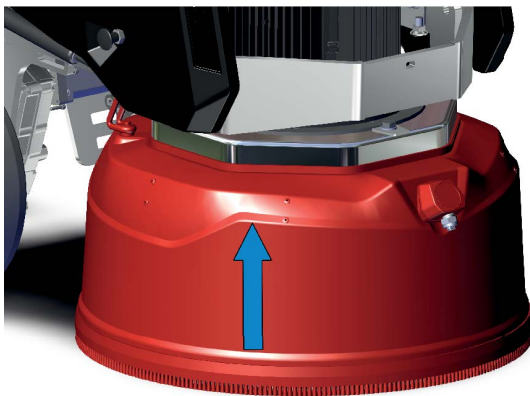


AVERTISSEMENT !

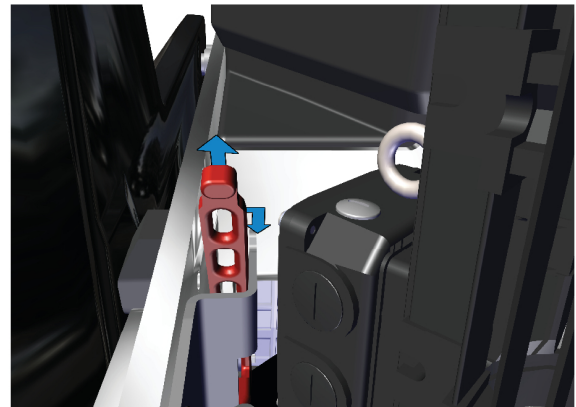
Pièces mobiles. Niveau sonore élevé.

Risque de dommages corporels.

Utilisez toujours les équipements de sécurité recommandés.



G003166



G003104



G003105



G003167

3.2.5 Roue d'appui



G003412

Afin de faciliter les déplacements, une roue d'appui peut être fixée à la machine.



G003413

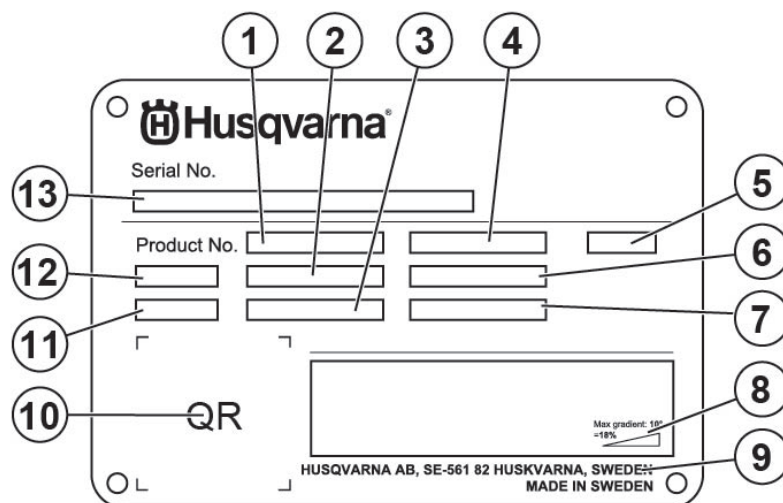
Cette roue peut rester en place lors du ponçage.

3.3 Stockage

La machine doit être rangée dans un endroit sec et chauffé lorsqu'elle n'est pas utilisée. Elle peut être endommagée par la condensation et les basses températures.

3.4 Plaque signalétique

La plaque signalétique comporte les informations décrites ci-dessous. Pour commander des pièces de rechange pour la machine, indiquez ses numéros de modèle et de série.



1. Référence de produit
2. Poids du produit
3. Puissance nominale
4. Tension nominale
5. Boîtier
6. Intensité nominale
7. Fréquence
8. Angle de pente maximal
9. Fabricant
10. Code optiquement lisible
11. Année de production
12. Modèle
13. Numéro de série

3.5 Vibrations aux mains et aux bras

Le niveau de vibrations pondéré aux mains et aux bras [m/s^2] de la ponceuse HTC DURATIQ a été établi au moyen d'un appareillage de mesure en conformité avec ISO 5349-1:2001. La marge d'incertitude de l'appareillage est de +/- 2 %.

La machine a été testée selon ISO 5349-2:2001 et ISO 20643:2005 afin d'identifier les opérations qui sont à l'origine des expositions les plus fréquentes aux vibrations. Si le niveau de vibrations dépasse $2,5 m/s^2$ il convient de limiter la durée d'exposition conformément au tableau ci-dessous. Si les vibrations sont supérieures à $5 m/s^2$ l'employeur doit prendre des mesures immédiates afin que la durée d'exposition ne dépasse pas la valeur indiquée dans le tableau ci-dessous.

Conditions de travail identifiées	Valeurs mesurées [m/s^2]	Exposition journalière autorisée (heures)
Ponçage/polissage	< $2,5 m/s^2$	> 10 h

3.6 Niveau de puissance acoustique

Concernant le bruit, la machine a été testée selon ISO 3744:2010 et ISO 11201. Mesure effectuée avec un instrument de mesure spécifique à la classe 1. Pour de plus amples informations concernant la puissance acoustique, voir le chapitre Fiche technique page 67.

4 Description de la machine

4.1 Description générale de la machine

La ponceuse HTC a été développée pour le traitement de différents types de sols. Cette machine est utilisée pour poncer, dégrossir, décaper et polir des sols en béton, en pierre naturelle et en terrazzo ou autre matériaux mentionnés dans ce manuel ou encore des matériaux recommandés par HTC.

Certaines ponceuses peuvent être radiocommandées. La radiocommande est un accessoire qui simplifie considérablement le travail.

Pour les caractéristiques des principaux composants de la machine, voir ci-dessous page [20](#).

La poignée est inclinable en plusieurs positions. Choisissez celle qui vous convient le mieux pour la conduite manuelle de la machine.

La tête de ponçage de la machine peut être équipée d'un certain nombre de disques de ponçage recouverts d'un capot étanche qui descend jusqu'au sol. Le capot associé au système d'aspiration couplé offrent les conditions d'un environnement de travail agréable. Le capot empêche l'opérateur d'entrer en contact avec les pièces rotatives de la machine et réduit fortement son exposition à la poussière. Le capot étant flexible, la récupération de la poussière est optimale dans la mesure où il est en contact permanent avec le sol.

Assurez-vous que l'extracteur de poussière est toujours relié à la ponceuse lors du ponçage à sec, afin d'éviter au maximum que l'opérateur, les personnes à proximité, la ponceuse et tout autre équipement soient exposés à des particules de poussière.



AVERTISSEMENT !

Poussière.

Risque de dommages corporels.

La poussière aspirée peut être toxique en cas d'inhalation. Respectez les consignes locales et utilisez un masque de protection respiratoire.

La machine accepte une grande variété d'outils qui se montent facilement. Le choix de l'outil dépend de la composition du sol. Pour de plus amples informations concernant les différents outils, rendez-vous sur le site de HTC: www.htc-floorsystems.com.

Certaines ponceuses peuvent être équipées du Mist Cooler System pour un refroidissement efficace des outils de ponçage. Ce système est doté d'un gicleur qui projette un brouillard d'eau très fin sur le sol, ce qui permet de refroidir les outils de ponçage et rend ainsi le ponçage plus efficace.



G003218

N°	Description
1	Trappe de rangement
2	Réglage approximatif du bras de conduite
3	Trappe de rangement
4	Point de levage
5	Point de fixation de la roue d'appui et arrimage des charges
6	Buse du Mist Cooler System
7	Bras de conduite
8	Réglage fin du bras de conduite
9	Trappe d'entretien
10	Poignée des poids
11	Poids
12	Blocage des poids
13	Tête de ponçage
14	Blocage de roue pour conduite



G003183

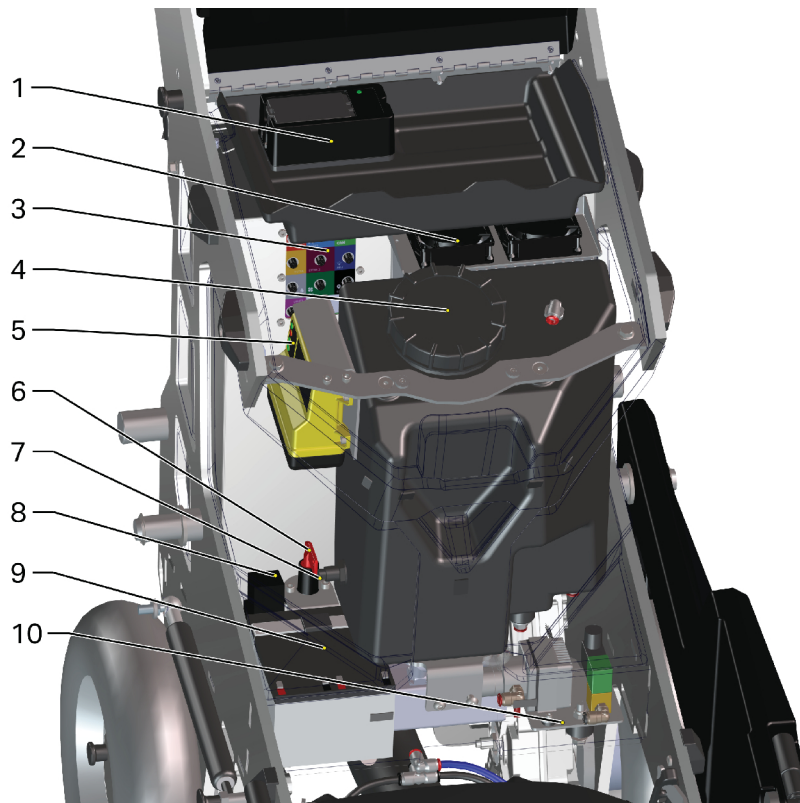
N°	Description
1	Panneau de commande
2	Verrouillage de la poignée
3	Prise électrique (alimentation)
4	Raccord pour extracteur de poussière
5	Coffret électrique
6	Raccord rapide eau

4.2 Compartiment de rangement



G003264

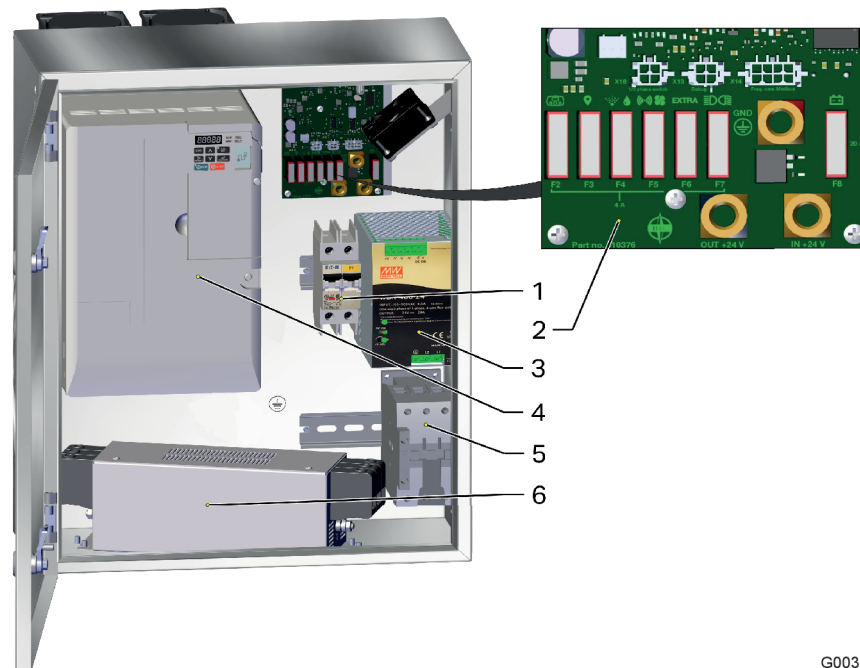
N°	Description
1	Compartiment de rangement
2	
3	Trappes d'entretien
4	



G003441

N°	Description	Accessoires
1	Chargeur de batterie pour commande à distance	Pack de radiocommande
2	Ventilateurs de refroidissement	
3	Panneau de raccordement des accessoires	
4	Réservoir d'eau	Pack d'eau
5	Récepteur radio	Pack de radiocommande
6	Sectionneur de batterie	Pack de radiocommande
7	Détecteur de niveau d'eau	Pack d'eau
8	Relais	Pack de radiocommande
9	Batterie	Pack de radiocommande
10	Pompe Mist Cooler System/alimentation en eau ventilateur proportionnel	Pack d'eau

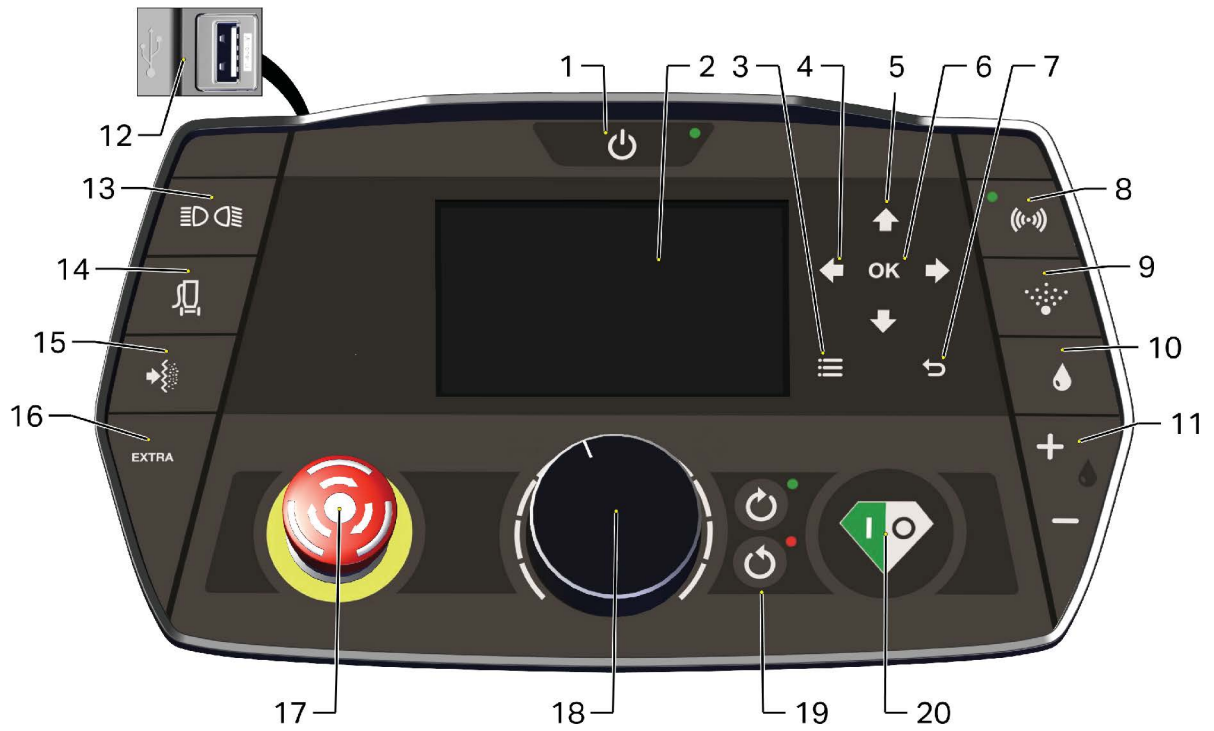
4.3 Coffret électrique



G003371

N°	Désignation	Description
1	F1	Disjoncteurs miniatures 2 x 5 A pour alimentation
2	Carte mère	
	F2	Fusible 4A, panneau de commande
	F3	Fusible 4 A, GPS
	F4	Fusible 4 A, eau/Mist System
	F5	Fusible 4 A, radio/ventilateurs de refroidissement,
	F6	Fusible 4 A, sortie Extra
	F7	Fusible 4 A, Accessoire
	F8	Fusible principal 20 A, tension du circuit de commande
3	U2	Alimentation
4	U1	Convertisseur de fréquence
5	K1	Contacteur
6	Z1	Filtre CEM

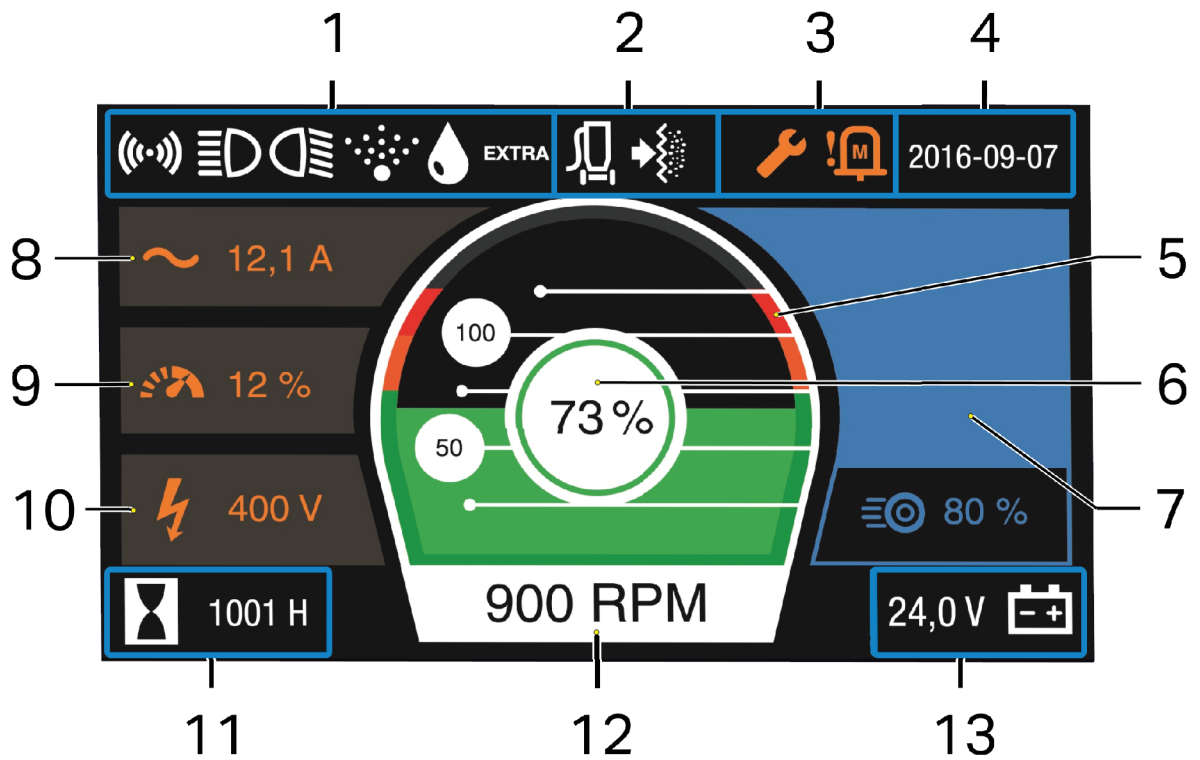
4.4 Description des leviers - Panneau de commande (IHM)













G003353





N°	Fonction	Description
1	Marche/arrêt	Marche/arrêt de la machine.
2	Écran d'information	Voir Écran d'information page 27 .
3	Boutons des menus	Menu
4		Droite/gauche - Navigation dans les menus et modification de l'affichage du parcours
5		Haut/bas - Navigation dans les menus et marche/arrêt de l'écran Nuit
6		OK - Navigation dans les menus et RAZ par appui long du compteur de distance.
7		Arrière
8	Radiocommunication	Marche/arrêt
9	Mist Cooler System	Marche/arrêt
10	Alimentation en eau	Marche/arrêt
11		Augmentation ou diminution
12	Prise USB	Par ex. recharge de téléphone portable
13	Accessoires	Voir les instructions relatives aux accessoires
14	Contrôle de l'aspiration de poussière	Future option
15		
16	EXTRA	Marche/arrêt
17	Arrêt d'urgence	Voir Arrêt d'urgence page 40 .
18	Vitesse de ponçage	Augmentation ou diminution de la vitesse de ponçage.
19	Direction de ponçage	Sens horaire/sens antihoraire.
20	Ponçage	Marche/Arrêt

4.5 Écran d'information



G003354

N°	Symbole	Désignation	Explication
1		Radio	S'allume lorsque la machine est en position de radiocommande. En position de radiocommande, seuls fonctionnent le bouton d'arrêt d'urgence et le bouton de radiocommande sur le panneau de commande de la machine.
		Accessoires	S'allume lorsque l'accessoire est activé.
		Accessoires	S'allume lorsque l'accessoire est activé.
		Mist Cooler System	S'allume lorsque Mist Cooler System est activé. Passe au jaune lorsque le niveau d'eau dans le réservoir est bas.
		Alimentation en eau	S'allume lorsque l'alimentation en eau est activée.
		Extra	S'allume lorsque la sortie Extra est activée.
2		Extracteur de poussière	Future option.
3		Entretien	S'allume en orange 50 h ou 2 semaines avant l'entretien programmé. Passe au rouge lorsque la date est dépassée.
		Avertissement	Le symbole d'avertissement s'allume en cas d'avertissement ou de défaut. Le symbole indique le type de défaut.
4		Date & heure	Affiche l'heure et la date.
5		Mesure de puissance - Puissance disponible	Affiche la puissance disponible.
6		Mesure de puissance - Puissance utilisée	L'indicateur de niveau et le cercle entourant la valeur changent de couleur en fonction de la puissance utilisée par rapport à la puissance disponible. Le cercle est vert lorsque la puissance de ponçage est de 0 - 100 %, jaune à 100 - 115 % et rouge à partir de 115 %.
7		Débit d'eau/Vitesse d'avance	Débit d'eau 0-100 % / Vitesse d'avance 0-15 m/min.
8		Ampérage	Affiche l'ampérage du moteur

N°	Symbole	Désignation	Explication
9		Surcharge/Protection contre les surcharges	Indicateur de surcharge, prévient à 90 %. La machine s'arrête à 100 %.
10		Tension	Affiche la tension réseau.
11		Compteur	Affiche le temps d'utilisation en h, la distance en m et l'énergie en kWh.
12		Vitesse de ponçage	Affiche la vitesse de rotation des disques de ponçage.
13		Tension du circuit de commande	Affiche la tension du circuit de commande de la machine. Affiche la tension de la batterie lorsque la machine fonctionne uniquement sur batterie.

4.6 Panneau de raccordement



G003396

Symbole	Branchement pour
	Panneau de commande
	Récepteur radio
	Bus CAN
	Équipement supplémentaire, 24 V
	Supplémentaire 2. Pour équipement futur
	Mist Cooler System
	Soupape d'alimentation en eau
	Ventilateurs de refroidissement
	GPS
	Accessoires

5 Utilisation

5.1 Généralités

Ce chapitre explique comment changer l'outil de ponçage et manœuvrer la ponceuse. Il n'aborde pas les aspects techniques du ponçage tels que le choix de l'outil.

Pour bien choisir l'outil, vous trouverez toutes les informations nécessaires sur notre site Web: www.htc-floorsystems.com.

5.2 Réglage de l'inclinaison de la poignée



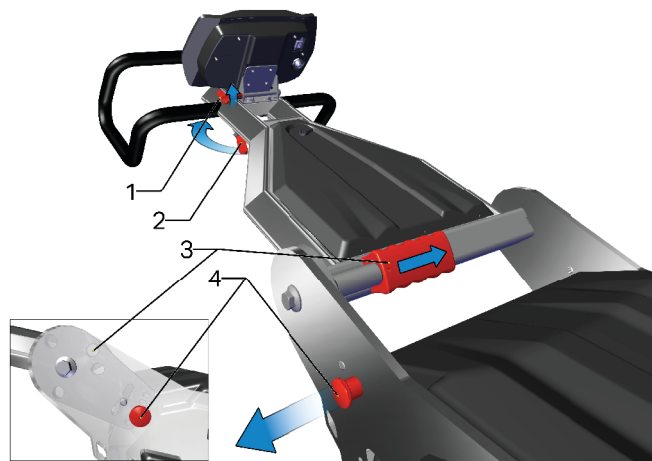
AVERTISSEMENT !

Risque de pincement
Risque de dommages corporels.



REMARQUE !

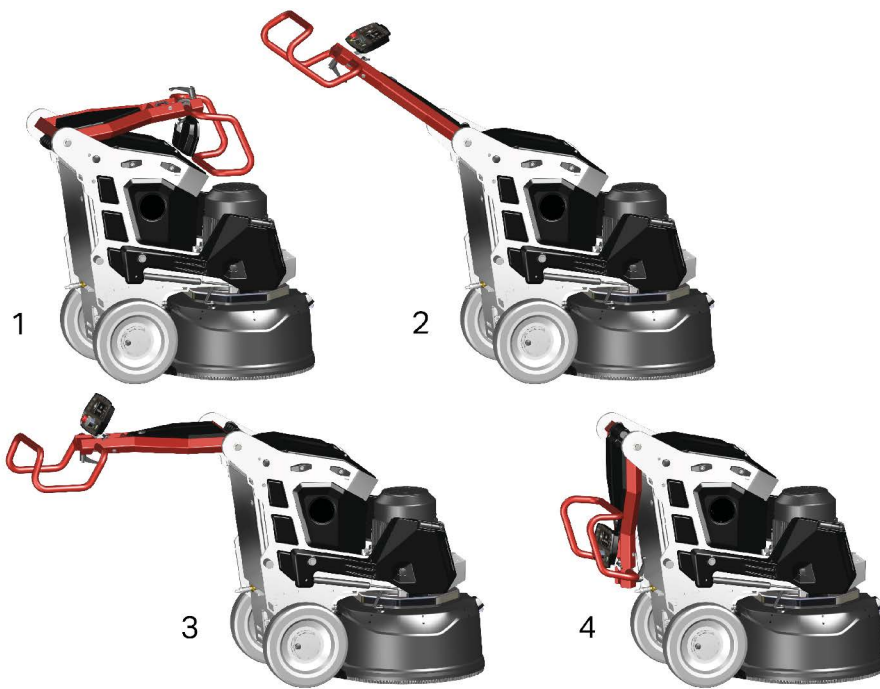
Lors du réglage de la poignée, assurez-vous que le dispositif de verrouillage de la poignée la bloque correctement dans la position souhaitée.



G003430

N°	Description
1	Réglage de l'IHM
2	Réglage de la poignée
3	Réglage approximatif du bras de conduite
4	Réglage fin du bras de conduite

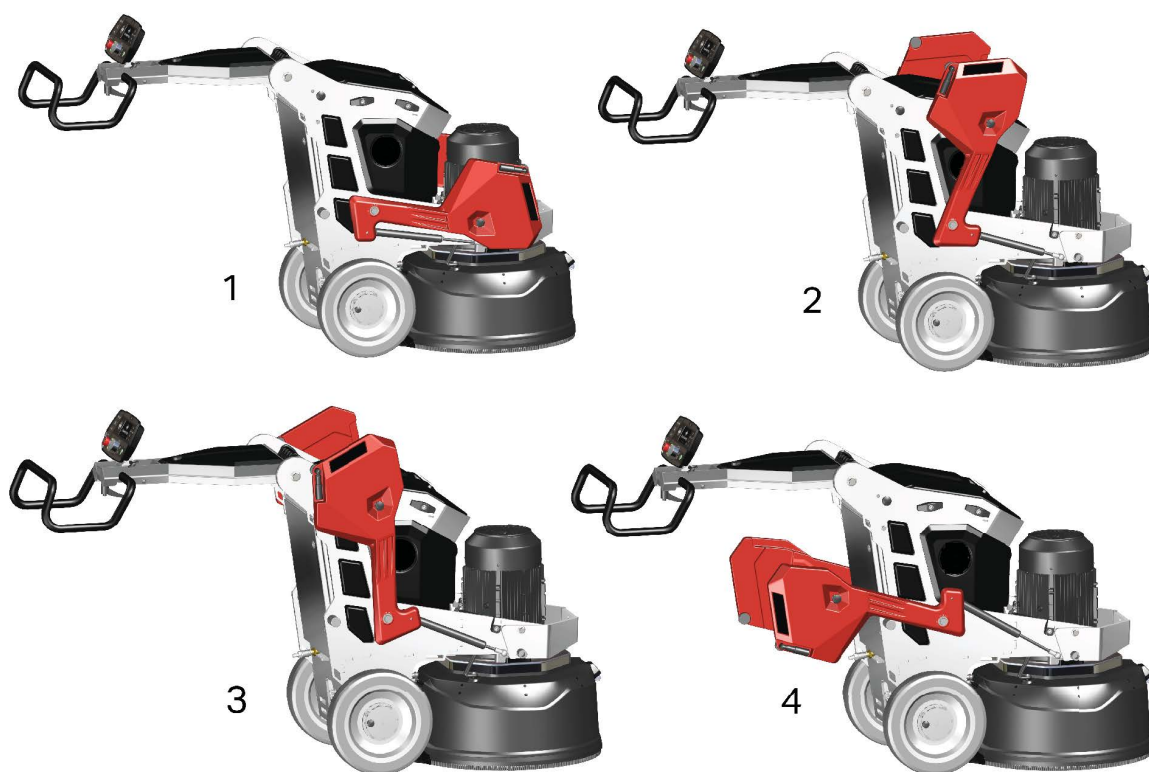
Ajustez la bonne hauteur de travail à l'aide des différents réglages.



G003208

N°	Description
1	Position de la poignée 1
2	Position de la poignée 2
3	Position de la poignée 3
4	Position de la poignée 4

5.3 Maniement des poids



G003185

N°	Différentes position des poids
1	Position 1
2	Position 2
3	Position 3
4	Position 4

La machine est équipée de deux poids qui permettent de déplacer facilement son centre de gravité. Chaque poids est doté d'une cheville de verrouillage afin de caler et de verrouiller le poids dans trois positions et en arrière.

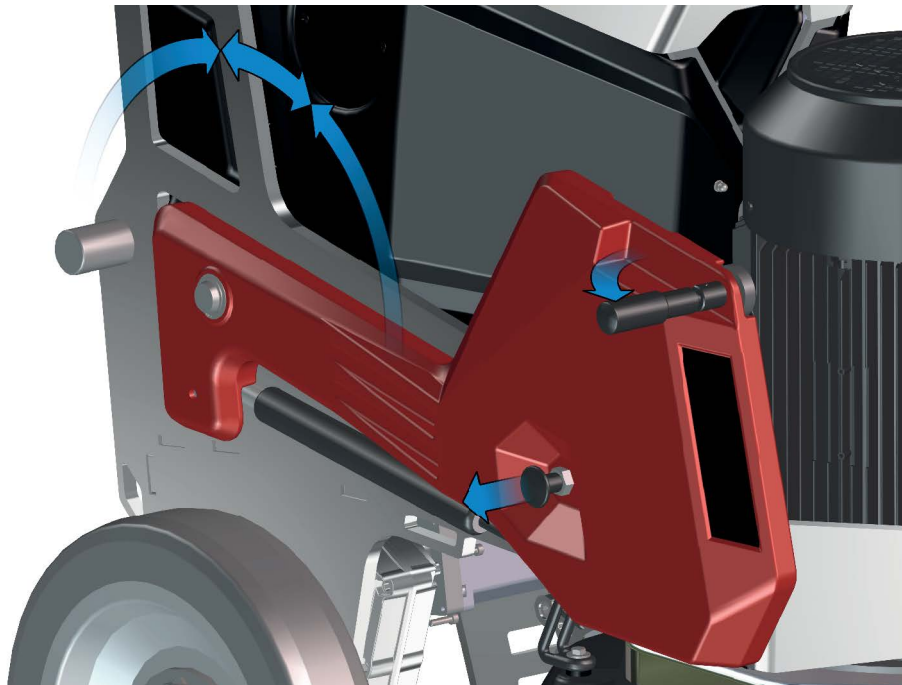
- Tirez la cheville, tenez la poignée et déplacez le poids. Remettez la cheville en place de manière à bloquer le poids dans cette position.

**AVERTISSEMENT !**

Risque de pincement

Risque de dommages corporels.

Assurez-vous que la cheville assure le blocage dans la position souhaitée lors du réglage des poids. Vérifiez l'absence de jeu latéral lorsque le poids est bloqué. Risque de libération du blocage.

**CONSEIL**

Un fonctionnement à puissance réduite de la machine peut être dû au placement des poids. Placez les poids à la verticale ou vers l'arrière pour soulager la tête de ponçage.

Afin que la pression de ponçage soit la plus élevée, les poids doivent être en position 1, et en position 4 pour la pression la moins forte, voir page 34 ainsi que les caractéristiques techniques.

Si vous sentez que la machine devient lourde, ceci peut être dû au placement des poids. Relevez les poids en position 2, 3 ou 4 afin d'alléger la tête de ponçage. Veillez à ce que les poids soient placés de la même manière de part et d'autre afin d'éviter toute irrégularité du ponçage.

5.4 Supports de câble et de flexible

Il existe deux supports de câble et de flexible sur la machine. Utilisez celui qui convient le mieux à votre situation de travail. Vérifiez que le capot n'est pas gêné par la traction du flexible.



G003307



G003308

5.5 Accès aux outils de ponçage



AVERTISSEMENT !

Risque de pincement

Risques de dommages corporels et matériels.

Coupez l'alimentation avant toute intervention de nettoyage, de maintenance, de changement d'outils ou de réparation.

Remontez la poignée en position 3 en vous référant à la partie Positions d'inclinaison de la poignée page 33.

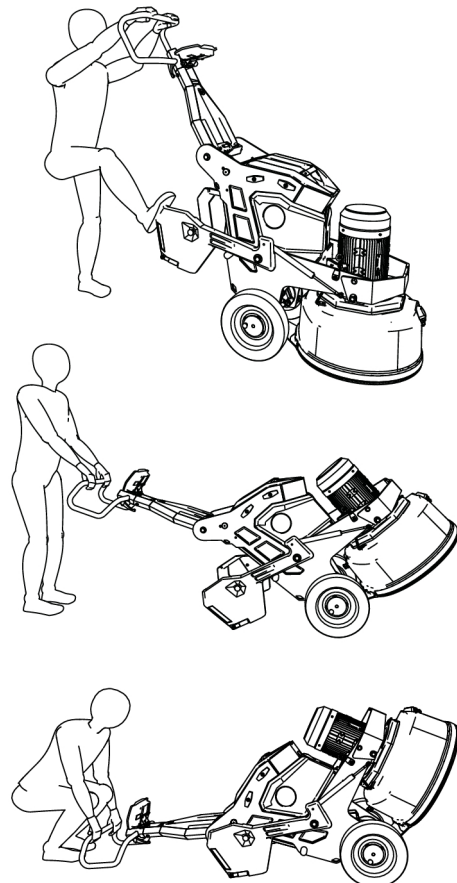
Rabattez les poids en arrière et placez un pied sur l'un des poids. Voir Positions d'inclinaison de la poignée page 33.

La machine peut être lourde. Effectuez un réglage fin pour la soulager, voir Positions d'inclinaison de la poignée page 33.

Basculez la machine doucement vers l'arrière jusqu'à ce que les poids touchent le sol.

Basculez la machine davantage en arrière jusqu'à ce qu'elle touche le sol.

Assurez-vous que la machine est bien appuyée sur la poignée.



G003266

5.6 Mise en place de l'outil de ponçage



AVERTISSEMENT !

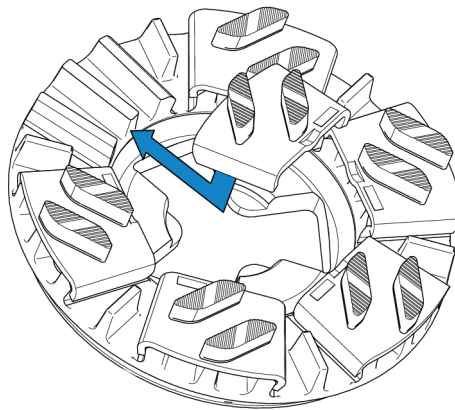
Température élevée
Risque de poussière



REMARQUE !

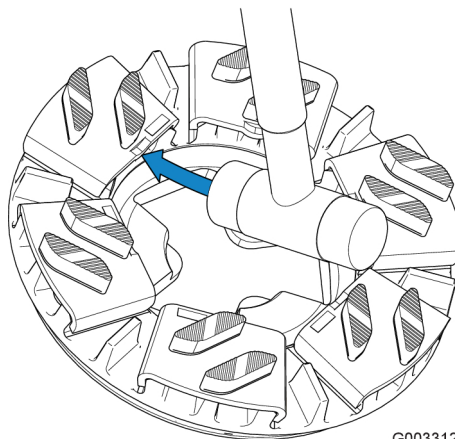
Notez le sens de rotation des disques de ponçage.

Insérez le nouvel outil de ponçage par le haut, légèrement de travers, dans la rainure de guidage du support. Introduisez ensuite l'outil complètement dans la rainure de guidage.



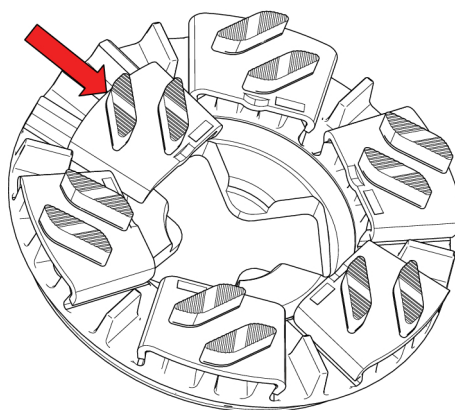
G003311

Pour caler l'outil de ponçage dans le support, frappez légèrement dessus avec un marteau.



G003312

Lors du remplacement de l'outil de ponçage, desserrez-le en frappant légèrement dessus avec un marteau de manière à faire lâcher la retenue. Dégagez ensuite l'outil de la rainure de guidage.



G003310

6 Ponçage

Raccordez l'extracteur de poussières à la machine. Vous trouverez tous les détails sur la gamme d'extracteurs de poussière sur le site HTC : www.htc-floorsystems.com.

Régalez la poignée à la hauteur de travail, voir page 33.



AVERTISSEMENT !

Risque de dommages corporels.

Empêchez le câble d'entrer en contact avec les outils rotatifs.



REMARQUE !

Inspectez soigneusement le sol et enlevez les objets saillants tels que barres d'armature ou boulons et ramassez les déchets qui risqueraient de se prendre dans la machine ou d'être projetés.

6.1 Conduite avec le panneau de commande

Pour effectuer un ponçage manuel, la machine doit être conduite en avançant sur le sol, et le traitement est défini à l'aide du panneau de commande.

Reportez-vous à la description du panneau de commande à la section Description des leviers - Panneau de commande (IHM), voir Description des leviers - Panneau de commande (IHM) page 25.

6.1.1 Conduite manuelle



G003372

Vérifiez que l'arrêt d'urgence (1) est désactivé. Dans le cas contraire, tournez-le dans le sens horaire en suivant les flèches.

Appuyez sur le bouton *marche/arrêt* (2).

Démarrez l'extracteur de poussière pour le ponçage à sec.

Sélectionnez le sens de rotation (3).

Réglez la vitesse de rotation des disques abrasifs au moyen du bouton (4).

Lancez le ponçage en appuyant sur (5).

Lorsque la machine reste inutilisée, appuyez sur le bouton *marche/arrêt* pendant 3 secondes pour l'éteindre.

6.1.2 Arrêt d'urgence

Le bouton d'arrêt d'urgence ne doit être utilisé qu'en cas d'urgence car cela use prématurément les composants électriques de la machine.

En enfonçant ce bouton, on coupe l'alimentation de toutes les pièces mobiles électriques de la machine. Pour la réinitialisation, tournez le bouton d'arrêt d'urgence dans le sens horaire. Vous pouvez alors redémarrer la machine.

6.2 Faciliter la conduite

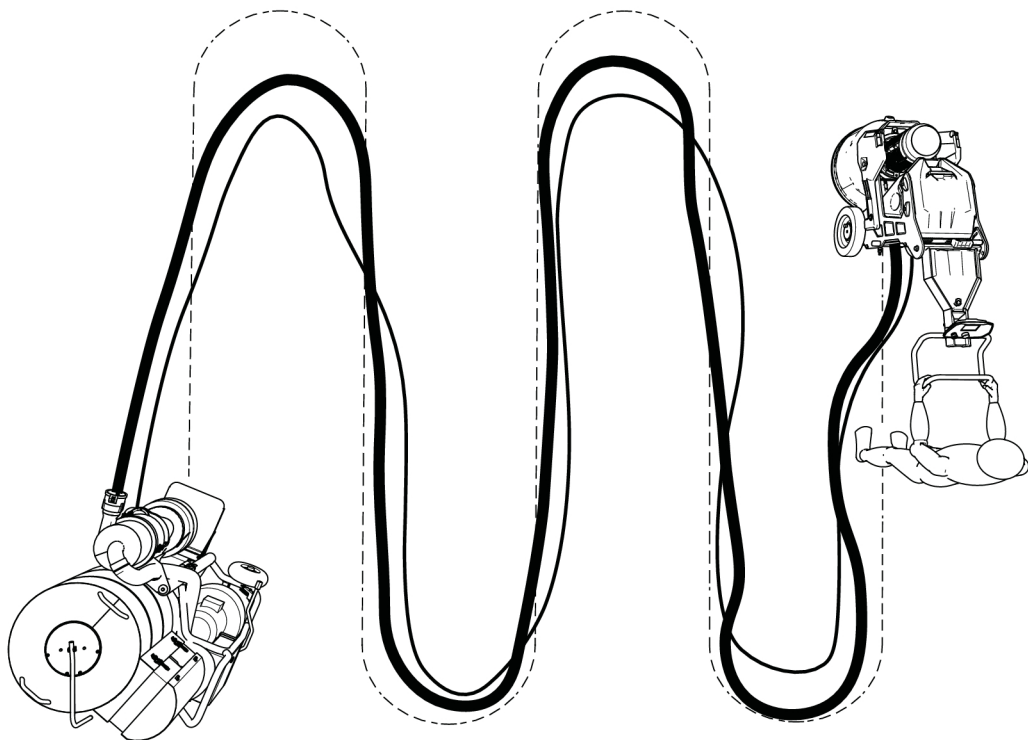


AVERTISSEMENT !

Risque de dommages corporels.

Empêchez le câble d'entrer en contact avec les outils rotatifs.

Pour éviter que le tuyau d'aspiration de l'extracteur de poussière et le câble électrique ne se retrouvent dans la zone de travail ou dans le sillage de la machine, disposez le tuyau et le câble comme sur la figure ci-dessous.



G003145



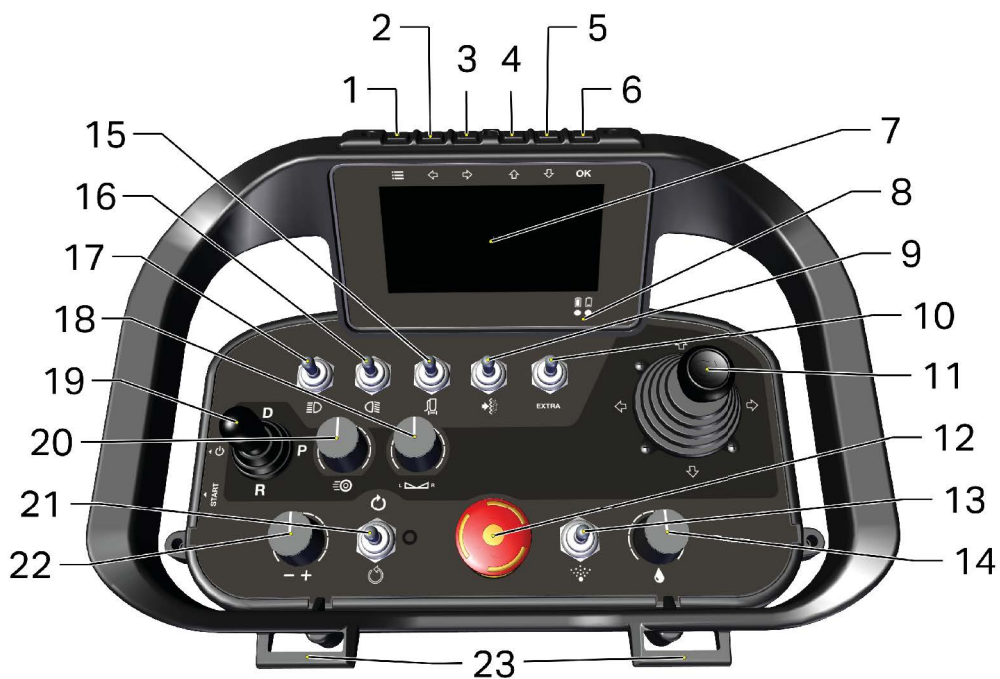
CONSEIL

En disposant le tuyau et le câble comme le montre la figure, vous éviterez des arrêts inutiles.

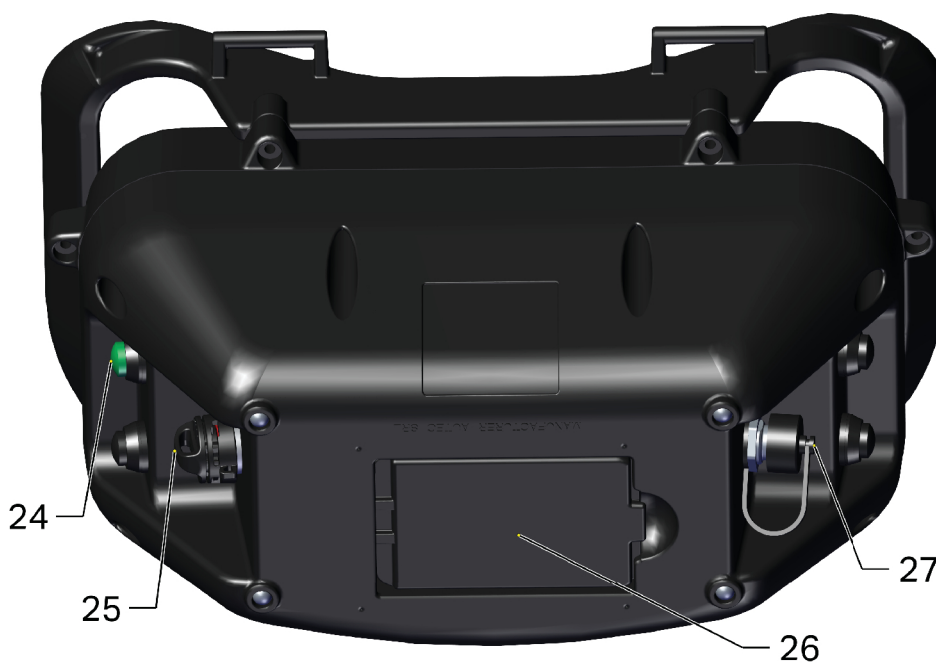
7 Accessoires

7.1 Pack de radiocommande

7.1.1 Description des leviers - Télécommande



G003362

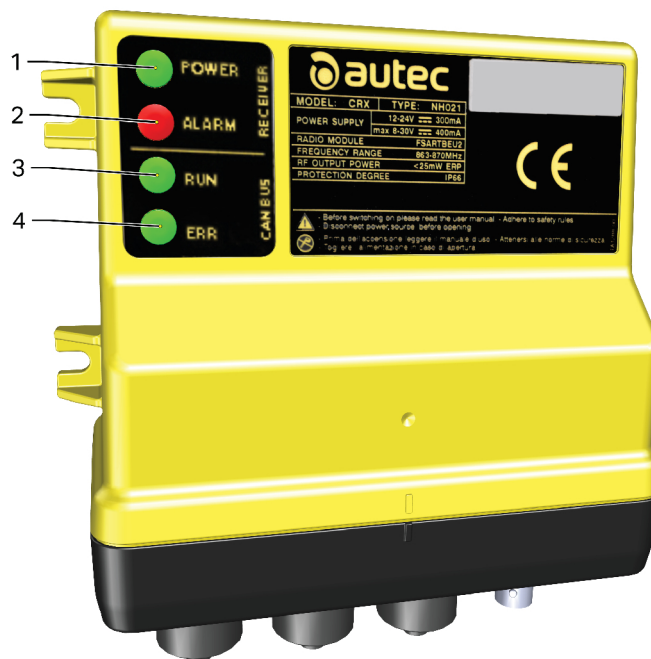


G003363

N°	Fonction	Description
1	Boutons des menus	Future fonction.
2		Droite/gauche - Navigation dans les menus et modification de l'affichage du parcours.
3		
4		Haut/bas - Navigation dans les menus et modification de l'économiseur d'écran.
5		
6		Future fonction.
7	Écran	Voir Écran d'information page 27 .
8	Voyant vert	N'est pas allumé lorsque la machine est éteinte.
		Clignote rapidement lorsque la machine fonctionne mais qu'il n'y a pas de liaison radio.
		Clignote lentement lorsque la machine fonctionne et qu'il y a une liaison radio.
	Voyant rouge	Est éteint en l'absence de défaut sur la machine.
		Est allumé lorsque le bouton d'arrêt d'urgence a été activé, ou lorsque le levier de marche ou le sens de ponçage est erroné. Clignote lorsque le niveau de la batterie est faible
9	Contrôle de l'aspiration de poussière	Future option.
10	EXTRA	Marche/arrêt.
11	Joystick	Virage à droite et à gauche et réglage de la vitesse et de la direction.
12	ARRÊT D'URGENCE	Voir Arrêt d'urgence page 40 .
13	Marche/arrêt brouillard	Marche/arrêt.
14	Alimentation en eau	Marche/arrêt et réglage du volume d'eau.
15	Contrôle de l'aspiration de poussière	Future option.
16	Lampe arrière	Accessoire.
17	Lampe avant	Accessoire.
18	Décalage (G - D)	Ajustement gauche et droit afin de compenser la dérive.
19	Levier de marche	Levier pour l'avance D , le recul R ou le frein de sécurité P .
20	Vitesse de la marche	Ajustement de la vitesse en marche avant

N°	Fonction	Description
21	Direction de ponçage	Levier de ponçage. Ponçage dans le sens horaire, arrêt du ponçage, ponçage dans le sens antihoraire. Pour le ponçage dans le sens antihoraire, le levier doit être relevé pour se retrouver en position.
22	Vitesse de ponçage	Réglage de la vitesse de ponçage.
23	Fixations	Avec courroie ou crochets.
24	Radiocommunication	Démarrage de la radiocommunication.
25	Verrouillage par clé	Marche/arrêt radiocommunication. Également clé à code pour radiocommunication.
26	Batterie	Avant le chargement voir Chargement de la batterie Chargement page 46.
27	Prise de commande par câble	Commande par câble dans des environnements où la radiocommande n'est pas possible.

7.1.2 Récepteur radio



G003440

N°	Voyant	Témoin	Explication
1	POWER	Éteint	Le récepteur n'est pas sous tension.
		Allumé	Le récepteur est sous tension mais pas de liaison radio.
		Clignote	Le récepteur est sous tension avec une liaison radio.
2	ALARM	Éteint	Le récepteur fonctionne correctement.
		Allumé	Ne fonctionne pas correctement.
		Clignote	Défaut sur la boucle d'arrêt d'urgence.
3	RUN	Éteint	La communication CAN est inactive.
		Allumé	Le récepteur n'envoie pas de commande au bus CAN.
		Clignote	Le récepteur est en contact avec le bus CAN.
4	ERR	Éteint	Bus CAN OK.
		Allumé	Le bus CAN ne peut pas établir de contact avec son contrôleur.
		Clignote	Le bus CAN ne fonctionne pas.

7.1.3 Chargement

Batterie de la machine

Si le sectionneur de la batterie est allumé (tourné dans le sens horaire), la batterie de la machine est en chargement.

Le sectionneur de la batterie doit être allumé lorsque le déplacement de la machine est télécommandé.

Le sectionneur de la batterie peut être laissé allumé lorsque la machine est branchée au réseau électrique.

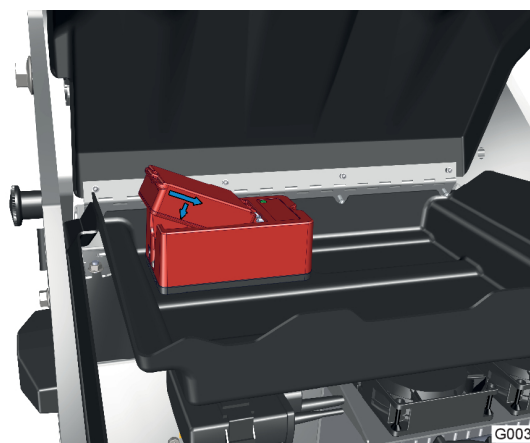
Lorsque la machine n'est pas utilisée ainsi que lors de son transport et de son stockage, le sectionneur de la batterie doit être éteint.



G003306

Batterie de la radiocommande

La batterie destinée à la commande à distance est chargée par le chargeur lorsque la machine est branchée au réseau électrique d'une part, et par la batterie de la machine d'autre part.



G003220

7.1.4 Utilisation

Le radioguidage permet de manœuvrer la machine depuis la commande à distance. Pour la description de la commande à distance, voir [Description des leviers - Télécommande page 42](#).

Lors de la conduite avec la commande à distance, la machine avance à l'aide des moteurs d'entraînement. Pour des conditions de travail plus saines, nous recommandons la conduite avec la télécommande.

Vérifiez que le verrouillage des roues est désactivé avant la mise en marche, voir [Verrouillage des roues page 47](#).

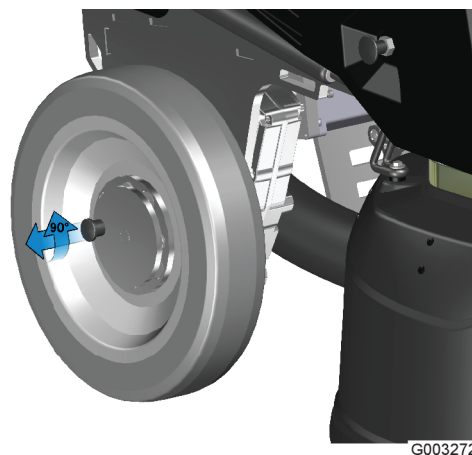
**AVERTISSEMENT !**

Risques de dommages corporels et matériels.
Gardez toujours la machine sous surveillance.

7.1.5 Verrouillage des roues

Les machines équipées d'une commande à distance sont pourvues d'un mécanisme de blocage sur chaque roue. Le verrouillage des roues est utilisé pour verrouiller ou déverrouiller chaque roue de la machine de son moteur d'entraînement. En position verrouillée, les moteurs d'entraînement sont en contact avec les roues et la machine peut être déplacée uniquement si les moteurs sont actionnés depuis le panneau de commande ou la télécommande.

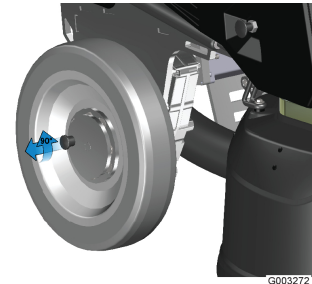
Déverrouillez les roues en retirant la cheville de verrouillage. Tournez la cheville de verrouillage de 90 degrés et relâchez-la pour obtenir la position de sécurité.



7.2 Radioguidage

Verrouillage/déverrouillage des roues

Voir Verrouillage des roues page 47.



G003272

Sectionneur de batterie

Allumez le sectionneur de batterie, voir Chargement page 46.

Télécommande

Veillez à ce que le sectionneur de l'arrêt d'urgence (5) soit désactivé et que le levier D-P-R soit sur la position P et le bouton de ponçage sur 0.

Tournez le bouton *Marche/Arrêt* (6) et attendez que l'écran de la commande à distance soit activé.

Contrôlez le niveau de la batterie (7) sur l'écran. Si ce niveau est bas, changez la batterie. Le chargement de la batterie se fait dans la machine, voir Compartiment de rangement page 22



G003240

Panneau de commande

Appuyez sur le bouton de radiocommunication (1), sur le panneau de commande.

Le voyant près du bouton (2) et le symbole sur l'écran (3) s'allument sur le panneau de commande.

Télécommande

Appuyez sur le bouton de radiocommunication (8) : le contact entre la commande à distance et la machine s'établit.

Une fois la communication établie, la fréquence de clignotement du voyant (7) passe à 1/seconde.

À présent, la machine est en position de radiocommande et seuls le bouton d'arrêt d'urgence (4) et le bouton radio (1) fonctionnent sur le panneau de commande.



G003237

Ponçage

Déterminez la vitesse de ponçage à l'aide du bouton rotatif (10) : la valeur sélectionnée apparaît à l'écran.

Déterminez la vitesse d'avance à l'aide du bouton rotatif (11) : la valeur sélectionnée apparaît à l'écran.

Sélectionnez le sens de rotation (12) du ponçage. La machine commence à poncer.

Sélectionnez le sens de la marche à l'aide du levier FWD/REV (13).

Réglez la vitesse (15) si nécessaire. Elle peut être augmentée de 2x et le sens de la marche peut être modifié avec la vitesse maximale fixée.

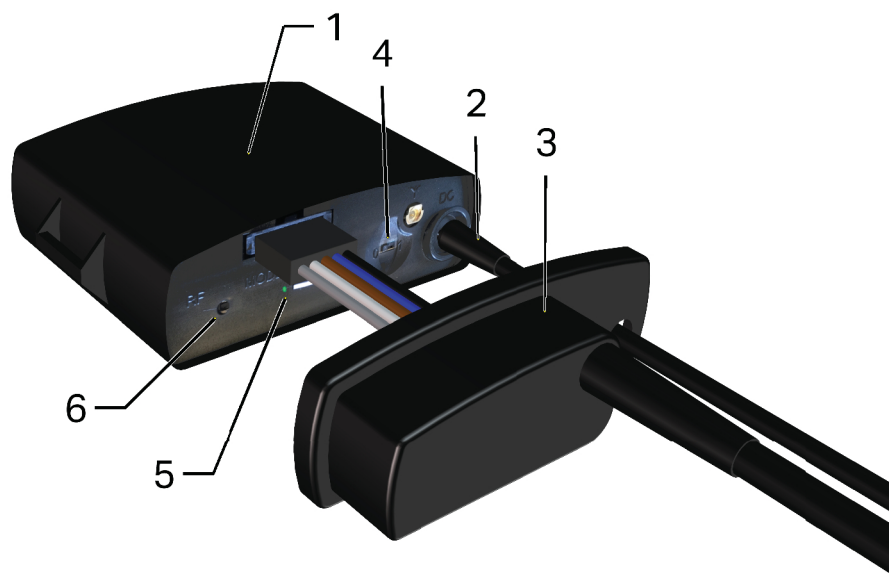
Ajustez le décalage de ponçage à l'aide du bouton rotatif (14) si nécessaire.



7.3 Traqueur GPS

7.3.1 Mise en marche

- 1 Effectuez la première mise en marche à l'extérieur de façon à ce que le GPS bénéficie d'un environnement suffisamment dégagé pour effectuer le positionnement.
- 2 Démarrez la ponceuse avec le bouton *Marche/Arrêt*.
- 3 Détachez le GPS (1) de son support et insérez le câble électrique (2) lorsque le capuchon se détache (3).
- 4 Lancez le GPS en mettant le commutateur (4) sur le GPS en position 1. Attendez que le voyant vert (6) s'allume. La mise en route peut prendre jusqu'à 30 secondes.
- 5 Remontez le capuchon (3) et assurez-vous qu'il est bien en place.
- 6 Remettez le GPS dans son support sur la ponceuse. Vérifiez qu'aucun câble ne se trouve devant les ailettes de refroidissement ou le ventilateur.



- 7 Le GPS trouve sa localisation en 2 minutes environ. **Aucun** voyant ne l'indique.
- 8 Appelez le numéro de portable du GPS (voir l'enveloppe jointe) à partir de n'importe quel portable. Après deux sonneries environ, la connexion est établie et au bout de quelques minutes vous recevez un SMS avec la date, l'heure (GMT), la position et un lien avec une carte sur laquelle le GPS est repéré (aucune connexion interne requise).
- 9 Chargez la batterie interne du GPS en laissant la ponceuse branchée au réseau électrique pendant au moins 8 heures.

7.3.2 Enregistrement



REMARQUE !

Avant d'enregistrer le traceur GPS, aucune fonction d'alarme ne doit être activée et tout le monde peut identifier la localisation du GPS.



REMARQUE !

Une carte SIM Telenor avec un crédit de 100 SEK est fournie. En-dehors de la Suède, il est plus simple d'acheter une carte SIM auprès d'un opérateur local afin de réduire les coûts et faciliter la manipulation.

Enregistrez votre traceur GPS sur <https://db.redknows.com/MiniFinder/default.php>.

Les informations suivantes doivent être enregistrées :

- Le numéro de portable qui aura accès au traceur GPS.
- La portée des alertes de géorepérage.

- La sensibilité du détecteur de vibrations.
- Le tracking (à quelle fréquence la localisation est contrôlée).
- Dans quelle unité la vitesse est exprimée.
- Indicateurs de localisation par SMS sur carte sur le portable ou longitude et latitude.
- Activation de la fonction d'alarme de façon à ce que le GPS envoie une alerte lorsque la tension à laquelle il est reliée
- est inférieure à un niveau préétabli.
- Activation de l'alarme en cas de coupure de la tension extérieure.

7.3.3 Utilisation

Le traceur GPS assure les fonctions suivantes :

- Blocage de la ponceuse pour les personnes non autorisées (comme le code de verrouillage d'écran).
- Suivi de la ponceuse, localisation de la machine.
- Alerte en cas de vibrations, activée en cas de dysfonctionnement de la machine.
- Alerte de géorepérage, activée si la machine est amenée en-dehors d'une zone spécifiée.
- Alarme de tension, se déclenche si le niveau de la batterie de la machine est inférieur à 24 V, si elle est débranchée ou si le niveau de la batterie du GPS est < 20 %.
- SOS, envoie un signal à un numéro de téléphone préétabli

Toutes les commandes peuvent être exécutées aussi bien à l'aide de la commande à distance que par SMS, avec cependant une grande différence.

Lorsque la commande à distance est utilisée pour activer l'alerte de géorepérage ou l'alarme capteur, la machine est bloquée. Le déblocage de la machine se fait en mettant la commande à distance en veille ou à l'aide d'un code PIN (voir le manuel de la machine).

L'alerte est envoyée par SMS aux numéros de portables indiqués à la page d'accueil du traceur GPS. Pour de plus amples informations, reportez-vous au manuel du traceur GPS.

7.3.4 Carte GSM

Le traceur GPS communique via le réseau GSM ; une carte SIM est nécessaire. La carte SIM qui se trouve dans la boîte lorsque vous achetez l'alarme en Suède, est prévue pour activer directement votre alerte.

Si vous préférez utiliser une autre carte SIM que celle fournie à l'achat, veuillez à la configurer comme suit :

- La carte SIM doit avoir la présentation du numéro.
- La réponse du portable (boite vocale) doit être **désactivée**.
- La carte SIM **ne doit pas** être associée à un code PIN.

La plupart des cartes SIM fonctionnent parfaitement avec le traceur GPS, à l'exception des opérateurs 3G purs. Avec une carte prépayée, vous économisez l'abonnement mensuel, mais néanmoins une carte SIM liée à un abonnement fonctionne parfaitement.

Lors de l'achat de la carte SIM, vérifiez qu'elle est correctement paramétrée en l'insérant dans un téléphone portable.

- La désactivation du code PIN est généralement possible dans les réglages, dans le menu du téléphone. Contactez votre opérateur téléphonique si vous avez besoin d'aide.
- Vous voyez si la carte dispose de la présentation du numéro et du répondeur en appelant le numéro à partir d'un autre téléphone - voyez si le numéro est présenté à l'écran et si le répondeur est activé.

7.3.5 Commande à distance

Procédez de la manière suivante :

- 1 Vérifiez que le traceur GPS est activé (interrupteur en position 1).
- 2 Appuyez sur le bouton d'apprentissage de la commande à distance (6). Un voyant vert (RF) à côté du bouton d'apprentissage de la commande à distance s'allume.
- 3 Tandis que le voyant RF est allumé, appuyez sur n'importe quel bouton de la commande à distance. Le voyant RF s'éteint et se rallume afin de confirmer que l'appairage s'est bien déroulé.
- 4 Attendez que le voyant vert RF s'éteigne.
- 5 L'appairage est à présent terminé et la commande à distance peut être utilisée.

Testez que l'appairage a réussi en appuyant sur n'importe quel bouton sur la commande à distance : un voyant vert accompagné du texte *RF* sur le traceur GPS s'allume et s'éteint lorsque vous appuyez sur un bouton quelconque de la commande à distance.

Apprentissage de plusieurs commandes à distance

Lorsque le voyant RF est allumé, au point 3 ci-dessus, appuyez sur un bouton quelconque de toutes les commandes à distances à appairer avec le traceur GPS. Vérifiez que le voyant RF s'éteint et se rallume afin de confirmer l'appairage lorsque vous appuyez sur le bouton de la commande à distance.

7.4 Pack d'eau

7.4.1 Mist Cooler System

Certaines machines HTC peuvent être équipées du Mist Cooler System pour un refroidissement efficace des outils de ponçage. Le Mist Cooler System est également un équipement complémentaire qui peut être commandé par la suite.

Le Mist Cooler System projette un brouillard d'eau très fin sur le sol à l'aide d'un gicleur. Ce système est utilisé pour obtenir un meilleur rendement de ponçage ; il reste néanmoins possible de poncer à sec et d'utiliser un extracteur de poussière ordinaire. L'outil est ainsi refroidi et son efficacité s'en trouve considérablement améliorée. Le Mist Cooler System réduit le risque que de glaçage du diamant.

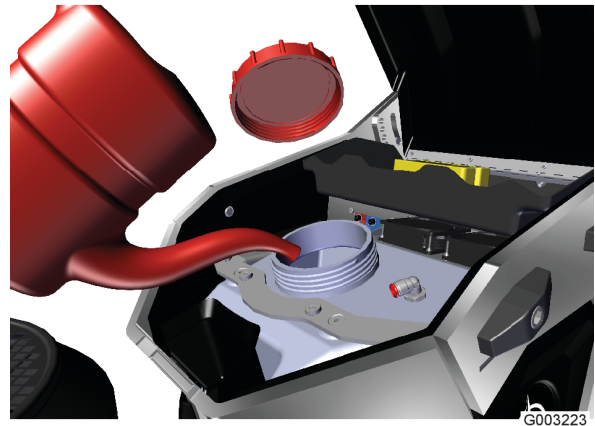
Le système utilise l'eau du réservoir. Lorsque son niveau est bas, le symbole de brouillard devient jaune.

Ponçage

Montez l'outil sur la machine.

Réglez la poignée à la hauteur de travail.

Remplissez le réservoir d'eau froide.



G003223

Lancez Mist Cooler System en appuyant sur le bouton sur le panneau de commande. Lorsque le système est activé, le symbole correspondant au Mist Cooler System s'allume sur l'écran.

Lorsque la ponceuse s'arrête, le Mist Cooler System s'arrête également. Si le Mist Cooler System est toujours actif, le symbole clignote. Appuyez à nouveau pour l'activer.



G003252

Mist Cooler System s'éteint en appuyant sur le même bouton lorsque le ponçage est terminé..



G003225

7.4.2 Ponçage humide



REMARQUE !

Veillez à ce que l'alimentation en eau soit ouverte uniquement lors du ponçage. Utilisez toujours un aspirateur à liquide lors du ponçage humide.

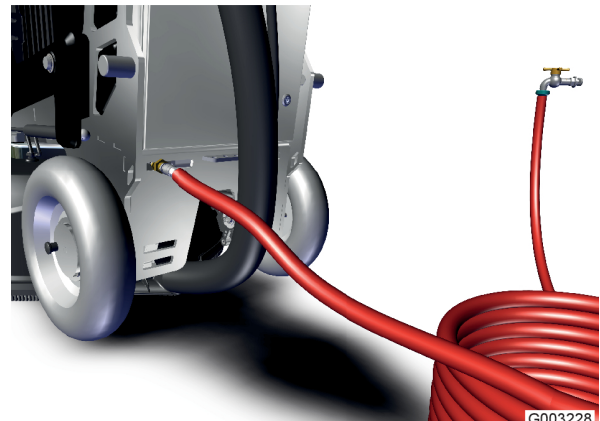
Le ponçage humide est utilisé pour les sols difficiles. Il est également mis en œuvre pour obtenir un meilleur rendement ou une température de ponçage moins élevée.

Ponçage

Régalez la poignée à la hauteur de travail. Voir page 33.

Raccordez à l'eau à l'aide d'un raccord instantané à l'arrière de la machine. Pour obtenir une pression et un débit maximal, voir Fiche technique page 67.

Une soupape proportionnelle électrique régule le débit d'eau.

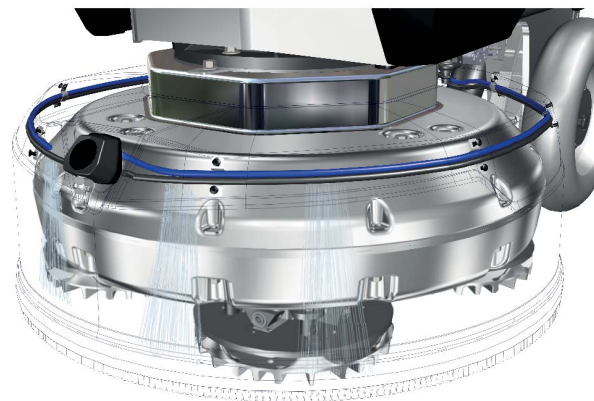


Initiez le débit d'eau en appuyant sur le bouton sur le panneau de commande. Augmentez et réduisez le débit à l'aide des touches + et -.



G003253

L'eau est alimentée par des fentes dans le flexible, sous le capot.



G003229

8 Entretien et réparations

8.1 Généralités



AVERTISSEMENT !

Pièces mobiles. Niveau sonore élevé.

Risque de dommages corporels.

Utilisez toujours les équipements de sécurité recommandés.



AVERTISSEMENT !

Courant électrique.

Risques de dommages corporels et matériels.

Coupez l'alimentation avant toute intervention de nettoyage, de maintenance, de changement d'outils ou de réparation.

8.2 Nettoyage



REMARQUE !

Domages liés à l'humidité.

Risques de dommages pour la machine.

Pour nettoyer, utilisez uniquement de l'eau froide sans produits chimiques.

Nettoyage haute pression uniquement sur la tête de ponçage.

- Nettoyez toujours la machine après utilisation. Nettoyage haute pression uniquement sur la tête de ponçage et le flexible, avec une éponge sur le reste de la machine.
- Passez l'aspirateur sur le coffret électrique, le ventilateur et les ailettes de refroidissement.

8.3 Avant chaque ponçage

- Vérifiez que le porte-outil et le support ne sont pas endommagés et ne présentent aucune fissure. Remplacez les pièces endommagées.

8.4 Tous les jours

- Contrôlez le fonctionnement de l'arrêt d'urgence.
- Contrôlez le fonctionnement de l'arrêt d'urgence radiocommandé.
- Vérifiez l'usure des outils. Si l'usure est anormale ou irrégulière, c'est peut-être le signe que le support est endommagé.
- Vérifiez que le porte-outil et le support ne sont pas endommagés. Remplacez les pièces endommagées.
- Contrôlez la fixation du flexible et du câble. Ajustez si nécessaire.

8.5 Une fois par semaine

- Nettoyez la machine et la commande à distance.
- Vérifiez les trois fonctions de blocage de la poignée. Remplacez les bagues si nécessaire.
- Contrôlez la fonction de blocage des poids et le fonctionnement des cales de positionnement, remplacez-les si nécessaire.
- Contrôlez les supports.
- Contrôlez les autocollants d'avertissement.
- Contrôlez la fixation entre le châssis et la tête de ponçage - jeu, usure, fissures dues à la sécheresse. Remplacez les bagues si nécessaire.
- Contrôlez le capot - étanchéité, usure, fissures, baguette brosse, extraction, flexibles, raccords.
- Coffret électrique – contrôlez les joints.
- Câbles électriques – contrôlez l'usure et la fixation.
- Contrôlez sur l'appareil de radiocommunication les soufflets en caoutchouc du joystick et des commutateurs. Remplacez s'il y a lieu.

8.6 Réparations

Toutes les réparations qui pourraient s'avérer nécessaires devront être effectuées par un centre de service après-vente autorisé HTC. Veuillez contacter votre revendeur si vous avez besoin d'une assistance technique. Pour les informations concernant les contacts, reportez-vous au début de ce manuel.

8.7 Pièces de rechange

Afin d'assurer une livraison rapide de la pièce de rechange, précisez toujours le modèle, le numéro de série de la machine ainsi que la référence de la pièce lors de la commande.

Le modèle et le numéro de série sont indiqués sur la plaque signalétique de la machine.

La référence de la pièce de rechange figure sur la liste des pièces de rechange de la machine. Vous pouvez consulter ou imprimer cette liste à partir du support numérique fourni. Pour toute question, n'hésitez pas à contacter votre distributeur HTC le plus proche.

Seuls les outils et les pièces de rechange originaux fournis par HTC peuvent être utilisés. Dans le cas contraire, la garantie ne s'appliquerait pas.

8.8 Garantie

Pour que la garantie s'applique, seules les pièces originales HTC doivent être utilisées.

9 Recherche des pannes

9.1 Généralités

Ce chapitre décrit toutes les pannes qui pourraient se produire et comment y remédier. Si les pannes persistent ou si d'autres pannes apparaissent, contactez le revendeur le plus proche. Pour les informations concernant les contacts, reportez-vous au début de ce manuel.

Description du défaut	Origine	Instructions pour l'utilisateur
Le code de défaut s'affiche sur HMI.	L'une des alarmes de la machine s'est déclenchée.	Pour de plus amples informations, reportez-vous à la section Avertissements et notifications des défauts.
Le contact entre la machine et les autres unités est perdu.	Le signal du bus CAN est interrompu.	Vérifiez les raccordements des câbles sur le panneau de commande.

9.2 La machine ne démarre pas

Origine de la panne	Origine	Instructions pour l'utilisateur
Alimentation électrique	Défaut d'alimentation, par ex. fusibles, interrupteur différentiel ou rallonges.	Vérifiez que la tension est correcte au niveau de la phase/des phases en entrée.
Power supply	L'indication Power supply n'est pas allumée	Vérifiez les disjoncteurs miniatures F1.
Carte mère	L'indication Main circuit board n'est pas allumée	Contrôlez le fusible.
Fusible	Le voyant Standby sur le tableau de commande n'est pas allumé	Contrôlez les fusibles F2 et F8.

9.3 Déclenchement fréquent des fusibles ou de l'interrupteur différentiel

Description du défaut	Origine	Instructions pour l'utilisateur
L'interrupteur différentiel se déclenche.	Filtre CEM, câbles ou convertisseur	Fuite de courant excessive/défaut de terre
Les fusibles se déclenchent	Charge excessive ou fusibles trop petits	Contrôlez la taille ou le retard des fusibles.
		Diminuez la charge de la machine en réduisant la pression de ponçage, la vitesse de rotation ou en changeant d'outil. Voir la mesure de la puissance de la machine.

9.4 La machine manque de puissance

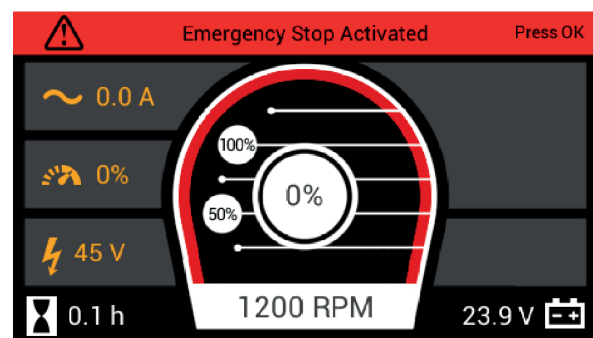
Description du défaut	Origine	Instructions pour l'utilisateur
La machine manque de puissance	Charge trop élevée	Réduisez la pression de ponçage.
		Si la vitesse de rotation de la machine est trop élevée, réduisez-la de manière à ce que la machine soit plus puissante. Observez la puissance disponible sur l'indicateur.
		Chute de tension, contrôlez le compteur de tension pendant le ponçage.
		Revêtement collant sur la surface en cours de traitement.
		Passez la machine moitié sur le revêtement à enlever, moitié sur la surface poncée. De cette façon, les outils sont débarrassés des restes de revêtement.
		Contrôlez les outils. Assurez-vous que le type d'outil utilisé est approprié, que les outils sont en bon état et qu'ils sont correctement mis en place.

9.5 Avertissements et notification des défauts









9.5.1 Avertissements


La notification des défauts et les avertissements s'affichent sur l'écran de la machine et/ou de la commande à distance. Un message d'avertissement apparaît en jaune sur l'écran, la machine peut continuer à être utilisée. Si l'avertissement est connu, le champ affiche un symbole d'avertissement ainsi qu'une description de l'avertissement spécifique. Appuyez sur OK pour effacer le champ. Un petit symbole d'avertissement reste affiché dans le champ des symboles tant que l'avertissement est actif. L'avertissement est enregistré dans le journal de la machine.

Une notification de défaut s'affiche en rouge sur l'écran, la machine s'arrête. Si le défaut est connu, le champ affiche un symbole d'avertissement ainsi qu'une description du défaut spécifique. Appuyez sur *OK* pour essayer de réinitialiser le défaut. Le défaut est enregistré dans le journal de la machine.









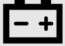






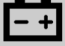

G003286

Symbole	Avertissement	Description du défaut	Mesure corrective
	CONTROL VOLTAGE LOW	Tension du circuit de commande faible.	Vérifiez la PSU. Vérifiez la tension de la batterie.
	GENERIC INVERTER WARNING (error code)	Le convertisseur indique un défaut.	Allez sur la page d'assistance HTC.
	HEATSINK TEMPERATURE HIGH	Surchauffe du convertisseur de fréquences.	Vérifiez le fonctionnement des ventilateurs. Nettoyez les ventilateurs/les ailettes de refroidissement. Contrôlez la tension en fonctionnement. Réduisez la puissance de ponçage.
	MOTOR OVERLOAD	Surcharge du moteur de la ponceuse. Indicateur de surcharge supérieur à 90 %.	Réduisez la charge du moteur; voir l'indicateur de courant du moteur.
	MOTOR TEMPERATURE HIGH	Surchauffe du moteur de la ponceuse.	Vérifiez le ventilateur du moteur. Réduisez la charge du moteur; voir l'indicateur de courant du moteur.
	POWER UNIT TEMPERATURE HIGH	Température élevée dans le coffret électrique.	Nettoyez les ventilateurs et les ailettes de refroidissement. Vérifiez que les ventilateurs tournent (qu'ils tournent lors du ponçage et pendant 1 minute après le ponçage ainsi que sur demande). Laissez la machine refroidir.
	SERVICE	Maintenance de la machine.	Demandez auprès d'un atelier agréé.
	WATER LEVEL LOW	Niveau d'eau bas dans le réservoir.	Remplissez-le avec de l'eau. Contrôlez l'indicateur de niveau.

Symbole	Avertissement	Description du défaut	Mesure corrective
	VOLTAGE LOW	Tension basse arrivant à la machine.	Contrôlez la tension en fonctionnement. Vérifiez la section des câbles. Contrôlez l'alimentation électrique.

9.5.2 Notification des défauts

Symbole	Notification de défaut	Description du défaut	Mesure corrective
	CANBUS ERROR	Défaut sur bus CAN.	Vérifiez le câblage. Vérifiez les unités reliées à l'IHM.
	EMERGENCY STOP ACTIVATED	Arrêt d'urgence activé.	Réinitialisez l'arrêt d'urgence. Vérifiez la commande à distance et reconnectez la radiocommande à l'aide du bouton de raccordement. Voir Radioguidage Radioguidage page 0
	GENERIC INVERTOR ERROR	Dysfonctionnement générique convertisseur, radio, moteur d'entraînement droit/gauche.	Allez sur la page d'assistance HTC.
	GENERIC..... ERROR (error code)	Dysfonctionnement générique convertisseur, radio, moteur d'entraînement droit/gauche.	Allez sur la page d'assistance HTC.
	HEATSINK TEMPERATURE HIGH	Surchauffe des ailettes de refroidissement du convertisseur de fréquences.	Laissez le convertisseur de fréquences refroidir.
	INVERTER OVERLOAD	Surcharge du convertisseur.	Laissez la machine refroidir.

Symbole	Notification de défaut	Description du défaut	Mesure corrective
	LEFT DRIVE MOTOR VOLTAGE LOW / RIGHT DRIVE MOTOR VOLTAGE LOW	Tension basse moteur d'entraînement gauche.	Vérifiez la tension du circuit de commande. Vérifiez la tension de la batterie. Vérifiez le câble au moteur d'entraînement. Vérifiez la tension au niveau des sorties des relais.
	MOTOR NOT CONNECTED	Arrêt du moteur d'entraînement/câble du moteur d'entraînement.	Vérifiez le câble du moteur d'entraînement. Contrôlez les mesures du moteur d'entraînement.
	MOTOR OVERHEAT	Surchauffe du moteur d'entraînement.	Laissez le moteur refroidir.
	MOTOR OVERLOAD	Surcharge du moteur de la ponceuse. L'indicateur de surcharge dans la zone des 100 %.	Laissez la machine refroidir.
	MOTOR SHORT CIRCUIT	Court-circuit du moteur de la ponceuse.	Vérifiez le câble du moteur d'entraînement. Mesurez l'isolation du moteur de la ponceuse.
	OVERVOLTAGE	Tension en entrée trop élevée.	Défaut alimentation en entrée.
	PHASE LOSS	Défaut de phase alimentation en entrée.	L'alimentation en entrée a perdu une ou plusieurs phases. Contrôlez l'alimentation en entrée.
	RADIO VOLTAGE LOW	Tension basse récepteur radio.	Vérifiez la tension du circuit de commande. Vérifiez la tension de la batterie. Vérifiez le câble au récepteur radio.
	UNDERVOLTAGE	Tension basse.	Vérifiez la section et la longueur des câbles. Défaut alimentation en entrée. Arrêt d'urgence activé.

10 Fiche technique

	DURATIQ T6	DURATIQ T6	DURATIQ T6	DURATIQ T6
Puissance	6 kW / 8 ch	7,5 kW / 10 ch		
Ampérage	50 A	30 A	15 A	
Fréquence	50-60 Hz			
Tension	1 x 200-240 V +-10 %	3 x 200-240 V +-10 %	3 x 380-415 V +-10 %	3 x 440-480 V +-10 %
Tension de fonctionnement	24 V			
Poids total de la machine	384 kg / 846 lb			
Poids du châssis (y compris les poids)	229 kg / 504 lb			
Poids, tête de ponçage	108 kg / 238 lb			
Poids	72 kg / 158 lb			
Diamètre de ponçage	600 mm / 24 pouces			
Pression de ponçage, pos 1	200 kg / 440 lb			
Pression de ponçage, pos 2	156 kg / 343 lb			
Pression de ponçage, pos 3	132 kg / 291 lb			
Pression de ponçage, pos 4	92 kg / 202 lb			
Vitesse de rotation, disques	450-1500 tr/min			
Disques de ponçage	3 x 230 mm / 3 x 9 pouces			
Section de câble minimum recommandée	16 mm ² 6 AWG	6 mm ² 10 AWG	2,5 mm ² 14 AWG	

	DURATIQ T6	DURATIQ T6	DURATIQ T6	DURATIQ T6
Température de stockage (court terme, par ex. transport)	-20 – +60 °C - 4 – +140 °F			
Température de travail	-10° – +40 °C +14 – +104 °F			
Humidité de l'air	Max 95 % mais sans condensation			
Pression sonore, selon ISO 11201	82 – 88 dBA			
Niveau de puissance acoustique, selon ISO 3744	94 – 100 dBA			
Vibrations, Floorprep (T-rex)	1,43 m/s ²			
Exposition journalière admissible, Floorprep (T-rex)	>10 h			

	DURATIQ RT6	DURATIQ RT6	DURATIQ RT6	DURATIQ RT6
Puissance	6 kW / 8 ch	7,5 kW / 10 ch		
Ampérage	50 A	30 A	15 A	
Fréquence	50–60 Hz			
Tension	1 x 200-240 V +-10 %	3 x 200-240 V +-10 %	3 x 380-415 V +- 10 %	3 x 440-480 V +-10 %
Tension de fonctionnement	24 V			
Poids total de la machine	423 kg / 932 lb			
Poids du châssis (y compris les poids)	268 kg / 590 lb			
Poids, tête de ponçage	108 kg / 238 lb			
Poids	72 kg / 158 lb			
Diamètre de ponçage	600 mm / 24 pouces			
Pression de ponçage, pos 1	205 kg / 451 lb			
Pression de ponçage, pos 2	161 kg / 354 lb			
Pression de ponçage, pos 3	137 kg / 302 lb			
Pression de ponçage, pos 4	96 kg / 211 lb			
Vitesse de rotation, disques	450-1500 tr/min			
Disques de ponçage	3 x 230 mm / 3 x 9 pouces			
Section de câble minimum recommandée	16 mm ² 6 AWG	6 mm ² 10 AWG	2,5 mm ² 14 AWG	
Température de stockage (court terme, par ex. transport)	-20° – +60 °C - 4 – +140 °F			

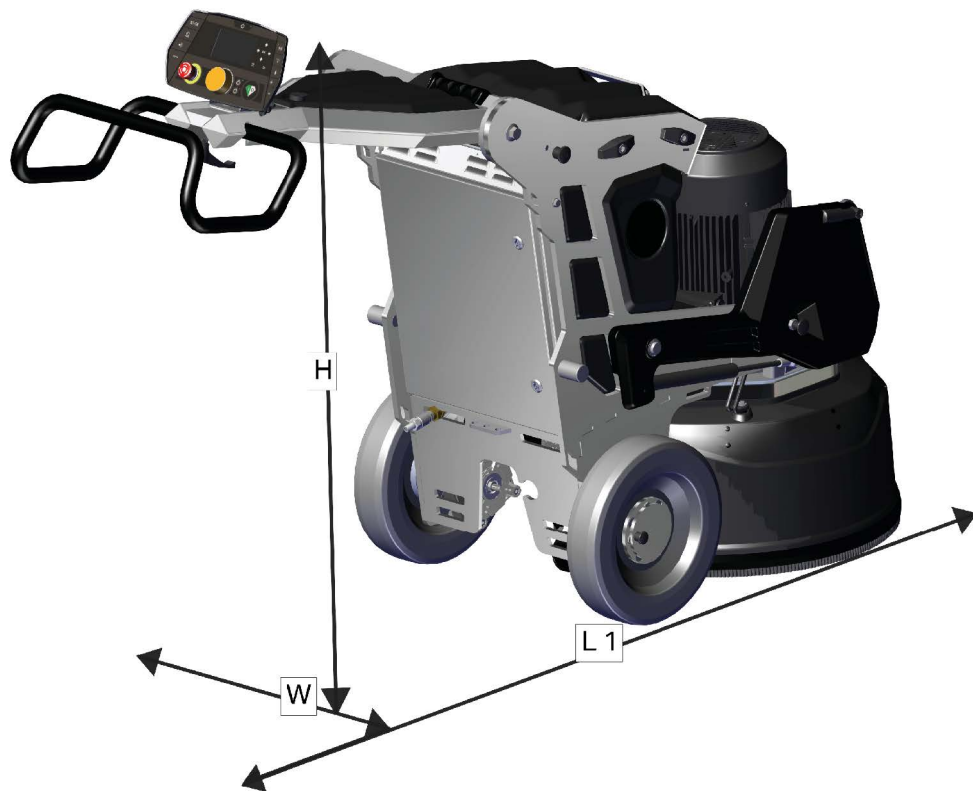
	DURATIQ RT6	DURATIQ RT6	DURATIQ RT6	DURATIQ RT6
Température de travail	-10° – +40 °C +14 – +104 °F			
Humidité de l'air	Max 95 % mais sans condensation			
Pression sonore, selon ISO 11201	82 – 88 dBA			
Niveau de puissance acoustique, selon ISO 3744	94 – 100 dBA			
Vibrations, Floorprep (T-rex)	1,43 m/s ²			
Exposition journalière admissible, Floorprep (T-rex)	>10 h			
Vitesse d'avance	28,5 m/min 93.5 pieds/min			
La fréquence dépend des règles applicables selon les pays (émetteur/récepteur)	870 MHz, 915 MHz, 447 MHz, 434 MHz, 429 MHz			

	DURATIQ X6	DURATIQ X6	DURATIQ X6	DURATIQ X6
Puissance	6 kW / 8 ch	7,5 kW / 10 ch		
Ampérage	50 A	30 A	15 A	
Fréquence	50-60 Hz			
Tension	1 x 200-240 V +-10 %	3 x 200-240 V +-10 %	3 x 380-415 V +-10 %	3 x 440-480 V +-10 %
Tension de fonctionnement	24 V			
Poids total de la machine	399 kg / 879 lb			
Poids du châssis (y compris les poids)	229 kg / 504 lb			
Poids, tête de ponçage	123 kg / 271 lb			
Poids	72 kg / 158 lb			
Diamètre de ponçage	600 mm / 24 pouces			
Pression de ponçage, pos 1	214 kg / 471 lb			
Pression de ponçage, pos 2	171 kg / 376 lb			
Pression de ponçage, pos 3	147 kg / 324 lb			
Pression de ponçage, pos 4	107 kg / 235 lb			
Vitesse de rotation, disques	450-1500 tr/min			
Disques de ponçage	4 x 230 mm / 4 x 9 pouces			
Section de câble minimum recommandée	16 mm ² 6 AWG	6 mm ² 10 AWG	2,5 mm ² 14 AWG	
Température de stockage (court terme, par ex. transport)	-20° – +60 °C - 4 – +140 °F			

	DURATIQ X6	DURATIQ X6	DURATIQ X6	DURATIQ X6
Température de travail	-10° – +40 °C +14 – +104 °F			
Humidité de l'air	Max 95 % mais sans condensation			
Pression sonore, selon ISO 11201	82 – 88 dBA			
Niveau de puissance acoustique, selon ISO 3744	94 – 100 dBA			
Vibrations, Floorprep (T-rex)	1,62 m/s ²			
Exposition journalière admissible, Floorprep (T-rex)	>10 h			

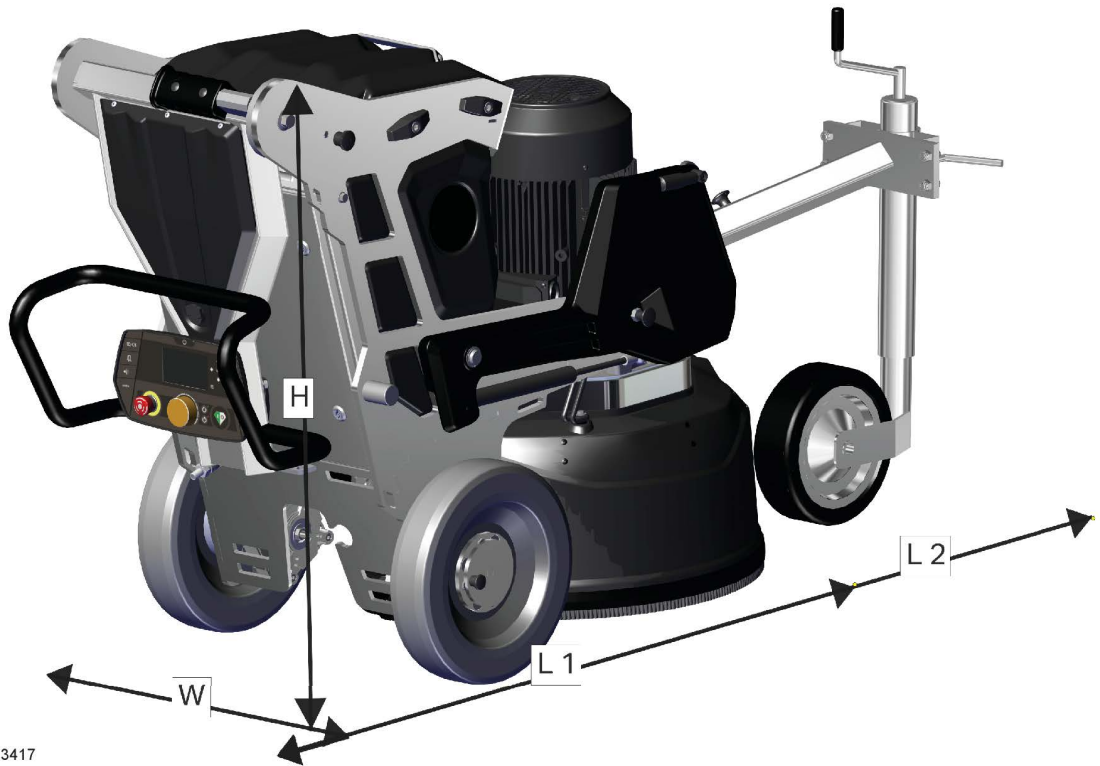
	DURATIQ RX6	DURATIQ RX6	DURATIQ RX6	DURATIQ RX6
Puissance	6 kW / 8 ch	7,5 kW / 10 ch		
Ampérage	50 A	30 A	15 A	
Fréquence	50-60 Hz			
Tension	1 x 200-240 V +-10 %	3 x 200-240 V +-10 %	3 x 380-415 V +-10 %	3 x 440-480 V +-10 %
Tension de fonctionnement	24 V			
Poids total de la machine	441 kg / 972 lb			
Poids du châssis (y compris les poids)	268 kg / 590 lb			
Poids, tête de ponçage	123 kg / 271 lb			
Poids	72 kg / 158 lb			
Diamètre de ponçage	600 mm / 24 pouces			
Pression de ponçage, pos 1	223 kg / 491 lb			
Pression de ponçage, pos 2	177 kg / 390 lb			
Pression de ponçage, pos 3	153 kg / 337 lb			
Pression de ponçage, pos 4	112 kg / 246 lb			
Vitesse de rotation, disques	450-1500 tr/min			
Disques de ponçage	4 x 230 mm / 4 x 9 pouces			
Section de câble minimum recommandée	16 mm ² 6 AWG	6 mm ² 10 AWG	2,5 mm ² 14 AWG	
Température de stockage (court terme, par ex. transport)	-20° – +60 °C - 4 – +140 °F			

	DURATIQ RX6	DURATIQ RX6	DURATIQ RX6	DURATIQ RX6
Température de travail	-10° – +40 °C +14 – +104 °F			
Humidité de l'air	Max 95 % mais sans condensation			
Pression sonore, selon ISO 11201	82 – 88 dBA			
Niveau de puissance acoustique, selon ISO 3744	94 – 100 dBA			
Vibrations, Floorprep (T-rex)	1,62 m/s ²			
Exposition journalière admissible, Floorprep (T-rex)	>10 h			
Vitesse d'avance	28,5 m/min 93.5 pieds/min			
La fréquence dépend des règles applicables selon les pays (émetteur/récepteur)	870 MHz, 915 MHz, 447 MHz, 434 MHz, 429 MHz			



G003416

Mesures	H	W (l)	L1
En position de ponçage	1346 mm 53 pouces	657 mm 26 pouces	2018 mm 79.5 pouces



Mesures	H	W (l)	L1	L2
En position de transport	1054 mm 41.5 pouces	657 mm 26 pouces	1385 mm 54.5 pouces	1958 mm 77 pouces

11 Environnement

Les produits HTC sont composés, pour l'essentiel, de métaux et de matières plastiques recyclables. Les principaux matériaux utilisés sont listés ci-dessous.

11.1 Châssis

Composant	Matériau	Gestion des déchets
Châssis	Métal	Recyclage des métaux ¹⁾
Poignée	Acier plastifié	Recyclage des métaux ¹⁾
Roue	Caoutchouc	Recyclage des métaux / combustible
Capot	Plastique, ABS	Combustible
Élément de fixation	Métal	Recyclage des métaux ¹⁾
Raccords de flexibles	Métal, aluminium	Recyclage des métaux ¹⁾
Flexibles	Plastique, PUR et PVC	Combustible
Cales	Plastique, POM	Combustible
Guide de flexible	Plastique, PP/PA	Combustible

¹⁾ Les différents métaux doivent si possible être séparés.

11.2 Tête de ponçage

Composant	Matériau	Gestion des déchets
Demi-coques	Aluminium	Recyclage des métaux ¹⁾
Capot	Plastique, ABS et TPU	Recyclage plastique/combustible
Autres composants	Acier	Recyclage des métaux ¹⁾

¹⁾ Les différents métaux doivent si possible être séparés.

11.3 Équipement électrique

Composant	Matériau	Gestion des déchets
Coffret électrique	Acier	Recyclage des métaux ¹⁾
Câbles	Conducteurs en cuivre avec gaines en PVC / nylon	Recyclage des métaux ¹⁾
Composants électriques		Déchets électroniques

¹⁾ Les différents métaux doivent si possible être séparés.

11.4 Recyclage

La machine et ses composants peuvent être retournés à HTC Sweden AB.



G003127

La machine et ses composants peuvent être retournés à HTC Sweden AB. Pour le recyclage et l'élimination des composants, se référer à la réglementation nationale. Les produits électriques et électroniques usagés, en particulier tous les modèles de batteries, doivent être déposés dans un lieu de collecte en vue de leur recyclage (conformément aux directives 2012/19/UE et 2006/66/CE).

